



victron energy
BLUE POWER

Manual

EN

Handleiding

NL

Manuel

FR

Anleitung

DE

Användarhandbok

SE

Instrukcja

PL

Orion-Tr Smart DC-DC Charger Isolated

1. General Description

The Orion-Tr Smart DC-DC Charger Isolated can be used as a power supply or as a battery charger. In charger mode the three-state charge algorithm will increase battery life by properly charging the battery. Especially in the case of vehicles with a smart alternator, or voltage drop caused by long cable runs, controlled charging is indispensable. Controlled charging will also protect the alternator in lithium systems where direct charging can overload the alternator due to the low impedance of the lithium battery. In fixed output mode the output voltage will remain stable independent of the applied load or varying input voltage (within the specified range).

The Orion-Tr Smart DC-DC Charger Isolated can be set up to only provide power when the engine is running. This is possible thanks to the built-in engine shutdown detection. This also prevents the onboard voltage of the vehicle from becoming too low. It is not necessary to intervene in the system of the vehicle, to install a separate motor run sensor or to intervene in the CAN-bus system. Apart from this detection, the Orion-Tr Smart DC-DC Charger Isolated can also be activated by a forced allowed to charge feature, e.g. connected to the ignition switch.

The Orion-Tr Smart DC-DC Charger Isolated is fully programmable with the VictronConnect app.

Discover all setup possibilities here:

<https://www.victronenergy.com/live/victronconnect:start>

2. Features

Smart alternator compatibility

Vehicle manufacturers are now introducing smart ECU (Engine Control Unit) controlled alternators to increase fuel efficiency and reduce emissions. Smart alternators deliver a variable output voltage and are shut down when they're not needed. The converter has an engine running detection mechanism. This prevents the converter from discharging the starter battery when the alternator does not supply power. See section 5 of this manual for more details.

Separation of the starter battery and the service battery

The Orion-Tr Smart DC-DC Charger Isolated separates the starter battery from the service battery when the engine is not running.

Extensive electronic protection

Over-temperature protection and power derating when temperature is high.

Overload protected.

Short circuit protected.

Connector over-temperature protection.

Adaptive three step charging

The Orion-Tr Smart DC-DC Charger Isolated is configured for a three-step charging process:

Bulk – Absorption – Float.

Bulk

During this stage the controller delivers as much charge current as possible to rapidly recharge the batteries.

Absorption

When the battery voltage reaches the absorption voltage setting, the controller switches to constant voltage mode. For lead acid batteries it is important that during shallow discharges the absorption time is kept short in order to prevent overcharging of the battery. After a deep discharge the absorption time is



automatically increased to make sure that the battery is completely recharged. For lithium batteries absorption time is fixed, default 2 hours. The fixed or adaptive mode can be chosen on the battery settings.

Float

During this stage, float voltage is applied to the battery to maintain it in a fully charged state. When the battery voltage drops substantially below this level, due to a high load for example, during at least 1 minute, a new charge cycle will be triggered.

Flexible charge algorithm

Programmable charge algorithm, and eight preprogrammed battery settings.

Configurable with VictronConnect.

Adaptive absorption time

Automatically calculates the proper absorption time.

Configurable with Victron Connect.

Configuring and monitoring

Bluetooth Smart built-in: the wireless solution to set-up, monitor and update the controller using Apple and Android smartphones, tablets or other devices.

Several parameters can be customized with the VictronConnect app.

The VictronConnect app can be downloaded from:

<http://www.victronenergy.nl/support-and-downloads/software/>

Use the manual – VictronConnect - to get the most out of the VictronConnect App when it's connected to an Orion Smart:

<https://www.victronenergy.com/live/victronconnect:start>

Input voltage lock-out

Shutdown if the input voltage drops below the lock-out value and restart when the input voltage increases above the restart value.

Configurable with Victron Connect.

Remote on-off

Use the remote function to enable and disable the converter remotely with the remote on/off connector or using the VictronConnect app. Typical use cases include a user operated hard wired switch and automatic control by for example a Battery Management System. If the minus of the service battery is not at the same potential as the minus of the alternator or starter battery an isolated remote on/off cable between the BMS and the on/off port is required, see chapter 4.4 for details.

3. Safety instructions

SAVE THESE INSTRUCTIONS – This manual contains important instructions that shall be followed during installation and maintenance.



WARNING

Danger of explosion from sparking

Danger of electric shock

- Please read this manual carefully before the product is installed and put into use.
- Install the product in a heatproof environment. Ensure therefore that there are no chemicals, plastic parts, curtains or other textiles, etc. in the immediate vicinity of the equipment.
- It is normal for the Orion-Tr Smart DC-DC Charger Isolated to get hot during operation, keep any objects that are heat-sensitive away.
- Ensure that the equipment is used under the correct operating conditions. Never operate it in a wet environment.
- Never use the product at sites where gas or dust explosions could occur.
- Always provide proper ventilation during charging.
- Avoid covering the charger.
- Refer to the specifications provided by the manufacturer of the battery to ensure that the battery is suitable for use with this product. The battery manufacturer's safety instructions should always be observed.
- In addition to this manual, the system operation or service manual must include a battery maintenance manual applicable to the type of batteries used.
- Never place the charger on top of the battery when charging.
- Prevent sparks close to the battery. A battery being charged could emit explosive gasses.

- This device is not to be used by persons (including children) with reduced physical, sensory or mental capabilities, or lack of experience and knowledge, unless they have been given supervision or instruction.
- Use flexible multistranded copper cable for the connections. The maximum diameter of the individual strands is 0,4mm/0,125mm² (0.016 inch/AWG26).
- The installation must include a fuse in accordance with the recommendations in the table "CABLE AND FUSE RECOMMENDATIONS".

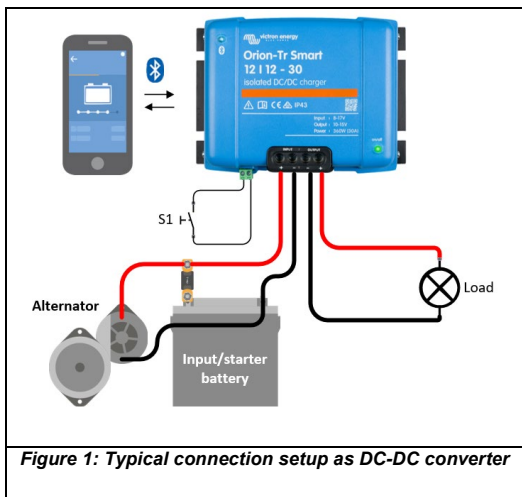
4. Installation

4.1 General

- Mount vertically on a non-flammable surface, with the power terminals facing downwards. Observe a minimum clearance of 10 cm under and above the product for optimal cooling.
- Mount close to the battery, but never directly above the battery (in order to prevent damage due to gassing of the battery).

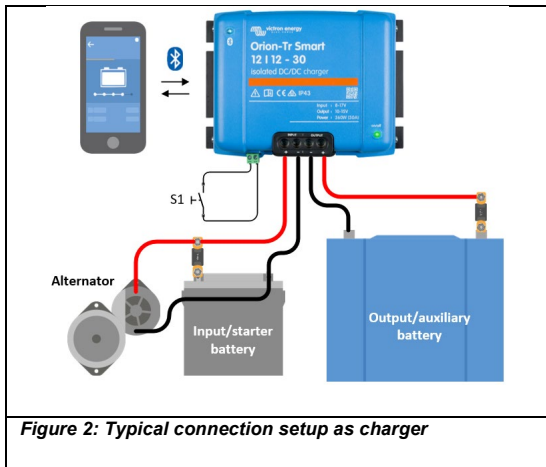
4.2 Connection setup for power supply mode

1. Disconnect the remote on/off (remove wire bridge).
2. Connect the input supply cables.
3. Open the VictronConnect App to setup the product.
(always adjust the output voltage before connecting in parallel or connecting a battery)
4. Connect the load. The converter is now ready for use.
5. Reconnect the remote on/off to activate the product.



4.3 Connection setup for charger mode

1. Disconnect the remote on/off (remove wire bridge).
2. Connect the input supply cables.
3. Open the Victron Connect App to setup the product.
(always setup the correct charger algorithm before connecting a battery)
4. Connect the battery to be charged.
5. Reconnect the remote on/off to activate the product.

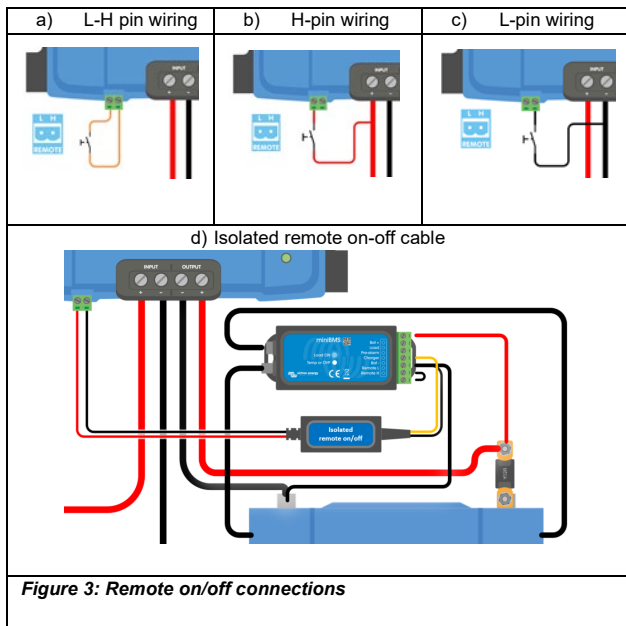


4.4 Connection remote on-off

The recommended use of the remote on-off is:

- a) A switch wired between the L-H pins (On-level impedance between L-H pins: <math><500\text{k}\Omega</math>)
- b) A switch wired between (input/starter) battery plus and H-pin (on level: >3V)
- c) A switch between the L-pin and (input/starter) ground (on level: <math><5\text{V}</math>)
- d) Isolated remote on-off cable e.g. controlled by a (mini)BMS

Note: Voltage tolerance L & H pin: +/- 70V_{DC}



4.5 Engine detection override

In charger mode the “engine on detection sequence” determines if conditions are met to enable charging, see chapter 5. The “engine detection override” forces the charger to allow charging independent of the engine on detection. Engine detection override is activated by applying $>7V$ to the remote L-pin. This allows external control (e.g. ignition switch, CAN bus engine on detector) to enable charging.

This function does not override the remote function. Therefore, remote connection a), b) or d) must be configured in combination with engine detection override. See examples in figure 4.

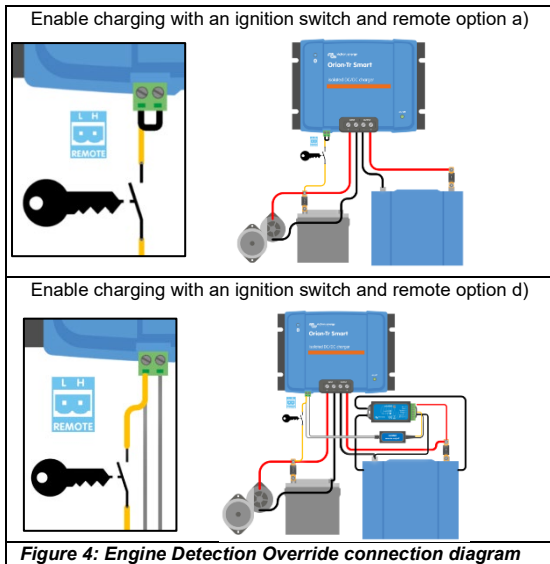


Figure 4: Engine Detection Override connection diagram

4.6 Cable and fuse recommendations

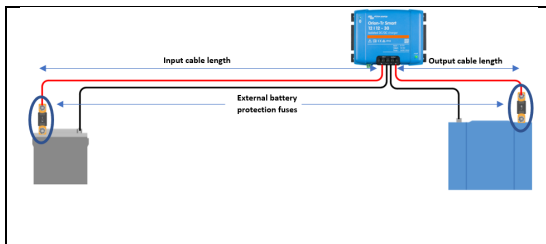


Figure 5: Cable and fuse recommendations

Voltage rating (input or output)	External battery Protection Fuse	Minimum cable gauge		
		1m	2m	5m
12V	60A	10mm ²	10mm ²	16mm ²
24V	30A	6mm ²	6mm ²	10mm ²

4.7 Recommended torque



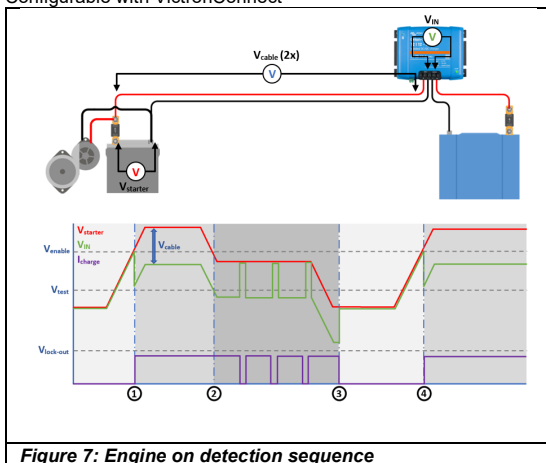
Figure 6: Recommended torque

5. Smart alternator compatibility

The engine is running detection is based on the voltage of the starter battery. The charger is not always able to measure the exact starter battery voltage because of voltage drop over the input cable. The voltage drop is determined by variables like current, cable length and cable gauge. The “engine on detection sequence” (see figure 7) will perform periodic tests to determine the exact starter battery voltage during charging. The test result determines if the engine is running and charging can be enabled.

This feature is only active in charger mode and when “engine detection override” is not activated. In converter mode the “input voltage lock-out” determines when the output is active.

Configurable with VictronConnect



0 → 1:

When the engine runs the alternator voltage will ramp-up, when V_{starter} increases above V_{enable} , charging starts.

1 → 2:

Due to the charge current a voltage drop will occur across the input cable (V_{cable}), this voltage reduces the voltage at the input of the charger (V_{IN}). While V_{IN} remains above V_{test} , charging is enabled.

2 → 3:

If V_{IN} drops below V_{test} , the “engine on detection sequence” is started. Every 2 minutes the charger is paused for 10 seconds to measure the voltage. Without current flow V_{IN} is equal to V_{starter} , if V_{IN} is above V_{test} , charging will resume. While remaining in this state, the test is performed every 2 minutes.

3 → 4:

During the detection sequence V_{IN} dropped below V_{test} , this means that the engine stopped running and charging must be stopped, the charge sequence is paused.

4 → 5:

V_{IN} increases above V_{enable} , the charge sequences continues.

EN

NL

FR

DE

SE

PL

6. LED stated

The blue LED is dedicated to Bluetooth functionality and the green LED to product state.

Status LED (Green LED)

- **LED off:**
 - No input voltage;
 - Remote shutdown;
 - Shutdown by the user;
 - Connector over-temperature protection
 - User defined under voltage lock-out
 - Engine off detected (when in Charger mode)
- **LED on:**
 - Output active on DC/DC Converter Mode;
 - Charger in Float State (Battery charged);
- **LED Blinking at 1.25Hz:**
 - Charger in Bulk or Absorption State (Battery is being charged);

BLE LED (Blue LED)

- **LED off:**
 - No input voltage;
- **LED Blinking at 0.33 Hz:**
 - Error – needs to be checked on VictronConnect;
- **LED Blinking at 1.25 Hz:**
 - Connected via Bluetooth;
- **LED Blinking at 2.5 Hz:**
 - Identify;
- **LED on:**
 - All other conditions;



7. Specifications

Orion-Tr Smart Charger Isolated 220-280 Watt	12/12-18 (220W)	12/24-10 (240W)
Input voltage range (1)	8-17V	8-17V
Under voltage shut down	7V	7V
Under voltage restart	7,5V	7,5V
Nominal output voltage	12,2V	24,2V
Output voltage adjust range	10-15V	20-30V
Output voltage tolerance	+/- 0,2V	
Output noise	2mV rms	
Cont. output current at nominal output voltage and 40°C	18A	10A
Maximum output current (10 s) at nominal output voltage	25A	15A
Short circuit output current	40A	25A
Cont. output power at 25°C	280W	280W
Cont. output power at 40°C	220W	240W
Efficiency	87%	88%
No load input current	< 80mA	< 100mA
Standby current	Less than 1mA	
Galvanic isolation	200V dc between input, output and case	
Operating temperature range	-20 to +55°C (derate 3% per °C above 40°C)	
Humidity	Max. 95% non-condensing	
DC connection	Screw terminals	
Maximum cable cross-section	16mm ² AWG6	
Weight	1,3 kg (3 lb)	
Dimensions hwxwd	130 x 186 x 70 mm (5.1 x 7.3 x 2.8 inch)	
Standards: Safety Emission Immunity Automotive Directive	EN 60950 EN 61000-6-3, EN 55014-1 EN 61000-6-2, EN 61000-6-1, EN 55014-2 ECE R10-5	

EN

NL

FR

DE

SE

PL

Specifications - continuation

Orion-Tr Smart Charger Isolated 220 – 280 Watt	24/12-20 (240W)	24/24-12 (280W)
Input voltage range (1)	16-35V	16-35V
Under voltage shut down	14V	14V
Under voltage restart	15V	15V
Nominal output voltage	12,2V	24,2V
Output voltage adjust range	10-15V	20-30V
Output voltage tolerance	+/- 0,2V	
Output noise	2mV rms	
Cont. output current at nominal output voltage and 40°C	20A	12A
Maximum output current (10 s) at nominal output voltage	25A	15A
Short circuit output current	50A	30A
Cont. output power at 25°C	300W	320W
Cont. output power at 40°C	240W	280W
Efficiency	88%	89%
No load input current	< 100mA	< 80mA
Standby current	Less than 1mA	
Galvanic isolation	200V dc between input, output and case	
Operating temperature range	-20 to +55°C (derate 3% per °C above 40°C)	
Humidity	Max. 95% non-condensing	
DC connection	Screw terminals	
Maximum cable cross-section	16mm ² AWG6	
Weight	1,3 kg (3 lb)	
Dimensions hwxwd	130 x 186 x 70 mm (5.1 x 7.3 x 2.8 inch)	
Standards: Safety	EN 60950	
Emission	EN 61000-6-3, EN 55014-1	
Immunity	EN 61000-6-2, EN 61000-6-1, EN 55014-2	
Automotive Directive	ECE R10-5	

Specifications - continuation

Orion-Tr Smart Charger Isolated 360 – 400 Watt	12/12-30 (360W)	12/24-15 (360W)
Input voltage range (1)	10-17V	10-17V
Under voltage shut down	7V	7V
Under voltage restart	7,5V	7,5V
Nominal output voltage	12,2V	24,2V
Output voltage adjust range	10-15V	20-30V
Output voltage tolerance	+/- 0,2V	
Output noise	2mV rms	
Cont. output current at nominal output voltage and 40°C	30A	15A
Maximum output current (10 s) at nominal output voltage	40A	25A
Short circuit output current	60A	40A
Cont. output power at 25°C	430W	430W
Cont. output power at 40°C	360W	360W
Efficiency	87%	88%
No load input current	< 80mA	< 100mA
Standby current	Less than 1mA	
Galvanic isolation	200V dc between input, output and case	
Operating temperature range	-20 to +55°C (derate 3% per °C above 40°C)	
Humidity	Max. 95% non-condensing	
DC connection	Screw terminals	
Maximum cable cross-section	16mm ² AWG6	
Weight	12V input and/or 12V output models: 1,8 kg (3 lb) Other models: 1,6 kg (3.5 lb)	
Dimensions hxxwx	12V input and/or 12V output models: 130 x 186 x 80 mm (5.1 x 7.3 x 3.2 inch) Other models: 130 x 186 x 70 mm (5.1 x 7.3 x 2.8 inch)	
Standards: Safety Emission Immunity Automotive Directive	EN 60950 EN 61000-6-3, EN 55014-1 EN 61000-6-2, EN 61000-6-1, EN 55014-2 ECE R10-5	
<p>1) If set to nominal or lower than nominal, the output voltage will remain stable within the specified input voltage range (buck-boost function). If the output voltage is set higher than nominal by a certain percentage, the minimum input voltage at which the output voltage remains stable (does not decrease) increases by the same percentage.</p> <p>Note 1) The VictronConnect App will not display current in or current out. Note 2) The Orion-Tr Smart DC-DC Charger Isolated is not equipped with a VE.Direct port.</p>		

Specifications - continuation

Orion-Tr Smart Charger Isolated 360 – 400 Watt	24/12-30 (360W)	24/24-17 (400W)
Input voltage range (1)	20-35V	20-35V
Under voltage shut down	14V	14V
Under voltage restart	15V	15V
Nominal output voltage	12,2V	24,2V
Output voltage adjust range	10-15V	20-30V
Output voltage tolerance	+/- 0,2V	
Output noise	2mV rms	
Cont. output current at nominal output voltage and 40°C	30A	17A
Maximum output current (10 s) at nominal output voltage	45A	25A
Short circuit output current	60A	40A
Cont. output power at 25°C	430W	480W
Cont. output power at 40°C	360W	400W
Efficiency	88%	89%
No load input current	< 100mA	< 80mA
Standby current	Less than 1mA	
Galvanic isolation	200V dc between input, output and case	
Operating temperature range	-20 to +55°C (derate 3% per °C above 40°C)	
Humidity	Max. 95% non-condensing	
DC connection	Screw terminals	
Maximum cable cross-section	16mm ² AWG6	
Weight	12V input and/or 12V output models: 1,8 kg (3 lb) Other models: 1,6 kg (3.5 lb)	
Dimensions h x w x d	12V input and/or 12V output models: 130 x 186 x 80 mm (5.1 x 7.3 x 3.2 inch) Other models: 130 x 186 x 70 mm (5.1 x 7.3 x 2.8 inch)	
Standards: Safety Emission Immunity Automotive Directive	EN 60950 EN 61000-6-3, EN 55014-1 EN 61000-6-2, EN 61000-6-1, EN 55014-2 ECE R10-5	
1) If set to nominal or lower than nominal, the output voltage will remain stable within the specified input voltage range (buck-boost function). If the output voltage is set higher than nominal by a certain percentage, the minimum input voltage at which the output voltage remains stable (does not decrease) increases by the same percentage.		
Note 1) The VictronConnect App will not display current in or current out.		
Note 2) The Orion-Tr Smart DC-DC Charger Isolated is not equipped with a VE.Direct port.		

1. Algemene beschrijving

De Orion-Tr Smart DC-DC Charger Isolated-acculaders kunnen worden gebruikt als voeding of als acculader. In de laadmodus zal het drietrappen-laadalgoritme de levensduur van de accu verlengen door de accu op de juiste manier op te laden. Vooral in het geval van voertuigen met een slimme wisselstroomdynamo, of bij een spanningsval veroorzaakt door lange kabels, is gecontroleerd opladen onmisbaar. Ook beschermt het gecontroleerd opladen de dynamo in lithiumsystemen, terwijl direct opladen de dynamo kan overbelasten vanwege de lage impedantie van de lithiumaccu. In de vaste uitgangsmodus blijft de uitgangsspanning stabiel, onafhankelijk van de toegepaste belasting of variërende ingangsspanning (binnen het opgegeven bereik).

De Orion-Tr Smart DC-DC Charger Isolated-oplader kan worden ingesteld om alleen stroom te leveren wanneer de motor aan staat. Dit is mogelijk dankzij het ingebouwde motordetectie-uitschakelmechanisme. Dit voorkomt ook dat de spanning aan boord van het voertuig te laag wordt. Het is niet nodig om in te grijpen in het systeem van het voertuig, om een afzonderlijke motordetectiesensor te installeren of om in te grijpen in het CAN-bussysteem. Afgezien van deze detectie kan de Orion-Tr Smart DC-DC Charger Isolated-acculader ook worden geactiveerd door een geforceerde oplaadfunctie, bijvoorbeeld aangesloten op de contactschakelaar.

De Orion-Tr Smart DC-DC Charger Isolated-acculader is volledig programmeerbaar via de VictronConnect-app.

Ontdek hier alle instelmogelijkheden:

<https://www.victronenergy.com/live/victronconnect:start>

2. Kenmerken

Slimme dynamocompatibiliteit

Voertuigfabrikanten introduceren vandaag de dag slimme door ECU's (Engine Control Unit) gestuurde dynamo om het brandstofverbruik te verlagen en de uitstoot te verminderen. Slimme dynamo's leveren een variabele uitgangsspanning en worden uitgeschakeld wanneer ze niet nodig zijn. De omvormer heeft een mechanisme om te detecteren of de motor draaiende is. Dit voorkomt dat de omvormer de startaccu ontladend wanneer de dynamo geen stroom levert. Zie sectie 5 van deze handleiding voor meer informatie.

Scheiding van de startaccu en de dienstaccu

De Orion-Tr Smart DC-DC Charger Isolated-acculader scheidt de startaccu van de dienstaccu wanneer de motor niet draait.

Uitgebreide elektronische bescherming

Overtemperatuurbescherming en vermogensreductie wanneer de temperatuur hoog is.

Beveiligd tegen overbelasting.

Beveiligd tegen kortsluiting.

Beveiligd tegen overtemperatuur.

Aangepast opladen in drie trappen

De Orion-Tr Smart DC-DC Charger Isolated-acculader is geconfigureerd voor een laadproces in drie stappen:

Bulk — Absorptie — Druppel.

Bulk

Tijdens deze fase levert de controller zoveel mogelijk laadstroom om de accu's snel op te laden.

Absorptie

Wanneer de accuspanning de ingestelde limiet van de absorptiespanning bereikt, schakelt de controller over naar de constante spanningsmodus. Voor loodzuuraccu's is het belangrijk dat tijdens beperkte ontladingen de absorptietijd kort wordt gehouden om zo het overladen van de accu te voorkomen. Na

een diepe ontlading wordt de absorptietijd automatisch verhoogd om ervoor te zorgen dat de accu weer volledig wordt opgeladen. Voor lithiumaccu's is de absorptietijd vast, standaard 2 uur. De vaste of aanpasbare modus kan worden gekozen via de accu-instellingen.

Druppel

Tijdens deze fase wordt druppelspanning op de accu toegepast om deze in een volledig opgeladen toestand te houden. Wanneer de accuspanning ver onder dit niveau daalt, bijvoorbeeld door een hoge belasting gedurende ten minste 1 minuut, wordt een nieuwe laadcyclus geactiveerd.

Flexibel laad algoritme

Programmeerbaar laad algoritme en acht voorgeprogrammeerde accu-instellingen.
Configureerbaar met VictronConnect.

Aanpasbare absorptietijd

Berekent automatisch de juiste absorptietijd.
Configureerbaar met VictronConnect.

Configureren en monitoren

Bluetooth Smart ingebouwd: de draadloze oplossing voor het instellen, monitoren en actualiseren van de controller via Apple- en Android-smartphones, tablets of andere apparaten. Met de VictronConnect-app kunnen verschillende parameters worden aangepast.

U kunt de VictronConnect-app downloaden via:

<http://www.victronenergy.nl/support-and-downloads/software/>

Gebruik de handleiding -VictronConnect - om het meeste uit de VictronConnect-app te halen wanneer deze is verbonden met een Orion Smart:

<https://www.victronenergy.com/live/victronconnect:start>

Afsluiting ingangsspanning

Het apparaat wordt uitgeschakeld als de ingangsspanning onder de afsluitwaarde daalt en opnieuw opgestart wanneer de

ingangsspanning boven de herstartwaarde stijgt.
Configureerbaar met VictronConnect.

Op afstand bedienbare aan/uit-schakelaar

Gebruik deze externe functie om de omvormer op afstand aan of uit te schakelen via de externe aan/uit-aansluiting of met behulp van de VictronConnect-app. Een aantal typische voorbeelden voor het gebruik ervan zijn een door de gebruiker bediende vaste schakelaar en een automatische bediening via bijvoorbeeld een Battery Management System. Als de min van de dienstaccu niet hetzelfde potentieel heeft als de min van de dynamo of startaccu, is een geïsoleerde afstandsbedieningskabel tussen de BMS en de aan/uit-poort vereist, zie hoofdstuk 4.4 voor meer informatie.



3. Veiligheidsinstructies

BEWAAR DEZE INSTRUCTIES — Deze handleiding bevat belangrijke instructies die moeten worden opgevolgd tijdens installatie en onderhoud.



WARNING

Gevaar van explosie door vonken

Gevaar van elektrische schok

- Lees deze handleiding zorgvuldig door alvorens het product te installeren en te gebruiken.
- Installeer het product in een hittebestendige omgeving. Zorg ervoor dat er geen chemicaliën, plastic onderdelen, gordijnen of ander textiele producten enz. in de onmiddellijke nabijheid van de apparatuur aanwezig zijn.
- Het is normaal dat de Orion-Tr Smart DC-DC Charger Isolated-oplader opwarmt tijdens het gebruik. Verwijder alle hittegevoelige voorwerpen.
- Zorg ervoor dat de apparatuur wordt gebruikt onder de juiste gebruiksomstandigheden. Bedien het nooit in een vochtige omgeving.
- Gebruik het product nooit op plaatsen waar gas- of stofexplosies kunnen optreden.
- Zorg altijd voor goede ventilatie tijdens het opladen.
- Vermijd het afdekken van de oplader.
- Raadpleeg de specificaties van de fabrikant van de accu om na te gaan of de accu geschikt is voor gebruik met dit product. De veiligheidsinstructies van de fabrikant van de accu moeten altijd in acht worden genomen.
- Naast deze handleiding moet de bedienings- of onderhoudshandleiding van het apparaat een accu-onderhoudshandleiding bevatten die van toepassing is op het type accu's dat wordt gebruikt.
- Plaats de acculader nooit op de accu tijdens het opladen.

- Voorkom vonken in de buurt van de accu. Een accu die wordt opgeladen kan explosieve gassen uitstoten.
- Dit apparaat mag niet worden gebruikt door personen (inclusief kinderen) met beperkte fysieke, zintuiglijke of mentale vermogens of gebrek aan ervaring en kennis, tenzij ze begeleid worden of instructie hebben gekregen.
- Gebruik een flexibele koperen kabel met meerdere strengen voor de aansluitingen. De maximale diameter van de afzonderlijke strengen is 0,4 mm/0,125 mm² (0,016 inch/AWG26).
- De installatie moet een zekering bevatten in overeenstemming met de aanbevelingen in de tabel "AANBEVELINGEN KABEL EN ZEKERING".



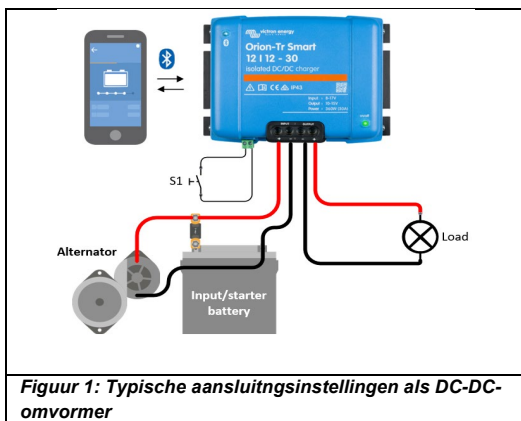
4. Installatie

4.1 Algemeen

- Verticaal monteren op een niet-ontvlambaar oppervlak, met de stroomaansluitingen naar beneden gericht. Houd een minimale ruimte van 10 cm onder en boven het product vrij voor een optimale koeling.
- Monteer het apparaat in de buurt van de accu, maar nooit direct boven op de accu (om schade door vergassing van de accu te voorkomen).

4.2 Aansluitinstelling voor voedingsmodus

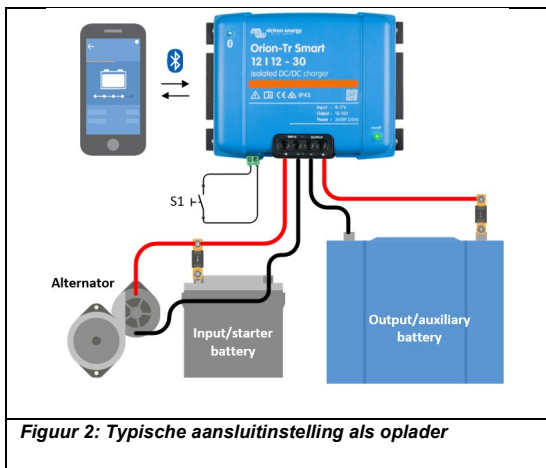
1. Ontkoppel de externe aan/uit-schakelaar (verwijder de draadbrug).
2. Sluit de ingangsvoedingskabels aan.
3. Open de VictronConnect-app om het product in te stellen.
(pas de uitgangsspanning altijd aan, voordat u parallel aansluit of een accu aansluit)
4. Sluit de belasting aan. De omvormer is nu klaar voor gebruik.
5. Sluit de externe aan/uit-schakelaar opnieuw aan om het product te activeren.



Figuur 1: Typische aansluitingsinstellingen als DC-DC-omvormer

4.3 Aansluitingsinstelling voor laadmodus

1. Ontkoppel de externe aan/uit-schakelaar (verwijder de draadbrug).
2. Sluit de ingangsvoedingskabels aan.
3. Open de Victron Connect-app om het product in te stellen.
(stel altijd het juiste laadalgoritme in voordat u een accu aansluit)
4. Sluit de accu aan die moet worden opgeladen.
5. Sluit de externe aan/uit-schakelaar opnieuw aan om het product te activeren.

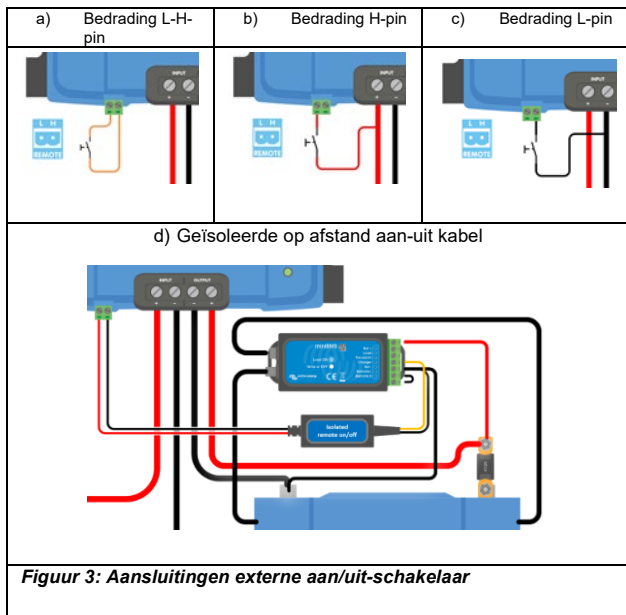


4.4 Aansluiting externe aan/uitschakelaar

Het aanbevolen gebruik van de externe aan/uit-schakelaar is:

- a) Een schakelaar bedraad tussen de L-H pinnen (Impedantie op niveau tussen L-H pinnen: $<500\text{k}\Omega$)
- b) Een schakelaar bedraad tussen (ingang/start)-accu plus en H-pin (op niveau: $>3\text{V}$)
- c) Een schakelaar tussen de L-pin en (ingang/starter) aarde (op niveau: $<5\text{V}$)
- d) Geïsoleerde aan-uit kabel op afstand, bv. geregeld door een (mini)BMS

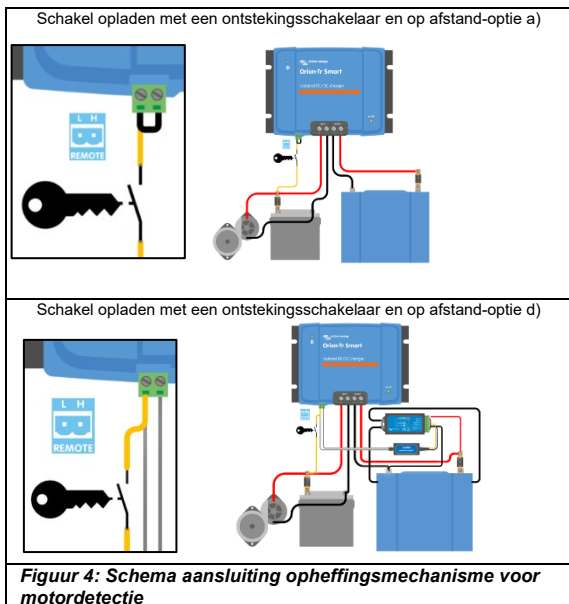
Opmerking: Spanningstolerantie L & H pin: $\pm 70\text{V}_{\text{DC}}$



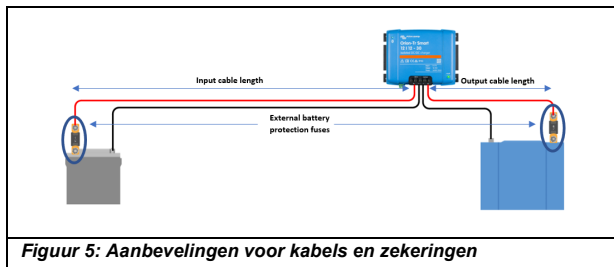
4.5 Motordetectie-uitschakelmechanisme

In oplaadmodus bepaalt de “motor op detectiereeks” of voorwaarden nageleefd worden om opladen in te schakelen, zie hoofdstuk 5. Het “overschrijven van motordetectie” dwingt de oplader om onafhankelijk opladen van de motor op detectie toe te staan. Overschrijven motordetectie wordt geactiveerd door $>7\text{ V}$ toe te passen op de op afstand L-pin. Dit staat externe regeling (bv. ontstekingschakelaar, CAN bus-motor op detector) toe om opladen in te schakelen.

Deze functie overschrijft de op afstand-functie niet. Bijgevolg moet de op afstand-verbinding a), b) of d) geconfigureerd worden in combinatie met overschrijven motordetectie. Zie voorbeelden in afbeelding 4.



4.6 Aanbevelingen voor kabels en zekeringen



Figuur 5: Aanbevelingen voor kabels en zekeringen

Spanningswaarde (invoer of uitvoer)	Externe accu Beveiligingszeke ring	Minimale kabeldiameter		
		1 m	2 m	5 m
12 V	60 A	10 mm ²	10 mm ²	16 mm ²
24 V	30 A	6 mm ²	6 mm ²	10 mm ²

4.7 Aanbevolen koppel



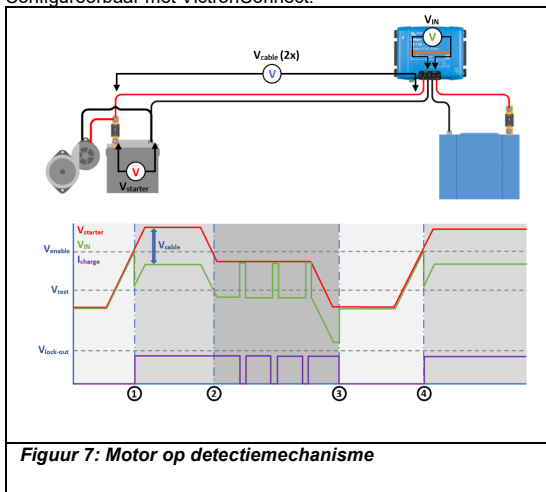
Figuur 6: Aanbevolen koppel

5. Compatibiliteit slimme dynamo

De motordetectie is gebaseerd op de spanning van de startaccu. De acculader is niet altijd in staat om de exacte startaccuspanning te meten vanwege spanningsval over de ingangskabel. De spanningsval wordt bepaald door variabelen zoals stroom, kabellengte en -dikte. Het "motordereciemechanisme" (zie figuur 7) voert periodieke tests uit om de exacte startaccuspanning tijdens het opladen te bepalen. Het testresultaat bepaalt of de motor draaiende gehouden moet worden en of het opladen kan worden ingeschakeld.

Deze functie is alleen actief in de laadmodus en wanneer het "motordetectie-uitschakelmechanisme" niet is geactiveerd. In de omvormermodus bepaalt de ingangsspanningsvergrendeling wanneer de uitgang actief is.

Configureerbaar met VictronConnect.



0 → 1:

Wanneer de motor in werking is, zal de spanning van de dynamo oplopen, wanneer de spanning van de startaccu boven die van de $V_{\text{activering}}$ stijgt, start het laden.

1 → 2:

Door de laadstroom zal een spanningsval optreden over de ingangskabel (V_{kabel}). Deze spanning vermindert de spanning aan de ingang van de lader (V_{IN}). Zolang V_{IN} boven V_{test} blijft, blijft het opladen ingeschakeld.

2 → 3

Wanneer V_{IN} onder V_{test} valt, wordt de "motordetectiesequente" gestart. Elke 2 minuten wordt de acculader gedurende 10 seconden gepauzeerd om de spanning te meten. Zonder stroom is V_{IN} gelijk aan V_{start} , als V_{IN} hoger dan V_{test} is, wordt het opladen hervat. Zolang het in deze toestand is, wordt de test om de 2 minuten uitgevoerd.

3 → 4

Tijdens de detectiesequentie is V_{IN} tot onder V_{test} gedaald. Dit betekent dat de motor niet meer draait en het opladen moet worden gestopt. De laadsequentie is gepauzeerd.

4 → 5:

V_{IN} neemt toe tot boven $V_{\text{inschakelspanning}}$. De laadsequenties gaat door.

6. LED-vermeldingen

De blauwe LED is verbonden aan de Bluetooth-functionaliteit en de groene LED aan de productstatus.

Status-LED (groene LED)

- **LED uit:**
 - Geen ingangsspanning;
 - Externe uitschakeling;
 - Uitschakeling door de gebruiker;
 - Beveiligd tegen overtemperatuur.
 - Door gebruiker gedefinieerde onderspanningsvergrendeling
 - Motor uit gedetecteerd (in de acculaadmodus)
- **LED aan:**
 - Uitvoer actief op DC/DC-convertermodus;
 - Acculader in druppellaadstand (accu opgeladen);
- **LED knippert bij 1,25 Hz:**
 - Acculader in bulk of absorptietoestand (accu wordt opgeladen);

BLE LED (Blauwe LED)

- **LED uit:**
 - Geen ingangsspanning;
- **LED knippert bij 0,33 Hz:**
 - Fout — moet worden gecontroleerd op VictronConnect;
- **LED knippert bij 1,25 Hz:**
 - Aangesloten via Bluetooth;
- **LED knippert bij 2,5 Hz:**
 - Identificeren;
- **LED aan:**
 - Alle andere voorwaarden;

7. Specificaties

Orion-Tr Smart Charger Isolated 220-280 Watt	12/12-18 (220W)	12/24-10 (240W)
Ingangsspanningsbereik (1)	8-17V	8-17V
Afsluiting door onderspanning	7V	7V
Onderspanning herstart	7,5V	7,5V
Nominale uitgangsspanning	12,2V	24,2V
Uitgangsspanning aanpassingsbereik	10-15V	20-30V
Uitgangsspanning tolerantie	+/- 0,2V	
Ruis uitgangsstroom	2mV rms	
Cont. uitgangsstroom bij nominale uitgangsspanning en 40°C	18A	10A
Maximale uitgangsstroom (10 s) bij nominaal uitgangsspanning	25A	15A
Kortsluiting uitgangsstroom	40A	25A
Cont. uitgangsvermogen bij 25°C	280W	280W
Cont. uitgangsvermogen bij 40°C	220W	240W
Rendement	87%	88%
Geen laadingsvermogen laadstroom	< 80mA	< 100mA
Noodstroom	< 1mA	
Galvanische isolatie	200V DC tussen ingang, uitgang en behuizing	
Bedrijfstemperatuurbereik	-20 tot +55°C (vermindert 3% per °C boven 40°C)	
Vochtigheid	Max. 95% (niet-condenserend)	
DC-aansluiting	Schroefklemmen	
Maximale kabeldoorsnede	16mm ² / AWG6	
Gewicht	1,3 kg (3 lb)	
Afmetingen (hxbxd)	130 x 186 x 70 mm (5,1 x 7,3 x 2,8 inch)	
Normen: Veiligheid	EN 60950	
Emissie	EN 61000-6-3, EN 55014-1	
Immunititeit	EN 61000-6-2, EN 61000-6-1, EN 55014-2	
Automotive richtlijn	ECE R10-5	

EN

NL

FR

DE

SE

PL

Specificaties - voortzetting

Orion-Tr Smart Charger Geïsoleerd 220 — 280 Watt	24/12-20 (240W)	24/24-12 (280W)
Ingangsspanningsbereik (1)	16-35V	16-35V
Afsluiting door onderspanning	14V	14V
Onderspanning herstart	15V	15V
Nominale uitgangsspanning	12,2V	24,2V
Uitgangsspanning aanpassingsbereik	10-15V	20-30V
Uitgangsspanning tolerantie	+/- 0,2V	
Ruis uitgangsstroom	2mV rms	
Cont. uitgangsstroom bij nominale uitgangsspanning en 40°C	20A	12A
Maximale uitgangsstroom (10 s) bij nominaal uitgangsspanning	25A	15A
Kortsluiting uitgangsstroom	50A	30A
Cont. uitgangsvermogen bij 25°C	300W	320W
Cont. uitgangsvermogen bij 40°C	240W	280W
Rendement	88%	89%
Geen laadingsvermogen laadstroom	< 100mA	< 80mA
Noodstroom	< 1mA	
Galvanische isolatie	200 V DC tussen ingang, uitgang en behuizing	
Bedrijfstemperatuurbereik	-20 tot +55°C (vermindert 3% per °C boven 40°C)	
Vochtigheid	Max. 95% (niet-condenserend)	
DC-aansluiting	Schroefklemmen	
Maximale kabeldoorsnede	16mm ² / AWG6	
Gewicht	1,3 kg (3 lb)	
Afmetingen (hxbxd)	130 x 186 x 70 mm (5,1 x 7,3 x 2,8 inch)	
Normen: Veiligheid	EN 60950	
Emissie	EN 61000-6-3, EN 55014-1	
Immunititeit	EN 61000-6-2, EN 61000-6-1, EN 55014-2	
Automotive richtlijn	ECE R10-5	

Specificaties - voortzetting

Orion-Tr Smart Charger Geïsoleerd 360 — 400 Watt	12/12-30 (360W)	12/24-15 (360W)
Ingangsspanningsbereik (1)	10-17V	10-17V
Afsluiting door onderspanning	7V	7V
Onderspanning herstart	7,5V	7,5V
Nominale uitgangsspanning	12,2V	24,2V
Uitgangsspanning aanpassingsbereik	10-15V	20-30V
Uitgangsspanning tolerantie	+/- 0,2V	
Ruis uitgangsstroom	2mV rms	
Cont. uitgangsstroom bij nominale uitgangsspanning en 40°C	30A	15A
Maximale uitgangsstroom (10 s) bij nominaal uitgangsspanning	40A	25A
Kortsluiting uitgangsstroom	60A	40A
Cont. uitgangsvermogen bij 25°C	430W	430W
Cont. uitgangsvermogen bij 40°C	360W	360W
Rendement	87%	88%
Geen laadingsvermogen laadstroom	< 80mA	< 100mA
Noodstroom	< 1mA	
Galvanische isolatie	200V DC tussen ingang, uitgang en behuizing	
Bedrijfstemperatuurbereik	-20 tot +55°C (vermindert 3% per °C boven 40°C)	
Vochtigheid	Max. 95% (niet-condenserend)	
DC-aansluiting	Schroefklemmen	
Maximale kabeldoorsnede	16mm ² / AWG6	
Gewicht	12V-ingangs- en/of 12V-uitgangsmodellen: 1,8 kg (3 lb) Andere modellen: 1,6 kg (3,5 lb)	
Afmetingen (hxbxd)	12V-ingangs- en/of 12V-uitgangsmodellen: 130 x 186 x 80 mm (5,1 x 7,3 x 3,2 inch) Andere modellen: 130 x 186 x 70 mm 5,1 x 7,3 x 2,8 inch	
Normen: Veiligheid Emissie Immunititeit Automotive richtlijn	EN 60950 EN 61000-6-3, EN 55014-1 EN 61000-6-2, EN 61000-6-1, EN 55014-2 ECE R10-5	

1) Wanneer ingesteld op nominaal of lager dan nominaal zal de uitgangsspanning stabiel blijven binnen het gespecificeerde ingangsspanningsbereik (buck-boost-functie).
Wanneer het uitgangsspanning hoger ingesteld is dan nominaal volgens een bepaald percentage, verhoogt de minimale ingangsspanning waarbij de uitgangsspanning stabiel blijft (niet verlaagt) met hetzelfde percentage.

Opmerking 1) De VictronConnect App zal geen stroom in of stroom uit weergeven.

Opmerking 2) De Orion-Tr Smart DC-DC Charger Isolated is niet uitgerust met een VE.Direct poort.

Specificaties - voortzetting

Orion-Tr Smart Charger Geïsoleerd 360 — 400 Watt	24/12-30 (360W)	24/24-17 (400W)
Ingangsspanningsbereik (1)	20-35V	20-35V
Afsluiting door onderspanning	14V	14V
Onderspanning herstart	15V	15V
Nominale uitgangsspanning	12,2V	24,2V
Uitgangsspanning aanpassingsbereik	10-15V	20-30V
Uitgangsspanning tolerantie	+/- 0,2 V	
Ruis uitgangsstroom	2 mV rms	
Cont. uitgangsstroom bij nominale uitgangsspanning en 40°C	30A	17A
Maximale uitgangsstroom (10 s) bij nominaal uitgangsspanning	45A	25A
Kortsluiting uitgangsstroom	60A	40A
Cont. uitgangsvermogen bij 25°C	430W	480W
Cont. uitgangsvermogen bij 40°C	360W	400W
Rendement	88%	89%
Geen laadingsvermogen laadstroom	< 100mA	< 80mA
Noodstroom	< 1mA	
Galvanische isolatie	200V DC tussen ingang, uitgang en behuizing	
Bedrijfstemperatuurbereik	-20 tot +55°C (vermindert 3% per °C boven 40°C)	
Vochtigheid	Max. 95% (niet-condenserend)	
DC-aansluiting	Schroefklemmen	
Maximale kabeldoorsnede	16mm ² / AWG6	
Gewicht	12V-ingangs- en/of 12V-uitgangsmodellen: 1,8 kg (3 lb) Andere modellen: 1,6 kg (3,5 lb)	
Afmetingen (hxbxd)	12V-ingangs- en/of 12V-uitgangsmodellen: 130 x 186 x 80 mm (5,1 x 7,3 x 3,2 inch) Andere modellen: 130 x 186 x 70 mm 5,1 x 7,3 x 2,8 inch	
Normen: Veiligheid Emissie Immunitieit Automotive richtlijn	EN 60950 EN 61000-6-3, EN 55014-1 EN 61000-6-2, EN 61000-6-1, EN 55014-2 ECE R10-5	
1) Wanneer ingesteld op nominaal of lager dan nominaal zal de uitgangsspanning stabiel blijven binnen het gespecificeerde ingangsspanningsbereik (buck-boost-functie). Wanneer het uitgangsspanning hoger ingesteld is dan nominaal volgens een bepaald percentage, verhoogt de minimale ingangsspanning waarbij de uitgangsspanning stabiel blijft (niet verlaagt) met hetzelfde percentage.		
Opmerking 1) De VictronConnect App zal geen stroom in of stroom uit weergeven.		
Opmerking 2) De Orion-Tr Smart DC-DC Charger Isolated is niet uitgerust met een VE.Direct poort.		

1. Description générale

Les chargeurs Orion-Tr Smart DC-DC Charger Isolated peuvent être utilisés comme source d'alimentation ou comme chargeur de batterie. En mode chargeur, l'algorithme de charge à trois étapes augmentera la durée de vie de la batterie en chargeant correctement la batterie. En particulier dans le cas de véhicules équipés d'un alternateur intelligent, ou de chute de tension provoquée par de longs parcours de câbles, le contrôle de la charge est indispensable. Le contrôle de la charge protégera également l'alternateur dans des systèmes au lithium où la recharge directe peut surchauffer l'alternateur en raison de la faible impédance de la batterie au lithium. En mode de sortie fixe, la tension de sortie restera stable indépendamment de la charge appliquée ou de la variation de la tension d'entrée (au sein de la plage spécifiée).

Le chargeur Orion-Tr Smart DC-DC Charger Isolated peut être configuré de manière à ne fournir de la puissance que lorsque le moteur est en marche. Cela est rendu possible grâce au système de détection de moteur arrêté qui a été intégré. Cela permet également d'éviter que la tension à bord du véhicule ne devienne trop faible. Il n'est pas nécessaire d'intervenir sur le système du véhicule, d'installer un détecteur de moteur en marche à part ou d'intervenir sur le système Bus-CAN. En dehors de cette capacité de détection, le chargeur Orion-Tr Smart DC-DC Charger Isolated peut également être activé par une fonction de « Autorisation pour charger » forcée, par exemple en étant raccordé à un interrupteur d'allumage.

Le chargeur Orion-Tr Smart DC-DC Charger Isolated est entièrement programmable depuis l'application VictronConnect. Découvrez toutes les possibilités de configuration ici : <https://www.victronenergy.com/live/victronconnect:start>

2. Caractéristiques

Compatibilité avec les alternateurs intelligents

À présent, les fabricants équipent leurs véhicules d'alternateurs contrôlés par ECU (Unité de Contrôle du Moteur) pour augmenter l'efficacité du carburant et réduire les émissions. Les alternateurs intelligents fournissent une tension de sortie variable et ils s'éteignent lorsqu'ils ne sont pas nécessaires. Le convertisseur est équipé d'un mécanisme de détection de moteur en marche. Cela empêche le convertisseur de décharger la batterie de démarrage si l'alternateur ne fournit pas d'alimentation. Voir Section 5 de ce manuel pour davantage de détails.

Séparation de la batterie de démarrage et de la batterie de service

Le chargeur isolé Orion-Tr Smart DC-DC Charger Isolated sépare la batterie de démarrage de la batterie de service lorsque le moteur n'est pas en marche.

Protection électronique étendue

Protection contre la surchauffe et réduction de l'alimentation en cas de température élevée.

Protection contre la surcharge.

Protection contre les courts-circuits.

Protection contre la surchauffe du connecteur.

Charge adaptative à trois étapes

Le chargeur isolé Orion-Tr Smart DC-DC Charger Isolated est configuré pour un processus de charge à trois étapes :

Bulk – Absorption – Float.

Bulk

Au cours de cette étape, le contrôleur délivre autant de courant que possible pour recharger rapidement les batteries.

Absorption

Quand la tension de batterie atteint les paramètres de tension d'absorption, le contrôleur commute en mode de tension constante. Pour les batteries au plomb, il est important que durant

les décharges partielles, la durée d'absorption soit courte afin d'éviter de surcharger la batterie. Après une décharge profonde, la durée d'absorption est automatiquement augmentée pour assurer une recharge complète de la batterie. Pour les batteries au lithium, la durée d'absorption est fixe, et de 2 heures par défaut. Le mode fixe ou adaptatif peut être sélectionné dans les paramètres de la batterie.

Float

Au cours de cette étape, la tension Float est appliquée à la batterie pour la maintenir en état de charge complète. Quand la tension de batterie chute en dessous de ce niveau de manière significative pendant au moins 1 minute, en raison d'une charge élevée par exemple, un nouveau cycle de charge se déclenche.

Algorithme de charge souple

Algorithme de charge programmable, et huit configurations de batterie préprogrammées.

Configurable avec VictronConnect.

Durée d'absorption adaptive

Il calcule automatiquement la durée d'absorption correcte.

Configurable avec Victron Connect.

Configuration et supervision

Bluetooth Smart intégré : la solution sans fil pour configurer, superviser et mettre à jour le contrôleur en utilisant des téléphones, des tablettes ou d'autres appareils Apple et Android. Plusieurs paramètres peuvent être personnalisés à l'aide de l'application VictronConnect.

L'application VictronConnect peut être téléchargée sur :

<http://www.victronenergy.nl/support-and-downloads/software/>

Utilisez le manuel d'instructions – VictronConnect - pour tirer le plus profit de votre application VictronConnect lorsqu'elle est connectée à un chargeur Orion Smart :

<https://www.victronenergy.com/live/victronconnect:start>

Verrouillage de la tension d'entrée

Arrêt en cas de chute de la tension d'entrée en dessous de la valeur de verrouillage, et redémarrage si la tension d'entrée dépasse la valeur de redémarrage.

Configurable avec Victron Connect.

Allumage/arrêt à distance

Utilisez la fonction à distance pour activer ou désactiver le convertisseur à distance avec le connecteur d'allumage/arrêt à distance, ou en utilisant l'application VictronConnect. Les cas d'utilisation typiques comprennent un interrupteur câblé manœuvré par l'utilisateur, et un contrôle automatique effectué par exemple par un système de gestion de la batterie. Si le pôle négatif de la batterie de service n'est pas sur le même potentiel que le négatif de l'alternateur ou de la batterie de démarrage, un câble d'allumage/arrêt à distance isolé est requis entre le BMS et le port d'allumage/arrêt. Consultez le chapitre 4.4 pour davantage de détails.

3. Consignes de sécurité

CONSERVER CES INSTRUCTIONS - Ce manuel contient des instructions importantes qui doivent être suivies lors de l'installation et de la maintenance.



WARNING

Risque d'explosion due aux étincelles

Risque de décharge électrique

- Veuillez lire attentivement ce manuel avec d'installer et d'utiliser le produit.
- Installer l'appareil dans un environnement protégé contre la chaleur. Par conséquent, il faut s'assurer qu'il n'existe aucun produit chimique, pièce en plastique, rideau ou autre textile, à proximité de l'appareil.
- Il est normal que le chargeur Orion-Tr Smart DC-DC Charger Isolated chauffe durant son fonctionnement, il faut donc éloigner les objets qui sont sensibles à la chaleur.
- S'assurer que l'appareil est utilisé dans des conditions d'exploitation appropriées. Ne jamais l'utiliser dans un environnement humide.
- Ne jamais utiliser l'appareil dans un endroit présentant un risque d'explosion de gaz ou de poussière.
- Toujours prévoir une ventilation correcte durant la charge.
- Éviter de recouvrir le chargeur.
- Consultez les caractéristiques fournies par le fabricant pour vous assurer que la batterie est adaptée à cet appareil. Les instructions de sécurité du fabricant de la batterie doivent toujours être respectées.
- En plus de ce manuel, le fonctionnement du système ou le manuel de réparation doit inclure un manuel de maintenance de batterie applicable au type de batteries utilisées.
- Ne jamais installer le chargeur sur la batterie durant la charge.

- Éviter les étincelles à proximité de la batterie. Une batterie en cours de charge peut émettre des gaz explosifs.
- Cet appareil n'est pas prévu pour être utilisé par des personnes (dont les enfants) ayant un handicap physique, sensoriel ou mental, ou un manque d'expérience et de connaissances, à moins qu'elles soient supervisées ou qu'elles aient reçu les instructions correspondantes.
- Utiliser un câble souple en cuivre à brins multiples pour la batterie et les connexions. Le diamètre maximal de chaque brin est de 0,4 mm/0,125 mm² (0,016 pouce/AWG26).
- L'installation doit inclure un fusible conformément aux recommandations indiquées dans le tableau
« RECOMMANDATIONS RELATIVES AUX CÂBLES ET FUSIBLES »

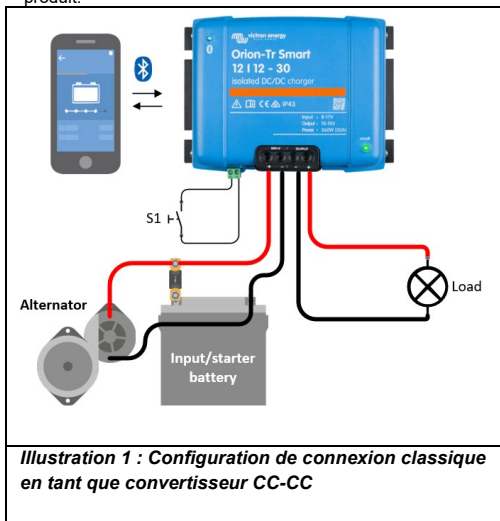
4. Installation

4.1 Généralités

- Montage vertical sur une surface ininflammable, avec les bornes de puissance dirigées vers le bas. Laissez un espace d'au moins 10 cm au-dessus et en dessous du produit pour garantir un refroidissement optimal.
- Montage près de la batterie, mais jamais directement dessus (afin d'éviter des dommages dus au dégagement gazeux de la batterie).

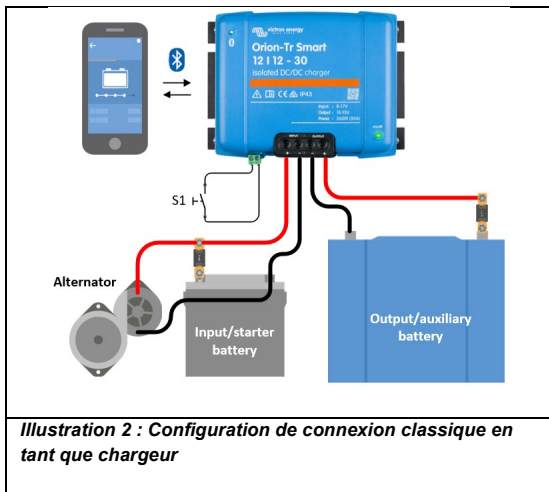
4.2 Configuration de la connexion pour le mode alimentation

1. Déconnectez l'allumage/arrêt à distance (retirez le fil de pont).
2. Connectez les câbles d'alimentation d'entrée.
3. Ouvrez l'application VictronConnect pour configurer le produit.
(Réglez toujours la tension de sortie avant de connecter en parallèle ou de connecter une batterie)
4. Connectez la charge. Le convertisseur est maintenant prêt à l'emploi.
5. Connectez à nouveau l'allumage/arrêt à distance pour activer le produit.



4.3 Configuration de la connexion pour le mode chargeur

1. Déconnectez l'allumage/arrêt à distance (retirez le fil de pont).
2. Connectez les câbles d'alimentation d'entrée.
3. Ouvrez l'application VictronConnect pour configurer le produit.
(Toujours configurer l'algorithme de charge correct avant de brancher une batterie)
4. Connectez la batterie qui doit être chargée.
5. Connectez à nouveau l'allumage/arrêt à distance pour activer le produit.

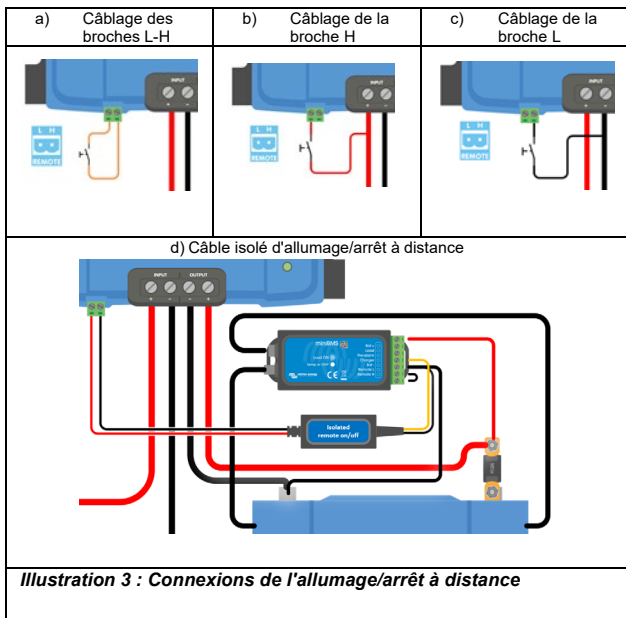


4.4 Allumage/arrêt à distance de la connexion

L'utilisation recommandée de l'allumage/arrêt à distance est :

- Un interrupteur câblé entre les broches L-H (Niveau d'impédance pour ON entre les broches L-H : <math>< 500\text{k}\Omega</math>)
- Un interrupteur câblé entre (entrée/démarreur) le pôle positif de la batterie et la broche H (niveau pour ON : >3V)
- Un interrupteur entre la broche L et (entrée/démarreur) la terre (niveau pour ON : <math>< 5\text{ V}</math>)
- Câble isolé d'allumage/arrêt à distance , par ex. contrôlé par un (mini)BMS

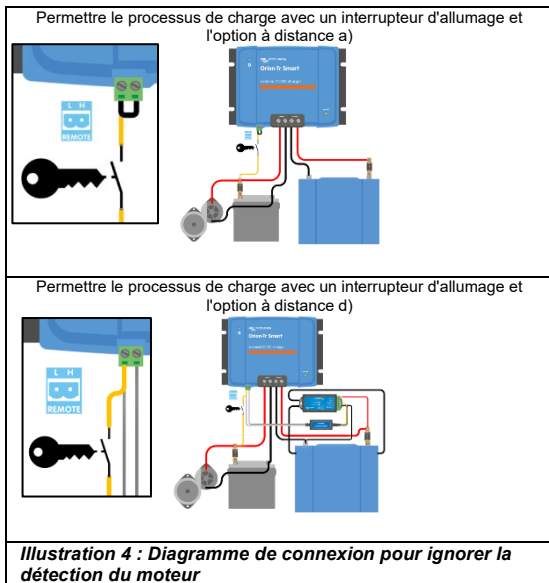
Remarque : Tolérance de tension Broches L et H : +/- 70 V_{CC}



4.5 Ignorer la détection du moteur

En mode chargeur, la « séquence de détection de moteur en marche » détermine si les conditions sont remplies pour permettre le processus de recharge. Voir le chapitre 5. La fonction « Ignorer la détection du moteur » force le chargeur à permettre le processus de charge même s'il détecte le moteur en marche. Cette fonction d'ignorer la détection du moteur est activée en appliquant >7 V sur la broche à distance L. Cela permet à un dispositif de contrôle externe d'activer le processus de charge (par ex. un interrupteur d'allumage, un détecteur bus CAN de moteur en marche).

Cette fonction ne prévaut pas sur la fonction à distance. C'est pourquoi, la configuration des connexions à distance a), b) ou d) doit être combinée avec la fonction Ignorer la détection du moteur. Voir les exemples de l'illustration 4.



4.6 Recommandations relatives aux câbles et aux fusibles

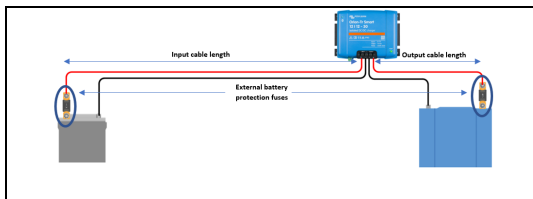


Illustration 5 : Recommandations relatives aux câbles et aux fusibles

		section minimale du câble		
Tension nominale (entrée ou sortie)	Batterie externe Fusible de protection	1 m	2 m	5 m
12 V	60 A	10 mm ²	10 mm ²	16 mm ²
24 V	30 A	6 mm ²	6 mm ²	10 mm ²

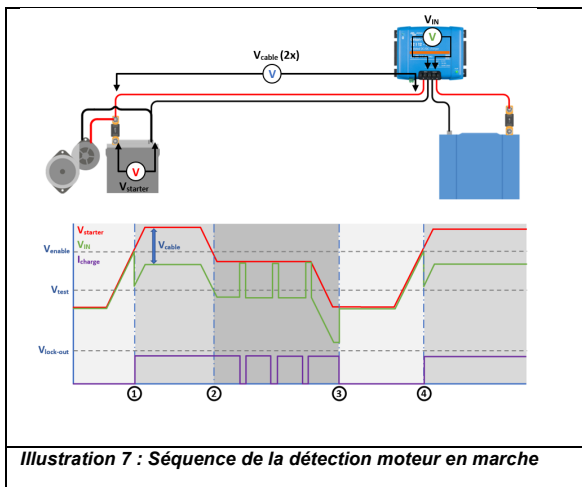
4.7 Moment de force recommandé



Illustration 6 : Moment de force recommandé

5. Compatibilité avec des alternateurs intelligents

La détection du moteur en marche repose sur la tension de la batterie de démarrage. Le chargeur ne peut pas toujours mesurer la tension exacte de la batterie de démarrage à cause de la chute de tension sur le câble d'entrée. La chute de tension est déterminée par des variables telles que le courant, la longueur du câble et son calibre. La « séquence de détection de moteur en marche » (voir l'illustration 7) lancera des tests réguliers pour déterminer la tension exacte de la batterie de démarrage durant la recharge. Le résultat du test détermine si le moteur est en marche et si la charge peut être activée. La fonction n'est active qu'en mode charge et lorsque l'option « Ignorer la détection du moteur » n'est pas activée. En mode convertisseur, le « verrouillage de la tension d'entrée » détermine lorsque la tension est active. Configurable avec VictronConnect.



0 → 1 :

Si le moteur est en marche, la tension de l'alternateur augmentera. Lorsque $V_{\text{démarrage}}$ sera supérieure à $V_{\text{activation}}$, le processus de charge démarrera.

1 → 2 :

En raison du courant de charge, une chute de tension survient à travers le câble d'entrée ($V_{\text{câble}}$), cette tension réduit la tension à l'entrée du chargeur (V_{IN}). Tant que V_{IN} reste au-dessus de V_{test} , le processus de charge est activé.

2 → 3 :

Si V_{IN} chute en dessous V_{test} , la « séquence de moteur en marche » est lancée. Toutes les deux minutes, le chargeur est mis sur pause pendant 10 secondes pour mesurer la tension. Sans débit de courant, V_{IN} est égale à $V_{\text{démarrage}}$, si V_{IN} est supérieure V_{test} , le processus de charge peut reprendre. Tant que la tension reste dans ces conditions, le test est réalisé toutes les deux minutes.

3 → 4 :

Pendant la séquence de détection, V_{IN} a chuté en dessous de V_{test} , ce qui signifie que la marche du moteur s'est arrêtée et que le processus de charge doit être interrompu. La séquence de charge est mise sur pause.

4 → 5 :

V_{IN} dépasse V_{activer} , la séquence de charge continue.

6. État des LED

Le voyant LED bleu est destiné à la fonctionnalité Bluetooth, et le voyant LED vert à l'état du produit.

Statut LED (LED verte)

- **LED éteinte :**
 - Aucune tension d'entrée ;
 - Arrêt à distance ;
 - Arrêt par l'utilisateur ;
 - Protection contre la surchauffe du connecteur
 - Verrouillage de la tension défini par l'utilisateur
 - Arrêt du moteur détecté (si en mode Chargeur)
- **LED allumée :**
 - Sortie active en mode Convertisseur CC/CC
 - Chargeur à l'état Float (Batterie chargée) ;
- **Clignotement LED à 1,25 Hz :**
 - Chargeur à l'état Bulk ou Absorption (la batterie est en cours de charge) ;

BLE LED (LED bleue)

- **LED éteinte.**
 - Aucune tension d'entrée ;
- **Clignotement LED à 0,33 Hz :**
 - Erreur – doit être vérifiée sur VictronConnect ;
- **Clignotement LED à 1,25 Hz :**
 - Connecté par Bluetooth ;
- **Clignotement LED à 2,5 Hz :**
 - Identifier ;
- **LED allumée :**
 - Toutes les autres conditions :

7. Spécifications

Chargeur isolé Orion-Tr Smart 220-280 Watt	12/12-18 (220 W)	12/24-10 (240 W)
Plage de tension d'alimentation (1)	8-17 V	8-17 V
Arrêt en cas de sous-tension	7 V	7 V
Redémarrage en cas de sous-tension	7,5 V	7,5 V
Tension de sortie nominale	12,2 V	24,2 V
Plage de tension de sortie réglable	10-15 V	20-30 V
Tolérance tension de sortie	+/- 0,2 V	
Ondulation résiduelle	2 mV rms	
Courant de sortie cont. à une tension de sortie nominale et à 40 °C.	18 A	10 A
Courant de sortie max. (10 s) à tension de sortie nominale	25 A	15 A
Courant de court-circuit (A)	40 A	25 A
Puissance de sortie continue à 25 °C	280 W	280 W
Puissance de sortie continue à 40 °C	220 W	240 W
Rendement	87 %	88 %
Courant de charge sans charge	< 80 mA	< 100 mA
Courant de veille	< 1 mA	
Isolement galvanique	200 VCC entre alimentation, sortie et boîtier	
Plage de température d'exploitation	-20 à +55 °C (Réduction 3 % par °C au-dessus de 40 °C)	
Humidité	95 % max. sans condensation	
Connexion CC	Bornes à vis	
Section de câble maximale	16 mm ² / AWG6	
Poids	1,3 kg (3 lb)	
Dimensions (H x L x P)	130 x 186 x 70 mm (5,1 x 7,3 x 2,8 pouces)	
Normes : Sécurité	EN 60950	
Émission	EN 61000-6-3, EN 55014-1	
Immunité	EN 61000-6-2, EN 61000-6-1, EN 55014-2	
Directive 'automobile	ECE R10-5	

EN

NL

FR

DE

SE

PL

Spécifications – suite

Chargeur isolé Orion-Tr Smart 220-280 Watt	24/12-20 (240 W)	24/24-12 (280 W)
Plage de tension d'alimentation (1)	16-35 V	16-35 V
Arrêt en cas de sous-tension	14 V	14 V
Redémarrage en cas de sous-tension	15 V	15 V
Tension de sortie nominale	12,2 V	24,2 V
Plage de tension de sortie réglable	10-15 V	20-30 V
Tolérance tension de sortie	+/- 0,2 V	
Ondulation résiduelle	2 mV rms	
Courant de sortie cont. à une tension de sortie nominale et à 40 °C.	20 A	12 A
Courant de sortie max. (10 s) à tension de sortie nominale	25 A	15 A
Courant de court-circuit (A)	50 A	30 A
Puissance de sortie continue à 25 °C	300 W	320 W
Puissance de sortie continue à 40 °C	240 W	280 W
Rendement	88 %	89 %
Courant de charge sans charge	< 100 mA	< 80 mA
Courant de veille	< 1 mA	
Isolement galvanique	200 VCC entre alimentation, sortie et boîtier	
Plage de température d'exploitation	-20 à +55 °C (Réduction 3 % par °C au-dessus de 40 °C)	
Humidité	95 % max. sans condensation	
Connexion CC	Bornes à vis	
Section de câble maximale	16 mm ² / AWG6	
Poids	1,3 kg (3 lb)	
Dimensions (H x L x P)	130 x 186 x 70 mm (5,1 x 7,3 x 2,8 pouces)	
Normes : Sécurité	EN 60950	
Émission	EN 61000-6-3, EN 55014-1	
Immunité	EN 61000-6-2, EN 61000-6-1, EN 55014-2	
Directive automobile	ECE R10-5	

Spécifications – suite

Chargeur isolé Orion-Tr Smart 360-400 Watt	12/12-30 (360 W)	12/24-15 (360 W)
Plage de tension d'alimentation (1)	10-17 V	10-17 V
Arrêt en cas de sous-tension	7 V	7 V
Redémarrage en cas de sous-tension	7,5 V	7,5 V
Tension de sortie nominale	12,2 V	24,2 V
Plage de tension de sortie réglable	10-15 V	20-30 V
Tolérance tension de sortie	+/- 0,2 V	
Ondulation résiduelle	2 mV rms	
Courant de sortie cont. à une tension de sortie nominale et à 40 °C.	30 A	15 A
Courant de sortie max. (10 s) à tension de sortie nominale	40 A	25 A
Courant de court-circuit (A)	60 A	40 A
Puissance de sortie continue à 25 °C	430 W	430 W
Puissance de sortie continue à 40 °C	360 W	360 W
Rendement	87 %	88 %
Courant de charge sans charge	< 80 mA	< 100 mA
Courant de veille	< 1 mA	
Isolement galvanique	200 VCC entre alimentation, sortie et boîtier	
Plage de température d'exploitation	-20 à +55 °C (Réduction 3 % par °C au-dessus de 40 °C)	
Humidité	95 % max. sans condensation	
Connexion CC	Bornes à vis	
Section de câble maximale	16 mm ² / AWG6	
Poids	Modèles de sortie de 12 V et/ou entrée de 12 V : 1,8 kg (3 lb) Autres modèles : 1,6 kg (3,5 lb)	
Dimensions (H x L x P)	Modèles de sortie de 12 V et/ou entrée de 12 V : 130 x 186 x 80 mm (5,1 x 7,3 x 3,2 pouces) Autres modèles : 130 x 186 x 70 mm (5,1 x 7,3 x 2,8 inch)	
Normes : Sécurité	EN 60950	
Émission	EN 61000-6-3, EN 55014-1	
Immunité	EN 61000-6-2, EN 61000-6-1, EN 55014-2	
Directive automobile	ECE R10-5	
<p>1. Si la tension de sortie est établie sur la tension nominale ou sur une tension inférieure à celle-ci, elle restera stable sur la plage de tension d'entrée spécifiée (fonction Buck-Boost – dévolteur-survolteur). Si la tension de sortie est supérieure à la tension nominale selon un certain pourcentage, alors la tension d'entrée minimale – à laquelle la tension de sortie reste stable (elle ne diminue pas) – augmente du même pourcentage.</p> <p>Remarque 1) L'application VictronConnect n'affichera ni le courant entrant ni le courant sortant. Remarque 2) L'Orion-Tr Smart DC-DC Charger Isolated n'est pas équipé d'un port VE.Direct.</p>		

Spécifications – suite

Chargeur isolé Orion-Tr Smart 360-400 Watt	24/12-30 (360 W)	24/24-17 (400 W)
Plage de tension d'alimentation (1)	20-35 V	20-35 V
Arrêt en cas de sous-tension	14 V	14 V
Redémarrage en cas de sous-tension	15 V	15 V
Tension de sortie nominale	12,2 V	24,2 V
Plage de tension de sortie réglable	10-15 V	20-30 V
Tolérance tension de sortie	+/- 0,2 V	
Ondulation résiduelle	2 mV rms	
Courant de sortie cont. à une tension de sortie nominale et à 40 °C.	30 A	17 A
Courant de sortie max. (10 s) à tension de sortie nominale	45 A	25 A
Courant de court-circuit (A)	60 A	40 A
Puissance de sortie continue à 25 °C	430 W	480 W
Puissance de sortie continue à 40 °C	360 W	400 W
Rendement	88 %	89 %
Courant de charge sans charge	< 100 mA	< 80 mA
Courant de veille	< 1 mA	
Isolement galvanique	200 VCC entre alimentation, sortie et boîtier	
Plage de température d'exploitation	-20 à +55 °C (Réduction 3 % par °C au-dessus de 40 °C)	
Humidité	95 % max. sans condensation	
Connexion CC	Bornes à vis	
Section de câble maximale	16 mm ² / AWG6	
Poids	Modèles de sortie de 12 V et/ou entrée de 12 V : 1,8 kg (3 lb) Autres modèles : 1,6 kg (3,5 lb)	
Dimensions (H x L x P)	Modèles de sortie de 12 V et/ou entrée de 12 V : 130 x 186 x 80 mm (5,1 x 7,3 x 3,2 pouces) Autres modèles : 130 x 186 x 70 mm (5,1 x 7,3 x 2,8 inch)	
Normes : Sécurité	EN 60950	
Émission	EN 61000-6-3, EN 55014-1	
Immunité	EN 61000-6-2, EN 61000-6-1, EN 55014-2	
Directive automobile	ECE R10-5	
<p>1. Si la tension de sortie est établie sur la tension nominale ou sur une tension inférieure à celle-ci, elle restera stable sur la plage de tension d'entrée spécifiée (fonction Buck-Boost – dévolteur-survolteur). Si la tension de sortie est supérieure à la tension nominale selon un certain pourcentage, alors la tension d'entrée minimale – à laquelle la tension de sortie reste stable (elle ne diminue pas) – augmente du même pourcentage.</p> <p>Remarque 1) L'application VictronConnect n'affichera ni le courant entrant ni le courant sortant.</p> <p>Remarque 2) L'Orion-Tr Smart DC-DC Charger Isolated n'est pas équipé d'un port VE.Direct.</p>		

1. Allgemeine Beschreibung

Die Orion-Tr Smart DC-DC Charger Isolated-Ladegeräte können als Netzteil oder als Batterieladegerät verwendet werden. Im Ladebetrieb verlängert der Drei-Stufen-Ladealgorithmus die Akkulaufzeit, indem er den Akku ordnungsgemäß auflädt. Insbesondere bei Fahrzeugen mit intelligenter Lichtmaschine oder Spannungsabfall durch lange Kabelwege ist eine kontrollierte Ladung unerlässlich. Eine kontrollierte Ladung schützt die Lichtmaschine auch in Lithiumsystemen, in denen eine direkte Ladung die Lichtmaschine aufgrund der niedrigen Impedanz der Lithiumbatterie überlasten kann. Im festen Ausgangsmodus bleibt die Ausgangsspannung unabhängig von der angelegten Last oder variierenden Eingangsspannungen (innerhalb des angegebenen Bereichs) stabil.

Das Orion-Tr Smart DC-DC Charger Isolated-Ladegerät kann so eingestellt werden, dass es nur bei laufendem Motor Strom liefert. Dies ist dank der integrierten Motorabschaltungserkennung möglich. Dadurch wird des Weiteren verhindert, dass die bordeigene Spannung des Fahrzeugs zu schwach wird. Es ist nicht notwendig, in das System des Fahrzeugs einzugreifen, einen separaten Motorlaufsensor zu installieren oder in das CAN-Bussystem einzugreifen. Neben dieser Erkennung kann das Orion-Tr Smart DC-DC Charger Isolated-Ladegerät auch durch eine Zwangsladefunktion aktiviert werden, die z.B. an den Zündschalter angeschlossen ist.

Das Orion-Tr Smart DC-DC Charger Isolated Ladegerät ist voll programmierbar mit der VictronConnect App.

Entdecken Sie hier alle Einrichtungsmöglichkeiten:

<https://www.victronenergy.com/live/victronconnect:start>

2. Eigenschaften

Intelligente Lichtmaschinenkompatibilität

Die Fahrzeughersteller führen nun intelligente, ECU-gesteuerte Lichtmaschinen (Engine Control Unit) ein, um die Kraftstoffeffizienz zu erhöhen und die Emissionen zu senken. Intelligente Lichtmaschinen liefern eine variable Ausgangsspannung und werden abgeschaltet, wenn sie nicht benötigt werden. Der Wandler verfügt über einen Motorlauferkennungsmechanismus. Dadurch wird verhindert, dass der Umrichter die Starterbatterie entladen kann, wenn die Lichtmaschine keine Energie liefert. Siehe Abschnitt 5 dieses Handbuchs für weitere Details.

Trennung der Starterbatterie und der Servicebatterie

Das intelligente, isolierte DC-DC-Ladegerät Orion-Tr trennt die Starterbatterie von der Servicebatterie, wenn der Motor nicht läuft.

Umfangreicher elektronischer Schutz

Übertemperaturschutz und Leistungsreduzierung bei hohen Temperaturen.

Überlastgeschützt.

Kurzschlussgeschützt.

Übertemperaturschutz des Steckverbinders.

Adaptive dreistufige Aufladung

Das intelligente, isolierte DC-DC-Ladegerät Orion-Tr ist für einen dreistufigen Ladevorgang konfiguriert:

Konstantstrom – Konstantspannung – Ladeerhaltungsspannung

Bulk

Während dieser Phase liefert die Steuerung so viel Ladestrom wie möglich, um die Batterien schnell aufzuladen.

Absorption

Wenn die Batteriespannung die eingestellte Absorptionsspannung erreicht, schaltet die Steuerung in den Konstantspannungsmodus. Bei Bleibatterien ist es wichtig, dass

bei flachen Entladungen die Aufnahmezeit kurz gehalten wird, um eine Überladung der Batterie zu vermeiden. Nach einer Tiefentladung wird die Konstanzspannungsphase automatisch verlängert, um sicherzustellen, dass die Batterie vollständig auflädt. Für Lithium-Batterien ist die Aufnahmezeit fest eingestellt, standardmäßig 2 Stunden. Der feste oder adaptive Modus kann in den Batterieeinstellungen gewählt werden.

Schweben

Während dieser Phase wird die Batterie mit einer Erhaltungsspannung versorgt, um sie in einem vollständig geladenen Zustand zu halten. Sinkt die Batteriespannung deutlich unter diesen Wert, z.B. durch eine hohe Last, während mindestens 1 Minute, wird ein neuer Ladezyklus ausgelöst.

Flexibler Ladealgorithmus

Programmierbarer Ladealgorithmus und acht vorprogrammierte Batterieeinstellungen.
Konfigurierbar mit VictronConnect.

Adaptive Absorptionszeit

Berechnet automatisch die richtige Absorptionszeit.
Konfigurierbar mit VictronConnect.

Konfiguration und Überwachung

Bluetooth Smart integriert: die drahtlose Lösung zum Einrichten, Überwachen und Aktualisieren des Controllers mit Apple- und Android-Smartphones, Tablets oder anderen Geräten.
Mehrere Parameter lassen sich mit der VictronConnect App individuell anpassen.

Die VictronConnect App kann heruntergeladen werden unter:

<http://www.victronenergy.nl/support-and-downloads/software/>

Verwenden Sie das Handbuch - VictronConnect -, um das Beste aus der VictronConnect App herauszuholen, wenn sie an einen Orion Smart angeschlossen ist:

<https://www.victronenergy.com/live/victronconnect:start>

Eingangsspannungssperre

Abschalten, wenn die Eingangsspannung unter den Sperrwert

fällt und Neustart, wenn die Eingangsspannung über den Neustartwert steigt.

Konfigurierbar mit VictronConnect.

Remote-Ein/Aus

Verwenden Sie die Remote-Funktion, um den Konverter über den Remote-Ein/Aus-Anschluss oder über die VictronConnect App ferngesteuert zu aktivieren und zu deaktivieren. Typische Anwendungsfälle sind ein benutzerdefinierter fest verdrahteter Schalter und die automatische Steuerung durch z.B. ein Batteriemanagementsystem. Wenn das Minus der Servicebatterie nicht auf dem gleichen Potential wie das Minus der Lichtmaschine oder Starterbatterie liegt, ist ein isoliertes, entferntes Ein/Aus-Kabel zwischen der GLT und dem Ein/Aus-Anschluss erforderlich, siehe Kapitel 4.4.

3. Sicherheitshinweise

SPEICHERN SIE DIESE ANWEISUNGEN - Dieses Handbuch enthält wichtige Anweisungen, die bei der Installation und Wartung zu beachten sind.



WARNING

Explosionsgefahr bei Funkenbildung

Gefahr durch Stromschläge

- Es wird empfohlen, dieses Handbuch vor der Installation und Inbetriebnahme des Produktes sorgfältig zu lesen.
- Installieren Sie das Gerät in brandsicherer Umgebung. Stellen Sie sicher, dass keine brennbaren Chemikalien, Plastikteile, Vorhänge oder andere Textilien in unmittelbarer Nähe sind.
- Es ist normal, dass das Orion-Tr Smart DC-DC Charger Isolated-Ladegerät während des Betriebs heiß wird und alle wärmeempfindlichen Gegenstände fernhält.
- Stellen Sie sicher, dass das Gerät entsprechend den vorgesehenen Betriebsbedingungen genutzt wird. Betreiben Sie das Gerät niemals in nasser Umgebung.
- Benutzen Sie das Gerät nie an gasgefährdeten oder staubbelasteten Orten (Explosionsgefahr).
- Sorgen Sie während des Ladevorgangs stets für eine ausreichende Belüftung.
- Das Ladegerät nicht bedecken.
- Vergewissern Sie sich anhand der vom Hersteller der Batterie angegebenen Spezifikationen, dass die Batterie für die Verwendung mit diesem Produkt geeignet ist. Beachten Sie stets die Sicherheitshinweise des Batterieherstellers.
- Zusätzlich zu diesem Handbuch muss das Betriebs- oder Wartungshandbuch des Systems ein Batteriewartungshandbuch enthalten, das für den verwendeten Batterietyp gilt.

EN

NL

FR

DE

SE

PL

- Während des Aufladens niemals das Ladegerät auf die Batterie legen.
- Funken in Batterienähe verhindern. Eine aufladende Batterie kann explosive Gase produzieren.
- Dieses Gerät darf nicht von Personen (einschließlich Kindern) mit eingeschränkter körperlicher, sensorischer oder geistiger Leistungsfähigkeit oder mangelnder Erfahrung und Kenntnis verwendet werden, es sei denn, sie wurden beaufsichtigt oder unterwiesen.
- Verwenden Sie für die Anschlüsse ein flexibles, mehradriges Kupferkabel. Der Durchmesser der einzelnen Adern darf höchstens 0,4mm/0,125 mm² (0,016 Zoll/AWG26) betragen.
- Die Installation muss eine Sicherung gemäß den Empfehlungen in der Tabelle "KABEL- UND SICHERUNGSEMPFEHLUNGEN" beinhalten.



4. Installation

4.1 Allgemeines

- Montieren Sie vertikal auf einer nicht brennbaren Fläche, wobei die Leistungsklemmen nach unten zeigen. Für eine optimale Kühlung ist ein Mindestabstand von 10 cm unter und über dem Produkt einzuhalten.
- Montieren Sie in der Nähe der Batterie, aber niemals direkt über der Batterie (um Schäden durch Begasung der Batterie zu vermeiden).

4.2 Verbindungsaufbau für den Stromversorgungsmodus

1. Trennen Sie die Remote ein/aus (Drahtbrücke entfernen).
2. Schließen Sie die Versorgungskabel am Eingang an.
3. Öffnen Sie die VictronConnect App, um das Produkt einzurichten.
(Passen Sie immer zunächst die Ausgangsspannung an, bevor Sie die Geräte parallel schalten oder eine Batterie anschließen.)
4. Schließen Sie die Last an. Der Konverter ist nun einsatzbereit.
5. Schließen Sie die Remote wieder an/aus, um das Produkt zu aktivieren.

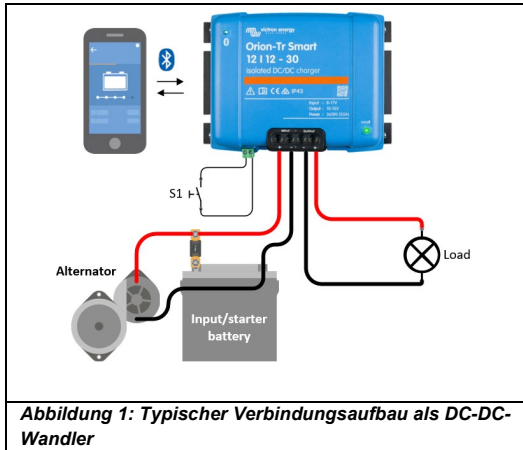


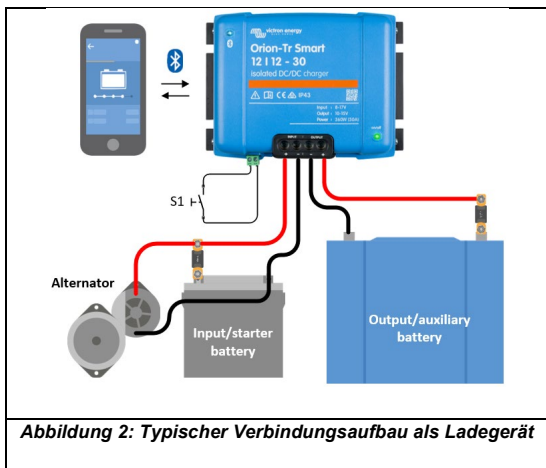
Abbildung 1: Typischer Verbindungsaufbau als DC-DC-Wandler

4.3 Verbindungsaufbau für den Ladebetrieb

1. Trennen Sie die Remote ein/aus (Drahtbrücke entfernen).
2. Schließen Sie die Versorgungskabel am Eingang an.
3. Öffnen Sie die VictronConnect App, um das Produkt einzurichten.

(richten Sie immer den richtigen Ladealgorithmus ein, bevor Sie eine Batterie anschließen).

4. Schließen Sie die zu ladende Batterie an.
5. Schließen Sie die Remote wieder an/aus, um das Produkt zu aktivieren.

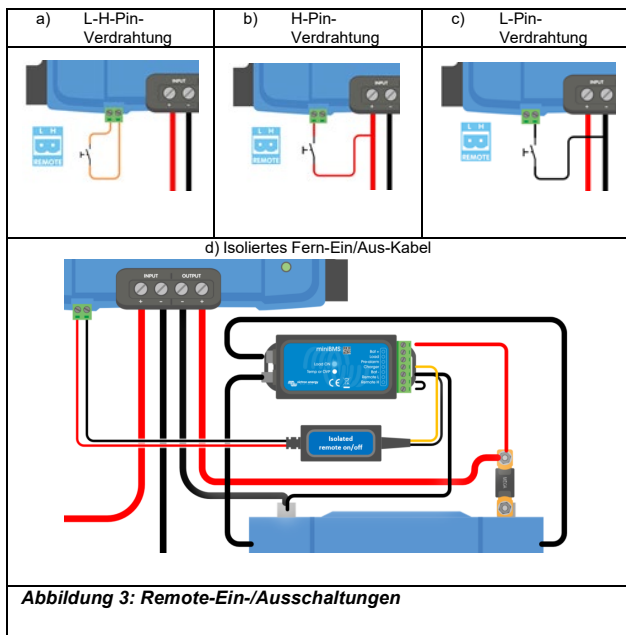


4.4 Verbindung Remote Ein/Aus

Die empfohlene Verwendung des Remote Ein/Aus ist:

- a) Ein Schalter, der zwischen den L-H-Pins verdrahtet ist (Pegelimpedanz zwischen den L-H-Pins): $< 500\text{k}\Omega$)
- b) Ein Schalter, der zwischen (Eingang/Starter) Batterie Plus und H- Pin (auf Niveau) geschaltet ist: $> 3\text{V}$)
- c) Ein Schalter zwischen dem L-Pin und der Masse (Eingang/Starter) (auf Niveau: $< 5\text{V}$)
- d) Isoliertes Fern-Ein-Aus-Kabel, z.B. gesteuert durch ein (mini)BMS

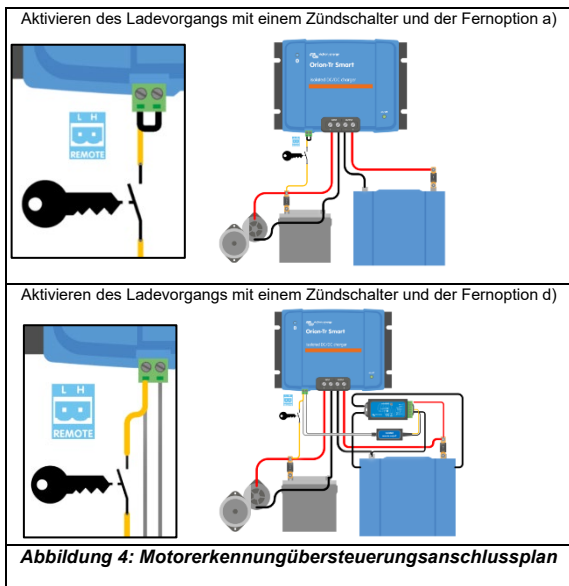
Hinweis: Spannungstoleranz L & H Pin: $\pm 70\text{V}_{\text{DC}}$



4.5 Übersteuerung der Motorerkennung

Im Lademodus bestimmt die "Motor-Ein-Erkennungssequenz", ob die Bedingungen zur Freigabe des Ladevorgangs erfüllt sind, siehe Kapitel 5. Die "Motorerkennungsüberbrückung" zwingt den Lader, das Laden unabhängig vom Motor bei der Erkennung zu ermöglichen. Die Motorerkennungsüberbrückung wird durch Anwendung von $>7\text{ V}$ auf den entfernten L-Pin aktiviert. Dies ermöglicht eine externe Steuerung (z.B. Zündschalter, CAN-bus-Motor am Detektor), um das Laden zu ermöglichen.

Diese Funktion setzt die Fern-Funktion nicht außer Kraft. Daher muss die Fernverbindung a), b) oder d) in Kombination mit der Motorerkennungsüberbrückung konfiguriert werden. Siehe Beispiele in Abbildung 4.



4.6 Kabel- und Sicherungsempfehlungen

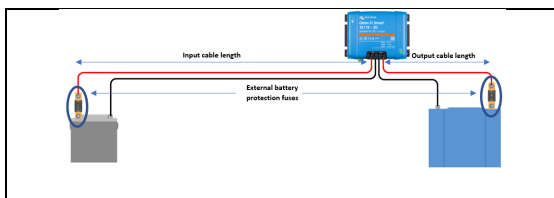


Abbildung 5: Kabel- und Sicherungsempfehlungen

		Minimaler Kabelquerschnitt		
Nennspannung (Eingang oder Ausgang)	Externe Batterie Schutzsicherun g	1m	2m	5m
12V	60 A	10mm ²	10mm ²	16mm ²
24V	30A	6mm ²	6mm ²	10mm ²

4.7 Empfohlenes Drehmoment



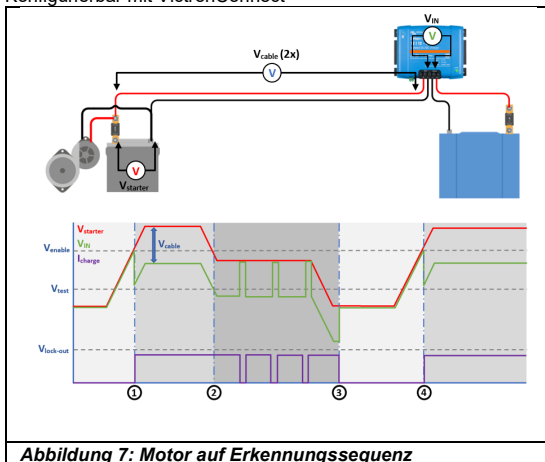
Abbildung 6: Empfohlenes Drehmoment

5. Intelligente Lichtmaschinenkompatibilität

Die Erkennung des Motorlaufs basiert auf der Spannung der Starterbatterie. Das Ladegerät ist nicht immer in der Lage, die genaue Spannung der Starterbatterie zu messen, da der Spannungsabfall über das Eingangskabel erfolgt. Der Spannungsabfall wird durch Variablen wie Strom, Kabellänge und Kabelquerschnitt bestimmt. Die "Motor auf Erkennungssequenz" (siehe Abbildung 7) führt regelmäßige Tests durch, um die genaue Spannung der Starterbatterie während des Ladevorgangs zu bestimmen. Das Testergebnis bestimmt, ob der Motor läuft und das Laden aktiviert werden kann.

Diese Funktion ist nur im Lader-Modus aktiv und wenn die "Motorerkennungübersteuerung" nicht aktiviert ist. Im Umrichtermodus bestimmt die "Eingangsspannungssperre", wann der Ausgang aktiv ist.

Konfigurierbar mit VictronConnect



0 → 1:

Wenn der Motor läuft, wird die Lichtmaschinenspannung hochgefahren, wenn der V_{starter} über $V_{\text{aktivieren}}$ steigt, beginnt das Laden.

1 → 2:

Durch den Ladestrom entsteht ein Spannungsabfall über dem Eingangskabel (V_{cable}), diese Spannung reduziert die Spannung am Eingang des Ladegeräts (V_{IN}). Während die V_{IN} über V_{test} bleibt, ist das Laden aktiviert.

2 → 3:

Fällt V_{IN} unter V_{test} , wird der "Motor bei Erkennungssequenz" gestartet. Alle 2 Minuten wird das Ladegerät für 10 Sekunden angehalten, um die Spannung zu messen. Ohne Stromfluss ist die V_{IN} gleich V_{starter} , wenn die V_{IN} über V_{test} liegt, wird der Ladevorgang fortgesetzt. Unter Beibehaltung dieses Zustandes wird der Test alle 2 Minuten durchgeführt.

3 → 4:

Während der Erkennungssequenz V_{IN} unter V_{test} gefallen ist, bedeutet dies, dass der Motor gestoppt wurde und das Laden gestoppt werden muss, die Ladesequenz wird angehalten.

4 → 5:

Die V_{IN} steigt über V_{enable} , die Ladesequenzen gehen weiter.

6. LED angezeigt

Die blaue LED ist für die Bluetooth-Funktionalität vorgesehen und die grüne LED für den Produktzustand.

Status-LED (grüne LED)

- **LED Aus:**
 - Keine Eingangsspannung;
 - Fernabschaltung;
 - Herunterfahren durch den Benutzer;
 - Übertemperaturschutz des Steckverbinders
 - Benutzerdefinierte Unterspannungssperre
 - Motor aus erkannt (im Ladegerät-Modus)
- **LED An:**
 - Ausgang aktiv im DC/DC-Wandler-Modus;
 - Ladegerät im Float-Zustand (Batterie geladen);
- **LED blinkt bei 1,25 Hz:**
 - Ladegerät im Bulk- oder Absorptionszustand (Batterie wird geladen);

BLE LED (Blaue LED)

- **LED Aus:**
 - Keine Eingangsspannung;
- **LED blinkt bei 0,33 Hz:**
 - Fehler - muss auf VictronConnect überprüft werden;
- **LED blinkt bei 1.25 Hz:**
 - Verbindung über Bluetooth;
- **LED blinkt bei 2.5 Hz:**
 - Identifizieren;
- **LED an:**
 - Alle anderen Bedingungen;

7. Technische Daten

Orion-Tr Smart Ladegerät isoliert 220-280 Watt	12/12-18 (220W)	12/24-10 (240W)
Eingangsspannungsbereich (1)	8-17V	8-17V
Abschalten wegen Unterspannung	7V	7V
Neustart nach Unterspannung	7,5V	7,5V
Nennwert Ausgangsspannung	12,2V	24,2V
regulierbarer Ausgangsspannungsbereich	10-15V	20-30V
Toleranz Ausgangsspannung:	+/- 0,2V	
Rauschen Ausgang	2mV rms	
Kontinuierlicher Ausgangsstrom bei Nennausgangsspannung und 40°C	18A	10A
Maximaler Ausgangsstrom (10 s) bei Nennwert Ausgangsspannung	25A	15A
Kurzschluss Ausgangsstrom	40A	25A
Kont. Ausgangsleistg. bei 25°C	280W	280W
Kont. Ausgangsleistg. bei 40°C	220W	240W
Wirkungsgrad	87%	88%
Kein Lasteingangslaststrom	< 80mA	< 100mA
Ruhestrom	< 1mA	
Galvanische Trennung	200V DC zwischen Eingang, Ausgang und Gehäuse	
Betriebstemperaturbereich	-20 bis +55°C (Minderung der Leistung 3% pro °C über 40°C)	
Feuchte	max. 95% nicht kondensierend	
Gleichstrom-Anschluss	Schraubenklemmen	
Maximaler Querschnitt des Kabels	16mm ² AWG6	
Gewicht	1,3 kg (3 lb)	
Abmessungen HxBxT	130 x 186 x 70 mm (5,1 x 7,3 x 2,8 Zoll)	
Normen: Sicherheit	EN 60950	
Emission	EN 61000-6-3, EN 55014-1	
Störfestigkeit	EN 61000-6-2, EN 61000-6-1, EN 55014-2	
Automobil-Richtlinie	ECE R10-5	

EN

NL

FR

DE

SE

PL

Spezifikationen - Fortsetzung

Orion-Tr Smart Ladegerät isoliert 220 - 280 Watt	24/12-20 (240W)	24/24-12 (280W)
Eingangsspannungsbereich (1)	16-35V	16-35V
Abschalten wegen Unterspannung	14V	14V
Neustart nach Unterspannung	15V	15V
Nennwert Ausgangsspannung	12,2V	24,2V
regulierbarer Ausgangsspannungsbereich	10-15V	20-30V
Toleranz Ausgangsspannung:	+/- 0,2 V	
Rauschen Ausgang	2 mV rms	
Kontinuierlicher Ausgangsstrom bei Nennausgangsspannung und 40°C	20A	12A
Maximaler Ausgangsstrom (10 s) bei Nennwert Ausgangsspannung	25A	15A
Kurzschluss Ausgangsstrom	50A	30A
Kont. Ausgangsleistg. bei 25°C	300W	320W
Kont. Ausgangsleistg. bei 40°C	240W	280W
Wirkungsgrad	88%	89%
Kein Lasteingangsstrom	< 100mA	< 80mA
Ruhestrom	< 1mA	
Galvanische Trennung	200V DC zwischen Eingang, Ausgang und Gehäuse	
Betriebstemperaturbereich	-20 bis +55°C (Minderung der Leistung 3% pro °C über 40°C)	
Feuchte	max. 95% nicht kondensierend	
Gleichstrom-Anschluss	Schraubenklemmen	
Maximaler Querschnitt des Kabels	16mm ² AWG6	
Gewicht	1,3 kg (3 lb)	
Abmessungen HxBxT	130 x 186 x 70 mm (5,1 x 7,3 x 2,8 Zoll)	
Normen: Sicherheit	EN 60950	
Emission	EN 61000-6-3, EN 55014-1	
Störfestigkeit	EN 61000-6-2, EN 61000-6-1, EN 55014-2	
Automobil-Richtlinie	ECE R10-5	

Spezifikationen - Fortsetzung

Orion-Tr Smart Ladegerät isoliert 360 - 400 Watt	12/12-30 (360W)	12/24-15 (360W)
Eingangsspannungsbereich (1)	10-17V	10-17V
Abschalten wegen Unterspannung	7V	7V
Neustart nach Unterspannung	7,5V	7,5V
Nennwert Ausgangsspannung	12,2V	24,2V
regulierbarer Ausgangsspannungsbereich	10-15V	20-30V
Toleranz Ausgangsspannung:	+/- 0,2V	
Rauschen Ausgang	2mV rms	
Kontinuierlicher Ausgangsstrom bei Nennausgangsspannung und 40°C	30A	15A
Maximaler Ausgangsstrom (10 s) bei Nennwert Ausgangsspannung	40A	25A
Kurzschluss Ausgangsstrom	60 A	40A
Kont. Ausgangsleistg. bei 25°C	430W	430W
Kont. Ausgangsleistg. bei 40°C	360W	360W
Wirkungsgrad	87%	88%
Kein Lasteingangslaststrom	< 80mA	< 100mA
Ruhestrom	< 1mA	
Galvanische Trennung	200V DC zwischen Eingang, Ausgang und Gehäuse	
Betriebstemperaturbereich	-20 bis +55°C (Minderung der Leistung 3% pro °C über 40°C)	
Feuchte	max. 95% nicht kondensierend	
Gleichstrom-Anschluss	Schraubenklemmen	
Maximaler Querschnitt des Kabels	16 mm ² AWG6	
Gewicht	12V Eingangs- bzw. 12V Ausgangsmodelle: 1,8 kg (3 lb) Andere Modelle: 1,6 kg (3,5 lb)	
Abmessungen HxBxT	12V Eingangs- bzw. 12V Ausgangsmodelle: 130 x 186 x 80 mm (5,1 x 7,3 x 3,2 Zoll) Andere Modelle: 130 x 186 x 70 mm (5,1 x 7,3 x 2,8 Zoll)	
Normen: Sicherheit Emission Störfestigkeit Automobil-Richtlinie	EN 60950 EN 61000-6-3, EN 55014-1 EN 61000-6-2, EN 61000-6-1, EN 55014-2 ECE R10-5	
<p>1. Wird die Ausgangsspannung auf nominal oder niedriger als nominal eingestellt, bleibt sie innerhalb des angegebenen Eingangsspannungsbereichs stabil (Buck-Boost-Funktion). Wenn die Ausgangsspannung um einen bestimmten Prozentsatz höher als der Nennwert eingestellt wird, steigt die minimale Eingangsspannung, bei der die Ausgangsspannung stabil bleibt (nicht sinkt), um den gleichen Prozentsatz.</p> <p>Hinweis 1) Die VictronConnect-App zeigt keinen eingehenden oder ausgehenden Strom an. Hinweis 2) Der Orion-Tr Smart DC-DC Charger Isolated ist nicht mit einem VE.Direct-Anschluss ausgestattet.</p>		

EN

NL

FR

DE

SE

PL

Spezifikationen - Fortsetzung

Orion-Tr Smart Ladegerät isoliert 360 - 400 Watt	24/12-30 (360W)	24/24-17 (400W)
Eingangsspannungsbereich (1)	20-35V	20-35V
Abschalten wegen Unterspannung	14V	14V
Neustart nach Unterspannung	15V	15V
Nennwert Ausgangsspannung	12,2V	24,2V
regulierbarer Ausgangsspannungsbereich	10-15V	20-30V
Toleranz Ausgangsspannung:	+/- 0,2V	
Rauschen Ausgang	2mV rms	
Kontinuierlicher Ausgangsstrom bei Nennausgangsspannung und 40°C	30A	17A
Maximaler Ausgangsstrom (10 s) bei Nennwert Ausgangsspannung	45A	25A
Kurzschluss Ausgangsstrom	60A	40A
Kont. Ausgangsleist. bei 25°C	430W	480W
Kont. Ausgangsleist. bei 40°C	360W	400W
Wirkungsgrad	88%	89%
Kein Lasteingangslaststrom	< 100mA	< 80mA
Ruhestrom	< 1mA	
Galvanische Trennung	200 V DC zwischen Eingang, Ausgang und Gehäuse	
Betriebstemperaturbereich	-20 bis +55°C (Minderung der Leistung 3% pro °C über 40°C)	
Feuchte	max. 95% nicht kondensierend	
Gleichstrom-Anschluss	Schraubenklemmen	
Maximaler Querschnitt des Kabels	16mm ² AWG6	
Gewicht	12V Eingangs- bzw. 12V Ausgangsmodelle: 1,8 kg (3 lb) Andere Modelle: 1,6 kg (3,5 lb)	
Abmessungen HxBxT	12V Eingangs- bzw. 12V Ausgangsmodelle: 130 x 186 x 80 mm Andere Modelle: 130 x 186 x 70 mm	
Normen: Sicherheit Emission Störfestigkeit Automobil-Richtlinie	EN 60950 EN 61000-6-3, EN 55014-1 EN 61000-6-2, EN 61000-6-1, EN 55014-2 ECE R10-5	
1) Wird die Ausgangsspannung auf nominal oder niedriger als nominal eingestellt, bleibt sie innerhalb des angegebenen Eingangsspannungsbereichs stabil (Buck-Boost-Funktion). Wenn die Ausgangsspannung um einen bestimmten Prozentsatz höher als der Nennwert eingestellt wird, steigt die minimale Eingangsspannung, bei der die Ausgangsspannung stabil bleibt (nicht sinkt), um den gleichen Prozentsatz.		
Hinweis 1) Die VictronConnect-App zeigt keinen eingehenden oder ausgehenden Strom an. Hinweis 2) Der Orion-Tr Smart DC-DC Charger Isolated ist nicht mit einem VE.Direct-Anschluss ausgestattet.		

1. Allmän beskrivning

Orion-Tr Smart DC-DC Charger Isolated-laddare kan användas som strömförsörjning eller som batteriladdare. I laddningsläge kommer laddningsalgoritmen med tre tillstånd att öka batteriets livslängd genom att ladda batteriet korrekt. Framför allt när det gäller fordon med en smart generator eller spänningsfall som orsakas av långa kabeldragningar är kontrollerad laddning nödvändig. Kontrollerad laddning skyddar också generatoren i litiumsystem där direktladdning kan överbelasta generatoren på grund av litumbatteriets låga impedans. I fast utgångsläge kommer utgångsspänningen att förbli stabil oberoende av den applicerade belastningen eller varierande ingångsspänning (inom det angivna intervallet).

Orion-Tr Smart DC-DC Charger Isolated-laddare kan ställas in så att den endast ger ström när motorn är igång. Detta är möjligt tack vare den inbyggda motoravstängningsdetektorn. Detta förhindrar också att fordonets spänning blir för låg. Det är inte nödvändigt att göra ingrepp i fordonets system för att installera en separat sensor för motordrift, eller att göra ingrepp i CAN-bussystemet. Bortsett från denna spårning kan Orion-Tr Smart DC-DC Charger Isolated-laddare också aktiveras med en tvingande tillåtet att ladda funktion, t.ex. ansluten till tändningsomkopplaren.

Orion-Tr Smart DC-DC Charger Isolated-laddare är fullt programmerbar med VictronConnect-appen. Upptäck alla installationsmöjligheter här:

<https://www.victronenergy.com/live/victronconnect:start>



2. Funktioner

Smart generatorkompatibilitet. Fordonstillverkare introducerar nu smarta ECU-styrenheter (Engine Control Unit) för att öka bränsleeffektiviteten och minska utsläppen. Smarta generatorer levererar en variabel utgångsspänning och stängs av när de inte behövs. Konverteraren har en motor som kör spårningsmekanismen. Detta förhindrar konverteraren från att ladda ur startbatteriet när generatoren inte levererar ström. Se avsnitt 5 i denna manual för mer information.

Separation av startbatteriet och servicebatteriet. Orion-Tr Smart DC-DC Charger Isolated-laddare skiljer startbatteriet från servicebatteriet när motorn inte är igång.

Omfattande elektroniskt skydd. Övertemperaturskydd och effekt neddragning när temperaturen är hög. Överbelastningsskyddad. Kortslutningsskyddad. Anslutning för övertemperaturskydd.

Anpassningsbar laddning i tre steg. Orion-Tr Smart DC-DC Charger Isolated-laddare är konfigurerad för en trestegs laddningsprocess: Bulk – Absorption - Float.

Bulk

Under detta steg levererar regulatorn så mycket laddningsström som möjligt för att snabbt ladda batterierna.

Absorption

När batterispänningen når absorptionsspänningsinställningen, växlar regulatorn till konstant spänningsläge. För blybatterier är det viktigt att absorptionstiden under grund urladdning hålls kort för att förhindra överladdning av batteriet. Efter en djup urladdning ökas absorptionstiden automatiskt för att säkerställa att batteriet laddas upp fullständigt. För litiumbatterier är absorptionstiden fast, standard 2 timmar. Det fasta eller anpassningsbara läget kan väljas med batteriinställningarna.



Float

Under detta steg tillämpas flytande spänning på batteriet för att hålla det i ett fulladdat tillstånd. När batterispänningen sjunker väsentligt under denna nivå till exempel på grund av hög belastning under minst 1 minut, kommer en ny laddningscykel att utlösas.

Flexibel laddningsalgoritm. Programmerbar laddningsalgoritm och åtta förprogrammerade batteriinställningar. Konfigurerbar med VictronConnect.

Anpassad absorptions-tid. Beräknar automatiskt rätt absorptions-tid. Konfigurerbar med VictronConnect.

Konfigurera och övervaka. Inbyggd Bluetooth Smart: den trådlösa lösningen för att konfigurera, övervaka och uppdatera regulatorn med Apples och Androids smarta telefoner, surfplattor eller andra enheter. Flera parametrar kan anpassas med appen VictronConnect. Appen VictronConnect kan laddas ner från: <http://www.victronenergy.nl/support-and-downloads/software/> Använd manualen — VictronConnect — för att få ut mesta möjliga av VictronConnect-appen när den är ansluten till en Orion Smart: <https://www.victronenergy.com/live/victronconnect:start>

Låsning ingångsspänning. Stäng av om ingångsspänningen sjunker under låsningsvärdet och starta om när ingångsspänningen ökar över omstartsvärdet. Konfigurerbar med VictronConnect.

Fjärrkontroll På/Av. Använd fjärrkontrollfunktionen för att aktivera och inaktivera konverteraren på distans med fjärrkontrollens På/Av-kontakt eller med VictronConnect-appen. Vanliga fall av användning inkluderar en fast ansluten strömbrytare och automatisk styrning av till exempel ett batterihanteringssystem. Om servicebatteriets minus inte har samma potential som generatorns eller startbatteriets minus, krävs en isolerad fjärrkontroll På/Av-kabel mellan BMS och På/Av-porten, se kapitel 4.4 för mer information.



3. Säkerhetsinstruktioner

SPARA DESSA INSTRUKTIONER — Denna manual innehåller viktiga instruktioner som ska följas under installation och underhåll.



WARNING

Risk för explosion på grund av gnistbildning

Risk för elektriska stötar

- Var vänlig läs denna manual noggrant innan du installerar och använder enheten.
- Installera enheten i en värmeskyddad miljö. Säkerställ därför att det inte finns några kemikalier, plastdelar, gardiner eller andra textilier m.m. i utrustningens omedelbara närhet.
- Det är normalt att Orion-Tr Smart DC-DC Charger Isolated-laddare blir varm under drift. Håll alla värmekänsliga föremål borta.
- Säkerställ att utrustningen används under korrekta användningsförhållanden. Använd aldrig enheten i fuktiga miljöer.
- Använd inte enheten på platser där gas- eller damm explosioner kan inträffa.
- Se alltid till att det finns bra ventilation under laddningen.
- Undvik att täcka över laddaren.
- Kontrollera batteritillverkarens instruktioner för att säkerställa att batteriet passar för användning tillsammans med denna enhet. Batteritillverkarens säkerhetsinstruktioner ska alltid respekteras.
- Utöver denna manual måste systemdrifts- eller servicemanualen innehålla en batteriunderhållsmanual som är tillämplig på den typ av batterier som används.

- Placera aldrig laddaren ovanpå ett batteri som håller på att laddas.
- Förhindra gnistbildning nära batteriet. Ett batteri som laddas kan släppa ut explosiva gaser.
- Denna apparat är inte avsedd att användas av personer (inklusive barn) med nedsatt fysisk, sensorisk eller mental förmåga eller som saknar erfarenhet och kunskap, om de inte har fått handledning eller instruktion.
- Använd flexibel fler-trådig kopparkabel för anslutningarna. Maximal diameter på de enskilda trådarna är 0,4 mm/0,125 mm² (0,016 tum/AWG26).
- Installationen måste innehålla en säkring i enlighet med rekommendationerna i tabellen "KABEL- OCH SÄKRINGSREKOMMENDATIONER".

EN

NL

FR

DE

SE

PL



victron energy

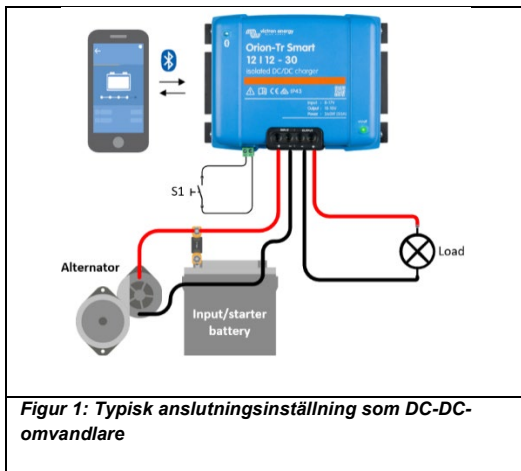
4. Installation

4.1 Allmänt

- Monteras vertikalt på en icke brandfarlig yta, med kraftuttagen vända nedåt. Observera ett minimumavstånd på 10 cm under och över enheten för optimal kylning.
- Monteras nära batteriet, men aldrig direkt ovanför batteriet (för att förhindra skador på grund av batteriets gaser).

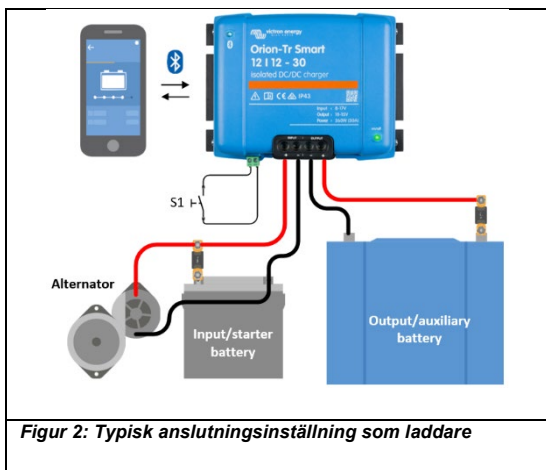
4.2 Anslutningsinställning för strömförsörjningsläge

1. Koppla bort fjärrkontrollens På/Av (ta bort kabelbryggan).
2. Anslut inmatningens försörjningskablar.
3. Öppna VictronConnect-appen för att konfigurera enheten.
(justera alltid utgångsspänningen innan du parallellt ansluter eller ansluter ett batteri)
4. Anslut belastningen. Konverteraren är nu klar för användning.
5. Återanslut fjärrkontrollens På/Av för att aktivera enheten.



4.3 Anslutningsinställning för laddningsläge

1. Koppla bort fjärrkontrollens På/Av (ta bort kabelbryggan).
2. Anslut inmatningens försörjningskablar.
3. Öppna VictronConnect-appen för att installera enheten. (**ställ alltid in rätt laddningsalgoritm innan du ansluter ett batteri**)
4. Anslut batteriet som ska laddas.
5. Återanslut fjärrkontrollens På/Av för att aktivera enheten.



Figur 2: Typisk anslutningsinställning som laddare

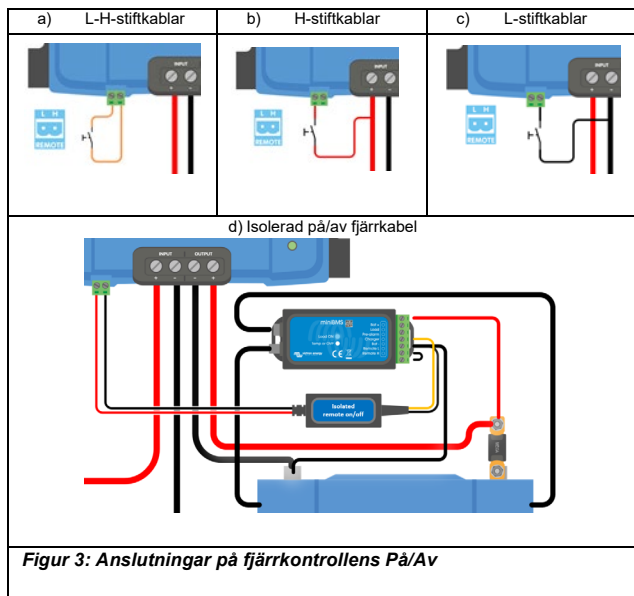


4.4 Anslutning fjärrkontroll På/Av

Den rekommenderade användningen av fjärrkontrollens På- och Av-slagning är

- En omkopplare kopplad mellan L-H-stiften (På-nivå impedans mellan L-H-stiften: <math>< 500 \text{ k}\Omega</math>)
- En omkopplare kopplad mellan (ingång/start) batteriets plus och H-stift (På-nivå: >3V)
- En omkopplare mellan L-stiftet och (ingång/start) jord (På-nivå: <math>< 5 \text{ V}</math>)
- Isolerad på/av fjärrkabel, t.ex. kontrollerad av en (mini) BMS

OBS: Spänningstolerans L & H-stift: $\pm 70 \text{ V}_{\text{DC}}$

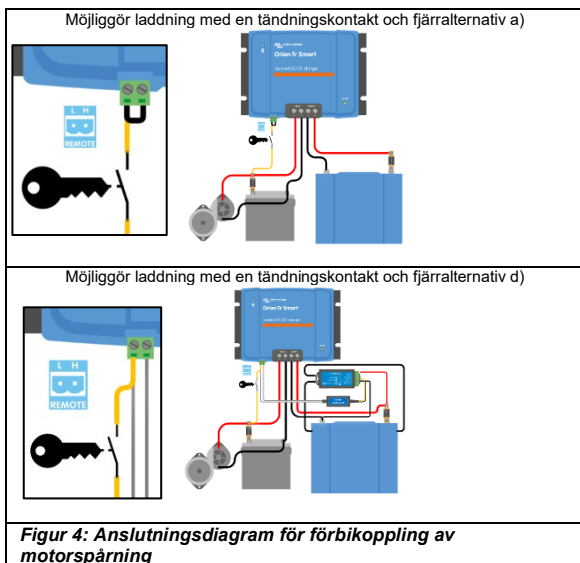


4.5 Förbikoppling av motorspärning

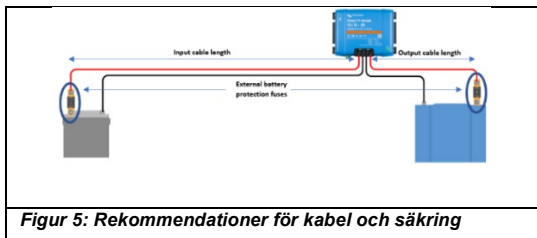
I laddningsläge bestämmer funktionen "motorn på spärningssekvens" om villkoren är uppfyllda för att påbörja laddning, se kapitel 5.

"Förbikoppling av motorspärning" tvingar laddaren att tillåta laddning oberoende av "motor på spärning"-funktionen. Förbikoppling av motorspärning aktiveras genom att applicera >7 V på fjärrstiftet L. Detta gör det möjligt för en extern styrning (t.ex. tändningskontakt, CAN-bussmotor på detektor) att tillåta laddning

Den här funktionen kopplar inte förbi fjärranslutningsfunktionen. Därför måste fjärranslutningarna a), b) eller c) konfigureras i kombination med funktionen "förbikoppling av motorspärning". Se exempel i bild 4 nedan.



4.6 Rekommendationer för kabel och säkring



Figur 5: Rekommendationer för kabel och säkring

		Minsta kabelmätare		
Spänningsgrad (ingång eller utgång)	Externt batteri Skyddssäkring	1 m	2 m	5 m
12 V	60 A	10 mm ²	10 mm ²	16 mm ²
24 V	30 A	6 mm ²	6 mm ²	10 mm ²

4.7 Rekommenderat vridmoment



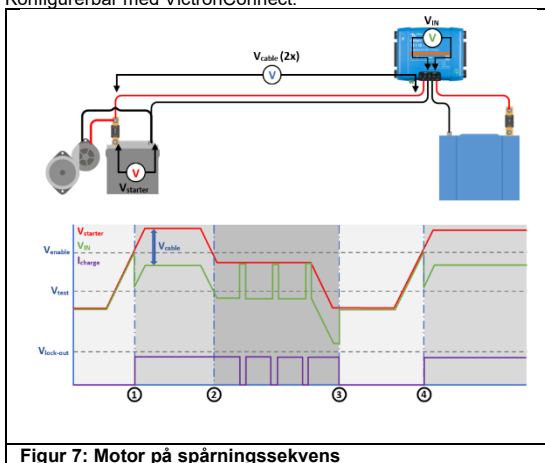
Figur 6: Rekommenderat vridmoment

5. Smart generatorkompatibilitet

Motorn igång-spårning baseras på startbatteriets spänning. Laddaren kan inte alltid mäta startbatteriets exakta spänning på grund av spänningsfall över ingångskabeln. Spänningsfallet bestäms av variabler som ström, kabellängd och kabelmätare. "Motorn på spårningssekvens" (se Figur 7) kommer att utföra periodiska tester för att bestämma startbatteriets exakta spänning under laddning. Testresultatet avgör om motorn är igång och laddning kan aktiveras.

Den här funktionen är endast aktiv i laddningsläge och när "förbikoppling av motorspårning" inte är aktiverad. I konverteringsläge avgör "låsnings ingångsspänning" när utgången är aktiv.

Konfigurerbar med VictronConnect.



Figur 7: Motor på spårningssekvens



0 → 1:

När motorn körs kommer generatorspänningen att växla upp när V_{start} ökar över V . Laddning startar.

1 → 2:

På grund av laddningsströmmen kommer ett spenningsfall att uppstå över ingångskabeln (V_{kabel}), denna spänning minskar spänningen vid ingången till laddaren (V_{IN}). Medan V_{IN} förblir över V_{test} , är laddning aktiverad.

2 → 3:

Om V_{IN} sjunker under V_{test} , "motorn på spårningssekvens" startas. Varannan minut pausar laddaren i 10 sekunder för att mäta spänningen. Utan strömflöde är V_{IN} lika med V_{start} . Om V_{IN} är över V_{test} , kommer laddningen att återupptas. Medan den förblir i detta tillstånd utförs testet varannan minut.

3 → 4:

Under spårningssekvensen sjönk V_{IN} under V_{test} . Detta betyder att motorn slutade gå och laddningen måste stoppas, laddningssekvensen är pausad.

4 → 5:

V_{IN} ökar över V_{och} gör det möjligt för laddningssekvenserna att fortsätta.



6. LED-status

Den blå LED-dioden är dedikerad till Bluetooth-funktionalitet och den gröna LED-dioden till enhetens tillstånd.

LED-status (grön LED)

- **LED av:**
 - Ingen ingångsspänning.
 - Fjärrstängning
 - Användaren stänger av.
 - Anslutning för övertemperaturskydd
 - Användardefinierad under spänningslösning
 - Avstängd motor spårad (i laddningsläge)
- **LED på:**
 - Utgång aktiv i DC/DC Konverterläge.
 - Laddare i flytandetilstånd (batteri laddat).
- **LED blinkar vid 1,25 Hz:**
 - Laddare i bulk- eller absorptionsläge (batteriet laddas).

BLE LED (blå LED)

- **LED av:**
 - Ingen ingångsspänning.
- **LED blinkar vid 0,33 Hz:**
 - Fel - måste kontrolleras hos VictronConnect.
- **LED blinkar vid 1,25 Hz:**
 - Ansluten via Bluetooth;
- **LED blinkar vid 2,5 Hz:**
 - Identifiera.
- **LED på:**
 - Alla andra villkor.



7. Specifikationer

Orion-Tr Smart isolerad laddare 220-280 Watt	12/12-18 (220W)	12/24-10 (240W)
Ingångsspänningsområde (1)	8-17V	8-17V
Avstängning underspänning	7V	7V
Omstart underspänning	7,5V	7,5V
Nominell utgångsspänning	12,2V	24,2V
Justeringsintervall utgångsspänning	10-15V	20-30V
Tolerans utgångsspänning	+/- 0,2V	
Utgångsbrus	< 2mV rms	
Kontinuerlig utgångsström vid nominell utgångsspänning och 40° C	18A	10A
Maximal utgångsström (10 sekunder) vid nominal utgångsspänning	25A	15A
Kortslutning utgångsström	40A	25A
Kontinuerlig utgångsström vid 25° C	280W	280W
Kontinuerlig utgångsström vid 40° C	220W	240W
Verkningsgrad	87%	88%
Ingen belastningsingång belastningsström	< 80mA	< 100mA
Ström i viloläge	< 1mA	
Galvanisk isolering	200V DC mellan ingång, utgång och hölje	
Drifttemperaturintervall	-20 to +55°C (minskad effekt 3% per °C över 40°C)	
Luftfuktighet	Max 95% icke-kondenserande	
DC-anslutning	Skruvterminaler	
Maximalt kabeltvärsnitt	16mm ² / AWG6	
Vikt	1,3 kg (3 lb)	
Dimensioner HxBxD	130 x 186 x 70 mm (5,1 x 7,3 x 2,8 tum)	
Standarder: Säkerhet	EN 60950	
Emission	EN 61000-6-3, EN 55014-1	
Immunitet	61000-6-2, EN 61000-6-1, ISO 55014-2	
Motorfordonsdirektiv	ECE R10-5	



EN

NL

FR

DE

SE

PL

Specifikationer - fortsättning

Orion-Tr Smart isolerad laddare 220-280 Watt	24/12-20 (240W)	24/24-12 (280W)
Ingångsspänningsområde (1)	16-35V	16-35V
Avstängning underspänning	14V	14V
Omstart underspänning	15V	15V
Nominell utgångsspänning	12,2V	24,2V
Justeringsintervall utgångsspänning	10-15V	20-30V
Tolerans utgångsspänning	+/- 0,2V	
Utgångsbrus	< 2mV rms	
Kontinuerlig utgångsström vid nominell utgångsspänning och 40° C	20A	12A
Maximal utgångsström (10 sekunder) vid nominal utgångsspänning	25A	15A
Kortslutning utgångsström	50A	30A
Kontinuerlig utgångsström vid 25° C	300W	320W
Kontinuerlig utgångsström vid 40° C	240W	280W
Verkningsgrad	88%	89%
Ingen belastningsingång belastningsström	< 100mA	< 80mA
Ström i viloläge	< 1mA	
Galvanisk isolering	200V DC mellan ingång, utgång och hölje	
Drifttemperaturintervall	-20 to +55°C (minskad effekt 3% per °C över 40°C)	
Luftfuktighet	Max 95% icke-kondenserande	
DC-anslutning	Skrutterminaler	
Maximalt kabeltvärsnitt	16mm ² / AWG6	
Vikt	1,3 kg (3 lb)	
Dimensioner HxBxD	130 x 186 x 70 mm (5,1 x 7,3 x 2,8 tum)	
Standarder: Säkerhet Emission Immunitet Motorfordonsdirektiv	EN 60950 EN 61000-6-3, EN 55014-1 61000-6-2, EN 61000-6-1, ISO 55014-2 ECE R10-5	



victron energy

Orion-Tr Smart isolerad laddare 360-400 Watt	12/12-30 (360W)	12/24-15 (360W)
Ingångsspänningsområde (1)	10-17V	10-17V
Avstängning underspänning	7V	7V
Omstart underspänning	7,5V	7,5V
Nominell utgångsspänning	12,2V	24,2V
Justeringsintervall utgångsspänning	10-15V	20-30V
Tolerans utgångsspänning	+/- 0,2 V	
Utgångsbrus	2 mV rms	
Kontinuerlig utgångsström vid nominell utgångsspänning och 40° C	30A	15A
Maximal utgångsström (10 sekunder) vid nominal utgångsspänning	40A	25A
Kortslutning utgångsström	60A	40A
Kontinuerlig utgångsström vid 25° C	430W	430W
Kontinuerlig utgångsström vid 40° C	360W	360W
Verkningsgrad	87%	88%
Ingen belastningsingång belastningsström	< 80mA	< 100mA
Ström i viloläge	< 1mA	
Galvanisk isolering	200V DC mellan ingång, utgång och hölje	
Drifttemperaturintervall	-20 to +55°C (minskad effekt 3% per °C över 40°C)	
Luftfuktighet	Max 95% icke-kondenserande	
DC-anslutning	Skrutterminaler	
Maximalt kabeltvärsnitt	16mm ² / AWG6	
Vikt	12V ingångsmodeller och/eller 12V utgångsmodeller: 1,8 kg (3 lb) Andra modeller: 1,6 kg (3,5 lb)	
Dimensioner HxBxD	12V ingångsmodeller och/eller 12V utgångsmodeller: 130 x 186 x 80 mm (5,1 x 7,3 x 3,2 tum) Andra modeller: 130 x 186 x 70 mm (5,1 x 7,3 x 2,8 tum)	
Standarder: Säkerhet Emission Immunitet Motorfordonsdirektiv	EN 60950 EN 61000-6-3, EN 55014-1 61000-6-2, EN 61000-6-1, ISO 55014-2 ECE R10-5	
<p>1. Om den är inställd på nominell eller lägre än nominell, kommer utspänningen att förbli stabil inom det specificerade ingångsspänningsområdet (buck-boost-funktion). Om utgångsspänningen ställs in högre än nominellt med en viss procentsats ökar den minsta ingångsspänningen vid vilken utspänningen förblir stabil (minsk ar inte) med samma procentandel.</p> <p>Obs 1: Appen VictronConnect visar inte in- eller utgående ström.</p> <p>Obs 2: Orion-Tr Smart DC-DC Charger Isolated är inte utrustad med en VE.Direct-port.</p>		

Specifikationer - fortsättning

Orion-Tr Smart isolerad laddare 360-400 Watt	24/12-30 (360W)	24/24-17 (400W)
Ingångsspänningsområde (1)	20-35V	20-35V
Avstängning underspänning	14V	14V
Omstart underspänning	15V	15V
Nominell utgångsspänning	12,2V	24,2V
Justeringsintervall utgångsspänning	10-15V	20-30V
Tolerans utgångsspänning	+/- 0,2V	
Utgångsbrus	2mV rms	
Kontinuerlig utgångsström vid nominell utgångsspänning och 40° C	30A	17A
Maximal utgångsström (10 sekunder) vid nominal utgångsspänning	45A	25A
Kortslutning utgångsström	60A	40A
Kontinuerlig utgångsström vid 25° C	430W	480W
Kontinuerlig utgångsström vid 40° C	360W	400W
Verkningsgrad	88%	89%
Ingen belastningsingång belastningsström	< 100mA	< 80mA
Ström i viloläge	< 1mA	
Galvanisk isolering	200V DC mellan ingång, utgång och hölje	
Drifttemperaturintervall	-20 to +55°C (minskad effekt 3% per °C över 40°C)	
Luftfuktighet	Max 95% icke-kondenserande	
DC-anslutning	Skrutterminaler	
Maximalt kabeltvärsnitt	16mm ² / AWG6	
Vikt	12V ingångsmodeller och/eller 12V utgångsmodeller: 1,8 kg (3 lb) Andra modeller: 1,6 kg (3,5 lb)	
Dimensioner HxBxD	12V ingångsmodeller och/eller 12V utgångsmodeller: 130 x 186 x 80 mm (5,1 x 7,3 x 3,2 tum) Andra modeller: 130 x 186 x 70 mm (5,1 x 7,3 x 2,8 tum)	
Standarder: Säkerhet Emission Immunitet Motorfordonsdirektiv	EN 60950 EN 61000-6-3, EN 55014-1 61000-6-2, EN 61000-6-1, ISO 55014-2 ECE R10-5	

1. Om den är inställd på nominell eller lägre än nominell, kommer utspänningen att förbli stabil inom det specificerade ingångsspänningsområdet (buck-boost-funktion). Om utgångsspänningen ställs in högre än nominellt med en viss procentsats ökar den minsta ingångsspänningen vid vilken utspänningen förblir stabil (minsk ar inte) med samma procentandel.

Obs 1: Appen VictronConnect visar inte in- eller utgående ström.

Obs 2: Orion-Tr Smart DC-DC Charger Isolated är inte utrustad med en VE.Direct-port.



1. Opis ogólny

Ładowarek Orion-Tr Smart DC-DC Charger Isolated można używać jako zasilaczy lub ładowarek akumulatorowych. W trybie ładowarki trójstanowy algorytm ładowania zapewnia właściwe ładowanie akumulatora przyczyniając się do wydłużenia jego żywotności. Kontrolowane ładowanie jest koniecznością szczególnie w pojazdach wyposażonych w inteligentny alternator, lub w przypadku spadku napięcia spowodowanego długimi ciągami kablowymi. Kontrolowane ładowanie chroni również alternator w instalacjach litowych, w których bezpośrednie ładowanie może doprowadzić do przeładowania akumulatora z powodu niskiej impedancji akumulatora litowego. W trybie zasilacza prąd wyjściowy utrzymywany jest na stałym poziomie niezależnie od obciążenia lub zmian napięcia wejściowego (w określonym zakresie).

Ładowarkę Orion-Tr Smart DC-DC Charger Isolated można skonfigurować tak, by dostarczała energii tylko wtedy, gdy silnik pracuje. Jest to możliwe dzięki wbudowanemu układowi wykrywania wyłączenia silnika. Zapobiega on również zbyt niemu obniżeniu napięcia w instalacji pokładowej pojazdu. Nie ma potrzeby dokonywania interwencji w instalację pojazdu, montowania osobnego czujnika pracy silnika, ani dokonywania zmian w układzie szyny CAN-bus. Ładowarkę Orion-Tr Smart DC-DC Charger Isolated można również uruchomić funkcją wymuszonego zezwolenia ładowania, np. podłączając ją do stacyjki zapłonowej.

Ładowarkę Orion-Tr Smart DC-DC Charger Isolated można w pełni programować z wykorzystaniem aplikacji VictronConnect. Odkryj wszystkie możliwości konfiguracji:

<https://www.victronenergy.com/live/victronconnect:start>

2. Charakterystyka

Możliwości inteligentnego alternatora

Celem zwiększenia oszczędności paliwa i zmniejszenia emisji spalin producenci pojazdów wprowadzają obecnie alternatory sterowane przez inteligentną ECU (Engine Control Unit - jednostkę sterowania silnikiem). Inteligentne alternatory dostarczają zmienne napięcie wyjściowe, a wyłączają się w sytuacji, gdy ich działanie nie jest konieczne. Konwertor wyposażony jest w mechanizm wykrywania pracy silnika. Chroni on konwertor przed rozładowaniem akumulatora rozruchowego w sytuacji, gdy alternator nie dostarcza energii. Więcej informacji podano w rozdziale 5 niniejszej.

Rozdzielenie akumulatora rozruchowego i akumulatora głównego

Gdy silnik jest wyłączony, ładowarka Orion-Tr Smart DC-DC Charger Isolated (izolowana) rozdziela akumulator rozruchowy od akumulatora głównego.

Wszeczhronna elektroniczna ochrona

Ochrona przed przegrzaniem i zmniejszeniem mocy w wysokiej temperaturze.

Ochrona przed przeładowaniem.

Ochrona przed zwarciem.

Ochrona przed przegrzaniem złącza.

Adaptacyjne ładowanie trzystopniowe

Ładowarka Orion-Tr Smart DC-DC Charger Isolated (izolowana) skonfigurowana jest do ładowania trzystopniowego:

Ładowanie stałoprądowe - Ładowanie absorpcyjne - Ładowanie płynne

Ładowanie stałoprądowe

Podczas tego etapu sterownik podaje możliwy maksymalny prąd w celu szybkiego doładowania akumulatorów.

Ładowanie absorpcyjne

W chwili, gdy napięcie akumulatora osiąga ustalone napięcie



ładowania absorpcyjnego, sterownik przełącza się w tryb napięcia stałego. W przypadku akumulatorów ołowiowo-kwasowych ważną kwestią jest to, by w sytuacji niewielkiego rozładowania czas ładowania absorpcyjnego był krótki, a ma to na celu zapobieżenie nadmiernemu naładowaniu akumulatora. Po głębokim rozładowaniu czas ładowania absorpcyjnego automatycznie się wydłuża, dzięki czemu akumulator zostaje w pełni doładowany. W przypadku akumulatorów litowych czas ładowania absorpcyjnego jest stały, i zwykle wynosi 2 godziny. Tryb stały lub adaptacyjny można wybrać w ustawieniach akumulatora.

Ładowanie płynne

Podczas tego etapu do akumulatora podawany jest prąd o zmiennym napięciu, dzięki czemu utrzymuje się stan pełnego naładowania akumulatora. W sytuacji, gdy napięcie akumulatora spadnie znacznie poniżej tego poziomu, przykładowo w wyniku dużego poboru energii przez co najmniej 1 minutę, rozpoczyna się nowy cykl ładowania.

Algorytm ładowania elastycznego

Programowalny algorytm ładowania, i osiem zaprogramowanych ustawień akumulatora.

Konfiguracji można dokonać korzystając z aplikacji VictronConnect.

Adaptacyjny czas absorpcji

Układ automatycznie oblicza odpowiedni czas absorpcji. Konfiguracji można dokonać korzystając z aplikacji VictronConnect.

Konfiguracja i monitorowanie

Wbudowany układ Bluetooth Smart: bezprzewodowy układ umożliwiający konfigurację, monitorowanie i aktualizację sterownika za pomocą smartfonów Apple i Android, tabletów lub innych urządzeń.

Aplikacja VictronConnect umożliwia konfigurację szeregu parametrów.

Aplikację VictronConnect można pobrać z:

<http://www.victronenergy.nl/support-and-downloads/software/>

Prosimy zapoznać się z treścią instrukcji obsługi VictronConnect, dzięki czemu w pełni wykorzystają Państwo możliwości aplikacji po połączeniu z Orion Smart:

<https://www.victronenergy.com/live/victronconnect:start>

Odcięcie obwodu wejściowego

W sytuacji spadku napięcia wejściowego poniżej wartości odcięcia następuje wyłączenie układu, natomiast w chwili, gdy napięcie wzrośnie powyżej wartości ponownego uruchomienia następuje jego ponowne włączenie.

Konfiguracji można dokonać korzystając z aplikacji VictronConnect.

Zdalne włączenie-wyłączenie

Korzystając z tej funkcji konwerter można zdalnie włączyć lub wyłączyć za pomocą zdalnego złącza wł./wył. lub aplikacji VictronConnect. Typowe przypadki użycia obejmują przewodowy przełącznik obsługiwany przez użytkownika oraz sterowanie automatyczne, nadzorowane przykładowo przez układ zarządzania akumulatorem. Jeśli na biegunie ujemnym akumulatora głównego potencjał jest inny, niż na biegunie ujemnym alternatora lub akumulatora rozruchowego, konieczny jest izolowany kabel zdalnego włączenia/wyłączenia pomiędzy BMS a portem wł./wył., patrz szczegóły w rozdziale 4.4.

3. Instrukcje bezpieczeństwa

PROSIMY ZACHOWAĆ NINIEJSZĄ INSTRUKCJĘ - W niniejszej instrukcji obsługi zawarto ważne zalecenia, których należy przestrzegać dokonując montażu i konserwacji.



Zagrożenie wybuchem w wyniku iskrzenia

Zagrożenie porażeniem prądem

- Przed przystąpieniem do montażu i rozpoczęciem użytkowania urządzenia należy uważnie zapoznać się z treścią niniejszej instrukcji.
- Urządzenie należy instalować w miejscu, w którym nie jest narażone na działanie wysokiej temperatury. Należy dopilnować, by w bezpośredniej bliskości urządzenia nie było żadnych środków chemicznych, plastikowych elementów, zasłon ani innych tkanin.
- Nagrzewanie się ładowarki Orion-Tr Smart DC-DC Charger Isolated podczas pracy jest zjawiskiem normalnym. Wszelkie materiały wrażliwe na ciepło należy odsunąć od urządzenia.
- Urządzenie należy eksploatować we właściwych warunkach roboczych. Urządzenia nie wolno eksploatować w wilgotnym otoczeniu.
- Urządzenia nie wolno eksploatować w miejscach, w których istnieje zagrożenie wybuchem gazu lub pyłu.
- Podczas ładowania należy zapewnić właściwą wentylację.
- Ładowarki nie należy przykrywać.
- Aby sprawdzić, czy akumulator jest odpowiedni dla urządzenia, należy zapoznać się ze specyfikacjami dostarczonymi przez producenta akumulatora. Należy bezwzględnie przestrzegać instrukcji dotyczących bezpieczeństwa dostarczonych przez producenta akumulatora.

- Oprócz niniejszej instrukcji, każda instrukcja obsługi lub instrukcja serwisowa systemu musi zawierać instrukcję konserwacji zastosowanych typów akumulatorów.
- Nie umieszczać ładowarki na akumulatorze podczas jego ładowania.
- Zapobiegać powstawaniu iskier w pobliżu akumulatora. Ładowany akumulator może wydzielać wybuchowe gazy.
- Z urządzenia nie powinny korzystać osoby (co obejmuje również dzieci) o ograniczonych możliwościach motorycznych, sensorycznych lub umysłowych, którym brak doświadczenia i wiedzy, chyba że zapewniono im nadzór lub zapewniono stosowne przeszkolenie.
- Do połączeń należy używać elastycznego, wielożyłowego przewodu miedzianego. Maksymalna średnica/przekrój pojedynczych żył powinna wynosić 0,4 mm/0,125 mm² (0,016"/AWG26).
- Instalacja musi być wyposażona w bezpiecznik zgodnie z zaleceniami podanymi w tabeli „ZALECENIA DOTYCZĄCE KABLA I BEZPIECZNIKA”.



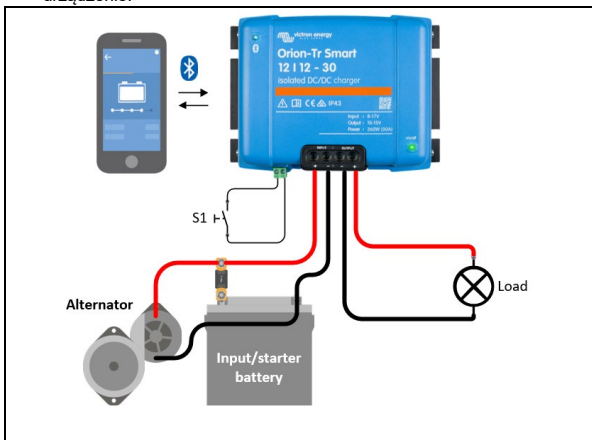
4. Montaż

4.1 Informacje ogólne

- Urządzenie należy montować pionowo, na niepalnej płaszczyźnie, a jego zaciski zasilania powinny być skierowane ku dołowi. Pod i nad urządzeniem należy zachować co najmniej 10 cm wolnej przestrzeni, dzięki czemu zapewni się jego odpowiednie chłodzenie.
- Urządzenie należy zamontować w pobliżu akumulatora, lecz nigdy bezpośrednio nad akumulatorem (by nie dopuścić do uszkodzenia urządzenia w wyniku wydzielania się gazu z akumulatora).

4.2 Układ połączeń dla trybu zasilania

1. Należy odłączyć zdalny włącznik/wyłącznik (usunąć mostek kablowy).
2. Podłączyć wejściowe kable zasilania.
3. Włączyć aplikację VictronConnect, by skonfigurować urządzenie. **(przed dokonaniem połączenia równoległego lub podłączenie akumulatora zawsze należy wyregulować napięcie wyjściowe)**
4. Podłączyć odbiorniki energii. Konwerter jest gotowy do eksploatacji.
5. Należy ponownie podłączyć włącznik/wyłącznik, by uruchomić urządzenie.



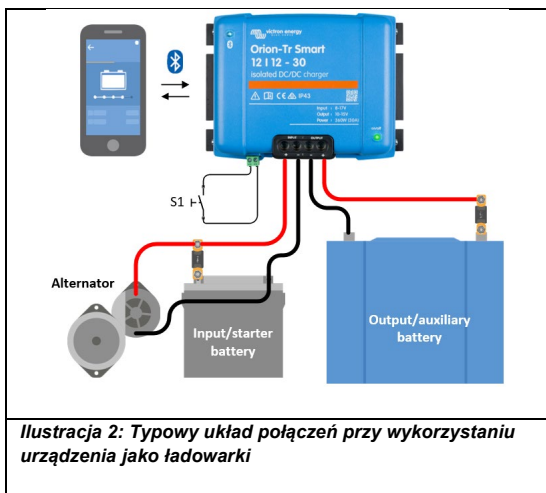
Ilustracja 1: Typowy układ połączeń przy wykorzystaniu urządzenia jako konwertera DC-DC

4.3 Układ połączeń dla trybu ładowarki

1. Należy odłączyć zdalny włącznik/wyłącznik (usunąć mostek kablowy).
2. Podłączyć wejściowe kable zasilania.
3. Włączyć aplikację VictronConnect, by skonfigurować urządzenie.

(przed podłączeniem akumulatora należy zawsze skonfigurować właściwy algorytm ładowania)

4. Podłączyć akumulator przeznaczony do ładowania.
5. Należy ponownie podłączyć włącznik/wyłącznik, by uruchomić urządzenie.

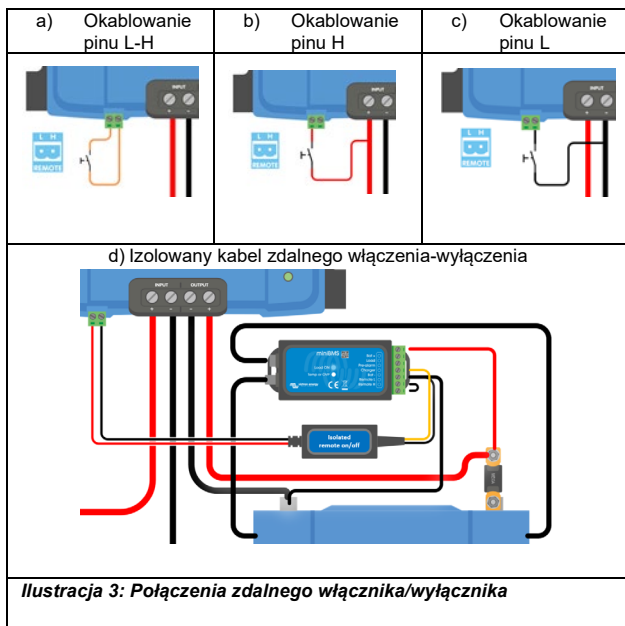


4.4 Podłączenie zdalnego wyłącznika/wyłącznika

Zalecane wykorzystanie zdalnego wyłącznika/wyłącznika to:

- a) Przelącznik podłączony pomiędzy pinami L-H (Impedancja pomiędzy pinami L-H: <math>< 500k\Omega</math>)
- b) Przelącznik podłączony pomiędzy plusowym biegunem akumulatora (wejście/rozrusznik) a pinem H (poziom: >3V)
- c) Przelącznik pomiędzy pinem L a masą (wejście/rozrusznik) (poziom: <math>< 5V</math>)
- d) Izolowany kabel zdalnego włączenia-wyłączenia, np. sterowany urządzeniem (mini)BMS

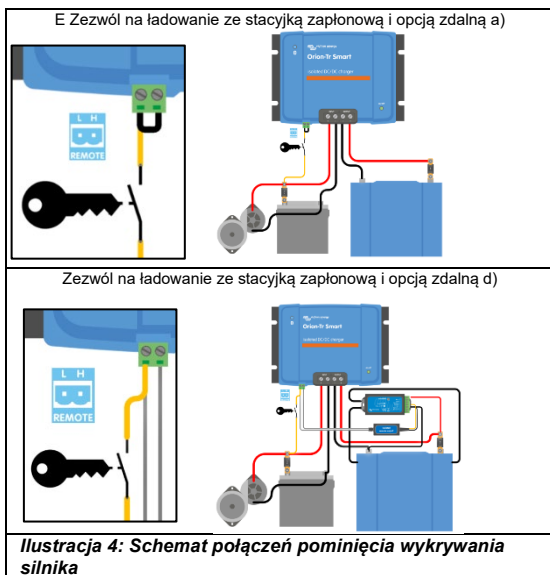
Uwaga: Tolerancja napięcia pinu L i H: +/- 70V_{DC}



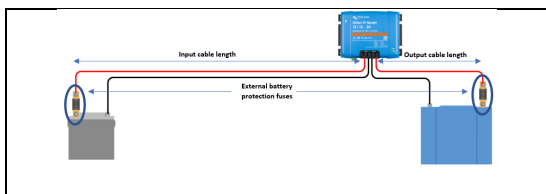
4.5 Pominięcie układu wykrywania silnika

W trybie ładowania „sekwencja wykrywania włączenia silnika” decyduje, czy spełnione są warunki rozpoczęcia ładowania, patrz rozdział 5. Funkcja „pominięcia wykrywania silnika” wymusza zezwolenie ładowarki na rozpoczęcie ładowania niezależnie od wykrycia włączenia silnika. Funkcja pominięcia wykrywania silnika uruchamiana jest przez przyłożenie napięcia >7 V do zdalnego pinu L. Umożliwia to zewnętrznemu regulatorowi (np. stacyjce zapłonowej, silnikowi CAN-bus w detektorze) rozpoczęcie ładowania.

Funkcja ta nie ma pierwszeństwa w stosunku do funkcji zdalnej, zatem połączenie zdalne a), b) lub d) należy skonfigurować w połączeniu z funkcją pominięcia wykrywania silnika. Patrz przykłady na ilustracji 4.



4.6 Zalecenia dotyczące kabla i bezpiecznika



Ilustracja 5: Zalecenia dotyczące kabla i bezpiecznika

		Minimalna grubość kabla		
Napięcie znamionowe (wejściowe lub wyjściowe)	Zewnętrzny akumulator Bezpiecznik ochronny	1m	2m	5m
12V	60A	10mm ²	10mm ²	16mm ²
24V	30A	6mm ²	6mm ²	10mm ²

4.7 Zalecany moment obrotowy



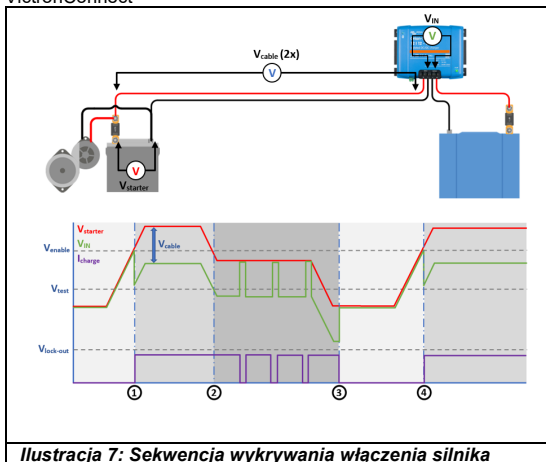
Ilustracja 6: Zalecany moment obrotowy

5. Kompatybilność inteligentnego alternatora

Wykrywanie pracy silnika opiera się na napięciu akumulatora rozruchowego. Z powodu spadku napięcia w kablu wejściowym ładowarka nie zawsze może zmierzyć dokładne napięcie akumulatora rozruchowego. Spadek napięcia określają zmienne, jak natężenie prądu oraz długość i grubość kabla. Funkcja "sekwencji wykrywania włączenia silnika" (patrz ilustracja 7) dokonuje okresowych sprawdzianów celem określenia dokładnego napięcia akumulatora rozruchowego podczas ładowania. Wynik sprawdzianu określa, czy silnik pracuje i czy można umożliwić ładowanie.

Ta funkcja aktywna jest wyłącznie w trybie ładowarki i gdy funkcja "pominięcia wykrywania silnika" nie jest włączona. W trybie konwertora "odcięcie napięcia wejściowego" określa, kiedy wyjście jest aktywne.

Konfiguracji można dokonać korzystając z aplikacji VictronConnect



Ilustracja 7: Sekwencja wykrywania włączenia silnika

0 → 1:

Gdy silnik pracuje, napięcie alternatora się zwiększy; ładowanie rozpoczyna się w chwili, gdy $V_{\text{rozrusznika}}$ przewyższy napięcie $V_{\text{zezwolenia}}$ na ładowanie.

1 → 2:

Z powodu na natężenia prądu ładowania nastąpi spadek napięcia ładowania na kablu wejściowym (V_{kabel}), napięcie to redukuje napięcie na wejściu ładowarki (V_{IN}). Gdy V_{IN} utrzymuje się powyżej V_{test} , ładowanie jest możliwe.

2 → 3:

Jeśli V_{IN} spadnie poniżej V_{test} , uruchamia się "sekwencja wykrywania włączenia silnika. Działanie ładowarki wstrzymywane jest co 2 minuty celem dokonania pomiaru napięcia. Bez przepływu prądu V_{IN} jest równe V_{rozruchu} , jeśli V_{IN} jest wyższe od V_{test} , ładowanie będzie kontynuowane. W takim stanie test dokonywany jest co 2 minuty.

3 → 4:

W trakcie sekwencji wykrywania V_{IN} spadło poniżej V_{test} , oznacza to, że silnik przestał pracować i ładowanie należy przerwać, sekwencja ładowania zostaje wstrzymana.

4 → 5:

V_{IN} wzrasta powyżej $V_{\text{zezwolenia}}$, sekwencja ładowania trwa nadal.

6. Wskazania LED

Niebieska dioda LED zarezerwowana jest dla funkcji Bluetooth, a zielona LED określa stan urządzenia.

LED stanu urządzenia (Zielona dioda LED)

- **LED wyłączona:**
 - Brak napięcia wejściowego;
 - Zdalne wyłączenie;
 - Wyłączenie przez użytkownika;
 - Ochrona przed przegrzaniem złącza
 - Odcięcie w przypadku pod napięcia zdefiniowane przez użytkownika
 - Wykryto wyłączenie silnika (w trybie ładowarki)
- **LED włączona:**
 - Wyjście aktywne w trybie konwertera DC/DC;
 - Ładowarka w stanie ładowania płynnego (akumulator naładowany);
- **Miganie LED z częstotliwością 1,25 Hz:**
 - Ładowarka w stanie ładowania stałoprądowego lub absorpcyjnego (akumulator w trakcie ładowania)

BLE LED (Niebieska LED)

- **LED wyłączona:**
 - Brak napięcia wejściowego;
- **LED miga z częstotliwością 0,33 Hz:**
 - Błąd - wymaga skontrolowania w aplikacji VictronConnect;
- **LED miga z częstotliwością 1,25 Hz:**
 - Połączenie przez Bluetooth;
- **LED miga z częstotliwością 2,5 Hz:**
 - Identyfikacja;
- **LED włączona:**
 - Wszystkie pozostałe stany;



7. Dane techniczne

Ładowarka Orion-Tr Smart (izolowana) 220-280 Watt	12/12-18 (220W)	12/24-10 (240W)
Zakres napięcia wejściowego (1)	8-17V	8-17V
Wyłączenie przy podnapięciu	7V	7V
Restart przy podnapięciu	7,5V	7,5V
Nominalne napięcie wyjściowe	12,2V	24,2V
Zakres regulacji napięcia wyjściowego	10-15V	20 – 30V
Tolerancja napięcia wyjściowego	+/- 0,2V	
Szum wyjścia	2mV rms	
Stały prąd wyjściowy przy nominalnym napięciu wyjściowym i 40°C	18A	10A
Maksymalne natężenie prądu wyjściowego (10 s) przy nominalnym napięciu wyjściowym	25A	15A
Wyjściowy prąd zwarciov	40A	25A
Ciągła moc wyjściowa przy 25°C	280W	280W
Ciągła moc wyjściowa przy 40°C	220W	240W
Sprawność	87%	88%
Prąd wejściowy bez obciążenia	< 80mA	< 100mA
Pobór prądu w trybie czuwania	< 1mA	
Izolacja galwaniczna	200V prądu stałego pomiędzy wejściem, wyjściem i obudową	
Zakres temperatury roboczej	-20 do +55°C (spadek 3% na °C powyżej 40°C)	
Wilgotność	Maks. 95% bez kondensacji	
Złącze prądu stałego (DC)	Zaciski przykręcane	
Maksymalny przekrój przewodu	16mm ² AWG6	
Masa	1,3 kg (3 lb)	
Wymiary wys. x szer. x gł.	130 x 186 x 70 mm (5,1 x 7,3 x 2,8 cala)	
Normy: Bezpieczeństwo	EN 60950	
Emisja	EN 61000-6-3, EN 55014-1	
Odporność	EN 61000-6-2, EN 61000-6-1, EN 55014-2	
Dyrektywa motoryzacyjna	ECE R10-5	

EN

NL

FR

DE

SE

PL



Specyfikacja - ciąg dalszy

Ladowarka Orion-Tr Smart (izolowana) 220 - 280 Watt	24/12-20 (240W)	24/24-12 (280W)
Zakres napięcia wejściowego (1)	16-35V	16-35V
Wyłączenie przy podnapięciu	14V	14V
Restart przy podnapięciu	15V	15V
Nominalne napięcie wyjściowe	12,2V	24,2V
Zakres regulacji napięcia wyjściowego	10-15V	20 – 30V
Tolerancja napięcia wyjściowego	+/- 0,2V	
Szum wyjścia	2mV rms	
Stały prąd wyjściowy przy nominalnym napięciu wyjściowym i 40°C	20A	12A
Maksymalne natężenie prądu wyjściowego (10 s) przy nominalnym napięciu wyjściowym	25A	15A
Wyjściowy prąd zwarcia	50A	30A
Ciągła moc wyjściowa przy 25°C	300W	320W
Ciągła moc wyjściowa przy 40°C	240W	280W
Sprawność	88%	89%
Prąd wejściowy bez obciążenia	< 100mA	< 80mA
Pobór prądu w trybie czuwania	< 1mA	
Izolacja galwaniczna	200V prądu stałego pomiędzy wejściem, wyjściem i obudową	
Zakres temperatury roboczej	-20 do +55°C (spadek 3% na °C powyżej 40°C)	
Wilgotność	Maks. 95% bez kondensacji	
Złącze prądu stałego (DC)	Zaciski przykręcane	
Maksymalny przekrój przewodu	16mm ² AWG6	
Masa	1,3 kg (3 lb)	
Wymiary wys. x szer. x gł.	130 x 186 x 70 mm (5,1 x 7,3 x 2,8 cala)	
Normy: Bezpieczeństwo	EN 60950	
Emisja	EN 61000-6-3, EN 55014-1	
Odporność	EN 61000-6-2, EN 61000-6-1, EN 55014-2	
Dyrektywa motoryzacyjna	ECE R10-5	

Specyfikacja - ciąg dalszy

Ładowarka Orion-Tr Smart Isolated 360 - 400 Watt	12/12-30 (360W)	12/24-15 (360W)
Zakres napięcia wejściowego (1)	10-17V	10-17V
Wyłączenie przy podnapięciu	7V	7V
Restart przy podnapięciu	7,5V	7,5V
Nominalne napięcie wyjściowe	12,2V	24,2V
Zakres regulacji napięcia wyjściowego	10-15V	20 – 30V
Tolerancja napięcia wyjściowego	+/- 0,2V	
Szum wyjścia	2mV rms	
Stały prąd wyjściowy przy nominalnym napięciu wyjściowym i 40°C	30A	15A
Maksymalne natężenie prądu wyjściowego (10 s) przy nominalnym napięciu wyjśc.	40A	25A
Wyjściowy prąd zwarciovy	60A	40A
Ciągła moc wyjściowa przy 25°C	430W	430W
Ciągła moc wyjściowa przy 40°C	360W	360W
Sprawność	87%	88%
Prąd wejściowy bez obciążenia	< 80mA	< 100mA
Pobór prądu w trybie czuwania	< 1mA	
Izolacja galwaniczna	200V prądu stałego pomiędzy wejściem, wyjściem i obudową	
Zakres temperatury roboczej	-20 do +55°C (spadek 3% na °C powyżej 40°C)	
Wilgotność	Maks. 95% bez kondensacji	
Złącze prądu stałego (DC)	Zaciski przykręcane	
Maksymalny przekrój przewodu	16mm ² AWG6	
Masa	Modele o napięciu wejściowym 12V i/lub napięciu wyjściowym 12V: 1,8 kg (3 lb) Inne modele: 1,6 kg (3,5 lb)	
Wymiary wys. x szer. x gł.	Modele o napięciu wejściowym 12V i/lub napięciu wyjściowym 12V: 130 x 186 x 80 mm (5,1 x 7,3 x 3,2 cala) Inne modele: 130 x 186 x 70 mm (5,1 x 7,3 x 2,8 cala)	
Normy: Bezpieczeństwo	EN 60950	
Emisja	EN 61000-6-3, EN 55014-1	
Oporność	EN 61000-6-2, EN 61000-6-1, EN 55014-2	
Dyrektywa motoryzacyjna	ECE R10-5	
<p>1. W przypadku ustawienia napięcia wyjściowego na poziomie nominalnym lub niższym od nominalnego, pozostanie ono stabilne w określonym zakresie napięcia wejściowego (funkcja stabilizacji napięcia "buck-boost") W przypadku ustawienia napięcia wyjściowego na poziomie wyższym, niż nominalny o określoną wartość procentową, minimalne napięcie wejściowe, przy którym napięcie wyjściowe pozostaje stabilne (nie ulega zmniejszeniu) zwiększa się o taką samą wartość procentową. Uwaga 1) Aplikacja VictronConnect nie wyświetla prądu wejściowego ani wyjściowego. Uwaga 1) Orion-Tr Smart DC-DC Charger Isolated nie jest wyposażony w port VE.Direct.</p>		

EN

NL

FR

DE

SE

PL



Specyfikacja - ciąg dalszy

Ładowarka Orion-Tr Smart (izolowana) 360 - 400 Watt	24/12-30 (360W)	24/24-17 (400W)
Zakres napięcia wejściowego (1)	20-35V	20-35V
Wyłączenie przy podnapięciu	14V	14V
Restart przy podnapięciu	15V	15V
Nominalne napięcie wyjściowe	12,2V	24,2V
Zakres regulacji napięcia wyjściowego	10-15V	20 – 30V
Tolerancja napięcia wyjściowego	+/- 0,2V	
Szum wyjścia	2mV rms	
Stały prąd wyjściowy przy nominalnym napięciu wyjściowym i 40°C	30A	17A
Maksymalne natężenie prądu wyjściowego (10 s) przy nominalnym napięciu wyjśc.	45A	25A
Wyjściowy prąd zwarcia	60A	40A
Ciągła moc wyjściowa przy 25°C	430W	480W
Ciągła moc wyjściowa przy 40°C	360W	400W
Sprawność	88%	89%
Prąd wejściowy bez obciążenia	< 100mA	< 80mA
Pobór prądu w trybie czuwania	< 1mA	
Izolacja galwaniczna	200V prądu stałego pomiędzy wejściem, wyjściem i obudową	
Zakres temperatury roboczej	-20 do +55°C (spadek 3% na °C powyżej 40°C)	
Wilgotność	Maks. 95% bez kondensacji	
Złącze prądu stałego (DC)	Zaciski przykręcane	
Maksymalny przekrój przewodu	16mm ² AWG6	
Masa	Modele o napięciu wejściowym 12V i/lub napięciu wyjściowym 12V: 1,8 kg (3 lb) Inne modele: 1,6 kg (3,5 lb)	
Wymiary wys. x szer. x gł.	Modele o napięciu wejściowym 12V i/lub napięciu wyjściowym 12V: 130 x 186 x 80 mm Inne modele: 130 x 186 x 70 mm	
Normy: Bezpieczeństwo	EN 60950	
Emisja	EN 61000-6-3, EN 55014-1	
Odporność	EN 61000-6-2, EN 61000-6-1, EN 55014-2	
Dyrektywa motoryzacyjna	ECE R10-5	
1. W przypadku ustawienia napięcia wyjściowego na poziomie nominalnym lub niższym od nominalnego, pozostanie ono stabilne w określonym zakresie napięcia wejściowego (funkcja stabilizacji napięcia "buck-boost") W przypadku ustawienia napięcia wyjściowego na poziomie wyższym, niż nominalny o określoną wartość procentową, minimalne napięcie wejściowe, przy którym napięcie wyjściowe pozostaje stabilne (nie ulega zmniejszeniu) zwiększa się o taką samą wartość procentową. Uwaga 1) Aplikacja VictronConnect nie wyświetla prądu wejściowego ani wyjściowego. Uwaga 1) Orion-Tr Smart DC-DC Charger Isolated nie jest wyposażony w port VE.Direct.		

Victron Energy Blue Power

Distributor:

Serial number:

Version : 05
Date : July 21st, 2020

Victron Energy B.V.
De Paal 35 | 1351 JG Almere
PO Box 50016 | 1305 AA Almere | The Netherlands

General phone : +31 (0)36 535 97 00
E-mail : sales@victronenergy.com

www.victronenergy.com

