



# Outdoor Cabinetry

Marine Grade Polymer · Factory Built to Order  
Ships in 7-10 Days



## Product Specification Guide

# The WeatherStrong Difference



WeatherStrong cabinets are manufactured in the U.S.A. from a ¾" Marine Grade waterproof polymer to stand up to the harsh elements Mother Nature can send your way. Pounding rain, hot summers and cold snowy winters are no problem. **Your WeatherStrong cabinets are tough enough to take it.** The factory finish is a wood grain textured embossed surface available in four door styles and two colors. All door handles, hinges and drawer runners are stainless steel, top rated for outdoor use. All cabinets are factory built in a variety of sizes and options, making WeatherStrong perfect for any outdoor, wet room or garage application. **WeatherStrong Ships in 7 to 10 Days.**

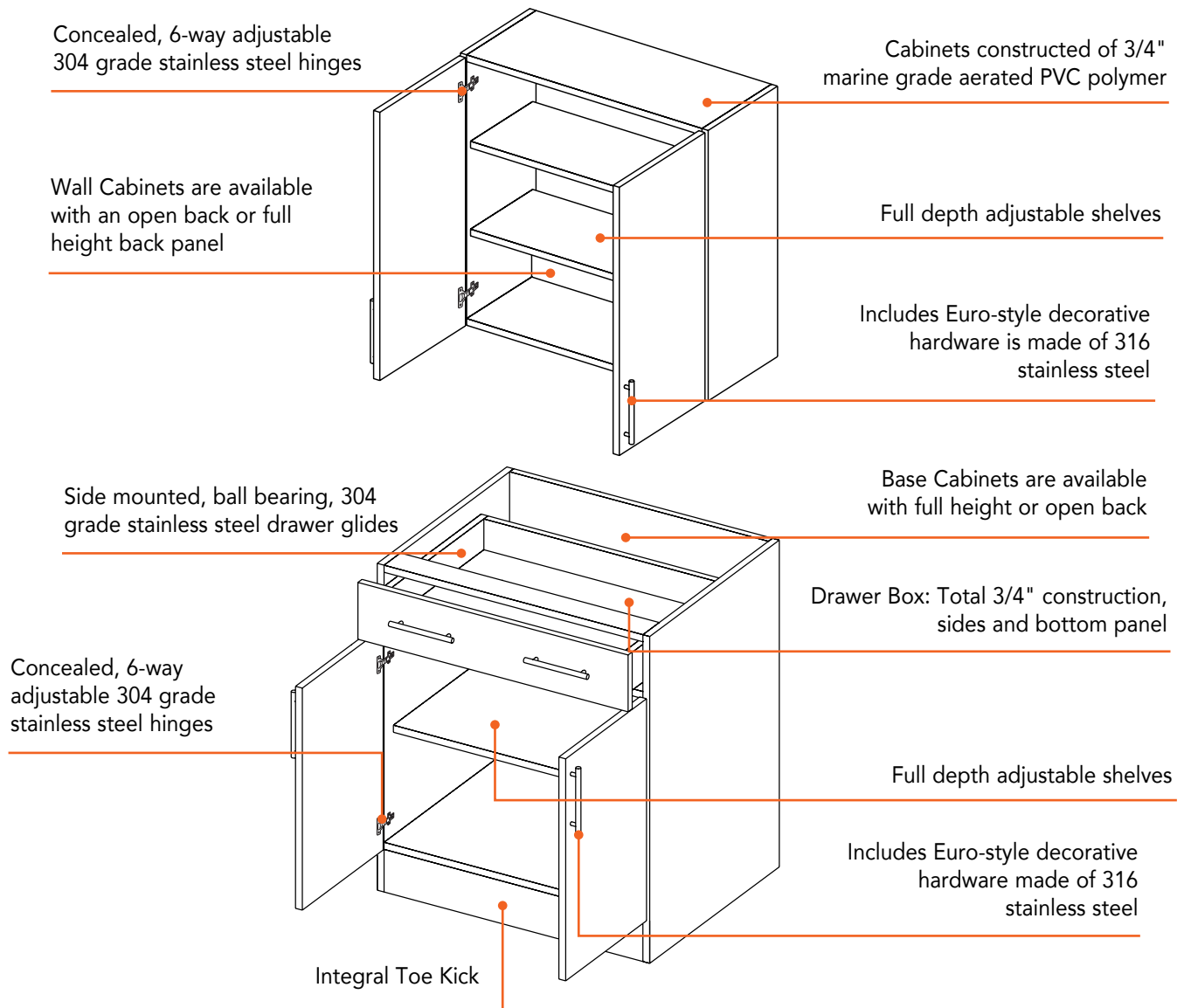
## TABLE OF CONTENTS

---

The WeatherStrong Difference.....	2
Door Styles.....	4
Finish .....	5
Wall Cabinets .....	6-7
Open Back Base Cabinets.....	8-10
Filler Strips .....	10
Island Back Base Cabinets.....	11-12
Bar Back Cabinets .....	13-14



# The WeatherStrong Difference



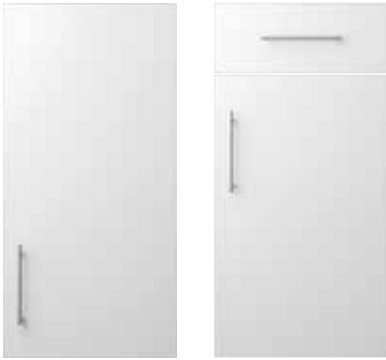
**Assembly:** WeatherStrong cabinets are built with precision dowel alignment and a fast cure solvent-free structural marine adhesive system that provides excellent flexibility, toughness and bond strength.

**Installation to Exterior Walls:** To fasten cabinets to stucco, brick, or concrete block walls stainless steel Tapcon® fasteners are recommended (3/16" x 2¾"), sold separately. For base cabinets two fasteners are recommended, and four are recommended for wall cabinet installations.

**Limitations:** WeatherStrong can be installed indoors or out. Temperatures in excess of 140° F may result in warping. In extremely warm climates consider airflow if installing in direct sunlight. Only free-standing grills with adequate space from direct heat are recommended. We do not recommend grills with insulated liners to be installed in WeatherStrong cabinets.

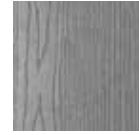
**Salt Water Environments:** Oceanfront environments with salt air and sea spray will require regular maintenance and cleaning to prevent rust from forming on the handles, hinges and drawer runners. Clean stainless steel surfaces at least two times a month to keep the chemical reaction from the salt from gaining a foothold on the hardware. With regular cleaning, your cabinets will look like new for many years. To achieve maximum corrosion and stain resistance, the surface of the stainless steel must be kept clean.

## DOOR STYLES



### MIAMI

- Flat panel door with a wood grain texture exterior finish
- Cabinets constructed of a solid 3/4" Marine Grade Polymer
- 7" 316 stainless steel Euro-style handles included
- Fully concealed 304 stainless steel hinges
- Available in Radiant White and Rustic Gray

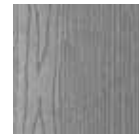


*Also available in  
Rustic Gray*



### PALM BEACH

- Flat panel door with a Shaker-inspired routed center panel design. Features a wood grain texture exterior finish
- Cabinets constructed of a solid 3/4" Marine Grade Polymer
- 7" 316 stainless steel Euro-style handles included
- Fully concealed 304 stainless steel hinges
- Available in Radiant White and Rustic Gray

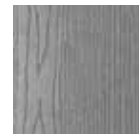


*Also available in  
Rustic Gray*



### NAPLES

- Flat panel door with a routed cottage-inspired center panel design. Features a wood grain texture exterior finish
- Cabinets constructed of a solid 3/4" Marine Grade Polymer
- 7" 316 stainless steel Euro-style handles included
- Fully concealed 304 stainless steel hinges
- Available in Radiant White and Rustic Gray



*Also available in  
Rustic Gray*



### KEY WEST

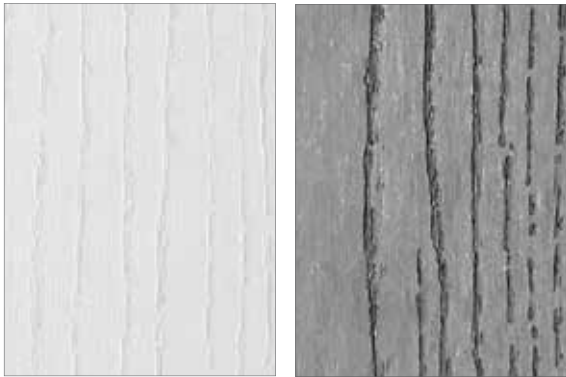
- Flat panel door with a routed louver-inspired center panel design. Features a wood grain texture exterior finish
- Cabinets constructed of a solid 3/4" Marine Grade Polymer
- 7" 316 stainless steel Euro-style handles included
- Fully concealed 304 stainless steel hinges
- Available in Radiant White and Rustic Gray



*Also available in  
Rustic Gray*



## FINISH



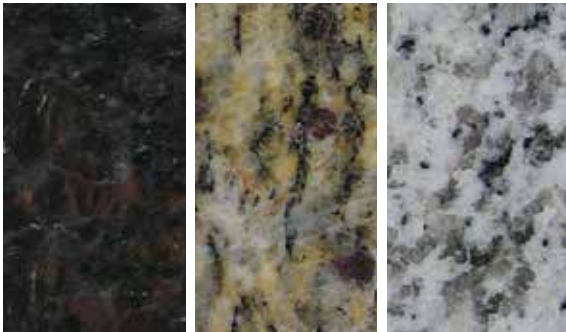
Radiant White

Rustic Gray

The factory finish is a wood grain textured embossed surface, available in four door styles in two colors.



Material features consistent color all the way through. Any unfortunate scratches or nicks will be less visible.



Countertop materials such as tile, granite, quartz, concrete or Dekton® are durable for exterior use.



7" Stainless Steel Handles

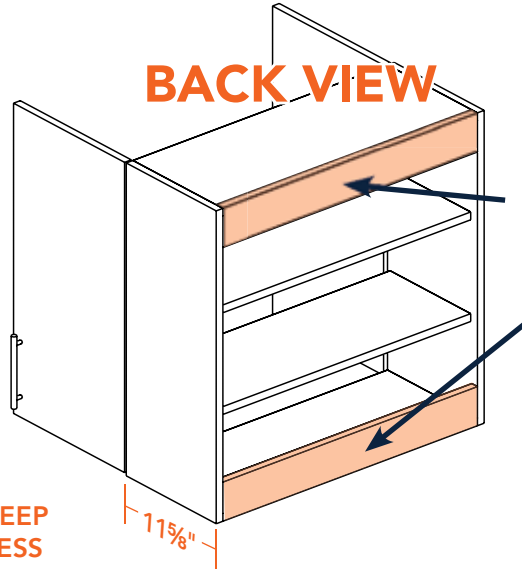


Stainless Steel Hinges

All cabinets include 7" Euro-Style 316 grade stainless steel handles and adjustable 304 grade stainless steel hinges.



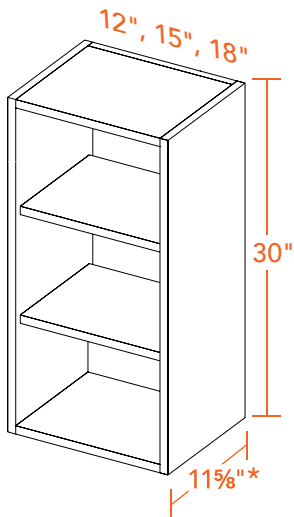
# WALL CABINETS



WeatherStrong Wall Cabinets feature an open back design with two installation rails (top and bottom) for wall mount installations.

\* WALL CABINETS ARE 11 5/8" DEEP  
ADD 3/4" FOR DOOR THICKNESS

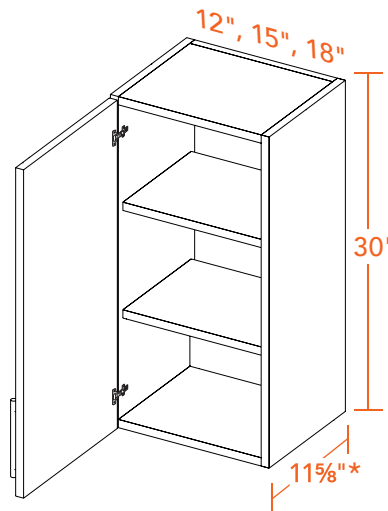
## Single Open Wall with Shelves



**WSW1230ND**  
**WSW1530ND**  
**WSW1830ND**

- 2 full depth adjustable shelves

## Single Door Wall with Shelves

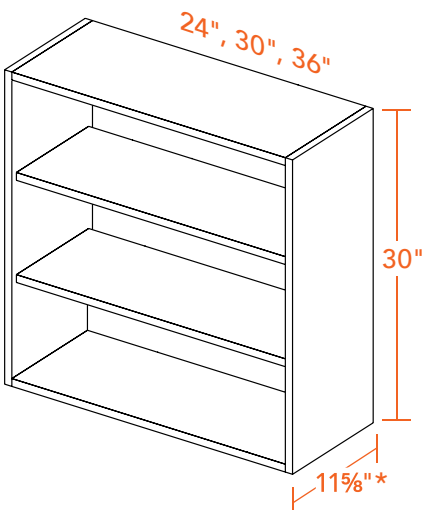


**SPECIFY**  
**RIGHT or LEFT**  
**HINGED**

**WSW1230**  
**WSW1530**  
**WSW1830**

- 2 full depth adjustable shelves

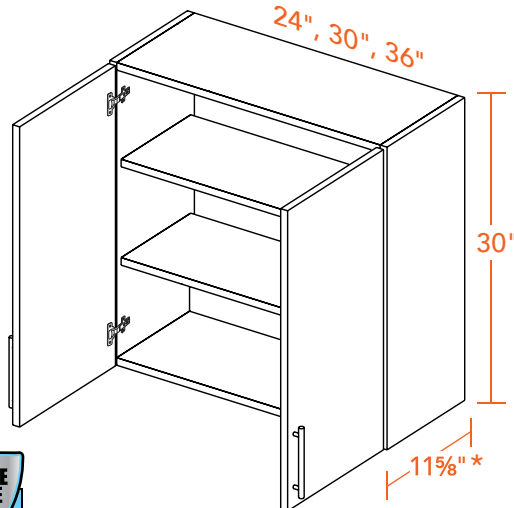
## Double Open Wall with Shelves



**WSW2430ND**  
**WSW3030ND**  
**WSW3630ND**

- 2 full depth adjustable shelves

## Double Door Wall with Shelves

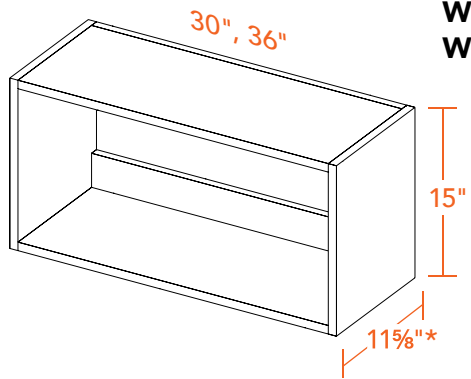


**WSW2430**  
**WSW3030**  
**WSW3630**

- 2 full depth adjustable shelves

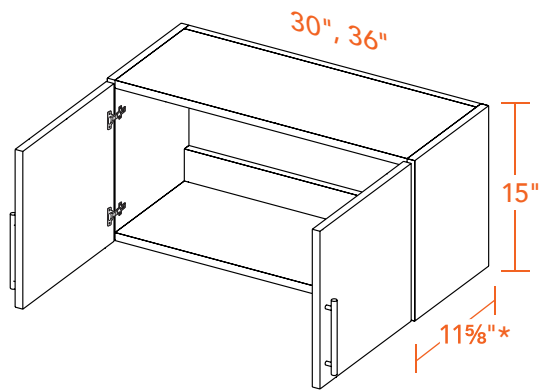


### 15" High Open Wall Bridge



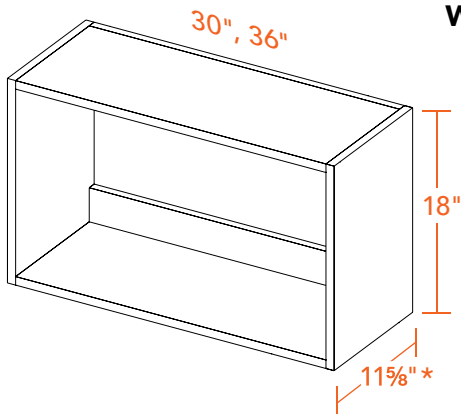
**WSW3015ND**  
**WSW3615ND**

### 15" High Double Door Wall Bridge



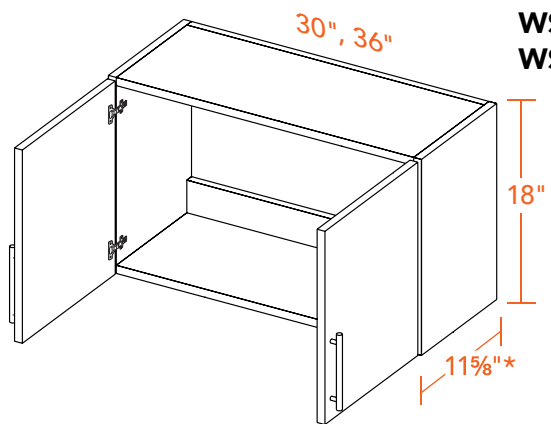
**WSW3015**  
**WSW3615**

### 18" High Open Wall Bridge



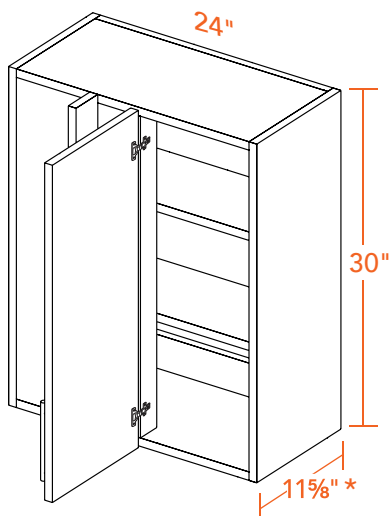
**WSW3018ND**  
**WSW3618ND**

### 18" High Double Door Wall Bridge



**WSW3018**  
**WSW3618**

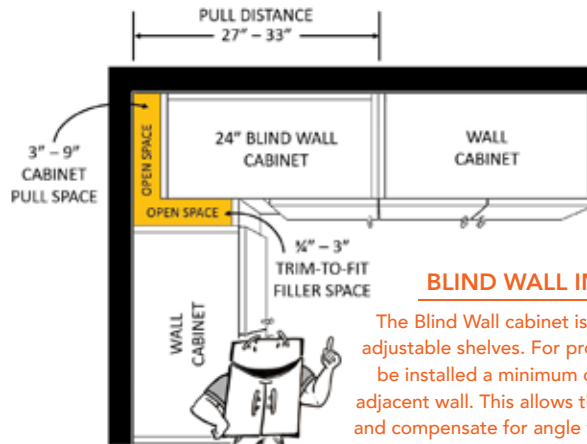
### Wall Blind



**SPECIFY**  
**RIGHT or LEFT**  
**HINGED**  
**(left shown)**

**WSWBL2730**

- 2 full depth adjustable shelves

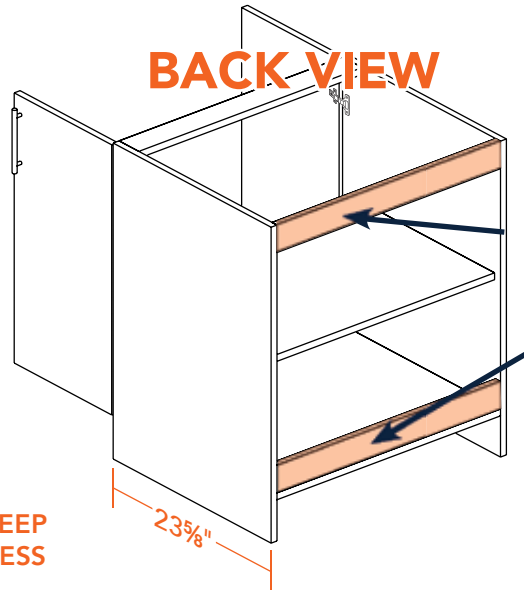


#### BLIND WALL INSTALL TIP

The Blind Wall cabinet is 24" wide, with two adjustable shelves. For proper function, it must be installed a minimum of 3" away from the adjacent wall. This allows the doors to fully open and compensate for angle variances of the inside corner. In order to accommodate multiple width requirements, the Blind Wall can be 'pulled' up to 9" away from the adjacent wall. This cabinet requires a minimum overall wall space of 27" in width to a maximum of 33" in width.



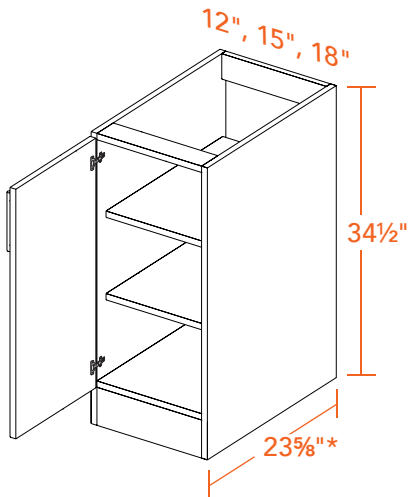
# OPEN BACK BASE CABINETS



Open Back Base Cabinets feature an open back design with two installation rails (top and bottom) for wall mount installations.

\* BASE CABINETS ARE 23 5/8" DEEP  
ADD 3/4" FOR DOOR THICKNESS

## Open Back Single Full Height Door Base

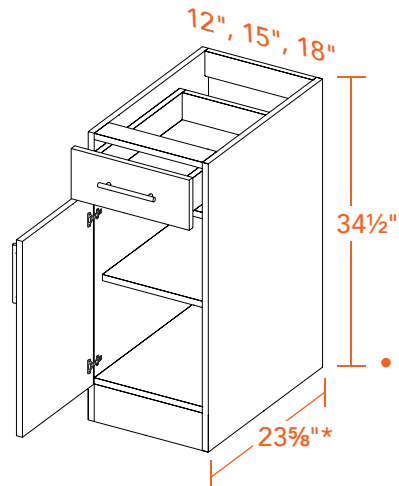


**SPECIFY  
RIGHT or LEFT  
HINGED**

**WSOB12FH  
WSOB15FH  
WSOB18FH**

- Two full-depth adjustable shelves

## Open Back Single Door/Drawer Base

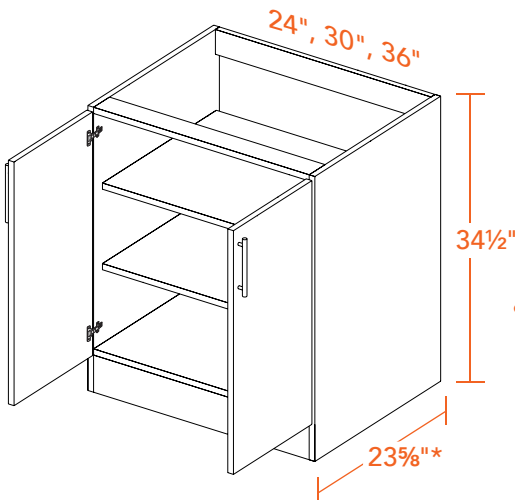


**SPECIFY  
RIGHT or LEFT  
HINGED**

**WSOB12  
WSOB15  
WSOB18**

- Single full depth adjustable shelf

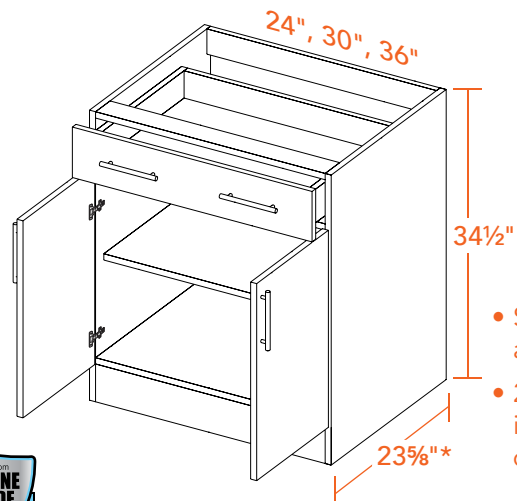
## Open Back Full Height Double Door Base



**WSOB24FH  
WSOB30FH  
WSOB36FH**

- Two full-depth adjustable shelves

## Open Back Double Door & Drawer Base



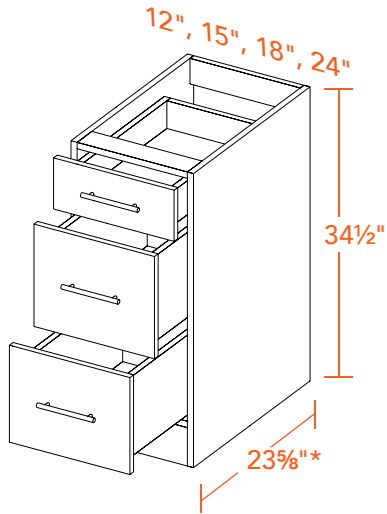
**WSOB24  
WSOB30  
WSOB36**

- Single full depth adjustable shelf
- 24" cabinet includes a single drawer pull



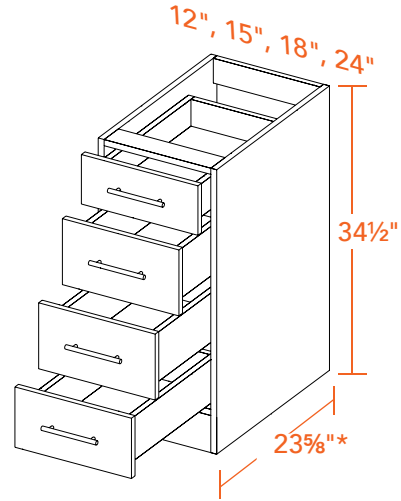


### Open Back 3 Drawer Base



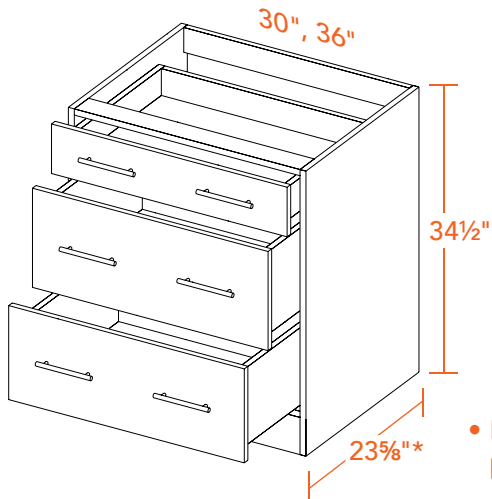
**WSOB3D12**  
**WSOB3D15**  
**WSOB3D18**  
**WSOB3D24**

### Open Back 4 Drawer Base



**WSOB4D12**  
**WSOB4D15**  
**WSOB4D18**  
**WSOB4D24**

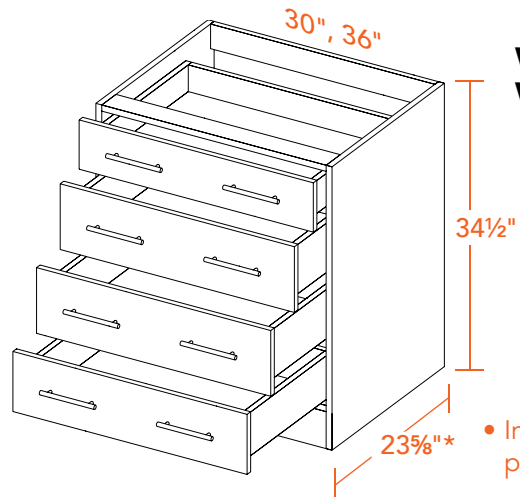
### Open Back 3 Drawer Base



**WSOB3D30**  
**WSOB3D36**

- Includes 2 pulls per drawer

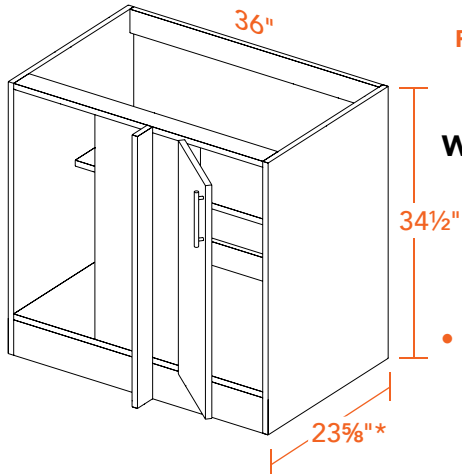
### Open Back 4 Drawer Base



**WSOB4D30**  
**WSOB4D36**

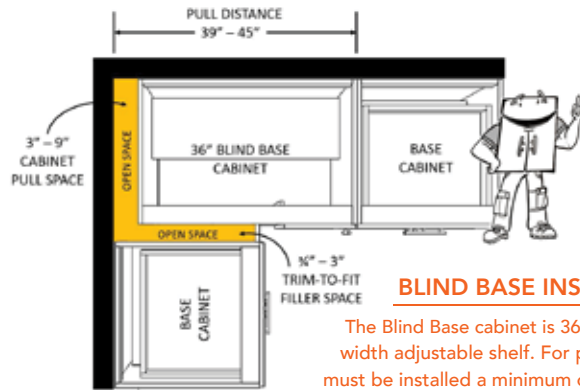
- Includes 2 pulls per drawer

### Open Back Blind Base



**SPECIFY**  
**RIGHT or LEFT**  
**HINGED**  
**(left shown)**  
**WSOBBL39FH**

- Single half-depth adjustable shelf

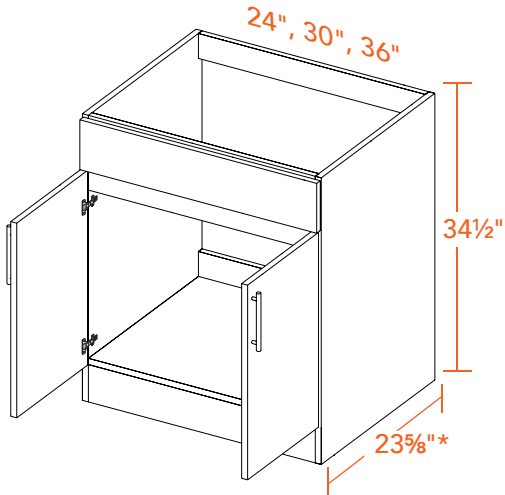


#### **BLIND BASE INSTALL TIP**

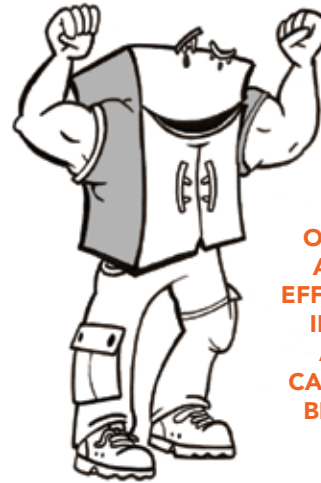
The Blind Base cabinet is 36" wide, with a full width adjustable shelf. For proper function, it must be installed a minimum of 3" away from the adjacent wall. This allows the doors to fully open and compensate for angle variances of the inside corner. In order to accommodate multiple width requirements, the Blind Base can be 'pulled' up to 9" away from the adjacent wall. This cabinet requires a minimum overall wall space of 39" in width to a maximum of 45" in width.



### Open Back Sink Base



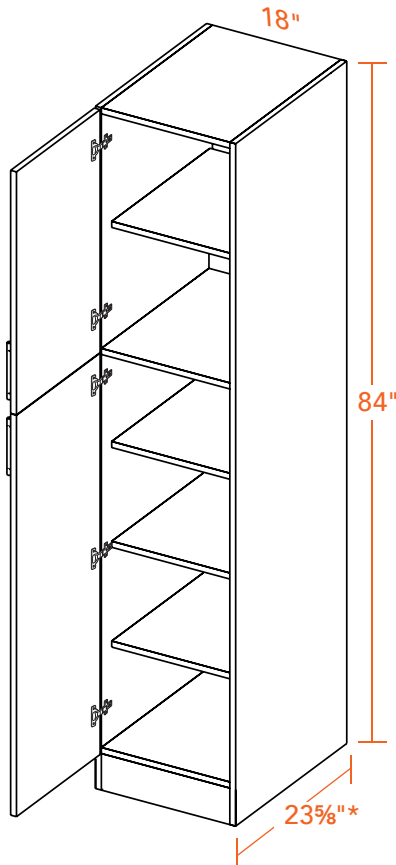
**WSOSB24  
WSOSB30  
WSOSB36**



#### DESIGN TIP

**OPEN BACK CABINETS ARE THE MOST COST EFFECTIVE OPTION WHEN INSTALLING AGAINST A WALL. FULL BACK CABINETS SHOULD ONLY BE USED FOR ISLANDS AND PENINSULAS.**

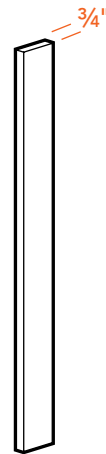
### Open Back Utility Cabinet



**SPECIFY RIGHT or LEFT HINGED (left shown)  
WSOU1884**

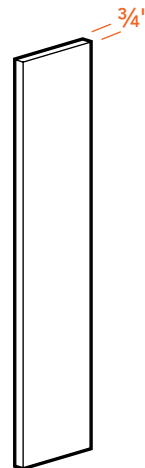
- 4 full depth adjustable shelves
- (3) 10" mounting rails - top, middle, bottom

### 3" Filler Strips



- 30" Tall  
WSF330A**
- 34.5" Tall  
WSF3345A**
- 40.5" Tall  
WSF3405**
- 84" Tall  
WSF384A**

### 9" Filler Strips



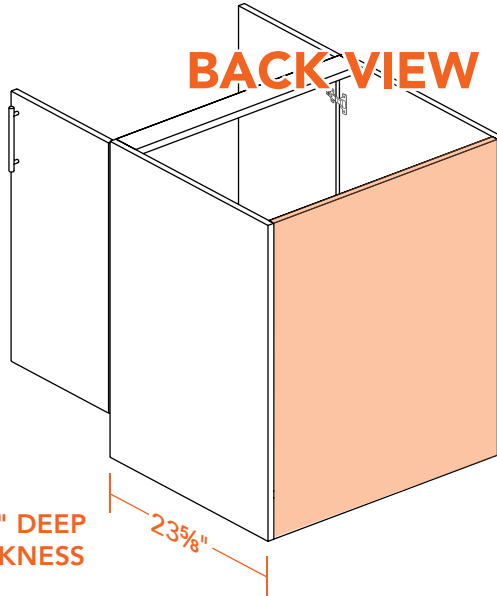
**WSF9345A**

- 34.5" tall



# ISLAND BASE CABINETS

## BACK VIEW

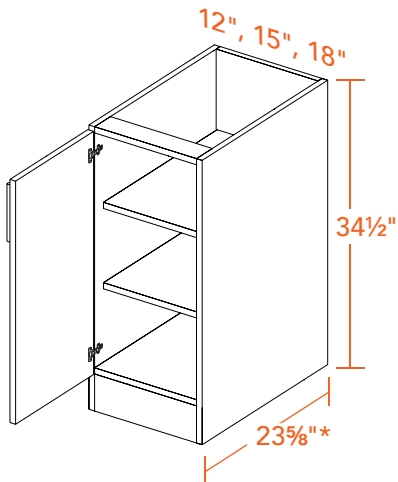


Island Base Cabinets feature a full-height 3/4" enclosed back panel, so the cabinets can be installed as a free standing island or as a peninsula extending from a wall.

**PLEASE NOTE: FREE STANDING CABINETS MUST BE SECURED TO AVOID TIPPING**

\* BASE CABINETS ARE 23 5/8" DEEP ADD 3/4" FOR DOOR THICKNESS

### Island Back Full Height Single Door Base

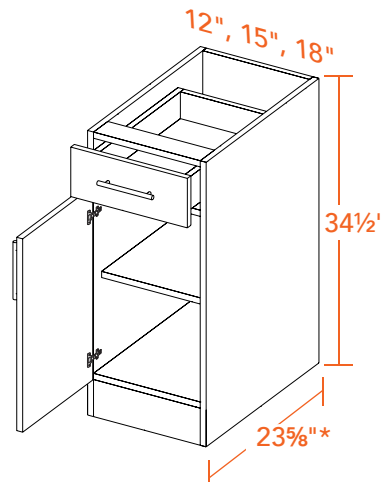


**SPECIFY RIGHT or LEFT HINGED**

**WSIB12FH  
WSIB15FH  
WSIB18FH**

- Two full depth adjustable shelves

### Island Back Single Door Base

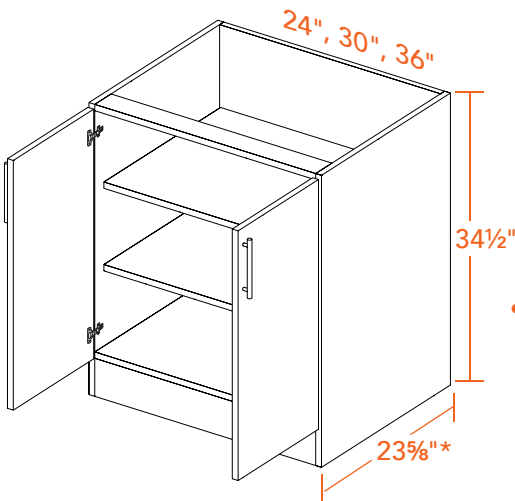


**SPECIFY RIGHT or LEFT HINGED**

**WSIB12  
WSIB15  
WSIB18**

- Single full depth adjustable shelf

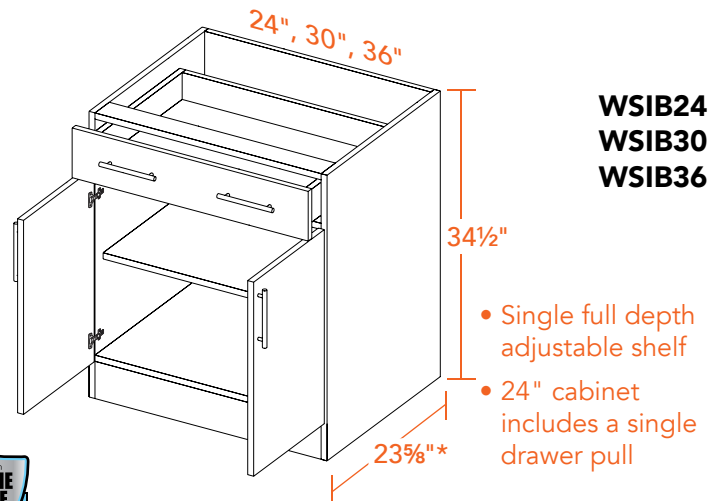
### Island Back Full Height Double Door Base



**WSIB24FH  
WSIB30FH  
WSIB36FH**

- Two full depth adjustable shelves

### Island Back Double Door & Drawer Base

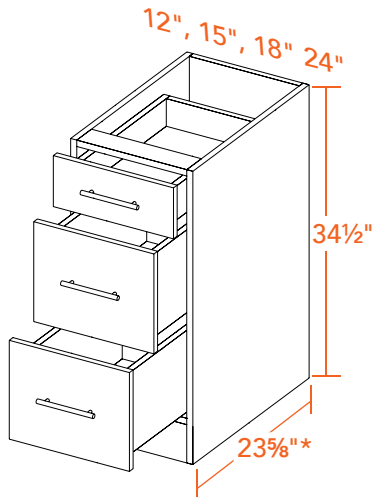


**WSIB24  
WSIB30  
WSIB36**

- Single full depth adjustable shelf
- 24" cabinet includes a single drawer pull

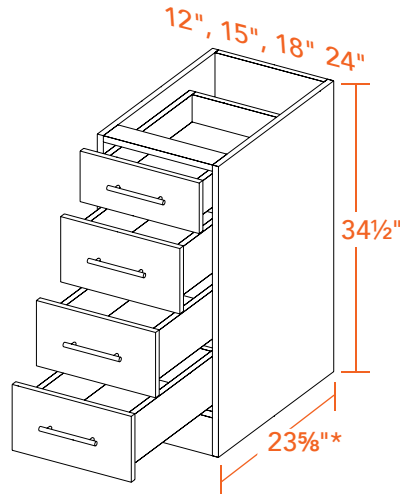


### Island Back 3 Drawer Base



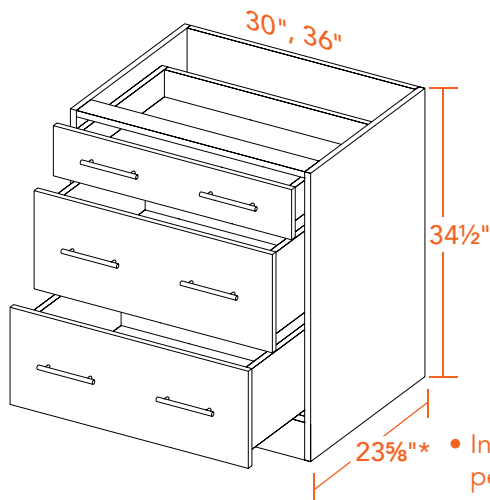
**WSIB3D12  
WSIB3D15  
WSIB3D18  
WSIB3D24**

### Island Back 4 Drawer Base



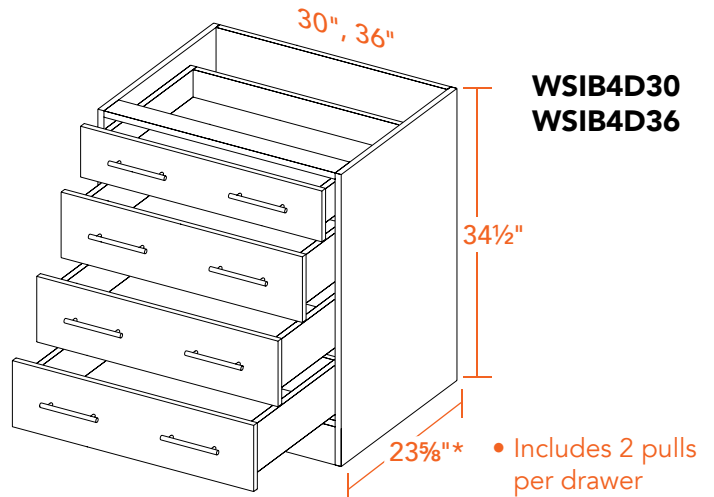
**WSIB4D12  
WSIB4D15  
WSIB4D18  
WSIB4D24**

### Island 3 Drawer Base (Wide)



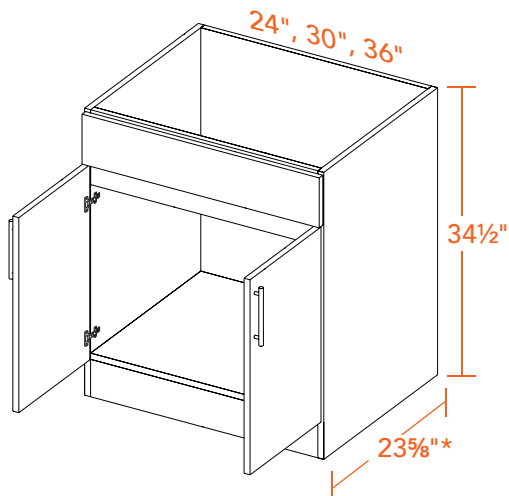
**WSIB3D30  
WSIB3D36**

### Island 4 Drawer Base (Wide)



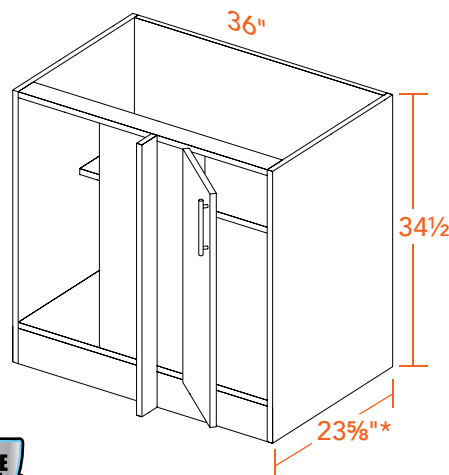
**WSIB4D30  
WSIB4D36**

### Island Sink Base



**WSISB24  
WSISB30  
WSISB36**

### Island Back Blind Base



**SPECIFY  
RIGHT or LEFT  
HINGED  
(left shown)**

**WSIBBL39FH**

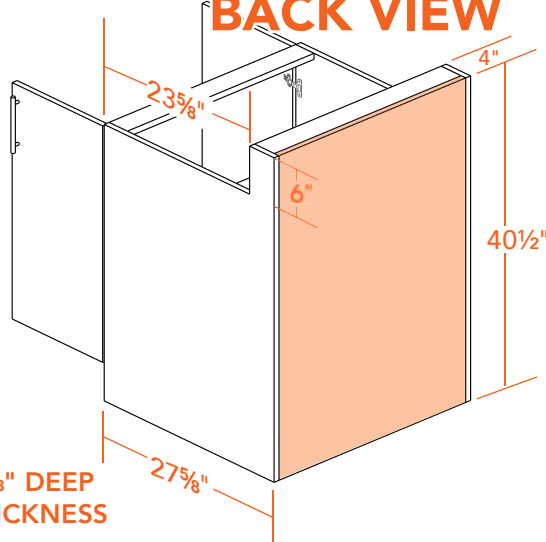
• Single half-depth adjustable shelf

**CABINET WIDTH IS 36\" BUT REQUIRES A MINIMUM OF 39\" WALL SPACE. SEE PAGE 9 FOR BLIND BASE INSTALL TIP.**



## BAR CABINETS

### BACK VIEW



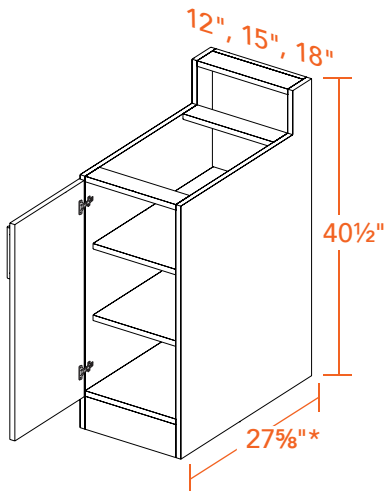
**PLEASE NOTE: FREE STANDING CABINETS MUST BE SECURED TO AVOID TIPPING**

\* BAR CABINETS ARE 27 5/8" DEEP  
ADD 3/4" FOR DOOR THICKNESS

Bar Cabinets are built with a 4" deep x 6" high build-up to create a standard bar height of 40 1/2". It also features a full-height 3/4" enclosed back panel so cabinets can be installed freestanding.

The front of the upper 6" high build up is open. A strip of concrete backer board is recommended as a substrate to bridge the space between the end panels to support back splash materials.

### Bar Back Full Height Door Base

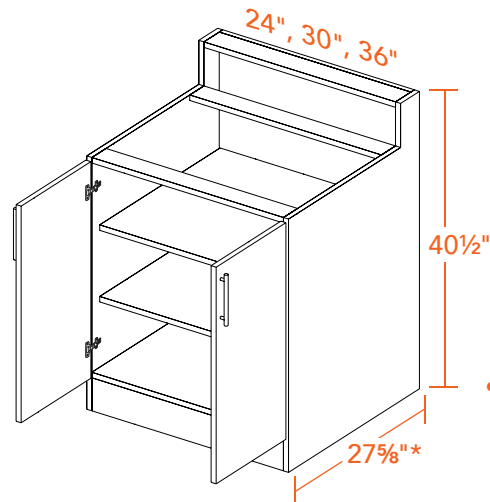


**SPECIFY RIGHT or LEFT HINGED**

**WSBB12FH  
WSBB15FH  
WSBB18FH**

- Single full depth adjustable shelf

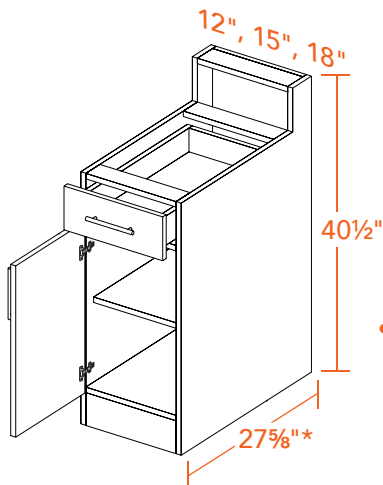
### Bar Back Full Height Door Base



**WSBB24FH  
WSBB30FH  
WSBB36FH**

- Single full depth adjustable shelf

### Bar Back Single Door/Drawer Base

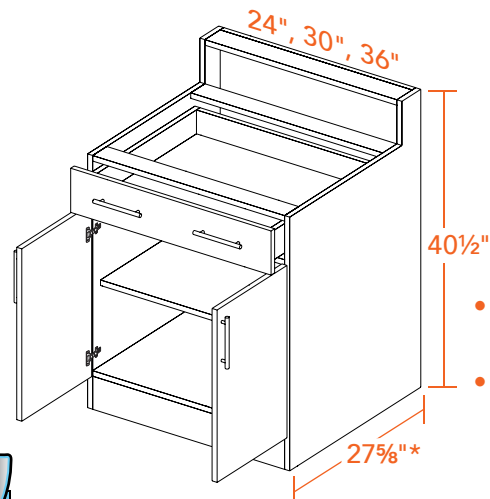


**SPECIFY RIGHT or LEFT HINGED**

**WSBB12  
WSBB15  
WSBB18**

- Single full depth adjustable shelf

### Bar Back Double Door & Drawer Base

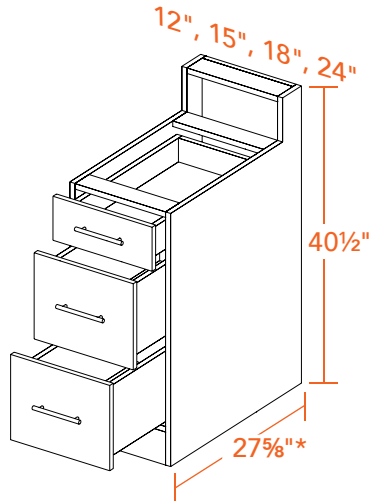


**WSBB24  
WSBB30  
WSBB36**

- Single full depth adjustable shelf
- 24" cabinet includes a single drawer pull

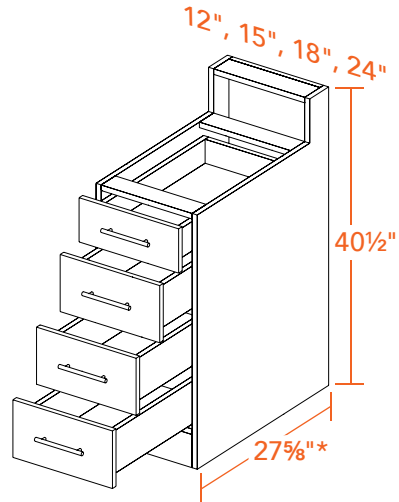


### Bar Back 3 Drawer Base



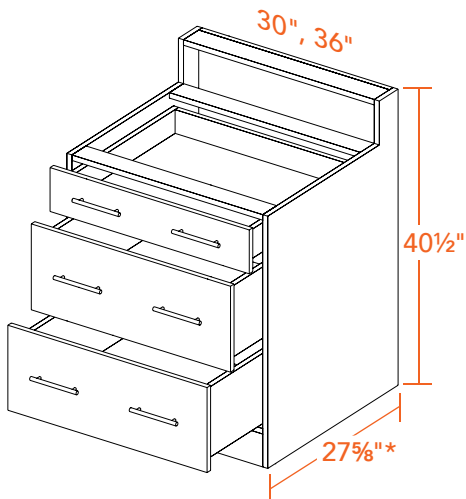
**WSBB3D12  
WSBB3D15  
WSBB3D18  
WSBB3D24**

### Bar Back 4 Drawer Base



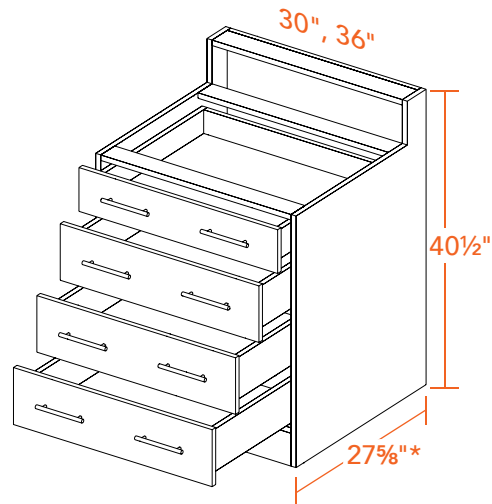
**WSBB4D12  
WSBB4D15  
WSBB4D18  
WSBB4D24**

### Bar Back 3-Drawer Base (Wide)



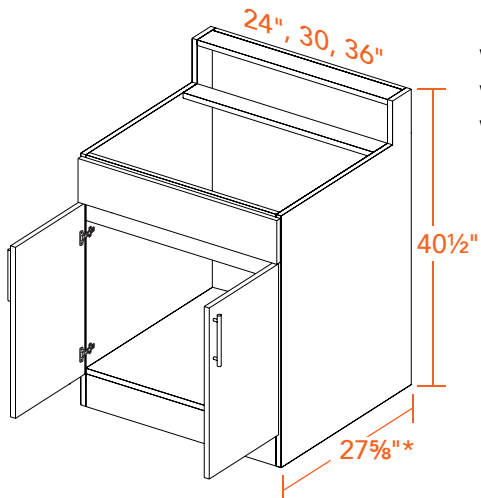
**WSBB3D30  
WSBB3D36**

### Bar Back 4-Drawer Base (Wide)

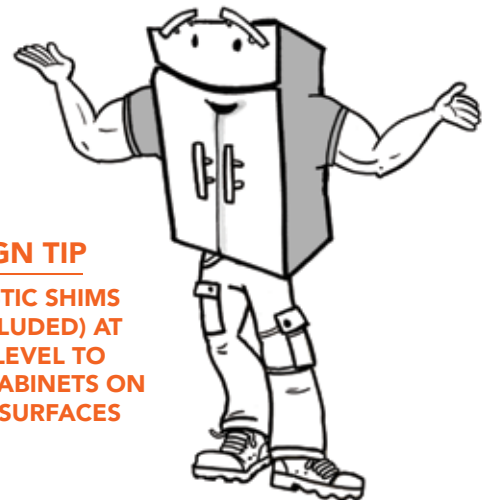


**WSBB4D30  
WSBB4D36**

### Bar Back Sink Base



**WSBBSB24  
WSBBSB30  
WSBBSB36**



**DESIGN TIP**  
USE PLASTIC SHIMS  
(NOT INCLUDED) AT  
FLOOR LEVEL TO  
SUPPORT CABINETS ON  
UNEVEN SURFACES





# Outdoor Cabinetry

## 5 Year Limited Warranty

Ideal Cabinetry® (warrantor) warrants to the original consumer purchaser, that the WeatherStrong® branded outdoor cabinets will be free from defects in material and workmanship under normal residential use. This warranty is for a period of five years as long as you own the cabinetry and is not transferable to subsequent owners and is expressly limited to the cabinet carcass, doors, drawers, and shelves. Items not listed in this warranty are not covered by this warranty. No other warranty express or implied, is applicable to this product. Separate components not produced by Ideal Cabinetry such as countertops, grills, appliances, stainless steel handles, hinges and drawer glides are not covered by this warranty.

This warranty does not cover damage resulting from normal wear, natural aging, accident, misuse, or lack of reasonable and necessary maintenance and service; nor does it warranty the improper installation or unauthorized repair, alteration, or modification or defects in the product when the product is installed. This warranty is limited to the repair or replacement of the defective part at the sole discretion of warrantor.

It is our option to provide repair parts or replace with functionally equivalent product. Return of product may be required for replacements. Such repair parts or replacement shall be at warrantor's expense, but customer shall bear all other expenses, including, but not limited to, cost of removal, transportation, re-installation, communication and any special service required by customer such as, overtime labor, etc. Ideal Cabinetry shall not be liable for the loss of use of the product, inconvenience, loss or any other damages, direct or consequential, arising out of the use of or inability to use the product. Due to the nature of the product, replacement product may vary in color from original purchased product.

In the event of a WeatherStrong brand warranted product performance issue, submit request including proof of purchase documentation, specific description of warranty issue (include photos where possible) in writing to:

Warranty Department  
210 Century Boulevard  
Bartow, FL 33830

EXCEPT TO THE EXTENT PROVIDED BY APPLICABLE LAW, ALL IMPLIED WARRANTIES, INCLUDING WARRANTIES OF MERCHANTABILITY AND FITNESS FOR A PARTICULAR PURPOSE, ARE LIMITED IN DURATION TO THE SHORTER OF THE PERIOD PROVIDED BY LAW OR THE PERIOD OF THIS WARRANTY, AND UNDER NO CIRCUMSTANCE SHALL IDEAL CABINETRY BE LIABLE FOR INCIDENTAL OR CONSEQUENTIAL DAMAGES SUSTAINED IN CONNECTION WITH THE PRODUCT. THE EXPRESS WARRANTY ABOVE CONSTITUTES THE ENTIRE WARRANTY AND IS IN LIEU OF ALL OTHERS EXPRESSED OR IMPLIED.

Some states do not allow the exclusion or limitation of incidental or consequential damages, or limitation on how long an implied warranty lasts, therefore, the above limitations or exclusions may not apply to you. This warranty gives you specific legal rights, and you may also have other rights, which vary from state to state.

### INDEMNITY

Ideal Cabinetry shall not be liable for either its failure to perform or its delays in performance hereunder arising out of or resulting from causes beyond its control, including but not limited to, acts of God, acts of Representation, acts of Government, wars, fires, epidemics, quarantine, strike, freight embargoes, or default by suppliers due to any such causes.

