

Outsulation® MD (NC) System Installation Details

SHOP DRAWING REVIEW

REVIEWED
REVIEWED AS NOTED
REVISE AND RESUBMIT



"This review is for the sole purpose of ascertaining conformance with the general design concept for architectural features only, and does not in any way constitute review of the design of engineering elements which form part of the Contract Documents prepared by others. This review shall not mean that the Architect approves the detail design inherent in the shop drawings. This responsibility shall remain with the Contractor submitting same, and such review shall not relieve the Contractor of his responsibility for errors or omissions in the shop drawings or of his responsibility for meeting all requirements of the Contract Documents. The Contractor is responsible for dimensions to be confirmed and correlated at the job site, for information that pertains solely to fabrication processes, or to techniques of construction and installation and for co-ordination for the work of all trades."

By: Bryan Bonell Date: Sept. 17, 2019
HOBIN ARCHITECTURE INCORPORATED

DETAIL

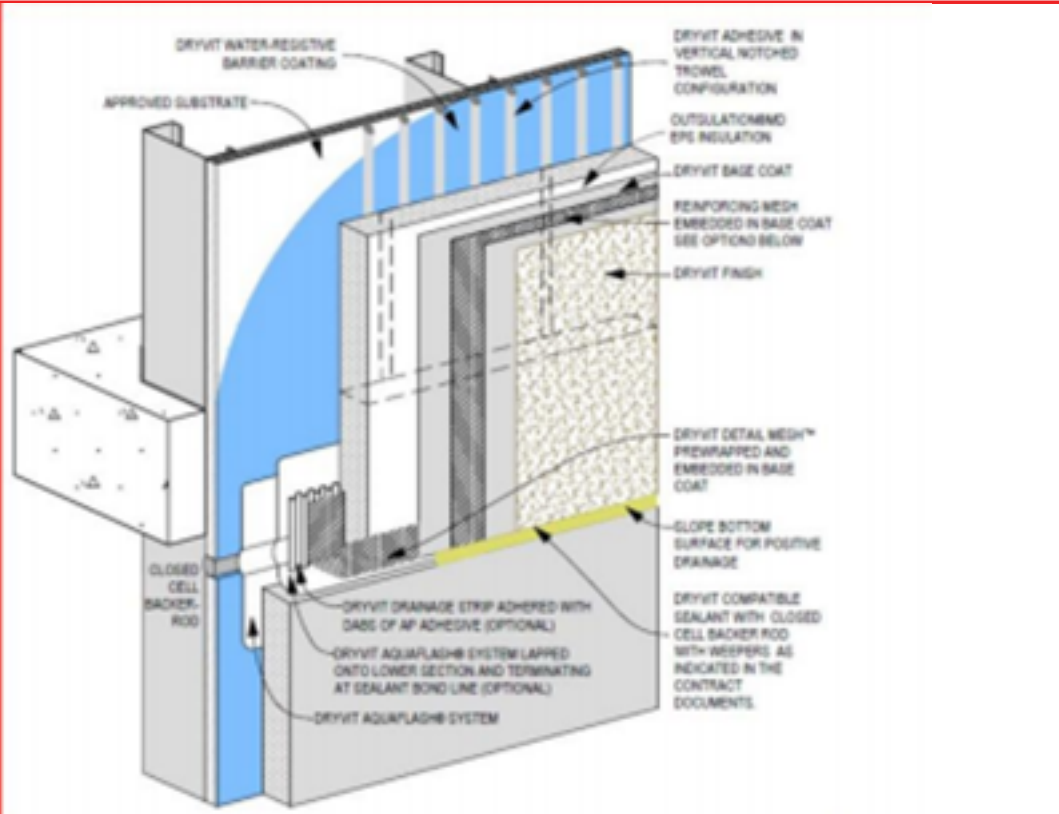
OMD.01	OUTSULATION MD SYSTEM
OMD.02	OUTSULATION MD SYSTEM WITH OPTION ALTERNATE
OMD.03	OUTSULATION MD BOARD PROFILE & ADHESIVE PATTERN
OMD.05	OUTSIDE CORNER - R.S. BOARD LAYOUT COMPARTMENT
OMD.10B	HEAD / SILL - FOR WINDOW SPANS 10' (3M) OR GREATER
OMD.11	JAMB
OMD.12	PARAPET - CAP FLASHING
OMD.13	PARAPET - SOLID SUBSTRATE, METAL COPING
OMD.15	INSIDE / OUTSIDE CORNERS
OMD.16	OUTSIDE CORNER - HIGH IMPACT
OMD.22	STRUCTURAL EXPANSION JOINTS
OMD.23	PENETRATIONS - CROSS SECTION
OMD.24	INSULATION LAYOUT - OPENINGS
OMD.25	SIGN ATTACHMENT
OMD.26	AESTHETIC REVEALS
OMD.27	PROJECTING GRAPHICS
OMD.28	RECESSED GRAPHICS

NOTE

DRYVIT MAKES NO REPRESENTATION REGARDING CONFORMITY OF ITS SUGGESTIONS TO APPLICABLE BUILDING CODES, ENGINEERING CRITERIA, SPECIFIC APPLICATIONS OR PROJECT LOCATIONS. ALL COMPONENTS INDICATED IN ILLUSTRATIONS, AS WELL AS OTHERS THAT MAY BE REQUIRED FOR THE INTEGRITY OF THE SYSTEM SHALL BE DESIGNED, DETAILED AND ENGINEERED BY REPRESENTATIVES OF THE ARCHITECT, OWNER OR CONTRACTOR TO BE IN CONFORMANCE WITH MODEL CODES, ARCHITECTURAL AND ENGINEERING REQUIREMENTS PERTAINING TO SPECIFIC BUILDING PROJECTS.

DRYVIT MAKES NO WARRANTY, EXPRESSED OR IMPLIED, AS TO THE ARCHITECTURAL DESIGN, ENGINEERING, OR WORKMANSHIP OF PROJECTS UTILIZING DRYVIT SYSTEMS OR PRODUCTS.

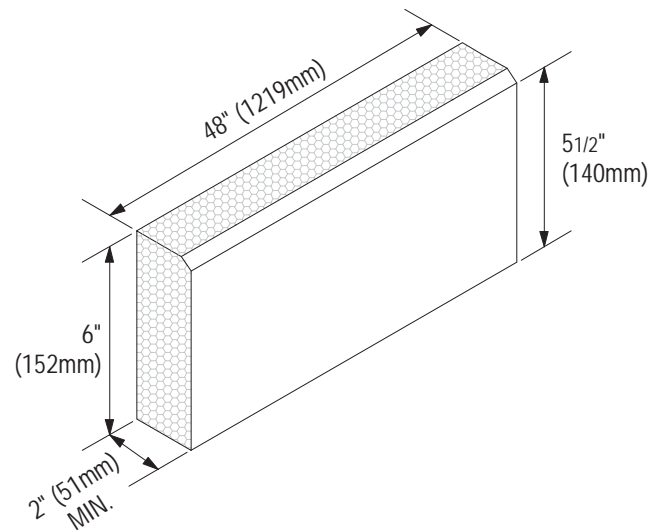
THE LIABILITIES OF DRYVIT SHALL BE AS STATED IN THE OUTSULATION® MD LIMITED COMMERCIAL WARRANTY. CONTACT DRYVIT FOR A FULL AND COMPLETE COPY OF THE WARRANTY.



Notes:

1. These details are meant to apply to both Outsulation MD and Outsulation MD NC. Outsulation® MD NC requires the use of Primus® DM as the base coat/adhesive.
2. Dryvit recommends that ground floor applications and all facades exposed to abnormal stress, high traffic, or deliberate impact have the base coat reinforced with Panzer® 15 or 20 Mesh prior to Standard Plus Mesh. Location of high impact zones should be indicated in contract drawings.

Option 1 - Pre-wrapped with Optional Drainage Strip



Dryvit Starter Strip

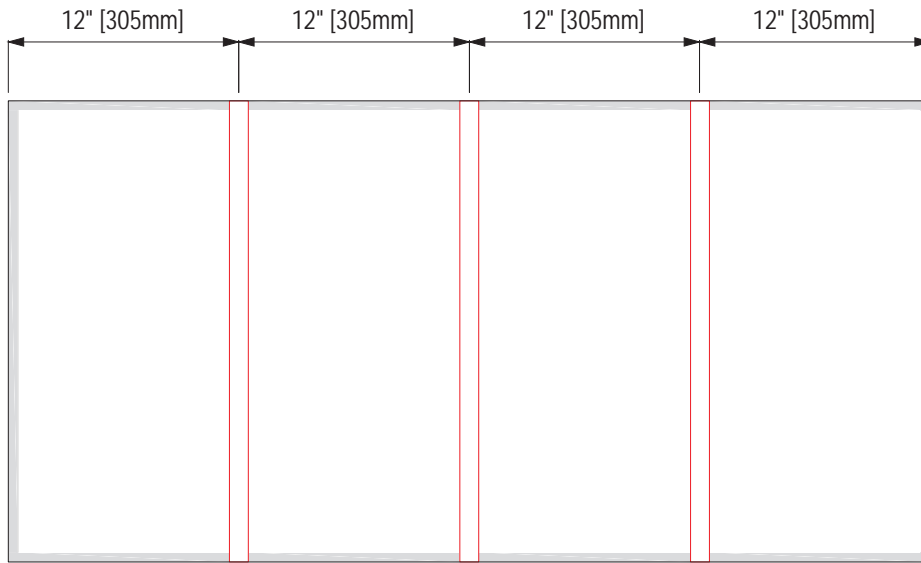
R-007-04-11

Outsulation® MD System Option Prewrapped Starter Strip

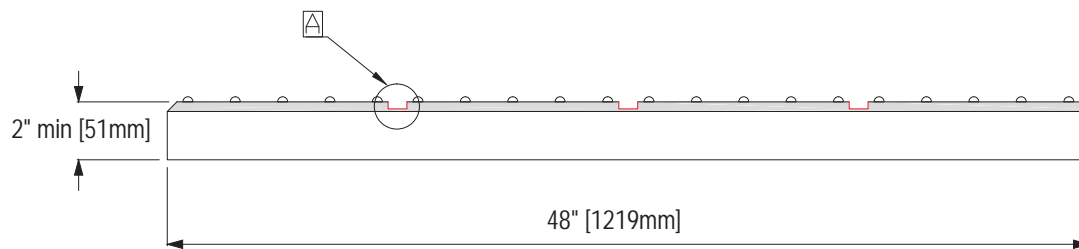
Notes:

Notched trowel adhesive ribbons may vary from illustration.

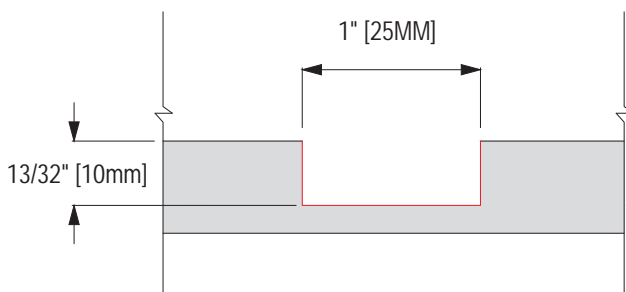
A minimum of four (4) ribbons per 12" [305mm] section will be required.



Elevation View - Wall Side

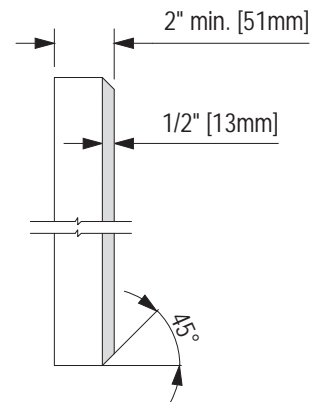


Plan View with sample adhesive distribution pattern



Groove A Section

Bevel Detail

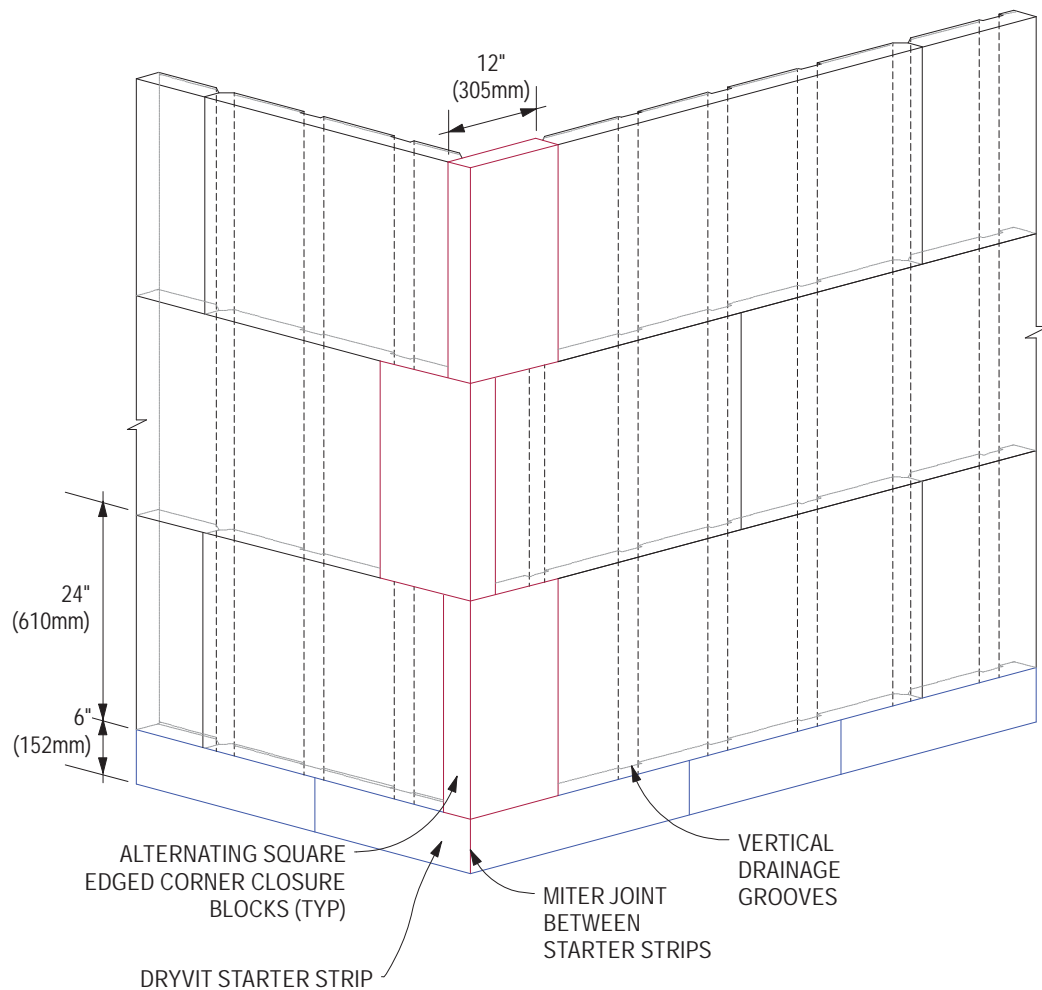


R-008-11-12

Outsulation® MD Board Profile and Adhesive Pattern

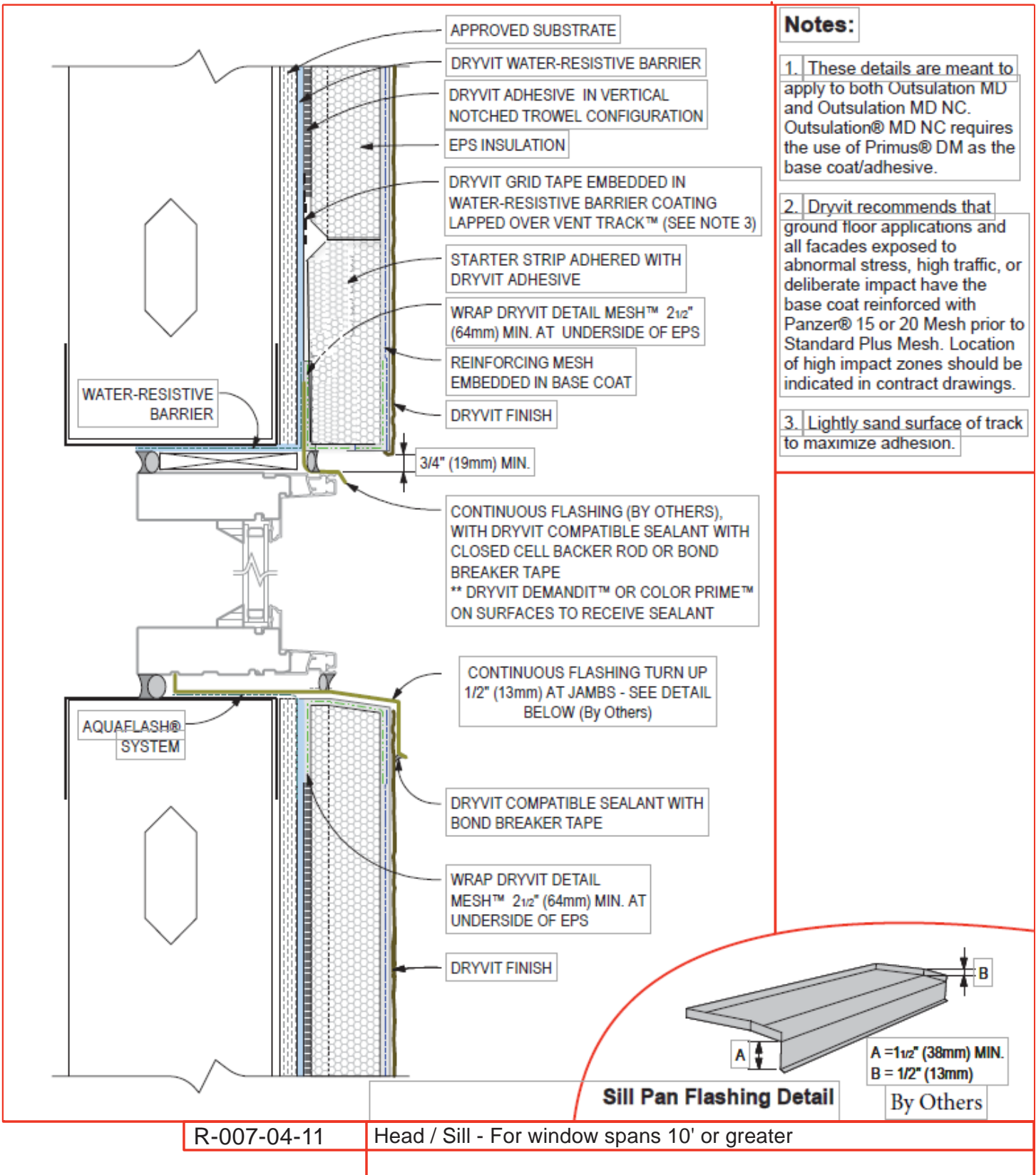
Notes:

1. These details are meant to apply to both Outsulation MD and Outsulation MD NC. Outsulation® MD NC requires the use of Primus® DM as the base coat/adhesive.
2. Dryvit recommends that ground floor applications and all facades exposed to abnormal stress, high traffic, or deliberate impact have the base coat reinforced with Panzer® 15 or 20 Mesh prior to Standard Plus Mesh. Location of high impact zones should be indicated in contract drawings.
3. Install square edged corner closure blocks on alternating sides of outside corners.
4. Alignment of vertical grooves not required.
5. Closure blocks not required at vertical terminations, i.e. expansion joints and vertical integration with other cladding.



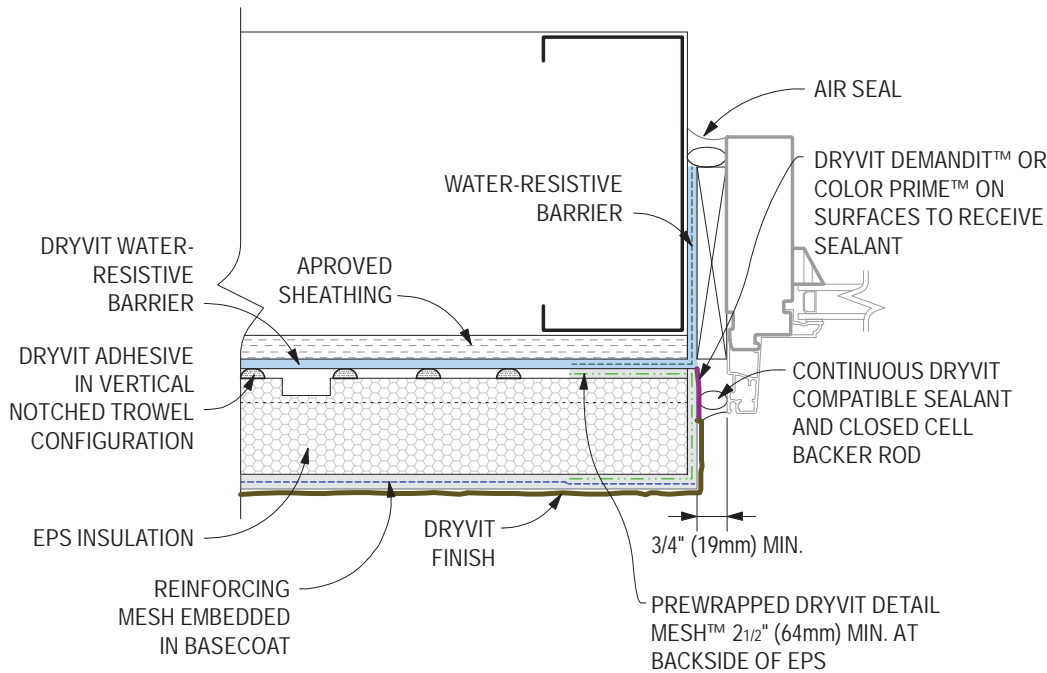
R-007-04-11

Outside Corner - R.S. Insulation Board Layout



Notes:

1. These details are meant to apply to both Outsulation MD and Outsulation MD NC. Outsulation® MD NC requires the use of Primus® DM as the base coat/adhesive.
2. Dryvit recommends that ground floor applications and all facades exposed to abnormal stress, high traffic, or deliberate impact have the base coat reinforced with Panzer® 15 or 20 Mesh prior to Standard Plus Mesh. Location of high impact zones should be indicated in contract drawings.



R-007-04-11

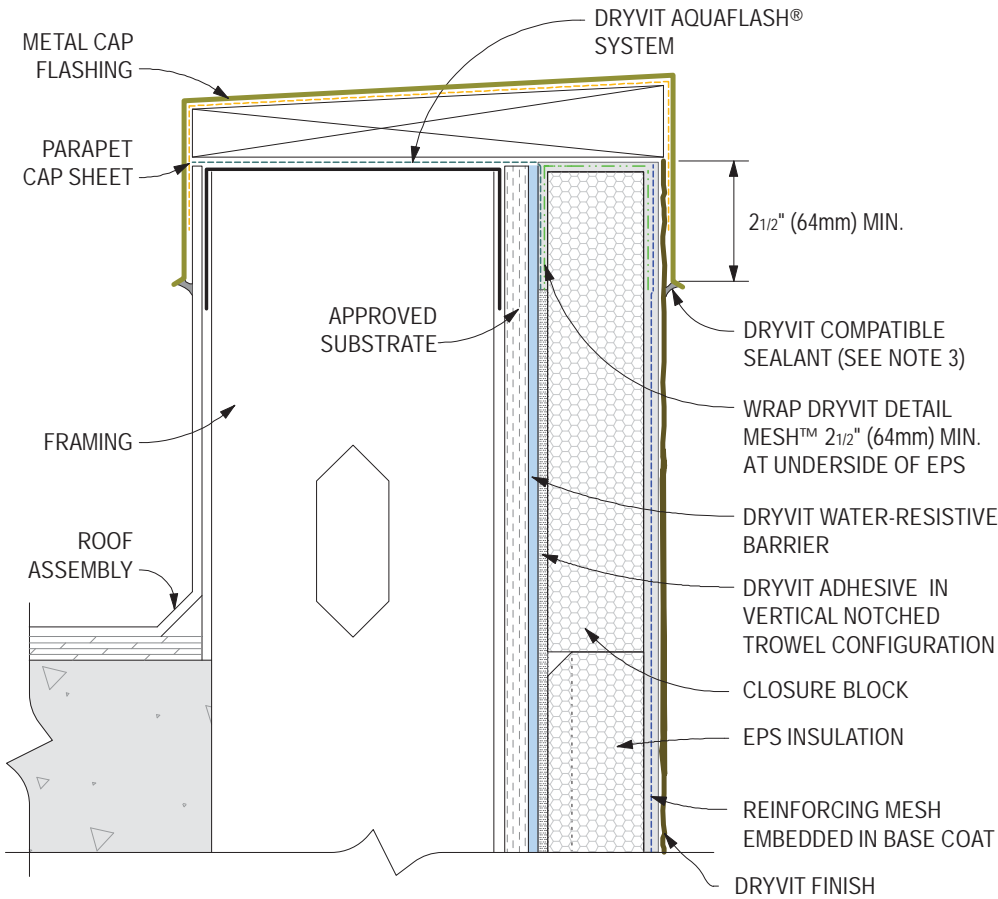
Jamb

Notes:

1. These details are meant to apply to both Outsulation MD and Outsulation MD NC. Outsulation® MD NC requires the use of Primus® DM as the base coat/adhesive.

2. Dryvit recommends that ground floor applications and all facades exposed to abnormal stress, high traffic, or deliberate impact have the base coat reinforced with Panzer® 15 or 20 Mesh prior to Standard Plus Mesh. Location of high impact zones should be indicated in contract drawings.

3. Ensure that parapet capping is water tight if sealant is to be applied here. Otherwise extend capping overlap as required to avoid moisture migration behind system.



R-007-04-11

Parapet - Cap Flashing

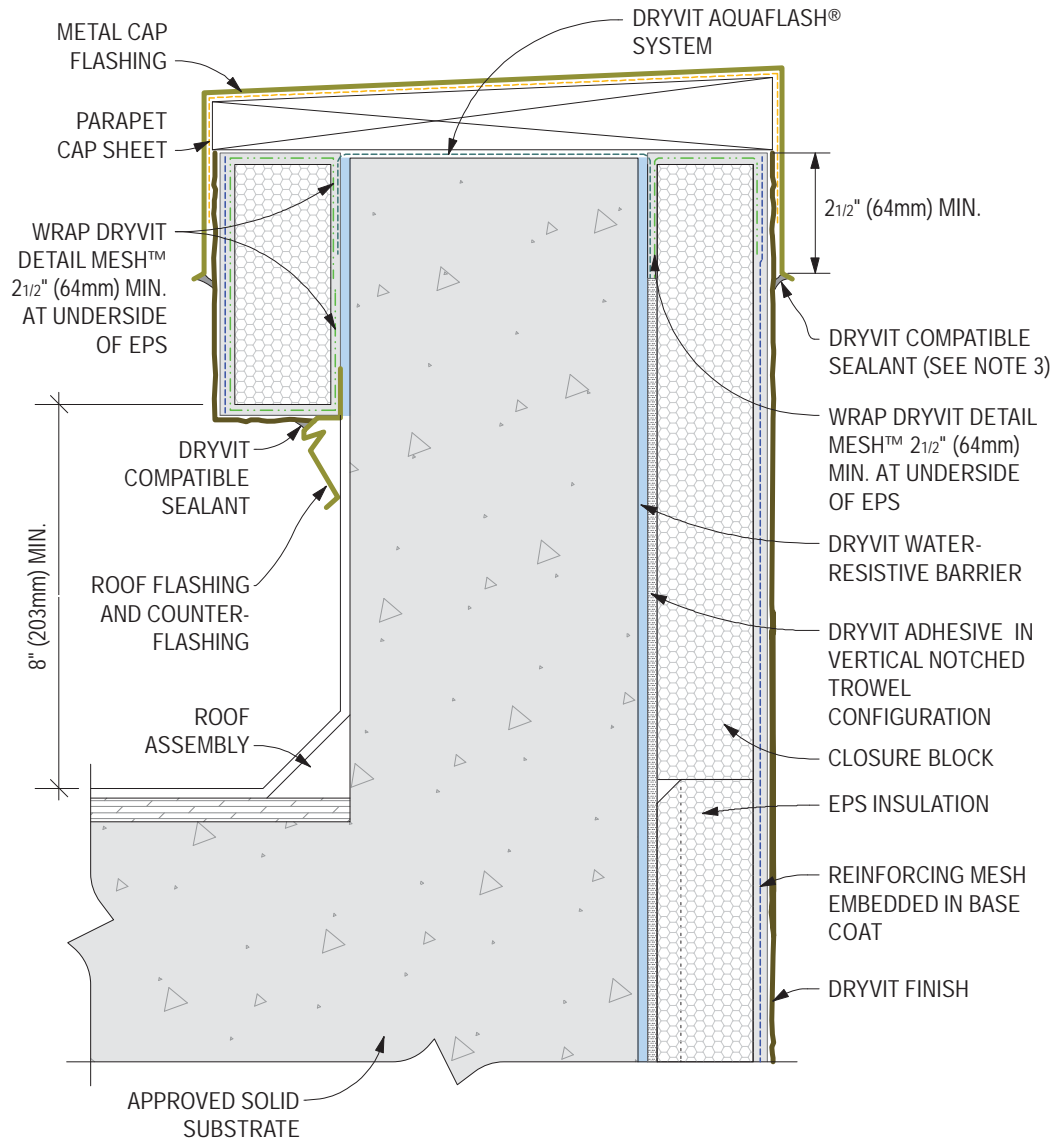
Notes:

1. These details are meant to apply to both Outsulation MD and Outsulation MD NC. Outsulation® MD NC requires the use of Primus® DM as the base coat/adhesive.

2. Dryvit recommends that ground floor applications and all facades exposed to abnormal stress, high traffic, or deliberate impact have the base coat reinforced with Panzer® 15 or 20 Mesh prior to Standard Plus Mesh. Location of high impact zones should be indicated in contract drawings.

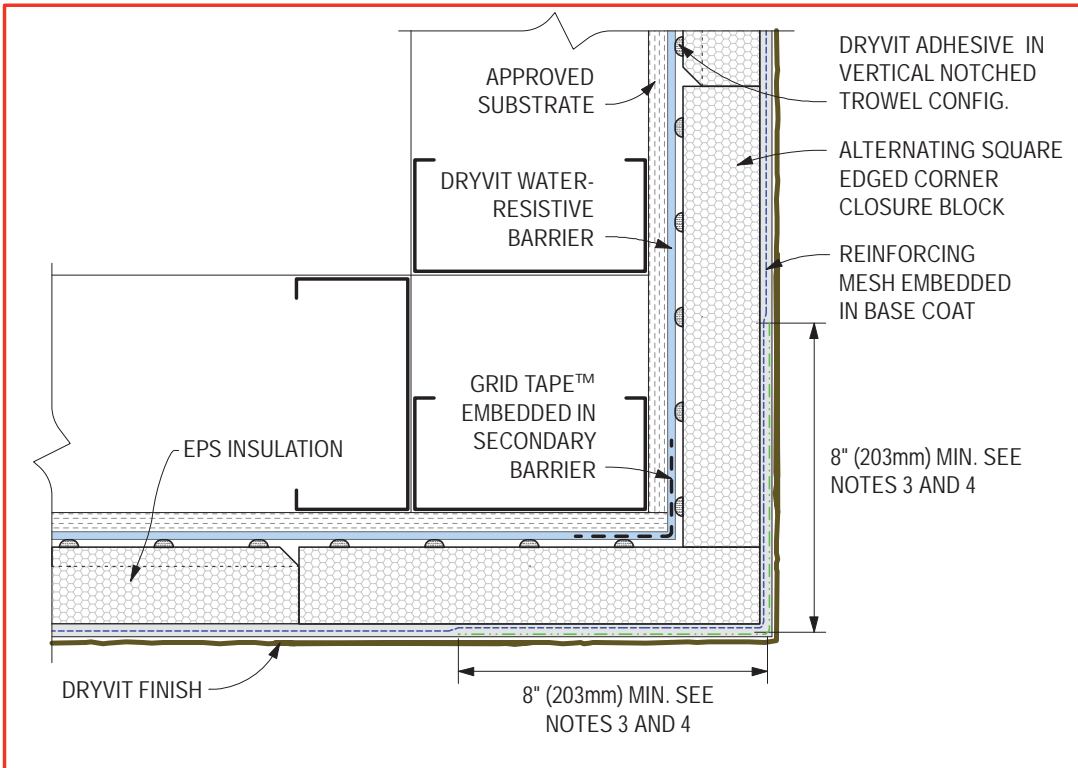
3. Ensure that parapet capping is water tight if sealant is to be applied here. Otherwise extend capping overlap as required to avoid moisture migration behind system.

4. If system on back of parapet extends for more than 2'-0" (610mm), provide for drainage similar to wall face.



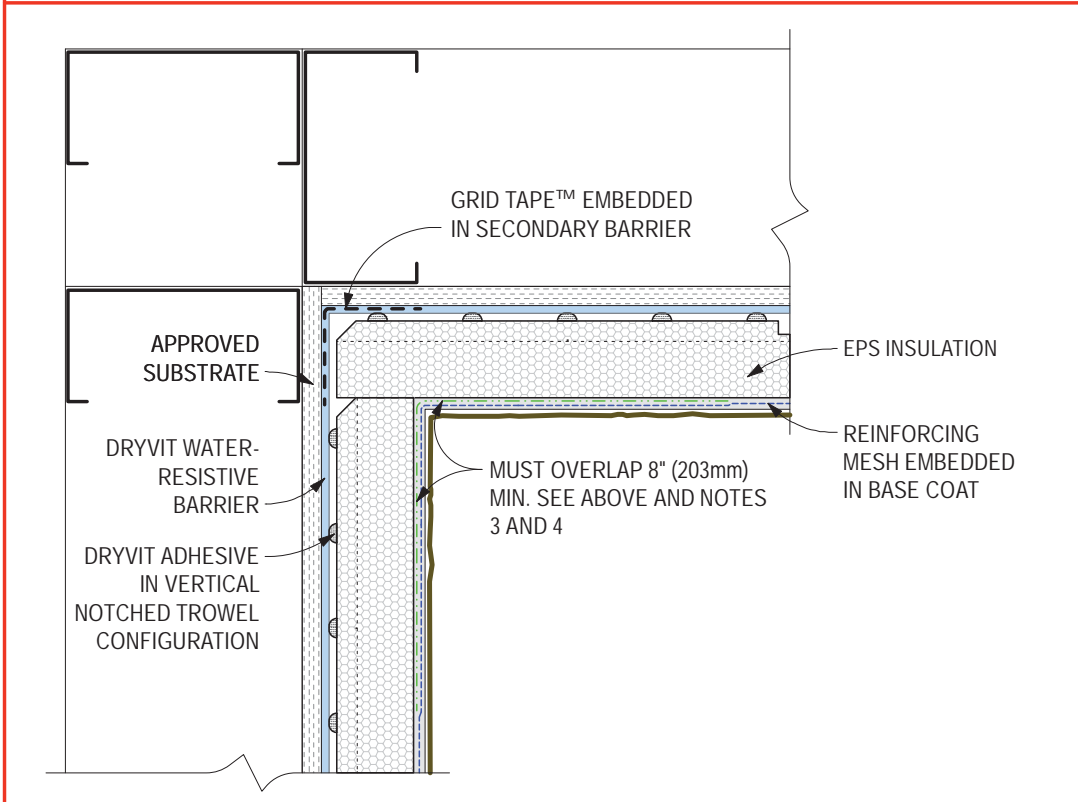
R-007-04-11

Parapet - Solid Substrate, Metal Coping



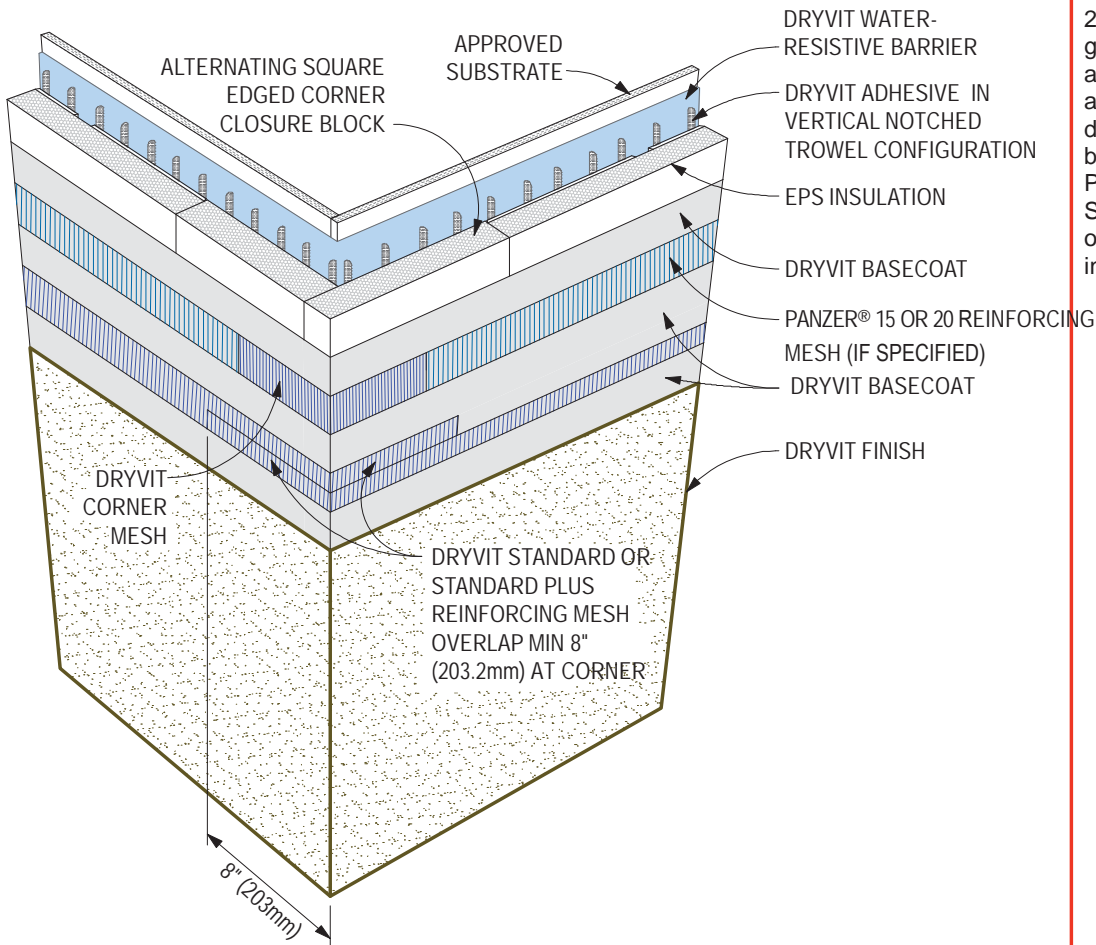
Notes:

1. These details are meant to apply to both Outsulation MD and Outsulation MD NC. Outsulation® MD NC requires the use of Primus® DM as the base coat/adhesive.
2. Dryvit recommends that ground floor applications and all facades exposed to abnormal stress, high traffic, or deliberate impact have the base coat reinforced with Panzer® 15 or 20 Mesh prior to Standard Plus Mesh. Location of high impact zones should be indicated in contract drawings.
3. Double wrap outside corners with reinforcing mesh or use corner mesh.
4. Do not lap reinforcing mesh with 8" (203.2mm) of a corner.



R-007-04-11

Inside / Outside Corners

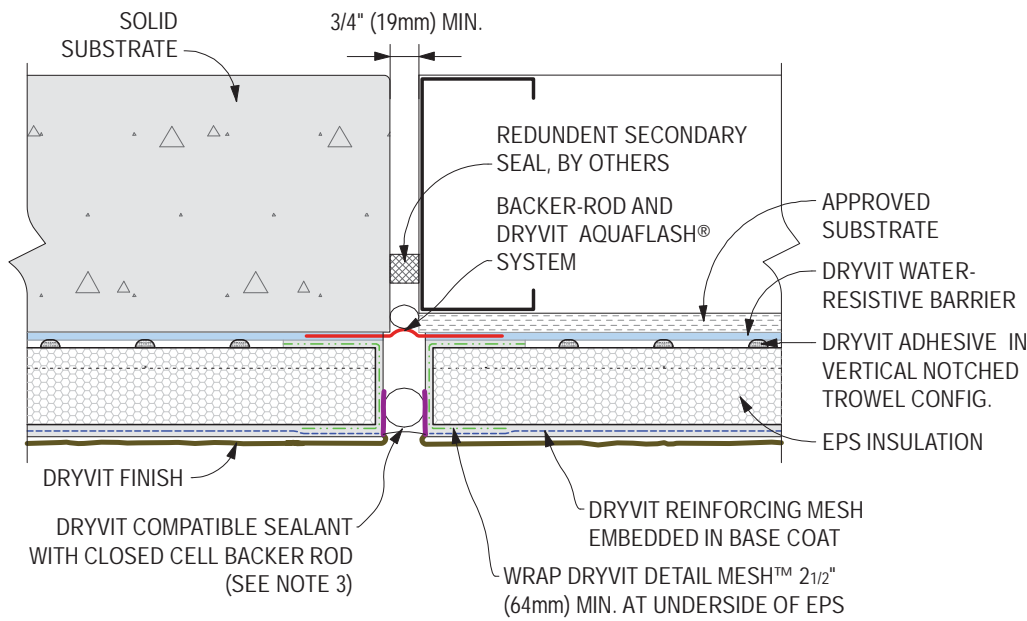


Notes:

1. These details are meant to apply to both Outsulation MD and Outsulation MD NC. Outsulation® MD NC requires the use of Primus® DM as the base coat/adhesive.
2. Dryvit recommends that ground floor applications and all facades exposed to abnormal stress, high traffic, or deliberate impact have the base coat reinforced with Panzer® 15 or 20 Mesh prior to Standard Plus Mesh. Location of high impact zones should be indicated in contract drawings.

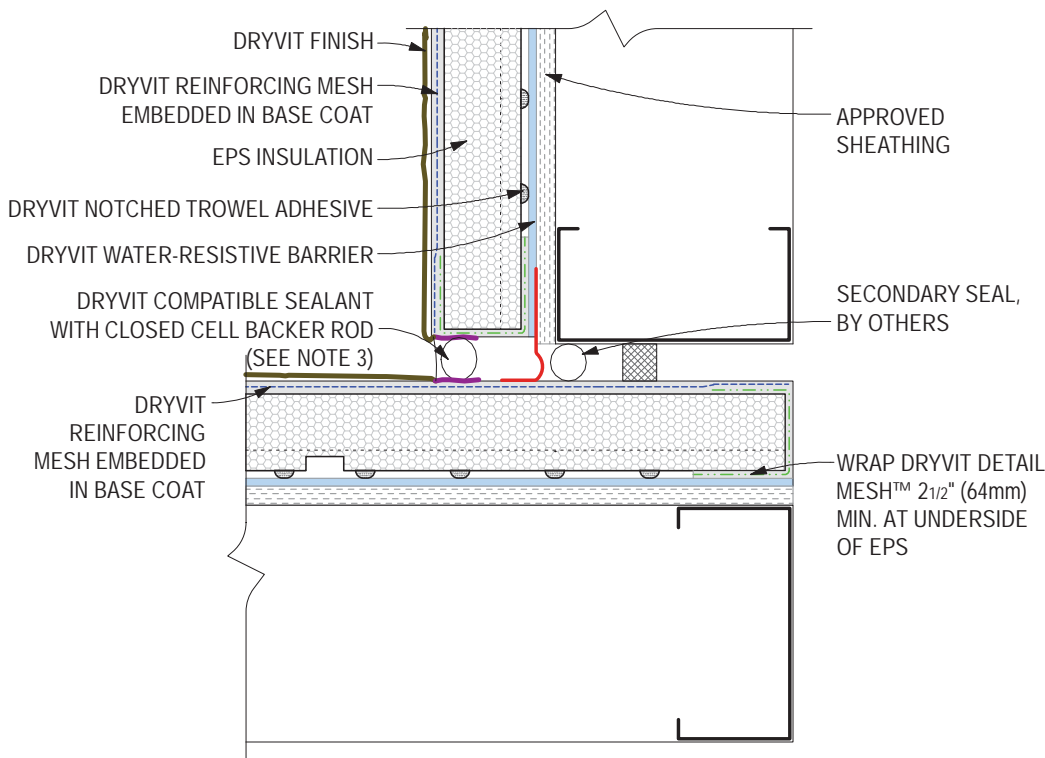
R-007-04-11

Outside Corner - High Impact



Notes:

1. These details are meant to apply to both Outsulation MD and Outsulation MD NC. Outsulation® MD NC requires the use of Primus® DM as the base coat/adhesive.
2. Dryvit recommends that ground floor applications and all facades exposed to abnormal stress, high traffic, or deliberate impact have the base coat reinforced with Panzer® 15 or 20 Mesh prior to Standard Plus Mesh. Location of high impact zones should be indicated in contract drawings.
3. Dryvit Demandit™ or Color Prime™ on surfaces to receive seant.

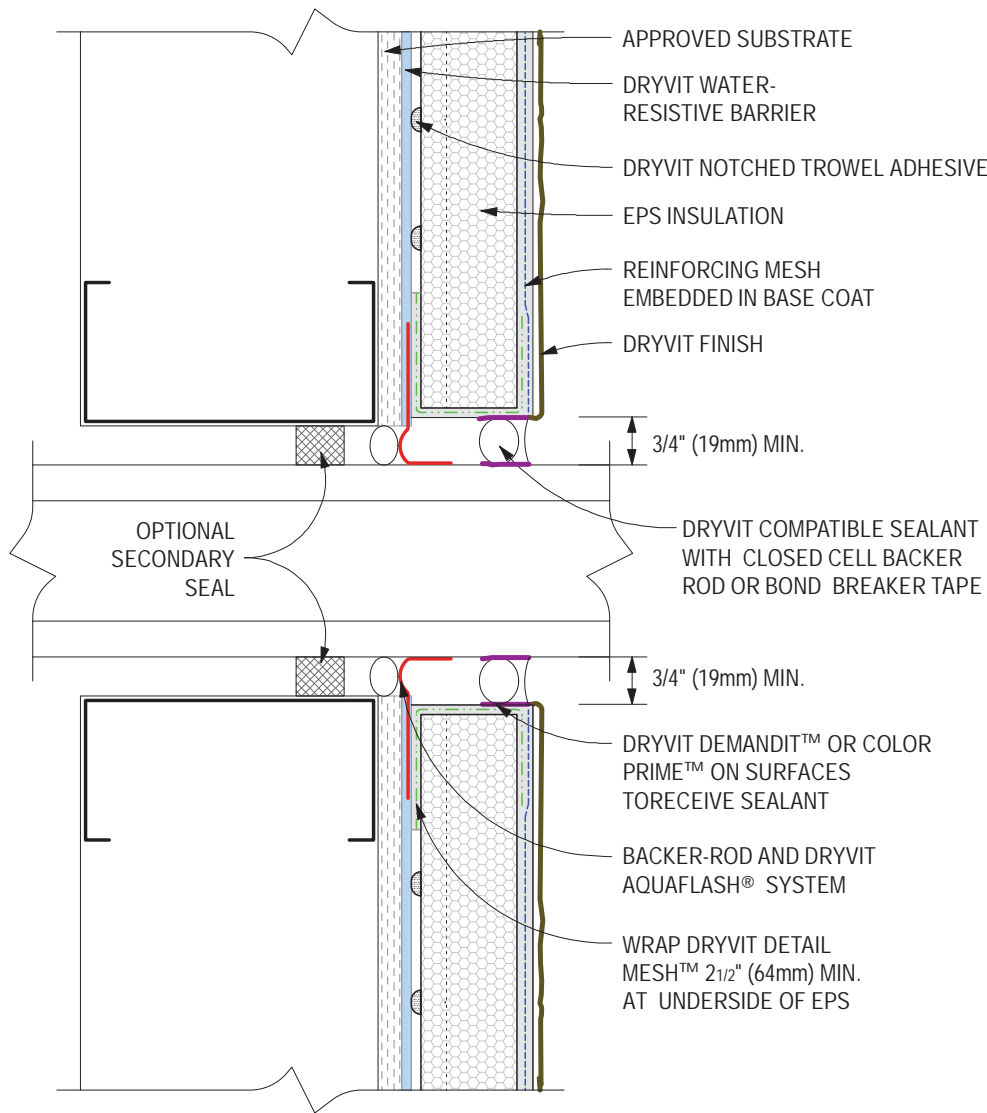


R-007-04-11

Structural Expansion Joints

Notes:

1. These details are meant to apply to both Outsulation MD and Outsulation MD NC. Outsulation® MD NC requires the use of Primus® DM as the base coat/adhesive.
2. Dryvit recommends that ground floor applications and all facades exposed to abnormal stress, high traffic, or deliberate impact have the base coat reinforced with Panzer® 15 or 20 Mesh prior to Standard Plus Mesh. Location of high impact zones should be indicated in contract drawings.

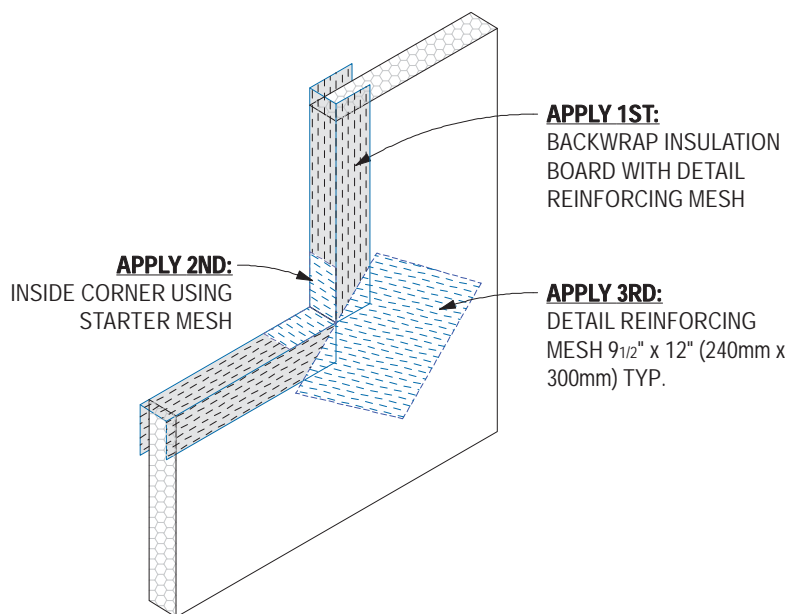
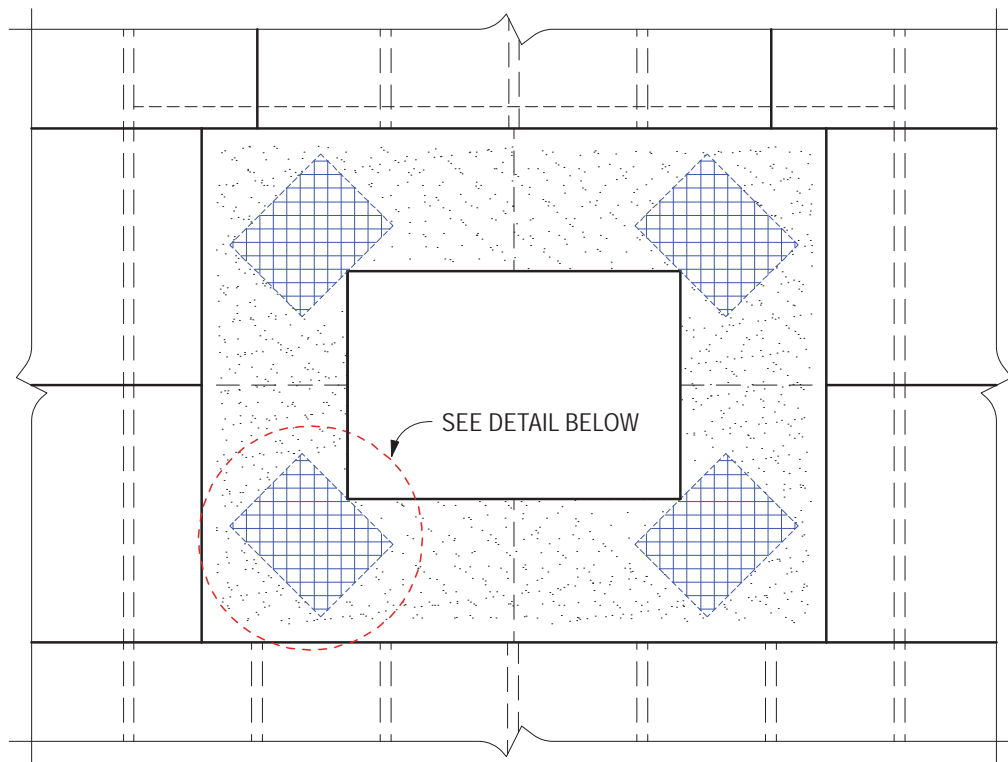


R-007-04-11

Penetrations - Cross Section

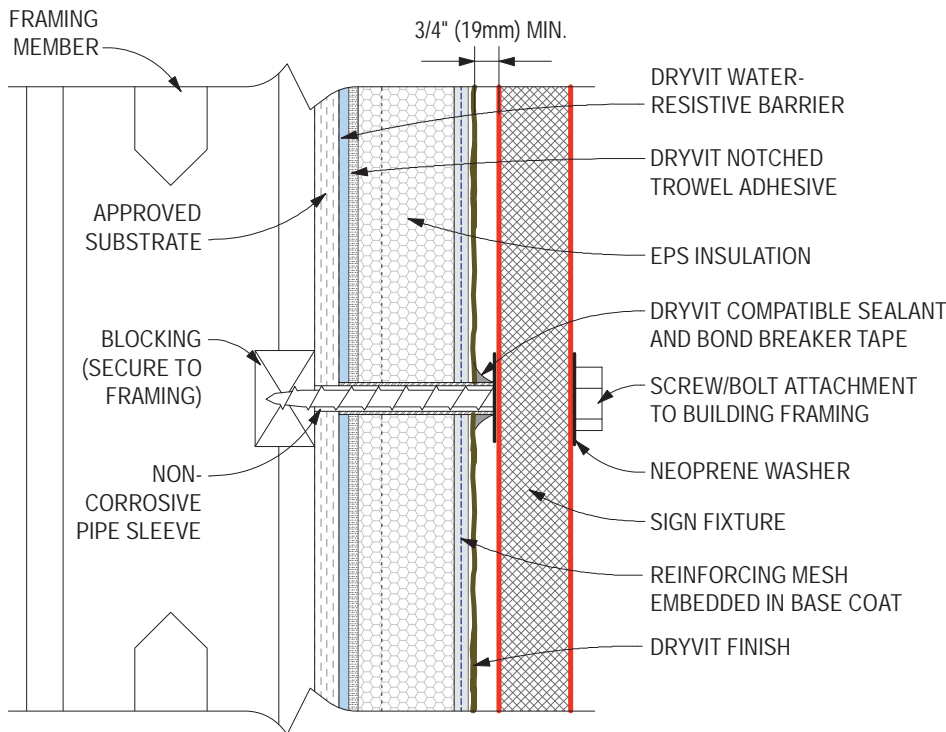
Notes:

1. These details are meant to apply to both Outsulation MD and Outsulation MD NC. Outsulation® MD NC requires the use of Primus® DM as the base coat/adhesive.
2. Dryvit recommends that ground floor applications and all facades exposed to abnormal stress, high traffic, or deliberate impact have the base coat reinforced with Panzer® 15 or 20 Mesh prior to Standard Plus Mesh. Location of high impact zones should be indicated in contract drawings.



R-007-04-11

Insulation Layout - Openings



Notes:

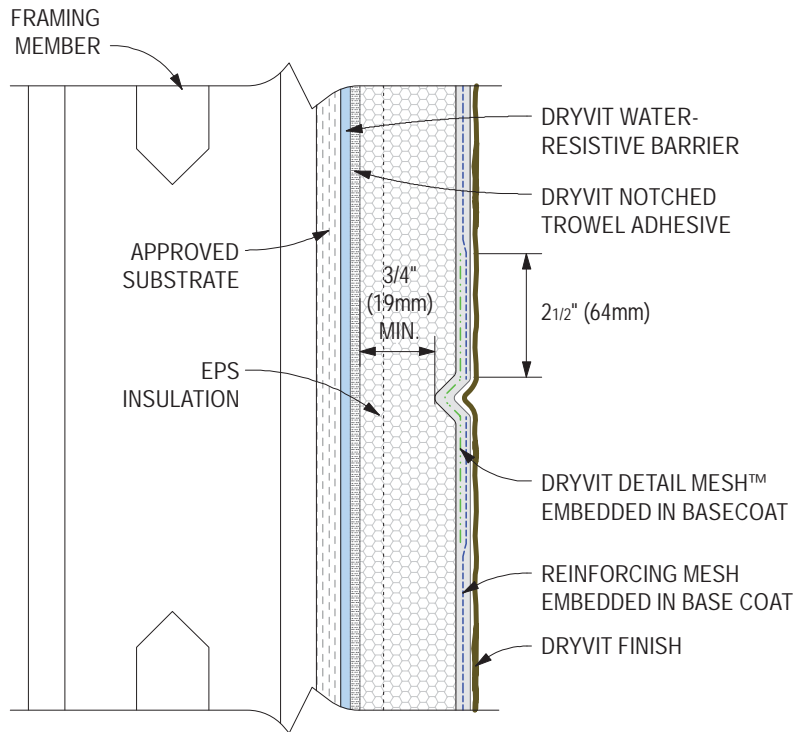
1. These details are meant to apply to both Outsulation MD and Outsulation MD NC. Outsulation® MD NC requires the use of Primus® DM as the base coat/adhesive.
2. Dryvit recommends that ground floor applications and all facades exposed to abnormal stress, high traffic, or deliberate impact have the base coat reinforced with Panzer® 15 or 20 Mesh prior to Standard Plus Mesh. Location of high impact zones should be indicated in contract drawings.
3. Entire perimeter of pipe sleeve is caulked to prevent water entry into wall.

Installation Instructions:

1. Pre-drill through EIFS stopping at water-resistive barrier (WRB).
2. Cut sleeve to equal depth of system from WRB to outside face.
3. Gun neutral cure silicone sealant into hole and insert sleeve.
4. While sealant is wet, install fastener and tool sealant around edges as shown.

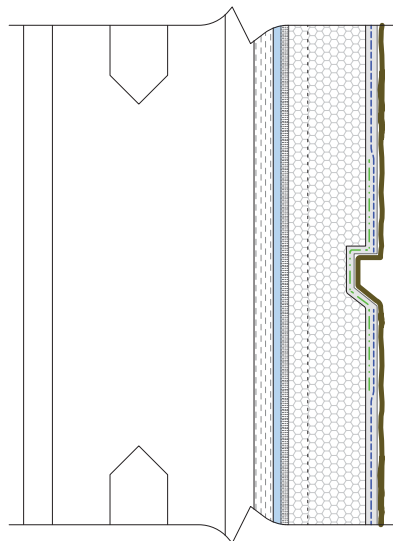
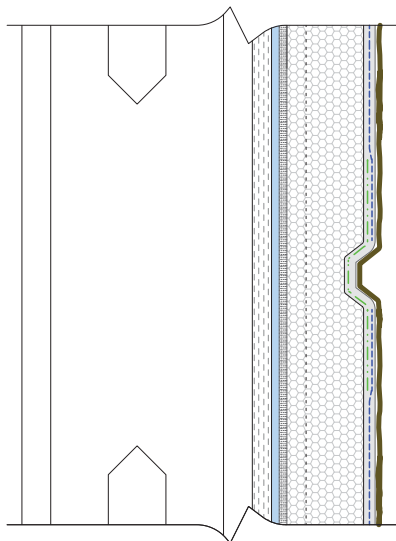
R-007-04-11

Sign Attachment



Notes:

1. These details are meant to apply to both Outsulation MD and Outsulation MD NC. Outsulation® MD NC requires the use of Primus® DM as the base coat/adhesive.
2. Dryvit recommends that ground floor applications and all facades exposed to abnormal stress, high traffic, or deliberate impact have the base coat reinforced with Panzer® 15 or 20 Mesh prior to Standard Plus Mesh. Location of high impact zones should be indicated in contract drawings.
3. Bottom ends of reveals are to be sloped for positive drainage.

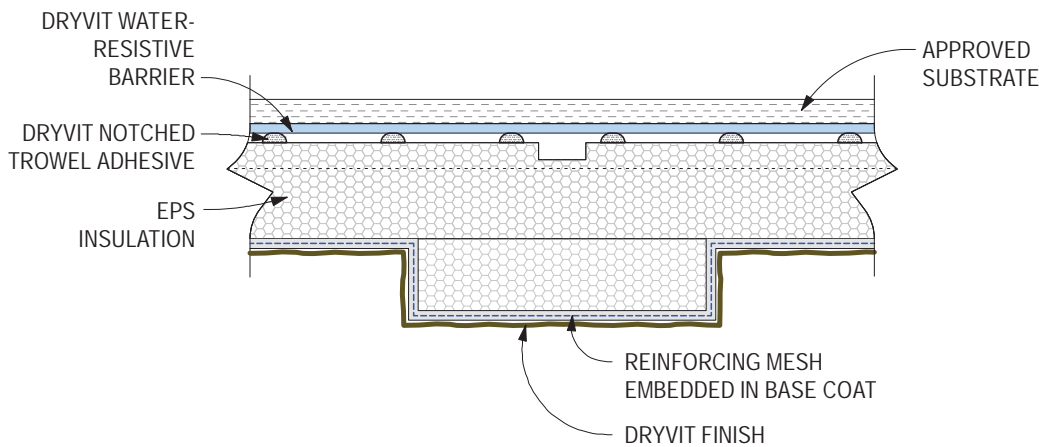
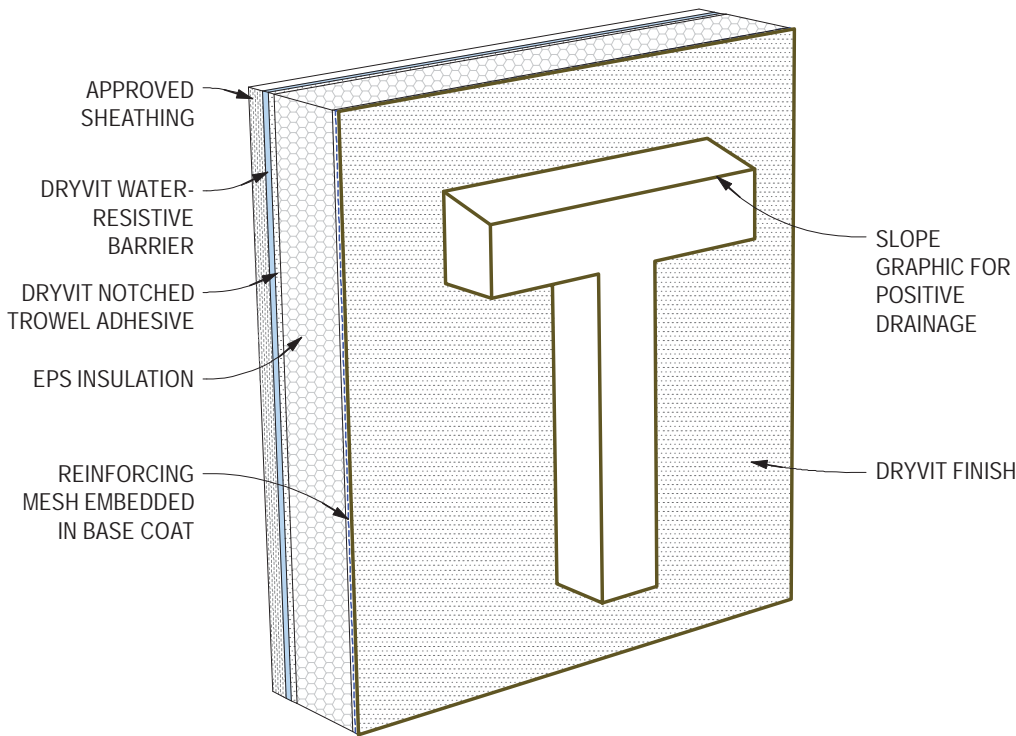


R-007-04-11

Aesthetic Reveals

Notes:

1. These details are meant to apply to both Outsulation MD and Outsulation MD NC. Outsulation® MD NC requires the use of Primus® DM as the base coat/adhesive.
2. Dryvit recommends that ground floor applications and all facades exposed to abnormal stress, high traffic, or deliberate impact have the base coat reinforced with Panzer® 15 or 20 Mesh prior to Standard Plus Mesh. Location of high impact zones should be indicated in contract drawings.
3. Bottom ends of reveals are to be sloped for positive drainage.

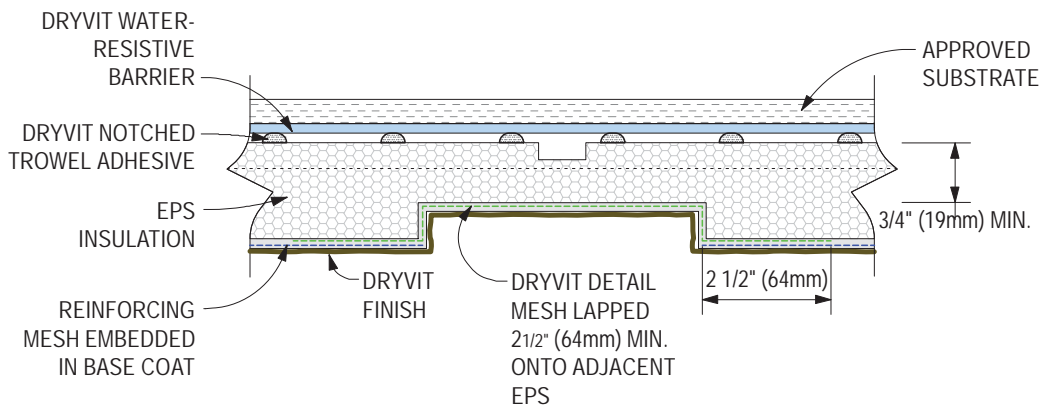
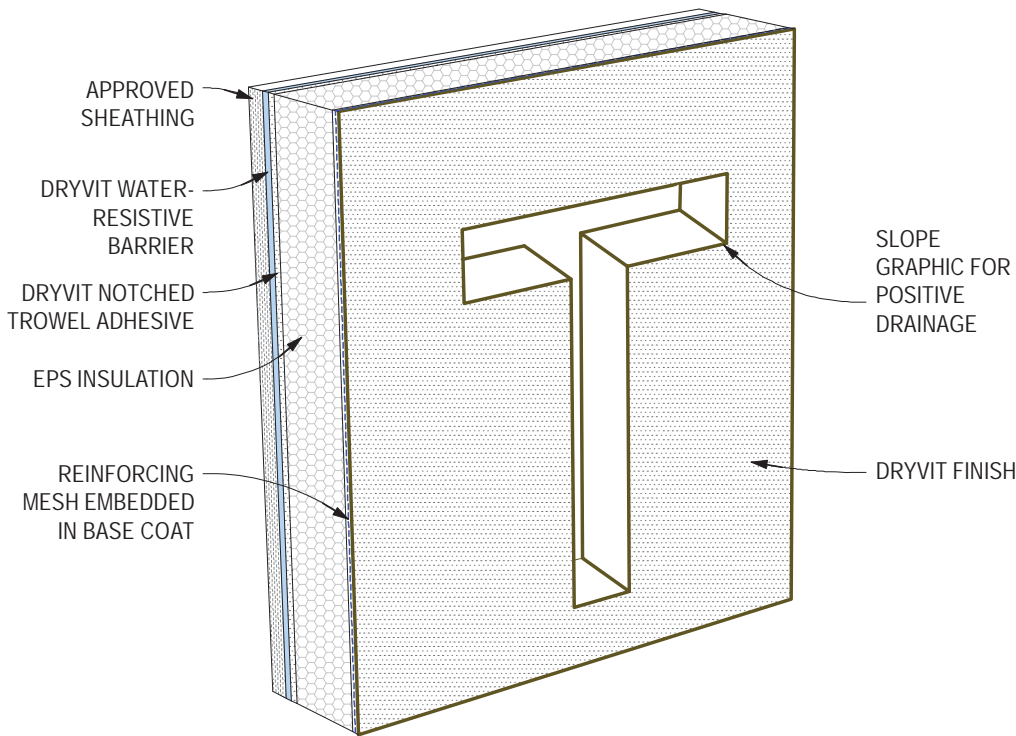


R-007-04-11

Projecting Graphics

Notes:

1. These details are meant to apply to both Outsulation Plus and Outsulation MD NC. Outsulation® MD NC requires the use of Primus® DM as the base coat/adhesive.
2. Dryvit recommends that ground floor applications and all facades exposed to abnormal stress, high traffic, or deliberate impact have the base coat reinforced with Panzer® 15 or 20 Mesh prior to Standard Plus Mesh. Location of high impact zones should be indicated in contract drawings.



R-007-04-11

Recessed Graphics