

# SecurityGrille Systems



Product Line

|                           |        |     |     |     |     |
|---------------------------|--------|-----|-----|-----|-----|
| UPWARD-COILING            | MODELS | 670 | 671 | 674 |     |
| SIDE-FOLDING-FULL CLOSURE |        | 675 | 677 | 678 | 679 |
| SIDE-FOLDING-OPEN AIR     |        | 681 | 683 |     |     |



INDUSTRY LEADING  
COMMERCIAL & INDUSTRIAL SOLUTIONS

## THE TURNKEY SOURCE FOR COMMERCIAL AND INDUSTRIAL SOLUTIONS AND SERVICE

Selection of Overhead Door products automatically includes the unequalled expertise and experience of Overhead Door Distributors. Nationwide coverage by our over 400 Overhead Door Distributors is unique in our industry—providing a single source for design and application consulting, installation, service and ongoing maintenance. Turnkey services to maximize the lasting value of your product choice. Your Overhead Door Distributor is also your only source for a full line of commercial and industrial grille and



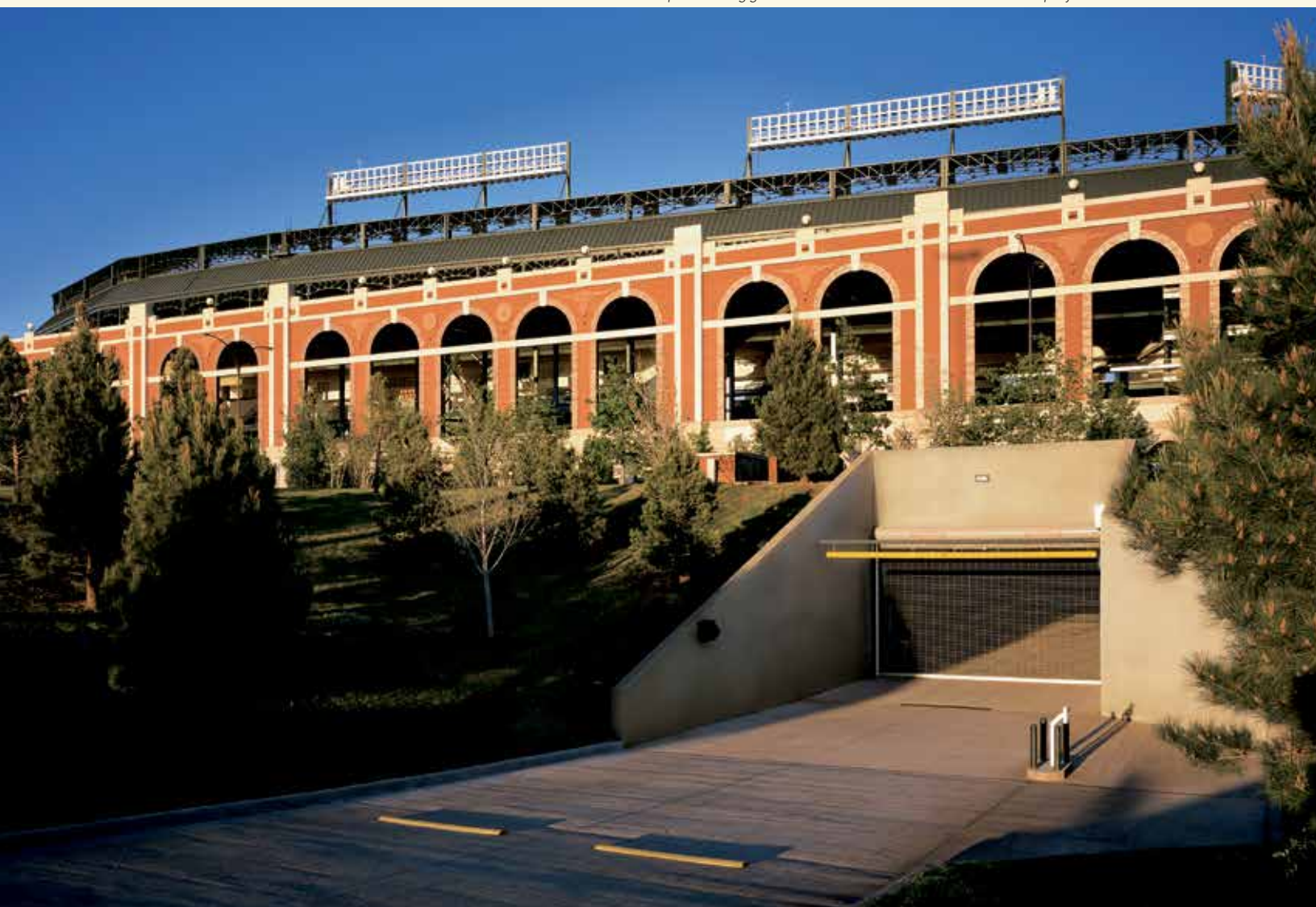
operator systems specifically designed for integrated applications. For over four generations, our distributors have been committed to providing commercial and industrial grille solutions. Combined with Overhead Door product design and manufacturing superiority, our distributors are a proud part of the Overhead Door family, sharing our name, our Red Ribbon logo and our commitment to industry leading innovation and excellence.

| SECURITY GRILLE SELECTION CHECKLIST  | CONTENTS   |
|--|--|
| <p><b>Determining whether a side-folding or upward-coiling grille is best for your project can be a matter of the application, opening conditions, or personal preference. Some basic design considerations are listed below. Your local Overhead Door Distributor is also a good resource for additional insight and information.</b></p>   | <p>Intro to Upward-Coiling Grilles 2</p> <p>Intro to Side-Folding Security Grilles 3</p> <p>Security Grille Comparison Chart 4 – 5</p> <p>Upward-Coiling Grilles 6 – 7</p> <p>Upward-Coiling Details 8 – 9</p> |
| <p>A side-folding security grille is often used in applications where:</p> <ul style="list-style-type: none"> <li>• Headroom is limited</li> <li>• There is limited or no clearance above the opening or on one side of the opening</li> <li>• The grille must follow a radius</li> <li>• The opening is extremely wide</li> <li>• Electric operation or electrically-controlled emergency egress is not necessary.</li> </ul> | <p>Side-Folding – Full Closure Grilles 10 – 11</p> <p>Side-Folding – Open Air Grilles 12 – 14</p> <p>Side-Folding Details 15 – 19</p>  |
| <p>An upward-coiling security grille is ideally used in applications where:</p> <ul style="list-style-type: none"> <li>• Electric operation is necessary</li> <li>• Electrically-controlled emergency egress is desired</li> <li>• The grille is subjected to heavy usage (an optional high usage package is available)</li> <li>• In applications with no clearance on one or both sides of the opening</li> </ul>            | <p>Electric Operators 20 – 21</p>  |



Overhead Door Corporation's security grilles provide an array of attractive solutions for a spectrum of retail, commercial and industrial applications. Our side-folding grilles boast the shortest stacking dimension of any grille available today, and feature a handsome clear anodized finish (standard) in a variety of patterns and optional colors. We also offer a complete line of upward-coiling grilles. Constructed of aluminum, stainless or galvanized steel – with optional electric motor – these grilles are designed for durability and easy operation. Backed by the best service company in the industry, a market-leading warranty and over 400 Overhead Door Distributors nationwide – our comprehensive line of security grilles affords both reliable security and peace of mind.

*Model 670 upward-coiling grille. Installation and Service: Overhead Door Company of Dallas-Commercial*



# Upward-Coiling Grilles

Model 671 upward-coiling grille



Overhead Door Corporation's upward-coiling grilles provide an attractive yet functional means to secure areas where public access must be restricted. These ruggedly-constructed grilles provide security without sacrificing visual access, air circulation or light infiltration. Available in aluminum, galvanized steel, or stainless steel curtain – and with an optional electric operator – our rolling grilles are well-suited to most any environment and application.

### Upward-Coiling Grilles: Many Options, Versatile Applications

- Aluminum, galvanized steel or stainless steel curtain meets a wide range of project and design requirements
- Aluminum curtain with optional fire-retardant polycarbonate panel provides full visual access, and adds protection against theft
- Choice of straight-lattice, staggered brick or perforated pattern for added interest
- Optional electric operator allows grille automation for 24-hour parking garages and institutional/industrial applications
- Special high-usage package promotes long-life and low-maintenance in heavy-use applications



Overhead Door Corporation's side-folding grilles offer a reliable means of security with an extraordinary measure of style – and the shortest stacking dimension of any side-folding grille on the market. Manually-operated, these grilles are ideal in areas where headroom is limited or the grille must turn a horizontal radius. Our comprehensive line of grilles include full-closure and open-air designs in a wide range of curtain inserts, patterns and colors – for long-lasting good looks wherever a security grille is required.

#### The Shortest-Stacking, Lowest-Profile Side-Folding Grille Available

- Panels fold to an average 2" (51 mm) per linear foot of curtain on standard-width models, and an average 1 1/2" (38 mm) per linear foot on wide-body models for superior compactness
- Minimum clear pocket widths of 8" (203 mm) on standard-width models. Minimum clear pocket widths of 13" (330 mm) on wide-body models require less depth.
- Low-profile, top-mounted aluminum track requires only 1 5/8" (41 mm) headroom and 1 3/8" (35 mm) width

#### Innovative Engineering Enhances Design Capabilities

- Up to 2" (51 mm) of vertical adjustment allows for easy field correction and accommodates irregular or non-level surfaces
- Modular construction allows customization to fit any opening width
- Choice of standard or wide-body panels (selected models) provides alternative stacking pocket depths to suit individual applications
- Full height, countertop, multi-level, and cut-out styles, as well as irregular wall filler panels, allow adaptation to special applications and unusual designs
- Four stock curves:
  - 90°: Standard body: 10" (254 mm) and 14" (356 mm) radius; Wide body: 22" (559 mm) radius
  - 120°, 135° and 150°: Standard body: 10" (254 mm) radius

#### A Wide Range of Options Add Versatility and Style

- Full-closure grilles available in tempered glass, fire-retardant polycarbonate, painted perforated steel, and aluminum curtains for added security and full functionality in any application
- Open-air grilles maximize ventilation and visual access without compromising security
- Wide variety of side-folding grille curtain patterns and finishes, colors and styles afford design flexibility

#### Standard Anodized Finish and the Spectrum of Color Options

- Standard clear, clean anodized finish on all side-folding grilles lends unsurpassed beauty and durability

Model 681 side-folding open air grille. Installation and Service: Overhead Door Company of Madison.



# Security Grille Comparison Chart

| Upward-Coiling Security Grilles |            | GENERAL SPECIFICATIONS |             |       |                   |                  |                      |                         |                          |                    |                     |              |
|---------------------------------|------------|------------------------|-------------|-------|-------------------|------------------|----------------------|-------------------------|--------------------------|--------------------|---------------------|--------------|
| MODEL                           |            | Operation              |             |       |                   | Curtain Material |                      |                         |                          |                    |                     |              |
|                                 |            | Manual push-up         | Chain hoist | Crank | Electric operator | Galvanized steel | Aluminum mill finish | Aluminum clear anodized | Aluminum bronze anodized | Stainless steel #4 | Stainless steel #2B | PowderGuard™ |
|                                 | <b>670</b> | S                      | Op          | Op    | Op                |                  | S                    | Op                      | Op                       |                    |                     | Op           |
|                                 | <b>671</b> | S                      | Op          | Op    | Op                | S                |                      |                         |                          | Op                 | Op                  | Op           |
|                                 | <b>674</b> | S                      | Op          | Op    | Op                |                  |                      | S                       |                          |                    |                     | Op           |

S - standard offering  
Op - option

| Side-Folding Security Grilles |            | GENERAL SPECIFICATIONS |                |               |          |         |                  |  |
|-------------------------------|------------|------------------------|----------------|---------------|----------|---------|------------------|--|
| MODEL                         |            | Operation              | Curtain insert |               |          | Curtain | Frame width      |  |
|                               |            |                        | Glass          | Polycarbonate | Aluminum |         | Perforated steel | Standard body                              |
| Full-closure                  | <b>675</b> | manual                 |                |               |          | S       | alum             | 6-5/16"<br>(160 mm)    11-1/4"<br>(286 mm) |
|                               | <b>677</b> | manual                 |                | S             |          |         | alum             | 6-5/16"<br>(160 mm)    11-1/4"<br>(286 mm) |
|                               | <b>678</b> | manual                 | S              |               |          |         | alum             | 6-5/16"<br>(160 mm)    11-1/4"<br>(286 mm) |
|                               | <b>679</b> | manual                 |                |               | S        |         | alum             | 6-5/16"<br>(160 m)    11-1/4"<br>(286 mm)  |
| Open-air                      | <b>681</b> | manual                 |                |               |          |         | alum             | 6-5/16"<br>(160 mm)    11-1/4"<br>(286 mm) |
|                               | <b>683</b> | manual                 |                |               |          |         | alum             | 6-5/16"<br>(160 mm)                        |

Information is subject to change. Please call your local Overhead Door Distributor for special applications or if your application is not listed.



| Pattern                                     | Emergency Egress  | Locking                                      | Hood                     |
|---|-------------------|--|--------------------------|
| Straight lattice                            | Manual release    | Slide bolt                                   | Galvanized steel         |
| Straight lattice with polycarbonate inserts | Automatic release | Locking bottom bar w/ cylinder or thumb turn | Aluminum mill finish     |
| Brick                                       |                   | Chain lock                                   | Aluminum clear anodized  |
| Perforated slat                             |                   | Security rods                                | Aluminum bronze anodized |
|   |                   | Interlocks                                   | Stainless steel #4       |
|   |                   | Lock links (with automatic EEG)              | Stainless steel #2B      |
|   |                   |  | PowderGuard™             |
| S   | Op Op             | S Op Op Op Op                                | Op Op Op Op Op Op Op     |
| S   | Op Op             | S Op Op Op Op                                | Op Op Op Op Op Op Op     |
| S   |                   | S Op   | Op Op Op                 |

| Track (mount) | Track material | Maximum height | Standard finish | Special track curves | Special radii | Exit paddles | Emergency Egress Door |
|---------------|----------------|----------------|-----------------|----------------------|---------------|--------------|-----------------------|
| Top           | HD alum        | 12" (3658 mm)  | Clear anod.     | Op                   | Op            | Op           | Op                    |
| Top           | HD alum        | 12" (3658 mm)  | Clear anod.     | Op                   | Op            | Op           | Op                    |
| Top           | HD alum        | 12" (3658 mm)  | Clear anod.     | Op                   | Op            | Op           | Op                    |
| Top           | HD alum        | 12" (3658 mm)  | Clear anod.     | Op                   | Op            | Op           | Op                    |
| Top           | HD alum        | 12" (3658 mm)  | Clear anod.     | Op                   | Op            | Op           | Op                    |
| Top           | HD alum        | 12" (3658 mm)  | Clear anod.     | Op                   | Op            | Op           | Op                    |

† Emergency Egress option

# Upward-Coiling Grilles

MODELS 670 671 674

## Standard Features At a Glance

|                 |   |
|-----------------|---|
| Warranty        | 12 month limited  |
| Operation       | Manual unless size requires chain hoist   |
| Curtain         |   |
| Material/Finish | 670: aluminum, mill finish<br>671: galvanized steel or optional stainless steel (2B or 4)<br>674: aluminum, clear anodized  |
| Pattern         | 670/671: straight lattice (standard); staggered brick; straight with polycarbonate panels<br>674: perforated aluminum panels  |
| Bottom bar      | Extruded aluminum, mill finish (670); Double angle steel (671); Clear anodized (674)  |
| Guide type      | Guide channels are extruded aluminum with continuous PVC wear strips; 670/671 mill finish; 674 clear anodized; Wall angles and any pack-out angles are galvanized steel   |
| Mounting        | Interior face of wall is standard<br>Between jamb options available   |
| Brackets        | Steel with black powdercoat finish  |
| Pipe            | Steel sized for maximum deflection of .03" per linear foot  |
| Springs         | Oil tempered, 20,000 cycle, torsion springs   |
| Locking         | 670/671: Slide bolt for manual and crank operation; chain lock for chain hoist operation<br>674: Center locking bottom bar, with 1/2" diameter steel throw rods; Comes standard with cylinder locks on both sides or thumb turn on secured side |

## Options

- Operation: Electric operator, chain hoist, removable awning crank or crank box
- Electric operator with automatic emergency egress (670, 671); compliant with IBC 1008.1.4.4 & NFPA 101
- Controls: Time clock, card reader, keypad access
- Hood: Primed galvanized or stainless steel, mill finished or clear anodized aluminum
- Fascia and back hoods: aluminum, stainless steel
- Optional guide finishes: clear or bronze anodized, stainless steel
- PowderGuard™ premium powder coat paint finish in 197 standard colors, or color-matched to specification available on hood, curtain, bottom bar (not on 674), guides, headplates
- PowderGuard™ Zinc and PowderGuard™ Weathered finishes
- Heavy usage package (670/671)
- Locking options include cylinder locks, slide bolts (670, 671), security rods (670, 671), interlocks

## Models 670, 671 and 674. Security

When your project calls for an upward-coiling grille that is as versatile and attractive as it is rugged and secure, look no further than Models 670, 671 and 674. These grilles provide an attractive yet functional means to secure areas where public access must be restricted, without blocking air, light or sight. A wide range of options make these grilles an ideal choice for interior or exterior use in a variety of retail, industrial and commercial settings.

### The Choice of Aluminum, Galvanized Steel or Stainless Steel.

Models 670, 671 and 674 offers a choice of curtain materials to meet the aesthetic and functional requirements of almost any environment. The Model 670 features an aluminum curtain, with optional fire-retardant polycarbonate inserts. The Model 671 is fabricated of galvanized steel. Stainless steel and fire retardant polycarbonate inserts are also options. The standard curtain pattern for both the Model 670 and 671 is a straight lattice configuration, but you can opt for a staggered brick design.

The Model 674 features a perforated aluminum curtain that provides increased security, visibility and light infiltration in an attractive design. Ideal for interior applications, the aluminum construction of the model 674 is lightweight - while the perforated design enhances security without hindering air infiltration and visibility.

### High-Performance, Low Maintenance.

These security grilles are built for long-lasting, trouble-free performance. The counterbalance assembly features heavy-duty helical torsion springs in a steel tube or pipe barrel to provide long and reliable service. Guides feature silicon woolpile strips or PVC inserts for ease of operation and noise reduction. Surfaces are factory pre-finished to minimize field preparation and enhance the finish's durability. Optional crank or electric motor further simplifies grille operation. An optional heavy usage package (670, 671) provides extended life in applications requiring higher-duty cycles, such as parking garages and service access gates.





# That's Both Practical and Stylish.

### Emergency Egress Options

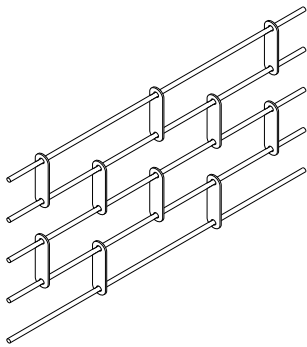
For public building applications, where grilles are utilized to secure access to public areas, an emergency egress may be necessary to prevent entrapment in the event of emergency or power failure. Applications including hospitals, schools, office buildings and libraries are ideal for adding this safety option to the door system. The emergency egress allows exit in the event of an alarm or power failure. The door is unlocked and therefore allowing exit. This feature avoids entrapment as well as provides immediate access to emergency personnel. Overhead Door offers two different ways to implement the emergency egress option. Both ways meet the IBC 1008.1.4.4 requirements. One option is the auto unlock and auto release option using an egress electric operator system designed specifically to work with Overhead Door emergency egress (670, 671). The other option is the auto unlock and manual release which can be operated with standard Overhead Door commercial operators.

### Optional Electric Operation

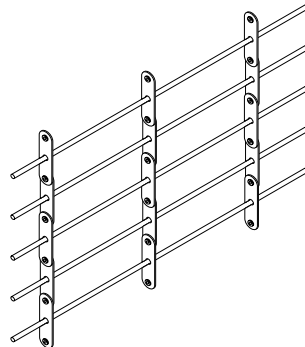
These security grilles are available with an electric operator to provide automatic passage for a variety of commercial and industrial uses, including schools, hospitals, libraries, public access buildings and parking garages. Our commercial operators are designed to work with the 670, 671 and 674 Models to ensure precise, smooth and safe operation for years to come. These operators are available with a variety of safety and actuator options that make these grilles suitable for nearly any commercial or retail application. These options include:

- Entrapment protection, including an electric or pneumatic sensing edge or photoelectric sensors
- Push-button, key or combination stations; surface or flush-mounted for interior or exterior locations
- Vehicle detectors, key card readers, photocell and door timer controls
- Treadle or pull-switch stations
- Telephone entry and coded keyboard stations
- Universal programmable door timer
- Radio control systems (24 VAC or 120 VAC)
- Emergency egress allows for exiting without electrical power

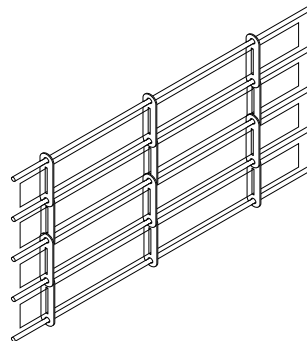
### Grille Patterns



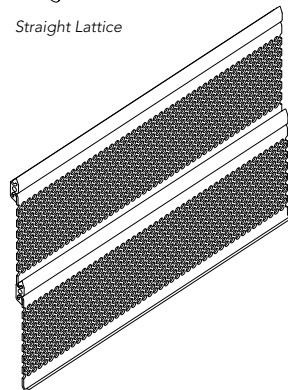
Staggered Brick



Straight Lattice



Polycarbonate (Lexan® or similar)



Perforated

Note: These products allow air infiltration and are not weather tight.



Model 670 upward-coiling grille. Installation and Service: Overhead Door Company of Huntsville.

For additional information, or special project requirements, consult your Overhead Door distributor or the Overhead Door Architectural Design Manual.

# Upward-Coiling Grilles, Grille Patterns, Face-of-Wall Clearance Dimensions

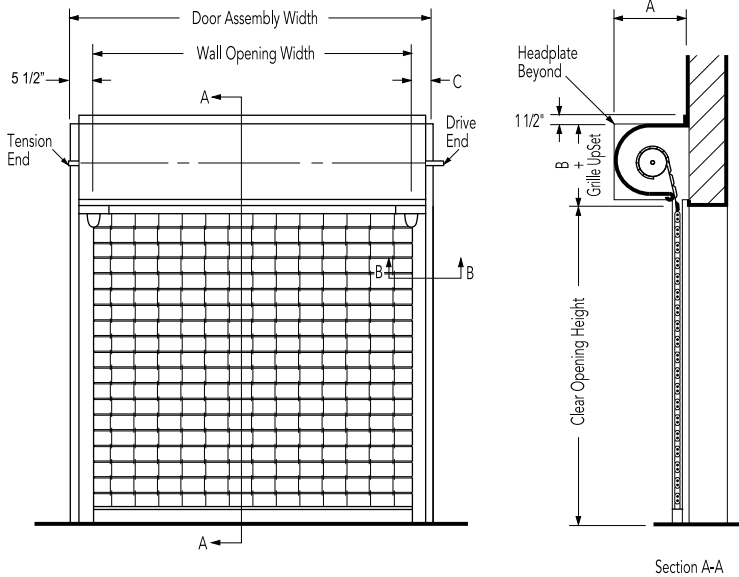
MODELS 670 671 674

## Grille Clearance Elevations

### Face-of-Wall Mounted

Operation: Push-up, chain hoist, crank or electric.

For clearance details on electrically operated grilles, see Motor Operator details on page 20.



## Headroom and Sideroom Clearance Dimensions

### Dimensions A and B

670/671/674

| Opening Height       | "A"         | "B"*        |
|----------------------|-------------|-------------|
| Thru 6'7" (2006mm)   | 15" (381mm) | 16" (432mm) |
| Thru 10'10" (3302mm) | 17" (432mm) | 18" (483mm) |
| Thru 15'10" (4826mm) | 19" (483mm) | 20" (533mm) |
| Thru 19'6" (5944mm)  | 21" (533mm) | 22" (584mm) |
| Thru 22'6" (6858mm)  | 23" (584mm) | 24" (635mm) |
| Thru 24'0" (7315mm)  | 25" (609mm) | 26" (686mm) |

\* If Motor Operated add 2 1/4" (57mm) to B  
\* If Safety Edge add 3 3/4" (95mm) to B

### Grille UpSets

670/671/674

|                     | Manual w/o Weather Strip | Manual with Weather Strip | Electric w/o Safety Edge | With Safety Edge |
|---------------------|--------------------------|---------------------------|--------------------------|------------------|
| <b>Double Angle</b> |                          |                           |                          |                  |
| <b>Bottom Bar</b>   | 1 3/4" (44mm)            | 2 3/4" (70mm)             | 5 1/4" (133mm)           | 5 1/4" (133mm)   |
| <b>Tubular</b>      | 2 1/2" (63mm)            | 3 3/4" (95mm)             | 4 3/4" (121mm)           | 6 1/4" (159mm)   |
| <b>Extruded "T"</b> | 1 3/4" (44mm)            | 2 3/4" (70mm)             | 3 3/4" (95mm)            | 5 1/4" (133mm)   |

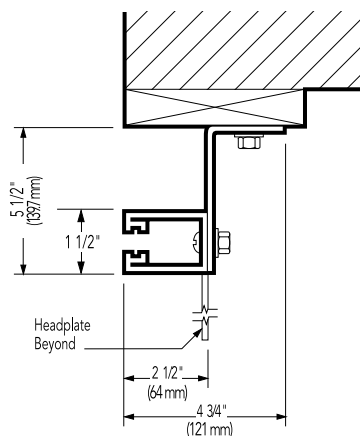
### Dimension C

670/671/674

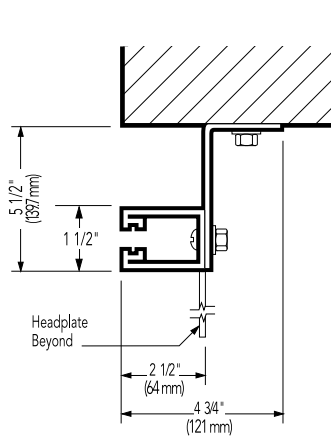
| Operation             | "C"            | Add to "A"   |
|-----------------------|----------------|--------------|
| Chain STD             | 9 1/4" (235mm) |              |
| F.O.H. Chain          | 5 1/2" (140mm) | +10" (254mm) |
| Awning Crank          | 5 1/2" (140mm) | +12" (305mm) |
| Push-Up               | 5 1/2" (140mm) |              |
| Electric Model RMX®   | 9 1/4" (235mm) |              |
| Electric Model RSX®   | 9 1/4" (235mm) |              |
| Electric Model 1 RHX® | 6 3/4" (172mm) | S70          |
|                       | 5 1/2" (140mm) | Special Mart |

## Face-of-Wall Mounted Guide Details (Section B-B)

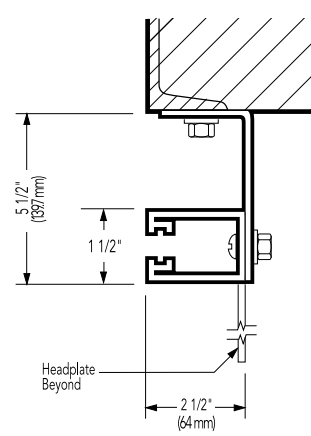
### Wood Jamb



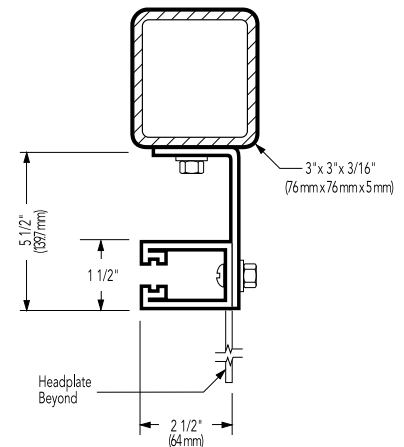
### Masonry/Concrete Jamb



### Steel Jamb



### Steel Tube Jamb



For more detailed information, refer to the Overhead Door Corporation's Architectural Design Manual, or consult your local Overhead Door distributor.

Steel tube requires coping out for drive clearance on crank or motor operated grilles

# Upward-Coiling Grilles Between Jamb Clearance Dimensions

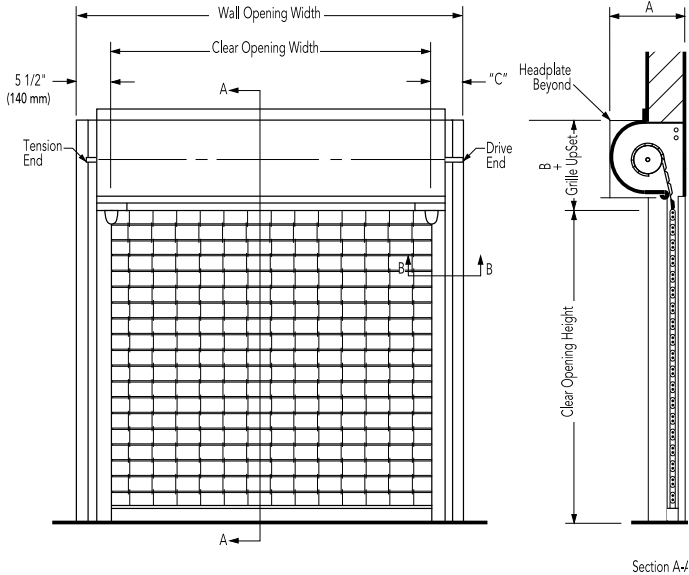
MODELS 670 671 674

## Grille Clearance Elevations

### Between Jamb Mounted

Operation: Push-up, chain hoist, crank or electric.

For clearance details on electrically operated grilles, see Motor Operator details on page 20.



## Headroom and Sideroom Clearance Dimensions

| Dimension A and B    |             | 670/671/674 |  |
|----------------------|-------------|-------------|--|
| Opening Height       | "A"         | "B"         |  |
| Thru 6'7" (2006mm)   | 15" (381mm) | 16" (432mm) |  |
| Thru 10'10" (3302mm) | 17" (432mm) | 18" (483mm) |  |
| Thru 15'10" (4826mm) | 19" (483mm) | 20" (533mm) |  |
| Thru 19'6" (5944mm)  | 21" (533mm) | 22" (584mm) |  |
| Thru 22'6" (6858mm)  | 23" (584mm) | 24" (609mm) |  |
| Thru 24'0" (7315mm)  | 25" (609mm) | 26" (686mm) |  |

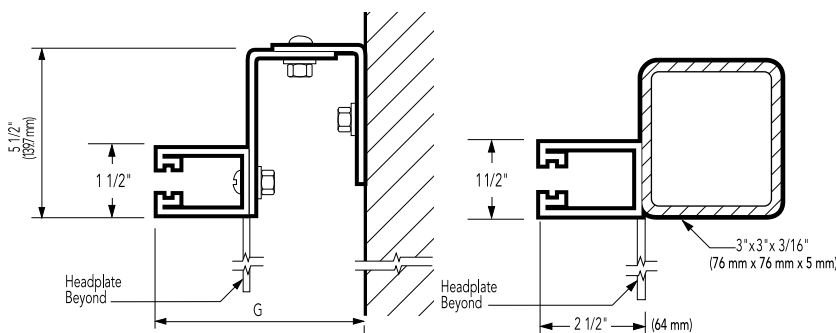
- \* If Motor Operated add 2 1/4" (57 mm) to B
- \* If Safety Edge add 3 3/4" (95 mm) to B

| Grille UpSets                  |                          | 670/671/674               |                          |                  |  |
|--------------------------------|--------------------------|---------------------------|--------------------------|------------------|--|
|                                | Manual w/o Weather Strip | Manual with Weather Strip | Electric w/o Safety Edge | With Safety Edge |  |
| <b>Double Angle Bottom Bar</b> | 1 3/4" (44 mm)           | 2 3/4" (70 mm)            | 3 3/4" (95 mm)           | 5 1/4" (133 mm)  |  |
| <b>Tubular</b>                 | 2 1/2" (63 mm)           | 3 3/4" (95 mm)            | 4 3/4" (121mm)           | 6 1/4" (159 mm)  |  |
| <b>Extruded "T"</b>            | 1 3/4" (44 mm)           | 2 3/4" (70 mm)            | 3 3/4" (95 mm)           | 5 1/4" (133 mm)  |  |

| Dimension C         |                 | 670/671/674   |  |
|---------------------|-----------------|---------------|--|
| Operation           | "C"             | Add to A      |  |
| Chain STD           | 9 1/4" (235 mm) |               |  |
| F.O.H. Chain        | 5 1/2" (140 mm) | +10" (254 mm) |  |
| Awning Crank        | 5 1/2" (140 mm) | +12" (305 mm) |  |
| Push-Up             | 5 1/2" (140 mm) |               |  |
| Electric Model RMX® | 9 1/4" (235 mm) |               |  |
| Electric Model RSX® | 9 1/4" (235 mm) |               |  |
| Electric Model RHX® | 5 1/2" (140 mm) |               |  |

## Between Jamb Mounted Guide Details (Section B-B)

## Door Clearance Dimensions



| Dimension G*        |                 |
|---------------------|-----------------|
| Operation           | "G"             |
| Chain STD           | 9 1/4" (235 mm) |
| F.O.H. Chain        | 5 1/2" (140 mm) |
| Awning Crank        | 5 1/2" (140 mm) |
| Push-up             | 5 1/2" (140 mm) |
| Electric Model RMX® | 7 1/2" (191 mm) |
| Electric Model RSX® | 9 1/4" (235 mm) |
| Electric Model RHX® | 5 1/2" (140 mm) |

\* For max. door opening height

Steel tube requires coping out. Consult factory for dimensions.

# Side-Folding Full Closure Grilles

**MODELS 675 677 678 679**

## Standard Features At a Glance

|                    |   |
|--------------------|---|
| Warranty           | 24 month OEM limited  |
| Curtain            |   |
| Frame              | Truss-like aluminum top and bottom plates; 1/8" (3 mm) thick  |
| Panel width        | 6 5/16" (160 mm) standard body; 11 1/4" (298 mm) wide body  |
| Finish             | Aluminum clear anodized   |
| Track              |   |
| Trolley assembly   | 1 1/8" (29 mm)<br>Vertical adjustment 1" (25 mm) up/down without curtain removal  |
| Track detail       | Top-mounted, heavy-duty aluminum sections<br>Height: 1 5/8" (41 mm)<br>Width: 1 3/8" (35 mm)  |
| Curves             | - 90°: Standard body: 10" (254 mm) and 14" (356 mm) radius; Wide body: 22" (559 mm) radius<br>- 120°, 135° and 150°: Standard body: 10" (254 mm) radius |
| Radius             | 14" (356 mm) standard body<br>22" (559 mm) wide body<br>Custom upon request   |
| Post types         |   |
| Lead post          | Hook lock and wall channel; bi-part; top and bottom shoot bolts   |
| Intermediate post  | Bottom shoot bolt   |
| Trailing end post  | Traveling; fixed; hook lock and wall jamb; top and bottom shoot bolts; carrier  |
| Locking mechanisms |   |
| Lead post          | Concealed cylinder-operated hook lock accessible from interior and exterior   |
| Intermediate post  | Concealed cylinder-operated shoot bolt accessible from one side only  |
| Trailing end post  | Attached 10' max. (3048 mm) protection plate self-locking into a steel V-Stop   |

*Note: All Post types can be used in most any position as need dictates*

## Options

- Custom radii and curves
- Thumb-turn guards
- Vertical adjustment upward or downward
- Emergency Egress Door

The Models 675/677/678/679 side-folding closures are ideal for applications that require a secure barrier against theft and debris, such as retail applications in malls, airports and concourses. These models includes four panel materials: painted perforated steel for full ventilation; clear polycarbonate for visual access and nonbreakable durability; tempered glass for a crystal-clear view; and full-height aluminum for maximum security. All four models are available in both standard-body and wide-body versions.



### Model 675

Curtain: 6 5/16" (160 mm) standard-width, 18-gauge painted perforated steel panels with 3/16" (5 mm) dia. holes on staggered centers that slide into aluminum hinges. Panels are framed by min. 4" (102 mm) high aluminum bottom plates and 5 1/4" (133 mm) high aluminum top plates. Visibility: 51% of 4 3/4" (121 mm) viewable area



### Model 675 (Wide Body)

Curtain: 11 1/4" (286 mm) wide-body panels, constructed of 18-gauge painted perforated steel with 3/16" (5 mm) dia. holes on staggered centers that slide into aluminum hinges. Panels are framed by min. 4" (102 mm) high aluminum bottom plates and 5 1/4" (133 mm) high aluminum top plates. Visibility: 51% of 8 7/8" (225 mm) viewable area



**Model 677**

Curtain: 6 5/16" (160 mm) standard-width panels with 1/8" (3 mm) thick fire-retardant polycarbonate that fit into aluminum hinges. Panels are framed by min. 4" (102 mm) high aluminum bottom plates and 5 1/4" (133 mm) high aluminum top plates.

Visibility: 100% of 4 3/4" (121 mm) viewable area\*



**Model 678 (Wide Body)**

Curtain: 11 1/4" (286 mm) wide-body panels, with 1/8" (3 mm) thick tempered glass that fit into aluminum hinges and are framed by min. 4" (102 mm) high aluminum bottom plates and 5 1/4" (133 mm) high aluminum top plates.

Visibility: 100% of 8 7/8" (225 mm) viewable area\*



**Model 677 (Wide Body)**

Curtain: 11 1/4" (286 mm) wide-body panels with 1/8" (3 mm) thick fire-retardant polycarbonate that fit into aluminum hinges. Panels are framed by min. 4" (102 mm) high aluminum bottom plates and 5 1/4" (133 mm) high aluminum top plates.

Visibility: 100% of 8 7/8" (225 mm) viewable area\*



**Model 679**

Curtain: 6 5/16" (160 mm) standard-width panels constructed of full-height, solid aluminum that slide into aluminum hinges. Panels are framed by alternately positioned 5 1/4" (133 mm) high aluminum top plates.

Visibility: 0%



**Model 678**

Curtain: 6 5/16" (160 mm) standard-width panels with 1/8" (3 mm) thick tempered glass that fit into aluminum hinges. Panels are framed by min. 4" (102 mm) high aluminum bottom plates and 5 1/4" (133 mm) high aluminum top plates.

Visibility: 100% of 4 3/4" (121 mm) viewable area\*



**Model 679 (Wide Body)**

Curtain: 11 1/4" (286 mm) wide-body panels constructed of full-height, solid aluminum that slides into aluminum hinges. Panels are framed by alternately positioned 5 1/4" (133 mm) high aluminum top plates.

Visibility: 0%

\* 1" Plate separator panels on full height closures over 6' in height

# Side-Folding Open Air Grilles

MODELS 681 683

## Standard Features At a Glance

|                          |   |
|--------------------------|---|
| Application              | When security is a priority, but you want to maximize air circulation, light infiltration and visual access to interior spaces our side-folding open air grilles are an ideal choice. |
| Warranty                 | 24 month OEM limited  |
| Curtain                  |   |
| Frame                    | Truss-like aluminum top and bottom plates; 1/8" (3 mm) thick  |
| Panel Width              | 6 5/16" (160 mm) standard body; 11 3/4" (299 mm) wide body  |
| Finish                   | Standard: Aluminum clear anodized   |
| Track                    |   |
| Trolley assembly         | 1 1/8" (29 mm)  |
| Track detail             | Top-mounted, heavy-duty aluminum sections<br>Height: 1 5/8" (41 mm)<br>Width: 1 3/8" (35 mm)  |
| Curves                   | - 90°: Standard body: 10" (254 mm) and 14" (356 mm) radius; Wide body: 22" (559 mm) radius<br>- 120°, 135° and 150°: Standard body: 10" (254 mm) radius                               |
| Radius                   | 14" (356 mm) standard body; 22" (559 mm) wide body; Custom upon request   |
| Post types               |   |
| Lead post                | Hook lock and wall channel; bi-part; top and bottom shoot bolts   |
| Intermediate post        | Bottom shoot bolt   |
| Trailing end post        | Traveling; fixed; hook lock and wall jamb; top and bottom shoot bolts; carrier  |
| Locking mechanisms       |   |
| Lead post                | Concealed cylinder-operated hook lock accessible from interior and exterior   |
| Intermediate post        | Concealed cylinder-operated shoot bolt accessible from one side only  |
| Trailing end post        | Attached 10' max height protection plate self-locking into a steel V-Stop   |
| Security/ Safety options | Thumb-turn guards and protection bars.  |

Note: All Post types can be used in most any position as need dictates

## Options

- Thumb-turn guards and protection bars
- Anodized finish
- Vertical adjustment upward or downward
- Emergency Egress Door

## Open-Air Security

When security is a priority, but you want to maximize air circulation, light infiltration and visual access to interior spaces, the Models 681/683 are an ideal choice. Short on the space required for installation, but long on handsome good looks, these grilles secure premises and guard against theft and debris with superior compactness and nearly endless design possibilities.

### Superior Compactness.

These side-folding, open-air grilles are ideal for spaces with limited headroom and sideroom. A low-profile, top-mounted track reduces headroom requirements to 1 5/8" (41 mm) and depth requirements to 1 3/8" (35 mm). Panels fold to an average 2" (51 mm) per linear foot on standard-width curtains. Wide-body curtains require an average of only 1 1/2" (38 mm) per linear foot. Minimum clear pocket widths of 8" (203 mm) on standard width grilles and 13" on wide-body models require significantly less depth. All-in-all, these grilles are the shortest-stacking, lowest-profile grilles money can buy.

### Well Engineered, Well Built.

Quality engineering afford you superior design flexibility and ensure long-lasting looks and performance. Modular construction allows the grille to fit any opening width. Up to 2" (51 mm) of vertical adjustment allows field correction of uneven surfaces. Standard width and wide-body panels offers alternative stacking pocket depths.



# Grilles That Breathe With Style.

*Model 683, aluminum side-folding grille, Brick pattern.  
Installation and Service: Overhead Door Company of Madison.*



# Side-Folding Open Air Grilles

MODELS 681 683

## Model 681 Wide Body Patterns



*Straight Pattern*

- Space Between Tubes 1 7/8" (47.6 mm)
- Full Panel Width 11 1/4" (286 mm)
- Top Plate 5 1/4" (133 mm); 11 gauge
- Top Spacer Tube size varies from curtain pattern to accommodate specific height.
- Spacer Plate 1" (25.4 mm); 11 gauge
- Spacer Tube 1/2" (12.7 mm) x 12" (305 mm)
- Bottom Plate 4" (102 mm); 11 gauge



*Brick Pattern*

- Space Between Tubes 1 7/8" (47.6 mm)
- Full Panel Width 11 1/4" (286 mm)
- Top Plate 5 1/4" (133 mm); 11 gauge
- Top Spacer Tube size varies from curtain pattern to accommodate specific height.
- Spacer Plate 1" (25.4 mm); 11 gauge
- Spacer Tube 1/2" (12.7 mm) x 12" (305 mm)
- Bottom Plate 4" (102 mm); 11 gauge
- 10 1/2" (267 mm) On Center
- Hinge 1 1/2" (38.1 mm)

## Model 683 Standard Body Patterns



*Straight Pattern*

- Space Between Tubes 2 1/2" (63.5 mm)
- Full Panel Width 6 5/16" (160 mm)
- Top Plate 5 1/4" (133 mm); 13 gauge
- Top Spacer Tube size varies from curtain pattern to accommodate specific height.
- Aluminum Rod 5/16" (3.17 mm)
- Aluminum Link 1/8" x 5/8" X 6 11/16" (3.17 x 15.9 x 170 mm)
- Spacer Tube 1/2" x 12" (12.7 x 305 mm)
- Bottom Plate 5 1/4" (133 mm); 13 gauge
- 6" (152 mm) On Center



*Brick Pattern*

- Space Between Tubes 2 1/2" (63.5 mm)
- Full Panel Width 6 5/16" (160 mm)
- Top Plate 5 1/4" (133 mm); 13 gauge
- Top Spacer Tube size varies from curtain pattern to accommodate specific height.
- Aluminum Rod 5/16" (3.17 mm)
- Aluminum Link 1/8" x 5/8" X 6 11/16" (3.17 x 15.9 x 170 mm)
- Spacer Tube 1/2" x 12" (12.7 x 305 mm)
- Bottom Plate 5 1/4" (133 mm); 13 gauge
- 6" (152 mm) On Center



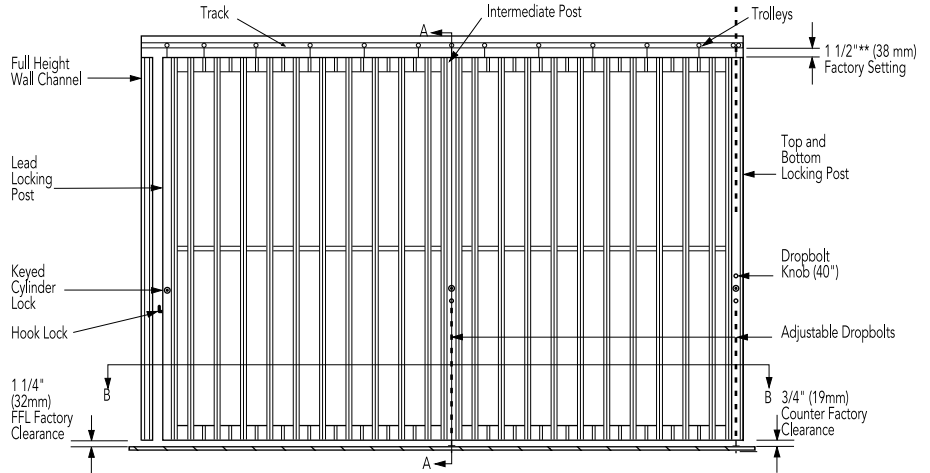


## Grille Clearance Elevations

**Note:**

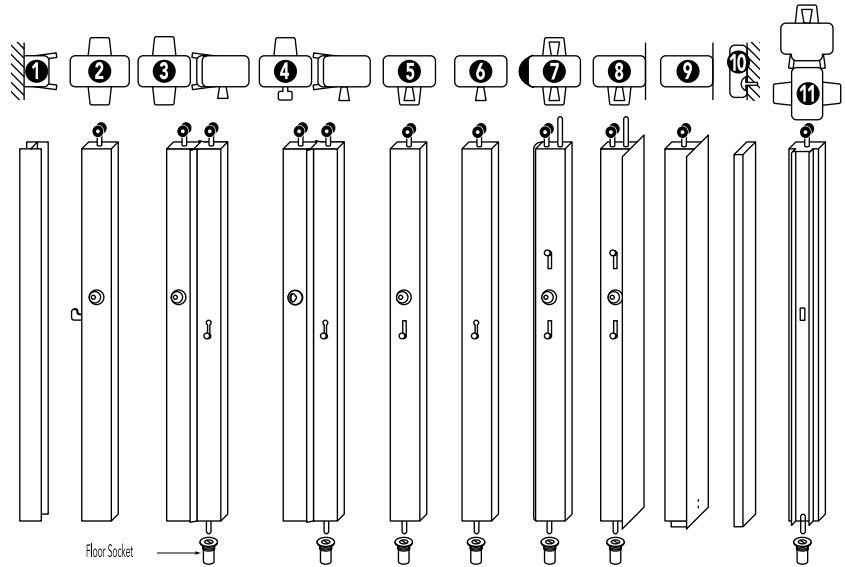
\* Curtain height is adjustable to a maximum of 1" (25 mm) upward, and 1" (25 mm) downward to compensate for unexpected field conditions.

\*\* This will vary top clearance from curtain to track from 1/2" (13 mm) to 2 1/2" (63 mm)



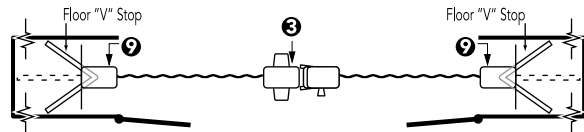
## Side Folding Grilles Post Descriptions

- 1 Wall Channel
- 2 Lead Post – with cylinders interior/ exterior engaging hook bolt lock
- 3 Bi-Part – with cylinders interior/ exterior and interior drop bolt
- 4 Bi-Part – with cylinder exterior and interior thumb turn and drop bolt
- 5 Intermediate Post – with interior cylinder lock and drop bolt
- 6 Intermediate Post – with interior drop bolt
- 7 Top and Bottom Post – with interior/ exterior cylinder lock and rubber bumper
- 8 Top and Bottom Post – with cylinder lock and protection plate
- 9 Traveling End Post – with protection plate, post self locks into floor “V” stop
- 10 Fixed End Post
- 11 90° Bi-Part – With interior/ exterior cylinders and exterior drop bolt



**Bi-Part, Pocket Both Sides**

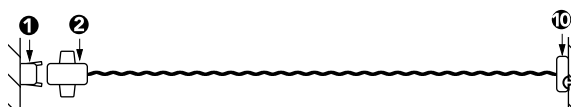
Commonly used to break up large curtains or to provide a balanced look.



**Stack Between Jambes**

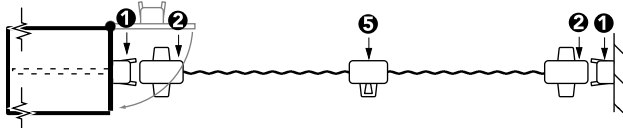
For use where there is no pocket availability.

Note: Use of #7 posts for the lead or end are a viable alternative



**Single Stack Into Pocket With Wall Channel or Pocket Grille**

In this configuration, the traveling end post becomes a secured, keyed locking post and avoids drilling for floor socket needed by #7 post.

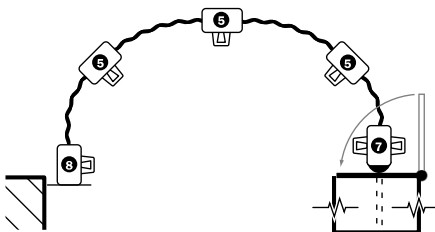


For more detailed information, refer to the Overhead Door Corporation's Architectural Design Manual, or consult your local Overhead Door distributor.

## Side-Folding Grilles Typical Layouts

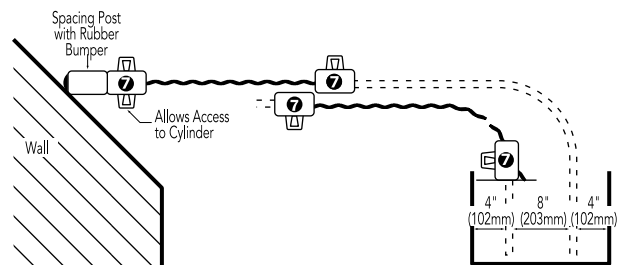
### Special Radius Curve

Enables the curtain to follow any lease line and adds a dramatic look to the entrance.



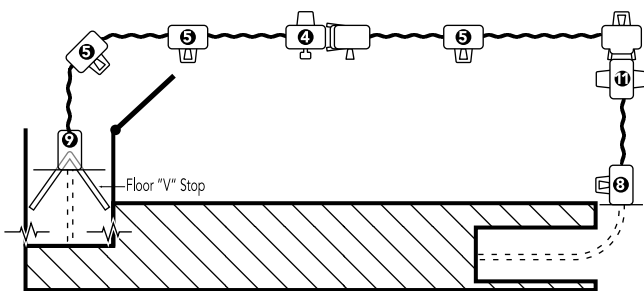
### Dual Track

For use when minimal pocket depth is available. A top and bottom lead post with attached spacing post to an angled wall allows access to locking on the acute angle side.



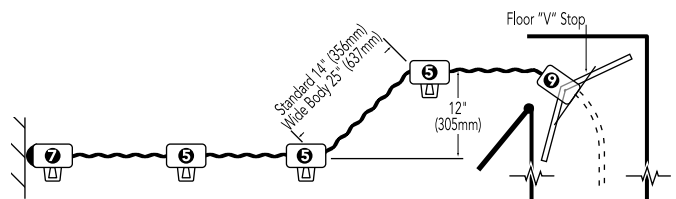
### 90° Curve With Bi-Part Single Stack Into Pocket

Bi-parting curtains are recommended for curtains 30' or more for ease of use.



### "S" Curve (2 135° curves) With Single Stack Into 90° Pocket

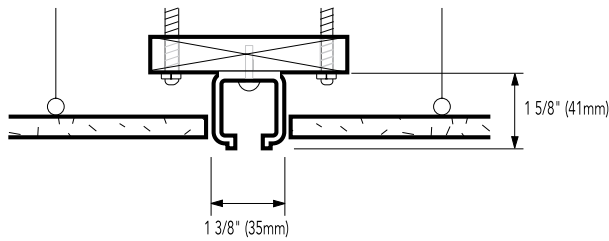
S-curves enable the curtain to avoid obstruction and provide added visual interest.



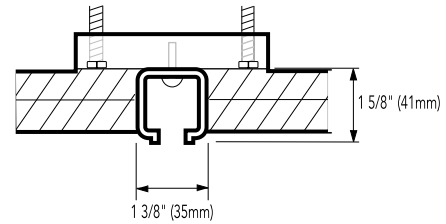
Note:  
On all layout drawings, top is exterior, bottom is interior of opening.



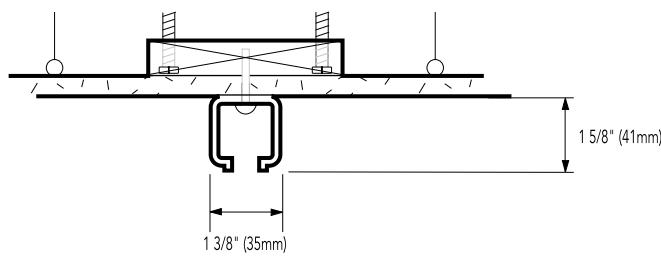
### Drop Ceiling Recessed Track



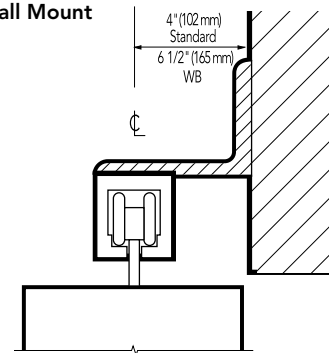
### Drywall Ceiling Recessed Track



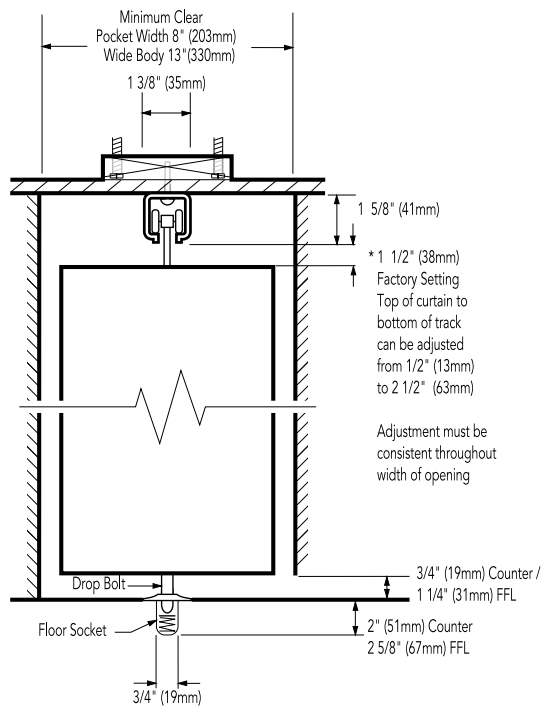
### Drop Ceiling Surface Track



### Face-of-Wall Mount



### Optional Curtain Height Adjustment



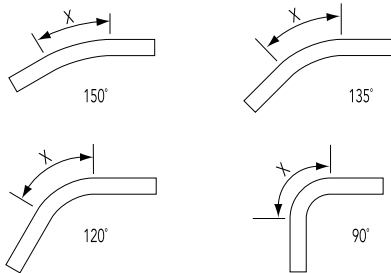
**Note:**

Load requirements are 3 lbs. per square foot (1.66 Kg per square meter) and 200 lbs. per linear foot (91 Kg per linear meter) stacked. Threaded rod 1/2" (13 mm) with 2" (51 mm) x 6" (152 mm) wood stud shown. Other acceptable mounts include 2" (51 mm) x 4" (102 mm) steel or wood stud. A column is not required for support. Header and supporting structure by others.

\*Curtain height is adjustable up to 1" (25 mm) up or down without removal. (Optional)

# Side-Folding Grilles Pocket Details

## Curve Details



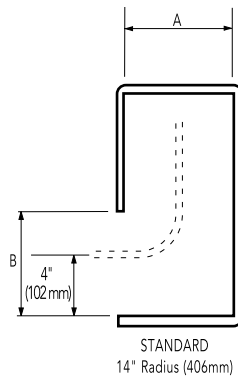
Note: Special radius curves are available only with a template supplied.  
 Curves cannot be smaller than 90°  
 Double 3/4" (19 mm) plywood eliminates problem blocking of curved layouts.  
 Wide Body models must use standard 22" radius on 90° curves.  
 Larger special curves are also acceptable.

| Dimension X         |       |                   |
|---------------------|-------|-------------------|
| Radius              | Curve | X                 |
| <b>10" (254 mm)</b> | 90°   | 16" (406 mm)      |
|                     | 120°  | 10 1/2" (267 mm)  |
|                     | 135°  | 7 15/16" (202 mm) |
|                     | 150°  | 5 1/4" (133 mm)   |
| <b>14" (356 mm)</b> | 90°   | 22" (559 mm)      |
| <b>22" (559 mm)</b> | 90°   | 34 1/2" (876 mm)  |

## Right Angle Pocket Specifications

### Standard

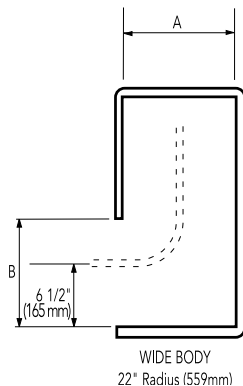
1 3/16" (30 mm) per linear foot plus 3" (76 mm) for each posts.  
 Min. clear pocket width 8" (203 mm)



| Dimensions A and B |  | Standard              |  |
|--------------------|--|-----------------------|--|
| "A" Pocket Width   |  | "B" Pocket Door Width |  |
| 8" (203 mm)        |  | 18" (457 mm)          |  |
| 9" (229 mm)        |  | 13 5/8" (346 mm)      |  |
| 10" (254 mm)       |  | 12" (305 mm)          |  |
| 11" (279 mm)       |  | 10 7/8" (276 mm)      |  |
| 12" (305 mm)       |  | 10" (254 mm)          |  |
| 13" (330 mm)       |  | 9 5/16" (237 mm)      |  |
| 14" (356 mm)       |  | 8 13/16" (224 mm)     |  |
| 15" (381 mm)       |  | 8 7/16" (214 mm)      |  |
| 16" (406 mm)       |  | 8 3/16" (208 mm)      |  |

### Wide Body

3/4" (19 mm) per linear foot plus 3" (76 mm) for each posts.  
 Min. clear pocket width 13" (330 mm)



| Dimensions A and B |  | Wide Body             |  |
|--------------------|--|-----------------------|--|
| "A" Pocket Width   |  | "B" Pocket Door Width |  |
| 13" (330 mm)       |  | 26" (660 mm)          |  |
| 14" (356 mm)       |  | 20" (508 mm)          |  |
| 16 1/2" (419 mm)   |  | 17" (432 mm)          |  |
| 20" (508 mm)       |  | 14" (356 mm)          |  |
| 26" (660 mm)       |  | 13" (330 mm)          |  |

Add 3" (76 mm) per stack per locking post. Add 8" (203 mm) to stack per Emergency Egress Grille. Add 6" (152 mm) each for bi-part.  
 Note: The maximum space between locking posts is 10' (3,048 mm) for full height grilles, 6' (1,829 mm) on standard counter height and at center of every curve.  
 For more detailed information, refer to the Overhead Door Corporation's Architectural Design Manual, or consult your local Overhead Door distributor.



Overhead Door Models 677/678 side-folding grille (Wide body)

# Electric Operators (Upward Coiling Grilles Only)

## Operator Control Options

- Entrapment protection: electric sensing edge, pneumatic sensing edge, or photoelectric sensors
- Non-electric operation emergency egress with uninterruptible power supply
- Ground-level chain hoists for emergency or hand operation standard on Model RMX®
- Push-button, key or combination stations; surface-or flush-mounted for interior and/or exterior locations
- Vehicle detectors, key card reader, photocell and grille timer controls
- Treadle or pull switch stations
- Telephone entry and coded keyboard stations
- Universal programmable grille timer
- Radio control systems (24V AC or 120V AC)

## Recommended Safety Features

Overhead Door Corporation strongly recommends the use of interlock switches, an electrically-controlled emergency egress option, and an electric safety edge for all electrically operated upward coiling grilles. If a sensing edge or other reversing device is not installed, a constant-contact control switch must be used to close the grille. We recommend a self-monitoring, four-wire, fail-safe electric sensing edge.

### Entrapment Protection

The installation of an external reversing device for all electrically operated commercial grilles is recommended. If a sensing edge or other reversing device is not installed, a constant-contact control switch must be used to close the grille. We recommend a four-wire, fail-safe electric sensing edge that will not allow the grille to close if the sensing edge is damaged or not working properly.

### Model CDX®

Model CDX® is a gear-reduced commercial operator with a 1/2 HP motor. The CDX® operator may be used for grilles up to 140 sq. ft. (13006 sq.mm). Mounting is front-of-hood only.



Overhead Door Corporation offers the broadest line of electric operators to suit new construction and retrofit applications, as well as unusual or special requirements. Manufactured by Overhead Door Corporation to meet the exacting performance requirements of Overhead Door's upward-acting grilles, our ribbon branded operators afford precise control of grille action for years of trouble-free operation.

In order to improve safety and enhance grille and motor life, industry quality assurance guidelines recommend the choice of a single manufacturer for both grille and operator applications. Overhead Door Corporation is the only national manufacturer of a full line of commercial and industrial grilles and operators specifically designed for integral applications.

## Operator Models

### Model RMX®

Model RMX® is an advanced medium-duty operator. It is designed for quicker installation and hassle-free operation and operates grilles up to 14' (4267 mm) in height and 620 pounds (282 kg). It is available as a trolley-type or side-mounted unit.



### Model RSX®

Model RSX® is a standard duty commercial operator designed to operate grilles up to 24' (7315 mm) in height and 1450 pounds (657 kg) in weight. It offers unique features like LimitLock®, SuperBelt®, dual frequency radio system and 16 digit menu setup.



### Model RHX®

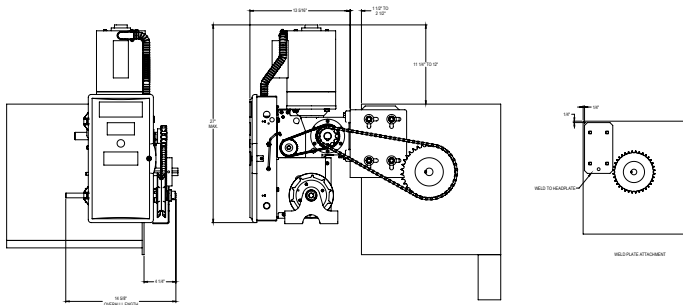
Model RHX® is a heavy duty motor featuring industrial worm gear in oil bath design. The RHX® can operate grilles up to 24' (7315 mm) in height and 1650 pounds (748 kg) in weight. It offers unique features like LimitLock®, dual frequency radio system and 16 digit menu setup.



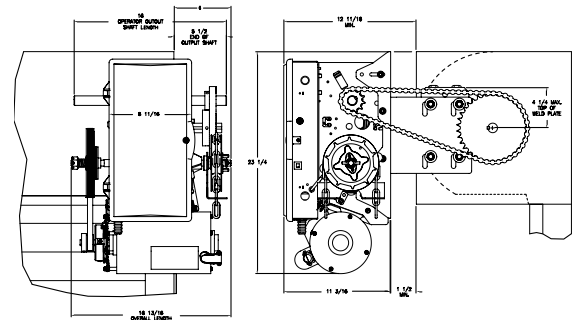


Mounting Details

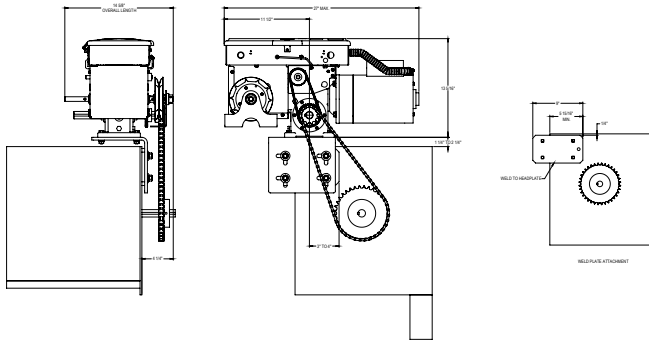
Front-of-Hood Mounted-RHX®



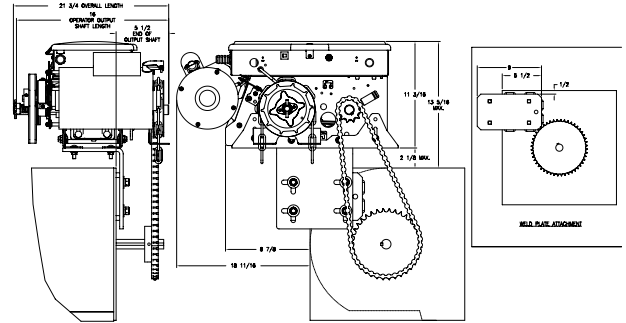
Front-of-Hood Mounted\*-RSX®



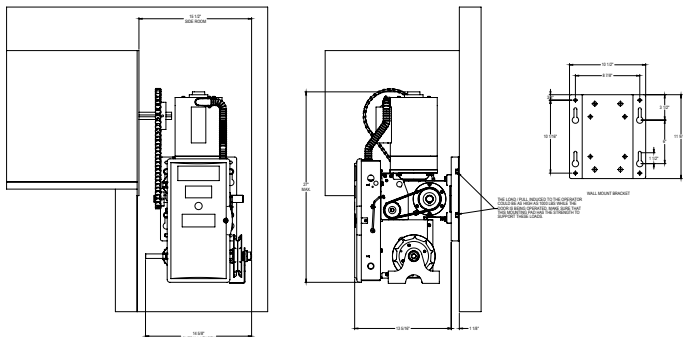
Top-of-Hood Mounted -RHX®



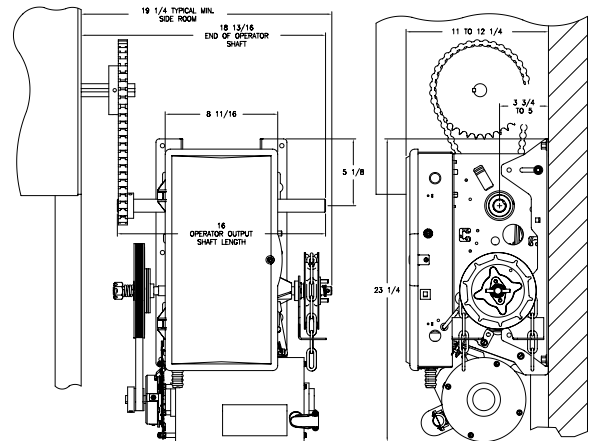
Top-of-Hood-RSX®



Wall Mounted (Below Shaft)-RHX®



Wall Mount-RSX®



Note: For "A" and "G" dimensions, refer to Headroom and Guide Clearance. Dimension charts applicable to grille type selected.

\* Front-of-Hood mounted also available on between jamb mounted grilles.

For more detailed information, refer to the Overhead Door Corporation's Architectural Design Manual, or consult your local Overhead Door distributor.

---

## The Original, Innovative Choice for Unequaled Quality and Service

---

Overhead Door Corporation pioneered the upward-acting door industry, inventing the first upward-acting door in 1921 and the first electric door operator in 1926. Today, we continue to be the industry leader through the strength of our product innovation, superior craftsmanship and outstanding customer support, underscoring a legacy of quality, expertise and integrity. That's why design and construction professionals specify Overhead Door Corporation products more often than any other brand.

The Overhead Door Red Ribbon is a mark of quality that also reflects the pride we take in the people who support our products. Our family of over 400 Overhead Door Distributors across the country not only share our name and logo, but also our commitment to excellence. Your Overhead Door Distributor will work with you in a consultative role to ensure that product selections achieve your design and application requirements — in addition to offering expert installation, professional field service and ongoing maintenance. From project design and manufacturing to installation and service, the Overhead Door Red Ribbon is your guarantee of genuine quality and turnkey service excellence.

**Together with our distributors, we offer comprehensive technical information and resource materials to support your project, including:**

- Architectural Design Manual – a comprehensive guide to selecting, specifying and detailing all commercial and industrial Overhead Door products can be found at [www.OverheadDoor.com/ADM/base.html](http://www.OverheadDoor.com/ADM/base.html)
- Operation & Maintenance Manual – detailed product information, customized for your project, to ensure reliable, long-life door system operation
- Custom application and technical assistance through ordering plants' customer service and technical services respectively
- Visit our Architect's Corner at [www.OverheadDoor.com](http://www.OverheadDoor.com)



Advanced Rolling Steel Door  
RapidSlat®



Thermacore® Sectional Doors



Rolling & Side Folding  
Security Grilles & Closures



Rolling Service Doors



Commercial Operators

Today, Overhead Door Corporation – along with our Horton Automatics division, for automated pedestrian entrances – is recognized as the leading, single-source manufacturer of integrated door and operator systems for commercial, industrial and residential applications. With multiple manufacturing locations throughout the United States, a state-of-the-art TREQ (Testing, Reliability, Engineering, and Quality) Center for design and engineering, and a national network of authorized Overhead Door Distributors, our capabilities are leading-edge and our field service and technical support second to none. Built best and backed best, Overhead Door is the industry's leading choice for quality that shows and lasts.

**To talk with the Overhead Door Distributor nearest you, call 1-800-929-DOOR.**

### Overhead Door Corporation

2501 S. State Hwy. 121 Bus., Suite 200

Lewisville, Texas 75067

1-800-929-DOOR

[www.OverheadDoor.com](http://www.OverheadDoor.com)



INDUSTRY LEADING  
COMMERCIAL & INDUSTRIAL SOLUTIONS

The Overhead Door Corporation family of quality commercial and industrial products includes:



A part of Sanwa Holdings Corporation