

LOWREY[®] *Virtual Orchestra*

EZP⁸

Owner's Guide



Thank you for choosing the Lowrey EZP8 Virtual Orchestra for your home!

This guide offers information to help you enjoy your new instrument. Please read the guide and keep it close by for future reference.

Table of Contents

Important Safety Instructions	1	Sounds	15
Assembling The Stand	4	Left Sounds	15
Assembling The Bench	7	Left Hand Sounds List	15
Control Panel	8	Sounds (right/upper)	15
Let's Get Started	10	Dual Sounds	15
Power Button	10	Organ Sounds	16
Master Volume	10	Keyboard Setup	16
Play - Pick A Sound	10	Piano Only	16
Listen - Demonstration Songs	10	Right Hand Sounds List	16
Styles	11	Organ Sounds	17
Style List	11	Vibra Trem	17
Selecting A Style	11	Harmony	17
Style Control	11	Fake It!	18
Balance	12	Song Setup	18
Style Setup	12	Glide	18
EASY	12	Transpose	19
Auto Bass	12	Features	20
Chord Memory	12	1. Keyboard Split	20
MCS-Music Chord System	12	2. Touch	20
Red, Blue, Green Dots	12	3. Drum Volume	21
<i>Major Chord</i>	12	4. Drums Only	21
<i>Minor Chord</i>	13	5. Keyed Bass	21
<i>Seventh Chord</i>	13	6. Orch Octave	21
Intro Ending	13	7. Transpose	21
Minor Chord Intro	14	MCS Chord Chart	22
Start Stop	14	Songs List	23
Fill	14	Song Setup List	24
Tempo/Downbeat Indicator	14	Warranty	25
Tempo Control	14		

Important Safety Instructions

SAVE THESE INSTRUCTIONS

INSTRUCTIONS PERTAINING TO A RISK OF FIRE, ELECTRIC SHOCK, OR INJURY TO PERSONS



WARNING

TO REDUCE THE RISK OF FIRE OR ELECTRIC SHOCK, DO NOT EXPOSE THIS PRODUCT TO RAIN OR MOISTURE.

AVIS : RISQUE DE CHOC ELECTRIQUE - NE PAS OUVRIR.

TO REDUCE THE RISK OF ELECTRIC SHOCK, DO NOT REMOVE COVER (OR BACK).
NO USER-SERVICEABLE PARTS INSIDE. REFER SERVICING TO QUALIFIED SERVICE PERSONNEL.



The lightning flash with arrowhead symbol, within an equilateral triangle, is intended to alert the user to the presence of uninsulated 'dangerous voltage' within the product's enclosure that may be of sufficient magnitude to constitute a risk of electric shock to persons.



The exclamation point within an equilateral triangle is intended to alert the user to the presence of important operating and maintenance (servicing) instructions in the literature accompanying the product.

Examples of Picture Symbols



denotes that care should be taken.
The example instructs the user to take care not to allow fingers to be trapped.



denotes a prohibited operation.
The example instructs that disassembly of the product is prohibited.



denotes an operation that should be carried out.
The example instructs the user to remove the power cord plug from the AC outlet.

Read all the instructions before using the product.

WARNING - When using electric products, basic precautions should always be followed, including the following.



WARNING Indicates a potential hazard that could result in death or serious injury if the product is handled incorrectly.

The product should be connected to an AC outlet of the specified voltage.



- If you are going to use an AC power cord, make sure that its has the correct plug shape and conforms to the specified power voltage.
- Failure to do so may result in fire.

Do not insert or disconnect the power cord plug with wet hands.



Doing so may cause electric shock.

The chair must be used properly (it must be used only when playing the product).


- Do not play with it or stand on it.
- Only one person is allowed to sit on it.
- Do not sit on it when opening the lid.

Doing so may cause the chair to fall over or your fingers to be trapped, resulting in injury.

When using the headphones, do not listen for long periods of time at high volume levels.



Doing so may result in hearing problems.

Do not lean against the keyboard.  Doing so may cause the product to fall over, resulting in injury.

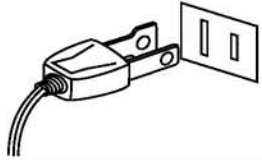
Do not disassemble, repair or modify the product.  Doing so may result in product breakdown, electric shock or short-circuit.

When disconnecting the AC power cord's plug, always hold the plug and pull it to remove it. 


- Pulling the AC power cord itself may damage the cord, causing a fire, electric shock or short-circuit.

The product is not completely disconnected from the power supply even when the power switch is turned off. If the product will not be used for a long time, unplug the AC power cord from the AC outlet. 


- Failure to do so may cause fire in case of lightning.
- Failure to do so may over-heat the product, resulting in fire.

This product may be equipped with a polarized line plug (one blade wider than the other). This is a safety feature. If you are unable to insert the plug into the outlet, contact an electrician to replace your obsolete outlet. Do not defeat the safety purpose of the plug. 


⚠ CAUTION Indicates a potential hazard that could result in injury or damage to the product or other

Do not use the product in the following areas.  Using the product in such areas may result in product breakdown.


- Areas, such as those near windows, where the product is exposed to direct sunlight
- Extremely hot areas, such as near a heater
- Extremely cold areas, such as outside
- Extremely humid areas
- Areas where a large amount of sand or dust is present
- Areas where the product is exposed to excessive vibrations

When you close the keyboard cover, close it gently.  Closing it roughly may trap your fingers, resulting in injury.


Before connecting cords, make sure that the power to this product and other devices is turned OFF.  Failure to do so may cause breakdown of this product and other devices.

Take care not to allow any foreign matter to enter the product.  Entry of water, needles or hair pins may result in breakdown or short-circuit. The product shall not be exposed to dripping or splashing. No objects filled with liquids, such as vases, shall be placed on the product.

Do not drag the product on the floor. Take care not to drop the product.  Please lift up the product when moving it. Please note that the product is heavy and must be carried by more than two persons. Dropping the product may result in breakdown.

Do not place the product near electrical appliances such as TVs and radios. 

- Doing so may cause the product to generate noise.
- If the product generates noise, move the product sufficiently away from the electrical appliance or connect it to another AC outlet.

When connecting the AC power cord and other cords, take care not to get them tangled.  Failure to do so may damage them, resulting in fire, electric shock or short-circuit.

Do not wipe the product with benzene or thinner.



- Doing so may result in discoloration or deformation of the product.
- When cleaning the product, put a soft cloth in lukewarm water, squeeze it well, then wipe the product.

Do not stand on the product or exert excessive force.



- Doing so may cause the product to become deformed or fall over, resulting in breakdown or injury.

The product should be located so that its location or position does not interfere with its proper ventilation.

This product should be used only with the stand that is provided by the manufacturer.

The product should be serviced by qualified service personnel when:

- The power supply cord or the plug has been damaged.
- Objects have fallen, or liquid has been spilled into the product.
- The product has been exposed to rain.
- The product does not appear to operate normally or exhibits a marked change in performance.
- The product has been dropped, or the enclosure damaged.

Notes on Repair

Should an abnormality occur in the product, immediately turn the power OFF, disconnect the power cord plug, and then contact the shop from which the product was purchased.

CAUTION:

To prevent electric shock, match wide blade of plug to wide slot, fully insert.

ATTENTION:

Pour éviter les chocs électriques, introduire la lame la plus large de la fiche dans la borne correspondante de la prise et pousser jusqu'au fond.

Information on Disposal for Users

— If your product is marked with this recycling symbol it means that, at the end of its life, you must dispose of it separately by taking it to an appropriate collection point. You should not mix it with general household waste. Disposing of this product correctly will prevent potential negative effects on the environment and human health which could otherwise arise due to inappropriate waste handling. For further details, please contact your local authority. (European Union only)

Instruction for AC power cord (U.K.)

IMPORTANT

THE WIRES IN THIS MAINS LEAD ARE COLOURED IN ACCORDANCE WITH THE FOLLOWING CODE.

BLUE: NEUTRAL

BROWN: LIVE

As the colours of the wires in the mains lead of this apparatus may not correspond with the coloured markings identifying the terminals in your plug, proceed as follows:

The wire which is coloured BLUE must be connected to the terminal which is marked with the letter N or coloured BLACK.

The wire which is coloured BROWN must be connected to the terminal which is marked with the letter L or coloured RED.

Do not plug either terminal of the power cord to the ground of the AC outlet on the wall

FCC Information

This equipment has been tested and found to comply with the limits for a Class B digital device, pursuant to Part 15 of the FCC Rules. These limits are designed to provide reasonable protection against harmful interference in a residential installation. This equipment generates, uses and can radiate radio frequency energy and, if not installed and used in accordance with the instructions, may cause harmful interference to radio communications.

If this equipment does cause harmful interference to radio or television reception, which can be determined by turning the equipment off and on, the user is encouraged to try to correct the interference by one or more of the following measures:

- Reorient or relocate the receiving antenna.
- Increase the separation between the equipment and receiver.
- Connect the equipment into an outlet on a different electrical circuit from the receiver.
- Consult the dealer or an experienced radio/TV technician for help.

Canadian Radio Interference Regulations

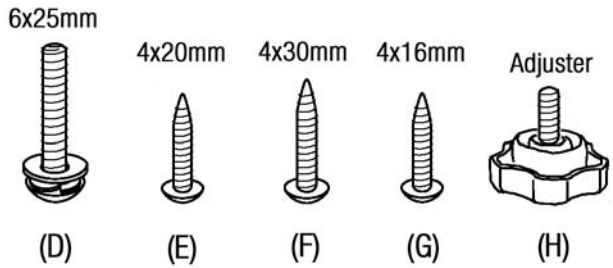
This instrument complies with the limits for a class B digital apparatus, pursuant to the Radio Interference Regulations, C.R.C., c. 1374.

Assembling The EZP8 Stand

Be sure that all parts are included before starting to assemble your EZP8 stand.

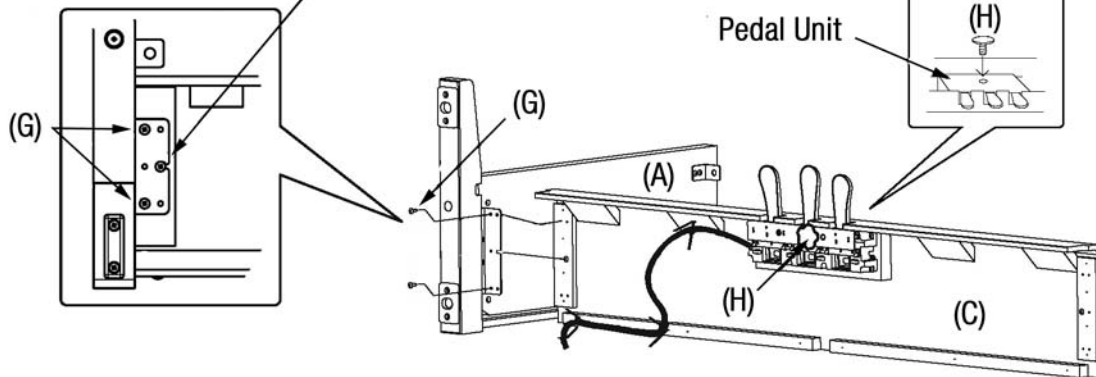
PARTS PROVIDED

- Side Panel (A)2 pcs.
- Back Board (B)1 pc.
- Pedal Board (C)1 pc.
- Screw (D)4 pcs.
- Screw (E)4 pcs.
- Screw (F)2 pcs.
- Screw (G) (Silver)4 pcs.
- Adjuster (H)1 pc.

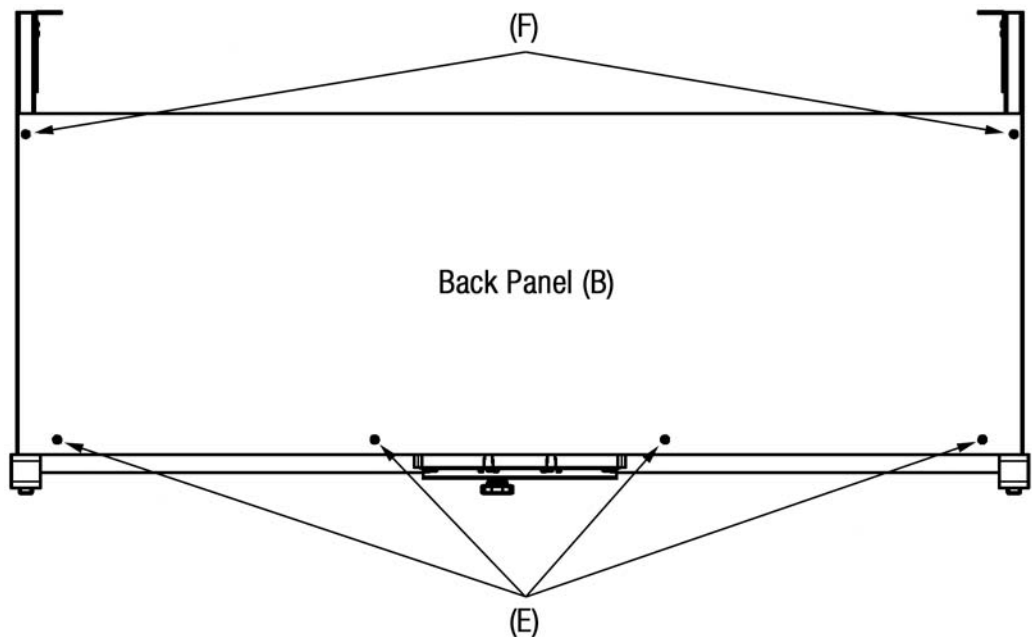


1. Insert the Adjuster (H) on the underneath side of the Foot Pedal Unit.
2. Untie the pedal cable on the bottom of the Pedal Board (C).
3. Fasten the Side Panels (A) to the Pedal Board (C) with two screws (G) for each Side Panel (total of 4 screws).

Tighten This Screw After Assembly



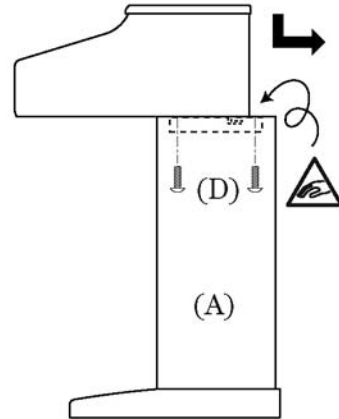
4. Hold the Back Panel (B) to the back of the Pedal Board and Side Panels.
Fasten the Back Panel to the Side Panels using two screws (F).
Fasten the Back Panel to the Pedal Board using four screws (E).



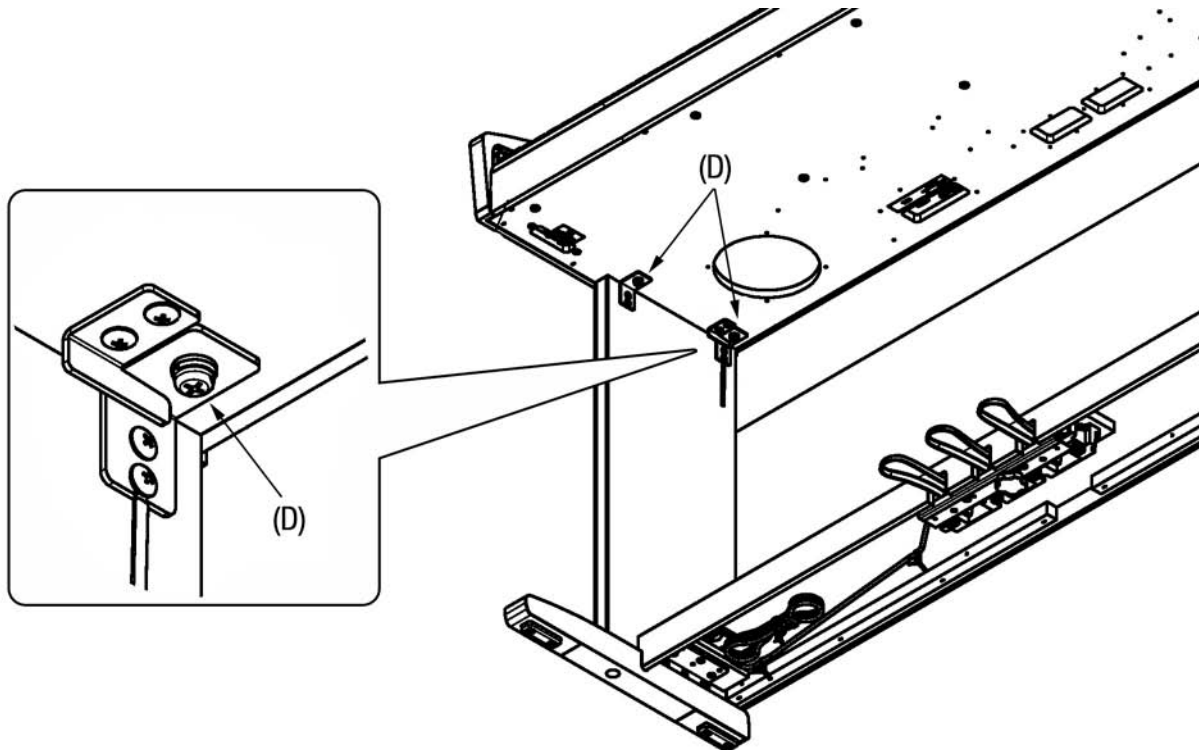
CAUTION:

To prevent personal injury, do not handle the main unit from the ends.

5. The next step requires one person on each end of the main unit.
Grasp the unit with both hands, one under the front, the other under the rear (remember, not the end) and carefully center the main unit on top of the stand so that the two hook brackets located on the bottom rear of the main unit are inside the stand side panels (A) and approximately one-third of the rear, top edge of the side panels are exposed. (See the illustration to the right)

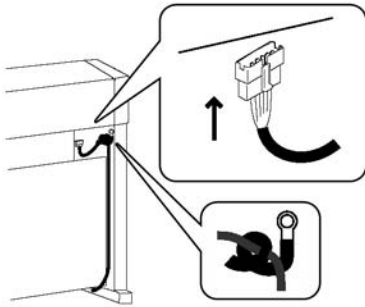


6. Maintaining a firm grasp under the front of the main unit, slide it toward the rear of the stand until both hook brackets engage at the rear top of the side panels. *See this detail in the illustration below.* This hook arrangement is designed to prevent the main unit from tilting forward while the screws are installed (two screws per side). Keep one hand under the front of the main unit, push down on the front to be certain that hooks are properly engaged.
7. Fasten the main unit and the stand with four screws (D).

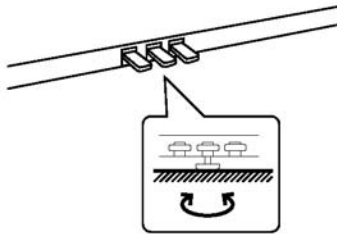


CAUTION:

Be sure to secure the main unit to the stand with the screws. If you fail to do so, the unit could fall from the stand causing damage or personal injury.



8. Insert the pedal connection cord that comes from Pedal Board into the EZP8 pedal jack and fasten to the side panel with the clamp.
9. Turn the adjuster (installed on the bottom of the Pedal Unit) down until it makes firm contact with the floor. If the floor is carpeted, place a spiked furniture cup under the adjuster so that it makes firm contact with the carpet backing. Press any pedal with your foot. If the pedal rail flexes, lower the adjuster until flexing is minimized.



CAUTION:

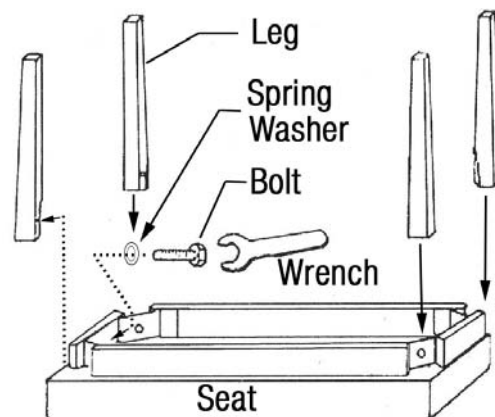
Before moving your EZP8, turn the adjuster up so that it clears the floor.

Assembling The E郑8 Bench

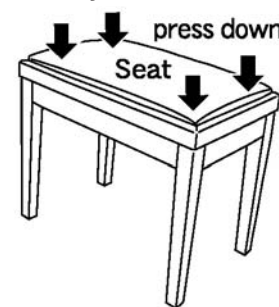
Be sure that all parts are included before starting to assemble your E郑8 bench.

PARTS PROVIDED

Seat1 pc.
Leg4 pcs.
Bolt4 pcs.
Spring Washer4 pcs.
Wrench1 pc.



1. Place the seat upside down on a flat surface.
2. Place one of the legs in a corner of the seat making sure the mounting holes align. Fasten the leg to the seat corner using a bolt and spring washer. Use just your fingers to tighten the bolt at this point. Do not tighten completely with the wrench yet.
3. Repeat step 2 for the remaining three legs. Again, tighten all bolts only finger tight at this point.
4. Once all four legs are fastened (finger tight) stand the bench on its legs. When possible you will want to stand the bench in the location where it will be used. A flat surface is satisfactory. Press down on the bench and at the same time gently shake it from side to side to help the parts settle into place. This step helps to achieve a solid and tight bench.
5. Once the bench feels stable and secure, carefully turn it upside down again. Now firmly tighten all four bolts using the wrench provided.



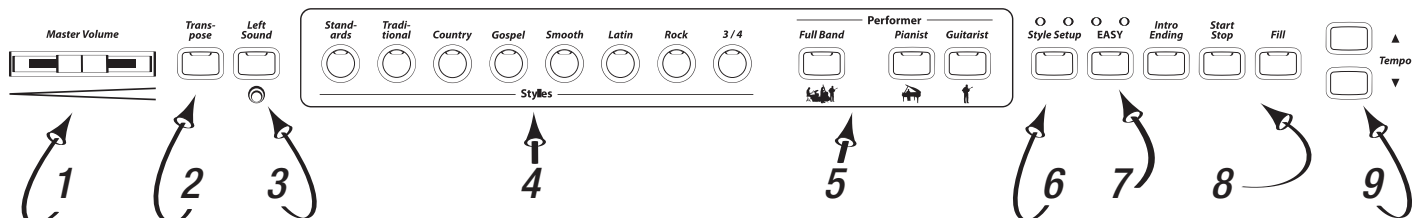
Note: Repeat Steps 4 and 5 if the bench is not stable.

Please follow these instructions carefully and completely for your safety and comfort. A poorly assembled bench can cause injury.

CAUTION:

1. Do not use the bench for any purpose other than its intended use as the E郑8 bench.
2. Only one person at a time may sit on the bench.
3. Be sure all bolts are firmly tightened during the final stage of assembly.
4. Be sure to immediately retighten any bolts that may loosen over time.

Control Panel



1. Master Volume - Page 10

Controls the volume level. Move the volume slider to the right to increase volume. Move the slider to the left to decrease volume.

2. Transpose - Page 19

Change the key in which you play. The EZP8 standard setting is the key of C.

3. Left Sound - Page 15

Select sounds for the left hand/accompaniment.

4. Styles - Page 11

Select fully-orchestrated musical accompaniments.

5. Performer - Page 11

Each Style features three distinctive types of orchestration: Full Band (standard setting for each style) Pianist or Guitarist.

6. Style Setup - Page 12

Select a complete sound preset for each Style and Style Type.

7. Easy - Page 12

Press the Easy button and the Lowrey easy play features are active: EZ Chords, Chord Memory and Auto Bass.

8. Style Controls - Page 11

Control aspects of each Style. Intro Ending - Add a professionally composed Introduction and Ending to your songs. Start Stop - Starts and Stops a Style. Fill - Add a rhythmic break or fill-in to your song.

9. Tempo - Page 14

Speed up or slow down the tempo of any Style. Tempo value is shown in the LCD display.

10. LCD Display

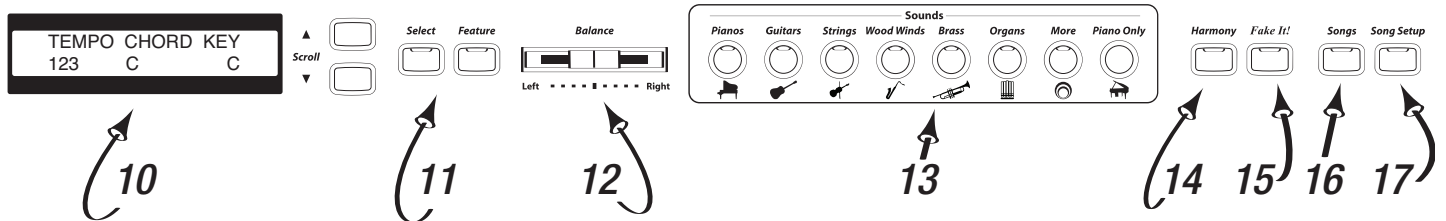
Used along with many features. Shows data, values and feature choices.

11. EZP8 Controls - Page 20

Scroll - show different feature options

Select - Implement a feature option

Feature - A list of EZP8 control parameters



12. Balance - Page 12, 15

Adjust the relative volume level between two sounds. Balance the volume level between the right hand (melody) sounds and the Style.

13. Sounds - Page 15

Select from a wide variety of musical instrument sounds.

14. Harmony - Page 17

Select from a number of easy play harmony types.

15. Fake It! - Page 18

Play a professional sounding solo with just one finger.

16. Songs - Page 10

Listen to prerecorded musical performances loaded in the EZP8.

17. Song Setup - Page 18

Choose complete sound presets for 100 song titles. Setups appropriate for many, many more titles.

Pedals - Page 16

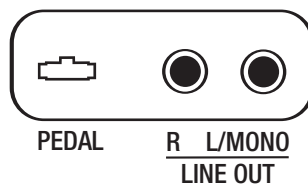
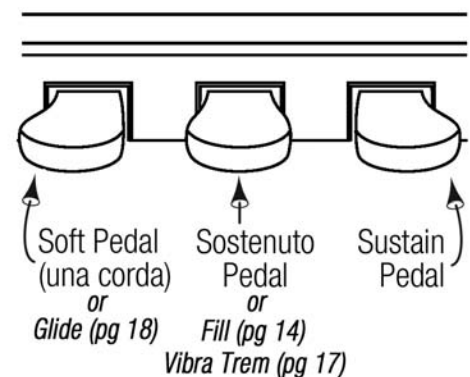
Three pedals perform traditional piano functions plus activate/control special Lowrey player features.

Connections

Two headphone jacks provide connection for two sets of stereo headphones. *Located on the under side, to the left.*

Line out jacks for connection to external audio devices.

Pedal jack connects the pedal cord to the main unit.



Located on the under side of the EZP8 main unit.

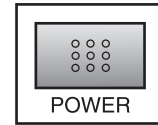
Let's Get Started

Power Button

Turn the EZP8 on by pressing the **Power** button on the right end of the control panel. The instrument will fully power up in just a few seconds.

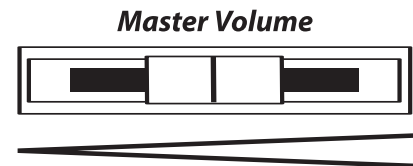
The **Grand Piano** sound is the **Power On** sound.

Press the button again to turn the power off.



Master Volume

Play any note on the keyboard and adjust the volume by moving the **Master Volume** slider. Slide the control to the right to increase the volume. Slide the control to the left to decrease volume.

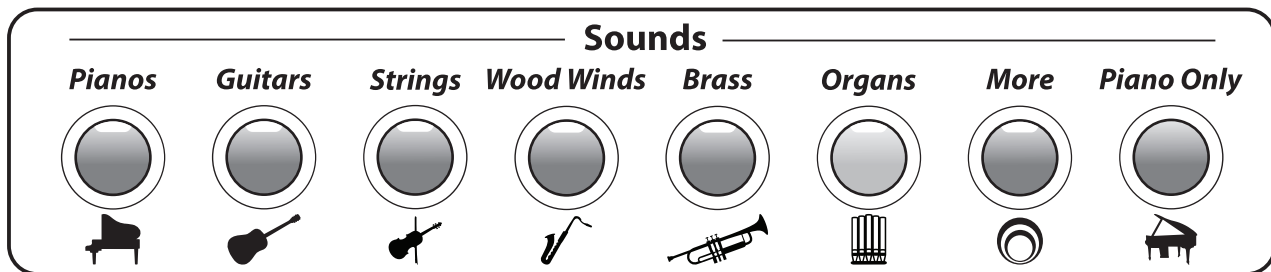


Play

The EZP8 offers many different ways to make music. No matter how you choose to play, Lowrey provides the tools and technology so you sound fantastic.

Pick a Sound - Press any of the **Sound** buttons and explore the variety of instrumental sounds available. The Sound buttons represent categories of sounds. For example...

- Press the **Guitars** button and look at the **LCD Display**. A guitar sound is displayed. Play the keyboard to hear the sound.
- Press either **Scroll** button to change sounds. Look at the **LCD Display** to see the different sounds.



Listen

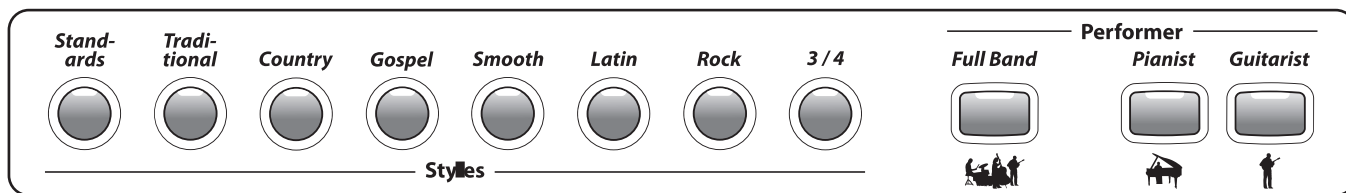
The performance of a 'Demo Song' plus 29 songs from the first three books of the Lowrey Magic course are in the EZP8. The Songs list is in the back of this guide.

Songs



- Press the **Songs** button on the right end of the control panel.
- The **LCD Display** will show **Chain Loop**, which will play all 30 songs in sequence repeatedly. To begin **Chain Loop** play press the **Select** button. Press **Start/Stop** or **Songs** to end play.
- To play individual titles press either **Scroll** button to the right of the **Display** to select single titles. Press a **Scroll** button repeatedly to find the desired title. Press and hold a **Scroll** button to accelerate selection.
- Press **Select** to begin play of the title in the **Display**.

Styles



Button Name	Full Band	Pianist	Guitarist
Standards	Frank & The Count	2-Beat Piano	Guitar Swing
Traditional	March/Polka	Classical Piano	Jazz Guitar
Country	Roadside Cafe'	Rinkie Tink	Country Basic
Gospel	Hand Clappin'	Gospel Ballad	Guitars
Smooth	EZ 4/4 (8-Beat)	Heart Songs	Guitar 4/4
Latin	Ballroom Latin	Piano Bossa	Latin Guitar
Rock	8-Beat Rock	6/8 Ballad (50's Love Songs)	50's Rock Guitar
3/4	EZ Waltz	Southern 3/4	Guitars 3/4

Selecting a Style

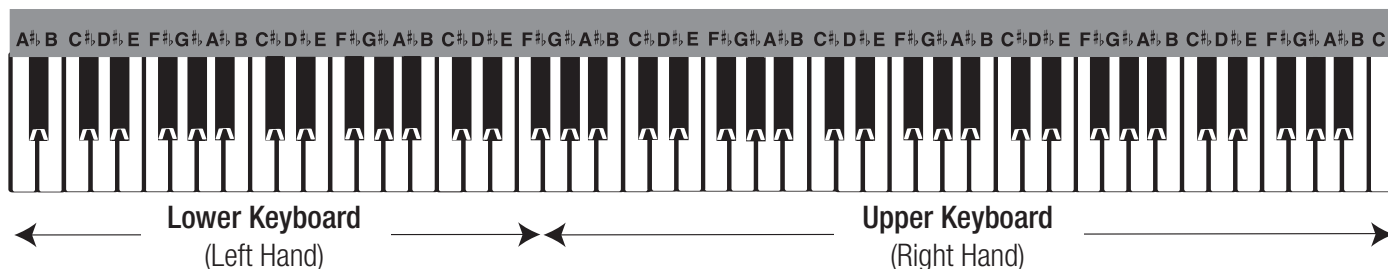
Press one of the **Style** buttons. The button will light red.

The **Full Band** Performer button lights red along with the **Easy** button.

To select a different **Performer** group for the chosen **Style** simply press **Pianist** or **Guitarist**.

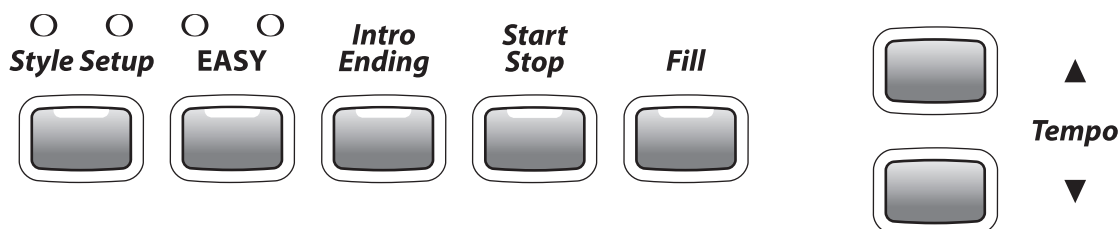
The keyboard splits at the third F# key, as shown below. *See **Features** to adjust the Split location.*

- Play your melody notes on the upper keyboard/right hand section of the keyboard.
- Play your accompaniment chords on the lower keyboard/left hand section of the keyboard.



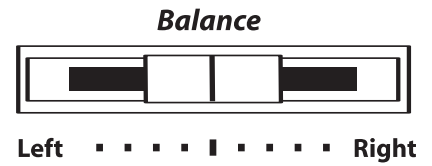
Style Control

A number of features can operate along with or control aspects of the **Styles**.



Balance the volume level between the right hand (melody) sounds and the **Style** using the **Balance** slider control.

- Slide the control to the right to decrease the Style volume.
- Slide the control to the left to decrease the right hand volume.

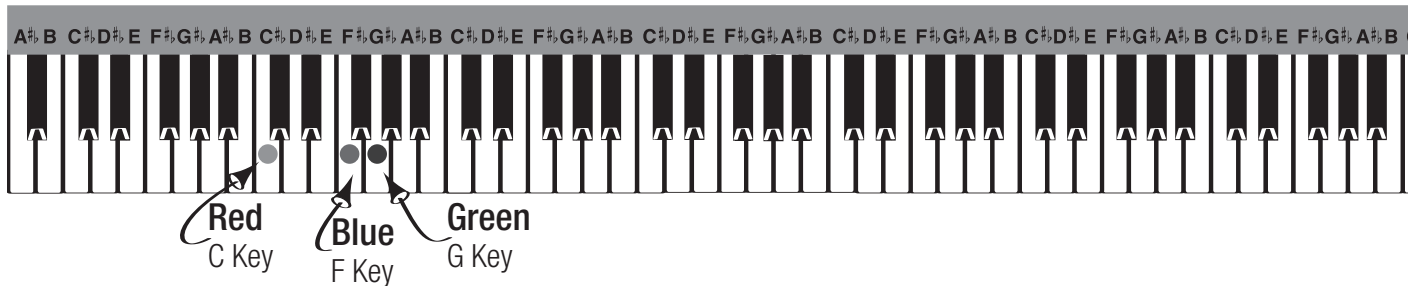


Style Setup completely sets up the EZP8 with sounds and settings for the right hand / upper keyboard that complement the selected style. **Style Setup** is activated when a **Style** is selected. *Use the Setup as is or select different sounds or turn Style Setup off and create your own.*

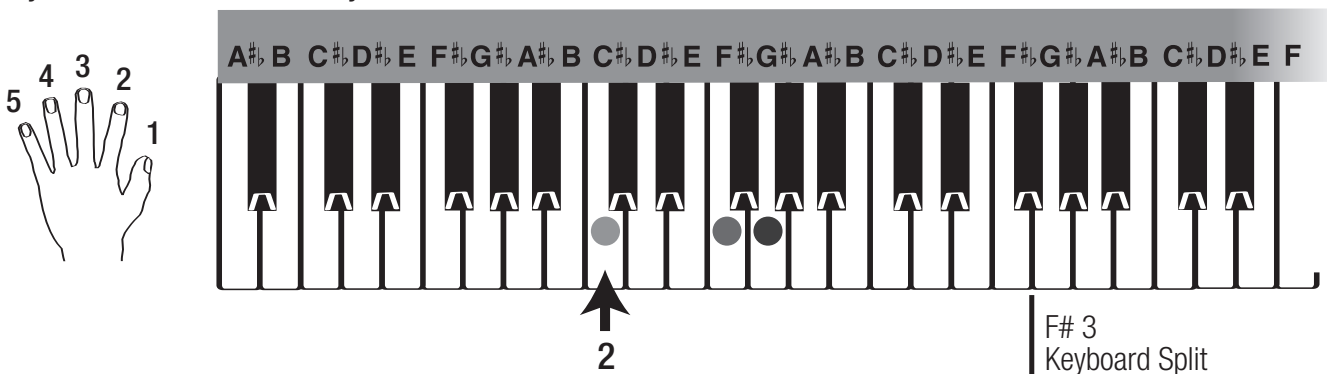
EASY - Just as **Style Setup** takes care of the right hand/upper keyboard, **EASY** sets up sounds for the left hand/lower keyboard sounds. **EASY** also activates three features that support lower keyboard play: **Auto Bass**, **Chord Memory** and **MCS (Music Chord System)**.

- **Auto Bass** plays a bass accompaniment that is unique to each **Style** and is appropriate for the chord being played.
- **Chord Memory** holds the last MCS chord played after the keys have been released, making your chords sound smooth and connected.
- **MCS (Music Chord System)** is the Lowrey chord recognition feature that enables one-finger, easy-play chords to be played on the left hand / lower keyboard. It has the unique ability to respond to different methods of chord formation. MCS responds in a musically correct fashion when you play multi-fingered chords or single-fingered chords.

MCS matches the color-coded chord symbols in your black *Lowrey Songbook* and the music used in the *Lowrey Magic* course. Red is **C**, blue is **F**, green is **G**. You may elect to apply the color dots on the Left Hand / Lower Keyboard to help guide your left hand play. Color dots should be applied higher on the keys, close to the black keys. Use the illustration below as a guide.



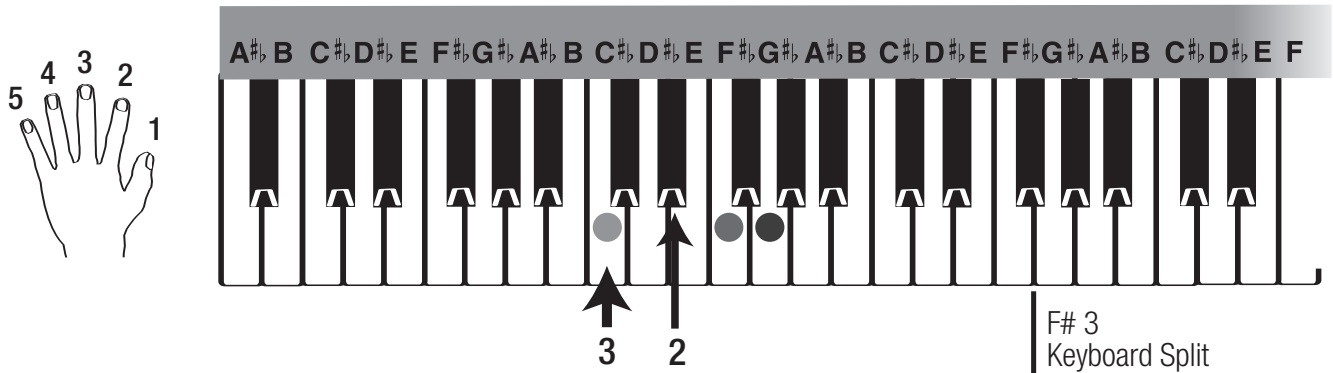
Major Chord - Any major chord can be played with the conventional three notes or a single note. For example, to play a **C Major** chord with one finger play the second **C** key in the left hand / lower keyboard section of the keyboard.



Minor Chord - Any minor chord can be played with the conventional three notes or with two notes. The two note Minor Chord formula for **MCS** is... *chord letter name + three notes up.*

- The first note to play is the letter name of the chord.
- The second note to play is three up (to the right) of the first note.

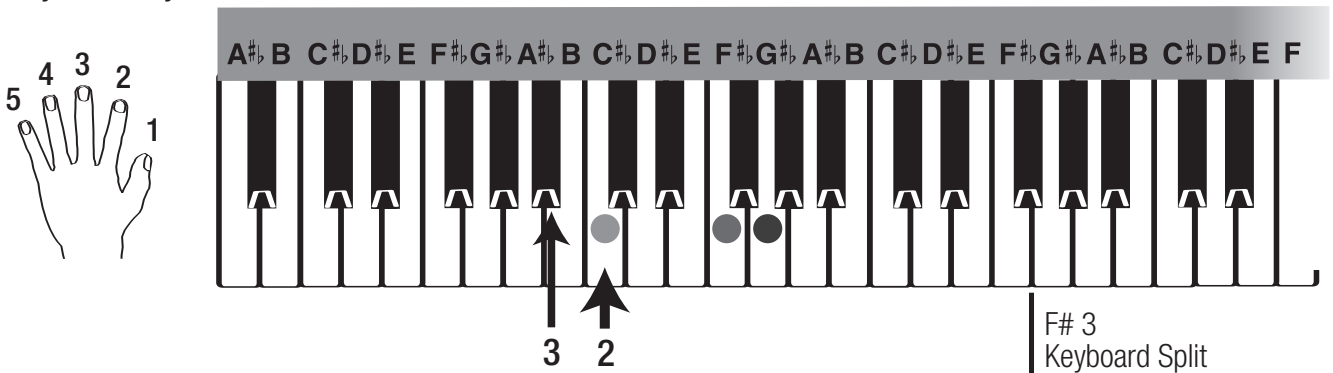
For example, to play a **C Minor (Cm)** chord play the **C** note and the black **E^b** note to the right of C. Play both keys at the same time.



Seventh Chord - Any seventh chord can be played with the conventional four notes or with two notes. The two note Seventh Chord formula for **MCS** is... *chord letter name + two notes down.*

- The first note to play is the letter name of the chord.
- The second note to play is two down (to the left) of the first note.

For example, to play a **C Seventh (C7)** chord play the **C** note and the black **B^b** note to the left of C. Play both keys at the same time.



The **MCS Chord Chart** in the back of this guide lists the notes needed to form a variety of chords using **MCS** in addition to examples given.

Intro Ending adds introductions and endings to your songs. There are unique introductions and endings for each of the 24 Styles. Watch the **LCD Display** while the introduction is playing to see a cue for when to start playing: **1, 2, Ready, Play!**



- Press the **Style** button for your song. Use **Full Band** or select one of the other **Performer** options.
- Press the **Intro Ending** button.
- Play the first chord of your song in the left hand/lower keyboard section of the keyboard; conventional or MCS.
You can start the Introduction by pressing the **Start Stop** button in place of playing a chord.
- Begin playing your song when the introduction is through and the **Style** is playing.

- When you are finished playing your song, lift your left hand off of the keys and press the **Intro Ending** button again to hear a professional sounding ending.

Minor Chord Intro - Hear a different introduction to the **Styles**.

- Select a **Style**, select a **Performer**, press **Intro Ending** and start by playing a **Minor Chord**.

Start Stop - The Start Stop button becomes lighted when a **Style** button is selected.

- Press **Start Stop** to start a **Style** playing. The button light turns off.
- Press **Start Stop** while a **Style** is playing to cause it to stop. The button lights again.
- Press **Start Stop** again and the **Styles** start playing again on the downbeat (first beat of a measure).



Use the **Start Stop** to temporarily pause a **Style** without changing the setup.

Any left hand / lower keyboard chord (*Easy or conventional*) will start a selected **Style** playing without pressing the **Start Stop** button.

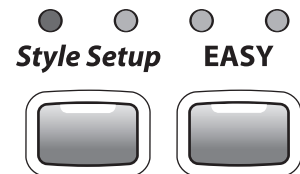
Fill adds a rhythmic break to a **Style** when the style is playing. **Fill** is a fun feature to use whenever you wish. There are no set rules for using the **Fill** feature. Try using **Fill** between sections of a song (Verse to Chorus) or whenever you feel like adding a break. Press and hold **Fill** for different lengths of time to hear different variations.



There are two ways to activate the **Fill** feature. While a **Style** is playing...

- Press the **Fill** button.
- Press the middle **Foot Pedal**.

Downbeat Indicator - When a **Style** is playing the four lights above the **Style Setup** and **EASY** buttons flash in time with the tempo. The red light indicates the **Downbeat** of the Style - the first beat of a measure.



Tempo - Each **Style** has a preset **Tempo**. To increase or decrease the **Tempo** press the up or down buttons.

- Press either button repeatedly to achieve the desired **Tempo**.
- Press and hold either button to accelerate the change in value.
- The value of the **Tempo** can be seen in the **LCD Display**.



The **LCD Display** also shows the left hand/lower keyboard **Chord** being played and the **Key** setting (transpose).

Sounds

Lower Keyboard Sounds

Press the **Left Sound** button to select from 16 dynamic instruments for the left hand/lower keyboard section of the keyboard.

- Press either **Scroll** button to select different instruments.
- Instrument choices are shown in the **LCD Display**.



1	Bass: Acoustic	9	Lower Flute 8'
2	Bass: Electric	10	Piano: Grand
3	Bass: Finger Slap	11	Piano-El: Detune
4	Choir	12	Piano-El: Dolce
5	Guitar: Acoustic	13	Strings: Ens 1
6	Guitar: Jazz 2	14	Vibes
7	Guitar: Nylon	15	Vocal: Doo
8	Marimba	16	Xtra: Soft-Warm

Upper Keyboard Sounds

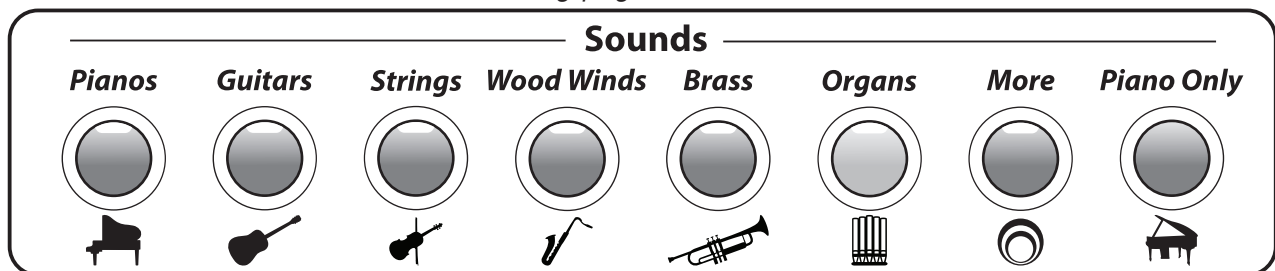
The sounds for the right hand/upper keyboard section of the keyboard are arranged in categories of instruments in the **Sounds** section.

- Press one of the instrument category buttons.
- Press either **Scroll** button to select a different instrument within the selected category.
- Instrument choices are shown in the **LCD Display**.

Play some keys to hear the sound shown in the **Display**.

- The **More** button holds a variety of additional sounds beyond the other categories.

Refer to the sounds lists on the following page.



Dual Sounds

Select two (non-organ) sounds to play together on the right hand/upper keyboard.

- Press and hold a **Sound** button. Press either **Scroll** button to select a sound within the button. Watch the **LCD Display** to see the sound names.
- While holding the first button press and release a second sound button, then release the first sound button. Press either **Scroll** button to select a sound with that button.
- Play and hear both sounds. *Piano and Strings are a very popular combination. There are numerous possibilities.*

Organ Sounds

Select from a variety of organ sounds to play on the right hand/upper keyboard.

- Press the **Organ** category button.
- Press either **Scroll** button to select from the different types of organ sounds.
- Choices are shown in the **LCD Display**.

Play some keys to hear the sound shown in the **Display**.

- **More** button holds a variety of additional sounds beyond the other categories.

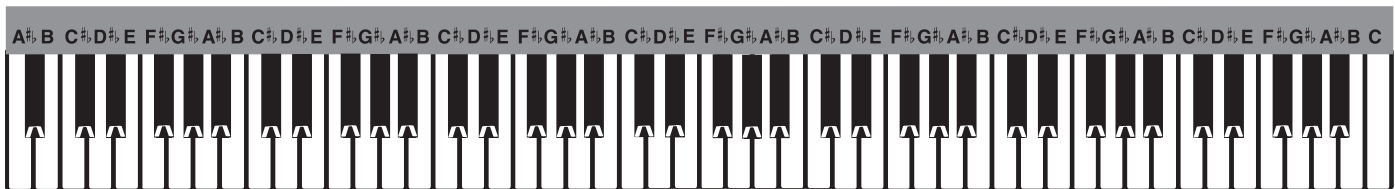
*Organ sounds may be selected along with other instrumental sounds and even added to **Dual Sounds** settings for an added layer of sound.*

Keyboard Setup

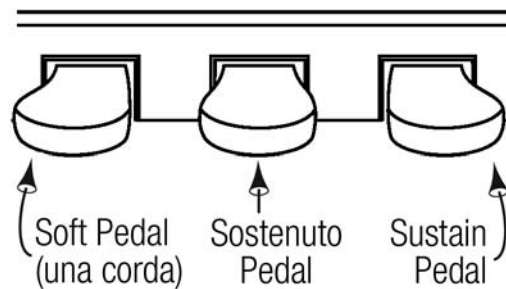
- When the EZP8 is first turned on the **Grand Piano** sound is pre-selected and played across the entire keyboard. All sounds section sounds play across the entire keyboard.

Keyboard Split is not active.

- When a **Style** has been selected or the **EASY** button is active the right hand sounds are played above, to the right, of the **Keyboard Split Point** located at the third F# from the left.
- Press the **Piano Only** button anytime you wish to return to the **Power On** setting with **Grand Piano** and no Keyboard Split.
- **Piano Only** Foot Pedals are conventional piano settings.



← Piano Keyboard →



Upper Keyboard Sounds (36)

	Pianos	Guitars	Strings	Wood Winds	Brass	Organs
1	Piano: Grand	Guitar: Acoustic	Strings: Ens.1	Breathy Sax	Brass Section	Sweet
2	Piano: Honky Tonk	Guitar: Country	Strings: Ens.2	Clarinet	Trombone	Rich
3	Piano-El: Detune	Guitar: Jazz	Strgs: Pizzicato	Flute	Trumpet	Full
4	Piano-El: Classic	Guitar: Nylon	Violin	Oboe	Trumpet: Muted	Jazz
5	Piano: Society	Guitar: Hawaiian	Viola	Sax: Alto Sax	French Horn	Pipe
6	Harpsichord	Guitar: Rock	Cello	Sax: Bari Sax	Flugel Horn	8'

More Sounds (32)

1	Accordion	9	Ens: Big Band	17	Organ: Perc.4	25	Sax Section
2	Animal: Cat	10	Guitar: Mute-Dynam	18	Organ Perc. 2 2/3	26	Scat
3	Animal: Dog	11	Harmonica	19	Organ: Tibia Soft	27	Steel Drums
4	Bag Pipe	12	Harp	20	Organ-Rock	28	Vocal: Doo
5	Banjo	13	Mandolin	21	Organ-Combo: 60's	29	Vibes
6	Bells: Crystal	14	Marimba	22	Pan Flute	30	Whistle
7	Bells: Church	15	Organ: 8' Celeste	23	Piano-El: Detune 2	31	Xylophone
8	Choir	16	Organ: Pipe	24	Piano: Toy	32	Xtra: Synth-Saw

- When the **Organs** button is selected the **Middle Foot Pedal** (Sostenuto) becomes a **Vibra Trem** controller. **Vibra Trem** adds authentic organ motion to the sound, like the mechanical rotating speakers of the past.
- There are two **Vibra Trem** speeds: **Fast** and **Slow**. Pressing the **Middle Foot Pedal** changes the speed from one to the other.

Harmony is the playing of two or more notes at the same time to create a pleasant sound. Much like the **EASY** button, which makes playing left hand chords easier, **Harmony** makes right hand harmonies with just one finger.

Harmony



- Press the **Harmony** button.
- Press either **Scroll** button to choose a harmony type.
- The **LCD Display** shows active harmony type.
- The **Harmony** feature functions when...

You play single notes on the Upper Keyboard (to the right of the split)...

While you play a chord (MCS or Conventional) on the Lower Keyboard (to the left of the split).

There are four different **Harmony** types from which to choose.

- **AOC** takes all of your left hand/lower keyboard notes and adds them below the right hand/upper keyboard note being played. *Any notes within a whole step of the upper keyboard note being played may be excluded.*
- **Duet** adds one more note to the right hand/upper keyboard note being played. Duet creates a nice, light sound.
- **Rock** harmony adds two notes below the right hand/upper keyboard note being played. This harmony style is often heard on electric guitar in rock n' roll and contemporary country.
- **Octave** harmony adds the lower octave note to the right hand/upper keyboard note being played. A good harmony type for piano or jazz guitar.

Fake It! is a fun and exciting feature that enables you to step out and play a professional sounding solo, or 'Riff' with just one finger. All you need to do is play a single right hand/upper keyboard key in a rhythmic fashion.

Fake It!



- Press the **Fake It!** button.
- Play single notes to hear a solo.
- Any right hand/upper keyboard sound may be used.
- **Fake It!** works with or without a **Style**.
- **Fake It!** follows your left hand/lower keyboard chord changes.

Song Setup gives you 100 great sounding setups that are inspired by certain song titles. A listing of the song titles is in the back of this guide. **Song Setup** takes the guesswork out of selecting **Styles** and **Sounds** for many songs.

Song Setup



- Press the **Song Setup** button.
- Press either **Scroll** button to choose from the 100 song title-based setups.
- Press and hold either **Scroll** button to accelerate through the listing.
- The **LCD Display** shows active selection.
- Press the **Select** button when the desired title is shown in the **LCD Display**.
- Begin playing your song.

You will discover that Song Setups are appropriate for many different song, not just the one given in the EZP8. For example, the setup for Anytime works well with many country music songs. Amazing Grace is a good setup for many hymns titles.

Glide - Authentic instruments, such as guitars, strings and some woodwinds are able to glide. The **Glide** feature adds this authenticity to these types of EZP8 sounds. When implemented, Glide lowers the pitch of a sound one half step and then 'Slides' the sound back up to the original pitch.

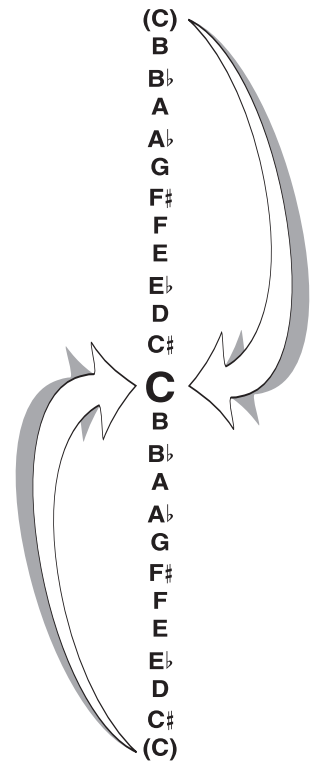
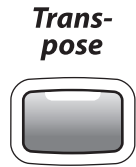
- Select a sound that would naturally **Glide**, like **Country Guitar**.
- Press and hold the left **Foot Pedal**.
- Play and hold the note you wish to glide.
- Release the **Foot Pedal** and the note **Glides** up.

The **Transpose** feature easily changes the pitch of the EZP8 up or down. Play a song learned in one key as usual and have **Transpose** let you hear it in another.

EZP8 can be transposed up or down chromatically over the whole 12 key range. When you first turn EZP8 on it is in the key of **C**.

- Press the **Transpose** button.
- Press the top **Scroll** button to move the pitch up one half step each time it is pressed.
- Press the bottom **Scroll** button to move the pitch down one half step each time it is pressed.
- The **LCD Display** shows the results.

*When beginning at **C** and transposing up through all 11 half steps to **B** the next step up will return to **C**. The same is true when transposing down 11 half steps to **C#**. The next step down returns to **C**.*



Features

There are eight **Feature** items that control certain aspects of EZP8 performance. Some **Features** are preset by Lowrey while other are player activated.

All **Feature** selections are shown on the **LCD Display**.

Features are manipulated using the **Feature**, **Select** and **Scroll** buttons.



	Feature	Default Setting	Option(s)
1	Keyboard Split	F#3	Split relocates to F#3 after pressing the Piano Only button or turning the Power off.
2	Touch	On	Off
3	Drum Volume	Varies by Preset	Volume Level range is 0 (no sound) to 10 (max volume)
4	Drums Only	Off	On
5	Keyed Bass	Off	On
6	Orch. Octave	0	+1, 0, -1
7	Transpose	C	12 Half Steps

1. Change the location of the **Keyboard Split**.
 - Press the **Feature** button.
 - Press either **Scroll** button to show **Keyboard Split** in the **LCD Display**.
 - Press the **Select** button. Key name of split location is shown.
 - Press either **Scroll** button to change the location.
 - Press the **Feature** button to set.
2. Turn keyboard **Touch** sensitivity on or off. Sounds are preset with the appropriate on or off setting.
 - Press the **Feature** button.
 - Press either **Scroll** button to show **Touch** in the **LCD Display**.
 - Press the **Select** button. **On** or **Off** condition is shown.
 - Press either **Scroll** button to change.
 - Press the **Feature** button to set.

- 3. Drum Volume** controls the volume level of the drum sounds within a music style. Levels are preset by Lowrey but may be changed.
- Press the **Feature** button.
 - Press either **Scroll** button to show **Drum Volume** in the **LCD Display**.
 - Press the **Select** button.
 - Press the top **Scroll** button to increase the volume.
 - Press the bottom **Scroll** button to decrease the volume.
- Drum Volume** value ranges from 0 (no sound) to 10 (maximum volume).
- Press the **Feature** button to set.
- 4.** Turns the **Drums Only** option for **Styles** on or off.
- On-** Hear a **Style** with just the drum portion playing.
- Off-** Hear a **Style** with all of the drums and orchestration playing.
- Press the **Feature** button.
 - Press either **Scroll** button to show **Drums Only** in the **LCD Display**.
 - Press the **Select** button. **On** or **Off** condition is shown.
 - Press either **Scroll** button to change.
 - Press the **Feature** button to set.
- 5.** Turns the **Keyed Bass** feature on or off.
- On-** Play a deep bass sound (Bass 16' + Bass 8', with sustain) on the left hand/lower keyboard section of the keyboard. When selected, a **Left Sound** will play along with the **Keyed Bass** sound.
- Off-** Default setting.
- Press the **Feature** button.
 - Press either **Scroll** button to show **Keyed Bass** in the **LCD Display**.
 - Press the **Select** button. **On** or **Off** condition is shown.
 - Press either **Scroll** button to change.
 - Press the **Feature** button to set.
- 6. Orch Octave-** The feature changes the pitch of a sound up or down one octave without changing your hand position.
- Select from three octave settings for upper keyboard/right hand sounds (does not apply to Organ sounds).
- 1 Lowers the pitch of a sound by one octave.
 - 0 Normal pitch. Default setting.
 - +1 Raises the pitch of a sound by one octave.
- Press the **Feature** button.
 - Press either **Scroll** button to show **Orch Octave** in the **LCD Display**.
 - Press the **Select** button.
 - Press either **Scroll** button to change.
 - Press the **Feature** button to set.
- 7. Transpose** to a different key. See page 19.

The chart illustrates how to form certain chords on the left hand/ lower keyboard using MCS:

CHORD	MAJOR (1 note)	MINOR (2 notes)	7th (2 notes)	DIM (2 notes)	AUG (3 notes)	MIN 7th (3 notes)	MAJ 7th (2 notes)	SUS 4th (3 notes)	MIN 7th ^b 5 (4 notes)
C	C	C/E ^b	C/B ^b	C/G ^b	C/E/G [#]	C/E ^b /B ^b	C/B	C/F/G	C/E ^b /G ^b /B ^b
D ^b	D ^b	D ^b /E	D ^b /B	D ^b /G	D ^b /F/A	D ^b /E/B	D ^b /C	D ^b /G ^b /A ^b	D ^b /E/G/B
D	D	D/F	D/C	D/A ^b	D/F [#] /A [#]	D/F/C	D/C [#]	D/G/A	D/F/A ^b /C
E ^b	E ^b	E ^b /G ^b	E ^b /D ^b	E ^b /A	E ^b /G/B	E ^b /G ^b /D ^b	E ^b /D	E ^b /A ^b /B ^b	E ^b /G ^b /A/D ^b
E	E	E/G	E/D	E/B ^b	E/G [#] /C	E/G/D	E/D [#]	E/A/B	E/G/B ^b /D
F	F	F/A ^b	F/E ^b	F/B	F/A/C [#]	F/A ^b /E ^b	F/E	F/B ^b /C	F/A ^b /B/E ^b
F [#]	F [#]	F [#] /A	F [#] /E	F [#] /C	F [#] /A [#] /D	F [#] /A/E	F [#] /F	F [#] /B/C [#]	F [#] /A/C/E
G	G	G/B ^b	G/F	G/D ^b	G/B/D [#]	G/B ^b /F	G/F [#]	G/C/D	G/B ^b /D ^b /F
A ^b	A ^b	A ^b /B	A ^b /G ^b	A ^b /D	A ^b /C/E	A ^b /B/G ^b	A ^b /G	A ^b /D ^b /E ^b	A ^b /B/D/G ^b
A	A	A/C	A/G	A/E ^b	A/C [#] /F	A/C/G	A/G [#]	A/D/E	A/C/E ^b /G
B ^b	B ^b	B ^b /D ^b	B ^b /A ^b	B ^b /E	B ^b /D/F [#]	B ^b /D ^b /A ^b	B ^b /A	B ^b /E ^b /F	B ^b /D ^b /E/A ^b
B	B	B/D	B/A	B/F	B/D [#] /G	B/D/A	B/A [#]	B/E/F [#]	B/D/F/A

CHORD	^b 5 (3 notes)	MIN w/MAJ 7 (3 notes)	6th (4 notes)	MIN 6th (4 notes)	DIM 7th (4 notes)	9th (3 notes)	13th (3 notes)
C	C/E/G ^b	C/E ^b /B	C/E/G/A	C/E ^b /G/A	C/E ^b /G ^b /A	E/B ^b /D	B ^b /E/A
D ^b	D ^b /F/G	D ^b /E/C	D ^b /F/A ^b /B ^b	D ^b /E/A ^b /B ^b	D ^b /E/G/B ^b	F/B/E ^b	B/F/B ^b
D	D/F [#] /A ^b	D/F/C [#]	D/F [#] /A/B	D/F/A/B	D/F/A ^b /B	F [#] /C/E	C/F [#] /B
E ^b	E ^b /G/A	E ^b /G ^b /D	E ^b /G/B ^b /C	E ^b /G ^b /B ^b /C	E ^b /G ^b /A/C	G/D ^b /F	D ^b /G/C
E	E/G [#] /B ^b	E/G/E ^b	E/G [#] /B/C [#]	E/G/B/C [#]	E/G/B ^b /C [#]	G [#] /D/F [#]	D/G [#] /C [#]
F	F/A/B	F/A ^b /E	F/A/C/D	F/A ^b /C/D	F/A ^b /B/D	A/E ^b /G	E ^b /A/D
F [#]	F [#] /A [#] /C	F [#] /A/F	F [#] /A [#] /C [#] /D [#]	F [#] /A/C [#] /D [#]	F [#] /A/C/D [#]	A [#] /E/G [#]	E/A [#] /D [#]
G	G/B/D ^b	G/B ^b /G ^b	G/B/D/E	G/B ^b /D/E	G/B ^b /D ^b /E	B/F/A	F/B/E
A ^b	A ^b /C/D	A ^b /B/G	A ^b /C/E ^b /F	A ^b /B/E ^b /F	A ^b /B/D/F	C/G ^b /B ^b	G ^b /C/F
A	A/C [#] /E ^b	A/C/G [#]	A/C [#] /E/F [#]	A/C/E/F [#]	A/C/E ^b /F [#]	C [#] /G/B	G/C [#] /F [#]
B ^b	B ^b /D/E	B ^b /D ^b /A	B ^b /D/F/G	B ^b /D ^b /F/G	B ^b /D ^b /E/G	D/A ^b /C	A ^b /D/G
B	B/D [#] /F	B/D/A [#]	B/D [#] /F [#] /G [#]	B/D/F [#] /G [#]	B/D/F/G [#]	D [#] /A/C [#]	A/D [#] /G [#]

N.C. - NO CHORD

Pressing 3, 4, or 5 half steps at the same time, for example: C, C[#], D -or- F, F[#], G, A^b; results in a No Chord (printed N.C. on music).

1	Demo Songs	16	Too Ra Loo Ra Loo Ra
2	Music! Music! Music!	17	Just a Closer Walk With Thee
3	Jingle Bells	18	Aloha Oe
4	Marianne	19	Rocky Top
5	When the Saints Go Marching In	20	Paper Roses
6	Beautiful Brown Eyes	21	Spanish Eyes
7	Little Brown Jug	22	Release Me
8	Love Me Tender	23	Take Me Out To The Ballgame
9	I Walk The Line	24	Edelweiss
10	Bye, Bye Love	25	Your Are My Sunshine
11	It's a Small World	26	Puff The Magic Dragon
12	Amazing Grace	27	Silent Night
13	This Land Is Your Land	28	Blueberry Hill
14	Beer Barrel Polka	29	Your Cheatin' Heart
15	Oh What a Beautiful Morning	30	Proud Mary

Song Setup List

Ach Du Lieber Agustine
Achy Breaky Heart
Alley Cat Song
Aloha Oe
Amazing Grace

Anniversary Song
Anniversary Waltz, The
Another Somebody Done Somebody Wrong Song
Any Time
April Showers

Beautiful Dreamer
Beer Barrel Polka
Birthday Song, The
Blue Eyes
Blue Velvet

Bluesette
Brazil
Bridal Chorus/Wedding March
Can't Help Falling In Love
Cherry Pink & Apple Blossom Wht.

Church's One Foundation, The
Down In The Valley
Dream a Little Dream
Dry Bones
Edelweiss

Five Foot Two
Folsom Prison Blues
Ghostriders In the Sky
Girl From Ipanema, The
Grandfather's Clock

Green Eyes
Green Green Grass of Home
Happy Together
Harper Valley PTA
Hava Nagila

Hawaiian Wedding Song, The
Hello, Dolly!
Hernando's Hideaway
He's Got the Whole World In His Hnd
Hey, Good Lookin'

Hey, Mr. Banjo
Holy Holy Holy!
Honey
Hot Time In the Old Town Tonight
How Can You Mend A Brkn Heart

How Great Thou Art
I Can't Get Started with You
I Left My Heart in San Francisco
I'm Getting Sentimental Over You
In The Mood

Indiana
It's A Small World
Jingle Bells
Just a Closer Walk With Thee
King of the Road

Kum Ba Yah
La Paloma
Lady Is A Tramp, The
Love Letters In the Sand
Make the World Go Away

Marianne
Marines Hymn
Melody of Love
Michael (Row the Boat Ashore)
Mood Indigo

On The Sunny Side of the Street
Our Day Will Come
Patricia, It's Patricia
Pennsylvania Polka
Proud Mary

Raindrops Keep Fallin' On My Head
Release Me
Satin Doll
Seventy Six Trombones
Shadow Dancing

She'll Be Comin' Round the Moutain
Shenandoah
Silent Night
Snowbird
Song Sung Blue

Spanish Eyes
St. Louis Blues
Star Dust
Stars & Stripes Forever
Sugar Blues

There Is A Tavern In The Town
There's No Business Like Show ...
Third Man Theme
Twelfth Street Rag
Twilight Time

Under Paris Skies
What Have They Done to My Song
When The Saints Go Marchin In
Whispering Hope
Whistle While You Work

Woodchoppers' Ball
Yakety Sax
Yesterday
You Are My Sunshine
Your Cheatin' Heart



Limited Warranty Statement

Two Year Limited Warranty Lowrey Virtual Orchestra

Register your Lowrey product immediately by visiting www.lowrey.com click on 'Warranty Registration'

FIRST YEAR: Lowrey will provide the original consumer purchaser, through authorized dealers and registered technicians, component parts and authorized labor expense for installation to repair consumer's Lowrey instrument, if required due to component or material failure or workmanship.

SECOND YEAR: Lowrey will provide the original consumer purchaser, through authorized dealers or registered technicians, electronic component parts required for repair, exclusive of labor cost, if required due to component or material failure or workmanship.

This warranty is limited to instruments purchased from and will be administered through authorized Lowrey dealers in the United States & Canada and is non-transferable. Consumers are instructed to call a Lowrey dealer for service and provide accurate details of faults.

EXCLUSIONS: This warranty does not extend to accessories connected to or damages resulting from such connections; any instrument which the serial identification numbers have been altered, removed or tampered with; damage caused by abuse, neglect or improper operation; repair expenses required due to unauthorized alterations, modifications or tampering. Additional expenses of explaining features and instrument operation not included.

Lowrey shall not be responsible for any warranties offered in addition to this warranty. Lowrey shall not be liable for and excludes incidental or consequential damages which may be incurred. Implied warranties are limited to the expressed warranty. Some states do not allow these limitations. Therefore, you may have other legal rights which vary from state to state.

Lowrey maintains a policy of continuous improvement and upgrading of its instruments and therefore reserves the right to change specifications without notice or obligation.

MODEL

SERIAL NUMBER

PURCHASE DATE

EZP8



EZP8 Owner's Guide

993.048165.000

817345

Lowrey • 847 North Church Court • Elmhurst • Illinois • USA • 60126-1036

www.lowrey.com

Copyright © 2011 Lowrey Organ Company All Rights Reserved