



OWNER'S MANUAL 440SL

PARTS

**NOTE: MANUAL including SPECIFICATIONS, subject to change without notice
All ratings specified are based on structural factors only,
not vehicle capacities or capabilities.**



Miller Industries Towing Equipment Inc.
8503 Hilltop Drive
Ooltewah, Tennessee 37363

Phone (423) 238-4171 • FAX (423) 238-5371

FORM NO. 0501702
05 / 2009
PRICE \$25.00

LIMITED WARRANTY

MILLER INDUSTRIES TOWING EQUIPMENT INC., hereinafter referred to as MILLER, warrants to the original purchaser that each new MILLER wrecker or other MILLER products will be free from defects in material and workmanship for a period of twelve (12) months from date placed in service, but in no event shall such warranty period exceed twenty-four (24) months from date of manufacture by MILLER. The purchaser must promptly notify MILLER in writing of any failure in material or workmanship. In no event shall MILLER accept such notification later than twenty-four (24) months from date of delivery or twelve (12) months from date placed in service, whichever is earlier.

MILLER's obligation under this warranty, statutory or otherwise, is limited to the repair or replacement at the MILLER factory, or at a point designated by MILLER, of such part or parts as shall appear upon inspection by MILLER to be defective in material or workmanship. New or remanufactured parts will be used for any replacement at MILLER's option. This warranty is not transferable. This warranty does not obligate MILLER to bear the cost of labor or transportation charges in connection with the repair or replacement of any parts found to be defective, nor shall it apply to a product upon which repairs or alterations have been made unless authorized by MILLER.

EXCEPT AS EXPRESSLY SET FORTH IN THIS WARRANTY, MILLER MAKES NO OTHER WARRANTY, EXPRESS OR IMPLIED, AND HEREBY DISCLAIMS ALL OTHER WARRANTIES INCLUDING, BUT NOT LIMITED TO, THE IMPLIED WARRANTIES OF MERCHANTABILITY AND FITNESS FOR A PARTICULAR PURPOSE. MILLER shall in no event be liable for claimed downtime, claimed loss of profits or goodwill, or any other special, incidental, indirect, or consequential damages concerning or relating to any product or parts, whether based on negligence, strict liability, breach of contract, breach of warranty, misrepresentation or any other legal theory, regardless of whether the loss resulted from any general or particular requirement which MILLER knew or had reason to know about at the time of sale.

MILLER MAKES NO WARRANTY, EXPRESS OR IMPLIED, AS TO THE FINISHED PRODUCTS MANUFACTURED OR SUPPLIED BY ANOTHER MANUFACTURER AND SUPPLIED BY MILLER TO PURCHASER, including, but not limited to, any vehicle to which a MILLER product may be affixed or any accessories or wire rope, and MILLER EXPRESSLY DISCLAIMS ANY IMPLIED WARRANTIES OF MERCHANTABILITY OR FITNESS FOR A PARTICULAR PURPOSE AS TO SUCH EQUIPMENT OR PRODUCTS. This language shall in no way affect or diminish the rights of the purchaser to rely on such warranties as are extended by such manufacturers or suppliers. MILLER shall, to the extent permitted under applicable law, pass on to the purchaser such manufacturer's or seller's warranty.

MILLER, whose policy is one of continuous improvement, reserves the right to improve its products through changes in design or materials as it may deem desirable without being obligated to incorporate such changes in products previously sold. This warranty is not intended to cover or include the following items, which are set forth by way of example and not limitation:

- A. Normal deterioration of trim, paint, lettering, and appearance items due to wear or exposure to weather, road conditions, road treatments, etc.
- B. Any damage or defect due to accident, misuse, abuse, improper or unauthorized repairs, failure to provide reasonable and necessary maintenance, or uses for which the equipment was not designed or intended.
- C. Alterations or modifications that affect performance, operation or reliability.
- D. Normal maintenance parts including, but not limited to, wear pads, bushings, wire rope, mud flaps, fenderettes, light bulbs, hydraulic oil, filters, and tow sling belts.

IT IS EXPRESSLY UNDERSTOOD THAT MILLER MAKES NO IMPLIED WARRANTY THAT MILLER PRODUCTS SHALL BE FIT FOR THE PURPOSE OF LIFTING OR MOVING PEOPLE OR FOR ANY OTHER IMPROPER USE.



Miller Industries Towing Equipment Inc.
8503 Hilltop Drive
Ooltewah, Tennessee 37363

SERIAL NUMBER

Telephone (423) 238-4171

OWNER, USER AND OPERATOR:

We appreciate your choice of our wrecker for your application. Our number one priority is user safety which is best achieved by our joint efforts. We feel that you can make a major contribution to safety if you, as the equipment owner and operator:

- 1. Comply with Federal, State, and Local Regulations.**
- 2. Read, Understand, and Follow the Instructions in this Manual.**
- 3. Use Good, Safe Work Practices in a Common Sense Way.**
- 4. Only have Authorized and Trained Operators running the Wrecker.**

TABLE OF CONTENTS

Section I - PARTS

| | |
|---|----------------|
| SUBFRAME ASSEMBLY | I-2 thru I-5 |
| BODY ASSEMBLY | I-6 thru I-9 |
| BOOM ASSEMBLY | I-10 thru I-13 |
| WHEEL LIFT ASSEMBLY | I-14 thru I-17 |
| CROSSBAR ASSEMBLY | I-18 & I-19 |
| BOOM HYDRAULICS | I-20 & I-21 |
| WHEEL LIFT HYDRAULICS | I-22 & I-23 |
| PUMP, VALVE & FILTER HYDRAULICS | I-24 & I-25 |
| BOOM END SWIVEL ASSEMBLY | I-26 |
| MISCELLANEOUS KITS & PARTS | I-26 |

Section I - PARTS

This Section is provided by the manufacturer for the purpose of ordering any component part of the **Holmes 440 SL** that may be required when part replacement is necessary. Be certain to use only original equipment replacement parts for warranty purposes as well as for keeping your **Holmes 440 SL** in its original state and optimum operating capacities.

When ordering replacement or spare parts be sure to provide the following information to the manufacturer's **Parts Department**.

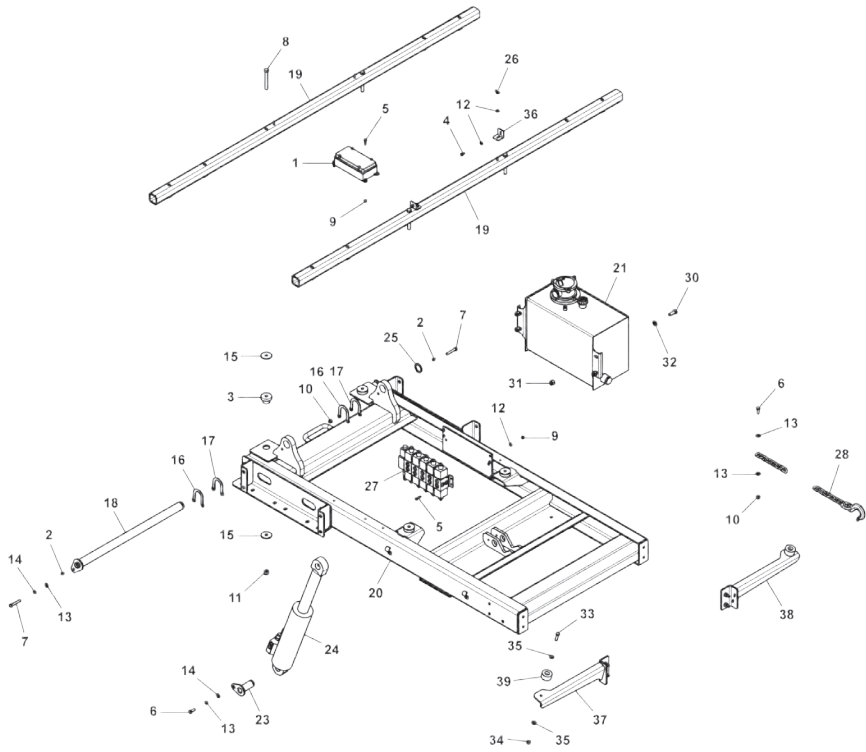
1. **Manual Number & Date of Publication**
2. **Manual Page Number**
3. **Page Title**
4. **Reference Number of Part Desired**
5. **Part Number**
6. **Part Description**
7. **Quantity of Part Desired**

Providing this information will help ensure that the correct parts will be delivered to you in an expedient manner without delay. Should additional information be required for repair or replacement of certain components, contact your Wrecker Manufacturer Authorized Representative.

The Manufacturer reserves the right, without notice or obligation, to improve or modify their products, which may change the specifications, models and feature availability.

Section I - PARTS (cont'd)

440 SL SUBFRAME ASSEMBLY



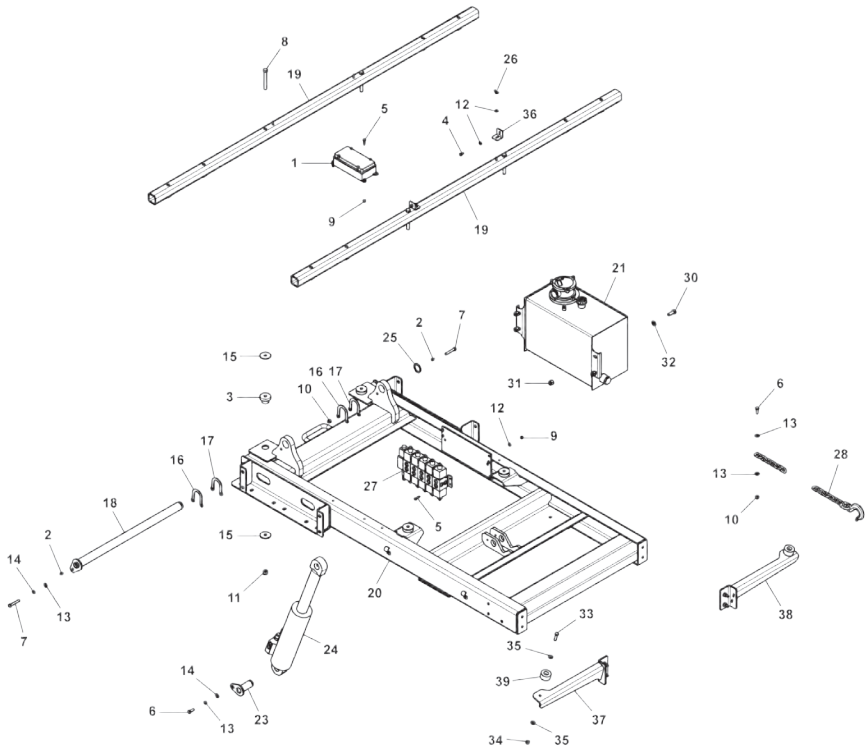
Section I - PARTS (cont'd)

440 SL SUBFRAME ASSEMBLY

| REF. NO. | NO. REQ'D | PART NUMBER | DESCRIPTION |
|-------------|--------------|----------------|--|
| -- | -- | 120440000 | 440 MODULAR SINGLE WINCH |
| -- | -- | 0910521 | 440 BASIC UNIT ASSEMBLY SINGLE WINCH |
| -- | -- | 0910550 | 440 SHIP KIT SINGLE WINCH |
| 1 | 1 | 0303385 | JUNCTION BOX 10 POLE |
| -- | -- | 0910521 | 440 BASIC UNIT ASSEMBLY SINGLE WINCH |
| 2 | 2 | 0301895 | GREASE FITTING, STRAIGHT 1/8 PTF |
| 3 | 4 | 0306680 | RUBBER "T" MOUNTS LTI 20203 |
| 4 | 2 | 0400059 | 1/4"-20 X 5/8" HHCS GR5 ZP |
| 5 | 6 | 0400070 | 1/4"-20 X 1" HHCS GR5 ZP |
| 6 | 4 | 0400126 | 3/8"-16 X 1" HHCS GR5 ZP. |
| 7 | 2 | 0400146 | 3/8"-16 X 2 1/4" HHCS GR5 ZP |
| 8 | 4 | 0400237 | 1/2"-13 X 4" HHCS |
| 9 | 9 | 0400367 | 1/4"-20 NYLOK HEX NUT ZP |
| 10 | 4 | 0400392 | 3/8"-16 NYLOK HEX NUT ZINC |
| 11 | 4 | 0400408 | 1/2"-13 HEX NYLOK |
| 12 | 9 | 0400451 | 1/4" FLATWASHER ZP |
| 13 | 4 | 0400480 | 3/8" FLATWASHER ZP |
| 14 | 2 | 0400482 | 3/8" HELICAL LOCKWASHER - ZP |
| 15 | 8 | 0400498 | 1/2" ID X 2" OD X .150" THICK FLATWASHER |
| 16 | 2 | 0719519 | SHIM - BOOM PIVOT (0.0747 THICK) |
| 17 | 2 | 0719520 | SHIM - BOOM PIVOT (.1196 THICK) |
| 18 | 1 | 0807183 | PIN WELDMENT |
| 19 | 2 | 0807232 | TUBE MOUNTING WELDMENT |
| 20 | 1 | 0807567 | SUBFRAME WELDMENT 440 |
| 21 | 1 | 0910008 | HYDRAULIC TANK ASSEMBLY-CONVENTIONAL |
| 22 | 1 | 0910548 | 440 VALVE ASSEMBLY |
| 23 | 1 | 805351000 | PIN WELDMENT (LOWER LIFT CYLINDER) |

Section I - PARTS (cont'd)

440 SL SUBFRAME ASSEMBLY



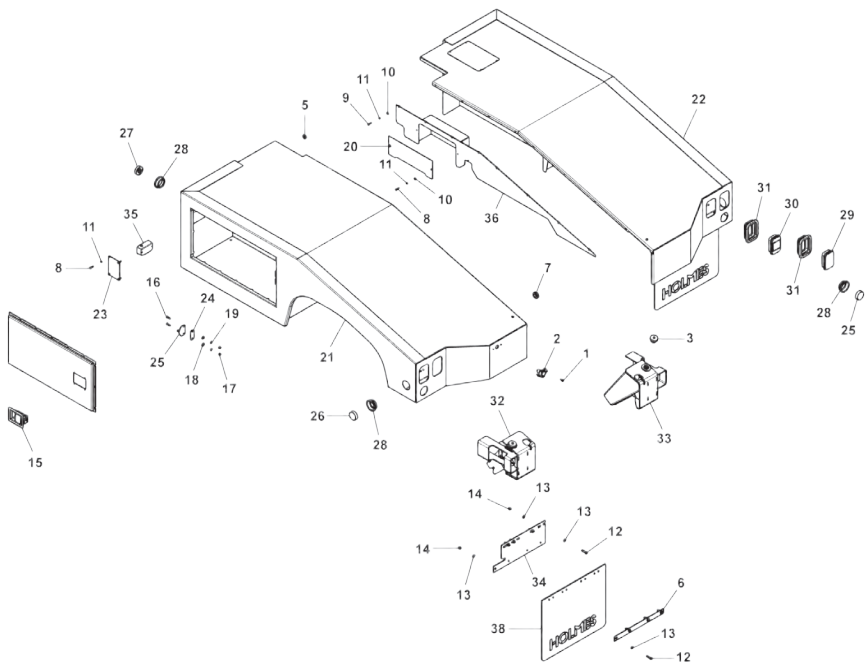
Section I - PARTS (cont'd)

440 SL SUBFRAME ASSEMBLY

| REF. NO. | NO. REQ'D | PART NUMBER | DESCRIPTION |
|-------------|--------------|----------------|---|
| -- | -- | 0910521 | 440 BASIC UNIT ASSY SINGLE WINCH (cont'd) |
| 24 | 1 | 810710000 | CYLINDER, HYDRAULIC 3.5" LIFT CYLINDER |
| 25 | 1 | 9056150 | RETAINING RING - 1 1/2" |
| 26 | 4 | HD1447 | 1/4"-20 WING NUT |
| -- | -- | 0910548 | 440 VALVE ASSEMBLY |
| 27 | 1 | 0310796 | VALVE, 5 SPOOL PARKER W/3 MOTOR |
| -- | -- | 0910550 | 440 SHIP KIT SINGLE WINCH |
| 28 | 2 | 0307383 | CHAIN ASSEMBLY 5/16" G7 X 12' |
| 29 | 1 | 0907280 | 806,807,810 SS BOLT BAG |
| -- | -- | 0907280 | 806,807,810 SS BOLT BAG |
| 30 | 4 | 0400177 | 1/2"-13 X 1 1/4" HHCS GR5 ZP |
| 31 | 30 | 0400408 | 1/2"-13 NYLOK HEX NUT ZP |
| 32 | 60 | 0400492 | 1/2" FLATWASHER ZP |
| -- | -- | 120500440 | 440 CARBON STEEL MODULAR BODY |
| -- | -- | 0910549 | 440 CARBON STEEL BODY INSTALL ASSEMBLY |
| -- | -- | 0910549 | 440 CARBON STEEL BODY INSTALL ASSEMBLY |
| 33 | 6 | 0400132 | 3/8"-16 X 1 1/2" HHCS GR5 ZP |
| 34 | 3 | 0400392 | 3/8"-16 NYLOK HEX NUT ZINC |
| 35 | 2 | 0400480 | 3/8" FLATWASHER ZP |
| 36 | 2 | 0722955 | ANGLE, SPLASH GUARD MOUNTING |
| 37 | 1 | 0807654 | LH RR BODY SUPPORT WELDMENT 440 |
| 38 | 1 | 0807655 | RH RR BODY SUPPORT WELDMENT 440 |
| 39 | 2 | E300006 | VIBRATION PAD |

Section I - PARTS (cont'd)

440 SL CARBON STEEL BODY ASSEMBLY



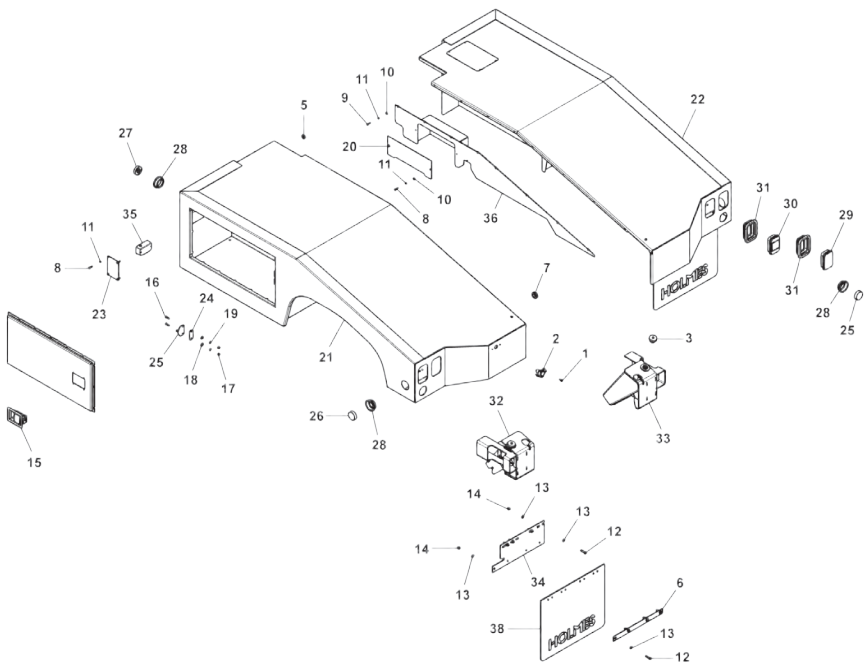
Section I - PARTS (cont'd)

440 SL CARBON STEEL BODY ASSEMBLY

| REF. NO. | NO. REQ'D | PART NUMBER | DESCRIPTION |
|----------|-----------|-------------|--|
| -- | -- | 0910521 | 440 BASIC UNIT ASSEMBLY SINGLE WINCH |
| 1 | 2 | 0400062 | 1/4"-20 X 3/4" THREAD CUT HEX |
| -- | -- | 0910550 | 440 SHIP KIT SINGLE WINCH |
| 2 | 1 | 0301671 | TOW LIGHT SOCKET (4 PIN) |
| 3 | 2 | 0306680 | RUBBER "T" MOUNTS LTI 20203 |
| 4 | 1 | 0907280 | 806,807,810 SS BOLT BAG |
| 5 | 2 | 9032053 | GROMMET-RUBBER McMAST. 5/8x1/8 |
| 6 | 2 | 804500001 | MUD FLAP BACK-UP STRIP |
| 7 | 2 | GV57 | RUBBER GROMMET,ATLANTIC |
| -- | -- | 0907280 | 806,807,810 SS BOLT BAG |
| 8 | 6 | 0400057 | 1/4"-20 X 1 1/4" HHCS |
| 9 | 6 | 0400070 | 1/4"-20 X 1" HHCS GR5 ZP |
| 10 | 14 | 0400451 | 1/4" FLATWASHER ZP |
| 11 | 14 | 0400452 | 1/4" HELICAL LOCKWASHER ZP |
| 12 | 16 | 0402043 | 3/8"-16NC x 1 1/4" HHCS SS |
| 13 | 22 | 0402120 | 3/8" FLATWASHER 316 SS |
| 14 | 16 | 0402123 | 3/8"-16 NYLOCK SS |
| -- | -- | 120500440 | 440 CARBON STEEL MODULAR BODY |
| -- | -- | 0910549 | 440 CARBON STEEL BODY INSTALL ASSEMBLY |
| -- | -- | 0910621 | 440 CARBON STEEL BODY SHIP KIT |
| -- | -- | 0910549 | 440 CARBON STEEL BODY INSTALL ASSEMBLY |
| 15 | 2 | 0303120 | LATCH PADDLE W/GASKET |
| 16 | 16 | 0402032 | 5/16"-18NC X 1" HHCS 8-18 SS |

Section I - PARTS (cont'd)

440 SL CARBON STEEL BODY ASSEMBLY



Section I - PARTS (cont'd)

440 SL CARBON STEEL BODY ASSEMBLY

| REF. NO. | NO. REQ'D | PART NUMBER | DESCRIPTION |
|-------------|--------------|----------------|--|
| -- | -- | 0910549 | 440 CARBON STEEL BODY INSTALL ASSEMBLY |
| 17 | 16 | 0402116 | 5/16"-18 NC HEX NYLOK SS |
| 18 | 16 | 0402117 | 5/16" FLATWASHER 316SS |
| 19 | 16 | 0402118 | 5/16" HELICAL LOCKWASHER SS |
| 20 | 2 | 0722989 | COVER PLATE 440 |
| 21 | 1 | 0807561 | CARBON STEEL BODY WELDMENT LH 440 |
| 22 | 1 | 0807562 | CARBON STEEL BODY WELDMENT RH 440 |
| 23 | 1 | 805040005 | COVER PLATE-BOOM END |
| 24 | 2 | 945400518 | WASHER PLATE PL - STRIKE |
| 25 | 2 | 945400800 | STRIKER PIN WELDMENT PL |
| -- | -- | 0910621 | 440 CARBON STEEL BODY SHIP KIT |
| 26 | 4 | 0303125 | LIGHT,MARKER RED 2 1/2" RD SEALED |
| 27 | 2 | 0303126 | LIGHT,MARKER AMBER 2 1/2" RD SEALED |
| 28 | 6 | 0303127 | GROMMET-MARKER for 2 1/2" ROUND |
| 29 | 2 | 0306683 | LAMP RED/STOP/TURN/TAIL |
| 30 | 2 | 0306684 | LIGHT, BACKUP W/REFLECTOR RECTANGULAR |
| 31 | 4 | 0306685 | GROMMET TRUCKLITE 45700 RECTANGULAR |
| 32 | 1 | 0807623 | 440 LH CHAIN POCKET & BOOM GUIDE |
| 33 | 1 | 0807624 | 440 RH CHAIN POCKET & BOOM GUIDE |
| 34 | 2 | 806070010 | MUD FLAP EXTENSION PL - 806-7 |
| 35 | 2 | 9025049 | INTERIOR & COMPARTMENT LIGHT W/SW |
| 36 | 1 | 0807643 | LH SPLASH GUARD WELDMENT |
| 37 | 1 | 0807644 | RH SPLASH GUARD WELDMENT (NOT SHOWN) |
| 38 | 2 | GO-138B | MUD FLAP |

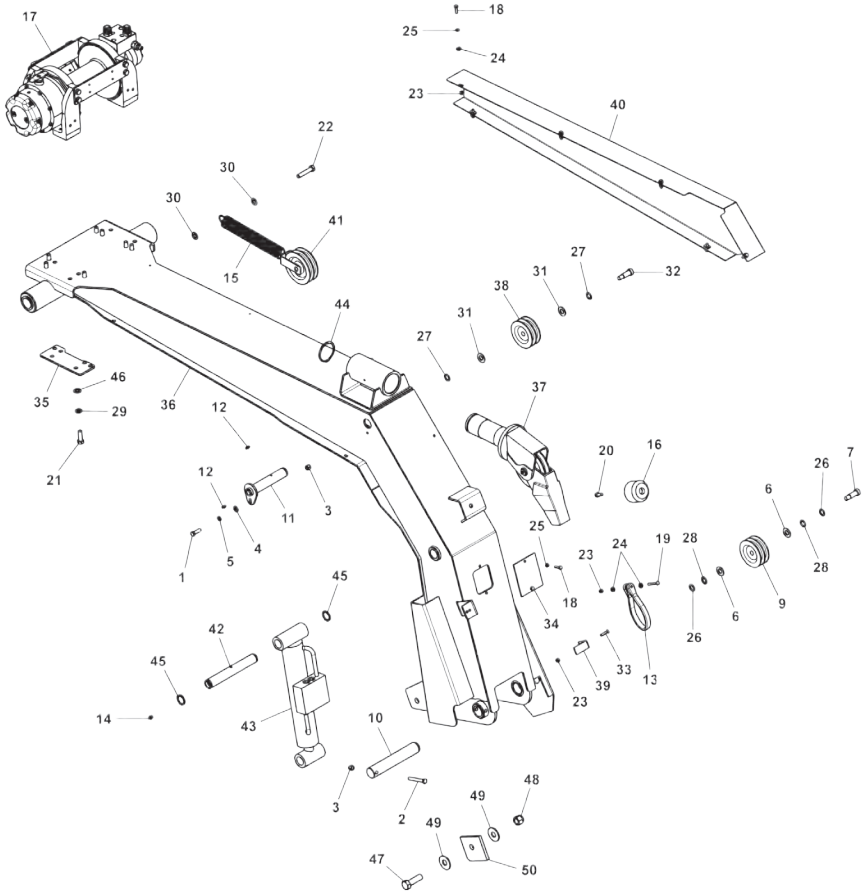
Section I - PARTS (cont'd)

440 SL BOOM ASSEMBLY

| REF. NO. | NO. REQ'D | PART NUMBER | DESCRIPTION |
|-------------|--------------|----------------|---------------------------------------|
| -- | -- | 0910521 | 440 BASIC UNIT ASSEMBLY SINGLE WINCH |
| 1 | 1 | 0400122 | 3/8"-16 X 1 1/4" HHC GR5 |
| 2 | 1 | 0400133 | 3/8"-16 X 3" HHCS GR5 ZP |
| 3 | 2 | 0400392 | 3/8"-16 NYLOK HEX NUT ZINC |
| 4 | 1 | 0400480 | 3/8" FLATWASHER ZP |
| 5 | 1 | 0400482 | 3/8" HELICAL LOCKWASHER - ZP |
| 6 | 2 | 0400505 | 5/8" SAE WASHER |
| 7 | 1 | 0400606 | 5/8" x 1 1/4" SHOULDER BOLT |
| 8 | 1 | 0910607 | 440 SL BOOM ASSEMBLY SINGLE WINCH |
| 9 | 1 | 810040004 | SMALL SHEAVE - 2-GROOVES 4" |
| 10 | 1 | 810350001 | PIN - STINGER PIVOT |
| 11 | 1 | 810351000 | PIN WELDMENT - UPPER LIFTING CYLINDER |
| -- | -- | 0910607 | 440 BOOM ASSEMBLY SINGLE WINCH |
| 12 | 2 | 0300113 | GREASE FITTING, 1/4"-28 STRAIGHT |
| 13 | 1 | 0301533 | TIE DOWN STRAP 15 |
| 14 | 1 | 0301895 | GREASE FITTING, STRAIGHT 1/8" PTF |
| 15 | 1 | 0303521 | SPRING, EXTEND HOSE TENSION |
| 16 | 1 | 0306688 | TIMBREN SPRING 180 AEON 2 7/8" |
| 17 | 1 | 0310777 | WINCH, 8000 SP2 W/TENSIONER |
| 18 | 8 | 0400070 | 1/4"-20 X 1" HHCS GR5 ZP |
| 19 | 1 | 0400078 | 1/4"-20 X 2" HHCS GR5 ZP |
| 20 | 1 | 0400141 | 3/8"-16 X 7/8" HHCS GR5 ZP |
| 21 | 8 | 0400181 | 1/2"-13 X 1 1/2" HHCS GR5 ZP |
| 22 | 1 | 0400185 | 1/2"-13 X 2 1/2" HHCS GR5 ZP |
| 23 | 6 | 0400367 | 1/4"-20 NYLOK HEX NUT ZP |
| 24 | 8 | 0400451 | 1/4" FLATWASHER ZP |
| 25 | 6 | 0400452 | 1/4" HELICAL LOCKWASHER ZP |

Section I - PARTS (cont'd)

440 SL BOOM ASSEMBLY (cont'd)



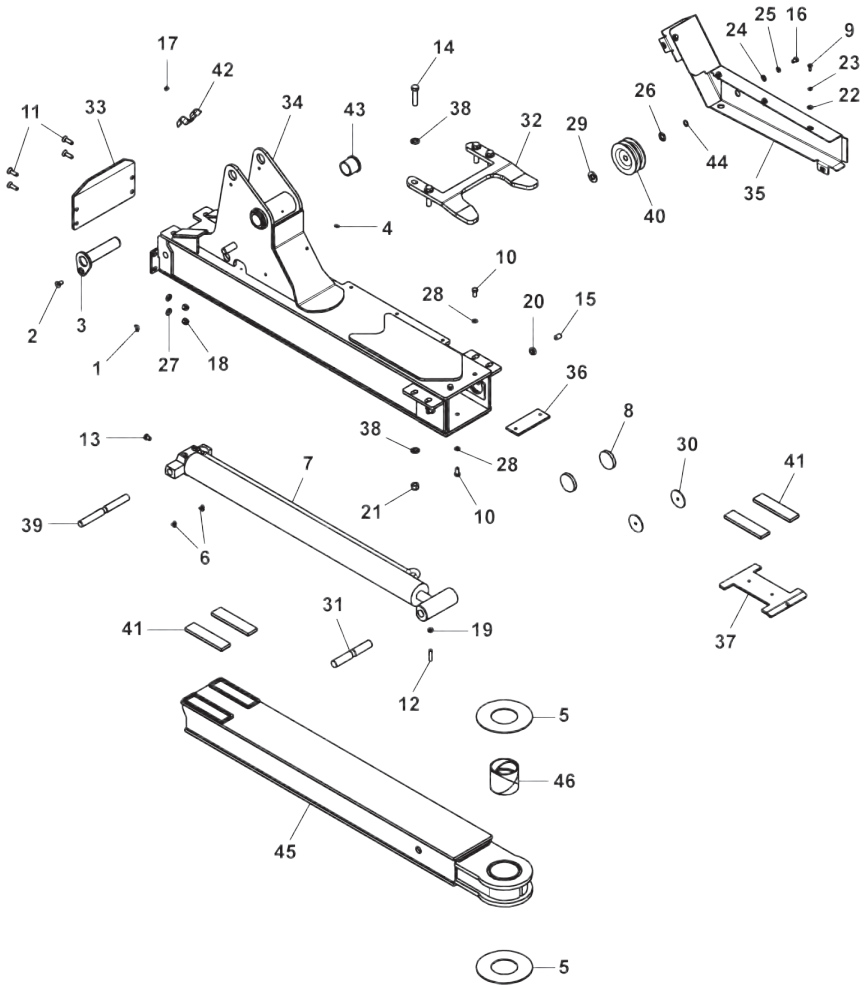
Section I - PARTS (cont'd)

440 SL BOOM ASSEMBLY (cont'd)

| REF. NO. | NO. REQ'D | PART NUMBER | DESCRIPTION |
|-------------|--------------|----------------|---|
| -- | -- | 0910607 | 440 BOOM ASSEMBLY SINGLE WINCH (cont'd) |
| 26 | 2 | 0400474 | 5/8" (.635) X .020 SHIM WASHER |
| 27 | 2 | 0400475 | 5/8" (.635) X .031 SHIM WASHER |
| 28 | 2 | 0400476 | 5/8" (.635) X .062 SHIM WASHER |
| 29 | 8 | 0400491 | 1/2" HELICAL LOCKWASHER ZP |
| 30 | 2 | 0400492 | 1/2" FLATWASHER |
| 31 | 2 | 0400506 | 5/8" FLATWASHER ZP |
| 32 | 1 | 0400606 | 5/8" x 1 1/4" SHOULDER BOLT |
| 33 | 2 | 0402022 | 1/4-20x1.25LG SCREW FLAT |
| 34 | 1 | 0708519 | PLATE - COVER - BOOM UPPER |
| 35 | 2 | 0723174 | PLATE, WINCH SPACER 440 |
| 36 | 1 | 0807653 | MAIN BOOM WELDMENT 440 |
| 37 | 1 | 805180000 | SHEAVE HOUSING ASSEMBLY |
| 38 | 1 | 810040004 | SMALL SHEAVE - 2-GROOVES 4" |
| 39 | 1 | 810040006 | HOSE RETAINING ANGLE - BOOM ASSEMBLY |
| 40 | 1 | 810040600 | TENSIONER COVER WELDMENT - BOOM |
| 41 | 1 | 810041500 | TENSIONER BRACKET WELDMENT |
| 42 | 1 | 810350002 | PIN - UPPER TILT CYLINDER |
| 43 | 1 | 810730000 | CYLINDER, HYDRAULIC FOLD 2 1/2" |
| 44 | 1 | 9055275 | SNAP RING EXT. 2 3/4" 5160-275 |
| 45 | 2 | 9056125 | 1.25 NOM HEAVY DUTY RETAINING RING EXT. |
| 46 | 8 | DE1381 | 1/2" WASHER SAE 17/32" ID |
| -- | -- | 0910550 | 440 SHIP KIT SINGLE WINCH |
| 47 | 2 | 0400288 | 3/4"-10 X 2 1/2" HHCS GR 8GOLD |
| 48 | 2 | 0400430 | 3/4"-10 NYLOK HEXNUT ZP |
| 49 | 4 | 0400510 | 3/4" FLATWASHER ZP |
| 50 | 2 | 810040002 | STOP BLOCK - 4-POS. (PROTOT.) |

Section I - PARTS (cont'd)

440 SL WHEEL LIFT ASSEMBLY



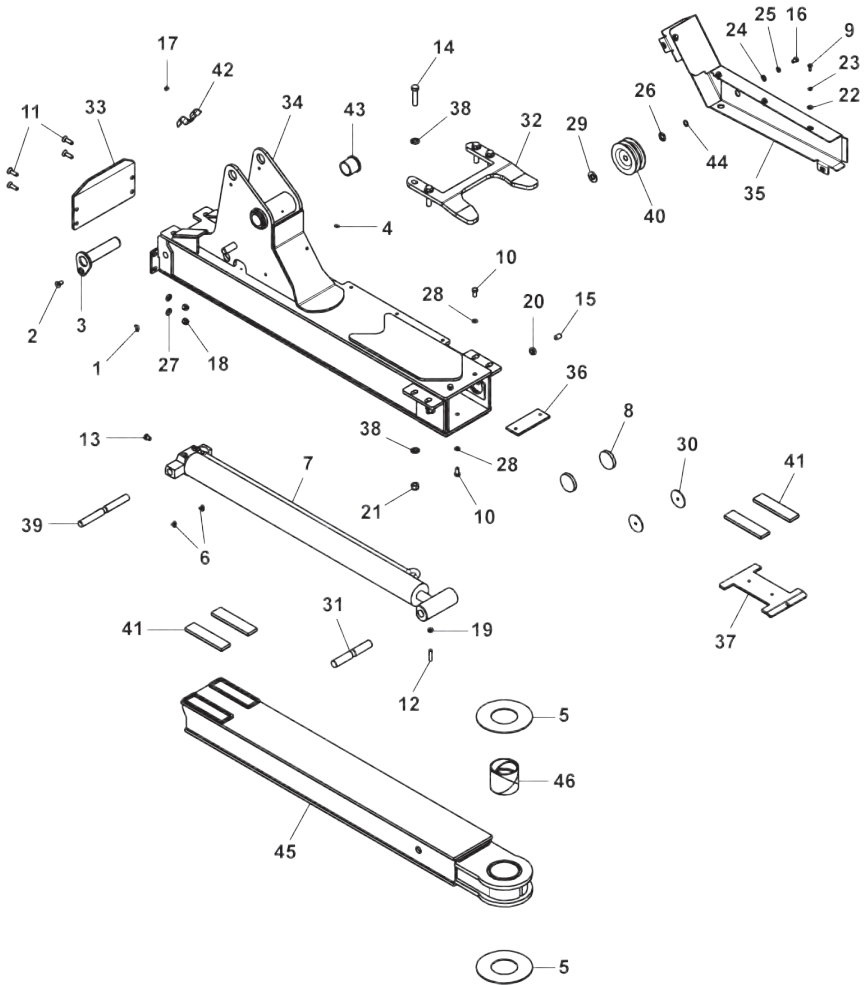
Section I - PARTS (cont'd)

440 SL WHEEL LIFT ASSEMBLY

| REF. NO. | NO. REQ'D | PART NUMBER | DESCRIPTION |
|-------------|--------------|----------------|---------------------------------------|
| -- | -- | 0910521 | 440 BASIC UNIT ASSEMBLY |
| 1 | 2 | 0302726 | GREASE FITTING, 1/4"-28 x 45deg |
| 2 | 1 | 0400349 | 3/8"-16 X 3/4" FLAT SOCKET HEAD |
| 3 | 1 | 810040004 | PIN WELDMENT - EXTEND CYLINDER PIN |
| -- | -- | 0908620 | CROSSBAR ASSEMBLY - RECESSED PINS |
| -- | -- | 0910016 | WHEEL LIFT BOOM ASSEMBLY |
| -- | -- | 0908620 | CROSSBAR ASSEMBLY - RECESSED PINS |
| 4 | 3 | 0300113 | GREASE FITTING, 1/4-28 STRAIGHT |
| 5 | 2 | 0710092 | WASHER - THRUST 6500 W/L |
| -- | -- | 0910016 | WHEEL LIFT BOOM ASSEMBLY |
| 6 | 2 | 0301397 | GREASE FITTING, 1/4"-28 X 90 DEG |
| 7 | 1 | 0303020 | CYLINDER HYDRAULIC EXTEND - EB3 (J13) |
| 8 | 2 | 0306819 | PAD - SLIDE (2 1/4 DIA UHMW) |
| 9 | 6 | 0400059 | 1/4"-20 X 5/8" HHCS GR5 ZP |
| 10 | 4 | 0400121 | 3/8"-16 X 3/4" HHCS GR5 ZP |
| 11 | 4 | 0400128 | 3/8"-16 X 1 1/4" FLAT HEAD SOCKET |
| 12 | 1 | 0400139 | 3/8"-16 X 1 1/2" HEX SOCKET SET |
| 13 | 1 | 0400154 | 3/8"-16 X 1/2" HHCS GR5 ZP |
| 14 | 4 | 0400184 | 1/2"-13 X 2 1/4" HHCS GR 8 |
| 15 | 2 | 0400204 | 1/2"-13 X 3/4" SOCKET HEAD SET |
| 16 | 1 | 0400233 | 5/16"-18 X 1/2" HHCS GR5 ZP |
| 17 | 1 | 0400382 | 5/16"-18 HEX NYLOK |
| 18 | 4 | 0400392 | 3/8"-16 NYLOK HEX NUT ZINC |
| 19 | 1 | 0400398 | 3/8"-16 NYLOK HALF-NUT ZP |
| 20 | 2 | 0400410 | 1/2"-13 HEX JAM NUT ZP |
| 21 | 4 | 0400416 | 1/2"-13 NYLOK GR 8 YZ PLT |
| 22 | 6 | 0400451 | 1/4" FLATWASHER ZP |

Section I - PARTS (cont'd)

440 SL WHEEL LIFT ASSEMBLY (cont'd)



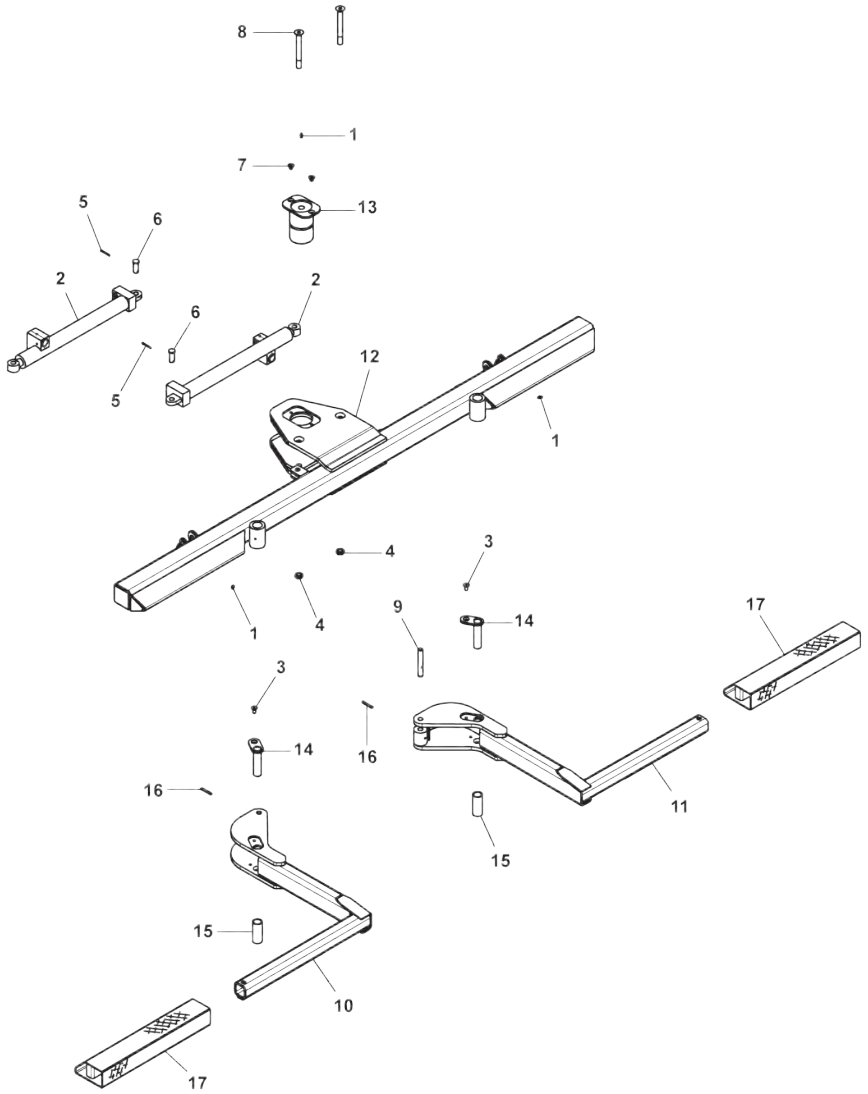
Section I - PARTS (cont'd)

440 SL WHEEL LIFT ASSEMBLY (cont'd)

| REF. NO. | NO. REQ'D | PART NUMBER | DESCRIPTION |
|-------------|--------------|----------------|-------------------------------------|
| -- | -- | 0910016 | WHEEL LIFT BOOM ASSEMBLY (cont'd) |
| 23 | 6 | 0400452 | 1/4" HELICAL LOCKWASHER ZP |
| 24 | 2 | 0400463 | 5/16" FLATWASHER ZP. |
| 25 | 1 | 0400464 | 5/16" HELICAL LOCKWASHER ZP |
| 26 | 1 | 0400476 | 5/8 (.635) X .062 SHIM WASHER |
| 27 | 4 | 0400480 | 3/8" FLATWASHER ZP |
| 28 | 4 | 0400482 | 3/8" HELICAL LOCKWASHER - ZP |
| 29 | 1 | 0400503 | 5/8" FLATWASHER GR8 YZ PLT |
| 30 | 2 | 0717674 | SHIM, PAD SPACER |
| 31 | 1 | 0718216 | SHAFT, INNER TUBE CYLINDER |
| 32 | 1 | 0718217 | PLATE - CENTER |
| 33 | 1 | 0719100 | PLATE, HOSE PROTECTOR |
| 34 | 1 | 0807072 | BOOM OUTER STINGER 810 WELDMENT |
| 35 | 1 | 0807073 | HOSE COVER WELDMENT |
| -- | -- | 0908399 | INNER WHEEL LIFT BOOM ASSEMBLY |
| 36 | 1 | 3012-794003 | BAR - SPACER |
| 37 | 1 | 3012-794004 | PLATE - U/L PAD CAGE 3014-9400 |
| 38 | 8 | 545-0508000 | WASHER, FLAT, 1/2" HARDENED |
| 39 | 1 | 807500001 | PIN - EXTEND |
| 40 | 1 | 810040004 | SMALL SHEAVE - 2-GROOVES 4" |
| 41 | 4 | 896040002 | NYLATRON - 6 X 1 1/2 X |
| 42 | 1 | 9048166 | DOUBLE TUBE CLAMP SPAE-NAUR |
| 43 | 2 | 9053713 | FLANGE BEARING 1 1/2" ID OILITE |
| 44 | 1 | 9055062 | 5/8 DIA EXT. RETAINING RING |
| -- | -- | 0908399 | INNER WHEEL LIFT BOOM ASSEMBLY |
| 45 | 1 | 0806840 | BOOM INNER STINGER EXPRESS WELDMENT |
| 46 | 1 | 0306748 | BUSHING ALUMINUM BRONZE C95400 |

Section I - PARTS (cont'd)

440 SL WHEEL LIFT CROSSBAR ASSEMBLY



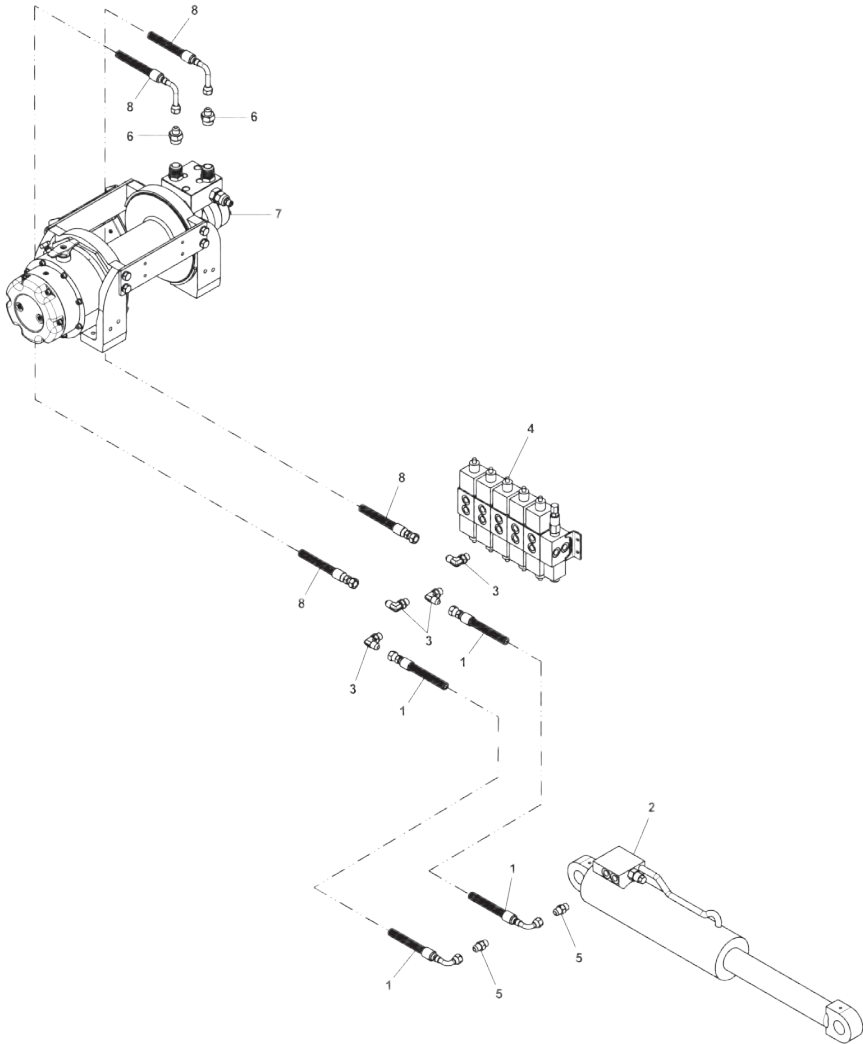
Section I - PARTS (cont'd)

440 SL WHEEL LIFT CROSSBAR ASSEMBLY

| REF. NO. | NO. REQ'D | PART NUMBER | DESCRIPTION |
|----------|-----------|-------------|--|
| -- | -- | 0908620 | CROSSBAR ASSEMBLY - RECESSED PINS |
| 1 | 3 | 0300113 | GREASE FITTING, 1/4-28 STRAIGHT |
| 2 | 2 | 0303844 | CYLINDER HYDRAULIC - SWING L ARM |
| 3 | 2 | 0400349 | 3/8"-16 X 3/4" FLAT SOCKET HEAD |
| 4 | 2 | 0400428 | 5/8"-11 FLEXLOCK THIN HIGH |
| 5 | 2 | 0400546 | 1/8" X 1-1/4" COTTER PIN |
| 6 | 2 | 0400590 | 5/8" X 1-1/2" CLEVIS PIN |
| 7 | 2 | 0400667 | 3/8"-16 X 1/2" FLAT SKT HD THREAD LOCK |
| 8 | 2 | 0401006 | 5/8"-11x 5 1/2" FLAT HD SKT CAP SCREW |
| 9 | 2 | 0713885 | PIN - CYLINDER(L ARM END) |
| 10 | 1 | 0806978 | LEFT "L" ARM WELDMENT |
| 11 | 1 | 0806979 | RIGHT "L" ARM WELDMENT |
| 12 | 1 | 0806980 | CROSSBAR WELDMENT - EXPRESS |
| 13 | 1 | 0806981 | PIVOT PIN WELDMENT |
| 14 | 2 | 0806982 | PIN WELDMENT - "L" ARM PIVOT |
| 15 | 2 | E300002 | BEARING |
| 16 | 2 | HD0106 | 1/4" X 1 3/4" SPRING PIN ZP |
| -- | -- | 0910550 | 440 SHIP KIT |
| 17 | 2 | 810620500 | WHEEL SPACER WELDMENT |

Section I - PARTS (cont'd)

440 SL BOOM HYDRAULICS



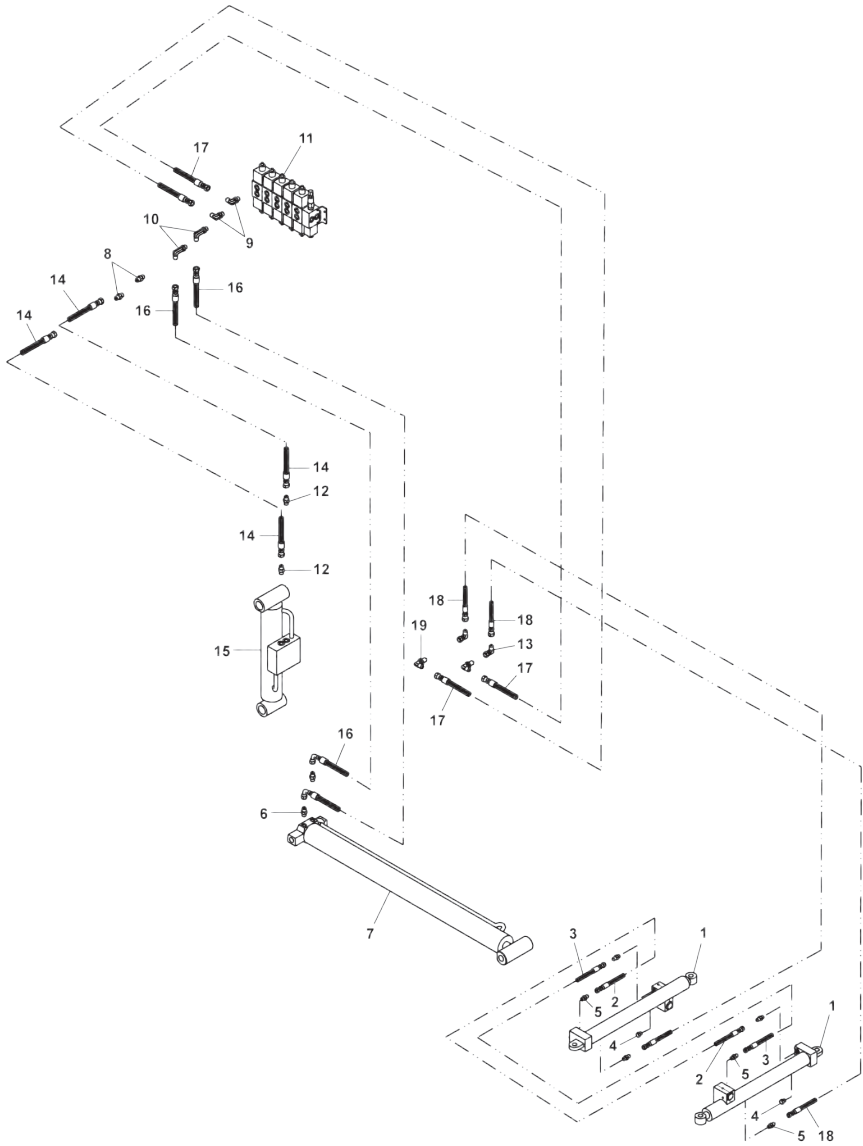
Section I - PARTS (cont'd)

440 SL BOOM HYDRAULICS

| REF. NO. | NO. REQ'D | PART NUMBER | DESCRIPTION |
|-------------|--------------|----------------|--|
| -- | -- | 0910521 | 440 BASIC UNIT ASSEMBLY SINGLE WINCH |
| 1 | 2 | 0302604 | HOSE ASSEMBLY, 44" |
| -- | -- | 0910548 | 440 VALVE ASSEMBLY |
| -- | -- | 0910607 | 440 BOOM ASSEMBLY, SINGLE WINCH |
| 2 | 1 | 810710000 | CYLINDER, HYDRAULIC 3.5" LIFT CYLINDER |
| -- | -- | 0910548 | 440 VALVE ASSEMBLY |
| 3 | 6 | 0301620 | FITTING, HYDRAULIC 6MJ - 6MB90 |
| 4 | 1 | 0310796 | VALVE, 5 SPOOL PARKER W/3 MOTOR |
| -- | -- | 0910607 | 440 BOOM ASSEMBLY, SINGLE WINCH |
| 5 | 2 | 0301522 | FITTING, 6MJ-6MB CONNECTOR |
| 6 | 2 | 0301778 | FITTING, 6MJ - 10MB STRAIGHT CONNECTOR |
| 7 | 1 | 0310777 | WINCH, 8000SP2 W/TENSIONER |
| 8 | 2 | 880010003 | HOSE ASSEMBLY, 6AT2 (6T90S-6FJ) 41" E/CL |

Section I - PARTS (cont'd)

440 SL WHEEL LIFT HYDRAULICS



Section I - PARTS (cont'd)

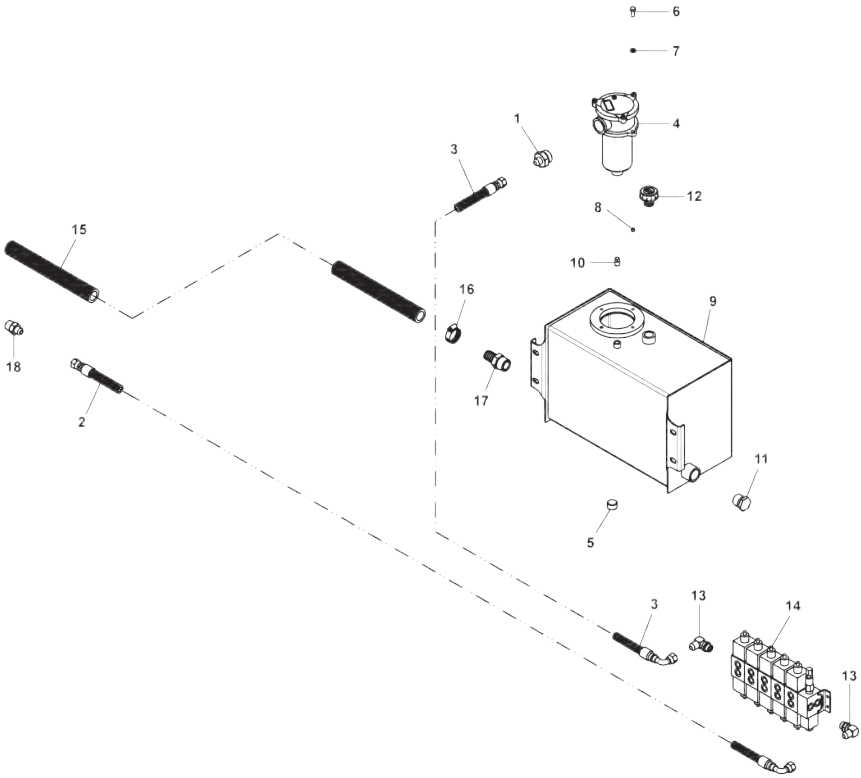
440 SL WHEEL LIFT HYDRAULICS

| REF. NO. | NO. REQ'D | PART NUMBER | DESCRIPTION |
|-------------|--------------|----------------|--|
| -- | -- | 0908620 | COSSBAR ASSEMBLY - RECESSED PINS |
| 1 | 2 | 0303844 | CYLINDER, HYDRAULIC - SWING L ARM |
| 2 | 1 | 0303860 | HOSE ASSEMBLY, 10-3/4" |
| 3 | 1 | 0303861 | HOSE ASSEMBLY, 17" |
| 4 | 2 | 0303886 | FITTING, HYDRAULIC 4 MB-PLUG (NOT SHOWN) |
| 5 | 6 | HC1291 | FITTING, HYDRAULIC 4MJ-4MB STD THREAD |
| -- | -- | 0910016 | WHEEL LIFT BOOM ASSEMBLY |
| 6 | 2 | 0301522 | FITTING, HYDRAULIC 6MJ-6MB CONNECTOR |
| 7 | 1 | 0303020 | CYLINDER, HYDRAULIC EXTEND - EB3 (JI3) |
| -- | -- | 0910548 | 440 VALVE ASSEMBLY |
| 8 | 2 | 0301522 | FITTING, HYDRAULIC 6MJ-6MB CONNECTOR |
| 9 | 6 | 0301620 | FITTING, HYDRAULIC 6MJ - 6MB90 |
| 10 | 2 | 0307460 | FITTING, HYDRAULIC 6MJ-6MB90LL |
| 11 | 1 | 0310796 | VALVE, 5 SPOOL PARKER W/3 MOTOR |
| -- | -- | 0910607 | 440 BOOM ASSEMBLY, SINGLE WINCH |
| 12 | 2 | 0301522 | FITTING, HYDRAULIC 6MJ-6MB CONNECTOR |
| 13 | 2 | 0301696 | FITTING, ELBOW 90 DEG 6MJ-6FJX90 |
| 14 | 2 | 0301921 | HOSE ASSEMBLY, 128" |
| 15 | 1 | 810730000 | CYLINDER, HYDRAULIC - FOLD 2 1/2" |
| 16 | 2 | 810770003 | HOSE ASSEMBLY, 77" 4M2T 6FJX90S-6FJX |
| 17 | 3 | 810770011 | HOSE ASSEMBLY, 77" 4M2T 6FJX90S-6FJX |
| 18 | 2 | 810770012 | HOSE ASSEMBLY, 157" 4M3KMTF 6FJX-4FJX |
| 19 | 2 | FC41 | FITTING, 90DEG BULKHEAD ELBOW |

Section I - PARTS (cont'd)

PUMP, VALVE & FILTER HYDRAULICS

440 SL



Section I - PARTS (cont'd)

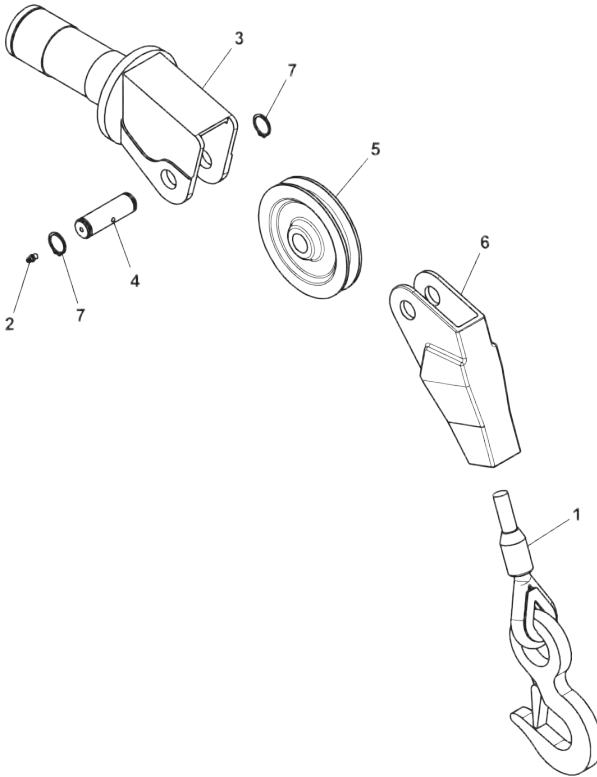
PUMP, VALVE & FILTER HYDRAULICS

440 SL

| REF. NO. | NO. REQ'D | PART NUMBER | DESCRIPTION |
|----------|-----------|-------------|---------------------------------------|
| -- | -- | 0910521 | 440 BASIC UNIT ASSEMBLY SINGLE WINCH |
| 1 | 1 | 0302757 | FITTING, HYDRAULIC 8MJ-16MB CONNECTOR |
| 2 | 1 | 0307663 | HOSE ASSEMBLY, 185" LENGTH 90 DEG. |
| -- | -- | 0910008 | HYDRAULIC TANK ASSEMBLY-CONVENTIONAL |
| -- | -- | 0910548 | 440 VALVE ASSEMBLY |
| 3 | 1 | 810770017 | HOSE ASSEMBLY, 32" 8M2T 8FJX90S-8FJX |
| -- | -- | 0910008 | HYDRAULIC TANK ASSEMBLY-CONVENTIONAL |
| 4 | 1 | 0310296 | FILTER HEAD ASSEMBLY W/ ELEMENT |
| 5 | 1 | 0310462 | PLUG, 3/4" NPT HEX - MAGNETIC |
| 6 | 2 | 0400118 | 5/16"-18 X 3/4" HHCS GR5 ZP |
| 7 | 2 | 0400464 | 5/16" HELICAL LOCKWASHER ZP |
| 8 | 2 | 0400748 | 5/16"-18 X 1/4" SET SCREW ALLEN HEAD |
| 9 | 1 | 0807297 | HYDRAULIC TANK WELDMENT |
| 10 | 1 | 9011011 | 1/4" SQUARE HEAD PIPE PLUG |
| 11 | 1 | 9012839 | 1" PIPE PLUG |
| 12 | 1 | 9018131 | BREATHER CAP (LUCAS) 3/4" |
| -- | -- | 0910548 | 440 VALVE ASSEMBLY |
| 13 | 2 | 0301388 | FITTING, HYDRAULIC 90ELL 8MJ-8MB90 |
| 14 | 1 | 0310796 | VALVE, 5 SPOOL PARKER W/3 MOTOR |
| -- | -- | 0910550 | 440 SHIP KIT SINGLE WINCH |
| 15 | 1 | 0702540 | HOSE ASSEMBLY, SUCTION - 12FT (1" ID) |
| -- | -- | 0906112 | 810 FITTING BAG |
| 16 | 2 | 9018092 | HOSE CLAMP HS24 * |
| -- | -- | 0906112 | 810 FITTING BAG |
| 17 | 1 | 0300056 | FITTING, HYDRAULIC BARB 16C4-16MP |
| 18 | 2 | 0301391 | FITTING, HYDRAULIC 8MJ-12MP CONNECTOR |

Section I - PARTS (cont'd)

BOOM SWIVEL ASSEMBLY



| REF. NO. | NO. REQ'D | PART NUMBER | DESCRIPTION |
|----------|-----------|-------------|--|
| -- | -- | 0910550 | 440 SHIP KIT SINGLE WINCH |
| 1 | 1 | 0302916 | WIRE ROPE, 3/8" X 6 X 19 IPS |
| -- | -- | 805180000 | SHEAVE HOUSING ASSEMBLY |
| 2 | 1 | 0300113 | GREASE FITTING, 1/4"-28 STRAIGHT |
| 3 | 1 | 804181500 | SHEAVE HOUSING CASTING |
| 4 | 1 | 805180001 | SHEAVE SHAFT |
| 5 | 1 | 805180002 | SHEAVE CASTING (WAS 9050504) |
| 6 | 1 | 852060100 | CABLE GUIDE ~ CASTING |
| 7 | 2 | 9056098 | RETAINING RING, EXT 1" NOM. HEAVY DUTY |

Section I - PARTS (cont'd)

MISCELLANEOUS KITS & PARTS

| REF. NO. | NO. REQ'D | PART NUMBER | DESCRIPTION |
|-------------|--------------|----------------|---|
| -- | -- | 0910521 | 440 BASIC UNIT ASSEMBLY SINGLE WINCH |
| 1 | 4 | 0400002 | 4 X 1/4" DRIVE SCREW ROUND HEAD |
| 2 | 2 | 0400138 | 3/8"-16 X 2" SQUARE HEAD SET SCREW |
| 3 | 1 | 0501422 | PLATE-SERIA L& DATA 804,807,810 |
| 4 | 1 | 0722961 | BRACKET, JUNCTION BOX STAND 440 |
| 5 | 1 | 810740001 | WIRING HARNESS 810 |
| -- | -- | 0910607 | 440 BOOM ASSEMBLY, SINGLE WINCH |
| 6 | 1 | 0301334 | CATERPILLER GROMMET -1/2 |
| 7 | 4 | 0400109 | 5/16"-18 X 1" HHCS GR5 ZP |
| 8 | 4 | 0400464 | 5/16" HELICAL LCKWSHR ZP |
| -- | -- | 0910550 | 440 SHIP KIT SINGLE WINCH |
| 9 | 1 | 0300076 | LICENSE PLATE BRACKET (LT0117) |
| 10 | 1 | 0300273 | LICENSE PLATE ILLUMINATING (LIGHT ONLY) |
| 11 | 1 | 0300442 | LIGHT, 3 BAR 15741R (9025006) |
| 12 | 20 | 0302062 | WIRE TIE 21" |
| 13 | 1 | 0303061 | BACK UP ALARM ECCO MS97 |
| 14 | 1 | 0303226 | 80 AMP CIRCUIT BREAKER |
| 15 | 1 | 0306715 | REMOTE-HANDHELD 5-SW 22 FT-810 |
| 16 | 1 | 0307544 | SWING CHECK VALVE, 1" BRONZE |
| 17 | 14 | 0310424 | SEAL, LTI BULB 1211 |
| 18 | 2 | 0400133 | 3/8"-16 X 3" HHCS GR5 ZP |
| 19 | 2 | 0400392 | 3/8"-16 NYLOK HEX NUT ZINC |
| 20 | 4 | 0400484 | WASHER, SPECIAL .406ID x 1.75OD |
| 21 | 2 | 0402120 | 3/8" FLATWASHER 316 SS |
| 22 | 2 | 0402121 | 3/8" LOCKWASHER 316 SS |
| 23 | 1 | 0501701 | MANUAL, 440 SL OPERATION/SAFETY/MAINT |
| 24 | 1 | 0702540 | HOSE ASSEMBLY, SUCTION - 12FT (1" ID) |
| 25 | 1 | 0906112 | 810 FITTING BAG |
| 26 | 2 | 0906401 | TIE-DOWN STRAP ASSEMBLY (EXPRESS) |
| 27 | 1 | 0907280 | 806,807,810 SS BOLT BAG |
| 28 | 2 | 810620500 | WHEEL SPACER WELDMENT |
| 29 | 6 | 9022009 | BUTT SPLICE (14-16) 2RB1 |
| 30 | 5 | 9022076 | RING TERM 14-16GA DKBLUE CRIMP |
| 31 | 2 | 9025068 | REFLECTOR-PETERSON B489R DECAL |
| 32 | 1 | 9033194 | WARNING DECAL MOVING PAR |
| 33 | 1 | 9033198 | DECAL-SAFETY CHAINS |
| 34 | 1 | HC1335 | PIPE NIPL-1" CLOSED THR |

Section I - PARTS (cont'd)

MISCELLANEOUS KITS & PARTS (cont'd)

| REF. NO. | NO. REQ'D | PART NUMBER | DESCRIPTION |
|----------|-----------|-------------|--|
| -- | -- | 0906112 | 810 FITTING BAG |
| 35 | 3 | 0303373 | CLAMP INSULATED 2" |
| 36 | 1 | 0303564 | PIPE, 1" NPT PLUG - MALE |
| 37 | 1 | HC1335 | PIPE NIPPLE-1" CLOSED THR |
| -- | -- | 0906401 | TIE-DOWN STRAP ASSEMBLY (EXPRESS) |
| 38 | 1 | 0306724 | STRAP-8' W/SLEEVE & HOOK |
| 39 | 1 | 0306729 | RATCHET ASSEMBLY W/HOOK |
| 40 | 1 | 0501080 | OPERATION INSTRUCTIONS-TIE DOWN STRAP |
| -- | -- | 0907280 | 806,807,810 SS BOLT BAG |
| 41 | 18 | 0400343 | 1/2"-13 X 2" HHCS GR 8 ZP |
| 42 | 8 | 0400421 | 5/8"-11 NYLOK HEX NUT ZP |
| 43 | 20 | 0400505 | 5/8" SAE WASHER |
| 44 | 8 | 0401000 | 1/2"-13 X 2" BUTTON HEAD |
| 45 | 8 | 9041605 | 5/8" NC X 2" HHCS PL GR8 |
| 46 | 20 | 9046527 | POP RIVET 3/16" X 7/16" ALUMINUM |
| 47 | 6 | 9046572 | POP RIVET-1/8" X 1/2" GRIP |
| -- | -- | 0910549 | 440 CARBON STEEL BODY INSTALL ASSEMBLY |
| 48 | 8 | 0400133 | 3/8"-16 X 3" HHCS GR5 ZP |
| 49 | 6 | 0400482 | 3/8" HELICAL LOCKWASHER - ZP |
| -- | -- | 0910621 | 440 CARBON STEEL BODY SHIP KIT |
| 50 | 2.5 | 0303056 | "D" GASKET- H2 ADHESIVE |
| 51 | 14 | 0310590 | SEAL, LW DOOR |
| 52 | 3 | 9032006 | WEATHER STRIP 3/16" X 1/2" |



Miller Industries Towing Equipment Inc.

8503 Hilltop Drive • Ooltewah, Tennessee 37363 • (423) 238-4171

www.millerind.com