

# Owner's Manual

## ***H<sub>2</sub>O Sensor - Model 200***

### ***Round Baler Precision Moisture Sensing Kit***



---

P.O. Box 63 • 2821 Harvey Street • Hudson, WI 54016  
800-635-7468 • [www.harvesttec.com](http://www.harvesttec.com)

## DECLARATION OF INCORPORATION



**MANUFACTURER:**

Harvest Tec Inc.  
2821 Harvey St.  
P.O. Box 63  
Hudson, WI 54016, U.S.A.

**REPRESENTATIVE ESTABLISHED IN COMMUNITY:** Profitable Farming Company  
Middle Barlington, Roborough  
Winkleigh, Devon, EX19 8AG  
ENGLAND

The person above certifies and declares that:

**VIRTUAL MACHINE:** Equipment mounted on a farm press to monitor moisture.

**MODEL:** H<sub>2</sub>O Sensor-Owners-18-Imp&Metric

**BRAND:** Harvest Tec

**SERIAL NUMBER:**

This Harvest Tec moisture system meets the Directive 2006/42/EC of the European Parliament and the Council of 17 May 2006 and other applicable European Directives including Directive 2014/53/EU on the Radio Equipment Directive and 2014/30/EU.

The Harvest Tec moisture system will be turned on after being installed on a farm press which has been declared in conformity with the Machinery Directive.

Person in the community authorized to provide information on the partly completed machinery and making this statement:

**Richard Snell, President, Profitable Farming Company**  
Signed on May 21, 2011: Middle Barlington, Roborough  
Winkleigh, Devon, EX19 8AG  
ENGLAND

# H<sub>2</sub>O Moisture Owner's Manual Table of Contents

	<u>Page</u>
<b>Introduction</b>	<b>3</b>
<b>Tools Needed</b>	<b>3</b>
<b>Moisture Disc Installation Reference Chart</b>	<b>4</b>
<b>Installation of Applicator</b>	<b>5-12</b>
Installation of Moisture Sensor Pads and Discs	5-11
Option A	5
Option B	6
Option C	7
Option D	8
Option E	9
Option F	10
Option G	11
<b>End of Bale Sensor Installation</b>	<b>12</b>
<b>Control Box Installation</b>	<b>12</b>
<b>200RB Dye Marker Installation (Optional)</b>	<b>13</b>
<b>Wiring Diagram</b>	<b>14</b>
<b>Downloading H<sub>2</sub>O App</b>	<b>15</b>
<b>Screen Definitions</b>	<b>15</b>
Main Screen	15
Settings Screen	15
<b>Operation</b>	<b>16-18</b>
Reading Moisture	16
Moisture Range	16
Fixed Chamber Balers Only	17
Dye Sprayer System	18
Dye Sprayer Override	18
H <sub>2</sub> O Firmware Update through App	19
<b>Pin Outs</b>	<b>20-21</b>
<b>Parts Breakdown</b>	<b>21-23</b>
Installation Option A	21
Installation Option B → G	22
Fixed Chamber End of Bale Sensor Kit	22
Precision Moisture Dye Marker	23
<b>Notes</b>	<b>24-26</b>
<b>Warranty Statement</b>	<b>27</b>

## Introduction

Congratulations and thank you for purchasing a Harvest Tec H<sub>2</sub>O Moisture Sensing Kit Model 200 system. Please read this manual carefully to ensure correct steps are taken to attach the system to the baler. This system is designed to read moisture at levels of 6-60%.

## Requirements

The app will support operation of the current operating system and one previous version for both Apple and Android devices.

## **Tools Needed**

SAE wrench set	Hammer	Drill bit set
Standard screw driver	Measuring tape	Center punch
Side cutter	SAE socket set	

## Moisture Disc Installation Reference Chart

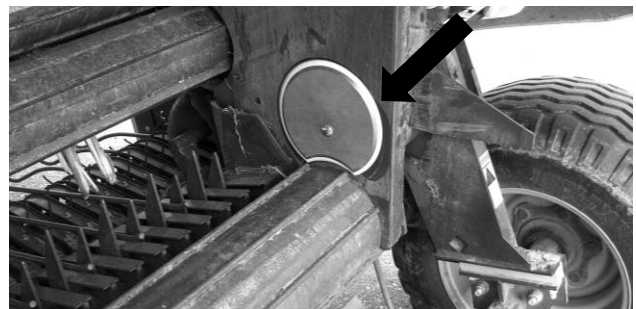
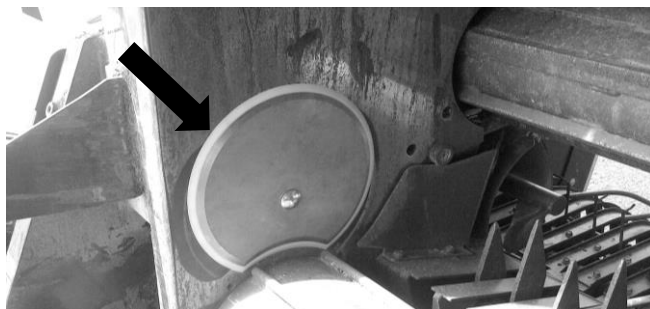
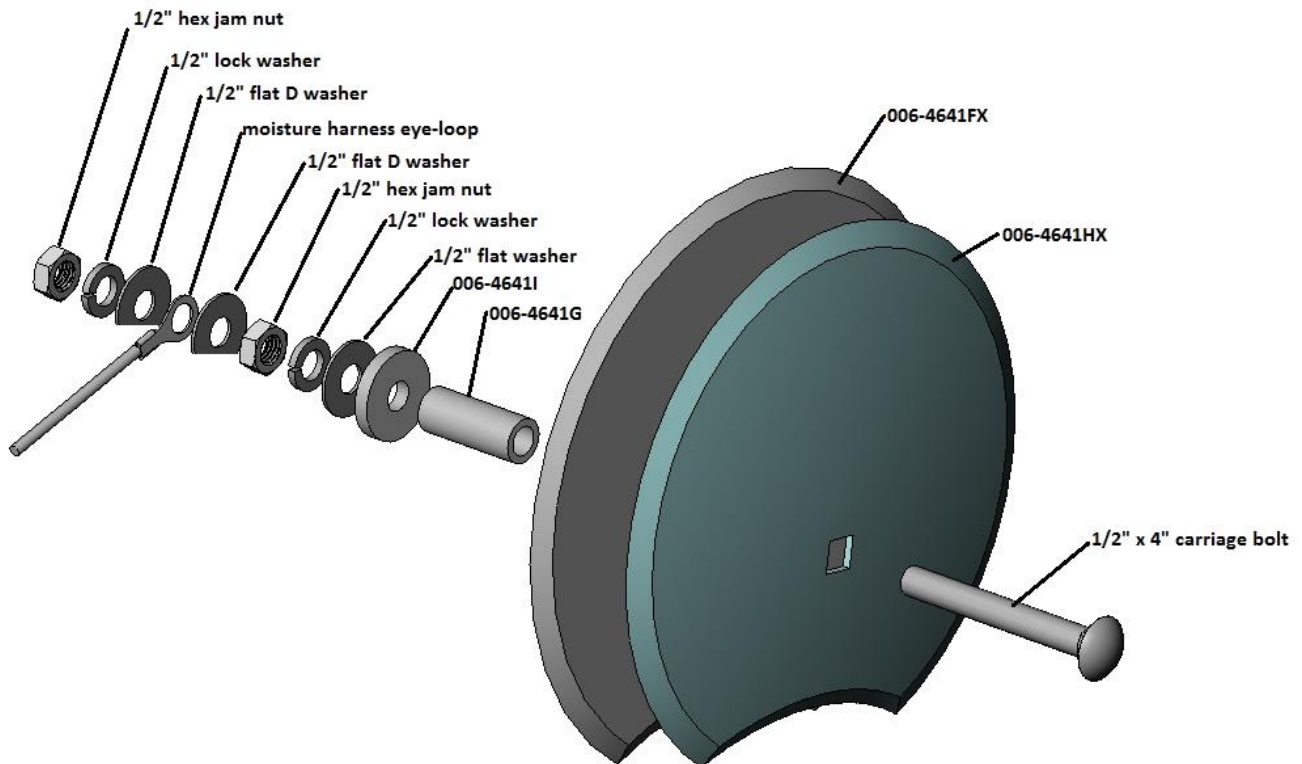
Use this chart to identify the correct moisture disc installation instructions for each baler model.

Baler Make	Baler Model	Install Option
AGCO	5134, 5415, 550	B
	5446, 5446 Silage, 5456, 5545, 5545 Silage, 5546, 5546 Silage, 5556, 5556 Silage, 2745, 2746, 2746A, 2756A, 2766	E
	2846, 2846A, 2856, 2856A, 2946, 2946A, 2956, 2956A	F
CaseIH	8400 Series, RB444, RBX 442, 443, 451, 461, 561	B
	RB 454,464, RBX 452, 453, 462, 463	B
	RB 554, 564, RBX 552, 553, 562, 563	B
	RB 455, 465, 560, 565	A
	RB455A Utility Baler	A
Challenger	RB 34, 44, 45, 452	B
	RB 46, 56	E
	RB 453, 453A, 463, 463A, 563, 563A, RB 56C, RB56CA	F
Claas	Rollant Fixed Chamber, Variant 280 & 360	B
Hesston	500 Series: 530, 540, 545, 550, 555S, 555T, 560, 565A, 565T, 700 Series - 730, 740, 745, 5400, 5500, 5600, 5800, Series Fixed Chamber, 814 Fixed Chamber	B
	800 Series - 845, 846A, 855, 856, 900 Series - 946, 955, 956	E
John Deere	430, 510, 530	B
	435, 455, 465, 535, 545, 565, 446, 456, 466, 546, 566, 447, 457, 467, 547, 557, 567	C
	448, 458, 468, 558, 568, 449, 459, 459E, 469, 559, 569, 440, 450, 460, 550, 560	C
	440, 450, 460, 550, 560 w/HC2	C
	960, 990	G
	582 Silage Special, 854	D
	C451R, V451R, V461R	C
Krone	Round Pack Fixed Chamber, 1250, 1250 Multi-Cut, 1550, 1550 Multi-Cut, KR 125, F130, Vario Pack, 1510, 1810, Comprima Series	B
Kubota	BV4160, BV4180, BV4580, BV5160	A
Kuhn	VB 2160, 2190, VB 2255, 2260, 2265, 2285, 2295	B
McHale	V660, F540, F550, F560, Fusion Balers	B
Massey Ferguson	1734, 1745, 1746, 1756	B
	2745, 2746, 2746A, 2756A, 2766	E
	2846, 2846A, 2856, 2856A, 2946, 2946A, 2956, 2956A	F
	RB4100V	B
New Holland	544, 548, 564, 630, 634, 638	B
	640, 644, 648, 650, 658, 660, 664, 668, 678, 688	B
	BR 7060, 7070	B
	BR 7080, 7090	B
	BR 730, 730A, 7050	B
	BR 740, 740A, 750, 750A	B
	BR 770, 770A, 780, 780A	B
	Roll Belt 450, 460, 550, 560, 565	A
	BR450 Utility Baler	A
	RF 440, 450 Fixed Chamber	C
New Idea	4800 Series Fixed, 6343, 6344, 6345, 6364, 6365, 6454, 6464, 6465	B
Vermeer	404, 504 Series 1 Pro	B
	404, 504 Series 2 Pro	B
	604 Series 3 Pro	B
	504, 505 J, K, M, N, Series, Rebel Series, XL Series	B
	604M, 605M, 604N, 605N, 504R	B
Vicon	RV 1601, 1901, 2160, 2190	B
Welger	RP Fixed Chamber 202, 220, 235, 245, 415, 420, 445, 520, 535	B

## Option A – Installation of Moisture Sensor Pads and Discs

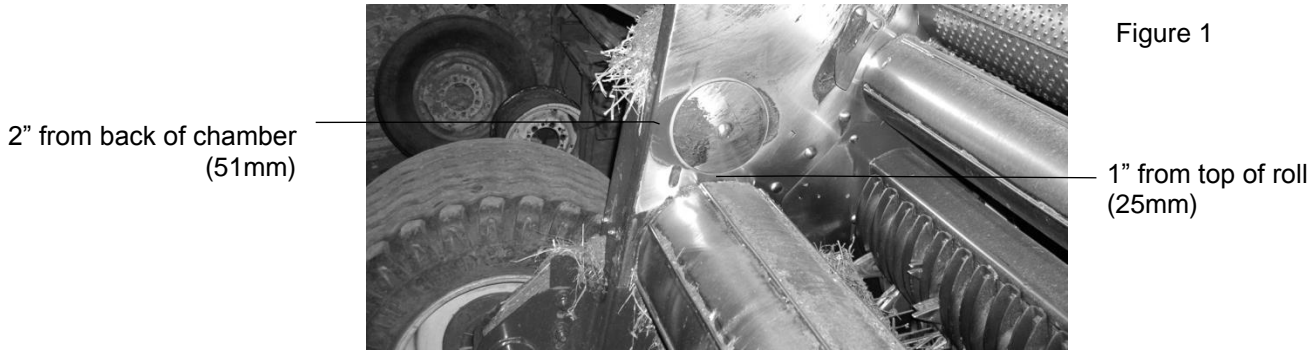
\*Refer to Moisture Disc Installation Reference Chart to locate correct install option

1. Open rear tail gate of baler and lock in the up position. Refer to baler manual to lock door open.
2. Remove bale shaping discs on each side of chamber.
3. Place plastic isolator (006-4641FX) in the same spot that the shaping disc had been. There should be a hole in the baler that matches up with the hole in the plastic isolator, this hole will need to be drilled out to 3/4" (19mm). If there is not a hole, use the isolator as a template and mark the hole. Center punch the hole and drill it to 3/4" (19mm). Note: before drilling make sure you are not drilling into sensitive equipment on the outside of the baler). Repeat for other side of the baler.
4. Insert plastic bushing (006-4641G) from the outside of baler. Make sure it is flush with the outside of the baler frame. Go to the inside of the baler and mark amount that protrudes into the chamber. Remove and cut off excess material. Repeat for other side.
5. Using the 4" carriage bolt slide the parts on in following order: metal disc (001-4641HX), plastic isolator (006-4641FX) and shortened plastic bushing (006-4641G).
6. Insert disc assembly into 3/4" (19mm) hole from inside of bale chamber. Secure to outside of baler by attaching to the protruding carriage bolt in the following order: small isolator (006-4641I), 1/2" D shaped washer, 1/2" lock washer, 1/2" nut. Tighten down and repeat for the other side. Make sure no part of the bolt or hardware makes contact with the frame of baler-no metal to metal. Trim 006-4641I to fit.
7. Route moisture harness (006-2470B) from processor down to the carriage bolt on each side. Make sure it does not come in contact with any moving parts. Secure with cable ties.
8. Attach moisture cable to moisture carriage bolt by placing items in the following order: 1/2" D shaped washer, Ring terminal of moisture harness (006-2470B), second 1/2" D washer, 1/2" lock washer, 1/2" nut. Tighten down and repeat for other side. Make sure none of the hardware contacts the frame of baler.

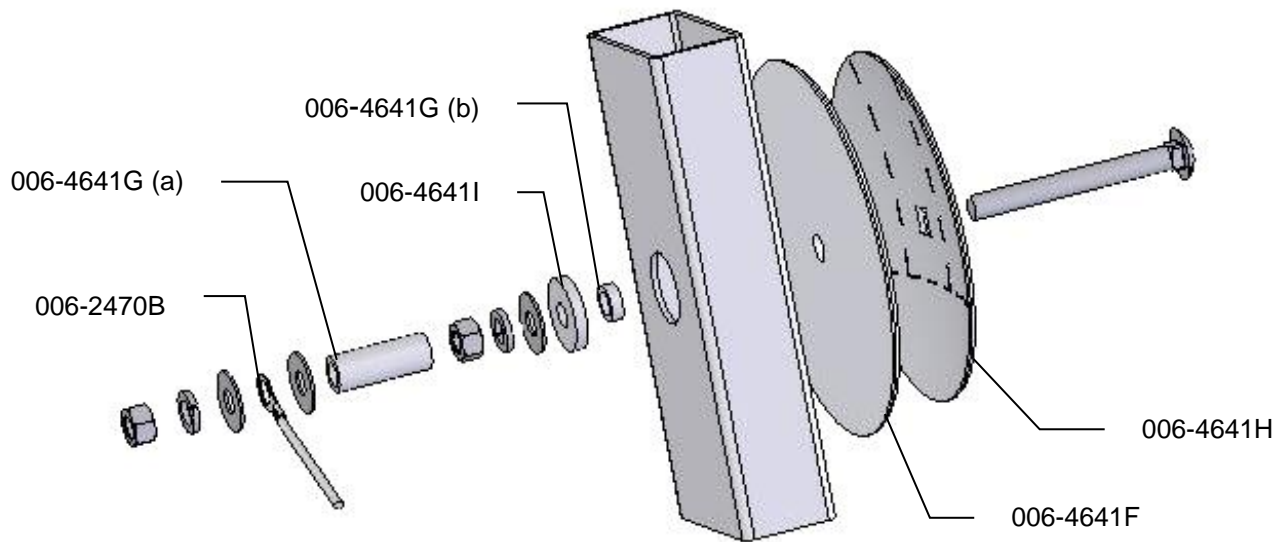


## Option B - Installation of Moisture Sensor Pads and Discs

\*Refer to Moisture Disc Installation Reference Chart to locate correct install option



1. If your baler is equipped with bale shaping pads, remove disc and use existing hole (may need to be drilled larger, 3/4" (19mm) to install new moisture sensing discs.
2. If your baler is not equipped with bale shaping pads you will need to drill a hole in the chamber directly behind and above the starting roll (Figure 1).
3. The mounting hole will be 3/4" (19mm) in diameter. Use a plastic pad (006-4641F) and place it into the baler to use as a template. The bottom edge of the pad will be placed 1" (25mm) up from starting roll and 2" (51mm) from the back of the bale chamber (Figure 1).



4. Locate the 006-4641G (a) piece, this will need to be cut down to size. Use the already machined line in the bushing to cut off the small piece shown above 006-4641G (b). Part 006-4641I may also need to be trimmed to fit.
5. Depending on the baler the bolt may need to be trimmed for proper fit.
6. Tighten all of the hardware to 50 ft/lbs (68 N/m).
7. Make sure that the plastic pad is protecting all metal surfaces of the disc from touching baler.
8. Run the moisture wire harness (006-2470B) to each disc securing with cable ties.

## Option C - Installation of Moisture Sensor Pads and Discs

\*Refer to Moisture Disc Installation Reference Chart to locate correct install option

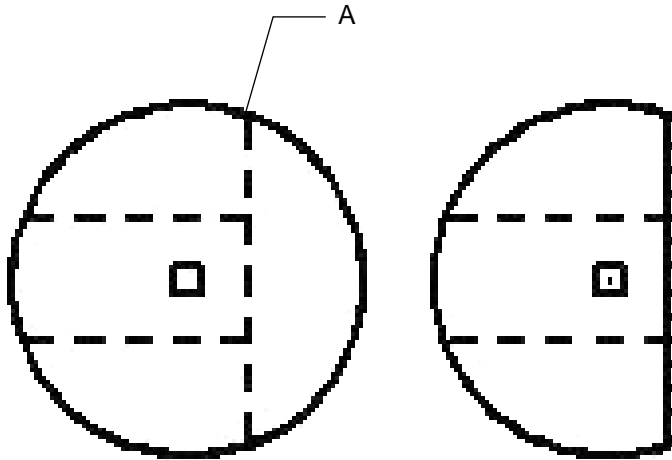


Figure 1

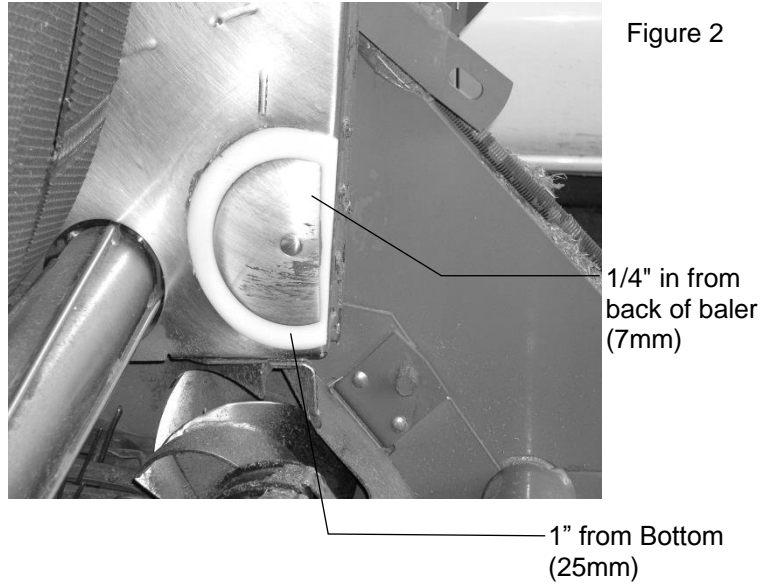
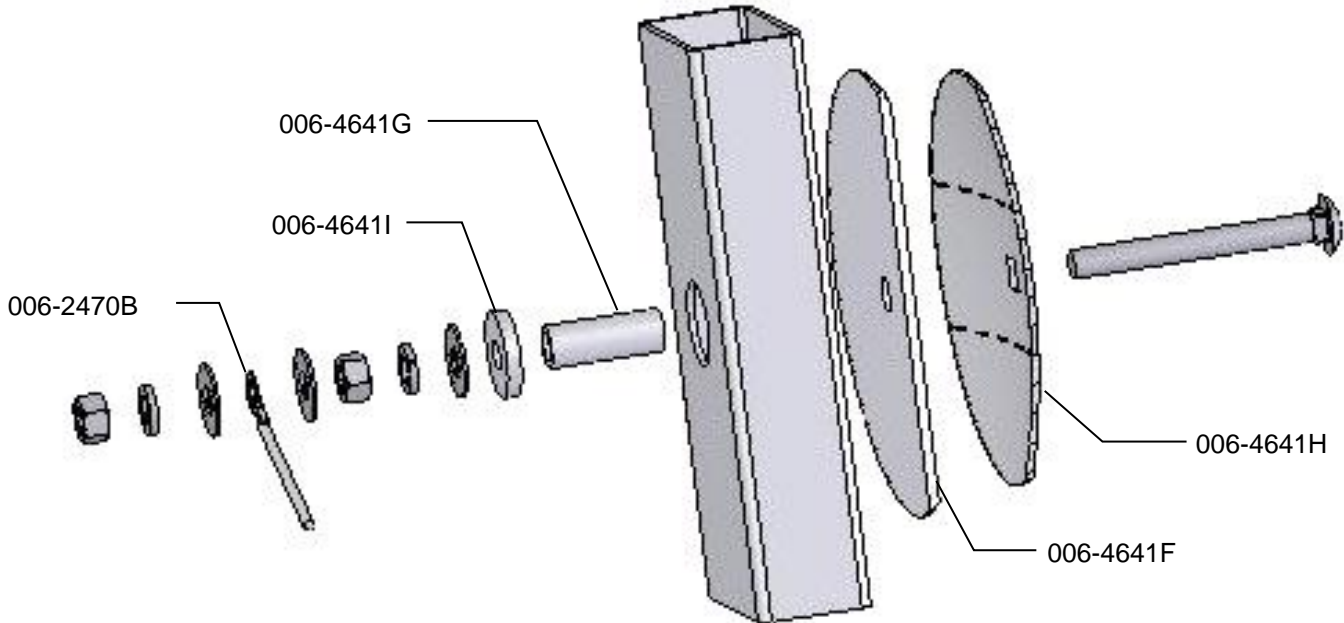


Figure 2

1. Both moisture discs (006-4641H) will need to be cut along the serrated line (A) shown on Figure 1. Only cut on the line shown on Figure 1, do not cut the other line.
2. The plastic pad (006-4641F) will also need to be cut 1/4" (7mm) longer than the back of the disc.
3. Using the cut disc as a pattern, mark and drill a 3/4" (19mm) hole in the side of the bale chamber. The disc will need to be placed on the baler 1" (25mm) up from bottom and 1/4" (7mm) in from the back of the chamber (Figure 2).



4. Make sure that plastic pad is protecting all metal surfaces of disc from touching baler.
5. Run the moisture wire harness (006-2470B) to each disc securing with cable ties.
6. On some balers the bolt may need to be trimmed for proper fit.
7. Tighten all hardware to 50 ft/lbs (68 N/m).
8. Apply silicone over nuts and washers.

## Option D - Installation of Moisture Sensor Pads and Discs

\*Refer to Moisture Disc Installation Reference Chart to locate correct install option

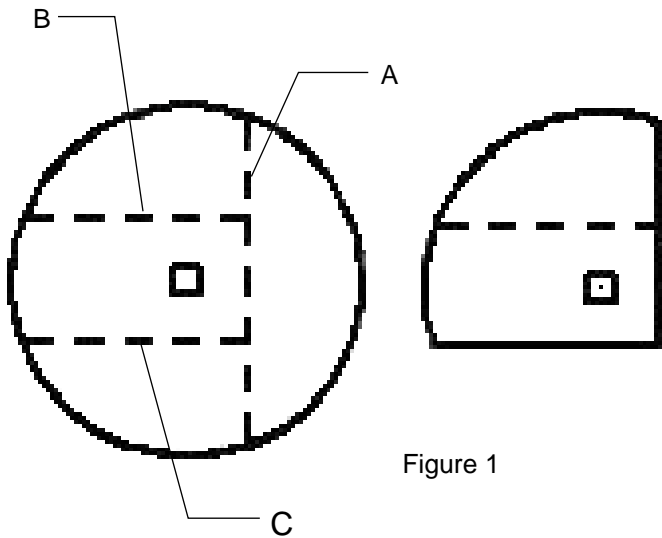
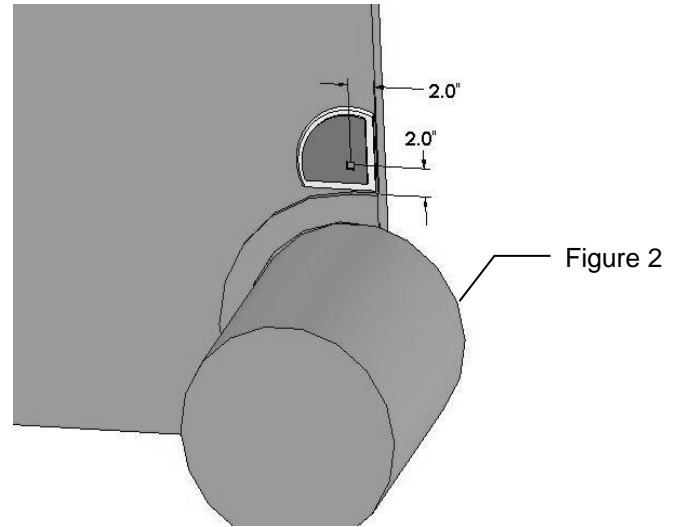
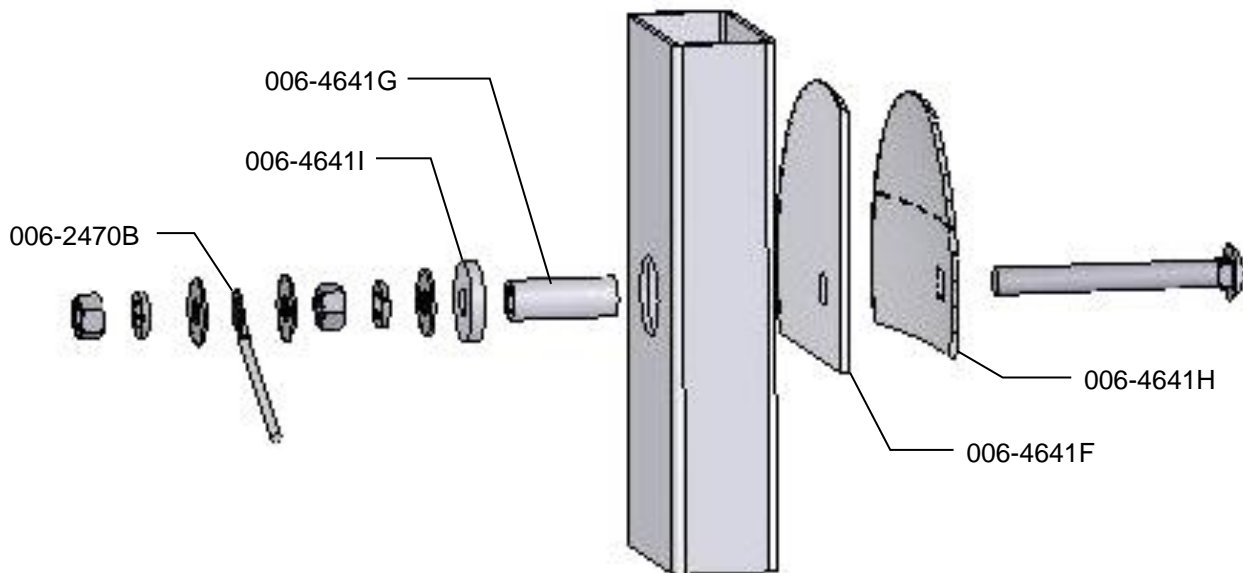


Figure 1



1. The moisture discs (006-4641H) will both need to be cut on line A. (Figure 1) One disc will need to be cut on line B and one disc on line C.
2. The plastic pad (006-4641F) will also need to be cut 1/4" longer than the back of the disc.
3. Bevel all sides of the cut discs to allow the smooth travel of crop over them.
4. The mounting hole will be 3/4" (19mm) in diameter. The disc will need to be placed on the baler lining up the center of the bolt with the location 2" (51mm) up from bottom and 2" in from the back of the chamber. (Figure 2)



5. Make sure that plastic pad is protecting all metal surfaces of disc from touching baler.
6. Run the moisture wire harness (006-2470B) to each disc, securing with cable ties.
7. On some balers the bolt may need to be trimmed for proper fit.
8. Tighten all hardware to 50 ft/lbs (68 N/m).
9. Apply silicone over nuts and washers.



## Option E - Installation of Moisture Sensor Pads and Discs

\*Refer to Moisture Disc Installation Reference Chart to locate correct install option

1. If your baler is equipped with bale shaping pads, remove pads and use existing hole (may need to be drilled larger) to install new moisture sensing discs.
2. If your baler is not equipped with bale shaping pads you will need to drill a hole in the chamber directly behind and above the starting roll (Figure 1).
3. You will need to remove the main chain assembly to install the disk on the right side of baler (when facing front of baler) Figure 2.
4. The hole size is 3/4" (19mm) diameter. Before drilling the hole make sure hole is accessible from opposite side of chamber to tighten down mounting hardware and to install moisture harness (Figure 3).

Figure 1



Figure 2



Figure 3

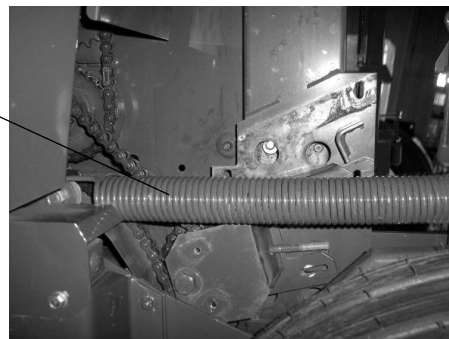
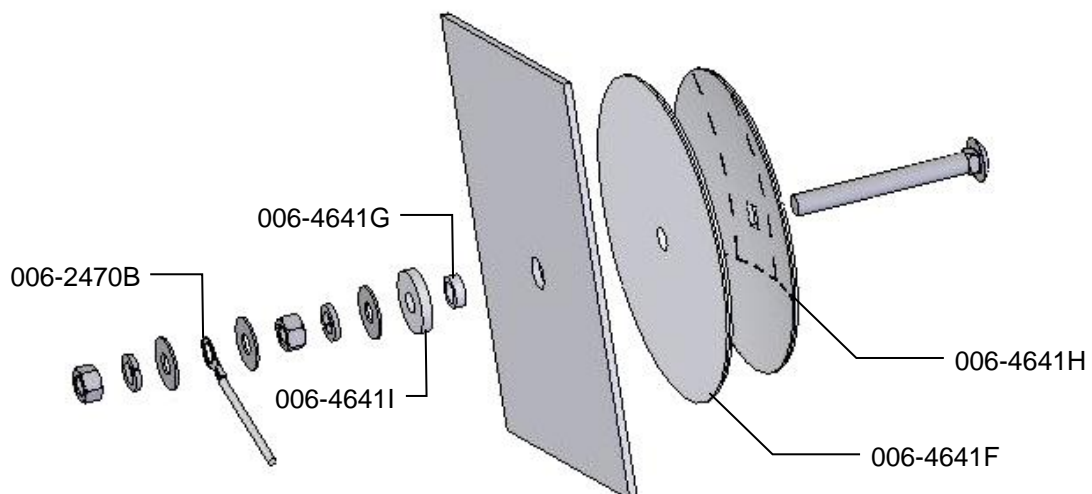


Figure 4

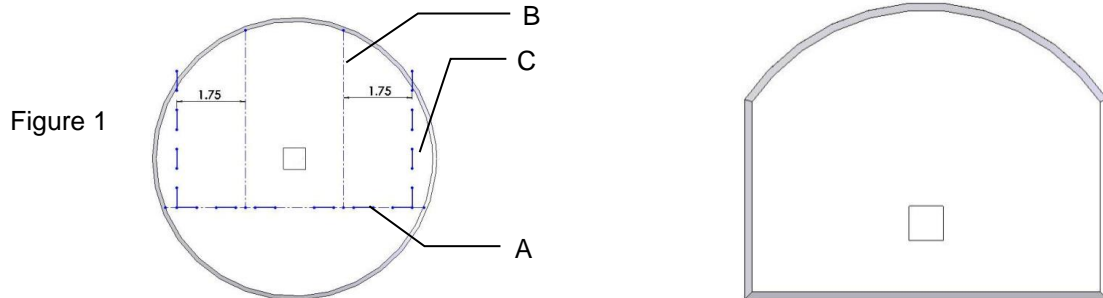


5. Locate the 006-4641G. The piece will need to be cut down to size.
6. Use the already machined line in the bushing to cut off the small piece shown above.
7. Depending on the baler the bolt may need to be trimmed for proper fit.
8. Tighten all of the hardware to 50 ft/lbs (68 N/m).
9. Make sure that the plastic pad is protecting all metal surfaces of the disc from touching baler (Figure 4)
10. Run the moisture wire harness (006-2470B) to each disc securing with cable ties.
11. Apply silicone over nuts and washers.

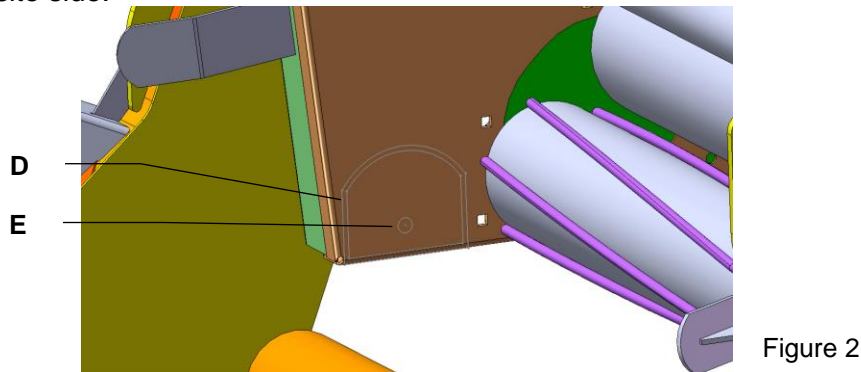
## Option F - Installation of Moisture Sensor Pads and Discs

\*Refer to Moisture Disc Installation Reference Chart to locate correct install option

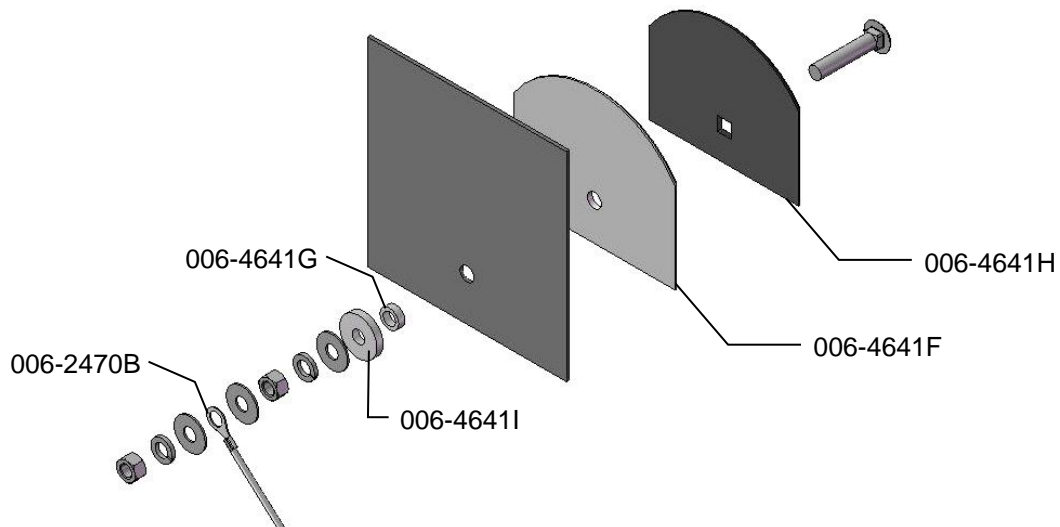
- Both moisture discs (006-4641H) will need to be cut along the serrated line (A) shown on Figure 1. Measure from the laser etched line (B) 1 3/4" (45mm) on both side. Mark and cut the disc. A completed disc is shown to the right.
- The plastic pad (006-4641F) will also need to be cut 1/4" (7mm) larger than the steel disc.
- Bevel all sides of the cut discs to allow the smooth travel of crop over them.



- Mark a line 1 1/2" (38mm) up and 3 1/2" (89mm) over from point (D). Drill a 3/4" hole at the point (E). Repeat for the opposite side.



- Locate the 006-4641G. The piece will need to be cut down to size. Use the already machined line in the bushing to cut off the small piece shown above.
- Depending on the baler the bolt may need to be trimmed for proper fit.
- Tighten all of the hardware to 50 ft/lbs.
- Make sure that the plastic pad is protecting all metal surfaces of the disc from touching baler.
- Run the moisture wire harness (006-2470B) to each disc securing with cable ties.
- Apply silicone over nuts and washers.



## Option G - Installation of Moisture Sensor Pads and Discs

\*Refer to Moisture Disc Installation Reference Chart to locate correct install option

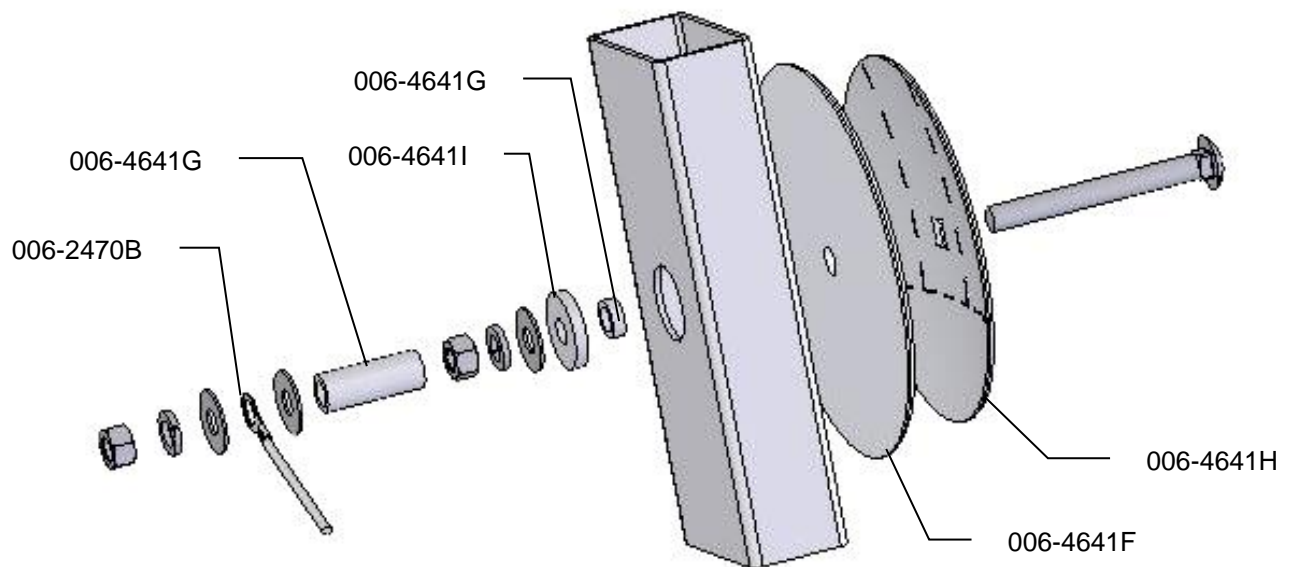


Figure 1



Figure 2

4. With the baler door open measure 5 1/8" toward top of baler from the point shown in figure 1. Drill a 3/4" (19mm) hole to mount moisture disc as shown in figure 2.
5. Use plastic pad (006-4641F) and place it into the baler to use as a template. The bottom edge of the pad will be placed 2" (51mm) up from bottom of sheet metal on door and starting roll and 1" (25mm) back from sheet metal seam in figure 2.



6. Locate part 006-4641G, which will need to be cut down to size. Use the factory machined line in the bushing to cut off the small piece shown above.
7. Depending on the baler the bolt may need to be trimmed for proper fit.
8. Tighten all of the hardware to 50 ft/lbs (68 N/m)
9. Make sure that the plastic pad is protecting all metal surfaces of the disc from touching baler.
10. Run the moisture wire harness (006-2470B) from the processor to each disc, securing with cable ties. Be harness is clear from moving parts, chains and potential pinch points.
11. Apply silicone over nuts and washers to seal moisture way from connections.

## End of Bale Sensor Installation

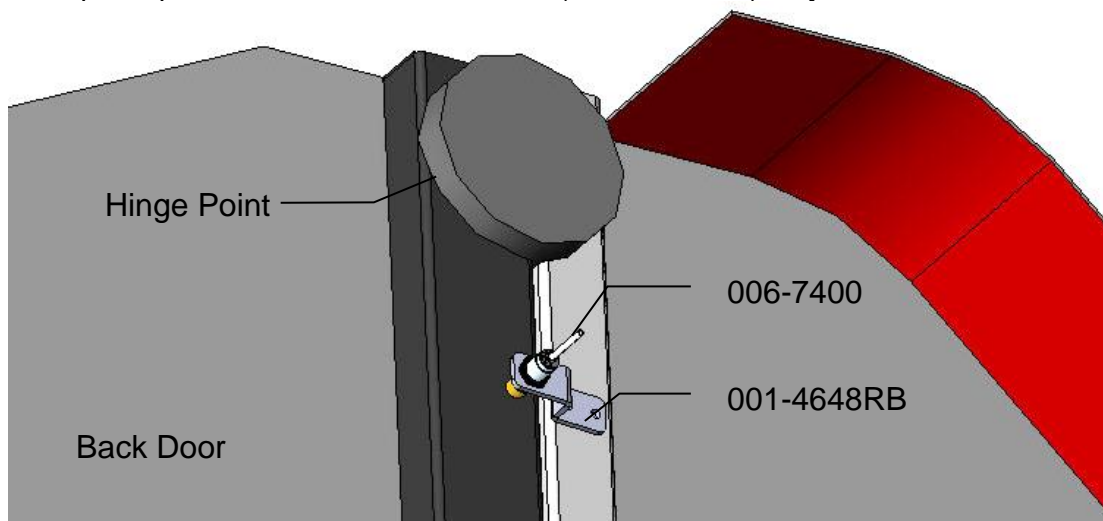
*\*This sensor is required on Fixed Chamber balers and Optional on all other Models (Kit 200FCA)*

The end of bale sensor is used to determine when the baler door is open. With this information the system is able to show the average moisture of the previous bale.

Locate the sensor (006-7400) and the sensor bracket (001-4648RB). On the right side of the baler find a location 1"– 6" down from the hinge to mount the bracket. Check for clearance with hydraulic cylinders before mounting the bracket. The bracket should be mounted to the front side of the hinge point, with the sensor aligned over the back door.

Mark and drill two 1/4" (7mm) holes and install the bracket using two 5/16" x1/4" self-tapping bolts. Install the sensor into the bracket and leave 1/4" (7mm) of clearance between the end of sensor and the door.

The harness will need to be routed toward the harness at the tongue of the baler. Secure with cable ties and take care to avoid pinch points. The harness extension (006-7400EXT) may need to be used.



View of the right side of baler

Front of baler  
→

## Control Box Installation

Locate a safe location in the cab of the tractor to place the control box (006-2471RB). Recommended location is as close to the tablet or phone being used to control the system.

Connect the Tractor Power Harness (006-2470T) and the Baler Power Communication Harness (006-2470B).

The control box (006-2471RB) is equipped with lights to indicated both power and iPad connection.

*Red Light* – The control box has power

*Green Light* – When the active Bluetooth connection is made with the H<sub>2</sub>O system, the green light will indicate connection with the control device.



Tractor Power

Baler Power / Communication

## 200DM Dye Marker Installation (Optional)

Locate the dye marking kit tank and pump assembly (005-9015). Identify a suitable mounting location for the tank away from moving parts and hydraulic lines on the baler. Be sure to mount the tank within 10' of the connection on the Baler Pwr/Comm Harness (006-2470B), wiring details in the wiring diagram.

**Note:** The mounting location will potentially be different for the tank on each baler model. Due to various baler designs and modifications, Harvest Tec does not offer a specific mounting location for each baler model.

Once a mounting location has been identified, mount the tank vertically as shown (right) with the tank lid on the top using the included hardware.

Next locate the dye marking spray assemblies shown (below).



Mount one tip assembly on the right side of the baler positioning the tip to allow the tip to begin spraying the bale when the door opens. Below (left) is an example of the tip assembly mounted next to the End of Bale sensor. The nozzle holder bracket can be bent or adjusted as needed to position properly.



Mount the second tip assembly on the left side of the baler in a similar position to allow the tip to begin spraying the bale as the door opens (right).



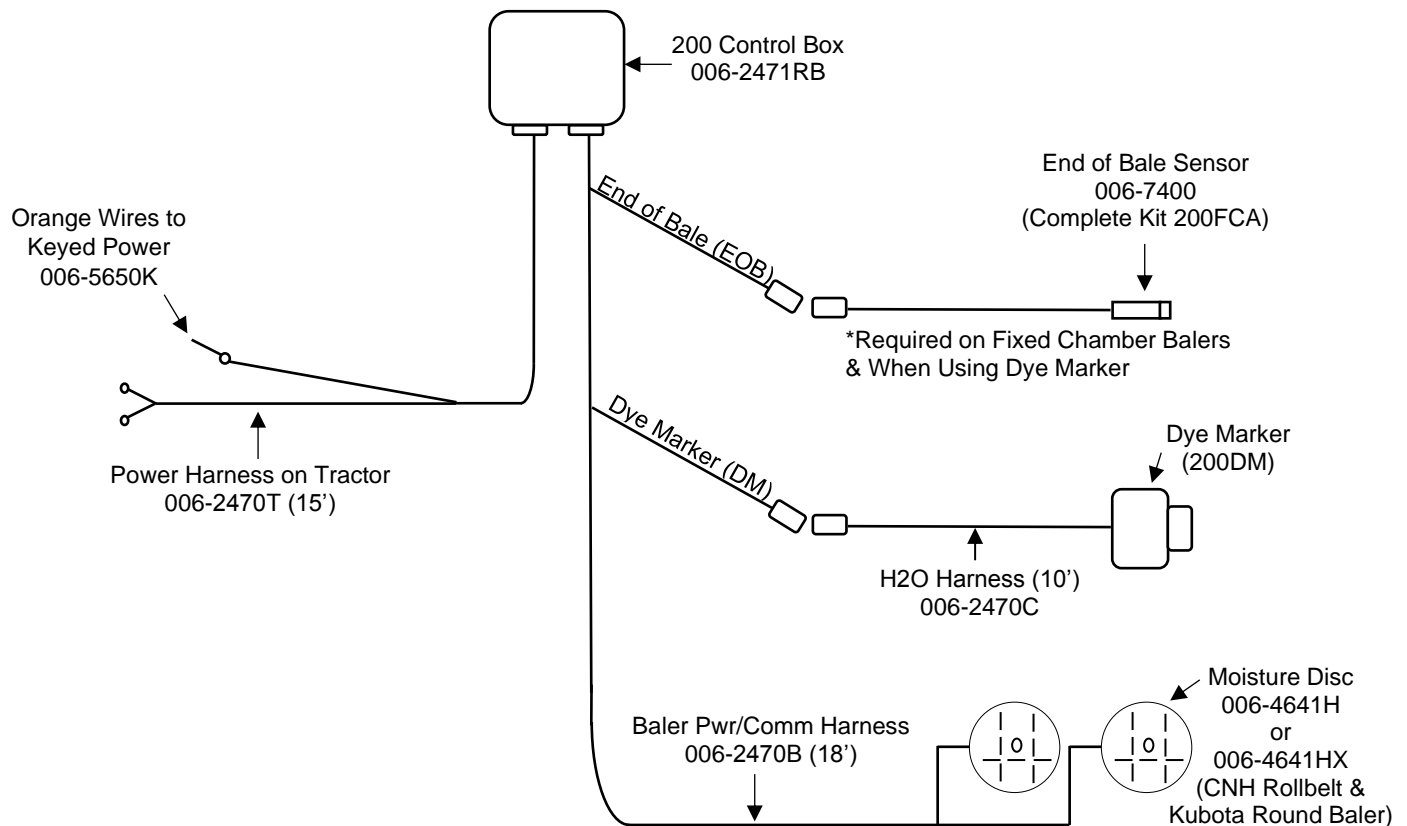
## Routing the Hose

Using the supplied 1/4" hose (002-9006) connect to the pump and secure with the hose clamps (003-9002). Route the hose to each tip assembly by using the 1/4" Barbed Tee (003-T1414) to go to each side of the baler. Be sure to avoid moving parts.

## Wiring Diagram

1. Connect the power harness (006-2470T) to the tractor battery or a convenience outlet using the red wire with fuse to the positive side and the black wire to the negative.
  - a. Any modifications of the power harness will void the warranty. Contact Harvest Tec before modifications are made.
  - b. This unit will not function on positive ground tractors.
2. The power harness on the tractor (006-2470T) will run from the tractor battery to the control box in the cab of the tractor (006-2471RB).
3. Connect the keyed power wire (006-5650K) to a keyed power source on the tractor. The keyed power wire must connect to a keyed source or the unit will not power up correctly.
4. Connect the Baler Pwr/Comm Harness (006-2470B) to the control box in the cab of the tractor.
5. Route the harness to the baler and to each moisture sensor on both sides of bale chamber (006-4641H). If the baler is a CNH Rollbelt or Kubota round baler the sensors are pn 006-4641HX.
6. When using a Fixed Chamber baler or Dye Marker the End of Bale Sensor kit will need to be added to the system in order to see when the baler door opens to eject a bale. Part number (200FCA). Connect the sensor to the End of Bale (EOB) connection on the Baler Pwr/Comm Harness (006-247B).
7. When using the optional Dye Marker (200DM) connect 4 pin round end of the H2O harness (006-2470C) to the Dye Marker (DM) connection on the (006-2470B) harness. Then connect the two straight spade connections with only the white wire to the push switch (006-2850). The remaining two connections with 90 degree female spades will connect to the pump.

## System wiring diagram



\*If needed an optional 8' Pwr/Comm harness available (not included), part number 006-2470BL. This harness will mount on the tractor and disconnect from the baler mounted Pwr/Comm harness (006-2470B) at the baler hitch.

## Downloading H<sub>2</sub>O App

The H<sub>2</sub>O App is available on any Apple or Android device running with the current operating system software and one previous version. Download the app by searching for H<sub>2</sub>O Sensor. App icon shown right.



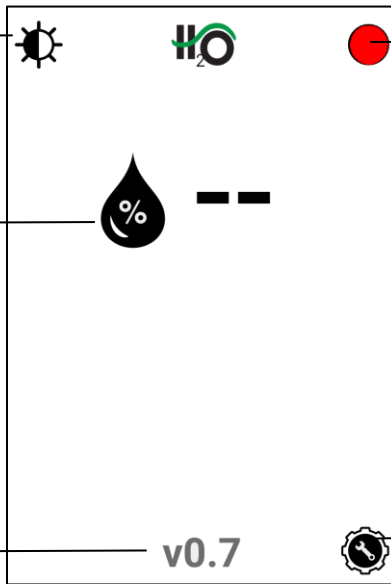
## Screen Definitions

### Main Screen

Brightness Adjustment – Tap to switch between day and night time brightness

Current Moisture Reading – Information will display once hay enters the bale chamber

Current App Version (example)



Connection Signal - When wireless connection is made with the control box light will turn Green

Red – Not Connected  
Green - Connected

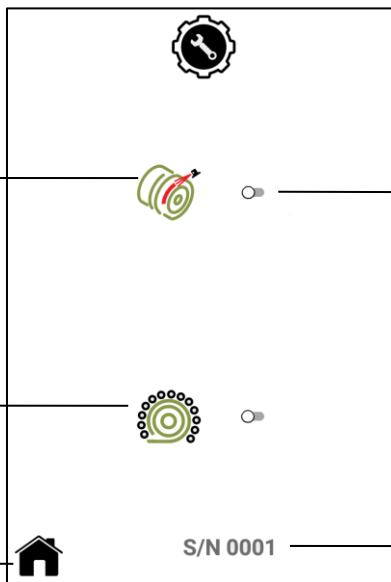
Settings Tab – Select to switch to Settings Screen

### Settings Screen

Dye Sprayer System  
*\*Available 2019\**

Fixed Chamber Baler -  
Activate when operating a  
fixed chamber baler

Home Tab – Select to  
change to Home Screen



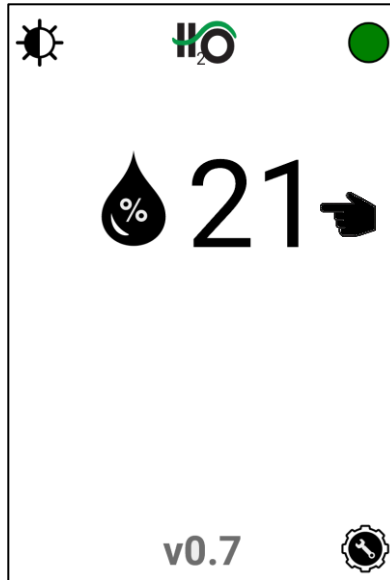
On / Off Slide – Slide to the right to turn On Setting. The bar will turn red or green (dependent on device)

Serial number of system

## Operation

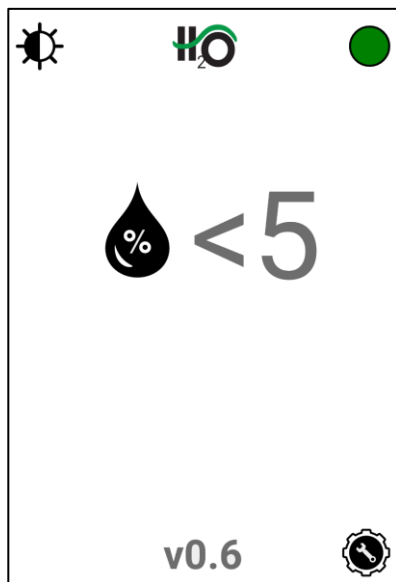
After installation of the H<sub>2</sub>O app, turn the system on by turning the key in the tractor on. Ensure the Bluetooth connection is turned on within your device. When the connection is made the green light on the control box will illuminate.

### Reading Moisture

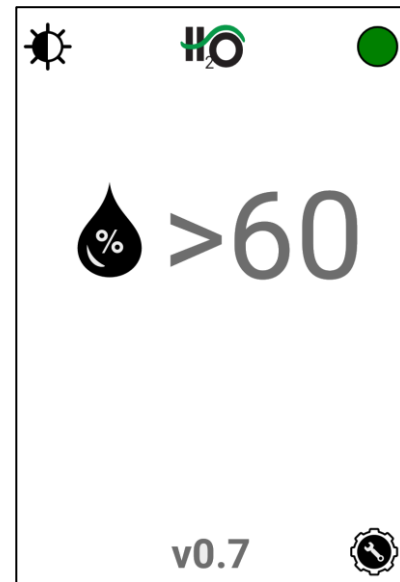


When hay begins to enter the bale chamber, current moisture will be displayed

### Moisture Range 5-60%



If the moisture being read is Less Than 5% the reading will appear as shown above



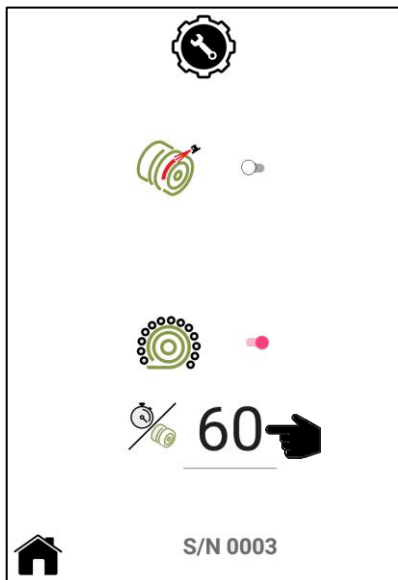
If the moisture being read is Greater Than 60% the reading will appear as shown above



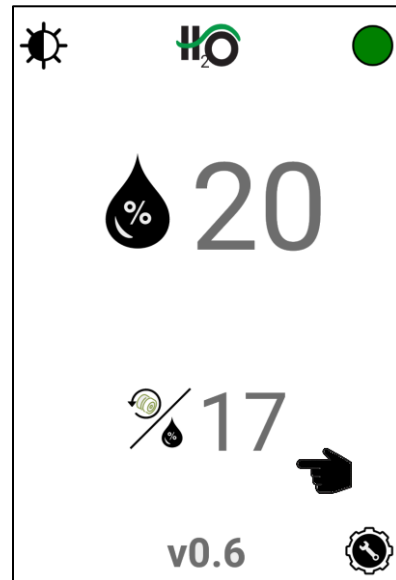
## Operation (continued)

### Fixed Chamber Balers Only

**\*200FCA End of Bale Sensor Kit Required**



When using a fixed chamber baler, turn on the setting as shown, and enter the time to make a bale (seconds). This time is used only until a 3 bale rolling average time is calculated.



Previous bale moisture will now display.

\*Current moisture will update when 1/2 of the next bale is made and / or if using dye sprayer.

The first half of the first bale "--" will be displayed. As the system operates, the system will use the time between End of Bale signals to calculate an actual time per bale and then use a 3 bale rolling average for the time the current moisture reading is displayed.

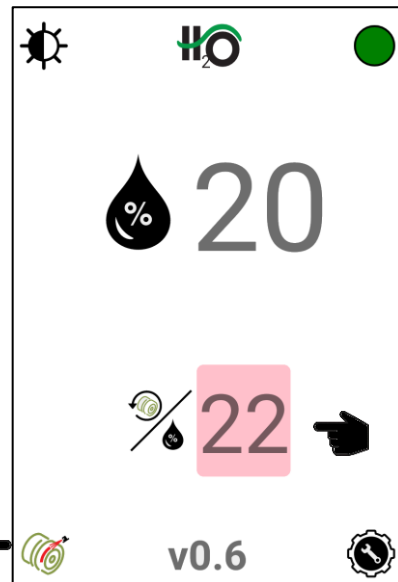
**\*If you would like to see the previous bale moisture when not using a Fixed Chamber baler the optional End of Bale Sensor kit will need to be installed (200FCA) and dye sprayer setting turned 'On'.**

## Operation (continued)

### Dye Marker System

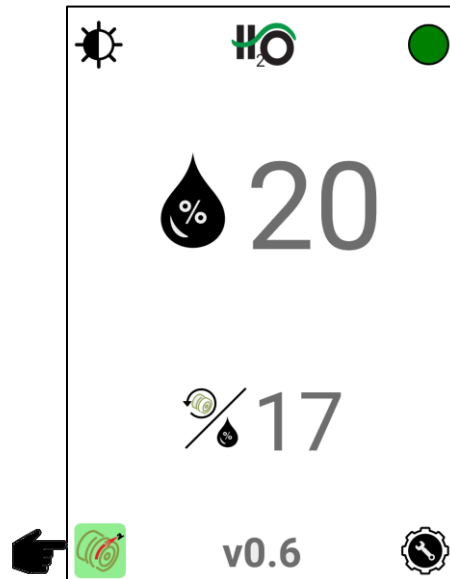


When using the dye sprayer turn on the setting as shown, and select the desired moisture to mark a bale.  
\*Bales at or above this moisture level will be marked.



Dye Sprayer icon will now appear on the home screen.  
The last bale moisture will be highlighted in red and the bale will be marked at or above the set moisture.

### Dye Sprayer Override



If you would like to mark a bale for any reason, press the bale icon which will cause it to turn green.  
\*At the next End of Bale signal the dye sprayer will mark the bale and the manual override will no longer be green. When the manual override is used the last bale moisture will not highlight in red.

## H<sub>2</sub>O Firmware Update through App

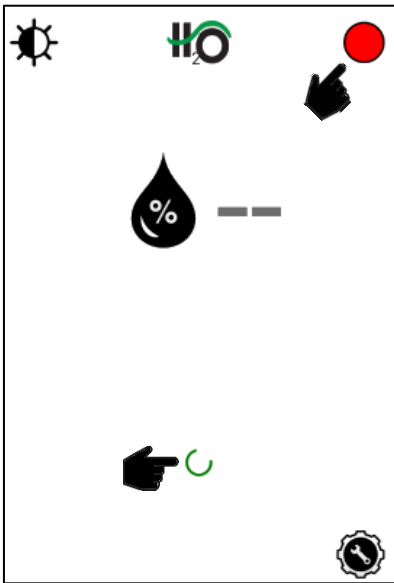
When there is an update available for the H<sub>2</sub>O system the following information will appear and the steps listed will need to be followed.

Once an operator downloads the app update (internet connection required) the “update available” symbol will appear along with the version number of the available update once connected to the system.

At this point the system can run without updating if the operator chooses. The icon will simply remain on the screen.

Once the operator decides to perform the software update, they will press the version number or upload arrow to begin.

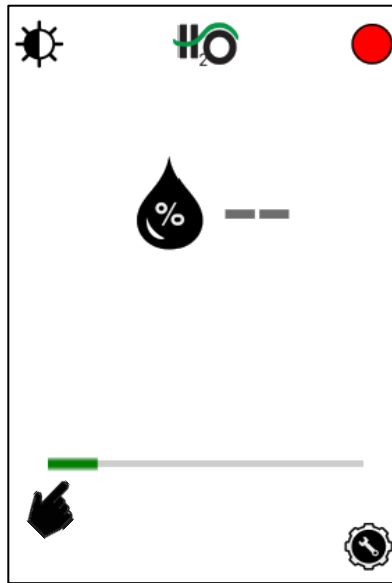
Internet connection is not required to perform the update to the module once the app is downloaded



Once the update is initiated, the system will enter update mode

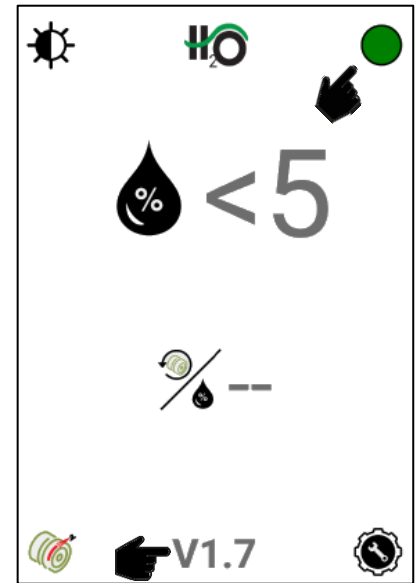
The status light will turn red

A green loading symbol will begin to circulate on the screen



A status bar with then appear to show the update progress

This can take 3-5 minutes to load software



Once the status bar load completely, the system will boot back up

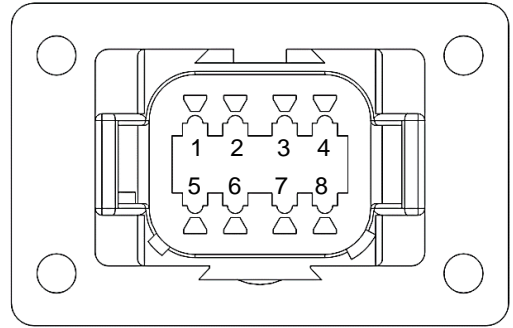
The status light will again turn green

The updated version number will be shown at the bottom of the screen

## Pin Outs

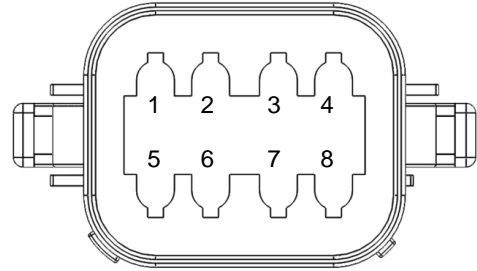
### Controller Communication Connection 006-2471RB

Pin 1	Red	EOB +
Pin 2	Black	EOB -
Pin 3	Yellow	EOB Signal
Pin 4	Blue	MC1
Pin 5	Brown	MC2
Pin 6	Red	DS+
Pin 7	Black	DS-
Pin 8	Grey	DS Prime



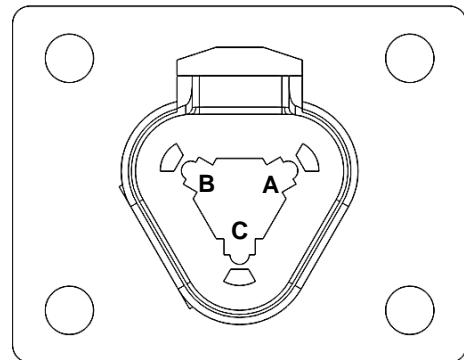
### Baler Communication Harness 006-2470B

Pin 1	Red	EOB +
Pin 2	Black	EOB -
Pin 3	Yellow	EOB Signal
Pin 4	Black	MC1
Pin 5	Black	MC2
Pin 6	Red	DS+
Pin 7	Black	DS-
Pin 8	Grey	DS Prime



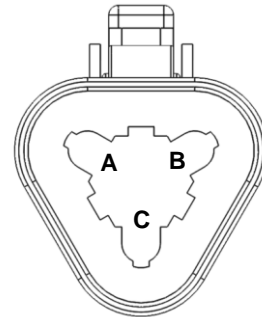
### Controller Power Connection 006-2471RB

Pin A	Red	12V +
Pin B	Black	12V -
Pin C	Orange	Key Source



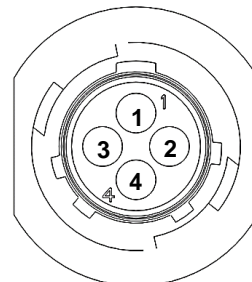
### Baler Power Connection Harness 006-2470T

Pin A	Red	12V +
Pin B	Black	12V -
Pin C	Orange	Key Source



### End of Bale Sensor (EOB) 006-2471B

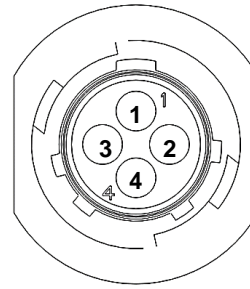
Pin 1	Brown	EOB +
Pin 2	Blue	EOB -
Pin 3	N/A	Not Used
Pin 4	Black	EOB Signal



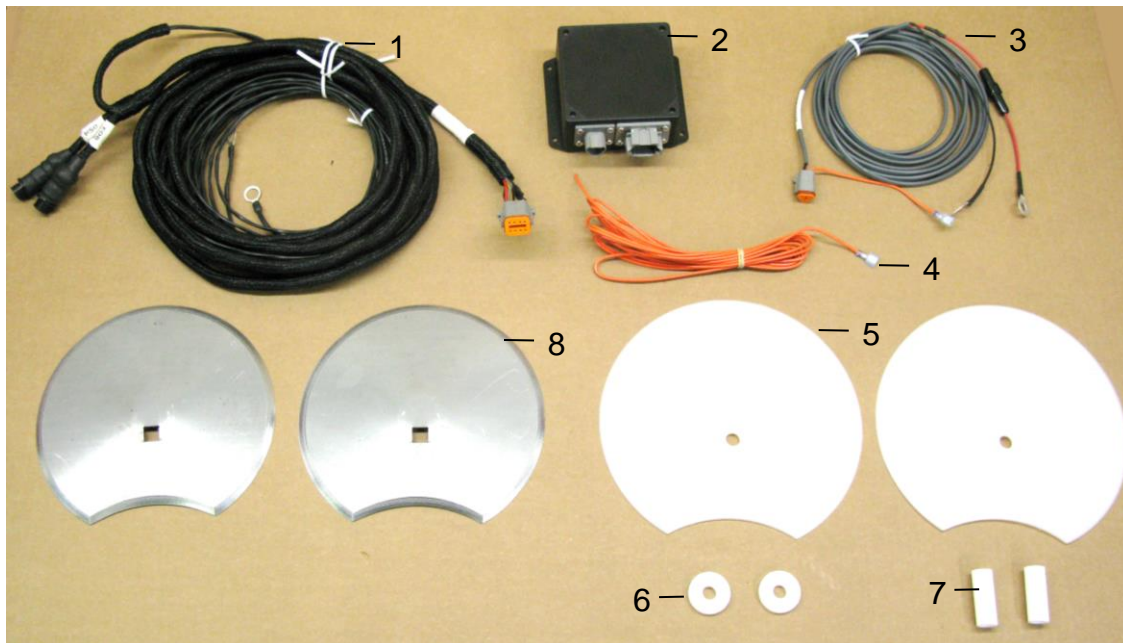
## Pin Outs (continued)

### Dye Marker H2O Harness 006-2470C

Pin 1	Red	DS +
Pin 2	Black	DS -
Pin 3	White	DS Prime
Pin 4	N/A	Not Used

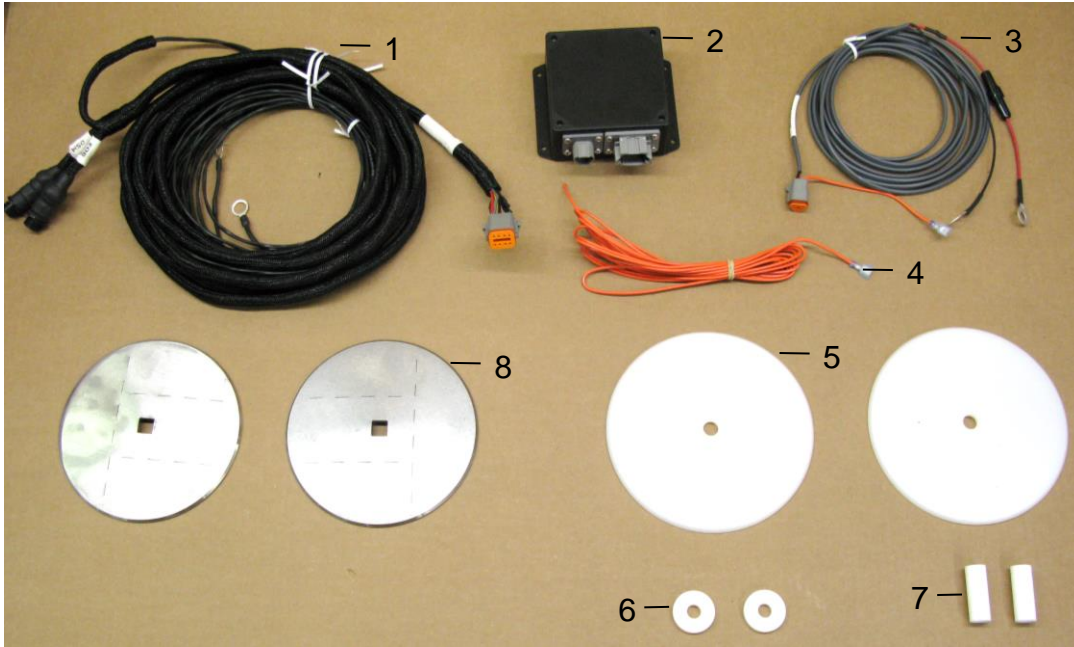


## Parts Breakdowns Installation Option A



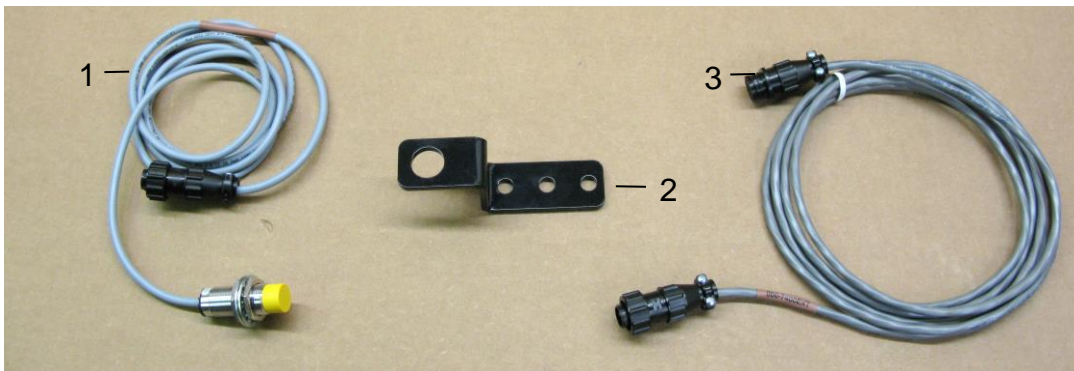
<u>Ref</u>	<u>Description</u>	<u>Part #</u>	<u>Qty</u>	<u>Ref</u>	<u>Description</u>	<u>Part #</u>	<u>Qty</u>
1	Baler Pwr/Comm Harness	006-2470B	1	5	Plastic Pad	006-4641FX	2
2	200 Series Control Box	006-2471RB	1	6	Plastic Isolator	006-4641I	2
3	Tractor Power Harness	006-2470T	1	7	Plastic Bushing	006-4641G	2
4	Key Switch Harness	006-5650K	1	8	Moisture Disc	006-4641HX	2
				NP	8' Pwr/Comm Ext. (optional)	006-2470BL	

## Installation Options B → G



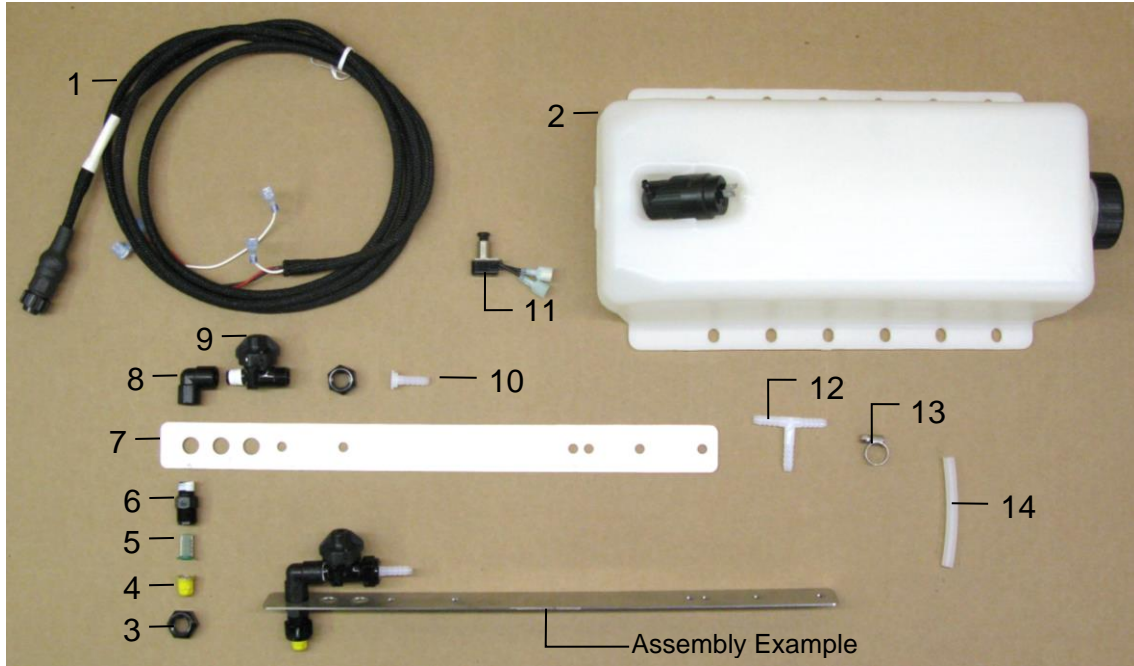
<u>Ref</u>	<u>Description</u>	<u>Part #</u>	<u>Qty</u>	<u>Ref</u>	<u>Description</u>	<u>Part #</u>	<u>Qty</u>
1	Baler Pwr/Comm Harness	006-2470B	1	5	Plastic Pad	006-4641F	2
2	200 Series Control Box	006-2471RB	1	6	Plastic Isolator	006-4641I	2
3	Tractor Power Harness	006-2470T	1	7	Plastic Bushing	006-4641G	2
4	Key Switch Harness	006-5650K	1	8	Moisture Disc	006-4641H	2
				NP	8' Pwr/Comm Ext. (optional)	006-2470BL	

## Fixed Chamber End of Bale Sensor Kit



<u>Ref</u>	<u>Description</u>	<u>Part #</u>	<u>Qty</u>	<u>Ref</u>	<u>Description</u>	<u>Part #</u>	<u>Qty</u>
1	End of Bale Sensor	006-7400	1	3	EOB Extension Complete Kit	006-7400EXT 200FCA	1
2	End of Bale Bracket	001-4648RB	1				

# Precision Moisture Dye Marker



<u>Ref</u>	<u>Description</u>	<u>Part #</u>	<u>Qty</u>	<u>Ref</u>	<u>Description</u>	<u>Part #</u>	<u>Qty</u>
1	H2O Harness (10')	006-2470C	1	8	1/4" Street Elbow	003-SE14F	2
2	Tank & Pump	005-9015	1	9	Check Valve	007-1207VB	2
3	Nozzle Cap	004-4723	4	10	1/4" Straight Fitting	003-A1414VB	2
4	Tip - Yellow	004-TX-26	2	11	Push Switch	006-2850	1
5	Tip Strainer (Green)	004-1203-100	2	12	1/4" All Barb Tee	003-T1414	1
6	Nozzle Body	004-4722	2	13	Mini Hose Clamp	003-9002	6
7	Nozzle Holder	001-4215	2	14	1/4" Hose	002-9006	40
				NP	Red Dye	009-0800	1
				NP	End of Bale Sensor Kit	200FCA	1
					Complete Assembly	030-200DM	

# Notes



# Notes

# Notes

## **Harvest Tec Inc. Warranty and Liability Agreement**

Harvest Tec, Inc. will repair or replace components that are found to be defective within 12 months from the date of manufacture. Under no circumstances does this warranty cover any components which in the opinion of Harvest Tec, Inc. have been subjected to negligent use, misuse, alteration, accident, or if repairs have been made with parts other than those manufactured and obtainable from Harvest Tec, Inc.

Our obligation under this warranty is limited to repairing or replacing free of charge to the original purchaser any part that in our judgment shows evidence of defective or improper workmanship, provided the part is returned to Harvest Tec, Inc. within 30 days of the failure. If it is determined that a non-Harvest Tec branded hay preservative has been used inside the Harvest Tec applicator system where the failure occurred, then Harvest Tec reserves the right to deny the warranty request at their discretion. Parts must be returned through the selling dealer and distributor, transportation charges prepaid.

This warranty shall not be interpreted to render Harvest Tec, Inc. liable for injury or damages of any kind, direct, consequential, or contingent, to persons or property. Furthermore, this warranty does not extend to loss of crop, losses caused by delays or any expense prospective profits or for any other reason. Harvest Tec, Inc. shall not be liable for any recovery greater in amount than the cost or repair of defects in workmanship.

There are no warranties, either expressed or implied, of merchantability or fitness for particular purpose intended or fitness for any other reason.

This warranty cannot guarantee that existing conditions beyond the control of Harvest Tec, Inc. will not affect our ability to obtain materials or manufacture necessary replacement parts.

Harvest Tec, Inc. reserves the right to make design changes, improve design, or change specifications, at any time without any contingent obligation to purchasers of machines and parts previously sold.

Revised 4/17

**HARVEST TEC, INC.**  
**P.O. BOX 63**  
**2821 HARVEY STREET**  
**HUDSON, WI 54016 USA**  
PHONE: 715-386-9100  
FAX: 715-381-1792  
Email: [info@harvesttec.com](mailto:info@harvesttec.com)