

NAVI

OWNER'S MANUAL

© Honda Motor Co., Ltd. 2016

IMPORTANT INFORMATION

● RIDER AND PASSENGER

This vehicle is designed to carry the rider and one passenger. Never exceed the maximum weight capacity.

● ON-ROAD USE

This vehicle is designed to be used only on the road.

● READ THIS OWNER'S MANUAL CAREFULLY

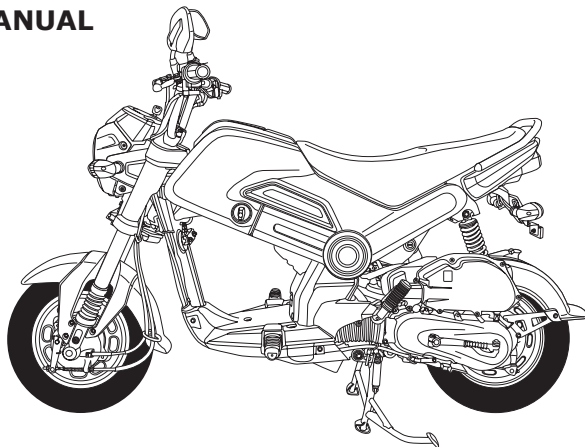
Pay special attention to the safety messages that appear throughout the manual.

These messages are fully explained in the **"A Few Words About Safety"** section which appears before the contents page.

This manual should be considered as a permanent part of the vehicle and should remain with the vehicle when resold.

NAVI

OWNER'S MANUAL



All information in this publication is based on the latest production information available at the time of approval for printing. Honda Motor Co., Ltd. reserves the right to make changes at any time without notice and without incurring any obligation.

No part of this publication may be reproduced without written permission.

WELCOME

The vehicle presents you a challenge to master the machine, a challenge to adventure. You ride through the wind, linked to the road by a vehicle that responds to your commands as no other does. Unlike an automobile, there is no metal cage around you. Like an air plane, a pre-ride inspection and regular maintenance are essential to your safety. Your reward is freedom.

To meet the challenges safely, and to enjoy the adventure fully, you should become thoroughly familiar with this owner's manual BEFORE YOU RIDE THE VEHICLE.

As you read this manual, you will find information that is preceded by a **NOTICE** symbol. This information is intended to help you avoid damage to your vehicle, other property, or the environment.

When service is required, remember that your Honda dealer knows your vehicle. If you have the required mechanical "know-how" and tools, your dealer can supply you an official Honda shop manual on paid basis to help you perform many maintenance and repair tasks.

Accessories shown in the illustration are not part of the standard equipment.

For any query or assistance, please call Customer Care No.:

1800 103 3434 (Toll free)

Pleasant riding, and thank you for choosing a Honda!

- The specifications may vary with each locale.


A FEW WORDS ABOUT SAFETY

Your safety, and the safety of others, is very important. Operating this vehicle safely is an important responsibility.

To help you make informed decisions about safety, we have provided operating procedures and other information on labels in this manual. This information alerts you to potential hazards that could hurt you or others.

Of course, it is not practical or possible to warn you about all hazards associated with operating or maintaining a vehicle. You must use your own good judgment.

You will find important safety information in a variety of forms, including :

- **Safety labels** - on the vehicle.
- **Safety messages** - preceded by a safety alert symbol  and one of three signal words: **DANGER**, **WARNING**, or **CAUTION**.

These signal words mean:



DANGER

You **WILL** be **KILLED** or **SERIOUSLY HURT** if you don't follow instructions.



WARNING

You **CAN** be **KILLED** or **SERIOUSLY HURT** if you don't follow instructions.



CAUTION

You **CAN** be **HURT** if you don't follow instructions.

- **Safety Heading** - such as Important Safety Reminders or Important Safety Precautions.
- **Safety Section** - such as vehicle Safety.
- **Instructions** - how to use this vehicle correctly and safely.

This entire manual is filled with important safety information—please read it carefully.

CONTENTS

Page

1	VEHICLE SAFETY
1	Important Safety Information
2	Protective Apparel
5	Load Limits and Guidelines
9	PARTS LOCATION
12	Instruments and Indicators
13	MAJOR COMPONENTS (Important Information to operate this vehicle)
13	Brakes
14	Fuel
18	Engine Oil
19	Tyres

Page

22	ESSENTIAL INDIVIDUAL COMPONENTS
22	Ignition Switch
22	Right Handlebar Controls
23	Left Handlebar Controls
24	FEATURES (Not required for operation)
24	Steering Lock
24	Seat Removal
25	Helmet Holder
26	Center Compartment
26	Fuel Tank Cover
27	Right Side Cover
28	Rear view Mirror
28	Headlight Aim Vertical Adjustment

Page		Page	
29	OPERATION	48	Crankcase Breather
29	Pre-ride Inspection	49	Engine Oil
30	Starting the Engine	51	Engine Oil Strainer Screen
32	Running-in	52	Spark Plug
32	Riding	54	Engine Idle Speed
37	Parking	55	Wheel Removal
38	Anti-theft Tips	58	Brake Shoe Wear
39	MAINTENANCE	59	Battery
39	The Importance of Maintenance	61	Fuse Replacement
39	Maintenance Safety	63	Bulb Replacement
40	Safety Precautions	66	CLEANING
41	Tool Kit	68	STORAGE GUIDE
42	Maintenance Schedule	68	Storage
45	Serial Numbers	69	Removal from Storage
46	Color Code	70	SPECIFICATIONS
46	Air Cleaner	73	CATALYTIC CONVERTER
47	Secondary Air Supply System		

VEHICLE SAFETY IMPORTANT SAFETY INFORMATION

Your vehicle can provide many years of service and pleasure – if you take responsibility for your own safety and understand the challenges that you can meet on the road.

There is much that you can do to protect yourself when you ride. You'll find many helpful recommendations throughout this manual. Following are a few that we consider most important.

Always Wear a Helmet

It's a proven fact: Helmets significantly reduce the number and severity of head injuries. So always wear a helmet and make sure your passenger does the same. We also recommend that you wear eye protection, sturdy boots, gloves and other protective gear (page 2).

Make Yourself Easy to see

Some drivers do not see vehicles because they are not looking for them. To make yourself more visible, wear bright reflective clothing, position yourself so other drivers can see you, signal before turning or changing lanes, and use your horn when required, it will help others notice you.

Don't Drink and Ride

Alcohol and riding don't mix. Even one drink can reduce your ability to respond to changing conditions, and your reaction time gets worse with every additional drink. So don't drink and ride, and don't let your friends drink and ride either.

Ride Within Your Limits

Pushing the limits is another major cause of vehicle accidents. Never ride beyond your personal abilities or faster than conditions warrant. Remember that alcohol, drugs, fatigue and inattention can significantly reduce your ability to make good judgements and ride safely.

Keep Your Vehicle in Safe Condition

For safe riding, it is important to inspect your vehicle before every ride and perform all recommended maintenance. Never exceed load limits, and only use accessories that have been approved by Honda for this vehicle. See page 5 for more details.

PROTECTIVE APPAREL

For your safety, we strongly recommend that you always wear an approved vehicle helmet, eye protection, boots, gloves, long pants and a long-sleeved shirt or jacket whenever you ride. Although complete protection is not possible, wearing proper gear can reduce the chance of injury when you ride.

Following are suggestions to help you choose proper gear.

WARNING

Not wearing a helmet increases the chance of serious injury or death in a crash.

Be sure you and your passenger always wear a helmet, eye protection and other protective apparel when you ride.

Helmets and Eye Protection

Your helmet is your most important piece of riding gear because it offers the best protection against head injuries. A helmet should fit your head comfortably and securely. A bright-colored helmet can make you more noticeable in traffic, as can reflective strips.

An open-face helmet offers some protection, but a full-face helmet offers more. Always wear a face shield or goggles to protect your eyes and help your vision.

Additional Riding Gear

In addition to a helmet and eye protection, we also recommend:

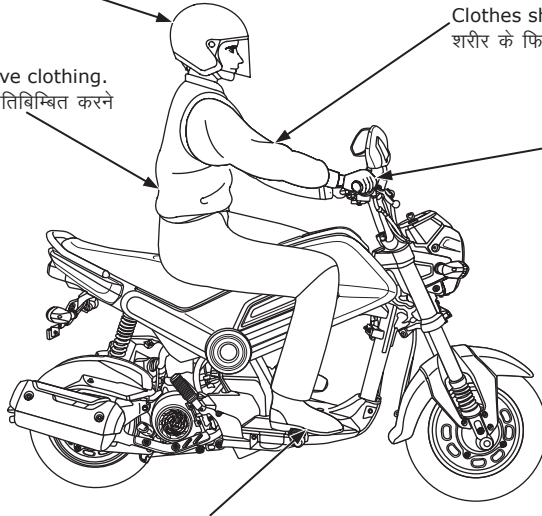
- Sturdy boots with non-slip soles to help protect your feet and ankles.
- Leather gloves to keep your hands warm and help prevent blisters, cuts, burns and bruises.
- A vehicle riding suit or jacket for comfort as well as protection. Bright-colored and reflective clothing can help make you more noticeable in traffic. Be sure to avoid loose clothes that could get caught on any part of your vehicle.

ALWAYS wear a helmet. You should also wear a face shield or goggles.
हमेशा हेलमेट पहनें। चश्में अथवा चेहरे को ढकने वाले कवच का प्रयोग करना चाहिये।

Wear bright or reflective clothing.
चमकदार तथा रोशनी को प्रतिबिम्बित करने
वाले कपड़े पहनें।

Clothes should be close fitting.
शरीर के फिटिंग के कपड़े ही पहनें।

Wear gloves.
दस्ताने पहनें।



Shoes should be close-fitting, have low heels and offer ankle protection.
सही नाप, कम हील तथा टखनों को सुरक्षा देने वाले जूते पहनें।

LOAD LIMITS AND GUIDELINES

Your vehicle has been designed to carry you, one passenger and a limited amount of cargo. When you add cargo or carry a passenger, you may feel some difference during acceleration and braking. But so long as you keep your vehicle well-maintained, with good tyres and brakes, you can safely carry loads within the given limits and guidelines.

However, exceeding the weight limit or carrying an unbalanced load can seriously affect your vehicle's handling, braking and stability. Non-Honda accessories, improper modifications, and poor maintenance can also reduce your safety margin.

The following pages give more specific information on loading, accessories and modifications.

Loading

How much weight you put on your vehicle, and how you load it, are important to your safety. Anytime you ride with a passenger or cargo you should be aware of the following information.

WARNING

Overloading or improper loading can cause a crash and you can be seriously hurt or killed.

Follow all load limits and other loading guidelines in this owner's manual.

Load Limits

Following are the load limits for your vehicle:

Maximum weight capacity:

153 kg (337 lbs)

Includes the weight of the rider, passenger, all cargo and all accessories.

Loading Guidelines

Your vehicle is primarily intended for transporting you and a passenger.

If you wish to carry more cargo, check with your Honda dealer for advice, and be sure to read the information regarding accessories on page 7.

Improperly loading your vehicle can affect its stability and handling. Even if your vehicle is properly loaded, you should ride at reduced speeds whenever carrying cargo.

Follow these guidelines whenever you carry a passenger or cargo:

- Check that both tyres are properly inflated.
- To prevent loose items from creating a hazard, make sure that all cargo is securely tied down before you ride away.
- Place cargo weight as close to the center of the vehicle as possible.
- Balance cargo weight evenly on both sides.

Accessories and Modifications

Modifying your vehicle or using non-Honda accessories can make your vehicle unsafe. Before you consider making any modifications or adding an accessory, be sure to read the following information.

WARNING

Improper accessories or modifications can cause a crash in which you can be seriously hurt or killed.

Follow all instructions in this owner's manual regarding accessories and modifications.

Accessories

We strongly recommend that you use only genuine Honda accessories that have been specifically designed and tested for your vehicle. Because Honda cannot test all other accessories, you must be personally responsible for proper selection, installation and use of non-Honda accessories.

Check with your dealer for assistance and always follow these guidelines:

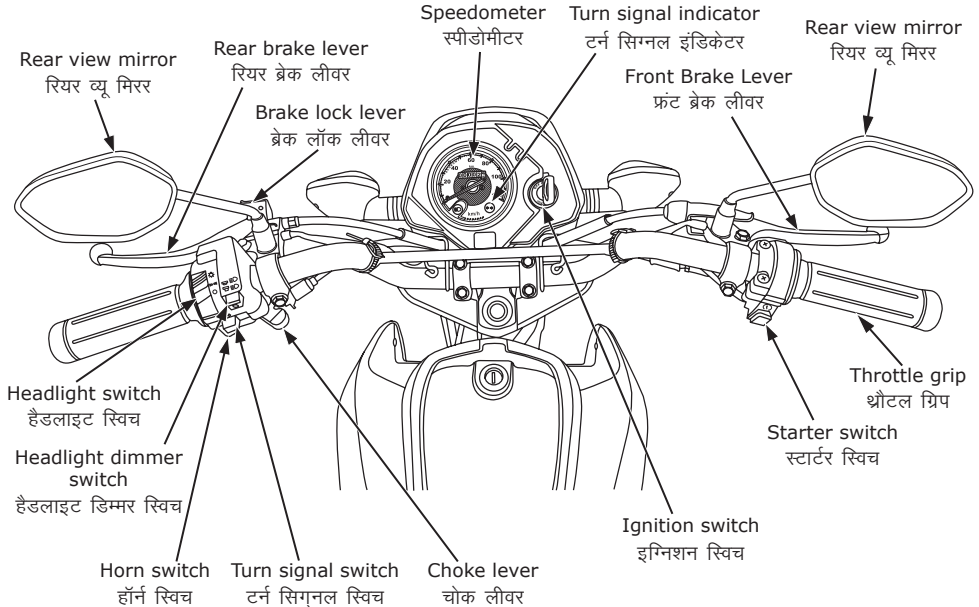
- Make sure the accessory does not obscure any lights, reduce ground clearance and banking angle, limit suspension travel or steering travel, alter your riding position or interfere with operating any controls.
- Be sure not to use any non-genuine electrical equipment or equipment having capacity exceeding vehicle's electrical system capacity (page 72). A blown fuse can cause a loss of lights or engine power.
- Do not pull a trailer or sidecar with your vehicle. This vehicle is not designed for these attachments, and their use can seriously impair your vehicle's handling.

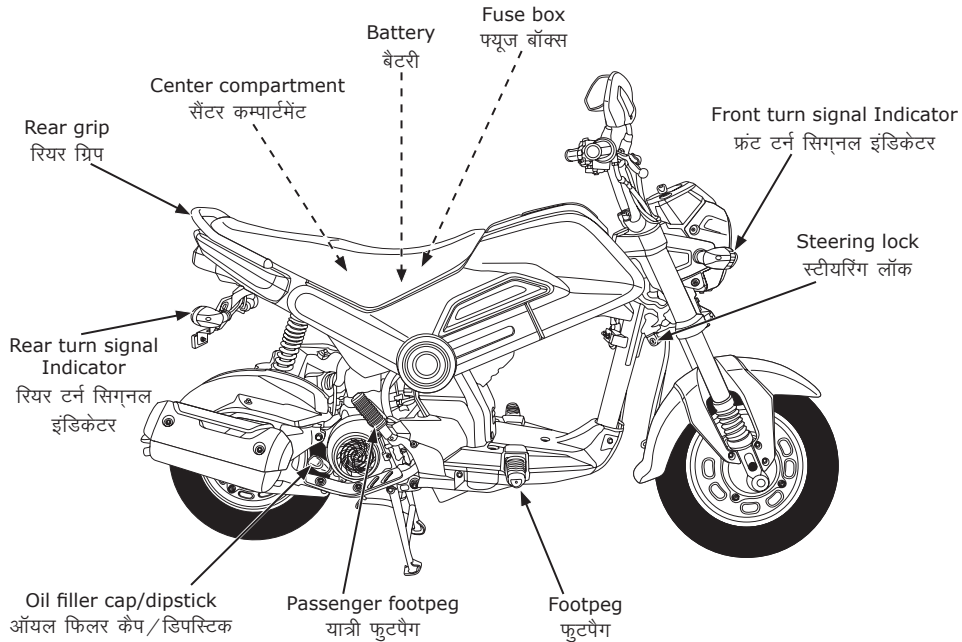
Modifications

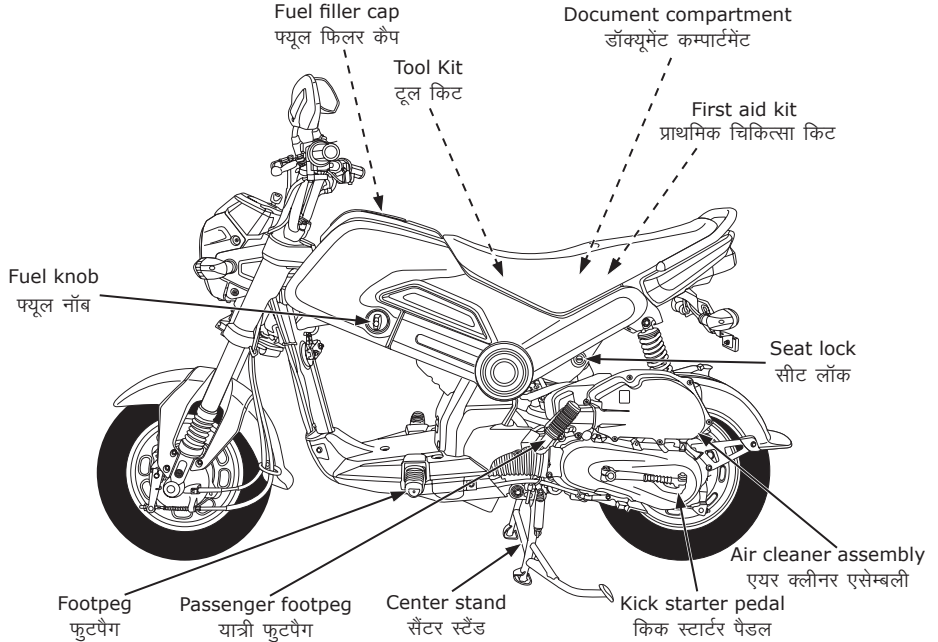
We strongly advise you not to remove any original equipment or modify your vehicle in any way that would change its design or operation. Such changes could seriously impair your vehicle handling, stability and braking, making it unsafe to ride.

Removing or modifying your lights, mufflers, emission control system or other equipment can also make your vehicle illegal.

PARTS LOCATION



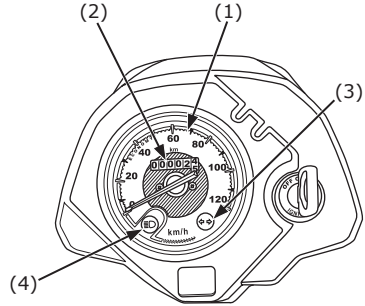




INSTRUMENTS AND INDICATORS

The indicators are contained in the instrument panel. Their functions are described in the tables on the following pages.

- (1) Speedometer (स्पीडोमीटर)
- (2) Odometer (ऑडोमीटर)
- (3) Right and left turn signal indicator
(दाँया और बाँया टर्न सिग्नल इंडिकेटर)
- (4) High beam indicator (हाई बीम इंडिकेटर)



(Ref. No.) Description	Function
(1) Speedometer	Shows riding speed.
(2) Odometer	Shows accumulated mileage.
(3) Right and Left turn signal indicator (green)	Flashes when the turn signal operates.
(4) High beam indicator (blue)	Lights when the headlight is glowing on high beam.

MAJOR COMPONENTS

(Important information to operate this vehicle)

BRAKES

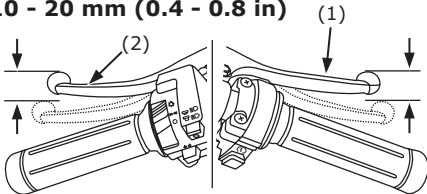
Brakes are items of personal safety and should always be maintained with proper adjustment.

Free play

The free effortless movement of brake levers until the brakes start operating is termed as free play.

Measured at the tip of the brake levers, freeplay should be maintained at:

10 - 20 mm (0.4 - 0.8 in)



(1) Front brake lever (फ्रंट ब्रेक लीवर)

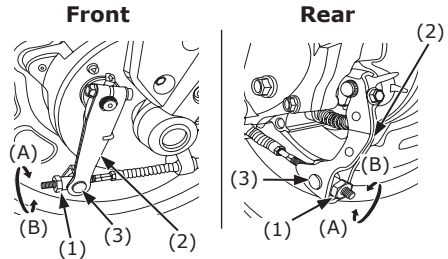
(2) Rear brake lever (रियर ब्रेक लीवर)

Honda Motorcycle & Scooter India Pvt. Ltd.

Adjustment:

1. Make freeplay adjustments by turning the adjusting nut (1) at the brake arm (2).

Make sure the cut-out on the adjusting nut is seated on the brake arm pin (3) after making final freeplay adjustment.



(1) Adjusting nut (एडजस्टिंग नट)

(2) Brake arm (ब्रेक आर्म)

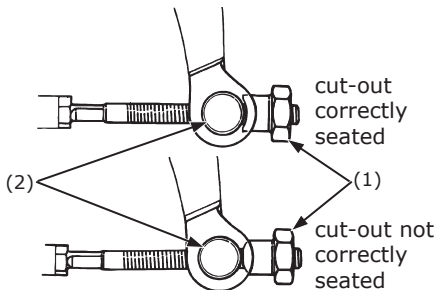
(3) Brake arm Pin (ब्रेक आर्म पिन)

(A) Increase freeplay (फ्री-प्ले बढ़ाएँ)

(B) Decrease freeplay (फ्री-प्ले घटाएँ)

2. Apply the brake several times and check for free wheel rotation after the brake lever is released.

If proper adjustment cannot be obtained by this method see your Honda dealer.



- (1) Adjusting nut (एडजस्टिंग नट)
(2) Brake arm Pin (ब्रेक आर्म पिन)

Other Checks

Check the brake cable for kinks or signs of wear that could cause sticking or failure.

Lubricate the brake cable with a commercially available cable lubricant to prevent premature wear and corrosion.

Make sure the brake arm, spring and fasteners are in good condition.

FUEL

Fuel Knob

The three way Fuel knob (1) is on the left side below the fuel tank.

ON

With the Fuel knob in the ON position, fuel will flow from the main fuel supply to the carburetor.

OFF

With the Fuel knob in the OFF position, fuel cannot flow from the tank to the carburetor. Turn the valve to OFF position whenever the vehicle is not in use.

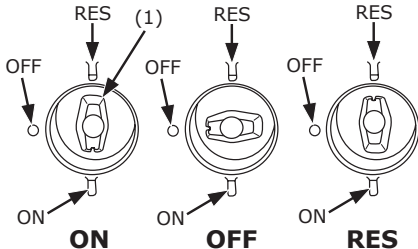
RES

With the Fuel knob in this RES position, fuel will flow from the reserve fuel supply to the carburetor. Use the reserve fuel only when the main supply is gone. Refill the tank as soon as possible after switching to RES. Switch the fuel knob to ON position after refuelling adequate quantity of fuel

The reserve fuel supply is:

0.9 Ltr. (0.24 US gal , 0.20 Imp gal)

Remember to check that the Fuel knob is in the ON position each time you refuel. If the valve is left in the RES position, you may run out of fuel with no reserve.



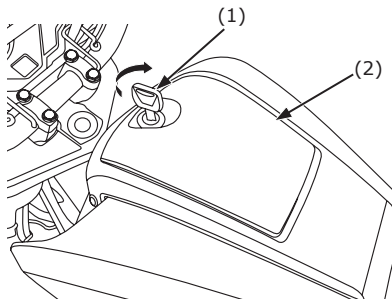
(1) Fuel knob (फ्यूल नोब)

Fuel Tank

The fuel tank capacity including the reserve supply is:

3.8 Ltr. (1.00 US gal, 0.84 Imp gal)

Insert the ignition key (1) and turn it clockwise to unlock the fuel tank lid (2).



(1) Ignition key (इग्निशन की)

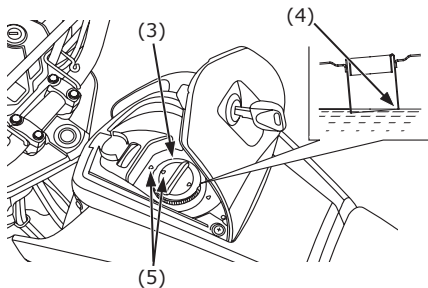
(2) Fuel tank lid (फ्यूल टैंक लिड)

Remove the fuel filler cap (3) by turning it counterclockwise.

Do not over fill the tank. There should be no fuel in the filler neck (4).

After refuelling, be sure to tighten the fuel filler cap firmly by turning it clockwise.

Make sure that the arrow marks (5) on the fuel filler cap and fuel tank is aligned.



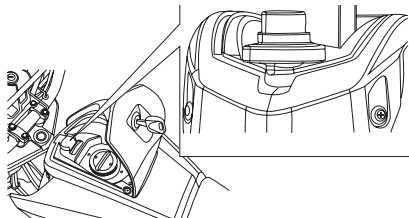
(3) Fuel filler cap (फ्यूल फिलर कैप)

(4) Filler neck (फिलर नैक)

(5) Arrow marks (ऐरो मार्क्स)

⚠ CAUTION

While refuelling petrol put fuel filler cap upside down on the fuel tank cover as shown in illustration.



⚠ WARNING

Petrol is highly flammable and explosive. You can be burned or seriously injured when handling fuel.

- Stop the engine and keep heat, sparks and flame away.
- Refuel only outdoors.
- Wipe out spills immediately.

Use unleaded petrol with a research octane number of 88 or higher.

The use of leaded petrol will cause premature damage to the catalytic converter.

NOTICE

If "spark knock" or "pinking" occurs at a steady engine speed under normal load, change brands of petrol. If spark knock or pinking persists, consult your Honda dealer. Failure to do so is considered misuse, and damage caused by misuse is not covered by Honda's Limited Warranty.

Petrol Containing Alcohol

If you decide to use a petrol containing alcohol (gasohol), be sure it's octane rating is at least as high as that recommended by Honda.

- When certain types of petrol containing alcohol are used, problems such as hard starting, poor performance, etc. may occur.

- If you notice any undesirable operating symptoms while using a petrol that contains alcohol, or one that you think contains alcohol, try another station or switch to another brand of petrol.
- When a problem resulting from the use of petrol containing alcohol occurs, contact your Honda dealer.
- Use of fuel containing alcohol higher than the recommended limit is considered misuse and damage caused by misuse is not covered by Honda's Limited Warranty.

WARNING

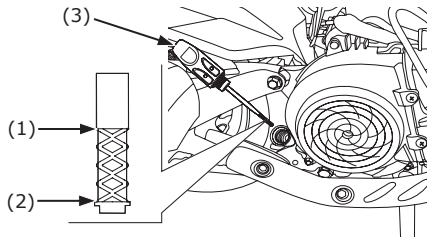
Adulterated fuel not to be used. It causes damage to the engine parts and considered as misuse, damage caused by misuse is not covered under Honda warranty.

ENGINE OIL

Engine Oil level Check

Check the engine oil level each day before riding the vehicle.

The level must be maintained between the upper (1) and lower (2) level marks on the oil filler cap/dipstick (3).



- (1) Upper level mark (ऊपरी स्तर चिन्ह)
(2) Lower level mark (निचला स्तर चिन्ह)
(3) Oil filler cap/dipstick (ऑयल फिलर कैप / डिपस्टिक)

1. Start the engine and let it idle for 3 – 5 minutes.
2. Stop the engine and put the vehicle on its center stand on level ground.
3. After 2–3 minutes, remove the oil filler cap/dipstick, wipe it clean, and reinsert the oil filler cap/dipstick without screwing it in. Remove the oil filler cap/dipstick. The oil level should be between the upper and lower marks on the oil filler cap/dipstick.
4. If required, add the specified oil (Ref. page 49) up to the upper level mark. Do not overfill.
5. Reinstall the oil filler cap/ dipstick. Check for oil leaks.

NOTICE

Running the engine with insufficient oil quantity may cause serious engine damage.

If engine oil level is below from 'Min.' mark, please contact Honda Authorised Dealer.

TYRES

To safely operate your vehicle, your tyres must be the proper type and size, in good condition with adequate tread, and correctly inflated for the load you are carrying. The following pages give more detailed information on how and when to check your air pressure, how to inspect your tyres for damage, and what to do when your tyres need to be repaired or replaced.

WARNING

Using tyres that are excessively worn or improperly inflated can cause a crash in which you can be seriously hurt or killed.

Follow all instructions in this owner's manual regarding tyre inflation and maintenance.

Air Pressure

Keeping your tyres properly inflated provides the best combination of handling, tread life and riding comfort. Generally, under inflated tyres wear unevenly, adversely affect handling, and are more likely to fail from being overheated.

Overinflated tyres make your vehicle ride more harsh, are more prone to damage from road hazards and wear unevenly.

We recommend that you visually check your tyres before every ride and use a gauge to measure air pressure at least once a month or any time you think the tyres air pressure might be low.

Always check air pressure when tyres are "cold"- when the vehicle has been parked for at least three hours. If you check air pressure when tyres are "warm"- When the vehicle has been ridden for even a few miles the readings will be higher than if the tyres were "cold". This is normal so do not let air out of the tyres to match the recommended

cold air pressures given below. If you do, the tyres will be under inflated.

The recommended "Cold" tyre air pressures are:

kPa (kgf/cm ² , psi)		
Driver only	Front	150 (1.50, 22)
	Rear	200 (2.00, 29)
Driver and one passenger	Front	150 (1.50, 22)
	Rear	250 (2.50, 36)

This vehicle is fitted with tubeless tyres in both wheels. Compared with ordinary tube tyre, the tubeless tyre releases slow air leak when punctured by a nail or other similar object. For this reason, even though they remain fully inflated, it is important to regularly check the tyre for embedded objects.

Inspection

Whenever you check the tyre pressures, you should also examine the tyre treads and side walls for wear, damage, and foreign objects:

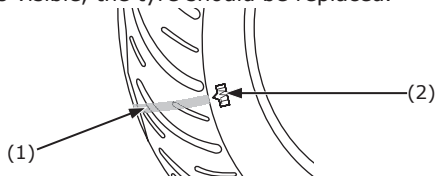
Look for:

- Bumps or bulges in the side of the tyre or the tread. Replace the tyre if you find any bumps or bulges.
- Cuts, splits or cracks in the tyre. Replace the tyre if you can see fabric or cord.
- Excessive tread wear.

Also, if you hit a pothole or hard object, pull to the side of the road as soon as you safely can and carefully inspect the tyres for damage.

Tread Wear

Inspect the wear indicator (1) to check for insufficient tread depth. If the wear indicator is visible, the tyre should be replaced.



- (1) Wear indicator (वीयर इन्डिकेटर)
- (2) Wear indicator location mark (वीयर इन्डिकेटर का लोकेशन मार्क)

Tyre Repair

If a tubeless tyre is punctured or damaged, Please visit nearest tyre manufacture dealer and follow his recommendation for repair or replacement.

CAUTION

Repair/Replacement of tubeless tyre by unauthorized person may render the tyre useless or tyre can fail while driving.

Tyre Replacement

The tyres that came on your vehicle were designed to match the performance capabilities of your vehicle and provide the best combination of handling, braking, durability and comfort.

WARNING

Installing improper tyres on your vehicle can affect handling and stability. This can cause a crash in which you can be seriously hurt or killed.

Always use the size and type of tyres recommended in this owner's manual.

The recommended tyres for your vehicle are:

Front : 90/90-12 54J

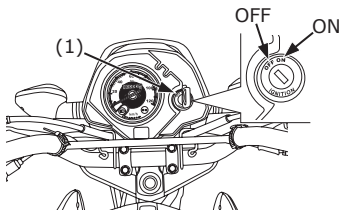
Rear : 90/100-10 53J

Whenever you replace a tyre, use one that is equivalent to the original and be sure the wheel is balanced after the new tyre is installed.

ESSENTIAL INDIVIDUAL COMPONENTS

IGNITION SWITCH

The ignition switch (1) is on the right side of speedometer.



(1) Ignition switch (इग्निशन स्विच)

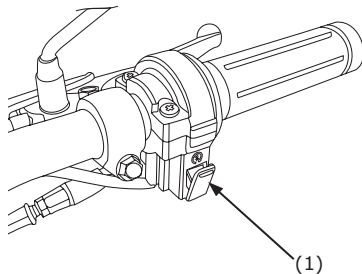
Key Position	Function	Key Removal
OFF	Engine and lights can not be operated	Key can be removed
ON	Engine and lights can be operated	Key cannot be removed

RIGHT HANDLEBAR CONTROLS

Starter Button

The starter button (1) is next to the throttle grip.

When the starter button is pressed, the starter motor cranks the engine. (Ref. page 30 for the starting procedure.)



(1) Starter button (स्टार्टर बटन)

LEFT HANDLEBAR CONTROLS

Headlight Switch (1)

The headlight switch has three positions;

☀, ☞ and ●.

☀ :Headlight, position light, taillight and meter lights on.

☞ :Position light, taillight and meter lights on.

● :Headlight, Position light, taillight and meter lights off.

The headlight, Position light, taillight and meter lights operates only when the engine is running.

Headlight Dimmer Switch (2)

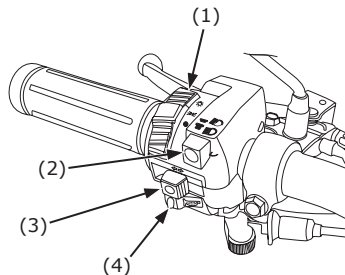
Push the dimmer switch to ☞ (HI) to select high beam or to ☞ (LO) to select low beam.

Turn Signal Switch (3)

Move to ← (L) to signal a left turn, → (R) to signal a right turn. Press to turn signal off.

Horn Button (4)

Press the button to sound the horn.



(1) Headlight switch (हैडलाइट स्विच)

(2) Headlight dimmer switch (हैडलाइट डिमर स्विच)

(3) Turn signal switch (टर्न सिग्नल स्विच)

(4) Horn button (हॉर्न बटन)

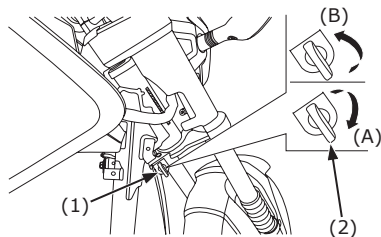
FEATURES

(NOT required for operation)

STEERING LOCK

Move the handle towards left to lock the steering (1), turn the ignition key (2) clockwise direction. Remove the key.

To unlock the steering, turn ignition key to anticlockwise direction.



(1) Steering lock (स्टीयरिंग लॉक)

(2) Ignition Key (इग्निशन की)

(A) Turn to lock (लॉक करें)

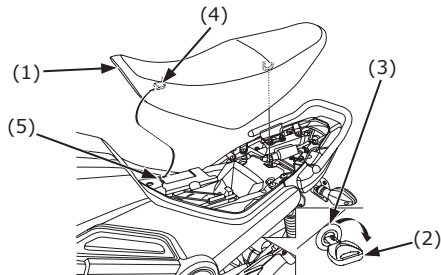
(B) Turn to unlock (अनलॉक करें)

SEAT REMOVAL

The seat (1) must be removed to access the battery, fuses and storage compartment.

Insert the ignition key (2) in to the seat lock (3) and turn it clockwise to unlock.

To lock the seat, align the prong (4) under the front of seat with the recess (5) on the frame. Slide the seat into position and push down on the rear of the seat until it locks. Make sure the seat is secure before riding.



(1) Seat (सीट)

(2) Ignition key (इग्निशन की)

(3) Seat lock (सीट लॉक)

(4) Prong (प्राँग)

(5) Recess (रेसिस)

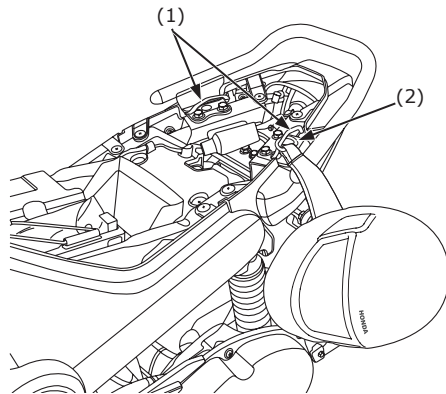
HELMET HOLDER

The helmet holder (1) is on the left side below the seat. Hang the helmet D-ring (2) on the holder hook. The helmet holder is designed to secure your helmet while parked.

WARNING

Riding with a helmet attached to the holder can interfere with the suspension and could cause a crash in which you can be seriously hurt or killed.

Use the helmet holder only while parked.
Do not ride with a helmet secured by the holder.



(1) Helmet holder (हैल्मेट होल्डर)

(2) Helmet D-ring (हैल्मेट डी-रिंग)

CENTER COMPARTMENT

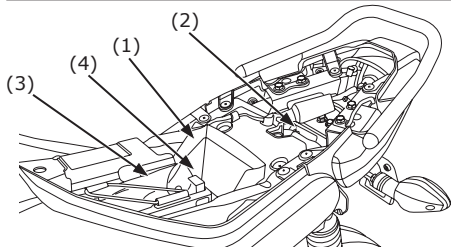
The center compartment (1) is below the seat. Remove the seat (Ref. page 24)

This compartment is for light weight items.

The first aid kit (2), tool kit (3), owner's manual and other documents (4) should be stored in this compartment.

⚠ CAUTION

Do not wash the center compartment, only wipe with cloth.



(1) Center Compartment (सेंटर कम्पार्टमेंट)

(2) First Aid Kit (प्राथमिक चिकित्सा किट)

(3) Tool kit (टूल किट)

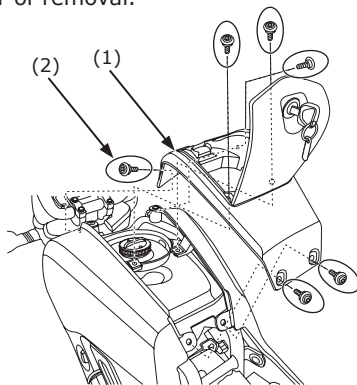
(4) Document (डॉक्यूमेंट)

FUEL TANK COVER

Unlock the fuel tank lid (page 15).

Open the fuel tank cover (1) by removing the screws (2) 6 nos as shown in the illustration.

Installation can be done in the reverse order of removal.



(1) Fuel tank cover (फ्यूल टैंक कवर)

(2) Screws (स्कूज)

RIGHT SIDE COVER

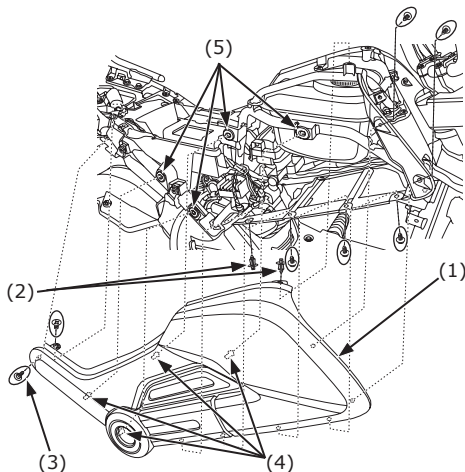
The right side cover (1) must be removed for secondary air filter maintenance.

Removal

1. Remove the Fuel tank cover (page 26).
2. Remove the trim clips (2) 2 nos from right side cover.
3. Remove the screws (3) 7 nos from right side cover.
4. Remove the right side cover bosses (4) from the grommets(5). Remove the right side cover.

Installation

Installation can be done in the reverse order of removal.



- (1) Right side cover (राइट साइड कवर)
- (2) Trim clips (ट्रिम क्लिप)
- (3) Screws (स्कू)
- (4) Bosses (बॉसेस)
- (5) Grommets (ग्रॉमेटस)

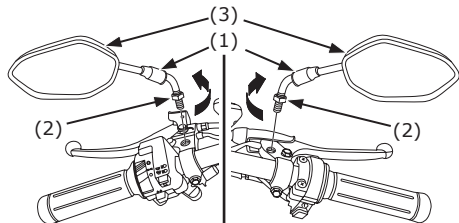
REAR VIEW MIRROR

Removal :

1. Pull the dust cover (1).
2. Loosen the lock nut (2) until it will no longer turn.
3. Remove the rear view mirror (3).

Installation :

1. Install the rear view mirror until it will no longer turn.
2. Loosen the rear view mirror approximately 2 turns.
3. Adjust the rear view mirror.
4. Tighten the lock nut.

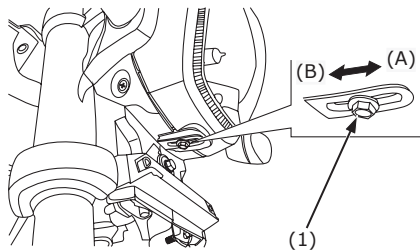


- (1) Dust cover (डस्ट कवर) (2) Lock nut (लॉक नट)
(3) Rear view mirror (रियर व्यू मिरर)

HEADLIGHT AIM VERTICAL ADJUSTMENT

Vertical adjustment can be made by turning the bolt (1) up or down as necessary.

(Obey local laws and regulations)



- (1) Bolt (बोल्ट)
(A) Up (ऊपर)
(B) Down (नीचे)

OPERATION

PRE-RIDE INSPECTION

For your safety, it is very important to take a few moments before each ride to walk around your vehicle and check its condition. If you detect any problem, be sure you take care of it, or have it corrected by your Honda dealer.

WARNING

Improperly maintaining this vehicle or failing to correct a problem before riding can cause a crash in which you can be seriously hurt or killed.

Always perform a pre-ride inspection before every ride and correct all problems.

1. Engine oil level - add engine oil if required (Ref. page 18). Check for leaks.
2. Fuel level - fill fuel tank, when necessary (Ref. page 15). Check for leaks.
3. Front and rear brakes - check operation and if necessary, adjust freeplay (Ref. pages 13-14).
4. Tyres - check condition and pressure (Ref. pages 19-21).
5. Throttle - check for smooth opening and full closing in all steering positions.
6. Lights and horn - check that headlight, tail/brake light, turn signal indicators and horn are functioning properly.

STARTING THE ENGINE

Engine can be started using:

- (1) Electric starter
- (2) Kick starter

To protect the catalytic converter in your vehicle's exhaust system, avoid extending idling and the use of leaded petrol.

Your vehicle's exhaust contains poisonous carbon monoxide gas. High levels of carbon monoxide can accumulate rapidly in enclosed areas such as a garage. Do not run the engine with garage door closed. Even with the door open run the engine only long enough to move your vehicle out of the garage.

⚠ CAUTION

Contact with the spinning rear wheel can hurt.

Set the parking brake when the vehicle is on its center stand.

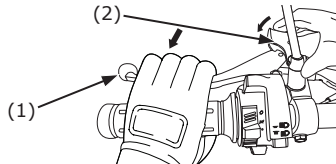
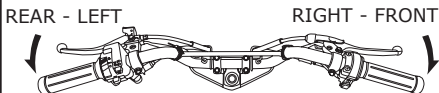
Always follow the proper starting procedure described below.

1. Place the vehicle on its center stand.
2. Lock the rear wheel by pressing the rear brake lever (1) and setting the brake lock lever (2).

⚠ CAUTION

- Always wear a helmet.
- Read owner's manual before riding.
- No foot brake.

BRAKE OPERATION

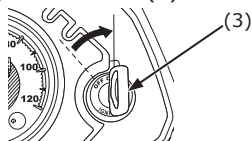


(1) Rear brake lever (रियर ब्रेक लीवर)

(2) Brake lock lever (ब्रेक लॉक लीवर)

The electric starter will work when the front brake or rear brake lever is pressed in.

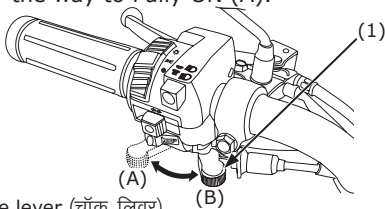
3. Turn the ignition switch (3) to ON.



(3) Ignition switch (इग्नीशन स्विच)

4(a). In case of Cold Engine

(i) Move the choke lever (1) left all the way to Fully ON (A).



(1) Choke lever (चॉक लिवर)

(A) Fully ON (पूरा खुला)

(B) Fully OFF (पूरा बंद)

(b). In case of Warm Engine

(i) Do not use the choke

(ii) Turn throttle 1/8.

5(a). Using electric starter

(i) Ensure the application of front/rear brake lever.

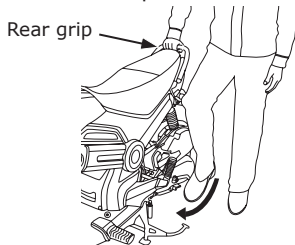
(ii) Press the electric start button

NOTICE

Do not use the electric starter for more than 5 seconds at a time. Release the starter button for approximately 10 seconds before pressing it again.

(b). Using kick starter

(i) To start the engine hold the rear grip from back side and lightly depress the kickstarter until resistance is felt. Then let the kickstarter return to the top of its stroke.



- (ii) With the throttle closed, operate the kick starter. Kick from the top of the stroke through to the bottom with a rapid, continuous motion.
- (iii) Do not allow the kickstarter to snap back freely against the pedal stop as engine case can get damaged.
- (iv) Raise the kickstarter pedal after the kickstarter pedal is returned to the stop.

NOTICE

Operate the kickstarter or starter button for slightly longer than usual without opening the throttle if the vehicle has been left standing for a long time or when the fuel tank has been just refilled.

Continue warming up the engine until it runs smoothly and responds to the throttle when the choke lever is at Fully OFF (B). Close the choke lever by pressing it.

NOTICE

Extended use of the choke may impair piston and cylinder wall lubrication and damage the engine.

Do not "BLIP" the throttle (open and close rapidly) as the vehicle will move forward suddenly, causing possible loss of control.

Do not leave the vehicle unattended while the engine is warming up.

RUNNING-IN

Help assure your vehicle's future reliability and performance by paying extra attention to how you ride during the first 500 km.

During this period, avoid full-throttle starts and rapid acceleration.

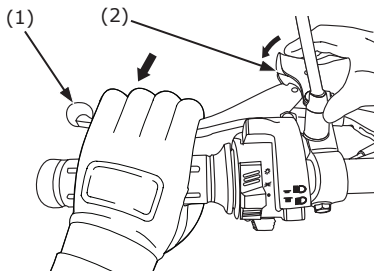
RIDING

Review Vehicle Safety (Ref. pages 1–8) before you ride.

Make sure flammable material such as dry grass or leaves do not come in contact with the exhaust system when riding, idling or parking your vehicle.

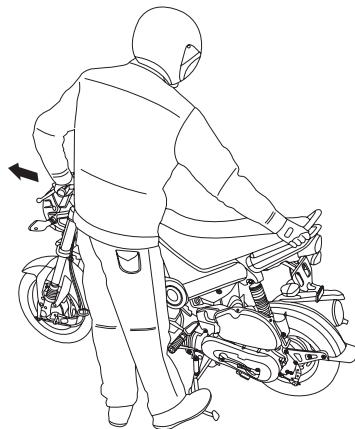
1. **Make sure the throttle is closed and the rear brake lever is locked** before moving the vehicle off the center stand.

The rear wheel must be locked when moving the vehicle off the center stand or loss of control may result.

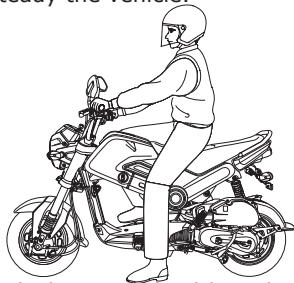


- (1) Rear brake lever (रियर ब्रेक लीवर)
- (2) Brake lock lever (ब्रेक लॉक लीवर)

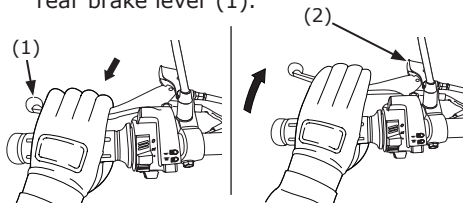
2. **Stand on the left side of the vehicle** and push it forward and off the center stand.



3. **Mount the vehicle from the left side** keeping at least one foot on the ground to steady the vehicle.

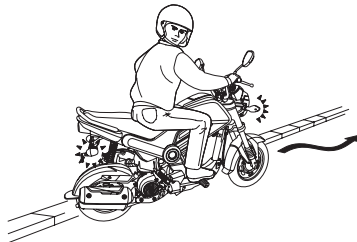


4. Unlock the rear wheel by releasing the rear brake lever (1).



- (1) Rear brake lever (रियर ब्रेक लीवर)
(2) Brake lock lever (ब्रेक लॉक लीवर)

5. **Before starting off**, indicate your direction with the turn signals, and check for safe traffic conditions.



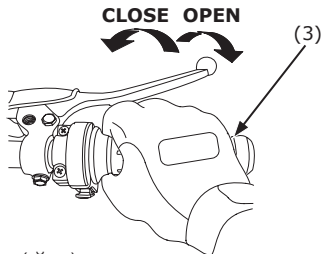
Grasp handlebars firmly with both hands. Never attempt one-handed operation; loss of vehicle control could result.

6. **To accelerate**, open the throttle (3) gradually; the vehicle will move forward.

⚠ CAUTION

Do not "BLIP" the throttle (open and close rapidly) as the vehicle will move forward suddenly, causing possible loss of control.

7. **To decelerate**, close throttle.



- (3) Throttle (थ्रॉटल)

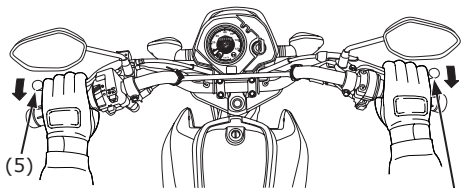
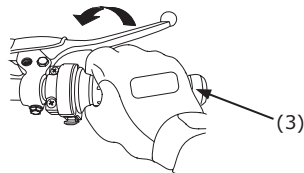
8. **When slowing down the vehicle** coordination of the throttle (3), front brake lever (4) and rear brake lever (5) is most important.

Both front and rear brakes should be applied together. Independent use of only the front or rear brake reduces stopping performance.

Excessive brake application may cause either wheels to lock, or loss of control on vehicle.

⚠ CAUTION

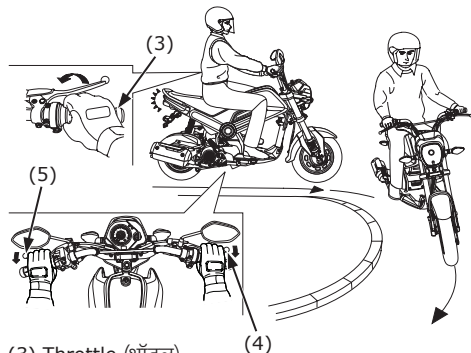
Do not accelerate while applying brakes. This may result severe damage of the related parts



- (3) Throttle (थ्रॉटल)
(4) Front brake lever (फ्रंट ब्रेक लीवर)
(5) Rear brake lever (रियर ब्रेक लीवर)

9. **When approaching a corner or turn,** close the throttle (3) fully, and slow the vehicle down by applying both front brake lever (4) and rear brake lever (5) at the same time.

10. **After completing the turn,** open the throttle gradually to accelerate the vehicle.



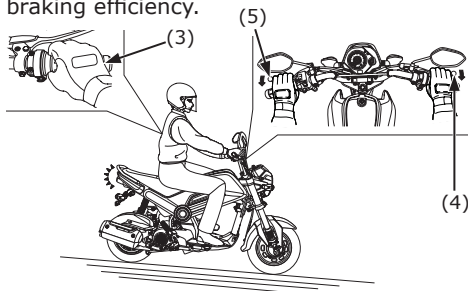
(3) Throttle (थ्रॉटल)

(4) Front brake (फ्रंट ब्रेक)

(5) Rear brake (रियर ब्रेक)

11. **When descending a steep grade,** close the throttle (3) fully and apply front brake (4) and rear brake (5) to slow the vehicle.

Avoid continuous use of the brakes, which may result in overheating and reduction of braking efficiency.



(3) Throttle (थ्रॉटल)

(4) Front brake (फ्रंट ब्रेक)

(5) Rear brake (रियर ब्रेक)

12. **When riding on wet or loose surfaces,** special caution should be taken.

When riding in wet or rainy conditions or on loose surface, the ability to controlled movement and stop will be reduced. For your safety:

- Exercise extreme caution when braking, accelerating or turning.
- Ride at slower speeds and allow for extra stopping distance.
- Keep the vehicle as upright as possible.
- Use extreme caution when riding over slippery surfaces such as railroad tracks, iron plates, manhole covers, painted lines, etc.

PARKING

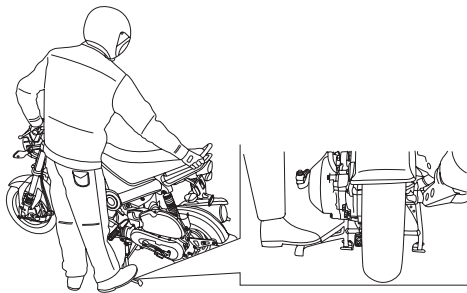
1. After stopping the vehicle turn the ignition switch to the "OFF" position and remove the key. Turn the Fuel knob OFF.
2. Use the center stand to support the vehicle while parked.
Park the vehicle on firm, level ground to prevent it from falling over.
If you must park on a slight incline, aim the front of the vehicle uphill to reduce the possibility of rolling off the center stand or overturning.

3. Lock the steering to help prevent theft, turn the ignition switch to the "Lock" position and remove the key. (Ref. page 38).

The exhaust pipe and muffler become very hot during operation and remain sufficiently hot to inflict burns if touched even after shutting off the engine.

Make sure flammable material such as dry grass or leaves do not come in contact with the exhaust system when parking your vehicle.

HOW TO USE CENTER STAND



ANTI-THEFT TIPS

1. Always lock the steering.
2. Never leave the key in the ignition switch or in the steering lock. This sounds simple but people do forget.
3. Be sure the registration information for your vehicle is accurate and current.
4. Park your vehicle in a locked garage, whenever possible.
5. Use an additional anti-theft device of good quality (without tampering any part of the vehicle).
6. Put your name, address, phone number and key number in this Owner's Manual and keep it on your vehicle at all times. Many times stolen vehicles are identified by information in the Owner's Manuals.

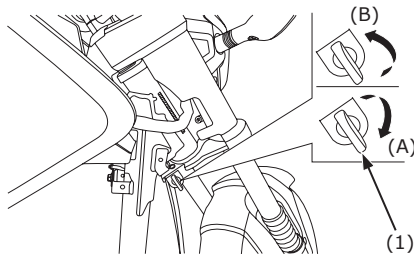
NAME: _____

ADDRESS: _____

PHONENO: _____

KEY NO: _____

LOCK STEERING



(1) Ignition Key (इग्निशन की)

(A) Turn to lock (लॉक करें)

(B) Turn to unlock (अनलॉक करें)

MAINTENANCE

THE IMPORTANCE OF MAINTENANCE

A well-maintained vehicle is essential for safe, economical and trouble-free riding. It will also help reduce air pollution.

To help you proper care for your vehicle, the following pages include a Maintenance Schedule (Ref. page 43 to 44) and a Maintenance Record for regular scheduled maintenance.

These instructions are based on the assumption that the vehicle will be used exclusively for its designed purpose. Sustained high speed operation or operation in unusually wet or dusty conditions will require more frequent service than specified in the Maintenance Schedule. Consult your Honda dealer for recommendations applicable to your individual needs and use.

If your vehicle overturns or becomes involved in a crash, be sure your Honda dealer inspects all major parts, even if you are able to make some repairs.

WARNING

Improperly maintaining this vehicle or failing to correct a problem before you ride can cause a crash in which you can be seriously hurt or killed.

Always follow the inspection and maintenance recommendations and schedule in this owner's manual.

MAINTENANCE SAFETY

This section includes instructions on some important maintenance tasks. You can perform some of these tasks with the tools provided – if you have basic mechanical skills.

Other tasks that are more difficult and require special tools are best performed by professionals. Wheel removal should normally be handled only by a Honda technician or other qualified mechanic; instructions are included in this manual only to assist in emergency service.

Followings are some of the most important safety precautions. However, we cannot warn you of every conceivable hazard that can arise in performing maintenance. Only you can decide whether or not you should perform a given task.

WARNING

Failure to properly follow maintenance instructions and precautions can cause you to be seriously hurt or killed.

Always follow the procedure and precautions in this owner's manual.

SAFETY PRECAUTIONS

- Make sure the engine is off before you begin any maintenance or repairs. This will help eliminate several potential hazards:
- **Carbon monoxide poisoning from engine exhaust**
Be sure there is adequate ventilation whenever you operate the engine.
- **Burns from hot parts**
Let the engine and exhaust system cool before touching.
- **Injury from moving parts**
Do not run the engine unless instructed to do so.
Read the instructions before you begin, and make sure you have the tools and skills required.
To help prevent the vehicle from falling over, park it on a firm, level surface, using the center stand to provide support.

- Be sure the rear brake lock is set before running the engine while the vehicle is supported by the center stand. This will prevent the rear wheel from spinning and avoid the possibility of someone being injured from contacting the wheel.
- To reduce the possibility of a fire or explosion be careful when working around petrol or batteries. Use only nonflammable solvent, not petrol, to clean parts. Keep cigarettes, sparks and flames away from the battery and all fuel-related parts.

Remember that your Honda dealer knows your vehicle best and is fully equipped to maintain and repair it.

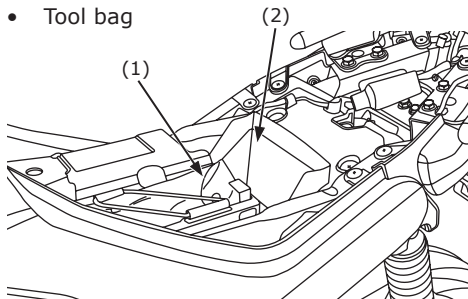
To ensure the best quality and reliability use only new genuine Honda parts or their equivalents for repair and replacement.

TOOL KIT

The tool kit (1) is located in the center compartment (2).

Some road side repairs, minor adjustments and parts replacement can be performed with the tools contained in the kit.

- Driver screw (No.2 +/-)
- Grip
- Wrench plug (16)
- Spanner 12X14
- Tool bag



(1) Tool kit (टूल किट)

(2) Center compartment (सैंटर कम्पार्टमेंट)

MAINTENANCE SCHEDULE

Perform the pre-ride Inspection (Ref. page 29) at each scheduled maintenance period.

I:INSPECT, CLEAN, ADJUST, LUBRICATE OR REPLACE IF NECESSARY

C:CLEAN R:REPLACE A:ADJUST L:LUBRICATE.

The following items require some mechanical knowledge. Certain item (particularly those marked * and **) may require more technical information and tools. Consult your Honda dealer.

* Should be serviced by your Honda dealer, unless the owner has the proper tools and service data and is mechanically qualified. Refer to the Official Honda Shop Manual.

** In the interest of safety, we recommend these items be serviced only by your Honda dealer.

Honda recommends that the customer should road test your vehicle after each periodic maintenance is carried out.

NOTES: (1) At higher odometer reading, repeat at the frequency interval established here.

(2) Service more frequently when riding in unusually wet or dusty areas.

(3) Service more frequently when riding in rain or at full throttle.

(4) Replace every 2 years. Replacement requires mechanical skill.

FREQUENCY ITEM		NOTE	PRE-RIDE CHECK	ODOMETER READING (NOTE 1)										ANNUAL CHECK	REGULAR REPLACE	REFER TO PAGE	
				X1000KM	1	4	8	12	16	20	24	X1000MI	0.6				2.5
				MONTHS	1	4	8	12	16	20	24						
*	FUEL LINE					I	I	I	I	I	I	I					-
	FUEL LEVEL		I														-
*	FUEL STRAINER SCREEN					C	C	C	C	C	C						
*	THROTTLE OPERATION		I			I	I	I	I	I	I	I					-
*	CHOKE OPERATION					I	I	I	I	I	I	I					31
*	AIR CLEANER	(NOTE 2)							R								46
	CRANKCASE BREATHER	(NOTE 3)				C	C	C	C	C	C	C					48
	SPARK PLUG					I	R	I	R	I	R						52
*	VALVE CLEARANCE					I	I	I	I	I	I	I					-
	ENGINE OIL		I			R	R	R	R	R	R	R	R				49
	ENGINE OIL STRAINER SCREEN					C			C			C					51
*	ENGINE IDLE SPEED					I	I	I	I	I	I	I	I				54
*	SECONDARY AIR SUPPLY SYSTEM								I			I	I				47
*	SECONDARY AIR SUPPLY SYSTEM AIR FILTER	(NOTE 2)							C			C					47

The vehicle must be serviced at every 4000 kms or within 4 months whichever is earlier from the date of previous service. For NOTES refer page 42.

FREQUENCY		NOTE	PRE-RIDE CHECK	ODOMETER READING (NOTE 1)										ANNUAL CHECK	REGULAR REPLACE	REFER TO PAGE
				X1000KM	1	4	8	12	16	20	24	X1000MI	0.6			
ITEM				MONTHS	1	4	8	12	16	20	24					
*	DRIVE BELT						I		I		R			-		
*	FINAL DRIVE OIL	(NOTE 4)											2 YEARS	-		
	BRAKE SHOES WEAR		I			I	I	I	I	I	I	I		58		
	BRAKE SYSTEM		I		I	I	I	I	I	I	I	I		13-14		
*	BRAKE LOCK OPERATION				I	I	I	I	I	I	I			-		
	BATTERY VOLTAGE		I		I	I	I	I	I	I	I	I		-		
	HEADLIGHT AIM					I	I	I	I	I	I	I		28		
	LIGHTS/HORN		I											-		
**	CLUTCH SHOES WEAR						I		I		I			-		
*	SUSPENSION					I	I	I	I	I	I	I		-		
*	NUTS, BOLTS, FASTENERS				I		I		I		I	I		-		
**	WHEELS/TIRES		I			I	I	I	I	I	I	I		19, 55		
**	STEERING HEAD BEARINGS				I			I			I	I		-		

The vehicle must be serviced at every 4000 kms or within 4 months whichever is earlier from the date of previous service. For NOTES refer page 42.

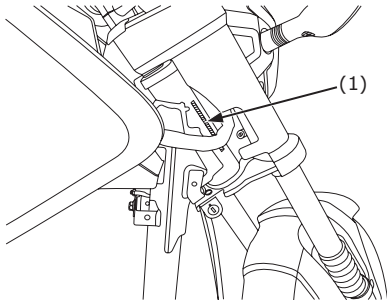
SERIAL NUMBERS

The frame and engine serial numbers are required when registering your vehicle. They may also be required by your dealer when ordering replacement parts.

Record the numbers here for your reference.

The frame number (1) is stamped on the right side of the frame body.

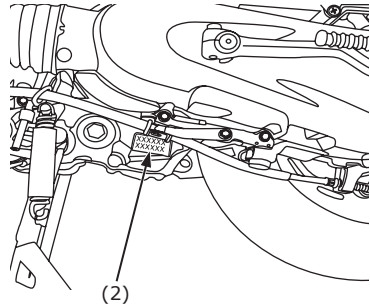
FRAME NO. _____



(1) Frame number (फ्रेम नम्बर)

The engine number (2) is stamped on the left side of the crankcase.

ENGINE NO. _____



(2) Engine number (इंजन नम्बर)

COLOR CODE

The color table is attached below.

It is useful during ordering the replacement parts.

S.No.	Color	Color code
1.	Patriot Red	R232
2.	Hopper Green R	GY152
3.	Black	NH1
4.	Shasta White	NH138
5.	Sparky Orange R	YR340

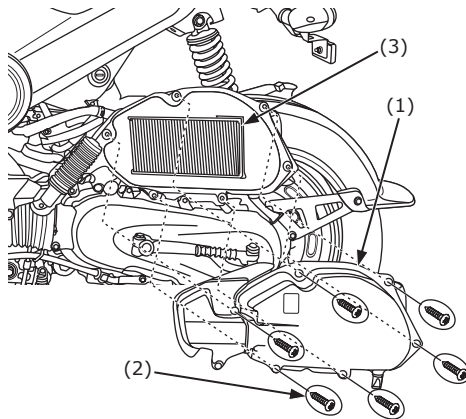
The above color code table helps in providing the correct color part as per your vehicle color.

AIR CLEANER

Refer to the Safety Precautions on page 40. The air cleaner element should be replaced at regular intervals (Ref. page 43).

Replace more frequently when riding in unusually wet or dusty areas.

1. Remove the air cleaner cover (1) by removing the screws (2) - 6 nos.
2. Remove the Air cleaner (3).



- (1) Air cleaner cover (एयर क्लीनर कवर)
(2) Screws (स्क़ूस)
(3) Air cleaner (एयर क्लीनर)

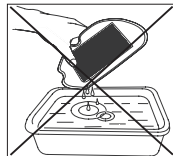
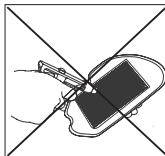
3. Viscous type air filters should be replaced regularly. Do not reuse it by cleaning with solvent to remove dust.

The special oil will be lost and filter becomes dry. As the base filter paper is coarse, it cannot block fine dust when it becomes dry.

4. Replace the air cleaner element if it is excessively dirty, torn or damage. Use the Honda genuine air cleaner element or an equivalent air cleaner element specified for your model. Using the wrong Honda air cleaner element or a non-Honda air cleaner element which is not of equivalent quality may cause premature engine wear or performance problems.
5. Install the removed parts in the reverse order of removal.

CAUTION

Do not use air, oil, water for cleaning of air cleaner element. Replacement should be done at regular intervals.



SECONDARY AIR SUPPLY SYSTEM

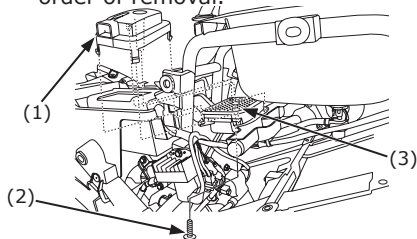
Refer to the Safety Precautions on page 40.

Secondary Air filter cleaning

The secondary air filter should be serviced at regular intervals (Ref. page 43). Service more frequently when riding in unusually wet or dusty areas.

1. Remove the right side cover (page 27).
2. Remove the secondary air filter housing cover (1) by removing the screw (2).

3. Remove the secondary air filter (3).
4. Wash the secondary air filter in clean, nonflammable or high flash point solvent and let it dry thoroughly. Never use gasoline or low flash point solvents for cleaning the secondary air filter. Fire or explosion could result.
5. Soak the secondary air-cleaner in engine oil (SAE 10W-30) until saturated, then squeeze out the excess oil.
6. Install the removed parts in the reverse order of removal.



- (1) Secondary Air filter housing cover
(सैकेण्ड्री एयर फिल्टर हाउजिंग कवर)
- (2) Screw (स्क़्रू)
- (3) Secondary Air filter (सैकेण्ड्री एयर फिल्टर)

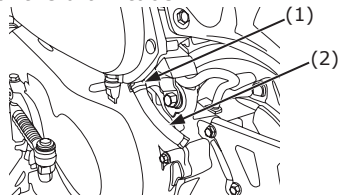
48

CRANKCASE BREATHER

Refer to the Safety Precautions on Page 40.

1. Open the clamp (1) and remove crankcase breather tube (2) from the air cleaner and drain deposits into a suitable container .
2. Periodically clean up breather oil from breather tube.
3. Reinstall the crankcase breather tube.

Service more frequently when riding in rain, at full throttle, or after the vehicle is washed or overturned. Service if the deposit level can be seen in the transparent section of the drain tube.



- (1) Clamp (कलैम्प)
- (2) Crankcase breather tube (क्रैंककेस ब्रीदर ट्यूब)

ENGINE OIL

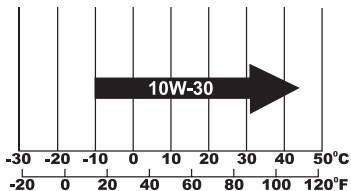
Refer to the Safety Precautions on page 40.

Engine Oil

Good engine oil has many desirable qualities. Use only high detergent, quality motor oil certified on the container to meet or exceed requirements for API Service Classification MA.

Viscosity:

Viscosity grade of engine oil should be based on average atmospheric temperature in your riding area. The following provides a guide to the selection of the proper grade or viscosity of oil to be used at various atmospheric temperatures.



ENGINE OIL

Engine oil quality is the chief factor affecting engine service life. Change the engine oil as specified in the maintenance schedule (Ref. page 43).

When running in very dusty conditions, oil changes should be performed more frequently than specified in the maintenance schedule.

Please dispose of used engine oil in a manner that is compatible with the environment. We suggest you take it in a sealed container to your local recycling center or service station for reclamation. Do not throw it in the trash or pour it on the ground or down a drain.

Used engine oil may cause skin cancer if repeatedly left in contact with the skin for prolonged periods. Although this is unlikely unless you handle used oil on a daily basis, it is still advisable to thoroughly wash your hands with soap and water as soon as possible after handling used oil.

If a torque wrench is not used for this

installation, see your Honda dealer as soon as possible to verify proper assembly.

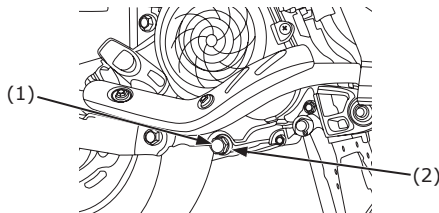
Change the engine oil from the engine at normal operating temperature and the vehicle on its center stand to assure complete and rapid draining.

1. Start the engine and let it idle for 3-5 minutes.
2. Stop the engine. Turn the ignition off and to be on safer side remove the ignition key from ignition switch.
3. Place an oil drain pan under the crankcase. Remove the oil filler cap/dipstick, oil drain bolt (1) and sealing washer (2).
4. After the engine oil has been drained out hold the vehicle upright for 10-15 seconds to assure complete draining.
5. Operate the kickstarter several times to aid in complete draining of the remaining oil.
6. Check that the sealing washer (2) on the drain bolt is in good condition and install the bolt. Replace the sealing washer every other time the oil is changed, or each time if necessary.

Oil Drain Bolt Torque:

24 N.m (2.5 kgf.m, 18 lbf.ft)

7. Fill the crankcase with recommended grade oil;
0.7L (0.7 US qt, 0.6 Imp qt)
8. Reinstall the oil filler cap/dipstick.
9. Start the engine and let it idle for 3-5 minutes.
10. Stop the engine and wait 2-3 minutes. Check that the oil level is at the upper level mark on the dipstick with the vehicle upright on firm, level ground. Make sure there are no oil leaks.

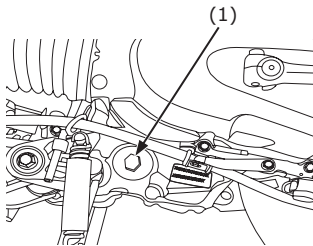


(1) Oil drain bolt (ऑयल ड्रेन बोल्ट)

(2) Sealing washer (सीलिंग वाशर)

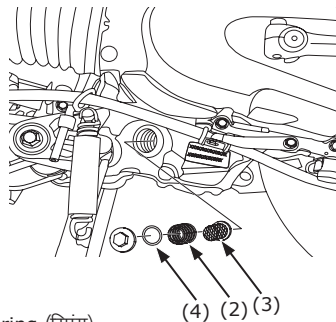
ENGINE OIL STRAINER SCREEN

1. To drain the oil, remove the oil filler cap/ dipstick, oil drain bolt and sealing washer (Ref. page 50).
2. Remove the oil strainer screen cap (1), spring (2) and oil strainer screen (3).
Oil Strainer Screen Cap Torque:
20 N.m (2.0 kgf.m, 14 lbf.ft)
3. Clean the oil strainer screen.
4. Check that the oil strainer screen, sealing rubber and O-ring (4) are in good condition.



(1) Oil strainer screen cap (ऑयल स्ट्रेनर स्क्रीन कैप)

5. Install the oil strainer screen spring, O-ring and oil strainer screen cap.
6. Fill the crankcase with the recommended grade oil;
0.7L (0.7 US qt, 0.6 Imp qt)
7. Reinstall the oil filler cap/dipstick.
8. Start the engine and let it idle for 3-5 minutes.



(2) Spring (स्प्रिंग)

(3) Oil strainer screen (ऑयल स्ट्रेनर स्क्रीन)

(4) O-ring (O-रिंग)

9. Stop the engine and wait for 2-3 minutes. Check that the oil level is at the upper level mark on the oil filler cap/dipstick with the vehicle upright on firm, level ground. Make sure that there are no oil leaks.

SPARK PLUG

Refer to the Safety Precautions on page 40.
Recommended spark plug for standard performance:

Standard:

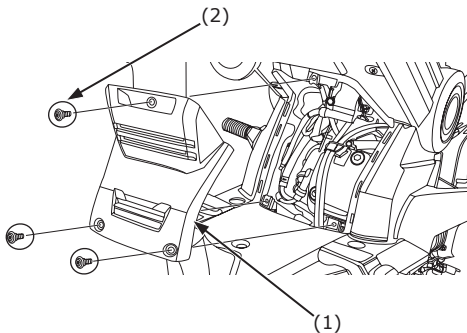
MR7C-9N (NGK)

(Part No. 31917-KWP-D01)

NOTICE

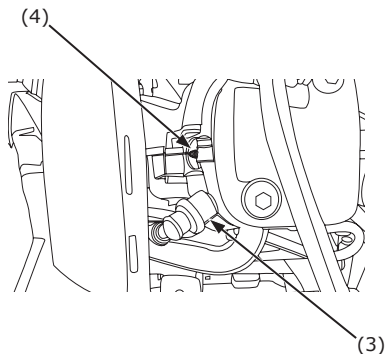
Never use a spark plug with an improper heat range. Severe engine damage could result.

1. Remove the cover center (1) by removing screws (2) 3 nos.



- (1) Cover center (कवर सेंटर)
(2) Screw (स्कू)

2. Disconnect the spark plug cap (3) from the spark plug (4).
3. Clean any dirt from around the spark plug base.
4. Remove the spark plug using the spark plug wrench furnished in the tool kit.

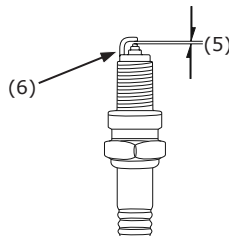


- (3) Spark plug cap (स्पार्क प्लग कैप)
 (4) Spark plug (स्पार्क प्लग)

5. Inspect the electrodes and center porcelain for deposits, erosion or carbon fouling. If the erosion or deposit is heavy, replace the plug. Clean a carbon or wet fouled plug with a plug cleaner, otherwise use a wire brush.
6. Check the spark plug gap (5) using a wire gauge. If adjustment is necessary, bend the side electrode (6) carefully.

The gap should be:

0.80–0.90 mm (0.031–0.035 in)



- (5) Spark plug Gap (स्पार्क प्लग गैप)
 (6) Side Electrode (साइड इलेक्ट्रोड)

7. With the plug washer attached thread the spark plug in by hand prevent cross-threading.
8. Tighten the spark plug:
 - If the old plug is good, tighten it 1/8 turn after it seats.
 - If installing a new plug, tighten it twice to prevent loosening:
 - a) First tighten the plug:
NGK:3/4 turn after it seats.
 - b) Then loosen the plug.
 - c) Next, tighten the plug again:
1/8 turn after it seats.

NOTICE

Improperly tightened of spark plug may damage the engine.

9. Reinstall the spark plug cap.

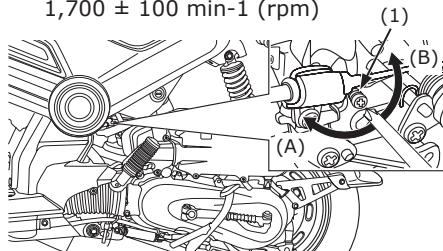
ENGINE IDLE SPEED

Refer to the Safety Precautions on page 40. The engine must be at normal operating temperature for accurate idle speed adjustment. 10 minutes of stop-and-go riding is sufficient.

1. Warm up the engine, and place the vehicle on its center stand.
2. Connect a tachometer to the engine.
3. Adjust idle speed with the throttle stop screw (1).

Idle speed (In neutral) :

1,700 ± 100 min-1 (rpm)



(1) Throttle stop screw (थ्रॉटल स्टॉप स्क्रू)

(A) Increase (बढ़ाना)

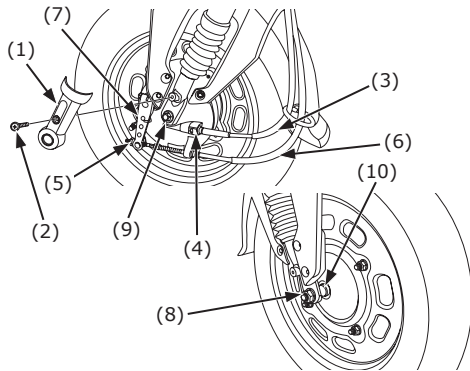
(B) Decrease (घटाना)

WHEEL REMOVAL

Refer to the Safety Precautions on Page 40.

Front Wheel Removal

1. Place the vehicle on its center stand.
2. Raise the front wheel off the ground by pressing from rear side.
3. Remove the front fork cover (1) from both side by removing screw (2).
4. Remove the speedometer cable (3) by pushing the tab (4).
5. Remove the front brake adjusting nut (5) and remove the front brake cable (6) from the brake arm (7).
6. Remove the front axle nut (8).
7. Remove the front axle shaft (9), collar (10) and the wheel.



- (1) Front fork cover (फ्रंट फोर्क कवर)
- (2) Screw (स्कू)
- (3) Speedometer cable (स्पीडोमीटर केबल)
- (4) Tab (टैब)
- (5) Front brake adjusting nut (फ्रंट ब्रेक एडजस्टिंग नट)
- (6) Front brake cable (फ्रंट ब्रेक केबल)
- (7) Brake arm (ब्रेक आर्म)
- (8) Front axle nut (फ्रंट एक्सल नट)
- (9) Front axle shaft (फ्रंट एक्सल शाफ्ट)
- (10) Collar (कॉलर)

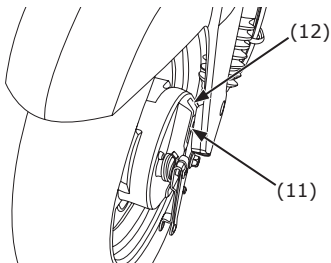
Front Wheel Installation

1. Position the wheel between the fork legs and insert the front axle from the left side, through the left fork leg, wheel hub, collar and right fork leg.

Make sure that the tang (11) on the left front fork leg is located in the slot (12) in the brake panel.

2. Tighten the front axle nut to the specified torque.

59 N.m (6.0 kgf.m, 43 lbf.ft)



(11) Tang (टैंग)

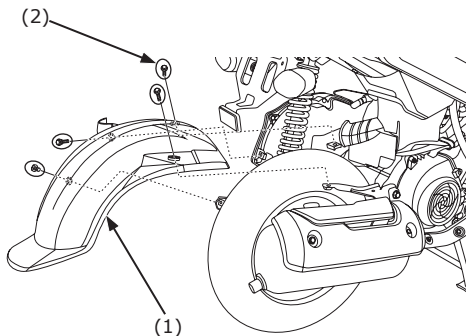
(12) Slot (स्लॉट)

3. Adjust the brake (page 13 - 14).
4. After installing the wheel, apply the brake several times and then check if the wheel rotates freely. Recheck the wheel if the brake drags or if the wheel does not rotate freely.

If a torque wrench was not used for installation, see your Honda dealer as soon as possible to verify proper assembly. Improper assembly may lead to loss of braking capacity.

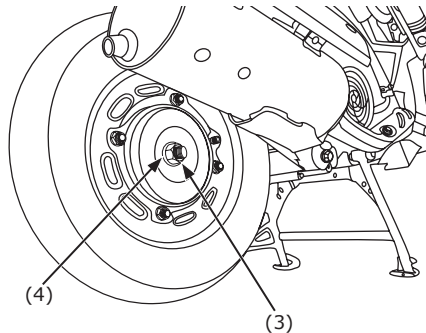
Rear Wheel Removal/Installation

1. Place the vehicle on its center stand.
2. Remove the rear wheel fender RR inner (1) by removing 4 bolts (2).



- (1) Fender RR inner (फेंडर आर आर इन्नर)
(2) Bolts (बोल्ड)

3. Remove the rear wheel nut (3) and washer (4) by applying rear brake.
4. Remove the rear wheel.



- (3) Nut (नट)
(4) Washer (वाशर)

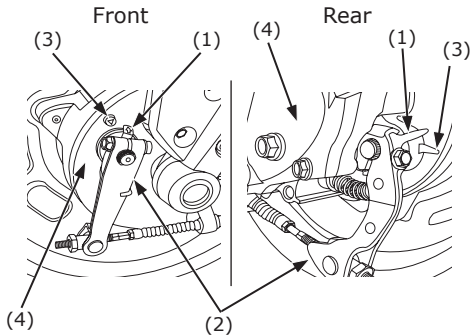
5. Installation is in the reverse order of removal

BRAKE SHOE WEAR

Refer to the Safety Precautions on page 40. The front and rear brakes are equipped with brake wear indicators.

When the brake is applied, an arrow mark (1) attached to the brake arm (2) moves toward a reference mark (3) on the brake panel (4). If the arrow aligns with the reference mark on full application of the brake, the brake shoes must be replaced. See your Honda dealer for this service.

When the brake service is necessary, see your Honda dealer. Use only genuine Honda parts or its equivalent.



- (1) Arrow mark (ऐरो मार्क)
- (2) Brake arm (ब्रेक आर्म)
- (3) Reference mark (रेफरेन्स मार्क)
- (4) Brake panel (ब्रेक पैनल)

BATTERY

Refer to the safety precautions on page 40. It is not necessary to check the battery electrolyte level or add distilled water as the battery is a maintenance-free (sealed) type. If your battery seems weak and/or is leaking electrolyte (causing hard starting or other electrical troubles), contact your Honda dealer or battery manufacturer.

NOTICE

Your battery is maintenance-free type and can be permanently damaged if the cap strip is removed.



This symbol on the battery means that this product must not be treated as household waste.

NOTICE

Battery contains lead, which is a hazardous material and if improperly disposed, can be harmful to the environment and human health.

Always return the used maintenance-free battery to the Honda dealer.

⚠ WARNING

The battery gives off explosive hydrogen gas during normal operation.

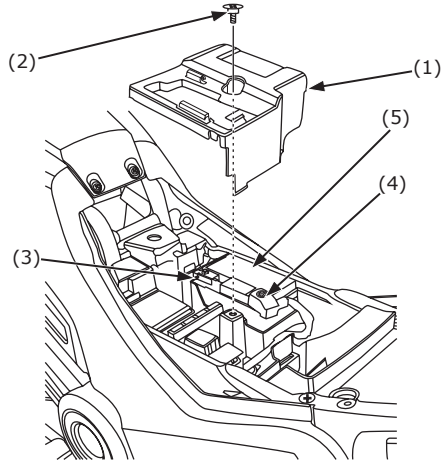
A spark or flame can cause the battery to explode with enough force to kill or seriously hurt you.

Wear protective clothing and a face shield or have a skilled mechanic do the battery maintenance.

Keep children away from the battery.

Battery Removal

1. Remove the seat (Ref. page 24).
2. Remove the battery cover (1) by removing screw (2).
3. Disconnect the negative (-) terminal lead (3) from the battery first, then disconnect the positive (+) terminal lead (4).
4. Remove the battery (5).
5. Installation can be done in the reverse order of removal.



- (1) Battery cover (बैटरी कवर)
- (2) Screw (स्कू)
- (3) Negative (-) terminal lead (नैगेटिव (-) टर्मिनल लीड)
- (4) Positive (+) terminal lead (पॉजिटिव (+) टर्मिनल लीड)
- (5) Battery (बैटरी)

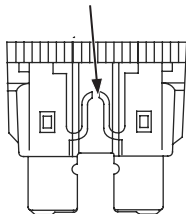
FUSE REPLACEMENT

Refer to the Safety Precautions on page 40. When frequent fuse failure occurs, it usually indicates a short circuit or an overload in the electrical system. See your Honda dealer for repair.

NOTICE

Never use a fuse with a different rating from that specified. Serious damage to the electrical system or a fire may result, causing a dangerous loss of lights or engine power.

Blown fuse (ब्लोन फ्यूज)

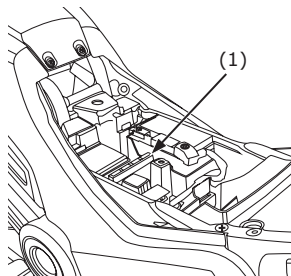


Fuse Holder:

The fuse box (1) is located near the battery. The specified fuse is:

Main fuse 10 A

Sub fuse 7.5 A

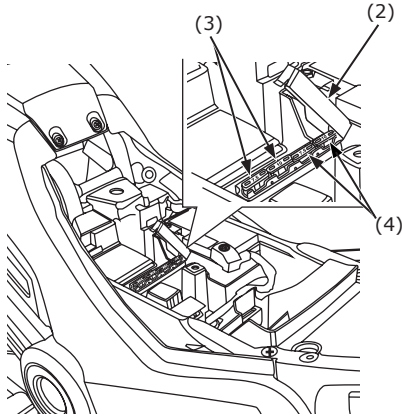


(1) Fuse box (फ्यूज बॉक्स)

Removal

1. Turn the ignition switch OFF before checking or replacing the fuses to prevent an accidental short-circuit.
2. Remove the battery cover (page 60).

3. Open the fuse box cover (2) and lift out the fuse (3) from the fuse box. If fuse blown, install a new fuse.
4. The spare fuse (4) is located in the fuse box.



- (2) Fuse box cover (फ्यूज बॉक्स कवर)
(3) Fuse (फ्यूज)
(4) Spare fuse (स्पेयर फ्यूज)

Install the fuse properly. A loose fuse could cause damage to the electrical system and even cause a fire.

5. Close the fuse box cover properly, after replacing the fuse.
6. Install the battery cover.

If you do not have a replacement fuse with the proper rating for the circuit, install one with a lower rating.

NOTICE

Replacing a fuse with one that has a higher rating greatly increases the chance of damage to the electrical system.

If the replacement fuse of the same rating burns out in a short time, there is probably a serious electrical problem on your vehicle. Leave the blown fuse in that circuit and have your vehicle checked by your Honda dealer.

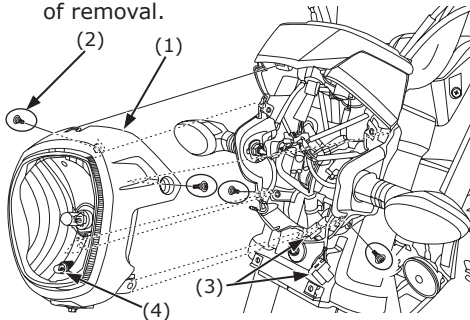
BULB REPLACEMENT

Refer to the Safety Precautions on page 40. The light bulb becomes very hot while the light is ON, and remain hot for a while after it is turned OFF. Be sure to let it cool down before servicing.

- Be sure to turn the ignition switch OFF when replacing the bulb.
- Do not use bulbs other than those specified.
- After installing a new bulb, check that the light operates properly.

POSITION LIGHT BULB

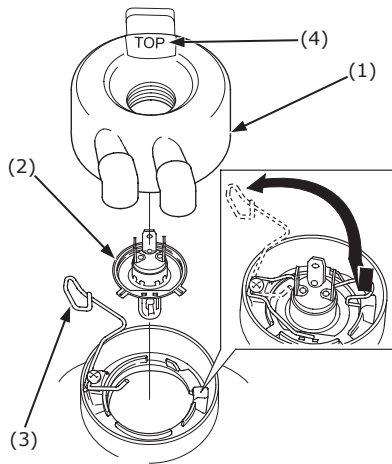
1. Remove the front cowl (1) by removing 4 screws (2). Carefully hold it from the lower end.
2. Disconnect the connectors (3).
3. Remove the position light bulb (4) by pulling it .
4. Install a new bulb in the reverse order of removal.



- (1) Front cowl (फ्रंट काउल)
- (2) Screw (स्कू)
- (3) Connector (कनेक्टर)
- (4) Position light Bulb (पोजिशन लाईट बल्ब)

HEADLIGHT BULB

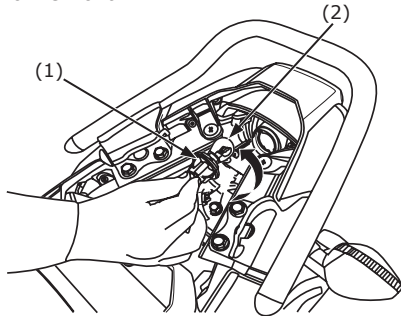
1. Remove the front cowl (page 63).
 2. Remove the dust cover (1).
 3. Remove the headlight bulb (2) while pressing down the locking pin (3).
 4. Install a new bulb in the reverse order of removal.
- Install the dust cover with its "TOP" mark (4) facing up.



- (1) Dust cover (डस्ट कवर)
- (2) Headlight bulb (हेडलाईट बल्ब)
- (3) Locking Pin (लॉकिंग पिन्)
- (4) "Top" mark (टॉप मार्क)

STOP/TAIL LIGHT BULB

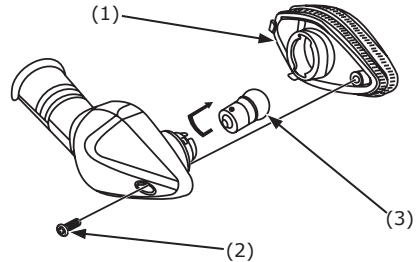
1. Remove the seat (page 24).
2. Remove the bulb holder (1) by turning it counterclockwise.
3. Remove the bulb (2) from bulb holder by pressing in and turning counterclockwise.
4. Install a new bulb in the reverse order of removal.



- (1) Bulb holder (बल्ब होल्डर)
(2) Bulb (बल्ब)

FRONT/REAR TURN SIGNAL BULB

1. Remove the turn signal lens (1) by removing the screw (2).
2. Remove the bulb (3) from bulb holder by pressing in and turning counterclockwise.
3. Install a new bulb in the reverse order of removal.



- (1) Turn signal lens (टर्न सिग्नल बल्ब होल्डर)
(2) Screw (स्कू)
(3) Bulb (बल्ब)

CLEANING

Clean your vehicle regularly to protect the surface finishes and inspect for damage, wear, and oil leakage.

Avoid cleaning products that are not specifically designed for vehicle or automobile surfaces.

They may contain harsh detergents or chemical solvents that could damage the metal, paint, and plastic on your vehicle.

If your vehicle is still warm from recent operation, give the engine and exhaust system time to cool off.

We recommend avoiding the use of high pressure water spray (typical in coin operated car washes).

NOTICE

High pressure water (or air) can damage certain parts of the vehicles.

Washing the vehicle

1. Rinse the vehicle thoroughly with cool water to remove loose dirt.
2. Clean the vehicle with a sponge or soft cloth using cool water.

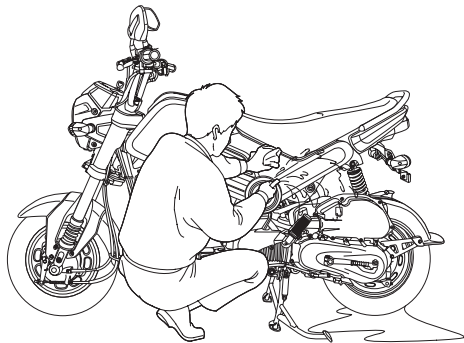
Avoid directing water to muffler outlets and electrical parts.

3. Clean the plastic parts using a cloth or sponge dampened with a solution of mild detergent and water. Rub the soiled area gently rinsing it frequently with fresh water. Take care to keep chemical solvents off the vehicle. They will damage the plastic and painted surfaces.

The inside of the headlight lens, tail lamp, indicators etc. May be clouded immediately after washing the vehicle. Moisture condensation inside the headlight lens will disappear gradually by lighting the headlight in high beam. Run the engine while keeping the headlight on.

4. After cleaning, rinse the vehicle thoroughly with plenty of clean water. Strong detergent residue can corrode alloy parts.

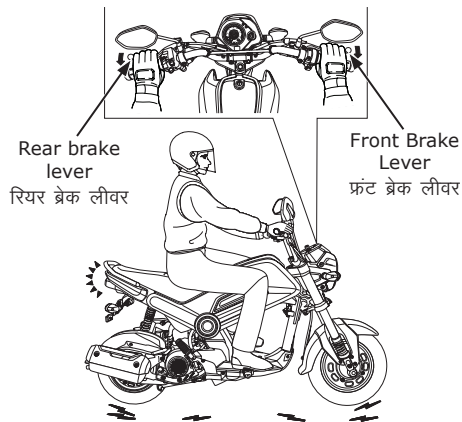
5. Dry the vehicle start the engine, and let it run for several minutes.



⚠ CAUTION

Do not wash the center compartment, only wipe with cloth.

6. Test the brakes before riding the vehicle. Several applications may be necessary to restore normal braking performance. Braking efficiency may be temporarily impaired immediately after washing the vehicle.



Anticipate longer stopping distance to avoid a possible accident.

Finishing Touches

After washing your vehicle, consider using a commercially-available spray cleaner/ polish or quality liquid or paste wax to finish the job. Use only a nonabrasive polish or wax

made specifically for automobiles. Apply the polish or wax according to the instructions on the container.

Removing Road Salt

The salt contained in the road surface freezing prevention medicine which a road was sprayed with in winter, and the seawater becomes the cause which rust occurs in.

Wash your vehicle by the following point after it runs through such a place.

1. Clean the vehicle using cool water (Ref. page 66-67).

Do not use warm water.

This worsens the effect of the salt.

2. Dry the vehicle and the surface of the metal is protected with the wax.

STORAGE GUIDE

Extended storage, such as for winter, requires that you take certain steps to reduce the effects of deterioration from non-use of the vehicle. In addition necessary repairs should be made BEFORE storing the vehicle, otherwise, these repairs

may be forgotten by the time the vehicle is removed from storage.

STORAGE

1. Change the engine oil.
2. Empty the fuel tank into an approved petrol container using a commercially available hand siphon or an equivalent method. Spray the inside of the tank with an aerosol rust-inhibiting oil.

Reinstall the fuel filler cap on the tank.

If storage will last more than one month carburetor draining is very important, to assure proper performance after storage.

⚠ WARNING

Petrol is highly flammable and explosive. You can be burned or seriously injured while handling the same.

- Stop the engine and keep heat, sparks, and flame away.
- Refuel only outdoors.
- Wipe up spills immediately.

3. To prevent rusting in the cylinder, perform the following :
 - Remove the spark plug cap from the spark plug. Using tape or string, secure the cap to any convenient plastic body part so that it is positioned away from the spark plug.
 - Remove the spark plug from the engine and store it in a safe place. Do not connect the spark plug to the spark plug cap.
 - Pour a tablespoon (15-20 cm³) of clean engine oil into the cylinder and cover the spark plug hole with a piece of cloth.
 - Crank the engine several times to distribute the oil.
 - Reinstall the spark plug and spark plug cap.
4. Remove the battery. Store in an area protected from freezing temperatures and direct sunlight.
5. Wash and dry the vehicle. Wax all painted surfaces. Coat chrome with rust inhibiting oil.
6. Inflate the tyres to their recommended pressures. Place the vehicle on blocks to raise both tyres off the ground.
7. Cover the vehicle (don't use plastic or other coated materials) and store in an unheated area, free of dampness with a minimum of daily temperature variation. Do not store the vehicle in direct sunlight.

REMOVAL FROM STORAGE

1. Uncover and clean the vehicle.
Change the engine oil if more than 4 months have passed since the start of storage.
2. Check the battery voltage and charge the battery as required. Install the battery.
3. Drain any excess aerosol rust-inhibiting oil from the fuel tank. Fill the fuel tank with fresh petrol.
4. Perform all Pre-ride Inspection checks (Ref. page 29).

Test ride the vehicle at low speeds in a safe riding area away from traffic.

SPECIFICATIONS

DIMENSIONS

Overall length	1805 mm (71.1 in)
Overall width	748 mm (29.4 in)
Overall height	1039 mm (40.9 in)
Wheelbase	1286 mm (50.6 in)

WEIGHT

Dry weight	96.4 kg (212.5 lbs)
Kerb weight	101 kg (222.7 lbs)

CAPACITIES

Engine Oil	After draining	0.7 L (0.7 US qt, 0.6 Imp qt)
	After disassembly	0.8 L (0.8 US qt, 0.7 Imp qt)
Fuel tank		3.8 L (1.00 US gal, 0.84 Imp gal)
Fuel tank reserve		0.9 L (0.24 US gal , 0.20 Imp gal)
Transmission oil	After draining	0.10 L (0.11 US qt, 0.09 Imp qt)
	After disassembly	0.12 L (0.13 US qt, 0.11 Imp qt)
Passenger capacity		Operator and one passenger
Maximum weight capacity		153 kg (337 lbs)

ENGINE

Bore and stroke	50.0 x 55.6 mm (1.97 x 2.19 in)
Compression ratio	9.5 : 1
Displacement	109.19 cm ³ (6.66 cu-in)
Spark Plug	
Standard	MR7C-9N (NGK)
	(Part No. 31917-KWP-D01)
Spark plug gap	0.80 - 0.90 mm (0.031 - 0.035 in)
Idle speed	1,700 ± 100 min-1 (rpm)

CHASSIS AND SUSPENSION

Caster	27°30'
Trail	81.5 mm (3.2 in)
Tyre size, Front	90/90-12 54J
Tyre size, Rear	90/100-10 53J

POWER TRANSMISSION

Primary drive type	V-Belt
Final reduction	10.117

ELECTRICAL

Battery		12V - 3Ah (MF)
Generator		0.13kW/5,000 min-1 (rpm)

LIGHT

Headlight		12V-35/35W
Position light		12V-5Wx1
Stop/tail light		12V-21/5W
Turn signal light	Front	12V-10Wx2
	Rear	12V-10Wx2
Speedometer light		12V-1.7Wx1
Turn signal indicator		12V-1.7Wx1
High beam indicator		12V-1.7Wx1

FUSE

Main fuse		10A
Sub fuse		7.5A

CATALYTIC CONVERTER

This Vehicle is equipped with a catalytic converter.

The catalytic converter contains precious metals that serve as catalysts. Promoting chemical reactions to convert the exhaust gasses without affecting the metals.

The catalytic converter acts on HC, CO, and NOx. A replacement unit must be an original Honda part or its equivalent.

The catalytic converter must operate at a high temperature for the chemical reactions to take place. It can set on fire any combustible materials that come near it. Mark your vehicle away from high grasses, dry leaves, or other flammables.

A defective catalytic converter contributes to air pollution, and can impair your engine's performance. Follow these guidelines to protect your vehicle's catalytic converter.

- Always use unleaded petrol. Even a small amount of leaded petrol can contaminate the catalyst metals, making the catalytic converter ineffective.
- Keep the engine tuned-up.
- Have your vehicle diagnosed and replaced if it is misfiring, backfiring stalling or otherwise not running properly.

Warranty Policy

Honda Motorcycle & Vehicle India (Pvt.) Ltd. (HMSI) gives the following warranty in respect of vehicle "**NAVI**" manufactured by them.

Proper care and precaution has been taken to ensure the best quality in respect of the material and workmanship in manufacturing "**NAVI**".

HMSI would repair or replace at its discretion, those part(s) found to have manufacturing defects during examination. This repair or replacement of part(s) would be done free of charge at their authorised workshop, within a warranty period of 24 months from the date of sale or until the vehicle has covered 24000kms, whichever comes first.

Warranty claims in respect of proprietary parts like tyres and battery are warranted by their respective manufacturers and should be claimed on them directly by customer.

NOTE: Battery Warranty is applicable from 21 months from Date Of Charging at manufacturer or 18 Months from the Date Of Sale or 20000 Kms whichever is earlier.

In all such cases the decision of the respective manufacturer will be final and binding.

HMSI shall not be liable in any manner to replace them though their dealers will give full assistance in preferring such claims on their manufacturers.

HMSI undertake no liability in the matter of consequential loss or damage caused due to the failure of the parts. Delay, if any, at the repairing workshop in carrying out repair to vehicle shall not be a ground for extending the warranty period nor shall it give any right to the customer for claiming any compensation for damages.

HMSI reserves the right either to repair or replace the defective part.

Where a defective part can be replaced by part/s of alternative brand/s, which are normally used by HMSI in the course of manufacturing, HMSI reserves the right to carry out the replacement by a part or parts of any such alternative brands.

This warranty and any claim arising therefrom is subject to Gurgaon jurisdiction only.

No claim for exchange or repair can be considered unless the customer:

- a. Ensures that immediately upon discovery of the defect, he approaches any nearest authorised dealer of HMSI with the concerned vehicle and enables him to remove and dispatch the part/parts attributing to manufacturing defect to the company.
- b. Produces Owner's Manual in original, to enable that dealer to verify the details. It must be expressly understood that claims forwarded directly to us by the owner/customer will not be entertained at all and such defective part/parts thus forwarded by them will lie at our factory at their own risk, and this warranty shall not be enforceable.

Further this warranty is not applicable to:

1. Any "**NAVI**" on which any free and paid services has not been carried out, as per schedule given in Owner's Manual.
2. Normal maintenance operations like valve adjustment, cleaning of fuel system, engine tune-up or such other adjustments.
3. HMSI does not warrant normal wear and tear items like Weight Set Clutch, Roller Set Weight, Wheel Rim (in case of misalignment and bent), Bushes, Fasteners, Washers and Electrical Items like Bulbs, Rubber and Plastic Components like Grommets, O-Rings, Bellows as well as Packings, Gaskets, Oil Seals and Consumables like Fuel Filter, Air

- Cleaner Element, Engine Oil, Grease, Suspension Grease and other items as specified by HMSI.
4. Fasteners and clips which needs replacement during maintenance/service will not be covered under warranty.
 5. If there is any damage to the painted surface due to industrial pollution or other extraneous factors.
 6. Any damage resulting from unavoidable natural disaster i.e fire collision, earthquake, flood etc.
 7. Any damage caused by exposure of the product to soot and smoke, chemical agents, bird-droppings, sea water, sea breeze, or other environmental phenomenon.
 8. If there is any damage caused due to usage of improper oil/grease, non genuine parts.
 9. For two-wheelers, which have been used for any commercial purposes as taxi etc.
 10. For maintenance repairs required due to misuse while driving or due to adulteration of oil, petrol or due to bad road conditions.
 11. Recommended fuel quality not used.
 12. Parts of the vehicle that have been subjected to misuse, accident, negligent treatment or which have been used in conjunction with parts and an equipment not manufactured or recommended for use by HMSI if in the sole judgment of HMSI, such use prematurely affects the performance and reliability of the vehicle.
 13. Parts of the vehicle that have been altered or modified or replaced in unauthorized manner, and which in the sole judgment of HMSI affect its performance and reliability.
 14. The vehicle that has not been serviced by HMSI authorised dealer as per the service schedule or which have not been operated or maintained in accordance with instructions mentioned in the Owner's Manual.

15. The vehicles used for any competition or race and/or for attempting to set up any kind of record HMSI reserves the right to make any changes in design or to add any improvement on the vehicle at any time without incurring any obligations to install the same on a vehicle previously supplied and sold. Also the conditions of this warranty are subject to alteration without any notice.

This warranty is entirely written warranty given by HMSI for "NAVI" and no other person, including the dealer or its or his agent or employee is authorised to extend or enlarge this warranty.

This warranty is given in lieu of and excludes every condition or warranty whether statutory or otherwise not herein expressly set out.

EMISSION WARRANTY

Subject to other terms of the warranty policy and other conditions and obligations laid down hereunder, the manufacturer certifies that the components liable to affect the emission of the gaseous pollutants in the vehicle in normal use despite the use to which it may be subjected, comply with provisions of rule 115(2) of the Central Motor Vehicle Rules, 1989 and further warrants that if on examination by a service center duly authorized by the manufacturer, the vehicle is discovered to be failing to meet the emission standard as specified in the said rule, the authorized service center shall take such corrective measures as may be necessary and shall at its sole discretion replace free of charge such components of emission control system as are specified in schedule.

A. Conditions

1. This warranty will be in addition to and run parallel to the product warranty given by the manufacturer and will apply to components as mentioned later. This warranty is applicable in Delhi, Mumbai, Kolkata and Chennai with effective from 1st July 2001. Other places when included will be covered under warranty accordingly.
2. The period of the vehicle's emission warranty will be determined starting from the date of the vehicle sale. The period of time and kilometers that are covered under the provisions of warranty may vary but should not be less than the minimum warranty period based on the vehicle category.
3. Warranty claim for the components under Emission warranty as per annexure-II will be admitted, for a prima facie examination, in the event of failure of the vehicle to meet the emission standard as specified in sub-rule (2) of Rule No 115 of the Central Motor vehicle Rules.
4. The warranty claim will be accepted only after the examinations carried out by Authorized Service Centers leads to a firm conclusion that none of the original settings have been tampered with and that the components as mentioned in annexure-II has/have a manufacturing defect, and/or, that the vehicle is unable to meet the in-use emission standard, in spite of the vehicle being maintained and used in accordance with the instructions in the owner's manual.

For a two-wheeler the emission warranty period is 30,000 kms or 3 years whichever is earlier.

5. The methods of examination to determine the warrantable condition of the components will be at the sole discretion of manufacturers and or their Authorized service centers and results of such examination will be final and binding. If, on examination, a warrantable condition is not established, the manufacturers will have to charge all, or part, of the cost of such examination.
6. In case of a vehicle in which the components covered under Emission warranty, the manufacturer will replace, at Authorized centers free of charge, the components which are covered as mentioned in Annexure-II, but the consumables as mentioned in Owner's Manual shall be charged as per actuals.
7. In case of a vehicle in which the components covered under Emission warranty or the associated parts are not independently replaceable on account of their being integral parts of a complete assembly, the manufacturer will have the sole discretion to replace either the entire assembly or by using some of the parts of the system through suitable repairs or modifications.
8. Any consequential repairs or replacement of parts which may be found necessary to establish compliance to in-use emission standards, in addition to replacement of the parts covered under emission warranty, will not be made free of cost unless such parts are also found to be in a warrantable condition within the scope and limit of the product warranty. The consumables shall be charged as per actuals during such repairs or replacement of parts.
9. All the parts removed for replacement under warranty will be the property of the manufacturer.
10. The manufacturer will not be responsible for the cost of transportation of the vehicle to the nearest Authorized Service center or any loss due to non-

availability of the vehicle during the period of lodging of a warranty claim and examination by the manufacturer and repairs.

11. The manufacturer will not be responsible for any penalties that may be charged by statutory authorities on account of failure to comply with the in use emission standards.
12. Emission warranty will be applicable irrespective of the change of ownership of the vehicle provided all the conditions as laid down in this document are met from the date of original sale of the vehicle.
13. The emission warranty will be applicable only if:
 - a. Observes all the important instructions and any other precautions listed in the Owner's Manual for use of the vehicle.
 - b. Under all circumstances uses lubricants and fuel as recommended by manufacturer.
 - c. Regularly obtains and carries out maintenance in accordance with the manufacturer's guidelines and enters the details in the Logbook.
 - d. Immediately approaches the nearest authorized service center upon discovery of failure to comply with the in use emission standards in spite of having maintained and used the vehicle in accordance with the instructions in the Owner's Manual and having carried out such repairs and adjustments as may be required with a view to establish such compliance.
 - e. Produces the 'Pollution Under Control' certificate valid for the period immediately preceding the test during which the failure is

discovered, the test having been carried out either for obtaining a new certificate, or pursuant upon being directed by an officer as referred to in sub-rule(2) of Rule 116 of the Central Motor Vehicle Rules.

- f. Produces the Owner's Manual and Log book for verification details.
 - g. Produces receipts covering maintenance of the vehicle as specified in the Owner's Manual from the date of original purchase of the vehicle.
 - h. Produces valid certificate of insurance and RTO registration.
14. Conditions under which warranty is not applicable:
- A valid 'Pollution Under Control' certificate as described in customer obligation D(6) above is not produced.

A vehicle which is not serviced by Authorized service center as per the service schedule described in the maintenance chart given in the Owner's Manual.

A vehicle, which has been subjected to abnormal use, abuse, neglect and improper maintenance or has met with an accident. Use of replacement parts not specified and approved by the manufacturer.

A vehicle, or parts thereof, which has been altered, tampered with or modified or replaced in an unauthorized manner.

A vehicle on which the odometer is not functioning or the odometer has been changed/tampered with so that the actual mileage cannot be readily determined.

A vehicle which has been used for competitions, races, rallies or for the purpose of establishing records.

Examination by the manufacturers or his Authorized Service Centers of the vehicle shows that any of the conditions stipulated in the Owner's Manual with regard to use and maintenance have been violated.

A vehicle, which has been run on, adulterated fuel, leaded fuel or lubricant or fuel/lubricants other than those specified by the manufacturer in the Owner's Manual with regard to use and maintenance have been violated.

SCOPE AND LIMITS

1. This emission warranty is in addition to product warranty and shall run parallel to the product warranty for the vehicle as per the scope and limit described in the Owner's Manual and all conditions described there in will apply in addition to those exclusively stipulated in this warranty.

2. The emission warranty covers only compliance with the emission standard as specified in the sub rule (2) of rule 115 of CMVR. It does not cover any other performance of these parts or routine test and consequent maintenance or adjustments to establish compliance to the in use emission standard as applicable to the state, in which the vehicle is registered and is in use.

The parts, which are covered under emission warranty, are carburetor and internal parts, intake manifold, distributor and internal parts, ignition coil, muffler etc.

NOTE: The emission warranty is applicable only when a customer enters into emission warranty contract.