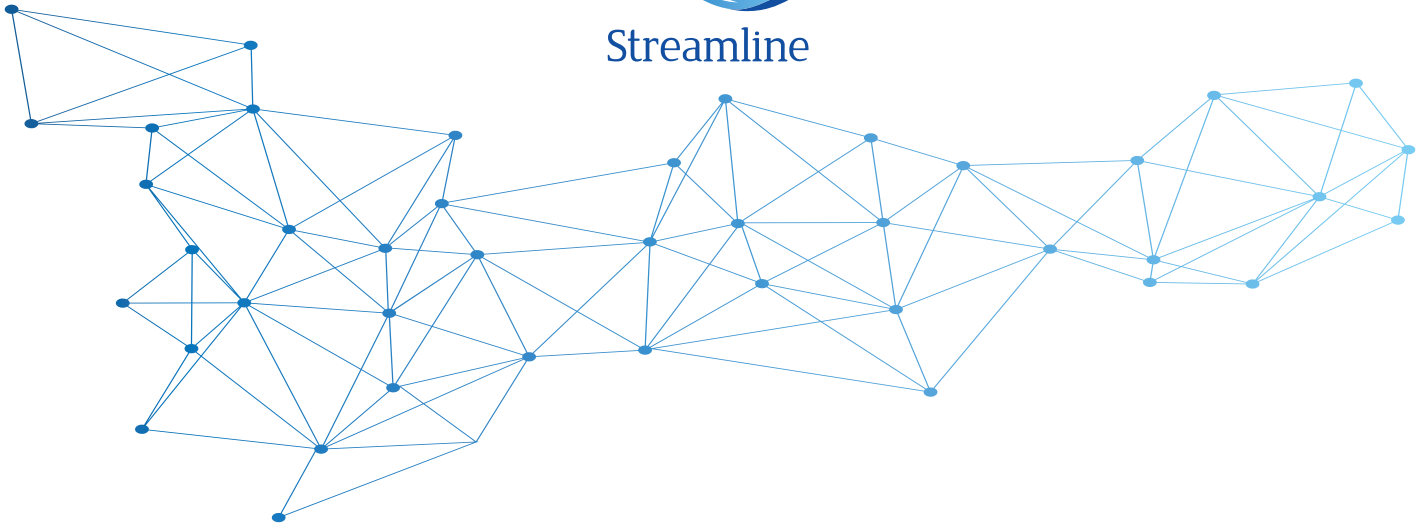


# CLAWFOOT BATHTUB SERIES



Streamline



## OWNER'S MANUAL & INSTALLATION GUIDE



READ ENTIRE INSTALLATION GUIDE  
PRIOR TO INSTALLING THE BATHTUB  
THIS BATHTUB SHOULD ONLY BE  
INSTALLED BY A CERTIFIED PLUMBER

**CAUTION!**



TWO PEOPLE ARE REQUIRED  
TO LIFT THE BATHTUB

**QUESTIONS ON PRODUCT, INSTALLATION, RETURNS? PLEASE CONTACT**

[streamlinebath.com](http://streamlinebath.com)

[support@streamlinebath.com](mailto:support@streamlinebath.com)

(310) 935-0028

# PRIOR TO INSTALLING

These products must be installed by a fully insured and licensed plumber only.

Installation of any product by anyone other than fully insured and licensed plumber shall void limited warranty.

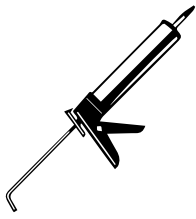
We are not responsible for any local code compliance for this product.

Building and plumbing codes may vary state-to-state.

Streamline shall not be held liable for any and all incidental damages or flood caused due to use of this product.

Streamline shall not be held liable for any and all fees stemming from cost of installation, re-installation, removal, subsequent damage, or transportation in a case of a product defect.

# TOOLS REQUIRED



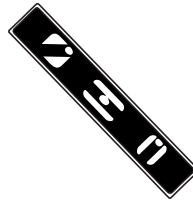
Silicone



Pencil



Adjustable Key



Level Bar



Measuring Tape

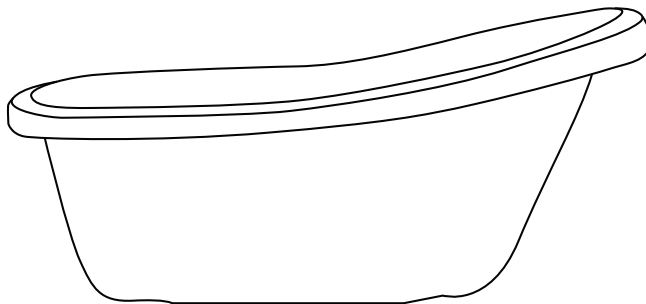


Safety Glasses

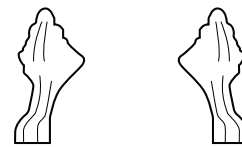
# WHAT'S IN THE BOX

Please note:

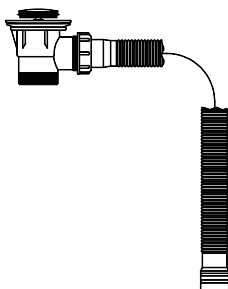
Different bathtub models have different drain & clawfeet models. Please see the next page to determine which drain or clawfoot model applies to the bathtub model that you have purchased.



Bathtub

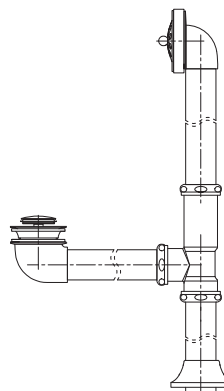


Clawfeet



(Pre-installed)  
Model A1840-O

Drain

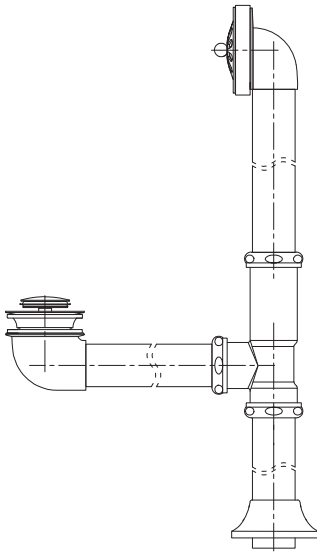


Drain

Model: N-DWF-GLD  
Model: N-DWF-CH

# DRAIN MODEL COMPATIBILITY

## FREESTANDING BATHTUB



N-DWF-CH  
N-DWF-GLD



N-100-60CFWH-DM  
N-101-68CFWH-DM  
N-102-60CFRD-DM  
N-103-68CFBL-DM



N-340-67CFWH-FM  
N-341-59CFWH-FM  
N-342-63CFWH-FM  
N-343-55CFWH-FM



N-344-59CFBL-FM  
N-345-67CFBL-FM



N-860-60CFGR-FM  
N-861-68CFWH-FM



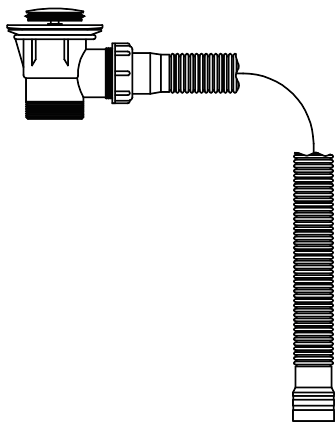
N-900-60CFWH-DM  
N-901-68CFWH-DM



N-920-60CFWH-FM  
N-921-68CFGR-FM



N-1120-59CFBL-DM  
N-1121-67CFWH-DM



Model  
Model A1840-O



N-480-61FSHW-FM



N-1020-62CFWH-FM  
N-1021-62CFRD-FM



N-1080-59CFWH-FM  
N-1081-67CFWH-FM



N-1100-59CFWH-FM  
N-1101-67CFGR-FM



N-481-61FSBL-FM  
N-482-61FSRD-FM

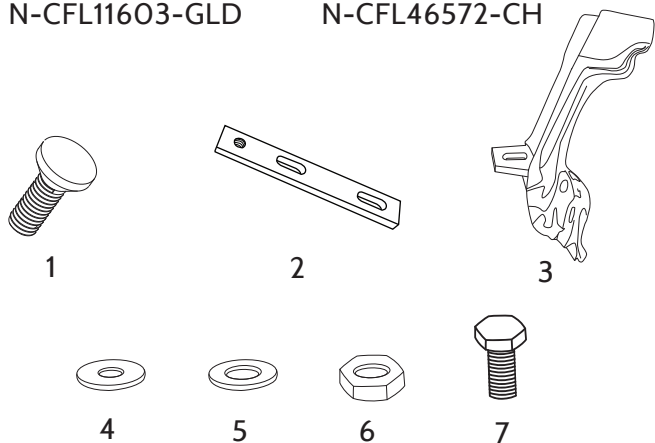


N-346-55CFWHIN-FM  
N-347-59CFWHIN-FM  
N-348-63CFWHIN-FM  
N-349-67CFWHIN-FM

# WHAT'S INCLUDED IN THE CLAWFOOT BOX

Applicable models :

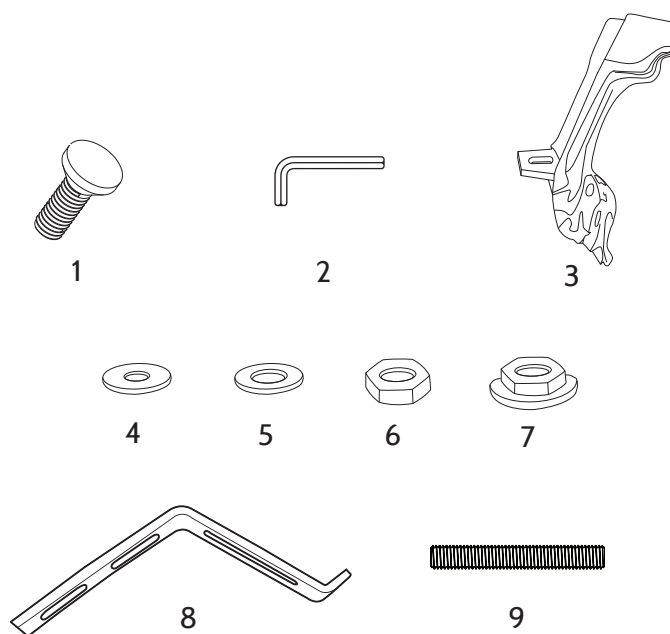
- N-CFL1775-CH
- N-CFL1775-WH
- N-CFL1775-BL
- N-CFL1775-GLD
- N-CFL1912-CH
- N-CFL1912-WH
- N-CFL1912-BL
- N-CFL1912-GLD
- N-CFL11603-CH
- N-CFL11603-GLD
- N-CFL11603-BL
- N-CFL11603-WH
- N-CFLK36572-BL
- N-CFLK36572-CH
- N-CFLK36572-GLD
- N-CFLK36572-WH
- N-CFL46572-BL
- N-CFL46572-WH
- N-CFL46572-GLD
- N-CFL46572-CH



No.	ITEM	Qty
1	Leveling Feet	4
2	Metal Plate	4
3	Claw Feet	4
4	Washer With Small Diameter	8
5	Washer With Large Diameter	4
6	Nut	8
7	Hex Bolt	4

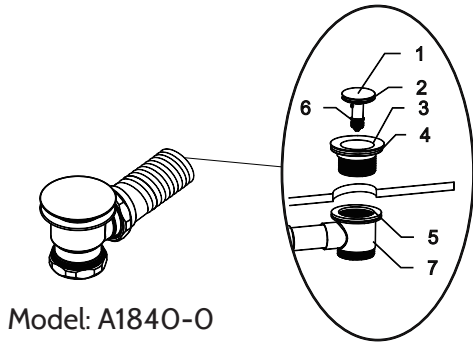
Applicable models:

- N-CFL11601-CH
- N-CFL11601-WH
- N-CFL11601-BL
- N-CFL11601-GLD



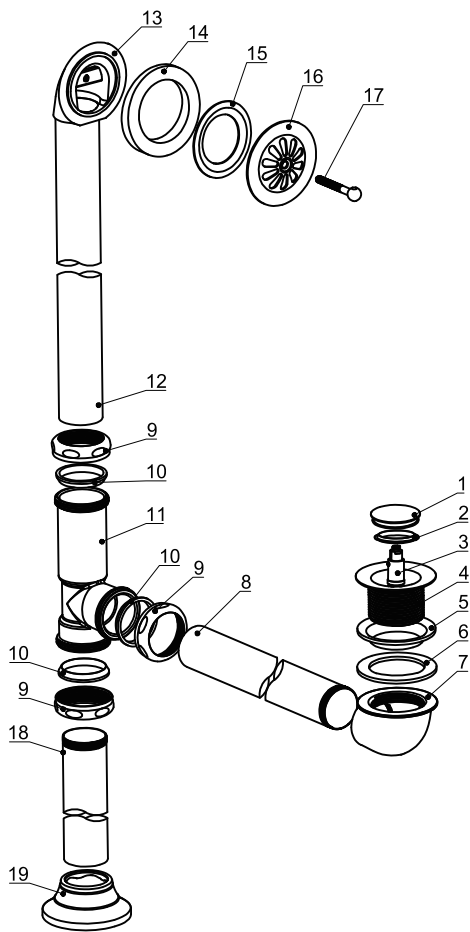
No.	ITEM	Qty
1	Leveling Feet	4
2	Hex Key	1
3	Claw Feet	4
4	Washer With Small Diameter	14
5	Washer With Large Diameter	9
6	Nut	12
7	Nut With Washer	16
8	Metal Plate	4
9	Bolts	8

# DRAIN DIAGRAMS



Model: A1840-O

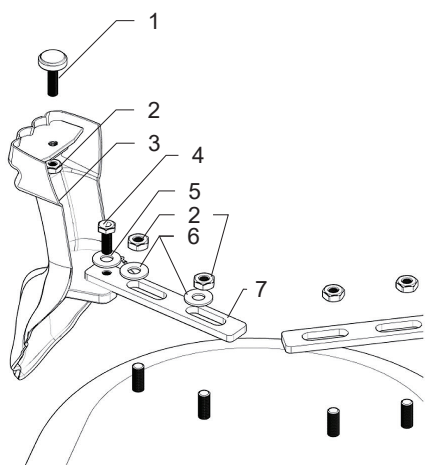
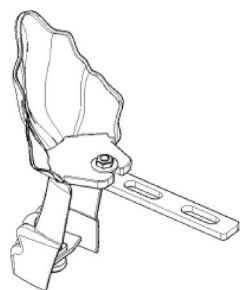
No.	ITEM	Qty
1	Pop-Up Cover	1
2	O Ring	1
3	Strainer	1
4	Rubber Gasket	1
5	Flat Rubber Gasket	1
6	Cartridge	1
7	Tee	1



Model: N-DWF-GLD  
Model: N-DWF-CH

No	ITEM	Qty
1	Cover	1
2	Cover gasket	1
3	Cartridge	1
4	Strainer	1
5	Waste upper gasket	1
6	Waste lower gasket	1
7	Connector	1
8	Coupling nut	1
9	Nut	1
10	Washer	3
11	Tee	3
12	Pipe	1
13	Overflow body	1
14	Tapered rubber gasket	1
15	Overflow upper gasket	1
16	Overflow plate	1
17	Pin Bolt	1
16	Taic piece	1
17	Flange	1

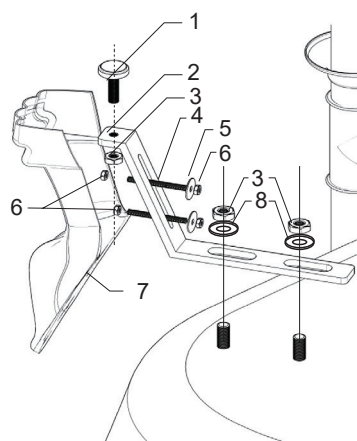
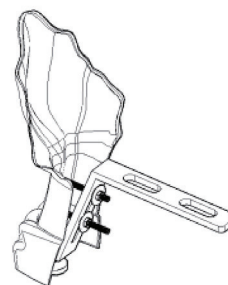
# CLAWFOOT DIRAGRAM



No.	ITEM	Qty
1	Leveling Foot	1
2	Nut	2
3	Clawfoot	1
4	Hex Bolt	1
5	Washer With Large Diameter	1
6	Washer With Small Diameter	2
7	Metal Plate	1

Applicable models :

CFL1775-CH	N-CFL11603-BL
CFL1775-WH	N-CFL11603-WH
CFL1775-BL	N-CFLK36572-BL
CFL1775-GLD	N-CFLK36572-CH
CFL1912-CH	N-CFLK36572-GLD
CFL1912-WH	N-CFLK35672-WH
CFL1912-BL	N-CFL46572-BL
CFL1912-GLD	N-CFL46572-WH
N-CFL11603-CH	N-CFL46572-GLD
N-CFL11603-GLD	N-CFL46572-CH



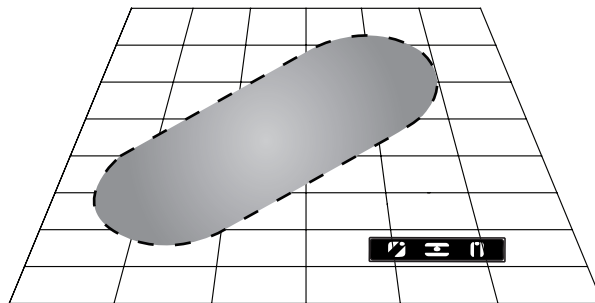
No.	ITEM	Qty
1	Leveling Foot	1
2	Metal Plate	1
3	Nut	3
4	Bolt	2
5	Washer With Small Diameter	2
6	Nut With Washer	4
7	Clawfoot	1
8	Washer With Large Diameter	2

Applicable models:

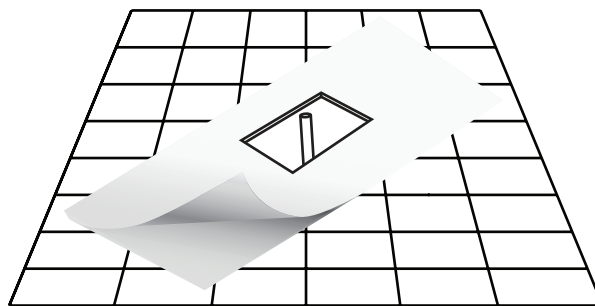
CFL11601-CH  
 CFL11601-WH  
 CFL11601-BL  
 CFL11601-GLD

# BATHTUB INSTALLATION

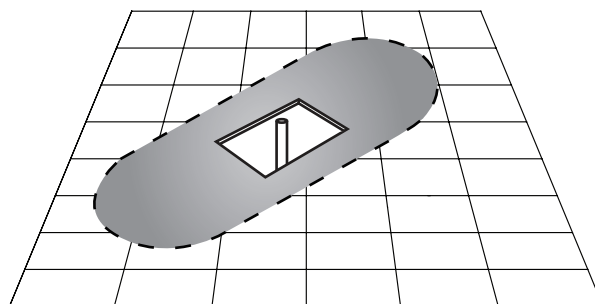
1. Ensure that the floor at the installation site has sufficient floor support and is level.



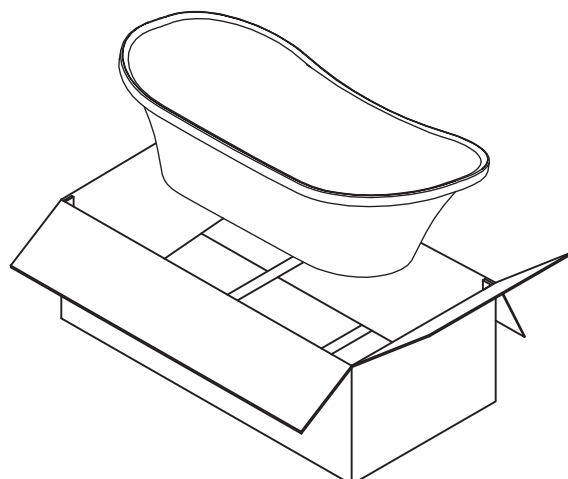
2. Waterproofing the floor is highly recommended.



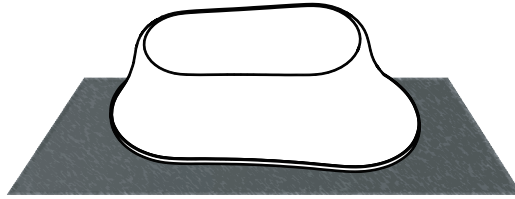
3. Determine the location of the drainpipe on the floor by taking measurements of the drain and waste location underneath the unit. Clean the drain hole area in preparation of setting the drain. The area should be dry & free from any debris.



4. Remove the bathtub from its box. It is recommended that the bathtub is carried by a minimum of two people. Ensure to carry and set down the bathtub only in the upside-down position.



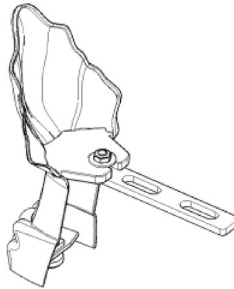
5. Gently place the bathtub in the upside-down position on a tarp or cardboard sheet in order to avoid contact with any rough surface.



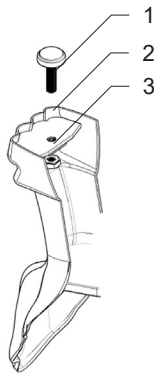
6. This step will be attaching the clawfeet to the bathtub. Please check the previous page to see which clawfeet model is applicable to your bathtub.

Applicable models :

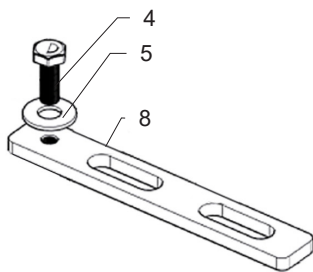
N-CFL1775-CH  
 N-CFL1775-WH  
 N-CFL1775-BL  
 N-CFL1775-GLD  
 N-CFL1912-CH  
 N-CFL1912-WH  
 N-CFL1912-BL  
 N-CFL1912-GLD



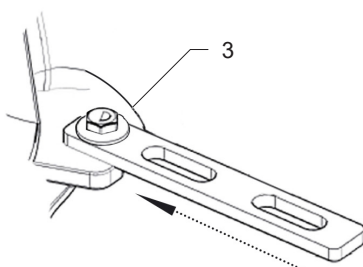
- a) Take (1) adjustable foot [#1], place it through the hole in the clawfoot [#3], and screw (1) nut [#2] at the bottom of the adjustable foot.



- b) Take (1) bolt [#4] and (1) washer [#5] and place them through the metal plate [#8].

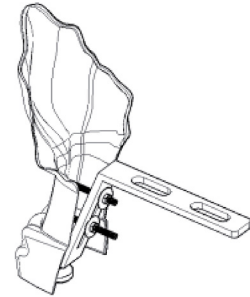


- c) Take the metal plate and slip it snug with the clawfoot [#3].

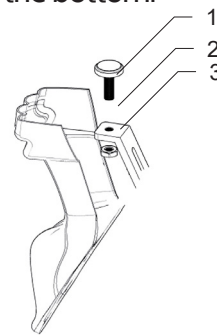


Applicable models:

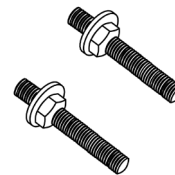
N-CFL11601-CH  
 N-CFL11601-WH  
 N-CFL11601-BL  
 N-CFL11601-GLD



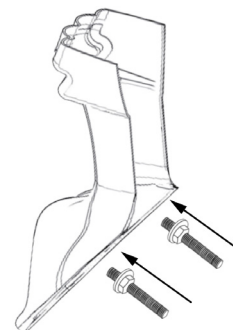
- a) Take (1) adjustable foot [#1] and put it through (1) metal plate [#2], using (1) nut [#3] to tighten the adjustable foot at the bottom.



- b) Take (1) bolt [#4] and (1) nut with washer [#6] and screw the nut onto the bolt approximately 1/4 of the length of the bolt. Repeat Step 1 with the second bolt.

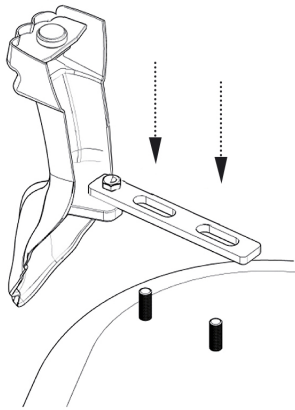


- c) Take the bolt & nut & screw them into the clawfoot as shown in the diagram below. Make sure to tighten the bolt into the clawfoot using the provided hex key.

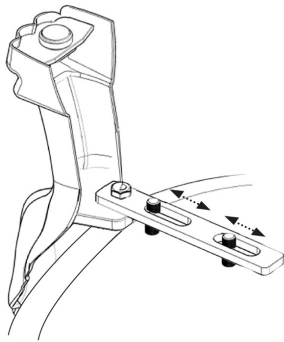




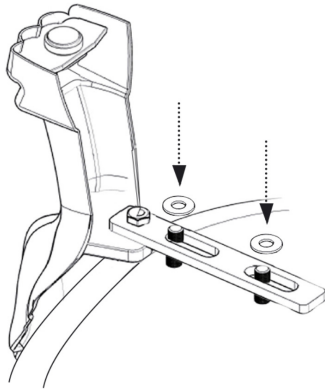
d) Place the metal plate on top of the bolts that are already on the bottom of the bathtub.



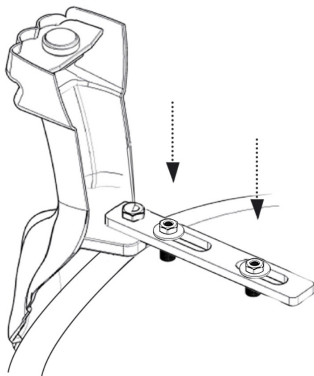
e) Make sure to adjust the metal plate so that it fits snug with the bolts on the bathtub. This will help to ensure that the clawfeet are placed correctly and are functioning properly.



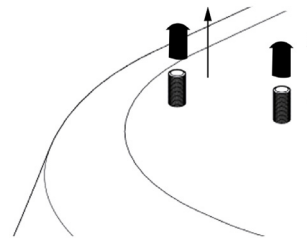
f) Take (2) washers [#6] and place them over the metal plates on the bathtub.



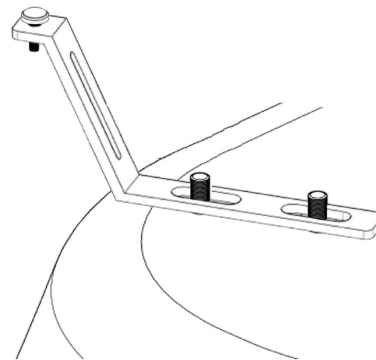
g) Put (1) nut [#2] over each of the metal bolts and screw them on. Do not tighten yet.



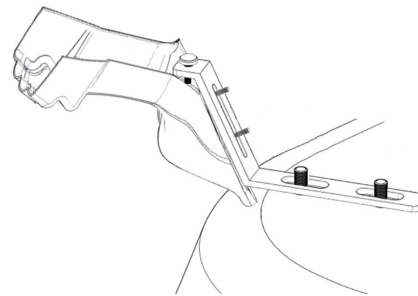
d) Remove the safety caps from the bolts on the bathtub.



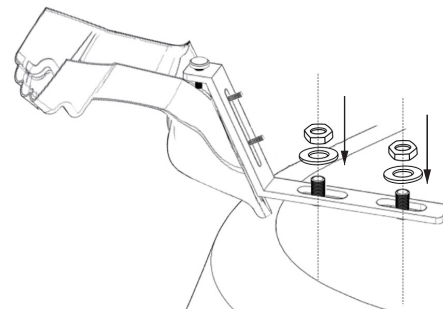
e) Place the metal plate [#2] over the bolts on the bathtub as shown in the diagram below. Make sure to adjust the metal plate so that it fits snug with the bolts on the bathtub. This will help to ensure that the clawfeet are placed correctly and are functioning properly.



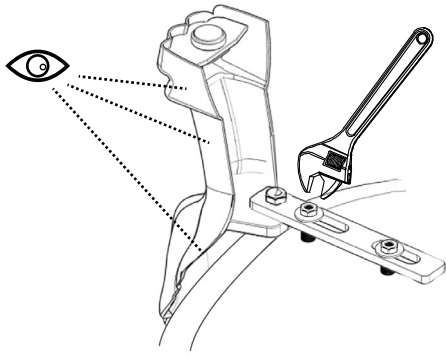
f) Take the clawfoot [#7] & align it with the bathtub, ensuring that the top top bolts go through the opening and are fit snug with both the bathtub & metal plate.



g) Take (1) washer [#8] and put it over the bolt on the bathtub. Then take (1) nut [#3] and place it over the washer, but do not tighten the bolt completely. Repeat this step for the other bolt on the bathtub.

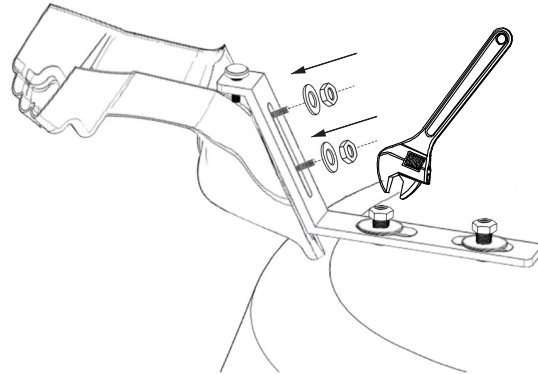


h) Check to ensure that the clawfoot is aligned properly with the bathtub and is sitting snug against the bathtub. Once this is done, use a wrench to tighten all of the nuts.



i) Repeat the same procedure for the other 3 legs.

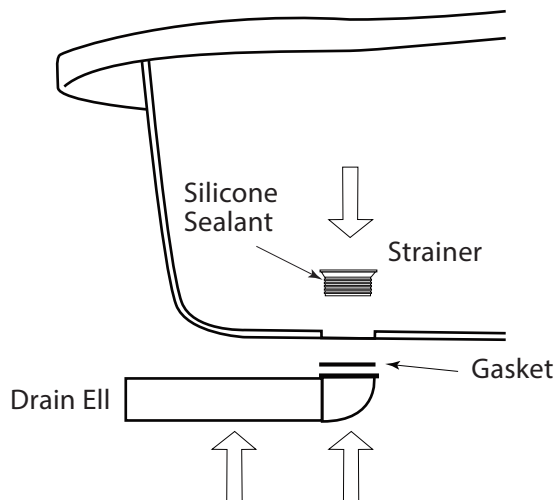
h) Take (1) washer [#5] and place it over the bolt on the metal plate. Then take (1) nut with washer [#6] and screw it into the bolt. Do not tighten. Repeat the same step for the lower bolt. Once this is done, use a wrench to tighten all of the nuts.



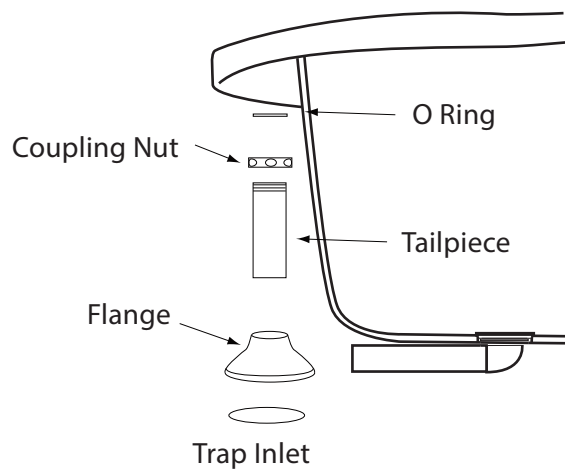
i) Repeat the same procedure for the other 3 legs.

The following drain installation is applicable to drain models N-DWF-CH & N-DWF-GLD. Please skip to step 12 for drain model A-1840-0.

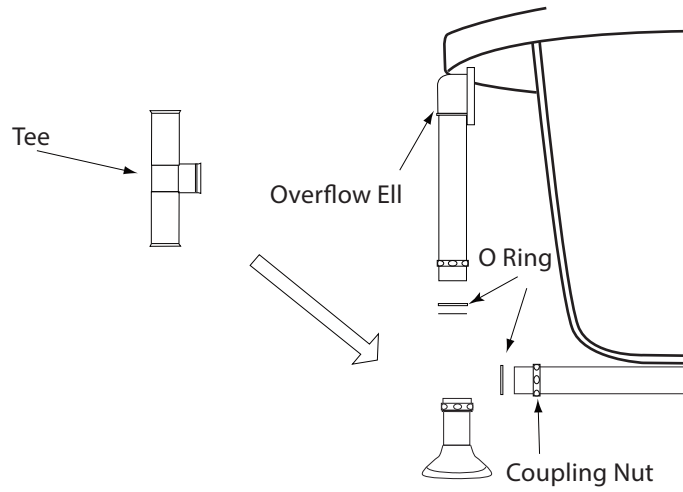
7. Take the strainer, place silicone sealant around it, and then place it into the drain hole ensuring a tight connection with the drain ell & gasket. Use silicone sealant. DO NOT use plumbers putty to seal.



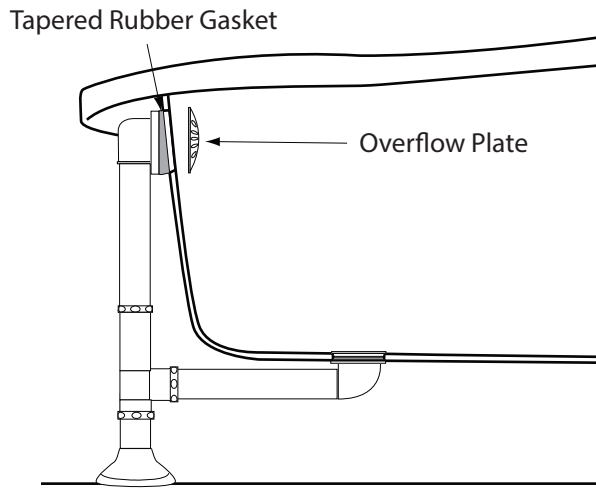
8. Insert the tailpiece into the trap inlet using the O-ring, coupling nut, & flange. The tailpiece may need to be cut for proper fit. 1"-2" of the tail piece should fit inside the trap. Slip the flange over the tailpiece and slide down to the floor.



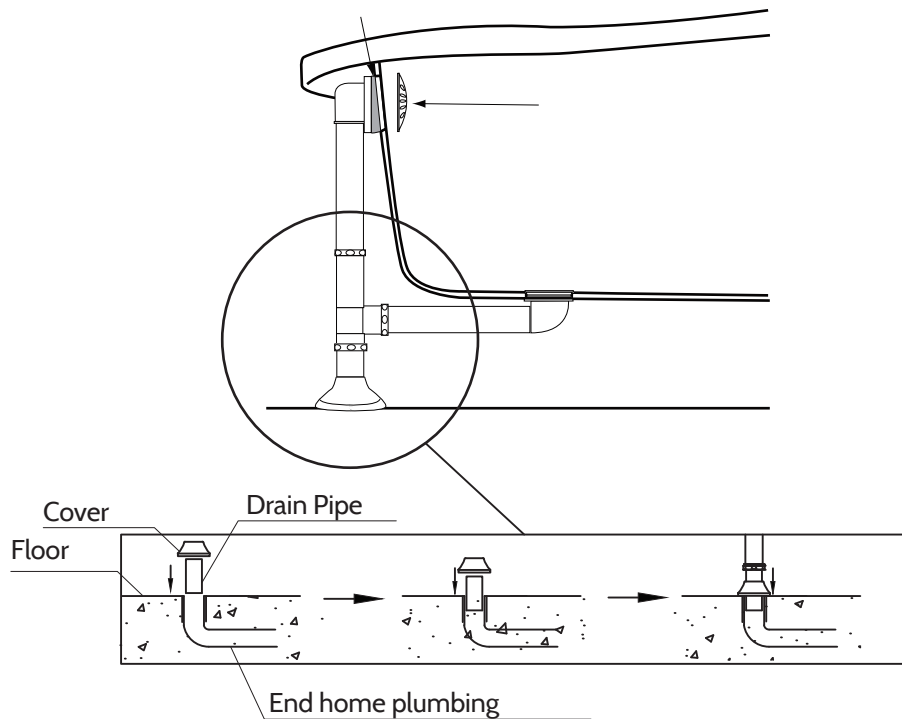
9. Assemble the tee section to the tailpiece, overflow, & drain ell using the coupling nuts and O-rings that are provided.



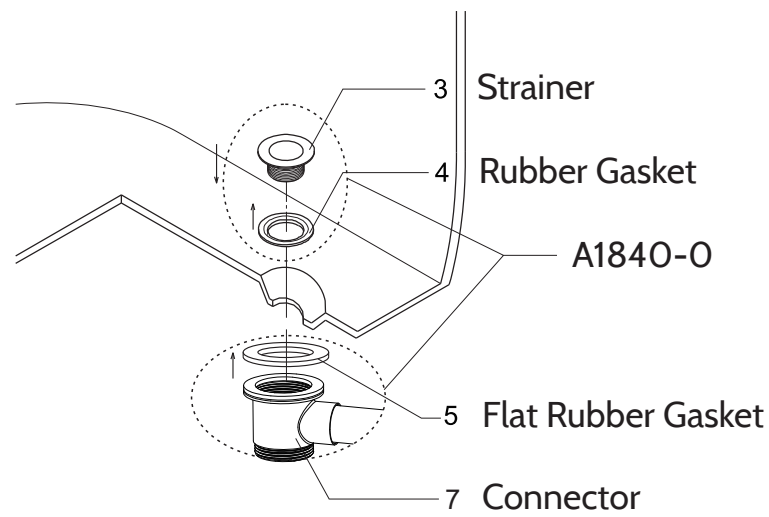
10. Attach the tapered rubber gasket to the overflow ell. Align the overflow ell with the overflow hole & secure the drain to the tub with overflow plate and screw provided.



11. Make sure a watertight seal exists on all bath drain connections.



The installation steps below are for drain model A1840-0.



12. Put the rubber gasket (#4) onto the strainer (#3)
13. Put the rubber gasket and strainer through the pre-drilled drain hole.
14. Put the flat rubber gasket (#5) onto the connector (#7).
15. Connect the connector with the flat rubber gasket, strainer, and rubber gasket and tighten them by hand. Then use a wrench to tighten the connector.