

OWNER'S MANUAL

Keurig® K-Cup® K150 Brewer

MANUEL D'UTILISATION

Cafetière à K-Cup® K150 de Keurig®



KEURIG®

K-CUP®

Single Cup
Brewing System

IMPORTANT SAFEGUARDS

Safe Operation & Use



When using electrical appliances, basic safety precautions should be followed, including the following:

1. Read all instructions before using.
2. Do not touch hot surfaces. Use handles and knobs when available.
3. This appliance must be properly installed and located in accordance with these instructions before it is used.
4. The use of accessory attachments not recommended by the appliance manufacturer may result in fire, electrical shock or injury to persons.
5. Do not place on or near a hot gas or electric burner, or in a heated oven.
6. Do not use outdoors.
7. To protect against fire, electric shock and injury do not immerse cords, plugs, or the appliance in water or any other liquid.
8. Do not overfill the Water Reservoir with water.
9. Use **only water** in this appliance! Do not put any other liquids or foods in the Water Reservoir except as instructed in the Cleaning Instructions in this guide.
10. Turn off and unplug the brewer before cleaning or maintenance. Allow to cool before putting on or taking off parts and before cleaning the appliance.
11. For best operation, plug the appliance into its own electrical outlet on a dedicated circuit to prevent flickering of lights, blowing of fuses or tripping a circuit breaker.
12. Do not operate any appliance with a damaged cord or plug or after the appliance malfunctions or is damaged in any manner. Contact Keurig Customer Service to report any malfunction of or damage to the brewer.
13. Do not let the cord hang over the edge of the table or counter, or touch hot surfaces.
14. To disconnect, press the Power Switch on the brewer to "OFF" status and then remove the plug from the wall outlet.
15. Close supervision is necessary when any appliance is used by or near children.
16. **Do not lift the Handle while brewing is in progress.**
17. Always keep the Water Reservoir Lid on the Water Reservoir unless you are refilling it.
18. This appliance is equipped with a power cord having a grounding wire with a grounding plug. The appliance must be grounded using a 3-hole properly grounded outlet. In the event of an electrical short circuit, grounding reduces the risk of electrical shock.
19. If the outlet is a standard 2-prong wall outlet, it is your personal responsibility and obligation to have it replaced with a properly grounded 3-prong wall outlet.
20. Do not, under any circumstances, cut or remove the third (ground) prong from the Power Cord or use an adapter.
21. Consult a qualified electrician if the grounding instructions are not completely understood, or if doubt exists as to whether the appliance is properly grounded.
22. Do not use the appliance for other than its intended use.
23. The Water Filter Starter Kit (#5072) and cartridges (#5073) are compatible with the K150 brewer but are not NSF certified. Use of these accessories will void NSF certification.
24. Always brew with the Puncture Plate (item R on page 5) installed. Failure to do so will result in a failure to properly brew.

**SAVE THESE
INSTRUCTIONS.**

WARNING TO USERS AND PARENTS

1. DO NOT permit children to use brewer unless there is adult supervision. Brewer dispenses very hot water.

2. SPECIAL NOTICE FOR HOT COCOA USERS: IMMEDIATELY AFTER USING A HOT COCOA K-CUP® PACK, RUN a Hot Water Brew Cycle

without a K-Cup® pack to avoid the possibility of clogging the Exit Needle. **DO NOT** assume the next user will do this.

CAUTION: There are two sharp needles that puncture the K-Cup® pack, one above the K-Cup® Pack Holder and the other in the bottom of the K-Cup® Pack Holder. To avoid risk of injury, do not put your fingers in the K-Cup® Pack Assembly Housing.

CAUTION: There is extremely hot water in the K-Cup® Pack Holder during the brew process. To avoid risk of injury, do not lift the Handle or open the K-Cup® Pack Assembly Housing during the brewing process.

CAUTION: Please always keep the brewer in its upright position to avoid potential injury and/or damage to your brewer.

SHORT CORD INSTRUCTIONS: A short power supply cord is provided to reduce the risk of becoming entangled in or tripping over a longer cord.

If an extension cord is used, (1) the marked electrical rating of the cord set or extension cord should be at least as great as the electrical rating of the appliance; (2) the cord should be arranged so that it will not drape over the countertop or tabletop where it can be pulled on by children or tripped over unintentionally; and (3) the extension cord must include a 3-prong grounding plug.

THIS PRODUCT IS FOR **HOUSEHOLD AND COMMERCIAL USE.**

WARNING THIS PRODUCT CONTAINS CHEMICALS, INCLUDING LEAD, WHICH IS KNOWN TO THE STATE OF CALIFORNIA TO CAUSE CANCER, BIRTH DEFECTS OR OTHER REPRODUCTIVE HARM.



WARNING

RISK OF FIRE OR
ELECTRIC SHOCK
DO NOT OPEN

WARNING: TO REDUCE THE RISK OF FIRE OR ELECTRIC SHOCK, DO NOT REMOVE THE BOTTOM COVER. NO USER SERVICEABLE PARTS ARE INSIDE. REPAIR SHOULD BE DONE BY AUTHORIZED SERVICE PERSONNEL ONLY.

TABLE OF CONTENTS

KEURIG® GOURMET SINGLE CUP BREWING SYSTEM

KEURIG® K150 — Using Your Brewer

SET-UP

Helpful Hints.....	4
Unpacking.....	4
Features.....	5

SECTION 1 — SET-UP & FIRST BREW

Set-Up & First Brew.....	6
--------------------------	---

SECTION 2 — MENU CONTROLS & INDICATORS

Setting the Clock.....	12
Programming Brew Temperature.....	12
Programming Brew Size.....	13
Programming On/Off Features.....	13

SECTION 3 — CLEANING & MAINTENANCE

Cleaning.....	15
De-Scaling.....	16
Storage.....	17

SECTION 4 — TROUBLESHOOTING..... 18

SECTION 5 — WARRANTY..... 19

Pour des directives en français, veuillez vous reporter à la page 20.

Record your Brewer Serial Number here.

Removing the serial number label from the brewer will void warranty.

Set-up

Helpful Hints

1. Keep your brewer turned “ON” at all times.

To brew a fresh cup of coffee, tea or hot cocoa anytime you want, we suggest you keep your brewer turned “ON” all the time. However, the brewer is fully programmable so you can set it to turn on and off automatically to match your schedule. Or, if you prefer, set the brewer to automatically turn off after a period of time. Follow the simple instructions on pages 13–14 to make using the brewer convenient for you.

2. For the best tasting gourmet coffee, tea or hot cocoa, Keurig recommends using bottled water or the Keurig™ Water Filter Starter Kit (available at www.keurig.com).

Water quality varies from place to place. If you notice an undesirable taste in your cup of coffee, such as chlorine or other mineral tastes, we recommend you consider using bottled water or water from a filtration system. The Keurig™ Water Filter Starter Kit is compatible with the K150 brewer but is not NSF certified. Use of this accessory will void NSF certification.

3. Customize the Size, Flavor & Brew That’s Perfect for You.™

With the choice of over 250 varieties of K-Cup® packs and 5 brew sizes (Small Cup-4 oz.,

Small Mug-6 oz., Medium Mug-8 oz., Large Mug-10 oz. and Travel Mug-12 oz.) your Keurig® brewer gives you endless options to customize the size, flavor and brew that’s perfect for you. For a strong, intense cup, select an Extra Bold K-Cup® pack (with up to 30% more ground coffee than regular varieties) and brew the size that’s right for you. The smaller the brew size, the more intense flavor in your cup. The larger the brew size, the less intense flavor in your cup.

4. Plug brewer into its own grounded outlet.

If the electric circuit is overloaded with other appliances, your brewer may not function properly. The brewer should be operated on its own circuit, separate from other appliances.

5. Brewing into a travel mug.

To brew into a travel mug, simply remove the Drip Tray Assembly and place the travel mug on the Drip Tray Base.

6. De-scale brewer regularly.

Please see pages 16 and 17 for instructions.

Unpacking Instructions

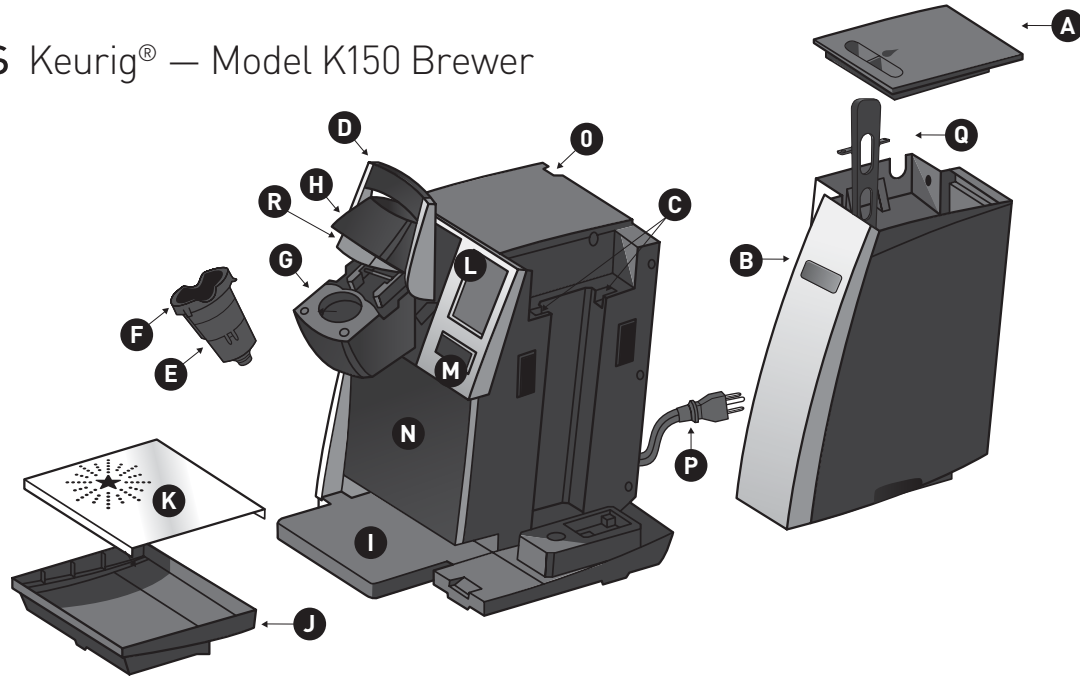
1. Place brewer box on a large steady surface (such as a table or countertop) or on the floor. Open the box.

2. Remove enclosed literature and K-Cup® variety pack.
3. Turn the box on its side with the front of the box face down.
4. Reach into the box and grasp the foam insert that contains the brewer.
5. Carefully pull the foam insert toward you and out of the box. The brewer will still be encased in the polyfoam and be on its side.
6. Remove the top polyfoam packaging material.
7. Carefully lift brewer off of the bottom polyfoam and place it upright on a flat, steady surface.
8. Lift plastic bag off of brewer.
9. Record the serial number for this brewer on page 3 of this guide. The serial number can be found on the side of the brewer box or on the bottom of the brewer.
10. Place the brewer upright on a flat, steady surface. Remove tape holding Water Reservoir in place.

We recommend you save all packing materials in case future shipping of the product is necessary.

WARNING:
Keep all plastic bags away from children.

Features Keurig® — Model K150 Brewer



Keurig® K150 Brewer

- | | | | | |
|--|--|--|---------------------------|------------------------------------|
| A. Water Reservoir Lid | D. Handle | G. K-Cup® Pack Assembly Housing | J. Drip Tray | N. Housing |
| B. Water Reservoir | E. K-Cup® Pack Holder Funnel | H. Lid | K. Drip Tray Plate | O. Power Switch |
| C. Water Reservoir Lock Tab Slots | F. K-Cup® Pack Holder (E and F are the K-Cup® Pack Holder Assembly) | I. Drip Tray Base | L. LCD Screen | P. Power Cord |
| | | | M. BREW Button | Q. Removable Float |
| | | | | R. Removable Puncture Plate |

SECTION 1 Set-Up & First Brew

IMPORTANT: You cannot use your Keurig® brewer until it has been set up for its first use.

NOTE: If brewer has been exposed to temperatures below freezing, allow brewer at least two hours to reach room temperature before brewing. A frozen or extremely cold brewer will not operate.

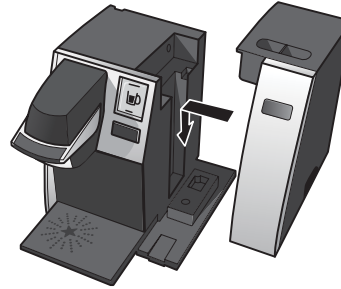
Setting Up Your Brewer

fig. 1



1. Remove all pieces of packing tape from the brewer and Drip Tray. Remove the clear plastic film from the LCD Display. Unwrap cord and plug the brewer into a grounded outlet.
2. Turn the brewer on, the Power Switch is located at the top left hand side of the brewer on the back. The brewer's LCD Display will display the power up welcome screen (fig. 1).
3. Remove the Water Reservoir from brewer by first removing Lid from the Water Reservoir then lifting the Water Reservoir straight up and toward the right of the brewer (may be tight). Rinse the Water Reservoir thoroughly with fresh, clean water.

fig. 2



4. Fill the Water Reservoir up to the fill mark with fresh, clean water. Replace the Water Reservoir on the brewer making sure that the locking tabs engage with the brewer (fig. 2). Replace Lid on Water Reservoir.

5. The brewer will automatically fill the Internal Hot Water Tank with water and then the water will be heated. This will take about 3 minutes. During the heating period, "HEATING PLEASE WAIT" will be displayed on the LCD Screen (fig. 3).

fig. 3



6. Place a 10 oz. mug on the Drip Tray Plate, then fully raise and lower the Handle. The Brew Button will now be illuminated. Press the Brew Button to start a cleansing brew.

NOTE: A K-Cup® pack should not be used for this sequence.

7. When the cleansing brew is complete, the brewer will go into its idle state and will be ready to brew your first K-Cup® pack.

fig. 4



Ready to Brew Your First Cup

1. The LCD Display will be in its idle state (fig. 4).
2. Lift the Handle. The K-Cup® Pack Holder will open toward you (fig. 5).
3. Select a K-Cup® pack.

NOTE: Do not remove the foil lid or puncture the K-Cup® pack.

4. Place a K-Cup® pack in the K-Cup® Pack Holder (fig. 6).

CAUTION: There are two sharp needles that puncture the K-Cup® pack, one above the K-Cup® Pack Holder and the other in the bottom of the K-Cup® Pack Holder. To avoid risk of injury, do not put your fingers in the K-Cup® Pack Assembly Housing.

5. Lower the Handle to close the Lid over the K-Cup® Pack Holder. (When it is closed completely, the BREW Button will flash up to 60 seconds.)
6. Place a mug on the drip tray and select your brew size (fig. 7), then press BREW (fig. 8).

NOTE: If you do not press BREW within 60 seconds the brewer will return to its idle state and the Brew Button will cease to flash to prevent accidental activation. Re-activate by lifting the handle fully and then closing it.

fig. 5



fig. 6



fig. 7



fig. 8



7. There may be a short pause prior to coffee being dispensed. The entire brew process lasts for approximately 1 minute and ends with a burst of air to remove all liquid from the K-Cup® pack.

CAUTION: There is extremely hot water in the K-Cup® Pack Holder during the brew process. To avoid risk of injury, do not lift the Handle or open the K-Cup® Pack Assembly Housing during the brew process.

8. The end of brew is indicated by "KEURIG BREWED ENJOY".

9. Lift the Handle, remove and dispose of the used K-Cup® pack.

CAUTION: K-Cup® pack will be hot.

10. Enjoy your first cup of Keurig Brewed® gourmet coffee, tea or hot cocoa!

11. Your brewer may display "HEATING PLEASE WAIT" as it heats water for the next brew cycle.

SECTION 1 Set-Up & First Brew (continued)

Stopping the Brew Process

If you need to stop the brewing after the process has started, press and release the Power Switch to turn the brewer 'OFF'. The flow of coffee, tea or hot cocoa will stop and the heating element and the LCD Screen will shut off.

NOTE: You may get more coffee, tea or hot cocoa in your cup during your next brew. We recommend that you perform a cleansing brew with water only after a terminated brew. Then your next brew will be the volume you have selected.

Adding Water

fig. 9



The LCD Display of your brewer will indicate when the water level in the Reservoir is low or if the Water Reservoir has been removed by displaying the words "FILL WATER RESERVOIR" (fig. 9). The brewer will not allow you to brew when "FILL WATER RESERVOIR" is displayed (fig. 9).

The Water Reservoir can be filled in three ways.

1. Remove the Water Reservoir from brewer by first removing Lid from the Water Reservoir, then lifting the Water Reservoir straight up and toward the right of the brewer. Fill with water. Place the Water Reservoir back on the brewer and replace the Lid.



IMPORTANT: Do not remove the Water Reservoir during the brewing process.

2. Lift off the Water Reservoir Lid and pour water directly into the Water Reservoir while it is still attached to the brewer, then replace the Lid.
3. The brewer can also be connected directly into the water line. To order a K150 Direct Plumb Kit please call 1.888.CUP.BREW (287.2739).

Brewing Hot Water

Your brewer is able to produce hot water for making hot cocoa from a packet, or for use in cooking, for making soups, etc. Simply follow the instructions on page 7, "Ready To Brew Your First Cup" without adding a K-Cup® pack. **NOTE: After brewing a hot cocoa K-Cup® pack, we recommend running a hot water brew cycle without a K-Cup® pack.**

Purging the Brewer

If your brewer has not been used for more than one week, you should purge the water from the internal water tank.

1. If there is water in the Water Reservoir, remove the Lid, then lift the Water Reservoir straight up and away from brewer. Discard water, rinse and refill with water. Place the Water Reservoir back on the brewer and replace the Lid. (If there is no water in the Water Reservoir, simply refill.)
2. Be sure the brewer is turned 'ON'. Lift and lower the Handle on the brewer without inserting a K-Cup® pack.
3. The LCD Display will be in its idle state (fig. 4).

fig. 10



4. Place a large mug on the drip tray and select Large Mug (10 oz. serving) brew size from the Select Brew Size Menu (fig. 10).
5. Discard water.
6. Repeat steps 2 - 5 two more times to completely purge water from the Internal Hot Water Tank.

SECTION 2 Menu Controls & Indicators

Menu Mode

To enter the MENU MODE the brewer's power must be off. Press and hold your finger on the display while pressing and releasing the Power Switch. Continue pressure on the display for **5 seconds** (fig. 11). The MENU screen will appear (fig. 12).

Press any line item to enter the set up for that particular feature. Please reference the Menu navigation on page 11.

If you are experiencing any problems with your brewer, please contact Customer Service at 1.888.CUP.BREW (287.2739).

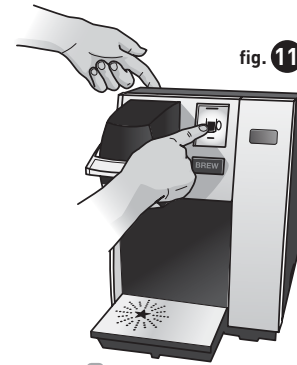
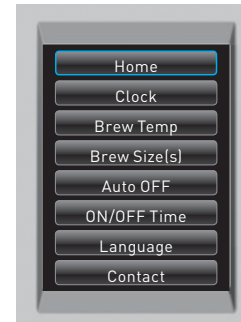


fig. 12



Menu Key Navigation

Home

Press HOME at any time to return your brewer to an idle state.

Clock

Setting the clock is optional. To program the clock, follow the instructions on page 12.

Brew Temp

The brew temperature is pre-set at 193°F. You do not have to set the brew temperature but you can adjust it up or down by 5°. Simply follow the instructions on page 12.

Brew Size(s)

Five brew sizes are available: 4 oz., 6 oz., 8 oz., 10 oz., and 12 oz. To program the brew sizes see page 13.

Auto OFF

Auto Off allows you to program your brewer to automatically turn off two hours after the last brew. See page 14 for programming instructions.

ON/OFF Time

You can leave your brewer on all the time and use the Power Switch to turn it off. Or you can program the brewer to brew at a specific time as shown on page 13.

Language

This brewer is shipped with English as the default language. To change the language, follow the instructions on page 14.

Contact

The contact setting features allows you to program the contact information you need for brewer support and help. To program, follow the instructions on page 14.



SECTION 2 Menu Controls & Indicators (continued)

Setting the Clock

Setting the clock is optional. When the clock is set, the time will appear in the LCD Control Center. **NOTE: You must set the clock if you will be programming the Auto On/Off Time feature.**

fig. 13



1. From the Menu Mode, press "CLOCK".
2. The set clock screen will display "DISABLED" if the brewer is new or if electrical power has been interrupted. Press "DISABLED" to set a time. Press H repeatedly to advance the hour in steps or hold it down to scroll through the hours quickly. When you have set the hour then press the M to set the minutes, press repeatedly to advance by a minute each time or keep it pressed to scroll quickly (fig. 13).
3. Press "OK" when you are finished. The Clock is now set.
4. The correct time should now be displayed in the LCD Home Screen.

NOTE: If power is interrupted to the brewer, follow the procedure above to reset the time as the clock will not be visible. Brew size and brew temperature menu settings will be restored automatically. All other settings will be restored automatically after clock is set.

NOTE: To disable the clock, press the time. However, the 'On/Off' time setting will also be disabled.

Programming Brew Temperature (188° – 198° F)

The brewer brews at a preset temperature of 193°F. You can adjust this temperature up or down by 5°. Simply follow the instructions below.

fig. 14



1. From the Menu Mode, press "BREW TEMP".
2. The LCD Display will now display the Brew Temperature programming options (fig. 14). The temperature 193°F (initial setting) will be displayed at the top of the LCD Display to indicate the current temperature setting.
3. Press the + symbol to increase the temperature and the - symbol to lower the temperature one degree at a time.
4. Once you have reached your desired brew temperature, press "OK". The Brew Temperature is now set.
5. To change the brew temperature, repeat steps 1 through 4.

NOTE: At high altitudes (over 5,000 feet) if boiling occurs, use the temperature adjustment (-5°) to lower the temperature.

Programming Your Brew Size

All brew sizes are enabled in the default setting. If you want to disable any brew size, just press on the appropriate icon(s). Please follow instructions outlined below.



1. From the Menu Mode, press "SET BREW SIZE(S)".
2. The LCD will display all enabled brew sizes. To disable a brew size press the icon. The check mark will change to an "X" indicating that the brew size is disabled (fig. 15).
3. Once you have selected your desired brew size(s), press "OK". The brew size(s) are now set.

NOTE: You can not delete all brew sizes. To enable a brew size you have already disabled, just press its icon and then press "OK". The 8 oz. setting is the default brew size if all sizes have been disabled.

Programming On/Off Features

The brewer provides three modes so that you can enjoy gourmet coffee, tea or hot cocoa on your own schedule.

fig. 16



1. **Leave it ON all the time.** The brewer can be left on all the time so that it is always ready to brew a fresh cup of gourmet coffee, tea or hot cocoa. To turn the brewer off at any time, simply press and release the Power Switch. Press and release the Power Switch again to restore power to the brewer. You will have to wait for the water to heat up before the brewer is ready to brew.
2. Program the brewer for a specific On/Off Time. **NOTE:** To use this programming feature, the clock must be set to the correct time.

- a. After setting the correct time (see "Setting The Clock" page 12), return to the Menu Mode and press "ON/OFF TIME".
- b. To set the ON time, press "DISABLED". The display will change to a time of day. Press "H" to set the hours and "M" to set the minutes. Once the desired time is set, press "OK" to accept this time.
- c. To set the OFF time, press "DISABLED". The display will change to a time of day. Press "H" to set the hours and "M" to set the minutes. Once the desired time is set, press "OK" to accept this time (fig. 16).

SECTION 2 Menu Controls & Indicators (continued)



fig. 17

3. Set the brewer to "AUTO OFF" to automatically turn off 2 hours after the last brew.
 - a. From the Menu Mode, press "AUTO OFF". The LCD Display will now display the "AUTO OFF" programming option (fig.17).
 - b. To enable the "AUTO OFF" feature, press "ON". "ENABLED" will appear on the screen and press "OK". To disable the "AUTO OFF" feature, press "OFF". "DISABLED" will appear on the screen and press "OK".

Language Settings



fig. 18

The brewer is shipped with English as the default language. To change the default to Francais or Espanol, follow the instructions outlined below.

Set Language

1. From the Menu Mode, press "LANGUAGE".
2. The LCD Display will now display the Language programming options (fig. 18).
3. Press the desired Language button, then press OK to confirm your selection.



fig. 19

Setting Contact Screen

The contact screen is pre-programmed with the following information: Keurig, Incorporated. and www.keurig.com.

You can reprogram the brewer with your contact information. The contact screen will appear in the screen saver.

1. From the Menu Mode, press "CONTACT".
The LCD screen will display the Keurig default contact information (fig. 19).

2. Press the Upper (Company Name) Box. The Keypad will appear along with the current information (fig. 20). **NOTE: Unless changed by the user, Keurig contact information will be present on the display.**



fig. 20

- a. Press Delete Key repeatedly to remove current information. Enter new information using the Keypad.
NOTE: To select Upper Case, Lower Case, Numerals, Upper Case Accents, Lower Case Accents, press the Keypad Change Key located at the bottom center of the screen.

SECTION 3 Cleaning & Maintenance

Cleaning External Parts

Regular cleaning of the brewer's external components is recommended. The following section provides instruction for standard cleaning procedures. For in-depth NSF certified instructions, please refer to the *Cleaning and Sanitization Guide*.

1. Never immerse the brewer in water or other liquids. The Housing and other external components may be cleaned with a damp, soapy, non-abrasive cloth.
2. The Drip Tray can accumulate up to 12 ounces of overflow. The Drip Tray and Drip Tray Plate should be periodically inspected and rinsed clean. To remove the Drip Tray Assembly, simply slide it toward you, keeping it level at all times to avoid spilling. The Drip Tray and Drip Tray Plate should not be placed in the dishwasher. They should be cleaned with a damp, soapy, non-abrasive cloth and rinsed thoroughly.



fig. 23

Cleaning the K-Cup® Pack Holder Assembly

1. **Cleaning the Parts**—The K-Cup® Pack Holder Assembly can be placed onto the top shelf of a dishwasher. **NOTE: Use low temperature cycles in the dishwasher.** To remove the K-Cup® Pack Holder Assembly from the brewer, open the cover by lifting the Handle.

fig. 21



fig. 22



- b. Press "OK" to save your changes and return to the Main Contact Screen.

NOTE: Pressing the Back Arrow Key will return to the Main Contact Screen without saving changes.

3. Press the Middle (Phone Number) Box. The Numeral Keypad Mode will appear along with the current information (fig. 21).

- a. Delete current phone number and enter new information using the Keypad.

- b. Press "OK" to save your changes and return to the Main Contact Screen.

4. Press the Lower Box. This box can be customized to contain any information such as web/email address, contact name, etc (fig. 22).

- a. Enter new information using the Keypad.

- b. Press "OK" to save your changes and return to the Main Contact Screen.

- c. In Main Contact Screen (fig. 19), press "OK" to save the updated screen as the default and return to the Menu Screen.

SECTION 3 Cleaning & Maintenance (continued)

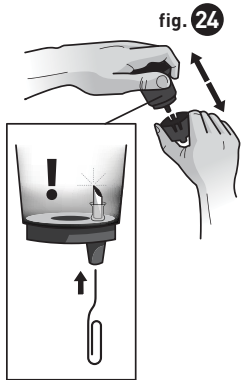


fig. 24

Grasp the top of the K-Cup® Pack Holder with one hand while pushing up on the bottom of the K-Cup® Pack Holder from underneath with the other until it releases [fig. 23]. After cleaning, align the K-Cup® Pack Holder with the opening using the two front ribs as a guide, and snap them into place from the top.

2. **Cleaning the Funnel**—The Funnel can be removed from the K-Cup® Pack Holder by pulling on it until it pops off [fig. 24]. The Funnel is dishwasher safe. To replace it, just snap it back onto the K-Cup® Pack Holder Assembly.

3. **Cleaning the Exit Needle**—The Exit Needle is located on the inside bottom of the K-Cup® Pack Holder Assembly. Should a clog arise due to coffee grinds, it can be cleaned using a paper clip or similar tool. Remove the K-Cup® Pack Holder Assembly and detach Funnel. Insert the paper clip (as shown in fig. 24) into the Exit Needle to loosen the clog, then flush with water. The K-Cup® Pack Holder Assembly can be placed onto the top shelf of a dishwasher.

NOTE: Use low temperature cycles in the dishwasher.

4. **Cleaning the Puncture Plate**—The Puncture Plate can be removed by grasping the finger grips of either side and pulling forward [fig. 25].



fig. 25

Once removed, spray the Puncture Plate with detergent, brush clean and rinse if necessary. Be sure to replace the Puncture Plate after cleaning to ensure proper brewer operation.

CAUTION: There are sharp needles that puncture the K-Cup® pack above the K-Cup® Pack Holder and in the bottom of the K-Cup® Pack Holder. To avoid risk of injury, do not put your fingers in the K-Cup® Pack Assembly Housing.

Cleaning the Water Reservoir & Water Reservoir Lid

The Water Reservoir Lid or Water Reservoir should not be put into the dishwasher. They should be cleaned with a damp, soapy, non-abrasive cloth and rinsed thoroughly. Do not dry the inside of the Water Reservoir with a cloth as lint may remain. **CAUTION:** Please rinse the Water Reservoir thoroughly after cleaning to ensure that no cleaners or cleaning solutions remain in this area as they may contaminate the water supply in the brewer.

De-Scaling Your Brewer

Mineral content in water varies from place to place. Depending on the mineral content of the water in your area, calcium deposits or scale may build up in your brewer. Scale is non-toxic, but left unattended, it can hinder brewer performance. De-scaling your brewer helps maintain the heating element and other internal parts of the brewer that come in contact with water.

The brewer should be de-scaled every 3-6 months to ensure optimal performance. It is possible for calcium deposits to build up faster, making it necessary to de-scale more often.

Properly follow the de-scaling procedure described on page 17.

De-Scaling Instructions

A. PREPARE

Step 1: Make sure you have at least 90 oz. of undiluted white vinegar on hand. You will also need an empty sink and a large ceramic mug (do not use a paper cup).

Step 2: Empty the water in the Water Reservoir.

Step 3: Disable "Auto Off" and programmed "On/Off" time (pages 13-14).

B. FILL AND CLEAN

Step 1: Pour approximately 90 oz. of the vinegar into the Water Reservoir.

Step 2: Place a large mug on the Drip Tray Plate and run a water brew cycle. **DO NOT USE A K-CUP® PACK** just select the Large Mug brew size. Pour the contents of the large mug into the sink.

Step 3: Repeat the brew process 3 times.

Step 4: Let the brewer stand for at least 4 hours while still on.

C. RINSE

Step 1: Ensure the Water Reservoir is filled with fresh water.

Step 2: Place a large mug on the Drip Tray Plate and run a water brew cycle. Pour the contents of the large mug into the sink.

Step 3: Repeat brew process until the Water Reservoir is empty.

Step 4: You may need to perform additional cleansing brews if you notice any residual taste or odor.

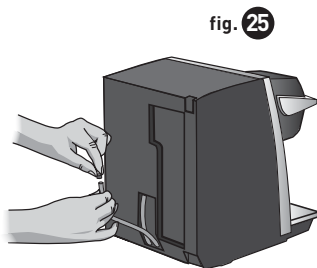
Service

Beyond these recommended cleaning and maintenance procedures this brewer is not user serviceable. For service, please refer to the Warranty section of this guide.

Storage

Draining the Brewer

1. Turn off the brewer, unplug it, and allow the brewer to cool approximately 30 minutes.
2. Empty the Water Reservoir by first removing the Lid from the Water Reservoir then lifting the Water Reservoir straight up and toward the right of the brewer (may be tight). Rinse and Empty the Water Reservoir.
3. Turn the brewer around so the back is facing out. Unscrew the small knob to release the back panel, remove the panel from the brewer, and set it aside. If the screw is tight, you may need to use a flathead screw driver. Pull the tube downward until the end is free (fig. 25). Over a large pitcher, remove the plug and drain the water from the Internal Hot Water Tank into the pitcher. **CAUTION: If the brewer was not allowed to cool sufficiently, the water draining from the tube may be very hot.** Re-cap the tube. **NOTE: To avoid losing parts, when finished, re-insert the tube and screw the panel back onto the brewer.**



SECTION 4 Troubleshooting

SITUATION	SOLUTION
Brewer does not have power	<ul style="list-style-type: none"> • Plug brewer into an independent outlet. • Check to be sure that it is plugged in securely. • Plug into a different outlet. • Reset circuit breaker if necessary. • Make sure that the Power Switch has been turned on and LCD Display is illuminated.
Brewer will not brew	<ul style="list-style-type: none"> • After placing the K-Cup® pack in the K-Cup® Pack Holder, make sure the Handle is pushed down securely and the LCD Control Center reads "READY TO BREW" with the BREW Button flashing, then press the BREW Button. • The Exit Needle may be clogged (refer to page 16). <u>LCD Messages</u> • If the water reservoir is empty and needs to be refilled, the LCD Screen will direct you to "Lift Water Reservoir, Fill Water Reservoir, Replace Water Reservoir" with slideshow of images. Follow these instructions. • In pour-over mode, if the water flow has been interrupted, the LCD Screen will state "Water Flow Interrupted. To Reset, Please Lift and Remove Water Reservoir". When Reservoir has been removed, screen states "If necessary, please fill water reservoir to Max Fill Line. Then replace". Follow these instructions. • In plumbed mode, if the water flow has been interrupted, LCD Screen will state "Water Flow Interrupted. To Reset, Please Press Brew Button". Follow these instructions. • If the messages persist after following these instructions, contact Customer Service at 1.888.CUP.BREW (287.2739).

SITUATION	SOLUTION
Chlorine or mineral taste in coffee	<ul style="list-style-type: none"> • Consider using bottled water, filtered water, or the Keurig™ Water Filter Starter Kit (available at www.keurig.com).
Brewing a partial cup	<ul style="list-style-type: none"> • The Exit Needle may be clogged (refer to page 16). • Clean the K-Cup® Pack Holder Assembly if necessary and rinse under faucet (refer to pages 15-16). • The Water Reservoir may have been removed during brewing. Replace the Water Reservoir and perform a water brew without a K-Cup® pack. • "De-Scale" the brewer (refer to pages 16-17). • If you have repeated the de-scale procedure on your brewer two times and it is still only brewing a partial cup, contact Customer Service at 1.888.CUP.BREW (287.2739).
The time is not displayed on the LCD Message Center	<ul style="list-style-type: none"> • The time will not be displayed on the LCD unless you have set it. To set the clock, follow the procedure on page 12. • If power is interrupted to the brewer, you will need to set the clock again using the procedure on page 12.
Brewer shuts off or turns on automatically	<ul style="list-style-type: none"> • Check to make sure that the Auto Off timer and/or On/Off time features have not been set. To do this, press the MENU Button below "MENU" and scroll through the programming options. "OFF" should be displayed for Auto Off timer and On/Off. If "OFF" is not displayed, follow directions on pages 13-14 to reset.

If any problems persist, contact Customer Service at 1.888.CUP.BREW (287.2739)

SECTION 5 Warranty

Limited One Year Warranty

Keurig, Incorporated warrants that your brewer will be free of defects in materials or workmanship **under normal** use for one year from the date of purchase. It is recommended that you fill out and return the warranty card enclosed with your brewer so that your purchase information will be stored in our system. Keurig will, at its option, repair or replace a defective brewer without charge upon its receipt of proof of the date of purchase. If a replacement brewer is necessary to service this warranty, the replacement brewer may be new or reconditioned. If a replacement brewer is sent, a new limited one year warranty will be applied to the replacement brewer.

This warranty only applies to brewers operated in the United States and Canada. This warranty gives you specific legal rights, and you may also have other rights that vary from state to state and, in the case of Canada, from province to province.

Only the use of Keurig Brewed® K-Cup® brand packs and accessories will guarantee the proper functioning and lifetime of your Keurig® brewer. Any damage to or malfunction of your brewer resulting from the use of non Keurig Brewed® K-Cup® brand packs and accessories may not be covered by this warranty or may result in a service fee if the damage or malfunction is determined to be caused by such use.

What is not covered by the Limited Warranty?

THIS WARRANTY DOES NOT COVER CONSEQUENTIAL OR INCIDENTAL DAMAGES SUCH AS PROPERTY DAMAGE AND DOES NOT COVER INCIDENTAL COSTS AND EXPENSES RESULTING FROM ANY BREACH OF THIS WARRANTY, EVEN IF FORESEEABLE. Some states or provinces do not allow the exclusion or limitations of incidental or consequential damages, so the above limitation or exclusion may not apply to you depending on the state or province of purchase.

Nor does this warranty cover damages caused by use of non Keurig Brewed® K-Cup® brand packs or accessories, services performed by anyone other than Keurig or its authorized service providers, use of parts other than genuine Keurig® parts, or external causes such as abuse, misuse, inappropriate power supply or acts of God.

Other Limitations

THIS WARRANTY IS EXCLUSIVE AND IS IN LIEU OF ANY OTHER EXPRESS WARRANTY, WHETHER WRITTEN OR ORAL. IN ADDITION, KEURIG HEREBY SPECIFICALLY DISCLAIMS ALL OTHER WARRANTIES WITH RESPECT TO YOUR K150 BREWER, INCLUDING ANY IMPLIED WARRANTY OF MERCHANTABILITY OR FITNESS FOR ANY PARTICULAR PURPOSE. Some states or provinces do not allow disclaimers of such implied warranties or limitations on how long an implied warranty lasts, so the above limitation may not apply to you depending on the state or the province of purchase.

How do you obtain warranty service?

Keurig® brewers are high-quality appliances and, with proper care, are intended to provide years of satisfying performance. However, should the need arise for warranty servicing, simply call Keurig Customer Service at our toll free phone number 1.888.CUP.BREW (287.2739). Please do not return your brewer for servicing without first speaking to Keurig Customer Service to obtain an Authorization to Return number (ATR). Keurig® brewers returned without an ATR number will be returned to the sender without servicing.

Keurig, Incorporated
55 Walkers Brook Drive
Reading, MA 01867
1.888.CUP.BREW (287.2739)

RÈGLES DE SÉCURITÉ IMPORTANTES

Fonctionnement et utilisation sans danger



Lors de l'utilisation de tout appareil électrique, des mesures de sécurité de base devraient être suivies, et notamment :

1. Lire toutes les instructions avant l'utilisation.
2. Ne pas toucher les surfaces chaudes. Utiliser les poignées s'il y en a.
3. Installer correctement l'appareil et le placer dans un endroit conforme aux présentes instructions avant de l'utiliser.
4. L'utilisation d'accessoires non recommandés par le fabricant de l'appareil risque de causer un incendie, des chocs électriques ou des blessures.
5. Éviter le contact ou la proximité de l'appareil avec un élément électrique ou un brûleur à gaz. Éviter également de placer l'appareil à l'intérieur d'un four chaud.
6. Ne pas utiliser à l'extérieur.
7. Pour éviter les risques d'incendie, de chocs électriques ou de blessures, ne pas immerger la fiche, le cordon d'alimentation ou l'appareil dans l'eau ni dans aucun autre liquide.
8. Ne pas trop remplir le réservoir d'eau.
9. Utiliser **seulement de l'eau** dans cet appareil! Ne verser aucun autre liquide ou aliment dans le réservoir d'eau, à moins d'indications à cet effet dans les instructions de nettoyage.
10. Éteindre et débrancher l'appareil avant de le nettoyer ou d'en faire l'entretien. Laisser l'appareil refroidir avant d'ajouter ou d'enlever des pièces et avant de le nettoyer.
11. Pour une utilisation optimale, brancher l'appareil dans une prise de courant séparée sur un circuit spécialisé pour éviter que les lumières vacillent, que les fusibles sautent ou que les disjoncteurs se déclenchent.
12. Ne jamais utiliser un appareil dont la fiche ou le cordon d'alimentation est endommagé ou un appareil qui présente un trouble de fonctionnement ou qui a été endommagé. Communiquer avec le Service à la clientèle de Keurig pour signaler tout mauvais fonctionnement de la cafetière ou tout dommage à celle-ci.
13. Ne pas laisser le cordon d'alimentation pendre d'une table ou d'un comptoir ni entrer en contact avec une surface chaude.
14. Pour débrancher la cafetière, éteindre d'abord l'appareil en appuyant sur l'interrupteur, puis retirer le cordon de la prise.
15. Ne jamais laisser des enfants utiliser la cafetière ni rester à proximité sans surveillance.
16. **Ne pas soulever la poignée durant l'infusion.**
17. Toujours laisser le couvercle sur le réservoir d'eau, sauf lors du remplissage.
18. L'appareil est équipé d'un cordon d'alimentation muni d'un fil et d'une prise de mise à la terre. L'appareil doit être mis à la terre en utilisant une prise de courant à contact de mise à la terre à trois trous. En cas de court-circuit, la mise à la terre réduit les risques de chocs électriques.
19. Si la prise de courant est une prise de courant murale standard à deux trous, le propriétaire a l'obligation et la responsabilité de la faire

remplacer par une prise de courant de mise à la terre à trois trous.

20. Il ne faut en aucun cas couper ou enlever la troisième broche (mise à la terre) de la fiche du cordon d'alimentation, ni utiliser un adaptateur.
21. Consulter un électricien qualifié si les instructions sur la mise à la terre ne sont pas parfaitement comprises ou en cas de doutes sur la mise à la terre de l'appareil.
22. Ne pas utiliser l'appareil à d'autres fins que celle pour laquelle il a été conçu.
23. L'ensemble de départ pour filtre à eau [n° 5072] et les cartouches [n° 5073] sont compatibles avec la cafetière K150, mais ne sont pas homologués par la NSF. L'utilisation de ces accessoires annule l'homologation de la NSF.
24. Ne jamais infuser si la plaque de perforation [article R à la page 23] n'est pas en place pour assurer le bon déroulement du processus d'infusion.

CONSERVER CE MANUEL.

AVERTISSEMENT AUX UTILISATEURS ET AUX PARENTS

1. NE permettez **PAS** aux enfants d'utiliser l'appareil sans la supervision d'un adulte. L'appareil distribue de l'eau très chaude.

2. AVIS SPÉCIAL AUX UTILISATEURS DE CHOCOLAT CHAUD : APRÈS L'UTILISATION D'UNE DOSETTE K-CUP® DE CHOCOLAT CHAUD, LANCEZ IMMÉDIATEMENT un cycle d'infusion d'eau chaude sans dosette K-Cup® pour éviter une possible obstruction de l'aiguille de sortie. NE tenez **PAS** pour acquis que le prochain utilisateur le fera.

ATTENTION : La dosette K-Cup® est perforée par deux aiguilles, une au-dessus et l'autre au fond du support à dosette K-Cup®. Pour éviter tout risque de blessure, ne pas mettre les doigts dans le boîtier du support à dosette K-Cup®.

ATTENTION : L'eau se trouvant dans le support à dosette K-Cup® durant l'infusion est extrêmement chaude. Pour éviter tout risque de blessure, ne pas soulever la poignée ni ouvrir le boîtier du support à dosette K-Cup® durant l'infusion.

ATTENTION : Toujours garder la cafetière en position verticale pour éviter toute blessure ou tout dommage à la cafetière.

DIRECTIVES POUR CORDON D'ALIMENTATION COURT : L'appareil est doté d'un cordon d'alimentation court pour éviter qu'il s'em mêle ou que quelqu'un trébuche sur un cordon long.

Si une rallonge est utilisée, (1) les caractéristiques électriques inscrites sur la rallonge doivent égaler ou excéder celles de l'appareil, (2) le cordon doit être fixé de façon à ce qu'il ne pende pas d'une table ou d'un comptoir pour éviter qu'un enfant puisse le saisir ou que quelqu'un trébuche et (3) la rallonge doit être munie d'une prise de mise à la terre à trois broches.

CE PRODUIT EST DESTINÉ À UNE **UTILISATION DOMESTIQUE ET COMMERCIALE**

AVERTISSEMENT CE PRODUIT CONTIENT DES PRODUITS CHIMIQUES, NOTAMMENT DU PLOMB, UN MÉTAL QUI, SELON L'ÉTAT DE LA CALIFORNIE, CAUSE LE CANCER, DES ANOMALIES CONGÉNITALES OU D'AUTRES MALFORMATIONS GÉNÉTIQUES.

AVERTISSEMENT

RISQUE D'INCENDIE ET DE CHOCS ÉLECTRIQUES
NE PAS OUVRIR!



AVERTISSEMENT : POUR RÉDUIRE LES RISQUES D'INCENDIE ET DE CHOCS ÉLECTRIQUES, NE PAS RETIRER LE COUVERCLE INFÉRIEUR. CET APPAREIL NE CONTIENT AUCUNE PIÈCE RÉPARABLE PAR L'UTILISATEUR. LES RÉPARATIONS NE DEVRAIENT ÊTRE EFFECTUÉES QUE PAR UN TECHNICIEN DE SERVICE AGRÉÉ.

TABLE DES MATIÈRES

SYSTÈME D'INFUSION GOURMET UNE TASSE À LA FOIS DE KEURIG®
K150 de KEURIG® — Comment utiliser votre cafetière

RÉGLAGES

Conseils utiles.....	22
Déballage.....	22
Caractéristiques.....	23

SECTION 1 — PRÉPARATION ET PREMIÈRE INFUSION

Préparation et première infusion.....	24
---------------------------------------	----

SECTION 2 — MENU DES COMMANDES ET VOYANTS

Réglage de l'horloge.....	30
Réglage de la température d'infusion.....	30
Programmation du format de tasse.....	31
Programmation des fonctions de mise en marche et d'arrêt automatiques.....	31

SECTION 3 — NETTOYAGE ET ENTRETIEN

Nettoyage.....	33
Détartrage.....	34
Entreposage.....	35

SECTION 4 — DÉPANNAGE.....

SECTION 5 — GARANTIE.....

Inscrivez le numéro de série de votre cafetière ici.

Le retrait de l'étiquette du numéro de série annulera la garantie.

Réglages

Conseils utiles

- 1. Laissez votre cafetière allumée en tout temps.**
Nous vous suggérons de toujours laisser votre cafetière allumée. Vous pourrez ainsi savourer une tasse de café, de thé ou de chocolat chaud fraîchement infusé à tout moment. Toutefois, la cafetière est entièrement programmable, ce qui vous permet de la mettre en marche ou de l'arrêter aux moments qui vous conviennent. Si vous préférez, vous pouvez également régler la cafetière pour qu'elle s'arrête après une certaine période de temps. Veuillez consulter les instructions aux pages 31-32 pour régler la cafetière en fonction de vos besoins.
- 2. Pour obtenir le café gourmet, le thé ou le chocolat chaud le meilleur qui soit, Keurig recommande l'utilisation d'eau embouteillée ou de l'ensemble de départ pour filtre à eau de Keurig^{MC} (vendu au www.keurig.com).** La qualité de l'eau varie d'un endroit à l'autre. Si votre café a un goût désagréable de chlore ou de minéraux, nous vous recommandons d'utiliser de l'eau embouteillée ou de l'eau filtrée à l'aide d'un système de filtration d'eau. L'ensemble de départ pour filtre à eau de Keurig^{MC} (n° 5072) est compatible avec la cafetière K150, mais n'est pas homologué par la NSF. L'utilisation de cet accessoire annulera l'homologation de la NSF.
- 3. Choisissez le format, la saveur et l'infusion que vous aimez.** Avec une variété de plus de 250 dosettes K-Cup[®] et cinq formats de tasse [demi-tasse [118 ml/4 oz], petite tasse

[177 ml/6 oz], tasse moyenne [237 ml/8 oz], grande tasse [296 ml/10 oz] et tasse de voyage [355 ml/12 oz]), votre cafetière Keurig[®] vous offre d'innombrables possibilités de formats, de saveurs et d'infusions pour préparer la boisson idéale pour vous. Pour une boisson forte au goût plus prononcé, choisissez une dosette K-Cup[®] très intense, qui contient 30 % plus de café que nos cafés ordinaires, et le format de tasse qui vous convient. Plus le format de tasse est petit, plus la saveur sera forte. Plus le format de tasse est grand, plus la saveur sera douce.

- 4. Branchez la cafetière sur un circuit avec mise à la terre où elle seule est branchée.** Une surcharge du circuit électrique avec plusieurs appareils risque de nuire au fonctionnement de votre cafetière. Celle-ci devrait être branchée séparément des autres appareils, sur son propre circuit électrique.
- 5. Infusez votre café dans une tasse de voyage.** Pour infuser un café dans une tasse de voyage, vous n'avez qu'à retirer la cuvette d'égouttage et à placer la tasse de voyage sur la base de la cuvette.
- 6. Détartrez régulièrement la cafetière.** Voir les instructions aux pages 34 et 35.

Déballage de la cafetière

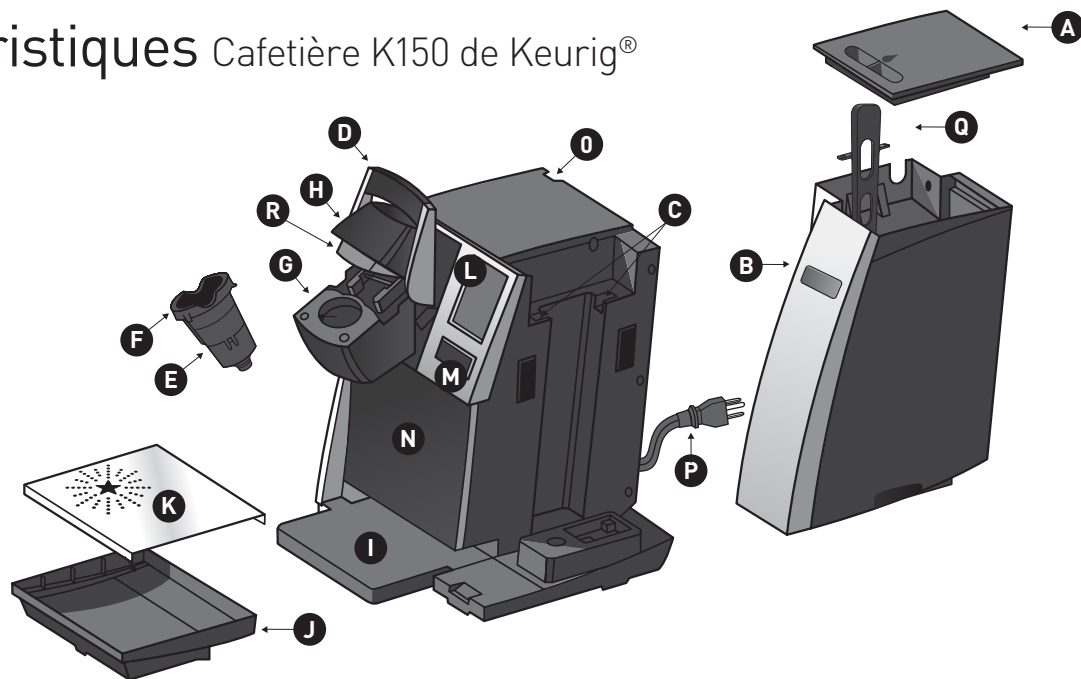
1. Placez la boîte de la cafetière sur une grande surface plane, comme une table ou un comptoir, ou sur le plancher. Ouvrez la boîte.

2. Enlevez la documentation et l'assortiment de dosettes K-Cup[®] fournis.
3. Couchez la boîte sur le côté, la partie avant en dessous.
4. Saisissez l'emballage de polymousse contenant la cafetière.
5. Tirez délicatement l'emballage de polymousse vers vous pour le sortir de la boîte. La cafetière est encastrée dans le polymousse et repose sur le côté.
6. Retirez la partie supérieure du polymousse.
7. Retirez soigneusement la cafetière de la base de polymousse et placez-la debout sur une surface plane et stable.
8. Enlevez le sac de plastique de la cafetière.
9. Inscrivez le numéro de série de la cafetière à la page 20 de ce manuel. Le numéro de série est indiqué sur le côté de la boîte ou en dessous la cafetière.
10. Placez la cafetière debout sur une surface plane et stable. Enlevez le ruban adhésif qui maintient le réservoir d'eau en place.

Nous vous recommandons de conserver tout le matériel d'emballage au cas où il serait nécessaire de retourner la cafetière.

ATTENTION :
Gardez tous les sacs de plastique hors de la portée des enfants.

Caractéristiques Cafetière K150 de Keurig®



Cafetière K150 de Keurig®

- | | | | | |
|--|--|--|-----------------------------------|-----------------------------------|
| A. Couvreclle du réservoir d'eau | D. Poignée | du support à dosette K-Cup®) | I. Base de la cuvette d'égouttage | M. Bouton d'infusion (BREW) |
| B. Réservoir d'eau | E. Entonnoir du support à dosette K-Cup® | G. Boîtier du support à dosette K-Cup® | J. Cuvette d'égouttage | N. Boîtier |
| C. Fentes pour languettes de verrouillage du réservoir d'eau | F. Support à dosette K-Cup® [E et F forment l'assemblage | H. Couvreclle | K. Plateau à tasse | O. Interrupteur |
| | | | L. Écran ACL | P. Cordon d'alimentation |
| | | | | Q. Flotteur amovible |
| | | | | R. Plaque de perforation amovible |

SECTION 1 Préparation et première infusion

IMPORTANT : N'utilisez pas votre cafetière Keurig® avant de l'avoir préparée pour une première utilisation.

REMARQUE : Si la cafetière a été placée dans un endroit où la température était sous le point de congélation, laissez-lui au moins deux heures pour atteindre la température ambiante avant de l'utiliser. Une cafetière gelée ou très froide ne pourra pas fonctionner.

Préparation de votre cafetière

fig. 1



1. Retirez tous les morceaux de ruban adhésif de la cafetière et de la cuvette d'égouttage. Retirez la pellicule de plastique transparent de l'écran ACL. Débranchez le cordon et branchez la cafetière dans une prise avec mise à la terre.
2. Mettez la cafetière en marche à l'aide de l'interrupteur situé à l'arrière de la cafetière, en haut à gauche. L'écran ACL de la cafetière affichera le message de bienvenue (fig. 1).
3. Enlevez le réservoir d'eau de la cafetière en retirant d'abord le couvercle du réservoir. Soulevez ensuite le réservoir à la verticale puis vers la droite (le réservoir peut offrir une certaine résistance). Rincez à fond le réservoir

fig. 2

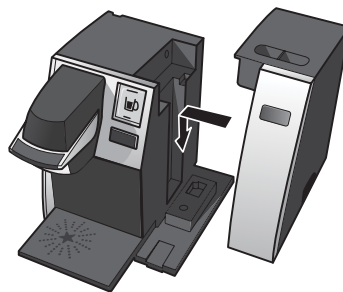


fig. 3



avec de l'eau fraîche et propre.

4. Remplissez le réservoir jusqu'à la marque avec de l'eau fraîche et propre. Remplacez le réservoir d'eau sur la cafetière en vous assurant que les languettes de verrouillage s'engagent correctement dans la cafetière (fig. 2). Remplacez le couvercle sur le réservoir d'eau.
5. Le réservoir d'eau chaude interne de la cafetière se remplit automatiquement d'eau et l'eau est chauffée. Ce processus prend environ trois minutes. Durant la période de chauffage, le message « CHAUFFAGE — ATTENDRE » s'affiche sur l'écran ACL (fig. 3).
6. Placez une tasse de 296 ml (10 oz) sur le plateau à tasse, puis soulevez complètement et rabaissez la poignée de la cafetière. Le bouton d'infusion (BREW) s'allume. Appuyez sur le bouton d'infusion (BREW) pour effectuer une infusion de nettoyage. **REMARQUE :** Ce cycle se fait sans dosette K-Cup®.
7. Une fois le cycle de nettoyage terminé, la cafetière retourne au mode repos et est prête à infuser votre première dosette K-Cup®.

fig. 4



Infusion de votre première tasse

1. L'écran ACL affiche le message de repos (fig. 4).
2. Soulevez la poignée. Le support à dosette K-Cup® s'ouvrira vers vous (fig. 5).

3. Choisissez une dosette K-Cup®.

REMARQUE : Ne perforez pas la dosette K-Cup® et n'enlevez pas son couvercle d'aluminium.



4. Placez une dosette K-Cup® dans le support à dosette K-Cup® (fig. 6). **ATTENTION : La dosette K-Cup® est perforée par deux aiguilles, une au-dessus et l'autre au fond du support à dosette K-Cup®. Pour éviter tout risque de blessure, ne pas mettre les doigts dans le boîtier du support à dosette K-Cup®.**

fig. 5



5. Abaissez la poignée pour fermer le couvercle sur le support à dosette K-Cup®. (Lorsqu'il est bien fermé, le bouton d'infusion (BREW) clignote pendant 60 secondes.)

6. Placez une tasse sur le plateau à tasse et choisissez le format de tasse (fig. 7), puis appuyez sur le bouton d'infusion (BREW) (fig. 8). **REMARQUE : Si vous n'appuyez pas sur le bouton d'infusion (BREW) dans les 60 secondes, la cafetière retournera au mode**

fig. 6



fig. 7



repos et le bouton d'infusion (BREW) cessera de clignoter pour éviter toute activation accidentelle. Pour le réactiver, soulevez complètement la poignée puis rabaissez-la.

7. Il peut y avoir un léger délai avant que le café commence à couler. Le processus d'infusion complet dure environ une minute et se termine par un jaillissement d'air permettant d'évacuer tout le liquide de la dosette K-Cup®.

ATTENTION : L'eau se trouvant dans le support à dosette K-Cup® durant l'infusion est extrêmement chaude. Pour éviter tout risque de blessure, ne pas soulever la poignée ni ouvrir le boîtier du support à dosette K-Cup® durant le cycle d'infusion.

8. À la fin de l'infusion, le message « KEURIG BREWED, SAVOUREZ » s'affiche.
9. Soulevez la poignée, retirez la dosette K-Cup® et jetez-la. **ATTENTION : La dosette K-Cup® est chaude.**
10. Il ne vous reste plus qu'à savourer votre première tasse de café gourmet, de thé ou de chocolat chaud Keurig Brewed®!
11. Si votre cafetière indique ensuite « CHAUFFAGE — ATTENDRE », c'est qu'elle réchauffe l'eau pour une prochaine infusion.



fig. 8

SECTION 1 Préparation et première infusion (suite)

Annulation d'une infusion

Pour annuler une infusion en cours, appuyez sur l'interrupteur pour éteindre la cafetière. L'écoulement du café, du thé ou du chocolat chaud s'arrêtera, et l'élément chauffant de même que l'écran ACL s'éteindront. **REMARQUE : Il est possible que vous ayez plus de café, de thé ou de chocolat chaud dans votre tasse lors de la prochaine infusion. Nous vous recommandons d'effectuer une infusion de nettoyage à l'eau seulement après l'annulation d'une infusion. Votre prochaine infusion vous donnera ensuite la quantité voulue.**

fig. 9



Ajout d'eau

L'écran ACL de votre cafetière vous indiquera que le niveau d'eau dans le réservoir est bas ou que le réservoir a été enlevé en affichant « **REPLIR LE RÉSERVOIR D'EAU** » (fig. 9). Il est impossible de faire une infusion lorsque le message « **REPLIR LE RÉSERVOIR D'EAU** » est affiché (fig. 9).

Le réservoir d'eau peut être rempli de trois façons.

1. Enlevez le réservoir d'eau de la cafetière en retirant d'abord le couvercle du réservoir. Soulevez ensuite le réservoir à la verticale puis vers la droite. Remplissez d'eau. Remplacez le réservoir d'eau sur la cafetière et remettez le couvercle.



IMPORTANT : Ne pas enlever le réservoir d'eau pendant le processus d'infusion.

2. Enlevez le couvercle du réservoir d'eau et versez de l'eau directement dans le réservoir alors que celui-ci est fixé à la cafetière, puis remplacez le couvercle.
3. La cafetière peut aussi être reliée directement à la conduite d'eau. Pour commander une trousse d'installation de plomberie pour la cafetière K150, veuillez composer le 1.888.287.2739.

Eau chaude

Votre cafetière peut vous donner de l'eau chaude pour préparer un chocolat chaud en sachet ou une soupe, pour cuisiner, etc. Il suffit de suivre les instructions de la page 25 – « Infusion de votre première tasse », sans insérer de dosette K-Cup®. **REMARQUE : Après avoir infusé une dosette K-Cup® de chocolat chaud, nous vous recommandons d'effectuer un cycle d'infusion sans dosette K-Cup®.**

Vidange de la cafetière

Si la cafetière n'a pas été utilisée pendant plus d'une semaine, vous devriez vidanger l'eau du réservoir interne.

1. S'il y a de l'eau dans le réservoir, enlevez le couvercle puis soulevez le réservoir à la verticale pour le retirer de la cafetière. Jetez l'eau, rincez le réservoir et remplissez-le à nouveau. Replacez le réservoir d'eau sur la cafetière et remettez le couvercle. (S'il n'y a pas d'eau dans le réservoir, remplissez-le simplement d'eau fraîche.)
2. Assurez-vous que la cafetière est en marche. Soulevez et rabaissez la poignée sans insérer de dosette K-Cup®.
3. L'écran ACL affiche le message de repos (fig. 4).

fig. 10



4. Placez une grande tasse sur le plateau à tasse et choisissez le format de grande tasse (296 ml/10 oz) dans le menu Choisir le format (fig. 10).
5. Jetez l'eau.
6. Répétez les étapes 2 à 5 deux autres fois pour vidanger complètement l'eau du réservoir interne.

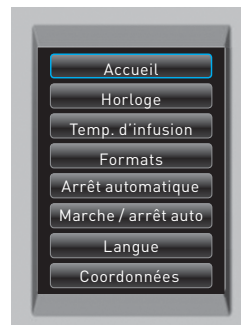
SECTION 2 Menu des commandes et voyants

Mode MENU

Pour accéder au MODE MENU, vous devez d'abord éteindre la cafetière. Appuyez sur l'écran avec votre doigt pendant que vous appuyez sur l'interrupteur puis le relâchez. Continuez à appuyer sur l'écran pendant 5 secondes (fig. 11). L'écran MENU s'affichera (fig. 12).

Pour accéder à une fonction, appuyez sur le bouton correspondant du menu. Veuillez vous reporter à la section Navigation dans les menus à la page 29.

Pour tout problème avec votre cafetière, veuillez communiquer avec le Service à la clientèle au 1.888.287.2739.



Navigation dans les menus

Accueil

Appuyez sur ACCUEIL à tout moment pour remettre la cafetière en mode repos.

Horloge

Le réglage de l'horloge est facultatif. Pour programmer l'horloge, suivez les instructions à la page 30.

Température d'infusion

La température d'infusion est pré-réglée à 89,4 °C/193 °F. Vous n'avez pas à régler la température d'infusion, mais vous pouvez l'ajuster de 2,7 °C/5 °F vers le haut ou vers le bas. Suivez simplement les instructions à la page 30.

Formats de tasse

Cinq formats de tasse sont offerts : 118 ml/4 oz, 177 ml/6 oz, 237 ml/8 oz, 296 ml/10 oz et 355 ml/12 oz. Pour programmer les formats de tasse, suivez les instructions à la page 31.

Arrêt automatique

L'arrêt automatique vous permet de programmer votre cafetière pour qu'elle s'éteigne automatiquement deux heures après la dernière infusion. Voir les instructions de programmation à la page 31.

Marche/arrêt automatiques

Vous pouvez laisser votre cafetière en marche en tout temps et utiliser l'interrupteur pour l'éteindre. Vous pouvez aussi programmer votre cafetière pour qu'elle se mette en marche à une heure déterminée, comme il est indiqué à la page 31.

Langue

La langue par défaut utilisée sur cette cafetière est l'anglais. Pour changer la langue d'affichage, suivez les instructions de la page 32.

Coordonnées

La fonction Coordonnées vous permet de programmer les coordonnées dont vous avez besoin pour le soutien et le dépannage de la cafetière. Pour les programmer, suivez simplement les instructions à la page 32.



SECTION 2 Menu des commandes et voyants (suite)

Réglage de l'horloge

Le réglage de l'horloge est facultatif. Quand l'horloge est réglée, l'heure apparaît sur l'écran ACL. **REMARQUE : Vous devez régler l'horloge pour programmer les fonctions de mise en marche et d'arrêt automatiques de la cafetière.**

fig. 13



1. Dans le mode Menu, appuyez sur « HORLOGE ».
2. L'écran de réglage de l'horloge affiche « DÉSACTIVÉ » si la cafetière est neuve ou s'il y a eu interruption de l'alimentation électrique. Appuyez sur « DÉSACTIVÉ » pour régler l'horloge. Appuyez plusieurs fois sur « H » pour faire avancer les heures une à une, ou appuyez de façon continue pour les faire défiler rapidement. Une fois les heures réglées, appuyez sur « M » pour régler les minutes. Appuyez plusieurs fois pour les faire avancer une à une, ou appuyez de façon continue pour les faire défiler rapidement (fig. 13).
3. Appuyez sur « OK » quand vous avez terminé. L'horloge est maintenant réglée.

4. L'heure devrait maintenant apparaître sur la page d'accueil de l'écran ACL. **REMARQUE : Si l'alimentation électrique est interrompue, l'heure ne sera plus visible. Suivez la procédure ci-dessus pour régler l'heure à nouveau. Les réglages de formats et de température d'infusion seront rétablis automatiquement. Tous les autres réglages seront rétablis automatiquement après le réglage de l'horloge.**

REMARQUE : Pour désactiver l'horloge, appuyez sur l'heure. Les heures de mise en marche et d'arrêt seront elles aussi désactivées.

Réglage de la température d'infusion (88,7 °C/188° – 92,2 °C/198° F)

La cafetière infuse à une température pré-réglée de 89,4 °C/193 °F. Vous pouvez ajuster la température de 2,7 °C/5 °F vers le haut ou vers le bas. Suivez simplement les instructions ci-dessous.

fig. 14



1. Dans le mode Menu, appuyez sur « TEMP. D'INFUSION ».
2. L'écran ACL affiche maintenant les options de programmation de la température d'infusion (fig. 14). La température par défaut, 89,4 °C/193 °F apparaît au haut de l'écran pour indiquer le réglage actuel de la température.
3. Appuyez sur « + » pour augmenter la température, et sur « - » pour abaisser la température d'un degré Fahrenheit à la fois.
4. Quand vous avez atteint la température d'infusion désirée, appuyez sur « OK ». La température d'infusion est maintenant réglée.
5. Pour changer la température d'infusion, répétez les étapes 1 à 4. **REMARQUE : Si vous êtes à une altitude élevée (plus de 1500 m/5000 pi) et que l'eau bout, utilisez la fonction de réglage de la température pour abaisser la température d'infusion (-5 °F).**

Programmation du format de tasse

Par défaut, tous les formats de tasse sont activés. Si vous souhaitez désactiver certains formats, appuyez simplement sur l'icône ou les icônes appropriée(s). Veuillez suivre les instructions suivantes.

fig. 15



1. Dans le mode Menu, appuyez sur « FORMATS ».
2. L'écran ACL affichera tous les formats de tasse activés. Pour désactiver un format, appuyez sur l'icône appropriée. Le crochet s'effacera et un « X » indiquera que le format de tasse a été désactivé [fig. 15].

3. Une fois les formats désirés sélectionnés, appuyez sur « OK ». Les formats de tasse sont maintenant réglés.

REMARQUE : Vous ne pouvez pas désactiver tous les formats de tasse. Pour réactiver un format que vous venez de désactiver, appuyez simplement sur l'icône de ce format puis sur « OK ». Le format de 237 ml/8 oz est celui utilisé par défaut si tous les formats ont été désactivés.

Programmation des fonctions de mise en marche et d'arrêt automatiques

La cafetière est dotée de trois modes de fonctionnement pour vous permettre de savourer du café gourmet, du thé ou du chocolat chaud comme il vous convient.

1. **Cafetière laissée allumée en tout temps.** La cafetière peut être laissée allumée en tout temps de manière à ce qu'elle soit toujours prête à infuser une tasse de café gourmet, de thé ou de chocolat chaud. À tout moment, pour éteindre la cafetière, appuyez simplement sur l'interrupteur. Appuyez de nouveau sur l'interrupteur pour remettre la cafetière en marche. Vous devrez attendre que l'eau soit chaude avant que la cafetière soit prête à être utilisée.

fig. 16



2. Programmation d'une heure précise de mise en marche/arrêt. **REMARQUE :** Pour utiliser cette fonction de programmation, l'horloge doit être réglée à la bonne heure.

- a. Après avoir réglé l'horloge à la bonne heure (voir « Réglage de l'horloge » à la page 30), revenez au mode Menu et appuyez sur « MARCHE/ARRÊT AUTO ».
- b. Pour régler l'heure de mise en marche « ON », appuyez sur « DÉSACTIVÉ ». Une heure s'affiche à l'écran. Appuyez sur « H » pour régler les heures et sur « M » pour régler les minutes. Une fois l'heure réglée, appuyez sur « OK » pour accepter l'heure.
- c. Pour régler l'heure d'arrêt « OFF », appuyez sur « DÉSACTIVÉ ». Une heure s'affiche à l'écran. Appuyez sur « H » pour régler les heures et sur « M » pour régler les minutes. Une fois l'heure réglée, appuyez sur « OK » pour accepter l'heure [fig. 16].

SECTION 2 Menu des commandes et voyants (suite)



fig. 17

3. Réglage de la cafetière pour qu'elle s'éteigne automatiquement deux heures après la dernière infusion.
- a. Dans le mode Menu, appuyez sur « ARRÊT AUTOMATIQUE ». L'écran ACL affiche maintenant les options de programmation de l'arrêt automatique (fig. 17).
- b. Pour activer la fonction d'arrêt automatique, appuyez sur « ON ». Le message « ACTIVÉ » apparaît à l'écran. Appuyez sur « OK ». Pour désactiver la fonction d'arrêt automatique, appuyez sur « OFF ». Le message « DÉACTIVÉ » apparaît à l'écran. Appuyez sur « OK ».

Réglage de la langue



fig. 18

La langue par défaut utilisée sur cette cafetière est l'anglais. Pour choisir le français ou l'espagnol comme langue par défaut, suivez les instructions suivantes.

1. Dans le mode Menu, appuyez sur « LANGUE ».
2. L'écran ACL affiche maintenant les options de programmation de la langue (fig. 18).
3. Appuyez sur le bouton de la langue désirée, puis appuyez sur « OK » pour confirmer votre choix.

Réglage des coordonnées



fig. 19

Par défaut, l'écran de coordonnées contient les renseignements suivants : Keurig, Incorporated. et www.Keurig.com.

Vous pouvez reprogrammer la cafetière avec vos propres coordonnées. L'écran de coordonnées s'affiche dans l'économiseur d'écran.

1. Dans le mode Menu, appuyez sur « COORDONNÉES ». Les coordonnées par défaut de Keurig s'affichent à l'écran (fig. 19).
2. Appuyez sur l'onglet du haut (nom de l'entreprise). Un pavé de touches s'affiche ainsi que les renseignements actuellement en mémoire (fig. 20). **REMARQUE : Les coordonnées de Keurig s'affichent à l'écran, à moins qu'elles n'aient été changées par l'utilisateur.**



fig. 20

- a. Appuyez plusieurs fois sur la touche « EFFACER » pour enlever les renseignements en mémoire. Entrez les nouveaux renseignements à l'aide du pavé de touches. **REMARQUE : Pour choisir les majuscules, minuscules, chiffres, majuscules accentuées et minuscules accentuées, appuyez sur la touche de changement de pavé de touches située au bas et au centre de l'écran.**

SECTION 3 Nettoyage et entretien

Nettoyage des pièces externes

Il est recommandé de nettoyer régulièrement les éléments externes de la cafetière. La section suivante décrit les instructions de nettoyage normal. Pour des instructions détaillées homologuées par la NSF, veuillez consulter le *Cleaning and Sanitization Guide*.

1. Ne plongez jamais la cafetière dans l'eau ni dans tout autre liquide. Le boîtier et les éléments externes peuvent être nettoyés à l'aide d'un chiffon non abrasif et d'eau savonneuse.
2. La cuvette d'égouttage peut recueillir jusqu'à 355 ml/12 oz de liquide. La cuvette d'égouttage et le plateau à tasse doivent être vidés et rincés régulièrement. Pour enlever la cuvette d'égouttage, tirez-la simplement vers vous en prenant soin de toujours la garder à l'horizontale pour éviter que le contenu ne se renverse. La cuvette d'égouttage et le plateau à tasse ne devraient pas être mis au lave-vaisselle. Ils doivent être nettoyés à l'aide d'un chiffon non abrasif et d'eau savonneuse, puis rincés soigneusement.

Nettoyage du support à dosette K-Cup®

1. **Nettoyage des pièces** — Le support à dosette K-Cup® peut être placé dans le panier supérieur du lave-vaisselle. **REMARQUE : Utilisez les cycles à basse température du lave-vaisselle.** Pour enlever le support à dosette K-Cup® de la cafetière, ouvrez le couvercle en soulevant la poignée.

- b. Appuyez sur « OK » pour sauvegarder les changements et revenir à l'écran de coordonnées principal. **REMARQUE : Si vous utilisez la touche fléchée arrière, l'écran de coordonnées principal s'affichera sans que les changements soient sauvegardés.**

fig. 21



3. Appuyez sur l'onglet du centre (n° de téléphone). Un pavé numérique s'affiche ainsi que les renseignements actuellement en mémoire (fig. 21).

- a. Effacez le numéro de téléphone en mémoire et entrez les nouveaux renseignements à l'aide du pavé numérique.
- b. Appuyez sur « OK » pour sauvegarder les changements et revenir à l'écran de coordonnées principal.

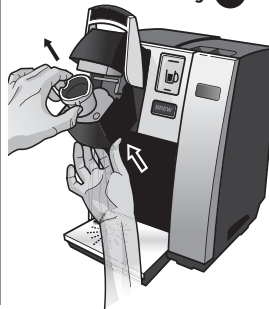
4. Appuyez sur l'onglet du bas. Cet onglet peut être personnalisé et contenir tout type de renseignements (adresse Web ou de courriel, nom de la personne-ressource, etc.) (fig. 22).

fig. 22



- a. Entrez les nouveaux renseignements à l'aide du pavé de touches.
- b. Appuyez sur « OK » pour sauvegarder les changements et revenir à l'écran de coordonnées principal.
- c. Appuyez sur « OK » dans l'écran de coordonnées principal (fig. 19), pour sauvegarder les nouveaux renseignements et revenir à l'écran Menu.

fig. 23



SECTION 3 Nettoyage et entretien (suite)

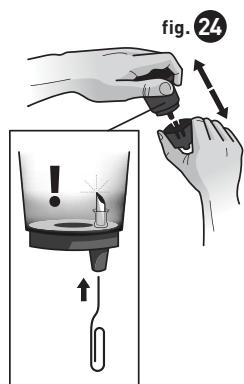


fig. 24

Saisissez le dessus du support à dosette K-Cup® d'une main et, de l'autre main, poussez le fond du support à dosette K-Cup® vers le haut jusqu'à ce que celui-ci se libère (fig. 23). Après le nettoyage, enlevez le support à dosette K-Cup® avec l'ouverture en vous guidant sur les deux rainures à l'avant et enclenchez-le en place.

2. Nettoyage de l'entonnoir — L'entonnoir peut être enlevé du support à dosette K-Cup® en tirant dessus jusqu'à ce qu'il se déclenche (fig. 24). Il peut être mis au lave-vaisselle. Pour le remettre en place, il suffit de l'enclencher dans le support à dosette K-Cup®.

3. Nettoyage de l'aiguille de sortie — L'aiguille de sortie se trouve au fond du support à dosette K-Cup®. Si des grains de café l'obstruent, elle peut être nettoyée à l'aide d'un trombone ou d'un instrument similaire. Enlevez le support à dosette K-Cup® et détachez l'entonnoir. Insérez le trombone dans l'aiguille de sortie (tel qu'illustré à la fig. 24) pour enlever ce qui l'obstrue, puis rincez à l'eau. Le support à dosette K-Cup® et l'entonnoir peuvent être placés dans le panier supérieur du lave-vaisselle.

REMARQUE : Utilisez les cycles à basse température du lave-vaisselle.

4. Nettoyage de la plaque de perforation — Pour enlever la plaque de perforation, saisissez-la par les rainures situées de chaque côté et tirez-la vers

l'avant (fig. 25). Une fois la plaque enlevée, brossez-la avec du détergent jusqu'à ce qu'elle soit propre, puis rincez-la au besoin. Après le nettoyage, remettez-la bien en place pour assurer le bon fonctionnement de l'appareil.

ATTENTION : Les parties inférieure et supérieure du support à dosette K-Cup® sont munies d'aiguilles pointues servant à perforer la dosette K-Cup®. Pour éviter tout risque de blessure, ne pas mettre les doigts dans le boîtier du support à dosette K-Cup®.

Nettoyage du réservoir d'eau et de son couvercle

Le couvercle du réservoir d'eau et le réservoir d'eau ne vont pas au lave-vaisselle. Ils doivent être nettoyés à l'aide d'un chiffon non abrasif et d'eau savonneuse, puis rincés soigneusement. Ne séchez pas l'intérieur du réservoir d'eau à l'aide d'un chiffon, car des peluches pourraient y rester.

ATTENTION : Veuillez rincer le réservoir d'eau à fond après le nettoyage pour vous assurer qu'aucune solution nettoyante ne reste à l'intérieur, car celle-ci pourrait contaminer l'eau du réservoir.

Détartrage

La teneur en minéraux de l'eau varie d'un endroit à un autre. Selon la teneur en minéraux de l'eau de votre région, il peut y avoir accumulation de dépôts calcaires ou de tartre dans votre cafetière. Le tartre n'est pas toxique, mais s'il n'est pas enlevé, il peut nuire à la performance de votre cafetière. Un détartrage de votre cafetière aide à garder en bon état l'élément chauffant et les autres pièces internes en contact avec l'eau.

La cafetière devrait subir un détartrage tous les trois à six mois pour assurer son fonctionnement optimal. Il arrive que le tartre s'accumule plus rapidement; il est alors nécessaire de procéder au détartrage plus souvent.

Suivez attentivement la procédure de détartrage décrite à la page 35.

Procédure de détartrage

A. PRÉPARATION

1^{re} étape : Assurez-vous d'avoir au moins 2,6 L/90 oz de vinaigre blanc non dilué. Vous aurez également besoin d'un évier vide et d'une grande tasse en céramique (n'utilisez pas de gobelet en papier).

2^e étape : Videz l'eau du réservoir.

3^e étape : Désactivez les fonctions « Arrêt automatique » et « Marche/arrêt automatiques » (pages 31-32).

B. REMPLISSAGE ET NETTOYAGE

1^{re} étape : Versez environ 2,6 L/90 oz de vinaigre dans le réservoir d'eau.

2^e étape : Placez une grande tasse sur le plateau à tasse et lancez un cycle d'infusion **SANS INSÉRER DE DOSETTE K-CUP®**, en choisissant le format grande tasse. Jetez ensuite le contenu de la tasse dans l'évier.

3^e étape : Répétez le cycle d'infusion 3 fois.

4^e étape : Laissez la cafetière allumée reposer pendant au moins 4 heures.

C. RINÇAGE

1^{re} étape : Assurez-vous que le réservoir d'eau est rempli d'eau fraîche.

2^e étape : Placez une grande tasse sur le plateau à tasse et lancez un cycle d'infusion. Jetez ensuite le contenu de la tasse dans l'évier.

3^e étape : Répétez le processus d'infusion jusqu'à ce que le réservoir d'eau soit vide.

4^e étape : Vous devrez peut-être effectuer des cycles de rinçage supplémentaires si vous décelez une odeur ou un goût résiduels de vinaigre.

Réparation

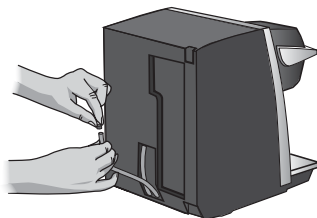
À l'exception des procédures de nettoyage et d'entretien recommandées, cette cafetière ne peut pas être réparée par l'utilisateur. Pour faire réparer l'appareil, veuillez vous reporter à la section Garantie de ce manuel.

Entreposage

Vidange de la cafetière

1. Éteignez et débranchez la cafetière. Laissez-la refroidir pendant environ 30 minutes.
2. Videz le réservoir d'eau en retirant d'abord le couvercle du réservoir. Soulevez ensuite le réservoir à la verticale puis vers la droite (le réservoir peut offrir une certaine résistance). Rincez et videz le réservoir d'eau.
3. Tournez la cafetière pour que l'arrière soit face à vous. Dévissez le bouton de retenue du panneau arrière, enlevez le panneau et mettez-le de côté. Si la vis est serrée, vous pourriez avoir à utiliser un tournevis plat. Tirez le tube vers le bas jusqu'à ce que l'extrémité soit dégagée (fig. 25). Enlevez le bouchon et vidangez l'eau du réservoir interne d'eau chaude dans un grand récipient placé dessous.

fig. 25



ATTENTION : Si la cafetière n'a pas eu suffisamment de temps pour refroidir, l'eau vidangée par le tube pourrait être très chaude. Rebouchez le tube.

REMARQUE : Pour éviter de perdre des pièces, réinsérez le tube et vissez le panneau arrière de la cafetière dès que vous avez terminé.

SECTION 4 Dépannage

PROBLÈME	SOLUTION
La cafetière ne s'allume pas	<ul style="list-style-type: none">• Branchez la cafetière séparément.• Vérifiez que la cafetière est bien branchée.• Branchez la cafetière dans une autre prise.• Réenclenchez le disjoncteur au besoin.• Assurez-vous que l'interrupteur a été actionné et que l'écran ACL est allumé.
La cafetière n'infuse pas	<ul style="list-style-type: none">• Après avoir placé une dosette K-Cup® dans le support à dosette K-Cup®, assurez-vous que la poignée est bien abaissée, que l'écran ACL affiche le message « Prêt » et que le bouton d'infusion (BREW) clignote, puis appuyez sur le bouton d'infusion (BREW).• L'aiguille de sortie est peut-être obstruée (voir la page 34). Messages de l'écran ACL• Si le réservoir d'eau est vide et doit être rempli, l'écran ACL indiquera « Soulever le réservoir d'eau, remplir le réservoir d'eau et replacer le réservoir d'eau » avec les images correspondantes. Suivez ces instructions.• En mode remplissage manuel, si l'écoulement d'eau a été interrompu, l'écran ACL indiquera « Écoulement d'eau interrompu. Pour redémarrer, soulever et retirer le réservoir d'eau. » Une fois le réservoir retiré, l'écran indiquera « Au besoin, remplir le réservoir d'eau jusqu'à la ligne de remplissage maximal et le remettre en place. » Suivez ces instructions.• En mode plomberie, si l'écoulement d'eau a été interrompu, l'écran ACL indiquera « Écoulement d'eau interrompu. Pour redémarrer, appuyer sur le bouton d'infusion (BREW) ». Suivez ces instructions.

Goût de chlore ou de minéraux	<ul style="list-style-type: none">• Si ces messages s'affichent toujours après que vous avez suivi ces instructions, communiquez avec le Service à la clientèle au 1.888.287.2739.
La cafetière n'infuse pas une tasse complète	<ul style="list-style-type: none">• Essayez d'utiliser de l'eau embouteillée ou filtrée, ou l'ensemble de départ pour filtre à eau de Keurig^{MC} (vendu au www.keurig.com).• L'aiguille de sortie est peut-être obstruée (voir la page 34).• Nettoyez l'assemblage du support à dosette K-Cup® si nécessaire et rincez-le sous le robinet (voir les pages 33 et 34).• Le réservoir d'eau a peut-être été enlevé pendant l'infusion. Remplacez le réservoir d'eau et effectuez une infusion de rinçage sans insérer de dosette K-Cup®.• Procédez au détartrage de la cafetière (voir les pages 34 et 35).• Si vous avez répété les étapes de détartrage deux fois et que la cafetière continue d'infuser une tasse incomplète, communiquez avec le Service à la clientèle au 1.888.287.2739.
L'heure n'apparaît pas sur l'écran ACL	<ul style="list-style-type: none">• L'heure ne s'affiche pas tant qu'elle n'a pas été réglée. Pour régler l'horloge, suivez les instructions de la page 30.• Si l'alimentation électrique de la cafetière a été interrompue, vous devez régler à nouveau l'horloge en suivant les instructions de la page 30.
La cafetière s'allume ou s'éteint automatiquement	<ul style="list-style-type: none">• Assurez-vous que la minuterie d'arrêt automatique et les fonctions de mise en marche/arrêt automatiques n'ont pas été programmées. Pour ce faire, appuyez sur le bouton MENU et faites défiler les options de programmation. Les fonctions d'arrêt automatique et de marche/arrêt automatiques devraient être à la position « OFF » (DÉSACTIVÉE). Si la position « OFF » n'est pas affichée, suivez les instructions des pages 31 et 32 pour corriger les réglages.

SECTION 5 Garantie

Garantie limitée d'un an

Keurig, Incorporated garantit que chaque cafetière est exempte de tout défaut de pièces ou de fabrication, **sous réserve d'une utilisation normale**, pendant un an à partir de la date d'achat. Nous vous recommandons de remplir et de retourner la carte de garantie incluse avec votre cafetière pour que les données sur votre achat puissent être consignées dans notre système. Keurig réparera ou remplacera, à son choix, la cafetière défectueuse sans frais à la réception d'une preuve de la date d'achat. Si la cafetière doit être remplacée durant la période de garantie, elle pourra être remplacée par une cafetière neuve ou par une cafetière remise à neuf. La cafetière de remplacement est alors couverte par une nouvelle garantie limitée d'un an.

La présente garantie ne s'applique qu'aux cafetières utilisées au Canada et aux États-Unis. La présente garantie vous confère des droits légaux spécifiques et il se peut que vous bénéficiiez d'autres droits qui peuvent varier d'une province à l'autre, et, dans le cas des États-Unis, d'un État à l'autre.

Seules les dosettes et les accessoires de marque Keurig Brewed® K-Cup® assurent le bon fonctionnement et la durabilité de votre cafetière Keurig®. Tout dommage ou toute défectuosité à votre cafetière résultant de l'utilisation de dosettes et d'accessoires de marques autres que Keurig Brewed® K-Cup® pourrait ne pas être couvert par la présente garantie ou pourrait entraîner des frais de réparation s'il est déterminé que le dommage ou la défectuosité a été causé par une telle utilisation.

Qu'est-ce qui n'est pas couvert par la garantie limitée?

LA PRÉSENTE GARANTIE NE S'APPLIQUE PAS AUX DOMMAGES INDIRECTS, TELS QUE LES DOMMAGES MATÉRIELS, ET NE COUVRE PAS LES FRAIS ET LES COÛTS ENGENDRÉS PAR UNE VIOLATION DE LA GARANTIE, MÊME S'ILS SONT PRÉVISIBLES. Certaines provinces ou certains États n'autorisent pas l'exclusion ou la limitation de dommages indirects. Par conséquent, selon la province ou l'État où vous avez acheté l'appareil, les exclusions ou les limitations susmentionnées peuvent ne pas s'appliquer à vous.

La présente garantie ne s'applique pas non plus aux dommages causés par : une utilisation de dosettes ou d'accessoires de marques autres que Keurig Brewed® K-Cup®, des réparations effectuées par d'autres personnes que le personnel de Keurig ou l'un de ses fournisseurs de services autorisés; l'utilisation de pièces autres que les pièces d'origine Keurig; des causes externes, telles qu'un abus, une mauvaise utilisation, une mauvaise alimentation en électricité ou des catastrophes naturelles.

Autres limitations

LA PRÉSENTE GARANTIE EST EXCLUSIVE ET TIENT LIEU DE TOUTE AUTRE GARANTIE EXPRESSE, VERBALE OU ÉCRITE. DE PLUS, KEURIG EXCLUT SPÉCIFIQUEMENT TOUTE AUTRE GARANTIE TOUCHANT LA CAFETIÈRE K150 Y COMPRIS TOUTE GARANTIE IMPLICITE RELATIVE À LA QUALITÉ ET À L'ADAPTATION À UN USAGE PARTICULIER. Certaines provinces et certains États n'autorisent pas les clauses exonératoires de telles garanties implicites ni les limitations concernant la durée des garanties implicites, et les limitations susmentionnées peuvent ne pas s'appliquer, selon la province ou l'État où vous avez acheté l'appareil.

Comment faire honorer la garantie?

Les cafetières Keurig® sont des appareils de qualité qui, lorsqu'ils sont utilisés adéquatement, sont conçus pour durer plusieurs années. Si toutefois vous deviez avoir recours à la garantie, il vous suffit d'appeler au Service à la clientèle de Keurig en composant le numéro sans frais 1.888.CUP.BREW (287.2739). Avant de retourner votre cafetière pour la faire réparer, vous devez d'abord communiquer avec un représentant du Service à la clientèle de Keurig pour obtenir un numéro d'autorisation de retour (ATR). Toute cafetière envoyée sans numéro d'autorisation de retour sera retournée à l'expéditeur sans avoir été réparée.

Keurig, Incorporated
55 Walkers Brook Drive
Reading, MA 01867
1.888.CUP.BREW (287.2739)

To learn more about Keurig, visit www.keurig.com or call 1.888.CUP.BREW (287.2739)

Pour en savoir plus sur Keurig, rendez-vous à www.keurig.com ou composez le 1.888.287.2739

Keurig, Incorporated
55 Walkers Brook Drive
Reading, MA 01867

Keurig, Incorporated is a wholly-owned
subsidiary of Green Mountain Coffee Roasters, Inc.

Keurig, Incorporated est une filiale à 100 % de
Green Mountain Coffee Roasters, Inc.



For Household and Commercial Use
Pour usage domestique et commercial

Pat./Brevets www.GMCR.com/patents

© 2013 Keurig, Incorporated
All rights reserved
Tous droits réservés

P/N 60-202660-000 Rev B
07/13