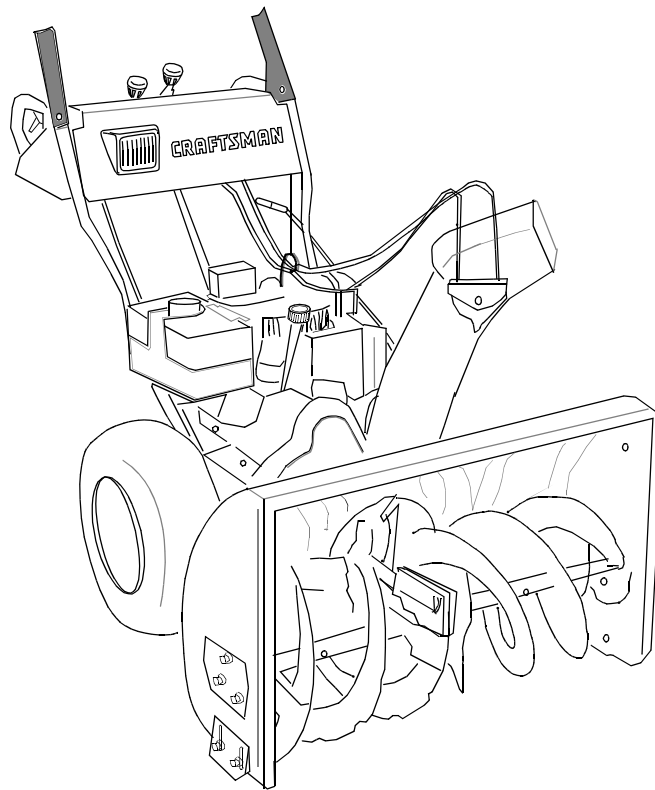


# Owner's Manual



9 Horse Power  
28" Two-Stage Wheel Drive  
**Snow Thrower**

Model No.  
**247.888530**



**CAUTION:** Before using this product, read this manual and follow all safety rules and operating instructions.

- Safety
- Assembly
- Operation
- Service
- Maintenance
- Español

**Sears, Roebuck And Co., Hoffman Estates, IL 60179, U.S.A.**

Visit our website: [www.sears.com/craftsman](http://www.sears.com/craftsman)

# TABLE OF CONTENTS

Content	Page	Content	Page
Warranty Information .....	2	Service & Adjustment.....	20
Safe Operation Practices .....	3	Off-Season Storage .....	25
Assembly .....	6	Trouble-Shooting .....	26
Operation .....	12	Parts List .....	28
Maintenance .....	17	Espanòl.....	40

# WARRANTY INFORMATION

## Two -Year Warranty on Craftsman Snow Thrower

For two years from the date of purchase, when this Craftsman Snow Thrower is maintained, lubricated and tuned up according to the instructions in the owner's manual, Sears will repair, free of charge, any defect in material and workmanship.

If this Craftsman snow thrower is used for commercial or rental purposes, this warranty applies for only 30 days from the date of purchase.

**This warranty does not cover:**

Expendable items which become worn during normal use, such as skid shoes, shave plate and spark plugs.

Repairs necessary because of operator abuse or negligence, including bent crankshafts and the failure to maintain the equipment according to the instructions contained in the owner's manual.

WARRANTY SERVICE IS AVAILABLE BY RETURNING THE CRAFTSMAN SNOW THROWER TO THE NEAREST SEARS SERVICE CENTER/DEPARTMENT IN THE UNITED STATES.

**This warranty applies only while this product is in use in the United States.**

This warranty gives you specific legal rights and you may also have other rights which may vary from state to state.

SEARS, ROEBUCK AND CO., D/817WA, HOFFMAN ESTATES, IL 60179

### PRODUCT SPECIFICATIONS

Horsepower: .....	9
Engine Oil .....	SAE 5W30 oil
Fuel Capacity: .....	1 gallon
Spark Plug: .....	RJ-19LM
Engine:.....	143.999005

### MODEL NUMBER

Model Number	<b>247.888530</b>
Serial Number.....	.....
Date of Purchase .....	.....
Record both serial number and date of purchase and keep in a safe place for future reference.	

# SAFE OPERATION PRACTICES



This symbol points out important safety instructions which, if not followed, could endanger the personal safety and/or property of yourself and others. Read and follow all instructions in this manual before attempting to operate your snow thrower. Failure to comply with these instructions may result in personal injury. When you see this symbol—**heed its warning.**



Your snow thrower was built to be operated according to the rules for safe operation in this manual. As with any type of power equipment, carelessness or error on the part of the **DANGER:** operator can result in serious injury. If you violate any of these rules, you may cause serious injury to yourself or others.



This unit is equipped with an internal combustion engine and should not be used on or near any unimproved forest-covered, brush-covered or grass-covered land unless the engine's exhaust system is equipped with a spark arrester meeting applicable local or state laws (if any). If a spark arrester is used, it should be maintained in effective working order by the operator.

In the State of California the above is required by law (Section 4442 of the California Public Resources Code). Other states may have similar laws. Federal laws apply on federal lands. A spark arrester for the muffler is available through your nearest Sears Authorized Service Center (See the REPAIR PARTS section of this manual.)

The engine exhaust from this product contains chemicals known to the state of California to cause cancer, birth defects or other reproductive harm.

## TRAINING

- Read this owner's guide carefully in its entirety before attempting to assemble or operate this machine. Be completely familiar with the controls and the proper use of this machine before operating it. Keep this manual in a safe place for future and regular reference and for ordering replacement parts.
- Never allow children under 14 years old to operate a snow thrower. Children 14 years old and over should only operate a snow thrower under close parental supervision. Only persons well acquainted with these rules of safe operation should be allowed to use your snow thrower.
- No one should operate this unit while intoxicated or while taking medication that impairs the senses or reactions.
- Keep the area of operation clear of all persons, especially small children and pets.
- Exercise caution to avoid slipping or falling, especially when operating in reverse.

## PREPARATION

- Thoroughly inspect the area where the equipment is to be used and remove all door mats, sleds, boards, wires and other foreign objects.
- Do not operate equipment without wearing adequate outer garments for winter. Do not wear jewelry, long scarfs or other loose clothing which could become entangled in moving parts. Wear footwear which will improve footing on slippery surfaces.
- Before working with gasoline, extinguish all cigarettes and other sources of ignition. Check the fuel before starting the engine. Gasoline is an extremely flammable fuel. Do not fill the gasoline tank indoors, while the engine is running, or until engine has been allowed to cool at least two minutes. Replace

gasoline cap securely and wipe off any spilled gasoline before starting the engine as it may cause a fire or explosion.

- Use a grounded three wire plug-in for all units with electric drive motors or electric starting motors.
- Adjust collector housing height to clear gravel or crushed rock surface.
- Never attempt to make any adjustments while engine is running (except where specifically recommended by manufacturer).
- Let engine and machine adjust to outdoor temperature before starting to clear snow.
- Always wear safety glasses or eye shields during operation or while performing an adjustment or repair, to protect eyes from foreign objects that may be thrown from the machine in any direction.

## OPERATION

- Do not put hands or feet near or under rotating parts. Keep clear of discharge opening and auger at all times.
- Exercise extreme caution when operating on or crossing gravel drives, walks, or roads. Stay alert for hidden hazards or traffic.
- Do not carry passengers.
- After striking a foreign object, stop the engine, remove wire from the spark plug and thoroughly inspect the snow thrower for any damage. Repair the damage before restarting and operating the snow thrower.
- If the snow thrower starts to vibrate abnormally, stop the engine and check immediately for the cause. Vibration is generally a warning of trouble.
- Stop the engine whenever you leave the operating position, before unclogging the collector/impeller housing or discharge guide and before making any repairs, adjustments, or inspections. Never place your

hand in the discharge or collector openings. Use a stick or wooden broom handle to unclog the discharge opening.

- Take all possible precautions when leaving the unit unattended. Disengage the collector/impeller, stop the engine and remove the key.
- When cleaning, repairing, or inspecting, make certain collector/impeller and all moving parts have stopped. Disconnect spark plug wire and keep away from plug to prevent accidental starting.
- Do not run the engine indoors, except when starting it and/or transporting the snow thrower in or out of building. Open doors before starting the engine in that case. Exhaust fumes are dangerous.
- Do not clear snow across the face of slopes. Exercise extreme caution when changing direction on slopes. Do not attempt to clear steep slopes.
- Never operate the snow thrower without guards, plates or other safety protection devices in place.
- Never operate the snow thrower near glass enclosure, automobiles, window wells, drop off, etc., without proper adjustments of snow thrower discharge angle. Keep children and pets away.
- Do not overload machine capacity by attempting to clear snow at too fast a rate. Never operate the machine at high transport speeds on slippery surfaces. Look behind and use care when backing.
- Never direct discharge at bystanders or allow anyone in front of unit while throwing snow.
- Disengage power to collector/impeller of the snow thrower when transporting it or when the unit is not in use.
- Use only attachments and accessories (such as wheel weights, counter weights, cabs, etc.) approved

by the snow thrower manufacturer.

- Never operate the snow thrower without good visibility or light. Always be sure of your footing and keep a firm hold on the handles. Walk, never run.
- Muffler and engine become hot and can cause severe burn injury. Do not touch the muffler or the engine while starting or operating the snow thrower.

## MAINTENANCE AND STORAGE

- Check shear bolts, engine mounting bolts, etc., at frequent intervals for proper tightness, thus ensuring that the equipment is in safe working condition.
- Never store the machine with fuel in the fuel tank inside a building where ignition sources are present, such as hot water heaters, space heaters, clothes dryers and the like. Allow engine to cool before storing in any enclosure.
- Always refer to owner's guide instructions for important details if the snow thrower is to be stored for an extended period.
- Run machine a few minutes after throwing snow to prevent freeze-up of the collector/impeller.
- Check clutch controls periodically to verify that these engage and disengage properly and readjust if necessary. Refer to Service and Adjustments section page of this owner's guide.

## YOUR RESPONSIBILITY

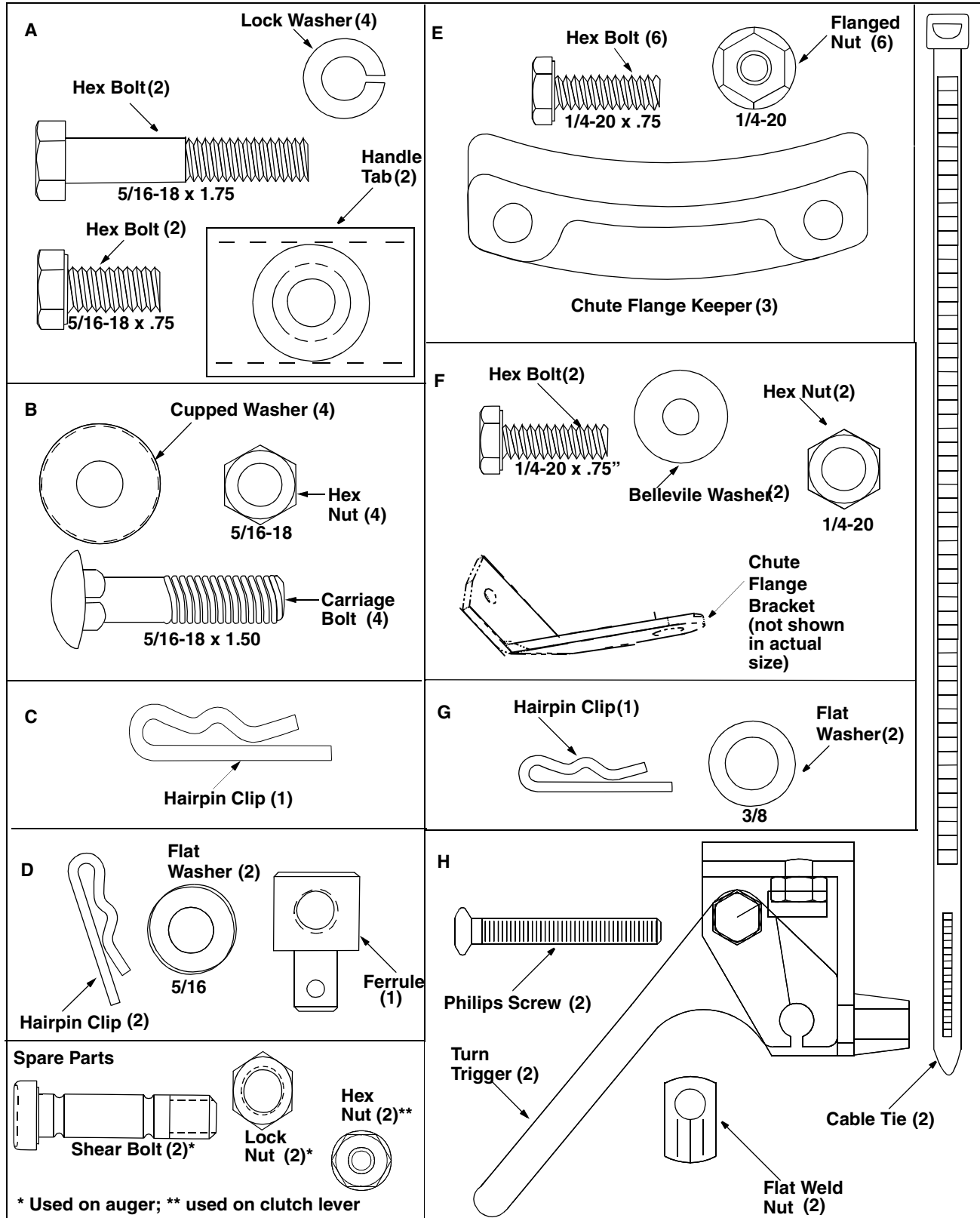
- Restrict the use of this power machine to persons who read, understand and follow the warnings and instructions in this manual and on the machine.

Following are representations of some of the safety labels on your Craftsman snowthrower. Please follow the instruction on these labels and maintain safety while using or servicing the equipment.



# HARDWARE PACK

Lay the hardware pieces from the hardware pack on the figure here and you will have automatically sorted these according to the steps of the assembly procedure described later. (Only one unit of each hardware has been shown per group. The number in parenthesis indicates the total number of the hardware needed in that group.)



# ASSEMBLY

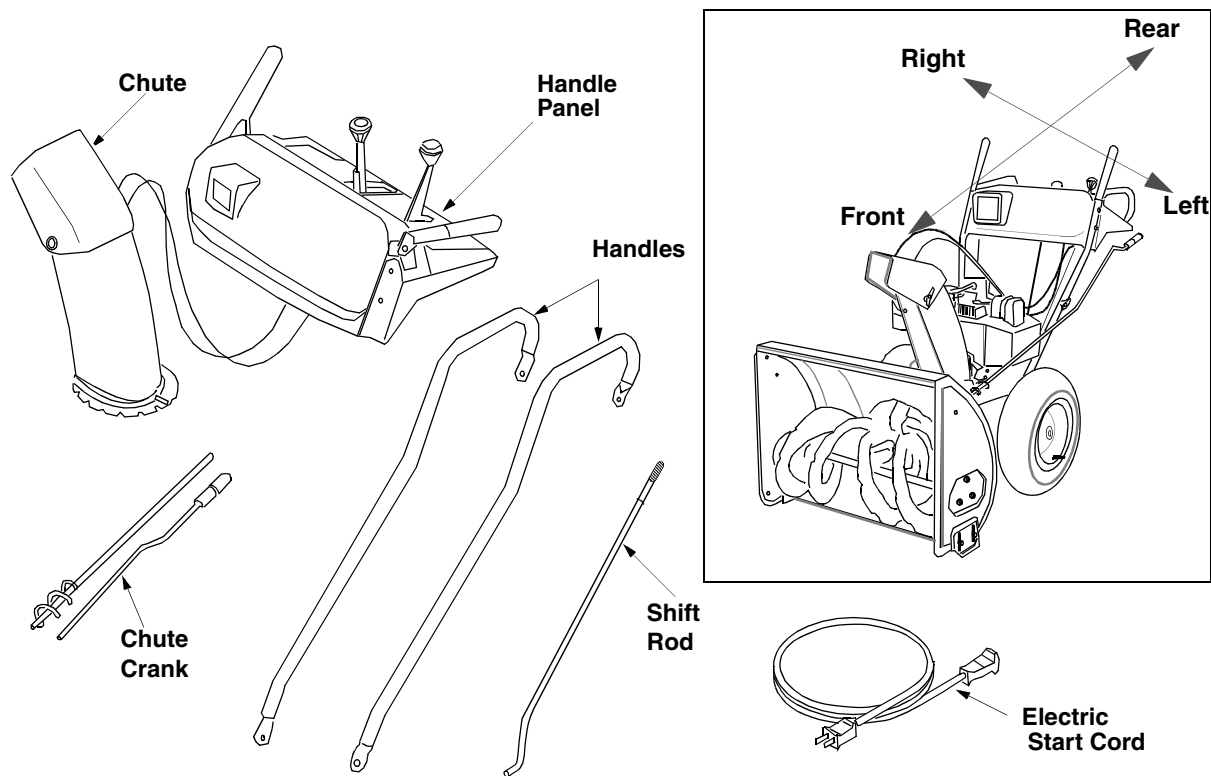


Figure 1

**IMPORTANT:** This unit is shipped with engine oil in the engine, but without gasoline. After assembly, see OPERATION section of this manual for fuel selection and fill-up.

**NOTE:** To determine right and left hand sides of your snow thrower, stand behind the unit in the operating position. See Figure 1 inset.

Your snow thrower has been assembled at the factory except the handles and the handle panel, the discharge chute assembly, the chute crank assembly and the shift rod. These parts are shipped loose in the carton.

## Removing From Carton

- Cut the corners of the carton and lay the sides flat on the ground. Remove all packing inserts.
- Remove all loose parts. For a complete list of the loose parts, refer to the following section.
- Move the snow thrower out of the carton.
- Make certain all parts and literature have been removed before discarding the carton.

## Loose Parts

(See Figure 1.)

- a. Handle Panel and Chute Assembly
- b. Right Hand & Left Hand Handles

- c. Electric Start Cord
- d. Two-piece Chute Crank Assembly
- e. Shift Rod
- f. Hardware Pack

**Assembly Tips:** For easier assembly purposes, remove the chute from the carton and lay it on top of the engine. Do not unwrap the chute till you have installed the handle panel and the clutch cables.

## Tools Required

1. 1/2", 7/16", 3/8" wrenches or a set of adjustable wrenches
2. Set of pliers
3. Set of philips head screw drivers
4. Funnel to fill up gasoline



**WARNING:** Make certain the **spark plug wire is disconnected** and moved away from the spark plug before assembling the snow thrower.

## Attaching Handle Assembly

- Stretch out control cables and place on the floor. Place the right handle in position with the flat side against the snow thrower. *You can identify the right handle by the traction drive control label on it and the left handle by the auger clutch control label on it.*

- Secure bottom hole in the handle to the snow thrower using 5/16 x .75" hex bolt and lock washer from the hardware pack (group A on page 5 ). Do not tighten at this time. See Figure 2.

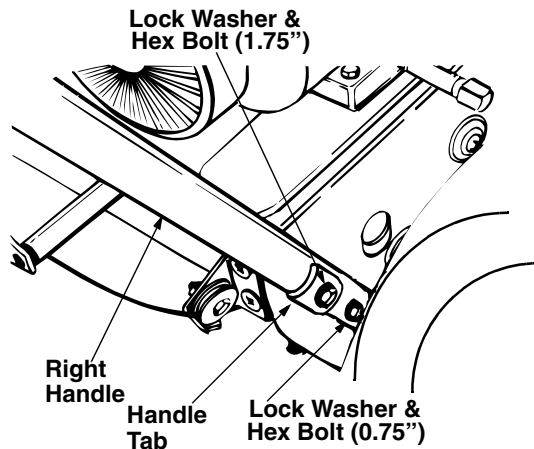


Figure 2

- Place a handle tab, included in the hardware pack (group A on page 5), over the upper hole in handle so that the contour of the handle tab matches that of the handle. See Figure 2.
- Secure handle tab to the snow thrower using hex bolt (5/16 x 1.75" long) and lock washer from the same group in the hardware pack. Do not tighten at this time.
- Attach the left handle in the same manner. Do not tighten at this time.
- Place the handle panel in position between the handles so the ends of the curved part of the handles go through the slots in the handle panel. While placing the handle panel, make sure to route chute and chute cable between the handles underneath the panel keeping the cable on top of the engine. Align the holes in the handle with the holes on two sides of the handle panel. See Figure 3.

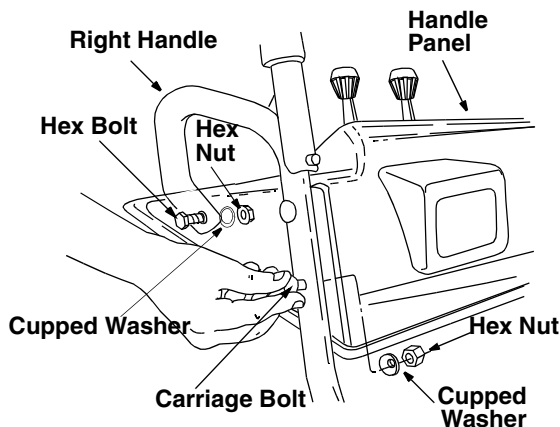


Figure 3

- Attach the handle panel to the handle with two carriage bolts, cupped washers (cupped side against the handle panel) and hex nuts on each side. Align the contour of the carriage bolt head with the handle. See Figure 3. You will find these fasteners in the hardware pack (group B on page 5). Repeat on other side.
- Align the hole on the curved part of the right handle with the corresponding hole on the right side of handle panel making sure that this end of the handle is firmly placed in the slot on the handle panel. See Figure 3.
- Insert a hex bolt, cupped washer and hex nut from Group F of the hardware pack through these holes as shown in Figure 3. Tighten to secure. Do not attach the left side now.

## Attaching Chute

- Place the chute assembly over the chute opening with the chute facing front of the unit.

**NOTE:** Make sure that the chute cables are straightened while assembling the chute.

- Place the chute flange keeper (flat side down) beneath lip of chute assembly as shown in Figure 4. You will find the chute flange keepers in group E of the hardware pack.
- Insert hex bolt (1/4-20 x .75") and flange nut from group E up through chute flange keeper and chute assembly as shown in Figure 4. Do not tighten at this time. Rotate chute to install all the flange keepers.

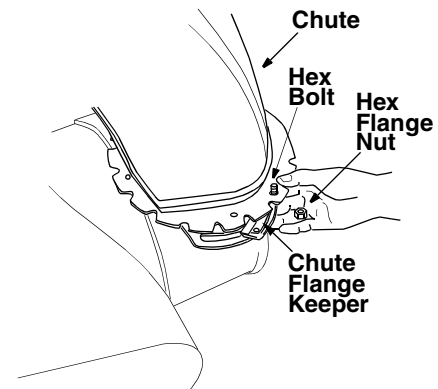


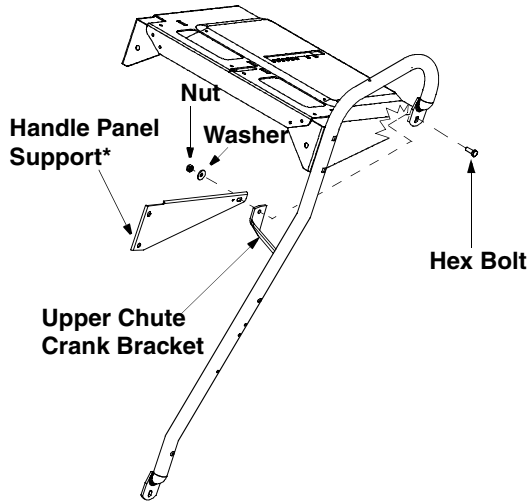
Figure 4

- After assembling all three chute flange keepers, tighten, then back off 1/4 turn to allow easier movement of the chute. Use (2) 7/16" wrenches.

## Attaching Chute Crank

- On the left side of the handle panel, place the upper chute crank bracket on to the inside of the handle panel support. See Figure 5. You will find this bracket and associated hardware in group F of hardware pack.

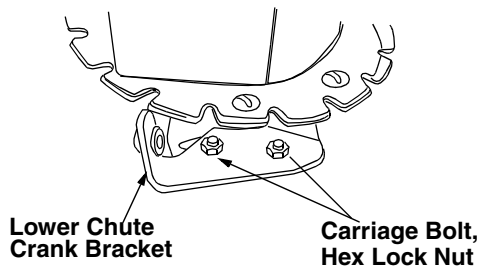
- Insert hex bolt through the upper chute crank bracket, handle panel support, and upper left handle. Secure the bracket using cupped washer and hex nut. Make sure that the cupped side of the washer is set against the handle.



\* This part is already attached inside the handle panel

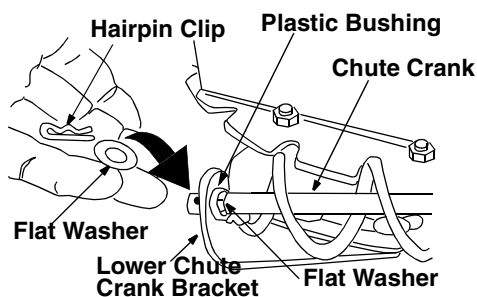
**Figure 5**

- You may have to loosen the carriage bolts and hex lock nuts which secure the lower chute crank bracket to the extension on the left side of the chute assembly. See Figure 6.



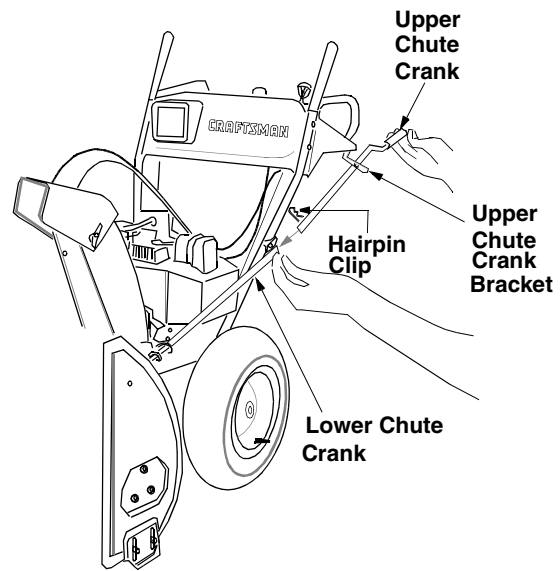
**Figure 6**

- Place one 3/8 ID flat washer (from group G of the hardware pack) on the end of the chute crank, then insert the end of the chute crank into the eye hole in the plastic bushing in the lower chute crank bracket. See Figure 7.



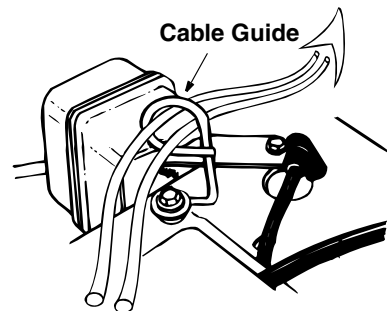
**Figure 7**

- Place the other 3/8 ID flat washer (from the same group of hardware) on the end of the chute crank and insert hairpin clip into hole at the end of the chute crank. See Figure 7.
- Adjust the chute bracket so that the spiral on the chute crank fully engages the teeth on the chute assembly.
- Slide the upper chute crank through the plastic bushing in the upper chute crank bracket and then into the lower chute crank. See Figure 8. Align the holes on the two pieces of the chute crank, and secure with hairpin clip from group C of the hardware pack.



**Figure 8**

- Fully rotate the chute, using the chute crank, to make sure that it moves freely.
- Using a wrench, tighten the hex bolt and the hex nut on the upper chute crank bracket.
- Slip the cables that run from the handle panel to the chute into the cable guide located on top of the engine. See Figure 9.



**Figure 9**

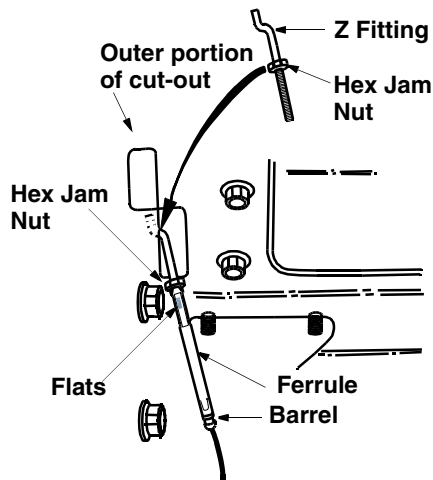


- Tighten all loose hardware on the handle assembly in the following order — first the four hex bolts at the bottom of the handle, then the carriage bolts and lastly the hex bolts on the rear of the handle panel.

## Attaching Clutch Cables

The clutch control cables are attached to the snow thrower. For shipping purposes, if the cables are attached to the top of the engine with cable ties, cut the cable ties now. The Z ends of the clutch cables are hooked into the clutch grips on each handle.

- Ensure there is a hex jam nut threaded all the way up the threaded portion of the Z fitting; extras are supplied in the hardware pack. See Figure 10.
- Place the clutch grip in the raised (up) position.



(Viewed from the underside of the handle panel)

Figure 10

- Swing the left auger cable up making sure the cable is routed correctly in the cable roller guides located at the lower rear of the unit.
- Hold the end of the cable at the barrel so the ferrule turns freely without twisting the cable. Thread the ferrule on to the Z fitting. You may have to pull on the cable slightly to relieve tension. Keep the ferrule turning *without twisting* the cable.
- You will reach correct adjustment when there is minimal slack in the cable but it is not tight. Hold the flats on the ferrule with pliers and tighten the jam nut against the ferrule. **CAUTION:** Cables will become loose if you do not tighten the jam nut.



**WARNING:** There must not be any tension on either clutch cable with the drive or auger clutch grip in the disengaged (up) position. These clutches are a safety feature. Do not override their function.

## Attaching Shift Rod

- Place the shift lever in the sixth (6) speed.
- Place the bent end of the shift rod into the hole in the shift arm assembly. See Figure 11. Secure with 5/16 flat washer and hairpin clip from group D of the hardware pack.
- Thread ferrule (included in group D) from the right side onto the other end of the shift rod till it lines up with the upper hole in the shift lever (beneath the handle panel). While aligning the ferrule, push down on the shift rod and the shift arm assembly as far as it will go.

**NOTE:** You may have to pull the shift lever out of the sixth speed position and move it towards the fifth speed position until the ferrule slides into the hole without force.

- Once the ferrule slides into the hole, turn it counter-clockwise one more full turn and insert it in the hole in the shift lever. For proper positioning of the ferrule and the associated hardware, see Figure 11.

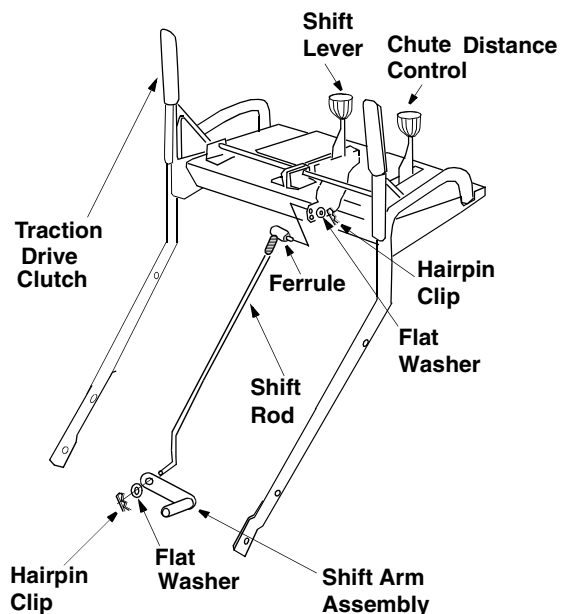


Figure 11

- Secure the ferrule to the shift lever with another 5/16 flat washer and hairpin clip from group D of the hardware pack. See Figure 11.
- Make certain to check for correct adjustment of the shift rod as instructed in the Adjustment section before operating the snow thrower.

## Attaching Turn Triggers

- Check and make sure that the right hand trigger cable is routed in front of the traction drive cable.
- Feed the trigger cable up through the outer side of the slot in the handle panel. *Do not feed the cable through the same side of the slot as the Z fitting.*

- Place the cable barrel fitting into the hole in the trigger. You can find the triggers and associated hardware in group H of the hardware pack. See Figure 12.

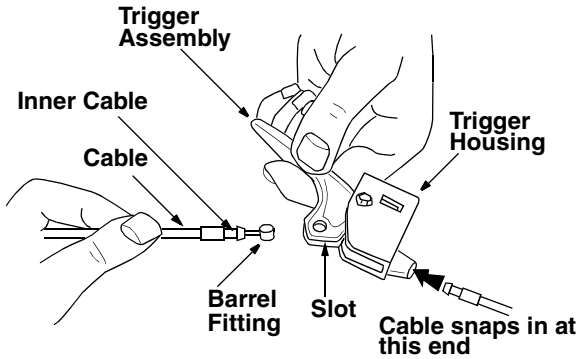


Figure 12

- Pull on the cable and rotate it around the bottom of the trigger, with the inner cable in the slot, until the cable end can be pushed into the trigger housing and snapped tight. See Figure 12.

**NOTE:** When the cable is installed correctly, you should not be able to pull the cable out of the trigger housing.

- Place the right turn trigger in position underneath the right handle. Secure with screw and weld nut from group H of the hardware pack. See Figure 13. You will need a phillips screwdriver for tightening the screw. Repeat on left side.

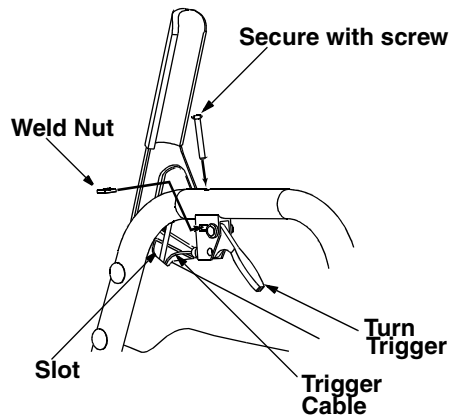


Figure 13

- Secure the right turn trigger cable to the right lower handle using cable tie provided in the hardware pack. Make sure not to wrap *the drive cable*. See Figure 14.

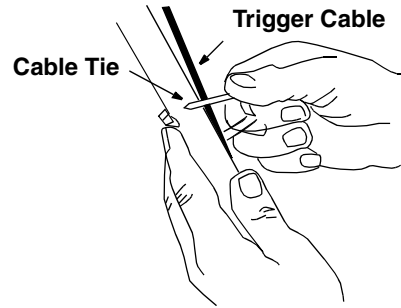


Figure 14

- Secure the left turn trigger cable to the lower handle using the other cable tie. Make sure to route the cable tie *below the auger drive cable* so that when the trigger cable is secured by the cable tie, the auger drive cable is left outside the cable tie. Trim excess ends from each cable tie.

**NOTE:** The right side cable tie must be used to keep cable from coming in contact with the moving shift arm from the transmission.

### Lamp Wiring

- Wrap the wire from the lamp down the right handle as shown in Figure 15.
- Plug wire into the alternator lead wire under the fuel tank. See Figure 15.

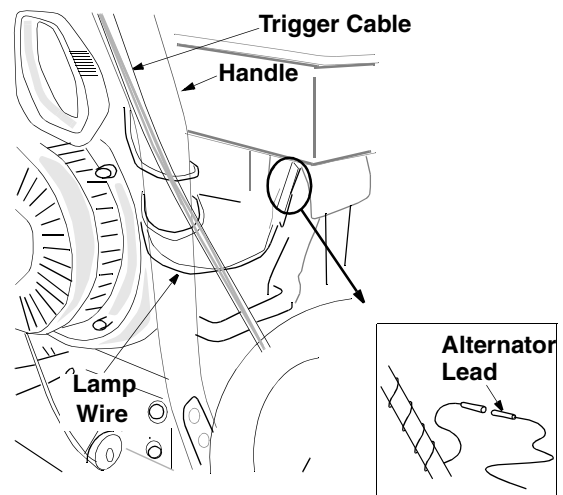


Figure 15

**IMPORTANT:** Assemble your snow thrower, then check the adjustments as instructed and make any final adjustments necessary *before* operating the unit. Failure to follow these instructions may cause damage to the snow thrower.

## Final Adjustments

### Auger Control

- To check the adjustment of the auger control, push forward the left hand clutch grip until the rubber bumper is compressed. There should be slack in the clutch cable.
- Release the clutch grip. The cable should be straight. Make certain you can depress the auger control grip against the left handle completely.
- If adjustment is necessary, loosen the hex jam nut and thread the cable in (for less slack) or out (for more slack).
- Recheck the adjustment. Tighten the jam nut against the cable when correct adjustment is reached.

### Traction Drive Clutch and Shift Lever

- Tip the snow thrower forward so that it rests on the auger housing.
- Move the shift lever all the way forward to the sixth (6) position.
- With the traction drive lever released, spin the snow thrower wheels by hand. The wheels should turn; however, you may feel some resistance.
- Engage the traction drive clutch grip. The wheels should no longer turn.
- Now release the traction drive clutch grip, and spin the wheels again.
- Move the shift lever back to the fast reverse position, then all the way forward again. There should be no resistance in the shift lever, and the wheels should turn.
- If you face resistance when moving the shift lever or the snow thrower wheels stop when they should not, loosen the lock nut on the traction drive cable and unthread the cable one turn.
- If the wheels can still be turned when you engage the traction drive clutch grip, loosen the lock nut on the traction drive cable and thread the cable in one turn.
- Recheck the adjustment and repeat adjustment as necessary. Tighten the jam nut to secure the cable when correct adjustment is reached.

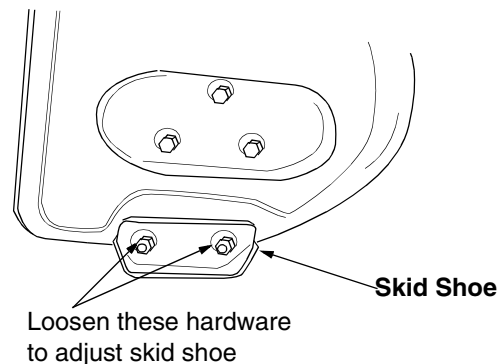
**NOTE:** If you are not sure that you have reached correct adjustment, refer to the Adjustment section on page 20.

### Skid Shoe

The space between the shave plate and the ground can be adjusted. For close snow removal, place skid shoes in the low position. Use middle or high position when area to be cleared is uneven.

**NOTE:** It is not recommended that you operate this snow thrower on gravel as loose gravel can be easily picked up and thrown by the auger causing an injury or damage to the snow thrower.

- If for some reason, you have to operate the snow thrower on gravel, keep the skid shoe in the highest position for maximum clearance between the ground and the shave plate.
- Adjust skid shoes by loosening the four hex nuts and carriage bolts and moving skid shoes to desired position.
- Make certain the entire bottom surface of skid shoe is against the ground to avoid uneven wear on the skid shoes.
- Tighten nuts and bolts securely.



**Figure 16**

### Tire Pressure (Pneumatic Tires)

The tires are over-inflated for shipping purposes. Check tire pressure and reduce to 15 to 20 psi.

**NOTE:** If the tire pressure is not equal in both tires, the unit may pull to one side or the other.

# OPERATION

## Knowing Your Snow Thrower



Read this owner's manual and safety rules before operating your snow thrower. Compare illustration below with your snow thrower to familiarize yourself with the location of various controls and adjustments. Save this manual for future reference.

The operation of any snow thrower can result in foreign objects being thrown into the eyes, which can result in severe eye damage. Always **wear safety glasses** for operating the snow thrower, or while performing any adjustments or repairs on it.

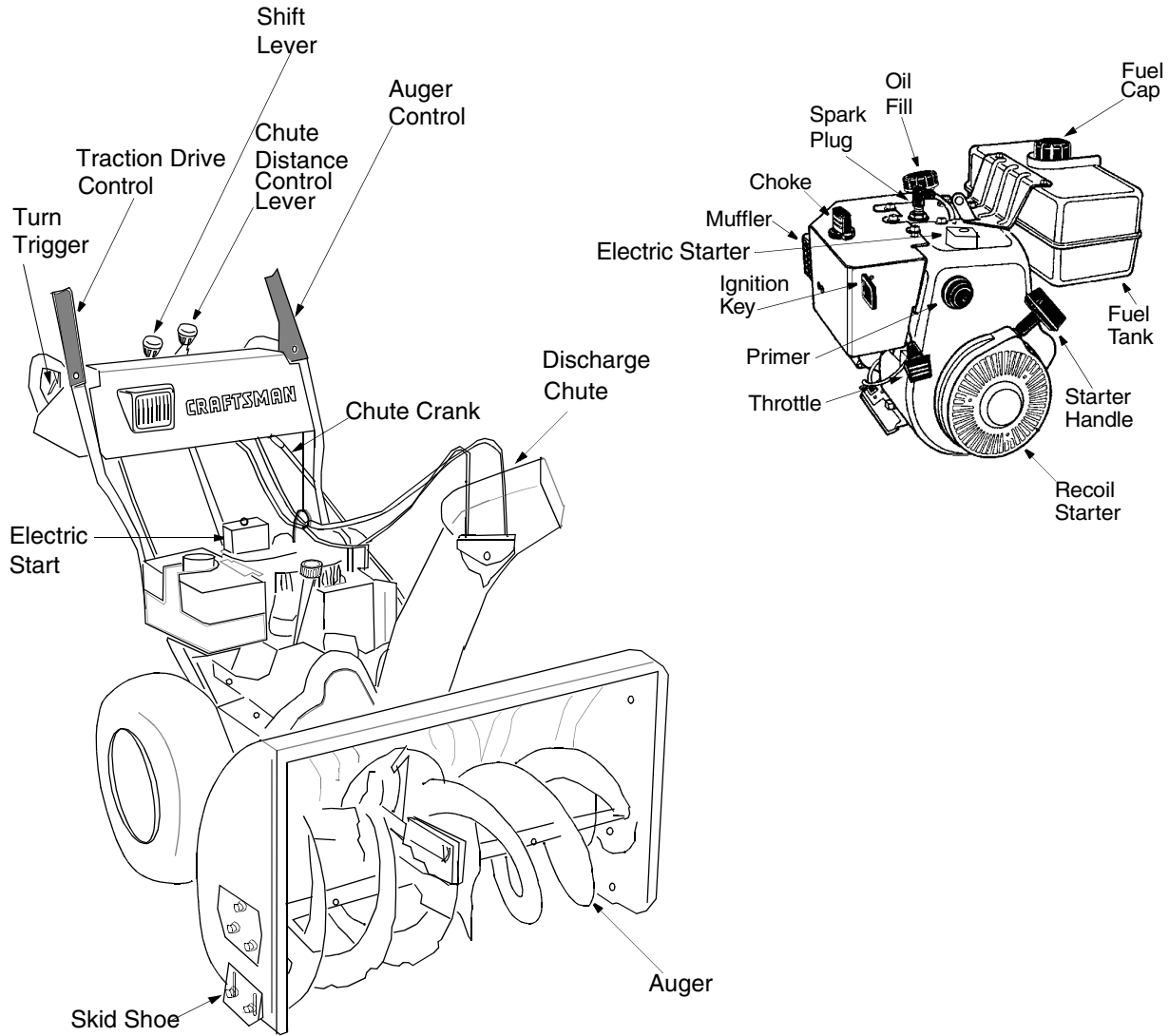


Figure 17

### Meets ANSI Safety Standards

Sears snow throwers conform to the safety standards B71.3 of the American National Standards Institute (ANSI).

## Operating Controls

(See Figure 17.)

### Chute Crank

The chute crank is located on the left hand side of the snow thrower. To change the direction in which snow is thrown, turn chute crank as follows:

- Turn *clockwise* to discharge to the left;
- Turn *counterclockwise* to discharge to the right.

### Throttle Control

The throttle control is located on the engine. It regulates the speed of the engine.

### Safety Ignition Switch

The ignition key must be inserted into the switch for the unit to start. Remove the ignition key when the snow thrower is not in use.

### Left and Right Turn Trigger

The left and right turn triggers are located on the underside of the handles and are used to assist in steering your snow thrower. Squeeze the right turn trigger when turning right, squeeze the left turn trigger when turning left. Operate your snow thrower in open areas until you become familiar with these controls.

### Shift Lever

The shift lever is located in the center of the handle panel. It may be moved into one of eight positions:

- a. *Forward*—one of six speeds; position one (1) is the slowest and position six (6) is the fastest.
- b. *Reverse*—two reverse (R) speeds; R<sub>2</sub> is faster.

Use the shift lever to determine ground speed. Do not shift to different speed while the unit is moving.

### Auger Control

The auger control is located on the left handle. Squeeze the auger control against the handle to engage the augers; release to disengage the augers. (Traction drive control must also be released.)

### Traction Drive Control

The traction drive control is located on the right handle. Squeeze the traction drive control to engage the wheel drive; release to stop.

**This same lever also locks the auger control** so that you can turn the chute crank without interrupting the snow throwing process. If the auger control is engaged with the traction drive control engaged, you can release the auger control (on the left handle) and the augers will remain engaged. Release the traction drive control to stop both the augers and the wheel drive. (Auger control must also be released.)

### Chute Distance Control Lever

The distance that snow is thrown can be adjusted by adjusting the angle of the chute assembly. Push the chute distance control lever forward to move the upper chute down and decrease the distance. Pull the lever back toward the rear to move the upper chute up and increase the distance.

## Stopping Snow Thrower

- To stop the wheels, release the traction drive lever of the snow thrower.
- To stop throwing snow, release the auger drive lever.
- To stop the engine, push the throttle control lever to OFF and pull out the ignition key. Do not turn key.

## Before Starting Engine

### Fill Gas



**WARNING:** Gasoline is flammable and caution must be used when handling or storing it.

Do not fill fuel tank while the snow thrower is running, when it is hot or when it is in an enclosed area.

Keep your snow thrower away from any open flame or an electrical spark and do not smoke while filling the fuel tank.

Never fill the fuel tank completely. Fill the tank to within 1/4" -1/2" from the top to provide space for expansion of fuel.

Always fill the fuel tank outdoors and use a funnel or spout to prevent spilling.

Make sure to wipe off any spilled fuel before starting the engine.

- Store gasoline in a clean, approved container and keep the cap in place on the container.
- Make sure that the container from which you pour the gasoline is clean and free from rust or other foreign particles.
- Fill fuel tank with clean, fresh, unleaded grade automotive gasoline.
- At the end of the job, empty the fuel tank if the snow thrower is not going to be used for 30 days or longer. See storage instructions on page 25 of this manual.

**CAUTION:** Experience indicates that alcohol blended fuels (called gasohol) or those using ethanol or methanol can attract moisture which leads to separation and formation of acids during storage.

Acidic gas can damage the fuel system of an engine while in storage.

To avoid engine problems, the fuel system should be emptied before storage for 30 days or longer. Drain the gas tank, start the engine and let it run until the fuel lines and carburetor are empty. Use fresh fuel next season. See storage Instructions for additional information.

Never use engine or carburetor cleaner products in the fuel tank or permanent damage may occur.

## To Start Engine



**WARNING:** Be sure **no one other than the operator** is standing near the snow thrower while starting or operating. **Do not operate** this snow thrower unless the discharge chute assembly has been properly installed and is secured.

### A. Electric Starter

For location of all the engine controls referred to in this section, see Figure 17 inset. For illustration of starting instructions, see Figure 18.

Before starting, make sure that the engine has sufficient oil. The snow thrower engine is equipped with a 120 volt A.C. electric starter and recoil starter. The electric starter is equipped with a three-wire power cord and plug and is designed to operate on 120 volt AC household current. Follow all instructions carefully.

### Cold Start

**NOTE:** If the unit shows any sign of motion (drive or augers) with the clutch grips disengaged, shut the engine off immediately. Readjust as instructed in the "Final Adjustments" section of the Assembly Instructions.



**WARNING:** The electric starter must be properly grounded at all times to avoid the possibility of electric shock which may be injurious to the operator.

- Determine whether your house wiring is a three-wire grounded system. Ask a licensed electrician if you are not certain.



**WARNING:** If your house wiring system is not a three-wire grounded system, do not use this electric starter under any conditions.

- If your house wiring system is grounded and a three-hole receptacle is not available at the point the snow thrower starter will normally be used, one should be installed by a licensed electrician.

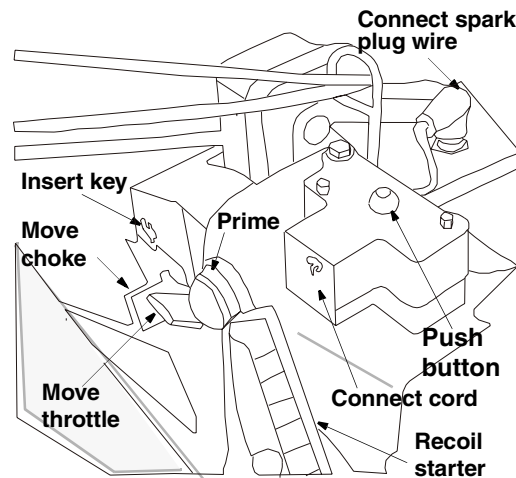
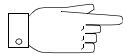


Figure 18

- When connecting the power cord, always connect cord to starter on engine first, then plug the other end into a three-hole grounded receptacle.
- When disconnecting the power cord, always unplug the end from the three-hole, grounded receptacle first.
- Attach** spark plug wire to spark plug.



## Starting Instructions At A Glance

Snow Thrower	Spark Plug wire	Drive Levers	Throttle control	Ignition Key	Choke	Power Cord	Primer	Starter	After starting
Electric Starter	Connect	Release	Move to FAST	Push to snap in	Move to FULL	Connect to source	—	Push button	1. Release button 2. Move Choke to Off 3. Disconnect cord
Recoil Starter	Connect	Release	Move to FAST	Push to snap in	Move to FULL	—	Prime	Pull handle	1. Release handle 2. Move Choke to Off.

- Make sure that the auger drive and the traction drive levers are in the disengaged RELEASED position.
- Move throttle control lever to FAST position.
- Remove the keys from the plastic bag. Push key into the ignition slot. Make sure it snaps into place. *Do not turn key.* Keep the second key in a safe place.
- Rotate the choke knob to FULL choke position.
- Connect the power cord to the switch box on the engine.
- Plug the other end of the power cord into a three-hole, grounded 120 volt A.C. receptacle.



**WARNING:** Do **not** use primer while starting the engine with an electric starter.

- Push down on the starter button until the engine starts. Do not crank for more than 10 seconds at a time. This electric starter is thermally protected. If overheated, it will stop automatically and can be restarted only when it has cooled to a safe temperature (a wait of about 5 to 10 minutes is required).
- When the engine starts, release the starter button and slowly rotate the choke to OFF position. If the engine falters, rotate the choke to FULL and then gradually to OFF.
- Disconnect the power cord from the receptacle first and then from the switch box on the engine.
- Allow the engine to warm up for a few minutes because the engine will not develop full power until it reaches operating temperature.
- Operate the engine at full throttle (FAST) when throwing snow.

#### Warm Start

- If restarting a warm engine after a shut down, rotate choke to OFF instead of FULL and press the starter button.

#### B. Recoil Starter

Make sure that the engine has sufficient oil and the auger drive and the traction drive levers are released.

- Move throttle control to FAST position.
- Push key into the ignition slot so that it snaps into place. Do not turn key. Remove plastic bag and keep the second key in a safe place.
- Rotate choke control to FULL choke position.
- Push the primer button while covering the vent hole. Remove your finger from the primer between primes. Do not prime if temperature is above 50° F; prime two times between 50° F and 15° F; and prime four times below 15° F.
- Pull the starter handle rapidly. Do not allow the handle to snap back, but allow it to rewind slowly while keeping a firm hold on the starter handle.

- As the engine warms up and begins to operate evenly, rotate the choke knob slowly to OFF position. If the engine falters, return to FULL choke, then slowly move to OFF choke position.
- Allow the engine to warm up for a few minutes because the engine will not develop full power until it reaches operating temperature.
- Operate the engine at full throttle (FAST) when throwing snow.

#### Warm Start

- If restarting a warm engine after a temporary shut down, rotate choke to OFF instead of FULL and do *not* prime. Press the starter button.

#### Frozen Recoil Starter

If the starter is frozen and will not turn the engine, proceed as follows:

- Pull as much rope out of the starter as possible.
- Release the starter handle and let it snap back against the starter.
- If the engine still fails to start, repeat the first two steps. If continued attempts do not free starter, follow the electric starter procedures to start.
- Avoid possible freezing of recoil starter and the engine controls.

## Operating Snow Thrower

#### To Engage Drive

- With the engine running near top speed, move shift lever to one of six FORWARD positions or two REVERSE positions. Select a speed appropriate for the snow conditions that exist. Use slower speeds until you are familiar with the operation of the snow thrower.
- Squeeze the traction drive clutch grip against the right handle and the snow thrower will move. Release it and the drive motion will stop.

#### To Engage Augers

- To engage the augers and start snow throwing, squeeze the left hand auger clutch grip against the left handle. Release to stop augers.
- While the auger control is engaged, squeeze the traction drive control to move, release to stop.  
**Do not** shift speeds while the drive is engaged.

**NOTE:** *This same lever also locks the auger control so you can turn the chute crank without interrupting the snow throwing process.*

- Release the auger control; the interlock mechanism should keep the auger control engaged until the traction drive control is released.
- Release the traction drive control to stop both the augers and the wheel drive.



**WARNING:** To stop the auger, both levers must be released.

## To Throw Snow

**CAUTION:** Check the area to be cleared for foreign objects. Remove, if any.

- Start the engine following Starting instructions.
- Rotate the discharge chute to the desired direction, away from bystanders and/or buildings. Move the chute distance control forward or backward to adjust the distance the snow is to be thrown.
- Select the speed according to snow condition.

**CAUTION:** Never move the shift lever without first releasing the drive clutch.

- Engage the auger control and traction drive control levers following instructions above.
- The interlock feature will allow you to remove your left hand from the auger control lever.
- When clearing the first pass through the snow, control the traction speed of the snow thrower according to the depth and condition of snow.
- To turn the unit left, squeeze left trigger; to turn right, squeeze right trigger.
- On each succeeding pass, readjust the chute deflector to the desired position and slightly overlap the previously cleared path.
- After the area is cleared, stop the snow thrower following instructions given below.

## Operating Tips

**NOTE:** Allow the engine to warm up for a few minutes as the engine will not develop full power until it reaches operating temperature.



**Warning:** The temperature of muffler and surrounding areas may exceed 150° F. Avoid these areas.

- For most efficient snow removal, remove snow immediately after it falls.

- Discharge snow downwind whenever possible. Slightly overlap each previous swath.
- Set the skid shoes 1/4" below the scraper bar for normal usage. The skid shoes may be adjusted upward for hard-packed snow.

**NOTE:** It is not recommended that you operate this snow thrower on gravel as loose gravel can be easily picked up and thrown by the auger causing an injury or damage to the snow thrower.

- If for some reason, you have to operate the snow thrower on gravel, keep the skid shoe in the highest position for maximum clearance between the ground and the shave plate.
- Clean the snow thrower thoroughly after each use.

## Before Stopping

- Run engine for a few minutes to help dry off any moisture on engine.
- To avoid possible freeze-up of the starter, follow these steps:

### Recoil Starter

- a. With the engine running, pull the starter rope with a rapid, continuous full arm stroke three or four times.

### Electric Starter

- a. Connect power cord to switch box, then to 120 Volt AC receptacle.
- b. While the engine is running, push the starter button and spin the starter for several seconds.
- c. Disconnect power cord from the receptacle first, then from the snow thrower.

**NOTE:** The unusual sound from pulling the starter rope in the case of the recoil starter, or from spinning the starter in the case of the electric starter, will not harm the engine.

## To Stop The Snow Thrower

- To stop the wheel, release the traction drive lever on the snow thrower.
- To stop throwing snow, release auger drive lever.
- To stop engine, push throttle control lever to OFF and pull out the key. *Do not turn key.*



# MAINTENANCE

## General Recommendations

- Always observe safety rules when performing any maintenance.
- The warranty on this snow thrower does not cover items that have been subjected to operator abuse or negligence. To receive full value from the warranty, operator must maintain the snow thrower as instructed in this manual.
- Some adjustments will have to be made periodically to maintain your unit properly.

- All adjustments in the Service and Adjustments section of this manual should be checked at least once each season.
- Follow the maintenance schedule given below.
- Periodically check all fasteners and make sure these are tight.



**WARNING:** Always stop the engine and **disconnect** the spark plug wire before performing any maintenance or adjustments.

## Customer Responsibilities

MAINTENANCE SCHEDULE		Before each use	After each use	First two hours	Every 25 hours	Every 50 hours	Before storage	SERVICE DATES*						
<b>PRODUCT</b>	Lubricate pivot points				✓		✓							
	Clean snow thrower	✓					✓							
	Clean shave plate				✓									
	Clean skid shoes				✓									
	Check V-belts					✓								
	Check friction wheel rubber				✓									
<b>ENGINE</b>	Check engine oil	✓												
	Change engine oil			✓	✓									
	Check spark plug					✓	✓							
	Check muffler					✓								
	Empty fuel system						✓							

\* Fill in dates as you complete regular service

✓ Check; service if needed

## Lubrication

For a view of the lubrication points on the snow thrower, see Figure 19.

### Sprocket Shaft

- Lubricate the sprocket shaft with grease at least once a season or after every 25 hours of operation.

**IMPORTANT:** Keep all grease and oil off of the friction wheel and the drive plate.

### Shifting Mechanism

- Lubricate the shifting mechanism and pivot points on the shift rod with engine oil at least once a season or after every 25 hours of operation.

### Traction Drive Control

- Lubricate cams on the ends of the control rods, which interlock the traction drive and auger controls, at least once a season or every 25 hours of operation with grease. The cams can be accessed beneath the handle panel.

### Gear Case

- The gear case is lubricated with grease at the factory and does not require checking. If disassembled for any reason, lubricate with two ounces of Shell Alvania grease.

### Bearings

- Once a season lubricate the auger bearings and the bearings on the side of the frame with light oil. See lube chart below.

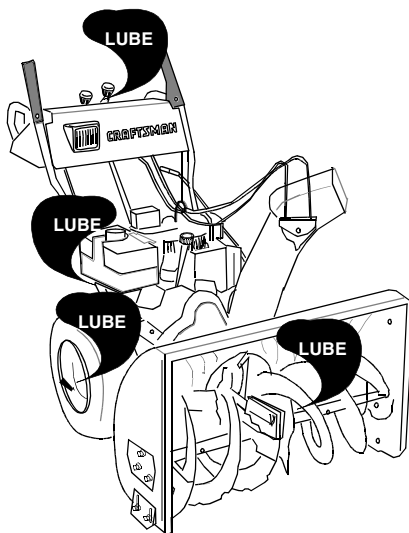


Figure 19: Lubrication Chart

## Check V-belts

Follow the instructions below to check the condition of the drive belts every 50 hours of operation.

- Remove the plastic belt cover on the front of the engine by removing two self-tapping screws.
- Visually inspect for frayed, cracked, or excessively worn out belts.

## Check Friction Wheel

Follow the instructions below to check the condition of the friction wheel rubber every 25 hours of operation.

- Remove the six self-tapping screws from the frame cover underneath the snow thrower. See Figure 20.

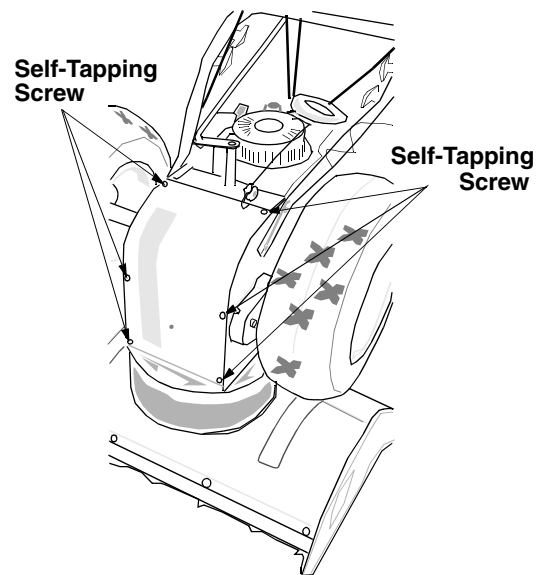


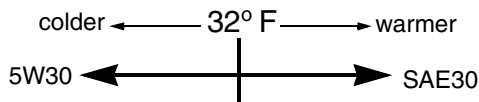
Figure 20

- Visually inspect the friction wheel rubber for excessive wear, cracks, or loose fit on the friction wheel drive hub.
- Also engage traction drive control and check if the friction wheel is making contact with the friction plate.
- If it does not make contact, adjust the traction drive cable following instructions and recheck the friction wheel.
- Replace friction wheel rubber if necessary. Refer to instructions on page 23.

## Engine Maintenance

### Engine Oil

Only use high quality detergent oil rated with API service classification SF, SG or SH. Select the oil's SAE viscosity grade according to the expected operating temperature.



**Viscosity Chart**

**NOTE:** Although multi-viscosity oils (5W30, 10W30 etc.) improve starting in cold weather, these multi-viscosity oils will result in increased oil consumption when used above 32°F. Check your snow thrower's engine oil level more frequently to avoid possible engine damage from running low on oil.

Refer to the viscosity chart for proper selection of engine oil.

### Checking Oil Level

**Before operating the snow thrower, check the oil level.**

- With engine on level ground, the oil must be to FULL mark on dipstick.
- Stop engine and wait several minutes before checking oil level. Remove oil fill cap and dipstick.
- Wipe dipstick clean, insert it into oil fill hole and tighten securely.
- Remove dipstick and check. If oil is not up to the FULL mark on dipstick, add oil.

### Changing Oil

Change engine oil after first two hours of operation and every 25 hours thereafter.

In order to change the oil, you will have to first drain the spent engine oil from the engine and then refill with fresh oil.

- Drain oil while engine is warm. Remove oil drain cap located at the bottom of the recoil starter of the engine. Catch oil in a suitable container.

- When engine is drained of all oil, replace drain plug securely.
- Remove the dipstick from the oil fill. For location of the oil fill, see Figure 17. Pour fresh oil slowly through the plug. Replace dipstick.
- Check and make sure that the level of oil is up to the FULL mark on the dipstick.

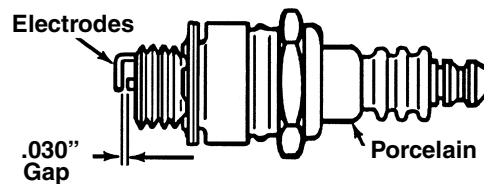


**WARNING:** Temperature of muffler and nearby areas **may exceed 150° F (65°C)**. Avoid these areas.

### Spark Plug

- Clean area around the spark plug base.
- Remove and inspect the spark plug.
- Replace the spark plug if electrodes are pitted, burned, or the porcelain is cracked. See Figure 21.
- Clean the spark plug and reset the gap to 0.030" at least once a season or every 50 hours of operation. See Figure 21.
- Spark plug replacement is recommended at the start of each season. Refer to engine parts list for correct spark plug type.

**NOTE:** Do not sandblast spark plug. Spark plug should be cleaned by scraping or wire brushing and washing with a commercial solvent.



**Figure 21**

# SERVICE & ADJUSTMENTS



**WARNING:** Always stop the engine, disconnect spark plug wire and move it away from the spark plug before performing any adjustments or repairs.

**Never** attempt to clean the chute or make any adjustments while the engine is running.

## Adjustments

**WARNING:** Never attempt to clean chute or make any adjustments while engine is running.

### Chute Assembly

The distance that snow is thrown can be adjusted by adjusting the angle of the chute assembly. Refer to the Controls section of this manual.

- The remote chute control cables have been pre-adjusted at the factory. Move the remote chute lever on the control panel back and forward to adjust angle of the chute assembly.

### Skid Shoe

The space between the shave plate and the ground can be adjusted. For close snow removal, place skid shoes in the low position. Use middle or high position when area to be cleared is uneven.

- Adjust skid shoes by loosening the four hex nuts and carriage bolts and moving skid shoes to desired position.
- Make certain the entire bottom surface of skid shoe is against the ground to avoid uneven wear on the skid shoes.
- Retighten nuts and bolts securely.

**NOTE:** It is not recommended that you operate this snow thrower on gravel as loose gravel can be easily picked up and thrown by the auger causing an injury or damage to the snow thrower.

- If for some reason, you have to operate the snow thrower on gravel, keep the skid shoe in the highest position for maximum clearance between the ground and the shave plate.

### Traction Drive Clutch

Refer to the Final Adjustment section of the Set-Up Instructions to adjust the traction drive clutch. To check the adjustment, proceed as follows:

- With the snow thrower tipped forward (be certain to drain the gasoline or place plastic film under the gas cap if the snow thrower has already been operated), remove the frame cover underneath the snow thrower by removing six self-tapping screws.
- With the traction drive clutch released, there must be clearance between the friction wheel

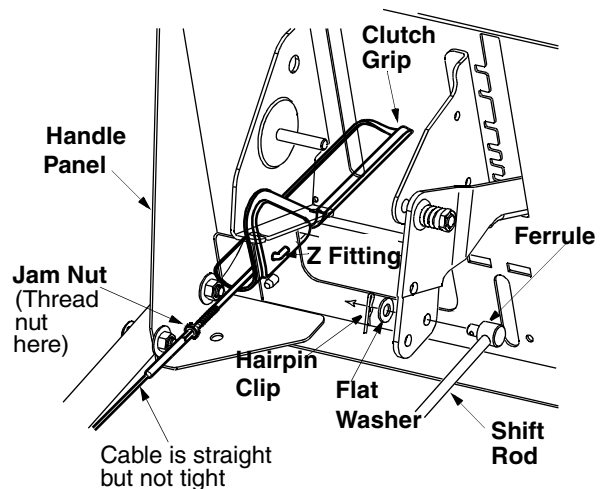
and the drive plate in all positions of the shift lever.

- With the traction drive clutch engaged, the friction wheel must contact the drive plate (shown in Figure 30).
- If adjustment is necessary, loosen the jam nut on the traction drive cable and thread the cable in or out as necessary. See Figure 22. Tighten the jam nut to secure the cable when correct adjustment is reached. Reassemble the frame cover.

**NOTE:** If you placed plastic under the gas cap, be certain to remove it.

### Auger Clutch

To adjust the auger clutch, refer to Final Adjustment section of Set-Up Instructions.



(Viewed from under the handle panel)

**Figure 22**

### Shift Rod

To adjust the shift rod, proceed as follows.

- Remove the hairpin clip and flat washer from the shift handle under the handle panel.
- Place shift lever in sixth (6) position or the fastest forward speed.
- Push shift arm assembly down as far as it will go.
- Rotate the ferrule up or down on the shift rod as necessary until the ferrule lines up with the upper hole in the shift lever. See Figure 22.
- Insert ferrule from the left side of the snowthrower into the upper hole in shift lever.
- Reinstall the hairpin clip and the washer.



**CAUTION:** Check for correct adjustment before operating the snow thrower.

## Carburetor



**WARNING:** If any adjustments are made to the engine while the engine is running (e.g. carburetor), **keep clear** of all moving parts. **Be careful** of heated surfaces and mufflers.

Minor carburetor adjustments may be required to compensate for differences in fuel temperature, altitude and load.

## Service

### Augers

The augers are secured to the spiral shaft with two shear bolts and hex lock nuts. See Figure 23. If you hit a foreign object or ice jam, the snow thrower is designed so that the bolts will shear. This type of nut is used where vibration occurs.

If the augers do not turn, check to see if the bolts have sheared. Two replacement shear bolts (shown in Figure 23 inset) and hex lock nuts have been provided with the snow thrower. Since lock nuts cannot be threaded onto a bolt by hand, use a wrench. When replacing bolts, spray an oil lubricant into shaft before inserting new bolts.

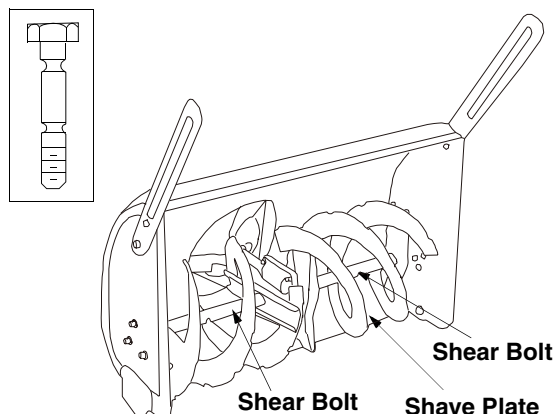


Figure 23

### Shave Plate And Skid Shoes

The shave plate and skid shoes on the bottom of the snow thrower are subject to wear. They should be checked periodically and replaced when necessary.

- Remove the four carriage bolts, belleville washers and hex nuts which attach skid shoes to the snow thrower on two sides. See Figure 23.
- Reassemble new skid shoes with the four carriage bolts, belleville washers (cupped side goes against skid shoes) and hex nuts. Make certain the skid shoes are adjusted to be level.
- To remove shave plate, remove the skid shoe and the rest of hardware including carriage

bolts, belleville washers and hex nuts which attach shave plate to the snow thrower housing. For location of shave plate, see Figure 23.

- Reassemble new shave plate, making sure heads of the carriage bolts are to the inside of the housing. Reinstall skid shoe. Tighten securely.

### Replacing Belt



**WARNING:** Disconnect the spark plug wire from the spark plug and ground.

### Auger Belts

- Remove the plastic belt cover on the front of the engine by removing the two self-tapping screws. See Figure 24.

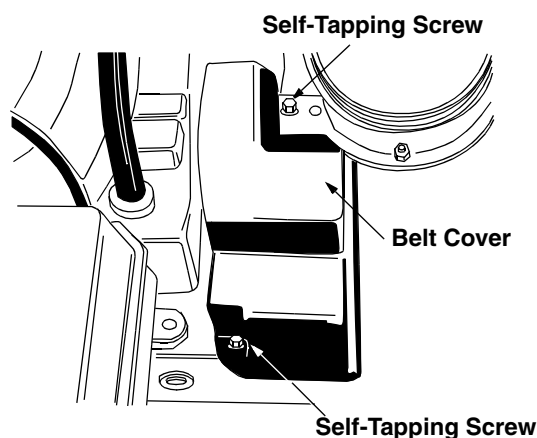


Figure 24

- Disconnect chute crank assembly at the discharge chute by removing the hairpin clip and the two flat washers. See Figure 25.

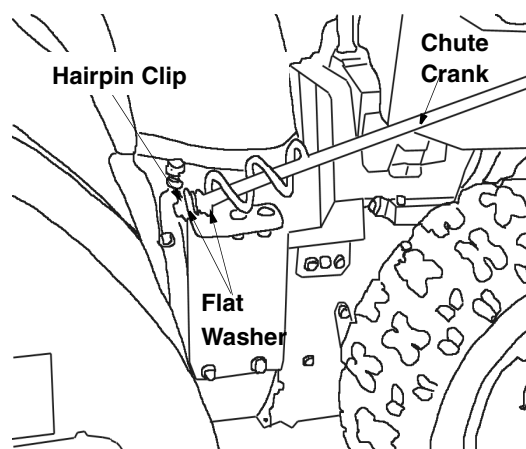
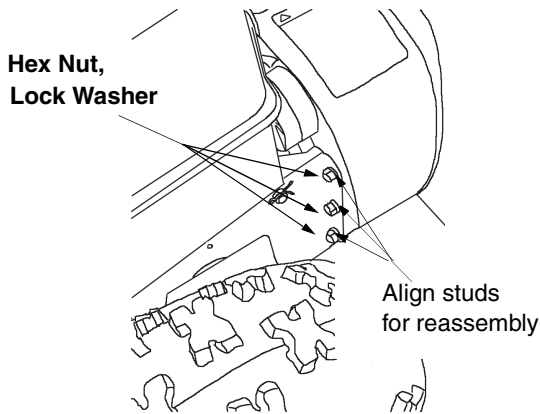


Figure 25

- Remove the six hex nuts and lock washers which attach the auger housing assembly to the frame assembly. See Figure 26.

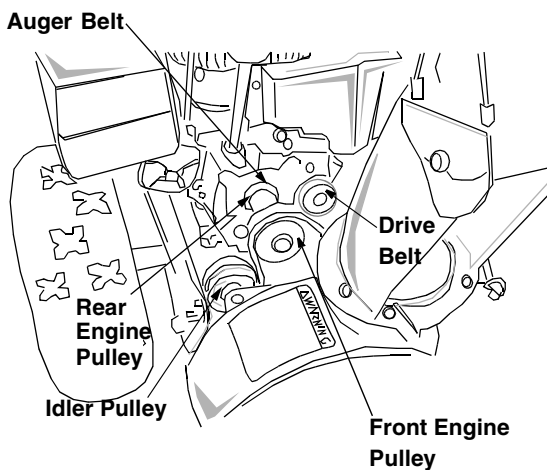


**WARNING: Do not attempt** to change the auger belt without the help of an assistant. It is very important that one person, standing at the operating position, firmly hold the snow thrower housing to prevent it from tipping while the other person replaces the belt. Failure to comply with this may result in injury.



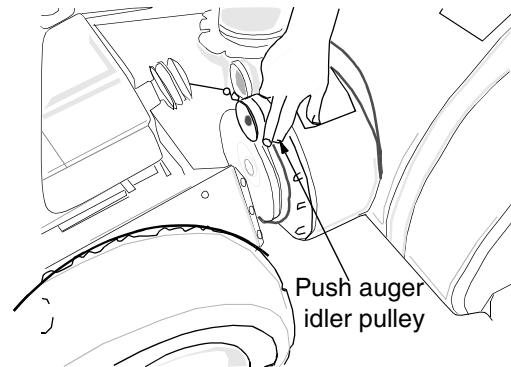
**Figure 26**

- Standing in the operating position, lift up on the handles and pull the frame assembly towards the rear. The frame and the housing will separate, and the rear auger belt will come off the pulley. Maintain control of the frame assembly while pulling it.
- Remove the two belts from the two engine pulleys. For location of the pulleys, see Figure 27.



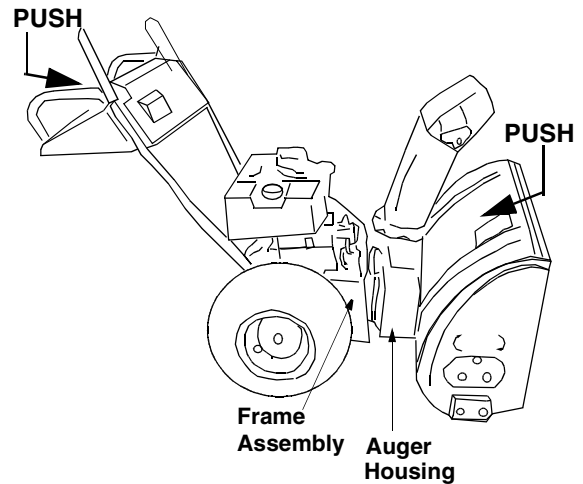
**Figure 27**

- To remove the front auger drive belt, push the idler pulley to the left. See Figure 28. The belt brake should move outward. Lift the front auger drive belt from the front auger pulley.



**Figure 28**

- Place new belts on the two auger pulleys making sure that the front auger belt is under the belt brake. Route belts under and to the left of the flat idler pulley. Hold the belts upward in this position.
- While lifting up on the handles, bring the frame assembly close to the auger housing, and place the two belts on the front and rear engine pulleys. See Figure 29.



**Figure 29**

- Level the frame assembly and tip the auger housing forward to align studs with the corresponding holes on both sides of the frame assembly. See Figure 26. Push the frame assembly fully on to the studs.

**NOTE:** Use care to avoid pinching the control cable.

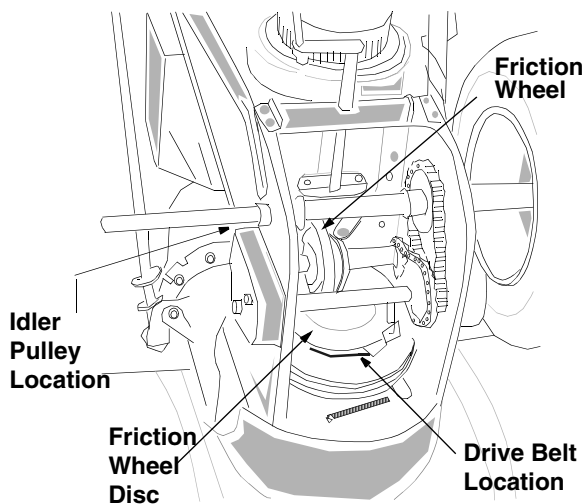
- From the frame assembly side, insert six lock washers and hex nuts on to the studs. These pieces of hardware were removed earlier. See Figure 26. Tighten the nuts securely.

- Reinstall the belt cover on front of the engine with the two self-tapping screws and flat washers.
- Reattach the chute crank to the chute assembly with the hairpin clip and flat washer.

**NOTE:** Make sure that the auger cable is routed in front of the belt.

### Drive Belt

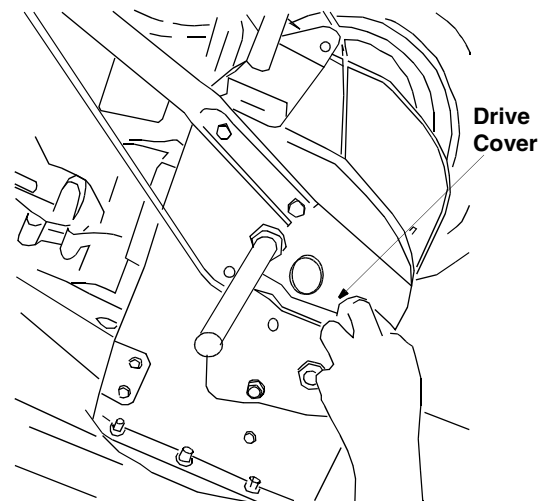
- Check drive belt every 50 hours of operation for wear and tear.
- Drain the gasoline from the snow thrower, or place a piece of plastic under the gas cap.
- Remove the plastic belt cover on the front of the engine by removing the two self-tapping screws.
- Tip the snow thrower up and forward, so that it rests on the housing.
- Remove six self-tapping screws from frame cover underneath the snow thrower.
- Pull the idler pulley away from the drive belt and remove the belt from the engine pulley. You will find the idler pulley in front of the engine and under the belt cover that you removed earlier. See Figure 27.
- Working from the underside of the frame, slip belt between the friction wheel and the friction wheel disc. See Figure 30. You may have to twist the belt flat in order to slide it through the clearance between the friction wheel and the friction wheel disc. Remove the belt.
- Install new belt. Reassemble following the instructions in reverse order.



**Figure 30**

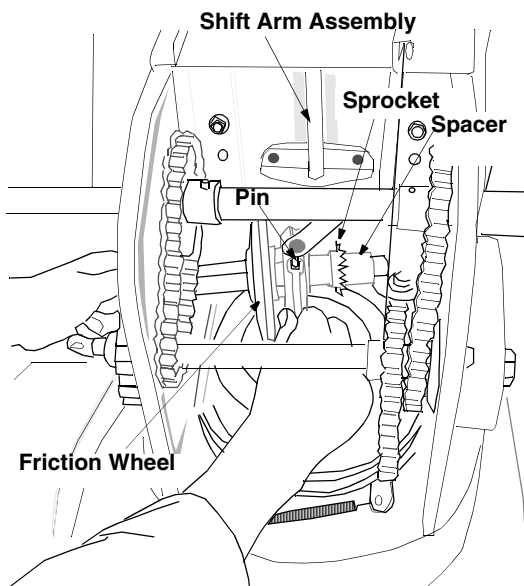
### Changing Friction Wheel Rubber

- Check the rubber on the friction wheel after 25 hours of operation, and periodically thereafter. Replace the rubber if any signs of wear or cracking are found.
- Drain the gasoline from the snow thrower, or place a piece of plastic under the gas cap.
- Tip the snow thrower up and forward, so that it rests on the housing.
- Remove six screws from the frame cover underneath the snow thrower.
- Remove kick pin securing the left wheel, and remove the wheel from the axle.
- Remove the four screws securing the left drive cover to the frame. Remove the drive cover from the side of the frame. See Figure 31.



**Figure 31**

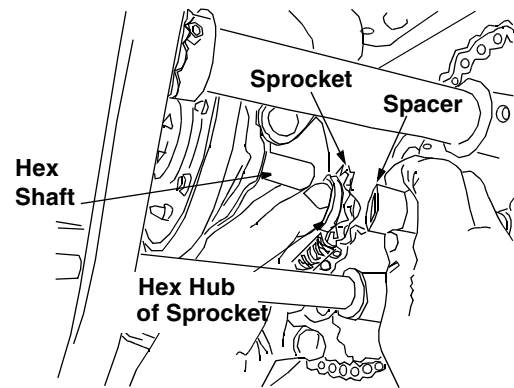
- Holding the friction wheel assembly, slide the hex shaft out of the left side of the unit. The spacer on the right side of the hex shaft will fall and the sprocket should remain hanging loose in the chain.
- Lift the friction wheel assembly out between the axle shaft and the drive shaft assemblies.
- Remove the six screws from both sides of the friction wheel assembly. Remove friction wheel rubber from between the friction wheel plate.
- Reassemble new friction wheel rubber to the friction wheel assembly, tightening the six screws in rotation and with equal force. It is important to assemble the rubber on the friction wheel equally for proper functioning.
- Insert the pin from the shift arm assembly into the friction wheel assembly and hold assembly in position. See Figure 32.



**Figure 32**

- Slide the hex shaft through the left side of the housing and through the friction wheel assembly.
- Insert the hex shaft through the sprocket and the spacer. See Figure 33. Make certain that the chain engages both the large and the small sprocket.

**NOTE:** If the sprocket fell from the snow thrower while removing the hex shaft, place the sprocket on the hex shaft. Position the hex hub of the sprocket toward the friction wheel when sliding the sprocket on to the hex shaft. See Figure 33.



**Figure 33**

- Align the hex shaft with the right hand bearing and carefully guide the left hand bearing into the left side of the housing.
- Reassemble the drive cover with the four screws that were earlier removed.

**Note:** If you placed plastic under the gas cap, be certain to remove it.

## Carburetor

If you think the carburetor needs to be adjusted, see your nearest authorized Sears Service Outlet. If your snow thrower is left unused for 30 days or longer, it needs to be prepared for storage. Also, at the end of the snow season, you should follow the same set of instructions and store the snow thrower properly for the off-season. Proper storage ensures longer life of the snow thrower.



**WARNING:** If any adjustments are made to the engine while the engine is running (e.g. carburetor), **keep clear** of all moving parts. Be careful of heated surfaces and muffler.



# OFF-SEASON STORAGE

If the snow thrower will not be used for 30 days or longer, or at the end of the snow season when the last possibility of snow is gone, the equipment needs to be stored properly. Follow storage instructions below to ensure top performance from the snow thrower for many more years.

## Preparing Engine



**WARNING:** Never store snow thrower with fuel in tank indoors or in poorly ventilated areas, where fuel fumes may reach an open flame, spark or pilot light as on a furnace, water heater, clothes dryer or gas appliance.

It is important to prevent gum deposits from forming in essential fuel system parts of the engine such as the carburetor, fuel filter, fuel hose or tank during storage.

Also experience indicates that alcohol blended fuels (called gasohol or using ethanol or methanol) can attract moisture which leads to separation and formation of acids during storage. Acidic gas can damage the fuel system of an engine while in storage.

To avoid engine problems, the fuel system *should be emptied* before storage for 30 days or longer. Follow these instructions to prepare your snow thrower for storage:

- Remove all gasoline from the carburetor and the fuel tank to prevent gum deposits from forming on these parts and harming the engine.

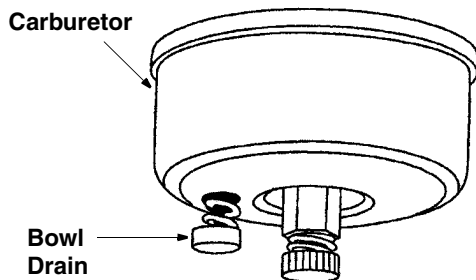


Figure 34



**WARNING:** Drain fuel into approved container outdoors, away from any open flame. Be certain engine is cool. Do not smoke.

Fuel left in engine during warm weather deteriorates and will cause serious starting problems.

- Run the engine until the fuel tank is empty and it stops due to lack of fuel.
- Drain carburetor by pressing upward on bowl drain, located below the carburetor cover. See Figure 34.



**WARNING:** Do not drain carburetor if using fuel stabilizer. Never use engine or carburetor cleaning products in the fuel tank or permanent damage may occur.

**NOTE:** Fuel stabilizer (such as STA-BIL) is an acceptable alternative in minimizing the formation of fuel gum deposits during storage. Add stabilizer to gasoline in fuel tank or storage container. Always follow mix ratio found on stabilizer container. Run engine at least 10 minutes after adding stabilizer to allow it to reach the carburetor. Do not drain carburetor if using fuel stabilizer.

- Remove the spark plug and pour one (1) ounce of engine oil through the spark plug hole into the cylinder. Cover spark plug hole with a rag and crank the engine several times to distribute the oil. Replace spark plug.

## Preparing Snow Thrower

- When storing the snow thrower in an unventilated or metal storage shed, care should be taken to rustproof the equipment. Using a light oil or silicone, coat the equipment, especially any chains, springs, bearings and cables.
- Remove all dirt from exterior of engine and equipment.
- Follow lubrication recommendations on page 18.
- Store in a clean, dry area.

# TROUBLE-SHOOTING

Trouble	Possible Cause(s)	Corrective Action
Engine fails to start	Fuel tank empty, or stale fuel.  Blocked fuel line. Choke not in ON position Faulty spark plug. Key not in switch on engine. Spark plug wire disconnected. Primer button not depressed. Fuel shut-off valve closed (if so equipped). Throttle in Stop position	Fill tank with clean, fresh gasoline. Fuel will not last over thirty days unless a fuel stabilizer is used. Clean fuel line. Move switch to ON position Clean, adjust gap or replace. Insert key. Connect spark plug wire.  Refer to the engine manual packed with your unit. Open fuel shut-off valve.  Move Throttle to RUN position.
Engine runs erratic	Unit running on CHOKE. Blocked fuel line or stale fuel.  Water or dirt in fuel system. Carburetor out of adjustment.	Move choke lever to OFF position. Clean fuel line; fill tank with clean fresh gasoline. Fuel will not last over thirty days unless a fuel stabilizer is used. Drain fuel tank. Refill with fresh fuel. Refer to the engine manual packed with your unit or have carburetor adjusted by an authorized service dealer.
Loss of power	Spark plug wire loose. Gas cap vent hole plugged. Exhaust port plugged.	Connect and tighten spark plug wire. Remove ice and snow from cap. Be certain vent hole is clear. Clean-see Maintenance section of engine manual.
Engine overheats	Carburetor not adjusted properly.	Refer to the engine manual packed with your unit or have carburetor adjusted by an authorized service dealer.
Excessive vibration	Loose parts or damaged auger.	Stop engine immediately and disconnect spark plug wire. Tighten all bolts and nuts. Make all necessary repairs. If vibration continues, have unit serviced by an authorized service dealer.
Unit fails to propel itself	Incorrect adjustment of drive cable. Drive belt loose or damaged. Rubber on friction wheel worn off	Adjust drive cable. Refer to Adjustment section of this manual. Replace drive belt. Refer to Belt Replacement in Maintenance section of this manual. Replace rubber following instructions on page 23.
Unit fails to discharge snow	Discharge chute clogged.  Foreign object lodged in auger. Incorrect adjustment of drive cable. Drive belt loose or damaged.	Stop engine immediately and disconnect spark plug wire. Clean discharge chute and inside of auger housing. Stop engine immediately and disconnect spark plug wire. Remove object from auger. Adjust drive cable. Refer to Adjustment section of this manual. Replace drive belt. Refer to Belt Replacement in Maintenance section of this manual.

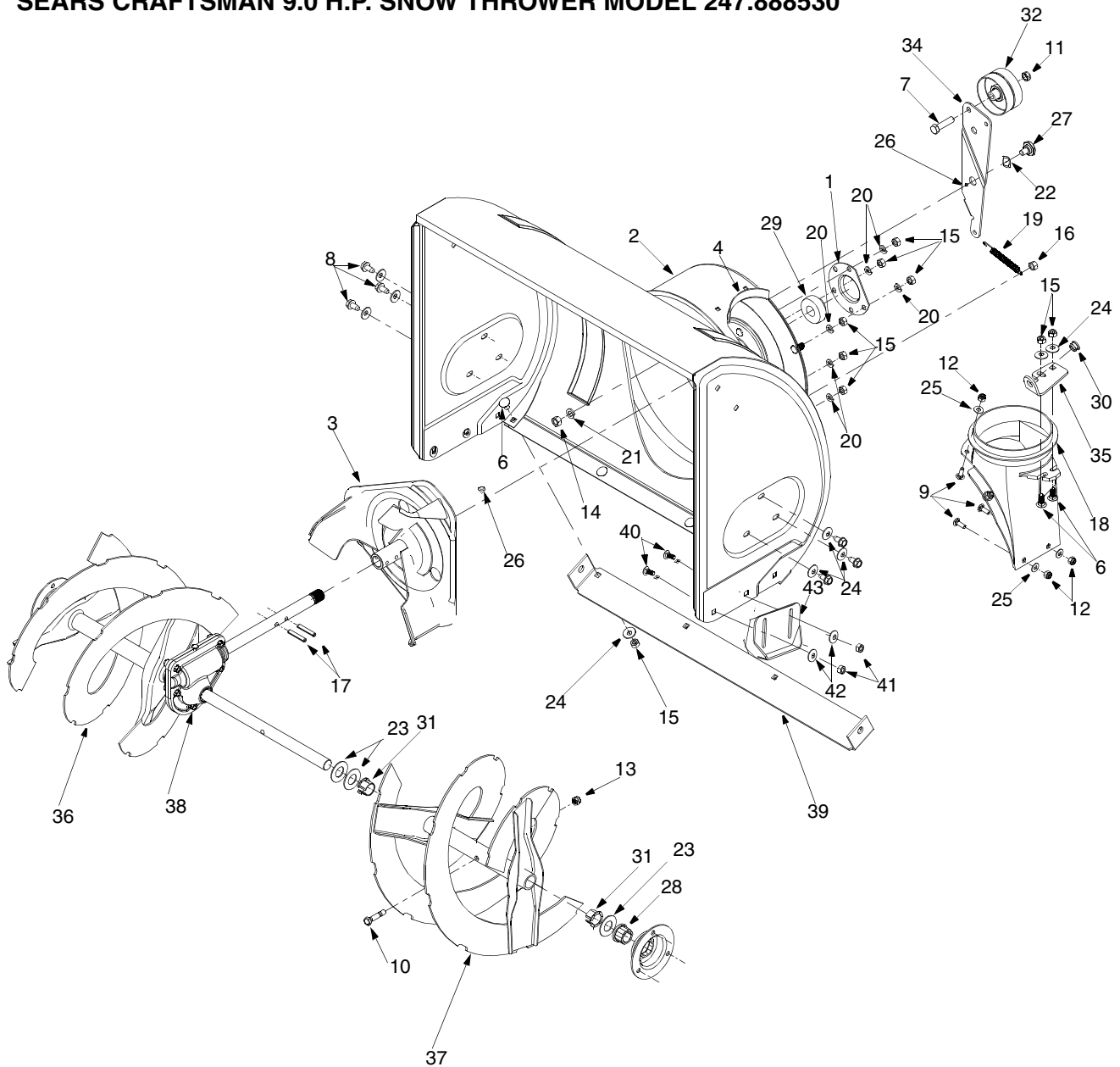


**NOTE:** For repairs beyond the minor adjustments listed above, please contact your nearest SEARS service center.



# REPAIR PARTS

## SEARS CRAFTSMAN 9.0 H.P. SNOW THROWER MODEL 247.888530



**NOTE:** For **painted parts**, please refer to the list of color codes below. Please add the applicable color code, wherever needed, to the part number to order a replacement part. For instance, if a part, numbered 700-xxxx, is painted polo green, the part number to order would be 700-xxxx-0689.

Polo Green: 0689  
 Powder Black: 0637

**SEARS CRAFTSMAN 9.0 H.P. SNOW THROWER MODEL 247.888530**

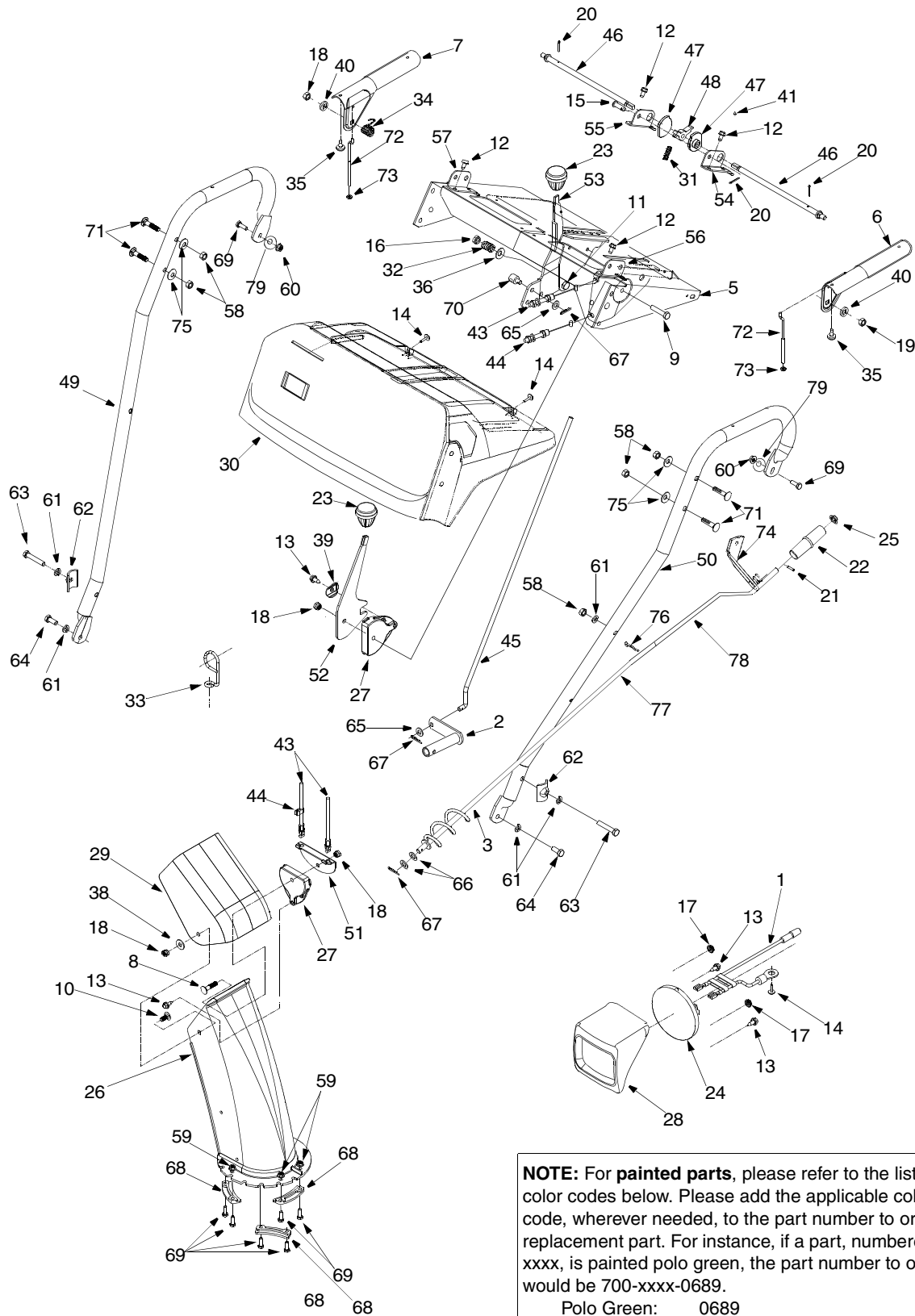
Key. No.	Part No.	Description	Key. No.	Part No.	Description
1.	05931A	Bearing Housing	22.	736-0167	Flat Washer
2.	684-0041C	Auger Housing Assy. 28"	23.	736-0188	Flat Washer
3.	684-0065	Impeller Assy. 12" dia.	24.	736-0242	Belleville Washer
4.	705-5226	Chute Reinforcement	25.	736-0463	Flat Washer
6.	710-0451	Carriage Bolt 5/16-18 x .75" Gr.2	26.	737-0318	Grease
7.	710-0459A	Hex Screw 3/8-24 x 1.5" Gr.5	27.	738-0281	Shoulder Screw
8.	710-0604	Hex Washer Head Self-Tapping Screw 5/16-18 x .62"	28.	741-0245	Hex Flange Bearing
9.	710-0703	Carriage Screw 1/4-20 x .75"	29.	741-0309	Flange Ball Bearing
10.	710-0890A	Shear Bolt 5/16-18 x 1.5"	30.	741-0475	Bushing
11.	712-0116	Jam Nut 3/8-24	31.	741-0493A	Flange Bushing
12.	712-0324	Hex Lock Nut 1/4-20	32.	756-0178	Flat Idler
13.	712-0429	Hex Lock Nut 5/16-18	34.	784-5632A	Auger Idler Arm
14.	712-0798	Hex Nut 3/8-16 Gr.2	35.	784-5647	Chute Crank Bracket
15.	712-3010	Hex Nut 5/16-18 Gr.5	36.	605-5196A	Spiral Assembly: RH 28"
16.	712-3068	Hex Patch Nut 5/16-18	37.	605-5197A	Spiral Assembly: LH 28"
17.	715-0114	Spiral Pin	38.	618-0122	Gear Assembly: Auger 28"
18.	731-1379B	Chute Adapter	39.	784-5582A	Shave Plate: Auger 28"
19.	732-0611	Extension Spring	40.	710-0451	Carr. Bolt: 5/16-18 x 0.75
20.	736-0119	Lock Washer	41.	712-3010	Hex Nut: 5/16-18 Gr.5
21.	736-0169	Lock Washer	42.	736-0242	Belleville Washer
			43.	784-5580	Slide Shoe



**SEARS CRAFTSMAN 9.0 H.P. SNOW THROWER MODEL 247.888530**

Key. No.	Part No.	Description	Key. No.	Part No.	Description
1.	618-0043	Dogg Assembly: RH	28.	736-0105	Bell Washer
2.	618-0044	Dogg Assembly: LH	29.	736-0160	Flat Washer
3.	618-0303B	Shift Assembly: Steerable Drive	30.	736-0169	Lock Washer
4.	656-0012A	Friction Wheel Disc Assy.	32.	736-0351	Flat Washer
5.	684-0014B	Shift Rod Assembly	33.	736-0626	Flat Washer
6.	684-0042CB	Bearing	34.	737-0170	Lubricant: 6 in !
7.	784-5731A	Transmission Frame	35.	737-0318	Grease
8.	684-0131A	Support Bracket Assembly	36.	738-0924	Shoulder Screw
9.	710-0599	Hex Washer Hd. TT Screw 1/4-20 x 0.5"	37.	741-1111	Hex Flange Bearing
10.	710-0809	Hex Washer Hd. TT Screw 1/4-20 x 1.25"	38.	741-0598	Hex Flange Bearing
11.	710-1652	Hex Washer Hd. TT Screw 1/4-20 x .625"	39.	741-0600	Ball Bearing
12.	711-1267	Drive Shaft	40.	741-0701	Flange Bushing
13.	711-1268	Actuator Shaft	41.	746-0897	Auger Clutch Cable
14.	711-1364	Pin	42.	746-0898	Drive Clutch Cable
15.	712-0711	Jam Nut 3/8-24 Gr.8	43.	746-0956	Steering Cable
16.	712-3017	Hex Nut: 3/8-16	44.	748-0190	Spacer
17.	713-0233	Chain	45.	750-1161A	Support Tube: Axle
18.	713-0374	Chain	46.	750-1162	Spacer
19.	713-0413	Sprocket: 10T	47.	756-0625	Roller Cable
20.	713-0472	Sprocket	48.	784-5590	Shift Bracket
21.	714-0104	Cotter Pin	49.	784-5687A	Auger Clutch Cable Guide Bracket
22.	736-0142	Flat Washer	50.	784-5689A	Front Support Guide Bracket
23.	714-0474	Cotter Pin	51.	784-5730A	Retaining Shaft: Actuator Drive
24.	716-0102	Snap Ring	52.	784-5732	Frame Cover
25.	721-0263	Adhesive: Loctite	53.	784-5733	Roller Bracket: Drive Cable
26.	732-0209	Extension Spring	54.	710-1233	Oval C-Sunk Machine Screw
27.	732-0264	Extension Spring	55.	712-0127	Weld Nut
			56.	725-0157	Cable Tie (not shown)
			57.	746-0950	Turn Trigger

# SEARS CRAFTSMAN 9.0 H.P. SNOW THROWER MODEL 247.888530



**NOTE:** For painted parts, please refer to the list of color codes below. Please add the applicable color code, wherever needed, to the part number to order a replacement part. For instance, if a part, numbered 700-xxxx, is painted polo green, the part number to order would be 700-xxxx-0689.

Polo Green: 0689  
 Powder Black: 0637

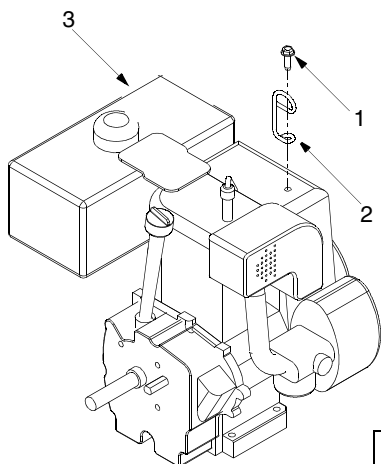


## SEARS CRAFTSMAN 9.0 H.P. SNOW THROWER MODEL 247.888530

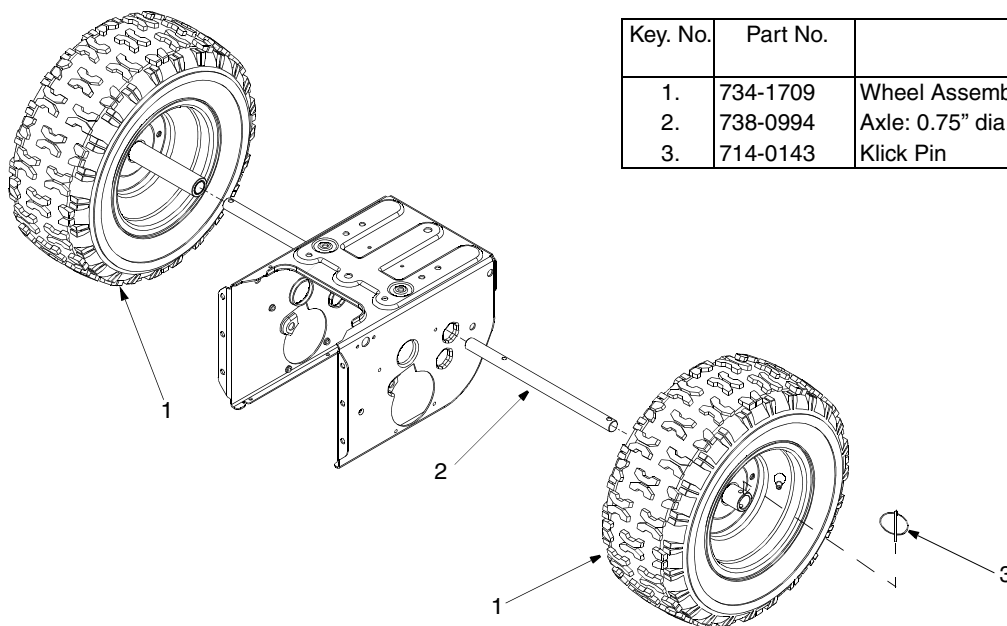
Key No.	Part No.	Description	Key No.	Part No.	Description
1	629-0058	Harness for Headlight	40	737-0133	Grease
2	684-0008A-0637	Shift Arm Assembly	43	746-0896	Chute Deflector Control Cable
3	684-0053A	Lower Chute Crank Assembly	44	746-0901	Chute Deflector Cable w/ Clip
4	684-0066	Hardware Pack*	45	747-0798A	Shift Rod
5	684-0102	Handle Panel Assembly w/ Tilt	46	747-0877	Cam Rod
6	684-0111A	Handle Assembly Engagement (L.H.)	47	748-0362	Cam Handle Lock
7	684-0112	Handle Assembly Engagement (R.H.)	48	748-0363	Pawl Handle lock
8	710-0262	Carriage Bolt 5/16-18 x 1.50	49	749-0908A	Right Handle
9	710-0442	Hex Bolt 5/16-18 x 1.5	50	749-0909	Left Handle
10	710-0451	Carriage Bolt 5/16-18 x .75	51	784-5594	Cable Bracket
11	710-0459	Hex Screw 3/8-24 x 1.5	52	784-5604	Chute Tilt Handle
12	710-0599	Hex Washer Hd. TT Screw 1/4-20 x 0.5"	53	784-5619A	Shift Handle
13	710-0896	Hex AB Tap Screw 1/4 x .62	54	784-5679	Handle Support Bracket (L.H.) 5/8
14	710-1003	Hex B-Tapp Screw # 10-16 x .62	55	784-5680	Handle Support Bracket (R.H.) 5/8
15	711-0653	Clevis Pin	56	784-5681	Handle Support Bracket (L.H.) 3/8
16	712-0116	Hex Ins. Lock Nut 3/8-24	57	784-5682	Handle Support Bracket (R.H.) 3/8
17	712-0415	Self-Threading Nut	58	712-3010	Hex Nut 5/16-18 Thd.
18	712-0429	Lock Nut 5/16-18	59	712-3027	Hex Flange Locked Nut 1/4-20 Thd.
20	714-0104	Cotter Pin	60	712-0287	Hex Nut 1/4-20
21	715-0138	Roll Pin	61	736-0119	Lock Washer 5/16
22	720-0201A	Chute Crank Knob	62	784-5599	Handle Tab
23	720-0300	Shift Knob	63	710-3180	Hex Bolt 5/16-18 x 1.75 Gr.5
24	725-1300	Headlight	64	710-3008	Hex Bolt
25	726-0100	Push Cap	65	736-0275	Flat Washer 5/16
26	731-1300A	Lower Chute	66	736-0185	Flat Washer 3/8 x .738 x .063
27	731-1313B	Cable Guide	67	714-0104	Hairpin Clip
28	731-1317	Headlight Bezel	68	731-0851A	Chute Flange Keeper
29	731-1320	Upper Chute	69	710-3015	Hex Bolt 1/4-20 x 0.75" Gr.5
30	731-1773A	Handle Panel	70	711-0677	Ferrule
31	732-0145	Compression Spring	71	710-0262	Carriage Bolt 5/16-18 x 1.50
32	732-0193	Compression Spring	72	746-0778	Z Fitting
33	732-0705	Cable Control Wire	73	712-0121	Hex Nut # 10-24
34	732-0746	Torsion Spring	74	705-5266	Chute Crank Reinforcement Bracket
35	735-0199A	Rubber Bumper	75	736-0242	Cupped Washer
36	736-0105	Bell Washer .380 x .880 x .062	76	714-0101	Hairpin Clip
37	736-0159	Washer 5/6 I.D.	77	750-0785	Spacer
38	736-0506	Special Washer	78	747-0737	Upper Chute Crank
39	736-0509	Special Washer	79	736-0270	Bell Washer
			80	715-0138	Roll Pin

\* Includes references 58 through 75

# SEARS CRAFTSMAN 9.0 H.P. SNOW THROWER MODEL 247.888530



Key. No.	Part No.	Description
1.	712-0324	Hex Lock Nut: 1/4-20
2.	732-0705	Cable Guide
3.	—	Craftsman Engine model 143.999005



Key. No.	Part No.	Description
1.	734-1709	Wheel Assembly: 16.5 x 4.8 Steerable
2.	738-0994	Axle: 0.75" dia. x 12.201" Lg.
3.	714-0143	Klick Pin

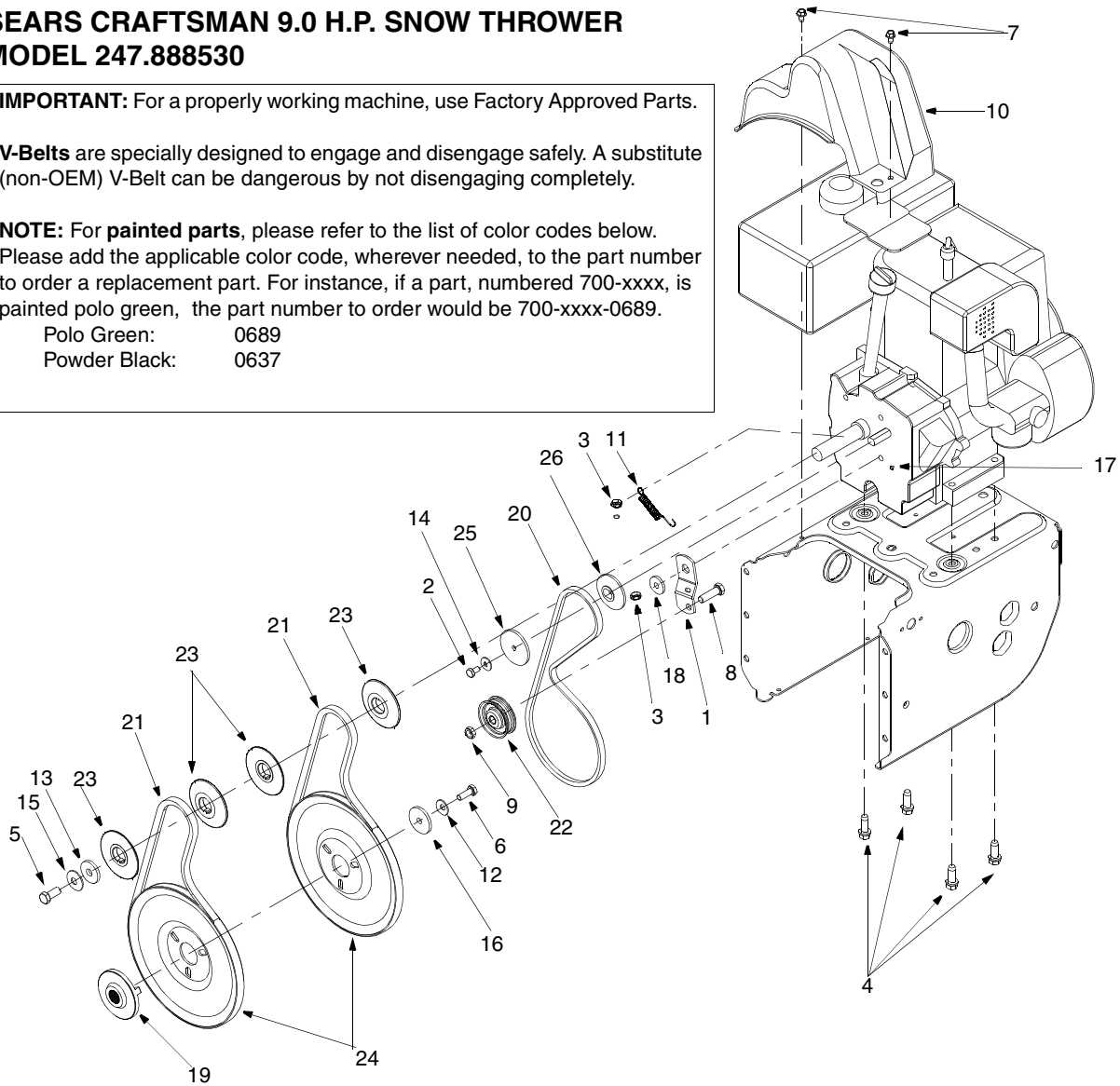
# SEARS CRAFTSMAN 9.0 H.P. SNOW THROWER MODEL 247.888530

**IMPORTANT:** For a properly working machine, use Factory Approved Parts.

**V-Belts** are specially designed to engage and disengage safely. A substitute (non-OEM) V-Belt can be dangerous by not disengaging completely.

**NOTE:** For **painted parts**, please refer to the list of color codes below. Please add the applicable color code, wherever needed, to the part number to order a replacement part. For instance, if a part, numbered 700-xxxx, is painted polo green, the part number to order would be 700-xxxx-0689.

Polo Green: 0689  
Powder Black: 0637



Ref. No.	Part No.	Description	Ref. No.	Part No.	Description
1.	05896A	Idler Bracket	13.	736-0247	Flat Washer
2.	710-0230	Hex Bolt 1/4-28 x 0.5" Gr.5	14.	736-0270	Bell Washer
3.	710-0627	Hex Screw w/ patch: 5/16-24 x 0.75"	15.	736-0331	Bell Washer
4.	710-0654A	Hex Washer Head TT Sems Screw	16.	736-0505	Flat Washer
5.	710-0696	Hex Bolt 3/8-24 x .875" Gr.8	17.	737-3007	Grease
6.	710-1245	Hex Screw w/ Patch: 5/16-24 x .875" Gr.5	18.	748-0234	Shoulder Spacer
7.	710-1652	Hex Washer Head TT	19.	748-0360	Adapter Pulley
8.	710-3005	Hex Screw: 3/8-16 x 1.0"	20.	754-0346	V-Belt
9.	712-0181	Top Lock Jam Nut: 3/8-16	21.	754-0430A	Belt
10.	731-1324	Belt Cover	22.	756-0313	Flat Idler
11.	732-0710	Extension Spring	23.	756-0569	Pulley Half
12.	736-0242	Belleville Washer	24.	756-0967	Auger Pulley
			25.	756-0986	Pulley Half
			26.	756-0987	Pulley Half



## Craftsman Engine Model No. 143.999005 for Craftsman Snow Thrower Model 247.888530

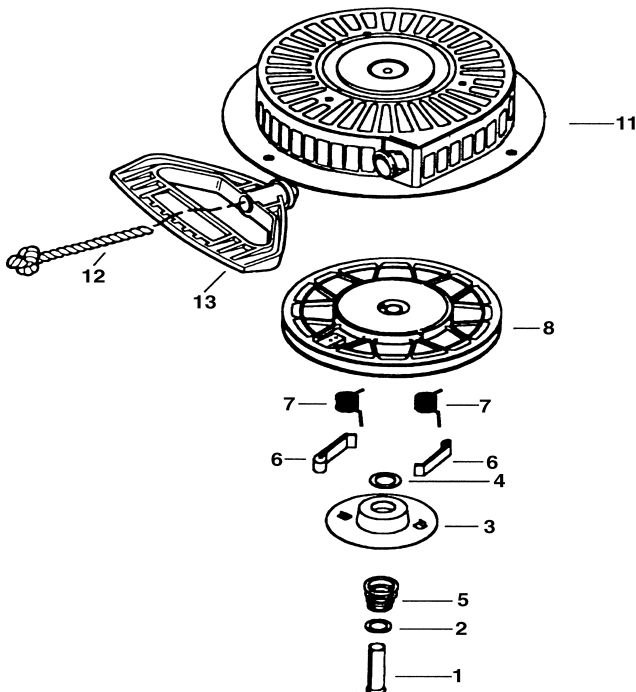
Key No.	Part No.	Description	Qty.	Key No.	Part No.	Description	Qty.
1	35385	Cylinder	1	93	650881	Flywheel Nut	1
2	27652	Dowel Pin	2	100	35135	Solid State Ignition	1
3	650820	Screw	2	101	610118	Spark Plug Cover	1
4	—	Oil Drain Extension	1	102	651024	Solid State Mounting Stud	2
5	30969	Extension Cap	1	103	651007	Screw, Torx	2
15	30699C	Governor Rod	1	110	35187	Ground Wire	1
15A	30700	Governor Yoke	1	110A	37047	Ground Wire	1
15B	650494	Screw	1	119	36448	Cylinder Head Gasket	1
16	33454	Governor Lever	1	120	36449	Cylinder Head	1
17	29916	Governor Lever Clamp	1	125	27878A	Exhaust Valve (Std.)	1
18	651028	Screw, Torx	1	125	27880A	Exhaust Valve (1/32" Os)	1
19	34663	Speed Control Spring	1	126	34035	Intake Valve(Std.)	1
20	35319	Oil Seal	1	126	34036	Intake Valve (1/32" Os)	1
25	36460	Blower Housing Baffle	1	127	650691	Washer	2
26	650561	Screw	2	130	6021A	Screw	7
28	30322	Lock Nut	1	130A	650727	Screw	2
30	35980A	Crankshaft	1	130B	651055	Screw	2
35	29826	Screw	1	135	35395	Resistor Spark Plug	1
36	29918	Lock Washer	1	139	33369	Governor Gear Bracket	1
37	29216	Lock Nut	1	140	650836	Screw	2
38	29642	Retaining Ring	1	149	27882	Valve Spring Cap	1
40	40011	Piston, Pin & Ring Set (Std.)	1	149A	35862	Valve Spring Cap	1
40	40012	Piston, Pin & Ring Set (.010" OS)	1	150	27881	Valve Spring	2
41	40009	Piston, & Pin Ass'y.(Std.)	1	151	32581	Valve Spring Keeper	2
41	40010	Piston, & Pin Ass'y.(.010" OS)	1	169	27896A	Valve Cover Gasket	1
42	40013	Ring Set (Std.)	1	170	28423	Breather Body	1
42	40014	Ring Set (.010" OS)	1	171	28424	Breather Element	1
43	27888	Piston Pin Retaining Ring	2	172	28425	Valve Cover	1
45	36897	Connecting Rod Ass'y.	1	173	35350	Breather Tube	1
47	651033	Connecting Rod Bolt	2	174	650128	Screw	2
48	34034	Valve Lifter	2	178	29752	Nut & Lock Washer	2
49	36896	Oil Dipper	1	182	30088A	Screw	2
50	36655	Camshaft (MCR)	1	183	34587A	Choke Bracket	1
60	33273A	Blower Housing Extension	1	184	33263	Carburetor to intake pipe gasket	1
65	650128	Screw	1				
69	35262A	Cylinder Cover Gasket	1	185	33877	Intake Pipe	1
70	35445A	Cylinder Cover	1	186	34667	Governor Link	1
71	35377	Crankshaft Bushing	1	186B	36652	Choke Spring	1
75	35319	Oil seal	1	200	34677	Control Bracket	1
76	28926	Camshaft Seal	1	203	31342	Compression Spring	1
80	31845	Governor Shaft	1	204	651029	Torx. Screw	1
81	30590A	Washer	1	206	610973	Terminal	1
82	35378	Governor Gear Asss'y.	1	207	33878	Throttle Link	1
83	30588A	Governor Spool	1	209	650821	Screw	2
84	29193	Retaining Ring	1	215	35440	Control Knob	1
86	650833	Screw	7	219	34586	Choke Rod	1
87	650832	Screw	1	220	35438	Choke Knob	1
89	32589	Flywheel Key	1	222	28820	Screw	2
90	611093	Flywheel (W/ Ring Gear)	1	223	650378	Screw, Torx	2
92	650880	Belleville Washer	1	224	27915A	Intake Pipe Gasket	1

# Craftsman Engine Model No. 143.999005 for Craftsman Snow Thrower Model 247.888530

Table continued from previous page

Key No.	Part No.	Description	Qty.	Key No.	Part No.	Description	Qty.
260	35447A	Blower Housing	1	327	35392	Starter Plug	1
261	650788	Screw	2	328	35593	Ignition Key	2
262	29747B	Screw, Torx	2	329	610973	Terminal	1
264A	650802	Screw	1	335	35057A	Carburetor Cover	1
265	33272B	Cylinder Head Cover	1	336	650765	Screw	1
275	35056	Muffler	1	338	28942	Screw	2
276	31588	Locking Plate	1	340	34154	Fuel Tank Bracket	1
277	651002	Screw	2	341	34155	Fuel Tank Bracket	1
281	33013	Starter Bubble Cover	1	342	650561	Screw	1
282	650760	Screw	1	343	35079	Key Switch Bracket	1
285	35985B	Starter Cup	1	350	570682A	Primer Bulb	1
287	29752	Nut & Lock Washer	4	351	32180C	Primer Line	1
290	30705	Fuel Line	1	355	590574	Starter Handle	1
292	26460	Fuel Line Clamp	4	364	33377	Carburetor Cover Bracket	1
298	650665	Screw	2	365	650767	Screw	2
300	34156A	Fuel Tank	1	370A	36501	Primer Decal	1
301	35355	Fuel Cap	1	370B	35077	Choke Decal	1
305	35554	Oil Fill Tube	1	370C	35878	Warning Decal	1
307	35499	"O" Ring	1	380	640052	Carburetor	1
308	35540	Fill Tube Clip	1	390	590749	Rewind Starter	1
310	36205	Dipstick	1	396	37000	Electric Starter Motor	1
314	650873	Screw	1	400	36450A	Gasket Set	1
315	611111	Alternator Coil	1	900	—	Replacement Engine—none	0
323B	611118	Terminal	1	900	—	Short Block 756325	
325	29443	Wire Clip	1			Order from 71-999	

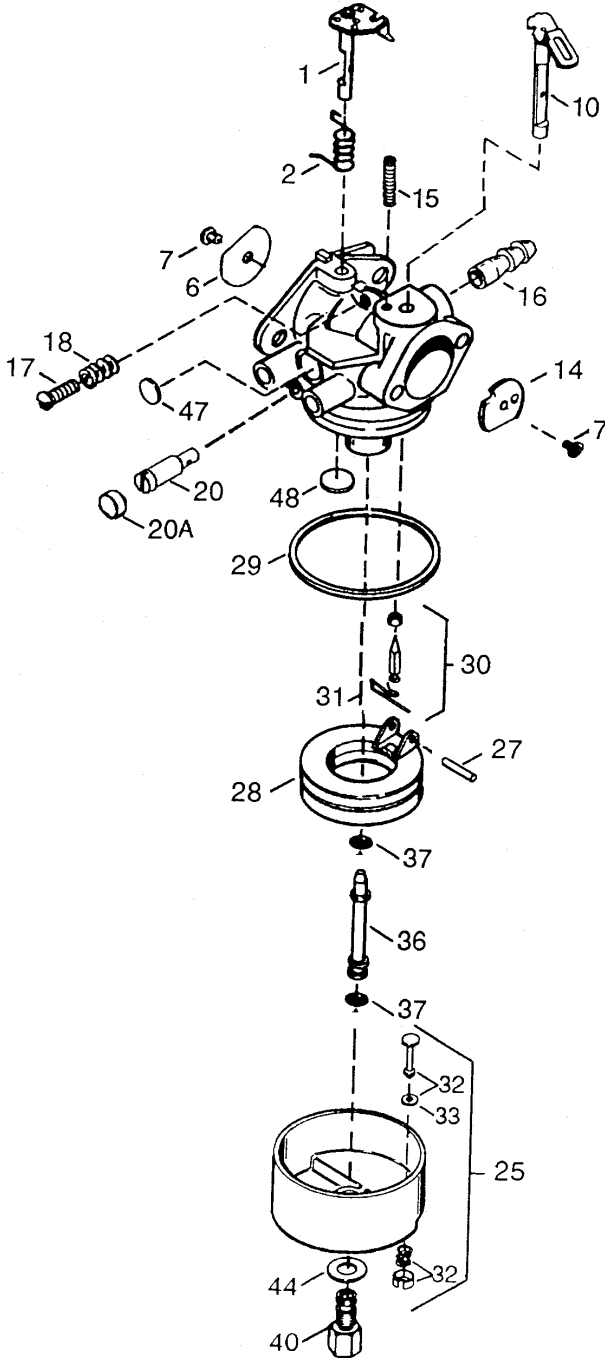
## Recoil Starter



Key No.	Part No.	Description	Qty.
0	590733	Rewind Starter	1
1	590599A	Spring Pin (Incl. 4)	1
2	590600	Washer	1
3	590696	Retainer	1
4	590601	Washer	1
5	590697	Brake Spring	1
6	590698	Starter Dog	2
7	590699	Dog Spring	2
8	590709	Pulley & Rewind Spring Ass'y.	1
11	590734	Starter Housing Ass'y.	1
12	590535	Starter Rope (Length 98" x 9/64" Dia.)	1
13	590574	Mitten Grip Handle (Not Included With Starter)	1

# Craftsman Engine Model No. 143.999005 for Craftsman Snow Thrower Model 247.888530

## CARBURETOR



Key No.	Part No.	Description	Qty.
0	640052	Carburetor (Incl. 184 of Engine Parts List)	1
1	631776A	Throttle Shaft & Lever Ass'y.	1
2	631970	Throttle Return Spring	1
6	631778	Throttle Shutter	1
7	650506	Shutter Screw	2
10	632112	Choke Shaft & Lever Ass'y.	1
14	632174	Choke Shutter	1
15	630735	Choke Positioning Spring	1
16	632164	Fuel Fitting	1
17	650417	Throttle Crack Screw/Idle Speed Screw	1
18	630766	Tension Spring	1
20	640016	Idle Restrictor Screw	1
20A	640053	Idle Restrictor Screw Cap	1
25	631951	Float Bowl Ass'y. (Incl. 32 & 33)	1
27	631024	Float Shaft	1
28	632019	Float	1
29	631028	Float Bowl "O" Ring	1
30	631021	Inlet Needle, Seat & Clip (Incl. 31)	1
31	631022	Spring Clip	1
32	27136A	Bowl Drain Ass'y.	1
33	27554	Drain Plunger Gasket	1
36	640005	Main Nozzle Tube	1
37	632547	O Ring	2
40	640055	High Speed Bowl Nut	1
44	27110	Bowl Nut Washer	1
47	630748	Welch Plug, Idle Mix. Well	1
48	631027	Welch Plug, Atmospheric Vent	1
—	632760	Repair Kit	1

# GARANTIA DE INFORMACIÓN

Por un año desde la fecha de compra cuando este expulsor de nieve Craftsman sea mantenido, lubricado y puesto a punto de acuerdo con las instrucciones de operación y mantenimiento en el manual del propietario, Sears reparará libre de costo cualquier defecto de material o de mano de obra.

Esta garantía se aplica por 30 días solamente a partir de la fecha de compra, si el expulsor de nieve se usa para fines comerciales o de alquiler.

Esta garantía no cubre:

Artículos desechables que se desgastan durante el uso normal, tales como zapatas deslizantes, placa raspadora y bujías.

Reparaciones necesarias a causa de abuso o negligencia por parte del operador, incluyendo cigüeñales doblados y la falla en mantener el equipo de acuerdo con las instrucciones contenidas en el manual del propietario.

El servicio de garantía esta disponible si se devuelve el expulsor de nieve Craftsman al centro/departamento de servicio de Sears mas cercano en los estados unidos.

Esta garantía se aplica solamente mientras este producto esté en uso en los Estados Unidos.

Esta garantía le otorga derechos legales especificos y usted puede también tener otros derechos que varían de Estado a Estado.

Sears, Roebuck and Co., D817/WA, Hoffman Estates, IL 60179

## Especificaciones Del Producto

Caballos de Fuerza: ..... 9  
Desplazamiento ..... 19.43 pies.cub.  
Capacidad de Combustible ..... 4 cuartos  
Bujía ..... RJ-19LM  
Motor ..... Modelo 143.999005

**Numero De Modelo** ..... 247.888530

**Numero De Serie** .....

Fecha De Compra .....

Los numeros de modelo y de serie se encuentran en el rotulo pegado al amazon del expulsor de nieve.

Usted deberia registrar el numero de serie y la fecha de compra y guardarios en un lugar seguro para referencia futura.



# PRACTICAS SEGURAS DE OPERACION



Este simbolo senala instrucciones importantes de seguridad las cuales, si no se observan, podrian poner en peligro la seguridad personal y/o la propiedad suya y de otras personas. Lea y observe todas las instrucciones de este manual antes de intentar operar su expulsor de nieve motorizada. no cumplir con estas instrucciones puede resultar en lesiones personales, cuando vea este simbolo obedezca.



## **Peligro:**

Su expulsor de nieve fue fabricada para operarse de acuerdo con las reglas para una operacion segura en este manual. Al igual que con cualquier tipo de equipo motorizado, la falta de cuidado o error de parte del operador puede resultar en lesiones graves. No observar las instrucciones siguientes de seguridad podria resultar en lesiones graves o en la muerte.



**WARNING:** El escape del motor de este producto contiene sustancias quimicas conocidas por el Estado de California como causantes de cancer, defectos de nacimiento u otras lesiones reproductivas. Esta unidad esta equipada con un motor de combustion interna y no debe usarse en o cerca de tierras no mejoradas cubiertas de bosques, matorrales, y/o hierbas, a menos que el sistema de escape este equipado con un supresor de chispas que cumpla con las leyes del estado o federales aplicables (de existir). Si se usa un supresor de chispas debe ser mantenido en buenas condiciones de trabajo por el operador. En el Estado California lo indicado arriba es requerido por ley (Seccion 442 del Codigo de Recursos Publicos de California). Otros Estados pueden tener leyes similares. Las leyes federales se aplican en las tierras federales. Esta disponible un supresor de chispas para el silenciador en su Centro de Servicio Autorizado Sears mas cercano.

## ENTRENAMIENTO

- Lea cuidadosamente en su totalidad esta guía del propietario antes de tratar de ensamblar u operar esta máquina. Familiarícese completamente con los controles y el uso correcto de esta máquina antes de operarla. Mantenga este manual en un lugar seguro para referencia futura y regular y para ordenar piezas de repuesto.
- Nunca permita que niños menores de 14 años operen un expulsor de nieve. Los niños de 14 años y mayores deben operar el expulsor de nieve bajo una supervisión paterna estricta. Debe permitirse el uso de su expulsor de nieve a las personas bien familiarizadas con estas reglas de operación segura solamente.
- Nadie que esté intoxicado o que esté tomando medicinas que debiliten los sentidos o las reacciones debe operar esta unidad.
- Mantenga el área de operación despejada de todas las personas, especialmente niños pequeños y animales domésticos.
- Sea precavido para evitar resbalar o caer, especialmente al operar en marcha de retroceso.

## PREPARACION

- Inspeccione completamente el área donde se usará el equipo y retire todos los felpudos, trineos, tablas, cables y otros objetos extraños.
- Desenganche todos los embragues y cambie a neutro antes de arrancar el motor.
- No opere el equipo sin usar ropas externas de invierno adecuadas. No use joyas, bufandas largas ni otras ropas holgadas que podrían enredarse en las piezas móviles. Use calzado que mejore la firmeza de su paso sobre superficies resbaladizas.
- Apague todos los cigarrillos y otras fuentes de

encendido, antes de trabajar con gasolina.

Inspeccione el combustible antes de arrancar el motor. La gasolina es un combustible extremadamente inflamable. No llene el tanque de gasolina bajo techo, mientras esté funcionando el motor, o hasta que se haya permitido que el motor se enfríe durante dos minutos por lo menos. Antes de arrancar el motor, vuelva a colocar seguramente la tapa de gasolina y limpie toda la gasolina derramada, ya que de lo contrario puede causarse un incendio o una explosión.

- Para todas las unidades con motores de propulsión eléctrica o con motores de arranque eléctrico use un enchufe de tres cables conectado a tierra.
- Ajuste la altura del armazón colector para despejar una superficie de pedregullo o roca triturada.
- Nunca trate de efectuar ajustes mientras el motor está funcionando (excepto donde se recomiende específicamente por el fabricante).
- Antes de comenzar a despejar la nieve, permita que el motor y la máquina se ajusten a la temperatura exterior.
- Durante la operación o mientras efectúa un ajuste o reparación, use siempre lentes de seguridad o protectores de ojos, para proteger los ojos contra objetos extraños que puedan ser despedidos por la máquina en cualquier dirección.

## OPERACION

- No coloque las manos ni los pies cerca o debajo de piezas giratorias. Manténgase alejado en todo momento de la abertura de descarga y de la hélice.
- Sea muy precavido al operar o cruzar sobre entradas de pedregullo, senderos o caminos. Permanezca alerta por riesgos ocultos o tráfico.
- No transporte pasajeros.

- Después de golpear un objeto, apague el motor, extraiga el cable de la bujía, e inspeccione completamente el expulsor de nieve por averías. Antes de volver a arrancar y operar el expulsor de nieve, repare las averías.
- Si el expulsor de nieve comienza a vibrar anormalmente, apague el motor e inspeccione inmediatamente por la causa. La vibración es generalmente una advertencia de problemas.
- Apague el motor siempre que deje la posición operativa, antes de destapar el armazón del colector/propulsor o la guía de descarga, y efectuar reparaciones, ajustes, o inspecciones. Nunca coloque su mano en las aberturas de descarga o de colecta. Use un palo o un mango de madera de escobillón para destapar la abertura de descarga.
- Tome todas las precauciones posibles al dejar la unidad desatendida. Desenganche el colector/propulsor, cambie a neutro, arranque el motor, y extraiga la llave.
- Al limpiar, reparar o inspeccionar, asegúrese que se hayan detenido el colector/propulsor y todas las piezas móviles. Desconecte el cable de la bujía y manténgalo alejado de la bujía para prevenir un arranque accidental.
- No haga funcionar el motor bajo techo, excepto cuando arranque el motor y cuando transporte el expulsor de nieve dentro o fuera del edificio. Abra las puertas. Los humos de escape son peligrosos.
- No despeje nieve a través de la superficie de pendientes. Al cambiar de dirección en las pendientes sea muy precavido. No intente despejar pendientes muy pronunciadas.
- Nunca opere el expulsor de nieve sin que las guardas, placas, u otros mecanismos protectores de seguridad, estén en su lugar.
- Nunca opere el expulsor de nieve cerca de cerramientos de vidrio, automóviles, marcos de las ventanas, caídas, etc. sin el ajuste correcto del ángulo de descarga del expulsor de nieve. Mantenga alejados a los niños y a los animales domésticos.
- No intente sobrecargar la capacidad de la máquina intentando despejar la nieve a una velocidad demasiado elevada. Nunca opere la máquina a altas

velocidades de transporte sobre superficies resbalosas. Mire hacia atrás y sea precavido al retroceder.

- Nunca dirija la descarga hacia los observadores ni permita que nadie se pare delante de la unidad.
- Cuando transporte o no esté en uso desconecte la potencia al colector/propulsor.
- Use sólo aditamentos y accesorios aprobados por el fabricante del expulsor de nieve (tales como pesos de la rueda, contrapesos, cables, etc.)
- Nunca opere el expulsor de nieve sin buena visibilidad o luz. Siempre esté seguro de su equilibrio y sujete bien los mangos. Camine, nunca corra.
- El silenciador y el motor se calientan y pueden causar una quemadura. No los toque.

## MANTENIMIENTO Y ALMACENAMIENTO

- Inspeccione los pernos de corte, pernos de montaje del motor, etc., a intervalos frecuentes para un ajuste correcto para asegurarse que el equipo esté en una condición segura de trabajo.
- Nunca almacene la máquina con combustible en el tanque de combustible dentro de un edificio donde estén presentes las fuentes de encendido, tales como calentadores de agua y ambiente, secadoras de ropa, y similares. Permita que el motor se enfríe antes de almacenar en cualquier recinto.
- Si el expulsor de nieve va a ser almacenado durante un período prolongado de tiempo, refiérase siempre a las instrucciones en la guía del propietario para detalles importantes.
- Haga funcionar la máquina por unos pocos minutos después de expeler la nieve, para prevenir la congelación de colector/propulsor.
- Inspeccione periódicamente los controles del embrague para verificar que se enganchen y desenganchen adecuadamente y reajuste si fuera necesario. Para las instrucciones de ajuste refiérase a la guía del propietario.



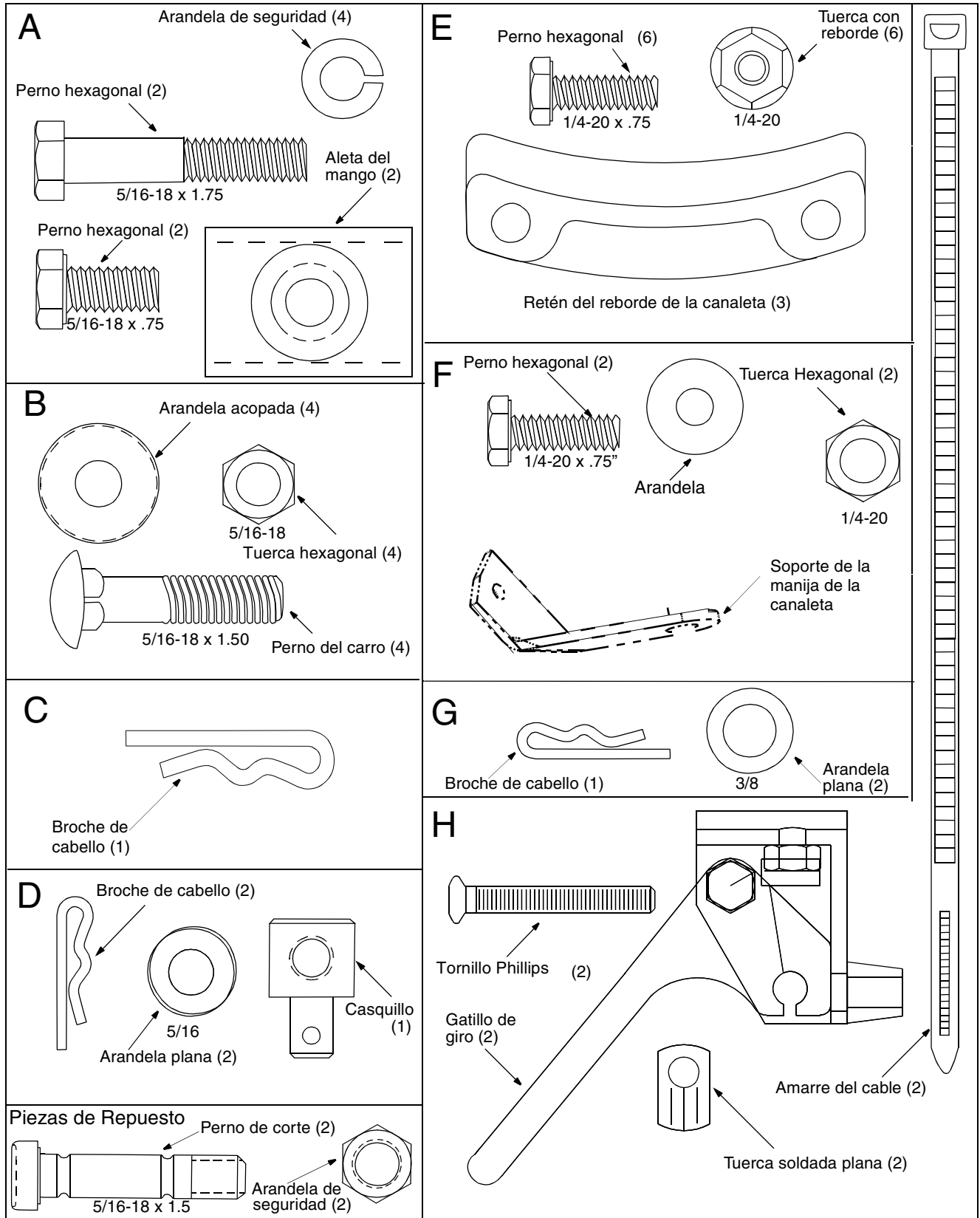
**ADVERTENCIA:** Busque este símbolo para indicar precauciones importantes de seguridad. ¡¡¡significa - atención!!! ¡¡¡este alerta!!! esta en juego su seguridad.

Estos figuran en su unidad. Aprenda y entienda su significado, y sígalos para asegurar la operación segura de su expulsor de nieve Sears.



# CONJUNTO DE FERRETERIA DE FERRETERIA

Despliegue la ferretería de acuerdo con la ilustración para fines de identificación. Las piezas están ilustradas a la mitad de su tamaño aproximadamente. Los números de pieza se muestran entre paréntesis. (El conjunto de ferretería puede contener artículos adicionales que no se usan en su unidad.)



# ENSAMBLADO

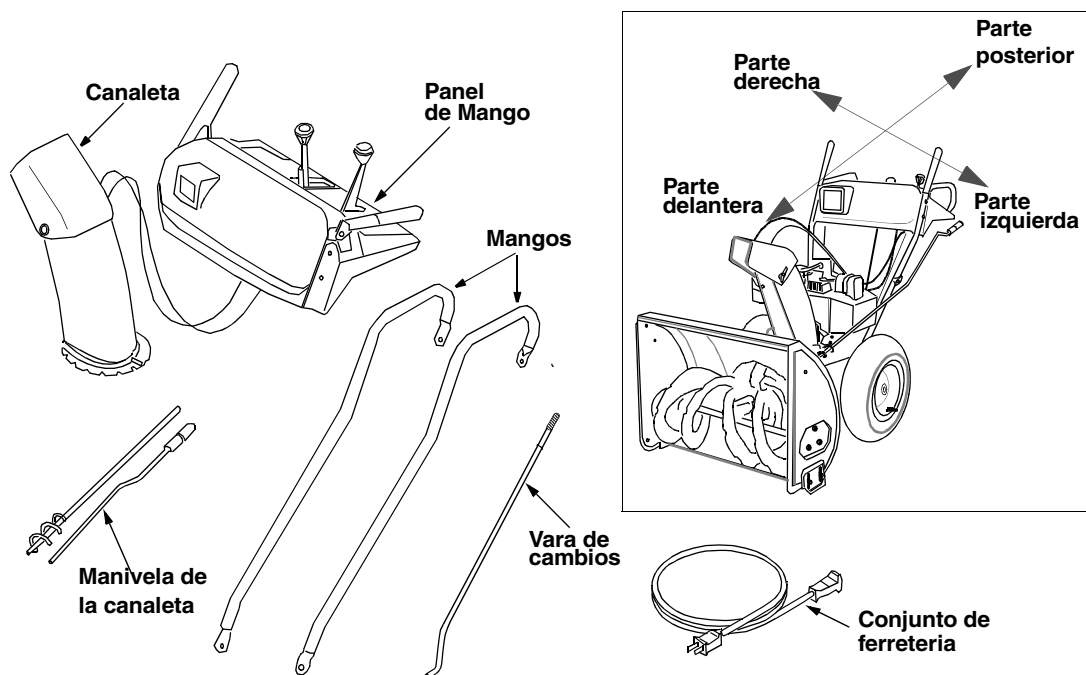


Figura 1

**IMPORTANTE:** Esta unidad ha sido despachada con aceite del motor **pero sin gasolina** en el motor. Después del ensamblado, vea la sección de OPERACION de este manual para selección y llenado de combustible.

**Nota:** Para determinar los lados derecho e izquierdo de su expulsor de nieve, párese detrás de la unidad con el motor en la posición más alejada de usted. Vea el recuadro de la Figura 1.

Su expulsor de nieve ha sido completamente ensamblado de fábrica, excepto el mango y el panel del mango, el conjunto de la canaleta de descarga, el conjunto de la manivela de la canaleta y la vara de cambios. Esas partes se despachan sueltas en la caja.

## Extraccion De La Unidad De La Caja

- Corte las esquinas de la caja.
- Extraiga todas las inserciones de empaque..
- Ruede el expulsor de nieve fuera de la caja.
- Antes de descartar la caja, asegúrese que se hayan extraído todas las partes y la literatura.

## Piezas Seltas

(Vea la Figura 1)

- a. Panel del mango y conjunto de la canaleta
- b. Mango del lado derecho
- c. Mango del lado izquierdo
- d. Conjunto de la manivela de la canaleta
- e. Vara de cambios
- f. Conjunto de ferretería

**Sugerencias de ensamblado:** Para facilitar el ensamblado, extraiga la canaleta de la caja y colóquela sobre el motor. No desenvuelva la canaleta hasta después de instalar el panel del mango, los cables del embrague y la cubierta de la correa.

## Herramientas Requeridas

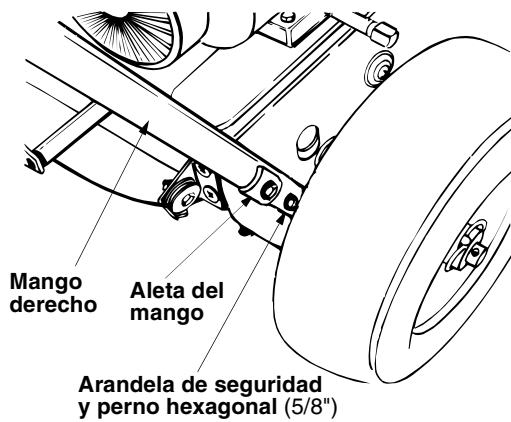
1. Llaves de 1/2", 7/16", 3/8" o un juego de llaves ajustables
2. Un juego de destornilladores de cabezal phillips
3. Embudo



**ADVERTENCIA:** Antes de ensamblar el **expulsor de nieve asegúrese** que el cable de la bujía esté desconectado y aléjese de la bujía.

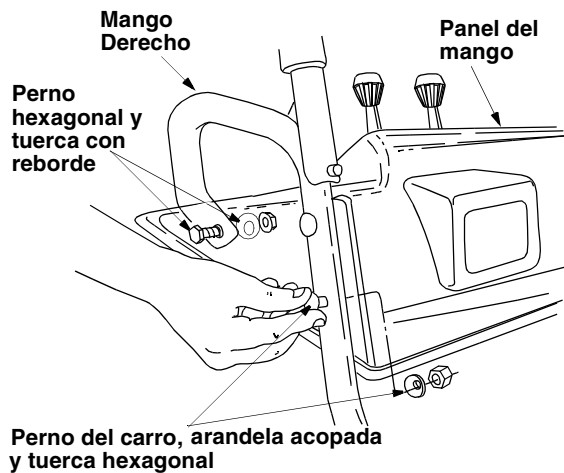
## Fijacion Del Conjunto Del Mango

- Estire los cables de control y coloque sobre el piso. Coloque el mango derecho en posición con el lado plano contra el expulsor de nieve. *Usted puede identificar el mango derecho por la etiqueta del control del propulsor de tracción sobre el mismo y el mango izquierdo por la etiqueta del control del embrague de la hélice sobre el mismo.*
- Asegure el orificio del fondo del mango al expulsor de nieve usando pernos hexagonales de 5/16x3/4" de largo y la arandela de seguridad del conjunto de ferretería (Grupo A en la página 6). No ajuste en este momento. Vea la Figura 2.



**Figura 2**

- Coloque una de las dos aletas del mango, incluidas en el conjunto de ferretería (Grupo A en la página 6), sobre el orificio superior del mango, de manera que el contorno de la aleta del mango coincida con el del mango. Vea la Figura 2.
- Asegure el mango al expulsor de nieve usando un perno hexagonal (5/16 x 1-3/4" de largo) y una arandela de seguridad del mismo grupo en el conjunto de ferretería. No ajuste en este momento.
- Fije el mango izquierdo de la misma manera. No ajuste en este momento.
- Coloque el panel del mango en posición entre los mangos de manera que los extremos de la parte curvada de los mangos atraviesen las ranuras en el panel del mango. Alinee los orificios en el mango con los orificios en los dos lados del panel del mango. Vea la Figura 3.



**Figura 3**

- Fije el panel del mango al mango con dos pernos del carro, arandelas acopadas (lado acopado contra el panel del mango) y tuercas hexagonales de cada lado. Vea la Figura 3. Usted encontrará esos sujetadores en el conjunto de la ferretería (Grupo B en la página 6). Alinee el contorno de la cabeza del perno del carro con el mango.
- Fije cada lado del reverso del panel del mango con un perno hexagonal de 1/4-20 y tuerca con reborde del

conjunto de la ferretería (Grupo C en la página 6). Vea la Figura 3. No ajuste en este momento.

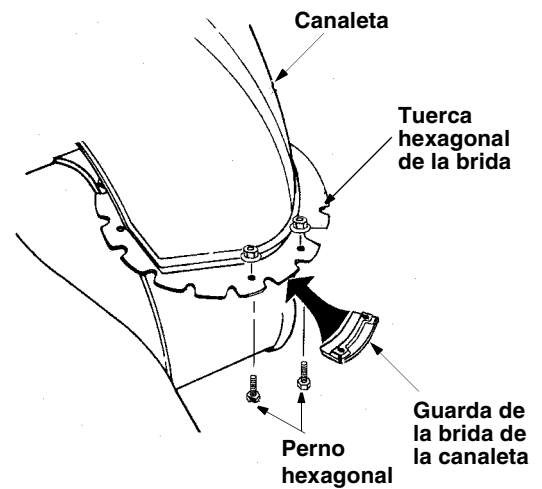
- Ajuste toda la ferretería floja en el conjunto del mango en el siguiente orden-primero los pernos hexagonales al fondo del mango, a continuación los pernos del carro y finalmente los pernos hexagonales en el reverso del panel del mango.

## Fijacion De La Canaleta

- Coloque el conjunto de la canaleta sobre la abertura de la canaleta, con la abertura en el conjunto de la canaleta enfrentando la parte delantera de la unidad.

**Nota:** Asegúrese que los cables de la canaleta estén rectos mientras ensambla la canaleta.

- Coloque la guarda de la brida de la canaleta (lado plano hacia abajo) debajo del reborde del conjunto de la canaleta según se muestra en la Figura 4. Usted encontrará las guardas de la brida de la canaleta en el Grupo E del conjunto de la ferretería.
- Inserte el perno hexagonal de 1/4-20 del grupo E del conjunto de ferretería (en la página 6) a través de la guarda de la brida de la canaleta y del conjunto de la canaleta según se muestra en la Figura 4. No ajuste en este momento. Gire la canaleta para instalar todas las guardas de la brida.



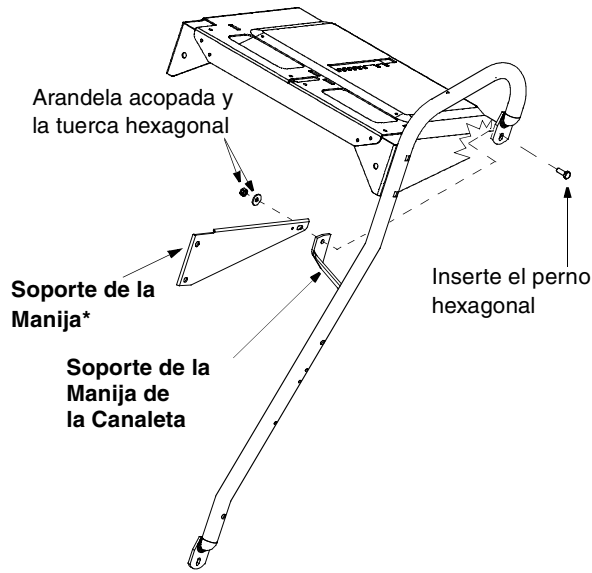
**Figura 4**

- Después de ensamblar todas las tres guardas de la brida de la canaleta, ajústelas y afloje 1/4 de vuelta para permitir un movimiento más fácil de la canaleta. Use dos (2) llaves de 7/16".

## Fijacion De La Manivela De La Canaleta

- A la izquierda del panel de las manijas, según se muestra en la figura 5, coloque el soporte de la manija superior de la canaleta del lado interior del soporte del panel de las manijas. Ubique este soporte y ferretería relacionada en el grupo F del conjunto de ferretería. Vea la página 6.
- Inserte el perno hexagonal a través del soporte de la manija superior de la canaleta, soporte del panel de las manijas y manija superior izquierda. Asegure el soporte usando la arandela acopada y la tuerca

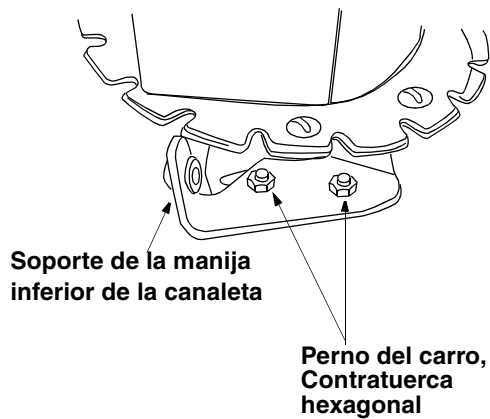
hexagonal. Asegúrese que el lado acopado de la arandela está colocado contra el contorno de la manija.



\* Ya adjunto dentro de panel del mango

**Figura 5**

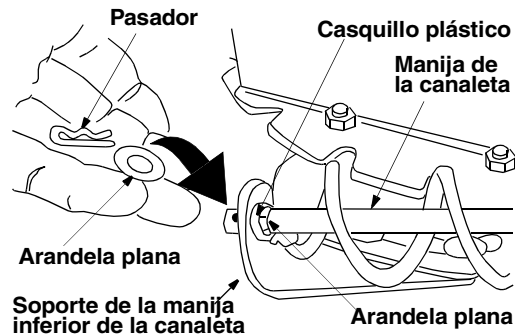
- Usted puede tener que aflojar los pernos del carro y las contratuerca hexagonales que aseguran el soporte inferior de la manija de la canaleta a la prolongación del lado izquierdo del conjunto de la canaleta. Vea la figura 6.



**Figura 6**

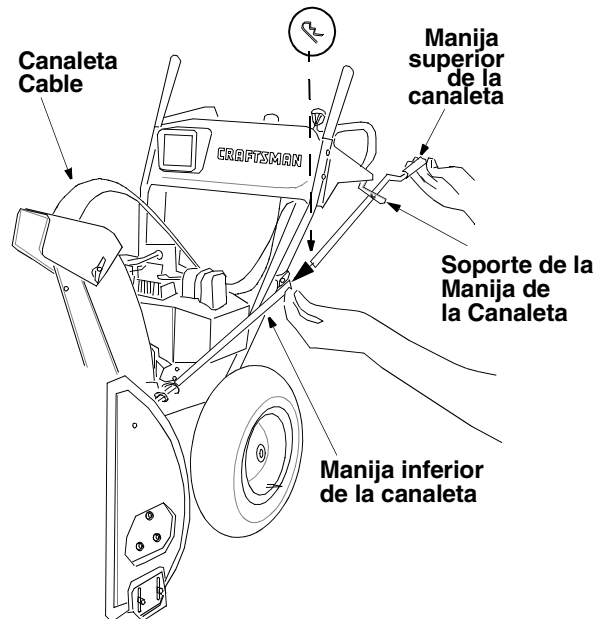
- Coloque una arandela plana de 3/8 de DI (del grupo G del conjunto de ferretería) en el extremo de la manija de la canaleta, a continuación inserte el extremo de la manija en el orificio del casquillo plástico en el soporte de la manija de la canaleta. Vea la figura 7.
- Coloque la otra arandela plana de 3/8 de DI (del mismo grupo de ferretería) al extremo de la manija de la canaleta e inserte el broche del cabello dentro del orificio al extremo de la manija de la canaleta. Vea la figura 7.

- Ajuste el soporte de la canaleta de manera que la espiral en la manija de la canaleta se enganche completamente con los dientes del conjunto de la canaleta. Ajuste bien las tuercas en el soporte inferior de la manija de la canaleta.



**Figura 7**

- Deslice la manija superior de la canaleta dentro de la manija inferior de la canaleta según se muestra en la figura 8. Alinee los orificios en las dos partes de la manija de la canaleta, y asegure con el broche del cabello del grupo F del conjunto de la ferretería.



**Figura 8**

- Gire completamente la canaleta, usando la manija de la canaleta, para asegurarse que se mueve libremente.
- Usando una llave inglesa ajuste el perno hexagonal y la tuerca hexagonal en el soporte de la manija superior de la canaleta.
- Usando una llave, ajuste el perno hexagonal y la tuerca hexagonal en el soporte superior de la manivela de la canaleta.
- Usando la manivela de la canaleta, gire completamente esta última, para asegurar que se mueve libremente.

- Deslice los cables que se extienden desde el panel del mango a la canaleta dentro de la guía de cable ubicada al tope del motor. Vea la Figura 9.

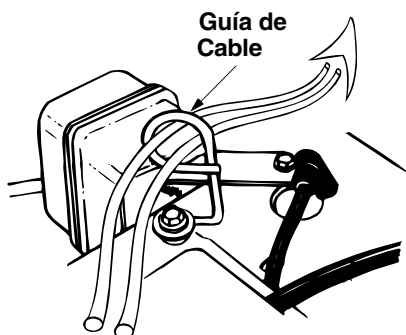


Figura 9

## Fijacion De Los Cables Del Embrague

Los cables de control del embrague están fijados a la limpiadora de nieve. Si los cables están fijados al tope del motor con amarras de cable, corte las amarras ahora. Los extremos en Z de los cables del embrague están enganchados dentro de las empuñaduras de cada manija.

- Asegúrese que haya una contratuerca enroscada toda hasta la porción enroscada del adaptador en Z; se proveen extras en el conjunto de ferretería. Vea la figura 10.
- Coloque la manija del embrague en la posición elevada (up).

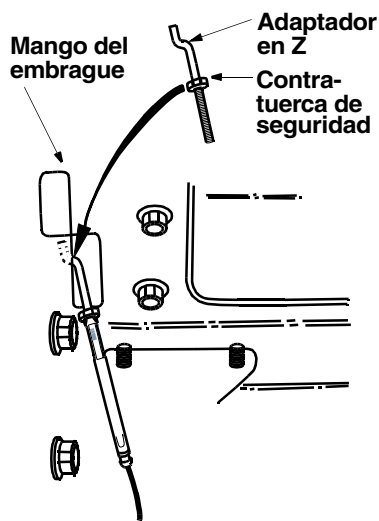


Figura 10

- Gire hacia arriba la espiral sin fin izquierda asegurándose que el cable esté encaminado correctamente en las guías del rodillo del cable ubicados en la parte posterior inferior de la unidad.
- Sujete el extremo del cable en el tambor de manera que el casquillo gire libremente sin torcer el cable. Enrosque el casquillo en el adaptador en Z. Para aliviar la tensión usted puede tener que tirar ligeramente del cable. Mantenga girando el casquillo *sin torcer* el cable.

- Usted alcanzará un ajuste correcto cuando haya un exceso mínimo en el cable pero no está ajustado. Sujete las áreas planas del casquillo con pinzas y ajuste la contratuerca contra el casquillo.

**PRECAUCION:** Los cables se aflojarán si usted no ajusta la contratuerca.



**ADVERTENCIA:** No debe haber tensión en ninguno de los cables del embrague con el propulsor o la empuñadura del embrague de la espiral sin fin en la posición desenganchada (up). Esos embragues son una característica de seguridad. No cancele su función permitiendo que exista tensión en cualquiera de los cables con los embragues desenganchados.

## Fijacion De La Vara De Cambios

- Coloque la palanca de cambios en la posición de sexta (6) velocidad.

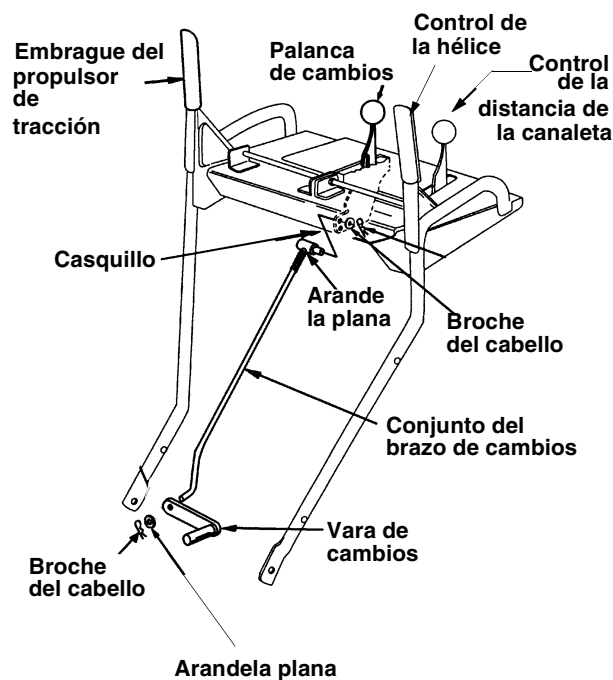


Figura 11

- Coloque el extremo doblado de la vara de cambio dentro del orificio en el conjunto del brazo de cambios. Vea la figura 11. Asegure con la arandela plana de 5/16 y el broche de cabello del conjunto de ferretería (grupo D).
- Comience a enroscar el casquillo (incluido en el mismo grupo en el conjunto de ferretería) dentro del otro extremo de la vara de cambios. Tiene que alinearse con el orificio superior en la palanca de cambios (debajo del panel del mango). Mientras alinea el casquillo, empuje hacia abajo la vara de cambios y el conjunto del brazo de cambios tanto como pueda.

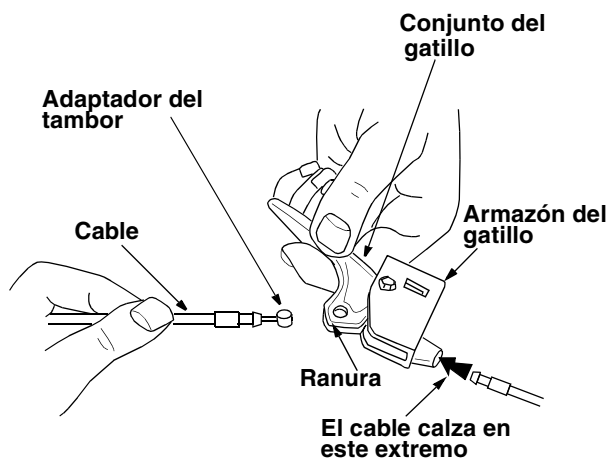
- Una vez que el casquillo se deslice dentro del orificio, gírelo en sentido contrario a las agujas del reloj una vuelta completa e inserte en el orificio en la palanca de cambios.

**Nota:** Puede ser necesario mover la palanca de cambios fuera de la posición de sexta velocidad y moverla hacia la posición de quinta velocidad hasta que el casquillo se deslice dentro del orificio sin fuerza.

- Asegure el casquillo a la palanca de cambios con otra arandela plana de 5/16 y broche del cabello del grupo D del conjunto de ferretería. Vea la Figura 11.
- Antes de operar el expulsor de nieve, asegúrese de inspeccionar el ajuste correcto de la vara de cambios según las instrucciones de la sección de Ajustes.

## Fijación De Los Gatillos De Giro

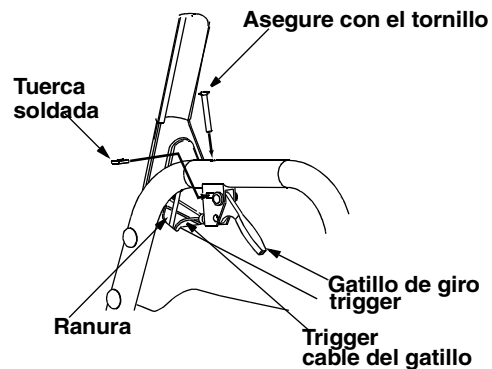
- Alimente el cable del gatillo a través del lado exterior de la ranura en el panel del mango. No alimente el cable a través del mismo lado de la ranura que el adaptador en Z.



**Figura 12**

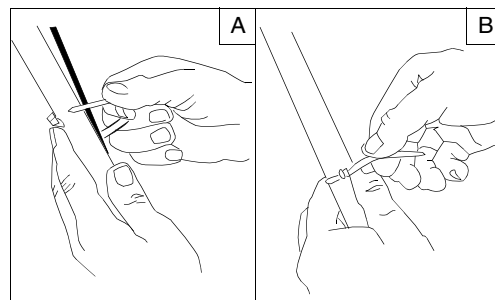
**Nota:** Usted no puede tirar del cable fuera del armazón del mismo, cuando el cable esté correctamente instalado.

- Asegúrese que el cable del gatillo de la mano derecha esté encaminado al frente del cable propulsor de tracción.
- Coloque el adaptador del tambor del cable dentro del orificio del gatillo. Usted puede encontrar los gatillos y la ferretería relacionada en el grupo H del conjunto de ferretería (en la página 6). Tire del cable y gírelo alrededor del fondo del gatillo, con el cable interior en la ranura, hasta que el extremo del cable pueda ser empujado dentro del armazón del gatillo y calzado firme. Vea la Figura 12.
- Coloque en posición el gatillo de giro a la derecha debajo del mango derecho. Asegure con el tornillo y suelde la tuerca del Grupo H del conjunto de ferretería. Vea la Figura 13. Usted necesitará un destornillador phillips para ajustar el tornillo.



**Figura 13**

- Asegure el cable del gatillo de giro a la derecha al mango derecho inferior, usando el amarre de cable provisto en el conjunto de ferretería. Vea la Figura 14.



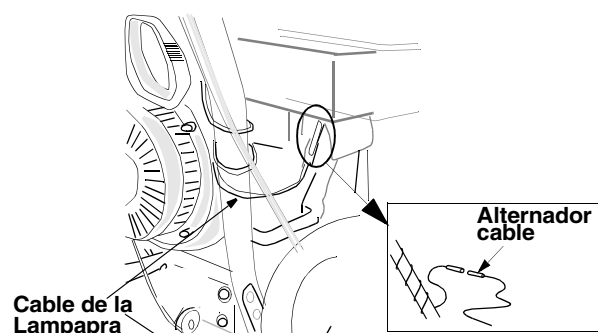
**Figura 14**

- Asegure el cable del gatillo de giro izquierdo de la misma manera.
- Corte los extremos excesivos de cada amarre de cable.

**Nota:** El amarre del cable del lado derecho debe usarse para evitar el contacto con el brazo móvil de cambios de la transmisión.

## Cableado de la Lámpara

- Envuelva el cable de la lámpara hacia abajo del mango derecho. Enchufe el cable dentro del cable guía del alternador debajo del tanque de combustible. Vea la Figura 15.



**Figura 15**



**IMPORTANTE:** Ensamble su expulsor de nieve, a continuación inspeccione los ajustes según las instrucciones y efectúe los ajustes finales necesarios antes de operar la unidad. El no seguir las instrucciones puede causar averías al expulsor de nieve.

## Ajustes Finales

### Ajuste del Control de la Hélice

- Para inspeccionar el ajuste del control de la hélice, empuje hacia adelante sobre la empuñadura izquierda del embrague hasta que esté comprimido el amortiguador de goma. Debe haber exceso en el cable del embrague.
- Suelte la empuñadura del embrague. El cable debe estar recto. Asegúrese de poder bajar completamente el mango de control de la hélice contra el mango izquierdo.
- Si es necesario ajustar, afloje la tuerca de seguridad hexagonal y enrosque el cable hacia adentro (para menos exceso) o hacia afuera (para más exceso).
- Vuelva a inspeccionar el ajuste. Ajuste la tuerca de seguridad contra el cable cuando se alcanza el ajuste correcto.

### Ajuste del Control del Propulsor de Tracción

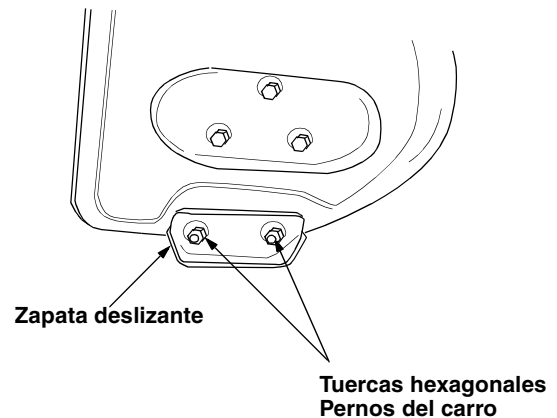
- Para inspeccionar el ajuste del control del propulsor de tracción y de la palanca de cambios, mueva la palanca de cambios todo el recorrido hasta la sexta (6) posición.
- Con el control del propulsor de tracción desenganchado, mueva los gatillos hacia arriba hasta el mango y a continuación empuje el expulsor de nieve hacia adelante para verificar que giren las wheel.
- Suelte el control del propulsor de tracción y tire nuevamente del arrancador. La unidad no debe moverse.
- Antes de proceder con el ajuste, inspeccione para asegurarse que la **bujía está desconectada**.
- Si el control del propulsor de tracción requiere ajustes, afloje la tuerca de seguridad en el cable del propulsor de tracción y enrosque el cable una vuelta. Vuelva a inspeccionar el ajuste y repita según sea necesario.

**Nota:** Para más detalles, refiérase a la sección de Ajustes.

### Ajuste de la Zapata Deslizante

Puede cambiarse el espacio entre la placa raspadora y el suelo ajustando la zapata deslizante.

- Retorne la palanca de transferencia de peso (mostrada en la Figura 16) a su posición normal antes de ajustar las zapatas deslizantes.
- Para una eliminación estrecha de nieve, ajuste las zapatas deslizantes tan altas como sea posible para minimizar la separación entre la placa raspadora y el suelo.
- Para eliminar la nieve de terrenos irregulares tales como pedregullo, ajuste las zapatas deslizantes hacia abajo para crear suficiente espacio entre el borde inferior de la placa raspadora y el suelo.
- Ajuste las zapatas deslizantes aflojando las cuatro tuercas hexagonales y los pernos del carro y moviendo las zapatas deslizantes a la posición deseada. Asegúrese que toda la superficie inferior de la zapata deslizante esté apoyada sobre el suelo para evitar un desgaste irregular de las zapatas deslizantes. Vea la Figura 16.
- Vuelva a ajustar seguramente las tuercas y los pernos.



**Figura 16**

# OPERACION



ANTES DE HACER FUNCIONAR SU EXPULSOR DE NIEVE LEA ESTE MANUAL DEL PROPIETARIO  
 Compare las ilustraciones en este figura 17 con su expulsor de nieve para familiarizarse con la ubicación de varios controles y ajustes. Guarde este manual para referencia futura.

La operación de un expulsor de nieve puede resultar en objetos despedidos contra los ojos, lo que puede resultar en lesiones graves de los ojos. Mientras opera el o efectúa ajustes o reparaciones al expulsor de nieve use siempre lentes de seguridad o protectores de los ojos.

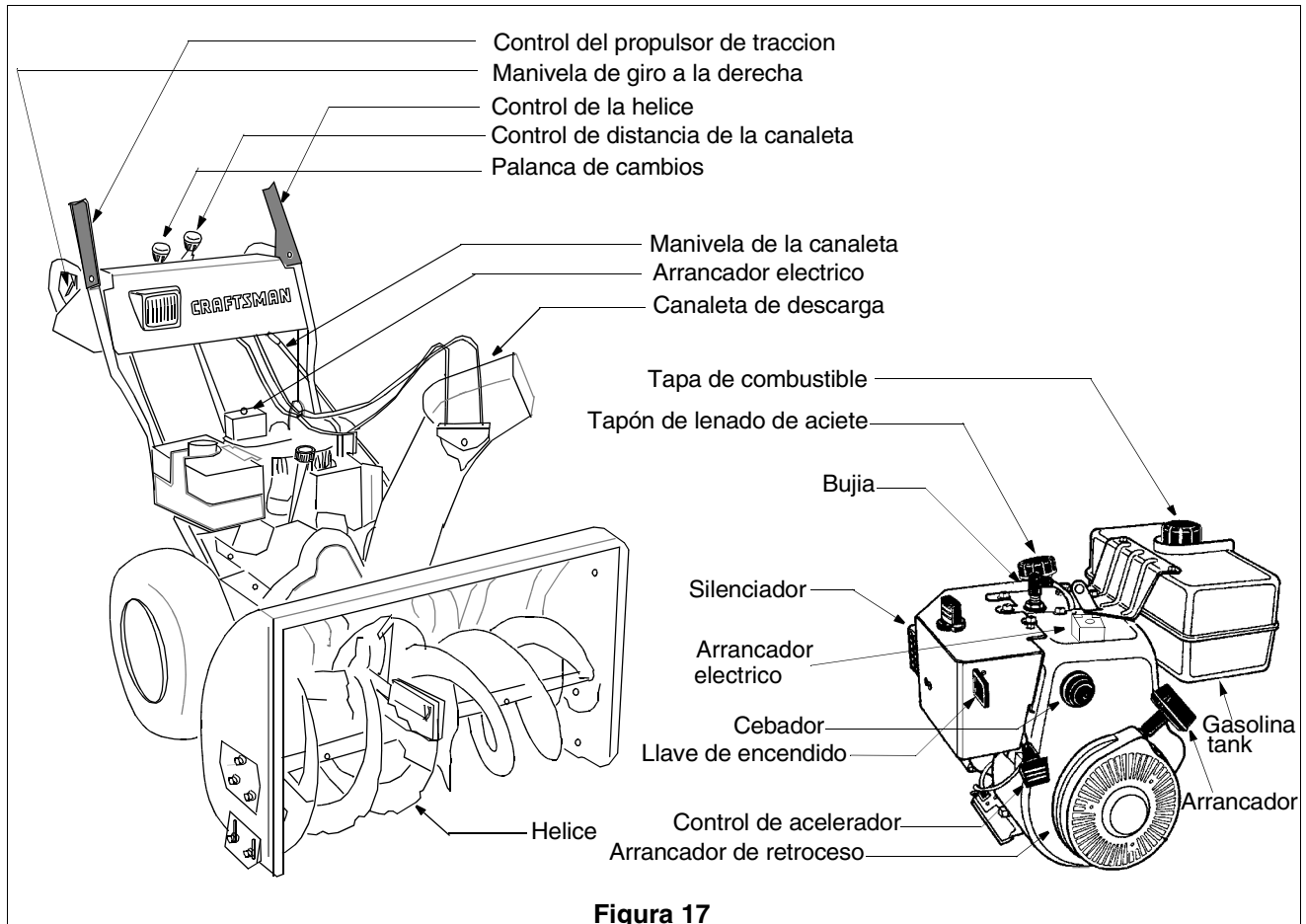


Figura 17

## Conozca Su Expulsor De Nieve

### Palanca De Cambios

La palanca de cambios está ubicada en el centro del panel del mango. La palanca de cambios puede moverse a una de ocho posiciones. Use la palanca de cambios para determinar la velocidad sobre el suelo.

**Avance**—una de seis velocidades. La posición número uno (1) es la más lenta. La posición número seis (6) es la más rápida.

**Retroceso**—dos velocidades de retroceso (R). La “R” más cercana al operador (todo hacia atrás) es la más veloz de las dos.

### Control de la helice

El embrague del propulsor de la espiral sin fin está ubicado en el mango izquierdo. Apriete la empuñadura del embrague para enganchar las espirales sin fin. Suelte para detener la acción de limpieza de nieve. (Debe soltarse también el embrague del propulsor de tracción).

### Palanca Del Gatillo

Los gatillos para giro izquierdo y derecho están ubicados del lado inferior de los mangos y se usan para ayudar a manejar su limpiadora de nieve. Accione el gatillo de giro derecho cuando gire a la derecha y el gatillo izquierdo cuando gire a la izquierda.

## CUMPLE CON LOS REQUERIMIENTOS DE SEGURIDAD ANSI B71.3

Los expulsores de nieve Sears conforman con las normas de seguridad del American National Standards Institute (ANSI).

## Propulsor De Traccion/Seguro Del Embrague De La Espiral Sin Fin

El embrague del propulsor de tracción está ubicado en el mango derecho. Accione el embrague del propulsor de tracción para enganchar la rueda motriz. Suelte para parar. Esta misma palanca también fija el embrague de la espiral sin fin de manera que se puede girar la manija de la canaleta sin interrumpir el proceso de limpieza de nieve. Si se engancha el embrague del propulsor de la espiral sin fin con el embrague del propulsor de tracción enganchado, el operador puede soltar el embrague del propulsor de la espiral sin fin (en el mango izquierdo) y las espirales sin fin permanecerán enganchadas. Suelte el embrague del propulsor de tracción para detener las espirales sin fin y la rueda motriz (debe soltarse también el embrague del propulsor de la espiral sin fin).

### Manija De La Canaleta

La manija de la canaleta está ubicada del lado izquierdo de la limpiadora de nieve.

Para cambiar la dirección en la cual se limpia la nieve, gire la manija de la canaleta como sigue:

- Gire la manija en el sentido de las agujas del reloj para descargar a la izquierda.
- Gire en sentido contrario a las agujas del reloj para descargar a la derecha.

### Control De Inclinacion De La Canaleta

La distancia a la que se despiden la nieve puede ajustarse ajustando el ángulo del conjunto de la canaleta. Mueva el control de inclinación hacia adelante para disminuir la distancia, hacia atrás para aumentarla.

### Control Del Acelerador

El control del acelerador está ubicado en el motor. Regula la velocidad del motor. Al soplar la nieve, siempre haga funcionar el motor con el acelerador en la posición rápida.

### Interruptor De Encendido De Seguridad

El interruptor de la llave de encendido debe insertarse completamente en el interruptor antes que arranque la unidad. No intente girar la llave.

### Valvula De Corte De Combustible

La válvula de corte de combustible, ubicada debajo del tanque de combustible controla el flujo de combustible del tanque. Asegúrese que no esté en la posición "off" antes de arrancar el motor.

### Detencion Del Expulsor De Nieve

- Para detener la expulsión de nieve, desenganche la palanca del propulsor de la hélice.
- Para apagar el motor, empuje la palanca de control del acelerador a OFF y extraiga la llave de encendido. No gire la llave.

### Llenado De Gasolina Y Aceite

**Preste servicio al motor con gasolina y aceite** según las instrucciones del manual del motor, empaçado separadamente con su limpiadora de nieve. **Lea cuidadosamente las instrucciones.**



**ADVERTENCIA:** Nunca llene el tanque bajo techo, con el motor funcionando o mientras el motor está caliente. No fume al llenar el tanque de combustible.

### Arrancador eléctrico



**ADVERTENCIA:** El arrancador eléctrico está equipado con un cordón de potencia de tres conductores y un enchufe y está diseñado para operar con una corriente casera de 120 voltios de CA. Debe conectarse apropiadamente a tierra en todo momento para evitar la posibilidad de un choque eléctrico que puede ser dañino para el operador. Observe cuidadosamente todas las instrucciones. Determine que el cableado de su casa es un sistema conectado a tierra de tres conductores. Si no está seguro pregunte a un electricista licenciado. No use este arrancador eléctrico bajo ninguna condición si el sistema de cableado de su casa no es un sistema de tres conductores conectado a tierra. Si el sistema de cableado eléctrico de su casa está conectado a tierra pero no está disponible un receptáculo de tres orificios en el punto donde se usará normalmente el arrancador, debe instalarse uno por un electricista licenciado.

- Al *conectar el cordón de potencia*, conecte siempre primero el cordón al arrancador del motor, a continuación enchufe el otro extremo a un receptáculo de tres orificios conectado a tierra.
- Al *desconectar el cordón de potencia*, desenchufe siempre primero el extremo del receptáculo de tres orificios conectado a tierra.

### Arranque Del Motor

(Vea la figura18)



**ADVERTENCIA:** Apague el motor inmediatamente si la unidad muestra señales de movimiento (rueda motriz o espirales sin fin) con las empuñaduras del embrague desenganchadas. Reajuste según las instrucciones en la sección de "Ajuste final" de las instrucciones de Preparación.

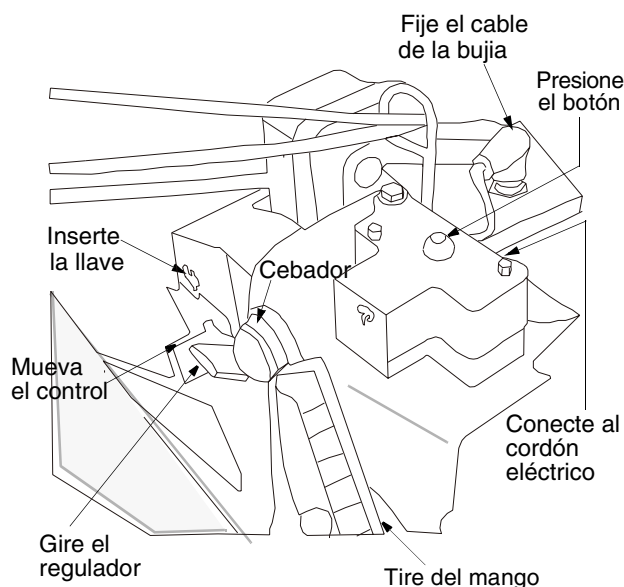
- Fije el cable de la bujía a la bujía. Asegúrese que el bucle de metal al extremo del cable de la bujía (dentro de la bota) esté bien fijo a la punta de metal de la bujía.
- Asegúrese que la válvula de corte de combustible esté en la posición abierta (vertical).
- Asegúrese que las palancas del embrague del propulsor estén en la posición desenganchada (suelta).
- Mueva el control del acelerador a la posición FAST (RAPIDA).
- Inserte la llave de encendido en la ranura. Asegúrese que calce en su lugar. **No gire la llave.**

En el caso de **arranque eléctrico** solamente siga los tres próximos pasos.

- Gire la perilla del regulador a la posición OFF.
- Oprima el botón del cebador mientras cubre el orificio de ventilación. Saque el dedo del cebador entre cebados. No cebe para arrancar un motor caliente. Si la temperatura es mayor de 15 grados F cebe dos o tres veces y cuatro veces si es menor de 15 grados F.
- Conecte el cordón de potencia a la caja del interruptor en el motor. Enchufe el otro extremo del cordón de potencia a un receptáculo de tres orificios, conectado a tierra, de 120 voltios de CA.
- Oprima el botón del arrancador para intentar arrancar el motor. Cuando el motor arranque, suelte el botón del arrancador y mueva el regulador lentamente a FULL (PLENO), y a continuación gradualmente a la posición OFF. Si el motor vacila, mueva el regulador inmediatamente a la posición FULL y a continuación mueva gradualmente a la posición OFF.

Para el **arranque de retroceso** solamente siga los tres próximos pasos:

- Gire la perilla del regulador a la posición FULL. Coloque el regulador en la posición OFF en lugar de la posición FULL, si el motor todavía está caliente.
- Oprima el botón del cebador dos o tres veces. Oprima el botón del cebador una vez solamente, si el motor está caliente.
- Sujete el mango del arrancador y tire lentamente de la sogá hasta que comience a ejercer más resistencia. Permita que la sogá se enrolle lentamente. Tire rápidamente del mango del arrancador. No permita que el mango retroceda bruscamente. Permita que se enrolle lentamente mientras sujeta firmemente el mango del arrancador. Repita hasta que el motor arranque. A medida que el motor se calienta y comienza a funcionar suavemente, gire lentamente la perilla del regulador a la posición OFF. Si el motor vacila, regrese a regulador en FULL y a continuación mueva lentamente a la posición OFF.



**Figura 18**

## Como Apagar El Motor

- Haga funcionar el motor por unos pocos minutos antes de apagar para ayudar a secar la humedad del motor.
- Proceda como sigue para **evitar una posible congelación del arrancador**.  
**Arrancador eléctrico:** Conecte el cordón de potencia a la caja del interruptor del motor, a continuación a un receptáculo de 120 voltios de CA. Con el motor funcionando, oprima el botón del arrancador y gire el arrancador por varios segundos. El sonido raro emitido al girar el arrancador no dañará el motor o el arrancador. Desconecte primero el cordón de potencia del receptáculo y a continuación de la caja del interruptor.  
**Arrancador a retroceso:** Con el motor funcionando, tire de la sogá del arrancador con una pasada rápida y continua con todo el brazo, tres o cuatro veces. El tirar de la sogá del arrancador producirá un sonido intenso de golpeteo, que no es dañino para el motor o el arrancador.
- Para apagar el motor, empuje todo hacia abajo la palanca del acelerador o saque la llave de encendido. No gire la llave. Desconecte el cable de la bujía de la misma para evitar un arranque accidental mientras el equipo está desatendido.

**Nota:** No pierda la llave de encendido. Manténgala en un lugar seguro. El motor no arrancará sin la llave de encendido.

- Limpie toda la nieve y humedad de la cubierta del carburador en el área de las palancas de control. También, avance y retroceda varias veces las palancas de control. Deje la palanca de control del acelerador en la posición STOP u OFF. Deje el control del regulador en la posición FULL.

## Para Enganchar El Propulsor

### Enganche De La Propulsion

- Con el motor funcionando cerca de la velocidad máxima, mueva la palanca de cambios a una de las posiciones de forward (avance) o a las dos de reverse (retroceso). Seleccione una velocidad apropiada para las condiciones de nieve existentes. Use las velocidades más lentas hasta que esté familiarizado con la operación de la limpiadora de nieve.
- Oprima la empuñadura del embrague de la espiral sin fin izquierda contra el mango, para engancharla.
- Mientras la empuñadura del embrague de la espiral sin fin está enganchada, oprima la empuñadura del embrague del propulsor derecho.
- Suelte la empuñadura del embrague de la espiral sin fin izquierda, solamente. El mecanismo de interbloqueo debe mantener el embrague izquierdo enganchado hasta que se suelte el embrague derecho.

**Nota:** NUNCA mueva la palanca de cambios sin soltar primero el embrague del propulsor.

## Manejo De La Limpiadora De Nieve

Las palancas de los gatillos están ubicadas en la parte inferior de los mangos y se usan para manejar su limpiadora de nieve.

**Nota:** El embrague del propulsor debe estar enganchado al usar los gatillos para manejar la limpiadora de nieve.

- Para girar a la derecha, oprima la palanca del gatillo derecho y guíe la limpiadora de nieve hacia la derecha.
- Para girar a la izquierda, oprima la palanca del gatillo izquierdo y guíe la limpiadora de nieve hacia la izquierda.
- Oprima ambos gatillos para transportar la unidad cuando el motor no está funcionando.

**Nota:** Esos controles deben usarse mientras opera su limpiadora de nieve en áreas abiertas, hasta familiarizarse con su operación.

## Enganche De Las Espirales Sin Fin

Oprima la empuñadura del embrague de la espiral sin fin contra el mango izquierdo, para enganchar las espirales sin fin y comenzar la acción de despedir la nieve. Suelte para detener las espirales sin fin (debe soltarse también la empuñadura del embrague del propulsor de tracción). Puede fijarse también el embrague del propulsor de la espiral sin fin de manera que usted pueda girar la manija de la canaleta sin interrumpir el proceso de despedir nieve. Refiérase a "Propulsión de Tracción/Fijación del Embrague de la Espiral Sin Fin" en la sección de Control.

## Presion De La Ruedas

- Las ruedas están sobreinfladas para fines de transporte. Reduzca la presión de las ruedas a 10-15 p.s.i para la operación de la limpiadora de nieve. Use ruedas neumáticas solamente en su unidad limpiadora de nieve.

- Deben usarse cadenas para ruedas (equipo opcional) siempre que se requiera una tracción adicional.

## Consejos De Operacion

**Nota:** Dado que el motor no desarrollará su potencia plena hasta que alcance la temperatura de operación, permita que el motor se caliente por unos pocos minutos.



**ADVERTENCIA:** La temperatura del silenciador y de las áreas circundantes puede exceder 150°F. Evite esas áreas.

- Limpie la nieve inmediatamente después de caer, para una limpieza más eficiente de la misma.
- Despida la nieve en la dirección del viento siempre que sea posible. Superponga ligeramente cada pasada. La distancia a la que puede despedirse la nieve puede ajustarse alterando el ángulo del conjunto de la canaleta. Cuanto más agudo sea el ángulo más corta será la distancia a la que se despide la nieve.
- Gradúe las zapatas deslizantes a 1/4" por debajo de la barra raspadora para un uso normal. Las zapatas deslizantes pueden ajustarse hacia arriba para la nieve endurecida. Al usar sobre pedregullo o roca triturada, ajuste hacia abajo.
- Asegúrese de seguir las precauciones listadas abajo "Apagado del Motor" para prevenir una posible congelación.
- Después de cada uso limpie bien la limpiadora de nieve.



**ADVERTENCIA:** Nunca intente limpiar la canaleta ni efectuara ajustes mientras está funcionando el motor.



## Instrucciones Abreviadas de Arranque

Expulsor de Nieve	Cable de la bujía	Palancas propulsoras	Control del acelerador	Llave de encendido	Regulador	Cordón de potencia	Cebador	Arrancador	Después de arrancar
Arrancador Eléctrico	Conecte	Suelte	Mueva a FAST	Presione para calzar	Mueva a FULL	Conecte a la fuente Cebado	—	Presione el botón	1. Suelte el botón 2. Mueva el regulador a Off 3. Desconecte el cordón
Arrancador de Retroceso	Conecte	Suelte	Mueva a FAST	Presione para calzar	Mueva a FULL	—	Cebe	Tire del mango	1. Suelte el mango 2. Mueva el regulador a Off

# MANTENIMIENTO

## Recomendaciones Generales

- Observe siempre las reglas de seguridad al efectuar el mantenimiento.
- La garantía en este expulsor de nieve no cubre artículos que han estado sujetos a abuso o negligencia por el operador. El operador debe mantener el expulsor de nieve según las instrucciones de este manual, para recibir el valor completo de la garantía.
- Para mantener adecuadamente su unidad, deben efectuarse ajustes periódicamente.
- Todos los ajustes en la Sección de Servicio y Ajustes de este manual deben inspeccionarse una vez por temporada por lo menos.
- Observe el programa de mantenimiento indicado abajo.
- Inspeccione periódicamente todos los sujetadores y asegúrese que estén bien ajustados.



**ADVERTENCIA:** Antes de efectuar cualquier ajuste o reparación, siempre apague el motor, **desconecte** el cable de la bujía y aléjelo de la bujía.

## Lubricacion

(Vea la figura 19.)

### Eje De Engranajes

- Lubrique el eje de engranajes con grasa una vez por temporada por lo menos o después de cada 25 horas de funcionamiento.

**IMPORTANTE:** Mantenga toda la grasa y aceite fuera de la rueda de fricción y de la placa propulsora.

### Mecanismo De Cambios

- Lubrique el mecanismo de cambios y los puntos de pivote en la vara de cambios con aceite de motor una vez por temporada por lo menos o después de cada 25 horas de funcionamiento.

## Responsabilidades del cliente

PROGRAMA DE MANTENIMIENTO		FECHAS DE SERVICIO*												
		ANTES DE CADA USO	DESPUES DE CADA USO	PRIMERAS 5 HORAS	CADA 25 HORAS	CADA 50 HORAS	ANTES DE ALMACENAR							
PRODUCTO	Lubrique los puntos de pivote			✓		✓								
	Limpie el expulsor de nieve	✓				✓								
	Limpie la placa raspadora			✓										
	Limpie las zapatas deslizantes			✓										
	Inspeccione las correas en V					✓								
	Inspeccione la goma de la rueda de fricción			✓										
MOTOR	Inspeccione el aceite del motor	✓												
	Cambie el aceite del motor		✓	✓										
	Limpie el filtro de aire			✓										
	Inspeccione la bujía				✓	✓								
	Inspeccione el silenciador					✓								

\* Anote las fechas a medida que completa el servicio regular

✓ Marca

## Propulsor De Traccion/Control Del Propulsor De Traccion

- Lubrique las levas en los extremos de las varas de control que bloquean entre sí los controles del propulsor de tracción y de la hélice una vez por temporada por lo menos o cada veinticinco horas de funcionamiento con grasa. Puede obtenerse acceso a las levas por debajo del panel del mango.

## Caja De Engranajes

- La caja de engranajes está lubricada con grasa de fábrica y no requiere inspección. Si se desarma por cualquier motivo, lubrique con 2 onzas de grasa.

## Rodamientos

Lubrique una vez por temporada, los rodamientos de las hélices, los rodamientos de las ruedas y los rodamientos de la sección lateral del armazón, con aceite liviano.

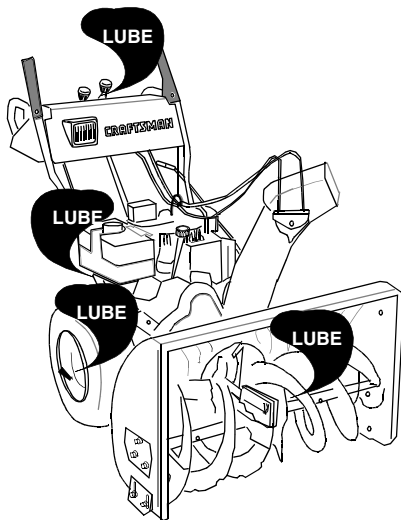


Figura 19

## Mantenimiento del Motor

### Aceite De Motor

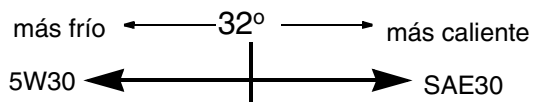


Tabla de la Viscosidad

Use aceite detergente de alta calidad solamente clasificado con la clasificación API de servicio SF, SG o SH. Seleccione el grado de viscosidad SAE del aceite de acuerdo con la temperatura operativa esperada.

**Nota:** A pesar que los aceites de viscosidad múltiple (5W30, 10W30, etc.) mejore el arranque en tiempo frío, esos aceites de viscosidad múltiple resultarán en un consumo mayor de aceite cuando se usen a temperaturas superiores a 32°F. Para evitar averías posibles a su motor debidas a tener poco aceite, inspeccione el nivel de aceite de su expulsor de nieve más frecuentemente.

Para una selección adecuada del aceite del motor, refiérase a la tabla de viscosidad. El aceite debe estar en la marca FULL de la varilla medidora, con el motor sobre un suelo nivelado.

## Cambio de aceite

Cambie el aceite del motor después de las primeras dos horas de operación y cada 25 horas posteriormente.

- Apague el motor y espere varios minutos antes de inspeccionar el nivel de aceite. Extraiga el tapón de llenado de aceite y a varilla medidora.
- Frote limpia la varilla medidora, insértela firmemente dentro del orificio de llenado de aceite.
- Extraiga la varilla e inspeccione. Si el aceite no está hasta la marca FULL en la varilla, agregue aceite 5W30.

Para cambiar el aceite cada 25 horas de operación, usted tendrá primero que drenar el aceite usado del motor y llenar con aceite fresco.

- Drene el aceite mientras el motor esté caliente. Extraiga el tapón de drenaje de aceite. Vierta el aceite en un recipiente adecuado. Vuelva a colocar seguramente el tapón de drenaje, cuando se ha drenado todo el aceite.
- Extraiga la varilla del tapón de llenado de aceite. Vea la Figura 17 para la ubicación del tapón de llenado de aceite. Vierta lentamente aceite fresco a través del tapón. Vuelva a colocar la varilla.
- Inspeccione y asegúrese que el nivel de aceite esté hasta la marca FULL en la varilla.



**ADVERTENCIA:** La temperatura del silenciador y de las áreas cercanas puede exceder los 150°F (65°C). Evite esas áreas.

## Bujía

- Limpie el área alrededor de la base de la bujía.
- Extraiga e inspeccione la bujía.
- Reemplace la bujía si los electrodos están mellados, quemados o está agrietada la porcelana. Para más detalles refiérase al manual del motor.
- Limpia la bujía y reajuste la separación .030" una vez por temporada por lo menos o cada 50 horas de operación. Se recomienda el reemplazo de la bujía al comienzo de cada temporada. Refiérase a la lista de piezas del motor para el tipo correcto de bujía. Vea la figura 20.

**Nota:** No limpie la bujía con chorro de arena. La bujía debe limpiarse raspando o cepillando con un cepillo de alambre y lavando con un solvente comercial.

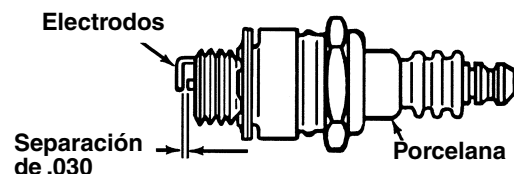


Figura 20

# SERVICE & AJUSTES



**ADVERTENCIA:** Antes de efectuar cualquier ajuste o reparación, siempre apague el motor, desconecte el cable de la bujía y aléjelo de la bujía. Mientras el motor está funcionando, nunca trate de limpiar la canaleta ni efectuar ajustes.

## Ajustes

### Zapata Deslizante

Puede ajustarse el espacio entre la plancha raspadora y el suelo. Para una limpieza de nieve más cercana al suelo coloque las zapatas deslizantes en la posición inferior. Cuando el área a limpiar es irregular, use la posición del medio o elevada.

- Ajuste las zapatas deslizantes aflojando las cuatro tuercas hexagonales y los pernos del carro y moviendo las zapatas deslizantes a la posición deseada.
- Asegúrese que toda la superficie inferior de la zapata deslizante esté contra el suelo para evitar un desgaste irregular de las zapatas deslizantes.
- Vuelva a ajustar bien las tuercas y pernos.

**Nota:** No se recomienda que opere esta limpiadora de nieve sobre pedregullo ya que el pedregullo suelto puede ser fácilmente tomado y despedido por la espiral sin fin causando lesiones personales o daños a la limpiadora de nieve.

- Si por alguna razón, tiene que operar la limpiadora de nieve sobre pedregullo, mantenga la zapata deslizante en la posición superior para una separación máxima entre el suelo y la plancha raspadora.

### Embrague Del Propulsor De Traccion

Para ajustar el embrague del propulsor de tracción, refiérase a la sección de Ajuste Final de las Instrucciones de Preparación. Proceda como sigue para inspeccionar el ajuste:

- Con la limpiadora de nieve inclinada hacia adelante (asegúrese de drenar la gasolina o colocar un trozo de plástico debajo de la tapa de gasolina si ya se ha operado la limpiadora de nieve), extraiga la cubierta del bastidor debajo de la limpiadora de nieve extrayendo seis tornillos autoroscantes.
- Con el embrague del propulsor de tracción suelto, debe haber separación entre la rueda de fricción y la placa del propulsor en todas las posiciones de la palanca de cambios.
- Con el embrague de tracción enganchado, la rueda de fricción debe tocar la plancha del propulsor (ilustrado en la figura 21).

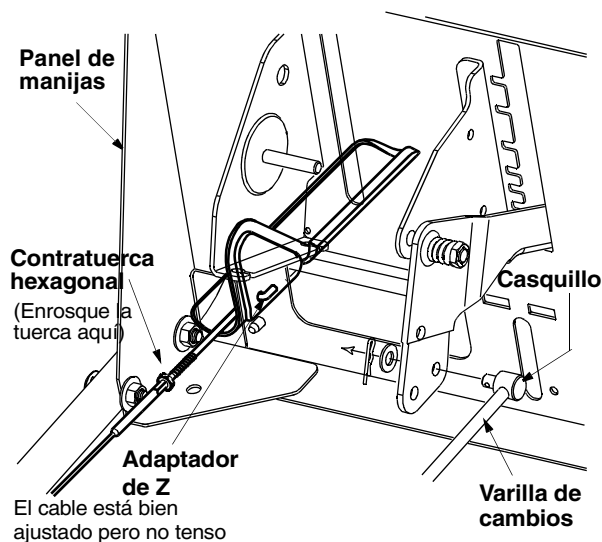
Si fuera necesario ajustar, afloje la contratuerca del cable del propulsor de tracción y enrolle el cable hacia adentro o afuera según sea necesario. Vea la figura 19. Ajuste la contratuerca para asegurar el cable cuando se alcance el ajuste correcto.

**Nota:** Recuerde de extraer la tela plástica si la colocó debajo de la tapa de gasolina.

### Vara De Cambios

Para ajustar la vara de cambios, proceda como sigue.

- Extraiga el broche del cabello y la arandela plana del casquillo debajo del panel de cambios. Extraiga el casquillo del orificio de la palanca de cambios. Vea la figura 21.
- Coloque la palanca de cambios del panel del mango en la sexta (6) posición (todo hacia adelante).
- Presione hacia abajo sobre la vara de cambios (y conjunto del brazo de cambios) tan lejos como sea posible. Mantenga en esta posición.
- Enrosque el casquillo hacia arriba o hacia abajo de la vara de cambios según sea necesario hasta que el casquillo se alinee con el orificio superior de la palanca de cambios. Vea la figura 21.
- Inserte el casquillo dentro del orificio superior de la palanca de cambios desde el lado derecho cuando el ajuste es correcto. Asegure con la arandela plana y el broche del cabello.



(Visto desde abajo del panel de manijas)

**Figura 21**

Inspeccione por el ajuste correcto del control del propulsor de tracción según instruido en la sección de Ajuste Final antes de operar el expulsor de nieve.

### Conjunto De La Canaleta

Puede ajustarse la distancia a la cual se despiende la nieve, mediante el ajuste del ángulo del conjunto de la canaleta. Refiérase a la sección de Control de este manual.

- Los cables de control remoto de la canaleta se han preajustado de fábrica. Para ajustar el ángulo del conjunto de la canaleta, avance y retroceda la palanca de control remoto de la canaleta en el panel de control.



## Service

### Helices

Las hélices están aseguradas al eje de la espiral mediante dos pernos de corte y contratuerzas hexagonales. Si usted golpea un objeto extraño o se atasca con hielo, el expulsor de nieve está diseñado de manera que los pernos hexagonales se cortarán. Vea la Figura 22.

- Si las hélices no giran, inspeccione para verificar si los pernos se han cortado.
- Reemplace si fuera necesario. Se han provisto dos pernos hexagonales y contratuerzas hexagonales de repuesto con el expulsor de nieve.

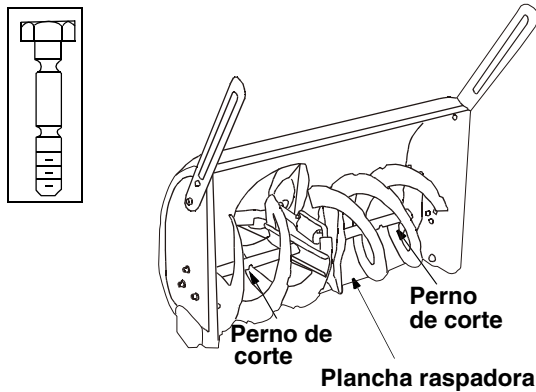


Figura 22

### Plancha Raspadora Y Zapatas Deslizantes

La plancha raspadora y las zapatas deslizantes en la parte inferior de la limpiadora de nieve están sujetas a desgaste. Las mismas deben inspeccionarse periódicamente y reemplazarse cuando fuera necesario.

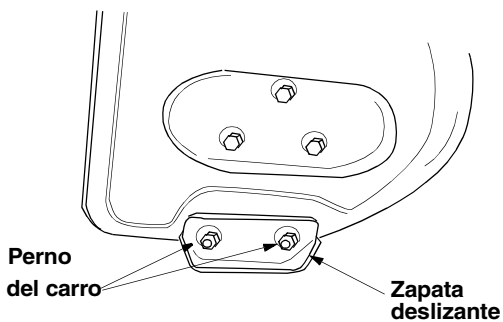


Figura 23

- Extraiga los cuatro pernos del carro, arandelas belleville y tuercas hexagonales que fijan las zapatas deslizantes a la limpiadora de nieve de dos lados. Vea la Figura 23.
- Reensamble las nuevas zapatas deslizantes con los cuatro pernos de carro, arandelas belleville (el lado acopado se coloca contra las zapatas deslizantes) y tuercas hexagonales. Asegúrese que las zapatas deslizantes se ajusten para ser niveladas.

- Para extraer la plancha raspadora, extraiga la zapata deslizante y el resto de la ferretería incluyendo pernos de carro, arandelas belleville y tuercas hexagonales que fijan la plancha raspadora al bastidor de la limpiadora de nieve. Vea la figura 22 para la ubicación de la plancha raspadora.
- Reensamble la nueva plancha raspadora, asegurándose que las cabezas de los pernos de carro estén del lado interior del bastidor. Vuelva a instalar la zapata deslizante. Ajuste bien.

### Reemplazo De La Correa



**ADVERTENCIA:** Desconecte el cable de la bujía de la bujía y de la conexión a tierra.

### Correas de la espiral sin fin

- Reemplace la cubierta plástica de la correa al frente del motor, extrayendo los dos tornillos autoroscantes. Vea al figura 24.

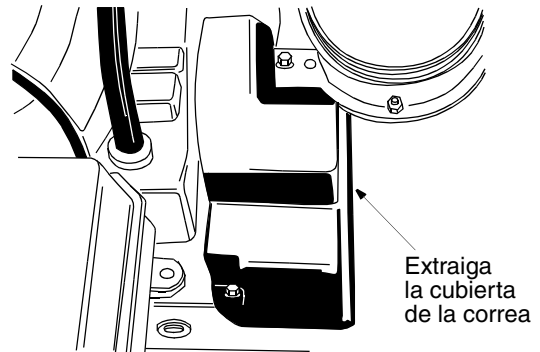


Figura 24

- Desconecte el conjunto de la manija de la canaleta extrayendo el broche de cabello y las dos arandelas planas. Vea la figura 25.

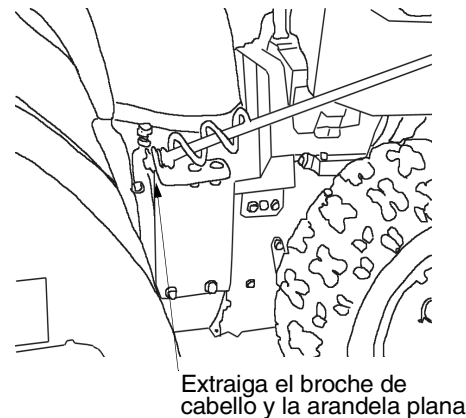
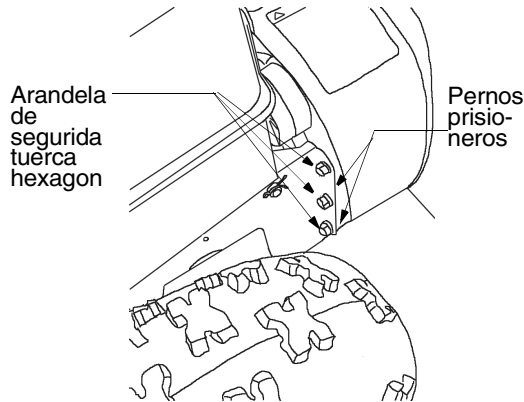


Figura 25

- Extraiga las seis tuercas hexagonales y arandelas de seguridad que fijan el conjunto del bastidor de la espiral sin fin al conjunto del bastidor. Vea la figura 26.

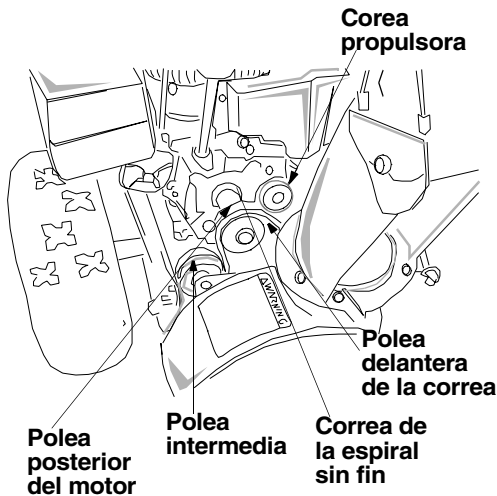


**ADVERTENCIA:** No intente cambiar la correa de la espiral sin fin sin la ayuda de un asistente. Es muy importante que una persona, parada en la posición operativa, sujete firmemente el bastidor de la limpiadora de nieve para evitar que vuelque mientras que la otra persona reemplaza la correa. El no hacerlo así puede resultar en lesiones.



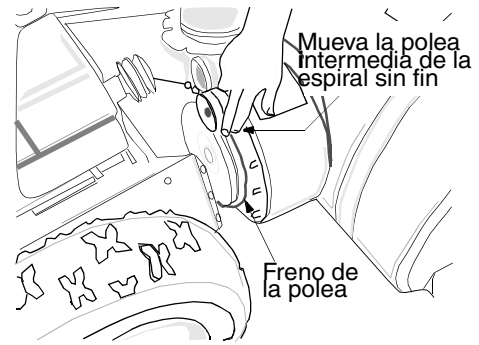
**Figura 26**

- Parándose en la posición operativa, levante de las manijas y tire hacia atrás el conjunto del bastidor. Se separarán el bastidor y la armadura y saldrá de la polea la correa de la espiral sin fin posterior. Mantenga el control del conjunto del bastidor al tirar del mismo.
- Extraiga las dos correas de las dos poleas del motor. Vea la Figura 27 para la ubicación de las poleas.



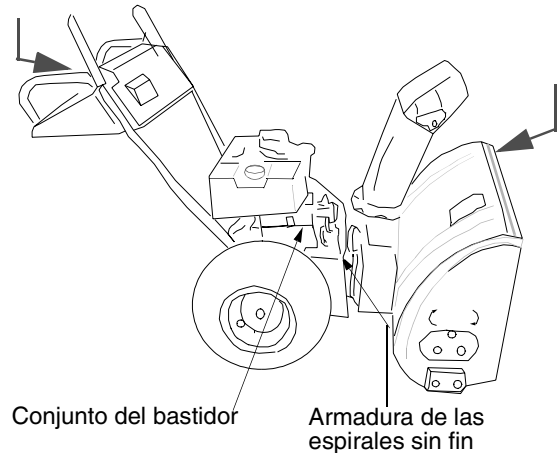
**Figura 27**

- Para extraer la correa propulsora de la espiral sin fin delantera, empuje la polea intermedia hacia la izquierda. La ménsula de la correa debe moverse hacia afuera. Vea la Figura 28. Levante la correa propulsora de la espiral sin fin delantera de la polea de la espiral sin fin delantera.



**Figura 28**

- Coloque nuevas correas en las dos poleas de las espirales sin fin asegurándose que la correa de la espiral sin fin delantera esté debajo del freno de la polea. Encamine las correas debajo de y hacia la izquierda de la polea plana intermedia. Mantenga las correas hacia arriba en esta posición.
- Al levantar de las manijas, acerque el conjunto del bastidor a la armadura de las espirales sin fin y coloque las dos correas en las poleas delantera y posterior del motor. Vea la Figura 29.



**Figura 29**

- Nivele el conjunto del bastidor e incline hacia adelante la armadura de las espirales sin fin para alinear los pernos prisioneros con los orificios correspondientes a ambos lados del conjunto del bastidor. Empuje el conjunto del bastidor completamente sobre los pernos prisioneros de la armadura de las espirales sin fin.

**Nota:** Sea precavido para evitar apretar el cable de control.

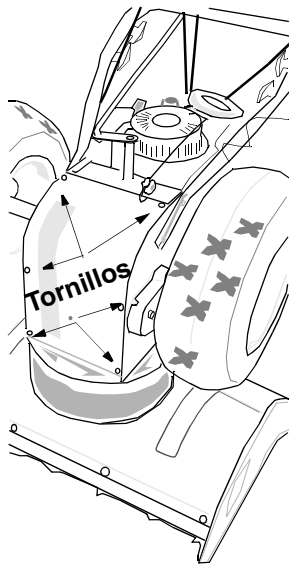
- Del lado del conjunto del bastidor, inserte seis arandelas de seguridad y tuercas hexagonales en los pernos prisioneros. Estas piezas de ferretería fueron extraídas antes. Ajuste bien las tuercas.
- Vuelva a instalar la cubierta de la correa en la parte delantera del motor con los dos tornillos autoroscantes y las arandelas planas.

- Vuelva a fijar la manija de la canaleta al conjunto de la canaleta con el broche de cabello y la arandela plana.

**Nota:** Asegúrese que el cable de la espiral sin fin esté encaminado al frente de la correa.

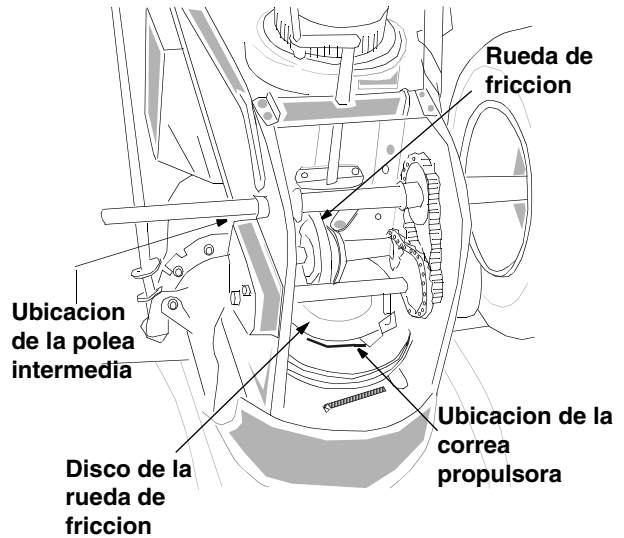
### Correa propulsora

- Drene la gasolina de la limpiadora de nieve o coloque un trozo de plástico debajo de la tapa de gasolina.
- Extraiga la cubierta plástica de la correa al frente del motor extrayendo los dos tornillos autoroscantes.
- Incline la limpiadora de nieve hacia arriba y adelante de manera que se apoye sobre la armadura.
- Extraiga los seis tornillos autoroscantes de la cubierta del bastidor debajo de la limpiadora de nieve. Vea la figura 30.



**Figura 30**

- Separe la polea intermedia de la polea del propulsor y extraiga la polea de la polea del motor. Encontrará la polea intermedia en la parte delantera del motor y debajo de la cubierta de la correa que extrajo previamente. Vea la figura 30.
- Trabajando desde la parte inferior del bastidor, deslice la correa entre la rueda de fricción y el disco de la rueda de fricción. Vea la figura 31. Usted puede tener que retorcer plana la correa para deslizarla por la separación entre la rueda de fricción y el disco de la rueda de fricción. Extraiga completamente la correa.
- Coloque la nueva correa. Reensamble siguiendo las instrucciones en orden inverso.

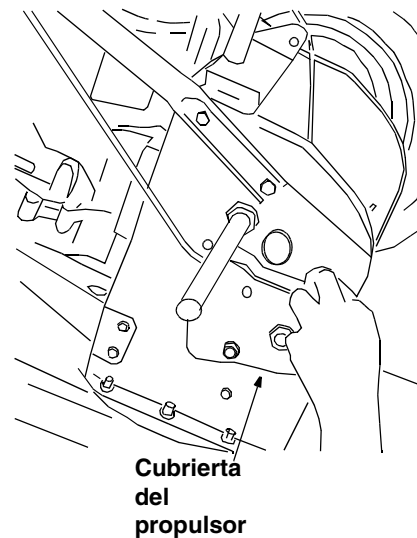


**Figura 31**

### Cambio De La Goma De La Rueda De Fricción

Inspeccione la goma de la rueda de fricción después de 25 horas de operación y periódicamente después. Si se hallan señales de desgaste o grietas, reemplace la goma.

- Drene la gasolina de la limpiadora de nieve o coloque un trozo de plástico debajo de la tapa de gasolina.
- Incline la limpiadora de nieve hacia arriba y adelante de manera que se apoye sobre la armadura.
- Extraiga los seis tornillos de la cubierta del bastidor, debajo de la limpiadora de nieve. Vea la Figura 30.
- Extraiga la clavija clic que asegura la rueda izquierda y extraiga la rueda del eje.
- Extraiga los cuatro tornillos que aseguran la cubierta del propulsor izquierdo al bastidor. Extraiga la cubierta del propulsor del lado del bastidor. Vea la figura 32.

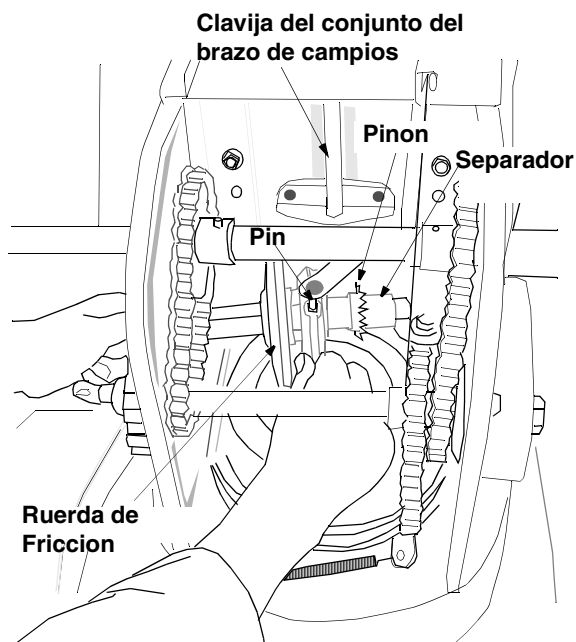


**Figura 32**

- Sujutando el conjunto de la rueda de fricción, deslice el eje hexagonal fuera del lado izquierdo de la unidad. Caerá el separador del lado derecho del eje hexagonal y el piñón deberá colgar suelto en la cadena.
- Levante el conjunto de la rueda de fricción entre el eje y los conjuntos del eje propulsor.
- Extraiga los seis tornillos de ambos lados del conjunto de la rueda. Extraiga la goma de la rueda de fricción de entre la plancha de la rueda de fricción.
- Reensamble la nueva goma de la rueda de fricción al conjunto de la rueda de fricción, ajustando los seis tornillos en rotación y con igual fuerza.

**Nota:** Es importante ensamblar simétricamente la goma en la rueda de fricción para un funcionamiento apropiado.

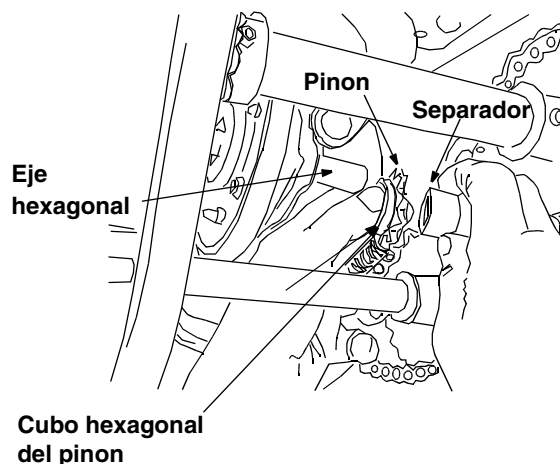
- Inserte la clavija del conjunto del brazo de cambios dentro del conjunto de la rueda de fricción y mantenga el conjunto en posición. Vea la Figura 33.



**Figura 33**

- Deslice el eje hexagonal a través del lado izquierdo de la armadura y a través del conjunto de la rueda de fricción.
- Inserte el eje hexagonal a través del piñón y del separador. Vea la Figura 33. Asegúrese que la cadena enganche los piñones pequeño y grande.

**Nota:** Coloque el piñón en el eje hexagonal, si el mismo cayó de la limpiadora de nieve al extraer el eje hexagonal. Coloque en posición el cubo hexagonal del piñón hacia la rueda de fricción al deslizar el piñón sobre el eje hexagonal. Vea la Figura 34.



**Figura 34**

- Alinee el eje hexagonal con el rodamiento derecho y guíe cuidadosamente el rodamiento izquierdo dentro del lado izquierdo de la armadura.
- Reensamble la cubierta del propulsor con los cuatro tornillos que se extrajeron antes.

**Nota:** Asegúrese de extraer el trozo de plástico colocado debajo de la tapa de gasolina, de haberlo colocado.



**ADVERTENCIA:** Nunca almacene el motor con combustible en el tanque, bajo techo o en áreas mal ventiladas, donde los humos del combustible pueden llegar a una llama expuesta, chispas o una llama piloto ni sobre una cochina, calentador de agua, secador de ropas ni otros artefactos a gas.

# ALMACENAMIENTO DE FUERA DE TEMPORADA

## Preparación del motor

Si la unidad va a almacenarse por más de 30 días, prepare para almacenamiento como sigue:



Es importante evitar que se formen depósitos de goma en las partes esenciales del sistema de combustible del motor tales como el carburador, filtro de combustible, manguera de combustible o tanque durante el almacenamiento. También, la experiencia indica que los combustibles mezclados con alcohol (llamados gasohol o usando etanol o metanol) pueden atraer humedad que conduce a la separación y formación de ácidos durante el almacenamiento. El gas ácido puede averiar el sistema de combustible de un motor mientras esté en almacenamiento.

- Extraiga toda la gasolina del carburador y del tanque de combustible para prevenir que se formen depósitos de goma sobre esas piezas y causando un mal funcionamiento posible del motor.
- Haga funcionar el motor hasta que se vacíe el tanque de combustible y el motor se apague debido a la falta de combustible.
- Drene el carburador presionando hacia arriba sobre el drenaje del tazón, ubicado debajo de la cubierta del carburador. Vea la Figura 35.

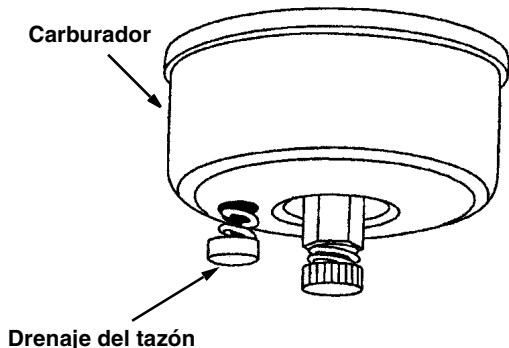


Figura 35



**ADVERTENCIA:** Drene el combustible dentro de un recipiente aprobado al aire libre, alejado de las llamas expuestas. Asegúrese que el motor esté frío. No fume.

El combustible dejado en el motor durante el tiempo caluroso se deteriora y causa problemas graves de arranque.

**Nota:** El estabilizador de combustible (tal como STA-BIL) es una alternativa aceptable para minimizar la formación de depósitos de goma de combustible durante el almacenamiento. Siga siempre la relación de mezcla indicada en el recipiente del estabilizador. haga funcionar el motor por 10 minutos por lo menos después de agregar estabilizador para permitirle que llegue al carburador. No drene el carburador si usa estabilizador de combustible.



**ADVERTENCIA:** Drene el combustible dentro de un recipiente aprobado al aire libre, alejado de las llamas expuestas. Asegúrese que el motor esté frío. No fume.

El combustible dejado en el motor durante el tiempo caluroso se deteriora y causa problemas graves de arranque.



**ADVERTENCIA:** Si usa estabilizador de combustible, no drene el carburador. Nunca use productos limpiadores de motor o carburador en el tanque de combustible ya que pueden ocurrir daños permanentes.

**Nota:** El estabilizador de combustible (tal como STA-BIL) es una alternativa aceptable para minimizar la formación de depósitos de goma de combustible durante el almacenamiento. Siga siempre la relación de mezcla indicada en el recipiente del estabilizador. haga funcionar el motor por 10 minutos por lo menos después de agregar estabilizador para permitirle que llegue al carburador. No drene el carburador si usa estabilizador de combustible.

- Extraiga la bujía y vierta una (1) onza de aceite de motor a través del orificio de la bujía dentro del cilindro. Intente arrancar el motor varias veces para distribuir el aceite. Vuelva a colocar la bujía.

## Preparación del Expulsor de Nieve

- Al almacenar cualquier tipo de equipo motorizado en un galpón de almacenamiento no ventilado o de metal, debe tenerse cuidado en proteger el equipo contra la oxidación. Recubra el equipo, usando un aceite liviano o siliconas, especialmente las cadenas, resortes, rodamientos y cables.
- Limpie toda la suciedad del exterior del motor y del equipo.
- Siga las recomendaciones de lubricación en la página 17-18.
- Almacene en un área limpia y seca.

# TABLA DE LOCALIZACION DE FALLAS

Problema	Causa(s) posible	Accion correctora
El motor funciona errático	Unidad funcionando en CHOKE (REGULADOR) Tubería de gasolina bloqueada o combustible rancio. Agua o suciedad en el sistema de combustible. Carburador mal ajustado.	Mueva la palanca del regulador a la posición OFF. Limpie la tubería de combustible, llene el tanque con gasolina limpia y fresca. El combustible no durará más de treinta días a menos que se use un estabilizador de combustible. Drene el tanque de combustible. Llene con combustible fresco. Refiérase al manual del motor empacado con su unidad o haga ajustar su carburador por un distribuidor autorizado de servicio.
Pérdida de potencia	Cable de la bujía flojo. Orificio de ventilación de la tapa de gasolina taponado. Orificio de escape taponado.	Conecte y ajuste el cable de la bujía. Extraiga el hielo y la nieve de la tapa. Asegúrese que esté despejado el orificio de ventilación. Limpie-vea la sección de Mantenimiento del manual del motor.
El motor caliente en exceso	El carburador no está bien ajustado.	Refiérase al manual del motor empacado con su unidad o haga ajustar su carburador por un distribuidor autorizado de servicio.
Vibración excesiva	Piezas flojas o dañadas de la espiral sin fin.	Apague inmediatamente el motor y desconecte el cable de la bujía. Ajuste todos los pernos y tuercas. Efectúe todas las reparaciones necesarias. Haga que la unidad sea reparada por un distribuidor autorizado de servicio, si la vibración continúa.
La unidad falla en propulsarse	Mal ajuste del cable propulsor. Correa propulsora floja o dañada. Goma de la rueda de fricción gastada.	Ajuste el cable propulsor. Refiérase a la sección de Ajustes de este manual. Reemplace la correa propulsora. Refiérase a Reemplazo de la Correa en la sección de Mantenimiento de este manual. Reemplace la goma siguiendo las instrucciones.
La unidad no descarga nieve	Canaleta de descarga taponada  Objeto extraño atrapado en la espiral sin fin Ajuste incorrecto del cable propulsor. Correa propulsora floja o dañada.	Apague inmediatamente el motor y desconecte el cable de la bujía. Limpie la canaleta de descarga y el interior de la armadura de la espiral sin fin. Apague inmediatamente el motor y desconecte el cable de la bujía. Extraiga el objeto de la espiral sin fin. Ajuste el cable propulsor. Refiérase a la sección de Ajustes de este manual. Reemplace la correa propulsora. Refiérase a la sección de Ajustes de este manual. Reemplace la correa propulsora. Refiérase a reemplazo de la correa en la sección de mantenimiento de este manual.

**Nota:** Por favor consulte con su Centro de Servicio SEARS más cercano, para reparaciones diferentes a los ajustes menores listados arriba. Al final de la versión en inglés de este manual, se incluye una lista completa de piezas de repuesto para su expulsor de nieve Sears.

# Your Notes/Vuestro Apuntes

**In U.S.A. or Canada  
for in-home major brand repair service:**

Call 24 hours a day, 7 days a week

**1-800-4-MY-HOME<sup>SM</sup> (1-800-469-4663)**

**Para pedir servicio de reparación a domicilio — 1-800-676-5811**

Au Canada pour tout le service ou les pièces — 1-800-469-4663

**For the repair or replacement parts you need:**

Call 6 a.m. — 11 p.m. CST, 7 days a week

**PartsDirect<sup>SM</sup>**

**1-800-366-PART (1-800-366-7278)**

**Para ordenar piezas con entrega a domicilio — 1-800-659-7084**

**For the location of a Sears Service Center in your area:**

Call 24 hours a day, 7 days a week

**1-800-488-1222**

**To purchase or inquire about a Sears Maintenance Agreement:**

Call 7 a.m. — 5 p.m. CST, Monday — Saturday

**1-800-827-6655**

