

Owner's Operation and Instruction Manual



MODELS: 2016E(B) PEDESTAL PLATE HEATER

SAVE THESE INSTRUCTIONS

THIS MANUAL WILL HELP YOU TO OBTAIN EFFICIENT, DEPENDABLE SERVICE FROM THE HEATER, AND ENABLE YOU TO ORDER REPAIR PARTS CORRECTLY. KEEP IN A SAFE PLACE FOR FUTURE REFERENCE.

SAFETY NOTICE:

If this heater is not properly installed, a house fire may result. For your safety, follow the installation instructions. Never use make-shift compromises during the installation of this heater. Contact local building or fire officials about permits, restrictions and installation requirements in your area.

CAUTION!

Please read this entire manual before you install or use your new room heater. Failure to follow instructions may result in property damage, bodily injury, or even death. Improper Installation Could Void Your Warranty!



Report #: 0215WS045E, 0215WS045S

Certified to: UL 1482-11 (R2015) and Certified to:
ULC-S627-00 and ASTM 2780/Method 28R

Do not use this heater in a Mobile home or trailer!

U.S. Environmental Protection Agency

Certified to comply with 2015 particulate emission standards for single burn rate heaters. Not approved for sale after May 15, 2020. This single burn rate wood heater is not approved for use with a flue damper.

CALIFORNIA PROPOSITION 65 WARNING:

This product can expose you to chemicals including carbon monoxide, which is known to the State of California to cause cancer, birth defects and/or other reproductive harm. For more information, go to www.P65warnings.ca.gov

**UNITED STATES
STOVE CO**

EST[®] 1869

United States Stove Company
227 Industrial Park Road
P.O. Box 151
South Pittsburg, TN 37380

852531F-0404i

Safety Rules

SAFETY NOTICE: If this heater is not properly installed a house fire may result. Do not use make-shift compromises during installation. Clean your stove frequently to reduce soot, creosote and ash accumulation. For your safety, follow the installation directions. Contact local building or fire officials about restrictions, permits and installation inspection requirements in your area. The room heater must be connected to a chimney complying with the requirements for Type HT chimneys in the Standard for Chimneys, Factory-Built, Residential Type and Building Heating Appliance, UL 103, or a code approved masonry chimney with a flue liner. Please read this entire manual before you install and use you new room heater. Failure to follow instructions may result in property damage, bodily injury, or even death.

Read these rules and the instructions carefully

1. Check with local codes. The installation comply with their rulings. Observe closely the clearances to combustibles specified in this manual.
2. Do not install this heater in a mobile home or trailer.
3. DO NOT connect a wood burning heater to an aluminum Type B gas vent. This is not safe and is prohibited by the National Fire Protection Association Code.
4. Always connect this heater to a chimney and vent to the outside. Never vent to another room or inside a building.
5. The freestanding room heater requires a masonry or a UL Listed Residential Type and Building Heating Appliance Chimney.
6. Be sure that your chimney is safely constructed and in good repair. Have the chimney inspected by the Fire Department or a qualified inspector. Your insurance company may be able to recommend a qualified inspector.
7. Make sure the chimney is high enough to give a good draft.
8. Inspect chimney connector and chimney twice monthly during the heating season for any deposit of creosote or soot which must be removed (see Chimney Maintenance).
9. DO NOT BE ALARMED IF HEATER SMOKES UPON INITIAL FIRING. The special paint used on this heater must be cured during initial firing. This smoking will occur only on initial firing.
10. CAST IRON PARTS MUST BE "SEASONED" TO AVOID CRACKING. BUILD ONLY SMALL FIRES DURING THE FIRST FEW DAYS OF USE.
11. To prevent injury, do not allow anyone to use this heater who is unfamiliar with the correct operation of the heater.
12. For additional information on using your Room Heater safely, obtain a copy of the National Fire Protection Association (NFPA) publication "Chimneys, Fireplaces, and Solid Fuel Burning Appliances" NFPA No. 211 (USA).
13. Disposal of Ashes- Place ashes in a metal container with a tight fitting lid. Keep the closed container on a non-combustible floor or on the ground, well away from all combustible materials. Keep the ashes in the closed container until all cinders have thoroughly cooled. The ashes may be buried in the ground or picked up by a refuse collector. Never use the ash container to dispose of other waste.
14. Keep the firebox section free of excess ashes.
15. Observe clearances to combustible materials specified in this manual to avoid a fire hazard.
16. CARING FOR PAINTED PARTS- This heater has a painted jacket, which is durable but it will not stand rough handling or abuse. When installing your heater, use care in handling. Clean with soap and warm water when heater is not hot. DO NOT use any acids or scouring soap, as these wear and dull the finish. PAINT DISCOLORATION WILL OCCUR IF THE HEATER IS OVERFIRED. FOLLOW OPERATING INSTRUCTIONS CAREFULLY.
17. The firebox walls in this heater may become slightly distorted over a period of use. The slight distortion does not affect the operation of the unit.
18. CAUTION: HOT WHILE IN OPERATION. KEEP CHILDREN, CLOTHING, AND FURNITURE AWAY. CONTACT MAY CAUSE SKIN BURNS.
19. DO NOT USE CHEMICALS OR FLUIDS TO START THE FIRE.
20. DO NOT BURN GARBAGE OR FLAMMABLE FLUIDS SUCH AS GASOLINE, NAPHTHA OR ENGINE OIL.
21. CAUTION: DO NOT CONNECT TO OR USE IN CONJUNCTION WITH ANY AIR DISTRIBUTION DUCTWORK UNLESS Specifically APPROVED FOR SUCH INSTALLATIONS.
22. CAUTION: STORE SOLID WOOD FUEL A SAFE DISTANCE AWAY. DO NOT STORE SOLID WOOD FUEL WITHIN HEATER INSTALLATION CLEARANCES OR WITHIN THE SPACE REQUIRED FOR ASH REMOVAL.
23. DO NOT USE A GRATE OR ELEVATE THE FIRE - BUILD FIRE DIRECTLY ON HEARTH.
24. WE RECOMMEND THAT SMOKE DETECTORS BE INSTALLED IN YOUR HOME. Smoke from this appliance may activate the smoke detector if door is open.
25. An adequate supply of combustion air must be provided into the room where the unit is installed.
26. Do Not Overfire - if heater or chimney glows, you are overfiring

CAUTION: Do not touch the metal or glass surfaces of the heater until it has thoroughly cooled.

Congratulations!

You've purchased a heater from North America's oldest manufacturer of wood burning products. By heating with wood you're helping to CONSERVE ENERGY! Wood is our only Renewable Energy Resource. Please do your part to preserve our wood supply. Plant at least one tree each year. Future generations will thank you. This manual describes the installation and operation of the United States Stove Company Model 2016EB woodheater. This heater meets the 2015 U.S. Environmental Protection Agency's crib wood emission limits for woodheaters sold after May 15, 2015. Under specific EPA test conditions burning Douglas Fir dimensional lumber this heater has been shown to deliver heat at a rate of 35,750 Btu/hr. This heater achieved a particulate emissions rate of 3.7 g/hr when tested to method ASTM E2780-10 single Burn Rate Appendix (*and an efficiency of 66.6%.) This wood heater has a manufacturer-set minimum low burn rate that must not be altered. It is against federal regulations to alter this setting or otherwise operate this wood heater in a manner inconsistent with operating instructions in this manual. The operation of this wood heater in a manner inconsistent with the owner's manual will void your warranty and is also against federal regulations. This heater is designed to burn natural wood only. Higher efficiencies and lower emissions generally result when burning air dried seasoned hardwoods, as compared to softwoods or to green or freshly cut hardwoods. Burning the following materials may result in release of toxic fumes or render the heater ineffective and cause smoke.

This wood heater needs periodic inspection and repair for proper operation. It is against federal regulations to operate this wood heater in a manner inconsistent with operating instructions in this manual.

DO NOT BURN:

- Residential or commercial garbage;
- Lawn clippings or yard waste;
- Materials containing rubber, including tires;
- Materials containing plastic;
- Waste petroleum products, paints or paint thinners, or asphalt products;
- Materials containing asbestos;
- Construction or demolition debris;
- Paper products, cardboard, plywood, or particleboard. The prohibition against burning these materials does not prohibit the use of fire starters made from paper, cardboard, saw dust, wax and similar substances for the purpose of starting a fire in an unaffected wood heater.
- Railroad ties or pressure-treated wood;
- Manure or animal remains;
- Salt water driftwood or other previously salt water saturated materials;
- Unseasoned wood;
- Any materials that are not included in the warranty and owner's manual for the subject wood heater; or
- Any materials that were not included in the certification tests for the subject wood heater.

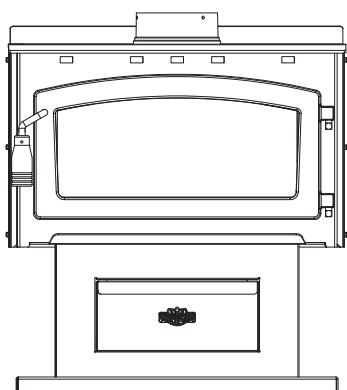
TOOLS AND MATERIALS NEEDED

TOOLS

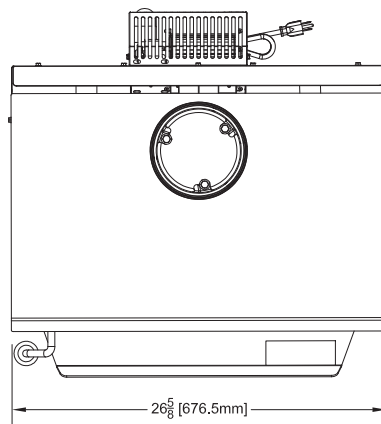
- Pencil
- 6 Foot Folding Rule or Tape Measure
- Drill, Hand or Electric
- Drill Bit 1/8" Dia. (For Sheet Metal Screws)
- 5/16" Nut Driver or 5/16" Socket w/Ratchet
- Screw Driver (Blade-Type)
- Gloves
- Safety Glasses

MATERIALS

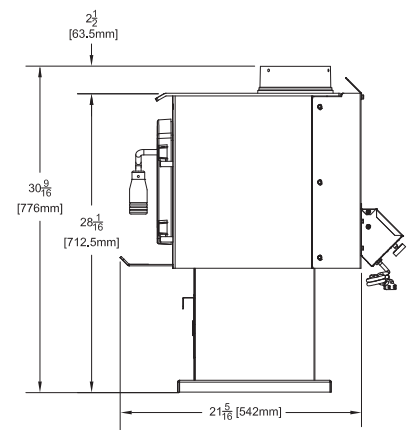
- 6" Pipe, 6" Elbow, Collar and Thimble; As Required (24 gauge min.)
- 1/2" Sheet Metal Screws (No. 10A x 1/2")
- 6" Inside Diameter Underwriters Laboratories (UL) Listed Residential Solid Fuel Factory-Built Triple wall Chimney or Exiting Masonry Chimney.
- Floor Protector Material As Specified in this manual.
- Furnace Cement (Manufacturer Recommends: Rutland Black Code 78 or Equivalent)



(FRONT VIEW)

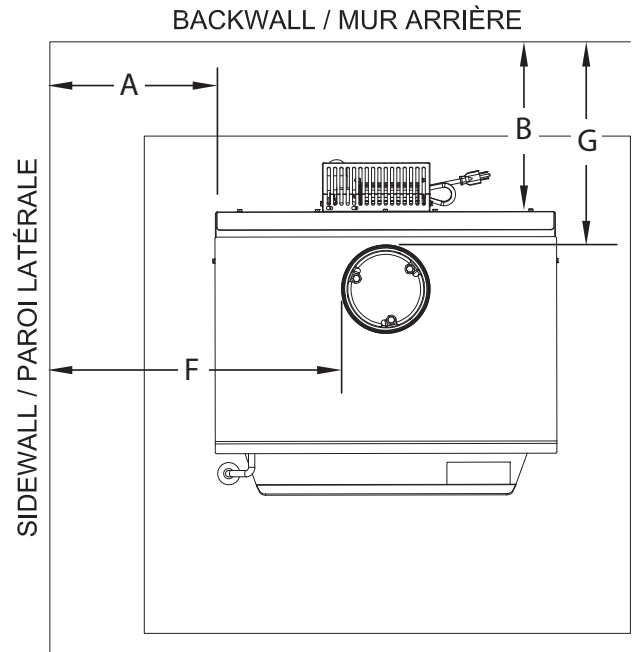
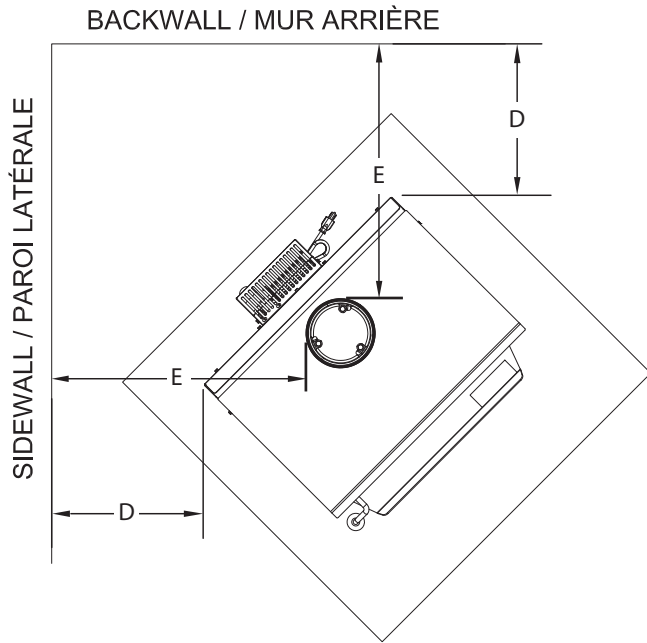


(TOP VIEW)



(SIDE VIEW)

Minimum Clearance To Combustible Walls

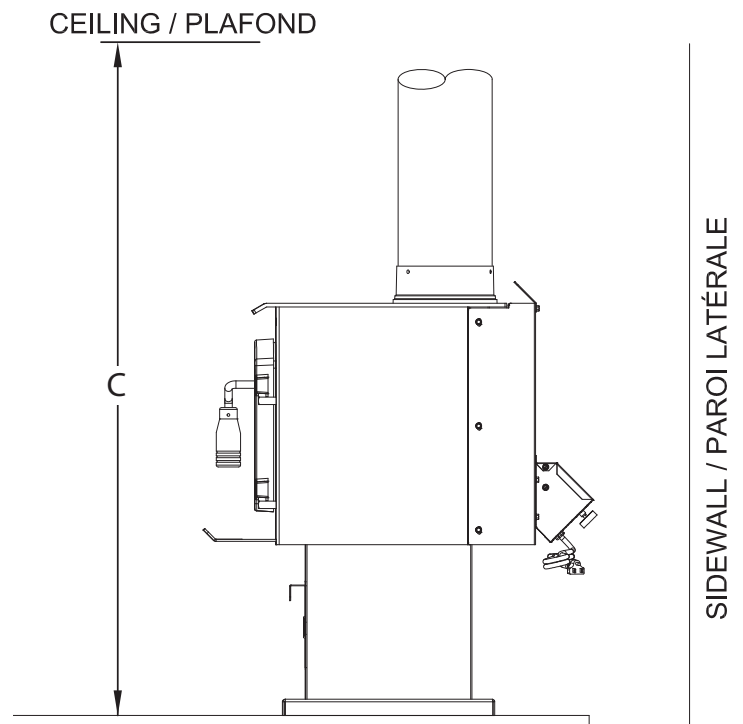


Stove Clearances		
A	Side Wall	18" (457mm)
B	Back Wall	12" (305mm)
C	Ceiling Height	84" (2134mm)
D	Closest Wall to Corner	12" (305mm)
E	Wall to Chimney Connector (Alcove)	21" (533.4mm)
F	Side Wall to Chimney Connector	22.25" (565mm)
G	Back Wall to Chimney Connector	15" (381mm)

Minimum clearances for corner installation is 12 inches (305mm) from the corners of the heater to the nearest wall.

CAUTION: Keep furnishings and other combustible materials away from the heater.

The provision that clearances may only be reduced by means approved by regulatory authority



Locating The Room Heater

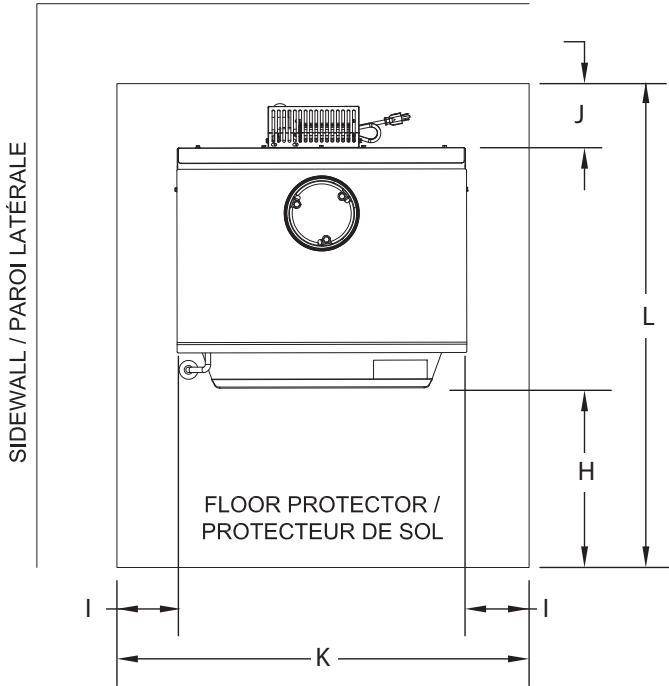
As A Location Is Selected, Keep The Following In Mind

Keep the chimney connection as short as possible. The heater must have its own chimney flue. Do not connect any other appliance to the same flue. If there is no chimney where you wish to place the heater, you can use a UL Listed Type 103 HT, Solid Fuel, Factory Built Chimney.

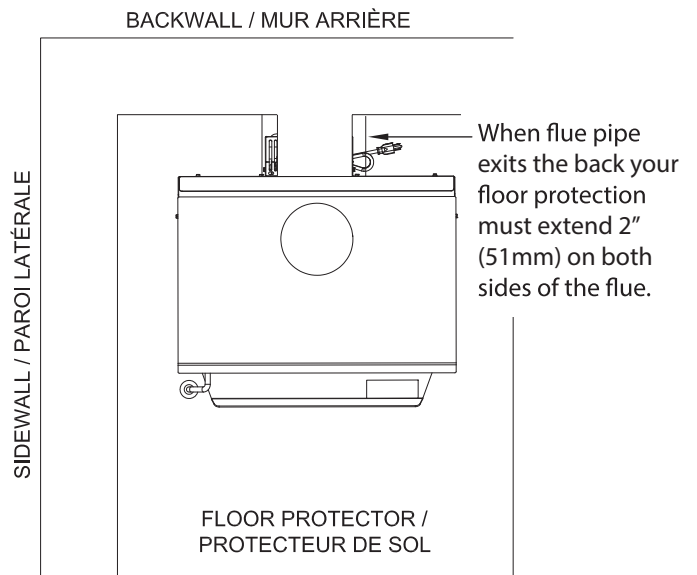
Place the heater on a manufactured floor protector that conforms to UL 1618, that provides at minimum type 1 ember protection. The floor protector should be under the stove, 16" beyond the front and 8" beyond each side of the fuel loading and ash removal opening. Have the floor protector with the specified dimensions.

Check Figures 2, 3, & 4. You should have at least the clearances shown from the heater and the connector pipe to combustible surfaces. If you have a solid brick or stone wall behind your heater, you can place the heater as close as you wish to the wall. If the wall is only faced with brick or stone, treat it as a combustible wall. You may consult your local regulatory authority before reducing clearances specified in these instructions.

The floor protector must extend under the product and two (2) inches on either side of the chimney connector.



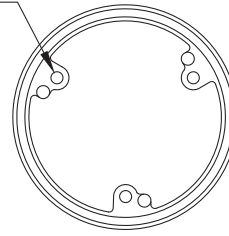
Floor Protector Clearances		
H	Front	US 16" (406mm)/ CAN 18" (457mm)
I	Side	8" (203mm)
J	Rear	CAN 8" (203mm)
K	Overall width	38-5/8" (981mm)
L	Overall Depth	45-5/16" (1.15m)



Mounting Cast-Iron Flue Collar

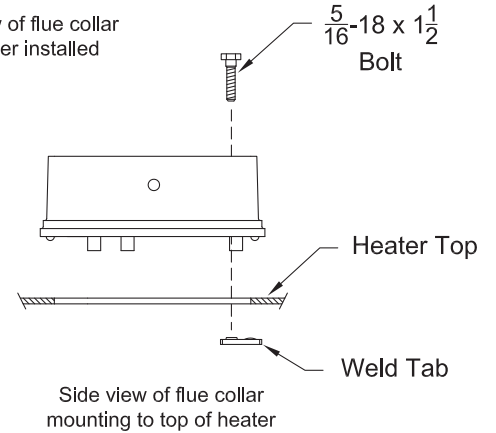
This heater comes equipped with a cast-iron flue collar.
 Flue Collar - 40292
 5/16-18 x 1-1/2" Bolts (3 req.)
 Weld Tab (3 req.)
 Gasket

Holes in Flue Collar for mounting to the Heater Top.

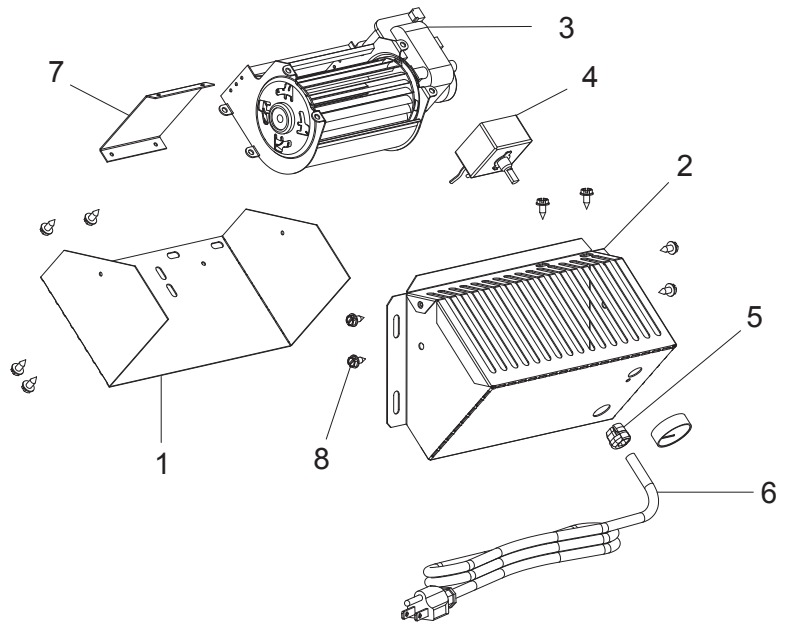
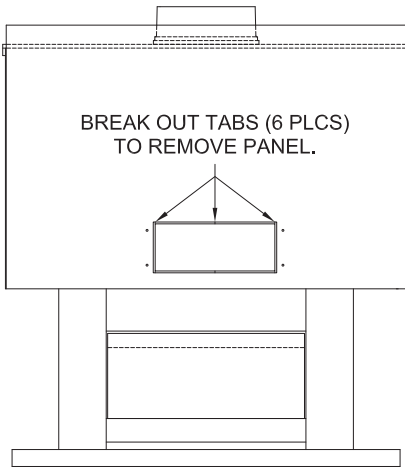


Bottom view of flue collar with damper installed

Peel off tape from the back of the gasket and attach the gasket to the rope groove in the flue collar. Mount flue collar to the top of the heater using the (3) 5/16-18 x 1-1/2" Bolts and the (3) Weld tabs provided in the parts bag.



Blower Assembly



ASSEMBLY INSTRUCTIONS

Step 1: THE BLOWER ASSEMBLY MUST BE DISCONNECTED FROM THE SOURCE OF ELECTRICAL SUPPLY BEFORE ATTEMPTING THE INSTALLATION.

With pliers, cut the 6 micro-joints and remove panel. Note: Discard the panel.

Step 2: Fix the assembly to the back of the stove with the four screws provided.

THE BLOWER ASSEMBLY IS INTENDED FOR USE ONLY WITH A STOVE THAT IS MARKED TO INDICATE SUCH USE. DO NOT ROUTE THE SUPPLY CORD NEAR OR ACROSS HOT SURFACES!

KEY	DESCRIPTION	PART NO.	QTY.
1	Blower Housing Back	25089B	1
2	Blower Housing Front	25090B	1
3	Blower Motor	80442	1
4	Rheostat w/Nut and Knob	80090	1
5	Strain Relief Bushing	80109	1
6	Power Supply Cord	80232	1
7	Heat Shield	891861	1
8	10AB x 3/8 Hex Screw	83172	12
N/S	#12 x 3/4 Teks Screw	C23799	4

CHIMNEY CONNECTION

Take into account the chimney's location to insure it is not too close to neighbours or in a valley which may cause unhealthy or nuisance conditions. Your chimney connector and chimney must have the same diameter as the stove outlet (6"). If this is not the case, we recommend you contact your dealer in order to insure there will be no problem with the draft .

The stove pipe must be made of aluminized or cold roll steel with a minimum thickness of 0.021" or 0.53mm. It is strictly forbidden to use galvanized steel.

Two basic types of chimneys are approved for use with solid fuel. Factory-built and masonry. Factory-built chimney must comply with UL standard in the US and ULC standards for Canada.

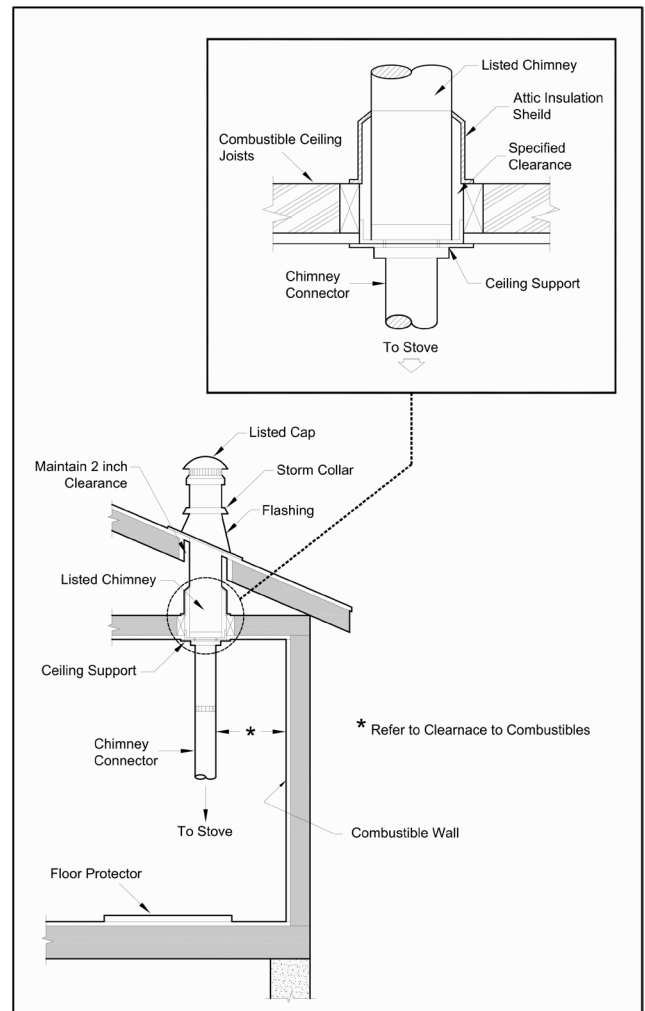
Do not expect your stove or furnace to create draft. Draft is not a function of the appliance. Draft is purely a function of the chimney. Modern stoves and furnaces are much more air-tight and efficient than those of the past, and, therefore, require greater draft. A minimum of .05" measured in water column (gauges to measure chimney draft are readily available at stove shops and are economical to purchase or rent) is required for proper drafting to prevent back-puffing, smoke spillage, and to maximize performance.

Chimneys perform two functions - one of which is apparent: The chimney provides a means for exhausting smoke and flue gases resulting from combustion of the fuel. Secondly, though, the chimney provides "Draft" which allows oxygen to be continuously introduced into the appliance, so that proper combustion is possible. As of April 1, 1987, all wood heaters and furnaces manufactured by 6"(152mm) chimney that meets the "Type HT" requirement and complies with UL 103(2100°F, 1149°C) or ULC S629(650°C) (when a factory built chimney is used).

A chimney connector shall not pass through an attic, roof space, closet, floor, ceiling, or similar concealed space. Where passage through a wall or partition of combustible construction is desired, the installation must conform with NFPA 211.

IMPORTANCE OF PROPER DRAFT

Draft is the force which moves air from the appliance up through the chimney. The amount of draft in your chimney depends on the length of the chimney, local geography, nearby obstructions and other factors. Too much draft may cause excessive temperatures in the appliance and may damage. Inadequate draft may cause backpuffing into the room and 'plugging' of the chimney. Inadequate draft will cause the appliance to leak smoke into the room through appliance and chimney connector joints. An uncontrollable burn or excessive temperature indicates excessive draft.



WARNING: Do not connect this unit to a chimney flue serving another appliance.

Venting Into A Fireplace

Many people may wish to convert an existing fireplace to heater use. Usually, safe connection of stovepipe to a masonry chimney requires more effort than connection to a prefabricated chimney. Always remember to inspect the masonry chimney and fireplace. If necessary, clean the flue and smoke shelf before beginning your installation. Install the heater into the fireplace so that the system can be dismantled for cleaning and inspection.

Before deciding to convert your fireplace, keep in mind that some fireplaces and existing chimneys are unsafe. They must be structurally sound, and the flue liner must be in good condition. Do not use a chimney if it is unlined (should have a fire clay tile liner to protect brickwork). Have it relined professionally. Clearances to combustibles are explained in the previous section on masonry chimneys. If you have any questions regarding the condition of the chimney, consult a qualified engineer, competent mason, or knowledgeable inspector.

Many prefabricated fireplaces fall into the "zero-clearance fireplace" category. This is a factory-built metal fireplace with multi-layered construction. It is designed to provide enough insulation and/or air cooling so that the base, back and sides can be safely placed in direct contact with combustible floors and walls. Although many prefabricated fireplaces have been tested by nationally recognized organizations for use as fireplaces, they have not been tested to accept heaters. In fact, their use as such may void the manufacturer's warranty.

Steel-lined fireplaces, on the other hand, can be used with heaters. These units use a 1/4-inch firebox liner and an air chamber in connection with 8 inches of masonry to meet code. They contain all the essential parts of a fireplace, firebox, throat, smoke shelf, and smoke chamber. Many of them look exactly like a masonry fireplace and must be checked closely for above requirements before installing a wood heater into them.

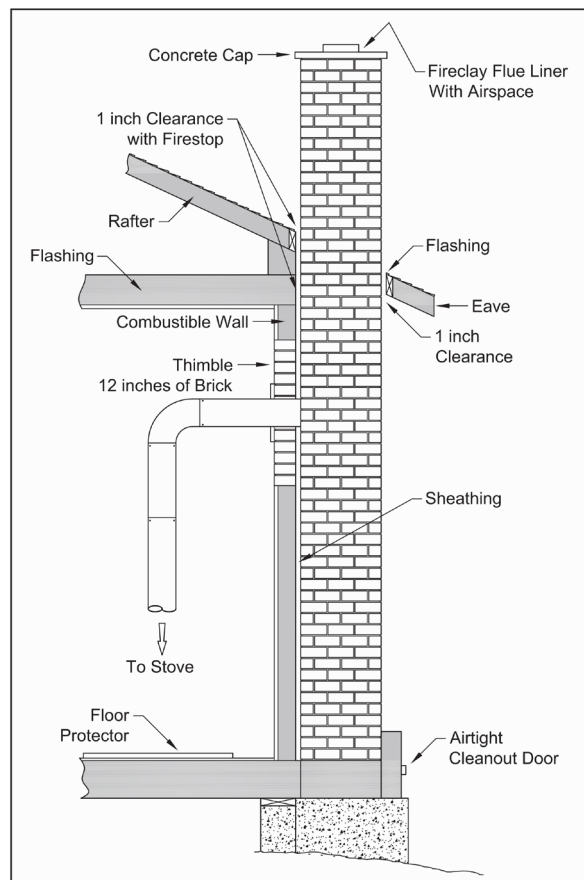
Another method frequently used by some people is to vent the heater directly into the fireplace. This does not meet code since the heater is being vented into another appliance - the fireplace. This method should not be attempted because combustion products will deposit and build up in the firebox or fireplace. Be certain not to install a hazard in your house. You will void your warranty with this installation.

CAUTION: Not all fireplaces are suitable for installation of a wood heater.

Venting Into A Masonry Chimney

When considering a masonry chimney, round tiles are preferable to square or rectangular, as round tiles have much better airflow characteristics and are far easier to clean. Unfortunately, most North American chimneys use square or rectangular tile liners that are really designed for open fireplaces, not stoves or furnaces. Of most importance, second only to overall chimney height, is the diameter of the flue liner itself. In most instances, it should be sized to the appliance; i.e., 6" [152mm] flue outlet on the appliance requires a 6" [152mm] chimney. The inner diameter should never be less than the flue-outlet diameter and should never be greater than 50% larger than the appliance flue outlet. For example, do not expect a wood or coal burning stove or furnace to function properly if installed into a chimney with a flue greater than 50% more than the appliance outlet -- such as a 6" [152mm] flue outlet requires a 6" [152mm] diameter for optimum drafting, but can function well with an 8" [203mm], but becomes borderline beyond an 8" [203mm] diameter. Masonry chimneys built of concrete blocks with or without flue liners do not meet modern building codes. A solid fuel appliance must not be joined to a chimney flue which is connected to another appliance burning other fuels.

If your chimney has a typically oversized flue liner of, say 8 x 12 (203mm x 305mm) inches, or greater, or if it is unlined, it will be necessary for you to reline the chimney, using any of the modern approved and economical methods such as stainless steel, castable refractory, or properly sized fireclay linings. If you have any questions regarding venting your appliance, feel free to contact the factory at the address and phone number on this Owner's Manual. You may also contact NFPA (National Fire Protection Association) and request NFPA Standard 211 (1984 Edition-US). Another helpful publication is NFPA Standard 908(US). Specify 1984 Edition of either of the above US publications.



"Fireplace" Installation

FIREPLACE INSTALLATION

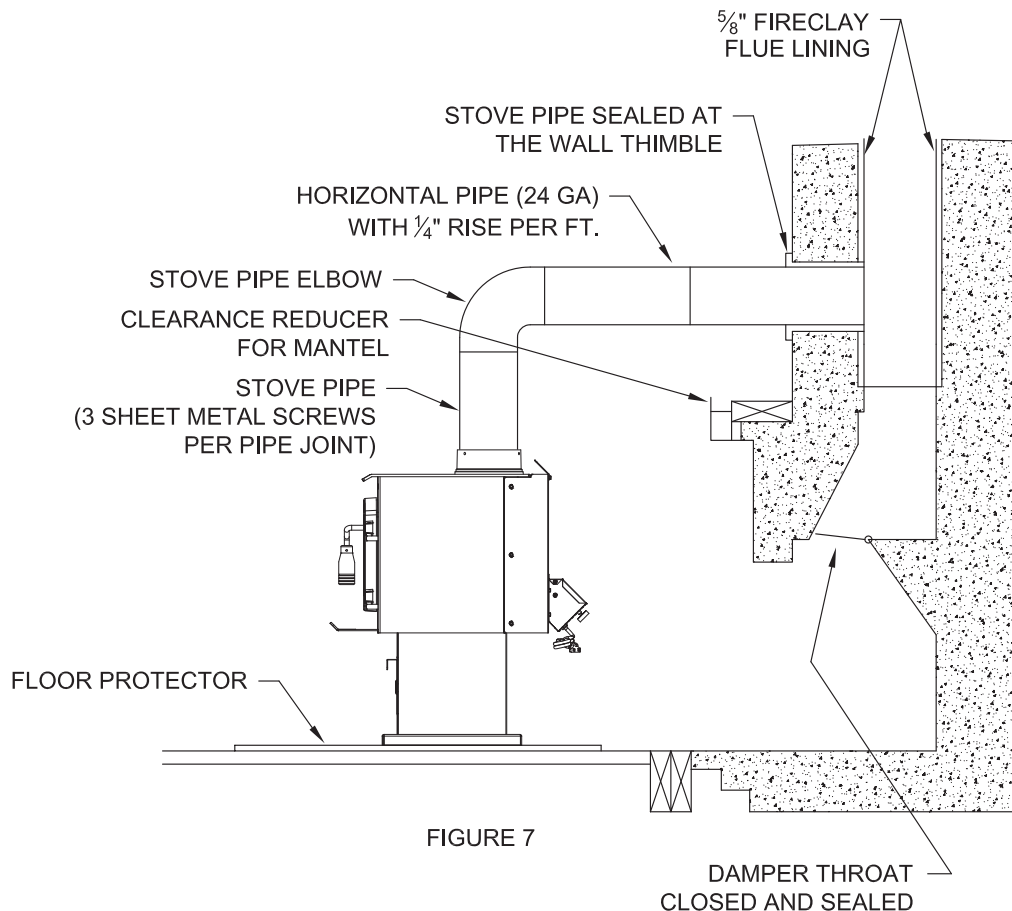
Connection of the stovepipe directly into the existing masonry chimney over the fireplace opening is a more desirable method. This installation performs better, yielding more heat and better draft; it is also easy to clean and inspect for creosote. Before beginning this type of installation plan carefully; a high degree of skill is required to insure safety.

An entry port for the stovepipe must be cut through the chimney with minimum damage to the fireclay liner. Some involved measurements may be required to locate the flue liner exactly. Before cutting, take time to mark the size and position of the entry port. Position the entry port so that at least 8 inches of the flue liner remains below the port.

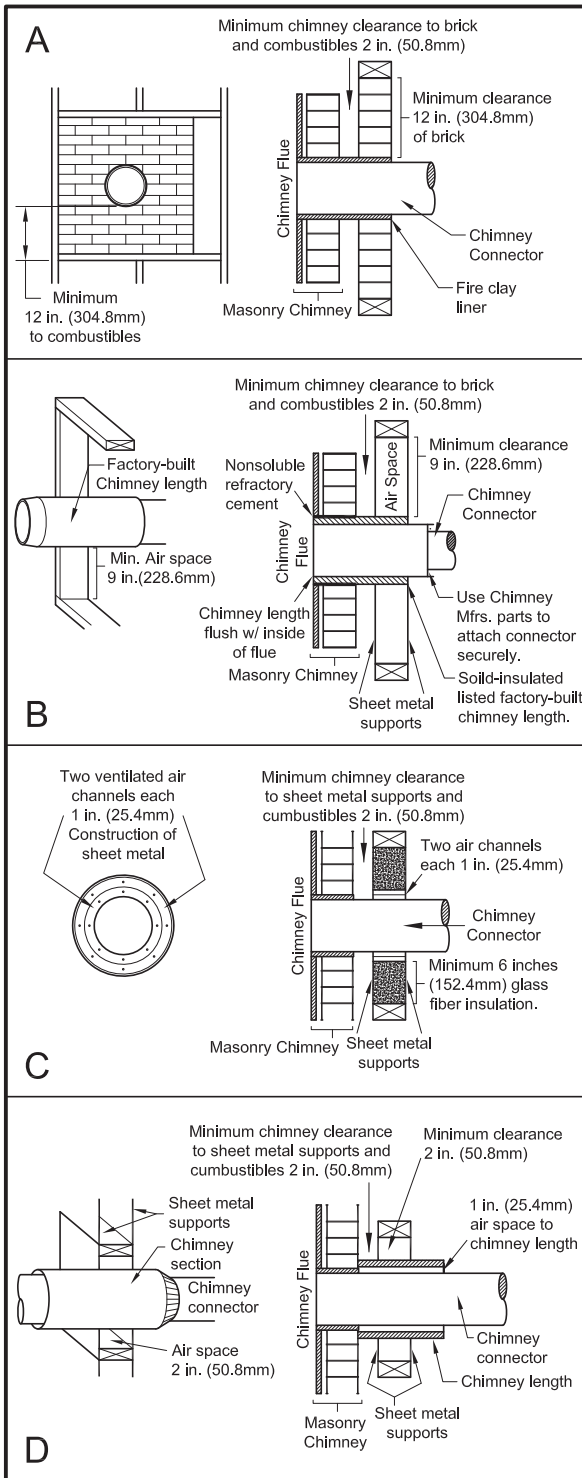
Keep in mind that wood mantels and combustible trim around the fireplace must have adequate clearances from the heater and stovepipe or must be protected in an approved manner. Also, be sure to leave at least an 18 inch clearance between the top of the stovepipe and the combustible ceiling or other combustibles. Placing the center of the entry port 2 feet below the ceiling will insure proper clearance for 6-inch, 8-inch, and 10-inch stovepipes. Next, install a fireclay (at least 5/8 inch thick) or metal thimble, being sure that the thimble is flush with the inner flue lining, secure the thimble in place with refractory mortar. The thimble should be surrounded on all sides with 8 inches of brickwork (solid masonry units) or 24 inches of stone.

Install the stovepipe as far as possible into the thimble, but not past the inside of the flue lining. There should be a small airspace (approximately 1/2 inch) between the stovepipe and thimble, allowing for expansion of the stovepipe. Seal this airspace with high-temperature caulking or ceramic wool. Do not use the Type B installation (not illustrated in this manual), that is, venting up through the fireplace opening, regardless of whether the fireplace opening is closed.

Masonry chimneys have several positive attributes: If properly built, they are quite durable, and most homeowners consider them more attractive perhaps than an unenclosed factory built chimney. And, if the chimney is located within the confines of the house (that is, not attached to an exterior wall), its mass alone will store heat longer and continue to release the heat long after the fire has died. Masonry chimneys have many disadvantages though. Masonry chimneys constructed on an exterior wall are exposed to cold outdoor temperatures, promoting greater heat loss, higher accumulations of creosote, and reduced draft which leads to poorer heater or furnace performance.



COMBUSTIBLE WALL CHIMNEY CONNECTOR PASS-THROUGHS



Method A. 12" (304.8 mm) Clearance to Combustible Wall Member: Using a minimum thickness 3.5" (89 mm) brick and a 5/8" (15.9 mm) minimum wall thickness clay liner, construct a wall pass-through. The clay liner must conform to ASTM C315 (Standard Specification for Clay Fire Linings) or its equivalent. Keep a minimum of 12" (304.8 mm) of brick masonry between the clay liner and wall combustibles. The clay liner shall run from the brick masonry outer surface to the inner surface of the chimney flue liner but not past the inner surface. Firmly grout or cement the clay liner in place to the chimney flue liner.

Method B. 9" (228.6 mm) Clearance to Combustible Wall Member: Using a 6" (152.4 mm) inside diameter, listed, factory-built Solid-Pak chimney section with insulation of 1" (25.4 mm) or more, build a wall pass-through with a minimum 9" (228.6 mm) air space between the outer wall of the chimney length and wall combustibles. Use sheet metal supports fastened securely to wall surfaces on all sides, to maintain the 9" (228.6 mm) air space. When fastening supports to chimney length, do not penetrate the chimney liner (the inside wall of the Solid-Pak chimney). The inner end of the Solid-Pak chimney section shall be flush with the inside of the masonry chimney flue, and sealed with a non-water soluble refractory cement. Use this cement to also seal to the brick masonry penetration.

Method C. 6" (152.4 mm) Clearance to Combustible Wall Member: Starting with a minimum 24 gage (.024" [.61 mm]) 6" (152.4 mm) metal chimney connector, and a minimum 24 gage ventilated wall thimble which has two air channels of 1" (25.4 mm) each, construct a wall pass-through. There shall be a minimum 6" (152.4 mm) separation area containing fiberglass insulation, from the outer surface of the wall thimble to wall combustibles. Support the wall thimble, and cover its opening with a 24-gage minimum sheet metal support. Maintain the 6" (152.4 mm) space. There should also be a support sized to fit and hold the metal chimney connector. See that the supports are fastened securely to wall surfaces on all sides. Make sure fasteners used to secure the metal chimney connector do not penetrate chimney flue liner.

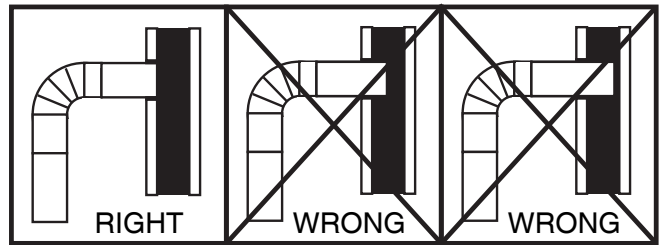
Method D. 2" (50.8 mm) Clearance to Combustible Wall Member: Start with a solid-pak listed factory built chimney section at least 12" (304 mm) long, with insulation of 1" (25.4 mm) or more, and an inside diameter of 8" (2 inches [51 mm] larger than the 6" [152.4 mm] chimney connector). Use this as a pass-through for a minimum 24-gauge single wall steel chimney connector. Keep solid-pak section concentric with and spaced 1" (25.4 mm) off the chimney connector by way of sheet metal support plates at both ends of chimney section. Cover opening with and support chimney section on both sides with 24 gage minimum sheet metal supports. See that the supports are fastened securely to wall surfaces on all sides. Make sure fasteners used to secure chimney flue line.

NOTES: Connectors to a masonry chimney, excepting method B, shall extend in one continuous section through the wall pass-through system and the chimney wall, to but not past the inner flue liner face.

A chimney connector shall not pass through an attic or roof space, closet or similar concealed space, or a floor, or ceiling.

Rules For Connector Pipe Installation

1. Crimped end of the pipe must be installed toward the heater. The pipe should slide inside the flue collar. The pipe should be firmly attached to the flue collar with 3 screws and sealed with furnace cement.
2. Slope any horizontal pipe upward toward the chimney at least 1/4 " inch for each foot of horizontal run.
3. You must have at least 18" inches clearance between any horizontal piping and the ceiling.
4. The pipe cannot extend into the chimney flue.(Fig. 8)
5. Seal each connector pipe joint with furnace cement. Also seal the pipe at the chimney.
6. Use 3 sheet metal screws at each joint to make the piping rigid.
7. It is recommended that no more than two (2) 90 degree bends be used in the stove pipe installation as more than two (2) may decrease the amount of draw and possibly cause smoke spillage.
8. The chimney connector must not pass through an attic or roof space, closet, or any concealed space, or floor, ceiling, wall or combustible construction.



WOODSTOVE UTILIZATION

Do not burn manufactured logs made of wax impregnated sawdust or logs with any chemical additives. Manufactured logs made of 100% compressed sawdust can be burned, but be careful burning too much of these logs at the same time. Start with one manufactured log and see how the stove reacts. You can increase the number of logs burned at a time to making sure the temperature never rises higher than 475 °F (246 °C) on a magnetic thermometer for installation on single wall stove pipes or 900 °F (482 °C) on a probe thermometer for installation on double wall stove pipe. The thermometer should be placed about 18" (457 mm) above the stove. Higher temperatures can lead to overheat and damage your stove.



Your heating unit was designed to burn wood only; no other materials should be burned. Waste and other flammable materials should not be burned in your stove. Any type of wood may be used in your stove, but specific varieties have better energy yields than others. Please consult the following table in order to make the best possible choice.

TYPE	WEIGHT (LBS. CU. FT., DRY)	PER CORD	EFFICIENCY RANKING	SPLITS	MILLIONS BTU's/CORD
Hickory	63	4500	1.0	Well	31.5
White Oak	48	4100	.9	Fair	28.6
Red Oak	46	3900	.8	Fair	27.4
Beech	45	3800	.7	Hard	26.8
Sugar Maple	44	3700	.6	Fair	26.2
Black Oak	43	3700	.6	Fair	25.6
Ash	42	3600	.5	Well	25.0
Yellow Birch	40	3400	.4	Hard	23.8
Red Maple	38	3200	.3	Fair	22.6
Paper Birch	37	3100	.3	Easy	22.1
Elm/Sycamore	34	2900	.2	Very Difficult	20.1
Red Spruce	29	1800	.1	Easy	16.1

It is EXTREMELY IMPORTANT that you use DRY WOOD only in your wood stove. The wood should have dried for 9 to 15 months, such that the humidity content (in weight) is reduced below 20% of the weight of the log. It is very important to keep in mind that even if the wood has been cut for one, two or even more years, it is not necessarily dry, if it has been stored in poor conditions. Under extreme conditions it may rot instead of drying. This point cannot be over stressed; the vast majority of the problems related to the operation of a wood stove is caused by the fact that the wood used was too damp or had dried in poor conditions. These problems can be:

- ignition problems
- creosote build-up causing chimney fires
- low energy yield
- blackened windows
- incomplete log combustion

Smaller pieces of wood will dry faster. All logs exceeding 6" in diameter should be split. The wood should not be stored directly on the ground. Air should circulate through the cord. A 24" to 48" air space should be left between each row of logs, which should be placed in the sunniest location possible. The upper layer of wood should be protected from the element but not the sides.

VISIBLE SMOKE

The amount of visible smoke being produced can be an effective method of determining how efficiently the combustion process is taking place at the given settings. Visible smoke consist of unburned fuel and moisture leaving your stove. Learn to adjust the air settings of your specific unit to produce the smallest amount of visible smoke. Wood that has not been seasoned properly and has a high wood moisture content will produce excess visible smoke and burn poorly.

EFFICIENCY

Efficiencies can be based on either the lower heating value (LHV) or the higher heating value (HHV) of the fuel. The lower heating value is when water leaves the combustion process as a vapor, in the case of wood stoves the moisture in the wood being burned leaves the stove as a vapor. The higher heating value is when water leaves the combustion process completely condensed. In the case of wood stoves this would assume the exhaust gases are room temperature when leaving the system, and therefore calculations using this heating value consider the heat going up the chimney as lost energy. Therefore, efficiency calculated using the lower heating value of wood will be higher than efficiency calculated using the higher heating value. In the United States all wood stove efficiencies should be calculated using the higher heating value. The best way to achieve optimum efficiencies is to learn the burn characteristic of your appliance and burn well-seasoned wood. Higher burn rates are not always the best heating burn rates; after a good fire is established a lower burn rate may be a better option for efficient heating. A lower burn rate slows the flow of usable heat out of the home through the chimney, and it also consumes less wood.

TESTING YOUR WOOD

When the stove is thoroughly warmed, place one piece of split wood (about five inches in diameter) parallel to the door on the bed of red embers. Close the door. If ignition of the piece is accomplished within 90 seconds from the time it was placed in the stove, your wood is correctly dried. If ignition takes longer, your wood is damp. If your wood hisses and water or vapor escapes at the ends of the piece, your wood is soaked or freshly cut. Do not use this wood in your stove. Large amounts of creosote could be deposited in your chimney, creating potential conditions for a chimney fire.

TAMPER WARNING

This wood heater has a manufacturer-set minimum low burn rate that must not be altered. It is against federal regulations to alter this setting or otherwise operate this wood heater in a manner inconsistent with operating instructions in this manual.

OPERATIONAL TIPS FOR GOOD, EFFICIENT, AND CLEAN COMBUSTION

- Get the appliance hot and establish a good coal bed before adjusting to a low burn rate (this may take 30 minutes or more depending on your wood)
- Use smaller pieces of wood during start-up and a high burn rate to increase the stove temperature
- Be considerate of the environment and only burn dry wood
- Burn small, intense fires instead of large, slow burning fires when possible
- Learn your appliance's operating characteristics to obtain optimum performance
- Burning unseasoned wet wood only hurts your stoves efficiency and leads to accelerated creosote buildup in your chimney

BUILDING A FIRE

The top down method of fire building is recommended for this appliance. Place the largest pieces of wood on the bottom, laid in parallel and close together. Smaller pieces are placed in a second layer, crossways to the first. A third layer of still smaller pieces is laid crossways to the second, this time with some spaces between. Then a fourth layer of loose, small kindling and twisted newspaper sheets tops off the pile.

WOOD FUEL

Use Hardwood that has been split and air-dried to obtain maximum burning efficiency.

Lighting Instructions

1. Open door and place paper and kindling in the firebox.
2. Light the fire and close the doors until the kindling is burning.
3. Open the doors and add fuel as desired.

EXTENDED OPERATION

Fuel should be added in small amounts to give more complete combustion and uniform room temperature. Do not load fuel above the top of the firebrick. Empty the ashes regularly. Do not allow ashes to build up. Dispose of hot ashes properly in a metal container with a lid.

SERVICE HINTS

Do not expect a heater to draw. It is the chimney that creates the draft. Smoke spillage into the house or excessive buildup of water or creosote in the chimney are warnings that the chimney is not functioning properly. Correct problem before using heater. Possible causes are:

1. The connector pipe may push into the chimney too far, stopping the draft.
2. Do not connect two heaters into the same chimney flue.
3. The chimney used for a heater must not be used to ventilate the cellar or basement. If there is a cleanout opening at the base of the chimney, it must be closed tightly.
4. If the chimney is operating too cool, water will condense in the chimney and run back into the stove. Creosote formation will be rapid and may block the chimney. Operate the heater at a high enough fire to keep the chimney warm preventing this condensation.
5. If the fire burns well but sometimes smokes or burns slowly, it may be caused by the chimney top being lower than another part of the house or a nearby tree. The wind blowing over a house or tree, falls on top of the chimney like water over a dam, beating down the smoke. The top of the chimney should be at least 3 feet above the roof and be at least 2 feet higher than any point of the roof within 10 feet.

CHIMNEY MAINTENANCE

- Failure to clean and maintain this unit as indicated can result in poor performance and safety hazards.
- Never perform any inspections, cleaning, or maintenance on a hot heater.
- Do not operate heater with broken glass, leakage of flue gas may result.
- Keep the Chimney and Chimney Connector clean and in good condition.

WARNING: Never store flammable liquids, especially gasoline. In the vicinity of the heater.

CAUTION: Overfiring the appliance may cause a house fire. If a unit or chimney connector glows, you are overfiring. Attempts to achieve heat output rates that exceed heater design specifications can result in permanent damage to the heater and to the catalytic combustor if so equipped.

CAUTION: Never use gasoline, gasoline-type lantern fuel, kerosene, charcoal lighter fluid, or flammable liquids to start or "freshen up" a fire in the heater. Keep all such liquids well away from the heater while it is in use.

WARNING: Operate only with the feed and ash doors fully closed. Keep seals in good condition.

FLUE GAS SYSTEM

Creosote Formation and Need for Removal When wood is burned slowly, it produces tar and other organic vapors, which combine with expelled moisture to form creosote. The creosote vapors condense in the relatively cool chimney flue of a slow-burning fire. As a result, creosote residue accumulates on the flue lining. When ignited this creosote makes an extremely hot fire. The chimney connector and chimney should be inspected at least once every two months during the heating season to determine if a creosote buildup has occurred. If creosote has accumulated it should be removed to reduce the risk of a chimney fire.

Inspection and Removal – The chimney connector and chimney should be inspected at least twice monthly during the heating season to determine if a creosote buildup has occurred. If creosote has accumulated, it should be removed to reduce the risk of a chimney fire. Inspect the system at the heater connection and at the chimney top. Cooler surfaces tend to build creosote deposits quicker, so it is important to check the chimney from the top as well as from the bottom. The creosote should be removed with a brush specifically designed for the type of chimney in use. A qualified chimney sweep can perform this service. It is also recommended that before each heating season the entire system be professionally inspected, cleaned and, if necessary, repaired. To clean the chimney, disconnect the vent from the heater.

Chimney fires burn very hot. If the chimney connector should glow red, immediately call the fire department, then reduce the fire by pouring a large quantity of coarse salt, baking soda or cool ashes on top of the fire in the firebox.

CAUTION: A chimney fire may cause ignition of wall studs or rafters which you thought were a safe distance from the chimney. If you have a chimney fire, have your chimney inspected by a qualified person before using again

CAUTION: Do not burn your stove with the firing door open, this could cause an over firing situation.

ASHES - REMOVAL AND DISPOSAL

Whenever ashes get 3 to 4 inches deep in your firebox or ash pan, and when the fire has burned down and cooled, remove excess ashes. Leave an ash bed approximately 1 inch deep on the firebox bottom to help maintain a hot charcoal bed.

DISPOSAL OF ASHES

Ashes should be placed in a metal container with a tight fitting lid. The closed container of ashes should be placed on a noncombustible floor or on the ground, well away from all combustible material, pending final disposal. If the ashes are disposed of by burial in soil or otherwise locally dispersed, they should be retained in the closed container until all cinders have thoroughly cooled.

Other waste shall not be placed in the same container as the ashes.

Ashes should never be placed in a wooden, cardboard, or plastic container, nor in a paper or plastic bag, no matter how long the fire has been out. Coals have been known to stay hot for several days when embedded in ashes.

NEVER OPERATE THIS HEATER WITH THE BRICK CRADLE OR THE ASH PAN REMOVED OR DAMAGED.

SMOKE AND CO MONITORS

Burning wood naturally produces smoke and carbon monoxide(CO) emissions. CO is a poisonous gas when exposed to elevated concentrations for extended periods of time. While the modern combustion systems in heaters drastically reduce the amount of CO emitted out the chimney, exposure to the gases in closed or confined areas can be dangerous. Make sure your stove gaskets and chimney joints are in good working order and sealing properly to ensure unintended exposure. It is recommended that you use both smoke and CO monitors in areas having the potential to generate CO.

GLASS REPLACEMENT INSTRUCTIONS

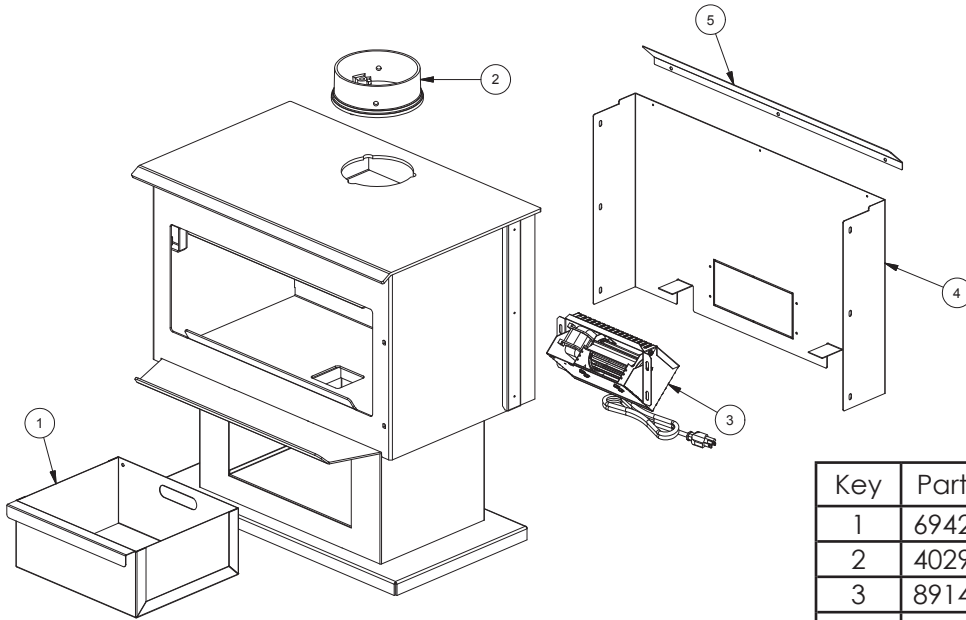
This unit's door uses a 1/4 X 1/2 diameter rope gasket.

6. Be sure heater has cooled before beginning.
7. Remove 12, 8-32 x 1/4 screws and glass retainers with screw driver.
8. Remove damaged glass (2).
9. To reinstall glass, follow steps 1-2 in reverse order. Be sure to replace the gasket on the glass. Do not build the fire too close to the glass, unless the appliance is specifically designed to operate in this manner.
10. Caution: Do not operate with broken glass.
11. When removing broken glass, wear thick gloves, and safety glasses. Keep children away. Discard broken glass.
12. Use part no. 891108 only, to replace broken glass. Glass dimensions (8 7/8 x 20 1/4 x 5mm) high temp resistant ceramic glass.
13. Warning: Do not slam door or strike glass. Slamming door or striking glass may cause glass to break.
14. Caution: Do not build fire directly on glass.
15. Warning: Do not use substitute materials.
16. Warning: Do not use abrasive cleaners. Abrasive cleaners may damage the glass.
17. Allow the stove to cool before cleaning the glass. DO NOT clean the glass when it is HOT!
18. When cool, clean the glass with a specialized glass cleaner available at your dealer. Keeping the glass clean will result in maximum flame visualization.

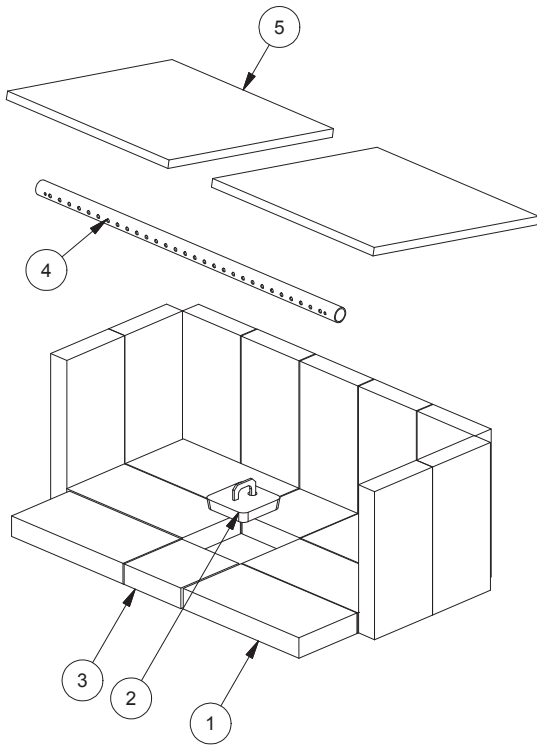
AIR TUBES

The air tubes assembled in this unit are designed to provide an accurate mix of secondary air to insure the highest efficiency. Any damage or deterioration of these tubes may reduce the efficiency of combustion. The air tubes are held in position by either screws or snap pins. Locate these to either side of the tube and remove to allow the tube to be removed and replaced.

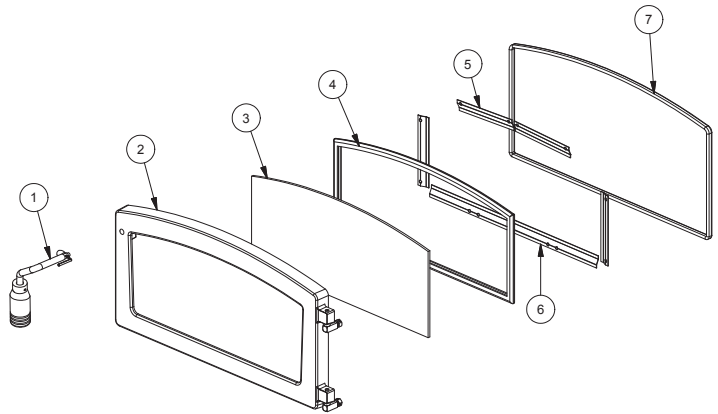
Repair Parts



Key	Part No.	Description	Qty.
1	69427	Ash Pan	1
2	40292	Flue Collar	1
3	891492	Blower Assembly (B36)	1
4	25300	Blower Housing	1
5	25305	Deflector, Air	1



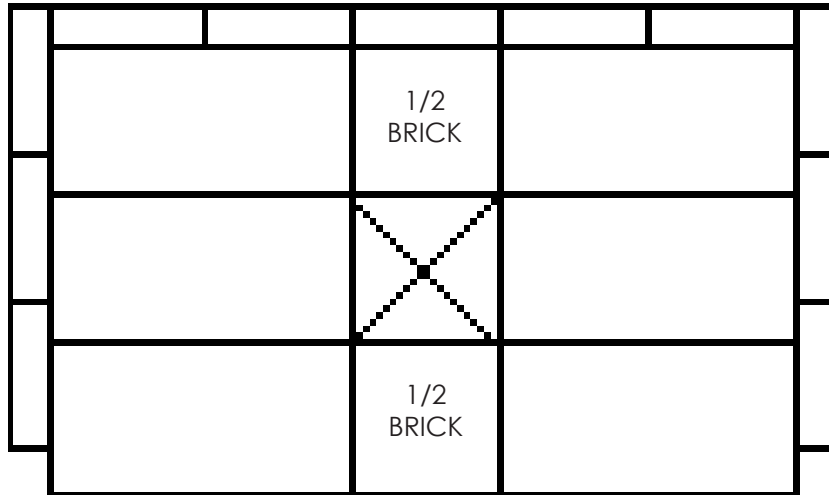
Key	Part No.	Description	Qty.
1	89066	Firebrick (4-1/2 X 9)	15
2	69458	Plug, Ash	1
3	24103	Firebrick, Half (4-1/2 X 4-1/2)	2
4	86645	Tube (Ø7/32), Secondary Air	1
5	88250	Board, Ceramic Fiber	2



Key	Part No.	Description	Qty.
1	891135	Handle	1
2	891112	Feed Door	1
3	891108	Glass w/King Logo	1
4	88087	Door Glass Gasket	1
5	891114	Top/Side Window Bracket	4
6	891115	Bottom Window Bracket	1
7	891113	Feed Door Gasket	1

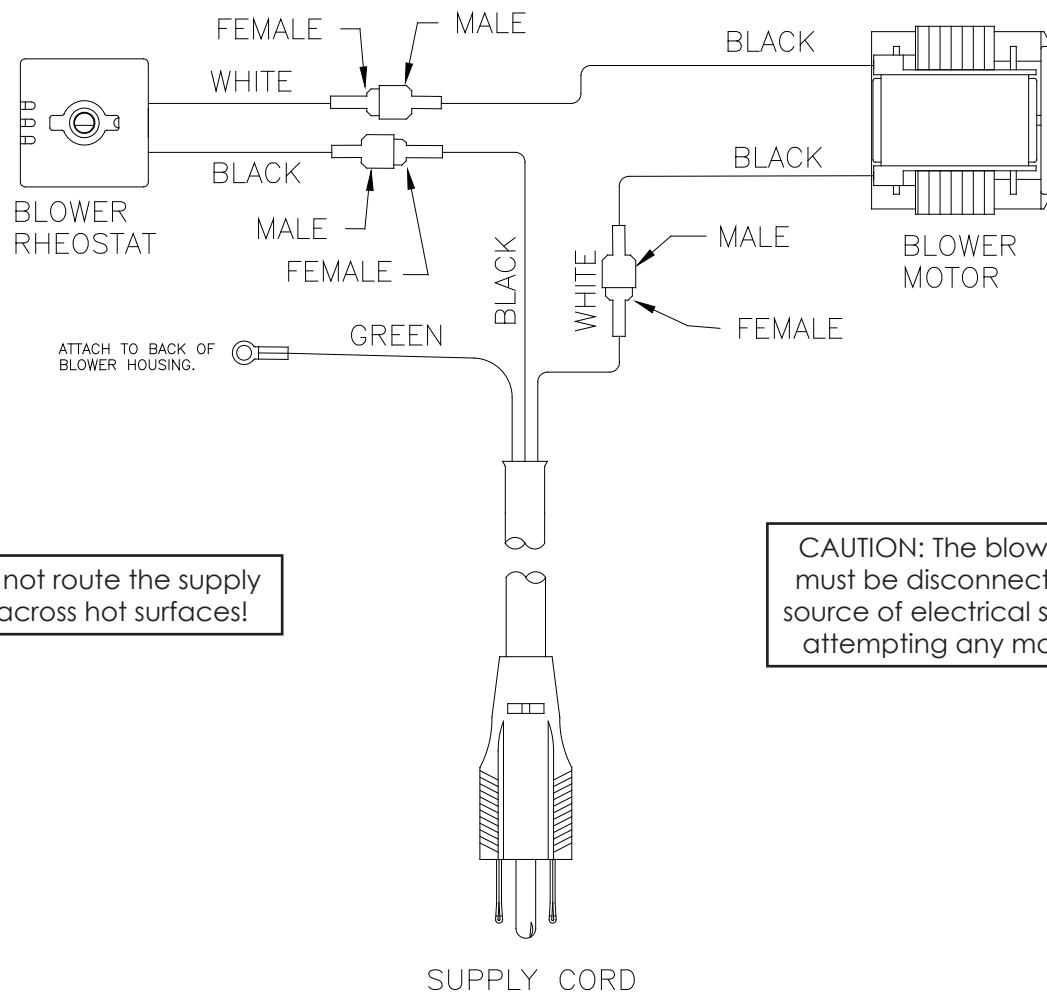
In order to maintain warranty, components must be replaced using original manufacturers parts purchased through your dealer or directly from the appliance manufacturer. Use of third party components will void the warranty.

Brick Placement - (Top Inside View Of Firebox)



1. Insert right & left side firebrick as shown.
2. Insert rear firebrick as shown.
3. Insert bottom 1/2 firebrick and ash dump cover as shown.

Wiring Diagram



Notes

Notes

Service Record

It is recommended that your heating system is serviced regularly and that the appropriate Service Interval Record is completed.

SERVICE PROVIDER

Before completing the appropriate Service Record below, please ensure you have carried out the service as described in the manufacturer's instructions. Always use the manufacturer's specified spare part when replacement is necessary.

Service 01	Date: _____
Engineer Name: _____	
License No.: _____	
Company: _____	
Telephone No.: _____	
Stove Inspected: <input type="checkbox"/>	Chimney Swept: <input type="checkbox"/>
Items Replaced: _____	

Service 02	Date: _____
Engineer Name: _____	
License No.: _____	
Company: _____	
Telephone No.: _____	
Stove Inspected: <input type="checkbox"/>	Chimney Swept: <input type="checkbox"/>
Items Replaced: _____	

Service 03	Date: _____
Engineer Name: _____	
License No.: _____	
Company: _____	
Telephone No.: _____	
Stove Inspected: <input type="checkbox"/>	Chimney Swept: <input type="checkbox"/>
Items Replaced: _____	

Service 04	Date: _____
Engineer Name: _____	
License No.: _____	
Company: _____	
Telephone No.: _____	
Stove Inspected: <input type="checkbox"/>	Chimney Swept: <input type="checkbox"/>
Items Replaced: _____	

Service 05	Date: _____
Engineer Name: _____	
License No.: _____	
Company: _____	
Telephone No.: _____	
Stove Inspected: <input type="checkbox"/>	Chimney Swept: <input type="checkbox"/>
Items Replaced: _____	

Service 06	Date: _____
Engineer Name: _____	
License No.: _____	
Company: _____	
Telephone No.: _____	
Stove Inspected: <input type="checkbox"/>	Chimney Swept: <input type="checkbox"/>
Items Replaced: _____	

Service 07	Date: _____
Engineer Name: _____	
License No.: _____	
Company: _____	
Telephone No.: _____	
Stove Inspected: <input type="checkbox"/>	Chimney Swept: <input type="checkbox"/>
Items Replaced: _____	

Service 08	Date: _____
Engineer Name: _____	
License No.: _____	
Company: _____	
Telephone No.: _____	
Stove Inspected: <input type="checkbox"/>	Chimney Swept: <input type="checkbox"/>
Items Replaced: _____	

How To Order Repair Parts / Comment Commander Des Pièces De Rechange

This manual will help you obtain efficient, dependable service from your heater, and enable you to order repair parts correctly.

Keep this manual in a safe place for future reference.

When writing, always give the full model number which is on the nameplate attached to the heater.

When ordering repair parts, always give the following information as shown in this list /

Ce manuel vous aidera à obtenir un radiateur efficace et fiable, tout en vous permettant de commander les pièces de rechange correctement.

Conservez ce manuel dans un endroit sécuritaire pour une consultation ultérieure.

Lorsque vous effectuez une correspondance par écrit, assurez-vous de toujours fournir le numéro de modèle qui se trouve sur la fiche signalétique attachée à l'appareil de chauffage.

Lorsque vous commandez des pièces de rechange, inscrivez toujours les renseignements suivants, tel qu'indiqué dans cette liste:

1. The part number / Le numéro de la pièce _____
2. The part description / La description de la pièce _____
3. The model number / Le numéro du modèle _____
4. The serial number / Le numéro de série _____

United States Stove Company
227 Industrial Park Road
South Pittsburg, TN 37380
(800) 750-2723
WWW.USSTOVE.COM

Enregistrement De Service

Il est recommandé que votre système de chauffage est desservi régulièrement et que le Service Intervall enregistrement approprié est terminée.

FURNISSEUR DE SERVICES

Avant de terminer l'enregistrement de service approprié ci-dessous, s'il vous plaît vous assurer que vous avez effectué le service tel que décrit dans le les instructions du fabricant. Toujours utiliser pièce de rechange indiquée par le fabricant lors de remplacement est nécessaire.

Service de 01
Date: _____
Nom de l'ingénieur: _____
N° de licence: _____
Compagnie: _____
N° de téléphone: _____
Poêle inspecté: Cheminée balayée:
Articles Remplacé: _____

Service de 02
Date: _____
Nom de l'ingénieur: _____
N° de licence: _____
Compagnie: _____
N° de téléphone: _____
Poêle inspecté: Cheminée balayée:
Articles Remplacé: _____

Service de 03
Date: _____
Nom de l'ingénieur: _____
N° de licence: _____
Compagnie: _____
N° de téléphone: _____
Poêle inspecté: Cheminée balayée:
Articles Remplacé: _____

Service de 04
Date: _____
Nom de l'ingénieur: _____
N° de licence: _____
Compagnie: _____
N° de téléphone: _____
Poêle inspecté: Cheminée balayée:
Articles Remplacé: _____

Service de 05
Date: _____
Nom de l'ingénieur: _____
N° de licence: _____
Compagnie: _____
N° de téléphone: _____
Poêle inspecté: Cheminée balayée:
Articles Remplacé: _____

Service de 06
Date: _____
Nom de l'ingénieur: _____
N° de licence: _____
Compagnie: _____
N° de téléphone: _____
Poêle inspecté: Cheminée balayée:
Articles Remplacé: _____

Service de 07
Date: _____
Nom de l'ingénieur: _____
N° de licence: _____
Compagnie: _____
N° de téléphone: _____
Poêle inspecté: Cheminée balayée:
Articles Remplacé: _____

Service de 08
Date: _____
Nom de l'ingénieur: _____
N° de licence: _____
Compagnie: _____
N° de téléphone: _____
Poêle inspecté: Cheminée balayée:
Articles Remplacé: _____

Cendres - Nettoyage Et Mise Aux Rebutis

Lorsque les cendres atteignent 8 à 10 cm (3 à 4 po) d'épaisseur dans votre boîte à feu ou bac à cendres, et que le feu est éteint et froid, retirez les cendres en excès. Laissez un lit de cendres d'environ 3 cm (1 po) d'épaisseur sur le fond de la boîte à feu pour aider à conserver une couche chaude de charbon.

ÉLIMINATION DES CENDRES

Jeter les cendres - placez les cendres dans un contenant en métal avec un couvercle étanche. Le contenant fermé des cendres doit être placé sur un plancher non-combustible, ou sur le sol, loin des matériaux combustibles, jusqu'à l'élimination finale. Si les cendres doivent être libérées suivant mon décès, sur le sol ou dispersées autrement, elles devraient être contenues dans un contenant fermé jusqu'à ce que les cendres soient assés refroidies.

Les autres déchets ne doivent pas être placés dans le même contenant que les cendres. Les cendres ne doivent jamais être placées dans un contenant en bois, en carton, en plastique, en papier ou dans un sac en plastique, peu importe si le feu est récent ou non. Le charbon est reconnu pour rester chaud pendant plusieurs jours lorsqu'ils sont envelopés de cendres.

NE FAITES JAMAIS FONCTIONNER CE RADIATEUR SI LE SUPPORT DE BRIQUES OU LE TIROIR À CENDRES EST RETIRÉ OU ENDOMMAGÉ.

DÉTECTEURS DE FUMÉE ET DE CO

Le brûlage du bois produit naturellement des émissions de fumée et du monoxyde de carbone (CO). Le CO est un gaz poison lorsque l'exposition se fait à des concentrations élevées pour une période de temps prolongée. Bien que les systèmes de combustion modernes des chauffages réduisent de façon importante la quantité de CO émis par la cheminée, l'exposition aux gaz dans des endroits fermés ou clos peut être dangereuse. Assurez-vous que les joints d'étanchéité de votre poêle et les joints de la cheminée soient en bon état et qu'ils scellent correctement, évitant les expositions indésirables. Il est recommandé que vous utilisiez des détecteurs de fumée et de CO dans les zones où se trouve un potentiel de génération de CO.

Instructions De Remplacement Du Verre

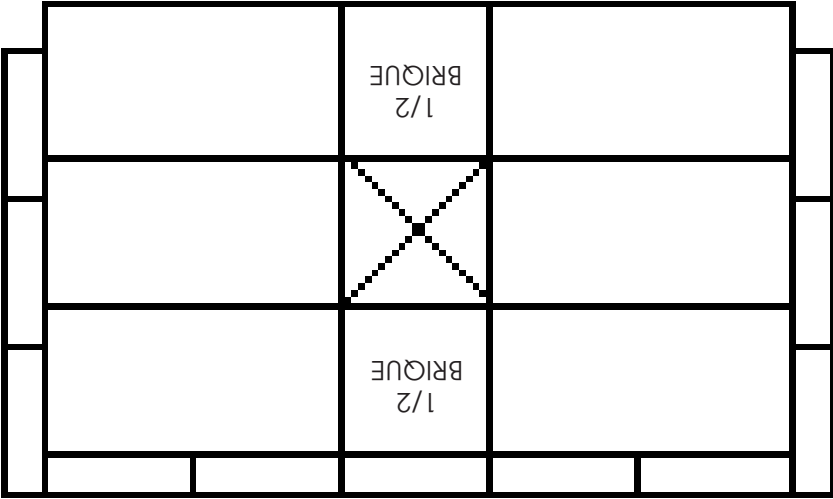
Les portes de ce produit utilisent un joint d'étanchéité d'un diamètre de 1/4 x 1/2 de pouces.

1. Assurez-vous que le chauffage soit refroidi avant de commencer.
2. Avec un tournevis, les 12 vis 8 32 x 1/4 et les moutures en verre.
3. Enlevez le verre endommagé (2).
4. Suivez les étapes 1-2 en ordre inversé pour réinstaller le verre. Assurez-vous de replacer le joint d'étanchéité sur le verre.
5. ATTENTION: Ne pas utiliser le chauffage si le verre est brisé.
6. Portez des gants épais et des verres de sécurité pour enlever le verre brisé. Tenez les enfants éloignés. Jetez le verre brisé.
7. Utilisez la pièce no. 891 108 seulement afin de remplacer le verre brisé. Les dimensions du verre (8 7/8 x 20 1/4 x 5 mm); verre en céramique résistant aux hautes températures. ATTENTION: Ne créez pas de feu trop près du verre, à moins que l'appareil n'ait été conçu pour cette tâche en particulier.
8. Avertissement: Ne fermez pas la porte violemment et ne l'égratignez pas. La porte pourrait se briser si vous la fermez violemment ou si vous l'égratiguez.
9. Attention: Ne créez pas de feu directement sur le verre.
10. Avertissement: Ne remplacez pas les produits.
11. Avertissement: N'utilisez pas de produits nettoyants abrasifs. Les produits nettoyants abrasifs pourraient endommager le verre.
12. Laissez le temps au poêle de se refroidir avant de nettoyer le verre. NE NETTOYEZ PAS le verre lorsqu'il est CHAUD!
13. Lorsqu'il est froid, nettoyez le verre en utilisant un nettoyeur à verre disponible chez votre distributeur. Conserver le verre propre aidera à avoir une meilleure visualisation de la flamme.

CONDUITS D'AIR

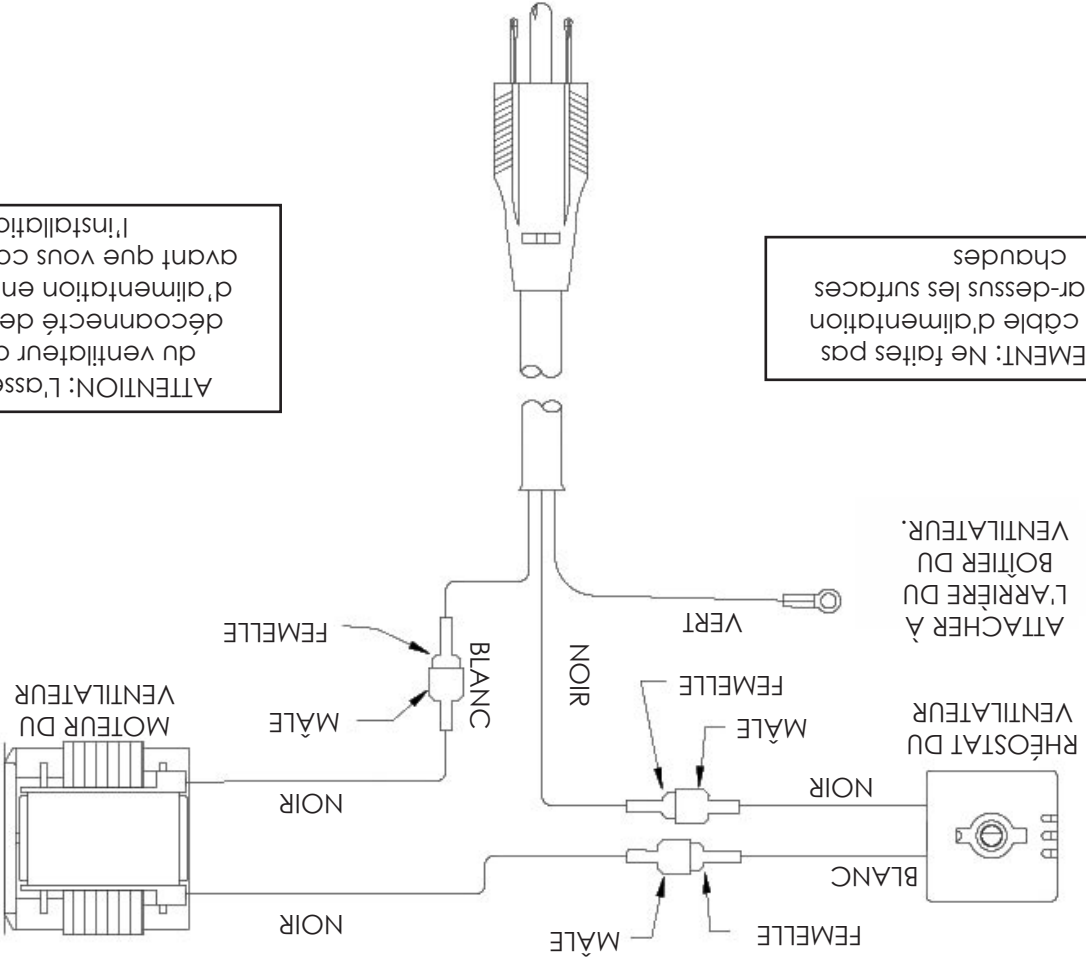
Les conduits d'air assemblés dans cette unité sont conçus pour offrir un mélange précis d'air secondaire et assurer une plus grande efficacité. Tout dommage ou détérioration de ces conduits peut réduire l'efficacité de la combustion. Les conduits d'air sont maintenus en position par des vis ou par des goupilles de blocage. Localisez et enlevez-les des deux côtés du conduit pour le retirer et le remettre en place.

Placement De La Brique (Vieux Intérieur Du Dessus De La Chambre À Combustion)



1. Insérez une brique à feu droite et gauche, tel qu'indiqué.
2. Insérez la brique arrière tel qu'indiqué.
3. Insérez une demie brique à feu et une couverture de cendres, tel qu'indiqué.

Diagramme De Câblage

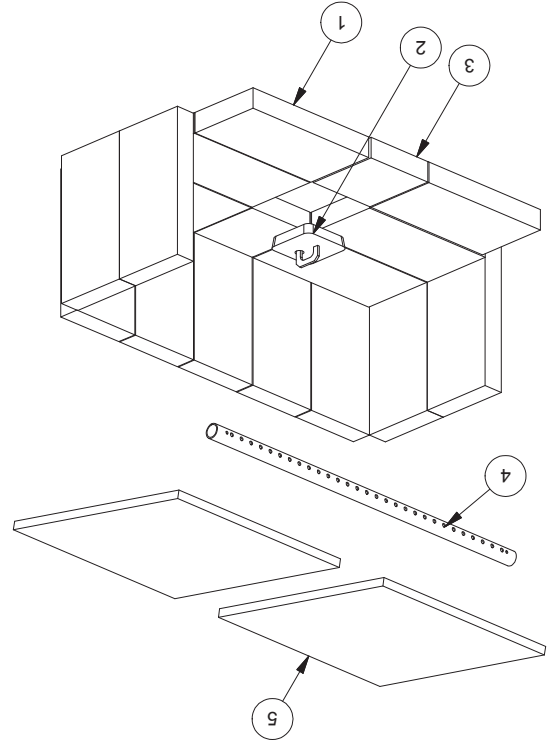


AVERTISSEMENT: Ne faites pas passer ce câble d'alimentation près ou par-dessus les surfaces chaudes

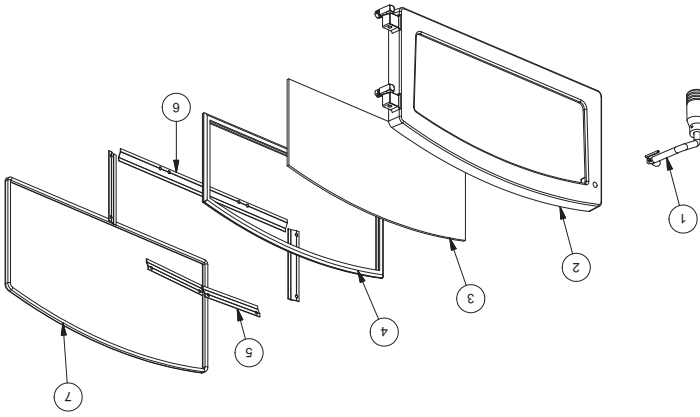
ATTENTION: L'assemblage du ventilateur doit être déconnecté de la source d'alimentation en électricité avant que vous commenciez l'installation.

Afin de maintenir cette garantie, les composants doivent être remplacés par des pièces d'origine du fabricant qui ont été achetées via votre détaillant ou bien directement chez le fabricant de l'appareil. L'utilisation de composants provenant de tiers annulera la garantie.

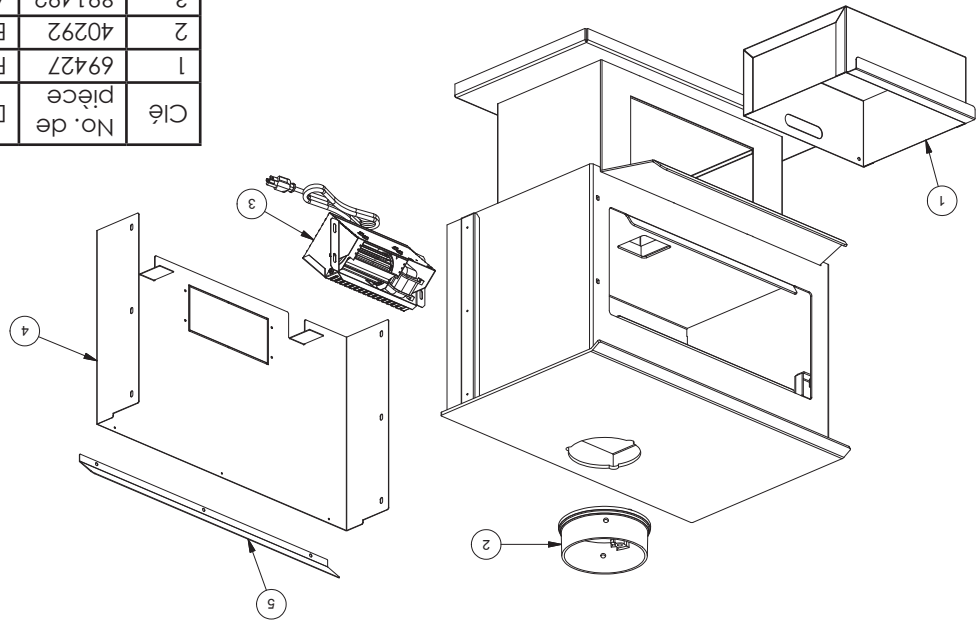
Ciè	No. de pièce	Description	Qté
1	89066	Brique à feu (4 1/2 x 9)	15
2	69458	Prise, cendre	1
3	24103	Moitié de la brique à feu (4 1/2 x 4 1/2)	2
4	86645	Tube (Ø77/32), Air secondaire	1
5	88250	Panneau, fibre de céramique	2



Ciè	No. de pièce	Description	Qté
1	89135	Poignée	1
2	89112	Porte d'alimentation	1
3	89108	Verre avec un logo King	1
4	88087	Joint d'étanchéité de porte en verre	1
5	89114	Équerre supérieure et latérale de la fenêtre	4
6	89115	Équerre inférieur de la fenêtre	1
7	89113	Joint de la porte d'alimentation	1



Ciè	No. de pièce	Description	Qté
1	69427	Panier à cendres	1
2	40292	Buse	1
3	891492	Assemblage du ventilateur (B36)	1
4	25300	Assemblage du ventilateur	1
5	25305	Déflecteur, air	1



Pièces De Remplacement

ENTRETIEN DE LA CHEMINÉE

- L'impossibilité de nettoyer et d'entretenir ce produit tel qu'indiqué pourrait produire une performance médiocre et des dangers à la sécurité.
- Ne produisez jamais une inspection, un nettoyage ou un entretien lorsque le radiateur est chaud.
- Ne faites jamais fonctionner le radiateur avec du verre cassé puisque une fuite de gaz pourrait s'ensuivre.
- Conservez la cheminée et le connecteur de cheminée propres et en bonne condition.

AVERTISSEMENT: N'entrez jamais des produits inflammables, et en particulier le carburant autour du radiateur.

ATTENTION: Le surchauffage de l'appareil pourrait provoquer un incendie. Vous surchauffez votre poêle si votre produit ou le connecteur de cheminée émet une lueur rouge. Tenter d'atteindre un taux de puissance calorifique dépassant les spécifications de conception du chauffage peut lui causer des dommages permanents, ainsi qu'au catalyseur de postcombustion, si ce dernier est posé.

ATTENTION: N'utilisez jamais du carburant, du carburant pour lanterne, du kérosène, des liquides d'allumage de charbon, ou tout autre liquide inflammable pour créer un feu dans le radiateur. Conservez ces produits loin du radiateur lorsque ce dernier est en fonction.

AVERTISSEMENT: Utilisez ce chauffage seulement lorsque les portes d'alimentation et de cendres sont complètement fermées. Gardez les joints d'étanchéité en bonne condition.

ATTENTION: Un feu de cheminée pourrait causer l'incendie des poteaux muraux et des chevrons que vous pensez être à une distance appropriée de la cheminée. Demandez une évaluation de votre cheminée par une personne qualifiée avant de l'utiliser suite à un feu de cheminée.

ATTENTION: Ne chauffez pas votre poêle lorsque la porte d'allumage est ouverte puisque une situation de surchauffage pourrait survenir.

SYSTÈME DE GAZ À COMBUSTION

Créosote - Formation et besoin de retrait Quand le bois brûle lentement, il crée du goudron et d'autres vapeurs organiques qui se combinent avec l'humidité expulsee et forment du créosote. Les vapeurs de créosote se condensent dans la conduite de fumée lorsque'il est relativement froid, par exemple lorsque le feu vient d'être allumé ou que le feu brûle lentement. Par conséquent, les résidus de créosote s'accumulent sur le revêtement du conduit de fumée. Ce créosote peut créer un feu extrêmement chaud lorsqu'il est allumé. Si un dépôt de créosote s'est formé, il devrait être enlevé afin de réduire le risque d'incendie de cheminée.

Inspection et enlèvement: le conduit de raccordement et la cheminée doivent être inspectés au moins deux fois par mois pendant la saison de chauffage pour déterminer si des dépôts de créosote se sont formés. Si un dépôt de créosote s'est accumulé, il doit être enlevé pour diminuer le risque de feu de cheminée. Les surfaces plus froides ont tendance à accumuler des dépôts de créosote et il est donc important d'inspecter la cheminée de haut en bas. La créosote devrait être éliminée avec une brosse spécialement conçue pour le type de cheminée qui est utilisée. Un ramonneur de cheminée qualifié peut effectuer ce service. Il est également recommandé de faire inspecter, nettoyer et si nécessaire réparer le système au complet par un professionnel avant la saison de chauffage. Déconnectez la fente du radiateur pour nettoyer la cheminée.

Les feux de cheminée brûlent à une très grande chaleur. Si le connecteur de la cheminée émet une lueur rouge, appelez immédiatement votre département des incendies, et réduisez ensuite en le couvrant d'une grande quantité de gros sel, de bicarbonate de soude ou de cendres froides pour recouvrir le feu dans la chambre à combustion.

Instructions De Fonctionnement

CONSEILS DE FONCTIONNEMENT POUR UN COMBUSTION DE QUALITÉ, EFFICACE ET PROPRE

- Attendez que l'appareil soit chaud et qu'il y ait un bon lit de braises avant de régler à un taux de combustion plus bas (ce qui pourrait prendre 30 minutes ou plus selon le bois utilisé)
- Utilisez de plus petits morceaux de bois pendant l'allumage et un taux de combustion élevé pour augmenter la température du poêle
- Pensez à l'environnement et ne brûlez que du bois séché
- Allumez de feux petits et intenses, au lieu de grands feux lents, lorsque possible.
- Apprenez les caractéristiques de fonctionnement de votre appareil pour obtenir une performance optimale
- Brûler du bois humide a un impact négatif sur l'efficacité de votre poêle et mène à une accélération de l'accumulation de créosote dans la cheminée

CRÉER UN FEU

La méthode descendante de préparation d'un feu est recommandée pour cet appareil. Placez les plus grandes bûches au fond du poêle, couchez-les parallèles aux autres, et proches des autres. Les secondes pièces sont placées en une seconde couche, en travers aux premières. Une troisième couche de plus petites pièces est déposée en travers de la seconde, cette fois avec un certain espace entre elles. Ensuite, déposer une quatrième couche de bois d'allumage et de papier journal chiffonné sur le dessus de la pile.

BOIS COMBUSTIBLE

Utilisez le bois dur fendu et séché à l'air pour obtenir une efficacité de combustion maximale. Instructions d'allumage

1. Ouvrez la porte et placez le papier et le bois d'allumage dans la chambre à combustion.
2. Allumez le feu et fermez les portes jusqu'à ce que le bois d'allumage ait pris feu.
3. Ouvrez la porte et ajoutez du combustible si nécessaire.

FONCTIONNEMENT ÉTENDU

Le carburant doit être ajouté en petite quantité afin d'obtenir une combustion complète et une température pièce uniforme. Ne chargez pas le carburant par-dessus la brique d'allumage.

Videz les cendres régulièrement. Ne permettez pas aux cendres de s'accumuler. Jetez les cendres chaudes dans un contenant métallique avec un couvercle.

TRUCS DE SERVICE

Ne vous attendez pas à ce qu'un chauffage effectuée le tirage. La cheminée est celle qui crée le tirage. Le dispersément de fumée dans la maison, ou une accumulation excessive d'eau ou de créosote dans la cheminée est un avertissement que la cheminée ne fonctionne pas correctement. Corrigez le problème avant d'utiliser le chauffage. Les causes possibles sont:

1. Le raccordement du tuyau peut avoir été poussé trop loin dans la cheminée, bloquant le tirage.
2. Ne branchez pas deux chauffages dans la même conduite de fumée.
3. La cheminée utilisée pour un chauffage ne doit pas être utilisée pour ventiler le cellier ou le sous-sol. L'ouverture de nettoyage à la base de la cheminée doit être complètement fermée.
4. Si la température de fonctionnement de la cheminée est trop froide, l'eau se condensera dans la cheminée et coulera dans le poêle. La formation de créosote sera rapide et pourrait bloquer la cheminée. Le fonctionnement de la cheminée à une température de fonctionnement suffisamment pour conserver la chaleur de la cheminée peut éviter cette condensation.
5. Si le feu brûle bien, mais a des périodes où il émet de la fumée ou brûle lentement, ce pourrait être causé par le sommet de la cheminée se trouvant plus basse qu'une autre partie de la maison, ou par un arbre à proximité. Le vent soufflant par-dessus la maison ou un arbre, tombe sur le haut de la cheminée comme de l'eau passant sur un barrage, abattant la fumée vers le bas. Le dessus de la cheminée doit être au moins 3 pieds au-dessus du toit et au moins deux pieds plus haut que toute partie du plafond, dans un diamètre de 10 pieds.

Il est EXTRÊMEMENT IMPORTANT d'utiliser uniquement du BOIS SEC dans votre poêle à bois. Le bois devrait avoir séché pendant 9 à 15 mois afin que la teneur en humidité (en poids) soit réduite sous 20 % du poids de la bûche. Il est très important de garder à l'esprit que le bois est coupé depuis un, deux ou même trois ans, qu'il n'est pas nécessairement sec et qu'il aurait pu être entreposé dans des conditions médiocres. Le bois pourrait pourrir sous conditions extrêmes, et pourrait ne pas sécher. Ce point ne peut être mentionné assez souvent : la grande majorité des problèmes reliés au fonctionnement d'un poêle à bois est causée par le fait que le bois est trop mouillé ou qu'il a séché dans des conditions médiocres. Ces problèmes peuvent être :

- problèmes d'allumage
- déchets de créosotes causant des incendies de cheminée.
- rendement énergétique faible
- fentes noires
- combustion incomplète de la bûche

De plus petits morceaux de bois sécheront plus rapidement. Toutes les bûches excédant 15 cm (6 po) de diamètre devraient être fendues. Le bois ne devrait pas être entreposé directement sur le sol. L'air doit pouvoir circuler à travers la corde de bois. Un espace de 61 cm à 1,22 m (24 à 48 po) devrait être laissé entre chaque rangée de bûches, qui devraient être placées dans un endroit comportant le plus d'ensoleillement possible. La couche externe du bois doit être protégée des éléments, mais non pas la surface latérale.

FUMÉE VISIBLE

La quantité visible de fumée produite peut être une méthode efficace pour déterminer l'efficacité du processus de combustion aux réglages établis. La fumée visible est composée de combustibles non brûlés et de l'humidité s'échappant de votre poêle. Apprenez comment ajuster les réglages d'air de votre unité afin de produire la plus petite quantité de fumée visible. Le bois incorrectement séché a une teneur élevée en humidité et produira un excès de fumée visible et un mauvais brûlage.

EFFICACITÉ

L'efficacité peut être basée sur le pouvoir calorifique inférieur (PCI) ou le pouvoir calorifique supérieur (PCS) du combustible. Le pouvoir calorifique inférieur, c'est lorsque l'eau quitte le processus de combustion sous forme de vapeur, dans le cas des poêles à bois, l'humidité dans le bois brûlé quitte le poêle sous forme de vapeur. Le pouvoir calorifique supérieur, c'est lorsque l'eau quitte le processus de combustion sous forme entièrement condensée. Dans le cas des poêles à bois, ceci voudrait dire que les gaz d'évacuation sont à la température de la pièce en quittant le système, et donc, les calculs utilisant cette valeur de chaleur tiennent compte de l'élévation de la chaleur dans la cheminée comme une perte d'énergie. Ainsi, l'efficacité calculée en utilisant le pouvoir calorifique inférieur du bois sera plus élevée que celle calculée en utilisant le pouvoir calorifique supérieur. Aux États-Unis, toutes les efficacités des poêles à bois devraient être calculées par le pouvoir calorifique supérieur. La meilleure façon d'atteindre des efficacités optimales est d'apprendre les caractéristiques de brûlage de votre appareil et du bois bien séché. Des taux de combustion plus élevés ne sont pas toujours les meilleurs pour un chauffage efficace. Un taux de combustion plus bas ralentit la sortie du flux de chaleur utilisable hors de la maison par la cheminée, et il consomme également moins de bois.

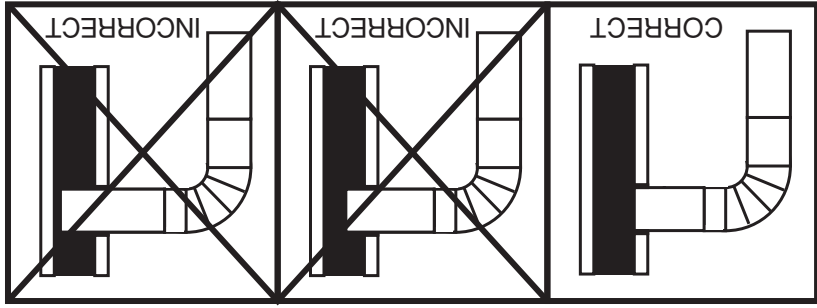
TESTER VOTRE BOIS

Une fois le poêle bien réchauffé, placez un morceau de bois fendu (environ 13 cm (5 po) de diamètre) en parallèle avec la porte sur le lit de braises rouges. Fermez la porte. Le bois a séché de manière appropriée s'il s'allume 90 secondes après qu'il soit placé dans le poêle. Si l'allumage est plus long, votre bois est humide. Si votre bois siffle et que de l'eau ou de la vapeur s'échappe aux extrémités du morceau, votre bois est imbibé ou fraîchement coupé. N'utilisez jamais ce bois dans votre poêle. De grandes quantités de créosote peuvent se déposer dans votre cheminée, créant ainsi des conditions potentielles pour la création d'incendies de cheminées.

AVERTISSEMENT DE LA FAUSIFICATION

Ce chauffage au bois a un taux de combustion minimum réglé à la fabrication, et qui ne peut être modifié. La modification de ce réglage ou une utilisation autre de ce chauffage au bois qui ne respecterait pas les directives du présent manuel contrevient aux réglementations fédérales.

Règles pour l'installation de tuyaux de connecteur



1. L'extrémité ondulée du tuyau doit être installée en direction du chauffage. Le tuyau doit glisser dans le collier du revêtement. Le tuyau doit être solidement fixé à la buse au moyen de 3 vis, puis scellé avec du ciment à calorifère.
2. Inclinez tout tuyau horizontal vers le haut, vers la cheminée, d'au moins 1/4 po pour chaque pied d'une course horizontale.
3. Vous devez avoir un dégagement d'au moins 46 cm (18 po) entre tout tuyau horizontal et le plafond.

4. Le conduit ne peut pas être étendu sur la conduite de la fumée (image 8).
5. Scellez chaque conduite de raccordement avec du ciment à calorifère. Scellez le tuyau à la cheminée.
6. Utilisez 3 vis autotaraudeuses à chaque joint pour rendre le tuyau plus solide.
7. Il est recommandé d'installer un maximum de deux (2) coudes à 90 degrés pour l'installation de la conduite, sachant que d'en installer davantage pourrait diminuer l'apport en tirage et possiblement causer un dispersément de fumée.
8. Le conduit de raccordement ne doit pas passer à travers un grenier ou un comble, un plancher, un placard, un plafond, un mur ou une construction combustible.

UTILISATION DU POÊLE À BOIS

Ne pas brûler les bûches fabriquées à partir de sciure imprégnée de cire ou de bûches avec des additifs chimiques. Les bûches fabriquées à partir de sciure de bois compressée à 100% peuvent être brûlées, mais faites attention à brûler trop de ces bûches en même temps. Commencez avec une bûche fabriquée et voyez comment le poêle réagit. Vous pouvez augmenter le nombre de bûches brûlées à la fois pour vous assurer que la température ne dépasse jamais 246 ° C (475 ° F) sur un thermomètre magnétique pour une installation sur des tuyaux de poêle à paroi simple ou 482 ° C (900 ° F) sur sonde thermométrique pour l'installation sur un tuyau de poêle à double paroi. Le thermomètre doit être placé à environ 18 "(457 mm) au-dessus du poêle. Des températures plus élevées peuvent entraîner une surchauffe et endommager votre poêle.

Votre produit de chauffage est conçu pour brûler du bois seulement; aucun autre matériel devrait être brûlé. Les déchets et autres matériaux inflammables ne devraient pas être brûlés dans votre poêle. Vous pouvez utiliser tout type de bois dans votre poêle, mais certaines variétés offrent un meilleur rendement énergétique que les autres. Veuillez consulter le tableau suivant afin de faire les meilleurs choix possible.



TYPE	POIDS (LBS. CU. PI. SEC)	PAR CORDE	CLASSIFICATION D'EFFICACITÉ	SE FEND	MILLIONS BTU PAR CORDE
Hickory	63	4500	1,0	Bien	31,5
Chêne blanc	48	4100	0,9	Assez bon	28,6
Chêne rouge	46	3900	0,8	Assez bon	27,4
Hêtre d'Amérique	45	3800	0,7	Dur	26,8
Erable à sucre	44	3700	0,6	Assez bon	26,2
Chêne noir	43	3700	0,6	Assez bon	25,6
Frêne	42	3600	0,5	Bien	25,0
Bouleau jaune	40	3400	0,4	Dur	23,8
Erable rouge	38	3200	0,3	Assez bon	22,6
Bouleau à papier	37	3100	0,3	Facile	22,1
Orme/Platane occidental	34	2900	0,2	Très difficile	20,1
Épinière rouge	29	1800	0,1	Facile	16,1

Installation Du Foyer

INSTALLATION DU FOYER

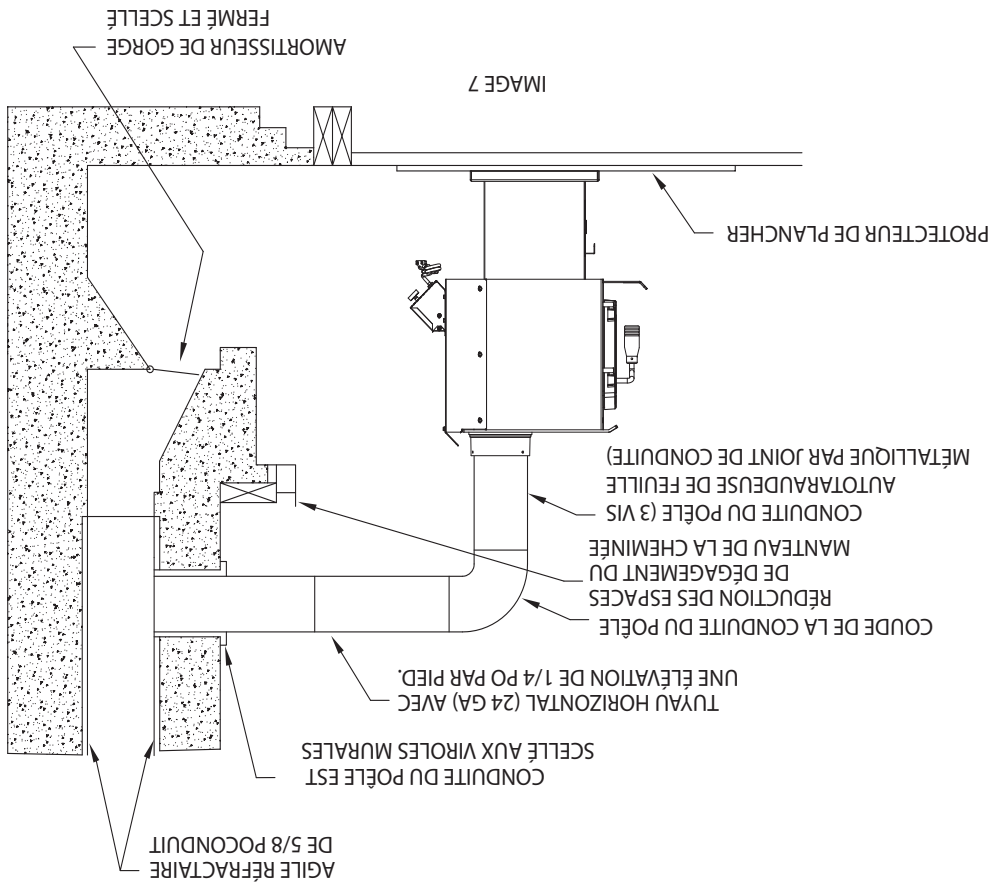
La connexion directe du poêle à une cheminée de maçonnerie existante, par-dessus l'ouverture du foyer n'est pas une méthode désirable. Cette installation fonctionne mieux, offre plus de chaleur et un meilleur tirage; il est également plus facile à nettoyer et à inspecter pour détecter du créosote. Afin d'entreprendre ce type d'installation, planifiez attentivement: un grand degré de compétences est requis pour votre sécurité.

Un port d'entrée pour le poêle doit être coupé à travers la cheminée, avec dommage minimal au revêtement en argile réfractaire. Quelques mesures impliquées pourraient être nécessaires afin de positionner le conduit. Avant de couper, prenez le temps de marquer la grandeur et la position du port d'entrée. Positionnez le port d'entrée afin d'assurer que le conduit soit au moins 8 pouces sous le port.

Gardez en tête que les manteaux en bois et les contours combustibles d'un foyer doivent avoir des espaces de dégagement appropriés avec le foyer, et doivent être correctement protégés. Également, assurez-vous de laisser un dégagement de 18 po entre le dessus du tuyau du poêle et le plafond combustible ou tout autre produit combustible. Placez le centre du port d'entrée à 2 pieds du plafond pour vous assurer un dégagement approprié pour les tuyaux de poêle de 6 po, de 8 po et de 10 po. Ensuite, installez l'argile réfractaire (avec une épaisseur d'au moins 5/8 po), ou des viroles métalliques; assurez-vous que la virole est égale au revêtement intérieur; sécurisez la virole en place avec du mortier réfractaire. La virole doit être entourée de chaque côté par 8 po de briques (unités de maçonnerie solide) ou 24 po de pierres.

Installez le tuyau de poêle aussi loin que possible dans la virole, mais pas à l'intérieur du revêtement. Un petit espace (approximativement 1/2 po) doit se trouver entre le tuyau du poêle et la virole, permettant une extension du tuyau du poêle. Sceller le vide d'air avec un calfeutrage ou une laine de céramique à haute température. N'utilisez pas l'installation de type B (non représentée dans ce manuel): la ventilation à travers l'ouverture du foyer, que l'ouverture soit ouverte ou fermée.

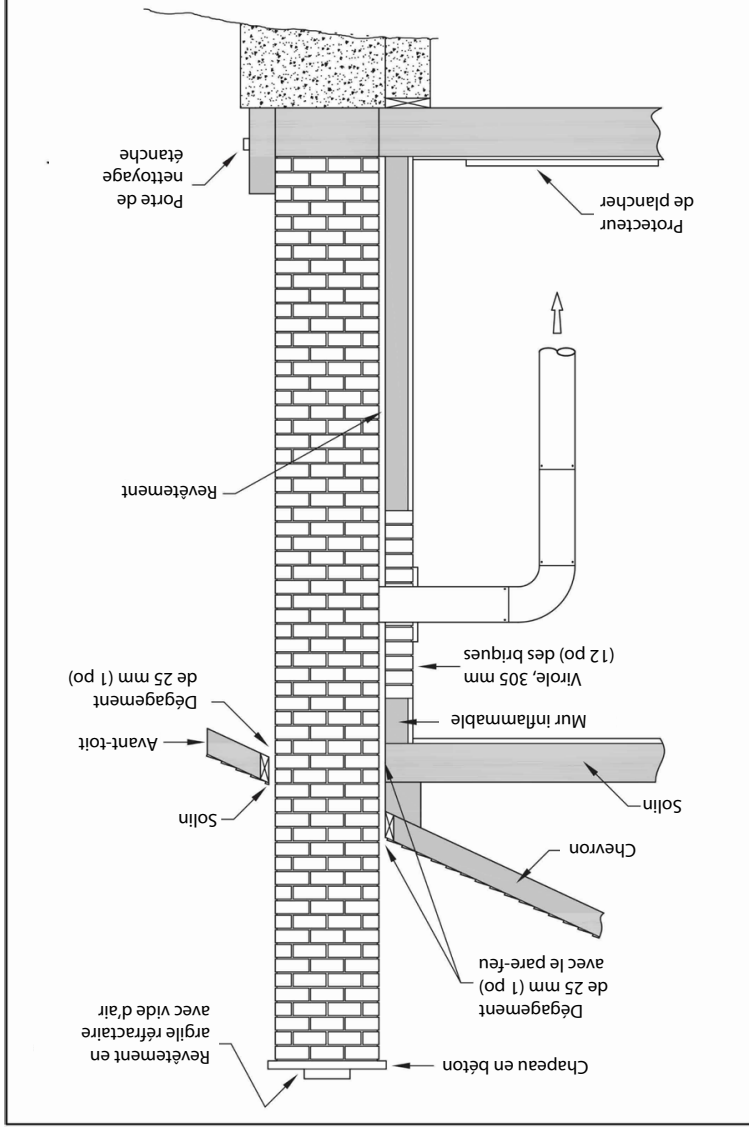
Les cheminées en maçonnerie ont plusieurs attributs positifs: si elles sont construites correctement, les cheminées sont solides et la plupart des propriétaires de maisons les trouvent plus attrayantes que les cheminées en usine. Et, si la cheminée se trouve à l'intérieur de la maison (si elle n'est pas attachée au mur extérieur), sa masse seule entraposeera la chaleur plus longtemps et la libérera bien après que le feu se soit éteint. Les cheminées de maçonnerie peuvent avoir des désavantages cependant. Les cheminées en maçonnerie construites sur un mur externe sont exposées aux températures extérieures, créant ainsi une plus grande perte de la chaleur, une plus grande accumulation des créosotes et un tirage réduit, menant à un chauffage réduit et à une performance réduite de la fournaise.



Ventilation Dans La Cheminée En Maçonnerie

Lorsque nous considérons une cheminée en maçonnerie, les tuiles arrondies sont préférées à celles qui sont carrées ou rectangulaires puisqu'elles permettent une meilleure circulation de l'air et sont plus faciles à nettoyer. Malheureusement, la plupart des cheminées nord-américaines utilisent des revêtements carrés ou rectangulaires qui sont conçus pour des foyers ouverts, et non des poêles ou des fournaises. Plus important encore, après la hauteur globale de la cheminée, le diamètre d'une cheminée est important. Dans la plupart des cas, elle doit être comparée à l'appareil. Par exemple, une sortie d'appareil de 6 po (152 mm) de l'appareil exige une cheminée au diamètre de 6 po (152 mm). Le diamètre interne ne doit jamais mesurer moins que le diamètre de sortie, et ne doit jamais être plus grand que 50 % que la sortie de l'appareil. Par exemple, n'espérez pas qu'un poêle ou une fournaise à bois ou à charbon fonctionne proprement s'il est installé sur une cheminée ayant une sortie plus élevée que 50 % du diamètre de sortie de l'appareil. Une sortie de 6 po (152 mm) exige un diamètre de 6 po (152 mm) pour un tirage optimal, mais peut également fonctionner avec une sortie de 8 po (203 mm). Cependant, il devient limité à un diamètre plus élevé que 8 po (203 mm) de diamètre. Les cheminées de maçonnerie construites à partir de blocs de ciments avec ou sans revêtement ne correspondent pas aux normes modernes de la construction. Un appareil à carburant solide ne doit pas être lié à une conduite de fumée qui est connectée à un autre appareil brûlant d'autres carburants.

Si votre cheminée a un revêtement surdimensionné (8 x 12 po, ou 203 mm à 305 mm par exemple, ou plus élevé) ou s'il n'est pas basé, il sera nécessaire de rebaser la cheminée en utilisant des méthodes approuvées et économiques, comme l'acier galvanisé, d'argile réfractaire ou de revêtements en argile cuite correctement calibrés. Contactez l'usine à l'adresse et au numéro de téléphone inscrits dans ce manuel de l'utilisateur si vous avez des questions à propos de la ventilation de votre appareil. Vous pouvez également contacter NFPA (National Fire Protection Association) et demandez les normes 211 de NFPA (Édition américaine de 1984). Une autre publication utile est les normes 908 (E-U) de la NFPA. Spécifiez l'édition 1984 d'une de ces publications américaines.



Ventilation Dans Un Foyer

Plusieurs personnes aimeraient convertir un foyer existant pour avoir un radiateur. Habituellement, la connexion sécurisée d'un tuyau de poêle à une cheminée de maçonnerie requiert plus d'efforts qu'une connexion à une cheminée préfabriquée. Rappelez-vous toujours d'inspecter la cheminée de maçonnerie et le foyer. Si nécessaire, nettoyez le conduit et la tablette à fumée avant de commencer l'installation. Installez le radiateur dans le foyer pour mettre le désassemblage du système pour son nettoyage et son inspection.

Gardez à l'esprit que certains foyers et certaines cheminées existantes ne sont pas sécuritaires avant de décider de convertir votre foyer. Le foyer et la cheminée doivent être solidement construits, et le conduit de raccordement doit être en bonne construction. N'utilisez pas une cheminée si elle n'est pas rebasée (devrait avoir un recouvrement en tuiles en argile cuite pour protéger les briques). Demandez une rebasage professionnelle. Les espaces de dégagement vers les combustibles sont expliqués dans la section précédente sur les cheminées de maçonnerie. Consultez un ingénieur qualifié, un maçon compétent ou un inspecteur qualifié si vous avez des questions à propos de la condition de votre cheminée.

Plusieurs foyers préfabriqués tombent dans la catégorie « foyer sans espace de dégagement ». C'est un foyer métallique fabriqué en usine avec une construction à niveau multiples. Il est conçu pour offrir assez d'isolation et de refroidissement de l'air afin de permettre à la base, à l'arrière et aux côtés d'être placés directement contre les planchers et les murs combustibles en toute sécurité. Même si les foyers pré-fabriqués ont été testés par des organisations reconnues nationalement pour être utilisés à titre de foyers, ils n'ont pas été testés pour accepter des radiateurs. En fait, leur utilisation pourrait être annulée par la garantie du fabricant.

Les foyers en acier, d'un autre côté, peuvent être utilisés comme radiateurs. Ces produits utilisent un recouvrement d'un-quart de pouce pour leur chambre à combustion, et une chambre à air liée avec 8 pouces de maçonnerie afin de répondre aux exigences des normes. Ils contiennent les pièces essentielles au foyer, à la chambre à combustion, à la bouche, à la tablette de fumée et à la chambre de fumée. Plusieurs ressemblent à des foyers de maçonnerie et doivent être vérifiés afin de s'assurer qu'ils correspondent aux exigences précédentes avant de les équiper d'un chauffage à bois.

Une autre méthode utilisée fréquemment par les gens est la ventilation du radiateur directement dans le foyer. Les normes ne sont pas respectées puisque le radiateur est ventilé par un autre appareil: le foyer. Cette méthode ne devrait pas être essayée puisque les produits à combustion créent un dépôt dans la boîte de combustion ou dans le foyer. Prêtez attention et n'installez pas un danger dans votre maison. Votre garantie sera annulée si vous procédez à l'installation.

ATTENTION: Certains foyers ne sont pas appropriés pour être équipés d'un chauffage à bois.

CONNEXION DE LA CHEMINÉE

Tenez compte de l'emplacement de la cheminée pour veiller à ce qu'elle ne soit pas trop près des voisins ou dans une vallée pouvant causer des conditions malsaines ou nuisibles. Votre conduit de raccordement et la cheminée doivent être du même diamètre que la prise de sortie du poêle (6 po). Si ce n'est pas le cas, nous suggérons que vous contactiez votre fournisseur afin d'assurer qu'il n'y a pas de problème avec le tirage.

La conduite du poêle est faite d'acier aluminisé ou d'acier profilé à froid d'une épaisseur minimale de 0,021 po ou 0,53 mm. Il est strictement interdit d'utiliser de l'acier galvanisé.

Deux cheminées de base sont approuvées pour l'utilisation avec du carburant solide. Construisez en usine et maçonnez. La cheminée préfabriquée en usine doit respecter les normes UL aux États-Unis, et les normes ULc au Canada.

Votre poêle ou votre fournaise ne devrait pas produire de tirage. Le tirage n'est pas une fonction de cet appareil. Le tirage est une fonction exclusive à la cheminée. Les poêles et les fournaises récentes sont beaucoup plus hermétiques et efficaces que les appareils dans le passé; ils requièrent également un plus grand tirage. Un minimum de 0,05 po mesuré en colonne d'eau (des jauges pour mesurer le tirage de la cheminée sont disponibles dans les magasins de poêle et sont économiques à l'achat et à la location) est requis pour un tirage correct afin de prévenir la fumée, le disperser et de fumée, mais est également requis pour optimiser la performance.

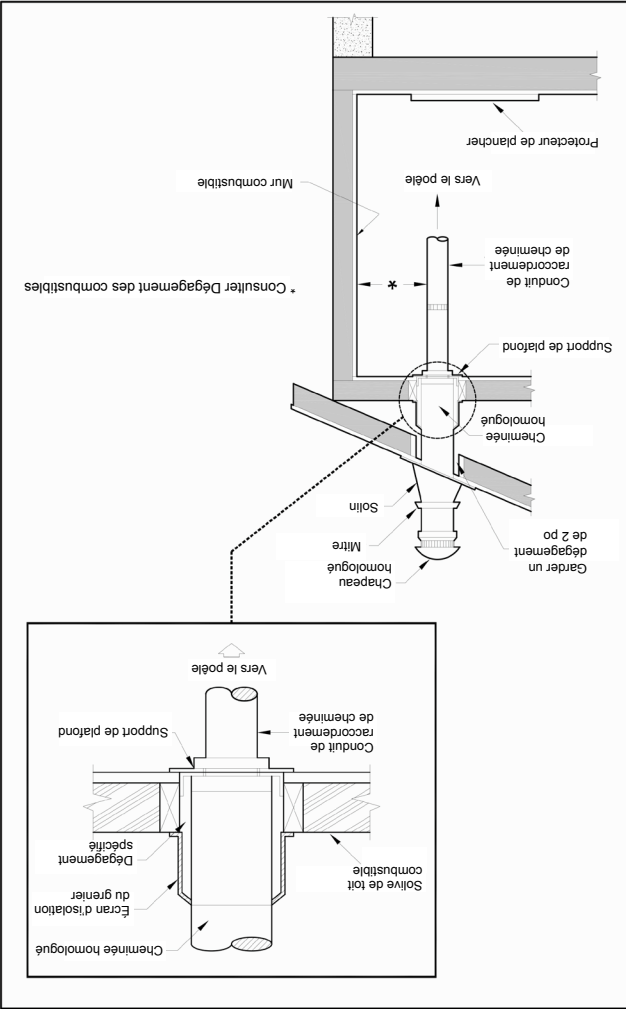
Les cheminées possèdent deux fonctions. La première est évidente: La cheminée offre une manière d'extraire la fumée et les gaz provoqués par la combustion du carburant. Deuxièmement, la cheminée produit un « tirage » qui permet à l'oxygène d'être constamment fourni à l'appareil, afin d'assurer une combustion propre, si possible. Depuis le 1er avril 1987, tout chauffages et fournaises sont fabriqués avec une cheminée de 6 po (152 mm) qui répondent aux exigences de « Type HT » et respectent les normes UL 103 (2100 °F, 1149 °C) ou ULc S629(650 °C) (lorsqu'une cheminée préfabriquée en usine est utilisée).

Un conduit de raccordement ne doit pas passer à travers un grenier, un comble, un garde-robe, un plancher, un plafond ou tout espace similaire caché. Lorsqu'un passage à travers un mur ou une partition d'une construction combustible est désoré, l'installation doit être conforme à la NFPA 211.

IMPORTANT D'UN TIRAGE ADEQUAT

Le tirage est une force déplaçant l'air de l'appareil vers la cheminée. La quantité de tirage dans votre cheminée dépend de la longueur de la cheminée, son emplacement géographiquement local, les obstructions à proximité et d'autres facteurs. Trop de tirage peut causer des températures excessives dans l'appareil et pourrait l'endommager. Un tirage inadéquat peut causer des retours de fumée dans la pièce et causer l'obturation par de la cheminée. Un tirage inadéquat causera des fuites de fumée par l'appareil dans la pièce, s'infiltrant par l'appareil, et les joints du conduit de raccordement. Un brûlage incontrôlable ou une température excessive indique un tirage excessif.

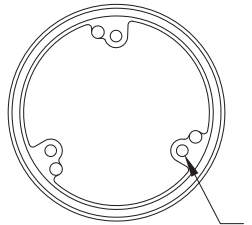
AVERTISSEMENT: Ne connectez pas ce produit à une conduite de fumée étant utilisée par un autre appareil.



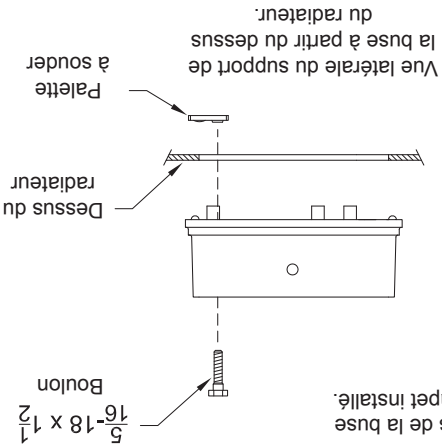
Buse De Support De Conduit En Fonte

Ce radiateur est équipé d'une buse de conduit en fonte. Buse - 40292 Boulon de 18 5/16 x 1 1/2 po (3 requis) Palette à souder (3 requis) Joint

Trous dans la buse
le couvercle du
radiateur.

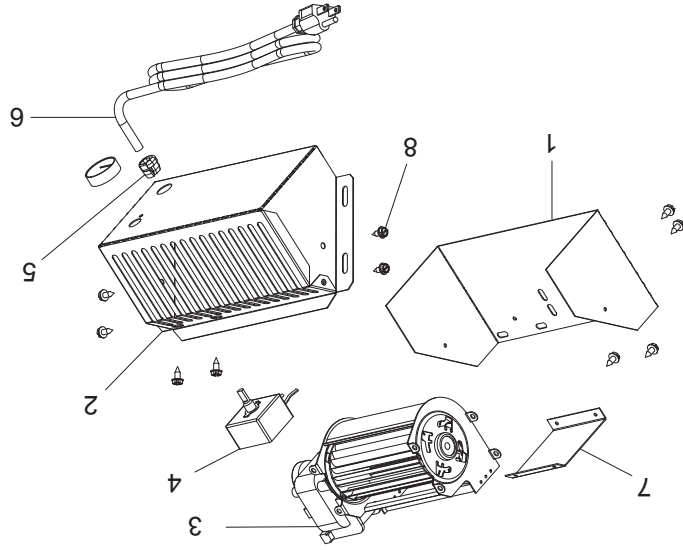
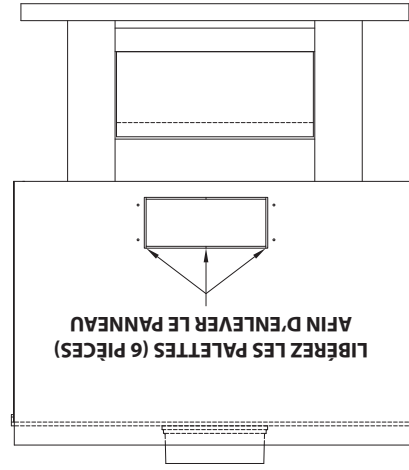


Vue du bas de la buse
avec un clapet installé.



Retirez le ruban de l'arrière du joint et attachez ce joint à la gorge du câble de la buse. Montez la buse sur le dessus du radiateur en utilisant les (3) boulons de 18 5/16 x 1 1/2 et les (3) trois palettes à souder se trouvant dans le sac de pièces.

Assemblage Du Ventilateur



INSTRUCTIONS D'ASSEMBLAGE

Étape 1: L'ASSEMBLAGE DE VENTILATEUR DOIT ÊTRE DÉCONNECTÉ DE LA SOURCE D'ALIMENTATION EN ÉLECTRICITÉ AVANT D'ENTREPRENDRE L'INSTALLATION. Coupez les 6 micro-joints avec des pinces et enlevez le panneau. Remarque: Jetez le panneau. Étape 2: Attachez l'assemblage à l'arrière du poêle avec les quatre vis intégrées. L'ASSEMBLAGE DU VENTILATEUR NE DOIT ÊTRE UTILISÉ QU'AVEC UN POÊLE PROSCRIT. NE FAITES PAS PASSER CE CÂBLE D'ALIMENTATION PRÈS OU PAR-DESSUS DES SURFACES CHAUDES

Ciè	Description	No. De Pièce	Qté
1	Arrière de l'assemblage du ventilateur	25089B	1
2	Devant de l'assemblage du ventilateur	25090B	1
3	Moteur du ventilateur	80442	1
4	Rhéostat avec un écrou et une poignée	80090	1
5	Douille à soulèvement de traction	80109	1
6	Câble d'alimentation	80232	1
7	Bouclier thermique	891861	1
8	Vis hexagonale 10AB x 3/8	83172	12
N/S	Vis hexagonale 12 x 3/4	C23799	4

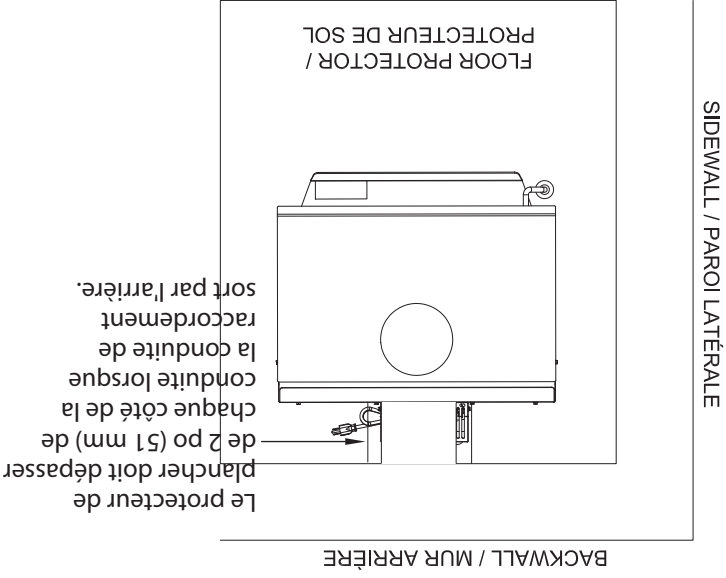
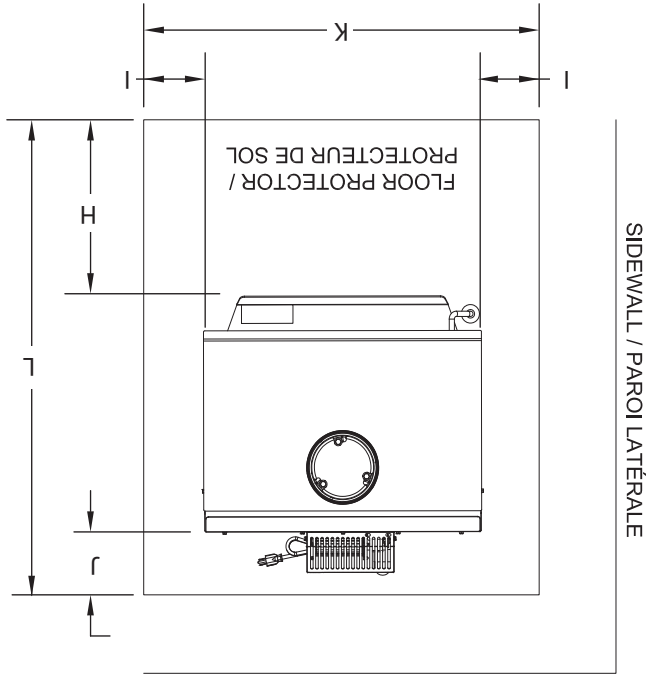
Localisation Du Radiateur De La Chambre

Gardez à l'esprit les éléments suivants en sélectionnant la localisation du radiateur. Conservez la connexion à la cheminée la plus courte possible. Le radiateur peut avoir sa propre conduite de fumée. Ne connectez pas un autre appareil à cette conduite. S'il n'y a aucune cheminée dans la pièce où vous désirez installer votre radiateur, vous pouvez utiliser une cheminée construite en usine pour combustible solide, homologuée UL, de type 103 HT.

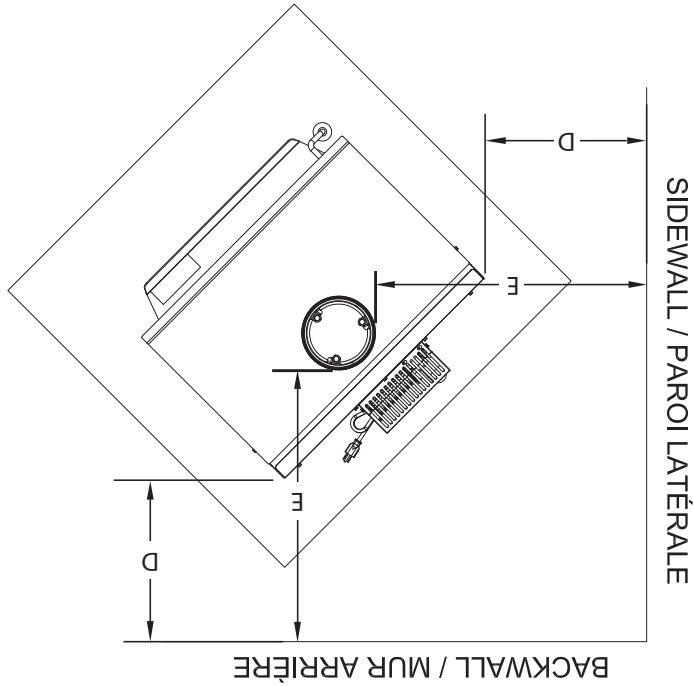
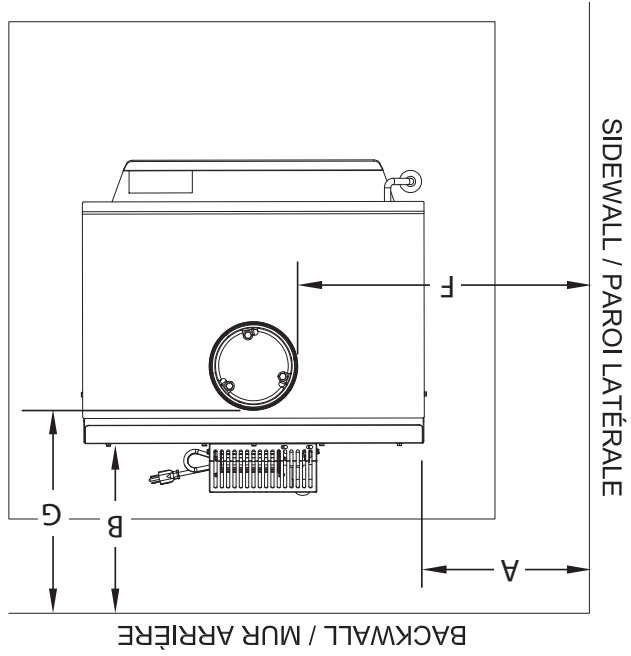
Placez le radiateur sur un protecteur de plancher usiné qui respecte l'UL 1618, qui offre une protection minimale contre les braises de type 1. Le protecteur de plancher doit être sous le poêle, doit dépasser de 16 po sur le devant, et par 8 po de chaque côté de l'ouverture de chargement du combustible, et de l'ouverture d'extraction des cendres. Ayez un protecteur de plancher aux dimensions spécifiées. Étudiez les dessins 2, 3 et 4. Vous devriez au moins avoir les espaces de dégagement indiqués entre le radiateur et la conduite de raccordement, jusqu'aux surfaces combustibles. Vous pouvez placer le radiateur aussi près que vous le voulez d'un mur si ce dernier est fabriqué à partir de briques ou de pierres. Si le mur n'est que recouvert de briques ou de pierres, considérez ce mur comme étant combustible. Consultez les autorités locales avant de réduire les espaces de dégagement spécifiés dans ces instructions. Le protecteur de plancher doit dépasser le produit d'au moins deux (2) pouces de chaque côté de la conduite de la cheminée.

Le protecteur de plancher doit dépasser de 2 po (51 mm) de chaque côté de la conduite lorsque la conduite de raccordement sort par l'arrière.

Espaces de dégagement du protecteur de plancher	
H	Devant US 16 po (406mm) CAN 18 po (457mm)
I	Côté 8 po (203mm)
J	Arrière CAN 8 po (203mm)
K	Largeur globale 38 5/8 po (981 mm)
L	Profondeur globale 45 5/16 po (1,15m)



Espace Minimum Entre Le Radiateur Et Les Murs Combustibles

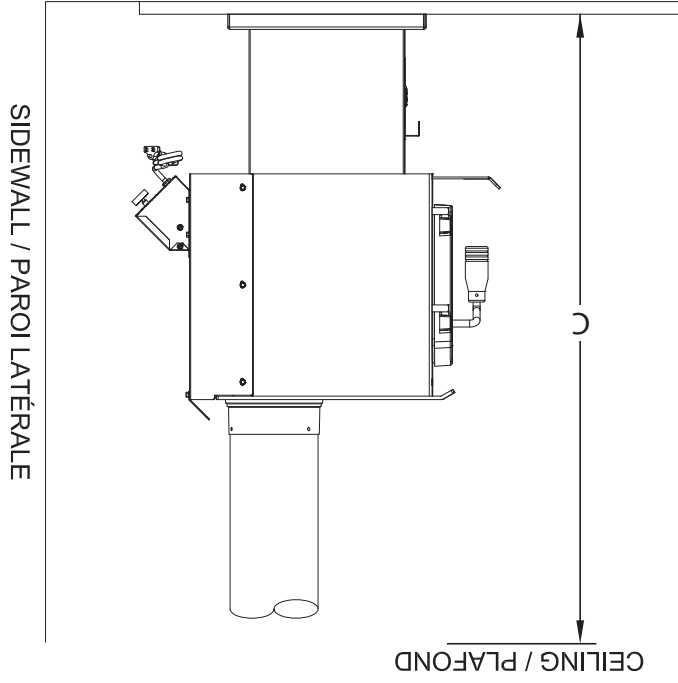


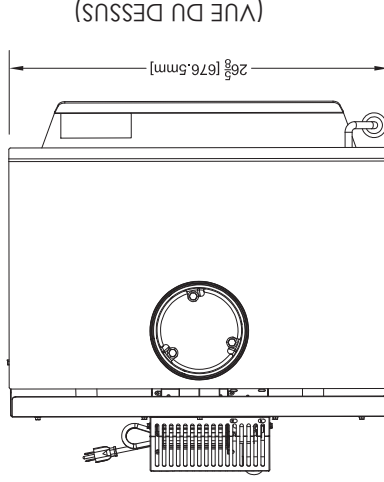
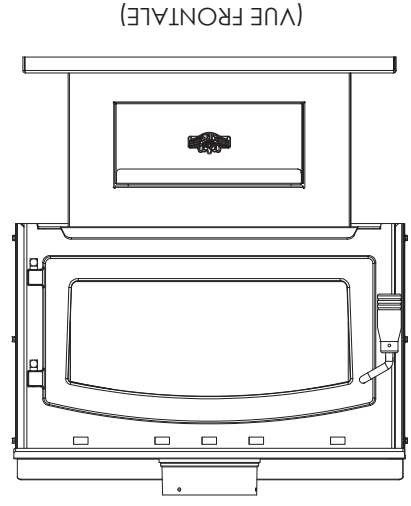
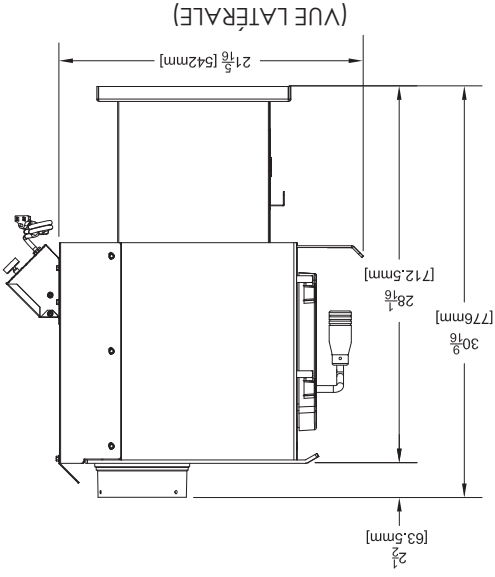
Espaces du poêle	
A	Mur latéral 18 po (457 mm)
B	Mur arrière 12 po (305 mm)
C	Hauteur du plafond 84 po (2134 mm)
D	Mur le plus proche du coin 12 po (305 mm)
E	Entre le mur et la conduite de raccordement (Alcôve) 21 po (533,4 mm)
F	Entre le mur latéral et la conduite de raccordement 22,25 po (565 mm)
G	Entre le mur arrière et la conduite de raccordement 15 po (381 mm)

Espaces minimums pour l'installation dans un coin est de 12 po (305 mm) entre les coins du radiateur et le mur le plus proche.

ATTENTION: Gardez les meubles et les autres matériaux combustibles éloignés du radiateur.

La disposition obligeant les propriétaires à respecter les distances ne peut être réduite que par les autorités réglementaires.





Outils Et Matériaux Requis

OUTILS

- Crayon
- Règle souple de 6 pieds ou un ruban à mesurer
- Perceuse à main ou électrique
- Foret de 1/8 po diam. (pour les vis autotaraudeuses)
- Un tourne-écrou de 5/16 po ou une douille de 5/16 po avec un cliquet.
- Tournevis (plat)
- Gants
- Lunettes de sécurité

MATÉRIAUX

- Tuyau de 6 po, coude de 6 po, collier d'évent et vrole, tel que requis (24 jauge min.).
- Vis autotaraudeuses de 1/2 po (n° 10A x 1/2 po)
- Une cheminée à triple mur pour combustible résidentiel solide construite en usine, ou une cheminée de maçonnerie existante de 6 po de diamètre interne homologuée Underwriters Laboratories (UL).
- Matériaux protecteurs de plancher, tels que spécifiés dans ce manuel.
- Ciment à calorifère (le fabricant recommande Rutland noir, Code 78 ou l'équivalent)

NE PAS BRÛLER :

- Des déchets résidentiels ou commerciaux;
- Des déchets de tonte ou résidus de jardin;
- Des matériaux contenant du caoutchouc, incluant les pneus;
- Des matériaux contenant du plastique;
- Des déchets de produits du pétrole, des peintures ou diluants à peinture, ou des produits d'asphalte;
- Des matériaux contenant de l'amiante;
- Des débris de construction ou de démolition;
- Des produits provenant du papier, du contreplaqué, ou du panneau de particules.
- L'interdiction de brûlage de ces matériaux n'interdit pas l'utilisation d'allume-feu composés de papier, carton, sciure de bois, cire et substances

- similaires, aux fins de démarrer le feu dans un chauffage au bois non modifié.
- Traverses de voie ferrée ou bois traité sous pression;
- Du fumier ou des restes d'animaux;
- Bois flottant en eau salée ou autres matériaux précédemment saturés par de l'eau salée;
- Bois non séché;
- Tous matériaux qui ne sont pas inclus dans la garantie ou le manuel du propriétaire concernant le chauffage au bois; ou
- Tous matériaux qui ne sont pas inclus aux essais de certification concernant le chauffage au bois.

Règles De Sécurité

Lire attentivement ces règlements et ces instructions.

1. Vérifiez les normes locales. L'installation respecte ces règlements. Respectez attentivement les dégagements par rapport aux matériaux combustibles spécifiés dans ce manuel.
2. N'installez pas ce chauffage dans une maison mobile.
3. Ne connectez pas le chauffage de combustion à bois à un conduit de combustion en aluminium de type b. C'est dangereux et interdit par le national fire protection association code.
4. Branchez toujours ce chauffage à une cheminée à l'évacuation dirigée vers l'extérieur. N'évacuez jamais les gaz vers une autre pièce ou vers l'intérieur d'un bâtiment.
5. Le radiateur autoportant de pièce requiert une cheminée pour appareil de chauffage pour bâtiment ou de type résidentiel homologué ul.
6. Assurez-vous que votre cheminée est construite de manière sécuritaire et qu'elle est en bon état. Faites inspecter la cheminée par un inspecteur certifié ou par le service d'incendie. Votre compagnie d'assurance pourrait être en mesure de vous recommander un inspecteur certifié.
7. Assurez-vous que la cheminée soit assez haute afin d'offrir un bon tirage.
8. Inspectez le conduit de raccordement et la cheminée deux fois par mois pendant la saison de chauffage pour y déceler tout dépôt de créosote ou de suie devant être enlevé (voir l'entretien de la cheminée).
9. Ne soyez pas alarmé si le chauffage émet de la fumée lors du premier allumage. La peinture spéciale utilisée doit être cuite durant le premier allumage. Cette fumée ne surviendra que durant le premier allumage.
10. Les pièces en fonte doivent être cuillonnées pour prévenir les fissures. Ne créez que des petits feux durant les premières utilisations.
11. Pour éviter les blessures, ne laissez personne utiliser ce chauffage sans qu'il soit familier avec son bon fonctionnement.
12. Pour obtenir de l'information supplémentaire sur l'utilisation de votre chauffage, obtenez une copie de la publication « cheminées, foyers, et appareils de chauffage de combustibles solides (nfpa no 211 (é-u) de la national fire protection association (nfpa).
13. Jeter les cendres - placez les cendres dans un contenant en métal fermé sur un plancher non-combustible, ou sur le sol, loin des matériaux combustibles. Gardez les cendres dans un contenant fermé jusqu'à ce qu'elles soient bien

14. Conservez l'antré du foyer propre, sans excès de cendres.
15. Respectez les autorisations de matériaux combustibles spécifiés dans ce manuel afin d'éviter un incendie.
16. Entretien des pièces peinturées - ce radiateur a une couverture peinte d'un produit durable. Cependant, cette peinture ne pourra pas supporter des manipulations brutales ou de l'abus. Faites attention aux manipulations lorsque vous installez votre chauffage. Nettoyez avec du savon et de l'eau tiède lorsque le chauffage n'est pas chaud. Ne pas utiliser d'acide ou de savon à récure, car ils vont user et ternir le fini. La décoloration de la peinture surviendra si le radiateur est surchauffé. Suivre attentivement les directives de fonctionnement.
17. Les murs du caisson du radiateur peuvent se déformer au fil du temps. La déformation légère n'affecte pas le fonctionnement de l'unité.
18. Attention: chaud lorsqu'il fonctionne. Gardez les enfants, les vêtements et les meubles loin du radiateur. Le contact peut entraîner des brûlures de la peau.
19. Ne pas utiliser de produits chimiques ou de fluides pour allumer le feu.
20. Ne pas brûler de déchets ou de liquides inflammables, comme du gaz, du naphte ou de l'huile à moteur.
21. Attention: ne pas connecter à un conduit de distribution d'air, ou ne pas l'utiliser avec un tel produit, à moins d'obtenir une autorisation pour ces installations.
22. Attention: emmagasiner le bois solide à une distance sécuritaire du radiateur. Ne pas emmagasiner le bois solide à l'intérieur du dégagement du radiateur, ou à l'intérieur de l'espace requis pour enlever les cendres.
23. Ne pas utiliser une grille ou ne pas élever le feu - créer le feu directement dans l'âtre.
24. Nous recommandons l'installation de détecteurs de fumée dans votre maison. La fumée émise par cet appareil pourrait activer le détecteur de fumée si la porte est ouverte.
25. Un apport adéquat en air à combustion doit être offert dans la pièce où est installée le radiateur.
26. Ne pas surchauffer - si le chauffage ou la cheminée rougeoit, vous surchauffez.

ATTENTION: Ne pas toucher les surfaces métalliques ou les surfaces en verre si le radiateur n'a pas été refroidi adéquatment.

Vous venez d'acheter un radiateur du plus ancien manufacturier nord américain de produits à combustion à

Félicitations!

En chauffant au bois, vous aidez à la PRÉSERVATION DE L'ÉNERGIE.

Le bois est notre seule ressource en énergie renouvelable. Faites votre part pour préserver nos réserves en bois. Planter au moins un arbre par année. Les générations futures vous remercieront.

Ce manuel décrit l'installation et le fonctionnement du modèle 2016EB de chauffage à bois de l'United States Stove Company. Ce chauffage respecte les limites d'émission 2015 de bois en caisson de la U.S. Environmental Protection Agency pour les chauffages au bois solide après le 15 mai 2015. Selon les conditions de test EPA particulières, utilisant le sapin de Douglas dimensionnel, ce chauffage dégage de la chaleur à un taux de 35,750 btu/heure. Ce chauffage a atteint un taux d'émission de particules de 3,7 g/heure, lorsqu'il est testé en utilisant la méthode ASTM E2780-10 de l'annexe de taux de combustion (*et un taux d'efficacité de 66,6%).

Ce chauffage au bois a un taux de combustion minimum réglé à la fabrication, et qui ne peut être modifié. La modification de ce réglage ou une utilisation autre de ce chauffage au bois qui ne respecterait pas les directives du présent manuel contrevient aux réglementations fédérales.

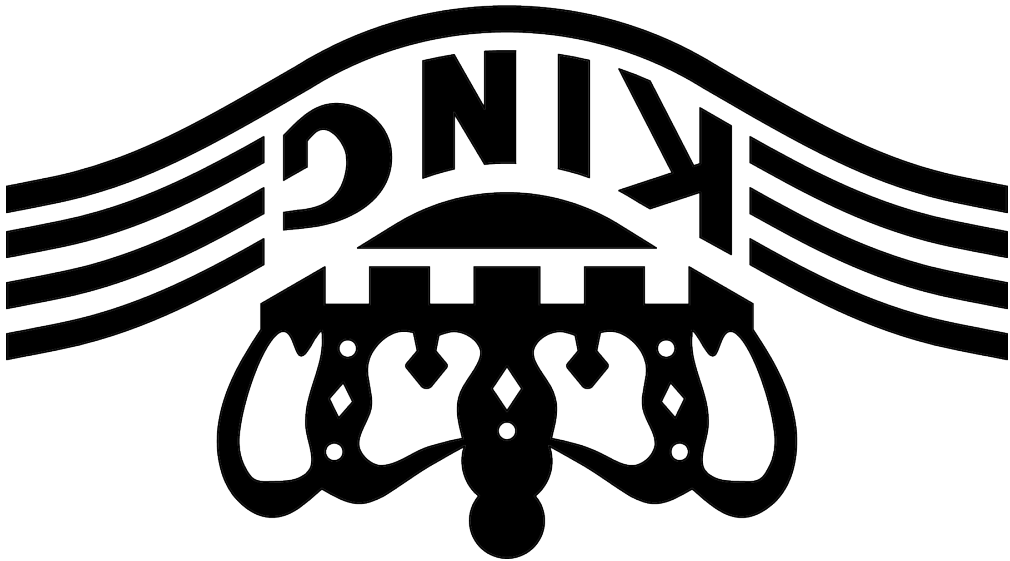
Le fonctionnement de ce chauffage au bois ne respectant pas le manuel annulera votre garantie, tout en contrevenant aux réglementations fédérales.

Le chauffage est conçu pour ne brûler que du bois naturel. Lors du brûlage de bois durs séchés à l'air, une plus grande efficacité et des émissions moins élevées peuvent être atteintes, comparativement aux bois mous ou aux bois durs verts ou fraîchement coupés. Le brûlage des matériaux suivants peut causer des émissions de fumées toxiques ou rendre le chauffage inefficace en raison de la fumée.

Ce chauffage à bois nécessite des inspections ou réparations périodiques pour un fonctionnement adéquat. Une utilisation de ce chauffage à bois qui ne respecte pas les directives du présent manuel contrevient aux réglementations fédérales.

AVIS DE SÉCURITÉ: Un incendie résidentiel pourrait être provoqué par une installation erronée de ce chauffage. Ne pas faire de compromis faits maisons durant l'installation. Nettoyer le poêle fréquemment afin de réduire les accumulations de suie, de créosote et de cendres. Pour assurer votre sécurité, suivre les directives d'installation. Contactez le bâtiment local régissant les permis, ou votre service d'incendie pour obtenir un permis, vous renseigner sur les restrictions et les exigences d'installation dans votre région. Le chauffage de la chambre doit être connecté à une cheminée respectant les exigences déterminées pour les cheminées de type HT dans les Normes pour Cheminées préfabriquées en usine, de type résidentiel, et les appareils de chauffage de bâtiment, l'UL 103, ou une cheminée de maçonnerie équipée d'un revêtement approuvé par les normes. Veuillez lire ce manuel en son intégralité avant d'installer et d'utiliser votre nouveau chauffage. Le fait de ne pas respecter ces instructions pourrait causer des dommages à la propriété, des blessures corporelles ou même la mort.

Owner's Operation and Instruction Manual



Modèle: 2016E (B)

La Plaque Chauffante Piédestal

CONSERVEZ CES INSTRUCTIONS

CE MANUEL VOUS AIDERA À OBTENIR UN SERVICE EFFICACE ET FIABLE À PARTIR DU RADIATEUR ET VOUS PERMETTRA DE COMMANDER CORRECTEMENT LES PIÈCES DE RÉPARATION. GARDEZ DANS UN ENDROIT SÛR

POUR RÉFÉRENCE FUTURE.

AVIS DE SÉCURITÉ:

Si ce chauffage n'est pas installé correctement, un incendie peut se produire dans la maison. Pour votre sécurité, suivez les instructions d'installation. N'utilisez jamais de compromis de décalage lors de l'installation de ce chauffage. Contactez les autorités locales du bâtiment ou des pompiers au sujet des permis, des restrictions et des exigences d'installation dans votre région.

MISE EN GARDE!

Veillez lire ce manuel en entier avant d'installer ou d'utiliser votre nouveau radiateur. Le non-respect des instructions peut entraîner des dommages matériels, des blessures corporelles ou même la mort. Une installation incorrecte peut annuler votre garantie!

U.S. Environmental Protection Agency

Certifié conforme aux normes d'émissions de particules de 2015 pour les appareils de chauffage à combustion simple. Non approuvé pour la vente après le 15 mai 2020. Ce poêle à bois à combustion unique n'est pas approuvé pour utilisation avec un registre de combustion.

Rapport No 0215WS045E, 0215WS045S

Certifié pour: UL 1482-11 (R2015) et Certifié pour:

ULC-S627-00 et ASTM 2780 / Méthode 28R

N'utilisez pas ce radiateur dans une maison mobile ou une remorque!



AVERTISSEMENT DE LA PROPOSITION 65 DE LA CALIFORNIE:

Ce produit peut vous exposer à des produits chimiques, y compris le monoxyde de carbone, qui est connu dans l'état de Californie pour causer le cancer, des malformations congénitales et / ou d'autres problèmes de reproduction. Pour plus d'informations, visitez www.P65warnings.ca.gov

UNITED STATES
ESTD 1869
STOVE CO

United States Stove Company
227 Industrial Park Road
P.O. Box 151
South Pittsburg, TN 37380