

**Oxygen Concentrator, Portable
XPO2, XPO2 QI**



Yes, you can.

Parts Catalog Usage Guide

The information contained in this document is subject to change without notice. This catalog contains service parts for Form No. 15-077. If you have any questions regarding this catalog, please contact one of our Customer Service Representatives.

For Customer Service Support Call:

1-800-333-6900

For Faxed In Orders Call:

1-800-678-4682 or

1-440-366-0709

For Technical Service Call:

1-800-832-4707

Literature Can Be Found at:

www.invacare.com or

1-800-828-6272

SYMBOL DEFINITION

Throughout this catalog you will notice letters to draw your attention to specific footnotes which are located at the bottom of the page or below specified charts.

Examples:

A,B,C etc. = Special Comments

NOTE: = General information pertaining to that specific page

NLA = No Longer Available

HARDWARE MEASUREMENTS

The measurements for the hardware will be listed as follows:

Screws, Bolts Diameter X Thread Count/Pitch X Length

Washers Inside Diameter X Outside Diameter X Thickness

Spacers Inside Diameter X Outside Diameter X Length

For your convenience, we have supplied an area for you to list your Invacare Representatives.

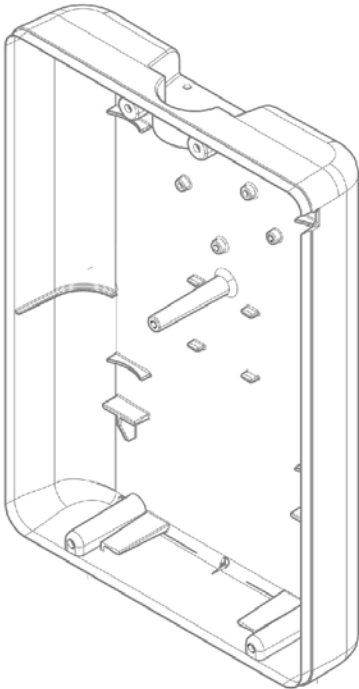
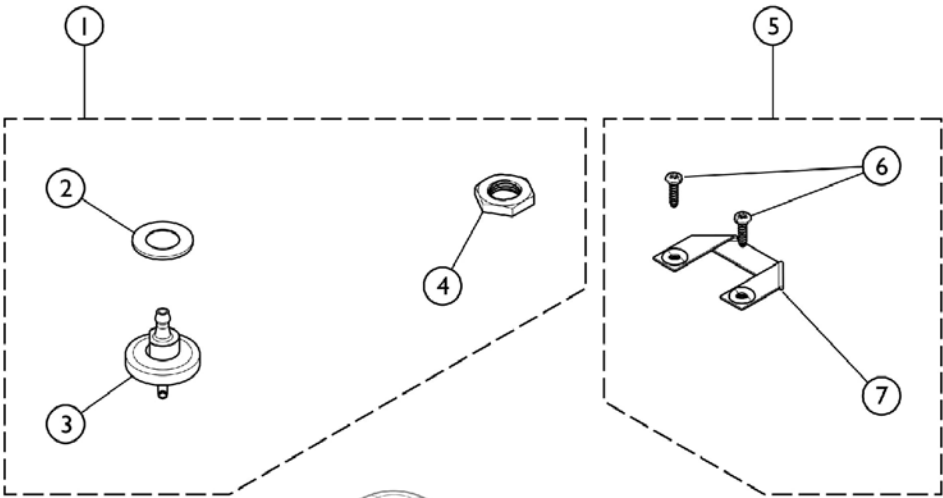
Name	Phone Numbers

© 2015 Invacare Corporation. All rights reserved. Republication, duplication or modification in whole or in part is prohibited without prior written permission from Invacare. Trademarks are identified by ™ and ®. All trademarks are owned by or licensed to Invacare Corporation or its subsidiaries unless otherwise noted.

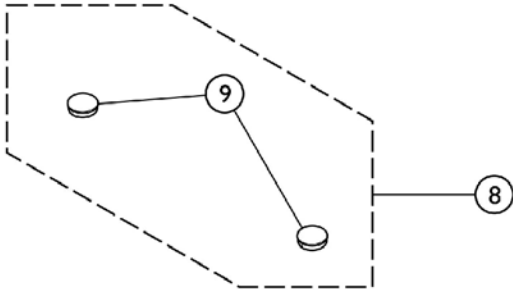
TABLE of CONTENTS

Description	Page Number
01. Shroud Components	3
02. Power Inlet	5
03. Front Assembly	7
04. Packaging and Inserts	9

Shroud Components



**Rear Shroud Shown
for Reference Only**



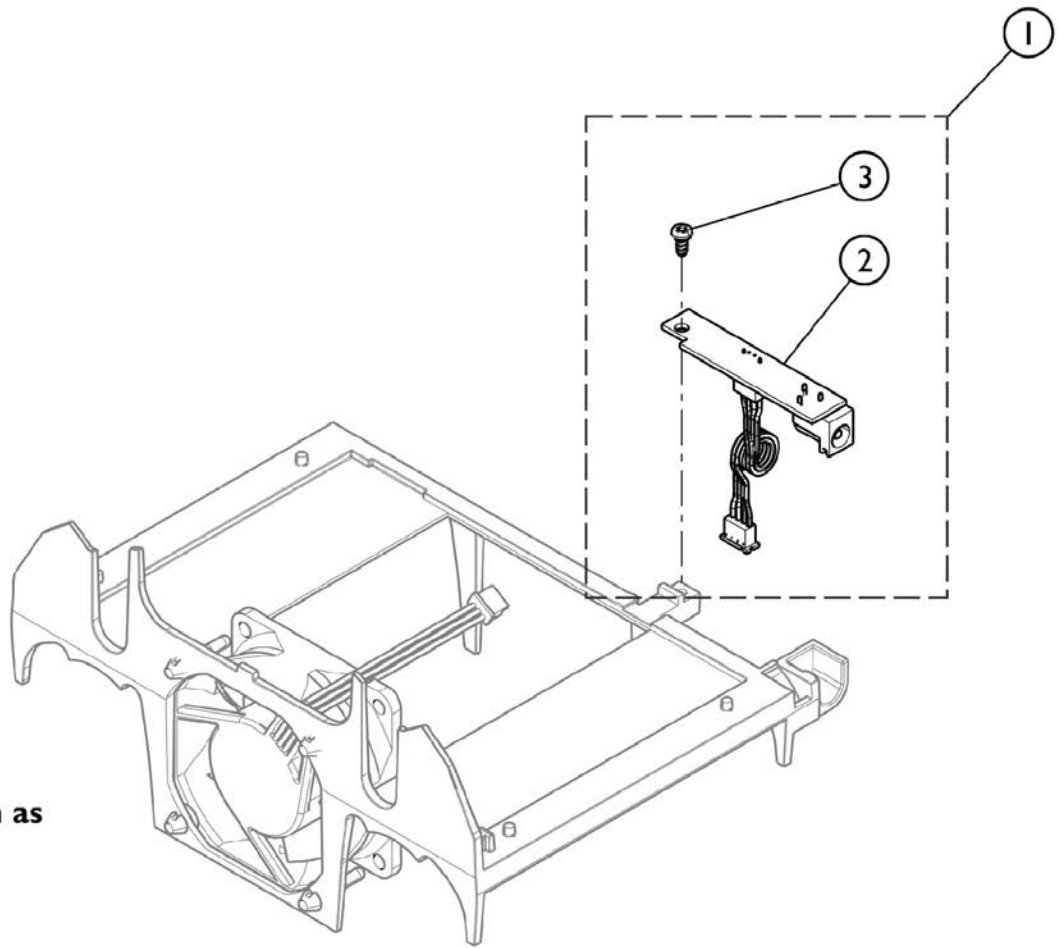
SRE_006A

Shroud Components

Item Number	Note	Part Number	Description	Quantity Per	
				Package	Assembly
1	A	1185319	Kit, HEPA Filter, XPO2	1	1
2			Washer (.56 x 1.00 x .063)	1	5
3			Outlet, HEPA Filter	1	5
4			Nut, Nylon, Black (9/16-18)	1	5
			Seal, Notice	1	5
5	B	1166963	Kit, Pull Strap	1	1
6			Screw, Pan Head, Torx (6-19 x 1/2)	1	2
7			Pull Strap	1	1
8	C	1185323	Kit, Bumper	1	1
9			Bumper, Adhesive Backed, Rubber Dome	1	9

NOTE: A - Kit includes items 2, 3, and 4.
 B - Kit includes items 6 and 7.
 C - Kit includes item 9.

Power Inlet



Support Shown as Reference

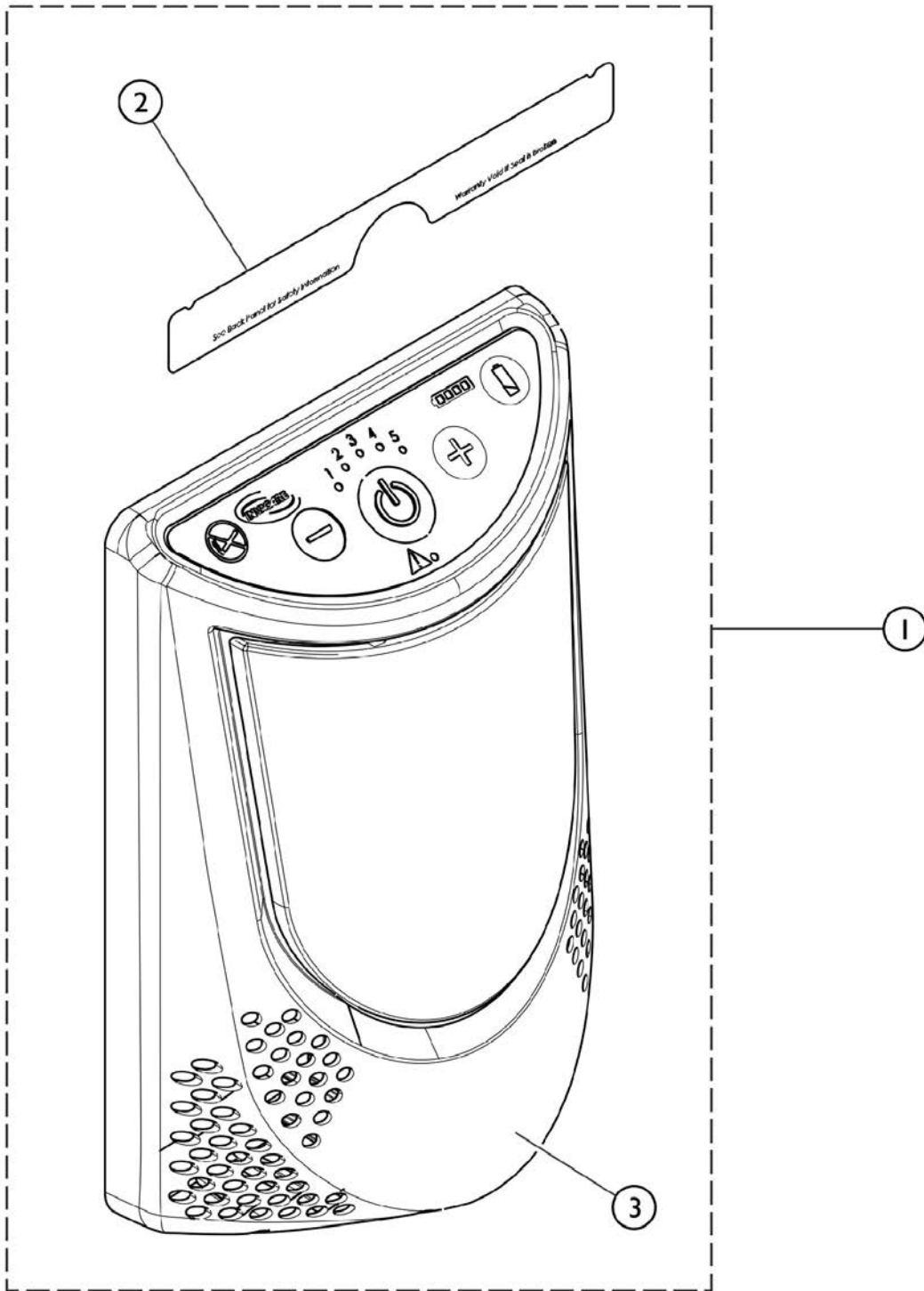
SRE_007A

Power Inlet

Item Number	Note	Part Number	Description	Quantity Per	
				Package	Assembly
1	A	1185321	Kit, Power Inlet, DC Jack, XPO2 QI	1	1
2			Power Inlet, PCB, XPO2	1	1
3			Screw, Pan Head, Torx (4-20 x 1/4)	1	1
			Seal, Notice	1	1
1	A	1185325	Kit, Power Inlet, DC Jack, XPO2	1	1
2			Power Inlet, PCB, XPO2	1	1
3			Screw, Pan Head, Torx (4-20 x 1/4)	1	1
			Seal, Notice	1	1

NOTE: A - Kit includes items 2, 3, and Seal Notice.

Front Assembly



SRE_008A

Front Assembly

Item Number	Note	Part Number	Description	Quantity Per	
				Package	Assembly
1	A	1185320	Kit, Upper Assembly, XPO2, QI	1	1
2			Seal, Notice	1	1
3			Front Assembly, XPO2	1	1
1	A	1185324	Kit, Upper Assembly, XPO2	1	1
2			Seal, Notice	1	1
3			Front Assembly, XPO2	1	1

NOTE: A - Kit includes items 2 and 3.

Packaging and Inserts

Item Number	Note	Part Number	Description	Quantity Per	
				Package	Assembly
1	A	1184129	Kit, Carton w/ Inserts	1	1

NOTE: A - Kit includes Shipping Carton, Lower Insert, and Tray Insert. No illustration.

Invacare Corporation

www.invacare.com



Yes, you can.

One Invacare Way
Elyria, Oh USA
44036-2125
800-333-6900

Technical Support
800-832-4707
Customer Service
800-333-6900

Literature Orders
800-333-6900

© 2015 Invacare Corporation. All rights reserved. Republication, duplication or modification in whole or in part is prohibited without prior written permission from Invacare. Trademarks are identified by TM and ©. All trademarks are owned by or licensed to Invacare Corporation or its subsidiaries unless otherwise noted. (Revised 05/29/15)

Form No. 15-077