

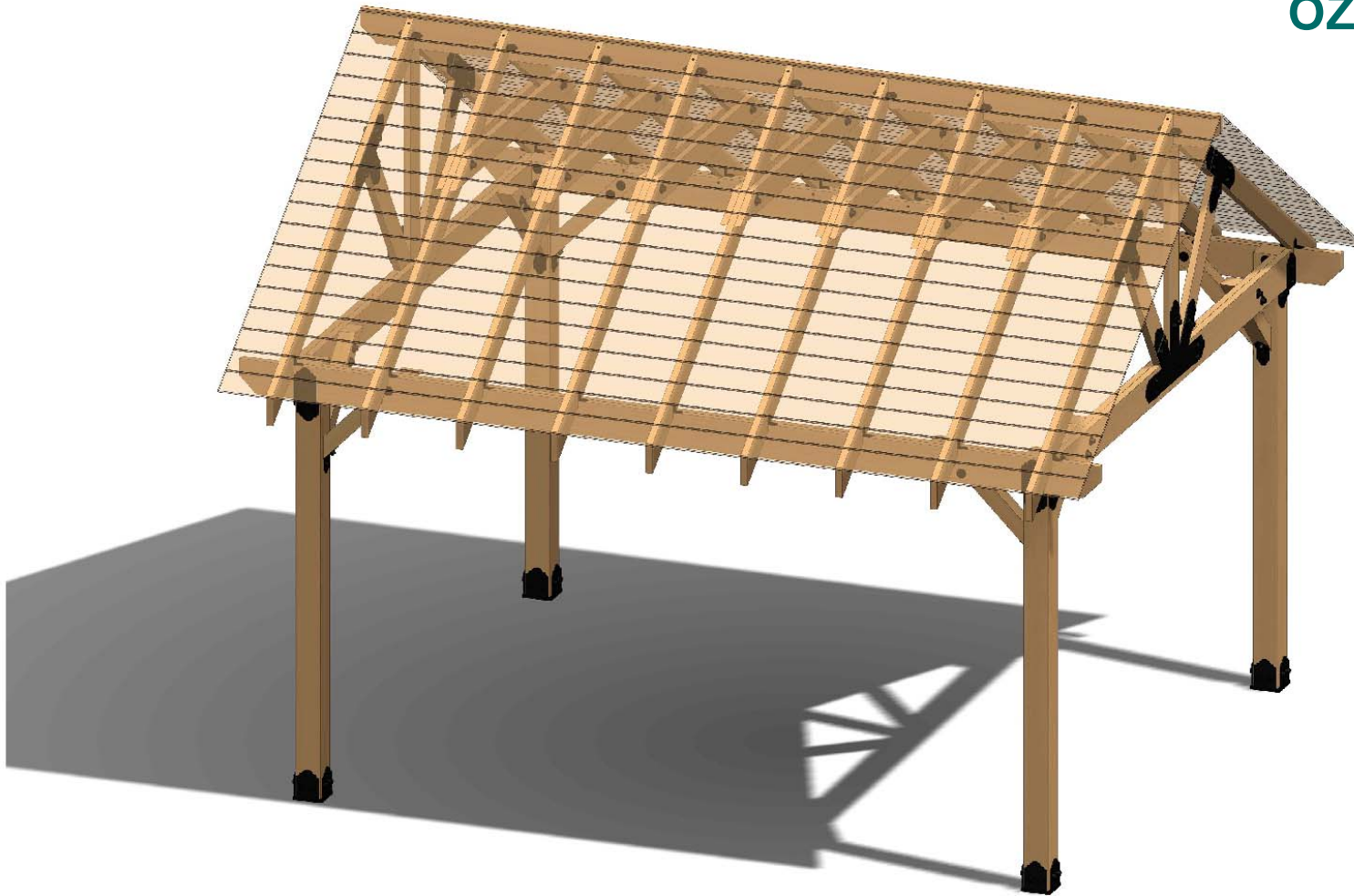
DESIGN

PURCHASE

CONSTRUCT

ENJOY

**OZCO Project #214 -
12x16 Pavilion
6x6 Posts**



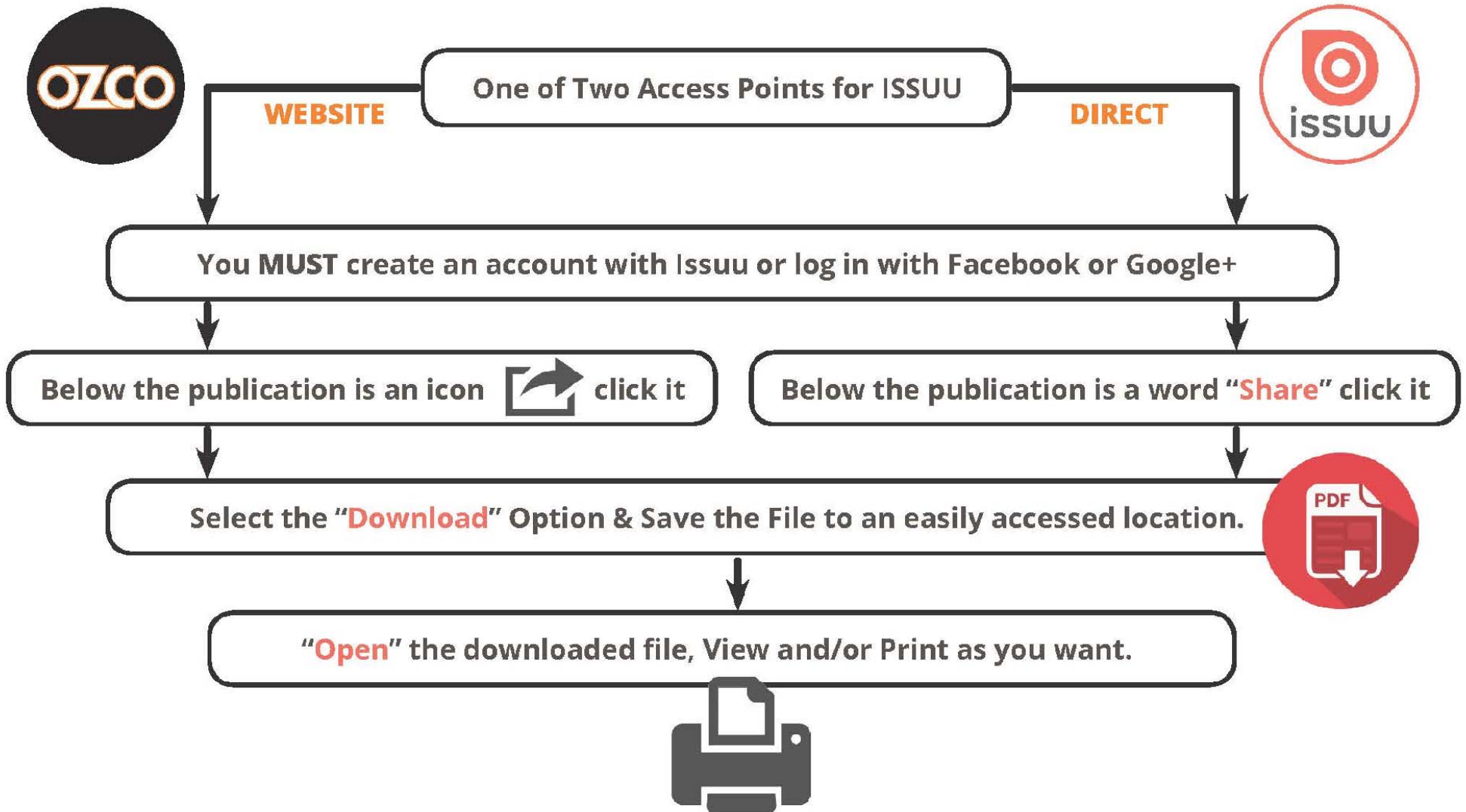
roofing shown translucent for clarity

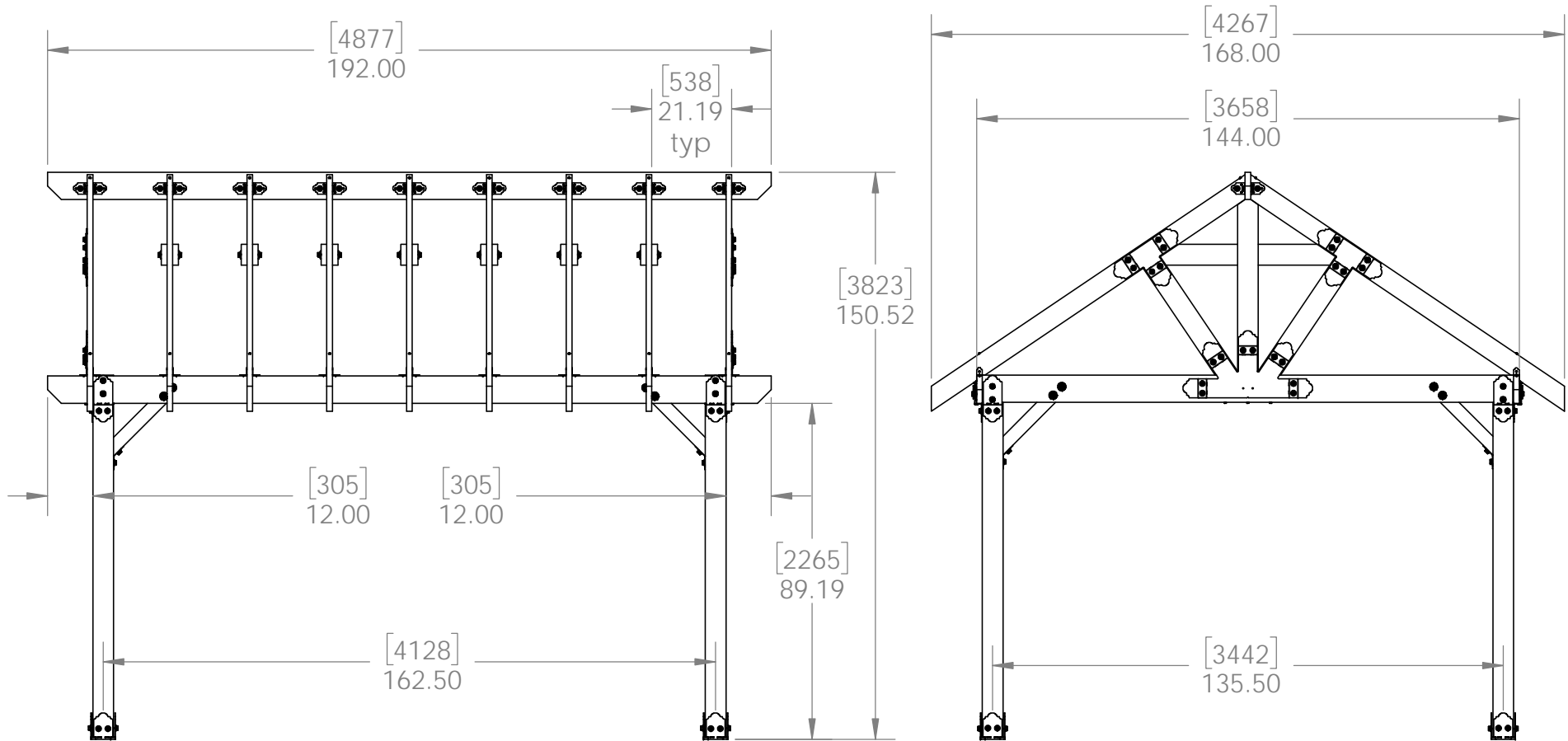




Printing Documents from ISSUU

Unfortunately, there is currently no way to print content directly through issuu. To print a publication, you will need to download it and print it from your computer.



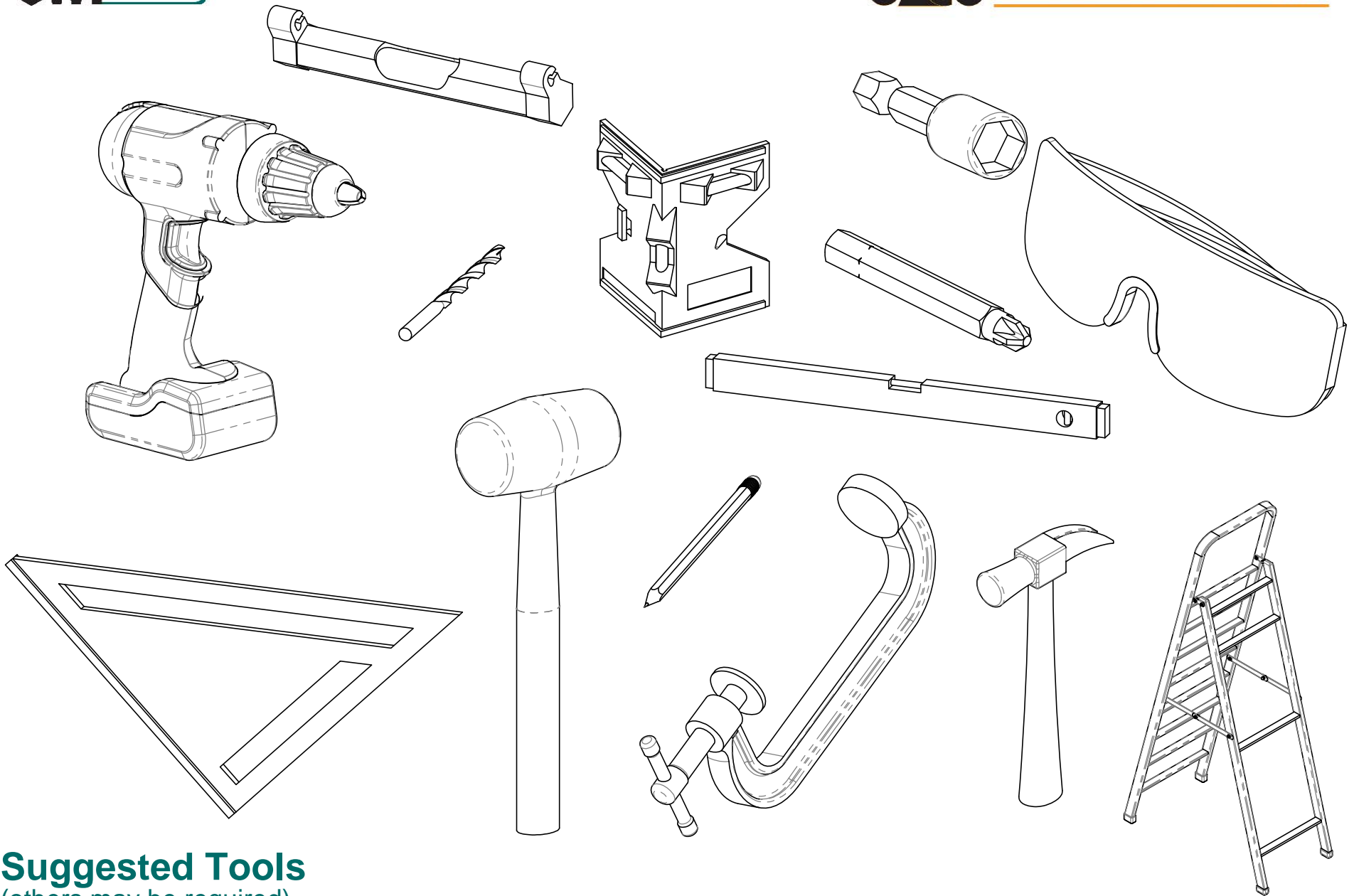


shown without roofing for clarity

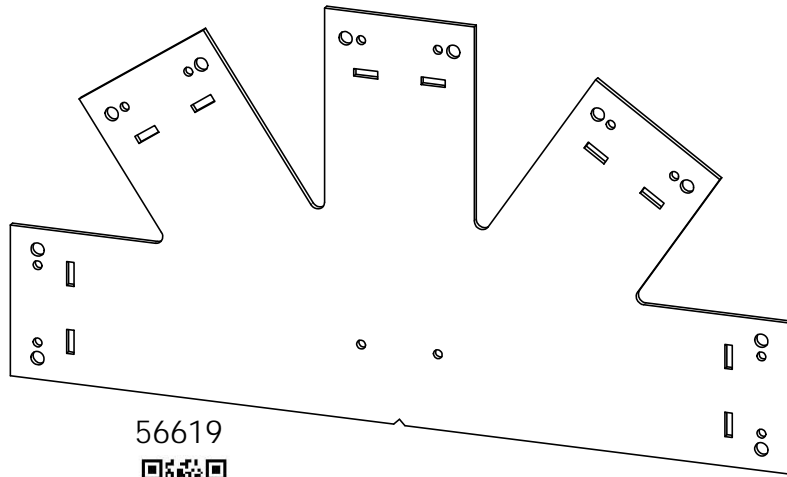
OZCO Project #214 - 12x16 Pavilion w 6x6 Posts

Pavilion Overview

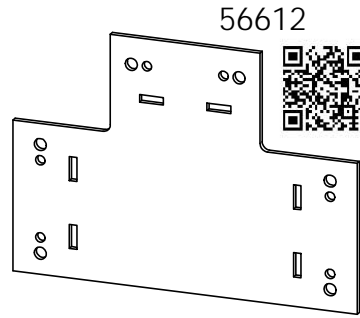
V1.00 - Installation Instructions effective May 1, 2015 and reflects information that available as of April 10, 2014. This information is updated periodically and should not be relied upon after May 1, 2015. Please visit www.OZCOBP.com to get current information



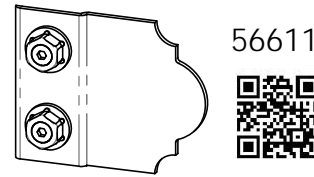
Suggested Tools
(others may be required)



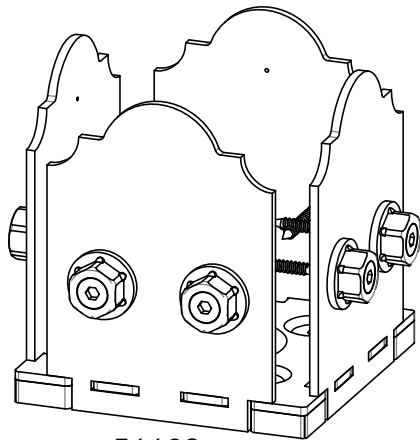
56619



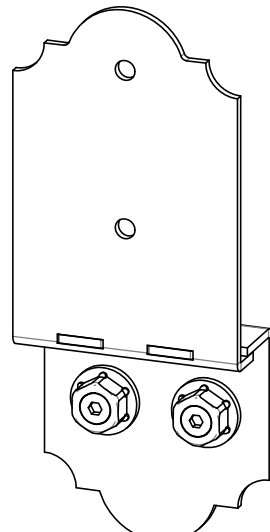
56612



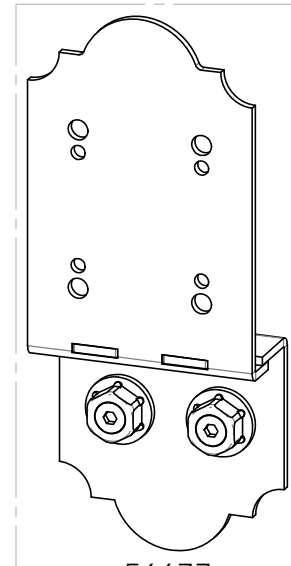
56611



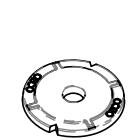
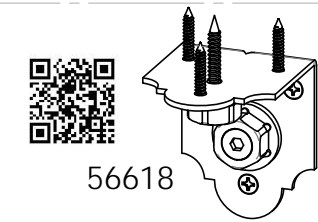
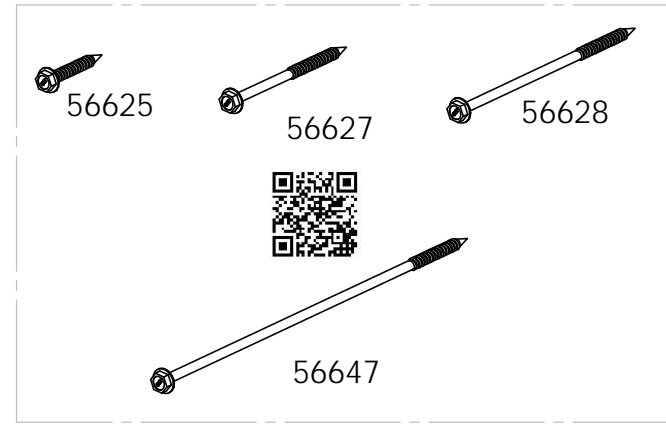
56608



56636



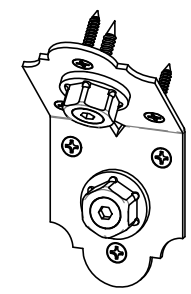
56677
 (20' Pavilion only)



56680



56617

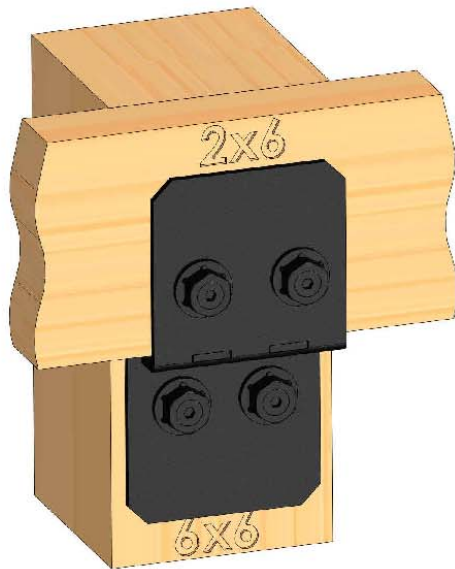


56668

Laredo Sunset

vs.

Ironwood



Ironwood
(517XX series)

2 great styles
same functionality



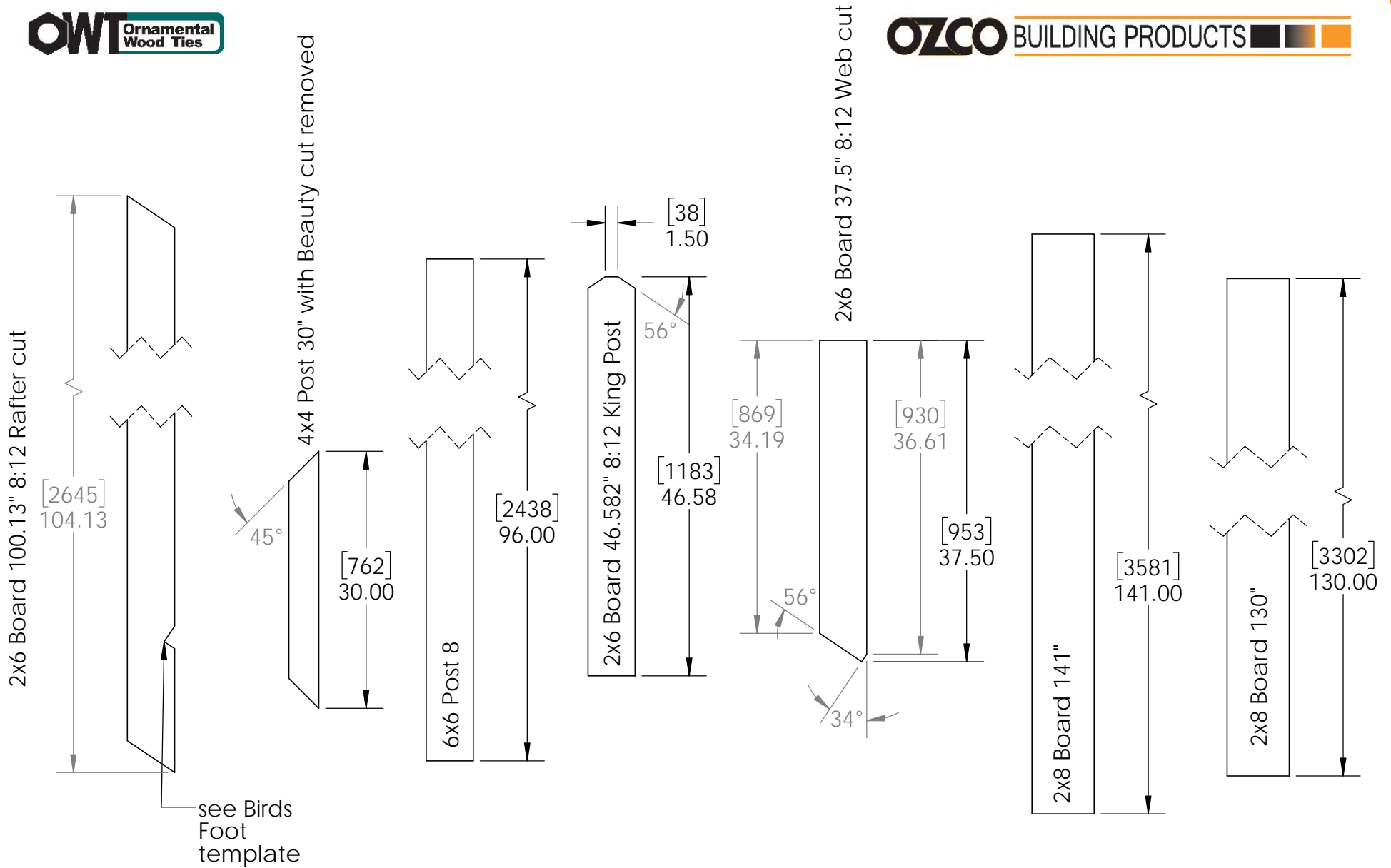
Laredo Sunset
(566XX series)

choose your connection lifestyle

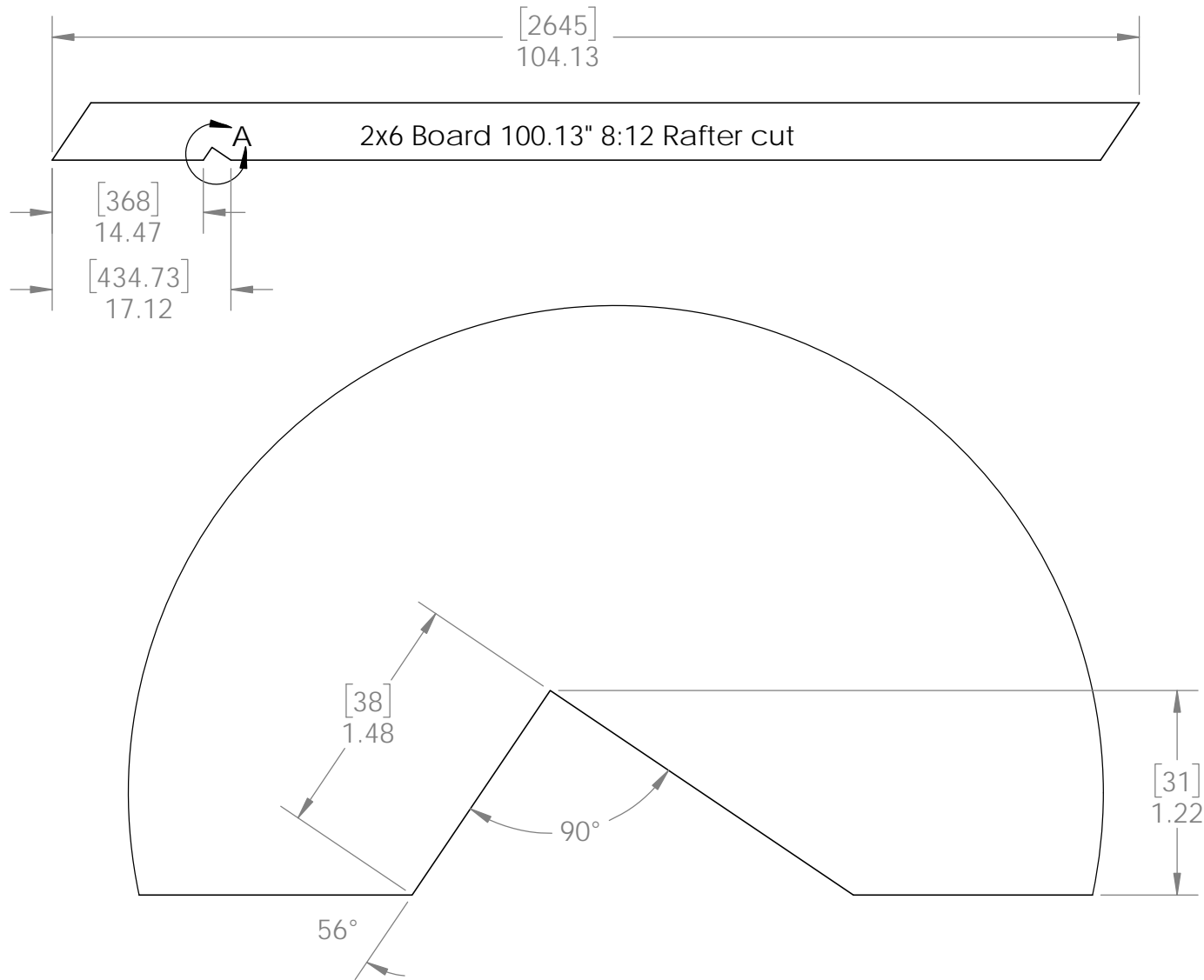
both styles available for most products



OZCO BUILDING PRODUCTS

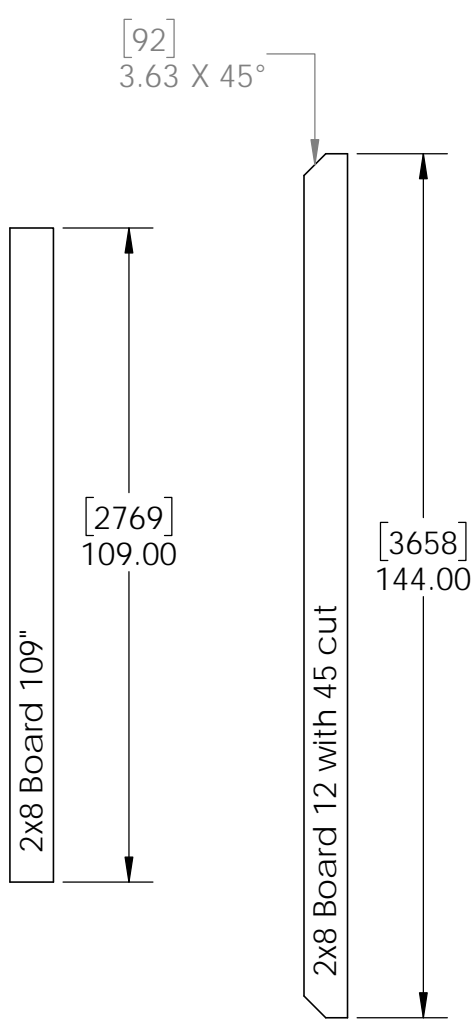


12x(length) Pavilion cut list: common to all 12' wide Pavilions

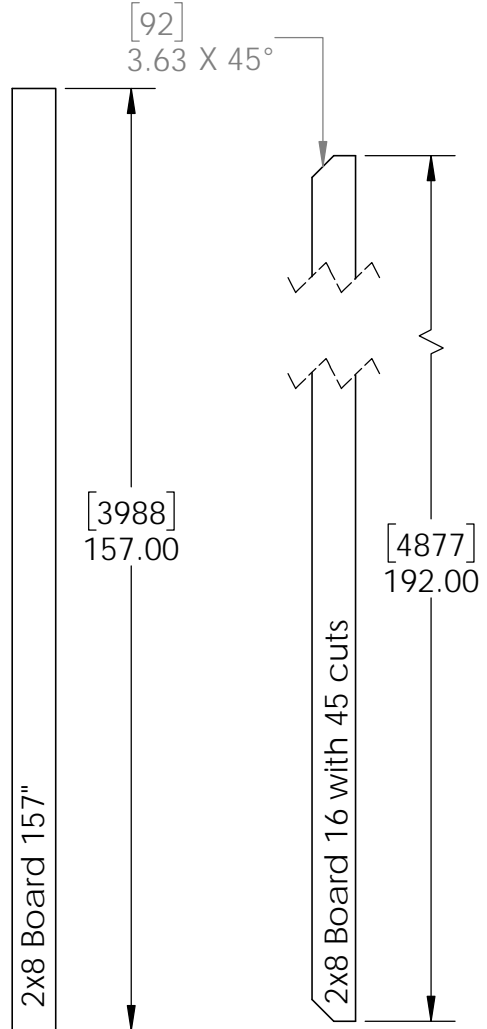


Birds Foot 1:1 template

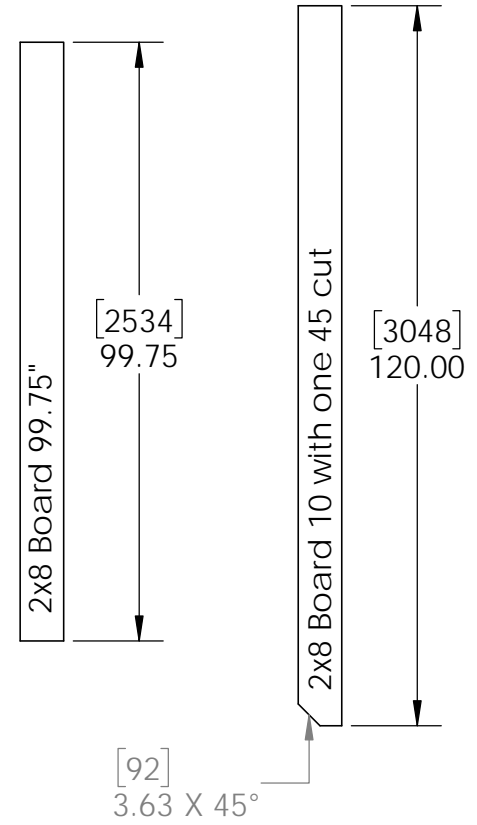
Pavilion Cutlist 12



12x12

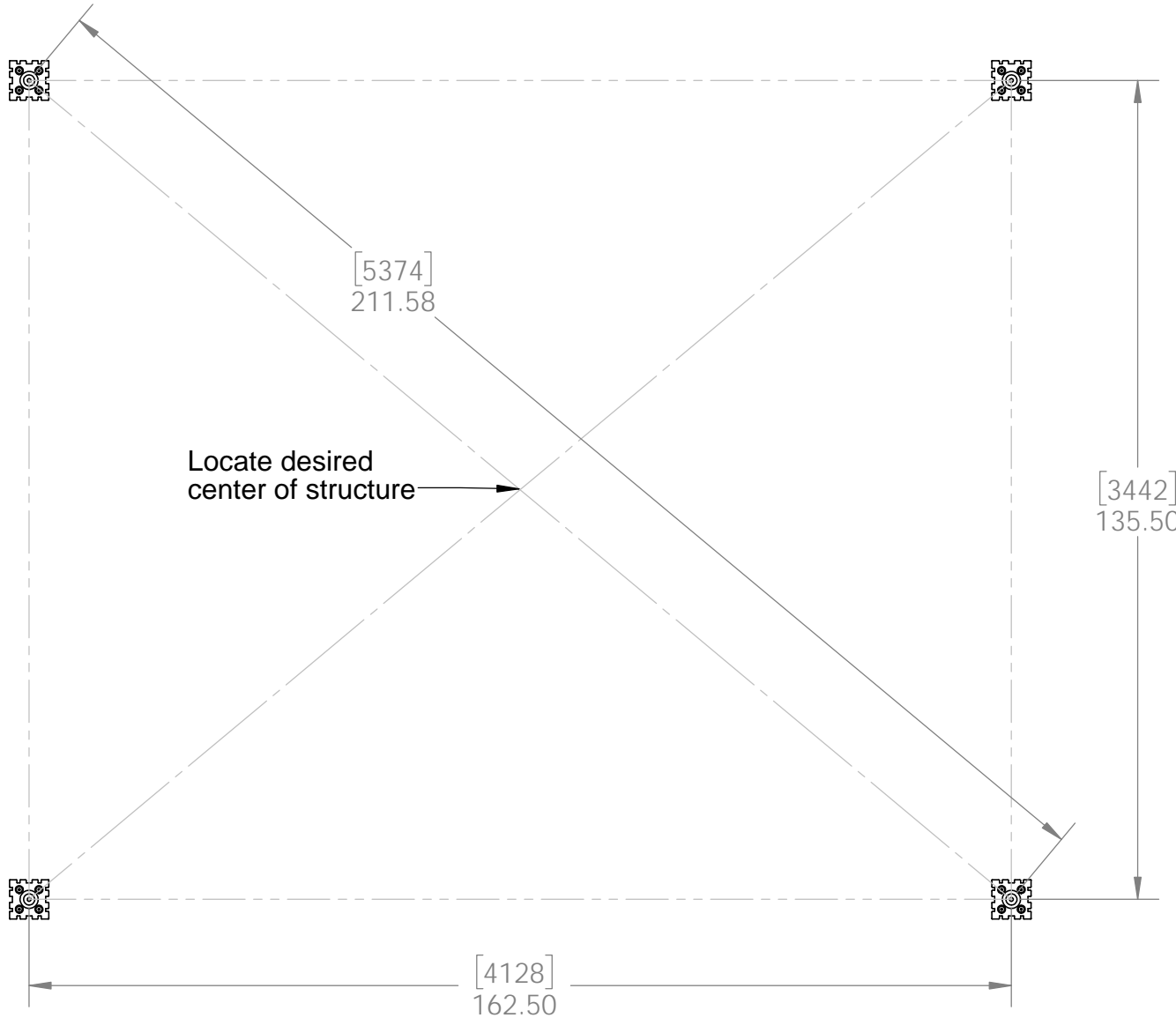


12x16



12x20

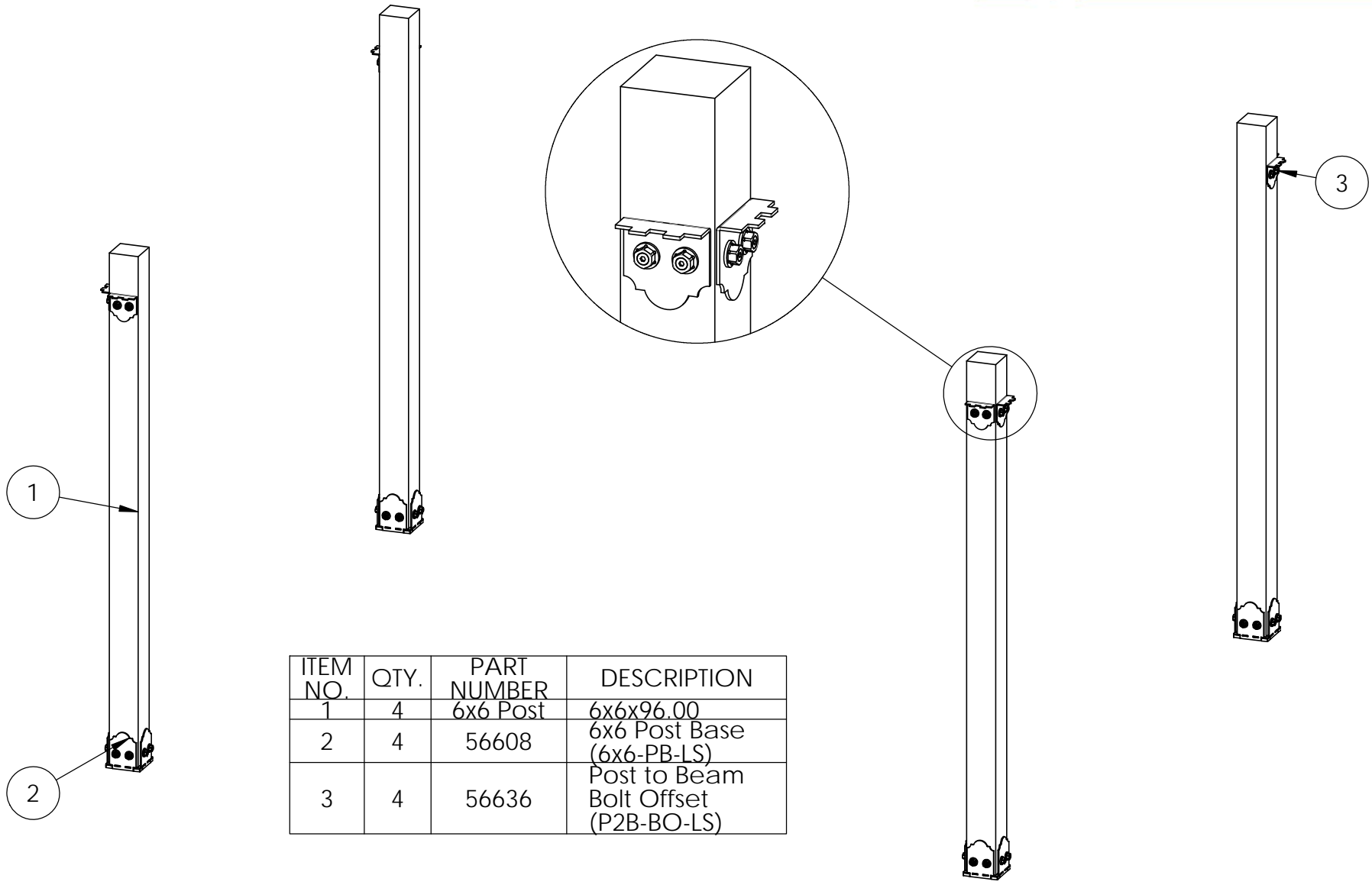
12x(length) Pavilion cut list: 2x8 length wise boards



if site is not level,
see Ozco
Site Leveling
instruction



Site Plan - OZCO Project #214 - 12x16 Pavilion w 6x6 Posts



| ITEM NO. | QTY. | PART NUMBER | DESCRIPTION |
|----------|------|-------------|--------------------------------------|
| 1 | 4 | 6x6 Post | 6x6x96.00 |
| 2 | 4 | 56608 | 6x6 Post Base (6x6-PB-LS) |
| 3 | 4 | 56636 | Post to Beam Bolt Offset (P2B-BO-LS) |

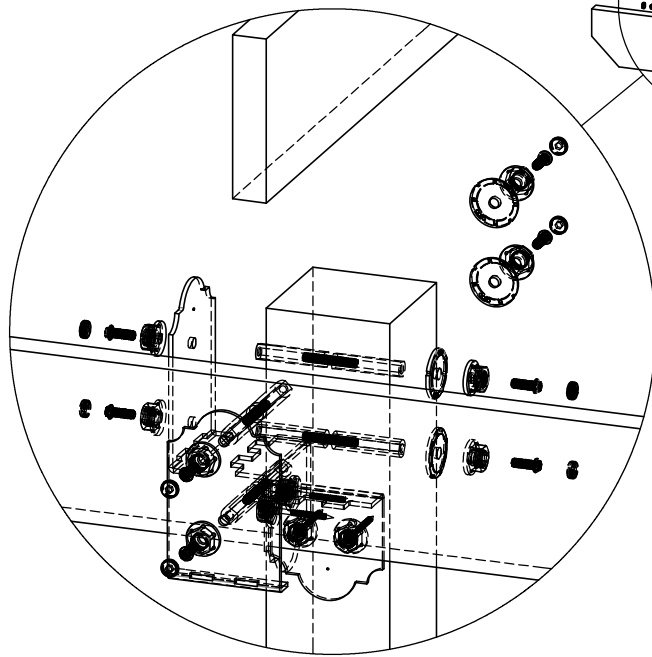
OZCO Project #214 - 12x16 Pavilion w 6x6 Posts ledge

Pavilion Base

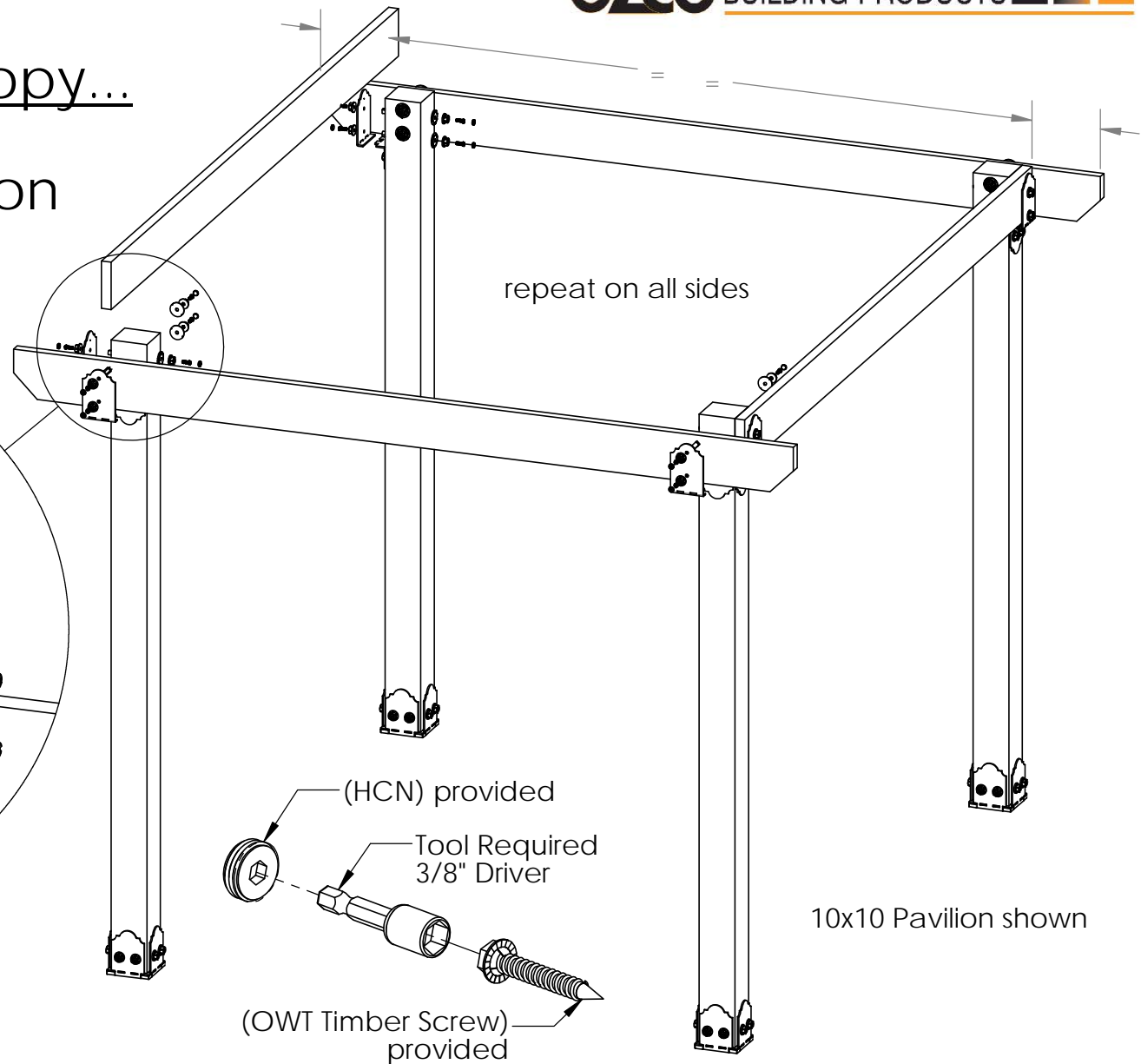
V1.00 - Installation Instructions effective May 1, 2015 and reflects information that available as of April 10, 2014. This information is updated periodically and should not be relied upon after May 1, 2015. Please visit www.OZCOBP.com to get current information

Building your Canopy...

Simple 3 step procedure common to all size Pavilions



use this procedure for all size Pavilions (10x10 shown). same construction steps and techniques apply

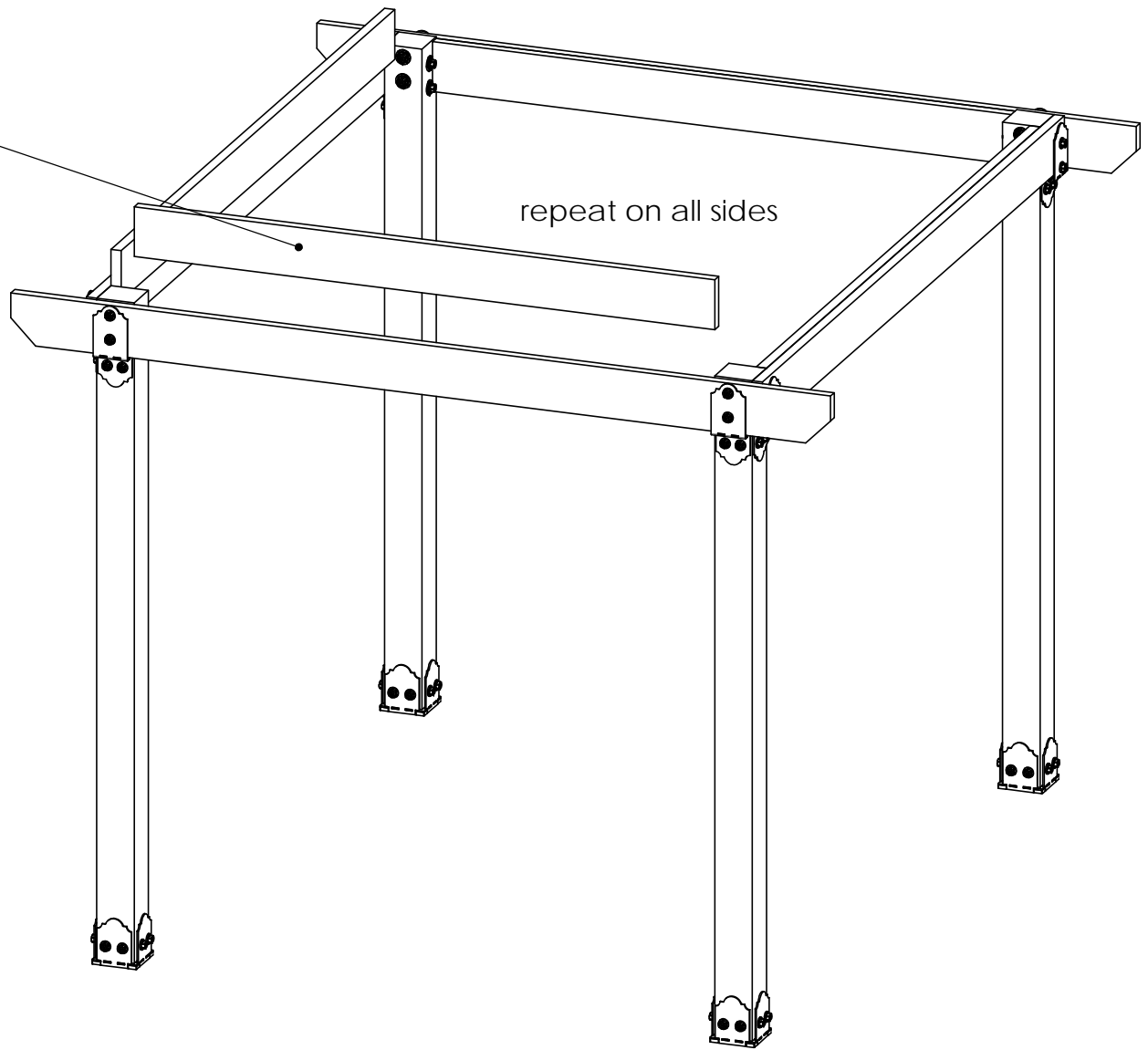


step 1 Outer Beams

Pavilion Beam & Support

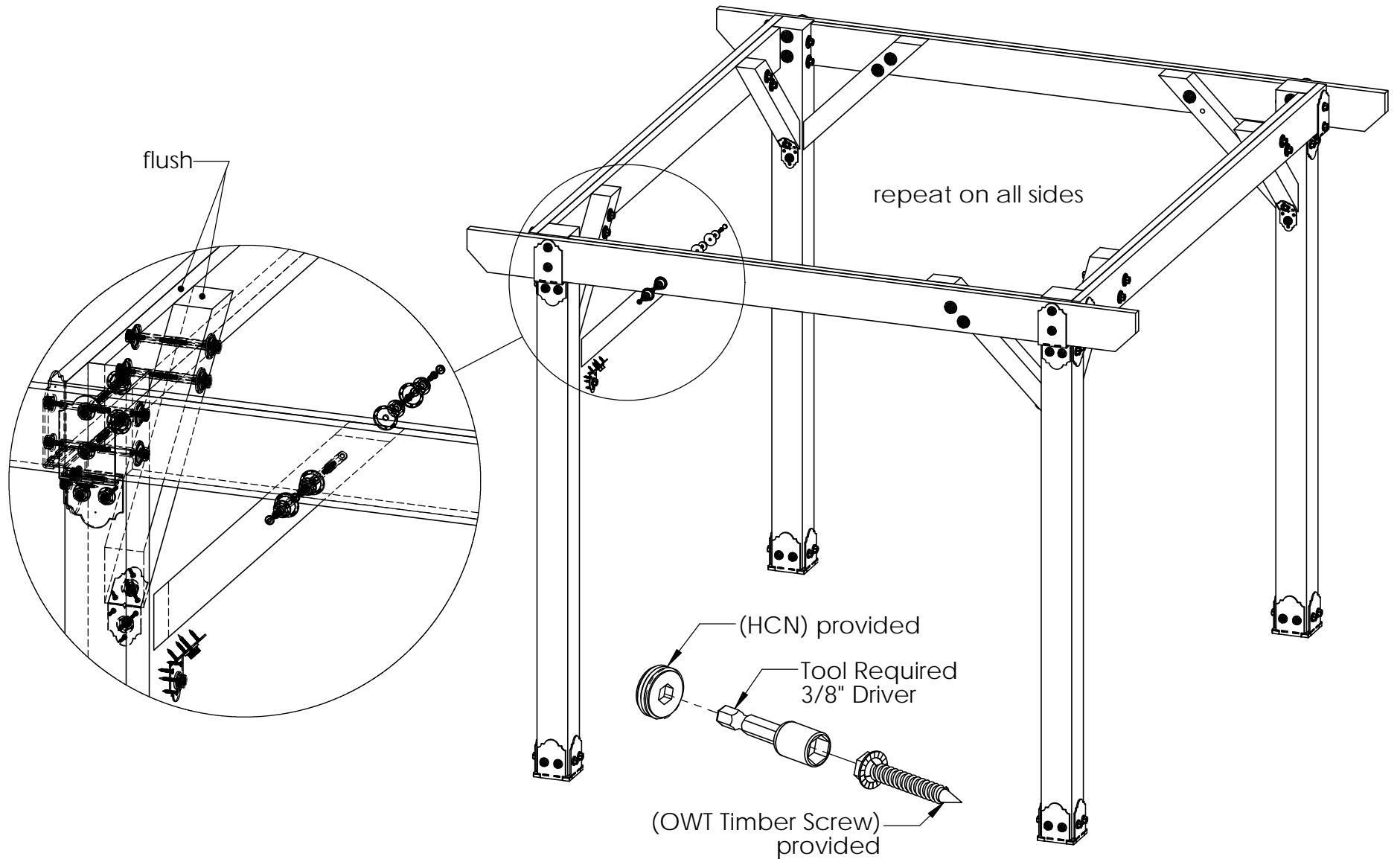
Secure with nails or screws
Repeat on all sides

for additional beam rigidity
apply polyurethane adhesive
between boards



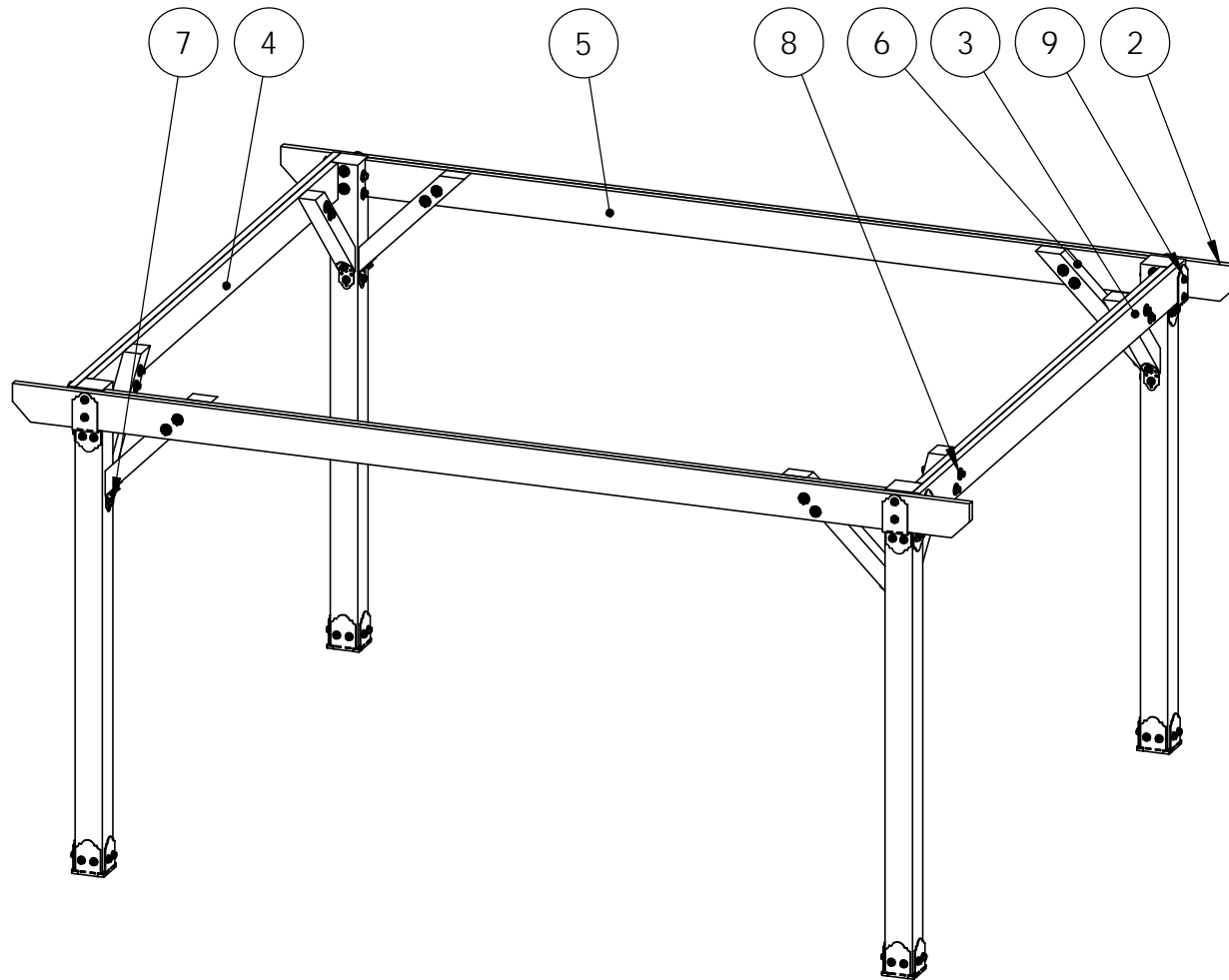
step 2 Inside Beams

Pavilion Beam & Support



step 3 Knee Braces

Pavilion Beam & Support



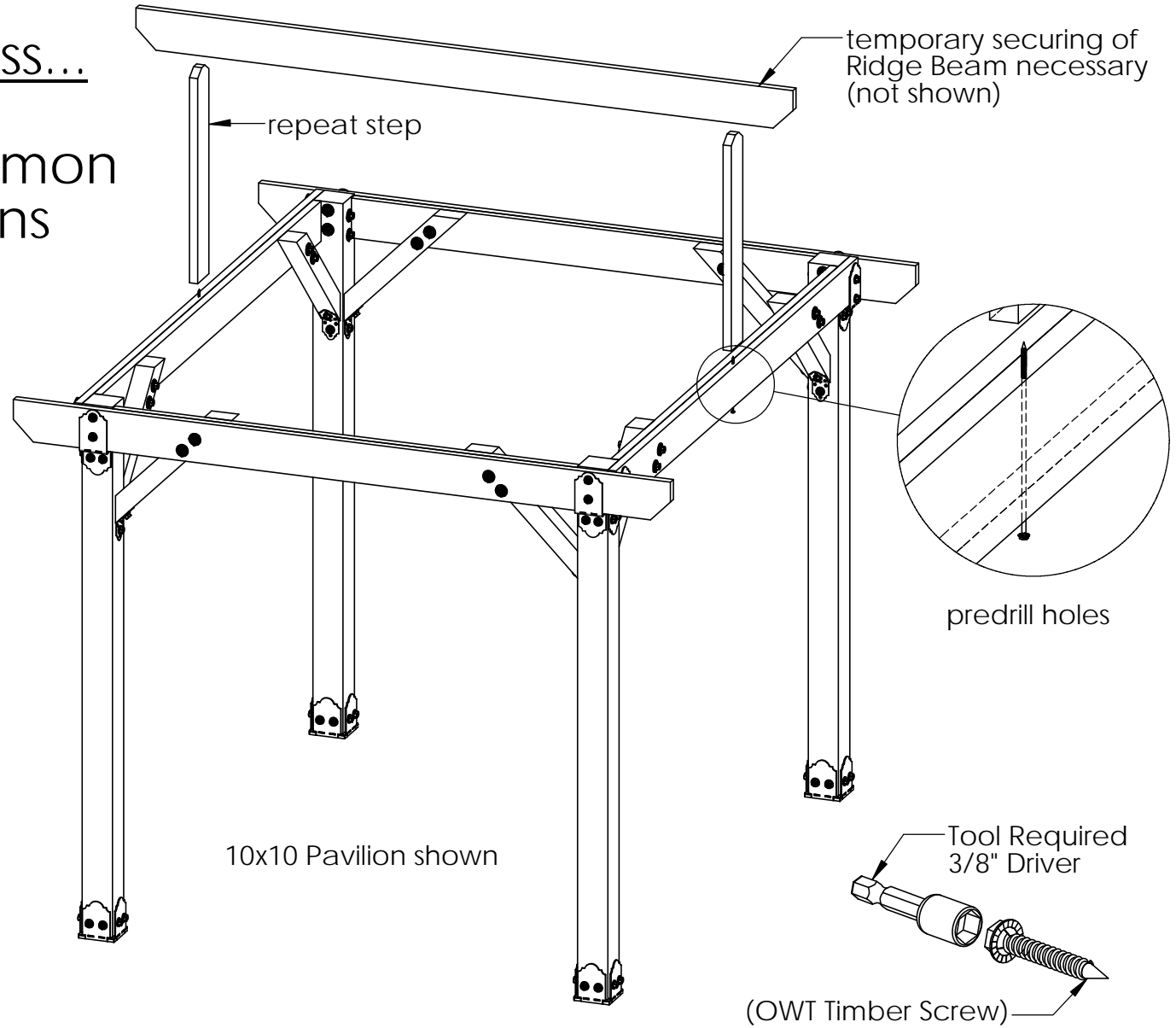
| ITEM NO. | QTY. | PART NUMBER | DESCRIPTION |
|----------|------|---------------|--|
| 1 | 1 | Pavilion Base | OZCO Project #214 - 12x16 Pavilion w 6x6 Posts |
| 2 | 2 | 2x8 Board | 2x8x192.00 |
| 3 | 2 | 2x8 Board | 2x8x141.00 |
| 4 | 2 | 2x8 Board | 2x8x130.00 |
| 5 | 2 | 2x8 Board | 2x8x157.00 |
| 6 | 8 | 4x4 Post | 4x4x30.00 |
| 7 | 2 | 56668 | 4" Flush Inside 45 (FI45-LS-4) |
| 8 | 8 | 56650 | OWT Timber Bolt 6-8" |
| | 0.5 | 56680 | 2" Timber Bolt Heavy Duty Washer (OWT-TBW-2) |
| 9 | 8 | 56650 | OWT Timber Bolt 6-8" |
| | 0.25 | 56680 | 2" Timber Bolt Heavy Duty Washer (OWT-TBW-2) |

OZCO Project #214 - 12x16 Pavilion w 6x6 Posts

Pavilion Beam & Support

Building your Truss...

Simple 7 step procedure common to all size Pavilions



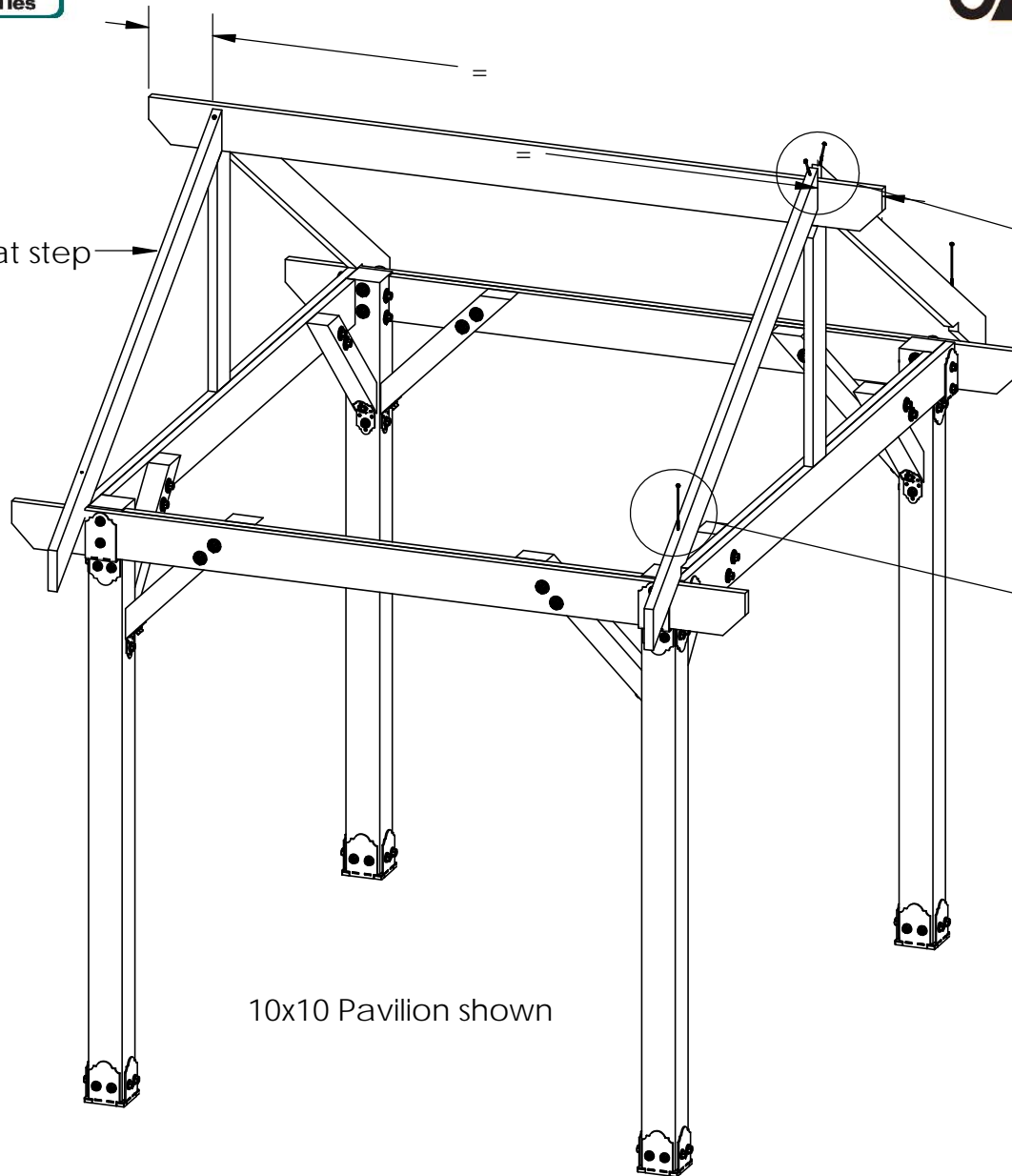
use this procedure for all size Pavilions (10x10 shown). same construction steps and techniques apply

10x10 Pavilion shown

step 1

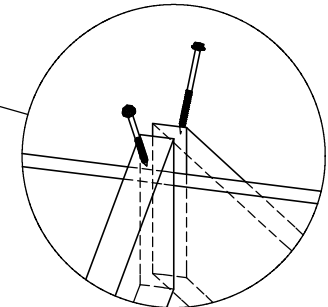
Pavilion Truss 10

repeat step

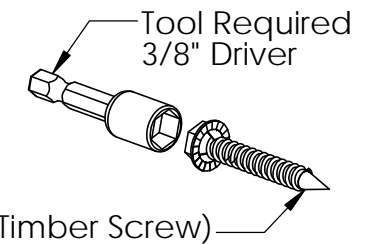
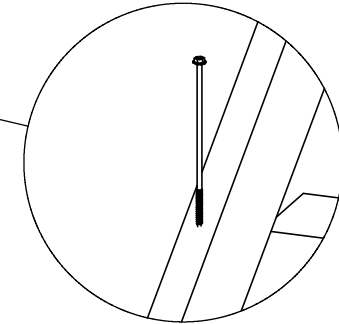


10x10 Pavilion shown

tip: rafter screw heads might interfere with roofing. secure flush/below rafter or modify roofing material as needed.



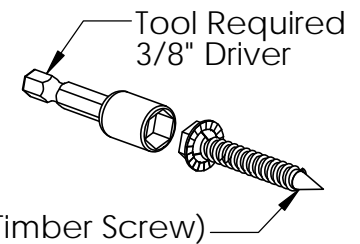
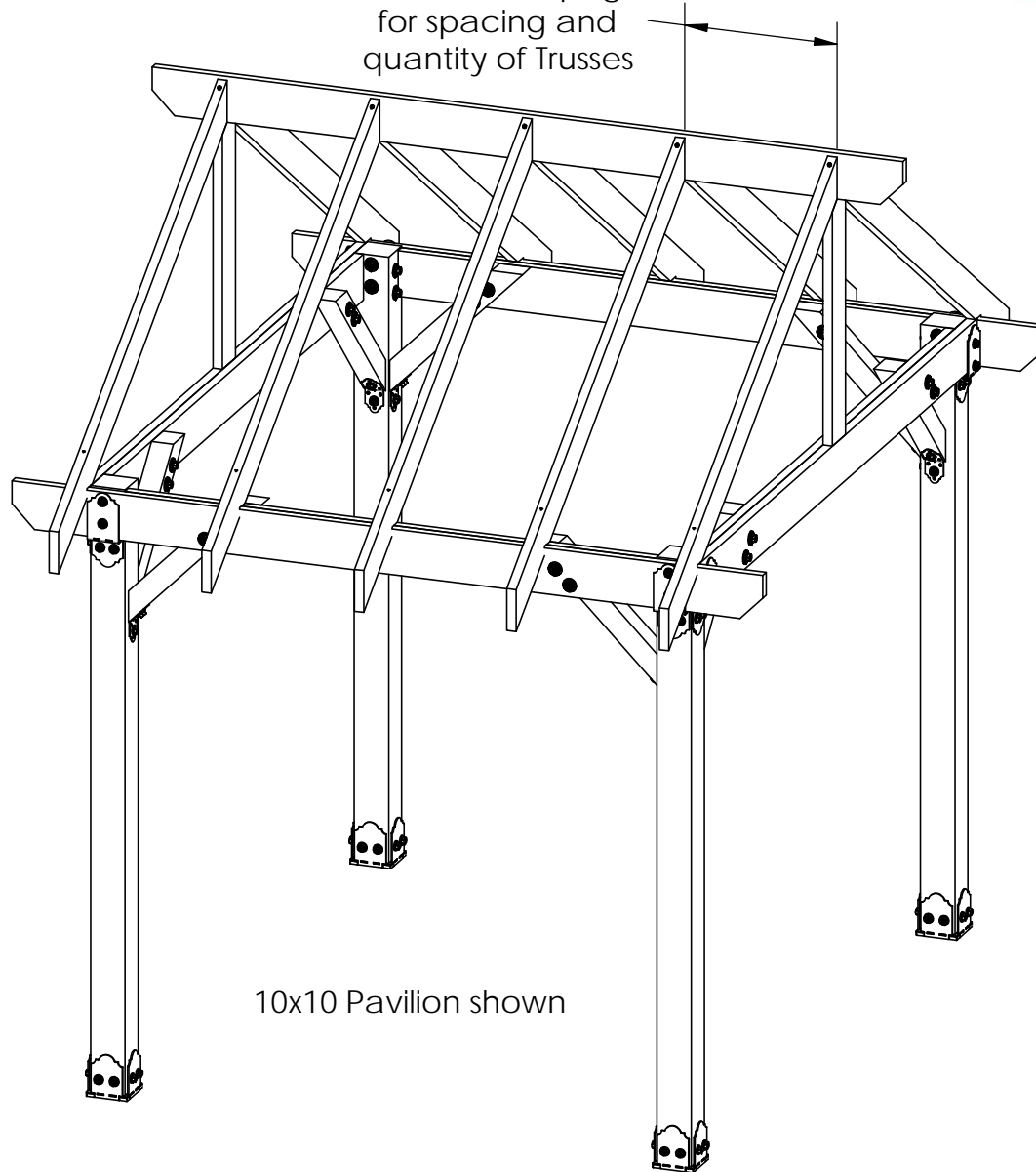
pre-drill holes



step 2

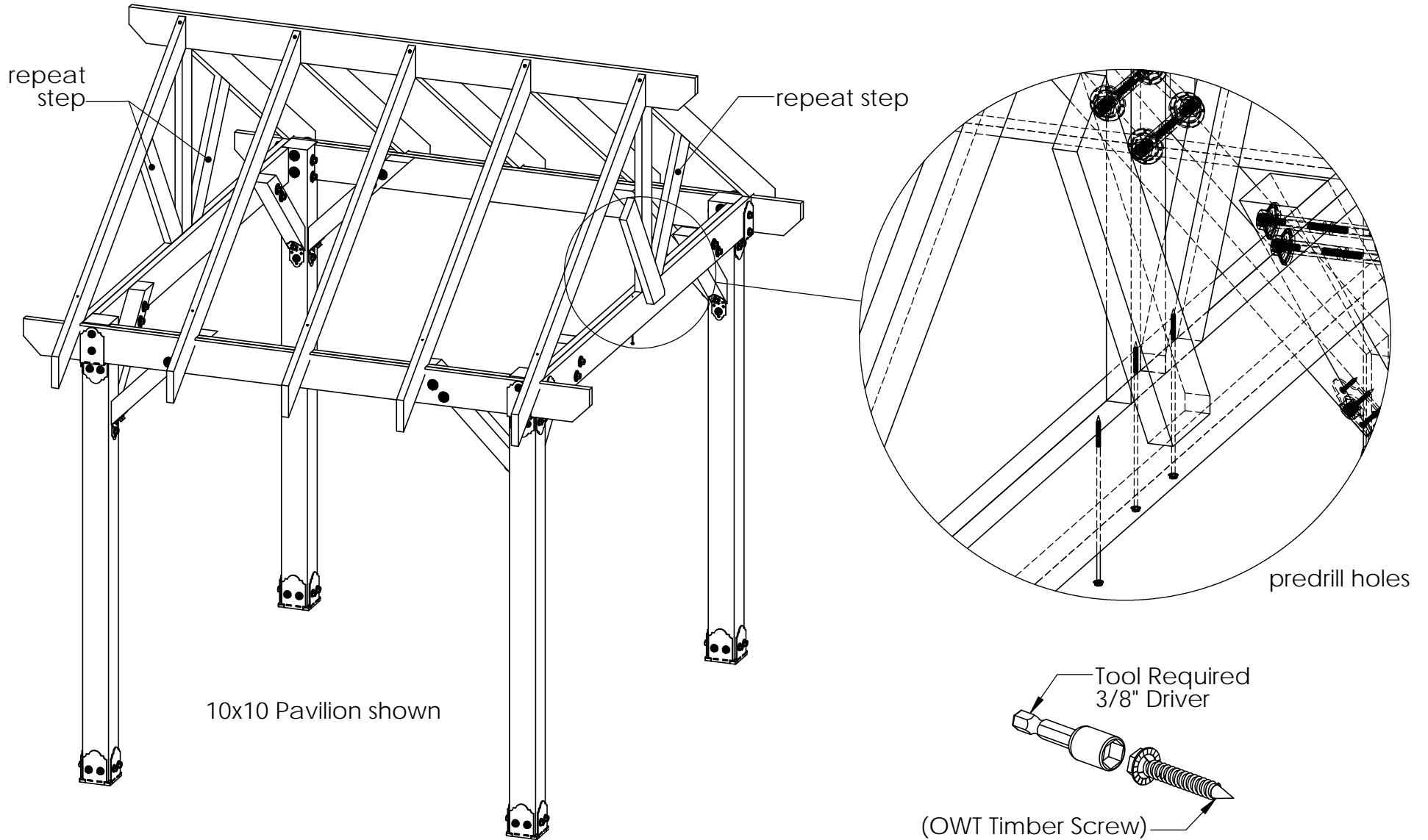
Pavilion Truss 10

repeat step 2
see overview page
for spacing and
quantity of Trusses



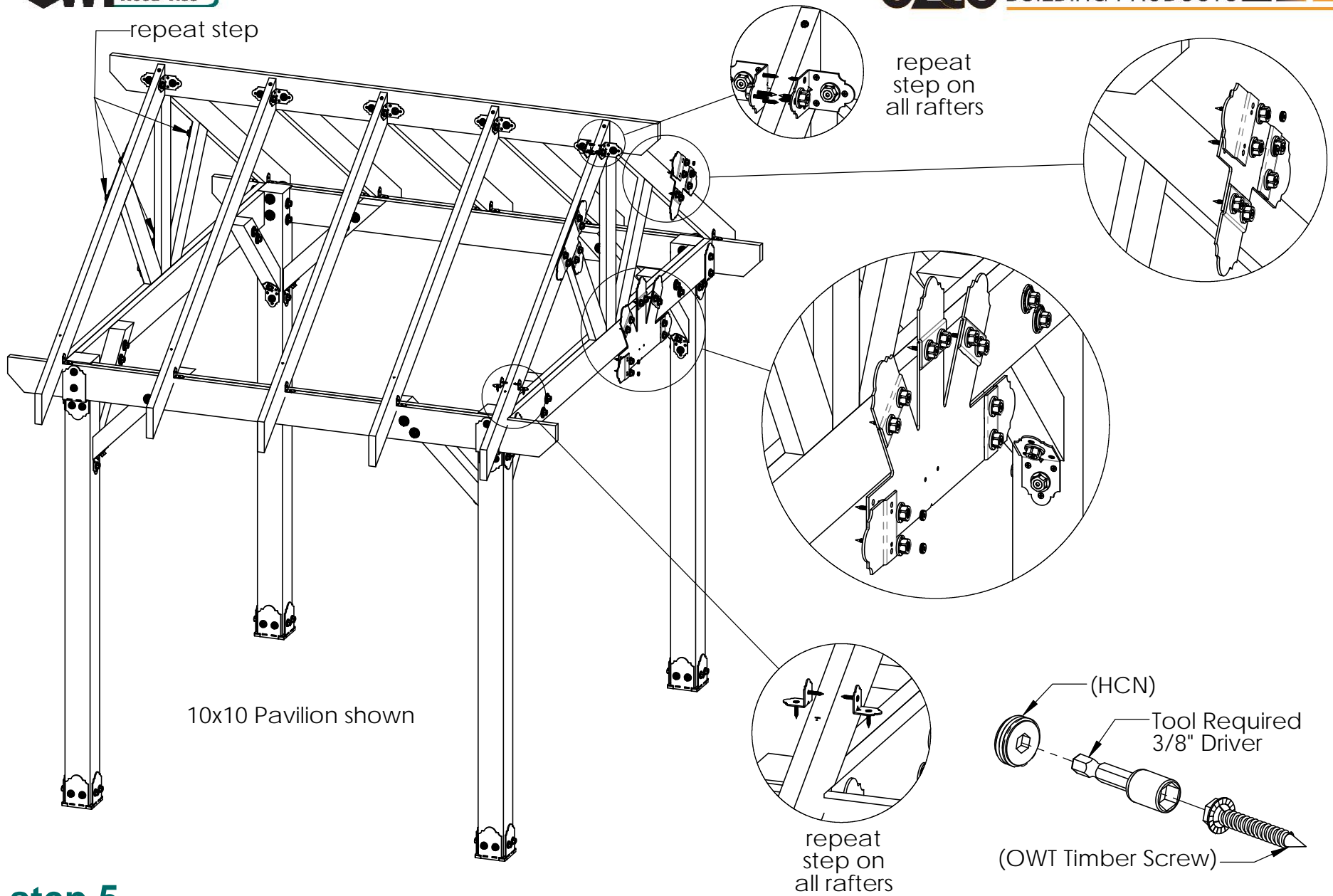
step 3

Pavilion Truss 10



step 4

Pavilion Truss 10

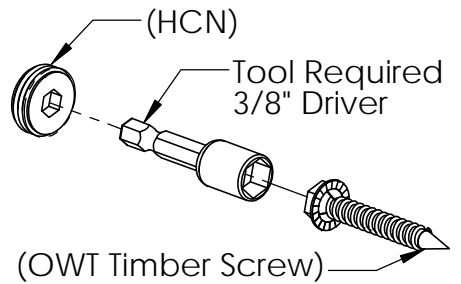


repeat step

repeat step on all rafters

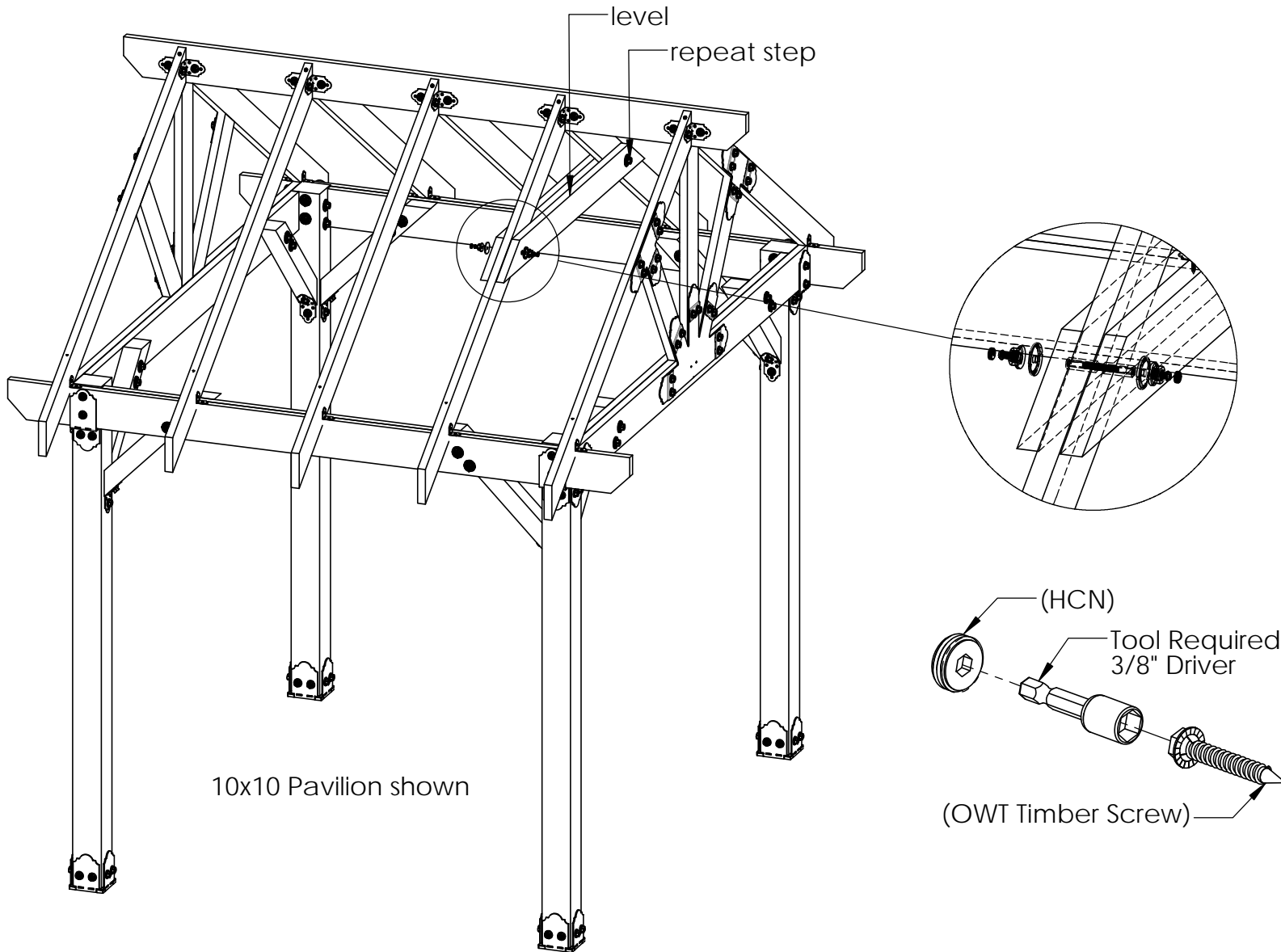
10x10 Pavilion shown

repeat step on all rafters



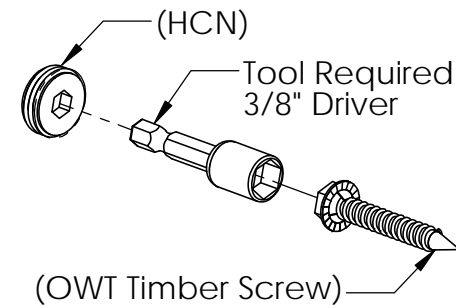
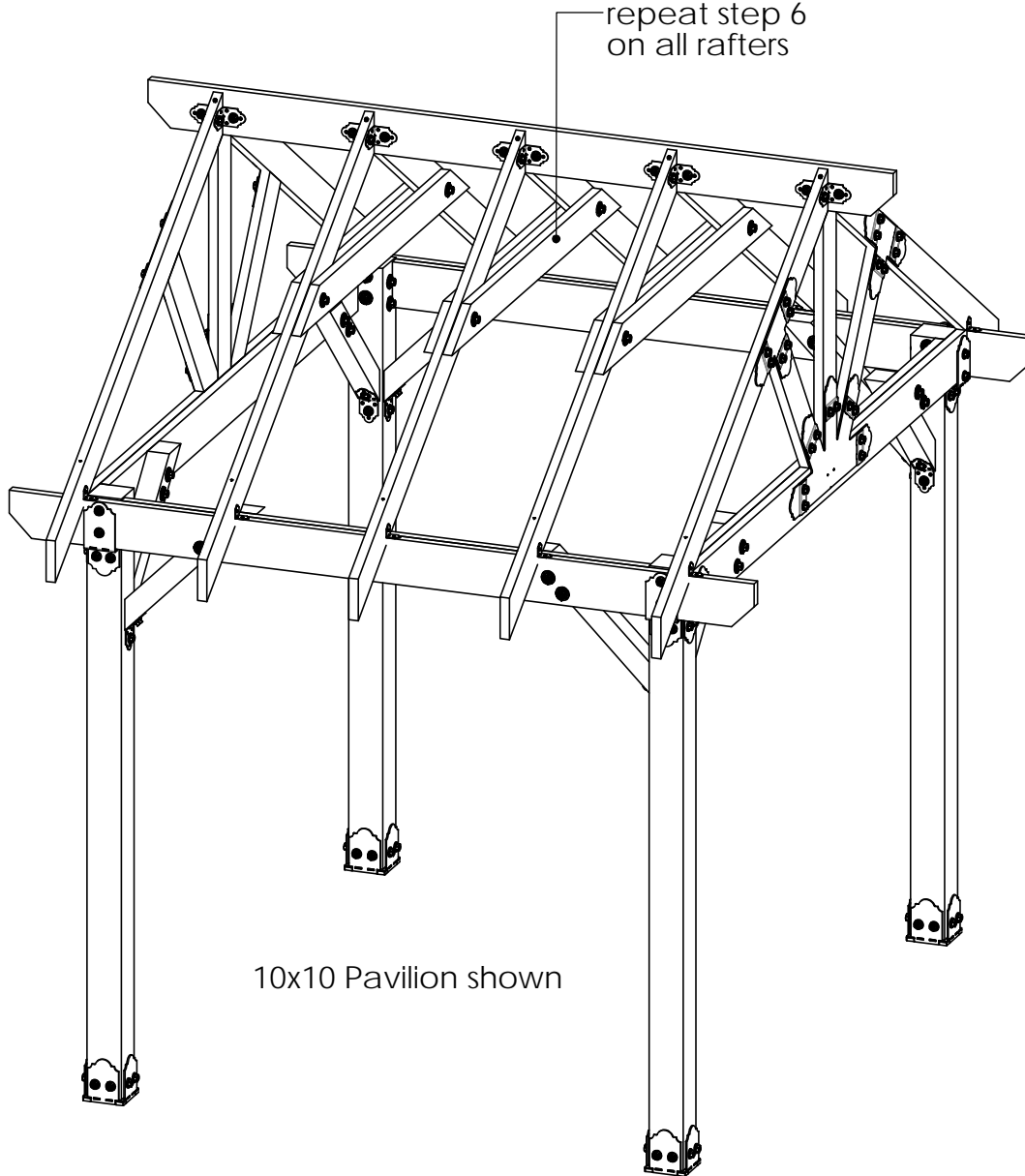
step 5

Pavilion Truss 10



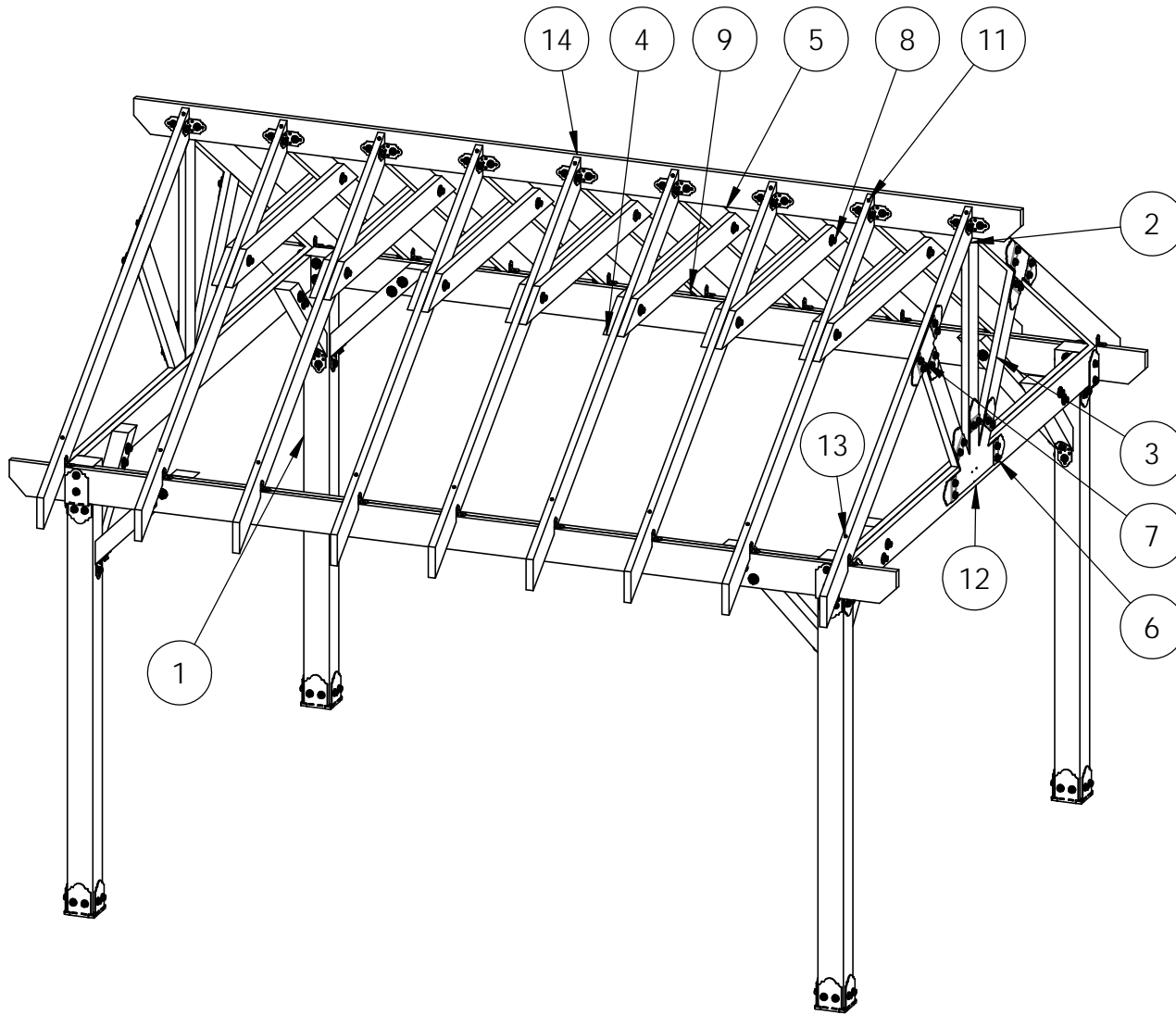
step 6

Pavilion Truss 10



step 7

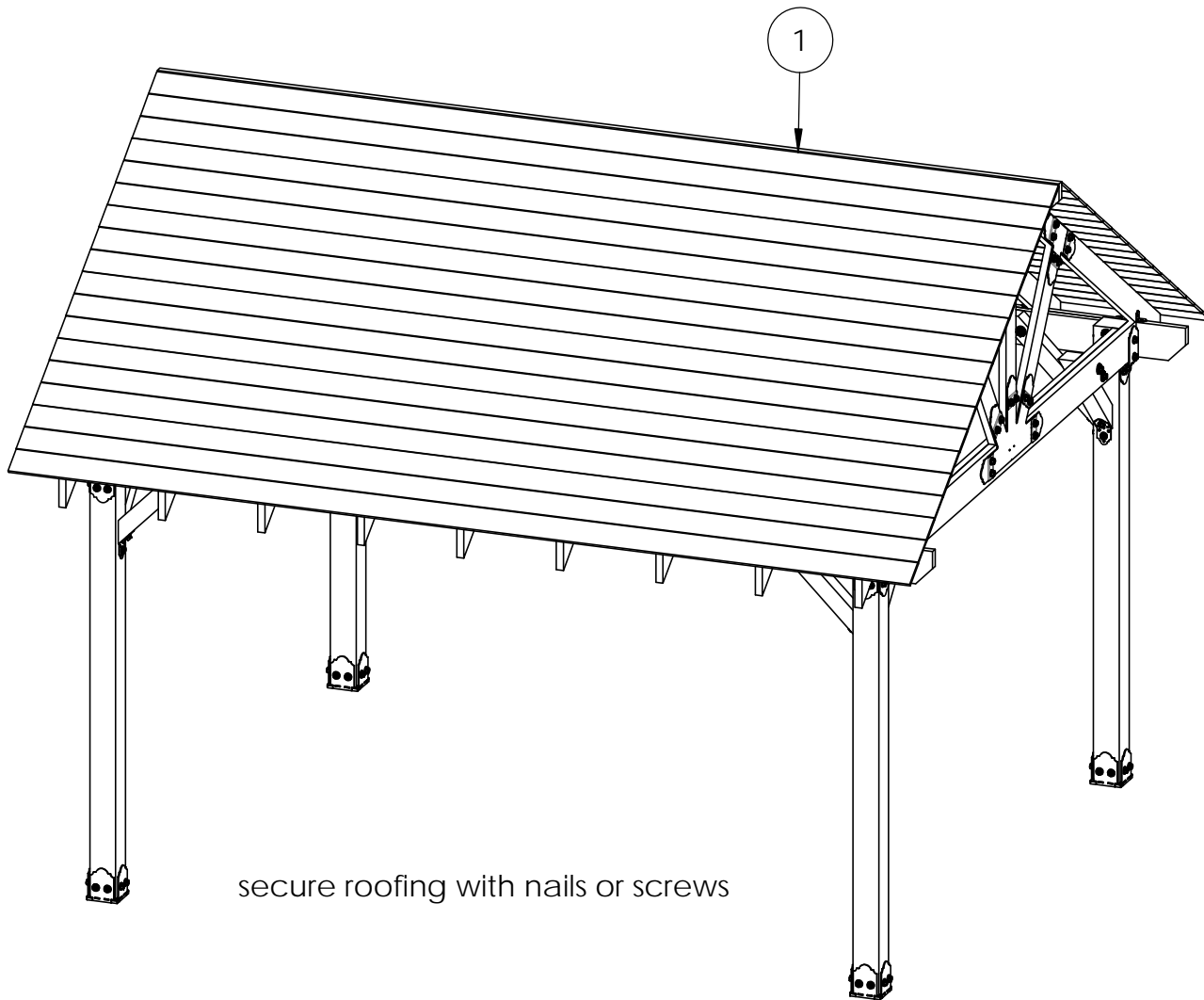
Pavilion Truss 10



| ITEM NO. | QTY. | PART NUMBER | DESCRIPTION |
|----------|------|-------------------------|--|
| 1 | 1 | Pavilion Beam & Support | OZCO Project #214 - 12x16 Pavilion w 6x6 Posts |
| 2 | 2 | 2x6 Board | 2x6x46.58 |
| 3 | 4 | 2x6 Board | 2x6x37.50 |
| 4 | 14 | 2x6 Board | 2x6x72.00 |
| 5 | 18 | 2x6 Board | 2x6x120.00 |
| 6 | 2 | 56619 | Truss Base Fan 8:12 |
| | 2.5 | 56611 | Truss Accent (TA-LS) |
| | 0.04 | 56625 | OWT Timber Screw 1-3/4" |
| 7 | 2 | 56612 | "T" Tie Plate (TTP) |
| | 1.5 | 56611 | Truss Accent (TA-LS) |
| | 0.04 | 56625 | OWT Timber Screw 1-3/4" |
| 8 | 7 | 56649 | OWT Timber Bolt 4-6" |
| | 0.5 | 56680 | 2" Timber Bolt Heavy Duty Washer (OWT-TBW-2) |
| 9 | 3.6 | 56617 | 2" Standard Rafter Clip (RC-LS-2) |
| 10 | 0.24 | 56647 | OWT Timber Screw 10" |
| 11 | 0.72 | 56629 | OWT Timber Screw 7-1/2" |
| 12 | 0.72 | 56627 | OWT Timber Screw 3-3/4" |
| 13 | 3.6 | 56618 | 4" Standard Rafter Clip (RC-LS-4) |
| 14 | 1 | 2x8 Board | 2x8x192.00 |

OZCO Project #214 - 12x16 Pavilion w 6x6 Posts

Pavilion Truss 12



secure roofing with nails or screws

| ITEM NO. | QTY. | PART NUMBER | DESCRIPTION |
|----------|------|-------------|-------------|
| 1 | 36 | 1x6 Board | 1x6x192.00 |

OZCO Project #214 - 12x16 Pavilion w 6x6 Posts Roofed

Pavilion Truss 12 Roofing

V1.00 - Installation Instructions effective May 1, 2015 and reflects information that available as of April 10, 2014. This information is updated periodically and should not be relied upon after May 1, 2015. Please visit www.OZCOBP.com to get current information