

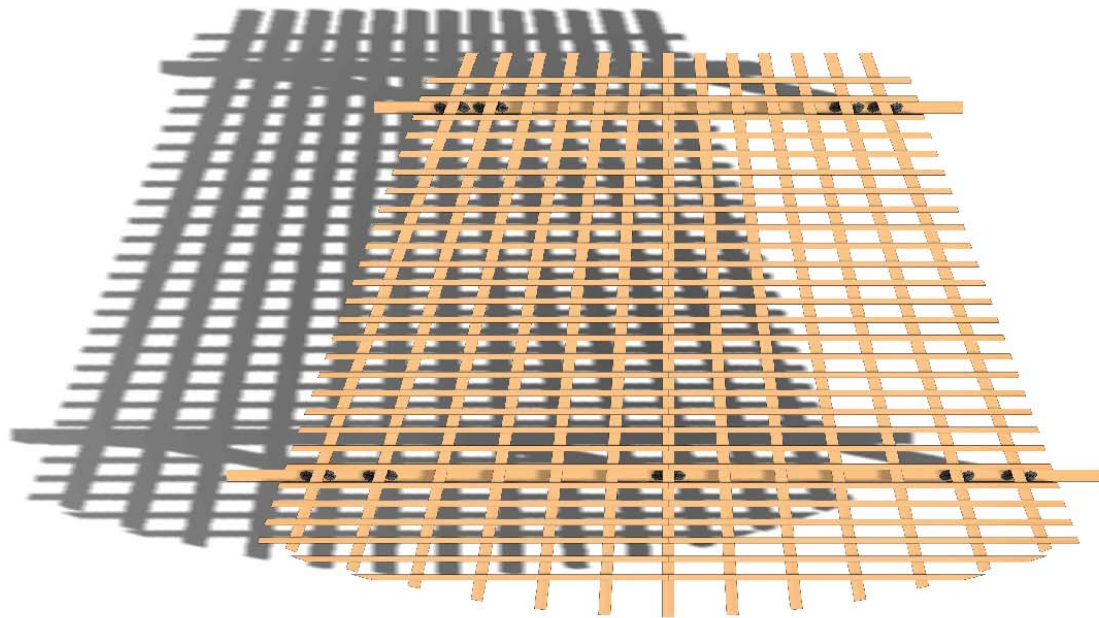
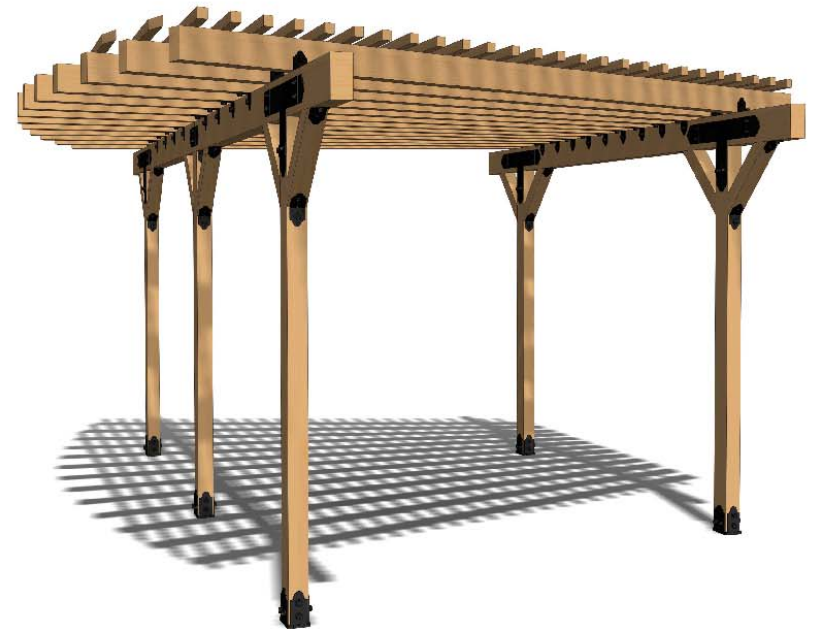
DESIGN

PURCHASE

CONSTRUCT

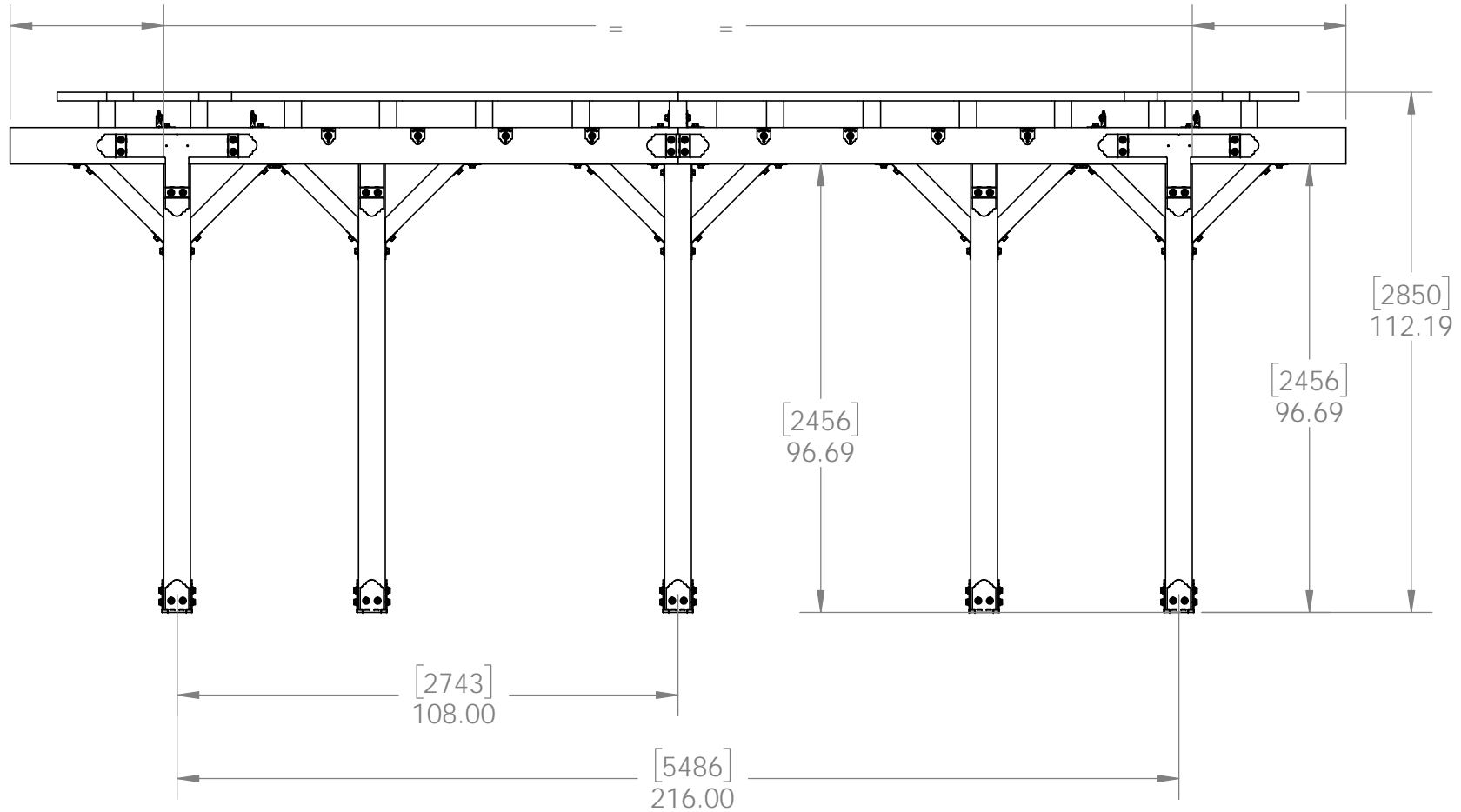
ENJOY

**OZCO Project #378 -
Patio Pergola Five
4x6 Posts**



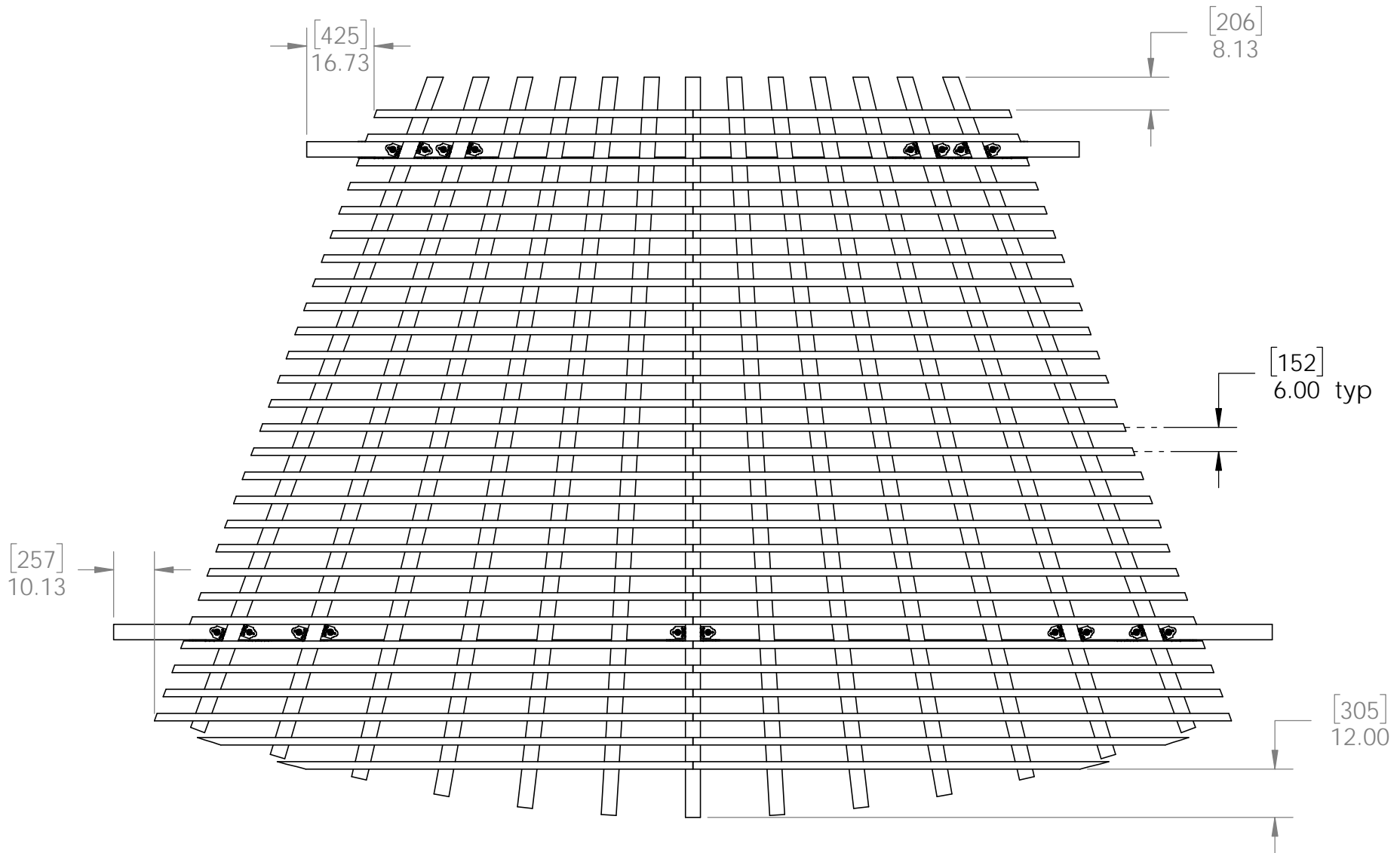
OZCO Project #378 - Patio Pergola Five 4x6 Posts

V2.00 - Installation Instructions, Specifications and Project Plans are effective 4/27/2016 . This information is updated periodically and should not be relied upon after 2 years from 4/27/2016 . Please visit OZCOBP.com to get current information. 1



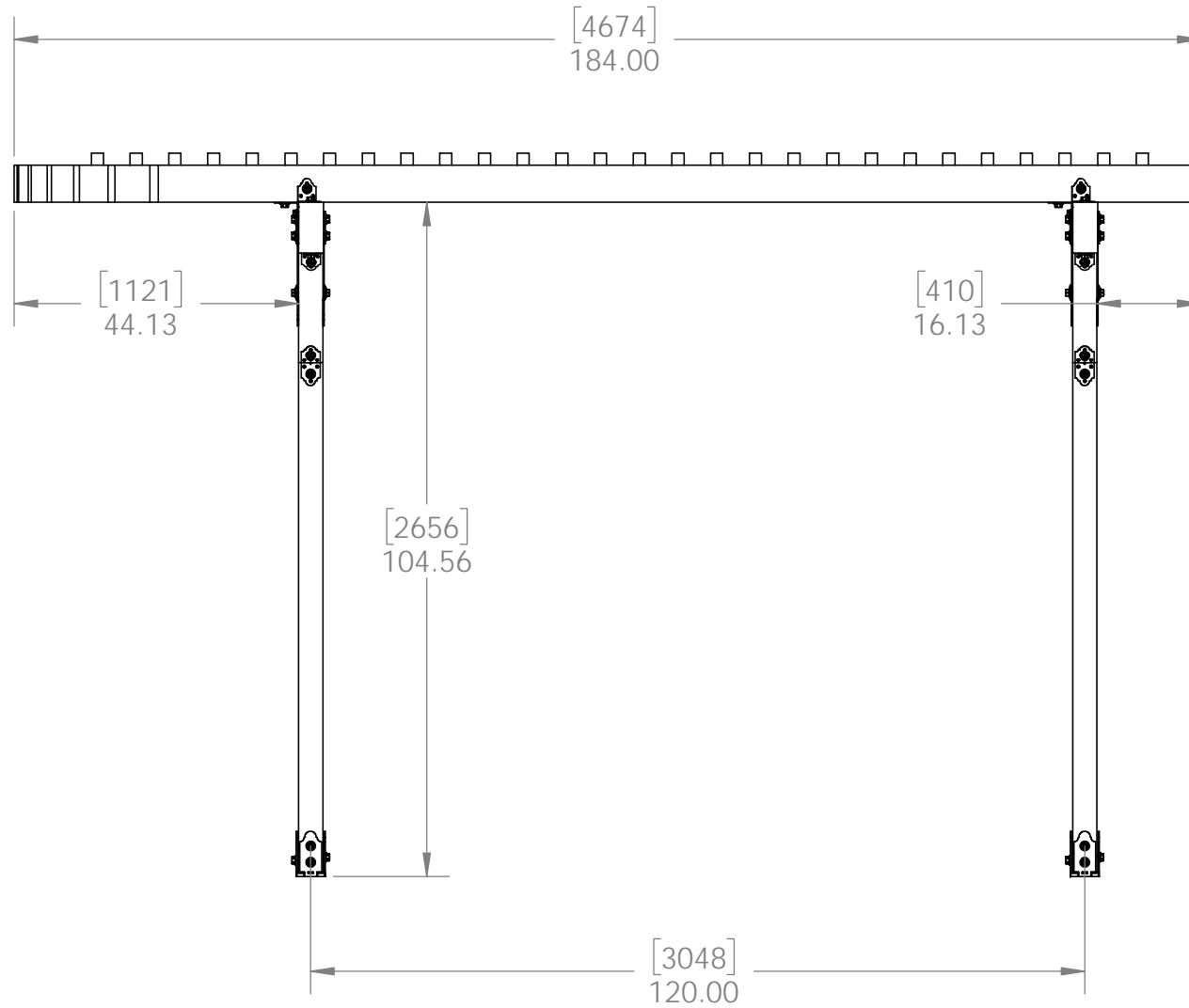
Overview-Front

OZCO Project #378 - Patio Pergola Five 4x6 Posts



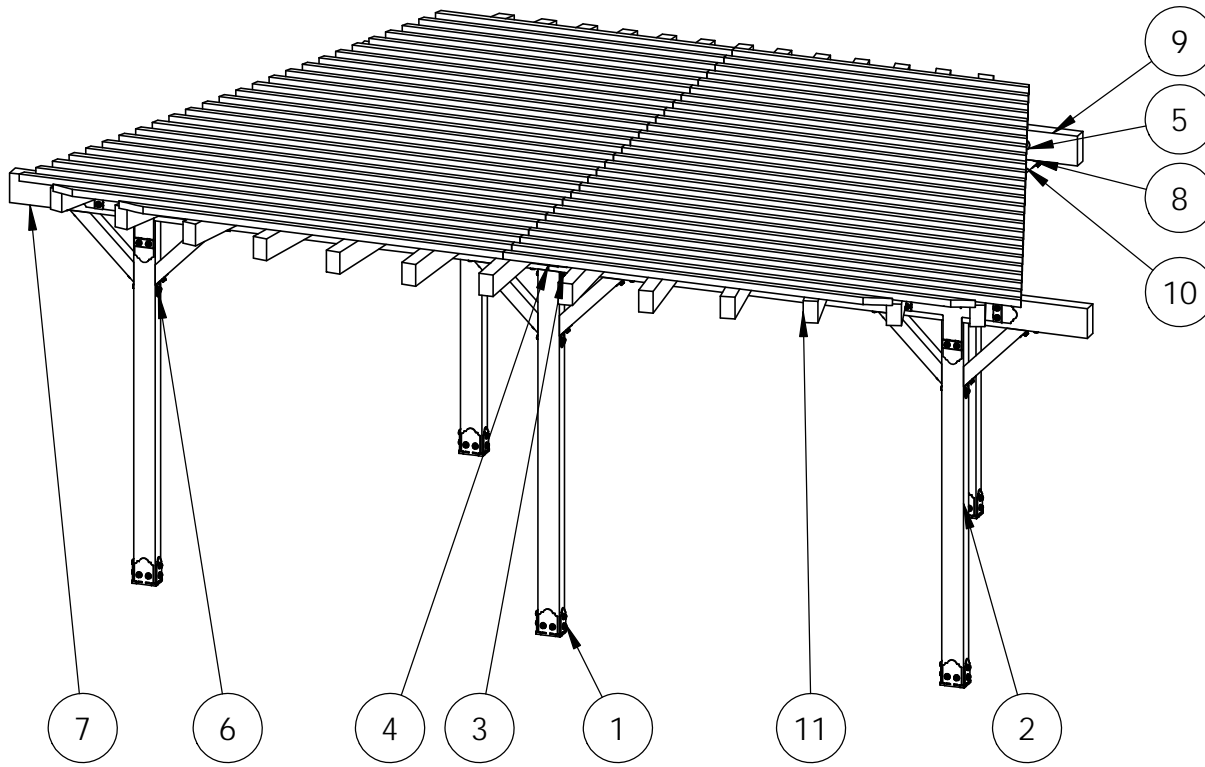
Overview-Top

OZCO Project #378 - Patio Pergola Five 4x6 Posts



Overview-Right

OZCO Project #378 - Patio Pergola Five 4x6 Posts



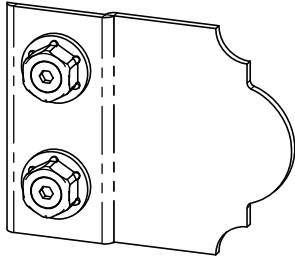
ITEM NO.	QTY.	PART NUMBER	DESCRIPTION
1	5	56608	4x6 Post Base
2	5	4x6 Cedar Board	4x6x96.00
3	3.7	56618	4" Standard Rafter Clip (RC-LS-4)
4	1	56613	Butt Joint Flush (BJF)
	1	56611	Truss Accent (TA-LS)
	0.08	56625	OWT Timber Screw 1-3/4"
5	8	56645	Truss Base Fan-T (TBF-T)
	1.5	56611	Truss Accent (TA-LS)
	0.08	56625	OWT Timber Screw 1-3/4"
6	5	56668	4" Flush Inside 45 (FI45-LS-4)
7	2	4x8 Cedar Board	4x8x144.00
8	10	4x4 Cedar Support	4x4x24.00
9	1	4x8 Cedar Board	4x8x192.00
10	56	2x2 Cedar Board	2x2x144.00
11	13	4x6 Cedar Board	4x6x192.00

Bill of Material

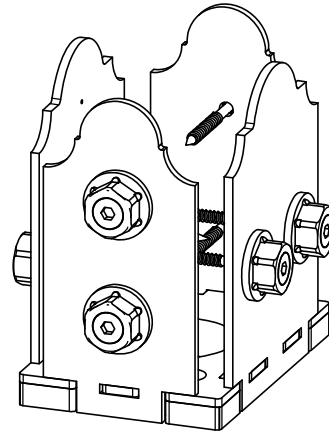
OZCO Project #378 - Patio Pergola Five 4x6 Posts

QTY.	PART NUMBER	DESCRIPTION
5	56608	4x6 Post Base
5	56668	4" Flush Inside 45 (FI45-LS-4)
1	56613	Butt Joint Flush (BJF)
13	56611	Truss Accent (TA-LS)
3	56625	OWT Timber Screw 1-3/4"
4	56618	4" Standard Rafter Clip (RC-LS-4)
8	56645	Truss Base Fan-T (TBF-T)
5	4x6x8L	4x6x8
2	4x8x12L	4x8x12
2	4x4x10L	4x4x10
1	4x8x16L	4x8x16
13	4x6x16L	4x6x16
56	2x2x12L	2x2x12

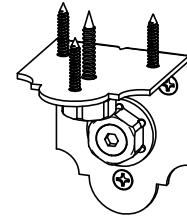
Material List



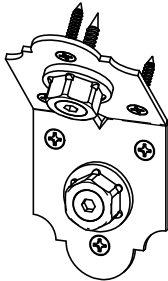
56611



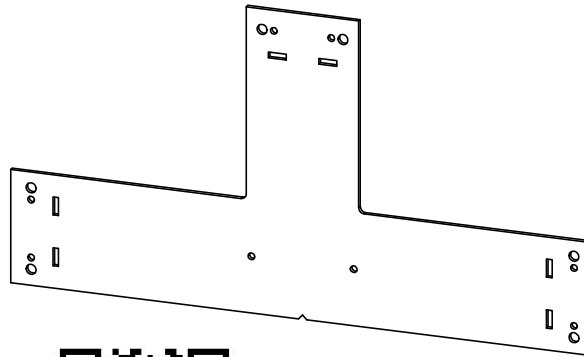
56604



56618



56668



56645

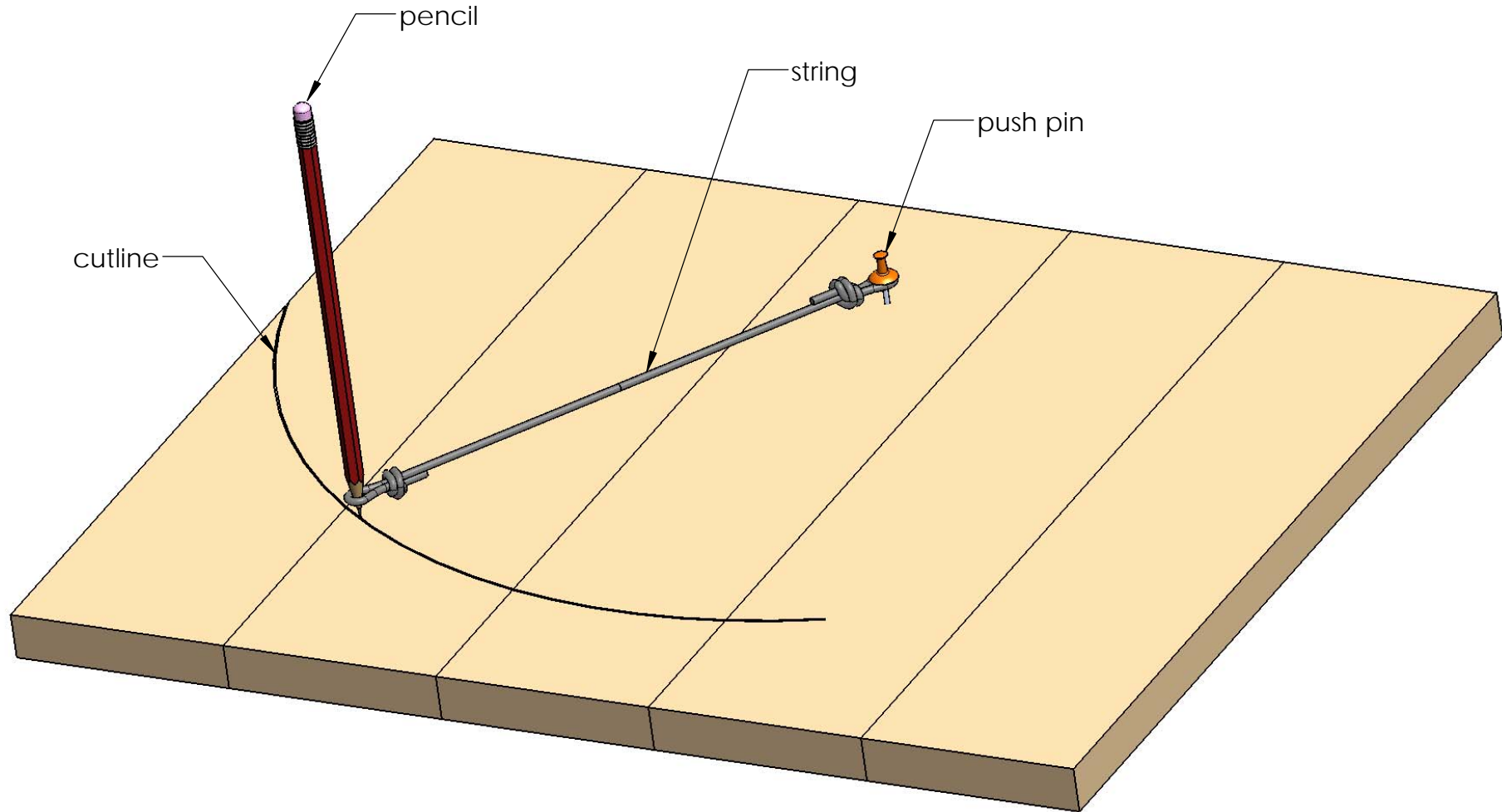


56625



How To Draw an Arc Cutline:

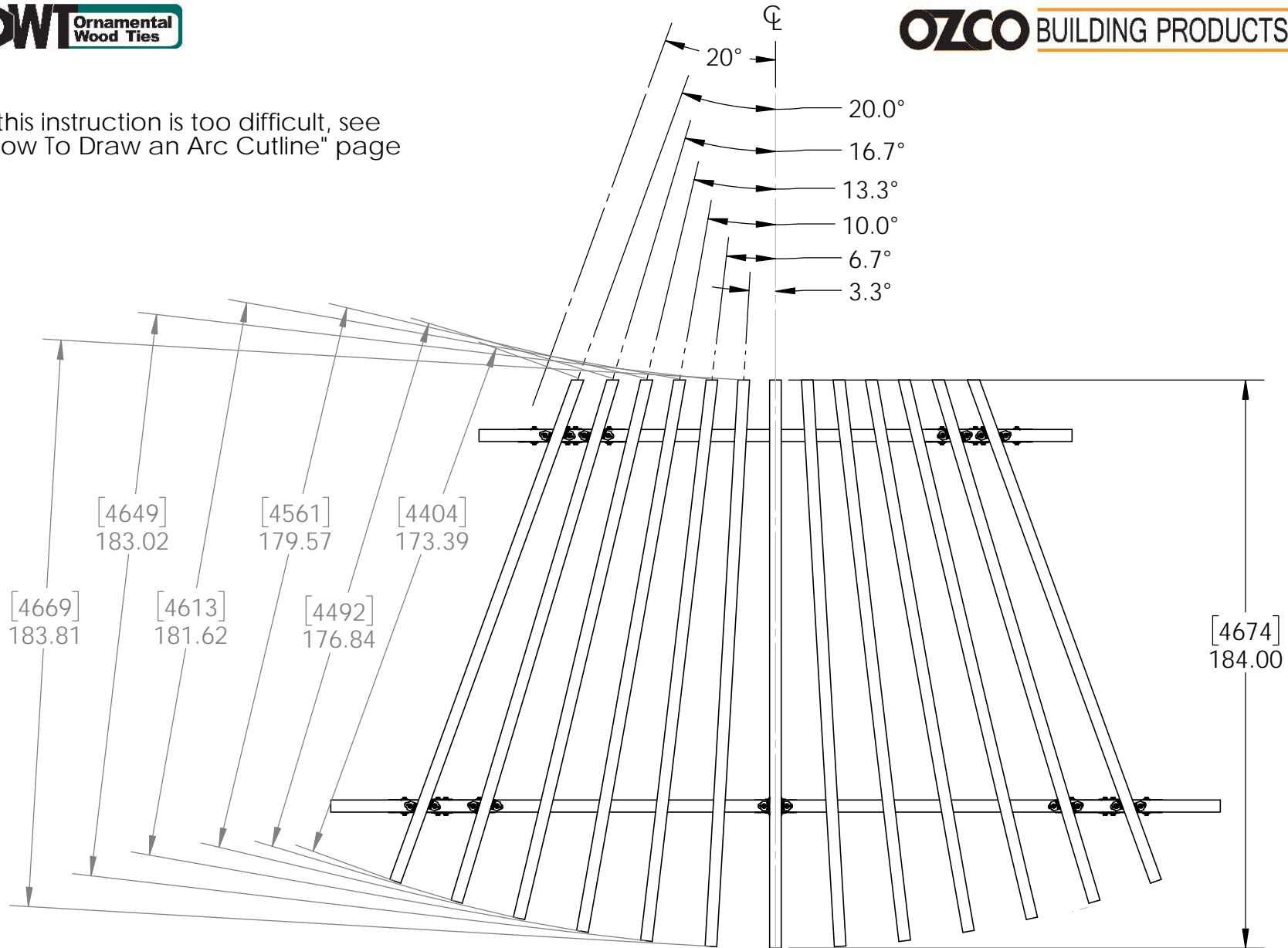
1. locate center of arc and mark with push pin
2. attach string to push pin and pencil as shown
3. mark cutline
4. cut with appropriate saw



How To Draw an Arc Cutline

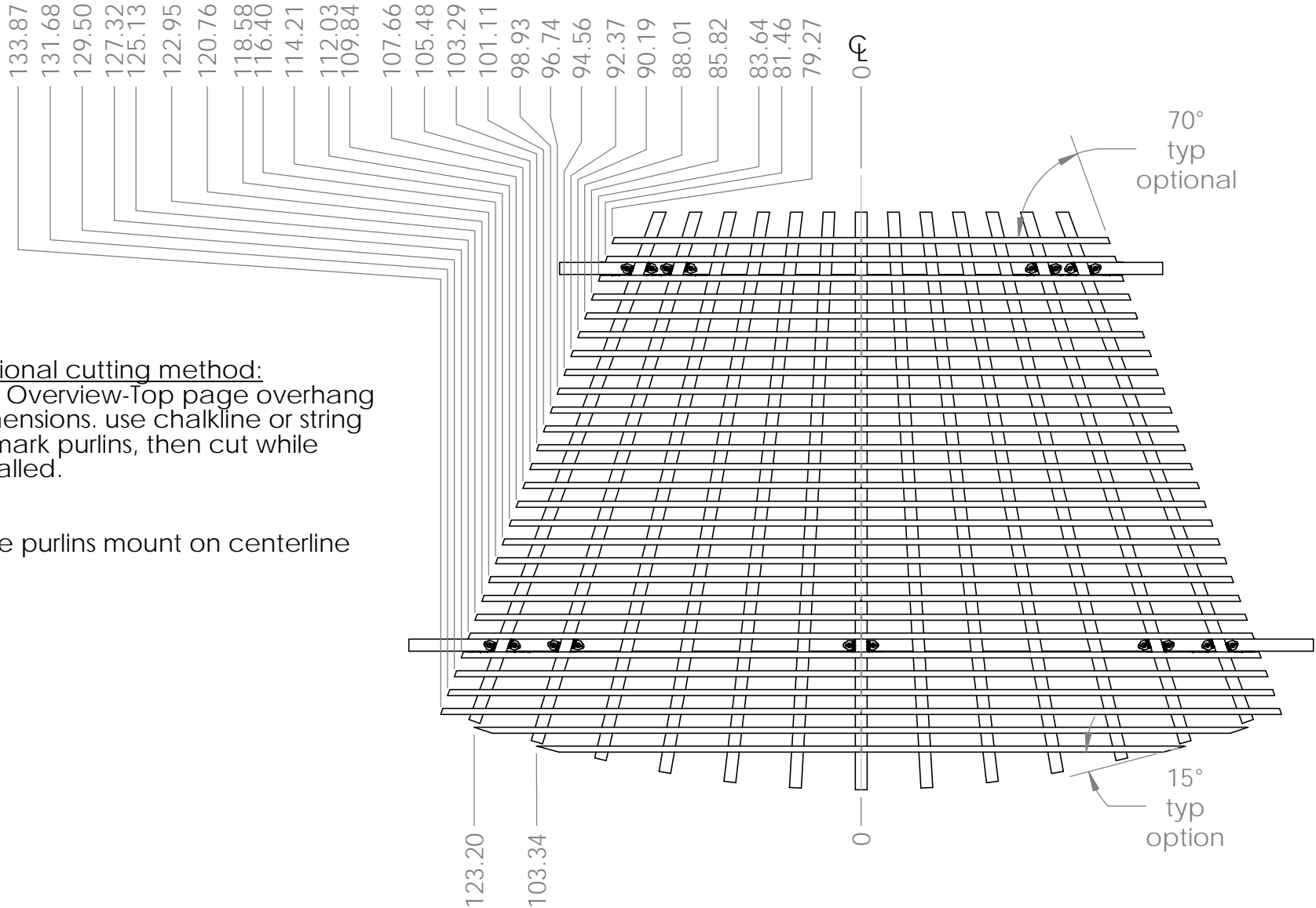
OZCO Project #378 - Patio Pergola Five 4x6
Posts

if this instruction is too difficult, see "How To Draw an Arc Cutline" page



Cutlist-Rafters

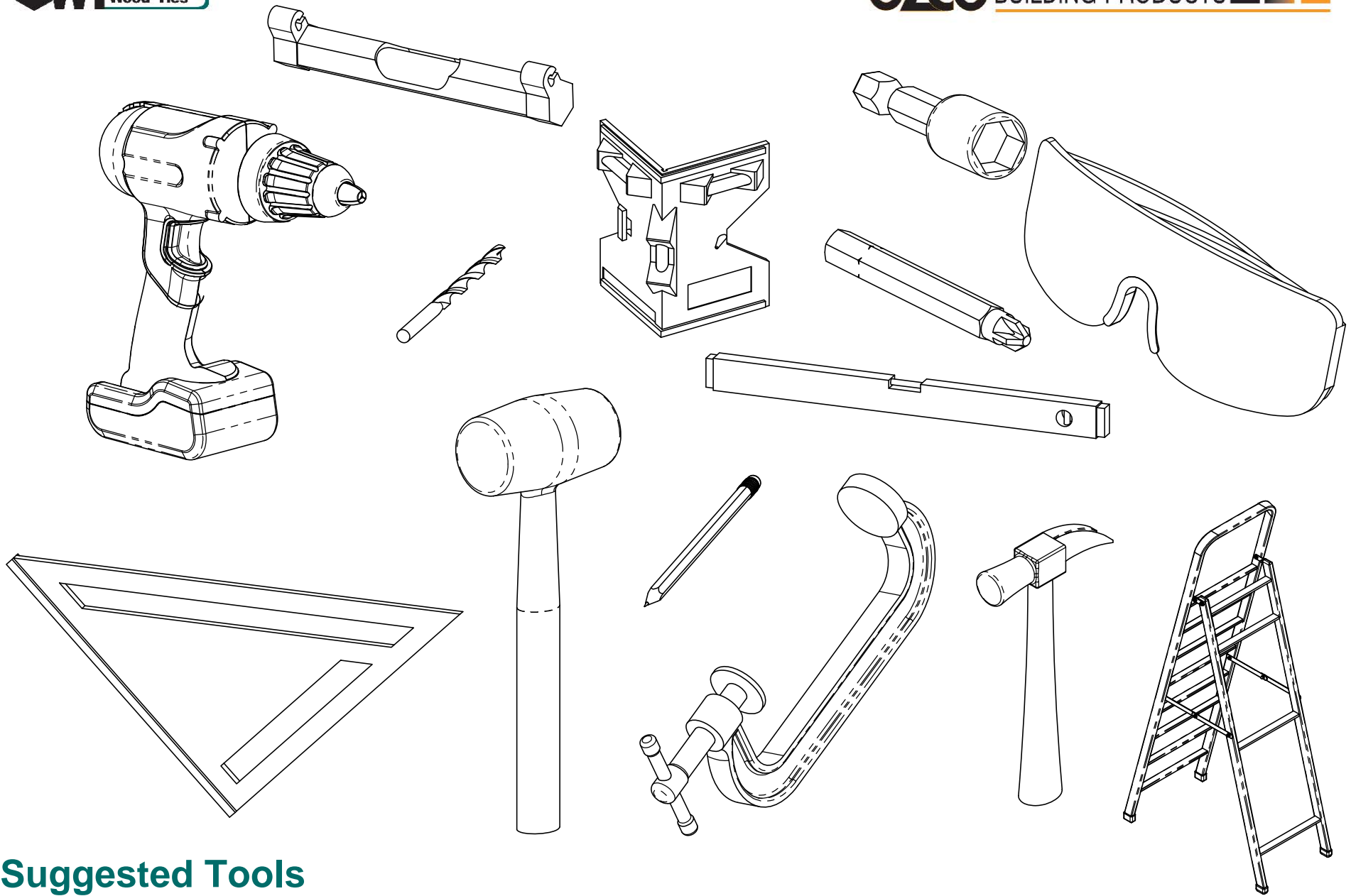
OZCO Project #378 - Patio Pergola Five 4x6 Posts



optional cutting method:
see Overview-Top page overhang dimensions. use chalkline or string to mark purlins, then cut while installed.

note purlins mount on centerline

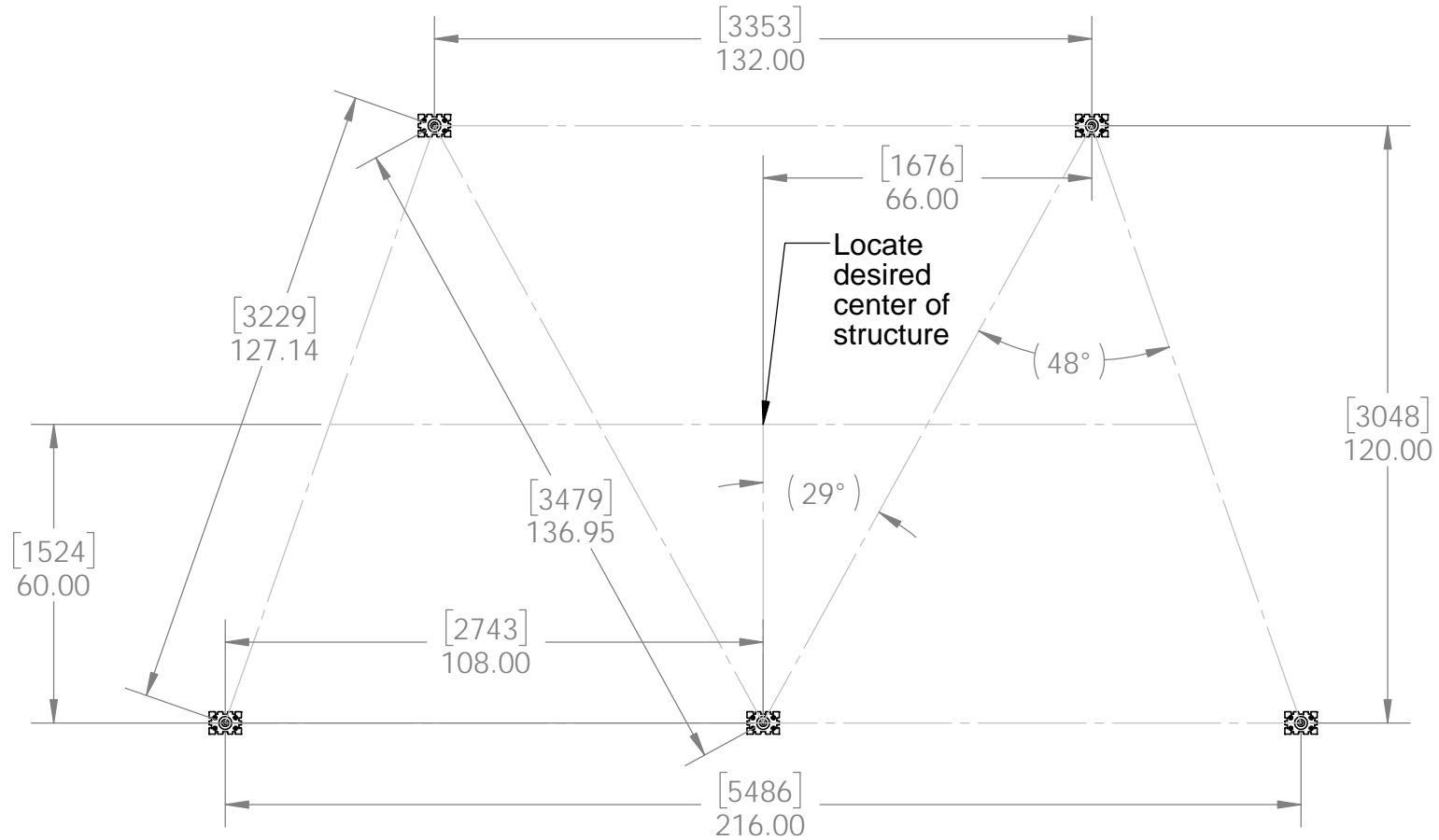
Cutlist-Purlins



Suggested Tools

(others may be required)

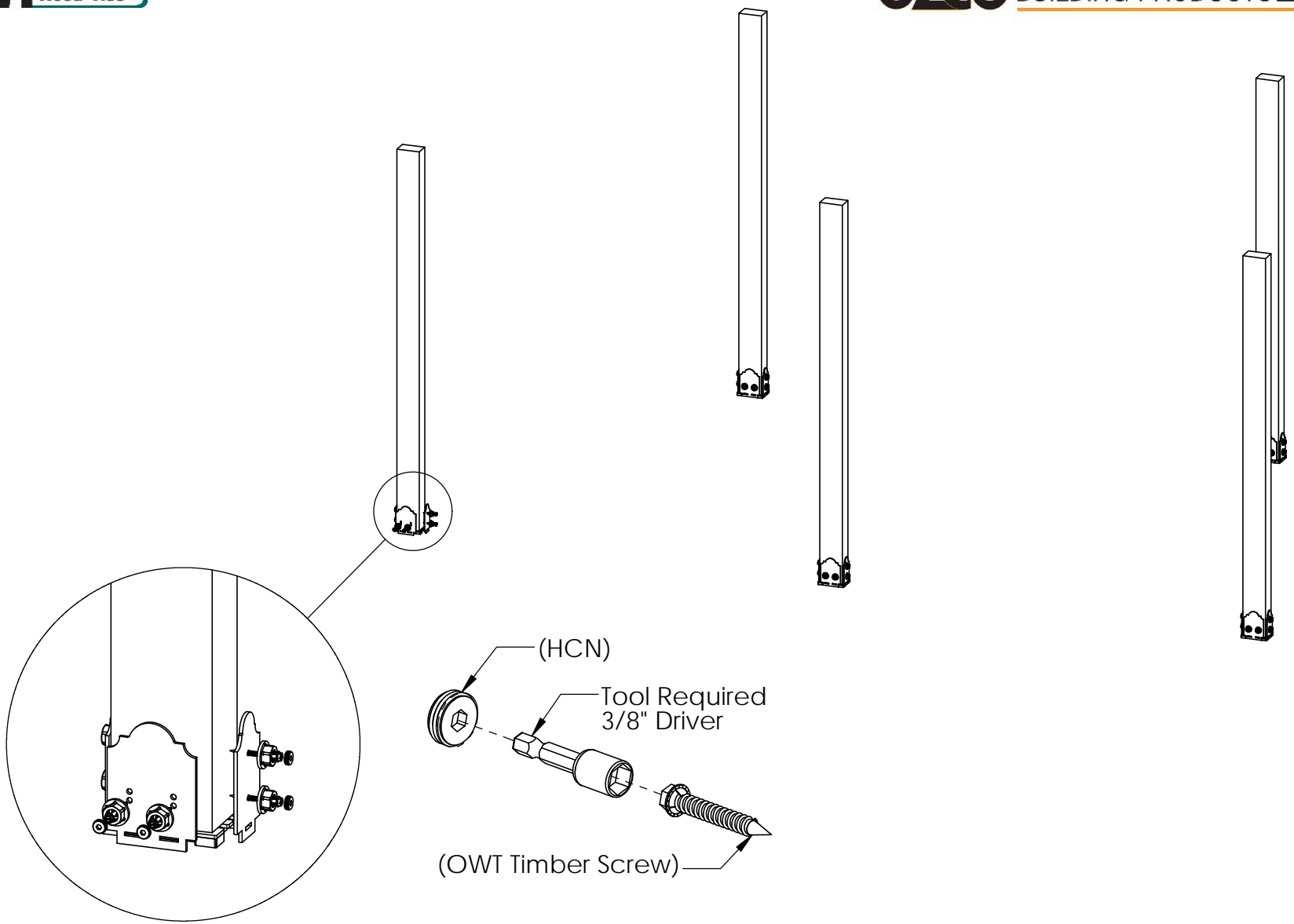
OZCO Project #378 - Patio Pergola Five 4x6 Posts



if site is not level,
see Ozco Site Leveling instruction

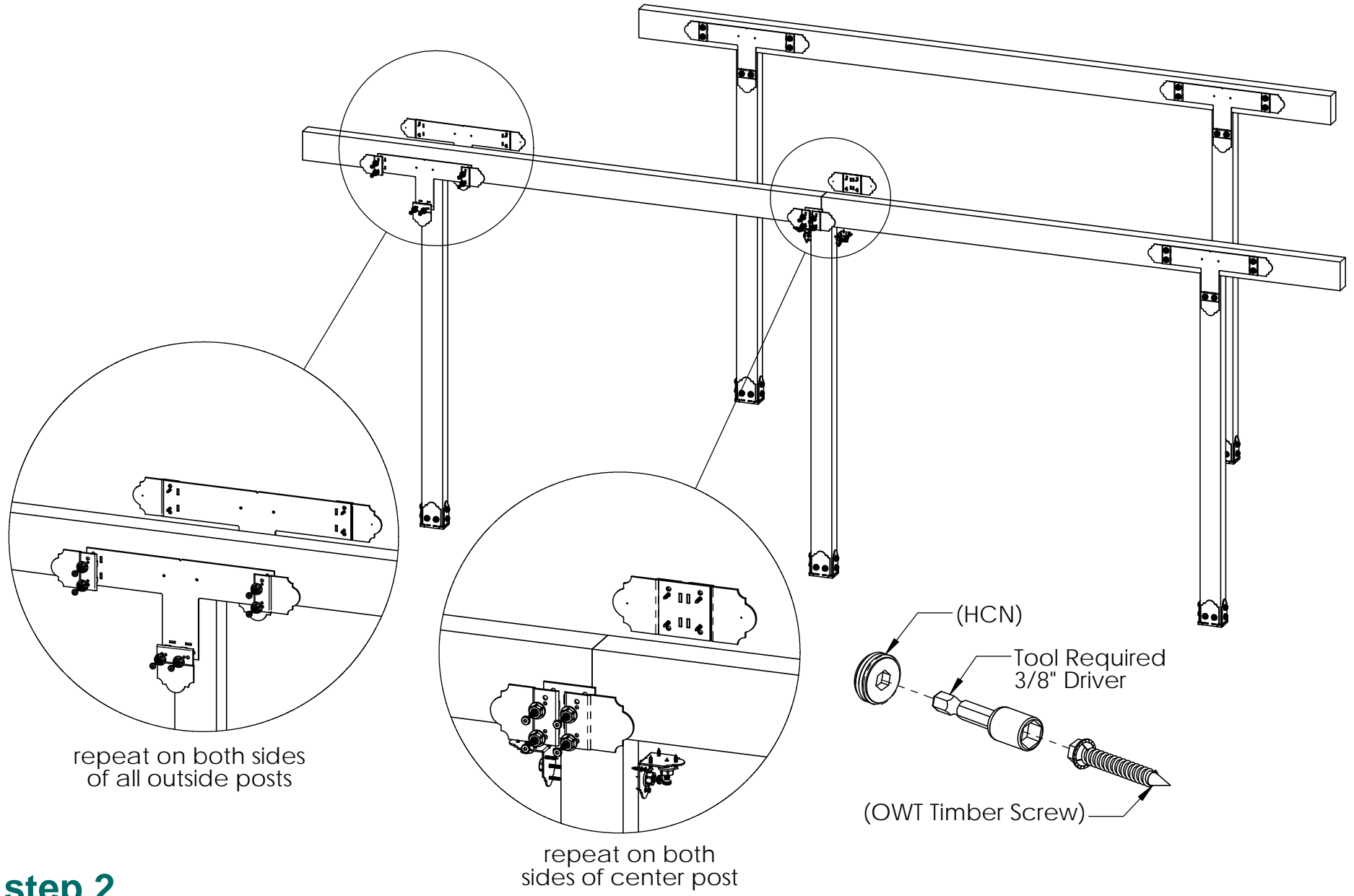


site



step 1

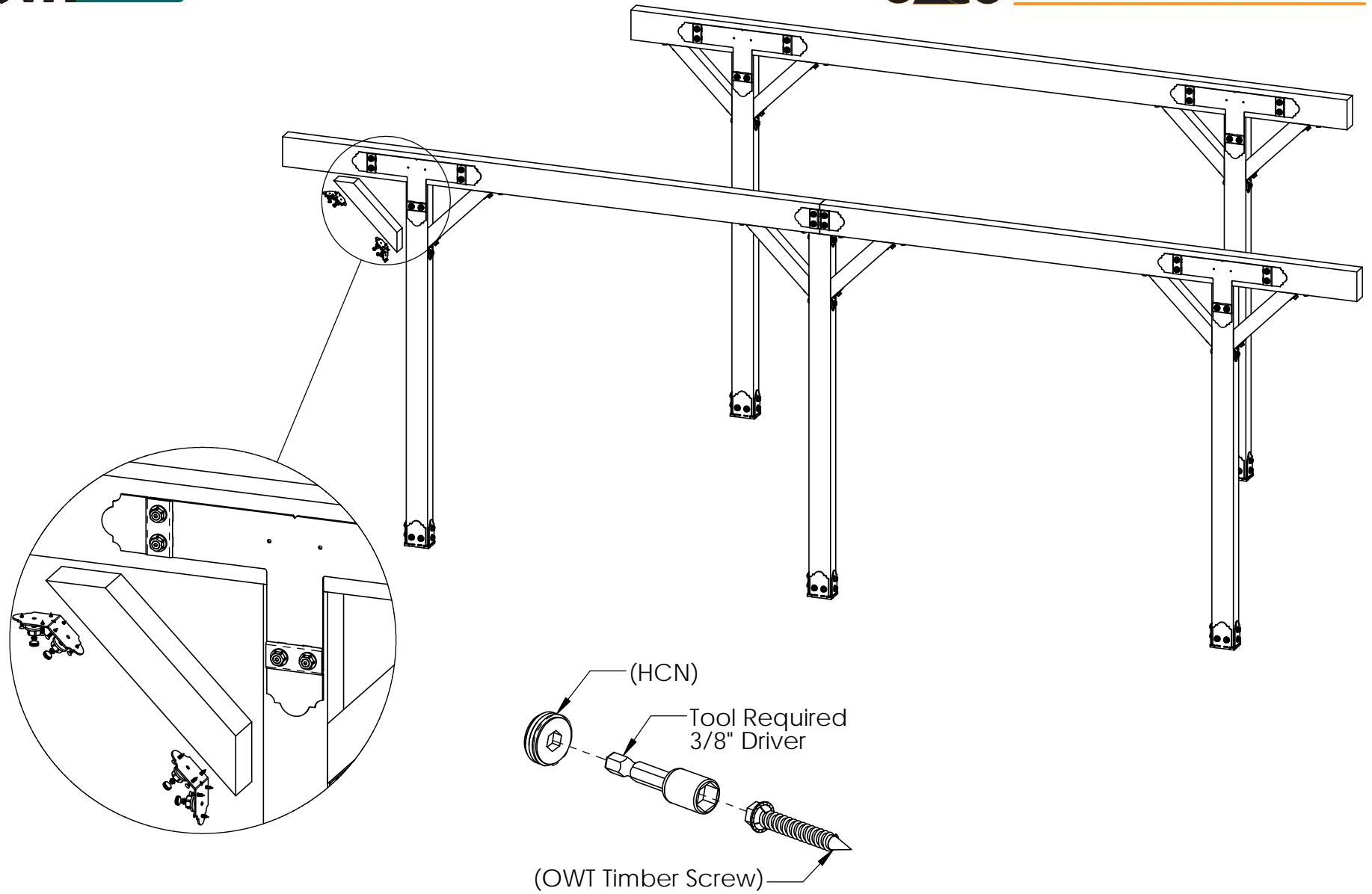
OZCO Project #378 - Patio Pergola Five 4x6 Posts



repeat on both sides of all outside posts

repeat on both sides of center post

step 2

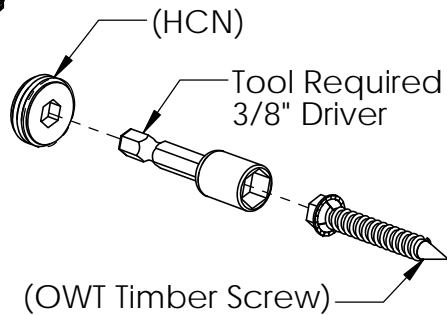
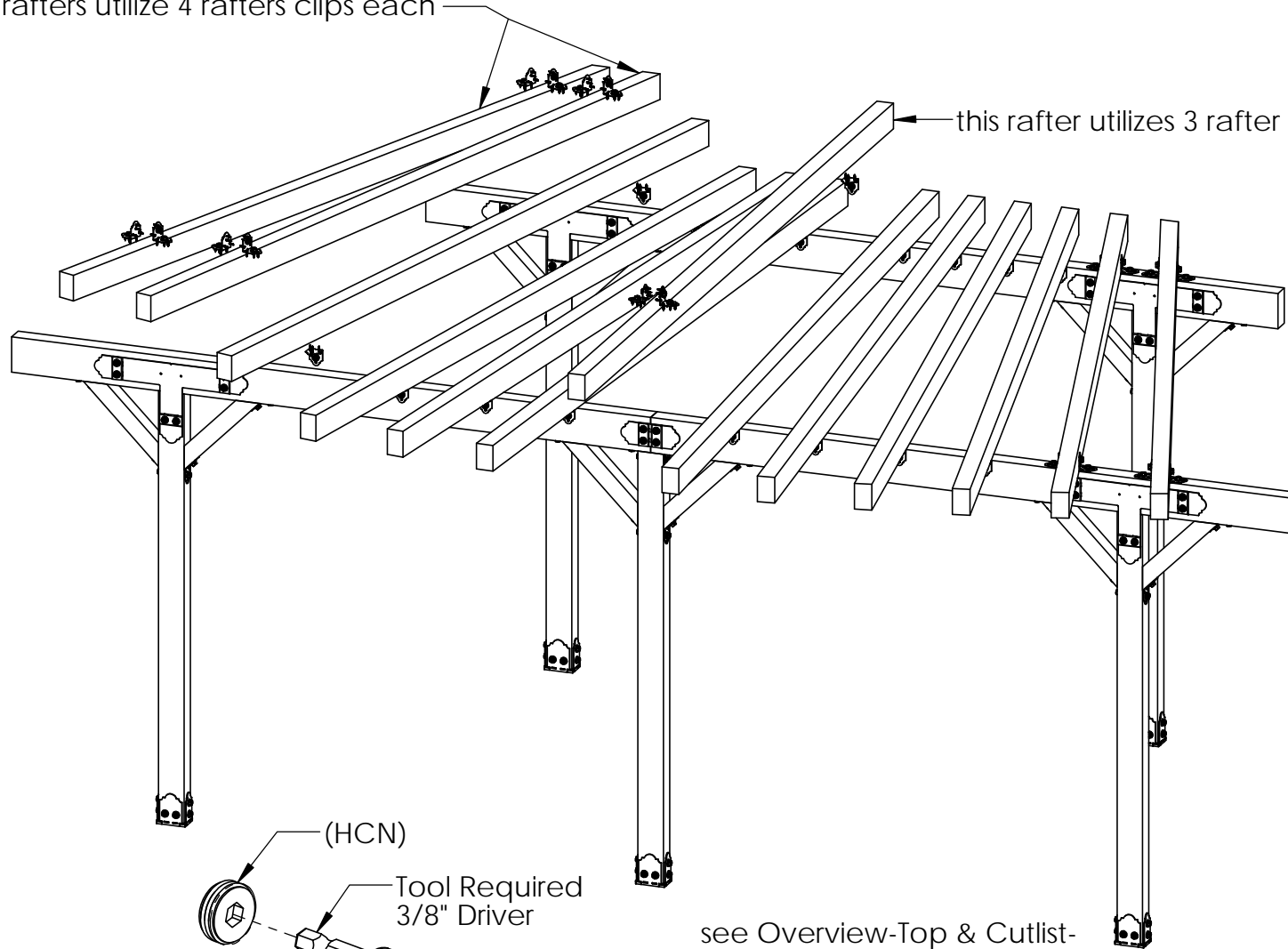


step 3

OZCO Project #378 - Patio Pergola Five 4x6 Posts

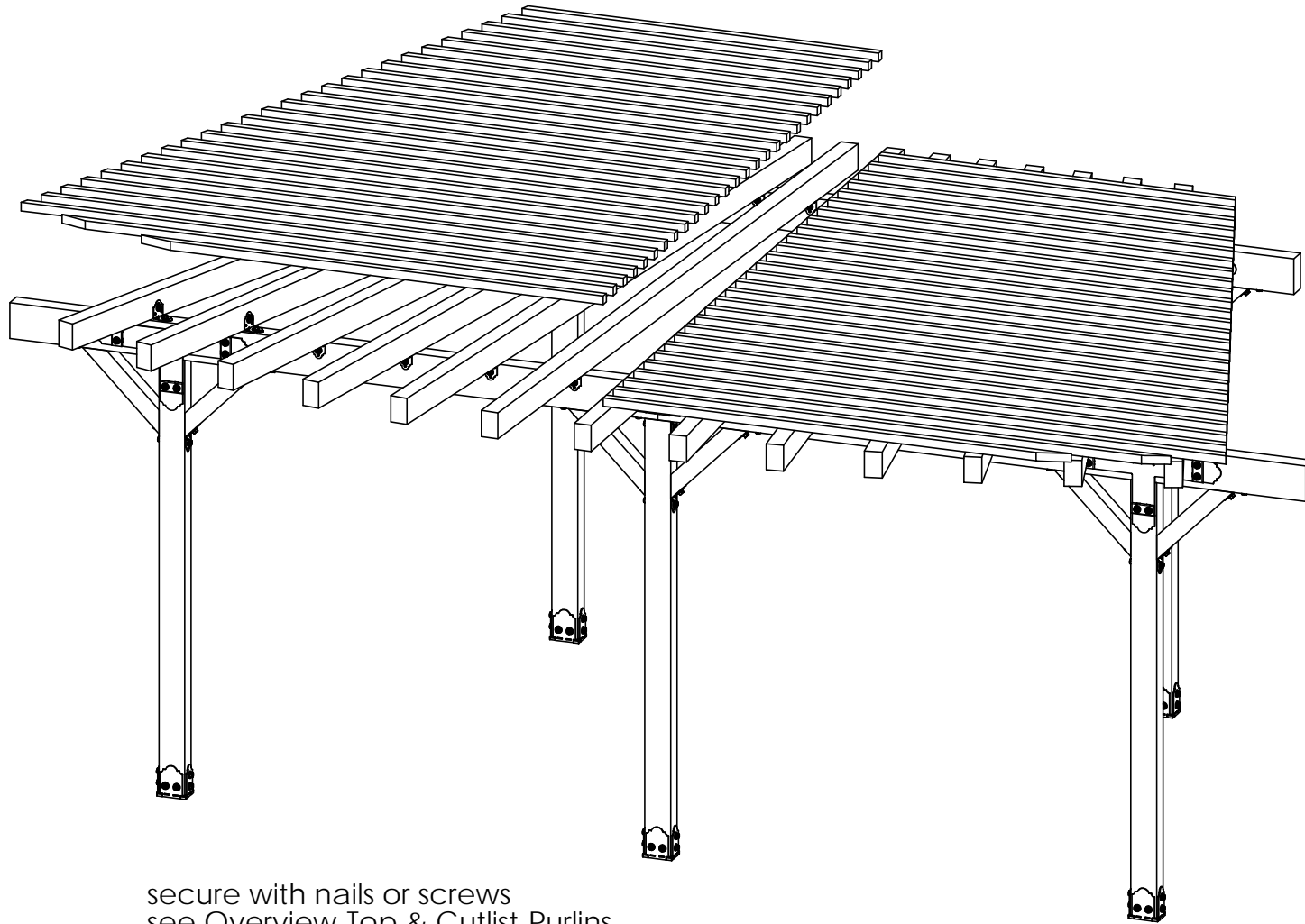
these rafters utilize 4 rafters clips each

this rafter utilizes 3 rafter clips



see Overview-Top & Cutlist-Rafters page for additional instruction

step 4

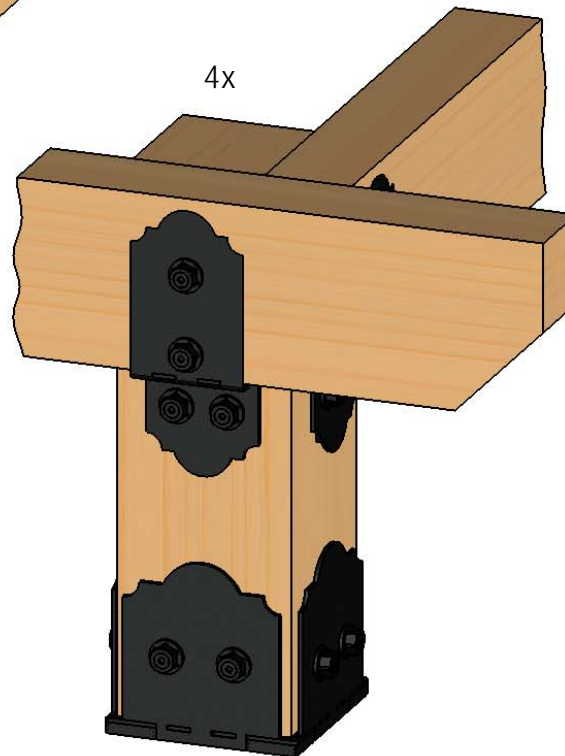
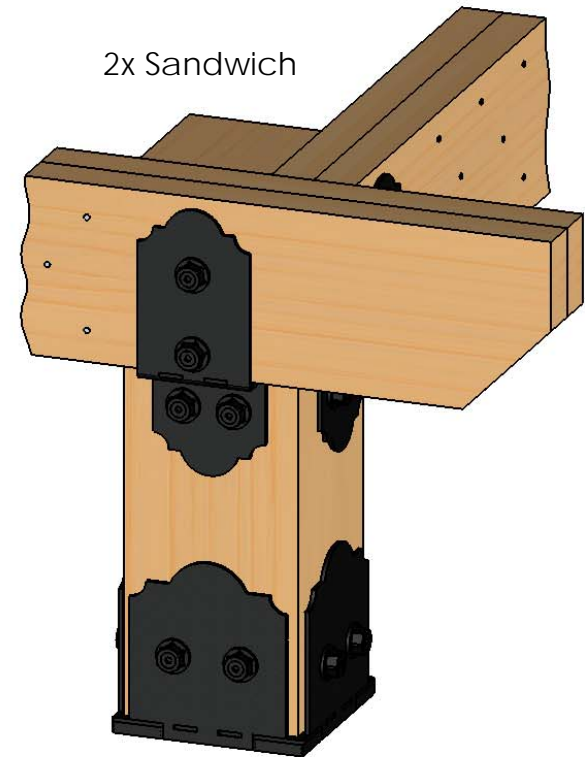
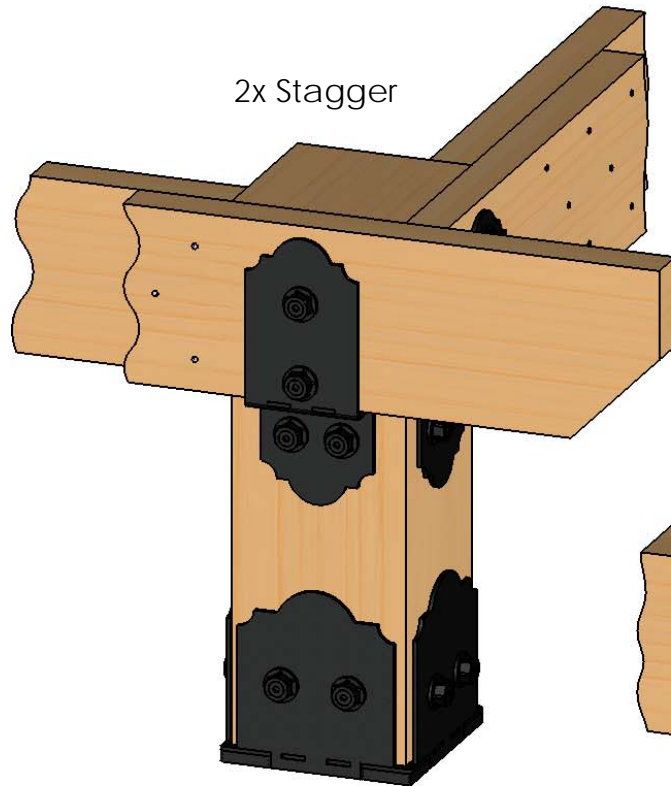


secure with nails or screws
see Overview-Top & Cutlist-Purlins
page for additional instruction

step 5

OZCO Project #378 - Patio Pergola Five 4x6
Posts

Ian's Concept

4x Beam Installation

- 3 style choices
- When 4x lumber not available or cost effective
- see subsequent pages for details on each style

see product installation instructions for hardware installation

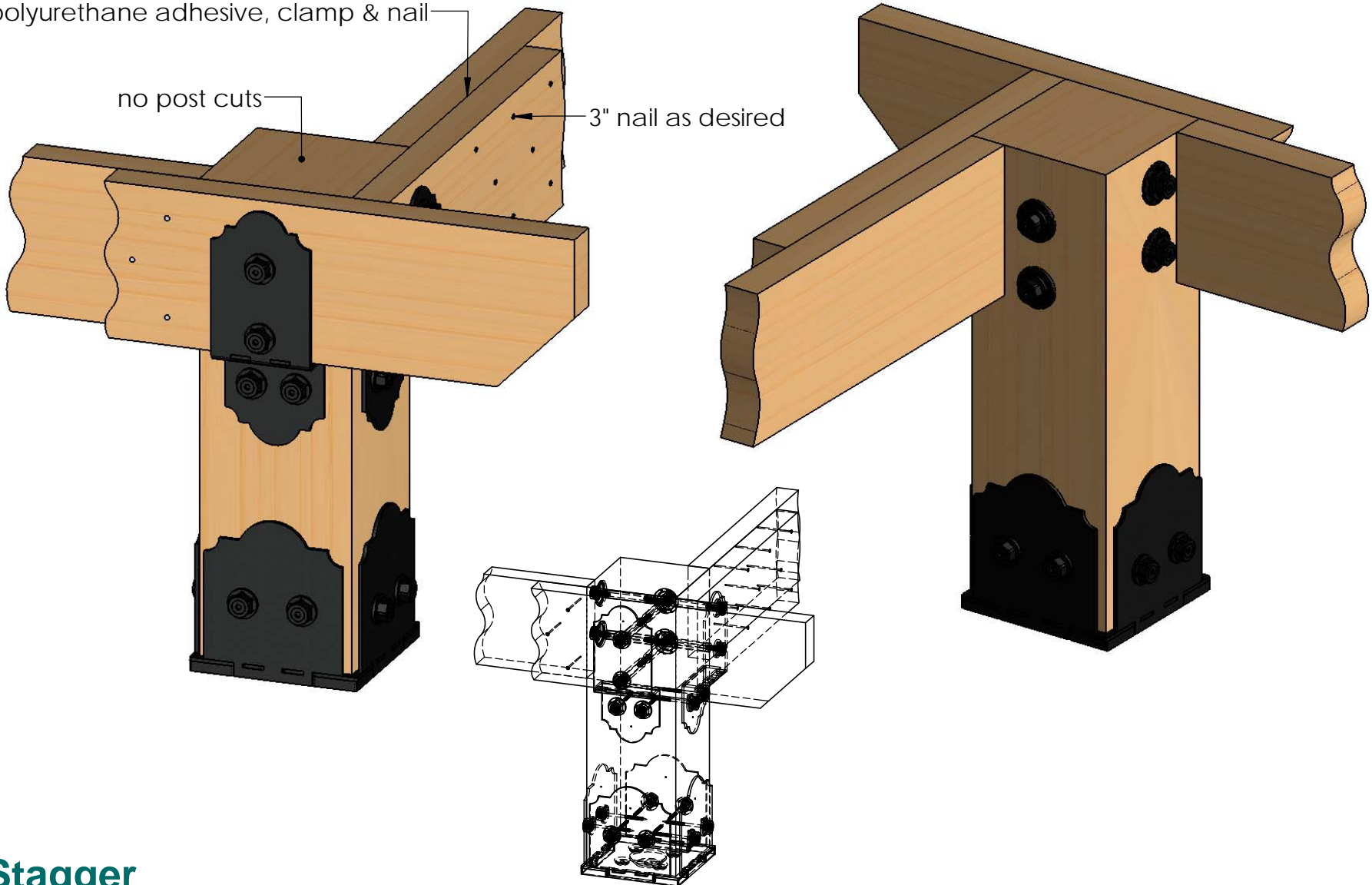


OZCO BUILDING PRODUCTS

polyurethane adhesive, clamp & nail

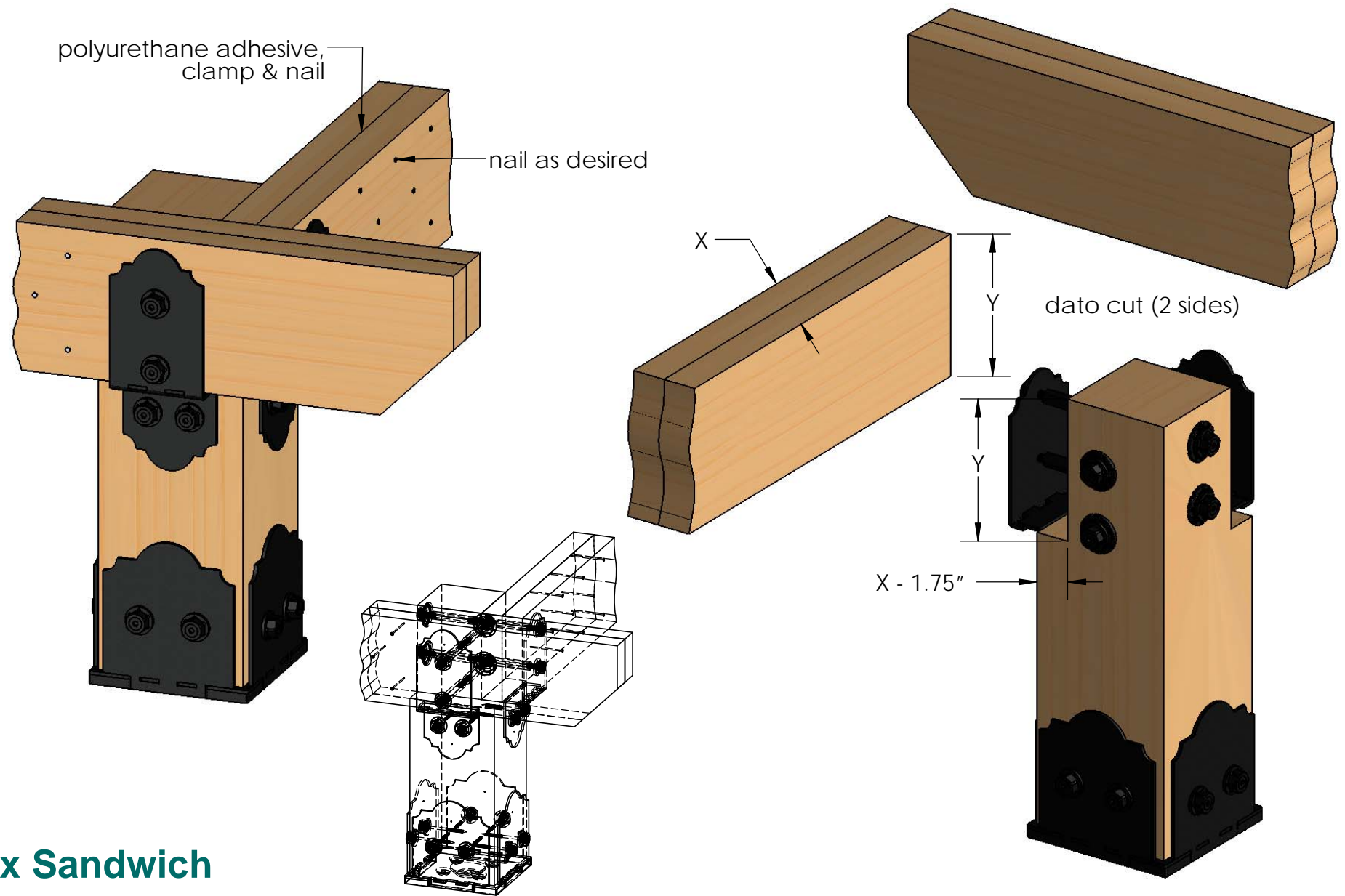
no post cuts

3" nail as desired



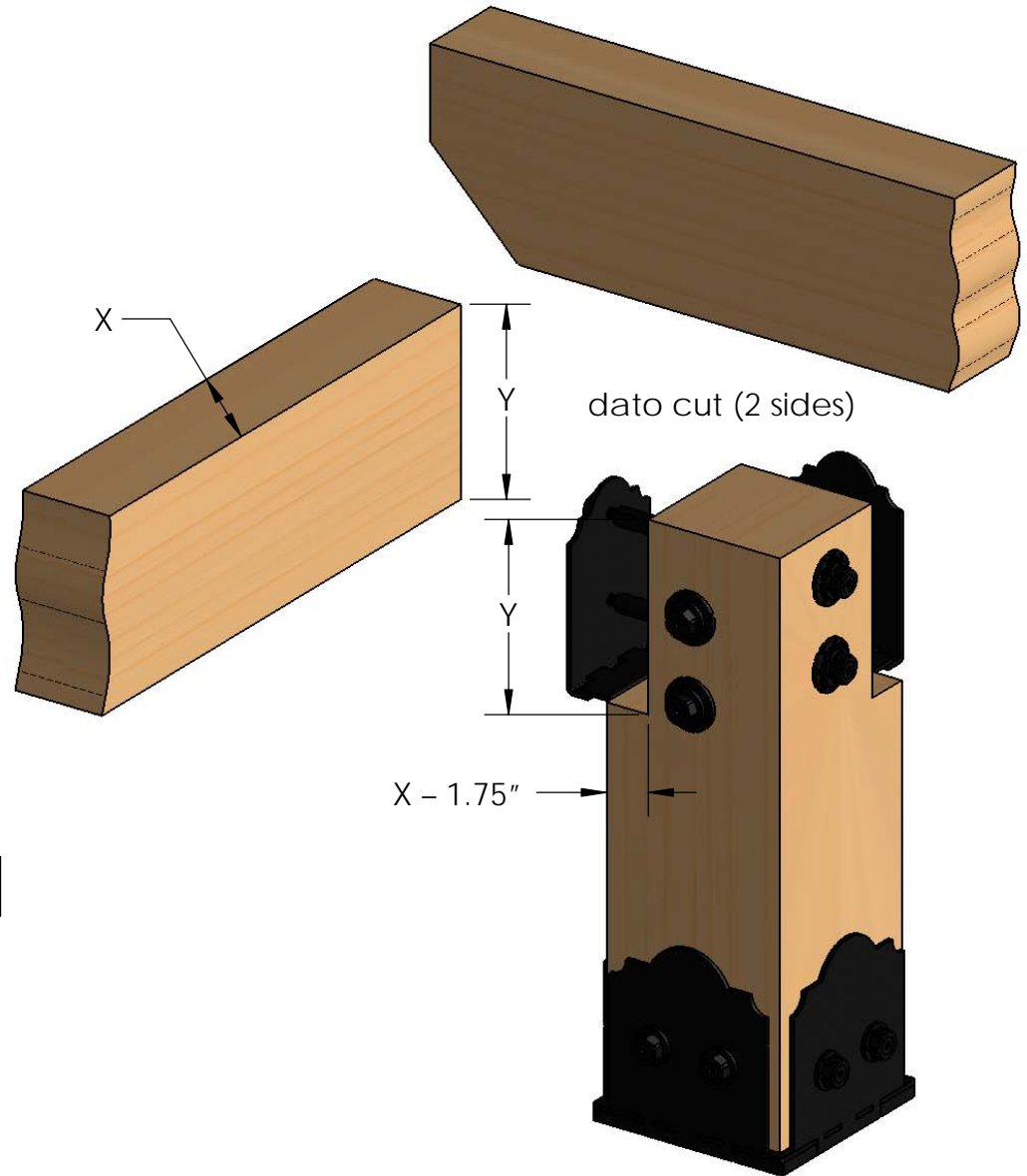
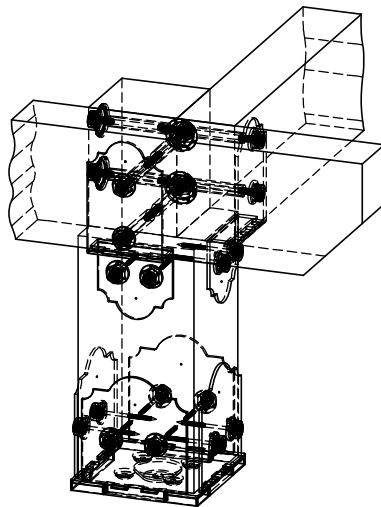
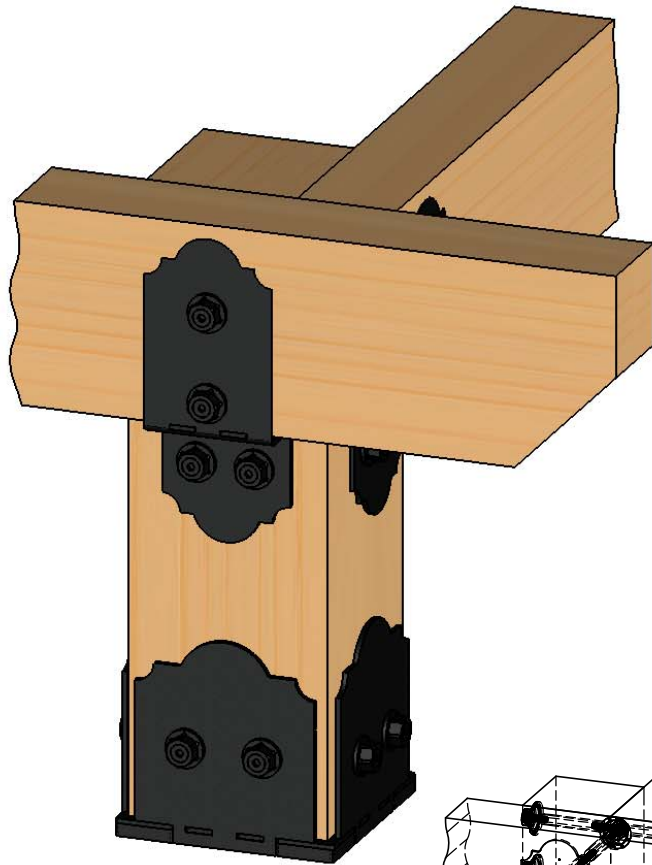
2x Stagger

Ian's Concept



2x Sandwich

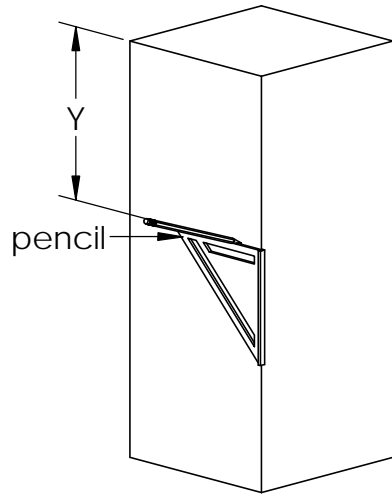
Ian's Concept



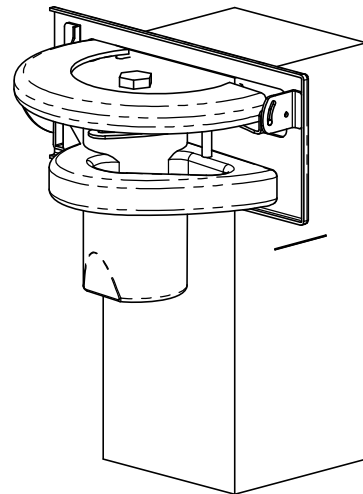
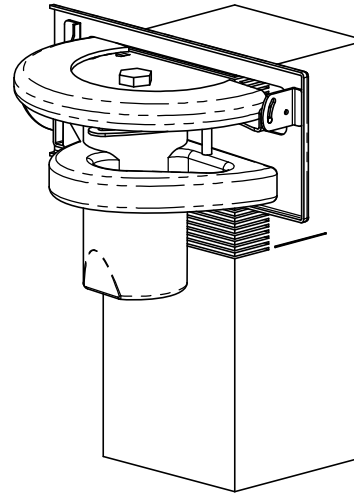
4x

Ian's Concept

mark ledge location

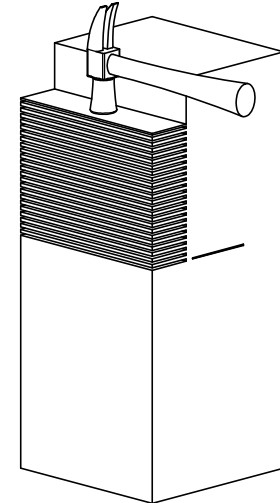


multiple cuts
approximately 1/4"
apart to mark



set saw cut depth;
start cuts 1/4" from top

remove pieces



Dato cut details

Ian's Concept