



# P70, P72, and P170 Series Controls for High Pressure Applications Catalog Page

LIT-1900171

2020-04-22

## Description

The P70, P72, and P170 Controls for high pressure applications are designed primarily for high pressure cut-out control, head-pressure control, and condenser fan cycling control on commercial refrigeration and air conditioning applications.

Controls are available in several pressure ranges and are compatible with most common refrigerants. They may also be used on other non-corrosive fluid applications. Ammonia compatible models are also available.

Several different electrical ratings and switch configurations are available. The P72 models provide direct control of 208-240 volt single-phase motors up to 3 horsepower, and 208-220 volt 3-phase motors up to 5 horsepower.

Refer to the *P70, P72, and P170 Series Controls for High Pressure Applications Product/Technical Bulletin (LIT-125454)* for important product application information.

## Features

### All-steel case and cover

provides long lasting, rugged protection for internal components

### Sight-set calibrated pressure adjustment

displays a visible pressure scale, fully adjustable through the range without removing the cover (on NEMA 1 enclosure models)



### Manual reset lockout option

provides trip-free lockout that cannot be overridden or reset until pressure returns to specified level

### Variety of available pressure connection styles

allows greater flexibility when mounting control and adapting pressure connections to field application requirements

## Applications

NEMA 1 enclosures are standard on most models.

### P70C, P70D P170C and P170D models

with single-pole, single-throw (SPST) Open High switch action are the most popular models, and are typically used for high-pressure cutout. The **C models** are automatic reset. The **D models** have a manual reset lockout mechanism. Some **P70C, P70D P170C and P170D models** are UL Listed as refrigeration pressure limiting controls.

### P70A and P170A models

are available with SPST Open Low switch action, and typically are used for condenser fan cycling control.

### P70 and P170 models

with single-pole, double-throw (SPDT), or four-wire, two-circuit switch action allow users to install alarm devices or other control circuits.

### P72 models

have a double-pole, single-throw (DPST) switch with load-carrying contacts that can provide direct control of 208-240 V single-phase motors up to 3 horsepower, and 208-220 V3-phase motors up to 5 horsepower. See the DPST Electrical Ratings (P72A, B, C, and D Models) that follow.

## Repair information

If the P70, P72, and P170 Series Controls for high pressure applications fail to operate within their specifications, replace the units. For a replacement control, contact the nearest Johnson Controls® representative.

## Selection chart

Table 1: P70, P72, and P170 Series Controls for high pressure applications selection chart

Product code number	Switch action	Range psi (kPa)	Differential psi (kPa)	Pressure connection	Max. working pressure
Condenser fan cycling controls (for non-corrosive refrigerants)					
P70AA-118C	SPST open low	100 to 400 (690 to 2,758)	Minimum 35 (241) Maximum 200 (1,379)	36 in. capillary with 1/4 in. flare nut	475 psig (3,275 kPa)
P72AA-27C	DPST open low			1/4 in. external flare connector	
P170AA-118C	SPST open low				
All range controls (for non-corrosive refrigerants)					

**Table 1: P70, P72, and P170 Series Controls for high pressure applications selection chart**

Product code number	Switch action	Range psi (kPa)	Differential psi (kPa)	Pressure connection	Max. working pressure
P70CA-2C <sup>1</sup>	SPST open high	50 to 500 (345 to 3,448)	Minimum 60 (414) Maximum 150 (1,034)	1/4 in. external flare connector	525 psig (3,620 kPa)
P70CA-3C <sup>1</sup>				36 in. capillary with 1/4 in. flare nut	
P70DA-1C <sup>1</sup>			Manual reset lockout		
P70KA-1C	Four-wire, two-circuit Line-M1 close high Line-M2 open high				
P72CA-2C <sup>1</sup>	DPST open-high		Minimum 60 (414) Maximum 150 (1,034)		
P72DA-1C <sup>1</sup>					
P170CA-3C <sup>1</sup>	SPST open high		Minimum 60 (414) Maximum 150 (1,034)	1/4 in. external flare connector	
P170DA-1C					
P170KA-1C			Four-wire, two-circuit Line-M1 close high Line-M2 open high		
Models for high pressure non-corrosive refrigerants <sup>2</sup>					
P70AA-2C	SPST open low	0 to 150 (0 to 1,034)	Minimum 10 (69) Maximum 70 (483)	36 in. cap. with 1/4 in. flare nut	325 psig (2,241 kPa)
P170AA-2C				1/4 in. external flare connector	
P70AA-400C		100 to 470 (689 to 3,241)	Minimum 35 (241) Maximum 200 (1,379)	36 in. cap. with 1/4 in. flare nut	690 psig (4,757 kPa)
P170AA-400C				1/4 in. external flare connector	
P70CA-400C <sup>1</sup>	SPST open high	200 to 610 (1,379 to 4,206)	Minimum 60 (414) Maximum 150 (1,034)	36 in. cap. with 1/4 in. flare nut	
P170CA-400C <sup>1</sup>				1/4 in. external flare connector	
P70DA-400C <sup>1</sup>			Manual reset lockout	36 in. cap. with 1/4 in. flare nut	
P170DA-400C <sup>1</sup>			1/4 in. external flare connector		
Ammonia compatible models					
P70AA-119C	SPST open low	50 to 300 (345 to 2,068)	Minimum 20 (138) Maximum 120 (827)	1/4 in. SS internal NPT	400 psig (2,758 kPa)
P70CA-5C <sup>1</sup>	SPST open-high	50 to 500 (345 to 3,448)	Minimum 60 (414) Maximum 150 (1,034)		525 psig (3,620 kPa)
P70DA-2C <sup>1</sup>				Manual reset lockout	
P70KA-7C	Four-wire, two-circuit Line-M1 close-high Line-M2 open high				

1 UL Listed as refrigeration pressure limiting controls

2 Compatible with R410A refrigerant.

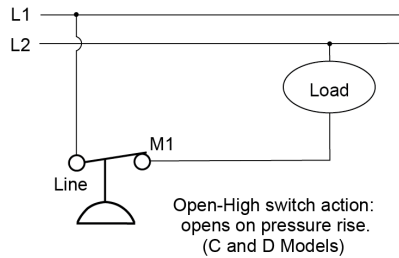
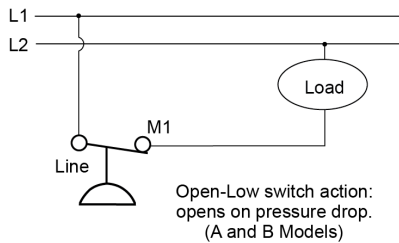
ⓘ **Note:** To order models not listed in the selection chart, please contact Johnson Controls/PENN® Refrigeration Application Engineering at 1-800-275-5676.

# Technical specifications

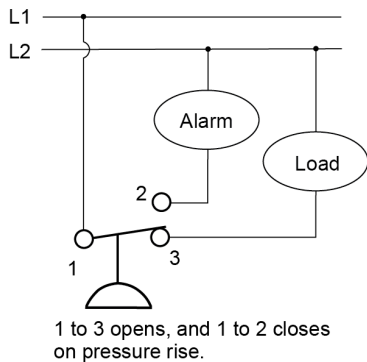
**Table 2: Single pressure controls switch action, low event, high event, and models**

Switch and action	Low event	High event	Models
SPST open low	Cut-out (opens line to M1)	Cut-in (closes line to M1)	P70A, P70B, P170A
SPST open high	Cut-in (closes line to M1)	Cut-out (opens line to M1)	P70C, P70D, P170C, P170D
SPDT	Opens 1 to 2 and closes 1 to 3	Closes 1 to 2 and opens 1 to 3	P70E, P70F
Four-wire, two-circuits, 1 N.O., 1 N.C. open low	Cut-out (opens M2 to line and closes M1 to line)	Cut-in (closes M2 to line and opens M1 to line)	P70G, P70H
Four-wire, two-circuits, 1 N.O., 1 N.C. open high	Cut-in (closes M2 to line and opens M1 to line)	Cut-out (opens M2 to line and closes M1 to line)	P70J, P70K, P170K
DPST open low	Cut-out (opens M1 to line and M2 to line)	Cut-in (closes M1 to line and M2 to line)	P72A, P72B
DPST open high	Cut-in (closes M1 to line and M2 to line)	Cut-out (opens M1 to line and M2 to line)	P72C, P72D

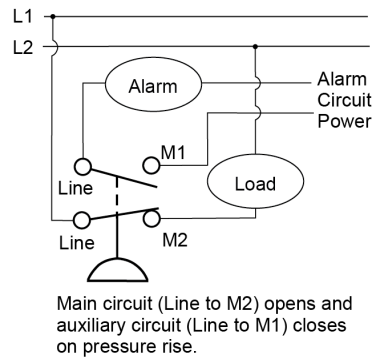
**Figure 1: Typical wiring for SPST (P70A, B, C, D, and P170A, C, D, models)**



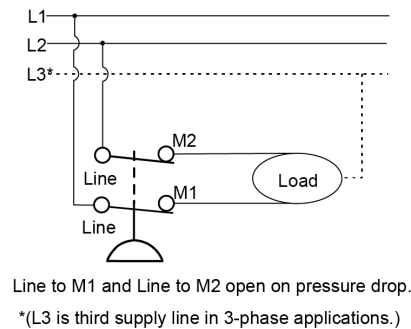
**Figure 2: Typical wiring for SPDT switch (P70E and F models)**



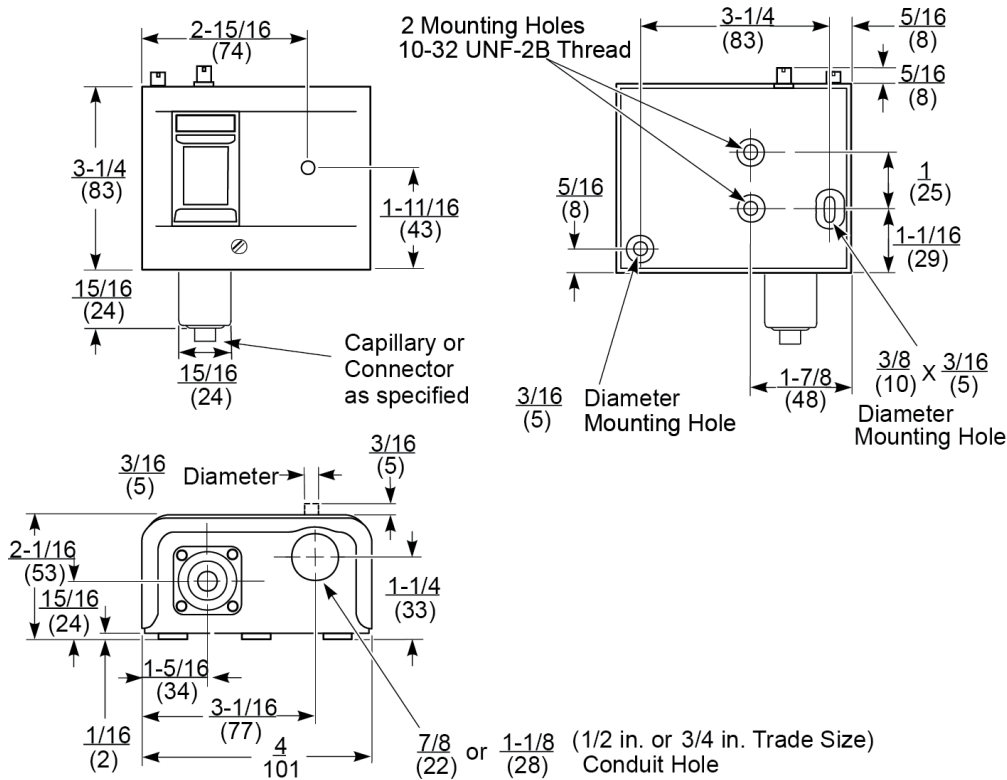
**Figure 3: Typical wiring for four-wire two-circuit switch used for a high pressure cutout application with an alarm circuit (P70J, K, and P170K models)**



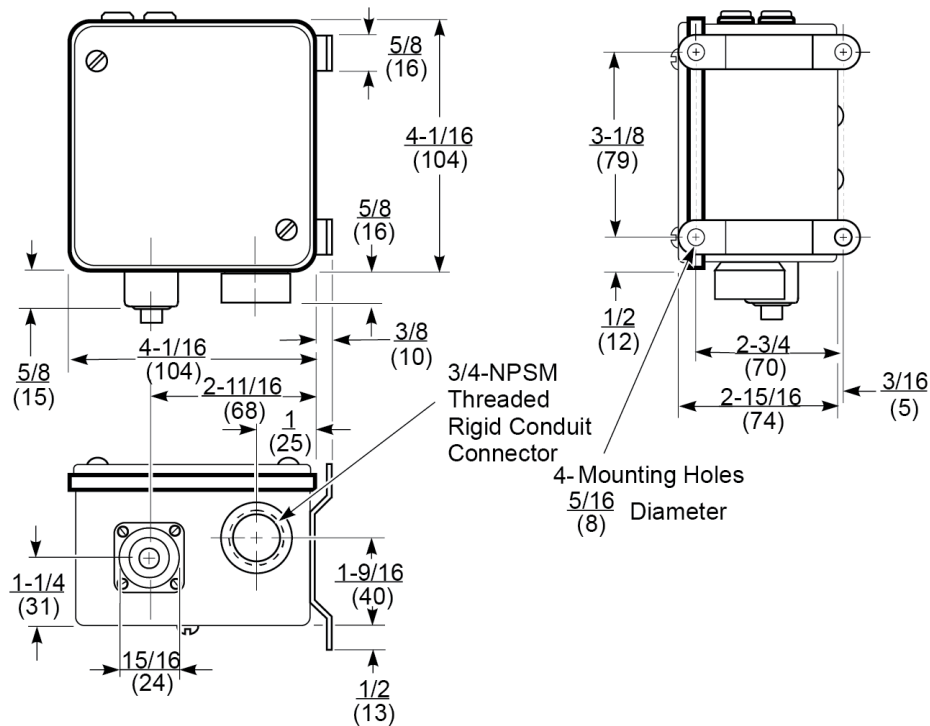
**Figure 4: Typical wiring for DPST switch (P72C and D models)**



**Figure 5: Dimensions for high pressure controls with NEMA 1 enclosure, in. (mm)**



**Figure 6: Dimensions for high pressure controls with NEMA 3R enclosure, in. (mm)**



① **Note:** These dimensions are nominal and are subject to accepted manufacturing tolerances and application variables.

**Table 3: SPST electrical ratings (P70A, B, C, D, and P170A, C, D models)**

Description	Single-phase ratings			
	Standard			Hermetic compressor
	120 VAC	208 VAC	240 VAC	208/240 VAC
Motor Horsepower	2	3	3	--
Motor Full-Load A	24	18.7	17	24
Motor Locked-Rotor A	144	112.2	102	144
Non-Inductive A	22	22	22	--
Pilot Duty	125 VA at 120 to 600 VAC; 57.5 VA at 120 to 300 VDC			

**Table 4: SPDT electrical ratings 1 hp switch (P70E models)**

Description	Standard single-phase ratings			
	120 VAC	208 VAC	240 VAC	277 VAC <sup>1</sup>
Motor Full Load A	16.0	9.2	8.0	7.0
Motor Locked Rotor A	96.0	55.2	48.0	42.0
Non-Inductive A	16.0	9.2	8.0	-
Pilot Duty	125 VA at 120 to 600 VAC			125 VA at 24 to 600 VAC

<sup>1</sup> Rating for P70EC models only

**Table 5: SPDT electrical ratings 1/4 hp switch (P70F models)**

Description	Standard single-phase ratings		
	120 VAC	208 VAC	240 VAC
Motor Full Load A	6.0	3.3	3.0
Motor Locked Rotor A	36.0	19.8	18.0
Non-Inductive A	6.0	6.0	6.0
Pilot Duty	125 VA at 24 to 240 VAC		

**Table 6: Four-wire, two-circuit electrical ratings (P70G, H, J, K, and P170K models)**

Description	Standard single-phase ratings							
	Line-M2 (main contacts)				Line-M1 (auxiliary contacts)			
	120 VAC	208 VAC	240 VAC	277 VAC	120 VAC	208 VAC	240 VAC	277 VAC
Motor Full Load A	16.0	9.2	8.0	--	6.0	3.3	3.0	--
Motor Locked Rotor A	96.0	55.2	48.0	--	36.0	19.8	18.0	--
Non-Inductive A	16.0	9.2	8.0	7.2	6.0	6.0	6.0	6.0
Pilot Duty for both sets of contacts	125 VA at 24 to 600 VAC; 57.5 VA at 120 to 300 VDC							

**Table 7: DPST electrical ratings (P72A, B, C, and D models)**

Description	Standard ratings					Hermetic compressor ratings	
	120 VAC, single-phase	208 VAC, single-phase	240 VAC, single-phase	208 VAC, three-phase	220 VAC, three-phase	208 VAC, single-phase	240 VAC, single-phase
Motor Horsepower	2	3	3	5	5	--	--
Motor Full-Load A	24	18.7	17	15.9	15	24	24
Motor Locked-Rotor A	144	112.2	102	95.4	90	144	144
AC Non-Inductive A	24	24	24	24	24	--	--
DC Non-Inductive A	3	0.5	0.5	0.5	0.5	--	--
Pilot Duty	125 VA at 120 to 600 VAC; 57.5 VA at 120 to 300 VDC						

## Product warranty

This product is covered by a limited warranty, details of which can be found at [www.johnsoncontrols.com/buildingswarranty](http://www.johnsoncontrols.com/buildingswarranty).

## Software terms

**Use of the software that is in (or constitutes) this product, or access to the cloud, or hosted services applicable to this product, if any, is subject to applicable terms set forth at [www.johnsoncontrols.com/techterms](http://www.johnsoncontrols.com/techterms).** Your use of this product constitutes an agreement to such terms.

## Single point of contact

APAC	Europe	NA/SA
JOHNSON CONTROLS C/O CONTROLS PRODUCT MANAGEMENT NO. 32 CHANGJIANG RD NEW DISTRICT WUXI JIANGSU PROVINCE 214028 CHINA	JOHNSON CONTROLS WESTENDHOF 3 45143 ESSEN GERMANY	JOHNSON CONTROLS 507 E MICHIGAN ST MILWAUKEE WI 53202 USA

## Contact information

Contact your local branch office:  
[www.johnsoncontrols.com/locations](http://www.johnsoncontrols.com/locations)

Contact Johnson Controls:  
[www.johnsoncontrols.com/contact-us](http://www.johnsoncontrols.com/contact-us)

