

PARTS CATALOG

[Model Name]
<Branch box>

PAC-MK50BC

PAC-MK30BC

[Service Ref.]

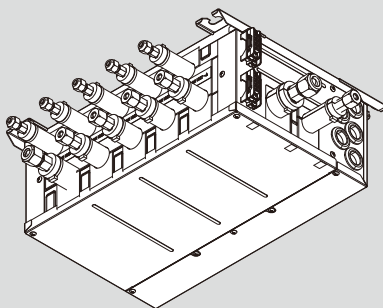
PAC-MK50BC

PAC-MK30BC

Note:

- RoHS compliant products have <G> mark on the spec name plate.

(Indispensable optional parts for PUMY-P112/125/140VKM1 and PUMY-P112/125/140YKM1)

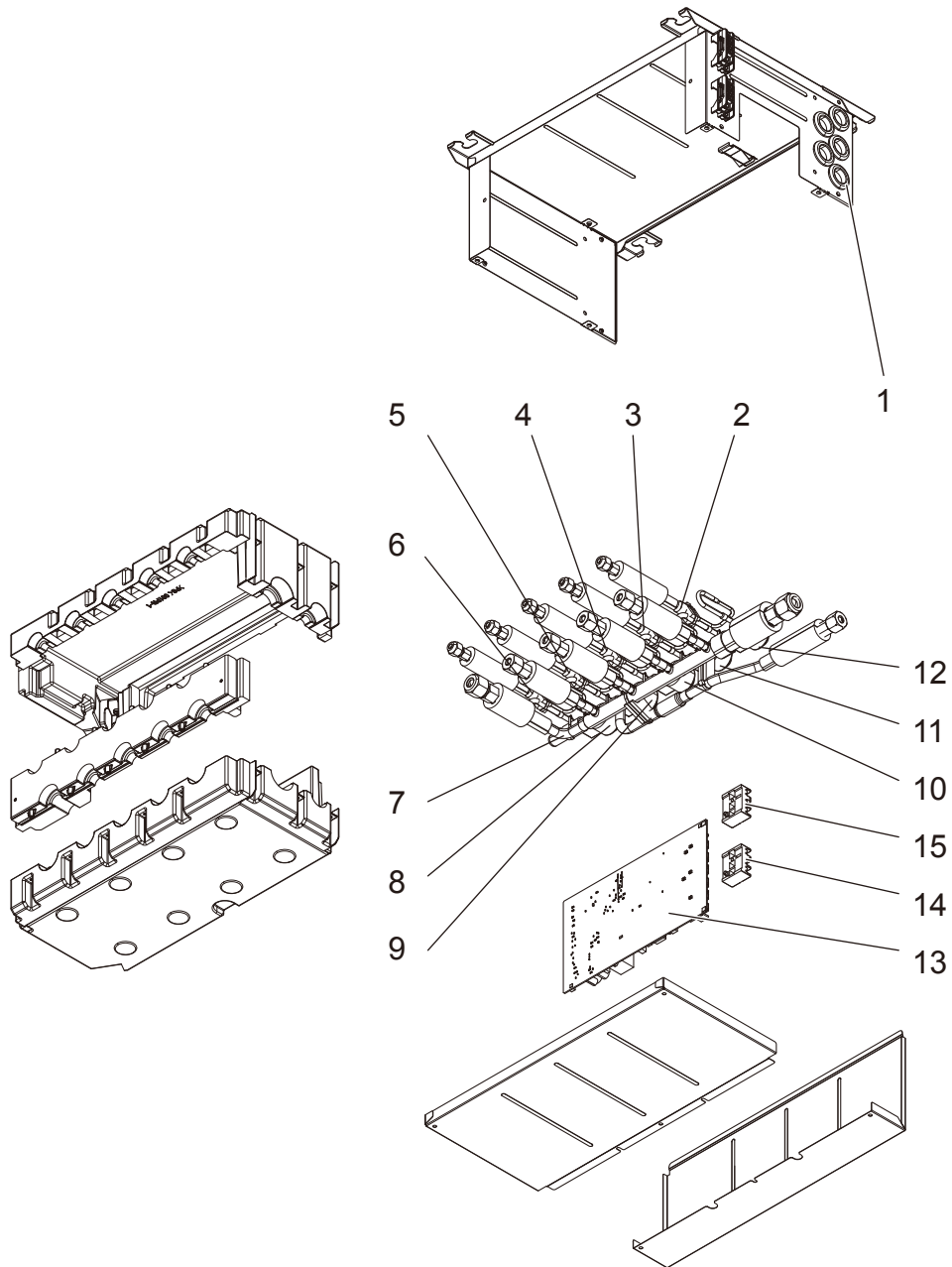


BRANCH BOX

CONTENTS

1. RoHS PARTS LIST.....2
2. OPTIONAL PARTS.....6

SERVICE MANUAL (OCH574)

**1-1. BRANCH BOX FUNCTIONAL PARTS
PAC-MK50BC**

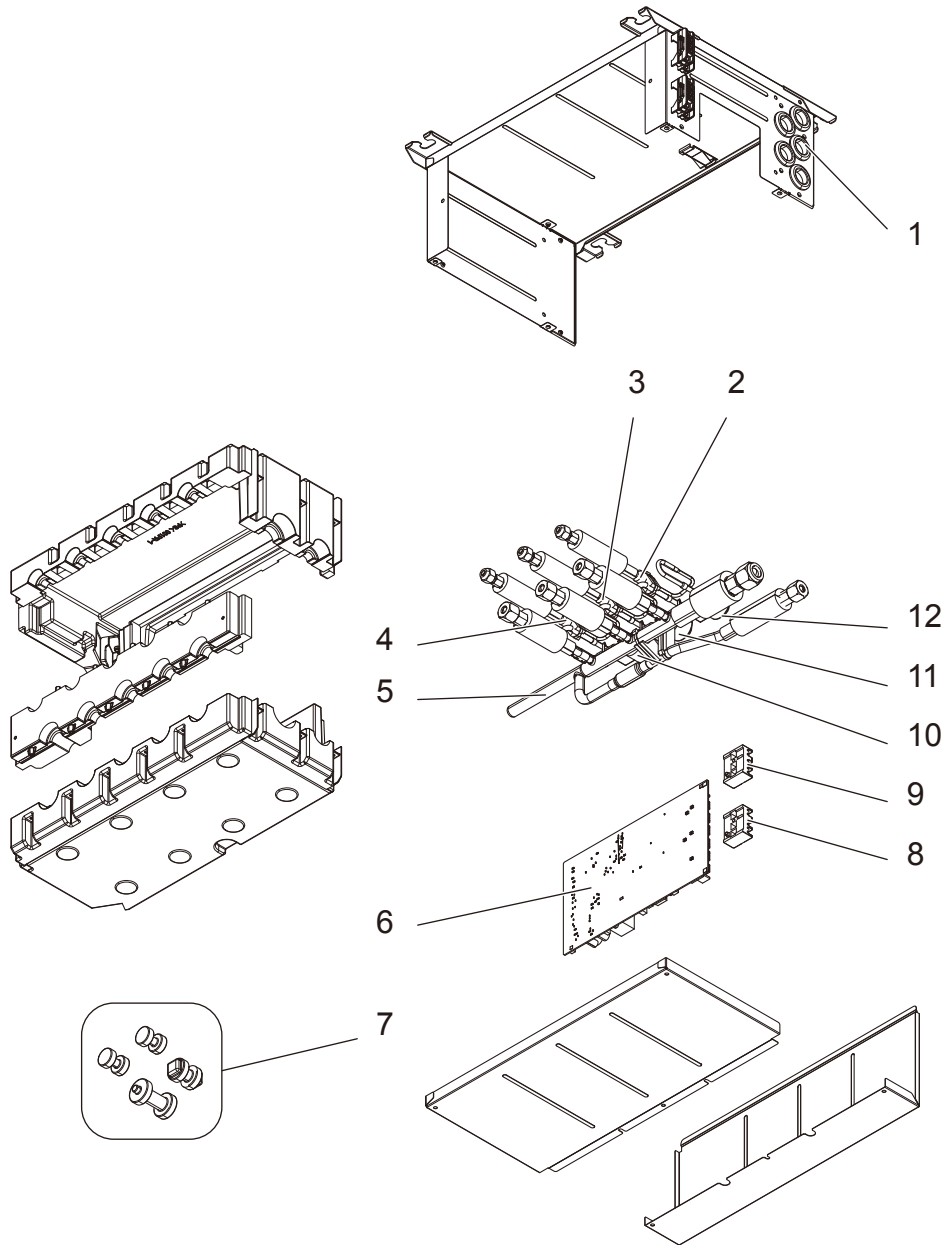
RoHS PARTS LIST

Parts numbers that are circled are not shown in the figure.

No.	RoHS	Parts No.	Parts Name	Specification	Q'ty/unit	Remarks (Drawing No.)	Wiring Diagram Symbol
					PAC-MK50BC		
1	G	R01 E05 124	RUBBER BUSH SET	5 PCS/ SET	1		
2	G	T7W E66 202	THERMISTOR-A		1	WHITE	TH-A
3	G	T7W E67 202	THERMISTOR-B		1	RED	TH-B
4	G	T7W E68 202	THERMISTOR-C		1	BLUE	TH-C
5	G	T7W E69 202	THERMISTOR-D		1	BLACK	TH-D
6	G	T7W E70 202	THERMISTOR-E		1	GREEN	TH-E
7	G	T7W E55 401	LEV ASSY MKA50BC		1		Including coils
8	G	T7W E77 242	COIL(LEV)		1	GREEN	LEV-E
9	G	T7W E76 242	COIL(LEV)		1	BLACK	LEV-D
10	G	T7W E75 242	COIL(LEV)		1	BLUE	LEV-C
11	G	T7W E74 242	COIL(LEV)		1	RED	LEV-B
12	G	T7W E73 242	COIL(LEV)		1	WHITE	LEV-A
13	G	T7W F06 310	CONTROLLER BOARD		1		B.C.
14	G	T7W E64 716	TERMINAL BLOCK	2P (L, N)	1		TB2B
15	G	T7W E60 716	TERMINAL BLOCK	3P (M1, M2, S)	1		TB5
16	G	T7W A00 392	LEAD WIRE SET		1		
17	G	R01 E14 239	FUSE	6.3A 250V	1		F1
18	G	R01 E21 239	FUSE	10A 250V	3		F2,F3,F4
19	G	R01 E07 660	STEM PIPE COVER SET		1		
20	G	R01 E08 660	BRANCH PIPE COVER SET		1		

RoHS PARTS LIST

1-2. BRANCH BOX FUNCTIONAL PARTS PAC-MK30BC



RoHS PARTS LIST

Part numbers that are circled are not shown in the figure.

No.	RoHS	Parts No.	Parts Name	Specification	Q'ty/unit	Remarks (Drawing No.)	Wiring Diagram Symbol
					PAC-MK30BC		
1	G	R01 E05 124	RUBBER BUSH SET	5 PCS/ SET	1		
2	G	T7W E66 202	THERMISTOR-A		1	WHITE	TH-A
3	G	T7W E67 202	THERMISTOR-B		1	RED	TH-B
4	G	T7W E68 202	THERMISTOR-C		1	BLUE	TH-C
5	G	T7W E54 401	LEV ASSY MKA30BC		1		Including coils
6	G	T7W F05 310	CONTROLLER BOARD		1		B.C.
7	G	R01 E04 124	BUSH SET		1		
8	G	T7W E64 716	TERMINAL BLOCK	2P (L, N)	1		TB2B
9	G	T7W E60 716	TERMINAL BLOCK	3P (M1, M2, S)	1		TB5
10	G	T7W E75 242	COIL(LEV)		1	BLUE	LEV-C
11	G	T7W E74 242	COIL(LEV)		1	RED	LEV-B
12	G	T7W E73 242	COIL(LEV)		1	WHITE	LEV-A
13	G	T7W A00 392	LEAD WIRE SET		1		
14	G	R01 E14 239	FUSE	6.3A 250V	1		F1
15	G	R01 E21 239	FUSE	10A 250V	2		F2,F3
16	G	R01 E07 660	STEM PIPE COVER SET		1		
17	G	R01 E08 660	BRANCH PIPE COVER SET		1		

2-1. FOR OUTDOOR UNIT

2-BRANCH PIPE (Joint) (In case of using 2-branch boxes)

Parts No.	Connection method
MSDD-50AR-E	flare
MSDD-50BR-E	brazing

Note: Select a joint according to the connection method.

2-2. FOR BRANCH BOX

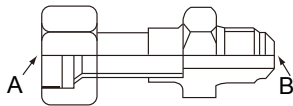
Different-diameter joint

Part No.	Connected pipes diameter	Diameter A	Diameter B
	mm	mm	mm
MAC-A454JP	$\phi 9.52 \rightarrow \phi 12.7$	$\phi 9.52$	$\phi 12.7$
MAC-A455JP	$\phi 12.7 \rightarrow \phi 9.52$	$\phi 12.7$	$\phi 9.52$
MAC-A456JP	$\phi 12.7 \rightarrow \phi 15.88$	$\phi 12.7$	$\phi 15.88$
PAC-493PI	$\phi 6.35 \rightarrow \phi 9.52$	$\phi 6.35$	$\phi 9.52$
PAC-SG76RJ-E	$\phi 9.52 \rightarrow \phi 15.88$	$\phi 9.52$	$\phi 15.88$

<Reference>

Conversion formula

1/4 inch	$\phi 6.35\text{mm}$
3/8 inch	$\phi 9.52\text{mm}$
1/2 inch	$\phi 12.7\text{mm}$
5/8 inch	$\phi 15.88\text{mm}$
3/4 inch	$\phi 19.05\text{mm}$



Branch Box Outer Cover (for outdoor installation)

Parts No.	PAC-AK350CVR-E
-----------	----------------

MITSUBISHI ELECTRIC CORPORATION

HEAD OFFICE : TOKYO BLDG., 2-7-3, MARUNOUCHI, CHIYODA-KU, TOKYO 100-8310, JAPAN