

# PACSystems RSTi PROFINET Getting Started Guide



## Distributed Slice I/O

August 2012

## Table of Content

Starter Kit Introduction	Page 3
Introduction to RSTi	Page 5
Getting Started - Assembly	Page 6
Configuring RSTi	Page 8
Downloading RSTi Configuration	Page 12
Proficy Machine Edition PROFINET Network Discovery Tool	Page 13
PROFINET Network discovery through the GE controller CPU	Page 14
Understanding RSTi LED Status	Page 15
Power Distribution Options	Page 17
Introduction to IO Guide Pro	Page 18
RSTi Part Numbers	Page 20
Sample RSTi Configuration	Page 21
PROFINET Network Interface Specifications and Drawing	Page 22
PROFIBUS DP Network Interface Specifications and Drawing	Page 23
DeviceNet Network Interface Specifications and Drawing	Page 24
Modbus TCP Network Interface Specifications and Drawing	Page 25
Modbus Serial RS-232 Network Interface Specifications and Drawing	Page 26
Modbus Serial RS-485 Network Interface Specifications and Drawing	Page 27
Ethernet IP Network Interface Specifications and Drawing	Page 28
EtherCAT Network Interface Specifications and Drawing	Page 29
CANOpen Network Interface Specifications and Drawing	Page 30
CC-Link Network Interface Specifications and Drawing	Page 31
Discrete Inputs Specifications and Drawings	Page 32
Discrete Outputs Specifications and Drawings	Page 33
Analog Inputs Specifications and Drawings	Page 38
Analog Outputs Specifications and Drawings	Page 41
Serial Communications Module Specifications and Drawings	Page 44
Motion Modules – High Speed Counting Specifications and Drawings	Page 46
Motion Modules – PWM and Pulse Train Specifications and Drawings	Page 49
System Modules – Power Distribution, Bus Power Booster	Page 50

# RSTi PROFINET Starter Kit



## The RSTi PROFINET Starter Kit includes the following:

- Innovation Starter Kit Flash Drive: The Flash drive includes various RSTi tools.
- RSTi PROFINET Network Interface module (Part Number STXPNS001)
- RSTi 8 points discrete input module, 24VDC positive logic (Part Number ST-1218)
- RSTi 8 points discrete output module, 24VDC source, 0.5amps (Part Number ST-2328)
- RSTi 4 channels analog input module, 4–20ma current (Part Number ST-3214)
- RSTi 2 channels analog output module, 4–20ma current (Part Number ST-4212)

## Items required that are not included in the starter kit:

- DIN rail minimum length 6 inches long (150mm)
- Narrow blade screwdriver or other tool to 1/8 to 1/16 inches (3mm to 4mm) wide for depressing the spring clamp wiring terminal
- 24VDC power supply (minimum 1.5 amp, recommend 2 amps or larger)
- Controller with PROFINET connectivity
- Ethernet cable

## Items on Innovation Starter Kit Flash Drive:

- RSTi PROFINET Interface Manual (GFK-2746)
- RSTi PROFIBUS Network Interface Manual
- RSTi Modbus Serial and Ethernet Network Interface Manual
- RSTi DeviceNet Network Interface Manual
- RSTi I/O Manual (GFK-2745)
- RSTi CAD drawings
- RSTi data sheets
- RSTi IO Configuration Tool for DeviceNet, PROFIBUS, CANOpen, Ethernet IP, Modbus TCP and Modbus serial
- PROFINET GSDML file
- PROFIBUS GSD file

- RXi Controller data sheets and manuals
- RXi IPC data sheets and manuals
- GE Control Solutions Catalog
- GE Automation Solutions
- Proficy Machine Edition programming tool (45 day free evaluation)
- And other tools

**Key Features of the RSTi network Interface and I/O Modules**

The RSTi innovative design enables module power, communications and field power to be passed from one module to the next. The RSTi mechanical design provides integrated mechanical interlocking for securing module to module and modules to DIN rail locking.



**Module Power and System Power**  
Pin 0 (24VDC) and Pin 1 (0VDC)

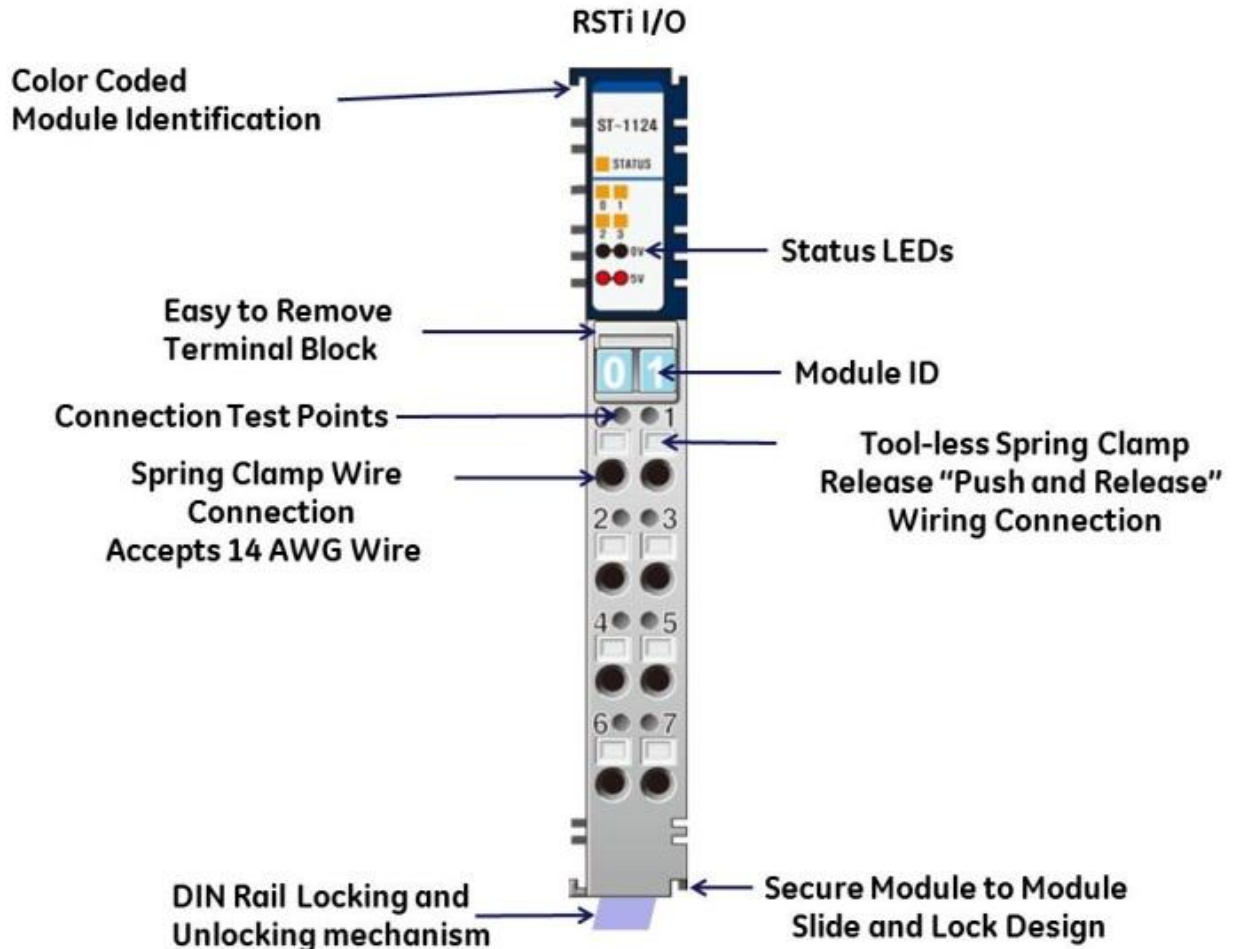
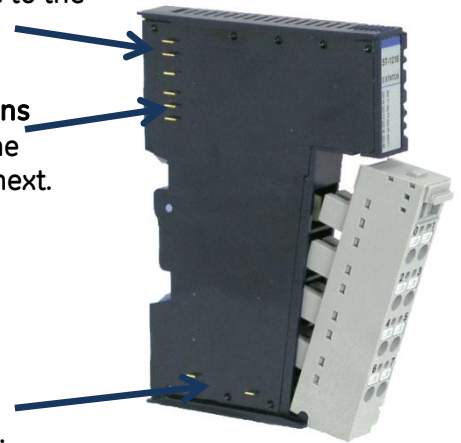
**Field Ground**  
Pin 2 and Pin 3

**Field Power (Field Power Supply should be independent of Module System Power)**  
Pin 4 and Pin 5 (0VDC)  
Pin 6 and Pin 7 (24VDC)

**5VDC Bus pins**  
passes power from one module to the next.

**Communications**  
passed from one module to the next.

**Field Bus power**  
passed from one module to the next.



**Building the RSTi PROFINET Remote I/O Drop**

**Step 1: Open the individual boxes and remove modules.**

**Step 2: Attaching the PROFINET network adapter to the DIN rail:**

Remove the end cover from the right side of the PROFINET Network Interface module (Part Number STXPNS001) by sliding the end cover up. On the bottom of the network adapter release the DIN rail locking mechanism by flipping the blue lever downward. Place the network interface module on the DIN rail and engage the DIN rail locking mechanism by flipping the blue lever back to the original position. The module should now be firmly secure on the DIN rail.

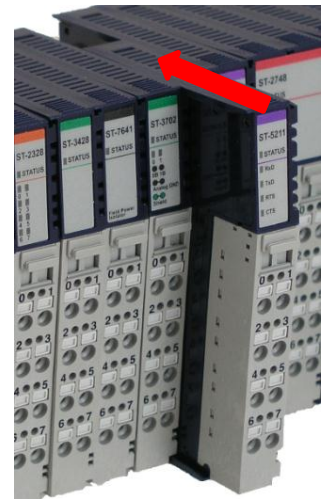
**Step 3: Attaching the first I/O module:**

The RSTi system incorporates a locking groove to secure module to module connection and provides a rugged installation.

Install the ST-1218 input module to the network adapter by sliding the module, via the groove guides at the top and bottom of the module, onto the network interface module from the front and sliding to the back until it is securely on the DIN rail. Lock the I/O module onto the DIN rail by engage the DIN rail locking mechanism. (Flip the blue lever back to the original position).

The RSTi does not limit the sequence of the I/O modules. For the purpose of the startup guide we will place the modules in the following sequence.

1. PROFINET Network adapter (STXPNS001)
2. 24VDC discrete input module (ST-1218)
3. 24VDC discrete output module (ST-2328)
4. Analog input module (ST-3214)
5. Analog output module (ST-4212)
6. End cap cover

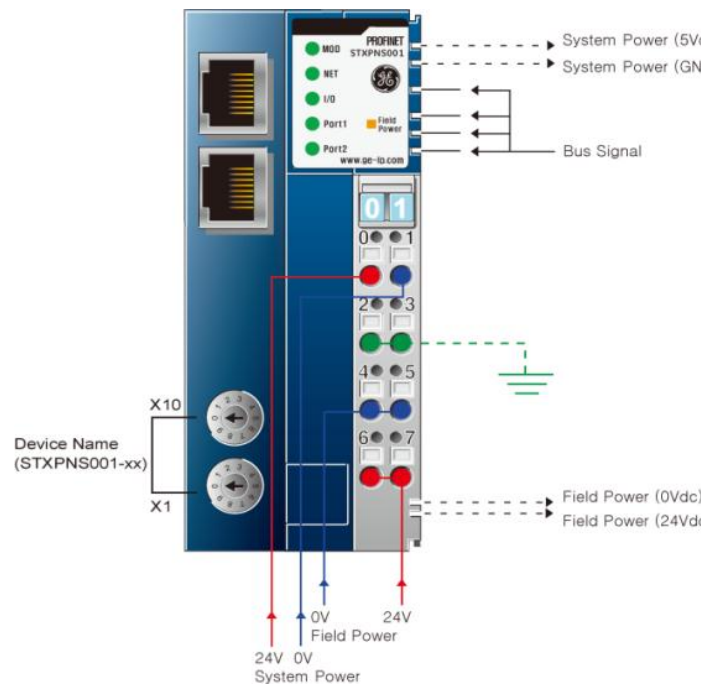


**Step 4: Attach the remaining modules following the sequence in Step 3.** Once all modules are securely attached to the DIN rail place the end cap cover on the right most module.

**Step 5: Attaching 24VDC Power to the Network Interface:**

Connect + 24VDC (Positive) from the power supply to the terminal 0 (Negative) of the PROFINET Network Interface Module by pushing in on the spring clamp release button (Red). Attach 0VDC power from the power supply to the terminal 1 of the PROFINET Network Interface Module by pushing in on the spring clamp release button (Black)

**Note:** The 24VDC power is used to power up the network interface module. Internally the 24VDC is converted to 5VDC that is used for the network interface module and is also transferred to all the I/O modules attached to the network interface. If field devices like motors and switches are going to be wired to the RSTi Starter Kit a separate 24VDC power supply is required and should be connected +24VDC to terminal 6 and 0VDC to terminal 4. Attach terminal 2 to earth ground.



**Step 6: Apply power to the RSTi.** The following LEDs should be observed on the RSTi Network Interface and I/O modules.

**PROFINET Network adapter (STXPNS001)**

Mod LED – Steady Green ON

NET LED – OFF

I/O LED – Flashing Green. The configuration has not been downloaded so this is normal.

Port 1 – Flashing Green ON every couple seconds. Since we haven't connected any Ethernet cable at this time this is normal. It is trying to establish communications.

Port 2 – Flashing Green ON every couple seconds. Since we haven't connected any Ethernet cable at this time this is normal. It is trying to establish communications.

**24VDC discrete input module (ST-1218)**

Status LED - Flashing Green. The configuration has not been downloaded so this is normal.

Input LEDs – OFF unless an input has been connected and in the ON state.

**24VDC discrete output module (ST-2328)**

Status LED - Flashing Green. The configuration has not been downloaded so this is normal.

Output LEDs – OFF. Normal operation.

**Analog input module (ST-3214)**

Status LED - Flashing Green. The configuration has not been downloaded so this is normal.

Input LEDs – Solid Red ON. No inputs wired to inputs, this is a normal operation. Diagnostics is detecting no load or open channel.

**Analog output module (ST-4212)**

Status LED - Flashing Green. The configuration has not been downloaded so this is normal.

Output LEDs – Solid Green ON. Normal operation.

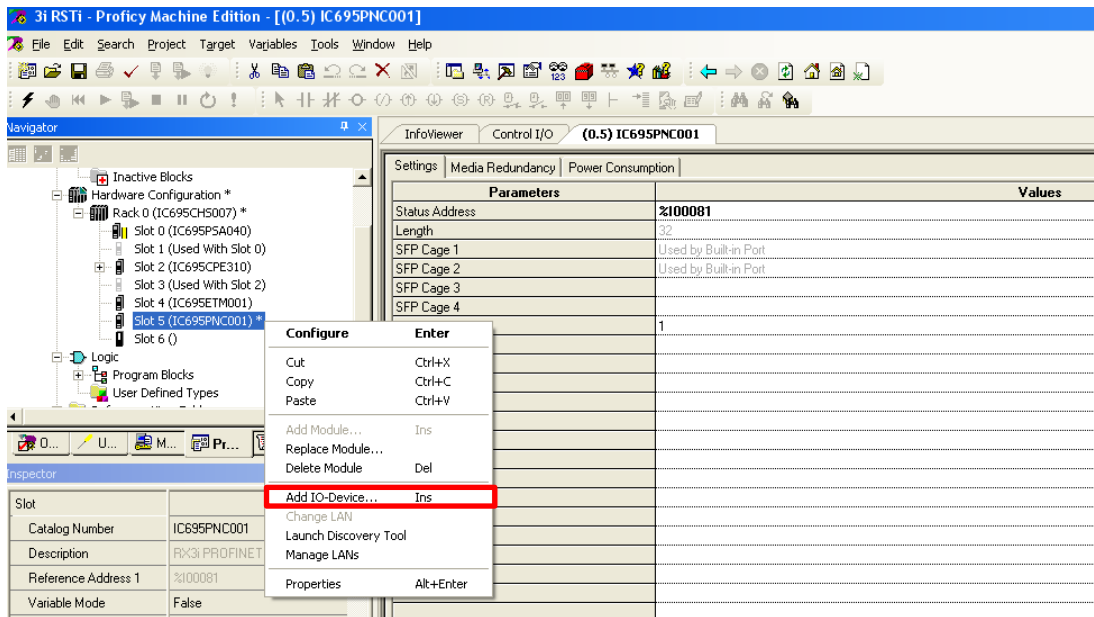
**Step 7: Connect Ethernet cable to PROFINET controller.** The Port 1 LED should be on flashing Green showing connects to the PROFINET controller. The NET LED will be RED Flashing indicating that there isn't a hardware configuration downloaded or invalid configuration.

**Note:** The RSTi Network Interface has a built-in Ethernet switch and the second port can be used to connect to the next PROFINET device. The RSTi PROFINET does not support MRP or ring configuration.

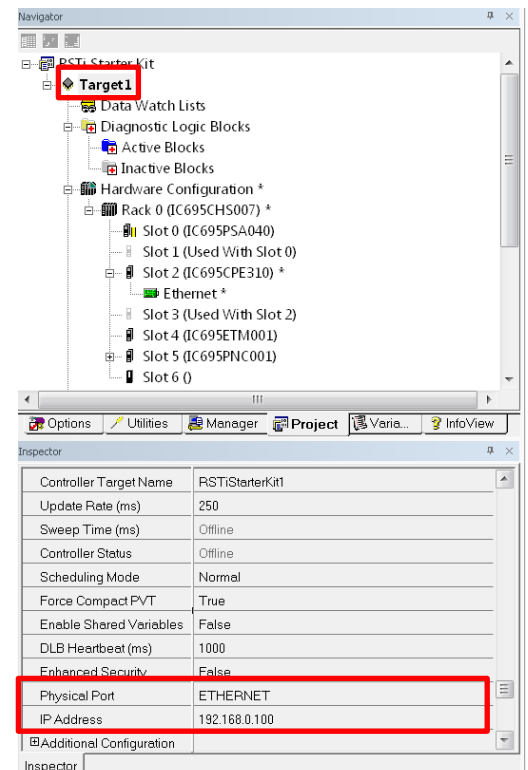
### Configuring the RSTi from a PROFINET Controller

Step 1: **Configuring the RSTi.** If you are using an RX3i PROFINET controller the following steps should be followed for configuration. If you are using something other than an RX3i or RXi PROFINET controller you must download the GSDML file (GSDML-V2.0-GEIP-RSTi-STXPNS-20120417.xml or later) to your controller hardware configuration tool and follow your control manufactures instructions on how to configure a PROFINET device.

When using an RX3i and RXi with PROFINET open up Proficy Machine Edition (**Proficy Machine Edition 7.00 and SIM 11 or higher are required**) hardware configuration. Right click on Target and click on RX3i or RXi depending on controller being used. The system that is being used in this exercise is an RX3i 7 slot base, AC power supply, CPE310, Ethernet module, and a PROFINET controller. The screen should look similar to below.



If you are using the Ethernet port on your PC to download the configuration click on **Target** and ensure that the **Physical Port** in the Inspector window is set for Ethernet and the **IP address** is set to the controller IP address.



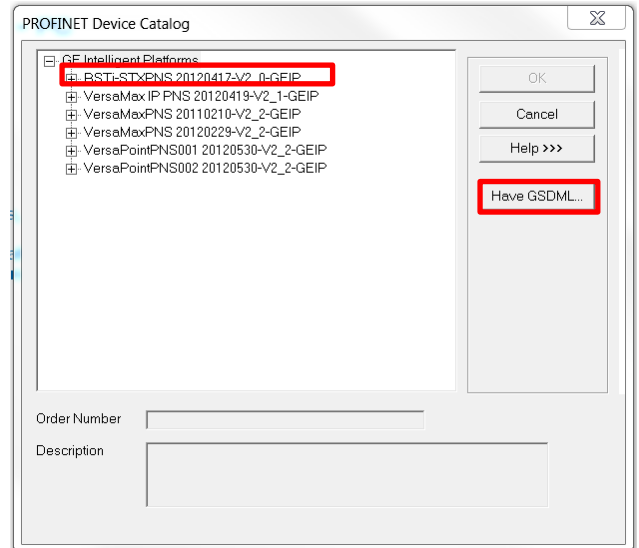


Step 2: **Adding RSTi:** Place your mouse arrow on top of the PROFINET controller (IC695PNC001) and right click. The above box should appear. Click on **"Add IO-Device...."**.

The **PROFINET Device Catalog** should pop up. The GSDML file should already be loaded into your Proficy Machine Edition. The **RSTi-STXPNS 20120417-V2 0-GEIP** or similar should appear in the PROFINET Device Catalog.

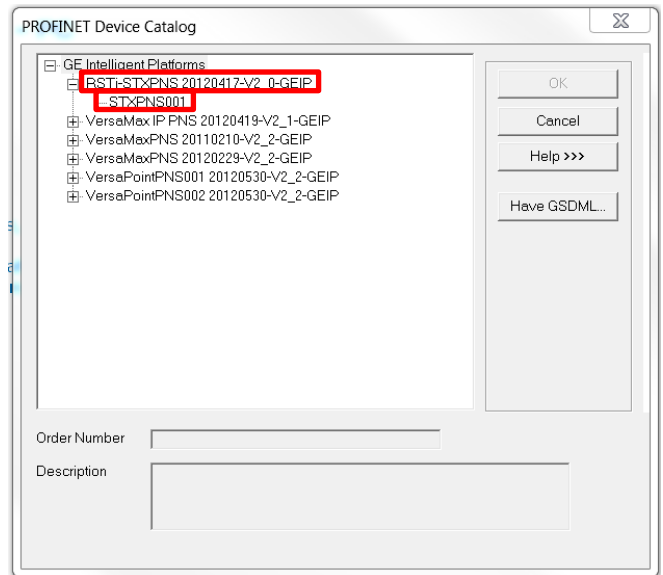
If **RSTi-STXPNS 20120417-V2 0-GEIP** isn't in the PROFINET Device Catalog follow the following steps.

- a) Left click on **Have GSDML...** button. A "Find GSDML file to Import" box should appear. Find the GSDML file on your PC and open.

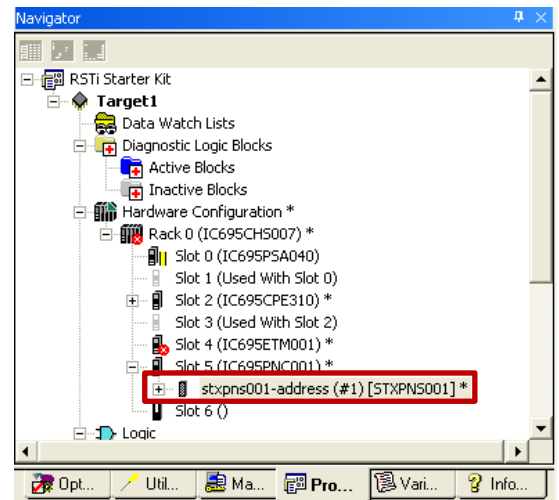


Step 3: Left click on **[+] RSTi-STXPNS 20120417-V2 0-GEIP** in the **PROFINET Device Catalog** box and it should expand and show the **STXPNS001** PROFINET Network Interface.

Click on the **STXPNS001** and click on **OK**.



Step 4: In the **Navigator** window the **stxpns001-address (#1)** [**STXPNS001**] should appear.



Step 5: In the **Inspector** window you will see the settings for the STXPNS001. Below are the default configurations.

**Device Number:** The Device Number is the number of the PROFINET Slaves controlled by the PROFINET Controller.

**Update Rate:** The Update Rate is the rate that the slave publishes its data onto the PROFINET network. (Configurable 4msec to 128msec)

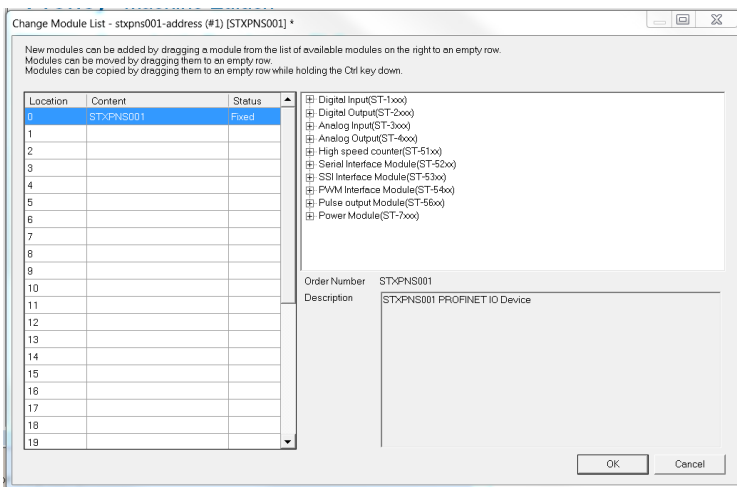
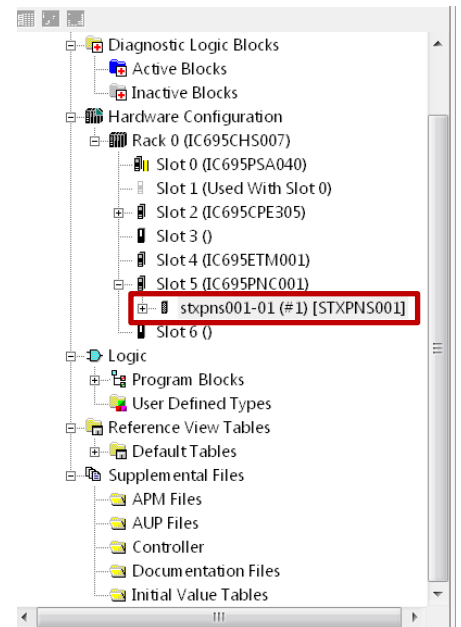
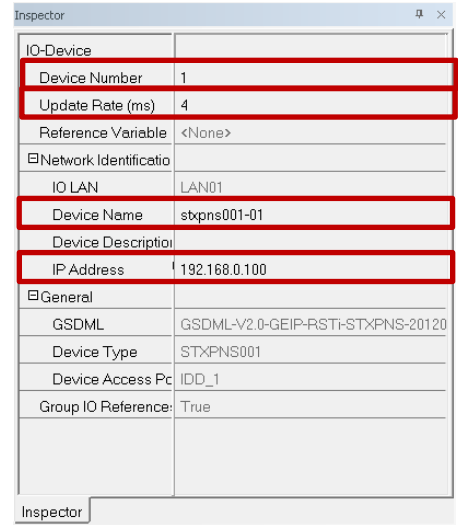
**Device Name:** The Device Name is the station name of the slave. The address should be the same as the Device Name rotary setting on the STXPNS001-xx. The address can be between 0 and 99. The factory setting of the STXPNS001 is 01. **If the name does not match the rotary switch setting the slave device will not be found. Do not duplicate device names.** The address must be two digits, example stxpns001-01. If the leading 0 is not entered the controller will not find the node.

**IP Address:** The factory default IP address for the STXPNS001 is 192.168.0.254. Proficy Machine Edition will automatically increment the IP address to the next available address from the PROFINET controller. You can leave it at the automatic incremented address or change it to a desired address.

### Adding I/O Module Configuration to the RSTi STXPNS001

- 24VDC discrete input module (ST-1218)
- 24VDC discrete output module (ST-2328)
- Analog input module (ST-3214)
- Analog output module (ST-4212)

Step 6: Right click **stxpns001-01 (STXPNS001)** and left click on **Change Module List**. The **Change Module List -stxpns001-address (#1) (STXPNS001)** screen should appear (see below).



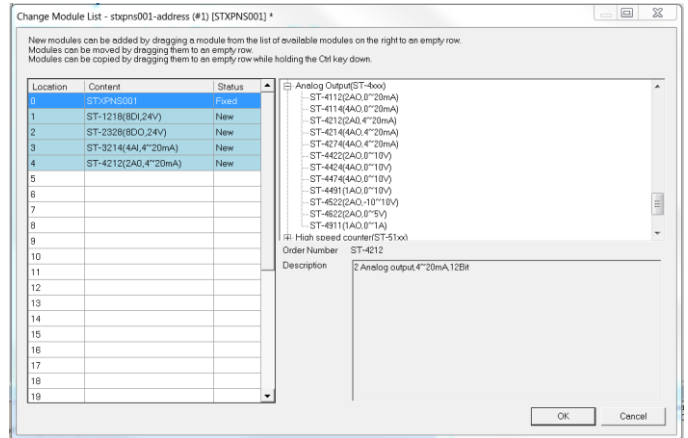
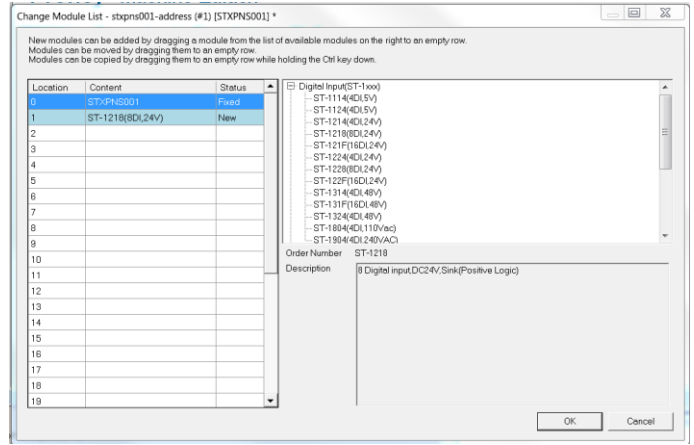
# GE Intelligent Platforms

# RSTi PROFINET Starter Guide

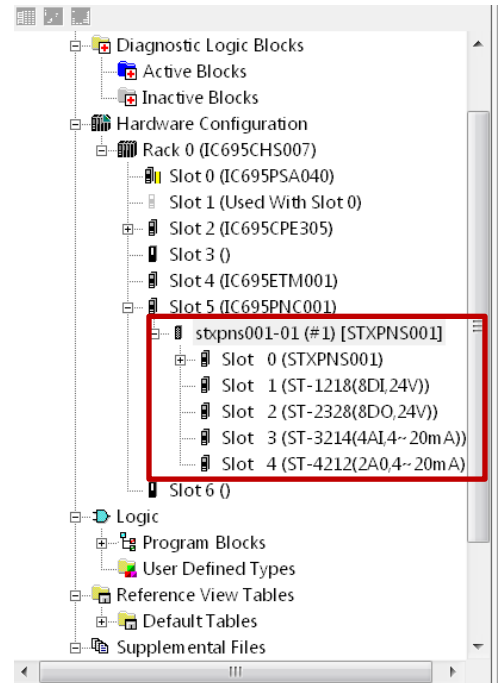
Step 7: Expand Digital Input (ST-1xxx) and select ST-1218 discrete input module by double clicking on the part number. The part number should appear in the table for location 1.

Step 8: Repeat step 7 for 24VDC discrete output module (ST-2328) by expanding Digital Output (ST-2xxx) and selecting ST-2328, add Analog input module (ST-3214) by expanding Analog Input (ST-3xxx) and selecting ST-3214 and adding Analog output module (ST-4212) by expanding Analog Output (ST-4-xxx) and selecting ST-4212. Click OK when all modules have been created.

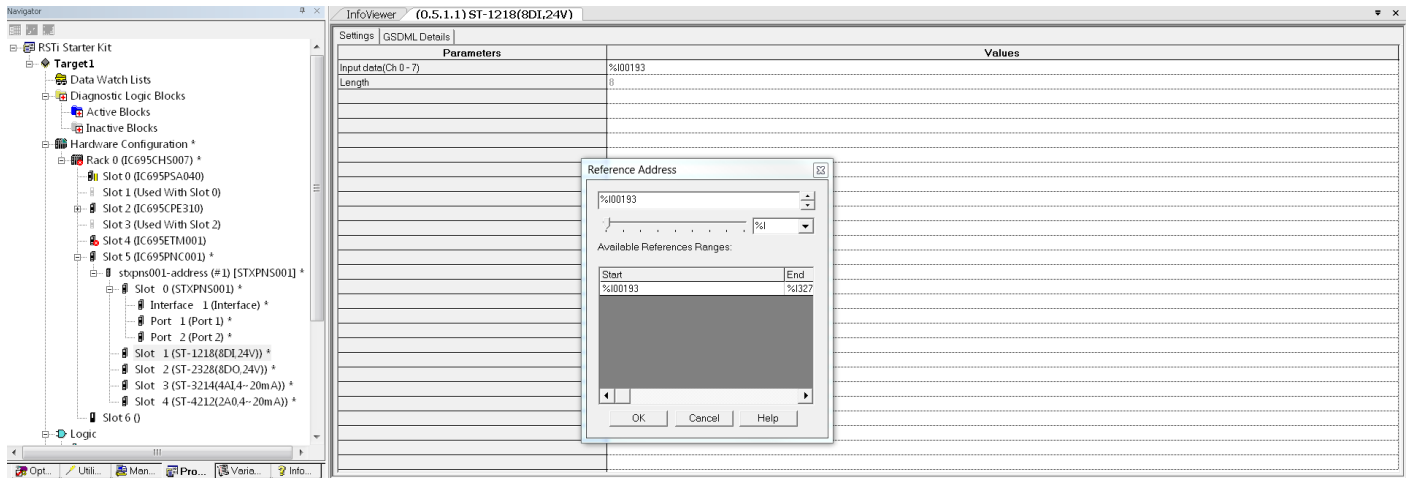
When complete the table should look like the table to the right. Click Ok when complete.



Step 9: In the **Navigator** window you should see all of the modules that were created.



Step 10: By double clicking on a ST-xxxx part number, the configuration of the module will appear in the **InfoViewer** window. The **ST-1218** InfoViewer screen shows the starting reference address and the length of data from the module. The PROFINET Slave will report the input status of inputs 193 (%I00193) to input 200 (%I00200). The starting address can be changed by double clicking on the %I0093. The Reference Address window will pop up and you can change the starting address.



The default starting addresses are the following:

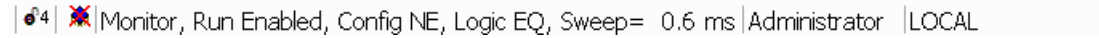
- ST-1218 Starting address %I00193
- ST-2328 Starting address %Q0001
- ST-3214 Starting address %AI0001
- ST-4212 Starting address %AQ0001

### Downloading the Configuration to the RX3i

Step 1: Connect your PC to the controller (RX3i or RXi) Ethernet or serial programming port. Click on connection icon at the top left of your screen above the navigator window.

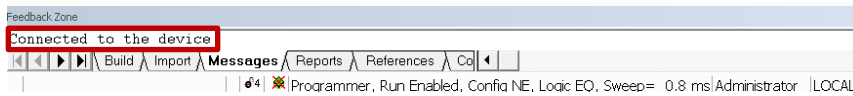


Once you are connected you will see status at the bottom of the screen. The system will be in the Monitor mode and Config NE or not equal.



Click on On Line 

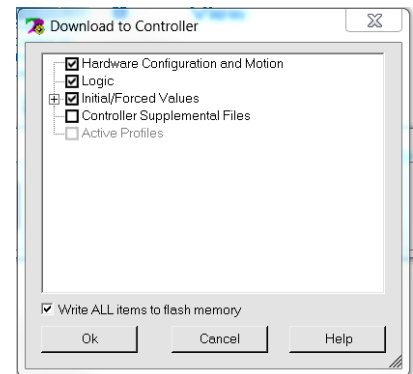
The hand will appear green and Monitor status will switch to Programmer and in the **Feedback Zone** it will state Connected to the device.



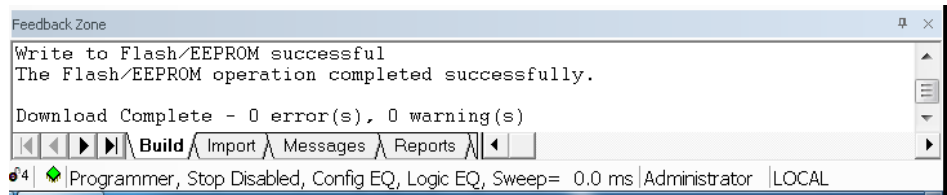
Click on download icon.



A **Download to Controller** should pop up. Click the OK button to start the download process.



If successful the following update will appear at the bottom of the screen showing the status of the controller. Config EQ and Logic EQ should appear in the status bar. If the equal status does not appear you should review the **Feedback Zone** to determine the errors.



Verify LEDs status (Page 14) on the RSTi network interface and I/O to ensure proper operation. If status is normal you are ready to start controlling the I/O from your application.

**Congratulations on a successful RSTi PROFINET hardware configuration.**

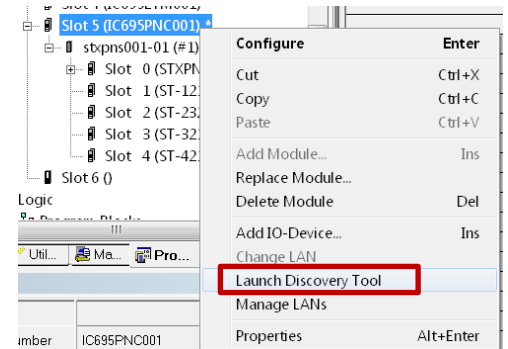
### Using Auto Discovery Tool to Find PROFINET Devices on the network

The Proficy Machine Edition has a powerful tool that enables the user to see all of the devices on the network. Follow the following steps to use the Auto Discovery Tool.

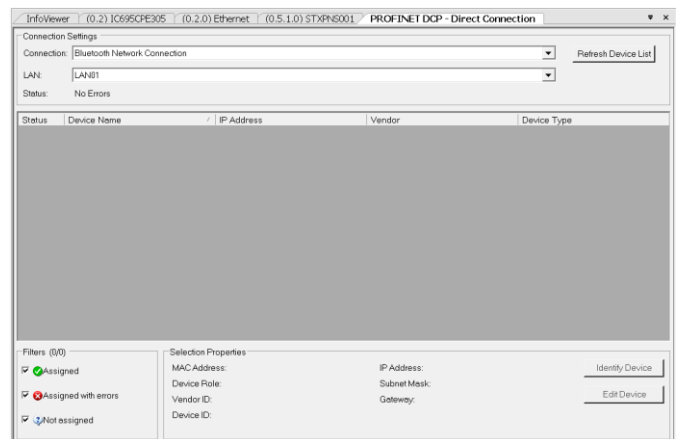
Step 1: Open a new project. Connect the PC directly to the PROFINET controller via the Ethernet port. Place the Machine Edition in the Offline mode if it is not and also make sure the PC is connected to the PROFINET controller by clicking on the lightning bolt.



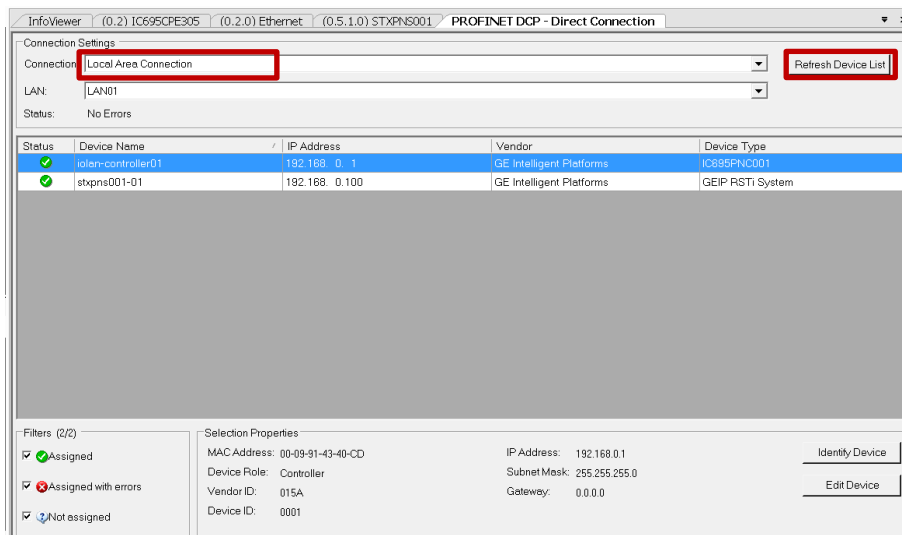
Step 2: Left click on the Slot x (IC695PNC001) and when the pop up appears right click on Launch Discovery Tool.



The following should appear in the InfoViewer window.



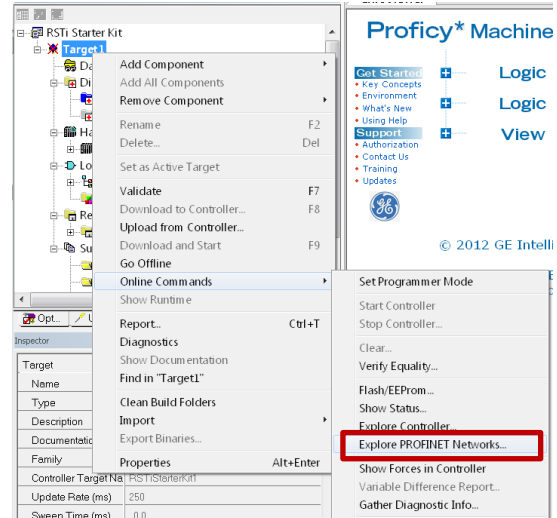
Step 3: In the **PROFINET DCP - Connection** settings change the Connection to Local Area Connection and then click on Refresh Device-List. The tool will display the devices on the network, Device Name, IP Address, Vendor and Device Type. The slave devices can be dragged from the list to the PROFINET controller to be configured. The discovery tool will not bring over the I/O configuration only the network interface. The previous steps should be followed to configure the I/O.



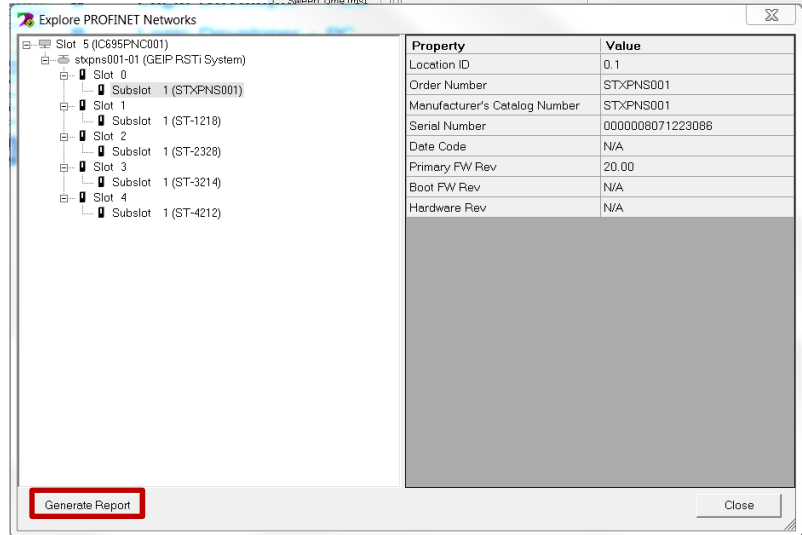
### Discovering PROFINET devices through the CPU

The RX3i also allows you to discover PROFINET devices connected to the controller. The following steps demonstrate this powerful tool.

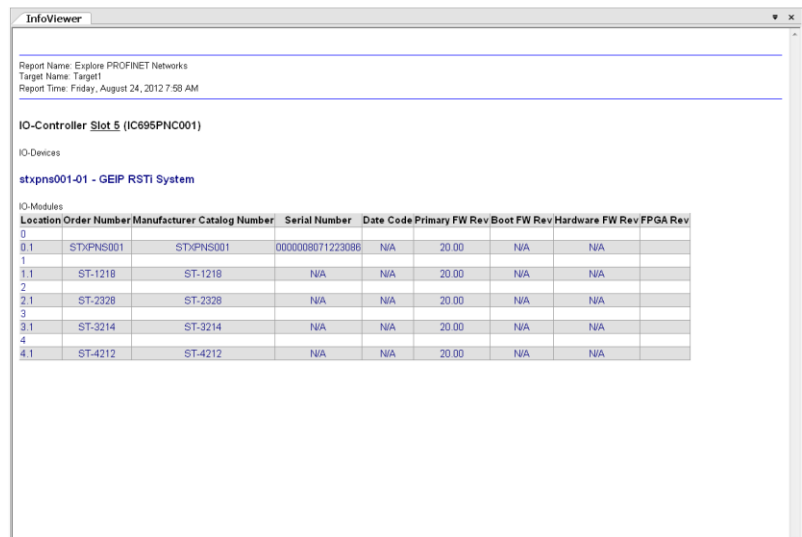
Step 1: Connect Ethernet cable from the PC to the either the CPU Ethernet port or the ETM module (IC695ETM001). Ensure that Proficy Machine Edition is connected and OnLine. Right Click on Target1 and left click on Online Commands and the Explore PROFINET Networks window will pop up.



Step 2: In the **Explore PROFINET Networks** window click on the [+] you can expand and see the PROFINET Network interface and the modules connected to the network interface. The table displays a wide range of information such as part number, firmware level and serial number.



The **Explore PROFINET Network** window is information only and the configuration can not be dragged into the hardware configuration but by clicking on Generate Report button the data will be generated in the InfoViewer tab so that you can view when configuring the hardware configuration.



RSTi STXPNS001 Status LEDs

RSTi STXPNS001 Module	Before Download	After Download	Comments
<b>MOD Status LED (Module status LED)</b>	Green "ON" Normal	Green "ON" Normal	If OFF check to make sure power is on module. Check wiring. If there is a hardware fault the LED could also be off. RED LED solid or blinking is a firmware or hardware fault on the STXPNS001.
<b>Net Status LED (Network Status LED)</b>	No LED: Normal This is normal indication until controller is connected and configuration is downloaded.	Green "ON" Flashing (0.5 seconds) Normal when CPU in Stop mode  Green "ON" Controller in RUN mode	If LED is "OFF" after a controller configuration is downloaded, check cable and rotary switch to make sure it matches device name (STXPNS001-01 as example if rotary is in 0 1 positions) in the Inspector window for the STXPNS001.  If LED is Flashing RED or solid RED the configuration did not download properly. Check configuration and download again to the controller.
<b>I/O LED indicates the status of the network interface and the I/O it is connected to.</b>	"OFF" No power or no I/O attached  Green "ON" I/O Bus and Configuration is normal.	"OFF" No power or No I/O attached  Green "ON" I/O Bus and Configuration is normal.	"RED" solid or flashing bus or configuration error. Check configuration and try downloading again  Network interface requires at least one I/O module attached to function properly.
<b>Port 1 and Port 2</b>	"OFF" No cable or PROFINET Controller attached Green "Flashing" PROFINET Controller attached and activity.	"OFF" No cable or PROFINET Controller attached Green "Flashing" PROFINET Controller attached and activity.	If "OFF" confirm cable is attached to both ends and controller is powered and connected.  Note: RSTi STXPNS001 does not support MRP therefore it should not be used in a ring.
<b>Field Power</b>	"OFF" no field power applied Green "ON" when field power is applied	"OFF" no field power applied Green "ON" when field power is applied	If field power is "ON" but LED is not, check wiring.  Field power should be an independent power source from the Network Interface power



RSTi ST-xxxx I/O Modules Status LEDs

RSTi ST-xxxx I/O Modules	Before Download	After Download	Comments
<b>Status LED</b>	Green "Flashing" normal. I/O is ok and waiting for configuration.	Green "ON" normal.	Flashing Red: I/O bus time out Red: module fault.
<b>Discrete LEDs</b>	<b>Discrete In:</b> Green when power is "ON"  <b>Discrete Out:</b> Off	<b>Discrete In:</b> Green when power is "ON"  <b>Discrete Out:</b> Off logic control is off Green when logic is turning output on.	
<b>Analog LEDs</b>	<b>Analog In:</b> LED Green: Normal  <b>Analog Out:</b> LED Green: Normal operation	<b>Analog In:</b> LED Green: Normal  <b>Analog Out:</b> LED Green: Normal operation	<b>Analog In:</b> If LED is RED check field wiring for open wire.  <b>Analog Out:</b> LED off module not working properly.

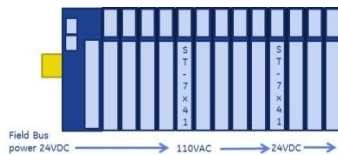
RSTi Additional Power Module Information

**System Power:** It is recommended that the 24VDC System Power be from an independent power source than the Field Bus Power. The separation allows the field power to be turned off without impacting the Network Interface. The network interface provides 5VDC to the corresponding I/O modules and each module passes the 5VDC to the next module.

**5VDC Booster Module:** The ST-7111 (No bus ID type support, does not occupy an address on the bus) or ST-7511 (Uses a bus ID and occupies an address on the bus) are available to boost the 5VDC signal in the event that modules power consumption exceed network interface. **The ST-7511 is highly recommended when using PROFINET so that the module can be configured in the system.** The booster module will provide 5VDC at 1 amp to modules to the right of the booster module. The module requires 24VDC System Power. 24VDC Field Power is also required and is supplied to all modules to the right.

**Field Power:** Field Power on the Network Interface is 24VDC and the Field Power is passed from one module to the next. The maximum current available on the Field Power Bus is 10 amps.

**Isolated Field Distribution Module:** The ST-7241 (No bus ID type support, does not occupy an address on the bus) or ST-7641 (Uses a bus ID and occupies an address on the bus) are available to change field voltages such as 5VDC, 24VDC, 48VDC or AC with a maximum of 10 amps available on the Field Power Bus to the right of the module. **The ST-7641 is highly recommended when using PROFINET so that the module can be configured in the system.** The module can also be used when additional current and isolation. The Field Bus on the I/O modules to the right of the Isolated Field Distribution Module will carry the voltage of the Isolated Field Distribution Module.



**Shield Termination Modules:** The ST-7008 (No bus ID type support, does not occupy an address on the bus) or ST-7408 (Uses a bus ID and occupies an address on the bus) is available to group all shields to the RSTi bus ground. **The ST-7408 is highly recommended when using PROFINET so that the module can be configured in the system.** Modules such as analog and motion could use the module to reduce noise impact on the RSTi system. Field Bus power is passed through the module to the module on the right.

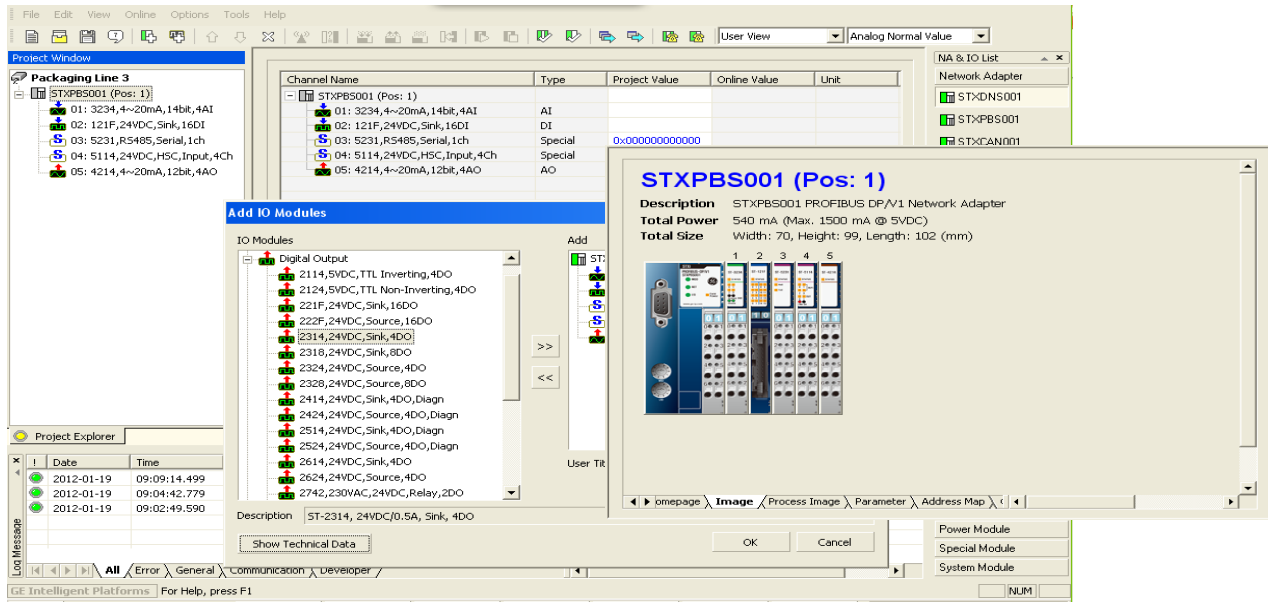
**0VDC Distribution Modules 8 points, 10 amps:** The ST-7108 (No bus ID type support, does not occupy an address on the bus) or ST-7508 (Uses a bus ID and occupies an address on the bus) is available to group commons from field devices to simplify wiring. **The ST-7508 is highly recommended when using PROFINET so that the module can be configured in the system.** The module commons group is connected to the Field Power 0VDC bus. Field Bus power is passed through the module to the module on the right.

**24VDC Distribution Modules 8 points, 10 amps:** The ST-7118 (No bus ID type support, does not occupy an address on the bus) or ST-7518 (Uses a bus ID and occupies an address on the bus) is available to group 24VDC from field devices to simplify wiring. **The ST-7518 is highly recommended when using PROFINET so that the module can be configured in the system.** The module 24VDC group is connected to the Field Power 24VDC bus. Field Bus power is passed through the module to the module on the right.

**0VDC and 24VDC Distribution Modules 4 points each, 10 amps:** The ST-7188 (No bus ID type support, does not occupy an address on the bus) or ST-7588 (Uses a bus ID and occupies an address on the bus) is available to group four 0VDC and four 24VDC from field devices to simplify wiring. **The ST-7588 is highly recommended when using PROFINET so that the module can be configured in the system.** The module 0VDC is connected to the Field Power 0VDC and the 24VDC group is connected to the Field Power 24VDC bus. Field Bus power is passed through the module to the module on the right.

IO Guide Pro - Third Party Configuration Tool

The IO Guide Pro enables integrators network independence. I/O systems can be easily configured using the various RSTi network interfaces. Changing from Ethernet IP to PROFIBUS is as simple as a mouse click without impacting the rest of the I/O configuration. The tool provides technical data, address mapping, product image and bus loading.



The IO Guide Pro Supports the Following Network Interfaces:

- DeviceNet STXDNX001 only
- PROFIBUS DP STXPBS001 only
- CANOpen STXCAN001
- Ethernet IP STXEIP001
- Modbus TCP STXMBE001
- Modbus serial RS-232 STXMS001
- Modbus serial RS-485 STXMS002

Key Features:

- Automatic scan Modbus devices online
- Configuration validation
- View address map
- Configure parameters
- Documentations

**RSTi Part Numbers:**

**Network Interface Units (\*Check for release date)**

STXPNS001	PROFINET RT Network Adapter	STXMBE001	MODBUS/TCP network adapter
STXPBS001	PROFIBUS DP/V1 network adapter	STXECT001*	EtherCAT Network Adapter
STXDNS001	DeviceNet network adapter	STXEIP001*	EtherNet/IP Network Adapter
STXMSB001	MODBUS RS-232C network adapter	STXCAN001*	CANopen network adapter
STXMSB002	MODBUS RS-485 network adapter	STXCCL001*	CC-link network adapter

**Discrete Inputs**

ST-1124	4 points, Negative Logic 5VDC	ST-1218	8 points, Positive Logic, 12V/ 24VDC
ST-1114	4 points, Positive Logic 5VDC	ST-1228	8 points, Negative Logic, 12V/ 24VDC
ST-1214	4 points, Positive Logic, 12V/ 24VDC	ST-121F	16 points, Positive Logic, 12V/ 24VDC (Requires connector Type Hirose , HIF3BA-20D-2.54C)
ST-1224	4 points, Negative Logic, 12V/ 24V DC	ST-122F	16 points, Negative Logic, 12V/ 24VDC (Requires connector Type Hirose , HIF3BA-20D-2.54C)
ST-1314	4 points, Positive Logic, 48V DC	ST-1804	4 points, 110V AC (AC 85V ~ 132V)
ST-1324	4 points, Negative Logic, 48VDC	ST-1904	4 points, 220V AC (AC 170V ~ 264V)
ST-131F	16 points, Positive Logic, 48VDC (Requires connector Type Hirose , HIF3BA-20D-2.54C)		

**Digital Outputs**

ST-2114	4 points, TTL, 5VDC/20mA Inverting	ST-2318	8 points, Negative Logic, 24VDC/ 0.5A
ST-2124	4 points, TTL, 5VDC/20mA Non inverting	ST-2328	8 points, Positive Logic, 24VDC/ 0.5A
ST-2314	4 points, Negative Logic, 24VDC/ 0.5A	ST-221F	16 points, Negative Logic, 24VDC/ 0.3A (Requires connector Type Hirose , HIF3BA-20D-2.54C)
ST-2324	4 points, Positive Logic, 24VDC/ 0.5A	ST-222F	16 points, Positive Logic, 24VDC/ 0.3A (Requires connector Type Hirose , HIF3BA-20D-2.54C)
ST-2414	4 points, Negative Logic, Diagnostics, 24VDC/ 0.5A	ST-2742	Isolated Relay Output 2 points, 230V AC/ 2A
ST-2424	4 points, Positive Logic, Diagnostics, 24VDC/ 0.5A	ST-2744	Isolated Relay Output 4 Points, 230V AC/ 2A
ST-2514	4 points, Negative Logic, Diagnostics, 24VDC/ 2A	ST-2748	Isolated Relay Output 8 Points, 230V AC/ 2A
ST-2524	4 points, Positive Logic, Diagnostics, 24VDC/ 2A	ST-2792	Relay Output 2 points, 230V AC/ 2A, Manual
		ST-2852	Triac Output 2 points, 12V ~ 125VAC/ 0.5A

**Analog Inputs**

ST-3114	4 Channels, 0~20mA, 12-bit	ST-3524	4 Channels, -10~+10Vdc, 12-bit
ST-3118	8 Channels, 0~20mA, 12bit	ST-3544	4 Channels, -10~+10Vdc, 14-bit
ST-3134	4 Channels, 0~20mA, 14-bit	ST-3624	4 Channels, 0~5Vdc, 12-bit
ST-3214	4 Channels, 4~20mA, 12-bit	ST-3644	4 Channels, 0~5Vdc, 14-bit
ST-3218	8 Channels, 4~20mA, 12bit	ST-3702	2 Channels, RTD
ST-3234	4 Channels, 4~20mA, 14-bit	ST-3704	4 Channels, RTD (Requires connector Type Hirose , HIF3BA-20D-2.54C)
ST-3274*	4 Channels, 4~20mA, 12-bit, (Requires Sensor Connect 3M Mini-Clamp Plug, 37104 Series)	ST-3708	8 Channels, RTD Connector Type (Requires connector Type Hirose , HIF3BA-20D-2.54C)
ST-3424	4 Channels, 0~10Vdc, 12-bit	ST-3802	2 Channels, Thermocouple
ST-3428	8 Channels, 0~10V, 12bit	ST-3804	4 Channels, Thermocouple Connector Type (Requires connector Type Hirose , HIF3BA-20D-2.54C)
ST-3444	4 Channels, 0~10Vdc, 14-bit	ST-3808	8 Channels, Thermocouple Connector Type (Requires connector Type Hirose , HIF3BA-20D-2.54C)

**Analog Output**

ST-4112	2 Channels, 0~20mA, 12-bit	ST-4424	4 Channels, 0~10Vdc, 12bit
ST-4114	4 Channels, 0~20mA,, 12bit	ST-4474*	4 Channels, 0~10Vdc, 12bit, (Requires Sensor Connect 3M Mini-Clamp Plug, 37104 Series)
ST-4212	2 Channels, 4~20mA, 12-bit	ST-4491	1 Channel, 0~10V, 12bit, Manual type
ST-4214	4 Channels, 4~20mA, 12bit	ST-4522	2 Channels, -10~+10Vdc, 12-bit
ST-4274*	4 Channels, 4~20mA, 12bit, (Requires Sensor Connect 3M Mini-Clamp Plug, 37104 Series)	ST-4622	2 Channels, 0~5Vdc, 12-bit
ST-4422	2 Channels, 0~10Vdc, 12-bit	ST-4911	1 Channel, 0~1 A, 12bit

**PID Loop Controllers (\*Check release date)**

ST-3814*	1 Loop PID Controller 4 Channels, TC, Temp. Controller, SSR out (DeviceNet only)	ST-3714*	1 Loop PID Controller 4 Channels, RTD, Temp. Control, SSR Out (DeviceNet only)
ST-3834*	1 Loop PID Controller 4 Ch. TC, Temp. Controller, Current out (DeviceNet only)	ST-3734*	1 Loop PID Controller 4 Ch, RTD, Temp. Control, Current Out (DeviceNet only)

**Serial Interface Modules (ASCII)**

ST-5211	Serial Interface RS-232C, 1 Channel	ST-5231	Serial Interface RS-485, 1 Channel
ST-5212	Serial Interface RS-232C, 2 Channels	ST-5232	Serial Interface RS-485, 2 Channels
ST-5221	Serial Interface RS-422, 1 Channel		

**Motion Modules**

ST-5101	High Speed Counter, 1 Channel, 5VDC 1.5MHz	ST-5442	2 Channel, PWM Out, 0.5A/24V, Positive Logic, 2.5Khz
ST-5111	High Speed Counter, 1 Channel, 24VDC 1.5MHz	ST-5444	PWM Out, 0.5A/24V, Positive Logic, 4 Channels, 2.5Khz
ST-5112	High Speed Counter, 2 Channel, 24VDC,100Khz	ST-5641	1 Channel, Pulse Out, 0.5A/24V, Positive Logic, 20Khz
ST-5114	High Speed Counter, 4 Channel, 24VDC, 50Khz	ST-5642	2 Channel, Pulse Out, 0.5A/24V, Positive Logic, 20Khz
ST-5351	SSI Interface 1 CH; 62.5K, 100K, 125K, 250K, 500K, 1M, 2Mbps	ST-5651	1 Channel, Pulse Out, 0.5A/5V (RS422), 20Khz
ST-5422	PWM Out, 2A/24V, Positive Logic, 2 Channels 2.5Khz		

**System Modules**

(Modules with ID type occupy 1 of the 32 available module ID addresses and will appear in the hardware configuration. The modules without ID support will not occupy a module address and will not appear in the hardware configuration.)

ST-7008	Shield termination module, 8 points, 10A No LED	ST-7588	0VDC and 24VDC 4 points distribution module for field devices ID type with status LEDs (ID type uses module address)
ST-7408	Shield termination module, 8 points, 10A, ID type with LED (ID type uses module address)	ST-7111	5VDC bus booster, 24VDC in
ST-7108	0VDC distribution module for field devices, 8 points, 10A	ST-7511	5VDC bus booster, 24VDC in with LED ID type (ID type uses module address)
ST-7508	0VDC distribution module for field devices, 8 points, 10A with LED (ID type uses module address)	ST-7241	Isolated Field Power Distribution, 5 VDC, 24VDC, 48VDC, 120/240VAC 10 Amp no LED status
ST-7118	24VDC distribution module for field devices, 8 points, 10A	ST-7641	Isolated Field Distributor 5 VDC, 24VDC, 48VDC, 120/240VAC, 10 amp with LED status ID type (ID type uses module address)
ST-7518	24VDC distribution module for field devices, 8 points, 10A ID type with status LEDs (ID type uses module address)	ST-5725*	Extension IO, Master (Tx). Up to 3 master/slave combinations supported. Maximum 300 meters. Only one slave supported per master module.
ST-7188	0VDC and 24VDC 4 points distribution module for field devices	ST-5726*	Extension IO, Slave (Rx). Each Slave requires a Master module.

**PROFIBUS Network Interface with built-in I/O ( Up to 8 expansion modules supported) (\* Check release date)**

STXPBS032	24VDC Positive Logic input, 32 points	STXPBS432	16 24VDC Positive Logic input and 16 24VDC Positive Logic output
STXPBS132	24VDC Negative Logic input, 32 points	STXPBS532	16 24VDC Negative Logic input and 16 24VDC Negative Logic output
STXPBS232	24VDC Negative Logic output, 32 points	STXPBS824	16 24VDC Positive Logic input and 16 relay output
STXPBS332	24VDC Positive Logic output, 32 points	STXPBS924	16 24VDC Negative Logic input and 16 relay output
STXPBS016	Relay output, 16 points	STXPBS825	16 24VDC Positive Logic input and 16 isolated relay output
STXPBS116	Relay output, 16 points, isolated	STXPBS925	16 24VDC Negative Logic input and 16 isolated relay output

**DeviceNet Network Interface with built-in I/O ( Up to 10 expansion modules supported) (\* Check release date)**

STXDNS032	24VDC Positive Logic input, 32 points	STXDNS532	16 24VDC Negative Logic input and 16 24VDC Negative Logic output
STXDNS132	24VDC Negative Logic input, 32 points	STXDNS824	16 24VDC Positive Logic input and 16 relay output
STXDNS232	24VDC Negative Logic output, 32 points	STXDNS924	16 24VDC Negative Logic input and 16 relay

			output
STXDNS332	24VDC Positive Logic output, 32 points	STXDNS825	16 24VDC Positive Logic input and 16 isolated relay output
STXDNS016	Relay output, 16 points	STXDNS925	16 24VDC Negative Logic input and 16 isolated relay output
STXDNS116	Relay output, 16 points, isolated	STXDNS032	24VDC Positive Logic input, 32 points
STXDNS432	16 24VDC Positive Logic input and 16 24VDC Positive Logic output	STXDNS132	24VDC Negative Logic input, 32 points

**Accessories**

STXACC004	End Module, 7pcs (End module ships with Network Interface)	STXACC001	Marker with numbers 100pcs
STXRTB009	Removable Terminal Block, 9pcs (Modules ship with terminal block except connector style.)	STXACC002	Blank markers 100pcs

**Typical Configuration Example:**

Requirement: PROFINET network connection, (24) 24VDC positive logic inputs, (12) 24VDC Positive Logic, 0.5 amp outputs, (4) analog inputs 4-20mA, (2) analog outputs 4-20mA, (6) 120VAC inputs

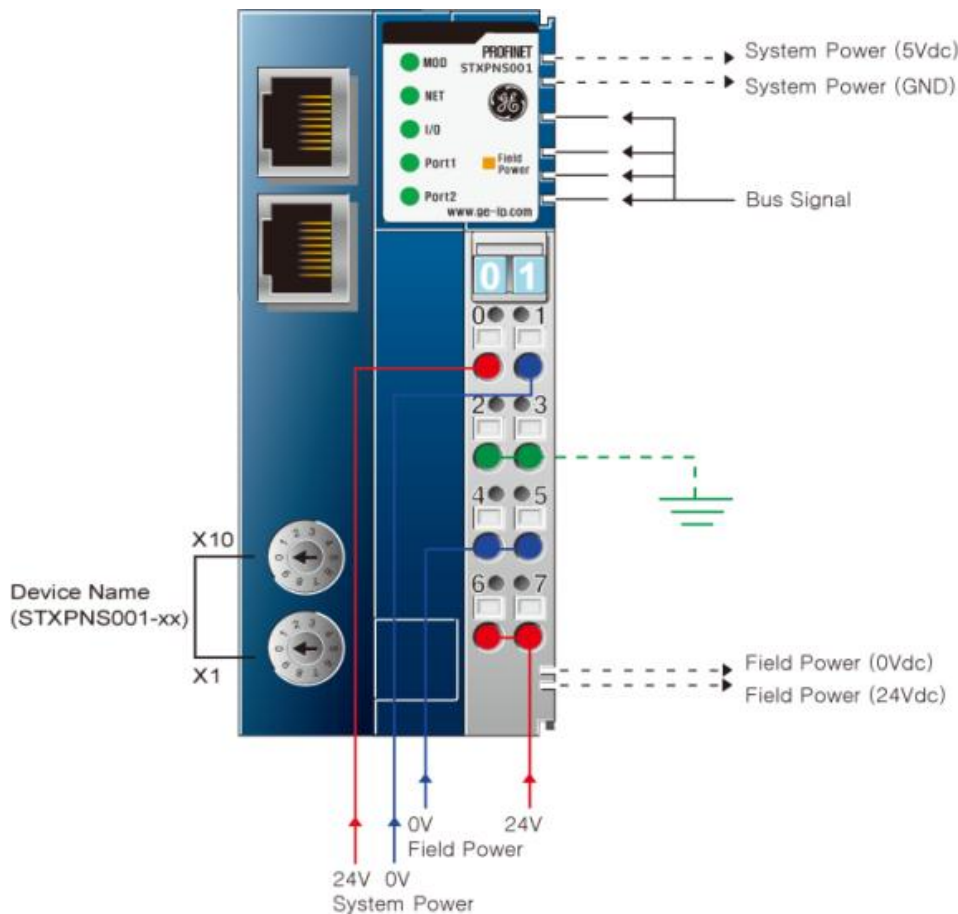
QTY	Part Number	Description	Comments
1	STXPNS001	PROFINET RT Network Adapter	Supports up to 32 modules with built-in Ethernet switch (ring topology not supported)
3	ST-1218	8 points, Positive Logic 12V/ 24VDC inputs	Includes terminal block
1	ST-2328	8 points, Positive Logic, 24VDC/ 0.5A outputs	Includes terminal block
1	ST-2324	4 points, Positive Logic, 24VDC/ 0.5A outputs	Includes terminal block
1	ST-3214	4 Channels, 4~20mA, 12-bit in	Includes terminal block
1	ST-4212	2 Channels, 4~20mA, 12-bit out	Includes terminal block
1	ST-7408	Shield module, ID type with LED (ID type uses module address)	Optional Shield module for analog modules.
1	ST-7641	Power distribution module 5, 24, 48, AC , 10 amp with LED status ID type (ID type uses module address)	<b>The ST-7641 is needed to support the 120VAC input module ST-1804. All modules to the right of the ST-7641 will be 120VAC unless a ST-7641 is installed to switch the bus voltage.</b>
2	ST-1804	4 points, 110V AC (AC 85V ~ 132V) inputs	Includes terminal block

**Notes:**

- A. The total number of modules used is 11 (ST-7408 and ST-7641 occupy a module address)
- B. The above configuration only requires 177mm width by 70mm deep and 99mm high. (6.97 in. W x 2.76 in. D x 3.9 in. H)

**PROFINET Network Interface Specifications – STXPNS001**

ITEM	SPECIFICATION	ITEM	SPECIFICATION
Network Type	PROFINET I/O RT Slave (No MRP support) with built-in switch	Surrounding Air Temperature	-20C to 55C Storage -40C to 85C
Cable Type	Ethernet RJ 45 (2) connections	Relative Humidity	5% to 90% Non condensation
Cable Length	Up to 100 meters from Ethernet Hub	Vibration	IEC 60068-2-6:1995
Communication Rate	10/100Mbps	Atmosphere	No excessive dust No corrosive gases
Maximum number of nodes	Limited by the IP address	Module Power	24VDC Nominal (11 to 28.8VDC) Supplies 1.5 amps to I/O modules
Topology	Line or Star Topology	Backplane Power	1.5 amps to I/O modules
Mounting Position	First module of the RSTi I/O system	Field Power	Class II 24VDC Nominal (11 to 28.8VDC) 10 amps
Number of I/O	Up to 32 I/O modules supported	Isolation	System power to internal logic: Non-isolated System power to I/O driver: Isolated
Maximum Digital I/O	Input: 1,024 points Outputs: 1,024 points	Power Dissipation	115mA typical @ 24VDC
Maximum Analog I/O	Input: 64 channels Outputs: 64 channels	Weight	150 grams
Maximum Byte Size	Input: 1288 bytes Output: 1288 bytes	Size (W x H x D)	45mm x 99mm x 70mm
Node Address	Rotary Selection 1 to 99	Certification	UL/CUL/CE PROFINET UL Class 1/Div 2 and ATEX pending

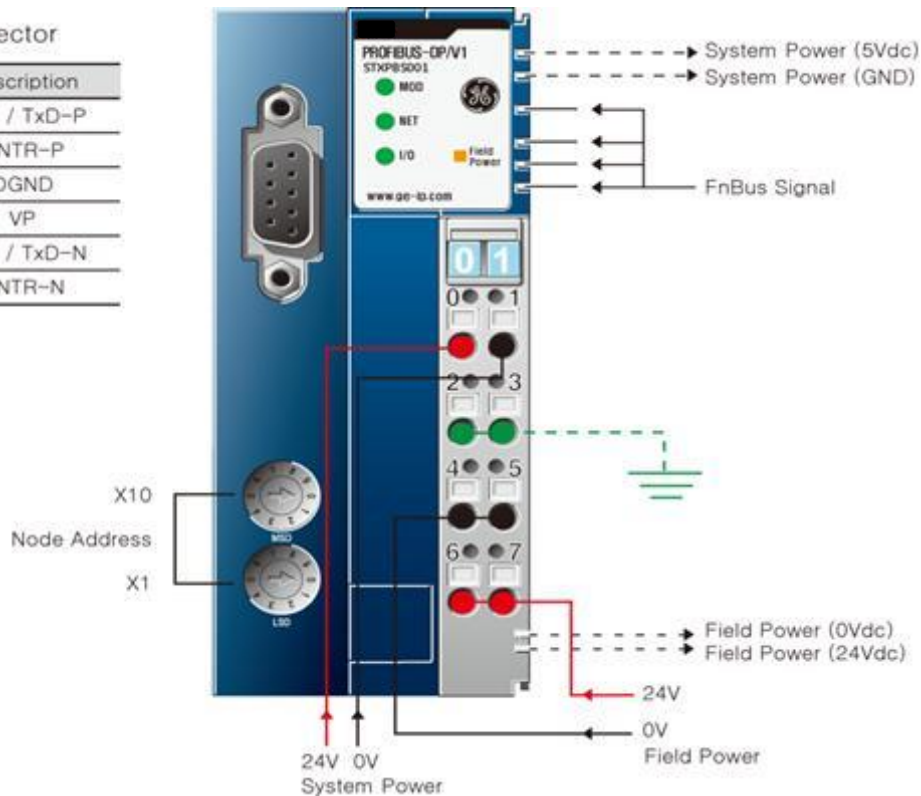


**PROFIBUS DP Interface Specifications – STXPBS001**

ITEM	SPECIFICATION	ITEM	SPECIFICATION
Network Type	PROFIBUS DP/V1 Slave	Surrounding Air Temperature	-20C to 55C for UL -20 to 60C for non-UL Storage -40C to 85C
Cable Type	PROFIBUS DP Cables	Relative Humidity	5% to 90% Non condensation
Cable Length	1.2Km to 100 meters	Vibration	IEC 60068-2-6:1995
Communication Rate	9.6 kbaud to 12 Mbaud Supports Auto Sensing	Atmosphere	No excessive dust No corrosive gases
Maximum number of nodes	101 including master	Module Power	24VDC Nominal (11 to 28.8VDC) Supplies 1.5 amps to I/O modules
Topology	Line	Backplane Power	1.5 amps to I/O modules
Mounting Position	First module of the RSTi I/O sytem	Field Power	Class II 24VDC Nominal (11 to 28.8VDC) 10 amps
Number of I/O	Up to 32 I/O modules supported	Isolation	System power to internal logic: Non-isolated System power to I/O driver: Isolated
Maximum Digital I/O	Input: 1,024 points Outputs: 1,024 points	Power Dissipation	60mA typical @ 24VDC
Maximum Analog I/O	Input: 64 channels Outputs: 64 channels	Weight	155 grams
Maximum Byte Size	Input: 1288 bytes Output: 1288 bytes	Size (W x H x D)	42mm x 99mm x 70mm
Station Number	Rotary switch 1 to 99	Certification	UL/CUL/CE PROFIBUS UL Class 1/Div 2 and ATEX pending

**PROFIBUS Connector**

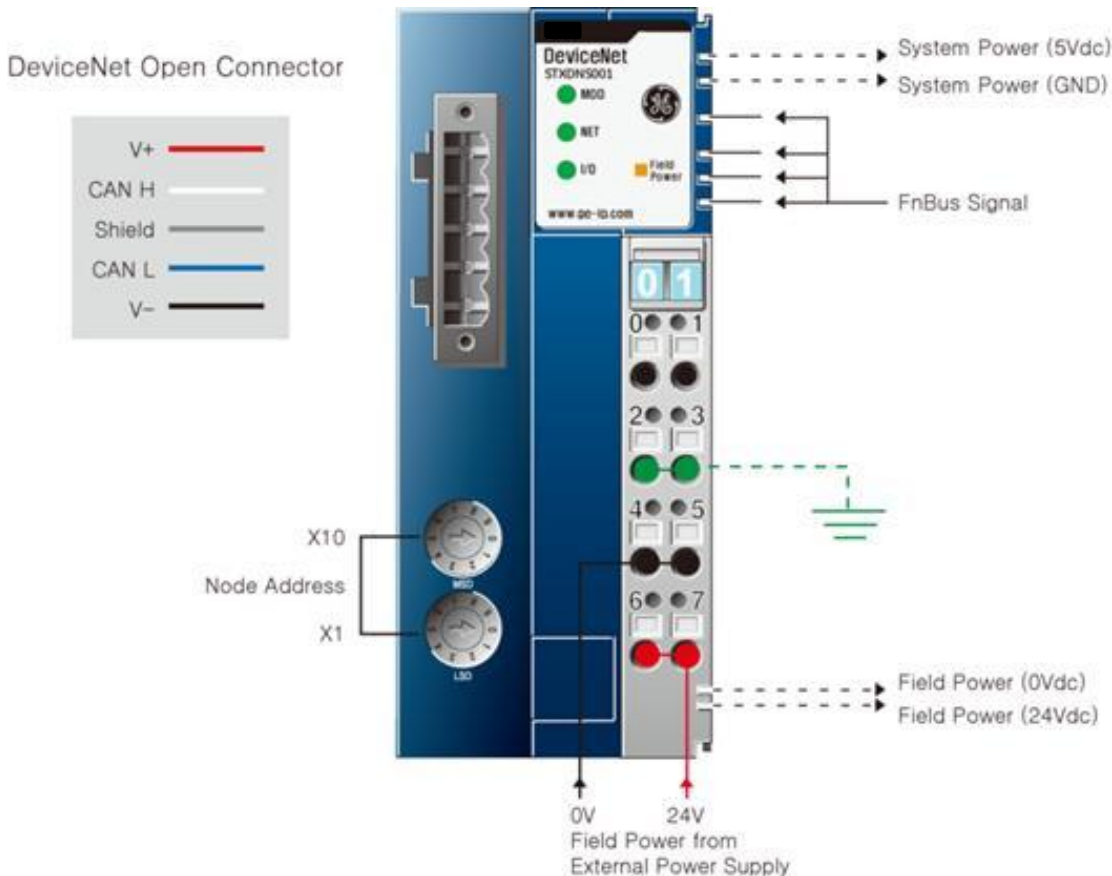
Pin No.	Description
3	RxD / TxD-P
4	CNTR-P
5	DGND
6	VP
8	RxD / TxD-N
9	CNTR-N





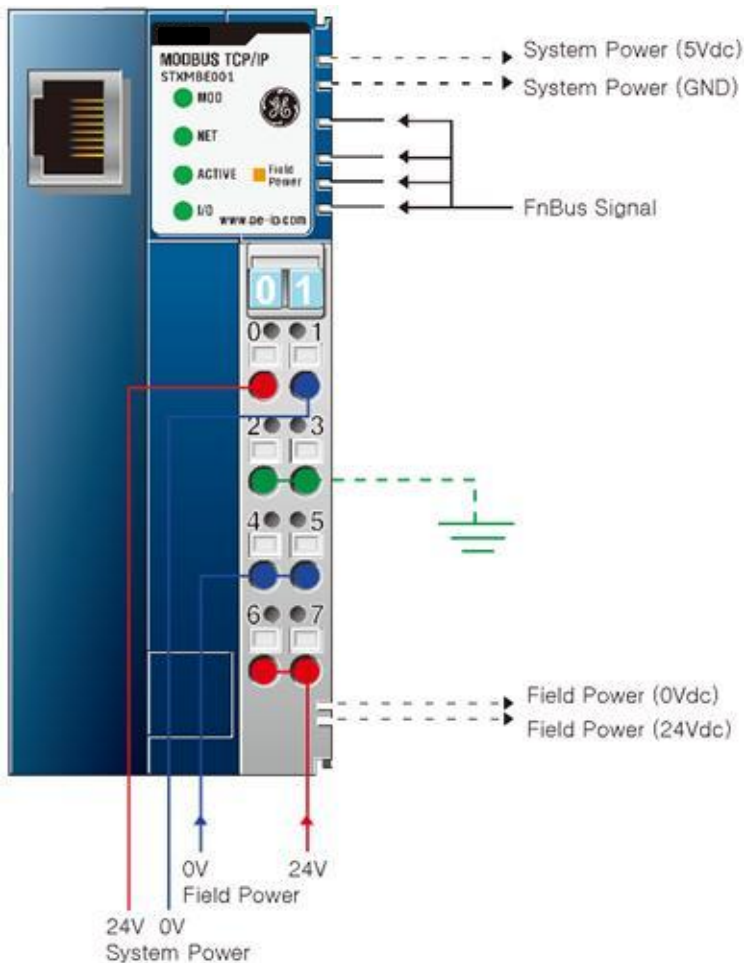
DeviceNet Interface Specifications - STXDNS001

ITEM	SPECIFICATION	ITEM	SPECIFICATION
Network Type	DeviceNet Supports Bit Strobe, Polling, Cyclic, COS	Surrounding Air Temperature	-20C to 55C for UL -20 to 60C for non-UL Storage -40C to 85C
Cable Type	Dedicated DeviceNet Cable 5 pin	Relative Humidity	5% to 90% Non condensation
Cable Length	100 to 500 meters	Vibration	IEC 60068-2-6:1995
Communication Rate	125Kbps, 250Kbps and 500Kbps with auto negotiating	Atmosphere	No excessive dust No corrosive gases
Maximum number of nodes	64	Module Power	24VDC Nominal (11 to 28.8VDC) Supplies 1.2 amps to I/O modules
Topology	Line	Backplane Power	1.5 amps to I/O modules
Mounting Position	First module of the RSTi I/O system	Field Power	Class II 24VDC Nominal (11 to 28.8VDC) 10 amps
Number of I/O	Up to 32 I/O modules supported	Isolation	System power to internal logic: Non-isolated System power to I/O driver: Isolated
Maximum Digital I/O	Input: 2,016 points Outputs: 2,016 points	Power Dissipation	30mA typical @ 24VDC
Maximum Analog I/O	Input: 126 channels Outputs: 126 channels	Weight	155 grams
Maximum Byte Size	Input: 252 bytes Output: 252 bytes	Size (W x H x D)	42mm x 99mm x 70mm
Station Number	Rotary switch 1 to 99	Certification	UL/CUL/CE DeviceNet (ODVA) UL Class 1/Div 2 and ATEX pending



Modbus TCP Specifications – STXMBE001

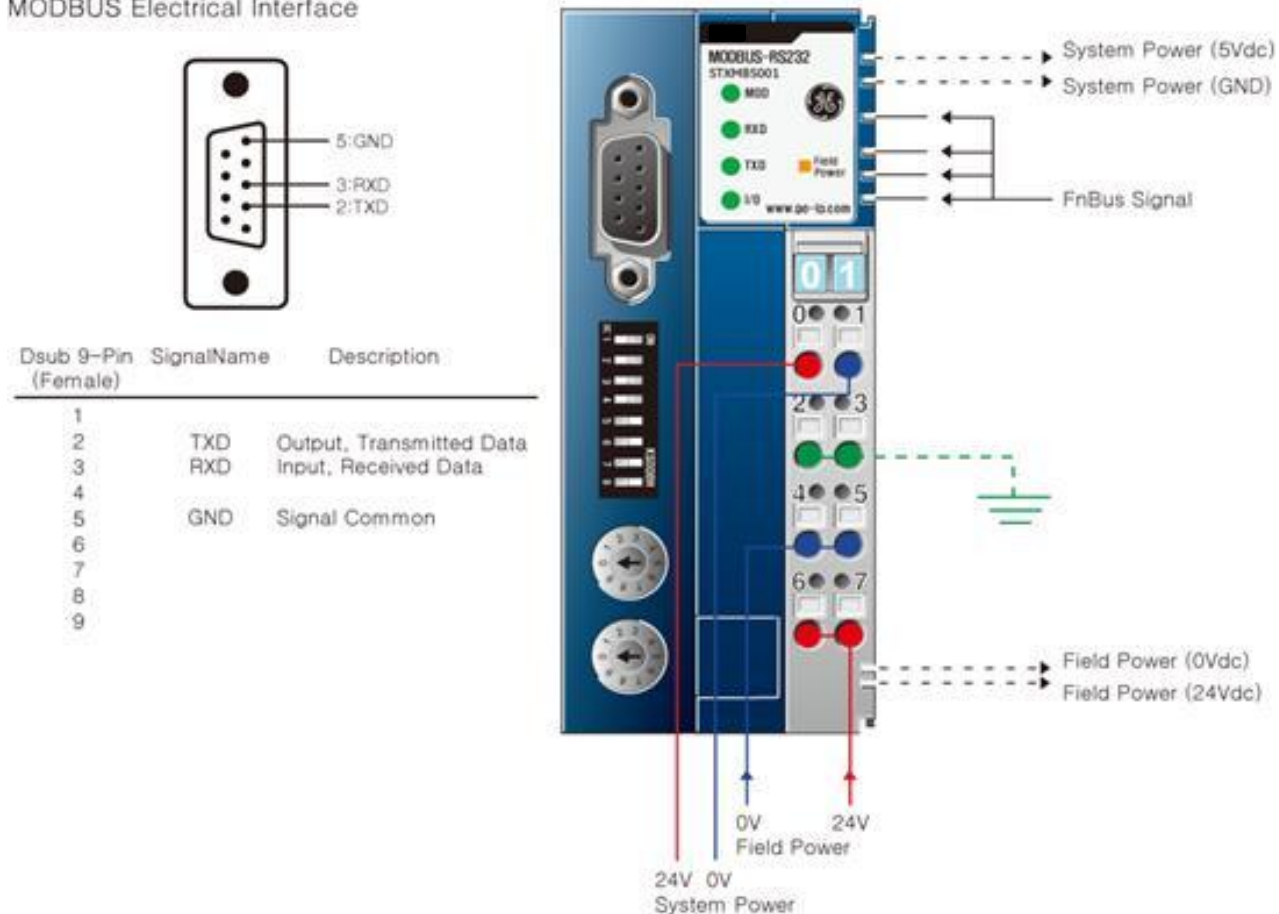
ITEM	SPECIFICATION	ITEM	SPECIFICATION
Network Type	Modbus TCP Slave (1 port) Supports 16 connection	Surrounding Air Temperature	-20C to 55C -20 to 60C Non-UL Storage -40C to 85C
Cable Type	Ethernet Shielded RJ 45	Relative Humidity	5% to 90% Non condensation
Cable Length	Up to 100 meters from Ethernet Hub	Vibration	IEC 60068-2-6:1995
Communication Rate	10/100Mbps	Atmosphere	No excessive dust No corrosive gases
Maximum number of nodes	Limited by the IP address	Module Power	24VDC Nominal (11 to 28.8VDC) Supplies 1.5 amps to I/O modules
Topology	Line or Star Topology	Backplane Power	1.5 amps to I/O modules
Mounting Position	First module of the RSTi I/O system	Field Power	Class II 24VDC Nominal (11 to 28.8VDC) 10 amps
Number of I/O	Up to 32 I/O modules supported	Isolation	System power to internal logic: Non-isolated System power to I/O driver: Isolated
Maximum Digital I/O	Input: 2,016 points Outputs: 2,016 points	Power Dissipation	60mA typical @ 24VDC
Maximum Analog I/O	Input: 126 channels Outputs: 126 channels	Weight	150 grams
Maximum Byte Size	Input: 252bytes Output: 252 bytes	Size (W x H x D)	45mm x 99mm x 70mm
Operating Mode	8 Modbus TCP, 4 HTTP, BOOTP	Certification	UL/CUL/CE UL Class 1/Div 2 and ATEX pending



Modbus Serial RS-232 Specifications – STXMBS001

ITEM	SPECIFICATION	ITEM	SPECIFICATION
Network Type	Modbus RS-232 Slave	Surrounding Air Temperature	-20C to 55C -20 to 60C Non-UL Storage -40C to 85C
Cable Type	Serial Twisted Cable	Relative Humidity	5% to 90% Non condensation
Cable Length	15 meters	Vibration	IEC 60068-2-6:1995
Communication Rate	1.2Kbps to 115.2kbps	Atmosphere	No excessive dust No corrosive gases
Maximum number of nodes	1	Module Power	24VDC Nominal (11 to 28.8VDC) Supplies 1.5 amps to I/O modules
Topology	Point to Point	Backplane Power	1.5 amps to I/O modules
Mounting Position	First module of the RSTi I/O system	Field Power	Class II 24VDC Nominal (11 to 28.8VDC) 10 amps
Number of I/O	Up to 32 I/O modules supported	Isolation	System power to internal logic: Non-isolated System power to I/O driver: Isolated
Maximum Digital I/O	Input: 2,016 points Outputs: 2,016 points	Power Dissipation	70mA typical @ 24VDC
Maximum Analog I/O	Input: 126 channels Outputs: 126 channels	Weight	150 grams
Maximum Byte Size	Input: 252bytes Output: 252 bytes	Size (W x H x D)	45mm x 99mm x 70mm
Node Address	Rotary Selection 1 to 99	Certification	UL/CUL/CE UL Class 1/Div 2 and ATEX pending

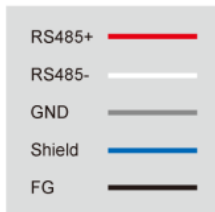
MODBUS Electrical Interface



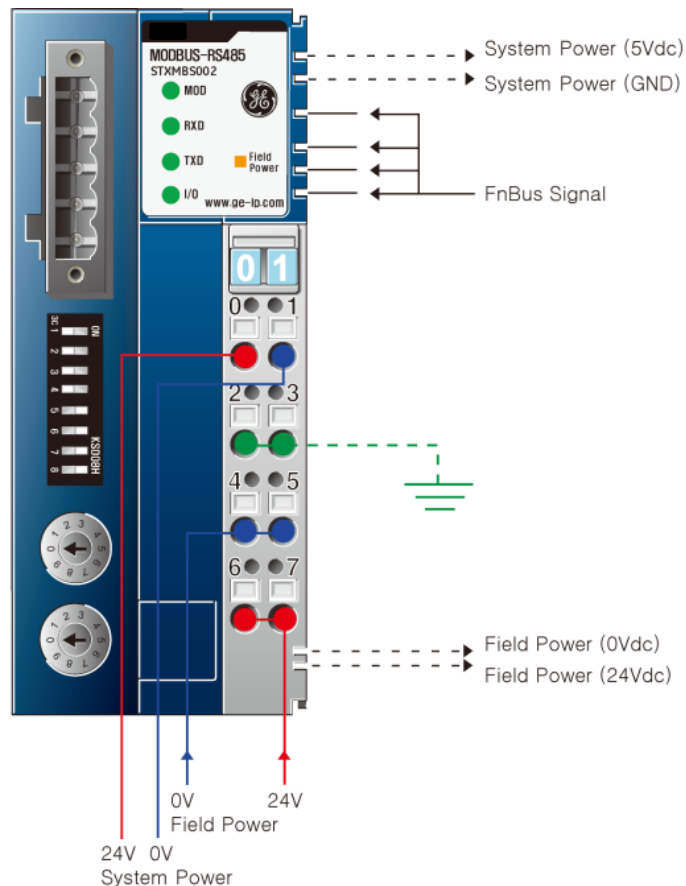
Modbus Serial RS-485 Specifications – STXMBS002

ITEM	SPECIFICATION	ITEM	SPECIFICATION
Network Type	Modbus RS-485 Slave RTU and ASCII	Surrounding Air Temperature	-20C to 55C -20 to 60C Non-UL Storage -40C to 85C
Cable Type	Serial Twisted Cable	Relative Humidity	5% to 90% Non condensation
Cable Length	1200 meters	Vibration	IEC 60068-2-6:1995
Communication Rate	1.2Kbps to 115.2kbps	Atmosphere	No excessive dust No corrosive gases
Maximum number of nodes	1	Module Power	24VDC Nominal (11 to 28.8VDC) Supplies 1.5 amps to I/O modules
Topology	Point to Point	Backplane Power	1.5 amps to I/O modules
Mounting Position	First module of the RSTi I/O sytem	Field Power	Class II 24VDC Nominal (11 to 28.8VDC) 10 amps
Number of I/O	Up to 32 I/O modules supported	Isolation	System power to internal logic: Non-isolated System power to I/O driver: Isolated
Maximum Digital I/O	Input: 2,016 points Outputs: 2,016 points	Power Dissipation	70mA typical @ 24VDC
Maximum Analog I/O	Input: 126 channels Outputs: 126 channels	Weight	150 grams
Maximum Byte Size	Input: 252bytes Output: 252 bytes	Size (W x H x D)	45mm x 99mm x 70mm
Node Address	Rotary Selection 1 to 99	Certification	UL/CUL/CE UL Class 1/Div 2 and ATEX pending

RS485 Connector

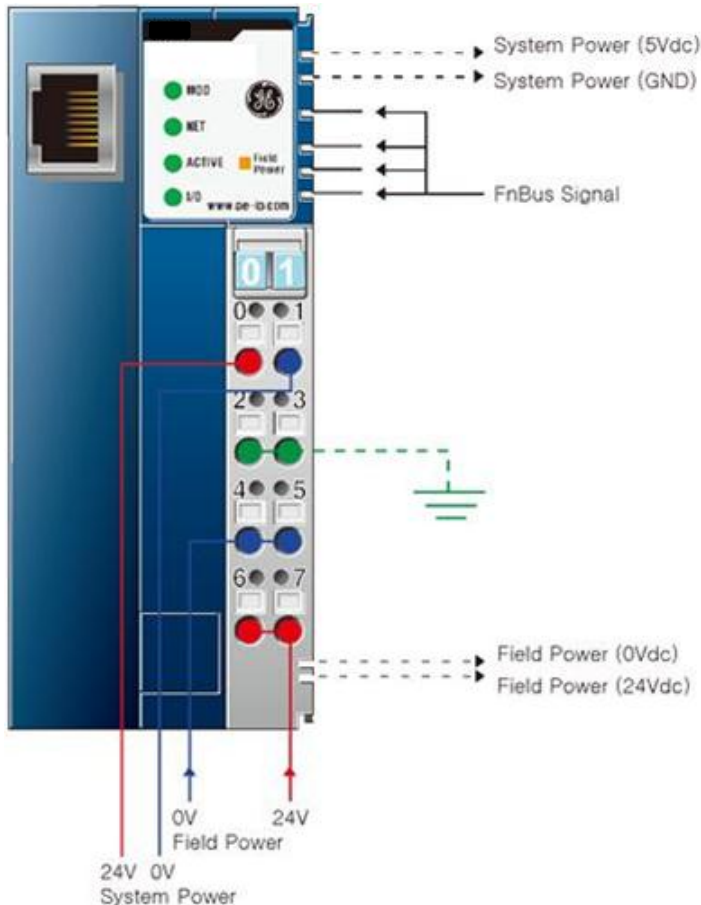


Dsub 5-Pin (Female)	SignalName	Description
1	RS485+	In/Out, Transceiver Data High
2	RS485-	In/Out, Transceiver Data Low
3	GND	Signal Common
4	Shield	Shield
5	FG	Frame Ground. Internally shorted with Shield



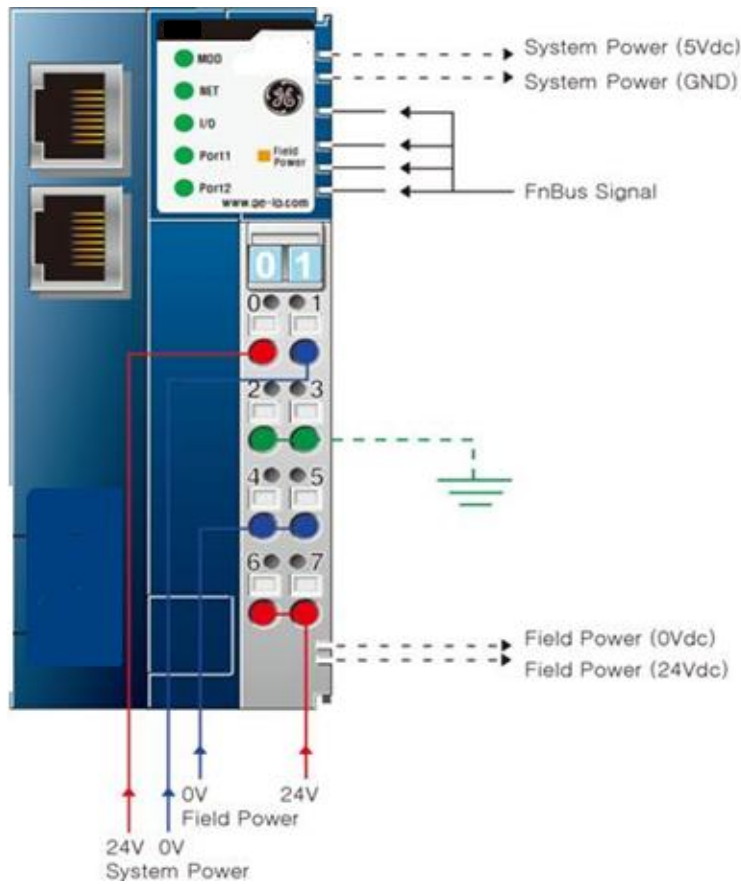
Ethernet IP Specifications – STXEIP001 (Target October 2012 release)

ITEM	SPECIFICATION	ITEM	SPECIFICATION
Network Type	EtherNet/IP Slave (1 port) BOOTP, Level 2 I/O Server (Explicit, I/O Message) 16 IO Message connections 64 CIP connections 64 Explicit message connections	Surrounding Air Temperature	-20C to 55C -20 to 60C Non-UL Storage -40C to 85C
Cable Type	Ethernet Shielded RJ 45	Relative Humidity	5% to 90% Non condensation
Cable Length	Up to 100 meters from Hub	Vibration	IEC 60068-2-6:1995
Communication Rate	10/100Mbps	Atmosphere	No excessive dust No corrosive gases
Maximum number of nodes	Limited by the IP address	Module Power	24VDC Nominal (11 to 28.8VDC) Supplies 1.5 amps to I/O modules
Topology	Line or Star Topology	Backplane Power	1.5 amps to I/O modules
Mounting Position	First module of the RSTi I/O system	Field Power	Class II 24VDC Nominal (11 to 28.8VDC) 10 amps
Number of I/O	Up to 32 I/O modules supported	Isolation	System power to internal logic: Non-isolated System power to I/O driver: Isolated
Maximum Digital I/O	Input: 2,016 points Outputs: 2,016 points	Power Dissipation	60mA typical @ 24VDC
Maximum Analog I/O	Input: 126 channels Outputs: 126 channels	Weight	150 grams
Maximum Byte Size	Input: 252bytes Output: 252 bytes	Size (W x H x D)	45mm x 99mm x 70mm
Operating Mode	8 Modbus TCP, 4 HTTP, BOOTP	Certification	UL/CUL/CE UL Class 1/Div 2 and ATEX pending



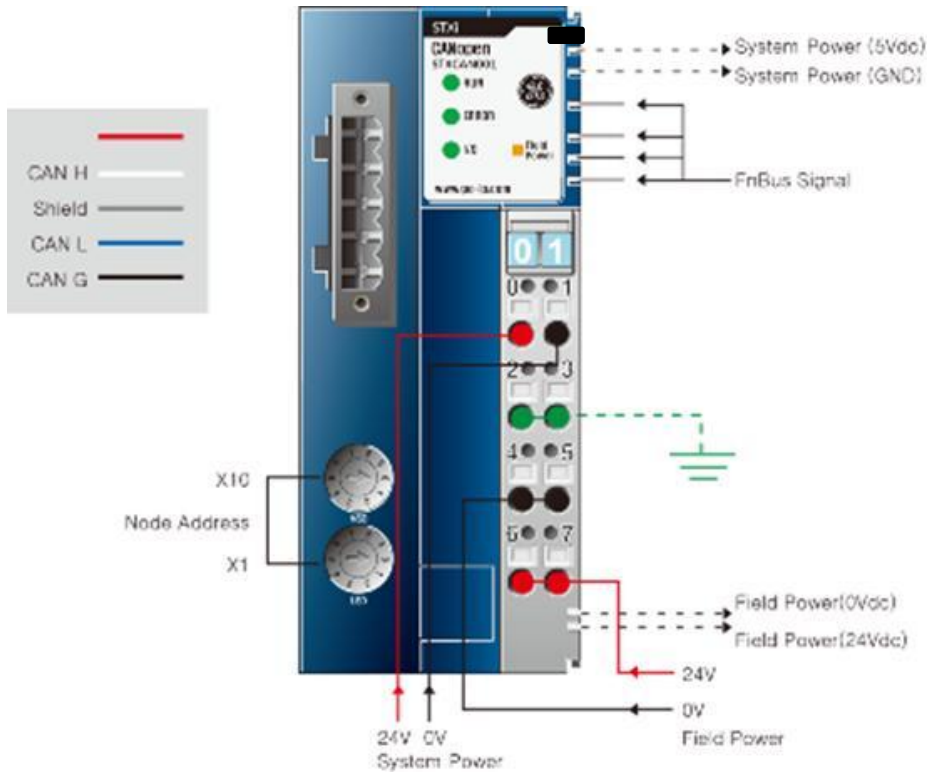
**EtherCAT Specifications – STXECT001 (Target November 2012 release)**

ITEM	SPECIFICATION	ITEM	SPECIFICATION
Network Type	EtherCAT Slave (2 ports) Supports redundancy	Surrounding Air Temperature	-20C to 55C -20 to 60C Non-UL Storage -40C to 85C
Cable Type	Ethernet Shielded RJ 45	Relative Humidity	5% to 90% Non condensation
Cable Length	Up to 100 meters from Hub	Vibration	IEC 60068-2-6:1995
Communication Rate	100Mbps	Atmosphere	No excessive dust No corrosive gases
Maximum number of nodes	65,535	Module Power	24VDC Nominal (11 to 28.8VDC) Supplies 1.5 amps to I/O modules
Topology	Line or Star Topology	Backplane Power	1.5 amps to I/O modules
Mounting Position	First module of the RSTi I/O system	Field Power	Class II 24VDC Nominal (11 to 28.8VDC) 10 amps
Number of I/O	Up to 32 I/O modules supported	Isolation	System power to internal logic: Non-isolated System power to I/O driver: Isolated
Maximum Digital I/O	Input: 2,016 points Outputs: 2,016 points	Power Dissipation	60mA typical @ 24VDC
Maximum Analog I/O	Input: 126 channels Outputs: 126 channels	Weight	150 grams
		Size (W x H x D)	54.2mm x 99mm x 70mm
		Certification	UL/CUL/CE UL Class 1/Div 2 and ATEX pending



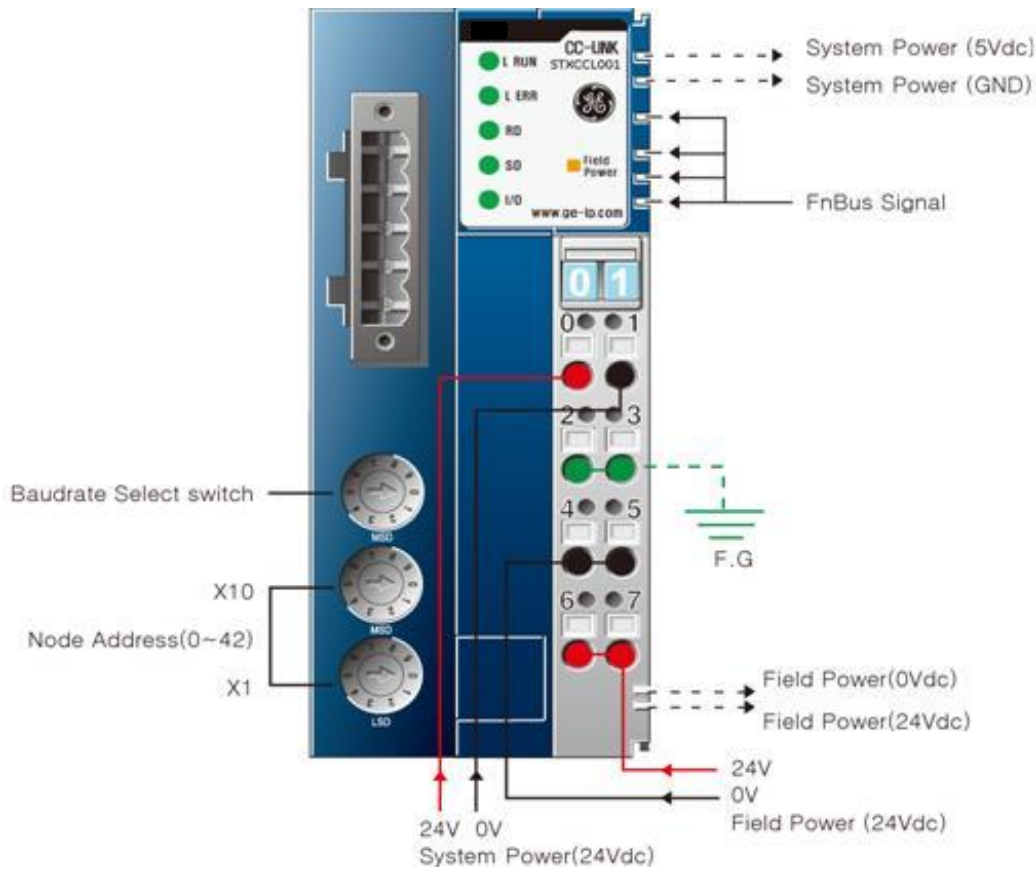
**CANOpen Specifications – STXCAN001 (Target October 2012 release)**

ITEM	SPECIFICATION	ITEM	SPECIFICATION
Network Type	CANOpen	Surrounding Air Temperature	-20C to 55C for UL -20 to 60C for non-UL Storage -40C to 85C
Cable Type	Dedicated CAN Cable 5 pin	Relative Humidity	5% to 90% Non condensation
Cable Length	25 meters to 25 Keters	Vibration	IEC 60068-2-6:1995
Communication Rate	10Kbps to 1Mbps with auto negotiating	Atmosphere	No excessive dust No corrosive gases
Maximum number of nodes	99	Module Power	24VDC Nominal (11 to 28.8VDC) Supplies 1.2 amps to I/O modules
Topology	Line	Backplane Power	1.5 amps to I/O modules
Mounting Position	First module of the RSTi I/O sytem	Field Power	Class II 24VDC Nominal (11 to 28.8VDC) 10 amps
Number of I/O	Up to 32 I/O modules supported	Isolation	System power to internal logic: Non-isolated System power to I/O driver: Isolated
Station Number	Rotary switch 1 to 99	Power Dissipation	100mA typical @ 24VDC
Number of PDOs available	8 Transmit PDOs 8 Receive PDOs	Weight	155 grams
Number SDOs Available	1 Standard SDOs	Size (W x H x D)	42mm x 99mm x 70mm
		Certification	UL/CUL/CE DeviceNet (ODVA) UL Class 1/Div 2 and ATEX pending



CC-Link Specification – STXCCL001 (Target release October 2012)

ITEM	SPECIFICATION	ITEM	SPECIFICATION
Surrounding Air Temp./ Ambient Temp.	-20°C~50°C / -40°C~85°C	Network Type	CC-Link
Relative Humidity	5% ~ 90% without condensation	Cable	Cable for CC-Link only
Durable-vib./impact	IEC68-2-6(2G) / 10G	Cable Length(m)	1200    900    400    160    100
EMC/ESD	EN50082 / EN50081	Comm. Sp(Kbps)	156    625    2500    5000    10000
Mount Position	On the left of ST-xxx I/O series	Operating Mode	Broadcast Polling Method
Atmosphere	Not so dusty without corrosive gas	Expansion No.	Max. 32 Module
Field Supp.Volt.	Class 2, 24VDC 24VDC (11VDC ~ 28.8VDC)	Max. Digital I/O	Input : 112point Output : 112point (4station)
Field Supp. Cur.	Max. 10A	Max. Analog I/O	Input : 16Ch/Output : 16Ch (4station)
FnBus Sup. Cur	Max. 1.5A@5Vdc	Available Station	Max. 4 Station
Pwr Dissipation	60mA	Station Type	Remote Device
Size	45mm × 99mm × 70mm	No. of Station	Max. 42 Station
Weight	155g	Baudrate Setting	Rotary Switch 1개
Certification	UL / cUL / CE / CC-Link	Station No. Sett.	Rotary Switch #2, #3 (x10, x1)



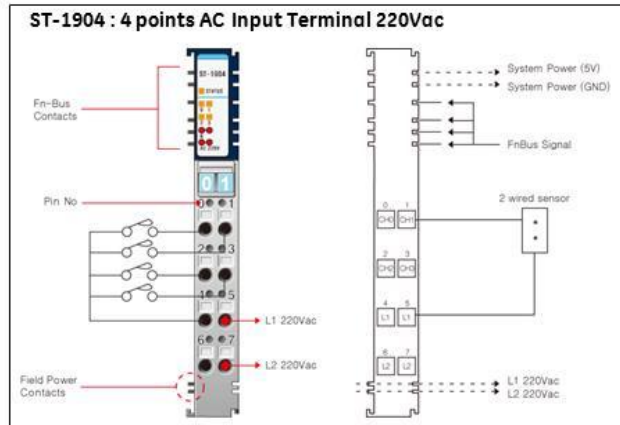
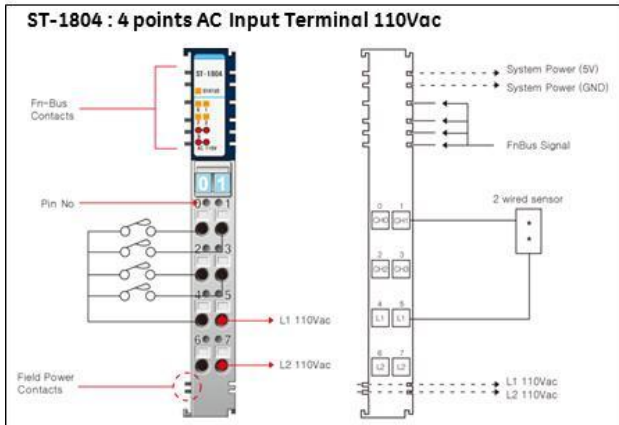
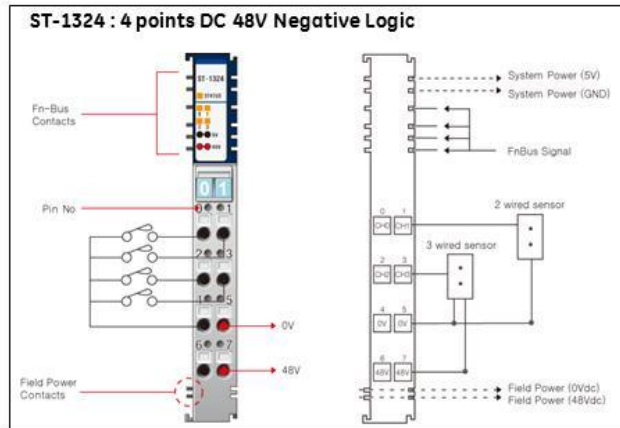
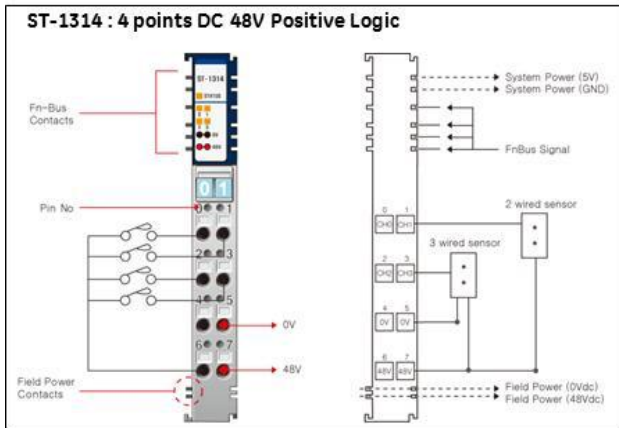
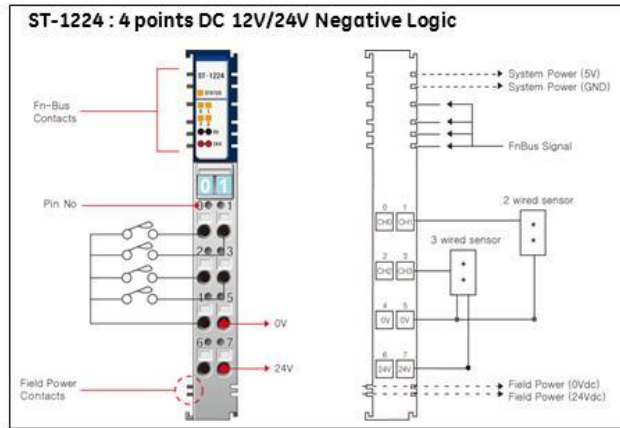
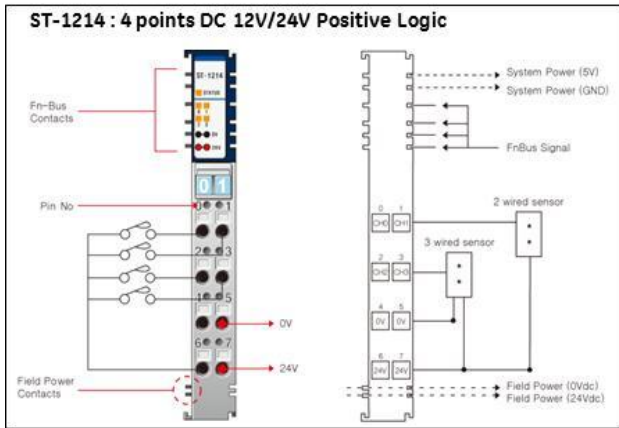
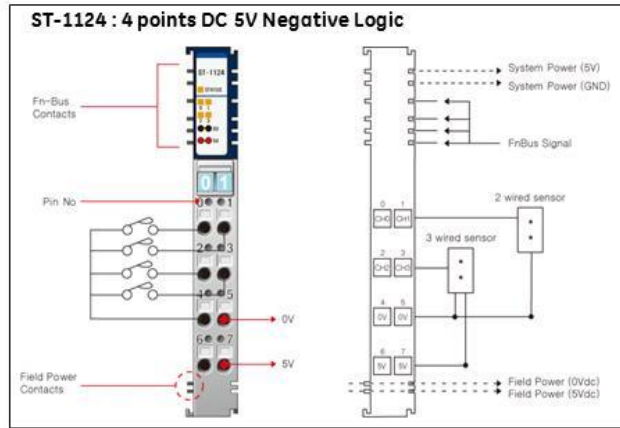
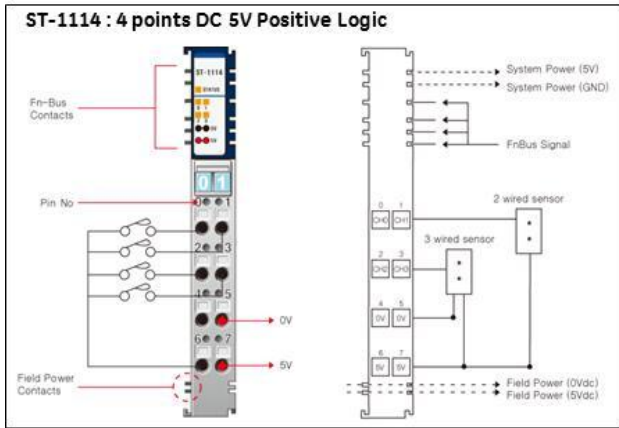


Discrete Input Specifications

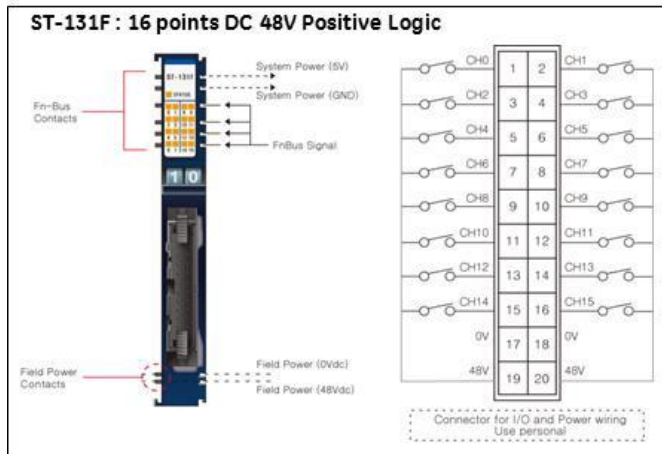
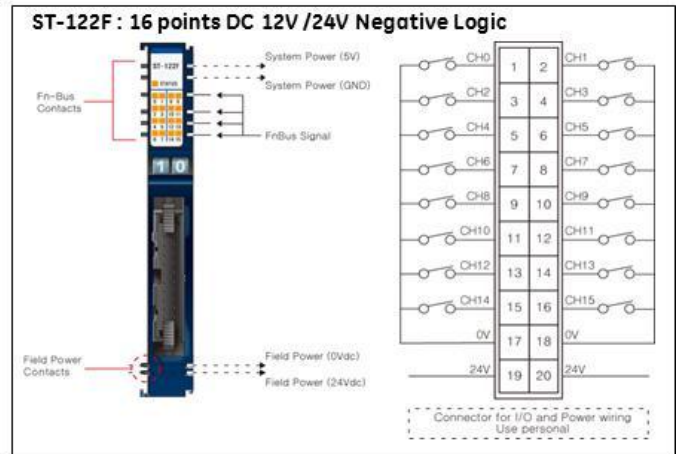
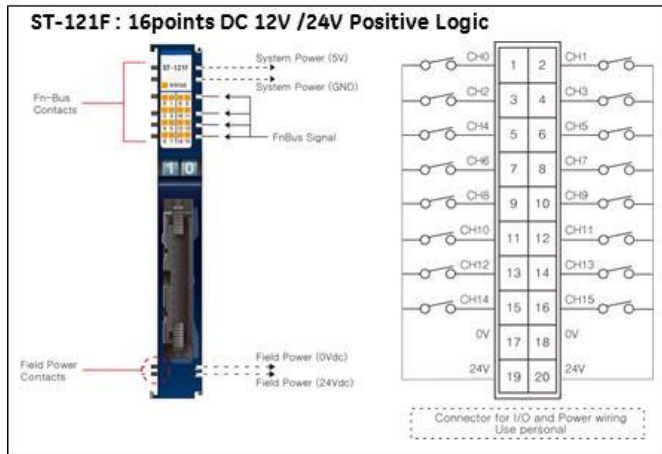
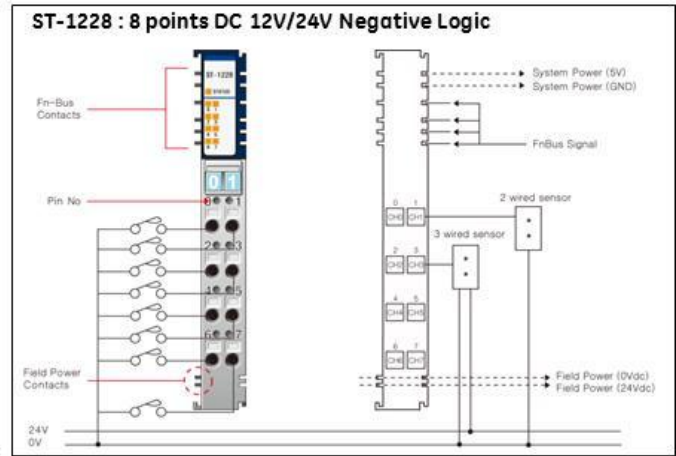
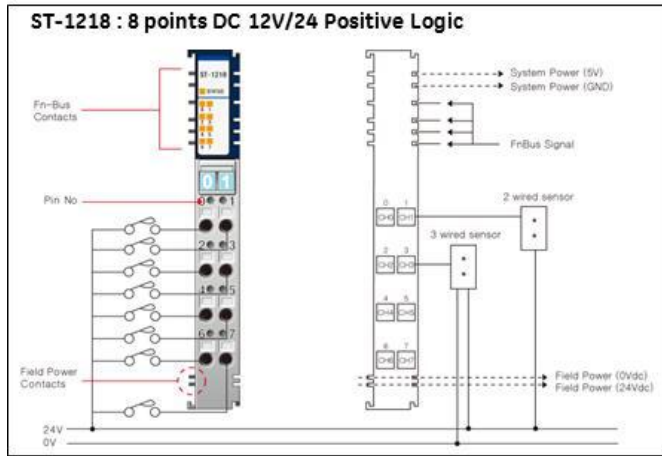
Model	ST-1114	ST-1124	ST-1214	ST-1224	ST-1314	ST-1324	ST-1804	ST-1904
Points	4 Points							
Type	Positive Logic	Negative Logic	Positive Logic	Negative Logic	Positive Logic	Negative Logic	AC	
Normal Voltage	5Vdc		12V/24Vdc		48Vdc		110Vac	220Vac
Allowed Voltage	2.4Vdc ~ 5.5Vdc		10.2Vdc ~ 28.8Vdc		34Vdc ~ 60Vdc		85Vac ~ 132Vac	170Vac ~ 264Vac
On Voltage	Over 2.4Vdc		Over 10.2Vdc		Over 34Vdc		Over 85Vac	Over 170Vac
Off Voltage	Below 0.8Vdc		Below 5Vdc		Below 10Vdc		Below 60Vac	Below 130Vac
Point Consump. Curr.	Below 4.5mA		Below 6mA		Below 4mA		Below 8mA	Below 12mA
Module Consump. Curr.	35mA/5Vdc							
Response Time	OFF->ON: Below 0.5ms, ON->OFF: Below 0.5ms		OFF -> ON : Below 3ms, ON -> OFF : Below 3ms				OFF->ON: Below 10ms, ON->OFF: Below 10ms	
Common Type	4 Points / 2COM (Single Common)							
Isolation	Photocoupler Isolation							
Connection	terminal block							
Model	ST-1218	ST-1228	ST-121F	ST-122F	ST-131F			
Points	8 Points		16 Points					
Type	Positive Logic	Negative Logic	Positive Logic	Negative Logic	Positive Logic			
Normal Voltage	12V/24Vdc		12V/24Vdc			48Vdc		
Allowed Voltage	10.2Vdc ~ 28.8Vdc		10.2Vdc ~ 28.8Vdc			34Vdc ~ 60Vdc		
On Voltage	Over 10.2Vdc		Over 10.2Vdc			Over 34Vdc		
Off Voltage	Below 5Vdc		Below 5Vdc			Below 10Vdc		
Point Consump. Curr.	Below 6mA		Below 6mA			Below 4mA		
Module Consump. Curr.	35mA/5Vdc		45mA/5Vdc					
Response Time	OFF -> ON : Below 3ms, ON -> OFF : Below 3ms							
Common Type	External Common		16 Points / 2COM					
Isolation	Photocoupler Isolation							
Connection	terminal block		20P Connector					

**Note:** The 20 pin connector for ST-121F, ST-122F and ST-131F require a Hirose , HIF3BA-20D-2.54C connector [http://www.hirose.co.jp/cataloge\\_hp/e61000010.pdf](http://www.hirose.co.jp/cataloge_hp/e61000010.pdf)

Discrete Digital Input Wiring Diagrams



\*External Field Power and Field Power are same power.



\*External Field Power and Field Power are same power.

Discrete Output Specifications

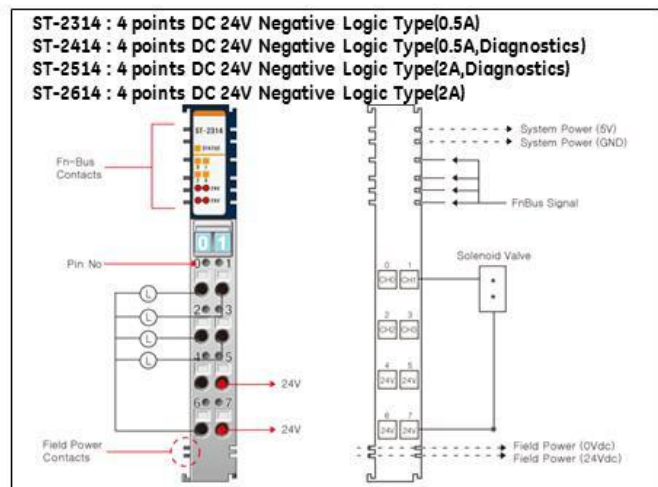
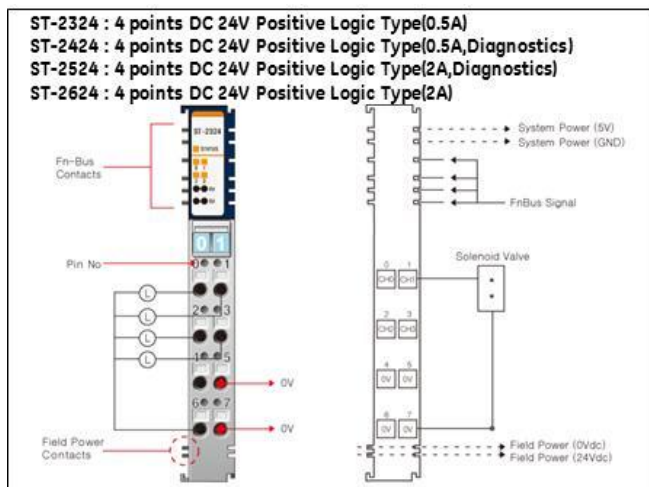
Model	ST-2114	ST-2124	ST-221F	ST-222F	ST-2314	ST-2324	ST-2318	ST-2328
Point NO.	4 Points		16Points		4Points		8Points	
Type	TTL Inverting	TTL Non-Inverting	Negative Logic	Positive Logic	Negative Logic	Positive Logic	Negative Logic	Positive Logic
Special Fun.	-							
Allo. Voltage	5Vdc		24Vdc					
Volt. Range	4.5Vdc~5.5Vdc		11Vdc~28.8Vdc					
Loading Cur	20mA/Point		0.5A/Point					
Consum Cur	50mA/5Vdc		80mA/5Vdc		45mA/5Vdc		60mA/5Vdc	
Fuse	-		3.5A, 40V	3.5A, 36V	3.5A, 40V	3.5A, 36V	3.5A, 40V	3.5A, 36V
Common	4points/4COM (Single Common)		16Points/2COM (Single Common)		4points/4COM (Single Common)		8 Points/External Common	

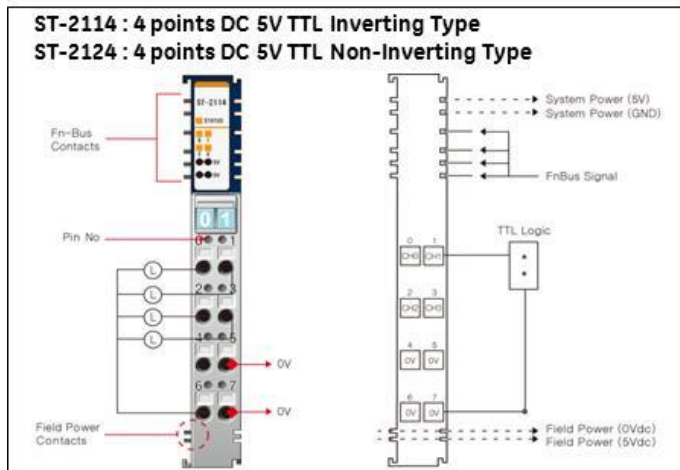
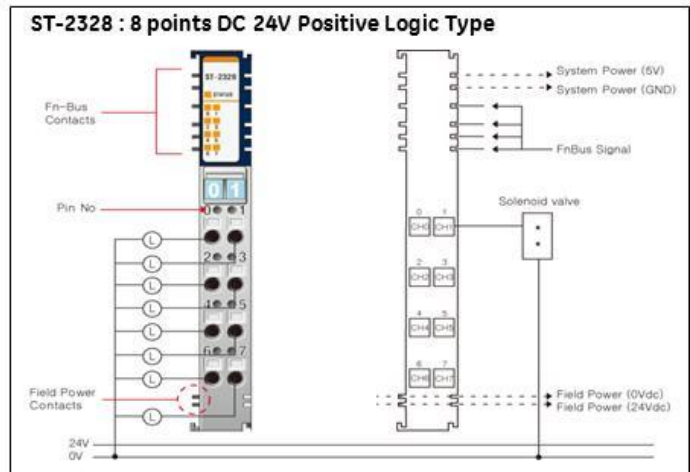
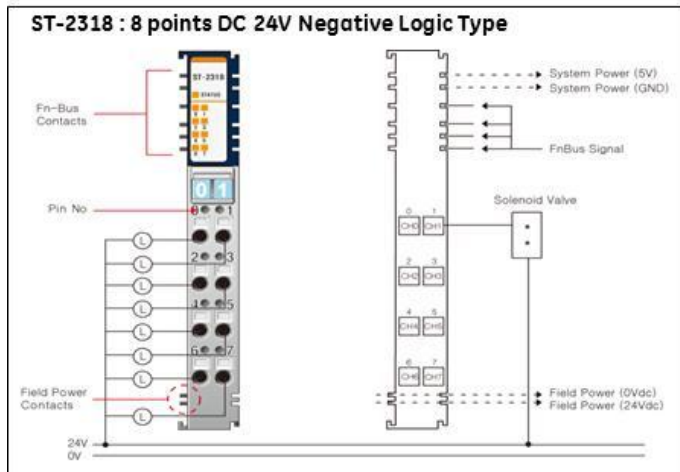
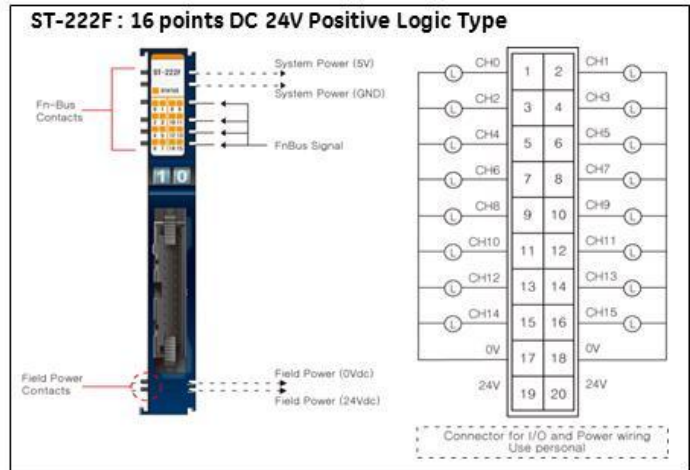
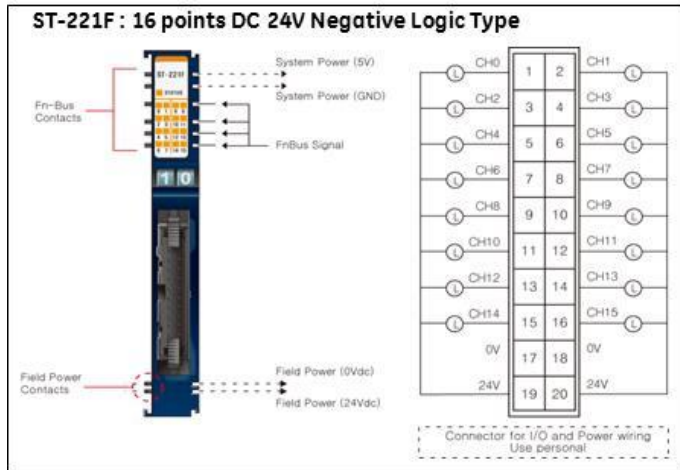
Model	ST-2414	ST-2424	ST-2514	ST-2524	ST-2614	ST-2624
Point NO.	4Points					
Type	Negative Logic	Positive Logic	Negative Logic	Positive Logic	Negative Logic	Positive Logic
Special Fun.	Diagnostics				-	
Allo. Voltage	24Vdc					
Volt. Range	11Vdc~28.8Vdc					
Loading Cur	0.5A/point		2.0A/Point			
Consum Cur	45mA/5Vdc					
Fuse	3.5A, 40V	3.5A, 36V	3.5A, 40V	3.5A, 36V	3.5A, 40V	3.5A, 36V
Common	4 points/4COM(Single Common)					

Model	ST-2742	ST-2744	ST-2748	ST-2792	ST-2852
Point NO.	2Points	4Points	8Points	2Points	
Type	Relay			Triac	
Special Fun.	-			Manual Type	-
Allo. Voltage	24Vdc/230Vac			12~125Vac	
Volt. Range	5~28.8Vdc/110~250Vac			12~132Vac	
Loading Cur	2.0A/Point			0.5A/Point	
Consum Cur	65mA/5Vdc	130mA/5Vdc	150mA/5Vdc	70mA/5Vdc	35mA/5Vdc
Common	1 Points/1COM			2Points/2COM	

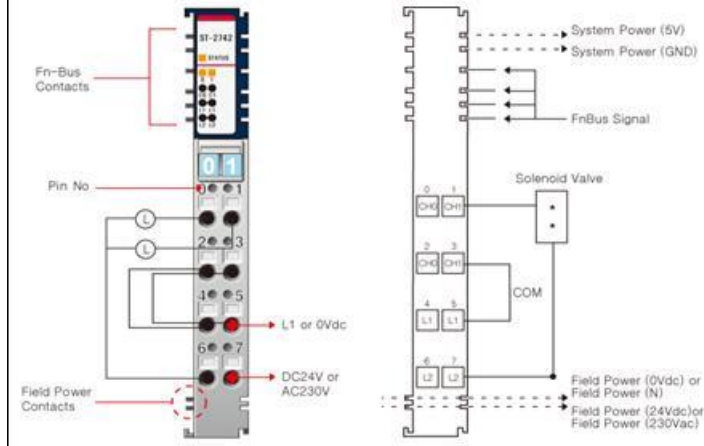
**Note:** The 20 pin connector for ST-221F and ST-222F require a Hirose , HIF3BA-20D-2.54C connector [http://www.hirose.co.jp/cataloge\\_hp/e61000010.pdf](http://www.hirose.co.jp/cataloge_hp/e61000010.pdf)

Discrete Digital Output Wiring Diagrams

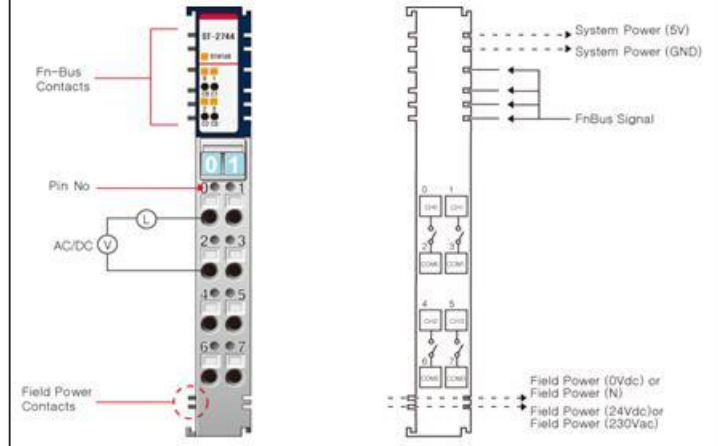




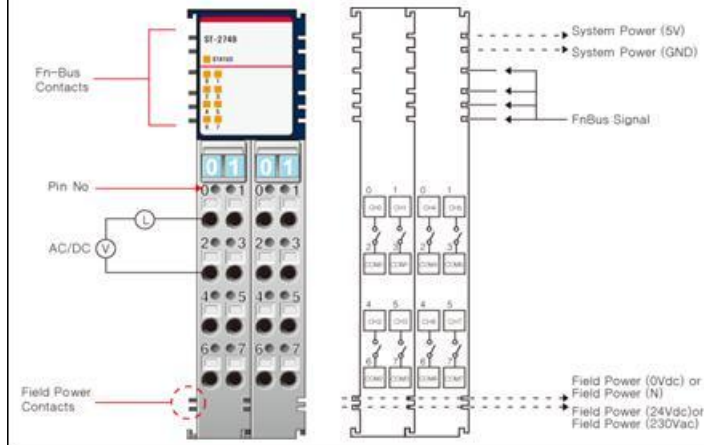
**ST-2742 : 2 point Relay Type**



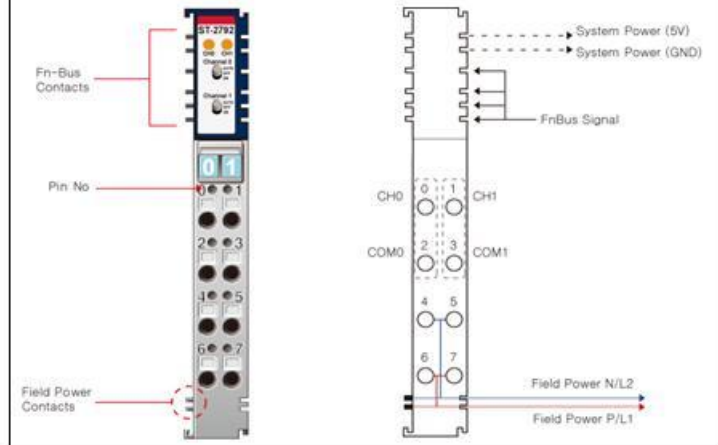
**ST-2744 : 4 point Relay Type**



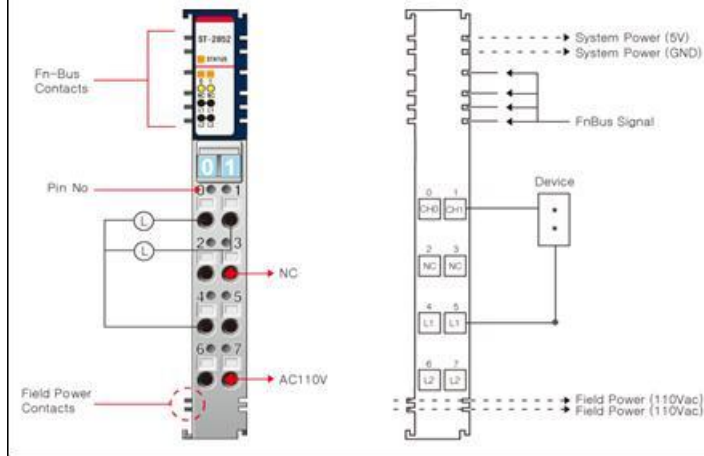
**ST-2748 : 8 point Relay Type**



**ST-2792 : 2 point Manual/Auto Relay Type**



**ST-2852 : 2 point Triac Type**



Analog Input Specifications

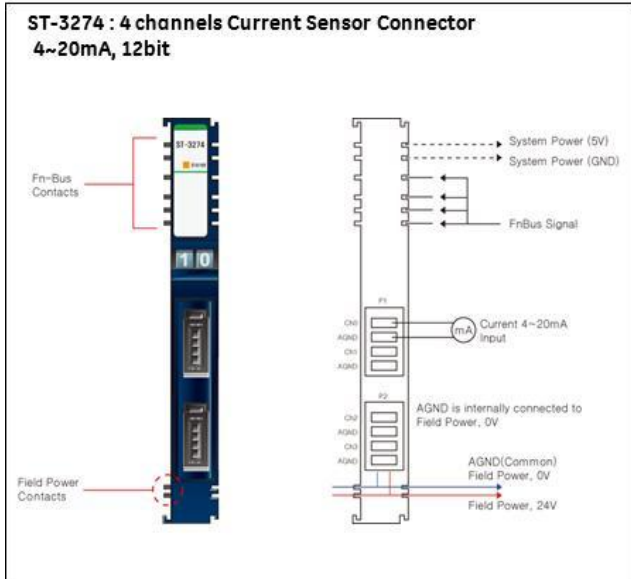
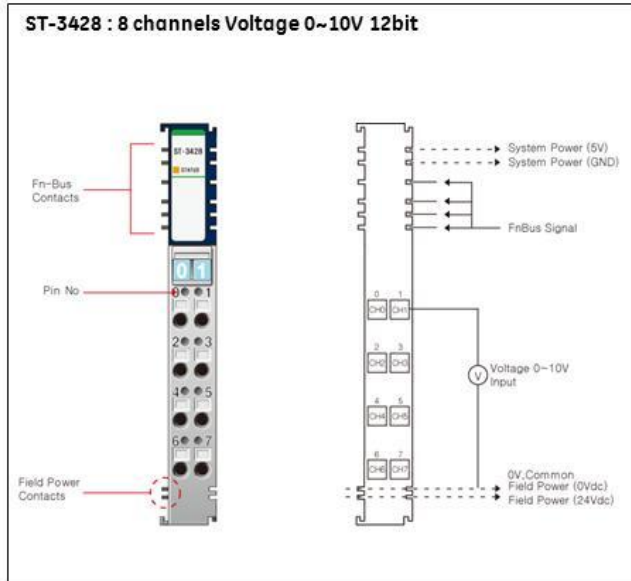
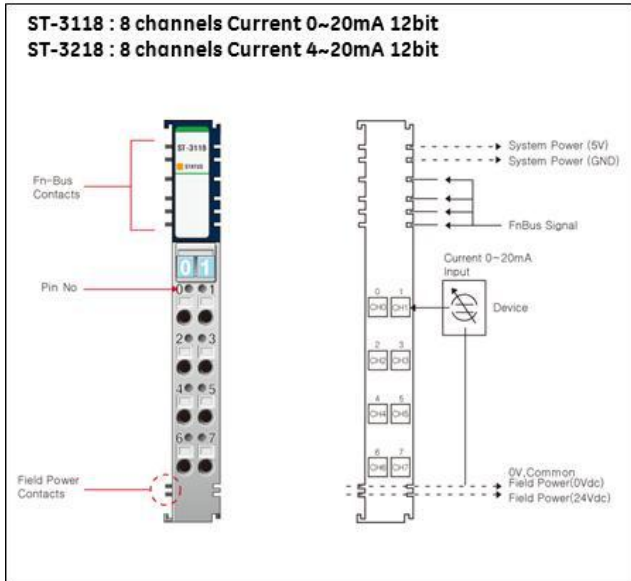
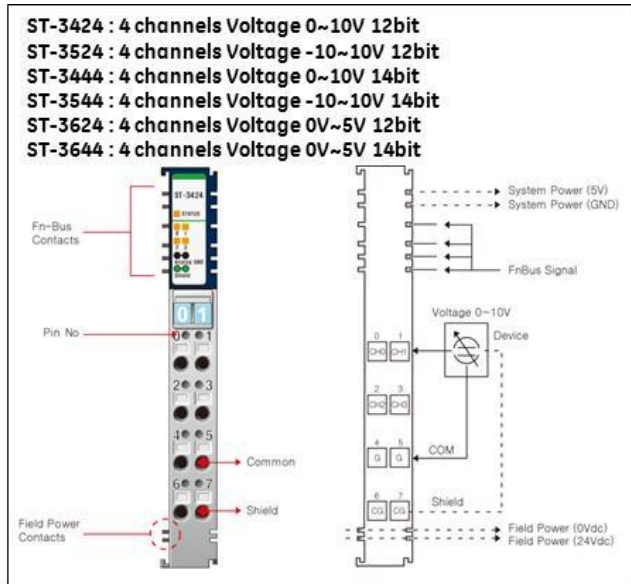
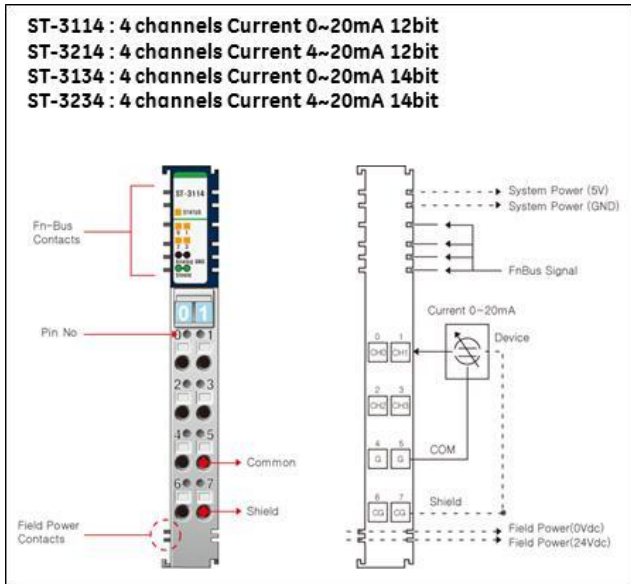
Model	ST-3114	ST-3134	ST-3214	ST-3234	ST-3118	ST-3218	ST-3428	ST-3474	ST-3274		
Channel	4 Channel				8 Channel			4 Channel			
Input Range	0 ~ 20mA		4 ~ 20mA		0 ~ 20mA	4 ~ 20mA		0~10V		4 ~ 20mA	
Type	Current						Voltage		Current		
Resolution	12bit	14bit	12bit	14bit	12bit			12bit			
Connector	Terminal block							Sensor Connector			
Accuracy	±0.1% Full Scale @25°C, ±0.3% Full Scale @ 0°C, 60°C										
Input Impedance	120Ω						500KΩ		120Ω		
Update Time	4ms / All channel										
Consum. Current	165mA/5Vdc				60mA/5Vdc			40mA/5Vdc			
Common	4 Channels / 2COM (Single Common)				Nothing in the module terminal, Field Power 0V is Common(AGND)						
Isolation	Photocoupler isolation										

Model	ST-3424	ST-3444	ST-3524	ST-3544	ST-3624	ST-3644	ST-3702	ST-3802	ST-3704	ST-3708	ST-3804	ST-3808
Channel	4 Channel						2 Channel		4Ch	8Ch	4Ch	8Ch
Input Range	0~10V		-10V~10V		0~5V		RTD	TC	RTD		TC	
Type	Voltage						PT100 etc	TypeK etc	PT100 etc.		Type K etc.	
Resolution	12bit	14bit	12bit	14bit	12bit	14bit	±0.1°C/ F, 10mΩ					
Special Function	-						Diagnostic					
Accuracy	±0.1% Full Scale @25°C, ±0.3% Full Scale @ 0°C, 60°C											
Input Impedance	500KΩ						-					
Update Time	4ms / All channel						200msec / All Channel		30msec/1Channel when Normal Conversion			
Consum. Current	165mA/5Vdc	170mA/5Vdc				70mA/5Vdc		100mA/5Vdc	110mA/5Vdc	120mA/5Vdc	140mA/5Vdc	
Common	4 Channels / 2COM (Single Common)						2 Channels/2COM (Single Common)		4 Common/Module			
Isolation	Photocoupler isolation											

**Note:** The ST-3704, ST-3708, ST-3804 and ST-3808 require a 20 pin connector. The connector uses a Hirose , HIF3BA-20D-2.54C connector [http://www.hirose.co.jp/cataloge\\_hp/e61000010.pdf](http://www.hirose.co.jp/cataloge_hp/e61000010.pdf)

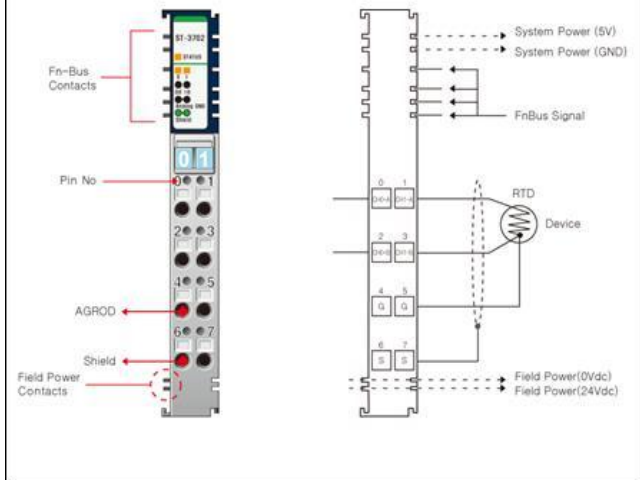
**Note:** The ST-3274 requires Sensor Connect 3M Mini-Clamp Plug, 37104 Series <http://multimedia.3m.com/mws/mediawebserver?66666UuZjcFSLXt4xMclXTyEVuQEcuZgVs6EVs6E666666-->

Analog Input Wiring Diagrams

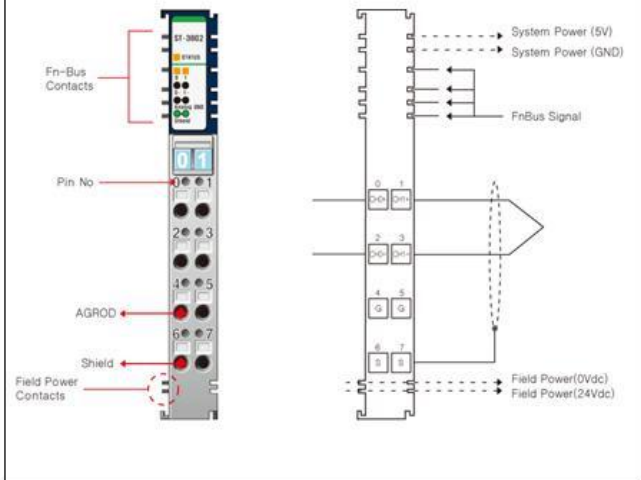




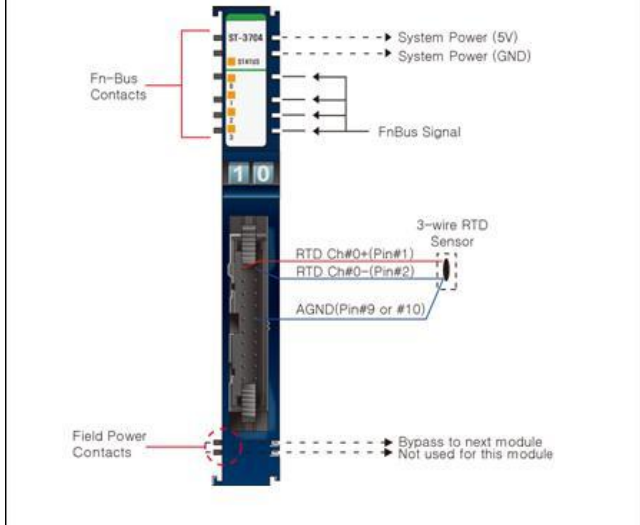
**ST-3702 : 2 channels RTD / Resistance**



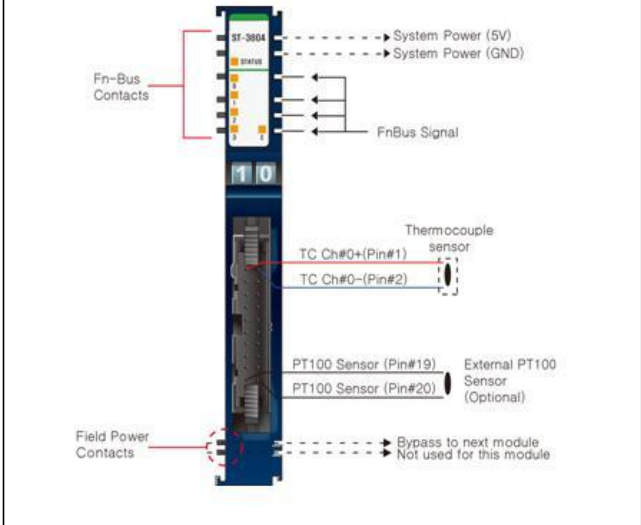
**ST-3802 : 2 channels TC / mV**



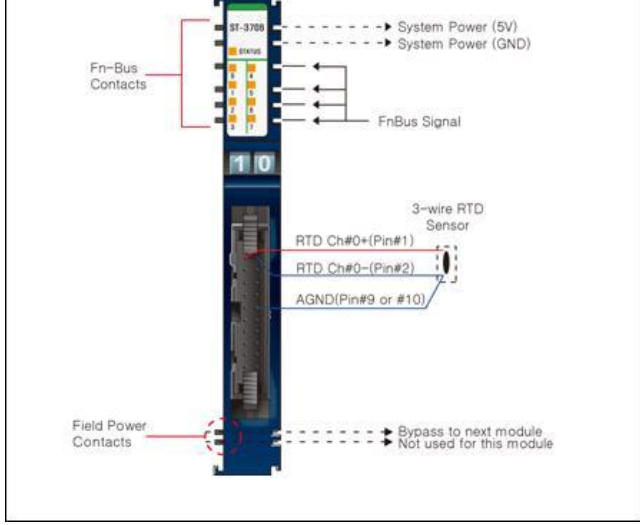
**ST-3704 : 4 channels RTD / Resistance**



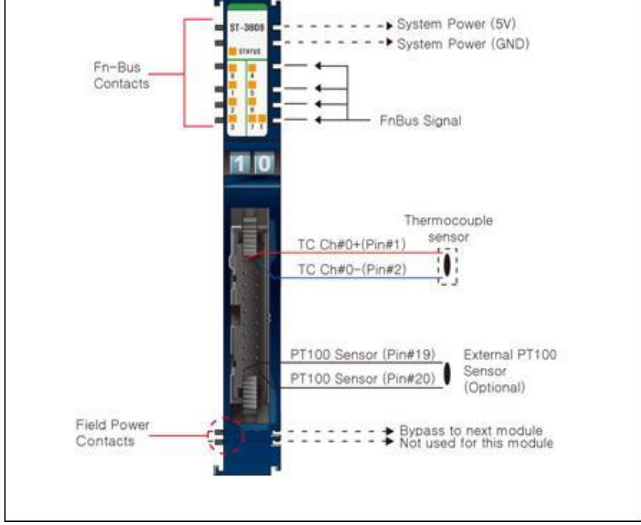
**ST-3804 : 4 channels TC / mV**



**ST-3708 : 8 channels RTD / Resistance**



**ST-3808 : 8 channels TC / mV**



Analog Output Specifications

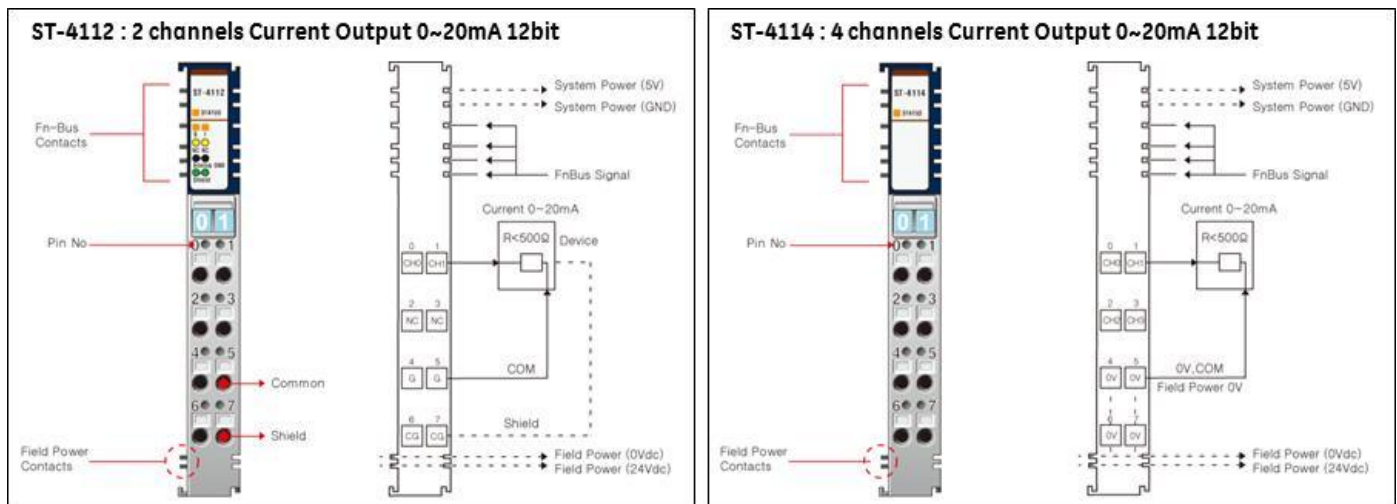
Model	ST-4112	ST-4212	ST-4114	ST-4214	ST-4274	ST-4474	ST-4491
Channels	2 Channels		4 Channels				1 Channel
Analog Output	0~20mA	4~20mA	0~20mA	4~20mA	4~20mA	0~10V	
Connector	Terminal block				Sensor Connector		Terminal block
Resolution	12bit						
Accuracy	±0.1% Full Scale @25°C						
Output Impedance	Max. 500Ω					Min. 2KΩ	
Update Time	2ms / All Channel		4ms / All Channel		1.2ms / All Channel		
Consum. Current	60mA/5Vdc				40mA/5Vdc	60mA/5Vdc	
Common	2 Channels / 2 COM (Single common)		4 Common, Field Power 0V is Common (AGND)			Nothing in the module terminal, Field Power 0V is Common (AGND)	2 Common /Module
Isolation	Photocoupler Isolation						

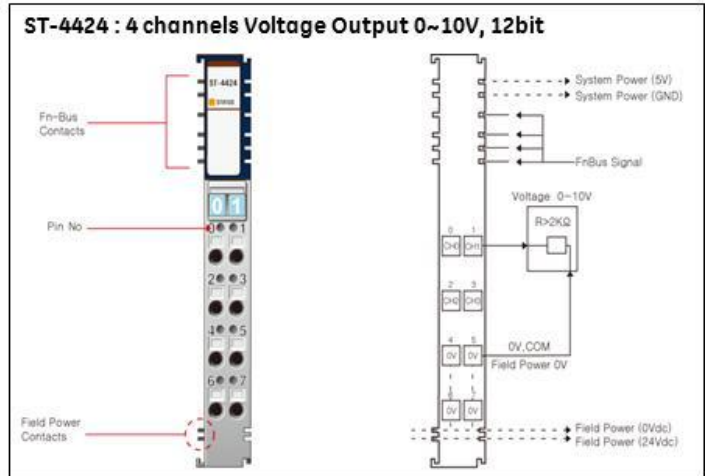
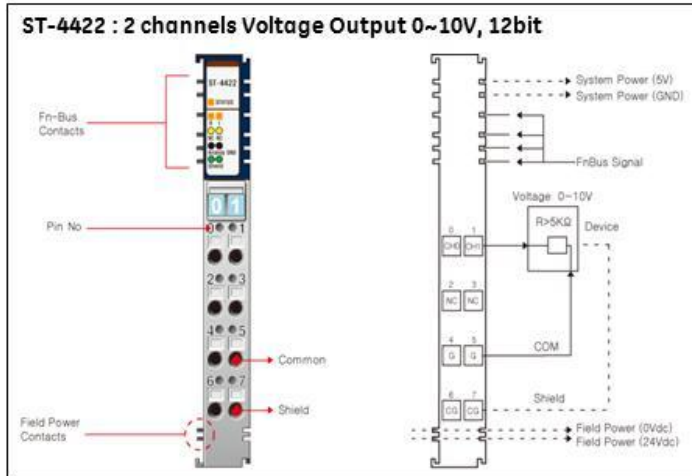
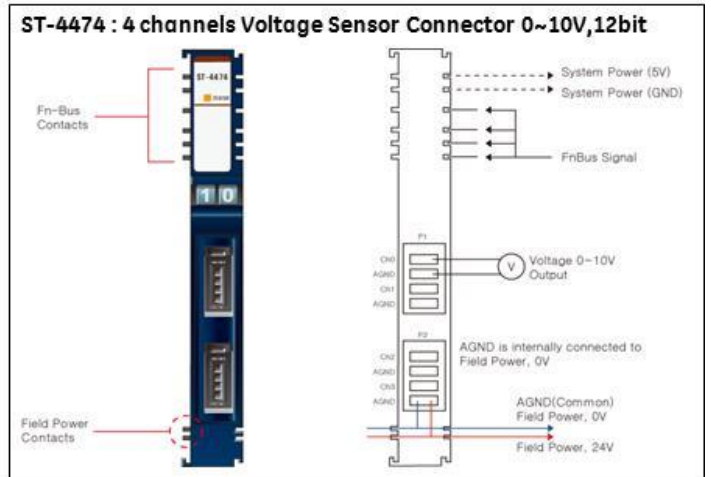
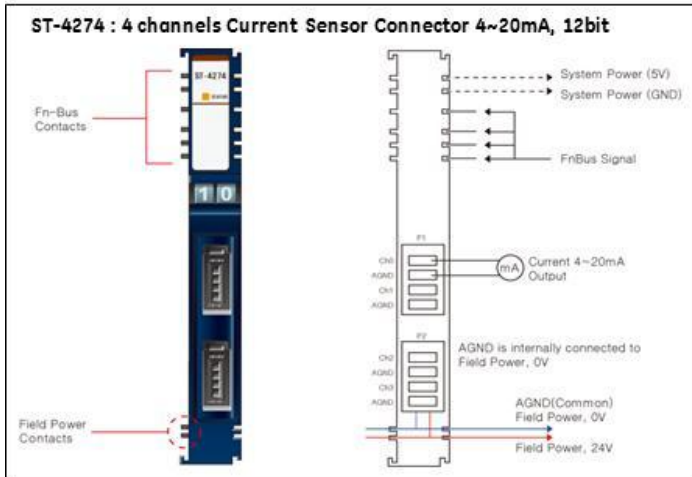
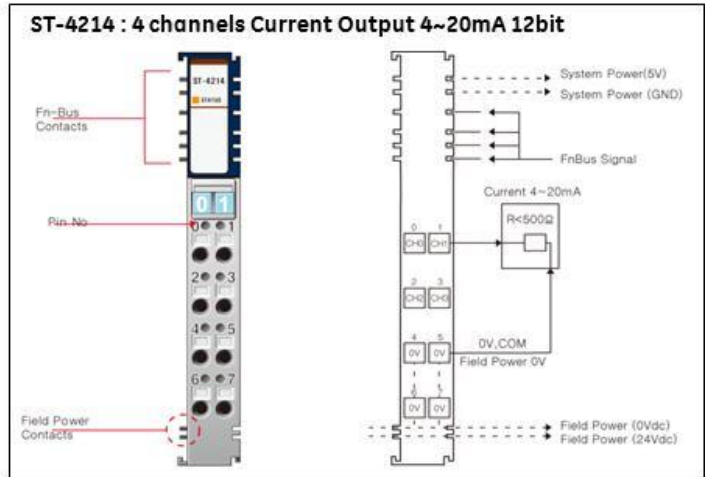
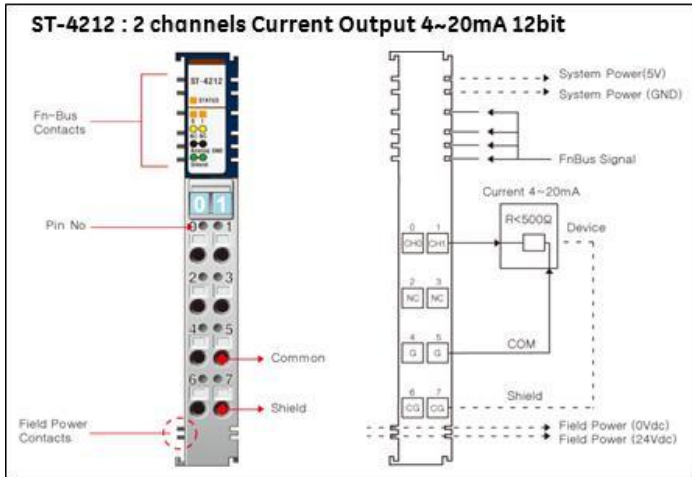
  

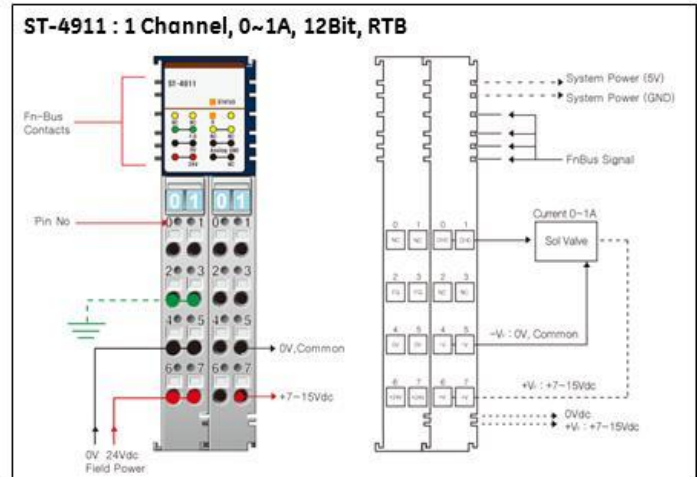
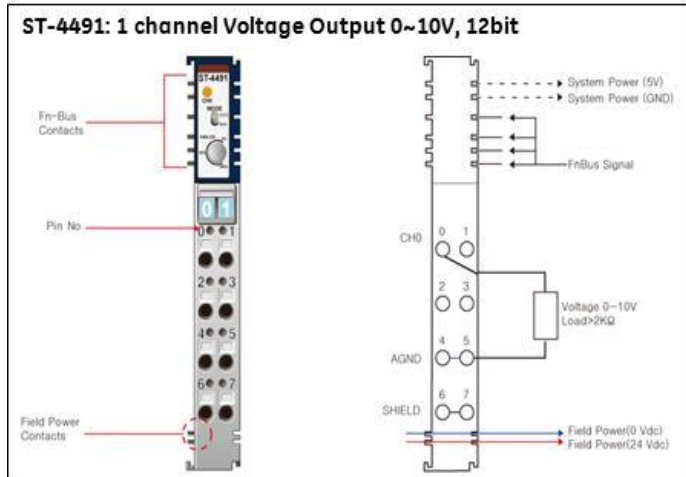
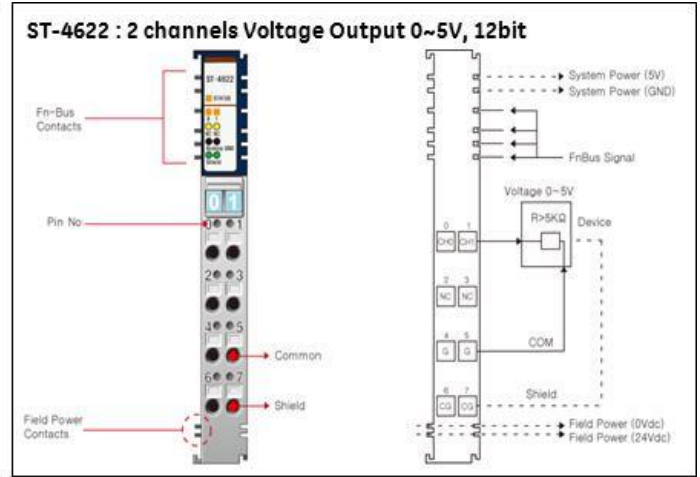
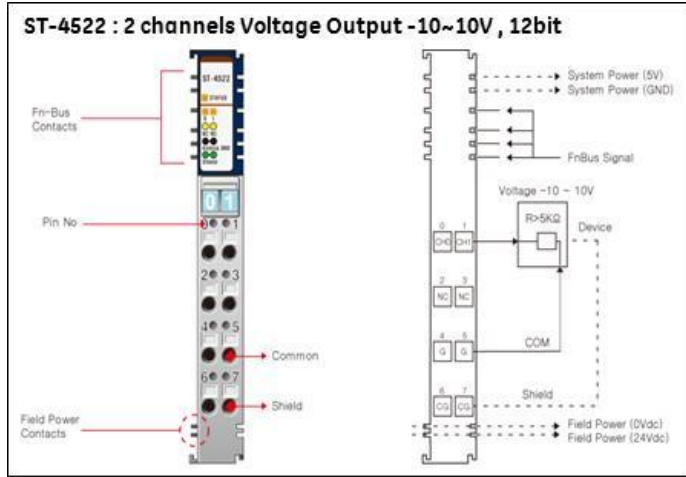
Model	ST-4422	ST-4522	ST-4622	ST-4424	ST-4911
Channels	2 Channels			4 Channels	1 Channel
Analog Output	0~10V	-10~10V	0~5V	0~10V	0~1A
Resolution	12bit				
Accuracy	±0.1% Full Scale @25°C				
Output Impedance	Min. 5KΩ				13Ω, ±5%
Update Time	2ms / All Channel			4ms / All Channel	1ms / All Channel
Consum. Current	155mA/5Vdc			60mA/5Vdc	
Common	2Channels / 2COM (Single common)			4 Common, Field Power 0V is Common (AGND)	1 Channel/ 2 Common(Field Power 0V)
Isolation	Photocoupler Isolation				

**Note:** The ST-4274 and ST-4474 requires Sensor Connect 3M Mini-Clamp Plug, 37104 Series  
<http://multimedia.3m.com/mws/mediawebserver?66666UuZjcfSLXtT4xMclXTyEVuQEcuZgVs6EVs6E666666-->

Analog Output Wiring



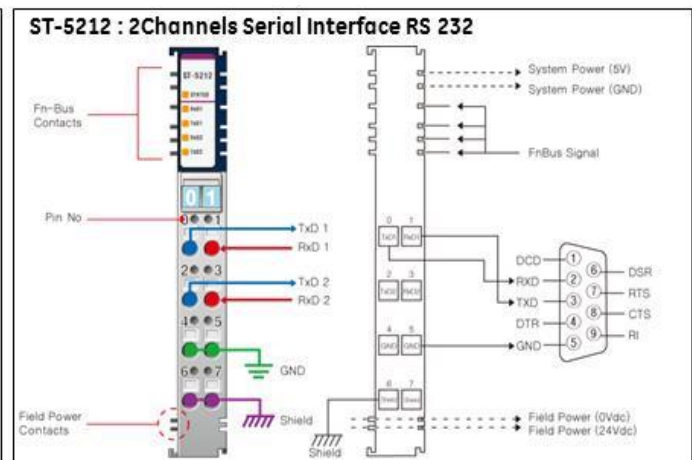
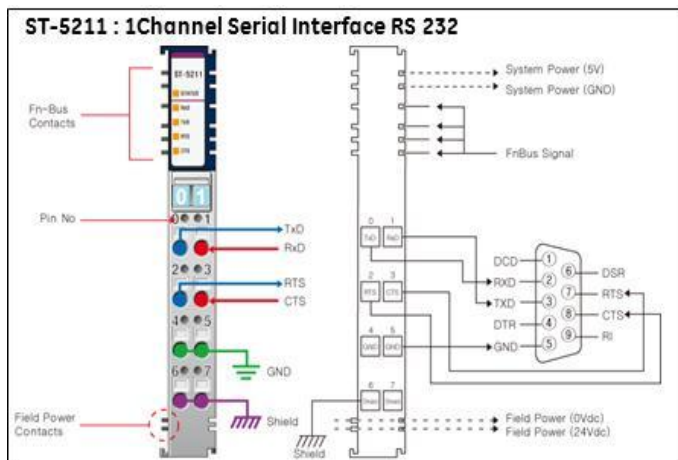


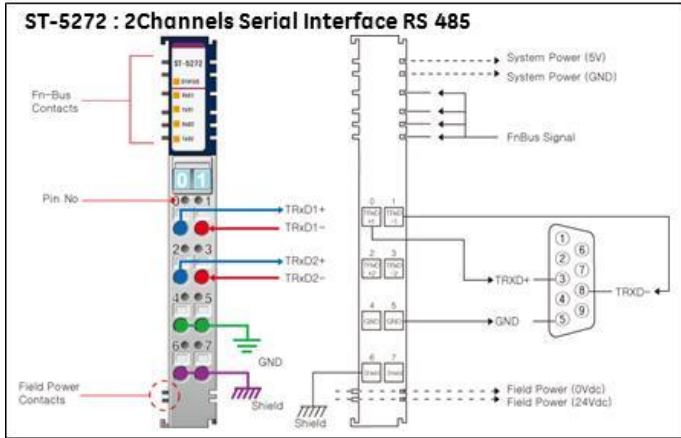
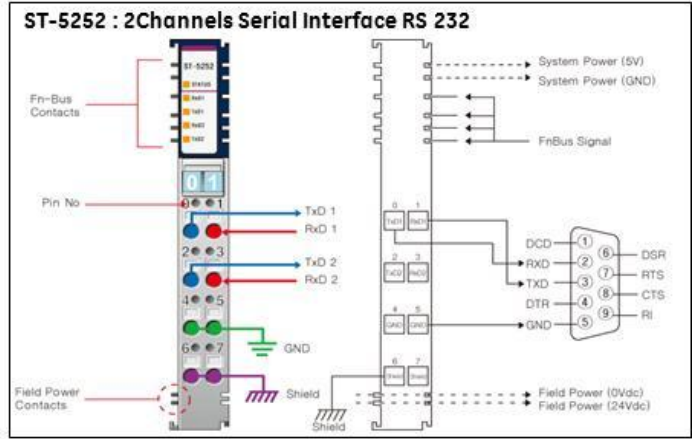
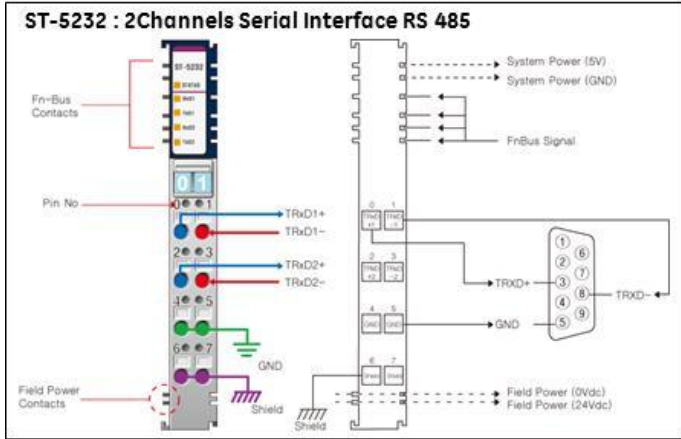
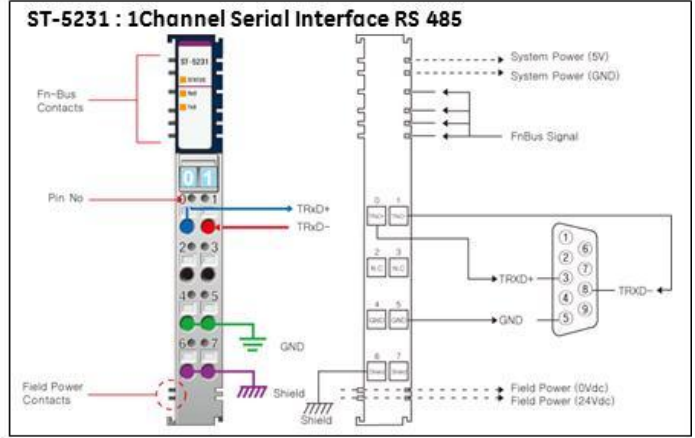
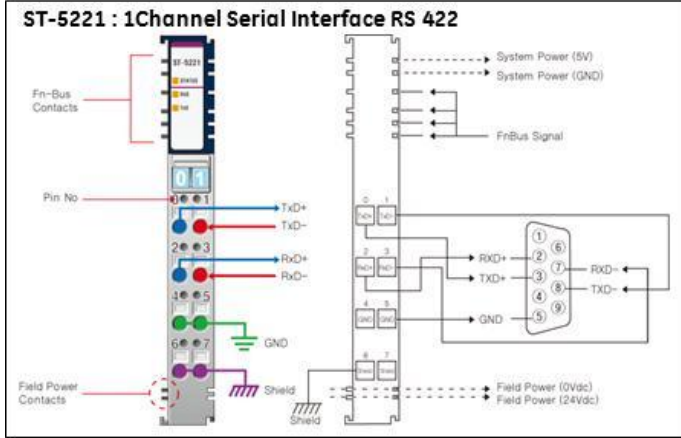
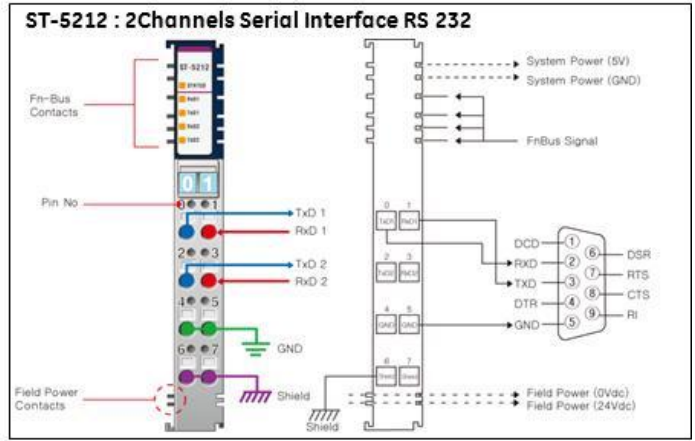
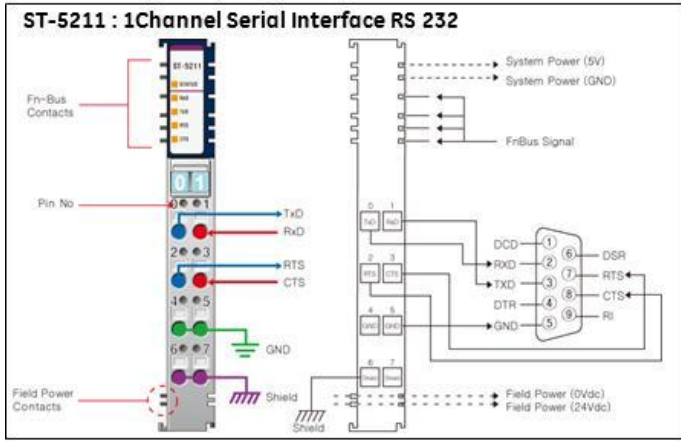


Serial Module Specifications

Model	ST-5211	ST-5212	ST-5252	ST-5221	ST-5231	ST-5232	ST-5272
Specificity	Serial Interface						
Communicat. Type	RS 232			RS 422	RS 485		
Channel Number	1 Channel	2 Channels		1 Channel		2 Channels	
Transfer Type	Full Duplex Type				Half Duplex Type		
Transfer Rate	300~115200bps		1200bps ~ 115200bps	300~115200bps			1200bps ~ 115200bps
Data bit	7bits, 8bits, 9bits						
Parity bit	None, Odd, Even						
Stop bit	1bit, 2bits						
Flow Control	RTS, CTS	--					
Bit Distortion	<1.6%						
Connection	Spring force of RTB						
Cable Length	Max. 15m			1Km twisted pair			
Low Signal voltage	-18V ~ -3V			--			
High Signal voltage	3V ~ 18V			--			
Isolation	Photocoupler Isolation, Isolation Voltage:1000Vrms/Vac						
Input Buffer size	1024 bytes		256 byte/channel	1024 bytes			256 byte/channel
Output Buffer size	256 bytes		256 byte/channel	256 bytes			
Line Impedance	--			120Ω			
Input Image size	6 Bytes	12 Bytes	38 Bytes	6 Bytes		12 Bytes	38 Bytes
Output Image size	6 Bytes	12 Bytes	38 Bytes	6 Bytes		12 Bytes	38 Bytes
Power Dissipation	95mA Max. @5.0Vdc	110mA Max. @5.0Vdc		155mA Max. @5.0Vdc	110mA Max. @5.0Vdc	155mA Max. @5.0Vdc	

Serial Module Wiring Diagrams



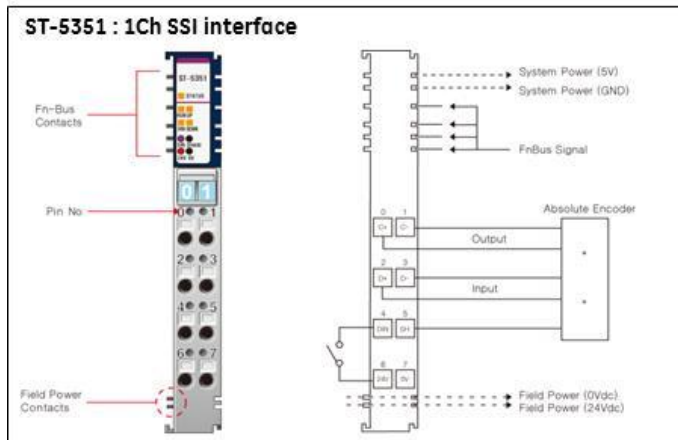
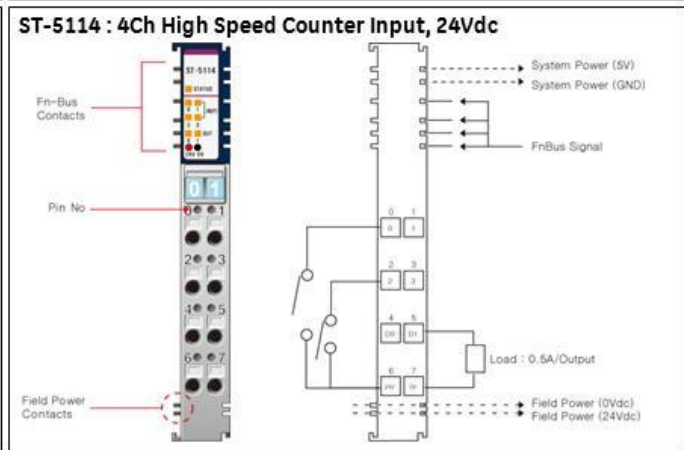
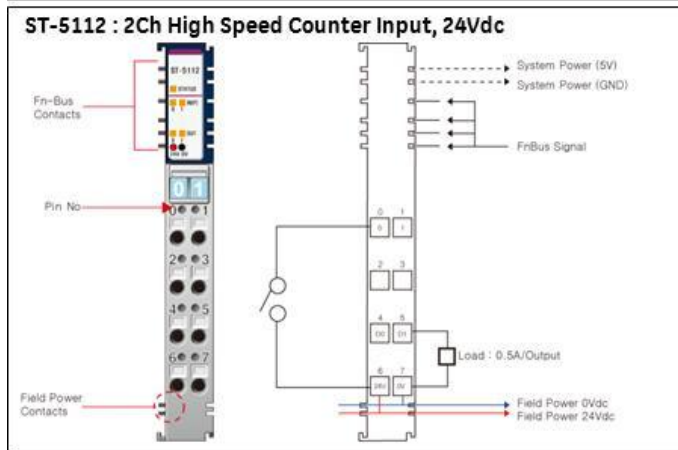
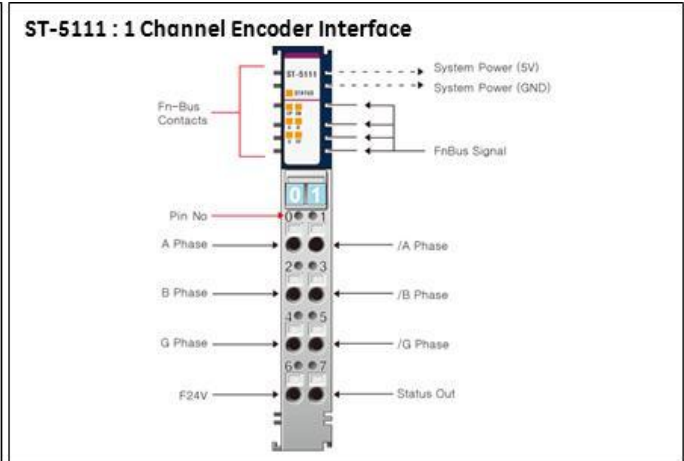
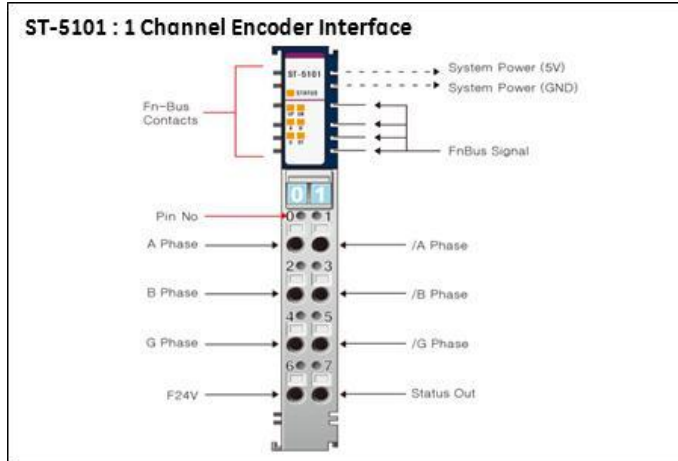


Motion Module Specifications – High Speed Counter

Model	ST-5101	ST-5111	ST-5112	ST-5114
Specificity	High Speed Counter			
Input Channels	1 Channel		2Channels	4Channels
Input Voltage	5Vdc	24Vdc		
Input Current	16.2mA/5Vdc	6.1mA/24Vdc		
Input Frequency	Max. 1.5MHz		0~100KHz except Encoder 4x	0~50KHz except Encoder 4x
Input Duty Range	10%~90%		20%~80%	
Counter Size	24bit-wide		32bit-wide/Channel	
Common Type	0-1, 2-3, 4-5		2Common	
Number of Outputs	6-7 Status Output		2 Channels, source Type	
Output Voltage	5 to 28.8Vdc		24Vdc	
Output Current	Max. 0.5A		0.5A/Ch, 1A/All Channel	
Power Dissipation	Max. 80mA/5.0Vdc		Max. 160mA/5.0Vdc	
Isolation	Photocoupler Isolation			

Model	ST-5351
Specificity	SSI Interface
Number of Channels	1 Channel
SSI Data Rate	62.5K, 100K, 125K,250K,500K,1M,2Mbps
SSI Data Width	Max. 30bit
SSI Data Delay Time	20usec~10msec
SSI Output	C+,C- RS422 Differential Output
SSI Input	D+,D- RS422 Differential Input
SSI Data Code Type	Gray Code or Natural Binary
Digital Input	24Vdc Input nominal, Sink Type
Diagnostic	Field Power, SSI Frame
Common Type	1 Common, 1 Shield
Power Dissipation	Max. 150mA@5.0Vdc
Isolation	Photocoupler Isolation

Motion Module Wiring – High Speed Counter





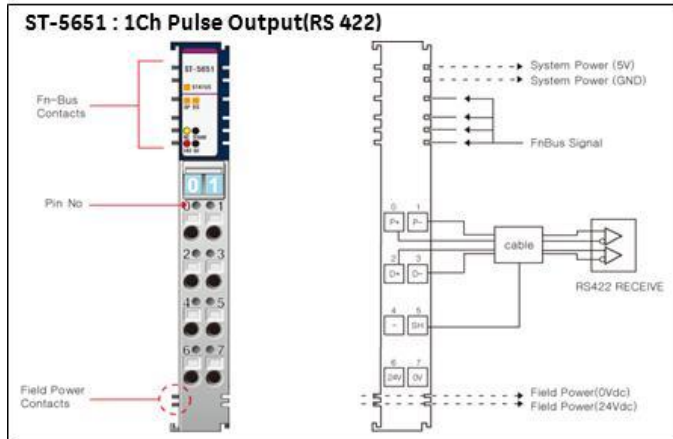
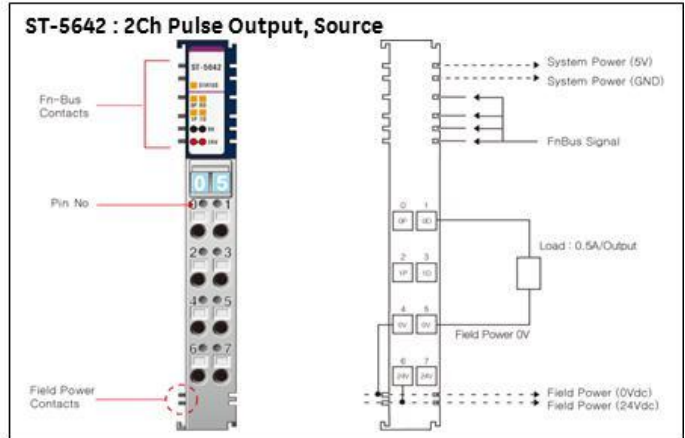
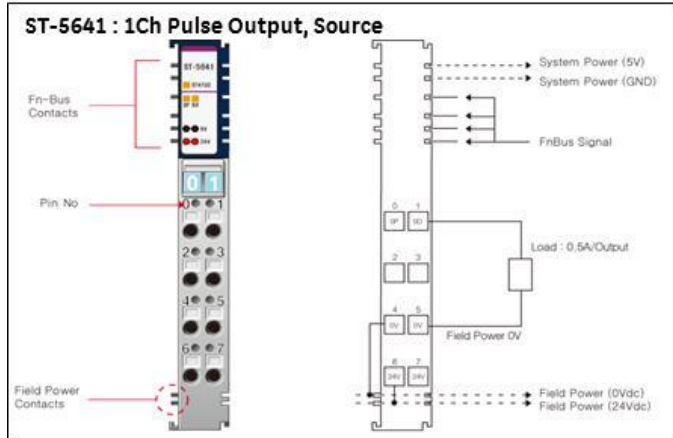
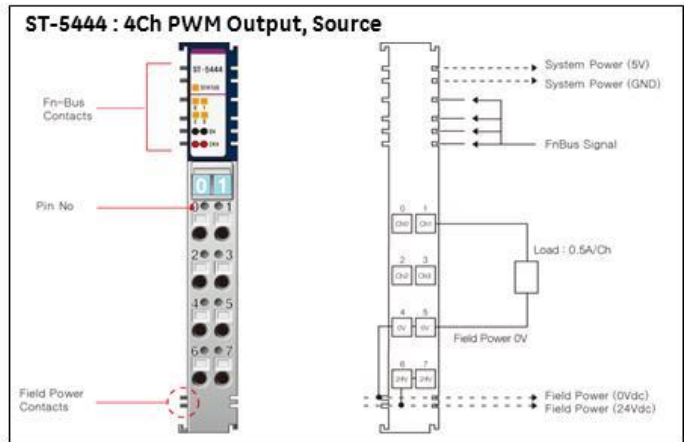
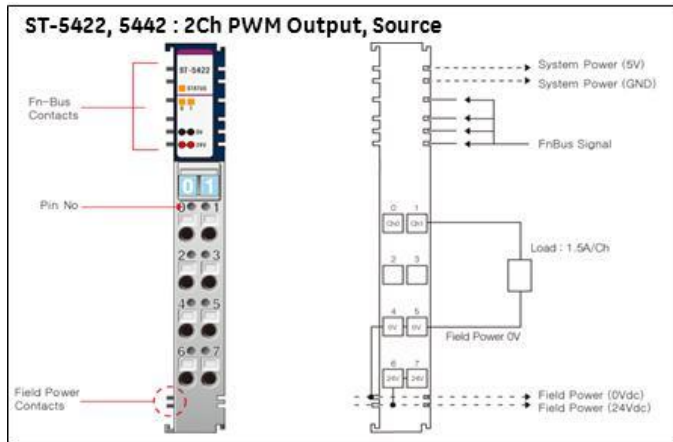
Motion Module Specifications – PWM and Pulse Train Outputs

Model	ST-5422	ST-5442	ST-5444
Specificity	PWM Output		
Number of Outputs	2 Channels		4 Channels
Type	Source		
Output Current	1.5A/Ch, 3A/All Channel	0.5A/Ch, 1A/All Channel	0.5A/Ch, 2A/All Channel
Output Inrush Current	Max. 2A, 100ms/Ch	Max.1.5A, 100ms/Ch	
PWM Frequency	1~2500Hz±0.5%		
PWM Duty	0.0~100.0%±1.0(0.1%/1LSB), Ton>5us, Toff>5us		
Diagnostic	Short Protection		
Common Type	2Common		
Power Dissipation	Max. 150mA@5.0Vdc		
Isolation	Photocoupler Isolation		

Mode	ST-5641	ST-5642	ST-5651
Specificity	PULSE Output		
Number of Channels	1 Channel	2Channels	1 Channel
Number of Outputs	2 Output/Channel		2 Output
Type	Source		RS 422
Output Current	0.5A/Output, 1A/All Output	0.5A/Output, 2A/All Output,	-
Pulse Output Frequency	1~20,000Hz±0.5%		5~20,000Hz±1.0%
Pulse Output Duty	50%±3.0% Fixed, Ton>5us, Toff>5us		50%±0.1% Fixed, Ton>10ns, Toff>10ns
Pulse Output Quantity	Max. +1~+32767 : Pulse Direction Output OFF, Max. -1~-32767 : Pulse Direction Output ON.		
Pulse Output Counter	Signed 32bit-wide		
Diagnostic	Short protection		-
Common Type	2Common		1 Common, 1 Shield
Power Dissipation	Max. 150mA@5.0Vdc		
Isolation	Photocoupler Isolation		

Motion Module Wiring – PWM and Pulse Train Outputs



System Modules Specifications

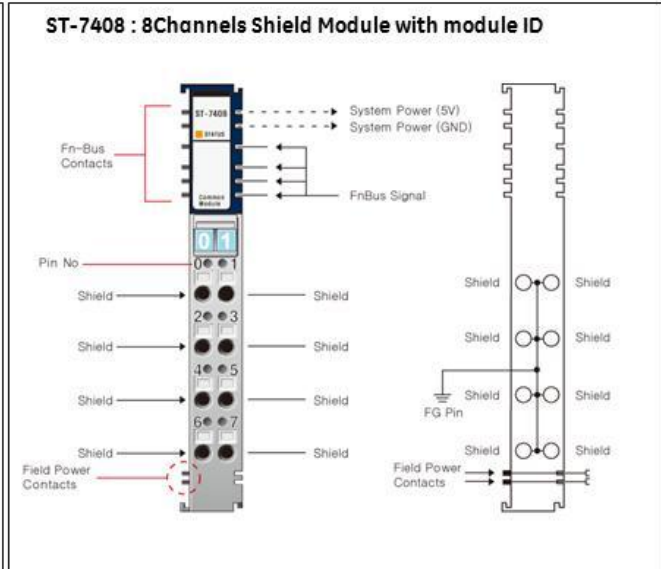
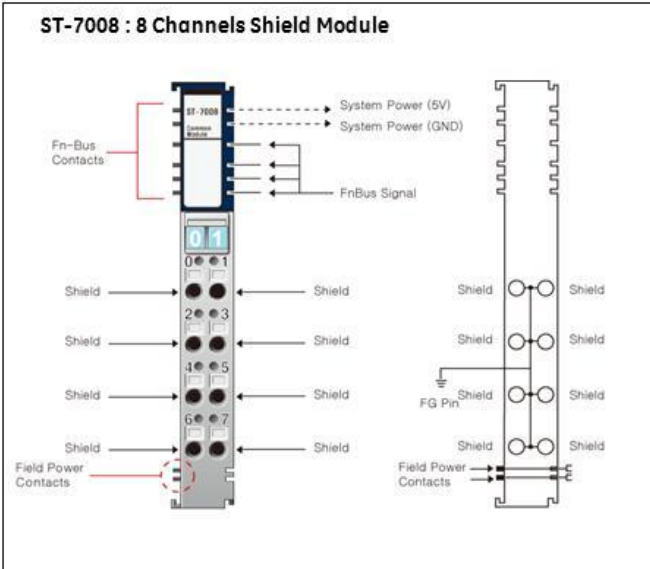
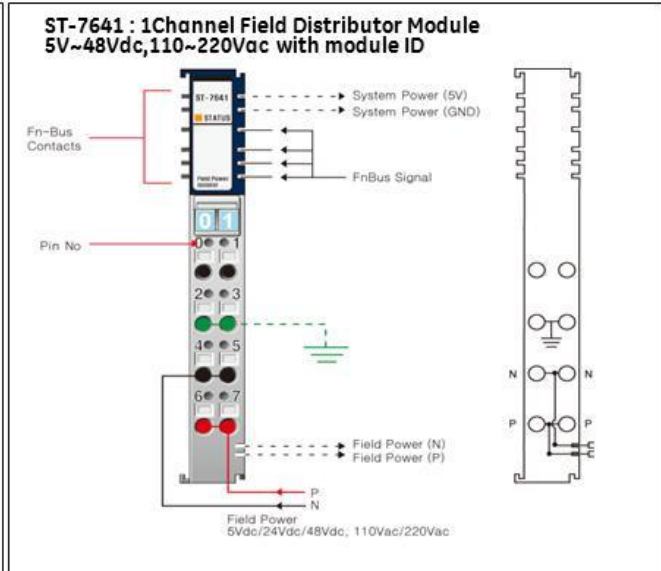
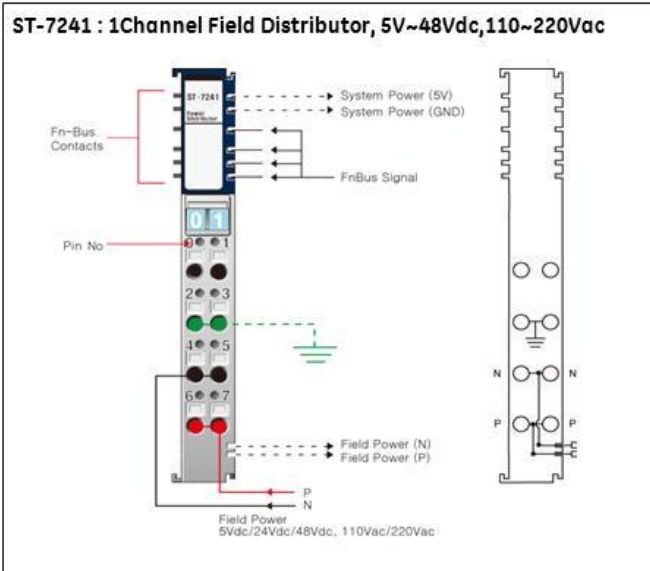
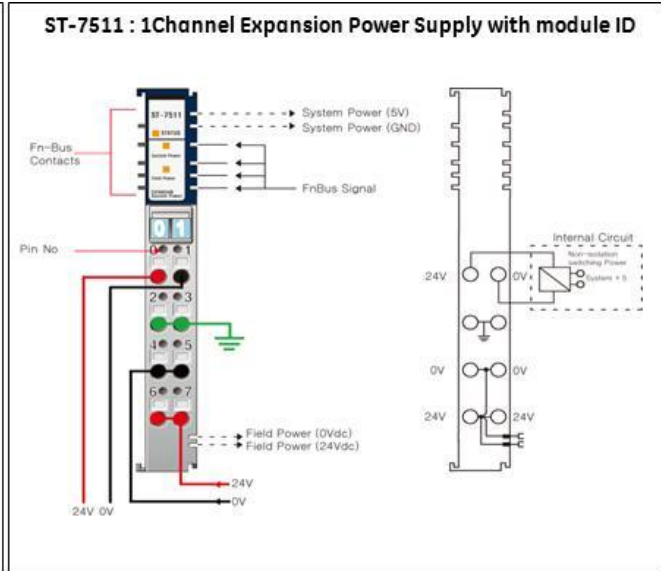
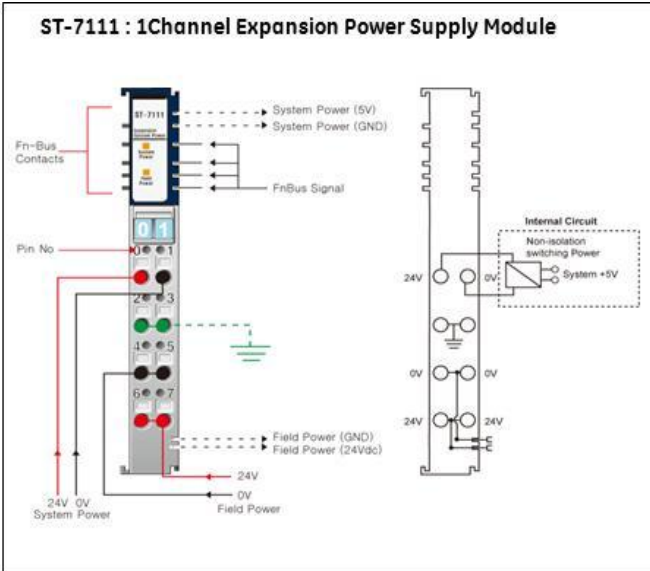
Power Modules	ST-7111	ST-7511	ST-7241	ST-7641
System Input Voltage range	11Vdc to 28.8Vdc		--	
System Power Input Voltage	Normal 24Vdc		--	
Field Power Input Voltage	Normal 24Vdc ( 20%)		Arbitrary 5Vdc,24Vdc,48Vdc,110Vac,220Vac	
Fn-Bus Output Voltage	Max. 5Vdc, 1A		--	
Field Power Contacts Current	Max. 10A			
Indicator	2 Green Input state	1 Green/Red LED, Module Status / 2Green LED, Input Status	Non Indicate	1 Green/Red LED, Module Status
Type	--	ID Type	--	ID Type
weight	70g			
Cable wiring	I/O Cable Max. 2.0 (AWG 14)			

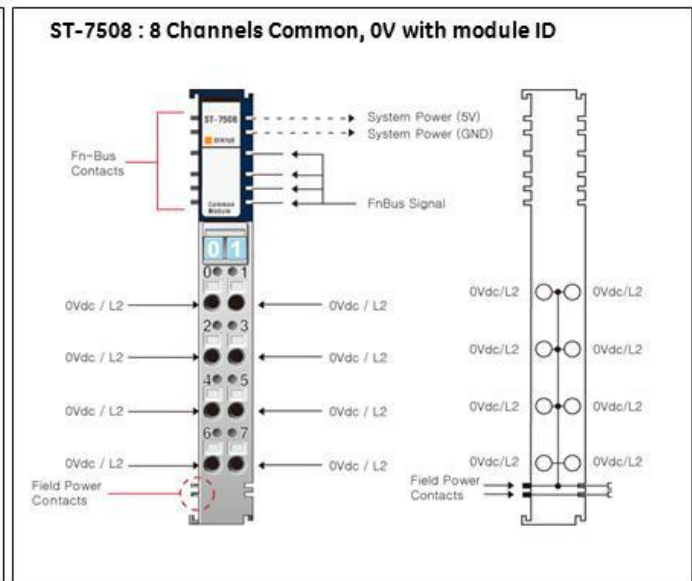
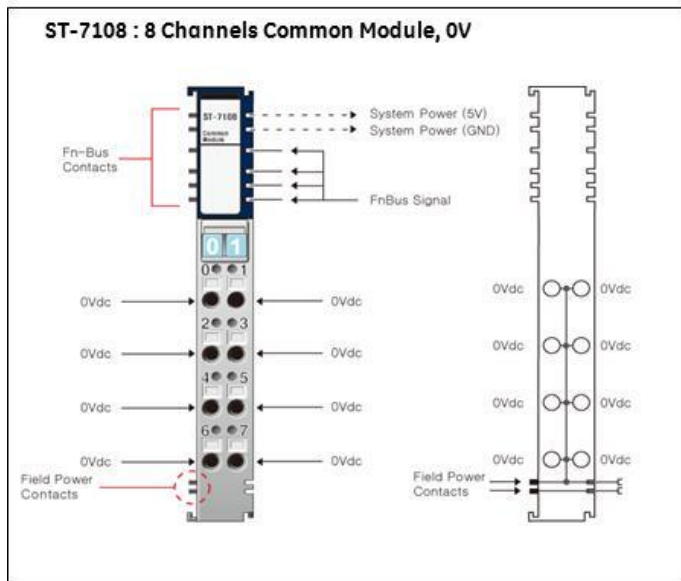
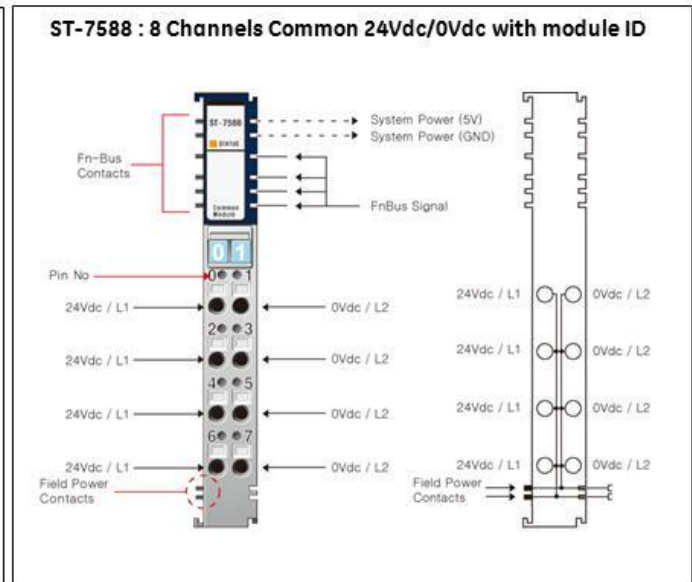
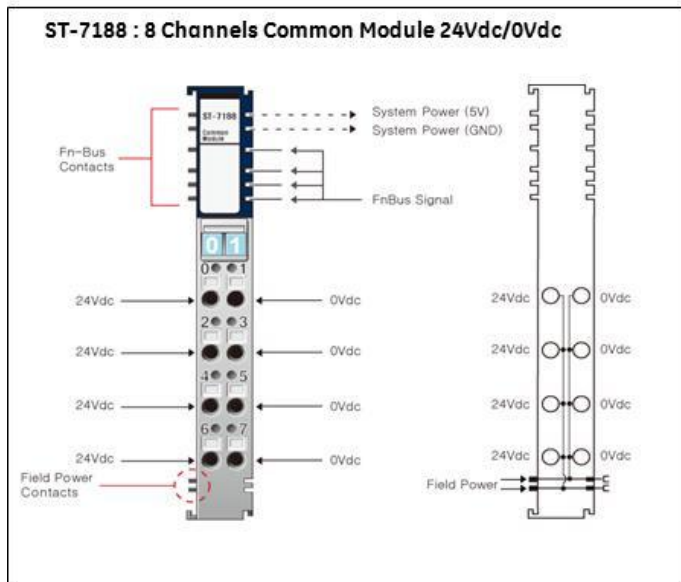
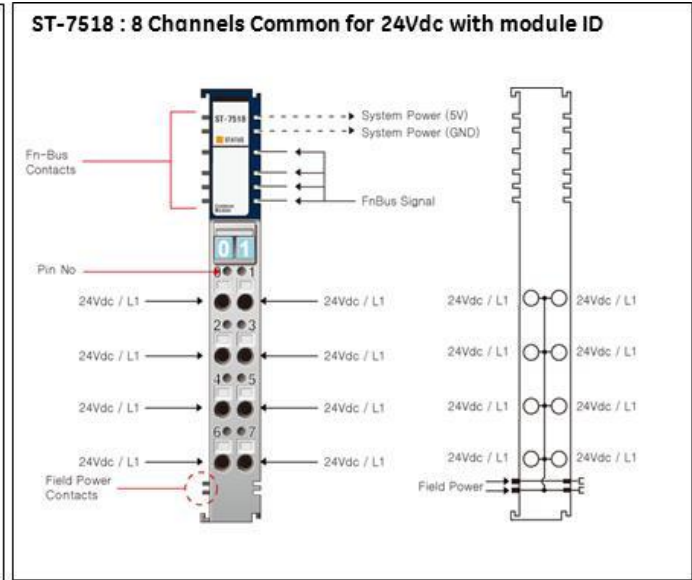
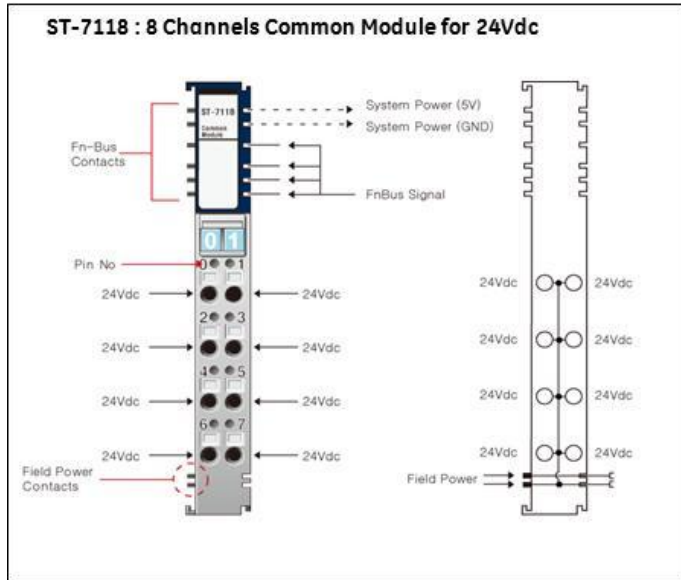
Distribution Modules	ST-7008	ST-7108	ST-7118	ST-7188	ST-7408	ST-7508	ST-7518	ST-7588
Field Power Voltage	Shield	0Vdc	24Vdc	24Vdc, 0Vdc	Shield	0Vdc	24Vdc	24Vdc, 0Vdc
Field Power Contacts Current	Max.10A							
indicator	Non Indicate				1 Green/Red LED, Module Status			
power dissipation	Expansion Power Distributor	--	Expansion Power Distributor	--	Max. 18mA @ 5Vdc			
Type	--				ID Type			
weight	65g				70g	65g	64g	65g
Cable wiring	I/O Cable Max. 2.0mm <sup>2</sup> (AWG 14)							

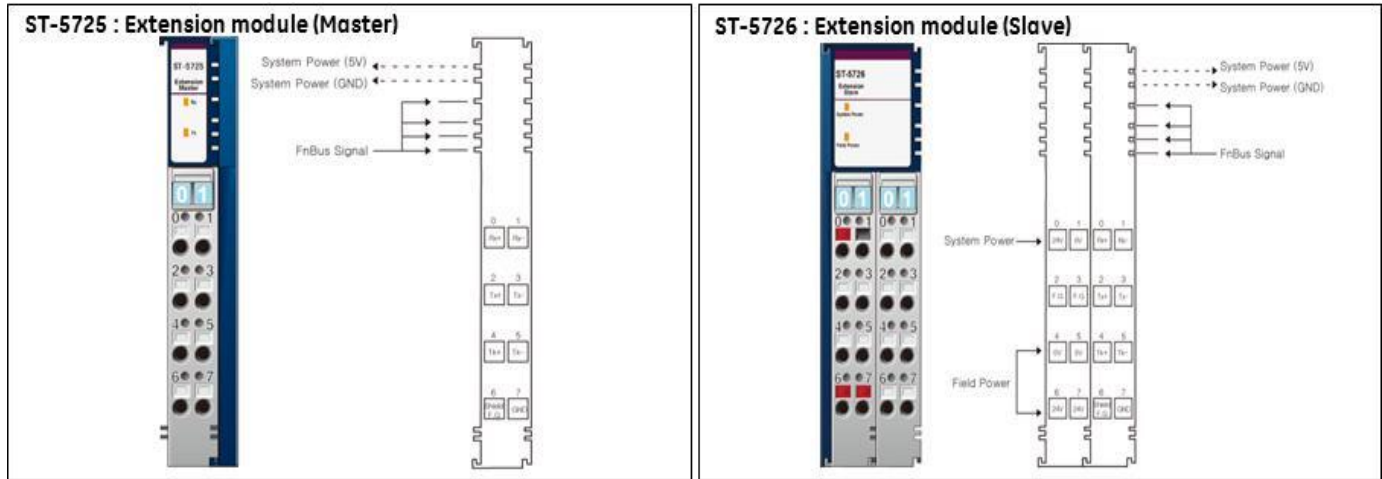
Expansion Modules	ST-5725 (Master)	ST-5726 (Slave)
Number of Expansion I/O slots	Max 32 slots	
Max. Length Extension Line	Approximately Max. 300m	
Number of Extension Nodes	Max 3 Nodes	
Connection Type	RTB 8Points	
Power Dissipation	Max. 100mA @5Vdc	
Field Power	No Connection with Field Power	
Wiring	Extension Cable	

**Note:** The Bus Master (ST-5725) and Slave (ST-5726) enables the RSTi to break the bus in the event that panel width or the user wishes to distribute the modules. When expansion is required, add a Bus Master to the end of the DIN rail section, then put in a Bus Slave at the beginning of the next set of I/O modules. Connection between the master and slave is a twisted shielded cable. The master and slave have screw terminals so you don't need special connectors. The Master-Slave network is NOT multi-drop. Each Master can have only 1 Slave. You can add more drops by putting a Master at the end of the second DIN rail and connecting to another Slave. The limit is 3 Master Slave pairs with a total distance of 300 meters. The maximum number of modules allowed is a total of 32, Master and Slave modules occupy a module address.

System Modules Wiring







For additional information on the RSTi distributed I/O, RX3i or RXi go to the [www.ge-ip.com](http://www.ge-ip.com) website. Additional technical information can be found our support website [www.ge-ip.com/support](http://www.ge-ip.com/support).