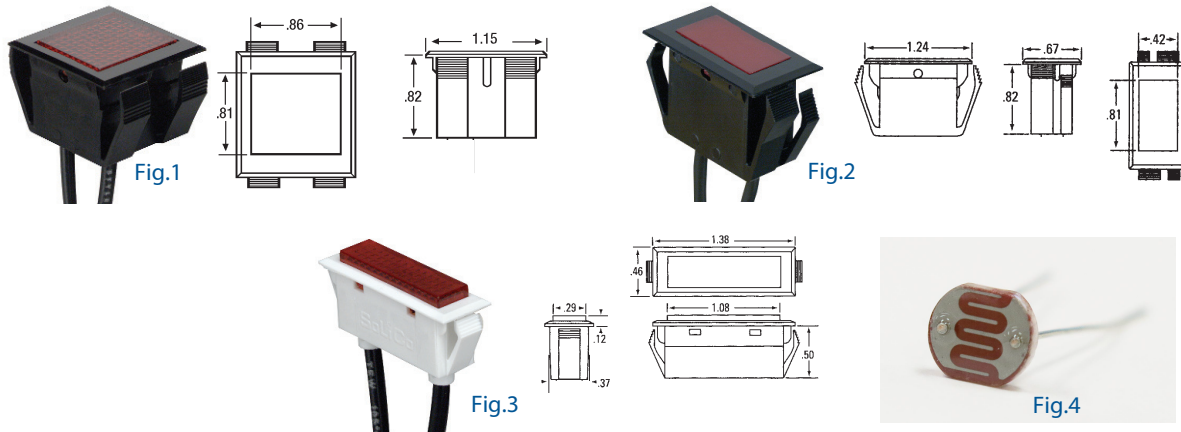


## PANEL LAMPS



### Large Square Snap-in Panel Lamps

These press-to-fit panel lamps are available in several colors and voltages. They are made from Nylon material and have 18 AWG 6" wire leads.

Retail Part No.	Bulk Part No.	Figure No.	Lamp Voltage	Lamp Current	Lamp Type	Lamp Termination	Lamp Life	Lamp Shape	Lamp Color
38-1132-50	38-1132-50BU	1	125V		Neon	Wire Leads	25,000	Square	Red
38-1132-12	38-1132-12BU	1	12V/14V	.08A	Incandescent	Wire Leads	50,000	Square	Red
38-1133-50	38-1133-50BU	1	125V		Neon	Wire Leads	25,000	Square	Amber
38-1133-12	38-1133-12BU	1	12V/14V	.08A	Incandescent	Wire Leads	50,000	Square	Amber
38-1135-50	38-1135-50BU	1	125V		Neon	Wire Leads	25,000	Square	Green
38-1135-12	38-1135-12BU	1	12V/14V	.08A	Incandescent	Wire Leads	50,000	Square	Green
38-1139-50	38-1139-50BU	1	125V		Neon	Wire Leads	25,000	Square	White
38-1139-12	38-1139-12BU	1	12V/14V	.08A	Incandescent	Wire Leads	50,000	Square	White

### Rectangular Snap-in Panel Lamps

This is the most popular of the rectangular lamps used today. The device snaps into a panel cutout with a minimum panel thickness of .020"-.025". All lamps are made of a Nylon material with 18 AWG 6" wire leads.

Retail Part No.	Bulk Part No.	Figure No.	Lamp Voltage	Lamp Current	Lamp Type	Lamp Termination	Lamp Life	Lamp Shape	Lamp Color
38-1022-50	38-1022-50BU	2	125V		Neon	Wire Leads	25,000	Rectangular	Red
38-1022-12	38-1022-12BU	2	12V/14V	.08A	Incandescent	Wire Leads	50,000	Rectangular	Red
38-1023-50	38-1023-50BU	2	125V		Neon	Wire Leads	25,000	Rectangular	Amber
38-1023-12	38-1023-12BU	2	12V/14V	.08A	Incandescent	Wire Leads	50,000	Rectangular	Amber
38-1025-50	38-1025-50BU	2	125V		Neon	Wire Leads	25,000	Rectangular	Green
38-1025-12	38-1025-12BU	2	12V/14V	.08A	Incandescent	Wire Leads	50,000	Rectangular	Green
38-1029-50	38-1029-50BU	2	125V		Neon	Wire Leads	25,000	Rectangular	White
38-1029-12	38-1029-12BU	2	12V/14V	.08A	Incandescent	Wire Leads	50,000	Rectangular	White

### 3/8 Snap-in Rectangular Panel Lamps

Snaps into panel cutout of .375" x 1.28" x 0.5". The Nylon body comes with 6" 18 AWG wire leads.

Retail Part No.	Bulk Part No.	Figure No.	Lamp Voltage	Lamp Current	Lamp Type	Lamp Termination	Lamp Life	Lamp Shape	Lamp Color
38-3002-50	38-3002-50BU	3	125V		Neon	Wire Leads	25,000	Rectangular	Red
38-3003-50	38-3003-50BU	3	125V		Neon	Wire Leads	25,000	Rectangular	Amber
38-3005-50	38-3005-50BU	3	125V		Neon	Wire Leads	25,000	Rectangular	Green

### Photoconductive Cell

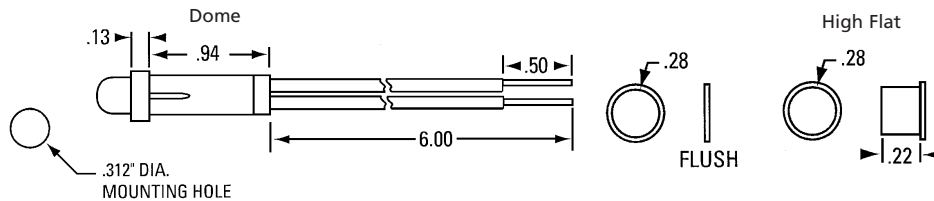
Retail Part No.	Figure No.	Voltage Max.	Power Disippation	Ambient Temperature	Spectral Response Max.	Lead Spacing	Body Size
J4-805	4	120Vdc	50mW continuous	(26.6 to 158)°F	(520 to 580)mm	5mm	(7 x 5.9 x 2)mm



Fig.1



Fig.2



### .312" Press-to-Fit Indicator Lights

These press-to-fit indicator lights fit into a .312" mounting hole, and are available in several colors and voltages. They are made from Nylon material and have 18 AWG 6" wire leads.

Retail Part No.	Bulk Part No.	Figure No.	Lamp Voltage	Lamp Current	Lamp Type	Lamp Termination	Lamp Life	Lamp Shape	Lamp Color
38-3540-50	38-3540-50BU	1	125V		Neon	Wire Leads	25,000	Flush	Clear
38-3540-12		1	12V/14V	.08A	Incandescent	Wire Leads	50,000	Flush	Clear
	38-3542-06BU	1	6.3V	.04A	Incandescent	Wire Leads	50,000	Flush	Red
38-3542-50	38-3542-50BU	1	125V	.08A	Neon	Wire Leads	25,000	Flush	Red
38-3542-12		1	12V/14V		Incandescent	Wire Leads	50,000	Flush	Red
38-3545-12		1	12V/14V	.08A	Incandescent	Wire Leads	50,000	Flush	Green
38-3546-50		1	125V		Neon	Wire Leads	25,000	Flush	Blue
38-3546-12		1	12V/14V	.08A	Incandescent	Wire Leads	50,000	Flush	Blue
38-3549-50		1	125V		Neon	Wire Leads	25,000	Flush	White
38-3549-12		1	12V/14V	.08A	Incandescent	Wire Leads	50,000	Flush	White
38-3550-12		2	12V/14V	.08A	Incandescent	Wire Leads	50,000	High Flat	Clear
38-3552-50		2	125V		Neon	Wire Leads	25,000	High Flat	Red
38-3552-12		2	12V/14V	.08A	Incandescent	Wire Leads	50,000	High Flat	Red
38-3553-50		2	125V		Neon	Wire Leads	25,000	High Flat	Amber
38-3553-12		2	12V/14V	.08A	Incandescent	Wire Leads	50,000	High Flat	Amber
38-3555-50		2	125V		Neon	Wire Leads	25,000	High Flat	Green
38-3555-12		2	12V/14V	.08A	Incandescent	Wire Leads	50,000	High Flat	Green
38-3556-50		2	125V		Neon	Wire Leads	25,000	High Flat	Blue
38-3556-12		2	12V/14V	.08A	Incandescent	Wire Leads	50,000	High Flat	Blue

## INDICATOR LIGHTS (Cont.)

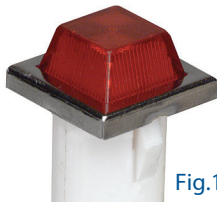


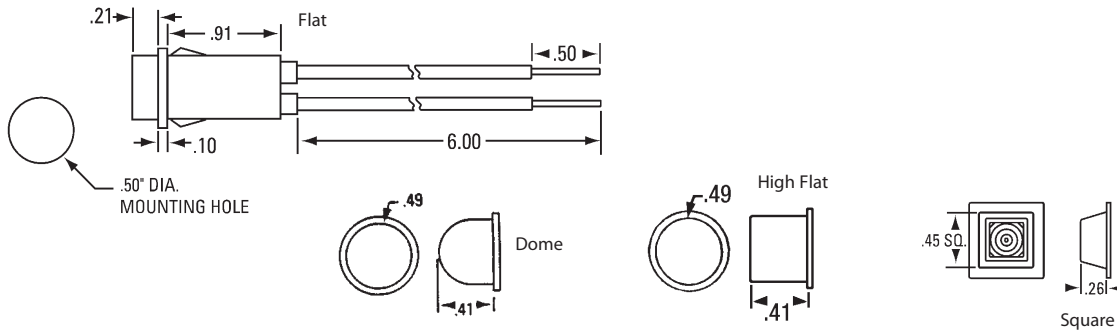
Fig.1



Fig.2



Fig.3

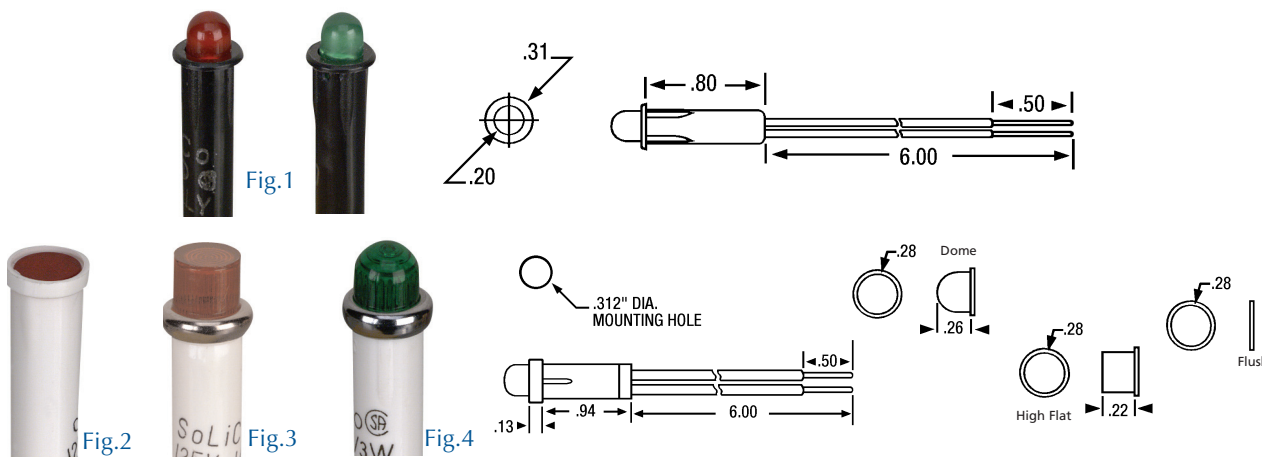


### 1/2" Press-to-Fit Indicator Lights

These are press-to-fit indicator lights for a .500" mounting hole, and are available in several colors and voltages. They are made from Nylon material and have 18 AWG 6" wire leads.

Retail Part No.	Bulk Part No.	Figure No.	Lamp Voltage	Lamp Current	Lamp Type	Lamp Termination	Lamp Life	Lamp Shape	Lamp Color
38-5455-50		1	125V		Neon	Wire Leads	25,000	Square	Green
38-5462-06	38-5462-6BU	2	6.3V	.04A	Incandescent	Wire Leads	50,000	High Flat	Red
38-5462-50		2	125V		Neon	Wire Leads	25,000	High Flat	Red
38-5462-12	38-5462-12BU	2	12V/14V	.08A	Incandescent	Wire Leads	50,000	High Flat	Red
38-5463-06		2	6.3V	.04A	Incandescent	Wire Leads	50,000	High Flat	Amber
38-5463-12		2	12V/14V	.08A	Incandescent	Wire Leads	50,000	High Flat	Amber
38-5465-06		2	6.3V	.04A	Incandescent	Wire Leads	50,000	High Flat	Green
38-5465-12		2	12V/14V	.08A	Incandescent	Wire Leads	50,000	High Flat	Green
38-5469-12		2	12V/14V	.08A	Incandescent	Wire Leads	50,000	High Flat	White
38-5492-06		3	6.3V	.04A	Incandescent	Wire Leads	50,000	Large Dome	Red
38-5492-50	38-5492-50BU	3	125V		Neon	Wire Leads	25,000	Large Dome	Red
38-5492-12		3	12V/14V	.08A	Incandescent	Wire Leads	50,000	Large Dome	Red
38-5493-12		3	12V/14V	.08A	Incandescent	Wire Leads	50,000	Large Dome	Amber
38-5495-50	38-5495-50BU	3	125V		Neon	Wire Leads	25,000	Large Dome	Green
38-5495-12		3	12V/14V	.08A	Incandescent	Wire Leads	50,000	Large Dome	Green
38-5496-06		3	6.3V	.04A	Incandescent	Wire Leads	50,000	Large Dome	Blue

LED = DC ONLY  
NEON = AC ONLY



### .25" Press-to-Fit Indicator Lights

These press-to-fit indicator lights fit into a .25" mounting hole, and are available in several colors and voltages. They are made from Nylon material and have 24 AWG 6" wire leads. These devices have current limiting resistors in the housing.

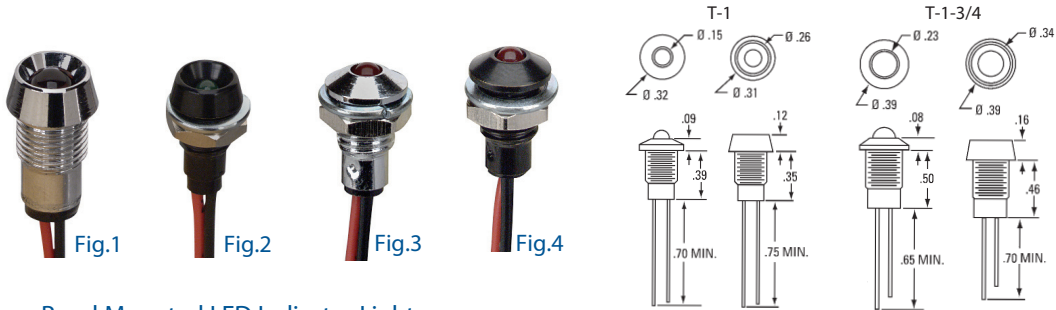
Retail Part No.	Bulk Part No.	Fig. No.	Fwd Current (I <sub>F</sub> ) mA	Operating Voltage	Resistor Included	LED Emitting Color	Lamp Shape	LED/Lamp Size
39-1752-12		1	10	12V/12V	Yes	Red	Dome Lens	5mm (T-1-3/4)
39-1752-24	39-1752-24BU	1	10	24V/28V	Yes	Red	Dome Lens	5mm (T-1-3/4)
39-1753-12		1	10	12V/12V	Yes	Amber	Dome Lens	5mm (T-1-3/4)
39-1753-24	39-1753-24BU	1	10	24V/28V	Yes	Amber	Dome Lens	5mm (T-1-3/4)
39-1755-12		1	10	12V/12V	Yes	Green	Dome Lens	5mm (T-1-3/4)
39-1755-24	39-1755-24BU	1	10	24V/28V	Yes	Green	Dome Lens	5mm (T-1-3/4)

### .312" Press-to-Fit Indicator Lights

These press-to-fit indicator lights fit into a .312" mounting hole, and are available in several colors and voltages. They are made from Nylon material and have 24 AWG 6" wire leads. These devices have current limiting resistors in the housing.

Retail Part No.	Bulk Part No.	Fig. No.	Fwd Current (I <sub>F</sub> ) mA	Operating Voltage	Resistor Included	LED Emitting Color	Lamp Shape	LED/Lamp Size
39-3542-06		2	10	5V/6V	Yes	Red	Flush Lens	5mm (T-1-3/4)
39-3542-28		2	10	24V/28V	Yes	Red	Flush Lens	5mm (T-1-3/4)
39-3543-28		2	10	24V/28V	Yes	Amber	Flush Lens	5mm (T-1-3/4)
39-3545-06		2	10	5V/6V	Yes	Green	Flush Lens	5mm (T-1-3/4)
39-3545-12		2	10	12V/12V	Yes	Green	Flush Lens	5mm (T-1-3/4)
39-3545-28		2	10	24V/28V	Yes	Green	Flush Lens	5mm (T-1-3/4)
39-3552-06		3	10	5V/6V	Yes	Red	High Flat	5mm (T-1-3/4)
39-3552-12	39-3552-12BU	3	10	12V/12V	Yes	Red	High Flat	5mm (T-1-3/4)
39-3553-12	39-3553-12BU	3	10	12V/12V	Yes	Amber	High Flat	5mm (T-1-3/4)
39-3555-06		3	10	5V/6V	Yes	Green	High Flat	5mm (T-1-3/4)
39-3555-28		3	10	24V/28V	Yes	Green	High Flat	5mm (T-1-3/4)
39-3562-06		4	10	5V/6V	Yes	Red	Dome Lens	5mm (T-1-3/4)
39-3562-12		4	10	12V/12V	Yes	Red	Dome Lens	5mm (T-1-3/4)
39-3562-28		4	10	24V/28V	Yes	Red	Dome Lens	5mm (T-1-3/4)
39-3563-06		4	10	5V/6V	Yes	Amber	Dome Lens	5mm (T-1-3/4)
39-3565-06		4	10	5V/6V	Yes	Green	Dome Lens	5mm (T-1-3/4)
39-3565-28		4	10	24V/28V	Yes	Green	Dome Lens	5mm (T-1-3/4)

## MOUNTED LED INDICATOR LIGHTS



### Bezel Mounted LED Indicator Lights

The Bezel mounts are available in several styles for both T-1 (3mm) and T-1-3/4 (5mm) sizes. The T-1 size uses a mounting hole of .24" and the T-1-3/4 uses .31" diameter hole. All devices greater than 2V have current limiting resistors mounted in the leads.

Retail Part No.	Bulk Part No.	Fig. No.	Fwd Curr (I <sub>F</sub> ) mA	Operating Voltage	Resistor Included	LED Emitting Color	Mounting Type	LED/Lamp Size
39-4612-12		1	10	12V/14V	Yes	Red	Recess Chrome	3mm (T-1)
39-4615-12		1	10	12V/14V	Yes	Green	Recess Chrome	3mm (T-1)
39-5612-12	39-5612-12BU	1	10	12V/14V	Yes	Red	Recess Chrome	5mm (T-1-3/4)
39-5614-05		1	10	5V/6V	Yes	Yellow	Recess Chrome	5mm (T-1-3/4)
39-4622-05		2	10	5V/6V	Yes	Red	Recess Black	3mm (T-1)
39-4624-05		2	10	5V/6V	Yes	Yellow	Recess Black	3mm (T-1)
39-5622-05		2	10	5V/6V	Y	Red	Recess Black	5mm (T-1-3/4)
39-5624-05		2	10	5V/6V	Yes	Yellow	Recess Black	5mm (T-1-3/4)
39-5625-05		2	10	5V/6V	Yes	Green	Recess Black	5mm (T-1-3/4)
39-4632-05		3	10	5V/6V	Yes	Red	Dome Chrome	3mm (T-1)
39-4634-12		3	10	12V/14V	Yes	Yellow	Dome Chrome	3mm (T-1)
39-4635-05		3	10	5V/6V	Yes	Green	Dome Chrome	3mm (T-1)
39-5632-05		3	10	5V/6V	Yes	Red	Dome Chrome	5mm (T-1-3/4)
39-5632-12	39-5632-12BU	3	10	12V/14V	Yes	Red	Dome Chrome	5mm (T-1-3/4)
39-5634-05		3	10	5V/6V	Yes	Yellow	Dome Chrome	5mm (T-1-3/4)
39-5634-12		3	10	12V/14V	Yes	Yellow	Dome Chrome	5mm (T-1-3/4)
39-5635-05		3	10	5V/6V	Yes	Green	Dome Chrome	5mm (T-1-3/4)
39-5635-12		3	10	12V/14V	Yes	Green	Dome Chrome	5mm (T-1-3/4)
39-4642-05		4	10	5V/6V	Yes	Red	Dome Black	3mm (T-1)
39-4644-05		4	10	5V/6V	Yes	Yellow	Dome Black	3mm (T-1)
39-4644-12		4	10	12V/14V	Yes	Yellow	Dome Black	3mm (T-1)
39-4645-05		4	10	5V/6V	Yes	Green	Dome Black	3mm (T-1)
39-4645-12		4	10	12V/14V	Yes	Green	Dome Black	3mm (T-1)
39-5642-12	39-5642-12BU	4	10	12V/14V	Yes	Red	Dome Black	5mm (T-1-3/4)
39-5644-05		4	10	5V/6V	Yes	Yellow	Dome Black	5mm (T-1-3/4)
39-5644-12		4	10	12V/14V	Yes	Yellow	Dome Black	5mm (T-1-3/4)
39-5645-05		4	10	5V/6V	Yes	Green	Dome Black	5mm (T-1-3/4)
39-5645-12		4	10	12V/14V	Yes	Green	Dome Black	5mm (T-1-3/4)