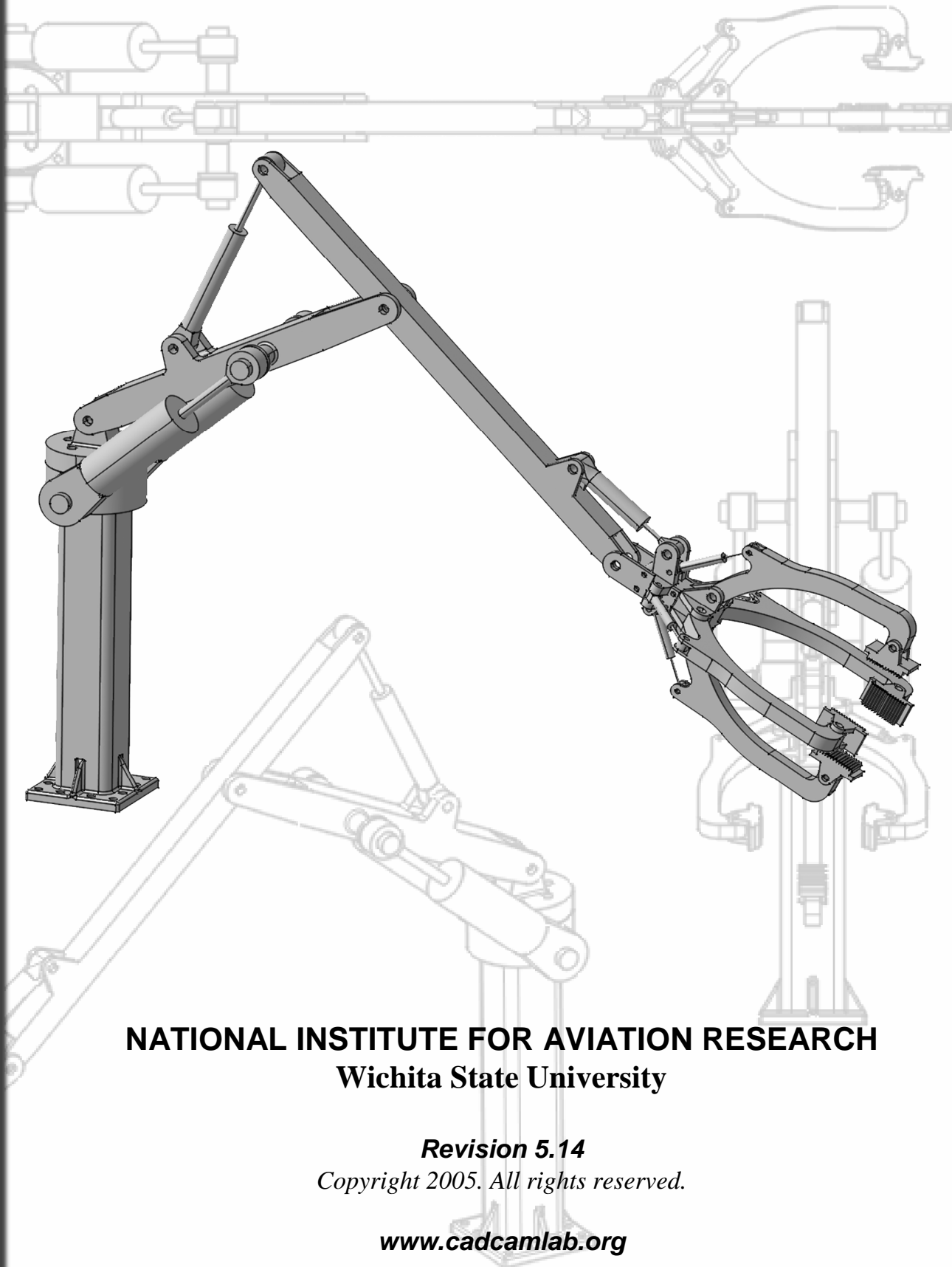


CATIA V5

Part Design & Sketcher



**NATIONAL INSTITUTE FOR AVIATION RESEARCH
Wichita State University**

*Revision 5.14
Copyright 2005. All rights reserved.*

www.cadcamlab.org

None of this material may be reproduced, used or disclosed, in part or in whole, without the expressed written permission of:

**National Institute for Aviation Research
Wichita State University
Wichita, KS**

Copyright 2005. All rights reserved.

www.cadcamlab.org

TABLE OF CONTENTS

Introduction	1
Manual Format	2
Part Design & Sketcher	3
Log on/off procedures for Windows	4
To log on	4
To logoff	5
CATIA Version 5 Screen	7
Part Design Screen	8
Pull-down Menus	9
Start	9
File	10
Edit	11
View	13
Insert	17
Tools	19
Window	24
Help	25
Bottom Toolbar in Part Design	26
Part Design Workbench	28
Sketcher Screen	30
Sketcher changes	31
Bottom Toolbar	31
Sketch tools	32
Sketcher Workbench	33
Working with Documents	35
Types of documents	35
Creating a new document	35
Opening an existing document	36
Saving a document	37
Closing a document	38
Manipulating the Display	39
Three button mouse	39
Two button mouse	39
SpaceBall or SpaceMouse	39
Keyboard	40
Keyboard Shortcuts	41

Basic Sketcher	43
Basic Shapes	43
Creating a new part with a new sketch	44
Saving and closing the part	45
Rectangle	46
Oriented Rectangle	47
Parallelogram	48
Elongated Hole	49
Cylindrical Elongated Hole	50
Keyhole	52
Hexagon	53
Centered Rectangle	54
Centered Parallelogram	55
Circle	56
Circle through 3 points	57
Circle with Cartesian coordinates	58
Circle tangent to 3 elements	59
Arc through 3 points	60
Arc through 3 points with limits	61
Arc	62
Spline	63
Connect Curve	65
Ellipse	67
Parabola	68
Hyperbola	69
Conic	70
Line	75
Infinite Line	76
Bi-tangent Line	77
Bisect Line	79
Normal Line to Curve	80
Axis line	81
Point by clicking	82
Point by using coordinates	83
Equidistant points	84
Intersection Point	86
Projection Point	87
Profiles	89
Constraints	106
Dimensional Constraints	106
Geometrical Constraints	106
Operations on profiles	153
Corner	153
Chamfer	158
Trim and Break	162
Specification Tree	167
Hide/Show	169

Basic Part Design	173
Basic Shapes	173
Pad	174
Pocket	184
Multiple Profiles	188
Multi-Pad and Multi-Pocket	190
Shaft	193
Groove	197
Hole	201
Rib	214
Slot	217
Combine	219
Stiffener	221
Operations on Shapes	224
Fillet	224
Chamfer	242
Draft Angle	244
Shell	248
Thickness	250
Thread/Tap	252
Remove face	254
Replace face	256
Modifying values	258
Interfacing with Sketcher	263
Advanced Sketcher	269
3-D Elements on Sketch Plane	269
Construction Geometry	275
Advanced Constraints	277
Sketch Transformations	287
Sketch Analysis	297
Sketch Visualization	300
Advanced Part Design	303
Part Transformations	303
Patterns	309
Modifying Parts	320
Inserting Bodies and Boolean Operations	334
Inserting Part Bodies	334
Boolean operations	335
Part Design Multi-Sections Solids	341
Part Design Using Surfaces	343
Annotations	348
Applying Materials	351
Delete Useless Elements	355

Problems	357
Problem #1.0	357
Problem #2.0	358
Problem #3.0	359
Problem #4.0	360
Problem #5.0	361
Problem #6.0	362
Problem #7.0	364
Problem #8.0	365
Problem #9.0	366
Problem #10.0	367
Problem #11.0	368
Problem #12.0	369
Problem #13.0	370
Problem #14.0	371
Problem #15.0	372
Problem #16.0	373
Problem #17.0	374
Problem #18.0	375
Problem #19.0	376
Problem #20.0	377
Problem #21.0	378
Problem #22.0	379
Problem #23.0	380
Problem #24.0	381
Problem #25.0	382
Problem #26.0	383
Problem #27.0	384
 Appendix A	 385
Customize - Start Menu	385
Customize - User Workbenches	386
Customize - Toolbars	386
Customize - Commands	387
Customize - Options	387
 Appendix B	 389
General - Performances	389
General - Display - Tree Appearance	390
General - Display - Tree Manipulation	391
General - Display - Visualization	392
General - Parameters and Measure - Units	393
General - Parameters and Measure - Symbols	394
Infrastructure - Product Structure - Product Structure	395
Infrastructure - Part Infrastructure - General	396
Infrastructure - Part Infrastructure - Display	397
Infrastructure - Part Infrastructure - Part Document	398
Mechanical Design - Sketcher	399

Appendix C	401
Material Library	401
Construction	401
Fabrics	402
Metal	403
Other	404
Painting	405
Shape Review	406
Stone	407
Wood	408
List mode	409
Applying a material	410
Properties of a material	411
Feature Properties	411
Rendering	412
Inheritance	413
Analysis	413
Drawing	414
Appendix D	417
Reference Geometry	417
Offset from plane	417
Parallel through point	418
Angle/Normal to plane	419
Through three points	419
Through two lines	420
Through point and line	421
Through planar curve	421
Normal to curve	422
Equation	422
Tangent to surface	423
Mean through points	423
Appendix E	425
Measurement Tools	425
Measure Between	426
Measure Item	432
Measure Inertia	437

Basic Part Design

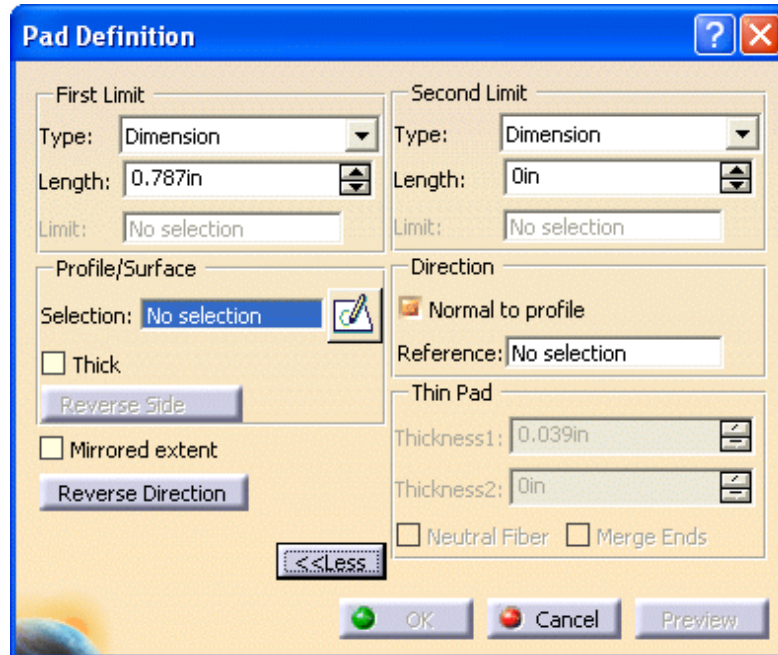
This section will cover the basic use of the Part Design workbench to create parts. This section will consist of three parts: basic shapes, operations on shapes and interfacing between part design and sketcher.

Basic Shapes

This part will discuss the various shapes that can be created in part design using the icons on the Part Design workbench. The purpose of this group of exercises is to introduce how to use those icons and their options. The usefulness of them, depend on the part you are trying to create. It is important for you to understand how to use each of these icons in conjunction with your sketches to produce your final part.

Pad

The pad icon allows you to use a sketch and extrude it in a linear direction producing a solid pad. You can create a sketch or profile on-the-fly by pressing the third mouse button while in the *Selection* box. When you create a pad, a *Pad Definition* window appears like the one shown below.



Initially the window will appear with only the *First Limit* and then you have the option to select the *More>>* option to see the *Second Limit*. Since the options are the same for both limits they will be discussed only once.

Type


<i>Dimension</i>	Allows you to key in a <i>Length</i>
<i>Up to next</i>	Goes to the next side of an existing part
<i>Up to last</i>	Goes to the last side of an existing part
<i>Up to plane</i>	Goes to a specified plane which is its <i>Limit</i>
<i>Up to surface</i>	Goes to a specified surface which is its <i>Limit</i>

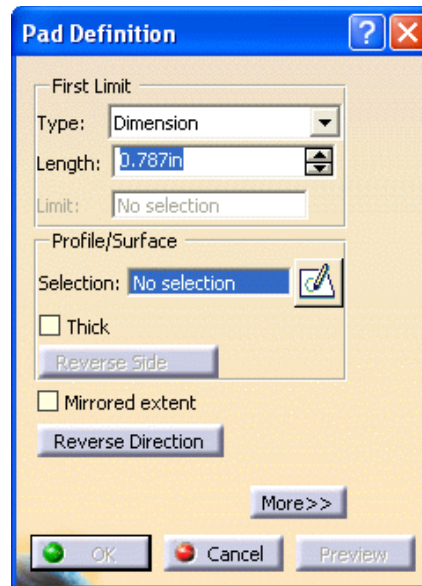
When you select a *Type* other than *Dimension* you will have the option to specify an *Offset* value from the corresponding limit.

Profile/Surface

<i>Selection</i>	Specifies which sketch will be used, you have the option to modify the sketch using the sketcher icon next to the box. You can select a surface instead and use the surface as your profile.
<i>Thick</i>	Toggles the <i>Thin Pad</i> option. This allows you to add thickness to the elements that make up the sketch.
<i>Reverse Side</i>	Reverses the side an open profile will use to determine its shape
<i>Mirrored extent</i>	Applies to the <i>Type Dimension</i> , it will go the same distance in both directions, thereby not being able to specify a second limit
<i>Reverse Direction</i>	Changes the direction to the opposite direction
<i>Direction</i>	
<i>Normal to profile</i>	The direction will be in the normal direction of the sketch
<i>Reference</i>	Allows you to specify an element that defines the direction
<i>Thin Pad</i>	
<i>Thickness1/2</i>	Specifies the thickness that will be applied to each sketch element
<i>Neutral Fiber</i>	Forces the sketch element to be in the center and the thickness is added to both sides equally
<i>Merge Ends</i>	Extends or trims the elements to existing material

Open the **Pad1** document and save with your initials. You should see two sketches already created for you.

Select the pad icon.  This will allow you to create a pad using one of the sketches. This exercise is going to cover the various methods that you can use to create pads. A *Pad Definition* window should appear similar to the one shown below.



Select **Sketch.1**. This specifies that you want to use that sketch to define the profile of your pad. For this pad you are going to use the basic option of keying in a length. You will also preview what the *Mirrored extent* and *Reverse Direction* options allow you to do.

Change the value in **Length** to be **4**. Do not press Enter or else it will automatically create the pad with that value. Normally you would just enter the value and press Enter, however you are going to want to *Preview* in order for you see what it is going to do until you understand the different options.

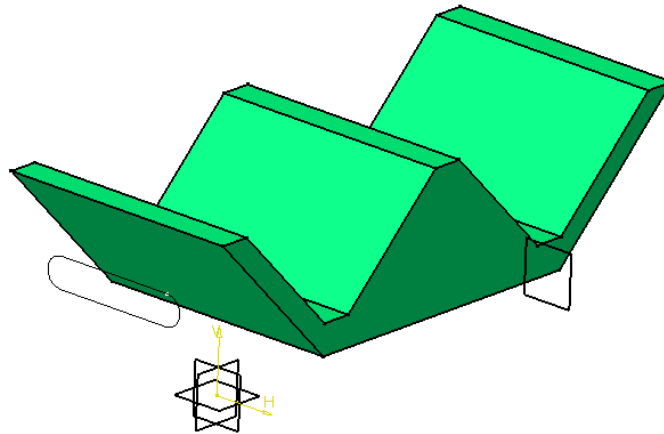
Select **Preview**. A preview of what the pad will look like appears. You will now change some of the other options to see the difference between them.

Select **Mirrored extent** and select **Preview**. As you can see, instead of the pad extending in only the one direction, it now extends both directions, four inches each. It basically is using your current sketch as the mirror plane.

Select **Mirrored extent** again to turn it off and select **Preview**. Now you are going to reverse the direction in order for the pad to be created in the opposite direction.

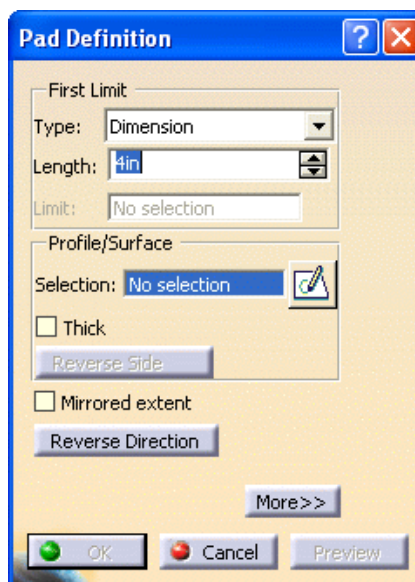
Select **Reverse Direction** and select **Preview**. Notice that the pad is still going to be four inches wide but it is now going in the opposite direction. This is the pad you want to create.

Select OK. The pad should be created and appear similar to the diagram shown below. Notice that the sketch automatically was hidden after being used by the pad. This is true when using most of the options because of a setting under the pull down menu *Tools, Options*.



You are now going to explore some of the other *Types* that you can use to define limits for pads that you create.

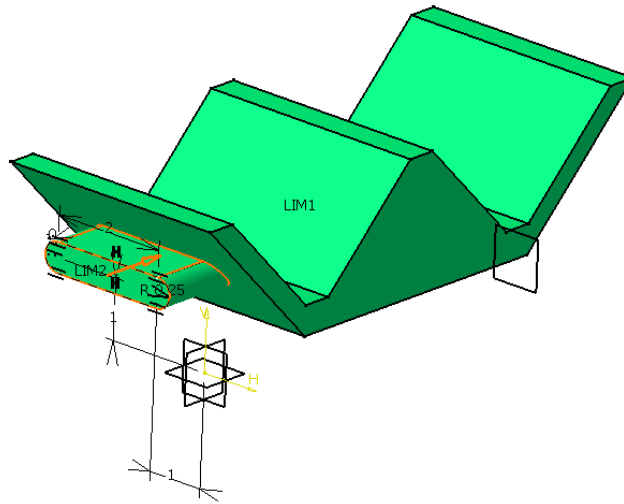
Select the pad icon.  A *Pad Definition* window appears as shown below.



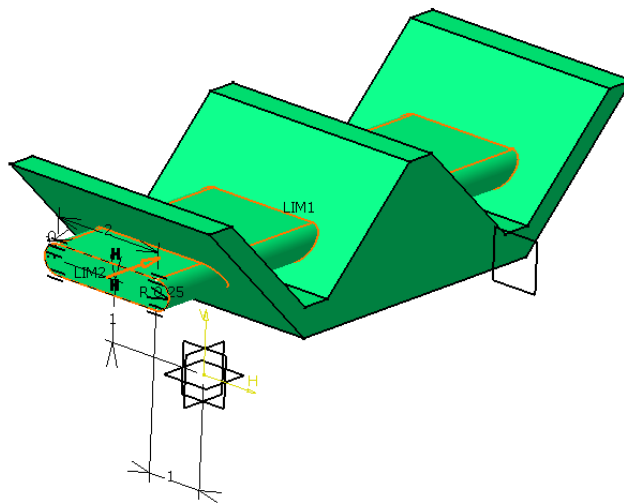
Select *Sketch.2*. This specifies the sketch that you want to use to create the next pad.

Select *Reverse Direction* so that the direction is toward the other pad. Now you are going to see what the other *Types* allow you to do.

Change the *Type* to *Up to next* and select *Preview*. Notice that the pad only goes to the next side of the other pad. It should appear similar to the diagram shown below.

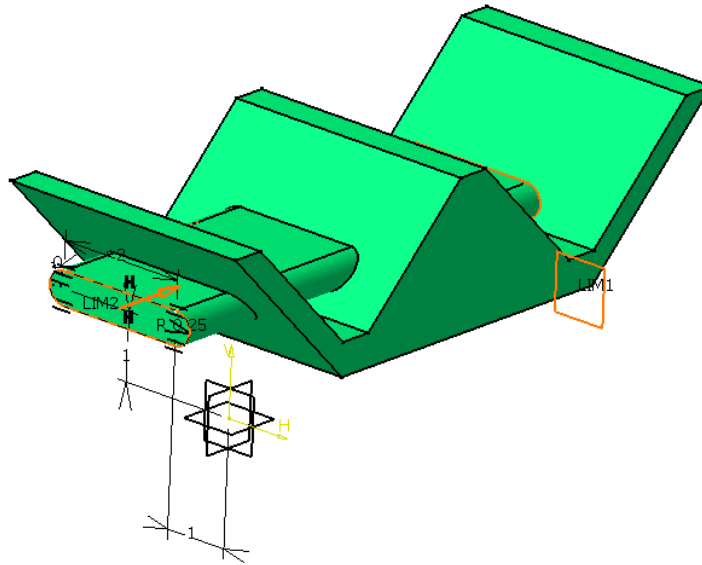


Change the *Type* to *Up to last* and select *Preview*. Notice that the pad goes all the way to the last side of the previous part. It should appear similar to the diagram shown below.



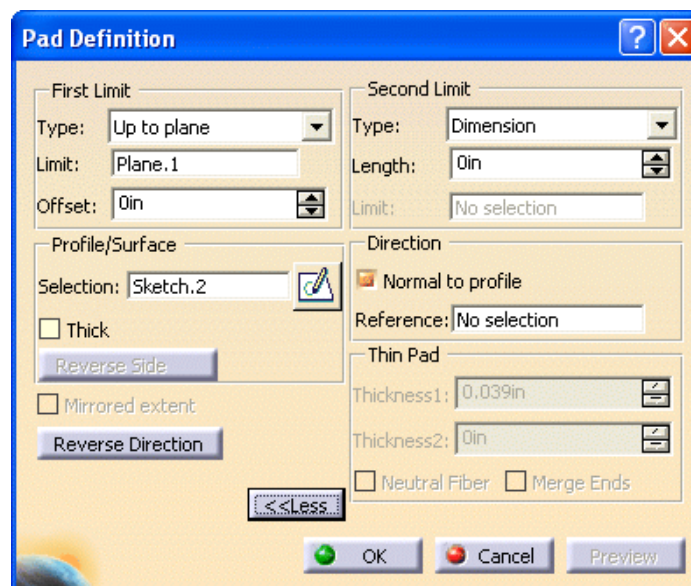
Change the *Type* to *Up to plane*. When you use this option you have to specify a plane or a planar side that you want the pad to be limited by.

Select the plane that is away from the origin and select *Preview*. Notice that the pad goes up to the plane and then stops. It should appear similar to the diagram shown below.



You may have to rotate the part around in order to see the limitation better. The *Up to surface* option works very similar to the *Up to plane* option except that you can specify a surface instead of a plane.

Select the *More>>* option. This expands the window and shows some other options. The window should appear similar to the one shown below.

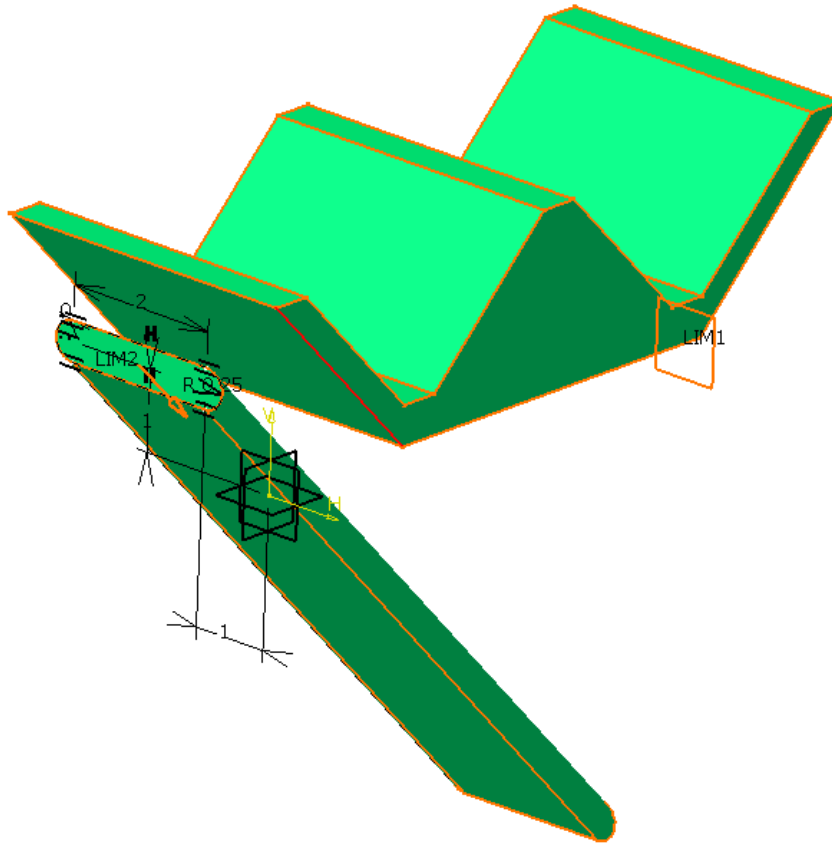


Currently the *Direction* is specified to be *Normal to profile*. You will turn that off and specify an element to be used as the direction. Once again this is just to show you the capabilities of the option.

Select *Normal to profile* to turn it off. The *Normal to profile* option is no longer activated.

Select in the *Reference* box. This allows you to specify an element to be used as the direction.

Select the angled edge closest to the origin and select *Preview*. The pad extrudes in the direction of the line and stops at the plane that was specified earlier. It should appear similar to the diagram shown below.



Select *Normal to profile*. This changes the direction back to being normal to the sketch. You are now going to use a *First Limit* and a *Second Limit* to create the pad.

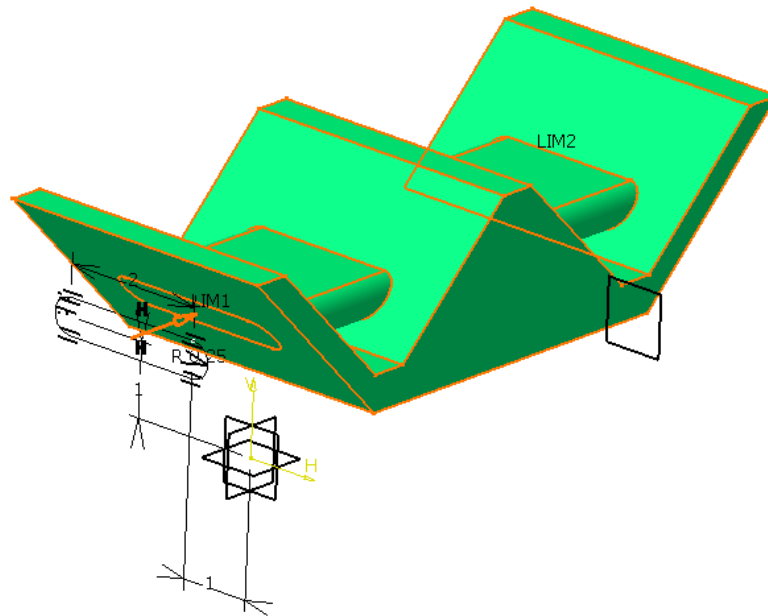
Under the *First Limit* select the *Limit* box. This will allow you to specify a new plane for your limit.

Select the angled side closest to the sketch. This defines the *First Limit*. You will now define the *Second Limit*.

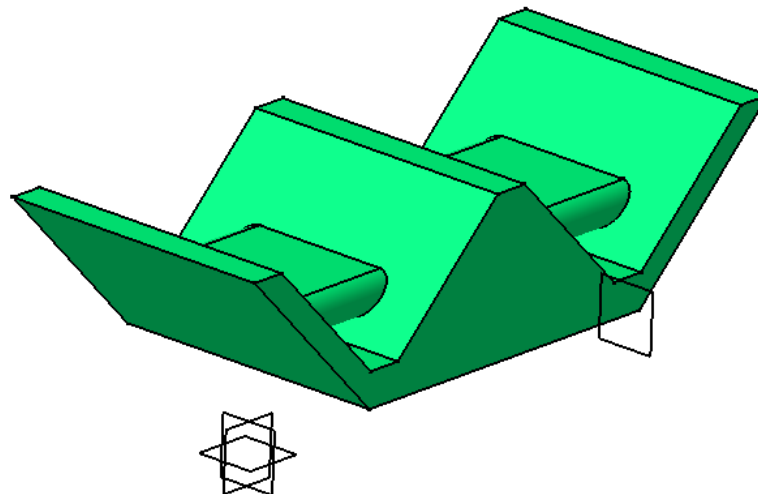
Under the *Second Limit* change the *Type* to *Up to plane*.

Under the *Second Limit* select the *Limit* box.

Select the angled side farthest from the sketch and select *Preview*. This defines the *Second Limit* and shows you a preview of your new pad. It should appear similar to the diagram shown below.



Select *OK*. The final part should look similar to the diagram shown below.




This exercise showed most of the options available when creating a pad. There are other shapes that have these same options and they work the same. Hopefully you have a good understanding of what each option allows you to do.

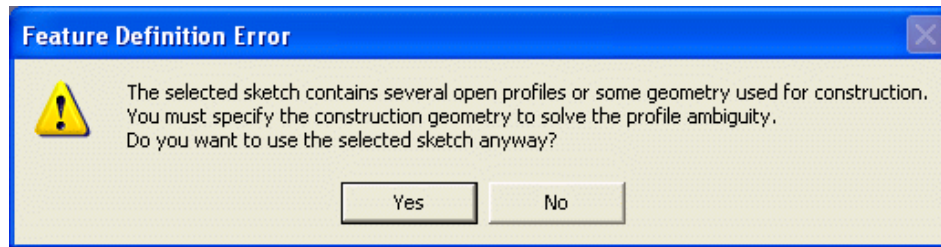
Note: Open profiles (sketches) can be used to create pads or pockets as long as they will be closed by the other faces of your existing part.

Save and close your document.

Open the **Pad2** document and save with your initials. You should see a sketch already created for you. You are going to use the *Thin Pad* options to finish the model.

Select the pad icon.  This will allow you to create a pad using the sketch. The *Pad Definition* window appears.

Select **Sketch.1**. This specifies that you want to use that sketch to define the profile of your pad. A *Feature Definition Error* window appears. This error message appears since your sketch does not contain closed profiles. However, this is okay since you are going to use the *Thin Pad* options.



Select **Yes**.

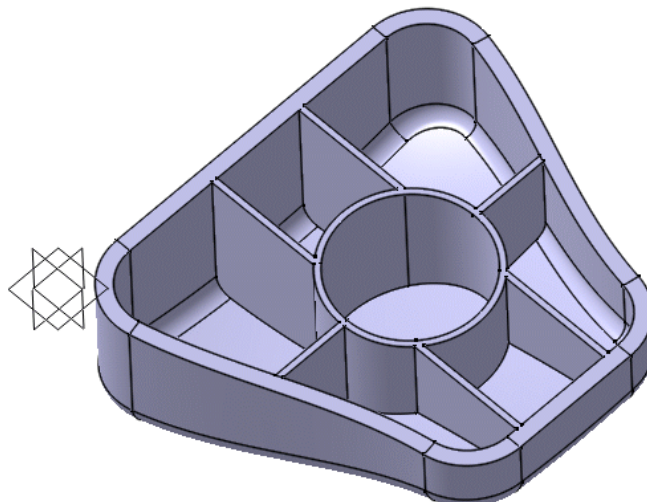
Turn the **Thick** option on. The *Thin Pad* options become available.

Turn on the **Neutral Fiber** option and specify **0.1** for **Thickness1**.

Make sure the direction is pointing downward. If the direction is pointing upward then select the *Reverse Direction* button.


Change the **First Limit** to be **Up to surface** and select the **outer surface of the part**. You will have to rotate the part in order to select the outside surface of the part.

Select **OK**. The pad is created and the part should appear similar to the diagram shown below.



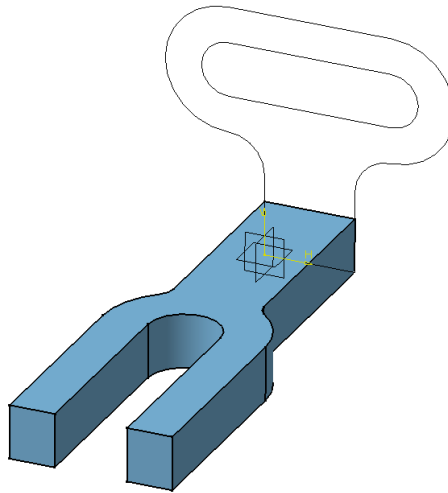
Save and close your document.


Open the **Pad3** document and save with your initials. You should see three sketches already created for you.

Select the pad icon.  This will allow you to create a pad using one of the sketches.

Select *Sketch.1*. This specifies that you want to use that sketch to define the profile of your pad.

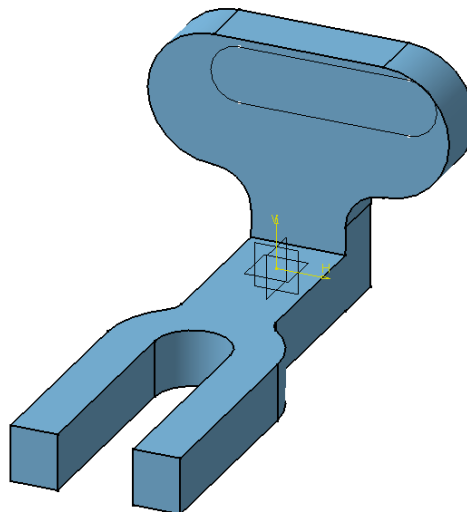
Using the *Type Dimension* and a *Length* of 0.75 create the pad by selecting *OK*. The pad should appear similar to the diagram shown below.



Select the pad icon.  This will allow you to create a pad using one of the sketches.

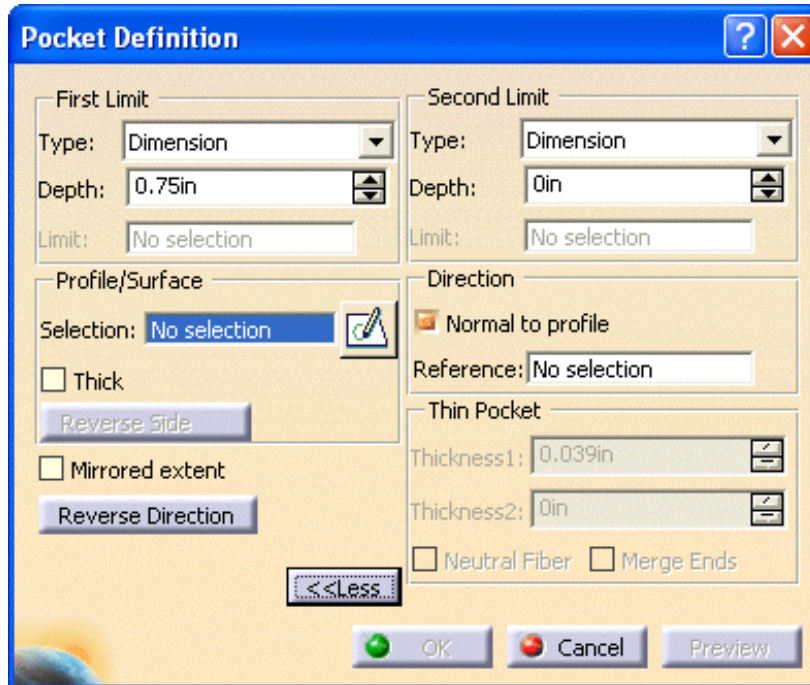
Select *Sketch.2*. This specifies that you want to use that sketch to define the profile of your pad.

Using the *Type Dimension* and a *Length* of 0.75 create the pad by selecting *OK*. The pad should appear similar to the diagram shown below.



Pocket

The pocket icon allows you to use a sketch and extrude it in a linear direction producing a pocket. You can create a sketch or profile on-the-fly by pressing the third mouse button while in the *Selection* box. When you create a pocket, a *Pocket Definition* window appears like the one shown below.



Initially the window will appear with only the *First Limit* and then you have the option to select the *More>>* option to see the *Second Limit*. Notice that the options are exactly the same as the options for creating a pad. The major difference between pad and pocket is that a pocket is removed instead of added to your part.

Type


<i>Dimension</i>	Allows you to key in a <i>Length</i>
<i>Up to next</i>	Goes to the next side of an existing part
<i>Up to last</i>	Goes to the last side of an existing part
<i>Up to plane</i>	Goes to a specified plane which is its <i>Limit</i>
<i>Up to surface</i>	Goes to a specified surface which is its <i>Limit</i>

When you select a *Type* other than *Dimension* you will have the option to specify an *Offset* value from the corresponding limit.

Profile/Surface

<i>Selection</i>	Specifies which sketch will be used, you have the option to modify the sketch using the sketcher icon next to the box. You can select a surface instead and use the surface as your profile.
<i>Thick</i>	Toggles the <i>Thin Pad</i> option. This allows you to add thickness to the elements that make up the sketch.
<i>Reverse Side</i>	Reverses the side an open profile will use to determine its shape
<i>Mirrored extent</i>	Applies to the <i>Type Dimension</i> , it will go the same distance in both directions, thereby not being able to specify a second limit
<i>Reverse Direction</i>	Changes the direction to the opposite direction
<i>Direction</i>	
<i>Normal to profile</i>	The direction will be in the normal direction of the sketch
<i>Reference</i>	Allows you to specify an element that defines the direction
<i>Thin Pad</i>	
<i>Thickness1/2</i>	Specifies the thickness that will be applied to each sketch element
<i>Neutral Fiber</i>	Forces the sketch element to be in the center and the thickness is added to both sides equally
<i>Merge Ends</i>	Extends or trims the elements to existing material

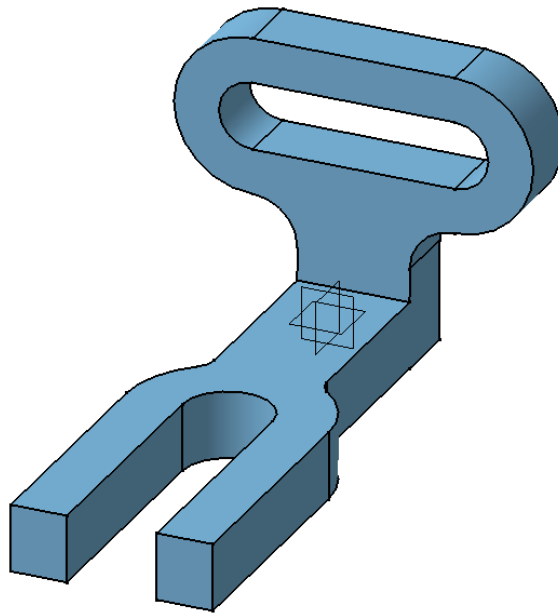
You will now create a pocket in the existing part using *Sketch.3*.

Select the pocket icon.  This will allow you to create a pocket using one of the sketches.

Select *Sketch.3*. This specifies that you want to use that sketch to define the profile of your pocket.


Select *Reverse Direction*.

Using the *Type Up to next* create the pocket by selecting *OK*. The pocket should appear similar to the diagram shown below.



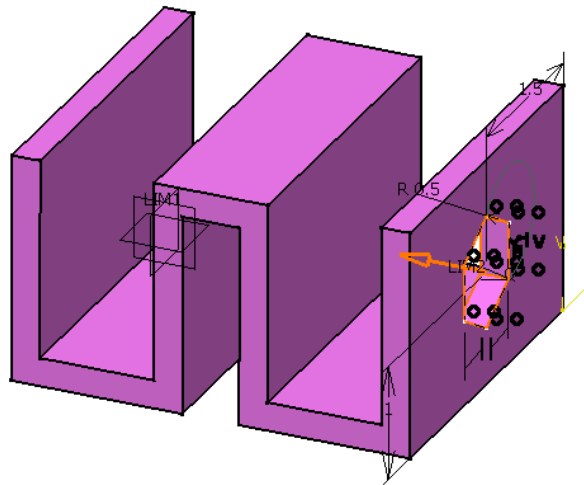
Save and close your document.

Open the **Pocket** document and save with your initials. You should see a pad and a sketch that have been created for you.

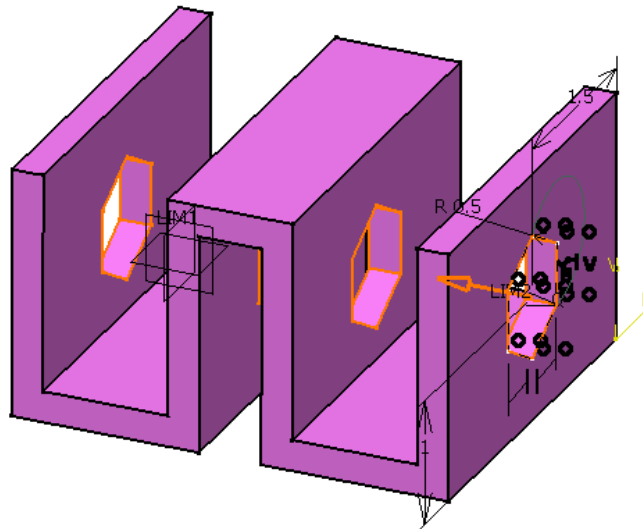
Select the pocket icon.  This will allow you to create a pocket using the sketch.

Select **Sketch.2**. This specifies that you want to use that sketch to define the profile of your pocket.

Change the **Type** to *Up to next* and select **Preview**. A preview of the pocket should appear. It should appear similar to the diagram shown below.



Change the **Type** to *Up to last* and select **Preview**. A preview of the pocket should appear. It should appear similar to the diagram shown below.



Select **OK**. The pocket appears.

Save and close your document.

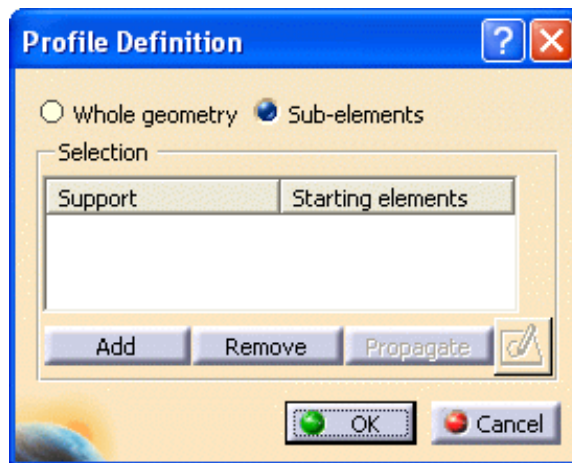
Multiple Profiles

You can create objects using a single profile of a sketch that contains multiple profiles. This allows you to create multiple profiles on the same sketch and then using pad or pocket you can have each profile extrude a different distance as if they were separate sketches. When you do this each pad or pocket will reference the same sketch, just a different part of the sketch.

Open the Multiple profiles document and save with your initials. You should see a sketch that has already been created for you.

Select the pad icon. 

In the Selection box press the third mouse button and select *Go to profile definition*. The *Profile Definition* window appears as shown below.



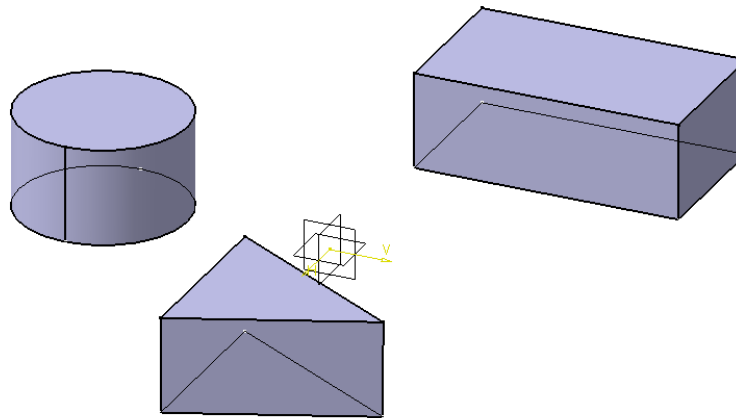
This will allow you to select the sub-elements of a sketch.

Select the box portion of the sketch. Notice just by selecting an edge that entire profile was selected but not the whole sketch.

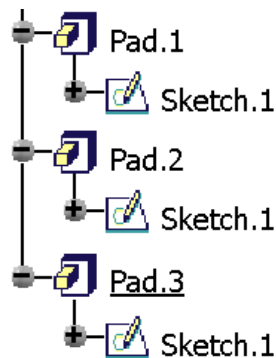
Select OK. This closes the *Profile Definition* window and returns to the *Pad Definition* window with the *Selection* being *Complex*.

Change the Length to be 1.0 and select OK. The pad is created using just the one profile of the sketch. Notice that the sketch still remains shown because you did not use the entire sketch therefore it did not automatically hide.

Repeat the steps and create pads out of the other two profiles 1.0 inch in length. It should appear similar to the diagram shown below.



The specification tree should have each pad using the same sketch as shown below.



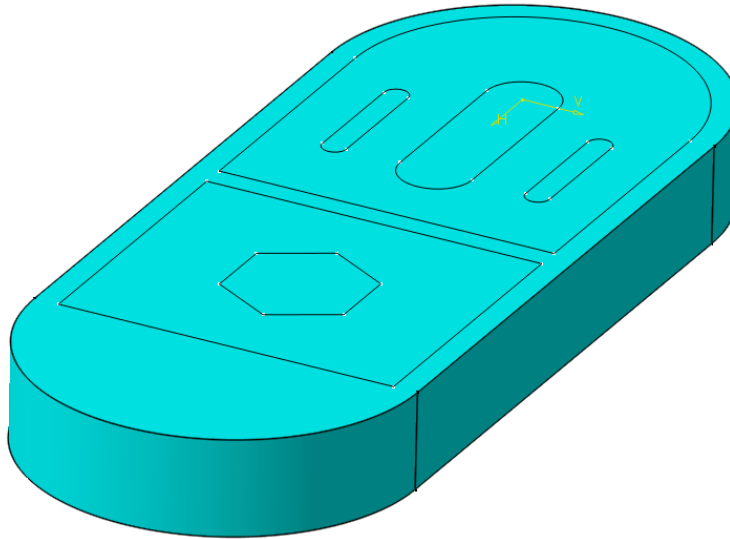
It is normally a better idea to create a separate sketch for each object but there are times when this capability becomes extremely useful, especially when constraining.

Save and close your document.

Multi-Pad and Multi-Pocket

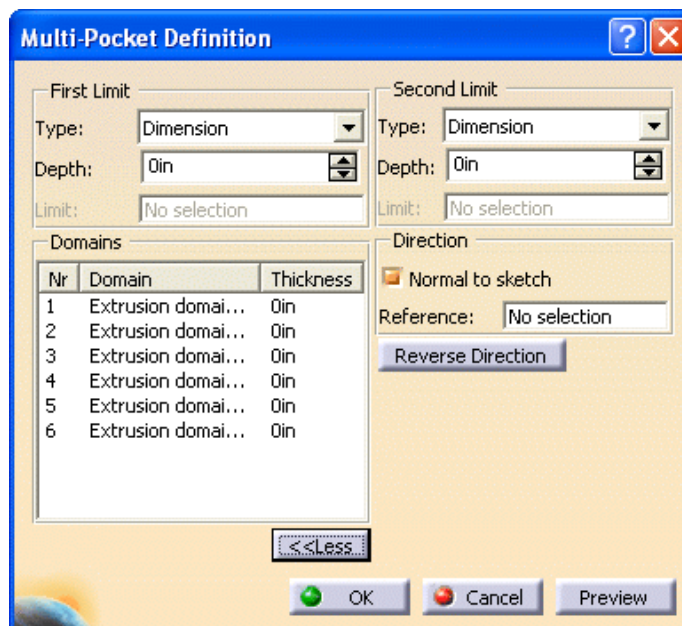
There is another option to creating a pad or pocket with a sketch that contains multiple profiles. Each profile can have its own distance but, instead of using a portion of a sketch for each pocket or pad you can create one pad or pocket using all the different profiles of the sketch. These are referred to a multi-pads or multi-pockets. In this example you will be creating a multi-pocket but both options work very similarly.

Open the Multipocket document and save with your initials. A part should appear with a sketch that contains multiple profiles as shown below.



Select the multi-pocket icon.  This is located under the pocket icon.

Select *Sketch.2*. A *Multi-Pocket Definition* window appears. It is shown below with the *More>>* button selected.



All of the options are the same as they were for a normal pocket except that the *Type* options are limited to *Dimension* only for now. It is expected that additional options will appear here in the future. Notice that all six profiles appear under the *Domains* area. You can select a domain and then specify a *Depth* for that domain. You also have the option of selecting multiple domains and entering the depth only once.

Select the *Extrusion domain.1* from the window. It highlights. You can now enter a depth.

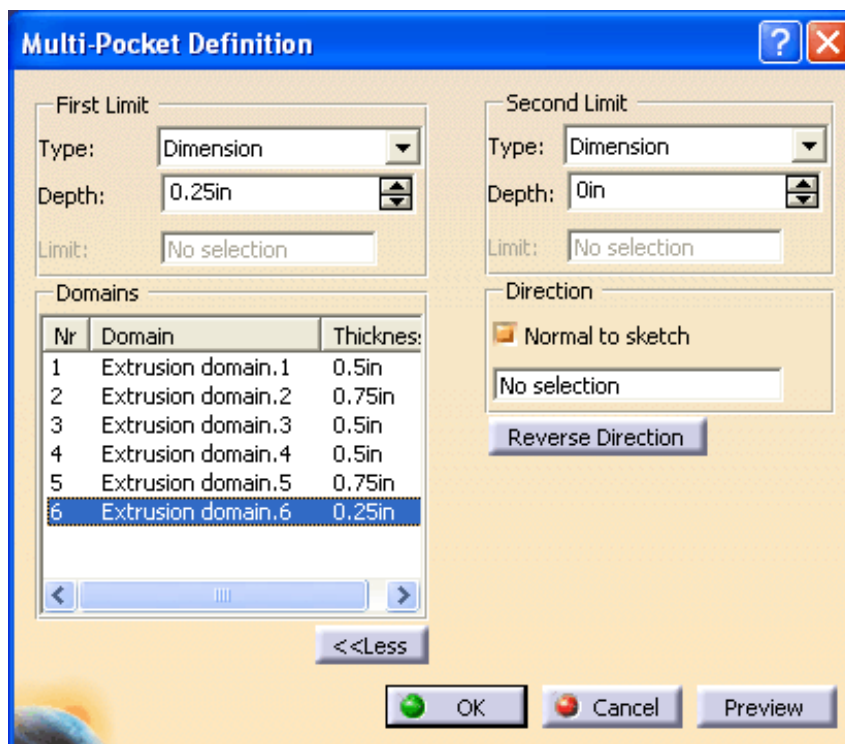
Key in 0.5 for the *Depth*. Do not press the Enter key or it will go ahead and build the pocket.

Select the *Extrusion domain.2* from the window and key in 0.75 for the *Depth*.

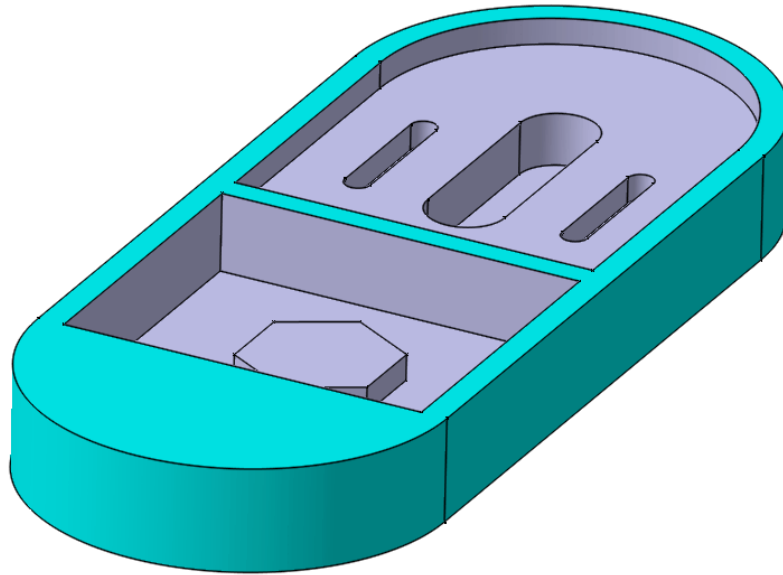
Select the *Extrusion domain.3* and *Extrusion domain.4* from the window. You can do this by holding down the Ctrl key when you select the second domain.

Key in 0.50 for the *Depth*.

Key in 0.75 for the *Depth* of *Extrusion.5* and 0.25 for the *Depth* of *Extrusion.6*. The window should appear similar to the one shown below.



Select OK. The multi-pocket is created. It should appear similar to the one shown below.



Notice that this is different from using multiple profiles to create multiple pads or pockets. This method creates just one multi-pad or multi-pocket using the one sketch. If you make changes to the sketch that was used for the multi-pocket then you will have to modify the multi-pocket.

Save and close your document.



Other available courses

CATIA V5 and ENOVIA

- **CATIA Basic Concepts**
 - **CATIA Part Design & Sketcher**
 - **CATIA Assembly Design**
 - **CATIA Drafting**
 - **CATIA Wireframe & Surfaces**
 - **CATIA Prismatic Machining**
 - **CATIA Surface Machining**
 - **CATIA Fitting Simulation & Kinematics**
 - **CATIA Functional Tolerancing & Annotation**
 - **CATIA Stress Analysis**
 - **ENOVIA DMU Viewer**
 - **ENOVIA LCA Basic Concepts**
 - **ENOVIA LCA Advanced Concepts**
 - **ENOVIA LCA Product Design**
- 

To enroll in any of the above courses, contact us at: (316) 978-3283
toll-free at: 1-800-NIARWSU or email: info@cadcamlab.org