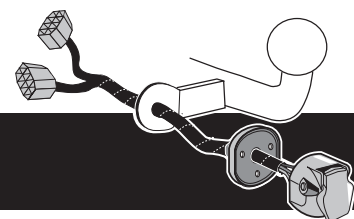




Citroën	C4	<i>Hatchback & Coupé</i>	11/2004→	→11/2010
Citroën	C4	<i>Picasso</i>	10/2006→	→03/2011 DAM 12530
Citroën	C4	<i>Grand Picasso</i>	10/2006→	→03/2011 DAM 12530
Citroën	C5 II	<i>Hatchback & Break</i>	10/2004→	→08/2008 DAM 10174
Citroën	C5 III	<i>Sedan & Tourer</i>	03/2008→	→DAM 11922
Citroën	C6		2006→	
Citroën	C8	<i>Full Can</i>	11/2005→	
Citroën	Berlingo		04/2008→	
Citroën	Jumpy		01/2007→	
Peugeot	307	<i>Hatchback & SW</i>	2005→	
Peugeot	308	<i>Hatchback & SW</i>		→DAM 11680
Peugeot	3008			→DAM 12075
Peugeot	407	<i>Sedan & SW</i>	2004→	→08/2008
Peugeot	407	<i>Coupé</i>	2006→	
Peugeot	807	<i>Full Can</i>	11/2005→	
Peugeot	5008		2009→	→10/2010
Peugeot	Expert		01/2007→	
Peugeot	Partner		04/2008→	
Fiat	Scudo		01/2007→	
Fiat	Ulysse		01/2007→	
Lancia	Phedra		01/2007→	
Toyota	Pro Ace		2013→	



Partnr.: PE-059-B1U

- Fitting instructions electric wiring kit tow bar with 12-N socket up to DIN/ISO Norm 1724.
- We would expressly point out that assembly not carried out properly by a competent installer will result in cancellation of any right to damage compensation, in particular those arising by virtue of the product liability act.
- Contents of these kits and their fitting manuals are subject to alteration without notice, please ensure that these instructions are read and fully understood before commencing installation.
- Do not overload circuits; the maximum loads per connection are detailed in this manual.
- Attention! Before Installation, please read this manual carefully and inform your customer to consult the vehicle owners manual to check for any vehicle modifications required before towing.
- In the event of functional problems, troubleshooting must be limited to about 0.5 hours, contact the installers support: customercare@ecs-electronics.com / 00800 22 55 23 27.



**00800
22 55 23 27
CALL2ECS**

Monday - Friday
08.00am - 11.00am
12.00am - 05.00pm GMT
customercare@ecs-electronics.com
www.ecs-electronicsuk.co.uk

need help?



00800 - 2255 2 327
Monday - Friday
08.00am - 11.00am
12.00am - 05.00pm GMT **CALL 2 ECS**

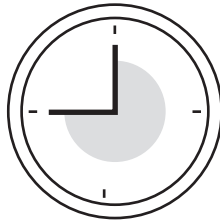
www.ecs-electronicsuk.co.uk



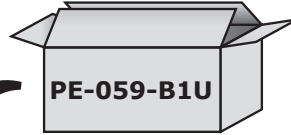
CANfinder®

LIGHT MATE

INDEX



30 - 45 min.



1

2

3

2

4

2

5

2

6

2

7 OPTION

2

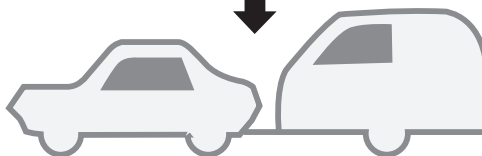
8

INFO FUSE

TEST

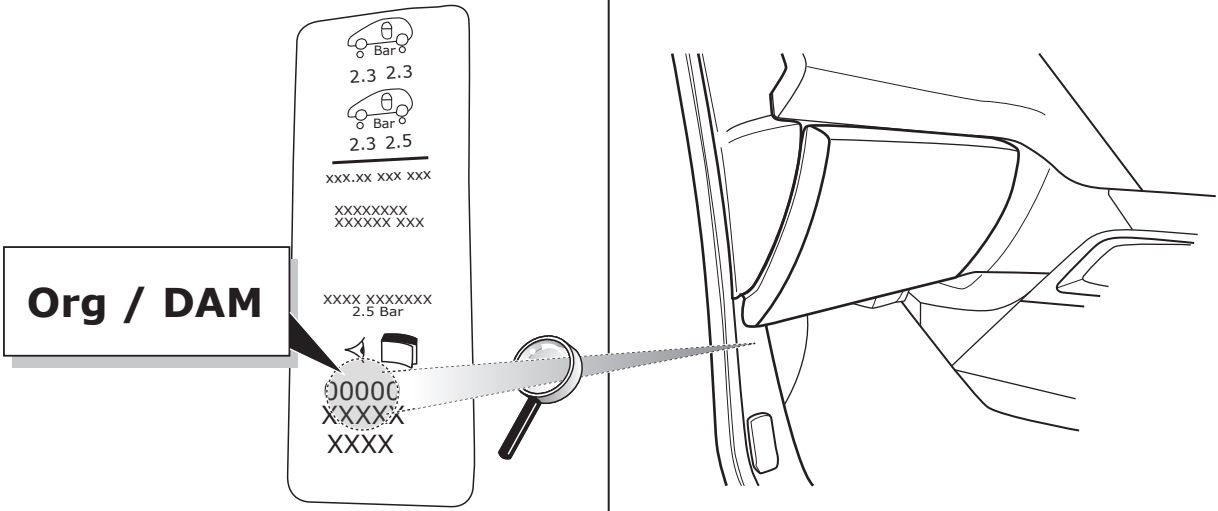
7 OPTION

-
- 3
- 4
- 5
- 6
- 7 OPTION
- 8

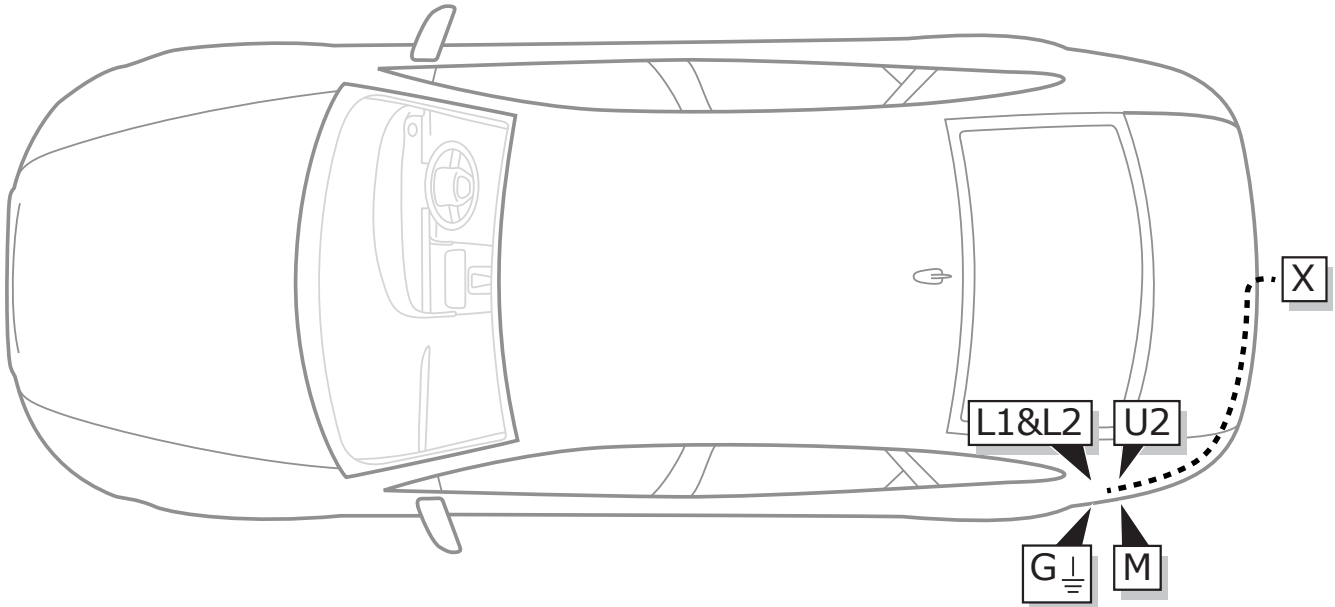


1

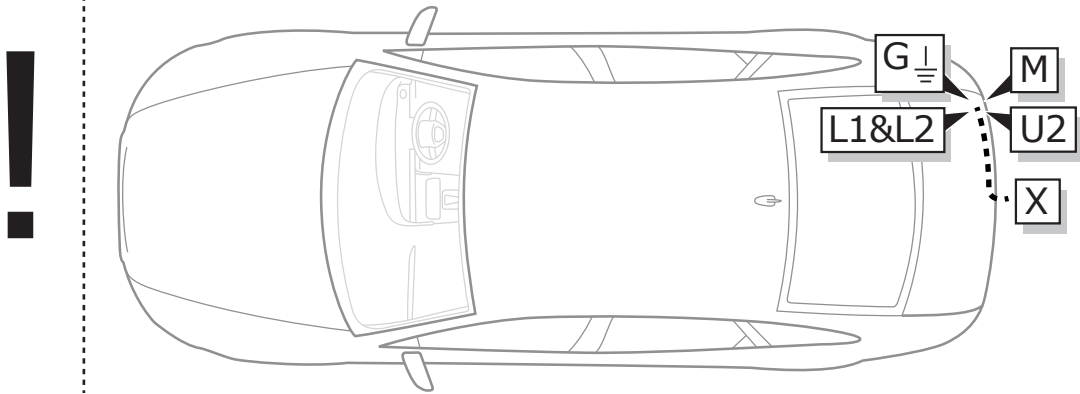
INFO



ROUTING

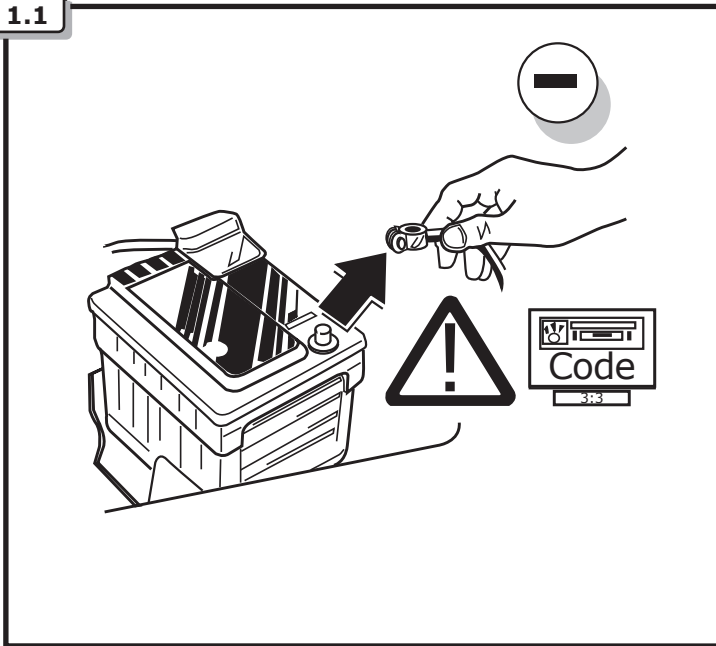


Peugeot 307 Hatchback & Citroën C4 HB & Coupé

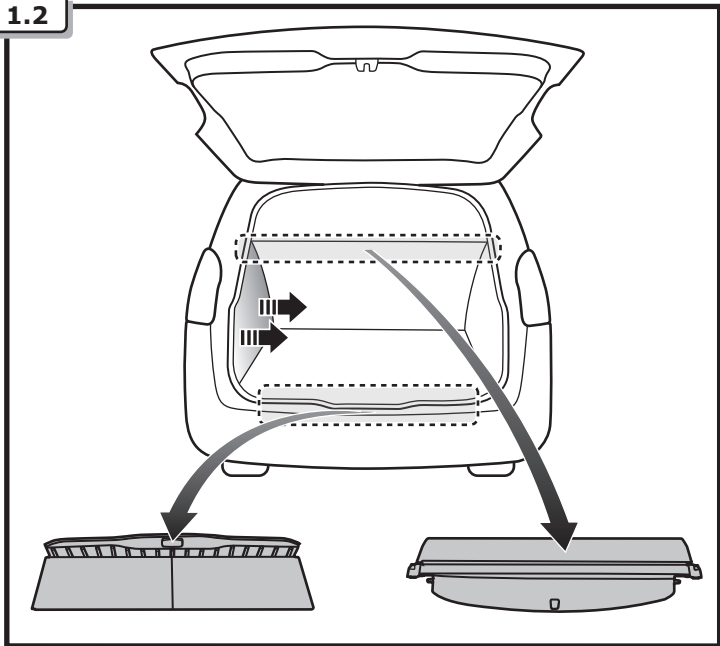


1

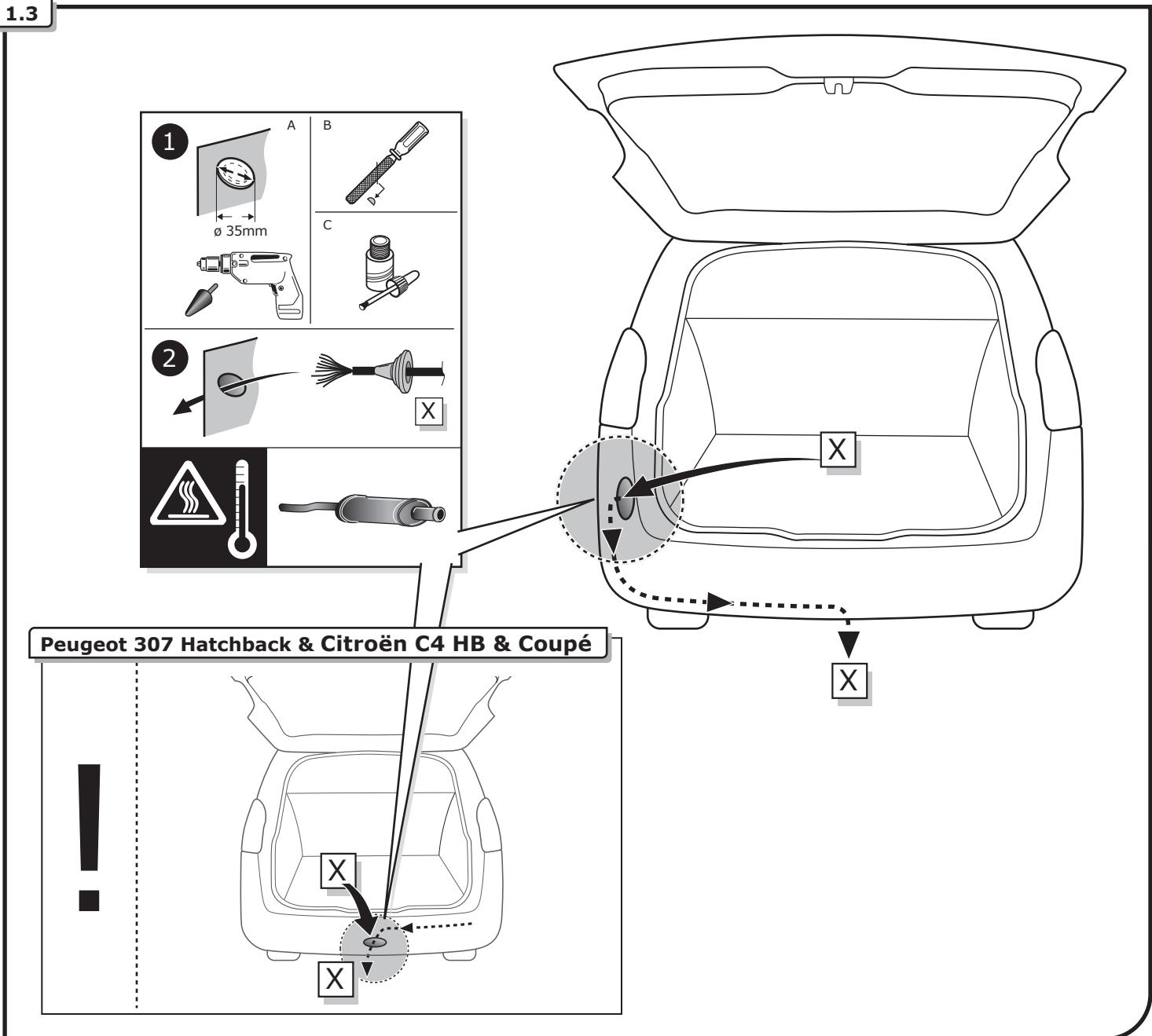
1.1



1.2

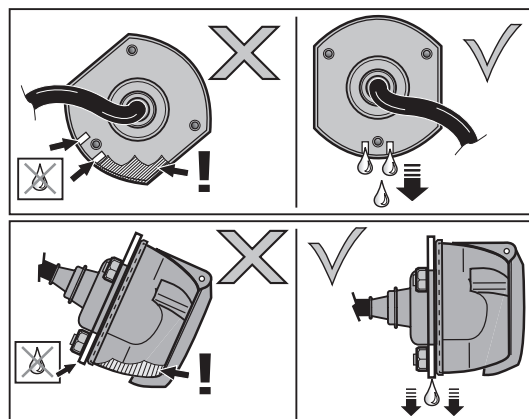
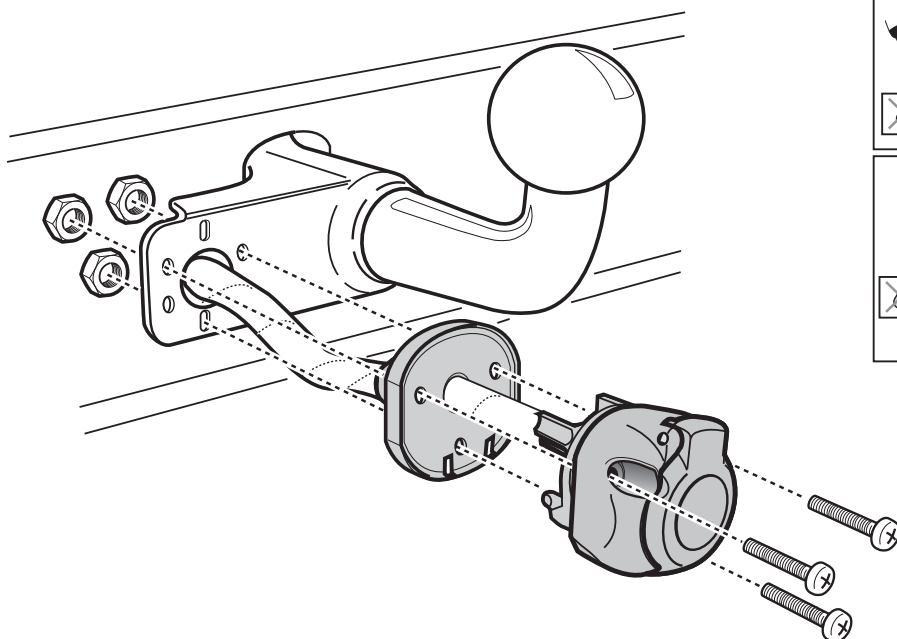
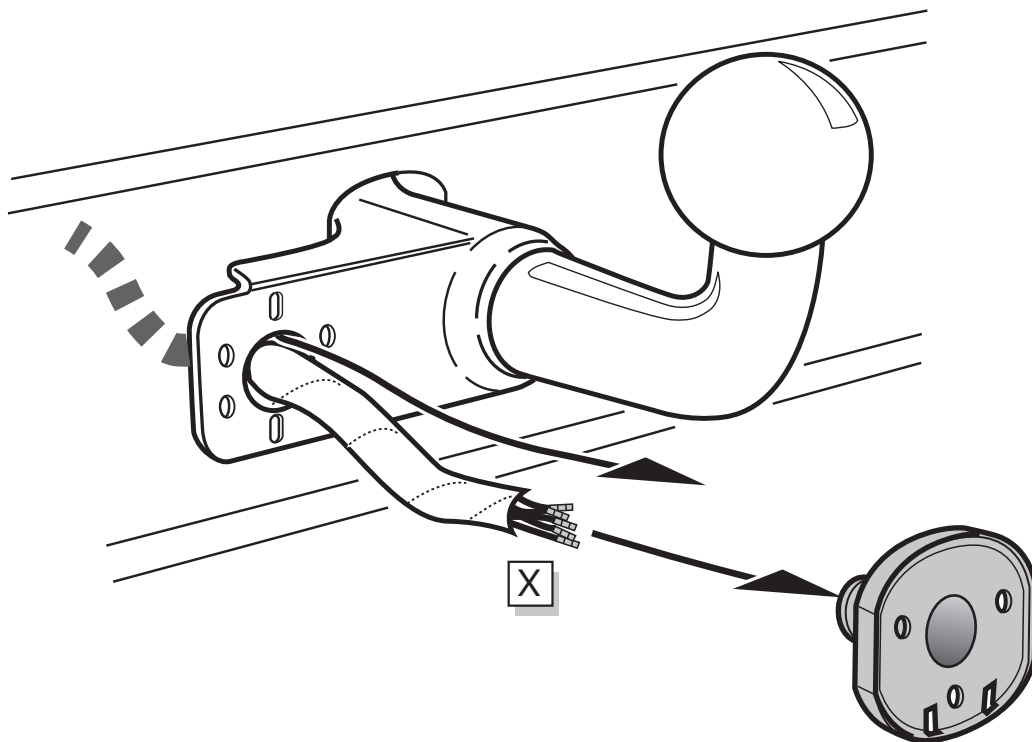


1.3



1

1.4



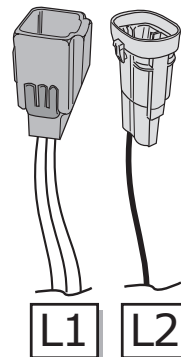
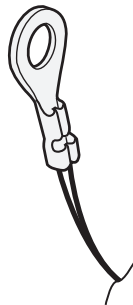
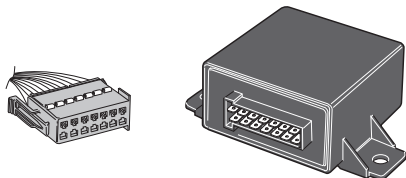
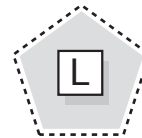
SOCKET CONNECTION



Pag. 39

2

2 INFO



2 INDEX CHECKLISTS MODELS

2.1	Citroën C4 Hatchback & Coupé	pag. 8
2.2	Citroën C4 Picasso	pag. 9
2.3	Citroën C4 Grand Picasso	pag. 9
2.4	Citroën C5 Hatchback II	pag. 9
2.5	Citroën C5 Break II	pag. 10
2.6	Citroën C5 III & Tourer III	pag. 10
2.7	Citroën C6	pag. 10
2.8	Peugeot Expert & Citroën Jumpy & Fiat Scudo & Toyota Pro Ace	pag. 11
2.9	Peugeot 307 Break & SW	pag. 11
2.10	Peugeot 307 Hatchback	pag. 11
2.12	Peugeot 308	pag. 12
2.12	Peugeot 308 SW	pag. 12
2.13	Peugeot 3008	pag. 12
2.14	Peugeot 407 Sedan	pag. 13
2.15	Peugeot 407 SW	pag. 13
2.16	Peugeot 407 Coupé	pag. 13
2.17	Peugeot 5008	pag. 14
2.18	Peugeot 807 & Citroën C8 & Fiat Ulysse & Lancia Phedra	pag. 14
2.19	Peugeot Partner & Citroën Berlingo	pag. 14

2.1 Citroën C4 Hatchback & Coupé

3

4.1 06-2008 → (DAM 11558)

4.3 → 05-2008 (DAM 11557)

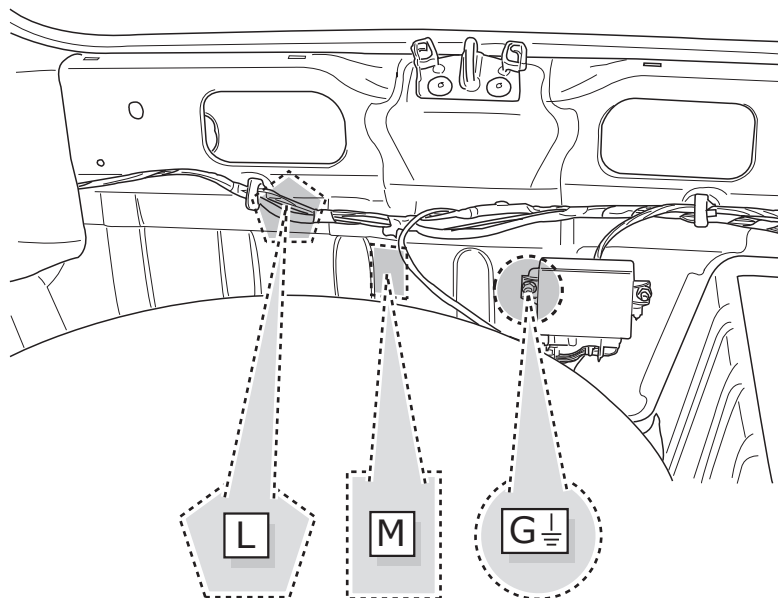
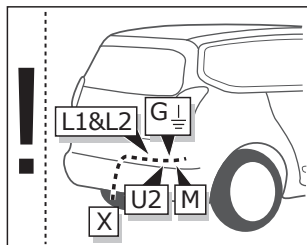
5.1

5.2


6

7 OPTION

8



2.2 Citroën C4 Picasso



3

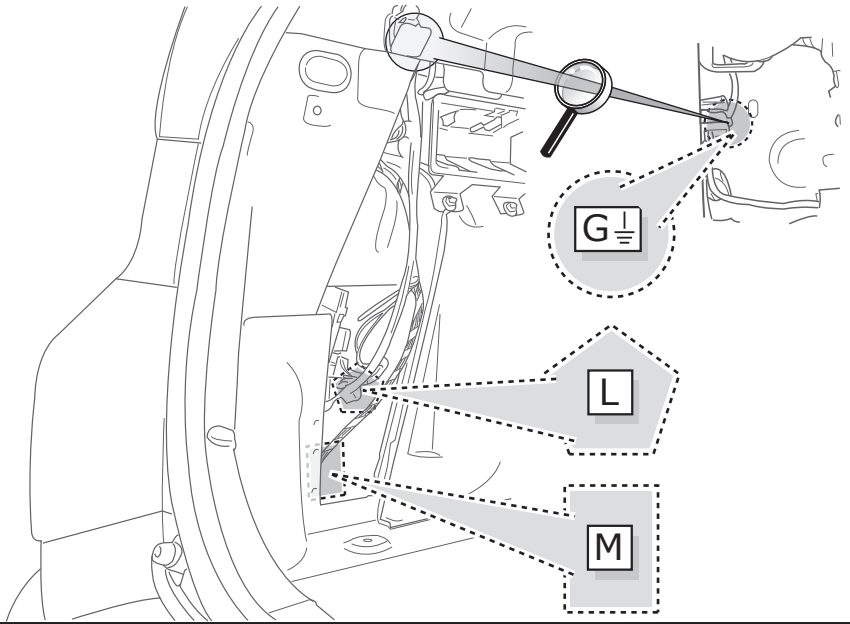
4

5.4


6

7 OPTION

8



2.3 Citroën C4 Grand Picasso



3

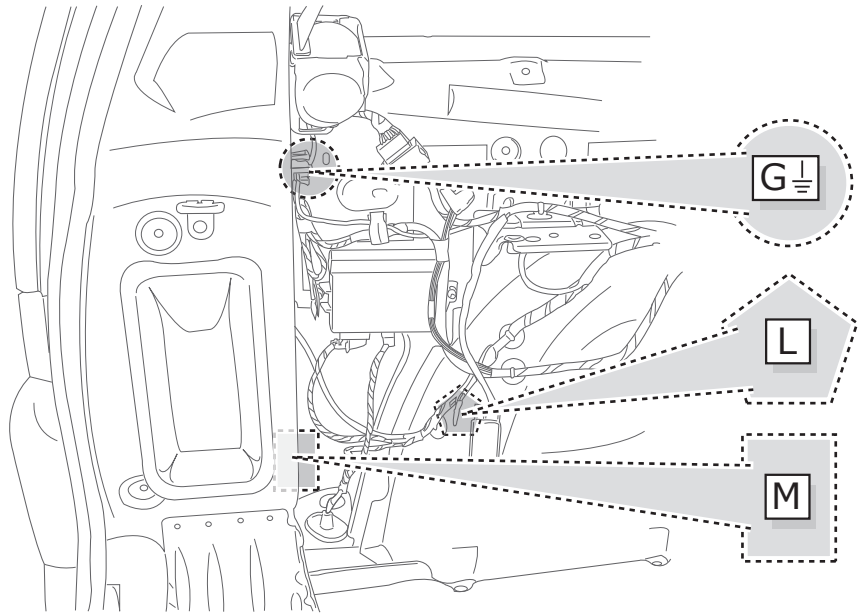
4

5.5


6

7 OPTION

8




2.4 Citroën C5 Hatchback II



3

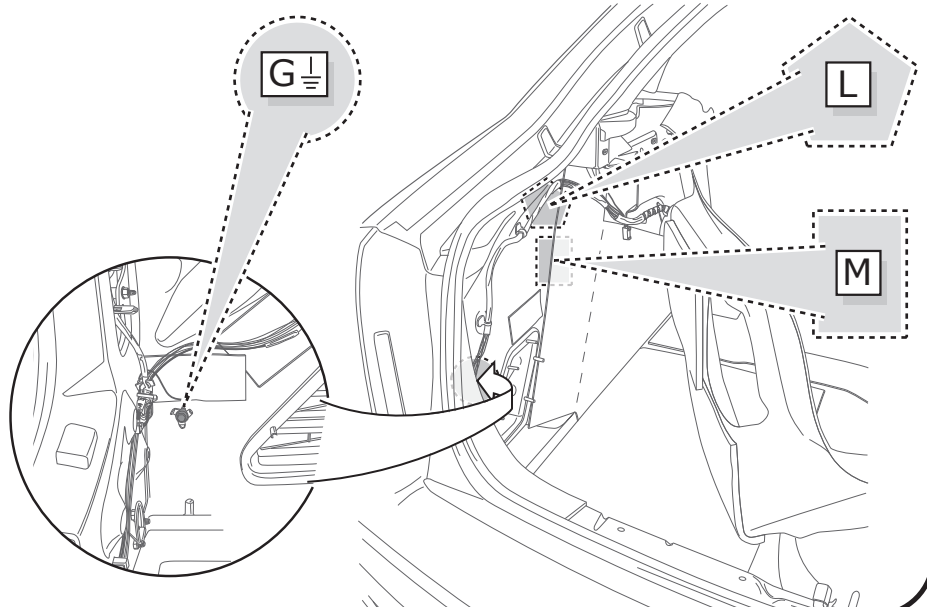
4

5 


6

7 OPTION

8




2.5 Citroën C5 Break II



3

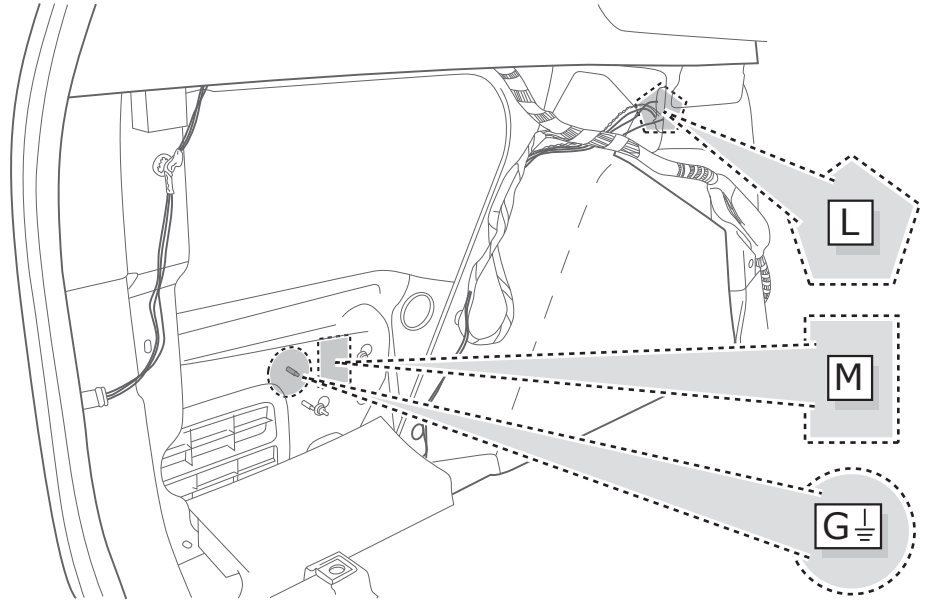
4

5 


6

7 OPTION

8

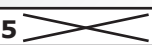


2.6 Citroën C5 III & Tourer III



3

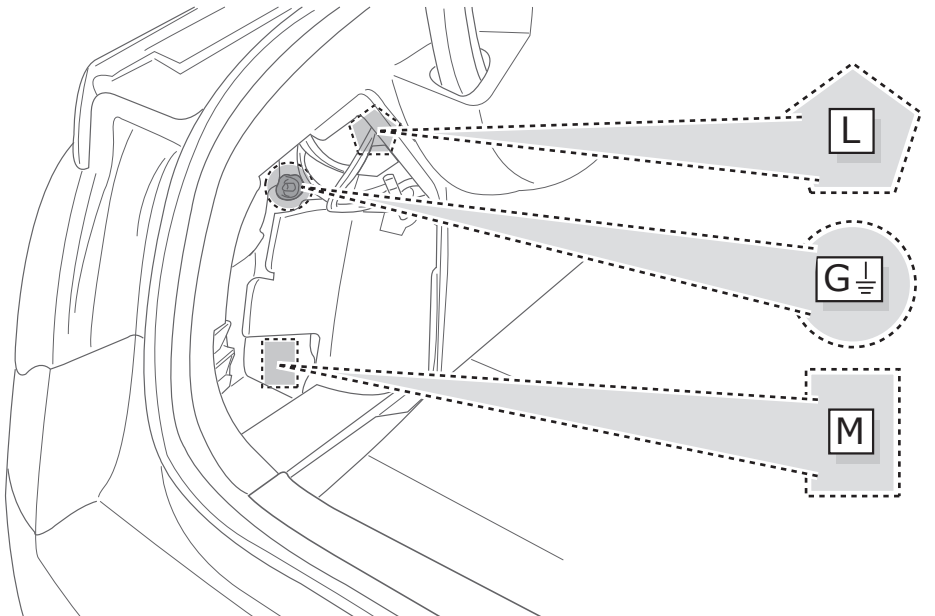
4.1

5 


6

7 OPTION

8




2.7 Citroën C6



3

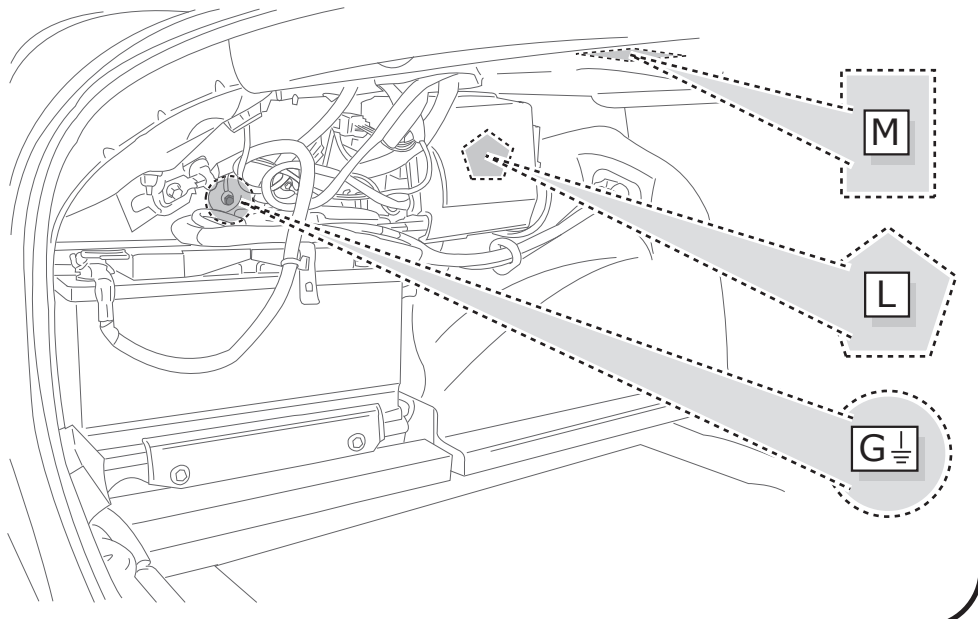
4.4

5 


6

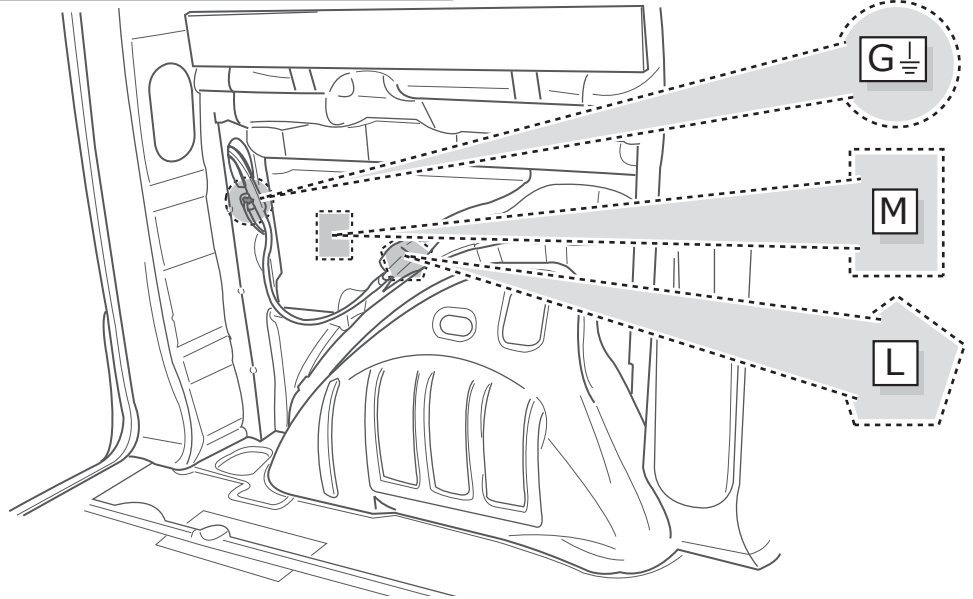
7 OPTION

8




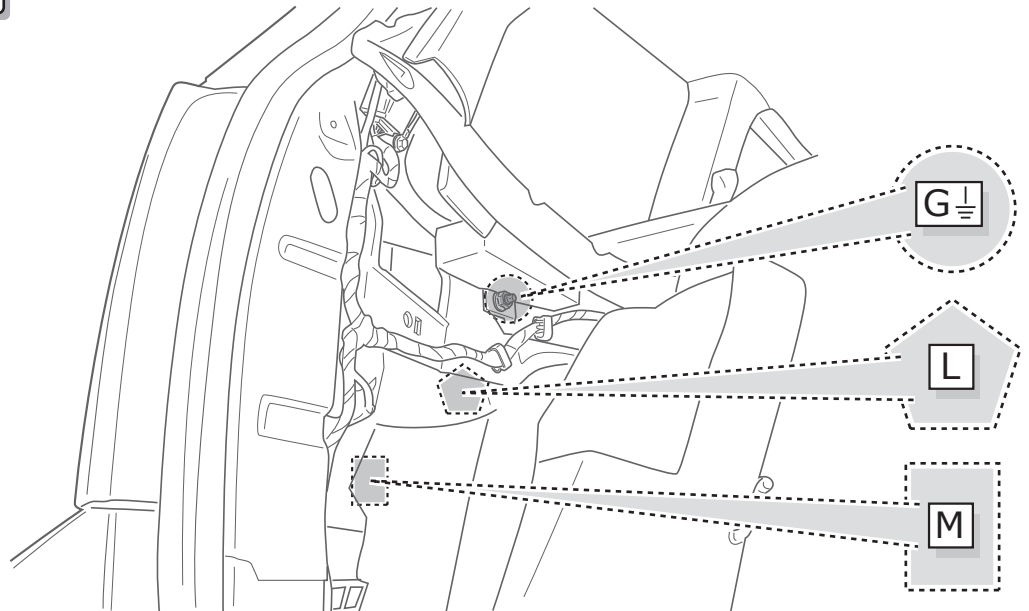
2.8 Peugeot Expert & Citroën Jumpy & Fiat Scudo & Toyota Pro Ace

- 
- 3
- 4.1
- 5.3
- 6
- 7 OPTION
- 8




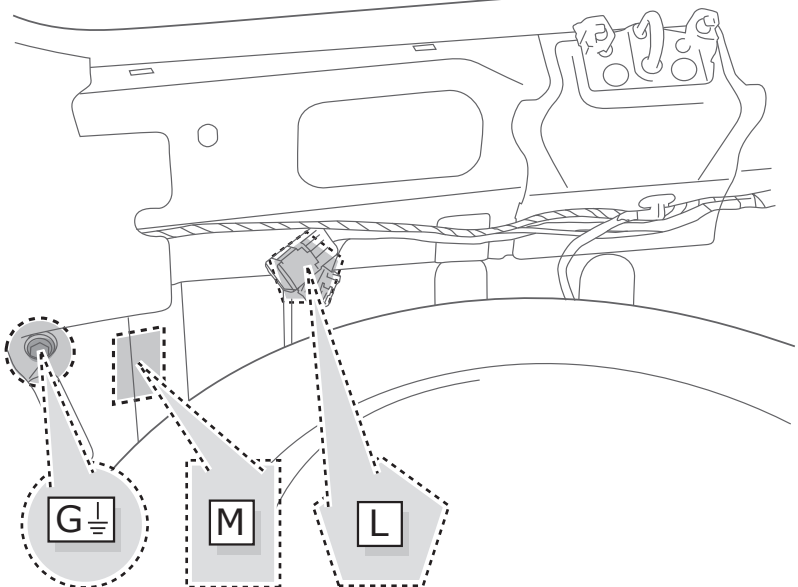
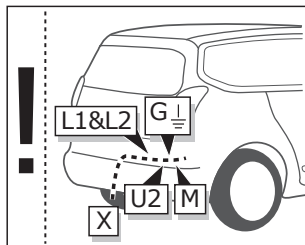
2.9 Peugeot 307 Break & SW

- 
- 3
- 4.1
- 5.1
- 5.2
- 6
- 7 OPTION
- 8




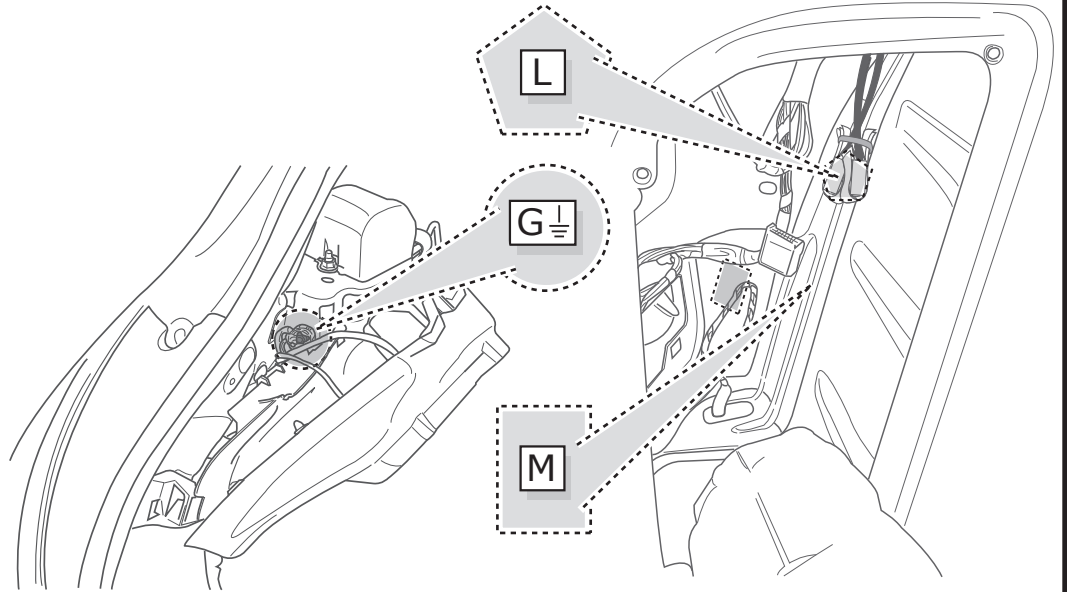
2.10 Peugeot 307 Hatchback

- 
- 3
- 4.1
- 5.1
- 5.2
- 6
- 7 OPTION
- 8




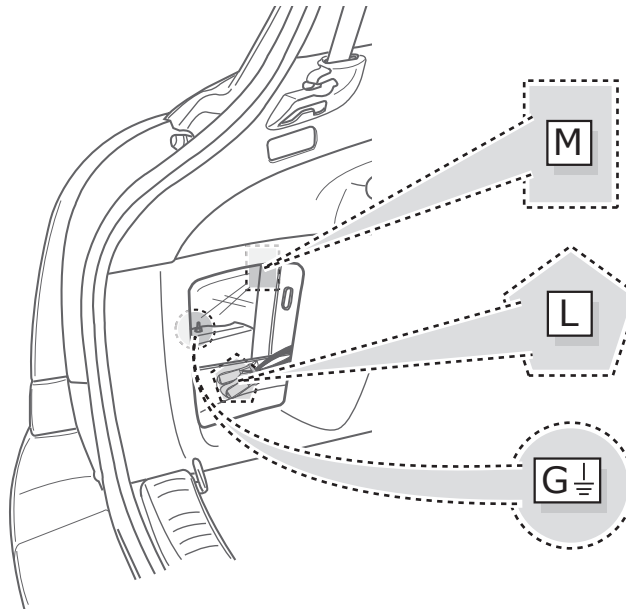
2.11 Peugeot 308

- 
- 3
- 4.1
- 5.1
- 5.2
- 6
- 7 OPTION
- 8




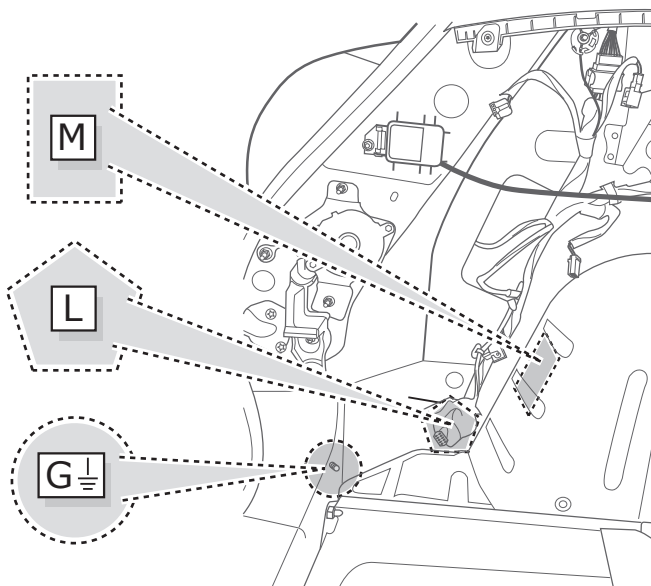
2.12 Peugeot 308 SW

- 
- 3
- 4.1
- 5.1
- 5.2
- 6
- 7 OPTION
- 8




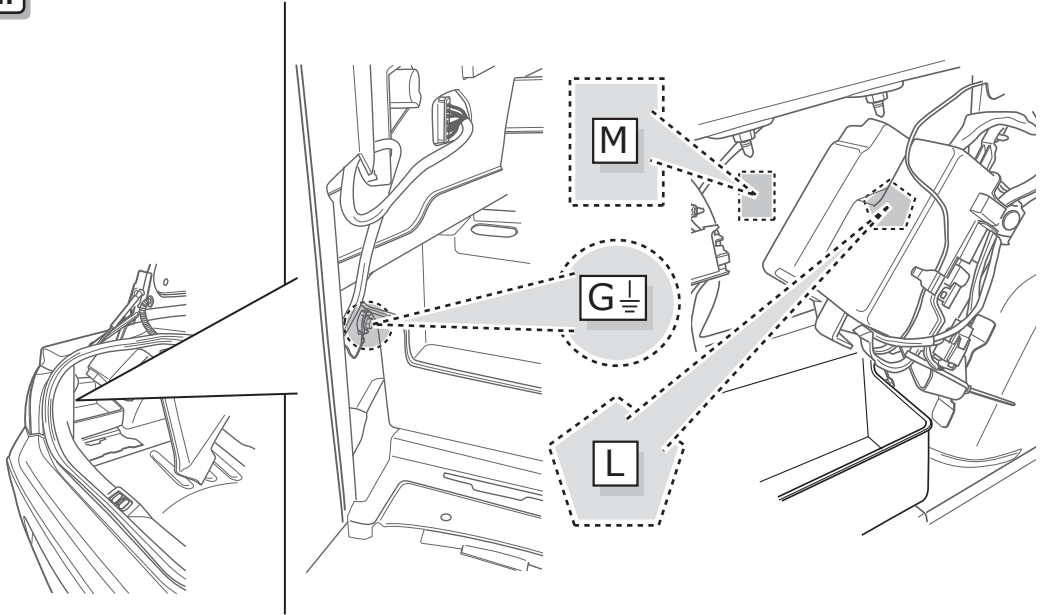
2.13 Peugeot 3008

- 
- 3
- 4.1
- 5.2
- 6
- 7 OPTION
- 8




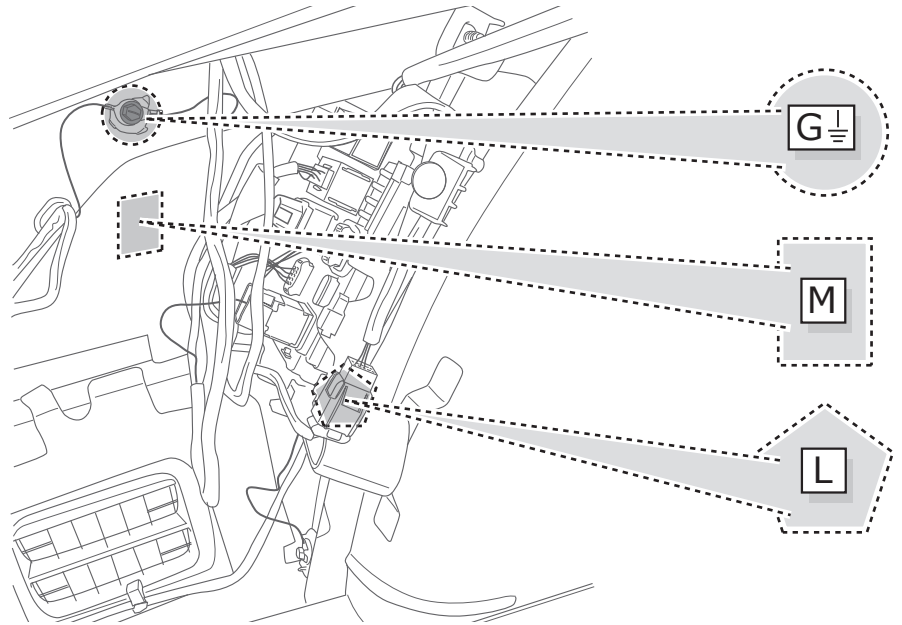
2.14 Peugeot 407 Sedan

- 
- 3
- 4
- 5.6
- 6
- 7 OPTION
- 8




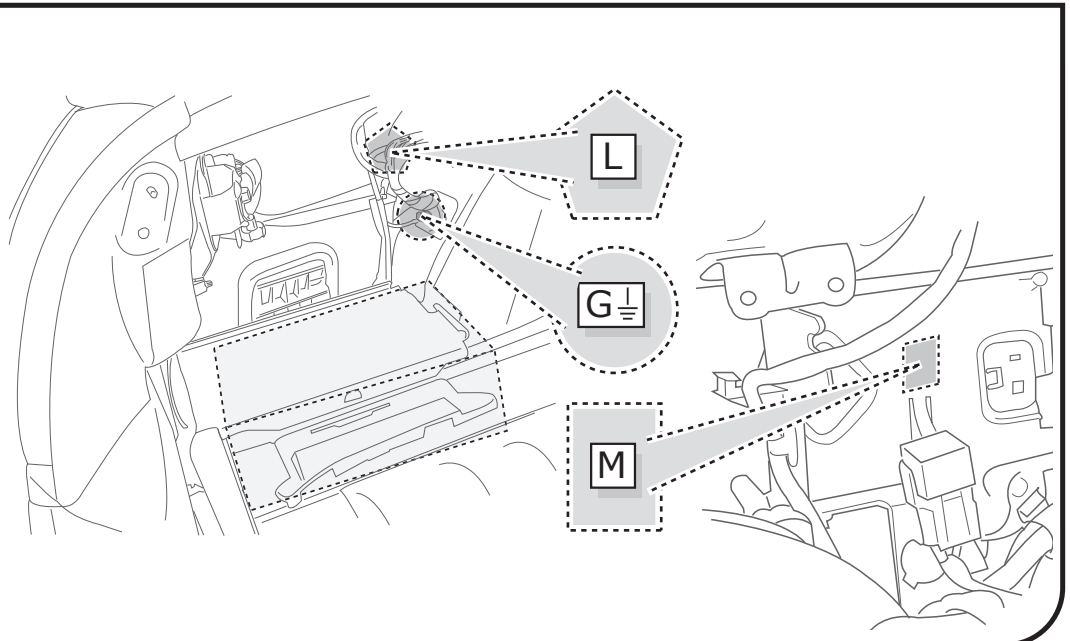
2.15 Peugeot 407 SW

- 
- 3
- 4
- 5.6
- 6
- 7 OPTION
- 8



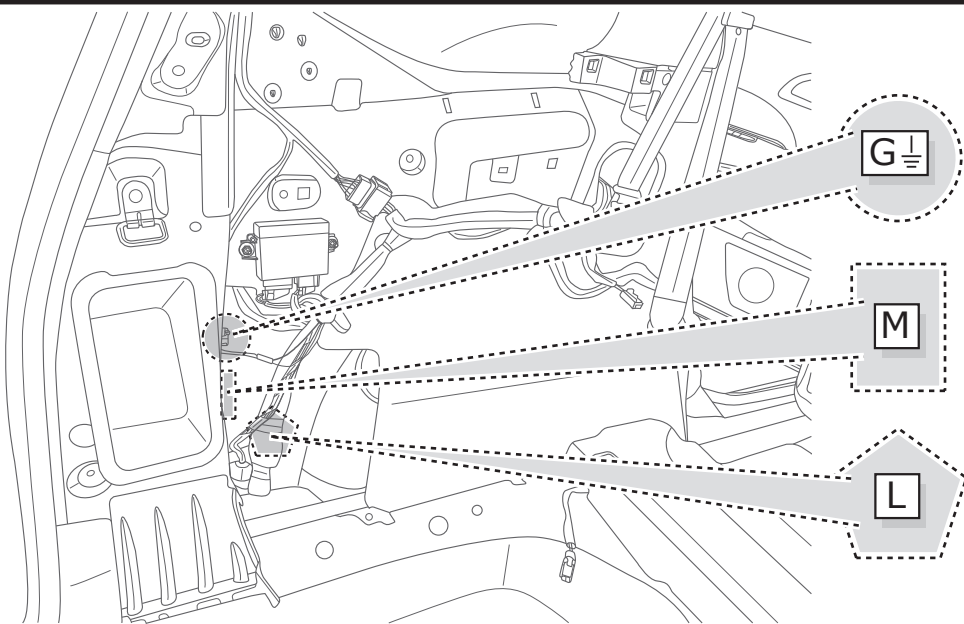
2.16 Peugeot 407 Coupé

- 
- 3
- 4
- 5.7 >|06-2007
- 5.6 06-2007|>
- 6
- 7 OPTION
- 8



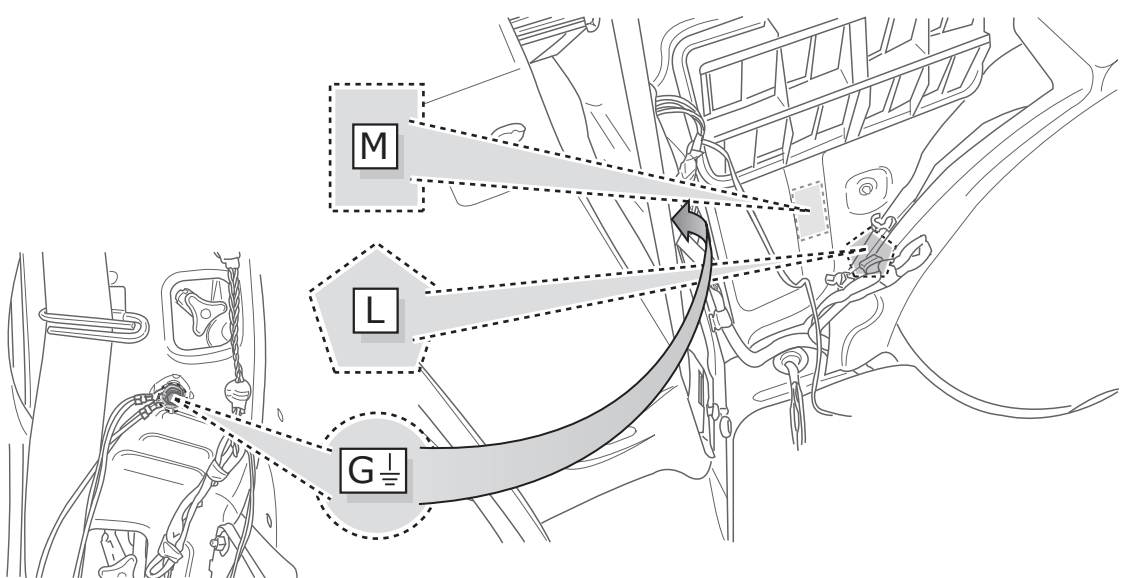
2.17 Peugeot 5008

-
- 3
- 4.1
- 5.2
- 5.5
- 6
- 7 OPTION
- 8



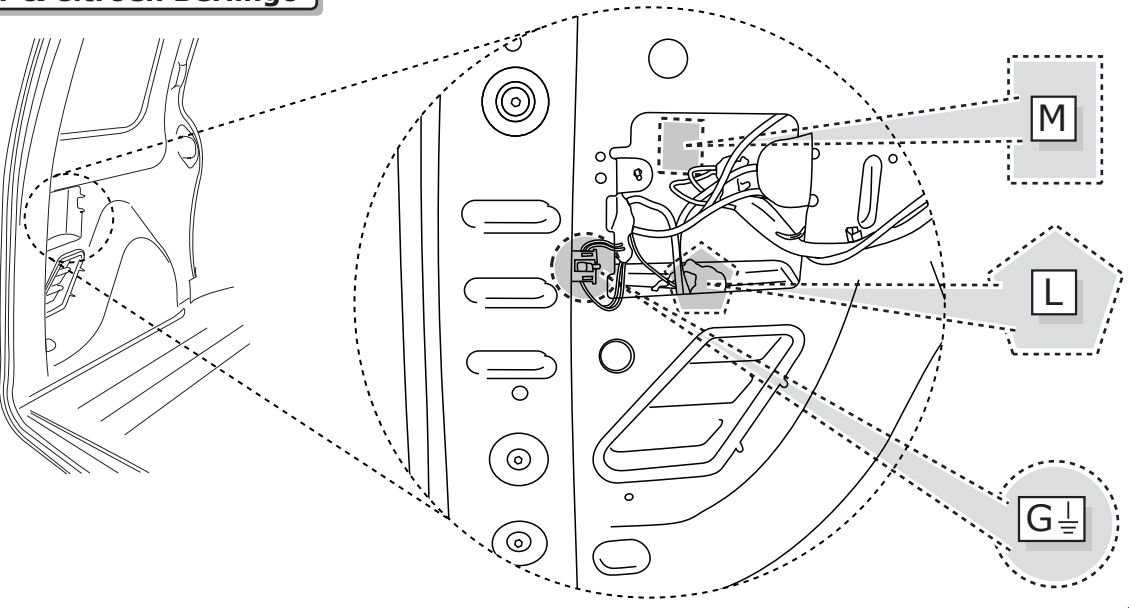
2.18 Peugeot 807 & Citroën C8 & Fiat Ulysse & Lancia Phedra

-
- 3
- 4.1
- 5.3
- 6
- 7 OPTION
- 8



2.19 Peugeot Partner & Citroën Berlingo

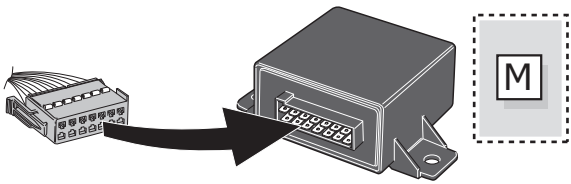
-
- 3
- 4.1
- 4.5
- 5.2
- 6
- 7 OPTION
- 8



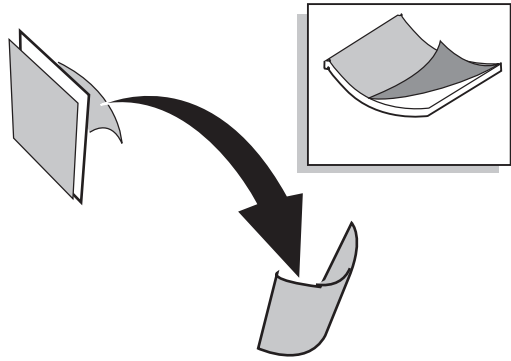
3



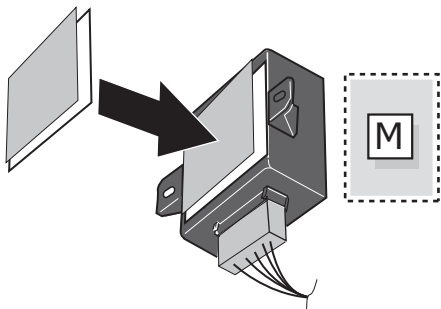
3



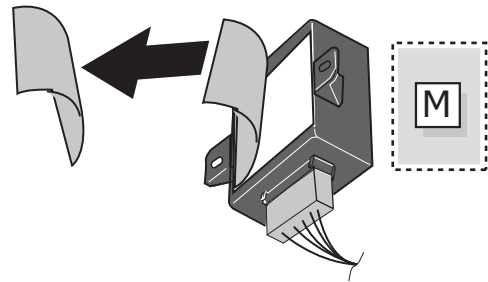
1



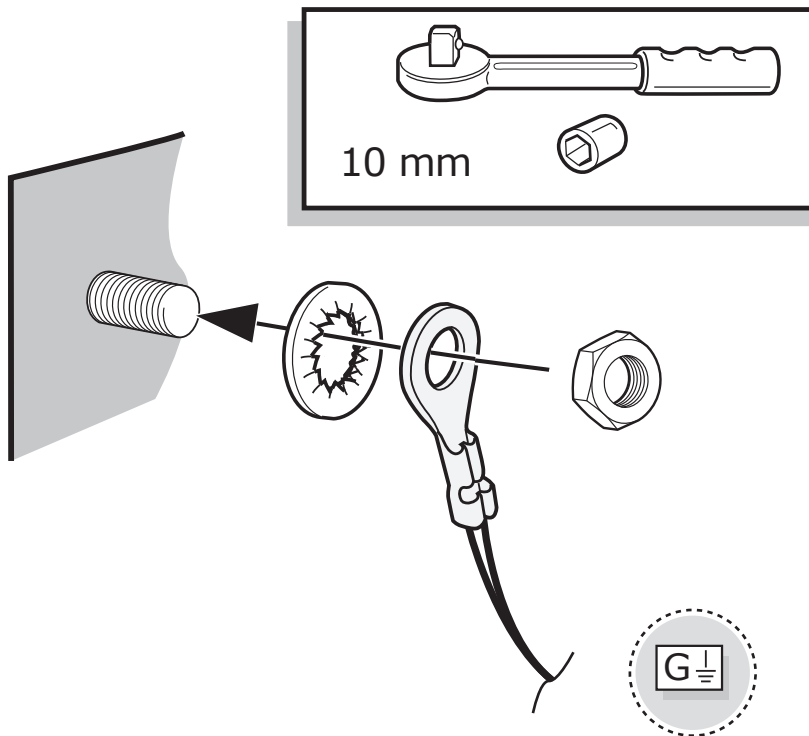
2



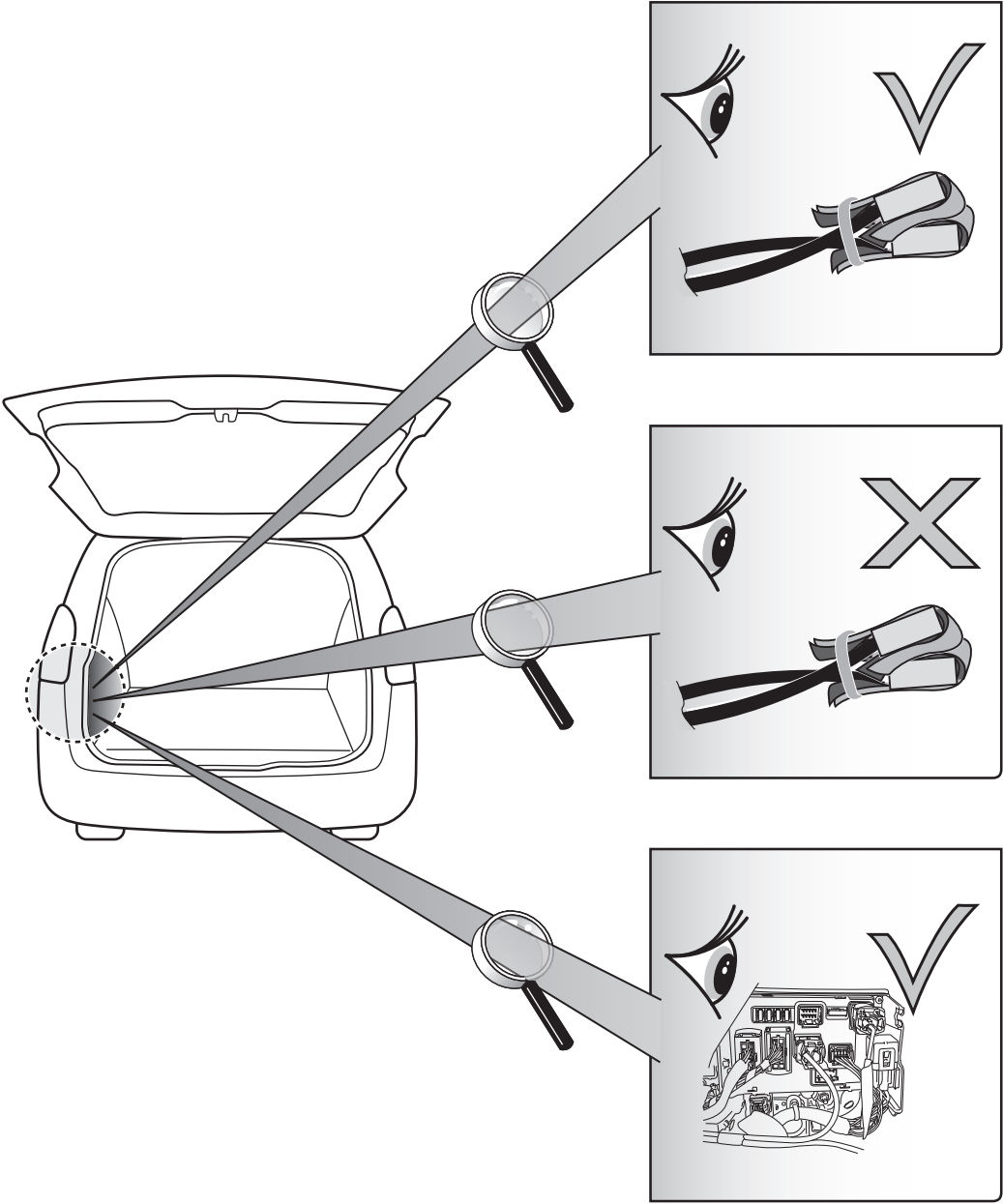
3



4



2



4.1
Pag. 17

4.3
Pag. 19

4.4
Pag. 20

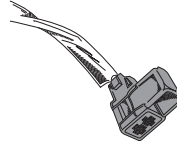
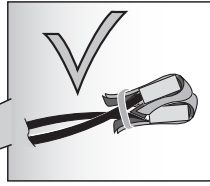
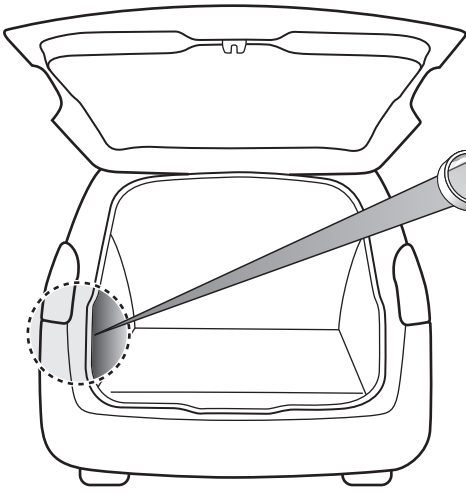
Citroën C4 (Grand) Picasso:

Org / DAM -11557
4.3
Pag. 19

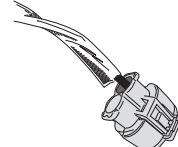
Org / DAM 11558-
4.1
Pag. 17

4.1

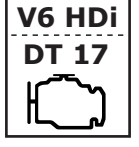
4.1



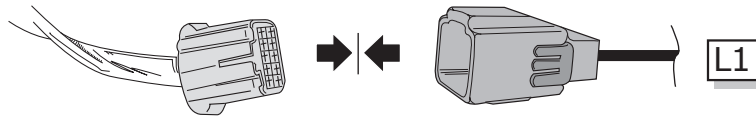
OPTION A



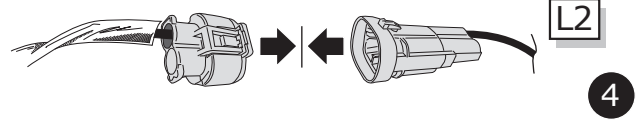
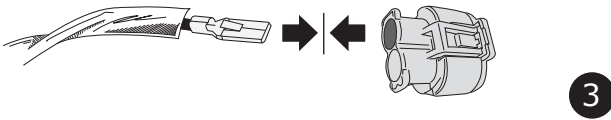
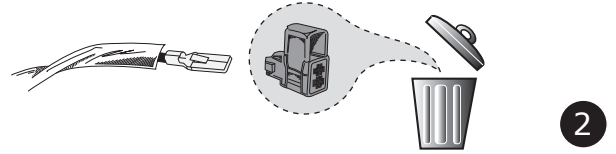
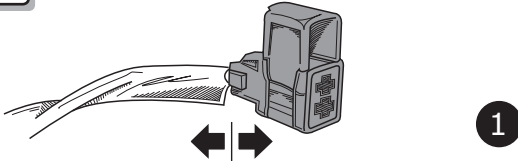
OPTION B



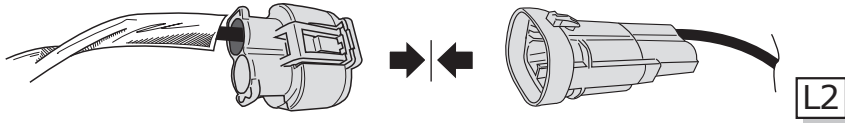
OPTION C



4.1 OPTION A

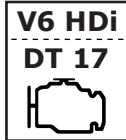


4.1 OPTION B



4.1 OPTION C

Peugeot 407 Sedan
 Peugeot 407 SW
 Peugeot 407 Coupé
 Citroën C5
 Citroën C5 Break
 Citroën C5 Tourer



4.2



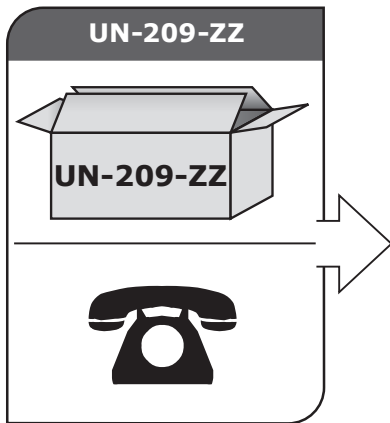
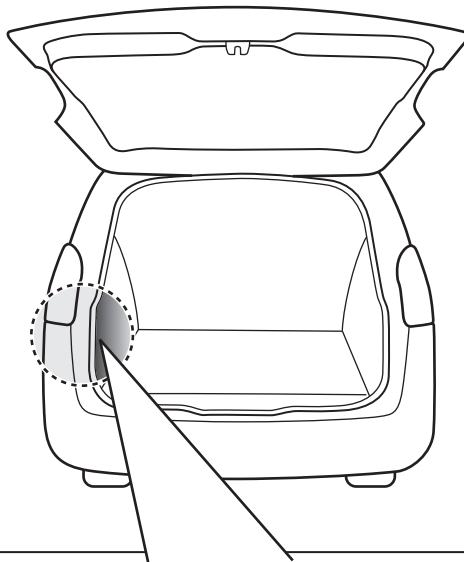

Pag. 18

4.2

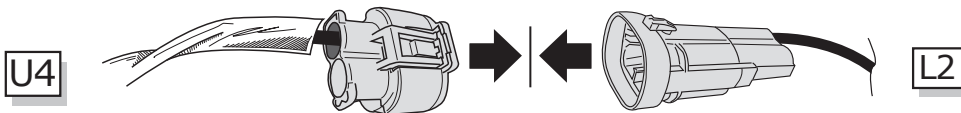
4.2

Peugeot 407 Sedan
Peugeot 407 SW
Peugeot 407 Coupé
Citraën C5
Citraën C5 Break
Citraën C5 Tourer

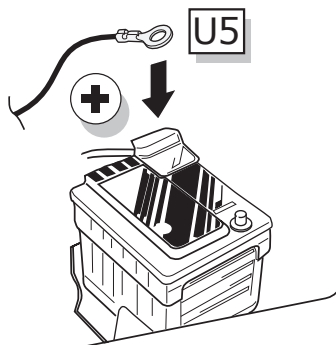
V6 HDi
DT 17



Consult your supplier.



1



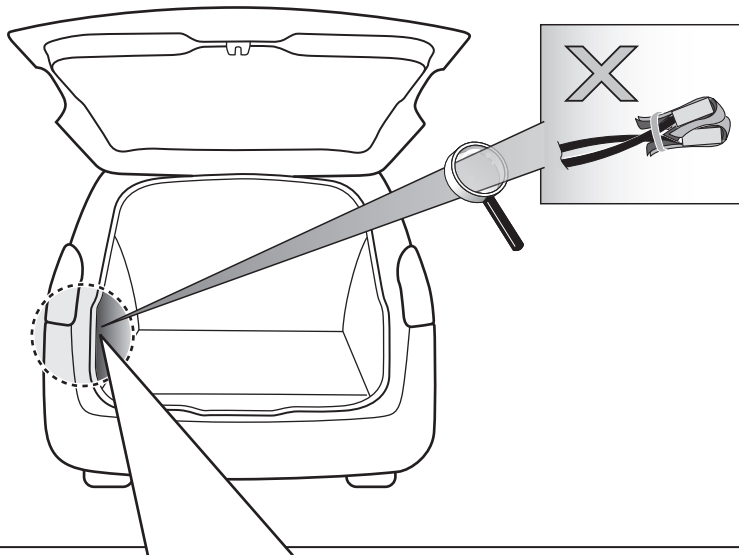
2



4.3



4.3



1x
1x

L2

+30
⇒ Ø 5 mm²

White
code:BF16
C4 Picasso

White/Grey
code:BH38 BH40
C4 HB & Coupé

1

L1

L1

3x

2

1

2

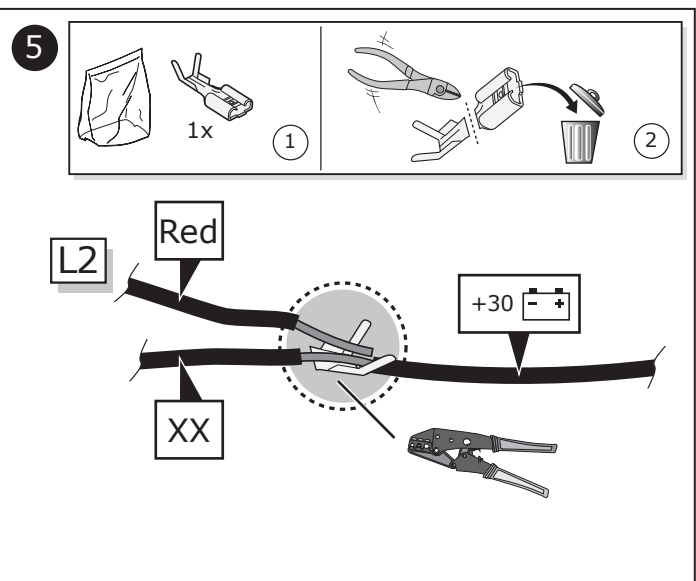
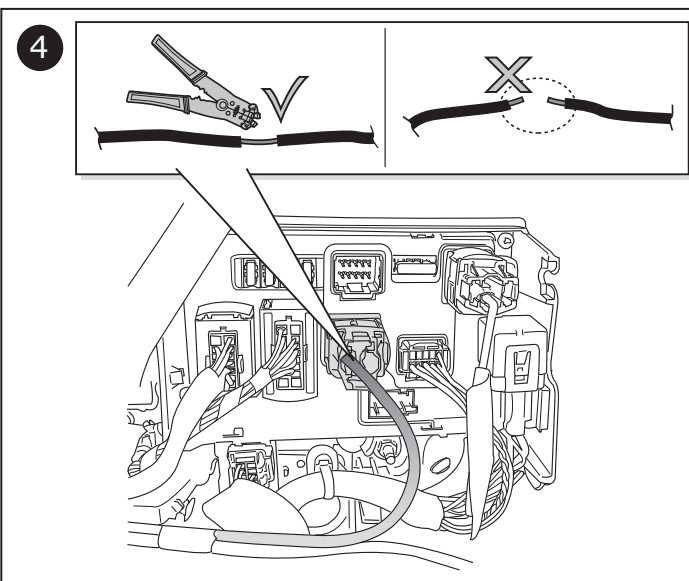
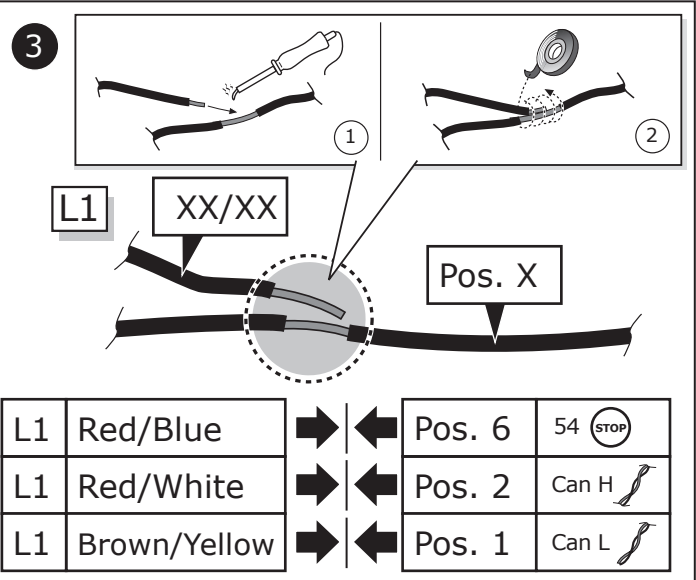
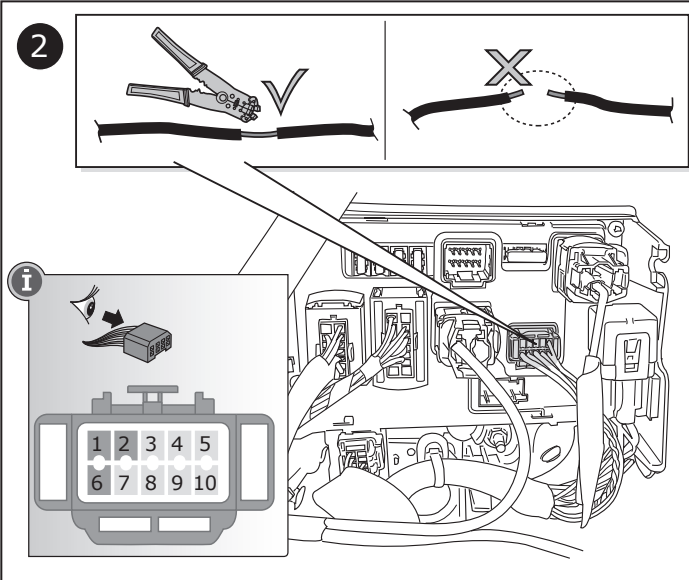
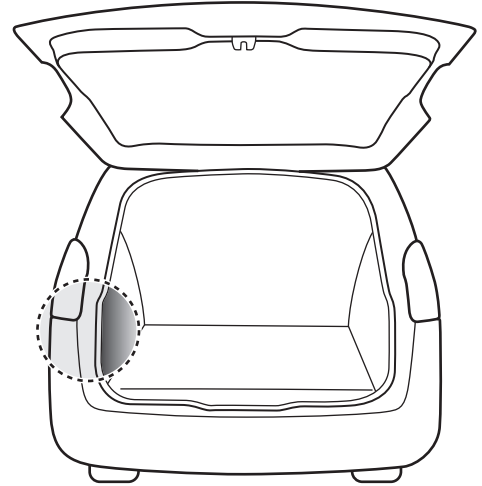
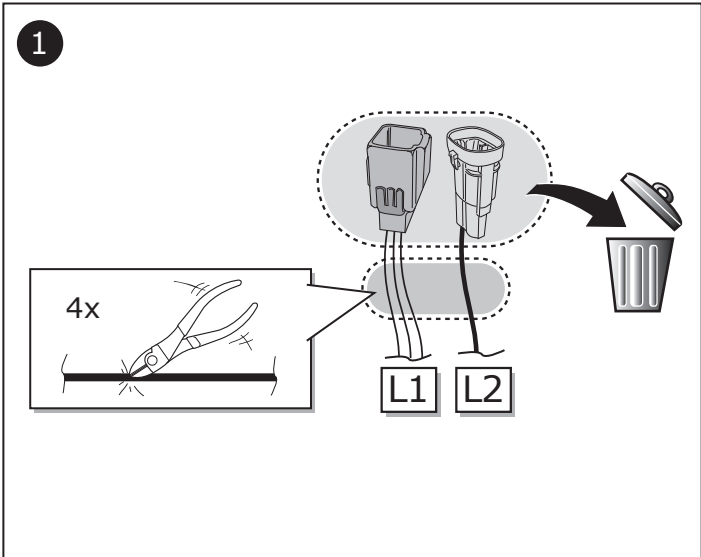
	54	code: 210	⇒ Ø 0.5 mm ²	Yellow	Yellow	⇌	L1	Red/Blue
	Can H	code: 9017	⇒ Ø 0.35 mm ²	Red	Red/Grey	⇌	L1	Red/White
	Can L	code: 9018	⇒ Ø 0.35 mm ²	Brown	Brown/Yellow	⇌	L1	Brown/Yellow
				C4 Picasso	C4 HB & Coupé			

3



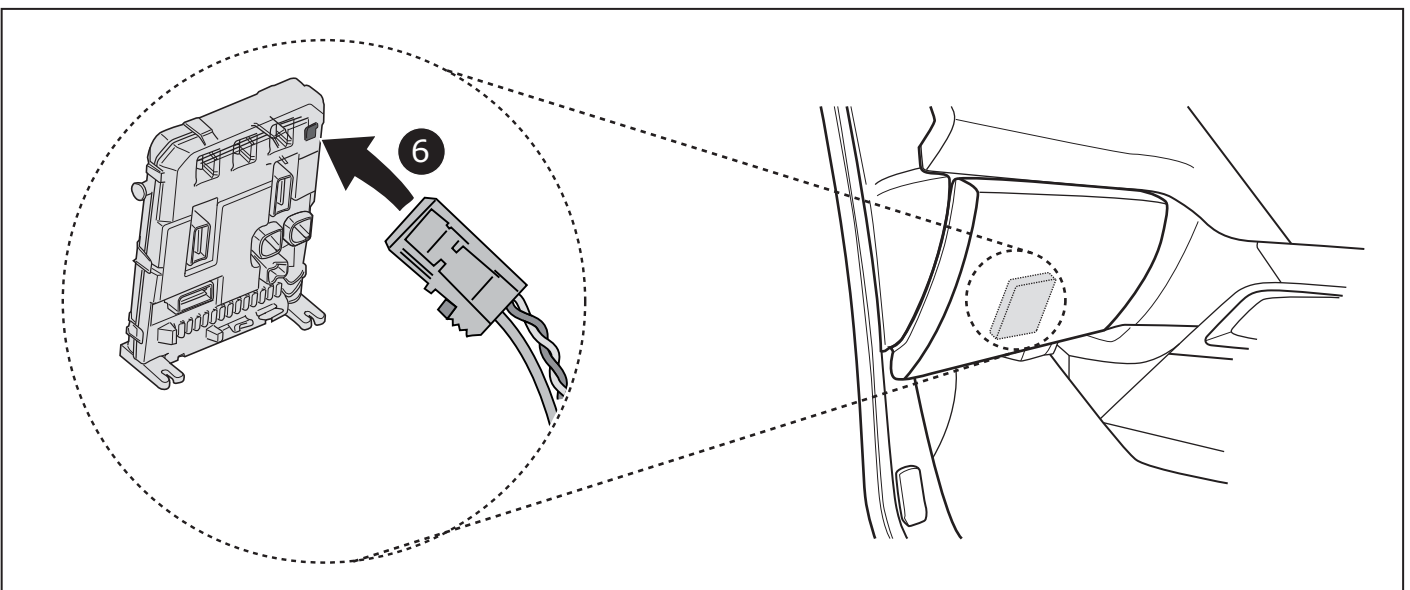
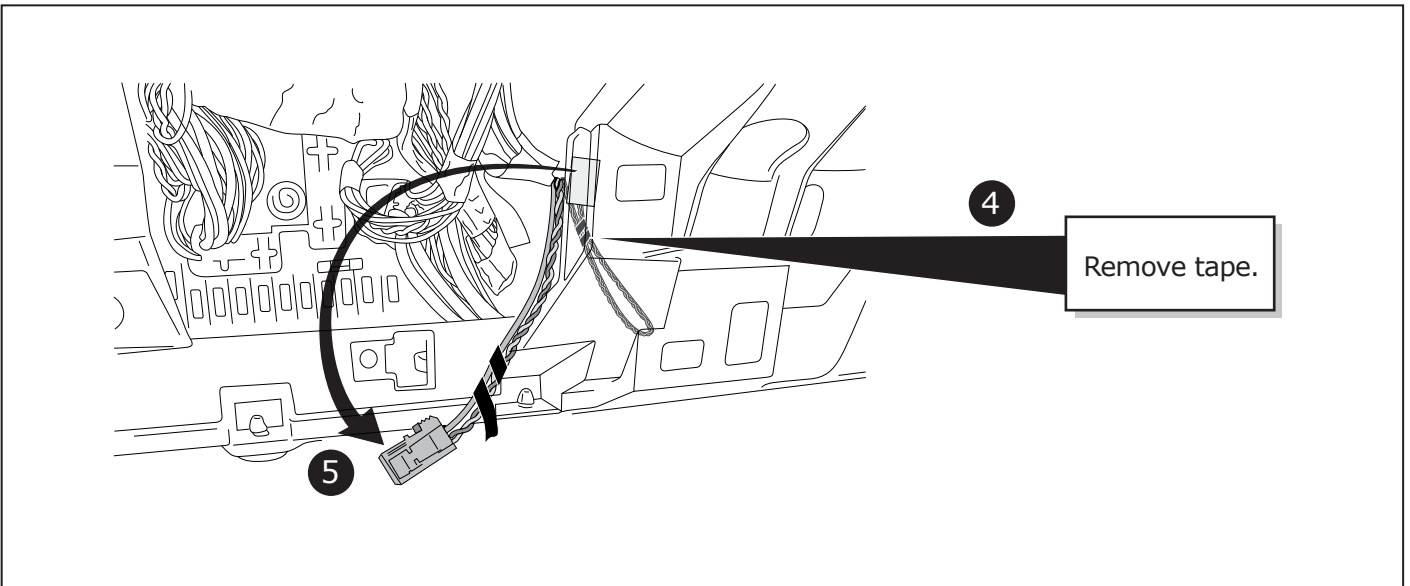
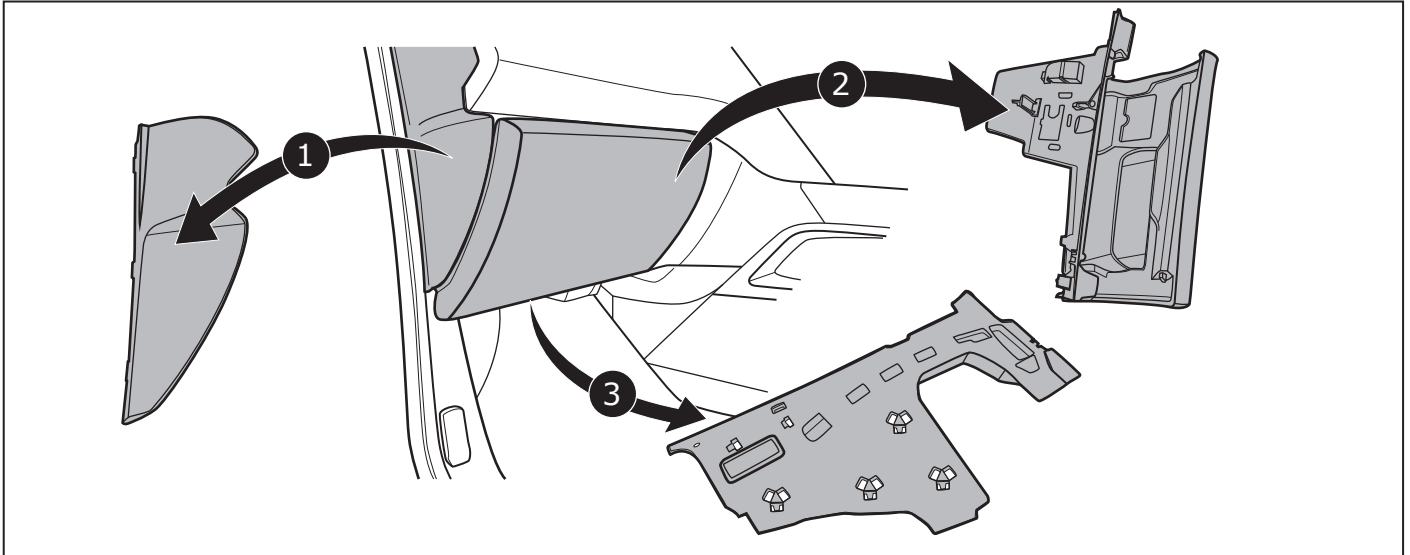
4.4

4.4



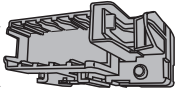
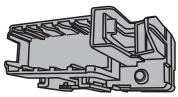
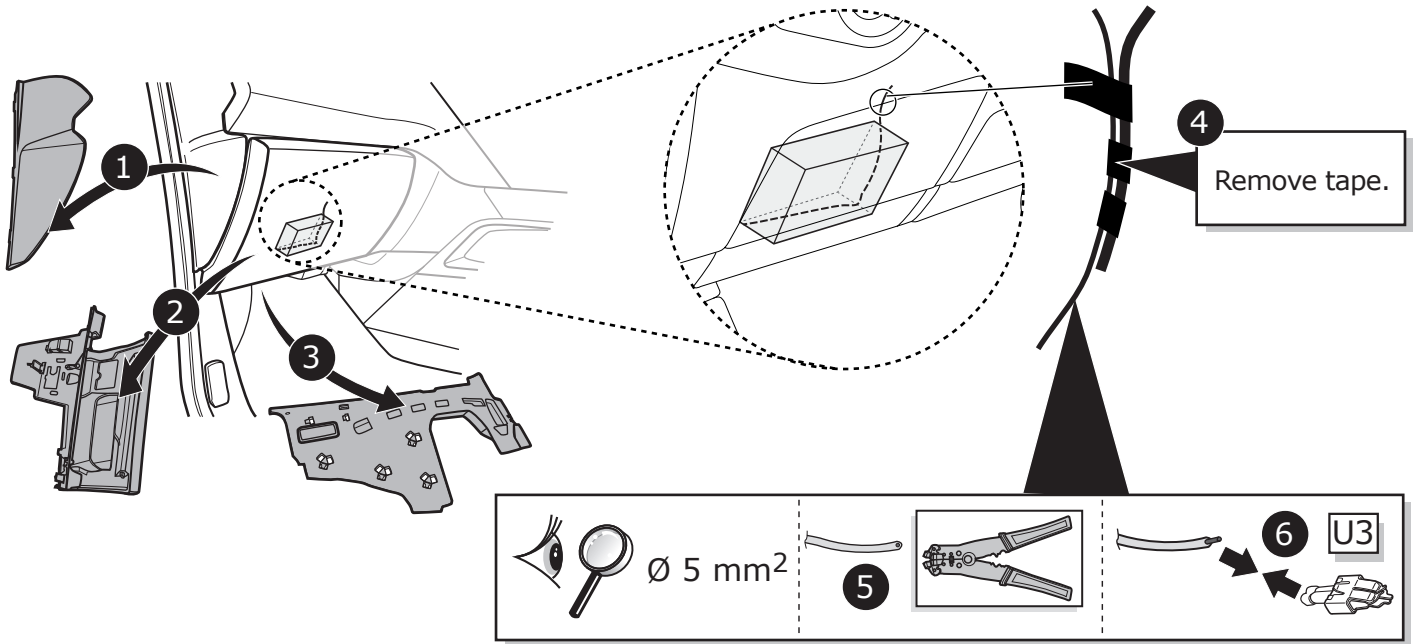
4.5

4.5

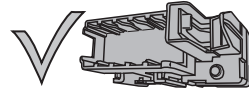


5.1

5.1

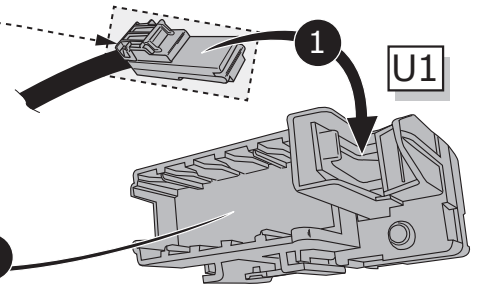
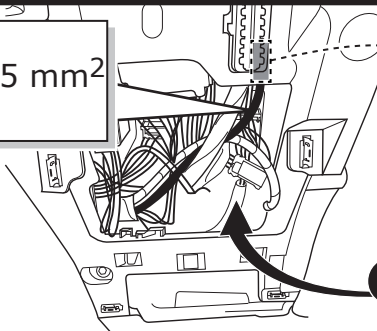
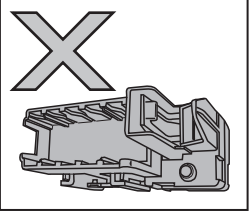


5.1 A

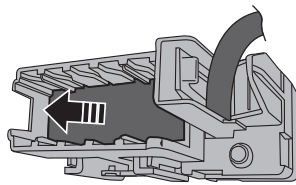
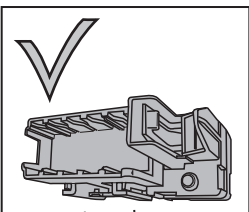


5.1 B

5.1 A



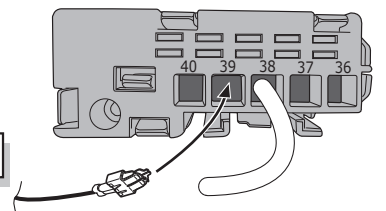
5.1 B



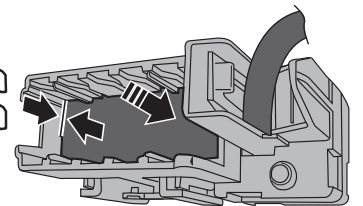
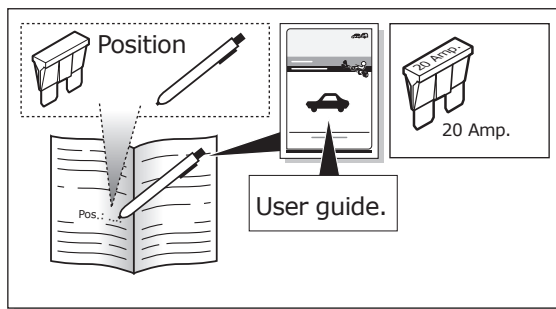
1

2

U3



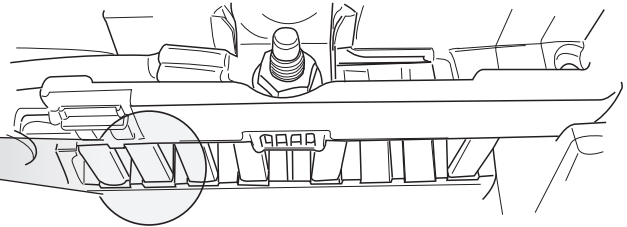
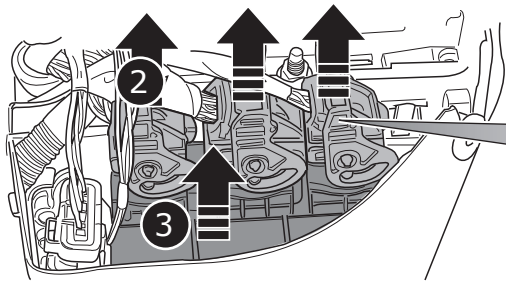
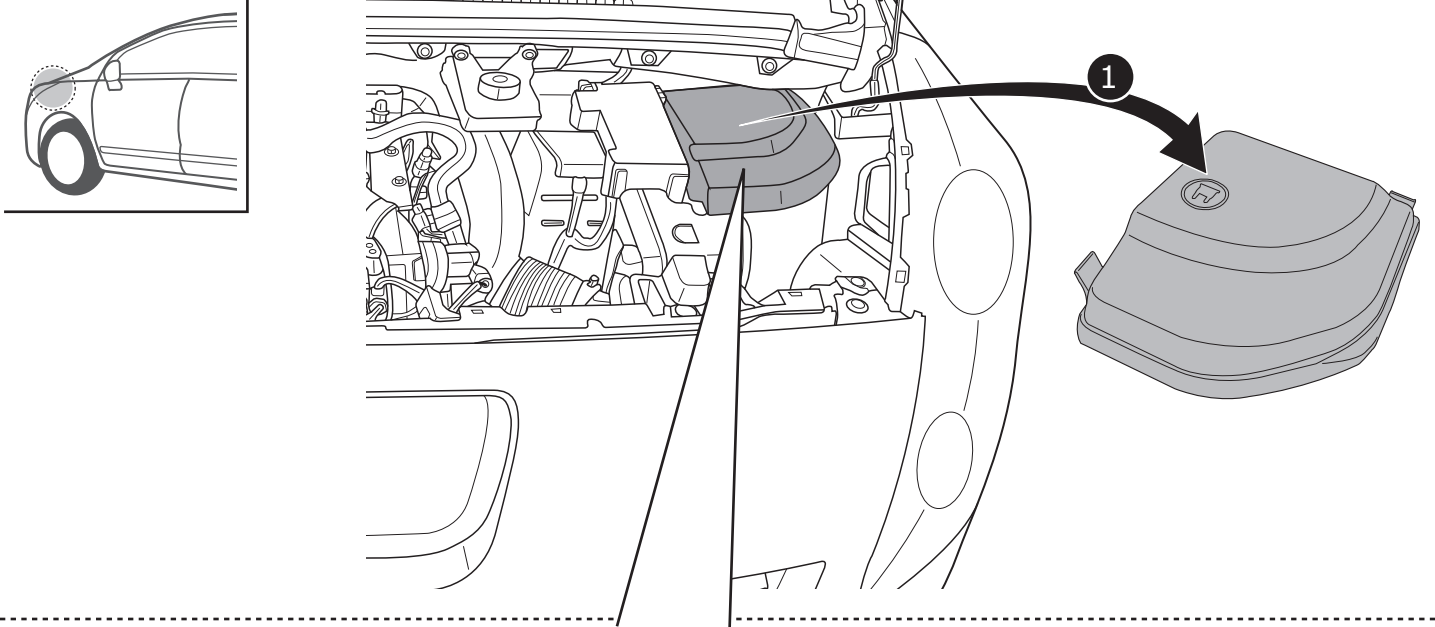
3



2

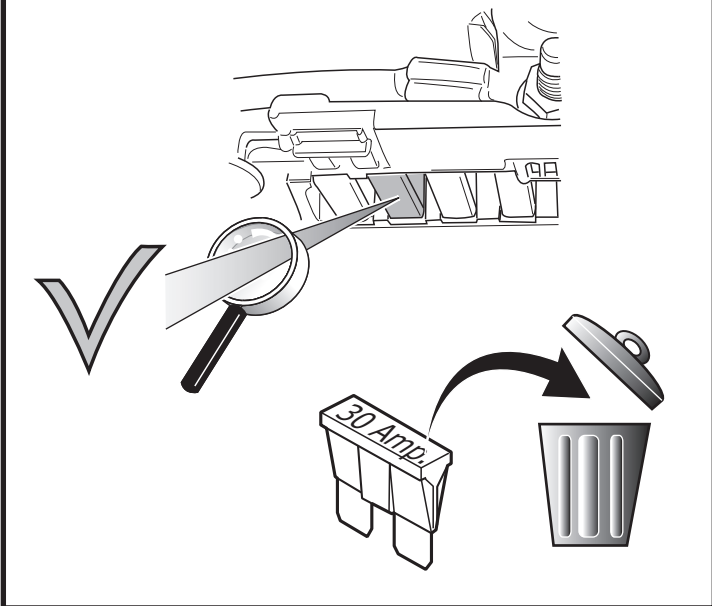
5.2

5.2

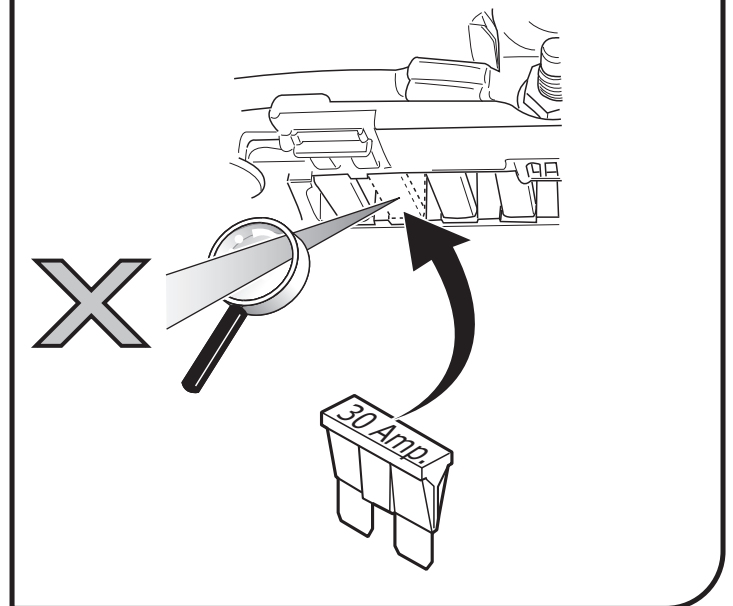


Pos. 2 or 6

5.2 OPTION B



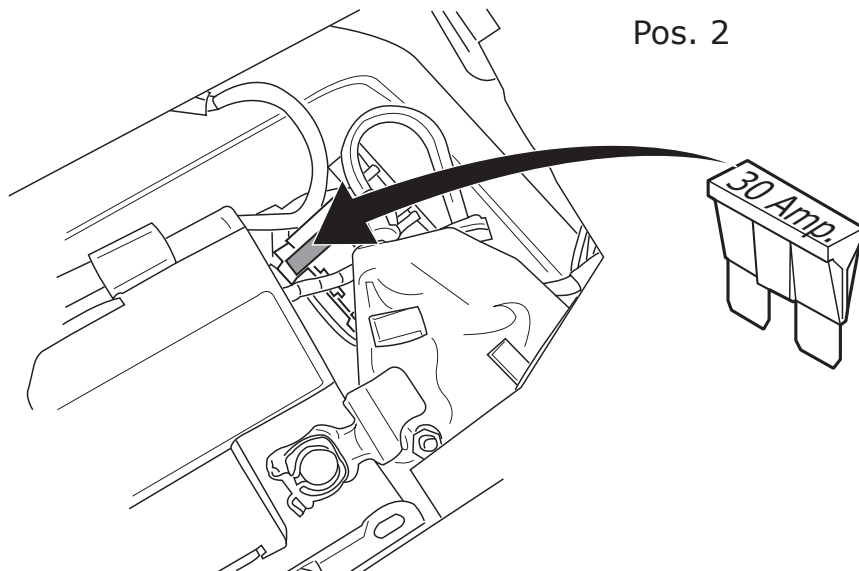
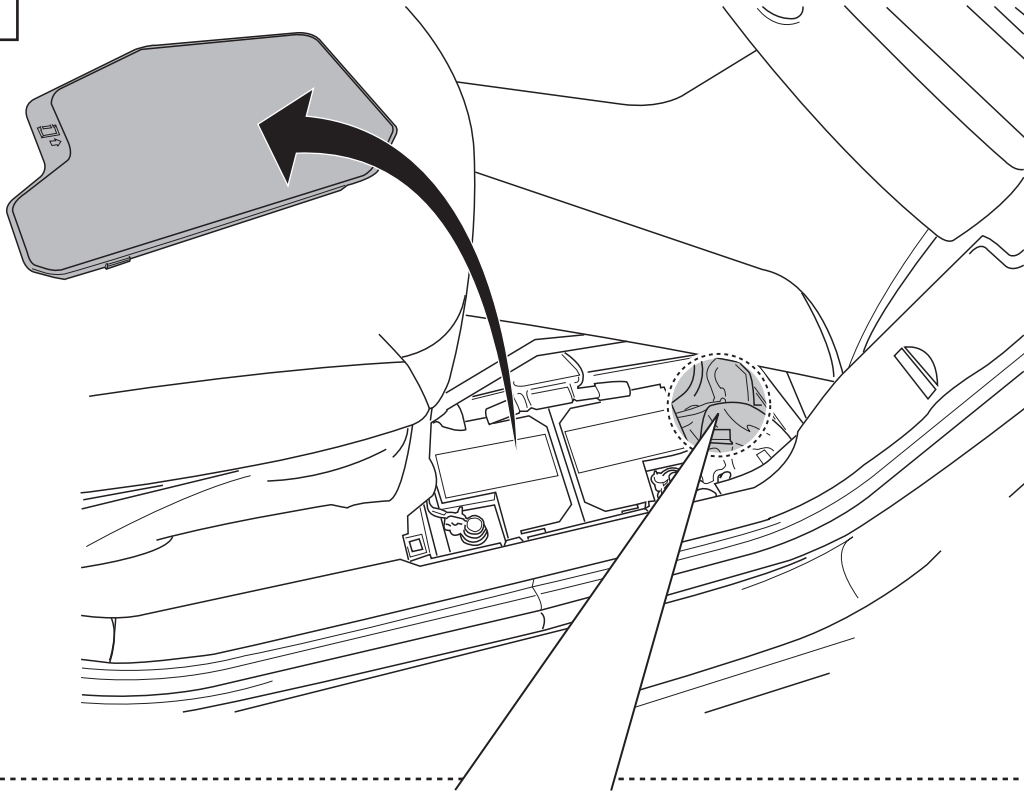
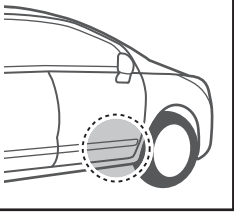
5.2 OPTION B



2

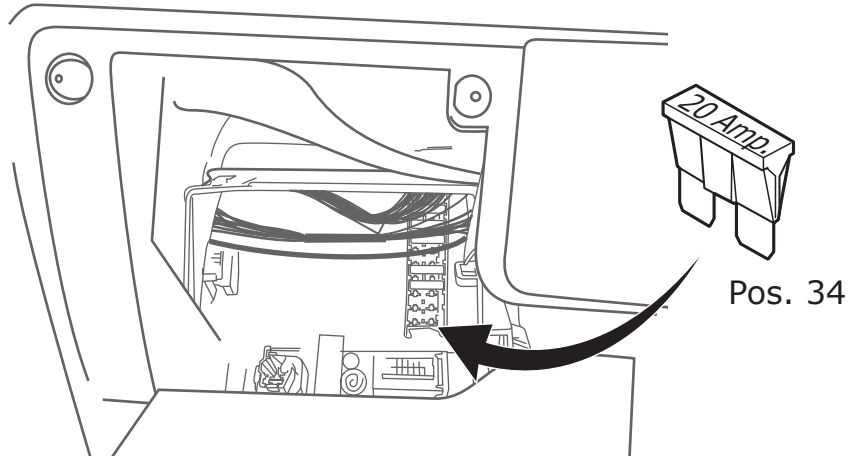
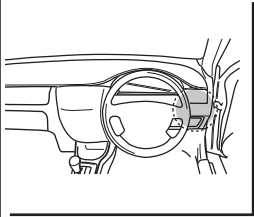
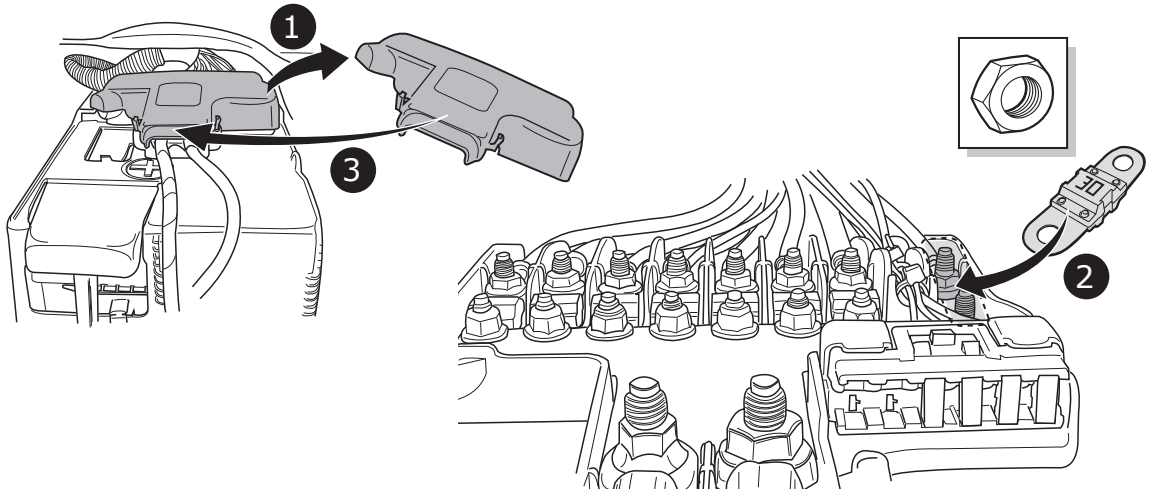
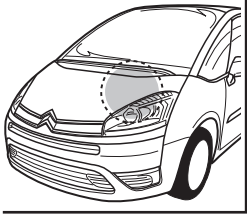
5.3

5.3



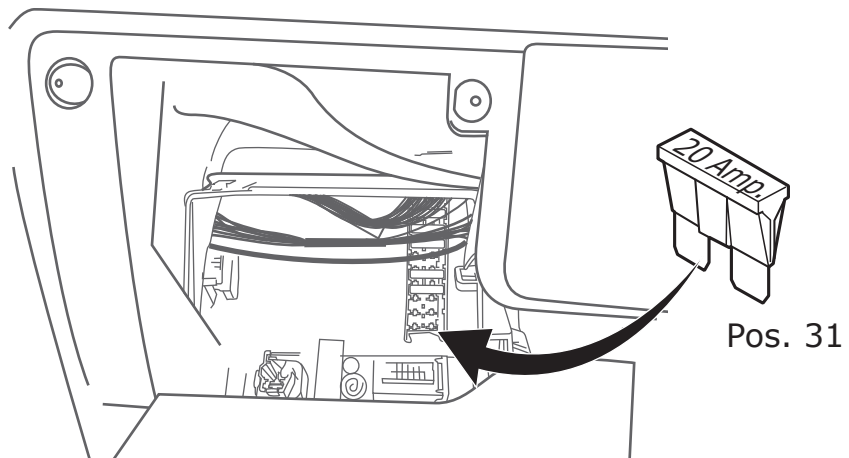
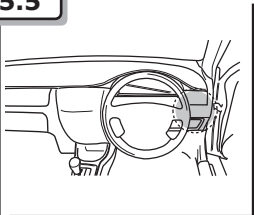
5.4

5.4



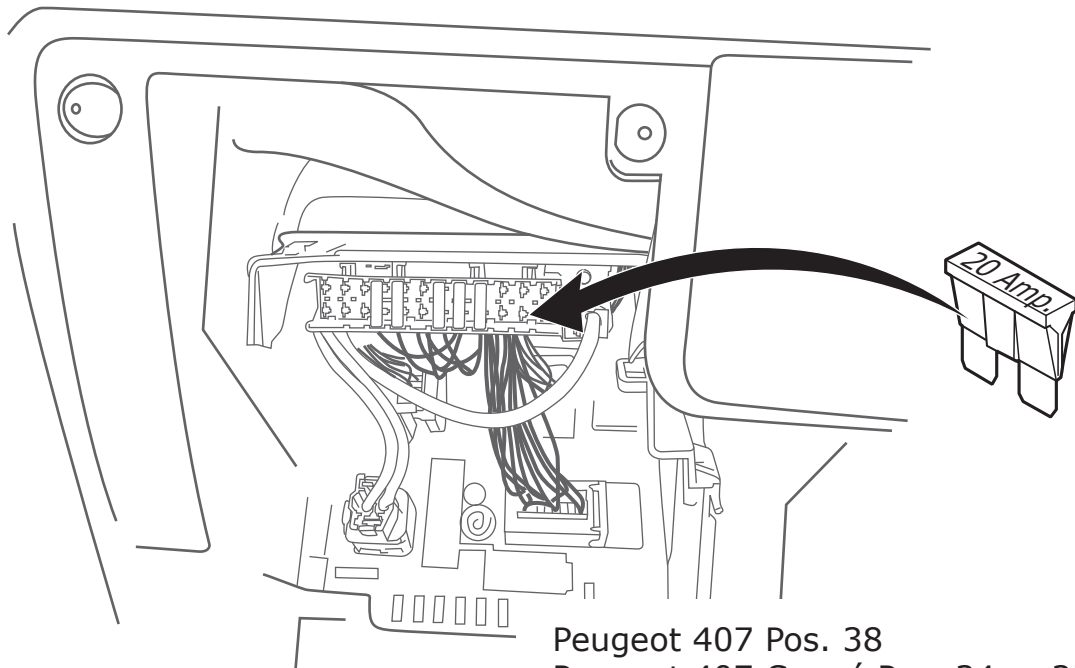
5.5

5.5



5.6

5.6

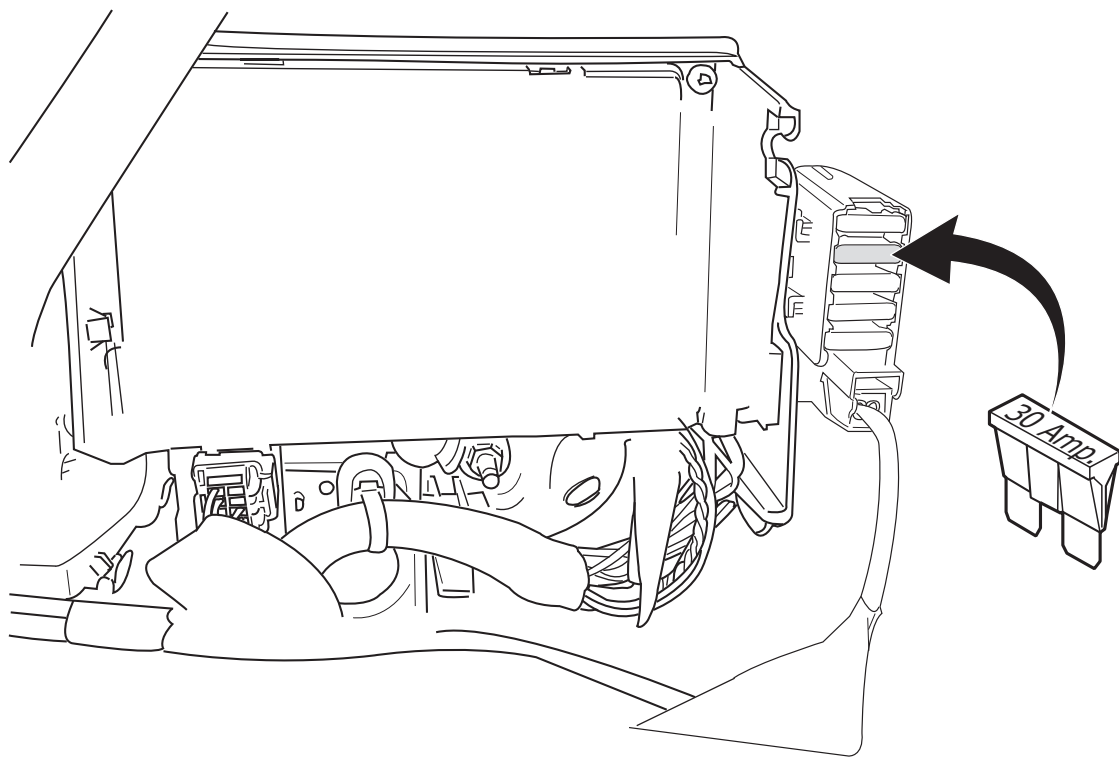


Peugeot 407 Pos. 38
Peugeot 407 Coupé Pos. 34 or 35



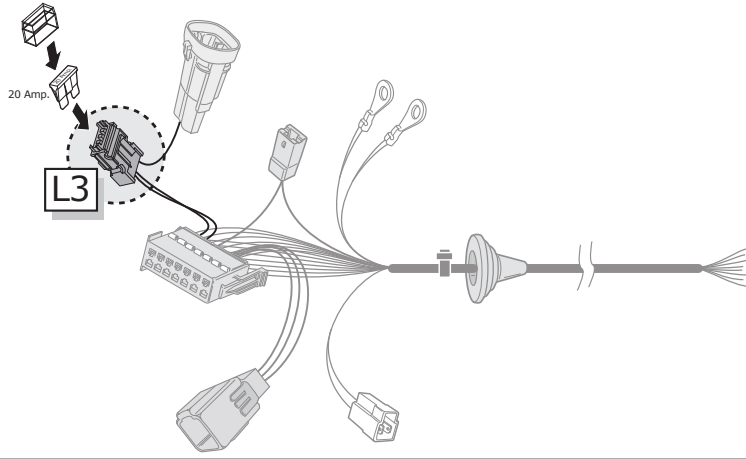
5.7

5.7

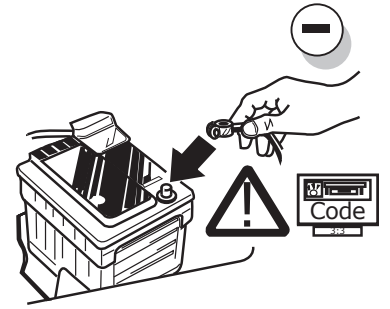


6

6.1



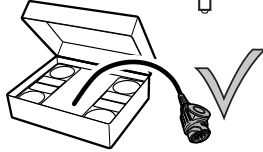
6.2



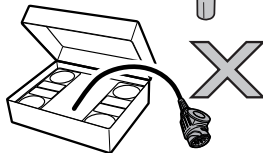
6.3

LIGHT MATE

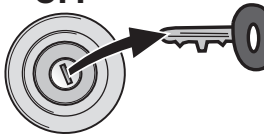
Tester lamp



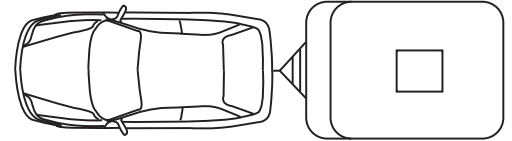
Tester L.E.D.



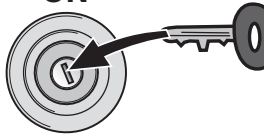
OFF



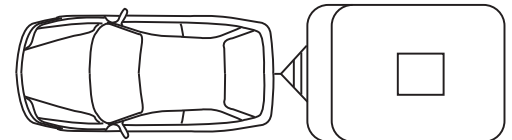
TEST



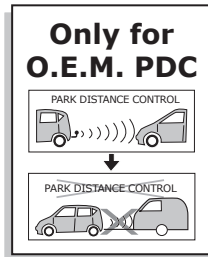
ON



TEST



6.4



C2



6.5

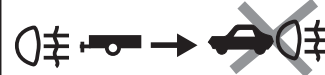
Optional SP-161-ZZ

Fog off extension harness



Optional SP-161-ZZ

Fog off extension harness

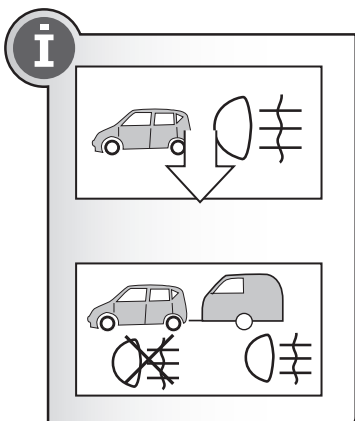


7 OPTIONAL

INFO

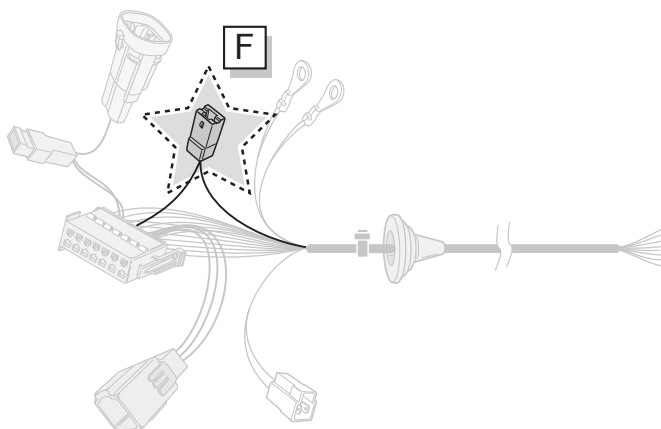
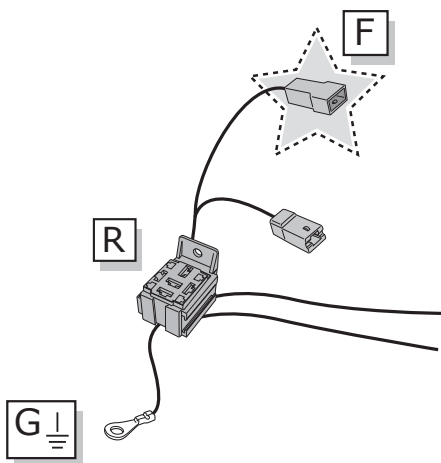


OPTION SP-161-ZZ



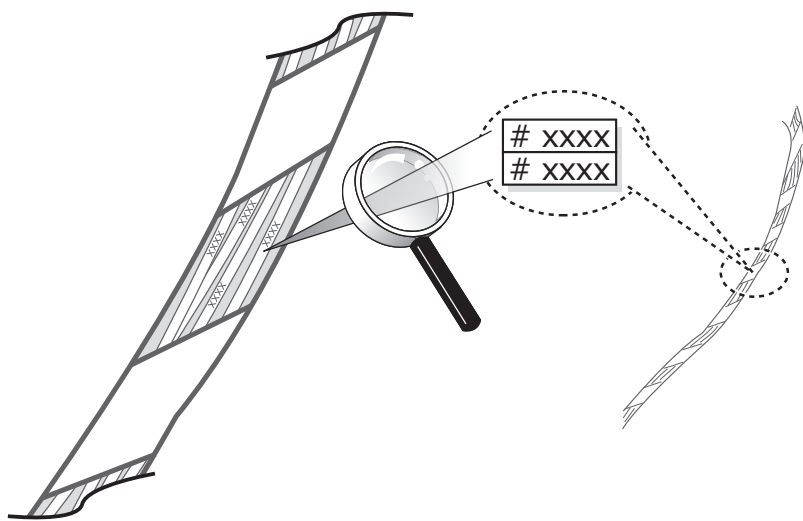
Consult your supplier.

OPTION SP-161-ZZ INFO



SP-161-ZZ ↔ PE-059-B1U

OPTION SP-161-ZZ INFO



MORE INFO:
MANUAL SP-161-ZZ

Fog Off Extension kit		Part No.: SP-161-ZZ
1. Introduction	2. Product description	
3. Installation	4. Connections	
5. Operation	6. Troubleshooting	
7. Maintenance	8. Appendix	
9. Declaration of conformity	10. Declaration of conformity	
11. Declaration of conformity	12. Declaration of conformity	

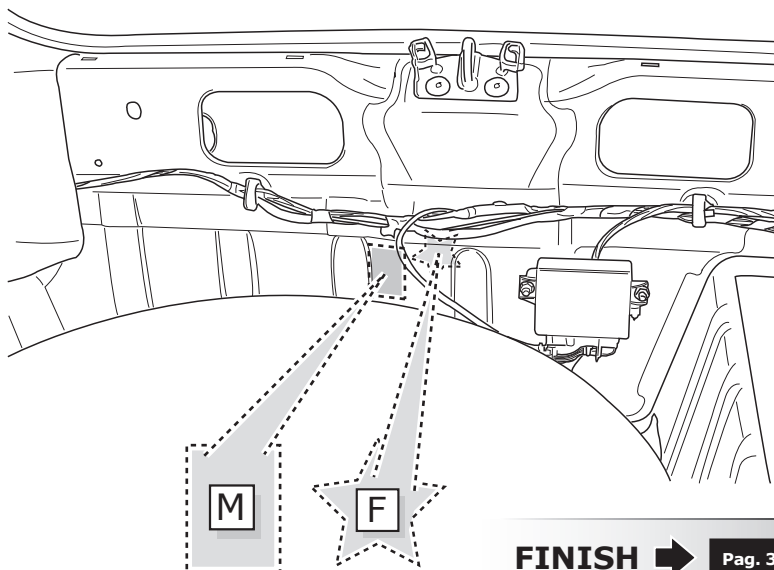
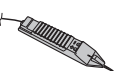
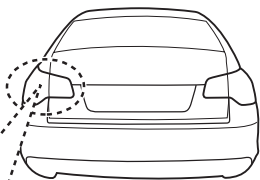
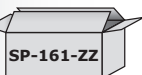
7 OPTIONAL

INFO



OPTION Citroën C4 Hatchback & Coupé

1X

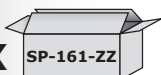


FINISH

Pag. 35

OPTION Citroën C4 Picasso

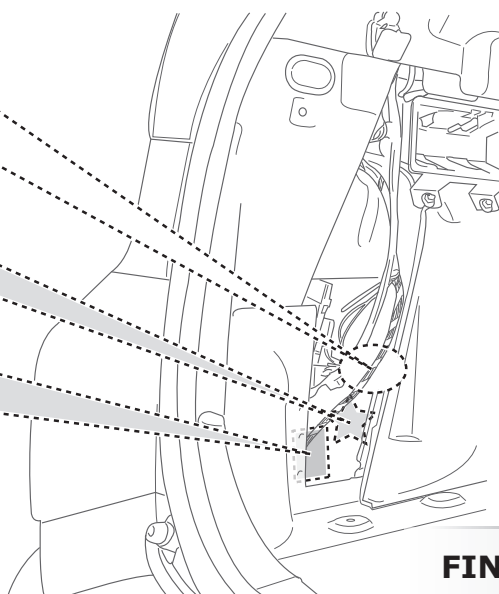
2X



2060
2061

F

M

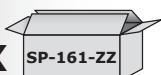


FINISH

Pag. 35

OPTION Citroën C4 Grand Picasso

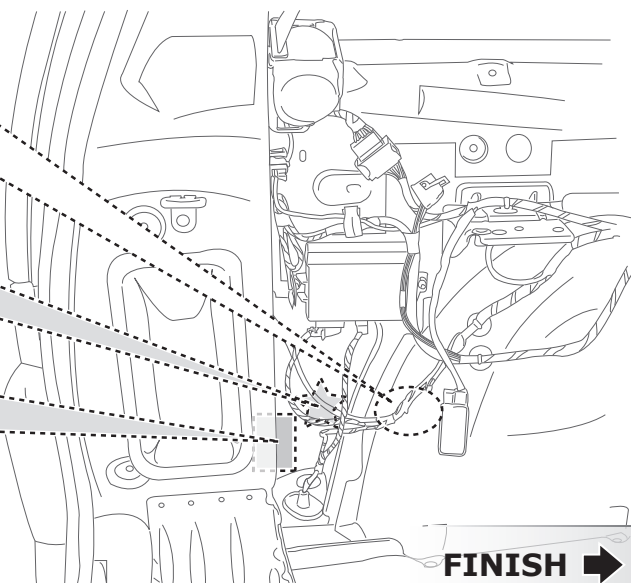
2X



2052
2053

F

M



FINISH

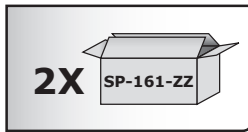
Pag. 35

7 OPTIONAL

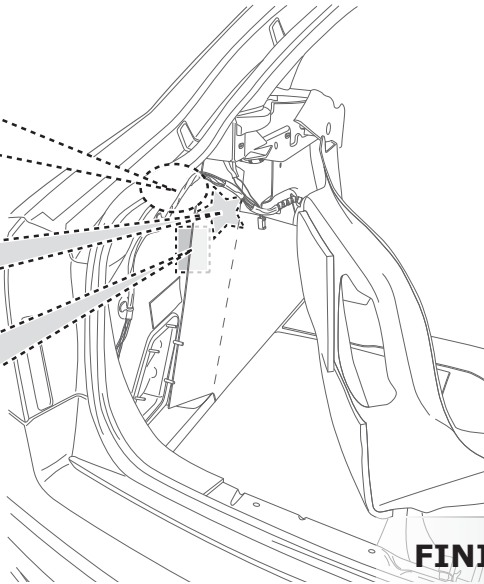
INFO



OPTION Citroën C5 Hatchback II



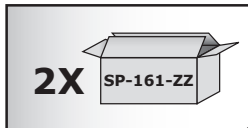
201A
201B



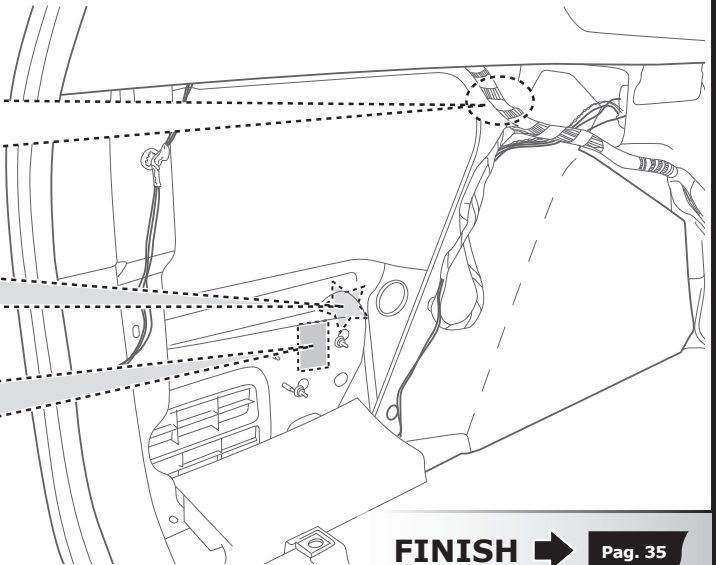
FINISH

Pag. 35

OPTION Citroën C5 Break II



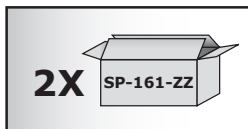
289
290



FINISH

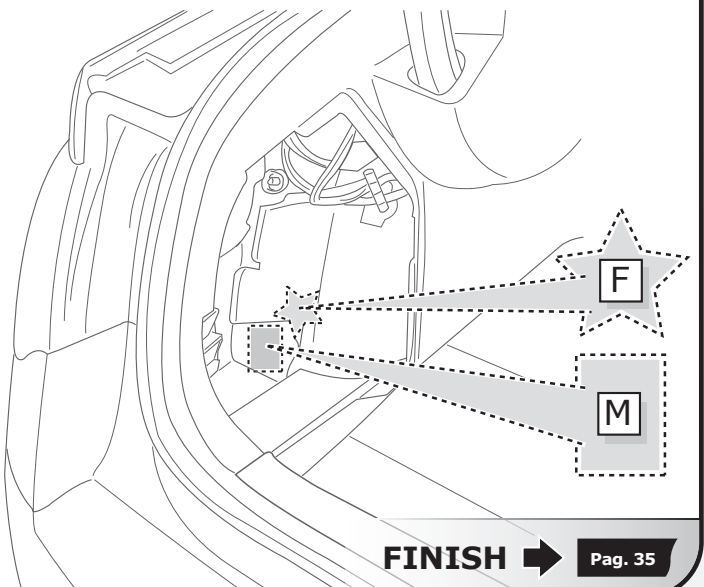
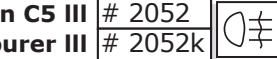
Pag. 35

OPTION Citroën C5 III & Tourer III



Citroën C5 III # 2052
Tourer III # 2052k

Citroën C5 III # 2053
Tourer III # 2053k



FINISH

Pag. 35

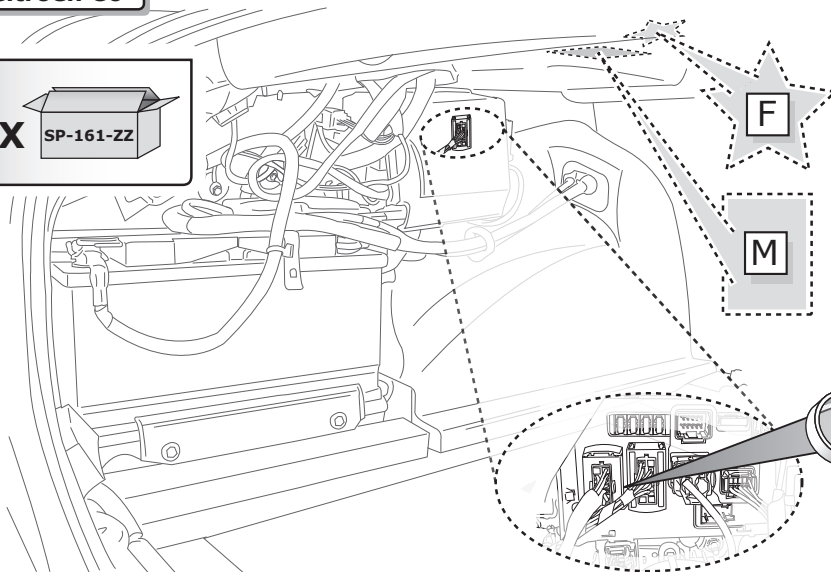
7 OPTIONAL

INFO



OPTION Citroën C6

2X SP-161-ZZ



16 Pos. **Black**

⊕ L #2002 **White**

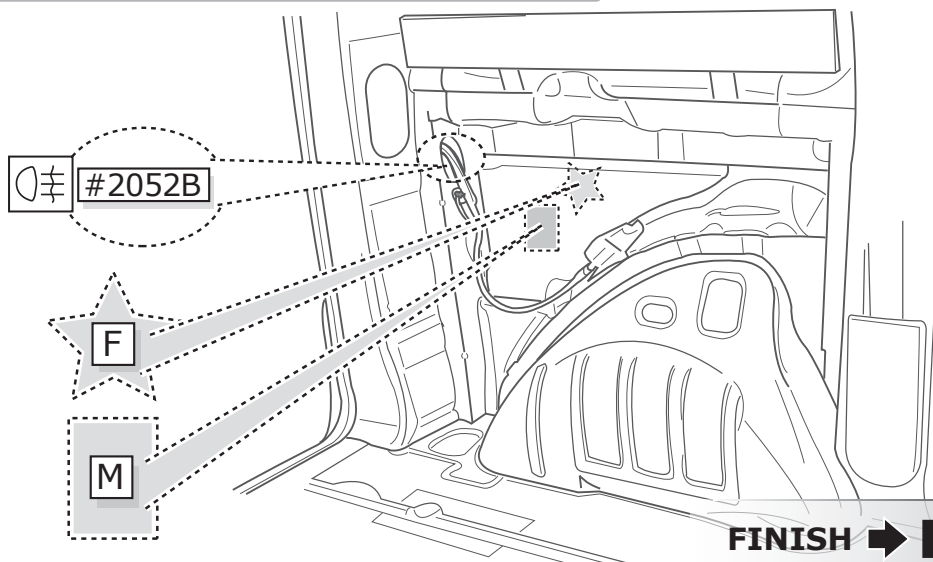
⊕ R #2055 **White**

FINISH ➔ Pag. 35

OPTION Peugeot Expert & Citroën Jumpy & Fiat Scudo & Toyota Pro Ace

1X SP-161-ZZ

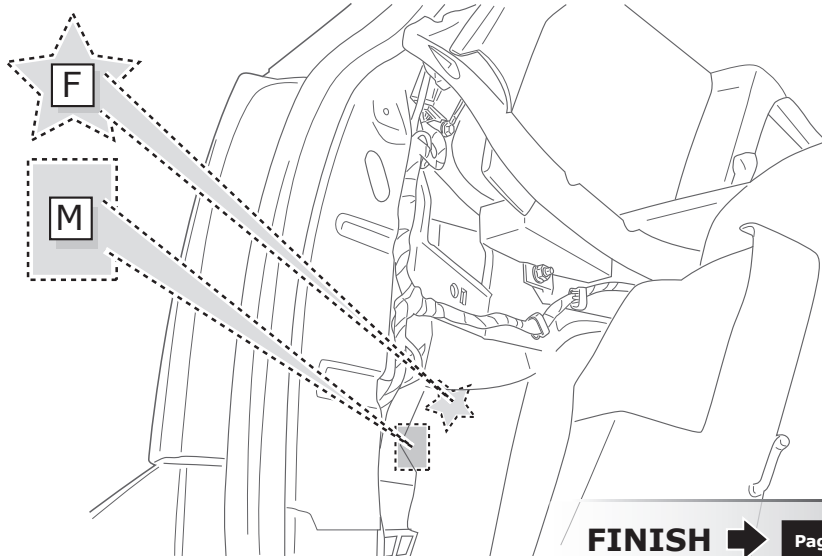
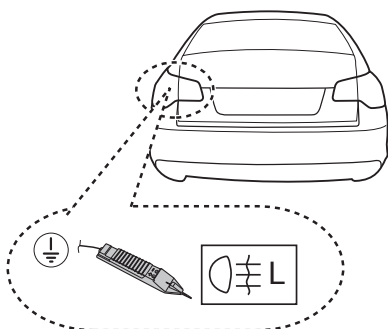
2X SP-161-ZZ
Toyota Pro Ace



FINISH ➔ Pag. 35

OPTION Peugeot 307 Break & SW

1X SP-161-ZZ



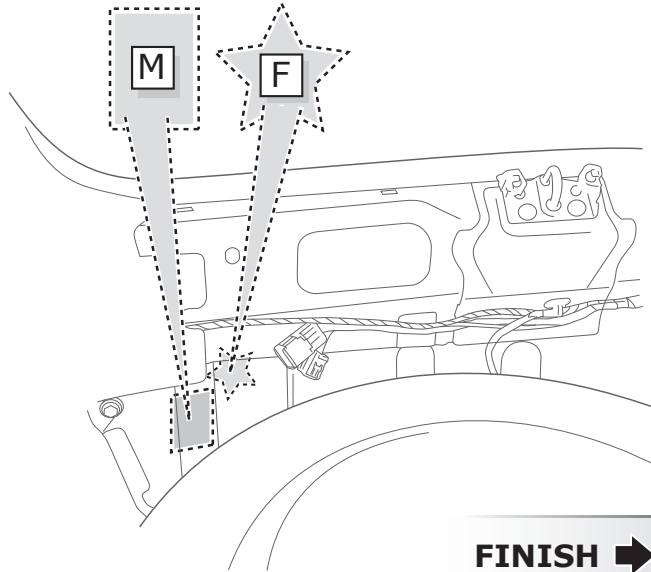
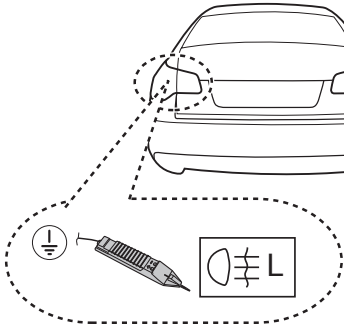
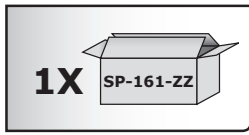
FINISH ➔ Pag. 35

7 OPTIONAL

INFO



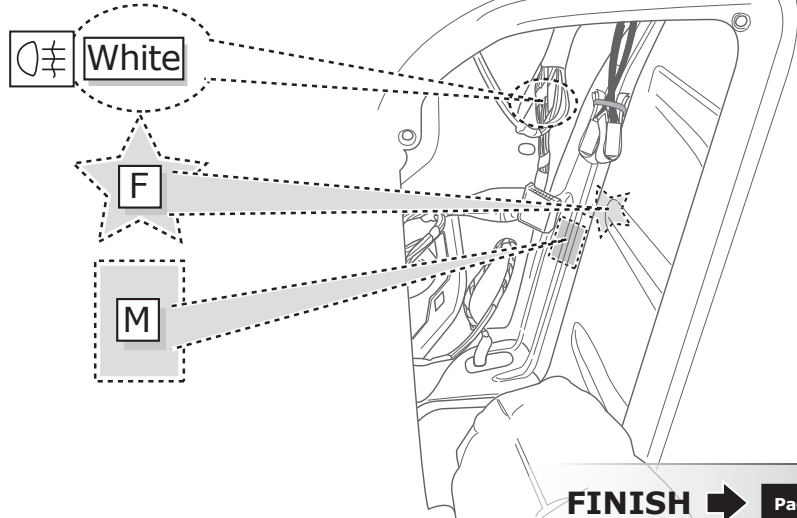
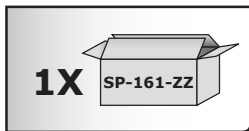
OPTION Peugeot 307 Hatchback



FINISH ➔

Pag. 35

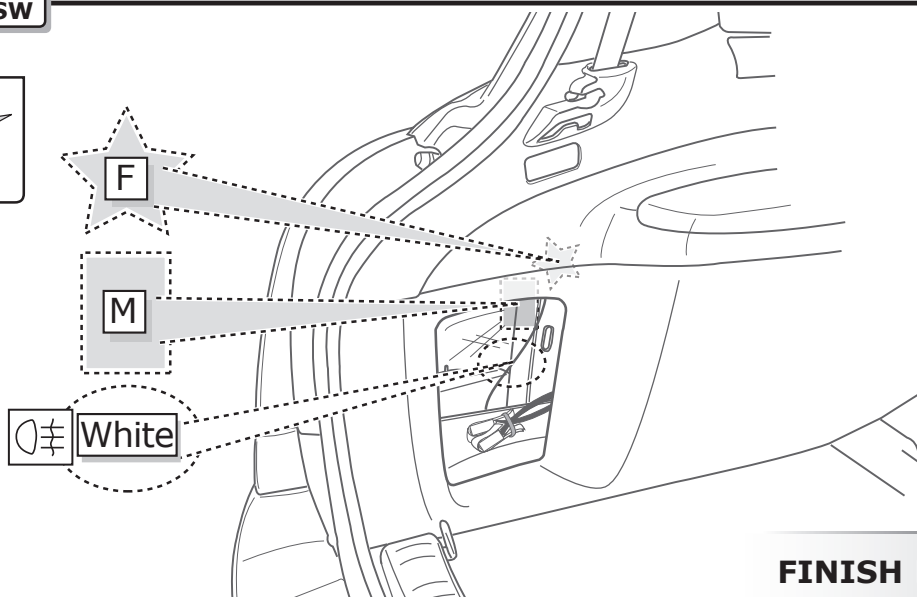
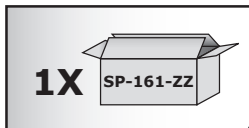
OPTION Peugeot 308



FINISH ➔

Pag. 35

OPTION Peugeot 308 SW



FINISH ➔

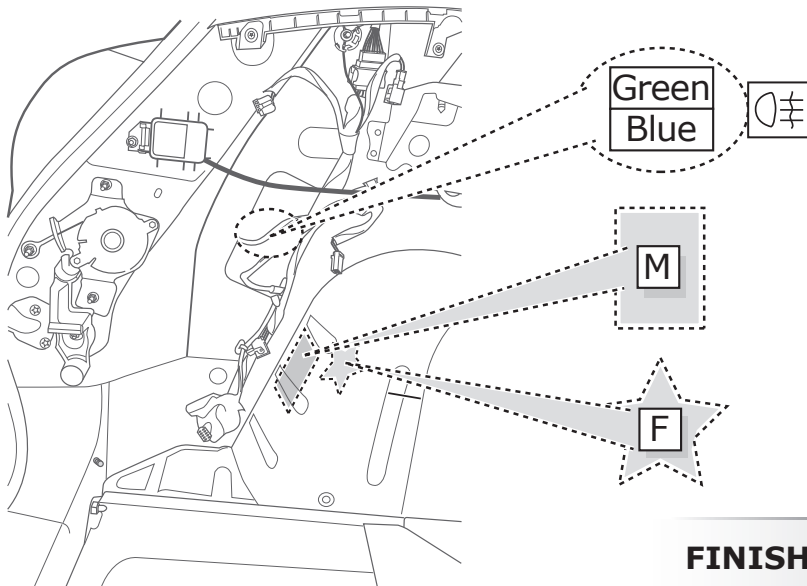
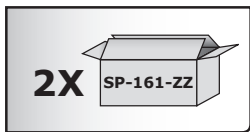
Pag. 35

7 OPTIONAL

INFO



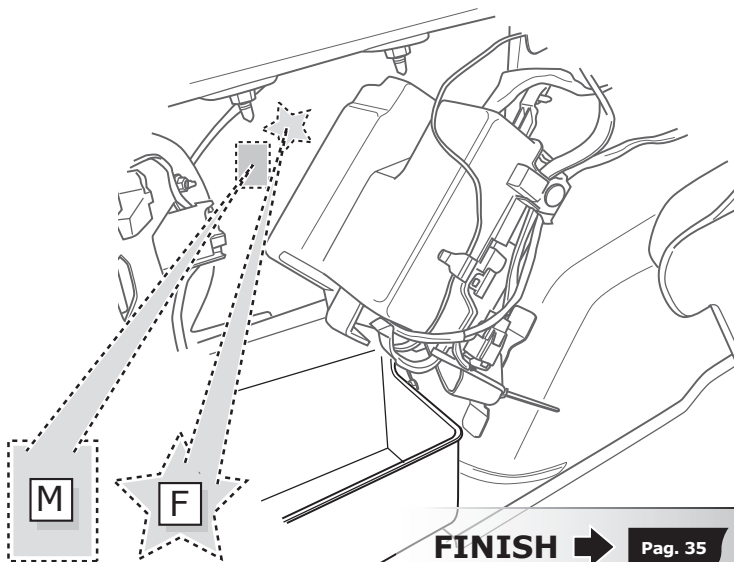
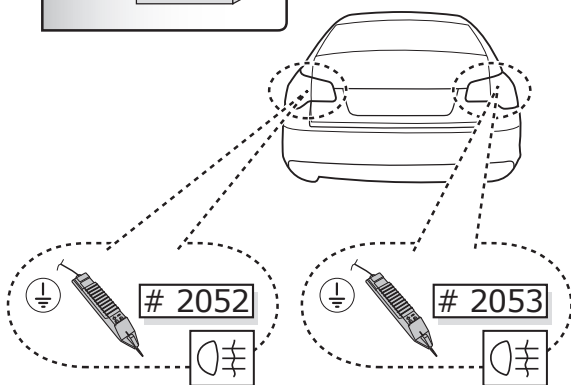
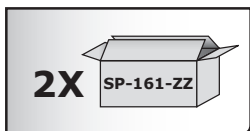
OPTION Peugeot 3008



FINISH

Pag. 35

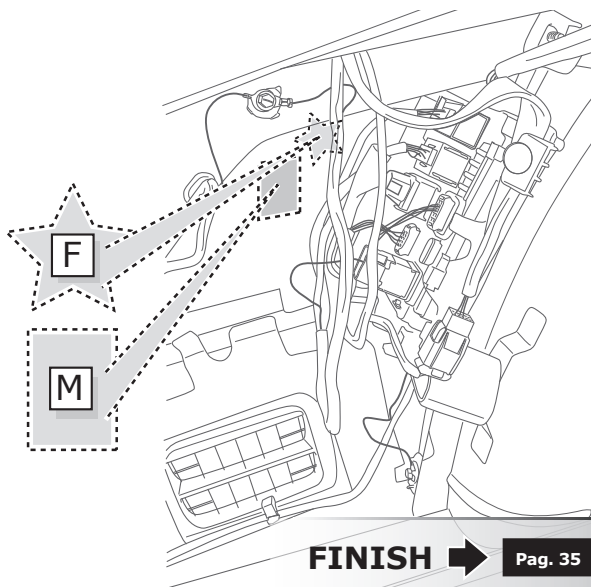
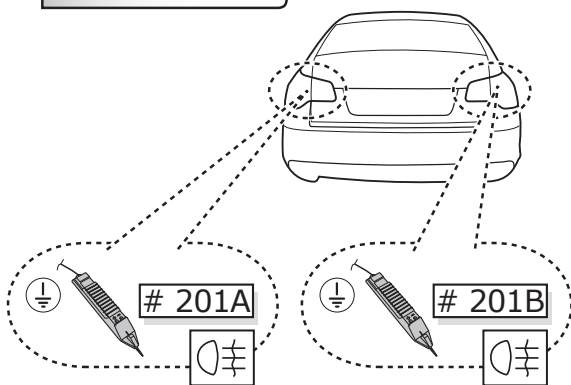
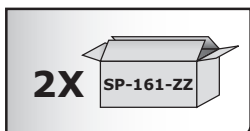
OPTION Peugeot 407 Sedan



FINISH

Pag. 35

OPTION Peugeot 407 SW



FINISH

Pag. 35

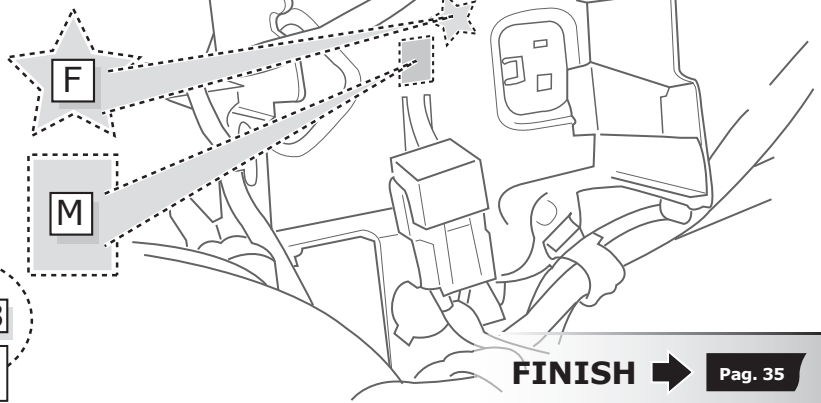
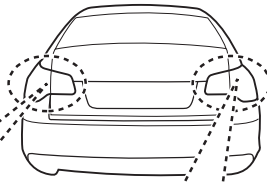
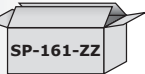
7 OPTIONAL

INFO



OPTION Peugeot 407 Coupé

2X

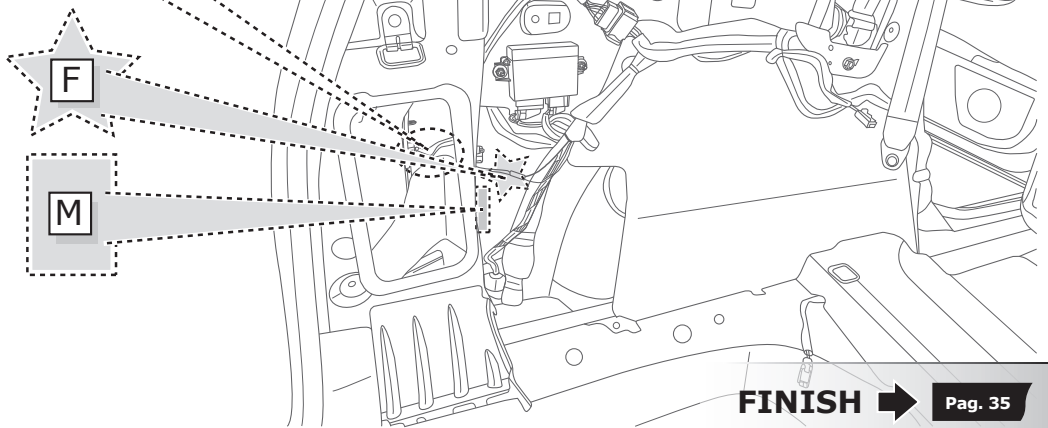
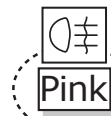
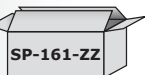


FINISH ➔

Pag. 35

OPTION Peugeot 5008

1X

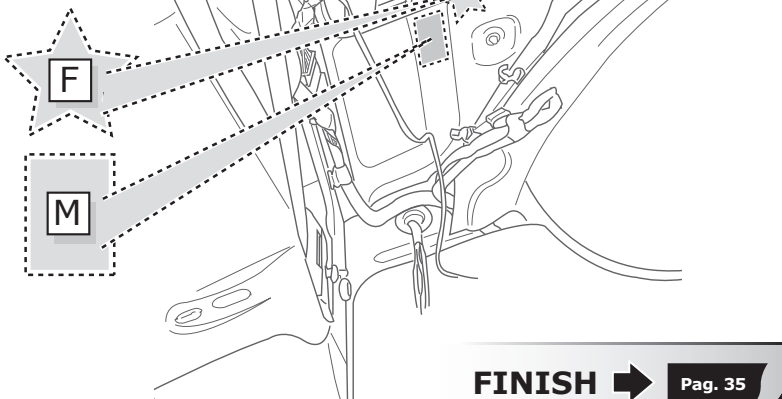
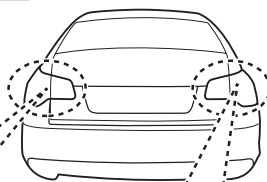
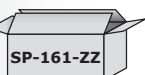


FINISH ➔

Pag. 35

OPTION Peugeot 807 & Citroën C8 & Fiat Ulysse & Lancia Phedra

2X



FINISH ➔

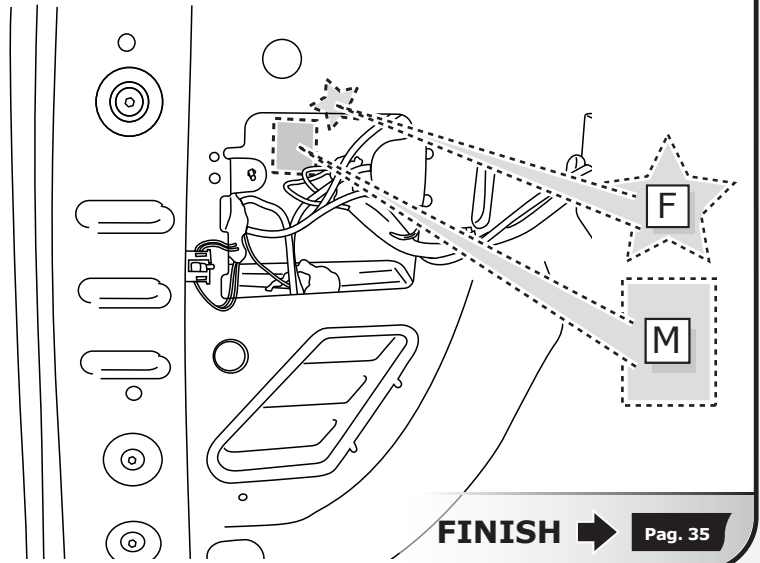
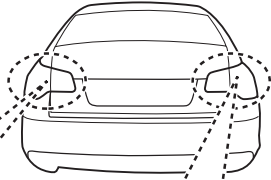
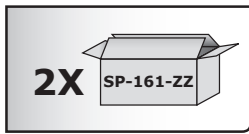
Pag. 35

7 OPTIONAL

INFO

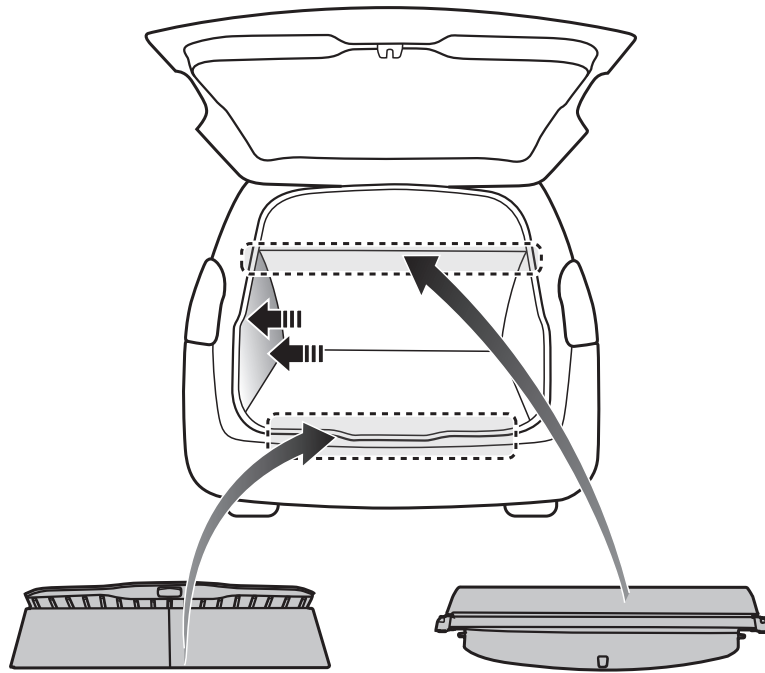


OPTION Peugeot Partner & Citroën Berlingo

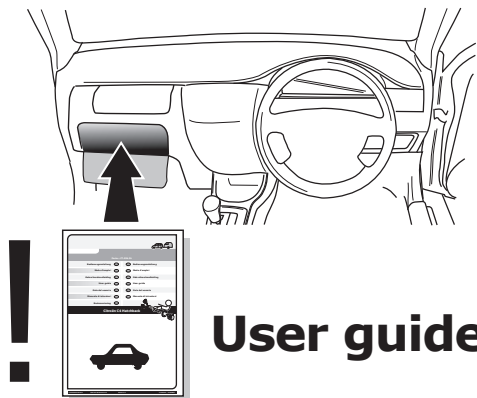


Pag. 35

8.1



8.2



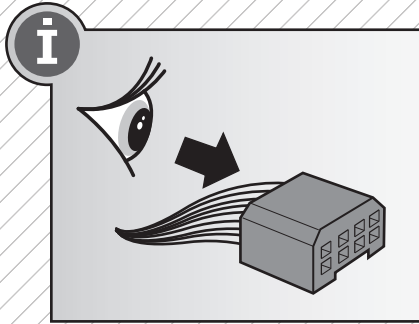
User guide

INFO

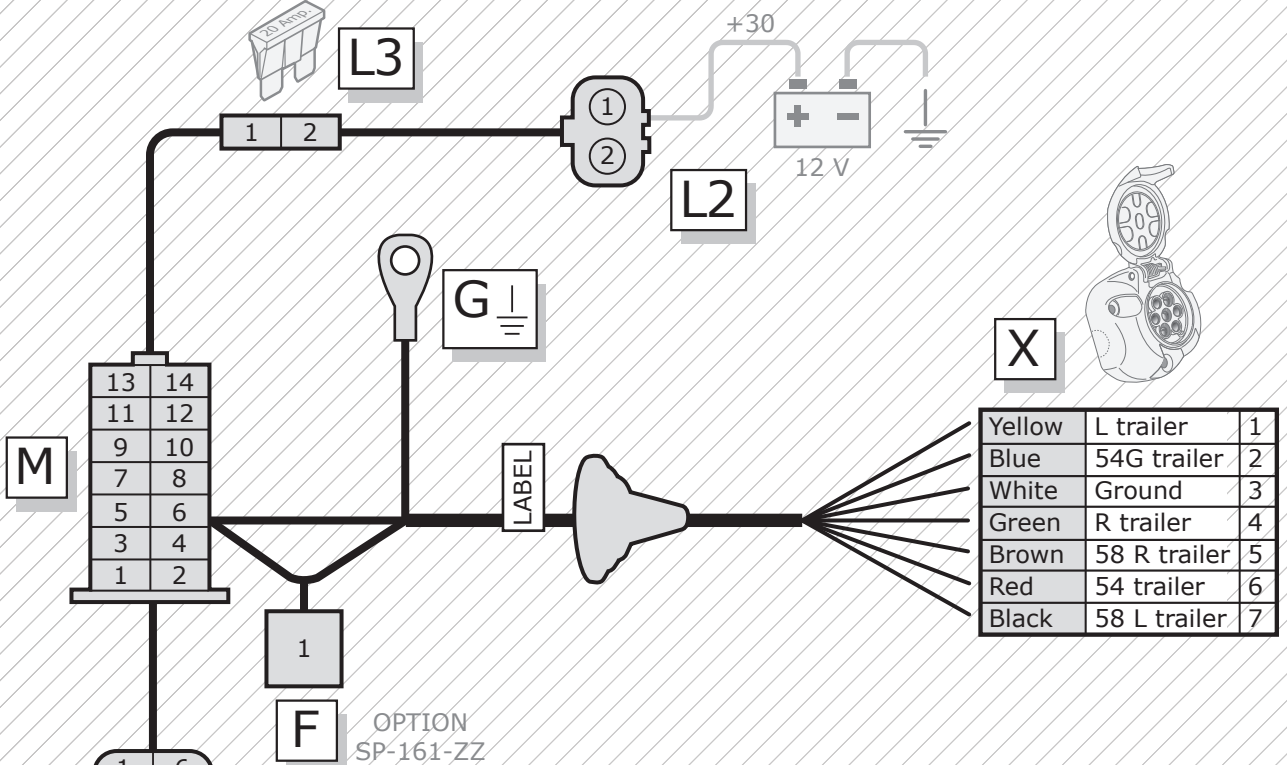


**00800
22 55 23 27
CALL2ECS**

Monday - Friday
08.00am - 11.00am
12.00am - 05.00pm GMT
customer@ecs-electronics.com
www.ecs-electronicsuk.co.uk



L	←	54	STOP
R	→	54G	⊘
58L	⊙	Ground/31	⏚
58R	⊙		



Yellow	L trailer	1
Blue	54G trailer	2
White	Ground	3
Green	R trailer	4
Brown	58 R trailer	5
Red	54 trailer	6
Black	58 L trailer	7

OPTION SP-161-ZZ

L3	1	Orange	+30 (12 V)	out
	2	Red	+30 (12 V)	in

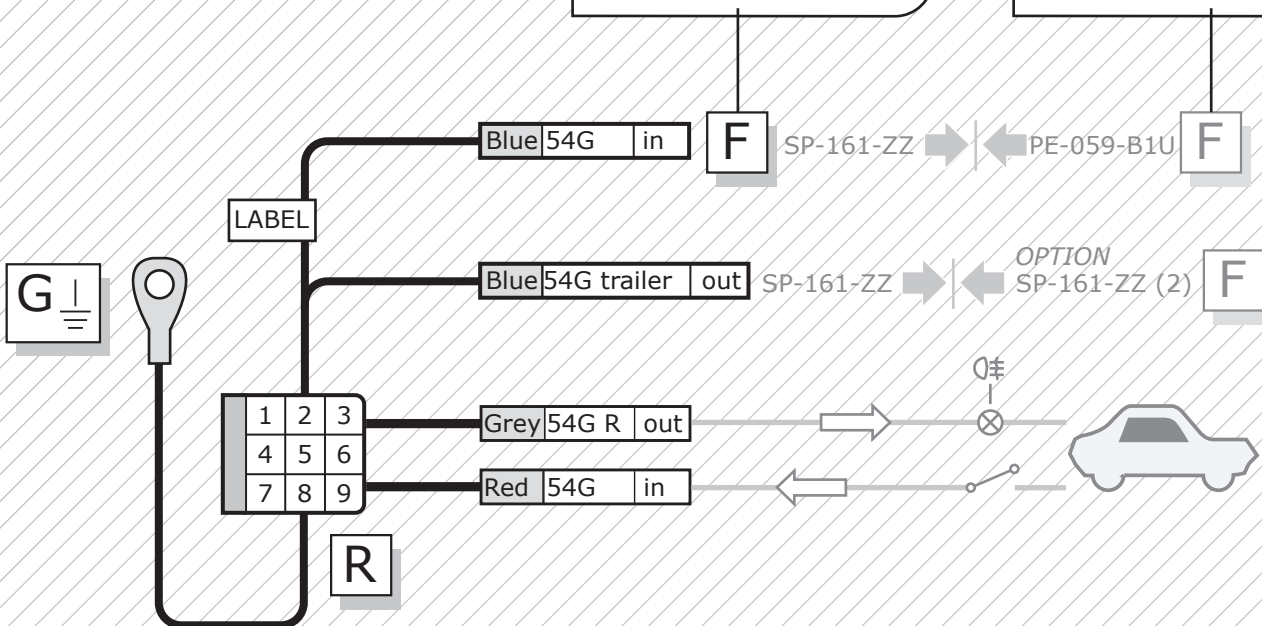
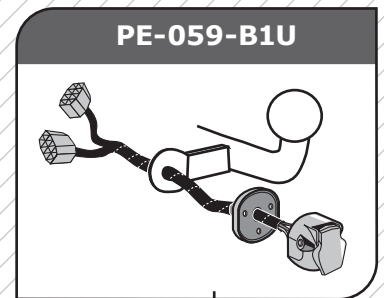
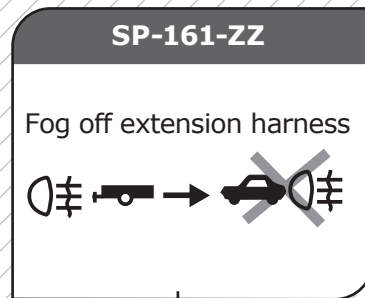
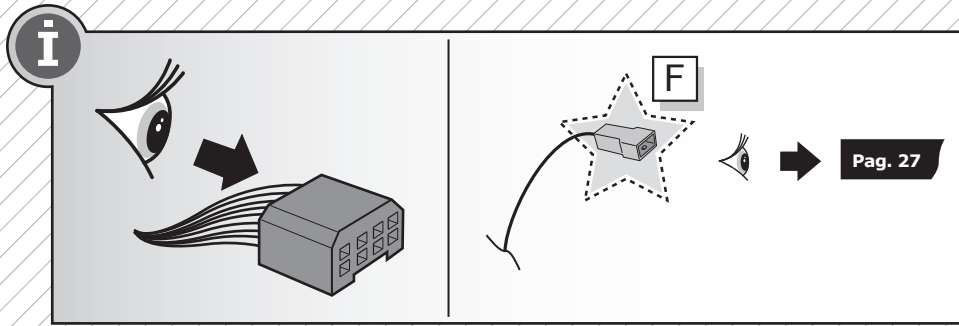
OPTION				
F	1	Blue	54G trailer	out

G		White	Ground	-
---	--	-------	--------	---

L2	1	Red	+30 (12 V)	out
	2	-	-	-



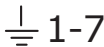




M	1	Red	54 trailer	out
	2	Orange	+30 (12 V)	in
	3	-	-	-
	4	Yellow	L trailer	out
	5	RedBlue	54	in
	6	Black	58 L trailer	out
	7	BrownYellow	Can L	in
	8	White	Ground	-
	9	RedWhite	Can H	in
	10	Green	R trailer	out
	11	Blue	54G trailer	out
	12	Brown	58 R trailer	out
	13	BlackRed	BUT	out
	14	Orange	+30	in

L1	1	BrownYellow	Can L	out
	2	RedWhite	Can H	out
	3	-	-	-
	4	-	-	-
	5	-	-	-
	6	RedBlue	54	out
	7	-	-	-
	8	-	-	-
	9	-	-	-
	10	-	-	-



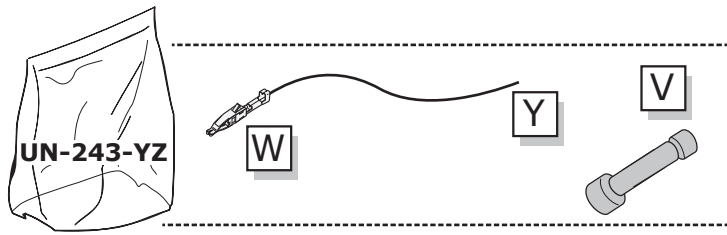
R	1	-	-	-
	2	Blue	54 G 0≠ trailer	in
		Blue	54 G 0≠ trailer	out
	3	-	-	-
	4	-	-	-
	5	Grey	54G R 0≠	out
	6	Red	54G	in
	7	-	-	-
	8	White	Ground ↓	-
9				

SOCKET CONNECTION

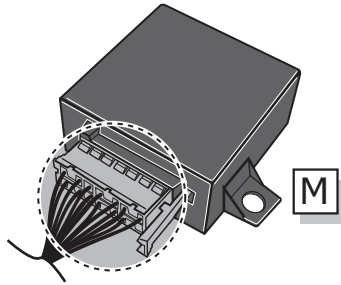
DIN/ISO 1724							
	1/L	2	3/31	4/R	5/58-R	6/54	7/58-L
Pmax	21W	21W		21W	42W	3x21W	42W
Colour	Yellow	Blue	White	Green	Brown	Red	Black

UN-243-YZ Reverse lamp pre-wire extension

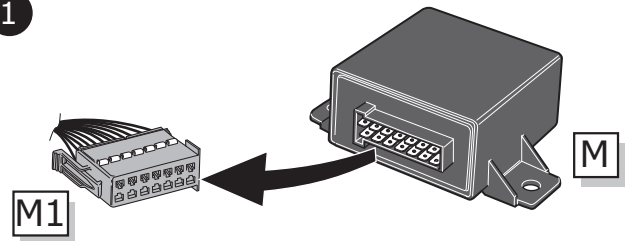
⚠ MAX = 21W



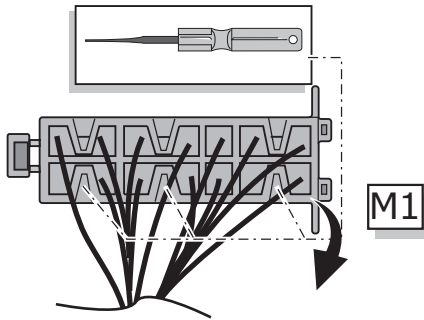
A



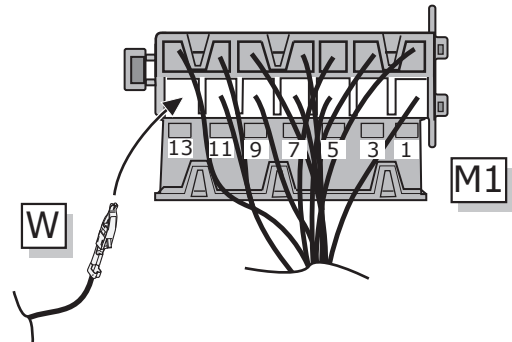
1



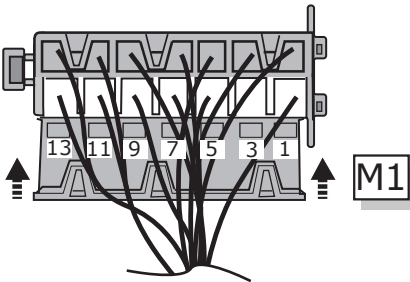
2



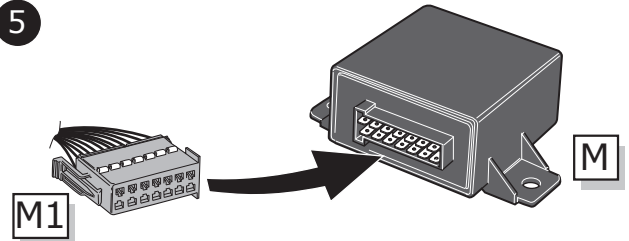
3



4



5



B

⚠ MAX = 21W

