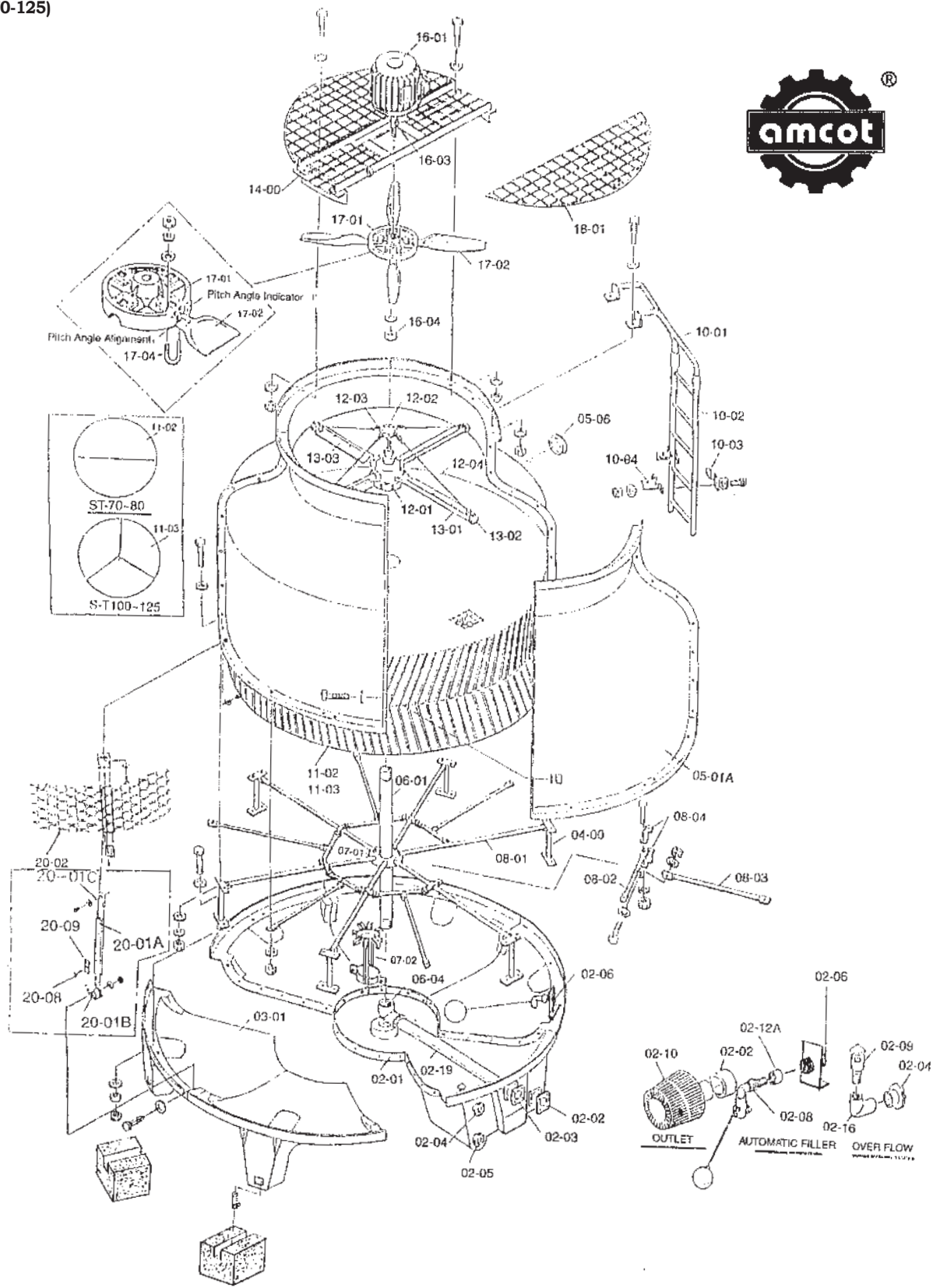




# Amcot Cooling Tower Corporation

(Model ST-70-125)





# PARTS

## Model ST-70-125 Parts Table

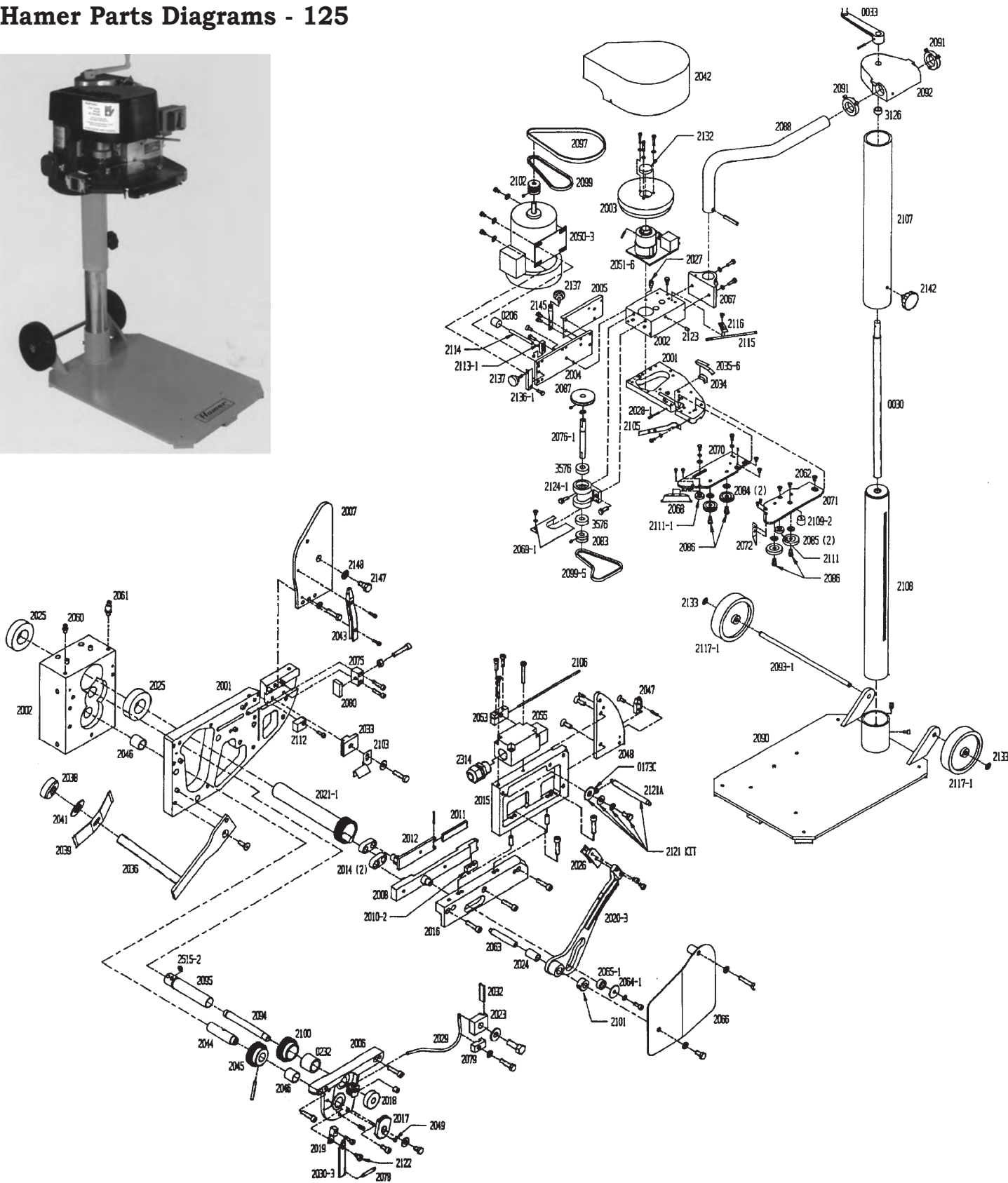


REF NO.	DESCRIPTION	QTY		
		ST 70-80	ST 100	ST 125
02-01	Water Sump	1	1	1
02-02	Outlet Nozzle	1	1	1
02-03	Inlet Nozzle	1	1	1
02-04	Over Flow Nozzle	1	1	1
02-05	Drain Nozzle	1	1	1
02-06	Automatic Filler Plate	1	1	1
02-08	Float Valve Ass'y	1	1	1
02-09	Over Flow	1	1	1
02-10	Suction Strainer	1	1	1
02-12A	Connector Pipe	1	1	1
02-16	Elbow	1	1	1
02-19	Inlet Pipe	1	1	1
03-01	Water Basin	5	5	5
04-00	Casing Supporter	6	6	6
05-01A	Casing	4	6	6
05-06	Hand Hole Cover	1	1	1
06-01	Stand Pipe	1	1	1
06-04	Stand Pipe Base	1	1	1
07-01	Stopper	2	2	-
07-02	Column	-	-	2
08-01	Filling Supporter-A	6	6	6
08-02	Filling Supporter-B	6	6	6
08-03	Filling Supporter-C	6	12	12
08-04	Filling Supporter-Clamping Band	12	12	12
10-01	Ladder (A Sec.)	1	1	1
10-02	Ladder (B Sec.)	1	1	1
10-03	Ladder Bracket-A	2	2	2
10-04	Ladder Bracket-B	2	2	2
11-02	Filling(1/2 Sec.)	2	-	-
11-03	Filling (1/3 Sec.)	-	6	6

REF NO.	DESCRIPTION	QTY		
		ST 70-80	ST 100	ST 125
12-01	Sprinkler Head 1	1	1	
12-02	Center Post	1	1	1
12-03	Turnbuckle	4	4	4
12-04	Tension Wire	4	4	4
13-01	Sprinkler Pipe	4	4	4
13-02	End Cap	4	4	4
13-03	Eliminator	4	4	4
14-00	Motor Frame Ass'y	1	1	1
16-01	Fan Motor	1	1	1
16-03	Fan Key	1	1	1
16-04	Fasten Nut	1	1	1
17-01	Fan Hub	1	1	1
17-02	Fan Blade	3	4	4
17-04	U-Bolt (Fan Blade)	6	8	8
18-01	Fan Guard	2	2	2
20-01A	Louver Suporter	8	12	12
20-01B	Down Plug	8	12	12
20-01C	Up Plug	8	12	12
20-02	Inlet Louver	8	12	12
20-08	Wing Bolt	16	24	24
20-09	Plastic Washer	16	24	24
OTHERS	Bolts & Nut		1 Set	
<b>WATER BASIN SEALING MATERIAL</b>				
A	Fiberglass	1Set		
B	Polyester Resin	1Keg		
C	Catalyst	1Bottle		
*Please Check The Above Mentioned Parts Within Two Weeks After The Goods Received.				



Hamer Parts Diagrams - 125





# PARTS

## Hamer Parts - 125

PARTS LIST PART NO.	DESCRIPTION	PART NO.	DESCRIPTION
0030	Hoisting screw	2028-1	Hook pivot pin
0033	Hoisting crank	2029	Wire feed tube
0173C	Cutter Lever Return Spring Clip	2030-3	Wire check pawl
0206	Wire input oiler	2032	Stationary cutter
0232	Bushing for Idler Gear #2100	2033	Double end die
0260A	Switch	2034	Hook
0260J	Switch heater (for General Electric)	2035-6	Hook spring
0263	Power cord	2085	Feed system idler pulley (includes #2018) (1)
0643A	Switch Box	2085-1	Feed system idler pulley
0643B	Switch Cover	2086	Feed system pulley bolt (4)
2001	Main casting	2087	Upper V-pulley
2002	Gear housing	2088	Angle tube
		2090	Base plate weldment
		2091	Angle tube adjusting stop
2003	Flywheel	2092	Pedestal collar
2004	Motor mount plate	2093-1	Axle
		2094	Idler shaft
2005	Elec. box mtg. plate (replaces #2004A)	2095	Eccentric pulley
		2097	Main drive belt
2006	Front Plate	2099	Upper feed belt (orange V-belt)
2007	Bottom guide plate R.H.	2099-5	Lower bag feed belt (black cogged V-belt)
2008	Former	2100	Idler gear (incl. #232)
2010-2	Moving cutter	2101	Packer stud collar
2011	Driver	2102	Motor pulley
2012	Driver Shoe	2103	Bag stop
2014	Driver Link (2)	2105	Feed System plate spring
2015	Side Plate	2106	Limit switch
2016	Former guide plate	2107	Outer tube
2017	Wire feed wheel	2108	Inner tube
2018	Bearing	2109-2	Pivot block
2019	Wire check body	2111	Feed System Idler Bearing Assembly
2020-3	Packer arm (includes 2024)	2111-1	Feed System take-up bearing assembly
2021-1	Main gear shaft	2112	Wire stop
2023	Stationary cutter clamp	2078	Wire check spring
2024	Packer arm bushing	2079	Wire tube holder
2025	Main Gear Shaft BRG (2)	2080	Double end die stop
2026	Packer die	2081	Wire Check Pin
2027	Clutch mounting foot	2083	Lower V-pulley
		2084	Feed system V-pulley
2036	Wire spool bracket		
2038	Wire spool nut		
2039	Wire spool spring		
2041	Wire spool washer		
2042	Flywheel guard	2113-1	Flex tube clamp
2043	Guide shoe	2114	4" flex tube
2044	Wire feed shaft		
2045	Wire feed gear	2115	Wire feed lever
2046	Feed shaft bearing	2116	Lever stop
2047	Bag guide	2117-1	Wheel
		2121	Packer Spring Kit
		2121A	Packer Arm Return Spring
2048	Rear guide plate	2122	Wire check shoulder
2049	Key for #2017	2123	Spring plunger
2050-2	Electric Motor 50 HZ	2124-1	Jack shaft cst. assy
2050-3	Electric motor 60 HZ	2132	Clutch felt oiler
2051-6	Clutch (110 Volt)	2133	Wheel keeper (2)
2051-7	Clutch (220 Volt)	2134	1/2" conduit connector
2053	Limit switch actuating block		
2055	Limit switch		
2057-3	Wire harness	2136-1	Top guard bracket
2060	Zerk (Straight)	2137	Top guard lock knob
2061	Zerk (90 degree)	2142	Column lock knob
2062	Feed system shoulder bolt	2145	Cover Bracket
2063	Packer arm stud		
2064-1	Packer arm roller washer	2147	Shoulder bolt
		2148	Spring washer
2065-1	Packer arm roller	2314	Strain relief connector
2066	Bottom guard		
2067	Head bracket	2515-2	1/4 - 20 X 1/4 SKT. Hd. Set Screw Cone Point S.S.
2068	Feed system guard LH		
2069-1	Pulley guard	2791	Screws for #2064-1 and #2065-1
2070	Feed system plate LH		
2071	Feed system plate RH		
2072	Feed system guard RH	3126	Hoisting screw bearing
2075	Die adjusting block		
2076-1	Jack shaft for #2124-1	3576	Jack shaft bearing (2) for #2124-1 and #2076-1

## Hamer

We provide parts for all Hamer equipment. Hamer includes a parts breakdown with each piece of their equipment when it is shipped. For your convenience, we have enclosed the model 125 bag closer, the ring bag closer and the 310 form, fill and seal. If you don't have the parts breakdown that came with your equipment, please call us at (386) 597-6381 and we will gladly fax you another.

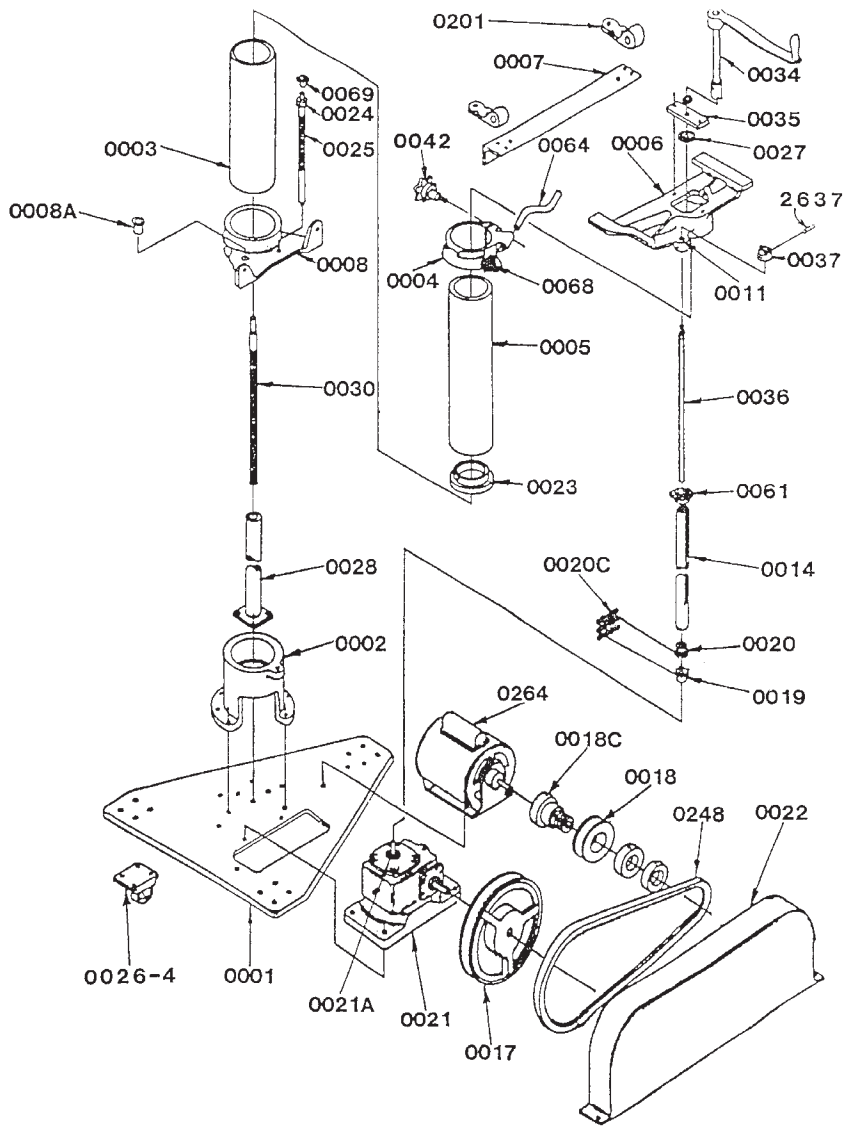
125 CONV-1 PART #	125 CONV-2 PART #		
0027		Hoist Thrust Bearing	1
0030		Hoisting	1
0033		Hoisting Crank	1
0260A		Motor Switch	1
0643A		Switch Box	1
0643B		Switch Cover	1
2201		Motor Mounting Bracket	1
2206		Gear Motor	1
2210		Sprocket	1
2212A		Chain Guard Cover	1
2212B		Cover Mounting Plate	1
2212C		Chain Guard Spacer	2
2212D		Cover Mounting Spacer	2
2214		Drive Chain	2
2513		5/16 - 18 x 5/8 Sq. Hd. Set Screw	4
2514		3/8 - 16 x 3/4 Sq. Hd. Set Screw	1
2529		1/4 - 20 Hex Nut	4
2542		1/4 - 20 x 1/2 Hex Hd. Cap Screw	9
2543		1/4 - 20 x 3/4 Hex Hd. Cap Screw	2
2546		5/16 - 18 x 1/2 Hex Hd. Cap Screw	14
2553		3/8 - 16 x 3/4 Hex Hd. Cap Screw	6
2555		3/8 - 16 x 1" Hex Hd. Cap Screw	1
2571		1/4 - 20 x 3/8 Phlp. Pn. Hd. Mach. Screw	2
2579		3/8 Flat Washer	5
2584		1/4 Lock Washer	11
2585		5/16 Lock Washer	14
2586		3/8 Lock Washer	7
2624		3/16 x 1" Woodruff Key	1
2633		3/16 x 1 - 1/4 Expansion Pin	1
2648		1/8 x 1/2 Pop Rivet	4
2805		10 - 32 x 1/2 Phlp. Rd. Hd. Screw	2
2831		3/16 x 3/4 Sq. Key Stock	1
8135	4152	Conveyor Table	1
8136		Pulley (Motor)	1
8137		Pulley (Driven)	1
8140		Bearing W/Flange	4
8141	4153	Belt	14
8142		Sprocket	1
8143		Pedestal	1
8144-1		Mounting Bracket	1
8145		Inner Sleeve	1
8146		End Cap	1
8148		Support Block	2
8149	3981-1	Side Guard Left	1
8150	3980-1	Side Guard Right	1
8153	4170	Conveyor Belt Guide	1



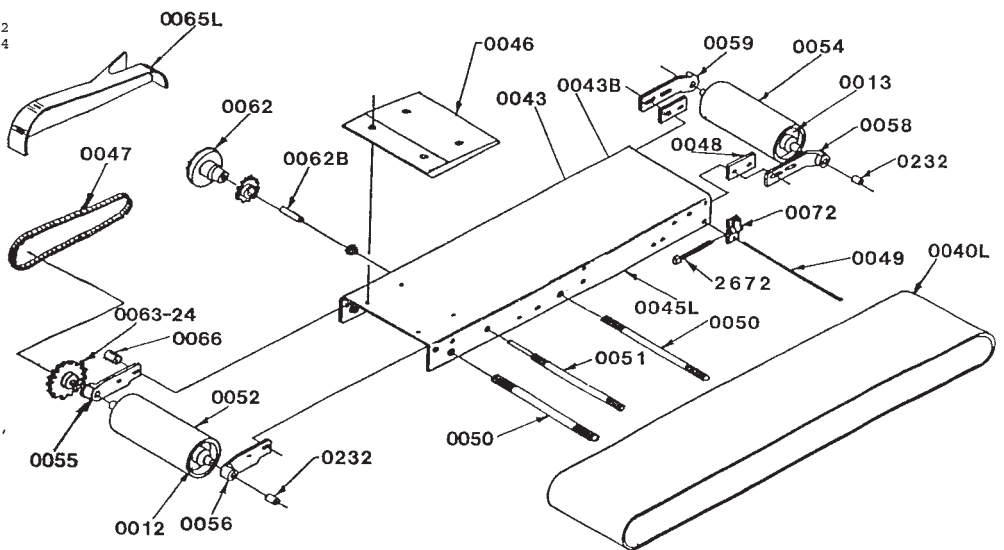
# HAMER PARTS AND DIAGRAMS RING BAG CLOSER



Part No.	Description
STANDARD BASE	
0001	Base
0002	Base Flange
0003	Outside Pedestal Pipe
0004	Outside Pipe Collar Assembly
0005	Inside Pedestal Pipe
0006	Head Spider
0007	Head Angle
0008	Conveyor Bracket
0008A	Conveyor Bracket Bushing
0011	Bushing for #0006
0014	Hex Nut Drive Shaft Assembly
0017	V-Belt Pulley
0018	Motor Drive Pulley
0018C	Clutch for Motor Pulley
0019	Sprocket for Reducer Shaft
0020	Sprocket for Hex Drive Shaft
0020C	Double Chain for #0019 and #0020
0021	Gear Reducer Complete
0021A	Reducer Felt Washer
0022	Drive Belt Guard
0023	Pipe Guide
0024	Set Collar for #0025
0025	Conveyor Lift Screw
0026	Swivel Caster
0027	Head Hoist Thrust Bearing
0028	Hoisting Screw Housing Assembly
0030	Hoisting Screw
0031	Hoisting Coupling for #0034
0032	Hoisting Shaft for #0034
0033	Hoisting Crank for #0034
0034	Hoisting Crank Assembly
0035	Hoist Bearing Plate
0036	Upper Drive Shaft
0037	Jaw Clutch (lower)
0042	Head Lock Screw Assembly
0061	Conveyor Drive Pinion
0064	Conveyor Hoist Handle
0069	Conveyor Hoist Pinion
0201	Angle and Place Hinge
0207	Felt Washer for 18C
0248	V Drive Belt
0260A	Motor Switch Only
0260B	Heater for #0260
0260COMPLETE	Motor Switch Complete
0261	Motor Switch Mounting Plate
0262	Electric Cord - Motor to Switch
0263	Electric Cord - Switch to Outlet
0264	3/4 H.P. Electric Motor
2537	Roll Pin - 1/4 x 1-5/8

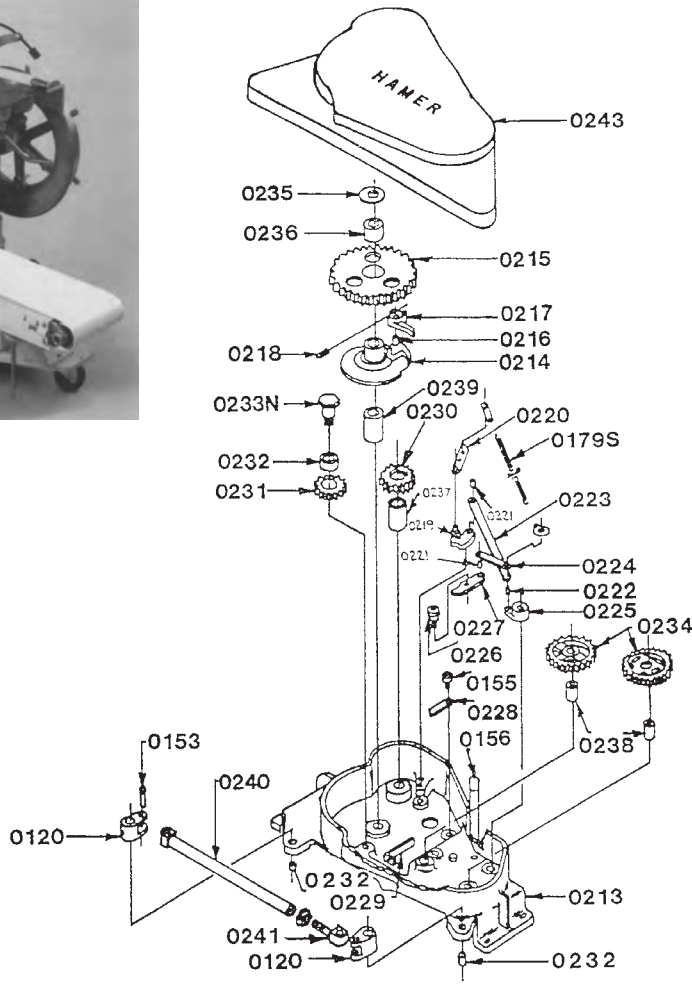


Part No.	Description
STANDARD CONVEYOR	
0012	Conveyor Pulley End Guard for #0052
0013	Conveyor Pulley End Guard for #0054
0040L	Conveyor Belt Long (96-3/4")
0043	Conveyor Support Plate
0043B	Conveyor Support Yoke
0045L	Conveyor Table Long (40")
0046L	Conveyor Table Riser Long
0047L	Conveyor Drive Chain Long (66 pitches)
0048	Take-Up Adjusting Plate
0049	Conveyor Table Tie Rod
0050	Conveyor Table Support
0051	Conveyor Countershaft
0052	Conveyor Drive Roller
0054	Conveyor Take-Up Roller
0055	Conveyor Drive Bearing R.H.
0056	Conveyor Drive Bearing L.H.
0058	Conveyor Take-Up Bearing L.H.
0059	Conveyor Take-Up Bearing R.H.
0062	Conveyor Drive Gear
0062B	Bushing for #0062 (2 required)
0063-24	Conveyor Drive Sprocket
0065L	Conveyor Chain Guard Long
0066	Conveyor Chain Guard Spacer
0072	Bag Guide End Bracket
0232	Bushing for No's. 0055, 0056, 0058, 0059
2672	Conveyor Adjusting Screw





# HAMER PARTS AND DIAGRAMS RING BAG CLOSER

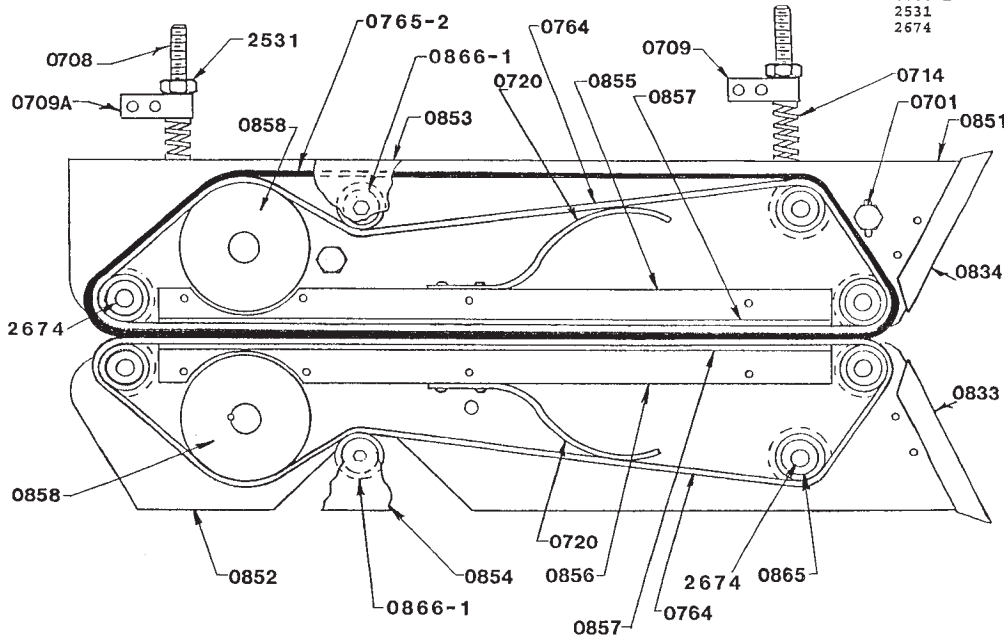


## GEAR CASE

Part No.	Description
0153	Cross-Link Crank Pin
0155	Clutch Stop Bearing Bolt
0179S	Trip Lever Spring Assembly
0214	Clutch Disc (Includes #0216)
0215	Clutch Gear
0216	Clutch Pawl Bearing
0217	Clutch Pawl
0218	Clutch Pawl Spring
0219	Clutch Release Crank
0220	Clutch Trip Bearing
0221	Trip Stop Pin
0222	Clutch Trip Pin
0223	Clutch Release Link
0224	Second Clutch Release Link
0225	Trip Shaft Crank
0226	Second Release Bearing for #0227
0227	Second Clutch Release Pawl
0228	Clutch Brakestop
0229	Back Stop Spring
0230	Head Drive Gear
0231	Head Idler Gear
0232	Head Idler Bushing
0233N	Head Idler Gear Bearing Bolt
0234	Feed Drive Gear
0235	Clutch Washer
0236	Clutch Gear Bushing
0237	Drive Shaft Bushing
0238	Feed Shaft Bushing
0239	Cam Shaft Bushing
0240	Cross Link
0241	Cross Link Screw
0243	Gear Case Cover

## 850S-2 FEED SYSTEM

Part No.	Description
0701	Shoulder Bolt for #0851
0707-1	Bolt for #0862
0708	Pressure Adjusting Screw
0709	Front Block for #0708
0709A	Rear Block for #0708
0714	Plate Tension Spring
0719	Trip Finger and Shaft
0720	Belt Tension Spring
0764	Chain
0765-2	Urethane Belt
0833	Feed System Guard R.H.
0834	Feed System Guard L.H.
0851	Poly Feed Drive Plate L.H.
0852	Poly Feed Drive Plate R.H.
0853	Belt Guard L.H.
0854	Belt Guard R.H.
0855	Belt Pressure Shoe L.H.
0856	Belt Pressure Shoe R.H.
0857-1	Chain Guide
0858	Drive Sprocket Assembly
0865	Idler Sprocket, Bearing, Post, & Bolt
0866-1	Take-Up Sprocket, Bearing, and Post
2531	5/16-18 Hex Nut
2674	Bolt for #0865 (6)

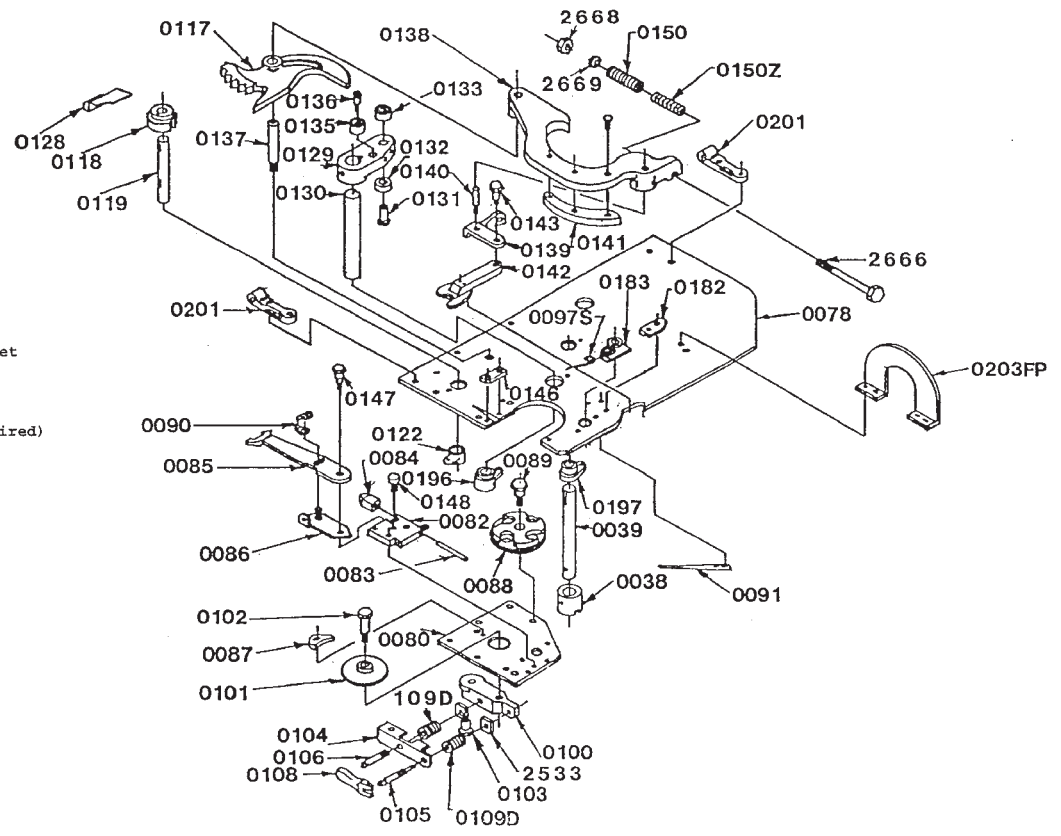


# HAMER PARTS AND DIAGRAMS RING BAG CLOSER



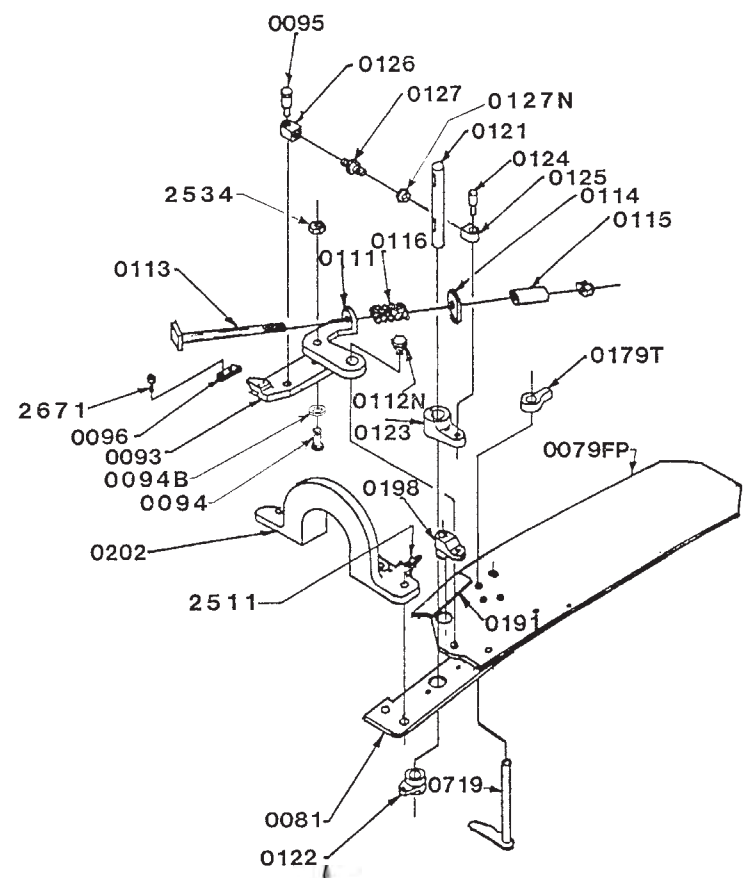
## MAIN PLATE

Part No.	Description
0038	Jaw Clutch (Upper)
0039	Head Section Drive Shaft
0078FP	Poly Main Plate
0080FP	Poly Rigid Die Plate
0082	Rigid Die
0083	Wire Guide and Cutter Tube
0084	Wire Guide
0085	Cutter Lever Upper Section
0086	Cutter Lever Lower Section
0087	Wire Wheel Oiler
0088	Wire Feed Wheel
0089	Wire Idler Bearing Bolt
0090	Cutter Return Spring
0091	Wire Feed Lock Spring
0097	Kick-Out Spring
0100	Wire Idler Bracket
0101	Wire Feed Idler Bearing Bolt
0102	Wire Feed Idler Bearing Bolt
0103	Pivot Bolt for Tension Bracket
0104	Tension Spring Bracket
0105	Wire Tension Release Bolt
0106	Wire Tension Bolt
0108	Wire Tension Release Lever
0109D	Tension Disc Spring (16 Required)
0117	Die Operating Cam
0118	Die Operating Gear
0119	Die Operating Gear Shaft
0122	Die Closing Shaft Bushing
0122A	Bushing Support for #0122
0122B	Bushing for #0122
0128	Die Operating Gear Guard
0129	Cam Arm
0130	Ejector/Cam Arm Shaft
0131	Bearing Pin for Cam Roller
0132	Lower Cam Roller
0133	Upper Cam Roller
0135	Packer Return Roller
0136	Packer Return Roller Bearing
0137	Packer Arm Bearing
0138	Packer Arm (Includes #0141)
0139	Packer Hinge (With #0140)
0141	Packer Arm Cam Shoe
0142	Packer Die
0143	Packer Die Pivot Bolt
0146	Wire Tube Clamp
0147	Wire Cutter Lever Bolt
0147L	Wire Cutter Lever Bolt Long
0148	Die Clamp Bolt
0149	Packer Spring Bolt, Washer and Nut
0150	Packer Spring (Outside)
0150Z	Packer Spring (Inside)
0183A	Bushing Support for #0183
0183B	Bushing for #0183
0196A	Bushing Support for #0196
0196B	Bushing for #0196
0197A	Bushing Support for #0197
0197B	Bushing for #0197
0201	Angle and Plate Hinge



## SIDE PLATE

Part No.	Description
0079FP	Poly Side Plate
0081	Left Die Plate
0093	Pivot Die
0094	Pivot Die Bolt
0094B	Brass Washer for #0094
0095	Pivot Die Stud
0096	Wire Former and Cutter
0111	Die Hinge
0112	Die Hinge Pivot Bolt
0113	Die Adjusting Bolt
0114	Adjusting Bolt Bearing
0115	Adjusting Bolt Sleeve
0116	Adjusting Bolt Spring
0121	Die Operating Crank Shaft
0122	Die Closing Shaft Bushing
0122A	Bushing Support for #0122
0122B	Bushing for #0122
0123	Die Operating Crank (Includes #0124)
0124	Die Operating Pin
0125	Die Closing Link L.H.
0126	Die Closing Link R.H.
0127	Die Adjusting Screw
0179T	Hand Trip Lever
0183B	Bushing for #0183 (Replaces #0198B)
0191	Left Packer Guide
0198	Feed Shaft Plate Bushing
0198A	Left Packer Guide
0202	Rear Plate Arch
0246	Adjusting Screw and Nut for #0123 Stop
0317	Screw for #0096
0719	Trip Finger and Shaft
2511	Adjusting Screw & Nut for #0123 Stop
2671	Screw for #0096 (2)

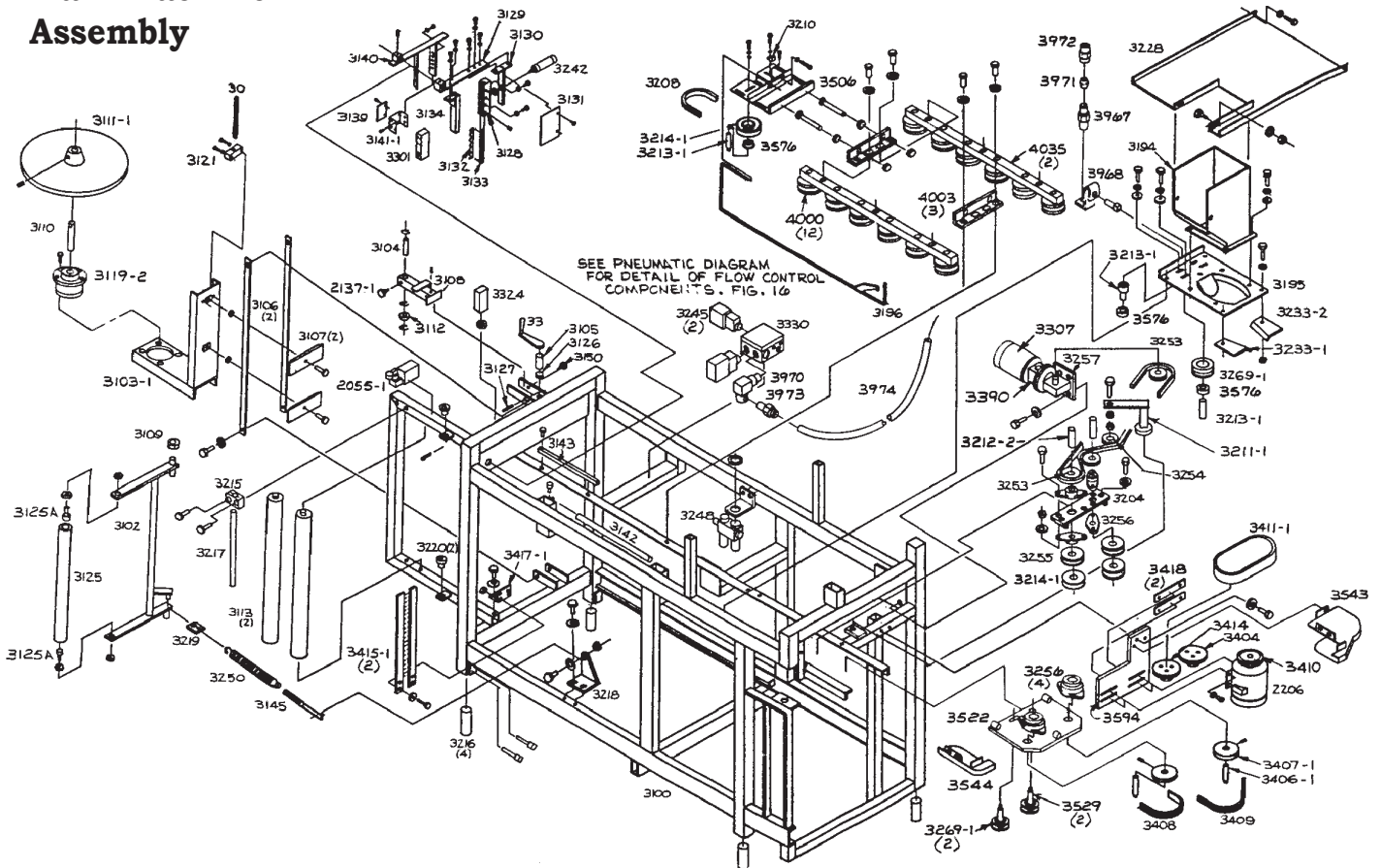




# Hamer 310 Diagrams



## Main Machine Assembly





# Hamer 310 Diagrams

## Pneumatic Diagram

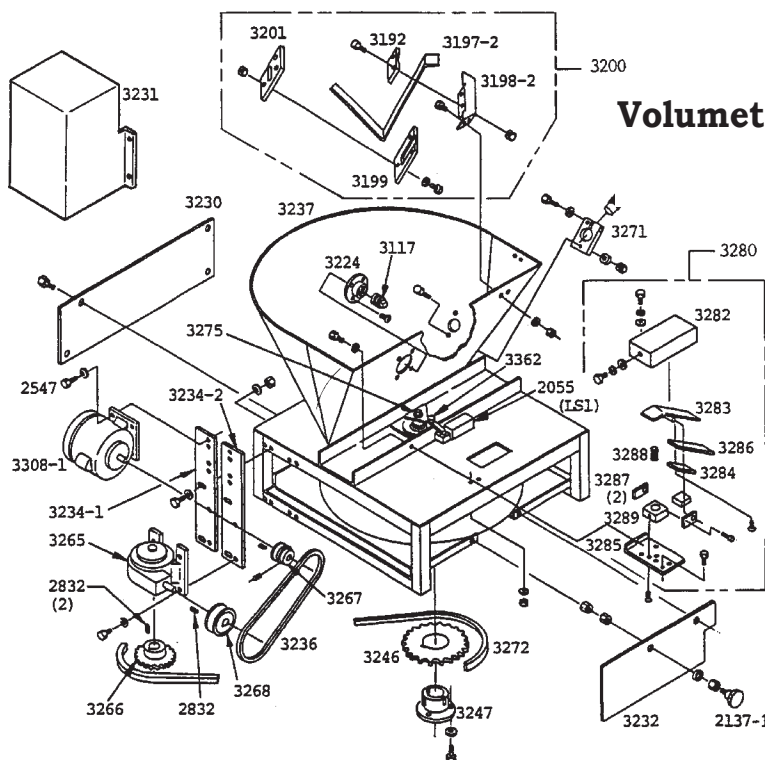
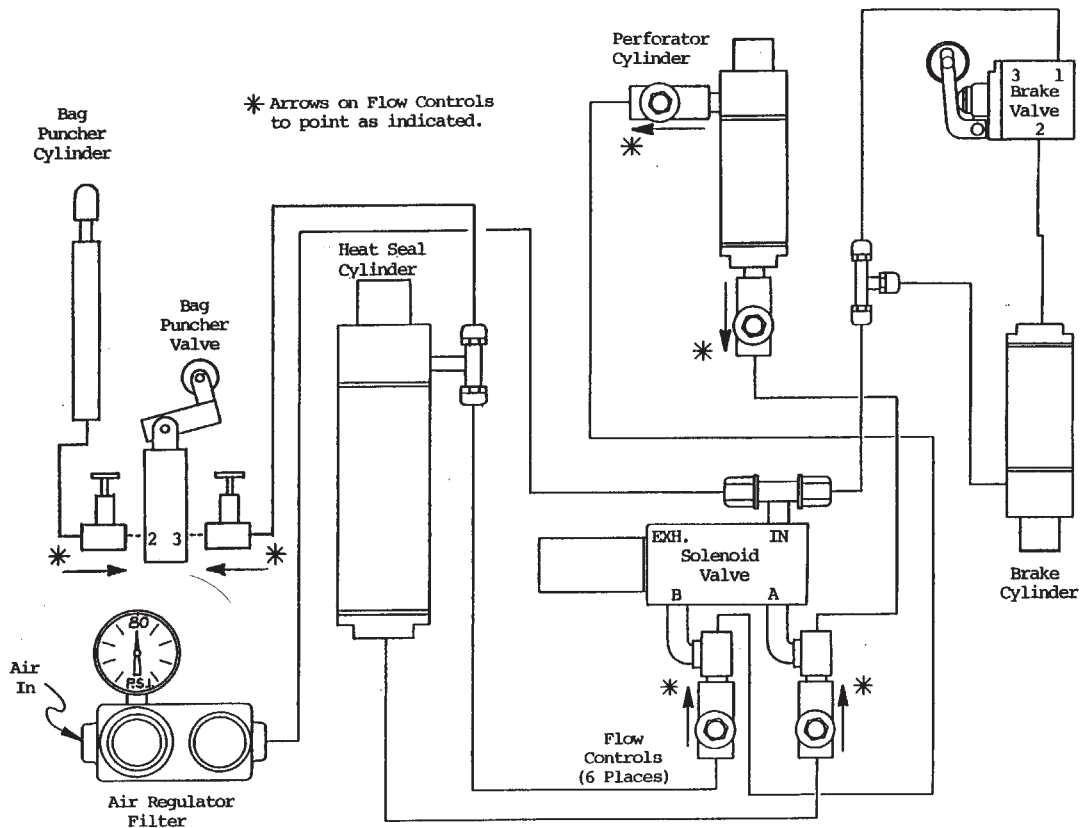
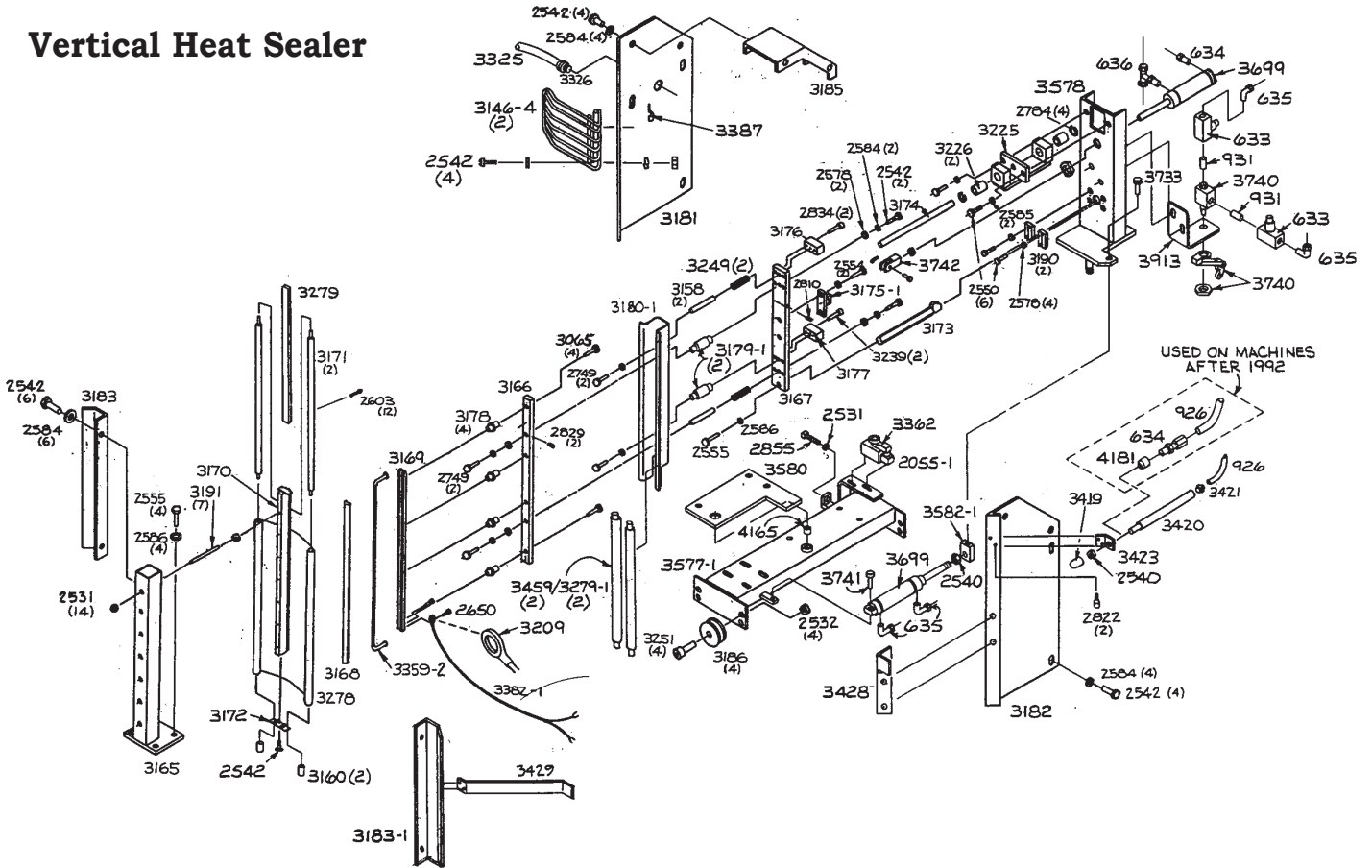


FIGURE 11

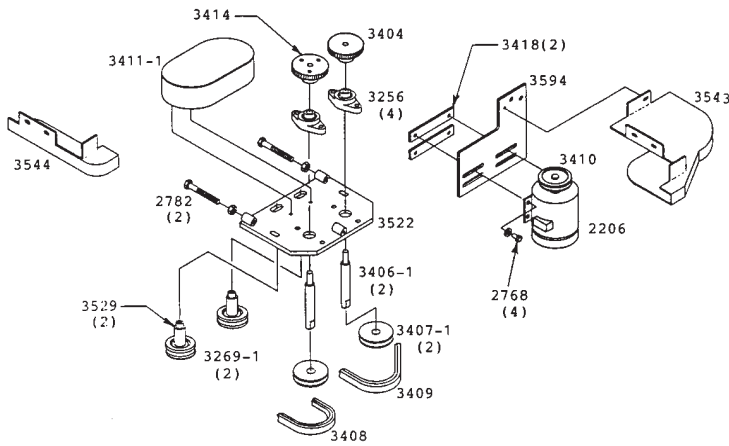


### Hamer 310 Diagrams

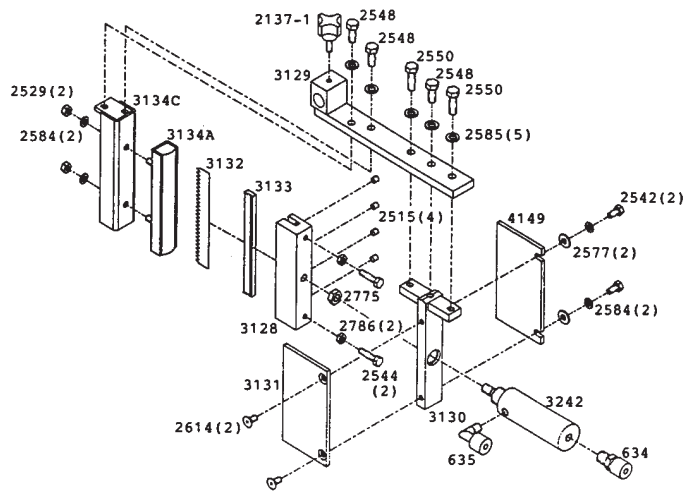
#### Vertical Heat Sealer



#### Tear Off System



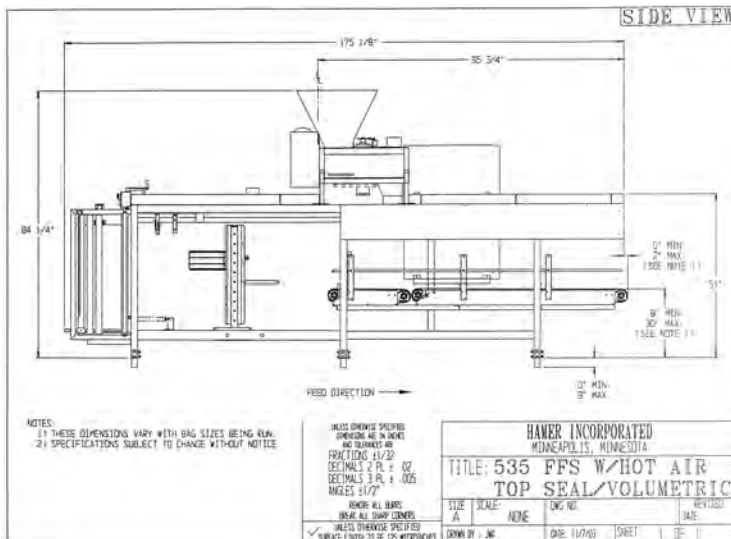
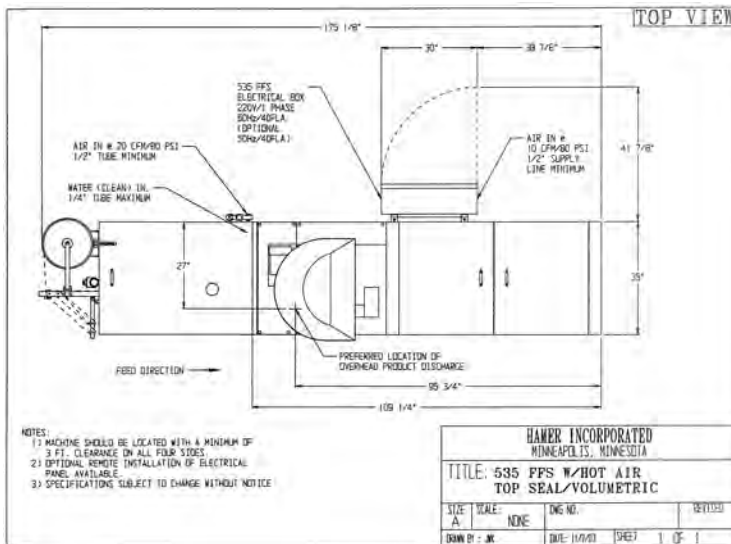
#### Film Perforator







## Hamer 535 and 540 Diagrams



PART #	DESCRIPTION
0812	Drive Motor, 3/4 HP
0931	Nipple, Close Pipe 1/8"
0974	Nipple Plastic, 1/8" NPT x 3/4" Long
2055-1	Limit Switch
2123	Spring Plunger
2137-1	Lock Knob
2505-1	External Retaining Ring, 5/8"
2507-1	External Retaining Ring, 3/8"
2622	Key, 3/8" Sq. x 2" Long
2632	Spiral Pin, 3/16" x 1" Lg.
2633	Spiral Pin, 3/16" x 1-1/4" Lg.
2806	Cotter HairPin
2831	3/16" Sq. x 3/4" Long
2832	Key, 3/16" Sq. x 1" Lg.
2873	Spring Pin, 1/8" x 13/16" Long
2897	O-Ring (Buna-N)
2899	External Retaining Ring, 5/16"
2957	Clevis Pin
2990	Washer, Fender 3/8" I.D. x 1-1/2" O.D.
3107	Horizontal Support Bar
3109	Brake Cam
3112	Core Holder
3121	Conveyor Adjusting Block
3125A	3/8" Bolt, Dancer Feed Roller
3129-1A	Perforator Support
3130	Perforator Cylinder Bracket
3131	Perforator Guide
3134A	Rubber Holder, Perforator
3134C	Rubber Holder Mounting, Perforator
3139	Photo Eye Guide
3140-1A	Photo Eye Support
3140-1B	Photo Eye Mounting Bracket Weldment
3141-1	Photo Eye Bracket
3144	Slack Roller, 1-1/4" O.D.
3145	Inner Dancer Spring
3146-4	Film Guide
3150	Lock Knob
3158	Shield Guide Pin
3160	Knob, 1/2" Diameter
3176	Bearing Block, Fixed
3177	Bearing Block, Slotted
3178	Hot Knife Spacer
3179-1	Spacer
3186	Carriage Wheel
3192	Wiggler Clamp
3197-2	Wiggler Strip
3198-2	Wiggler Bracket





PART #	DESCRIPTION
3199	UHMW Flapper
3201	UHMW Slotted
3211-1	Chain Tensioner
3212-3	Drive Shaft, Main Drive Sprocket
3213-2	Idler Shaft
3214-1	Idler Pulley
3215	Cane Bracket
3218	Spring Bracket
3219	Spring Attachment
3220	Dancer Bushing
3222-1	Brake Valve Bracket
3223	Photo Eye Reflector
3226	Linear Bearing
3236	Drum Drive Belt
3239	Shoulder Bolt, 3/8" X 1"
3242	Air Cylinder
3244	Rod Clevis, Cylinder
3246	Filler Drum Drive Sprocket
3247	Filler Drum Drive Sprocket Hub
3249	Heat Seal Spring
3250	Dancer Spring
3253	Film Feed Drive Sprocket
3254	Film Feed Idler Sprocket
3254B	Idler Sprocket Spacer
3256	Bearing
3257-2	Film Feed Gear Reducer
3263	Roll Holder Bearing
3265	Drum Drive Reducer
3266	Drum Drive Sprocket
3267	Drum Motor Pulley
3269-1	Idler Pulley
3271	Proximity Holder
3272	Chain, #50
3275	Activating Cam
3281	Slapper Bumper
3282	Slapper Cover
3283	Slapper Pivot Plate
3284	Slapper Backup
3285	Slapper Mounting Bracket
3286	Slapper UHMW
3287	Slapper Pivot Block Assembly
3288	Slapper Spring
3289	Slapper Spring Block
3301	Photo Eye Detector
3308-1	Electric Motor
3353-1	Low Level Detector
3362	Limit Switch Actuating Arm
3382-4	Thermocouple Wire Assembly
3390-2	Pneumatic Clutch/Brake
3417-2	Static Eliminator Bracket
3429	Backup Bar
3452	Gas Spring
3453	Mounting Ball Stud
3454	Safety Clip
3455	Gas Spring Mounting Bracket
3534-1	Hoisting Screw
3576	Bearing
3592	Cane, Film
3710	Seal Pad Adjuster Rod
3740	Bag Puncher Valve
3915	Perforator Blade
3973	Air Fitting Straight, 5/32"
3990-1	Jaw, 2-3/4"
3991	Belt Slide
4001	Slide, Tail Pulley Plate
4002	Slide Backup
4003	Guide Rail Angle
4005	Spring Support
4007	Hopper
4009	Spring, Tail Pulley
4011-1	Tail Pulley Plate
4013-1	Idler Shaft
3382-4	Thermocouple Wire Assembly
3390-2	Pneumatic Clutch/Brake
3417-2	Static Eliminator Bracket
3429	Backup Bar
3452	Gas Spring
3453	Mounting Ball Stud
3454	Safety Clip
3455	Gas Spring Mounting Bracket
3534-1	Hoisting Screw
3576	Bearing
3592	Cane, Film
3710	Seal Pad Adjuster Rod
3740	Bag Puncher Valve
3915	Perforator Blade
3973	Air Fitting Straight, 5/32"
3990-1	Jaw, 2-3/4"
3991	Belt Slide
4001	Slide, Tail Pulley Plate
4002	Slide Backup
4003	Guide Rail Angle
4005	Spring Support
4007	Hopper
4009	Spring, Tail Pulley
4011-1	Tail Pulley Plate
4013-1	Idler Shaft
4014	Spring, Jaw
4017-1	Pulley Bracket
4044-1A	Coder Support
4045	Rubber Mounting Bracket
4046	Coder Cylinder Bracket
4047	Type Holder (4 characters)
4047-1	Type Holder (8 characters)
4048	Coder Guide
4049	Rubber Backup
4085	Coder Cylinder Adapter
4133	Guide Shaft, Flex Fill
4135	Jaw Support, Flex Fill
4138	Clevis Pin, Flex Fill
4140	Bushing
4141	Bushing Retainer
4146	Perforator Holder
4147	Perforator Backup
4148	Cylinder Adapter
4149	Perforator Guide
4150	Bearing Spacer, Flex Fill
4181	Air Nozzle, Bag Punch
4222A	Roll Holder 21"
4222-1B	Core Holder 21"
4225	Support Weldment, Flex Fill
4226-1	Cylinder Stop, Flex Fill
4227	Cylinder Pivot, Flex Fill
4228	Cylinder Rod End, Flex Fill
4235	Bushing
4278	Support Gusset, Vertical Heat Seal
4279	Switch Bracket, Vertical Heat Seal
4280	Switch Actuator, Vertical Heat Seal
4281	Stabilizer Bar, Vertical Heat Seal
4343	Sprocket
4388	Thermocouple Spacer
9568	Cylinder Pivot
9606	Hole Punch, 1/4" Diameter
9750	Hot Knife
9751	Knife Backup Bar
9752	Seal Bar 1"
9753	Heat Element
9754	Seal Bar 2"
9755	Silicone Tube
9756	Mounting Bar
9757	Hot Knife Shield
9758	Seal Pad Guard
9759	Seal Pad Guard
9761	Seal Pad Rollers





# PARTS

## Hamer 535 Parts List, continued

PART #	DESCRIPTION		DESCRIPTION
9762-1	Roller Lock Plate	10425	Shaft, Roll Holder
9763	Seal Pad Bar	10432	Muffler
9764-1	Silicone Pad	10473	Snap Fastener
9767	Shaft Block	10596	Auxiliary Feed Chain, #40
9772	Pillow Block Plate	10602	Pivot Bar
9773	Clevis Pin	10603	Pivot Pin
9779	Teflon Cloth	10712-1	Flow Control (water)
9788	Volumetric Support	10760	Vertical Bar
9808	Pillow Block Shaft	10761	Horizontal Bar
9824-1	Pillow Block Linear Bearing w/Grease Zerk	10762	Clamp Spacer
9849	Cylinder, Flex Fill	10763	Lubricating Felt
9880	Roll Brake Strap End	10764-1A	Lubricator Support
9883-1	Air Cylinder	10907	Carriage Stop
9883-1B	Air Cylinder Nut	11000	Static Eliminator Brush
9883-1C	Air Cylinder Threaded Rod	11001	Film Clamp Bar
9884-1	Rod Pivot, Cylinder Vertical Heat Seal	11002	Film Clamp Bar
9947	Rear Support Bar	11003	Neopreme
9948	Front Support Bar	11004	Dancer Feed Roller
9949	Seal Pad Weldment	11005	Dancer Weldment
9950	Carriage Weldment, Vertical Seal	11006	Film Feed Roller
9956	Spring, Roll Brake	11011	Photo Eye Slide Rod
9957	Air Valve, Brake	11012	Plastic Slide
9961	Main Guard	11037	Chute
9962	Front Left Guard	11038	Chute Flap
9963	Front Right Guard	11041	Control Panel Guard
9964	Rear Right Guard	11075	Drum Drive Guard
9965	Guard Mount	11079	Volumetric Guard
9966	Rear Left Guard	11157-1	Carriage Guide Tube
10002	Drip Pan	11170	Separator Rod
10012	Thrust Washer, Hoisting Screw	11171	Guide Rail
10033	Volumetric Guard	11173-1	Main Cover
10040	Gear Box Mounting Plate	11176	Side Guard, Right
10047	Support, Hoisting Screw	11177	Side Guard, Left
10057	Drive Pulley, Volumetric	11178-1	Cylinder
10061	Hairpin	11180	Hole Punch Cylinder Bracket Weldment
10078	Bridge Plate	11291	Flex Fill Frame
10079	Bridge Angle	11294	Tube Mounting Plate
10080	Bridge Tube	11300	Shaft Collar
10082	Adjusting Rod, Volumetric Drive	11301	Upper Core Shaft
10083	Adjusting Nut, Volumetric Drive	11365	Main Cover
10084	Fixed Tube, Volumetric Drive	11366	Separator Rod Holder
10085	Adjusting Tube, Volumetric Drive	11367	Main Frame
10088	Product Deflector, Volumetric	11376	Cam Lock Assembly
10089	Air Cylinder Bracket	11481	Tube Mounting Plate
10103	Nut Plate, Volumetric Drive	11490	Bearing Plate
10137	Punch Bracket	11491	Lock Nut
10303	Cylinder	11493	Idler Sprocket Spacer
10341	Roll Support Weldment	11497	Keeper, Chute Flap
10342-1	Idler shaft	11514	Felt Washer
10343	Idler Pulley	11953	Film Feed Belt
10347	Roll Brake Strap		
10348	Drive Pulley		
10354	Shaft Spacer, Roll Support		
10355	Brake Drum		
10401	Cylinder Mounting Bracket		
10403	Belt Support		
10411	Film Clamp Mount		
10412	Film Clamp Guide		
10413	Film Clamp Pivot		
10416	Film Clamp Pivot Pin		
10417	Unwind Cylinder Mount		
10418	Cylinder Clevis		
10419	Unwind Pivot Plate		
10420	Unwind Pivot Bracket		

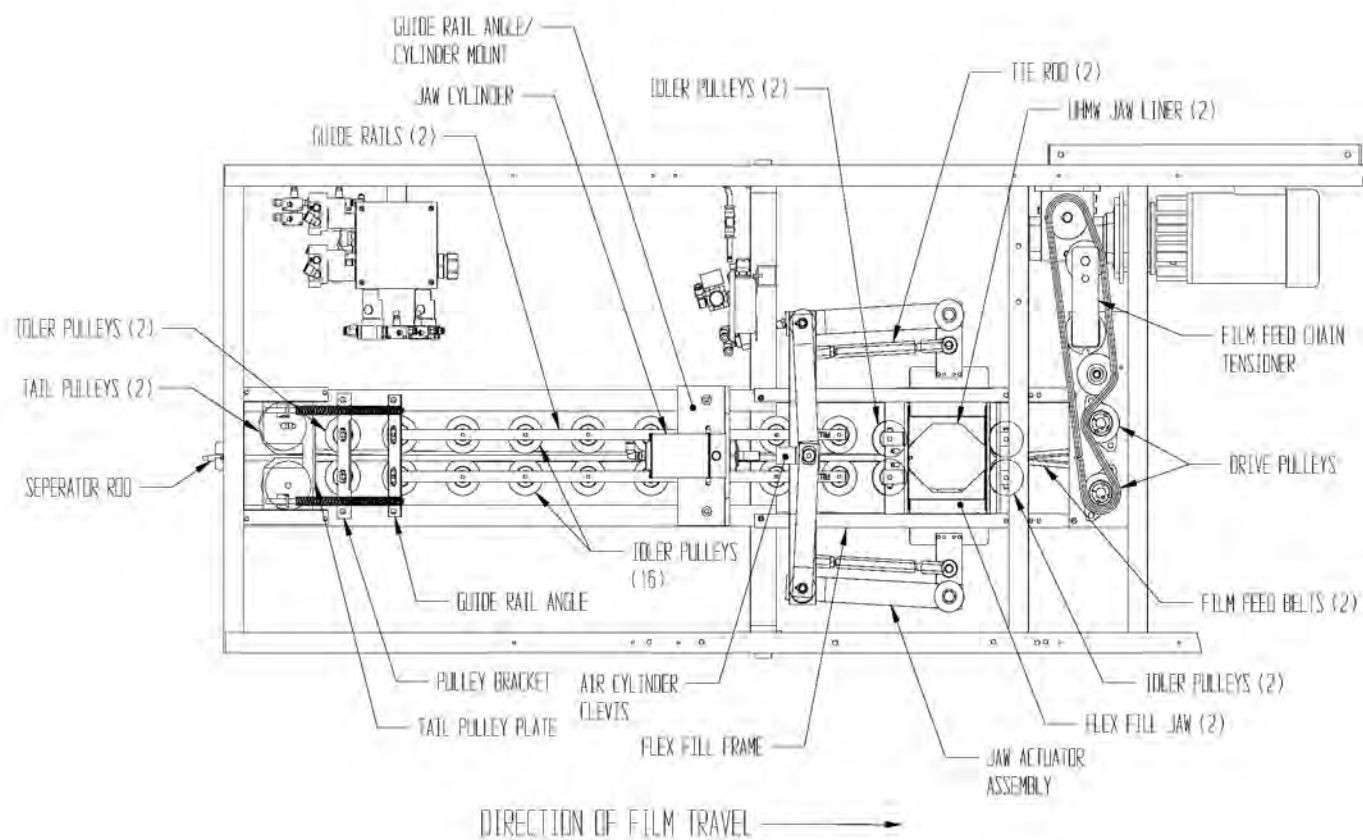




# Hamer 540 Diagrams



Hamer 540 Feed Belt System Diagram





# ICE MERCHANDISER PARTS LIST

**Polar Temp (PT), Thermal Manufacturing (TMC), Leer, Star and Starrett parts are available as always from us. Give us a call at (386) 597-6381 and we will rush your order to you.**

## CONDENSING UNITS

- 9090010 R22 1/4 HP
- 9090012 R22 1/3 HP
- 9090013 R22 1/2 HP

## COMPRESSORS

- 9070001 R22 1/4 HP
- 9070004 R22 1/3 HP
- 9070003 R22 1/2 HP

## CONDENSING UNIT PARTS R22

- 9080202 Start Relay 1/3 HP
- 9080203 Start Relay 1/2 HP
- 9080300 Start Capacitor 1/4 HP
- 9080301 Start Capacitor 1/3 HP
- 9080302 Start Capacitor 1/2 HP
- 9080351 Overload 1/4 HP
- 9080352 Overload 1/3-1/2 HP
- 9080422 Fan Motor 9 watt
- 9080423 Fan Motor 16 watt
- 9080403 Fan Motor 35 watt
- 9080451 Fan Blade 1/4 HP
- 9080452 Fan Blade 1/3 HP
- 9080453 Fan Blade 1/2 HP
- 9080481 Fan Shroud 1/4 HP
- 9080482 Fan Shroud 1/3 HP
- 9080483 Fan Shroud 1/2 HP
- 9080501 Coil 1/4 HP
- 9080502 Coil 1/3 HP
- 9080503 Coil 1/2 HP

## DROP-IN REFRIGERATION SYSTEMS (CONDENSING UNIT & EVAPORATOR ASSEMBLY)

- 7090101 1/4 HP
- 7090102 1/3 HP
- 7090104 1/2 HP
- 7090105 3/4 HP

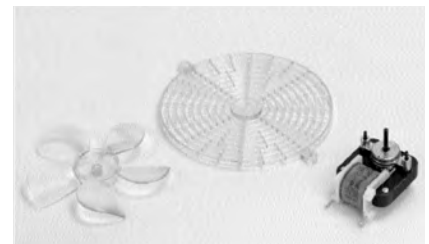
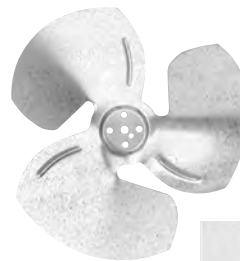
## EVAPORATORS & PARTS

- 7100001 One Fan Assembly (TMC)
- 7100002 Two Fan Assembly (TMC)
- 7100004 Three Fan Assembly (TMC)
- 7100011 One Fan Assembly (Leer)
- 7100012 Two Fan Assembly (Leer)
- 7100031 One Fan Assembly (Starrett)
- 7100032 Two Fan Assembly (Starrett)
- 7100033 Three Fan Assembly (Starrett)
- 7100041 One Fan Assembly (Star)
- 7100042 Two Fan Assembly (Star)
- 7100043 Three Fan Assembly (Star)
- 9060001 Coil, One Fan (TMC)
- 9060002 Coil, Two Fan (TMC)
- 9060003 Coil, Three Fan (TMC)
- 7101201 Drain Pan, One Fan (TMC)
- 7101202 Drain Pan, Two Fan (TMC)
- 7101203 Drain Pan, Three Fan (TMC)
- 7101211 Drain Pan, One Fan (Leer)
- 7101212 Drain Pan, Two Fan (Leer)

- 7101231 Drain Pan, One Fan F100 (Starrett)
- 7101232 Drain Pan, One Fan F140 (Starrett)
- 7101235 Drain Pan, Two Fan F170 (Starrett)
- 7101233 Drain Pan, Three Fan F190, F230 (Starrett)
- 7101241 Drain Pan, One Fan (Star)
- 7101242 Drain Pan, Two Fan (Star)
- 7101243 Drain Pan, Three Fan (Star)

## EVAPORATOR MOTORS ACCESSORIES

- 9220001 Fan Motor
- 9150001 Fan Blade
- 9160001 Fan Guard
- 8250003 Fan Bracket
- 7220001 Fan Motor Assembly
- 9200005 Heat Rod One Fan
- 9200006 Heat Rod Two Fan
- 9200007 Heat Rod Three Fan

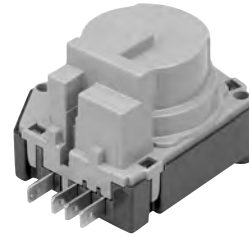






## CONDENSATE PARTS

- 7200010 Condensate Heater
- 7200020 Condensate w/o Heater
- 8200501 Condensate Pan
- 9200001 Condensate Heat Rod
- 9290001 Drain Tube



## CONTROLS

- 7250002 Thermostat with Bracket & Acc
- 9250010 Thermostat Recessed
- 9250002 Thermostat w/ Acc
- 9250011 Thermostat Dial Plate – Rec
- 8250004 Thermostat Bracket
- 9250003 Defrost Timer 4hr/15min
- 8250001 Defrost Timer Bracket
- 7250003 Defrost Timer with Bracket
- 9250004 Defrost Terminator

## CAP TUBE

- 8100001 .036 X 72"
- 8100002 .044 X 72"
- 8100003 .042 X 72"

## DRYERS

- 9140001 Copper 1/4" MMS80
- 9140002 Copper 3/8"

## SOLID DOORS

- 7120201 Slant 27 X 27 (Ice Buddy/PT/TMC)
- 7120211 Slant 26 X 26 (Leer)
- 7120221 Slant 27 X 27 (Leer)
- 7120231 Slant 22 X 28 (Starrett)
- 7120701 Upright 26 X 44 (Ice Buddy/PT/TMC)
- 7120712 Upright 26 X 44 (Star)
- 7120721 Upright 27 X 46 (Leer)
- 7120731 Upright 22 X 38 (Starrett)



## GASKETS

- 9190001 Slant (Ice Buddy/PT/TMC/Leer)
- 9190009 Slant (Star)
- 9190005 Slant (Starrett)
- 9190002 Upright (Ice Buddy/PT/TMC)
- 9190010 Upright (Star)
- 9190003 Upright (Leer)
- 9190006 Upright (Starrett)

## GLASS DOORS

- 9120020 Silver 26 X 44 (Ice Buddy/PT/TMC/Star/Starrett)
- 9120021 Gold 26 X 44 (Ice Buddy/PT/TMC/Star/Starrett)
- 9120024 Silver 28 X 47 (Starrett)
- 9120026 Gold 28 X 47 (Leer)
- 9120022 Silver 22 X 38 (Starrett)
- 9120023 Gold 22 X 38 (Starrett)
- 9120026 Gold 28 X 47 (Starrett)

## GLASS DOOR GASKETS

- 9195000 (Ice Buddy/PT/TMC)
- 9195001 (Leer/Starrett)
- 9195002 (Leer/Starrett)



## HANDLES/HASPS

- 9210101 Handle (Ice Buddy/PT/TMC/Starrett-unigrip)
- 9210100 Handle (Leer)
- 9210106 Handle (Star)
- 9210102 Hasp (Ice Buddy/PT/TMC/Starrett)
- 9210103 Hasp (Leer)
- 9210104 Hasp (Star)
- 9210105 J Bolt
- 9210111 Chain
- 7210120 Latch/Strike (TMC)
- 9210120 Latch (TMC)
- 9210121 Strike (TMC)



## HINGES

- 7210001 Hinge (Kason 211)
- 9210055 Hinge Cover (Kason 211)
- 9210071 Adjustment Plate (Kason 211)
- 9210012 Hinge Silver (Kason 212)





# ICE MERCHANDISER PARTS LIST

- 9210056 Hinge Cover (Kason 212)
- 9210072 Adjustment Plate (Kason 212)
- 9210006 Hinge (Kason 217)
- 9210054 Hinge Cover (Kason 217)
- 9120074 Adjustment Plate (Kason 217)
- 9210003 Hinge (Kason 218)
- 9210041 Spring Cartridge (Kason 218)
- 9210091 Tension Pin (Kason 218)
- 9210008 Hinge Silver (Kason 220)
- 9210009 Hinge Gold (Kason 220)
- 9210057 Cover Silver (Kason 220)
- 9210058 Cover Gold (Kason 220)
- 9210073 Adjustment Plate (Kason 220)
- 9210042 Spring Assembly (Kason 220)
- 9210092 Tension Pin (Kason 220)

## HOODS/SKIRTS

- 7091001 Small Hood w/o Decals 1/4-1/3 HP
- 7091002 Large Hood w/o Decals 1/2 HP
- 7091051 Small Hood with Decal 1/4-1/3 HP
- 7091052 Large Hood with Decal 1/2 HP
- 7091101 Skirt M300
- 7091102 Skirt M420
- 7091103 Skirt M650
- 7091104 Skirt M500
- 7091105 Skirt M630
- 7091106 Skirt M750
- 7091107 Skirt M850
- 7091108 Skirt M1000

## ALUMINUM TRIM

- 9050001 Silver 144" (TMC Slant)
- 9050004 Silver 165" (TMC Upright/Outdoor)
- 9050005 Silver 64 7/16" (TMC Upright/Outdoor)
- 9050021 Gold 64 7/16" (TMC Upright/Outdoor)

## FLOOR RACKS

- 9240001 Small (22 X 25)
- 9240002 Large (22 X 29)

## WIRE HARNESS/POWER CORD

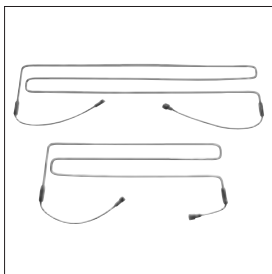
- 9270001 Power Cord (Cold Wall)
- 9270002 Power Cord (Auto Defrost)
- 9270101 Toggle Switch (Auto Defrost)
- 8270002 Power Cord with Switch (Auto Defrost)
- 9270004 Evap Harness
- 9270005 Fan Jumper

## DECALS/SIGN PANELS

- 9110003 Cabinet Red 13"
- 9110004 Cabinet Blue 13"
- 9110005 Hood Red 8.5"
- 9110006 Hood Blue 8.5"
- 9110051 Sign Red
- 9110052 Sign Blue
- 9110050 Sign Blank

## MISCELLANEOUS FITTINGS

- 9290005 Drain Plug
- 9290003 Floor Drain Tube
- 9290004 Drain Retainer





## MYCOM Genuine Parts

The manufacture of MYCOM genuine parts is based on the experience gained from over seventy years of production, utilizing the finest raw materials and meeting the strictest dimensional requirements, making it possible for use to warrant performance for a full year after installation.





# PARTS

## Turbo and Vogt Parts

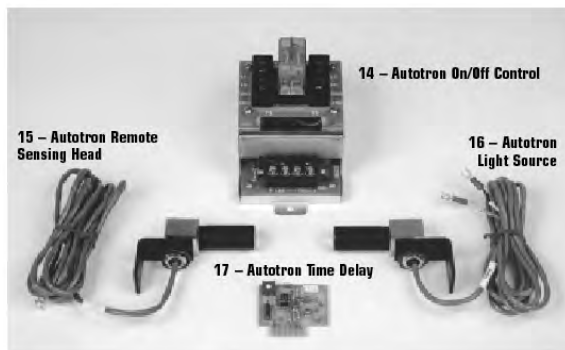
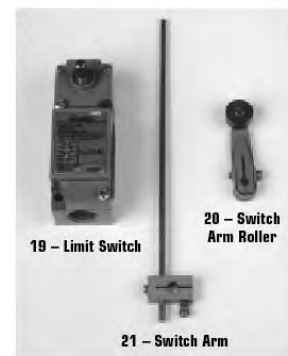
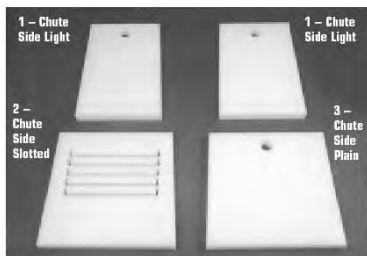
We carry parts for all Turbo and Vogt equipment. A complete parts list for all models is too large to include. I have included pictures of some of the most requested Turbo parts. Vogt does not have pictures at this time. Please call me and I will rush to fill your order.

## B & C Line Series Equipment





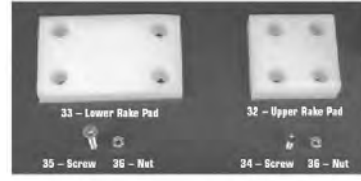
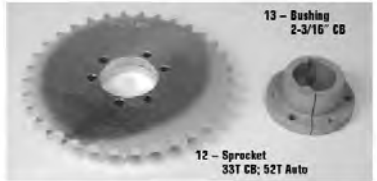
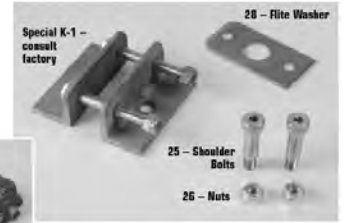
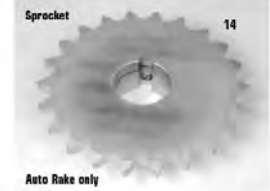
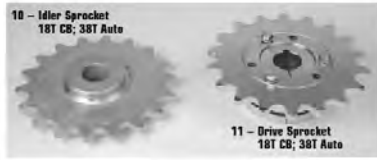
# Block Presses



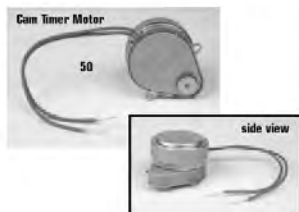


# PARTS

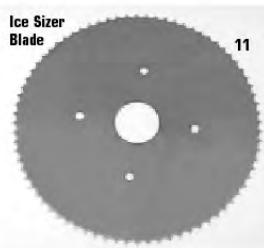
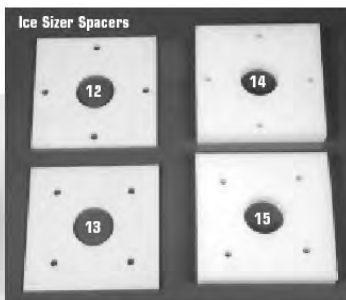
## CB Hydraulic & Auto Rakes



## CB Hydraulic & Auto Rakes



## Ice Seizers

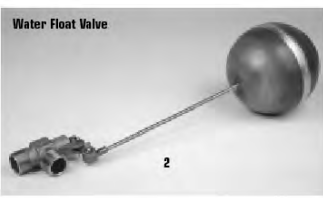




# TIG & TIGAR Piping Assembly



**Water Pump**



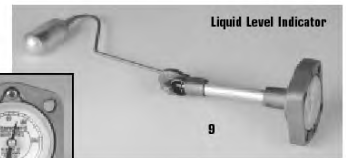
**Water Float Valve**



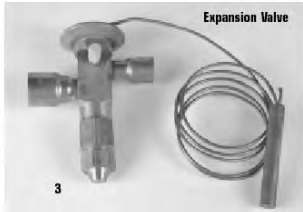
**Expansion Valve Distributor**



**Sight Glass**



**Liquid Level Indicator**



**Expansion Valve**



**Solenoid Valve**



**Heater Cartridge**



**Float Switch Alarm**



**Heater Housing Well**



**Drier**



**Drier Core**



**Evaporator Plate**



**Relief Valve**



**Suction Gauge**



**Oil Gauge**



**Discharge Gauge**



**Screw Conveyor Gear Reducer**



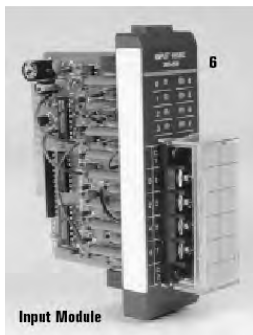
**Limit Switch**



**Oil Pressure Switch**



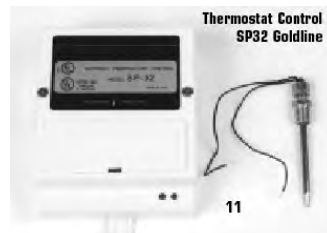
**Dual Pressure Switch**



**Input Module**



**Thermostat Control SP332 Goldline**



**Thermostat Control SP32 Goldline**



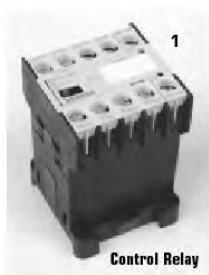
**Conveyor Belt Guard**



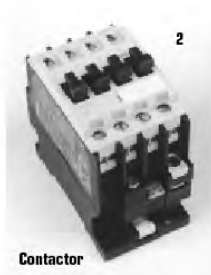




## TIG & TIGAR Piping Assembly



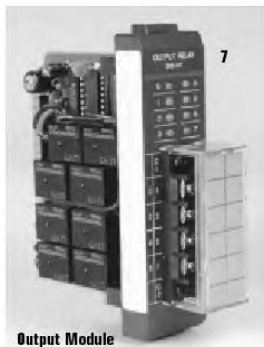
Control Relay



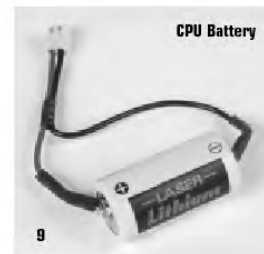
Contactor



CPU



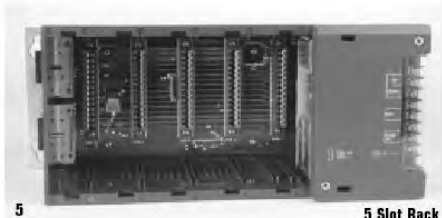
Output Module



CPU Battery



Hand Held Programmer



5 Slot Rack



EEPROM Chip

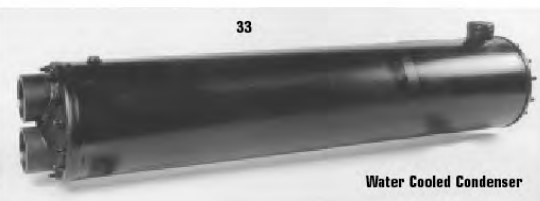


Cable

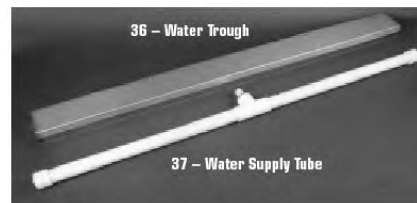
## Turbo Miscellaneous Parts



Water Cooled Condenser



33



36 - Water Trough

37 - Water Supply Tube



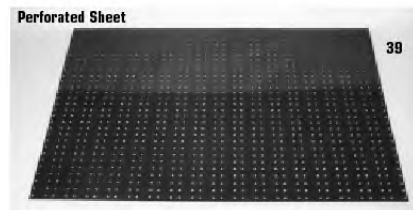
Flat Bottom Pan

38



Water Pan Filter

40



Perforated Sheet

39

