

Parts Catalog



WORLDLAWN[®]

WYZ48/ 52/60

Zero Turn Mower



Worldlawn Power Equipment, Inc.

Industrial Park 2415 Ashland Ave. Beatrice, NE 68310

Toll Free Number: 1-800-267-4255



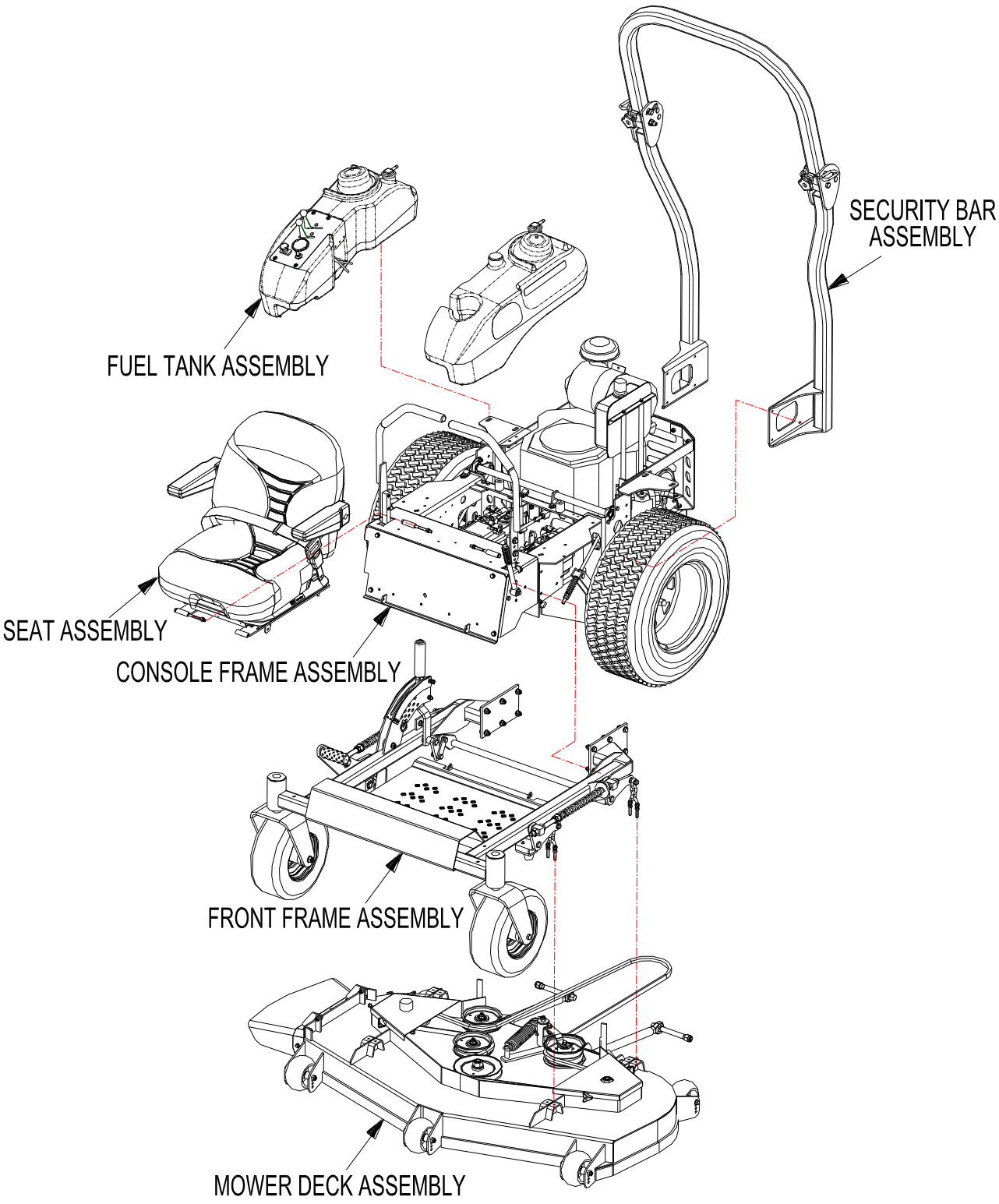
Table of Contents

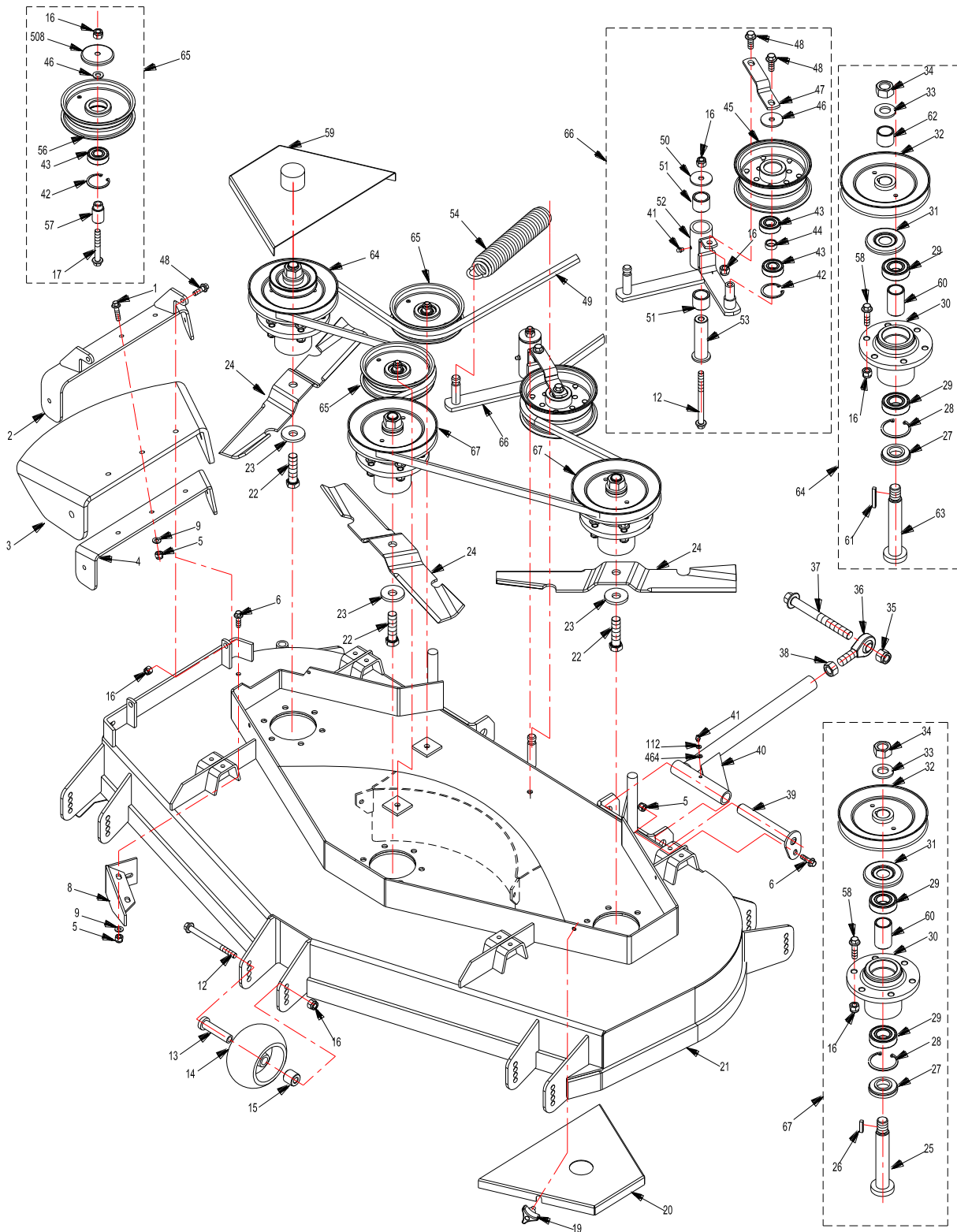
Mower Assembly.....	1
Mower Deck Assembly.....	2
Front Frame Assembly.....	4
Console Frame Assembly.....	6
Security Bar Assembly.....	8
Seat Assembly.....	9
Fuel Tank Assembly.....	10
Electrical System	11
Drive Assembly.....	12
Brake System.....	14
Hydraulic System.....	16
Radiator.....	17
Driving System.....	18
Safety / Operation and Product Decals	20



WORLDLAWN®

Mower Assembly





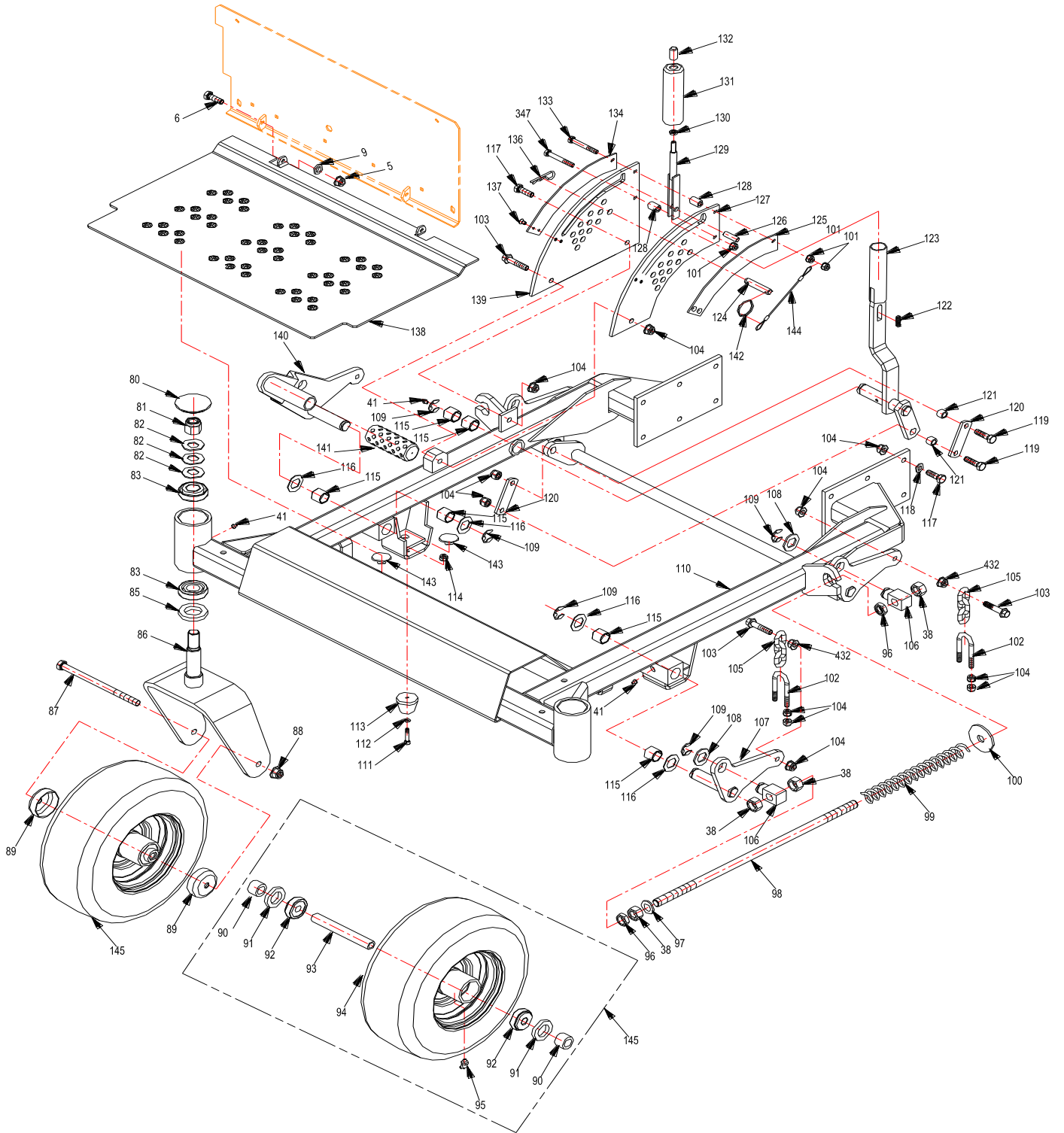
Mower Deck Assembly



REF.	PART NO.	DESCRIPTION	48	52	60
1	B5787-830	Hex Hd. Bolt M8×30		×	×
	B818-830	Phillips Hd Screw M8×30	×		
2	6001054	Outer Bracket, Discharge Chute		×	×
	4801040	Fixed Bracket	×		
3	6001053	Discharge Chute (Plastic)		×	×
	4801032	Discharge Chute	×		
4	6001052	Inner Bracket, Discharge Chute		×	×
	4801031	Bracket, Discharge Chute	×		
5	B6182-8	Locknut M8	×	×	×
6	B5787-825	Hex Hd Bolt M8×25	×	×	×
8	5201098	Grass Board		×	×
	4801200A	Grass Board	×		
9	B97.1-8	Washer M8	×	×	×
12	B5787-10120	Hex Hd Bolt M10×120	×	×	×
13	5201082	Scalp Roller Bushing	×	×	×
14	5201081	Anti Scalp Roller	×	×	×
15	3602014	Deck Wheel Spacer	×	×	×
16	B6182-10	Locknut M10	×	×	×
17	B5787-1070	Hex Hd Bolt M10×70	×	×	×
19	3302190	Knob	×	×	×
20	5201261	LH Belt Cover		×	
	6001002	LH Belt Cover			×
	4821100	Belt Cover	×		
21	5201240	Mower Deck		×	
	6001100	Mower Deck			×
	4821040	Mower Deck	×		
22	B5785-161560	Bolt M16×1.5×60	×	×	×
23	5201042	Disc Spring Washer M16	×	×	×
24	3602005	Blade		×	
	6001004	Blade			×
	4801401	Blade	×		
25	5201051	Spindle Shaft	×	×	×
26	B1096-B625	Key B6×25	×	×	×
27	5201043	Lower Dust Guard	×	×	×
28	B893-52	Snap Ring M52	×	×	×
29	B276-6205RS	Bearing 6205-2RS	×	×	×
30	5201050	Spindle Housing	×	×	×
31	5201044	Top Dust Cover	×	×	×
32	5201045	Blade Pulley	×	×	
	6001070	Blade Pulley			×
33	5201048	Disc Spring Washer M20	×	×	×
34	B6171-20	Nut M20×1.5	×	×	×

REF.	PART NO.	DESCRIPTION	48	52	60
35	B6187-16	Nut M16	×	×	×
36	SABJK16C	Bearing SABJK16C	×	×	×
37	B5787-16150	Hex Hd BoltM16×150	×	×	×
38	B6170-16	Nut M16	×	×	×
39	5201055	Axle Pin Weldment	×	×	×
40	5201091	Support Pole	×	×	
	6001061	Support Pole			×
41	B1152-6	Grease Fitting M6	×	×	×
42	B893.1-40	Snap Ring M40	×	×	×
43	B276-6203RS	Bearing 6203-2RS	×	×	×
44	5201077	Bearing Spacer	×	×	×
45	5201064	Tension Pulley	×	×	×
46	5201078	Bearing Spacer M10	×	×	×
47	5201062	Tension Pulley Brace	×	×	×
48	B5787-1025	Hex Hd Bolt M10×25	×	×	×
49	5201008	Blade Drive Belt		×	
	6001001	Blade Drive Belt			×
	4821002	Blade Drive Belt	×		
50	5201067	Washer M10	×	×	×
51	B2685-253225	Bearing 25E8×32×25	×	×	×
52	5201068	Deck Belt Tension Arm	×	×	×
53	5201066	Pivot Tensioner Mount	×	×	×
54	5201002	Deck Belt Tension Spring	×	×	×
508	5201291	Bearing Cover	×	×	×
56	5201012	Stationary Idler	×	×	×
57	5201011	Idler Spacer Bushing	×	×	×
58	B5787-1035	Hex Hd Bolt M10×35	×	×	×
59	5201104	RH Belt Cover		×	
	6001007	RH Belt Cover			×
	4821100	Belt Cover	×		
60	5201049	Spindle Bearing Spacer	×	×	×
61	B1096-B656	Key B6×56	×	×	×
62	5201079	Spindle Bearing Spacer	×	×	×
63	5210005	Spindle Shaft	×	×	×
64	5201060	Spindle Assembly	×	×	
	6001060	Spindle Assembly			×
65	5201010	Tension Pulley Assembly	×	×	×
66	5201290	Drive Belt Tension Pulley Assembly	×	×	×
67	5201040	Spindle Assembly	×	×	
	6001040	Spindle Assembly			×
112	B97.1-6	Flat Washer M6	×	×	×
464	B861.1-6	Washer M6	×	×	×

Front Frame Assembly



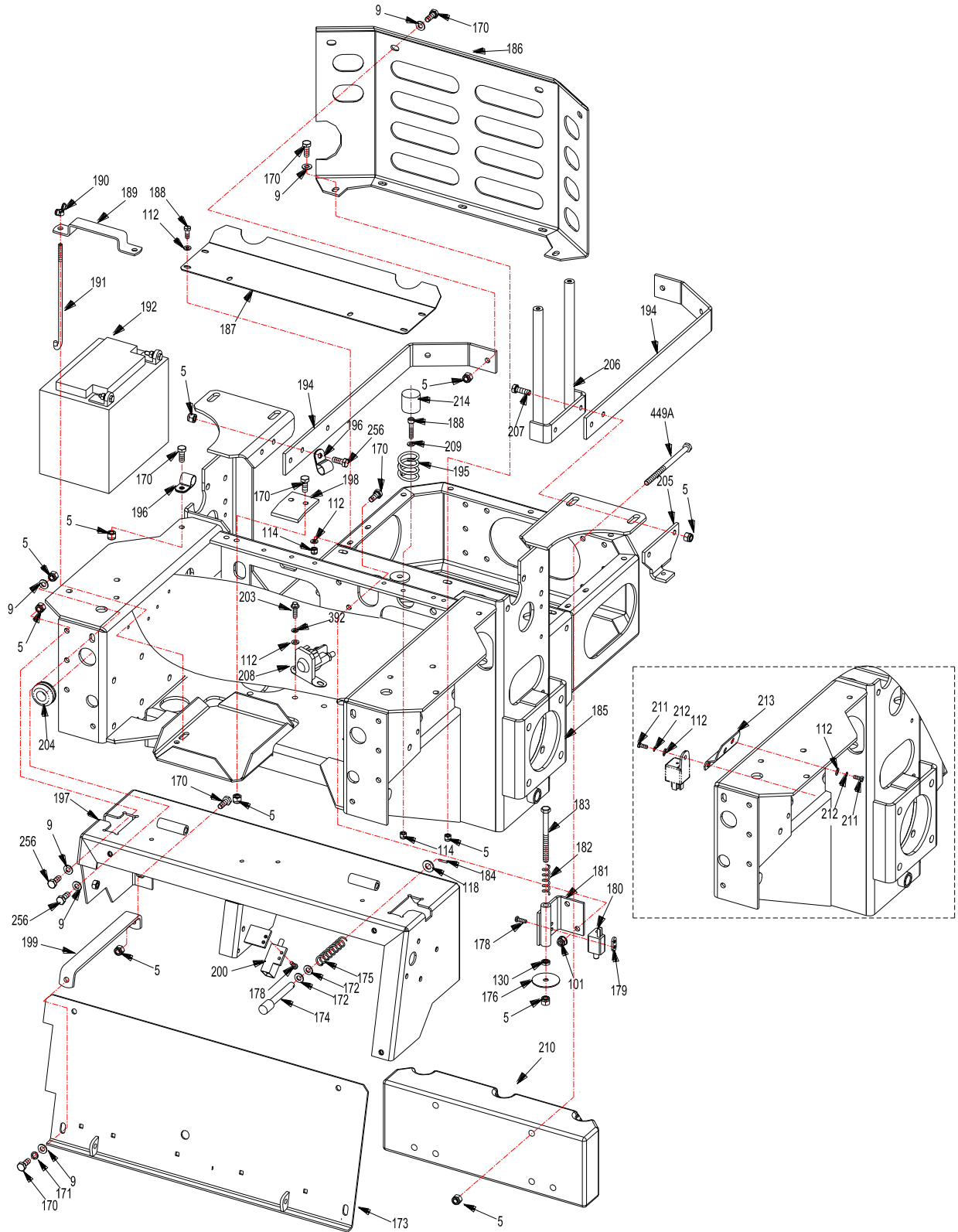


WORLDLAWN®

Front Frame Assembly

REF.	PART NO.	DESCRIPTION	48	52	60	REF.	PART NO.	DESCRIPTION	48	52	60
6	B5787-825	Hex Hd Bolt M8×25	×	×	×	111	B70-630	Screw M6×30	×	×	×
5	B6182-8	Locknut M8	×	×	×	112	B97.1-6	Washer M6	×	×	×
9	B97.1-8	Washer M8	×	×	×	113	5201003	Bumper Block	×	×	×
38	B6170-16	Nut M16	×	×	×	114	B6182-6	Locknut M6	×	×	×
41	B1152-6	Grease Fitting M6	×	×	×	115	B12613-252220	Bushing 25×22×20	×	×	×
80	5202009	Dust Cap	×	×	×	116	5202020	Washer	×	×	×
81	B6182-20	Nut M20	×	×	×	117	B5783-1030	Bolt M10×30	×	×	×
82	B1972-A40	Spring Washer A40	×	×	×	118	B97.1-10	Flat Washer M10	×	×	×
83	B297-30205	Bearing 30205	×	×	×	119	B5783-1035	Bolt M10×35	×	×	×
84	B5783-612	Bolt M6×12	×	×	×	120	5202021	Linking Plate	×	×	×
85	B13871-B32528	Seal (F) B32×52×8	×	×	×	121	5202014	Bushing	×	×	×
86	5202150	Caster Wheel Yoke	×	×	×	122	5202034	Compression Spring	×	×	×
87	5202029	Bolt	×	×	×	123	5202200	Handle	×	×	×
88	B6187-12	Nut M12	×	×	×	124	5202013	Clevis Pin	×	×	×
89	5202026	Cap	×	×	×	125	5202010	Shield Plate, Inner	×	×	×
90	5202035	Bushing	×	×	×	126	5202030	Roller	×	×	×
91	5202036	Seal	×	×	×	127	5202006	Height Adjustment Plate Inside	×	×	×
92	5202037	Bearing	×	×	×	128	5202022	Bushing	×	×	×
93	5202038	Caster Wheel Bushing	×	×	×	129	5202040	Connection Rod	×	×	×
94	5202039	Tire	×	×	×	130	B6172-8	Nut M8	×	×	×
95	B1153-845	45°Grease Fitting M8	×	×	×	131	5202032	Handle Grip	×	×	×
96	B6172-16	Nut M16	×	×	×	132	5202033	Push Button	×	×	×
97	B97.1-16	Washer M16	×	×	×	133	B5782-860	Bolt M8×60	×	×	×
98	5202003	Adjusting Screw	×	×	×	134	5202017	Shield Plate, Outer	×	×	×
99	5202007	Adjusting Screw Spring	×	×	×	136	5202012	Hair Pin	×	×	×
100	5202008	Washer	×	×	×	137	B820-610	Screw M6×10	×	×	×
101	B6187-8	Locknut M8	×	×	×	138	5202019	Foot Plate	×	×	×
102	5202053	U Bolt	×	×	×	139	5202031	Height Adjustment Plate Outside	×	×	×
103	B5783-1045	Bolt M10×45	×	×	×	140	5202160	Pedal Weldment	×	×	×
104	B6187-10	Locknut M10	×	×	×	141	5202164	Pedal Grip	×	×	×
105	5202051	Chain	×	×	×	142	5202004	Ring	×	×	×
106	5202002	Connection Shaft	×	×	×	143	5203907	Cushion	×	×	×
107	5202180	Shift Arm, LH	×	×	×	144	5202005	Lanyard	×	×	×
108	5202011	Washer	×	×	×	145	5202001	Caster Wheel Assembly	×	×	×
109	B896-15	Snap Ring M15	×	×	×	347	B5782-845	Bolt M8×45	×	×	×
110	5202100	Front Frame Weldment	×	×	×	432	B6177-10	Nut M10	×	×	×

Console Frame Assembly





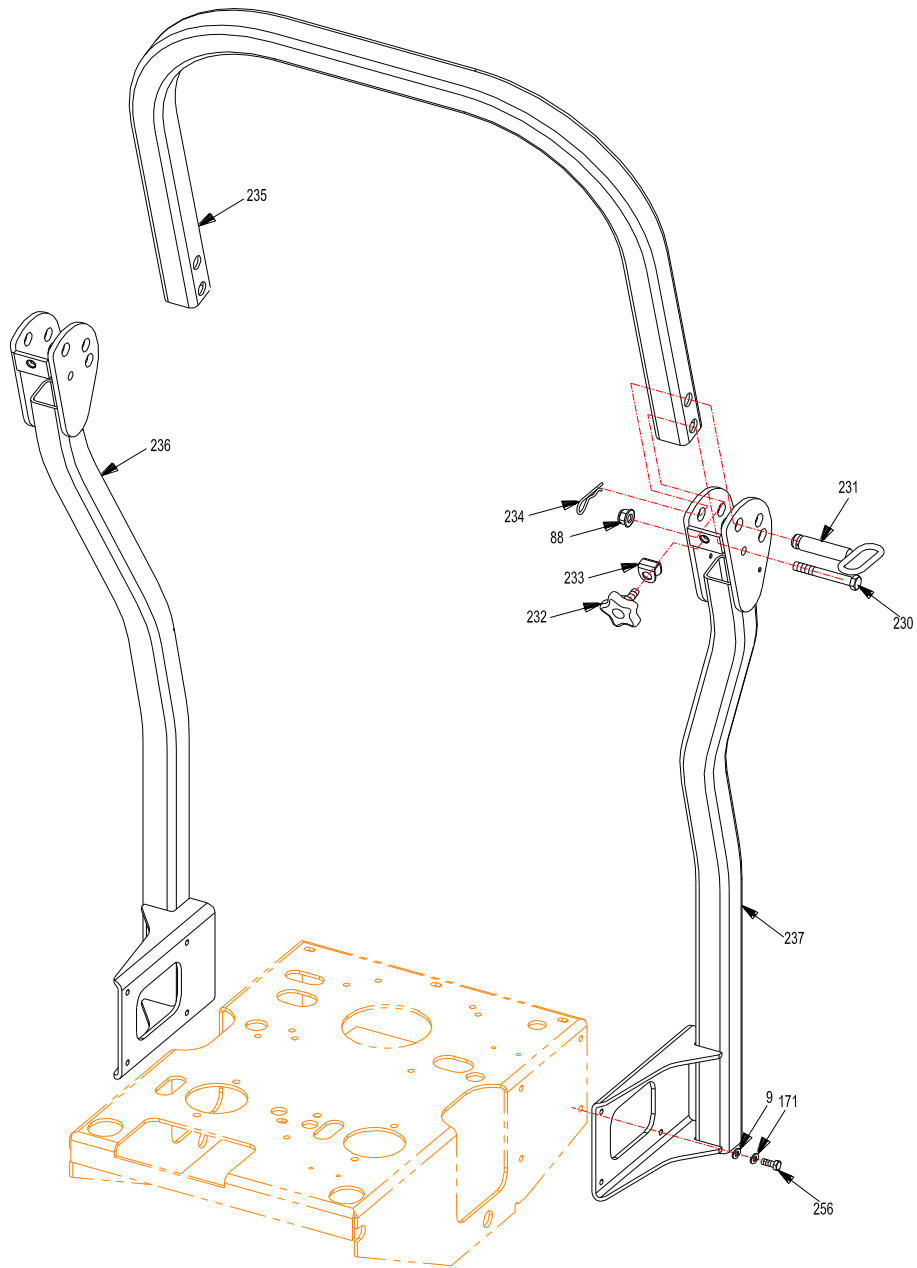
WORLDLAWN®

Console Frame Assembly

REF.	PART NO.	DESCRIPTION	48	52	60	REF.	PART NO.	DESCRIPTION	48	52	60
5	B6182-8	Locknut M8	×	×	×	190	B62-6	Wing Nut M6	×	×	
9	B97.1-8	Flat Washer M8	×	×	×	191	5208203	Battery Clamp Bolt	×	×	×
101	B6187-8	Nut M8	×	×	×	192	5208002	Battery 12V	×	×	×
112	B97.1-6	Flat Washer M6	×	×	×	194	5203910	Engine Guard Bracket	×	×	×
114	B6182-6	Locknut M6	×	×	×		5203172	Engine Guard Bracket (☆□)	×	×	×
118	B97.1-10	Flat Washer M10	×	×	×	195	5203044	Spring	×	×	×
130	B6172-8	Nut M8	×	×	×	196	3601020	Clamp	×	×	×
170	B5783-820	Bolt M8×20	×	×	×	197	5203100	Drive Assembly Mount	×	×	×
171	B93-8	Split Lock Washer M8	×	×	×	198	520390	Lock Catch	×	×	×
172	5206112	Snap Ring	×	×	×	199	5203500	Attachment Bracket	×	×	×
173	5203906	Foot Plate Panel	×	×	×	200	5208015	Brake Switch	×	×	×
174	5203032	Return Pin	×	×	×	203	B5787-620	Hex Hd Bolt M6×20	×	×	×
175	5203031	Return Spring	×	×	×	204	4LZ2.16.4-04	Plastic Bushing	×	×	×
176	5208101	Compression Washer	×	×	×	205	5207018	Support Plate	×	×	×
178	B823-516	Screw M5×16	×	×	×	206	5207030	Fuel Tank Bracket	×	×	×
179	5208103	Nut Plate	×	×	×	207	B5783-830	Bolt M8×30	×	×	×
180	5208012	Pressure Switch	×	×	×	208	5208043	Start-up Relay	×	×	×
181	5208102	Pressure Switch Bracket	×	×	×			(Kawasaki 21-25HP)			
182	5208104	Return Spring	×	×	×	256	B5783-825	Bolt M8×25	×	×	×
183	B5782-8140	Bolt M8×140	×	×	×	209	B96-6	Washer M6	×	×	×
184	B879-316	Pin 3×16	×	×	×	210	6000011	Cover Channel			×
185	5203001	Console Frame Weldment		×	×	211	B818-512	Bolt M5×12	×	×	×
	5203151	Console Frame Weldment (☆□)		×	×	212	B93-5	Washer M5	×	×	×
	4823001	Console Frame Weldment	×			213	5203035	Mounting Plate	×	×	×
186	5203911	Rear Engine Guard	×	×	×	392	B93-6	Washer M6	×	×	×
187	5203913	Heat Isolation Plate	×	×	×	449A	B5782-8100	Bolt M8×100			×
188	B5783-620	Bolt M6×20	×	×	×	214	5203045	Spring Cover	×	×	×
189	5208202	Battery Strap	×	×	×						

Note: △ Equipped with Kawasaki 25HP
 ☆ Equipped with Kawasaki 27HP
 □ Equipped with Kawasaki 22, 24HP

Security Bar Assembly

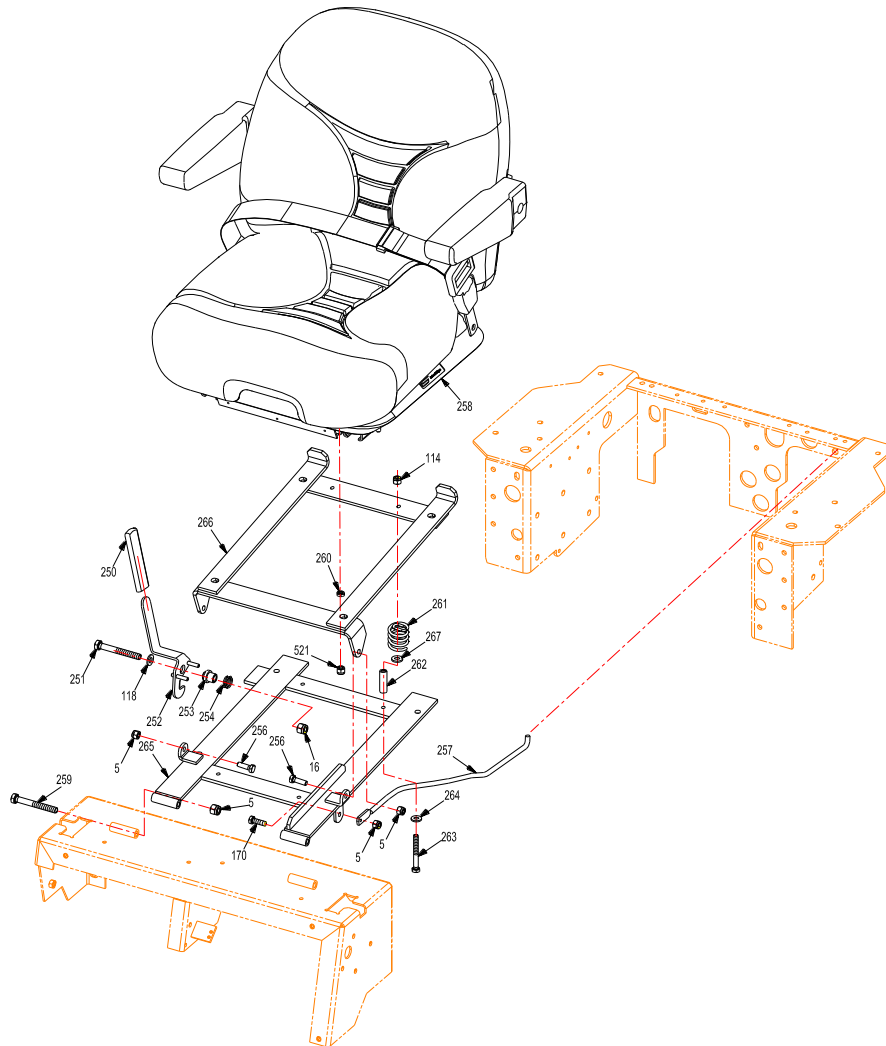


REF	PART NO.	DESCRIPTION	48	52	60
9	B97.1-8	Flat Washer M8	×	×	×
88	B6187-12	Nut M12	×	×	×
171	B93-8	Split Lock Washer M8	×	×	×
230	B5782-1285	Bolt M12×85	×	×	×
231	5203240	Pin	×	×	×
232	3203204	Star Grip Knob	×	×	×
233	5203201	Vertical Position Clip	×	×	×

REF	PART NO.	DESCRIPTION	48	52	60
234	5203203	Hair Pin Cotter Pin	×	×	×
235	5203230	Security Bar Upper Frame	×	×	×
236	5203220	Security Bar RH Frame	×	×	×
	5203170	Security Bar RH Frame (Kaw FX27)	×	×	×
237	5203210	Security Bar LH Frame	×	×	×
	5203160	Security Bar LH Frame (Kaw FX27)	×	×	×
256	B5783-825	Bolt M8×25	×	×	×

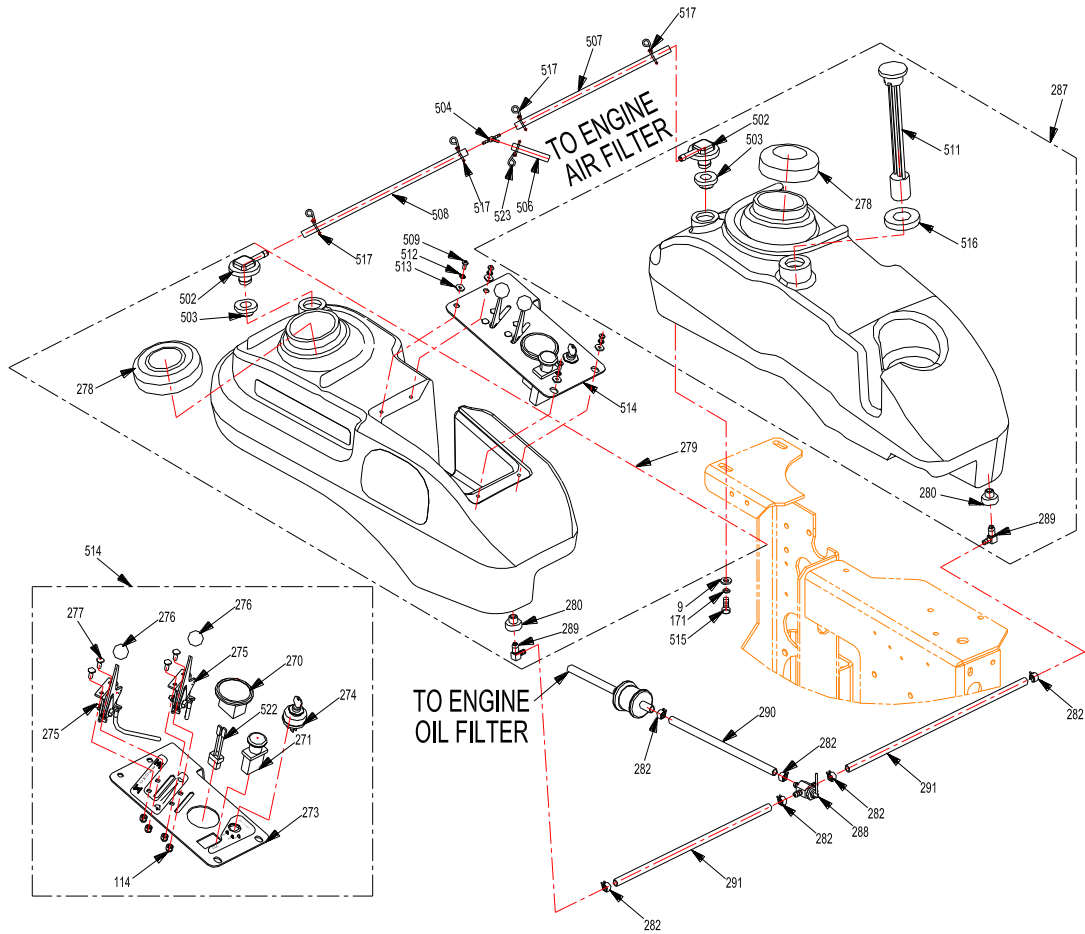


Seat Assembly



REF	PART NO.	DESCRIPTION	48	52	60
5	B6182-8	Locknut M8	×	×	×
16	B6182-10	Locknut M10	×	×	×
521	5203604	Nut 5/16-18UNC	×	×	×
114	B6182-6	Locknut M6	×	×	×
118	B97.1-10	Flat Washer M10	×	×	×
170	B5783-820	Bolt M8×20	×	×	×
250	3306002	Handle Grip	×	×	×
251	B5782-1080	Bolt M10×80	×	×	×
252	5203380	Adjusting Lever	×	×	×
253	5203336	Bushing	×	×	×
254	5203332	Torsion Spring	×	×	×
256	B5783-825	Bolt M8×25	×	×	×

REF	PART NO.	DESCRIPTION	48	52	60
257	5203392	Seat Tilt Hook Rod	×	×	×
258	5203398	Seat Assembly	×	×	×
259	B5782-8120	Bolt M8×120	×	×	×
260	B6170-8	Locknut M8	×	×	×
261	5203602	Spring	×	×	×
262	5203601	Bushing	×	×	×
263	B5782-670	Bolt M6×70	×	×	×
264	2802183	Washer	×	×	×
265	5203610	Lower Seat Bracket Weldment	×	×	×
266	5203630	Upper Seat Bracket Weldment	×	×	×
267	B2587-6	Washer M6	×	×	×



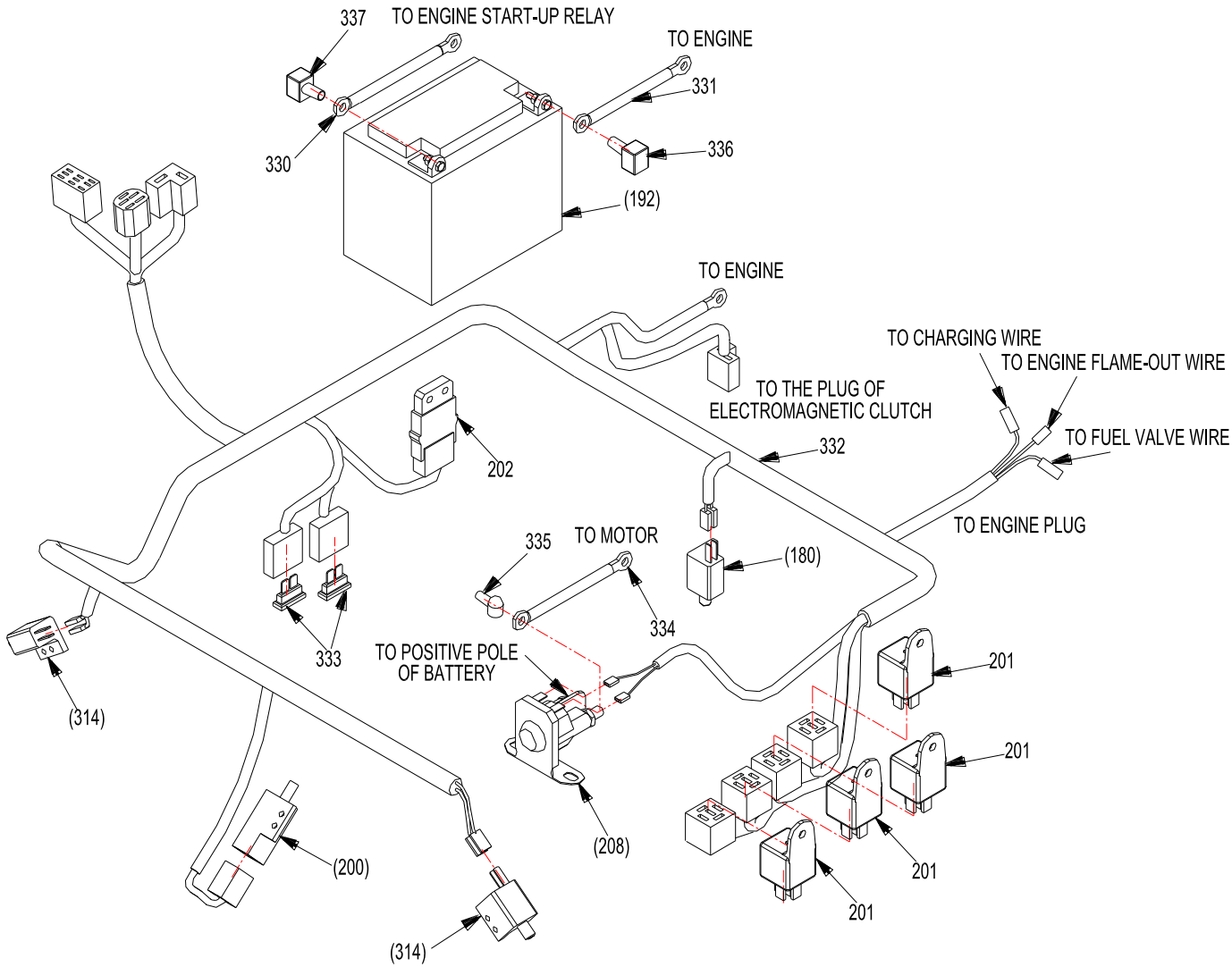
REF.	PART NO.	DESCRIPTION	48	52	60
9	B97.1-8	Flat Washer M8	×	×	×
114	B6182-6	Locknut M6	×	×	×
171	B93-8	Washer M8	×	×	×
270	5204038	Hour Meter	×	×	×
271	5208022	Blade Control Switch	×	×	×
273	5204036	Switch Panel	×	×	×
274	5208003	Ignition Switch	×	×	×
275	2806005	Throttle Control Assembly	×	×	×
276	3306030	Knob	×	×	×
277	B801-616	Bolt M6×16	×	×	×
278	5204019	Fuel Tank Cap	×	×	×
279	5204041	Right Fuel Tank Assembly	×	×	×
280	3307023B	Grommet (Right Angle Connector)	×	×	×
282	B8870-16	Hose Clamp 10-16	×	×	×
287	5204042	Left Fuel Tank Assembly	×	×	×
288	5204015A	Three Way Valve	×	×	×
289	5204016	Right-angle Connector	×	×	×
290	5204017E	Fuel Line	×	×	×

REF.	PART NO.	DESCRIPTION	48	52	60
291	5204018E	Fuel Line	×	×	×
502	363411	Vent Valve	×	×	×
503	363412	Vent Grommet	×	×	×
504	5204033	Adaptor "T"	×	×	×
506	5204023	Vent Line	×	×	×
507	5204034	Vent Line	×	×	×
508	5204032	Vent Line	×	×	×
509	5204045	Screw 10-24UNC×1/2	×	×	×
511	5204046	Fuel Gauge	×	×	×
512	B861.1-5	Internal Tooth Lock Washer	×	×	×
513	5204044	Washer	×	×	×
514	5204013	Switch Panel Assembly	×	×	×
515	4802012	Bolt 5/16-UNC×3/4	×	×	×
516	5204047	Fuel Gauge Grommet	×	×	×
517	12105-1P68F5-0000	Fuel Line Clamp	×	×	×
522	5204039	Hour Meter Wiring Adaptor	×	×	×
523	3307041	Fuel Line Clamp	×	×	×



WORLDLAWN®

Electrical System



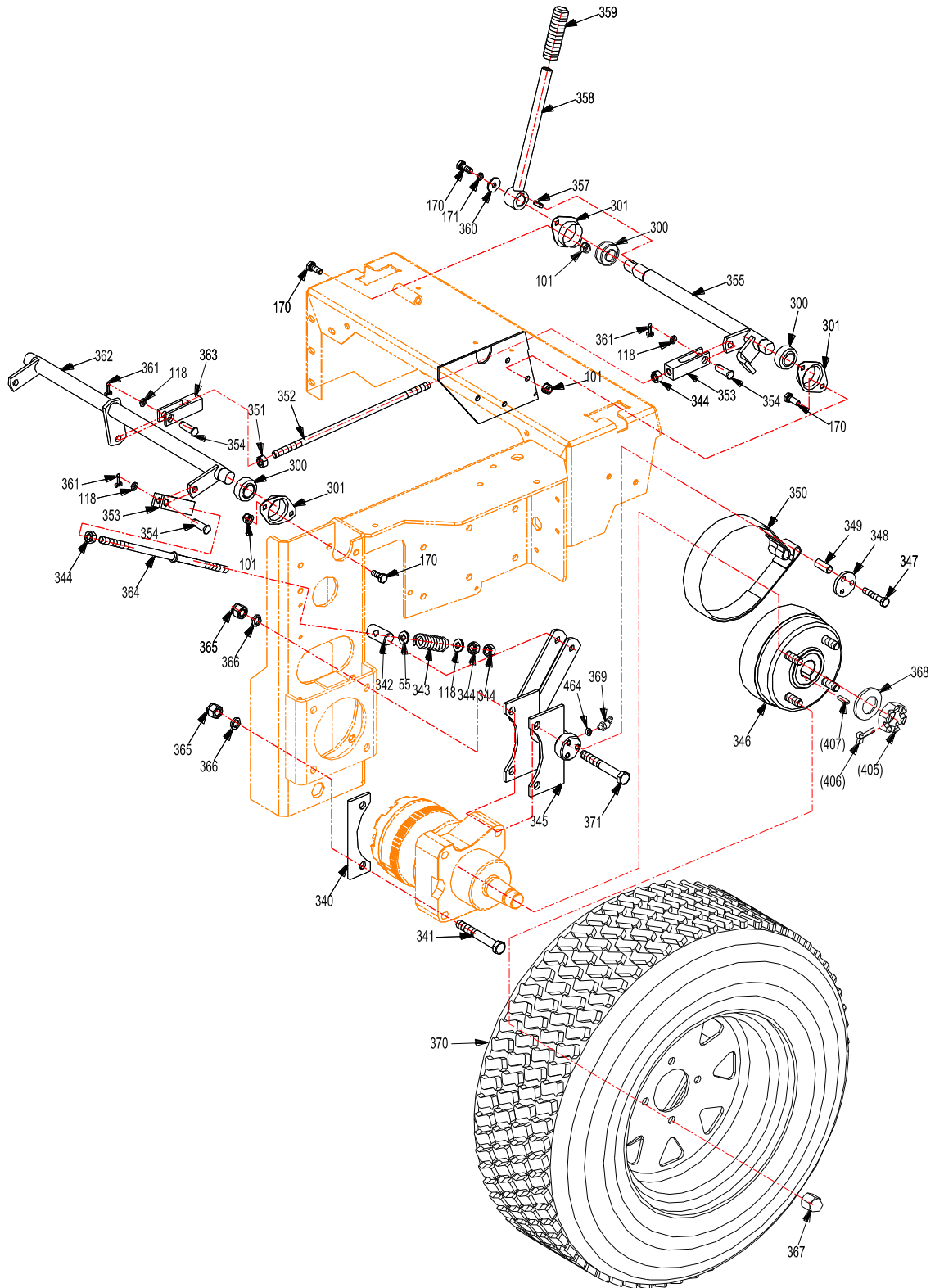
REF.	PART NO.	DESCRIPTION	48	52	60
180	5208012	Pressure Switch	×	×	×
192	5208002	12V Battery	×	×	×
200	5208015	Parking Brake Switch	×	×	×
201	5208042	12V Relay	×	×	×
202	5208044	Delay Switch	×	×	×
208	5208043	Start-up relay (Kawa FH21-25)	×	×	×
314	2808005	Blade Switch	×	×	×
330	5208017	Positive Pole (+)	×	×	×

REF.	PART NO.	DESCRIPTION	48	52	60
331	5208013	Negative Pole (-)	×	×	×
332	5208041	Wiring Harness (Kawa FH21-25)	×	×	×
	5208051	Wiring Harness (Kawa FX22/24/27)	×	×	×
333	5208007	Fuse (20A)	×	×	×
334	5208019	Power wire (Kawa FH21-25)	×	×	×
335	2808107	Relay Cable Cover	×	×	×
336	3312031	Cover (negative)	×	×	×
337	3312032	Cover (positive)	×	×	×



Drive Assembly

REF.	PART NO.	DESCRIPTION	48	52	60	REF.	PART NO.	DESCRIPTION	48	52	60
5	B6182-8	Locknut M8	×	×	×	309	B6171-8	Nut M8	×	×	×
9	B97.1-8	Flat Washer M8	×	×	×	310	5205010	Connecting Rod	×	×	×
101	B6187-8	Nut M8	×	×	×	311	B5782-840	Bolt M8×40	×	×	×
117	B5783-1030	Bolt M10×30	×	×	×	312	5205050	Control Arm Weldment –LH	×	×	×
170	B5783-820	Bolt M8×20	×	×	×	313	5205019	Bushing	×	×	×
171	B93-8	Washer M8	×	×	×	314	2808005	Blade Switch	×	×	×
178	B823-516	Screw M5×16	×	×	×	315	B6171-8L	Nut M8×1,Levo	×	×	×
179	5208103	Nut Plate	×	×	×	316	5205017	Bearing SILBJK8S-LH	×	×	×
207	B5783-830	Bolt M8×30	×	×	×	318	B879-525	Pin 5×25	×	×	×
300	B9163-20	Bearing GE20ET	×	×	×	320	5205011	Connecting Arm	×	×	×
301	5205002	Bearing Housing	×	×	×	322	5205018	Handle Grip	×	×	×
302	5201061	Washer	×	×	×	323	5205110	Control Lever	×	×	×
303	5205009	Handle Mount Bar	×	×	×	324	5205020	Damper (AVM)	×	×	×
304	B97.1-5	Flat Washer M5		×	×	326	B5783-816	Bolt M8×16	×	×	×
306	5205016	Bearing SIBJK8S	×	×	×	327	5205030	Control Arm Weldment-RH	×	×	×
307	5205003	Small Spring	×	×	×	329	3300119	Nut 5/16-18 NC	×	×	×
308	5205015	Spacer	×	×	×	260	B6170-8	Nut M8	×	×	×

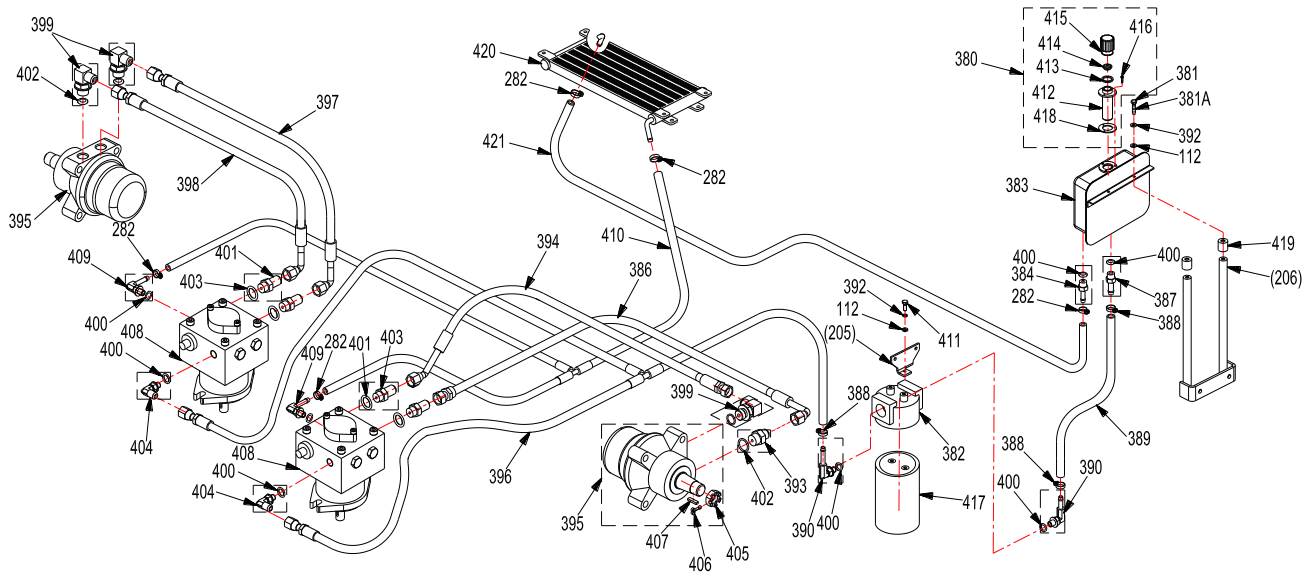




WORLDLAWN®

Brake System

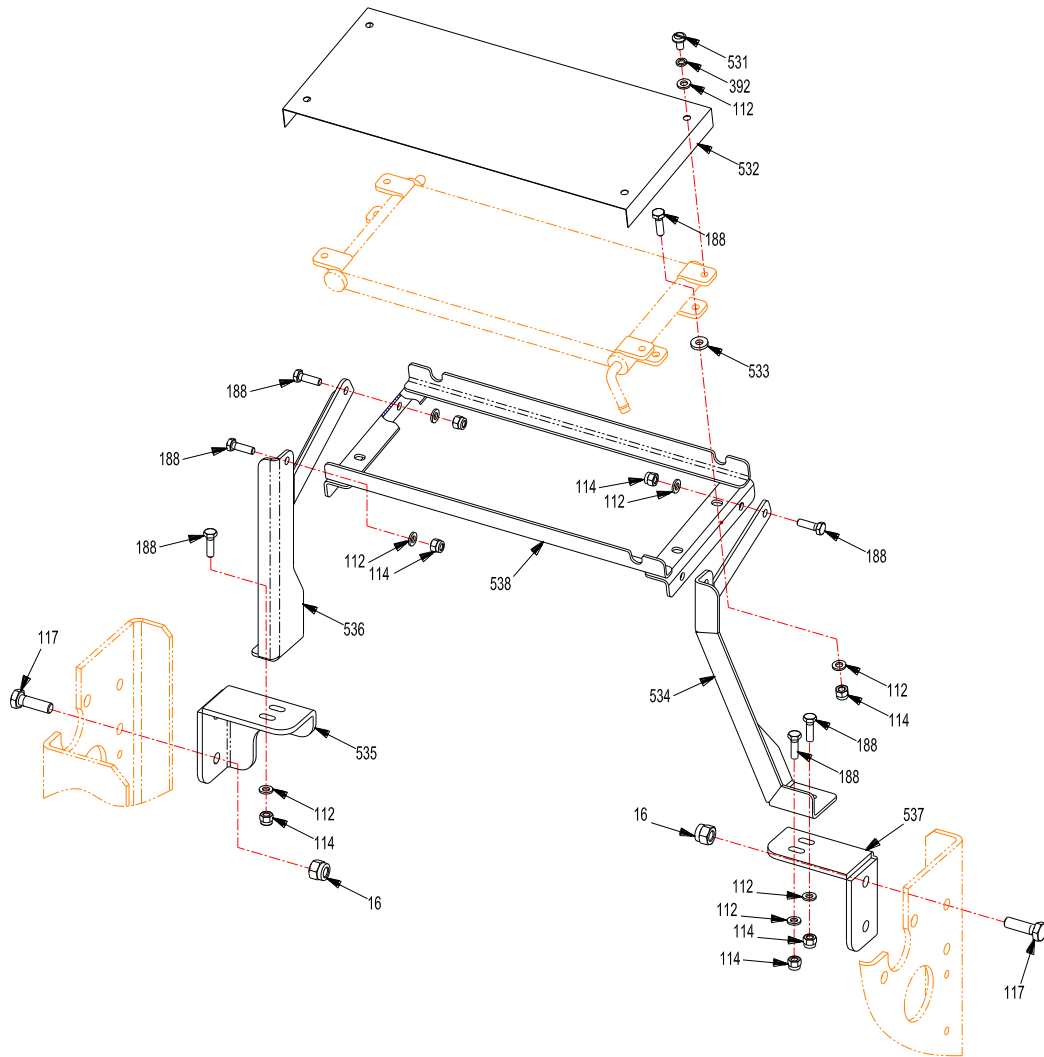
REF.	PART NO.	DESCRIPTION	48	52	60	REF.	PART NO.	DESCRIPTION	48	52	60
55	3302058	Washer M10	×	×	×	355	5206050	Brake Control Rod Weldment	×	×	×
101	B6187-8	Nut M8	×	×	×	357	B1096-618	Square Key 6×18	×	×	×
118	B97.1-10	Flat Washer M10	×	×	×	358	5206001	Brake Lever	×	×	×
170	B5783-820	Hex Hd Bolt M8×20	×	×	×	359	5206012	Brake Lever Grip	×	×	×
171	B93-8	Split Lock Washer M8	×	×	×	360	B96-8	Washer M8	×	×	×
300	B9163-20	Bearing GE20ET	×	×	×	361	B91-3218	Cotter Pin 3.2×18	×	×	×
301	5205002	Bearing Housing	×	×	×	362	5206120	Connection Rod Weldment	×	×	×
340	5206010	Wheel Motor Shim	×	×	×	363	5206009	Connecting yoke	×	×	×
341	B5782-1270	Bolt M12×70	×	×	×	364	5206110	Connecting Screw	×	×	×
342	5206006	Rod Connector	×	×	×	365	B6182-12	Locknut M12	×	×	×
343	5206005	Spring	×	×	×	366	B7244-12	Washer M12	×	×	×
344	B6171-10	Nut M10×1	×	×	×	367	5200002	Nut	×	×	×
345	5206140	Brake Arm	×	×	×	368	5206011	Washer	×	×	×
346	5206090	Brake drum	×	×	×	369	B1153-645	45 °Grease Fitting M6	×	×	×
347	B5782-845	Hex Hd Bolt M8×45	×	×	×	370	5200001	Tire and Wheel Assembly	×	×	×
348	5206008	Brake Strap Connector	×	×	×		5200011	Tire 23×10.5	×	×	×
349	5206007	Bushing	×	×	×		5200012	Wheel Hub 8×8	×	×	×
350	5206100	Brake Strap	×	×	×	371	B5782-1280	Bolt M12×80	×	×	×
351	B6171-10L	Bolt M10×1	×	×	×	405	5207051	Bolt	×	×	×
352	5206004	Haul Rod	×	×	×	406	B91-445	Cotter Pin 4×45	×	×	×
353	5206003	Connecting Yoke	×	×	×	407	5207052	Key	×	×	×
354	B882-1030	Clevis Pin B10×30	×	×	×	464	B861.1-6	Washer M6	×	×	×



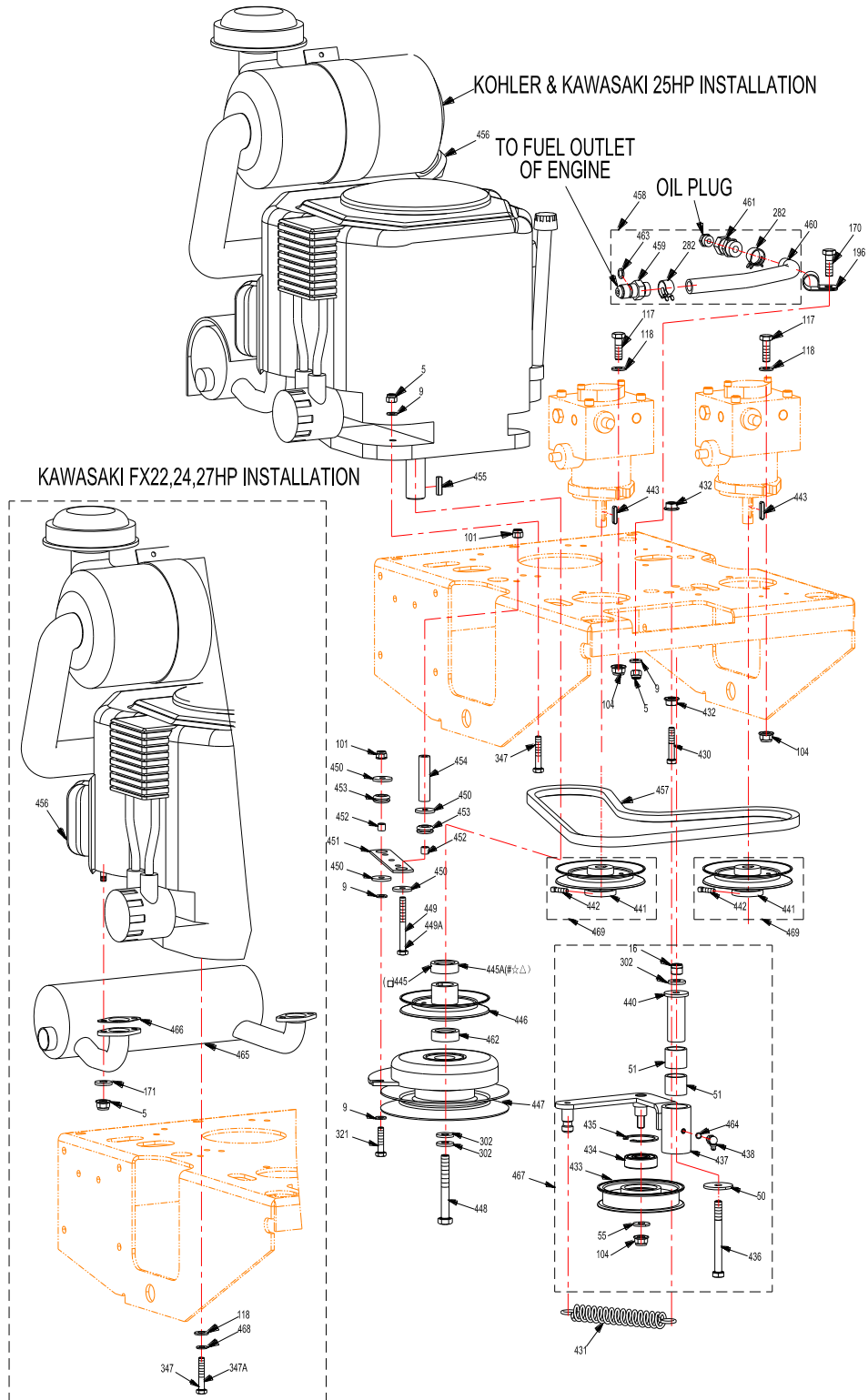
REF.	PART NO.	DESCRIPTION	48	52	60	REF.	PART NO.	DESCRIPTION	48	52	60
112	B97.1-6	Flat Washer M6	×	×	×	399	5207012	Wheel Motor 90 °Connector, RH	×	×	×
205	5207018	Filter Support Plate	×	×	×	400	SAE 3-906	O-Ring	×	×	×
206	5207030	Hydraulic Oil Tank Bracket Weldment	×	×	×	401	SAE 3-908	O-Ring	×	×	×
282	B8870-16	Clamp 10-16	×	×	×	402	SAE 3-910	O-Ring	×	×	×
380	QUQ1	Hydraulic Air Filter Assembly	×	×	×	403	5207007	Straight Adaptor, Pump	×	×	×
381	B5783-625	Bolt M6×25(Kawasaki FX 27HP)	×	×	×	404	5207006	90 °Adaptor, Pump Feed	×	×	×
381A	B5783-645	Bolt M6×45(Kawa FH 21-25HP)	×	×	×	405	5207051	Bolt	×	×	×
382	5207108	Hydraulic Filter (Hydro gear)	×	×	×	406	B91-445	Cotter Pin 4×45	×	×	×
383	5207091	Hydraulic Oil Tank	×	×	×	407	5207052	Key	×	×	×
384	5207045	Hydraulic Valve-inlet	×	×	×	408	5207060	Hydraulic Pump	×	×	×
386	5207010	Oil hose, left Pump to left Motor	×	×	×	409	5207008	90 °Adaptor, Pump Return	×	×	×
387	5207046	Oil Tank Valve-output	×	×	×	410	5207005	Oil Return Hose	×	×	×
388	B8870-19	Clamp 13~19	×	×	×	411	B5783-616	Hex Hd Bolt M6×16	×	×	×
389	5207002	Hydraulic Oil Output Hose	×	×	×	412	5207104	Filter	×	×	×
390	5207102	Adjustable Filter	×	×	×	413	5207105	Spacer	×	×	×
392	B93-6	Split Lock Washer M6	×	×	×	414	5207099	Spacer	×	×	×
393	5207014	Left Motor Connector	×	×	×	415	5207106	Filter Cap	×	×	×
394	5207013	Oil hose, left Pump To left Motor	×	×	×	416	B5783-416	Bolt M4×16	×	×	×
395	5207050	Wheel Motor	×	×	×	417	5207107	Filter Element (Hydro gear)	×	×	×
396	5207001	Hose	×	×	×	418	5207103	Washer	×	×	×
397	5207011	Rear Oil Hose, Right Pump To Right Motor	×	×	×	419	3302010	Bushing (Kawasaki FH 21-25HP)	×	×	×
398	5207009	Front Oil Hose, Right Pump To Right Motor	×	×	×	420	5207304	Radiator	×	×	×
						421	5207021	Oil Hose, Radiator to Hydraulic Oil Tank	×	×	×



Radiator



REF.	PART NO.	DESC IPTION	48	52	60
16	B6182-10	Locknut M10	×	×	×
112	B97.1-6	Flat Washer M6	×	×	×
114	B6182-6	Locknut M6	×	×	×
117	B5783-1030	Hex Hd Bolt M10×30	×	×	×
188	B5783-620	Hex Hd Bolt M6×20	×	×	×
531	B818-610	Screw M6×10	×	×	×
532	5207301	Cover	×	×	×
533	5207305	Washer	×	×	×
534	5207320	Bracket-LH Weldment	×	×	×
535	5207303	Bracket-RH	×	×	×
536	5207310	Bracket-RH Weldment	×	×	×
537	5207302	Bracket-LH	×	×	×
538	5207330	Bottom Cover Weldment	×	×	×
392	B93-6	Split Lock Washer M6	×	×	×





WORLDLAWN®

Driving System

REF.	PART NO.	DESCRIPTION	48	52	60	REF.	PART NO.	DESCRIPTION	48	52	60
5	B6182-8	Locknut M8	×	×	×		5203432	Pump Drive Pulley (# ☆)	×	×	×
9	B97.1-8	Flat Washer M8	×	×	×	447	5203404	Electromagnetic Clutch(△□)	×	×	×
16	B6182-10	Locknut M10	×	×	×		5203434	Electromagnetic Clutch (# ☆)	×	×	×
50	5201067	Spacer	×	×	×	448	5203412	Bolt 7/16-20UNF×3	×	×	×
51	B2685-253225	Bearing 25E8×32×25	×	×	×	449	B5782-885	Bolt M8×85(△□)	×	×	×
55	3302058	Washer M10	×	×	×	449A	B5782-8100	Bolt M8×100 (☆ #)	×	×	×
101	B6187-8	Nut M8	×	×	×	450	5203408	Washer	×	×	×
104	B6187-10	Locknut M10	×	×	×	451	5203411	Clutch Stop Strap	×	×	×
117	B5783-1030	Hex Hd Bolt M10×30	×	×	×	452	5203409	Bushing	×	×	×
118	B97.1-10	Flat Washer M10 (☆ □)	×	×	×	453	5203410	M17 Rubber Washer	×	×	×
170	B5783-820	Hex Hd Bolt M8×20	×	×	×	454	5203407	Bushing (△□)	×	×	×
171	B93-8	Split Lock Washer M8	×	×	×		5203437	Bushing (☆ #)		×	×
196	3601020	Clamp	×	×	×	455	5203405	Key 6.35×25	×	×	×
282	B8870-16	Hose Clamp 10-16	×	×	×	456	5203426	Kawasaki 25HP FH721V		×	×
388	B8870-19	Hose Clamp 13-19	×	×	×		5203428	Kawasaki 21HP FH641V	×	×	
302	5201061	Washer	×	×	×		5203429	Kawasaki 23HP FH680V	×	×	×
321	B5783-835	Hex Hd Bolt M8×35	×	×	×		5203427	Kawasaki 27HP FX751V		×	×
34	B5782-845	Hex Hd Bolt M8×45 (△ #)	×	×	×		5203443	Kawasaki 22HP FX651V	×	×	×
347A	5203435	Bolt 3/8-16UNC×1-1/2(☆□)			×		5203444	Kawasaki 24HP FX691V	×	×	×
430	B5782-1045	Bolt M10×45	×	×	×	457	5207016	Engine to Pump Belt	×	×	×
431	5207015	Pump Tension Pulley Spring	×	×	×	458	5203420	Engine Fuel Outlet Assembly	×	×	×
432	B6177-10	Nut M10	×	×	×	459	5203421	Connector	×	×	
433	3302056	Blade Tension Pulley Weldment	×	×	×	460	5203423	Fuel Line	×	×	×
434	B276-63 3RS	Bearing 6303-2RS	×	×	×	461	5203422	Connector 1	×	×	×
435	B893.2-47	Snap Ring M47	×	×	×	462	5203436	Bushing (☆ #)	×	×	×
436	B5782-10100	Bolt M10×100	×	×	×	463	B3452.1 16265	O Ring 16×2.65 (△#☆)	×	×	×
437	5207082	Shift Arm	×	×	×	464	B861.1-6	Washer M6	×	×	×
438	B1153-690	90° Grease Fitting M6	×	×	×	465	5203440	Muffler (△#)	×	×	×
440	5207081	Bushing	×	×	×		5203441	Muffler (☆)		×	×
441	5207070	Pump Belt Pulley Weldment	×	×	×		5203446	Muffler (□)	×	×	×
442	B84-620	Screw M6×20	×	×	×	466	5203442	Washer	×	×	×
443	B1096-525	Key 5×25	×	×	×	467	5207080	Idler Pulley Assembly	×	×	×
445	5203403	Spacer (□)	×	×	×	468	B93-10	Washer M10 (☆ □)		×	×
445A	5203433	Spacer (△#☆)	×	×	×	469	5207069	Pump Pulley Assembly	×	×	×
446	5203402	Pump Drive Pulley (△□)	×	×	×						

Note: △ Equipped With Kawasaki 21,25HP
 # Equipped With Kawasaki 23HP
 ☆ Equipped With Kawasaki 27HP
 □ Equipped With Kawasaki 22, 24 HP



Decals

REF.	PART NO.	DESCRIPTION	48	52	60
470	8301	Decal, Operational Warning	×	×	×
471	8307	Decal, Warning Discharge	×	×	×
472	8319	Decal, Warning Battery	×	×	×
473	8303	Decal, Caution Guard	×	×	×
474	8325	Decal, Danger Avoid Blades	×	×	×
475	8320	Decal, Service	×	×	×
476	8315	Decal, Caution Roll Bar	×	×	×
477	8322	Decal, Park Brake	×	×	×
478	8310	Decal, Roller Adjustment	×	×	×
479	8317	Decal, Warning Exhaust	×	×	×
480	8316	Decal, Caution Hot	×	×	×
481	8318	Decal, Caution Hot	×	×	×
482	8305	Decal, Danger Foot Plate	×	×	×
483	8304	Decal, No Step	×	×	×
484	8321	Decal, Cutting Height	×	×	×

REF.	PART NO.	DESCRIPTION	48	52	60
485	8302	Decal, Cutting Height	×	×	×
486	8308	Decal, Caution Loose Blade Bolt	×	×	×
487	8312	Decal, Ignition	×	×	×
488	8300	Decal, Cobra Logo	×	×	×
489	8323	Decal, Cutting Height Direction	×	×	×
492	8326	Decal, 52"		×	
493	8324	Decal, Motion Control	×	×	×
494	8309	Decal, Belt Routing	×	×	×
495	8327	Decal, 60"			×
497	8375	WORLD Logo	×	×	×
498	8341	Decal, Worldlawn Logo	×	×	×
499	8328	Decal, 48"	×		
501	8332	Decal, Fuel Valve	×	×	×
518	8602	EPA Decal	×	×	×
519	8531	Decal, Choke/Throttle	×	×	×



WORLDLAWN®

Notes:



WORLDLAWN®

Worldlawn Power Equipment, Inc.

Industrial Park 2415 Ashland Ave. Beatrice, NE 68310

Phone: (402) 228-4255

Fax: (402) 223-4103

www.worldlawnpowerequip.com