



# Parts catalogue

## B4 S BITURBO F3x LCI



**B4 S BITURBO Coupé LCI 03/17-**  
**B4 S BITURBO Coupé AWD LCI 03/17-**  
**B4 S BITURBO Convertible LCI 03/17-**

Only ALPINA parts and not clear perceptible BMW parts which are different to the basic car are listed. For BMW parts the BMW parts catalogue has to be used. The abbreviations used in several columns on the text lines have the following meanings:

1. item column (POS): picture number equal to the shown part, o.A. = not pictured
  2. expression column
  3. part number column
  4. model column: wanted quantity; x = quantity is required
  5. RHD-column: RHD-vehicle  
R = only for RHD-vehicle L = only for LHD vehicle
  6. AWD - column: A = only for all wheel vehicle, R = only for rear wheel drive vehicle
  7. remarks column (REM): a, b, c, ... country specification, use from/ up to,  
other informations  
A: part number exchangeable with the one mentioned in the next line  
E: part Number is cancelled  
W: part number is used alternatively by the one standing either before it or afterwards (also marked with „W“)
- The illustrations in this catalogue do not correspond to the original size and shape!

### Base engine is the N55B30A (M0) from the BMW 335i (F3x)

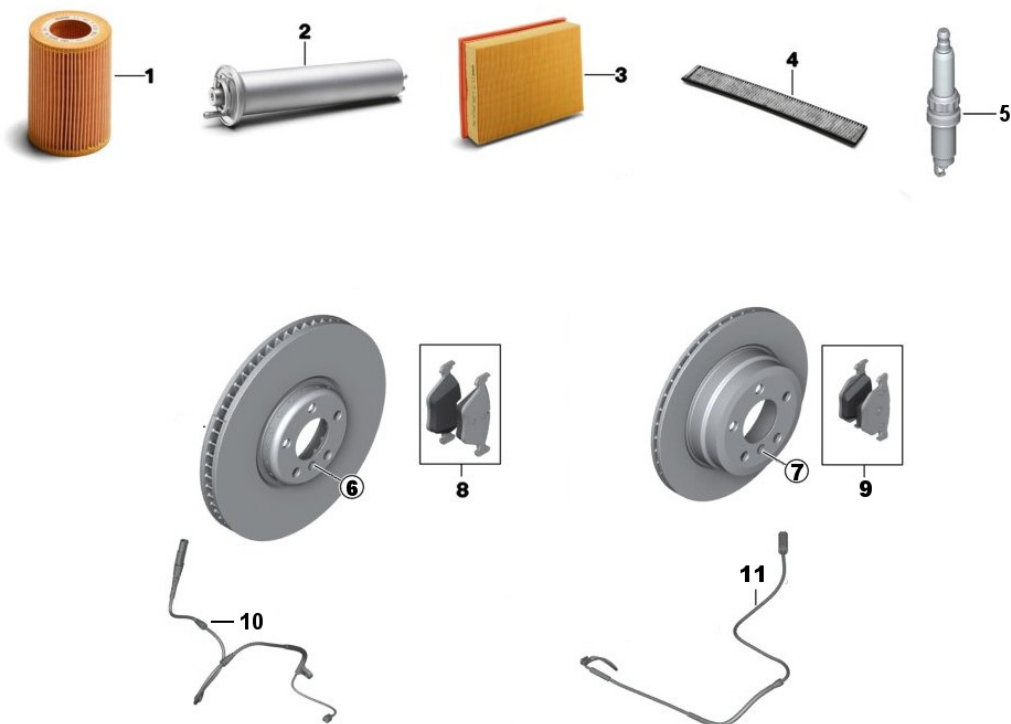
ALPINA vehicle name	BMW base model	Abbreviation	Base engine
B4 S BITURBO Coupé LCI 03/17-	4 Series F32 440i LCI	B4SC	N55B30A (M0)
B4 S BITURBO Coupé AWD LCI 03/17-	4 Series F32 440iX LCI		N55B30A (M0)
B4 S BITURBO Convertible LCI 03/17-	4 Series F33 440i LCI	B4SR	N55B30A (M0)

### Catalogue group overview

02 Scopes of service and repair work	31 Front axle
03 Accessories and retrofits	32 Steering
11 Engine	33 Rear axle
12 Engine electrical system	34 Brakes
13 Fuel preparation	36 Wheels
16 Fuel supply	41 Chassis
17 Cooling	51 Vehicle trim
18 Exhaust system	62 Cluster gauge
22 Engine mount	64 Heater Air conditioning
24 Automatic transmission	88 Special parts
26 Drive shaft	

**ALPINA BURKARD BOVENSIEPEN GMBH + CO. KG**

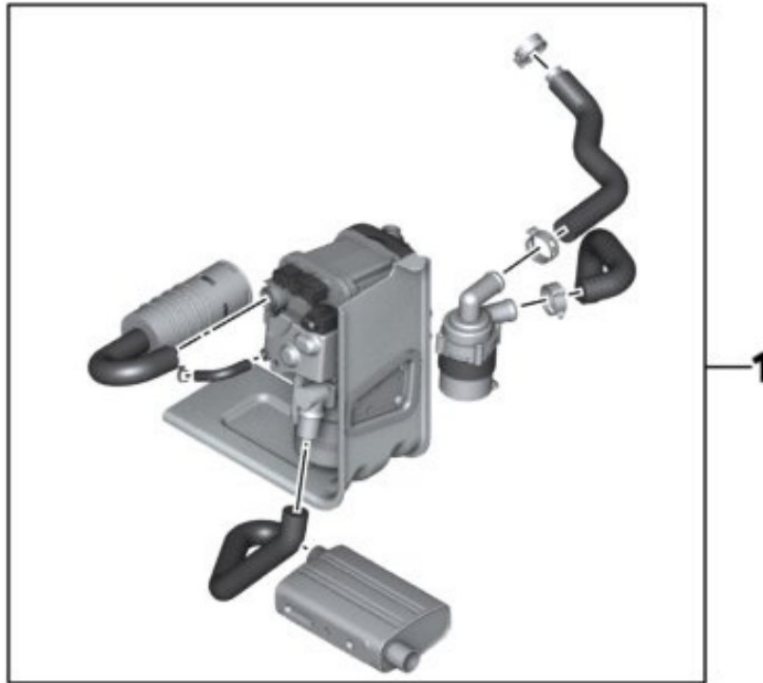
Alpenstraße 35-37 D-86807 Buchloe Tel. 08241/5005-0 Fax.08241/5005-155



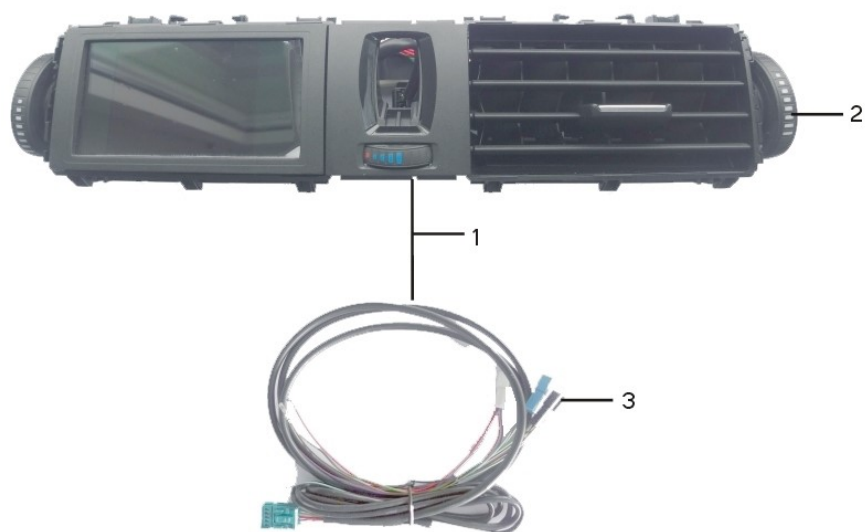
POS	Expression	Part number	B4 SC	B4 SR	RHD	AWD	REM
1	Set Oil filter	11 42 7 953 129	1	1			
3	Air cleaner element	13 71 7 602 643	1	1			
4	Microfilter/ Vapor canister	64 11 9 237 555	1	1			
5	Spark plug NGK SIZKBR8B8HG	12 10 128	1	1			b
6	Brake disc FA	34 10 6 797 606	2	2			
7	Brake disc RA	34 20 6 894 382	2	2			
8	Brake lining set FA	34 11 185	1	1			
8	Brake lining set FA Japan	34 11 6 865 460	1	1			a
9	Brake lining set RA	34 21 6 887 576	1	1			
10	Brake lining sensor FA	34 35 6 792 289	1	1			
11	Brake lining sensor RA	34 35 6 792 292	1	1			

a) Country version Japan

b) amount for connected lambda sensor



POS	Expression	Part number	B4 SC	B4 SR	RHD	AWD	REM
1	Retrofitting auxiliary heater not possible		!	!			



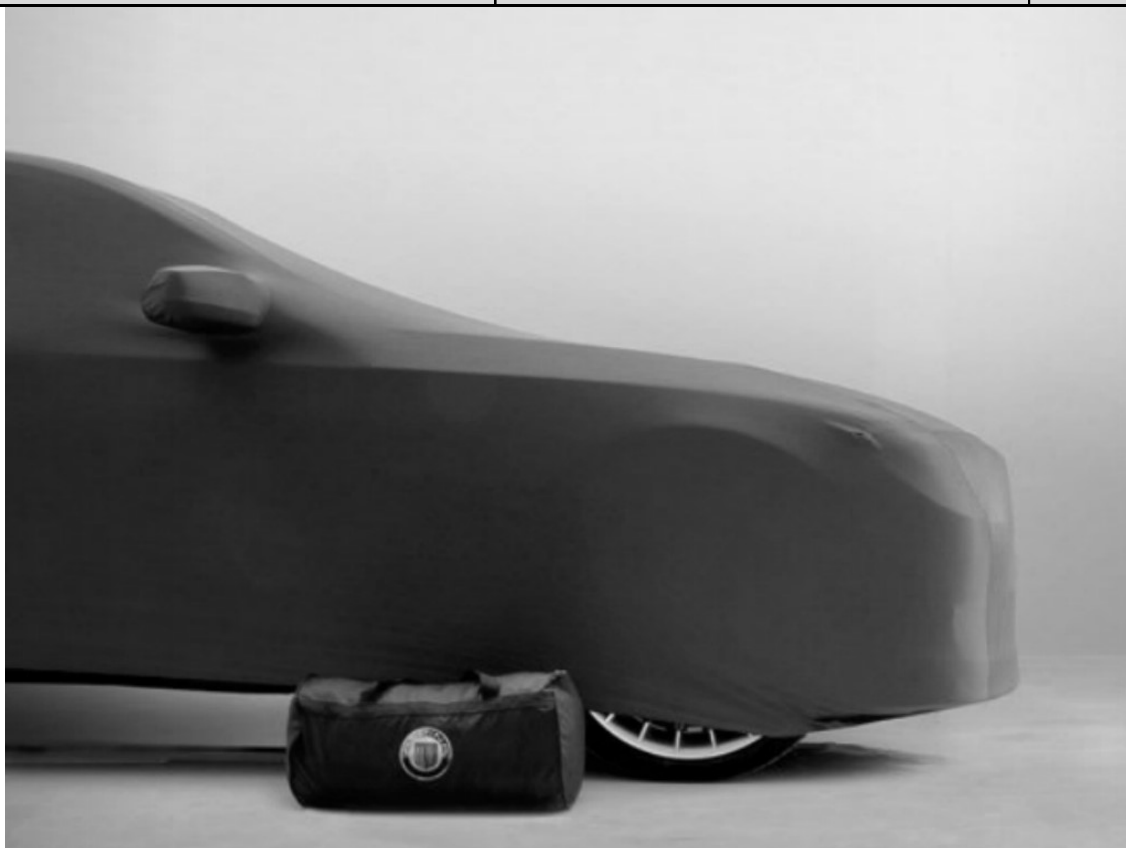
POS	Expression	Part number	B4 SC	B4 SR	R H D	A W D	REM
1	set digital display	62 10 310	1	1	L		
1	set digital display	62 10 311	1	1	R		
2	digital display	62 10 298	1	1	L		
2	digital display	62 10 299	1	1	R		
3	wiring harness	61 11 271	1	1			



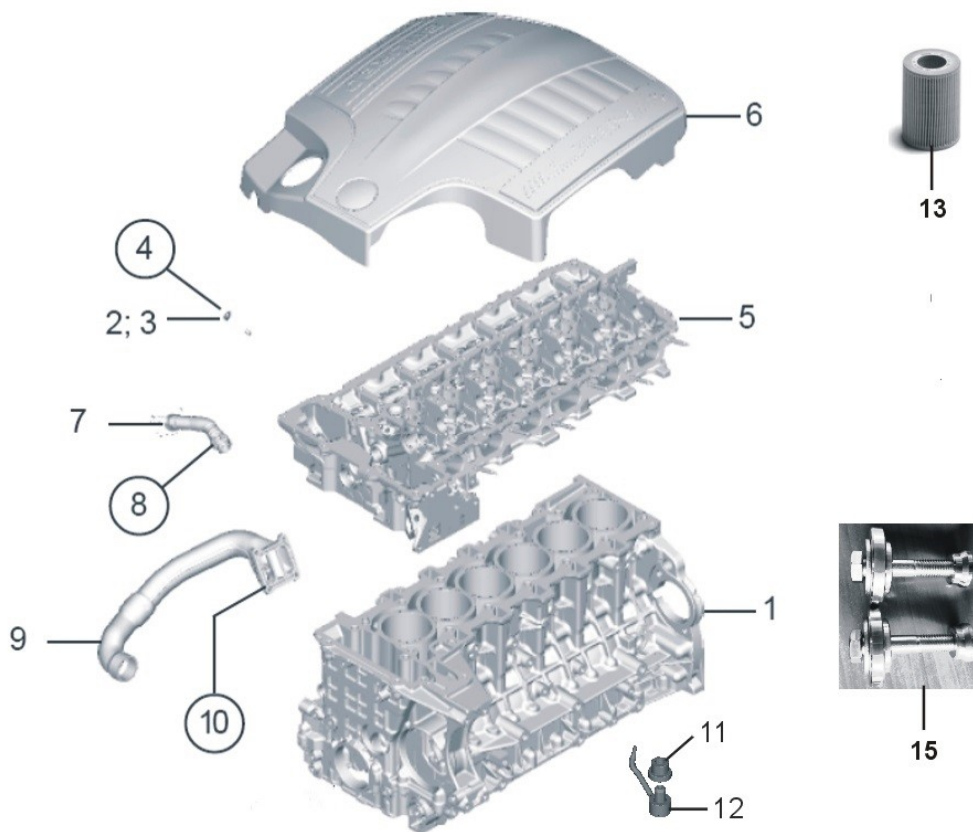
B4 S BITURBO F3x LCI

03 Car cover

Sheet 1



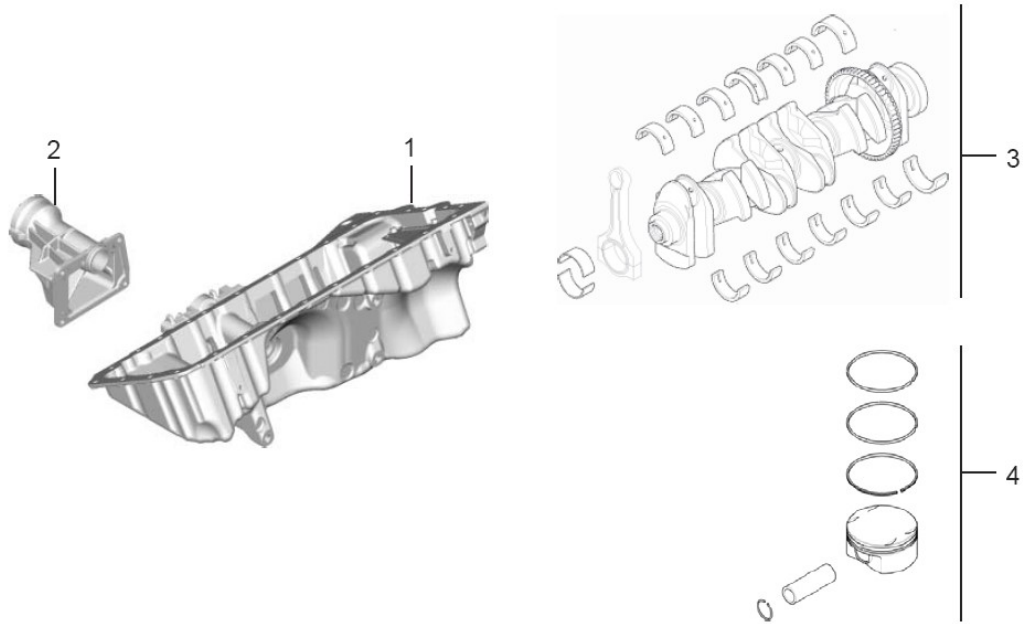
POS	Expression	Part number	B4 SC	B4 SR	R H D	A W D	REM
1	car cover	76 00 427	1				
1	car cover	76 00 434		1			



POS	Expression	Part number	B4 SC	B4 SR	R H D	A W D	REM
1	Crankcae without pistons	11 11 160	1	1			
2	Sealing plug	11 11 152	1	1			
3	Securing plate	11 11 153	1	1			
4	Unbrako screw M6x10	07 26 001	1	1			
5	Cylinder head with valve gear	11 12 129	1	1			
--	only in conjunction with oil spraying nozzle	11 37 7 583 786	1	1			
6	Engine cover	13 71 019	1	1			
7	Ventilation hose with Blow-By heater	11 12 7 584 128	1	1			
8	Screw 5x20 self cutting	11 61 7 535 849	2	2			
9	Water feed line	11 53 128	1	1			
o.A.	Sealing	11 53 132	1	1			a
10	Torx screw M6x20	07 12 9 905 568	4	4			
11	Socket	11 42 131	6	6			
12	Oil spraying nozzle	11 42 130	12	12			b
13	Set oil filter	11 42 7 953 129	1	1			
15	Wheel bearing fixing set when removing engine	74 00 761	1			A	
o.A.	Corrosion shield engine cover	11 12 133	1	1			

a) contained in pos. 9

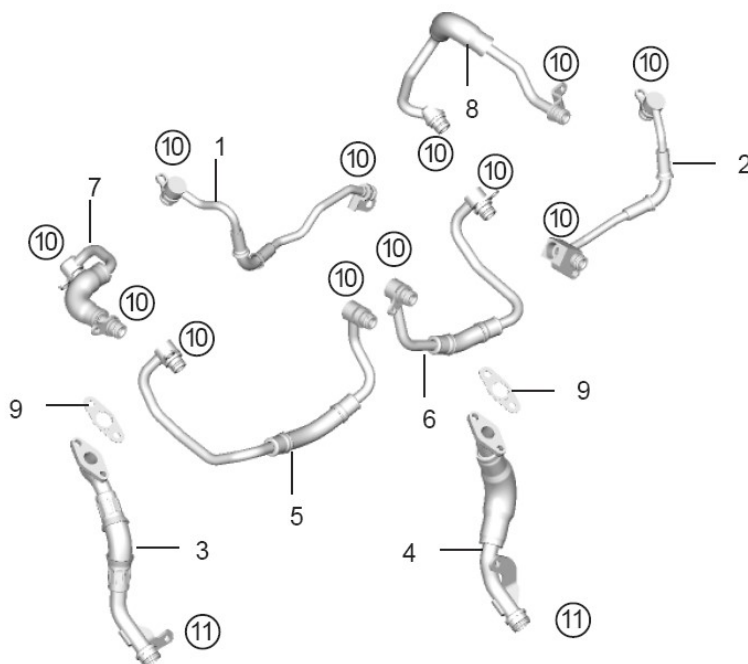
b) positioning tool is necessary for oil spraying nozzle



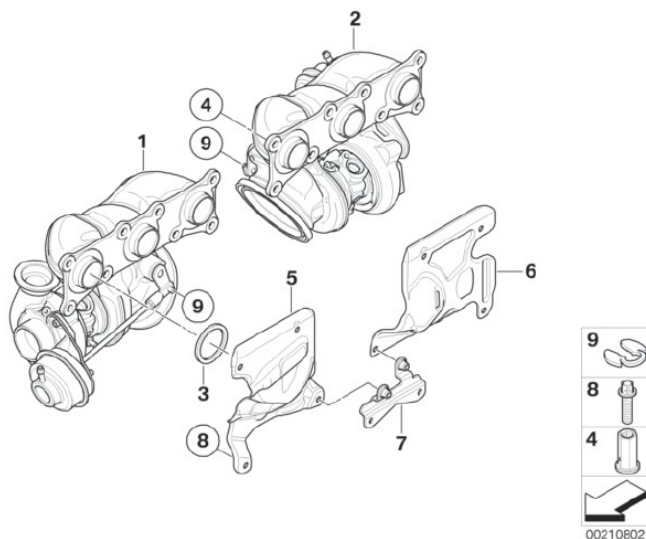
POS	Expression	Part number	B4 SC	B4 SR	RHD	AWD	REM
1	oil pan AWD	11 13 133	1			A	
2	bearing block AWD	11 13 134	1			A	
3	crankshaft with bearings	11 21 2 334 334	1	1			c
4	piston	11 25 179	6	6			
	crankshaft and vibration damper are taken out of BMW 1Series M (F20/F21)		i	i			c
			i	i			c

c) note the ALPINA main bearing classification

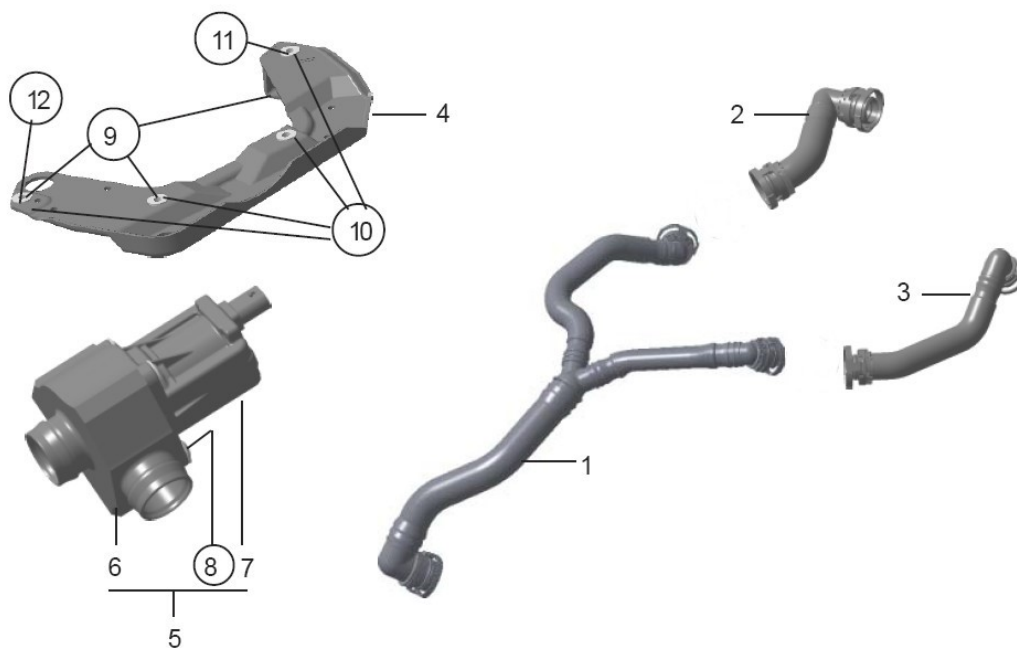




POS	Expression	Part number	B4 SC	B4 SR	RHD	AWD	REM
1	oil feed line turbo charger 1-3	11 42 118	1	1			
2	oil feed line turbo charger 4-6	11 42 117	1	1			
3	oil return line turbo charger 1-3	11 42 119	1	1			
4	oil return line turbo charger 4-6	11 42 121	1	1			
5	water feed line turbo charger 1-3	11 53 135	1	1			
6	water feed line turbo charger 4-6	11 53 137	1	1			
7	water return line turbo charger 1-3	11 53 136	1	1			
8	water return line turbo charger 4-6	11 53 138	1	1			
9	sealing	11 42 2 246 091	2	2			
o.A.	screw M6x12	07 12 9 905 867	8	8			
o.A.	screw M6x16	07 12 9 904 588	5	5			
o.A.	screw M8x40	07 12 9 904 704	1	1			
10	O-ring	11 42 7 558 936	12	12			
11	O-ring	11 42 7 563 453	2	2			

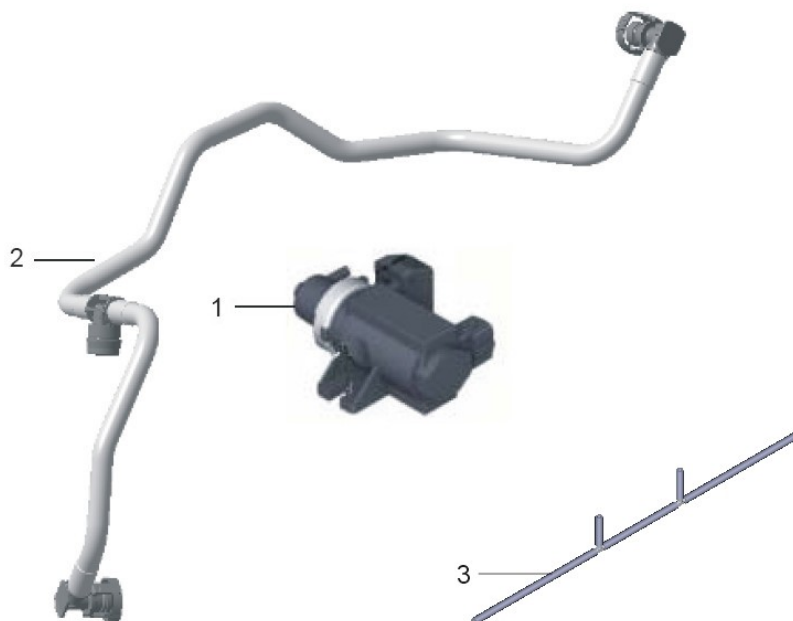


POS	Expression	Part number	B4 SC	B4 SR	R H D	A W D	REM
1	turbo charger cyl. 1-3	11 65 203	1	1			
2	turbo charger cyl. 4-6	11 65 204	1	1			
3	sealing ring	11 62 7 558 906	6	6			
4	flange nut	18 40 7 502 196	16	16			
5	heat cover 1	11 79 7 558 904	1	1			
6	heat cover 2	11 79 100	1	1			
7	support plate for heat cover	11 79 7 559 056	1	1			
8	screw M6x16	07 12 9 905 905	10	10			
9	snap ring 6mm	11 65 7 606 506	2	2			
9	snap ring 8mm	11 65 7 606 507	2	2			



POS	Expression	Part number	B4 SC	B4 SR	R H D	A W D	REM
1	divert air system Y-hose	11 65 198	1	1			
2	divert air system hose cyl. 1-3	11 65 199	1	1			
3	divert air system hose cyl. 4-6	11 65 200	1	1			
4	bracket divert air system	11 65 174	1	1			
5	assembly of divert air valve	11 65 183	2	2			
6	socket divert air valve	11 65 184	2	2			a
7	divert air valve	11 65 7 609 210	2	2			a
8	Unbrako screw M6x14	07 26 002	6	6			a
9	protection buffer	13 71 7 542 860	3	3			
10	Unbrako screw M6x14	07 26 002	4	4			
11	ball pin M6 D10 short	07 10 014	1	1			
12	ball pin M6 D10 long	07 10 015	1	1			

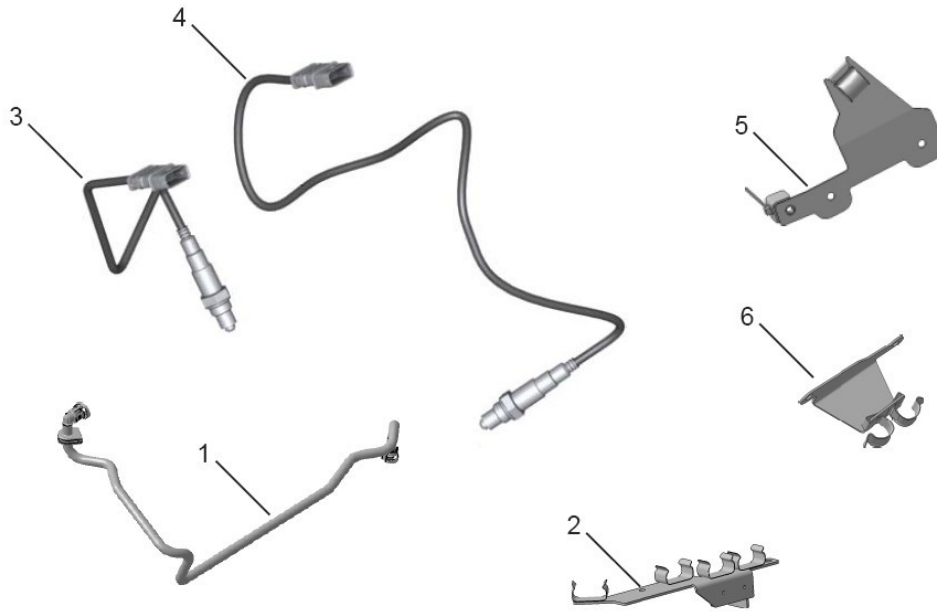
a) contained in pos. 5



POS	Expression	Part number	B4 SC	B4 SR	R H D	A W D	REM
1	pressure converter EPPV	11 74 7 626 351	2	2			
2	suction jet pump with lines	13 90 107	1	1			
3	vacuum line	11 65 031	1	1			c
o.A.	T-peace vacuum line	11 72 1 439 973	2	2			b
o.A.	vacuum line L=470mm	11 65 7 803 732	1	1			a
o.A.	vacuum line L=580mm	11 65 7 803 732	1	1			a
o.A.	vacuum line L=90mm	11 65 7 803 732	1	1			a
o.A.	vacuum line L=30mm	11 65 7 803 732	2	2			a
o.A.	vacuum line L=130mm	11 65 7 803 732	1	1			a
o.A.	vacuum line L=110mm	11 65 7 803 732	1	1			a
o.A.	lenshead screw M6x16	07 12 6 986 927	1	1			

a) supplied by meter

c) Contains a) and b)

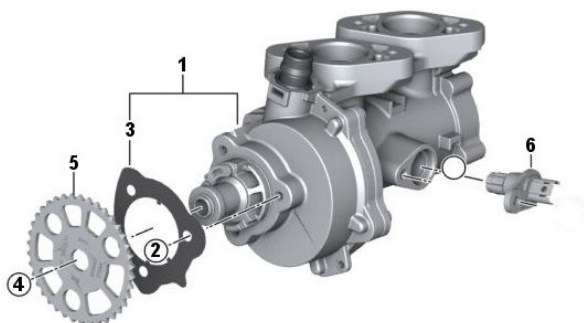


POS	Expression	Part number	B4 SC	B4 SR	RHD	AWD	REM
1	brake vacuum line	11 66 101	1	1			
2	bracket sensor plug cylinderhead top	11 78 116	1	1			
3	lambda control sensor bank 1	11 78 7 596 924	1	1			
3	lambda control sensor bank 2	11 78 106	1	1			
4	lambda monitoring sensor bank 1	11 78 8 617 030	1	1			
4	lambda monitoring sensor bank 2	11 78 115	1	1			
5	bracket ground cable	11 78 104	1	1			
6	bracket lambda control sensor bank 1+2	11 78 108	1	1			

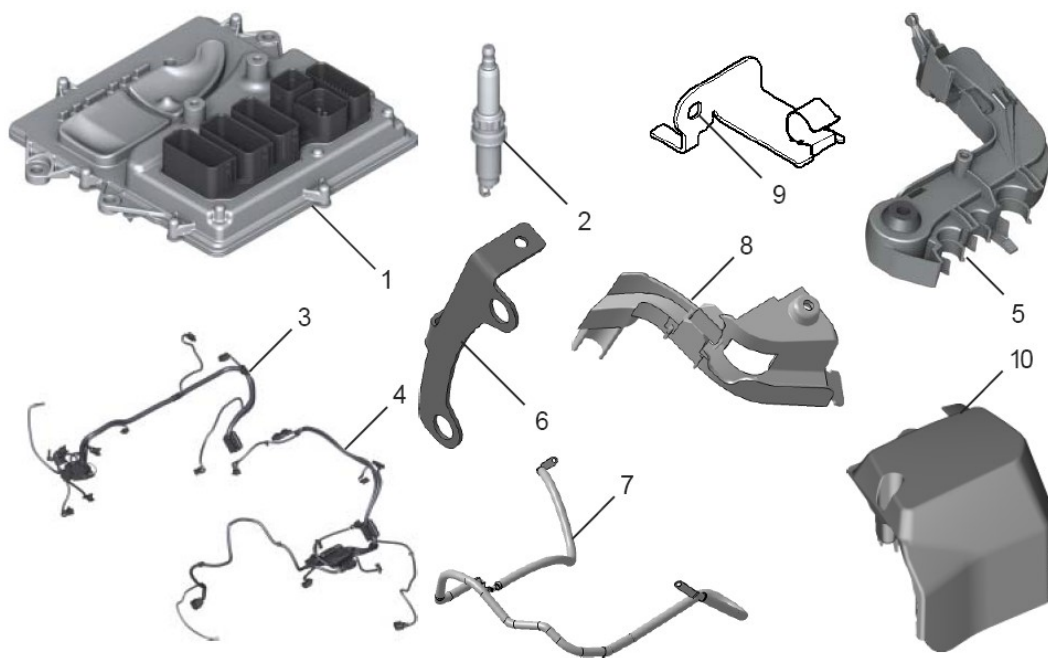


POS	Expression	Part number	B4 SC	B4 SR	R H D	A W D	REM
1	v-belt 8PK 1398	11 28 7 848 605	1	1			b
3	belt tensioner	11 28 8 604 266	1	1			
4	deflection pulley	11 28 105	1	1			
5	deflection pulley	11 28 7 589 361	1	1			
6	hex bolt M10x90 U1-8.8-ZNNIV Si	07 12 9 906 293	1	1			
7	hex bolt BM 10x30	07 12 9 907 184	1	1			

b)



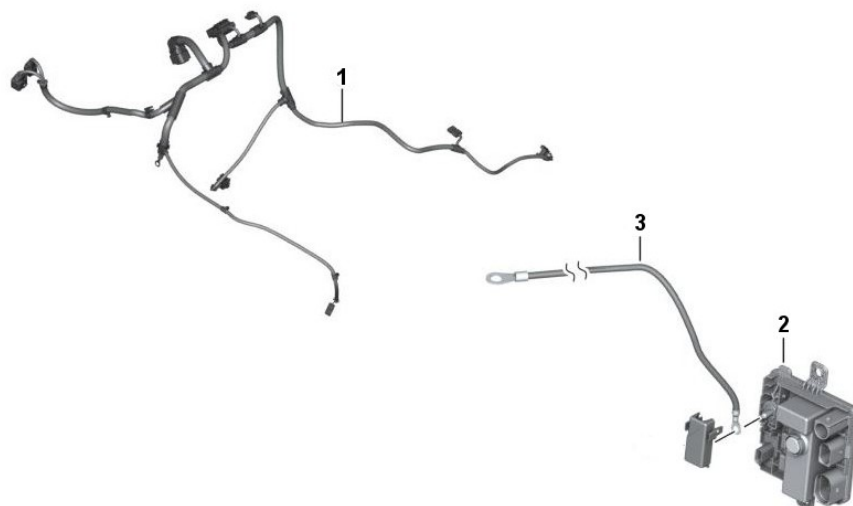
POS	Expression	Part number	B4 SC	B4 SR	R H D	A W D	REM
1	vacuum pump	11 66 7 847 203	1	1			
2	cylinder head screw M6x25	07 11 9 904 954	3	3			
3	sealing	11 66 7 849 395	1	1			
4	screw M10x30	11 66 7 528 325	1	1			
5	sprocket wheel	11 41 7 516 128	1	1			
6	impulse sensor	13 62 7 525 014	1	1			
	screw and gasket see F80 M3		i	i			



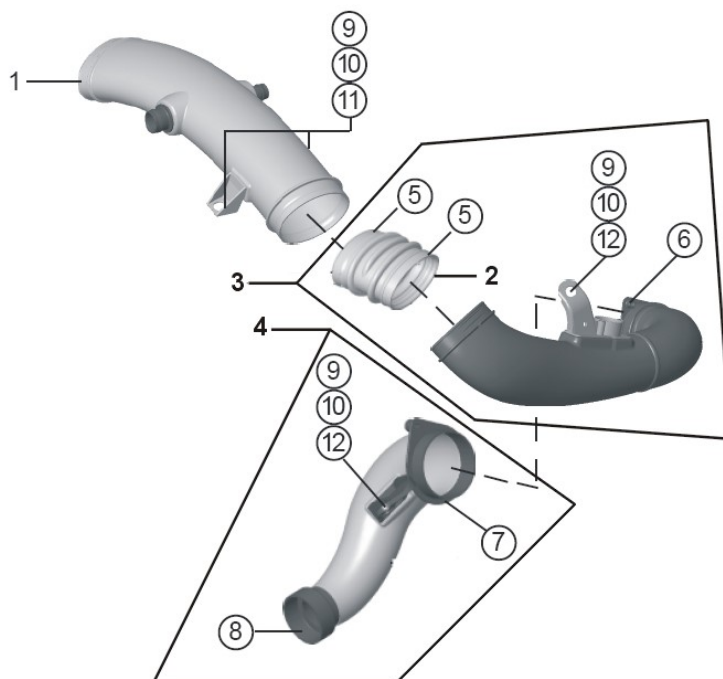
POS	Expression	Part number	B4 SC	B4 SR	RHD	AWD	REM
1	control unit Motronic MEVD 172G	13 57 695	1	1			
2	set spark plug NGK SIZKBR8B8HG	12 10 128	1	1			e
3	cable tree engine sensors 1	12 41 103	1	1			
4	cable tree engine sensors 2	12 41 104	1	1			
5	cable tree bracket on intake system	12 52 301	1	1			
o.A.	screw 50x16	13 71 7 536 971	1	1			
6	bracket on transmission	12 52 302	1	1			
7	starter generator	12 42 112	1	1			
8	wiring guide for starter generator cable	12 52 300	1	1			
9	bracket starter generator cable	12 42 7 574 415	1	1			
10	Cover multifunktion bracket	12 52 002	1	1			
	(required:) Multifunction bracket	12 90 7 604 347	1	1			
	parts for unmounting starter:		i	i			
o.A.	set of screw for transmission	24 10 135	1	1			
o.A.	screw M10x1,5x55	24 10 129	1	1			

e) amount for connected lambda sensor

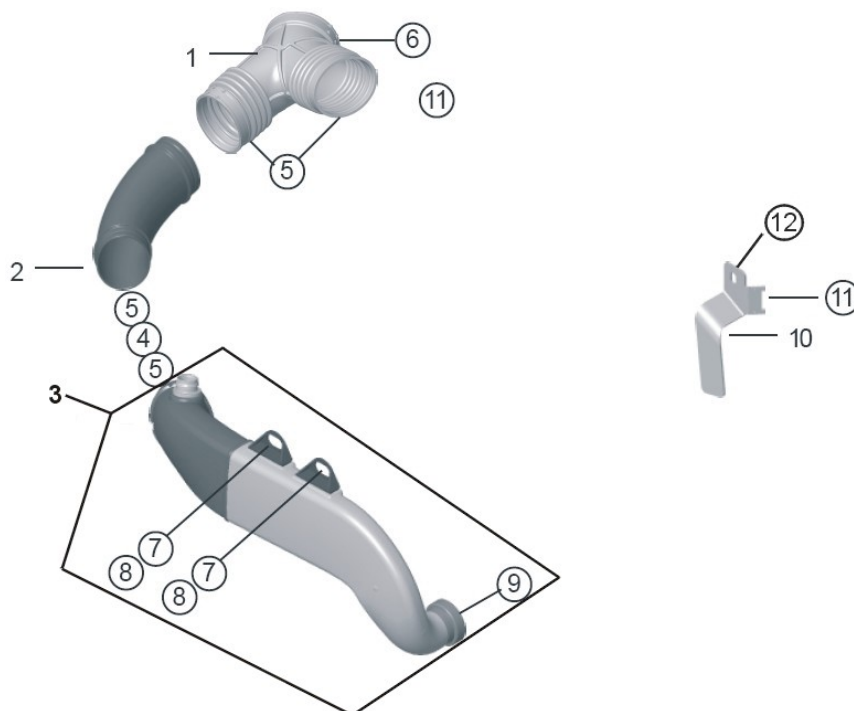




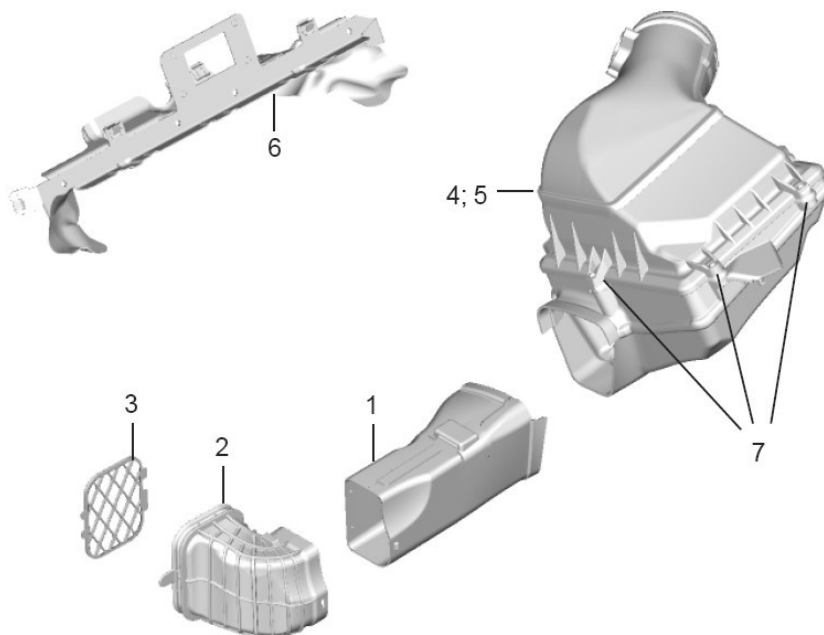
POS	Expression	Part number	B4 SC	B4 SR	R H D	A W D	REM
1	wiring harness engine gearbox module	12 53 7 599 378	1	1		R	
1	wiring harness engine gearbox module	12 53 7 607 964	1	1		A	
2	integrated supply module	12 63 7 591 534	1	1			
3	line PDM	12 63 8 636 596	1	1			



POS	Expression	Part number	B4 SC	B4 SR	R H D	A W D	REM
1	clean air guide cyl. 1-3 part 1	13 70 225	1	1			
2	bellow clean air hose	13 70 252	1	1			
3	clean air guide cyl. 1-3 part 2	13 70 223	1	1			
4	clean air guide cyl. 1-3 part 3	13 70 238	1	1			
5	hose clamp	13 71 7 599 289	2	2			
6	Screw 50x26/12	13 71 7 545 438	1	1			
7	sealing	13 71 7 599 292	1	1			
8	sealing in socket	13 71 2 247 398	1	1			
9	rubber bearing	13 71 7 593 170	4	4			
10	bushing	13 71 7 593 171	4	4			
11	Screw M6x20	07 12 9 907 102	2	2			
12	Screw	07 14 9 218 232	2	2			

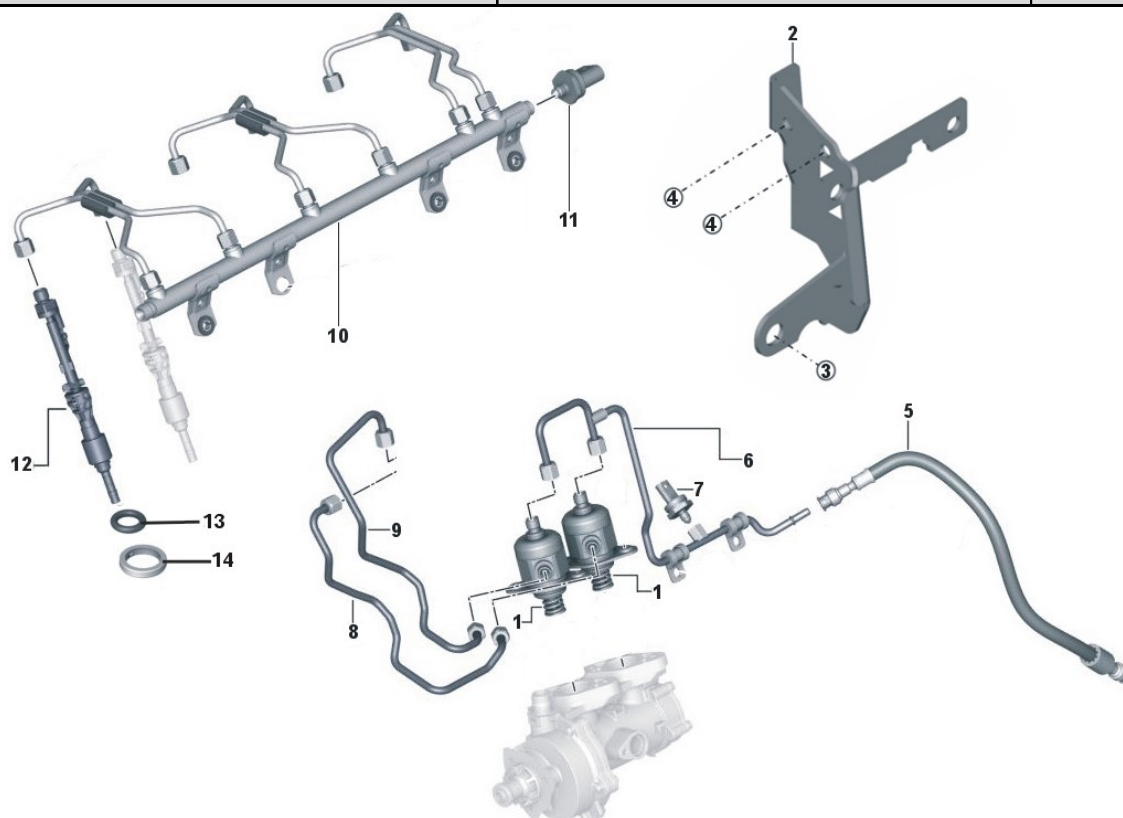


POS	Expression	Part number	B4 SC	B4 SR	RHD	AWD	REM
1	Y-bellow clean air	13 70 250	1	1			
2	clean air guide connecting piece cyl. 4-6	13 70 248	1	1			
3	clean air guide cyl. 4-6	13 70 258	1	1			
4	rubber connection	13 70 249	1	1			
5	hose clamp	13 71 7 599 289	4	4			
6	hose clamp d=90-110mm	07 40 104	1	1			
7	rubber bearing	13 71 7 568 028	2	2			
8	bushing with Torx screw M6x22	13 71 7 568 027	2	2			
9	sealing in socket	13 71 7 568 029	1	1			
10	mounting plate clean air guide cyl. 4-6	13 70 780	1	1			
11	bracket	12 52 1 436 023	1	1			
12	screw M6x16	07 14 6 986 927	1	1			

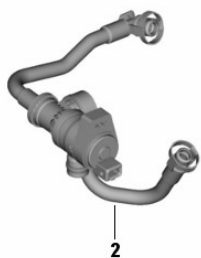


POS	Expression	Part number	B4 SC	B4 SR	R H D	A W D	REM
1	raw air guide with rubber bearing	13 71 009	1	1			
@ 1	rubber bearing	13 71 8 573 147	1	1			
2	raw airguide	13 71 008	1	1			
3	intake grille	13 71 007	1	1			
4	intake muffler	13 70 218	1	1			
5	air filter pad	13 71 7 602 643	1	1			a
@ 5	cable clamp	12 52 1 436 023	2	2			
@ 5	clip	12 52 1 437 136	2	2			
@ 5	ring	64 11 8 247 773	4	4			
@ 5	clamp	07 14 001	2	2			
6	bracket pressure converter	13 71 010	1	1			
7	Lens head screw	13 71 7 545 438	6	6			

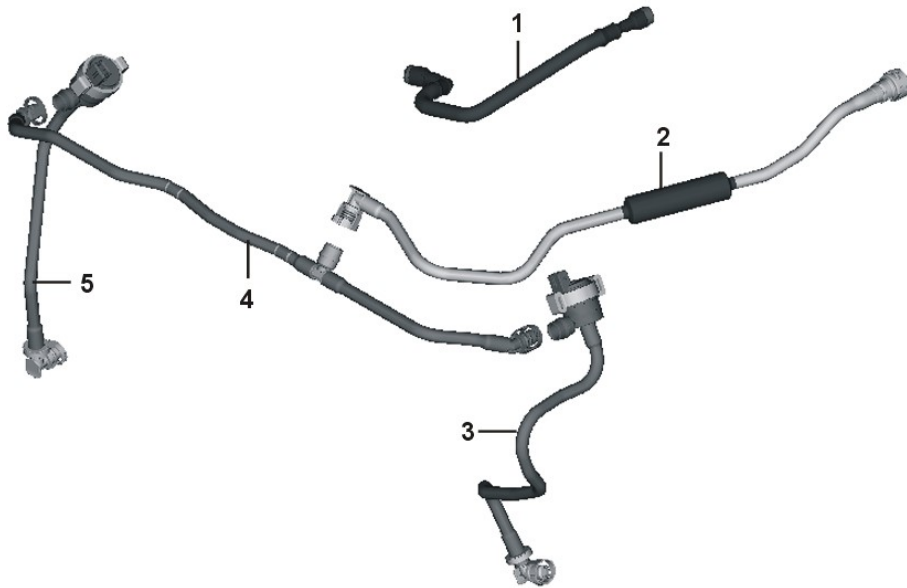
a) Contained in pos. 4



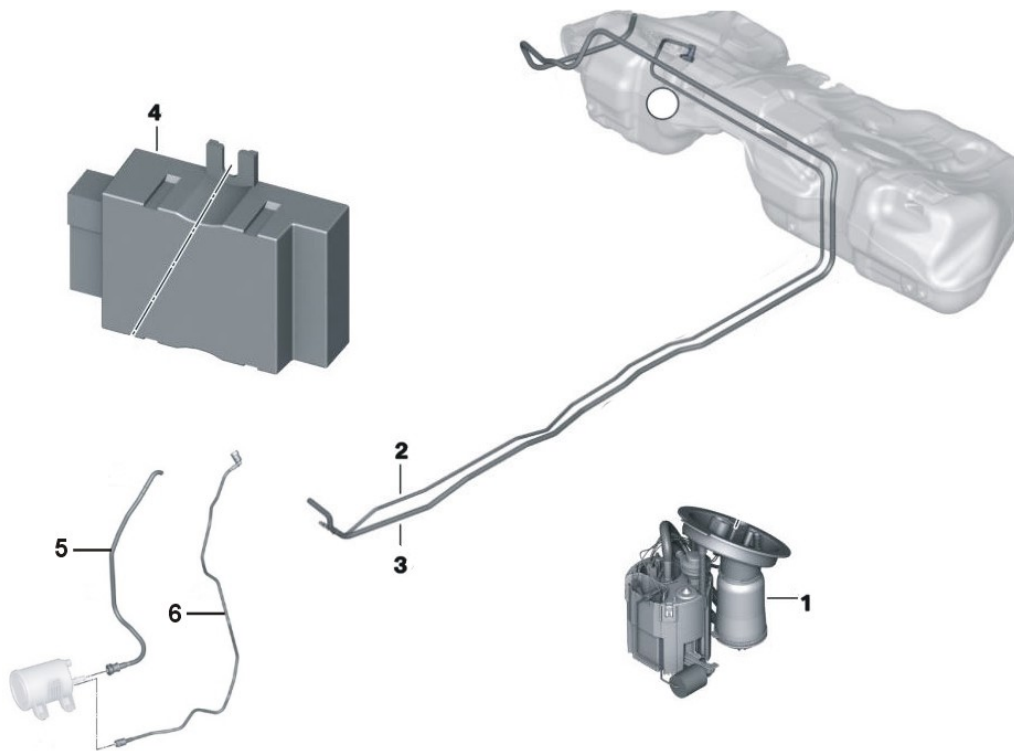
POS	Expression	Part number	B4 SC	B4 SR	R H D	A W D	REM
1	high pressure pump	13 51 7 847 204	2	2			
2	combination holder HPP	13 51 110	1	1			
3	screw M12x25	07 11 127	1	1			
4	ISA-srew M6x16 - U1-8.8-ZNS3	07 12 9 903 978	2	2			
5	fuel hose	13 53 7 629 640	1	1			
6	feed line with sensor	13 53 7 848 561	1	1			
7	sensor low pressure	13 53 7 622 231	1	1			
8	high pressure pipe 1	13 53 7 848 562	1	1			
9	high pressure pipe 2	13 53 7 848 563	1	1			
10	high pressure rail	13 53 7 848 363	1	1			
11	sensor high pressure	13 53 7 620 946	1	1			
12	injector EU6	13 64 7 639 994	1	1			
13	gasket ring	13 53 7 591 006	6	6			
14	decoupling element	13 53 7 577 649	6	6			
	screw and gasket see F80 M3		i	i			



POS	Expression	Part number	B4 SC	B4 SR	R H D	A W D	REM
1	fuel tank breather line	13 90 8 602 280	1	1		R	
1	fuel tank breather line	13 90 8 602 281	1	1		A	
2	fuel tank ventilation valve with pipe	13 90 108	1	1			



POS	Expression	Part number	B4 SC	B4 SR	R H D	A W D	REM
1	Fuel hose	13 53 123	1	1			
2	Fuel tank breather line	13 90 629	1	1			
3	Fuel tank ventilation valve with pipe cyl. 5-8	13 90 627	1	1			
4	Fuel tank breather line	13 90 630	1	1			
5	Fuel tank ventilation valve with pipe cyl. 1-4	13 90 628	1	1			

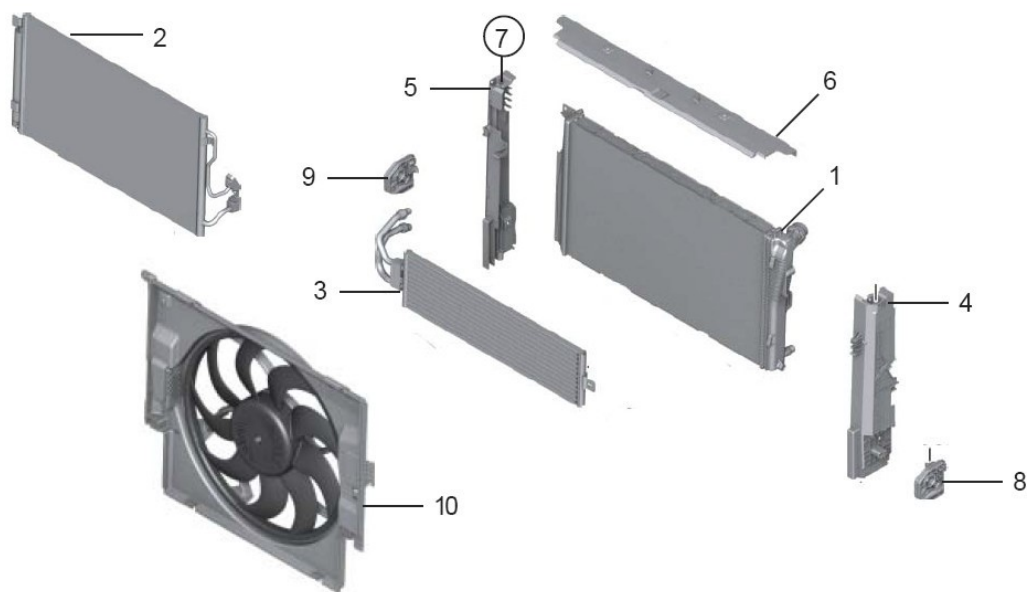


POS	Expression	Part number	B4 SC	B4 SR	RHD	AWD	REM
1	deilvery module	16 11 2 284 693	1	1			
2	fuel feed line	16 12 7 318 355	1	1			
3	scavenge air line	16 12 7 244 795	1	1			b
3	scavenge air line	16 12 8 091 880	1	1			c
4	engine control fuel pump	16 14 7 411 595	1	1			
6	breather line	16 13 7 307 895	1	1			b
5	vent pipe	16 13 7 270 982	1	1			b
5	breather line	16 13 7 490 328	1	1			c
6	vent pipe	16 13 7 483 178	1	1			c

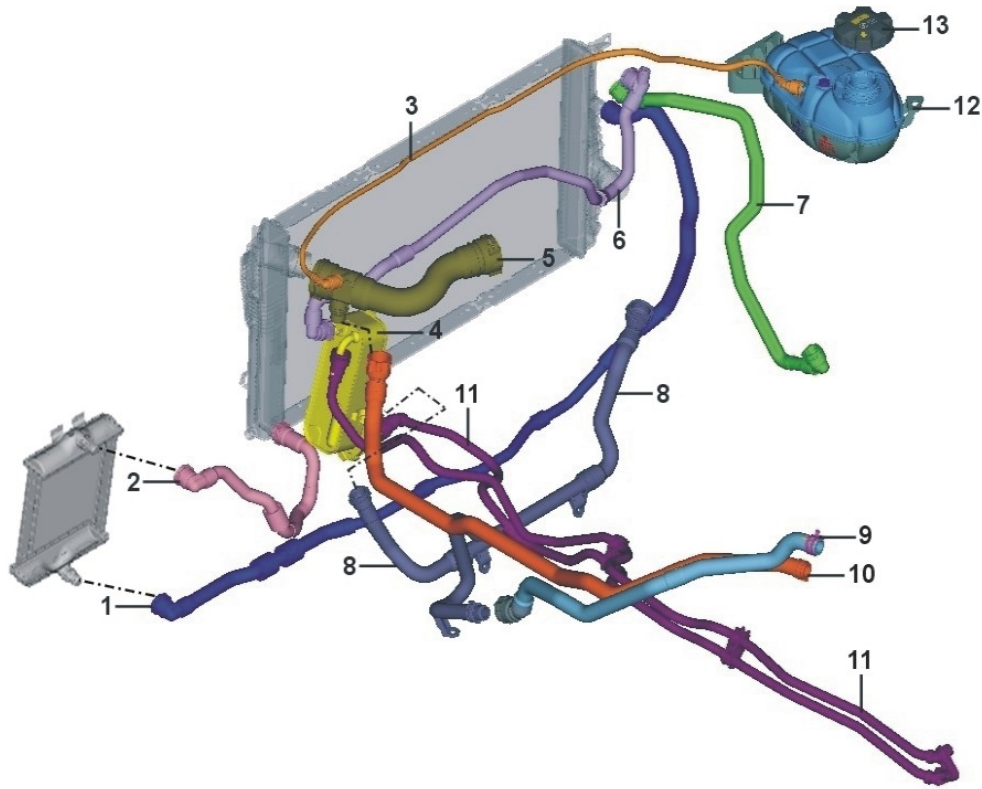
b) from 07/15 - 11/18

c) from 11/188

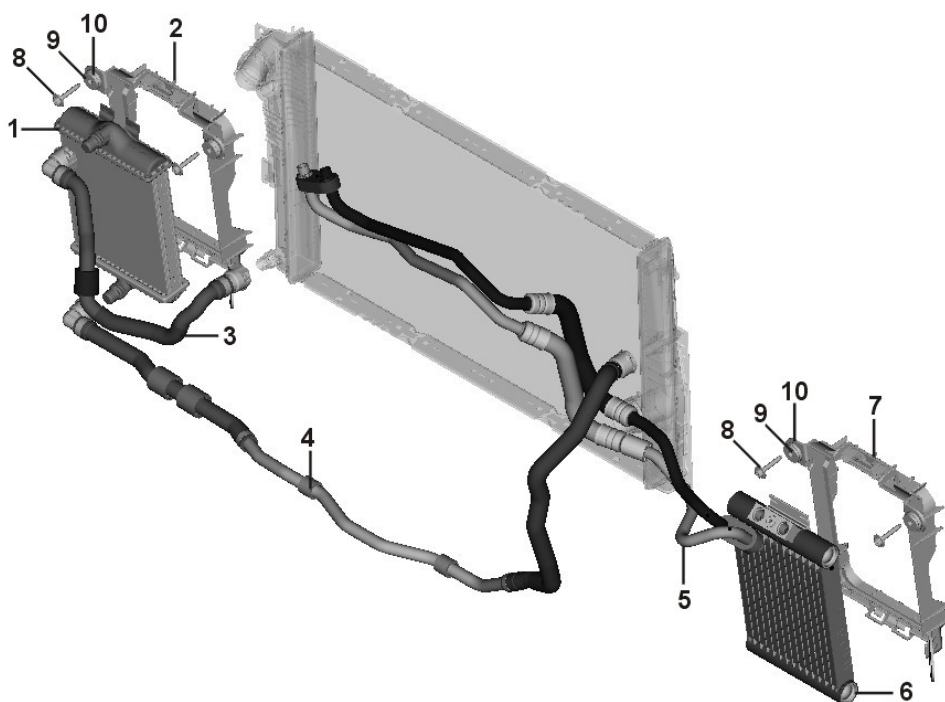




POS	Expression	Part number	B4 SC	B4 SR	RHD	AWD	REM
1	coolant cooler	17 11 7 606 017	1	1			
2	condensator B16	64 50 6 804 721	1	1			
3	low temperature coolant cooler	17 11 7 600 535	1	1			
4	module carrier left	17 11 7 600 536	1	1			
5	module carrier right	17 11 7 600 538	1	1			
6	sealing cooling module top	17 11 7 600 543	1	1			
7	top cooler bearing top	17 11 7 600 539	2	2			
8	lower left cooler bearing	17 11 8 620 732	1	1			
9	lower right cooler bearing	17 11 8 620 733	1	1			
10	fan housing with fan 850W	17 42 7 640 513	1	1			

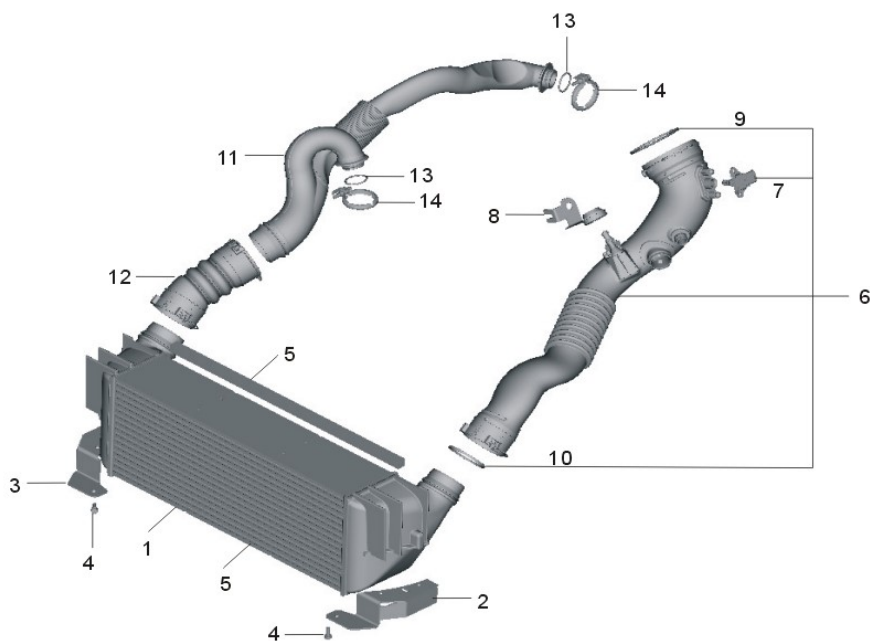


POS	Expression	Part number	B4 SC	B4 SR	R H D	A W D	REM
1	hose radiator - external radiator left	17 12 101	1	1			
2	hose radiator - external radiator left	17 12 7 627 101	1	1			
3	Hose radiator - expansion tank	17 12 8 570 061	1	1			
4	heat exchanger	17 21 7 600 553	1	1			
5	hose radiator	17 12 7 604 542	1	1			
6	hose radiator	17 12 7 627 106	1	1			
7	hose radiator	17 12 102	1	1			
8	refrigerant pipe	17 12 7 604 544	1	1			
9	hose heater core engine return	64 21 9 208 187	1	1			
10	hose heater core engine feed	64 21 9 243 891	1	1			
11	transmission oil cooler line	17 22 7 626 316	1	1			
11	transmission oil cooler line	17 22 7 626 318	1	1	X		
12	expansion tank	17 13 7 642 160	1	1			
13	screw cap	17 11 7 639 020	1	1			

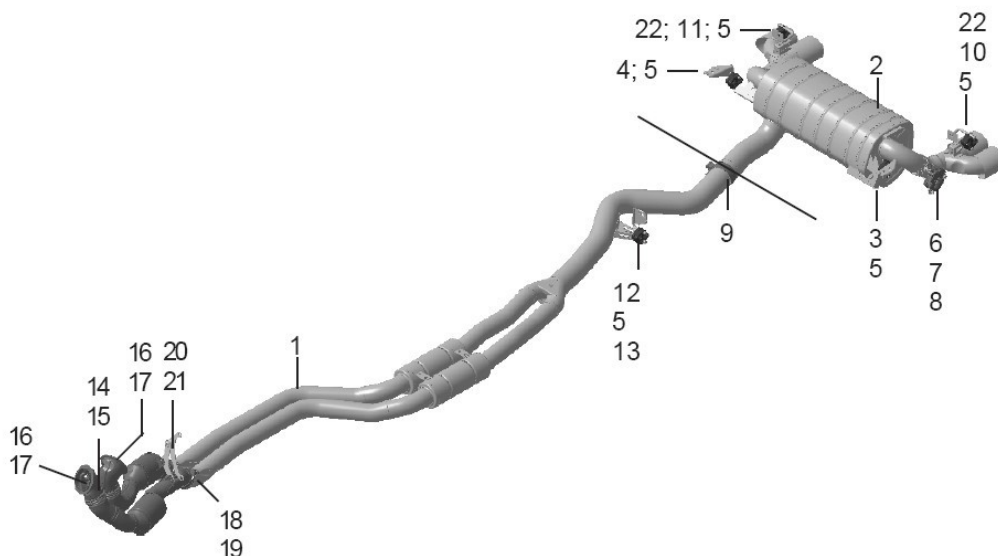


POS	Expression	Part number	B4 SC	B4 SR	RHD	AWD	REM
1	extrenal coolant cooler	17 11 8 625 447	1	1			
2	frame coolant cooler	17 21 127	1	1			
3	hose radiator - external radiator left	17 12 7 627 101	1	1			
4	hose radiator - external radiator left	17 12 101	1	1			
5	engine-oil cooler line	17 22 7 639 450	1	1			
6	extrenal engine oil cooler	17 21 126	1	1			
7	frame engine oil cooler	17 21 130	1	1			
8	flat-head screw M6x35	07 11 9 907 286	6	6			
9	distance bushing	17 22 7 615 869	6	6			a
10	module bearing	17 21 7 615 868	6	6			a

a) contained in pos. 2 and 7



POS	Expression	Part number	B4 SC	B4 SR	R H D	A W D	REM
1	intercooler	17 50 115	1	1			
2	bracket left	17 50 109	1				
3	bracket right	17 50 110	1				
2	bracket left	17 50 125		1			
3	bracket right	17 50 126		1			
4	screw M6x18	07 11 9 900 251	4	4			
5	rubber sealing intercooler l=500mm	17 50 116	2	2			
6	charge air duct	13 71 056	1	1			
7	pressure sensor 3,5 bar	13 62 7 843 531	1	1			
8	bracket	13 71 058	1	1			
9	o-ring	13 71 7 568 031	1	1			
10	preformed seal	11 61 8 506 786	1	1			
11	charge air hose turbo charger - intercooler	11 65 192	1	1	L		
11	charge air hose turbo charger - intercooler	11 65 220	1	1	R		
12	charge air tube turbo charger - intercooler	11 65 167	1	1			
13	O-ring sealing	11 65 7 577 018	2	2			
14	clamp, charge air duct - turbo charger	11 65 7 558 922	2	2			

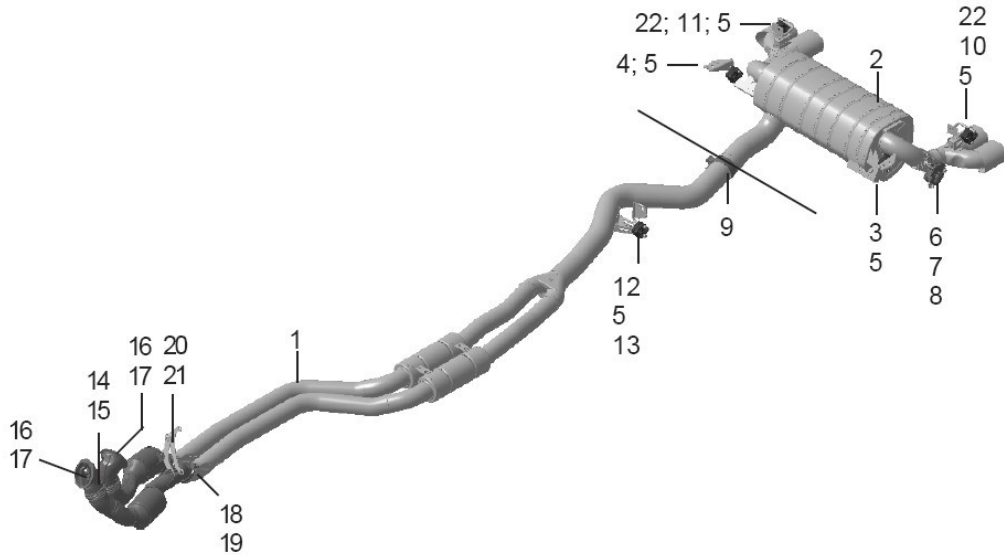


POS	Expression	Part number	B4 SC	B4 SR	RHD	AWD	REM
1	Exhaust system front part	18 10 375	1	1			
1	Exhaust system front part	18 10 401	1	1			c
2	rear silencer	18 10 374	1	1			
2	rear silencer	18 10 402	1	1			c
3	holder rear silencer left	18 30 7 620 316	1	1			a
4	holder rear silencer right	18 30 7 620 317	1	1			a
5	self-aligning rubber bearing	18 30 7 616 850	5	5			a
6	actuator	18 30 7 620 322	1	1			a
7	bracket	18 30 7 620 323	1	1			a
8	tub	18 10 019	1	1			a
9	torca bracket	18 10 017	1	1			
10	holder tail pipe left	18 10 377	1	1			
11	holder tail pipe right	18 10 378	1	1			
12	bracket at rear axle housing	18 20 7 571 002	1	1			
13	hex nut M12x1,5	07 12 9 904 866	1	1			
14	precatalyst cyl 1-3	18 10 371	1	1			
15	precatalyst cyl4-6	18 10 351	1	1			

a) included in Pos.2

b) not for SA 3AC (trailer coupling)

c) edition 99

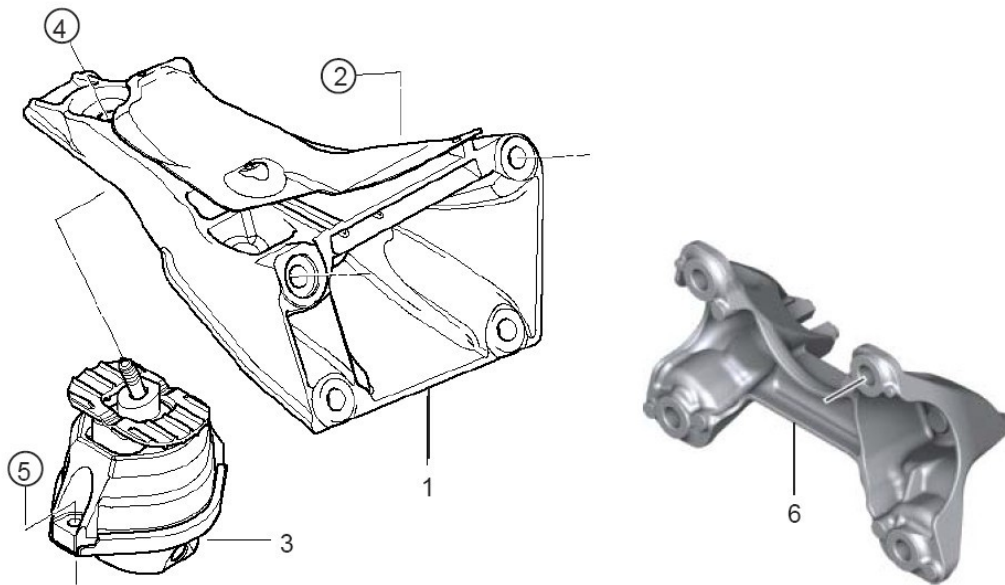


POS	Expression	Part number	B4 SC	B4 SR	R H D	A W D	REM
16	V-clamp D 108,4	11 65 7 620 508	2	2			
17	sealing turbo charger	18 30 7 553 601	2	2			
18	sealing	18 30 7 553 603	2	2			
19	hex nut with flange	18 30 7 597 650	4	4			
20	bracket precatalyst	18 20 104	1	1			
21	collar Nut M8	18 10 7 523 805	2	2			
22	distance bushing	18 10 016	2	2			b
o.A.	threaded bolts on the catalyst M8x35	18 10 024	4	4			

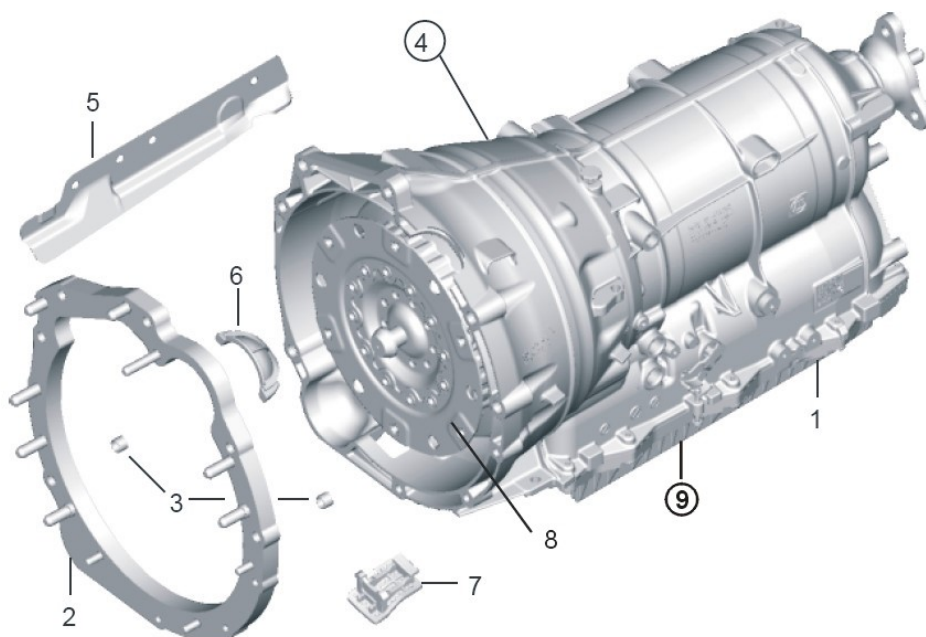
a) included in Pos.2

b) not for SA 3AC (trailer coupling)

c) edition 99



POS	Expression	Part number	B4 SC	B4 SR	RHD	AWD	REM
1	engine mounting right RWD	22 11 6 772 154	1	1		R	
1	engine mounting right AWD	22 11 100	1	1		A	
2	screw M12x85	22 11 6 778 232	1	1		A	
3	rubber mounting right RWD	22 11 6 773 744	1	1		R	
3	rubber mounting right AWD	22 11 102	1	1		A	
4	flange nut M10	07 11 9 904 670	1	1			
5	screw with washer M8x45	21 11 6 850 329	2	2		R	
6	transmission mounting N57 N55H 8HP70	22 31 6 850 602	1	1			



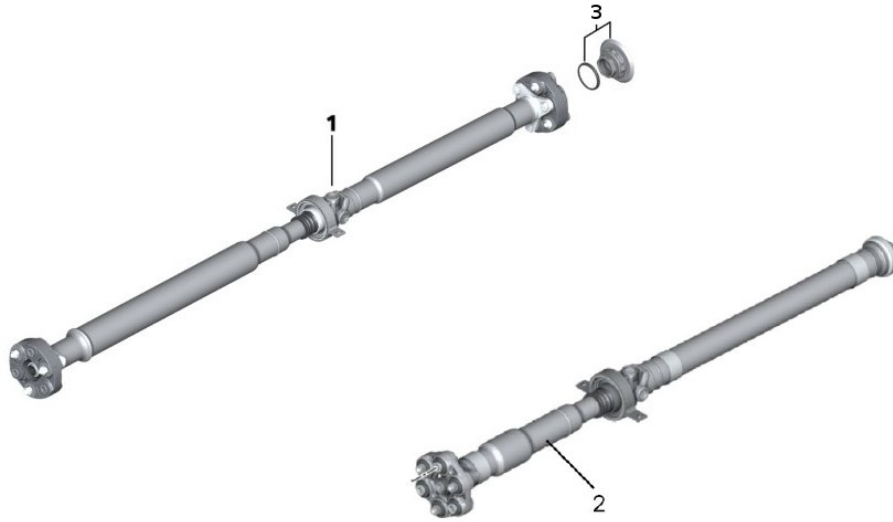
POS	Expression	Part number	B4 SC	B4 SR	RHD	AWD	REM
1	Automatic transmission 8HP70 RWD	24 10 145	1	1		R	
1	Automatic transmission 8HP70 AWD	24 10 146	1	1		A	
2	Set adapter plate	24 10 134	1	1			a
@ 2	Set of screws for transmission mounting	24 10 135	1	1			b
@ 2	Set of screws for adapter platemounting	24 10 136	1	1			c
3	Bishing D14,5mm	11 11 7 524 470	2	2			
4	Clip D12-14 Transm. cable to housing	12 12 7 669 013	2	2			
5	Heat cover oil sump 8HP70	24 10 126	1	1			
6	Starter cover	24 10 125	1	1			
7	Cap N57	24 14 7 591 704	1	1			
8	Torque converter	24 10 123	1	1			
8	Torque converter	24 10 147	1	1			
9	Repair kit, Mechatronic	24 10 148	1	1			

a) Incl. screw set 24 10 136

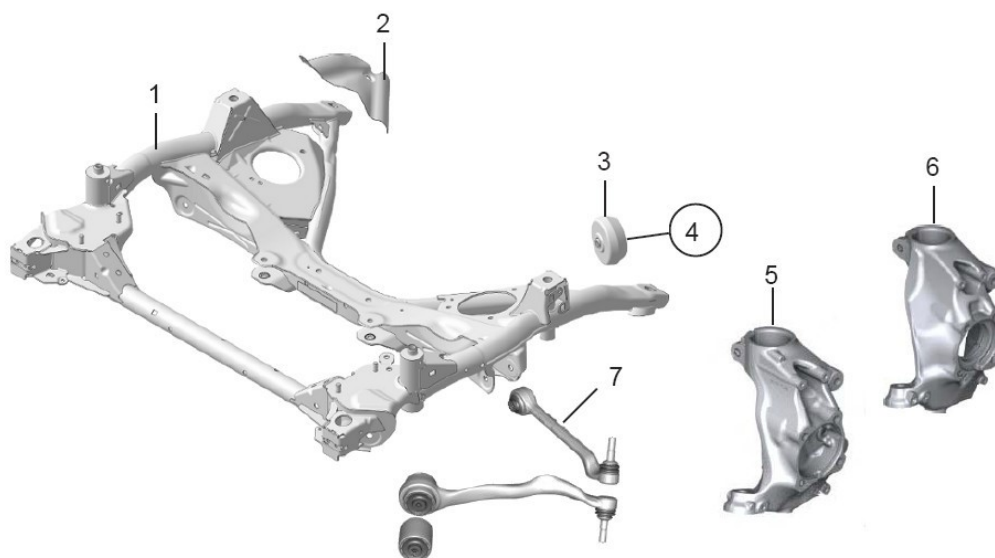
b) Mounting transmission to adapter plate

c) Mounting adpt. plate to engine

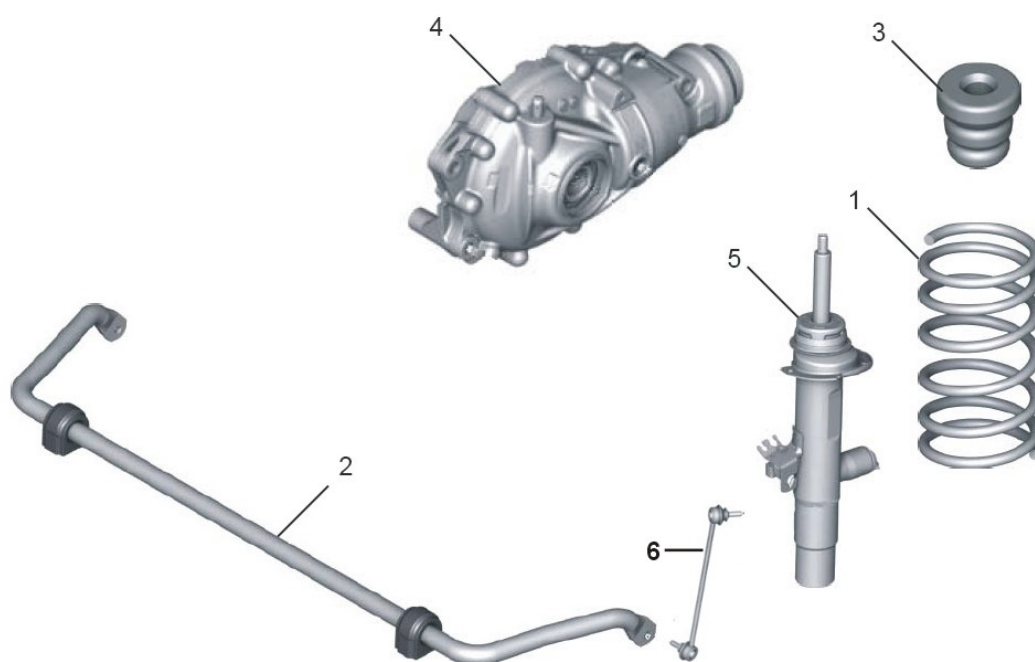




POS	Expression	Part number	B4 SC	B4 SR	R H D	A W D	REM
1	Drive shaft	26 10 8 678 453	1	1		R	
2	Drive shaft	26 10 8 651 301	1	1		A	
3	Repair set nut other parts see 330d	33 12 7 607 158	1 i	1 i			

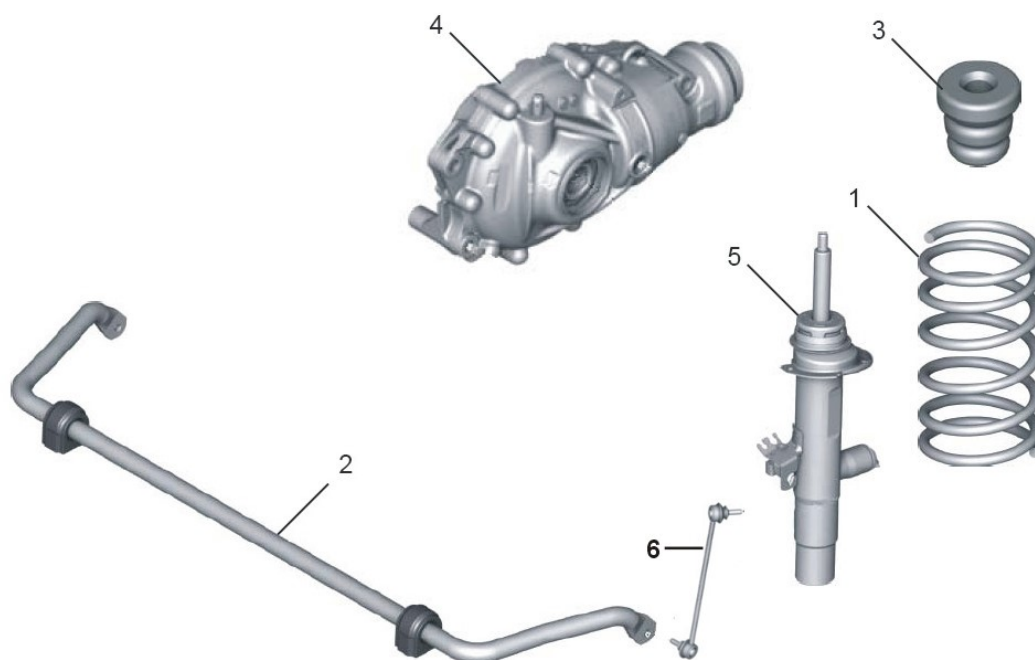


POS	Expression	Part number	B4 SC	B4 SR	RHD	AWD	REM
1	Front axle support RWD	31 11 106	1	1		R	
2	Heat shield FAS	31 11 105	1	1		R	
3	Dynamic vibration absorber	31 10 6 861 027	2				
3	Dynamic vibration absorber	31 10 6 868 404		2			
4	Torcscrew with washer M8x50	07 11 9 908 512	1	1			
5	Swivel bearing camber correction minus left	31 21 6 858 311	1	1		R	
6	Swivel bearing camber correction minus left	31 21 6 858 317	1			A	
5	Swivel bearing camber correction minus right	31 21 6 858 312	1	1		R	
6	Swivel bearing camber correction minus right	32 21 6 858 318	1			A	
7	Control arm RWD with bearing AWD left	31 10 6 857 329	1	1		R	
7	Control arm RWD with bearing AWD right	31 10 6 857 330	1	1		R	



POS	Expression	Part number	B4 SC	B4 SR	RHD	AWD	REM
1	coil spring RWD	31 33 150	2	2		R	
1	coil spring RWD	31 33 151	2	2		R	
1	coil spring RWD	31 33 152	2	2		R	
1	coil spring RWD	31 33 153	2	2		R	
1	coil spring AWD	31 33 154	2			A	
1	coil spring AWD	31 33 155	2			A	
1	coil spring AWD	31 33 156	2			A	
2	stabilisator with bearing 28 N/mm	31 35 6 792 119		1		R	
2	stabilisator with bearing 26 N/mm	31 35 6 792 118	1			R	
3	additional spring 80/40	31 33 6 857 729	2			R	
3	additional spring 75/35	31 33 6 791 507	2			A	
3	additional spring 80/45	31 33 6 858 241		2		R	
3	additional spring 75/40	31 33 6 854 708		2		A	a
4	exch. front axle transmission i=2,81	31 50 7 591 996	1			A	
5	VDC damper left	37 11 6 793 867	1			R	
5	VDC damper right	37 11 6 793 868	1			R	
5	VDC damper left	37 11 6 865 567		1		A	

a) edition 99



POS	Expression	Part number	B4 SC	B4 SR	RHD	AWD	REM
5	VDC damper right	38 11 6 865 568		1		A	
5	VDC damper left	37 11 6 864 759	1			A	
5	VDC damper right	38 11 6 864 760	1			A	
6	Stabilizer link left	31 35 113	1				a
6	Stabilizer link right	31 35 114	1				a

a) edition 99



POS	Expression	Part number	B4 SC	B4 SR	RHD	AWD	REM
1	Mounting SWITCH-TRONIC button left	32 33 311	1	1			
2	Mounting SWITCH-TRONIC button right	32 33 312	1	1			
o.A.	Screw mounting SWITCH-TRONIC	07 22 005	2	2			
o.A.	Board sw.-tr.	32 33 281	1	1			
3	Air bag for sports steering wheel	32 33 278	1	1			
4	ALPINA steering wheel leather	32 33 289	1	1			a
4	ALPINA steering wheel leather	32 33 289	1	1			b
4	ALPINA heated steering wheel leather	32 33 290	1	1			
4	ALPINA steering wheel leater (+2mm opt.)	32 33 291	1	1			a
4	ALPINA steering wheel leater (+2mm opt.)	32 33 291	1	1			b
4	ALPINA steering wheel leather	32 33 347	1	1			c
4	ALPINA steering wheel leather individual	32 33 348	1	1			c
4	ALPINA steering wheel leather	32 33 347	1	1			d
4	ALPINA steering wheel leather individual	32 33 348	1	1			d
5	Cover steering wheel	32 33 292	1	1			
6	Paddle left	32 33 359	1	1			e
7	Paddle right	32 33 360	1	1			e

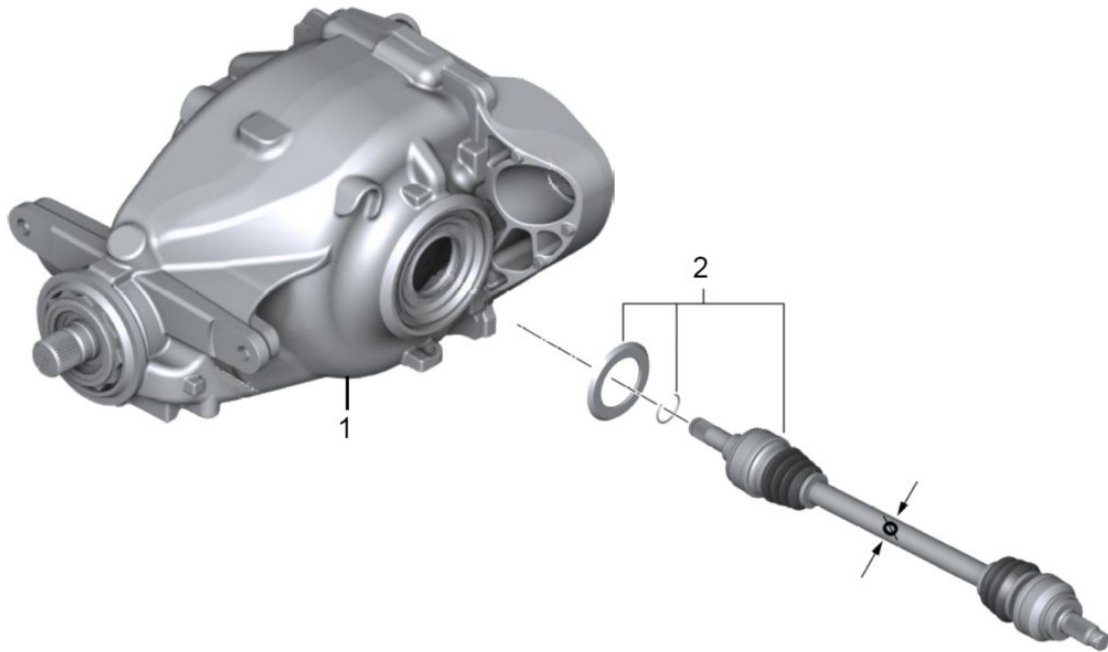
a) up to 07/13

b) up to 07/13

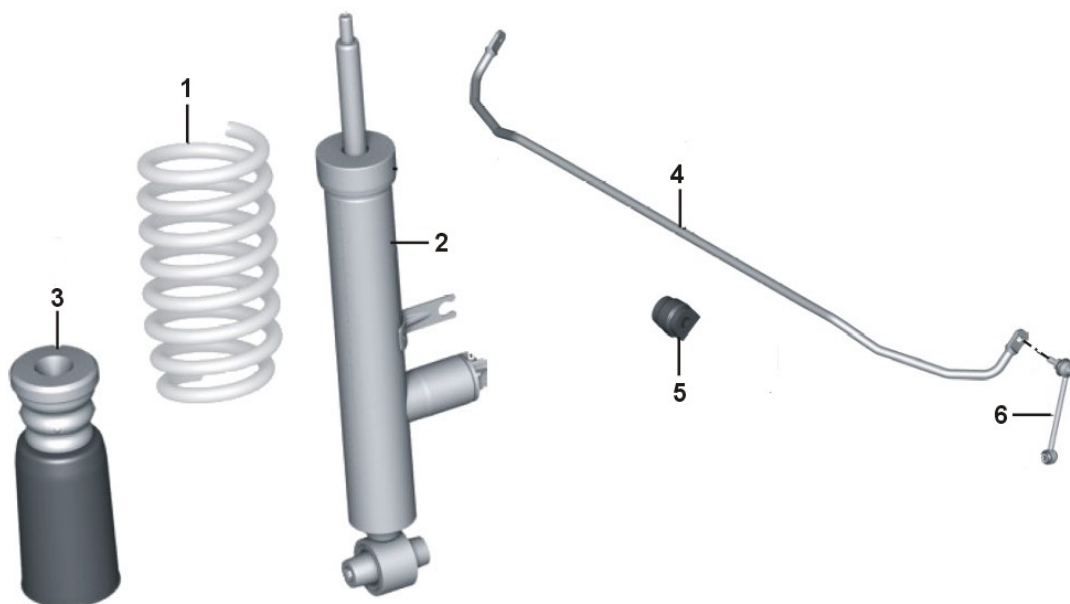
c) from 03/15

d) from 03/15

e) Edition 99

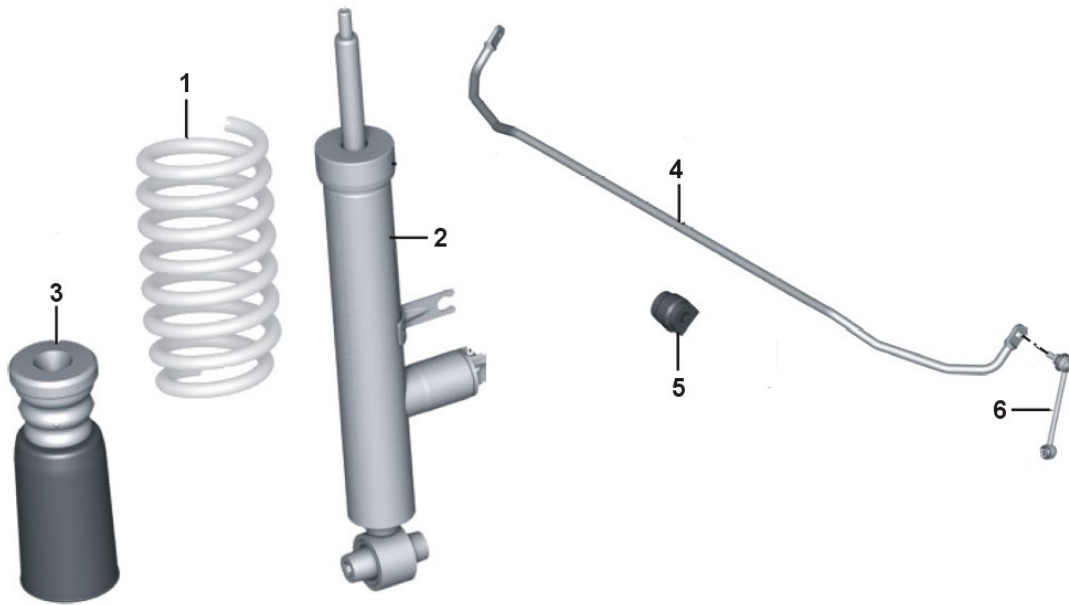


POS	Expression	Part number	B4 SC	B4 SR	RHD	AWD	REM
1	Axch. rear axle transmission 215LW i=2,81	33 10 7 603 760	1	1			
1	Rear axle transmission 215LW i=2,81 +Lock	33 10 163	1	1			
2	Output shaft left	33 20 7 597 685	1	1			
2	Output shaft right	33 20 7 597 686	1	1			



POS	Expression	Part number	B4 SC	B4 SR	RHD	AWD	REM
1	Coil spring ALPINA specific	33 53 121	2	2			
1	Coil spring ALPINA specific	33 53 122	2	2			
1	Coil spring ALPINA specific	33 53 123	2	2			
1	Coil spring ALPINA specific	33 53 124	2	2			
1	Coil spring ALPINA specific	33 53 125	2	2			
1	Coil spring ALPINA specific	33 53 126	2	2			
2	VDC damper	37 12 6 864 755	2				
2	VDC damper	37 12 6 865 569		2			
3	additional damper 76/40	33 53 6 857 730		2			
3	additional damper 80/45	33 53 6 860 161	2				a
4	Stabilizer 15 mm	33 55 6 853 476		1			
5	Stabilizer mount 15 mm	33 50 6 792 199		2			
4	Stabilizer 16 mm	33 55 114	1				
5	Stabilizer mounts 16 mm	33 55 115	2				
4	Stabilizer 16 mm	33 55 117	1				a
5	Stabilizer mounts 16 mm	33 55 118	2				a
6	Stabilizer link left	33 55 121	1				a

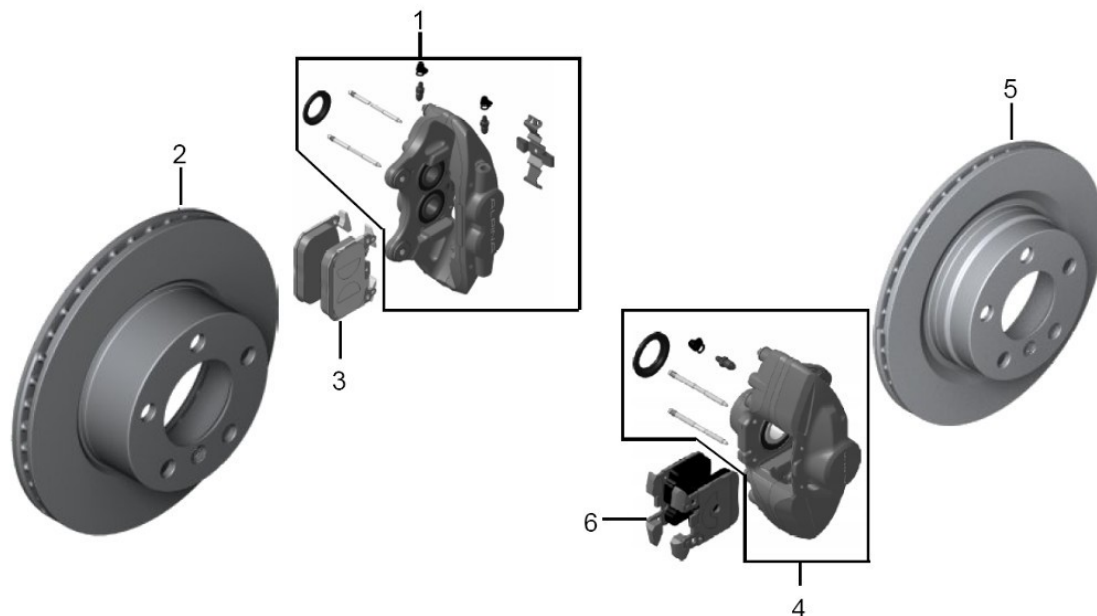
a) Edition 99



POS	Expression	Part number	B4 SC	B4 SR	RHD	AWD	REM
6	Stabilizer link right	33 55 122	1				a

a) Edition 99





POS	Expression	Part number	B4 SC	B4 SR	R H D	A W D	REM
1	Fixed caliper FA left blue "ALPINA"	34 11 191	1	1			c
1	Fixed caliper FA right blue"ALPINA"	34 11 192	1	1			c
2	Brake disk FA	34 10 6 797 606	2	2			
2	Brake disk w/holes FA	34 11 186	2	2			h
3	Set Brake pads service FA	34 11 185	1	1			a
3	Set Brake pads service FA	34 11 6 865 460	1	1			b
4	Fixed caliper RA left blue "ALPINA"	34 21 119	1	1			c
4	Fixed caliper RA right blue "ALPINA"	34 21 120	1	1			c
5	Brake disk RA	34 20 6 894 382	2	2			
5	Brake disk w/holes RA Edition 99	34 21 123	2	2			
6	Set Brake pads service RA	34 21 6 876 422	1	1			f
6	Set Brake pads service RA up to 07/17	34 21 6 887 576	1	1			
o.A.	Brake pad wear sensor FA	34 35 6 792 289	1	1			
o.A.	Brake pad wear sensor RA	34 35 6 792 292	1	1			

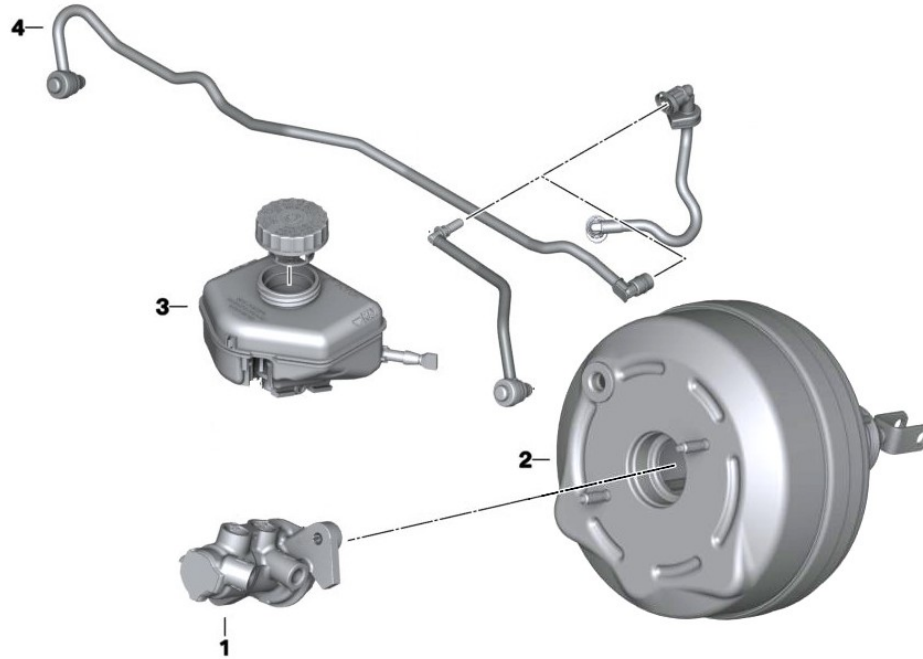
a) not for LA807 (Japan)

b) for LA807 (Japan)

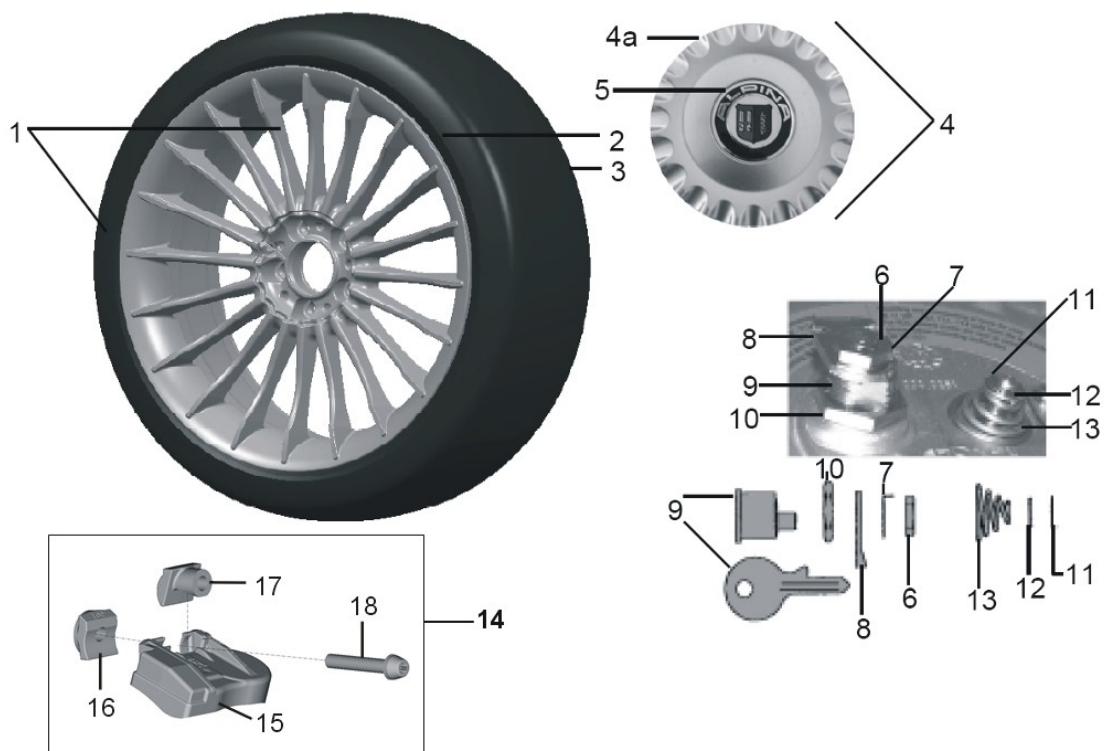
c) RAL 5002

f) up to 07/17

h) edition 99



POS	Expression	Part number	B4 SC	B4 SR	R H D	A W D	REM
1	Break master cylinder	34 33 7 849 878	1	1	L		
1	Break master cylinder	34 33 7 849 879	1	1	R		
2	Break servo unit	34 33 7 849 876	1	1			
3	Expansion tank	34 33 7 851 569	1	1			
4	vacuum pipe	11 66 101	1	1			

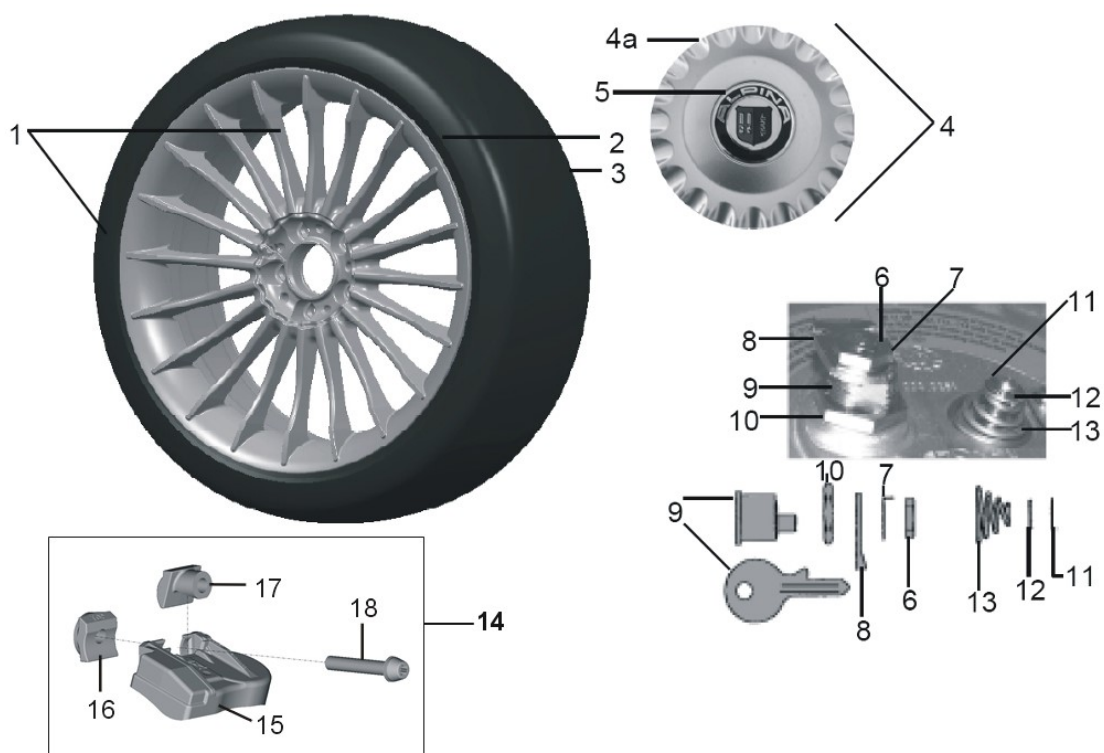


POS	Expression	Part number	B4 SC	B4 SR	RHD	AWD	REM
1	Wheel 8x20" ET36 245/30ZR20 PS4S	36 14 009	2	2			
1	Wheel 9x20" ET47 265/30ZR20 PS4S	36 14 010	2	2			
1	Wheel 8x20" ET36 245/30ZR20 PS4S RDCi	36 14 011	2	2			
1	Wheel 9x20" ET47 265/30ZR20 PS4S RDCi	36 14 012	2	2			
2	Alloy rim 8x20" ET36 EH2+	36 11 244	2	2			
2	Alloy rim 9x20" ET47 EH2+	36 11 245	2	2			
3	Tires FA/RA	a. Anfr./on req.	2	2			
4	Rim cover complete	36 10 064	4	4			
4a	Rim cover w/o emblem and accessories	36 13 116	4	4			
5	ALPINA emblem with support	36 13 135	4	4			
6	Nut SW12	36 13 123	4	4			a
7	Locking plate	36 13 122	4	4			a
8	Locking lever	36 13 120	4	4			a
9	Set lock with nut and lever	36 13 119	1	1			
10	Nut SW19	36 13 125	4	4			a
11	Hex nut M4	07 28 014	4	4			b
12	Washer	07 33 019	4	4			b

a) contained in pos. 9

b) contained in pos. 5

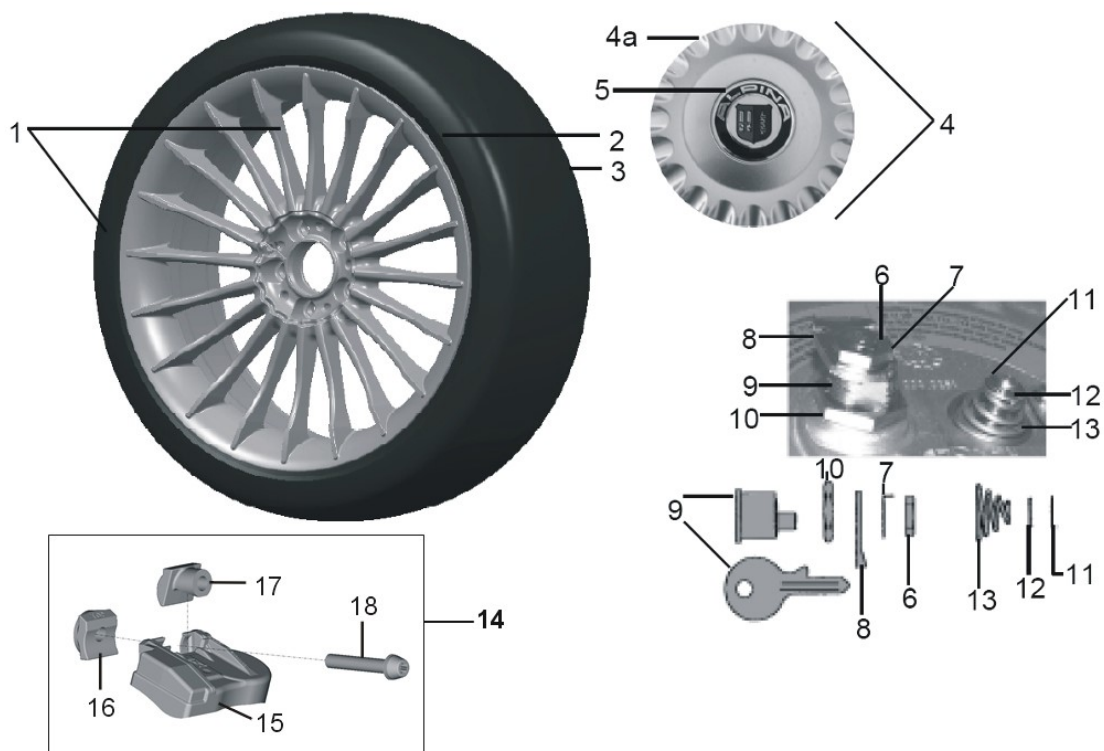
c) only SA2VB



POS	Expression	Part number	B4 SC	B4 SR	RHD	AWD	REM
13	Spring	36 13 124	4	4			b
14	Set RDCi	36 10 100	4	4			c
16	Washer	36 10 103	4	4			c
17	clamping pieces	36 10 102	4	4			c
18	Inner torx screw M5x30	36 10 104	4	4			c

a) contained in pos. 9  
c) only SA2VB

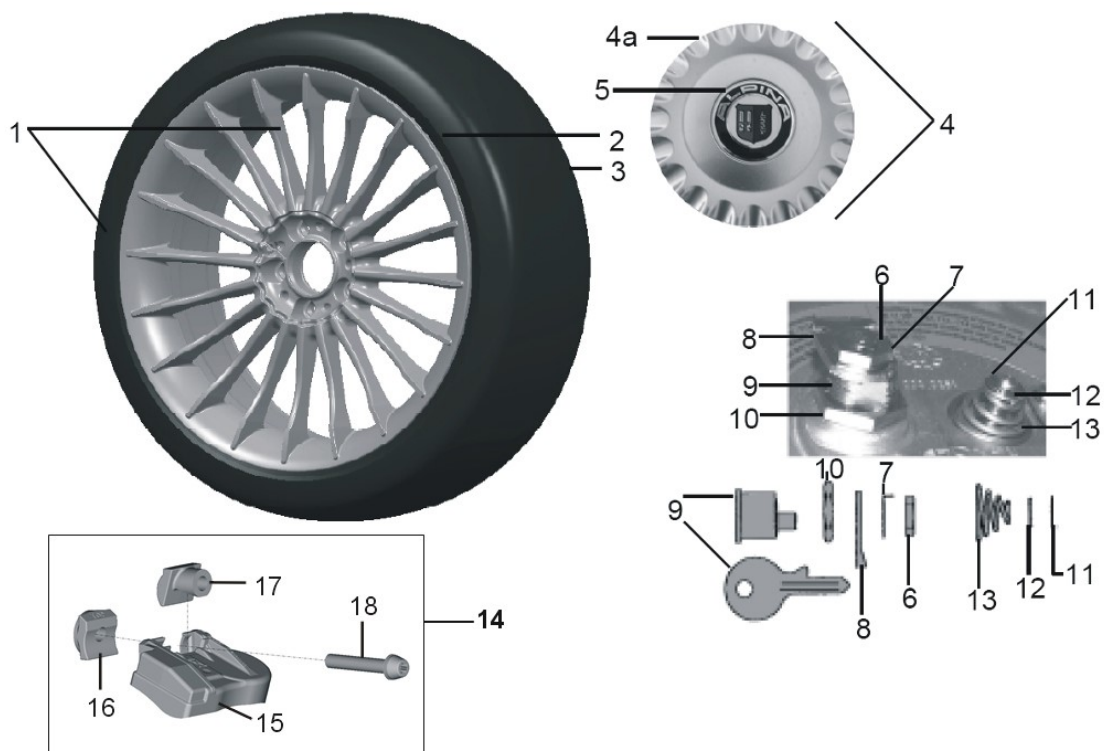
b) contained in pos. 5



POS	Expression	Part number	B4 SC	B4 SR	RHD	AWD	REM
1	Wheel 8x19" ET36 245/35R19 PA3	36 12 904	2	2		R	
1	Wheel 9x19" ET47 245/35R19 PA3	36 12 905	2	2		R	
1	Wheel 8x19" ET36 245/35R19 PA3 RDCi	36 12 915	2	2		R	
1	Wheel 9x19" ET47 245/35R19 PA3 RDCi	36 12 916	2	2		R	
2	Alloy rim 8x19" ET36 EH2+	36 11 248	2	2		R	
2	Alloy rim 9x19" ET47 EH2+	36 11 249	2	2		R	
3	Tires FA/RA	a. Anfr./on req.	2	2			
4	Rim cover complete	36 10 064	4	4			
4a	Rim cover w/o emblem and accessories	36 13 116	4	4			
5	ALPINA emblem with support	36 13 135	4	4			
6	Nut SW12	36 13 123	4	4			a
7	Locking plate	36 13 122	4	4			a
8	Locking lever	36 13 120	4	4			a
9	Set lock with nut and lever	36 13 119	1	1			
10	Nut SW19	36 13 125	4	4			a
11	Hex nut M4	07 28 014	4	4			b
12	Washer	07 33 019	4	4			b

a) included at pos. 9  
c) only SA2VB

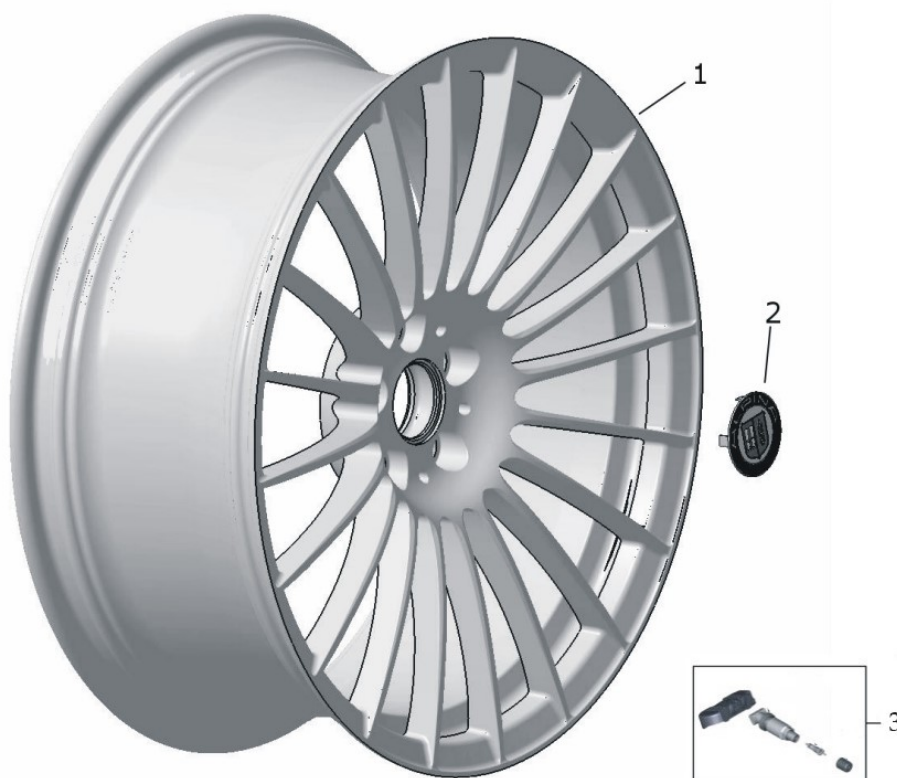
b) included at pos. 5



POS	Expression	Part number	B4 SC	B4 SR	R H D	A W D	REM
13	Spring	36 13 124	4	4			b
14	Set RDCi	36 10 100	4	4			c
15	Wheel electronic modul RDCi	36 10 6 856 209	4	4			c
16	Washer	36 10 103	4	4			c
17	clamping pieces	36 10 102	4	4			c
18	Inner torx screw M5x30	36 10 104	4	4			c

a) included at pos. 9  
c) only SA2VB

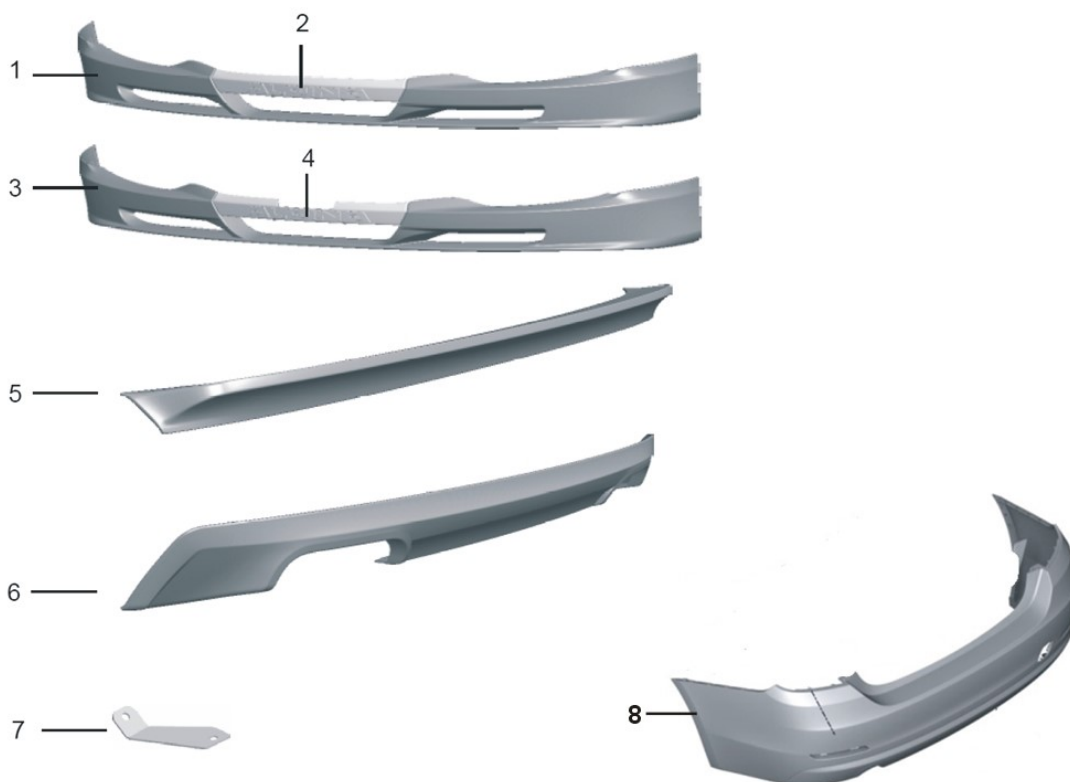
b) included at pos. 5



POS	Expression	Part number	B4 SC	B4 SR	RHD	AWD	REM
1	Forged rim 8x20"	36 11 258	2	2			
1	Forged rim 9x20"	36 11 259	2	2			
1	Forged rim Ferric Grey 8x20"	36 11 258FG	2	2			b
1	Forged rim Ferric Grey 9x20"	36 11 259FG	2	2			b
o.A.	Tyre 245/30 ZR20 Michelin PS4S	36 12 384	2	2			
o.A.	Tyre 265/30 ZR20 Michelin PS4S	36 12 385	2	2			
2	Wheel hub cover	36 13 128	4	4			
3	Wheel electronic module RDC 433 MHz	36 10 6 881 890	4	4			a

a) Tyre pressure display S2VBA = yes

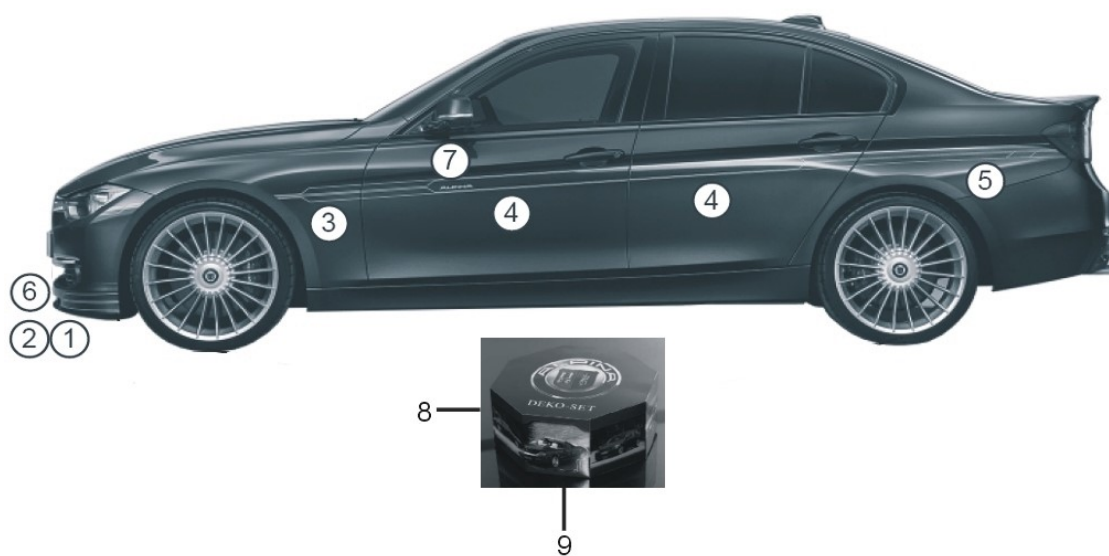
b) Edition 99



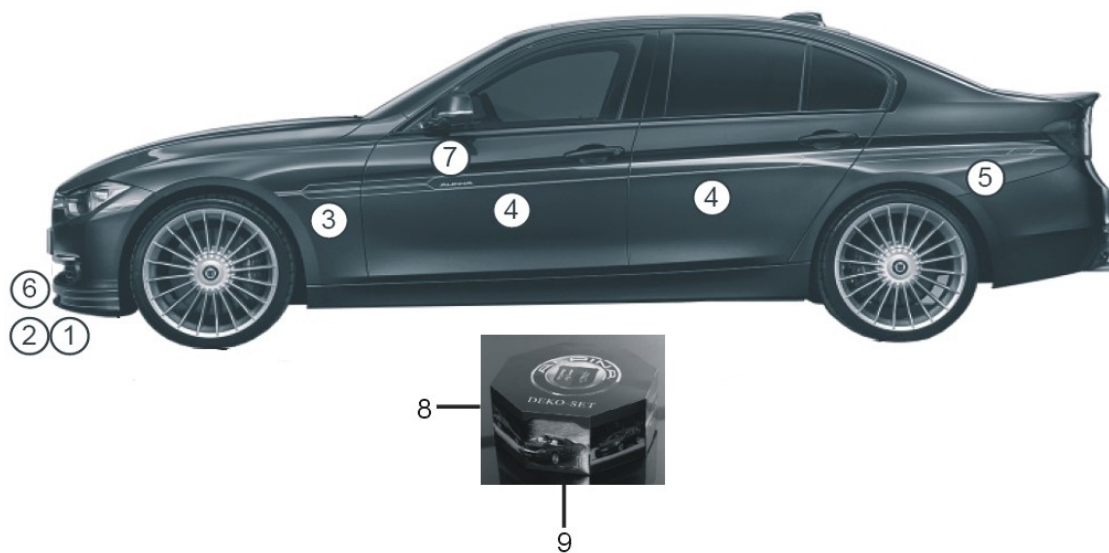
POS	Expression	Part number	B4 SC	B4 SR	RHD	AWD	REM
1	Frontspoiler Type 994 without ACC	41 00 992	1	1			
2	Insert Frontspoiler without ACC	41 00 996	1	1			
3	Frontspoiler Type 995 with ACC	41 00 993	1	1			
4	Insert Frontspoiler with ACC	41 10 099	1	1			
5	Rear spoiler type 997	41 10 033	1				
5	Rear spoiler type 998	41 10 034		1			
6	Panel rear bumper primed	51 00 417	1	1			
7	Stiffening rear bumper left	51 00 847	1	1			c
o.A.	Screw	07 14 7 055 085	3	3			
8	Rear bumper PDC SA 507/508	51 00 872	1	1			
8	Rear bumper parking assist SA 5DP	51 00 873	1	1			

c) Only with SA3AC (Trailer coupling)

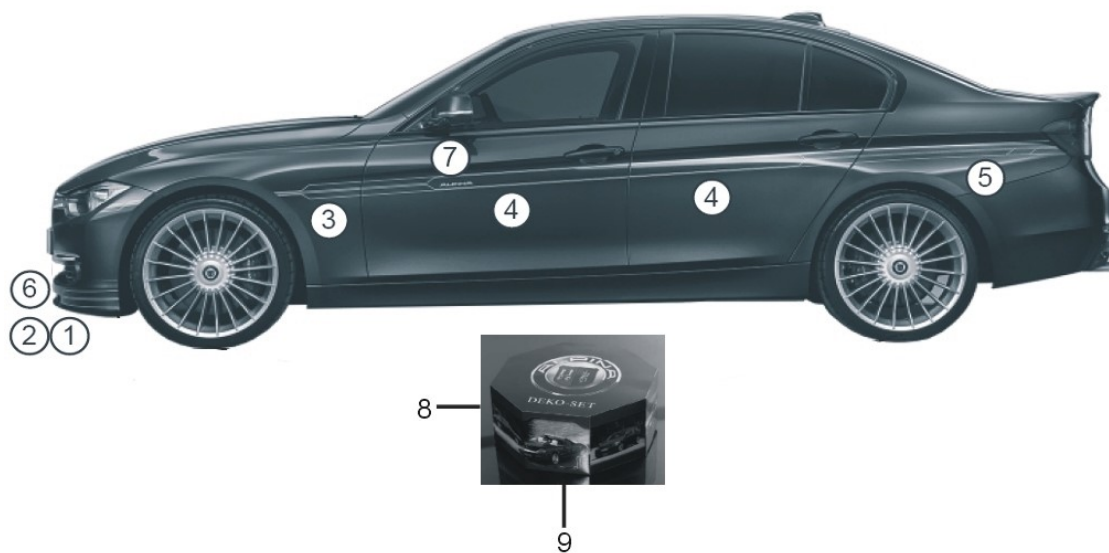




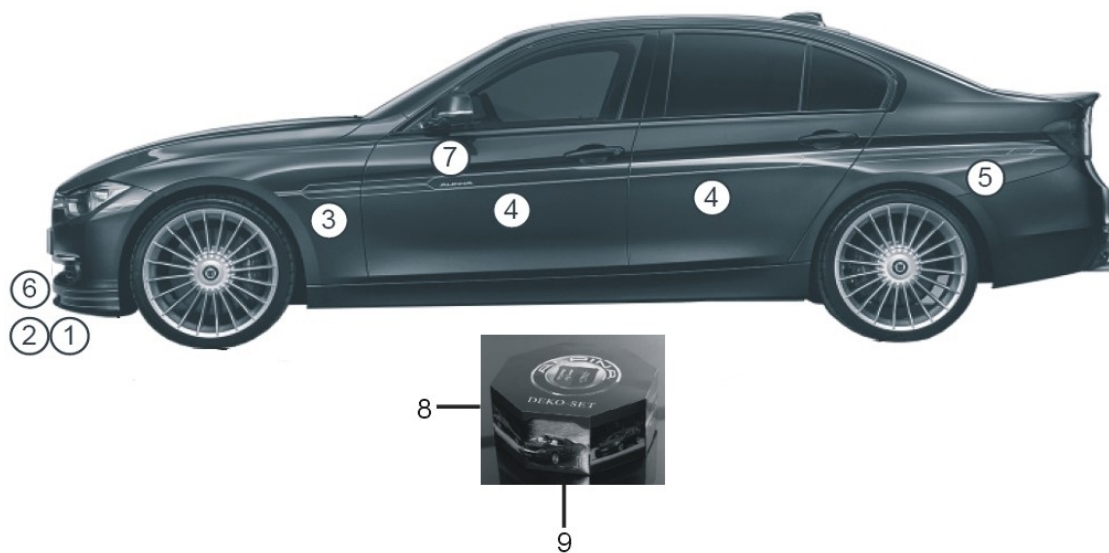
POS	Expression	Part number	B4 SC	B4 SR	RHD	AWD	REM
1	Rhomb Front spoiler left silver	41 00 959	1	1			
2	Rhomb Front spoiler right silver	41 00 960	1	1			
1	Rhomb Front spoiler left gold	41 00 961	1	1			
2	Rhomb Front spoiler right gold	41 00 962	1	1			
3	Rhomb front left silver	41 00 253	1	1			
3	Rhomb front right silver	41 00 252	1	1			
3	Rhomb front left gold	41 00 247	1	1			
3	Rhomb front right gold	41 00 246	1	1			
4	Rhomb middle left silver	41 00 255	1	1			
4	Rhomb middle right silver	41 00 254	1	1			
4	Rhomb middle left gold	41 00 249	1	1			
4	Rhomb middle right gold	41 00 248	1	1			
5	Rhomb rear left silver	41 00 443	1	1			
5	Rhomb rear right silver	41 00 444	1	1			
5	Rhomb rear left gold	41 00 445	1	1			
5	Rhomb rear right gold	41 00 446	1	1			
6	Lettering front spoiler silver	51 00 225	1	1			



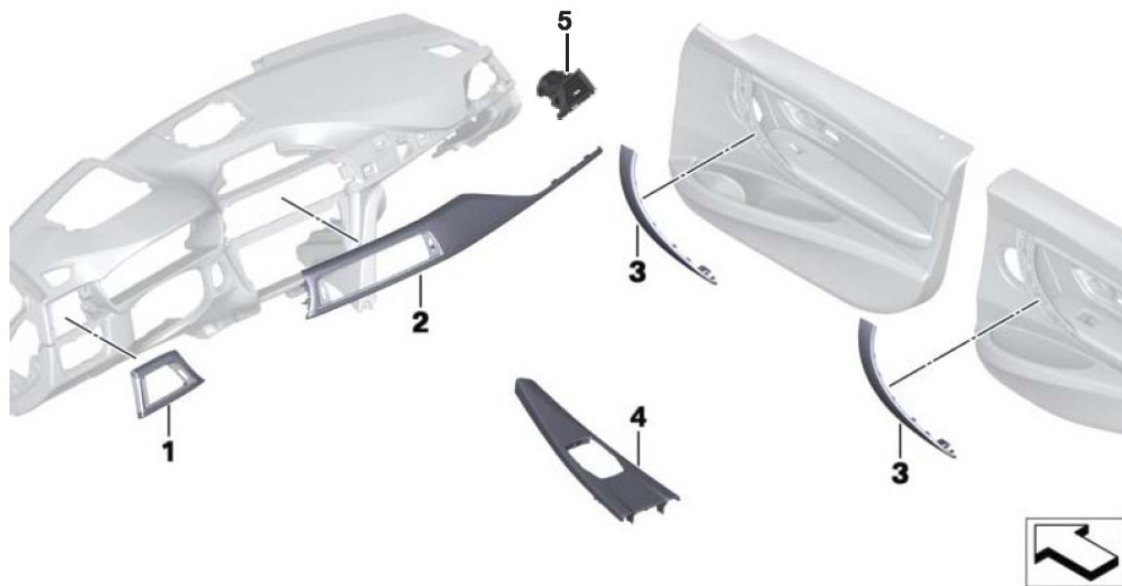
POS	Expression	Part number	B4 SC	B4 SR	RHD	AWD	REM
6	Lettering front spoiler gold	51 00 224	1	1			
7	Lettering side silver	51 00 065	2	2			
7	Lettering side gold	51 00 064	2	2			
8	Decorative stripping set no. 1 silver	41 10 051	1	1			
8	Decorative stripping set no. 1 gold	41 10 050	1	1			
9	Decorative stripping set no. 4 silver	41 10 049	1	1			
9	Decorative stripping set no. 4 gold	41 10 048	1	1			



POS	Expression	Part number	B4 SC	B4 SR	RHD	AWD	REM
1	Rhomb front spoiler left blue frozen	41 10 159	1	1			
1	Rhomb front spoiler right blue frozen	41 10 160	1	1			
2	Rhomb front spoiler left black frozen	41 10 161	1	1			
2	Rhomb front spoiler right black frozen	41 10 162	1	1			
3	Rhomb front right blue frozen	41 10 174	1	1			
3	Rhomb front right black frozen	41 10 164	1	1			
3	Rhomb front left blue frozen	41 10 173	1	1			
3	Rhomb front left black frozen	41 10 163	1	1			
4	Rhomb centre right blue frozen	41 10 176	1	1			
4	Rhomb centre right black frozen	41 10 166	2	2			
4	Rhomb centre left blue frozen	41 10 175	2	2			
4	Rhomb centre left black frozen	41 10 165	2	2			
5	Rhomb rear right blue frozen	41 10 178	2	2			
5	Rhomb rear right black frozen	41 10 168	1	1			
5	Rhomb rear left blue frozen	41 10 177	1	1			
5	Rhomb rear left black frozen	41 10 167	1	1			
6	Sign ALPINA blue frozen	51 00 452	1	1			



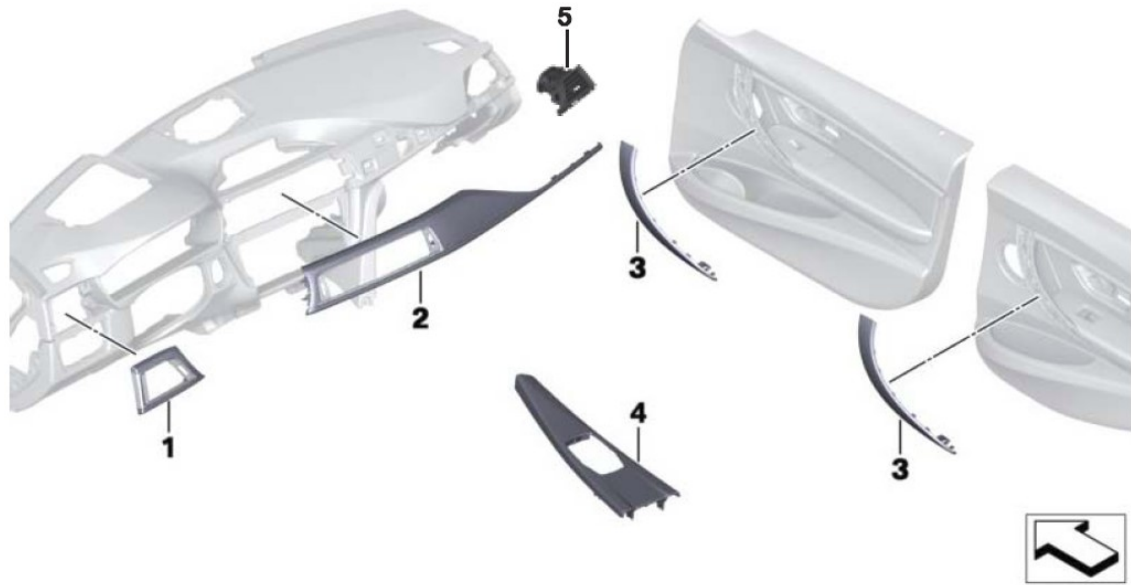
POS	Expression	Part number	B4 SC	B4 SR	RHD	AWD	REM
6	Sign ALPINA black frozen	51 00 447	1	1			
7	"Edition50" sign blue frozen	51 00 448	2	2			
7	"Edition50" sign black frozen	51 00 449	2	2			



POS	Expression	Part number	B4 SC	B4 SR	RHD	AWD	REM
1	Trim drivers side	51 45 160	1	1	L		a
1	Trim drivers side	51 45 162	1	1	R		a
1	Trim drivers side	51 45 177	1	1	L		b
1	Trim drivers side	51 45 179	1	1	R		b
2	Trim passenger side	51 45 161	1	1	L		a
2	Trim passenger side	51 45 163	1	1	R		a
2	Trim passenger side	51 45 178	1	1	L		b
2	Trim passenger side	51 45 180	1	1	R		b
3	Trim handle left	51 41 280	1	1			
3	Trim handle right	51 41 281	1	1			
4	Trim centre console	51 16 181	1		L		
4	Trim centre console	51 16 185		1	L		
4	Trim centre console	51 16 182	1		R		
4	Trim centre console	51 16 186		1	R		
5	Air grille passenger side	64 22 9 218 550	1	1	L		
5	Air grille passenger side	64 22 9 231 970	1	1	R		
5	Air grille passenger side	64 22 9 346 225	1	1	L		b

a) to 07/15

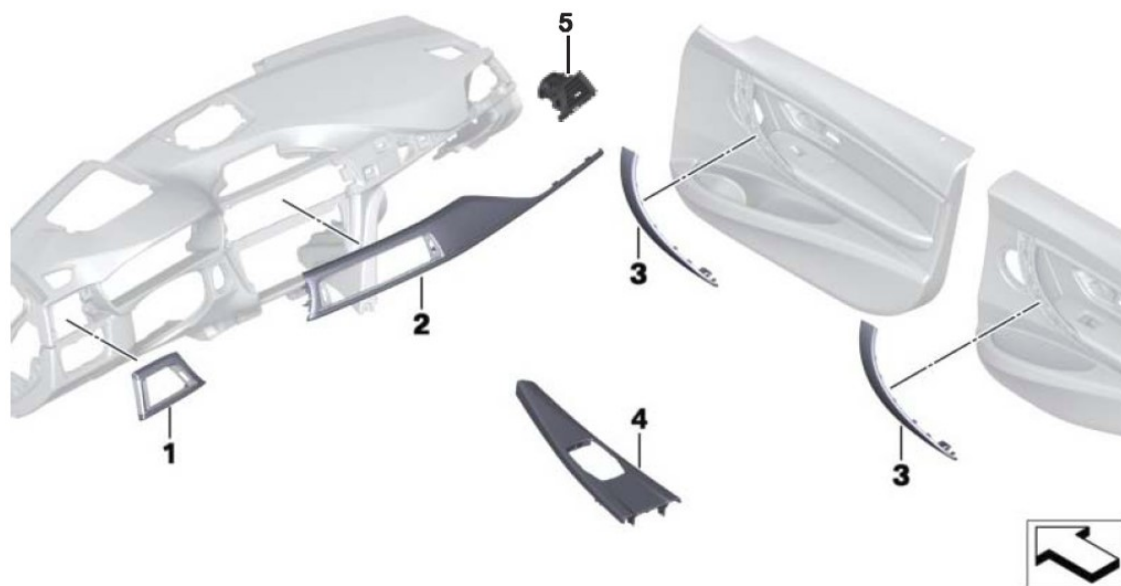
b) from 07/15 (with chrome)



POS	Expression	Part number	B4 SC	B4 SR	R H D	A W D	REM
5	Air grille passenger side	64 22 9 346 226	1	1	R		b

a) to 07/15

b) from 07/15 (with chrome)

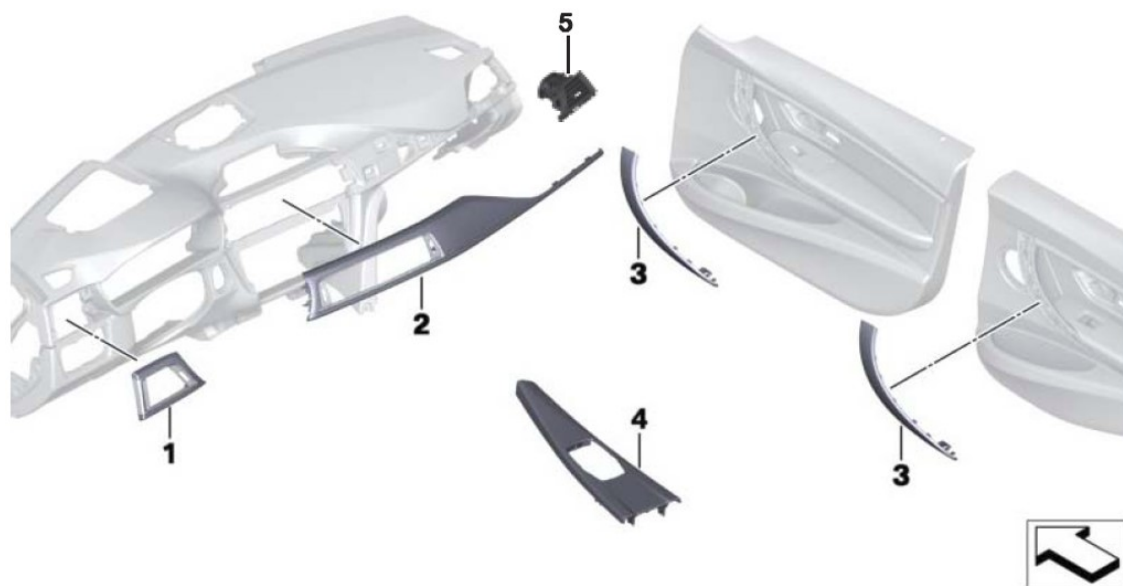


POS	Expression	Part number	B4 SC	B4 SR	R H D	A W D	REM
1	Trim drivers side	51 45 164	1	1	L		a
1	Trim drivers side	51 45 167	1	1	R		a
1	Trim drivers side	51 45 181	1	1	L		b
1	Trim drivers side	51 45 183	1	1	R		b
2	Trim passenger side	51 45 158	1	1	L		a
2	Trim passenger side	51 45 159	1	1	R		a
2	Trim passenger side	51 45 182	1	1	L		b
2	Trim passenger side	51 45 184	1	1	R		b
2	Trim passenger side	51 45 187	1	1	L		c
2	Trim passenger side	51 45 188	1	1	R		c
3	Trim handle left	51 41 282	1	1			
3	Trim handle right	51 41 283	1	1			
4	Trim centre console	51 16 183	1		L		
4	Trim centre console	51 16 189		1	L		
4	Trim centre console	51 16 184	1		R		
4	Trim centre console	51 16 190		1	R		
5	Air grille passenger side	64 22 9 218 550	1	1	L		

a) to 07/15

b) from 07/15 (with chrome)

c) Edition 99



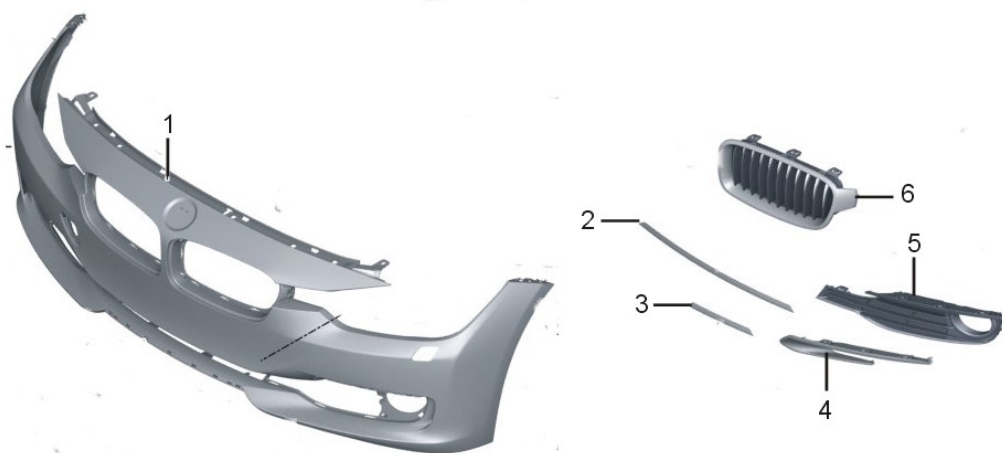
POS	Expression	Part number	B4 SC	B4 SR	R H D	A W D	REM
5	Air grille passenger side	64 22 9 231 970	1	1	R		
5	Air grille passenger side	64 22 9 346 225	1	1	L		a
5	Air grille passenger side	64 22 9 346 226	1	1	R		a

a) to 07/15

b) from 07/15 (with chrome)

c) Edition 99





POS	Expression	Part number	B4 SC	B4 SR	RHD	AWD	REM
	Important! The ALPINA extents are base on a special front bumper with: f no M-Aerodynamics package Trim front bumper according ALPINA mounting instruction!		i	i			
			i	i			
			i	i			
			i	i			
1	Panel, bumper	51 11 7 363 267	1	1			a,c
1	Panel, bumper	51 11 7 363 275	1	1			b,c
3	Finisher, center, luxury	51 11 121	1	1			
3	Finisher, center, luxury	51 11 122	1	1			
5	Open grid left	51 11 7 294 681	1	1			
5	Open grid righth	51 11 7 294 682	1	1			
6	Grill, front, left, luxury	51 13 7 294 815	1	1			
6	Grill, front, righth, luxury	51 13 7 294 816	1	1			
6	Grill, front, black high gloss, left	51 13 2 336 813	1	1			d
6	Grill, front, black high gloss, righth	51 13 2 336 814	1	1			d

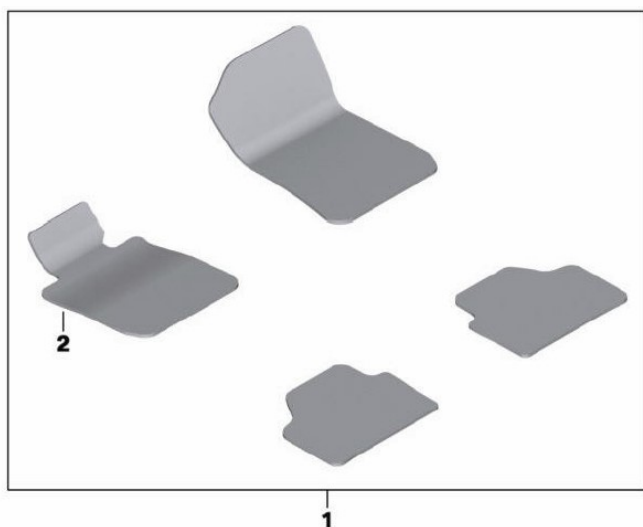
a) -SA502, +SA508, +SA5DL, +SA5DP, +P7S2

c) To attend the BMW SA

a) Edition 99

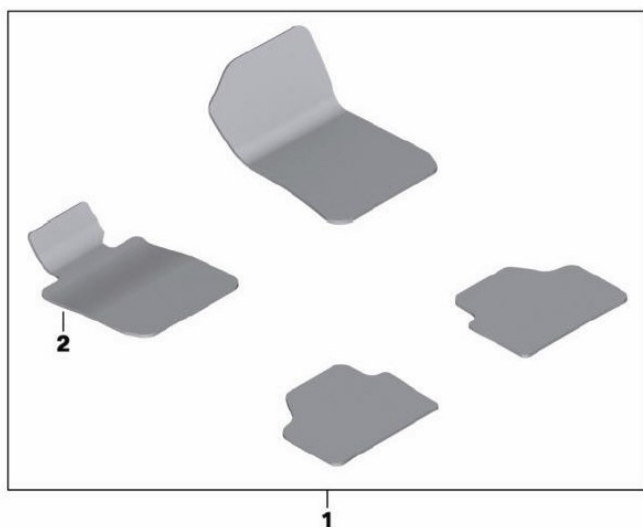
b) +SA502 +SA508, +SA5DL, +SA5DP, +P7S2

c) To attend the BMW SA



POS	Expression	Part number	B4 SC	B4 SR	R H D	A W D	REM
1	Set floor mats	51 43 846	1		L	R	
1	Set floor mats	51 43 851	1		L	A	
1	Set floor mats	51 43 321	1		L	R	a
1	Set floor mats	51 43 337	1		L	A	a
1	Set floor mats	51 43 322	1		R	R	a
1	Set floor mats	51 43 848		1	L	R	
1	Set floor mats	51 43 338		1	L	R	a
1	Set floor mats	51 43 339		1	R	R	a
1	Set floor mats	51 43 847	1		R	R	
1	Set floor mats	51 43 849		1	R	R	
2	Floor mat drivers side	51 43 850	1		L	R	
2	Floor mat drivers side	51 43 852	1		L	A	
2	Floor mat drivers side	51 43 323	1		L	R	a
2	Floor mat drivers side	51 43 340	1		L	A	a
2	Floor mat drivers side	51 43 324	1		R	R	a
2	Floor mat drivers side	51 43 853		1	L	R	
2	Floor mat drivers side	51 43 341		1	L	R	a

a) Edition 99



POS	Expression	Part number	B4 SC	B4 SR	RHD	AWD	REM
2	Floor mat drivers side	51 43 342		1	R	R	a
2	Floor mat drivers side	51 43 858	1		R	R	
2	Floor mat drivers side	51 43 854		1	R	R	
3	Trunk mat anthrazit	51 43 302	1				
3	Trunk mat anthrazit	51 43 303		1			

a) Edition 99

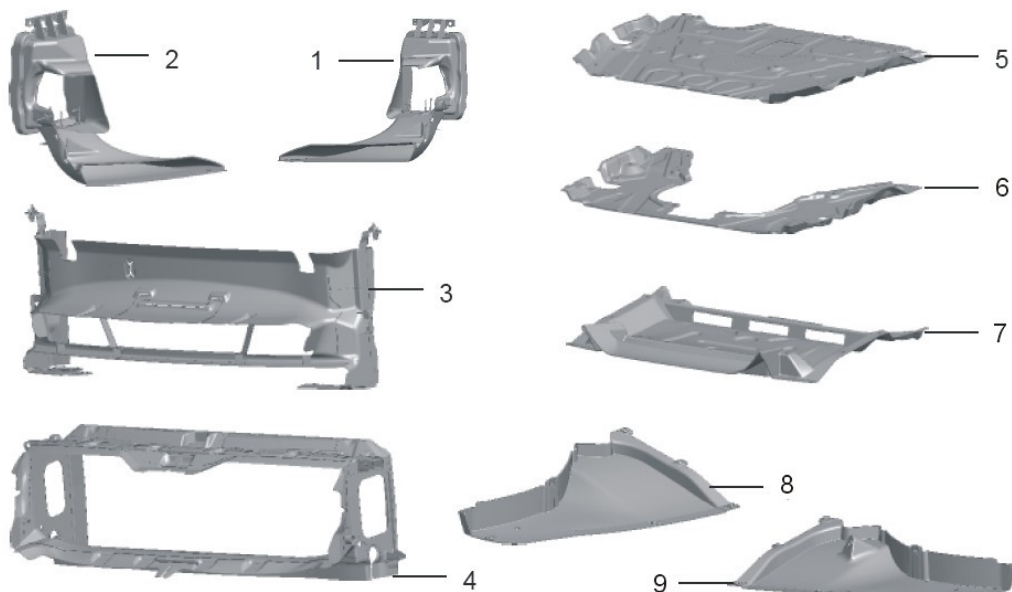


POS	Expression	Part number	B4 SC	B4 SR	RHD	AWD	REM
1	ALPINA lettering	51 00 246	1	1			
1	ALPINA lettering black high gloss	51 00 458	1	1			c
2	lettering "B4s"	51 00 427	1	1			
2	lettering "B4s" black high gloss	51 00 461	1	1			c
3	door trim panel front left	51 47 159	1				
3	door trim panel front right	51 47 160	1				
3	door trim panel front	51 47 157		2			
5	production plate	76 00 607	1			R	
5	production plate	76 00 608		1		R	
5	production plate	76 00 609	1			A	
5	production plate	76 00 659	1	1			c
6	mounting production plate	51 00 310	1	1			a
6	mounting production plate	51 00 415	1	1			b
i.V.	expanding rivet	51 16 1 881 149	2	2			a
7	engine compartment plate	76 00 644	1				c
7	engine compartment plate	76 00 646		1			c

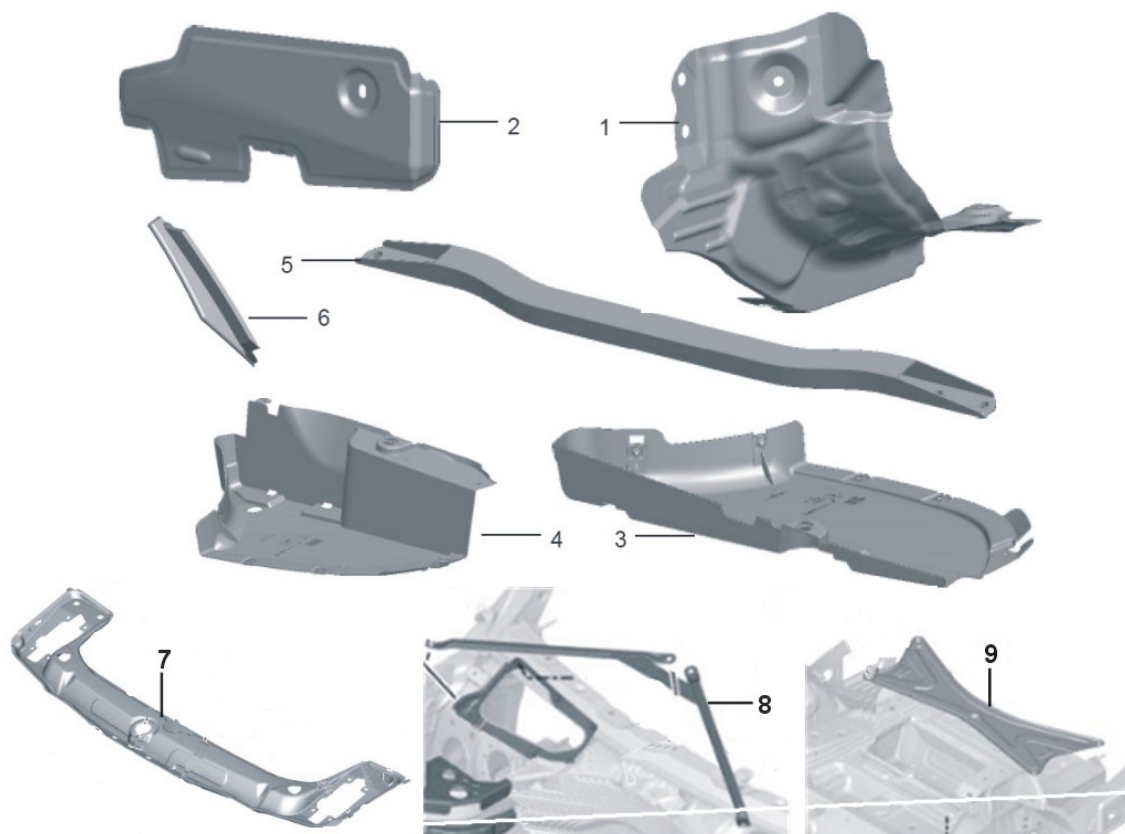
a) not with SA 6NW Wireless Charging

b) with SA 6NW Wireless Charging

c) editon 99

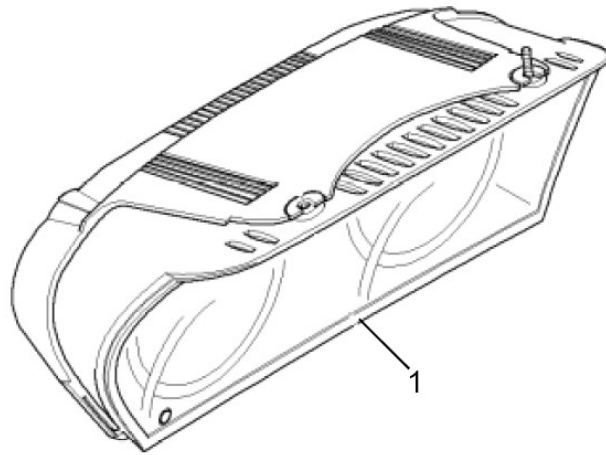


POS	Expression	Part number	B4 SC	B4 SR	RHD	AWD	REM
1	air guide ext. coolant cooler left	51 74 141	1	1			
2	air guide ext. oil cooler right	51 74 142	1	1			
3	lower air guide center	51 74 130	1	1			
@3	Hex screw M6x20	07 11 9 903 995	2	2			
4	air guide water cooler	51 74 131	1	1			
7	cover engine compartment front	51 75 029	1			R	
7	cover engine compartment front	51 75 033		1		R	
7	cover engine compartment front	51 75 031	1			A	
@ 7	hex screw M6x16	07 11 9 902 913		6			
8	lower left cover	51 75 035	1				
8	lower right cover	51 75 036	1				
8	lower left cover	51 75 039		1			
8	lower right cover	51 75 040		1			
9	lower rear right cover	51 75 024	1	1			



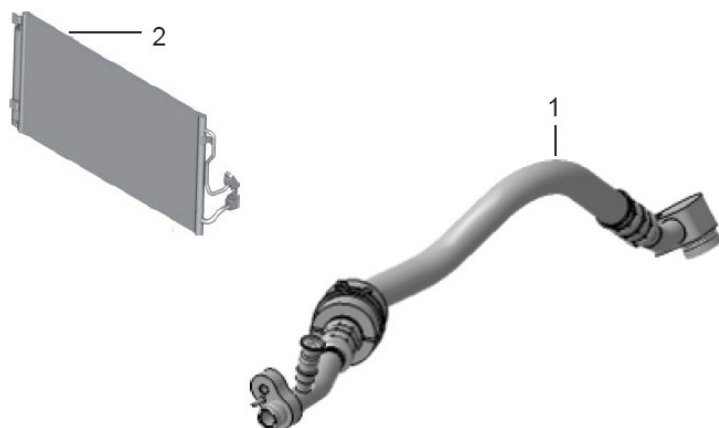
POS	Expression	Part number	B4 SC	B4 SR	RHD	AWD	REM
1	heat cover front wall right	51 48 102	1	1			
2	heat cover battery carrier	51 48 105	1	1			
5	cross brace front end	51 64 645	1				
6	wheel cover rear left	41 00 105	1	1			
6	wheel cover rear right	41 00 106	1	1			
7	crosslink front	51 64 7 294 928	1				a
8	strut brace	51 61 7 406 931	1				a
9	torsion strut luggage compartment floor	51 71 7 276 204	1				a

a) edition 99



POS	Expression	Part number	B4 SC	B4 SR	RHD	AWD	REM
1	Cluster gauge km/h	62 10 316	1	1			
1	Cluster gauge mph	62 10 313	1	1			a

a) LA812 (Great Britain)

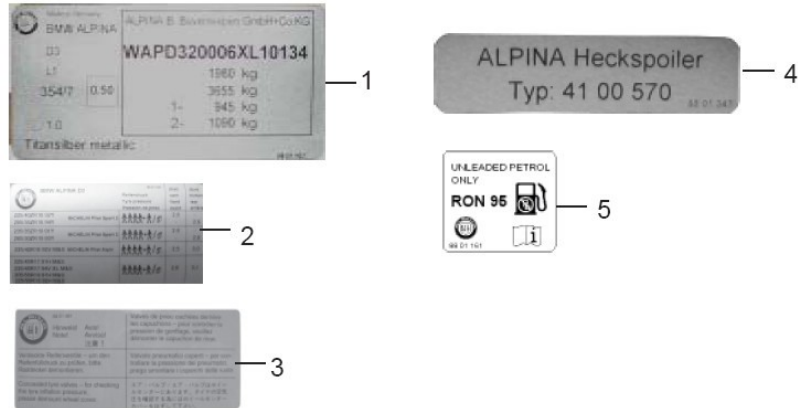


POS	Expression	Part number	B4 SC	B4 SR	R H D	A W D	REM
1	Suction line evaporator/compressor	64 53 100	1	1			a
1	Suction line evaporator/compressor	64 53 101	1	1			b
2	Condensator B16	64 50 6 804 721	1	1			

a) R134A

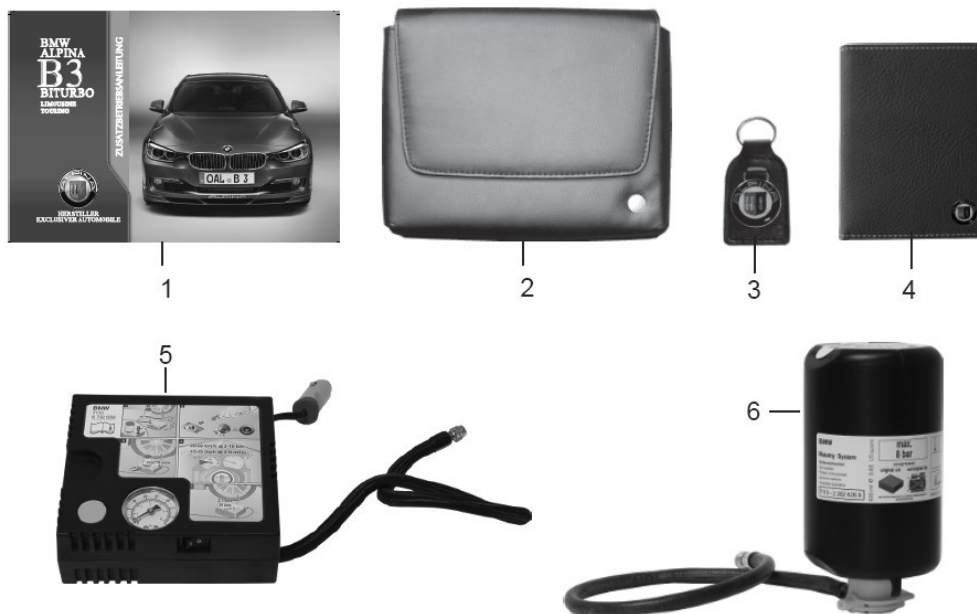
b) R1234YF





POS	Expression	Part number	B4 SC	B4 SR	RHD	AWD	REM
1	identification sticker	88 01 102	1	1			
2	tire pressure label	88 01 464	1	1			
3	label "Invisible valves"	88 01 081	1	1			
4	label rear spoiler	88 01 386	1				
4	label rear spoiler	88 01 387		1			
5	label Super Plus 98 ROZ	88 01 160	1	1			
5	label Unleaded Petrol 95 RON	88 01 161	1	1			a
6	label "Japanmodell"	88 01 110	1	1			

a) for LA 812 Great Britain



POS	Expression	Part number	B4 SC	B4 SR	RHD	AWD	REM
1	owner's handbook german	88 03 798	1	1			
1	owner's handbook englisch	88 03 799	1	1			
1	owner's handbook german	88 03 855	1	1			a
1	owner's handbook englisch	88 03 856	1	1			a
2	briefcase	76 00 173	1	1			
3	key tag	51 00 296	1	1			
3	key tag	51 00 876	1	1			a
4	briefcase	76 00 276	1	1			
5	compressor puncture kit	71 10 6 792 688	1	1			
6	tire sealant bottle	71 10 2 282 826	1	1			
o.A.	bag for puncture kit	71 10 108	1				

a) edition 99