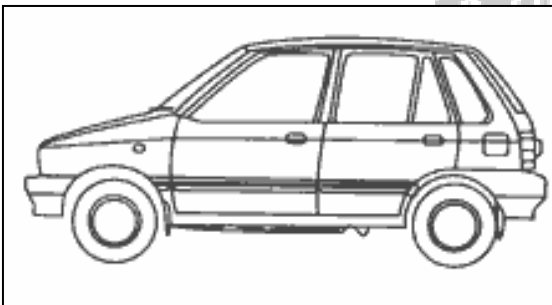
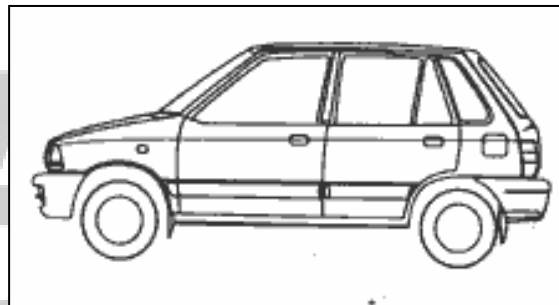


**SPARE PARTS
CATALOGUE
FOR
SUZUKI MARUTI
ALTO SB308**



TYPE 1 (1 TIPUS)



TYPE 2 (2 TIPUS, GYÁRTVA 1997
SZEPTEMBERTŐL)

SUZUKI ALTO SB308
SUZUKI MARUTI 800
SUZUKI MEHRAN 800

PRODUCT CATALOGUE COMPILED AND DISTRIBUTED BY:

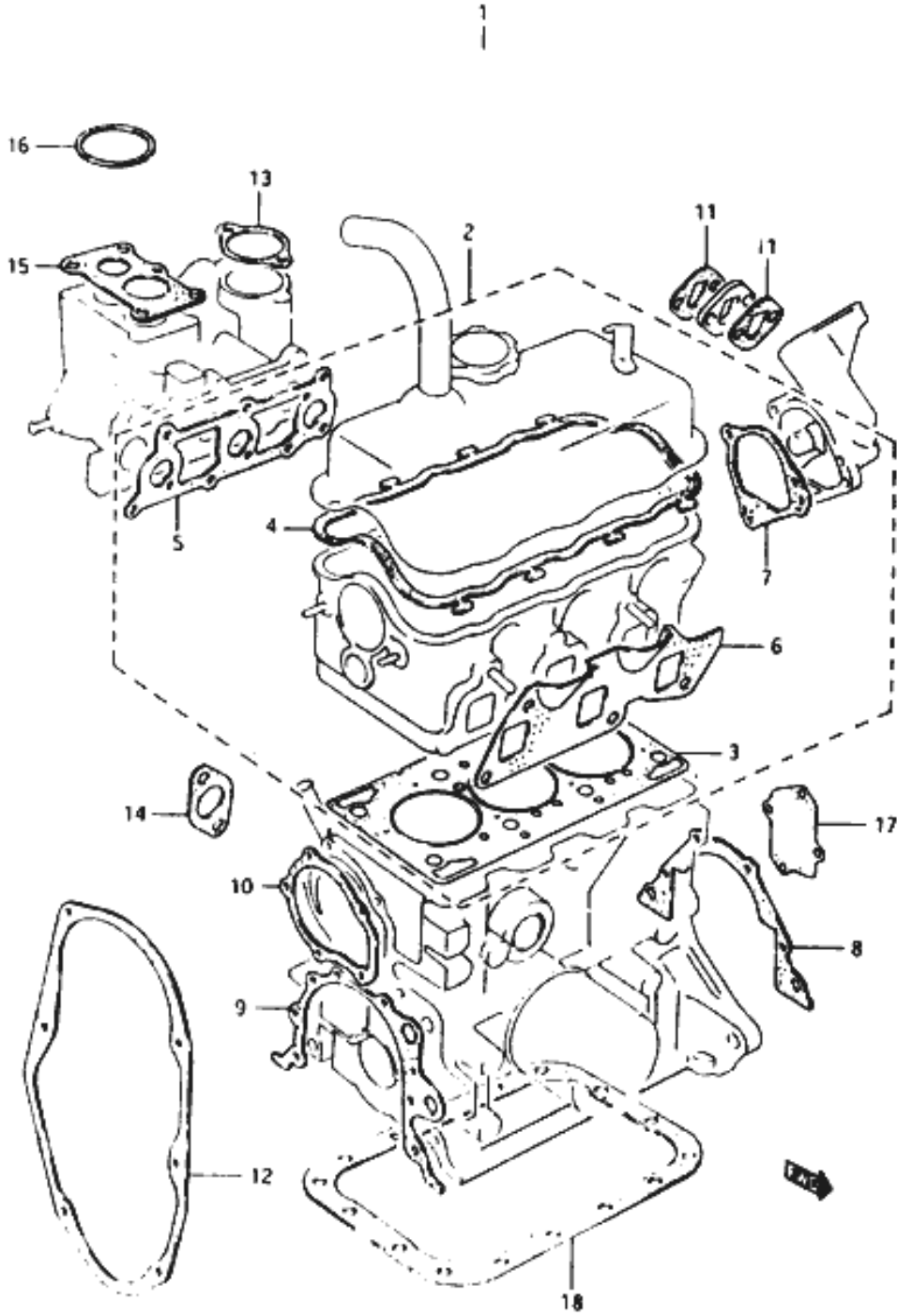
J.B. WORLDWIDE CORPORATION

250, KOHAT ENCLAVE, PITAMPURA,
DELHI – 110034
INDIA.

J.B. WORLDWIDE CORPORATION
INDIA

MOTORALKATRÉSZEK

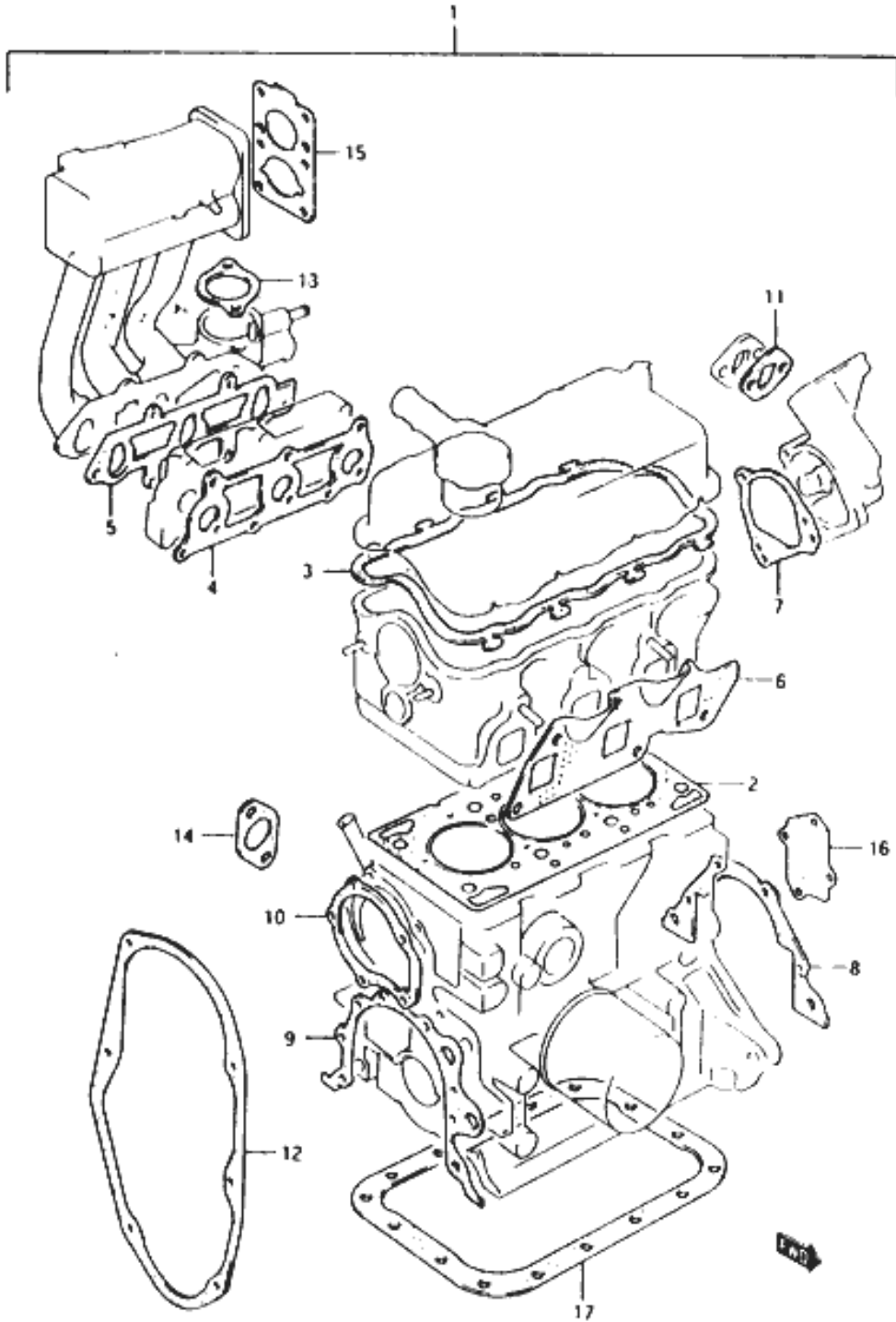
1. MOTOR TÖMITÉSEK /NEM MPI/



1	11400M84824	GASKET SET ENGINE
2	11100M84812	GASKET CYLINDER HEAD
3	11141M78430	GASKET CYLINDER HEAD
4	11189M78110	GASKET CYLINDER HEAD COVER
5	13119M84300	GASKET INTAKE MANIFOLD
6	14140M78140	GASKET EXHAUST MANIFOLD
7	11169M73012	GASKET DISTRIBUTOR CASE
8	11349M73012	GASKET OIL SEAL HOUSING
9	16119M73011	GASKET OIL PUMP
10	17431M73011	GASKET WATER PUMP
11	15319M73011	GASKET FUEL PUMP
12	11399M73010	GASKET TIMING BELT
13	17569M78141	GASKET WATER THERMO CAP
14	17559M73020	GASKET WATER INLET PIPE
15	13125M84011	GASKET CARBURETOR
16	13879M81050	GASKET AIR CLEANER
17	11229M73000	GASKET CYL BLOCK PLATE
18	11529M79110	GASKET OIL PAN



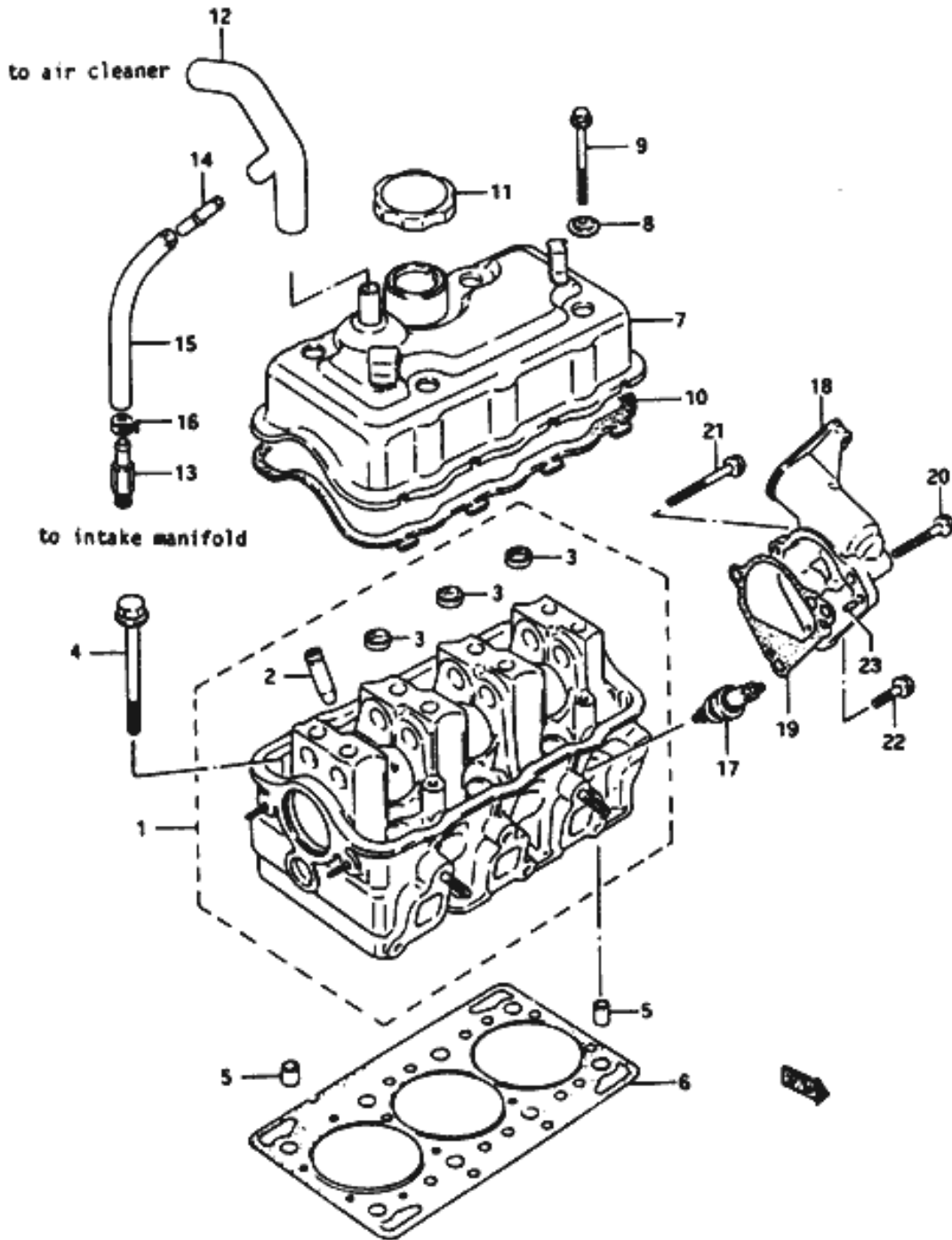
1/A.MOTOR TÖMITÉSEK /MPI/



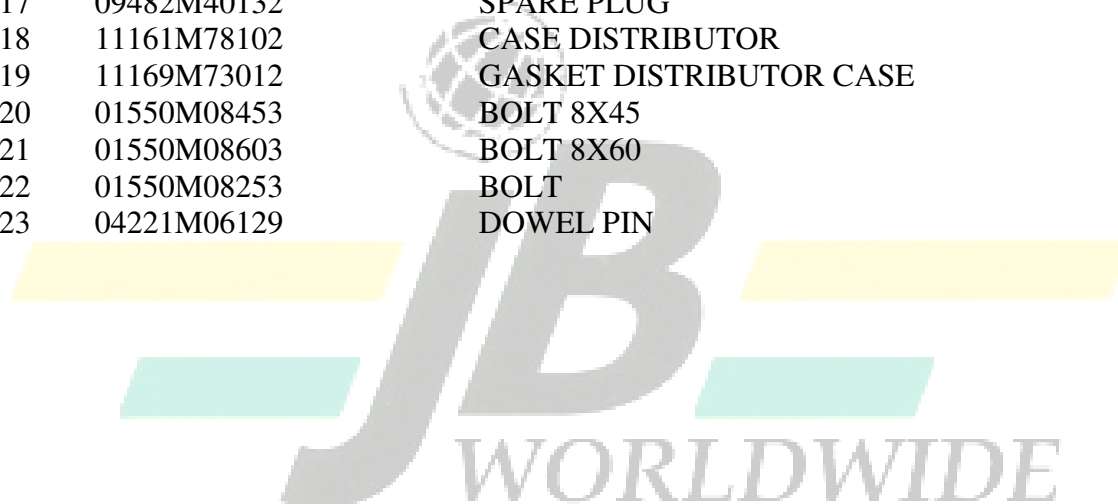
1	11401-84810	GASKET SET ENGINE
2	11141-78403	GASKET CYLINDER HEAD
3	11189-62C00	GASKET CYLINDER HEAD COVER
4	13119-84360	GASKET INTAKE MANIFOLD
5	13159-72B50	GASKET INTAKE PLATE
6	14141-67F00	GASKET EXHAUST MANIFOLD
7	11169-73D00	GASKET DISTRIBUTOR CASE
8	11349-73010	GASKET OIL SEAL HOUSING
9	16119-50E00	GASKET OIL PUMP CASE
10	17431-73001	GASKET WATER PUMP
11	15319-63B00	GASKET DISTRIBUTOR CASE
12	11399-73010	GASKET TIMING BELT COVER
13	17569-82001-H17	GASKET WATER THERMO CAP
14	17559-73000-H17	GASKET WATER INLET PIPE
15	13421-64D02	GASKET THROTTLE BODY
16	11229-73000	GASKET CYL BLOCK PLATE
17	11529M79110	GASKET OIL PAN



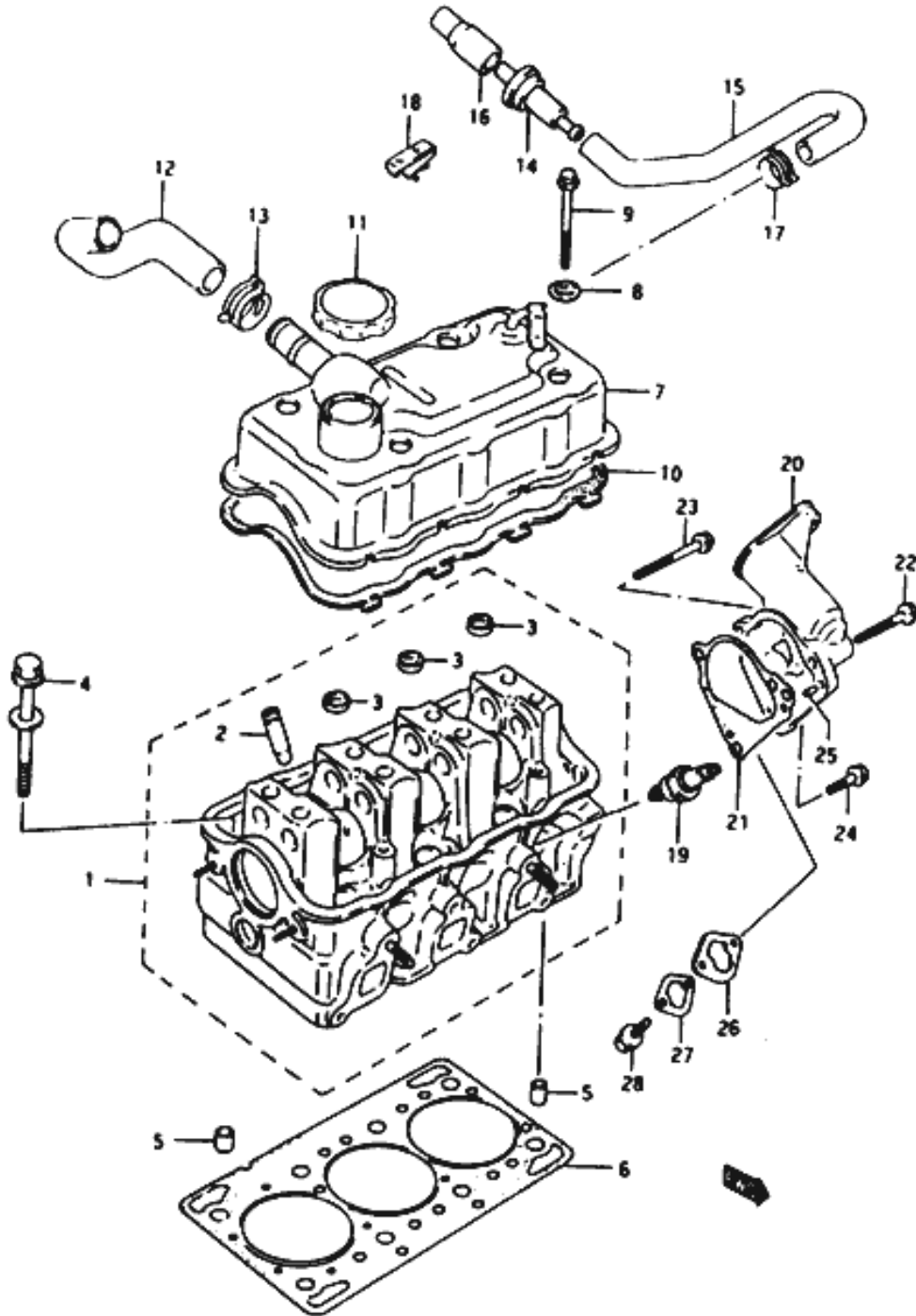
2. HENGERFEJ /NEM MPI/



1	11110M84300	CYLINDER HEAD
2	11115M82050-001	GUIDE VALVE (OS)
3	09241M20002	PLUG (OD: 20)
4	09116M10116	BOLT (10X87)
5	09206M13001	PIN
6	11141M78430	GASKET CYLINDER HEAD
7	11170M78102	COVER CYLINDER HEAD
8	11180M78101	WASHER
9	01550M06603	BOLT
10	11189M78110	GASKET CYLINDER HEAD
11	16920M84000	CAP OIL FILLER
12	11191M84001	HOSE BREATHER
13	18118-82001	VALVE PCV
14	11192M82010	JOINT PCV HOSE
15	09354M70153	HOSE PCV
16	09401M13406	CLIP
17	09482M40132	SPARE PLUG
18	11161M78102	CASE DISTRIBUTOR
19	11169M73012	GASKET DISTRIBUTOR CASE
20	01550M08453	BOLT 8X45
21	01550M08603	BOLT 8X60
22	01550M08253	BOLT
23	04221M06129	DOWEL PIN



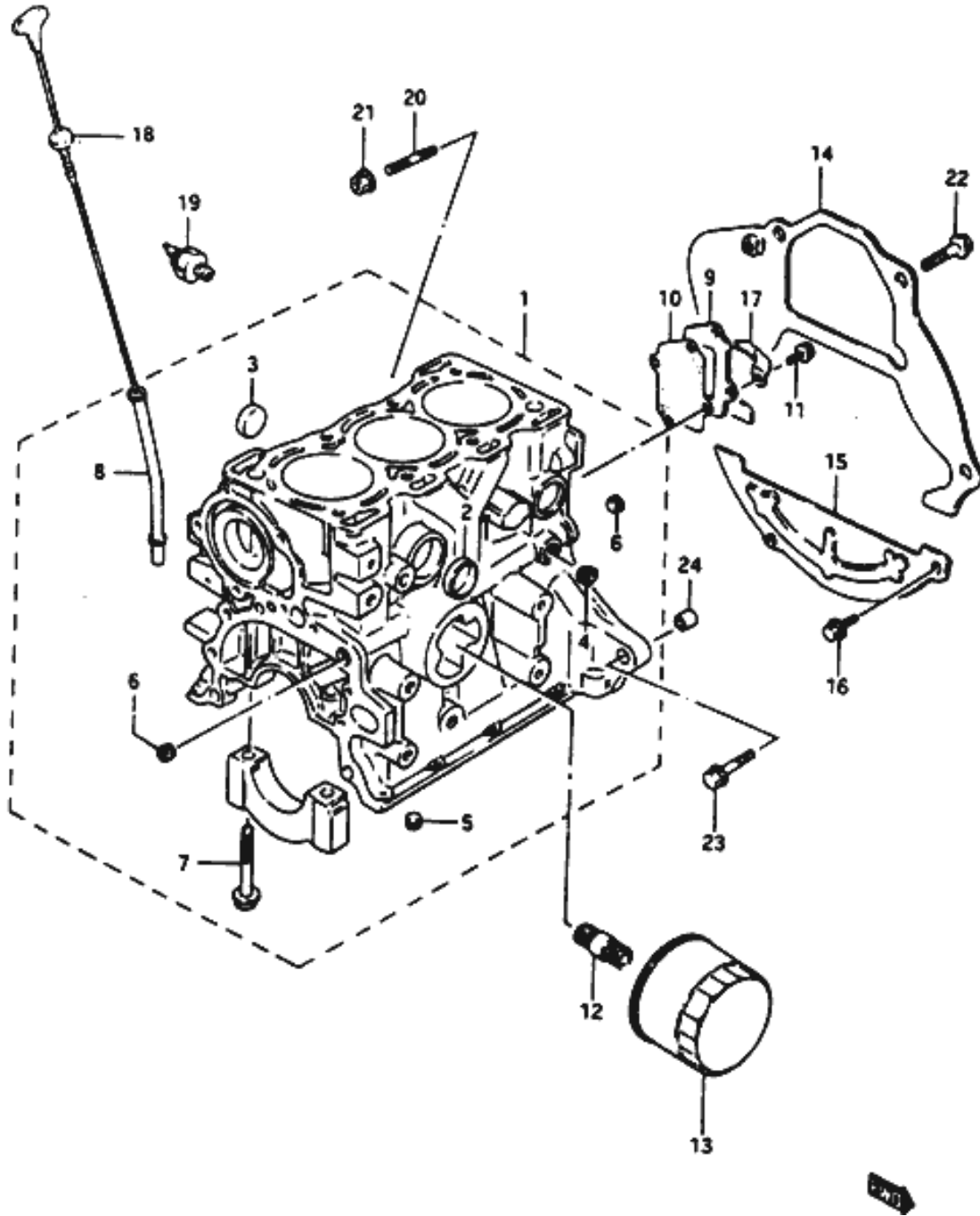
2/A.HENGERFEJ /MPI/



1	11110M84300	CYLINDER HEAD
2	11115M82030-001	GUIDE VALVE (OS)
3	09241-20006	PLUG (OD: 20)
4	09116M10116	BOLT (10X87)
5	09206M13001	PIN
6	11141-78403	GASKET CYLINDER HEAD
7	11170-60D30	COVER CYLINDER HEAD
8	11180M78101	WASHER
9	01550M06603	BOLT
10	11189-62C00	GASKET CYLINDER HEAD
11	16920M84000	CAP OIL FILLER
12	11191-84380	HOSE BREATHER
13	09401-18402	CLIP
14	18118-72B01	VALVE PCV
15	11192-84380	JOINT PCV HOSE
16	11193-84380	HOSE PCV OUTLET
17	09401-12405	CLIP
18	11194-84380	BRACKET PCV
19	09482-00155	SPARK PLUG
20	11161M78102	CASE DISTRIBUTOR
21	11169-70D00	GASKET DISTRIBUTOR CASE
22	01550M08453	BOLT 8X45
23	01550M08603	BOLT 8X60
24	01514M08256	BOLT
25	04221M06129	PIN
26	15317-77901	PLATE
27	15319-63B00	GASKET
28	01550M08203	BOLT



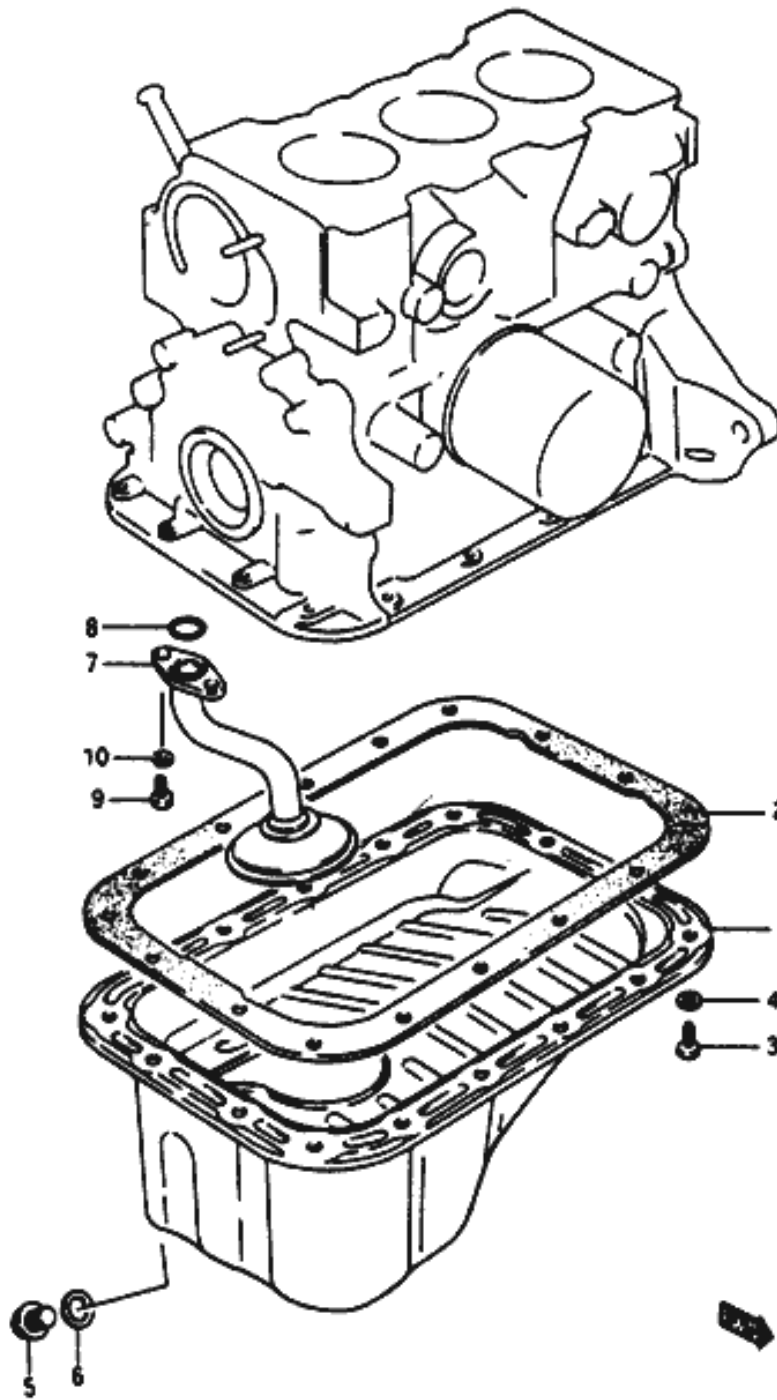
3. MOTORBLOKK



1	11200M78404	CYLINDER BLOCK
2	09241-30002	PLUG (OD: 30)
3	09241-20002	PLUG (OD: 20)
4	09246-05006	PLUG
5	09246-05006	PLUG
6	09246-06002	PLUG
7	01550M10603	BOLT
8	11219M78101	GUIDE OIL LEVEL GUAGE
9	11221M73000	PLATE CYLINDER
10	11229M73020	GASKET CYL PLATE
11	01550M06103	BOLT
12	11241M73003	STAND OIL FILTER
13	16510M73080	FILTER ASSY OIL
14	11310M78400	PLATE CLUTCH HOUSING
15	11320M73001	PLATE CLUTCH HOUSING
16	01550M06103	BOLT
17	11223M78400	BRACKET SPARE TIMING
18	16910M82000	GAUGE OIL LEVEL
19	37820M82060	SWITCH ASSY OIL PRESSURE
20	01421M10403	STUD BOLT
21	08316M10103	NUT
22-1	01500M10403	BOLT
22-2	08322M11106	WASHER
23-1	01500M10453	BOLT
23-2	08322M11106	WASHER
24	09206M13001	KNOCK PIN CASE LOCKING



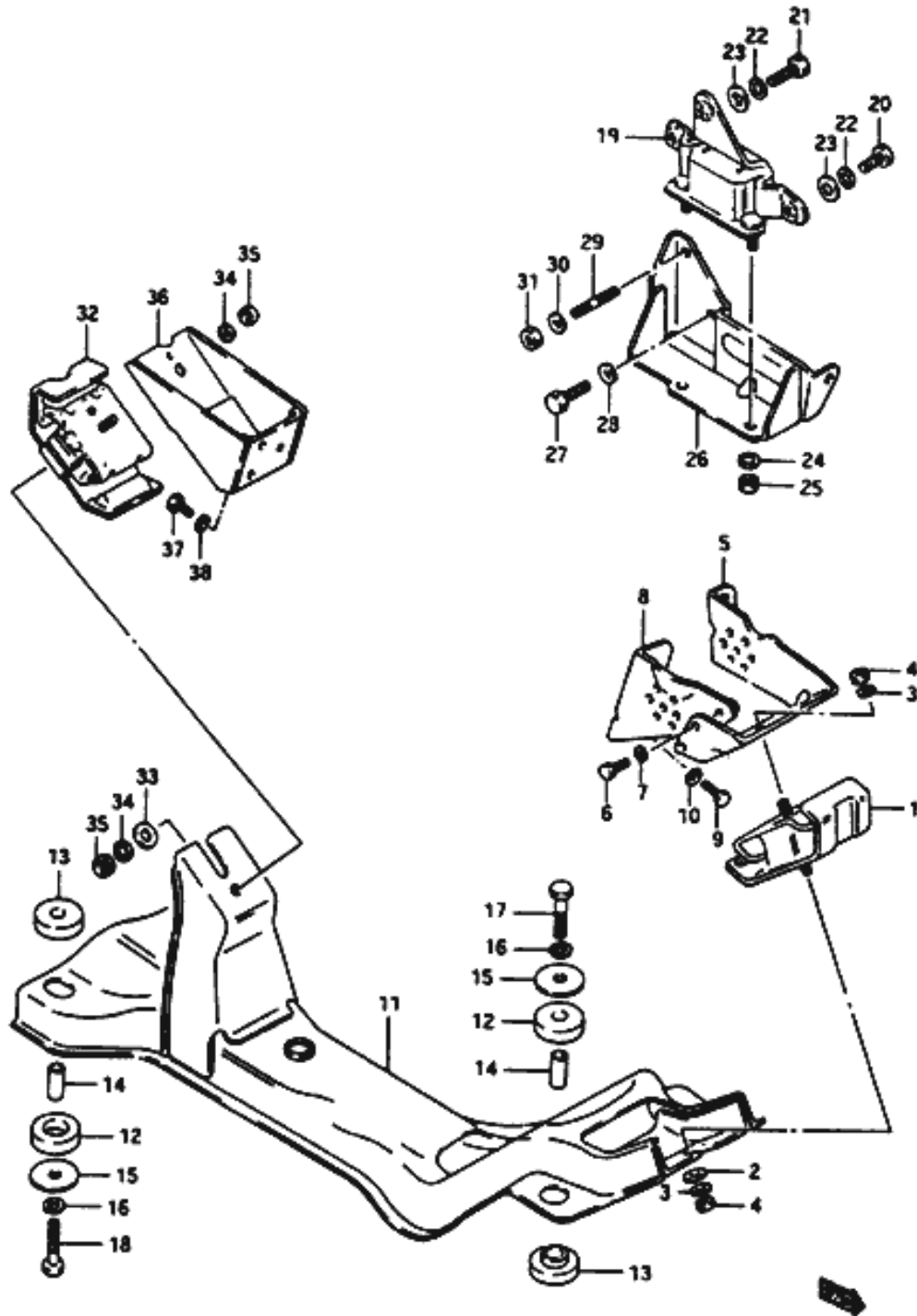
4. OLAJTEKNŐ



1	11510M84300	PAN OIL
2	11529M79111	GASKET OIL PAN
3	09100-06119	BOLT
4	09162-06005	LOCK WASHER
5	09247-14027	PLUG
6	09168-14012	GASKET
7	16520M84000	STRAINER COMP OIL PUMP
8	09280M16005	O RING
9	01500M06163	BOLT
10	08321M01063	LOCK WASHER

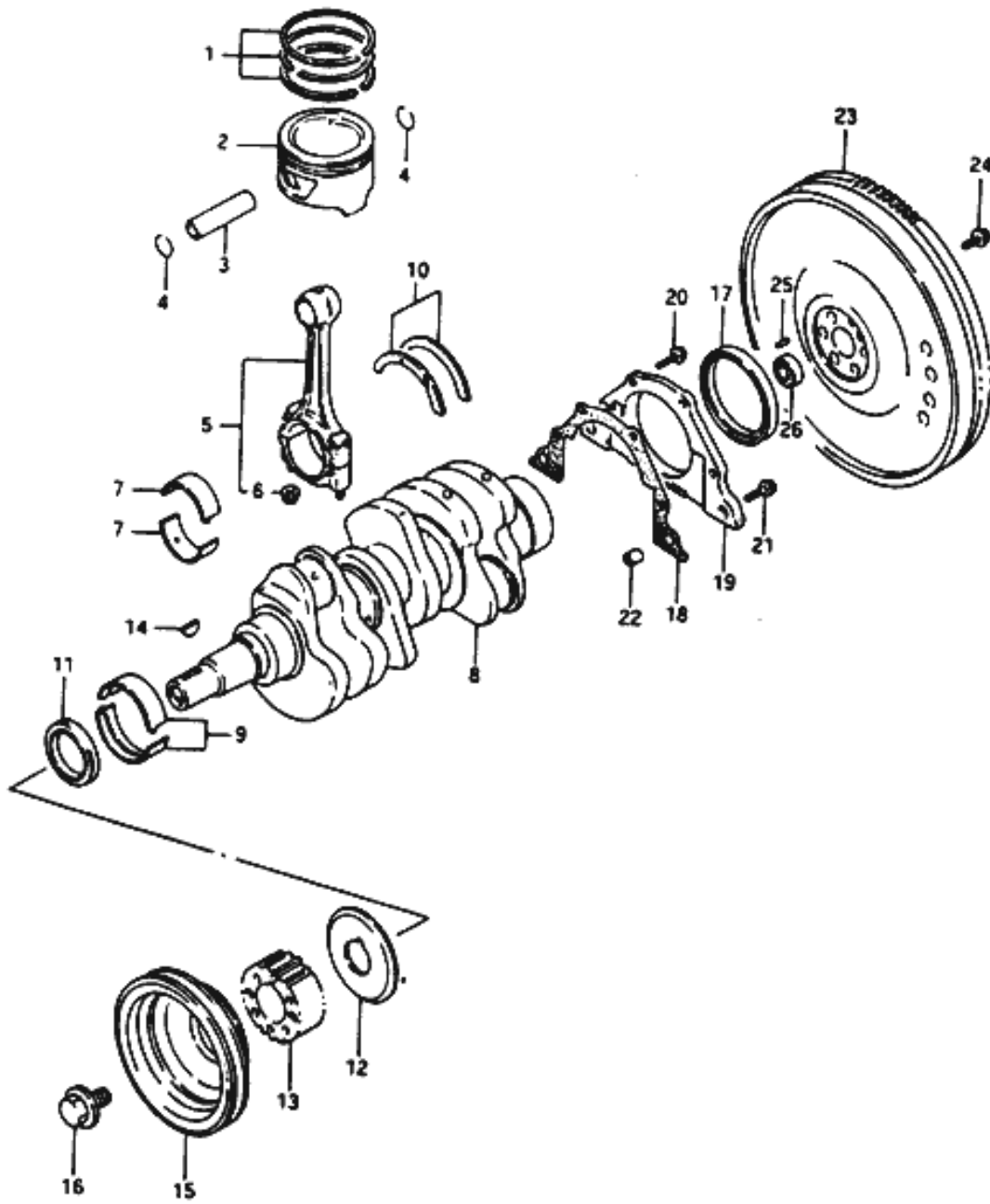


5. MOTORTARTÓK



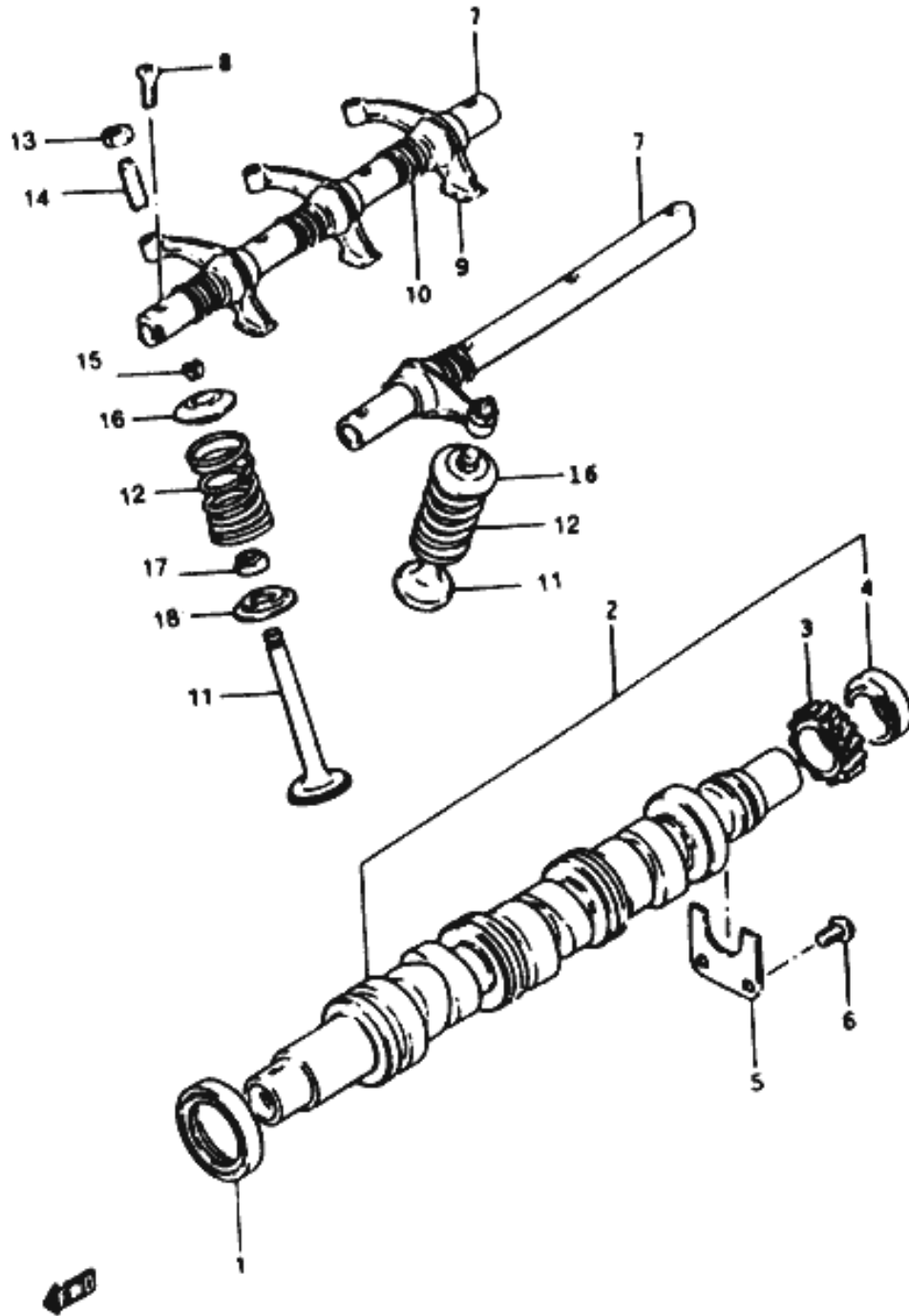
1	11610M84000	MOUNTING ENGINE FRONT
2	08322M21106	WASHER
3	08321M01103	LOCK WASHER
4	08310M00103	NUT
5	11641M84000	BRACKET ENGINE FR MTG
6	01500M08203	BOLT
7	08321M01083	WASHER LOCK
8	11660M84000	STIFFNER MOUNTING BRACKET
9	01500M08203	BOLT
10	08321M01083	WASHER LOCK
11	11630M84013	MEMBER ENGINE MOUNTING
12	11684M84020	CUSHION MEMBER UPPER
13	11686M84020	CUSHION MEMBER LOWER
14	11687M84000	SPACER MEMBER
15	11685M85000	WASHER MEMBER
16	08321M01103	LOCK WASHER
17	01800M10503	BOLT
18	09100M10242	BOLT (10X55)
19	11620M84151	MOUNTING TRANSMISSION
20	01787-10253	BOLT TRANSMISSION
21	01707M10356	BOLT
22	08321M01103	LOCK WASHER
23	08322M21106	WASHER
24	08321M01103	LOCK WASHER
25	08310M00103	NUT
26	11871M84300	BRACKET TRANSMISSION
27	01500M10203	BOLT
28	08321M01103	LOCK WASHER
29	01411-10203	BOLT STUD
30	08321M01103	LOCK WASHER
31	08310M00103	NUT
32	11710M84300	MOUNTING ENGINE REAR
33	08322M21106	WASHER
34	08321M31106	LOCK WASHER
35	08310M11106	NUT
36	11740M84000	BRACKET REAR MOUNTING
37	01107M08206	BOLT
38	08321M01083	WASHER LOCK

6. FŐTENGELY, DUGATTYÚ, CSAPÁGY



1-1	12140-78412	RING SET PISTON STD
1-2	12140-78412-025	RING SET PISTON OS: 0.25
1-3	12140-78412-050	RING SET PISTON OS: 0.50
2-1	12111M78432	PISTON STD
2-2	12111M78432-025	PISTON OS: 0.25
2-3	12111M78432-050	PISTON OS: 0.50
3	12151M29031	PISTON PIN
4	09381M16001	CIRCLIP
5	12160M73002	ROD ASSY CONNECTING
6	09159-08033	NUT
7-1	12181M78410-0A0	BEARING CON ROD STD
7-2	12181M78410-025	BEARING CON ROD US: 0.25 T: 1.625
7-3	12181M78410-050	BEARING CON ROD US: 0.50 T: 1.75
8	12221M78401	CRANKSHAFT
9-1	12341M78410-0A0	BEARING SET CRANKSHAFT STD T: 2.0
9-2	12341M78410-025	BEARING SET CRANKSHAFT US: 0.25 T: 2.125
9-3	12341M78410-050	BEARING SET CRANKSHAFT US: 0.50. T: 2.25
10-1	12300-73830	BRG.SET CRANK THRUST STD T: 2.5
10-2	12300-73830-012	BRG.SET CRANK THRUST OS: 0.125 T: 2.563
10-3	12300-73830-025	BRG.SET CRANK THRUST OS: 0.25 T: 2.625
11	09283-32040	SEAL OIL
12	12635M78420	GUIDE TIMING BELT
13	12631M78410	PULLEY CRANK TIMING BELT
14	08341M31059	KEY
15	12611M78400	PULLEY CRANKSHAFT
16	09103-12002	BOLT (12X20)
17	09283-60005	SEAL OIL
18	11349M73012	GASKET OIL SEAL HOUSING
19	11341M473000	HOUSING OIL SEAL
20	01514M06206	BOLT PLUG WATER PROOF
21	01514M06256	BOLT
22	04221M06129	DOWEL PIN
23	12620M78436	FLYWHEEL
24	09103M10097	BOLT
25	04221M06129	DOWEL PIN
26	12623M70B10	BALL BEARING INPUT SHAFT

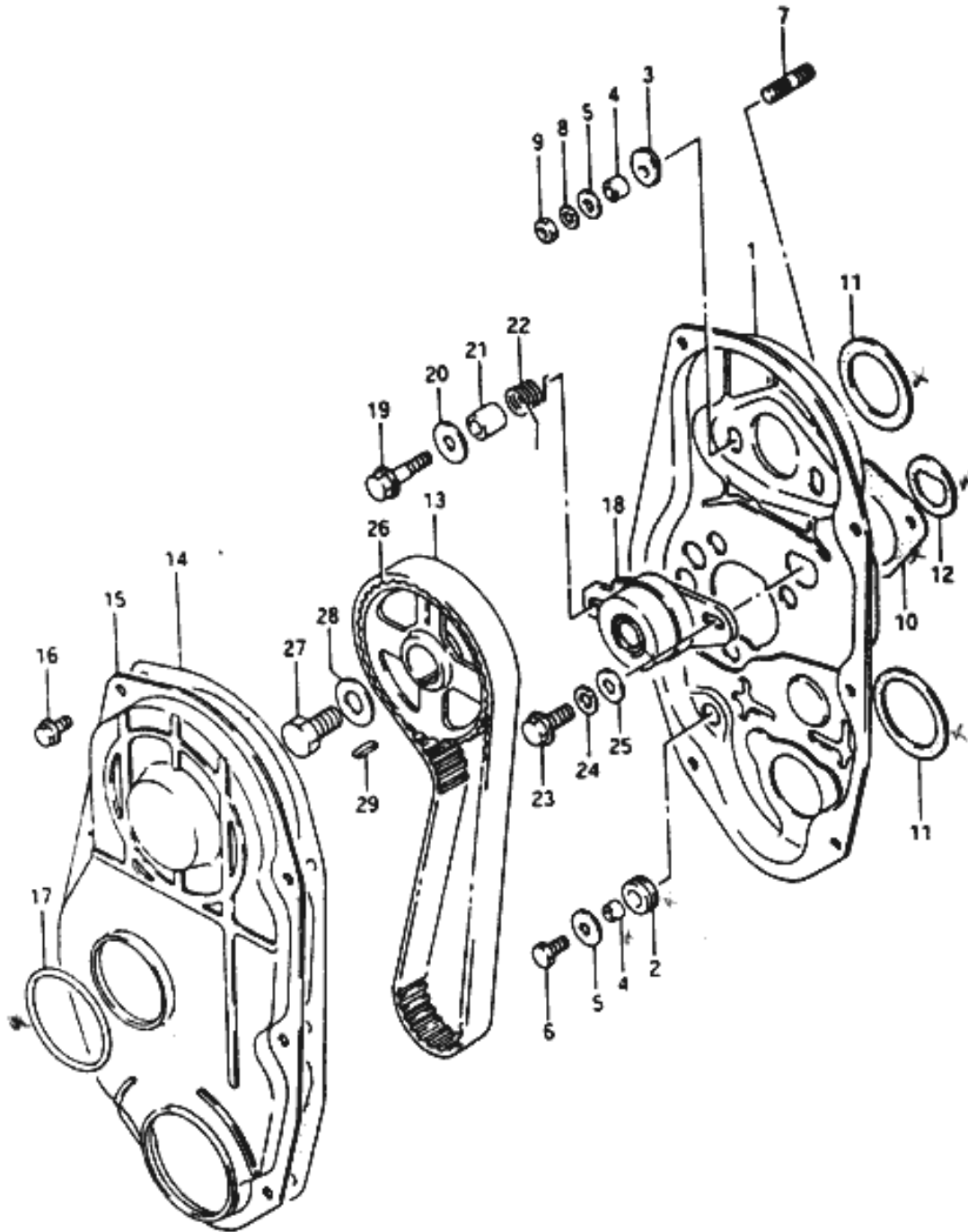
7. VEZÉRMŰ TENGELY, SZELEPEK



1	09283-32022	SEAL OIL
2	12710M78401	CAM SHAFT
3	12721-73000	GEAR DISTRIBUTOR DRIVE
4	12731M73021	CAM FUEL PUMP
5	12749M73001	PLATE CAMSHAFT THRUST
6	02122M06123	SCREW
7	12860M78102	SHAFT VALVE ROCKER
8	02122M06163	SCREW
9	12841-60C00	ARM VALVE ROCKER
10	12891M73002	SPRING ROCKER ARM
11	12911M73012	VALVE SET (INLET & EXHAUST)
12	12921M73002	SPRING VALVE
13	09159-07002	NUT
14	12848-73010	SCREW
15	12932M82000	COTTER VALVE
16	12931M72F00	RETAINER COTTER VALVE
17	09289-07005	SEAL OIL
18	12933M73000	SEAT VALVE SPRING

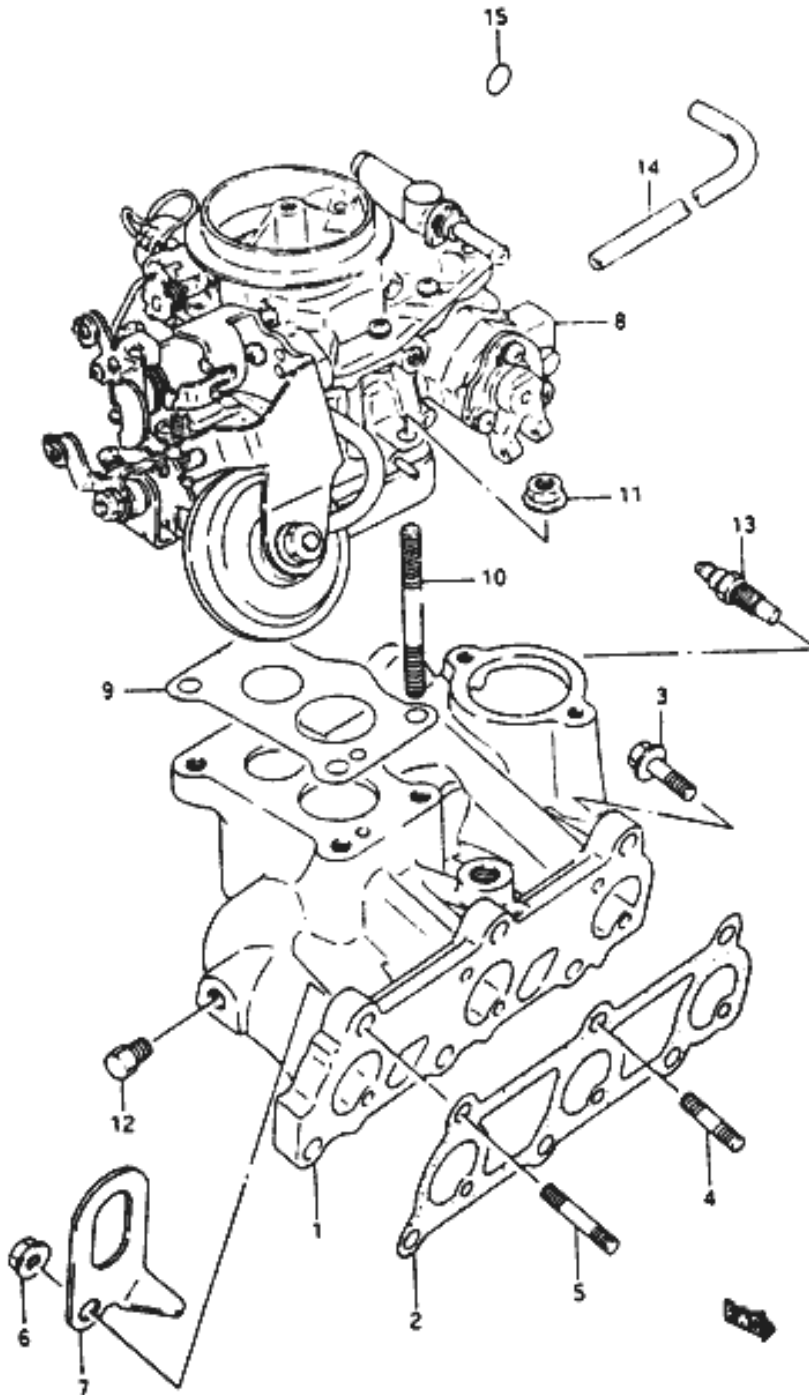


8. VEZÉRMŰSZIJ, FESZITÓGÖRGŐ



1	11380M78102	COVER TIMING BELT INSIDE
2	09308M10004	GROMET
3	11398M73000	GROMET COVER
4	09180M06106	SPACER (8X12X15)
5	09160M06027	WASHER
6	01500M06163	BOLT
7	09108-06078	STUD BOLT
8	08321M31066	LOCK WASHER
9	08310M11066	NUT
10	11482-73004	SEAL NO.2
11	11483-73001	SEAL NO.3
12	11485-73000	SEAL NO.4
13	12761M78400	BELT TIMING
14	11399M73010	GASKET TIMING BELT
15	11391M73003	COVER TIMING BELT OUTSIDE
16	01550M06103	BOLT
17	11484M73000	CUSHION TIMING BELT
18	12810M84010	TENSIONER TIMING BELT
19	01550M08403	BOLT
20	09160M08075	WASHER (8.2X26X1.6)
21	09180M08111	SPACER
22	12821M78100	SPRING TENSIONER
23	01550M08250	BOLT
24	08321M01083	WASHER LOCK
25	09160M08033	WASHER (8.5X20X2.6)
26	12741M78400	PULLEY CAMSHAFT TIMING BELT
27	01500M12253	BOLT
28	09160M12043	WASHER (12.5X32X4.5)
29	08341M31059	KEY

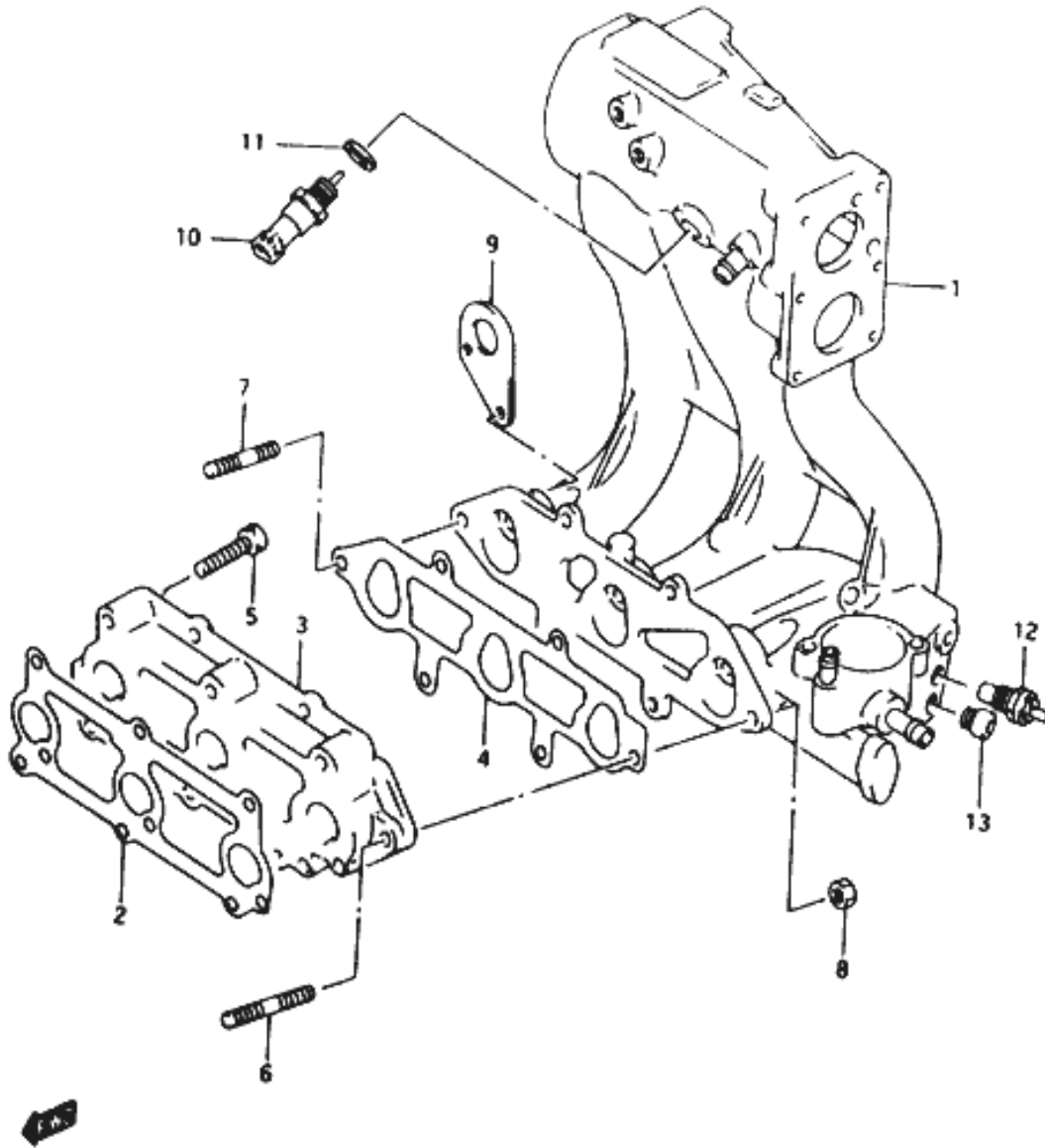
9. SZIVÓCSONK, KARBURÁTOR /NEM MPI/



1	13110M84330	MANIFOLD INTAKE
2	13119M84300	GASKET INTAKE MANIFOLD
3	01550M08253	BOLT
4	09108-08098	STUD BOLT
5	01411M08256	STUD BOLT
6	08316M10083	NUT
7	11851M78111	HOOK ENGINE
8	13200M84301	CARBURETTOR ASSY
9	13125M84011	GASKET CARBURETOR
10	09108-08093	STUD BOLT
11	08316M10083	NUT
12	09246M04002	PLUG
13	34850-82001	GAUGE ASSY WATER TEMP
14	09343M03045	HOSE CARB TO DISTRIBUTOR
15	77111M78000	SEAL LOCATION HOLE



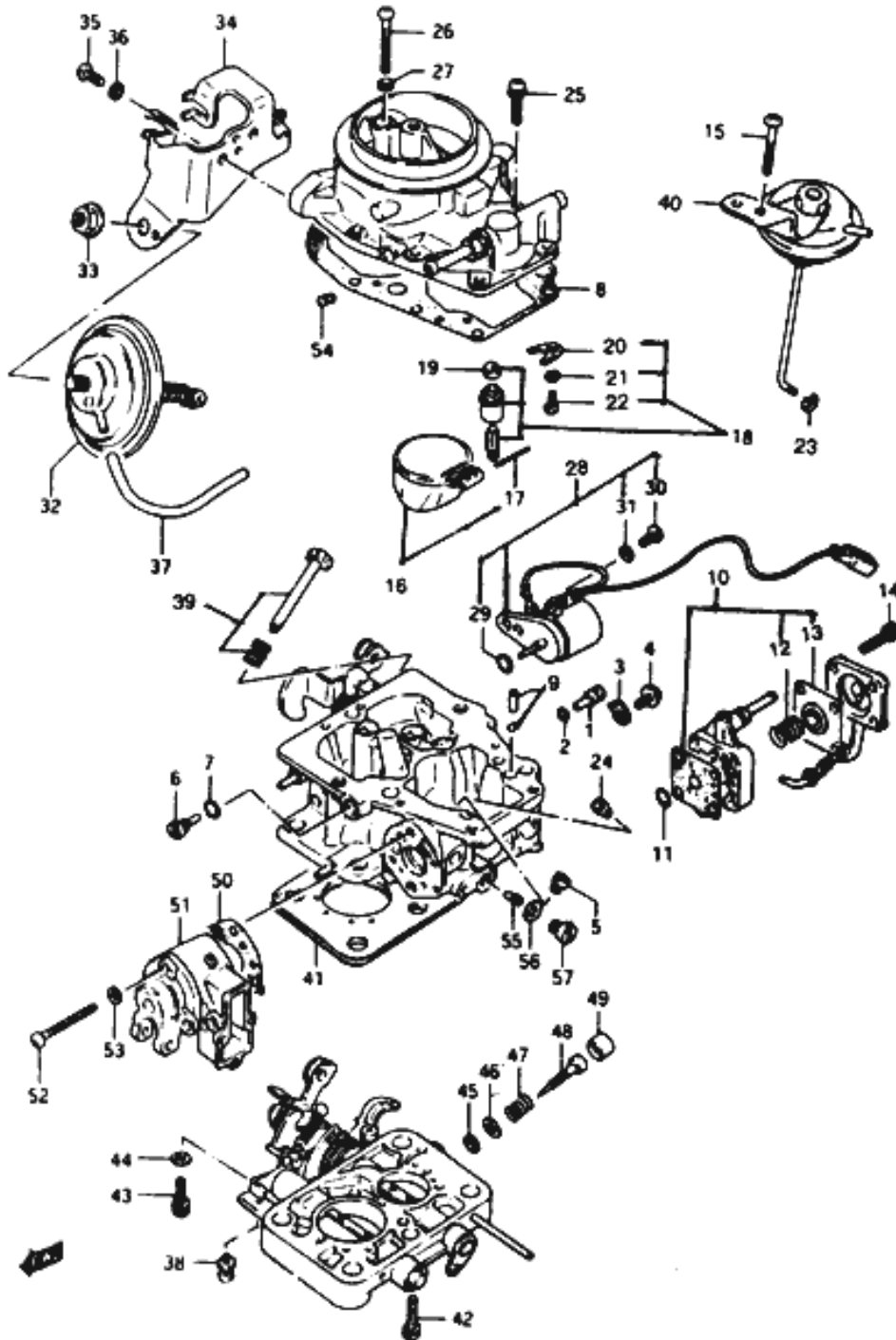
9/A.SZIVÓCSONK /MPI/



1	13110-84380	MANIFOLD INTAKE
2	13119-84360	GASKET INTAKE MANIFOLD
3	13151-84380	PLATE INTAKE MANIFOLD
4	13159-72B50	GASKET INTAKE PLATE
5	07130-08163	BOLT
6	01421-06163	STUD BOLT
7	01421-06203	STUD BOLT
8	08316M10063	NUT
9	11851-73001	HOOK ENGINE
10	13650-56B00	SENSOR AIR TEMP
11	09168-12016	GASKET
12	34850-50A00	GAUGE ASSY WATER TEMP
13	09246-04004	PLUG



10. KARBURÁTOR

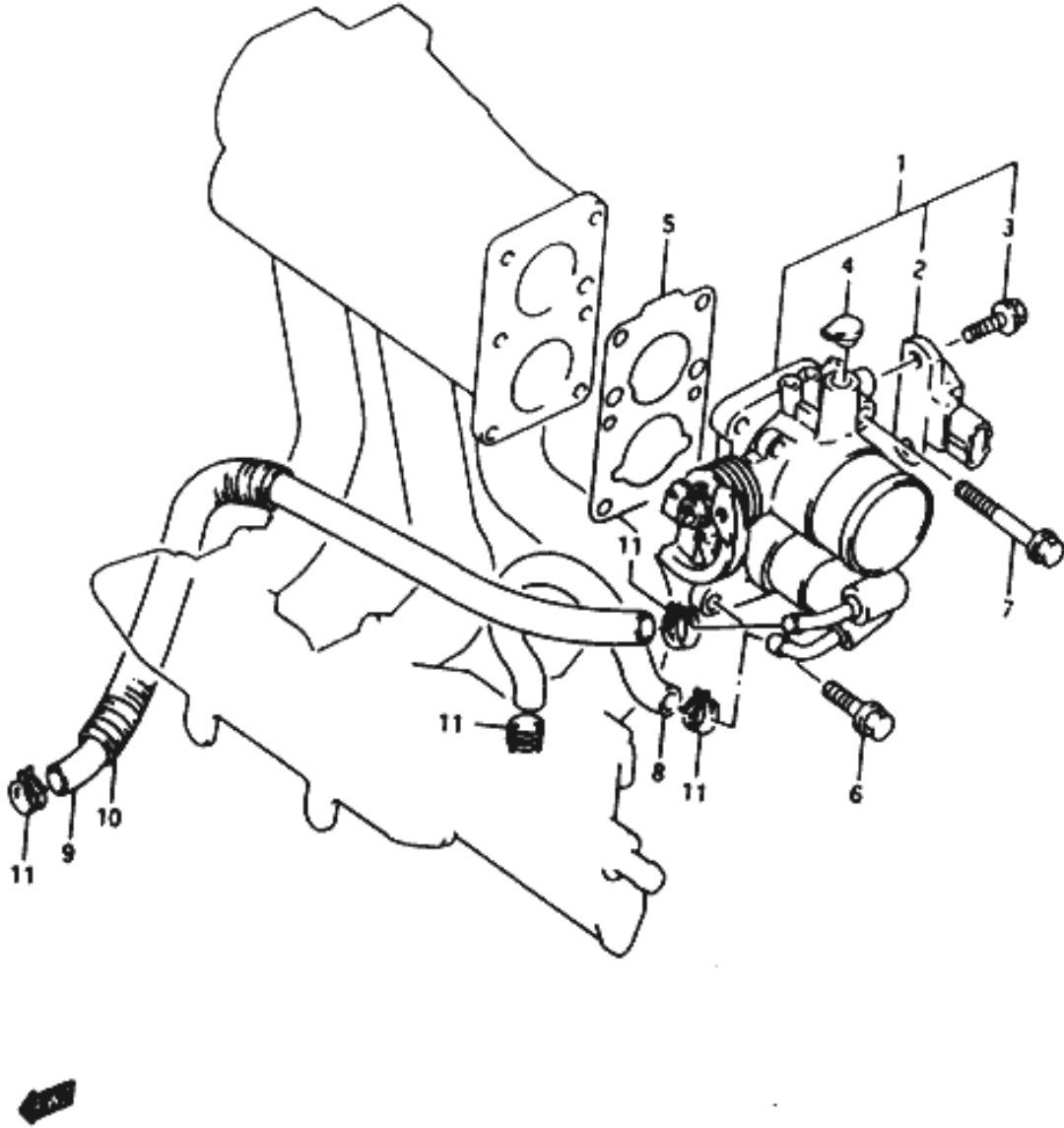


0-1	13200 M 84312	CARBURETORS ASSY N/CAT STD
0-2	13200 M 84322	CARBURETORS ASSY N/CAT A/C
0-3	13200M84C61	CARBURETOR ASSY W/CAT STD
0-4	13200M84C71	CARBURETOR ASSY W/CAT A/C
0-5	13200 M 84311	CARBURETORS ASSY
1-1	09492M42013	JET PILOT (41.3) W/CAT
1-2	09492M45000	JET PILOT (45.0) N/CAT
2	13278M45010	O RING
3	13398M78110	PLATE
4	13397M81000	SCREW
5	09491M34007	JET MAIN
6	09492M60011	JET PILOT
7	13294M28010	O RING
8	13250M84300	FCG GASKET KIT
9	13590M84300	STEEL BALL KIT
10	13510M84300	KIT PUMP BODY GASKET
11	13516M67510	O RING
12	13494M3701	SPRING
13	13491M79110	DIAPHRAGM
14	13601M04226	SCREW
15	02112M05103	SCREW
16	13320M84300	KIT FLOAT
17	13254M78110	WIN FLOAT
18	13390M84300	NEEDLE VALVE KIT
19	13376M84110	NET
20	13373M39110	PLATE
21	08321M21046	LOCK WASHER
22	02112M04106	SCREW
23	13415M81030	E RING
24	09491M92005	JET MAIN
25	13601M34390	SCREW
26	02112M05306	SCREW
27	08321M01063	LOCK WASHER
28-1	13510M84300	VALVE ASSY SOLENOID N/CAT
28-2	13150M84300	VALVE ASSY SOLENOID W/CAT
29	13521M78100	O RING
30-1	02112M05123	SCREW N/CAT
30-2	02112M05106	SCREW W/CAT
31	08321M01063	LOCK WASHER
32	13330M84300	CHAMBER ASSY DEPRESSION
33	08316M20083	NUT
34	13281M84300	BRACKET CHAMBER
35	02112M05123	SCREW
36	08321M01063	LOCK WASHER
37	13341M84300	HOSE
38	13375M84300	SCREW

39	13290M84300	KIT SLOW RUNNING ADJUSTER
40	13530M84380	DEPRESSION CHAMBER ASSY
41	13361M84301	PACKING
42	13601M05226	SCREW
43	13248M78100	SCREW
44	13249M7810	WASHER
45	13433M79110	PACKING
46	13432M47090	WASHER
47	13271M93011	SPRING
48	13371M84300	SCREW
49	13699M77000	CAP
50	13362M84300	GASKET
51	13255M84120	VALVE ASSY
52	02112M05356	SCREW
53	08321M01063	LOCK WASHER
54	09492M70004	JET ENRICHMENT
55	09492M55010	JET ENRICHMENT
56	13381M84300	WASHER
57	13605-43410	SCREW
58	13515M84300	BUSH & O RING KIT FOR SOLENOID



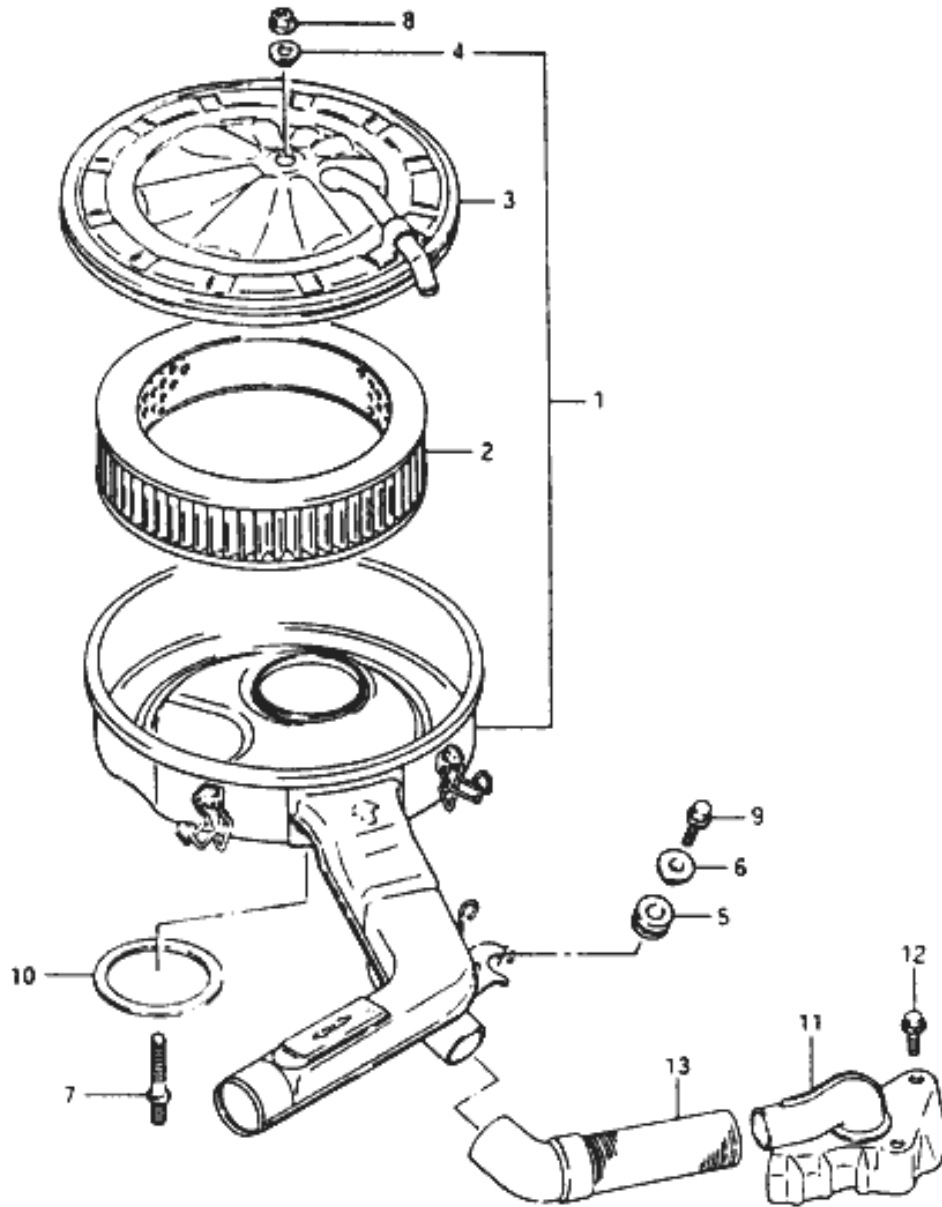
10A.INJEKTOR



1	13400-84380	BODY ASSY THROTTLE
2	13420-51E50	SENSOR THROTTLE
3	13428-58B00	BOLT
4	13416-58B00	CAP
5	13421-64D02	GASKET THROTTLE BODY
6	01550M06203	BOLT
7	01550-06453	BOLT
8	17959-67F00	HOSE THROTTLE BODY INLET
9	09352M70121-390	HOSE THROTTLE BODY OUTLET
10	13998M65F00	PROTECTOR
11	09401-11407	CLIP



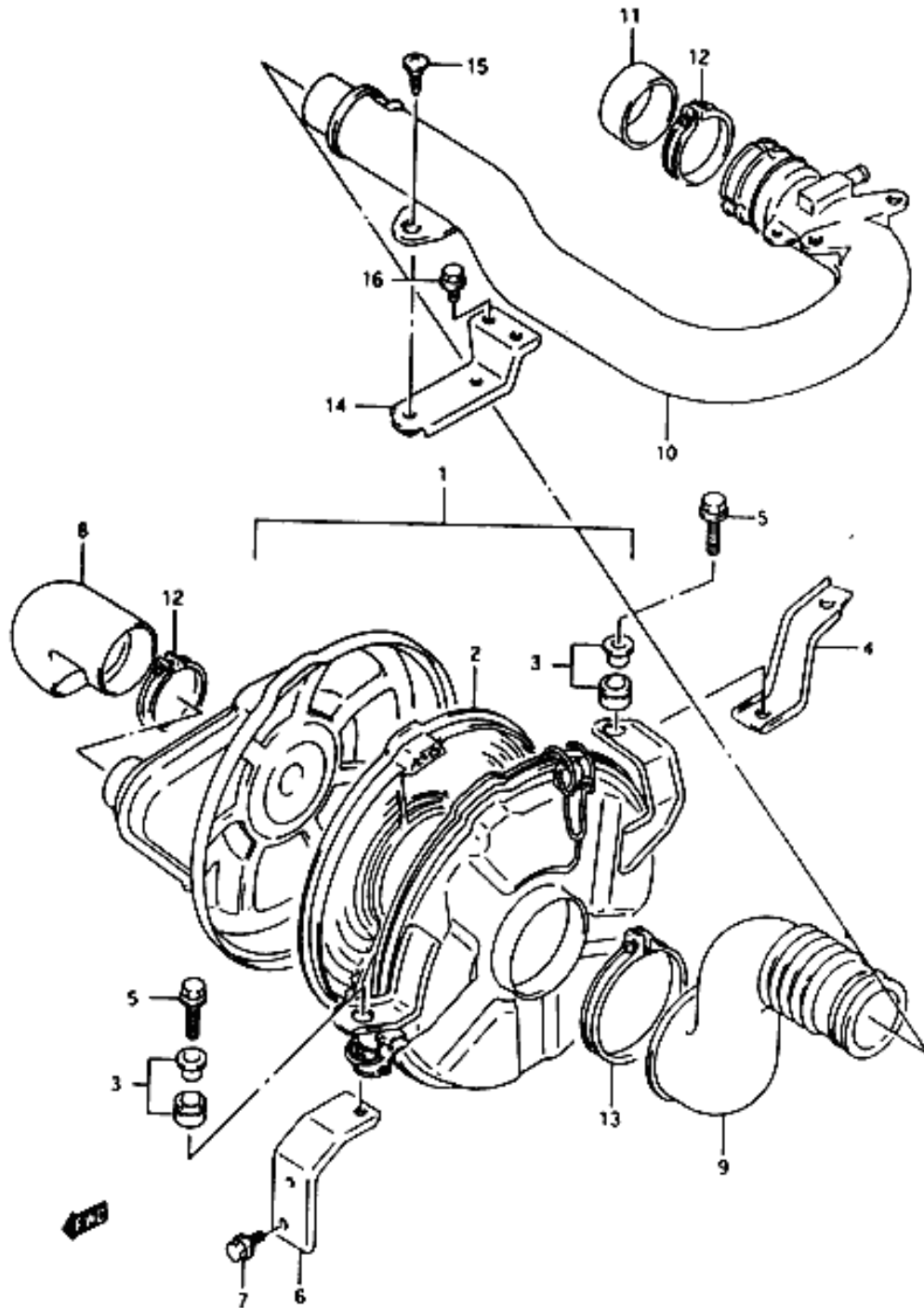
11. LÉGSZŰRŐ /NEM MPI/



1	13700M84300	CLEANER ASSY AIR
2	13780M78110	FILTER AIR CLEANER
3	13770M84000	CAP
4	13878-78100	GROMMET
5	13876M84000	CUSHION
6	13838M84000	WASHER
7	09108M06036	STUD BOLT
8	08316M20063	NUT
9	01550M06163	BOLT
10	13879M81060	GASKET AIR CLEANER
11	13830-84300	COVER WARM AIR
12	01514M06106	BOLT
13	13840-84300	HOSE WARM AIR



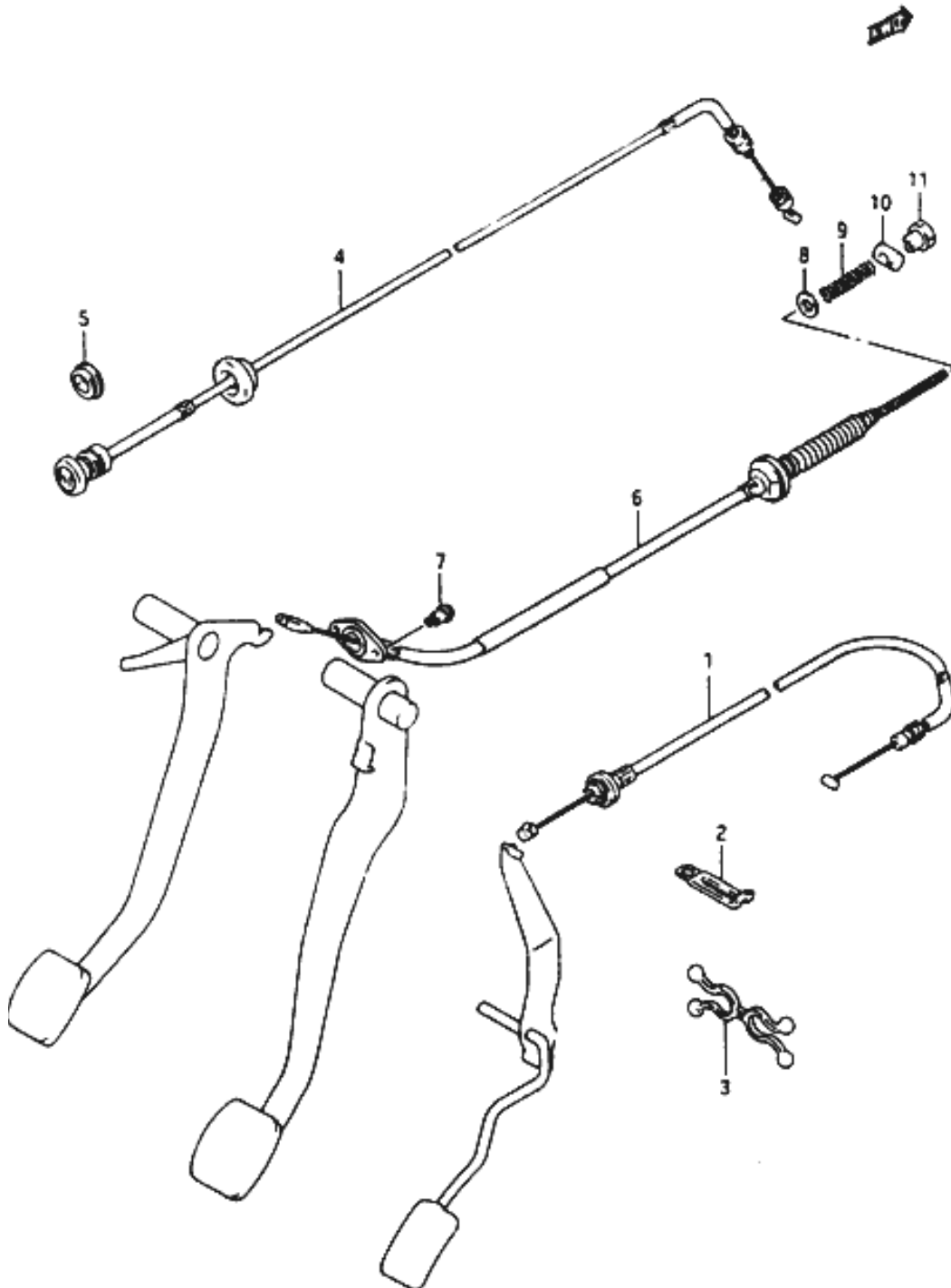
11A.LÉGSZŰRŐ /MPI/



1	13700-84250	CLEANER ASSY AIR
2	13780-84250	ELEMENT
3	13772-842T0	GROMET SET
4	13810-84151	BRACKET AIR CLEANER
5	01550M08303	BOLT
6	13820M84380	STAY AIR CLEANER BKT
7	01550M06123	BOLT
8	13871-84151	HOSE AIR CLEANER INTAKE
9	13881-84380	HOSE AIR CLEANER OUTLET
10	13885-84380	PIPE THROTTLE BODY
11	13499-51E00	HOSE THROTTLE BODY
12	09402-50208	CLAMP
13	09402-80207	CLAMP
14	13991M84380	BRACKET AIR PIPE
15	09139-06083	SCREW
16	01550M06103	BOLT



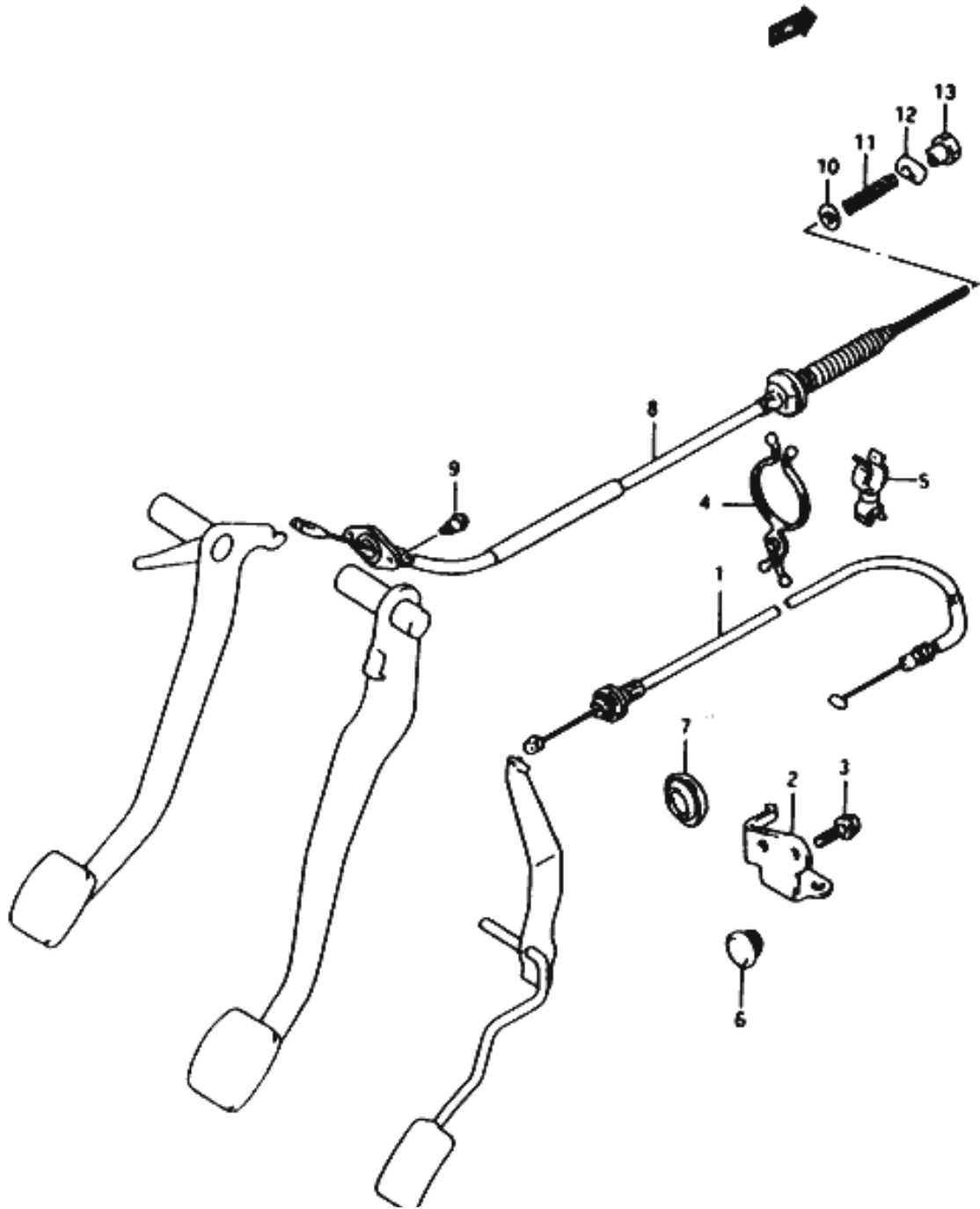
12. BOWDENEK /NEM MPI/



1	15910M84300	CABLE ASSY ACCELERATOR
2	09404M08402	CLAMP
3	09408M00010	CLIP
4	15930M84300	CABLE ASSY CHOKE
5	15919M84300	CUSHION CHOKE CABLE
6	23710-84160	CABLE ASSY CLUTCH
7	09119-06051	BOLT
8	08322M10063	WASHER
9	09440M08027	SPRING
10	09209M13007	PIN
11	09150M06010	NUT



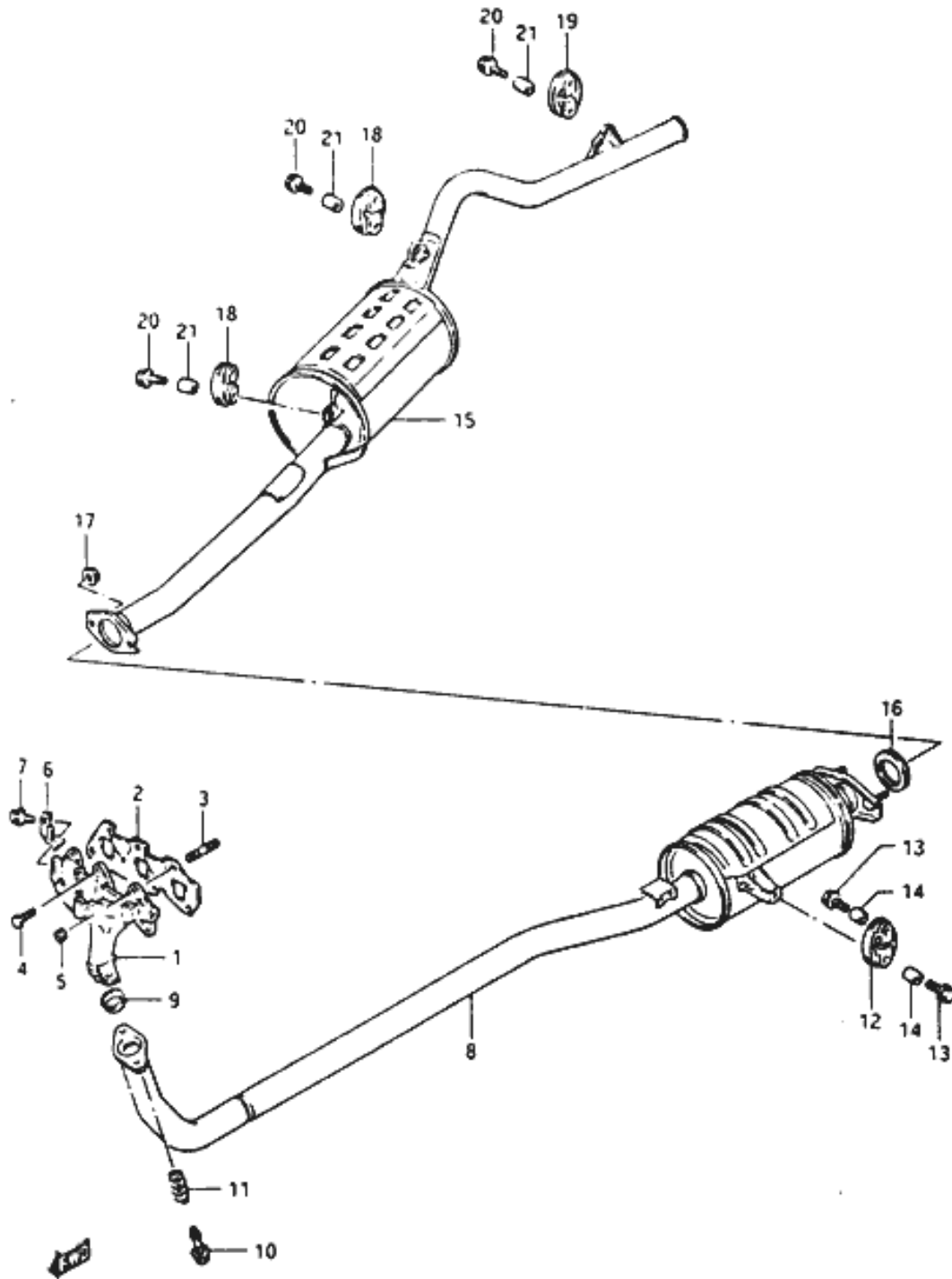
12A.BOWDENEK /MPI/



1	15910M84380	CABLE ASSY ACCELATOR
2	15919-72B71	GUIDE ACCELERATOR CABLE
3	01550M06163	BOLT
4	34913-50F00	CLAMP
5	09408-00159	CLAMP
6	09250-13005	PLUG
7	09250M20002	CAP
8	23710-84160	CABLE ASSY CLUTCH
9	09119-06051	BOLT
10	08322M21066	WASHER
11	09440M08027	SPRING
12	09209M13007	PIN
13	09150M06010	NUT



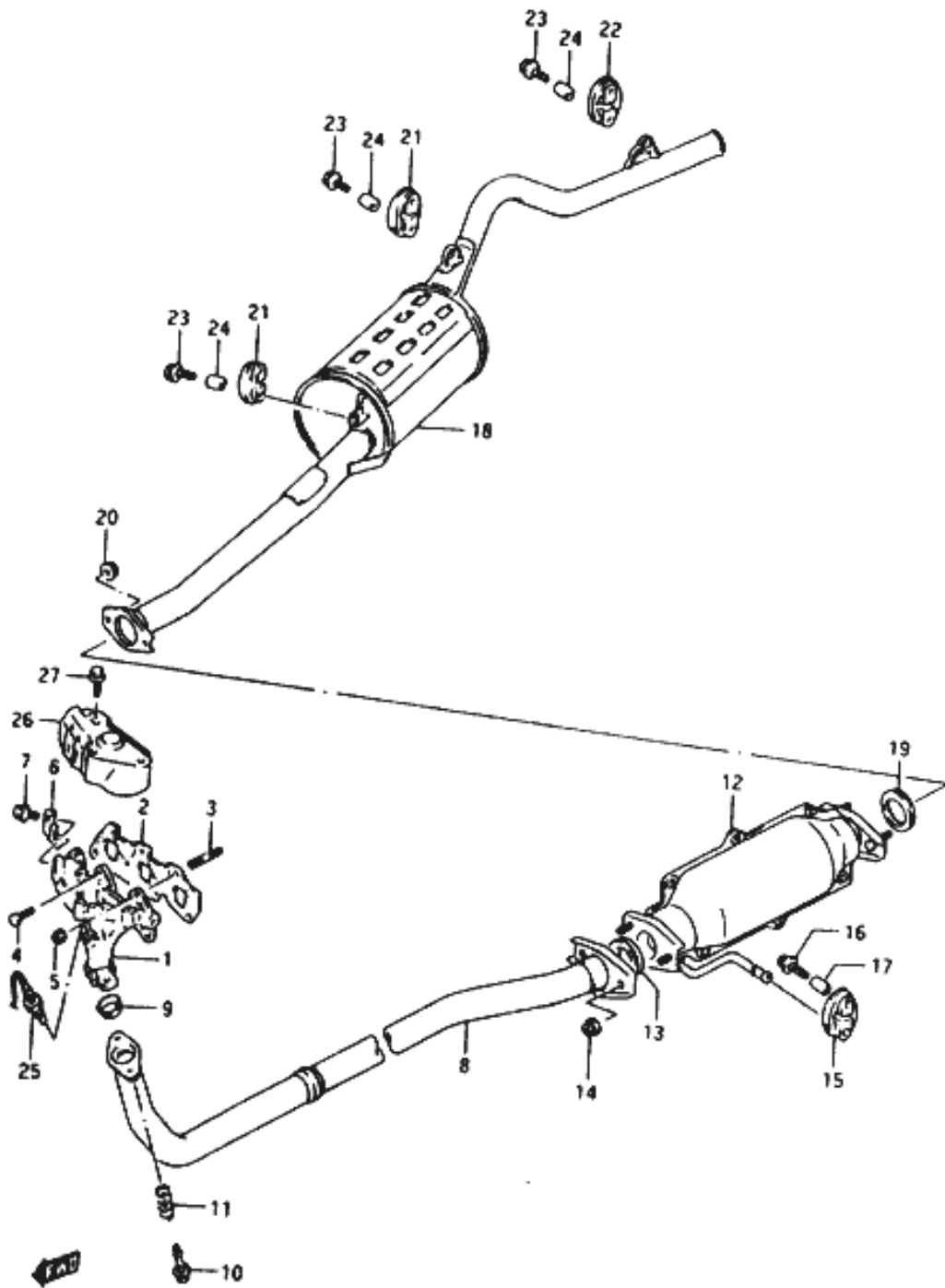
13. KIPUFOGÓ CSONK, KIPUFOGÓ RENDSZER /NEM MPI/



1	14111M84301	MANIFOLD EXHAUST
2	14140M78140	GASKET EXHAUST MANIFOLD
3	01411M08256	STUD BOLT
4	01107M08256	BOLT
5	08310M11086	NUT
6	14172-84001	COVER GENERATOR
7	01514M06106	BOLT
8	14190M84301	PIPE EXHAUST
9	14183-78501	RING EXHAUST PIPE SEAL
10	09119M10056	BOLT
11	14492M82001	SPRING EXHAUST PIPE
12	14209M78010	MOUNTING SET MUFFLER
13	01514M08356	BOLT
14	09180M08095	SPACER
15	14300M84312	MUFFLER
16	14182M78140	GASKET EXHAUST PIPE
17	08316M16106	NUT
18	14209M79010	MOUNTING SET MUFFLER
19	14209M78010	MOUNTING SET MUFFLER
20	01514M08356	BOLT
21	09180M08095	SPACER



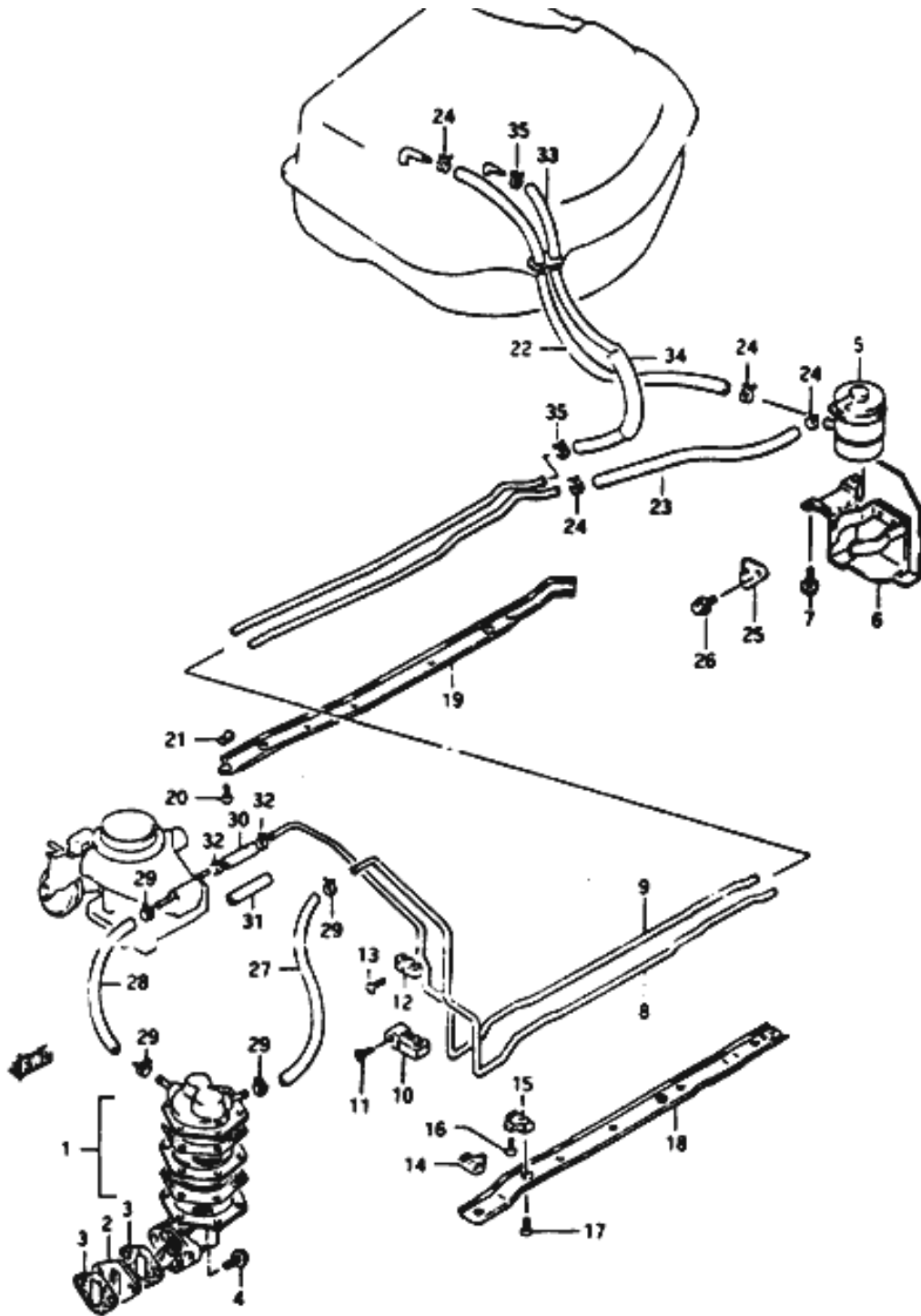
13A.KIPUFOGÓ CSONK, KIPUFOGÓ RENDSZER /MPI/



1	14111M84380	MANIFOLD EXHAUST
2	14141-67F00	GASKET EXHAUST MANIFOLD
3	01411M08256	STUD BOLT
4	01107M08256	BOLT
5	08310M11086	NUT
6	14172-84001	COVER GENERATOR
7	01514M06106	BOLT
8	14190-84380	PIPE EXHAUST
9	14183-84300	RING EXHAUST PIPE
10	09119M10056	BOLT
11	14492M82001	SPRING EXHAUST PIPE
12	14250-84380	CASE CATALYST
13	14182-60B00	GASKET EXHAUST PIPE
14	09159-10049	NUT
15	14209M78010	MOUNTING SET MUFFLER
16	01550M08353	BOLT
17	09180M08095	SPACER
18	14300M84312	MUFFLER
19	14182-60B00	GASKET MUFFLER
20	09159-10049	NUT
21	14209M79010	MOUNTING SET MUFFLER
22	14209M78010	MOUNTING SET MUFFLER
23	01550M08353	BOLT
24	09180M08095	SPACER
25	18213-63E60	SENSOR OXYGEN
26	13830-84130	COVER EXHAUST MANIFOLD
27	09103-06034	BOLT

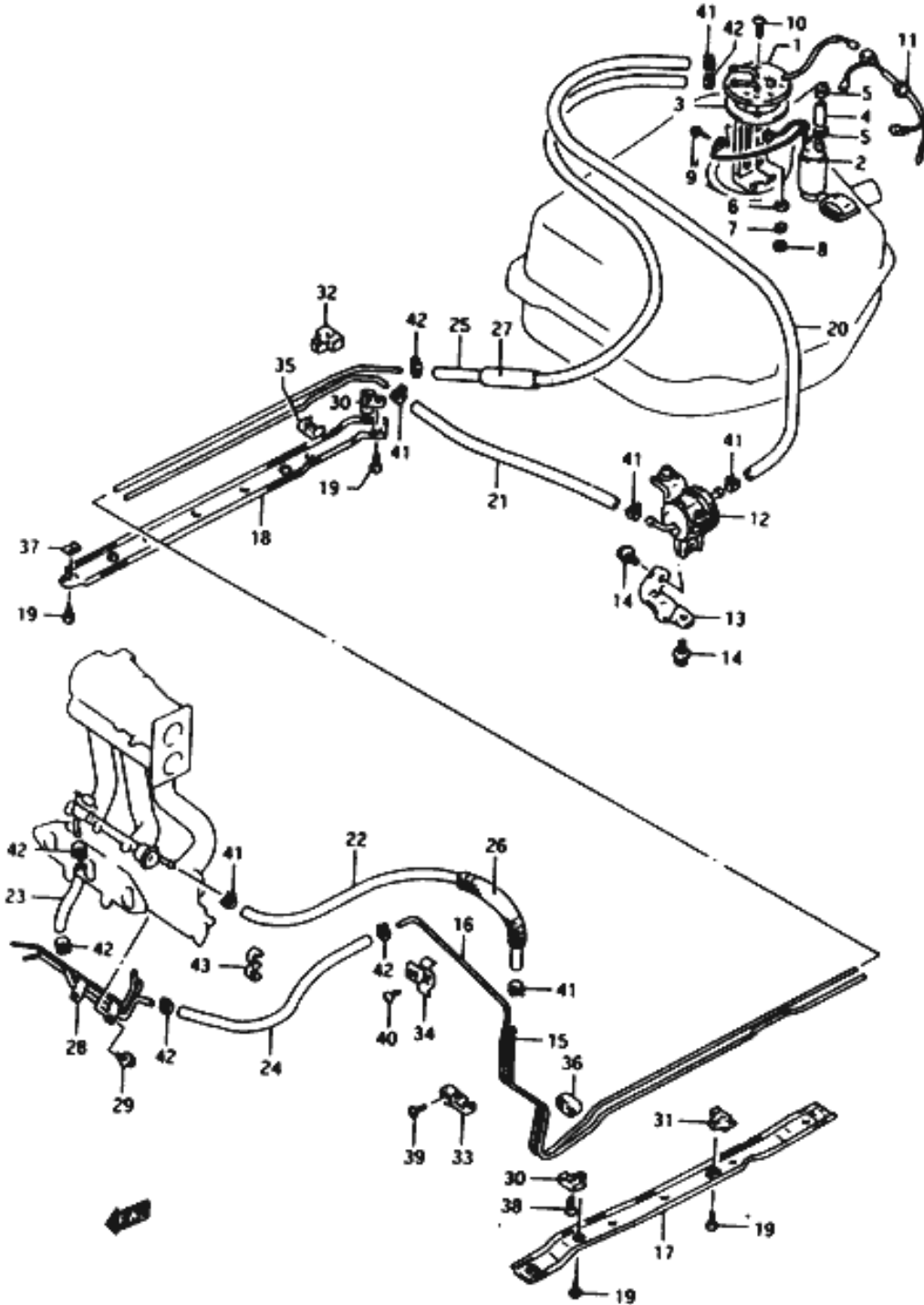


14.ÜZEMANYAG PUMPA /NEM MPI/



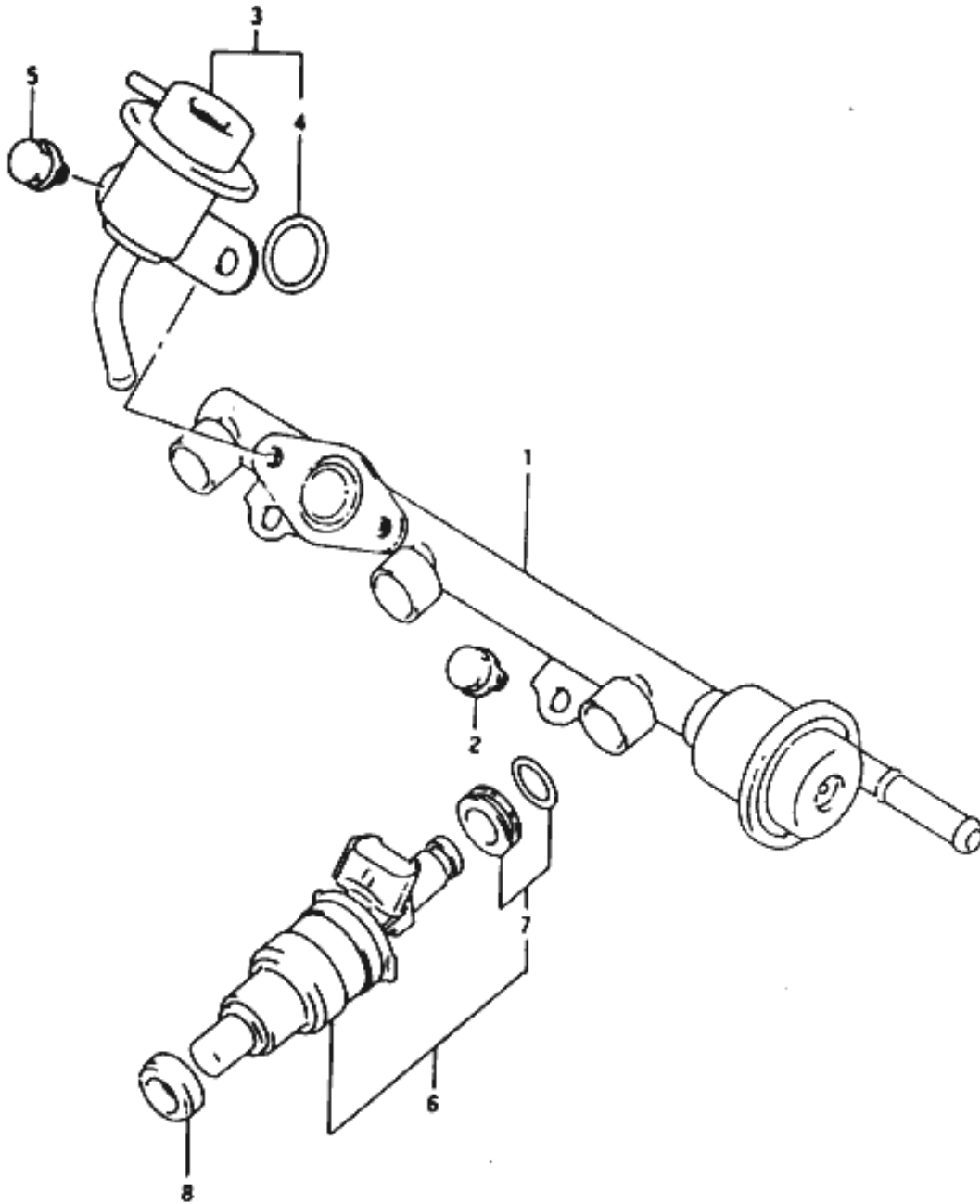
1	15100M78420	PUMP ASSY FUEL
2	15318-73001	INSULATOR FUEL PUMP
3	15319M73032	GASKET FUEL PUMP
4	01550M08353	BOLT
5	15410M84310	FILTER FUEL
6	15420M84301	BRACKET FUEL FILTER
7	01550M06123	BOLT
8	15811M84001	PIPE FUEL
9	15861M84311	PIPE FUEL RETURN
10	15815M84001	CLAMP FUEL PIPE NO.1
11	02142M06206	SCREW BACK DOOR MTG
12	15817M84000	CLAMP FUEL PIPE NO.2
13	02142M06203	SCREW BACK DOOR MTG
14	15818M84000	CLAMP FUEL PIPE NO.3
15	15819M84000	CLAMP FUEL PIPE NO.4
16	02122M06206	SCREW
17	03541-05103	SCREW (5X10)
18	15871M84000	COVER FUEL PIPE NO.1
19	15872M84001	COVER FUEL PIPE NO.2
20	03541-05103	SCREW (5X10)
21	09148-05019	NUT
22	09343M05310	HOSE TANK TO FILLER
23	09354M05309	HOSE FILTER TO PIPE
24	09401M11405	CLIP
25	15881-84000	CLAMP FUEL RETURN R5 NOSE
26	01514M06106	BOLT
27	15815M92040	HOSE PIPE TO PUMP
28	15835M92040	HOSE PUMP TO CARBURETOR
29	09401M11405	CLIP
30	15865M92040	NOSE CARBURETOR TO PIPE
31	09320M13014	PROTECTOR
32	09401M10404	CLIP
33	09343M04093	HOSE
34	09320M08036	PROTECTOR
35	09401M07401	CLIP

14A.ÜZEMANYAG PUMPA /MPI/



1	5100-84380	PUMP ASSY FUEL
2	15110-84380	PUMP FUEL
3	15111-84380	GASKET
4	15113—84380	HUSK
5	15114-84380	CLIP
6	15115-84380	WASHER
7	15116-84380	LOCK WASHER
8	15117-84380	NUT
9	15118—84380	SCREW
10	09136-05045	SCREW
11	15109M84150	HARNES WIRING
12	15410-84380	FILTER FUEL
13	15421-84150	BRACKET FUEL FILTER
14	01550M08163	BOLT
15	15811-84151	PIPE FUEL
16	15861-84150	PIPE FUEL RETURN
17	15871M84000	COVER FUEL PIPE NO.1
18	15872M84001	COVER FUEL PIPE NO.2
19	03541-05103	SCREW
20	09356-75137-00B	HOSE FILTER TO TANK L: 2000->80
21	09356-75137-600	HOSE PIPE TO FILLER L: 600->100
22	09356-75137-600	HOSE PIPE TO PIPE L: 600->470
23	09356-58127-600	HOSE REGULATOR TO PIPE L: 600->75
24	09356-55113-600	HOSE PIPE TO PIPE L: 600->200
25	09356-58126-00B	HOSE PIPE TO TANK L: 2000->870
26	15816M84380	PROTECTOR
27	09320M08036	PROTECTOR
28	15820-52E02	PIPE FUEL
29	01550M06103	BOLT
30	15818-84150	CLAMP FUEL PIPE
31	15819-84150	CLAMP FUEL PIPE
32	15819M53A00	CLAMP FUEL PIPE
33	15815-53A00	CLAMP FUEL DASH
34	15817M84000	CLAMP FUEL DASH
35	15818-53A00	STAY FUEL PIPE
36	15818-72B50	CUSHION
37	09148-05020	NUT
38	02122M06206	SCREW
39	02142M06206	SCREW
40	02112-06103	SCREW
41	09401-13410	CLIP
42	09401-11411	CLIP
43	09408M00121	CLAMP

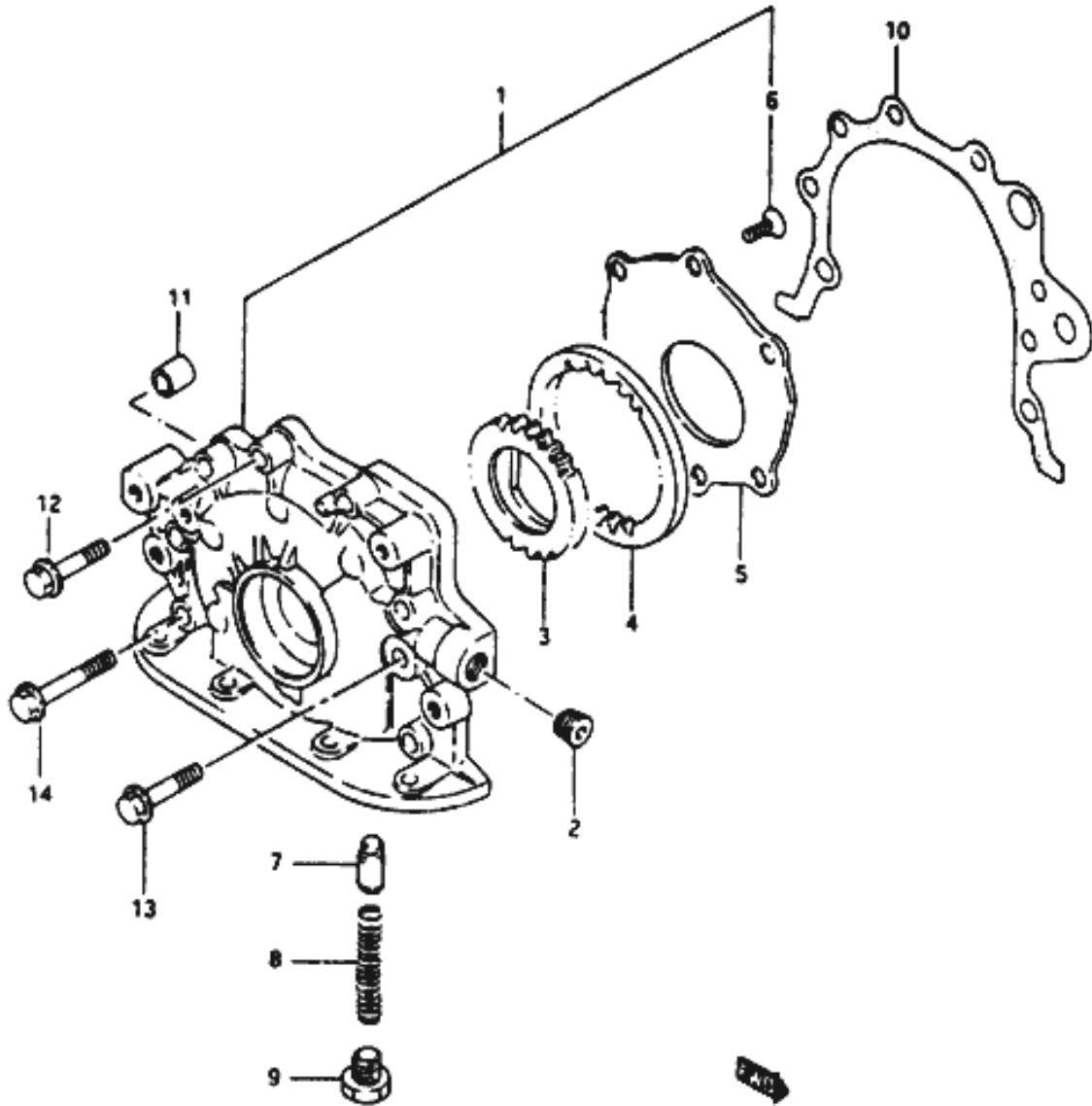
14B.BEFECSKENDEZŐ SZELEP



1	15730-64D00	PIPE DELIVERY
2	01550M06123	BOLT
3	15610-51E10	REGULATOR ASSY FUEL PRESS
4	15710-51E10	O RING
5	01550M06123	BOLT
6	15710-57F00	INJECTOR ASSY FUEL
7	15716-58BT0	GROMMET SET
8	09320-08062	CUSHION



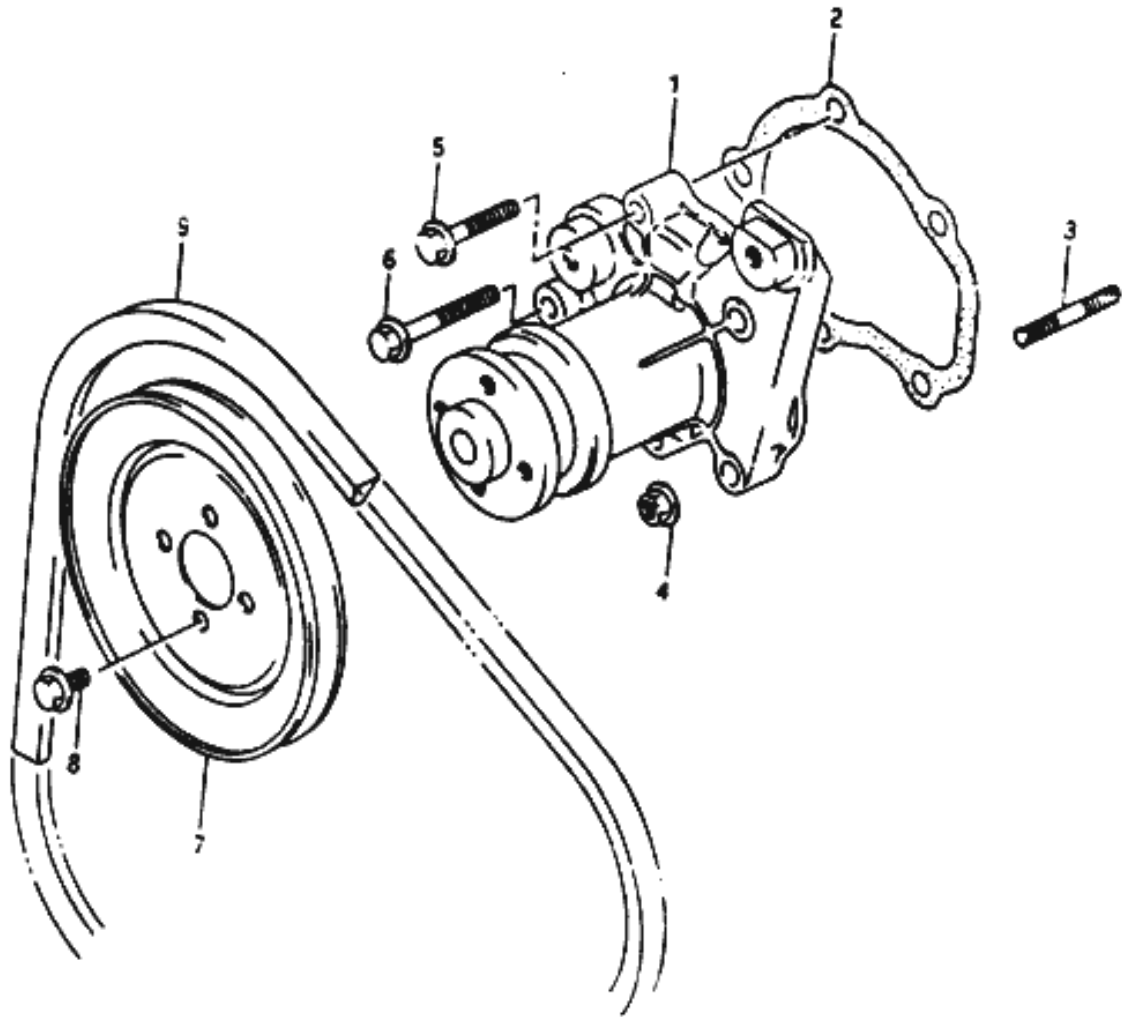
15. OLAJPUMPA



1	16100M73033	PUMP ASSY OIL
2	09246-06002	PLUG
3	16131-73001	GEAR INNER
4	16132-73000	GEAR OUTER
5	16161-73002	PLATE GEAR
6	02122-06128	SCREW
7	16151-73000	VALVE RELIEF
8	16152-73001	SPRING RELIEF VALVE
9	16153-73000	RETAINER SPRING
10	16119M73011	GASKET OIL PUMP
11	04211M09109	PIN
12	01550M06303	BOLT
13	01550M06353	BOLT
14	01550M06403	BOLT (6X40)



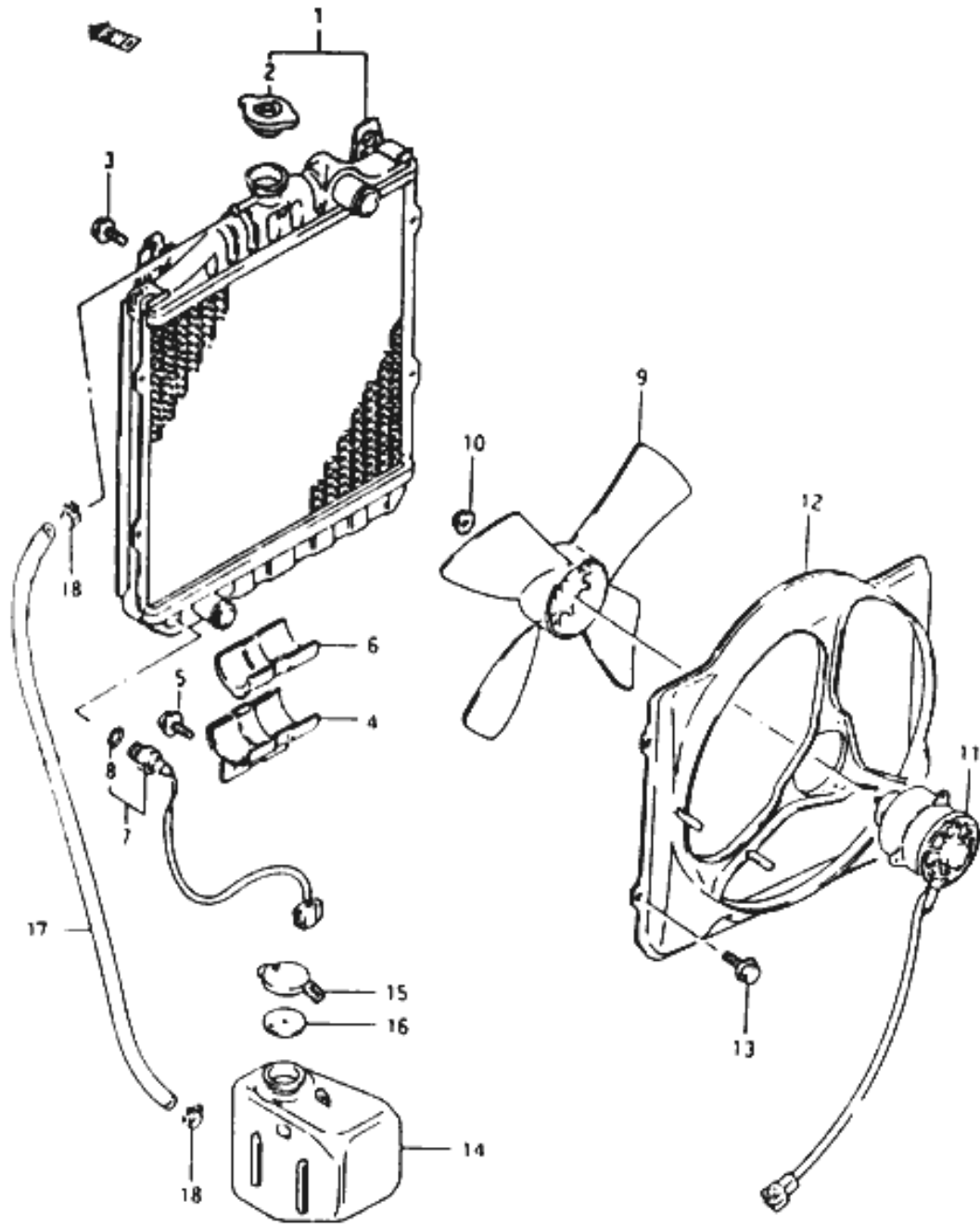
16. VIZPUMPA, ÉKSZIJ



1	17400M78311	PUMP ASSY WATER
2	17431M73011	GASKET WATER PUMP
3	09108-06040	STUD BOLT
4	08316M16066	NUT
5	01550M06303	BOLT
6	01550M06403	BOLT (6X40)
7	17511M78400	PULLEY WATER PUMP
8	03550M06103	BOLT UNIT BRACKET
9	17521M78010	BELT WATER PUMP



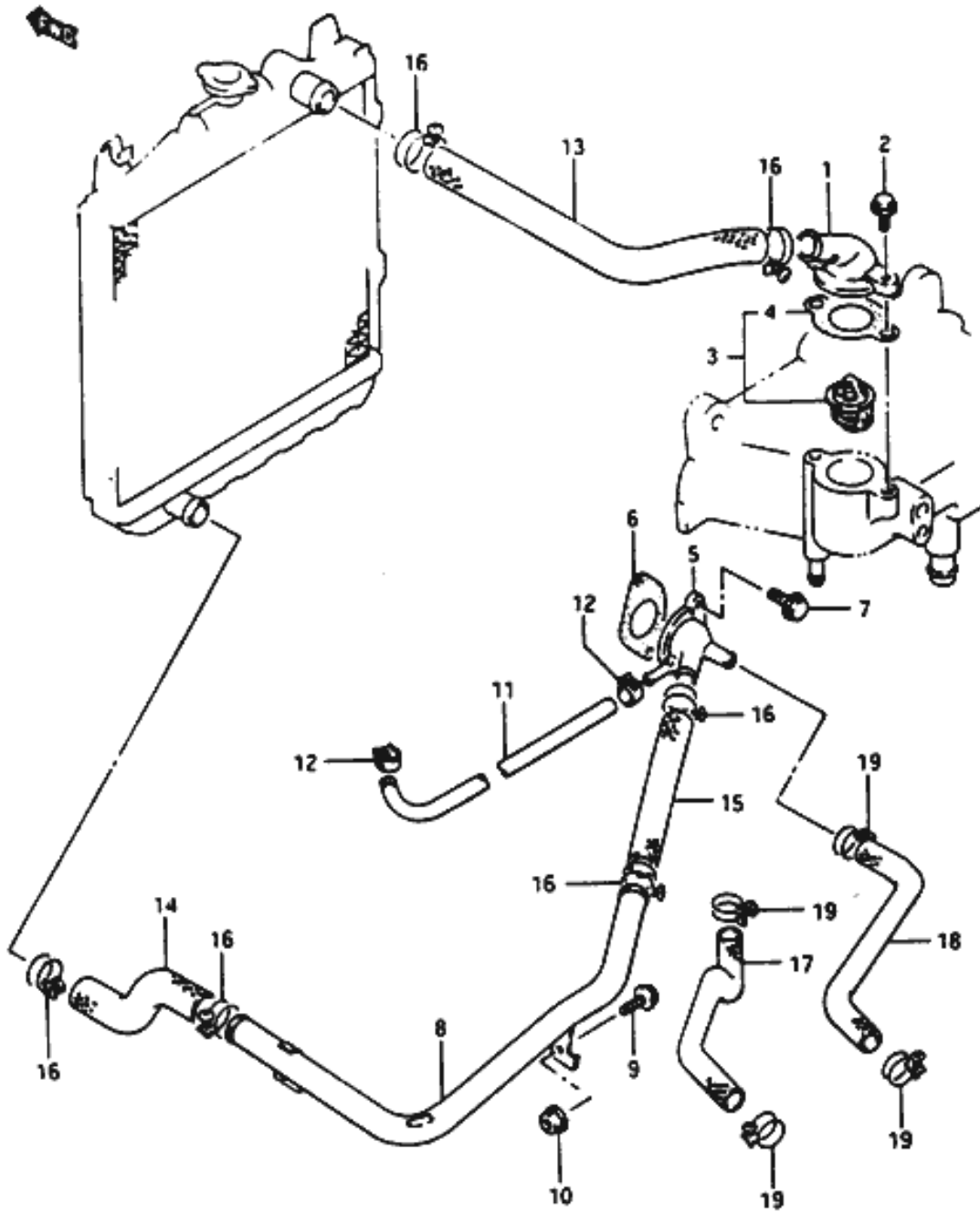
17. VIZHŰTŐ, VENTILLÁTOR, KIEGYENLÍTÓ TARTÁLY



1	17700M842F0	RADIATOR ASSY
2	17920M842F0	CAP RADIATOR
3	01514M06106	BOLT
4	17810M84010	BRACKET RADIATOR SUPPORT
5	01514M06106	BOLT
6	17812M78120	RUBBER RADIATOR SUPPORT
7	17680-84201	SWITCH THERMO FAN
8	09280-14004	O RING
9	17111M84040	FAN ENGINE COOLING
10	08316M26066	NUT
11	17120M84040	MOTOR COOLING FAN
12	17760M84040	SHROUD FAN
13	01514M06106	BOLT
14	17930M81001	TANK WATER RESERVOIR
15	17932M81001	CAP WATER RESERVOIR
16	17933M81000	RUBBER WATER RESERVE
17	09343M07149	HOSE
18	09401M11404	CLIP



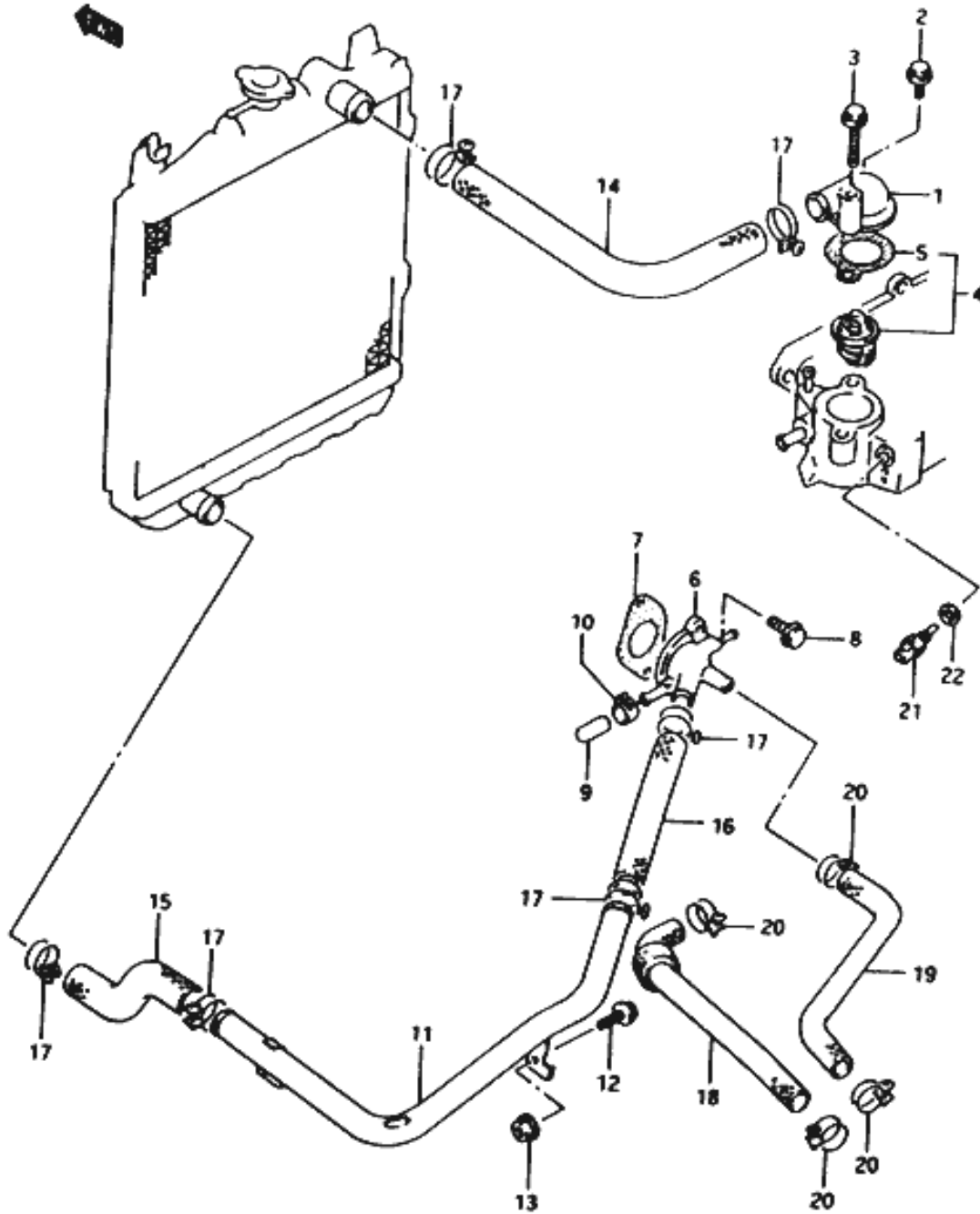
18. VIZCSÖVEK, TERMOSZTÁT /NEM MPI/



1	17561M78101	CAP WATER THERMOSTAT
2	01550M08253	BOLT
3	17600-82810	THERMOSTAT ASSY WATER
4	17569M78141	GASKET WATER THERMO CAP
5	17551M78101	CAP WATER INLET
6	17559M73020	GASKET WATER INLET PIPE
7	01517M06206	BOLT
8	17840M84300	PIPE RADIATOR OUTLET
9	01524M10556	BOLT
10	08316M10103	NUT
11	09343M07025	HOSE WATER BYPASS
12	09401M11404	CLIP
13	17872-84000	HOSE RADIATOR INLET
14	17874-78101	HOSE RADIATOR OUTLET
15	17855M78100	HOSE WATER INLET
16	09400M34311	CLAMP
17	17871-84300	HOSE HEATER INLET
18	17872-84300	HOSE HEATER OUTLET
19	09400M22313	CLAMP



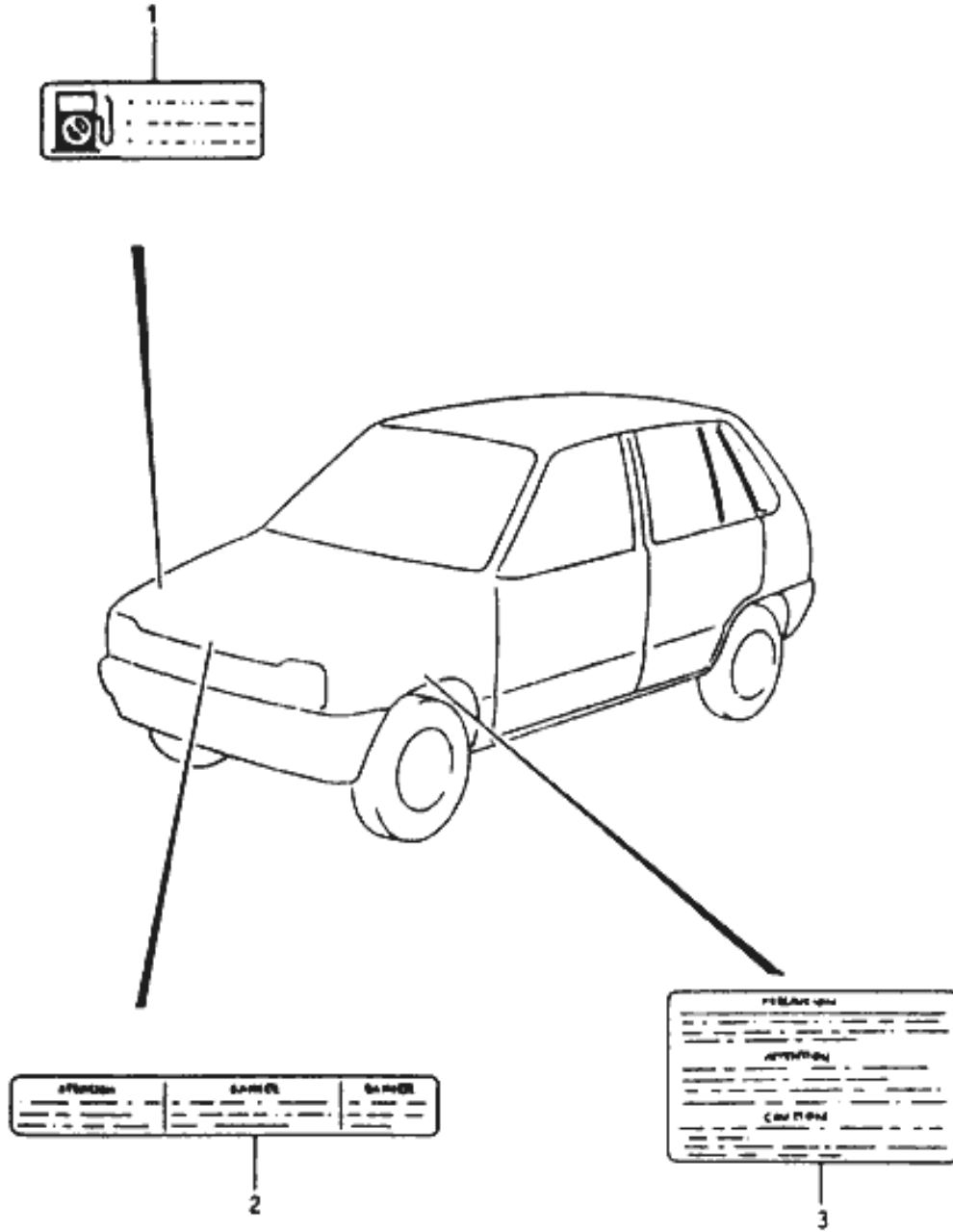
18A.VIZCSÖVEK, TERMOSZTÁT /MPI/



1	17561M84380	CAP WATER THERMOSTAT
2	01550M08253	BOLT
3	01550-08453	BOLT
4	17600-85811	THERMOSTAT ASSY WATER
5	17569-82001-H17	GASKET WATER THERMO CAP
6	17550-78121	CAP WATER INLET
7	17559-73000-H17	GASKET WATER INLET CAP
8	01517M06206	BOLT
9	09251-07004	PLUG
10	09401-12404	CLIP
11	17840M84300	PIPE RADIATOR OUTLET
12	01524M10556	BOLT
13	08316M16106	NUT
14	17871M84300	HOSE RADIATOR INLET
15	17872M84300	HOSE RADIATOR OUTLET
16	17855M78100	HOSE WATER INLET
17	09400M34311	CLAMP
18	17871-84380	HOSE HEATER INLET
19	17872M84300	HOSE HEATER OUTLET
20	09400M22133	CLAMP
21	13650-57F00	SENSOR WATER TEMP
22	09168-12016	GASKET



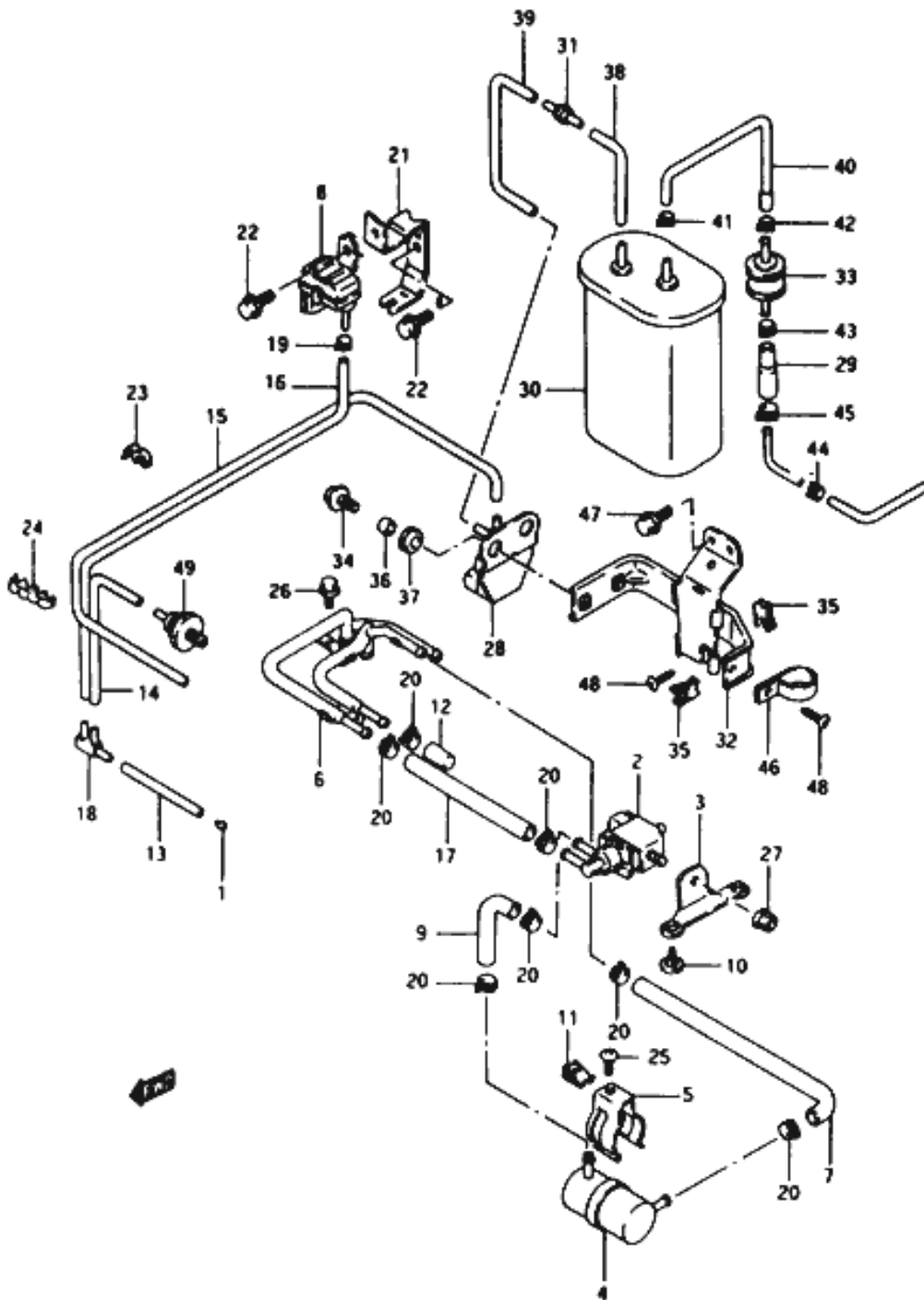
19. MOTORTÉR FELIRATOK



1	11959M60E00	LABEL FUEL LIMITATION
2	17991M75110	LABEL ENGINE COOLING FAN
3	17999M80810	LABEL COOLING WATER CAUTION



20. EMISSZIÓ KONTROLL



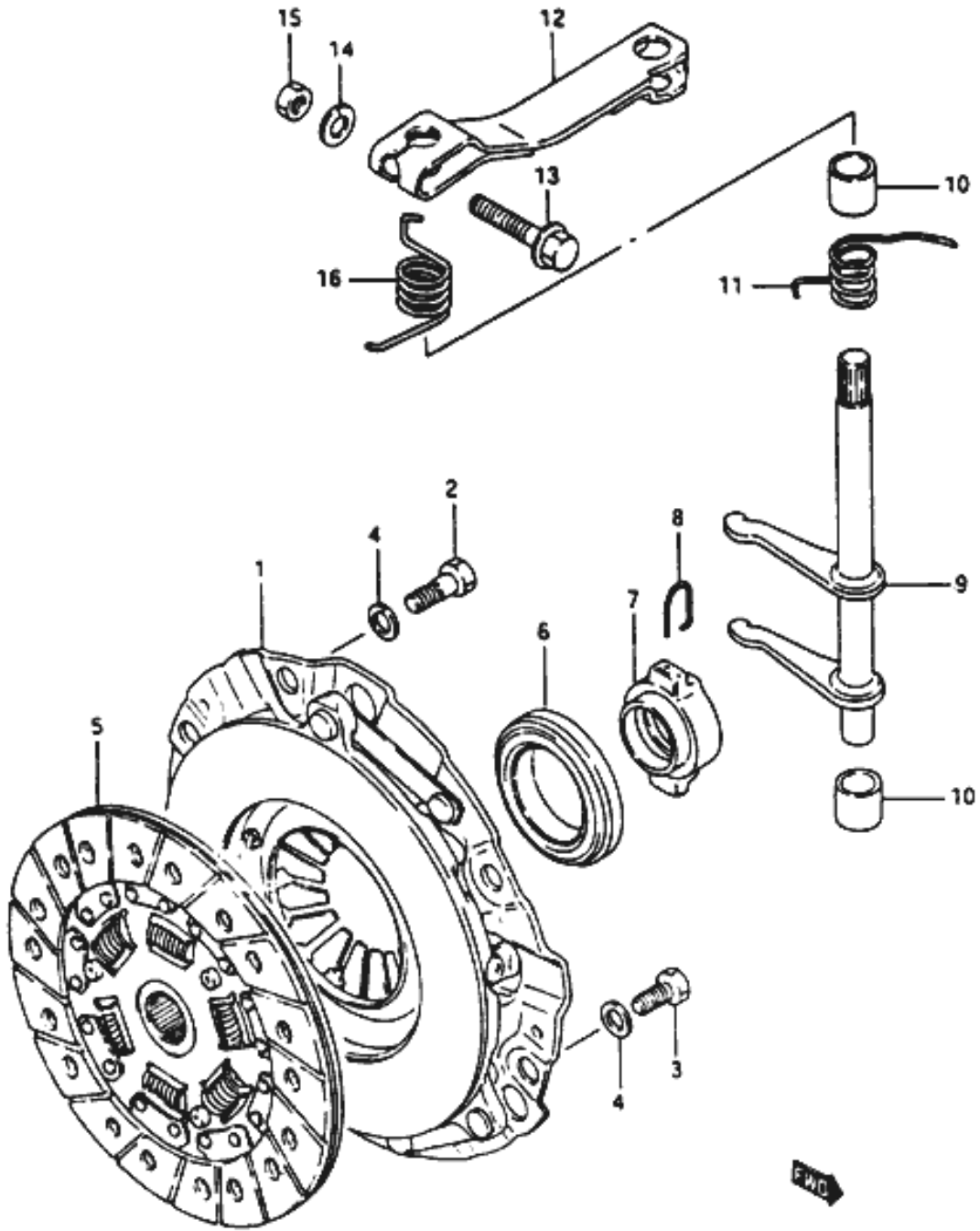
1	15616-64D00	JET VACCUM
2	18117-84380	VALVE ISC
3	18119M84380	BRACKET ISC
4	18145-84380	SILENCER ISC VALVE
5	18146-84380	CLAMP ISC
6	18340-64D00	PIPE VACCUM
7	18586-84380	HOSE ISC NO.1
8	18590-57F00	SENSOR PRESSURE
9	18587-84380	HOSE ISC
10	09319-06083	SCREW ISC
11	09148-05020	NUT ISC
12	09251-07003	PLUG ISC
13	09358-35754-600	HOSE VACCUM L: 600->50
14	09358-35754-600	HOSE VACCUM L: 600->150
15	09358-35754-600	HOSE VACCUM L: 600->340
16	09358-35754-600	HOSE VACCUM L: 600->250
17	09354-70123-600	HOSE VACCUM L: 600->85
18	09367-04009	JOINT 3-WAY
19	09401-06405	CLIP
20	09401-11407	CLIP
21	18599M84380	BKT PRESSURE SENSOR
22	01550M06103	BOLT PRESSURE SENSOR
23	09408M00033	CLIP
24	09408-00035	CLIP
25	03141M05123	SCREW ISC CLAMP
26	07130-06103	BOLT VACCUM PIPE
27	08316M10063	NUT ISC BRACKET
28	18117-56B10	VALVE ASSY PURGE
29	18146-71C00	HOSE CENTRE JOINT
30	18560-50G00	CANISTER
31	18565-84150	VALVE ONE WAY
32	18570M84380	BRACKET CANISTER
33	85451-75100	VALVE TWO WAY
34	09136-06086	SCREW VSV
35	09148-05020	NUT CANISTER
36	09180-06106	SPACER VSV
37	09308M10004	GROMMET SVS
38	09358-35754-600	HOSE VACCUM L: 600->65
39	09358-35754-600	HOSE VACCUM L: 600->130
40	09359-40801-140	HOSE CANISTER TANK L: 600->145
41	09401-08409	CLIP CANISTER
42	09401-08411	CLIP CANISTER
43	09401-11410	CLIP CANISTER JOINT
44	09401-11411	CLIP OUTLET NOSE
45	09401-12405	CLIP CANISTER JOINT HOSE
46	09403-23401	CLAMP TWO WAY VALVE

47	01550MO6103	BOLT CANISTER
48	03141M05123	SCREW CANISTER
49	18133-61A01	FILTER GAS



KUPPLUNG, VÁLTÓ

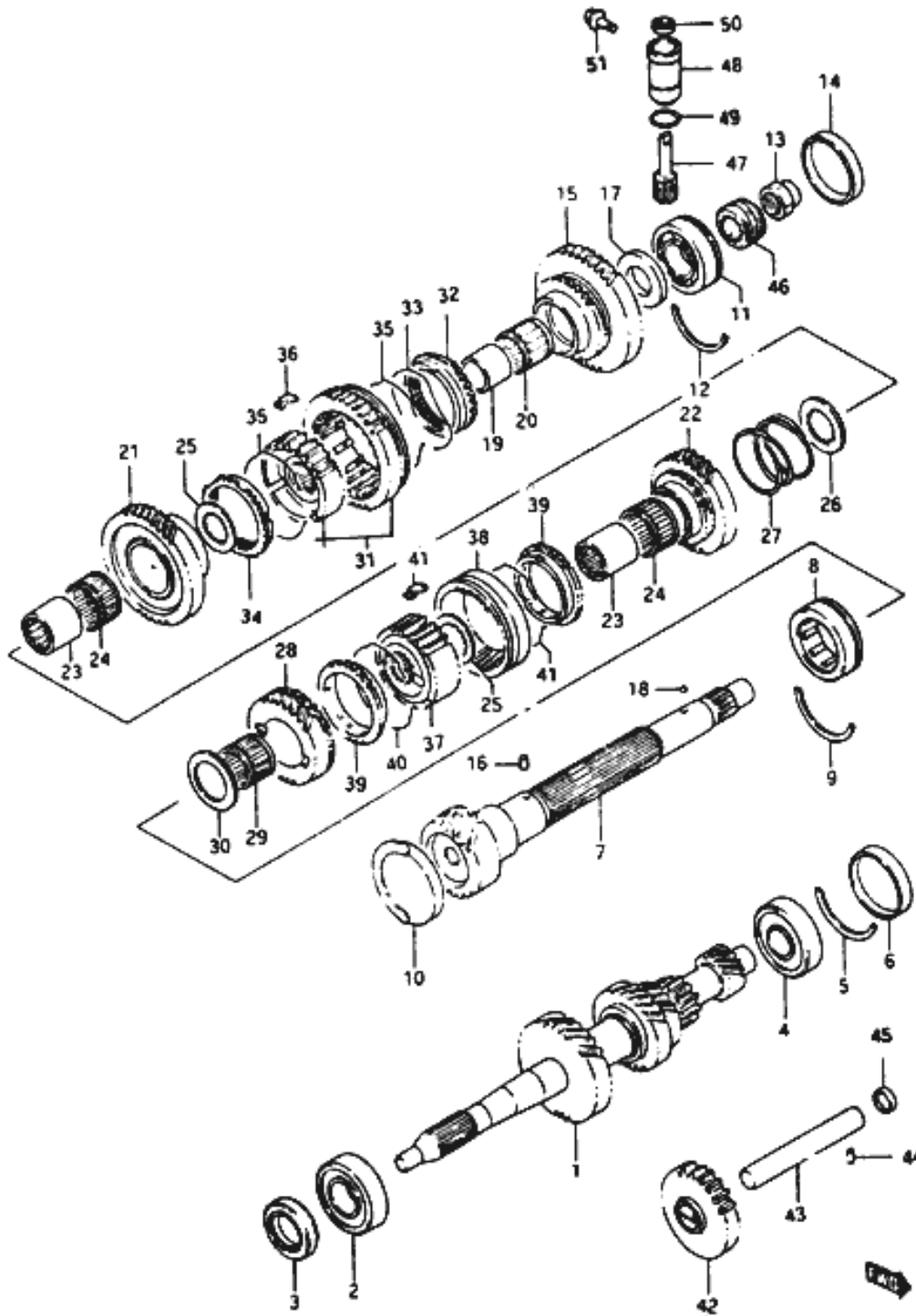
21. KUPPLUNG



1	22100M78412	COVER ASSY CLUTCH
2	09111M08035	BOLT
3	01500M08163	BOLT
4	08321M01083	WASHER LOCK
5	22400M78413	DISC CLUTCH
6	09269-35003	BEARING RELEASE
7	23161-58002	RETAINER CLUTCH REL BRG
8	09448M12005	SPRING
9	23260M74002	SHAFT CLUTCH RELEASE
10	09300M12011	BUSH CLUTH REL SHAFT
11	09448M18008	SPRING
12	23266M84300	ARM CLUTCH RELEASE
13	01550M08353	BOLT
14	08322M01083	WASHER
15	08310M00083	NUT
16	23269M84300	SPRING RELEASE ARM RETURN



22. VÁLTÓ FOGASKEREKEK, TENGELEK

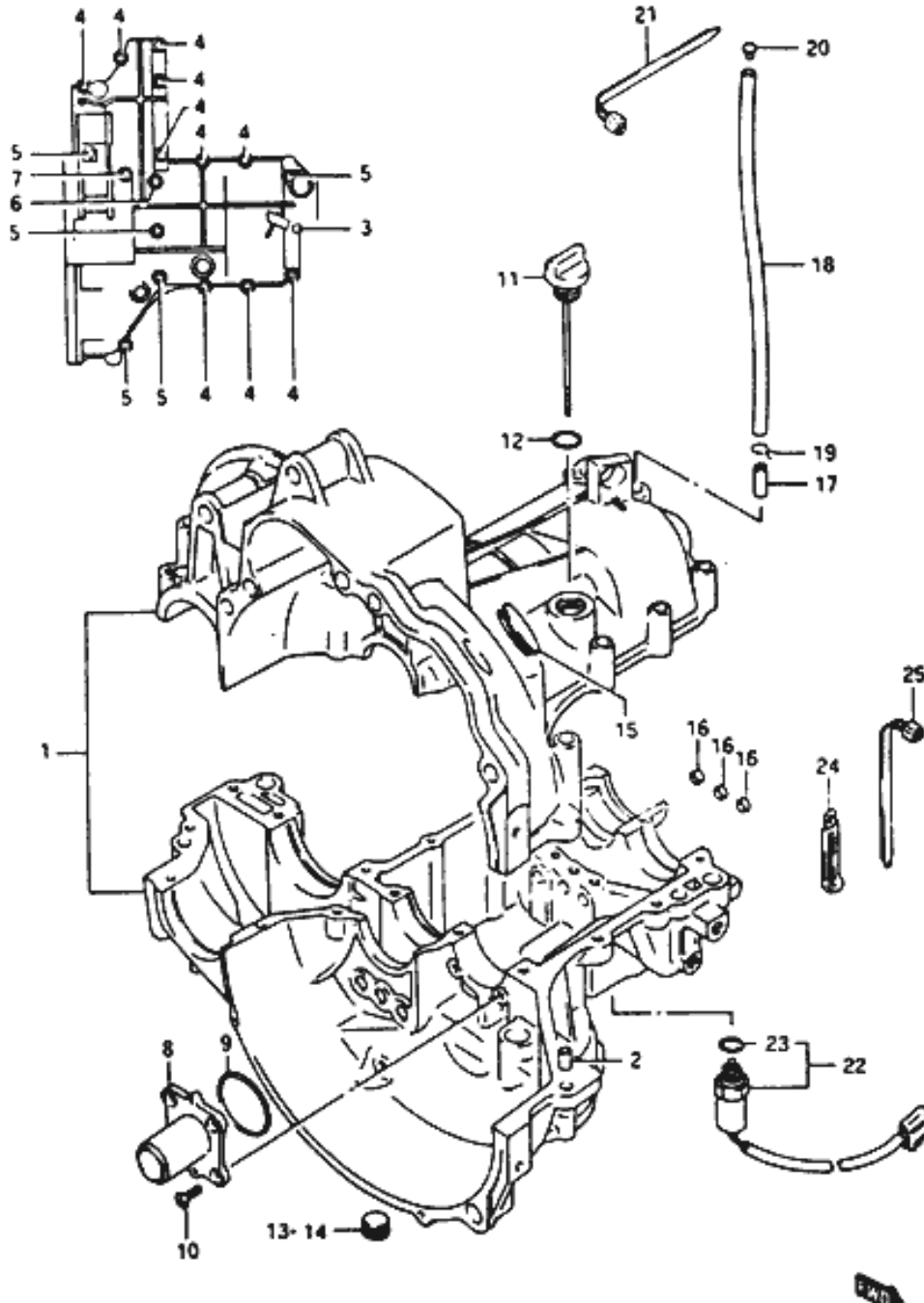


1	24110-84301	SHAFT INPUT NT: 12/11
2	08133-62047	BEARING RH
3	09283-20024	SEAL OIL
4	08133-63037	BEARING LH
5	09390M47006	C RING
6	09241M47102	PLUG LH BEARING
7	24131-84300	SHAFT COUNTER NT: 20
8	09263M30510	BEARING
9	09390M50002	C RING
10	09241M50102	PLUG RH BEARING
11	08163M63140	BEARING LH
12	09390M52003	C RING
13	09159-16004	NUT
14	09241M54102	PLUG LH BEARING
15	24311-84301	GEAR COUNTER SHAFT
16	09261M02009	ROLLER
17	09166M20008	WASHER
18	06111-06003	BALL
19	09300M20024	SPACER
20	09263M25037	BEARING
21	24321-84302	GEAR COUNTER SHAFT
22	24331-84301	GEAR COUNTER SHAFT
23	09319-24008	SPACER
24	09263M30507	BEARING
25	09167M24002	WASHER
26	09167M24004	WASHER
27	09440M48001	SPRING
28	24341-84301	GEAR COUNTER SHAFT
29	09263M25533	BEARING
30	09166M25005	WASHER
31	24400-84300	HUB ASSY LOW SPEED
32	24431-82410	RING LOWER
33	24436-84300	SPRING
34	24431-82040	RING 2ND GEAR
35	09388-00018	SPRING
36	09422-05011	KEY
37	24412-78503	HUB HIGH SPEED SYNCHRONIZER
38	24422-84301	SLEEVE HIGH SPEED SYNCHRONIZER
39	24431-74050	RING HIGH SPEED
40	09388-00007	SPRING
41	09422-05011	KEY
42	24560-84300	GEAR REVERSE IDLE
43	24551M74001	SHAFT REVERSE GEAR
44	09202M05018	PIN
45	09241M14201	PLUG
46	26121M78400	GEAR SPEEDOMETER DRIVE

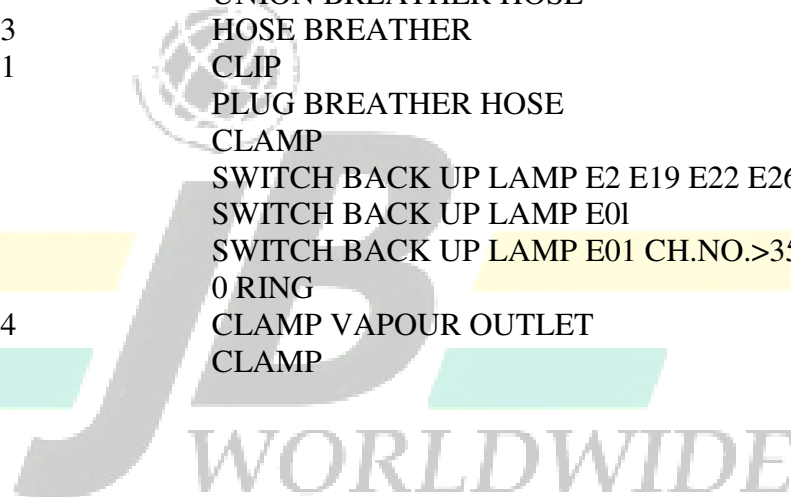
47	26131M78401	GEAR SPEEDOMETER DRIVEN
48	29431M78420	CASE SPEEDOMETER GEAR
49	09280M19001	O RING
50	09282M08101	SEAL OIL
51	09128-06032	BOLT



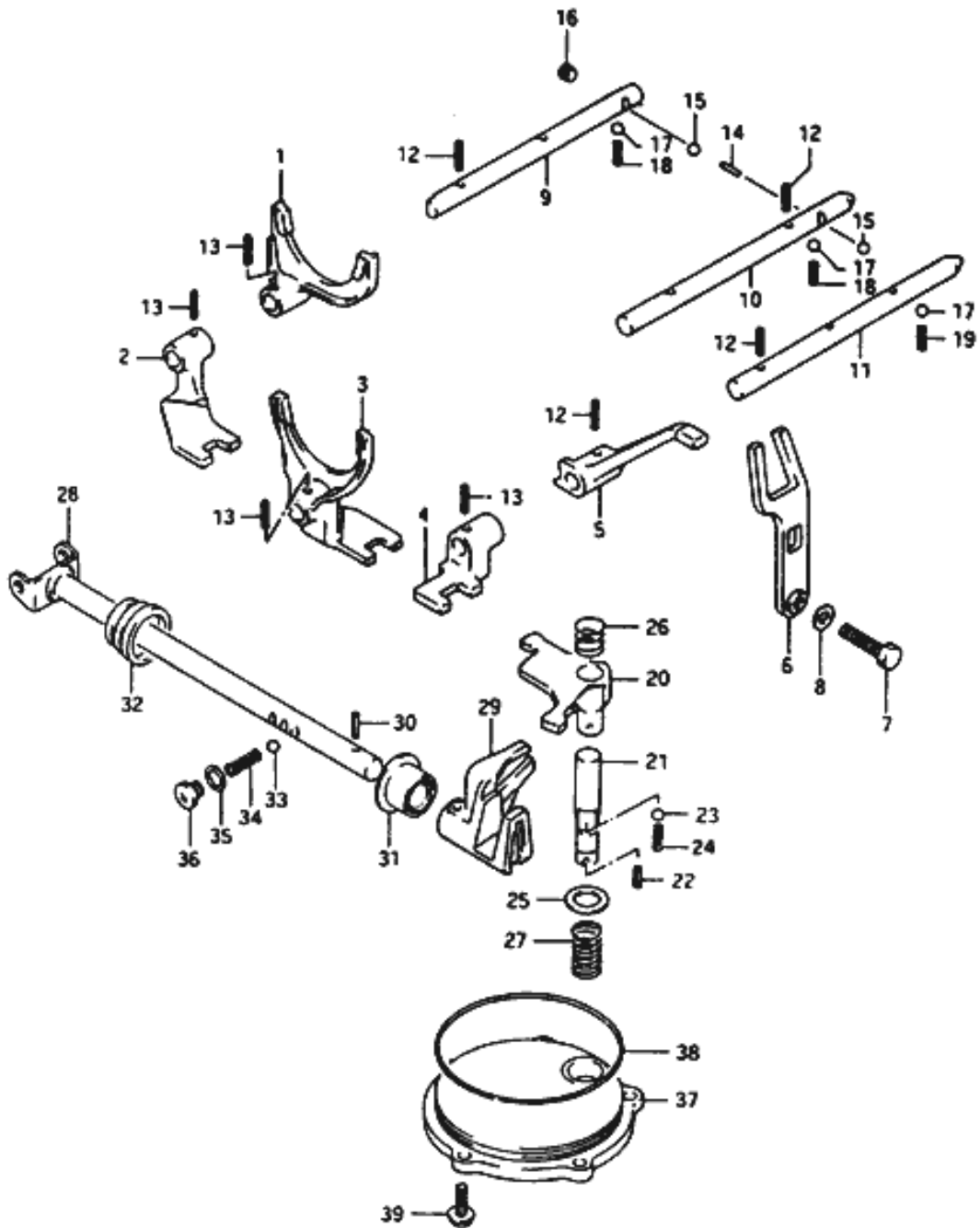
23. VÁLTÓHÁZ



1	24700M84301	CASE ASSY TRANSMISSION
2	04211M09169	PIN
3	01550M06403	BOLT (6X40)
4	01550M08503	BOLT (8X50)
5	01550M08903	BOLT (8X70)
6	01550M08903	BOLT (8X90)
7	09103-08038	BOLT (8X135)
8	24741M75100	RETAINER INPUT SHAFT OIL SEAL
9	09280M43002	O RING
10	02122M06103	SCREW
11	24830M78001	GAUGE SET OIL LEVEL
12	09280M18005	O RING
13	09246-16010	PLUG OIL DRAIN NO.1 N/MAGNET
14	09246-16011	PLUG OIL DRAIN N/MAGNET
15	09250M30003	PLUG TIMING HOLE
16	09241M12201	PLUG GEAR SHIFT SHAFT
17	09341-06002	UNION BREATHER HOSE
18	09343M07073	HOSE BREATHER
19	09401M10301	CLIP
20	24821-78000	PLUG BREATHER HOSE
21	09407-14403	CLAMP
22-1	37610-84100	SWITCH BACK UP LAMP E2 E19 E22 E26 E27
22-2	37610-78003	SWITCH BACK UP LAMP E01
22-3	37610-84100	SWITCH BACK UP LAMP E01 CH.NO.>35000
23	09280-11002	O RING
24	09404M06404	CLAMP VAPOUR OUTLET
25	09407-14403	CLAMP

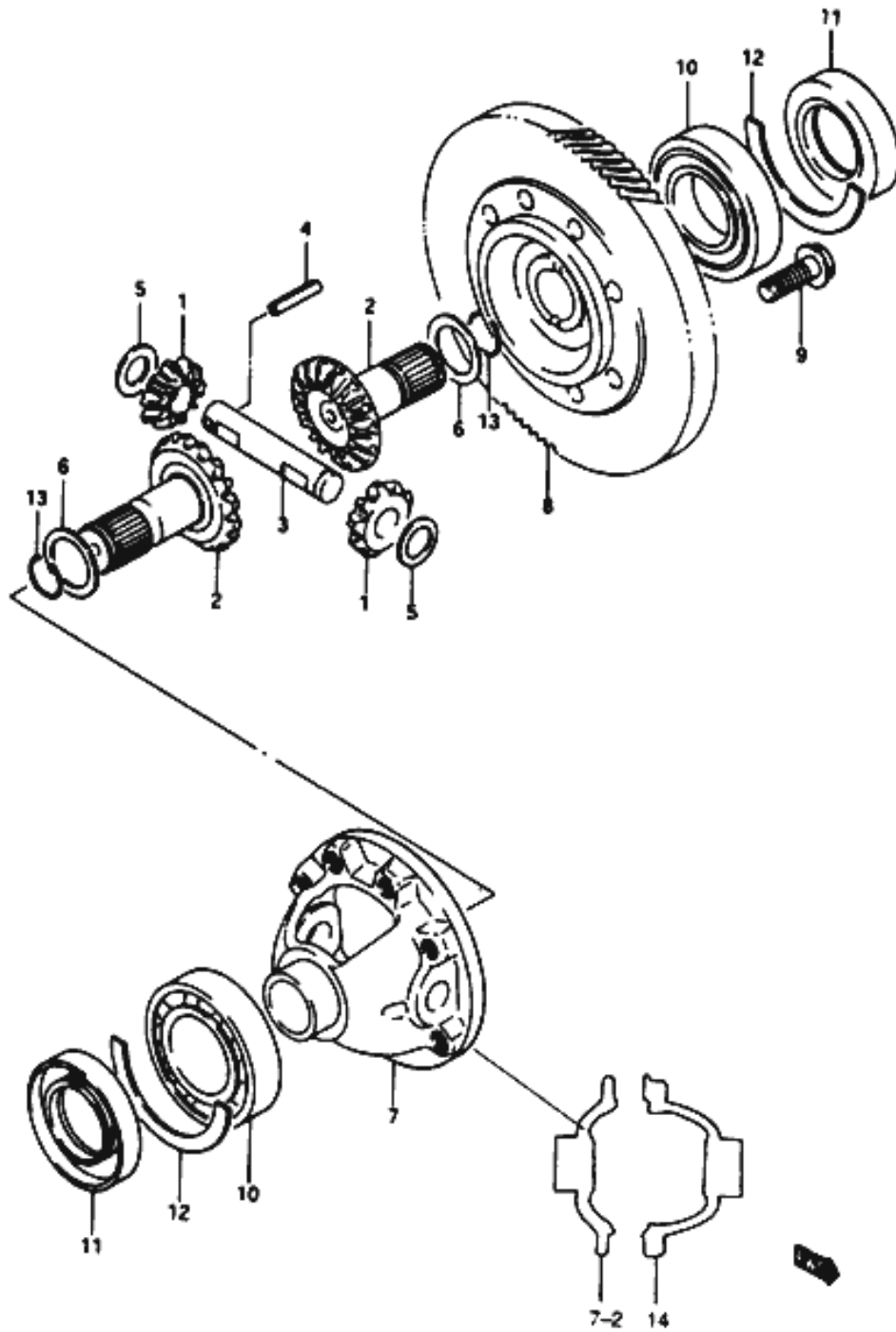


24. VÁLTÓ KAPCSOLÓ RENDSZER



1	25211-84301	FORK LOW SPEED
2	25271-84301	YOKE LOW SPEED
3	25221-78006	FORK HIGH SPEED
4	25261-84301	YOKE REVERSE GEAR
5	25251M78000	ARM REVERSE GEAR SHAFT
6	25460M84300	LEVER REVERSE GEAR SHIFT
7	25711-78000	BOLT
8	09168M10007	WASHER
9	25411M84300	SHAFT LOW SPEED GEAR SHIFT
10	25421M78002	SHAFT HIGH SPEED GEAR SHIFT
11	25451M78001	SHAFT REVERSE GEAR SHIFT
12	09205-04003	PIN
13	09205-04015	PIN
14	09261M03002	ROLLER
15	06111-12004	BALL
16	09245M10002	PLUG
17	06111-10003	BALL
18	09440M07051	SPRING
19	09440M07005	SPRING
20	25541-78502	ARM GEAR SHIFT
21	25571M78502	SHAFT GEAR SHIFT ARM
22	04221M04089	PIN GEAR SHIFT ARM
23	06111-10003	BALL
24	09440M07005	SPRING GEAR SHIFT ARM
25	09166-14013	WASHER
26	09440M17010	SPRING
27	09440M17011	SPRING
28	25510M84301	SHAFT GEAR SHIFT
29	25521M78500	YOKE GEAR SHIFT
30	09205-05103	PIN
31	09289-14001	SEAL OIL
32	28278M78001	BOOT GEAR SHIFT CONTROL
33	06111-10003	BALL
34	09440M07005	SPRING
35	09168M10007	GASKET
36	09128-10002	BOLT
37	25573M78500	CAP ARM SHIFT
38	09280M96001	O RING
39	01550M06203	BOLT

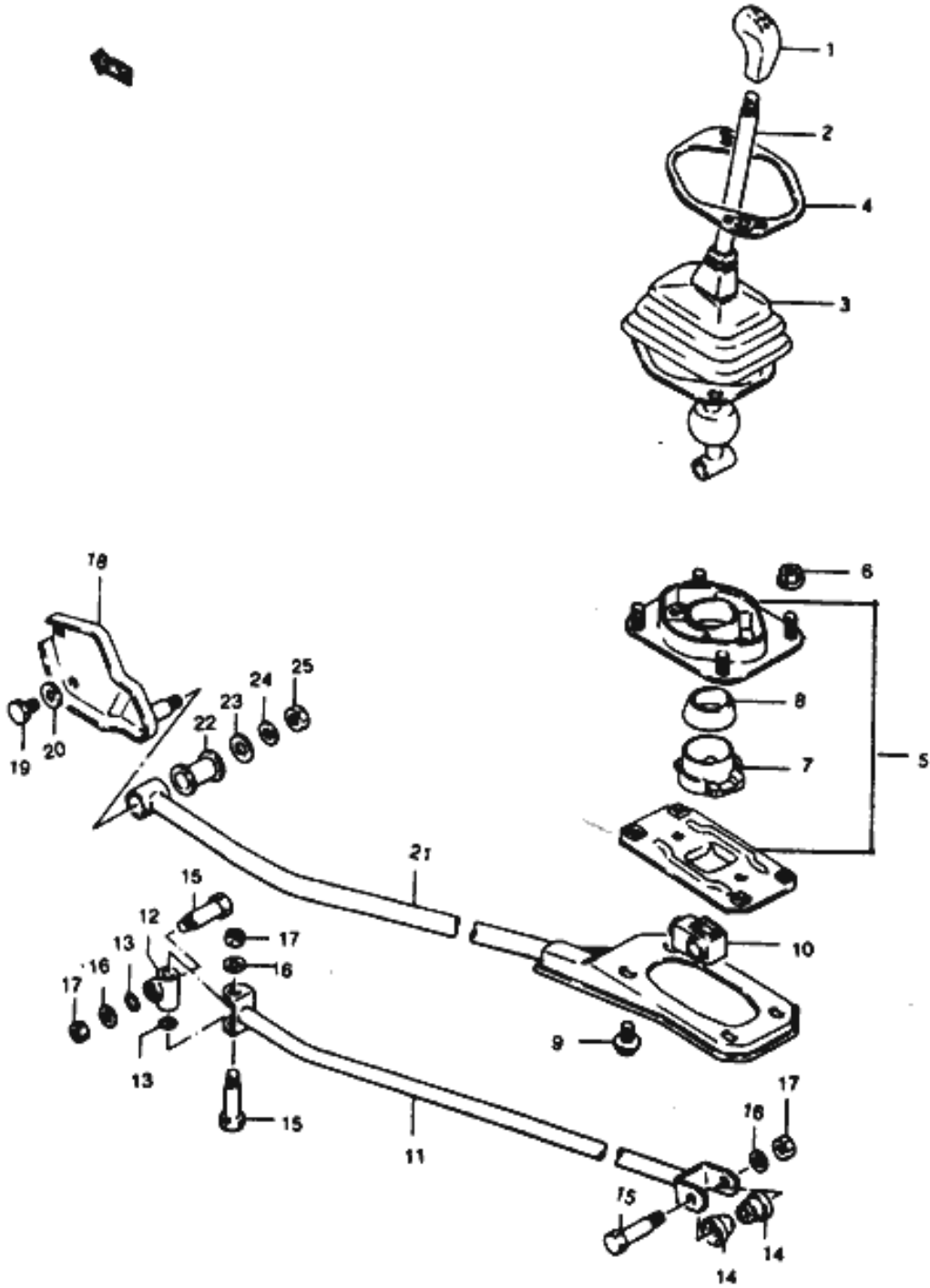
25. DIFFERENCIÁL MŰ



1-1	27331-75102	PINION DIFFERENTIAL
1-2	27331M82010	PINION DIFFERENTIAL MODIFIED DEC'96
2	27342-52A80	GEAR DIFFERENTIAL SIDE
3	27351M72000	SHAFT PINION
4-1	09202M05016	PIN
4-2	09205-05015	PIN MODIFIED DEC'96
5-1	08211M15261	THRUST WASHER
5-2	09164M15003	THRUST WASHER MODIFIED DEC'96
6-1	08221M25356	WASHER (T: 0.8)
6-2	08211M25351	WASHER (T: 1.0)
6-3	09160M25026	WASHER (T: 1.2)
7-1	27411M75102	CASE DIFFERENTIAL PRE-MODIFIED
7-2	27411-84310	CASE DIFFERENTIAL MODIFIED DEC'96- USE WITH 27421-84310
8-1	27511-84300	GEAR FINAL M/T
8-2	27511-84310	GEAR FINAL M/T
8-3	27511-78432	GEAR FINAL A/T
9-1	09103-10189	BOLT (10X18)
9-2	09103-10220	BOLT (10X12) MODIFIED DEC'96
10	08143M62070	BEARING
11-1	09283-35036	SEAL OIL
11-2	09283-35019	SEAL OIL
12	09390M72007	C RING
13	09381M24001	SNAP RING
14	27421-84310	CASE DIFFERENTIAL MODIFIED DEC'96



26. VÁLTÓRUDAZAT, VÁLTÓKAR

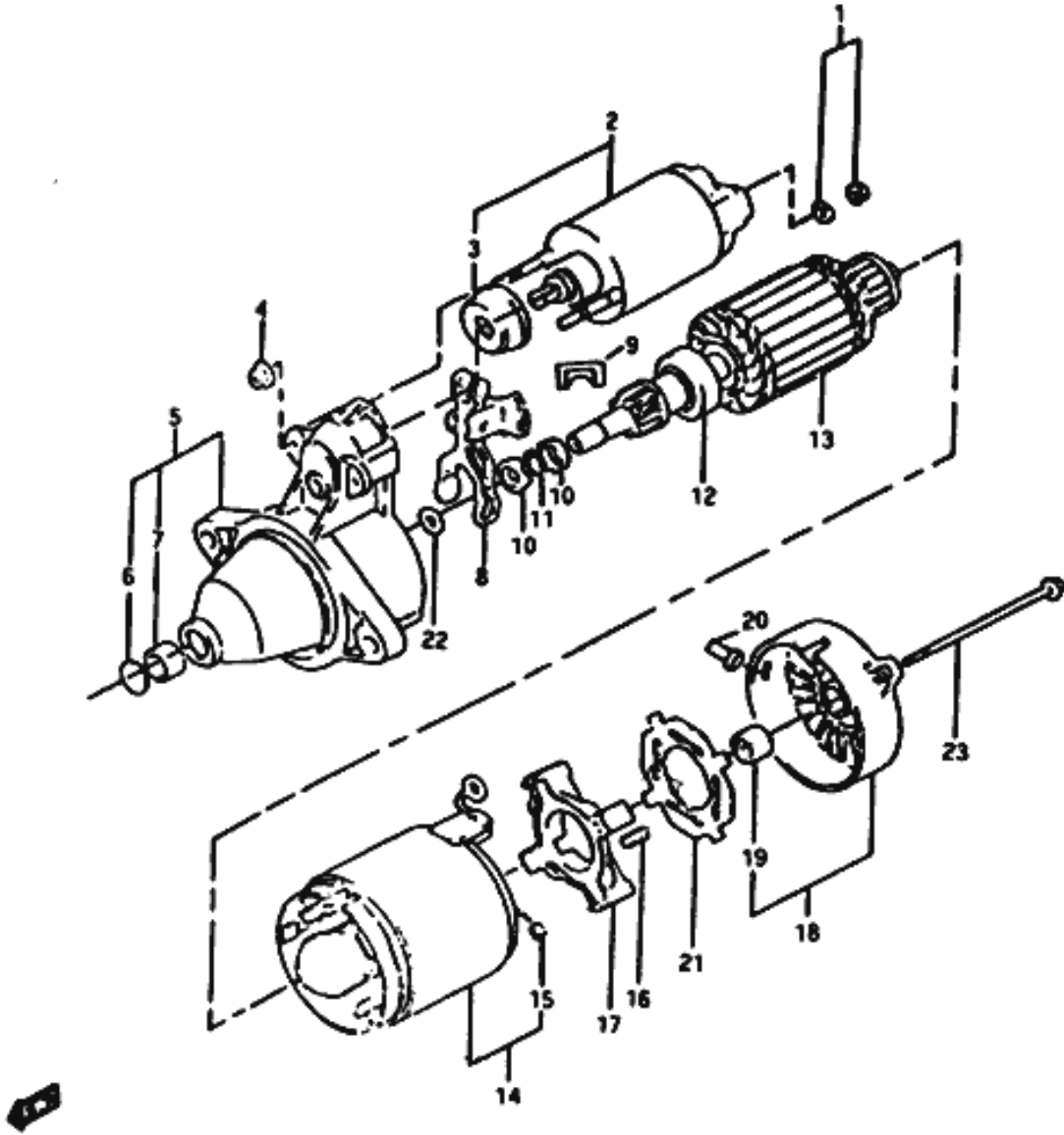


1	28113M84000	KNOB
2	28110M84301	LEVER GEAR SHIFT CONTROL
3	28189M60B00	COVER HOUSING DUST
4	28145M78000	COVER LEVER BOOT
5	28120M78000	HOUSING SET GEAR SHIFT LEVER
6	08316M10083	NUT
7	28115M78141	SEAT LEVER NO. 1
8	28117M78100	SEAT LEVER NO. 2
9	01550M06103	BOLT
10	28279M78001	BOOT SHAFT
11	28250M84301	SHAFT GEAR SHIFT CONTROL
12	28271M78000	JOINT SHAFT
13	09280M08009	O RING
14	09305-08015	BUSH
15	09111M06017	BOLT
16	08321M01063	LOCK WASHER
17	08310M00063	NUT
18	28290M84300	BRACKET EXTENSION ROD
19	01500M08203	BOLT
20	08321M01083	LOCK WASHER
21	28260M84300	ROD EXTENSION
22	09305M14006	BUSH
23	09160M10078	WASHER
24	08321M01103	LOCK WASHER
25	08310M00103	NUT



ELEKTROMOS ALKATRÉSZEK

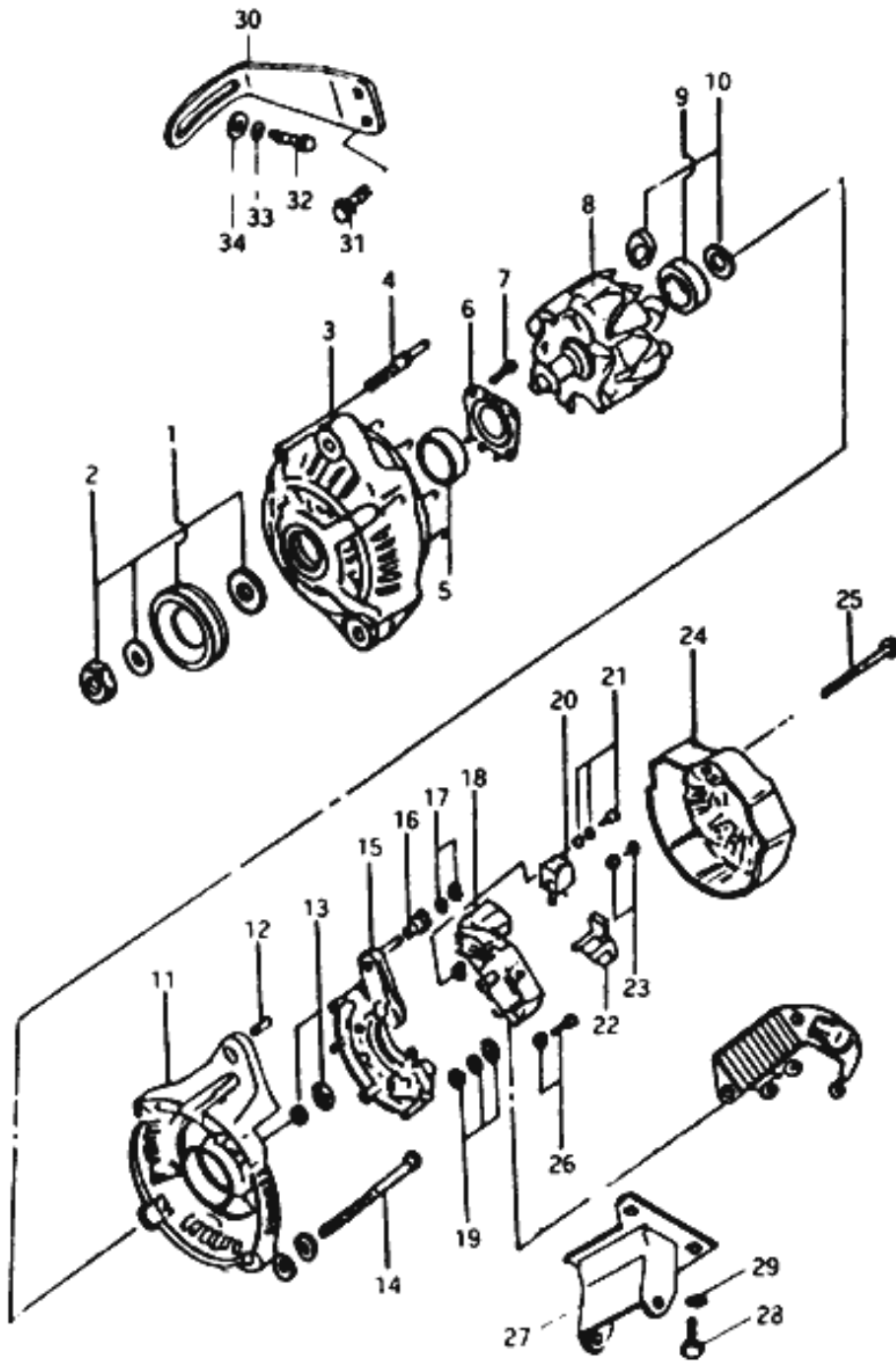
27.ÖNINDITÓ ÉS ALKATRÉSZEI



0	31100M81110	STARTING MOTOR ASSY
1	08310M81010	NUT
2	31220M81010	SWITCH ASSY MAGNETIC
3	31221M81010	COVER PLUNGER
4	31154M81010	NUT HEXAGON
5	31151M81010	HOUSING ASSY STARTER
6	31153M81010	COVER STARTER HOUSING
7	31152M81010	BEARING OIL LESS
8	31191M81010	LEVER STARTER DRIVE
9	31192M81010	SEAL
10	31313M81010	NUT PINION STOP
11	31314M81010	RING SNAP
12	31320M81010	CLUTCH ASSY STARTER
13	31311M81010	ARMATURE ASSY STARTER
14	31110M81010	YOKE ASSY W/HOLDER
15	31131M81010	BRUSH
16	31135M81010	SPRING BRUSH
17	31173M81010	HOLDER BRUSH
18	31170M81010	FRAME ASSY
19	31171M81010	BEARING
20	31172M81010	COVER STARTER
21	31174M81010	INSULATOR
22	31262M81010	WASHER
23	31261M81010	BOLT

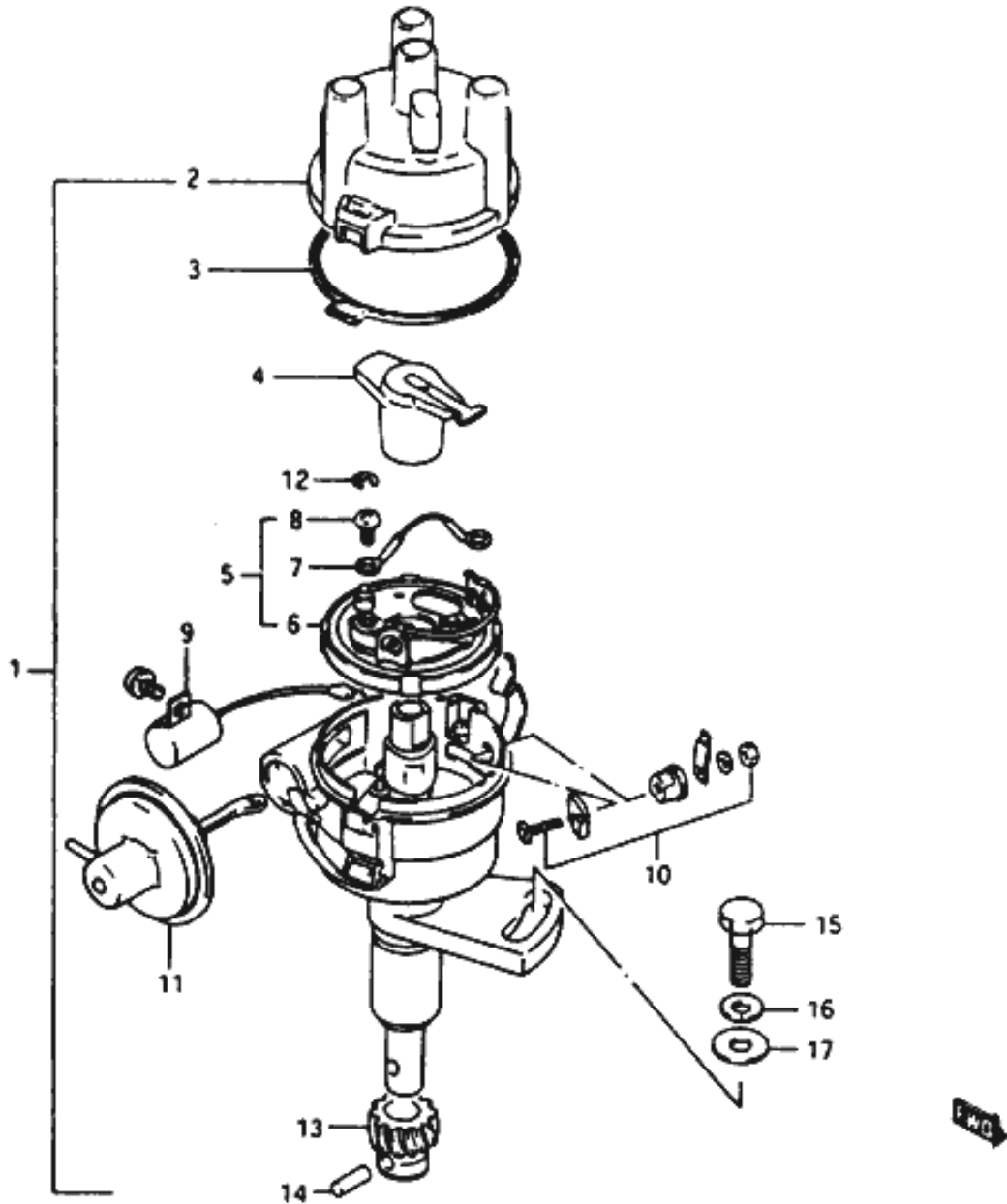


28. GENERÁTOR ÉS ALKATRÉSZEI



0	31400M80030	GENERATOR ASSY
1	31771M80030	PULLY
2	33775M80030	NUT SET
3	31580M80030	FRAME ASSY DRIVE END
4	31587M80030	BOLT STUD
5	31612M80030	BEARING
6	31585M80030	PLATE RETAINER
7	31586M80030	SCREW
8	31710M80030	ROTOR ASSY
9	31582M80030	BEARING
10	31613M80030	COVER SET BEARING
11	31611M80030	FRAME END REAR
12	31616M80030	BUSH
13	31517M80030	NUT
14	31651M80030	BOLT
15	31622M80030	HOLDER SUB-ASSY RECTIFIER
16	31514M80030	INSULATION BUSH
17	31515M80030	NUT WITH WASHER
18	32500M80030	REGULATOR ASSY
19	31518M80030	SCREW
20	31631M80030	BRUSH HOLDER SUB-ASSY
21	31516M80030	SCREW W/WASHER
22	31519M80030	SEAL RING
23	31520M80030	SCREW W/WASHER
24	31614M80030	COVER END REAR
25	31691M80030	BOLT
26	31523M80030	SCREW WITH WASHER
27	17910M84002	BRACKET GENERATOR
28	01500M08203	BOLT
29	08321M01083	WASHER LOCK
30	17921M84001	ARM. ADJUSTER
31	01550M08203	BOLT
32	01500M08253	BOLT
33	08321M01083	WASHER LOCK
34	09160M08088	WASHER

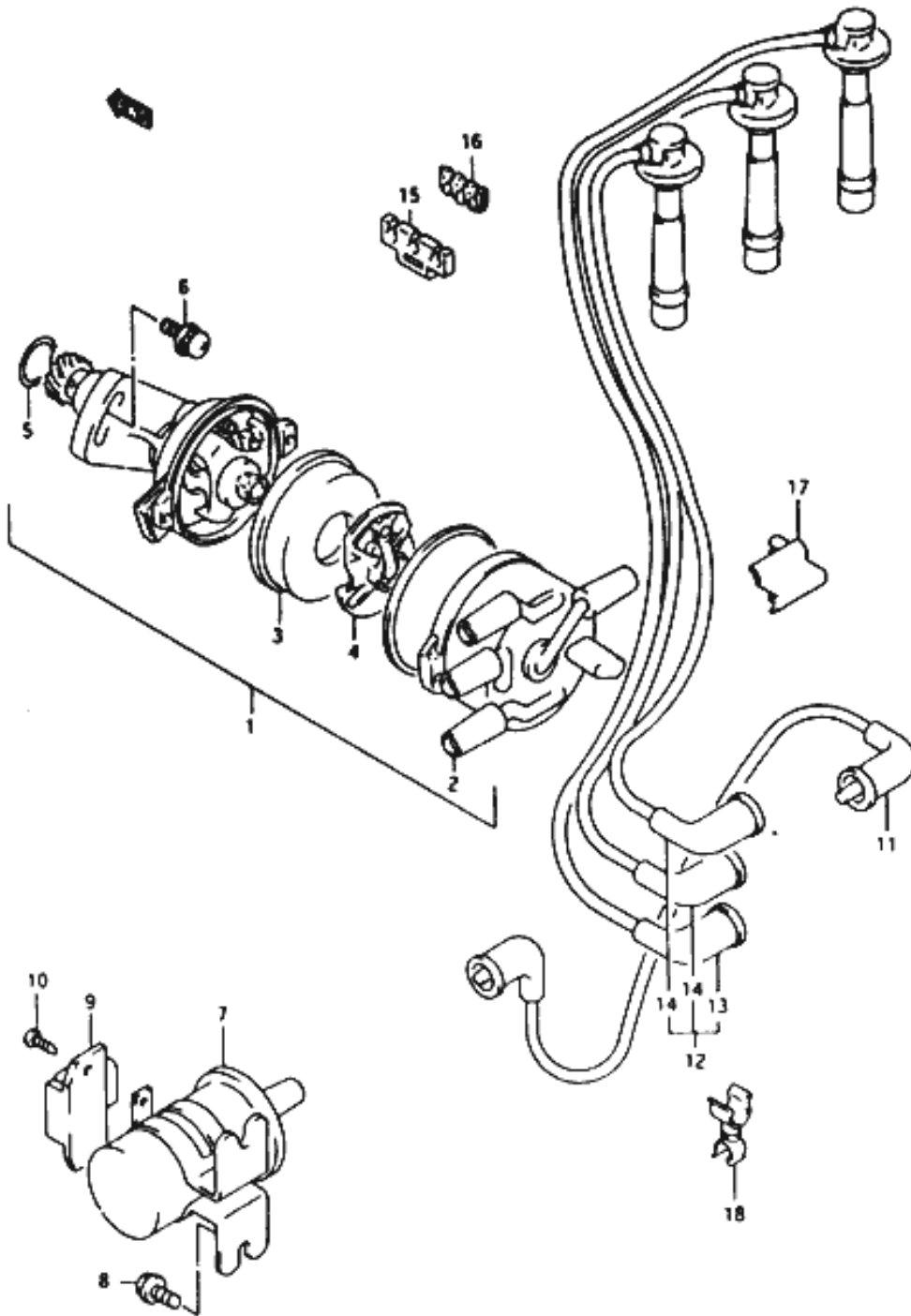
29. GYUJTÁSELOSZTÓ /NIPPON DENSO, NEM MPI/



1	33100-78410	DISTRIBUTOR ASSY
2	33321-78110	CAP
3	33324-79610	SEAL HOUSING
4	33310-82110	ROTOR
5	33102-75110	BREAKER ASSY
6	33140-74010	POINT ASSY
7	33341-76410	WIRE GROUND
8	33151-52011	SCREW POINT
9	33261-73010	CONDENSER
10	33210-73010	TERMINAL ASSY
11	33230-78410	CONTROLLER ASSY VACCUM
12	33239-76410	E RING
13	33267-73011	GEAR
14	33268-72010	PIN
15	09100-08158	BOLT (8X30)
16	08321-21088	LOCK WASHER
17	09160-08030	WASHER (8.2 X 22 X 3.2)



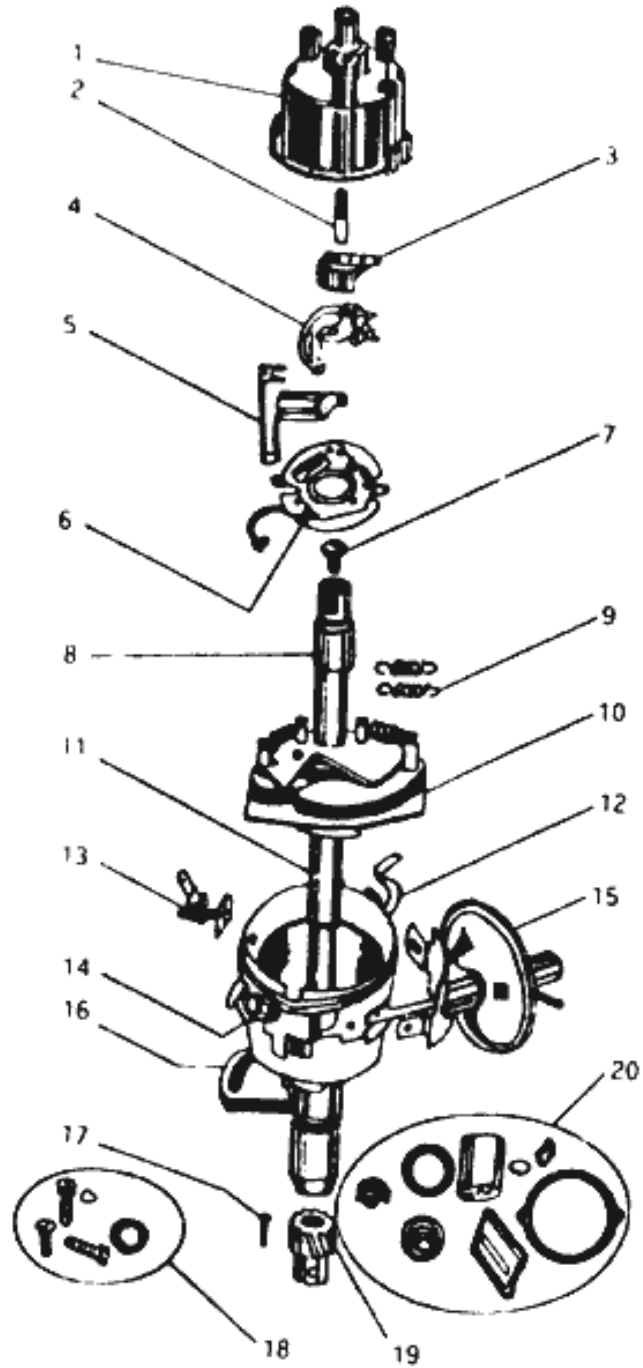
29A.GYUJTÁSELOSZTÓ /NIPPON DENSO, MPI/



1	33100-84300	DISTRIBUTOR ASSY
2	33321-84300	CAP
3	33326-50F60	COVER
4	33310-60C30	ROTOR ASSY
5	33278-85060	O RING
6	09138-08003	SCREW
7	33410-71C10	COIL ASSY IGNITION
8	09115-06001	BOLT
9	33370-71C10	IGNITOR ASSY
10	02112-35103	SCREW
11	33710M63B10	CORD HIGH TENSION #1
12	33700M84300	CORD SET HIGH TENSION
13	33730M78110	CORD HIGH TENSION #2
14	33750M75110	CORD HIGH TENSION #3/4
15	33881M65000	CLAMP HIGH TENSION CORD
16	33882-82010	CLAMP HIGH TENSION CORD
17	33882-81011	PROTECTOR HIGH TENSION CORD
18	09408-00056	CLAMP HIGH TENSION CORD #1



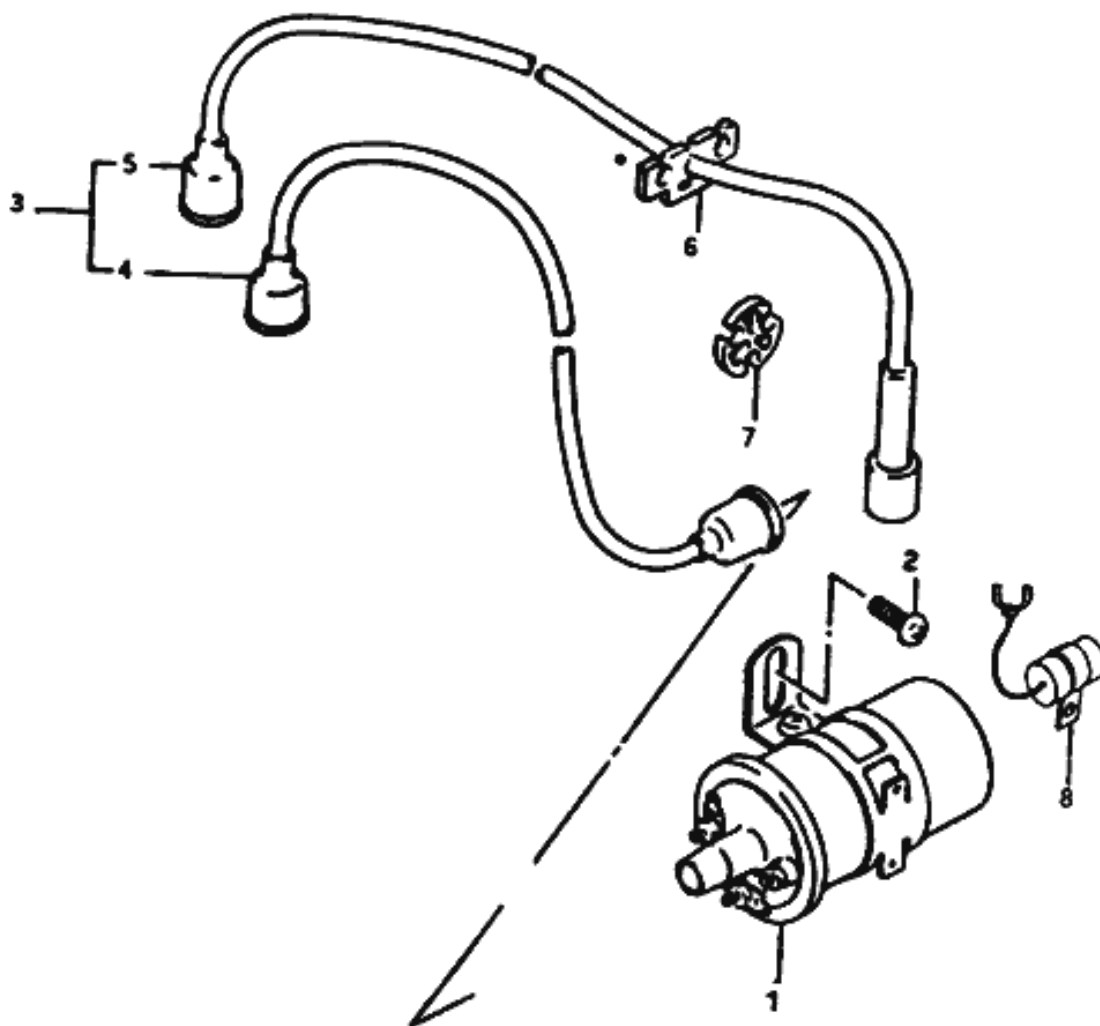
30. GYUJTÁSELOSZTÓ /LUCAS, NEM MPI/



1	33321M78420	COVER ASSY
2	33325M78420	CARBON BRUSH ASSY
3	3310M78420	ROTOR
4	33140M78420	CONTACT SET
5	33261M78420	CONDENSER ASSY
6	33102M78420	C.B. BEARING PLATE ASSY
7	33262N78420	SCREW CAM FIXING
8	33326M78420	CAM ASSY
9	33152M78420	AUTO ADVANCE SPRING
10	33151M78420	WEIGHT
11	33328M78420	SHAFT PLATE & PILLAR
12	33153M78420	SPRING CLIP
13	33210M78420	L.T. TERMINAL KIT
14	33231M78420	RIVET
15	33230M78420	VACCUM UNIT ASSY
16	33267M78420	BODY ASSY
17	33232M78420	RIVET
18	33233M78420	FASTENING KIT
19	33103M78420	DRIVING PINION
20	33324M78420	SEALING KIT



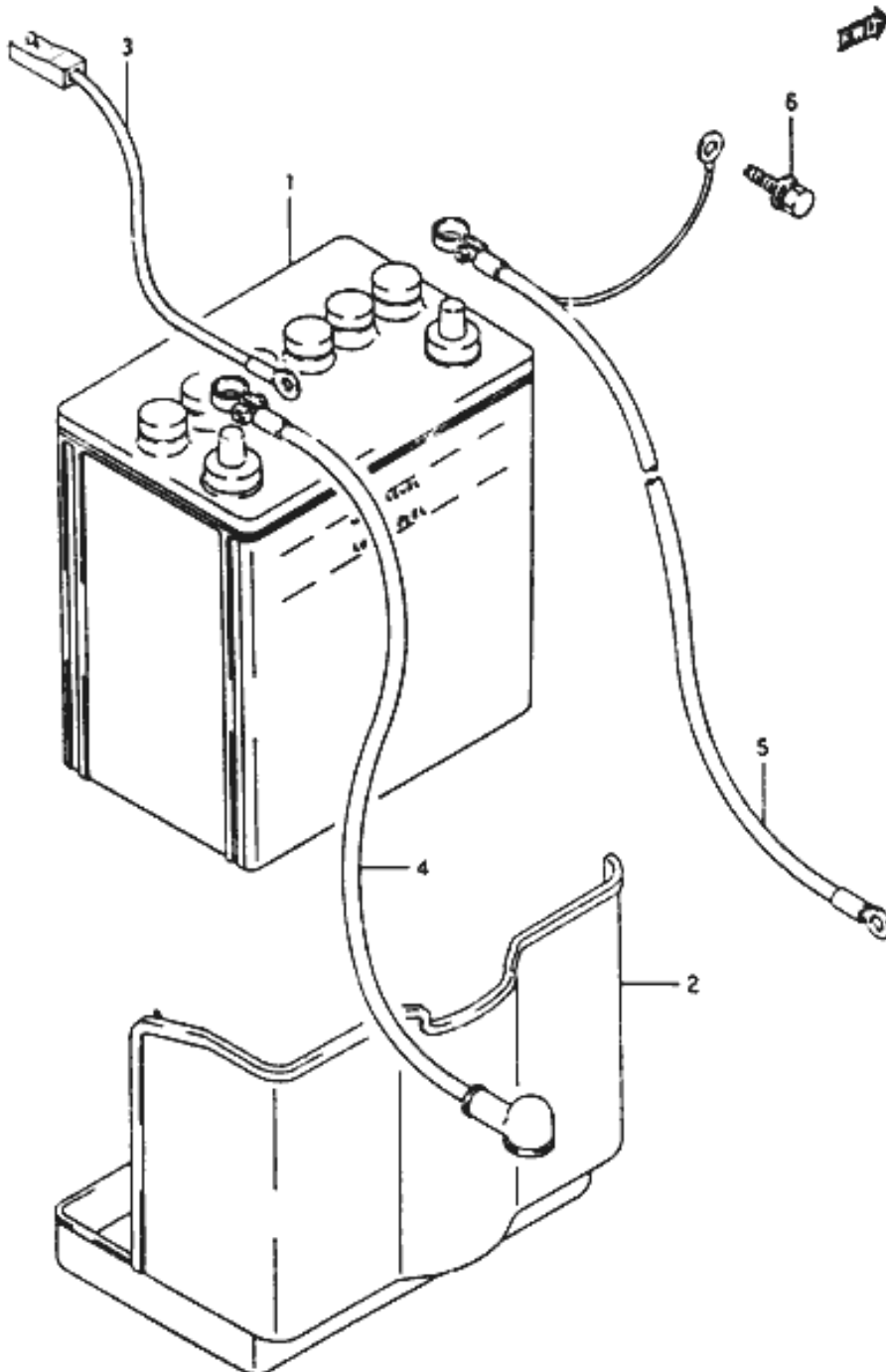
31. GYUJTÓTRAFÓ



1	33410M84020	COIL ASSY IGNITION
2	02142M06106	SCREW
3	33700M84130	CORD ASSY HIGH TENSION
4	33710M83030	CORD HIGH TENSION NO.1
5	33730M78430	CORD HIGH TENSION NO.2/3/4
6	31881M65000	DAND
7	33882M71301	CLAMP HIGH TENSION CORD
8	33551M84010	CONDENSOR NOISE SUPPRESSOR



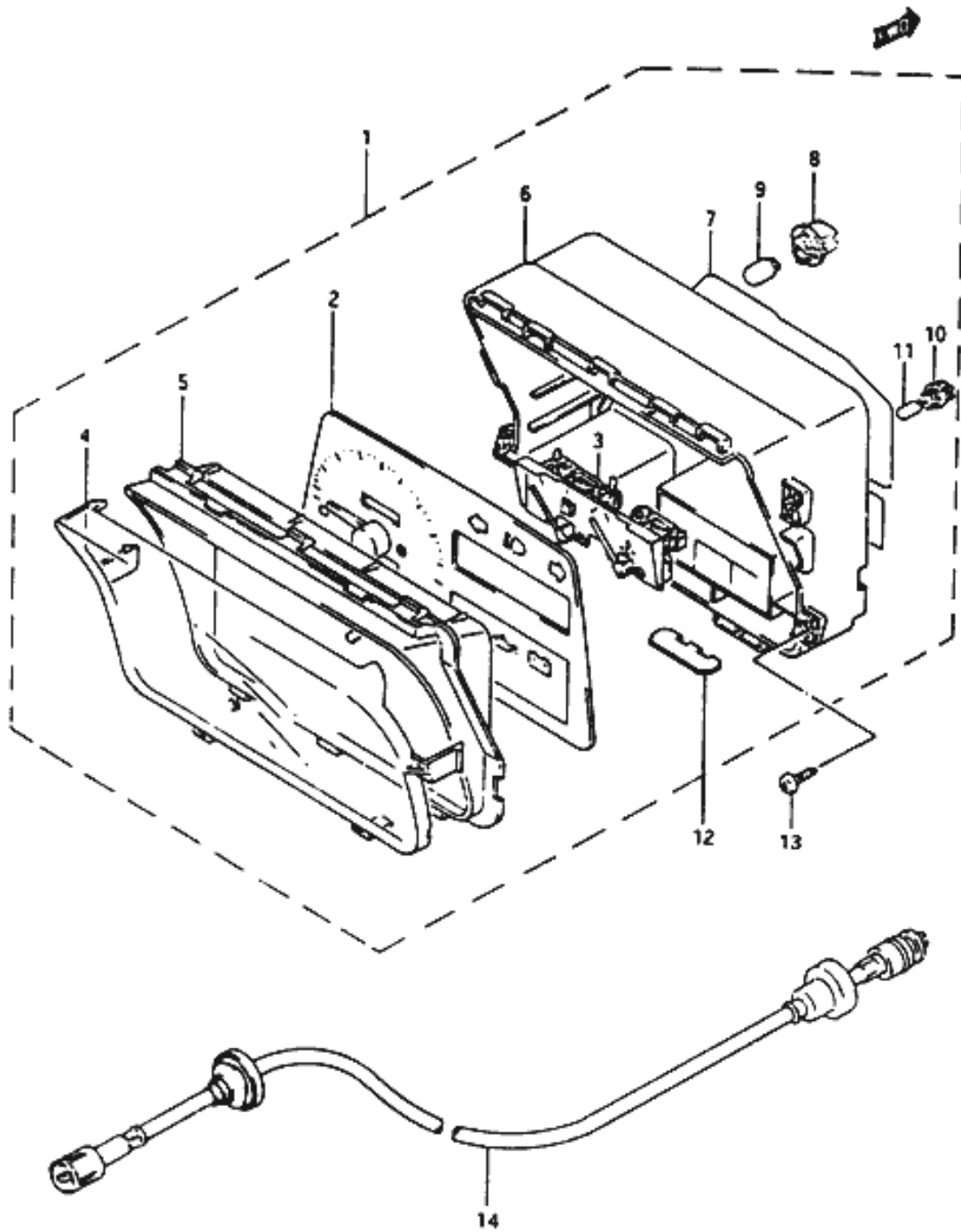
32. AKKUMULÁTOR



1	33610M75011	BATTERY ASSY DRY
2	33660M78000	TRAY BATTERY
3	36740M80000	LINK ASSY FUSIBLE
4	33800M84221	CABLE STARTING MOTOR
5	33850M84210	CABLE BATTERY GROUND
6	09115-06001	BOLT



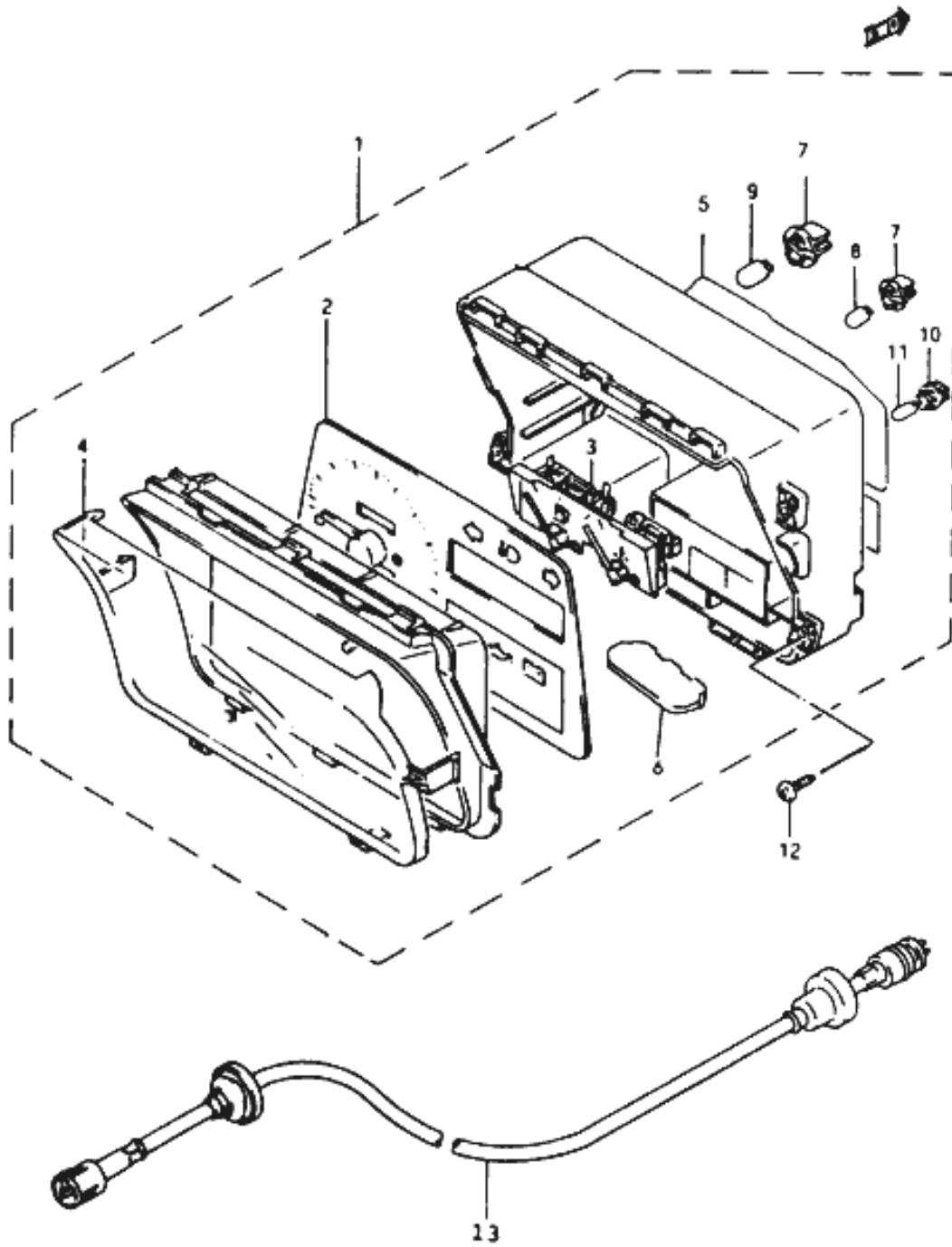
33. MŰSZERC SOPORT /NEM MPI/



1-1	34100-84200	SPEEDOMETER ASSY
1-2	34100-84180	SPEEDOMETER ASSY N/TRIP METER
2-1	34120-84200	BODY SPEEDOMETER N/TRIP METER
2-2	34120-84180	BODY SPEEDOMETER N/TRIP METER
3	34320-84000	BODY FUEL/TEMP
4-1	34112-84000	GLASS N/TRIP METER
4-2	34112-84010	GLASS N/TRIP METER
5	34111-84000	VISOR
6	34151-84160	CASE
7	34152-84160	PRINT METER
8	34173-64010	SOCKET
9	09471-12028	BULB (12V.3.4W)
10	34174-82100	SOCKET
11	09471-12055	BULB (12V.1.4W)
12	34154-84160	PLATE HAZARD WARNING
13	03511-15208	SCREW
14	34910-84011	CABLE SPEEDOMETER



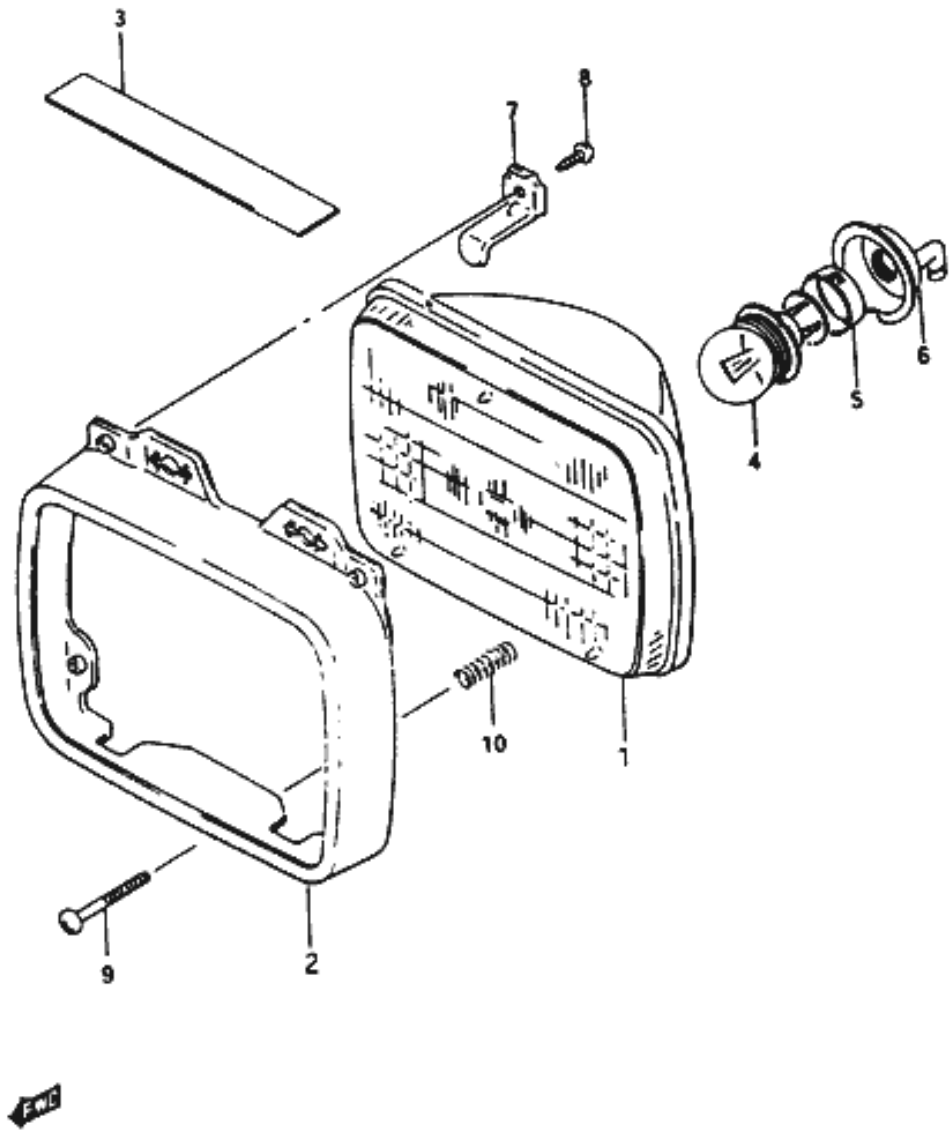
33A.MÜSZERCSPORT /MPI/



1-1	34100-84500	SPEEDOMETER ASSY E34
1-2	34100-84180	SPEEDOMETER ASSY E89
2-1	34120-84500	BODY SPEEDOMETER E34
2-2	34120-84180	BODY SPEEDOMETER E89
3	34320-84000	BODY FUEL/TEMP METER
4	34112-84010	GLASS
5	34152 84160	PLATE PRINT
6	34154-84160	PLATE HAZARD WARNING
7	34172-50E10	SOCKET
8-1	09471-12028	BULB (12V.3.4w) E34
8-2	09471-12028	BULB (12V.3.4W) E89
9	09471-12092	BULB (12V.3.4W) E34
10-1	34175-78900	SOCKET E34
10-2	34175-78900	SOCKET E89
11-1	09471-12055	BULB (12V.1.4W) 534
11-2	09471-12055	BULB (12V.1.4W) 589
12	03541-05203	SCREW
13	34910-84011	CABLE SPEEDOMETER



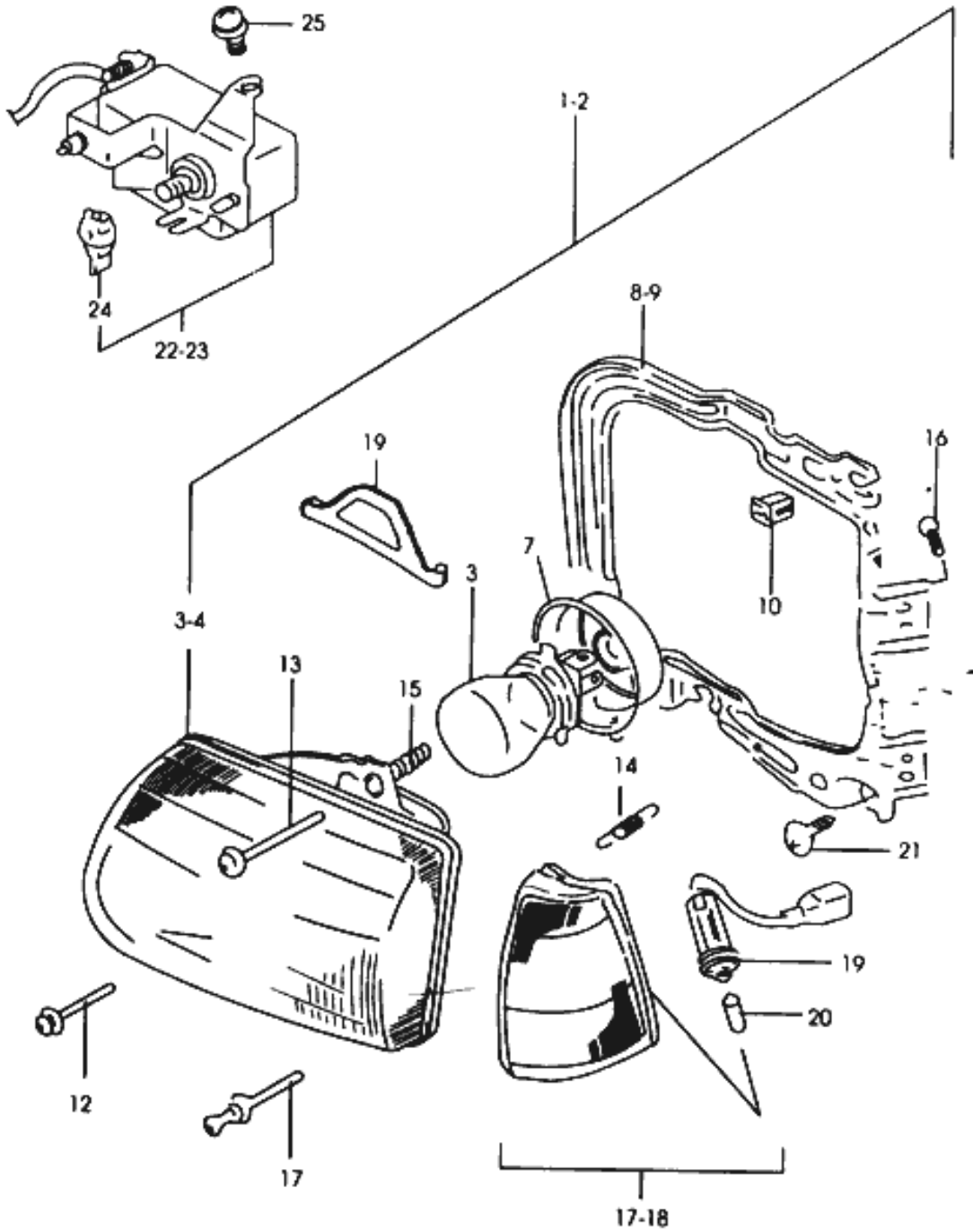
34. FÉNYSZÓRÓ /1.TIPUS/



1-1	35121-78050	UNIT HEAD LAMP E02
1-2	35121-78040	UNIT HEAD LAMP
1-3	35121M84110	UNIT HEAD LAMP LUMAX
2-1	35131-84821	PIN KOITO
2-2	35130M84010	PIN LUMAX
3	35198M84010	SEAL
4-1	09471-12049	HEAD LAMP BULB YELLOW
4-2	09471-12048	HEAD LAMP BULB
5	35123M80010	BULB HOLDER
6	35125M80010	CUVER
7-1	35132-82030	PLATE KOITO
7-2	35132M84010	PLATE LUMAX
8	02112M04087	SCREM
9	35151M80030	SCREW ADJUSTER
10	35154M80030	SPRING



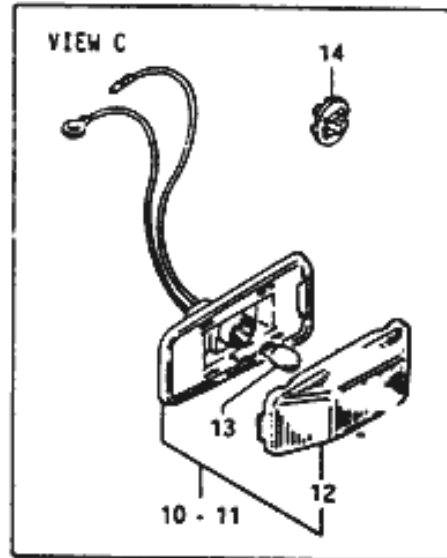
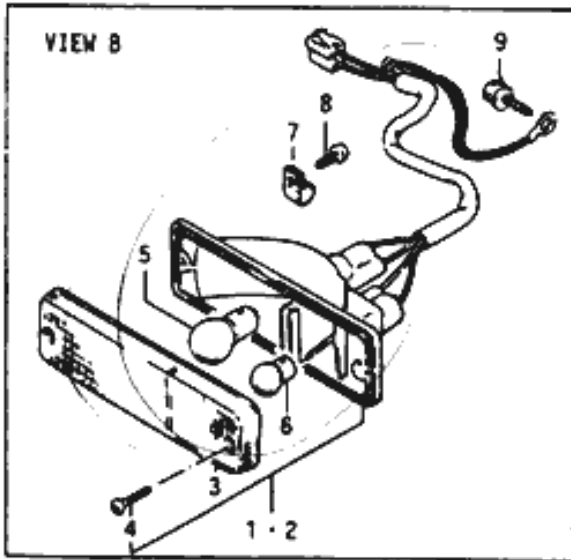
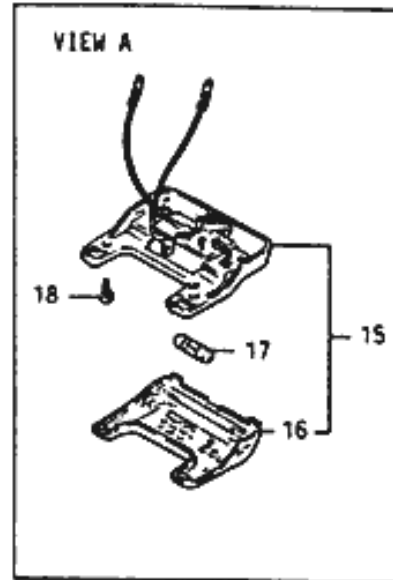
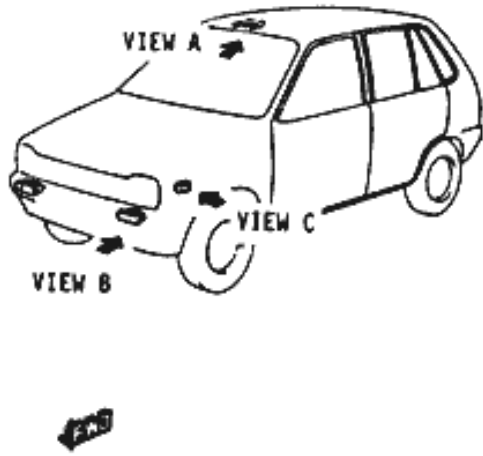
34A.FÉNYSZÓRÓ /2.TIPUS/



1	35121-50A30	UNIT ASSY HEAD LAMP RH
2	35321-50A30	UNIT ASSY HEAD LAMP LH
3	09471-12048	BULB (12V 45/40W) CLEAR
4	35179-50A00	COVER SOCKET
5	36110-50A30	LAMP ASSY FR POSITION RH
6	36130-50A30	LAMP ASSY FR POSITION LH
7	09471-12081	BULB 12V 5W
8	36118-50A00	CORD FR POSITION LAMP
9	35155-50A00	SPRINGS ADJUST NO.2
10	35142-50A00	NUT HEAD LAMP ADJUST
11	35141-50A00	HOUSING HEAD LAMP RH
12	35341-50A00	HOUSING HEAD LAMP LH
13	03121-04166	SCREW
14	09125-06036	SCREW
15	35154-50A00	SPRINGS ADJUST NO.3
16	35151-50A00	SCREW ADJUST NO.1
17	35152-50A00	SCREW ADJUST NO.2
18	35153-50A00	SCREW ADJUST NO.3
19	35178-50A30	PLATE CONTACT



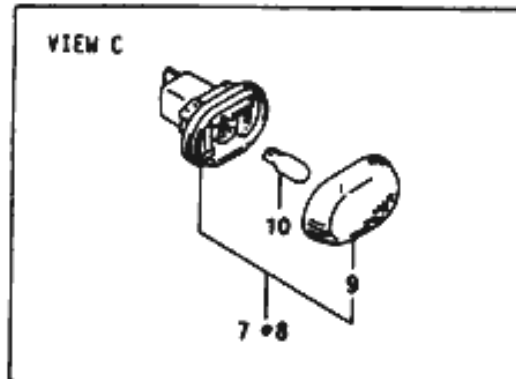
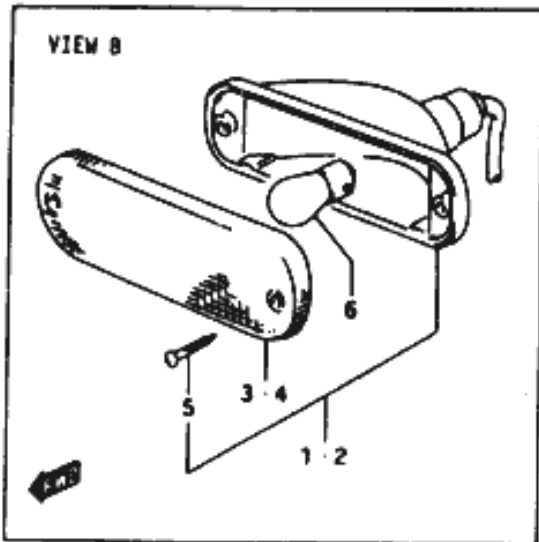
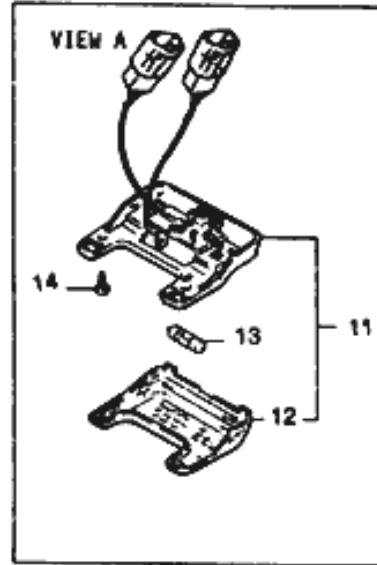
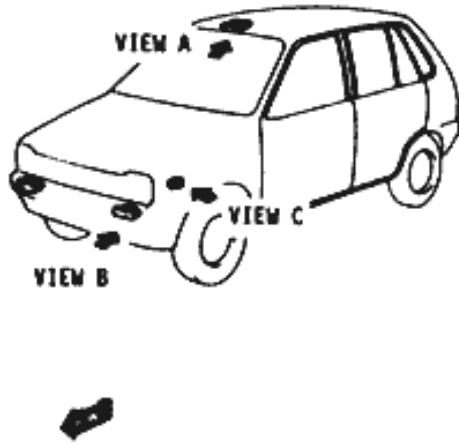
35. INDEX, BELSŐ LÁMPA /1.TIPUS/



1	35601M84220	LAMP ASSY FR COMB RH WITHOUT BULB
2	35602M84220	LAMP ASSY FR COMB LH WITHOUT BULB
3	35612M84220	LENS
4	03512M04259	SCREW
5	09471-12045	BULB 12V 21W
6	09471-12140	BULB 12V 5W
7	35722-01400	CLAMP
8	03242-04109	SCREW
9	09115-06001	BOLT
10	36410M82210	LAMP SIDE TURN SIGNAL RH WITHOUT BULB
11	36430M82210	LAMP SIDE TURN SIGNAL LH WITHOUT BULB
12	36412M82110	LENS
13	09471-12081	BULB 12V 5W
14	09308-15004	GROMMET
15	36210M78013	LAMP ASSY ROOM WITHOUT BULB
16	36212M78011	LENS
17	09471-12073	BULB 12V 5W
18	03241M05108	SCREW



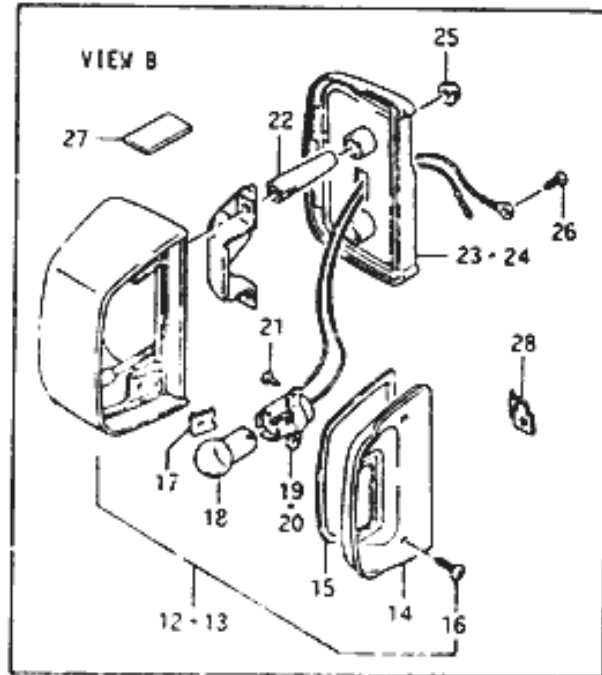
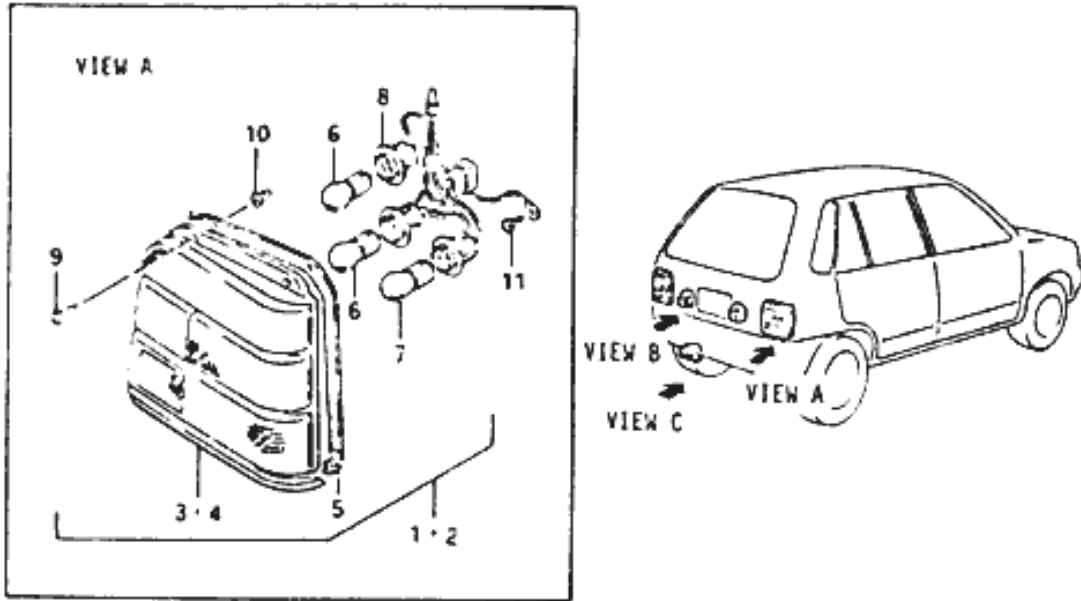
35A.INDEX, BELSŐ LÁMPA /2.TIPUS/



1	35601M60B30	LAMP ASSY FR COMB RH WITHOUT BULB
2	35602M60B30	LAMP ASSY FR COMB LH WITHOUT BULB
3	35612M60B10	LENS RH
4	35632M60B10	LENS LH
5	25625M60B10	SCREW
6	09471-12045	BULB 12V 21W
7	36410M60B10	LAMP SIDE TURN SIGNAL RH WITHOUT BULB
8	36430M60B10	LAMP SIDE TURN SIGNAL LH WITHOUT BULB
9	36412M60B00	LENS
10	09471-12076	BULB 12V 5W
11	36210M780C0	LAMP ASSY ROOM WITHOUT BULB
12	36212M78011	LENS
13	09471-12073	BULB 12V 5W
14	03241M05103	SCREW

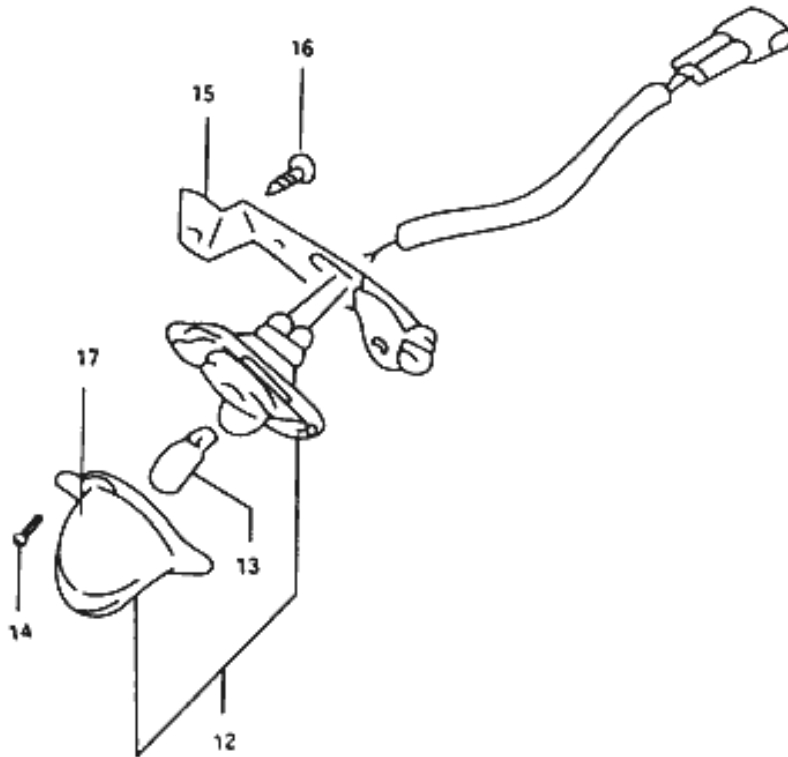
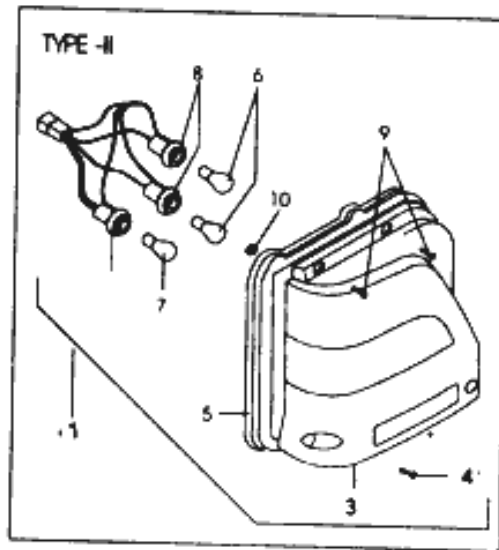


36. HÁTSÓ LÁMPA /1.TIPUS/



1	35603M84110	LAMP ASSY RR COMBINATION RH WITHOUT BULB
2	35604M84110	LAMP ASSY RR COMBINATION LH WITHOUT BULB
3	35650M84110	UNIT RH
4	35670M84110	UNIT LH
5	35653-84000	GASKET
6	09471-12045	BULB 12V 21W
7	09471-12046	BULB 12V 21/5W
8	35658M84110	SOCKET
9	35665M84110	SCREW
10	09159M04002	NUT
11	09139-05028	SCREW
12	35910M84110	LAMP ASSY LICENCE RH WITHOUT BULB
13	35930M84110	LAMP ASSY LICENCE LH WITHOUT BULB
14	35912M84000	LENS
15	35913M84010	GASKET LENS
16	03112M04165	SCREW
17	09148M04019	NUT
18	09471-12062	BULB (12V 10W)
19	35918M84010	SOCKET RH
20	35938M84010	SOCKET LH
21	03211M04106	SCREW
22	35922M84010	SPACER
23	35917M84010	GASKET BASE RH
24	35937MB4010	GASKET BASE LH
25	08316M16056	NUT
26	09139-05028	SCREW
27	95765M84000	PROTECTOR LICENCE LAMP WIRE
28	35928M84000	CLAMP LICENCE LAMP WIRE

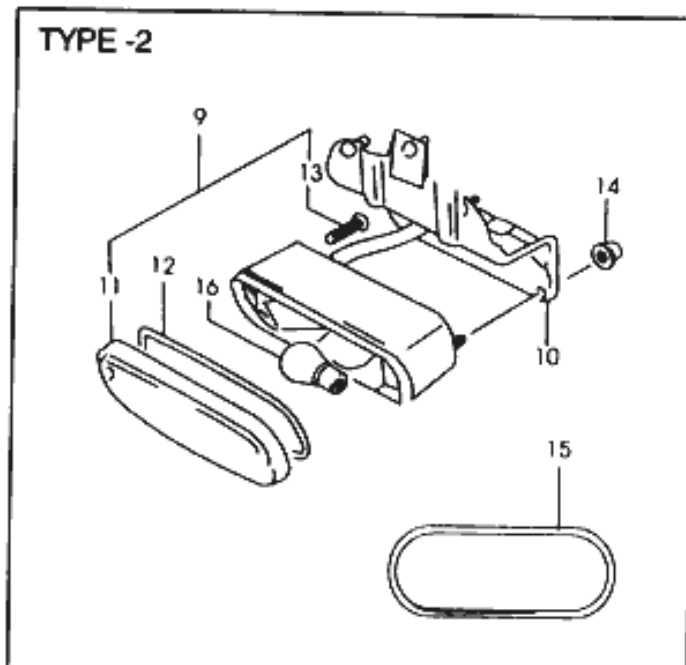
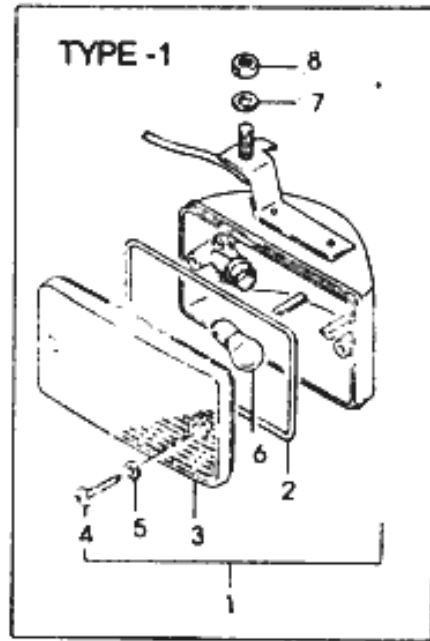
36A. HÁTSÓ LÁMPA /2.TIPUS/



1	35603M84410	LAMP ASSY RR COMBINATION RH WITHOUT BULB
2	35604M84410	LAMP ASSY RR COMBINATION LH WITHOUT BULB
3	35650M84410	UNIT RH
4	35670M84410	UNIT LH
5	35653M84400	GASKET
6	09471-12045	BULB 12V 21W
7	09471-12046	BULB 12V 21/5W
8	35658M84410	SOCKET
9	35665M84110	SCREW
10	09159M04002	NUT
11	09139-05028	SCREW
12	35910M70F10	LAMP ASSY LICENCE WITHOUT BULB
13	09471-12076	BULB 12V 5W
14	03112M04165	SCREW
15	35929M84400	BRACKET LICENSE LAMP
16	03541-05103	SCREW
17	35912M70F10	LENS



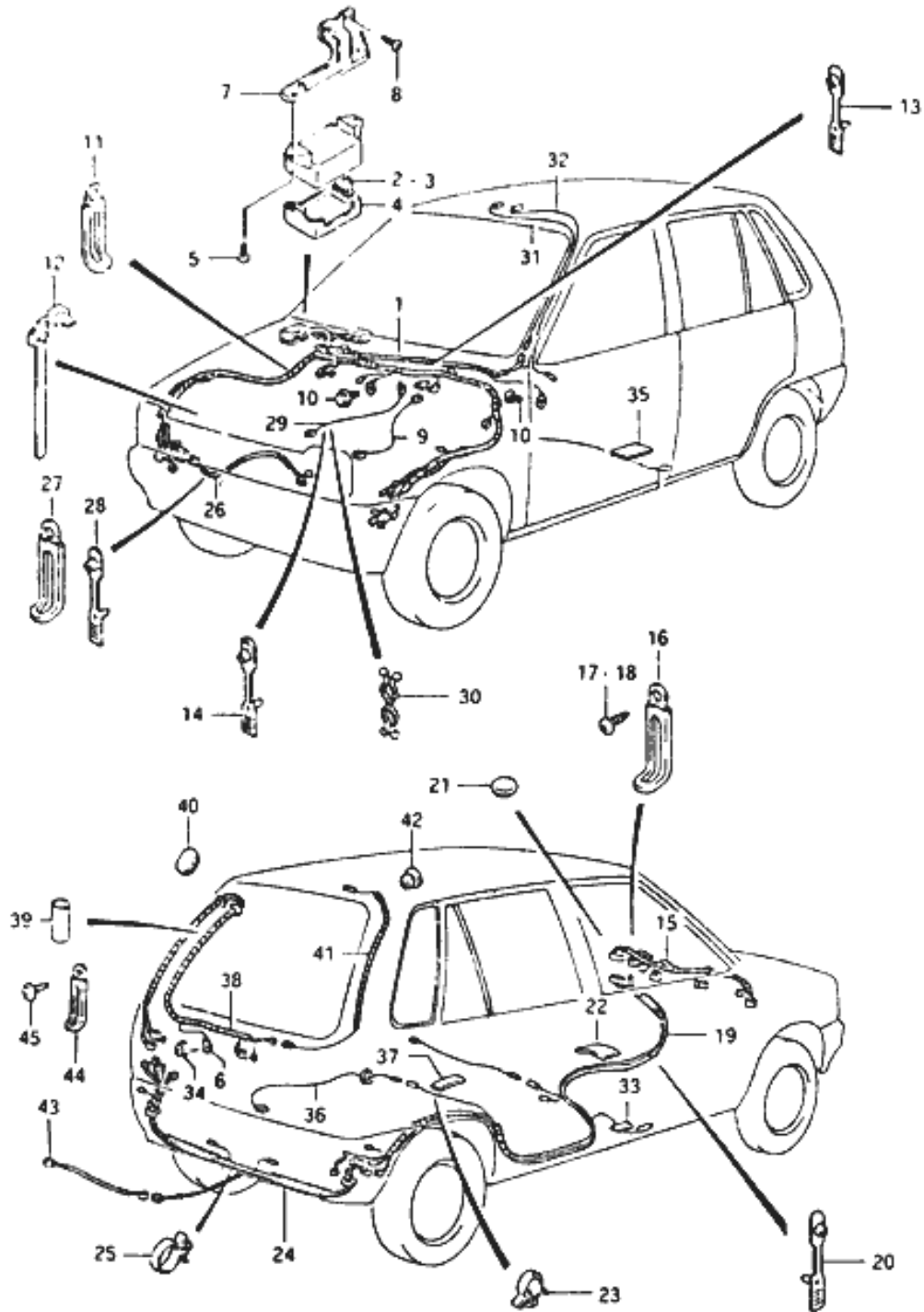
37. KÖDLÁMPA



1	36570M84010	LAMP ASSY REAR FOG	TYPE 1
2	36573-79000	PACKING	TYPE 1
3	36572-79000	LENS	TYPE 1
4	03212-04169	SCREW	TYPE 1
5	35129-04030	WASHER	TYPE 1
6	09471-12064	BULB 12V 21W	TYPE 1
7	09160-08005	WASHER	TYPE 1
8	08310M22086	NUT	TYPE 1
9	35670-70F00	LAMP ASSY REAR FOG	TYPE 2
10	36580M84400	BRACKET RR FOG LAMP	TYPE 1
11	36572-60B00	LENS REAR FOG LAMP	TYPE 2
12	36253-60B00	GASKET	TYPE 2
13	03511-04203	SCREW	TYPE 2
14	08316-10063	NUT	TYPE 2
15	71814-84400	BEZEL REAR FOG LAMP	TYPE 2
16	09471-12045	BULB 12V 21W	TYPE 2



38. RELÉK, ALJZATOK, KÁBELKÖTEG /NEM MPI/

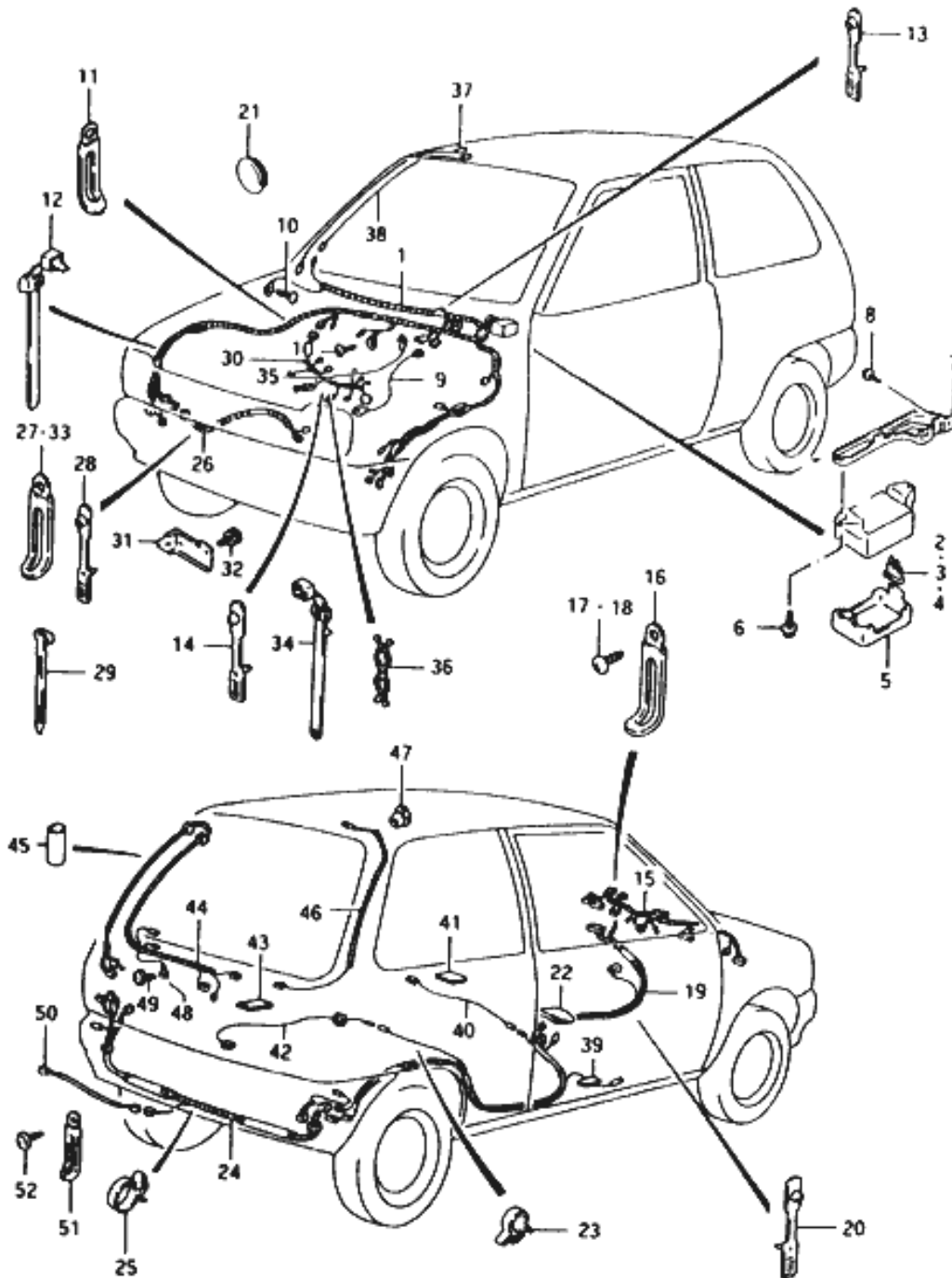


1-1	36610M84721	HARNESS ASSY WIRING #1 TYPE 1
1-2	36610M844K0	HARNESS ASSY WIRING #1 TYPE
1-3	36610M844D0	HARNESS ASSY WIRING #1 (CAT+CAN) TYPE
2	09481-10101	FUSE 10A
3	09481-15101	FUSE 15A
4	36717M80021	COVER FUSE BOX
5	03211M15128	SCREW
6	36891M84000	WIRE REAR DEFOGGER GROUND
7	36791M84100	BRACKET FUSE BOX
8	03141-05126	SCREW
9	36919M84000	WIRE NOISE SUPPRESSOR
10	09129-06002	SCREW
11	09404M08403	CLAMP
12	09407-10402	CLAMP
13	09407M05403	CLAMP
14	09407M05405	CLAMP
15	36620M84400	HARNESS ASSY WIRING #2
16	09404M06404	CLAMP VAPOUR OUTLET
17	03541-05128	SCREW STAY
18	03241-04126	SCREW
19-1	36630M84610	HARNESS ASSY WIRING #3 TYPE 1
19-2	36630M844B0	HARNESS ASSY WIRING #3 TYPE 2
20	09407M05405	CLAMP
21	09250M14003	CAP DOOR SWITCH HOLE
21-1	36930M82000	COVER FLOOR HARNESS TYPE 1
22-2	36930M82010	COVER FLOOR HARNESS TYPE 2
23	09408M00026	CLIP FUEL WIRE
24-1	36640M84550	HARNESS ASSY WIRING #4 TYPE 1
24-2	36640M844B0	HARNESS ASSY WIRING #4 TYPE
25	09408M00073	CLAMP
26	35650M84001	WIRING HARNESS #5
27	09404M08403	CLAMP
28	09407M05405	CLAMP
29	36810M78100	WIRE DISTRIBUTOR
30	09408M00010	CLIP
31-1	36820M61000	WIRE ROOM LAMP TYPE 1
31-2	36820M840A0	WIRE ROOM LAMP TYPE 2
32	36850M68001	WIRE DOOR SWITCH RH
33	77591M75000	PAD
34	03141-05128	SCREW 5X12
35	77591M75000	PAD
36	36840M84010	WIRE FUEL GAUGE
37	36930M82000	COVER FLOOR HARNESS
38-1	36845M84200	WIRE REAR DEFOGGER/WIPER TYPE 1
38-2	36845M844A0	WIRE REAR DEFOGGER/WIPER TYPE 2
39	09344M08002	PROTECTOR

40	09250M20017	PLUG
41	36890M84000	WIRE REAR DEFOGGER
42	09308-03005	GROMMET
43	36875M84100	WIRE REAR FOG LAMP
44	09404-06413	CLAMP
45	03541-05168	SCREW



38A.RELÉK, ALJZATOK, KÁBELKÖTEG /MPI/

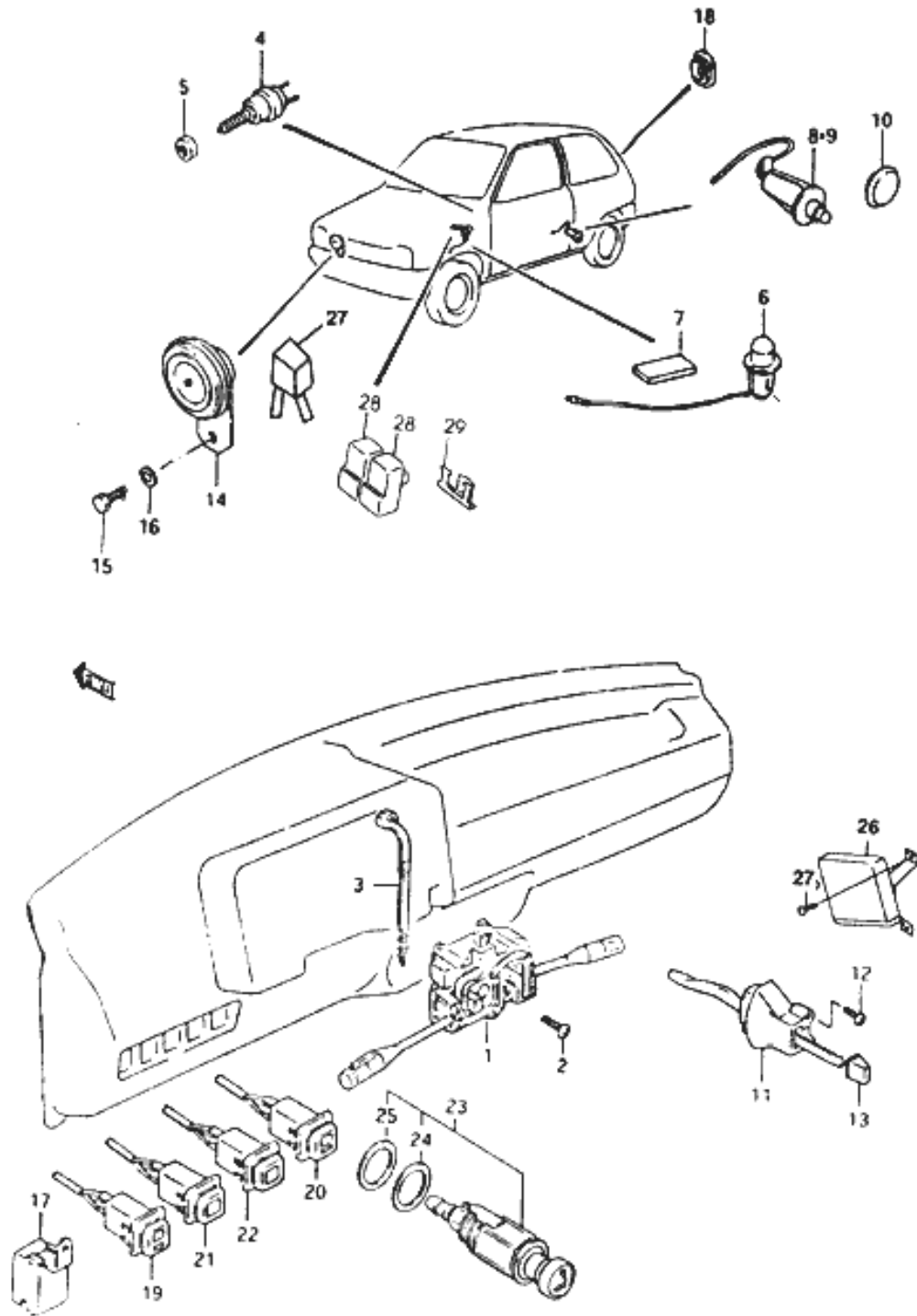


1-1	36610-84750	HARNESS ASSY WIRING #1 TYPE 1
1-2	36610M844E0	HARNESS ASSY WIRING #1 TYPE 2
2	09481-10101	FUSE 5A
3	09481-15101	FUSE 10A
4	09481-15101	FUSE 15A
5	36717-80011	COVER FUSE BOX
6	03211M15128	SCREW
7	36791M84100	BRACRET FUSE BOX
8	03141M05123	SCREW
9	36919M84000	WIRE NOISE SUPP GROUND
10	09129-06002	SCREW
11	09404-08418	CLAMP
12	09407M14406	CLAMP
13	09407M05403	CLAMP
14	09407M05405	CLAMP
15	36620M84401	HARNESS ASSY WIRING #2
16	09404M06404	CLAMP
17	03541-05123	SCREW
18	03241M04123	SCREW
19-1	36630M84620	HARNESS ASSY WIRING #3 TYPE I
19-2	36630M844C0	HARNESS ASSY WIRING #3 TYPE 2
20	09407M05405	CLAMP
21	09250M14003	CAP SPEARER LEAD WIRE HOLE
22-1	36930M82000	COVER FLOOR HARNESS TYPE 1
22-2	36930M82010	COVER FLOOR HARNESS TYPE 2
23	09408M00026	CLIP FUEL WIRE
24-1	36640M84550	HARNESS ASSY WIRING #4 TPYE 1
24-2	36640M844B0	HARNESS ASSY WIRING #4 TYPE 2
25	09408M00073	CLAMP
26	36650M84001	WIRING HARNESS #5
27	09404-08418	CLAMP
28	09407M05405	CLAMP
29	09407-10403	CLAMP SENSOR WIRE
30	36660-84300	HARNESS ASSY INJECTOR
31	36737-50E00	BRACKET INJECTOR HARNESS
32	01570-06123	BOLT
33	09404-08418	CLAMP
34	09407-14411	CLAMP
35	36810-81400	WIRE DISTRIBUTOR
36	09408M00010	CLIP
37-1	36820M61000	WIRE ROOM LAMP TYPE 1
37-2	36820M840A0	WIRE ROOM LAMP TYPE 2
38	36850M68001	WIRE DOOR SWITCH RH
39	77591M75000	PAD
40	36850M84000	WIRE DOOR SWITCH LH
41	77591M75000	PAD

42	36840-84000	WIRE FUEL GAUGE
43	36930M82000	COVER FUEL WIRE
44-1	36845M84200	WIRE REAR DEFOGGER/WIPER TYPE 1
44-2	36845M844A0	WIRE REAR DEFOGGER/WIPER TYPE 2
45	09344M08002	PROTECTOR
46	36890M84000	WIRE REAR DEFOGGER PLUS
47	09308M03005	GROMMET
48	36891M84000	WIRE REAR FOG GROUND
49	03141M05123	SCREW
50	36875M84100	WIRE REAR FOG LAMP
51	09404-06431	CLAMP
52	03541-05163	SCREW

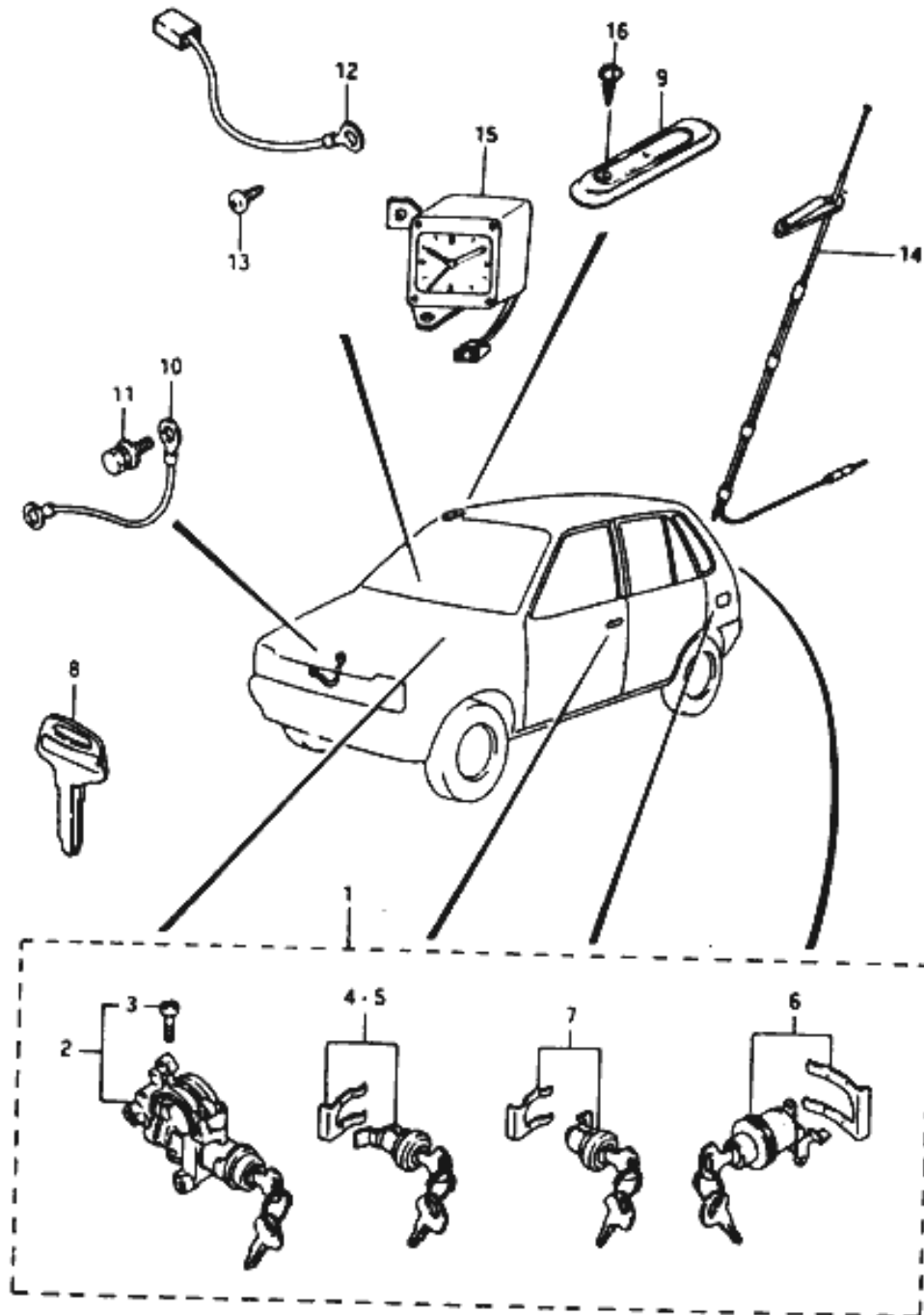


39. KAPCSOLÓK



1-1	37400-84510	SWITCH ASSY COMBINATION E01.E02.E19.E27.E40
1-2	37400-84610	SWITCH ASSY COMBINATION E22 E26
2	02112M05123	SIREN
3	09407M14403	CLAMP
4	37740-66010	SWITCH ASSY STOP LAMP
5	08310M00103	NUT
6	37940M79000	SWITCH ASSY PARKING BRAKE
7	77591M75000	PAD
8	37670M84000	SWITCH ASSY DOOR RH
9	37671M84000	SWITCH ASSY DOOR LH
10	09250M14003	CAP DOOR SWITCH HOLE
11	37870M84010	SWITCH HEATER PAM
12	03541-04165	SCREW
13	37877-84001-281	KNOB HEATER FAN
14	38500M78031	HORN ASSEMBLY LF
15	01500M01083	BOLT
16	08321M31086	WASHER LOCK
17	38610M78315	RELAY TORN SIGNAL 4 WAY
18	09250M21017	PLUG REAR WASHER HOSE
19-1	37860-80000	SWITCH REAR DEFOGGER TYPE 1
19-2	37860-50A00	SWITCH REAR DEFOGGER TYPE 2
20	37280-80000	SWITCH ASSY RR FOG LAMP
21	37370-84000	SWITCH ASSY REAR WIPER
22	37380-84000	SWITCH ASSY REAR WASHER
23	39400-84810	LIGHTER SET CIGARETTE
24	39471-84000	RIM
25	09160-23007	WASHER
26	33920-84300	CONTROLLER FUEL INJECTION E34
27	03141-06103	SCREW E34
27-1	33933-80710	RESISTER CO ADJUST (82 OHM) E34
27-2	33932-80710	RESISTER CO ADJUST (160OHM) E34
27-3	33926-80710	RESISTER CO ADJUST (270 OHM) E34
27-4	33927-80710	RESISTER CO ADJUST (430 OHM) E34
27-5	33928 80710	RESISTER CO ADJUST (680 OHM) E34
27-6	33929-80710	RESISTER CO ADJUST (1K OHM) E34
27-7	33930-80710	RESISTER CO ADJUST (15K OHM) E34
27-8	33931-80710	RESISTER CO ADJUST (2.5K OHM) E34
28	38860-72600	RELAY MAIN & FUEL E34
29	38851-84000	BRACKET RELAY E34

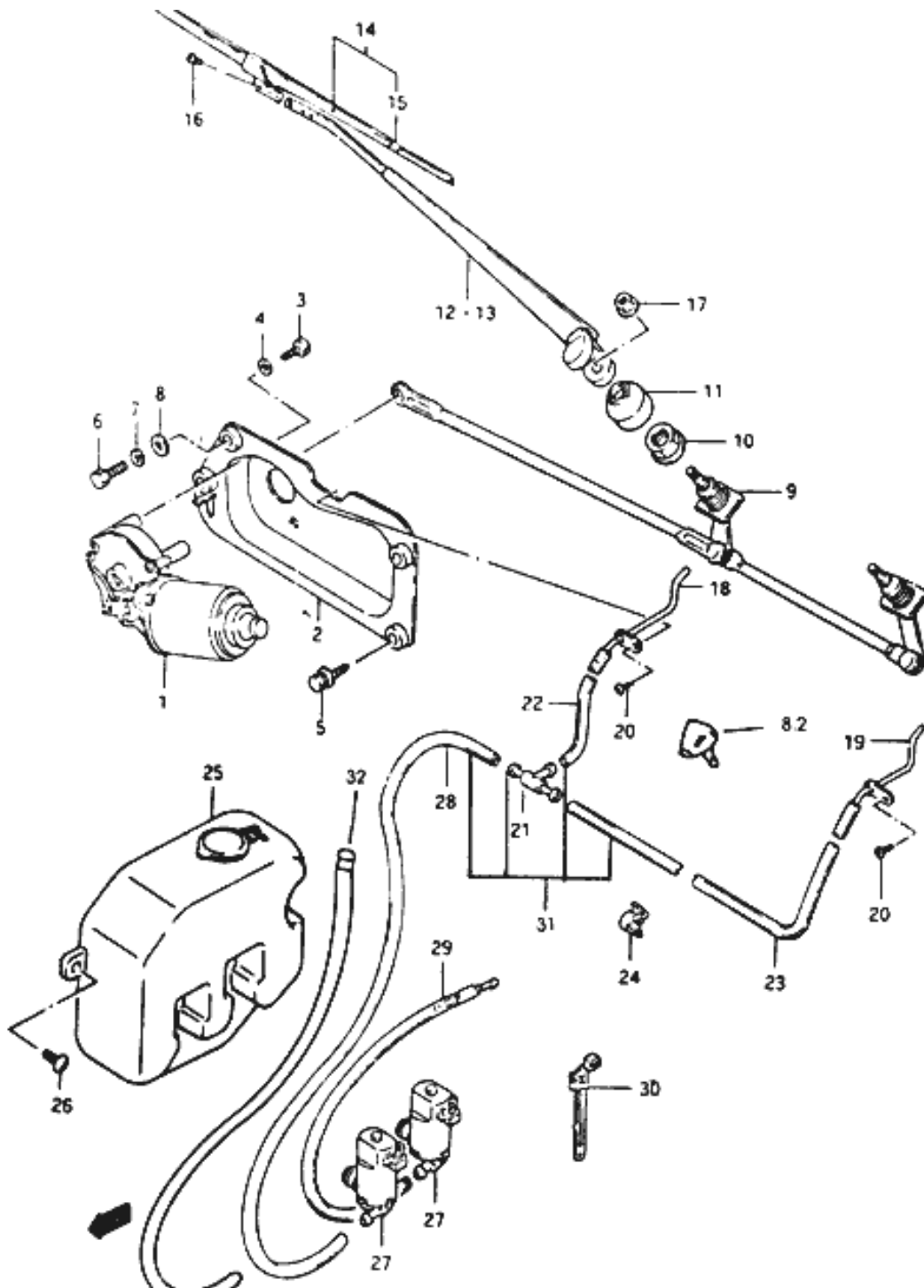
40. ZÁRAK, GYUJTÁSKAPCSOLÓ



1-1	37101M84870	LOCK SET TYPE 1
1-2	37011M84500	LOCK SET TYPE 2
2	37101M84860	LOCK ASSY STEERING
3	37152-84100	BOLT
4	82200M84870	CYL FR DOOR LOCK RH
5	82200M84880	CYL FR DOOR LOCK LH
6-1	82500M84860-291	CYLINDER BACK DOOR LOCK TYPE 1
6-2	82500M84500	CYLINDER BACK DOOR LOCK TYPE 2
7	89300M84840	CYLINDER FUEL LID LOCK
8	37145-84400	KEY BLANK
9	39262-84010	COVER ANTENNA HOLE
10	39312M84000	WIRE NOISE SUPPRESSOR
11	09115-06001	BOLT
12	39192M79010	WIRE TUNER GROUND
13	03211-06128	SCREW
14	39250-84020	ANTENNA ASSY
15	34600M84310	CLOCK ASSY
16	39251-84000	SCREW ANTENNA

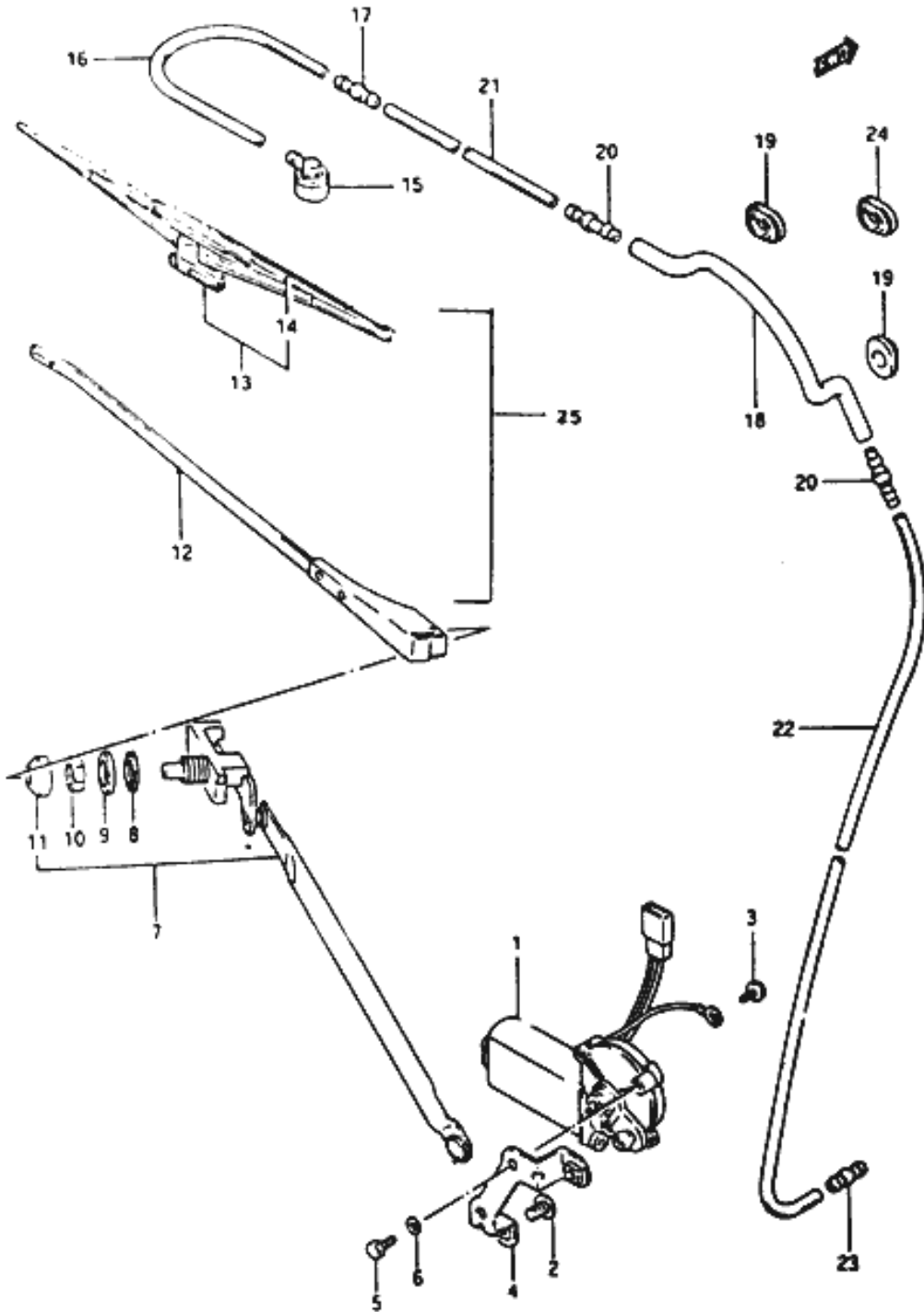


41. ABLAKTÖRLŐ /ELSŐ/

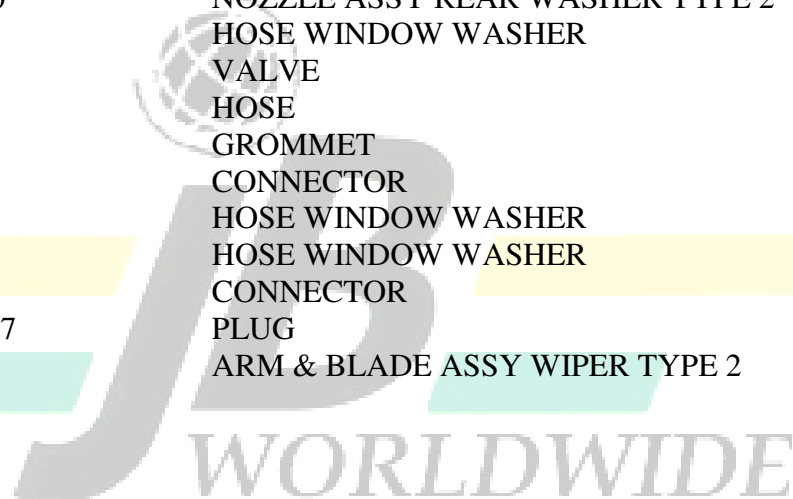


1-1	38110-84041	MOTOR ASSY WIPER E22 E26
1-2	38110M84110	MOTOR ASSY WIPER E01 E02 E19 E27 E40
2-1	38252-84002	BRACKET WIPER E22 E26
2-2	38252M84110	BRACKET WIPER E01 E02 E19 E27 E40
3	01104-05088	BOLT
4	08321-21057	WASHER LOCK
5	09115-06001	BOLT
6	01104M06126	BOLT
7	08321M31066	LOCK WASHER
8	08322M21066	WASHER
9-1	38102-84041	LINK ASSY WIPER E22 E26
9-2	38102M84110	LINK ASSY WIPER E01 E02 E19 E27 E40
10	09159-18010	NUT
11	38274-82000	CAP
12	38330-84050	ARM ASSY WIPER RH
13	38310-84050	ARM ASSY WIPER LH
14	38340-82011	BLADE ASSY WIPER
15	38346-82010	BLADE
16	38319-75000	SCREW WIPER
17	08310M11086	NUT
18-1	38481M84000	NOZZLE ASSY RH TYPE 1
18-2	38480M50A00	NOZZLE ASSY TYPE 2
19	38482M84000	NOZZLE ASSY LH TYPE 1
20	09139-05028	SCREW
21-1	38496M58110	CONNECTOR T-JOINT TYPE I
21-2	38490M60B11	CONNECTOR Y-JOINT TYPE 2
22	38491M55111	BOSE WINDOW WASHER
23	38491M55111	BOSE WINDOW WASHER
24	09408M00026	CLIP FUEL WIRE
25-1	38450M84100	TANK ASSY WASHER N/REAR WIPER
25-2	38831M84000	TANK ASSY WASHER W/REAR WIPER
26	02142M06126	SCREW
27-1	38410M66120	PUMP ASSY N/REAR WIPER
27-2	38410M66120	PUMP ASSY W/REAR WIPER
28	38493M58110	HOSE WASHER TYPE 1
29	38490M78100	HOSE ASSY
30	09407M10402	CLAMP
31	48490M84001	HOSE ASSY WASHER TYPE 2
32	48490M78102	HOSE WASHER TYPE 2

42. ABLAKTÖRLŐ /HÁTSÓ/

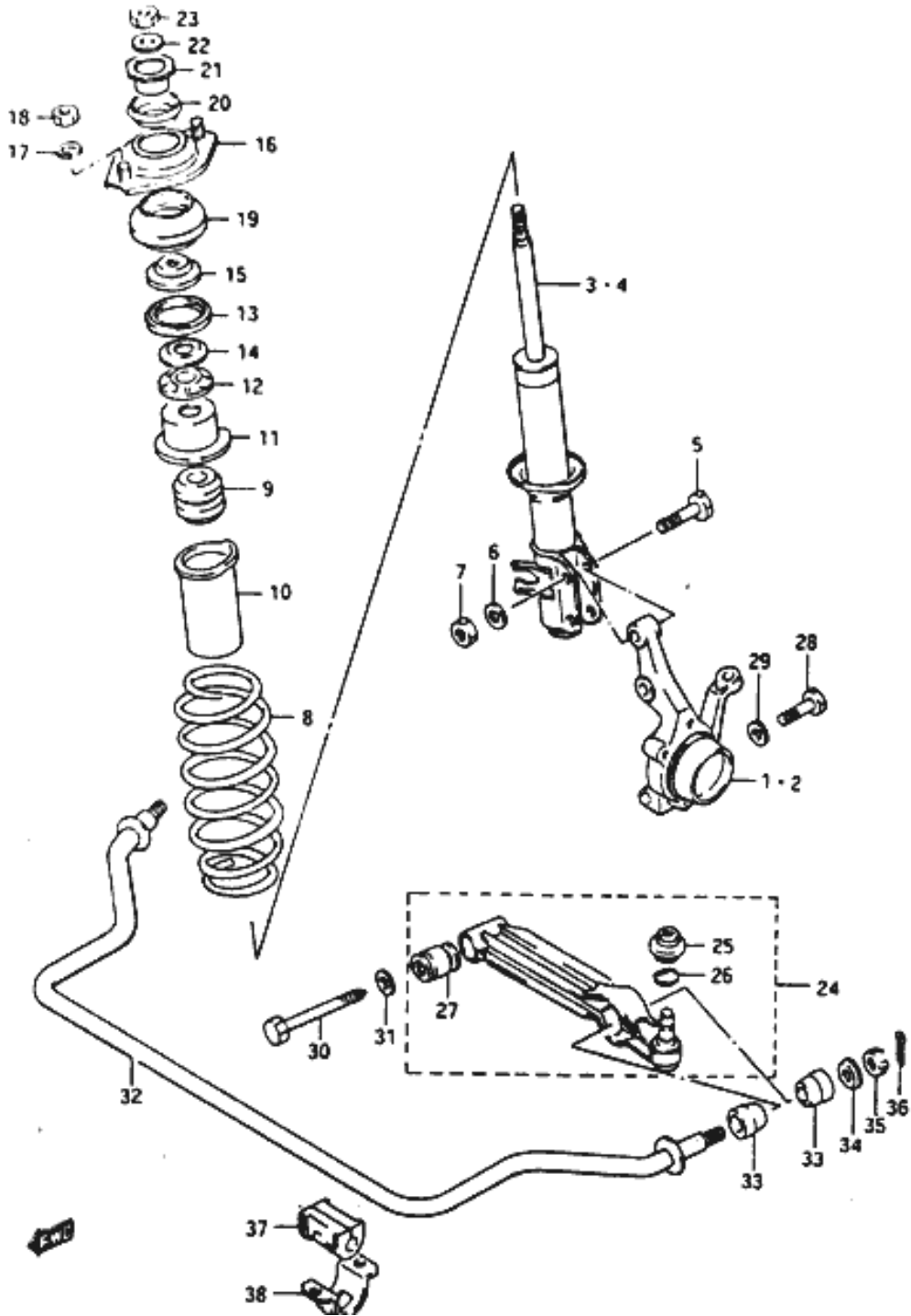


1-1	38811-84000	MOTOR ASSY REAR WIPER TYPE 1
1-2	38810-84010	MOTOR ASSY REAR WIPER TYPE 2
2	02142M06126	SCREW
3	09139-05028	SCREW
4	38812-84000	BRACKET ASSY REAR WIPER
5	01104-05088	BOLT
6	08321-21057	WASHER LOCK
7	38813-84000	LINK ASSY REAR WIPER
8	38272-71310	PACKING
9	38271-71310	WASHER
10	38278-67011	NUT
11	38274-78000	CAP
12	38821-84010	ARM ASSY REAR WIPER
13	38340-78202	BLADE ASSY REAR WIPER
14	38346-78010	BLADE
15-1	38841-82000	NOZZLE ASSY REAR WASHER TYPE 1
15-2	38840-70G00	NOZZLE ASSY REAR WASHER TYPE 2
16	38491-55111	HOSE WINDOW WASHER
17	38833-79500	VALVE
18	38835-82000	HOSE
19	38839-82000	GROMMET
20	38838-82000	CONNECTOR
21	38491-55111	HOSE WINDOW WASHER
22	38491-55111	HOSE WINDOW WASHER
23	38496-66010	CONNECTOR
24	09250M20017	PLUG
25	38820-84020	ARM & BLADE ASSY WIPER TYPE 2



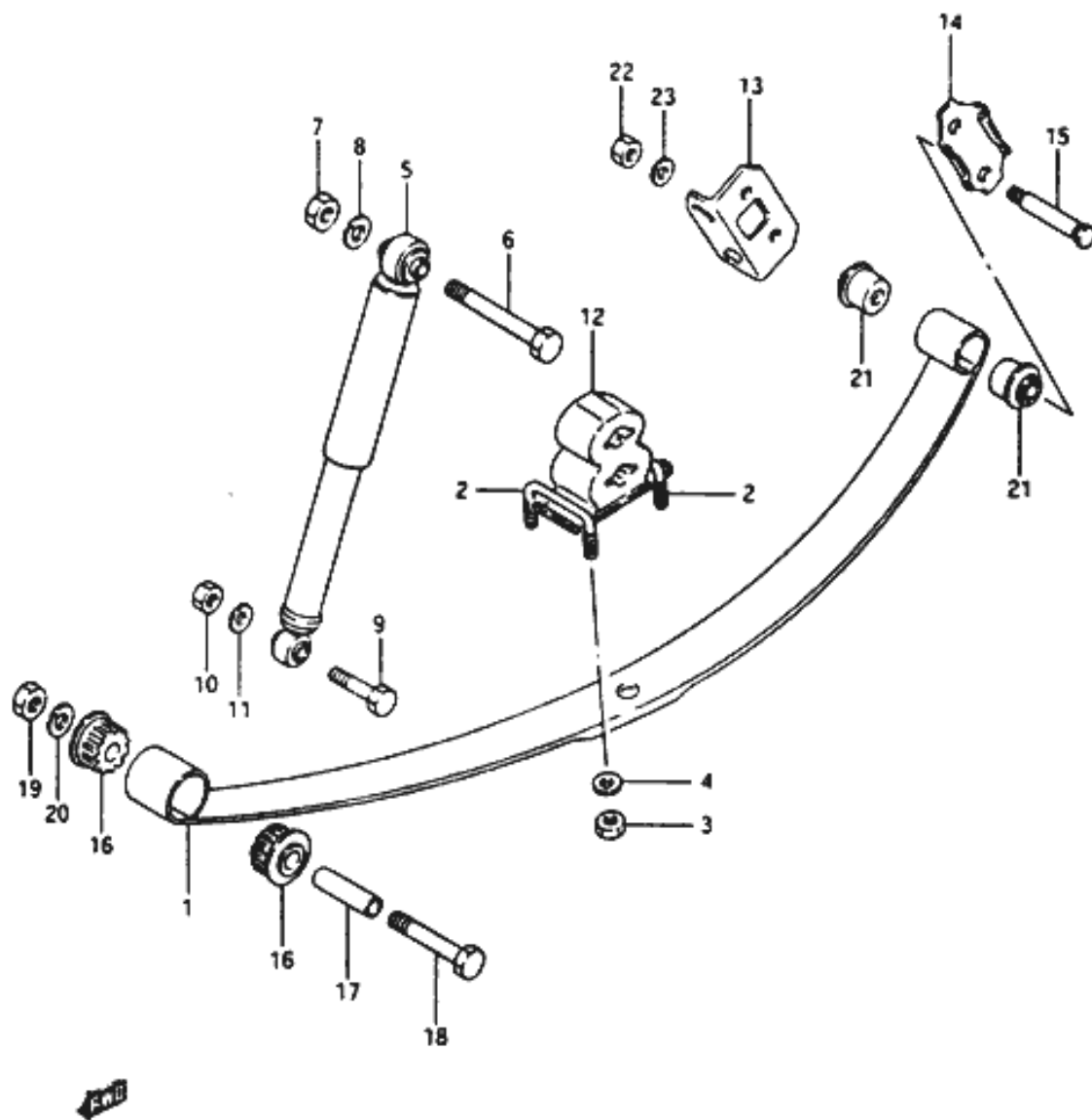
FUTÓMŰVEK

43. ELSŐ FUTÓMŰ, STABILIZÁTOR



1	45111-84100	KNUCKLE STEERING RH
2	45151-84100	KNUCKLE STEERING LH
3	41601M84380	STRUT ASSY FR SUSPENSION RH
4	41602M84380	STRUT ASSY FR SUSPENSION LH
5	09100M12033	BOLT 12X53
6	08321M31126	LOCK WASHER
7	08310M11126	NUT REAR STRUT UPPER
8	41111M84311	SPRING FRONT COIL
9	42111M78040	STOPPER BUMP
10	41211M78030	SEAT SPRING RUBBER
11	41231M78001	SEAT SPRING UPPER
12	41741-82001	BEARING FRONT STRUT
13	41732M84000	SEAL FR STRUT BEARING DUST
14	41731M82000	SEAT FRONT STRUT BEARING
15	41720M82000	SEAT STRUT MOUNT
16	41710M82000	SUPPORT FRONT STRUT
17	08321M31086	WASHER LOCK
18	08310M11086	NUT
19	41712M82000	MOUNT FRONT STRUT
20	41713M82000	STOPPER FRONT STRUT REBOUND
21	41714M82000	SUPPORT FRONT STRUT INNER
22	08321M31126	LOCK WASHER
23	08310M11126	NUT
24	45200M84000	ARM ASSY FR SPNSN CONTROL
25	45723M48200	BOOT SET LOWER ARM
26	09401M27401	CLIP
27	09319M10030	BUSH
28	09100M10169	BOLT
29	08321M31106	LOCK WASHER
30	09117-10025	BOLT
31	08321M31106	LOCK WASHER
32	42310M84310	BAR FRONT STABILIZER
33	42451M78040	BUSH STABILIZER BAR
34	09164M12017	WASHER
35	08314M41126	NUT
36	04111M30206	COTTER PIN
37	42431M82070	BUSH BAR MOUNT
38	42441M84000	BRACKET STABILIZER

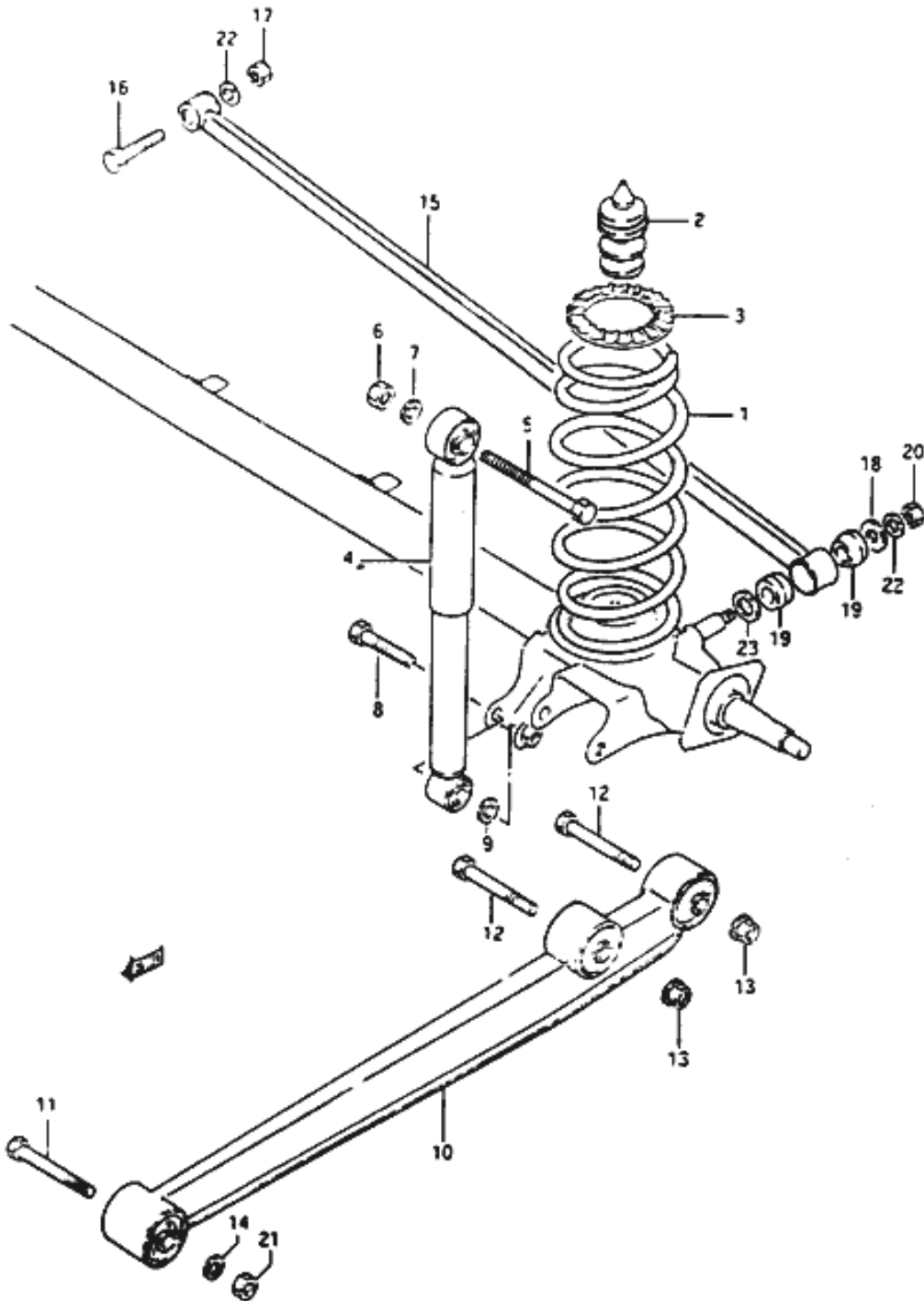
44. HÁTSÓ FUTÓMŰ /LAPRUGÓS/



1	41310M84121	SPRING REAR LEAF
2	41411M78500	U BOLT REAR SPRING
3	08310-12103	NUT
4	08321M31106	LOCK WASHER
5-1	41800M84353	ABSORBER ASSY RR SHOCK
5-2	41800M84350	ABSORBER ASSY RR SHOCK
6	09100M12038	BOLT
7	08310M11126	NUT
8	08321M31126	LOCK WASHER
9-1	01104M12556	BOLT
9-2	01107-10453	BOLT
10	08310M11106	NUT
11-1	08321M31126	LOCK WASHER
11-2	08121M31106	LOCK WASHER
12	42250M84020	STOPPER REAR BUMP
13	41461M78001	PLATE SHACKLE INNER
14	41462M79000	PLATE SHACKLE OUTER
15	41463M82000	PIN SHACKLE
16	41331M78020	BUSH RR LEAF SPRING
17	09180M12035	SPACER (12X16X64.5)
18	09100M12014	BOLT
19	08310M00123	NUT
20	08321M31126	LOCK WASHER
21	09305M13005	BUSH
22	08310-12103	NUT
23	08321M31106	LOCK WASHER



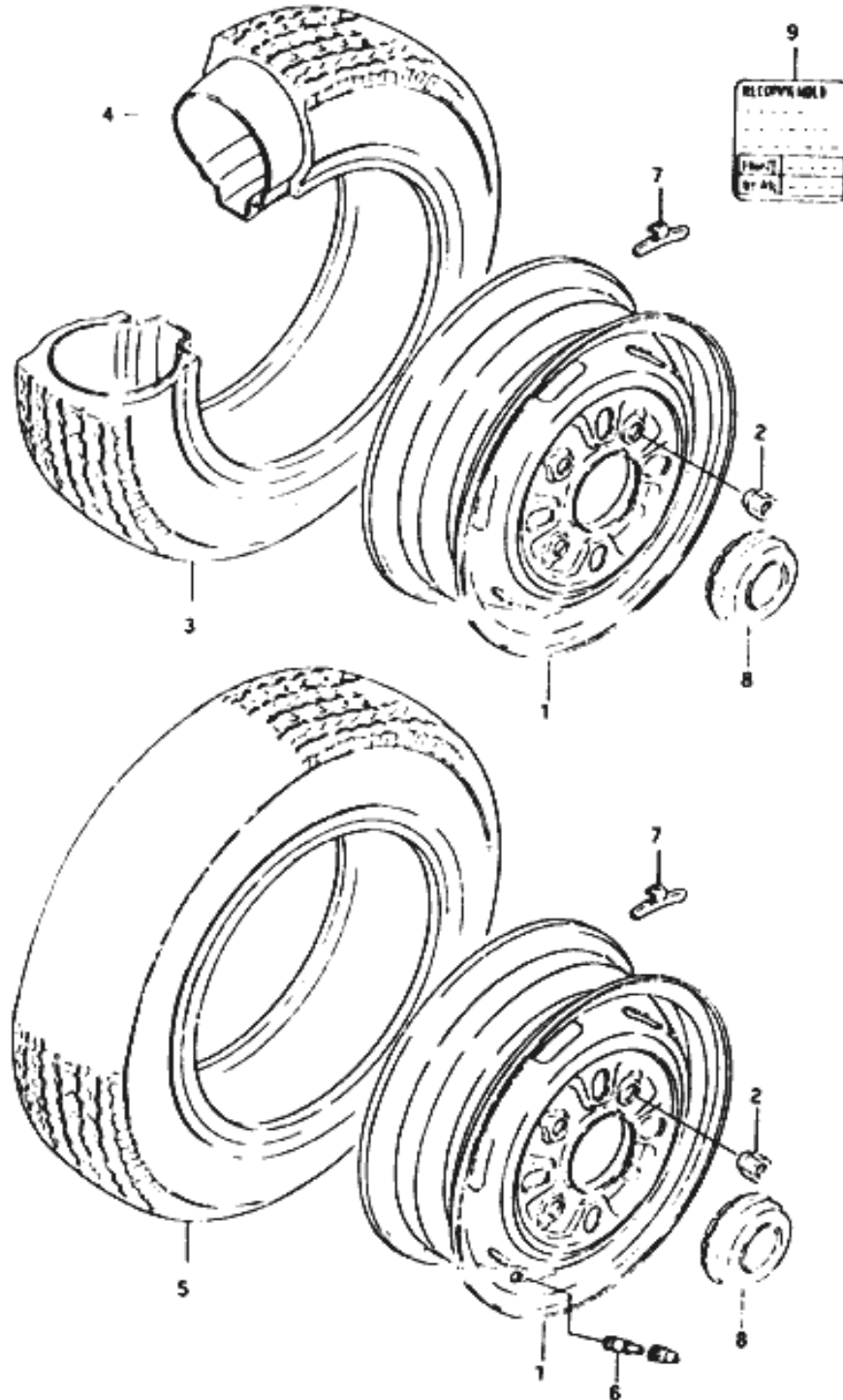
45. HÁTSÓ FUTÓMŰ /SPIRÁL Rugós/



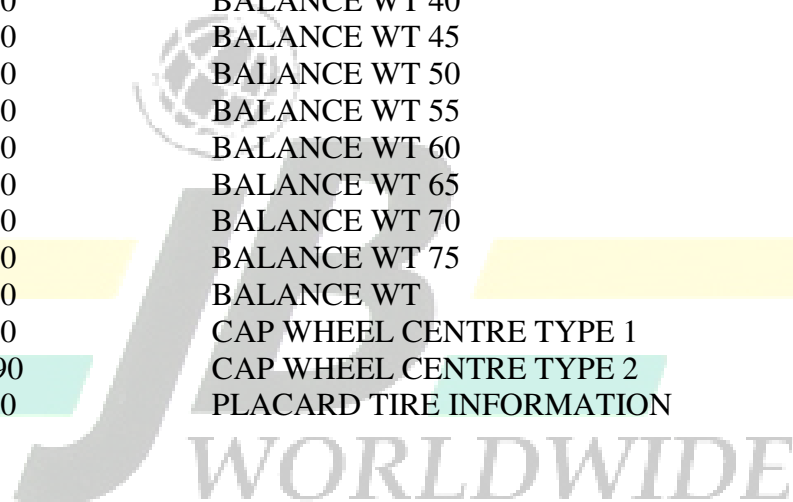
1	41311M51A00	SPRING REAR COIL
2	42251-50A00	STOPPER REAR BUMP
3	41341M50A00	SEAT REAR SPRING UPPER
4	41800-52A70	ABSORBER ASSY REAR SHOCK
5	09100M12038	BOLT
6	08310M11126	NUT
7	08321M31126	LOCK WASHER
8	09117-12004	BOLT
9	08321M31126	LOCK WASHER
10	46200M50A00	ARM ASSY RR TRAILING
11	09100-12035	BOLT
12	09100-12047	BOLT
13	09159-12025	NUT
14	08321M31126	LOCK WASHER
15	46300M50A10	ROD ASSY LATERAL
16	09100M12065	BOLT (12X53)
17	08310M11126	NUT
18	09160M12078	WASHER
19	09305-16005	BUSHING
20	08310M11126	NUT
21	08310M11126	NUT
22	08321M31126	LOCK WASHER
23	09160M17045	WASHER



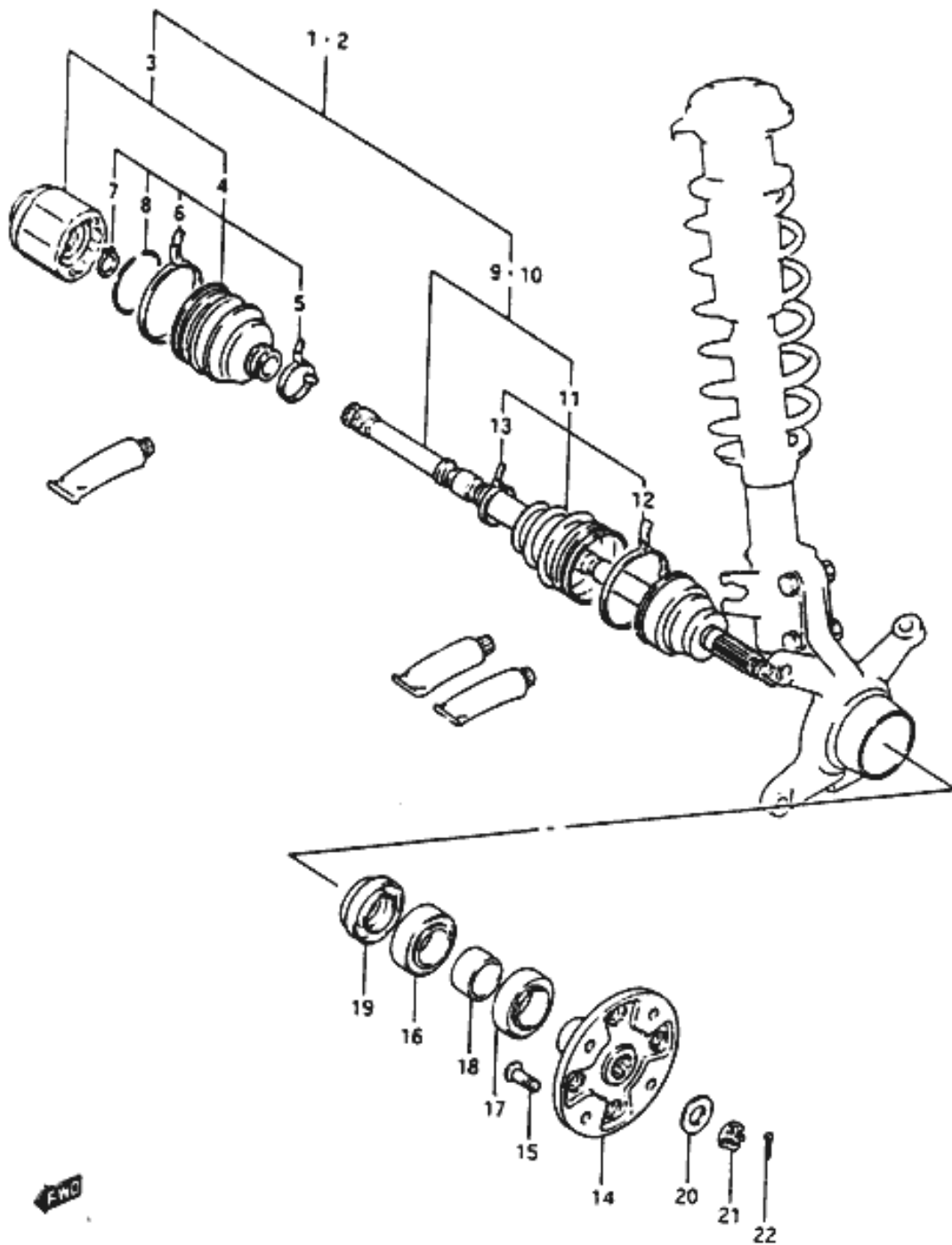
46. FELNI, DISZTÁRCSA, GUMI



1-1	43210M77140	WHEEL RIM TYPE 1
1-2	43210M84300-39M	WHEEL RIM TYPE 2
2	09140M12026	NUT
3-1	43110MB4610	TIRE ASSY RADIAL
3-2	43110MN4650	TIRE ASSY RADIAL
4-1	43120M84610	TIRE ASSY RADIAL E01
4-2	41120M84650	TIRE ASSY RADIAL E01
5	43110M84710	TIRE ASSY E01
6	43130M78010	VALVE ASSY AIR E01
7-1	43221M78130	BALANCE WT 05
7-2	43231M78130	BALANCE WT 10
7-3	43222M78130	BALANCE WT 15
7-4	43232M78130	BALANCE WT 20
7-5	43223M78130	BALANCE WT 25
7-6	43233M78130	BALANCE WT 30
7-7	43224M78130	BALANCE WT 35
7-8	43134M78130	BALANCE WT 40
7-9	43225M78130	BALANCE WT 45
7-10	43235M78130	BALANCE WT 50
7-11	43237M78130	BALANCE WT 55
7-12	43236M78130	BALANCE WT 60
7-13	43238M78130	BALANCE WT 65
7-14	43226M78130	BALANCE WT 70
7-15	43239M78130	BALANCE WT 75
7-16	43227M78130	BALANCE WT
8-1	43252M77250	CAP WHEEL CENTRE TYPE 1
8-2	43250M60D90	CAP WHEEL CENTRE TYPE 2
9	79161M84060	PLACARD TIRE INFORMATION



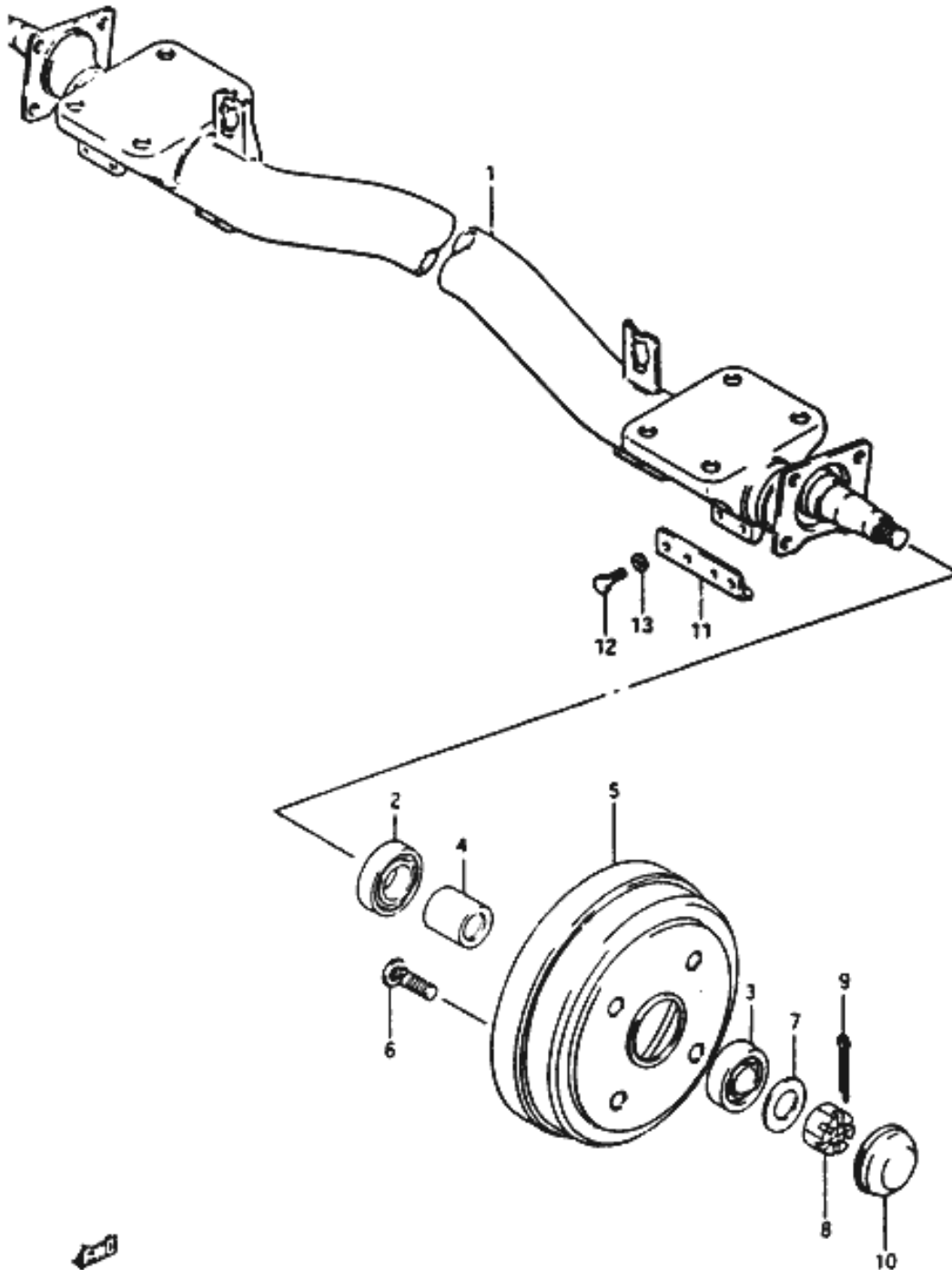
47. FÉLTENGELY, KERÉKAGY



1	44101M84341	SHAFT ASSY FRONT DR RH
2	44102M84341	SHAFT ASSY FRONT DR LH
3	44117M84340	JOINT ASSY DIFF SIDE
4	44119M84330	BOOT ASSY DIFF SIDE
5	44124M84200	BAND BOOT
6	44121M85400	BAND DIFF SIDE BOOT
7	27182M70410	RING SNAP
8	44111M85400	RING SNAP
9	44115M84342	JOINT ASSY WHEEL SIDE RH
10	44116M84342	JOINT ASSY WHEEL SIDE LH
11	44118M84330	BOOT ASSY WHEEL SIDE
12	44122M84110	BAND BOOT
13	44124M84200	BAND BOOT
14	43421M78420	HUB FRONT WHEEL
15	09119M12006	BOLT
16	09262M35129	BEARING
17	09262M35030	BEARING
18	09180M35005	SPACER (35.1X42.7X23)
19	09283-44011	SEAL OIL
20	09160M18009	WASHER
21	09141M18003	NUT
22	04111M40306	COTTER PIN



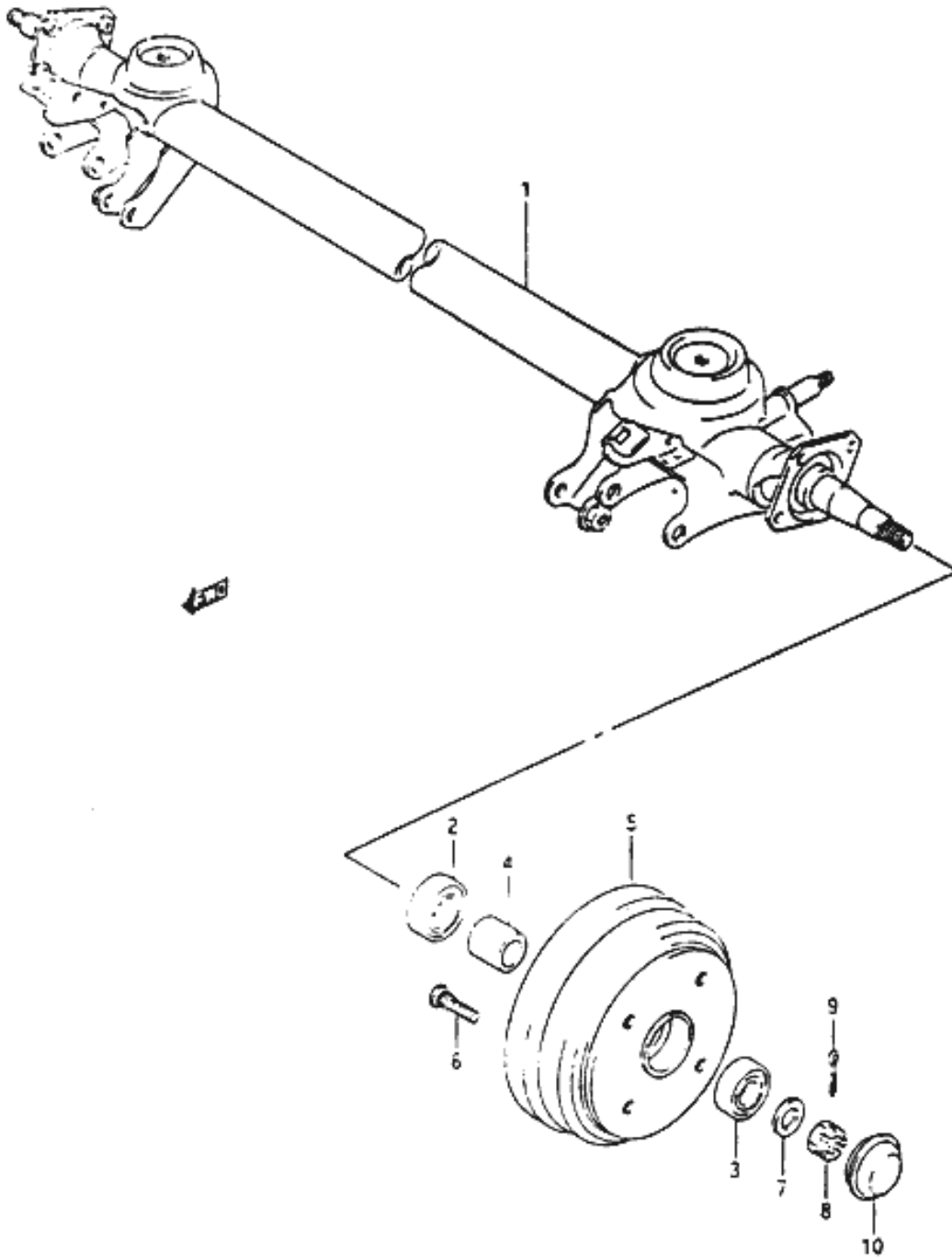
48. HÁTSÓ HID /LAPRUGÓS/



1-1	46510M84003	REAR AXLE E02
1-2	46510-84010	AXLE REAR E01
2	09262-25072	BEARING FRONT WHEEL
3	09262-20069	BALL BEARING 20X47X1
4	09180M21004	SPACER
5	43511M84050	DRUM REAR BRAKE
6	09119M12006	BOLT
7	08322M01163	WASHER
8	08314M40163	NUT
9	04111M40206	COTTER PIN
10	43241M79000	SPINDLE CAP
11-1	46617M84000	PROTECTOR BRAKE PIPE E02
11-2	46618-84100	PROTECTOR BRAKE PIPE E01
12	01500M06123	BOLT
13	08321M31066	LOCK WASHER



49. HÁTSÓ HID /SPIRÁL RUGÓS/

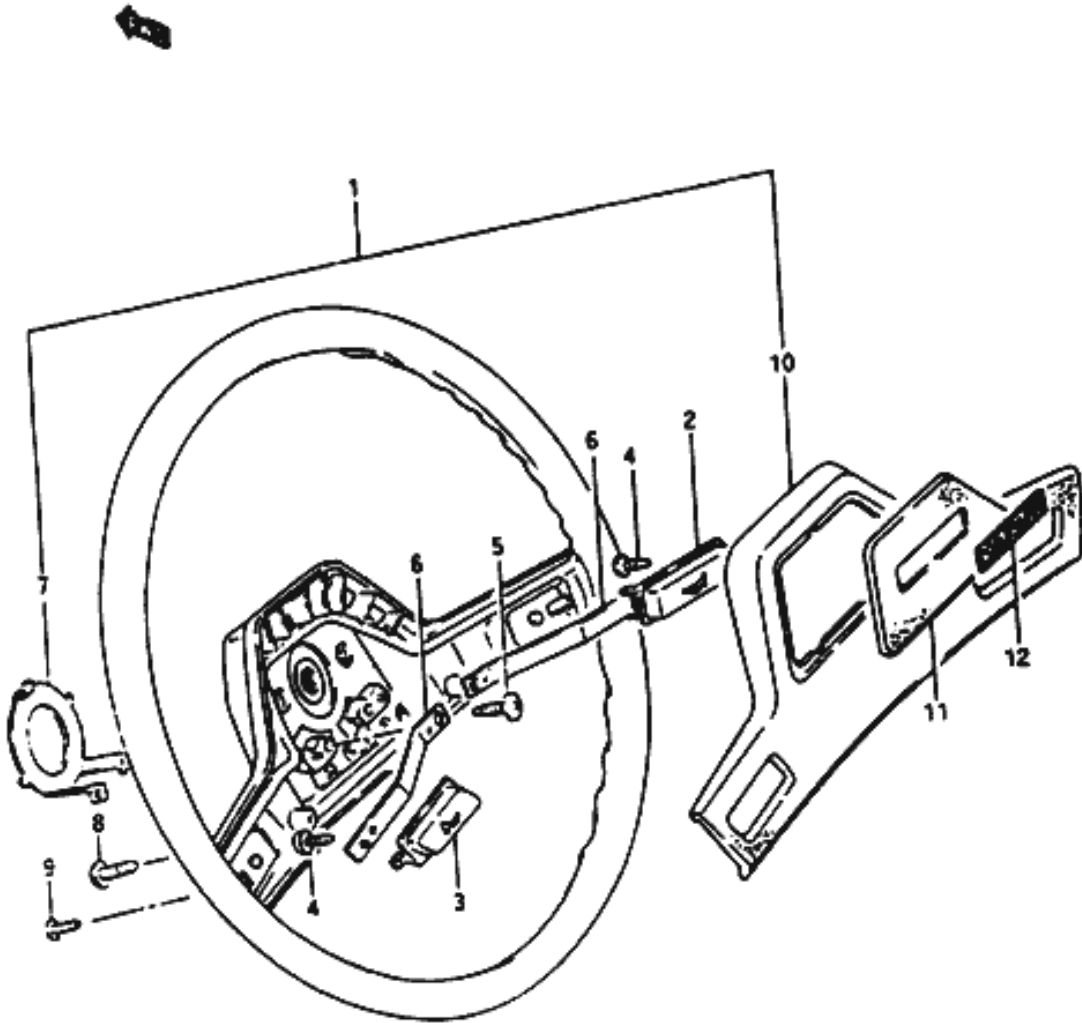


1	46510M56A00	AXLE REAR
2	09262-25072	BEARING FRONT WHEEL
3	09262-20069	BALL BEARING 20X47X1
4	09180M21004	SPACER
5	43511M84050	DRUM REAR BRAKE
6	09119M12006	BOLT
7	08322M01163	WASHER
8	08314M40163	NUT
9	04111M40206	COTTER PIN
10	43241M79000	SPINDLE CAP



KORMÁNYMŰ

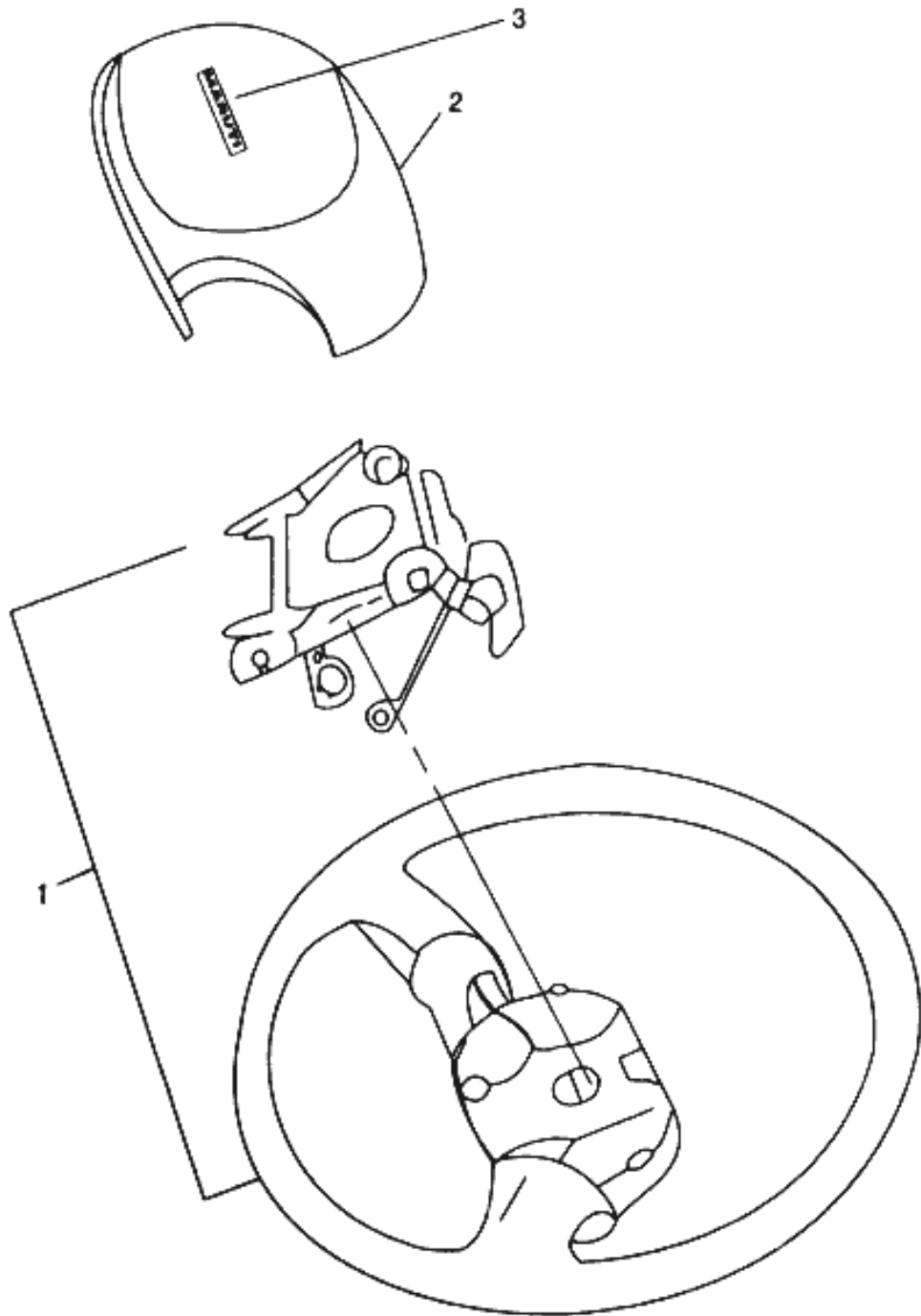
50. KORMÁNYKERÉK /1.TIPUS/



1	48110M84300-5ES	WHEEL ASSY STEERING
2	48123M84300-5ES	BUTTON HORN RH
3	48124M84300-5ES	BUTTON HORN LH
4	03242-04109	SCREW
5	48124-79000	SCREW
6	48129M82000	SPRING HORN BUTTON
7	48152M82001	RING HORN SLIP
8	48126-84000	SCREW
9	48127-84000	SCREW PAD
10	48121M84000-5ES	COVER STEERING WHEEL
11	48121M84300-5ES	COVER STEERING WHEEL
12	48131M84200	EMBLEM STEERING WHEEL



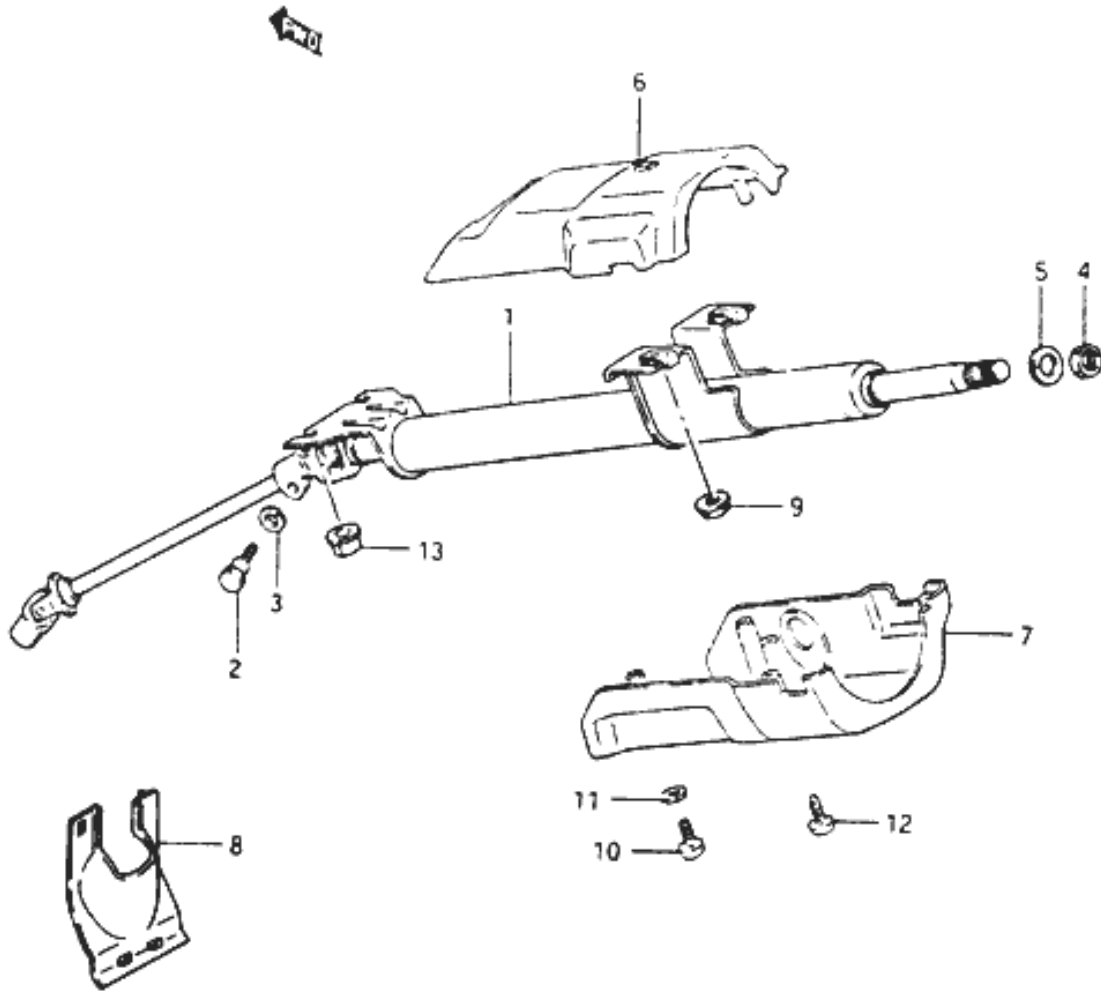
50A.KORMÁNYKERÉK /2.TIPUS/



1	48110M84410-5PK	WHEEL ASSY STEERING
2	48121M84410-5PK	PAD STEERING
3	48131M84410	EMBLEM STEERING WHEEL



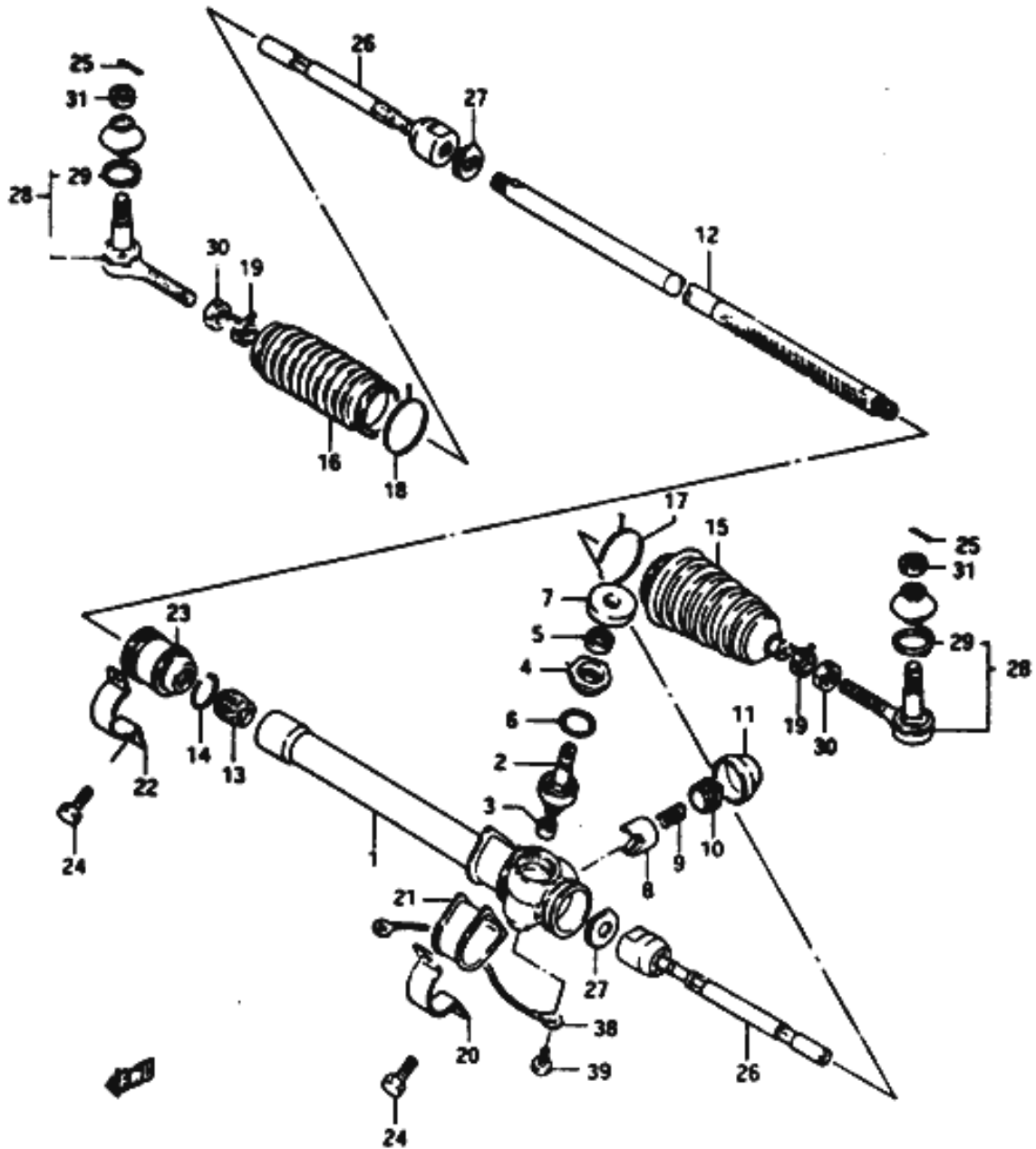
51. KORMÁNYOSZLOP



1	48220M84412	COLUMN ASSY STEERING
2	09111M08052	BOLT
3	08321M31086	WASHER LOCK
4	09140M12040	NUT
5	08321M31126	LOCK WASHER
6	48411-84310-4BS	COVER STEERING UPPER
7	48421-84310-4BS	COVER STEERING LOWER
8	48485M84300	COVER JOINT LOWER
9	09159-08052	NUT
10	02112M05123	SCREW SPLASH BOARD
11	08316M16086	NUT
12	03211M05166	SCREW
13	08316M10083	NUT



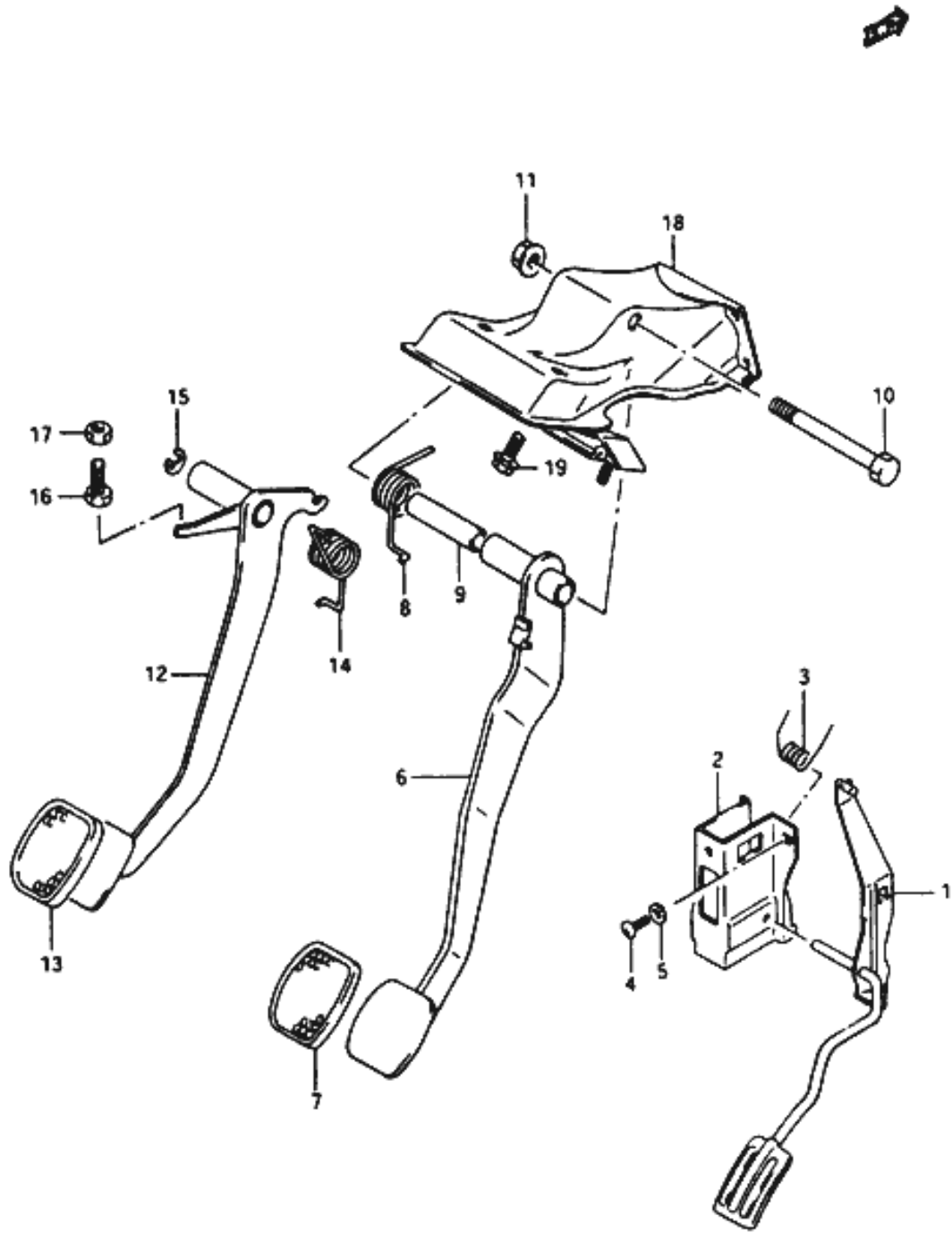
52. KORMÁNYMŰ



1	48510M84300	CASE STEERING GEAR
2	48550M84060	PINION STEERING
3	09263M10013	BEARING
4	48562M82000	PLUG PINION BEARING
5	09283M15002	OIL SEAL
6	09280M34003	O RING
7	48451M82000	PACKING GEAR CASE
8	48534M82000	PLUNGER STEERING RACE
9	09440M19011	SPRING
10	48535M82000	SCREW RACK DAMPER
11	48536M58000	CAP
12	48531M84300	RACK STEERING
11	48541M53B00	BUSHING STEERING RACK
14	09381M33002	SNAP RING
15	48571M82000	BOOT PINION SIDE
16	48572M82000	BOOT RACK SIDE
17	09460M01023	WIRE
18	09460M01024	WIRE
19	09401M15407	CLIP
20	48521-84300	BRACKET STRG PINION SIDE
21	48525M82000	MOUNT PINION SIDE
22	48522M82000	BRACKET STEERING RACK
21	48526M82000	MOUNT RACK SIDE
24	01500M08253	BOLT
25	04111M30206	COTTER PIN
26	48830M84000	ROD STEERING TIE
27	48841-82000	WASHER STEERING TIE ROD
28	48810M84020	END STEERING TIE ROD
29	09401-23401	CLIP
30	09140M12032	NUT
31	08314M40123	NUT

FÉK, PEDÁLOK

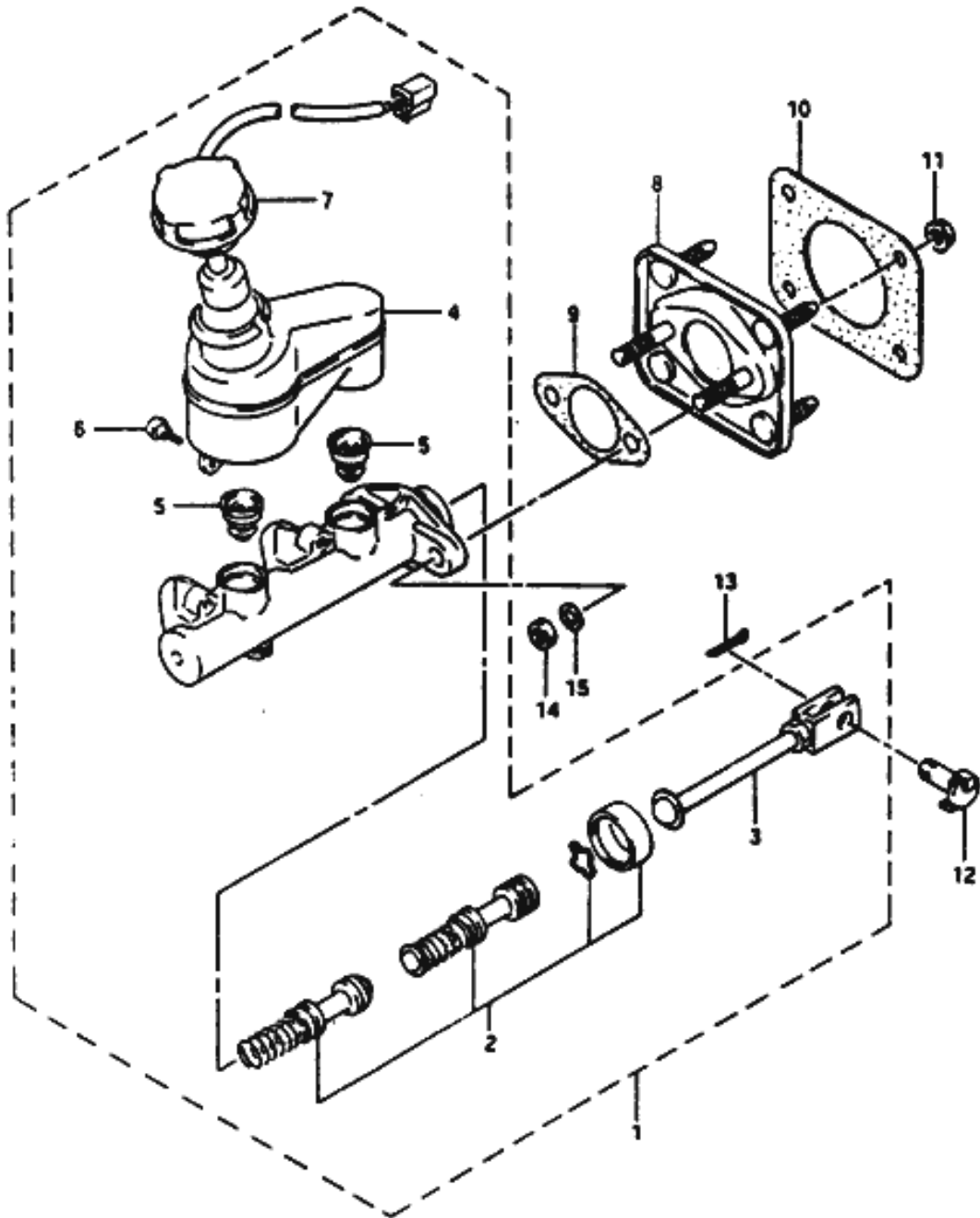
53. PEDÁLOK



1	49410M84302	PEDAL ACCEL
2	49511M84050	BRACKET ACCEL
3	09444M15003	SPRING
4	02112M06123	SCREW
5	08321M31066	LOCK WASHER
6	49610M84311	BRAKE PEDAL
7	49751M79001	PAD PEDAL
8	09448M25017	SPRING
9	09180M10017	SPACER
10	09100M10226	BOLT
11	08316M10103	NUT
12	49810M84301	PEDAL CLUTCH
13	49751M79001	PAD PEDAL
14	09448M25101	SPRING
15	08332M11106	E RING
16	01500-06297	BOLT
17	08310M00063	NUT
18	49710M84301	BRACKET PEDAL
19	01550M08163	BOLT



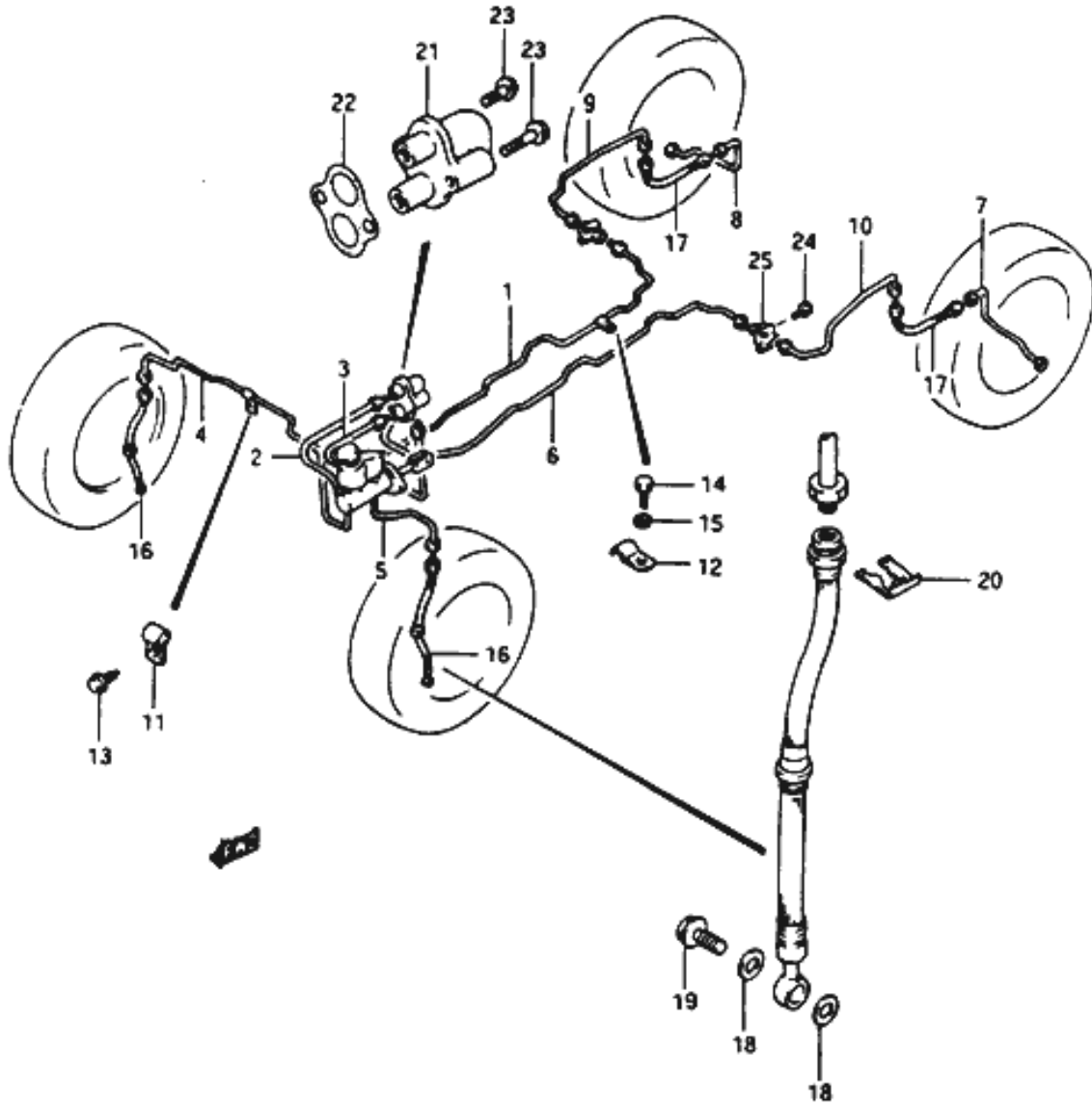
54. FÖFÉKHENGER



1	51100M84321	CYL ASSY BRAKE MASTER
2	51100M84821	CUP SET BRAKE MASTER
3	51180M84320	ROD PUSH
4	51211M84320	RESERVOIR MASTER CYLINDER
5	51232M54320	GASKET RESERVOIR
6	51233M54320	BOLT RESERVOIR
7	51220M79220	CAP RESERVOIR
8	51120M84300	BRACKET MASTER CYLINDER
9	51131-82001	PACKING MASTER CYLINDER
10	51132-84100	PACKING MASTER BRACKET
11	09159-08052	NUT
12	09200M08052	PIN
13	04111M25186	COTTER PIN
14	08310M00083	NUT
15	08321M31086	WASHER LOCK

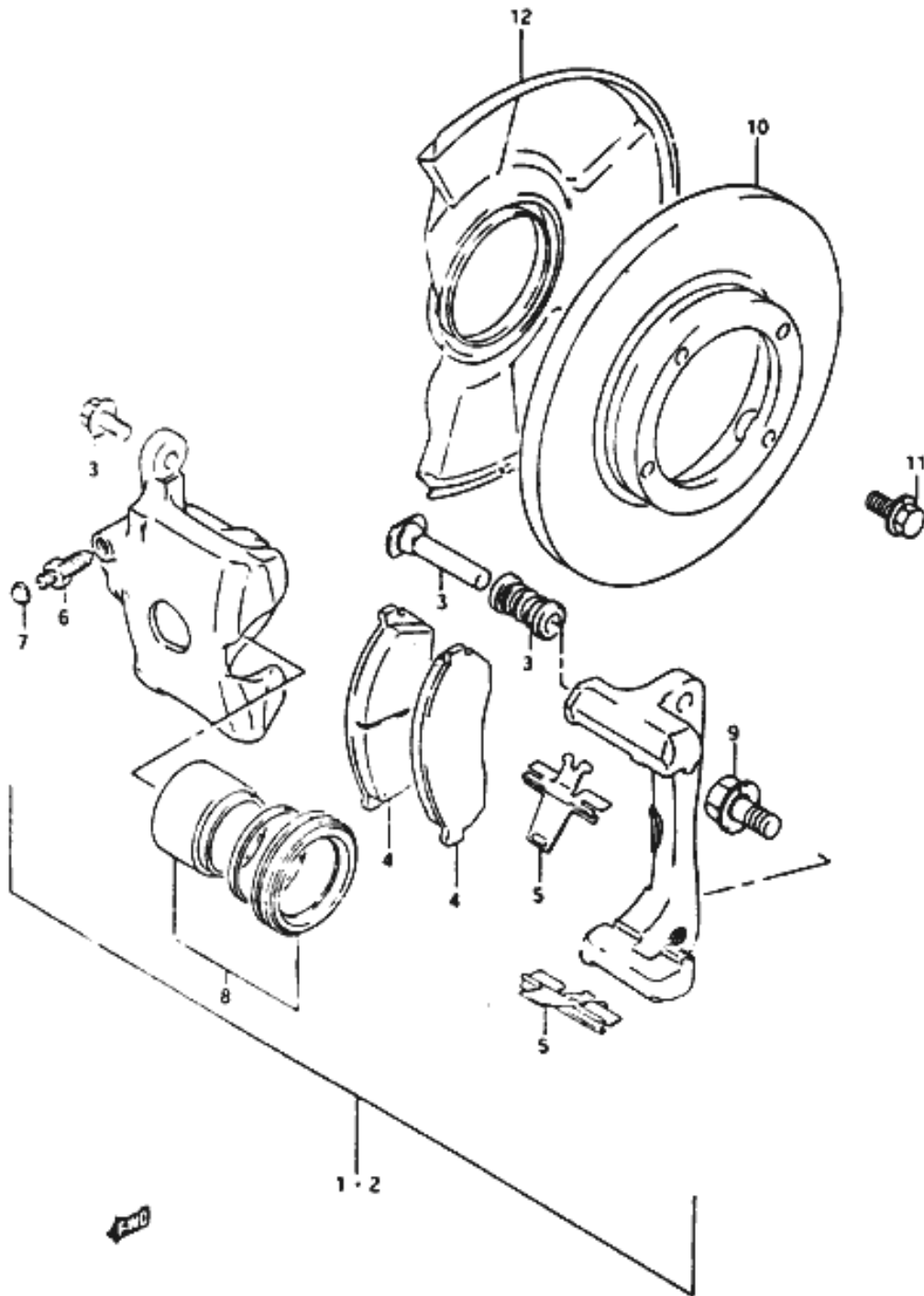


55. FÉKCSÖVEK



1	51340-84312	PIPE BRAKE NO.14
2	51350-84310	PIPE BRAKE NO.15
3	51410-84310	PIPE BRAKE NO.1
4	51420-84311	PIPE BRAKE NO.2
5	51430-84310	PIPE BRAKE NO.3
6	51460-84310	PIPE BRAKE NO.6
7-1	51470-84000	PIPE BRAKE NO.7 W/LEAF SPRING
7-2	51470-56A00	PIPE BRAKE NO.7 W/COIL SPRING
8-1	51490-84000	PIPE BRAKE NO.9 W/LEAF SPRING
8-2	51490-50A00	PIPE BRAKE NO.9 W/COIL SPRING
9-1	51500-84300	PIPE BRAKE NO.10 W/LEAF SPRING
9-2	51500-50A00	PIPE BRAKE NO.10 W/COIL SPRING
10-1	51520-84300	PIPE BRAKE NO.12 W/LEAF SPRING
10-2	51520-56A00	PIPE BRAKE NO.12 W/COIL SPRING
11	09403M06401	CLAMP
12	09403M05302	CLAMP
13	09132-06008	SCREW
14	01104M06126	BOLT
15	08321M31066	LOCK WASHER
16	51550M84110	HOSE FRONT DISC FLEXIBLE
17-1	51570M84010	HOSE REAR BRAKE FLEXIBLE W/LEAF SPRING
17-2	51570M50A10	HOSE REAR BRAKE FLEXIBLE W/COIL SPRING
18	09161M10009	WASHER (10X15X1.5)
19	09360M10026	BOLT
20	09383M13001	E RING
21	51630-84340	JOINT BRAKE 4 WAY
22	51612-84200	GASKET 4 WAY JOINT
23	01517M06506	BOLT
24	01517M06356	BOLT
25	51910M84310	VALVE ASSY PROPORTIONING

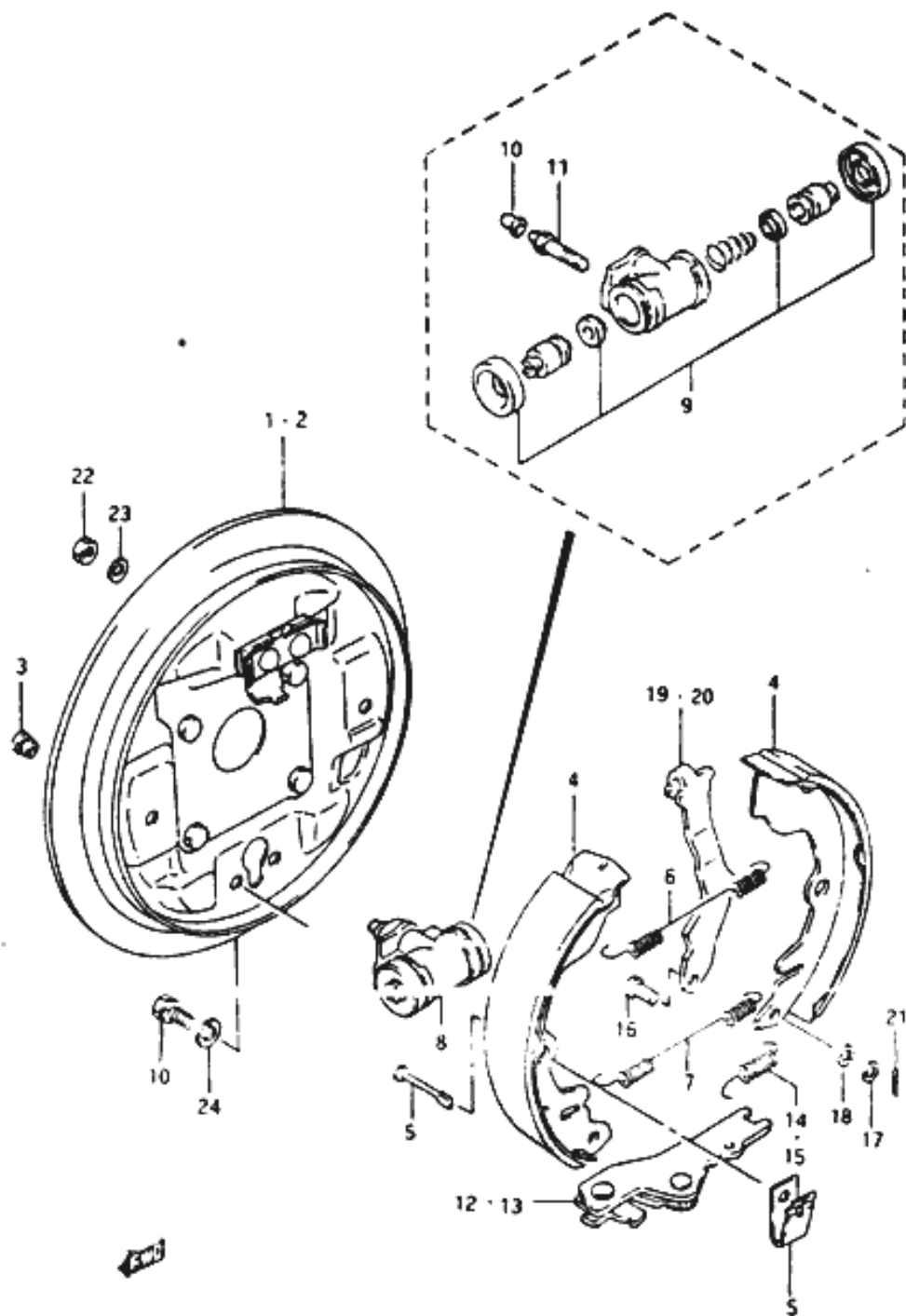
56. ELSŐ FÉK



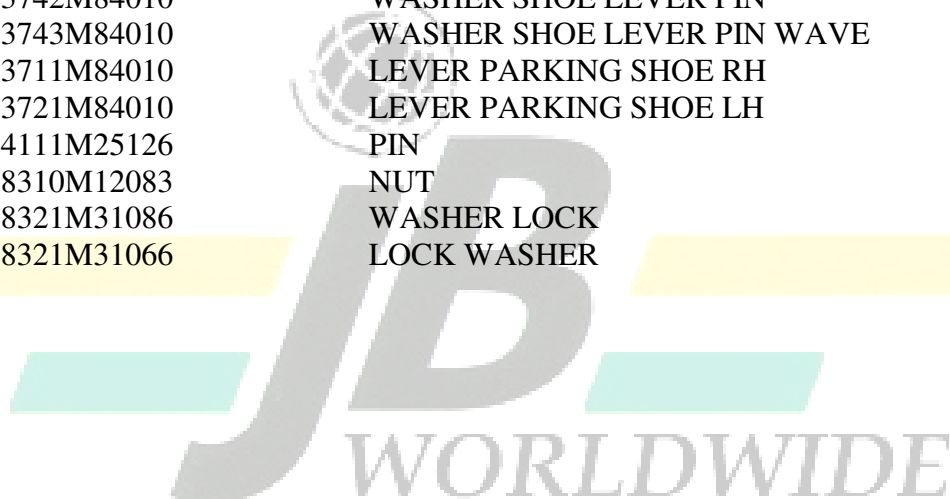
1	55101M78412	CALIPER ASSY FR BRAKE RH
2	55102M78412	CALIPER ASSY FR BRAKE LH
3	55190M78410	PIN BOLT & BOOT ASSY
4	55210M84500	PAD
5	55234M78410	SPRING PAD
6	55151M78410	PLUG BLEEDER
7	55156M66310	CAP BLEEDER PLUG
8	55100M78811	P1STON/CUP SET
9	09117-12006	BOLT 12X27
10	55511M82000	DISC FRONT BRAKE
11	09117-10042	BOLT
12	55521M84100	COVER FRONT DRAKE DISC DUST



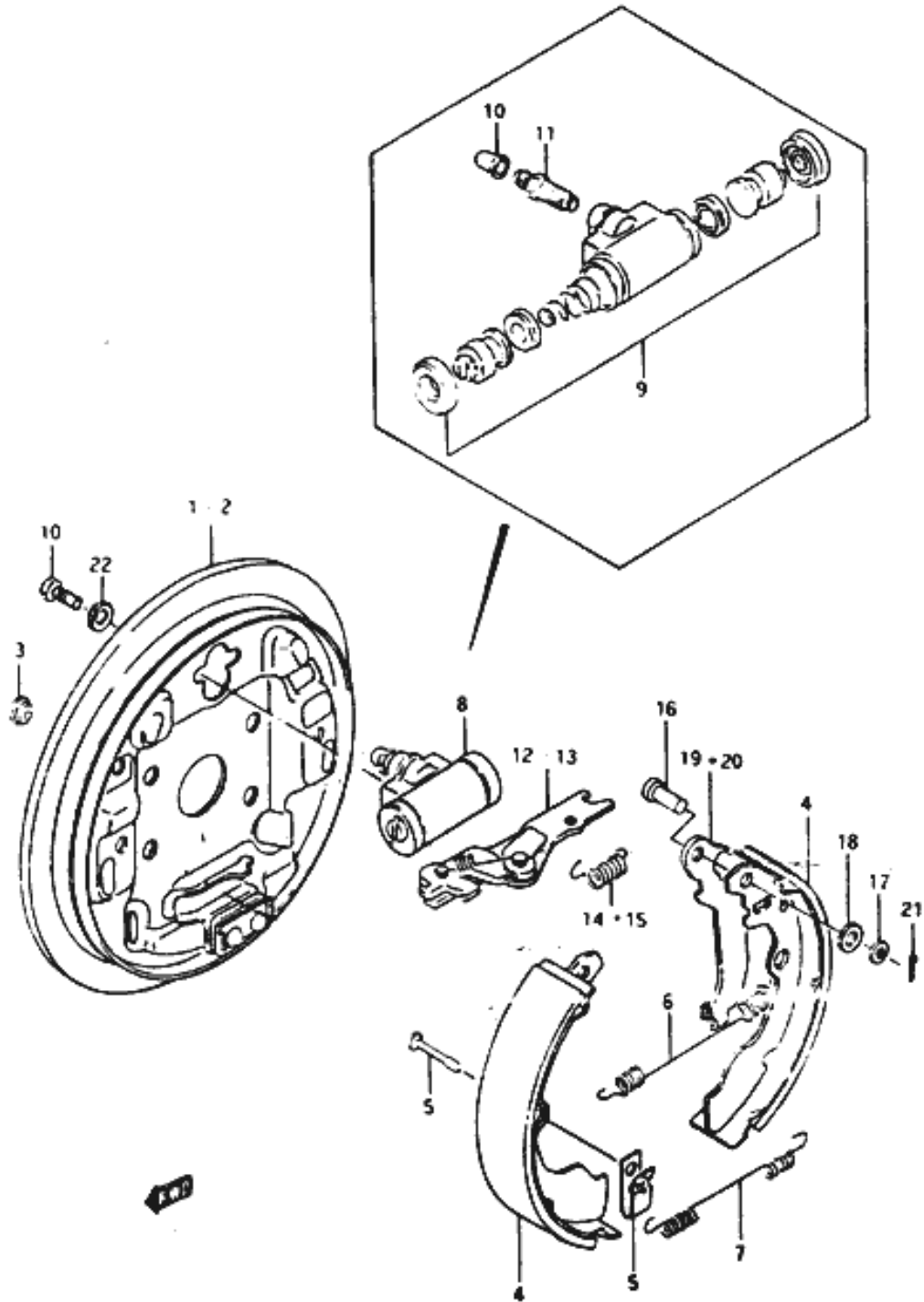
57. HÁTSÓ FÉK /LAPRUGÓS/



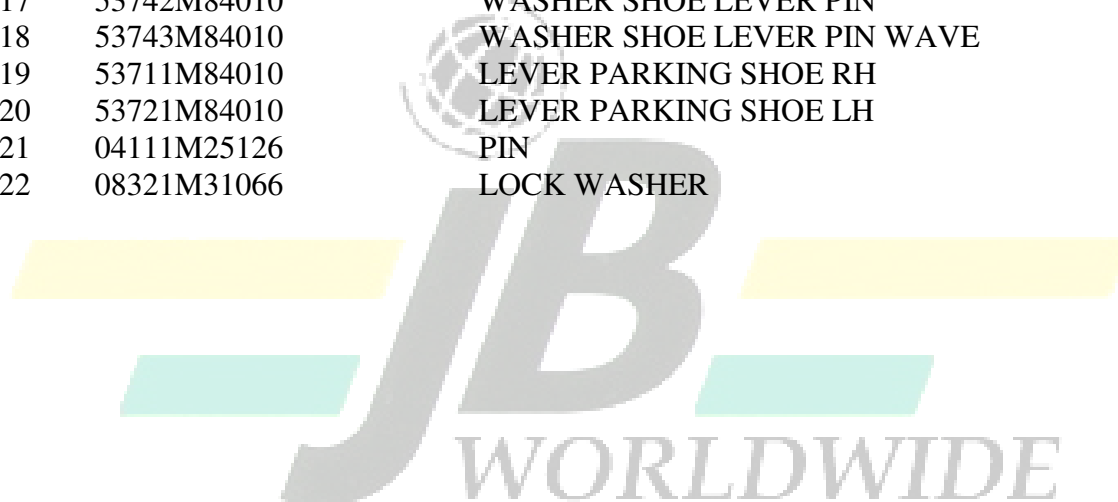
1	53101M84011	PLATE REAR BRAKE BACKING RH
2	53102M84011	PLATE REAR BRAKE BACKING LH
3	53141M84010	PLUG BACKING PLATE
4	53210M84010	SHOE REAR BRAKE
5	52240M84010	PIN & SPRING SHOE HOLD DOWN
6	53232M84010	SPRING SHOE RETURN
7	53231M84010	SPRING SHOE RETURN
8	53401M84010	CYLINDER SUB ASSY RR WHEEL
9	52400M84810	PISTON CUP/BOOT SET
10	52470M84010	CAP & BOLT CYLINDER
11	53473M84010	PLUG BLEEDER
12	53701M84010	STRUT ASSY PARKING SHOE RH
13	53702M84010	STRUT ASSY PARKING SHOE LH
14	53715M84010	SPRING STRUT SHOE RETURN RH
15	53716M84010	SPRING STRUT SHOE RETURN LH
16	53731M84010	PIN PARKING SHOE LEVER
17	53742M84010	WASHER SHOE LEVER PIN
18	53743M84010	WASHER SHOE LEVER PIN WAVE
19	53711M84010	LEVER PARKING SHOE RH
20	53721M84010	LEVER PARKING SHOE LH
21	04111M25126	PIN
22	08310M12083	NUT
23	08321M31086	WASHER LOCK
24	08321M31066	LOCK WASHER



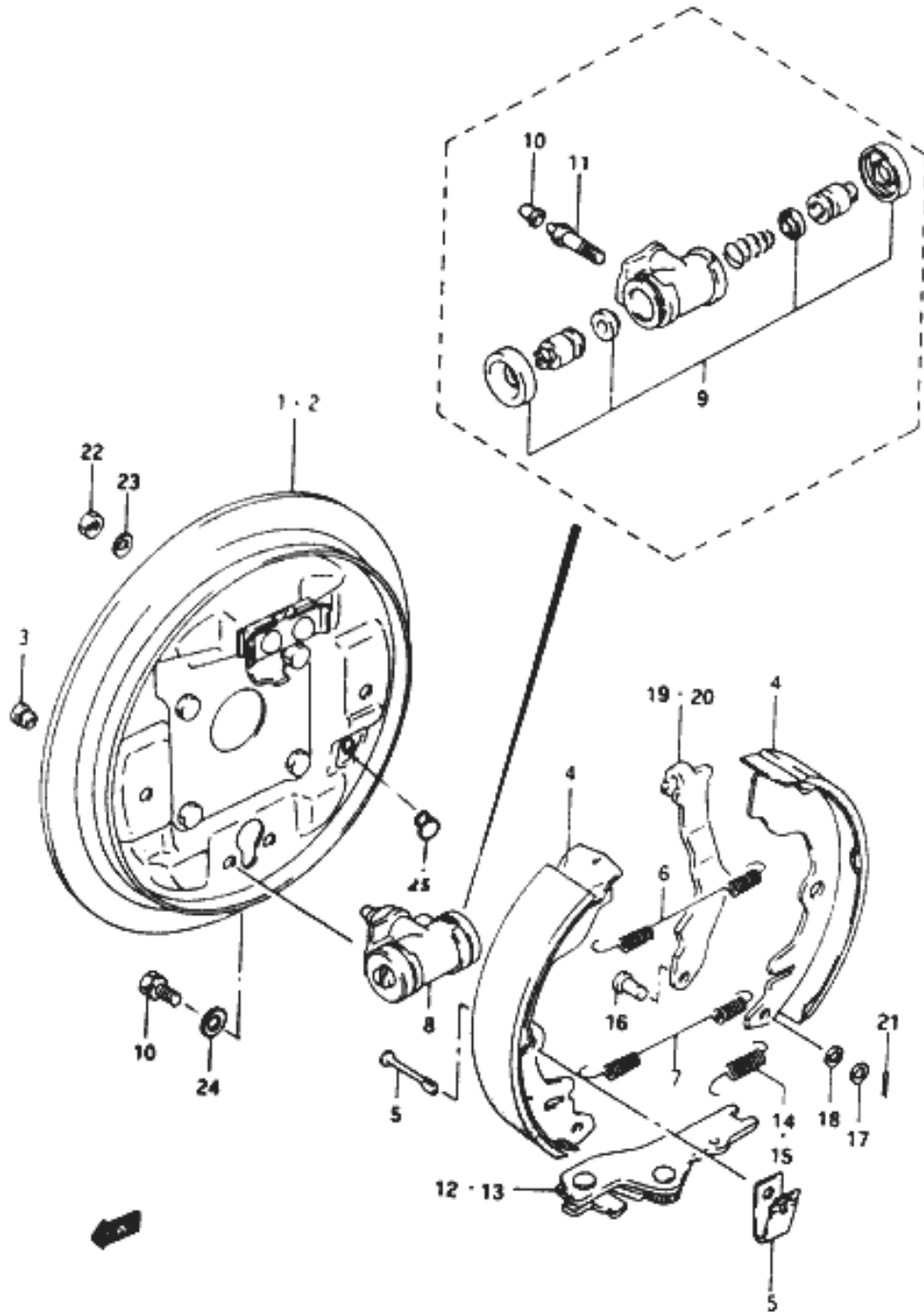
57A.HÁTSÓ FÉK /SPIRÁLRUGÓS/



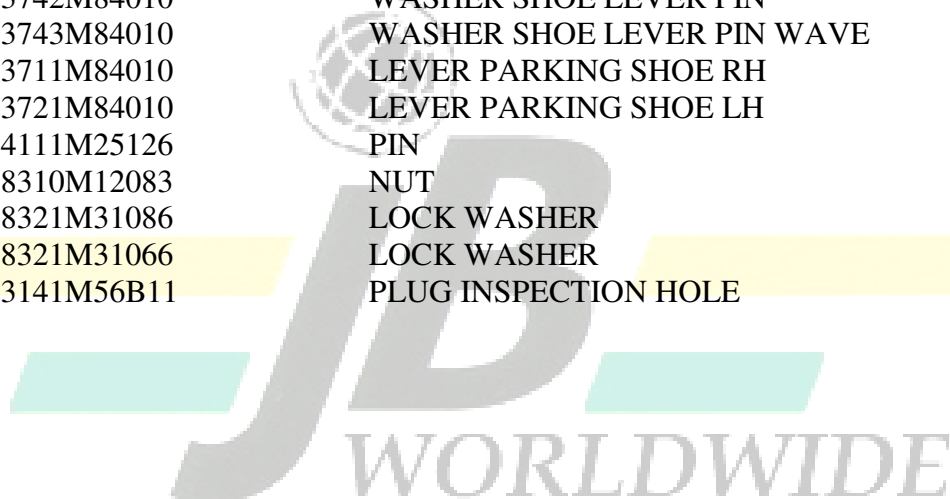
1	53101M50A10	PLATE RR BRAKE BACKING RH
2	53102M50A10	PLATE RR BRAKE BACKING LH
3	53141M84010	PLUG BACKING PLATE
4	53210M84010	SHOE REAR BRAKE
5	52240M84010	PIN & SPRING SHOE HOLD DOWN
6	53232M84010	SPRING SHOE RETURN
7	53231M84010	SPRING SHOE RETURN
8	53401M84010	CYLINDER SUB ASSY RR WHEEL
9	52400M84810	PISTON CUP/BOOT SET
10	52470M84010	CAP & BOLT CYLINDER
11	53473M84010	PLUG BLEEDER
12	53701M84010	STRUT ASSY PARKING SHOE RH
13	53702M84010	STRUT ASSY PARKING SHOE LH
14	53715M84010	SPRING STRUT SHOE RETURN RH
15	53716M84010	SPRING STRUT SHOE RETURN LH
16	53731M84010	PIN PARKING SHOE LEVER
17	53742M84010	WASHER SHOE LEVER PIN
18	53743M84010	WASHER SHOE LEVER PIN WAVE
19	53711M84010	LEVER PARKING SHOE RH
20	53721M84010	LEVER PARKING SHOE LH
21	04111M25126	PIN
22	08321M31066	LOCK WASHER



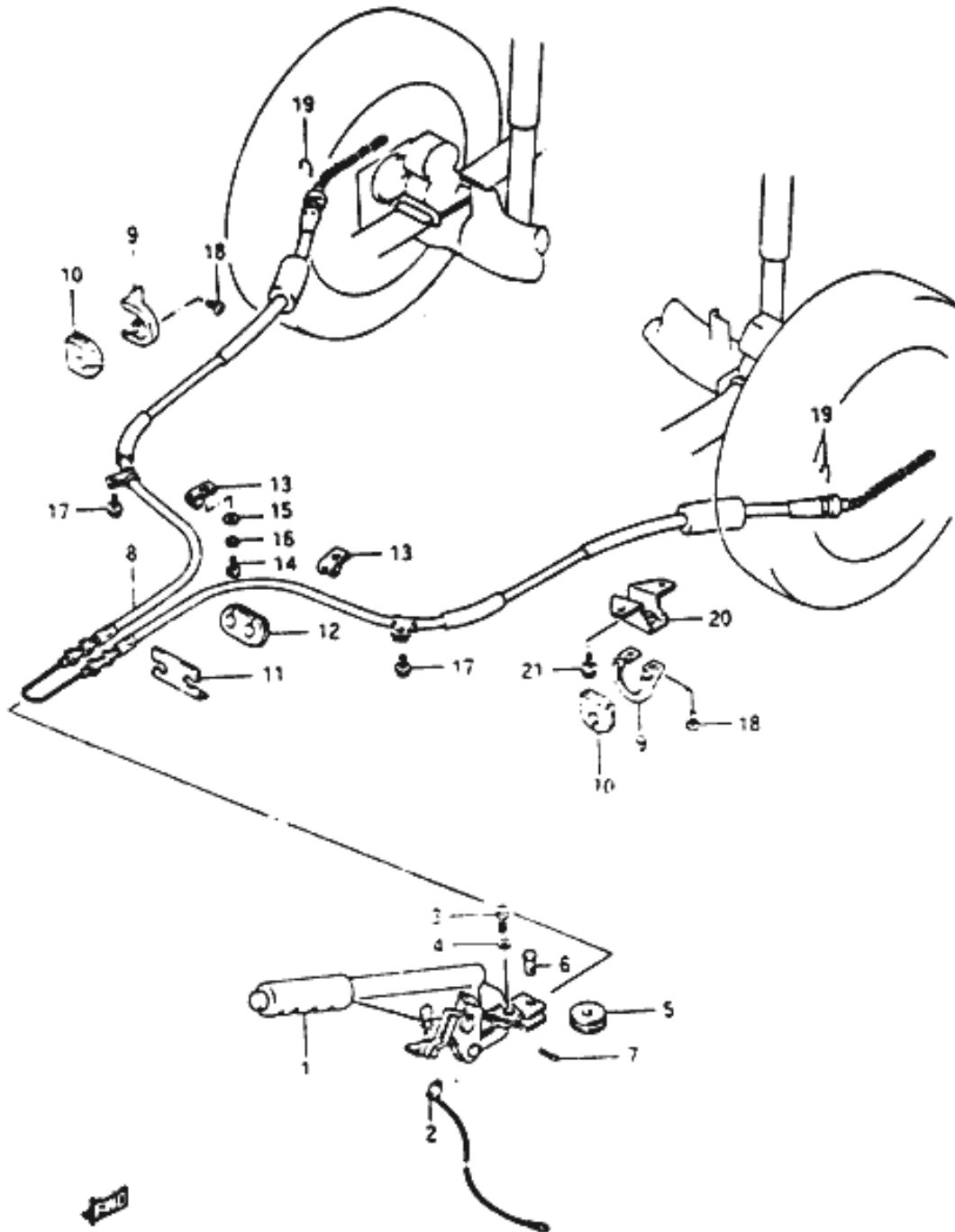
57B.HÁTSÓ FÉK /MPI/



1	53101M56B11	PLATE RR BRAKE BACKING RH
2	53102M56B11	PLATE RR BRAKE BACKING LH
3	53141M84010	PLUG BACKING PLATE
4	53800-56810	SHOE SET BRAKE
5	52240M84010	PIN & SPRING SHOE HOLD DOWN
6	53232M84010	SPRING SHOE RETURN UPPER
7	53231 M 84010	SPRING SHOE RETURN LOWER
8	53401M84010	CYLINDER SUB ASSY RR WHEEL
9	52400M84810	PISTON CUP/BOOT SET
10	52470M84010	CAP & BOLT CYLINDER
11	53473M84010	PLUG BLEEDER
12	53701M84010	STRUT ASSY PARKING SHOE RH
13	53702M84010	STRUT ASSY PARKING SHOE LH
14	53715M84010	SPRING STRUT SHOE RETURN RH
15	53716M84010	SPRING STRUT SHOE RETURN LH
16	53731M84010	PIN PARKING SHOE LEVER
17	53742M84010	WASHER SHOE LEVER PIN
18	53743M84010	WASHER SHOE LEVER PIN WAVE
19	53711M84010	LEVER PARKING SHOE RH
20	53721M84010	LEVER PARKING SHOE LH
21	04111M25126	PIN
22	08310M12083	NUT
23	08321M31086	LOCK WASHER
24	08321M31066	LOCK WASHER
25	53141M56B11	PLUG INSPECTION HOLE



58. KÉZIFÉK

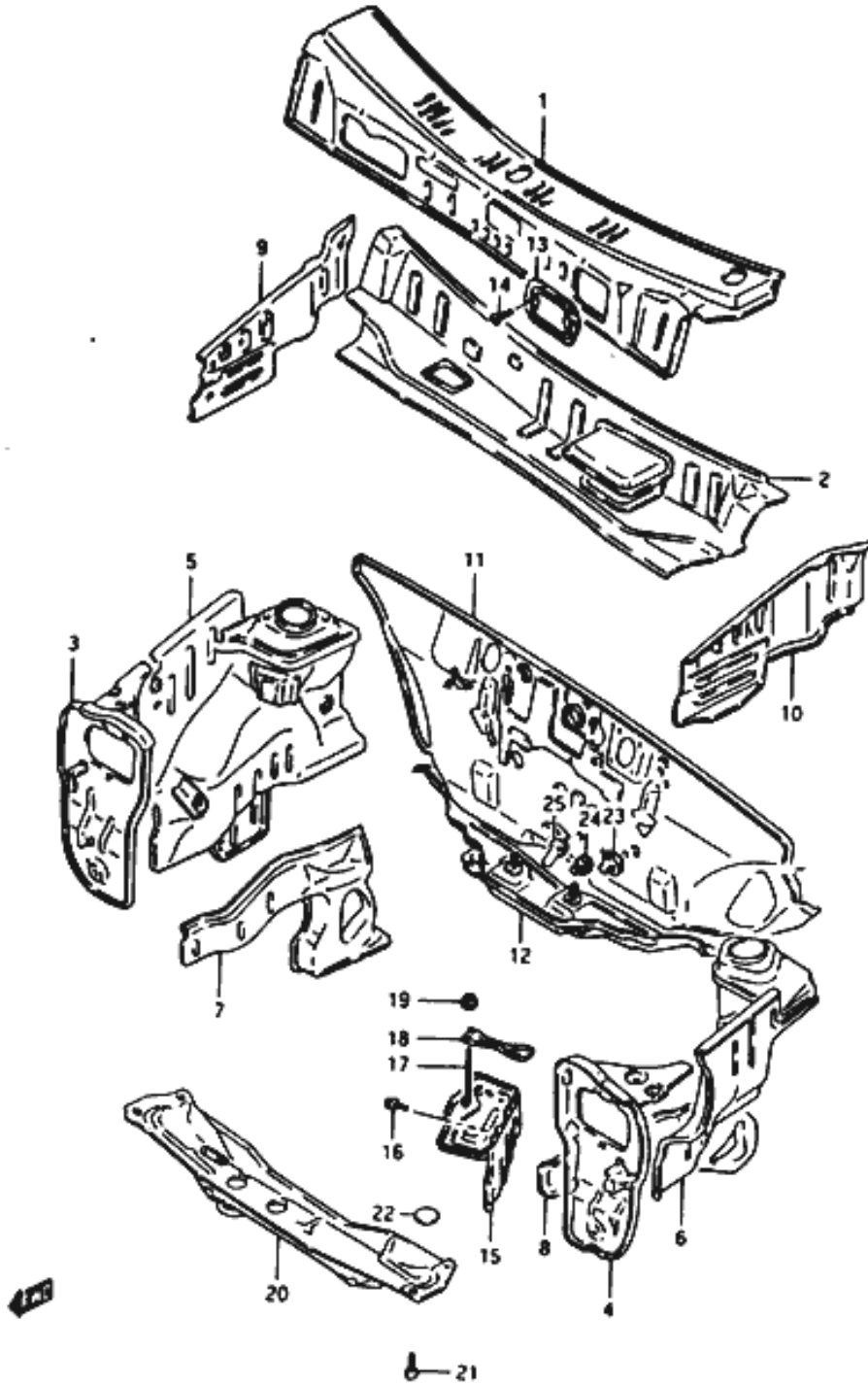


1	54000M82010	LEVER ASSY PARKING BRAKE
2	37940-79000	SWITCH ASSY PARKING BRAKE
3	01104M06166	BOLT
4	08321M31066	LOCK WASHER
5	54482M78010	PULLEY CABLE
6	09200M08039	PIN
7	04111M25186	COTTER PIN
8-1	54400M84011	CABLE ASSY PARKING BRAKE W/LEAF SPRING
8-2	54400M50A11	CABLE ASSY PARKING BRAKE W/COIL SPRING
9	54481M50A10	BRACKET PARKING CABLE
10	54442M81210	GROMMET
11	54495M82000	STRENGTH PARKING CABLE
12	54499M84000	GROMMET PARKING CABLE #1
13	54425M50A10	CLAMP
14	01104M08206	BOLT
15	09160M08010	WASHER
16	08321M31086	LOCK WASHER
17	01514M06126	BOLT
18	02142M06106	SCREW
19	53771M82030	CLIP PARKING CABLE
20	54511M84000	STAY PARKING CABLE BKT
21	01537M06126	BOLT



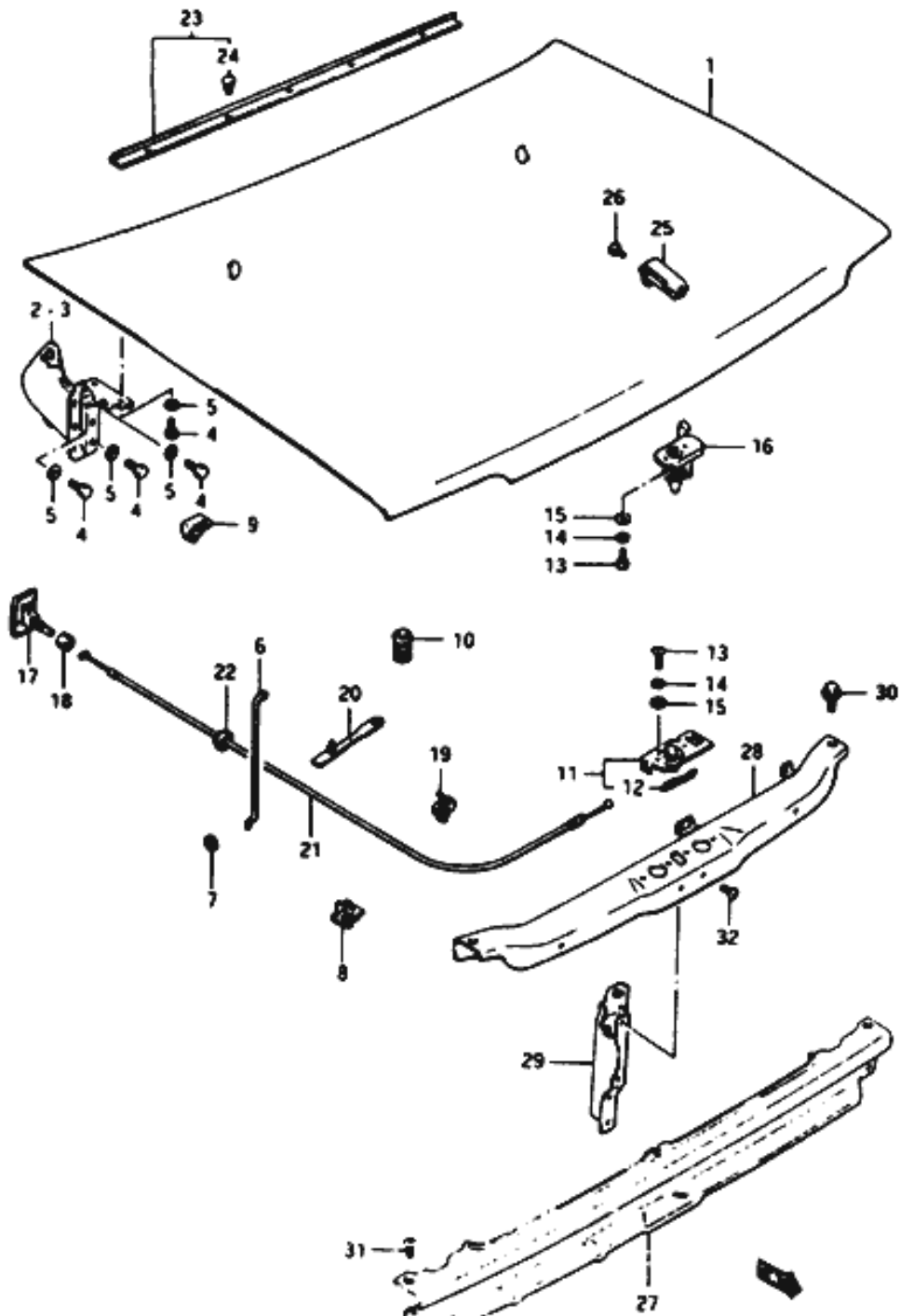
KAROSSZÉRIA

59. DOBLEMEZ, TŰZFAL, VÁZNYŰLVÁNY



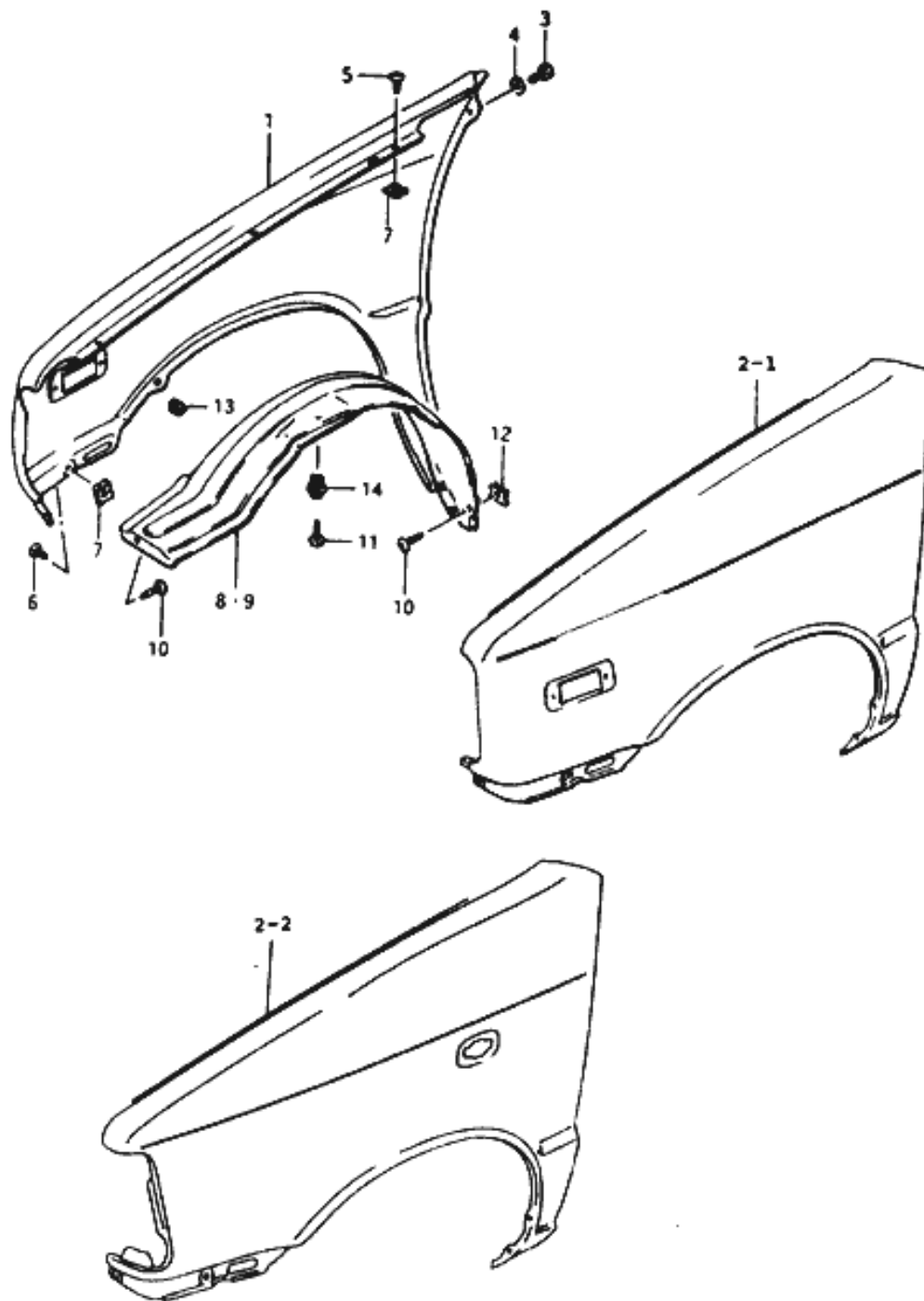
1	59700M843A0	PANEL COWL TOP
2	59310-84301	PANEL COWL UPPER
3-1	58110-84301	PANEL LAMP SUPPORT TYPE 1
3-2	58110M84400	PANEL LAMP SUPPORT TYPE 2
4-1	58160-84301	PANEL LAMP SUPPORT TYPE 1
4-2	58160M84400	PANEL LAMP SUPPORT TYPE 2
5	58310M84011	PANEL FENDER APRON RH
6	58410M84001	PANEL FENDER APRON LH
7	58610M84300	MEMBER FRONT SIDE
8	58710M84300	MEMBER FRONT SIDE
9-1	58331M84001	EXTENSION APRON UPPER RH TYPE 1
9-2	58331M84400	EXTENSION APRON UPPER RH TYPE 2
10-1	58431M84001	EXTENSION APRON UPPER LH TYPE 1
10-2	58431M84400	EXTENSION APRON UPPER LH TYPE 2
11	59100-843A0	PANEL DASH
12	59210M84300	CROSSMEMBER DASH PANEL
13	72411M84000	LID WIPER LINK SERVICE HOLE
14	09128-06058	SCREW
15	58440M84000	BRACKET BATTERY
16	01550M06102	BOLT
17	63461M70400	BOLT BATTERY
18	72511M78001	BAND BATTERY
19	08316M16056	NUT
20	71100M84301	CROSSMEMBER FRONT
21	09118-10029	BOLT
22	69511M70000	FILM
23	74813M82010	GROMMET #1
24	74814M82010	GROMMET #2
25	74815M82000	GROMMET

60. MOTORHÁZTETŐ



1-1	57300M84420	PANEL FRONT HOOD TYPE 1
1-2	57300M84410	PANEL FRONT HOOD TYPE 2
2	57410M84002	HINGE FRONT HOOD RH
3	57420M84002	HINGE FRONT HOOD LH
4-1	01550M06103	BOLT
4-2	09136-06001	BOLT
5	08322M01063	WASHER
6	72311M84001	STAY FRONT HOOD
7	09308M07012	GROMMET
8	09403M07311	CLAMP
9	72371M84000	CUSHION FRONT HOOD REAR
10	72372M82000	CUSHION FRONT HOOD FRONT
11	82110M81001	LATCH HOOD
12	82113M81001	SPRING HOOD LATCH
13	02112M06123	SCREW
14	08321M01063	LOCK WASHER
15	08322M01063	WASHER
16	82120M84000	STRIKER HOOD LATCH RH
17	82150M82000	LEVER LATCH RELEASE
18	09159M14014	NUT
19	09407M05403	CLAMP
20	09407M05404	CLIP
21	82109M84010	CABLE HOOD LATCH RELEASE
22	82191M82000	GROMMET LATCH RELEASE CABLE
23	72340M84051	SEAL HOOD REAR DUST
24	09229M04019	CLIP
25	72350M84100	OPENER HOOD LATCH PRE-MODIFIED
26	03241M05103	SCREW PRE-MODIFIED
27-1	57121M84002	PANEL GRILLE LOWER TYPE 1
27-2	57121M84400	PANEL GRILLE LOWER TYPE 2
28	57210M84C01	MEMBER FRONT UPPER
29-1	57221M84000	MEMBER FRONT CENTER TYPE 1
29-2	57221M84001	MEMBER FRONT CENTER TYPE 2
30	01550M0E103	BOLT
31	02142M06103	SCREW
32	01550M06103	SCREW

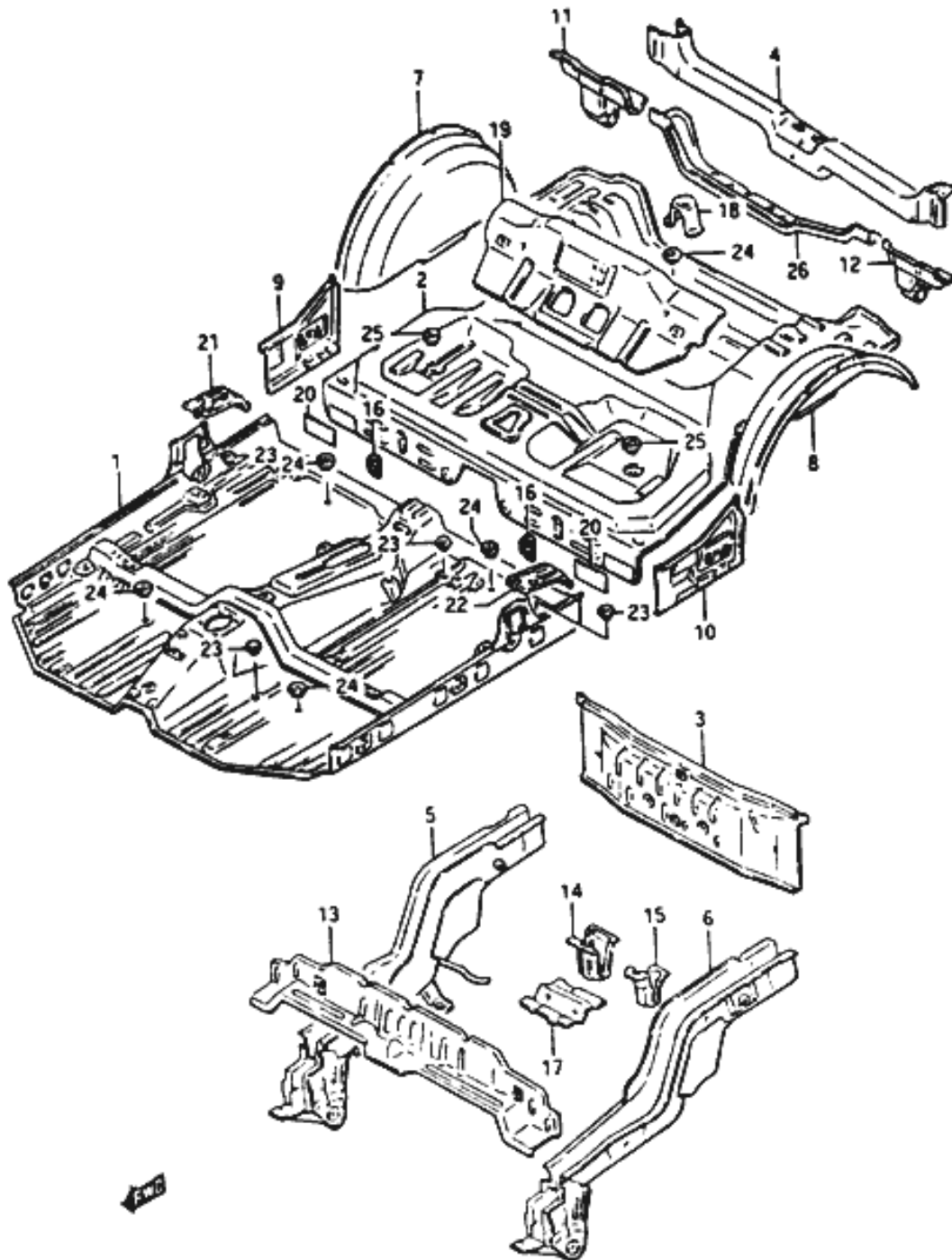
61. SÁRVÉDŐ, DOBBETÉT /ELSŐ/



1-1	57611M84320	PANEL FR FENDER RH TYPE 1
1-2	57611M84410	PANEL FR FENDER RH TYPE 2
2-1	57711M84320	PANEL FR FENDER LH TYPE 1
2-2	57711M84410	PANEL FR FENDER LH TYPE 2
3	09132-05021	SCREW
4	09409-07305	CLIP
5	03241-05088	SCREW
6	03242-05129	SCREW
7	09148M05003	NUT
8	72321M84000	LINING FRONT FENDER RH
9	72322M84000	LINING FRDNT FENDER LH
10	03241-05163	SCREW
11	03141-05166	SCREW
12	09148M05003	NUT
13	09148M05016	NUT
14	09409-07305-5PK	CLIP



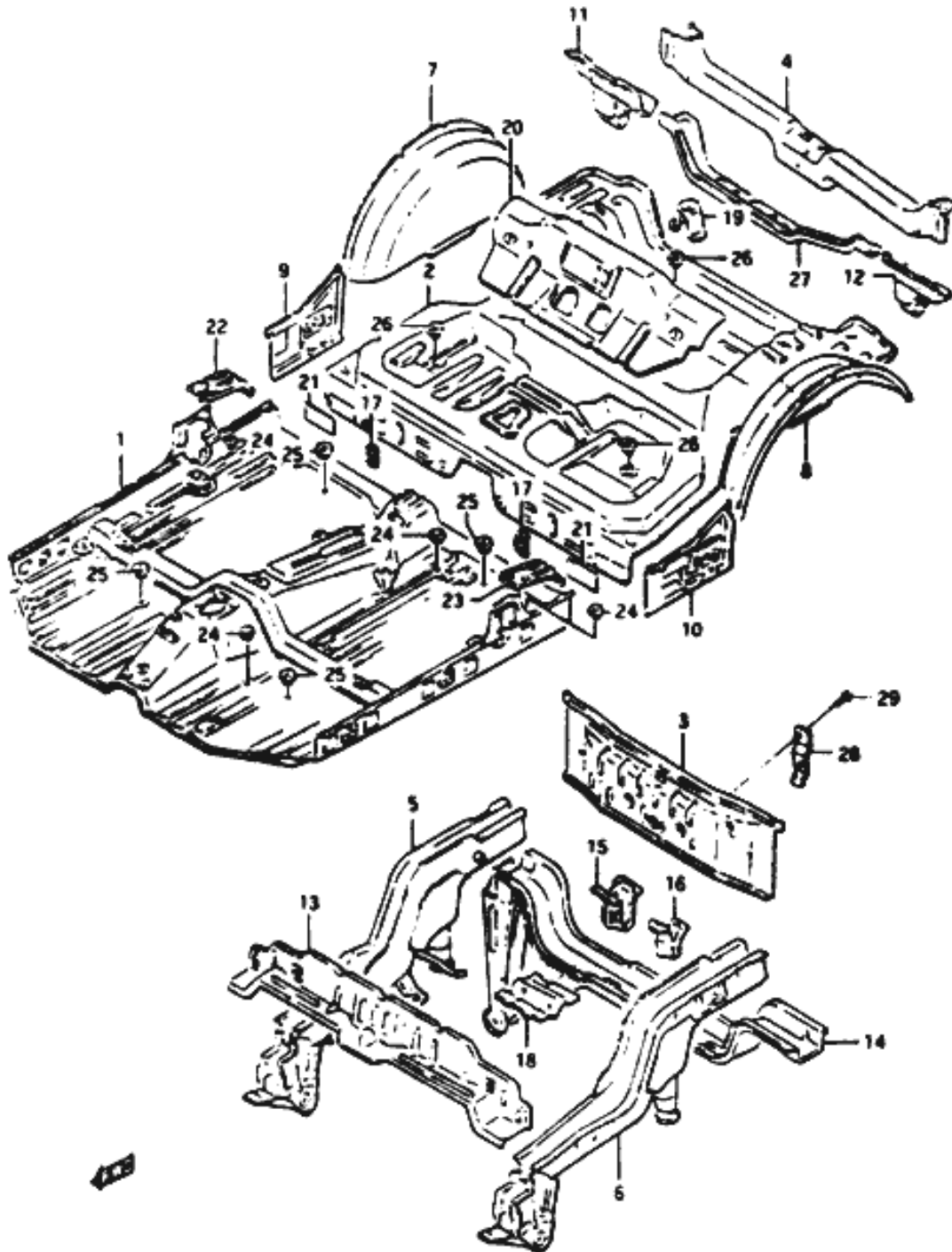
62. PADLÓLEMEZ /LAPRUGÓS/



1	61110M84300	PANEL COMP MAIN FLOOR
2	61510M84300	PANEL RR FLOOR
3	65410M84000	PANEL RR SKIRT
4	65420M84000	MEMBER TAIL END
5	62100M84001	MEMBER REAR FLOOR SIDE RH
6	62300M84001	MEMBER REAR FLOOR SIDE LH
7	61611M84000	PANEL RR WHEEL HOUSE INR RH
8	61661M84000	PANEL RR WHEEL HOUSE INR LH
9	61561M84000	LOCKER REAR FLOOR FRONT RH
10	61571M84000	LOCKER REAR FLOOR FRONT LH
11	62640M84200	CROSSMEMBER RR FLOOR RR RH
12	62650M84200	CROSSMEMBER RR FLOOR RR LH
13	62610M84001	CROSSMEMBER REAR FLOOR FR
14	61515-84000	BRACKET FUEL TANK REAR RH
15	61516-84000	BRACKET FUEL TANK REAR LH
16	61517-84000	GUSSET P VALVE
17	61512-84000	REINF RR SEAT BELT CENTRE
18	61518-84000	BRACKET SPARE TIRE
19	61540M84000	CROSSMEMBER RR FLOOR CTR
20	65512M78200	GUSSET REAR SEAT RISER
21	75470M84000	EXTENSION RH
22	75480M84000	EXTENSION LH
23	83919M82000	CAP FLOOR DRAIN
24	09250M30010	CAP FLOOR DRAIN
25	09250M30012	CAP FLOOR DRAIN
26	62661M84200	MEMBER REAR FLOOR CENTRE

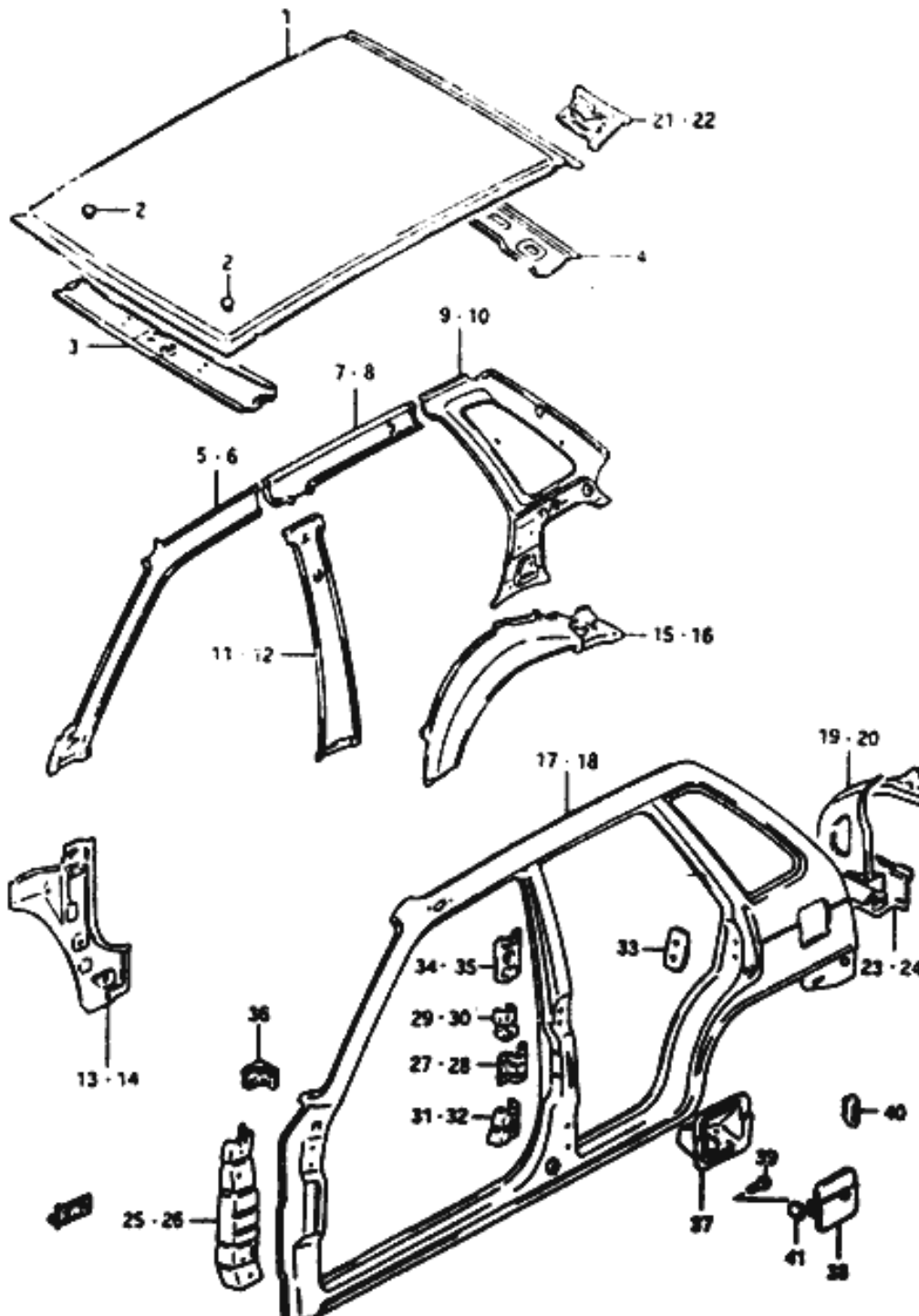


63. PADLÓLEMEZ /SPIRÁL Rugós/



1	61110M84300	PANEL COMP MAIN FLOOR
2	61511M56A10	PANEL REAR FLOOR
3-1	65410M84000	PANEL RR SKIRT TYPE 1
3-2	65410M84400	PANEL RR SKIRT TYPE 2
4	65420M84000	MEMBER TAIL END
5	62100M50A00	MEMBER RR FLOOR SIDE RH
6	62300M56A00	MEMBER RR FLOOR SIDE LH
7	61611M84000	PANEL RR WHEEL HOUSE INNER RH
8	61661M84000	PANEL RR WHEEL HOUSE INNER LH
9	61561M84000	LOCKER REAR FLOOR FRONT RH
10	61571M84000	LOCKER REAR FLOOR FRONT LH
11	62640M56A00	CROSSMEMBER RR FLOOR RR RH
12	62650M56A00	CROSSMEMBER RR FLOOR RR LH
13	62610M84001	CROSSMEMBER RR FLOOR FRONT
14	62630M50A10	CROSSMEMBER RR FLOOR CTR
15	61515-84000	BRACKET FUEL TANK RR RH
16	61516-84000	BRACKET FUEL TANK RR LH
17	61517-84000	GUSSET P VALVE
18	61512-84000	REINF RR SEAT BELT CENTRE
19	61518-84000	BRACKET SPARE TIRE
20	61540M84000	CROSSMEMBER RR FLOOR
21	65512M78200	GUSSET REAR SEAT RISER
22	75470M84000	EXTENSION RH
23	75480M84000	EXTENSION LH
24	83919M82000	CAP FLOOR DRAIN
25	09250M30010	CAP FLOOR DRAIN
26	09250M30012	CAP FLOOR DRAIN
27	62660-84300	CROSSMEMBER RR FLOOR
28	62681-84300	SUPPORT TOWING HOOK
29	02142M06128	SCREW

64. OLDALFAL, TETŐLEMEZ, KÜSZÖB, HÁTSÓ SÁRVÉDŐ



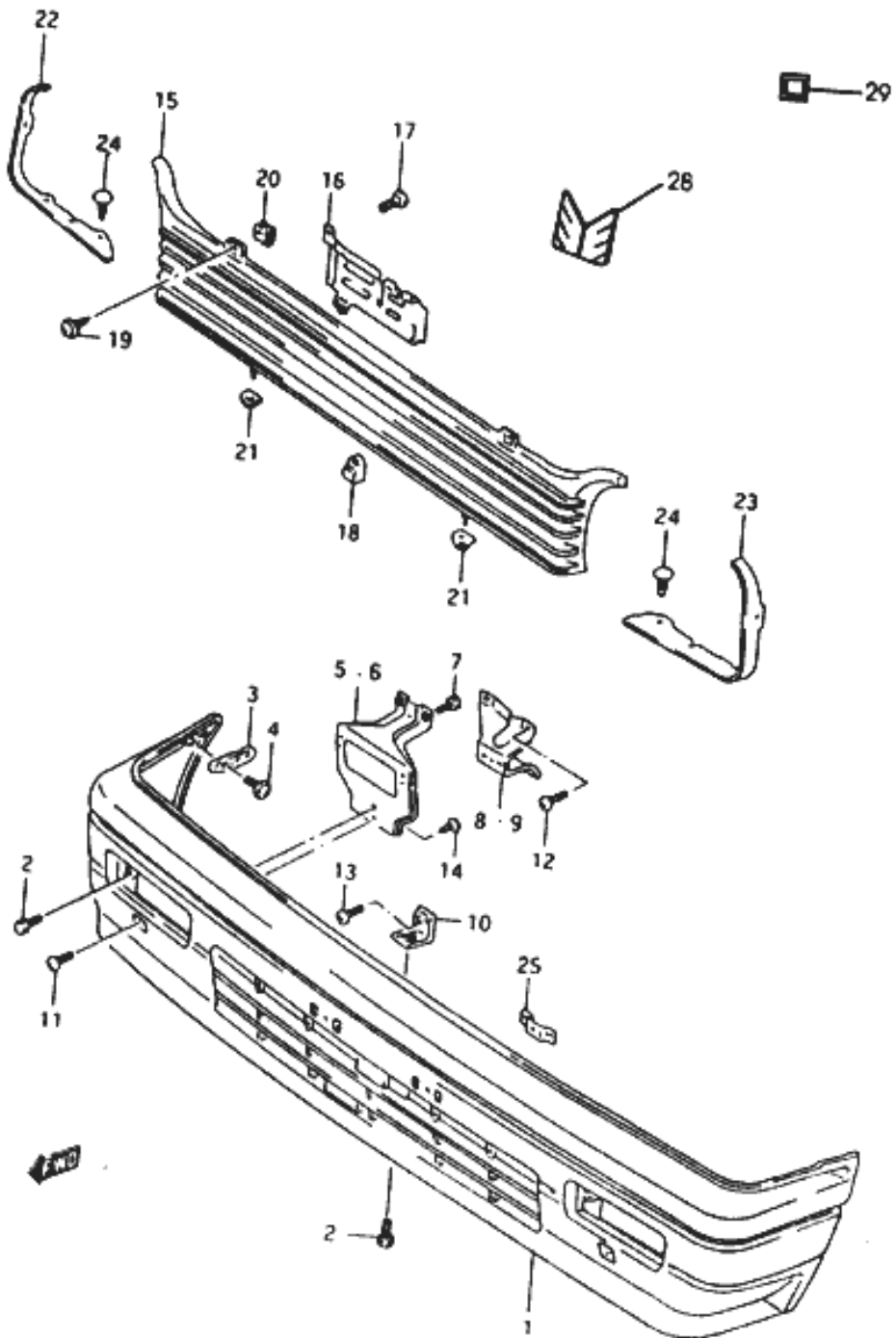
- 1 65111M84300
- 2 65112-84000
- 3-1 65121M84000

- PANEL ROOF
- STUD ROOF MOLDING
- FRAME ROOF INNER FR

TYPE 1

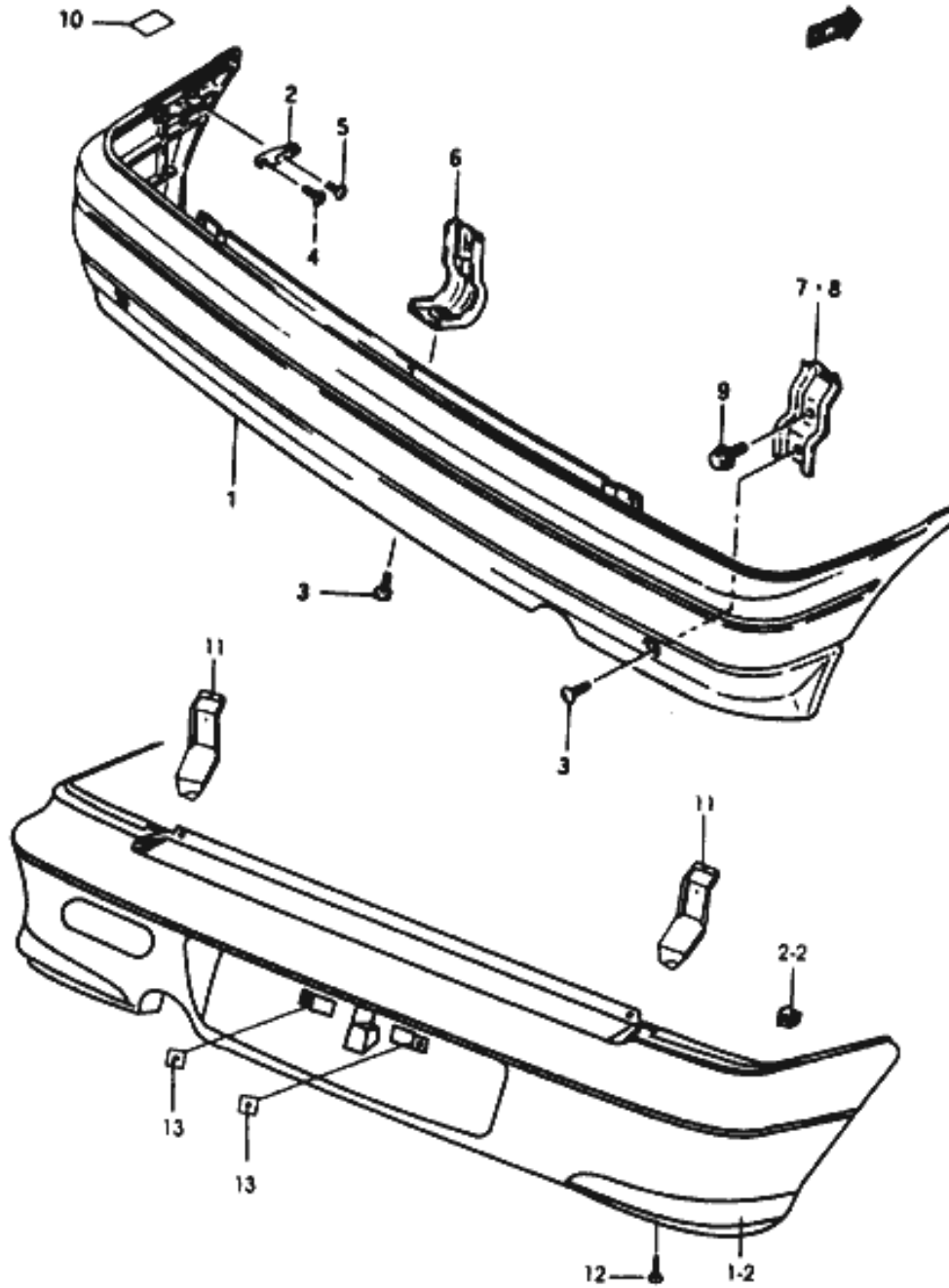
3-2	65121M84400	FRAME ROOF INNER FR	TYPE 2
4-1	65131-84000	FRAME ROOF INNER RR	TYPE 1
4-2	65131-84400	FRAME ROOF INNER RR	TYPE 2
5-1	63110M84310	PILLAR FR INN UPP RH	TYPE 1
5-2	63110M84400	PILLAR FR INN UPP RH	TYPE 2
6-1	63510M84310	PILLAR FR INN UPP LH	TYPE 1
6-2	63511M84400	PILLAR FR INN UPP LH	TYPE 2
7	63131M84000	RAIL ROOF SIDE INNER	
8	63531M84000	RAIL ROOF SIDE INNER	
9-1	63310M84400	PANEL QTR INNER RH	TYPE 1
9-2	63310M84300	PANEL QTR INNER RH	TYPE 2
10-1	63710M84300	PANEL QTR INNER LH	TYPE 1
10-2	63710M84400	PANEL QTR INNER LH	TYPE 2
11	63211M84300	PANEL QTR PILLAR INR RH	
12	63611M84300	PANEL QTR PILLAR INR LH	
13	63120M84300	PILLAR FRONT INNER LOW RH	
14	63520M84300	PILLAR FRONT INNER LOW LH	
15	63330M84320	PANEL RR NH HOUSE OUT RH	
16	63730M84320	PANEL RR NH HOUSE OUT LH	
17	64111M84400	PANEL SIDE BODY OUTER RH	
18	64511M84400	PANEL SIDE BODY OUTER LH	
19	63321-84000	HOUSING RR COMB LANP INP RH	
20	63721-84000	HOUSING RR COMB LANP INP LH	
21	65132M84000	REINF ROOF INR RR UPPER RH	
22	65133M84000	REINF ROOF INR RR UPPER LH	
23-1	64151M84000	HSG RR COMB LANP OUT RH	TYPE 1
23-2	64151M84401	HSG RR COMB LANP OUT RH	TYPE 2
24-1	64551M84000	HSG RR COMB LANP OUT LH	TYPE 1
24-2	64551M84401	HSG RR COMB LANP OUT LH	TYPE 2
25	64120M84000	REINF FRONT DOOR HINGE RH	
26	64520M84000	REINF FRONT DOOR HINGE LH	
27	64130M84000	REINF FR DOOR STRIKER	
28	64530M84000	REINF FR DOOR STRIKER	
29	64133M84000	REINF RR HINGE RH	
30	64533M84000	REINF RR HINGE LH	
31	64134M84000	REINF RR DOOR LOWER	
32	64534M84000	REINF RR DOOR LOWER	
33	64140M84000	REINF REAR DOOR STRIKER	
34	64231M84000	REINF FR SEAT BELT UP RH	
35	64631M84000	REINF FR SEAT BELT UP LH	
36	64112M84000	BRACKET FR FENDER	
37	64560M84000	BOX FUEL INLET	
38	64570M84000	LID FUEL INLET	
39	02142M05108	SCREW	
40	77131M84000	CUSHION	
41	09329M01003	CUSHION	

65. LÖKHÁRÍTÓ, HŰTŐDISZRÁCS



1-1	71091M84000	BUMPER FRONT	OLD
1-2	71091M84000-5PK	BUMPER FRONT	TYPE 1
1-3	71091M84300-5PK	BUMPER FRONT	TYPE 2
2	09136-06104	SCREW	
3-1	71712M84000	HOLDER FRONT BUMPER	TYPE 1
3-2	71712M84300	HOLDER FRONT BUMPER	TYPE 2
4	03511-05123	SCREW	
5	71713M84300	STAY FRONT BUMPER RH	
6	71714M84300	STAY FRONT BUMPER LH	
7	01514M06126	BOLT	
8-1	71715M84300	BRACKET BUMPER RH	TYPE 1
8-2	71715M84400	BRACKET BUMPER SIDE	TYPE 2
9	71716M84300	BRACKET BUMPER LH	TYPE 1
10-1	71717M84300	BRACKET BUMPER CENTER	TYPE 1
10-2	71717M84400	BRACKET FR BUMPER CENTER	TYPE 2
11	02142M06166	SCREW	
12	01550M06123	BOLT BUMPER BRACKET	
13	02142M06126	SCREW	
14	03541-05123	SCREW STAY	
15-1	72111M84000	GRILLE RADIATOR	OLD
15-2	72111M84900-09E	GRILLE RADIATOR	TYPE 1
15-3	72111M84400-09E	GRILLE RADIATOR	TYPE 2
16	72121M84000	PANEL WATER PROOF	
17	09136-04005	SCREW	
18	09329M03002	CUSHION	
19	09139-05056	SCREW	
20	09148M05003	NUT	
21	09320M05014	CUSHION	
22-1	72124M84000	BEZEL HEADLAMP RH	TYPE 1
22-2	72124M84400-09E	GARNISH HEADLAMP RH	TYPE 2
23-1	72134M84000	BEZEL HEADLAMP LH	TYPE 1
23-2	72134M84400-09E	GARNISH HEADLAMP LH	TYPE 2
24-1	09409-10304-5ES	CLIP	TYPE 1
24-2	09148M04021	NUT HEADLAMP GARNISH	TYPE 2
25-1	57515M79011	RETAINER LICENCE PLATE	TYPE 1
25-2	71812M82010	NUT LICENCE PLATE	TYPE 2
26	77811M70F00	EMBLEM TOP	TYPE 2
27	09148M05033	NUT EMBLEM TOP	TYPE 2

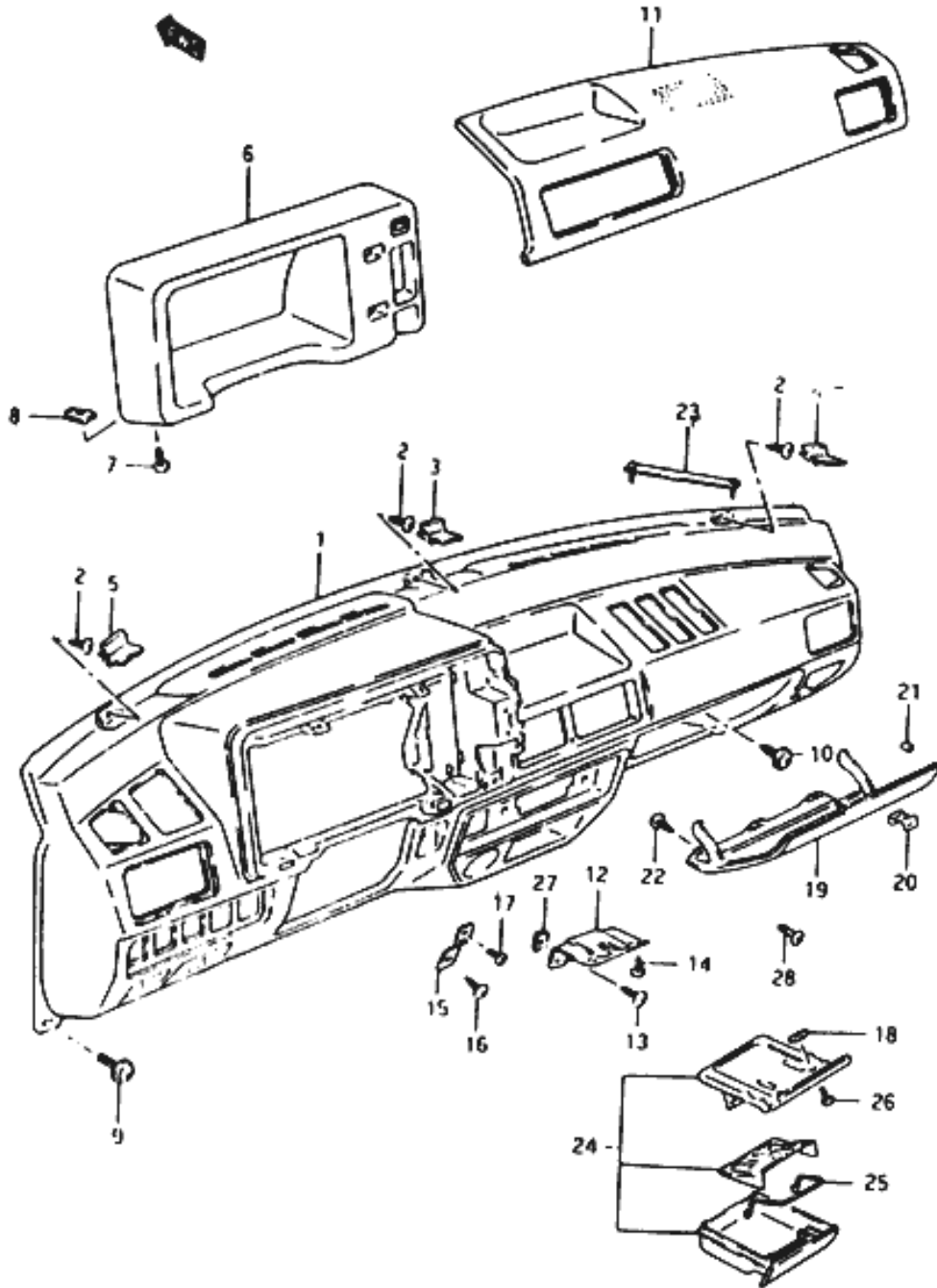
66. HÁTSÓ LÖKHÁRITÓ



1-1	71092M84000	BUMPER REAR	OLD
1-2	71092M84000-5PK	BUMPER REAR	TYPE 1
1-3	71092M84300-5PK	BUMPER REAR	TYPE 2
2-1	71812M84000	HOLDER REAR BUMPER SIDE	TYPE 1
2-2	71812M84400	HOLDER REAR BUMPER SIDE	TYPE 2
3	02142M06163	SCREW	
4	03511M05126	SCREW	
5	03511-05163	SCREW SIDE HOLDER	
6	71821M84300	STAY BUMPER CENTER	
7	71831M84300	STAY BUMPER RH	
8	71841M84300	STAY BUMPER LH	
9	01550M06123	BOLT STAY	
10	71891M84300	COVER BUMPER HOLE	
11	71831M84400	BRACKET REAR BUMPER SIDE	TYPE 2
12	02162M06163	SCREW RR BUMPER BRACKET	TYPE 2
13	71812M82010	NUT LICENCE PLATE	



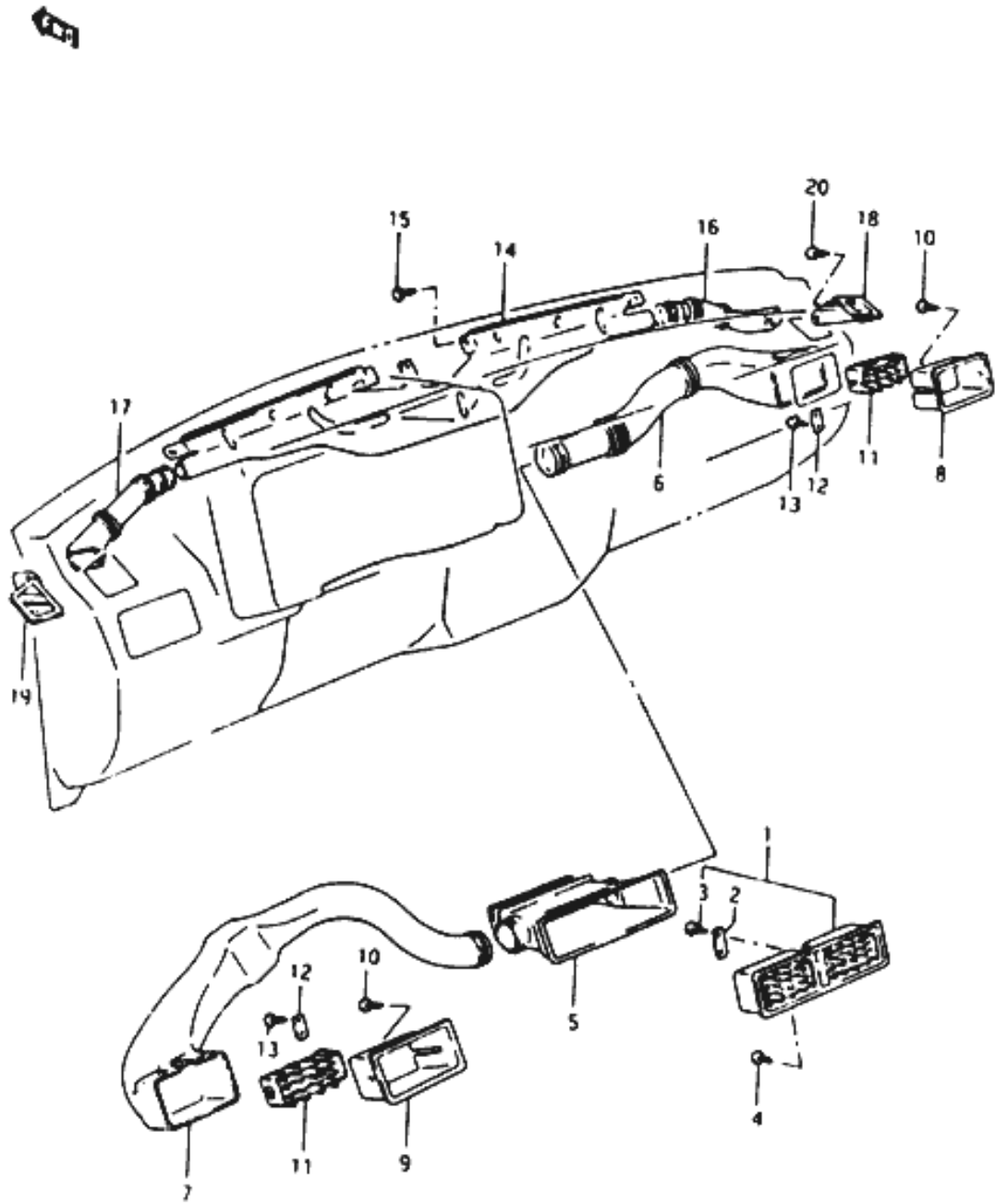
67. MŰSZERFAL



1	73111-84300-5ES	INSTRUMENT PANEL
2	02142M06166	SCREW
3	73821-84000-5ES	COVER CENTER
4	73822-84000-5ES	COVER RH
5	71823-84000-5ES	COVER LH
6	73110-84301-281	BEZEL CLUSTER
7	03241M05123	SCREW
8	09148-05013	NUT
9	09136M06061	SCREW
10	09136-06064	SCREW GLOVE BOX
11	73510-84300-5ES	PAD PANEL
12	73121M84300	STAY INSTPNL CENTER LOWER
13	03141M05163	SCREW STAY
14	03241M05123	SCREW STAY UPPER
15	73131-84300	BRACKET INSTRUMENT PANEL
16	02142M06166	SCREW PEDAL HANGER
17	02142M06125	SCREW BRACKET
18	09148-05020	NUT STAY
19	73421M84000-5ES	LID GLOVE BOX
20	62534-70001	LOCK LID
21	09329M03001	CUSHION
22	03141M04123	SCREW
23	62391M78000	BRACKET SPEAKER
24	89810M84000-5ES	ASHTRAY FRONT
25	89815M84000	SPRING PROTECTOR
26	03141M05103	SCREW
27	09148M05004	NUT
28	02142M06126	SCREW



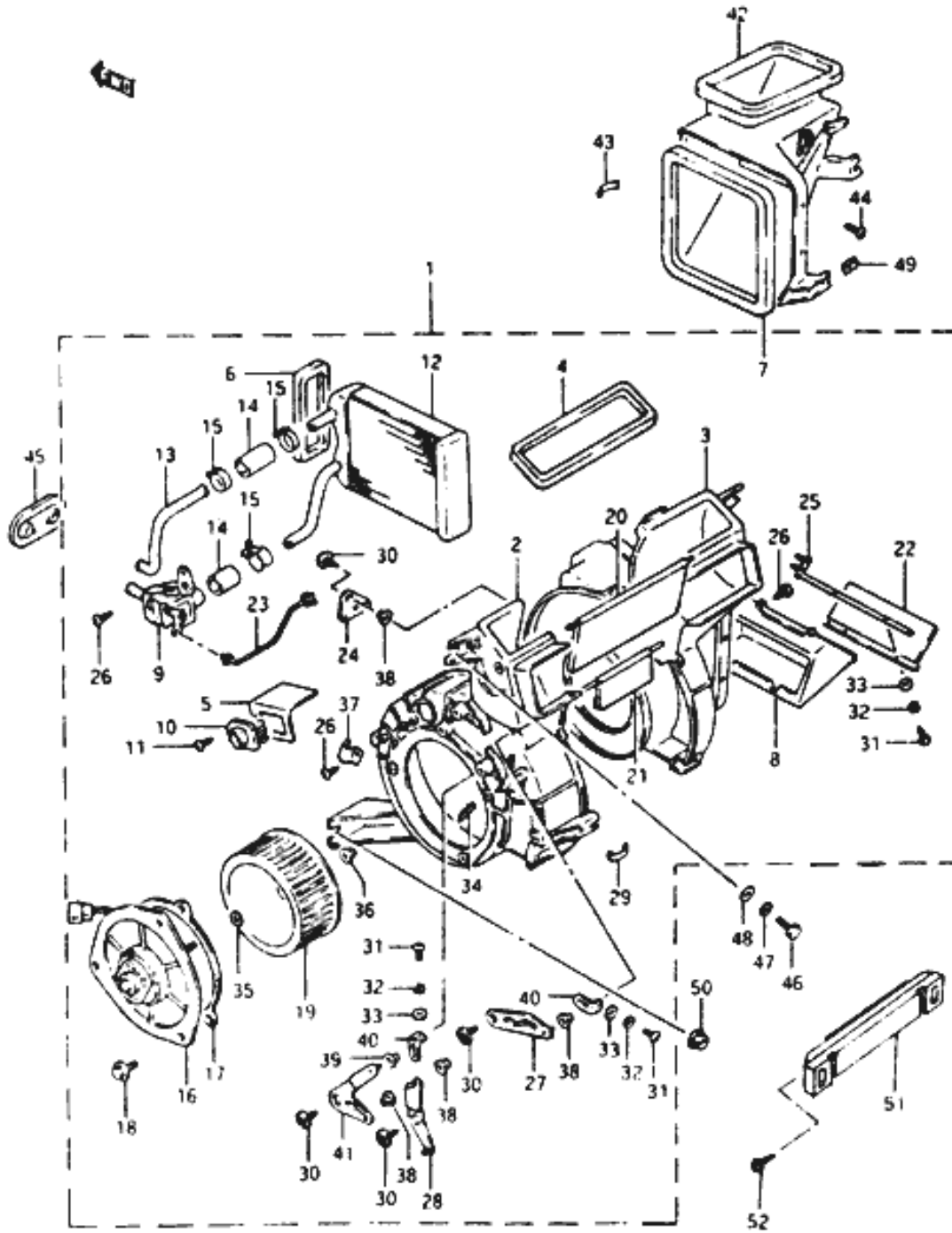
68. SZELLŐZÉS



1	73610M84000	LOUVER CTR VENTILATOR
2	62821M78000	HOLDER SIDE VENTILATOR
3	03541-04123	SCREW
4	03141M04163	SCREW
5	73651-84300	DUCT CENTER VENTILATOR
6	73652-84300	DUCT SIDE VENTILATOR RH
7	73653-84300	DUCT SIDE VENTILATOR LH
8	73631M84000	CASE SIDE LOUVER RH
9	73641-84000-281	CASE SIDE LOUVER LH
10	03141M04123	SCREW
11	73620M84000	FIN VENT LOUVER
12	62821M78000	HOLDER SIDE VENTILATOR
13	03541-04123	SCREW
14	73661-84300	NOZZLE DEFROSTER
15	03141M04163	SCREW
16	73696M84000	HOSE SIDE DEMISTER RH
17	73697M84000	HOSE SIDE DEMISTER LH
18	73680M84010-5ES	NOZZLE DEMISTER RH
19	73690M84010-5ES	NOZZLE DEMISTER LH
20	03141M04123	SCREW



69. FÛTÉS

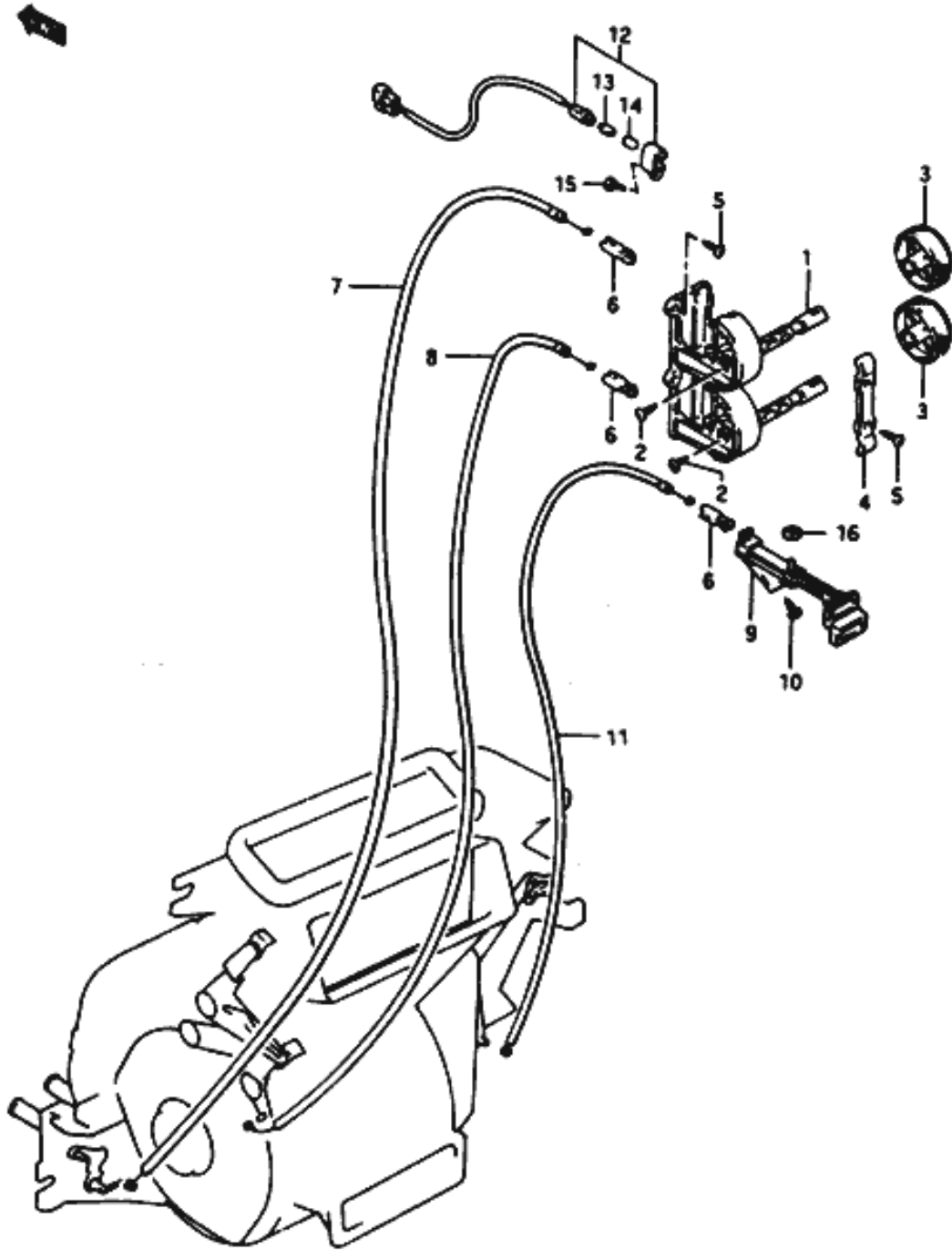


1	74101-84301	HEATER SUB-ASSY
2	74111-84300	CASE HEATER RH
3	74112-84310	CASE HEATER LH
4	74162-84100	PACKING
5	74132-84300	PLATE
6	74164-84100	PACKING
7	74163-84100	PACKING
8	74113-84300	PLATE COVER
9	74710-84300	VALVE WATER
10	74190-50A00	RESISTOR BLOWER
11	03111-04123	SCREW
12	74120-84300	UNIT RADIATOR
13	74121-84300	PIPE
14	74122-84100	HOSE WATER
15	88165-79000	CLAMP HOSE
16	74150-50A00	MOTOR ASSY
17	74161-84100	PACKING
18	74135-82000	SCREW MOTOR
19	74141-84300	FAN BLOWER
20	74173-84300	DAMPER ASSY
21	74172-84300	DAMPER ASSY
22	74171-84100	DAMPER ASSY
23	74189-84300	SHAFT
24	74176-84300	LEVER CONTROL
25	74186-84300	SHAFT ASSY
26	03511-05126	SCREW
27	74178-84300	LEVER CONTROL
28	74179-84300	LEVER CONTROL
29	74133-82000	CLAMP CASE
30	74181-84100	SCREW
31	02112-03086	SCREW
32	08321-21036	LOCK WASHER
33	08322-21036	WASHER
34	74134-82000	CLAMP LOCK
35	74131-82000	WASHER FAN
36	08316 16056	NUT
37	74139-84100	CLAMP
38	74182-84100	COLLAR LINK
39	74183-84100	COLLAR LINK
40	74185-84100	PLATE
41	74177-84300	LEVER CONTROL
42	74170-84301	CASE ASSY AIR
43	74136-84100	CLAMP
44	03511M05126	SCREW
45	74812M84000	GROMMET HEATER
46	01104M06166	BOLT

47	08321M31066	LOCK WASHER	
48	09160M06020	WASHER	
49	74819M84000	NUT	
50	08361-25066	NUT CAR HEATER	
51	75831M84010	DUCT HEATER	W/CONSOLE BOX
52	03141M05165	SCREW	W/CONSOLE BOX



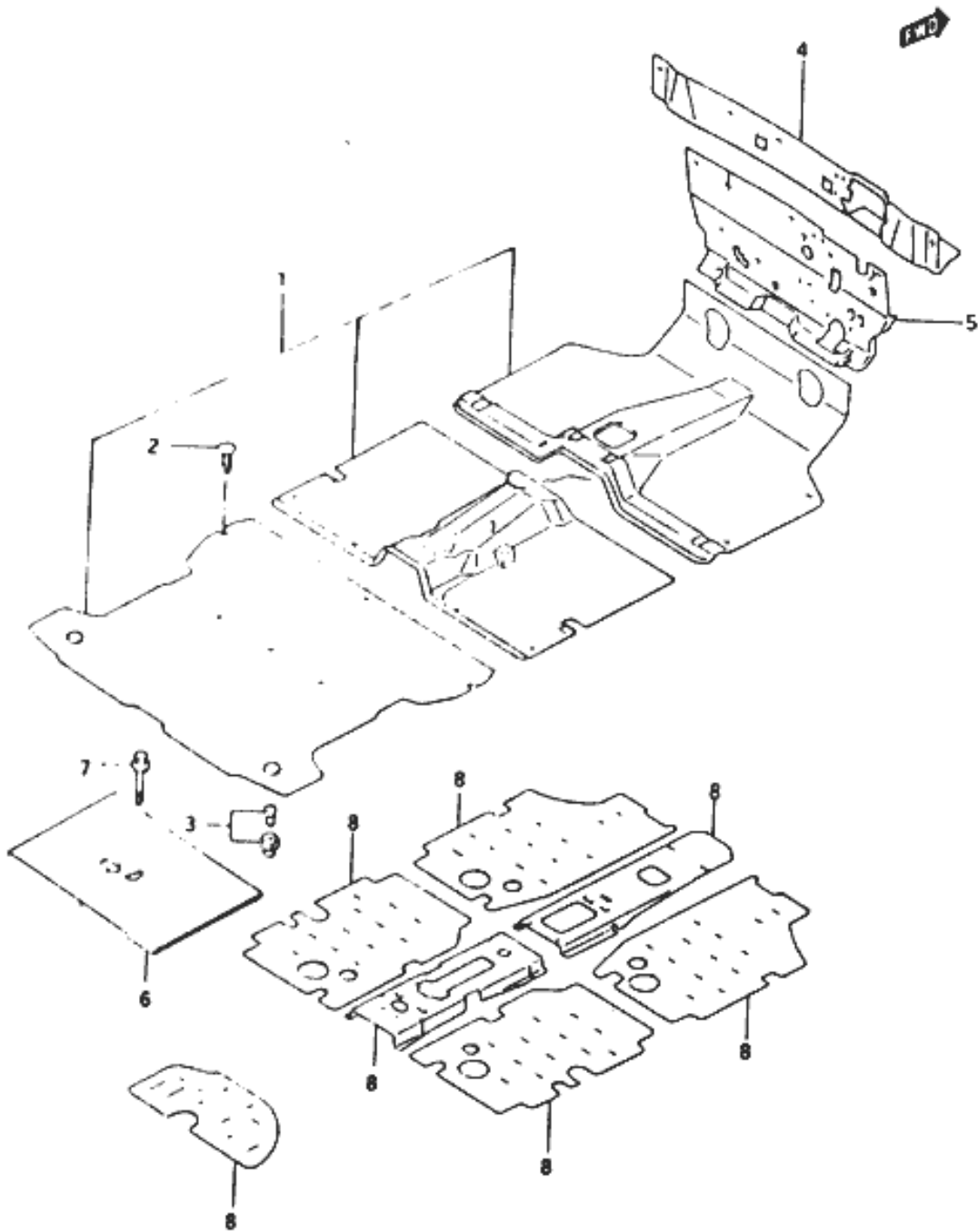
70. FŰTÉS SZABÁLYOZÁS



1	74410M84300	CONTROL ASSY CAR HEATER
2	03141-04068	SCREW
3	74411M84001	KNOB HEATER CONTROL
4	74421M84000	HOLDER HEATER CONTROL
5	03541-05166	SCREW
6	74416M84000	HOLDER CABLE
7	74443M84001	CABLE AIR CONTROL
8	74441-84001	CABLE TEMP CONTROL
9	74430M84000	CONTROL FRESH AIR
10	03541-05125	SCREW STAY
11	74442M50A00	CABLE FRESH AIR CONTROL
12	73810M84300	LAMP ASSY ILLUMINATION
13	09471-12055	BULB (12V 1.4W)
14	73812-84000	CAP
15	03541-04165	SCREW
16	09148-04010	NUT



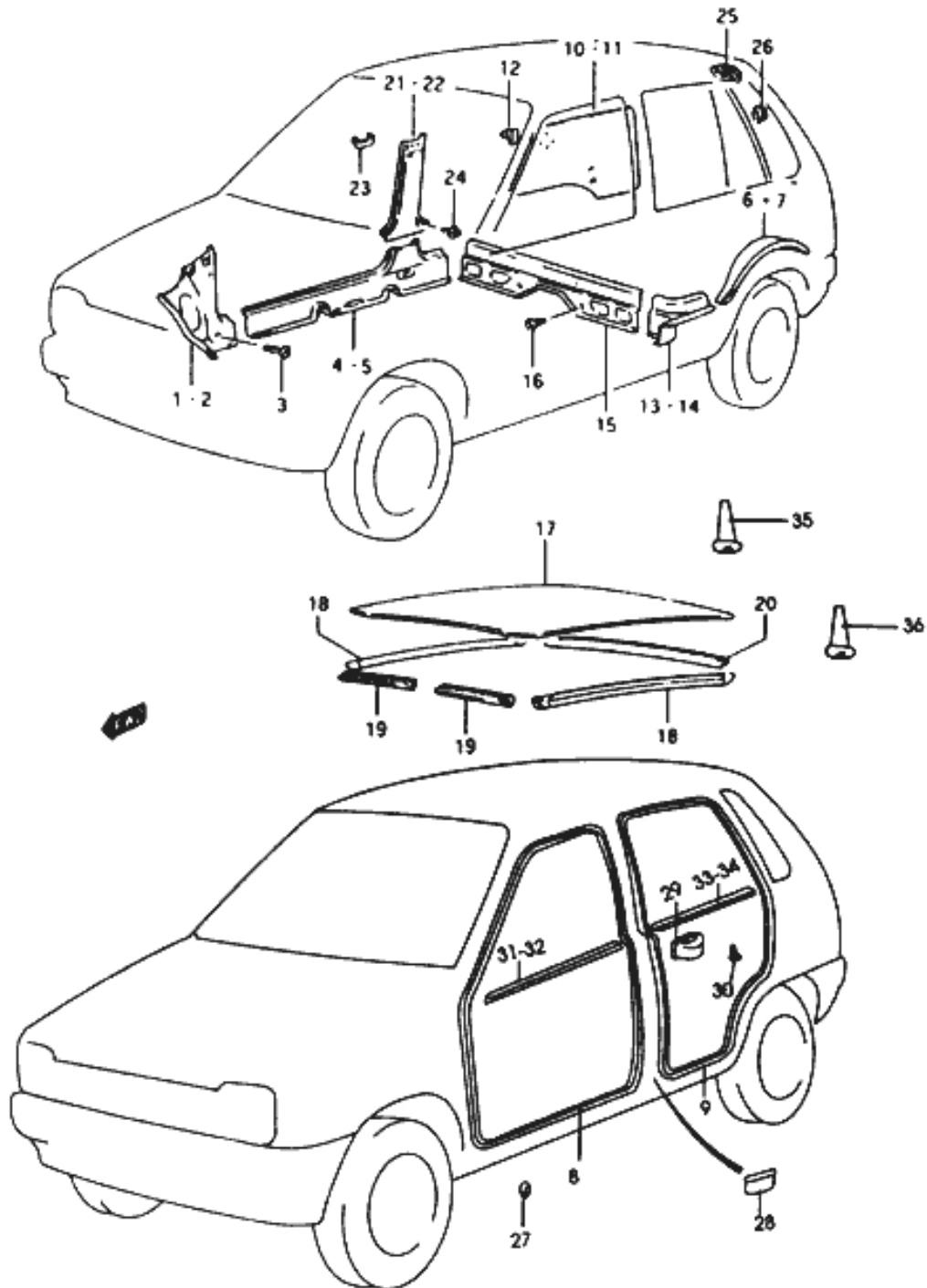
71. PADLÓKÁRPIT



1	75011M84631-722	CARPET SET FLOOR SPLIT
2	09409M10302	CLIP
3	09410M00067	MALE HOOK
4	75210M84300	SILENCER COWL UPPER
5	75220M843A0	SILENCER DASH PANEL
6	75440M84001	COVER SPARE TIRE
7	75463-84003	SCREW SPARE TYRE
8	99611-60A00	SHEET SILENCER

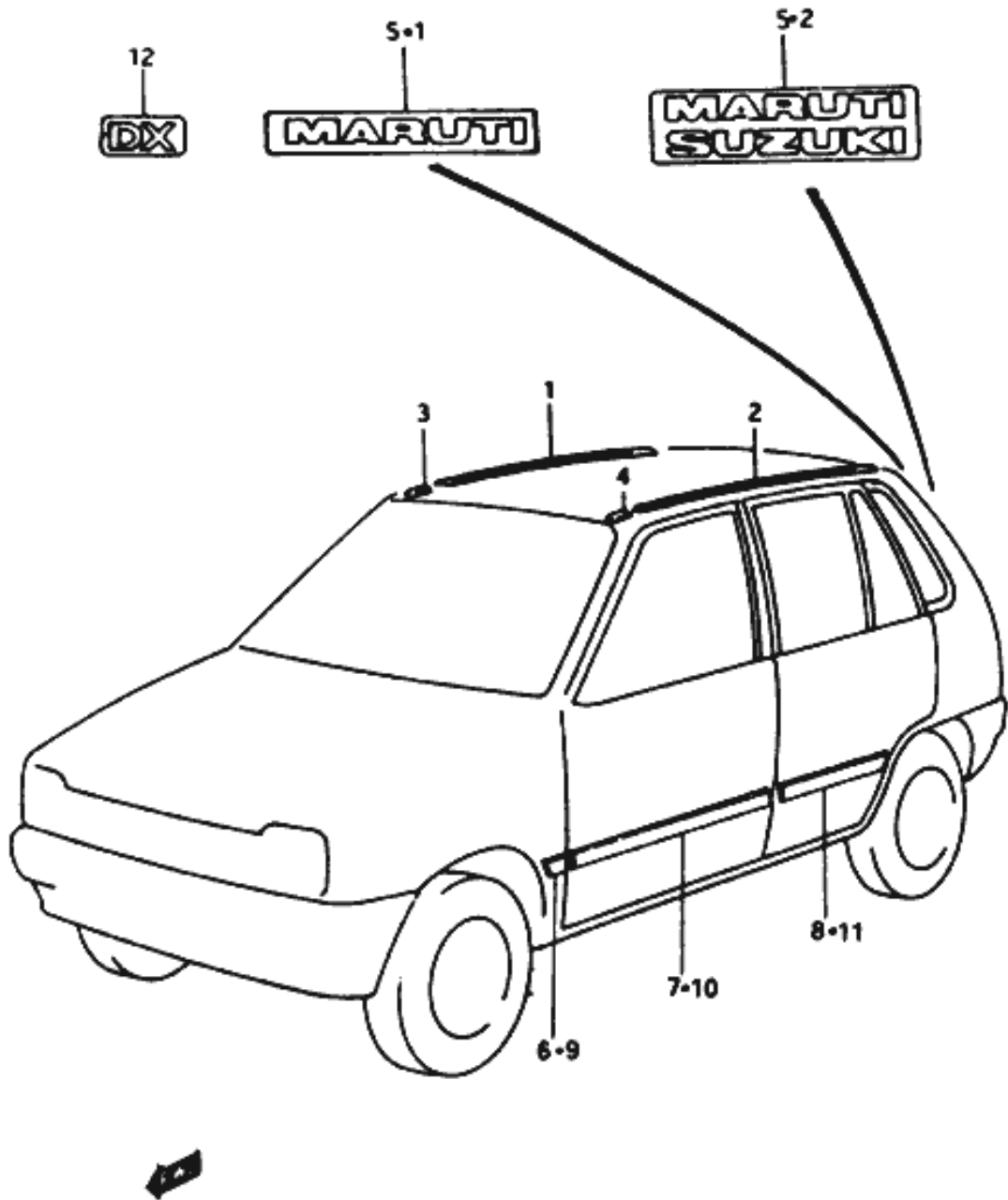


72. OLDALKÁRPIT



1	76121M84000-5EE	TRIM DASH SIDE RH	
2	76131M84000-5EE	TRIM DASH SIDE LH	
3	09409M06301-5EE	CLIP	
4	76141M84010-5EE	TRIM FLOOR SIDE RH	
5	76151M84010-5EE	TRIM FLOOR SIDE LH	
6	76281M84000-5EE	TRIM RR WHEEL HOUSE RH	
7	76282M84000-5EE	TRIM RR WHEEL HOUSE LH	
8	76261M84000-5EE	TRIM FRONT DOOR OPENING	
9	76262M84000-5EE	TRIM REAR DOOR OPENING	
10	76230M84060-5EM	TRIM QTR RH	
11	76240M84060-5EE	TRIM QTR LH	
12	09409M08303	CLIP	
13	76251M84000-5EE	TRIM SEAT RISER RH	
14	76252M84000-5EE	TRIM SEAT RISER LH	
15	76253M84001-5EE	TRIM SEAT RISER CENT	
16	09409M06301-5EE	CLIP	
17-1	78111M84000	HEAD LINING ROOF	TYPE 1
17-2	78110M84400-6NW	HEAD LINING ROOF	TYPE 2
18	78120M84010	TRIM ROOF SIDE	
19	78131M84000	TRIM ROOF FRONT	
20	78132M84000	TRIM ROOF REAR	
21	76161M84300-5EE	GARNISH CTR PILLAR INR RH	
22	76171M84300-5EE	GARNISH CTR PILLAR INR LH	
23	76162-84000	HOLDER CENTRE PILLAR GARNISH	
24	09409-07308-5EE	CLIP	
25-1	78191M84000	CAP BACK DOOR HINGE HOLE	TYPE 1
25-2	78131M50E00	GARNISH BACK DOOR HINGE	TYPE 2
26	09250M30013	CAP	
27	09250M16013	CAP	
28	75451-84000	VALVE AIR OUTLET	
29	86370M78000	ASHTRAY REAR	
30	09148-05033	NUT	
31	83791M84000-5EE	GARNISH FR DR TRIM UP RH	
32	83792M84000-5EE	GARNISH FR DR TRIM UP LH	
33	83796M84000-5EE	GARNISH RR DR TRIM UP RH	
34	83797M84000-5EE	GARNISH RR DR TRIM UP LH	
35	09409-05312-6GS	CLIP LINING ROOF NO.3	TYPE 2
36	09409-06310-6GS	CLIP LINING ROOF NO.6	TYPE 2

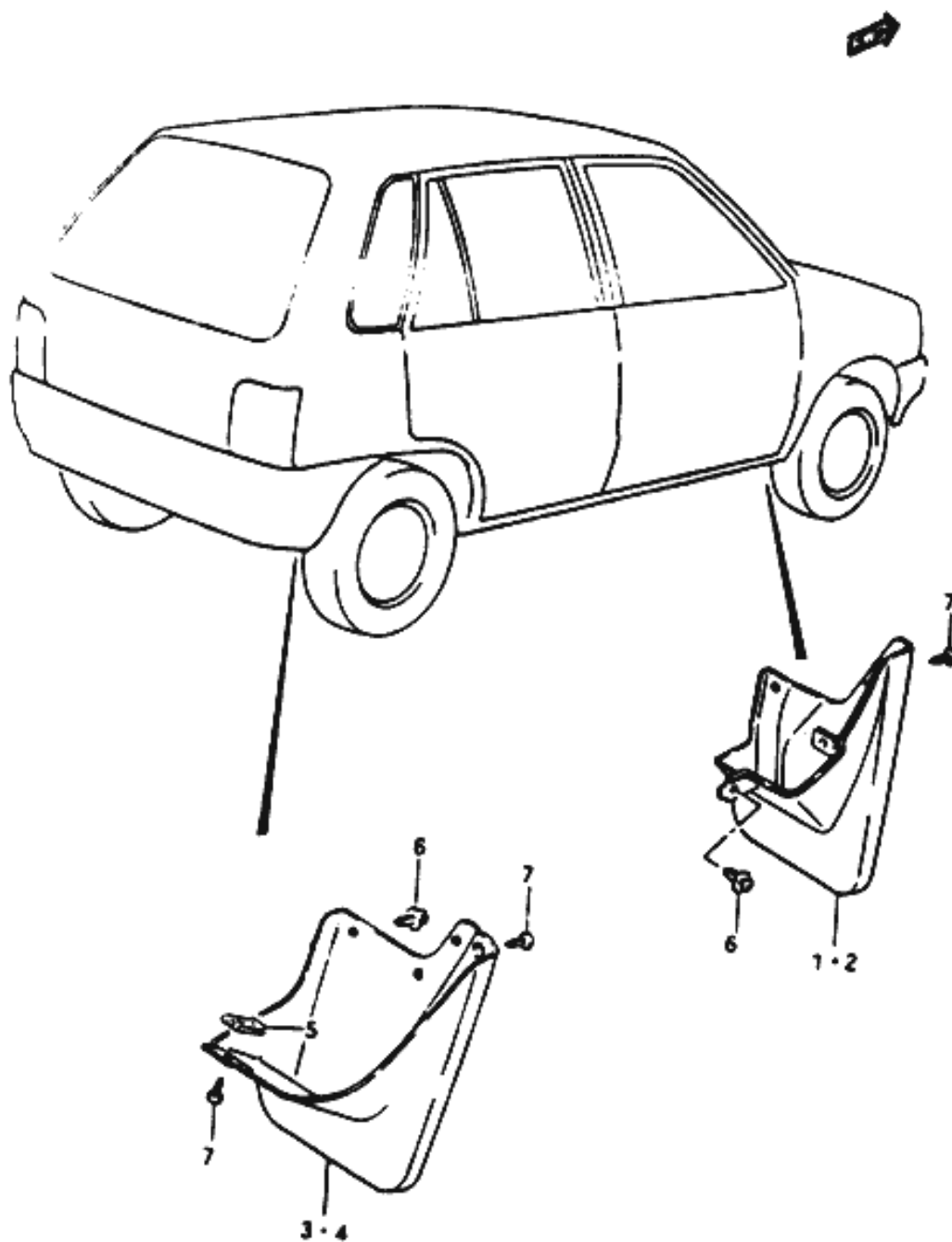
73. DISZLÉCEK, FELIRATOK



1	78151M50A00	MOULDING ROOF RH
2	78161M50A00	MOULDING ROOF LH
3	78152M84001	END ROOF MOULDING FRONT RH
4	78162M84001	END ROOF MOULDING FRONT LH
5-1	86711M84200	EMBLEM MARUTI
5-2	86831M78120	EMBLEM MARUTI SUZUKI
6	77510M84400	MOULDING FRONT FENDER
7	77530M84400	MOULDING FRONT DOOR
8	77550M84400	MOULDING REAR DOOR RH
9	77520M84400	MOULDING FRONT FENDER LH
10	77530M84400	MOULDING FRONT DOOR LH
11	77560M84400	MOULDING REAR DOOR LH
12	86843M78410	EMBLEM DELUXE



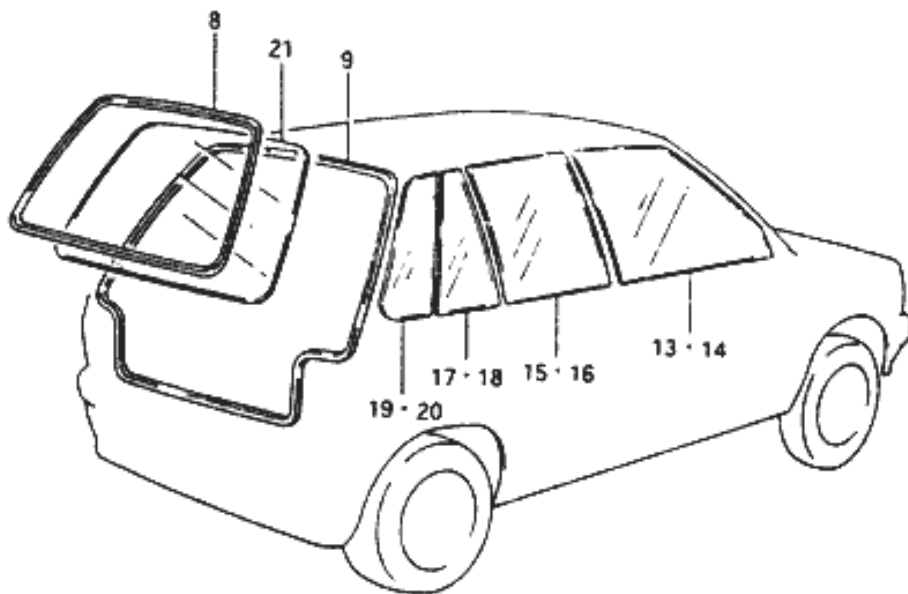
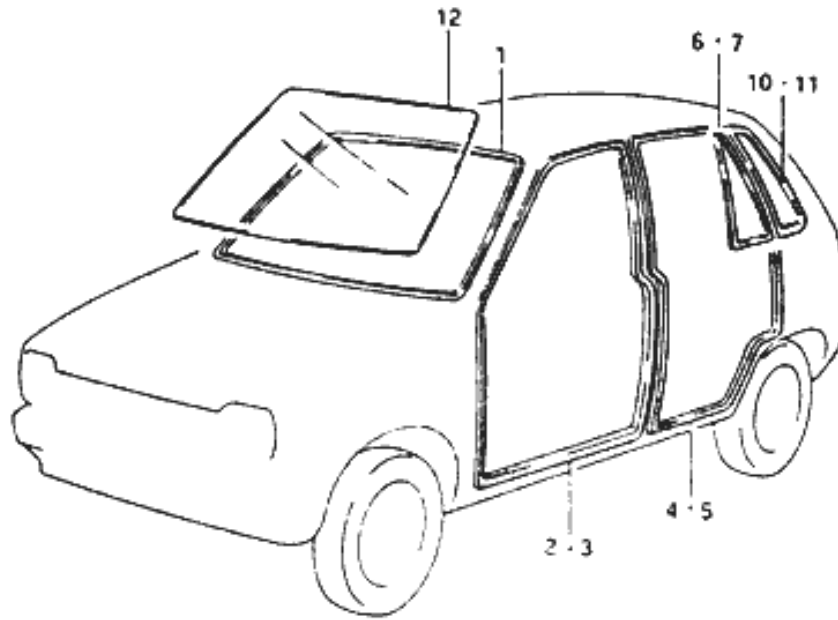
74. SÁRFOGÓ GUMI



1-1	72210M84300	FLAP MUD FR RH	TYPE 1
1-2	72210M84410	FLAP MUD FR RH	TYPE 2
2-1	72220M84300	FLAP MUD FR LH	TYPE 1
2-2	72220M84410	FLAP MUD FR LH	TYPE 2
3-1	72250M84300	FLAP MUD RR RH	TYPE 1
3-2	72250M84510	FLAP MUD RR RH	TYPE 2
4-1	72260M84300	FLAP MUD RR LH	TYPE 1
14-2	72260M84510	FLAP MUD RR LH	TYPE 2
5	09148M05019	NUT MUD FLAP	
6	09409M07305	CLIP	
7	03141M05166	SCREW	

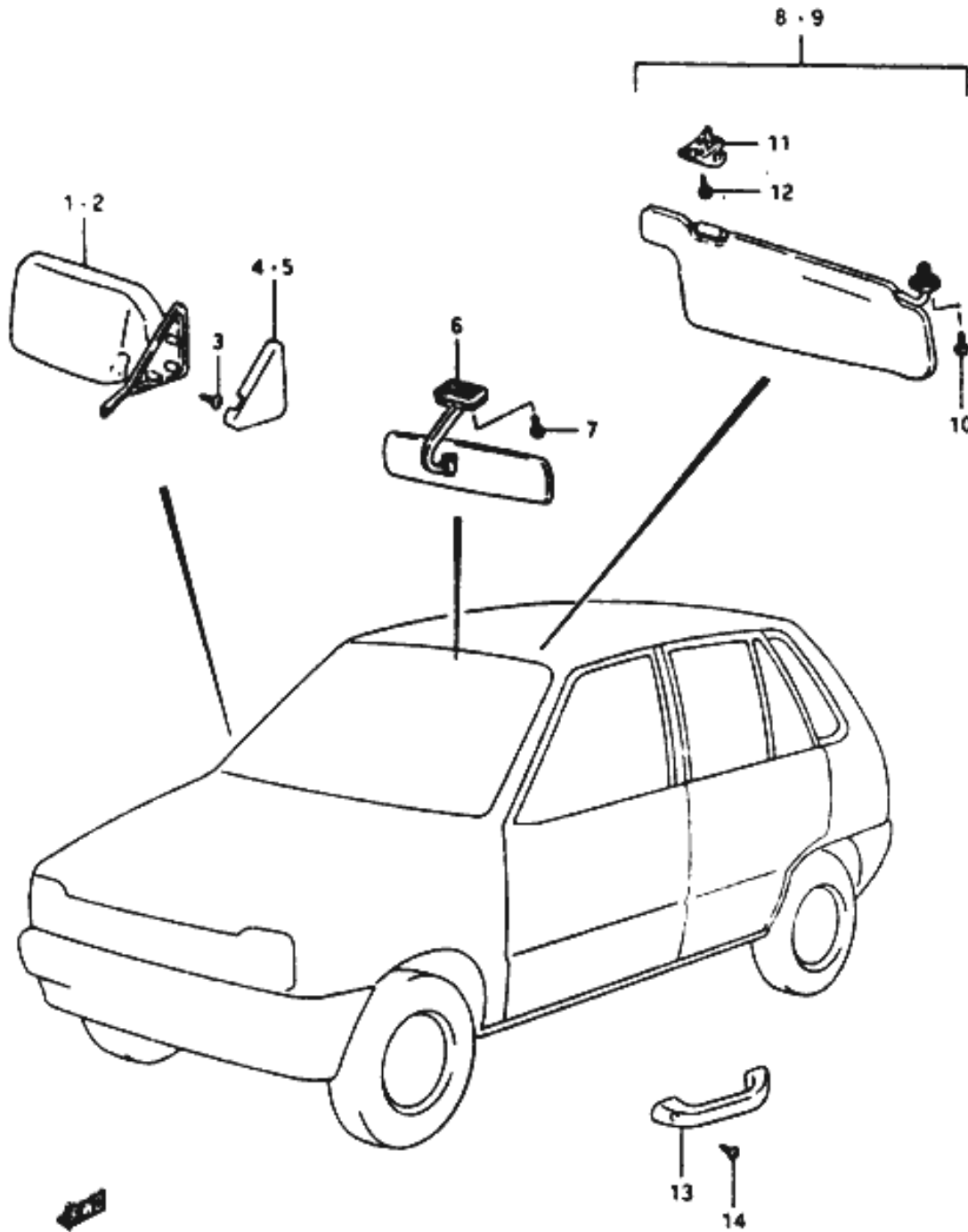


75. SZÉLVÉDŐ, OLDALÜVEG, ABLAKÜVEG



1	84611M84000	WEATHERSTRIP WINDSHIELD	
2	84641M84001	WEATHERSTRIP OPENING RH	
3	84651M84001	WEATHERSTRIP OPENING LH	
4	84661M84001	WEATHERSTRIP OPENING RH	
5	84671M84001	WEATHERSTRIP OPENING LH	
6	84617M84000	WEATHERSTRIP PARTITION RH	
7	84618M84000	WEATHERSTRIP PARTITION LH	
8-1	84623M84000	WEATHERSTRIP BACK DOOR WDO	TYPE 1
8-2	84623M84400	WEATHERSTRIP BACK DOOR WDO	TYPE 2
9-1	84681M82000	WEATHERSTRIP BACK DOOR OPNG	TYPE 1
9-2	84681M84420	WEATHERSTRIP BACK DOOR OPNG	TYPE 2
10	84621M84000	WEATHERSTRIP QTR WDO RH	
11	84622M84000	WEATHERSTRIP QTR WDO LH	
12-1	84511M84040	GLASS WINDSHIELD (CLEAR)	
12-2	84511M84030	GLASS WINDSHIELD (TINTED)	BLUE
12-3	84511M84070	GLASS WINDSHIELD (TINTED)	GREEN
13-1	84531M84320	GLASS FRONT DOOR RH (CLEAR)	
13-2	84531M84360	GLASS FRONT DOOR RH (TINTED)	BLUE
13-3	84531M84370	GLASS FRONT DOOR RH (TINTED)	GREEN
14-1	84536M84320	GLASS FRONT DOOR LH (CLEAR)	
14-2	84536M84360	GLASS FRONT DOOR LH (TINTED)	BLUE
14-3	84536M84370	GLASS FRONT DOOR LH (TINTED)	GREEN
15-1	84541M84320	GLASS REAR DOOR RH (CLEAR)	
15-2	84541M84360	GLASS REAR DOOR RH (TINTED)	BLUE
15-3	84541M84370	GLASS REAR DOOR RH (TINTED)	GREEN
16-1	84546M84320	GLASS REAR DOOR LH (CLEAR)	
16-2	84546M84360	GLASS REAR DOOR LH (TINTED)	BLUE
16-3	84546M84370	GLASS REAR DOOR LH (TINTED)	GREEN
17-1	84551M84320	GLASS PARTITION RH (CLEAR)	
17-2	84551M84360	GLASS PARTITION RH (TINTED)	BLUE
17-3	84551M84370	GLASS PARTITION RH (TINTED)	GREEN
18-1	84556M84320	GLASS PARTITION LH (CLEAR)	
18-2	84556M84360	GLASS PARTITION LH (TINTED)	BLUE
18-3	84556M84370	GLASS PARTITION LH (TINTED)	GREEN
19-1	84561M84320	GLASS QTR WINDOW RH (CLEAR)	
19-2	84561M84360	GLASS QTR WINDOW RH (TINTED)	BLUE
19-3	84561M84370	GLASS QTR WINDOW RH (TINTED)	GREEN
20-1	84566M84320	GLASS QTR WINDOW LH (CLEAR)	
20-2	84566M84360	GLASS QTR WINDOW LH (TINTED)	BLUE
20-3	84566M84370	GLASS QTR WINDOW LH (TINTED)	GREEN
21-1	84571M84010	GLASS BACK DOOR WDO (CLEAR)	TYPE 1
21-2	84571M84030	GLASS BACK DOOR WDO (TINTED)	TYPE 1
21-3	84571M84410	GLASS BACK DOOR WDO (CLEAR)	TYPE 2
21-4	84571M84430	GLASS BACK DOOR WDO (TINTED)	TYPE 2
21-5	84571M84450	GLASS BACK DOOR WDO (TINTED)	TYPE 2

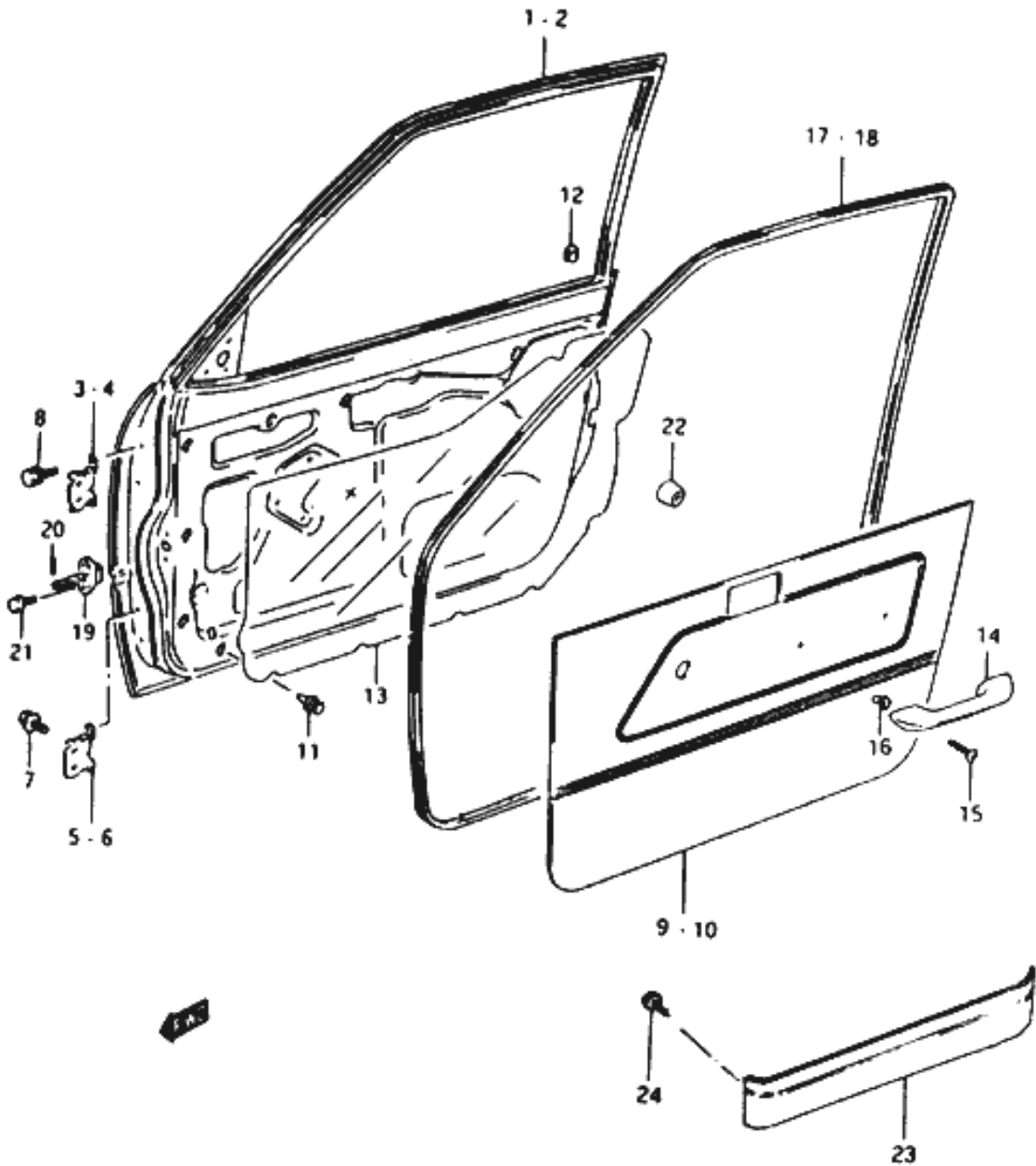
76. VISSZAPILLANTÓ TÜKÖR, NAPELLENZŐ



1	84701M84320	MIRROR ASSY REAR VIEW RH	
2	84702M84320	MIRROR ASSY REAR VIEW LH	
3	02142M05126	SCREW	
4	84752M84000	GARNISH SASH BKT INNER RH	
5	84757M84000	GARNISH SASH BKT INNER LH	
6	84703M84300	MIRROR INSIDE RR VIEW	
7	02122M05128	SCREW	
8-1	84801M84120	SUNSHADE RH	TYPE 1
8-2	84801M84320-5NC	SUNSHADE RH	TYPE 2
9-1	84802M84020	SUNSHADE LH	TYPE 1
9-2	84802M84220-5NC	SUNSHADE LH	TYPE 2
10	09127-05016	SCREW	
11	84851M84000	HOLDER SUNSHADE	
12	03211M05123	SCREW	
13	84411M84010-5ES	GRIP ASSISTANT	
14	09125M06041	SCREW	



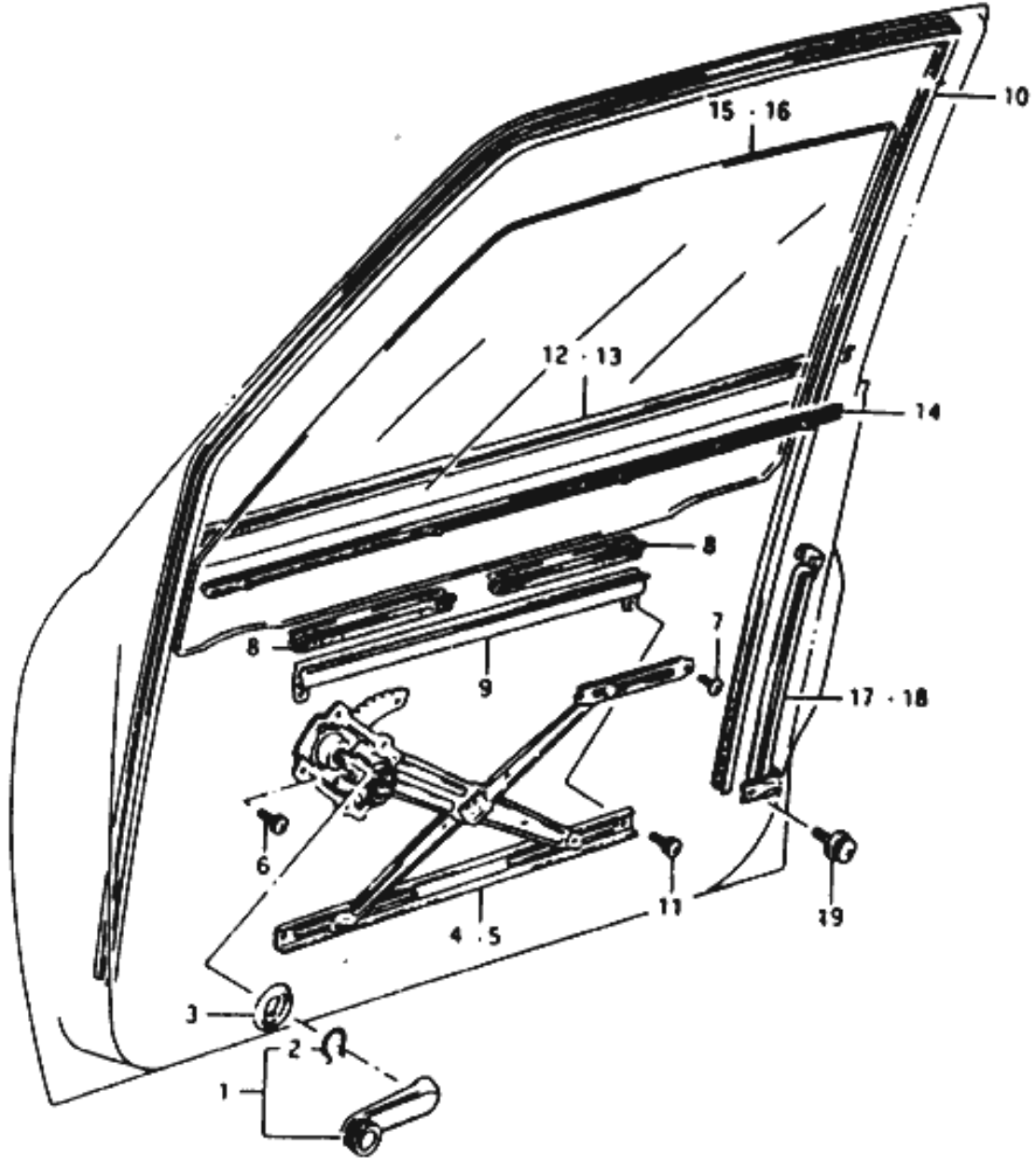
77. ELSŐ AJTÓ, ZSANÉR, KÁRPIT



1	68001M84040	PANEL ASSY FR DOOR RH	
2	68002M84040	PANEL ASSY FR DOOR LH	
3	69310M84010	HINGE FRONT DOOR UPPER RH	
4	69320M84010	HINGE FRONT DOOR UPPER LH	
5	69330M84010	HINGE FRONT DOOR LOWER RH	
6	69340M84010	HINGE FRONT DOOR LOWER LH	
7	09118-08060	BOLT PILLAR	
8	01570-08203	BOLT DOOR	
9-1	83710M84400	TRIM FRONT DOOR RH	TYPE 1
9-2	83710M84410-C06	TRIM FRONT DOOR RH	TYPE 2
10-1	83720M84000	TRIM FRONT DOOR LH	TYPE 1
10-2	83720M84410-C06	TRIM FRONT DOOR LH	TYPE 2
11	09409M08309	CLIP	
12	78991-78001	CLIP WEATHERSTRIP	
13	83911M84000	COVER DOOR SEALING	
14-1	84451M84000-5ES	ARMREST FRONT DOOR	TYPE 1
14-2	84451M84400-5ES	ARMREST FRONT DOOR RH	TYPE 2
14-3	84461M84400-5ES	ARMREST FRONT DOOR LH	TYPE 2
15	03241M06253	SCREW	
16	09148M06007	NUT	
17	84641-84001	WEATHERSTRIP OPENING RH	
18	84651-84001	WEATHERSTRIP OPENING LH	
19	81810M84000	STOP FR DOOR OPEN	
20	81831-70B00	PIN OPEN STOP BODY	
21	01580-06253	BOLT DOOR OPEN STOP	
22	82699M84000	CUSHION DOOR INNER	
23	83715M62B00	POCKET FRONT DOOR	
24	03141M04128	SCREW FRONT DOOR POCKET	



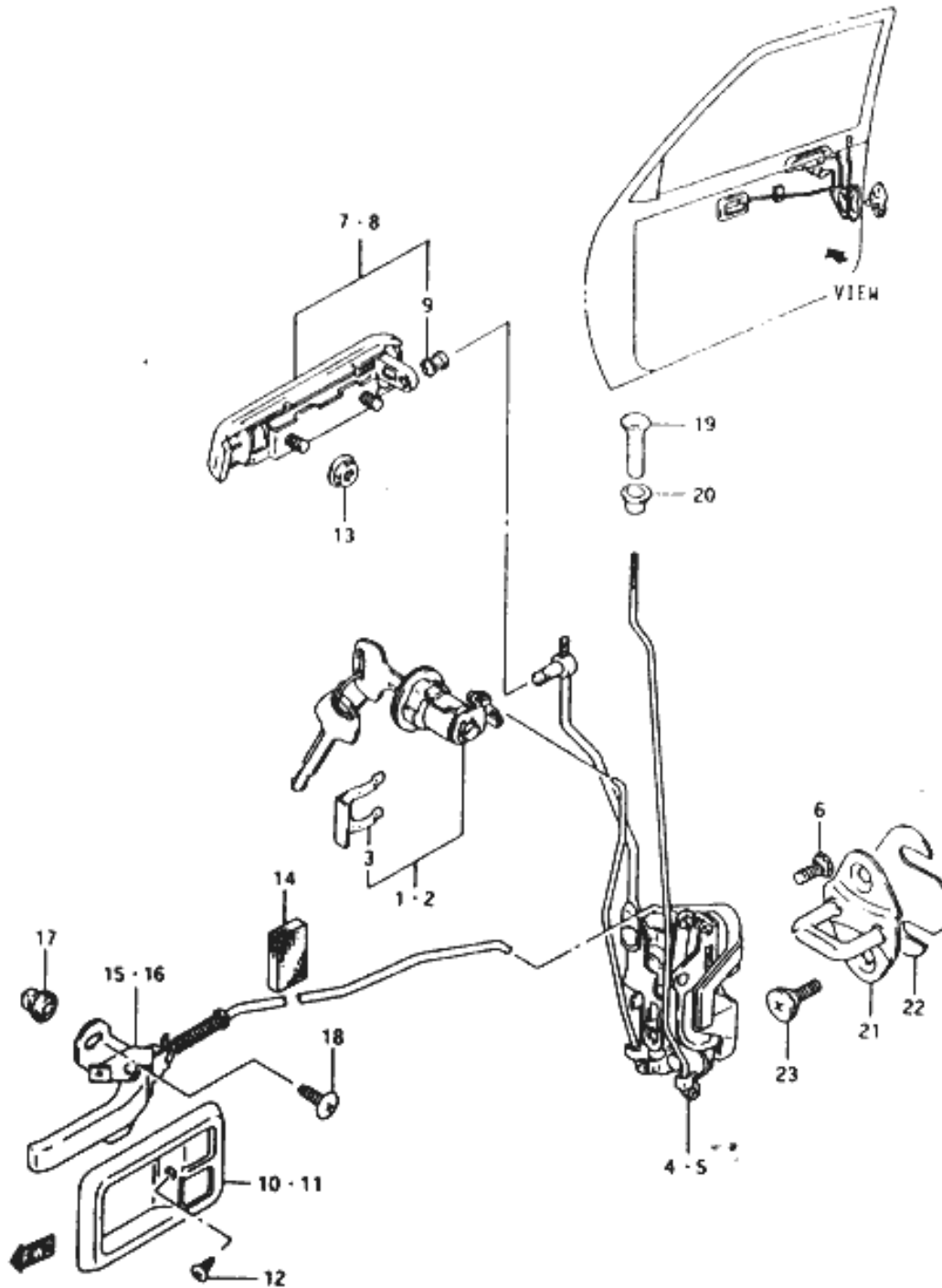
78. ELSŐ ABLAKÜVEG, ABLAKEMELŐ



1-1	82960M82100-5ES	HANDLE WDO REGULATOR	TYPE 1
1-2	82960M60G00-5ES	HANDLE WDO REGULATOR	TYPE 2
2	78463M78000	SNAP	
3-1	78472M78060-5ES	ESCUTCHEON REGULATOR HANDLE	TYPE 1
3-2	78472M70B00-5ES	ESCUTCHEON REGULATOR HANDLE	TYPE 2
4	83410M84000	REGULATOR ASSY FR WDO RH	
5	83440M84000	REGULATOR ASSY FR WDO LH	
6	02112-36086	SCREW	
7	02142M06106	SCREW	
8	78812M78400	RUBBER CHANNEL	
9	83610M84000	CHANNEL FR GLASS BOTTOM	
10	83661M84000	RUN FR DOOR GLASS	
11	02112-36086	SCREW	
12	83869M84012	WEATHERSTRIP DOOR OUT RH	
13	83808M84012	WEATHERSTRIP DOOR OUT LH	
14	83850M84000	WEATHERSTRIP DOOR INNER	
15-1	84531M84360	GLASS FRONT DOOR RH (TINTED)	BLUE
15-2	84531M84370	GLASS FRONT DOOR RH (TINTED)	GREEN
16-1	84536M84360	GLASS FR DOOR LH (TINTED)	BLUE
16-2	84536M84370	GLASS FR DOOR LH (TINTED)	GREEN
17	81730M84000	SASH FRONT DOOR REAR RH	
18	81740M84000	SASH FRONT DOOR REAR LH	
19	02112-76123	SCREW	



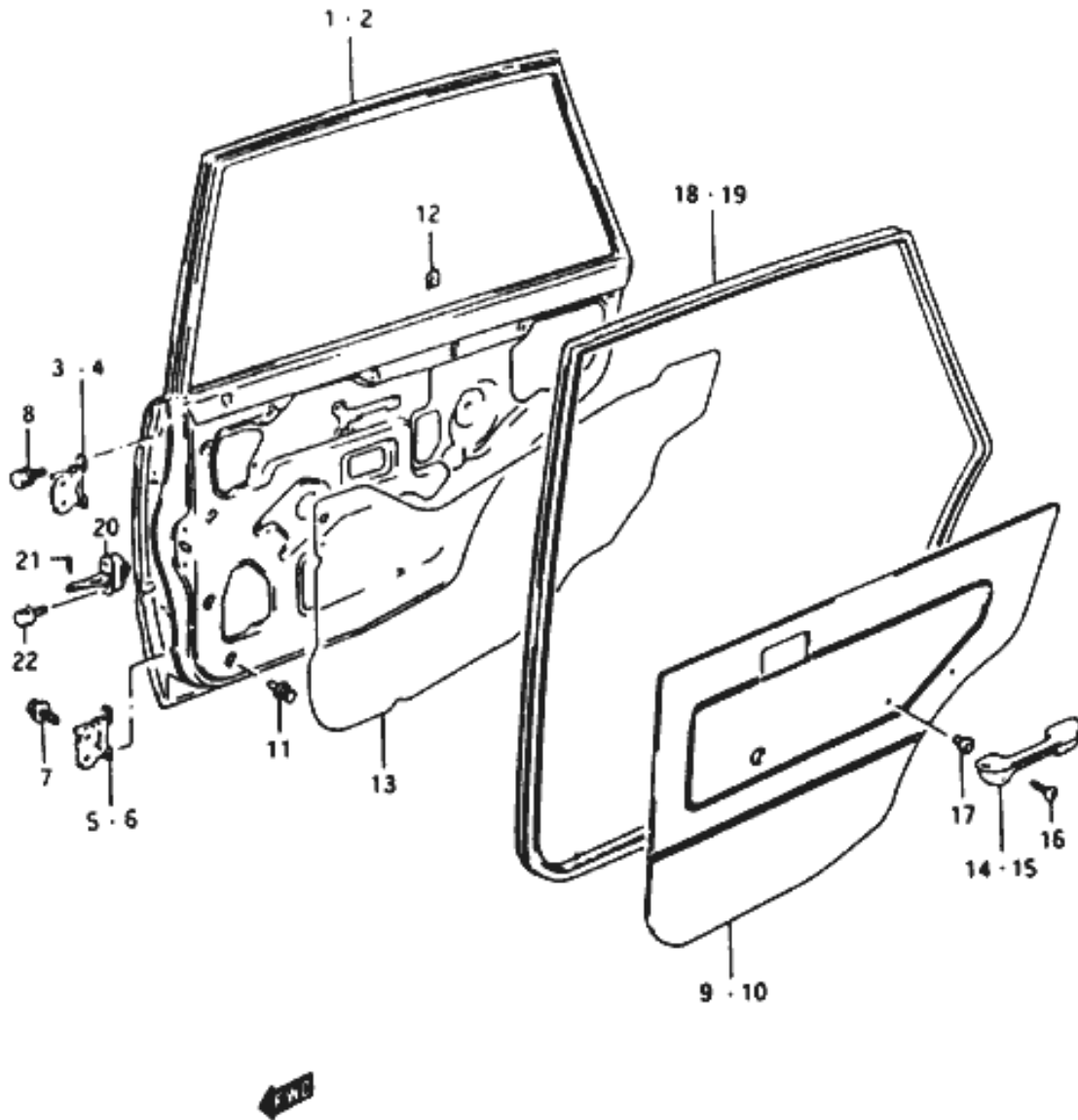
79. ELSŐ AJTÓZÁR, KILINCS



1	82200M84870	CYL FR DOOR LOCK RH	
2	82200M84880	CYL FR DOOR LOCK LH	
3	82291M84000	CLIP	
4	82201-84001	LATCH ASSY DOOR RH	
5	82202-84001	LATCH ASSY DOOR LH	
6	02112-56163	SCREW	
7	82810M82001	HANDLE DOOR OUTER RH	
8	82820M82001	HANDLE DOOR OUTER LH	
9	82891M80100	SNAP ADJUSTER JOINT	
10-1	82981M84030-5ES	BEZEL HANDLE RH	TYPE 1
10-2	82981M84400-5ES	BEZEL HANDLE RH	TYPE 2
11-1	82982M84030-5ES	BEZEL HANDLE LH	TYPE 1
11-2	82982M84400-5ES	BEZEL HANDLE LH	TYPE 2
12	03141M04083	SCREW	
13	08316M26066	NUT	
14	77591M75000	PAD DOOR INSIDE HANDLE	
15-1	83110M84010-5ES	HANDLE INSIDE RH	TYPE 1
15-2	83110M84400-5ES	HANDLE INSIDE RH	TYPE 2
16-1	83130M84010-5ES	HANDLE INSIDE LH	TYPE 1
16-2	83130M84400-5ES	HANDLE INSIDE LH	TYPE 2
17	09148M06007	NUT	
18	03241M06123	SCREW	
19	78241M60002-5ES	KNOB	
20	82991M84000-5ES	CAP INSIDE KNOB	
21	78110M78000	STRIKER DOOR LOCK	
22	78199M78000	SPACER	
23	09137-08006	SCREW	



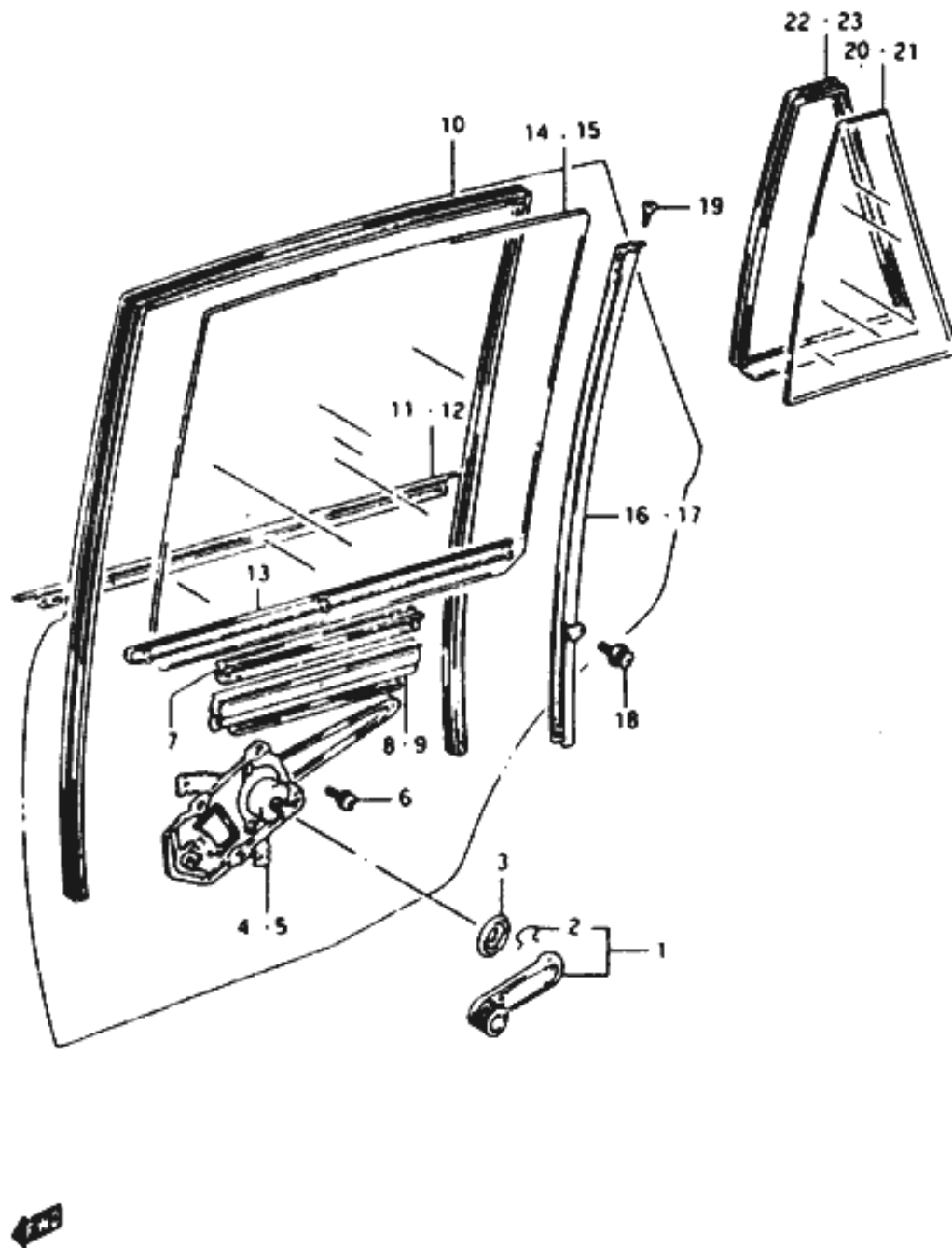
80. HÁTSÓ AJTÓ, ZSANÉR, KÁRPIT



1	68003M84040	PANEL ASSY RR DOOR RH	
2	68004M84040	PANEL ASSY RR DOOR LH	
3	69310M84000	HINGE RR DOOR UPPER RH	
4	69320M84000	HINGE RR DOOR UPPER LH	
5	69330M84000	HINGE RR DOOR LOWER RH	
6	69340M84000	HINGE RR DOOR UPPER LH	
7	09118-08060	BOLT PILLAR	
8	01570-08203	BOLT DOOR	
9-1	83730M84400	TRIM REAR DOOR RH	TYPE 1
9-2	83730M84410-C06	TRIM REAR DOOR RH	TYPE 2
10-1	83740M84400	TRIM REAR DOOR LH	TYPE 1
10-2	83740M84410-C06	TRIM REAR DOOR LH	TYPE 2
11	09409M08309	CLIP	
12	78991-78001	CLIP WEATHERSTRIP	
13	83911M84000	COVER DOOR SEALING	
14	84471M84010-5ES	ARMREST REAR DOOR RH	
15	84481M84010-5ES	ARMREST REAR DOOR LH	
16	03241M06253	SCREW	
17	09148M06007	NUT	
18	84661-84001	WEATHERSTRIP OPENING RH	
19	84671-84001	WEATHERSTRIP OPENING LH	
20	81830M84001	STOP REAR DOOR OPEN	
21	81831-70B00	PIN OPEN STOP BODY	
22	01580-06253	BOLT DOOR OPEN STOP	

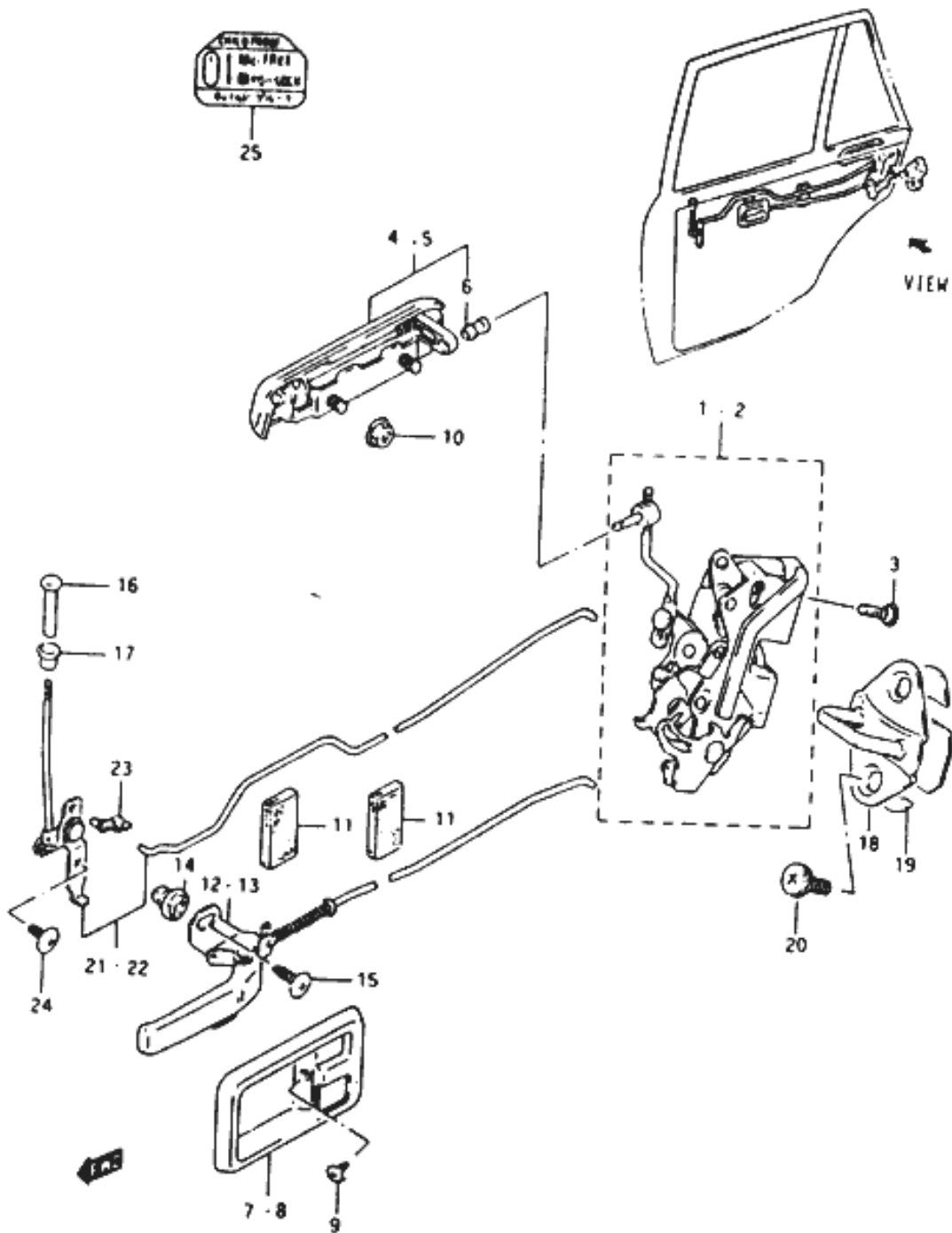


81. HÁTSÓ AJTÓÜVEG, ABLAKEMELŐ



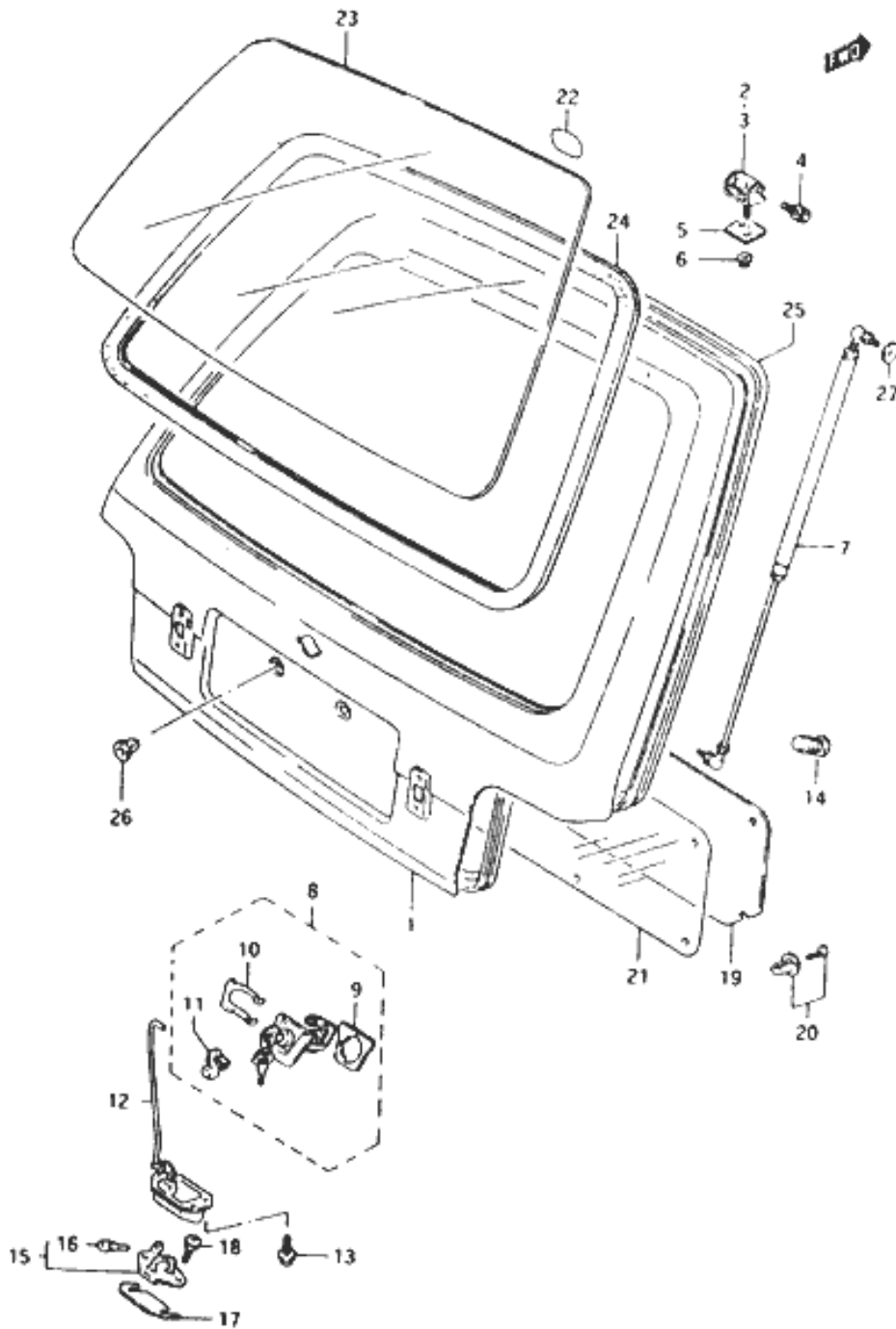
1-1	82960M82100-5ES	HANDLE WDO REGULATOR	TYPE 1
1-2	82960M60G00-5ES	HANDLE WDO REGULATOR	TYPE 2
2	78463M78000	SNAP	
3-1	78472M78060-5ES	ESCUTCHEON REGU HANDLE	TYPE 1
3-2	78472M70B00-5ES	ESCUTCHEON REGU HANDLE	TYPE 2
4	83510-84000	REGULATOR ASSY WDO RH	
5	83540-84000	REGULATOR ASSY WDO LH	
6	02112-36086	SCREW	
7	78812M78400	RUBBER GLASS BOTTOM CHANNEL	
8	83630M84000	CHANNEL GLASS BOTTOM RH	
9	83640M84000	CHANNEL GLASS BOTTOM LH	
10	83671M84000	RUN RR DOOR GLASS	
11	83807M84012	WEATHERSTRIP DOOR OUT RH	
12	83806M84012	WEATHERSTRIP DOOR OUT LH	
13	83871M84000	WEATHERSTRIP DOOR INNER	
14-1	84541M84360	GLASS REAR DOOR RH (TINTED)	
		TYPE 1 BLUE	
14-2	84541M84370	GLASS REAR DOOR RH (TINTED)	
		TYPE 2 GREEN	
15-1	84546M84360	GLASS REAR DOOR LH (TINTED)	
		TYPE 1 BLUE	
15-2	84546M84370	GLASS REAR DOOR LH (TINTED)	
		TYPE 2 GREEN	
16	81770-84001	SASH DOOR CENTRE RH	
17	81780-84001	SASH DOOR CENTRE LH	
18	02112M06126	SCREW	
19	03221M04103	SCREW	
20-1	84551M84360	GLASS PARTITION RH (TINTED)	
		TYPE 1 BLUE	
20-2	84551M84370	GLASS PARTITION RH (TINTED)	
		TYPE 2 GREEN	
21-1	84556M84360	GLASS PARTITION LH (TINTED)	
		TYPE 1 BLUE	
21-2	84556M84370	GLASSPARTITION LH (TINTED)	
		TYPE 2 GREEN	
22	84617M84000	WEATHERSTRIP PARTITION RH	
23	84618M84000	WEATBERSTRIP PARTITION LH	

82. HÁTSÓ AJTÓZÁR, KILINCS



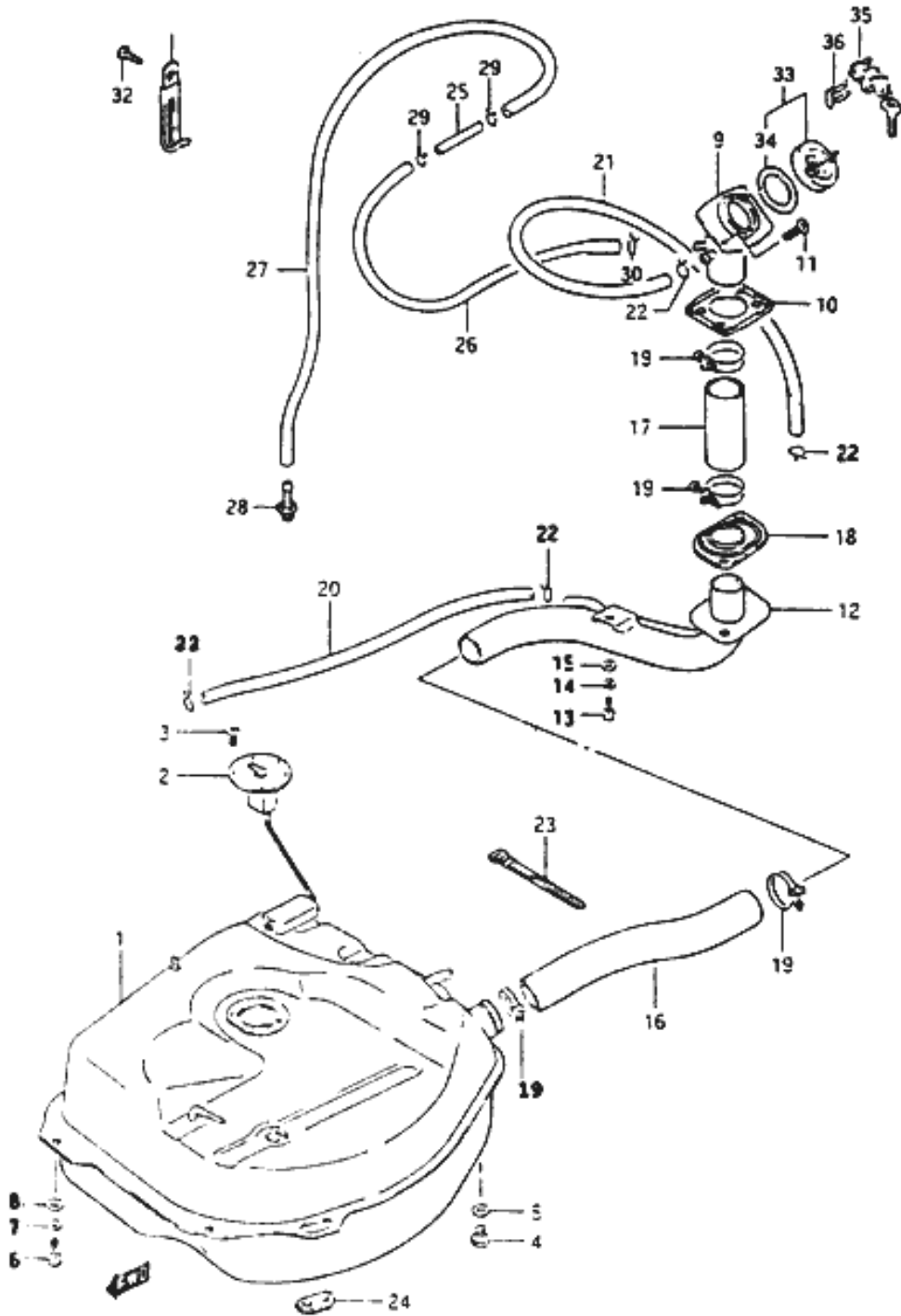
1	82301-84001	LATCH ASSY REAR DOOR RH	
2	82302-84001	LATCH ASSY REAR DOOR LH	
3	02122-56163	SCREW	
4	82810M82001	HANDLE OUTER RH	
5	82820M82001	HANDLE OUTER LH	
6	82891M80100	SNAP ADJUSTING JOINT	
7-1	82981M84030-5ES	BEZEL HANDLE RH	TYPE 1
7-2	82981M84400-5ES	BEZEL HANDLE RH	TYPE 2
8-1	82982M84030-5ES	BEZEL HANDLE LH	TYPE 1
8-2	82982M84400-5ES	BEZEL HANDLE LH	TYPE 2
9	03141M04083	SCREW	
10	08316M26066	NUT	
11	77591M75000	PAD INSIDE HANDLE	
12-1	83140M84010-5ES	HANDLE RR INSIDE RH	TYPE 1
12-1	83140M84400-5ES	HANDLE RR INSIDE RH	TYPE 2
13-1	83160M84010-5ES	HANDLE RR INSIDE LH	TYPE 1
13-2	83160M84400-5ES	HANDLE RR INSIDE LH	TYPE 2
14	09148M06007	NUT	
15	03241M06123	SCREW	
16	78241M60002-5ES	KNOB	
17	82991M84000-5ES	CAP INSIDE KNOB	
18	78110M78000	STRIKER DOOR LOCK	
19	78199M78000	SPACER	
20	09137-08006	SCREW	
21	83270M84000	ROD RR DOOR INNER LOCK RH	
22	83280M84000	ROD RR DOOR INNER LOCK LH	
23	83273M84000	BOLDER ROD	
24	02142M06106	SCREW	
25	86951M78003	CAUTION PLATE CHILD PROOF	

83. CSOMAGTÉR AJTÓ, ÜVEG, ZÁR



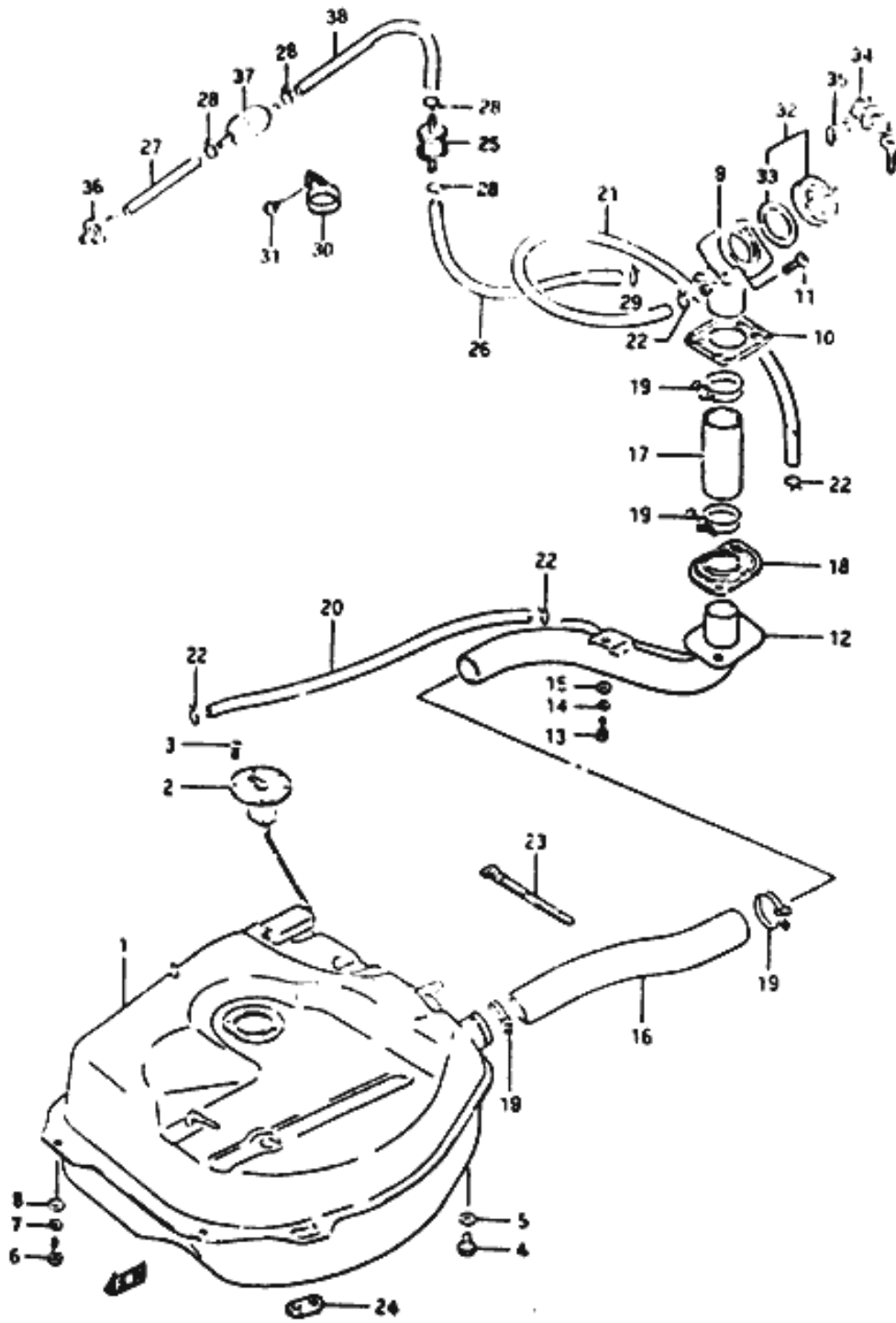
1-1	69100 M 84320	PANEL ASSY BACK DOOR	TYPE 1
1-2	69100M84400	PANEL ASSY BACK DOOR	TYPE 2
2	69021M84000	HINGE BACK DOOR RH	
3	69011M84000	HINGE BACK DOOR LH	
4	01104M06166	BOLT	
5	69572M84000	PACKING HINGE FEMALE	
6	08361M25066	NUT	
7	81850-84001	UNIT BACK DOOR BALANCER	
8-1	82500M84860-291	CYLINDER DOOR LOCK	TYPE 1
8-2	82504M84500	CYLINDER DOOR LOCK	TYPE 2
9	82586M84000	PACKING DOOR CYL LOCK	
10	82587M84000	CLIP DOOR CYLINDER LOCK	
11	82591M84000	PIN LATCH LOCK CYL ROD	
12-1	82510M84000	LATCH ASSY BACK DOOR	TYPE 1
12-2	82510M84400	LATCH ASSY BACK DOOR	TYPE 2
13	02112M06168	SCREW	
14	72372M82000	CUSHION	
15	82650M84000	STRIKER BACK DOOR LATCH	
16	78153M78201	CUSHION	
17	82681M84000	SPACER DOOR LATCH STRIKER	
18	09137-08004	SCREW	
19	83770M84000-5EM	TRIM BACK DOOR	
20	09409-08308-5EE	CLIP	
21	83911M84000	COVER DOOR SEALING	
22	83917M82010	COVER DOOR SEALING UPPER	
23-1	84571M84030	GLASS BACK DOOR WDO (CLEAR)	TYPE 1
23-2	84571M84410	GLASS BACK DOOR WDO (CLEAR)	TYPE 2
23-3	84571M84430	GLASS BACK DOOR WDO (TINT)	
		TYPE 2 GREEN	
23-4	84571M84450	GLASS BACK DOOR WDO (TINT)	
		TYPE 2 BLUE	
24-1	84623M84000	WEATHERSTRIP BACK DOOR WDO	TYPE 1
24-2	84623M84400	WEATHERSTRIP BACK DOOR WDO	TYPE 2
25-1	84681M82000	WEATHERSTRIP BACK DR OPNG	TYPE 1
25-2	84681M84420	WEATHERSTRIP BACK DR OPNG	TYPE 2
26	09148M06007	NUT LICENCE PLATE	
27	09160M08093	WASHER BACK DOOR BALANCER	

84.ÜZEMANYAG TARTÁLY, TANKSAPKA /E01 E02 E19 E27 E40/



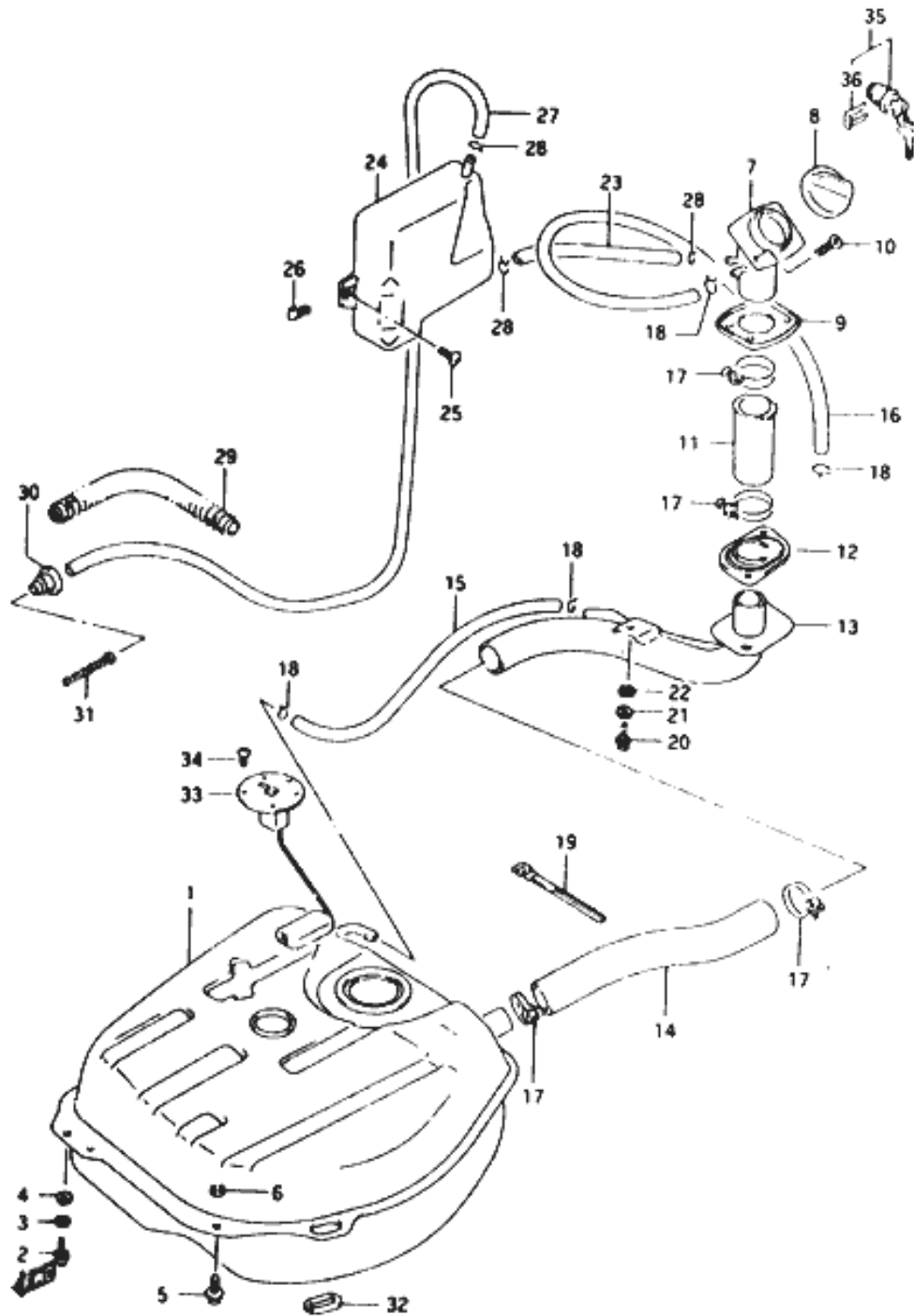
1	89101M50A01	TANK ASSY FUEL
2	34810-84000	GAUGE ASSY FUEL LEVEL
3	02112M05086	SCREW
4	01517M08166	PLUG
5	09168M08022	GASKET
6	01107M08206	BOLT
7	08321M31066	LOCK WASHER
8	09160M08010	WASHER
9	89210M81020	NECK FUEL FILTER
10	89285M81000	PACKING FUEL TANK INLET
11	09125-05042	SCREW
12	89230M84001	PIPE FUEL FILLER INLET
13	01104M06166	BOLT
14	08321M31066	LOCK WASHER
15	09160M06020	WASHER
16	89241M84000	HOSE FUEL FILLER LOWER
17	89242M84000	HOSE FUEL FILLER UPPER
18	89282M84000	SEAL FUEL
19	09400M52311	CLAMP
20	09343M11019	HOSE
21	09343M11025	HOSE FUEL TANK
22	09401M15301	CLIP
23	09407M22403	CLAMP
24	89511M84000	GROMMET FUEL HOSE
25	85377M69600	PIPE VAPOUR OUTLET HOSE
26	09343M05096	HOSE VAPOUR OUTLET NO.1
27	09344M05041	HOSE VAPOUR OUTLET NO.2
28	89441M50A01	CONNECTOR
29	09401M08401	CLIP VAPOUR OUTLET
30	09401M10301	CLIP
31	09404M06403	CLAMP VAPOUR OUTLET
32	03141-05168	SCREW
33	89260-82101	CAP ASSY FUEL TANK FIL
34	89264-82101	PACKING FUEL CAP
35	89300-84840	CYLINDER SET FUEL LID LOCK
36	77461M78000	CLIP

85.ÜZEMANYAG TARTÁLY, TANKSAPKA /NEM MPI, E22 E26/



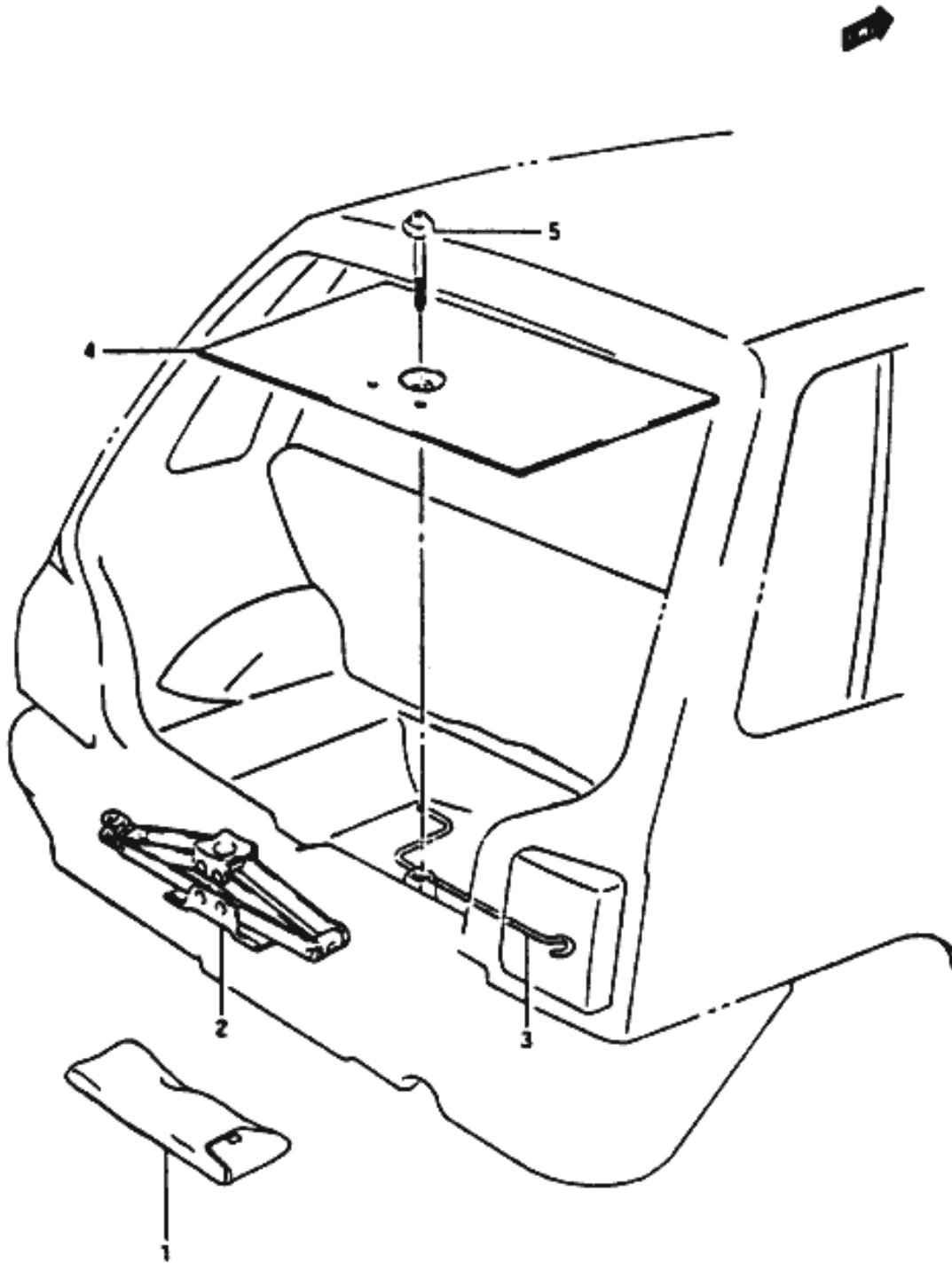
1	89101M50A01	TANK ASSY FUEL
2	34810-84010	GAUGE ASSY FUEL LEVEL
3	02112M05086	SCREW
4	01517M08166	PLUG
5	09168M08022	GASKET
6	01107M08206	BOLT
7	08321M31066	LOCK WASHER
8	09160M08010	WASHER
9	89210M81020	NECK FUEL FILTER
10	89285M81000	PACKING FUEL
11	09125-05042	SCREW
12	89230M84001	PIPE FUEL FILLER IN
13	01104M06166	BOLT
14	08321M31066	LOCK WASHER
15	09160M06020	WASHER
16	89241M84000	HOSE FUEL FILLER LOWER
17	89242M84000	HOSE FUEL FILLER UPPER
18	89282M84000	SEAL FUEL INLET PIPE
19	09400M52311	CLAMP
20	09343M11019	HOSE
21	09343M11025	HOSE FUEL TANK
22	09401M15301	CLIP
23	09407M22403	CLAMP
24	89511M84000	GROMMET FUEL HOSE
25	85451-75100	VALVE 2 WAY CHECK
26	09343M05117	HOSE VAPOUR OUTLET NO.1
27	09344M05017	HOSE VAPOUR OUTLET NO.2
28	09401M08401	CLIP VAPOUR OUTLET
29	09401M10301	CLIP
30	09403-23401	CLAMP
31	03141-05168	SCREW
32	89260-82101	CAP ASSY FUEL TANK FILL
33	89264-82101	PACKING FUEL CAP
34	89300-84840	CYLINDER SET LID LOCK
35	77461M78000	CLIP
36	89441M50A01	CONNECTOR
37	85481-78000	VESSEL VALVE SILENCER
38	09343M05209	HOSE VALVE TO VESSEL

85A.ÜZEMANYAG TARTÁLY, TANKSAPKA /MPI/



1	89101-843A0	TANK ASSY FUEL
2	01107M08206	BOLT
3	08321M31066	LOCK WASHER
4	09160M08016	WASHER
5	01550M08303	BOLT
6	08332-11076	E RING
7	89210M81020	NECK FUEL FILLER
8	89260M82101	CAP ASSY
9	89285M81000	PACKING FUEL NECK
10	02142-05123	SCREW
11	89242M84000	HOSE FUEL FILLER UPPER
12	89282M84000	SEAL FUEL INLET PIPE
13	89230M84001	PIPE FUEL FILLER INLET
14	89241-84001	HOSE FUEL FILLER LOWER
15	09352-11153-00B	HOSE
16	09343M11025	HOSE
17	09400M52311	CLAMP
18	09401M15301	CLIP
19	09407M22403	CLAMP
20	01104M06166	BOLT
21	08321M31066	LOCK WASHER
22	09160M06020	WASHER
23	09352-70113-600	HOSE
24	89421M84001	SEPARATOR VAPOUR LIQUID
25	03141M05163	SCREW
26	09148-05005	NUT
27	09344-07505	HOSE
28	09401-11402	CLIP
29	89451M843A0	PROTECTOR HOSE
30	85428M78001	GROMMET
31	89456-50E00	SPRING SEPARATOR OUT HOSE
32	89511M84030	GROMMET FUEL HOSE
33	34810-50A00	GUAGE ASSY FUEL LEVEL
34	02112M05086	SCREW
35	89300M84840	CYL FUEL LID
36	77461M78000	CLIP

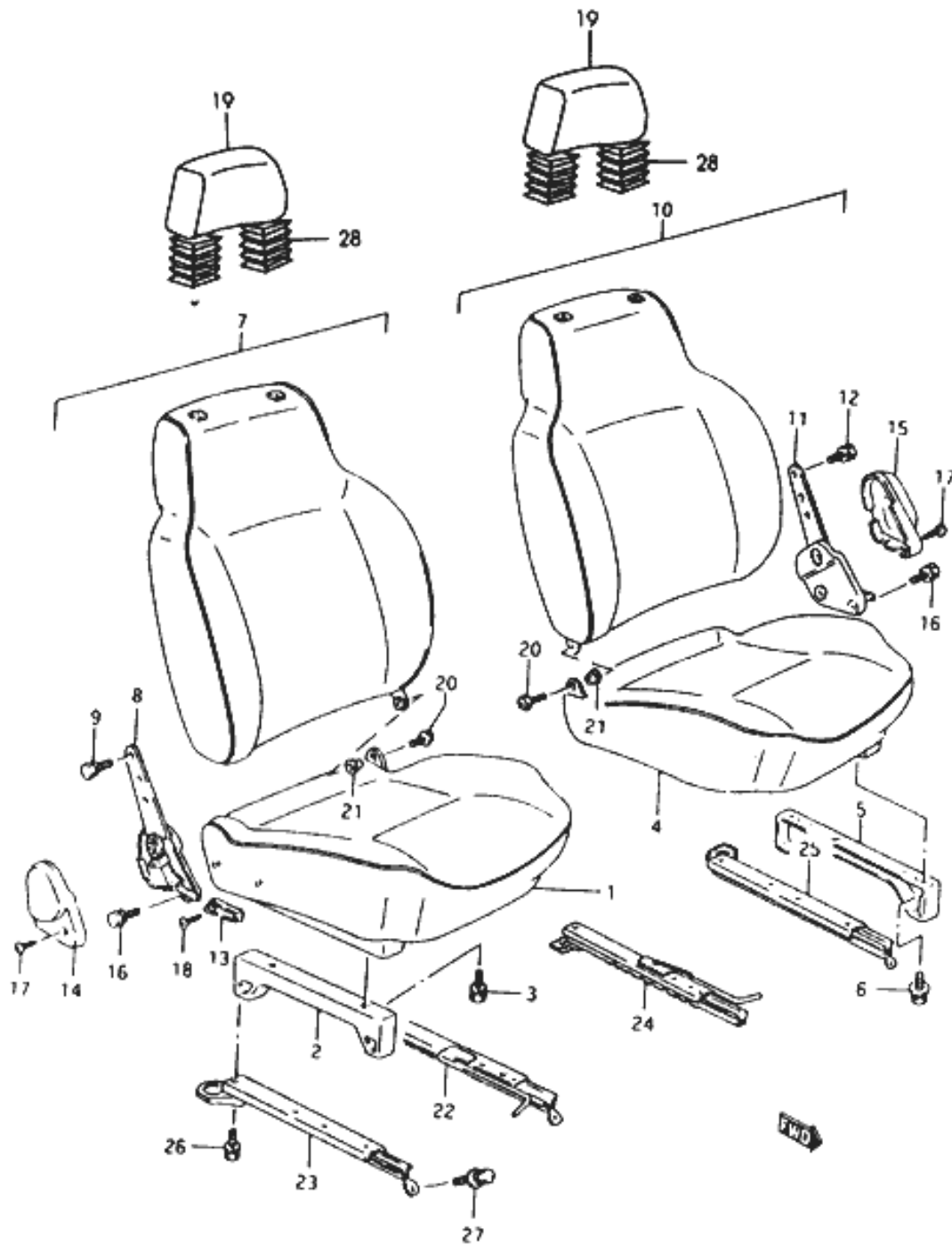
86. PÓTFELSZERELÉS



1	09800M40276	TOOL ASSY
2	09824M99316	JACK ASSY
3	09824M00017	HANDLE. JACK
4	75440M84001	COVER SPARE TYRE
5	75463-84003	SCREW SPARE TYRE

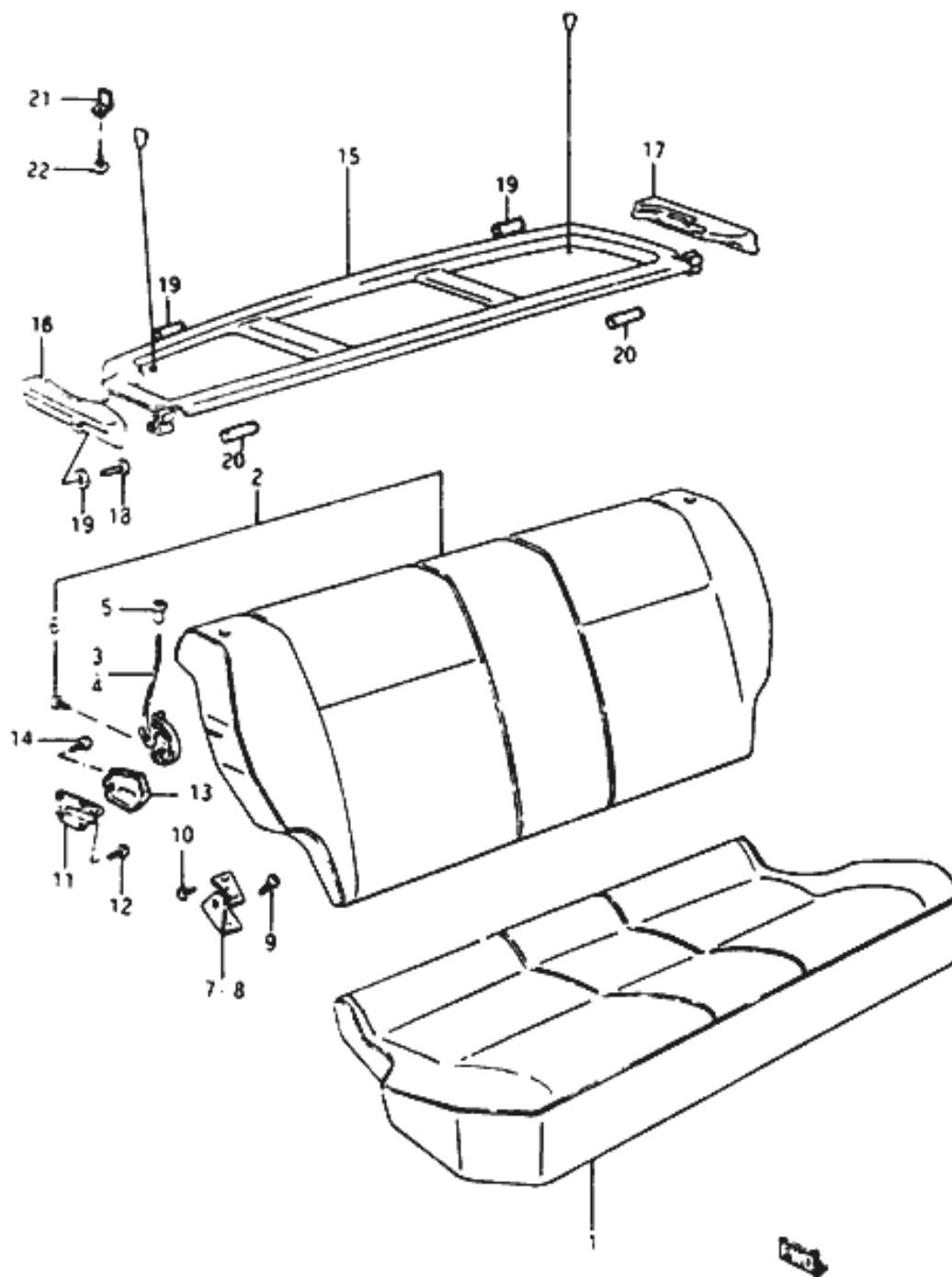


87. ELSŐ ÜLÉS



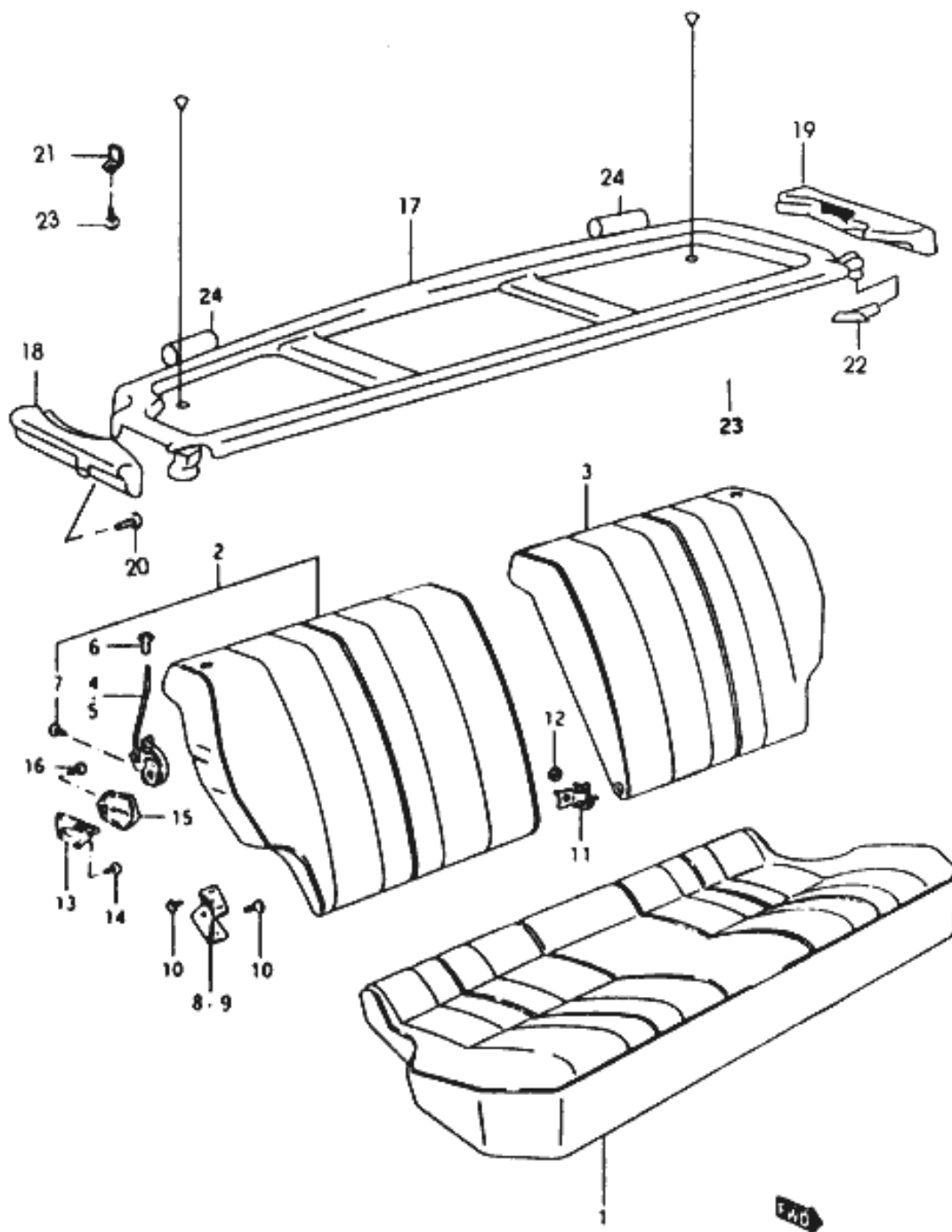
1-1	85101M84530	CUSHION ASSY FR SEAT RH	TYPE 1
1-2	85101M84400-C03	CUSHION ASSY FR SEAT RH	TYPE 2
3	01104M08166	BOLT	
4-1	85102M84530	CUSHION ASSY FR SEAT LH	TYPE 1
4-2	85102M84400-C03	CUSHION ASSY FR SEAT LH	TYPE 2
5	85120M84000	FRAME FRONT SEAT	
6	01104M08166	BOLT	
7-1	85301M84530	BACK ASSY FR SEAT RH	TYPE 1
7-2	85301M84400-C03	BACK ASSY FR SEAT RH	TYPE 2
8-1	85210-81401	RECLINING ASSY FR SEAT RH	TYPE 1
8-2	85210M84020	RECLINING ASSY FR SEAT RH	TYPE 2
9	01137M08168	BOLT	
10-1	85302M84530	BACK ASSY FR SEAT LH	TYPE 1
10-2	85302M84400-C03	BACK ASSY FR SEAT LH	TYPE 2
11-1	85710-84001	RECLINING ASSY FR SEAT LH	TYPE 1
11-2	85710M84020	RECLINING ASSY FR SEAT LH	TYPE 2
12	01137M08168	BOLT	
13	85211M84000-5EE	KNOB RECLINING	
14	85221M84000-5EE	COVER RECLINING RH	
15	85721M84000-5EE	COVER RECLINING LH	
16	01107M08166	BOLT	
17	08321M05125	SCREW	
18	03211M04085	SCREW	
19-1	86401M84530	HEAD RESTRAINT	TYPE 1
19-2	86400M64440-C03	HEAD RESTRAINT	TYPE 2
20	09136M06004	SCREW	
21	85319M82000	BUSH BACK FIXING	
22	86610M84060	ADJUSTER FR SEAT INS RH	
23	86630M84060	ADJUSTER FR SEAT OUT RH	
24	86810M84060	ADJUSTER FR SEAT INS LH	
25	86830M84060	ADJUSTER FR SEAT OUT LH	
26	01104M08126	BOLT	
27	01104M08166	BOLT	
28	85315M84401	BELLOWS HEADREST	TYPE 2

88. HÁTSÓ ÜLÉS, KALAPTARTÓ /RÉGI/



1-1	87101M84000	CUSHION ASSY REAR SEAT	PVC FABRIC
1-2	87101M84620	CUSHION ASSY RR SEAT	FABRIC TRIM
1-3	87101M84630	CUSHION ASSY RR SEAT	WOOLEN TRIM
1-4	87101M84640	CUSHION ASSY RR SEAT	LEATHER TRIM
2-1	87301M84610	BACK ASSY RR SEAT	PVC TRIM
2-2	87301M84620	BACK ASSY RR SEAT	FABRIC TRIM
2-3	87301M84630	BACK ASSY RR SEAT	WOOLEN TRIM
2-4	87301M84640	BACK ASSY RR SEAT	LEATHER TRIM
3	87840-84000	LOCK ASSY REAR SEAT BACK RH	
4	87940-84000	LOCK ASSY REAR SEAT BACK LH	
5-1	87846M82000	KNOB	
5-2	87846M82020	KNOB	
6	02142M06126	SCREW	
7	87850M84000	HINGE RR SEAT BACK	
8	87950M84000	HINGE RR SEAT BACK	
9	02142M06128	SCREW	
10	02142M06168	SCREW	
11	87870M84000	STRIKER REAR SEAT	
12	02142M06168	SCREW	
13-1	87890M84000	COVER REAR SEAT	
13-2	87890M84050	COVER REAR SEAT	
14	03141-04085	SCREW	
15	87410M84320	SHELF SET REAR PARCEL	
16	87430M84020	BKT.COMP.RR.PARCEL RH	
17	87450M84020	BKT.COMP.RR.PARCEL LH	
18	03141M15165	SCREW	
19	87418M84000	STOPPER RR TRAY	
20	87419M84000	SLEEVE RR TRAY	
21	84818M84000	BRACKET	
22	03141M04125	SCREW	

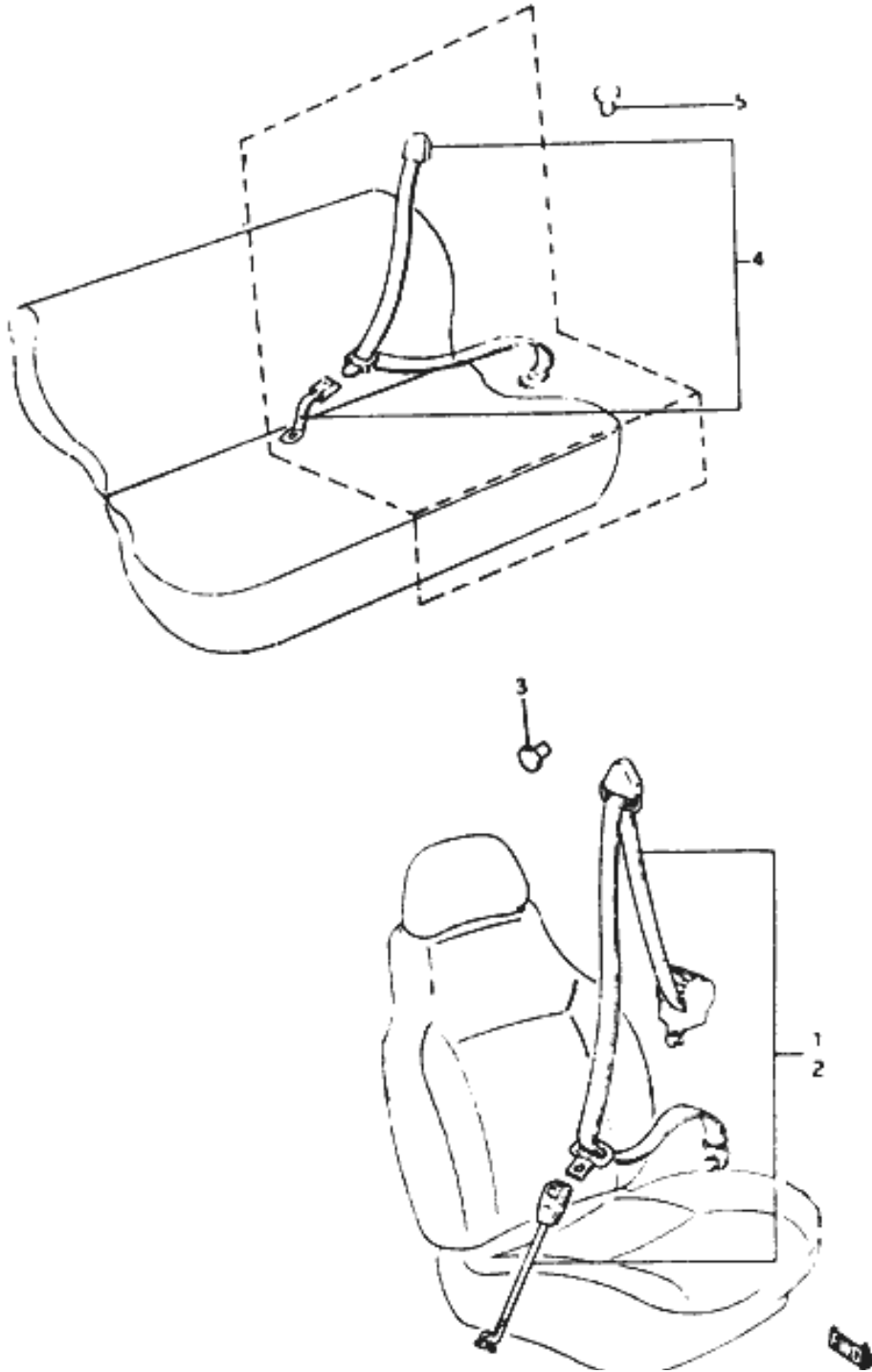
89. HÁTSÓ ÜLÉS, KALAPTARTÓ /SPLIT/



1-1	87101M84530	CUSHION ASSY RR SEAT	TYPE 1
1-2	87101M84400-C03	CUSHION ASSY RR SEAT	TYPE 2
2-1	87305M84530	BACK ASSY RR SEAT RH	TYPE 1
2-2	87401M84400-C03	BACK ASSY RR SEAT RH	TYPE 2
3-1	87306M84530	BACK ASSY RR SEAT LH	TYPE 1
3-2	87801M84400-C03	BACK ASSY RR SEAT LH	TYPE 2
4	87840-84020	LOCK ASSY RR SEAT BACK RH	
5	87940-84020	LOCK ASSY RR SEAT BACK LH	
6	87846M82000-5EE	KNOB	
7	02142M06126	SCREW	
8	87850M84000	HINGE RR SEAT BACK RH	
9	87950M84000	HINGE RR SEAT BACK LH	
10	02142M06128	SCREW	
11	87860M84000	HINGE REAR SEAT BACK CTR	
12	08316M26066	NUT	
13	87870-84020	STRIKER RR SEAT BACK LOCK	
14	02142M06168	SCREW	
15	87890M84000-5EE	COVER REAR SEAT BACK STKR	
16	03141M04083	SCREW	
17	87410M84012	SHELF REAR PARCEL	
18	87430M84020	BRACKET REAR PARCEL RH	
19	87450M84020	BRACKET REAR PARCEL LH	
20	03141M15165	SCREW	
21	84818M84000	BRACKET	
22	87435M84000	HOOK REAR PARCEL	
23	03141M04125	SCREW	
24	87418M84000	STOPPER RR TRAY	



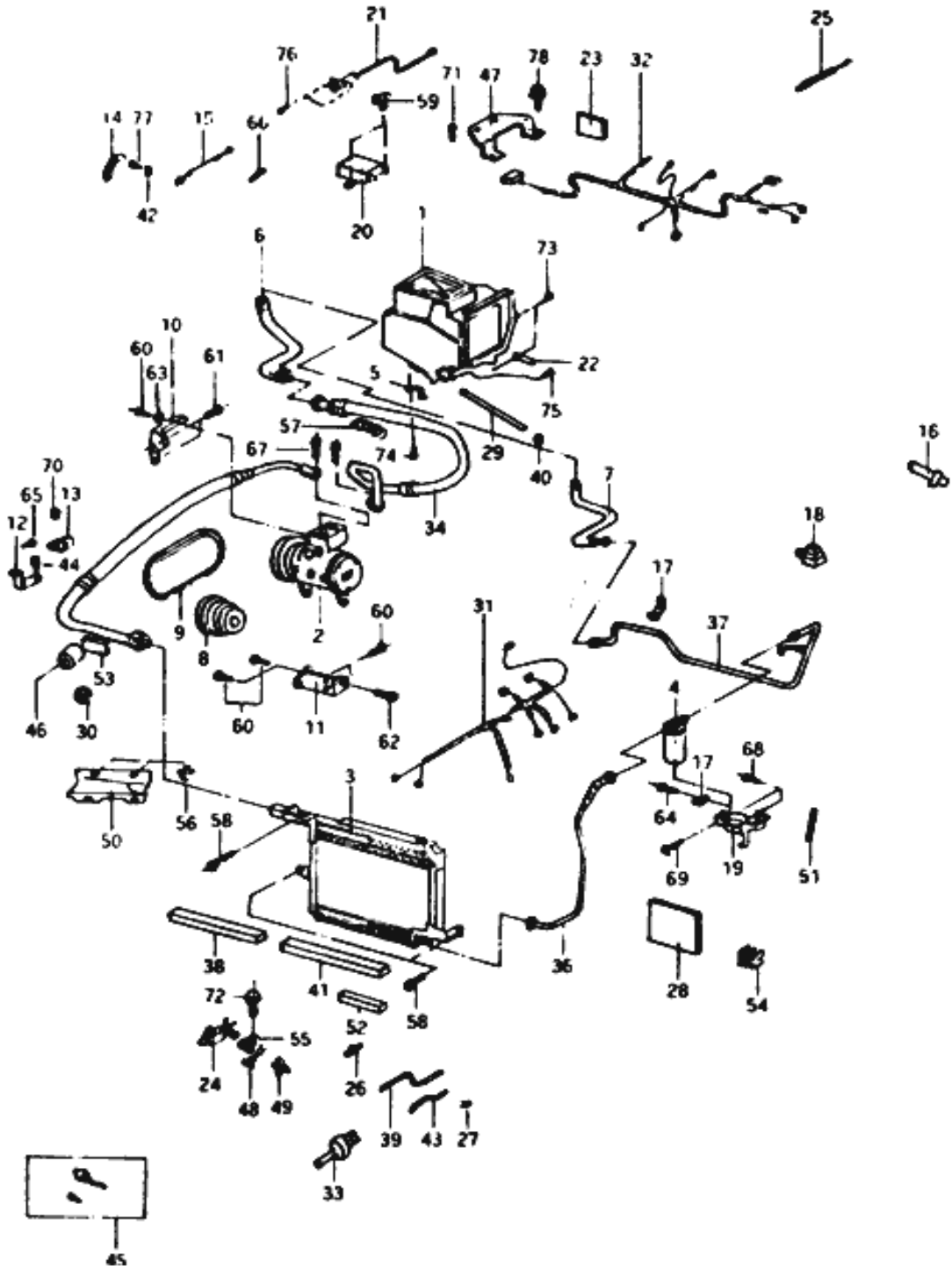
90. BIZTONSÁGI ÖVEK



1-1	84901-84310	BELT ASSY FRONT RH (BLACK)
1-2	84901-84301-4AY	SEAT BELT FRONT RH (GREY)
2-1	84902-84310	BELT ASSY FRONT LH (BLACK)
2-2	84902-84301-4AY	SEAT BELT FRONT LH (GREY)
3	09250M10004	PLUG
4	84904-84310	BELT ASSY REAR SEAT (BLACK)
5	09250M10004	PLUG



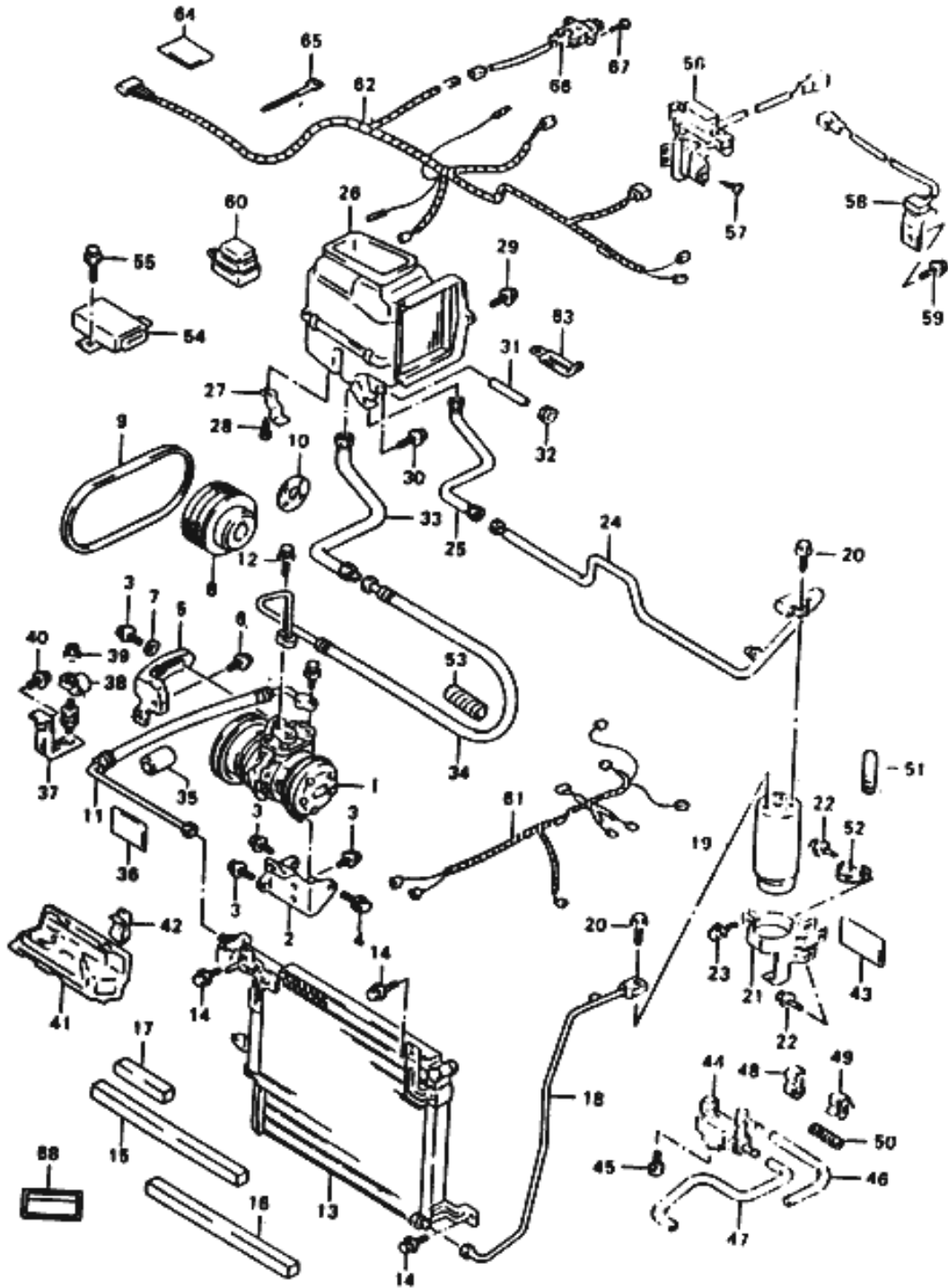
91. LÉGKONDITIONÁLÓ /NEM MPI/



1	95400M84500	UNIT ASSY COOLING
2	95200M84000	COMPRESOR ASSY
3	95310M84500	CONDENSOR ASSY
4	95330M83000	TANK RESERVOIR DRIER
5	95772M84500	CLAMP PIPING
6	95742M84500	TUBE SUCTION EVAP. (OUT)
7	95733M84500	TUBE LIQUID EVAP. (INLET)
8	95101M84500	PULLEY CRANKSHAFT
9	95141M84500	V-BELT
10	95112M84500	ADJUSTER BKT CPRS MOUNT
11	95111M84000	BKT COMPRESSOR MOUNTING
12	95774M84000	BKT DISCHARGE NOSE CLAMP
13	95781M84000	CLAMP DISCHARGE NOSE
14	95775M84500	BELT MICRO SWITCH
15	95573M84500	SWITCH ACCEL CUT
16	95584M84500	SHORT WIRE AIRCON
17	95852M84500	CLAMP PIPING
18	95572M84000	RELAY AND ACCESSORY ASSY
19	95931M84500	MOLDER RECEIVER
20	95570M84500	AMPLIFIER ASSY
21	95571M84000	SWITCH ASSY A/C CONTROL
22	95854M84500	CLAMP COOLING UNIT
23	95765M84000	PACKING WIRING HARNESS
24	95551M84000	VALVE ASSY MAGNET
25	95778M84000	CLIP
26	95569M78040	CHECK VALVE VACUUM
27	09408M00033	CLAMP
28	95626M78000	PACKING BATTERY TRAY
29	95565M84300	NOSE VACUUM
30	95831M78140	SPACER
31	95582M84500	WIRING HARNESS INNER
32	95581M84500	WIRING HARNESS ENGINE RH
33	95557M78100	UNION VACCUM NOSE
34	95710M84500	HOSE SUCTION
35	95720M84000	HOSE DISCHARGE
36	95731M84500	TUBE LIQUID (COND. OUT)
37	95732M84500	TUBE & ACC. ASSY
38	95762M84000	PACKING CONDENSER SIDE
39	95481M84500	HOSE DRAIN
40	95475M74000	GROMMET DRAIN HOSE
41	95761M84000	PACKING CONDENSER BOTTLE
42	95787M84500	BELT MICRO SWITCH
43	95561M84000	HOSE VACUUM
44	95563M84000	BUSH
45	95550M84300	ACTUATOR SET IDLE UP
46	95711M84000	INSULATOR DISCHARGE HOSE

47	95786M84500	BRACKET AMPLIFIER
48	95856M84500	CLAMP VACCUM HOSE
49	95783M84000	CLAMP VACCUM HOSE
50	72151M84000	COVER
51	95767M84500	INSULATOR PIPING
52	95622M84500	PACKING RADIATOR
53	95624M84000	PACKING GRILL
54	95858M84500	CLAMP VACCUM HOSE
55	95784M84500	BRACKET VSV
56	09403M06406	CLAMP GRILL INSULATOR
57	95765M83900	INSULATOR PIPING
58	01517M06126	BOLT FLANGE
59	01517M06126	BOLT FLANGE AMPL MOUNT
60	01187M08256	BOLT CPRSR MOUNTING BET
61	01107M08206	BOLT CPRSR ADJUSTER BET
62	01187M08406	BOLT CRPSR MOUNTING BET
63	08322M21086	WASHER CPRSR ADJUSTER
64	01134M06166	BOLT PIPING CLAMP
65	01134M06166	BOLT DISCHARGE HOSE CL
66	01134M06166	BOLT MICRO SWITCH BET
67	01187M08356	BOLT CPRSR PIPING
68	01134M06126	BOLT RECEIVER BRACKET
69	01104M06206	BOLT RECEIVER BRACKET
70	08310M11066	NUT
71	95912M84500	BOLT AMP BET MTG EARTH
72	95912M84500	BOLT VSV BET MOUNTING
73	03511M05126	SCREW COOLING UNIT MTG
74	95915M84500	SCREW COOLING UNIT BET
75	01174M06206	BOLT EVAPORATOR MOUNTING
76	03511M04126	SCREW A/C SWITCH
77	02112M03206	SCREW MICRO SWITCH MTG
78	09136M05004	SCREW AMP BET MOUNTING

91A.LÉGKONDITIONÁLÓ / MPI/

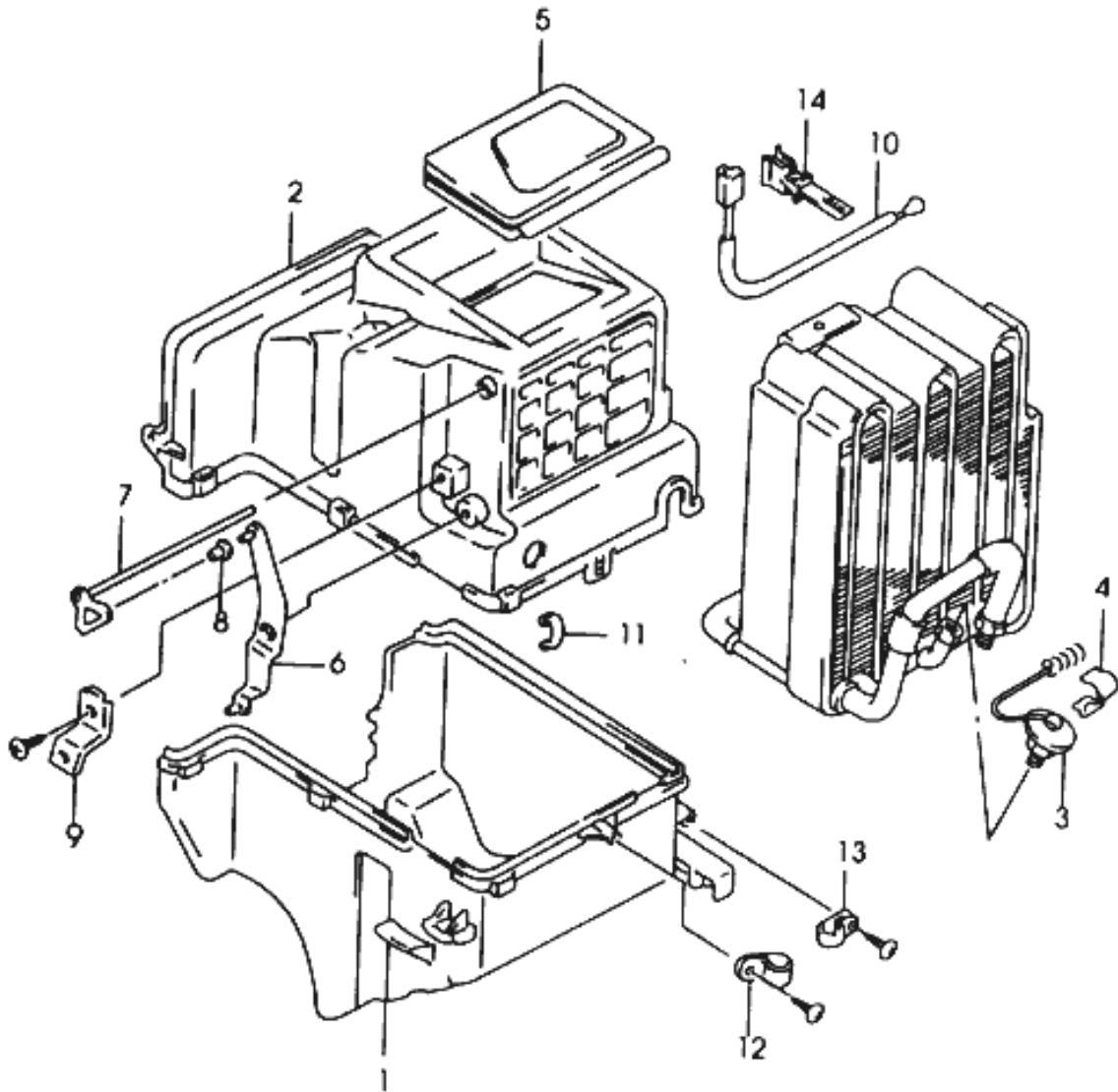


0	95500-50AB1	AIR CONDITIONER SET
1	95200-50AB0	COMPRESOR & MAGNET CLUTCH
2	95111-84000	BRACKET COMPRESSOR
3	01550-08203	BOLT
4	01550-08403	BOLT
5	95112-84300	STAY COMPRESSOR ADJUSTING
6	01550-08203	BOLT
7	08322-01083	WASHER
8	12611-84050	PULLEY CRANKSHAFT
9	95141-84040	V-BELT
10	95831-78140	SHIM WATER PUMP PULLEY
11	95720-50AB0	HOSE COMPRESSOR DISCHARGE
12	01550-06303	BOLT
13	95311-50AA0	CONDENSER ASSY
14	01550-06123	BOLT
15	95762-84000	PACKING CONDENSER NO.1
16	95761-84000	PACKING CONDENSER NO.2
17	95622-84000	PACKING RADIATOR
18	95731-50AB0	PIPE CONDENSER OUTLET
19	95330-71B10	RECEIVER DRYER
20	01580-06253	BOLT
21	95350-50AB0	BRACKET RECEIVER DRYER
22	01550-06123	BOLT
23	01550-06203	BOLT
24	95732-50AB0	PIPE RECEIVER OUTLET
25	95734-51AA0	PIPE EVAPORATOR INLET
26	95400-50AB0	EVAPORATOR UNIT
27	95772-84300	CLAMP PIPE
28	03511-05103	SCREW
29	03511-05123	SCREW
30	01550-06203	BOLT
31	95481-84300	HOSE DRAIN
32	74814-82000	GROMMET DRAIN HOSE
33	95742-51AA0	PIPE EVAPORATOR OUTLET
34	95710-50AB0	HOSE SECTION
35	95630-84300	INSULATOR DISCHARGE HOSE
36	95624-84000	PACKING DISCHARGE HOSE
37	95774-84005	BRACKET DISCHARGE HOSE
38	95781-84000	CLAMP
39	08316-20063	NUT
40	01550-06123	BOLT
41	72151-84001	INSULATOR GRILLE
42	09403-06406	CLAMP
43	95821-70B00	PACKING BATTERY
44	95161-72F00	VSV, IDLE UP
45	02112-35083	SCREW

46	09355-70125-600	HOSE
47	09355-70125-600	HOSE
48	09408-00043	CLAMP
49	09408-00153	CLAMP
50	95767-50AB0	INSULATOR HOSE
51	95629-84300	INSULATOR METER CABLE
52	95779-84300	CLAMP
53	95616-74D40	INSULATOR
54	95575-50AB0	CONTROLLER ASSY AIR CON
55	01550-06103	BOLT
56	95591-84301	SWITCH ASSY AIR CONTROL
57	95922-83000	SCREW
58	95579-50AB0	SWITCH ASSY ACCEL OFF
59	01550-06123	BOLT
60	95572-84000	RELAY ENGINE COOLING FAN
61	95581-843B0	HARNESS ENGINE ROOM
62	95582-84300	HARNESS INNER
63	09404-06413	CLAMP HARNESS
64	36930-82000	COVER HARNESS
65	09407-25402	CLAMP
66	95571-84000	SWITCH ASSY AIR CON
67	03142-04123	SCREW
68	95955-72B00	LABEL REFRIGERANT



92. LÉGKONDITIONÁLÓ HŐCSERÉLŐ



0	95400-50AB0	EVAPORATOR UNIT
1	95412-84300	CASE LOWER
2	95422-84300	CASE UPPER
3	95431-50G00	VALVE EXPANSION
4	95491-60B10	HOLDER VALVE
5	95471-84300	DAMPER
6	95473-84300	LEVER CONTROL
7	95474-84300	SHAFT
8	74146-70B00	BUSH
9	95492-84300	BRACKET
10	95461-63B70	THERMISTOR
11	74133-82000	CLAMP CASE
12	95482-84300	CLAMP
13	95483-84300	CLAMP
14	95452-50F01	CLAMP THERMIST

