



Parts catalogue

B10 V8



B10 V8 12/96-09/02
B10 V8 Touring 08/97-02/02
B10 V8 S 07/01-07/03
B10 V8 S Touring 03/02-11/03

Only ALPINA parts and not clear perceptible BMW parts which are different to the basic car are listed. For BMW parts the BMW parts catalogue has to be used. The abbreviations used in several columns on the text lines have the following meanings:

1. item column (POS): picture number equal to the shown part, o.A. = not pictured
2. expression column
3. part number column
4. model column: wanted quantity; x = quantity is required
5. RHD-column: RHD-vehicle
R = only for RHD-vehicle L = only for LHD vehicle
6. AWD - column: A = only for all wheel vehicle, R = only for rear wheel drive vehicle
7. remarks column (REM): a, b, c, ... country specification, use from/ up to,
other informations
A: part number exchangeable with the one mentioned in the next line
E: part Number Is cancelled
W: part number is used alternatively by the one standing either before it or afterwards (also marked with „W“)

The illustrations in this catalogue do not correspond to the original size and shape!

Base engine is the M62B44 (448S2) from the BMW 540i (E39)

ALPINA vehicle name	BMW base model	Abbreviation	Base engine
B10 V8 12/96-09/02	5 Series E39 540i	B 10 V8	M62B44 (448S2)
B10 V8 Touring 08/97-02/02	5 Series E39 540i Touring	B 10 V8T	M62B44 (448S2)
B10 V8 S 07/01-07/03	5 Series E39 540i	B 10 V8 S	M62B44 (448S2)
B10 V8 S Touring 03/02-11/03	5 Series E39 540i Touring	B 10 V8 S T	M62B44 (448S2)

Catalogue group overview

11 Engine	34 Brakes
12 Engine electrical system	36 Wheels
13 Fuel preparation	41 Chassis
17 Cooling	51 Vehicle trim
18 Exhaust system	61 Vehicle electronics
24 Automatic transmission	62 Cluster gauge
31 Front axle	88 Special parts
32 Steering	
33 Rear axle	

ALPINA BURKARD BOVENSIEPEN GMBH + CO. KG

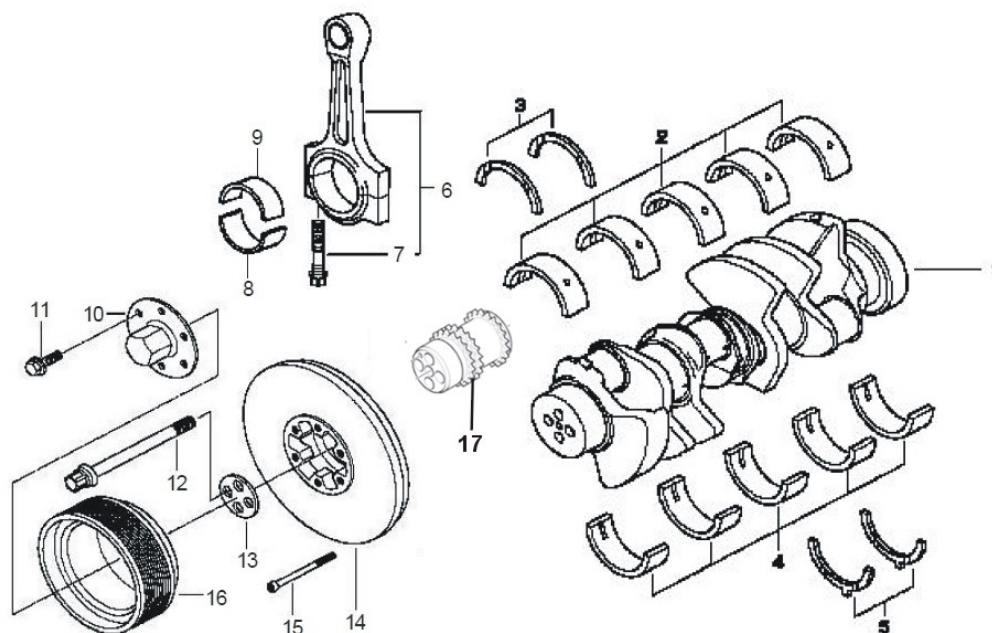
Alpenstraße 35-37 D-86807 Buchloe Tel. 08241/5005-0 Fax.08241/5005-155



B10 V8

11 crankshaft-connecting rod vibration damper

Sheet 1



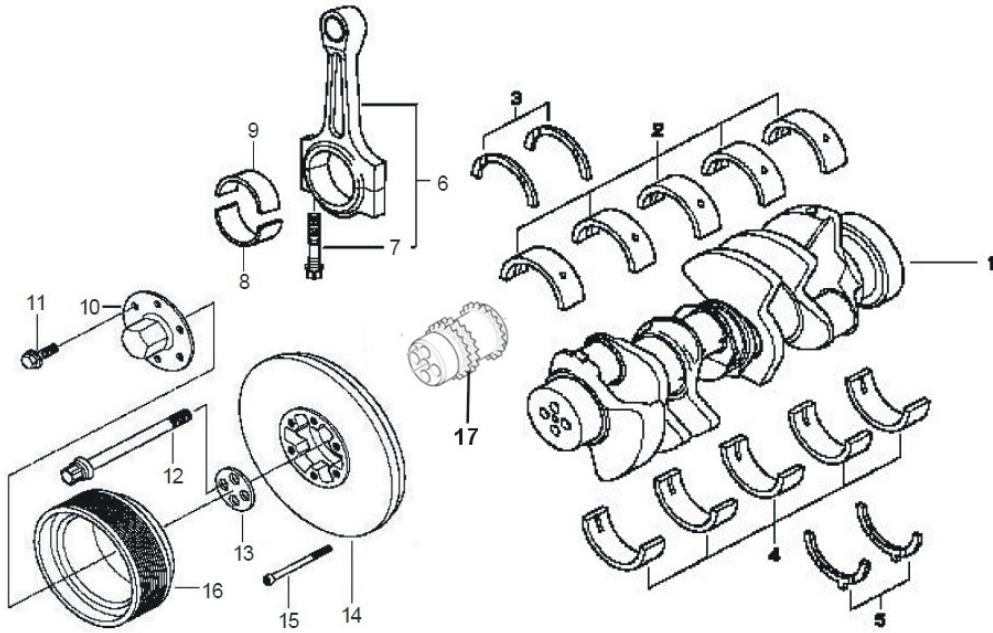
POS	Expression	Part number	B 10 V8	B 10 V8T	B 10 V8 S	B 10 V8 S T	R H D	REM
1	crankshaft without bearing shells	11 21 618			1	1		
2	bearing shell yellow (70,00mm)	11 21 1 725 917			5	5		
2	bearing shell green (70,00mm)	11 21 1 725 918			5	5		
2	bearing shell white (70,00mm)	11 21 1 725 919			5	5		
3	upper guide washer (2,43mm)	11 21 1 702 147			2	2		
4	bearing shell yellow (70,00mm)	11 21 1 725 908			5	5		
4	bearing shell green (70,00mm)	11 21 1 725 909			5	5		
4	bearing shell white (70,00mm)	11 21 1 725 910			5	5		
5	lower guide washer (2,43mm)	11 21 1 702 144			1	1		
6	connecting rod	11 12 1 406 978			8	8		
7	connecting rod bolt	11 24 1 405 890			16	16		
8	bearing shell red (49,00mm)	11 24 1 407 492			8	8		
9	bearing shell blue (49,00mm)	11 24 1 407 493			8	8		
10	cover	11 23 1 407 526			1	1		
11	hexbolt with washer M8x20	07 11 9 904 992			6	6		
12	torx bolt M12x130	11 23 1 402 618			4	4		
13	washer	11 23 1 402 609			1	1		



B10 V8

11 crankshaft-connecting rod vibration damper

Sheet 2



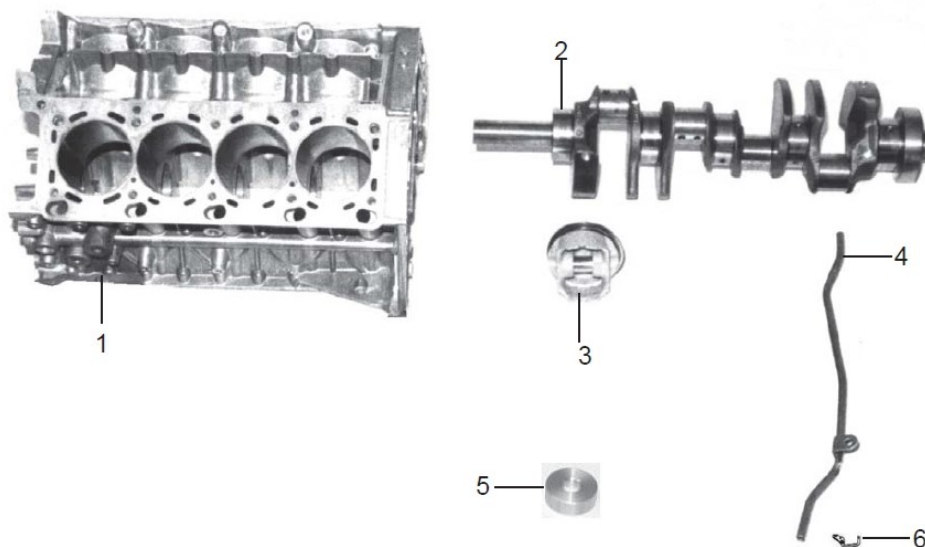
POS	Expression	Part number	B 10 V8	B 10 V8T	B 10 V8 S	B 10 V8 S T	R H D	REM
14	vibration damper	11 23 1 407 764			1	1		
15	screw fillister head M6x75	07 11 9 902 989			1	1		
16	pulley	11 23 1 406 934			1	1		
17	sprocket	11 21 617			1	1		



B10 V8

11 crankcase

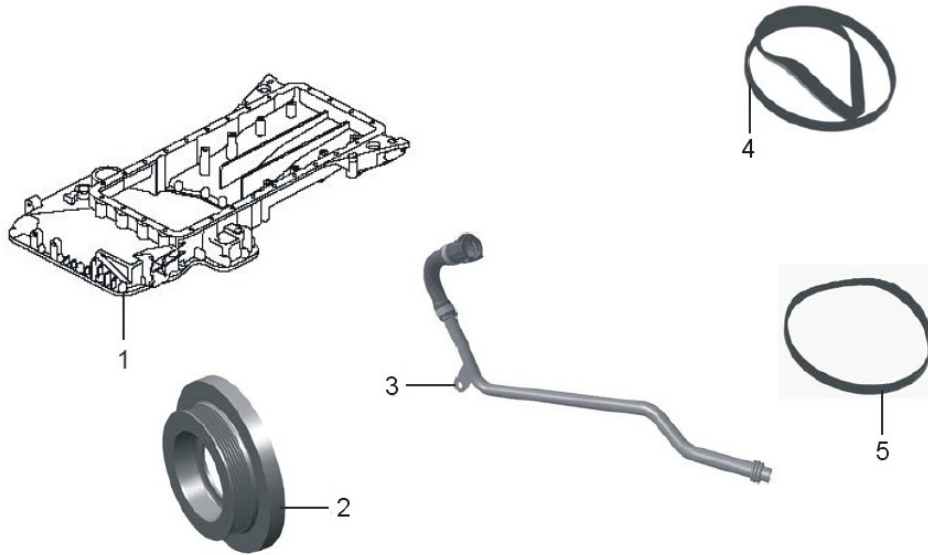
Sheet 1



POS	Expression	Part number	B 10 V8	B 10 V8T	B 10 V8 S	B 10 V8 S T	R H D	REM
1	crankcase Ø93,00 mm without pistons	11 11 634	1	1			L	AE
1	crankcase Ø93,00 mm without pistons	11 11 636	1	1			R	AE
1	crankcase Ø93,00 mm without pistons	11 11 640	1	1	1	1	L	
1	crankcase Ø93,00 mm without pistons	11 11 641	1	1	1	1	R	
2	crankshaft	11 21 615	1	1				
3	piston 92,985mm	11 25 830	8	8				a
3	piston 92,985mm	11 25 834	8	8				AE
3	piston 92,985mm	11 25 837	8	8				b
3	piston 92,985mm	11 25 838			8	8		
4	oil-dipstick tube	11 43 604			1	1		
5	spacer sleeve for water hose	11 53 630			1	1		
6	oil spraying nozzle	11 42 1 407 783			8	8		
o.A.	Chrome ring 93,00 x 1,50 F4	11 25 840	8	8				
o.A.	Stepped ring 93,00 x 1,50 F4	11 25 841	8	8				
o.A.	Slotted spiral-type ring 93,00 x 2,00 F4	11 25 842	8	8				

a) with chassis-no.: AF30 . . . / BF30 . . .

b) with chassis-no. from...on: HF40 . . . / JF40 . . .



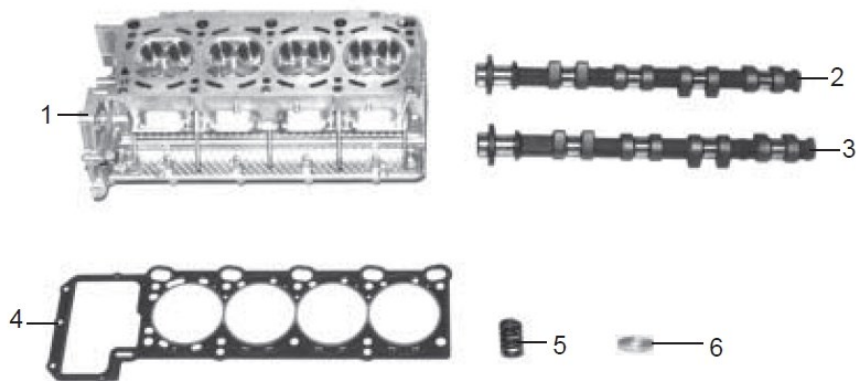
POS	Expression	Part number	B 10 V8	B 10 V8T	B 10 V8 S	B 10 V8 S T	R H D	REM
1	crankcase sump top section	11 13 616			1	1		
2	vibration damper	11 23 1 407 764			1	1		
3	return pipe	11 53 628			1	1		
4	ribbed V-belt alternator	11 28 7 636 369			1	1		
5	ribbed V-belt A/C compressor	11 28 7 833 266			1	1		
	fixing parts vibration damper: see E39 M5		i	i	i	i		



B10 V8

11 cylinder head

Sheet 1



POS	Expression	Part number	B 10 V8	B 10 V8T	B 10 V8 S	B 10 V8 S T	R H D	REM
1	cylinder head right cyl. 1-4	11 12 642	1	1				a
1	cylinder head right cyl. 5-8	11 12 641	1	1				a
1	cylinder head right cyl. 1-4	11 12 646	1	1				AEb
1	cylinder head right cyl. 5-8	11 12 645	1	1				AEb
1	cylinder head right cyl. 1-4	11 12 654	1	1	1	1		
1	cylinder head right cyl. 5-8	11 12 655	1	1	1	1		
2	camshaft intake cyl. 1-4	11 31 630	1	1				a
2	camshaft intake cyl. 5-8	11 31 632	1	1				a
2	camshaft intake cyl. 1-4	11 31 634	1	1				b
2	camshaft intake cyl. 5-8	11 31 636	1	1				b
2	camshaft intake cyl. 1-4	11 31 643			1	1		
2	camshaft intake cyl. 5-8	11 31 644			1	1		
3	camshaft exhaust cyl. 1-4	11 31 631	1	1				a
3	camshaft exhaust cyl. 5-8	11 31 633	1	1				a
3	camshaft exhaust cyl. 1-4	11 31 635	1	1				b
3	camshaft exhaust cyl. 5-8	11 31 637	1	1				b
3	camshaft exhaust cyl. 1-4	11 31 7 513 235			1	1		

a) with chassis-no.: AF30 . . . / BF30 . . .

b) with chassis-no. from...on: HF40 . . . / JF40 . . .

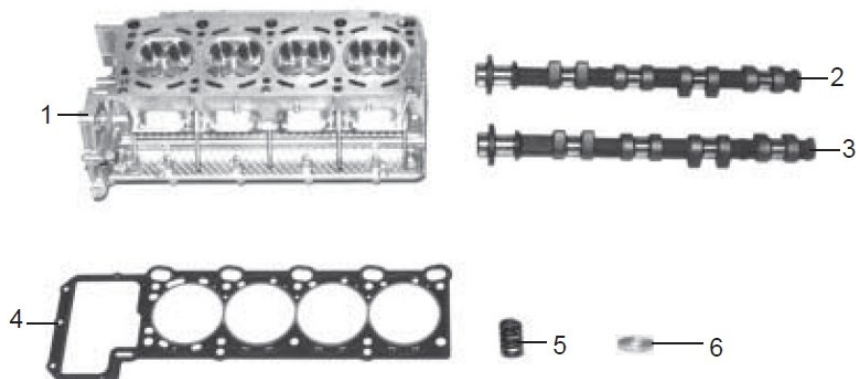
c) from engine no. 14579 LHD, 14553 RHD, serial



B10 V8

11 cylinder head

Sheet 2

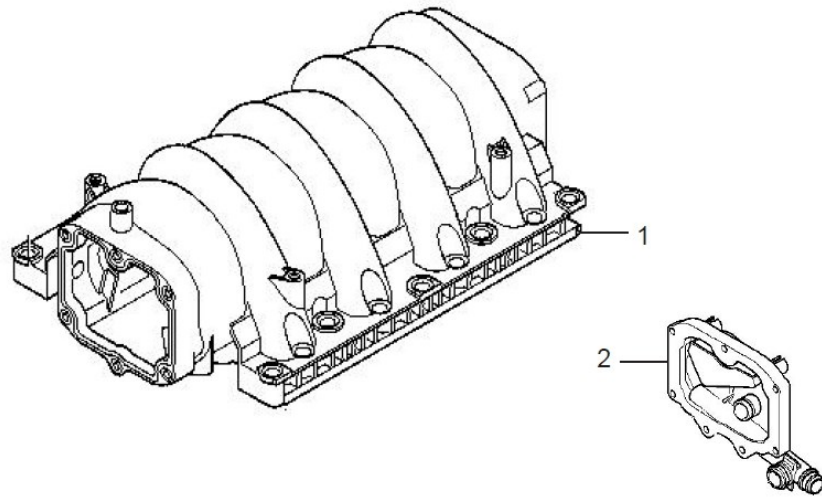


POS	Expression	Part number	B 10 V8	B 10 V8T	B 10 V8 S	B 10 V8 S T	R H D	REM
3	camshaft exhaust cyl. 5-8	11 31 7 513 238			1	1		
4	cylinder head gasket cyl. 1-4	11 12 639	1	1				AE
4	cylinder head gasket cyl. 1-4	11 12 652	1	1	1	1		AE
4	cylinder head gasket cyl. 1-4	11 12 7 519 406	1	1	1	1		c
4	cylinder head gasket cyl. 5-8	11 12 640	1	1				AE
4	cylinder head gasket cyl. 5-8	11 12 653	1	1	1	1		AE
4	cylinder head gasket cyl. 5-8	11 12 7 519 410	1	1	1	1		c
4	cylinder head gasket cyl. 1-4 +0,3mm	11 12 656	1	1	1	1		AE
4	cylinder head gasket cyl. 1-4 +0,3mm	11 12 7 519 405	1	1	1	1		
4	cylinder head gasket cyl. 5-8 +0,3mm	11 12 657	1	1	1	1		AE
4	cylinder head gasket cyl. 5-8 +0,3mm	11 12 7 519 409	1	1	1	1		
5	valve spring intake/exhaust	11 34 014	32	32				
5	valve spring intake/exhaust	11 34 018			32	32		
6	washer	11 34 012			16	16		
	adjusting gauge outlet camshaft	74 00 109	1	1	1	1		

a) with chassis-no.: AF30 . . . / BF30 . . .

b) with chassis-no. from...on: HF40 . . . / JF40 . . .

c) from engine no. 14579 LHD, 14553 RHD, serial



POS	Expression	Part number	B 10 V8	B 10 V8T	B 10 V8 S	B 10 V8 S T	R H D	REM
1	intake system	11 61 1 729 528	1	1	1	1		
2	cover	11 61 7 501 563	1	1	1	1		



B10 V8

11 engine cover

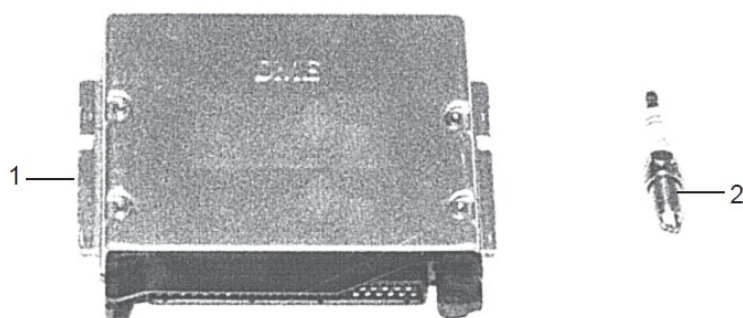
Sheet 1



POS	Expression	Part number	B 10 V8	B 10 V8T	B 10 V8 S	B 10 V8 S T	R H D	REM
1	engine cover "4,6"	11 61 655	1	1				a
1	engine cover "4,6"	11 61 659	1	1				b
1	engine cover "4,6"	11 61 666			1	1		

a) mit Fahrgest.Nr.: AF30 . . . / BF30 . . .

b) ab Fahrgest.Nr.: HF40 . . . / JF40 . . .



POS	Expression	Part number	B 10 V8	B 10 V8T	B 10 V8 S	B 10 V8 S T	R H D	REM
1	control unit Motronic DME M5.2	13 56 686	1	1				a,b
1	control unit Motronic DME M5.2.1	13 56 692	1	1				a,d
1	control unit Motronic DME ME 7.2	13 56 691	1	1				a,c
1	control unit Motronic DME ME 7.2	13 57 654			1	1		a
2	spark plug Bosch F7 LDCR	12 10 042	8	8				W
2	spark plug NGK BKR 6 EK	12 10 042	8	8				W
2	spark plug NGK BKR 6 EQUIP	12 12 0 037 607	8	8	8	8		c,W
2	spark plug Bosch FGR7DQP	12 12 0 141 871	8	8	8	8		E

a) when ordering please indicate chassis number!

b) up to 09/1997

c) from chas.no. HF40../JF40..

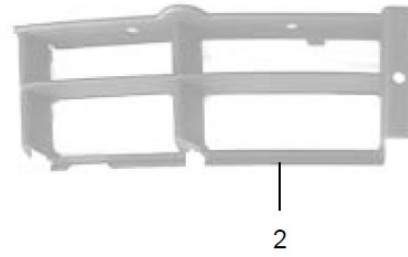
d) from 09/1997 on



B10 V8

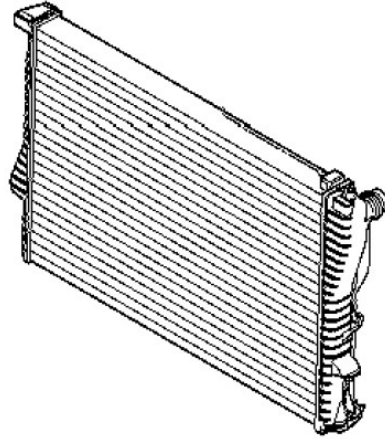
13 inlet funnel

Sheet 1



POS	Expression	Part number	B 10 V8	B 10 V8T	B 10 V8 S	B 10 V8 S T	R H D	REM
1	intake trumpet	13 70 669	1	1	1	1		a
2	grill for right air channel	51 00 677	1	1	1	1		a

a) not for U.A.E!

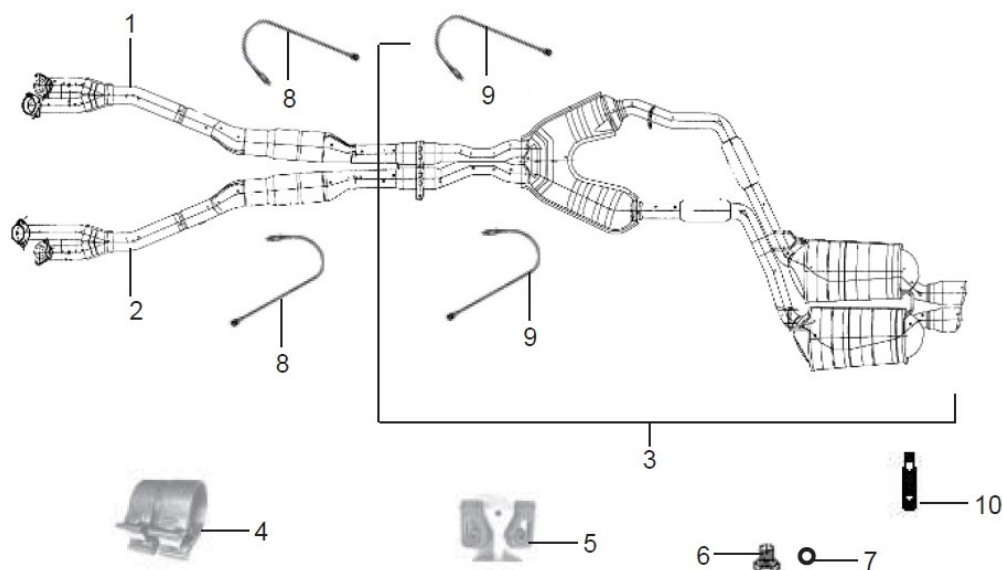


POS	Expression	Part number	B 10 V8	B 10 V8T	B 10 V8 S	B 10 V8 S T	R H D	REM
1	radiator	17 11 1 702 969	1	1				a
1	radiator	17 11 1 436 063	1	1				b
1	radiator	17 11 1 436 063			1	1		c

a) with chassis no.: AF30... /BF30...

b) with chassis no.: HF40... /JF40...

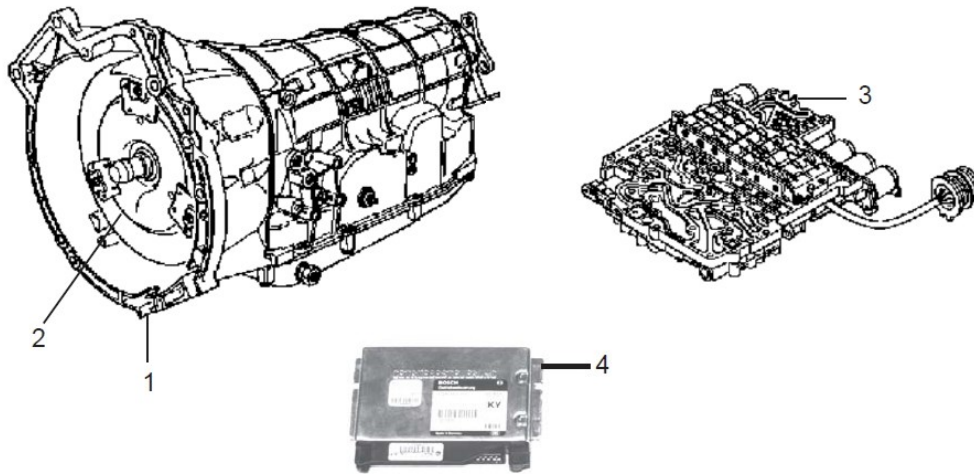
c) with chassis no.: EF50... /FF50...



POS	Expression	Part number	B 10 V8	B 10 V8T	B 10 V8 S	B 10 V8 S T	R H D	REM
1	exhaust tube catalyst right side	18 10 816	1	1	1	1		
2	exhaust tube catalyst left side	18 10 815	1	1	1	1		
3	silencer	18 10 820	1		1			b
3	silencer	18 10 835		1		1		b
4	doubleclamp (repair kit)	18 10 825	2	2				AE
4	doubleclamp (repair kit)	18 30 7 536 425	2	2	2	2		
5	rubber mount	18 21 1 745 350	1	1	1	1		
6	screw plug M18x1,5	18 10 009	2	2				a
7	gasket ringCU 18x24	06 01 009	2	2				a
8	oxygen sensor	11 78 1 247 406	2	2	2	2		
9	lambda monitor sensor	11 78 1 742 051	2	2	2	2		
10	stud bolt	18 21 1 432 643	1	1	1	1		

a) with chassis-no.: AF30 . . . / BF30 . . .

b) in combination with position 4)



POS	Expression	Part number	B 10 V8	B 10 V8T	B 10 V8 S	B 10 V8 S T	R H D	REM
1	replacement gearbox with torque converter	24 10 613T	1	1				c
1	replacement gearbox with torque converter	24 10 619T	1	1				d
1	replacement gearbox with torque converter	24 10 640T			1	1		
2	torque converter	24 40 1 422 107	1	1				
2	torque converter	24 40 7 512 589			1	1		
3	hydraulic block	24 10 612	1	1				c
3	hydraulic block	24 34 7 521 640			1	1		
4	AGS-control unit	24 10 611	1					a,b
4	AGS-control unit	24 10 615	1	1				a,e
4	AGS-control unit (only for U.A.E)	24 10 632	1	1				AE
4	AGS-control unit	24 10 621	1	1				a,d
4	AGS-control unit	24 10 641			1	1		a

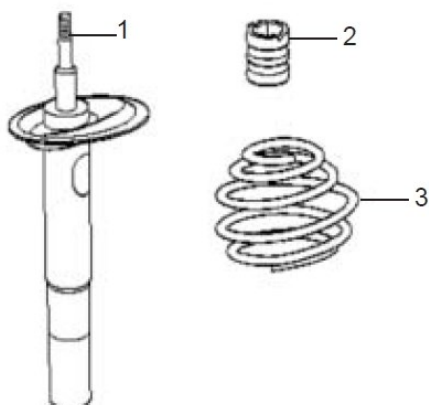
a) when ordering please indicate chassis number!

b) up to 09/1997

c) with chassis-no.: AF30... / BF30...

d) from chas.-no.: HF40.. / JF40..

e) from 09/1997 on



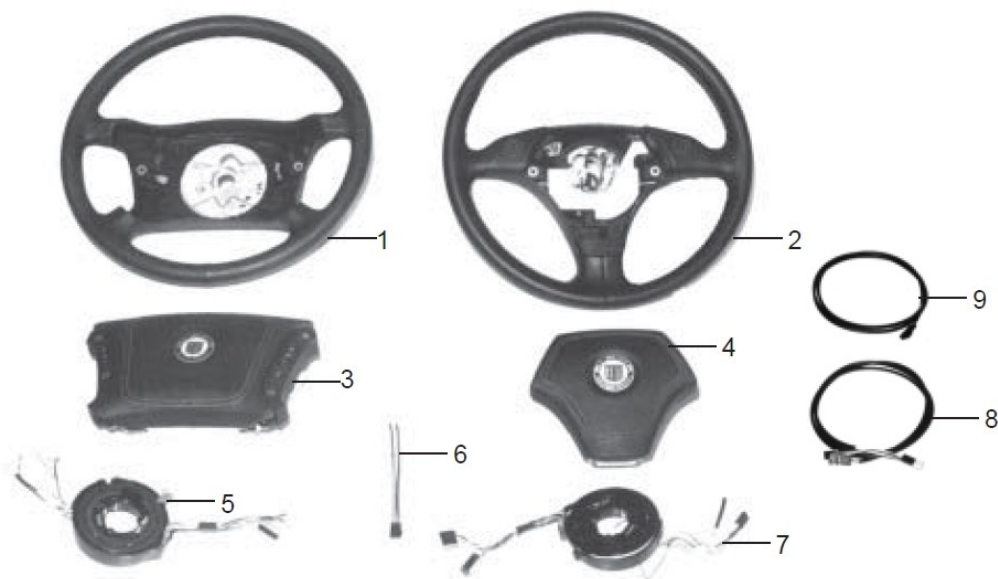
POS	Expression	Part number	B 10 V8	B 10 V8T	B 10 V8 S	B 10 V8 S T	R H D	REM
1	suspension unit*	31 31 649	2	2				AE
1	suspension unit*	31 31 652	2	2				AE
1	suspension unit*	31 31 653	2	2				AE
1	suspension unit*	31 31 657	2	2	2	2		
2	damper	31 33 1 138 814	2	2	2	2		
3	spring	31 33 631	2	2	2	2		a
3	spring	31 33 632	2	2	2	2		a
	* only in combination with spring washer	31 33 1 096 664	2	2	2	2		



B10 V8

32 Airbag steering wheel

Sheet 1



POS	Expression	Part number	B 10 V8	B 10 V8T	B 10 V8 S	B 10 V8 S T	R H D	REM
1	leather steering-wheel rim 4-spokes	32 33 063	1	1				
1	leather steering-wheel rim 4-spokes	32 33 077	1	1				c
1	leather steering-wheel rim 4-spokes from 03/99	32 33 091	1	1				
1	leather steering-wheel rim 4-spokes from 03/99	32 33 098	1	1				c
1	leather steering-wheel rim 4-spokes from 09/01	32 33 142	1	1				
1	leather steering-wheel rim 4-spokes from 09/01	32 33 144	1	1				c
2	leather steering-wheel rim 3-spokes	32 33 048	1	1				bd
3	airbag 4-spokes	32 33 066	1	1				a
3	airbag 4-spokes	32 33 078	1	1				ac
3	airbag 4-spokes from 03/99	32 33 089	1	1				a
3	airbag 4-spokes from 09/01	32 33 146	1	1				a
3	airbag 4-spokes from 09/01	32 33 148	1	1				ac
4	airbag 3-spokes	32 33 062	1	1				bd
5	slip ring 7-pins	32 34 1 094 262	1	1				
6	contact pin	32 31 1 091 732	1	1				
7	slip ring 7-pins	32 34 1 161 912	1	1				bd
8	cable SWITCH-TRONIC/STEPTR.	61 11 124	1	1				AE

a) without switches

b) without multifunction!

c) Italy

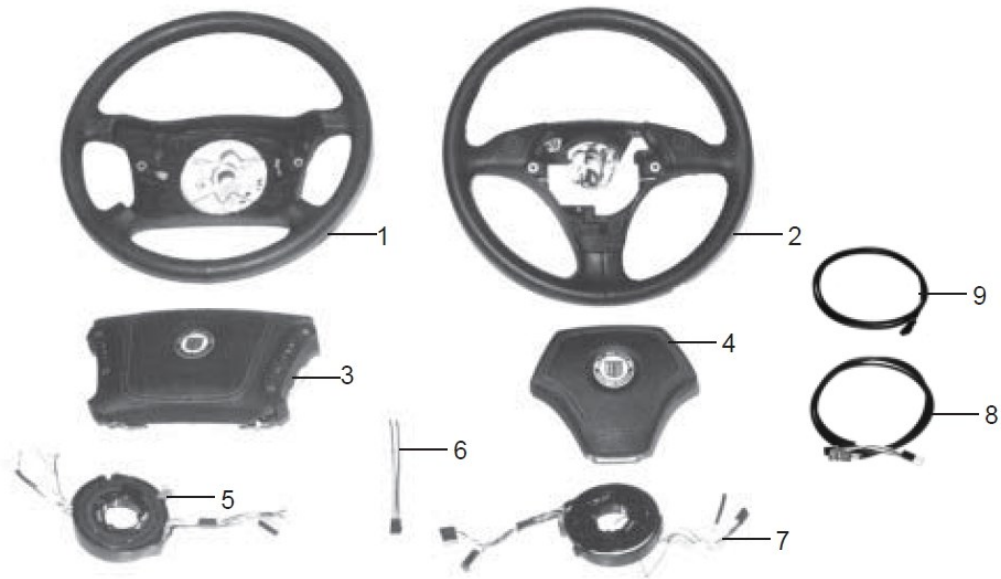
d) Japan



B10 V8

32 Airbag steering wheel

Sheet 2



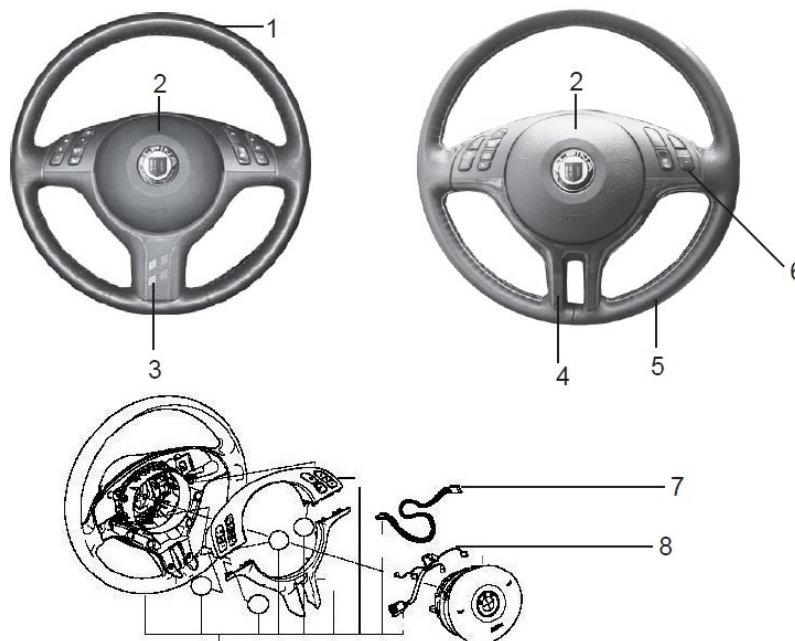
POS	Expression	Part number	B 10 V8	B 10 V8T	B 10 V8 S	B 10 V8 S T	R H D	REM
8	cable SWITCH-TRONIC/STEPTR.	61 11 165	1	1	1	1		
9	cable for 3-spokes steering wheel	61 11 109	1	1				bd

a) without switches

b) without multifunction!

c) Italy

d) Japan



POS	Expression	Part number	B 10 V8	B 10 V8T	B 10 V8 S	B 10 V8 S T	R H D	REM
1	leather steering-wheel rim 3-spokes	32 33 120	1	1				a
1	leather steering-wheel rim 3-spokes	32 33 129	1	1				a
1	leather steering-wheel rim 3-spokes	32 33 151	1	1				b
2	airbag 3-spokes	32 33 094	1	1				a
2	airbag 3-spokes	32 33 149	1	1	1	1		b
3	cover for steering-wheel 3-spokes	32 33 123	1	1	1	1		
4	cover ALPINA-noble wood for dubblespoke	32 33 124	1	1	1	1		
4	cover plastic for dubblespoke	siehe BMW ETK	i	i	i	i		
5	leather steering-wheel for noble wood cover	32 33 122	1	1				a
5	leather steering-wheel for noble wood cover	32 33 131	1	1				a
5	leather steering-wheel for noble wood cover	32 33 153	1	1	1	1		b
5	leather steering-wheel for plastic cover	32 33 097	1	1				a
5	leather steering-wheel for plastic cover	32 33 127	1	1				a
5	leather steering-wheel for plastic cover	32 33 155	1	1	1	1		b
6	cover multifunktion	61 31 6 949 754	1	1	1	1		
6	cover without multifunktion	61 31 8 383 366	1	1	1	1		
7	wire steering wheel (multifunktion)	61 31 8 386 947	1	1	1	1		

a) up to 02/2002

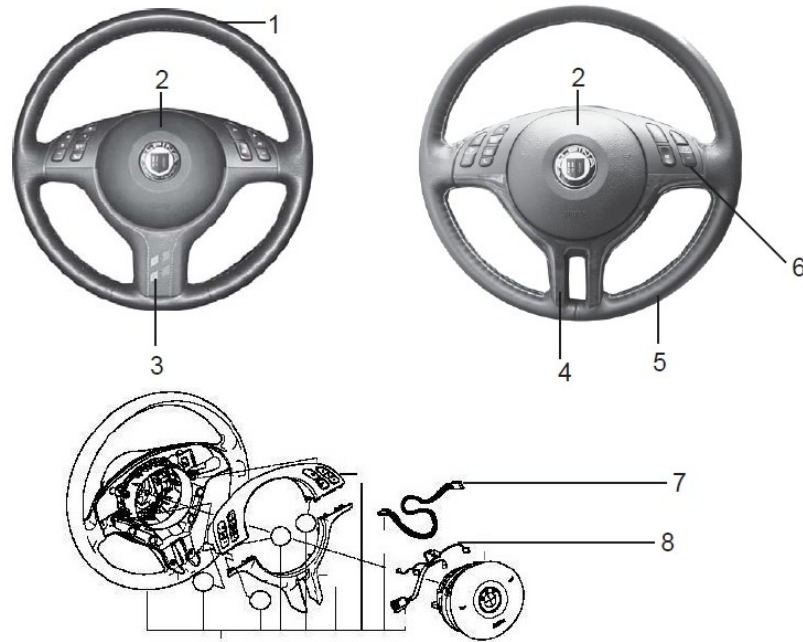
b) from 02/2002, with seams and switches in green-blue, for other colours, please contact us!



B10 V8

32 Airbag steering wheel

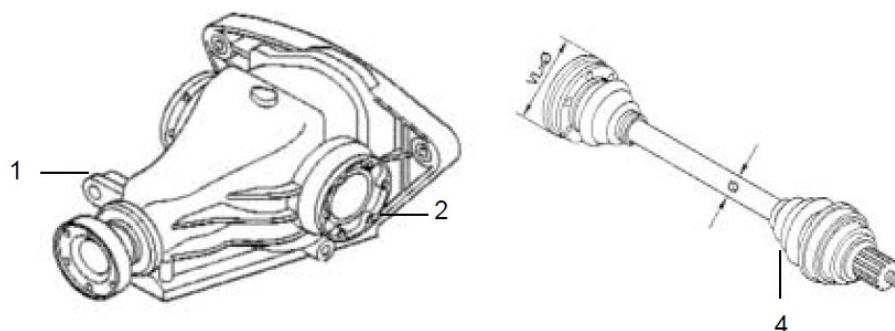
Sheet 2



POS	Expression	Part number	B 10 V8	B 10 V8T	B 10 V8 S	B 10 V8 S T	R H D	REM
8	wire airbag	32 30 1 097 246	1	1	1	1		

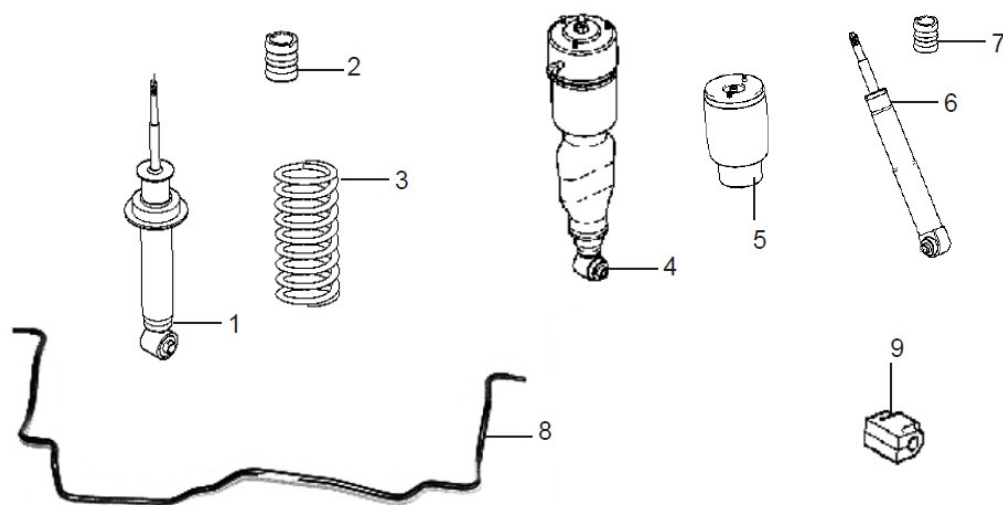
a) up to 02/2002

b) from 02/2002, with seams and switches in green-blue, for other colours, please contact us!



POS	Expression	Part number	B 10 V8	B 10 V8T	B 10 V8 S	B 10 V8 S T	R H D	REM
1	replacement rear axle i=3,15	33 10 1 428 519	1	1				a
2	driving flange	33 13 1 428 284	2	2				a
3	dust protection cover (not on the picture!) take the driving flanges (bolt hole circle diameter Ø=94mm, art. FL107) and the dust protection cover of the old rear axle!	33 13 1 214 446	2	2				a
			i	i	i	i		
			i	i	i	i		
			i	i	i	i		
			i	i	i	i		
1	replacement rear axle i=3,08	33 10 148	1	1	1	1		b
2	driving flange	33 13 1 428 285	2	2	1	1		b
3	dust protection cover (not shown in picture!)	33 13 1 214 445	2	2	2	2		b
4	output shaft	33 20 7 508 137	2	2	2	2		
5	reinforcement (not shown in picture!)	33 21 2 283 013	6	6	6	6		
6	torx srew with ribs M12x50	33 21 1 227 944	12	12	12	12		

a) for RA i=3,15, with chassis-no.: AF30 . . . / BF30 . . . b) RA i=3,08, FL 116, from chassis-no...on.: HF40 . . .
 . . . / JF40 . . .



POS	Expression	Part number	B 10 V8	B 10 V8T	B 10 V8 S	B 10 V8 S T	R H D	REM
1	shock absorber	33 52 639	2					
1	shock absorber	33 52 644			2			
2	additional damper	33 53 1 093 094	2		2			
3	spring	33 53 625	2		2			a
3	spring	33 53 626	2		2			a
4	air suspension (ride-height controller)	33 52 642	2		2			
5	pneumatic spring left	37 12 1 095 081		1		1		
5	pneumatic spring right	37 12 1 095 082		1		1		
6	shock absorber	33 52 1 094 057		2		2		
7	damper	33 53 1 094 065		2		2		
8	stabilizer bar rear d=15mm	33 53 1 093 816	1					
8	stabilizer bar rear d=16,5mm	33 53 2 229 136			1			
9	stabilizer rubber mounting d=15mm	33 55 1 093 795	2					
9	stabilizer rubber mounting d=16,5mm	33 55 2 229 604			2			

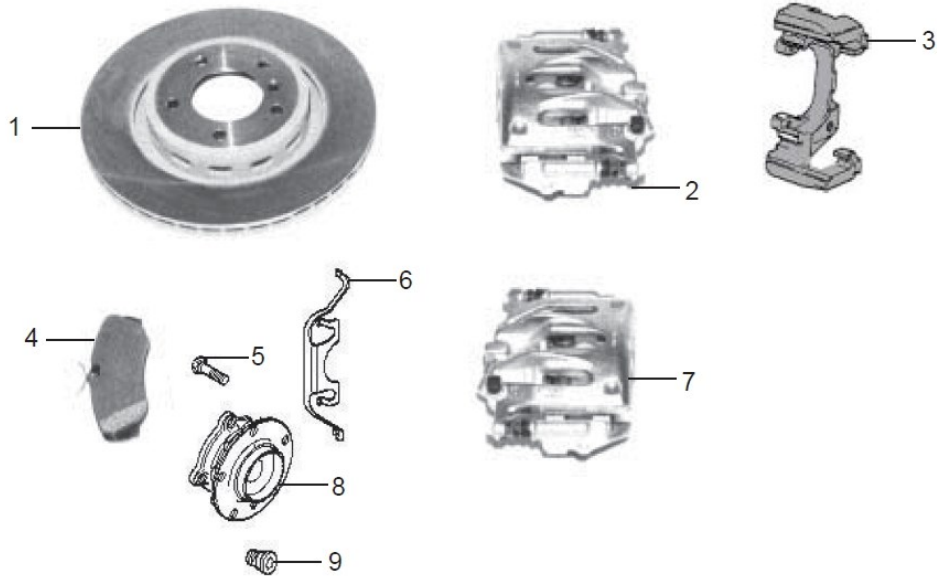
a) depends on car, please indicate chassis number!



B10 V8

34 Brake system

Sheet 1



POS	Expression	Part number	B 10 V8	B 10 V8T	B 10 V8 S	B 10 V8 S T	R H D	REM
1	Brake disc	34 11 2 228 845	1	1				a,AE
1	Brake disc	34 11 2 282 803	1	1				a
1	Brake disc	34 11 2 228 846	1	1				a,AE
1	Brake disc	34 11 2 282 804	1	1				a
2	Brake caliper	34 11 2 229 381	1	1				a
3	Brake carrier	34 11 2 229 383	1	1				a
3	Brake carrier	34 11 2 229 384	1	1				a
4	Brake pads	34 11 2 282 556	1	1				a
5	Screw	31 20 6 779 384	8	8				a
6	Fastening spring	34 11 2 229 753	2	2				a
7	Brake caliper	34 11 2 229 382	1	1				a
8	Wheel hub	31 22 2 229 360	2	2				a
9	Screw	34 11 1 123 072	4	4				a

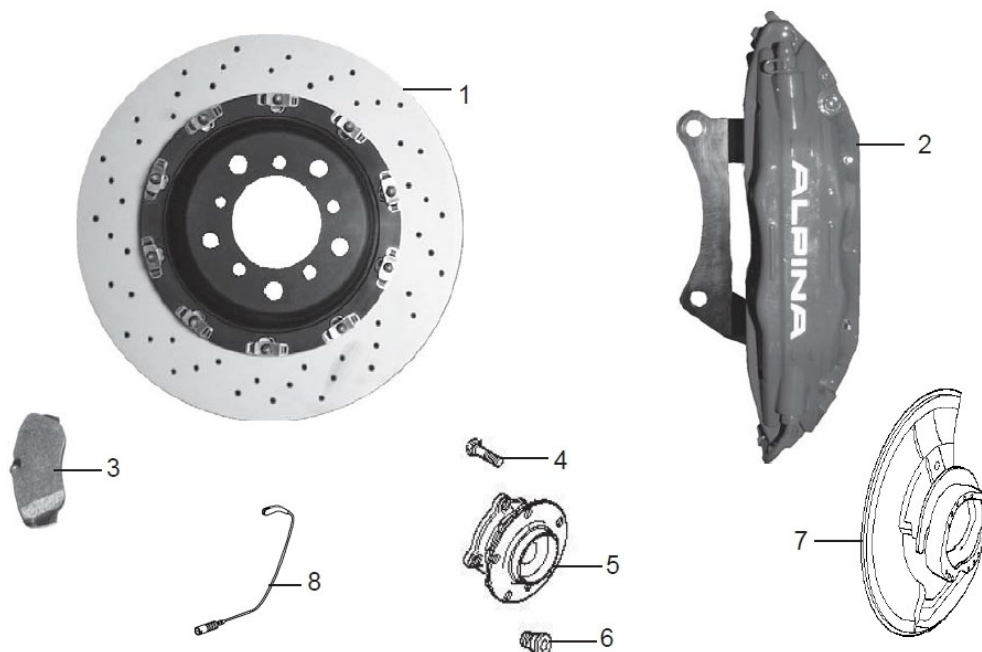
a) Optional M5 Brake system



B10 V8

34 ALPINA Brake system

Sheet 1



POS	Expression	Part number	B 10 V8	B 10 V8T	B 10 V8 S	B 10 V8 S T	R H D	REM
1	Brake disc	34 11 644			2	2		AE
1	Brake disc	34 11 662			2	2		
2	Brake caliper left	34 11 645			1	1		
2	Brake caliper right	34 11 646			1	1		
3	Brake pads Ferodo	34 11 647			1	1		w,a
3	Brake pads Textar	34 11 661			1	1		w,a
3	Brake pads Jurid	34 11 660			1	1		
4	Screw	31 20 6 779 384			8	8		
5	Wheel hub 540i	31 22 1 093 427			2	2		w
5	Wheel hub M5	31 22 2 229 360			2	2		w
6	Screw	34 11 1 123 072			2	2		
7	Protection plate left	34 11 2 228 765			1	1		
7	Protection plate right	34 11 2 228 766			1	1		
8	Brake pad wear indicator	34 35 2 229 018			1	1		
o.A.	Brake caliper left	34 11 667			1	1		
o.A.	Brake caliper right	34 11 668			1	1		
o.A.	Shaft	34 11 649			4	4		

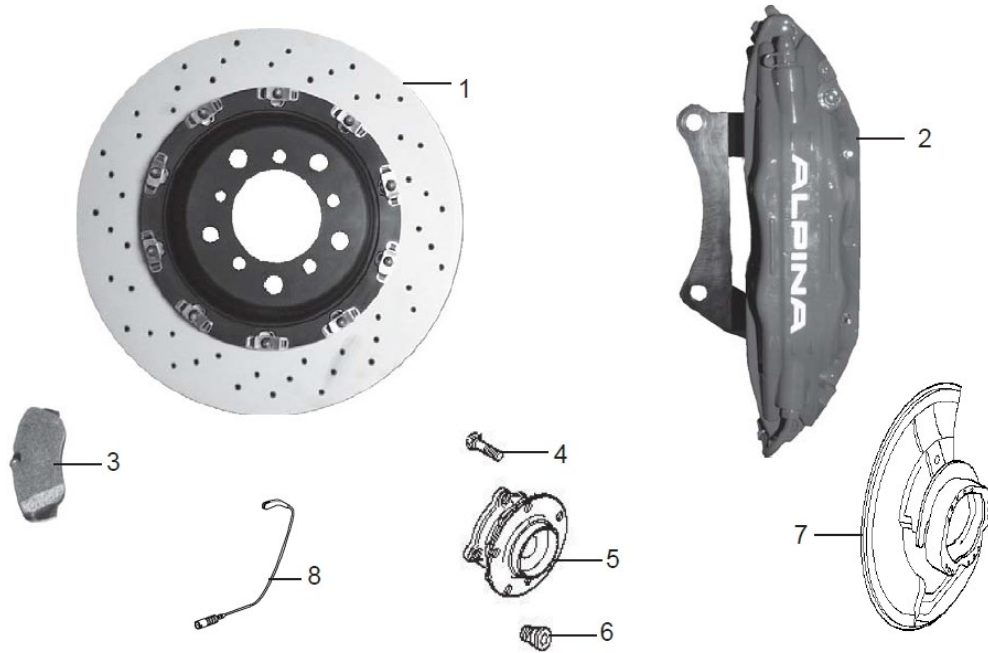
a) After exhaustion, replaced with 34 11 660!



B10 V8

34 ALPINA Brake system

Sheet 2



POS	Expression	Part number	B 10 V8	B 10 V8T	B 10 V8 S	B 10 V8 S T	R H D	REM
o.A.	Bracing spring	34 11 648			2	2		
o.A.	Protection crank	34 11 650			2	2		

a) After exhaustion, replaced with 34 11 660!



POS	Expression	Part number	B 10 V8	B 10 V8T	B 10 V8 S	B 10 V8 S T	R H D	REM
1	alloy wheel 8 x 18" mit 235/40 ZR 18 Pilot	36 12 551	3	2				
1	alloy wheel 9 x 18" mit 265/35 ZR 18 Pilot	36 12 552	2	2				
1	alloy wheel 8 x 18" mit 235/40 ZR 18 Pilot	36 12 563	1	1				a
1	alloy wheel 8 x 18" mit 235/40 ZR 18 Pilot	36 12 564	2	1				a
1	alloy wheel 9 x 18" mit 265/35 ZR 18 Pilot	36 12 565	1	1				a
1	alloy wheel 9 x 18" mit 265/35 ZR 18 Pilot	36 12 566	1	1				a
2	light alloy rim 8 x 18"	36 11 678	3	2				
2	light alloy rim 9 x 18"	36 11 679	2	2				
3	die-casting cover cpl.	36 10 054	4	4				
	die- casting cover without supplies	36 10 611	4	4				
4	emblem	36 13 005	4	4				
5	O-ring 22 x 1,5	36 13 115	4	4				
6	O-ring 145 x 5	36 13 610	4	4				
7	striker arm	36 13 110	4	4				
8	lock with key	36 13 112	4	4				
9	covering cap	36 13 613	4	4				
10	tyre Michelin Pilot 235/40 ZR 18	36 12 187	3	2				

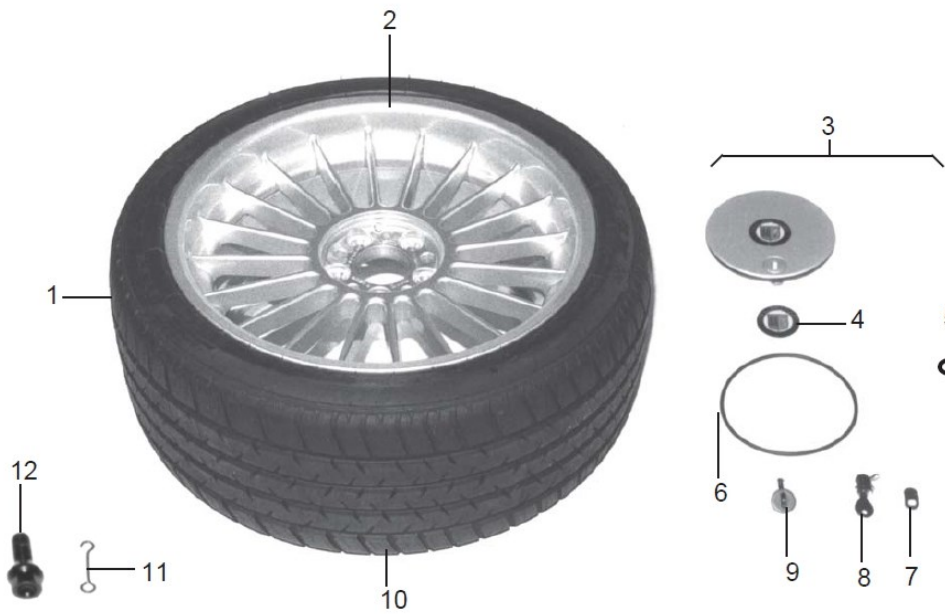
a) ATTENTION: directional tyre!



B10 V8

36 Wheels 18"

Sheet 2



POS	Expression	Part number	B 10 V8	B 10 V8T	B 10 V8 S	B 10 V8 S T	R H D	REM
10	tyre Michelin Pilot 265/35 ZR 18	36 12 188	2	2				
10	tyre Michelin Pilot 235/40 ZR 18	36 12 191	3	2				a
10	tyre Michelin Pilot 265/35 ZR 18	36 12 192	2	2				a
11	pull-off hook	36 13 011	4	4				
12	wheel screw	36 13 6 781 150	20	20				

a) ATTENTION: directional tyre!



B10 V8

36 Wheels 18" RDC

Sheet 1



POS	Expression	Part number	B 10 V8	B 10 V8T	B 10 V8 S	B 10 V8 S T	R H D	REM
1	alloy wheel 8 x 18" with 235/40 ZR 18 Pilot FL	36 12 567	1	1				a
1	alloy wheel 8 x 18" with 235/40 ZR 18 Pilot FR	36 12 568	2	1				a
1	alloy wheel 9 x 18" with 265/35 ZR 18 Pilot RL	36 12 569	1	1				a
1	alloy wheel 9 x 18" with 265/35 ZR 18 Pilot RR	36 12 570	1	1				a
1	alloy wheel 8 x 18" with 235/40 ZR 18 Pilot FL	36 12 611	1	1				ab
1	alloy wheel 8 x 18" with 235/40 ZR 18 Pilot FR	36 12 612	2	1				ab
1	alloy wheel 9 x 18" with 265/35 ZR 18 Pilot RL	36 12 613	1	1				ab
1	alloy wheel 9 x 18" with 265/35 ZR 18 Pilot RR	36 12 614	1	1				ab
1	aw winter 8x18" 235/40 R18 91V FL	36 12 582	1	1				a
1	aw winter 8x18" 235/40 R18 91V RDC FR	36 12 627	1	1				a
1	aw winter 9x18" 265/35 R18 93V RL	36 12 645	1	1				a
1	aw winter 9x18" 265/35 R18 93V RDC RR	36 12 646	1	1				a
2	module RDC ECE 433MHZ	36 14 2 360 420	5	4				c
2	module RDC Japan 315MHZ	36 11 8 378 681	5	4				b
3	locating ball RDC Sensor	36 10 062	5	4				
4	screw M5x25 micro encapsulated	36 10 063	4	4				

a) ATTENTION: directional tyre!

b) Japan

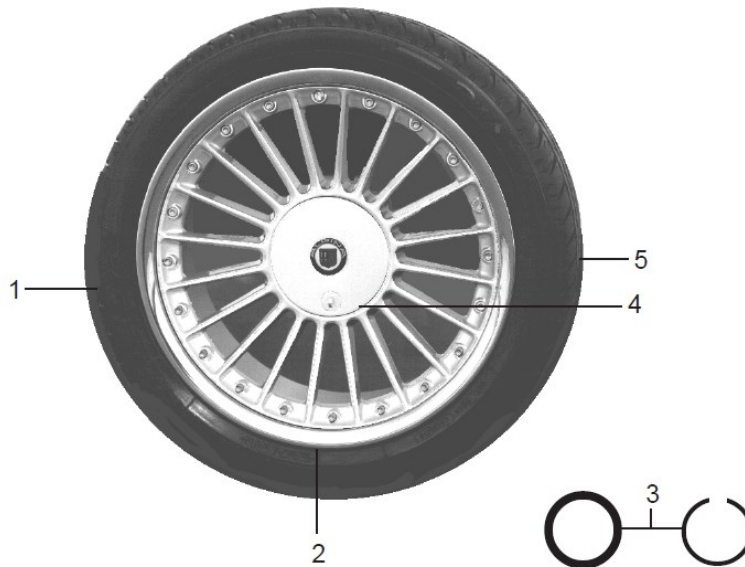
c) Attention: only mount 5 RDC-modules with the same part number!



B10 V8

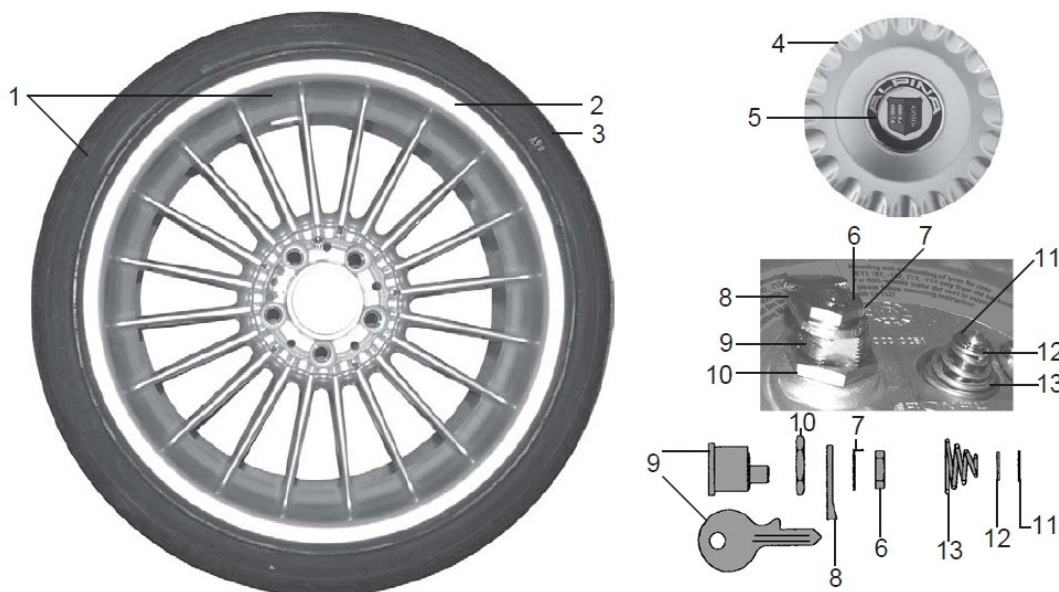
36 Wheels 18"

Sheet 1



POS	Expression	Part number	B 10 V8	B 10 V8T	B 10 V8 S	B 10 V8 S T	R H D	REM
1	alloy wheel 8 x 18" mit 235/40 ZR 18 Pilot	36 12 555	3	2				
1	alloy wheel 9 x 18" mit 265/35 ZR 18 Pilot	36 12 556	2	2				
1	alloy wheel 8 x 18" mit 235/40 ZR 18 Pilot	36 12 587	1	1				a
1	alloy wheel 8 x 18" mit 235/40 ZR 18 Pilot	36 12 588	2	1				a
1	alloy wheel 9 x 18" mit 265/35 ZR 18 Pilot	36 12 589	1	1				a
1	alloy wheel 9 x 18" mit 265/35 ZR 18 Pilot	36 12 590	1	1				a
2	light alloy rim 8 x 18"	36 11 688	2	2				
2	light alloy rim 9 x 18"	36 11 689	2	2				
3	set of code and centering rings türkis	36 10 060	1	1				
4	die-casting cover: previous sheet		i	i	i	i		
5	tyre: see previous sheet		i	i	i	i		

a) ATTENTION: directional tyre!



POS	Expression	Part number	B 10 V8	B 10 V8T	B 10 V8 S	B 10 V8 S T	R H D	REM
1	alloy wheel 8,5 x 19" with 245/35 ZR 19 Pilot,FL	36 12 629	1	1	1	1		a
1	alloy wheel 8,5 x 19" with 245/35 ZR 19 Pilot,FR	36 12 630	2	2	2	2		a
1	alloy wheel 9,5 x 19" with 275/30 ZR 19 Pilot,RL	36 12 631	1	1	1	1		a
1	alloy wheel 9,5 x 19" with 275/30 ZR 19 Pilot,RR	36 12 632	1	1	1	1		a
1	alloy wheel 8,5 x 19" with 245/35 ZR 19 Pilot,FL	36 12 633	1	1	1	1		a,b
1	alloy wheel 8,5 x 19" with 245/35 ZR 19 Pilot,FR	36 12 634	2	2	2	2		a,b
1	alloy wheel 9,5 x 19" with 275/30 ZR 19 Pilot,RL	36 12 635	1	1	1	1		a,b
1	alloy wheel 9,5 x 19" with 275/30 ZR 19 Pilot,RR	36 12 636	1	1	1	1		a,b
2	light alloy rim 8,5 x 19"	36 11 713	3	3	3	3		
2	light alloy rim 9,5 x 19"	36 11 714	2	2	2	2		
3	tyre 245/35 ZR 19	a. Anfr./on req.	3	3	3	3		
3	tyre 275/30 ZR 19	a. Anfr./on req.	2	2	2	2		
4	die-casting cover II cpl.	36 10 064	4	4	4	4		
5	ALPINA-emblem with carrier and pin	36 13 135	4	4	4	4		
6	nut SW12	36 13 123	4	4	4	4		
7	locking plate	36 13 122	4	4	4	4		
8	striker arm	36 13 120	4	4	4	4		

a) ATTENTION: directional tyre!

b) RDC 433 MHz!

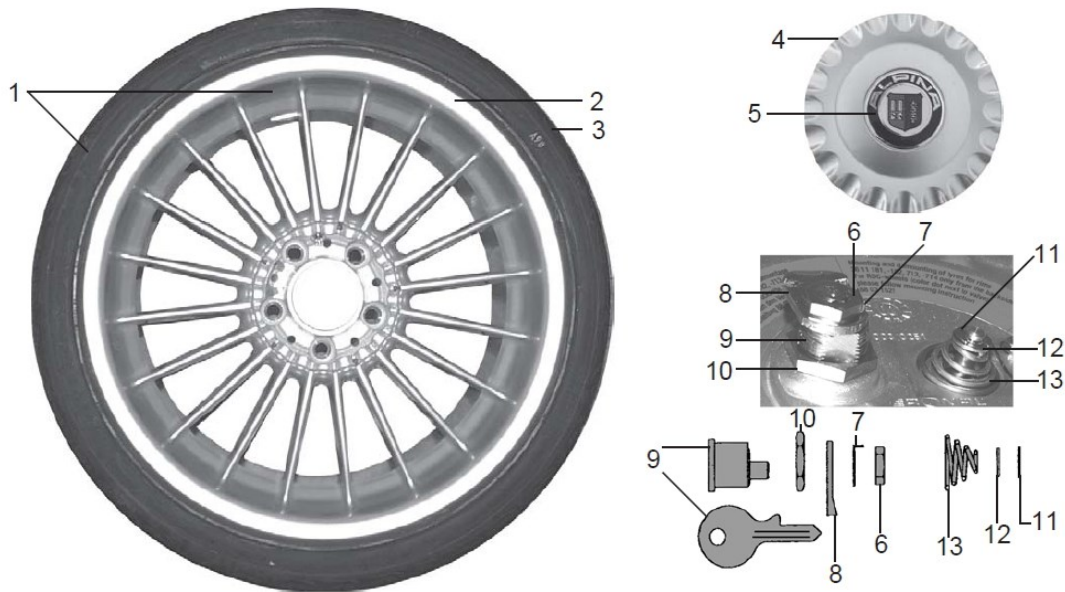
ATTENTION: spare wheel touring: 36 11 1 093 521
BMW 16" Styling 32!



B10 V8

36 Wheels 19"

Sheet 2



POS	Expression	Part number	B 10 V8	B 10 V8T	B 10 V8 S	B 10 V8 S T	R H D	REM
9	set of locks with keys and nuts	36 13 119	1	1	1	1		
10	nut SW19	36 13 121	4	4	4	4		
11	locking washer DIN 6799 D4 VA	36 13 125	4	4	4	4		
12	washer A5 DIN 125 VA	07 33 008	4	4	4	4		
13	spring emblemcarrier	36 13 124	4	4	4	4		

a) ATTENTION: directional tyre!

b) RDC 433 MHz!

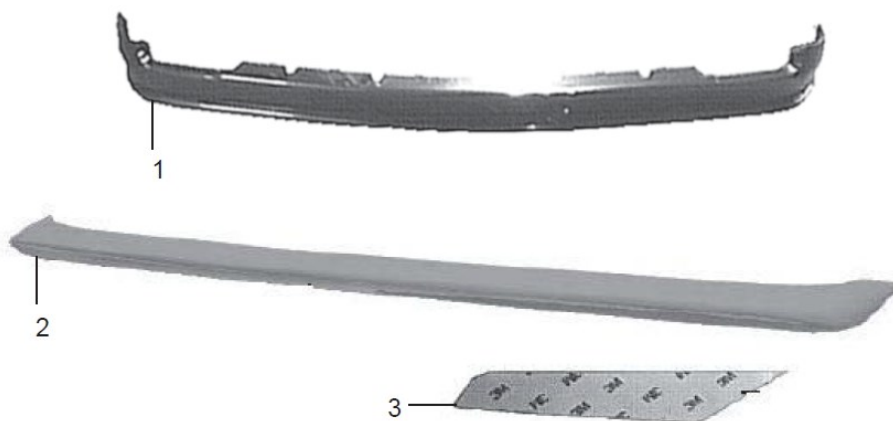
ATTENTION: spare wheel touring: 36 11 1 093 521
BMW 16" Styling 32!



B10 V8

41 Front spoiler

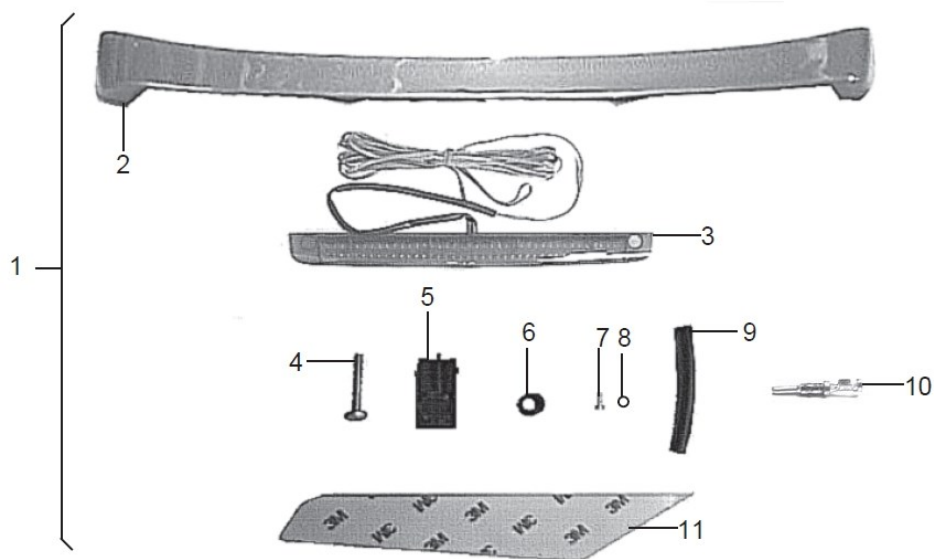
Sheet 1



POS	Expression	Part number	B 10 V8	B 10 V8T	B 10 V8 S	B 10 V8 S T	R H D	REM
1	frontspoiler Typ 698	41 00 699	1	1				a
1	frontspoiler Typ 708	41 00 709	1	1	1	1		b
2	rear spoiler type 710	41 00 711			1			
3	set protective film	41 00 712			1			
	P1 glue	07 58 013	1	1	1	1		

a) up to 09/2000

b) from 09/2000



POS	Expression	Part number	B 10 V8	B 10 V8T	B 10 V8 S	B 10 V8 S T	R H D	REM
1	set of rear wing type 700	41 00 701	1					AE
1	set of rear wing type 705	41 00 701	1		1			
2	rear wing type 700	41 00 700	1					AE
2	rear wing type 705	41 00 701	1		1			
3	brake light	63 23 101	1		1			
4	self cutting oval head screw M5x30	07 22 031	4					a
4	cheese-head screw M5x16 DIN 6912	07 14 019	4		4			
5	pin housing 2-polig	61 10 101	1		1			
6	rubber protecting sleeve	61 10 175	1		1			
7	cheese-head screw M5x10 DIN 912	07 13 007	2		2			
8	washer A5 DIN 125	07 33 003	2		2			
9	shrink-down plastic tubing	61 10 108	1		1			
10	pin	61 10 103	2		2			
11	protective film left	41 00 703	1		1			
11	protective film right	41 00 704	1		1			

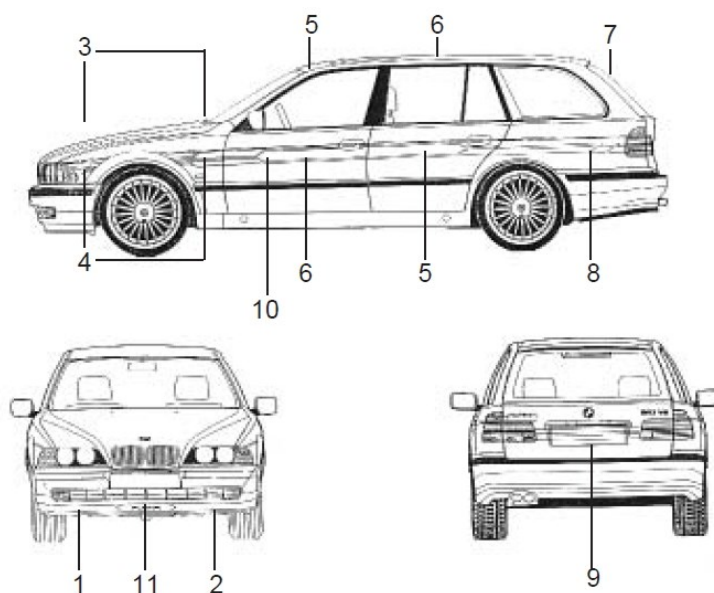
a) only for rear wing 41 00 700!



B10 V8

41 Deco set

Sheet 1



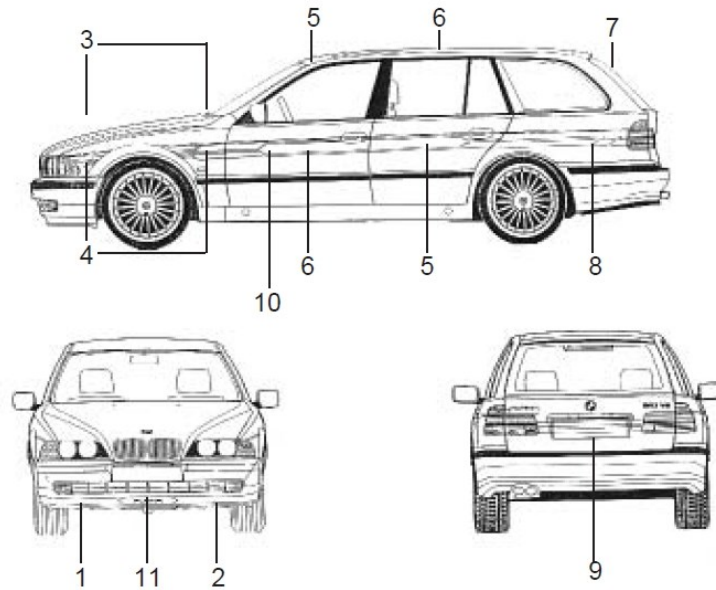
POS	Expression	Part number	B 10 V8	B 10 V8T	B 10 V8 S	B 10 V8 S T	R H D	REM
1	rhomb front spoiler right gold upto09/2000	41 00 278	1	1				
1	rhomb front spoiler right silver upto09/2000	41 00 280	1	1				
1	rhomb front spoiler right gold from 09/2000	41 00 310	1	1	1	1		
1	rhomb front spoiler right silver from 09/2000	41 00 312	1	1	1	1		
2	rhomb front spoiler left gold upto09/2000	41 00 279	1	1				
2	rhomb front spoiler left silver upto09/2000	41 00 281	1	1				
2	rhomb front spoiler left gold from 09/2000	41 00 311	1	1	1	1		
2	rhomb front spoiler left silver from 09/2000	41 00 313	1	1	1	1		
3	rhomb right front gold	41 00 246	1	1	1	1		
3	rhomb right front silver	41 00 252	1	1	1	1		
4	rhomb left front gold	41 00 247	1	1	1	1		
4	rhomb left front silver	41 00 253	1	1	1	1		
5	rhomb door FR+RL gold	41 00 248	2	2	2	2		
5	rhomb door FR+RL silver	41 00 254	2	2	2	2		
6	rhomb door FL+RR gold	41 00 249	2	2	2	2		
6	rhomb door FL+RR silver	41 00 255	2	2	2	2		
7	rhomb right rear gold	41 00 250	1	1	1	1		



B10 V8

41 Deco set

Sheet 2



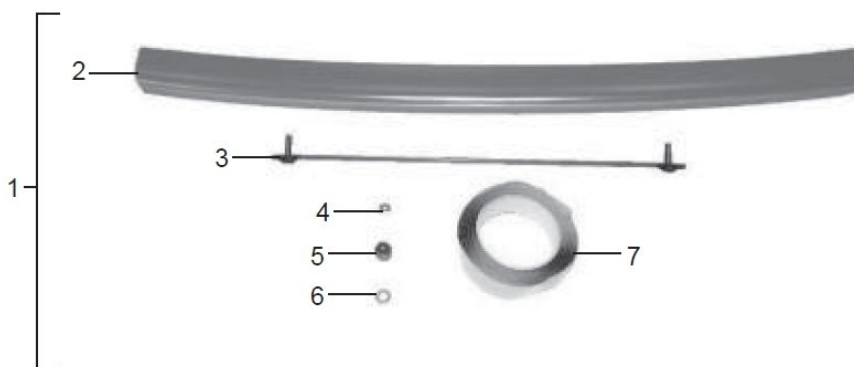
POS	Expression	Part number	B 10 V8	B 10 V8T	B 10 V8 S	B 10 V8 S T	R H D	REM
7	rhomb right rear silver	41 00 256	1	1	1	1		
8	rhomb left rear gold	41 00 251	1	1	1	1		
8	rhomb left rear silver	41 00 257	1	1	1	1		
9	deko-set back gold	41 00 262	1	1	1	1		
9	deko-set back silver	41 00 263	1	1	1	1		
10	ALPINA-sign 132mm gold	51 00 064	2	2	2	2		
10	ALPINA-sign 132mm silver	51 00 065	2	2	2	2		
11	ALPINA-sign 360mm gold	51 00 224	1	1	1	1		
11	ALPINA-sign 360mm silver	51 00 225	1	1	1	1		



B10 V8

41 rear apron

Sheet 1



POS	Expression	Part number	B 10 V8	B 10 V8T	B 10 V8 S	B 10 V8 S T	R H D	REM
1	set of rear apron	51 00 699		1				
1	set of rear apron	51 00 720		1		1		b
2	rear apron	51 00 698		1				AE
2	rear apron	51 00 718		1				a
2	rear apron	51 00 719		1		1		b
3	bracket	51 00 707		2		2		
4	hex nut M6 DIN 985 VA	07 28 013		4		4		
5	inner liner	46 62 1 453 668		4		4		
6	plain washer 6,4 V2A DIN 125	11 62 015		4		4		AE
6	plain washer D16xD6x2,5	51 00 717		4		4		
7	butyl rope	81 22 9 407 639		1		1		

a) up to 8/2000

b) from 9/2000



POS	Expression	Part number	B 10 V8	B 10 V8T	B 10 V8 S	B 10 V8 S T	R H D	REM
1	door sill trim front left	51 47 611	1	1				
1	door sill trim front right	51 47 612	1	1				
1	door sill trim rear left	51 47 613	1	1				
1	door sill trim rear right	51 47 614	1	1				
1	door sill trim front left illuminated	51 47 625			1	1		
1	door sill trim front right illuminated	51 47 626			1	1		
1	door sill trim rear left illuminated	51 47 627			1	1		
1	door sill trim rear right illuminated	51 47 628			1	1		
2	"ALPINA" emblem chrome	51 00 246	1	1	1	1		
3	emblem B10 V8 chrome	51 00 254	1	1				
3	emblem B10 V8S chrome	51 00 277			1	1		
4	production plate	76 00 083	1					
4	production plate	76 00 085		1				
4	production plate	76 00 302			1			
4	production plate	76 00 303				1		
5	production plate pad	51 00 688	1	1	1	1		a
6	plastic rivet	51 71 1 936 929	2	2	2	2		

a) please indicate colour!



POS	Expression	Part number	B 10 V8	B 10 V8T	B 10 V8 S	B 10 V8 S T	R H D	REM
7	spring clip	51 00 706	2	2	2	2		
8	Inverter	61 11 187			2	2		
9	wire door sill trim	61 11 188			4	4		
10	set trim strip B-pillar front+rear left	51 34 601			1	1		
10	set trim strip B-pillar front+rear right	51 34 602			1	1		
11	emblem trim strip B-pillar left	51 34 603			1	1		
11	emblem trim strip B-pillar right	51 34 604			1	1		

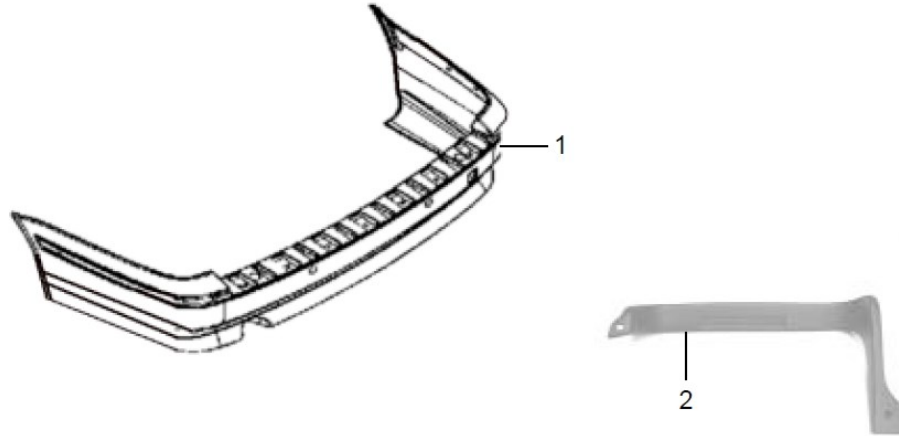
a) please indicate colour!



B10 V8

51 rear apron

Sheet 1



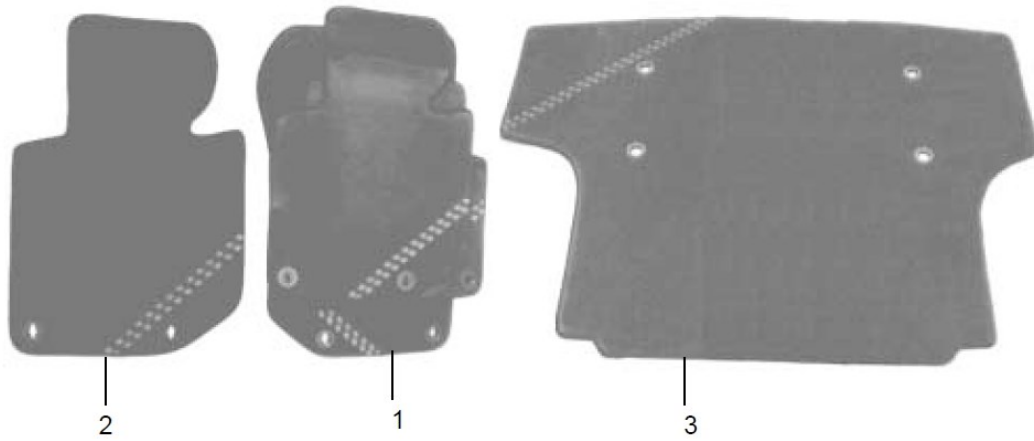
POS	Expression	Part number	B 10 V8	B 10 V8T	B 10 V8 S	B 10 V8 S T	R H D	REM
1	rear apron	51 00 683	1		1			
1	rear apron without PDC	51 00 685		1		1		
1	rear apron with PDC	51 00 686		1		1		
2	tailpipe trim for rear apron	51 00 682	1		1			
2	tailpipe trim for rear apron	51 00 684		1		1		



B10 V8

51 floor mats

Sheet 1

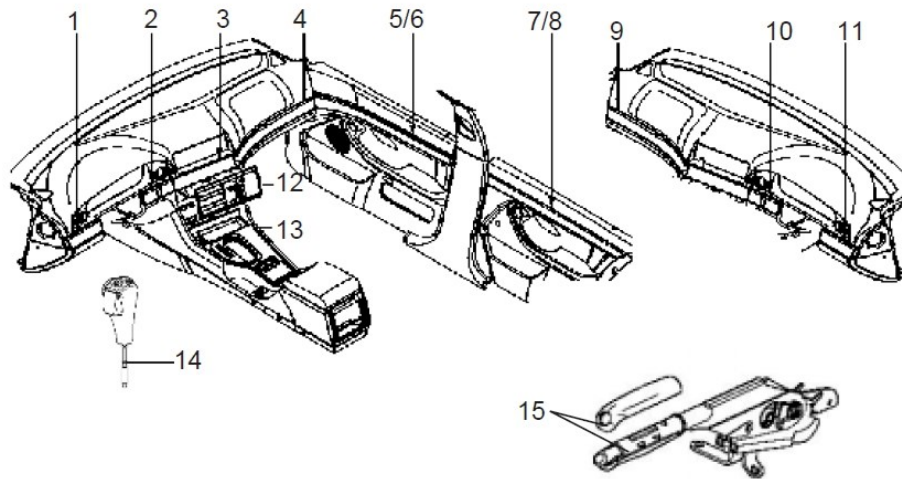


POS	Expression	Part number	B 10 V8	B 10 V8T	B 10 V8 S	B 10 V8 S T	R H D	REM
1	set of floormats	51 43 620	1	1			L	a,b
1	set of floormats	51 43 622	1	1			R	a,b
1	set of floormats	51 43 632	1	1			L	a,c
1	set of floormats from 3/00	51 43 642	1	1	1	1	L	a,b
1	set of floormats from 3/00	51 43 644	1	1	1	1	R	a,b
1	set of floormats from 3/00	51 43 646	1	1			L	a,c
2	floormat driver	51 43 621	1	1			L	a
2	floormat driver	51 43 623	1	1			R	a
2	floormat driver from 3/00	51 43 643	1	1	1	1	L	a
2	floormat driver from 3/00	51 43 645	1	1	1	1	R	a
3	boot mat (without pull out loading floor)	51 43 631		1		1		
3	boot mat (with pull out loading floor)	51 43 633		1		1		
3	boot mat	51 43 637	1		1			

a) please indicate colour when ordering!

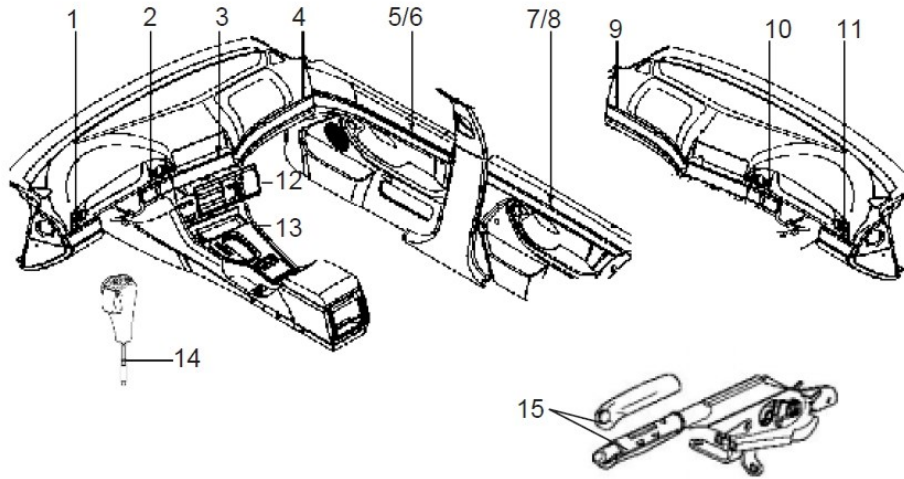
b) not for cars with latent-heat accumulator!

c) only for cars with latent-heat accumulator!



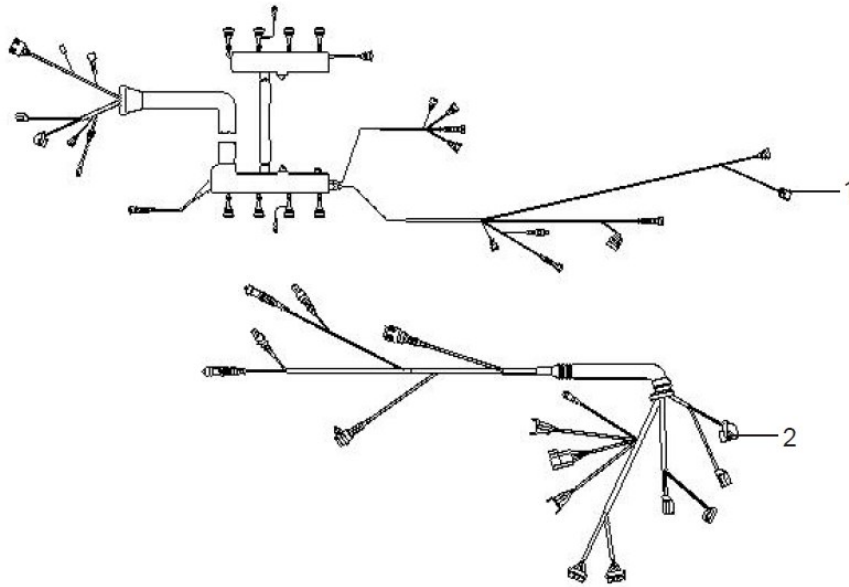
POS	Expression	Part number	B 10 V8	B 10 V8T	B 10 V8 S	B 10 V8 S T	R H D	REM
1	cover left outside	51 43 747	1	1	1	1		
2	cover left middle	51 43 748	1	1	1	1		
2	cover left middle with GSR, RDC	51 43 760	1	1	1	1		
3	cover radio	51 43 749	1	1	1	1		
4	cover glove box right	51 43 750	1	1	1	1		
5	cover door FL	51 43 751	1	1	1	1		
6	cover door FR	51 43 752	1	1	1	1		
7	cover door RL	51 43 753	1	1	1	1		
8	cover door RR	51 43 754	1	1	1	1		
9	cover glove box left	51 43 758	1	1	1	1	R	
10	cover right middle	51 43 757	1	1	1	1	R	
10	cover right middle with GSR, RDC	51 43 761	1	1	1	1	R	
11	cover right outside	51 43 756	1	1	1	1	R	
12	cover monitor	51 43 755	1	1			L	a
12	cover monitor	51 43 759	1	1			R	a
13	shelf	51 00 673	1	1	1	1	L	
13	shelf	51 00 691	1	1	1	1	R	

a) up to 09/2000



POS	Expression	Part number	B.10 V8	B.10 V8T	B.10 V8 S	B.10 V8 S T	R H D	REM
14	wood for gear-shift lever knob	51 00 678	1	1	1	1		
	complete gear-shift lever	51 43 765	1	1	1	1		
15	cover hand-brake lever noble wood	34 41 003			1	1		

a) up to 09/2000



POS	Expression	Part number	B 10 V8	B 10 V8T	B 10 V8 S	B 10 V8 S T	R H D	REM
1	engine wiring harness	61 11 144	1	1				a
1	engine wiring harness	61 11 156	1	1				b
1	engine wiring harness	61 11 163	1	1	1	1		c
2	periphery wiring harness	61 11 141	1	1				a
2	periphery wiring harness	61 11 153	1	1	1	1		d

a) 09/1998 - 09/1999

b) 09/1999 - 03/2000

c) 03/2000 -

d) from 09/1999



B10 V8

62 Cluster gauge

Sheet 1



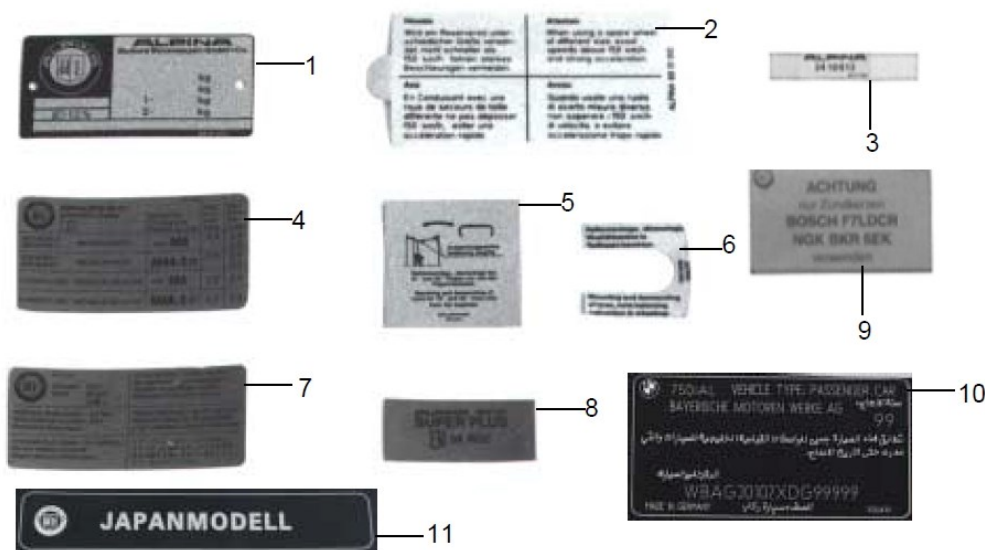
POS	Expression	Part number	B 10 V8	B 10 V8T	B 10 V8 S	B 10 V8 S T	R H D	REM
1	gauge cluster to 09/98	62 10 707	1	1			R	
1	gauge cluster	62 10 766	1	1	1	1		
1	gauge cluster	62 10 767	1	1	1	1	R	



B10 V8

88 information stickers

Sheet 1



POS	Expression	Part number	B 10 V8	B 10 V8T	B 10 V8 S	B 10 V8 S T	R H D	REM
1	identification plate	88 01 001	1	1	1	1		
2	information sign	88 01 010	1	1	1	1		
3	sticker automatic gearbox "24 10 613"	88 01 094	1	1				a
3	sticker automatic gearbox "24 10 619"	88 01 099	1	1				b
3	sticker automatic gearbox "24 10 640"	88 01 120			1	1		
4	sticker tyre pressure	88 01 088	1					
4	sticker tyre pressure	88 01 091		1				
4	sticker tyre pressure 19"	88 01 127			1			
4	sticker tyre pressure 19"	88 01 128				1		
5	sign "tyre mounting" (cover)	88 01 045	4	4	4	4		
6	sign "tyre mounting" (rim)	88 01 070	4	4	4	4		
7	sticker "concealed tyre valves"	88 01 081	1	1	1	1		
8	sign "Super Plus" (tank cap)	88 01 037	1	1	1	1		
8	sign "Super Plus" (instrument panel)	88 01 047	1	1				
9	sign "spark plugs"	88 01 083	1	1	1	1		
10	sign "Compliance Label" U.A.E	88 01 115	1	1	1	1		

a) with chassis-no.: AF30 . . . / BF30 . . .

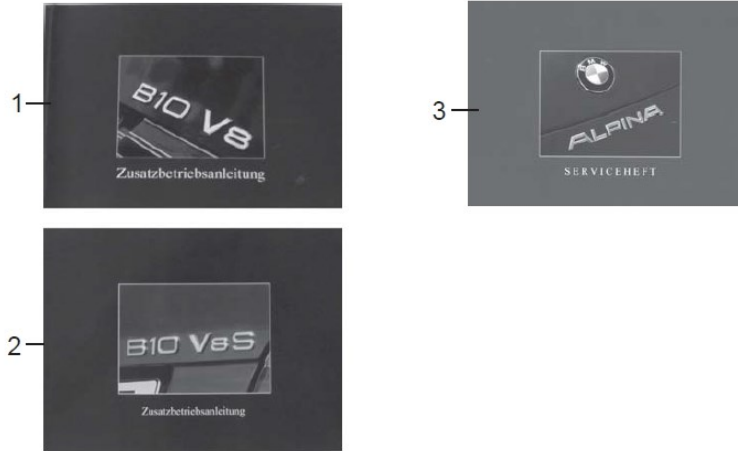
b) from chassis-no....on: HF40 . . . / JF40 . . .



B10 V8

88 special parts

Sheet 1



POS	Expression	Part number	B 10 V8	B 10 V8T	B 10 V8 S	B 10 V8 S T	R H D	REM
1	owner's handbook German to 08/99	88 03 131	1	1				
1	owner's handbook German 09/99 and up	88 03 155	1	1				
1	owner's handbook English 09/99 and up	88 03 156	1	1				
2	owner's handbook German	88 03 207			1	1		
2	owner's handbook English	88 03 208			1	1		
3	service booklet German	88 03 247	1	1	1	1		
3	service booklet English	88 03 248	1	1	1	1		