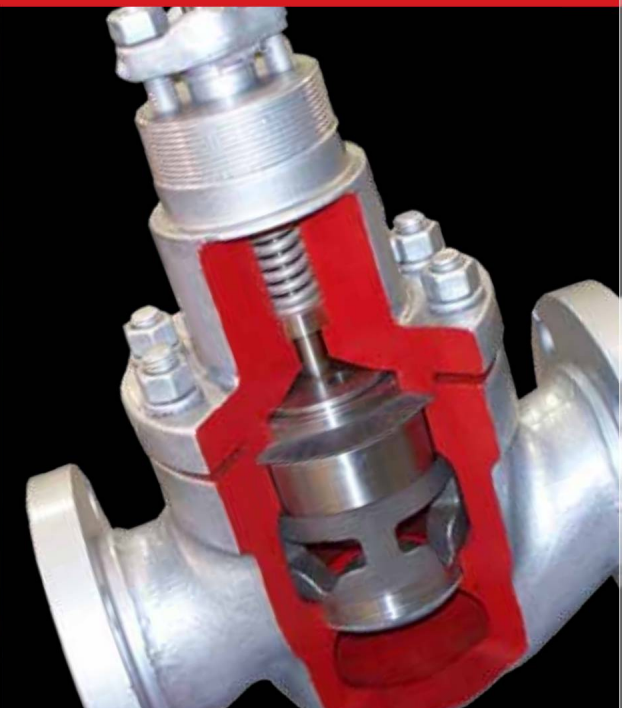




**Quality  
That  
Creates  
Economy**

# **GEM-TRIM**

**The Premier Replacement Parts Company**



# Gem-Trim of Houma, LLC “The Premier Parts Manufacturer”

- Manufacturing replacement control valve parts for over 50 years.
- Recognized by its customers as the “*Premier Provider*” of replacement control valve parts for most OEM’s.
- Serves the Power generation, Oil & Gas, Chemical, Petrochemical, Refining and Pulp and Paper Industries.
- Gem-Trim is Globally represented and doing business in North and South America, Canada, United Kingdom, Saudi Arabia, Southeast Asia, Netherlands, Australia, New Zealand, South Africa and the Scandinavia countries.
- Developed a reputation for high quality manufacturing that has made it the largest non-OEM provider of replacement control valve parts in the business.
- Trained and highly skilled, master machinist with collectively over 200 years experience accustomed to working at close and critical tolerances.
- Reliable and knowledgeable Customer Service Department with Over 100 Years collective experience.
- Gem-Trim has a library in access of 85,000 drawings covering parts from major control valve manufacturers.

## Materials

We offer a wide range of mill certified materials as well as special materials for even the most corrosive and abrasive environments.

Gem-Trim will assist you in selecting the most appropriate material for your particular application from the following list of materials:

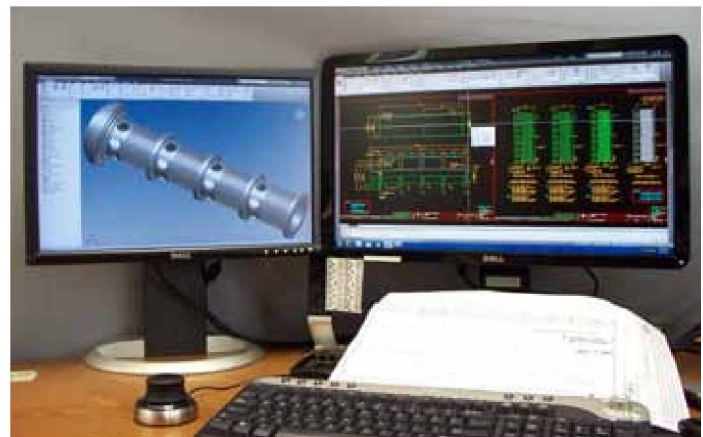
- Stainless Steel (all types)
- Stellite (all types)
- Special Materials (Hastelloys, Inconels, Monels, Nickel, Titanium, Teflon, Zirconium Alloys and many others)
- Tungsten Carbide



## Manufacturing & System Design Technology

No challenge is too great for Gem-Trim’s engineering, drafting and manufacturing capabilities. Gem-Trim’s approach to quality is reflected in the use of today’s state-of-the-art computer assisted technology for design and manufacturing parts to the most exacting specifications.

Gem-Trim employs the latest manufacturing technology with CNC (CAD-CAM) machining and milling equipment and sophisticated **AUTODESK INVENTOR** design/drafting system.



Gem-Trims' procedures and processes are certified to ISO 9001/2008 standards. Gem-Trims' ISO program has successfully undergone detailed audits by numerous customers and industry organizations. Parts manufacturing is performed in strict accordance with the Quality Program to a unique drawing, with full material trace ability being maintained throughout the production cycle.

## Interchangeability

Gem-Trim parts meet or exceed the quality of the OEM part and are guaranteed to be interchangeable in fit, form and function.

All parts purchased from Gem-Trim are subject to rigorous QC inspection using calibrated instruments and gauges certified by the National Institute of Standards and Technology.



**Quality That Creates Economy**

# We can rebuild your existing valve trim!

**We  
Save  
You  
Time &  
Money!**

**Gem-Trim of Houma** is committed to providing our customers with the most cost-effective solutions to their control valve trim needs, whether they require new or rebuilt parts. Where high-value parts can be salvaged, **Gem-Trim** conducts a full dimensional and metallurgical inspection and documents the processes required to re-manufacture or recondition the product to the "as new" condition. We meet or exceed the quality of the original parts and provide customers with high-quality, cost-efficient alternatives to OEM parts.

**BEFORE**

**AFTER**

Fisher® 20" EHD Plug & Stem Assembly with Cage



Copes-Vulcan® 12" Plug & Stem, Seat Ring, Cylinder Assemble & Balance Cylinder



Siemens® HP Main Control Valve Bonnet with Spindle and Bushings



Valtek® 6" Channel Stream Pressure Balanced Plug & Stem Assembly, Multi Stage Retainer and Sleeve



# Replacement Trim for Fisher® Valves



The Fisher® ED Body Valve is typically used for general purpose controlling. In addition to the Replacement Plug & Stem Assembly, Cage & Seat Ring, Gem-Trim also offers valve sub-assemblies, soft goods and diaphragms.

**Sizes: 1" through 6"**



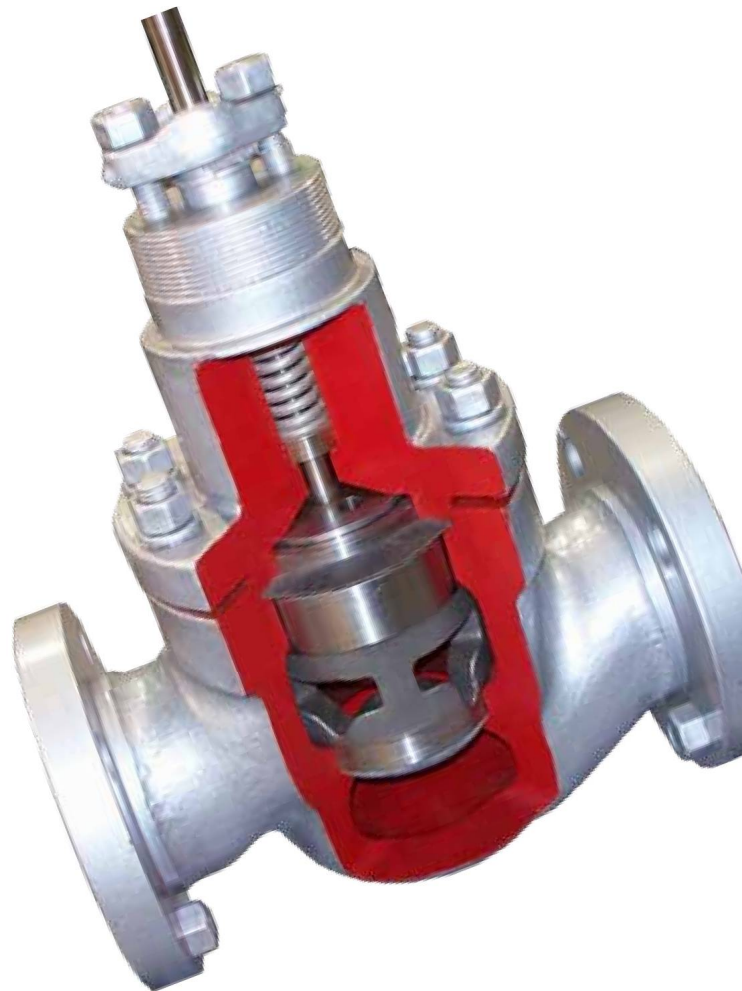
The Fisher® ET Body Valve has a Teflon soft seat and is typically used for a positive shutoff. Gem-Trim manufactures replacement Plug & Stem Assemblies, Cage, Disc Seat, Disc Retainer and the Teflon Soft Seat.

**Sizes: 1" through 6"**



The Fisher® EZ Body Valve is typically used for controlling fluids which are difficult to control. Gem-Trim manufactures replacement Plug & Stem Assemblies, Seat Ring and Seat Retainer Assembly which consist of Cage & Bushing

**Sizes: 1/2" through 4"**



The Gem-E Valve offers general purpose control in a wide range of applications and is "Dimensionally Interchangeable" with the Fisher® E-Body series valve. (See Gem-E brochure for more information)

**Sizes: 1" through 6" (150, 300, 600 LB)**

# Replacement Trim for Power Plant Valves

Fisher® 10" CVX Plug & Stem, Seat Ring and Hole Pattern Cage.



Siemens® High Pressure Main Control Valve Bonnet with Spindle & Bushings



Fisher® 3" EHT CAV III Plug & Stem Assemblies, Seat Ring & Cages



Alstom® High Pressure Spindles, Locks & Seat Chambers



Masoneilan® 78,000 Series Trim Set



CCI® 8" CAV I (1 Stage Trim Set)



# Replacement Trim for Power Plant Valves

Fisher® 20" EHD Plug & Stem Assembly, Seat Ring & Cage



Valtek® 6" Unbalanced Channel Stream Valve Trim



Fisher® 6" CAV IV Trim Set



Copes-Vulcan® 10" Trim Set



Bailey® 10" Plug & Stem Assembly with Seat Cage



Yarway® Turbo Cascade 1



# Specialty, Hard-to-Find, Replacement Parts & Other Services

Gem-Trim offers specialty items such as this sampling valve. The valve is used in industrial processes to obtain samples of process media. Special valves can be developed to meet specific needs.



Gem-Trim offers single ported, angle style Fisher® ZLA control valves in sizes 1" and 2". These valves are split body designed, machined from bar stock and made from special material such as Titanium (pictured) or from any other exotic material. These valves are used in highly corrosive conditions.



Specialty welding such as MIG and TIG are used for repairing worn control valve trim, valve bodies, and applications for materials such as Stellite® or Inconel®, etc.. Welders and Weld procedures are ASME qualified.



Gem-Trim can offer full manufacturing capabilities to manufacture or repair any parts that are typically turned or milled. Pictured is an oilfield swivel mandrel overlaid with stellite® in wear area and machined to size.

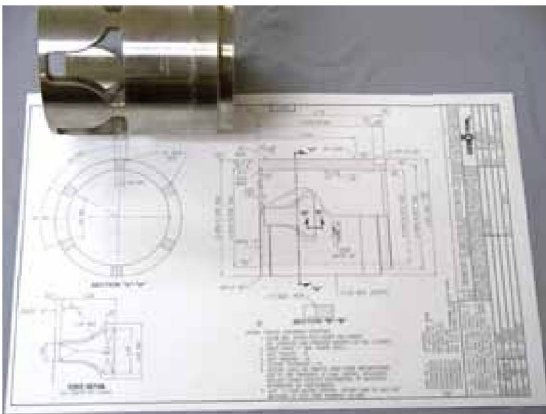




# Valve Products and Other Replacement Parts



Gem-Trim stocks Camflex® Plug, shaft, seat ring, seat retainer in 316 s/s or stellite and other misc items. Available in sizes 1" through 4".



Gem-Trim has a library of over 85,000 drawings covering some 150,000 parts of the major control valve manufacturers.



Gem-Trim stocks the hard parts, and also the high and low temperature packing, gaskets, piston rings, seal rings and back up rings for the Gem-E Series Valve and repair kits for the Fisher® V-100 and V-150 Ball Valves. These parts are stocked in sizes from 1" through 6".



Gem-Trim also stocks a wide range of replacement Fisher® and Masoneilan® diaphragms.

**Available Sizes:**

Fisher 30, 34/40, 45/50, 60

Masoneilan 9, 11, 13, 15, 18,

Camflex 4-1/2, 6, 7

Sigma F..... A, B, C



Gem-Trim offers full manufacturing capabilities which includes manual and automatic machining and milling centers, heat treating, saw cutting and specialty welding.

Gem-Trim's most valuable assets, **OUR EMPLOYEES**, bring extensive experience and in-depth expertise to the manufacturing process which enables Gem-Trim to effectively meet our customer's requirements.



## Reliable Source For:

New and Rebuilt Parts

Quality Products

Competitive Pricing

Obsolete Parts

On-Time Deliveries

Exotic Metals

Support & Reliability

Precision Machining

Reverse Engineering

Specialty Welding

Customer Service

Valve Repair

Chemical



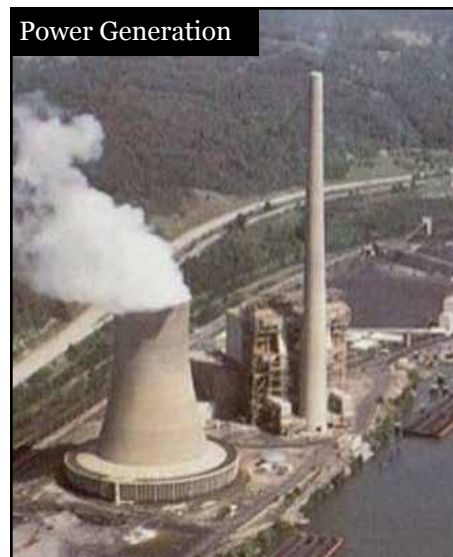
Paper & Pulp



Oil & Gas



Power Generation



Petrochemical



Refineries



# GEM-TRIM



## Offering Replacement Parts for the following OEM s: '

Annin®

Bailey®

Blakeborough®

BS&B®

CCI®

Copes-Vulcan®

Fisher®

Foxboro®

Hammel Dahl®

Honeywell®

Kieley-Muller®

Introl®

Leslie®

Lunkenheimer®

Masoneilan®

Pignone®

Research®

Sulzer®

Valtek (Flow Serve)®

Yarway®

**Gem-Trim of Houma**  
**148 Equity Blvd. Houma, Louisiana 70360**

Phone: 985-868-1586 Fax: 985-872-9993 [www.gemtrim.com](http://www.gemtrim.com)

**Enserve are the exclusive representatives for Gem-Trim for Southern Africa**



**Sasolburg**

Tel: +27 (0)16971 3885

**Durban**

Tel: +27 (0)31 902 3703

**Mpumalanga**

Tel: +27 (0)17 632 2880

**Mozambique**

Tel: +25 (0)82 172 3053

**Eddie Möhlmann**  
Director  
Control Valves and Instrumentation

Cell: +27 (0)83 655 0627  
Email: [eddiem@enserve.co.za](mailto:eddiem@enserve.co.za)