

Gravelly Owners' **Parts Guide**

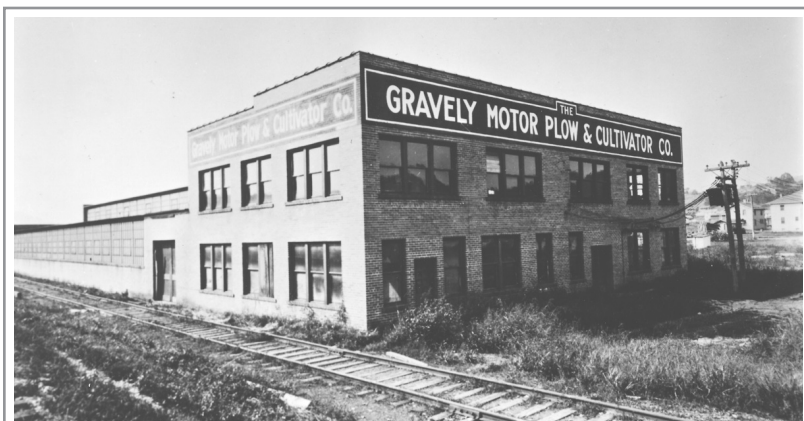
**Thanks to you, we are America's
highest volume L-parts supplier!**

Gravelly owners,

I know these lists will be helpful to show you what's available to keep your old and new Gravellys running. We specialize in the "L"s. We have new and used parts available for the tractors and attachments.

Kohler engines are used on 1967 and newer models. We work on Kohler engines and supply parts for the 8 HP, 10 HP, 10 A., 12 HP and 14 HP.

Riding Gravellys, such as the 400 series, 408, 800 series and 8000 series, are the best made. We offer all the parts for them and the mowers.



Original site of Gravelly manufacturing plant, Dunbar, W.Va.

*Over thirty years with Gravelly,
discount parts and friendly service from*

Richard's Lawn and Garden *Authorized Gravelly Dealer*

130 MAIN STREET • SPENCER, WV 25276 ■ *web site:* <http://gravelyparts.com>

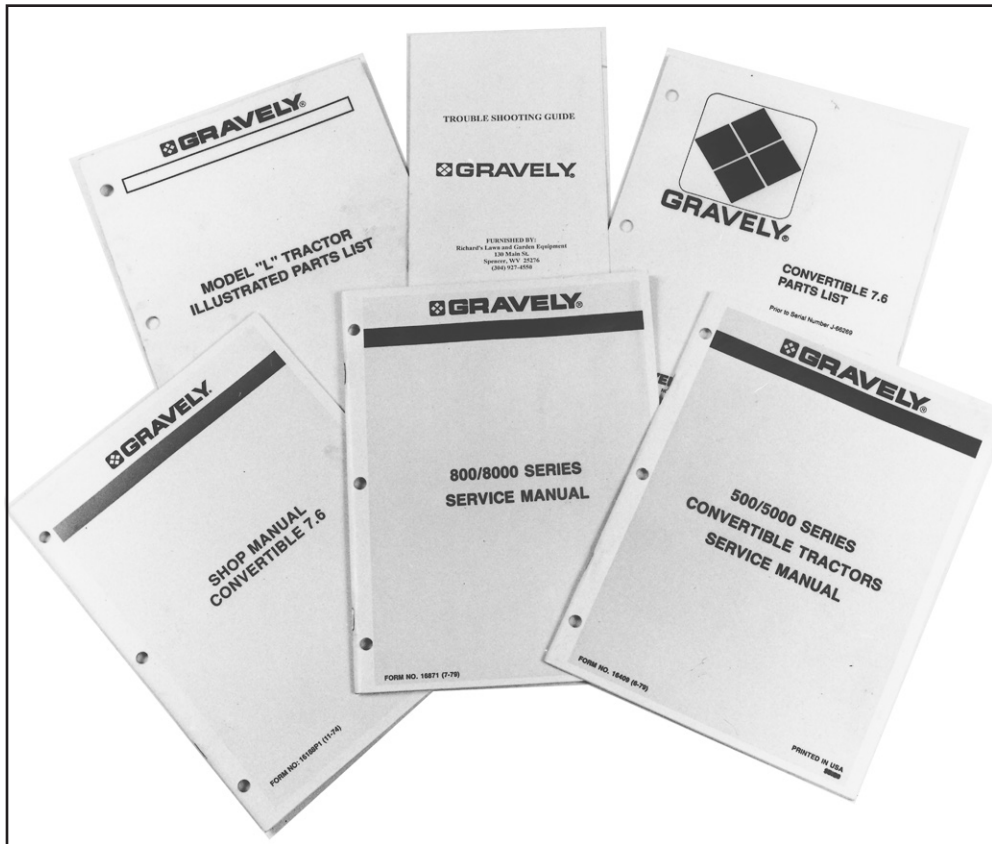
(304) 927-4580 • 1-800-827-4551 ■ *hours:* 9 a.m.-5 p.m. Monday through Friday

Payment Methods: Check, Money Order, or Credit Cards

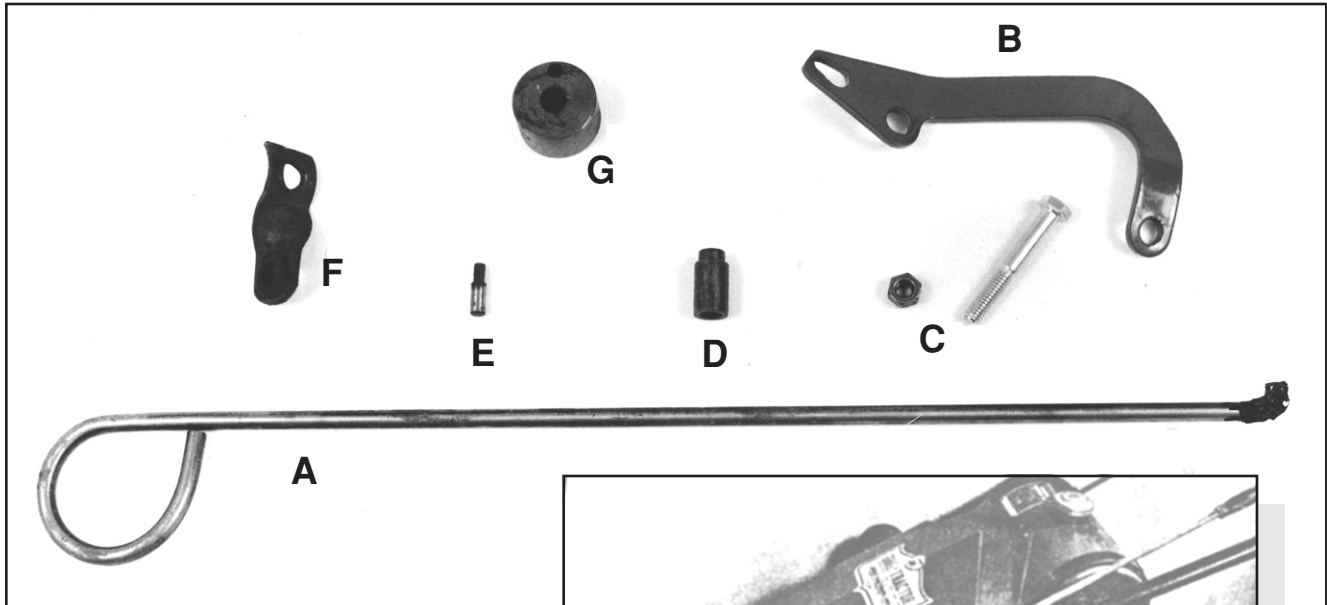
PRICES ARE SUBJECT TO CHANGE

Spring 2015

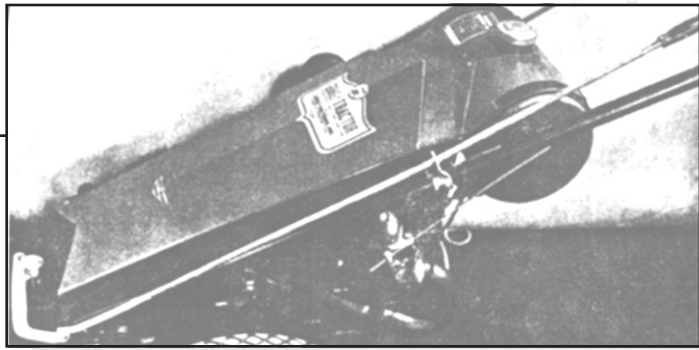
Books and Help



"L" Model Trouble Guide	\$3.00
"L" Model Shop and Tech Manual	\$6.00
"L" Model Owner's Manual	\$3.00
"L" Model Illustrated Parts	\$4.00
Attachment Illustrations	\$2.00
Kohler Engine Model Parts	\$2.00
500 and 5000 Walk-behind Shop Book.	\$6.00
500 and 5000 Illustrated Parts	\$4.00
Rider Books - Shop and Owners	\$6.00 ea.



Attachment Clutch Control
 - an optional Attachment Clutch Control allows you to put the Attachment in or out of gear from the handle



Shifter Change-over Kit

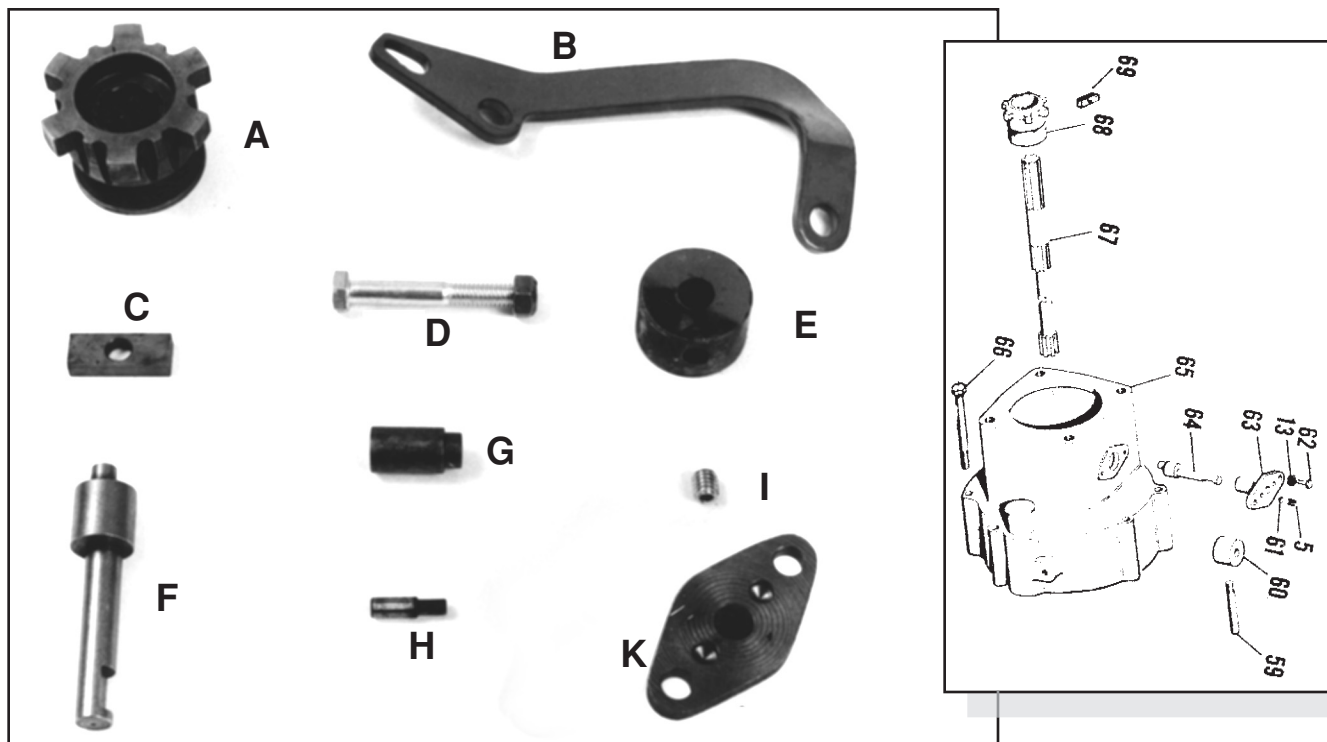
**Using your shippershaft and guide,
 you can add the convenience of shifting
 from the left handle side with these parts.**

Kit includes all the parts,

“A” through “F” **\$139.00**

Note: Great when rotary plowing a lot!

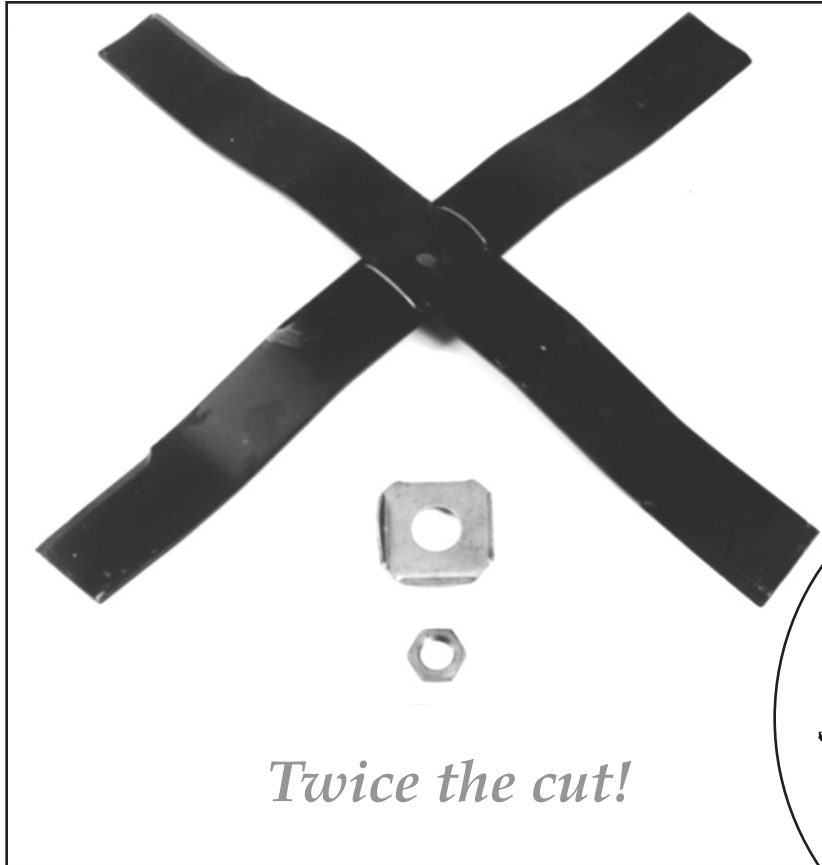
Shifter Parts Dept.



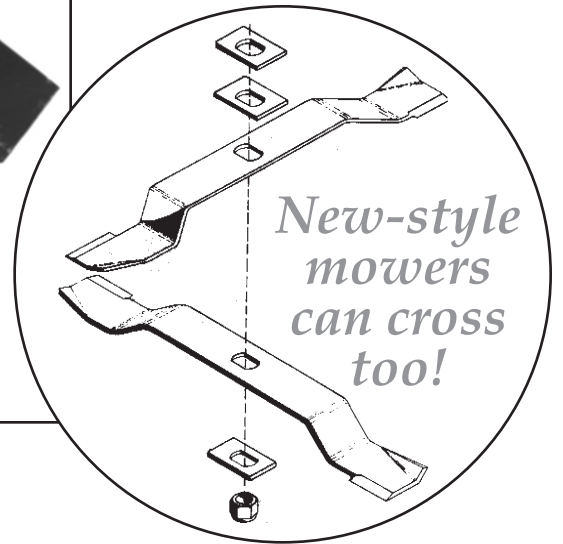
- A. Dog (#68, above right)\$149.00
- B. Shifter Lever\$33.00
- C. #69 Trunnion Block\$9.00
- D. Bolt and Lock.....\$1.75
- E. Shifter Body\$45.00
- F. Shipper Shaft (#64, above right)\$36.00
- G. Spacer.....\$7.25
- H. Shifter Dowel Pin.....\$6.25
- I. Set Screw50¢
- K. Shipper Shaft Guide - metal
 (#63, above right)\$48.00

Good! Used Parts Also

30" Mower Double Blade Kit



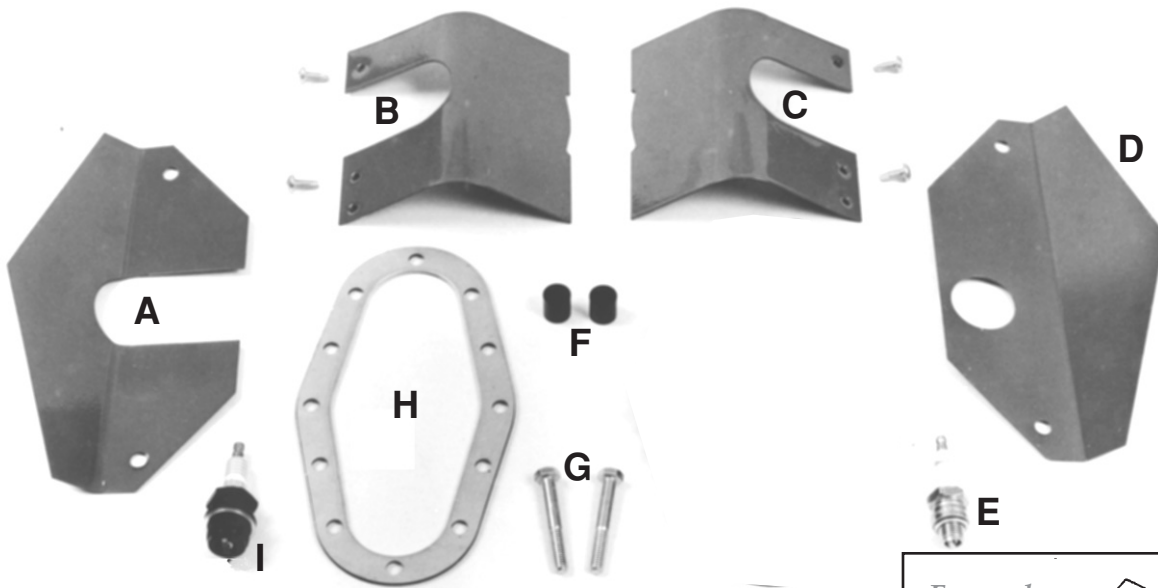
Attn:
\$62.00



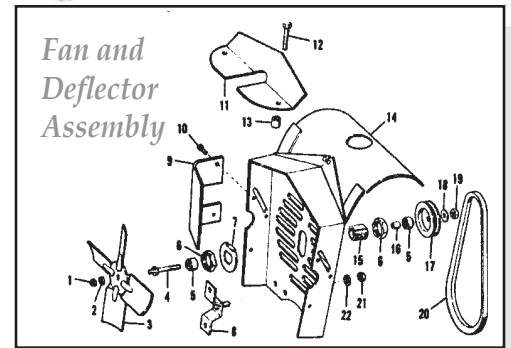
If you would like your lawn to have a nicer look after mowing, try this cross-over with two medium grass blades.

Kit includes all pictured above\$62.00 w/o nut
..... \$66.00 w/ nut
Cross-over Washer.....\$7.50

Cylinder Head Parts



Helps keep the engine cool!

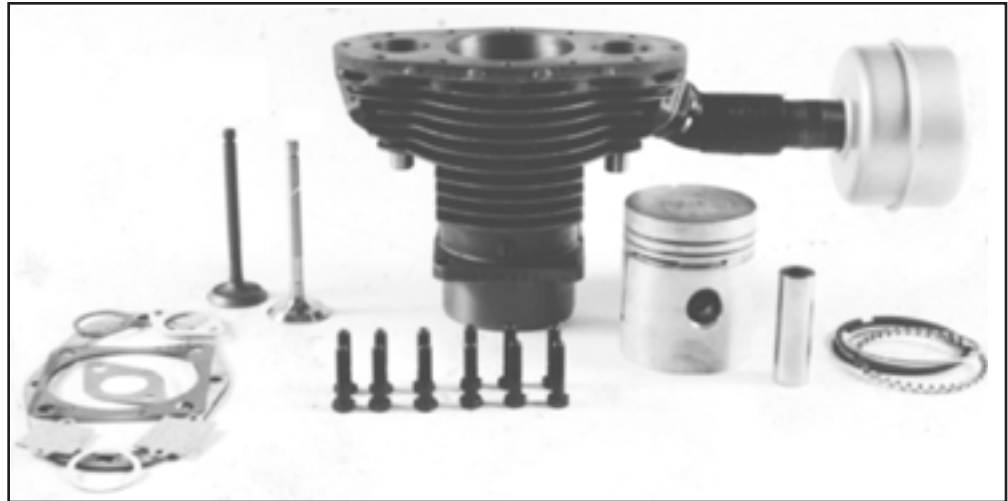


- A. Top Shield 6.6 HP 13036 \$18.00
- B & C. Side Shields with Screws \$17.00 ea.
- D. Top Shield 7.6 HP 10881 \$19.00
- E. Spark Plug 7.6 HP \$3.50
- F. Spacers \$8.00 ea.
- G. Head Bolt - Long \$1.00
- H. Head Gasket \$19.50
- I. Big Spark Plug On Slant \$9.00

Used Heads Available

Cylinder Kit—"L" Models

*New
Genuine
Gravelly
Parts!*



Kit includes:

Standard Piston, Rings, Clips and Pin

Exhaust Valve

Intake Valve

12 Head Bolts

Complete Gasket Set

Exhaust Manifold, Pipe Nipple and Muffler

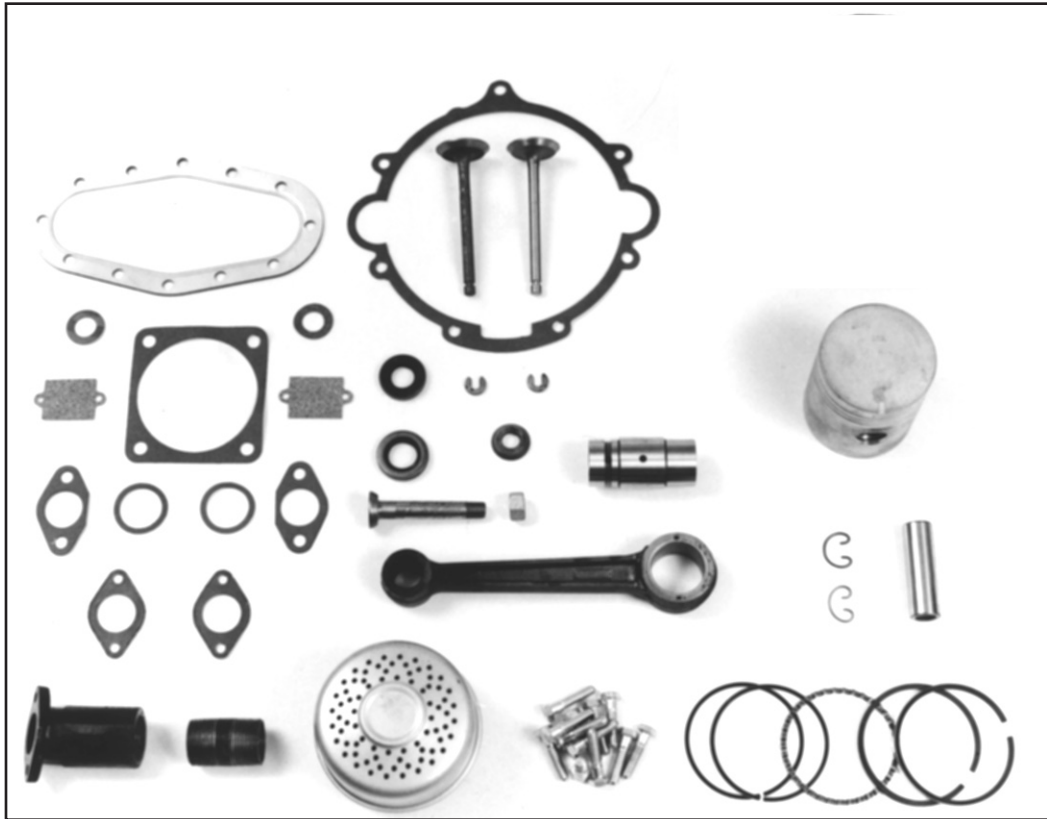
We Bore Cylinders

List Price.....Call for Price

Discount Price..... Call for Price

Without Exhaust Manifold..... Call for Price

Complete Engine Kit



*Send us
your engine
and we
will replace
what's
needed!*

*UPS
Shippable!*

Kit includes:

Piston and Rings

Valves, Seals, Gaskets Bolts

New Crankpin and Rebushed Rod

Exhaust System

Valve Keepers

FREE Shop Manual!

Our Price Call for Price

Rebuild your "L" to last!

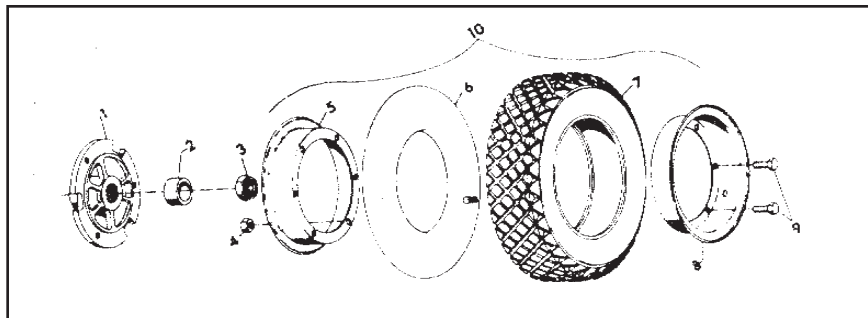
Walk-behind Gravelly Tire and Wheel Assembly



480x400x8

Tractor-Grip Tire, Wheel and Tube Carlisle\$89.00 ea.

Set of Two\$169.00



Turf-Grip Tire, Wheel and Tube.....\$74.00

Other styles available

Dual-Wheel Spacers and Bolts

Our own make and design
makes mowing against the hills easier!



GRAVELY MOWING

*Dual wheels
add traction
Equipped with dual
wheels, the Gravely
Tractor will mow
slopes as steep as 60%.
Also useful on rough,
uneven ground, and on
fine lawns to distribute
weight over greater area. They double traction
surface as well as adding helpful weight.*



For all walk-behinds

Kit with Bolts —includes 2 tires and wheels **\$245.00**

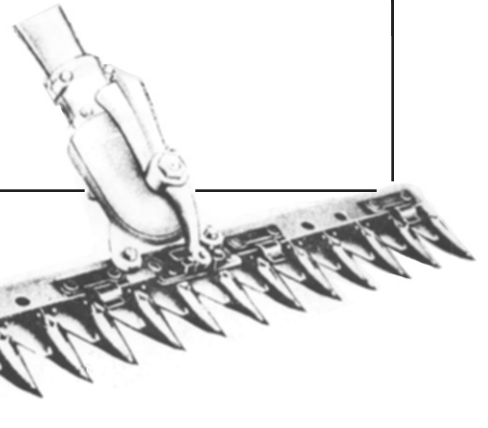
Spacers and Bolts only **\$69.00**

Factory Spacers —cast iron **CALL**

42" Sickle Bar with 13 teeth

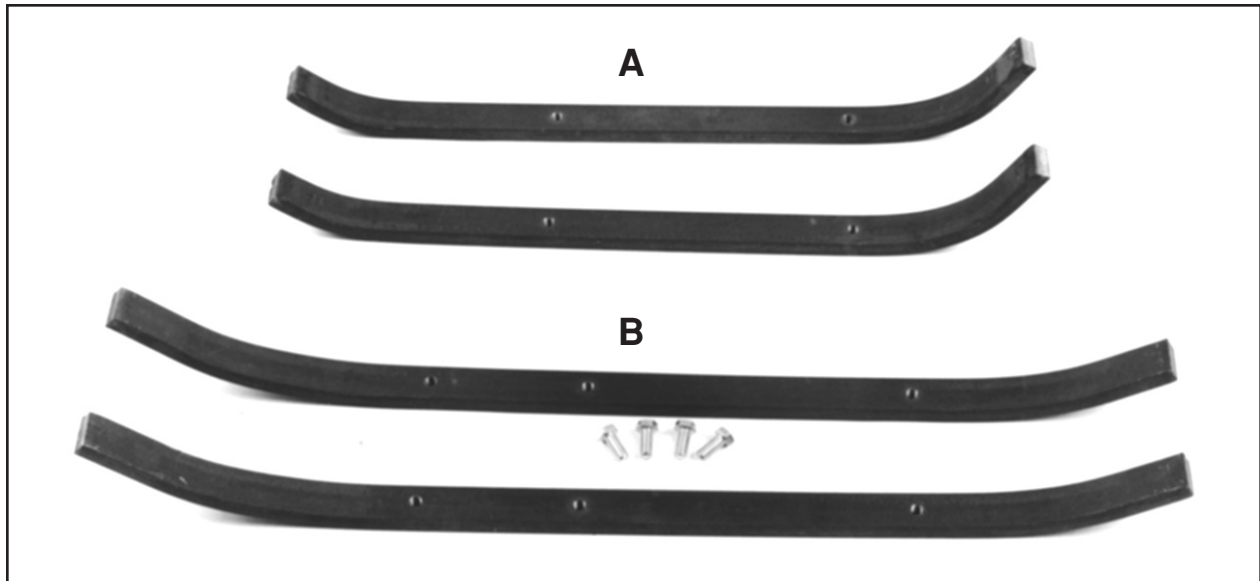


List Price for above sickle\$190.10
Our Price for above sickle\$94.00
10293



*Free illustration
of sickle with order!*

30" and 40" Mower Skids



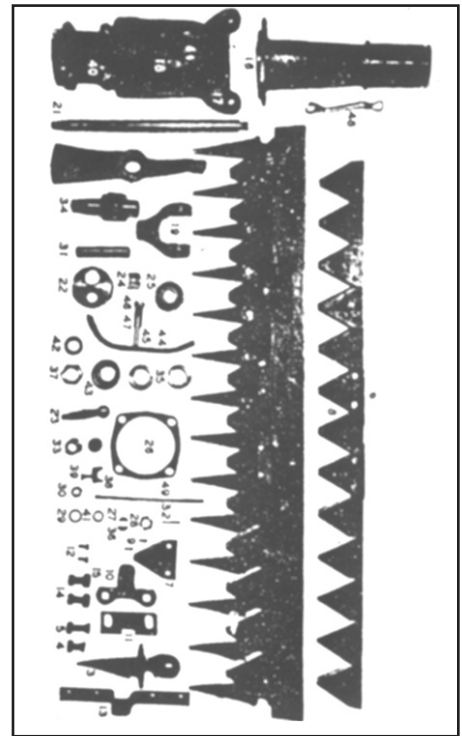
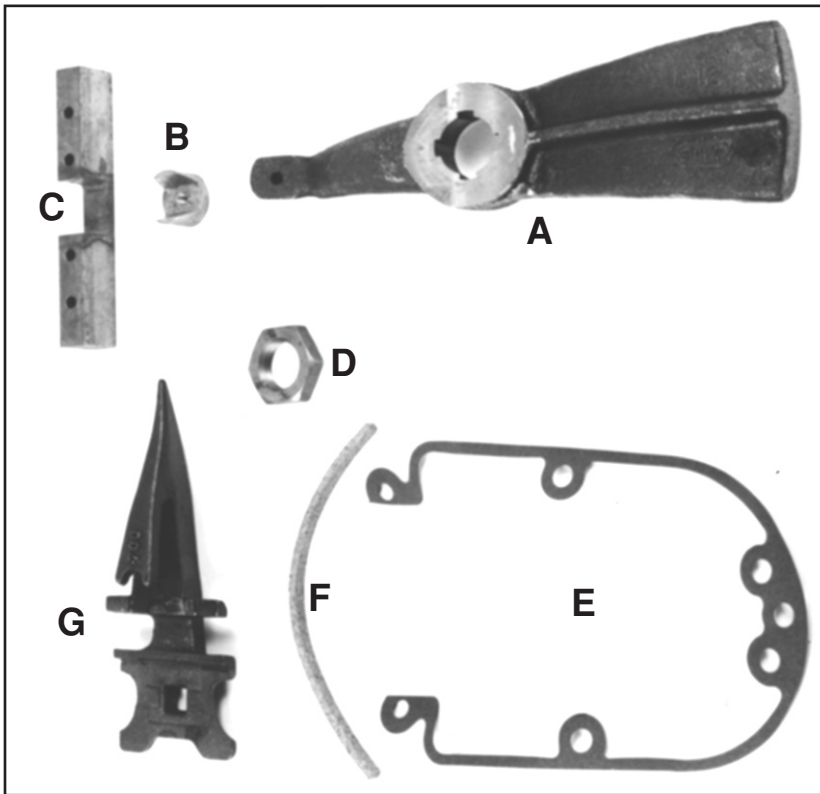
A. 30" and 40" Rotary Mower

Skids and Bolts..... 2 for \$38.00

B. 30" Mower with Chain Guard

2 Skids and Bolts..... \$42.00 set

Sickle Bar



All Sickle Bar parts are available!

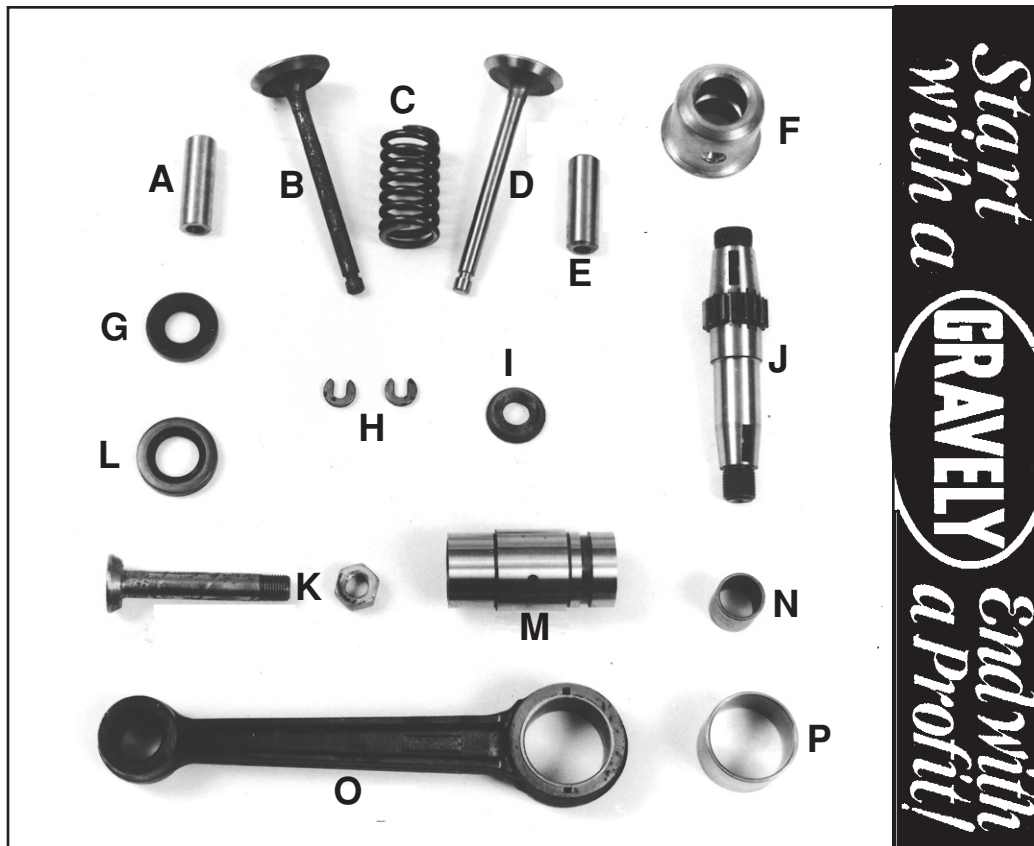
2" TEETH ARE NOT AVAILABLE.

- A. Activating Lever 3117 CALL**
- B. Wearing Tip 3182 \$47.00**
- C. Wear Bracket 3308..... \$62.00**
- D. Fine-Thread Locknut..... \$3.50**
- (D1.) Locknut with Plastic Insert.. \$4.50*
- E. Gasket Uses 1 to 4 new style \$3.90 ea.**
- F. Cork Seal 3173..... \$5.00**
- G. Front Guard..... \$14.00 ea.**

Good Used Sickle Attachments



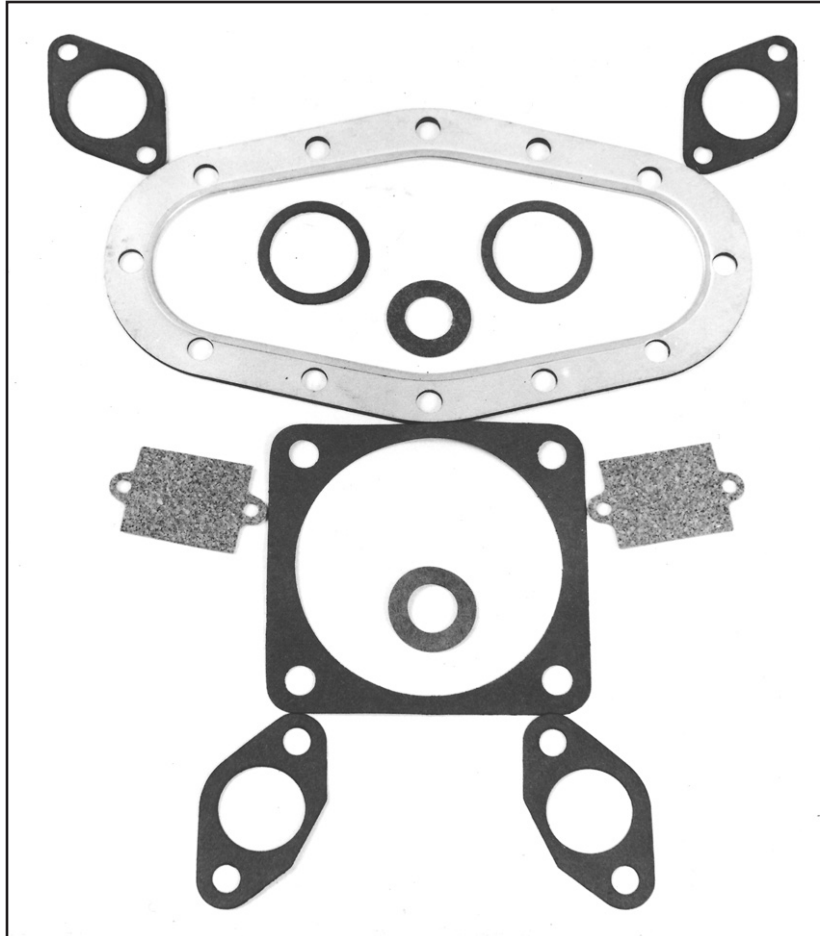
"L" Model Engine Parts



- | | | | |
|---------------------------------|---------|----------------------|---------|
| A. Exhaust Guide.. | \$33.00 | K. Spreader Bolt | |
| B. Exhaust Valve ... | \$35.00 | and Nut..... | \$18.00 |
| C. Valve Spring | \$27.00 | L. Oil Pump Seal ... | \$8.00 |
| D. Intake Valve | \$35.00 | M. Crank Pin | \$54.00 |
| E. Intake Guide..... | \$23.00 | N. Rod Bushing | |
| F. Main Bearing.... | \$83.00 | Top | \$29.00 |
| G. Cam Seal..... | \$10.00 | O. Rod | CALL |
| H. Valve Keepers... \$17.25 ea. | | P. Rod Bushing | |
| I. Spreader Bolt | | Bottom | \$11.00 |
| Washer | \$6.00 | | |
| J. Pinion Shaft..... | CALL | | |

*Oversize valve guide
available*

Gaskets – All “L” Models



Reduces oil leaks!

**Replace all gaskets when
rebuilding the top end.**

Set.....\$42.00

includes all above

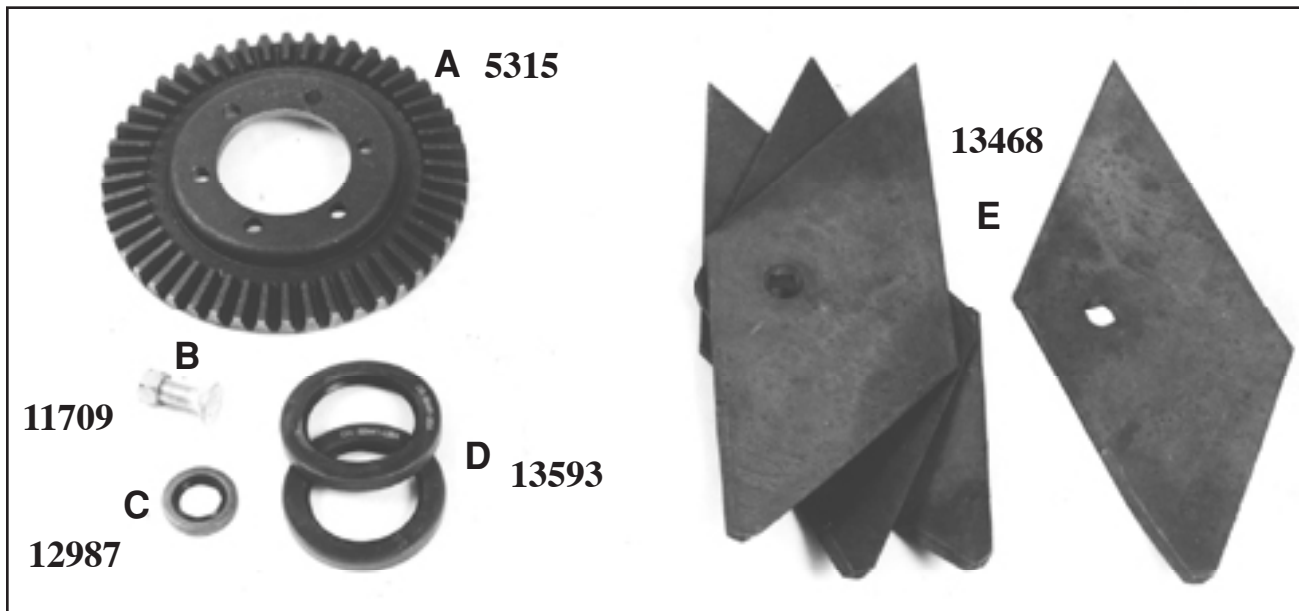
Head Gasket.....\$19.50

Gaskets sold seperate.

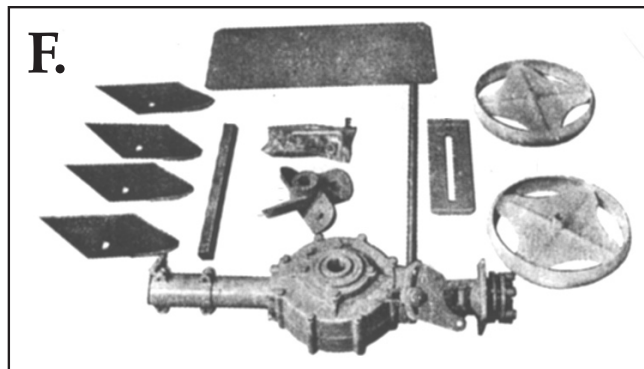
Rotary Plow

Gravelly – Great for Gardening

Rotary Plow – Perfect seedbed in one easy operation

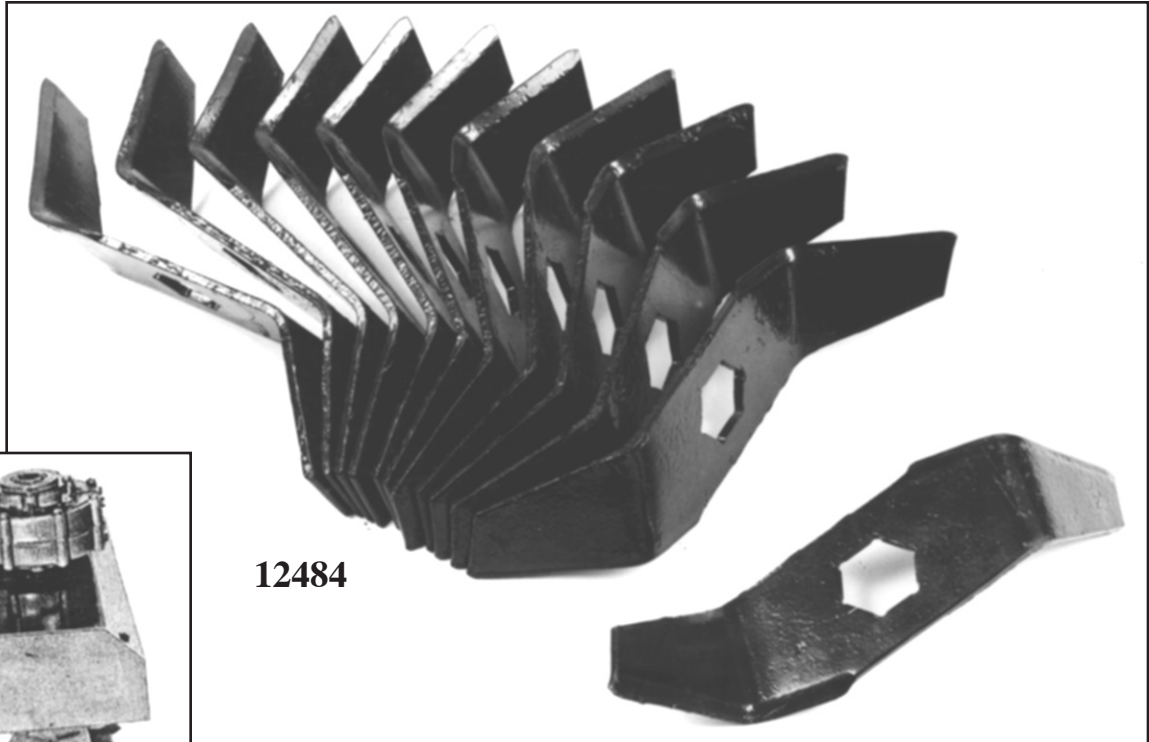
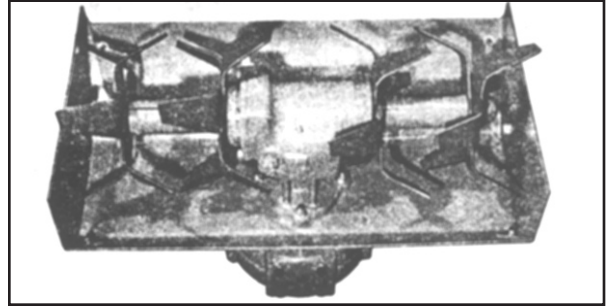


- A. Ring Gear.....\$110.00
- B. Blade Bolt and Nut....\$3.00 ea.
- C. Horizontal Seal.....\$7.00
- D. Top or Bottom Seal\$14.00 ea.
- E. Plow Points ..OEM \$219.00 set
OEM \$55.00 ea.
- F. Used Parts

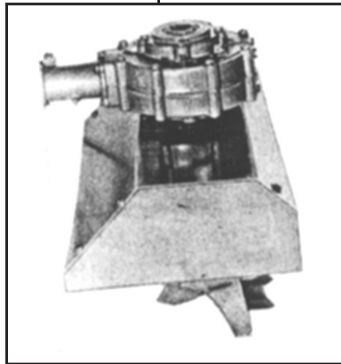


New points make the difference in plowing ease!

Gravelly Rotary Cultivator



12484



Rotary Cultivator Tines

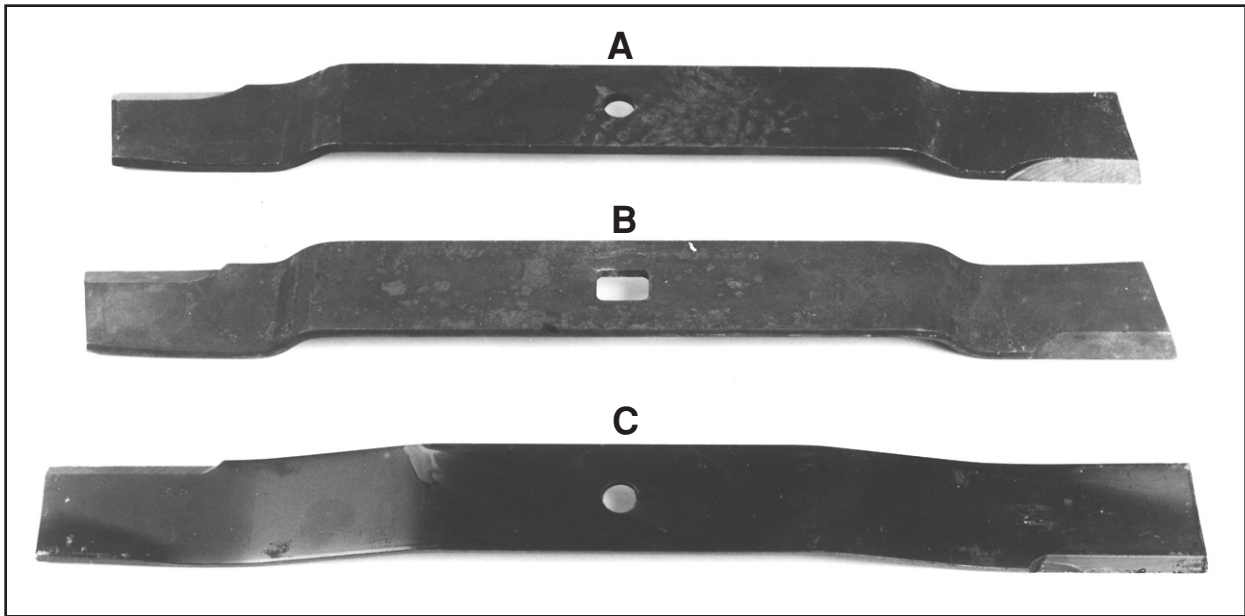
Set of 12 old style **Gravelly \$395.00**

Set of 8 22203 new chain-drive style OEM (Not Pictured) **\$259.00**

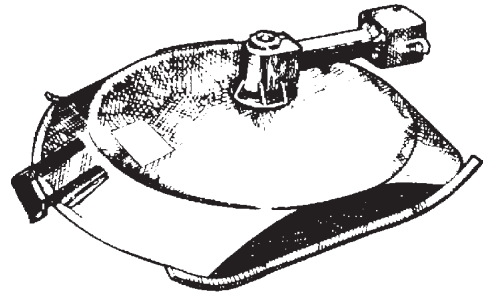
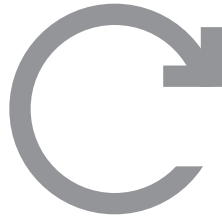


Set of 12

30" Cut Mower Blades

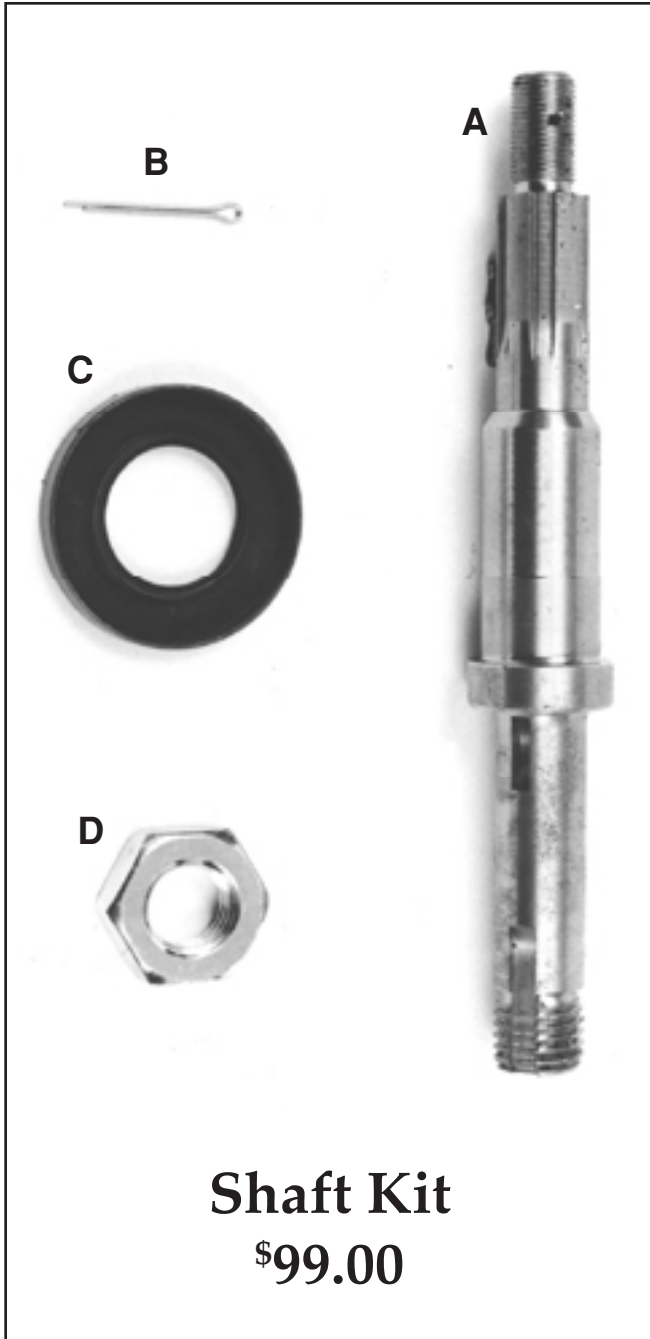


*Right-Hand
Mowers Revolve*

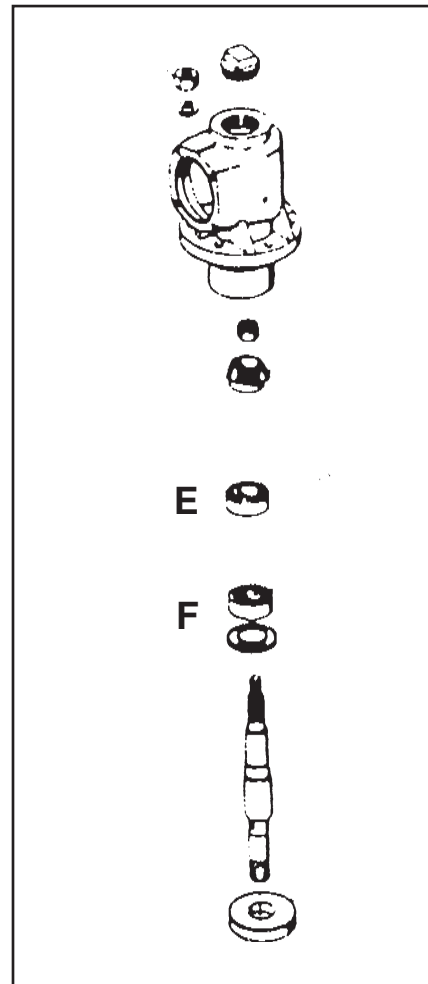


- A. Heavy 3/8" Thick** for brush \$39.50
- B. Heavy 3/8" Thick** for new-style 30" \$42.00
- C. Medium 5/16"** for brush or lawn \$27.50
- D. Lawn Blade** new-style with "B" slot;
for 30" mower (NOT PICTURED) \$32.00
- E. Heavy Blade** old-style (year 1950)
for 30" mower; left-hand turn (NOT PICTURED) \$49.50

30" Cut Mowers with Big Pipe Plug on Top

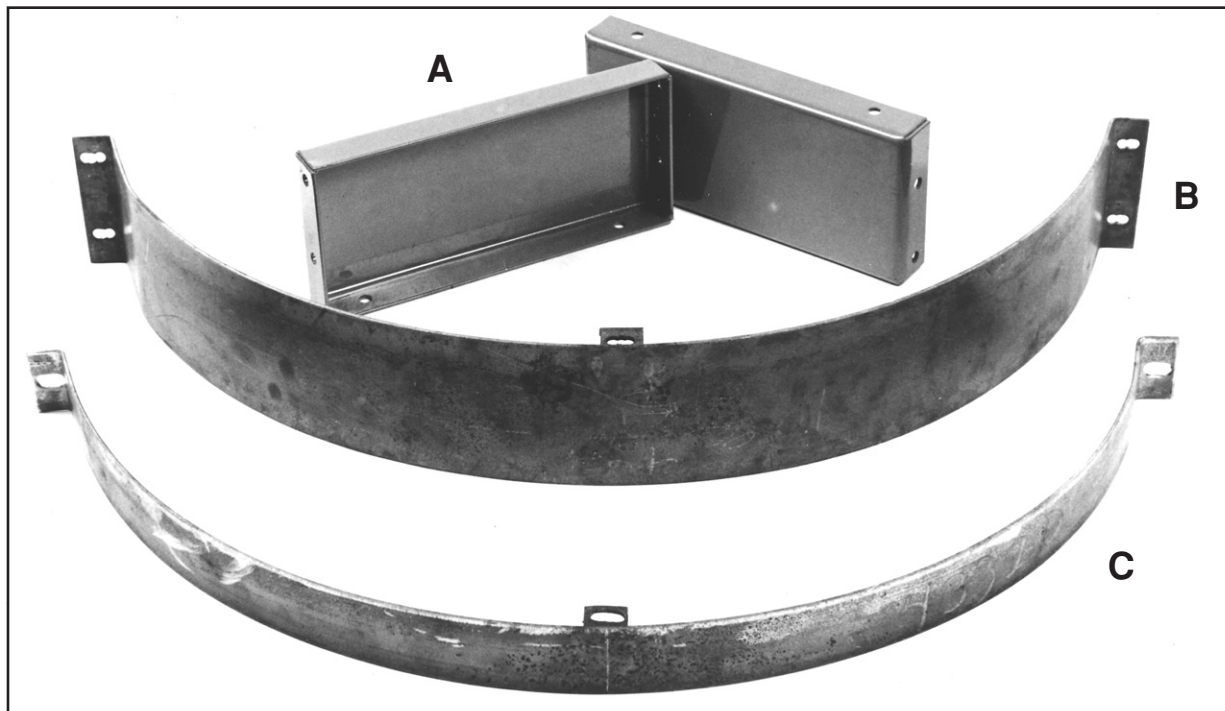


- A. Shaft\$95.00
- B. Cotter Pin10¢
- C. Bottom Seal.....\$9.50
- D. Nut\$4.50
- E. Top Bearing.....\$21.00
- F. Bottom Bearing \$24.00



*Blade Shafts
Straightened!*

30" Deck Parts



- A. Side Panels**
weld on \$27.50 ea.
- B. Rear Guard.....** \$35.00
- C. Front Guard** \$34.00

Note:
Mowing without guards may be hazardous!

NOTE: Skids can be found on page 11

Mower Types

Oldest



(Model 52-57)
LH Mower: Rotor plate on top of gearbox will turn with blade. Rotor is about the size of a 50 cent piece.
Takes vertical shaft, P/N 13210, 213601 (RO 322).
Takes heavy duty mower blade 13201, 201171.
Takes rotor shaft oil seal, P/N 14083, 201535 (RO 306).
Takes skid P/N 9223, 085782 (RO 318).



(Model 58, 58A)
Small plug to fill in top housing.
Takes vertical shaft P/N 13197, 213600 (RO 337) or vertical shaft P/N 13198, 201169 (RO 343).
Takes heavy duty mower blade 13209, 201172.
Takes cross mower blades 20900, 203114 and stationary washer 12859, 213559.
Takes rotor shaft oil seal, P/N 13171, 056222 (RO 334).
For rotor shaft, P/N 13198, 201169 (RO 343) or P/N 14083, 201535 (RO 306).
For rotor shaft, P/N 13197, 213600 (RO 337).
Takes skid P/N 9223, 085782 (RO 318).



(Model MA 601)
Large plug to fill oil in top of housing.
Takes vertical shaft P/Ns:
a. 12851, 201102 which is replaced by kit 20678, 211323 consisting of 20676, 211322 shaft, 20626, 211318 weldment.
b. 19844, 202913 which is replaced by shaft 20676, 211322.
c. 20676, 211322.
Takes heavy duty mower blade 13209, 201172.
Takes cross mower blades 20900, 203114 and stationary washer 12859, 213599.
Takes rotor shaft oil seal, P/N 13171, 056222 (RO 334).
Takes skid, P/N 9223, 085782 (RO 318).
Takes skid, P/N 12866, 201105 (RO 347) with chain guard.

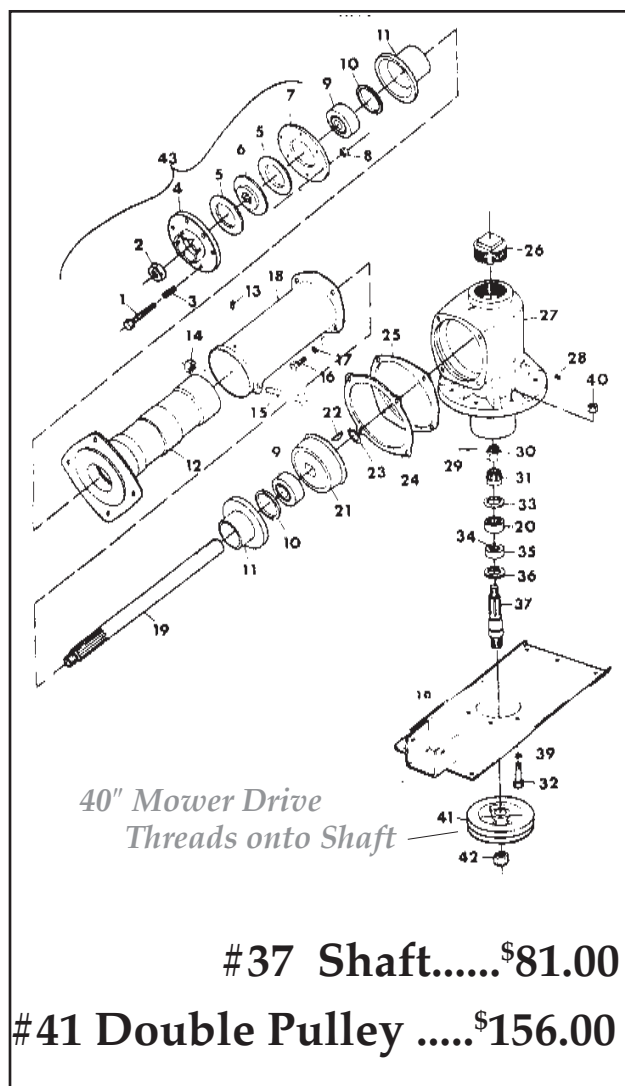
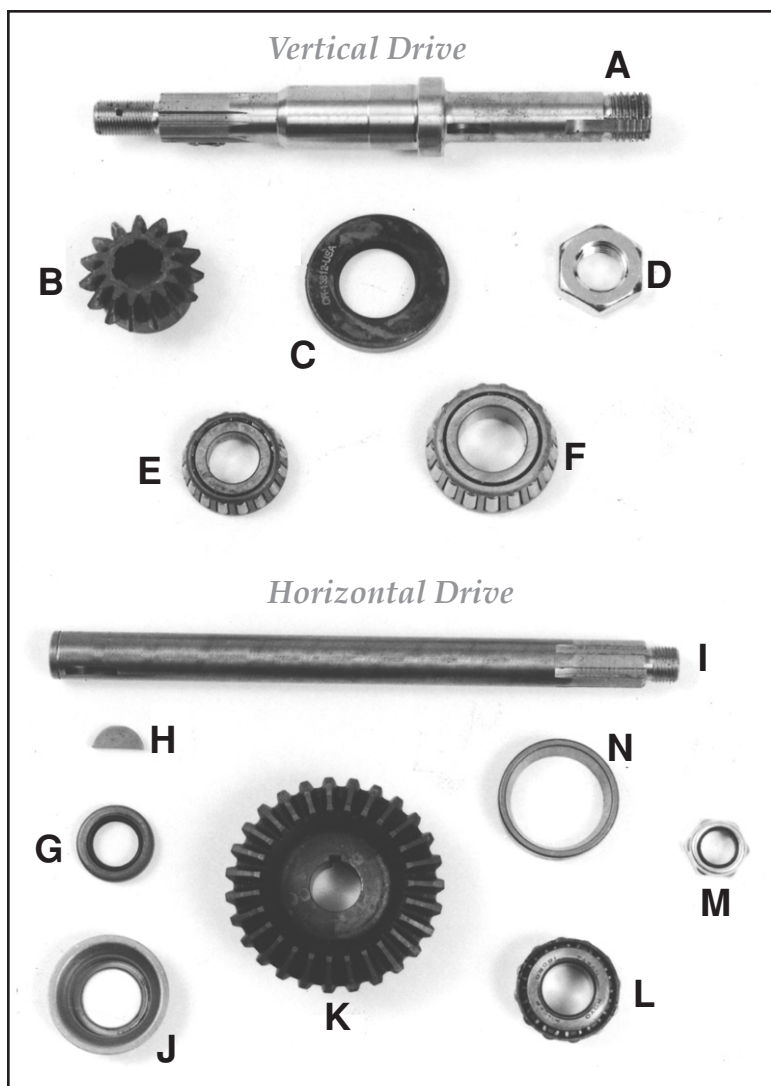


(Model 22531, 785087)
Small grease fitting in top housing. Takes vertical shaft P/N 22520, 085256.
Takes heavy duty blade 22528, 085261.
Takes cross blades 22529, 085262 and 22530, 085263.
Takes skid P/N 23073, 085267.



NEWEST
(Model 32119, 785006, 34927, 785007)
Small grease fitting in top of housing. Casting is stronger than previous casting. Takes shaft P/N 22520, 085256.
Takes heavy duty blade 22528, 085261.
Takes cross blades 22529, 085262 and 22530, 085263.
Takes skid P/N 21492, 085180 for P/N 32119, 785006.
Takes skid P/N 23073, 085267 for P/N 34927, 785007.

30" or 40" Rotary Mower Drive Parts

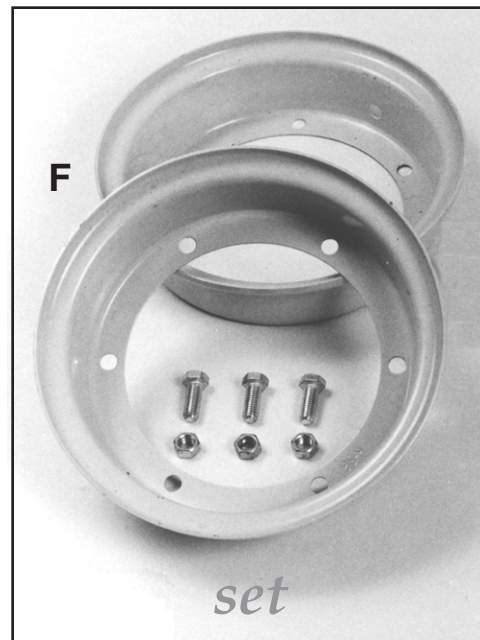
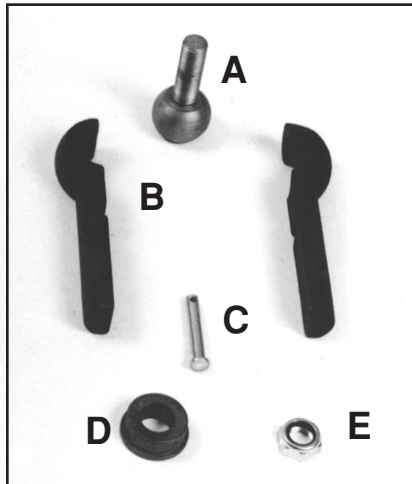


- A. 30" Mower Shaft \$95.00
- B. Small Gear ... Call for Price
- C. Bottom Seal..... \$9.50
- D. 30" Blade Nut.... \$4.50
- E. Top Cone Bearing \$21.00
- F. Bottom Cone Bearing \$24.00
- G. Seal horizontal drives ... \$7.00

- H. Key goes in "I" Shaft \$1.00
- I. Shaft 30" or 40" ... \$126.00
- J. Seal Holder \$22.50
- K. Big Gear 30" or 40" \$160.00
- L. Horizontal Cone Bearing .. \$19.00
- M. Lock Nut for clutch on "I" \$1.50
- N. Races..... \$6.00

Good Used Parts

Gravelly Wheel Rims/Sulky Needs

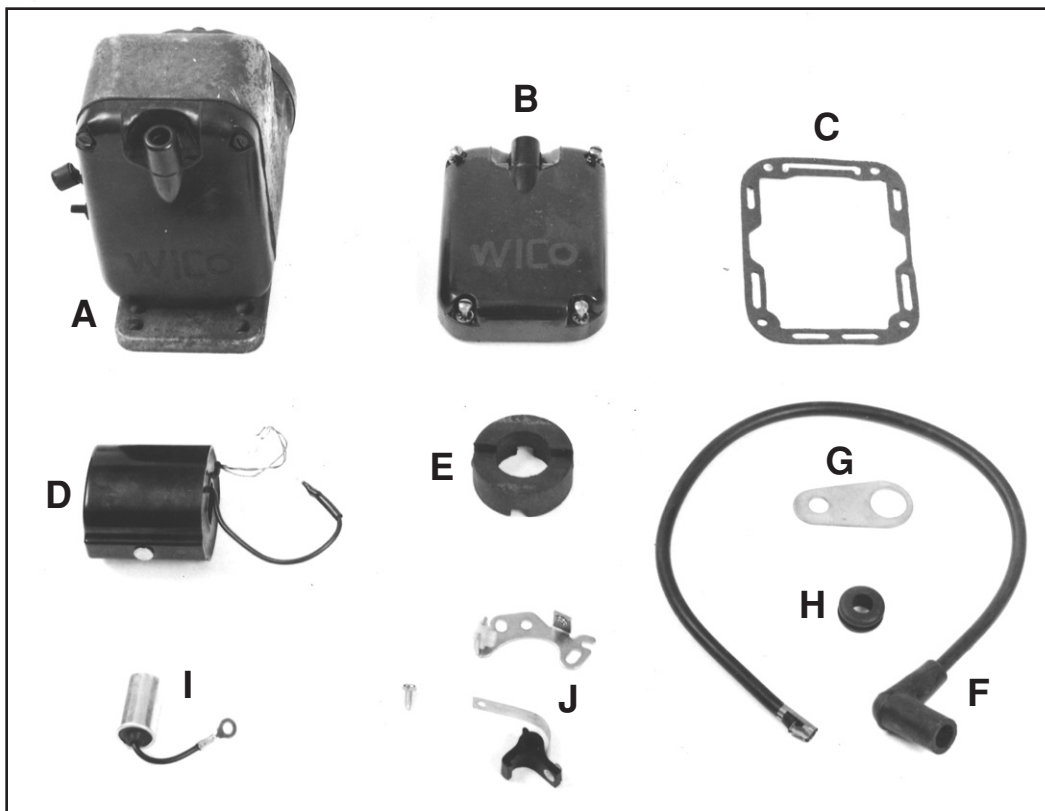


L-Model Wheel

- A. Sulky Ball-hitch \$32.00
- B. Split Sockets for sulky \$42.00 set
- C. Pin and Clip \$2.00
- D. Sulky Wheel Bushing \$4.20 ea.
 4 for \$16.00
- E. Wheel Locknut for "L" and sulky \$1.50
- F. 2-Piece Rims with
 Bolts and Nuts \$34.00 set

Dual Wheel Kits for sale!

WICO MAGNETO

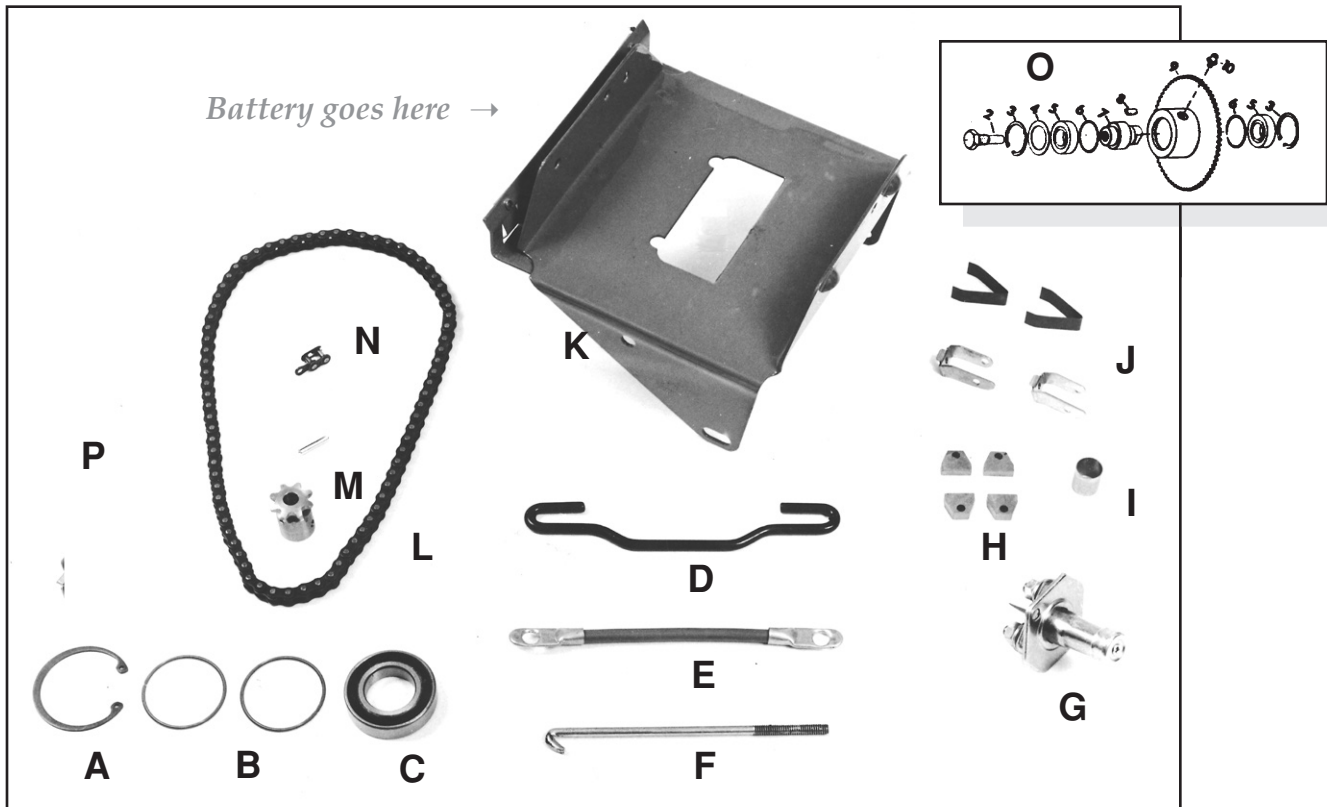


To time magneto points: remove Cylinder Head and set the magneto coupling so that the impulse kicks off when the Piston reaches top dead center on compression stroke. Snap sound. To determine the compression stroke: crank engine slowly until Piston travels upward with both valves closed after intake closes.

- A. The WICO Magneto** best on the "L" Model
Rebuilt Magneto starting at **\$145.00**
- B. Magneto Cap** **Call for prices**
- C. Cap Gasket**..... **\$6.50**
- D. Coil** **\$69.00**
- E. Fiber Coupling** **\$29.00**
- F. Plug Wire**..... **\$18.00**
- G. Holder** **\$6.50**
- H. Grommet** **\$2.50**
- I. Condensor**..... **\$14.00**
- J. Breaker Points** **\$25.00**
Condensor/Breaker Points Set **\$38.00**

Send us your Magneto for service and testing!

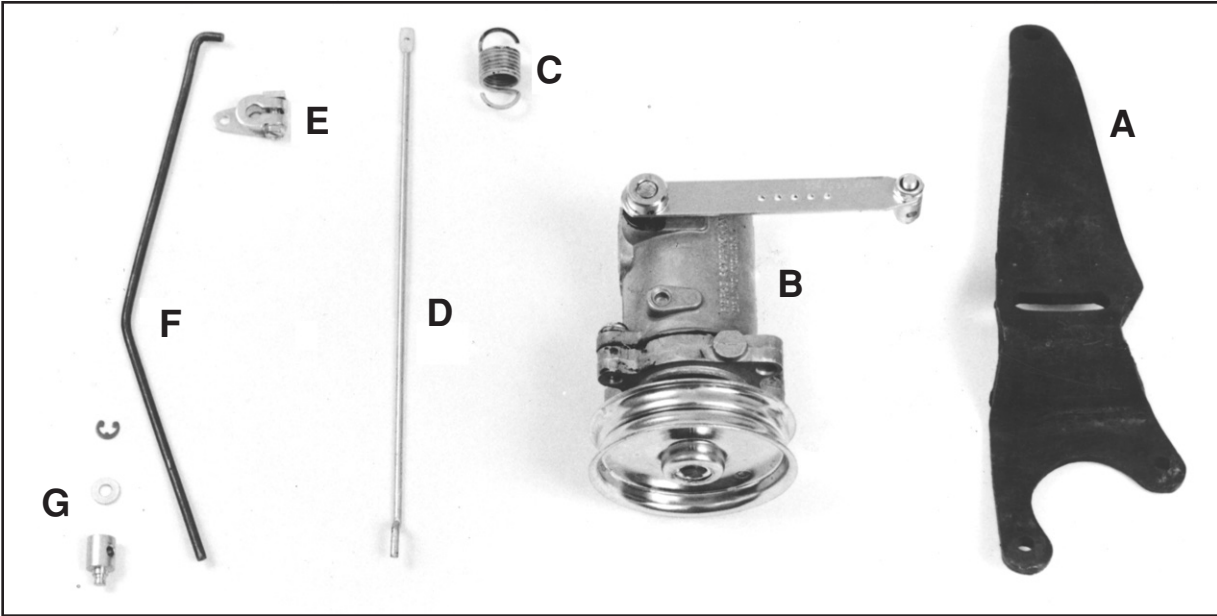
Battery Electric Start Needs



- | | | | |
|--|-------------|---|-------------|
| A. Snap Ring..... | \$4.00 | J. Brush Hold Kit | \$32.00 |
| B. Springs..... | \$10.50 ea. | K. Battery Bracket | \$110.00 |
| C. Bearing..... | \$17.50 | L. Chain..... | \$15.00 |
| D. Battery
Hold-Down | \$11.50 | M. Sprocket and Pin | \$26.00 |
| E. Short Positive
Starter Cable | \$7.00 | N. Chain Links ... | \$1.00 ea. |
| F. J Bolt..... | \$4.00 ea. | O. Rebuilt Starter
Clutches..... ^(when available) | \$175.00 |
| G. Foot Starter..... | \$29.00 | P. Starter Cam
Rollers..... | \$10.00 ea. |
| H. Brush Set | \$10.00 | Fan Pulley | \$89.00 |
| I. Front Bushing.... | \$3.50 | Fan Pulley (used).... | \$45.00 |

We rebuild slipping starter clutches!

"L" Model Governors



Governor:

*Using a Gravely Governor gives you amazing ease and convenience.
The Governor regulates the fuel to the job automatically.
You save fuel and wear on your engine with this Governor protection.*

A. Bracket	new	\$30.00	used	\$15.00
B. Governors	used only			Available
C. Governor Spring			\$16.00
D. Governor Spring Rod			\$16.00
E. Bell Crank	on carb			\$19.00
F. Governor Rod	outside			\$11.00
G. Swivel Hub Parts			\$19.00

Other linkage available!

Tires and Tubes



400 x 8 TIRE Import or Carlisle

- Agriculture Grip** Carlisle \$35.00
- Turf Grip**..... \$29.00 and up
- Tube** \$9.00

16 x 650 x 8 TIRE 4-Ply

- Agriculture Grip** \$55.00
- Turf Grip**..... \$39.00
- Tube** \$9.00

400 x 8 TIRE Import

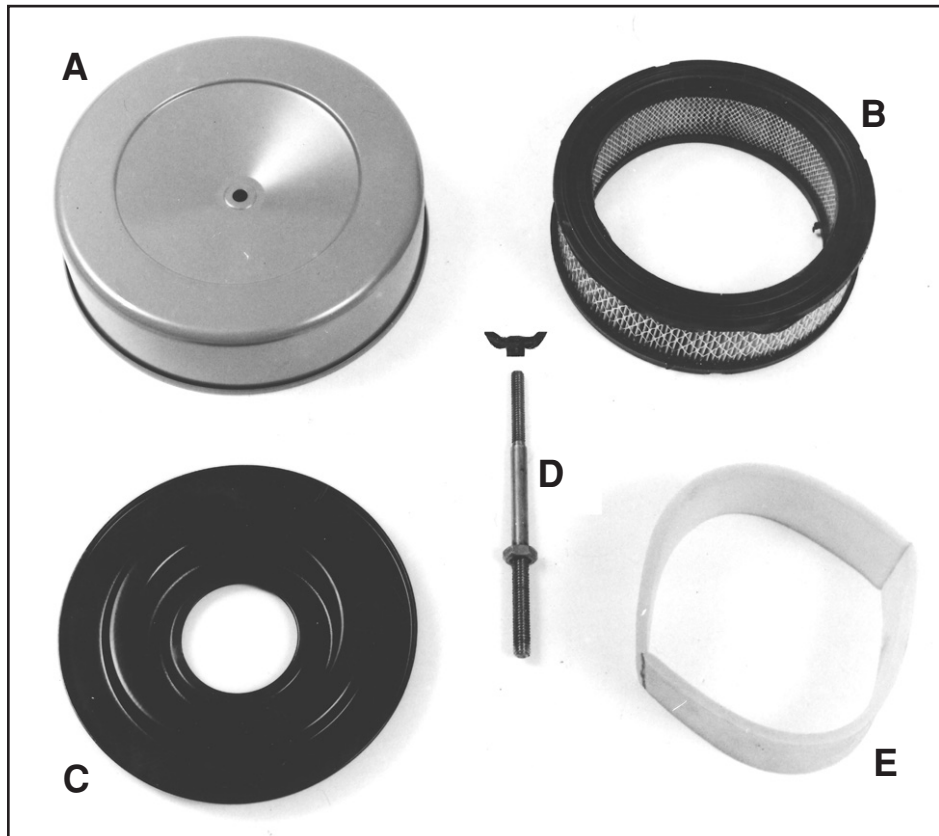
- Sulky Tire** cheap \$21.00 rib
- 4-Ply Rib** \$32.00
- Tire and Wheel** for sulky with bushings \$39.00

18 x 650 x 8 TIRE

- Turf Tread only** \$49.00 ea.

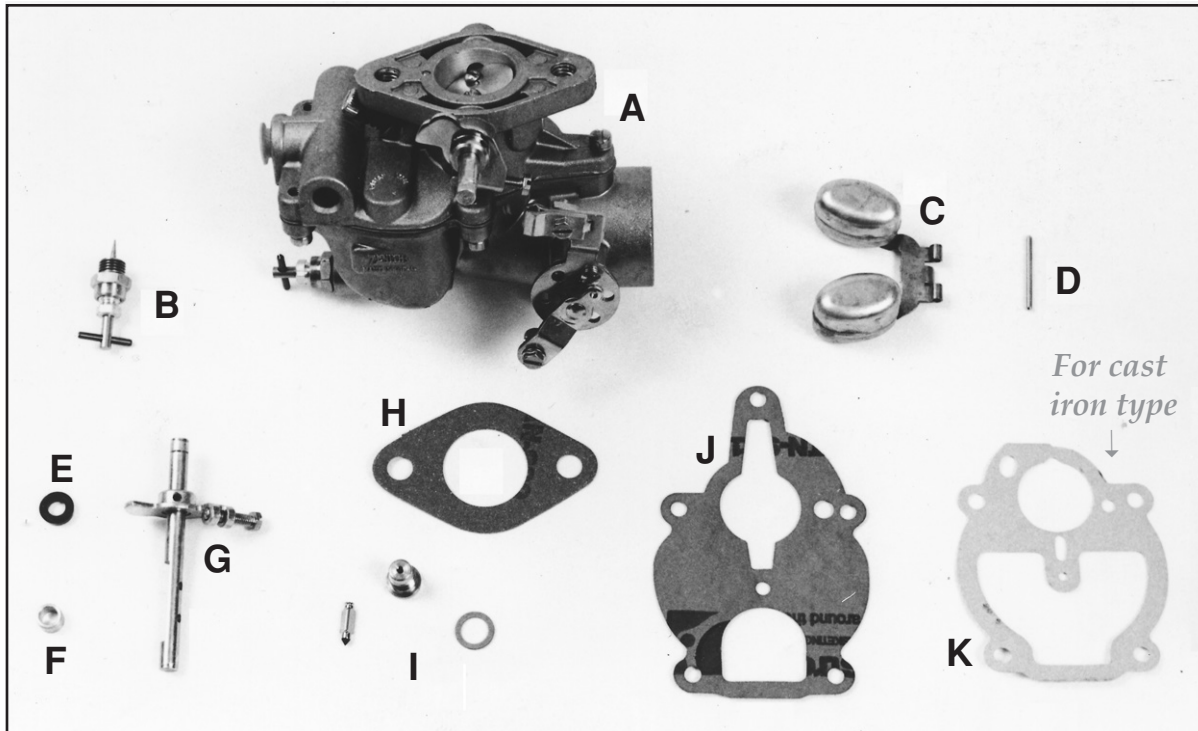
Air Cleaner Parts

*Side mount for 7.6 HP "L"-8
—also Kohler engines*



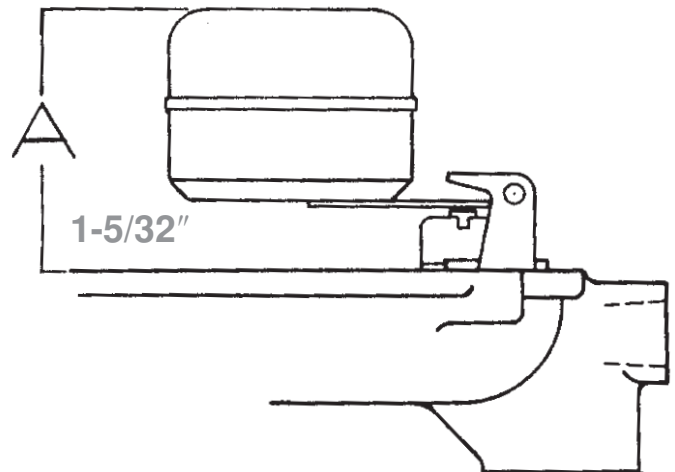
- A. Filter Cover \$29.75
- B. Filter 6" width—diam. \$7.00
- C. Inner Plate 7.6 HP Call..... \$49.00
- D. Air Cleaner Bolt 7.6 HP Call for Price
- E. Pre Foam Filter \$2.00

"L" Model Carb Parts



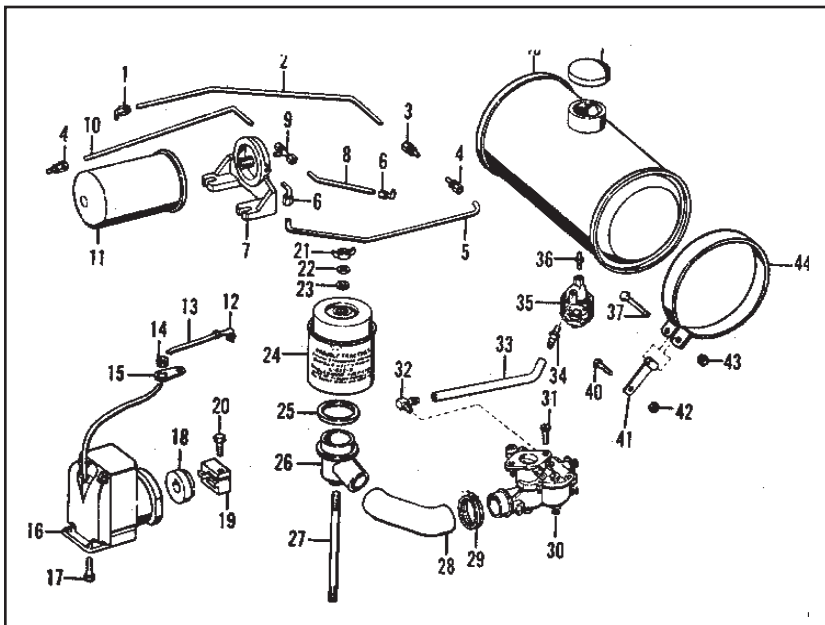
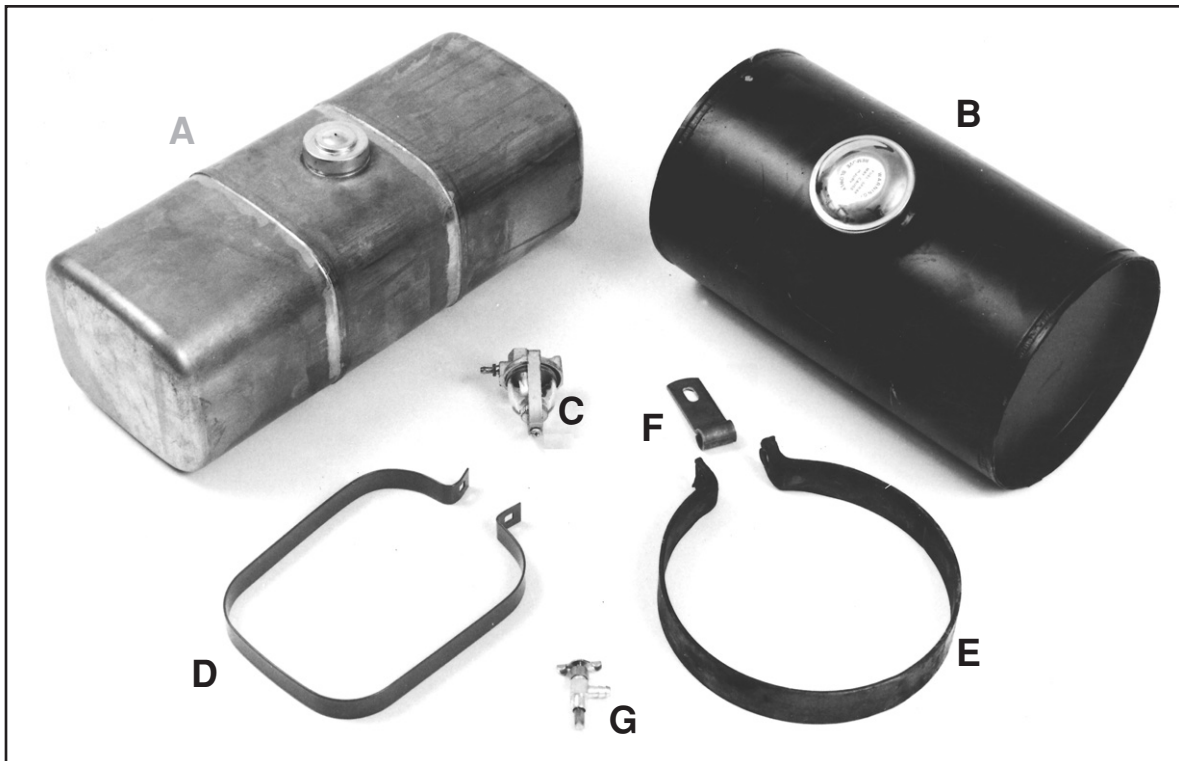
- A. Carburetor**
Model 7.6 HP —New ... **\$269.00**
- B. Main Adjusting Jet** **\$23.00**
- C. Float**..... **\$21.00**
- D. Float Axle** **\$3.50**
- E. Seal** **\$1.75**
- F. Throttle Bushing** **\$8.00**
- G. Throttle Shaft** .. **\$59.00**
- H. Gasket**..... **\$1.75**
- I. Needle and Seat**
fuel valve **\$21.00**
- J. Bowl Gasket**..... **\$6.50**
- K. Bowl Gasket**
for cast iron carb **\$6.50**

Carb Kit..... **\$38.00**
includes: D., H., I., J. and more



Send us your carburetor, we'll check it out!

Gas Tanks and Related Parts

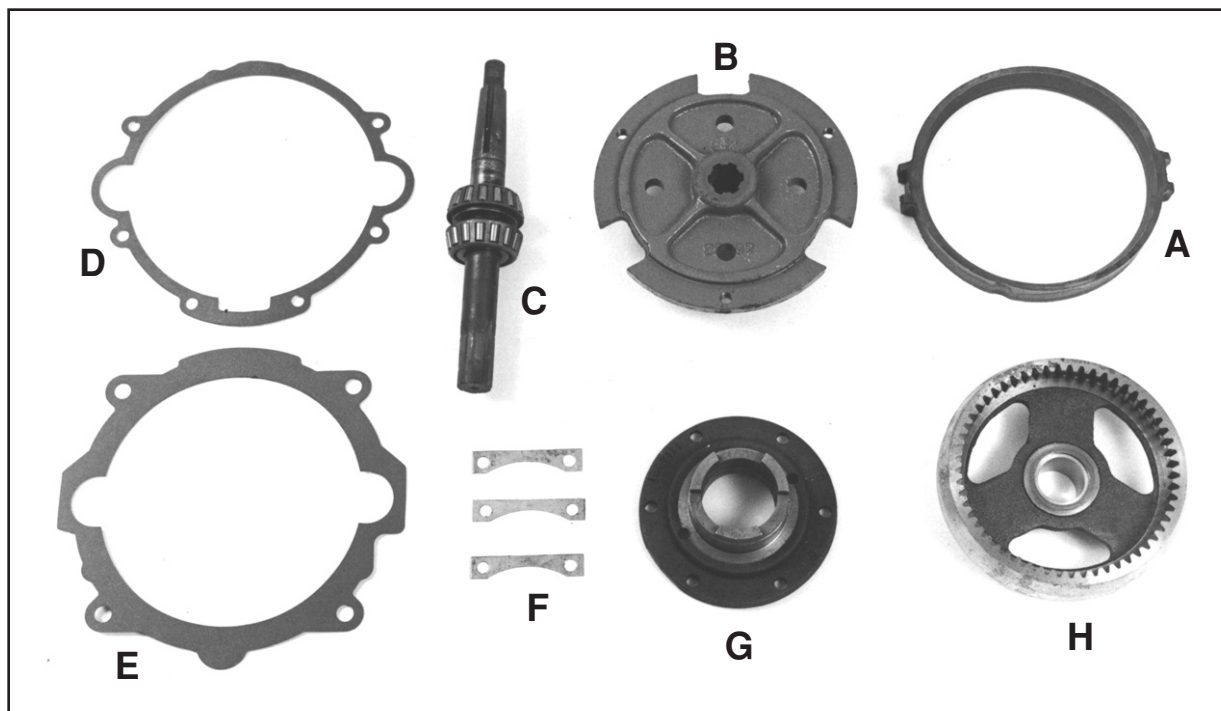


- A. Call \$199.00 w/o cap
- B. "L" Model Tank..\$225.00 New
- C. Glass Bowl ..\$13.00
- D. Kohler Strap ..\$18.00
- E. "L" Tank Band....new \$29.00
....used \$15.00
- F. Band Bracket\$10.25
- G. Gas Shutoff with Screen ...\$6.00

The "L" Model tank is very heavy steel!

Drive Train Parts

Walker and Rider 400 Series



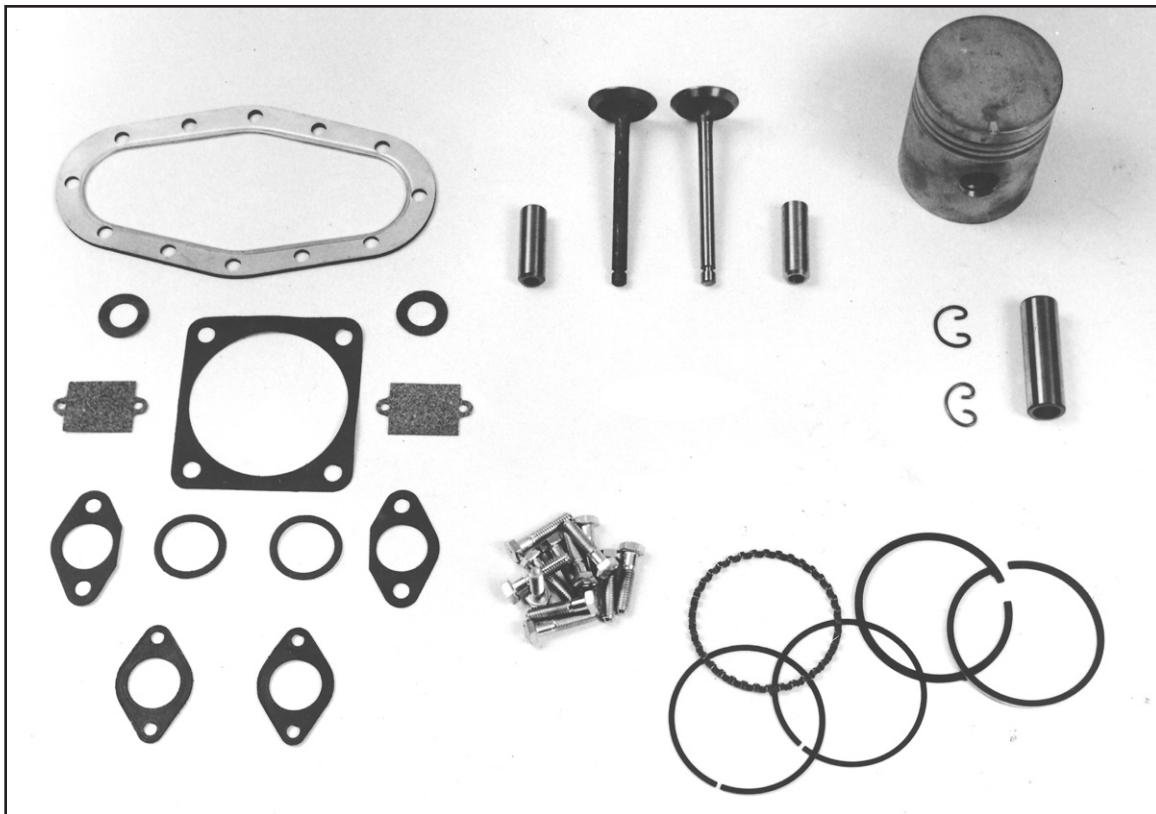
- A. Clutch 12644**..... \$189.00
fits in forward and reverse or high and low "L" Models—Kohler, 400 Riders
- B. Wheel Hub** with Splines * Improved 500 series \$209.00
- C. Axle** Keyways Warestarting at \$24.00
- D. Gasket** front casting \$11.00
- E. Gasket** Kohler \$8.00
- F. Locking Tabs**..... \$4.25 ea.
- G. High-Range Clutch Hub** 11148 \$89.00
22496 \$135.00
- H. Ring Gear** Kohler models 11182..... \$179.00

*500 and 5000 Parts,
Used Axles and Hubs available*

Gravely Power Renew Parts

Kit #1 fits all "L" Model Walkbehinds

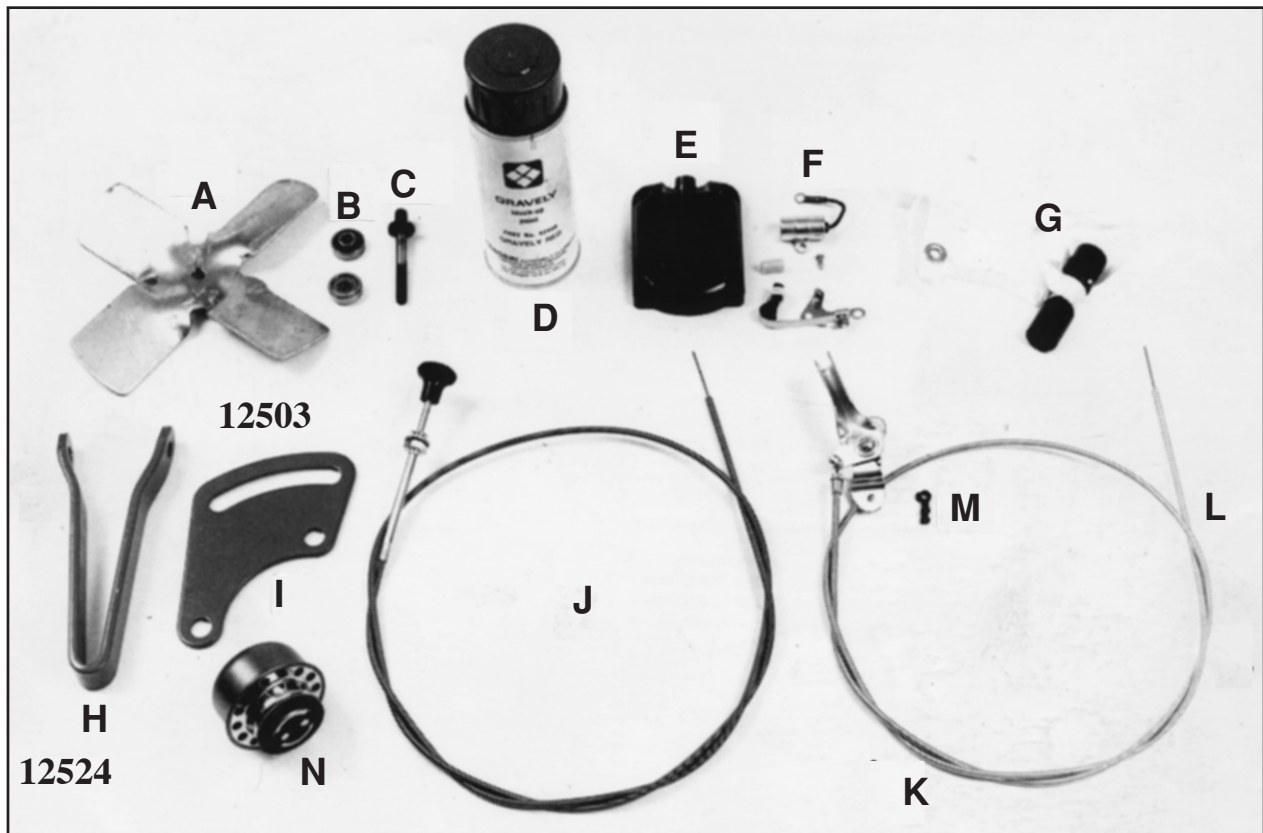
Includes:
pistons and rings STD-030,
both valve guides, keepers,
gaskets, head bolt set



Pistons are std. .010, .020, .030, oversize
A GOOD VALUE AT Call for Pricing
OVERSIZE - ADDITIONAL

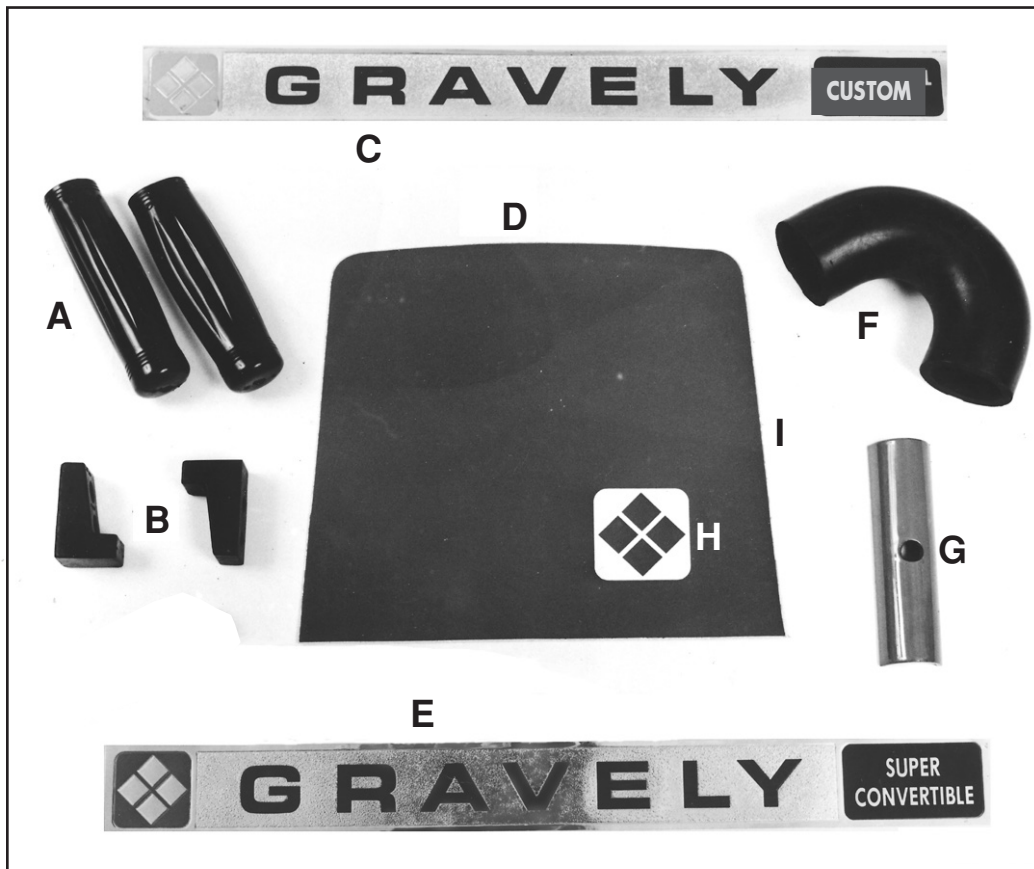
*We bore "L" Model cylinders that
are scratched or out of round.
Send us your cylinder—we service and fit
the right piston and ring set for clearance.*

Miscellaneous "L" Parts



A. Fan 12397	\$29.00
B. Fan Bearing 5139	\$18.00 ea.
C. Fan Shaft 5137.....	\$45.00
D. Red Paint	\$12.00
E. Fairbanks Magneto Cap	\$44.00
F. Fairbanks 7.6 Points and Condensers.....	OEM \$40.00
G. Pullstrap 13452	\$14.00
H. Rotary Plow Adjustment Handle ..	\$18.00
I. Rotary Plow Adjustment Bracket..	\$11.50
J. Choke Cable	\$11.00
K. Throttle	\$11.00
L. Throttle Kohler models	\$13.50
M. Governor Clip.....	\$3.50 ea.
N. Oil Cap Chrome 10884	\$27.75

Accessories



*The air cleaner hoses are expensive,
but they are twice as thick now.*

- A. **Grips** anti-vibe black \ white \$5.50 ea.
- B. **Hood Bumpers** \$13.50 ea.
- C., D., E. **Decals**.....*Call for prices*
- F. **7.6 HP Filter Hose** pictured \$68.00
- F. **6.6 Hose** 13044 long hose..... \$89.00
- F. **6.6 Hose** 13045 short hose \$37.00
- G. **Handlebar Reinforcement** \$7.50 ea.
- H. **4 Seasons Decal** (shown on decal "D.") *Call for prices*