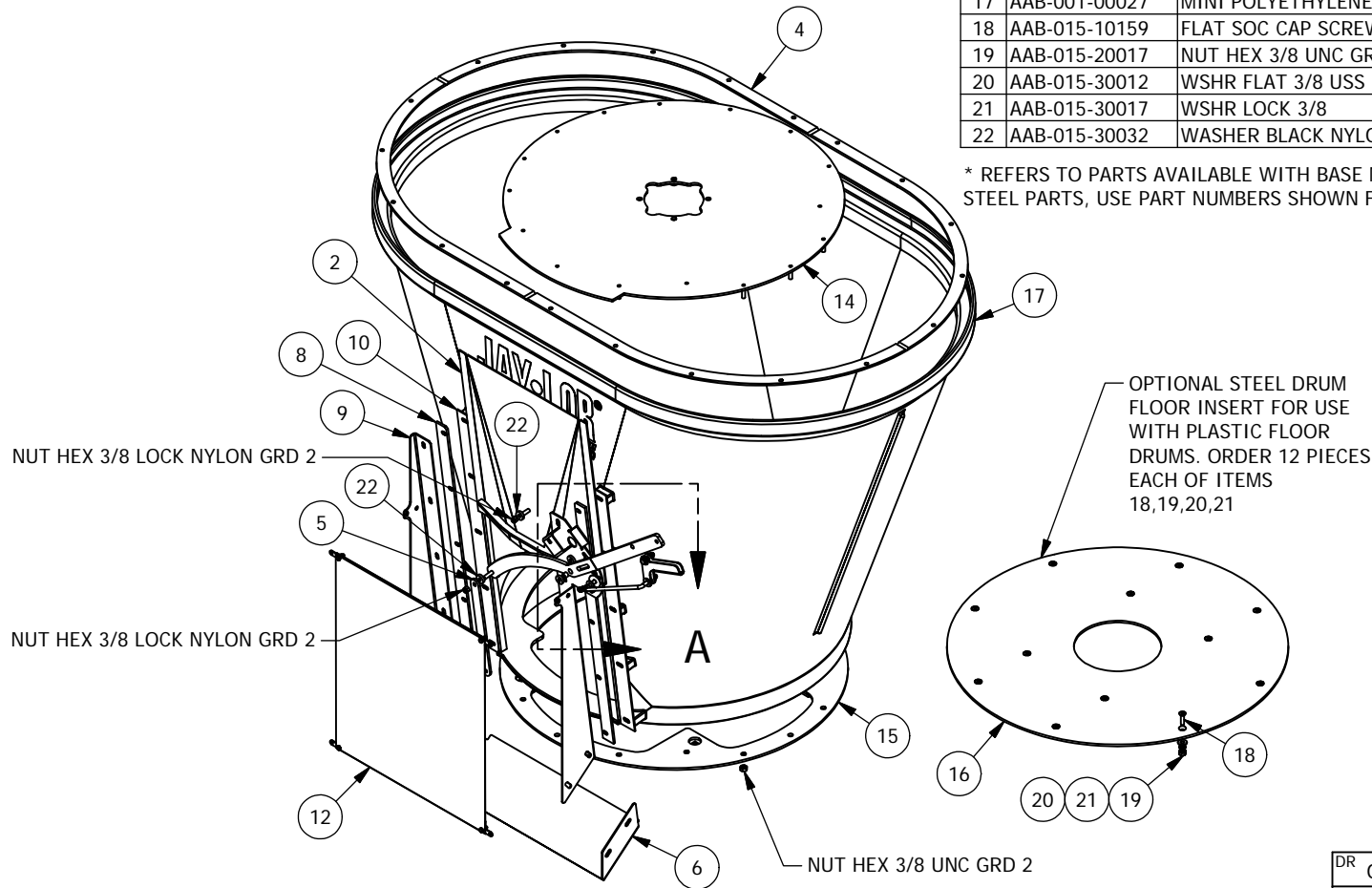


NOTE: THESE DRUM PARTS SHOULD ONLY BE INSTALLED ON THE NEW STYLE LARGE DOOR DRUM WITH DOOR OPENING MEASURING 18IN. WIDE BY 22IN. HIGH. DRUM PARTS FOR THE OLD STYLE SMALL DOOR DRUM ARE ALSO SHOWN IN THIS PARTS BOOK. PLEASE CHECK DOOR SIZE BEFORE ORDERING ANY OF THESE PARTS.

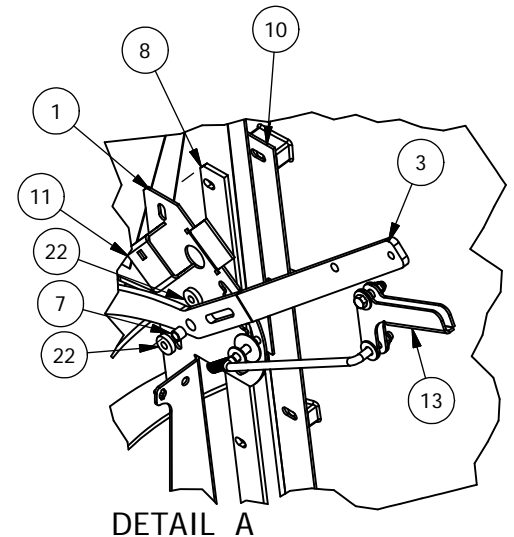
Parts List

ITE	PART NUMBER	TITLE	QTY
1	AAA-001-00990*	MINI OUTER DOOR TRACK RTH DISCHARGE FRT 1/8T	1
2	AAA-001-00991*	MINI DRUM DOOR WELDMNT	1
3	AAA-001-00993	MINI DOOR HANDLE WELDMNT	1
4	AAA-001-00995*	A50 UPPR DRUM RING WELDMNT	1
5	AAA-001-00997	MINI DOOR LINKAGE 1/4T	1
6	AAA-001-00998*	MINI DISCHARGE CHUTE 1/8T	1
7	AAA-001-01001	PIPE SIZE 1/4 SCH 10 X 7/16L	1
8	AAA-001-01005*	MINI DOOR SPCR 1/4T	2
9	AAA-001-01006*	MINI OUTER DOOR TRACK RTH DISCHARGE REAR 1/8T	1
10	AAA-001-01007*	MINI INNER DOOR TRACK 1/8T	2
11	AAA-001-01086	MINI DOOR SWITCH BRKT 1/8T	1
12	AAA-001-01129	MINI LARGE DOOR DISCHARGE SHIELD KIT	1
13	AAA-001-01131	MINI DOOR POSITION LOCK KIT	1
14	AAA-001-01352	A50 INNER DRUM FLR WELDMNT	1
15	AAA-001-01356	A50 DRUM MNT RING WELDMNT	1
16	AAA-001-01371	A50 DRUM FLR INSERT 1/4T	1
17	AAB-001-00027	MINI POLYETHYLENE DRUM 50CUFT	1
18	AAB-015-10159	FLAT SOC CAP SCREW 3/8-16 X 1-1/2L GRD 8	12
19	AAB-015-20017	NUT HEX 3/8 UNC GRD 2	13
20	AAB-015-30012	WSHR FLAT 3/8 USS	12
21	AAB-015-30017	WSHR LOCK 3/8	12
22	AAB-015-30032	WASHER BLACK NYLON 3/8ID X 1OD X 1/4T	4

* REFERS TO PARTS AVAILABLE WITH BASE MATERIAL BEING STAINLESS STEEL. TO ORDER STAINLESS STEEL PARTS, USE PART NUMBERS SHOWN FOLLOWED BY 'SS'. EXAMPLE: AAA-001-00990 SS



OPTIONAL STEEL DRUM FLOOR INSERT FOR USE WITH PLASTIC FLOOR DRUMS. ORDER 12 PIECES EACH OF ITEMS 18,19,20,21



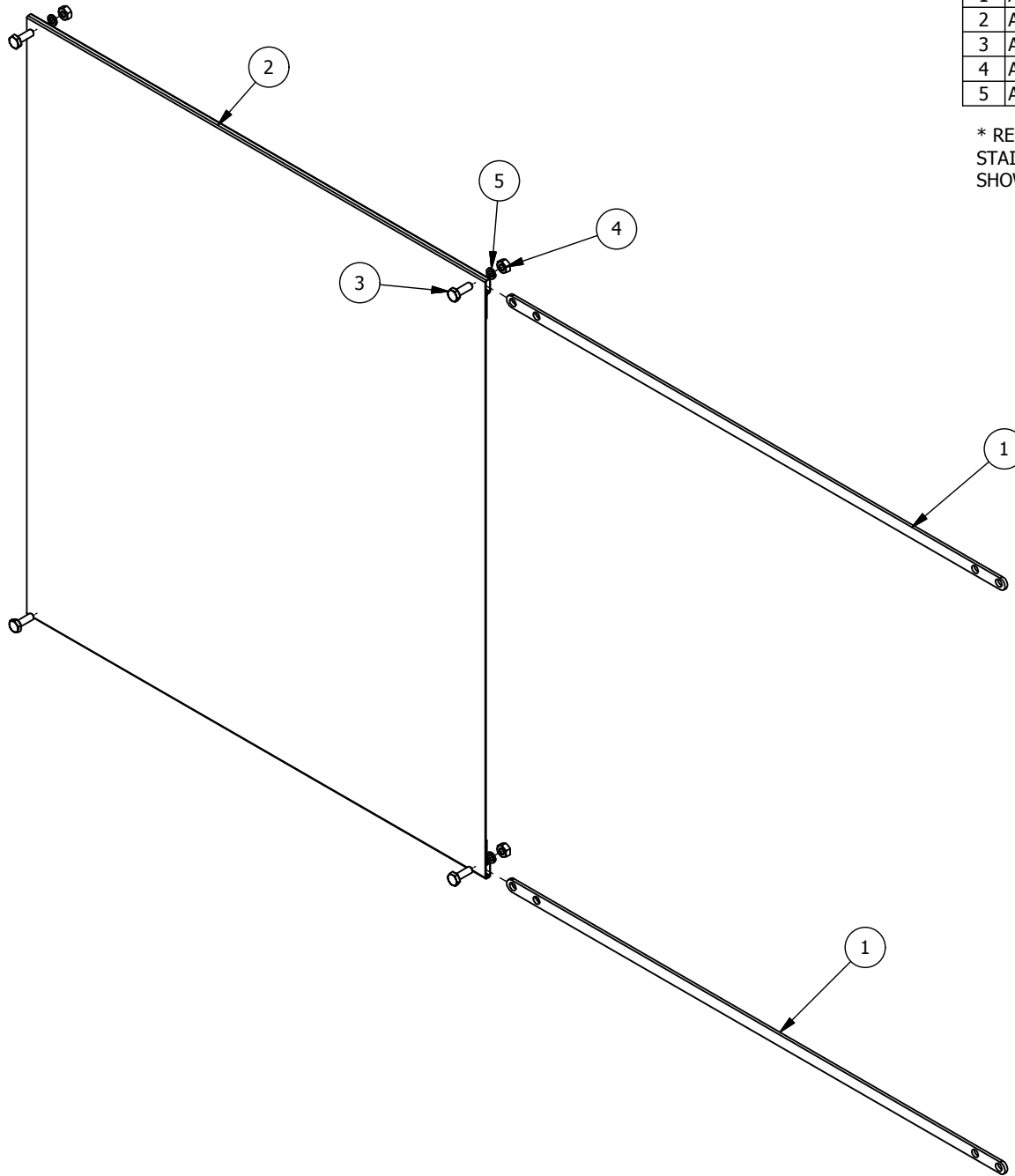
UNITS	PAPER A	SHEET 1 OF 1	R#	DATE	DESCRIPTION	DR	CK	DR GM	TOLERANCES (UNLESS SPECIFIED OTHERWISE)			
TITLE	A50 SELF-PROPELLED/STATIONARY LARGE DOOR DRUM PARTS					FILE NO	AAA-054-00031.idw	DAT	2/2/2011		FRACTIONAL ± 1/16"	
								MAT	DEC X X ± 0.1"		DEC X XX ± 0.06"	DEC X XXX ± 0.031"

CONFIDENTIAL: THESE DRAWINGS AND COPIES THEREOF REMAIN THE PROPERTY OF JAY-LOR FABRICATING INC. ANY PERSON FOUND UNLAWFULLY USING, DISTRIBUTING, OR IN POSSESSION OF THE ABOVE WILL BE PROSECUTED

Parts List

ITE	PART NUMBER	TITLE	QTY
1	AAA-001-01087*	MINI TARP SHIELD SUPT BAR 1/8T	2
2	AAB-001-00034	MINI TARP DISHCARGE SHIELD 23W X 26H X 40OZ	1
3	AAB-015-10089*	BOLT HEX 1/4 X 3/4 UNC GRD 5	4
4	AAB-015-20036*	NUT HEX 1/4 UNC GRD 5	4
5	AAB-015-30025*	WSHR LOCK 1/4	4

* REFERS TO PARTS THAT ARE ALSO AVAILABLE WITH BASE MATERIAL BEING STAINLESS STEEL. TO ORDER STAINLESS STEEL PARTS, USE PART NUMBERS SHOWN FOLLOWED BY ' SS'. EXAMPLE: AAA-001-01087 SS



DR	GM	TOLERANCES (UNLESS SPECIFIED OTHERWISE) FRACTIONAL ± 1/16" DEC X.X ± 0.1" DEC X.XX ± 0.06" DEC X.XXX ± 0.031" ANGULAR ± 0.5°	JAY•LOR Fabricating Inc
DAT	11/8/2011		
MAT			

UNITS	PAPER A	SHEET 1 OF 1	R#	DATE	DESCRIPTION	DR	CK
-------	---------	--------------	----	------	-------------	----	----

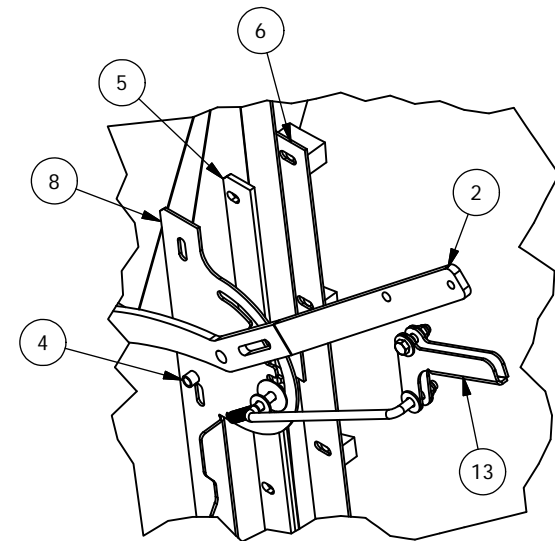
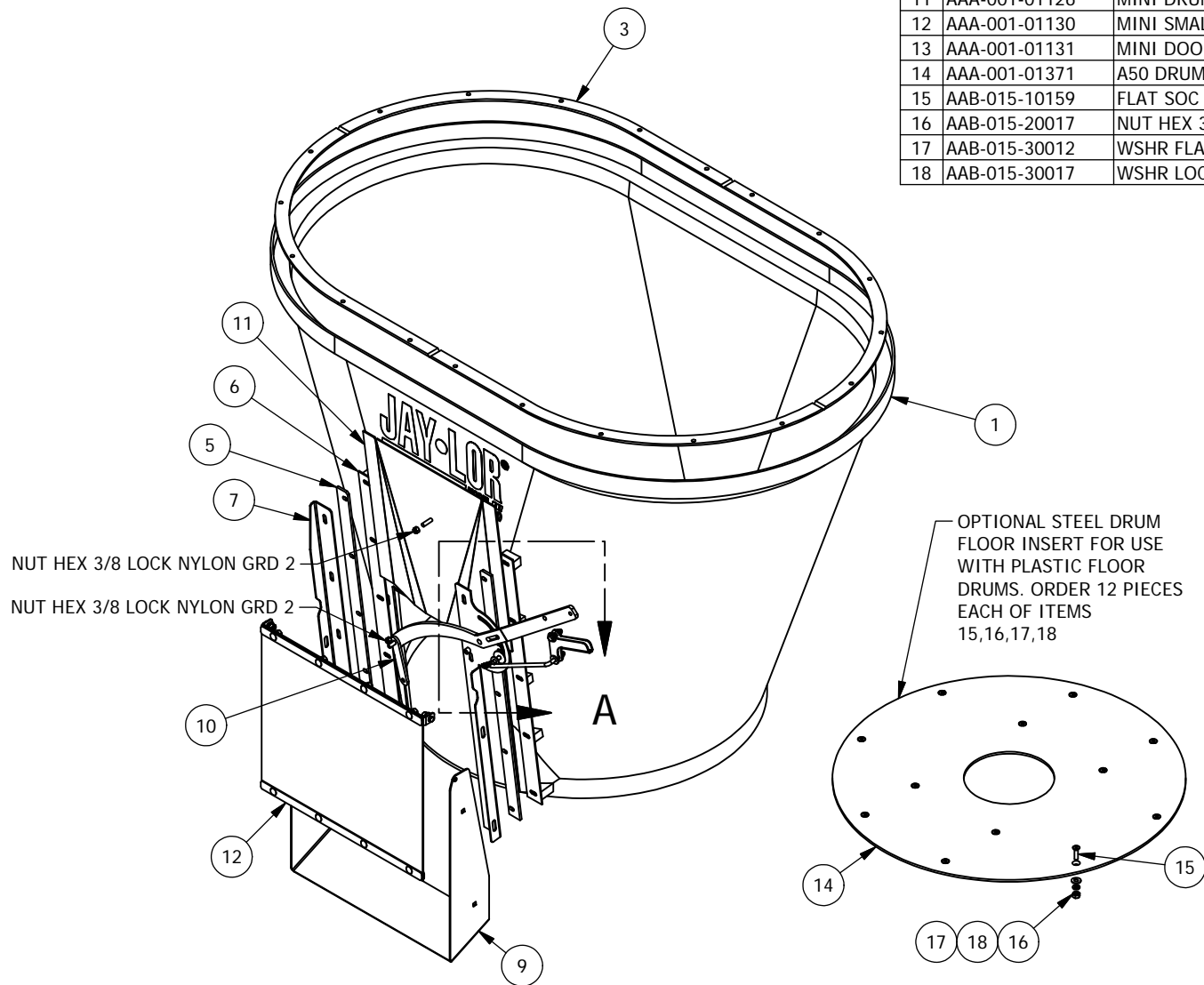
TITLE MINI LARGE DOOR DISCHARGE SHIELD KIT FILE NO AAA-001-01129.idw

CONFIDENTIAL: THESE DRAWINGS AND COPIES THEREOF REMAIN THE PROPERTY OF JAY-LOR FABRICATING INC. ANY PERSON FOUND UNLAWFULLY USING, DISTRIBUTING, OR IN POSSESSION OF THE ABOVE WILL BE PROSECUTED

NOTE: THESE DRUM PARTS SHOULD ONLY BE INSTALLED ON THE OLD STYLE SMALL DOOR DRUM WITH DOOR OPENING MEASURING 16IN. WIDE BY 19IN. HIGH. DRUM PARTS FOR THE NEW STYLE LARGE DOOR DRUM ARE ALSO SHOWN IN THIS PARTS BOOK. PLEASE CHECK DOOR SIZE BEFORE ORDERING ANY OF THESE PARTS.

Parts List

ITE	PART NUMBER	TITLE	QTY
1		MINI POLYETHYLENE SMALL DOOR DRUM 50CUFT - OBSOLETE	1
2	AAA-001-00993	MINI DOOR HANDLE WELDMENT	1
3	AAA-001-00995	A50 UPPR DRUM RING WELDMNT	1
4	AAA-001-01001	PIPE SIZE 1/4 SCH 10 X 7/16L	1
5	AAA-001-01005	MINI DOOR SPCR 1/4T	2
6	AAA-001-01007	MINI INNER DOOR TRACK 1/8T	2
7	AAA-001-01121	MINI OUTER DOOR TRACK REAR (SMALL DOOR DRUM) 1/8T	1
8	AAA-001-01122	MINI OUTER DOOR TRACK FRT (SMALL DOOR DRUM) 1/8T	1
9	AAA-001-01123	MINI DISCHARGE CHUTE (SMALL DOOR DRUM) 1/8T	1
10	AAA-001-01124	MINI DOOR LINKAGE (SMALL DOOR DRUM) 1/4T	1
11	AAA-001-01126	MINI DRUM DOOR WELDMNT (SMALL DOOR DRUM)	1
12	AAA-001-01130	MINI SMALL DOOR DISCHARGE SHIELD KIT	1
13	AAA-001-01131	MINI DOOR POSITION LOCK KIT	1
14	AAA-001-01371	A50 DRUM FLR INSERT 1/4T	1
15	AAB-015-10159	FLAT SOC CAP SCREW 3/8-16 X 1-1/2L GRD 8	12
16	AAB-015-20017	NUT HEX 3/8 UNC GRD 2	12
17	AAB-015-30012	WSHR FLAT 3/8 USS	12
18	AAB-015-30017	WSHR LOCK 3/8	12



DETAIL A

OPTIONAL STEEL DRUM FLOOR FLOOR INSERT FOR USE WITH PLASTIC FLOOR DRUMS. ORDER 12 PIECES EACH OF ITEMS 15,16,17,18

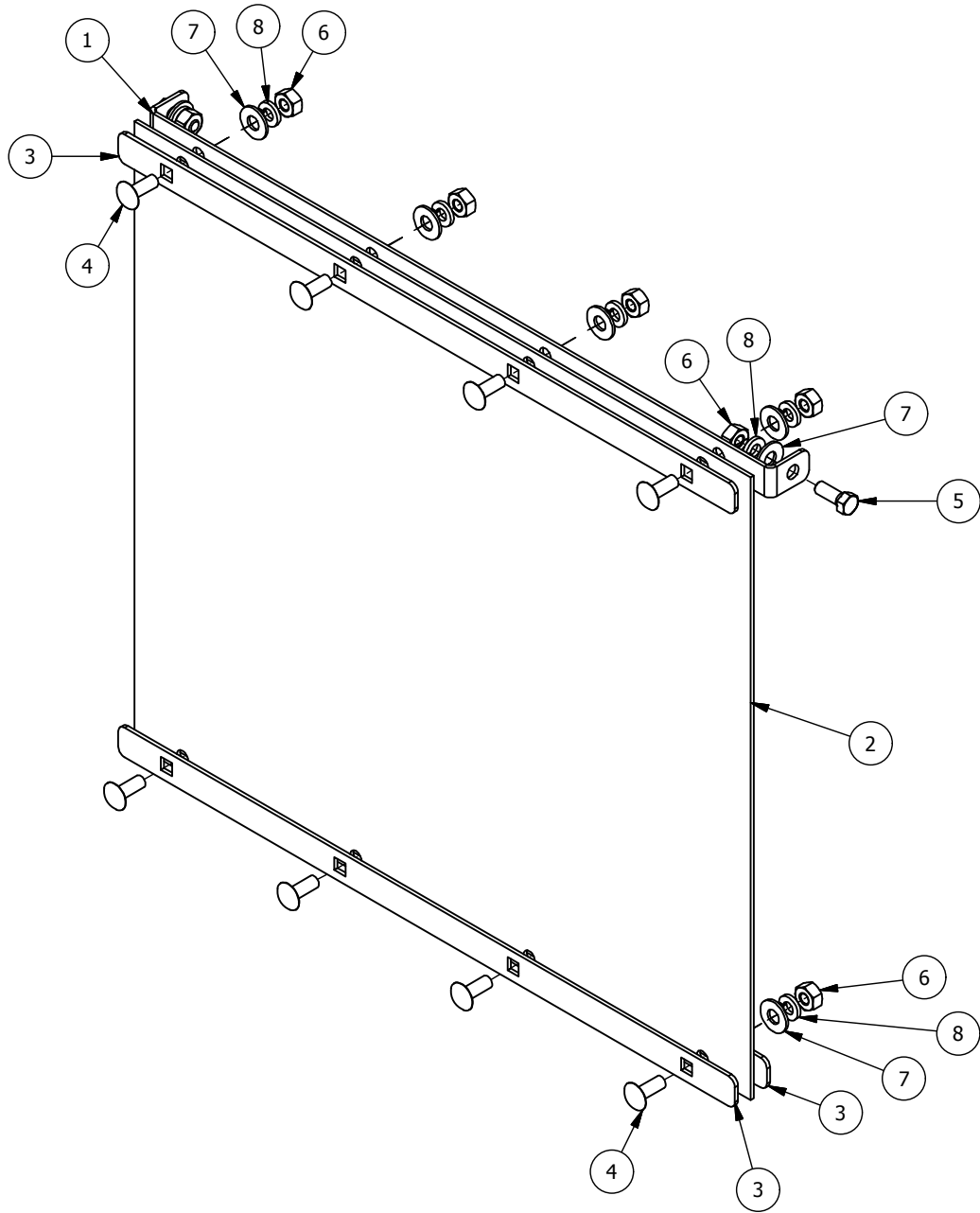
DR	GM	TOLERANCES (UNLESS SPECIFIED OTHERWISE) FRACTIONAL ± 1/16" DEC X.X ± 0.1" DEC X.XX ± 0.06" DEC X.XXX ± 0.031" ANGULAR ± 0.5°	JAY-LOR Fabricating Inc
DAT	11/8/2011		
MAT			

UNITS	PAPER A	SHEET 1 OF 1	R#	DATE	DESCRIPTION	DR	CK
TITLE A50 SELF-PROPELLED/STATIONARY SMALL DOOR DRUM PARTS						FILE NO	AAA-054-00060.idw

CONFIDENTIAL: THESE DRAWINGS AND COPIES THEREOF REMAIN THE PROPERTY OF JAY-LOR FABRICATING INC. ANY PERSON FOUND UNLAWFULLY USING, DISTRIBUTING, OR IN POSSESSION OF THE ABOVE WILL BE PROSECUTED

Parts List

ITE	PART NUMBER	TITLE	QTY
1	AAA-001-00999	MINI DISCHARGE SHIELD BRKT 1/8T	1
2	AAA-001-01000	MINI DISCHARGE SHIELD RUBR 1/8T	1
3	AAA-001-01011	MINI DOOR DISCHARGE SHIELD BRACE 1/8T	3
4	AAB-015-10028	BOLT CARRIAGE 3/8 X 1 UNC	8
5	AAB-015-10056	BOLT HEX 3/8 X 1 UNC GRD 2	2
6	AAB-015-20017	NUT HEX 3/8 UNC GRD 2	10
7	AAB-015-30012	WSHR FLAT 3/8 USS	10
8	AAB-015-30017	WSHR LOCK 3/8	10

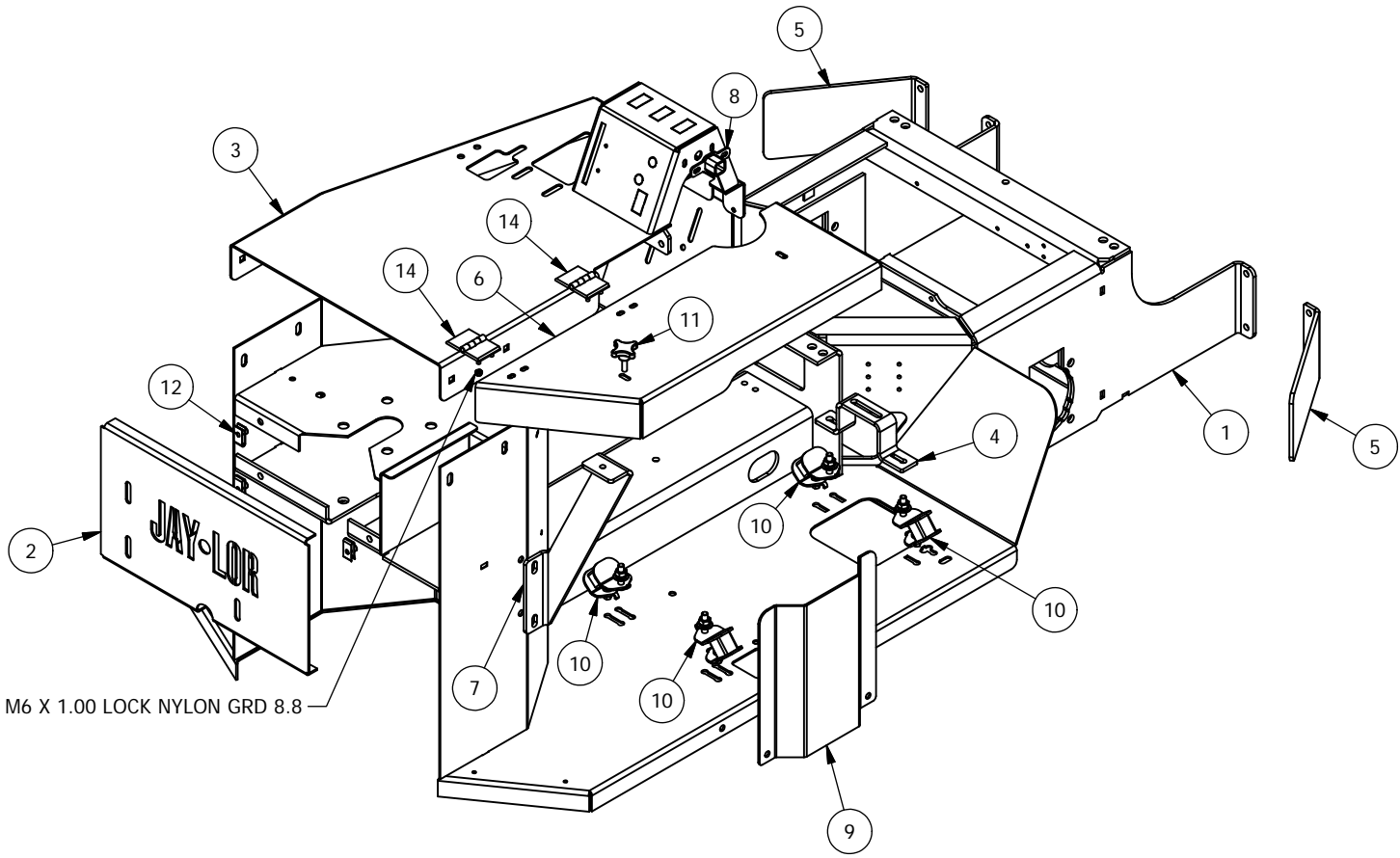


DR	GM	TOLERANCES (UNLESS SPECIFIED OTHERWISE) FRACTIONAL ± 1/16" DEC X.X ± 0.1" DEC X.XX ± 0.06" DEC X.XXX ± 0.031" ANGULAR ± 0.5°	
DAT	11/8/2011		
MAT			

UNITS	PAPER A	SHEET 1 OF 1	R#	DATE	DESCRIPTION	DR	CK
TITLE MINI SMALL DOOR DISCHARGE SHIELD KIT						FILE NO AAA-001-01130.idw	

CONFIDENTIAL: THESE DRAWINGS AND COPIES THEREOF REMAIN THE PROPERTY OF JAY-LOR FABRICATING INC. ANY PERSON FOUND UNLAWFULLY USING, DISTRIBUTING, OR IN POSSESSION OF THE ABOVE WILL BE PROSECUTED

Parts List			
ITE	PART NUMBER	TITLE	QTY
1	AAA-002-00535	A50 MOBILE UNDERFRAME WELDMENT	1
2	AAA-002-00554	MINI MOBILE FRT COVER 1/8T	1
3	AAA-002-00598	MINI MOBILE TOP COVER AND CONSOLE WELDMENT	1
4	AAA-002-00686	MINI MOBILE ISOLATOR SUPT BRKT 1/4T	1
5	AAA-002-00810	MINI MOBILE REAR FENDER 1/4T	2
6	AAA-002-01048	MINI MOBILE ENGINE COVER WELDMENT	1
7	AAA-002-01050	MINI MOBILE ENGINE COVER SUPT LEG WELDMENT	1
8	AAA-002-01053	MINI MOBILE ENGINE COVER HOLD WELDMENT	1
9	AAA-007-00135	MINI ENGINE WIRING SHIELD 1/8T	1
10	AAA-007-00702	MINI 45DEG ENGINE ISOLATOR KIT	4
11	AAB-015-10161	PHENOLIC 4-LOBE KNOB 5/16-18 X 0.984 STUD	1
12	AAB-015-20033	EXTRUDED PANEL NUT 3/8-16	3
13	AAB-015-20049	NUT HEX M6 X 1.00 LOCK NYLON GRD 8.8	1
14	AAB-015-50005	METAL LEAF HINGE WITH STUDS/ BLACK POWDER COAT/ TYPE 16	2



NUT HEX M6 X 1.00 LOCK NYLON GRD 8.8

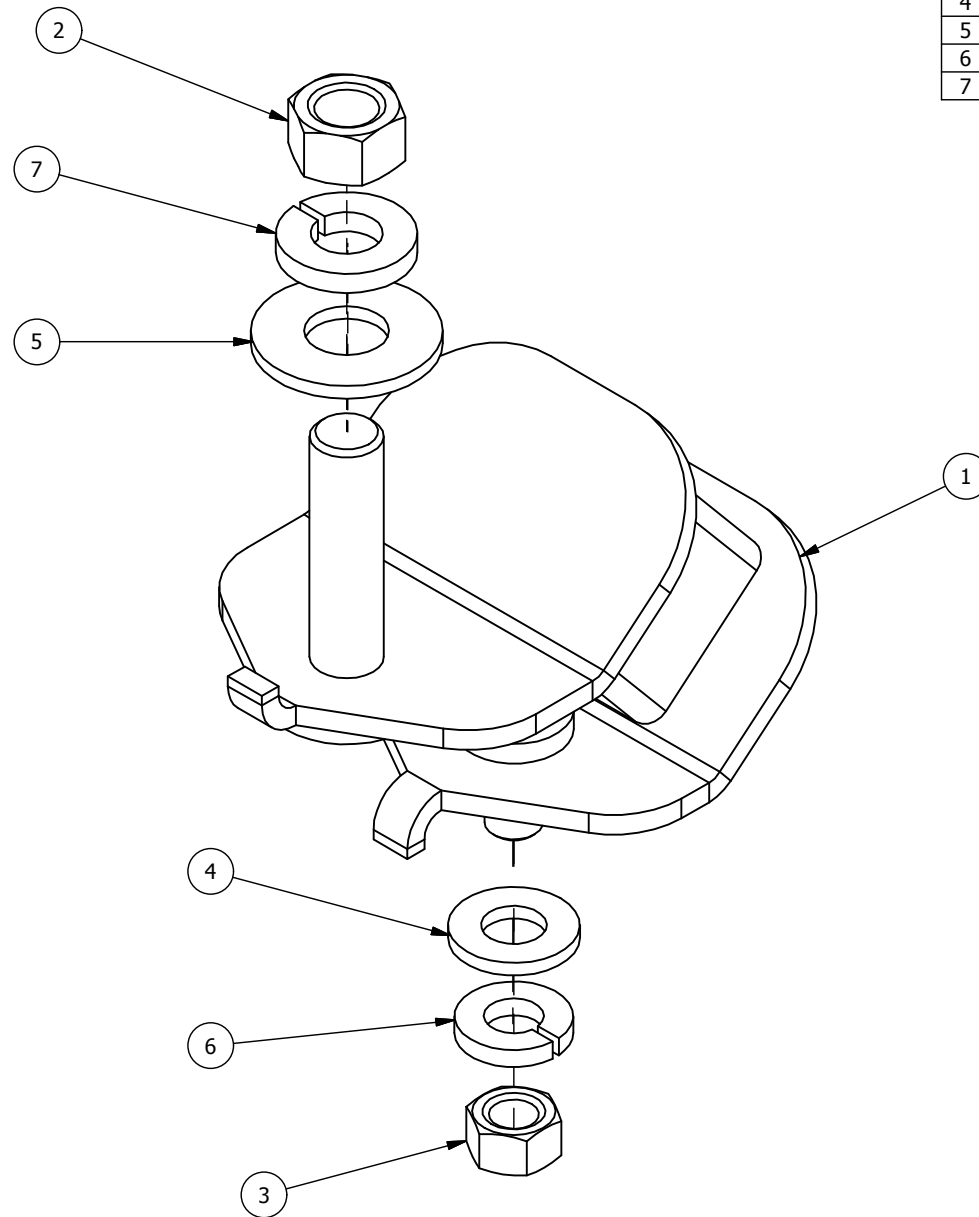
DR	GM	TOLERANCES (UNLESS SPECIFIED OTHERWISE) FRACTIONAL ± 1/16" DEC X.X ± 0.1" DEC X.XX ± 0.06" DEC X.XXX ± 0.031" ANGULAR ± 0.5°	
DAT	2/2/2011		
MAT			

UNITS	PAPER A	SHEET 1 OF 1	R#	DATE	DESCRIPTION	DR	CK
TITLE A50 SELF-PROPELLED FRAME/POWER SUPPLY MNT PARTS						FILE NO	AAA-054-00032.idw

CONFIDENTIAL: THESE DRAWINGS AND COPIES THEREOF REMAIN THE PROPERTY OF JAY-LOR FABRICATING INC. ANY PERSON FOUND UNLAWFULLY USING, DISTRIBUTING, OR IN POSSESSION OF THE ABOVE WILL BE PROSECUTED

Parts List

ITE	PART NUMBER	TITLE	QTY
1	AAB-007-00743	MINI 45DEG ENGINE ISOLATOR	1
2	AAB-015-20038	NUT HEX M10 X 1.25	1
3	AAB-015-20039	NUT HEX M8 X 1.25	1
4	AAB-015-30011	WSHR FLAT 5/16 USS	1
5	AAB-015-30012	WSHR FLAT 3/8 USS	1
6	AAB-015-30016	WSHR LOCK 5/16	1
7	AAB-015-30017	WSHR LOCK 3/8	1



DR	GM	TOLERANCES (UNLESS SPECIFIED OTHERWISE) FRACTIONAL ± 1/16" DEC X.X ± 0.1" DEC X.XX ± 0.06" DEC X.XXX ± 0.031" ANGULAR ± 0.5°	JAY•LOR Fabricating Inc
DAT	11/9/2011		
MAT			

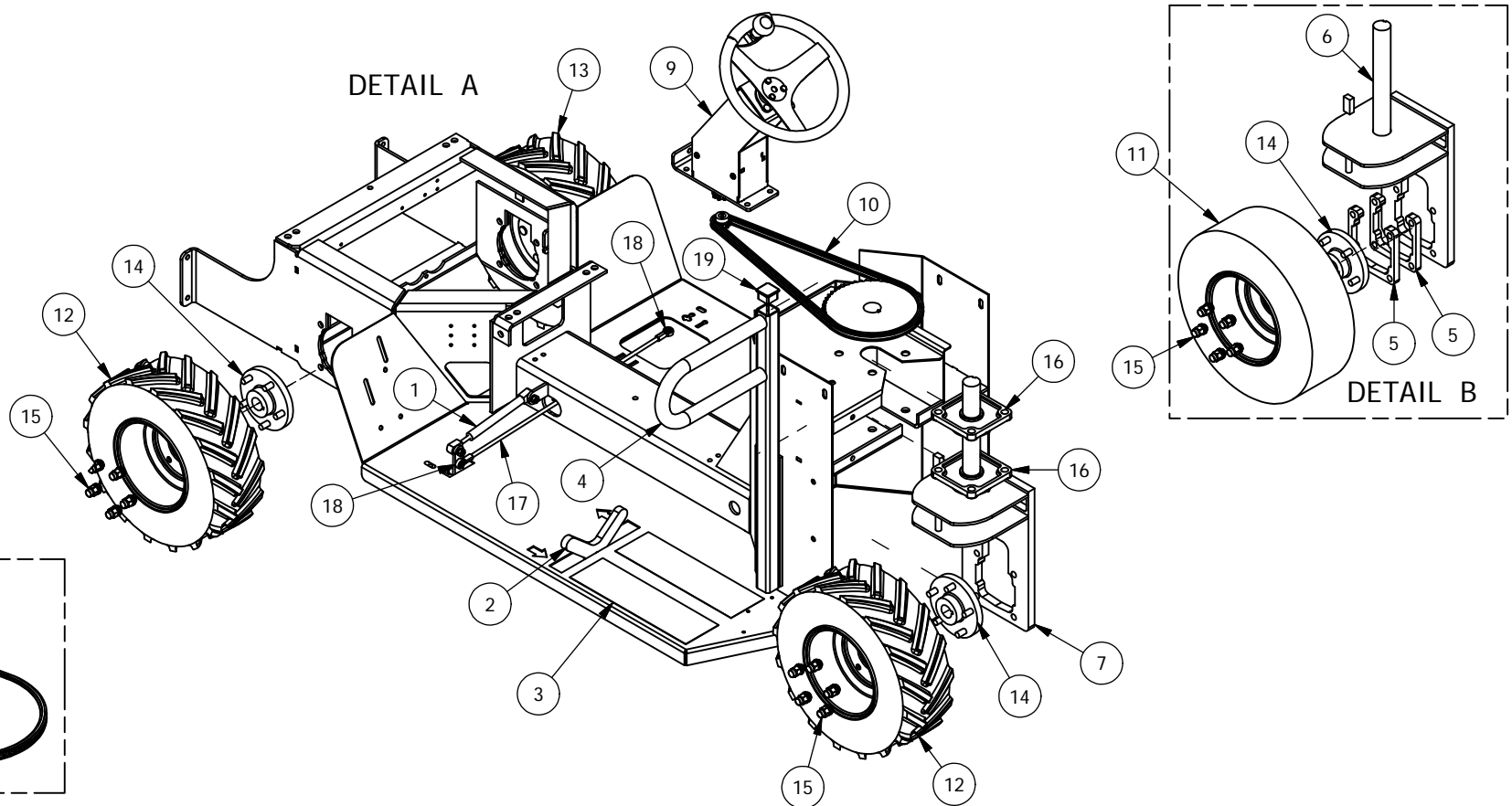
UNITS	PAPER A	SHEET 1 OF 1	R#	DATE	DESCRIPTION	DR	CK
-------	---------	--------------	----	------	-------------	----	----

TITLE MINI 45DEG ENGINE ISOLATOR KIT FILE NO AAA-007-00702.idw

CONFIDENTIAL: THESE DRAWINGS AND COPIES THEREOF REMAIN THE PROPERTY OF JAY-LOR FABRICATING INC. ANY PERSON FOUND UNLAWFULLY USING, DISTRIBUTING, OR IN POSSESSION OF THE ABOVE WILL BE PROSECUTED

Parts List				Parts List			
ITE	PART NUMBER	TITLE	QTY	ITE	PART NUMBER	TITLE	QTY
1	AAA-000-00176	MINI GAS DAMPER KIT	1	11	AAB-004-00139	SUPER LUG 16X6.50-8NHS 4PR RIM 8X5.38 5/4.5 +0.89 OFFSET RH TREAD	1
2	AAA-000-00182	MINI PEDAL PIVOT ASSY	1	12	AAB-004-00140	SUPER LUG 16X6.50-8NHS 4PR RIM 8X5.38 5/4.5 -0.89 OFFSET RH TREAD	2
3	AAA-003-00195	ANTI SKID TAPE 4W X 14L	2	13	AAB-004-00141	SUPER LUG 16X6.50-8NHS 4PR RIM 8X5.38 5/4.5 -0.89 OFFSET LH TREAD	1
4	AAA-003-00199	MINI MOBILE OPERATOR SUPT WELDMENT	1	14	AAB-004-00143	MINI CAST WHEEL HUB 5 BOLT 4-1/2DIA BCD 35MM TAPERED SHAFT	4
5	AAA-004-00131	MINI WHEEL MOTOR SPCR PLT 5/8T	2	15	AAB-004-00144	NUT HEX TAPERED WHEEL 1/2-20 UNF CAPPED	20
6	AAA-004-00132	MINI MOBILE STEER WELDMENT	1	16	AAB-007-00661	FLNG BRNG 1-1/2 UCF 208-24	2
7	AAA-004-00151	MINI MOBILE NARROW STEER WELDMENT	1	17	AAB-009-00671	A50/A100 HYDROSTAT STROKE BAR 5/16DIA X 23-3/4L	1
8	AAA-004-00170	MINI #35 STEERING CHAIN/SPROCKET KIT	1	18	AAB-015-40014	ROD END MALE 3/8DIA	2
9	AAA-004-00211	MINI MECHANICAL STEERING SYSTEM KIT	1	19	AAB-015-50002	CAP POLY 1-1/4 X 1-1/4	1
10	AAA-004-00212	MINI #40 STEERING CHAIN/SPROCKET KIT	1				

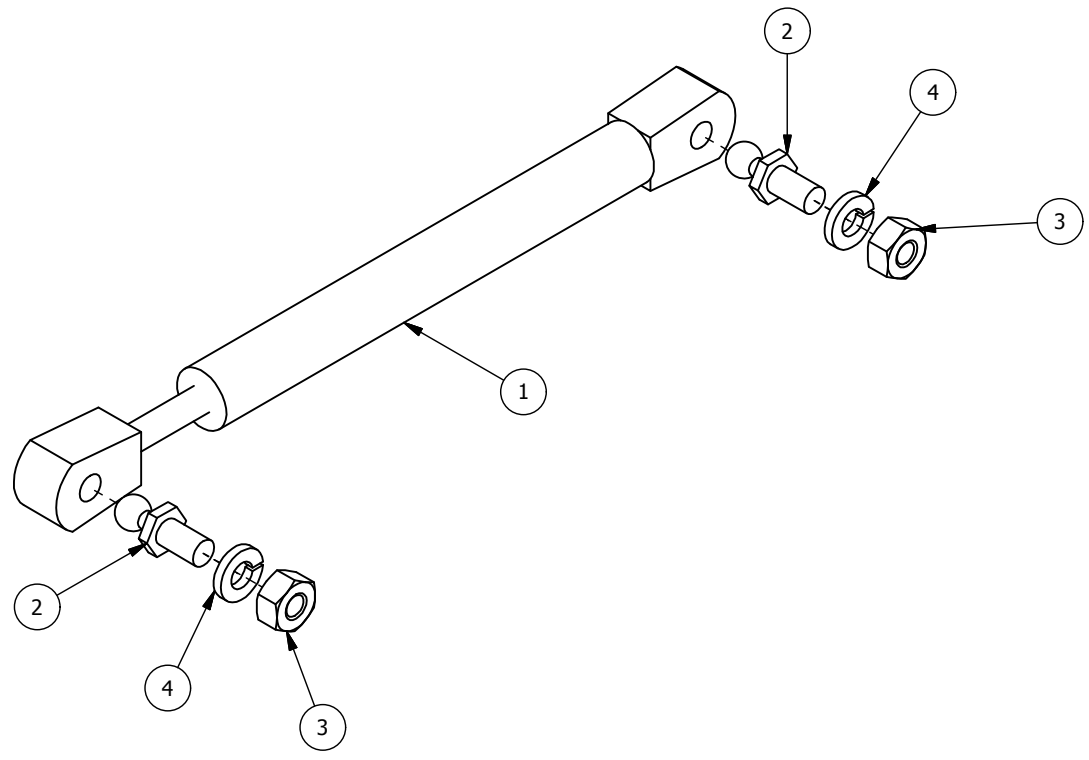
NOTE: NEW STYLE STEERING ASSEMBLY PARTS ARE SHOWN IN 'DETAIL A' AND OLD STYLE STEERING ASSEMBLY PARTS ARE SHOWN IN 'DETAIL B'. THE OLD STYLE STEERING ASSEMBLY WILL HAVE PLATE SPACERS WHEREAS THE NEW STYLE STEERING ASSEMBLY WILL NOT. PLEASE CHECK STYLE BEFORE ORDERING ANY OF THESE PARTS.



'DETAIL C' SHOWS #35 STEERING CHAIN/SPROCKET KIT FROM OLD 'STEERING JACK' SYSTEM.

UNITS	PAPER A	SHEET 1 OF 1	R#	DATE	DESCRIPTION	DR	CK	DR GM	DATE 2/2/2011	MAT	TOLERANCES (UNLESS SPECIFIED OTHERWISE) FRACTIONAL ± 1/16" DEC X.X ± 0.1" DEC X.XX ± 0.06" DEC X.XXX ± 0.031" ANGULAR ± 0.5°	JAY-LOR Fabricating Inc
TITLE A50 SELF-PROPELLED DRIVE PARTS						FILE NO AAA-054-00033.idw		CONFIDENTIAL: THESE DRAWINGS AND COPIES THEREOF REMAIN THE PROPERTY OF JAY-LOR FABRICATING INC. ANY PERSON FOUND UNLAWFULLY USING, DISTRIBUTING, OR IN POSSESSION OF THE ABOVE WILL BE PROSECUTED				

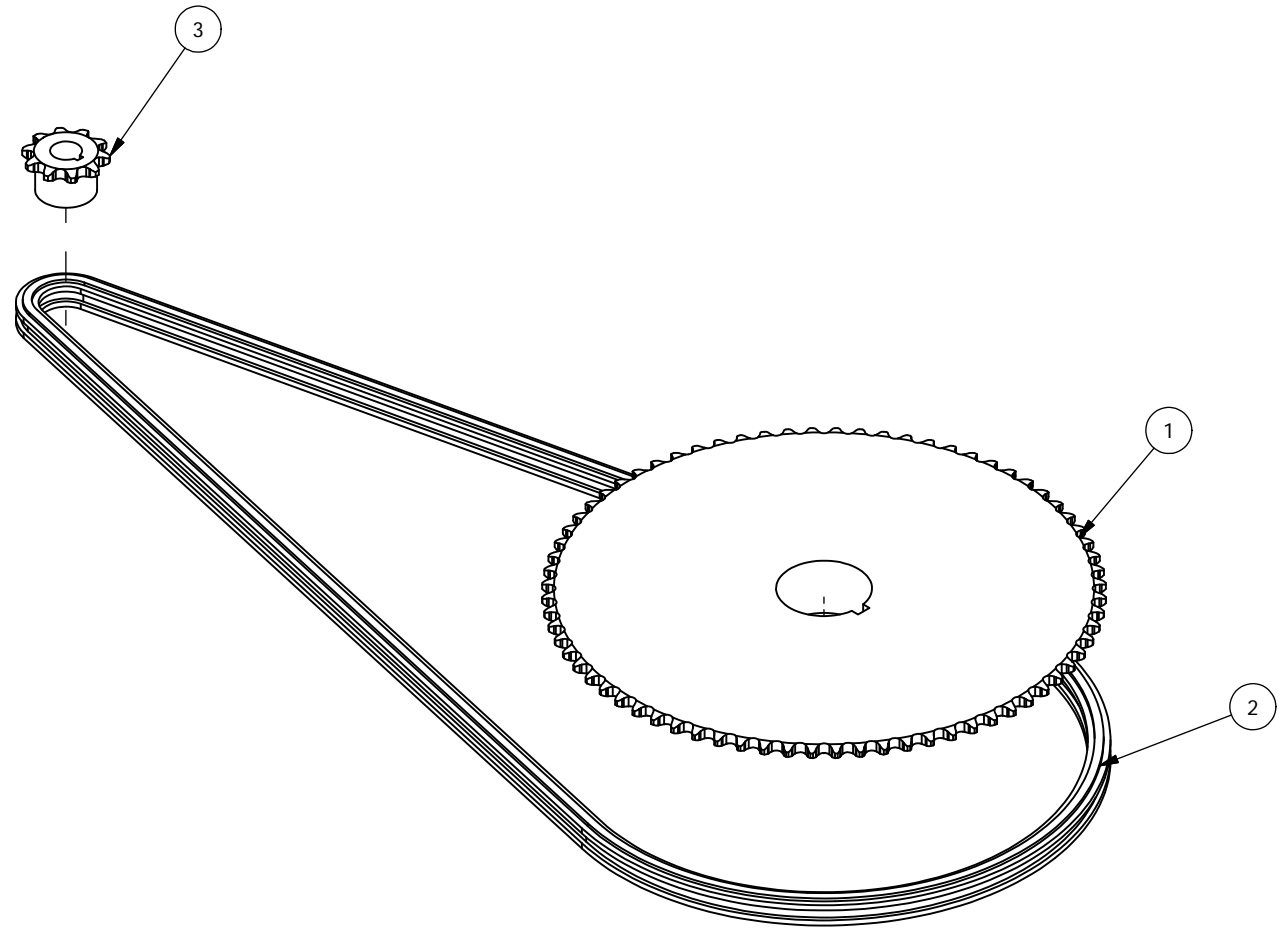
Parts List			
ITE	PART NUMBER	TITLE	QTY
1	AAB-000-00001	MINI GAS DAMPER	1
2	AAB-000-00002	MINI GAS DAMPER BALL END 5/16-18 UNC	2
3	AAB-015-20020	NUT HEX 5/16 UNC GRD 2	2
4	AAB-015-30016	WSHR LOCK 5/16	2



UNITS	PAPER A	SHEET 1 OF 1	R#	DATE	DESCRIPTION	DR	CK
TITLE					FILE NO		
MINI GAS DAMPER KIT					AAA-000-00176.idw		

DR	GM	TOLERANCES (UNLESS SPECIFIED OTHERWISE) FRACTIONAL ± 1/16" DEC X.X ± 0.1" DEC X.XXX ± 0.06" DEC X.XXX ± 0.031" ANGULAR ± 0.5°	JAY•LOR Fabricating Inc
DAT	11/9/2011		
MAT			
CONFIDENTIAL: THESE DRAWINGS AND COPIES THEREOF REMAIN THE PROPERTY OF JAY-LOR FABRICATING INC. ANY PERSON FOUND UNLAWFULLY USING, DISTRIBUTING, OR IN POSSESSION OF THE ABOVE WILL BE PROSECUTED			

Parts List			
ITE	PART NUMBER	TITLE	QTY
2	AAB-004-00135	ROLLER CHAIN 35R-1 X 10FT	1
3	AAB-004-00136	SPROCKET 35-1B10T	1
1	AAB-004-00137	SPROCKET 35-1B72T	1



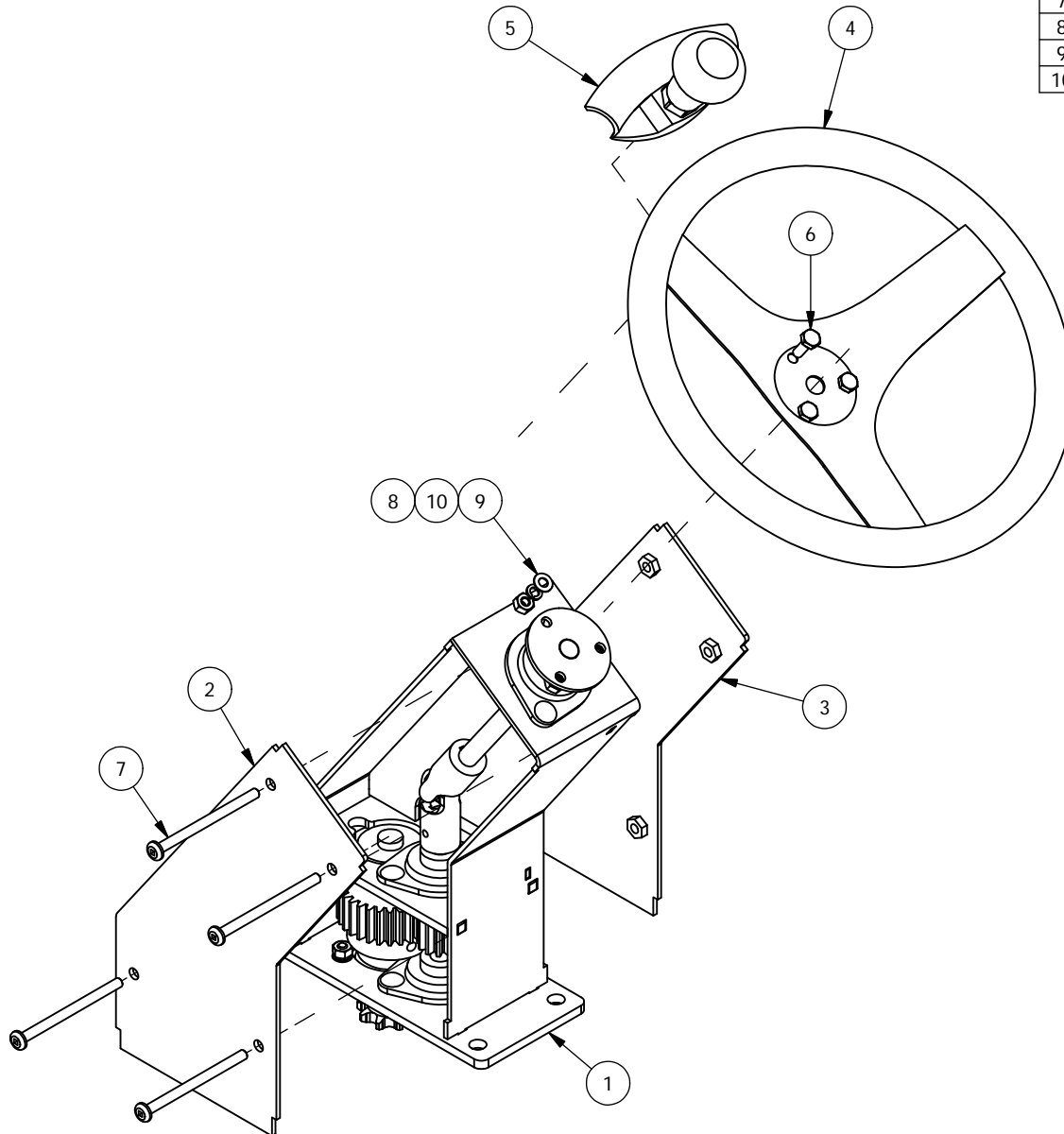
DR	GM	TOLERANCES (UNLESS SPECIFIED OTHERWISE) FRACTIONAL ± 1/16" DEC X.X ± 0.1" DEC X.XX ± 0.06" DEC X.XXX ± 0.031" ANGULAR ± 0.5°	JAY•LOR Fabricating Inc
DAT	9/2/2011		
MAT			

UNITS	PAPER A	SHEET 1 OF 1	R#	DATE	DESCRIPTION	DR	CK
TITLE MINI #35 STEERING CHAIN/SPROCKET KIT						FILE NO AAA-004-00170.idw	

CONFIDENTIAL: THESE DRAWINGS AND COPIES THEREOF REMAIN THE PROPERTY OF JAY-LOR FABRICATING INC. ANY PERSON FOUND UNLAWFULLY USING, DISTRIBUTING, OR IN POSSESSION OF THE ABOVE WILL BE PROSECUTED

Parts List

ITE	PART NUMBER	TITLE	QTY
1	AAA-004-00192	MINI MECHANICAL STEERING ASSY	1
2	AAA-004-00200	MINI MECHANICAL STEERING OUTSIDE COVER 1/8T	1
3	AAA-004-00207	MINI MECHANICAL STEERING INSIDE COVER WELDMENT	1
4	AAB-004-00239	STEERING WHEEL NEOPRENE 120D	1
5	AAB-004-00240	STEERING WHEEL SPINNER	1
6	AAB-015-10089	BOLT HEX 1/4 X 3/4 UNC GRD 5	3
7	AAB-015-10166	SCREW BUTTON HEAD ROBERTSON 1/4-20 X 3-1/2L	4
8	AAB-015-20036	NUT HEX 1/4 UNC GRD 5	3
9	AAB-015-30025	WSHR FLAT 1/4	3
10	AAB-015-30038	WSHR LOCK 1/4	3

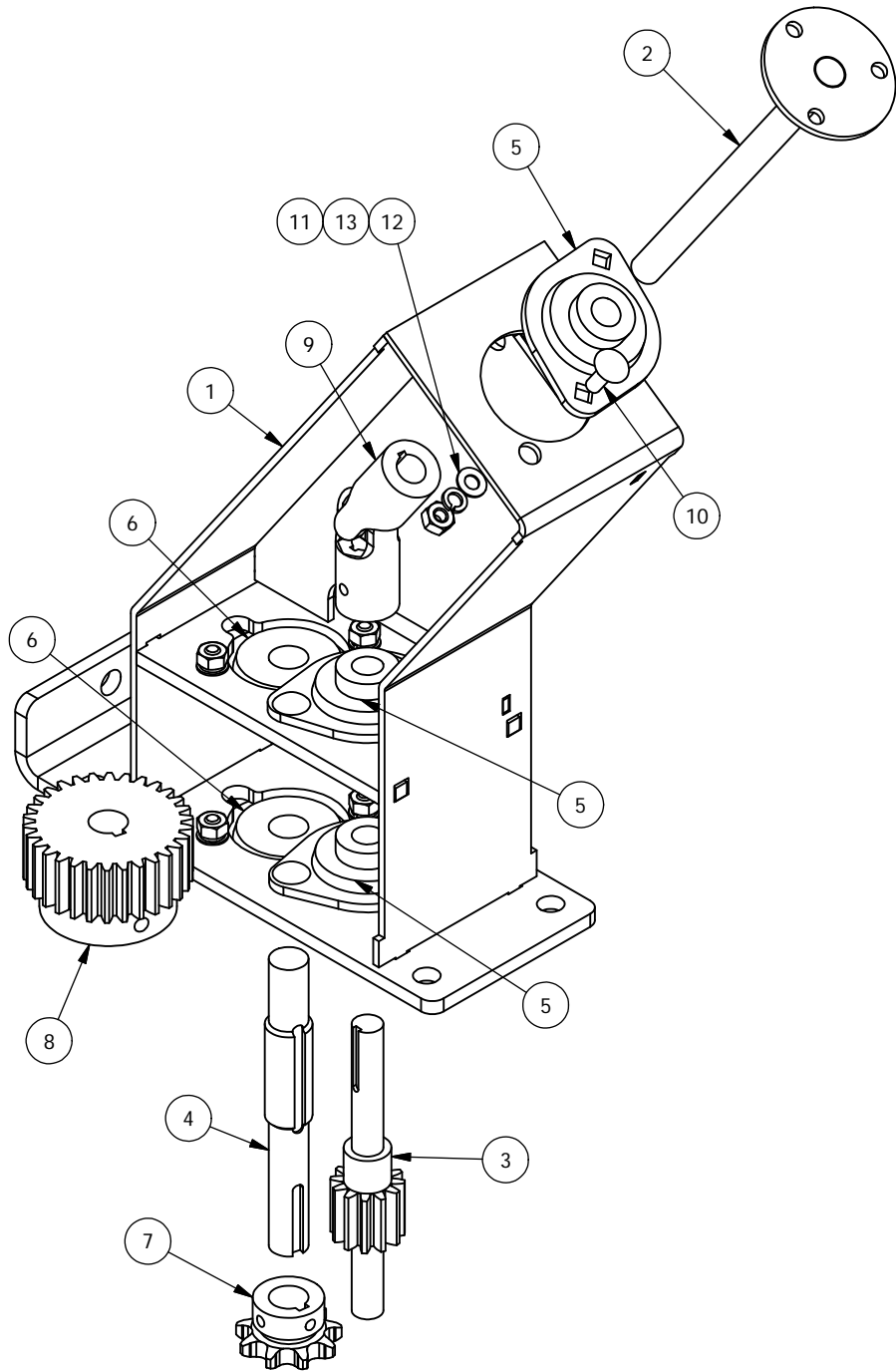


DR	GMills	TOLERANCES (UNLESS SPECIFIED OTHERWISE) FRACTIONAL ± 1/16" DEC X.X ± 0.1" DEC X.XX ± 0.06" DEC X.XXX ± 0.031" ANGULAR ± 0.5°	JAY•LOR Fabricating Inc
DAT	11/4/2013		
MAT			

UNITS	PAPER A	SHEET 1 OF 1	R#	DATE	DESCRIPTION	DR	CK
-------	---------	--------------	----	------	-------------	----	----

TITLE	MINI MECHANICAL STEERING SYSTEM KIT	FILE NO	AAA-004-00211.idw
-------	-------------------------------------	---------	-------------------

CONFIDENTIAL: THESE DRAWINGS AND COPIES THEREOF REMAIN THE PROPERTY OF JAY-LOR FABRICATING INC. ANY PERSON FOUND UNLAWFULLY USING, DISTRIBUTING, OR IN POSSESSION OF THE ABOVE WILL BE PROSECUTED



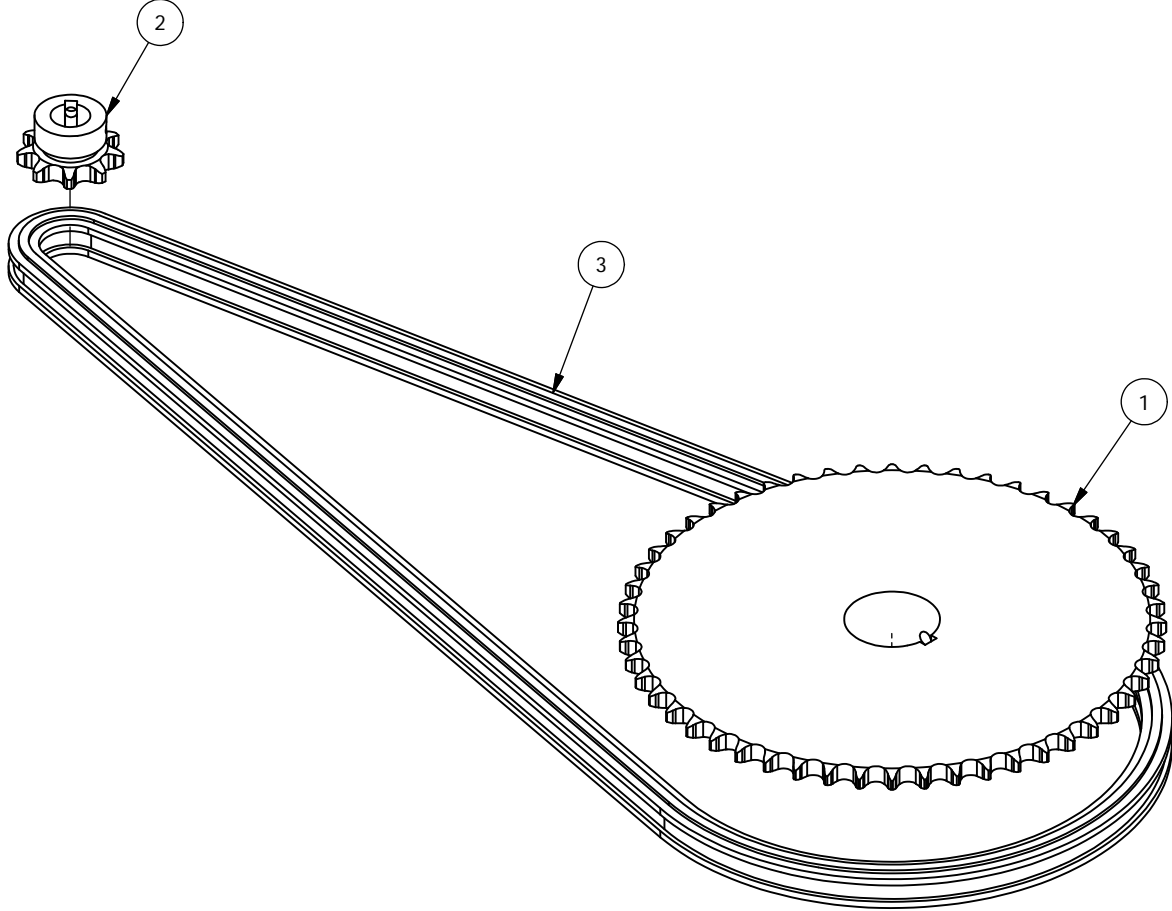
Parts List			
ITE	PART NUMBER	TITLE	QTY
1	AAA-004-00193	MINI MECHANICAL STEERING WELDMNT	1
2	AAA-004-00198	MINI MECHANICAL STEERING UPPR INPUT SHAFT WELDMNT	1
3	AAA-004-00201	MINI MECHANICAL STEERING LWR INPUT SHAFT WELDMNT	1
4	AAA-004-00204	MINI MECHANICAL STEERING LWR OUTPUT SHAFT 5/8DIA X 5-1/2L KEYED	1
5	AAB-004-00169	FLNG BRNG 2-BOLT 1/2ID	3
6	AAB-004-00232	FLNG BRNG 2-BOLT 5/8ID	2
7	AAB-004-00233	SPROCKET #40 9-TOOTH 5/8DIA KEYED BORE	1
8	AAB-004-00236	SPUR GEAR STEEL 12DP/ 1IN FACE/ 20 DEG PA/ 30 TEETH/ 5/8IN BORE/ 3/16 SQ KEYWAY	1
9	AAB-004-00238	STEEL U-JOINT 1/2ID KEYED X 10D X 3-3/8L	1
10	AAB-015-10162	BOLT CARRIAGE 1/4-20 X 3/4L GRD 5	10
11	AAB-015-20036	NUT HEX 1/4 UNC GRD 5	10
12	AAB-015-30025	WSHR FLAT 1/4	10
13	AAB-015-30038	WSHR LOCK 1/4	10

DR	GMills	TOLERANCES (UNLESS SPECIFIED OTHERWISE) FRACTIONAL ± 1/16" DEC X.X ± 0.1" DEC X.XX ± 0.06" DEC X.XXX ± 0.031" ANGULAR ± 0.5°	
DAT	8/8/2013		
MAT			

UNITS	PAPER A	SHEET 1 OF 1	R#	DATE	DESCRIPTION	DR	CK
TITLE MINI MECHANICAL STEERING ASSY						FILE NO AAA-004-00192.idw	

CONFIDENTIAL: THESE DRAWINGS AND COPIES THEREOF REMAIN THE PROPERTY OF JAY-LOR FABRICATING INC. ANY PERSON FOUND UNLAWFULLY USING, DISTRIBUTING, OR IN POSSESSION OF THE ABOVE WILL BE PROSECUTED

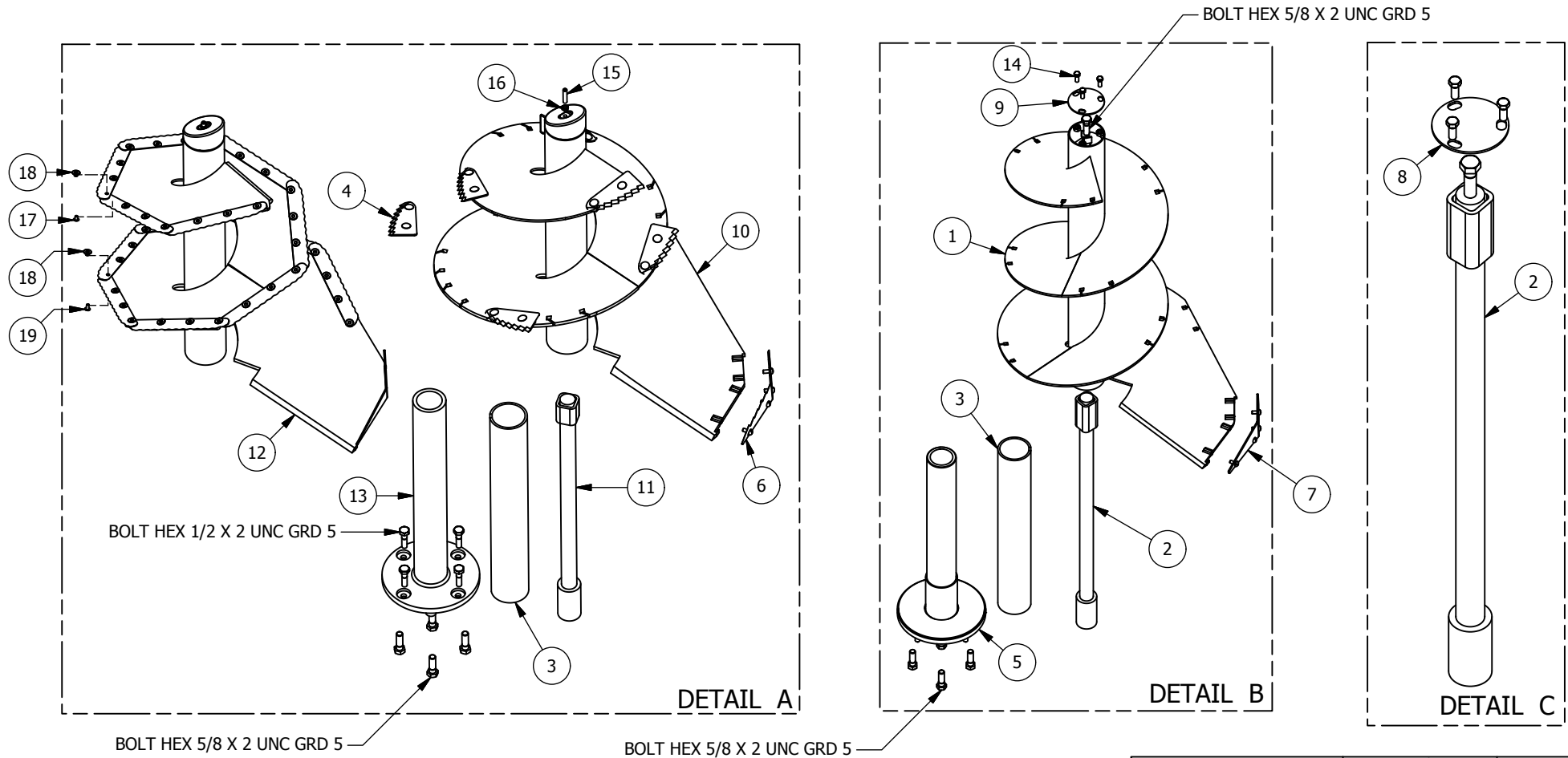
Parts List			
ITE	PART NUMBER	TITLE	QTY
1	AAB-004-00234	SPROCKET #40 52-TOOTH 1-1/2DIA KEYED BORE	1
2	AAB-004-00233	SPROCKET #40 9-TOOTH 5/8DIA KEYED BORE	1
3	AAB-004-00237	ROLLER CHAIN #40 X 10FT	1



UNITS	PAPER A	SHEET 1 OF 1	R#	DATE	DESCRIPTION	DR	CK	MAT	DR GMills	DAT 11/4/2013	TOLERANCES (UNLESS SPECIFIED OTHERWISE)	JAY•LOR <i>Fabricating Inc</i>
TITLE	MINI #40 STEERING CHAIN/SPROCKET KIT					FILE NO	AAA-004-00212.idw		FRACTIONAL ± 1/16" DEC X.X ± 0.1" DEC X.XX ± 0.06" DEC X.XXX ± 0.031" ANGULAR ± 0.5°			
CONFIDENTIAL: THESE DRAWINGS AND COPIES THEREOF REMAIN THE PROPERTY OF JAY-LOR FABRICATING INC. ANY PERSON FOUND UNLAWFULLY USING, DISTRIBUTING, OR IN POSSESSION OF THE ABOVE WILL BE PROSECUTED												

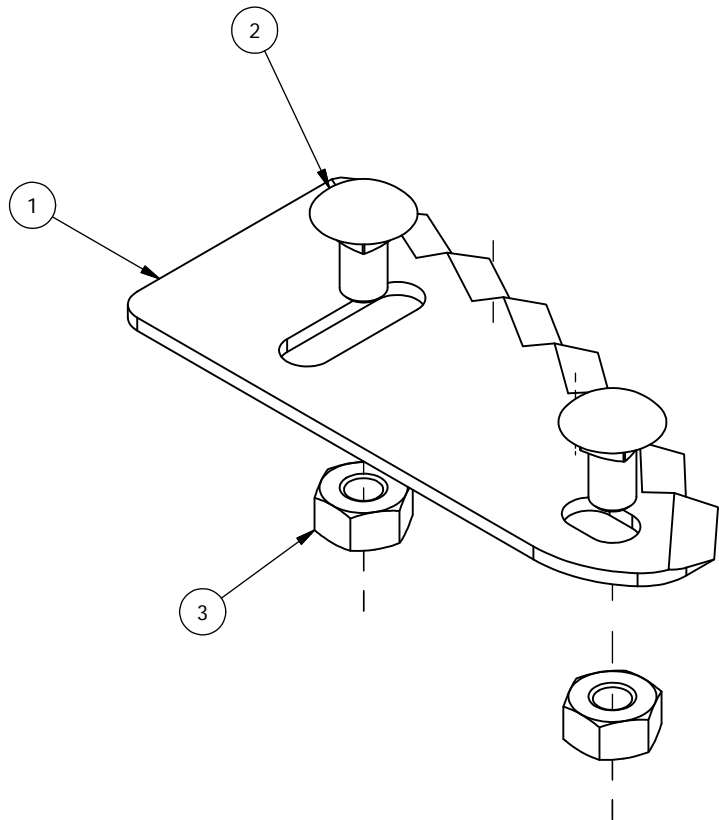
Parts List				Parts List			
ITEM	PART NUMBER	TITLE	QTY	ITEM	PART NUMBER	TITLE	QTY
1	AAA-005-00130 SS	MINI AUGER SS WELDMENT	1	11	AAA-005-00312	MINI AUGER V2 DRIVE SHAFT WELDMENT	1
2	AAA-005-00140	MINI AUGER DRIVE SHAFT WELDMENT	2	12	AAA-005-00319	MINI SQ AUGER WELDMENT	1
3	AAA-005-00143	PVC PIPE SIZE 3IN SCH 40 X 23L	2	13	AAB-005-00115	MINI CAST AUGER SUPT BEARING	1
4	AAA-005-00183	MINI FLAT KNIFE KIT	8	14	AAB-015-10056 SS	BOLT HEX SS 3/8-16 X 1 GRD 5	3
5	AAA-005-00204	MINI AUGER SUPT WELDMENT W/ SS BOTTOM COVER	1	15	AAB-015-10154	SET SCREW SS 3/8-16 X 1-3/4L GRD 8	2
6	AAA-005-00223	MINI ANGLING BLADE KNIFE KIT	1	16	AAB-015-20045	NUT HEX JAM SS 3/8-16 GRD 8	2
7	AAA-005-00252	MINI ANGLING BLADE SS KIT	1	17	AAB-015-10164	SCREW TRUSS HEAD PHILLIPS 1/4-20 X 3/8L	20
8	AAA-005-00276	MINI AUGER CAP WELDMENT	1	18	AAB-015-20050	WELD NUT ROUND BASE 1/4-20 X 5/16L BARREL	40
9	AAA-005-00277	MINI AUGER CAP SS WELDMENT	1	19	AAB-015-10177	SCREW TRUSS HEAD PHILLIPS 1/4-20 X 1/2L	20
10	AAA-005-00310	MINI AUGER V2 WELDMENT	1				

NOTE: 'DETAIL A' SHOWS THE STANDARD ROUND V2 AUGER AND OPTIONAL SQUARE AUGER ALONG WITH CORRESPONDING SHARED PARTS. 'DETAIL B' SHOWS THE STAINLESS STEEL AUGER AND CORRESPONDING PARTS. 'DETAIL C' SHOWS ORIGINAL STANDARD AUGER REPLACEMENT PARTS (USES SAME KNIVES AS V2).



UNITS	PAPER A	SHEET 1 OF 1	R#	DATE	DESCRIPTION	DR	CK	DR	GM	TOLERANCES (UNLESS SPECIFIED OTHERWISE)		JAY-LOR Fabricating Inc	
TITLE	MINI STANDARD/SQUARE/STAINLESS STEEL AUGER PARTS					FILE NO	AAA-054-00034.idw		DAT 2/2/2011 MAT		FRACTIONAL ± 1/16" DEC X.X ± 0.1" DEC X.XX ± 0.06" DEC X.XXX ± 0.031" ANGULAR ± 0.5°		
CONFIDENTIAL: THESE DRAWINGS AND COPIES THEREOF REMAIN THE PROPERTY OF JAY-LOR FABRICATING INC. ANY PERSON FOUND UNLAWFULLY USING, DISTRIBUTING, OR IN POSSESSION OF THE ABOVE WILL BE PROSECUTED													

Parts List			
ITE	PART NUMBER	TITLE	QTY
1	AAB-005-00034	MINI FLAT KNIFE 1/8T	1
2	AAB-015-10147	BOLT CARRIAGE 3/8-16 X 3/4 GRD 5	2
3	AAB-015-20017	NUT HEX 3/8 UNC GRD 2	2

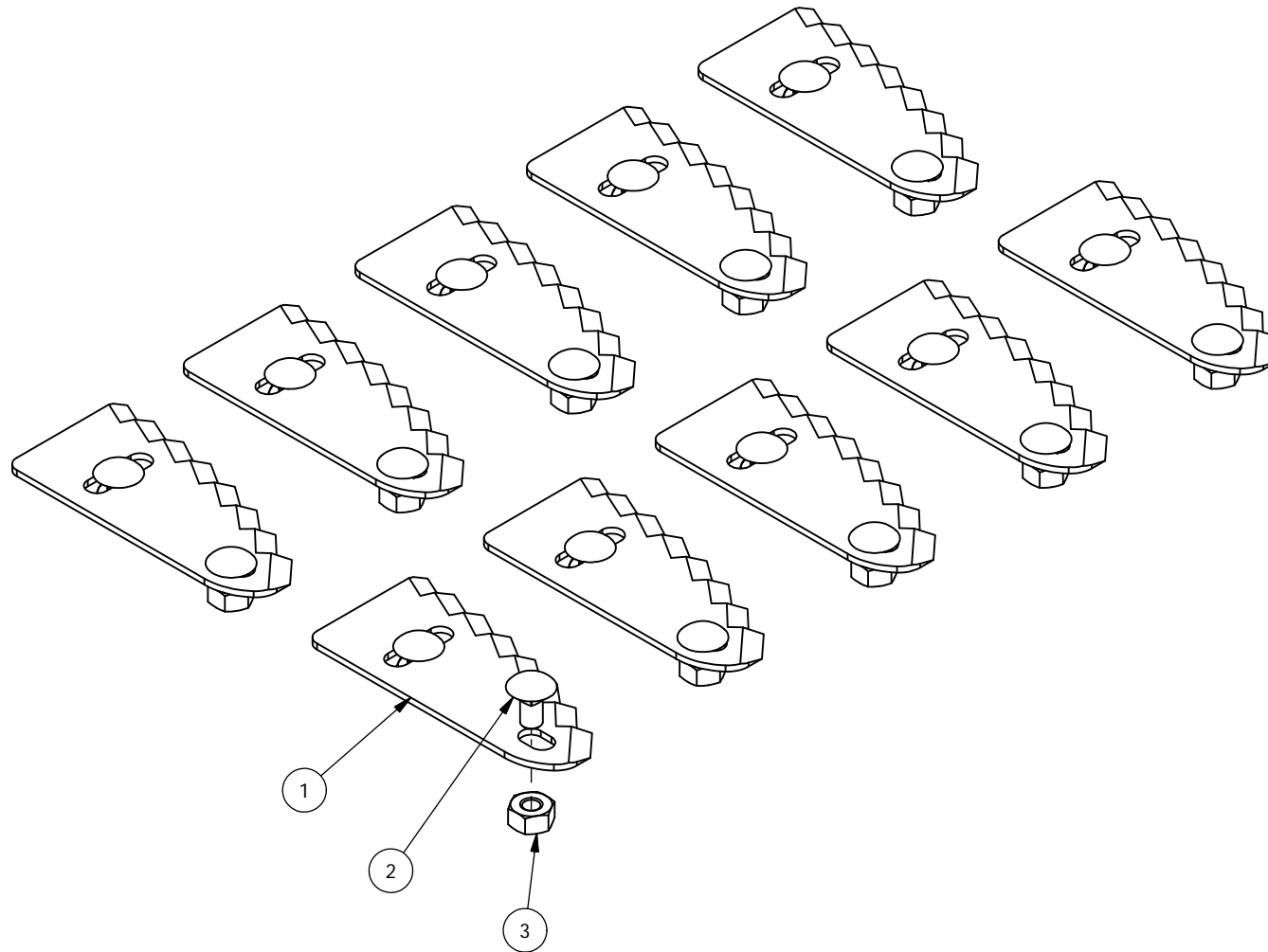


DR	GM	TOLERANCES (UNLESS SPECIFIED OTHERWISE) FRACTIONAL ± 1/16" DEC X.X ± 0.1" DEC X.XX ± 0.06" DEC X.XXX ± 0.031" ANGULAR ± 0.5°	JAY-LOR Fabricating Inc
DAT	4/12/2011		
MAT			

UNITS	PAPER A	SHEET 1 OF 1	R#	DATE	DESCRIPTION	DR	CK
TITLE MINI FLAT KNIFE KIT						FILE NO AAA-005-00183.idw	

CONFIDENTIAL: THESE DRAWINGS AND COPIES THEREOF REMAIN THE PROPERTY OF JAY-LOR FABRICATING INC. ANY PERSON FOUND UNLAWFULLY USING, DISTRIBUTING, OR IN POSSESSION OF THE ABOVE WILL BE PROSECUTED

Parts List			
ITE	PART NUMBER	TITLE	QTY
1	AAB-005-00034	MINI FLAT KNIFE 1/8T	10
2	AAB-015-10147	BOLT CARRIAGE 3/8-16 X 3/4 GRD 5	20
3	AAB-015-20017	NUT HEX 3/8 UNC GRD 2	20

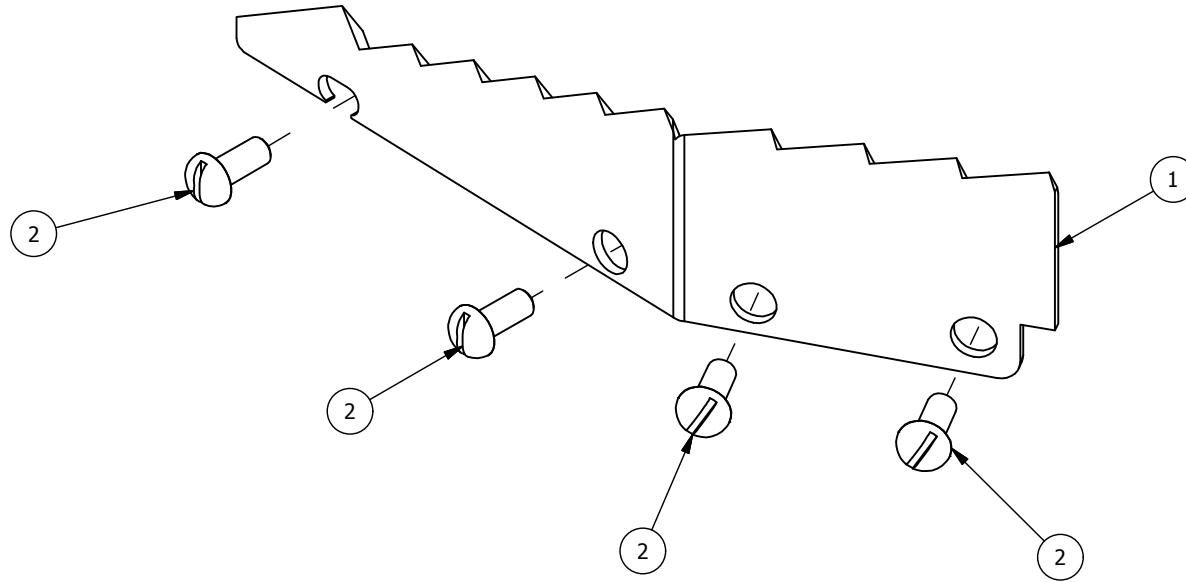


DR	GM	TOLERANCES (UNLESS SPECIFIED OTHERWISE) FRACTIONAL ± 1/16" DEC X.X ± 0.1" DEC X.XX ± 0.06" DEC X.XXX ± 0.031" ANGULAR ± 0.5°	JAY•LOR Fabricating Inc
DAT	3/5/2012		
MAT			

UNITS	PAPER A	SHEET 1 OF 1	R#	DATE	DESCRIPTION	DR	CK
TITLE					FILE NO		

CONFIDENTIAL - THESE DRAWINGS AND COPIES THEREOF REMAIN THE PROPERTY OF JAY-LOR FABRICATING INC. ANY PERSON FOUND UNLAWFULLY USING, DISTRIBUTING, OR IN POSSESSION OF THE ABOVE WILL BE PROSECUTED

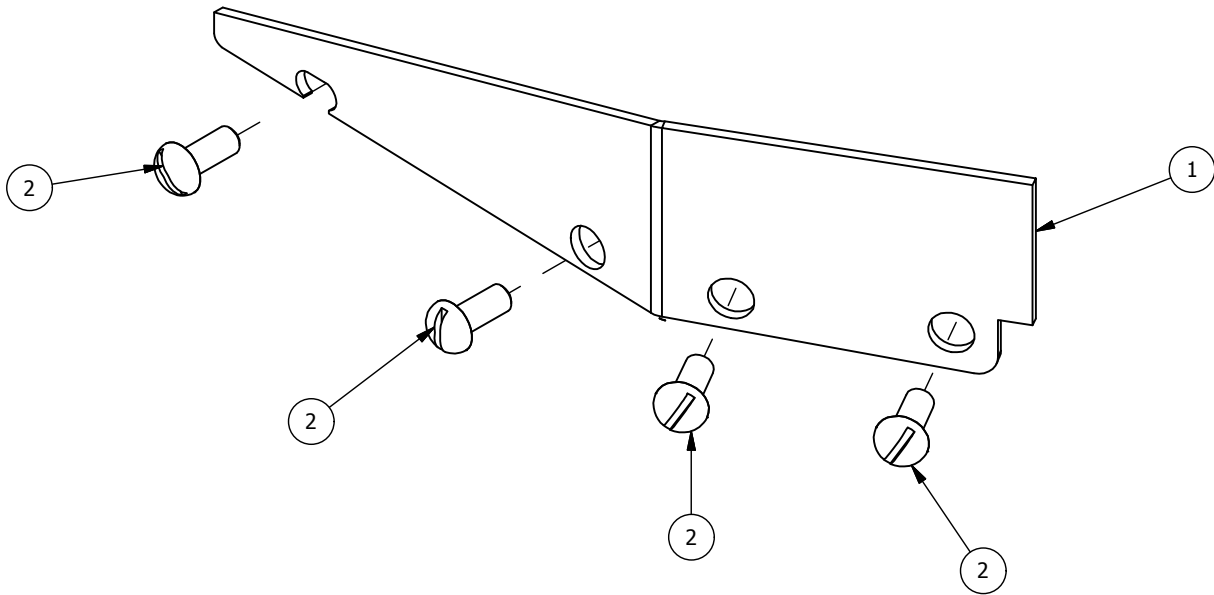
Parts List			
ITE	PART NUMBER	TITLE	QTY
1	AAB-005-00035	MINI ANGLING KNIFE 1/8T	1
2	AAB-015-10107	SCREW MACHINE 5/16-18 X 3/4 S.S.	4



DR	GM	TOLERANCES (UNLESS SPECIFIED OTHERWISE) FRACTIONAL ± 1/16" DEC X.X ± 0.1" DEC X.XX ± 0.06" DEC X.XXX ± 0.031" ANGULAR ± 0.5°	
DAT	9/2/2011		
MAT			
CONFIDENTIAL: THESE DRAWINGS AND COPIES THEREOF REMAIN THE PROPERTY OF JAY-LOR FABRICATING INC. ANY PERSON FOUND UNLAWFULLY USING, DISTRIBUTING, OR IN POSSESSION OF THE ABOVE WILL BE PROSECUTED			

UNITS	PAPER A	SHEET 1 OF 1	R#	DATE	DESCRIPTION	DR	CK
TITLE MINI ANGLING BLADE KNIFE KIT						FILE NO AAA-005-00223.idw	

Parts List			
ITE	PART NUMBER	TITLE	QTY
1	AAB-005-00119	MINI ANGLING BLADE SS 1/8T	1
2	AAB-015-10107	SCREW MACHINE 5/16-18 X 3/4 S.S.	4



UNITS	PAPER A	SHEET 1 OF 1	R#	DATE	DESCRIPTION	DR	CK
TITLE					FILE NO		
MINI ANGLING BLADE SS KIT					AAA-005-00252.idw		

DR	GM	TOLERANCES (UNLESS SPECIFIED OTHERWISE) FRACTIONAL ± 1/16" DEC X.X ± 0.1" DEC X.XX ± 0.06" DEC X.XXX ± 0.031" ANGULAR ± 0.5°	JAY•LOR Fabricating Inc
DAT	11/9/2011		
MAT			
CONFIDENTIAL: THESE DRAWINGS AND COPIES THEREOF REMAIN THE PROPERTY OF JAY-LOR FABRICATING INC. ANY PERSON FOUND UNLAWFULLY USING, DISTRIBUTING, OR IN POSSESSION OF THE ABOVE WILL BE PROSECUTED			

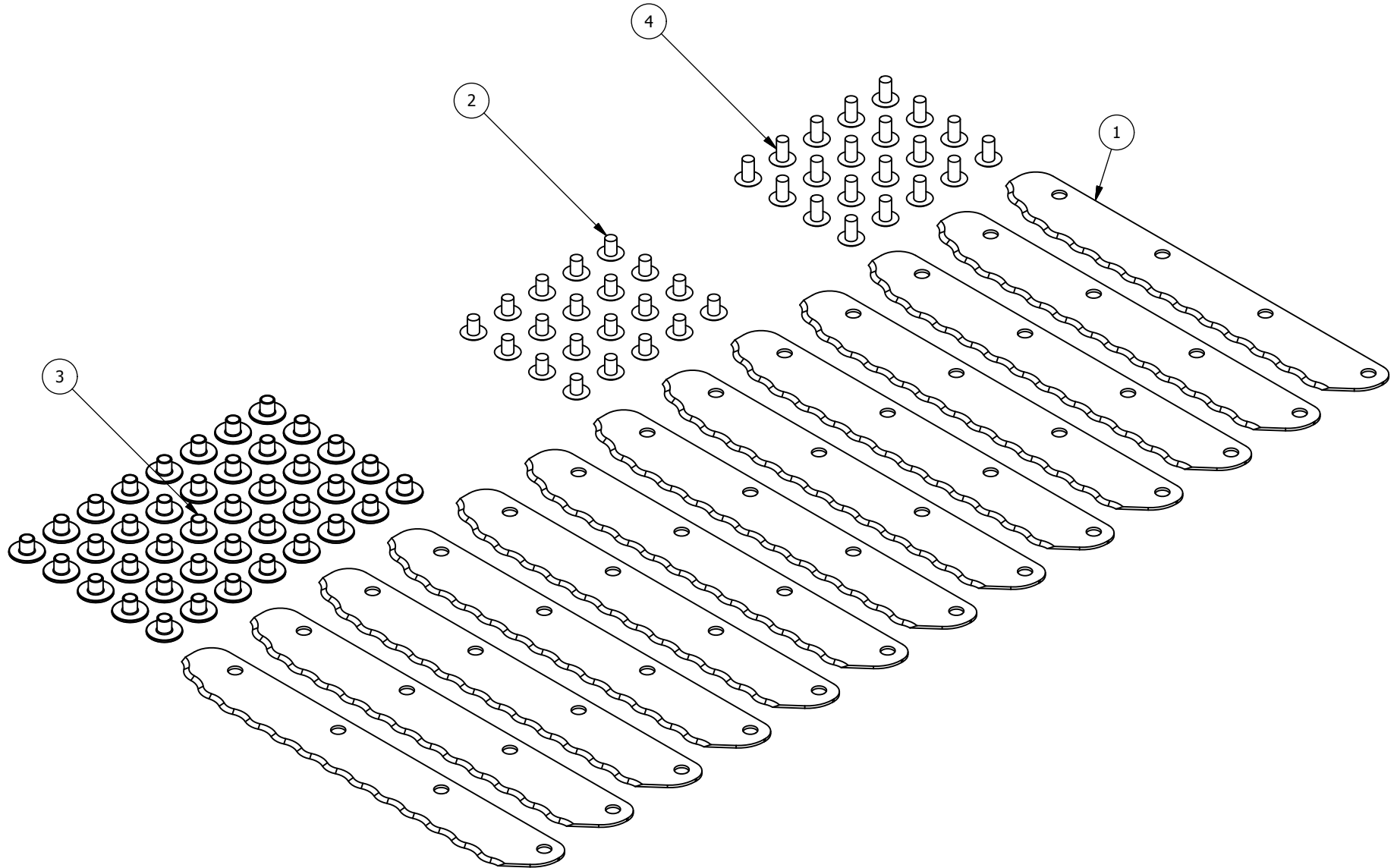
INFORMATION

-LONGER [1/2 INCH] BOLTS ARE TO BE USED ON THE LOWER, THICKER AUGER FLIGHT

-SHORTER [3/8 INCH] BOLTS ARE TO BE USED ON THE TOP, THINNER AUGER FLIGHT

-TO ORDER ALL PARTS AS 13-KNIFE KIT USE PART # AAA-005-00009

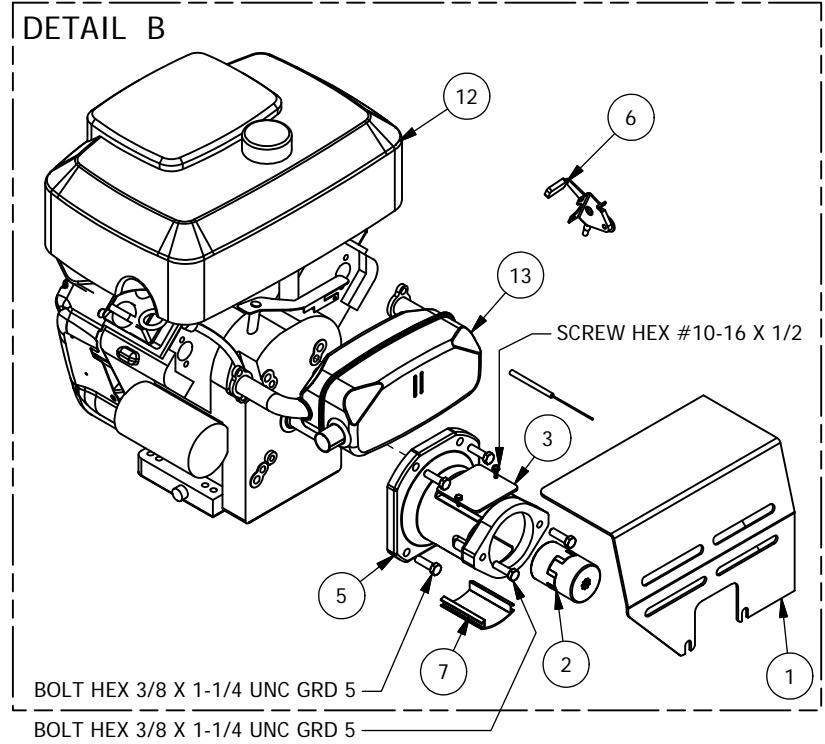
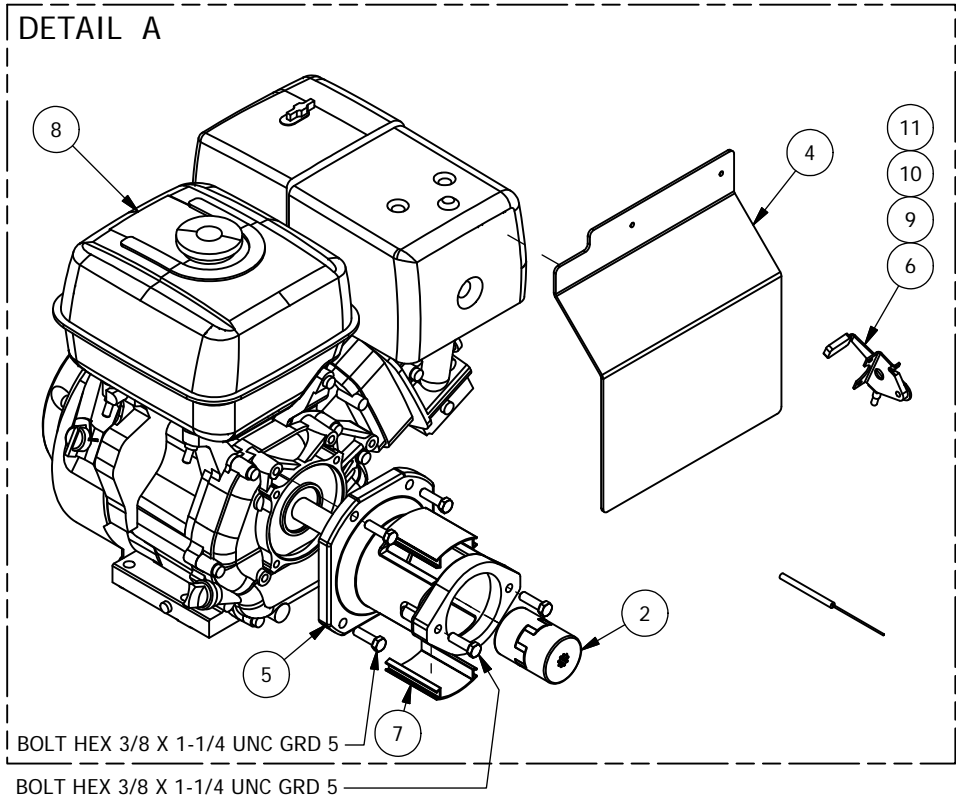
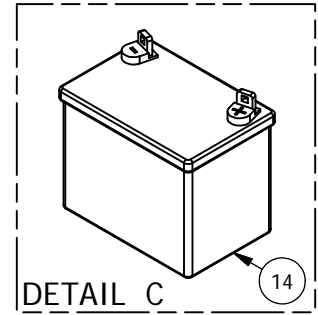
Parts List			
ITEM	PART NUMBER	TITLE	QTY
1	AAB-005-00042	WAVY BLADE 1.5W X 0.0625T X 10.5L	13
2	AAB-015-10164	SCREW TRUSS HEAD PHILLIPS 1/4-20 X 3/8L	20
3	AAB-015-20050	WELD NUT ROUND BASE 1/4-20 X 5/16L BARREL	40
4	AAB-015-10177	SCREW TRUSS HEAD PHILLIPS 1/4-20 X 1/2L	20



UNITS	PAPER A	SHEET 1 OF 1	A	9/6/2016	UPDATED HARDWARE TO CONFORM TO ECN (#16015)	RE	DR	CK	DR	G Mills	DAT	11/5/2013	MAT	TOLERANCES (UNLESS SPECIFIED OTHERWISE) FRACTIONAL ± 1/16" DEC X.X ± 0.1" DEC X.XX ± 0.06" DEC X.XXX ± 0.031" ANGULAR ± 0.5°	JAY•LOR Fabricating Inc
TITLE					MINI SQ AUGER FULL KNIFE/HARDWARE KIT					FILE NO		AAA-005-00333.idw		CONFIDENTIAL- THESE DRAWINGS AND COPIES THEREOF REMAIN THE PROPERTY OF JAY-LOR FABRICATING INC. ANY PERSON FOUND UNLAWFULLY USING, DISTRIBUTING, OR IN POSSESSION OF THE ABOVE WILL BE PROSECUTED	

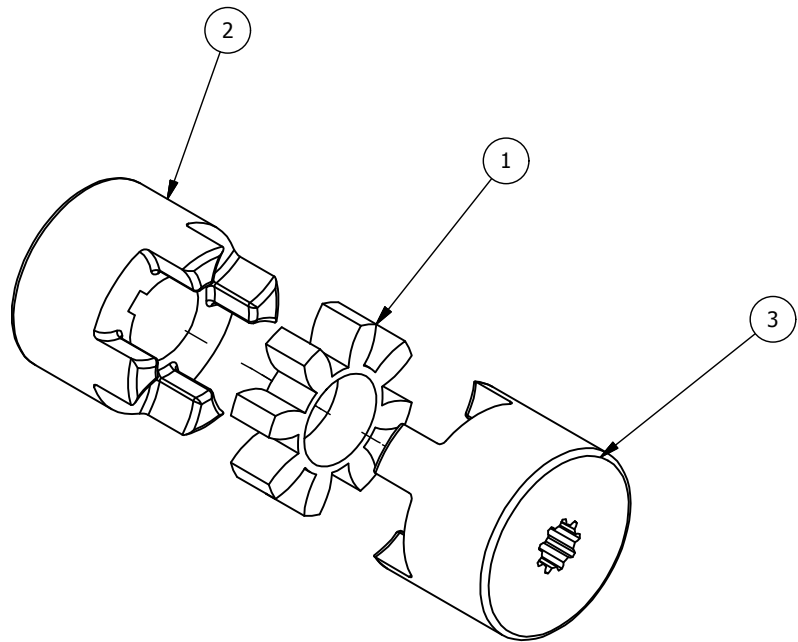
Parts List				Parts List			
ITEM	PART NUMBER	TITLE	QTY	ITEM	PART NUMBER	TITLE	QTY
1	AAA-007-00695	MINI MUFFLER GUARD WELDMENT	1	8	AAB-007-00752	HONDA GX390 SINGLE CYLINDER ENGINE (GX390UQAE6)	1
2	AAA-007-00698	A50 ENGINE/PUMP COUPLING KIT	2	9	AAB-007-00753	HONDA REMOTE THROTTLE HOLDER WIRE (16594-883-010)	1
3	AAA-007-00732	MINI BELL HOUSING TOP COVER 1/8T	1	10	AAB-007-00754	HONDA REMOTE THROTTLE CIRCLIP 5MM (90605-230-000)	1
4	AAA-007-00733	GX390 MUFFLER DRUM SIDE HEAT SHIELD 1/8T	1	11	AAB-007-00755	HONDA REMOTE THROTTLE PAN SCREW 4X6 (93500-040060H)	1
5	AAB-007-00657	MINI PUMP/MOTOR BRKT SAE A PAD	2	12	AAB-007-00780	VANGUARD 16HP TWIN CYLINDER ENGINE - 305447-0023	1
6	AAB-007-00675	REMOTE THROTTLE LEVER AND CABLE	2	13	AAB-007-00781	VANGUARD 16HP TWIN CYLINDER ENGINE MUFFLER - 690931	1
7	AAB-007-00717	MINI PUMP/MOTOR BRKT ACCESS COVER PLASTIC	3	14	AAB-018-00059	12V LEAD ACID BATTERY/ U1/ 340CCA/ 41RC	1

NOTE: 'DETAIL A' SHOWS THE SINGLE CYLINDER ENGINE OPTION AND CORRESPONDING PARTS.
'DETAIL B' SHOWS THE TWIN CYLINDER ENGINE OPTION AND CORRESPONDING PARTS.



UNITS	PAPER A	SHEET 1 OF 1	R#	DATE	DESCRIPTION	DR	CK	DR GM	DATE 2/2/2011	MAT	TOLERANCES (UNLESS SPECIFIED OTHERWISE) FRACTIONAL ± 1/16" DEC X.X ± 0.1" DEC X.XX ± 0.06" DEC X.XXX ± 0.031" ANGULAR ± 0.5°	
TITLE A50 SELF-PROPELLED POWER SUPPLY PARTS						FILE NO AAA-054-00035.idw		CONFIDENTIAL: THESE DRAWINGS AND COPIES THEREOF REMAIN THE PROPERTY OF JAY-LOR FABRICATING INC. ANY PERSON FOUND UNLAWFULLY USING, DISTRIBUTING, OR IN POSSESSION OF THE ABOVE WILL BE PROSECUTED				

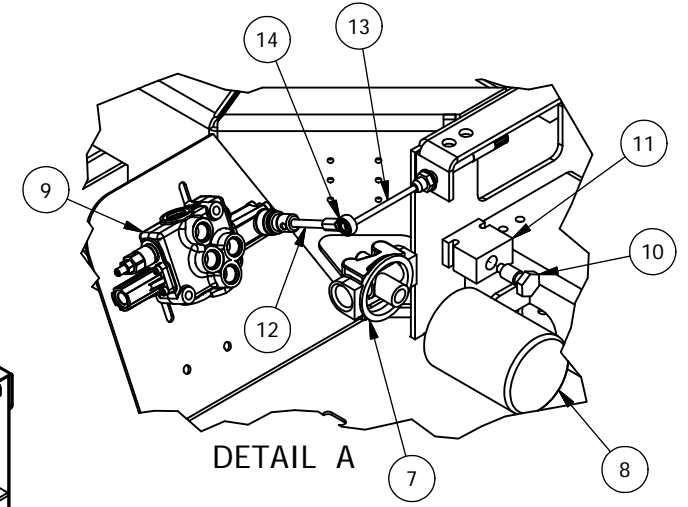
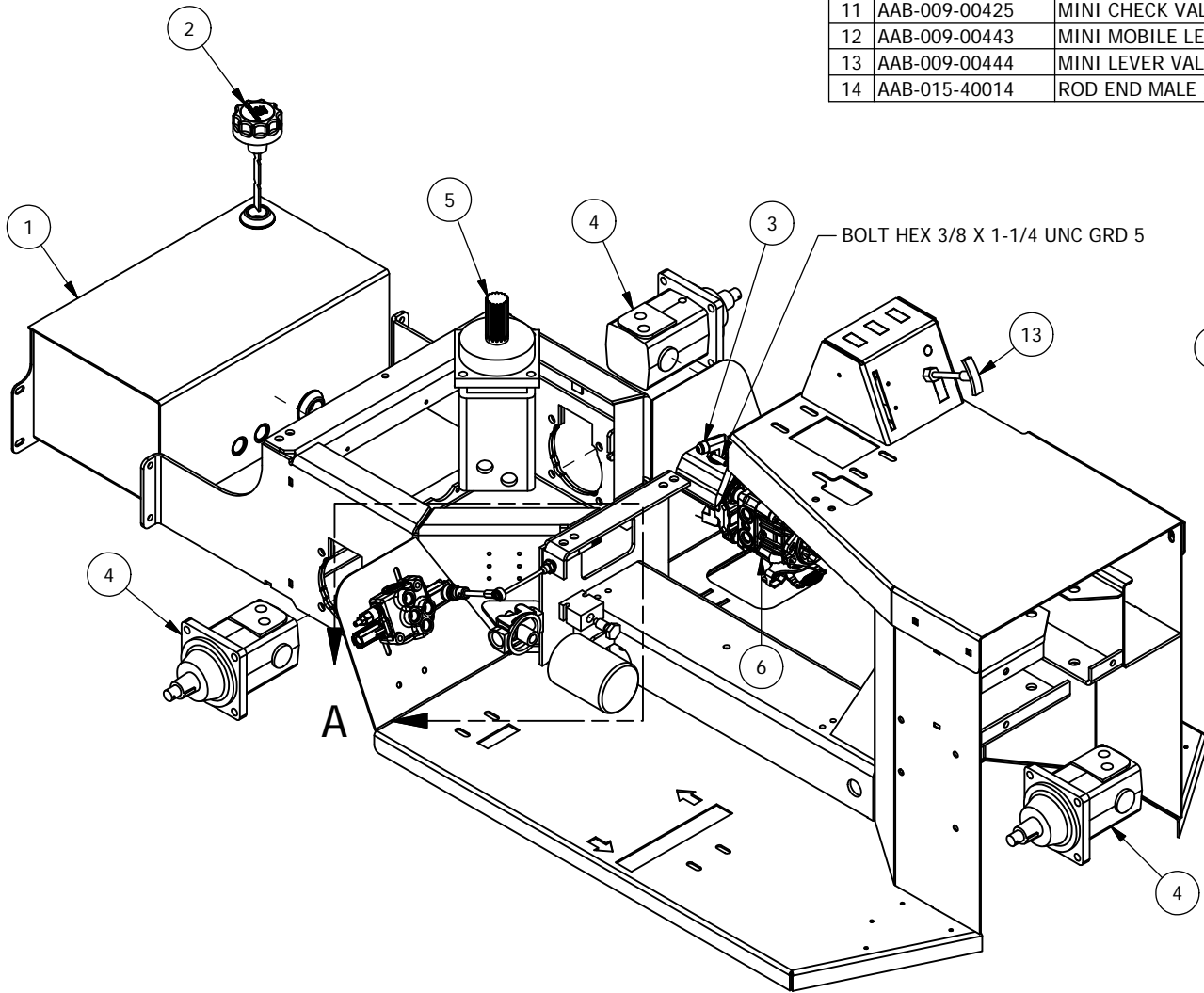
Parts List			
ITE	PART NUMBER	TITLE	QTY
1	AAB-007-00658	MINI 24/32 RED 98 DURO SPIDER	1
2	AAB-007-00659	MINI 24/32 PM B HUB/ 1IN BORE	1
3	AAB-007-00660	MINI 24/32 PM B HUB/ SAE A SPLINE	1



UNITS	PAPER A	SHEET 1 OF 1	R#	DATE	DESCRIPTION	DR	CK	DR GM	TOLERANCES (UNLESS SPECIFIED OTHERWISE) FRACTIONAL ± 1/16" DEC X.X ± 0.1" DEC X.XX ± 0.06" DEC X.XXX ± 0.031" ANGULAR ± 0.5°	
TITLE	A50 / A100 ENGINE / PUMP COUPLING KIT					FILE NO	AAA-007-00698.idw	DAT 9/2/2011		
								MAT		

Parts List

ITE	PART NUMBER	TITLE	QTY
1	AAA-009-00181	A50 HYD OIL TANK WELDMNT	1
2	AAA-009-00190	MINI BREATHER CAP AND DIPSTICK WELDMNT	1
3	AAA-009-00421	A50 MOBILE/A100 STATIONARY GEAR PUMP/FITTINGS KIT	1
4	AAB-009-00416	MINI 250CC HYD WHEEL MOTOR	3
5	AAB-009-00417	MINI 500CC HYD AUGER MOTOR	1
6	AAB-009-00419	MINI 12CC HYDROSTATIC PUMP / 9T 200 BAR SHOCKS HEAVY CONTROL SPRING	1
7	AAB-009-00420	MINI SP15/25 FILTER HEAD 3/4IN ORB 25PSI BYPASS	1
8	AAB-009-00421	MINI FILTER ELEMENT/ 10 MICRON/ 2-1/2 MEDIA/ 150PSI	1
9	AAB-009-00422	MINI SINGLE MOTOR SPOOL VALVE 3 POSITION DETENT	1
10	AAB-009-00568	MINI BALL CHECK VALVE/ 30PSI CRACK/ 10 MORB	1
11	AAB-009-00425	MINI CHECK VALVE BODY ALUMINUM/ 8ORB PORTS	1
12	AAB-009-00443	MINI MOBILE LEVER VALVE ARM 5/16DIA	1
13	AAB-009-00444	MINI LEVER VALVE CONTROL CABLE 6.4MM X 4FT	1
14	AAB-015-40014	ROD END MALE 3/8DIA	1

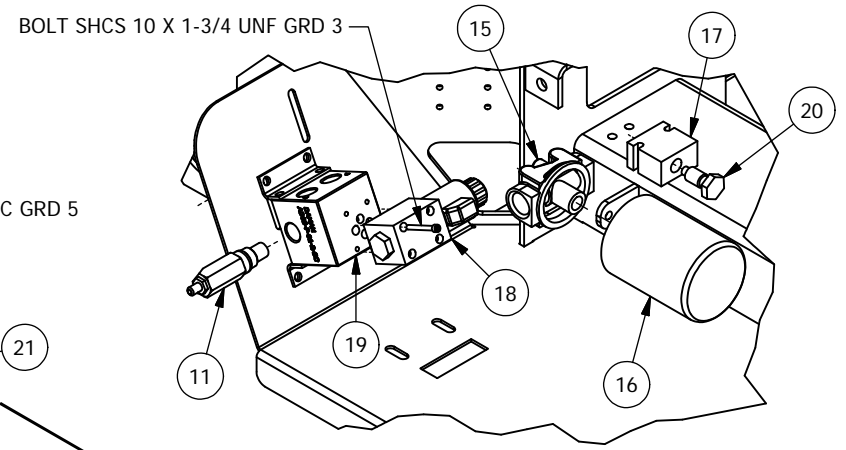
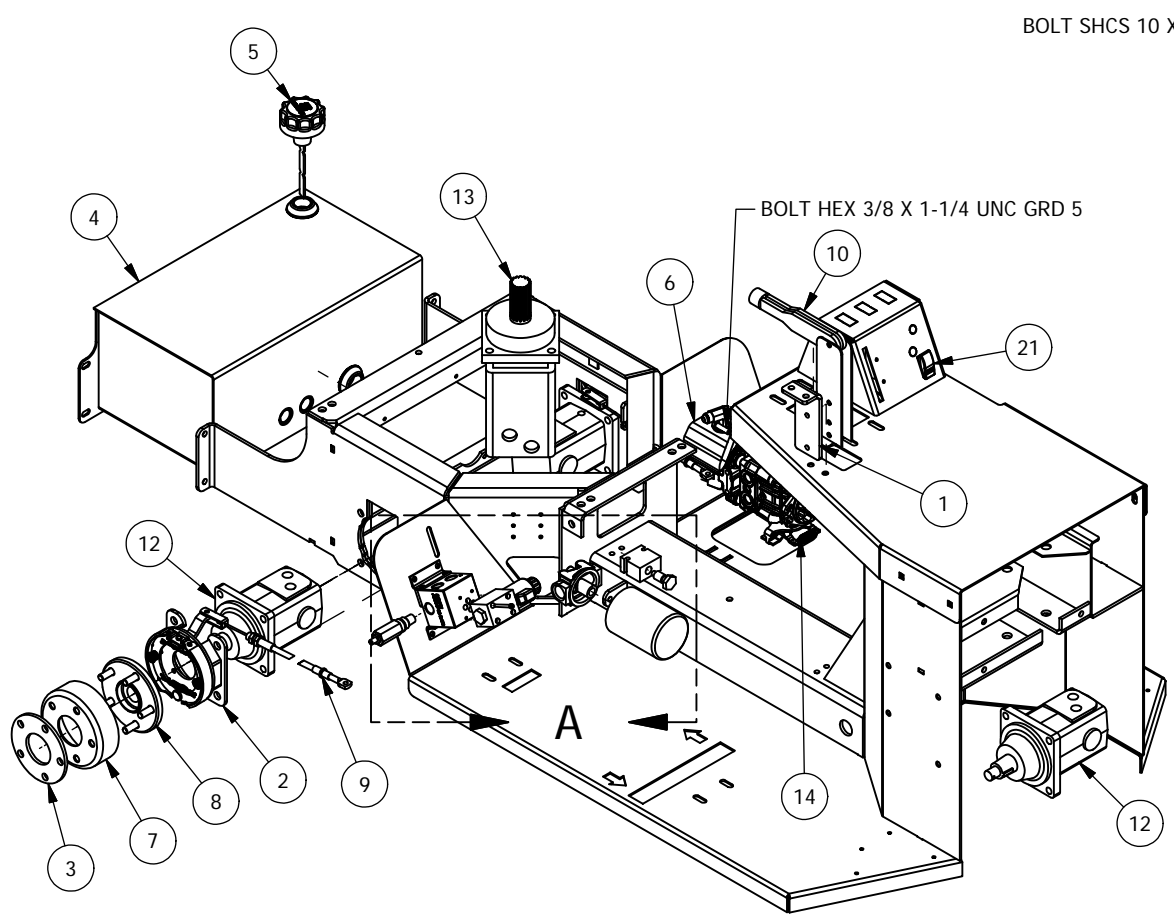


DETAIL A

UNITS					PAPER A	SHEET 1 OF 1	R#	DATE	DESCRIPTION	DR	CK	<table border="1"> <tr> <td>DR</td> <td>GM</td> <td rowspan="5">TOLERANCES (UNLESS SPECIFIED OTHERWISE)</td> </tr> <tr> <td>DAT</td> <td>2/2/2011</td> </tr> <tr> <td>MAT</td> <td></td> </tr> <tr> <td colspan="2">FRACTIONAL ± 1/16"</td> </tr> <tr> <td colspan="2">DEC X.X ± 0.1"</td> </tr> <tr> <td colspan="2">DEC X.XX ± 0.06"</td> </tr> <tr> <td colspan="2">DEC X.XXX ± 0.031"</td> </tr> <tr> <td colspan="2">ANGULAR ± 0.5°</td> </tr> </table>	DR	GM	TOLERANCES (UNLESS SPECIFIED OTHERWISE)	DAT	2/2/2011	MAT		FRACTIONAL ± 1/16"		DEC X.X ± 0.1"		DEC X.XX ± 0.06"		DEC X.XXX ± 0.031"		ANGULAR ± 0.5°	
DR	GM	TOLERANCES (UNLESS SPECIFIED OTHERWISE)																											
DAT	2/2/2011																												
MAT																													
FRACTIONAL ± 1/16"																													
DEC X.X ± 0.1"																													
DEC X.XX ± 0.06"																													
DEC X.XXX ± 0.031"																													
ANGULAR ± 0.5°																													
TITLE A50 STANDRRAD SELF-PROPELLED HYDRAULIC/CONTROL COMPONENTS										FILE NO AAA-054-00036.idw		<p>JAY•LOR Fabricating Inc</p> <p>CONFIDENTIAL: THESE DRAWINGS AND COPIES THEREOF REMAIN THE PROPERTY OF JAY-LOR FABRICATING INC. ANY PERSON FOUND UNLAWFULLY USING, DISTRIBUTING, OR IN POSSESSION OF THE ABOVE WILL BE PROSECUTED</p>																	

Parts List			
ITE	PART NUMBER	TITLE	QTY
1	AAA-002-00811	MINI MOBILE BRAKE LEVER BRKT 1/4T	1
2	AAA-004-00149	MINI BRAKE ADPT WELDMENT	2
3	AAA-004-00150	MINI BRAKE HUB SHIM 1/4T	2
4	AAA-009-00181	A50 HYD OIL TANK WELDMENT	1
5	AAA-009-00190	MINI BREATHER CAP AND DIPSTICK WELDMENT	1
6	AAA-009-00421	A50 MOBILE/A100 STATIONARY GEAR PUMP/FITTINGS KIT	1
7	AAB-004-00196	DRUM FOR 6IN CAM BRAKE/ 5 BOLT 4-1/2DIA BCD	2
8	AAB-004-00197	HUB FOR 6IN CAM BRAKE/ 5 BOLT 4-1/2DIA BCD/ 6MM KEYWAY	2
9	AAB-004-00199	BRAKE CABLE 0.125DIA/ CONDUIT LENGTH 57IN/ EXT 4.2IN	2
10	AAB-004-00200	BRAKE LEVER MODEL 204 W/ ELECTRIC SWITCH	1
11	AAB-009-00384	VALVE PILOT RELIEF	1
12	AAB-009-00416	MINI 250CC HYD WHEEL MOTOR	3
13	AAB-009-00417	MINI 500CC HYD AUGER MOTOR	1

Parts List			
ITE	PART NUMBER	TITLE	QTY
14	AAB-009-00419	MINI 12CC HYDROSTATIC PUMP / 9T 200 BAR SHOCKS HEAVY CONTROL SPRING	1
15	AAB-009-00420	MINI SP15/25 FILTER HEAD 3/4IN ORB 25PSI BYPASS	1
16	AAB-009-00421	MINI FILTER ELEMENT/ 10 MICRON/ 2-1/2 MEDIA/ 150PSI	1
17	AAB-009-00425	MINI CHECK VALVE BODY ALUMINUM/ 8ORB PORTS	1
18	AAB-009-00488	VALVE D03 DIRECTIONAL SOLENOID 12VDC 2 POSITION TANDEM CENTER	1
19	AAB-009-00498	MANIFOLD BLOCK D03 1 STATION	1
20	AAB-009-00568	MINI BALL CHECK VALVE/ 30PSI CRACK/ 10 MORB	1
21	AAB-018-00078	SEALED DPDT ROCKER ON-NONE-ON	1

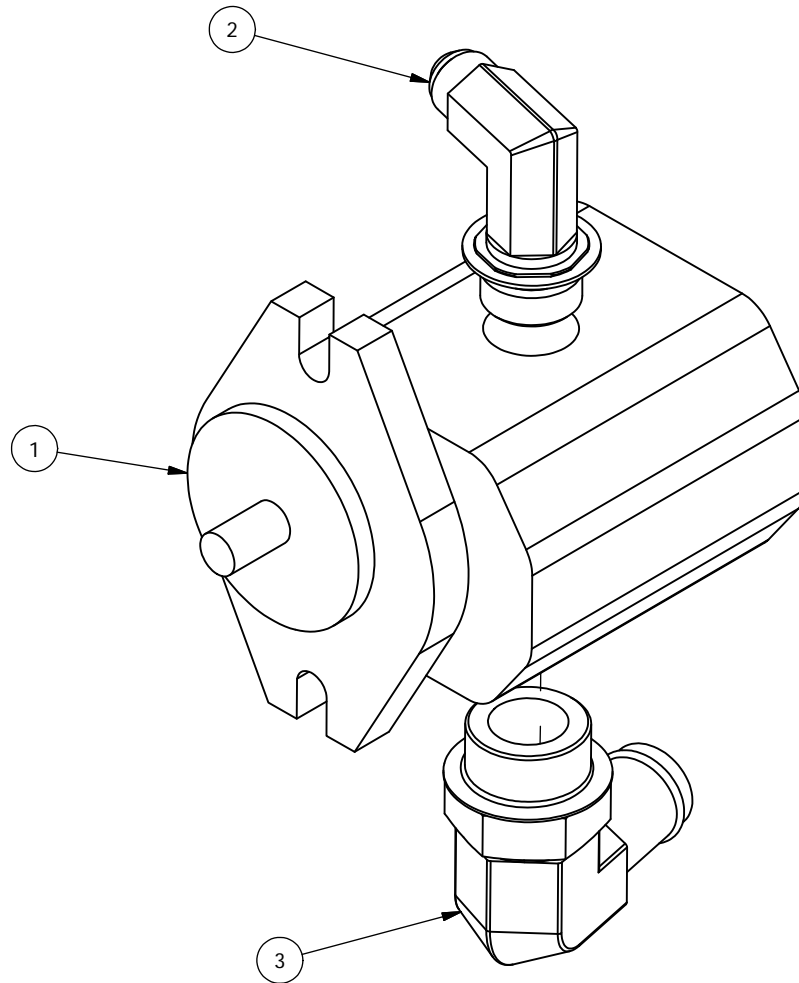


DETAIL A

UNITS					PAPER A	SHEET 1 OF 1	R#	DATE	DESCRIPTION	DR	CK	DR GM	TOLERANCES (UNLESS SPECIFIED OTHERWISE)		
TITLE					A50 CE SELF-PROPELLED HYDRAULIC/CONTROL/PARKING BRAKE COMPONENTS			FILE NO	AAA-054-00061.idw		DAT 11/9/2011		FRACTIONAL ± 1/16"	DEC X.X ± 0.1"	
										MAT		DEC X.XX ± 0.06"	DEC X.XXX ± 0.031"	ANGULAR ± 0.5°	
<small>CONFIDENTIAL: THESE DRAWINGS AND COPIES THEREOF REMAIN THE PROPERTY OF JAY-LOR FABRICATING INC. ANY PERSON FOUND UNLAWFULLY USING, DISTRIBUTING, OR IN POSSESSION OF THE ABOVE WILL BE PROSECUTED</small>															

Parts List

ITE	PART NUMBER	TITLE	QTY
1	AAB-009-00418	MINI 8CC HYD GEAR PUMP SAE A FLANGE/ 16 MORB IN/ 12 MORB OUT	1
2	AAB-009-00435	FIT 90DEG 12 MORB X 8 MJIC	1
3	AAB-009-00440	FIT 90DEG 16 MORB X 16 BARB	1



DR	GMills	TOLERANCES (UNLESS SPECIFIED OTHERWISE) FRACTIONAL ± 1/16" DEC X.X ± 0.1" DEC X.XX ± 0.06" DEC X.XXX ± 0.031" ANGULAR ± 0.5°	JAY•LOR Fabricating Inc
DAT	1/4/2013		
MAT			

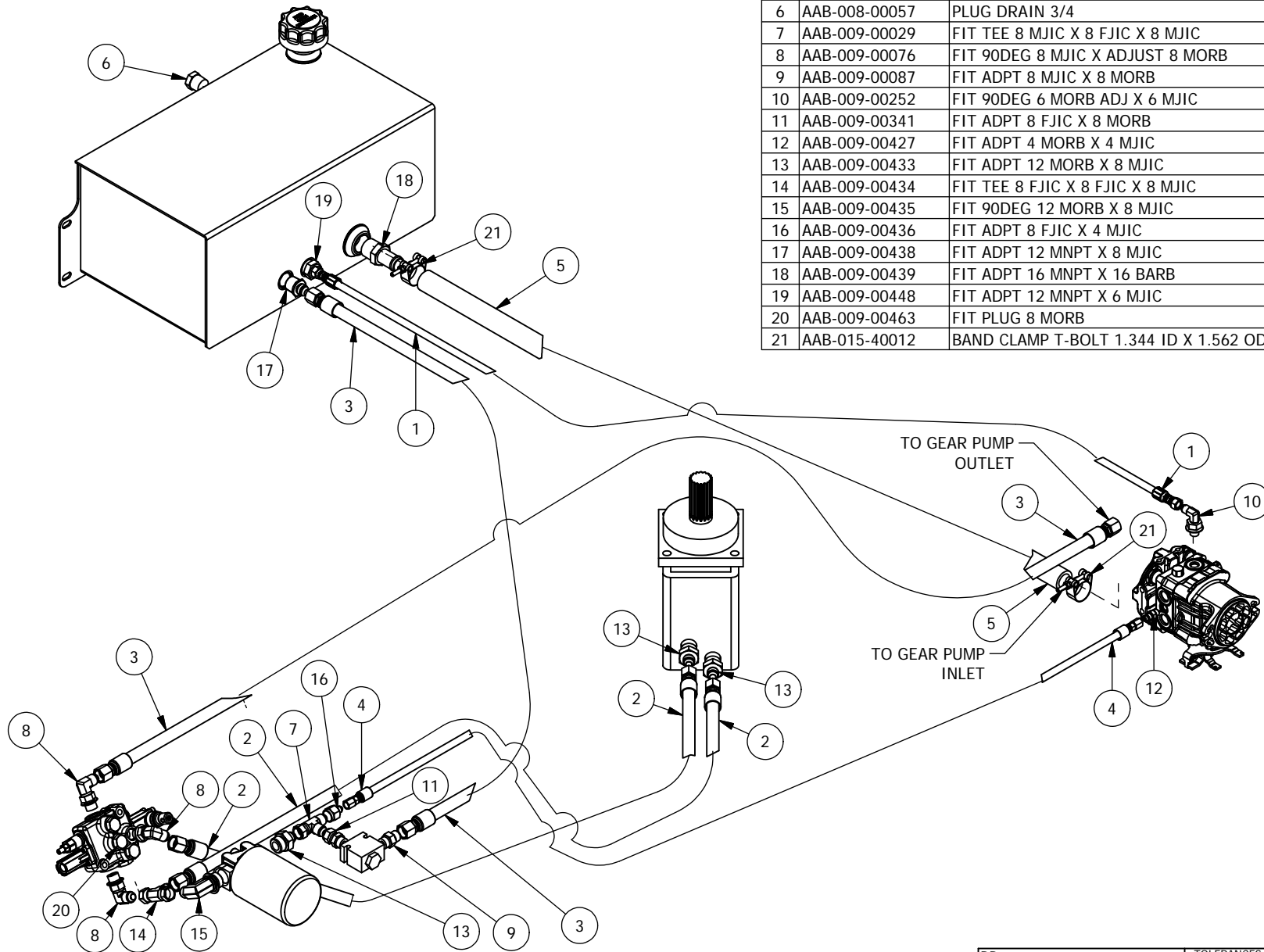
UNITS	PAPER A	SHEET 1 OF 1	R#	DATE	DESCRIPTION	DR	CK
-------	---------	--------------	----	------	-------------	----	----

TITLE A50 MOBILE/A100 STATIONARY GEAR PUMP/FITTINGS KIT FILE NO AAA-009-00421.idw

CONFIDENTIAL: THESE DRAWINGS AND COPIES THEREOF REMAIN THE PROPERTY OF JAY-LOR FABRICATING INC. ANY PERSON FOUND UNLAWFULLY USING, DISTRIBUTING, OR IN POSSESSION OF THE ABOVE WILL BE PROSECUTED

Parts List

ITE	PART NUMBER	TITLE	QTY
1	AAA-009-00200	HOSE HYD 1/4DIA SINGLE BRAID 6 FJIC X 6 FJIC 30L 3000PSI	1
2	AAA-009-00203	HOSE HYD 1/2DIA SINGLE BRAID 8 FJIC X 8 FJIC 15L 3000PSI	2
3	AAA-009-00204	HOSE HYD 1/2DIA SINGLE BRAID 8 FJIC X 8 FJIC 26L 3000PSI	2
4	AAA-009-00205	HOSE HYD 1/4DIA SINGLE BRAID 4 FJIC X 4 FJIC 14L 3000PSI	1
5	AAA-009-00206	HOSE HYD 1DIA 1-WIRE 24L	1
6	AAB-008-00057	PLUG DRAIN 3/4	1
7	AAB-009-00029	FIT TEE 8 MJIC X 8 FJIC X 8 MJIC	1
8	AAB-009-00076	FIT 90DEG 8 MJIC X ADJUST 8 MORB	3
9	AAB-009-00087	FIT ADPT 8 MJIC X 8 MORB	1
10	AAB-009-00252	FIT 90DEG 6 MORB ADJ X 6 MJIC	1
11	AAB-009-00341	FIT ADPT 8 FJIC X 8 MORB	1
12	AAB-009-00427	FIT ADPT 4 MORB X 4 MJIC	1
13	AAB-009-00433	FIT ADPT 12 MORB X 8 MJIC	3
14	AAB-009-00434	FIT TEE 8 FJIC X 8 FJIC X 8 MJIC	1
15	AAB-009-00435	FIT 90DEG 12 MORB X 8 MJIC	1
16	AAB-009-00436	FIT ADPT 8 FJIC X 4 MJIC	1
17	AAB-009-00438	FIT ADPT 12 MNPT X 8 MJIC	1
18	AAB-009-00439	FIT ADPT 16 MNPT X 16 BARB	1
19	AAB-009-00448	FIT ADPT 12 MNPT X 6 MJIC	1
20	AAB-009-00463	FIT PLUG 8 MORB	1
21	AAB-015-40012	BAND CLAMP T-BOLT 1.344 ID X 1.562 OD TBC150	2



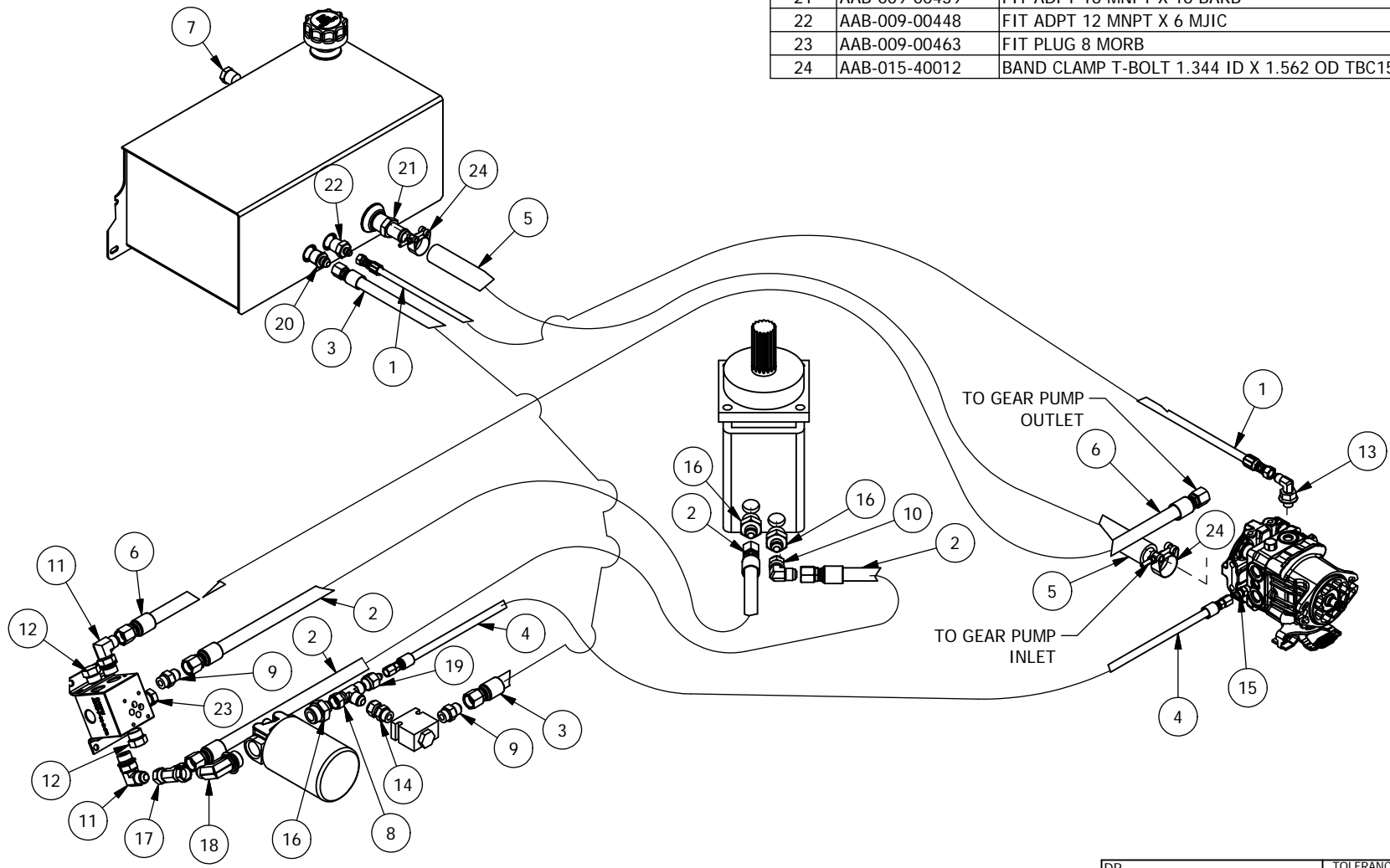
DR	GM	TOLERANCES (UNLESS SPECIFIED OTHERWISE)	JAY-LOR Fabricating Inc
DAT	2/3/2011		
MAT			
		FRACTIONAL	± 1/16"
		DEC X.X	± 0.1"
		DEC X.XX	± 0.06"
		DEC X.XXX	± 0.031"
		ANGULAR	± 0.5°

UNITS	PAPER A	SHEET 1 OF 1	R#	DATE	DESCRIPTION	DR	CK
TITLE					FILE NO		

AAA-054-00039.idw

CONFIDENTIAL: THESE DRAWINGS AND COPIES THEREOF REMAIN THE PROPERTY OF JAY-LOR FABRICATING INC. ANY PERSON FOUND UNLAWFULLY USING, DISTRIBUTING, OR IN POSSESSION OF THE ABOVE WILL BE PROSECUTED

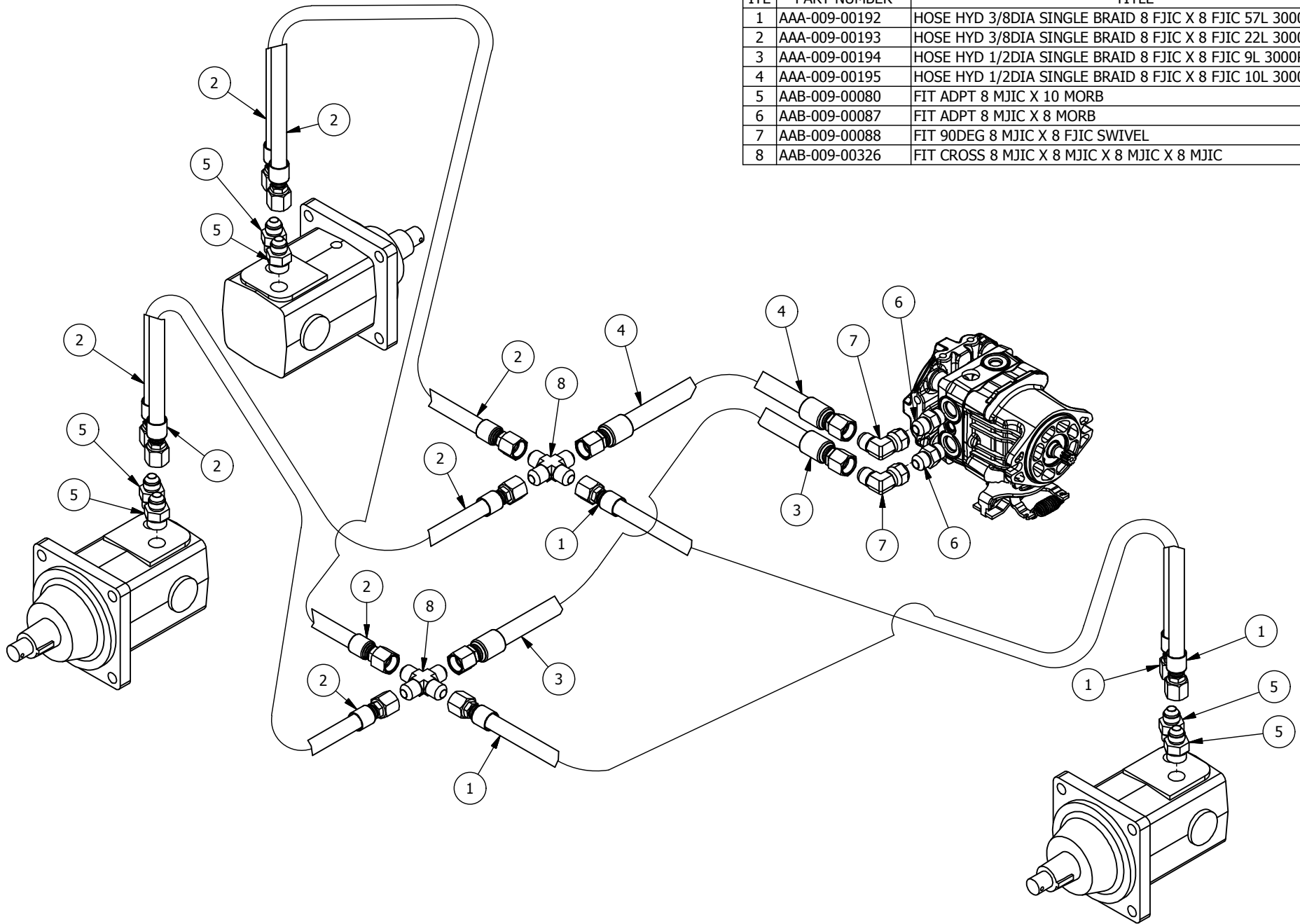
Parts List				Parts List			
ITEM	PART NUMBER	TITLE	QTY	ITEM	PART NUMBER	TITLE	QTY
1	AAA-009-00200	HOSE HYD 1/4DIA SINGLE BRAID 6 FJIC X 6 FJIC 30L 3000PSI	1	10	AAB-009-00088	FIT 90DEG 8 MJIC X 8 FJIC SWIVEL	1
2	AAA-009-00203	HOSE HYD 1/2DIA SINGLE BRAID 8 FJIC X 8 FJIC 15L 3000PSI	2	11	AAB-009-00099	FIT 90DEG 8 MJIC X 10 MORB ADJ	2
3	AAA-009-00204	HOSE HYD 1/2DIA SINGLE BRAID 8 FJIC X 8 FJIC 26L 3000PSI	1	12	AAB-009-00159	FIT PLUG 10 MORB	2
4	AAA-009-00205	HOSE HYD 1/4DIA SINGLE BRAID 4 FJIC X 4 FJIC 14L 3000PSI	1	13	AAB-009-00252	FIT 90DEG 6 MORB ADJ X 6 MJIC	1
5	AAA-009-00206	HOSE HYD 1DIA 1-WIRE 24L	1	14	AAB-009-00341	FIT ADPT 8 FJIC X 8 MORB	1
6	AAA-009-00272	HOSE HYD 1/2DIA SINGLE BRAID 8 FJIC X 8 FJIC 23-1/2L 3000PSI	1	15	AAB-009-00427	FIT ADPT 4 MORB X 4 MJIC	1
7	AAB-008-00057	PLUG DRAIN 3/4	1	16	AAB-009-00433	FIT ADPT 12 MORB X 8 MJIC	3
8	AAB-009-00029	FIT TEE 8 MJIC X 8 FJIC X 8 MJIC	1	17	AAB-009-00434	FIT TEE 8 FJIC X 8 FJIC X 8 MJIC	1
9	AAB-009-00087	FIT ADPT 8 MJIC X 8 MORB	2	18	AAB-009-00435	FIT 90DEG 12 MORB X 8 MJIC	1
				19	AAB-009-00436	FIT ADPT 8 FJIC X 4 MJIC	1
				20	AAB-009-00438	FIT ADPT 12 MNPT X 8 MJIC	1
				21	AAB-009-00439	FIT ADPT 16 MNPT X 16 BARB	1
				22	AAB-009-00448	FIT ADPT 12 MNPT X 6 MJIC	1
				23	AAB-009-00463	FIT PLUG 8 MORB	1
				24	AAB-015-40012	BAND CLAMP T-BOLT 1.344 ID X 1.562 OD TBC150	2



UNITS	PAPER A	SHEET 1 OF 1	R#	DATE	DESCRIPTION	DR	CK	DR GM	TOLERANCES (UNLESS SPECIFIED OTHERWISE) FRACTIONAL ± 1/16" DEC X.X ± 0.1" DEC X.XX ± 0.06" DEC X.XXX ± 0.031" ANGULAR ± 0.5°	JAY-LOR Fabricating Inc
TITLE	A50 CE SELF-PROPELLED HOSES/FITTINGS FOR MAIN/CHARGE/DRAIN CIRCUITS					FILE NO	AAA-054-00062.idw	DAT 11/10/2011 MAT	CONFIDENTIAL: THESE DRAWINGS AND COPIES THEREOF REMAIN THE PROPERTY OF JAY-LOR FABRICATING INC. ANY PERSON FOUND UNLAWFULLY USING, DISTRIBUTING, OR IN POSSESSION OF THE ABOVE WILL BE PROSECUTED	

Parts List

ITE	PART NUMBER	TITLE	QTY
1	AAA-009-00192	HOSE HYD 3/8DIA SINGLE BRAID 8 FJIC X 8 FJIC 57L 3000PSI	2
2	AAA-009-00193	HOSE HYD 3/8DIA SINGLE BRAID 8 FJIC X 8 FJIC 22L 3000PSI	4
3	AAA-009-00194	HOSE HYD 1/2DIA SINGLE BRAID 8 FJIC X 8 FJIC 9L 3000PSI	1
4	AAA-009-00195	HOSE HYD 1/2DIA SINGLE BRAID 8 FJIC X 8 FJIC 10L 3000PSI	1
5	AAB-009-00080	FIT ADPT 8 MJIC X 10 MORB	6
6	AAB-009-00087	FIT ADPT 8 MJIC X 8 MORB	2
7	AAB-009-00088	FIT 90DEG 8 MJIC X 8 FJIC SWIVEL	2
8	AAB-009-00326	FIT CROSS 8 MJIC X 8 MJIC X 8 MJIC X 8 MJIC	2



UNITS	PAPER A	SHEET 1 OF 1	R#	DATE	DESCRIPTION	DR	CK
TITLE					A50 SELF-PROPELLED HOSES/FITTINGS FOR WHEEL DRIVE CIRCUIT	FILE NO	AAA-054-00038.idw

DR	GM	TOLERANCES (UNLESS SPECIFIED OTHERWISE) FRACTIONAL ± 1/16" DEC X.X ± 0.1" DEC X.XX ± 0.06" DEC X.XXX ± 0.031" ANGULAR ± 0.5°	JAY-LOR Fabricating Inc
DAT	2/2/2011		
MAT			
CONFIDENTIAL: THESE DRAWINGS AND COPIES THEREOF REMAIN THE PROPERTY OF JAY-LOR FABRICATING INC. ANY PERSON FOUND UNLAWFULLY USING, DISTRIBUTING, OR IN POSSESSION OF THE ABOVE WILL BE PROSECUTED			

Parts List

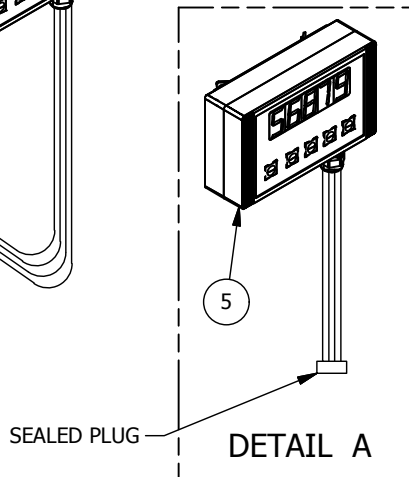
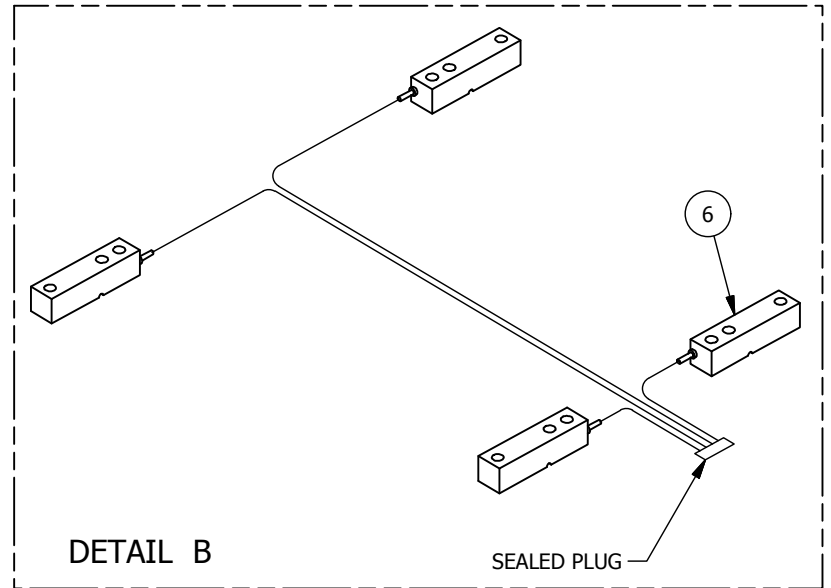
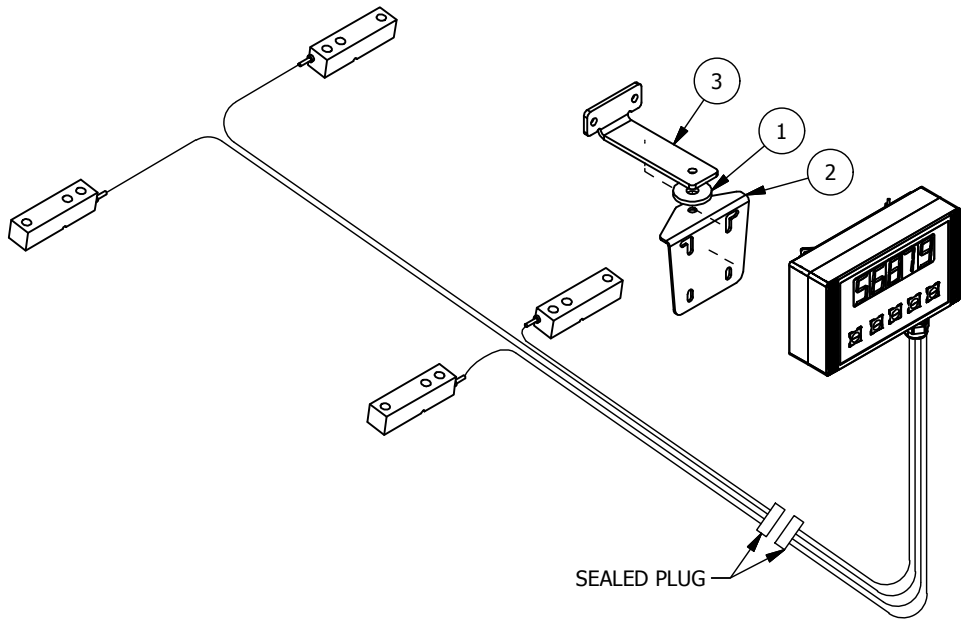
ITE	PART NUMBER	TITLE	QTY
1	AAA-000-00059	WSHR URETHANE 2DIA	1
2	AAA-010-00060	MINI SCALEHEAD BRKT 1/8T	1
3	AAA-010-00061	MINI SCALEHEAD ARM 1/4T	1
5	AAB-010-00289	MINI WEIGHING INDICATOR W/ PLUG	1
6	AAB-010-00290	MINI WEIGHING FOUR BAR KIT	1

NOTE: AS SHOWN, WEIGHING KITS CAN BE ORDERED IN THE FOLLOWING WAYS:

4) AAB-010-00261: INCLUDES INDICATOR, INDICATOR CABLE, FOUR WEIGH BARS, WEIGH BAR CABLES, AND CONNECTION PLUG

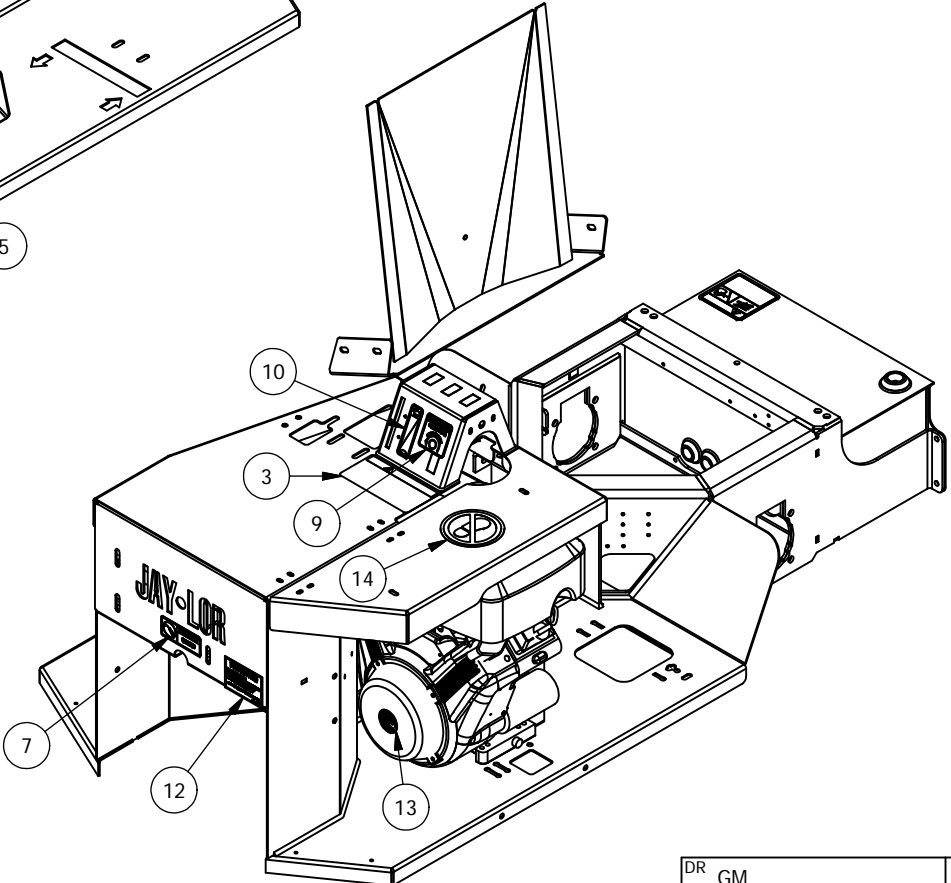
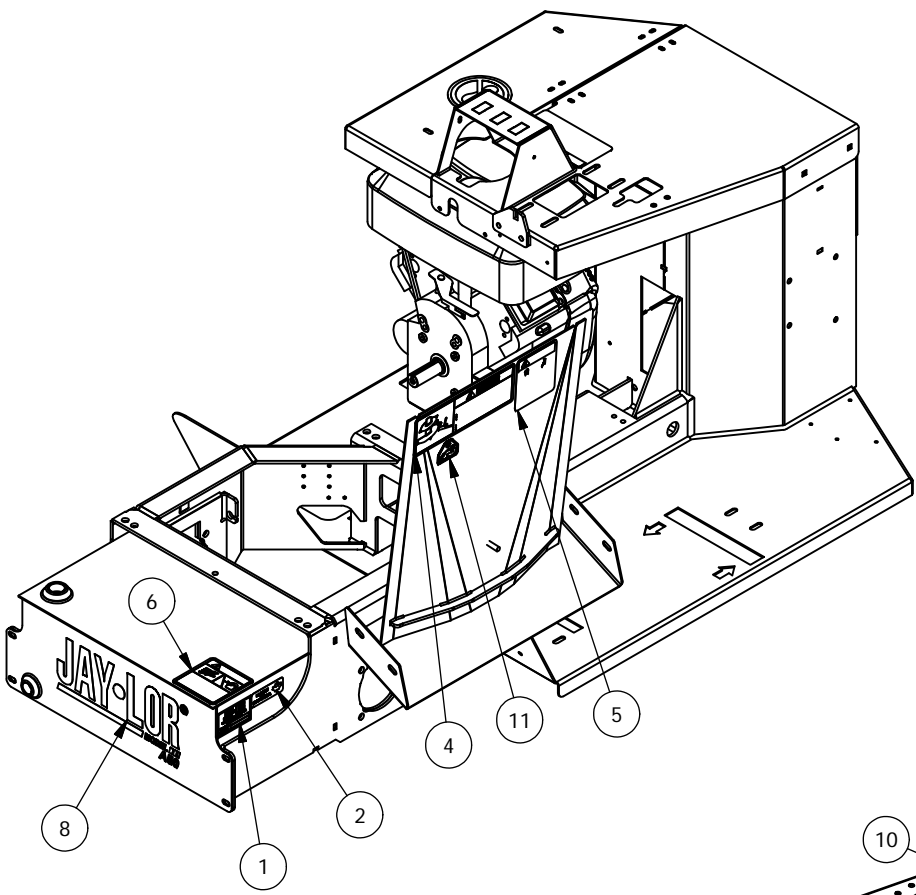
5) AAB-010-00289: INCLUDES INDICATOR, INDICATOR CABLE, AND ONE SIDE OF CONNECTION PLUG

6) AAB-010-00290: INCLUDES FOUR WEIGH BARS, WEIGH BAR CABLES, AND ONE SIDE OF CONNECTION PLUG



UNITS	PAPER A	SHEET 1 OF 1	R#	DATE	DESCRIPTION	DR	CK
TITLE					MINI WEIGHING SYSTEM COMPONENTS	FILE NO	AAA-054-00040.idw

DR	GM	TOLERANCES (UNLESS SPECIFIED OTHERWISE) FRACTIONAL ± 1/16" DEC X.X ± 0.1" DEC X.XX ± 0.06" DEC X.XXX ± 0.031" ANGULAR ± 0.5°	JAY•LOR Fabricating Inc
DATE	2/3/2011		
MAT			
CONFIDENTIAL: THESE DRAWINGS AND COPIES THEREOF REMAIN THE PROPERTY OF JAY-LOR FABRICATING INC. ANY PERSON FOUND UNLAWFULLY USING, DISTRIBUTING, OR IN POSSESSION OF THE ABOVE WILL BE PROSECUTED			



Parts List			
ITE	PART NUMBER	TITLE	QTY
1	AAB-012-00020	DECAL JAYLOR MODEL AND SERIAL NUMBER	1
2	AAB-012-00022	DECAL MADE IN CANADA	1
3	AAB-012-00028	DECAL WARNING	1
4	AAB-012-00029	DECAL DANGER ROTATING AUGER HAZARD	1
5	AAB-012-00030	DECAL WARNING PINCH POINT HAZARD	1
6	AAB-012-00036	DECAL WARNING HIGH PRESSURE FLUID HAZZARD	1
7	AAB-012-00044	DECAL IMPORTANT GREASE	1
8	AAB-012-00075	DECAL A50 WHITE AND BLACK	1
9	AAB-012-00077	DECAL MINI AUGER CONTROL	1
10	AAB-012-00078	DECAL MINI REMOTE THROTTLE	1
11	AAB-012-00103	DECAL IMPORTANT GREASE AUGER	1
12	AAB-012-00107	DECAL MINIMIXER PATENTS	1
13	AAB-012-00140	DECAL KEEP INTAKE CLEAN	1
14	AAB-012-00141	DECAL NOT A STEP	1

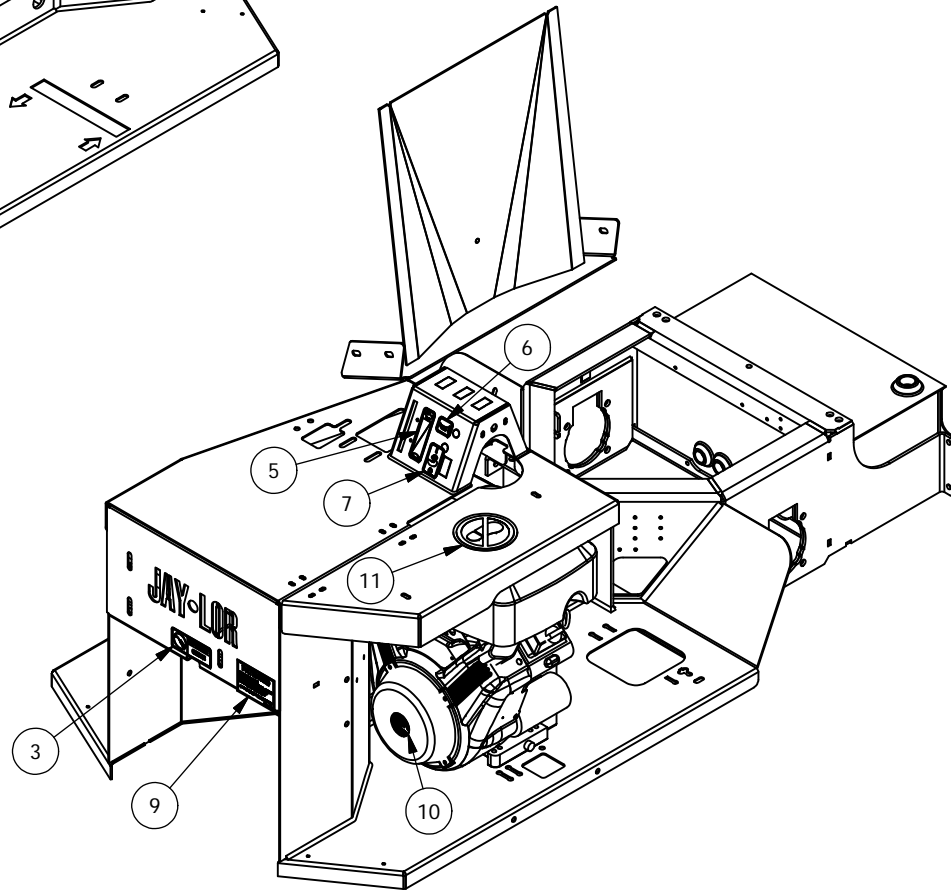
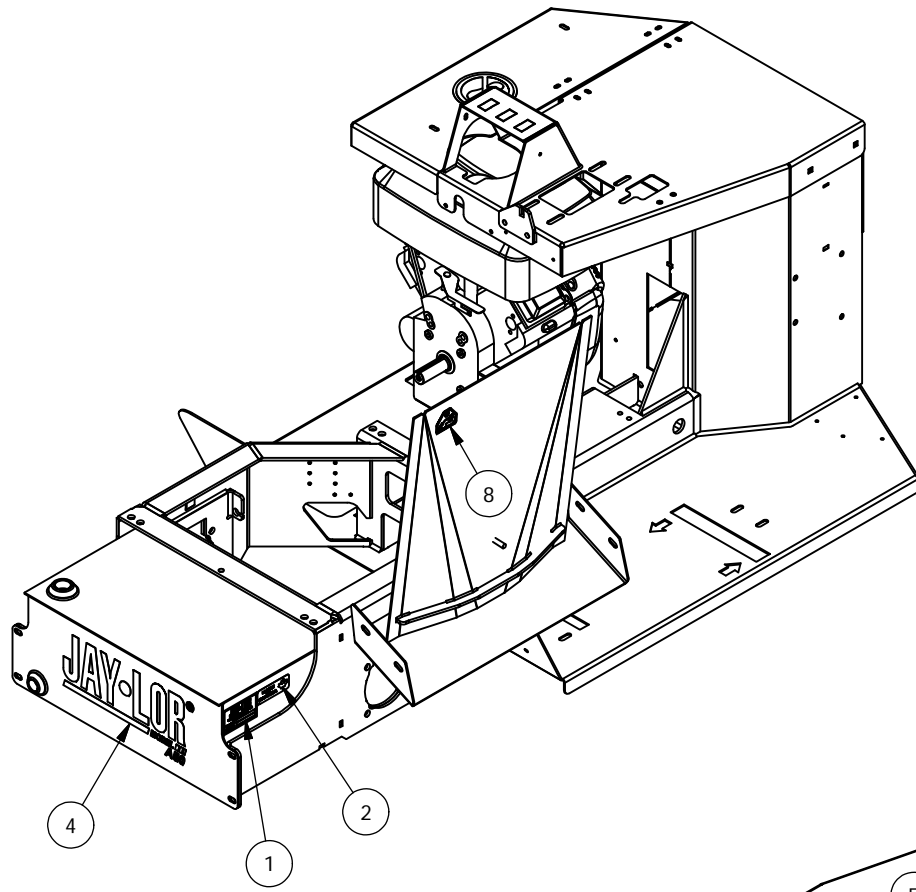
DR	GM	TOLERANCES (UNLESS SPECIFIED OTHERWISE) FRACTIONAL ± 1/16" DEC X.X ± 0.1" DEC X.XX ± 0.06" DEC X.XXX ± 0.031" ANGULAR ± 0.5°	
DAT	2/3/2011		
MAT			

UNITS	PAPER A	SHEET 1 OF 1	R#	DATE	DESCRIPTION	DR	CK
TITLE A50 STANDARD SELF-PROPELLED DECALS						FILE NO	AAA-054-00041.idw

CONFIDENTIAL: THESE DRAWINGS AND COPIES THEREOF REMAIN THE PROPERTY OF JAY-LOR FABRICATING INC. ANY PERSON FOUND UNLAWFULLY USING, DISTRIBUTING, OR IN POSSESSION OF THE ABOVE WILL BE PROSECUTED

Parts List

ITE	PART NUMBER	TITLE	QTY
1	AAB-012-00020	DECAL JAYLOR MODEL AND SERIAL NUMBER	1
2	AAB-012-00022	DECAL MADE IN CANADA	1
3	AAB-012-00044	DECAL IMPORTANT GREASE	1
4	AAB-012-00075	DECAL A50 WHITE AND BLACK	1
5	AAB-012-00078	DECAL MINI REMOTE THROTTLE	1
6	AAB-012-00096	DECAL MINI HORN	1
7	AAB-012-00097	DECAL MINI AUGER ELECTRIC ON/OFF NO TEXT	1
8	AAB-012-00103	DECAL IMPORTANT GREASE AUGER	1
9	AAB-012-00107	DECAL MINIMIXER PATENTS	1
10	AAB-012-00140	DECAL KEEP INTAKE CLEAN	1
11	AAB-012-00141	DECAL NOT A STEP	1



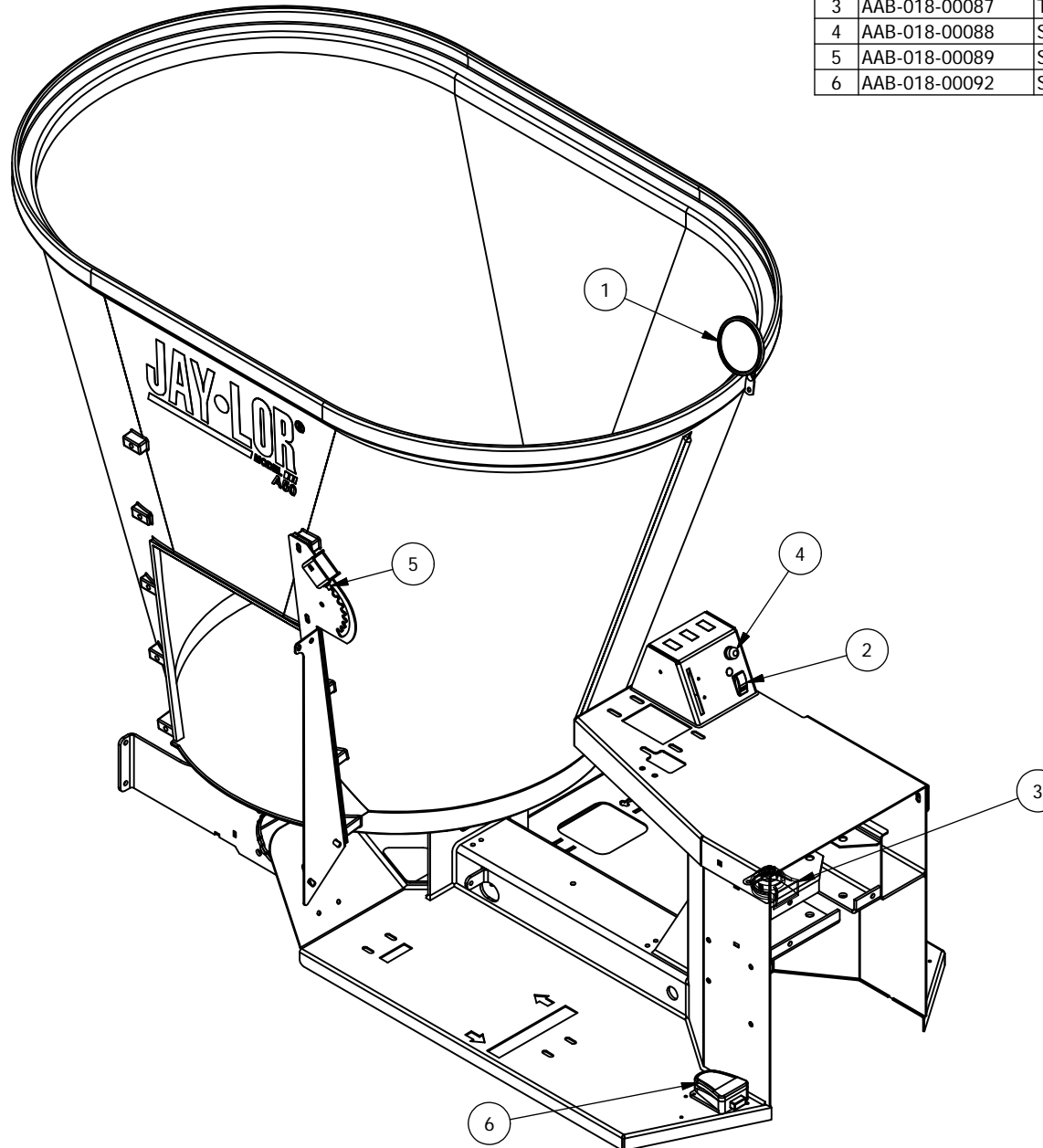
DR	GM	TOLERANCES (UNLESS SPECIFIED OTHERWISE) FRACTIONAL ± 1/16" DEC X.X ± 0.1" DEC X.XX ± 0.06" DEC X.XXX ± 0.031" ANGULAR ± 0.5°	
DAT	11/10/2011		
MAT			

UNITS	PAPER A	SHEET 1 OF 1	R#	DATE	DESCRIPTION	DR	CK
TITLE A50 CE SELF-PROPELLED DECALS						FILE NO	AAA-054-00063.idw

CONFIDENTIAL: THESE DRAWINGS AND COPIES THEREOF REMAIN THE PROPERTY OF JAY-LOR FABRICATING INC. ANY PERSON FOUND UNLAWFULLY USING, DISTRIBUTING, OR IN POSSESSION OF THE ABOVE WILL BE PROSECUTED

Parts List

ITE	PART NUMBER	TITLE	QTY
1	AAB-001-00036	SPOT MIRROR 5DIA BLACK W/ ARM ASSY	1
2	AAB-018-00078	SEALED DPDT ROCKER ON-NONE-ON	1
3	AAB-018-00087	TRUMPET HORN 12V ELECTRIC	1
4	AAB-018-00088	SPST PUSH BUTTON SWITCH OFF-(ON) W/ RUBR CAP	1
5	AAB-018-00089	SPDT PUSH BUTTON SWITCH OFF-(ON)	1
6	AAB-018-00092	SPDT SINGLE PEDAL FOOT SWITCH	1



DR	GM	TOLERANCES (UNLESS SPECIFIED OTHERWISE) FRACTIONAL ± 1/16" DEC X.X ± 0.1" DEC X.XX ± 0.06" DEC X.XXX ± 0.031" ANGULAR ± 0.5°	JAY-LOR Fabricating Inc
DAT	11/10/2011		
MAT			

UNITS	PAPER A	SHEET 1 OF 1	R#	DATE	DESCRIPTION	DR	CK
-------	---------	--------------	----	------	-------------	----	----

TITLE A50 CE SELF-PROPELLED ELECTRIC SAFETY COMPONENTS FILE NO AAA-054-00064.idw

CONFIDENTIAL: THESE DRAWINGS AND COPIES THEREOF REMAIN THE PROPERTY OF JAY-LOR FABRICATING INC. ANY PERSON FOUND UNLAWFULLY USING, DISTRIBUTING, OR IN POSSESSION OF THE ABOVE WILL BE PROSECUTED