

# **2007 240SD**

# **PARTS MANUAL**

# **240**

# **SUNDECK®**



Sea Ray® Parts Manual, 2007 240 SUNDECK MRP #  
Sea Ray Boats, 2600 Sea Ray Blvd., Knoxville, TN 37914. For information call 1-800-SRBOATS or fax 1-314-213-7878 (USA and International).  
Internet address: <http://www.searay.com>

Note: Not all accessories shown in pictures or described herein are standard equipment or even available as options.  
Options and features are subject to change without notice.

Confirm the availability of all accessories and equipment with an authorized Sea Ray® dealer.

# 2007 240 SUNDECK

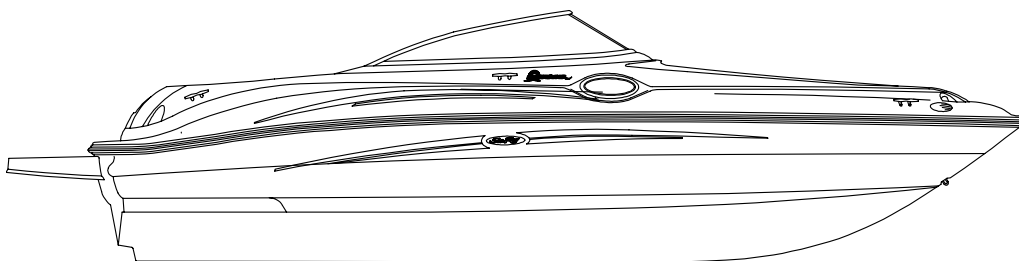
## TABLE OF CONTENTS



STANDARD & OPTIONAL LAYOUTS	PAGE
GELCOATS	1
EXTERIOR (HULL)	2, 3
EXTERIOR (DECK)	4, 5, 6
WATER SPORTS TOWER	7, 8
EXTERIOR (GRAPHICS) BLACK OR PEWTER	9
EXTERIOR (GRAPHICS) CINNABAR	10
EXTERIOR (GRAPHICS) BLUE	11
CANVAS (BLACK)	12, 13
CANVAS (BLUE)	14, 15
COCKPIT	16, 17
COCKPIT (HELM)	18, 19, 20
INSTRUMENT PANEL	21
SWITCH PANEL	22
SATELLITE STEREO SYSTEM	23, 24
NORTHSTAR NS100SS VHF RADIO	25
COCKPIT (UPHOLSTERY)	26, 27, 28
COCKPIT (SNAP-IN CARPET LINER)	29
HEAD	30, 31
MULTI-INFO PACKET	32
TELLICO HARDWARE	33, 34
BILGE	35, 36
STEERING SYSTEM	37, 38
FUEL SYSTEM	39, 40
WATER SYSTEM	41, 42
SEWAGE SYSTEM (PUMP-OUT HEAD)	43
SEWAGE SYSTEM (VACUUM FLUSH HEAD W/HOLDING TANK)	44, 45
DRAINAGE SYSTEM	46, 47

OPTIONS - PARTS LIST	PAGE
350 MAG MPI BR 3 ( 300 PHP ) MCM STERN DR.	48
350 MAG MPI DTS BR 3 ( 300 PHP ) MCM S/D	48
MX 6.2L MPI BR 3 (320 PHP) MCM STERN DRIVE	48
5.0L MPI BR 3 ( 260 PHP ) MCM STERN DRIVE	48
ON BOARD BATTERY CHARGER 120V/60 TO 12V	48
ON BOARD BATTERY CHARGER - 220V/50 TO 12V	48
FLAG POLE & BASE, U.S. FLAG	48
AUSTRALIAN BUILDERS PLATE	48
TWO BUCKETS SEATS W/THIGH RISE & SUNLOUNGER	48
2ND STEREO REMOTE CONTROL -TRANSOM	48
PREMIER STEREO UPGRADE	48
DOCKING LIGHTS	48
ZZ UNREFERENCED ACCESSORY GROUP ITEMS	48
SMARTTOW / SPEED CONTROL - SMARTCRAFT	48
PERFECT PASS SPEED CONTROL	48
MIRROR, SKI TOW	48
INTERNATIONAL VINYL PACKAGE	48
24" BRAVO 3 SET (2 COUNTER ROTATING PROPS)	48
26" BRAVO 3 SET (2 COUNTER ROTATING PROPS)	48
20" BRAVO 3 SET (2 COUNTER ROTATING PROPS)	48
PUMP-OUT HEAD	48
VACUUM FLUSH HEAD W/HOLDING TANK	48
BOATER SAFETY KIT	48
FM-200 OPTIONAL FIRE SUPPRESSION SYS-INT'L	49
TWO TONE GELCOAT	49
SPEAKERS FOR WATER SPORTS TOWER	49
BATTERY ON / OFF SWITCH	49
FIRE SUPPRESSION SYSTEM - AUTOMATIC	49
BATTERY SWITCH-DUAL W/ 2ND TRAY SINGLE ENG.	49
COCKPIT COVER W/ TONNEAU COVER	49
BIMINI CANVAS PACKAGE	49
TRANSOM TRIM SWITCH	49
CD CHANGER, 6 DISC	49
C E OPTION GROUP	49
C E FIRE SYSTEM - EUROPEAN DEALERS ONLY	49
2.43 TO 1 BRAVO 3 HIGH ALTITUDE GEAR RATIO	49
FORWARD BIMINI TOP & BOOT	49
CORSA THRU-HULL EXHAUST SYSTEM - SINGLE ENG	49
FORWARD COCKPIT TABLE	49
BOW FILLER CUSHION (S)	49
VHF RADIO - W/ ANTENNA	49
CANADIAN CONFORMITY STICKER	49
W.S TOWER W/STD BIMINI TOP/ WAKEBOARD RACK	49

## GELCOATS

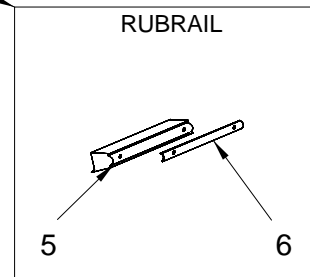
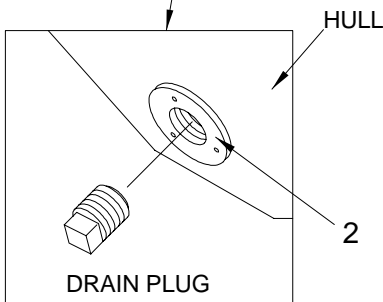
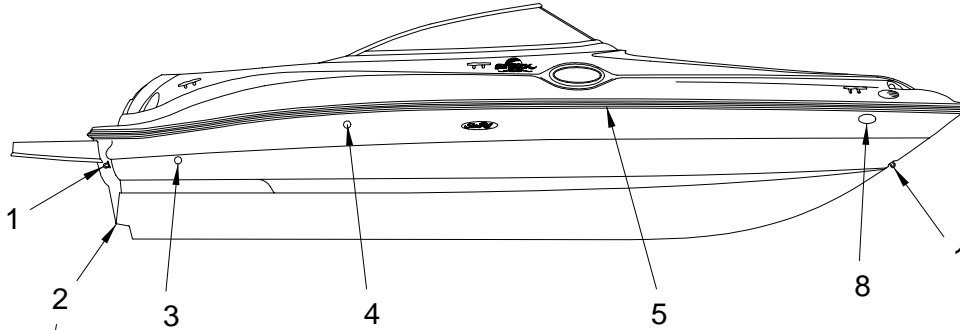


## GELCOATS

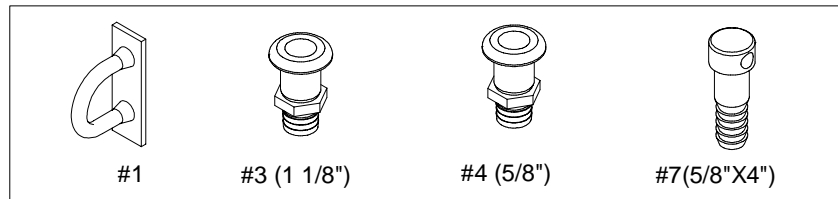
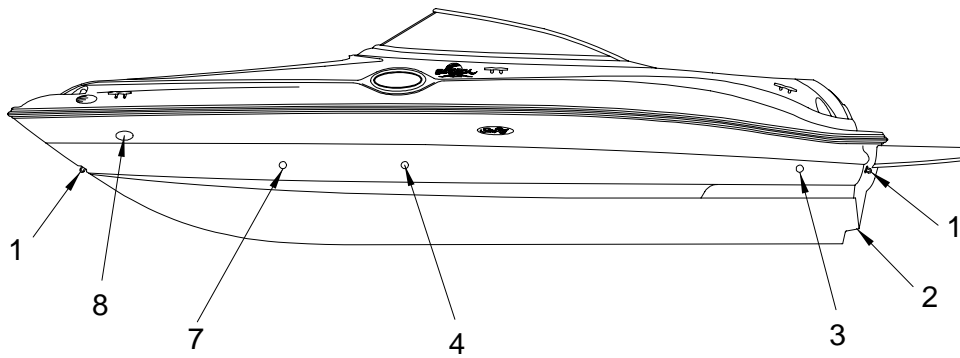
- 1837243 GEL COAT, PEARL AOC  
(DECK# 3638 -> UP)(HULL# 3693 -> UP)  
(HULL, DECK & LINER)
- 1558469 GEL COAT, MAXGUARD LE PEARL  
(DECK# 3001 -> 3637)(HULL# 3001 -> 3692)  
(HULL, DECK & LINER)
- 1839322 GEL COAT, PEARL AOC G360LN9095S  
(DECK# 3638 -> UP)(HULL# 3693 -> UP)  
(SMALL PARTS)
- 1763634 GEL COAT, MAXGUARD LE PEARL  
(DECK# 3001 -> 3637)(HULL# 3001 -> 3692)  
(SMALL PARTS)
- 1891217 GEL COAT, BILGE PEARL G920LB90935 AOC  
(DECK# 3638 -> UP)(HULL# 3693 -> UP)  
(HULL BILGE, DECK AND SMALL PARTS UNDERSIDE COLOR)
- 1452861 GEL COAT, PEARL AIR-DRY (BILGE)  
(DECK# 3001 -> 3637)(HULL# 3001 -> 3692)  
(HULL BILGE, DECK AND SMALL PARTS UNDERSIDE)
- 1799861 GEL COAT, NICKLE MMHP  
(DASH)
- 1815536 GEL COAT, BLACK MMHP VALSPAR 5799B90015
- 1310416 GEL COAT, GALAXY BLUE
- 1801663 GEL COAT, CINNABAR PEARL
- 1690265 GEL COAT, RED ARMORCOTE
- 1799781 GEL COAT, NEW PEWTER VALSPAR

EXTERIOR (HULL)

STARBOARD SIDE



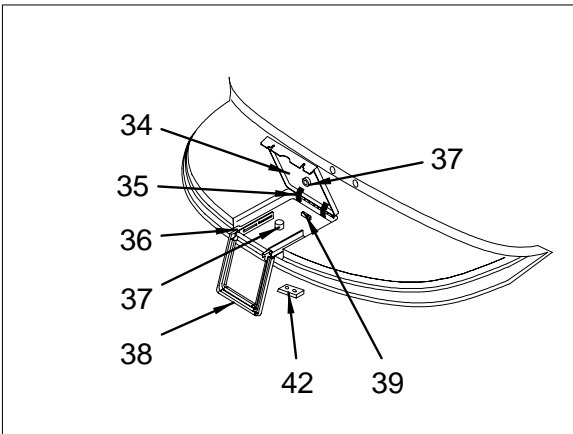
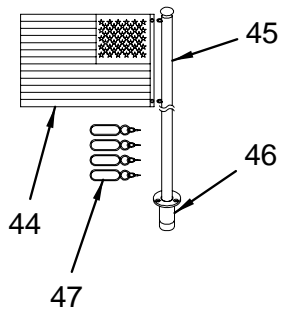
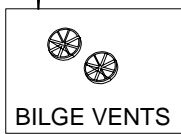
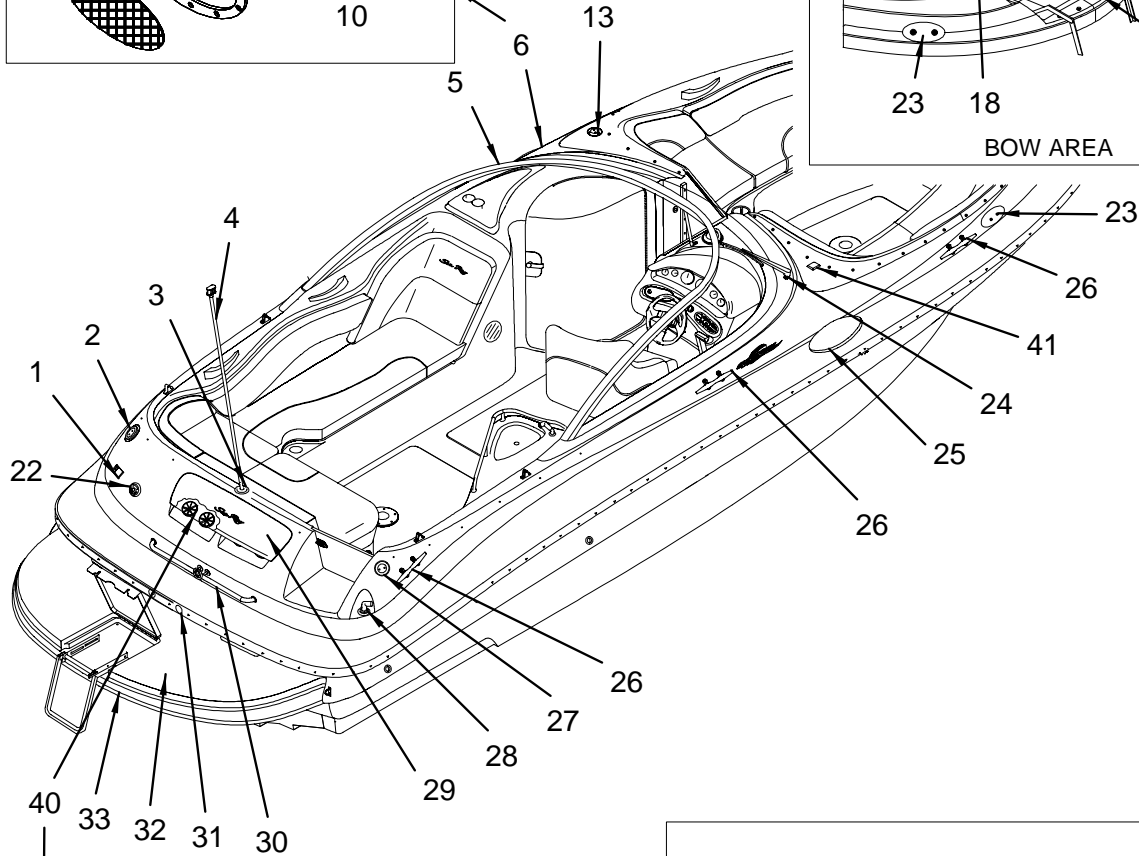
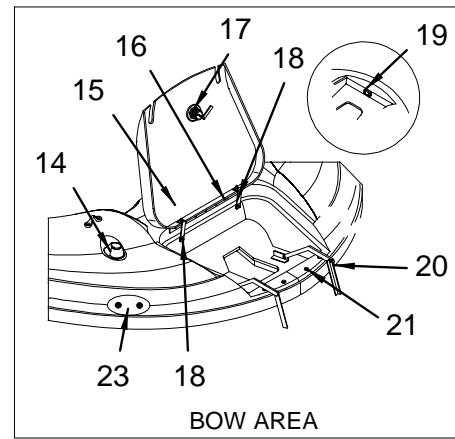
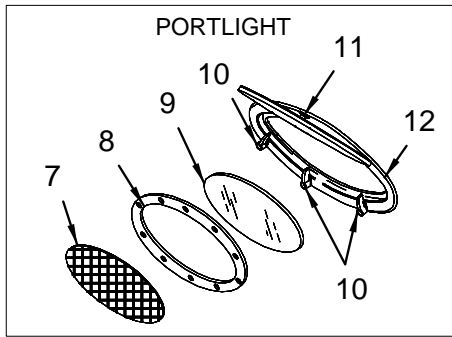
PORT SIDE



**EXTERIOR (HULL)**

- 1 1891829 EYE, STERN 1/2"X 4" W/BACKING PLATE
- 1473040 PLATE, BACKING UNIVERSAL 3/16"
- 2 1690996 FLANGE, RED BRASS DRAIN PLUG 1.25"
- 3 1778931 THRU-HULL, SS 1 1/8" BARB SHORT W/RBR GASKET  
**(BILGE PUMP AND DECK DRAINS)**
- 1830769 GASKET, SILICONE 70 DUR 1/16" X 1.292 X 2.127  
**(BILGE PUMP AND DECK DRAINS)**
- 4 1778933 THRU-HULL, SS 5/8" BARB SHORT W/RBR GASKET  
**(ENTERTAINMENT CTR & HEAD SINKS)**
- 1830768 GASKET, SILICONE 70 DUR 1/16" X 1.151 X 1.585  
**(ENTERTAINMENT CTR & HEAD SINKS)**
- 5 1784879 RUBRAIL, PVC PEARL 20"SS INSERT 1.825"WIDE
- 6 1080100 INSERT, RUB RAIL SS 3/4"X 12' (.062/304SS)
- 7 1777214 VENT, FUEL/WATER SS 5/8" FLSH STRAIGHT  
**(PUMP OUT HEAD)**  
**(VACUUM FLUSH HEAD W/HOLDING TANK)**
- 8 1791005 LIGHT, DOCKING SS 12V/50W W/ CONN  
**(DOCKING LIGHTS)**
- 1800852 BULB, REPL FOR DOCKING LIGHT SS 12V/50W  
**(PART OF 1791005)**
- 1800853 LIGHT, DOCKING SS 12V/50W LENS CVR ONLY  
**(PART OF 1791005)**

EXTERIOR (DECK)



## EXTERIOR (DECK)

1	1803278	SWITCH, TILT EXTERNAL MOUNT W/CONN (TRANSOM TRIM SWITCH)	21	1763338	BUMPER, FWD LADDER HATCH PEARL
2	1109354	DECK PLATE, GAS CHR W/VENT 45DG NCK RED CODE	22	1803477	STEREO, REMOTE CNTRL N/DSP/L BLK FACE/SS BZL (2ND STEREO REMOTE CONTROL -TRANSOM)
	1068592	KEY, DECK PLATE CAP (PART OF 1109354)		1312750	CABLE, CLARION REMOTE EXTENSION CABLE 24' (2ND STEREO REMOTE CONTROL -TRANSOM)
	1098615	DECK PLATE, GAS CHR W/VENT (SHIM ONLY) (PART OF 1109354)		935080	CABLE, CLARION DUAL REMOTE "Y" (2ND STEREO REMOTE CONTROL -TRANSOM)
	1213867	DECK PLATE, CAP W/CHAIN GAS (FOR #1109354) (PART OF 1109354)	23	1837054	HORN, SGL CONCEALED W/SS GRILL/CONN
3	1771001	LIGHT, BASE ROUND NAV STERN LIGHT CHR W/CONN		1840005	HORN GRILL, SGL CONCEALED SS (PART OF 1837054)
4	1078120	LIGHT, NAV A/R STERN 67" 7DEG RG	24	1748562	WIPER MOTOR, 85 DEG (AM)
	929026	LIGHT, NAV A/R STERN 84" RG SLIP COLLAR (FORWARD Bimini TOP & BOOT)		1748544	WIPER ARM, 11"-16" BLACK (AM)
	1205665	BULB, STERN NAV LIGHT REPL FOR#929042/#934083 (PART OF 1078120 & 929026)		1748538	WIPER BLADE, 14" FLEX BLACK (AM)
	1412469	LENS, STERN NAV LIGHT REPL FOR #1078120 (PART OF 1078120)	25	1740485	PORTLIGHT, FIXED SS-OUTER/WHT-INNER RV1
5	1776714	W/S, 220/240SD-05 STB FRNT W/SNP CLICK TRK (NOTE: ORDER DIRECT FROM TAYLOR)		1798185	PORTLIGHT, LENS ONLY SMOKE FIXED FOR #1740485 (PART OF 1740485)
	1801271	W/S, 200/220SEL/240SD DOOR W/SNPTRK (NOTE: ORDER DIRECT FROM TAYLOR)		1767665	TRIM RING, PORTLIGHT WHT INSD FOR #1740485 (PART OF 1740485)
	1783035	W/S, 220/240SD-05 HDWR KIT (PART OF 1801271)		1767666	PORTLIGHT, FRAME OUTER W/SS CAP FOR #1740485 (PART OF 1740485)
	1810998	W/S, 200/220SEL/240SD SCREW CVR (PART OF 1801271)	26	1777987	CLEAT, 8" SEA RAY SS 2-BOLT
	1776713	W/S, 220/240SD-05 PRT FRNT W/SNP CLICK TRK (NOTE: ORDER DIRECT FROM TAYLOR)		1831195	GASKET, SILICONE 70 DUR 1/32" X.38 X.69 X10.1
	1785544	VINYL, W/S GASKET 2005		1791156	CLEAT, 8" SEA RAY SS 2-BOLT SHRTR STUD LNPTH
	1320001	SUPPORT, W/S 240SD-00 PORT		1473040	PLATE, BACKING UNIVERSAL 3/16"
	1320027	SUPPORT, W/S 240SD-00 STBD	27	1109362	DECK PLATE, WATER CHR W/VNT 45DG NCK BLUE
6	1453992	PORTLIGHT, OPENING ALL SS 3/8"-7/8" MOD REV1 (SEE REF #7,8,9,10,11 & 12 FOR PARTS OF PARTS BREAK DOWN)		1068592	KEY, DECK PLATE CAP (PART OF 1109362)
	1331735	PORTLIGHT, GASKET ONLY (BOMAR) (PART OF 1453992)		1405844	DECK PLATE, CAP W/CHAIN WATER (PART OF 1109362)
7	1331313	PORTLIGHT, SCREEN 3/8" X 7/8" (PART OF 1453992)	28	1775029	SHOWER, SPRAY BLK NOZZLE W/8' VINYL HOSE
8	1314459	PORTLIGHT, GASKET SATURATED FOAM (PART OF 1453992)		1795431	THRU-HULL, CHR PLTD BRASS SPRAY HLDR (PART OF 1775029)
9	1331750	PORTLIGHT, LENS ONLY (BOMAR) (PART OF 1453992)	29	1333178	COVER, DR/ABS 240SD-00 BILGE VENT PRL
10	1107044	PORTLIGHT, HANDLES QUICKDOGS (BOMAR) (PART OF 1453992)		1745515	LABEL, WARNING DO NOT STAND/WALK THIS AREA
11	866434	KNOB, PORTLIGHT KNOB ONLY (BOMAR) (PART OF 1453992)	30	1747837	RAIL, STERN W/SKI TOW POLISHED 316L
12	1513183	TRIM RING, PORTLIGHT 3/8" SS (PART OF 1453992)		1830766	GASKET, SILICONE 70 DUR 1/16" X .3 X 1.175 (PORT)
13	1355585	DECK PLATE, WASTE CHR STRAIGHT NCK BLK CODE (PUMP OUT HEAD) (VACUUM FLUSH HEAD W/HOLDING TANK)		1830767	GASKET, SILICONE 70 DUR 1/16" X .38 X 1.245 (STBD)
	1474790	DECK PLATE, CAP W/GASKET (PART OF 1355585)		1830770	GASKET, SILICONE 70 DUR 1/16" X .375 X 1.0 (CENTER)
	1068592	KEY, DECK PLATE CAP (PART OF 1355585)		1473040	PLATE, BACKING UNIVERSAL 3/16"
14	1771013	LIGHT, NAV SIDE SS HORZ 12V W/CONN	31	1628858	BUMPER, WHITE ROUND W/#6 TRUSS HEAD
	1798179	LIGHT, NAV SIDE SS LENS CVR ONLY(RED/PRT) (PART OF 1771013)	32	1853985	240SD 07.SWMP/LTFM.FBRGLS
	1798182	LIGHT, NAV SIDE SS LENS CVR ONLY(GRN/STB) (PART OF 1771013)	33	1156348	TRIM, EDGE PRL MOTOR BOX LARGE
	1423946	BULB, REPL FOR #1414895 12V (PART OF 1771013)	34	1853961	240SD 07.HATCH.SWM LDR FBRGLS
15	1847925	240SD 07.HATCH,R/L FBRGLS	35	1749855	HINGE, SS CONT 2"X 14.5" X 1/2" KNUC POLISHED
16	1749854	HINGE, SS CONT 2"X 14" X 1/2" KNUC POLISHED	36	274373	BUMPER, CANOE CLIP MED WHT
17	1781437	LATCH, COMPRESSION 2"N/LOCKING SS (ORDER LATCH, PLATE AND CATCH FOR COMPLETE LATCH)	37	1803572	HOLDER, MAGNETIC SHORT W/FLUSH MNT STRIKE
	1781438	CATCH, PAWL 2"OFFSET LONG SS	38	1798013	LADDER, SWIM 3 STEP SS SR CUSTOM STEP TREADS
18	1853986	240SD 07.STRAP.ANCHOR HATCH		1848225	LADDER, TREAD UPR (PART OF 1798013)
19	1223676	CLEAT, HDPE 190SDOB-99 ROPE LCKR PRL		1848227	LADDER, TREAD MIDDLE (PART OF 1798013)
20	1155282	LADDER, SWIM 3-STEP POCKET PRL NYLON COATING		1848229	LADDER, TREAD LWR (PART OF 1798013)
	1229335	LADDER, SWIM BRKT RH (PART OF 1155282)		1760128	SHIM, PVC LADDER HATCH CATCH 3/4" WHT
	1229343	LADDER, SWIM BLOCK NYLON STOP (PART OF 1155282)	39	1291160	CLEAT, HDPE 3/4"X 1"X 4" PRL
	1229368	LADDER, SWIM BRKT LH (PART OF 1155282)	40	716159	VENT, PLAS GRILL 4" BLK
	1229376	LADDER, SWIM ARM LH (PART OF 1155282)	41	1890164	ANTENNA, SHAKESPEARE SIRIUS SAT RADIO RV1 (HULL# 3663 -> UP)
	1229384	LADDER, SWIM ARM RH (PART OF 1155282)		1757933	ANTENNA, SHAKESPEARE SATELLITE RADIO ANTENNA (HULL# 3001 -> 3662)
	1229392	LADDER, SWIM STEP RIBBED "U" (PART OF 1155282)	42	1798635	BUMPER, HDPE LADDER HATCH '05 PRL
	1229400	LADDER, SWIM UPR SECTION (PART OF 1155282)	43	1838426	FLAG, USA 16" X 24"
	1229418	LADDER, SWIM LWR SECTION (PART OF 1155282)	44	1838431	POLE, FLAGSTAFF SS MAGNETIC SPRTBT/SPRTCRSR
	1229350	LADDER, SWIM HDWR KIT FOR MRP #1155282/808782 (PART OF 1155282)	45	1848879	HOLDER, FLUSH MOUNT MAGNETIC STERN FLAG POLE
			46	1854249	CLIP, FLAG KEY RING 302SS
<b>LABELS</b>					
				1811367	LABEL, DANGER CO TRANSOM 06
				1750454	DECAL, SEA RAY OWNERS CLUB (NBOA) RV
				1750455	DECAL, STRUCTURAL WARRANTY SPRTBT
				129122	LABEL, NMMA CERTIFIED
				1743571	LABEL, DANGER TRANSOM DOOR (LEXAN) (LOCATED ON TRANSOM DOOR)
				1745125	LABEL, SKI TOW ROPE BACKLASH (LOCATED ABOVE SKI RAIL)
				1745512	LABEL, STAY CLEAR OF MOVING PARTS ON ENGINE (LOCATED UNDER MOTORBOX)
				1745519	LABEL, DANGER SHUT OFF ENG WHEN NEAR SWIMMERS (LOCATED BESIDE LADDER ON SWIM PLATFORM)
				1808431	DECAL, SIRIUS ACTIVATION ORNG/BLUE 6 MONTH
				1791388	DECAL, MERCURY CERTIFIED INSTALLER (5.0L MPI BR 3 (260 PHP) MCM STERN DRIVE) (350 MAG MPI BR 3 (300 PHP) MCM STERN DR.)

LABELS (continued)

(MX 6.2L MPI BR 3 (320 PHP) MCM STERN DRIVE)

NOT SHOWN

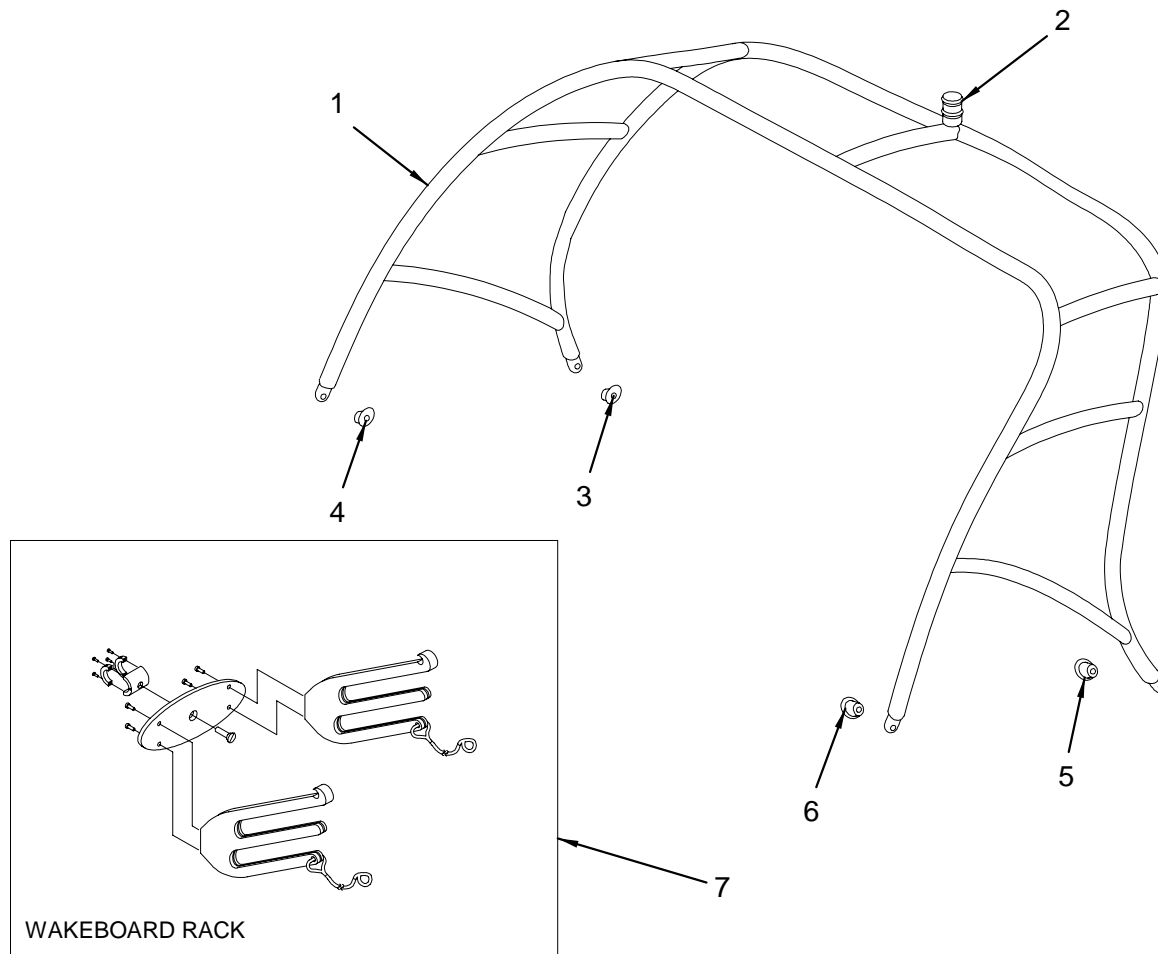
1675313 TAPE, NORSEAL 0.125"X 7/8"X 100' SWIVEL FREE  
663708 BUMPER, CLEAR .020" THICK  
156893 WEBBING, POLYPROPYLENE 1" BLACK  
(BLACK MATERIAL USED TO MAKE THE STRAP THAT HOLDS  
WINDSHEILD OPEN)

VAC PACK

1734620 TAPE, VAC PAK WHT (2"X 180') FLAME RETARDANT  
1691151 TAPE, VAC PAK WHT (4"X 180') FLAME RETARDANT  
468934 TAPE, VAC PAK WHT (4"X 36YDS) PRESERVATION  
1848359 VINYL FILM, 240SD-00 PLAS CVR W/VENT/SWMPLTFM



**WATER SPORTS TOWER**



**WATER SPORTS TOWER**

- 1 1781321 TOWER, 240SD-05 ALUM WTR SPRTS W/STERN LIGHT (W.S TOWER W/STD BIMINI TOP/ WAKEBOARD RACK)
- 1796292 TOWER, 240SD-05 TOWER W/LT & SPKR HARNESS (SPEAKERS FOR WATER SPORTS TOWER)
- 1793145 TOWER, 270SD-05 WTR SPRTS HDWR KIT (PART OF 1796292)
- 1809246 WRENCH, ALLEN F/ALUM TWR (PART OF 1793145)
- 1747371 BOLT, WATER SPORTS TWR 1/4-20-3" (PART OF 1793145 & 1756513)
- 1747372 NUT, NYLON LOCK 1/4-20 WTR SPRTS TWR (PART OF 1793145 & 1756513)
- 1747373 WASHER, WATER SPORTS TWR 1/4-20 FENDER (PART OF 1793145 & 1756513)
- 1762807 PLATE, BACKING WTR SPRTS TWR SR (PART OF 1793145 & 1756513)
- 1784031 GASKET, WTR SPORTS TWR OVAL (PART OF 1793145 & 1756513)
- 1756513 TOWER, 240SD-04 WTR SPRTS HDWR KIT (W.S TOWER W/STD BIMINI TOP/ WAKEBOARD RACK)
- 2 1773140 SKI TOW ASSY, SUNDECK SPRT BOAT WTR TOWER
- 3 1773141 TOWER, SUNDECK SPRT BOAT PAD ASSY STB AFT
- 1762805 SCREW, CAP 3/8" SCH UNC WTR SPRTS TWR
- 1762804 WASHER, WATER SPORTS TWR LEG NYLON
- 4 1773142 TOWER, SUNDECK SPRT BOAT PAD ASSY STB BOW
- 1762805 SCREW, CAP 3/8" SCH UNC WTR SPRTS TWR
- 1762804 WASHER, WATER SPORTS TWR LEG NYLON

- 5 1773143 TOWER, SUNDECK SPRT BOAT PAD ASSY PRT AFT
- 1762805 SCREW, CAP 3/8" SCH UNC WTR SPRTS TWR
- 1762804 WASHER, WATER SPORTS TWR LEG NYLON
- 6 1773144 TOWER, SUNDECK SPRT BOAT PAD ASSY PRT BOW
- 1762805 SCREW, CAP 3/8" SCH UNC WTR SPRTS TWR
- 1762804 WASHER, WATER SPORTS TWR LEG NYLON
- 7 1783635 SUPPORT, SR-05 ALUM WAKEBOARD RACK ANODIZED (INDIVIDUAL COMPONENTS NOT SOLD SEPARATELY AT THIS TIME) (WATER SPORTS TOWER W/WAKEBOARD RACKS)
- 1799419 SUPPORT, SR-05 ALUM WAKEBOARD RACK HDWR KIT (PART OF 1783635)
- 1443191 EMBLEM, S/R WAVE 5" OVAL CHR TRNSM

**HARNESSES**

- 1786803 HARNESS, TOWER 87" (WATER SPORTS TOWER W/WAKEBOARD RACKS)
- 1839515 HARNESS, 200/220/240SD-07 TOWER SPKR (HULL# 3403 -> UP) (SPEAKERS FOR WATER SPORTS TOWER)
- 1811742 HARNESS, 200/220/240SD TOWER SPKR (HULL# 3001 -> 3402) (SPEAKERS FOR WATER SPORTS TOWER)

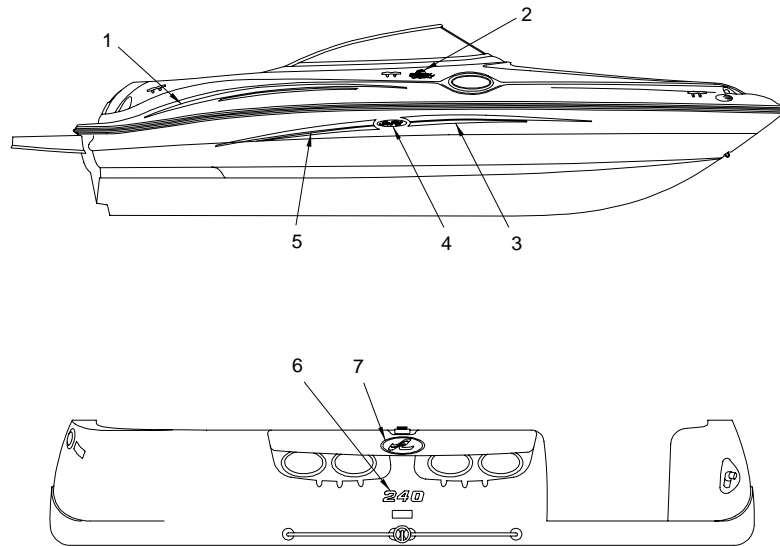
**LABELS**

1745125 LABEL, SKI TOW ROPE BACKLASH

**NOT SHOWN**

1785695 VINYL FILM, 240SD-05 PLAS CVR W/VENTS W/TWR  
(WATER SPORTS TOWER W/WAKEBOARD RACKS)  
126870 VENT, CLAMSHELL ROPE LCKR 1 5/8" X 1.5"  
(SPEAKERS FOR WATER SPORTS TOWER)  
(WATER SPORTS TOWER W/WAKEBOARD RACKS)  
1790333 SPEAKER, TOWER 6100 INFINITY W/AMP-MIC  
(SPEAKERS FOR WATER SPORTS TOWER)  
1801814 STEREO, AMP F/INF-6100M (#1790333)  
(PART OF 1790333)

**EXTERIOR (GRAPHICS) BLACK OR PEWTER**



**EXTERIOR (GRAPHICS) BLACK OR PEWTER**

- 1 1848480 TAPE, 240SD-07 SLVR/BLK PRT DECK  
(PART OF 1831670)
- 1848481 TAPE, 240SD-07 SLVR/BLK STB DECK  
(PART OF 1831670)
- 2 1779890 TAPE, LOGO SUNDECK URETH BLK/CHR  
(PART OF 1831670)
- 3 1848482 TAPE, 240SD-07 SLVR/BLK FWD PRT HULL  
(PART OF 1831670)
- 1848483 TAPE, 240SD-07 SLVR/BLK FWD STB HULL  
(PART OF 1831670)
- 4 1443183 EMBLEM, "SEA RAY" SCRIPT HULL LOGO CHR 13"
- 5 1848484 TAPE, 240SD-07 SLVR/BLK AFT PRT HULL  
(PART OF 1831670)
- 1848485 TAPE, 240SD-07 SLVR/BLK AFT STB HULL  
(PART OF 1831670)
- 6 1480383 EMBLEM, MODEL DESG 240 PRO URETHANE BLK W/CHR  
(PART OF 1831670)
- 7 1443191 EMBLEM, S/R WAVE 5" OVAL CHR TRNSM

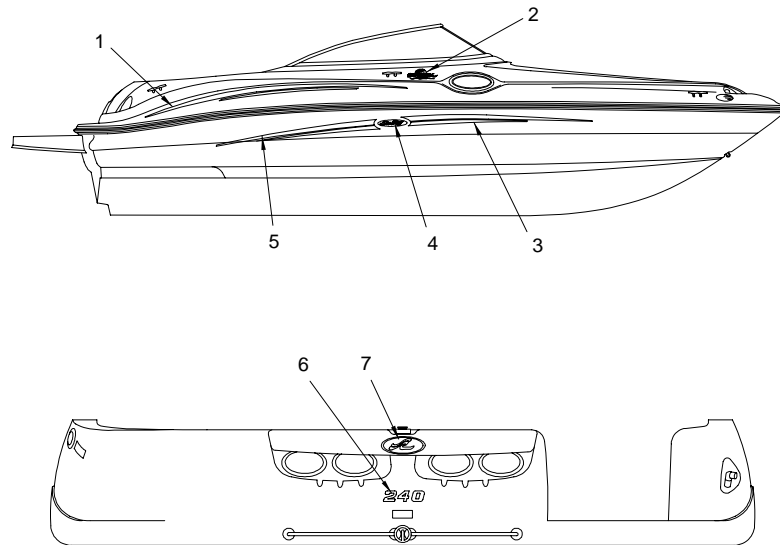
**NOT SHOWN**

- 1690443 TAPE, SOLID 3/8" PRL  
(NOTE: 150 FOOT ROLL OF TAPE) (TWO TONE GELCOAT GRAPHICS)
- 1847805 TAPE, SOLID 3/8" PRL  
(NOTE: 75 FOOT ROLL OF TAPE) (TWO TONE GELCOAT GRAPHICS)
- 1210558 TAPE, SOLID 1/4" PEARL GEL  
(NOTE: 150 FOOT ROLL OF TAPE) (USED TO TRIM GEL LINE ABOVE EMBLEM)
- 1847754 TAPE, SOLID 1/4" PEARL GEL  
(NOTE: 75 FOOT ROLL OF TAPE) (USED TO TRIM GEL LINE ABOVE EMBLEM)

**GRAPHICS KIT**

- 1831670 GRAPHICS KIT, 240SD-07 SLVRMET/BLK  
(NON AND TWO TONE GEL COAT)

**EXTERIOR (GRAPHICS) CINNABAR**



**EXTERIOR (GRAPHICS) CINNABAR**

- 1 1848486 TAPE, 240SD-07 SLVR/CNNBR PRL PRT DECK  
(PART OF 1830939)
- 1848487 TAPE, 240SD-07 SLVR/CNNBR PRL STB DECK  
(PART OF 1830939)
- 2 1779890 TAPE, LOGO SUNDECK URETH BLK/CHR  
(PART OF 1830939)
- 3 1848488 TAPE, 240SD-07 SLVR/CNNBR PRL FWD PRT HULL  
(PART OF 1830939)
- 1848489 TAPE, 240SD-07 SLVR/CNNBR PRL FWD STB HULL  
(PART OF 1830939)
- 4 1443183 EMBLEM, "SEA RAY" SCRIPT HULL LOGO CHR 13"
- 5 1848490 TAPE, 240SD-07 SLVR/CNNBR PRL AFT PRT HULL  
(PART OF 1830939)
- 1848491 TAPE, 240SD-07 SLVR/CNNBR PRL AFT STB HULL  
(PART OF 1830939)
- 6 1480383 EMBLEM, MODEL DESG 240 PRO URETHANE BLK W/CHR  
(PART OF 1830939)
- 7 1443191 EMBLEM, S/R WAVE 5" OVAL CHR TRNSM

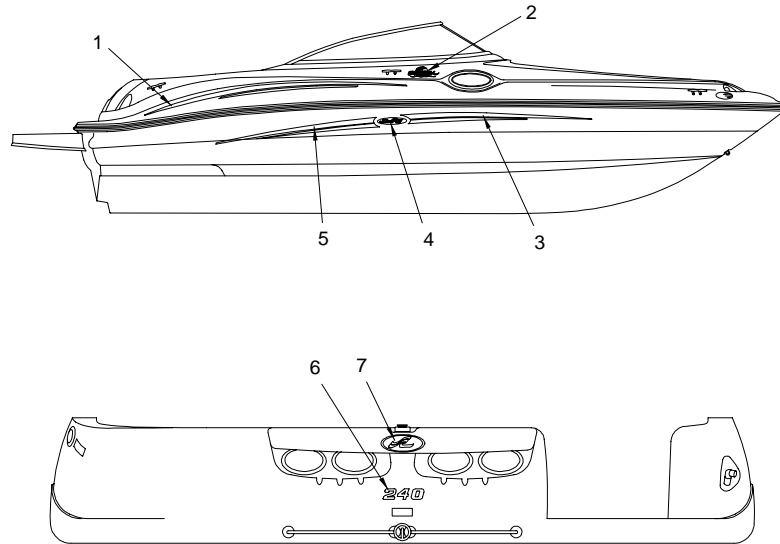
**NOT SHOWN**

- 1690443 TAPE, SOLID 3/8" PRL  
(NOTE: 150 FOOT ROLL OF TAPE) (TWO TONE GELCOAT GRAPHICS)
- 1847805 TAPE, SOLID 3/8" PRL  
(NOTE: 75 FOOT ROLL OF TAPE) (TWO TONE GELCOAT GRAPHICS)
- 1210558 TAPE, SOLID 1/4" PEARL GEL  
(NOTE: 150 FOOT ROLL OF TAPE) (USED TO TRIM GEL LINE ABOVE EMBLEM)
- 1847754 TAPE, SOLID 1/4" PEARL GEL  
(NOTE: 75 FOOT ROLL OF TAPE) (USED TO TRIM GEL LINE ABOVE EMBLEM)

**GRAPHICS KIT**

- 1830939 GRAPHICS KIT, 240SD-07 CNNBR/SLVRMET/BLK  
(NON AND TWO TONE GEL COAT)

**EXTERIOR (GRAPHICS) BLUE**



**EXTERIOR (GRAPHICS) BLUE**

- 1 1848492 TAPE, 240SD-07 SLVR/GLXY BLUE PRT DECK  
(PART OF 1830935)
- 1848494 TAPE, 240SD-07 SLVR/GLXY BLUE STB DECK  
(PART OF 1830935)
- 2 1779890 TAPE, LOGO SUNDECK URETH BLK/CHR  
(PART OF 1830935)
- 3 1848495 TAPE, 240SD-07 SLVR/GLXY BLUE FWD PRT HULL  
(PART OF 1830935)
- 1848496 TAPE, 240SD-07 SLVR/GLXY BLUE FWD STB HULL  
(PART OF 1830935)
- 4 1443183 EMBLEM, "SEA RAY" SCRIPT HULL LOGO CHR 13"
- 5 1848497 TAPE, 240SD-07 SLVR/GLXY BLUE AFT PRT HULL  
(PART OF 1830935)
- 1848498 TAPE, 240SD-07 SLVR/GLXY BLUE AFT STB HULL  
(PART OF 1830935)
- 6 1480383 EMBLEM, MODEL DESG 240 PRO URETHANE BLK W/CHR  
(PART OF 1830935)
- 7 1443191 EMBLEM, S/R WAVE 5" OVAL CHR TRNSM

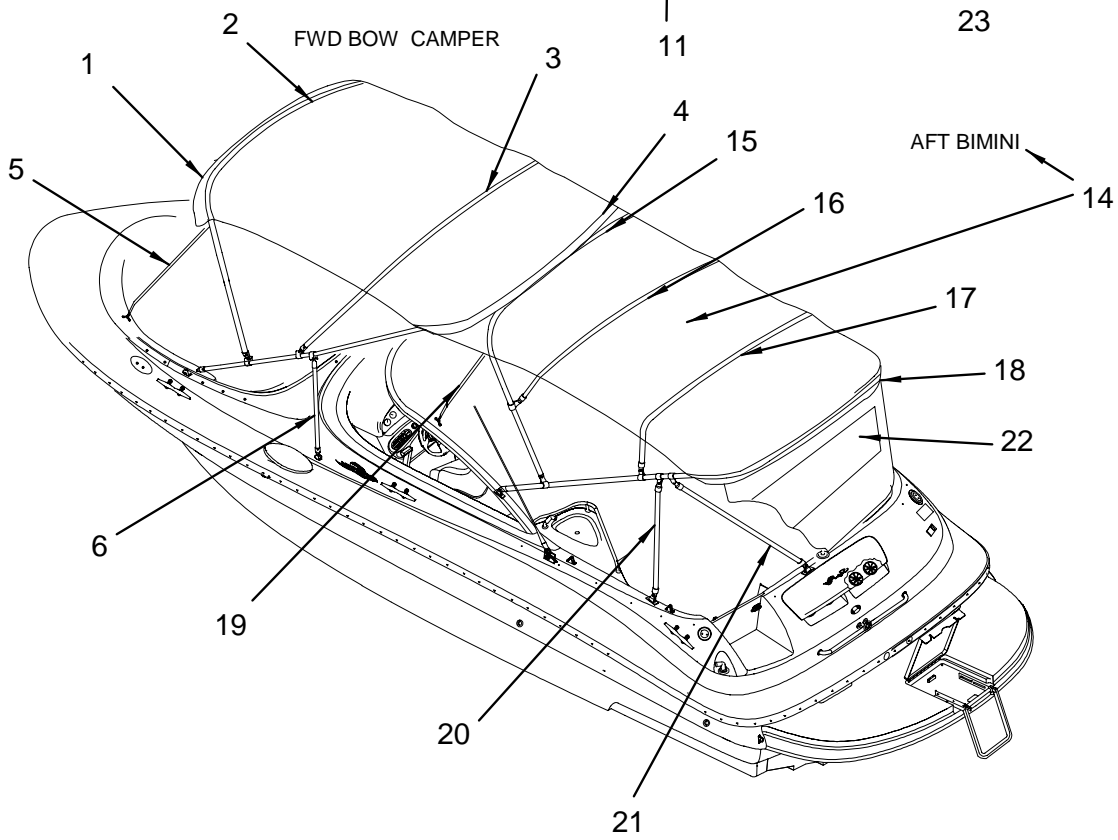
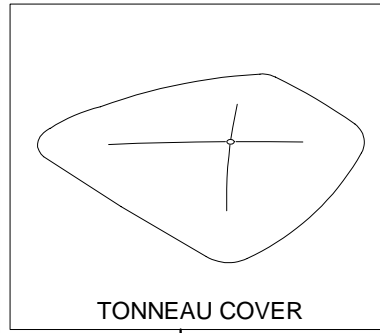
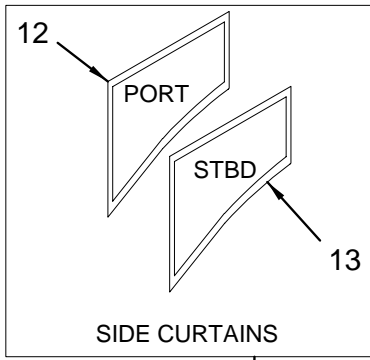
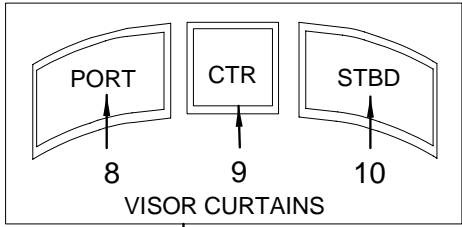
**NOT SHOWN**

- 1690443 TAPE, SOLID 3/8" PRL  
(NOTE: 150 FOOT ROLL OF TAPE) (TWO TONE GELCOAT GRAPHICS)
- 1847805 TAPE, SOLID 3/8" PRL  
(NOTE: 75 FOOT ROLL OF TAPE) (TWO TONE GELCOAT GRAPHICS)
- 1210558 TAPE, SOLID 1/4" PEARL GEL  
(NOTE: 150 FOOT ROLL OF TAPE) (USED TO TRIM GEL LINE ABOVE EMBLEM)
- 1847754 TAPE, SOLID 1/4" PEARL GEL  
(NOTE: 75 FOOT ROLL OF TAPE) (USED TO TRIM GEL LINE ABOVE EMBLEM)

**GRAPHICS KIT**

- 1830935 GRAPHICS KIT, 240SD-07 GLXYBL/SLVRMET/BLK  
(NON AND TWO TONE GEL COAT)

CANVAS (BLACK)



CANVAS HARDWARE

END CAP	JAW SLIDE	PLASTIC REPLACEMENT INSERT	PULL PIN	PULL PIN W/LANYARD	RADIUS HINGE	SIDE SPACER	STRAIGHT HINGE	STRAP EYE
24	25	26	27	28	29	30	31	32

**CANVAS (BLACK)**

- 1 1759831 CANVAS, 240SD-04 CAMP TOP BLK
- 1759832 CANVAS, 240SD-04 CAMP TOP BOOT BLK
- 1772243 CANVAS, 240SD-04 CAMP TOP BOWS W/HDWR
- 1772245 CANVAS, 240SD-04 CAMP TOP HDWR MNT PKG
- 2 1772246 CANVAS, 240SD-04 CAMP TOP BOW2 N/HDWR
- 3 1772250 CANVAS, 240SD-04 CAMP TOP BOW3 N/HDWR
- 4 1772244 CANVAS, 240SD-04 CAMP TOP MAIN BOW N/HDWR
- 5 1776635 CANVAS, 240SD-04 CAMP TOP FWD STAN/STP
- 6 1772252 CANVAS, 240SD-04 CAMP TOP REAR SUPPORT POLE
- 7 1780202 CANVAS, 240SD-05 VISOR CLR/BLK 3PC
- 8 1784286 CANVAS, 240SD-05 VISOR CURT PRT CLR/BLK  
(PART OF 1780202)
- 9 1784287 CANVAS, 240SD-05 VISOR CURT CTR CLR/BLK  
(PART OF 1780202)
- 10 1784288 CANVAS, 240SD-05 VISOR CURT STB CLR/BLK  
(PART OF 1780202)
- 11 1780205 CANVAS, 240SD-05 SIDE CURT SET W/SNPS BLK
- 12 1784289 CANVAS, 240SD-05 SIDE CURT PRT BLK  
(PART OF 1780205)
- 13 1784290 CANVAS, 240SD-05 SIDE CURT STB BLK  
(PART OF 1780205)
- 14 1759824 CANVAS, 240SD-04 BIM TOP BLK
- 1817419 CANVAS, 240SD-05 BIM TOP FAB CHAR
- 1759825 CANVAS, 240SD-04 BIM TOP BOOT EMB BLK
- 1770062 CANVAS, 240SD-04 BIM TOP BOWS W/HDWR
- 1770061 CANVAS, 240SD-04 BIM TOP HDWR MNT PKG
- 15 1770063 CANVAS, 240SD-04 BIM TOP BOW2 W/HDWR
- 16 1770065 CANVAS, 240SD-04 BIM TOP BOW4 N/HDWR
- 17 1770064 CANVAS, 240SD-04 BIM TOP BOW3 N/HDWR
- 18 1770060 CANVAS, 240SD-04 BIM TOP MAIN BOW N/HDWR
- 19 1776632 CANVAS, 240SD-04 BIM TOP FWD STANCHION/STRAP
- 20 1770067 CANVAS, 240SD-04 BIM TOP REAR STANCH 32.5"ADJ
- 21 1770066 CANVAS, 240SD-04 BIM TOP SWAY POLE
- 22 1806138 CANVAS, 240SD-06 BIM AFT CURT W/SNPS BLK
- 23 1805047 CANVAS, 240SD-06 TONNEAU CVR BLK
- 1805050 CANVAS, 240SD-06 TONNEAU CVR W/CAMP/SNPS BLK
- 1811351 POLE, TONNEAU/CKPT CVR SUPPORT ADJ
- 24 1760354 CAP, SS EYE END BALL/SOCKET TYPE
- 25 1760355 SLIDE, JAW SLIDE BALL/SOCKET TYPE SS
- 1760596 SCREW, SLOT PAN BALL/SOCKET JAW SLIDE
- 26 1760358 INSERT, DECK HINGE BALL/SOCKET BLK
- 27 1357854 PIN, PULL 1.25" TOGGLE W/RING LNYRD SPRING SS
- 28 1760595 PIN, PULL BALL/SOCKET TYPE W/RING LNYRD BLK
- 29 1760357 HINGE, DECK RADIUS BALL/SOCKET TYPE SS
- 30 580688 SPACER, SIDE CURTAIN 7/8"
- 31 1760356 HINGE, DECK FLAT BALL/SOCKET TYPE SS
- 32 148031 EYE, STRAP EYE TIE-DOWN

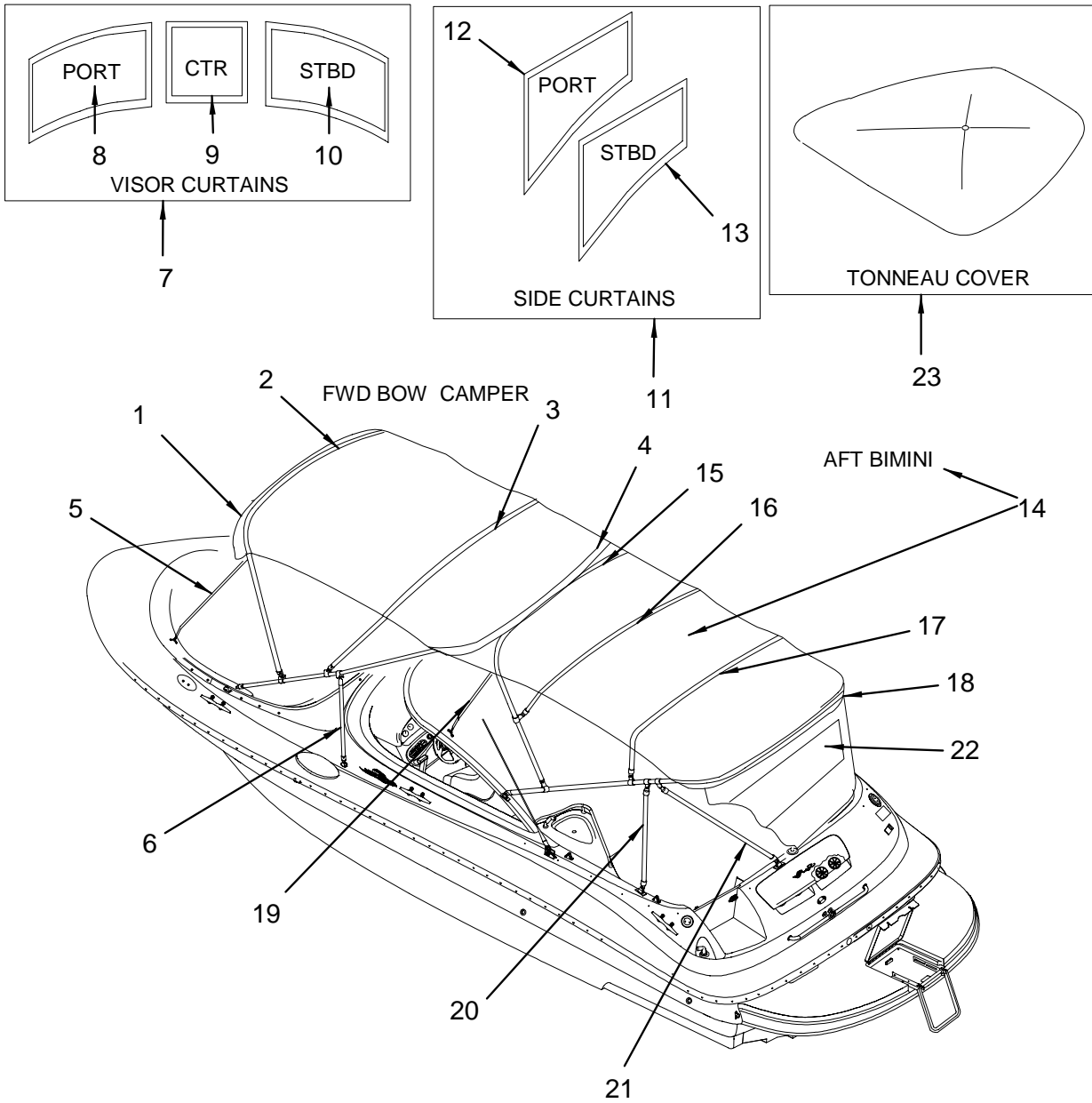
**COCKPIT COVER**

- 1805053 CANVAS, 240SD-06 CPC N/SNPS BLK
- 1805056 CANVAS, 240SD-06 CPC W/SNPS BLK

**STORAGE BAG**

- 1092162 CANVAS, STRG BAG 12X38 CLOUDBRST TONNEAU/CKPT
- 819524 CANVAS, STRG BAG 19.5X54 GREY 95

CANVAS (BLUE)



CANVAS HARDWARE

END CAP	JAW SLIDE	PLASTIC REPLACEMENT INSERT	PULL PIN	PULL PIN W/LANYARD	RADIUS HINGE	SIDE SPACER	STRAIGHT HINGE	STRAP EYE
24	25	26	27	28	29	30	31	32



## CANVAS (BLUE)

1	1890293	CANVAS, 240SD-05 CAMP TOP CAPT NVY (HULL# 3711 -> UP)
	1818140	CANVAS, 240SD-05 CAMP TOP MEDB (HULL# 3001 -> 3710)
	1890294	CANVAS, 240SD-05 CAMP TOP BOOT CAPT NVY (HULL# 3711 -> UP)
	1818141	CANVAS, 240SD-05 CAMP TOP BOOT MEDB (HULL# 3001 -> 3710)
	1772243	CANVAS, 240SD-04 CAMP TOP BOWS W/HDWR
	1772245	CANVAS, 240SD-04 CAMP TOP HDWR MNT PKG
2	1772246	CANVAS, 240SD-04 CAMP TOP BOW2 N/HDWR
3	1772250	CANVAS, 240SD-04 CAMP TOP BOW3 N/HDWR
4	1772244	CANVAS, 240SD-04 CAMP TOP MAIN BOW N/HDWR
5	1776635	CANVAS, 240SD-04 CAMP TOP FWD STAN/STP
6	1772252	CANVAS, 240SD-04 CAMP TOP REAR SUPPORT POLE
7	1890288	CANVAS, 240SD-05 VISOR 3PC ST CLR/CAPT NVY (HULL# 3750 -> UP)
	1818135	CANVAS, 240SD-05 VISOR 3PC ST CLR/MEDB (HULL# 3001 -> 3749)
8	1780790	CANVAS, 240SD-05 VSR CURT PRT CLR/CAPT NVY (HULL# 3750 -> UP)(PART OF 1890288)
	1819931	CANVAS, 240SD-05 VSR CURT PRT CLR/MEDB (HULL# 3001 -> 3749)(PART OF 1818135)
9	1780791	CANVAS, 240SD-05 VISOR CURT CTR CLR/CAPT NVY (HULL# 3750 -> UP)(PART OF 1890288)
	1819933	CANVAS, 240SD-05 VSR CURT CTR CLR/MEDB (HULL# 3001 -> 3749)(PART OF 1818135)
10	1780792	CANVAS, 240SD-05 VISOR CURT STB CLR/CAPT NVY (HULL# 3750 -> UP)(PART OF 1890288)
	1819932	CANVAS, 240SD-05 VSR CURT STB CLR/MEDB (HULL# 3001 -> 3749)(PART OF 1818135)
11	1890289	CANVAS, 240SD-05 SIDE CURT SET W/SNPS CAPTNVY (HULL# 3750 -> UP)
	1818136	CANVAS, 240SD-05 SIDE CURT SET W/SNPS MEDB (HULL# 3001 -> 3749)
12	1780793	CANVAS, 240SD-05 SIDE CURT PRT CAPT NVY (HULL# 3750 -> UP)(PART OF 1890289)
	1819929	CANVAS, 240SD-05 SIDE CURT PRT W/SNPS MEDB (HULL# 3001 -> 3749)(PART OF 1818136)
13	1780794	CANVAS, 240SD-05 SIDE CURT STB CAPT NVY (HULL# 3750 -> UP)(PART OF 1890289)
	1819930	CANVAS, 240SD-05 SIDE CURT STB W/SNPS MEDB (HULL# 3001 -> 3749)(PART OF 1818136)
14	1890286	CANVAS, 240SD-05 BIM TOP CAPT NVY (HULL# 3702 -> UP)
	1818131	CANVAS, 240SD-05 BIM TOP MEDB (HULL# 3001 -> 3701)
	1890287	CANVAS, 240SD-05 BIM TOP BOOT CAPT NVY (HULL# 3702 -> UP)
	1818132	CANVAS, 240SD-05 BIM TOP BOOT MEDB (HULL# 3001 -> 3701)
	1819909	CANVAS, 240SD-06 BIM TOP FAB MEDB
	1770062	CANVAS, 240SD-04 BIM TOP BOWS W/HDWR
	1770061	CANVAS, 240SD-04 BIM TOP HDWR MNT PKG
15	1770063	CANVAS, 240SD-04 BIM TOP BOW2 W/HDWR
16	1770065	CANVAS, 240SD-04 BIM TOP BOW4 N/HDWR
17	1770064	CANVAS, 240SD-04 BIM TOP BOW3 N/HDWR
18	1770060	CANVAS, 240SD-04 BIM TOP MAIN BOW N/HDWR
19	1776632	CANVAS, 240SD-04 BIM TOP FWD STANCHION/STRAP
20	1770067	CANVAS, 240SD-04 BIM TOP REAR STANCH 32.5"ADJ
21	1770066	CANVAS, 240SD-04 BIM TOP SWAY POLE
22	1890290	CANVAS, 240SD-06 BIM AFT CURT W/SNPS CAPT NVY (HULL# 3750 -> UP)
	1818139	CANVAS, 240SD-06 BIM AFT CURT W/SNPS MEDB (HULL# 3001 -> 3749)
23	1890240	CANVAS, 240SD-06 TONNEAU CVR CAPT NVY (HULL# 3702 -> UP)
	1818133	CANVAS, 240SD-06 TONNEAU CVR MEDB (HULL# 3001 -> 3701)
	1890295	CANVAS, 240SD-06 TONN CVR W/CAMP/SNPS CPTNVY (HULL 3719 -> UP)
	1818142	CANVAS, 240SD-06 TONN CVR W/CAMP/SNPS MEDB (HULL# 3001 -> 3718)
	1811351	POLE, TONNEAU/CKPT CVR SUPPORT ADJ
24	1760354	CAP, SS EYE END BALL/SOCKET TYPE
25	1760355	SLIDE, JAW SLIDE BALL/SOCKET TYPE SS
	1760596	SCREW, SLOT PAN BALL/SOCKET JAW SLIDE
26	1760358	INSERT, DECK HINGE BALL/SOCKET BLK
27	1357854	PIN, PULL 1.25" TOGGLE W/RING LNYRD SPRING SS
28	1760595	PIN, PULL BALL/SOCKET TYPE W/RING LNYRD BLK
29	1760357	HINGE, DECK RADIUS BALL/SOCKET TYPE SS
30	580688	SPACER, SIDE CURTAIN 7/8"
31	1760356	HINGE, DECK FLAT BALL/SOCKET TYPE SS
32	148031	EYE, STRAP EYE TIE-DOWN

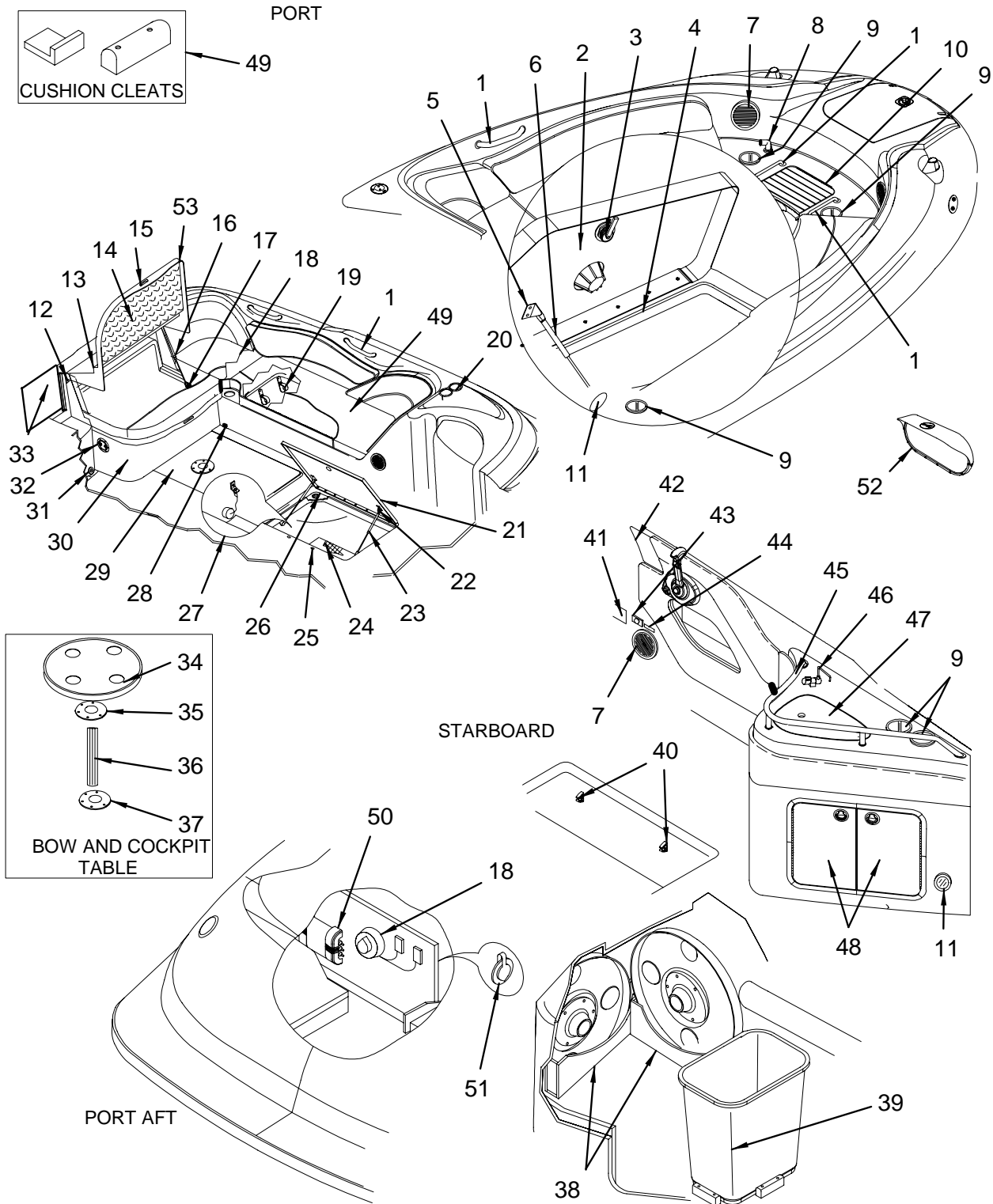
## COCKPIT COVER

1890292	CANVAS, 240SD-06 CPC N/SNPS CAPT NVY (HULL# 3750 -> UP)
1818138	CANVAS, 240SD-06 CPC N/SNPS MEDB (HULL# 3001 -> 3749)
1890291	CANVAS, 240SD-06 CPC W/SNPS CAPT NVY (HULL# 3702 -> UP)
1818134	CANVAS, 240SD-06 CPC W/SNPS MEDB (HULL# 3001 -> 3701)

## STORAGE BAG

1092162	CANVAS, STRG BAG 12X38 CLOUDBRST TONNEAU/CKPT
819524	CANVAS, STRG BAG 19.5X54 GREY 95

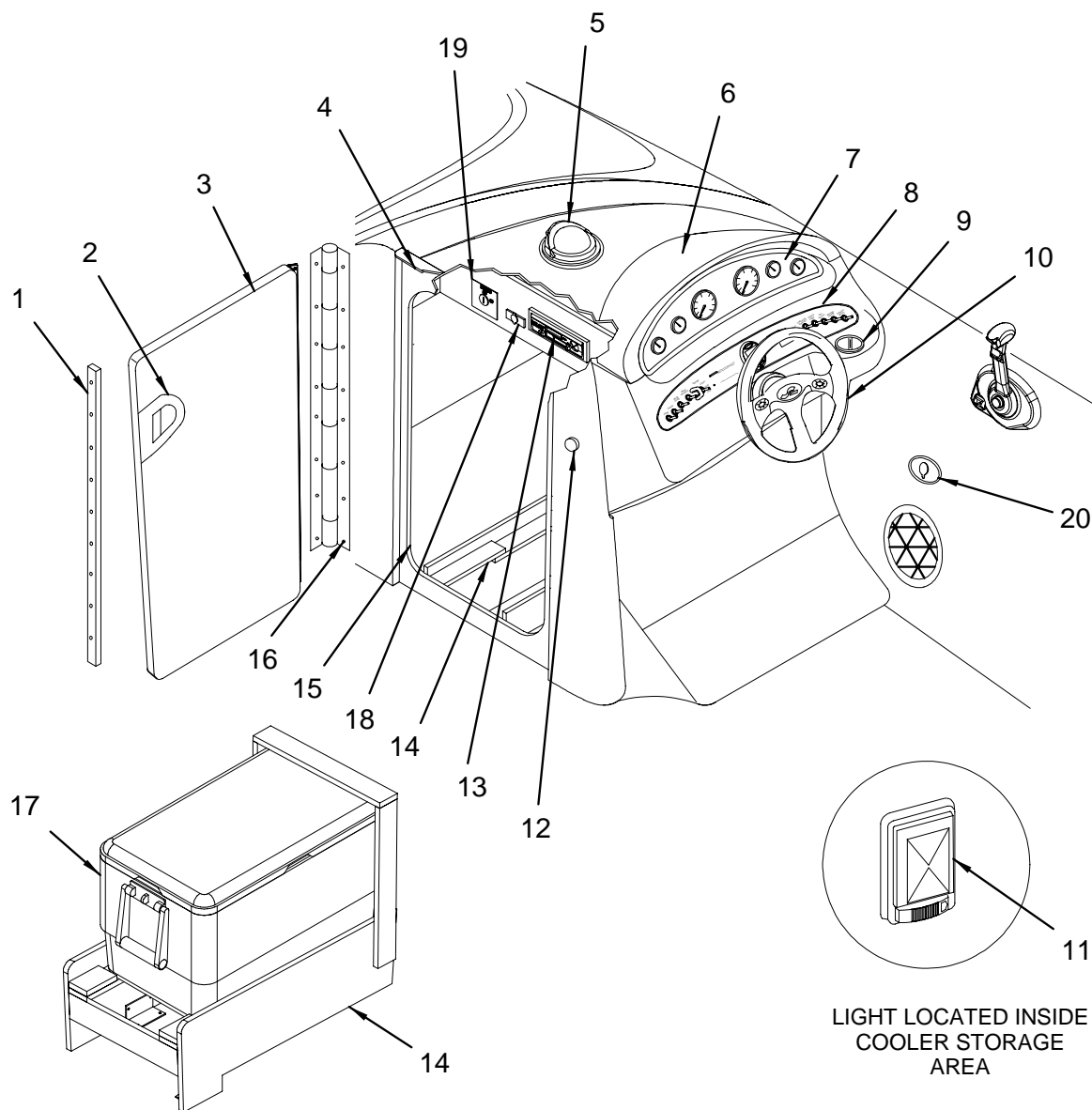
COCKPIT



## COCKPIT

1	1780393	RAIL, GRAB 8.5" 316L SS W/GASKET	36	929836	POST, TABLE LEG 24.875" ANOD FLUTED
	1794992	RAIL, GRAB 8.5" 316L SS W/SHORT 7/8" STUDS	37	876961	BASE, LEG/POST FLUSH MT ALUM
2	1853958	240SD 07,HATCH,BOW STRG FBRGLS	38	1853766	240SD 07,BOX,TBL STRG CKPT ENT/CTR
	1334929	FLOORING, PVC MAT 240SD-00 BOW HATCH STRG WHT	39	431098	BASKET, TRASH 11 3/8"X 8.25"X 12 1/8" BEIGE
	1628858	BUMPER, WHITE ROUND W/#6 TRUSS HEAD		1396308	BLOCK, HDPE 190SD-00 TRSH CAN XL HOOK PRL (WHITE IN COLOR-L SHAPED)
3	1833710	LATCH, COMPRESSION 2.5" LOCKING SS (KEY COMES WITH LATCH) (ORDER LATCH, PLATE AND CATCH FOR COMPLETE LATCH)	40	590646	CLIP, POLE STRG BLK - MAST LIGHT
	1880051	KEY, LATCH COMPRESSION 2.5" LOCKING SS (PART OF 1833710)	41	819367	PLATE, NMMA 95-240SD
	1781448	PLATE, SHALLOW BRKT 2.5"W/HDWR PKG SS		935155	PLATE, CE OPT C:240SD/12PERSON/950KG (CE OPTION GROUP)
	1781449	CATCH, PAWL 2.5"STRAIGHT LONG SS	42	1745122	LABEL, DANGER/WARNING COMBO CNTRL STA
4	1110543	HINGE, SS CONT 2"X 24"	43	1287283	RECEPTACLE, FEMALE 12V LONG THRD BLK
5	1107507	BRACKET, GAS CYL 105DEG W/10MM BALL		1259977	PLATE, FEMALE 12V RECEPTACLE MNT
6	817643	CYLINDER, GAS 40PSI 17.2"EXT X 10.2"COMP	44	1744738	LABEL, RECEPTACLE 12V-15A MAX (LEXAN)
	770479	BRACKET, SS GAS CYL 90DEG 1" W/STUD	45	1747840	RAIL, GRAB 240SD CKPT ENT CTR 316L
7	1690557	SPEAKER, COAXIAL 6.5" N/CVR	46	1775010	FAUCET, FOLD DOWN SGL TAP CHR
	1806419	GRILL, SPEAKER 6.5" ACOM WHT/BLK (HAS "SEA RAY" ON GRILL)	47	1778339	COVER, PLEX 240SD-05 CKPT SINK PRL
8	1775029	SHOWER, SPRAY BLK NOZZLE W/8" VINYL HOSE		1779333	DRAIN, FLAT HEAD 5/8" LEFT
	1795431	THRU-HULL, CHR PLTD BRASS SPRAY HLDR (PART OF 1775029)		1780445	DRAIN ASSY, STOPPER #4203 LONG BLK
9	1812917	HOLDER, DRINK SS 4"X 3" MUG SZ PLSHD RIM	48	1778342	DOOR, PLEX 240SD-05 CKPT ENT STRG W/SS STHCO
	124347	HOSE, PVC CLEAR 3/8"		1781434	LATCH, FLUSH MNT N/LOCKING SLAM SS (PART OF 1778342)
	417998	CLAMP, HOSE #04M 1/4"-5/8" SS MINI	49	1291160	CLEAT, HDPE 3/4"X 1"X 4" PRL
10	1036573	COOLER, 20"X 11"X 10" FOAMED MOLDED	50	1835711	CHARGER, BATT 12A 120VAC 2-BANK PRO SPRT (ON BOARD BATTERY CHARGER 120V/60 TO 12V)
	1156520	LID, HDPE 190SDOB/210SD-99 COOLER W/HINGE PRL		1835712	CHARGER, BATT 10A 2-BANK PRO TOUR (ON BOARD BATTERY CHARGER - 220V/50 TO 12V)
	1233840	HINGE, 190SDOB/210SD-99 COOLER LID (1156520) (PART OF 1156520)	51	1835713	HOLDER, BATT CHARGER PLUG (ON BOARD BATTERY CHARGER 120V/60 TO 12V)
	501528	BUMPER, BLACK SQUARE BUMPER	52	1888287	MIRROR, SKI SS W/S MOUNT W/EXTENDED MOTION (MIRROR, SKI TOW)
11	1771019	LIGHT, NAV STERN FLUSH MT CKPT W/CONN	53	1156348	TRIM, EDGE PRL MOTOR BOX LARGE
	1200369	BULB, REPL FOR #0137380/#0783670 (PART OF 1771019)	<b>COAST GUARD KIT</b>		
12	775874	HINGE, SS CONT 2"X 36" POLISHED	1848244	KIT, SAFETY PACKAGE-SPBOAT WWHT FNDRS/LINE	
13	1853966	240SD 07,MTRBX,CKPT FBRGLS	<b>NOT SHOWN</b>		
	1118314	CATCH, RBR SUNPAD HOLD-DOWN	1754071	PLATE, MOBELLA SHIM CHR/BR	
14	1341395	FOAM, P/C 240SD-00 CONV BILGE 2-PC	1831196	GASKET, SILICONE 70 DUR 1/32" X.27 X 1.13	
15	156166	PULL, DOOR/DRAWER PLAS WHT	1269430	SNAP CAP, PLAS ANTIQUE WHT	
16	813980	CYLINDER, GAS 80PSI 20"EXT X 12"COMP	129189	ANGLE, ALUM 1/8"X 1.5"X 1.5"X 16'	
17	634550	BRACKET, SS GAS CYL 90DEG L-BRKT W/BALL LONG	1690896	PLATE, ALUM 1/4"X 2"X 9.75" W/2" TAPPED HOLES	
	634592	BRACKET, SS GAS CYL FLAT W/BALL STUD	156893	WEBBING, POLYPROPYLENE 1" BLACK	
18	1726840	SWITCH, BATTERY SEL W/O LOCK W/O DISC REV 1 (BATTERY SWITCH-DUAL W/ 2ND TRAY SINGLE ENG.)	663708	BUMPER, CLEAR .020" THICK	
	1726841	SWITCH, BATTERY ON/OFF N/LCK N/DISC RV1 (BATTERY ON / OFF SWITCH) (CE OPTION GROUP)	137349	ACCESS PLATE, PLAS CVR 5" WHT (LOCATED AT STB WALL TRANSOM WALK-THRU DOOR)	
19	855809	ROPE, DOCKLINE STRAP WHT W/HDWR (SHORT STYLE)	1772425	TRIM, EDGE PRL SMALL 5/16" OPENING	
20	1750874	HOLDER, DRINK SS 3-RING 3" (KING)	1184472	TRIM, EDGE PRL LEATHER 1"X 5/16"	
	1750873	HOLDER, DRINK SS 2-RING 3" (KING) (TWO BUCKET SEATS W/ SUN LOUNGER SEATING PKG)			
21	1853960	240SD 07,HATCH,CKPT SKI STRG FBRGLS			
	1333186	HINGE, SS CONT 2"X 30" 240SD-00 SKI STRG			
	1833710	LATCH, COMPRESSION 2.5" LOCKING SS (KEY COMES WITH LATCH) (ORDER LATCH, PLATE AND CATCH FOR COMPLETE LATCH)			
	1880051	KEY, LATCH COMPRESSION 2.5" LOCKING SS (PART OF 1833710)			
	1781448	PLATE, SHALLOW BRKT 2.5"W/HDWR PKG SS			
	1781449	CATCH, PAWL 2.5"STRAIGHT LONG SS			
22	1107507	BRACKET, GAS CYL 105DEG W/10MM BALL			
	770479	BRACKET, SS GAS CYL 90DEG 1" W/STUD			
23	638106	CYLINDER, GAS 60PSI 20"EXT X 12"COMP			
24	1334952	FLOORING, PVC MAT 240SD-00 SKI STRG WHT			
25	1628858	BUMPER, WHITE ROUND W/#6 TRUSS HEAD			
26	266130	DRAIN, LINER W/90 DEG ELBOW 1" PLASTIC			
27	156224	PLUG, DRAIN PLUG SNAPTITE 7/8"			
	418632	LANYARD, W/TAB/RING			
28	1098417	THRU-HULL, PLAS 1 1/8" PRL			
29	1853959	240SD 07,HATCH,CKPT FUEL TANK			
30	1853965	240SD 07,MTRBX,BASE CKPT FBRGLS			
31	1392794	THRU-HULL, PLAS 1 1/8" TUBE X 90DEG PRL			
32	1155993	ACCESS PLATE, POLYPROP W/O-RING 4" PEARL			
33	1778645	DOOR, PLEX 240SD-05 TRNSM W/HNGE PRL W/OMNI (LATCH & HINGE COMES WITH DOOR)			
	1611490	LATCH, #7756 OMNI FLAT 1/2" N/ LCK			
	1684898	DOOR KEEPER, #7729 BLK PLAS FOR OMNI 1/2"			
	1688784	STRIKER, #7790 SS THNR OMNI FLAT CLSD POSTN			
	1754046	SHIM, HDPE 7/16"X 1.25"X 1/4" PRL			
	1894784	HINGE, 240SD-07 TRNSM DOOR F/1778645			
34	1148519	TABLE, T/F CKPT ROUND PRL 99			
	1768943	PVC BOARD, 1/2"X 4'X 8' SR PRL INTEFOAM			
35	876979	BASE, LEG/POST SURF MT ALUM			

COCKPIT (HELM)



**COCKPIT (HELM)**

- 1 1778647 STOP, PLEX DOOR WALK THRU PRL
- 1754046 SHIM, HDPE 7/16"X 1.25"X 1/4" PRL
- 2 1611490 LATCH, #7756 OMNI FLAT 1/2" N/ LCK  
(PART OF 1753958)
- 1612357 PLATE, STRIKER MOBELLA OMNI 3/4" & 1/2" BR  
(PART OF 1753958)
- 3 1753958 DOOR, PLEX 240SD-04 STRG WALK-THRU PRL  
(SEE REF #2 & 16 FOR PARTS OF PART BREAK DOWN)
- 4 1165257 TRIM, PLAS ANGLE 15/16"X 15/16" TAPERED PRL
- 5 1791006 COMPASS,FLSHMT 3 7/8" BLK WT HSE/BLU LT W/CON  
1780993 BULB, COMPASS REPL (1617638)  
(PART OF 1791006)
- 6 1778639 VISOR, DASH 240SD-05 NCKL
- 7 1775599 PANEL, BLANK:240/270SD-05 INST METCHRY
- 8 1839116 PANEL, 240SD-07 SW METCHRY LOADED  
(HULL# 3403 -> UP)  
(SWITCH PANEL WITH OUT IGN KEY)
- 1839117 PANEL, BLANK:-07 SW METCHRY  
(HULL# 3403 -> UP)  
(SWITCH PANEL WITH OUT IGN KEY)  
(BLANK PANEL FOR 1839116)
- 1801894 PANEL, 240SD-06 SW METCHRY  
(HULL# 3001 -> 3402)
- 1801892 PANEL, BLANK:240/270SD-06 SW METCHRY  
(BLANK PANEL FOR 1801894)
- 1885736 PANEL, 240/270SD-07 DTS SW  
(DTS MOTORS)
- 1846470 PANEL, BLANK:240/270SD-07 SW METCHRY W/DTS  
(BLANK PANEL FOR 1885736)  
(DTS MOTORS)
- 9 1812917 HOLDER, DRINK SS 4"X 3" MUG SZ PLSHD RIM
- 124347 HOSE, PVC CLEAR 3/8"
- 417998 CLAMP, HOSE #04M 1/4"-5/8" SS MINI
- 10 1773975 STEERING WHEEL, SPBT INTELIWHEEL METCHRY/BLK  
(REFERENCE STEERING SECTION FOR DETAILS)
- 1786903 EMBLEM, S/R WAVE OVAL CHR W/BZL(INTELIWHEEL)
- 11 1771063 LIGHT, SGL DOME FLUSH MT WHT W/SWITCH W/CONN  
633719 LENS, SGL DOME REPL FOR #0596072  
(PART OF 1771063)
- 604801 BULB, DOME LIGHT 12V  
(PART OF 1771063)
- 12 274373 BUMPER, CANOE CLIP MED WHT
- 13 1854318 STEREO, AM/FM CD/CHNGR/SIR/XM SAT CMD4A  
(HULL# 3361 -> UP)
- 1803464 STEREO, AM/FM CD W/CHNGR/SIR SAT PLAYER CMD4  
(HULL# 3001 -> 3360)
- 1799348 STEREO, REMOTE CNTRL W/DSPBLK FACE/SS BZL
- 1733835 STEREO, CD CHANGER 6-DISC DCZ625 C-NET  
(CD CHANGER, 6 DISC)
- 1122357 STEREO, CD (6 DISC) MAGAZINE CLARION  
(PART OF 1733835)
- 1853765 240SD 07,BOX,STEREO/ELECT CKPT HELM
- 1690557 SPEAKER, COAXIAL 6.5" N/CVR
- 1806419 GRILL, SPEAKER 6.5" ACOM WHT/BLK  
(HAS "SEA RAY" ON GRILL)
- 1581560 ANTENNA, AMPLIFIED 13398
- 1750880 CABLE, RCA AUDIO 6' W/EFX-2 CONN W/NOISE SUPP  
(PREMIER STEREO UPGRADE)
- 1773440 SPEAKER, 10" SUBWOOFER ACOM N/CVR  
(PREMIER STEREO UPGRADE)
- 1773445 GRILL, SPEAKER SUBWOOFER 10" ACOM WHT  
(PREMIER STEREO UPGRADE)
- 1807866 STEREO, AMP PANASONIC 400W 4CHNL  
(PREMIER STEREO UPGRADE)(LOCATED IN STRB STORAGE  
UNDER DASH)
- 129189 ANGLE, ALUM 1/8"X 1.5"X 1.5"X 16"  
(HOLDS STEREO IN PLACE)  
(ORDER THE LENGHT YOU NEED)
- 14 1853987 240SD 07,SUPPORT,COOLER RACK
- 15 810572 TRIM-SEAL, 3/8" W/3/8"BULB LOC-A
- 16 1772288 HINGE, DOOR 240SD-04 STRG WLK-THRU  
(PART OF 1753958)
- 17 814012 COOLER, 36QT
- 18 1850253 VIDEO EQUIPMENT, AUXILIARY INPUT MP3 MA-AUX2  
(HULL# 3026 -> UP)
- 1803674 VIDEO EQUIPMENT, AUXILIARY INPUT MP3  
(HULL# 3001 -> 3025)
- 19 1837975 PANEL, IGN SW/TOGGLE SYS  
(HULL# 3403 -> UP)  
(NEW - IGN KEY PANEL)
- 1666171 KEY, MSTR IGN MDB PNL "3103"  
(PART OF 1837975)
- 1666197 KEY, MSTR IGN MDB PNL "3110"  
(PART OF 1837975)
- 1666205 KEY, MSTR IGN MDB PNL "3112"  
(PART OF 1837975)

- 19 1666213 KEY, MSTR IGN MDB PNL "3113"  
(PART OF 1837975)
- 1666239 KEY, MSTR IGN MDB PNL "3135"  
(PART OF 1837975)
- 1666254 KEY, MSTR IGN MDB PNL "3203"  
(PART OF 1837975)
- 1666262 KEY, MSTR IGN MDB PNL "3210"  
(PART OF 1837975)
- 1666270 KEY, MSTR IGN MDB PNL "3212"  
(PART OF 1837975)
- 1666288 KEY, MSTR IGN MDB PNL "3213"  
(PART OF 1837975)
- 1666296 KEY, MSTR IGN MDB PNL "3235"  
(PART OF 1837975)
- 1544188 SWITCH, KEY ASHI DENSO  
(PART OF 1837975)
- 1409366 SWITCH, IGN STARTER
- 1403161 KEY, IGN W/RUBBER SR GRIP "J"  
(PART OF 1409366)
- 1403179 KEY, IGN W/RUBBER SR GRIP "K"  
(PART OF 1409366)
- 1403187 KEY, IGN W/RUBBER SR GRIP "L"  
(PART OF 1409366)
- 1403195 KEY, IGN W/RUBBER SR GRIP "M"  
(PART OF 1409366)
- 1403203 KEY, IGN W/RUBBER SR GRIP "P"  
(PART OF 1409366)
- 1403211 KEY, IGN W/RUBBER SR GRIP "S"  
(PART OF 1409366)
- 1403229 KEY, IGN W/RUBBER SR GRIP "R"  
(PART OF 1409366)
- 1403237 KEY, IGN W/RUBBER SR GRIP "N"  
(PART OF 1409366)
- 1449818 KEY, IGN W/RUBBER SR GRIP "BLANK"  
(PART OF 1409366)
- 1803407 SWITCH, IGN ASSY 4-POS N/HOUSING  
(350 DTS MAG MPI BR 3 ( 300 PHP ) MCM S/D)
- 1839516 PANEL, IGN SW W/DTS  
(350 DTS MAG MPI BR 3 ( 300 PHP ) MCM S/D)
- 1666171 KEY, MSTR IGN MDB PNL "3103"  
(PART OF 1839516)  
(350 DTS MAG MPI BR 3 ( 300 PHP ) MCM S/D)
- 1666197 KEY, MSTR IGN MDB PNL "3110"  
(PART OF 1839516)  
(350 DTS MAG MPI BR 3 ( 300 PHP ) MCM S/D)
- 1666205 KEY, MSTR IGN MDB PNL "3112"  
(PART OF 1839516)  
(350 DTS MAG MPI BR 3 ( 300 PHP ) MCM S/D)
- 1666213 KEY, MSTR IGN MDB PNL "3113"  
(PART OF 1839516)  
(350 DTS MAG MPI BR 3 ( 300 PHP ) MCM S/D)
- 1666239 KEY, MSTR IGN MDB PNL "3135"  
(PART OF 1839516)  
(350 DTS MAG MPI BR 3 ( 300 PHP ) MCM S/D)
- 1666254 KEY, MSTR IGN MDB PNL "3203"  
(PART OF 1839516)  
(350 DTS MAG MPI BR 3 ( 300 PHP ) MCM S/D)
- 1666262 KEY, MSTR IGN MDB PNL "3210"  
(PART OF 1839516)  
(350 DTS MAG MPI BR 3 ( 300 PHP ) MCM S/D)
- 1666270 KEY, MSTR IGN MDB PNL "3212"  
(PART OF 1839516)  
(350 DTS MAG MPI BR 3 ( 300 PHP ) MCM S/D)
- 1666288 KEY, MSTR IGN MDB PNL "3213"  
(PART OF 1839516)  
(350 DTS MAG MPI BR 3 ( 300 PHP ) MCM S/D)
- 1666296 KEY, MSTR IGN MDB PNL "3235"  
(PART OF 1839516)  
(350 DTS MAG MPI BR 3 ( 300 PHP ) MCM S/D)
- 1544188 SWITCH, KEY ASHI DENSO  
(PART OF 1839516)  
(350 DTS MAG MPI BR 3 ( 300 PHP ) MCM S/D)
- 20 1287283 RECEPTACLE, FEMALE 12V LONG THRD BLK  
1259977 PLATE, FEMALE 12V RECEPTACLE MNT

**BRACKETS**

- 1617281 BRACKET, BLSTR CKPT ANGLED 1/4" STND-OFF SS
- 1756151 BRACKET, BLSTR CKPT 3/4"X2"X1/16" STND-OFF SS

**CLAMPS**

- 417675 CLAMP, HOSE #20 3/4"-1.75" SS .505

**HARNESSES**

- 1774618 HARNESS, MOTOR AM WIPER 6" PIGTAIL W/CONN
- 1507292 HARNESS, ENG SYSTEMS TACH/MONITOR
- 1507342 ACC PART, MERC S-CRFT WTHR CAP 10POS CAP
- 1507326 ACC PART, MERC S-CRFT JUNC BOX 4-WAY

**HARNESSES (continued)**

1803706 HARNESSES, STEREO ADAPTOR CMD4 W/PACKARD CONN  
 1839514 HARNESSES, 240SD-07 STEREO AMP  
 (HULL# 3403 -> UP)  
 (PREMIER STEREO UPGRADE)  
 1807049 HARNESSES, 240SD-06 STEREO AMP  
 (HULL# 3001 -> 3402)  
 (PREMIER STEREO UPGRADE)  
 1883479 ACC PART, EXT HARNESSES 8" MERC KEY SW

**LABELS**

1850610 PLATE, BUILDERS AU 06-240SD  
 (AUSTRALIAN BUILDERS PLATE)  
 1744762 LABEL, WARNING PYHY FIRE EXT PRT (LEXAN)  
 1745513 LABEL, WARNING LEAKING FUEL  
 (LOCATED UNDER MOTORBOX)  
 1745514 LABEL, PREVENT DISCHARGE OF POLLUTANTS  
 (C E OPTION GROUP)  
 1745515 LABEL, WARNING DO NOT STAND/WALK THIS AREA  
 (NOTE: LOCATED EACH FILLER BOARD)  
 1747493 LABEL, LEAVING WINDOW OPEN EXHAUST FUMES  
 1747505 LABEL, INFO REPL PROD/BROCH/DLRLOC/ETC  
 819367 PLATE, NMMA 95-240SD  
 935155 PLATE, CE OPT C:240SD/12PERSON/950KG  
 (C E OPTION GROUP)  
 1811368 LABEL, DANGER CO HELM 06  
 1744745 LABEL, DISPOSAL OF GARBAGE  
 1888230 PLATE, BUILDERS AU 07-240SD  
 (AUSTRALIAN BUILDERS PLATE)  
 (FOR BOATS BUILT IN 2007)

**NOT SHOWN**

1771022 ACC PART, MERC ALARM BUZZER W/HARNESSES W/CONN  
 (HULL# 3001 -> 3402)  
 1883389 BOARD, DTS SGL ENG HELM COMP  
 (350 DTS MAG MPI BR 3 ( 300 PHP ) MCM S/D)  
 1774184 CONTROL, PNL MNT SGL DTS N/HARNESSES '05  
 (350 DTS MAG MPI BR 3 ( 300 PHP ) MCM S/D)

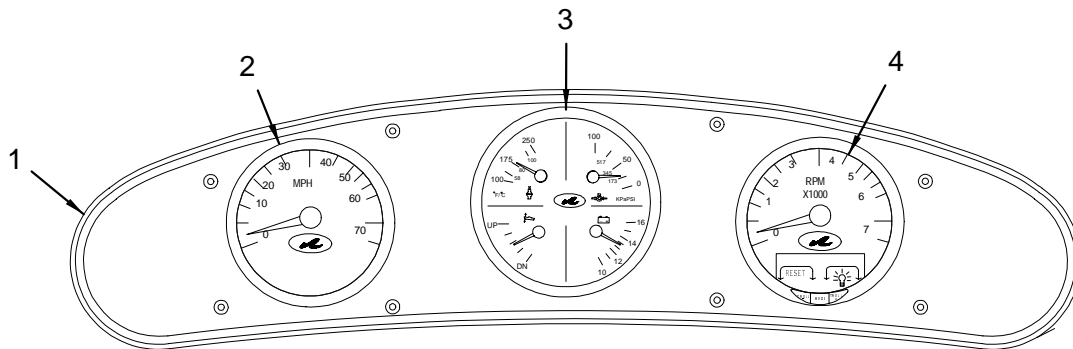
**PERFECT PASS SPEED CONTROL**

1809619 ACC PART, PRFCT PASS SUBKIT #1  
 1809620 ACC PART, PRFCT PASS SUBKIT #2  
 1809621 ACC PART, PRFCT PASS SUBKIT #3

**SPLIT CONDUIT**

1501782 HOSE, CONDUIT/SPLIT 1/2" FLAME RETARDANT  
 1501832 HOSE, CONDUIT/SPLIT 3/8" FLAME RETARDANT

## INSTRUMENT PANEL



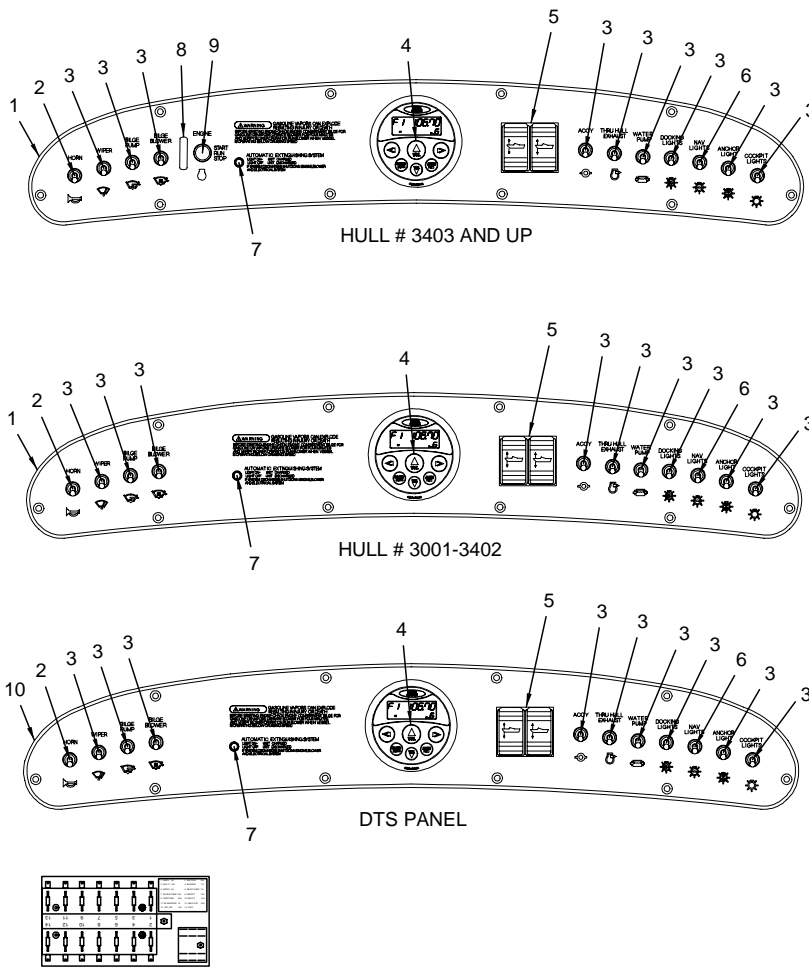
## INSTRUMENT PANEL

- 1 1775599 PANEL, BLANK:240/270SD-05 INST METCHRY
- 2 1689917 GAUGE, LINK SPEED 3" S-CRFT 0-70MPH
- 1690381 NUT, LOCK 85MM SPIN LOCK VDO
- 1727800 PITOT, S/CRFT SPEEDO KIT SML BLOCK
- 1690375 ACC PART, S-CRFT PITOT SENSOR  
(DTS MOTORS)
- 3 1768244 GAUGE, 5" 4-IN-1 FUEL/OIL/TMP/TRIM S-CRFT
- 4 1777617 GAUGE, SYS TACH 3" S-CRFT 0-7000RPM RV2
- 1885046 GAUGE, SMART TOW TACH  
(HULL# 3632 -> UP)  
(SMARTTOW / SPEED CONTROL - SMARTCRAFT)  
(WHEN EQUIPPED WITH DTS ENGINE)

## HARNESSES

- 1835488 HARNESS, DECK WIRE W/S-CRAFT W/CONN  
(HULL# 3403 -> UP)
- 1727448 HARNESS, MERC DATA S-CRFT W/TERM 1000-1RSL-25  
(HULL# 3001 -> 3402)
- 1806760 HARNESS, 240SD-06 WIRE W/S-CRFT/CONN  
(HULL# 3001 -> 3402)
- 1846697 HARNESS, PERFECT PASS TACH SGL LINK 07  
(HULL# 3403 -> UP)  
(PERFECT PASS SPEED CONTROL)

**SWITCH PANEL**

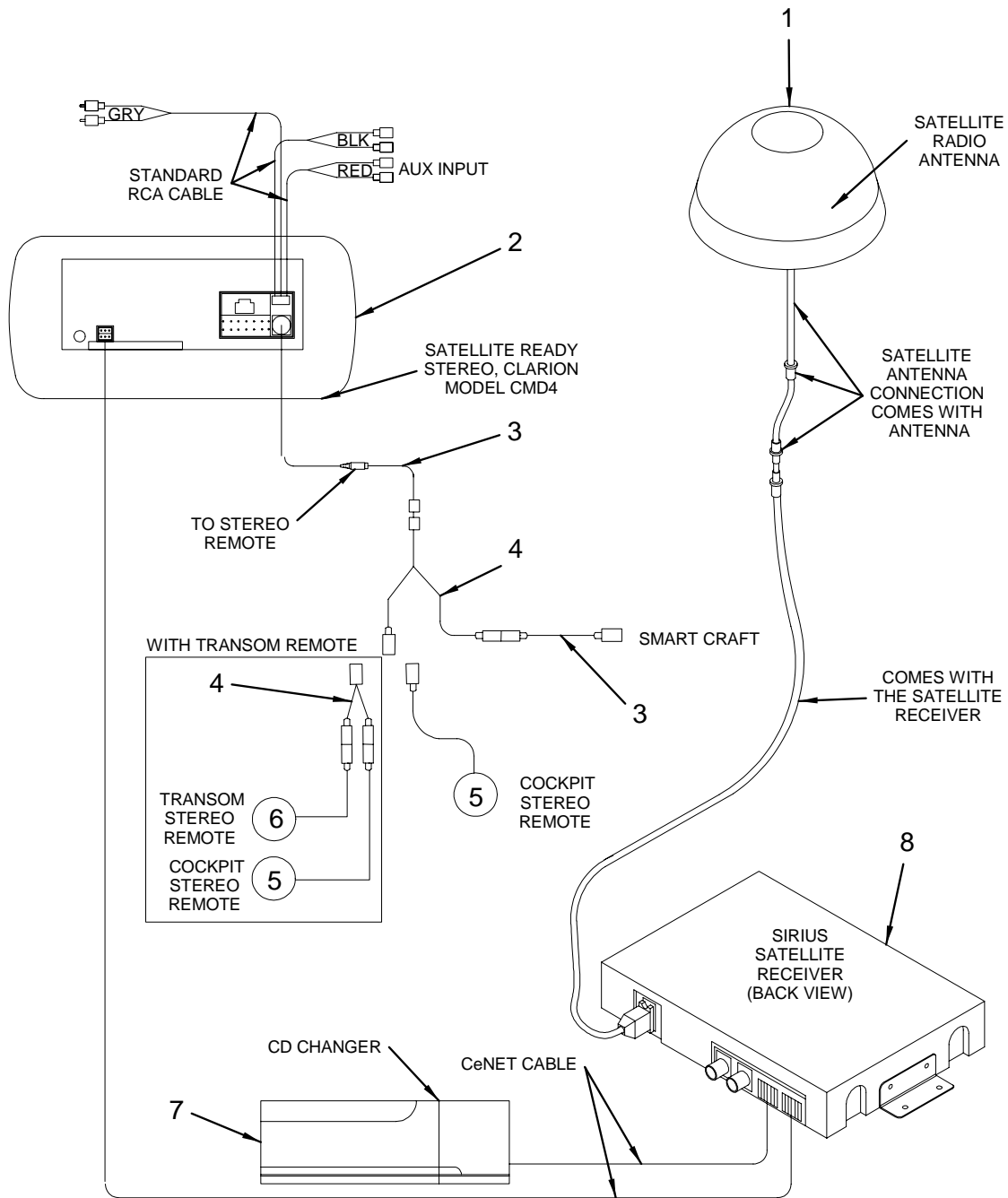


**SWITCH PANEL**

- |   |         |   |    |         |   |
|---|---------|---|----|---------|---|
| 1 | 1839116 | PANEL, 240SD-07 SW METCHRY LOADED<br>(HULL# 3403 -> UP)<br>(FUSE BLOCK COMES WITH PANEL)  | 6  | 1787018 | NUT, NICKEL FOR TOGGLE SWITCH<br>(PART OF 1761354)                                      |
|   | 1839117 | PANEL, BLANK:-07 SW METCHRY<br>(HULL# 3403 -> UP)<br>(BLANK PANEL FOR 1839116)            |    | 137802  | PLUG, HOLE 1/2" BLK   |
|   | 1801894 | PANEL, 240SD-06 SW METCHRY<br>(HULL# 3001 -> 3402)<br>(FUSE BLOCK COMES WITH PANEL)       | 7  | 1798060 | LIGHT, INDICATOR GREEN 12V<br>(HALON FIRE SUPPRESSION SYSTEM - AUTOMATIC)               |
|   | 1801892 | PANEL, BLANK:240/270SD-06 SW METCHRY<br>(HULL# 3001 -> 3402)<br>(BLANK PANEL FOR 1801894) |    | 137786  | PLUG, HOLE 5/16" BLK  |
| 2 | 762955  | SWITCH, HORN  | 8  | 1884034 | GUARD, SS SATIN TOGGLE SW W/SS SCREW  |
|   | 137802  | PLUG, HOLE 1/2" BLK   | 9  | 1884033 | SWITCH, TOGL CHR W/BLU IND DPDT MOM-ON/ON/OFF   |
| 3 | 1757312 | SWITCH, TOGGLE CHR W/BLU IND SPST<br>(CORSA THRU-HULL EXHAUST SYSTEM - SINGLE ENG)        | 10 | 1885736 | PANEL, 240/270SD-07 DTS SW<br>(DTS MOTORS)<br>(FUSE BLOCK COMES WITH PANEL)             |
|   | 1737371 | WASHER, LOCK INT TOOTH NCKL PLATED<br>(PART OF 1757312)                                   |    | 1846470 | PANEL, BLANK:240/270SD-07 SW METCHRY W/DTS<br>(BLANK PANEL FOR 1885736)<br>(DTS MOTORS) |
|   | 1787018 | NUT, NICKEL FOR TOGGLE SWITCH<br>(PART OF 1757312)  |    |         |   |
|   | 137802  | PLUG, HOLE 1/2" BLK   |    |         |   |
| 4 | 1799348 | STEREO, REMOTE CNTRL W/DSPL BLK FACE/SS BZL   |    |         |   |
| 5 | 709501  | ACTUATOR, ROCK VERT BLK W/O LENS TRIM TABS  |    |         |   |
|   | 709493  | BODY, ROCK SW DPDT (MOM) CEN-OFF W/O LAMP   |    |         |   |
| 6 | 1761354 | SWITCH, TOGGLE CHR W/BLU IND DPST   |    |         |   |
|   | 1737371 | WASHER, LOCK INT TOOTH NCKL PLATED<br>(PART OF 1761354)                                   |    |         |   |

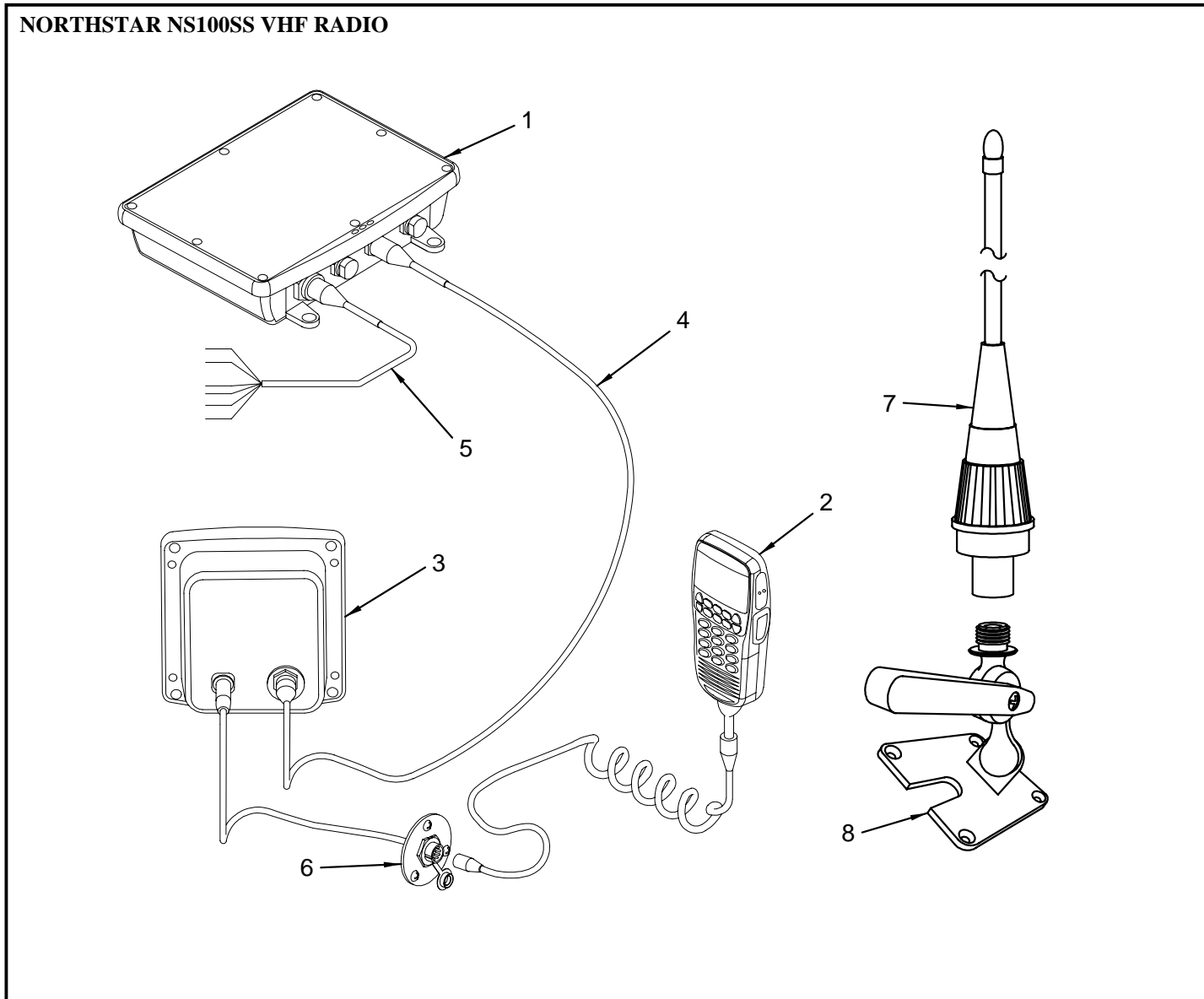


### SATELLITE STEREO SYSTEM



**SATELLITE STEREO SYSTEM**

- 1 1890164 ANTENNA, SHAKESPEARE SIRIUS SAT RADIO RV1  
(HULL# 3663 -> UP)
- 1757933 ANTENNA, SHAKESPEARE SATELLITE RADIO ANTENNA  
(HULL# 3001 -> 3662)
- 2 1854318 STEREO, AM/FM CD/CHNGR/SIR/XM SAT CMD4A  
(HULL# 3361 -> UP)
- 1803464 STEREO, AM/FM CD W/CHNGR/SIR SAT PLAYER CMD4  
(HULL# 3001 -> 3360)
- 3 1312750 CABLE, CLARION REMOTE EXTENSION CABLE 24'  
(2ND STEREO REMOTE CONTROL -TRANSOM)
- 4 935080 CABLE, CLARION DUAL REMOTE "Y"  
(2ND STEREO REMOTE CONTROL -TRANSOM)
- 5 1799348 STEREO, REMOTE CNTRL W/DSPL BLK FACE/SS BZL
- 6 1803477 STEREO, REMOTE CNTRL N/DSPL BLK FACE/SS BZL  
(2ND STEREO REMOTE CONTROL -TRANSOM)
- 7 1733835 STEREO, CD CHANGER 6-DISC DCZ625 C-NET  
(CD CHANGER, 6 DISC)
- 1122357 STEREO, CD (6 DISC) MAGAZINE CLARION  
(PART OF 1733835)
- 8 1847461 STEREO, SIRIUS SATELLITE RCVR SIRCL3M-6MO
- 1887355 CABLE, SIRIUS SATELLITE RCVR CENET SIRCLM3  
(PART OF 1847461)



**NORTHSTAR NS100SS VHF RADIO**

- 1 1807908 BASE, PLAS NRTHSTR VHF RADIO BLKBOX  
(PART OF 1807449)
- 2 1807910 RADIO, VHF NRTHSTR BLKBOX HANDSET  
(PART OF 1807449)
- 3 1807911 SPEAKER, REMOTE NRTHSTR VHF BLKBOX  
(PART OF 1807449)
- 4 1807869 HARNESS, NRTHSTR VHF BLKBX TO SPKR CBL 72"  
(PART OF 1807449)
- 5 1807871 HARNESS, NRTHSTR VHF BLKBX PWR CBL 6'  
(PART OF 1807449)
- 6 1878760 RADIO, VHF MIC PLATE BLK  
(PART OF 1807449)
- 7 1286921 ANTENNA, 36" GLOMEX SS RA106 N/MNT N/CONN
- 8 1481258 MOUNT, RATCHET VHF SS W/GROMET & GASKET

**NOT SHOWN (continued)**

- 1274588 CONN, SOLDERLESS W/CTR PIN

**HARNESSES**

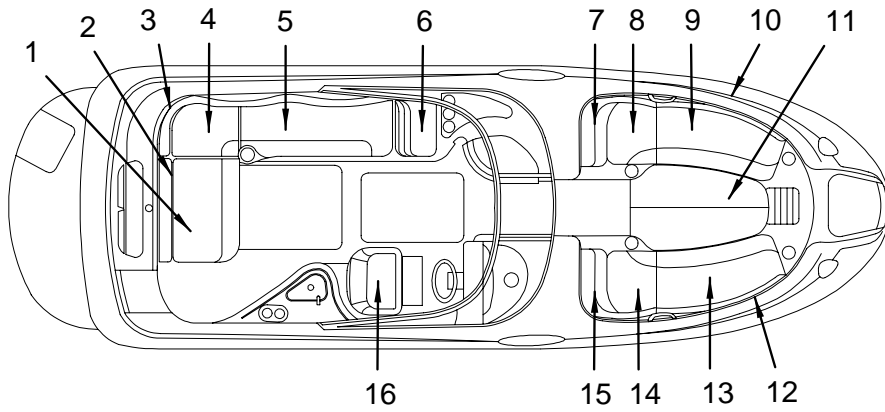
- 1807870 HARNESS, NRTHSTR VHF BLKBX SPKR-HNDSET EXT 3'  
(PART OF 1807449)

**NOT SHOWN**

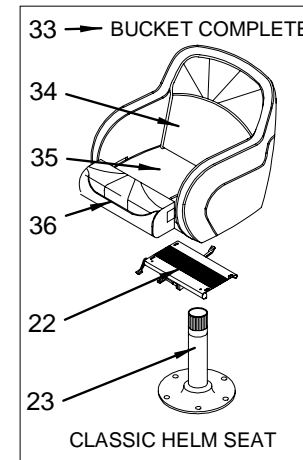
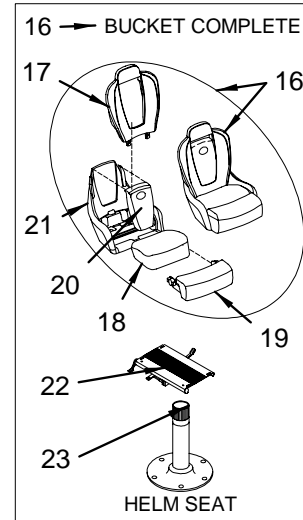
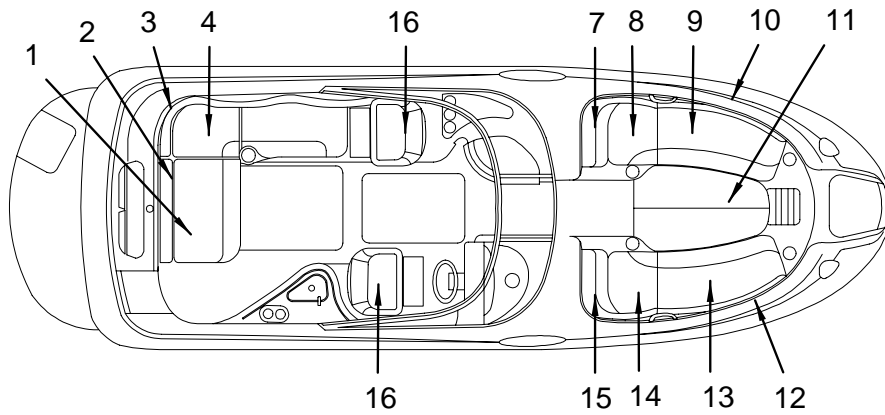
- 1807449 RADIO, VHF NRTHSTAR NS100
- 1851777 RADIO, VHF MIC CLIP ONLY  
(PART OF 1807449)
- 1888986 RADIO, VHF NRTHSTR PLAT COLOR EURO  
(VHF RADIO - W/ ANTENNA CE COUNTRIES ONLY)

**COCKPIT (UPHOLSTERY)**

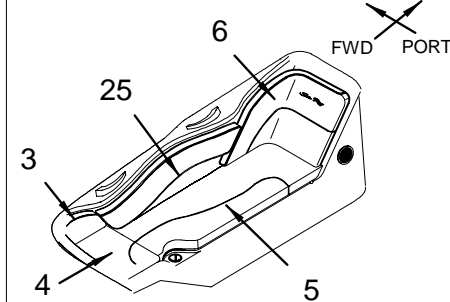
STARBOARD BUCKET/PORT L SHAPE LOUNGER



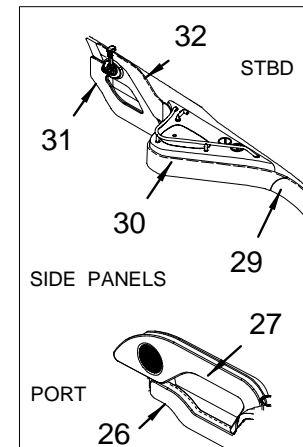
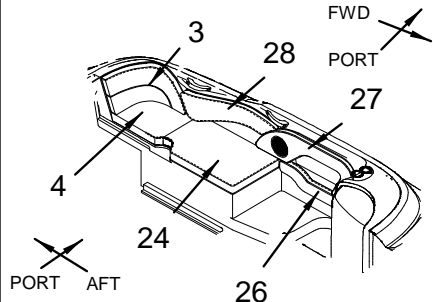
TWO BUCKETS/PORT L SHAPE LOUNGER



STBD BUCKET W/PORT L SHAPED LOUNGER



TWO BUCKETS W/PORT L SHAPED LOUNGER



**COCKPIT (UPHOLSTERY)**

- 1 1853948 240SD 07,CUSH,AFT BENCH MTRBX
- 1853771 240SD 07,CUSH SKN,AFT BENCH MTRBX
- 1803842 BLOCK, PLAS 3" X 1-1/8" X 1-1/4" XL HOOK
- 2 1853756 240SD 07,BLSTR,AFT BENCH MTRBX
- 1853747 240SD 07,BLSTR SKN,AFT BENCH MTRBX
- 3 1853760 240SD 07,BLSTR,PRT CKPT LNGR AFT
- 1853751 240SD 07,BLSTR SKN,PRT CKPT LNGR AFT
- 4 1853955 240SD 07,CUSH,PRT CKPT LNGR AFT
- 1853779 240SD 07,CUSH SKN,PRT CKPT LNGR AFT
- 1797938 CLEAT, PLAS 3/4"X 1"X 4" BLACK  
**(BLACK IN COLOR)**
- 5 1853951 240SD 07,CUSH,CKPT PRT LNGR FWD
- 1853775 240SD 07,CUSH SKN,CKPT PRT LNG FWD
- 1797938 CLEAT, PLAS 3/4"X 1"X 4" BLACK  
**(BLACK IN COLOR)**
- 6 1853761 240SD 07,BLSTR,PRT CKPT LNGR FWD
- 1853752 240SD 07,BLSTR SKN,PRT CKPT LNGR FWD
- 7 1853758 240SD 07,BLSTR,PRT BOW AFT
- 1853749 240SD 07,BLSTR SKN,PRT BOW AFT
- 8 1853953 240SD 07,CUSH,PRT BOW AFT
- 1853777 240SD 07,CUSH SKN,PRT BOW AFT
- 9 1853954 240SD 07,CUSH,PRT BOW FWD
- 1853778 240SD 07,CUSH SKN,PRT BOW FWD
- 1797938 CLEAT, PLAS 3/4"X 1"X 4" BLACK  
**(BLACK IN COLOR)**
- 10 1853759 240SD 07,BLSTR,PRT BOW FWD
- 1853750 240SD 07,BLSTR SKN,PRT BOW FWD
- 11 1853949 240SD 07,CUSH,BOW SNPD FILR  
**(BOW FILLER CUSH (S))**
- 1853773 240SD 07,CUSH SKN,BOW SNPD FILR  
**(BOW FILLER CUSH (S))**
- 1853984 240SD 07,SUPPORT,BOW FILR BOARD SET  
**(BOW FILLER CUSH (S))**
- 1853982 240SD 07,SUPPORT,BOW FILR BOARD FWD  
**(BOW FILLER CUSH (S))**
- 1853983 240SD 07,SUPPORT,BOW FILR BOARD MID  
**(BOW FILLER CUSH (S))**
- 1853981 240SD 07,SUPPORT,BOW FILR BOARD AFT  
**(BOW FILLER CUSH (S))**
- 180182 ZIPPER, #5 DELRIN CONTINUOUS WHT  
**(BOW FILLER CUSH (S))**
- 180406 SLIDE, DELRIN #5 WHT 1-S LOCK  
**(BOW FILLER CUSH (S))**
- 12 1853764 240SD 07,BLSTR,STB BOW FWD
- 1853755 240SD 07,BLSTR SKN,STB BOW FWD
- 13 1853957 240SD 07,CUSH,STB BOW FWD
- 1853947 240SD 07,CUSH SKN,STB BOW FWD
- 1797938 CLEAT, PLAS 3/4"X 1"X 4" BLACK  
**(BLACK IN COLOR)**
- 14 1853956 240SD 07,CUSH,STB BOW AFT
- 1853780 240SD 07,CUSH SKN,STB BOW AFT
- 15 1853763 240SD 07,BLSTR,STB BOW AFT
- 1853754 240SD 07,BLSTR SKN,STB BOW AFT
- 16 1853979 240SD 07,SEAT,BKT W/THRS CMPLT
- 1853772 240SD 07,CUSH SKN,BKT SEAT W/THRS CMPLT
- 17 1853743 240SD 07,SEAT BACK,BKT W/THRS
- 1853744 240SD 07,SEAT BACK SKN,BKT W/THRS
- 18 1853950 240SD 07,CUSH,BTM BKT SEAT W/THRS
- 1853774 240SD 07,CUSH SKN,BTM BKT SEAT W/THRS
- 19 1853963 240SD 07,LEG ROLL,BKT SEAT
- 1853962 240SD 07,LEG ROLL SKN,BKT SEAT
- 20 1853054 240SD 07,CUSH,BACK BKT SEAT INSERT
- 1853053 240SD 07,CUSH SKN,BACK BKT SEAT INSERT
- 21 1820260 SHELL, PLAS SPBT-07 HELM SEAT W/THRS
- 1853052 240SD 07,SHELL SKN,BKT SEAT
- 22 1754578 SLIDE ASSY, SEAT MILLENNIUM 10.5" M/H LONG HDL
- 823401 NUT, HEX KEP/STAR LOCK #8-32 SS  
**(PART OF 1754578)**
- 1762918 HANDLE, MILLENNIUM SEAT SLIDE LONG W/O GRIP  
**(PART OF 1754578)**
- 1762920 CAP, RUBBER MILLENNIUM SLIDE HANDLE GRIP  
**(PART OF 1754578)**
- 1762921 HANDLE, MILLENNIUM SLIDE C-T ADJUSTER  
**(PART OF 1754578)**
- 1762922 PIN, ROLL MILLENNIUM SLIDE CAM LEVER  
**(PART OF 1754578)**
- 1762923 SCREW, MILLENNIUM SLIDE SMALL CAM LEVER  
**(PART OF 1754578)**
- 1762924 LEVER, MILLENNIUM SLIDE SMALL CAM  
**(PART OF 1754578)**
- 23 1154012 PEDESTAL, ALUM 7.75" RIBBED W/DELCUP
- 1219955 SEAT SLIDE, INTERNAL DELRIN CUP FOR #1141183  
**(PART OF 1154012)**

- 24 1853952 240SD 07,CUSH,FWD LNGR 2 BKT SEATING
- 1853776 240SD 07,CUSH SKN,FWD LNGR 2 BKT SEATING
- 1797938 CLEAT, PLAS 3/4"X 1"X 4" BLACK  
**(BLACK IN COLOR)**
- 25 1853762 240SD 07,BLSTR,PRT CKPT LNGR SIDE
- 1853753 240SD 07,BLSTR SKN,PRT CKPT LNGR SIDE
- 26 1853977 240SD 07,PNL,PRT SIDE LWR 2 BKT SEATING
- 1853971 240SD 07,PNL SKN,PRT SIDE LWR 2 BKT SEATING
- 27 1853978 240SD 07,PNL,PRT SIDE UP R 2 BKT SEATING
- 1853972 240SD 07,PNL SKN,PRT SIDE UP R 2 BKT SEATING
- 28 1853757 240SD 07,BLSTR,FWD LNG CTR 2 BKT SEATING
- 1853748 240SD 07,BLSTR SKN,FWD LNGR 2 BKT SEATING
- 29 1853973 240SD 07,PNL,CKPT AFT SIDE STB
- 1853967 240SD 07,PNL SKN,CKPT AFT SIDE STB
- 30 1853974 240SD 07,PNL,CKPT ENT/CTR SIDE
- 1853968 240SD 07,PNL SKN,CKPT ENT/CTR SIDE
- 31 1853975 240SD 07,PNL,CKPT STB SIDE LWR
- 1853969 240SD 07,PNL SKN,CKPT STB SIDE LWR
- 32 1853976 240SD 07,PNL,CKPT STB SIDE UP R
- 1853970 240SD 07,PNL SKN,CKPT STB SIDE UP R
- 33 1894239 240SD 07,BKT SEAT CLASSIC,W/THRS CMPLT
- 1894240 240SD 07,CUSH SKN,BKT SEAT CLASSIC W/THRS CMP
- 964890 BRACKET, H/S FOLDUP 2PC RV2  
**(2 CLASSIC BUCKET SEATS W/ THIGH RISE)**  
**(CLASSIC STBD BKT SEAT W/ PORT L SHAPED LNGR)**
- 1441195 SHELL, BKT SEAT SPBT/SPCR-01 W/THGHR
- 1441260 **(2 CLASSIC BUCKET SEATS W/ THIGH RISE)**  
**(CLASSIC STBD BKT SEAT W/ PORT L SHAPED LNGR)**  
FOAM, P/C BKT SEAT W/THGHR-01  
**(2 CLASSIC BUCKET SEATS W/ THIGH RISE)**  
**(CLASSIC STBD BKT SEAT W/ PORT L SHAPED LNGR)**
- 1474956 SLEEVE, BKT SEAT SPBT/SPCR 01 THIGH-RISE  
**(2 CLASSIC BUCKET SEATS W/ THIGH RISE)**  
**(CLASSIC STBD BKT SEAT W/ PORT L SHAPED LNGR)**
- 1754496 HIDEM, NEW MOROCCO HI-TECH NICKEL 5/8"  
**(2 CLASSIC BUCKET SEATS W/ THIGH RISE)**  
**(CLASSIC STBD BKT SEAT W/ PORT L SHAPED LNGR)**
- 1754496 HIDEM, NEW MOROCCO HI-TECH NICKEL 5/8"  
**(2 CLASSIC BUCKET SEATS W/ THIGH RISE)**  
**(CLASSIC STBD BKT SEAT W/ PORT L SHAPED LNGR)**
- 34 1894242 240SD 07,BACK,BKT SEAT CLASSIC W/THRS
- 1894245 240SD 07,BACK SKN,BKT SEAT CLASSIC W/THRS
- 35 1894246 240SD 07,CUSH BTM,BKT SEAT CLASSIC W/THRS
- 1894247 240SD 07,CUSH BTM SKN,BKT SEAT CLASSIC W/THRS
- 36 1894248 240SD 07,LEG ROLL,BKT SEAT CLASSIC
- 1894249 240SD 07,LEG ROLL SKN,BKT SEAT CLASSIC

**ACCENT VINYL**

- 1778337 VINYL, NICKEL SR-4983A EXP FLAT
- 1778341 VINYL, NICKEL SR-4983A EXP 1/4" FB

**BASE VINYL**

- 1144625 VINYL, SEABROOK D SEA SHELL EXP FLAT
- 1144179 VINYL, SEABROOK D SEA SHELL EXP 1/4"FB

**CARPET COCKPIT STORAGE**

- 795286 CARPET, EXT 12 OZ CHAR #0326 LT NEEDLE PUNCH  
**(GLUED IN CARPET)**

**FOAM**

- 1355502 FOAM, P/C 240SD-00 SIDE PANEL
- 1736104 FOAM, P/C 240SD-03 BOW CUSH SET
- 1787875 FOAM, P/C 240SD-05 BOW BLSTR SET
- 1781287 FOAM, P/C 240SD-05 BOW BLSTR W/PRT BKT  
**(TWO BUCKET SEATS W/ SUN LOUNGER SEATING PKG)**
- 1737700 FOAM, P/C 240SD-03 BOW CUSH W/PRT BKT  
**(TWO BUCKET SEATS W/ SUN LOUNGER SEATING PKG)**
- 1355536 FOAM, P/C 240SD-00 BOW FILLER 2-PC SET  
**(BOW FILLER CUSH (S))**
- 1341395 FOAM, P/C 240SD-00 CONV BILGE 2-PC
- 1347053 FOAM, P/C 240SD-00 CONV BILGE 2-PC CE OPT  
**(C E OPTION GROUP)**
- 1831151 FOAM, SPBT BKT SEAT W/THRS-07
- 1839646 FOAM, P/C BKT SEAT/MATRIX-07

**LABELS**

- 1745515 LABEL, WARNING DO NOT STAND/WALK THIS AREA  
**(BOW FILLER CUSH (S))**

**NOT SHOWN**

- 1396308 BLOCK, HDPE 190SD-00 TRSH CAN XL HOOK PRL  
**(WHITE IN COLOR-L SHAPED)**

**UPHOLSTERY MATERIALS**

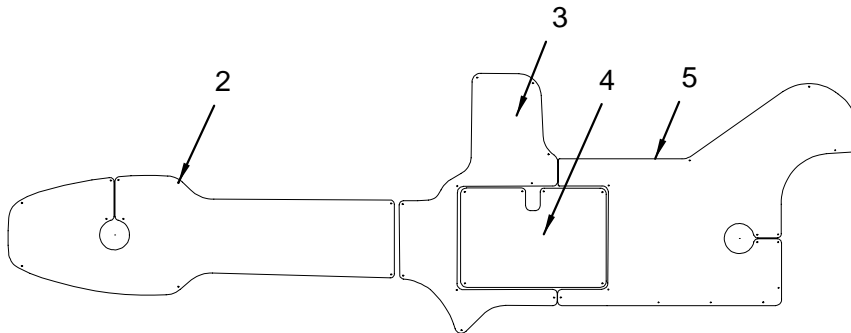
1687646 HIDE, SEABROOK EBONY 5/8"  
1805230 HIDE, SEABROOK D SEA SHELL 5/8"  
103309 MESH, WHITE 60"  
983452 MESH, BLACK 54"  
1616366 DACRON, 3/8"X 75LY  
157495 TAB, PULL TAB MATERIAL 6"  
1747515 VINYL, RVIEW LT CAMEO N/W 1/4"FB  
1777824 WELT, WELT CORD SYNTHETIC 3/8" STIFF  
581827 WELT, WELT CORD SYNTHETIC 5/32"X 1250'

**WELT**

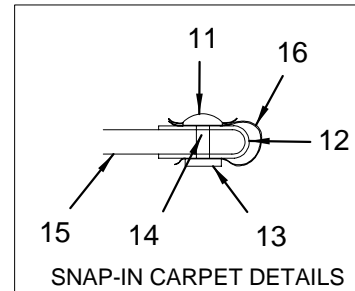
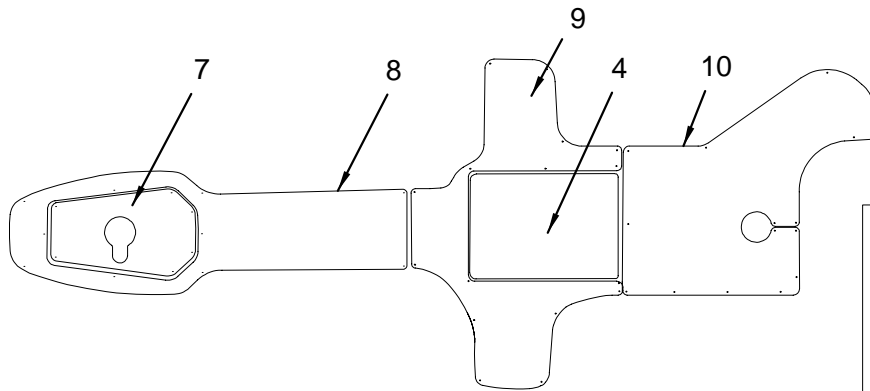
1619626 VINYL, DADE PEWTER MIST EXP FLAT

**COCKPIT (SNAP-IN CARPET LINER)**

1 → COCKPIT CARPET COMPLETE W/STBD BKT PORT LOUNGER



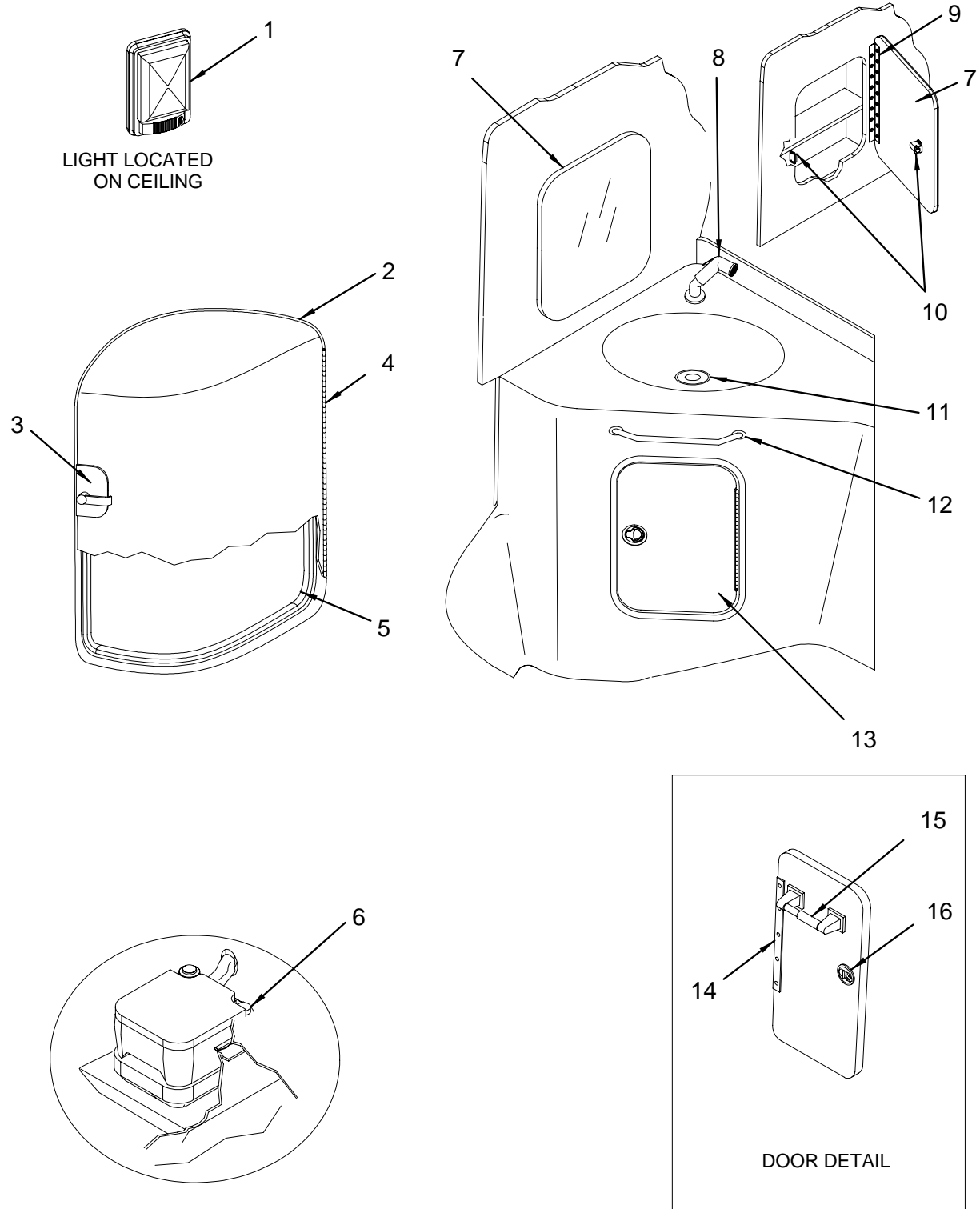
6 → COCKPIT CARPET COMPLETE W/TWO BKT SUN LOUNGER



**COCKPIT (SNAP-IN CARPET LINER)**

- 1 1853745 240SD 07,CARPET,SNPN STB BKT/PRT LNGR CMPLT
- 2 1853769 240SD 07,CARPET,SNPN BOW W/TBL
- 3 1853990 240SD 07,CARPET,SNPN FWD CKPT/PRT LNGR
- 4 1853770 240SD 07,CARPET,SNPN SKI HATCH
- 5 1853767 240SD 07,CARPET,SNPN AFT CKPT
- 6 1853746 240SD 07,CARPET,SNPN 2 BKT/PRT LNGR CMPLT
- 7 1853989 240SD 07,CARPET,SNPN BOW HATCH
- 8 1853988 240SD 07,CARPET,SNPN BOW W/HATCH
- 9 1853991 240SD 07,CARPET,SNPN FWD CKPT 2BKT
- 10 1853768 240SD 07,CARPET,SNPN AFT CKPT 2 BKT SEATING
- 11 154401 SNAP BUTTON, W/1/4" BARREL
- 12 839720 BINDING, CANVAS 1" LINEN BIAS SUNBRELLA
- 13 779041 SNAP SOCKET, HARD ACTION
- 14 154377 SNAP STUD, W/#8 X 5/8" PH SS
- 15 1609916 CARPET, EXT 28 OZ DUNE PEBBLE #902 RL 7"W  
**(FOR CARPET LINER)**
- 16 1790664 SNAP REINFORCEMENT, PLAS BACKER 500 PC/ROLL

HEAD





**HEAD**

- 1 1771063 LIGHT, SGL DOME FLUSH MT WHT W/SWITCH W/CONN
- 604801 BULB, DOME LIGHT 12V  
(PART OF 1771063)
- 633719 LENS, SGL DOME REPL FOR #0596072  
(PART OF 1771063)
- 2 1321157 DOOR, RTM 240/270SD-00 HEAD PRL  
(FOR WARRANTY PURPOSES ONLY, PRIOR TO HULL#3670,  
PLEASE SPECIFY IF FROST IS BEING REPAIRED OR ADDED)  
(HULL#3670->UP WILL NOT HAVE FROST)
- 1751057 LABEL, WARNING CABIN DOOR
- 3 1717317 LATCH, OFFSHR MORTISE RH-OUT PRVKNB CHR
- 1784623 PLATE, STRIKER OFFSHR MORTISE (FOR 1717317)  
(PART OF 1717317)
- 1754071 PLATE, MOBELLA SHIM CHR/BRS  
(PART OF 1717317)
- 4 1062348 HINGE, SS CONT 1.5"X 30"
- 5 810572 TRIM-SEAL, 3/8" W/3/8"BULB LOC-A
- 6 130716 HEAD, PORTABLE SANI POTTI PARCHMENT 2.8GAL
- 100040 RESIN, DCPD BLEND-BULK  
(PART OF 130716)
- 1783917 SEAT ASSY, CVR/SEAT/HNG PIN PRCHMNT  
(PART OF 130716)
- 7 1853964 240SD 07,MIR ASSY,HEAD
- 946079 MIRROR, 1/8"X 13 9/16"X 15 5/8" 1.5"RAD CRNRS
- 865998 T-MOLD, VINYL INSERT 7/8" ALMOND
- 1579499 TAPE, DBL-SIDE ADHESIVE 1" X 60YD
- 8 1689704 SHOWER, SPRAY NOZZLE ANGLE BASE W/6"SS HOSE
- 1764405 SHOWER, BLK HANDLE FAUCET SPRAYER NOZZLE  
(PART OF 1689704)
- 9 224956 HINGE, AL CONT 1.25"X 72" SAT
- 10 1450188 CATCH, GRABBER LATCH W/10LB HOLD WHT
- 11 1779333 DRAIN, FLAT HEAD 5/8" LEFT
- 1780445 DRAIN ASSY, STOPPER #4203 LONG BLK
- 12 1747836 RAIL, GRAB 12" STREAMLINE W/FLANGES (316L)
- 13 1780547 DOOR, HDPE STRG W/18"X 12"PRL FRM W/SS STHCO  
(SEE REF #14 & 16 FOR PARTS OF PART)
- 1287309 SHIM, HDPE 1/4"X 1/2"X 1.75" PRL
- 14 1746222 HINGE, HEAD STRG DOOR (1392679)  
(PART OF 1780547)
- 15 146399 HOLDER, TOILET PAPER WALL MNT CHR ROLLER
- 16 1781434 LATCH, FLUSH MNT N/LOCKING SLAM SS  
(PART OF 1780547)
- 1781436 PLATE, FLAT BRKT 2"SHORT SCREW W/HDWR PKG  
(PART OF 1780547)

**FOAM**

- 1355528 FOAM, P/C 240SD-00 PORT HEAD 2-PC SET

**NOT SHOWN**

- 129189 ANGLE, ALUM 1/8"X 1.5"X 1.5"X 16'

**SPLIT CONDUIT**

- 1501840 HOSE, CONDUIT/SPLIT 1" FLAME RETARDANT

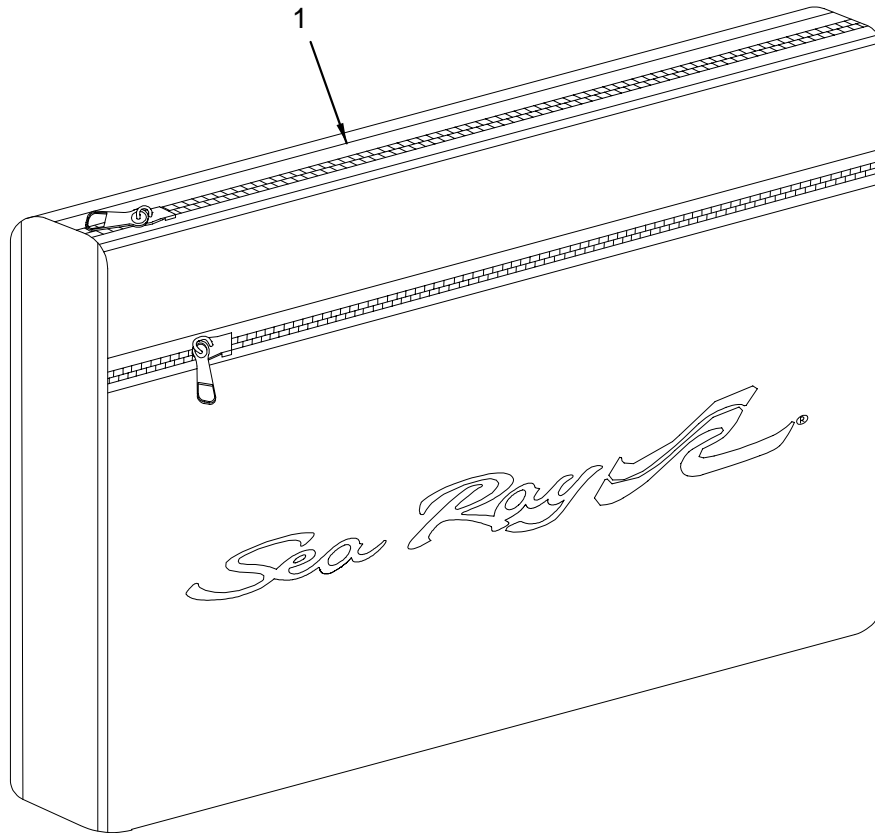
**VELCRO**

- 595090 VELCRO, HOOK WHT 2" PRESSURE SENSITIVE

**VINYLS**

- 1140367 VINYL, RVIEW LT CAMEO N/W FLAT
- 1747515 VINYL, RVIEW LT CAMEO N/W 1/4"FB

**MULTI-INFO PACKET**



**MULTI-INFO PACKET**

**MULTI-INFO PACKET**

1 1848307 PACKET, MULTI-INFO 240SD-07

**OWNERS PACKET CONTENTS**

- 1773958 MANUAL, OWNERS W/SUPPLMNT - 240SD-05 2-TAB
- 1751564 CARD, CANVAS CARE & CLEANING SEA RAY
- 1507912 CARD, PASSPORT TO SAVINGS
- 1764423 BROCHURE, CARBON MONOXIDE AWARENESS
- 1766184 BROCHURE, WATERSKI SAFETY GUIDELINES
- 1507938 CARD, TALOR WINDSHIELD/GLASS CARE
- 1411404 ENVELOPE, DEALER INFORMATION
- 929828 CARD, BOATING GUIDE
- 1093988 PACKET, OWNERS 2-COMP LEGAL SIZE CANVAS BLK
- 833749 FUSE BOX, SPARE W/6 ATC BLADE STYLE
- 140061 PLUG, DRAIN PLUG SNAPTITE 1/2"
- 764316 DOCUMENT, CANVAS LTD WARRANTY
- 1751553 BOOKLET, COAST GUARD FEDERAL REQUIREMENT
- 1751550 CARD, CANVAS CARE & CLEANING MORBERN
- 1751555 BOOKLET, 3M MAINTENANCE INSTRUCTION
- 1751557 PACKET, 3M KIT
- 1751559 CARD, CANVAS CARE & CLEANING SUNBRELLA
- 1751562 CARD, WARRANTY SUNBRELLA LIMITED
- 1751563 BOOKLET, STA-BIL FUEL STABILIZER
- 1798084 LABEL, CHEMICAL WARNINGS

**OWNERS PACKET CONTENTS (continued)**

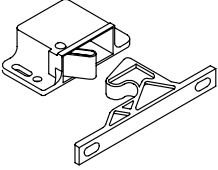
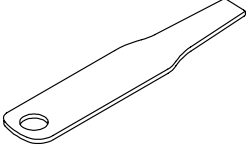
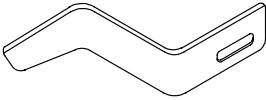
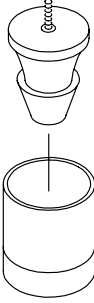
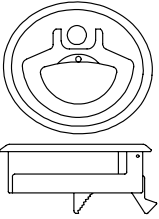
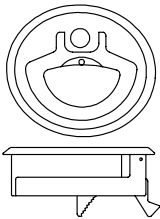
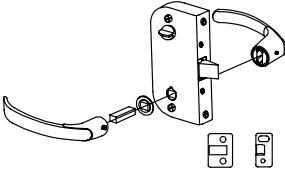
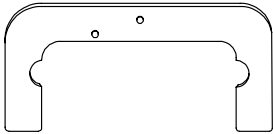
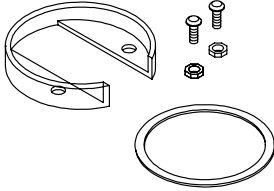
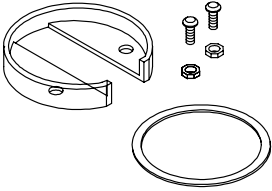
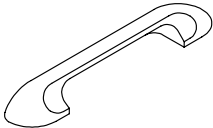
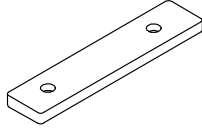
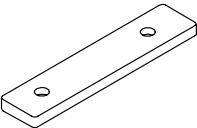
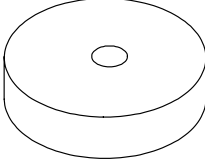
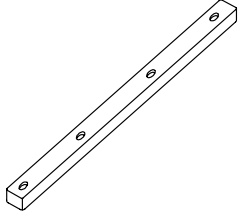
- 1805468 CARD, LADDER MAINTENANCE
- 1766115 PACKET, SIRIUS WELCOME KIT

**OWNERS PACKET SUPPLIED BY PLANT**

- 434191 CARD, NAVIGATIONAL INTERNATIONAL (INTL OPERATIONS ADJUSTMENT)
- 618025 VINYL FILM, MINI GRIP BAG 5" X 8"
- 1682368 VINYL FILM, POLY BAG 34"X 50"X 2MIL CLEAR
- 1741218 LABEL, STICKER 240SD CANADIAN CONFORMITY (CANADIAN CONFORMITY STICKER)
- 1691479 MANUAL, OWNERS - SEA RAY INT'L 12-LANGUAGE (C E OPTION GROUP)
- 1880468 CHECK LIST, INT'L DISCLOSURE SPBT/SPCRUSR '06 (INTERNATIONAL IN-SERVICE CHECKLIST)

TELLICO HARDWARE

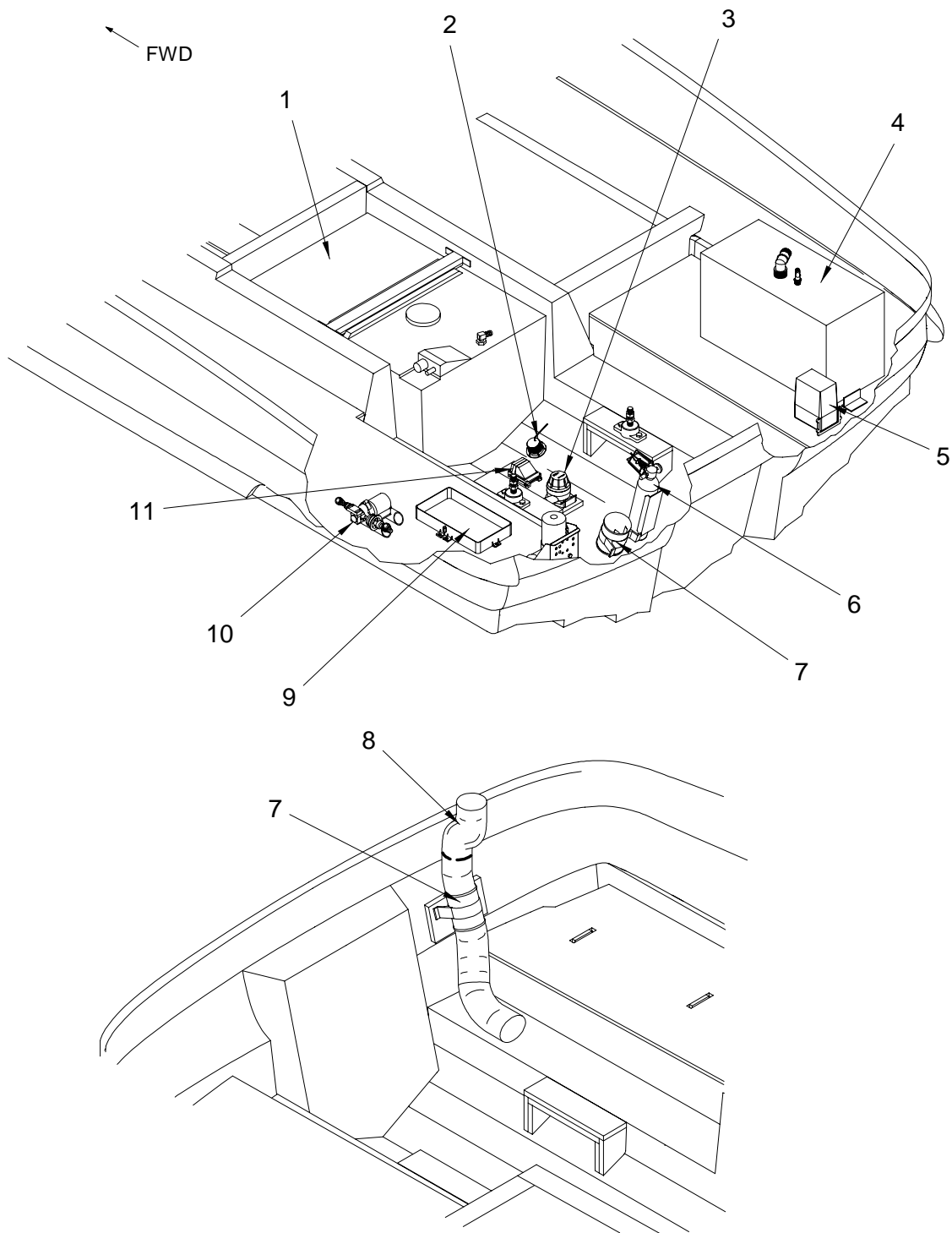
# TELLICO PLANT HARDWARE

<p>WHITE 10LB</p>  <p>1 → 1450188</p>	 <p>2 → 1781449</p>	<p>2" OFFSET LONG SS</p>  <p>3 → 1781438</p>	 <p>4 → 1118314</p>
<p>STAINLESS STEEL</p>  <p>5 → 1781446</p>	<p>STAINLESS STEEL</p>  <p>6 → 1781437</p>	<p>CHROME-RH OUT</p>  <p>7 → 1717317</p>	 <p>8 → 1754071</p>
 <p>9 → 1781440</p>	 <p>10 → 1781448</p>	<p>WHITE</p>  <p>11 → 156166</p>	<p>1/4" X 1/2" X 1 3/4" PRL</p>  <p>12 → 1287309</p>
 <p>13 → 1754046</p>	<p>1" X 1/4" BLACK</p>  <p>14 → 1794197</p>	<p>11 1/2" X 3/4" X 1/2" PEARL</p>  <p>15 → 1778647</p>	

**TELLICO HARDWARE**

- 1 1450188 CATCH, GRABBER LATCH W/10LB HOLD WHT
- 2 1781449 CATCH, PAWL 2.5"STRAIGHT LONG SS
- 3 1781438 CATCH, PAWL 2"OFFSET LONG SS
- 4 1118314 CATCH, RBR SUNPAD HOLD-DOWN
- 5 1833710 LATCH, COMPRESSION 2.5" LOCKING SS  
(KEY COMES WITH LATCH)  
(ORDER LATCH, PLATE AND CATCH FOR COMPLETE LATCH)
- 1880051 KEY, LATCH COMPRESSION 2.5" LOCKING SS  
(PART OF 1833710)
- 6 1781437 LATCH, COMPRESSION 2"W/LOCKING SS
- 7 1717317 LATCH, OFFSHR MORTISE RH-OUT PRVKNB CHR  
1754071 PLATE, MOBELLA SHIM CHR/BR  
(PART OF 1717317)
- 1784623 PLATE, STRIKER OFFSHR MORTISE (FOR 1717317)  
(PART OF 1717317)
- 8 1754071 PLATE, MOBELLA SHIM CHR/BR
- 9 1781440 PLATE, DEEP BRKT 2"W/HDWR PKG SS
- 10 1781448 PLATE, SHALLOW BRKT 2.5"W/HDWR PKG SS
- 11 156166 PULL, DOOR/DRAWER PLAS WHT
- 12 1287309 SHIM, HDPE 1/4"X 1/2"X 1.75" PRL
- 13 1754046 SHIM, HDPE 7/16"X 1.25"X 1/4" PRL
- 14 1794197 SHIM, HDPE 1"DIA X 1/4" BLACK
- 15 1778647 STOP, PLEX DOOR WALK THRU PRL

BILGE



**BILGE**

- 1 1771060 TANK, FUEL 240SD 65GAL PLS W/SS SNDR W/CONN  
(SEE FUEL SYSTEM FOR PARTS BREAK DOWN)
- 2 1727450 ACC PART, MERC S-CRFT TRNS W/10' NYL DEP/TEMP  
(DEPTH TRANSDUCER)
- 3 1796904 PUMP, BILGE 1200GPH TSUNAMI W/CONN  
(HULL# 3403 -> UP)
- 1771004 PUMP, BILGE 1100GPH W/IMPLLR HOUSG VNS W/CONN  
(HULL# 3001 -> 3402)
- 123901 HOSE, CORR BILGE 1 1/8" BLK
- 256685 CLAMP, HOSE #16 3/4"-1.5" SS .505
- 1778931 THRU-HULL, SS 1 1/8" BARB SHORT W/RBR GASKET
- 4 1285410 TANK, WATER 240SD-00 18GAL
- 1798062 TUBE, PICK-UP WATER 14.5"  
(PART OF 1285410)
- 5 268508 TRIM TAB, HYD PUMP KIT W/3"NIPPLE  
(PART OF 1292051)  
(SEE STEERING SYSTEM FOR BREAK DOWN)
- 6 1839644 FIRE EXT SYS, FE241 (SR) 100CF AUTO W/CONN  
(FIRE SUPPRESSION SYSTEM - AUTOMATIC)  
(DOMESTIC)
- 1771030 FIRE EXT SYS, FM200 100CF GAS-AUTO W/CONN  
(CE FIRE SYSTEM - EUROPEAN DEALERS ONLY)  
(FM-200 OPT. FIRE SUPPRESSION SYS-CAN.& AUS.)
- 1799844 HALON SYS, INDICATOR LIGHT 12V GRN  
(PART OF 1771030)
- 7 1794013 BLOWER, BILGE 4" ATTWOOD W/CONN  
(HULL# 3403 -> UP)
- 1771006 BLOWER, BILGE 4" #240MQ W/CONN  
(HULL# 3001 -> 3402)
- 124016 HOSE, VENT/BLOWER 4" EX HVY DTY
- 1212729 TIE, CABLE 14" BLK W/SS BARB
- 8 124016 HOSE, VENT/BLOWER 4" EX HVY DTY
- 9 130435 HOLDER, BATTERY GR27 BLK NYLON W/SS
- 1880406 CABLE, BATT SET 240SD-07  
(HULL# 3403 -> UP)
- 1324441 CABLE, BATT SET 240SD-00  
(HULL# 3001 -> 3402)
- 1880410 CABLE, BATT SET 240SD-07 BATT SW OPT  
(HULL# 3403 -> UP)  
(BATTERY ON / OFF SWITCH)  
(C E OPTION GROUP)
- 1324458 CABLE, BATT SET 240SD-00 W/OPT BATT SW  
(HULL# 3001 -> 3402)  
(BATTERY ON / OFF SWITCH)  
(C E OPTION GROUP)
- 1880414 CABLE, BATT SET 240SD-07 W/DUAL BATT KIT  
(HULL# 3403 -> UP)  
(BATTERY SWITCH-DUAL W/ 2ND TRAY SINGLE ENG)
- 1431592 CABLE, BATT SET 240SD-00 W/DUAL BATT KIT  
(HULL# 3001 -> 3402)  
(BATTERY SWITCH-DUAL W/ 2ND TRAY SINGLE ENG)
- 1216514 BOOT, BATTERY CABLE 4/0 BLK 1"
- 1258979 BOOT, BATTERY CABLE 105C "T" BLK 4/0  
(BATTERY SWITCH-DUAL W/ 2ND TRAY SINGLE ENG)
- 1216522 BOOT, BATTERY CABLE 4/0 RED 1"
- 140509 BOOT, ENG STARTER RED
- 1412626 BOOT, E-MODULE RED
- 140509 BOOT, ENG STARTER RED
- 10 1771071 PUMP, FRESH WTR SHURFLO 2.8GPM SFT MNT W/CONN
- 11 1794015 SWITCH, FLOAT ATTWOOD W/CVR W/CONN

**CORSA THRU-HULL EXHAUST SYSTEM**

- 1848565 MUFFLER, CORSA SIDTPS 200SEL/240SD V8/1.7"BLK  
(HULL# 3024 -> UP)
- 256743 CLAMP, HOSE #72 3 1/8"-5" SS .505
- 1797094 MUFFLER, CORSA W/SIDTPS 200SEL/240SD V8/1.7"R  
(HULL# 3001 -> 3023)

**HARNESSES**

- 1802106 HARNESS, ENG MERC S-CRFT 14 PIN 25'  
(HULL# 3403 -> UP)
- 1835489 HARNESS, BILGE WIRE W/S-CRFT W/CONN  
(HULL# 3403 -> UP)
- 1812222 HARNESS, ENG MERC DATA 14-PIN DTS 25'  
(HULL# 3403 -> UP)  
(350 DTS MAG MPI BR 3 ( 300 PHP ) MCM S/D)
- 1839411 HARNESS, ENG MERC S-CRFT ADAPTR 10 PIN-14 PIN  
(HULL# 3001 -> 3402)
- 1849384 ACC PART, MERC ACC HARNESS W/O RELAY  
(HULL# 3001 -> 3402)

**LABELS**

- 1746901 LABEL, CAUTION BATTERY SWITCH OFF/ALT DAMAGED  
(BATTERY ON / OFF SWITCH)  
(BATTERY SWITCH-DUAL W/ 2ND TRAY SINGLE ENG)

**LABELS**

- (C E OPTION GROUP)  
1746895 LABEL, CHECK BATTERY CELL FLUID LEVEL

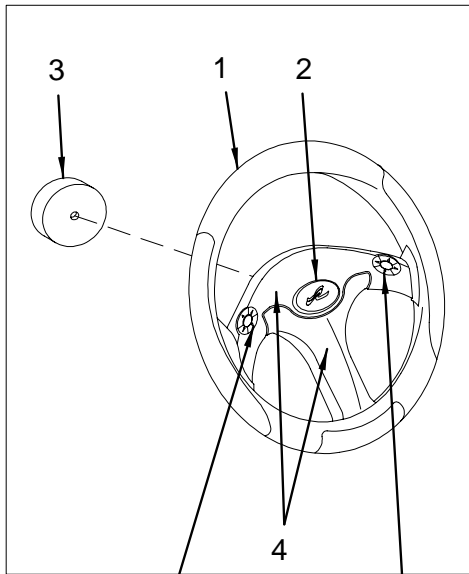
**NOT SHOWN**

- 130351 PIPE, PVC SCH 20 BOE PIPE 3/4" X 20'
- 152108 SCREW, CAP #1/2-13 X 4" HEX HD SS

**SPLIT CONDUIT**

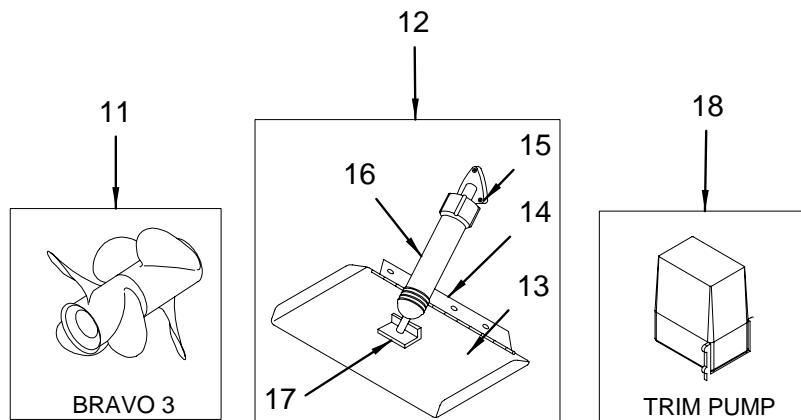
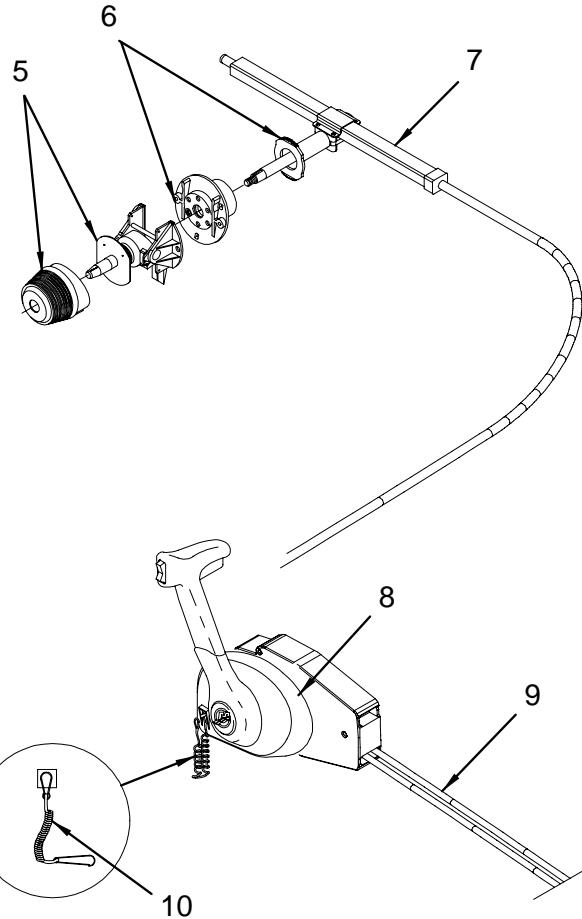
- 1501782 HOSE, CONDUIT/SPLIT 1/2" FLAME RETARDANT
- 1501824 HOSE, CONDUIT/SPLIT 3/4" FLAME RETARDANT

STEERING SYSTEM



STEREO REMOTE SWITCH  
(SWITCH CANNOT BE ORDERED SEPARATE)  
ORDER 1773980 FOR BEZEL AND SWITCHES

SMARTCRAFT TOGGLE & FUNCTION SWITCH  
(SWITCH CANNOT BE ORDERED SEPARATE)  
ORDER 1773980 FOR BEZEL AND SWITCHES



BRAVO 3

TRIM PUMP

## STEERING SYSTEM

- 1 1773975 STEERING WHEEL, SPBT INTELIWHEEL METCHRY/BLK
- 1774822 HARNESS, INTELIWHEEL S-CRFT CAN INTERFACE 6'
- 1736095 CABLE, CLARION REMOTE EXTENSION CABLE 2'
- 935080 CABLE, CLARION DUAL REMOTE "Y"  
(2ND STEREO REMOTE CONTROL -TRANSOM)
- 2 1786903 EMBLEM, S/R WAVE OVAL CHR W/BZL(INTELIWHEEL)
- 3 1773984 STEERING, CLOCKSFRING INTELIWHL ASSY PLAS BLK
- 4 1773980 STEERING, BEZEL INTELIWHEEL MET CHRY/BLK
- 5 1777615 STEERING, PERFORMANCE TILT MECHANISM INTLLWHL
- 6 1092246 STEERING, TILT HELM BACK-MNT
- 7 1091867 STEERING, BACK MNT RACK/CABLE 17.0' ASSY
- 8 1754392 CONTROL, SIDE MNT LOCKBAR 4000 GEN II I/O  
(SEE REF 10 FOR PARTS OF PART)
- 9 1759687 CABLE, CONTROL MERC GEN II PLAT 14'  
(HULL# 3393 -> UP)
- 1757745 CABLE, CONTROL MERC GEN II STD 16 LAY 14'BULK  
(HULL# 3001 -> 3392)
- 1759686 CABLE, CNTRL MERC GEN II PLAT 15'  
(HULL# 3393 -> UP)
- 1757747 CABLE, CONTROL MERC GEN II STD 16 LAY 15'BULK  
(HULL# 3001 -> 3392)
- 10 778928 LANYARD, COILED STOP SWITCH  
(PART OF 1754392)
- 11 708172 PROP, 15.75"X 22" SS BR3 LH
- 708180 PROP, 14.25"X 22" SS BR3 RH
- 707422 PROP, 16"X 20" SS BR3 LH  
(20" BRAVO 3 SET (2 COUNTER ROTATING PROPS))
- 707430 PROP, 14 3/8"X 20" SS BR3 RH  
(20" BRAVO 3 SET (2 COUNTER ROTATING PROPS))
- 708198 PROP, 15.5"X 24" SS BR3 LH  
(24" BRAVO 3 SET (2 COUNTER ROTATING PROPS))
- 708206 PROP, 14.25"X 24" SS BR3 RH  
(24" BRAVO 3 SET (2 COUNTER ROTATING PROPS))
- 708214 PROP, 15.25"X 26" SS BR3 LH  
(26" BRAVO 3 SET (2 COUNTER ROTATING PROPS))
- 708222 PROP, 14"X 26" SS BR3 RH  
(26" BRAVO 3 SET (2 COUNTER ROTATING PROPS))
- 12 1292051 TRIM TAB, ASSY 10X12 PARA W/HDWR/FLUID/P/CACT  
(SEE REF 13,14,15,16,17 & 18 FOR PARTS OF PARTS)  
(SPECIFY PRT OR STRD WHEN ORDERING)
- 13 1410612 TRIM TAB, TPA W/MNTG PLATE F/1292051  
(PART OF 1292051)
- 1410570 TRIM TAB, TRIM PLANE ONLY F/1292051  
(PART OF 1292051)  
(SPECIFY PRT OR STRD WHEN ORDERING)
- 14 1410547 TRIM TAB, MOUNTING PLATE FOR 1292051  
(PART OF 1292051)
- 15 1410562 TRIM TAB, UPR HINGE  
(PART OF 1292051)
- 1410539 TRIM TAB, ZINC ONLY (ZINC3)  
(PART OF 1292051)
- 16 1410554 TRIM TAB, ACTUATOR W/10' PRECON  
(PART OF 1292051)
- 17 1743708 TRIM TAB, LWR HINGE  
(PART OF 1292051)
- 1743709 TRIM TAB, LWR HINGE PIN  
(PART OF 1292051)
- 18 268508 TRIM TAB, HYD PUMP KIT W/3"NIPPLE  
(PART OF 1292051)

## CLAMPS

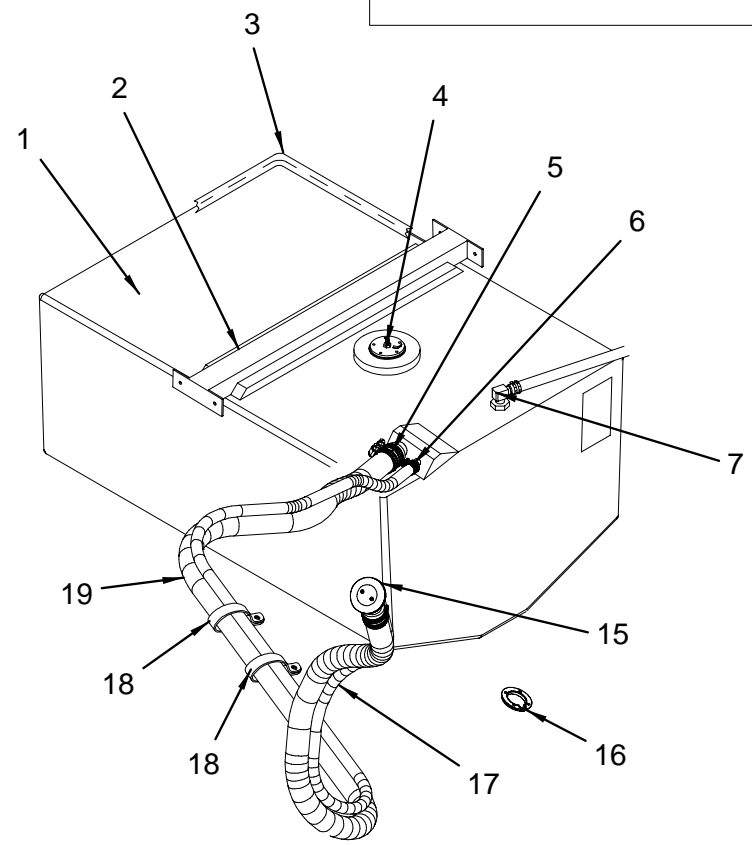
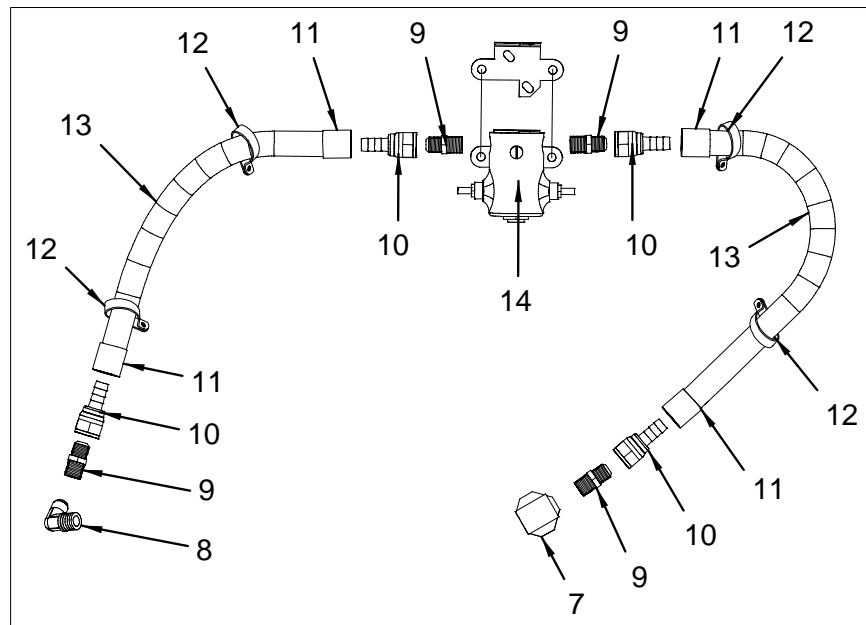
- 123604 CLAMP, LOOM VINYL DIP 2.5"

## LABELS

- 1816105 LABEL, PROP LABEL/SPLIT NUMBERS Q.C.  
(5.0L MPI BR 3 ( 260 PHP ) MCM STERN DRIVE)  
(350 MAG MPI BR 3 ( 300 PHP ) MCM STERN DR.)  
(MX 6.2L MPI BR 3 (320 PHP) MCM STERN DRIVE)



FUEL SYSTEM



**FUEL SYSTEM**

- 1 1880921 TANK, FUEL 240SD-07 65GAL PLS W/WEMA,CONN,ASV  
(HULL# 3415 -> UP)
- 1771060 TANK, FUEL 240SD 65GAL PLS W/SS SNDR W/CONN  
(HULL# 3001 -> 3414)  
(FOR PARTS OF PARTS ALSO SEE REF 4,7 & 8)
- 1433895 TANK, FUEL HDWR 1/2" SS SCREEN  
(HULL# 3001 -> 3414)  
(PART OF 1771060)
- 2 1278894 BRACKET, FUEL TANK 27.5" 240SD-00
- 1497452 TAPE, FOAM NEOPRENE W/3M 9828 3/8"TH X 2"W
- 3 468934 TAPE, VAC PAK WHT (4"X 36YDS) PRESERVATION
- 4 1771048 SENDING UNIT, WEMA 18.5" SS W/SCRW&GSKT W/CON  
(HULL# 3001 -> 3414)  
(PART OF 1771060)
- 5 256693 CLAMP, HOSE #24 1"-2" SS .505
- 6 123398 CLAMP, HOSE #06M 5/16"-7/8" SS MINI
- 256677 CLAMP, HOSE #12 1/2"-1.25" SS .505
- 7 1098250 TUBE, P/U FUEL-SPECIFY TANK (FOR#1076223)  
(HULL# 3001 -> 3414)  
(PART OF 1771060)
- 8 1758564 ELBOW, SS P/U 3/8"MPT X 1/4"NPT  
(HULL# 3001 -> 3414)  
(PART OF 1771060)
- 9 140483 ADAPTER, BRASS 1/4"MPT X 3/8"SAE
- 10 1887747 FITTING, BRASS BARB/NUT 3/8" FEMALE SAE  
(HULL# 3599 -> UP)
- 170589 FITTING, BRASS 3/8"BARB/NUT  
(HULL# 3001 -> 3598)
- 11 1887694 FERRULE, FUEL LINE 3/8" .718"ID X .768"OD  
(HULL# 3599 -> UP)
- 1819807 FERRULE, FUEL LINE 3/8"ISO/CE .775"ID  
(HULL# 3001 -> 3598)
- 12 123661 CLAMP, LOOM VINYL DIP 1"
- 13 1884011 HOSE, FUEL 3/8" TYPE A CLASS 1-15 ISO/CE/CARB  
(HULL# 3599 -> UP)
- 123760 HOSE, FUEL 3/8" TYPE A CLASS 1 ISO/CE  
(HULL# 3001 -> 3598)
- 14 1791155 VALVE, BRASS FUEL SHUT-OFF 12V SER7000 10W
- 15 1109354 DECK PLATE, GAS CHR W/VENT 45DG NCK RED CODE
- 1098615 DECK PLATE, GAS CHR W/VENT (SHIM ONLY)  
(PART OF 1109354)
- 1213867 DECK PLATE, CAP W/CHAIN GAS (FOR #1109354)  
(PART OF 1109354)
- 1068592 KEY, DECK PLATE CAP
- 16 1098615 DECK PLATE, GAS CHR W/VENT (SHIM ONLY)
- 17 123778 HOSE, FUEL 5/8" TYPE A CLASS 1 ISO/CE
- 1501840 HOSE, CONDUIT/SPLIT 1" FLAME RETARDANT
- 18 123604 CLAMP, LOOM VINYL DIP 2.5"
- 19 123745 HOSE, FUEL 1.5" TYPE A CLASS 2
- 1501857 HOSE, CONDUIT/SPLIT 1.5" FLAME RETARDANT

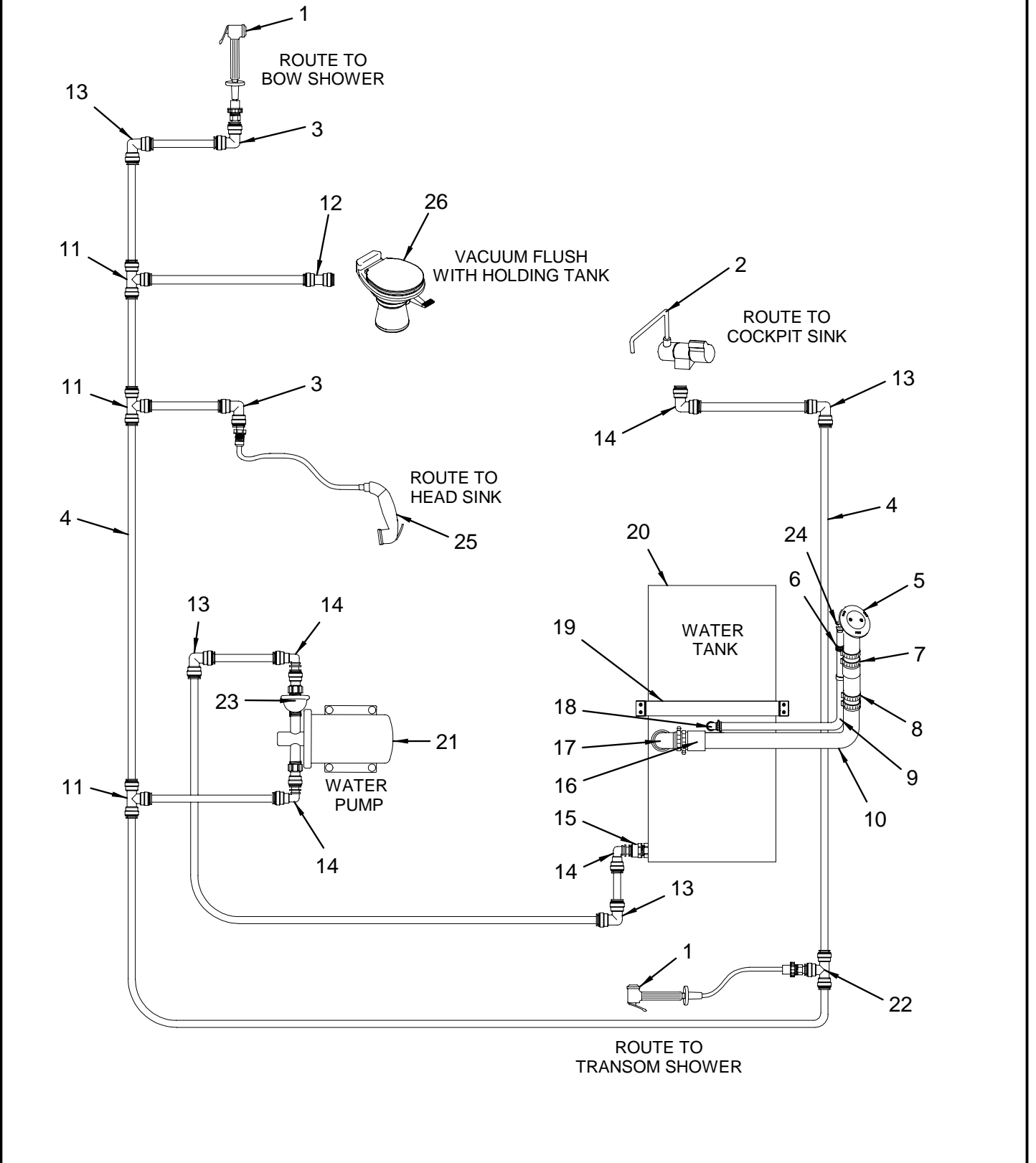
**LABELS**

- 1745158 LABEL, FUEL RECOMMENDATION/LP GAS WARNING
- 1745512 LABEL, STAY CLEAR OF MOVING PARTS ON ENGINE

**NOT SHOWN**

- 169524 ADAPTER, BRASS 3/8"MPT X 3/8"SAE

WATER SYSTEM



**WATER SYSTEM**

- 1 1775029 SHOWER, SPRAY BLK NOZZLE W/8' VINYL HOSE  
1795431 THRU-HULL, CHR PLTD BRASS SPRAY HLDR  
**(PART OF 1775029)**
- 2 1775010 FAUCET, FOLD DOWN SGL TAP CHR
- 3 1789743 ELBOW, ZURN 1/2"MPT X 1/2" BARB  
1789718 CLAMP, CRIMP RING ZURN 1/2"
- 4 1795915 TUBING, ZURN 1/2"X 20' BLUE
- 5 1109362 DECK PLATE, WATER CHR W/VNT 45DG NCK BLUE  
1405844 DECK PLATE, CAP W/CHAIN WATER  
**(PART OF 1109362)**  
1068592 KEY, DECK PLATE CAP  
**(PART OF 1109362)**
- 6 123398 CLAMP, HOSE #06M 5/16"-7/8" SS MINI  
7 256677 CLAMP, HOSE #12 1/2"-1.25" SS .505  
8 256693 CLAMP, HOSE #24 1"-2" SS .505  
9 1775071 HOSE, WATER 5/8" BLK REINF PVC  
10 490219 HOSE, CORR SAN/WATER-FILL 1.5" RH  
11 1789706 TEE, ZURN 1/2" BARB  
1789718 CLAMP, CRIMP RING ZURN 1/2"
- 12 1789686 ADAPTER, ZURN STRAIGHT 1/2" SWIVEL  
**(VACUUM FLUSH HEAD W/HOLDING TANK)**  
1799204 NUT, ZURN 1/2" WINGLESS  
**(VACUUM FLUSH HEAD W/HOLDING TANK)**  
1789718 CLAMP, CRIMP RING ZURN 1/2"
- 13 1789703 ELBOW, ZURN 1/2" BARB  
1789718 CLAMP, CRIMP RING ZURN 1/2"
- 14 1789708 ELBOW, ZURN 1/2" SWIVEL  
1789718 CLAMP, CRIMP RING ZURN 1/2"
- 15 1789748 NIPPLE, ZURN 1/2" CLOSE GRY
- 16 172726 HOSE CUFF, 1.5" RH WHT
- 17 130344 ELBOW, PVC 1.5"MPT X 1.5"BARB X 90DEG  
18 167874 ELBOW, GENOVA 1/2"MPT X 1/2"BARB X 90DEG  
19 1853980 240SD 07,STRAP,WTR TANK HOLDDOWN ALUM  
1497452 TAPE, FOAM NEOPRENE W/3M 9828 3/8"TH X 2"W  
129247 BAR, ALUM FLAT 1/8"X 2"X 12"
- 20 1285410 TANK, WATER 240SD-00 18GAL  
1798062 TUBE, PICK-UP WATER 14.5"  
**(PART OF 1285410)**  
1687447 TANK, WATER - 10GAL W/VENT & FILL FITNGS  
**(CORSA THRU-HULL EXHAUST SYSTEM)**  
334417 ADAPTER, PVC 1/2"MPT X 1/2"BARB X 90 DEG  
**(PART OF 1687447)**  
1745838 ADAPTER, PVC 1.5"MPT X 1.5"BARB  
**(PART OF 1687447)**
- 21 1771071 PUMP, FRESH WTR SHURFLO 2.8GPM SFT MNT W/CONN
- 22 1791377 TEE, ZURN 2 ENDS 1/2" BARB X 1/2" MPT BRASS  
1789718 CLAMP, CRIMP RING ZURN 1/2"
- 23 1797944 FILTER, IN-LINE WATER 1/2"MPSM X 1/2"NPSF
- 24 1777214 VENT, FUEL/WATER SS 5/8" FLSH STRAIGHT  
**(PUMP-OUT HEAD)**  
**(VACUUM FLUSH HEAD W/HOLDING TANK)**
- 25 1689704 SHOWER, SPRAY NOZZLE ANGLE BASE W/6"SS HOSE  
1764405 SHOWER, BLK HANDLE FAUCET SPRAYER NOZZLE  
**(PART OF 1689704)**
- 26 1745173 TANK, W/HEAD 10GAL HTS W/SEND VAC GEN WOOD  
**(VACUUM FLUSH HEAD W/HOLDING TANK)**  
134759 FILTER, HEAD TREATMENT SYSTEM  
**(PART OF 1745173)**  
1542851 HEAD, VACU-FLUSH BONE 147 (ECOVAC) LOW PRFILE  
**(PART OF 1745173)**  
1737660 TANK, HOLDING 10 GAL HTS 12VDC  
**(PART OF 1745173)**

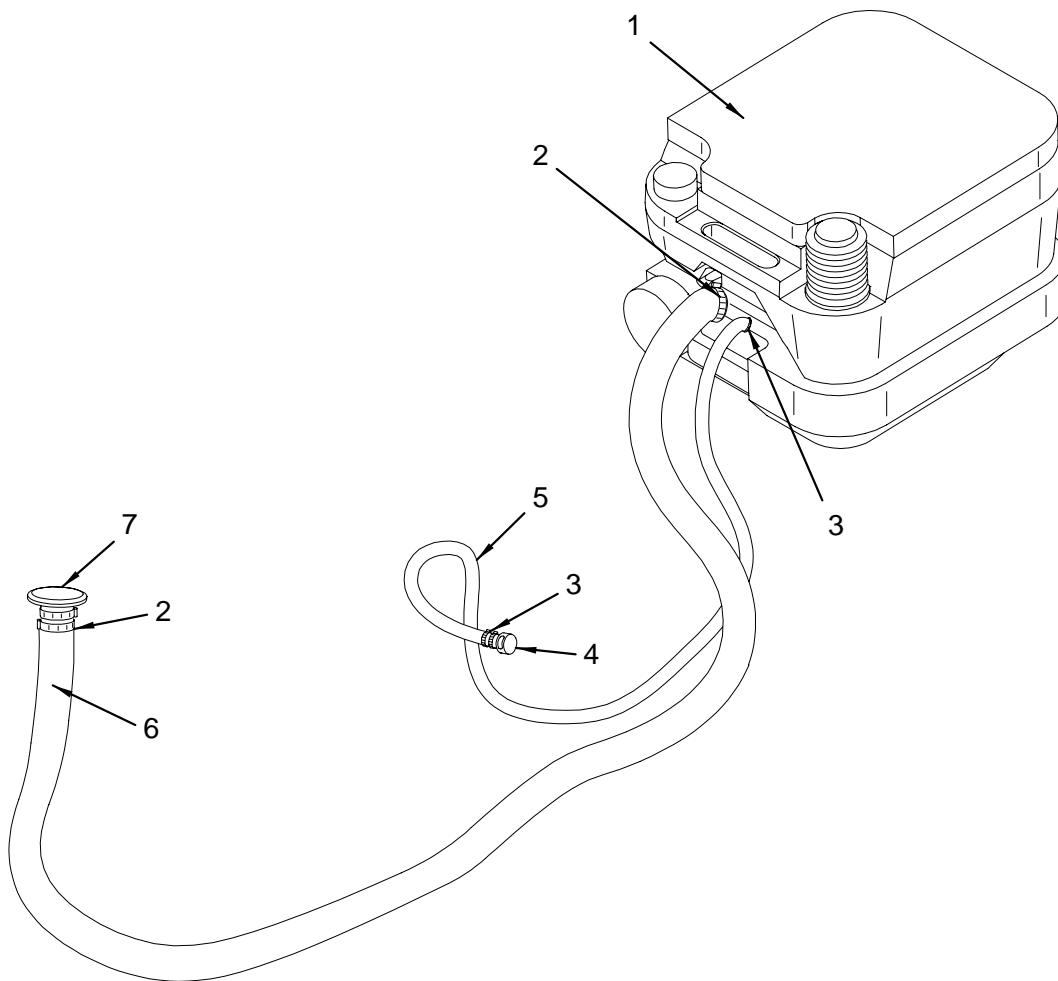
**CLAMPS**

- 123661 CLAMP, LOOM VINYL DIP 1"

**NOT SHOWN**

- 991612 ANGLE, PVC 2"X 2"X 1/4"X 10' WHT

**SEWAGE SYSTEM (PUMP-OUT HEAD)**



**SEWAGE SYSTEM (PUMP-OUT HEAD)**

- 1 595504 HEAD, PORTABLE MSD SANI POTTI PARCHEMENT 3.0GL
- 1200146 FITTING MODIFIED, 270SE-98 1 1/2" FOR 595504  
(PART OF 595504)
- 1200195 SWIVEL NUT, 270SE-98 3/4" (FOR 5905504)  
(PART OF 595504)
- 1200229 INSERT MALE, 270SE-98 3/4" (FOR 595504)  
(PART OF 595504)
- 1200245 WASHER, 270SE-98 3/4" (FOR 595504)  
(PART OF 595504)
- 1783917 SEAT ASSY, CVR/SEAT/HNG PIN PRCHMNT  
(PART OF 595504)
- 2 256693 CLAMP, HOSE #24 1"-2" SS .505
- 3 263954 CLAMP, HOSE #10 1/2"-1 1/8" SS .505
- 4 1777214 VENT, FUEL/WATER SS 5/8" FLSH STRAIGHT
- 5 124719 HOSE, SANI/CHEMICAL TDX 5/8"
- 6 123844 HOSE, SANI/SMOOTH WALL 1.5"
- 7 1355585 DECK PLATE, WASTE CHR STRAIGHT NCK BLK CODE
- 1068592 KEY, DECK PLATE CAP  
(PART OF 1355585)
- 1474790 DECK PLATE, CAP W/GASKET  
(PART OF 1355585)

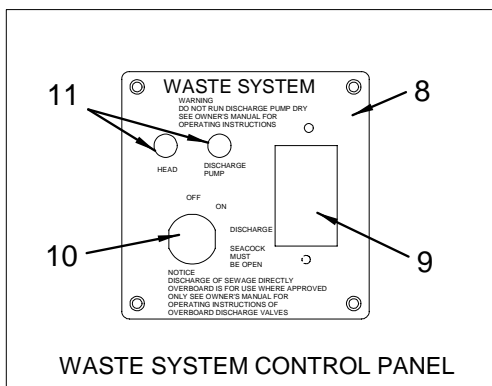
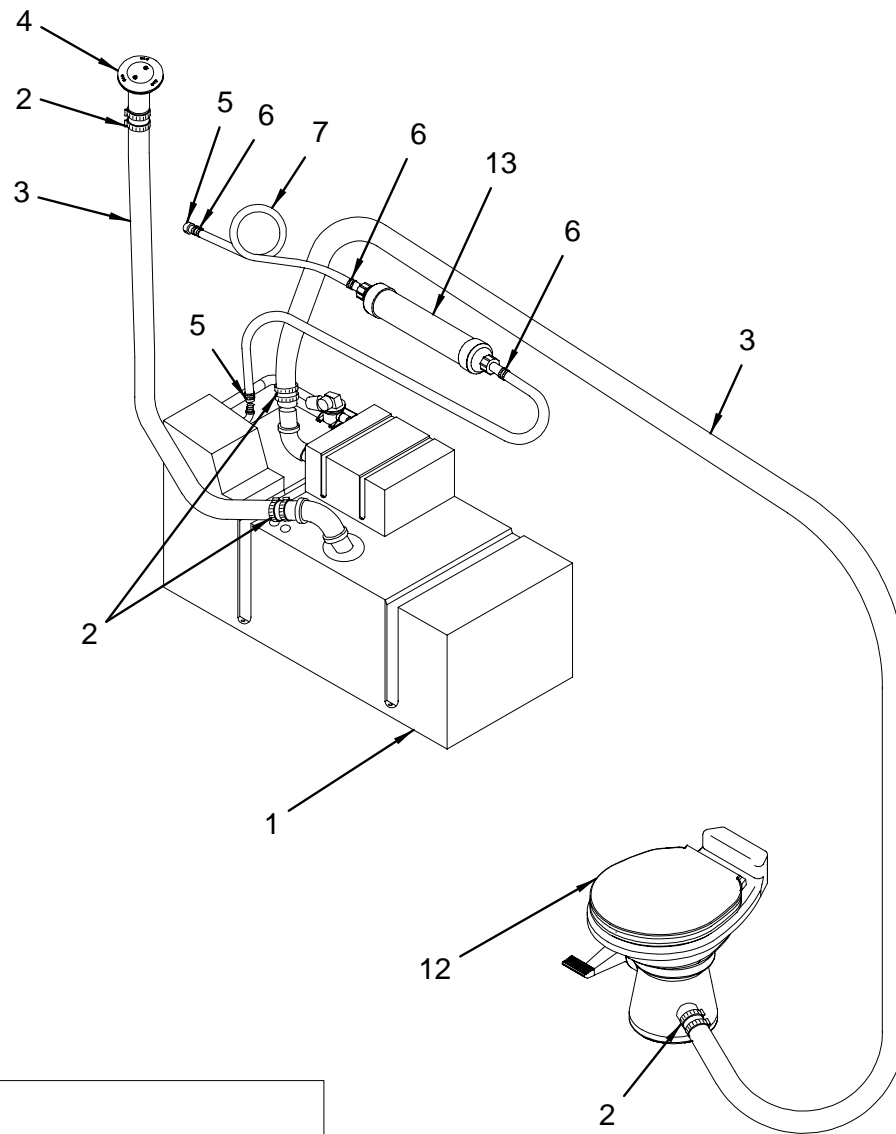
**SPLIT CONDUIT**

- 1501840 HOSE, CONDUIT/SPLIT 1" FLAME RETARDANT

**NOT SHOWN**

- 129189 ANGLE, ALUM 1/8"X 1.5"X 1.5"X 16'

SEWAGE SYSTEM (VACUUM FLUSH HEAD W/HOLDING TANK)



**SEWAGE SYSTEM (VACUUM FLUSH HEAD  
W/HOLDING TANK)**

- 1 1745173 TANK, W/HEAD 10GAL HTS W/SEND VAC GEN WOOD
- 134759 FILTER, HEAD TREATMENT SYSTEM  
(PART OF 1745173)
- 1542851 HEAD, VACU-FLUSH BONE 147 (ECOVAC) LOW PRFILE  
(PART OF 1745173)
- 1737660 TANK, HOLDING 10 GAL HTS 12VDC  
(TANK ONLY)  
(PART OF 1745173)
- 2 256693 CLAMP, HOSE #24 1"-2" SS .505
- 3 123844 HOSE, SANI/SMOOTH WALL 1.5"
- 4 1355585 DECK PLATE, WASTE CHR STRAIGHT NCK BLK CODE
- 1068592 KEY, DECK PLATE CAP  
(PART OF 1355585)
- 1474790 DECK PLATE, CAP W/GASKET  
(PART OF 1355585)
- 5 1777214 VENT, FUEL/WATER SS 5/8" FLSH STRAIGHT
- 6 263954 CLAMP, HOSE #10 1/2"-1 1/8" SS .505
- 7 124719 HOSE, SANI/CHEMICAL TDX 5/8"
- 8 1188945 PANEL, 260DA-99 WASTE SYS CNTRL  
(FOR PARTS OF PARTS SEE REF 9, 10 & 11)
- 9 893800 PANEL, WASTE LEVEL INDICATOR 12V  
(PART OF 1188945)
- 10 557785 SWITCH, IGN STARTER  
(PART OF 1188945)
- 1729450 KEY, SIERRA PK501A  
(PART OF 557785)
- 1778652 KEY, SIERRA PK521J  
(PART OF 557785)
- 1778656 KEY, SIERRA PK576K  
(PART OF 557785)
- 1778657 KEY, SIERRA PK611M  
(PART OF 557785)
- 1778658 KEY, SIERRA PK628H  
(PART OF 557785)
- 1778659 KEY, SIERRA PK631N  
(PART OF 557785)
- 1778660 KEY, SIERRA PK665P  
(PART OF 557785)
- 1778661 KEY, SIERRA PK673F  
(PART OF 557785)
- 11 533109 BRKR, P/BTN-MANUAL RESET 10A  
(PART OF 1188945)
- 12 1542851 HEAD, VACU-FLUSH BONE 147 (ECOVAC) LOW PRFILE  
(PART OF 1745173)
- 13 134759 FILTER, HEAD TREATMENT SYSTEM  
(PART OF 1745173)

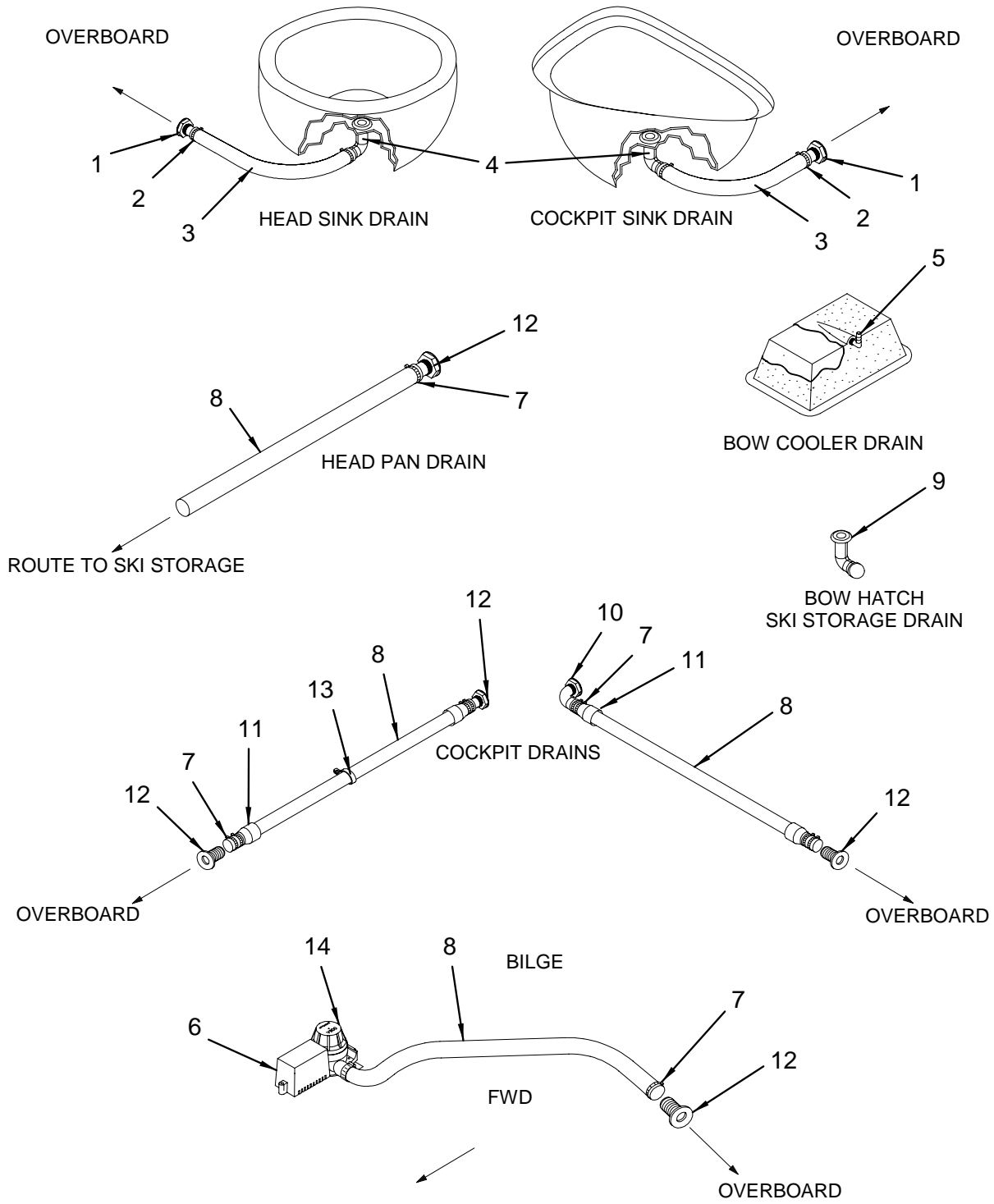
**HARNESSES**

- 1777918 HARNESS, 240SD-05 WASTE SYSTEM

**NOT SHOWN**

- 1748071 COVER, HDPE 240SD-03 VACU FLUSH HEAD ACCESS

DRAINAGE SYSTEM





**DRAINAGE SYSTEM**

- 1 1778933 THRU-HULL, SS 5/8" BARB SHORT W/RBR GASKET
- 2 417998 CLAMP, HOSE #04M 1/4"-5/8" SS MINI
- 3 1775071 HOSE, WATER 5/8" BLK REINF PVC
- 4 1779333 DRAIN, FLAT HEAD 5/8" LEFT
- 1780445 DRAIN ASSY, STOPPER #4203 LONG BLK
- 5 167874 ELBOW, GENOVA 1/2"MPT X 1/2" BARB X 90DEG
- 6 1794015 SWITCH, FLOAT ATTWOOD W/CVR W/CONN
- 7 256685 CLAMP, HOSE #16 3/4"-1.5" SS .505
- 8 466664 HOSE, CORR VAC 1" RH  
(THE END OF THE HOSE UPS THE DIAMETER TO 1 1/8")
- 9 266130 DRAIN, LINER W/90 DEG ELBOW 1" PLASTIC
- 10 1392794 THRU-HULL, PLAS 1 1/8" TUBE X 90DEG PRL
- 11 466615 HOSE CUFF, 1" RH WHT
- 12 1778931 THRU-HULL, SS 1 1/8" BARB SHORT W/RBR GASKET
- 13 123661 CLAMP, LOOM VINYL DIP 1"
- 14 1796904 PUMP, BILGE 1200GPH TSUNAMI W/CONN  
(HULL# 3403 -> UP)
- 1771004 PUMP, BILGE 1100GPH W/IMPLLR HOUSG VNS W/CONN  
(HULL# 3001 -> 3402)

**NOT SHOWN**

- 1830768 GASKET, SILICONE 70 DUR 1/16" X 1.151 X 1.585

**350 MAG MPI BR 3 ( 300 PHP ) MCM STERN DR.**

1791388 DECAL, MERCURY CERTIFIED INSTALLER  
1816105 LABEL, PROP LABEL/SPLIT NUMBERS Q.C.  
1778015 OUTDRIVE UNIT, MERC BRAVO III 2.20:1 '05  
1837981 S/D, MERC 300PHP 350 MAG B 1.7"

**350 MAG MPI DTS BR 3 ( 300 PHP ) MCM S/D**

1690375 ACC PART, S-CRFT PITOT SENSOR  
1883389 BOARD, DTS SGL ENG HELM COMP  
1774184 CONTROL, PNL MNT SGL DTS N/HARNES '05  
1791388 DECAL, MERCURY CERTIFIED INSTALLER  
1812222 HARNES, ENG MERC DATA 14-PIN DTS 25'  
1816105 LABEL, PROP LABEL/SPLIT NUMBERS Q.C.  
1778015 OUTDRIVE UNIT, MERC BRAVO III 2.20:1 '05  
1818378 PANEL, 24SD-06 SW W/DTS  
1839516 PANEL, IGN SW W/DTS  
1849139 S/D, MERC 300HP 350MAG BR3 DTS 4.7" 14PIN  
1803407 SWITCH, IGN ASSY 4-POS N/HOUSING

**MX 6.2L MPI BR 3 (320 PHP) MCM STERN DRIVE**

1791388 DECAL, MERCURY CERTIFIED INSTALLER  
1816105 LABEL, PROP LABEL/SPLIT NUMBERS Q.C.  
1778015 OUTDRIVE UNIT, MERC BRAVO III 2.20:1 '05  
1837987 S/D, MERC 320PHP 6.2L MPI B 1.7"

**5.0L MPI BR 3 ( 260 PHP ) MCM STERN DRIVE**

1791388 DECAL, MERCURY CERTIFIED INSTALLER  
1816105 LABEL, PROP LABEL/SPLIT NUMBERS Q.C.  
1778015 OUTDRIVE UNIT, MERC BRAVO III 2.20:1 '05  
1837957 S/D, MERC 260PHP 5.0L MPI B 1.7"

**ON BOARD BATTERY CHARGER 120V/60 TO 12V**

1835711 CHARGER, BATT 12A 120VAC 2-BANK PRO SPRT  
1835713 HOLDER, BATT CHARGER PLUG  
1746895 LABEL, CHECK BATTERY CELL FLUID LEVEL

**ON BOARD BATTERY CHARGER - 220V/50 TO 12V**

1835712 CHARGER, BATT 10A 2-BANK PRO TOUR  
1835713 HOLDER, BATT CHARGER PLUG  
1746895 LABEL, CHECK BATTERY CELL FLUID LEVEL

**FLAG POLE & BASE, U.S. FLAG**

706747 CLIP, FLAG  
1854249 CLIP, FLAG KEY RNG 302SS  
1838426 FLAG, USA 16" X 24"  
1848879 HOLDER, FLUSH MOUNT MAGNETIC STERN FLAG POLE  
1838431 POLE, FLAGSTAFF SS MAGNETIC SPRTBT/SPRTCRSR

**AUSTRALIAN BUILDERS PLATE**

1850610 PLATE, BUILDERS AU 06-240SD

**TWO BUCKETS SEATS W/HIGH RISE & SUNLOUNGER**

129189 ANGLE, ALUM 1/8"X 1.5"X 1.5"X 16'  
839720 BINDING, CANVAS 1" LINEN BIAS SUNBRELLA  
1737700 FOAM, P/C 240SD-03 BOW CUSH W/PRT BKT  
1781287 FOAM, P/C 240SD-05 BOW BLSTR W/PRT BKT  
1839646 FOAM, P/C BKT SEAT/MATRIX-07  
1831151 FOAM, SPBT BKT SEAT W/THRS-07  
1831196 GASKET, SILICONE 70 DUR 1/32" X.27 X 1.13  
1805230 HIDE, SEABROOK D SEA SHELL 5/8"  
1687646 HIDE, SEABROOK EBONY 5/8"  
1750873 HOLDER, DRINK SS 2-RING 3" (KING)  
1143932 OAK, 1"X 4"X 8" KILN DRIED  
1154012 PEDESTAL, ALUM 7.75" RIBBED W/DELCUP  
1690896 PLATE, ALUM 1/4"X 2"X 9.75" W/2" TAPPED HOLES  
1768943 PVC BOARD, 1/2"X 4"X 8' SR PRL INTEFOAM  
1794992 RAIL, GRAB 8.5" 316L SS W/SHORT 7/8" STUDS  
1820260 SHELL, PLAS SPBT-07 HELM SEAT W/THRS  
1754578 SLIDE ASSY, SEAT MILLENIUM 10.5" M/H LONG HDL  
154401 SNAP BUTTON, W/1/4" BARREL  
1790664 SNAP REINFORCEMENT, PLAS BACKER 500 PC/ROLL  
779041 SNAP SOCKET, HARD ACTION  
154377 SNAP STUD, W/#8 X 5/8" PH SS  
1852115 TACK STRIP, LDPE .5" X 400'  
1778337 VINYL, NICKEL SR-4983A EXP FLAT  
1144179 VINYL, SEABROOK D SEA SHELL EXP 1/4"/F/B  
1144625 VINYL, SEABROOK D SEA SHELL EXP FLAT

**2ND STEREO REMOTE CONTROL -TRANSOM**

935080 CABLE, CLARION DUAL REMOTE "Y"  
1312750 CABLE, CLARION REMOTE EXTENSION CABLE 24'

**2ND STEREO REMOTE CONTROL -TRANSOM (continued)**

1803477 STEREO, REMOTE CNTRL N/DSPBL BLK FACE/SS BZL

**PREMIER STEREO UPGRADE**

1750880 CABLE, RCA AUDIO 6' W/EFX-2 CONN W/NOISE SUPP  
1773445 GRILL, SPEAKER SUBWOOFER 10" ACOM WHT  
1807049 HARNES, 240SD-06 STEREO AMP  
1839514 HARNES, 240SD-07 STEREO AMP  
1773440 SPEAKER, 10" SUBWOOFER ACOM N/CVR  
1807866 STEREO, AMP PANASONIC 400W 4CHNL

**DOCKING LIGHTS**

1791005 LIGHT, DOCKING SS 12V/50W W/ CONN

**ZZ UNREFERENCED ACCESSORY GROUP ITEMS**

1810917 CRADLE, STRG 12' 240-270 MODELS

**SMARTTOW / SPEED CONTROL - SMARTCRAFT**

1885046 GAUGE, SMART TOW TACH

**PERFECT PASS SPEED CONTROL**

1809619 ACC PART, PRFCT PASS SUBKIT #1  
1809620 ACC PART, PRFCT PASS SUBKIT #2  
1809621 ACC PART, PRFCT PASS SUBKIT #3  
1846697 HARNES, PERFECT PASS TACH SGL LINK 07

**MIRROR, SKI TOW**

1846769 MIRROR, SKI SS W/S MOUNT

**INTERNATIONAL VINYL PACKAGE**

1144179 VINYL, SEABROOK D SEA SHELL EXP 1/4"/F/B  
1144625 VINYL, SEABROOK D SEA SHELL EXP FLAT

**24" BRAVO 3 SET (2 COUNTER ROTATING PROPS)**

708206 PROP, 14.25"X 24" SS BR3 RH  
708198 PROP, 15.5"X 24" SS BR3 LH

**26" BRAVO 3 SET (2 COUNTER ROTATING PROPS)**

708222 PROP, 14"X 26" SS BR3 RH  
708214 PROP, 15.25"X 26" SS BR3 LH

**20" BRAVO 3 SET (2 COUNTER ROTATING PROPS)**

707430 PROP, 14 3/8"X 20" SS BR3 RH  
707422 PROP, 16"X 20" SS BR3 LH

**PUMP-OUT HEAD**

263954 CLAMP, HOSE #10 1/2"-1 1/8" SS .505  
256677 CLAMP, HOSE #12 1/2"-1.25" SS .505  
256693 CLAMP, HOSE #24 1"-2" SS .505  
1355585 DECK PLATE, WASTE CHR STRAIGHT NCK BLK CODE  
595504 HEAD, PORTABLE MSD SANI POTTI PARCHMENT 3.0GL  
1501840 HOSE, CONDUIT/SPLIT 1" FLAME RETARDANT  
124719 HOSE, SANI/CHEMICAL TDX 5/8"  
123844 HOSE, SANI/SMOOTH WALL 1.5"  
177214 VENT, FUEL/WATER SS 5/8" FLSH STRAIGHT

**VACUUM FLUSH HEAD W/HOLDING TANK**

1789686 ADAPTER, ZURN STRAIGHT 1/2" SWIVEL  
1789718 CLAMP, CRIMP RING ZURN 1/2"  
263954 CLAMP, HOSE #10 1/2"-1 1/8" SS .505  
256677 CLAMP, HOSE #12 1/2"-1.25" SS .505  
256693 CLAMP, HOSE #24 1"-2" SS .505  
1748071 COVER, HDPE 240SD-03 VACU FLUSH HEAD ACCESS  
1355585 DECK PLATE, WASTE CHR STRAIGHT NCK BLK CODE  
266023 FUSE, BLADE TYPE ATO 20A  
1777918 HARNES, 240SD-05 WASTE SYSTEM  
124719 HOSE, SANI/CHEMICAL TDX 5/8"  
123844 HOSE, SANI/SMOOTH WALL 1.5"  
1188945 PANEL, 260DA-99 WASTE SYS CNTRL  
1745173 TANK, W/HEAD 10GAL HTS W/SEND VAC GEN WOOD  
1789706 TEE, ZURN 1/2" BARB  
1506716 TIE, CABLE 15.5" W/3/4" SCREW/PLAS WASHER  
1506732 TIE, CABLE 8.5" W/3/4" SCREW/PLAS WASHER  
1795915 TUBING, ZURN 1/2"X 20' BLUE  
177214 VENT, FUEL/WATER SS 5/8" FLSH STRAIGHT

**BOATER SAFETY KIT**

1848244 KIT, SAFETY PACKAGE-SPBOAT W/WHT FNDRS/LINE  
1848243 KIT, SIGNAL ORION FLARE  
1682368 VINYL FILM, POLY BAG 34"X 50"X 2MIL CLEAR

**FM-200 OPTIONAL FIRE SUPPRESSION SYS-INT'L**

1771030 FIRE EXT SYS, FM200 100CF GAS-AUTO W/CONN

**TWO TONE GELCOAT**1799781 GEL COAT, NEW PEWTER VALSPAR  
1690443 TAPE, SOLID 3/8" PRL**SPEAKERS FOR WATER SPORTS TOWER**1811742 HARNESS, 200/220/240SD TOWER SPKR  
1839515 HARNESS, 200/220/240SD-07 TOWER SPKR  
1790333 SPEAKER, TOWER 6100 INFINITY W/AMP-MIC  
1796292 TOWER, 240SD-05 TOWER W/LT & SPKR HARNESS  
126870 VENT, CLAMSHELL ROPE LCKR 1 5/8" X 1.5"**BATTERY ON / OFF SWITCH**140509 BOOT, ENG STARTER RED  
1324458 CABLE, BATT SET 240SD-00 W/OPT BATT SW  
1880410 CABLE, BATT SET 240SD-07 BATT SW OPT  
1746901 LABEL, CAUTION BATTERY SWITCH OFF/ALT DAMAGED  
1726841 SWITCH, BATTERY ON/OFF N/LCK N/DISC RV1**FIRE SUPPRESSION SYSTEM - AUTOMATIC**153999 CONN, RING 16/14GA X 8R W/INSUL  
1839644 FIRE EXT SYS, FE241 (SR) 100CF AUTO W/CONN**BATTERY SWITCH-DUAL W/ 2ND TRAY SINGLE ENG.**1258979 BOOT, BATTERY CABLE 105C "T" BLK 4/0  
1216522 BOOT, BATTERY CABLE 4/0 RED 1"  
1431592 CABLE, BATT SET 240SD-00 W/DUAL BATT KIT  
1880414 CABLE, BATT SET 240SD-07 W/DUAL BATT KIT  
130435 HOLDER, BATTERY GR27 BLK NYLON W/SS  
1746901 LABEL, CAUTION BATTERY SWITCH OFF/ALT DAMAGED  
1726840 SWITCH, BATTERY SEL W/O LOCK W/O DISC REV 1**COCKPIT COVER W/ TONNEAU COVER**1805056 CANVAS, 240SD-06 CPC W/SNPS BLK  
1805047 CANVAS, 240SD-06 TONNEAU CVR BLK  
1092162 CANVAS, STRG BAG 12X38 CLOUDBRST TONNEAU/CKPT**BIMINI CANVAS PACKAGE**1780205 CANVAS, 240SD-05 SIDE CURT SET W/SNPS BLK  
1780202 CANVAS, 240SD-05 VISOR CLR/BLK 3PC  
1806138 CANVAS, 240SD-06 BIM AFT CURT W/SNPS BLK  
1805053 CANVAS, 240SD-06 CPC N/SNPS BLK  
1805047 CANVAS, 240SD-06 TONNEAU CVR BLK  
1092162 CANVAS, STRG BAG 12X38 CLOUDBRST TONNEAU/CKPT  
819524 CANVAS, STRG BAG 19.5X54 GREY 95**TRANSOM TRIM SWITCH**

1803278 SWITCH, TILT EXTERNAL MOUNT W/CONN

**CD CHANGER, 6 DISC**

1733835 STEREO, CD CHANGER 6-DISC DCZ625 C-NET

**C E OPTION GROUP**140509 BOOT, ENG STARTER RED  
1324458 CABLE, BATT SET 240SD-00 W/OPT BATT SW  
1880410 CABLE, BATT SET 240SD-07 BATT SW OPT  
1347053 FOAM, P/C 240SD-00 CONV BILGE 2-PC CE OPT  
1746901 LABEL, CAUTION BATTERY SWITCH OFF/ALT DAMAGED  
1745514 LABEL, PREVENT DISCHARGE OF POLLUTANTS  
1691479 MANUAL, OWNERS - SEA RAY INT'L 12-LANGUAGE  
935155 PLATE, CE OPT C:240SD/12PERSON/950KG  
1726841 SWITCH, BATTERY ON/OFF N/LCK N/DISC RV1**C E FIRE SYSTEM - EUROPEAN DEALERS ONLY**

1771030 FIRE EXT SYS, FM200 100CF GAS-AUTO W/CONN

**2.43 TO 1 BRAVO 3 HIGH ALTITUDE GEAR RATIO**

1778005 OUTDRIVE (HI-ALT), MERC BR-III 2.43:1 '05

**FORWARD BIMINI TOP & BOOT**1759831 CANVAS, 240SD-04 CAMP TOP BLK  
1759832 CANVAS, 240SD-04 CAMP TOP BOOT BLK  
929026 LIGHT, NAV A/R STERN 84" RG SLIP COLLAR  
1144179 VINYL, SEABROOK D SEA SHELL EXP 1/4" F/B**CORSA THRU-HULL EXHAUST SYSTEM - SINGLE ENG**256743 CLAMP, HOSE #72 3 1/8"-5" SS .505  
1848565 MUFFLER, CORSA SIDTPS 200SEL/240SD V8/1.7"BLK  
1757312 SWITCH, TOGGLE CHR W/BLU IND SPST  
1687447 TANK, WATER - 10GAL W/VENT & FILL FITNGS**CORSA THRU-HULL EXHAUST SYSTEM - SINGLE ENG (continued)**

1795915 TUBING, ZURN 1/2" X 20' BLUE

**FORWARD COCKPIT TABLE**876979 BASE, LEG/POST SURF MT ALUM  
795286 CARPET, EXT 12 OZ CHAR #0326 LT NEEDLE PUNCH  
929836 POST, TABLE LEG 24.875" ANOD FLUTED  
1768943 PVC BOARD, 1/2" X 4' X 8' SR PRL INTEFOAM  
1148519 TABLE, T/F CKPT ROUND PRL 99**BOW FILLER CUSHION (S)**1764584 BOARD, HDPE 1/2" X 4' X 8' PEARL  
1355536 FOAM, P/C 240SD-00 BOW FILLER 2-PC SET  
1745515 LABEL, WARNING DO NOT STAND/WALK THIS AREA  
103309 MESH, WHITE 60"  
180406 SLIDE, DELRIN #5 WHT 1-S LOCK  
283069 VINYL FILM, PLAS 1MM X 5' X 830YD  
1144179 VINYL, SEABROOK D SEA SHELL EXP 1/4" F/B  
1144625 VINYL, SEABROOK D SEA SHELL EXP FLAT  
180182 ZIPPER, #5 DELRIN CONTINUOUS WHT**VHF RADIO - W/ ANTENNA**1286921 ANTENNA, 36" GLOMEX SS RA106 N/MNT N/CONN  
1274588 CONN, SOLDERLESS W/CTR PIN  
731000 FUSE, BLADE TYPE CLOSED 10A  
1481258 MOUNT, RATCHET VHF SS W/GROMET & GASKET  
1807449 RADIO, VHF NRTHSTAR NS100**CANADIAN CONFORMITY STICKER**

1741218 LABEL, STICKER 240SD CANADIAN CONFORMITY

**W.S TOWER W/STD BIMINI TOP/ WAKEBOARD RACK**1786803 HARNESS, TOWER 87"  
1745125 LABEL, SKI TOW ROPE BACKLASH  
1783635 SUPPORT, SR-05 ALUM WAKEBOARD RACK ANODIZED  
1212729 TIE, CABLE 14" BLK W/SS BARB  
1756513 TOWER, 240SD-04 WTR SPRTS HDWR KIT  
1781321 TOWER, 240SD-05 ALUM WTR SPRTS W/STERN LIGHT  
126870 VENT, CLAMSHELL ROPE LCKR 1 5/8" X 1.5"  
1785695 VINYL FILM, 240SD-05 PLAS CVR W/VENTS W/TWR