

2007 290DA

PARTS MANUAL

290

SUNDANCER®

International - 325 SUNDANCER



Sea Ray® Parts Manual, 2007 290 SUNDANCER MRP #
Sea Ray Boats, 2600 Sea Ray Blvd., Knoxville, TN 37914. For information call 1-800-SRBOATS or fax 1-314-213-7878 (USA and International).
Internet address: <http://www.searay.com>

Note: Not all accessories shown in pictures or described herein are standard equipment or even available as options.
Options and features are subject to change without notice.

Confirm the availability of all accessories and equipment with an authorized Sea Ray® dealer.

2007 290 SUNDANCER

TABLE OF CONTENTS



STANDARD & OPTIONAL LAYOUTS	PAGE
GELCOATS	1
EXTERIOR (HULL)	2, 3
EXTERIOR (DECK)	4, 5
EXTERIOR (TRANSOM STORAGE AND SWIM PLATFORM)	6, 7
EXTERIOR (WINDSHIELD)	8
EXTERIOR (SPOILER)	9, 10
EXTERIOR (GRAPHICS) BLACK	11
EXTERIOR (GRAPHICS) BLUE	12
EXTERIOR (GRAPHICS) COLORED HULL	13
CANVAS (BLACK)	14, 15
CANVAS (BLUE)	16, 17
CANVAS (WHITE)	18, 19
COCKPIT (PORT VIEW)	20, 21
COCKPIT (STARBOARD VIEW)	22, 23
COCKPIT (HELM)	24, 25
INSTRUMENT PANELS	26, 27
ELECTRONIC PANELS	28, 29
IGNITION/EXTINGUISHER SWITCH PANEL (TWIN ENGINE)	30
IGNITION/EXTINGUISHER SWITCH PANEL (SINGLE ENGINE)	31
NORTHSTAR NS100SS VHF RADIO	32
COCKPIT (AFT VIEW) SUNPAD	33
COCKPIT SNAP-IN CARPET LINER	34
COCKPIT (UPHOLSTERY)	35, 36
FORWARD STATEROOM (PORT VIEW)	37, 38
FORWARD STATEROOM (STARBOARD VIEW)	39
FORWARD STATEROOM (UPHOLSTERY)	40, 41
GALLEY	42, 43, 44
GALLEY (REFRIGERATOR)	45
HEAD	46, 47
SALON	48, 49
SALON (UPHOLSTERY)	50, 51
MID STATEROOM	52, 53
MID STATEROOM (UPHOLSTERY)	54, 55
INTERIOR (CANVAS CARPET RUNNER)	56
AC MAIN DISTRIBUTION PANEL 60HZ CYCLE	57
AC MAIN DISTRIBUTION PANEL 60HZ WITH GENERATOR	58
AC MAIN DISTRIBUTION PANEL 50HZ CYCLE	59
AC MAIN DISTRIBUTION PANEL 50HZ WITH GENERATOR	60
IGNITION SWITCH PANEL (TWIN ENGINE GAS)	61
GENERATOR PANEL (DIESEL)	62
MULTI-INFO PACKET	63, 64
KNOXVILLE HARDWARE	65, 66
KNOXVILLE HARDWARE (CONTINUED 1)	67
BILGE (PORT VIEW)	68, 69
DC MAIN BREAKER PANEL (GAS)	70, 71
DC MAIN BREAKER PANEL (DIESEL)	72
GENERATOR SYSTEM (GAS)	73, 74
GENERATOR SYSTEM (DIESEL)	75, 76
AIR CONDITIONING SYSTEM (GAS)	77, 78
AIR CONDITIONING SYSTEM (DIESEL)	79, 80
STEERING SYSTEM	81, 82
FUEL SYSTEM (GAS)	83, 84
FUEL SYSTEM (DIESEL)	85, 86
WATER SYSTEM (GALLEY)	87, 88
WATER SYSTEM (STARBOARD HEAD)	89

	PAGE
WATER SYSTEM (COCKPIT)	90
WATER SYSTEM (BILGE)	91, 92
WATER HEATER (CLOSED COOLING SYSTEM)	93
SEWAGE SYSTEM	94
DRAINAGE SYSTEM (COCKPIT)	95, 96
DRAINAGE SYSTEM (BILGE PUMP AND SUMP)	97
DRAINAGE SYSTEM (FORWARD)	98
GRAY WATER SYSTEM	99

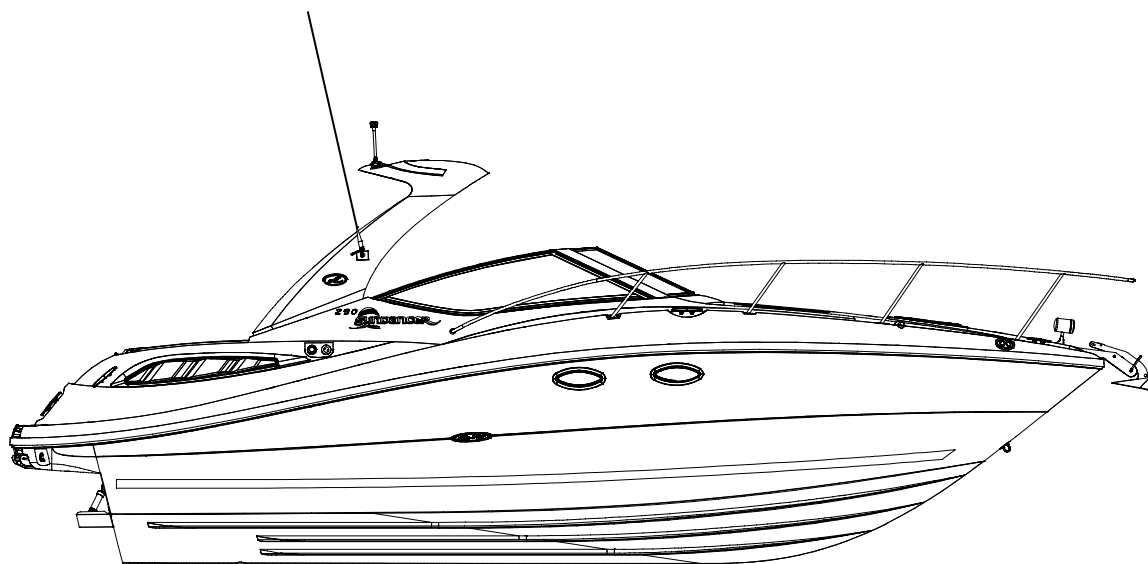
2007 290 SUNDANCER

TABLE OF CONTENTS



OPTIONS - PARTS LIST	PAGE
D6-310DPH (298 PHP) VOLVO DIESEL STERN DR.....	100
6LPA-STZP W/BR3 (301 PHP) YANMAR STERN DR.....	100
T-4.3L MPI BR 3 (T-220 PHP) MCM STERN DR.....	100
T-5.0L MPI BR 3 (T-260 PHP) MCM STERN DR.....	100
FLOORING, SIMULATED TEAK - CABIN	100
FLAG POLE & BASE, U.S. FLAG.....	100
FRESHWATER COOLING-TWIN S/D 4.3L OR 5.0L.....	100, 101
AUSTRALIAN BUILDERS PLATE.....	101
NORTHSTAR 6100I GPS / CHARTPLOTTER.....	101
COCKPIT SUN PAD SEATING.....	101
SMARTCRAFT SYSTEM VIEW- TWINS ONLY.....	101
TV 15" FLATSCRN/ DVD/ GAMING PORT-MID CABIN	101
2ND STEREO REMOTE CONTROL -TRANSOM	101
GENERATOR 4.0 EOZ KOHLER - DIESEL - 120V/60	101
GENERATOR 3.5 EFOZ KOHLER -DIESEL - 220V/50.....	101
NORTHSTAR 491 FISHFINDER (6000I/6100I ONLY).....	101
DOOR, CABIN ENTRY WITH SCREEN DOOR.....	102
OPPOSING DINETTE SEATING OPTION.....	102
ZZ UNREFERENCED ACCESSORY GROUP ITEMS.....	102
CAMPER CANVAS PACKAGE.....	102
COCKPIT COVER.....	102
INVERTER - 12V TO 120V/60 CYCLE.....	102
TV 15" FLAT SCREEN W / DVD - SALON.....	102
GPS / CHARTPLOTTER - NORTHSTAR 6000I.....	102
TV 15" FLAT SCREEN W / DVD - MID CABIN.....	102
SPOTLIGHT, 5" REMOTE CONTROLLED.....	102
PREMIUM COCKPIT SOUND SYSTEM - 12 VOLT.....	102
GENERATOR 4.0 EFGD KOHLER - GAS - 220V/50HZ	102
GENERATOR 5.0 ECD KOHLER - GAS - 120V/60HZ.....	103
MACERATOR W/ SEACOCK INTERLOCK SYSTEM.....	103
BUTANE STOVE.....	103
BOATER SAFETY KIT.....	103
FIRE SUPPRESSION FM 200 - INTERNATIONAL.....	103
GRAY WATER SYSTEM.....	103
UNDER WATER SWIM PLATFORM LIGHTING.....	103
RAYMARINE DSM 300 FISH FINDER.....	103
RAYMARINE - C70 CHARTPLOTTER / GPS.....	103
TRANS-SHIELD COVER (SHIPPING COVER).....	103
SHIP WATER READY.....	103
BOTTOM PAINT (STERN DRIVES) WHITE HULL ONLY.....	103
COCKPIT REFRIGERATOR DUAL VOLT-220V/50-12V.....	103
AIR CONDITIONING / HEATING - 120V/60.....	103, 104
AIR CONDITIONING / HEATING - 220V/50.....	104
220 VOLT / 50 CYCLE ELECTRICAL SYSTEM.....	104
GEL-COATED DASH - OPTIONAL.....	104
WINDLASS - ROPE / CHAIN.....	104
WINDLASS - CHAIN.....	104
C E OPTION GROUP.....	104, 105
2.43 TO 1 BRAVO 3 HIGH ALTITUDE GEAR RATIO.....	105
COLORED HULL.....	105
VACUUM FLUSH HEAD W/ DIRECT OVER BOARD INTL.....	105
ALCOHOL / ELEC.STOVE- 120V/60 (1 BURNER).....	105
ALCOHOL / ELEC.STOVE- 220V/50 (1 BURNER).....	105
CANADIAN CONFORMITY STICKER.....	105
BUTANE STOVE - CE APPROVED.....	105

	PAGE
WINDSHIELD W/ STAINLESS STEEL FRAME.....	105
INTERNATIONAL IN-SERVICE CHECKLIST.....	105
"325DA" MODEL DESIGNATORS.....	105
COCKPIT REFRIGERATOR DUAL VOLT-120V/60-12V.....	105

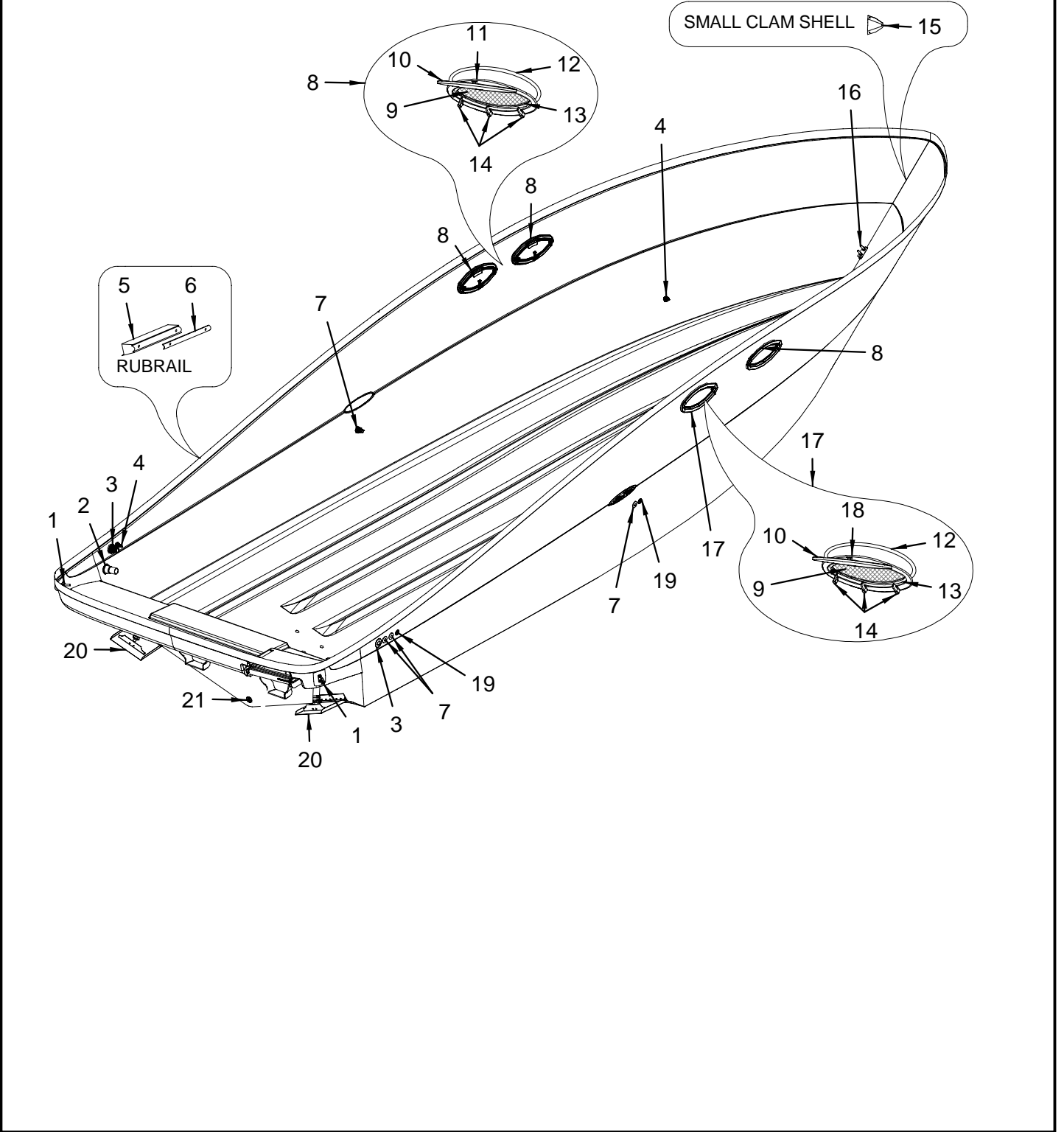
GELCOATS**GELCOATS**

- 1317858 GEL COAT, ARCTIC WHT
(HULL, DECK AND SMALL PARTS)
- 1558469 GEL COAT, MAXGUARD LE PEARL
(SMALL PARTS)
- 1452861 GEL COAT, PEARL AIR-DRY (BILGE)
(HULL BILGE, DECK AND UNDERSIDE OF SMALL PARTS))
- 1799861 GEL COAT, NICKLE MMHP
(GEL-COATED DASH - NICKEL)
- 1883602 GEL COAT, BLUSHGUARD FLAG BLUE 5769A90040A
- 1690845 GEL COAT, JET BLK
- 1799711 GEL COAT, MMHP MIDNIGHT BLUE
- 1799781 GEL COAT, NEW PEWTER VALSPAR

BOTTOM PAINT

- 1355338 PAINT, BOTTOM BLACK HYDROCOAT
- 1271147 PAINT, PRIMER METAL #6627
- 868893 PAINT, PRIMER SANDLESS #6999
- 946152 PAINT, PRIMER METAL #6455/044
- 868901 THINNER, BOTTOM PAINT

EXTERIOR (HULL)



EXTERIOR (HULL)

- 1 1766178 EYE, BOW 1/2"X 4.75"SS W/BEUTY & BCKNG PLATES
- 2 1769255 THRU-HULL, SS EXHAUST 2" W/SS LIP
(GENERATOR)
- 1835350 THRU-HULL, FLAP ONLY SS EXH 2" X-LONG
(PART OF 1769255)
- 3 1778928 THRU-HULL, SS 1.5"BARB SHORT W/RBR GASKET
- 4 1778933 THRU-HULL, SS 5/8"BARB SHORT W/RBR GASKET
- 5 1673565 RUBRAIL, PVC ARCWHT 19"SS INSERT 1.825"WIDE
- 6 1080100 INSERT, RUB RAIL SS 3/4"X 12' (.062/304SS)
- 7 1778931 THRU-HULL, SS 1 1/8"BARB SHORT W/RBR GASKET
- 8 1453992 PORTLIGHT, OPENING ALL SS 3/8"-7/8" MOD REV1
1314459 PORTLIGHT, GASKET SATURATED FOAM
(PART OF 1453992)
- 9 1331313 PORTLIGHT, SCREEN 3/8"X 7/8"
(PART OF 1453992)
- 10 1331750 PORTLIGHT, LENS ONLY (BOMAR)
(PART OF 1453992)
- 11 866434 KNOB, PORTLIGHT KNOB ONLY (BOMAR)
(PART OF 1453992)
- 12 1513183 TRIM RING, PORTLIGHT 3/8" SS
(PART OF 1453992)
- 13 1331735 PORTLIGHT, GASKET ONLY (BOMAR)
(PART OF 1453992)
- 14 1107044 PORTLIGHT, HANDLES QUICKDOGS (BOMAR)
(PART OF 1453992)
- 15 533430 VENT, CLAMSHELL ROPE LCKR 2"X2"
- 16 126599 EYE, STERN 1/2"X 3 7/16" W/BACKING PLATE
1473040 PLATE, BACKING UNIVERSAL 3/16"
- 17 1454008 PORTLIGHT, OPENING ALL SS 3/8"-7/8" FROS REV1
866434 KNOB, PORTLIGHT KNOB ONLY (BOMAR)
(PART OF 145008)
- 1107044 PORTLIGHT, HANDLES QUICKDOGS (BOMAR)
(PART OF 145008)
- 1314459 PORTLIGHT, GASKET SATURATED FOAM
(PART OF 145008)
- 1331313 PORTLIGHT, SCREEN 3/8"X 7/8"
(PART OF 145008)
- 1331735 PORTLIGHT, GASKET ONLY (BOMAR)
(PART OF 145008)
- 1513183 TRIM RING, PORTLIGHT 3/8" SS
(PART OF 145008)
- 18 1331727 PORTLIGHT, LENS ONLY FROSTED (BOMAR)
(PART OF 145008)
- 19 1778929 THRU-HULL, SS 3/4"BARB SHORT W/RBR GASKET
- 20 1574342 TRIM TAB, ASSY 14X14 SPECIAL W/O PUMP
1110071 TRIM TAB, HYD PUMP KIT W/10"HOSE/3"NIPPLE
- 21 325191 PLUG, RED BRASS DRAIN 1/2"MPT W/FLANGE
162263 PLUG, BRASS 1/2" MPT DRAIN SPARE
(PART OF 325191)

ADHESIVES

- 1831631 ADHESIVE, BOSTIK 940FSA BLK 20 OZ SAUSAGE PK
(COLORED HULL)
- 1831632 ADHESIVE, BOSTIK 940FSA BLK 10 OZ SAUSAGE PK
(COLORED HULL)

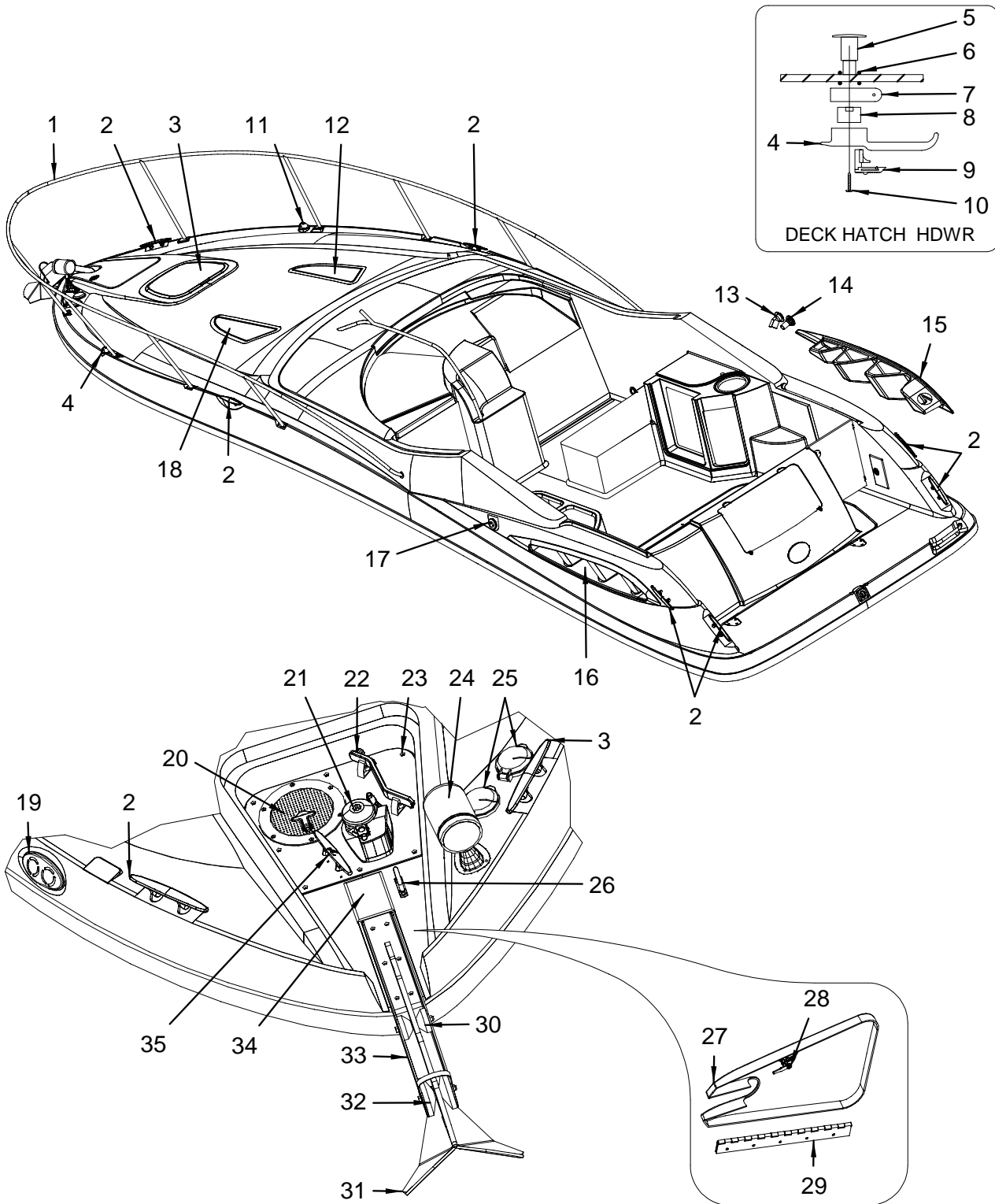
LABELS

- 1743532 LABEL, SLING (LEXAN)

VAC PACK

- 1444611 VINYL FILM, VAC PACK SHRINK 7MM X 20'X 298'
- 1766056 VINYL FILM, 290DA-06/300DA-04 PLAS CVR
- 524868 VINYL FILM, VAC PACK ZIPPER DOOR 30"X 48"WHT
- 413070 TAPE, VAC PAK WHT (2"X 36YDS) PRESERVATION
- 642504 BUBBLE PACK, ADH 6"X 300'
- 1727511 EMBLEM, VACPAC SR LOGO W/ISO/CE SML

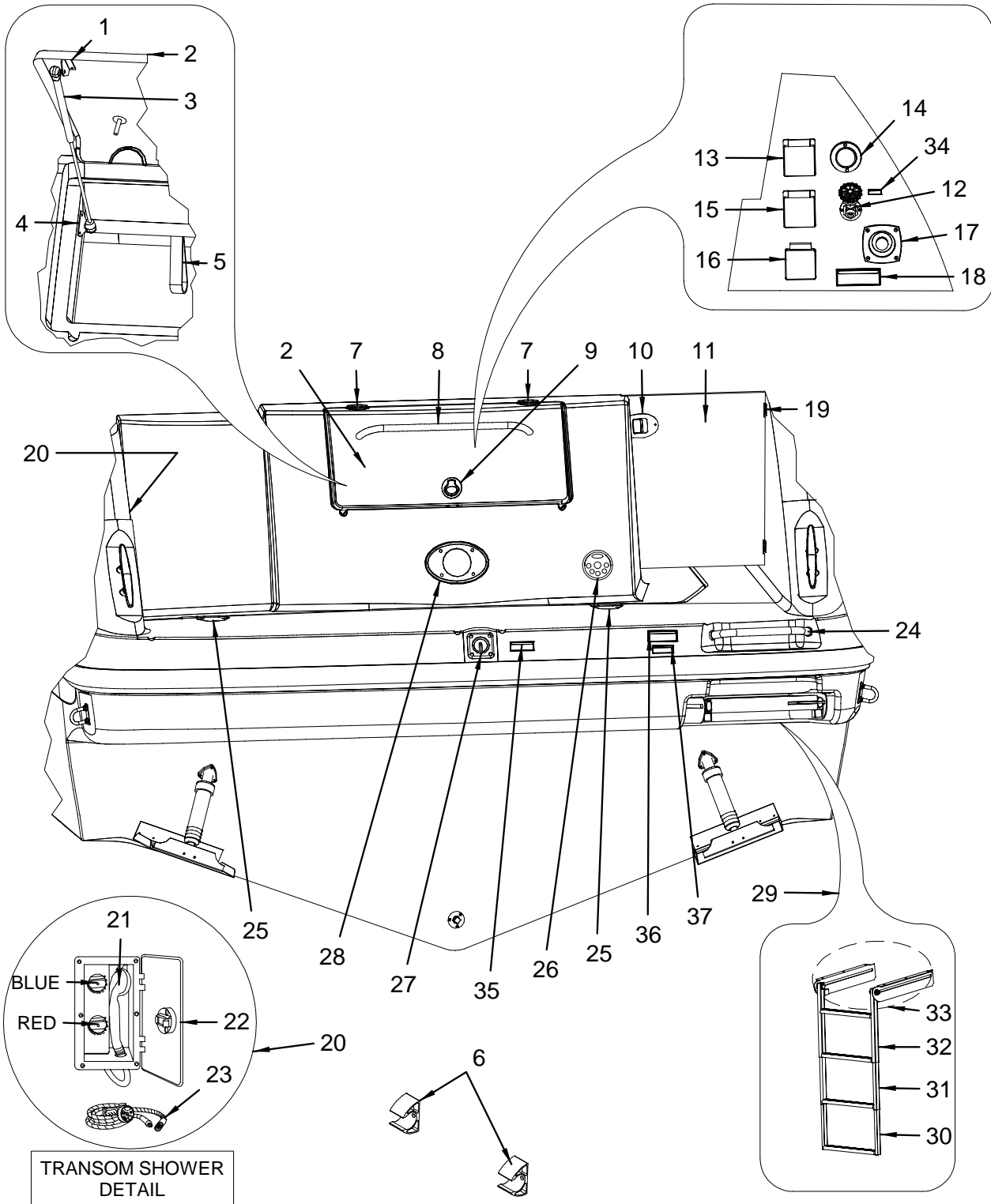
EXTERIOR (DECK)



EXTERIOR (DECK)

1	1793960	RAIL, BOW 290DA-06 CMPLT WELDED	24	1759435	BULB, REPL FOR #1754590 SPOTLIGHT (PART OF 1754590)	
	1808625	PLATE, BACKING BOW RAIL RECT 1 5/8"X 3"		1755306	CONTROL, SEARCH LIGHT N/HARNESS	
2	1777988	CLEAT, 10" SEA RAY SS 2-BOLT		1756641	HARNESS, SPOTLIGHT ASSY 25" W/MALE CONN	
	1473057	PLATE, BACKING CLEAT 1/4"X 2.5"X 5"		1501857	HOSE, CONDUIT/SPLIT 1.5" FLAME RETARDANT	
3	1688217	HATCH, DECK TRAPEZOID ARC WHT (NOTE: ORDER DIRECT FROM TAYLOR)	25	1874391	WINDLASS, FOOT SW DOWN WHT (PART OF 1848989)	
	1745363	GASKET, DECK HATCH TRAPEZOID		1874392	WINDLASS, FOOT SW UP WHT (PART OF 1848989)	
4	802827	HATCH, HATCH HANDLE (PART OF 1688217)		651869	SOLENOID, MAGNET LATCHING LEAD ONLY	
5	632794	HATCH, ALL HATCH SIZES MUSHROOM OR POST (PART OF 1688217)		1801708	HARNESS, 290DA-06 WINDLASS CABLE/DISCONNECT	
6	632778	HATCH, O-RING (PART OF 1688217)		835819	BRACKET, ALUM 1"X 1"X 6" 3/16"HOLES	
7	701466	HATCH, ARM UNIV PIVOT ALL SIZES (PART OF 1688217)		835843	BRACKET, ALUM 1"X 1/2"X 3" 3/16"HOLES 2SIDES	
	460337	ARM, DECK HATCH ADJ 20X20 "PAIR ONLY" (PART OF 1688217)	26	126599	EYE, STERN 1/2"X 3 7/16" W/BACKING PLATE	
	1797142	HATCH, DECK KNOB PHYSCHOKNOB 05 (PART OF 1688217)		697508	EYE, BOW 3/8"X 2.75" (LOCATED INSIDE ACCESS PLATE AREA TO CONNECT ROPE OR CHAIN)	
8	802819	HATCH, ALL HATCH SIZES PIVOT LATCH ADAPTER (PART OF 1688217)		1473040	PLATE, BACKING UNIVERSAL 3/16" (LOCATED INSIDE ACCESS PLATE AREA)	
9	802801	HANDLE, DECK HATCH LATCHING (PART OF 1688217)	27	1874844	290DA 07.HATCH.R/L FBRGLS	
10	802793	HATCH, SCREW 3/8" PLEX (NOTE: ORDER DIRECT FROM TAYLOR)		1877917	BRACKET, SS DOOR KEEPER (ROPE LOCKER)	
	11	1771013		28	1781437	LATCH, COMPRESSION 2"N/LOCKING SS (ORDER 1781437, 1781439 AND 1781440 TO GET COMPLETE LATCH)
	1423946	BULB, REPL FOR #1414895 12V (PART OF 1771013)			1781439	CATCH, PAWL 2"OFFSET SHORT SS
	1798179	LIGHT, NAV SIDE SS LENS CVR ONLY(RED/PRT) (PART OF 1771013)			1781440	PLATE, DEEP BRKT 2"W/HWDR PKG SS
	1798182	LIGHT, NAV SIDE SS LENS CVR ONLY(GRN/STB) (PART OF 1771013)	29	1836186	HINGE, SS CONT 2"X 23" POLISHED	
12	1796241	SKYLIGHT, GLASS 290DA-06 GRY TINT W/BDR STB (NOTE: ORDER DIRECT FROM TAYLOR)	30	1395888	ROLLER, ANCHOR TOP (825604)	
13	1109362	DECK PLATE, WATER CHR W/VNT 45DG NCK BLUE	31	1733352	ANCHOR, 25LB PLOW	
	1068592	KEY, DECK PLATE CAP (PART OF 1109362)		144956	ROPE, NYLON ANCHOR LINE W/THIMBLE 1/2"X 150" (USED ONLY WITHOUT WINDLASS)	
	1405844	DECK PLATE, CAP W/CHAIN WATER (PART OF 1109362)		1745351	ROPE/CHN KT, LOFRANS 1/2"X 100"1/4"X 20'REV1	
14	1796538	DECK PLATE, WASTE CHR W/CAPD VNT 45DG NCK BLK		1801007	CHAIN, HIGH TEST 1/4"X 100'GALV	
	1474790	DECK PLATE, CAP W/GASKET (PART OF 1796538)		1048743	CHAIN STOP, SS W/LANYARD (WINDLINE)	
	1068592	KEY, DECK PLATE CAP		1145275	ANCHOR SHACKLE, JAW/JAW SWIVEL HVY DTY 3/8"	
15	1874845	290DA 07,VNT,DECK STB FBRGLS		819334	HOOK, SNAP 5/16"X 3 1/8" SS	
	1408210	MESH, BLACK VINYL NET (BLACK MESH THAT GOES IN VENT)		805499	LANYARD, CABLE ANCHOR 1/8"X 16"SS	
	791749	VENT, PLAS GRILL 4" WHT		418632	LANYARD, W/TAB/RING	
16	1874846	290DA 07,VNT,DECK PRT FBRGLS		168468	DECK PIPE, ROPE/DECK PIPE SS (USED ONLY WITHOUT WINDLASS)	
	1408210	MESH, BLACK VINYL NET (BLACK MESH THAT GOES IN VENT)	32	1395896	ROLLER, ANCHOR BTM (825604)	
	791749	VENT, PLAS GRILL 4" WHT	33	1246396	DAVIT, ANCHOR W/4"ROLLER 3/8"BAIL RV1	
17	1109354	DECK PLATE, GAS CHR W/VENT 45DG NCK RED CODE		1727453	ROLLER, ANCHOR DAVIT F/1073097/1784251 (PART OF 1246396)	
	1213867	DECK PLATE, CAP W/CHAIN GAS (FOR #1109354) (PART OF 1109354)		1850682	ROLLER, ANCHOR DAVIT SML F/1073097 (PART OF 1246396)	
	1098615	DECK PLATE, GAS CHR W/VENT (SHIM ONLY) (PART OF 1109354)	34	1805771	GUARD, HDPE 1/2"X 3 3/8"X 6" WNDLS CHAIN	
	1068592	KEY, DECK PLATE CAP (PART OF 1109354)	35	1777987	CLEAT, 8" SEA RAY SS 2-BOLT	
18	1795302	SKYLIGHT, GLASS 290DA-06 GRY TINT W/BDR PRT (NOTE: ORDER DIRECT FROM TAYLOR)		793471	PLATE, BACKING UNIVERSAL 3/16"	
19	1837054	HORN, SGL CONCEALED W/SS GRILL/CONN	LABELS			
	1840005	HORN GRILL, SGL CONCEALED SS (PART OF 1837054)		1746896	LABEL, DANGER STAY CLEAR OF MOVING PARTS	
20	653238	ACCESS PLATE, PLAS T-HANDLE 6" WHT		1811367	LABEL, DANGER CO TRANSOM 06	
21	1848989	WINDLASS, RP/CHN ASTER 700 W/2-FTSW/SLNOID (HULL# 1335 -> UP) (ALSO SEE REF 22, 25 FOR PARTS OF PART)		129122	LABEL, NMMA CERTIFIED	
	1874393	WINDLASS, SOLENOID 12V ASTER700/ANTARES1000 (PART OF 1848989)				
	1874394	WINDLASS, SOLENOID 24V ASTER700/ANTARES1000 (PART OF 1848989)				
	1874395	WINDLASS, STRAIGHT HANDLE ASTER700 12V/24V (PART OF 1848989)				
	1727010	WINDLASS, RP/CHN MARLINI LO-PRO W/LONGSTUD (HULL# 1201 -> 1234)				
	1762713	WINDLASS, CRANK HANDLE MARLIN LO-PRO (HULL# 1201 -> 1234)(PART OF 1727010)				
22	1762713	WINDLASS, CRANK HANDLE MARLIN LO-PRO (HULL# 1201 -> 1234)(PART OF 1727010)				
	590646	CLIP, POLE STRG BLK - MAST LIGHT				
23	1854317	PLATE, ALUM 1/4"WNDLS MNTG 07 (HULL# 1335 -> UP)				
	1798149	PLATE, ALUM 1/4"X19.25"X15 7/8"X13"WNDLS MNTG (HULL# 1201 -> 1234)				
24	1754590	SPOTLIGHT, 5" SS GUEST				

EXTERIOR (TRANSOM STORAGE AND SWIM PLATFORM)



EXTERIOR (TRANSOM STORAGE AND SWIM PLATFORM)

1	634550	BRACKET, SS GAS CYL 90DEG L-BRKT W/BALL LONG
2	1811280	280DA 06.RTM.LID TRNSM WALL ARCW
	1581099	FIRE EXT, DRY CHEM HAND-HELD 1A 10CB 2.5OLB (SHIP WATER READY)
	159244	HOOK, ALUM BOAT HOOK (SHIP WATER READY)
	184341	KIT, FIRST AID (SHIP WATER READY)
	184358	KIT, SIGNAL GUN KIT (SHIP WATER READY)
	184366	RING BUOY, RESCUE RING BUOY 20" (SHIP WATER READY)
	187351	ROPE, NYLON DOCKLINE 1/2"X 30" (SHIP WATER READY)
	579573	CLIP, RETAINER BOAT HOOK 5/8"TO 1 1/4" (SHIP WATER READY)
	773481	TUBE, SIGNAL KIT 12" UTILITUBE" W/ORANGE LID (SHIP WATER READY)
	796912	FENDER, 8"X 20" WHT #1026 (SHIP WATER READY)
3	1425396	CYLINDER, GAS SS 30PSI 15"EXT X 9"COMP
4	634592	BRACKET, SS GAS CYL FLAT W/BALL STUD
5	855809	ROPE, DOCKLINE STRAP WHT W/HDWR (SHORT STYLE)
6	1500552	CLIP, TABLE LEG 60MM TUBE BLK
7	1338821	HINGE, SS STRAP 2.56" X 2.56" X 1/4"
8	1810216	RAIL, GRAB 24" STRMLN TRNSM LID ANGLED 316L (ORDER BOLT COVER BY DESCRIPTION)
9	1781434	LATCH, FLUSH MNT N/LOCKING SLAM SS (ORDER 1781434, 1781435 AND 1499151 TO GET COMPLETE LATCH)
	1781435	PLATE, CUP BRKT 2"LONG SCREW W/HDWR PKG
	1499151	PLATE, STRIKER XL "L" SHAPED 316 SS
10	1735577	LATCH, #78702 OMNI FLAT 3/4" N/LCK
	1688784	STRIKER, #7790 SS THNR OMNI FLAT CLSD POSTN
	1684899	DOOR KEEPER, #7709 BLK PLAS FOR OMNI 3/4"
11	1794011	DOOR, PLEX 290DA-06 TRNSM W/LATCH & HDWR
	663708	BUMPER, CLEAR .020" THICK
	1687583	SWITCH, MAGNETIC TRANS DOOR GRY
	1819791	SHIM, HDPE 3/4"X 1/2"TRNSM DOOR ARW
12	1096262	FAUCET, SILLCOCK WASHDOWN (WHITECAP)
13	829416	INLET, "MAIN BRKR" HOUSING WHT
	634998	BOX, V/F 7.75"X 5"X 3" BLANK
	582445	BRKR/TOGGLE, 2-POLE AC MED DELAY 35A
	826867	BRKR/TOGGLE, 2-POLE AC MED DELAY 25A
14	1771003	LIGHT, COURTESY RND W/FRST LENS 12V/5W W/CONN
	1192368	BULB, REPL FOR #0840868 12V/5W (PART OF 1771003)
15	133678	INLET, SHORE POWER WHT 125V 30A
	206276	INLET, SHORE POWER WHT 220V/50H 16A
	1244367	CORD SET, 120V/30A 50FT POWERCORD PLUS
	206268	CORD SET, 220V/50H 16A 50FT
	133652	ADAPTER, SHORE CORD 125V/30A(F)-125V/15A(M)
16	133694	INLET, PHONE/TV CABLE COMBO WHT
	136085	CORD SET, TV CABLE 50FT
	145011	CONN, COAX TV CABLE MALE
17	141168	INLET, WATER W/PRESS REGULATOR WHT
18	1745162	LABEL, LEAVING DOCKSIDE WTR CONNECTED WARNING
19	1797136	HINGE, SS 1 7/8"X 1.5" GEM LUX 1678
20	736702	FAUCET, WASHDOWN BOX W/MIXER (AQUATIK) VERT
	1848792	FAUCET, WASHDOWN RUBBER SHOWERHEAD HLDR (PART OF 736702)
	1298710	FAUCET, CARTRIDGE CERAMIC 90DEG LH (PART OF 736702)
	1302504	FAUCET, CARTRIDGE CERAMIC 90DEG RH (PART OF 736702)
	1302579	FAUCET, WASHDOWN SHOWER UNIT ONLY (AQUATIK) (PART OF 736702)
21	1302603	FAUCET, WASHDOWN SPRAYER HEAD ONLY(AQUATIK) (PART OF 736702)
22	1302587	FAUCET, WASHDOWN DOOR ONLY (AQUATIK) (PART OF 736702)
	1742646	LATCH, WASHDOWN DOOR (AQUATIK) (PART OF 736702)
23	1302595	FAUCET, WASHDOWN HOSE W/FPT ONLY(AQUATIK) (PART OF 736702)
24	1691260	RAIL, GRAB 13.75" RND 1" TUBE SS
25	1683753	HINGE, SS 320DA-02 CKPT HATCH
	1717451	PLATE, BACKING CKPT HATCH HINGE 1 3/16"X 8"
	1717452	PLATE, BACKING CKPT HATCH HINGE 4"X 4 13/16"
26	1803477	STEREO, REMOTE CNTRL N/DSP/L BLK FACE/SS BZL (2ND STEREO REMOTE CONTROL -TRANSOM)
	1312750	CABLE, CLARION REMOTE EXTENSION CABLE 24' (2ND STEREO REMOTE CONTROL -TRANSOM)

26	935080	CABLE, CLARION DUAL REMOTE "Y" (2ND STEREO REMOTE CONTROL -TRANSOM)
27	1811693	SKI EYE, TRANSOM FLSH MNT W/RVSD BCKNG PLATE
	1210038	PLATE, BACKING BOW RAIL ALUM 2" ROUND
28	981092	INSERT, HDPE OVAL HAWSE HOLE ARW
29	1854250	LADDER, SWIM 4-STEP SS UNDRMNT RND 5DEG (HULL# 1302 -> UP)
	1763085	LADDER, SWIM 4-STEP SS UNDRMNT TELESOPNG 5DEG (HULL# 1201 -> 1301) (ALSO SEE REF 23,24,25,26 FOR PARTS OF PARTS)
	1759993	LADDER, SWIM TREAD (CUT TO LNGTH UPR/MID/LWR) (PART OF 1763085)
30	1759984	LADDER, SWIM SS TELESOP LWR 16.5"X 14.5" (PART OF 1763085)
31	1759990	LADDER, SWIM SS TELESOP 16.5"X 16" MID (PART OF 1763085)
32	1759989	LADDER, SWIM SS TELESOP 16.5"X 16" UPR (PART OF 1763085)
33	1759988	LADDER, SWIM SLIDING GUDGEON 19.25"X 19" SS (PART OF 1763085)
34	1743534	LABEL, FRESH WATER (LEXAN)
35	1745125	LABEL, SKI TOW ROPE BACKLASH
36	1746899	LABEL, DANGER CARBON MONOXIDE (LEXAN)
37	1745519	LABEL, DANGER SHUT OFF ENG WHEN NEAR SWIMMERS

FLAG POLE & BASE, U.S. FLAG

	1838426	FLAG, USA 16" X 24"
	1838431	POLE, FLAGSTAFF SS MAGNETIC SPRTBT/SPRTCRSR
	1848879	HOLDER, FLUSH MOUNT MAGNETIC STERN FLAG POLE
	1854249	CLIP, FLAG KEY RNG 302SS

LABELS

	1743616	LABEL, UNPLUG SHORE POWER WARNING
	1743571	LABEL, DANGER TRANSOM DOOR (LEXAN)
	1751886	LABEL, NOTICE TRANSOM DOOR/HATCH LIFT
	1745162	LABEL, LEAVING DOCKSIDE WTR CONNECTED WARNING
	1811367	LABEL, DANGER CO TRANSOM 06

NOT SHOWN

	1396142	MOLDING, FOAM RBR "D-SHAPE" 1.75" W/HAT ADH
--	---------	---

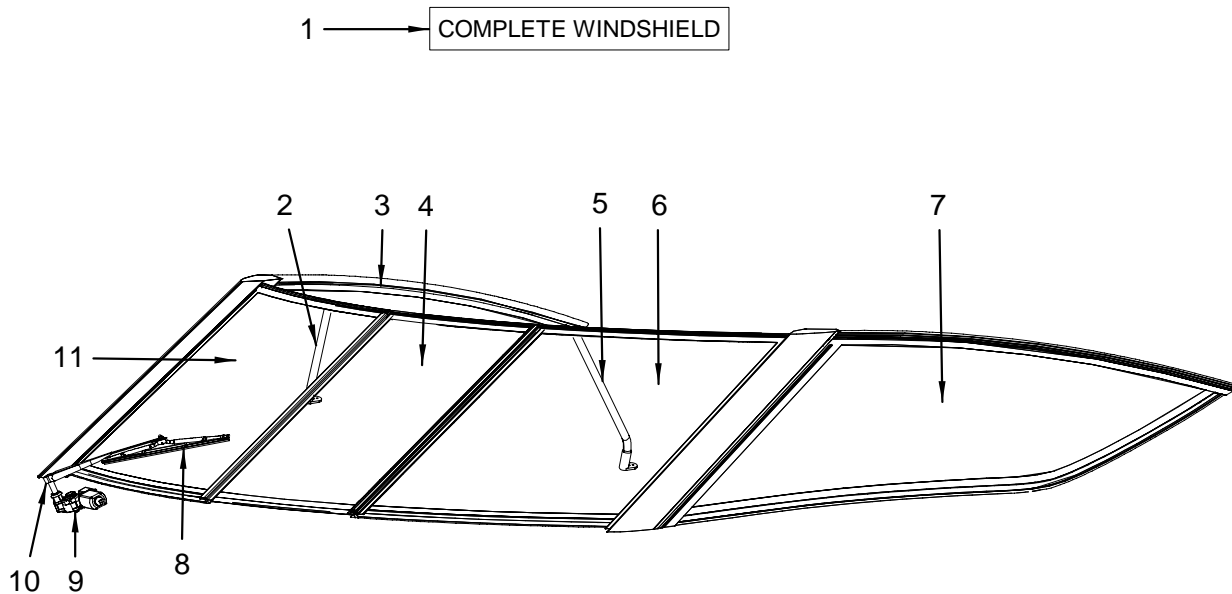
SAFETY PACKAGE

	1848242	KIT, SAFETY PACKAGE-SPCRUIS W/WHT FNDRS/LINE
--	---------	--

UNDERWATER LIGHTS

	1774634	LIGHT, UNDRWTR 12V/50W HALOGEN SEALED BEAM (LIGHT BULB NOT REPLACEABLE)
--	---------	--

EXTERIOR (WINDSHIELD)



EXTERIOR (WINDSHIELD)

- 1 1874524 W/S, 290DA-07 ALUM CMLPT W/SNP CLICK TRK
(HULL #1256 -> UP)
- 1808430 W/S, 290DA-06 ALUM CMLPT W/SNP CLICK TRK WHT
(HULL #1201 -> 1255)
- 1808794 W/S, 290DA-06 SS CMLPT W/SNP
- 1849843 W/S, 290DA-06 SS SUPPORT BARS P/S
- 1849844 W/S, 290DA-06 SS HDWR KIT
- 2 1793966 SUPPORT, W/S 290DA-06 STB
- 1837878 SUPPORT, SS W/S 290DA STB
- 3 1801263 W/S, 290DA-06 ALUM STB WING W/SNP CLICK TRK
- 1849842 W/S, 290DA-06 SS STB WING
- 4 1793964 W/S, 290DA-06 ALUM DOOR W/SNP CLICK TRK
- 1849840 W/S, 290DA-06 SS CTR
- 334672 BUMPER, RECESSED WHT ROUND
- 156893 WEBBING, POLYPROPYLENE 1" BLACK
(BLACK MATERIAL USED TO MAKE THE STRAP THAT HOLDS
WINDSHEILD OPEN)
- 5 1793965 SUPPORT, W/S 290DA-06 PRT
- 1837877 SUPPORT, SS W/S 290DA PRT
- 6 1793961 W/S, 290DA-06 ALUM PRT FRNT W/SNP CLICK TRK
- 1849838 W/S, 290DA-06 SS PRT FRNT
- 7 1801262 W/S, 290DA-06 ALUM PRT WING W/SNP CLICK TRK
- 1849841 W/S, 290DA-06 SS PRT WING
- 8 1748550 WIPER BLADE, 18" FLEX BLACK (AM)
- 9 1748562 WIPER MOTOR, 85 DEG (AM)
- 10 1748549 WIPER ARM, 15"-19" BLACK (AM)

- 11 1793963 W/S, 290DA-06 ALUM STB FRNT W/SNP CLICK TRK
- 1849839 W/S, 290DA-06 SS STB FRNT

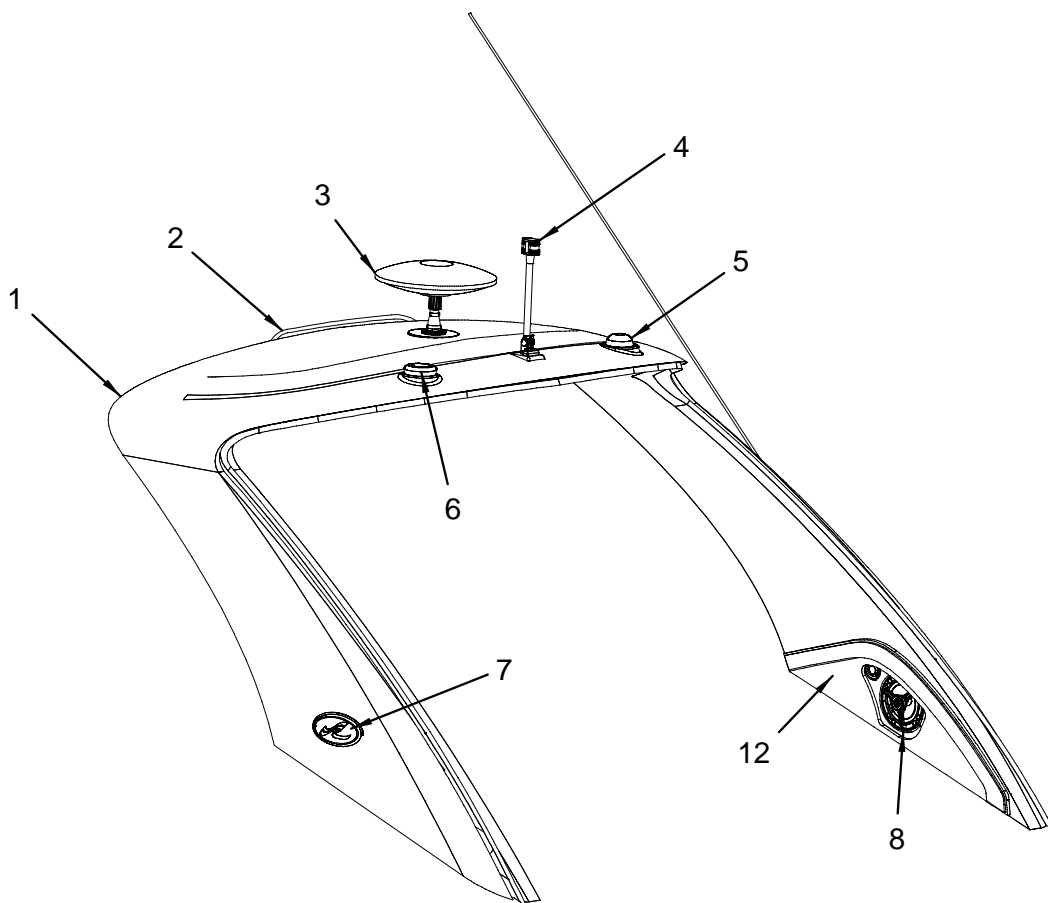
LABELS

- 1750454 DECAL, SEA RAY OWNERS CLUB (NBOA) RV
- 1791388 DECAL, MERCURY CERTIFIED INSTALLER
- 1806416 DECAL, SIRIUS "NOW PLAYING INSIDE"
- 1808431 DECAL, SIRIUS ACTIVATION ORNG/BLUE 6 MONTH

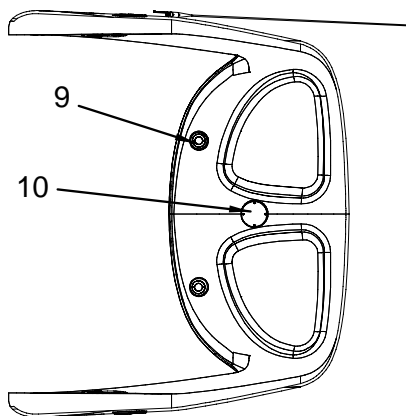
NOT SHOWN

- 191635 TAPE, FOAM SGL FACE BLK VINYL 1/4"X 3/4"
- 1785544 VINYL, W/S GASKET 2005

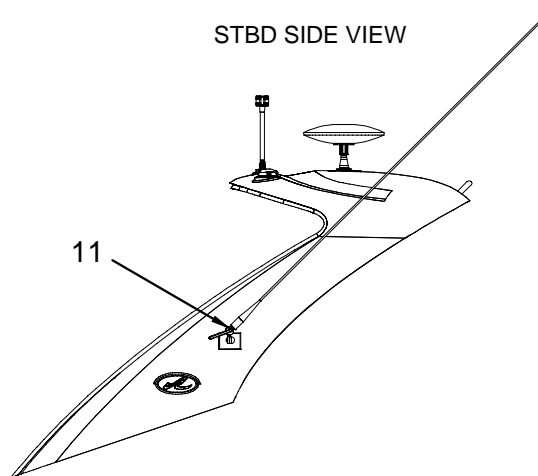
EXTERIOR (SPOILER)



BOTTOM VIEW



STBD SIDE VIEW



EXTERIOR (SPOILER)

NOT SHOWN

728014 TRACK, VINYL AWNING WHITE "FLEX-A-RAIL" 7.5'

- 1 1846856 FBRGLS PART, 290DA-06 SPORT SPOILER N/LIP
- 2 1815691 RAIL, GRAB 1"OD X17.5"W/130DEG BNDS 316SS WHT
- 3 792325 ANTENNA, TV GLOMAX ASSY W/CONN
- 1803748 MOUNT, ANTENNA TV GLOMAX ASSY W/CONN
(PART OF 792325)
- 4 1887390 LIGHT, NAV MASTHEAD COMBO #1181 W/24" WIRE
(HULL# 1399 -> UP)
- 1754418 LIGHT, NAV MASTHEAD COMBO #1181 W/18" WIRE
(HULL# 1201 -> 1398)
- 291203 BULB, MASTHEAD NAV LIGHT 24V/10W
(PART OF 1887390 & 1754418)
- 646356 BULB, DBL END 12V FOR #0256313/794826
(PART OF 1887390 & 1754418)
- 5 1792386 NAVIGATOR, NRTHSTR 6000I 6.4" CMLPT PKG
- 1770972 HARNESS, NRTHSTR 6000I RADAR INTERFACE CBL
(PART OF 1792386)
- 1770973 HARNESS, POWER CBL KIT NRTHSTR 6000I
(PART OF 1792386)
- 1770976 NAVIGATOR, NRTHSTR 6000I GPS ANTENNA
(PART OF 1792386)
- 1770977 NAVIGATOR, NRTHSTR FLUSH MNT KNOB
(PART OF 1792386)
- 1792480 NAVIGATION DISPLAY, NRTHSTR 6000I 6.4"
(PART OF 1792386)
- 1795140 HARNESS, NRTHSTR 6000I NMEA I/O CBL
(PART OF 1792386)
- 1807063 NAVIGATOR, NRTHSTR 6000I INSTALL KIT 6.4"
(PART OF 1792386)
- 1800496 GPS, RAYSTAR RS125 SENSOR NMEA & SEATALK
- 788711 MOUNT, ANTENNA DECK GPS SS
- 881383 GASKET, GLOMAX TV GPS MOUNT BLK
- 6 1890164 ANTENNA, SHAKESPEARE SIRIUS SAT RADIO RV1
(HULL# 1373 -> UP)
- 1757933 ANTENNA, SHAKESPEARE SATELLITE RADIO ANTENNA
(HULL# 1201 -> 1373)
- 7 1443225 EMBLEM, S/R WAVE 8" OVAL CHR TRNSM
- 8 1690557 SPEAKER, COAXIAL 6.5" N/CVR
- 1854215 SPEAKER, JL COMPONENT
(HULL# 1353 -> UP)
- (PREMIUM COCKPIT SOUND SYSTEM - 12 VOLT)
- 1784476 SPEAKER, POLK/MOMO 6.5"MD-RNG/TWTR/CRSOVR WHT
(HULL# 1201 -> 1352)
- (PREMIUM COCKPIT SOUND SYSTEM - 12 VOLT)
- 1765974 SPEAKER, POLK/MOMO EXT 6.5" MID-RANGE N/CVR
(HULL# 1201 -> 1352)
- (PART OF 1784476)
- 1765976 SPEAKER, POLK/MOMO EXT TWEETER CUP BLK
(HULL# 1201 -> 1352)
- (PART OF 1784476)
- 1765977 SPEAKER, POLK/MOMO EXT CROSSOVER
(HULL# 1201 -> 1352)
- (PART OF 1784476)
- 1773447 GRILL, SPEAKER POLK/MOMO EXT 6.5" WHT
(HULL# 1201 -> 1352)
- (PART OF 1784476)
- 1774180 SPEAKER, POLK/MOMO EXT 1" TWEETER WHT
(HULL# 1201 -> 1352)
- (PART OF 1784476)
- 9 1771016 LIGHT, NAV STERN FLSH MNT RND CHR/BRS W/CONN
- 901199 BULB, STERN NAV LIGHT REPL #137406-1227412
(PART OF 1771016)
- 10 137349 ACCESS PLATE, PLAS CVR 5" WHT
- 11 1286913 ANTENNA, 8' VALOR 4000 W/O MNT W/O CONN
- 122853 FITTING, WATER TIGHT OUTLET FOR 5/16" CABLE
- 1481258 MOUNT, RATCHET VHF SS W/GROMET & GASKET
- 12 1808394 PANEL, 290DA-06 STB SIDE UPR
(SPEAKER COVER PANEL FOR ARCH)
- 1808392 PANEL, 290DA-06 PRT SIDE UPR
(SPEAKER COVER PANEL FOR ARCH)

HARDWARE

- 1625078 PLATE, SS SPOILER MNT W/2STUD 1/2"X3.5"
(MOUNTING HARDWARE FOR SPOILER TO DECK)
- 152785 NUT, HEX NYLON LOCK #1/2-13 SS
(MOUNTING HARDWARE FOR SPOILER TO DECK)
- 152967 WASHER, FLAT #1/2" SS
(MOUNTING HARDWARE FOR SPOILER TO DECK)

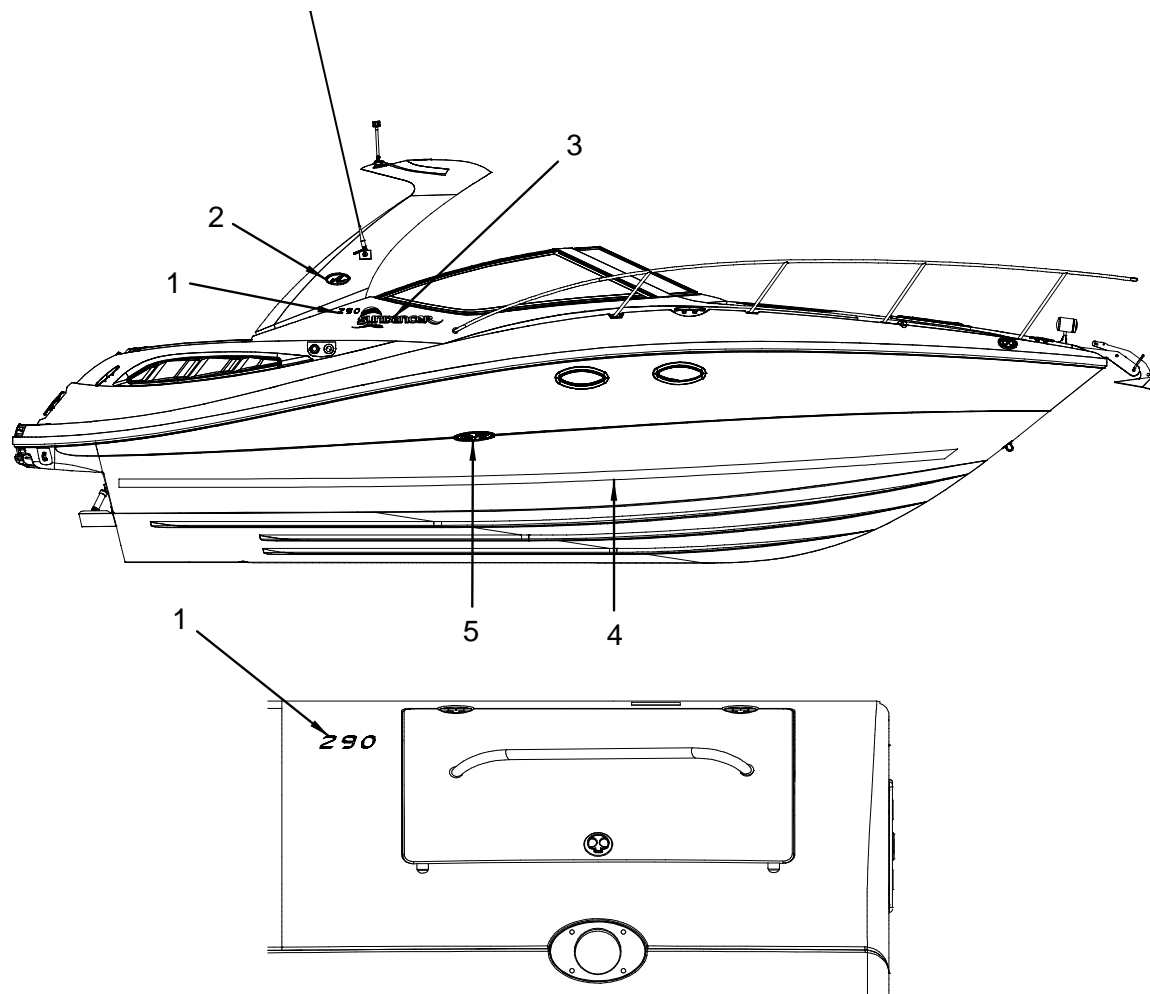
HARNESSES

- 1801719 HARNESS, 290DA-06 SPOILER

LABEL

- 1765879 LABEL, DANGER DO NOT CLIMB/STORE ON HARDTOP

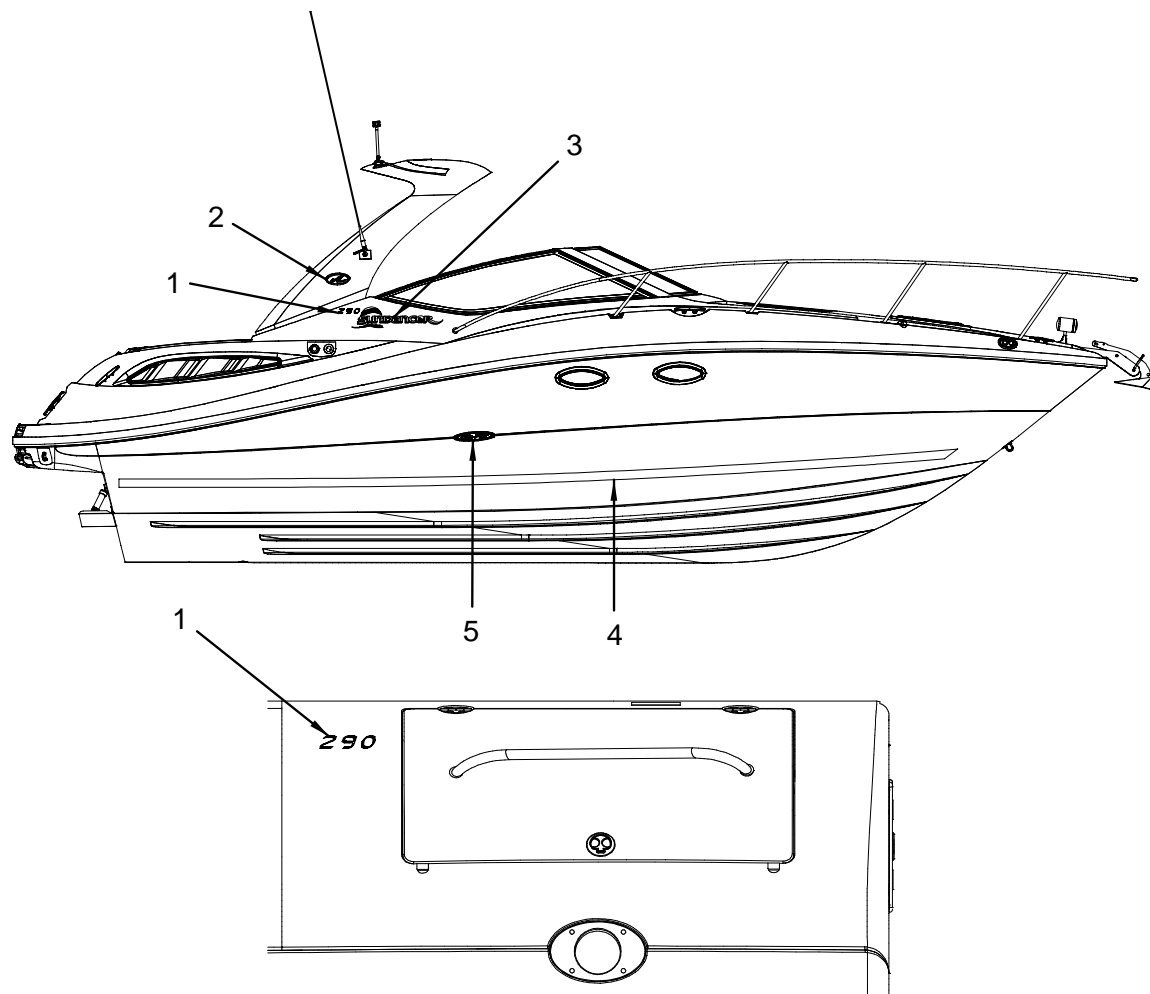
EXTERIOR (GRAPHICS) BLACK



EXTERIOR (GRAPHICS) BLACK

- 1 1520113 EMBLEM, MODEL DESG 290 URETHANE BLK/CHR
- 1818574 EMBLEM, MODEL DESG 325 URETHANE BLK
("325DA" MODEL DESIGNATORS)
(INTERNATIONAL ONLY)
- 2 1443225 EMBLEM, S/R WAVE 8" OVAL CHR TRNSM
- 3 1756554 DECAL, "SUNDANCER" BLK/SLVR MET
- 4 1756548 TAPE, M/S 4"W/1"VOID BLK/SLVR MET
(NOTE: 150 FOOT ROLL OF TAPE)
- 1847819 TAPE, M/S 4"W/1"VOID BLK/SLVR MET
(NOTE: 75 FOOT ROLL OF TAPE)
- 5 1443183 EMBLEM, "SEA RAY" SCRIPT HULL LOGO CHR 13"

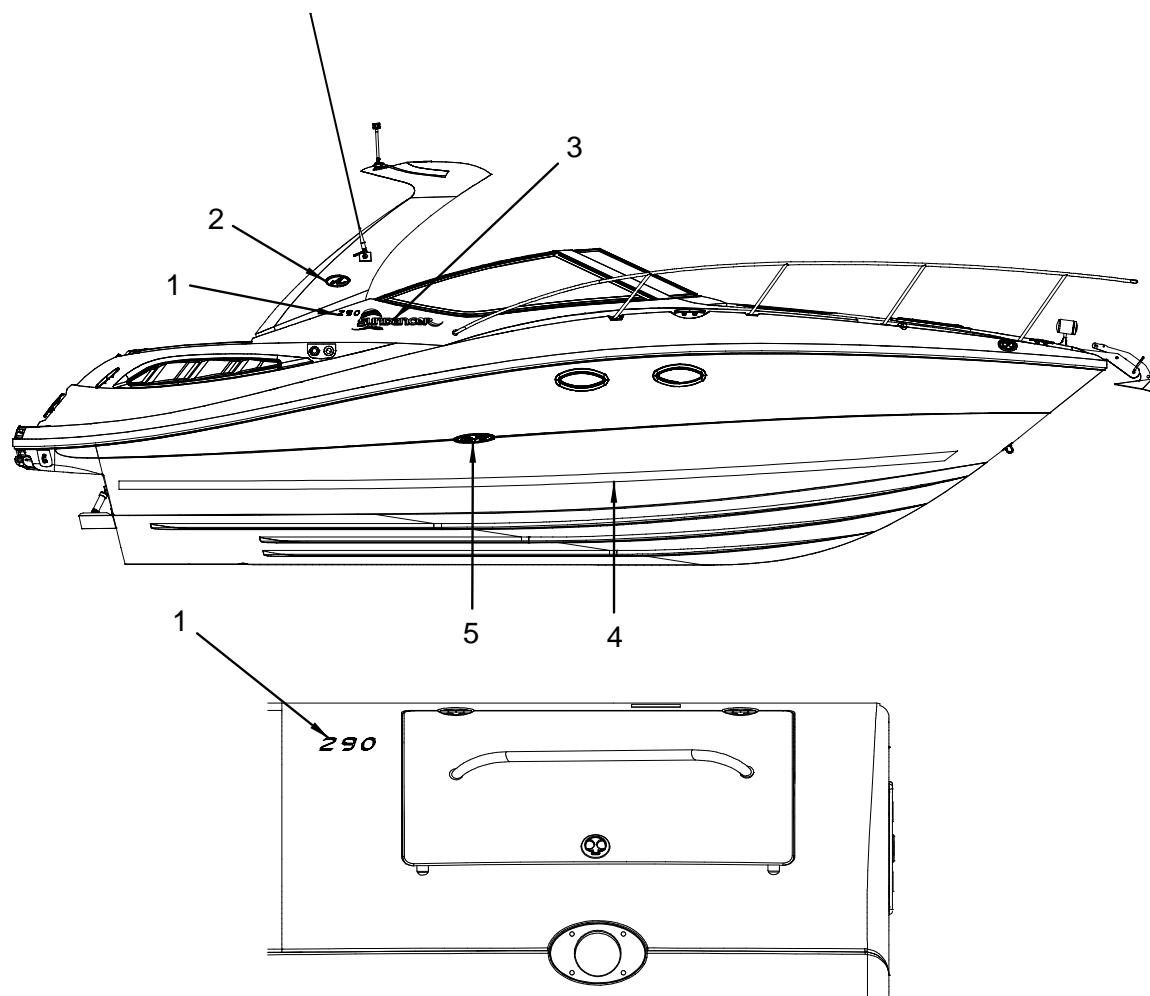
EXTERIOR (GRAPHICS) BLUE



EXTERIOR (GRAPHICS) BLUE

- 1 1520113 EMBLEM, MODEL DESG 290 URETHANE BLK/CHR
- 1818574 EMBLEM, MODEL DESG 325 URETHANE BLK
("325DA" MODEL DESIGNATORS)
(INTERNATIONAL ONLY)
- 2 1443225 EMBLEM, S/R WAVE 8" OVAL CHR TRNSM
- 3 1756555 DECAL, "SUNDANCER" DKBL/SLVR MET
- 4 1756549 TAPE, M/S 4"W/1"VOID DKBL/SLVR MET
- 5 1443183 EMBLEM, "SEA RAY" SCRIPT HULL LOGO CHR 13"

EXTERIOR (GRAPHICS) COLORED HULL

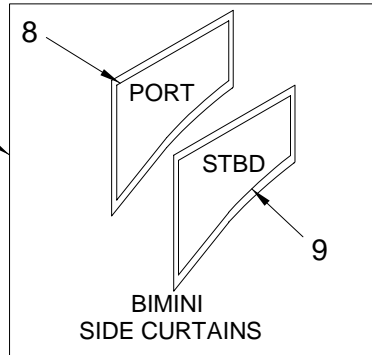
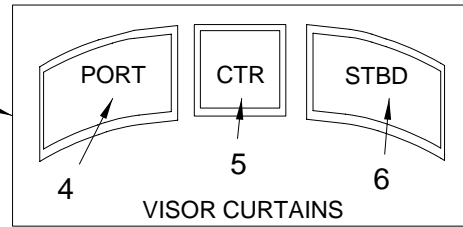
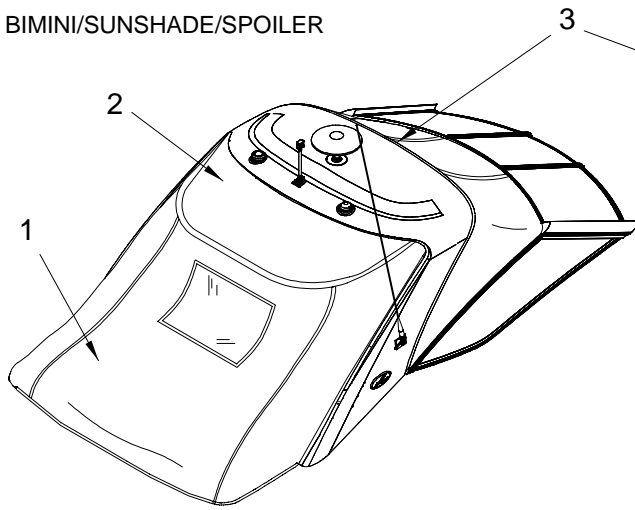


EXTERIOR (GRAPHICS) COLORED HULL

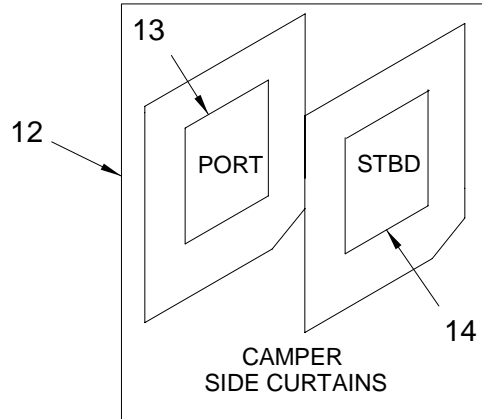
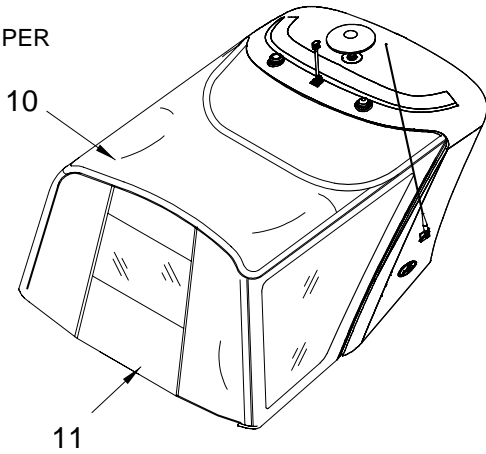
- | | | |
|---|---------|--|
| 1 | 1520113 | EMBLEM, MODEL DESG 290 URETHANE BLK/CHR |
| | 1818574 | EMBLEM, MODEL DESG 325 URETHANE BLK
("325DA" MODEL DESIGNATORS)
(INTERNATIONAL ONLY) |
| 2 | 1443225 | EMBLEM, S/R WAVE 8" OVAL CHR TRNSM |
| 3 | 1756554 | DECAL, "SUNDANCER" BLK/SLVR MET |
| | 1756555 | DECAL, "SUNDANCER" DKBL/SLVR MET |
| 4 | 1804765 | TAPE, SOLID 3" PRL WHT/BLKMET N/VOID |
| | 1753015 | TAPE, SOLID 3" WHT/WELL AMETHYST N/VOID |
| 5 | 1443183 | EMBLEM, "SEA RAY" SCRIPT HULL LOGO CHR 13" |

CANVAS (BLACK)

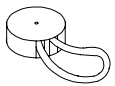









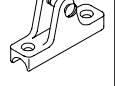



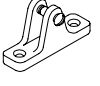


BIMINI/SUNSHADE/SPOILER



CAMPER



CANVAS HARDWARE

SHOCK CORD CLIP  15	LACING KNOB  16	PLASTIC PULL TAB  17	END CAP  18	END CAP  19	INSERT  20	JAW SLIDE  21	JAW SLIDE  22	PULL PIN  23
PULL PIN  24	RADIUS HINGE  25	RADIUS HINGE  26	SLIDE  27	SIDE SPACER  28	STRAIGHT HINGE  29	STRAIGHT HINGE  30	STRAP EYE  31	

CANVAS (BLACK)

- 1 1847597 CANVAS, 290DA-06 SNSHD AFT CURT BLK PH-3
- 2 1847600 CANVAS, 290DA-06 SNSHD TOP BLK PH-3
- 1849300 CANVAS, 290DA-06 SNSHD TOP FAB BLK PH3
- 1849303 CANVAS, 290DA-06 SNSHD TOP VAL BLK PH3
- 1849306 CANVAS, 290DA-06 SNSHD TOP BOWS W/HDWR PH3
- 1849307 CANVAS, 290DA-06 SNSHD MAIN BOW W/HDWR PH3
- 1849308 CANVAS, 290DA-06 SNSHD TOP MNTG PKG PH3
- 1849309 CANVAS, 290DA-06 SNSHD TOP REAR STN/STP PH3
- 3 1847603 CANVAS, 290DA-06 VSR CURT 3PC CLR/BLK PH-3
- 1849310 CANVAS, 290DA-06 VSR CURT SET N/VAL BLK PH3
- 1849313 CANVAS, 290DA-06 VSR VAL BLK PH3
- 1840167 CANVAS, 290DA-06 VSR CURT SS/WS BLK PH-3
- 1849394 CANVAS, 290DA-06 VSR CURT ST N/VAL SS BLK PH3
- 1849397 CANVAS, 290DA-06 VSR VAL SS BLK PH3
- 4 1849316 CANVAS, 290DA-06 VSR CURT PRT CLR/BLK PH3
- 1849401 CANVAS, 290DA-06 VSR CURT PRT SS CLR/BLK PH3
- 5 1849319 CANVAS, 290DA-06 VSR CURT CTR CLR/BLK PH3
- 1849404 CANVAS, 290DA-06 VSR CURT CTR SS CLR/BLK PH3
- 6 1849322 CANVAS, 290DA-06 VSR CURT STB CLR/BLK PH3
- 1849407 CANVAS, 290DA-06 VSR CURT STB SS CLR/BLK PH3
- 7 1847594 CANVAS, 290DA-06 SIDE CURT SET BLK PH-3
- 1840164 CANVAS, 290DA-06 SIDE CURT ST SS/WS BLK PH-3
- 8 1849325 CANVAS, 290DA-06 SIDE CURT PRT BLK PH3
- 1849410 CANVAS, 290DA-06 SIDE CURT PRT SS BLK PH3
- 9 1849328 CANVAS, 290DA-06 SIDE CURT STB BLK PH3
- 1849413 CANVAS, 290DA-06 SIDE CURT STB SS BLK PH3
- 10 1846472 CANVAS, 290DA-06 CAMP CMLPT BLK PH-3
- 1794005 CANVAS, 290DA-06 CAMP TOP BOOT W/ARCH BLK
- 1849416 CANVAS, 290DA-06 CAMP TOP FAB CMLPT BLK PH3
- 1849420 CANVAS, 290DA-06 CAMP TOP BLK PH3
- 1849423 CANVAS, 290DA-06 CAMP TOP FAB BLK PH3
- 1849426 CANVAS, 290DA-06 CAMP TOP BOWS W/HDWR PH3
- 1849427 CANVAS, 290DA-06 CAMP TOP MAIN BOW W/HDWR PH3
- 1849428 CANVAS, 290DA-06 CAMP TOP MNTG PKG PH3
- 1849429 CANVAS, 290DA-06 CAMP TOP REAR STAN/STP PH3
- 11 1849439 CANVAS, 290DA-06 CAMP AFT CURT BLK PH3
- 12 1849430 CANVAS, 290DA-06 CAMP SIDE CURT SET BLK PH3
- 13 1849433 CANVAS, 290DA-06 CAMP SIDE CURT PRT BLK PH3
- 14 1849436 CANVAS, 290DA-06 CAMP SIDE CURT STB BLK PH3
- 15 1778676 CLIP, SHOCKCORD/CVR WHT W/ELAS 04
- 16 1761645 KNOB, SHOCKCORD LACING
- 17 1778677 CLIP, WHT PLAS TAB W/CORD
- 18 221085 CAP, SS EYE END 7/8"
- 19 1760354 CAP, SS EYE END BALL/SOCKET TYPE
- 20 1760358 INSERT, DECK HINGE BALL/SOCKET BLK
- 21 439307 SLIDE, JAW SLIDE 7/8"
- 22 1760355 SLIDE, JAW SLIDE BALL/SOCKET TYPE SS
- 23 1760595 PIN, PULL BALL/SOCKET TYPE W/RING LNYRD BLK
- 24 1357854 PIN, PULL 1.25" TOGGLE W/RING LNYRD SPRING SS
- 25 174953 HINGE, DECK CONCAVE 1" SS CONV TOP
- 26 1760357 HINGE, DECK RADIUS BALL/SOCKET TYPE SS
- 27 1536051 SLIDE, W/S CANVAS TRACK PORT
- 1536069 SLIDE, W/S CANVAS TRACK STBD
- 1738744 KNOB, W/S CANVAS TRACK PRT & STB
(PART OF 1536051 & 1536069)
- 28 580688 SPACER, SIDE CURTAIN 7/8"
- 29 174995 HINGE, DECK FLAT 1" CONV TOP SS
- 30 1760356 HINGE, DECK FLAT BALL/SOCKET TYPE SS
- 31 195412 EYE, STRAP EYE (SNAP EYE) CHROME (CONV TOP)

COCKPIT COVER

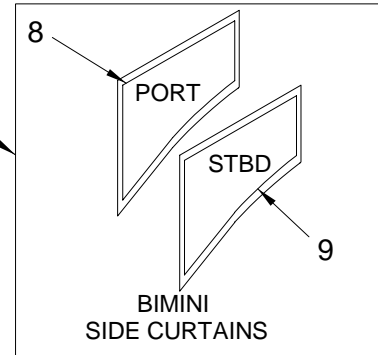
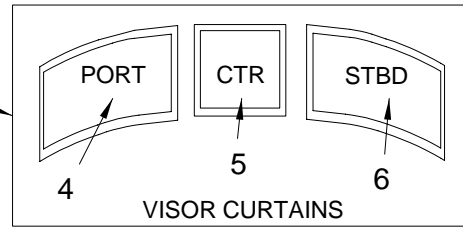
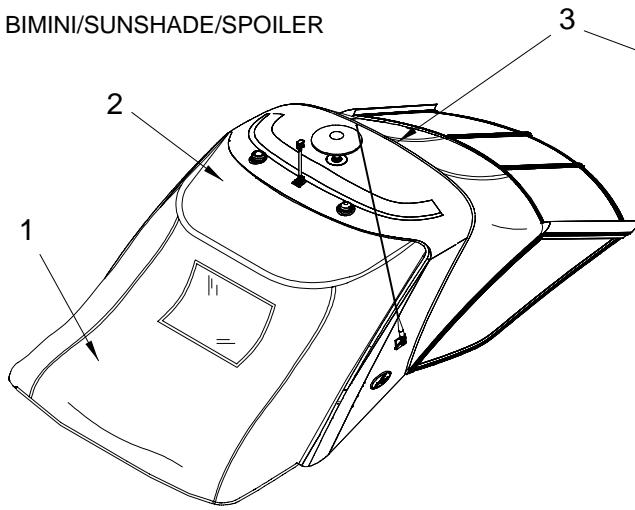
- 1811124 CANVAS, 290DA-06 CPC W/ARCH BLK
- 1833340 CANVAS, 290DA-06 CPC W/CMP W/ARCH BLK PH2

STORAGE BAG

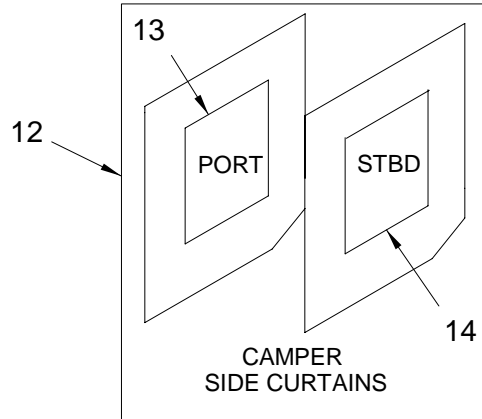
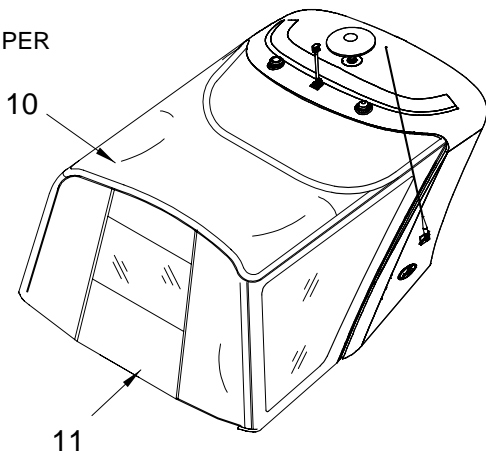
- 963876 CANVAS, SPBOAT STRG BAG 10X80 XLRG GREY 97

CANVAS (BLUE)

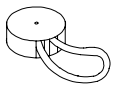









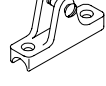
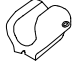

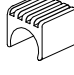
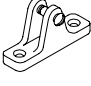
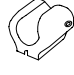

BIMINI/SUNSHADE/SPOILER



CAMPER



CANVAS HARDWARE

SHOCK CORD CLIP  15	LACING KNOB  16	PLASTIC PULL TAB  17	END CAP  18	END CAP  19	INSERT  20	JAW SLIDE  21	JAW SLIDE  22	PULL PIN  23
PULL PIN  24	RADIUS HINGE  25	RADIUS HINGE  26	SLIDE  27	SIDE SPACER  28	STRAIGHT HINGE  29	STRAIGHT HINGE  30	STRAP EYE  31	

CANVAS (BLUE)

- 1 1847598 CANVAS, 290DA-06 SNSHD AFT CURT CAPT NRVY PH-3
- 2 1847601 CANVAS, 290DA-06 SNSHD TOP CAPT NRVY PH-3
- 1849301 CANVAS, 290DA-06 SNSHD TOP FAB CAPT NRVY PH3
- 1849304 CANVAS, 290DA-06 SNSHD TOP VAL CAPT NRVY PH3
- 1849306 CANVAS, 290DA-06 SNSHD TOP BOWS W/HDWR PH3
- 1849307 CANVAS, 290DA-06 SNSHD MAIN BOW W/HDWR PH3
- 1849308 CANVAS, 290DA-06 SNSHD TOP MNTG PKG PH3
- 1849309 CANVAS, 290DA-06 SNSHD TOP REAR STN/STP PH3
- 3 1847604 CANVAS, 290DA-06 VSR CURT 3PC CLR/NRVY PH-3
- 1849311 CANVAS, 290DA-06 VSR CURT SET N/VAL CPNVY PH3
- 1849314 CANVAS, 290DA-06 VSR VAL CAPT NRVY PH3
- 1840168 CANVAS, 290DA-06 VSR CURT SS/WS CAPT NRVY PH-3
- 1849395 CANVAS, 290DA-06 VSR CURT ST N/VAL SS CNY PH3
- 1849398 CANVAS, 290DA-06 VSR VAL SS CAPT NRVY PH3
- 4 1849317 CANVAS, 290DA-06 VSR CURT PRT CLR/CPNVY PH3
- 1849402 CANVAS, 290DA-06 VSR CURT PRT SS CLR/CNY PH3
- 5 1849320 CANVAS, 290DA-06 VSR CURT CTR CLR/CPNVY PH3
- 1849405 CANVAS, 290DA-06 VSR CURT CTR SS CLR/CNY PH3
- 6 1849323 CANVAS, 290DA-06 VSR CURT STB CLR/CPNVY PH3
- 1849408 CANVAS, 290DA-06 VSR CURT STB SS CLR/CNY PH3
- 7 1847595 CANVAS, 290DA-06 SIDE CURT SET CAPT NRVY PH-3
- 1840165 CANVAS, 290DA-06 SIDE CURT ST SS/WS CNVY PH-3
- 8 1849326 CANVAS, 290DA-06 SIDE CURT PRT CPNVY PH3
- 1849411 CANVAS, 290DA-06 SIDE CURT PRT SS CPNVY PH3
- 9 1849329 CANVAS, 290DA-06 SIDE CURT STB CAPT NRVY PH3
- 1849414 CANVAS, 290DA-06 SIDE CURT STB SS CPNVY PH3
- 10 1846473 CANVAS, 290DA-06 CAMP CMPLT CAPT NRVY PH-3
- 1810324 CANVAS, 290DA-06 CAMP TOP BOOT W/ARCH CAPNVY
- 1849417 CANVAS, 290DA-06 CAMP TOP FAB CMPLT CPNVY PH3
- 1849421 CANVAS, 290DA-06 CAMP TOP CAPT NRVY PH3
- 1849424 CANVAS, 290DA-06 CAMP TOP FAB CAPT NRVY PH3
- 1849426 CANVAS, 290DA-06 CAMP TOP BOWS W/HDWR PH3
- 1849427 CANVAS, 290DA-06 CAMP TOP MAIN BOW W/HDWR PH3
- 1849428 CANVAS, 290DA-06 CAMP TOP MNTG PKG PH3
- 1849429 CANVAS, 290DA-06 CAMP TOP REAR STAN/STP PH3
- 11 1849440 CANVAS, 290DA-06 CAMP AFT CURT CAPT NRVY PH3
- 12 1849431 CANVAS, 290DA-06 CAMP SIDE CURT SET CPNVY PH3
- 13 1849434 CANVAS, 290DA-06 CAMP SIDE CURT PRT CPNVY PH3
- 14 1849437 CANVAS, 290DA-06 CAMP SIDE CURT STB CPNVY PH3
- 15 1778676 CLIP, SHOCKCORD/CVR WHT W/ELAS 04
- 16 1761645 KNOB, SHOCKCORD LACING
- 17 1778677 CLIP, WHT PLAS TAB W/CORD
- 18 221085 CAP, SS EYE END 7/8"
- 19 1760354 CAP, SS EYE END BALL/SOCKET TYPE
- 20 1760358 INSERT, DECK HINGE BALL/SOCKET BLK
- 21 439307 SLIDE, JAW SLIDE 7/8"
- 22 1760355 SLIDE, JAW SLIDE BALL/SOCKET TYPE SS
- 23 1760595 PIN, PULL BALL/SOCKET TYPE W/RING LNYRD BLK
- 24 1357854 PIN, PULL 1.25" TOGGLE W/RING LNYRD SPRING SS
- 25 174953 HINGE, DECK CONCAVE 1" SS CONV TOP
- 26 1760357 HINGE, DECK RADIUS BALL/SOCKET TYPE SS
- 27 1536051 SLIDE, W/S CANVAS TRACK PORT
- 1536069 SLIDE, W/S CANVAS TRACK STBD
- 1738744 KNOB, W/S CANVAS TRACK PRT & STB
(PART OF 1536051 & 1536069)
- 28 580688 SPACER, SIDE CURTAIN 7/8"
- 29 174995 HINGE, DECK FLAT 1" CONV TOP SS
- 30 1760356 HINGE, DECK FLAT BALL/SOCKET TYPE SS
- 31 195412 EYE, STRAP EYE (SNAP EYE) CHROME (CONV TOP)

COCKPIT COVER

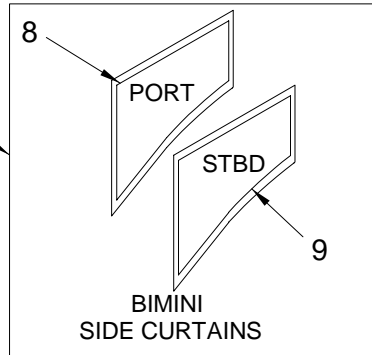
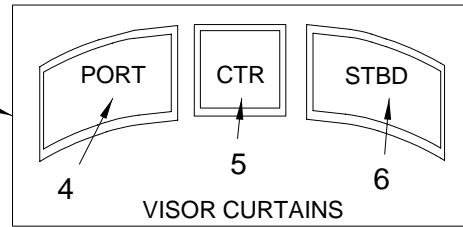
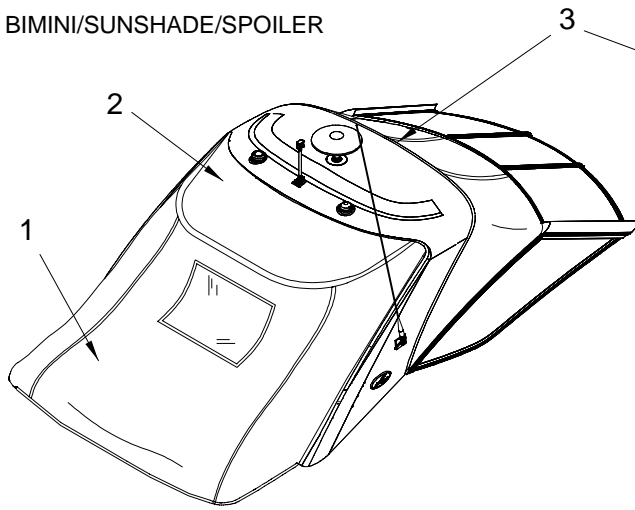
- 1811128 CANVAS, 290DA-06 CPC W/ARCH CAPT NRVY
- 1833338 CANVAS, 290DA-06 CPC W/CMP W/ARCH CAP NRVY PH2

STORAGE BAG

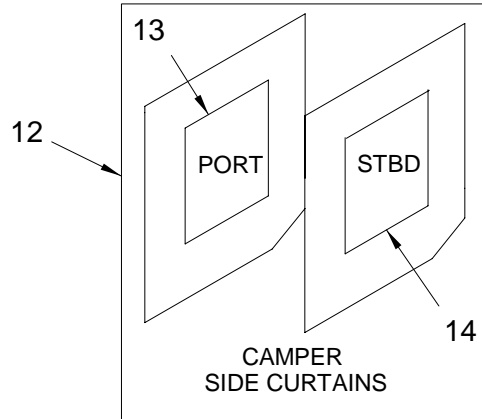
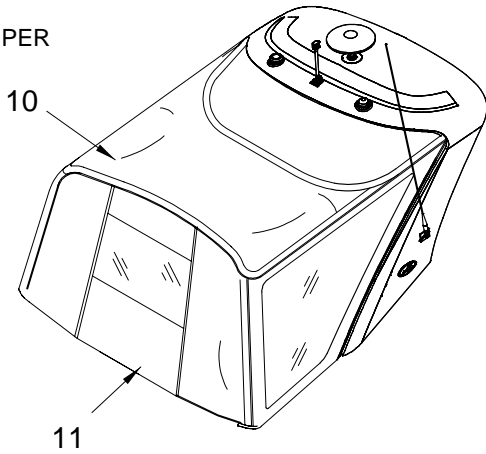
- 963876 CANVAS, SPBOAT STRG BAG 10X80 XLRG GREY 97

CANVAS (WHITE)

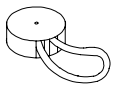

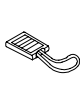







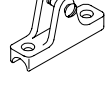

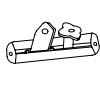
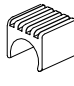
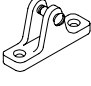
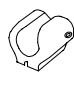

BIMINI/SUNSHADE/SPOILER



CAMPER



CANVAS HARDWARE

SHOCK CORD CLIP  15	LACING KNOB  16	PLASTIC PULL TAB  17	END CAP  18	END CAP  19	INSERT  20	JAW SLIDE  21	JAW SLIDE  22	PULL PIN  23
PULL PIN  24	RADIUS HINGE  25	RADIUS HINGE  26	SLIDE  27	SIDE SPACER  28	STRAIGHT HINGE  29	STRAIGHT HINGE  30	STRAP EYE  31	

CANVAS (WHITE)

- 1 1847599 CANVAS, 290DA-06 SNSHD AFT CURT WHT PH-3
- 2 1847602 CANVAS, 290DA-06 SNSHD TOP WHT PH-3
- 1849302 CANVAS, 290DA-06 SNSHD TOP FAB WHT PH3
- 1849305 CANVAS, 290DA-06 SNSHD TOP VAL WHT PH3
- 1849306 CANVAS, 290DA-06 SNSHD TOP BOWS W/HDWR PH3
- 1849307 CANVAS, 290DA-06 SNSHD MAIN BOW W/HDWR PH3
- 1849308 CANVAS, 290DA-06 SNSHD TOP MNTG PKG PH3
- 3 1847605 CANVAS, 290DA-06 VSR CURT 3PC CLR/WHT PH-3
- 1849312 CANVAS, 290DA-06 VSR CURT SET N/VAL WHT PH3
- 1849315 CANVAS, 290DA-06 VSR VAL WHT PH3
- 1840169 CANVAS, 290DA-06 VSR CURT SSWS WHT PH-3
- 1849396 CANVAS, 290DA-06 VSR CURT ST N/VAL SS WHT PH3
- 1849399 CANVAS, 290DA-06 VSR VAL SS WHT PH3
- 4 1849318 CANVAS, 290DA-06 VSR CURT PRT CLR/WHT PH3
- 1849403 CANVAS, 290DA-06 VSR CURT PRT SS CLR/WHT PH3
- 5 1849321 CANVAS, 290DA-06 VSR CURT CTR CLR/WHT PH3
- 1849406 CANVAS, 290DA-06 VSR CURT CTR SS CLR/WHT PH3
- 6 1849324 CANVAS, 290DA-06 VSR CURT STB CLR/WHT PH3
- 1849409 CANVAS, 290DA-06 VSR CURT STB SS CLR/HWT PH3
- 7 1847596 CANVAS, 290DA-06 SIDE CURT SET WHT PH-3
- 1840166 CANVAS, 290DA-06 SIDE CURT ST SSWS WHT PH-3
- 8 1849327 CANVAS, 290DA-06 SIDE CURT PRT WHT PH3
- 1849412 CANVAS, 290DA-06 SIDE CURT PRT SS WHT PH3
- 9 1849330 CANVAS, 290DA-06 SIDE CURT STB WHT PH3
- 1849415 CANVAS, 290DA-06 SIDE CURT STB SS WHT PH3
- 10 1846474 CANVAS, 290DA-06 CAMP CMPLT WHT PH-3
- 1819490 CANVAS, 290DA-06 CAMP TOP BOOT W/ARCH WHT
- 1849419 CANVAS, 290DA-06 CAMP TOP FAB CMPLT WHT PH3
- 1849422 CANVAS, 290DA-06 CAMP TOP WHT PH3
- 1849425 CANVAS, 290DA-06 CAMP TOP FAB WHT PH3
- 1849426 CANVAS, 290DA-06 CAMP TOP BOWS W/HDWR PH3
- 1849427 CANVAS, 290DA-06 CAMP TOP MAIN BOW W/HDWR PH3
- 1849428 CANVAS, 290DA-06 CAMP TOP MNTG PKG PH3
- 1849429 CANVAS, 290DA-06 CAMP TOP REAR STAN/STP PH3
- 11 1849441 CANVAS, 290DA-06 CAMP AFT CURT WHT PH3
- 12 1849432 CANVAS, 290DA-06 CAMP SIDE CURT SET WHT PH3
- 13 1849435 CANVAS, 290DA-06 CAMP SIDE CURT PRT WHT PH3
- 14 1849438 CANVAS, 290DA-06 CAMP SIDE CURT STB WHT PH3
- 15 1778676 CLIP, SHOCKCORD/CVR WHT W/ELAS 04
- 16 1761645 KNOB, SHOCKCORD LACING
- 17 1778677 CLIP, WHT PLAS TAB W/CORD
- 18 221085 CAP, SS EYE END 7/8"
- 19 1760354 CAP, SS EYE END BALL/SOCKET TYPE
- 20 1760358 INSERT, DECK HINGE BALL/SOCKET BLK
- 21 439307 SLIDE, JAW SLIDE 7/8"
- 22 1760355 SLIDE, JAW SLIDE BALL/SOCKET TYPE SS
- 23 1760595 PIN, PULL BALL/SOCKET TYPE W/RING LNYRD BLK
- 24 1357854 PIN, PULL 1.25" TOGGLE W/RING LNYRD SPRING SS
- 25 174953 HINGE, DECK CONCAVE 1" SS CONV TOP
- 26 1760357 HINGE, DECK RADIUS BALL/SOCKET TYPE SS
- 27 1536051 SLIDE, W/S CANVAS TRACK PORT
- 1536069 SLIDE, W/S CANVAS TRACK STBD
- 1738744 KNOB, W/S CANVAS TRACK PRT & STB
(PART OF 1536051 & 1536069)
- 28 580688 SPACER, SIDE CURTAIN 7/8"
- 29 174995 HINGE, DECK FLAT 1" CONV TOP SS
- 30 1760356 HINGE, DECK FLAT BALL/SOCKET TYPE SS
- 31 195412 EYE, STRAP EYE (SNAP EYE) CHROME (CONV TOP)

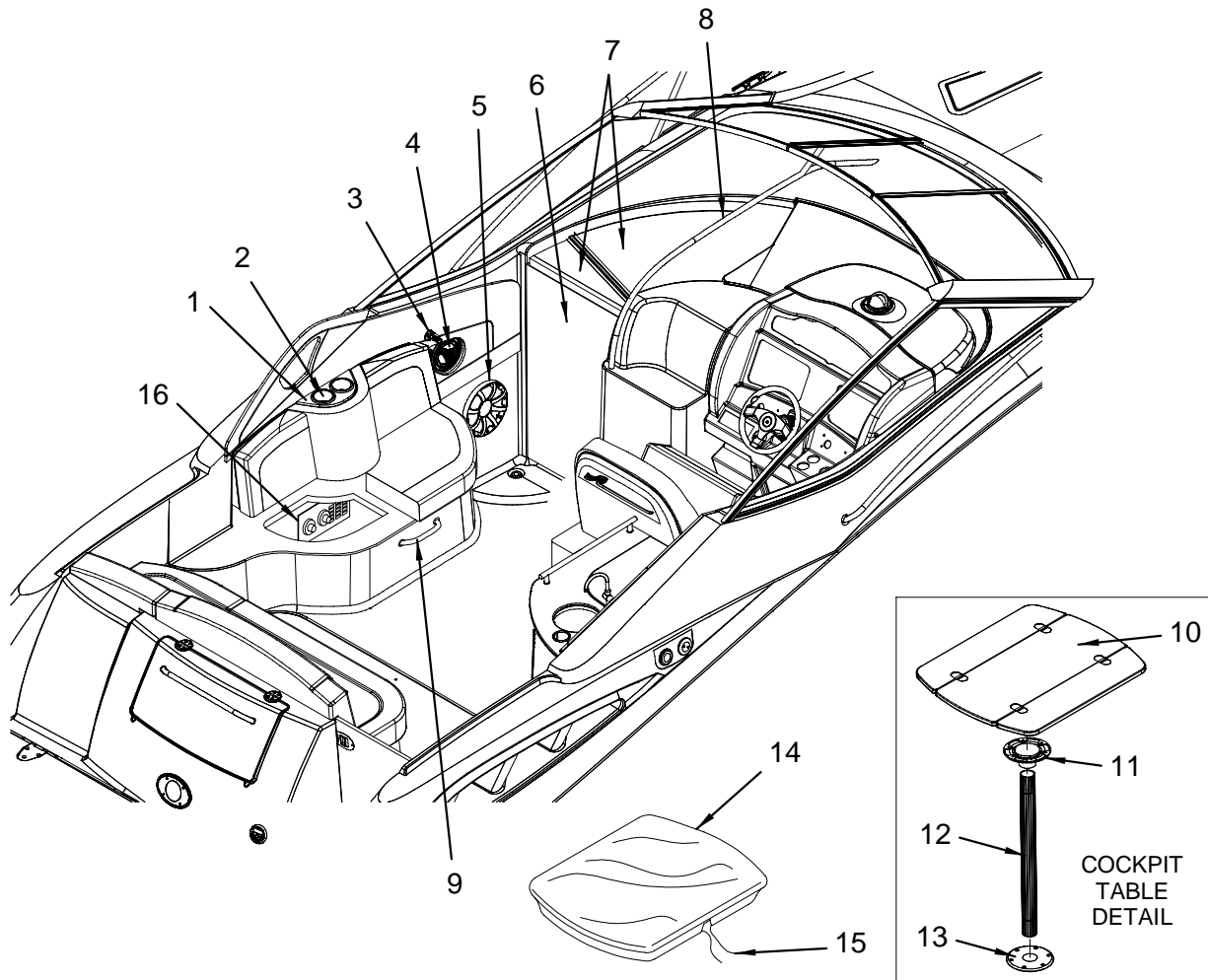
COCKPIT COVER

- 1819492 CANVAS, 290DA-06 CPC W/ARCH WHT
- 1833339 CANVAS, 290DA-06 CPC W/CMP W/ARCH WHT PH2

STORAGE BAG

- 963876 CANVAS, SPBOAT STRG BAG 10X80 XLRG GREY 97

COCKPIT (PORT VIEW)



COCKPIT (PORT VIEW)

- 1 1794018 TOP, CORIAN 290DA-06 CKPT W/DRNKHLDERS SNDSTN
- 2 1812917 HOLDER, DRINK SS 4"X 3" MUG SZ PLSHD RIM
- 3 1285592 LATCH, DOOR HLD R W/CUSH CHR 3.75"
(PART OF 1808828, 1794026, 1808831 & 1808649)
- 1286178 CAP, CUSHION TIP FOR DOOR STOP
(PART OF 1285592)
- 4 1690557 SPEAKER, COAXIAL 6.5" N/CVR
- 1854215 SPEAKER, JL COMPONENT
(HULL# 1353 -> UP)
- 1784476 SPEAKER, POLK/MOMO 6.5" MD-RNG/TWTR/CRSOVR WHT
(HULL# 1201 -> 1352)
- 1765974 SPEAKER, POLK/MOMO EXT 6.5" MID-RANGE N/CVR
(HULL# 1201 -> 1352)
(PART OF 1784476)
- 1765976 SPEAKER, POLK/MOMO EXT TWEETER CUP BLK
(HULL# 1201 -> 1352)
(PART OF 1784476)
- 1765977 SPEAKER, POLK/MOMO EXT CROSSOVER
(HULL# 1201 -> 1352)
(PART OF 1784476)
- 1773447 GRILL, SPEAKER POLK/MOMO EXT 6.5" WHT
(HULL# 1201 -> 1352)
(PART OF 1784476)
- 1774180 SPEAKER, POLK/MOMO EXT 1" TWEETER WHT
(HULL# 1201 -> 1352)
(PART OF 1784476)
- 5 1849195 SPEAKER, 10" SUBWOOFER MARINE WHT
(HULL# 1353 -> UP)

- 5 1774181 GRILL, 10" SUBWOOFER POLK/MOMO G10 WHT
(HULL# 1201 -> 1352)
- 1764471 SPEAKER, POLK/MOMO 10" SUBWOOFER RV1
(HULL# 1201 -> 1352)
- 1753734 GRILL, 10" SUBWOOFER POLK/MOMO G10 SLVR
(HULL# 1201 -> 1352)
(PART OF 1764471)
- 6 1808828 DOOR, 290DA-06 CABIN ENTRY FLAT N/SCRN ARW
- 1794026 DOOR, 290DA-06 CABIN ENTRY FLAT N/SCRN NCKL
- 1808831 DOOR, 290DA-06 CABIN ENTRY FLAT W/SCRN ARW
- 1808649 DOOR, 290DA-06 CABIN ENTRY FLAT W/SCRN NCKL
- 1879816 CATCH, MAGNETIC DBL STRIKE 30X15 FLSH/FLSH
(PART OF 1808831 & 1808649)
- 1479906 LOCK, CABIN DOOR OVAL SS FLUSH #7482
(PART OF 1808828, 1794026, 1808831 & 1808649)
- 1799404 THRESHOLD, SS 290DA-06 ENTRYWAY
- 912774 NOSING, VINYL 1"X 1/4"X 12' RIGID SR WHT
- 1802210 NOSING, VINYL 1"X 1/4"X 10' WARM GRY/NCKL
(GEL-COATED DASH - NICKEL)
- 7 1808829 HATCH, 290DA-06 CABIN ENTRY W/HDWR ARW
- 1803183 HATCH, 290DA-06 CABIN ENTRY W/HDWR NCKL
(GEL-COATED DASH - NICKEL)
- 8 1794024 RAIL, GRAB 290DA-06 FOREDECK ACCESS
- 9 1747836 RAIL, GRAB 12" STREAMLINE W/FLANGES (316L)
- 10 1873380 TABLE, TEAK 290/320DA-07 CKPT W/BASE
(HULL #1266 -> UP)
(SEE REF #11 FOR PART OF PART)
- 1819913 TABLE, TEAK 290/320DA-06 CKPT W/CVR/BASE
(HULL #1201-> 1265)

- 10 (SEE REF #11 FOR PART OF PART)
- 11 876979 BASE, LEG/POST SURF MT ALUM
(PART OF 1873380 & 1819913)
- 12 929851 POST, TABLE LEG 28.875" ANOD FLUTED
- 13 876961 BASE, LEG/POST FLUSH MT ALUM
- 14 1885257 290DA 07.CANVAS.CVR TBL CKPT
- 15 1879445 CORD, SHOCK/BUNGEE 1/8" CLR CLAY
(CORD FOR TABLE COVER)
- 16 1799350 PANEL, 290DA-06 MDC BRKR W/BATT GAS TE
- 1799345 PANEL, BLANK:290DA-06 MDC BRKR W/BATT GAS TE
(BLANK PANEL FOR 1799350)
- 1799367 PANEL, 290DA-06 MDC BRKR W/BATT DSL
- 1799361 PANEL, BLANK:290DA-06 MDC BRKR W/BATT DSL
(BLANK PANEL FOR 1799367)
- 1799352 PANEL, 290DA-06 MDC BRKR W/BATT GAS S/E
- 1799351 PANEL, BLANK:290DA-06 MDC BRKR W/BATT GAS SE
(BLANK PANEL FOR 1799352)

FLOORING

- 843656 FLOORING, VINYL DIAMOND PLATE 4'X 75'

LABELS

- 1743548 LABEL, WARNING RUNNING BOAT W/DOOR OPEN
- 1746901 LABEL, CAUTION BATTERY SWITCH OFF/ALT DAMAGED

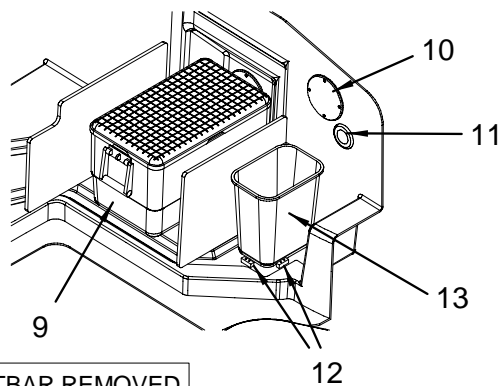
NOT SHOWN

- 777870 STOP, HDPE 3/4"X 1.5"X 4" TABLE ARW
- 1801859 STRG BOX, V/F 290DA-06 PRT SEAT STRG TUB
- 1810576 STOOL, FOLDING ANOD W/SR WAVE 290DA-06
- 257972 TRIM, EDGE WHT LEATHER 1"X 5/16"
- 1656719 LATCH, FLUSH MOUNT ROUND T-HANDLE SS N/PAWL
(HULL #1208 -> UP)
(ENGINE HATCH LATCH)
- 1847108 SUPPORT, SS SPCRUIS ENG HATCH 35"NON ADJ
(HULL #1233 -> UP)
(ENGINE HATCH SUPPORT)
- 590646 CLIP, POLE STRG BLK - MAST LIGHT
(HULL #1233 -> UP)
(ENGINE HATCH SUPPORT CLIP)

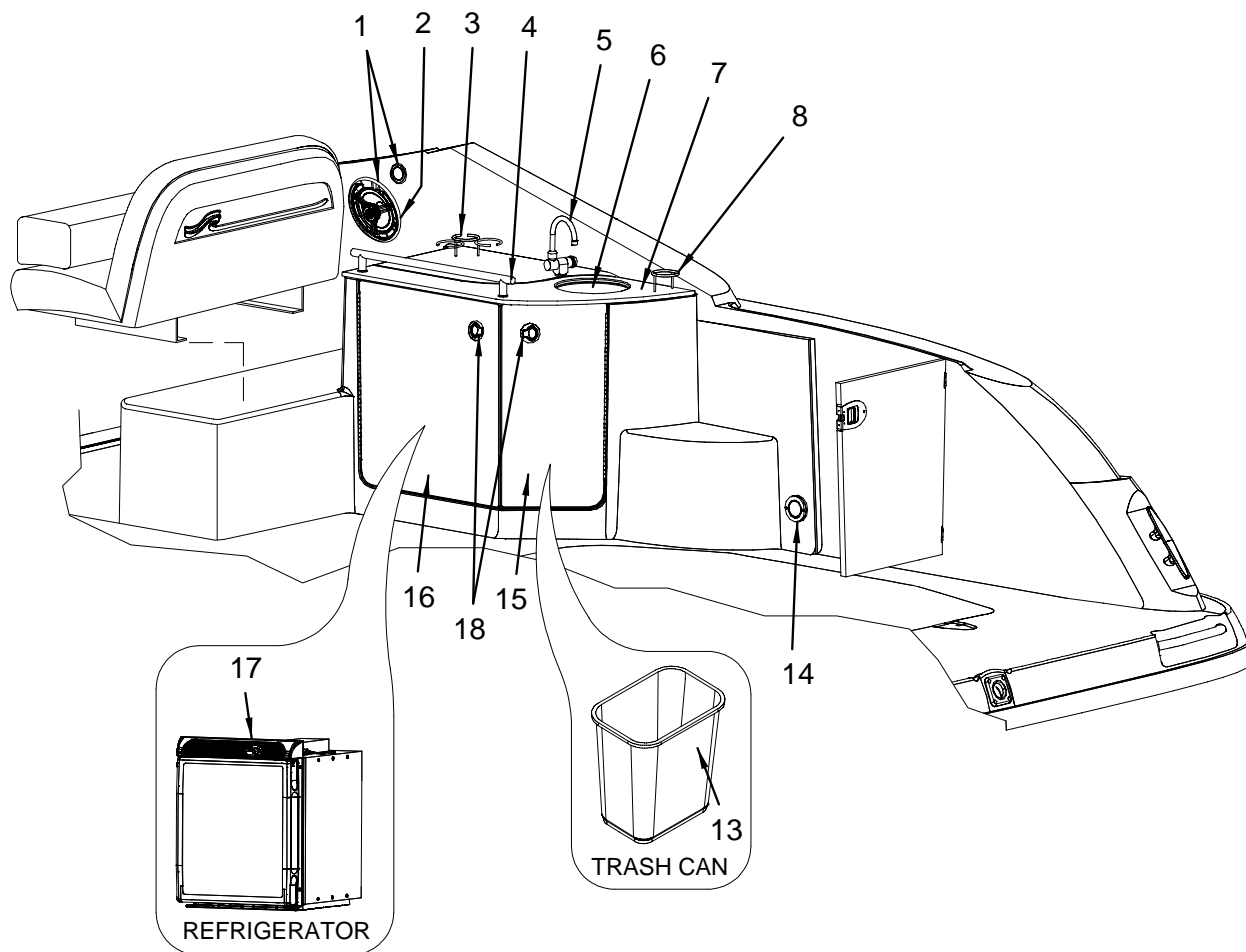
VELCRO

- 198945 VELCRO, DUAL LOCK CLR 2"X 50YD W/ADH BACK

COCKPIT (STARBOARD VIEW)



WETBAR REMOVED FOR CLARITY



COCKPIT (STARBOARD VIEW)

- 1 1854215 SPEAKER, JL COMPONENT
(HULL# 1353 -> UP)
- 1784476 SPEAKER, POLK/MOMO 6.5"MD-RNG/TWTR/CRSOVR WHT
(HULL# 1201 -> 1352)
- 1765974 SPEAKER, POLK/MOMO EXT 6.5" MID-RANGE N/CVR
(HULL# 1201 -> 1352)
(PART OF 1784476)
- 1765976 SPEAKER, POLK/MOMO EXT TWEETER CUP BLK
(HULL# 1201 -> 1352)
(PART OF 1784476)
- 1765977 SPEAKER, POLK/MOMO EXT CROSSOVER
(HULL# 1201 -> 1352)
(PART OF 1784476)
- 1773447 GRILL, SPEAKER POLK/MOMO EXT 6.5" WHT
(HULL# 1201 -> 1352)
(PART OF 1784476)
- 1774180 SPEAKER, POLK/MOMO EXT 1" TWEETER WHT
(HULL# 1201 -> 1352)
(PART OF 1784476)
- 2 1690557 SPEAKER, COAXIAL 6.5" N/CVR
- 1690558 GRILL, SPEAKER 6.5" ACOM WHT
- 3 1803696 HOLDER, BOTTLE SS 3-RING 4" (KING)
- 4 1794052 RAIL, GRAB 7/8"OD X24 5/8"304SS STRAIGHT
- 5 1775010 FAUCET, FOLD DOWN SGL TAP CHR
- 6 1756266 SINK, SS RND 10"BRSHD
- 7 1794064 TOP, CORIAN 290DA-06 CKPT WET BAR SNDSTN
- 8 1750876 HOLDER, DRINK SS SGL 3" (KING)
- 9 814012 COOLER, 36QT
- 10 1759095 COVER, HDPE ACCESS 9"X 12"X 1/4" W/1/2"RD WHT
- 1809122 COVER, HDPE ACCESS 4"X 12"X 1/4" W/1/2"RD WHT
- 11 326009 THRU-HULL, PLAS 2" WHT (FULL THREAD)
- 12 609883 CLEAT, PLAS 3/4"X 1"X 4" GREY
- 13 431098 BASKET, TRASH 11 3/8"X 8.25"X 12 1/8" BEIGE
- 14 1771016 LIGHT, NAV STERN FLSH MNT RND CHR/BRS W/CONN
901199 BULB, STERN NAV LIGHT REPL #137406-1227412
(PART OF 1771016)
- 15 1794060 DOOR, PLEX 290DA-06 WET BAR AFT ARW W/SS STH
1892980 HINGE, 290DA-06 WET BAR AFT F/1794060
(PART OF 1794060)
- 663708 BUMPER, CLEAR .020" THICK
- 16 1794054 DOOR, PLEX 290DA-06 WET BAR FWD ARW W/SS STH
- 1804747 DOOR, PLEX 290DA-06 WET BAR W/SLOTS ARW STHC
1892981 HINGE, 290DA-06 WET BAR FWD F/1794054/1804747
(PART OF 1794054 & 1804747)
- 663708 BUMPER, CLEAR .020" THICK
- 17 1747061 REFRIGERATOR, 1.7 CU FT 12VDC/110AC
- 1747062 REFRIGERATOR, 1.7 CU FT 12VDC/240V
- 1738813 LATCH, COVER PLATE FOR TRAVEL LATCH
(PART OF 1747061 & 1747062)
- 1738814 LATCH, TRAVEL LATCH SPRING
(PART OF 1747061 & 1747062)
- 1738816 LATCH, TRAVEL PLATE
(PART OF 1747061 & 1747062)
- 1787565 RECEPTACLE, LEVITON EXT W/CVR 220/50 GERMAN
- 145136 RECEPTACLE, CORR RESISTANT GREY
- 180067 COVER PLATE, WATERPROOF RECEPY W/2 DOORS
- 627737 BOX, RECEPTACLE/SWITCH PVC 1-GANG DEEP
- 18 1781434 LATCH, FLUSH MNT N/LOCKING SLAM SS
- 1781436 PLATE, FLAT BRKT 2"SHORT SCREW W/HDWR PKG
- 1805874 PLATE, STRIKER SLAM LATCH SS 1 13/16"SPCL
(AFT WET BAR DOOR ONLY)

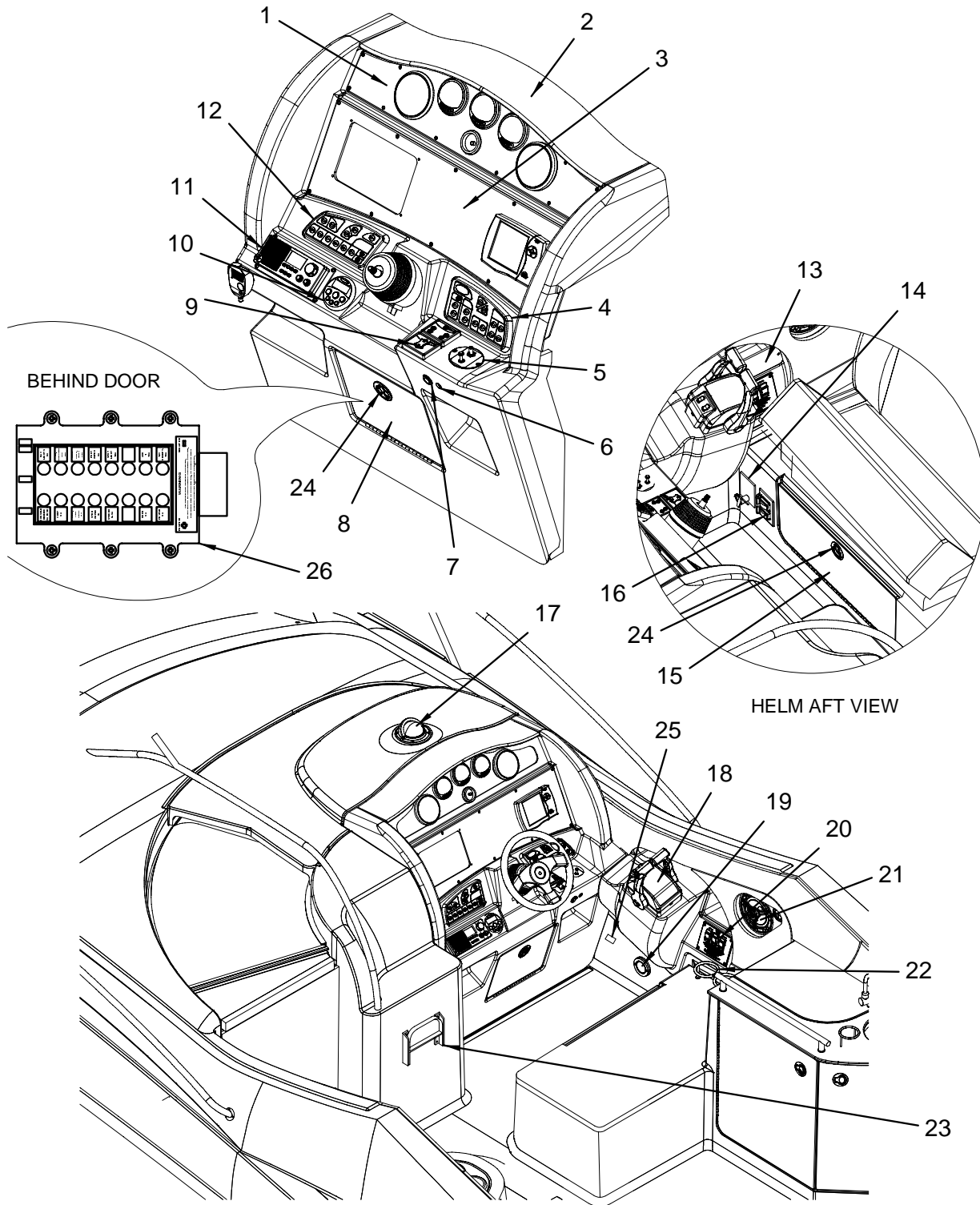
LABELS

- 1744745 LABEL, DISPOSAL OF GARBAGE

NOT SHOWN

- 836007 BRACKET, ALUM 1.5"X 1.5"X 3" 3/16"HOLES

COCKPIT (HELM)

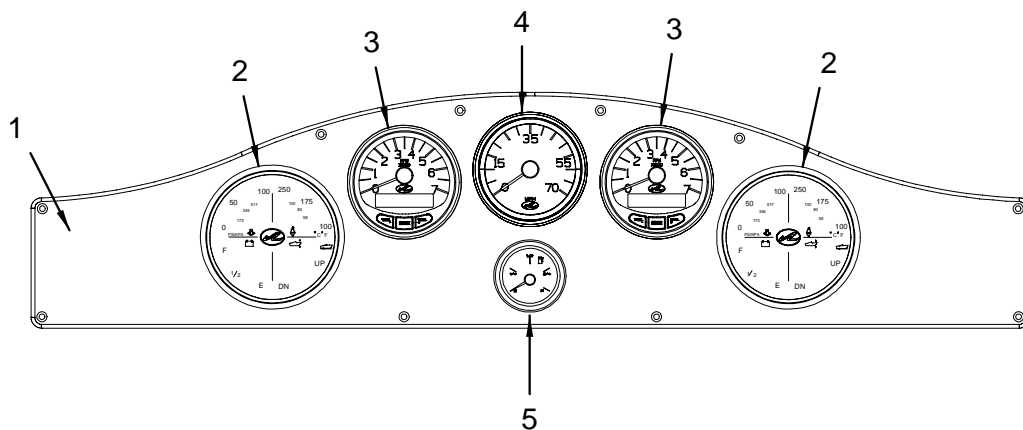


COCKPIT (HELM)

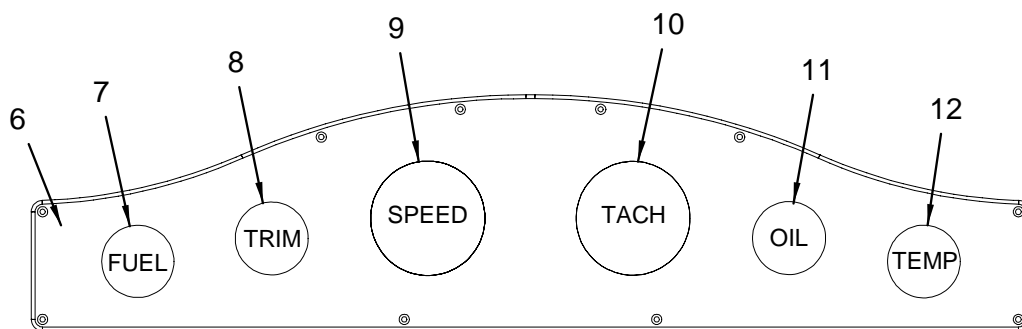
1	1799682	PANEL, BLANK:290DA-06 INST TE W/SCRFT BLKCR	21	1765976	SPEAKER, POLK/MOMO EXT TWEETER CUP BLK (HULL# 1201 -> 1352) (PART OF 1784476)
	1799679	PANEL, BLANK:290DA-06 INST SE W/SCRFT BLKCR		1765977	SPEAKER, POLK/MOMO EXT CROSSOVER (HULL# 1201 -> 1352) (PART OF 1784476)
2	1794036	VISOR, DASH 290DA-06 PLEX BLK		1773447	GRILL, SPEAKER POLK/MOMO EXT 6.5" WHT (HULL# 1201 -> 1352) (PART OF 1784476)
3	1836860	PANEL, BLANK:290DA-06 ELEC N/CUTOUTS		1774180	SPEAKER, POLK/MOMO EXT 1" TWEETER WHT (HULL# 1201 -> 1352) (PART OF 1784476)
	1799685	PANEL, BLANK:290DA-06 ELEC W/SCRFT SYSVIEW	22	1750873	HOLDER, DRINK SS 2-RING 3" (KING)
	1799687	PANEL, BLANK:290DA-06 ELEC W/SCRFT SYSVW/C70	23	1835981	STEP, ALUM HELM ARWPWDRCT W/ALUM PAN/TKINSRT
	1801696	PANEL, BLANK:290DA-06 ELEC SYSVW/NSTR 6.4"		1835986	STEP, ALUM HELM NCKLPWDRCT W/ALUM PAN/TKINSRT
	1801688	PANEL, BLANK:290DA-06 ELEC W/VLVO EVC DISPLY	24	1781434	LATCH, FLUSH MNT N/LOCKING SLAM SS
	1799686	PANEL, BLANK:290DA-06 ELEC W/C70		1781436	PLATE, FLAT BRKT 2" SHORT SCREW W/HDWR PKG
	1801690	PANEL, BLANK:290DA-06 ELEC W/VLVO EVC/C70	25	1752709	PLATE, NMMA YACHT CERT GAS
	1801694	PANEL, BLANK:290DA-06 ELEC NRTHSTR 6.4"6000I	26	1810628	MODULE, ELEC INTERFACE FWD S-CRUISER 06
	1801691	PANEL, BLANK:290DA-06 ELEC VLVOEVC/NSTR 6.4"	HARNESSES		
4	1797304	MODULE, ELEC SWPAD S-CRUISER STB 05		1771022	ACC PART, MERC ALARM BUZZER W/HARNESS W/CONN
5	1755306	CONTROL, SEARCH LIGHT N/HARNESS		1753564	HARNESS, MERC CAN LINK
	1756641	HARNESS, SPOTLIGHT ASSY 25' W/MALE CONN		1793838	HARNESS, MERC DUAL ENGINE INST ADP
6	1690376	ACC PART, MERC S-CRFT AIR TEMP SENSOR		1847950	HARNESS, EVC KIT MAIN STA SNGL VOLVO
7	1287283	RECEPTACLE, FEMALE 12V LONG THRD BLK		1847953	HARNESS, Y-SPLIT CABLE VOLVO
	1259977	PLATE, FEMALE 12V RECEPTACLE MNT		1847954	HARNESS, PCU TO HCU CABLE 7M VOLVO
8	1808840	DOOR, HDPE 290DA-06 HLM ACCES W/SS STHCO ARW	LABELS		
	1802622	DOOR, HDPE 290DA-06 HLM ACCES W/SS STHC NCKL (GEL-COATED DASH - NICKEL)		1749696	LABEL, DANGER COMBO-GAS POWERED BOAT RV1
	1892982	HINGE, 290DA-06 HLM ACCESS F/1808840/1802622 (PART OF 1808840 & 1802622)		1744804	LABEL, DANGER COMBO-DSL POWERED BOAT
9	1800636	ACC PART, VOLVO D4/D6 EVC DISPLAY		1743507	LABEL, DOOR MUST BE SECURED UNDERWAY
10	1799348	STEREO, REMOTE CNTRL W/DSP/L BLK FACE/SS BZL		1745519	LABEL, DANGER SHUT OFF ENG WHEN NEAR SWIMMERS
	1312750	CABLE, CLARION REMOTE EXTENSION CABLE 24'		1746899	LABEL, DANGER CARBON MONOXIDE (LEXAN)
11	1807449	RADIO, VHF NRTHSTR NS100		1752856	LABEL, WARNING LTD VISION FROM HELM STN
	1807869	HARNESS, NRTHSTR VHF BLKBX TO SPKR CBL 72" (PART OF 1807449)		1811368	LABEL, DANGER CO HELM 06
	1807871	HARNESS, NRTHSTR VHF BLKBX PWR CBL 6' (PART OF 1807449)		1744355	LABEL, CAUTION HATCH/CANVAS CURTAIN
	1807908	BASE, PLAS NRTHSTR VHF RADIO BLKBOX (PART OF 1807449)		1757259	LABEL, GALVANIC ISOLATOR INSTALLED REVERSE...
	1807910	RADIO, VHF NRTHSTR BLKBOX HANDSET (PART OF 1807449)		1142520	PLATE, CE OPT B:10PERSON/1180KG
	1807911	SPEAKER, REMOTE NRTHSTR VHF BLKBOX (PART OF 1807449)		1818577	LABEL, STICKER 290DA CANADIAN CONFORMITY
	1851777	RADIO, VHF MIC CLIP ONLY (PART OF 1807449)		1745159	LABEL, CAUTION BUSS ELECTRONICS (LEXAN)
	1878760	RADIO, VHF MIC PLATE BLK (PART OF 1807449)		1888197	PLATE, BUILDERS AU 07-290DA (FOR BOATS BUILT IN 2007)
	1807870	HARNESS, NRTHSTR VHF BLKBX SPKR-HNDSET EXT 3'		1850621	PLATE, BUILDERS AU 06-290DA (FOR BOATS BUILT IN 2006)
12	1797300	MODULE, ELEC SWPAD S-CRUISER PRT 05	NOT SHOWN		
13	1805767	INSERT, HDPE 290DA-06 THRTL BOX ARW		1754139	ADHESIVE, BOSTIK B960SR NICKLE 10.3OZ TUBE
	1805769	INSERT, HDPE 290DA-06 THRTL BOX NCKL		1795128	DEPTH FINDER, NRTHSTR 491FF MODULE
	598169	HALON CABLE, MANUAL PULL CABLE 18'		1795144	HARNESS, NRTHSTR 491FF PWR CBL 6FT0I (PART OF 1795128)
15	1799402	DOOR, HDPE 290DA-06 HLM ST STRG ARW W/SS STH		1795145	HARNESS, NRTHSTR 491FF TO 6000I CBL 10FT (PART OF 1795128)
	1892983	HINGE, 290DA-06 HLM ST STRG F/1799402 (PART OF 1799402)		1801244	DEPTH FINDER, DIGITAL SOUNDR MODL HSB2/DSM300
	1781434	LATCH, FLUSH MNT N/LOCKING SLAM SS		1847959	CONTROL, ELEC REMOTE SNGL VOLVO
	1781436	PLATE, FLAT BRKT 2" SHORT SCREW W/HDWR PKG		1847958	GAUGE, EVC LCD DISPLAY W/TRIP SOFTWARE
	663708	BUMPER, CLEAR .020" THICK			
16	145136	RECEPTACLE, CORR RESISTANT GREY			
	180067	COVER PLATE, WATERPROOF RECEPT W/2 DOORS			
	1787565	RECEPTACLE, LEVITON EXT W/CVR 220/50 GERMAN			
	627737	BOX, RECEPTACLE/SWITCH PVC 1-GANG DEEP			
17	1776899	COMPASS, FLUSH MT 4 3/16" WHT W/CONN			
	1776900	COMPASS, FLUSH MT 4 3/16" BLK W/CONN			
	1798174	BULB, COMPASS REPL (SUNSHADE) (PART OF 1776899 & 1776900)			
	1798175	BULB, COMPASS REPL (FRONT) (PART OF 1776899 & 1776900)			
18	1757822	CONTROL, CNSL MNT DUAL 4000 GEN II			
	1757821	CONTROL, CNSL MNT SGL 4000 GEN II			
19	1771016	LIGHT, NAV STERN FLSH MNT RND CHR/BRS W/CONN			
	901199	BULB, STERN NAV LIGHT REPL #137406-1227412 (PART OF 1771016)			
20	1799690	PANEL, 290DA-06 IGN/EXTNGSHR INDCTR TE			
	1799688	PANEL, BLANK:290DA-06 IGN/EXTNGSHR INDCTR TE (PART OF 1799690)			
	1799689	PANEL, 290DA-06 IGN/EXTNGSHR INDCTR SE			
	1801701	PANEL, BLANK:290DA-06 IGN/EXTNGSHR INDCTR SE (PART OF 1799689)			
	1801702	PANEL, BLANK:290DA-06 IGN/EXTNGSR INDCTR DSL			
	1801720	PANEL, 290DA-06 GEN REMOTE SW DSL			
21	1690557	SPEAKER, COAXIAL 6.5" N/CVR			
	1690558	GRILL, SPEAKER 6.5" ACOM WHT			
	1854215	SPEAKER, JL COMPONENT (HULL# 1353 -> UP)			
	1784476	SPEAKER, POLK/MOMO 6.5"MD-RNG/TWTR/CRSOVR WHT (HULL# 1201 -> 1352)			
	1765974	SPEAKER, POLK/MOMO EXT 6.5" MID-RANGE N/CVR (HULL# 1201 -> 1352) (PART OF 1784476)			

INSTRUMENT PANELS

TWIN ENGINE GAS



SINGLE ENGINE DIESEL



INSTRUMENT PANELS

- 1 1799682 PANEL, BLANK:290DA-06 INST TE W/SCRFT BLKCRL
- 2 1690511 GAUGE, 5" 4-IN-1 VOLT/OIL/TMP/TRIM S-CRFT
- 1690382 NUT, LOCK 110MM SPIN LOCK VDO
- 3 1777617 GAUGE, SYS TACH 3" S-CRFT 0-7000RPM RV2
- 1689881 GAUGE, LINK TACH 3" S-CRFT 0-6000RPM
- 1690381 NUT, LOCK 85MM SPIN LOCK VDO
- 4 1777616 GAUGE, SYS SPEED 3"SC 0-70MPH/RV2 POST 2602
- 1689917 GAUGE, LINK SPEED 3" S-CRFT 0-70MPH
- 1690381 NUT, LOCK 85MM SPIN LOCK VDO
- 5 1689853 GAUGE, FUEL LEVEL S-CRFT 2"
- 1690380 NUT, LOCK 52MM SPIN LOCK VDO
- 6 1799679 PANEL, BLANK:290DA-06 INST SE W/SCRFT BLKCRL
- 7 1847402 GAUGE, FUEL VOLVO
- 8 1847396 PANEL, TRIM VOLVO
- 1847401 GAUGE, TRIM VOLVO D3/D4/D6
- 1690031 GAUGE, ENG TRIM S-CRFT 2"
- 9 1847397 GAUGE, SPEEDO 0-70 MPH VOLVO
- 10 1847399 GAUGE, TACH LCD DISPLAY VOLVO D4/D6
- 11 1847404 GAUGE, OIL PRESS ENG PSI VOLVO
- 1689852 GAUGE, OIL PRESS 100 PSI S-CRFT 2"
- 12 1847400 GAUGE, TEMP C VOLVO
- 1689851 GAUGE, TEMP 250F S-CRFT 2"

HARNESSES

- 1507292 HARNESS, ENG SYSTEMS TACH/MONITOR
- 1802105 HARNESS, ENG MERC S-CRFT 14 PIN 20'
- 1802106 HARNESS, ENG MERC S-CRFT 14 PIN 25'
- 1805736 HARNESS, 290DA-06 VOLVO INTERFACE

MOUNTING KIT

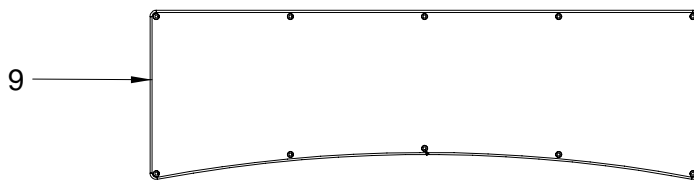
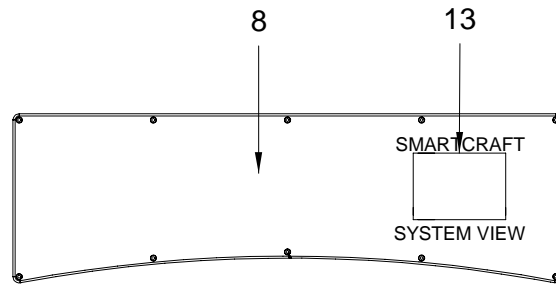
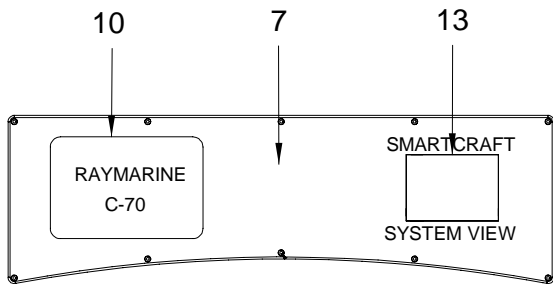
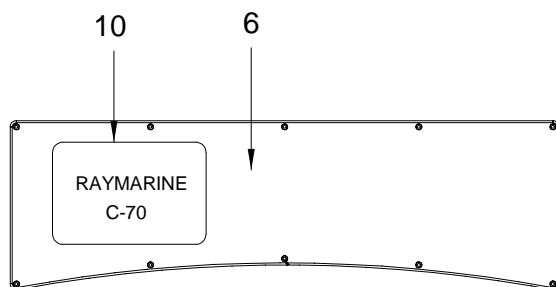
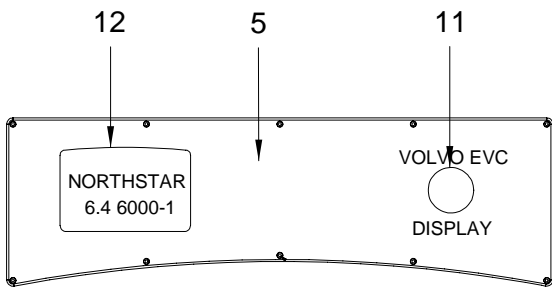
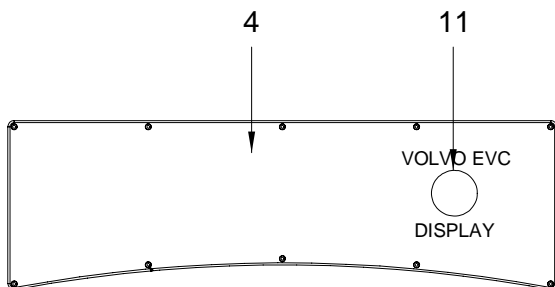
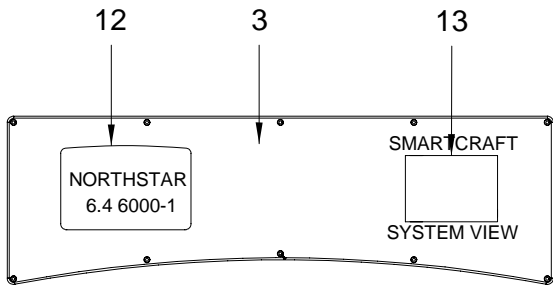
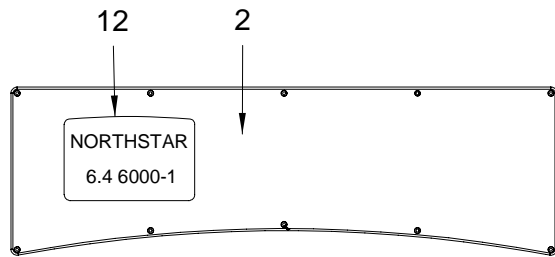
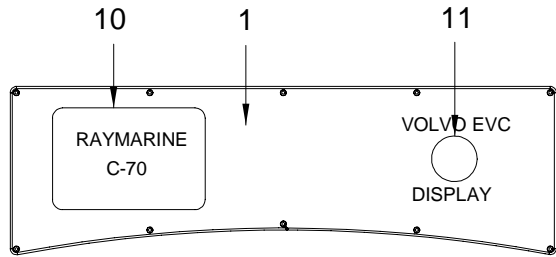
- 1847405 GAUGE, INST MNTG KIT 52MM VOLVO
- 1847406 GAUGE, INST MNTG KIT 85MM VOLVO

NOT SHOWN

- 1507326 ACC PART, MERC S-CRFT JUNC BOX 4-WAY
- 1727800 PITOT, S/CRFT SPEEDO KIT SML BLOCK
- 1767746 GAUGE, FUEL 2" SGL STA 12V W/PIGTL
- 1847949 RELAY, ACCY CNTRL 12V VOLVO
- 1847403 GAUGE, ALARM VOLVO

ELECTRONIC PANELS

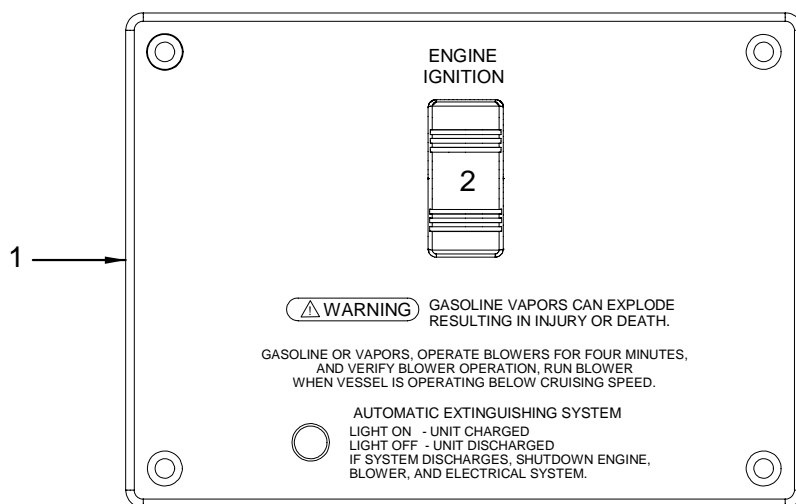
NOTE: ALL NORTHSTAR, RAYMARINE SHOULD BE ORDERED FROM VENDOR



ELECTRONIC PANELS

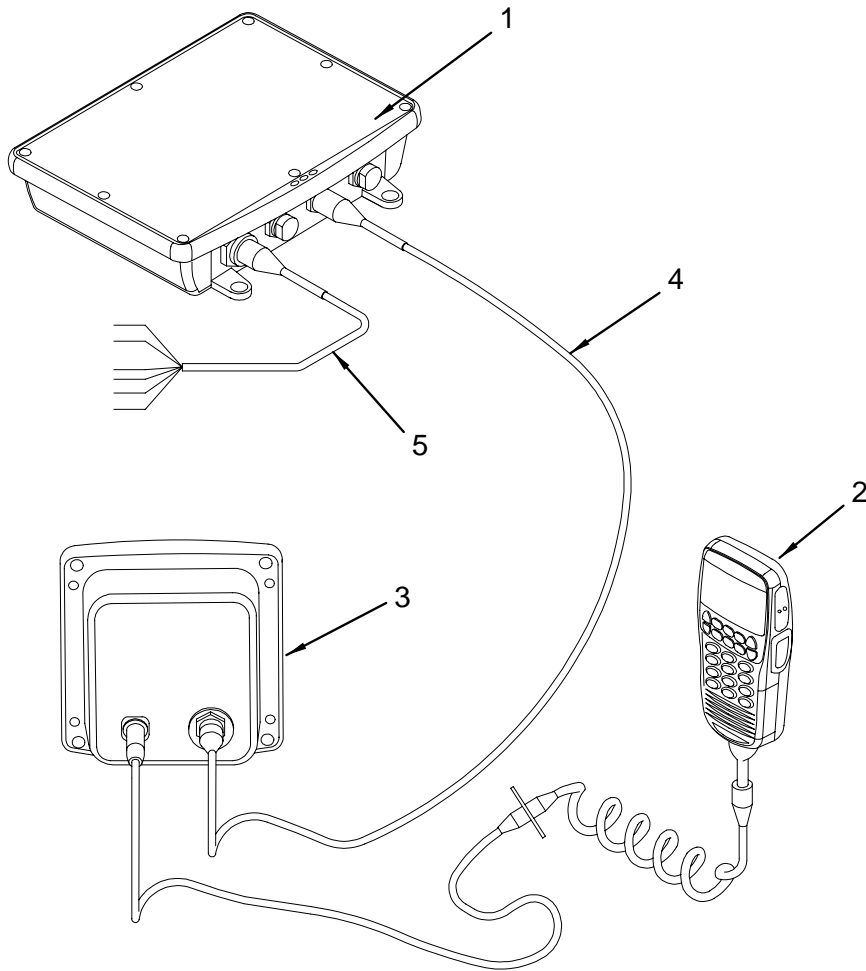
- 1 1801690 PANEL, BLANK:290DA-06 ELEC W/VLVO EVC/C70
- 2 1801694 PANEL, BLANK:290DA-06 ELEC NRTHSTR 6.4" 6000I
- 3 1801696 PANEL, BLANK:290DA-06 ELEC SYSVW/NSTR 6.4"
- 4 1801688 PANEL, BLANK:290DA-06 ELEC W/VLVO EVC DISPLY
- 5 1801691 PANEL, BLANK:290DA-06 ELEC VLVOEVC/NSTR 6.4"
- 6 1799686 PANEL, BLANK:290DA-06 ELEC W/C70
- 7 1799687 PANEL, BLANK:290DA-06 ELEC W/SCRFT SYSVW/C70
- 8 1799685 PANEL, BLANK:290DA-06 ELEC W/S-CRFT SYSVIEW
- 9 1836860 PANEL, BLANK:290DA-06 ELEC N/CUTOUTS
- 10 1772720 NAVIGATION DISPLAY, RAYMARINE C70 7" CLR LCD
- 11 1850928 TRIDATA, RAYTHEON (DEPTH,SPEED,TEMP,LOGO PLUS
(HULL# 1314 -> UP)
1408590 TRIDATA, RAYTHEON (DEPTH,SPEED,TEMP,LOG)
(HULL# 1201 -> 1313)
- 12 1792386 NAVIGATOR, NRTHSTR 6000I 6.4" CMPLT PKG
1795140 HARNESS, NRTHSTR 6000I NMEA I/O CBL
(PART OF 1792386)
1770972 HARNESS, NRTHSTR 6000I RADAR INTERFACE CBL
(PART OF 1792386)
1770973 HARNESS, POWER CBL KIT NRTHSTR 6000I
(PART OF 1792386)
1770976 NAVIGATOR, NRTHSTR 6000I GPS ANTENNA
(PART OF 1792386)
1770977 NAVIGATOR, NRTHSTR FLUSH MNT KNOB
(PART OF 1792386)
1792480 NAVIGATION DISPLAY, NRTHSTR 6000I 6.4"
(PART OF 1792386)
1807063 NAVIGATOR, NRTHSTR 6000I INSTALL KIT 6.4"
(PART OF 1792386)
1770974 HARNESS, GPS CBL 20' NRTHSTR 6000I
1770975 HARNESS, GPS CBL EXT 15' NRTHSTR 6000I
937490 FUSE BLOCK, 10-GNG BLADE-TYPE ELECTRONICS
730994 FUSE, BLADE TYPE CLOSED 7.5A
- 13 1816009 ACC PART, MERC S-CRFT SYS VIEW '06 VER 3.45

IGNITION/EXTINGUISHER SWITCH PANEL (SINGLE ENGINE)



IGNITION/EXTINGUISHER SWITCH PANEL (SINGLE ENGINE)

- 1 1799689 PANEL, 290DA-06 IGN/EXTNGSHR INDCTR SE (DIESEL ENGINE)
- 1801701 PANEL, BLANK:290DA-06 IGN/EXTNGSHR INDCTR SE (PART OF 1799689)
- 2 1323070 ACTUATOR, ROCK BLK W/O LENS ENG STRT/STP
- 1544196 SWITCH, DBL 2-CIRCUIT PROGRESSIVE

NORTHSTAR NS100SS VHF RADIO**NORTHSTAR NS100SS VHF RADIO**

- 1 1807908 BASE, PLAS NRTHSTR VHF RADIO BLKBOX
(PART OF 1807449)
- 2 1807910 RADIO, VHF NRTHSTR BLKBOX HANDSET
(PART OF 1807449)
- 3 1807911 SPEAKER, REMOTE NRTHSTR VHF BLKBOX
(PART OF 1807449)
- 4 1807869 HARNESS, NRTHSTR VHF BLKBX TO SPKR CBL 72"
(PART OF 1807449)
- 5 1807871 HARNESS, NRTHSTR VHF BLKBX PWR CBL 6'
(PART OF 1807449)

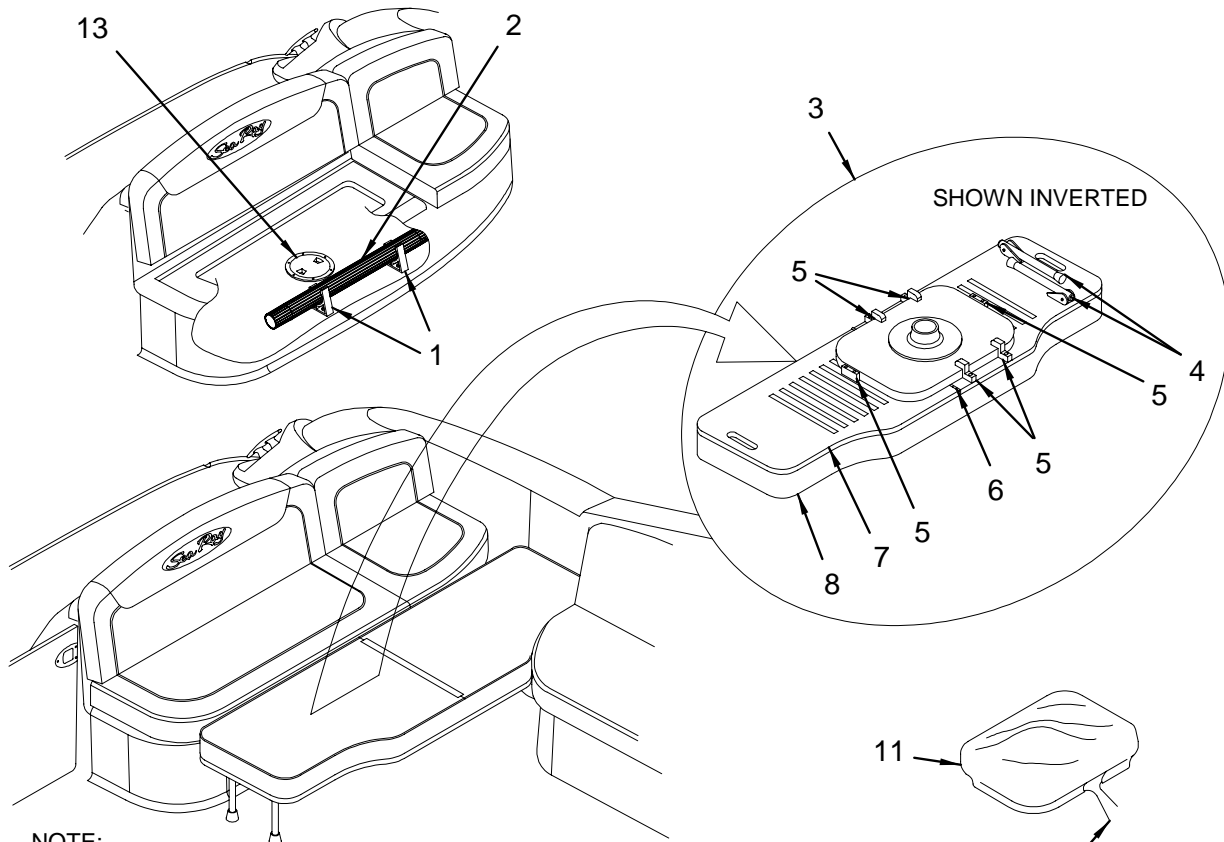
HARNESSES

- 1807870 HARNESS, NRTHSTR VHF BLKBX SPKR-HNDSET EXT 3'
(PART OF 1807449)

NOT SHOWN

- 1807449 RADIO, VHF NRTHSTAR NS100
- 1851777 RADIO, VHF MIC CLIP ONLY
(PART OF 1807449)
- 1878760 RADIO, VHF MIC PLATE BLK
(PART OF 1807449)
- 1687181 BOOT, PVC TERM INSUL CAP(485N9V02)RED

COCKPIT (AFT VIEW) SUNPAD

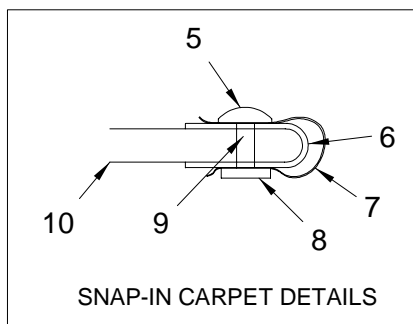
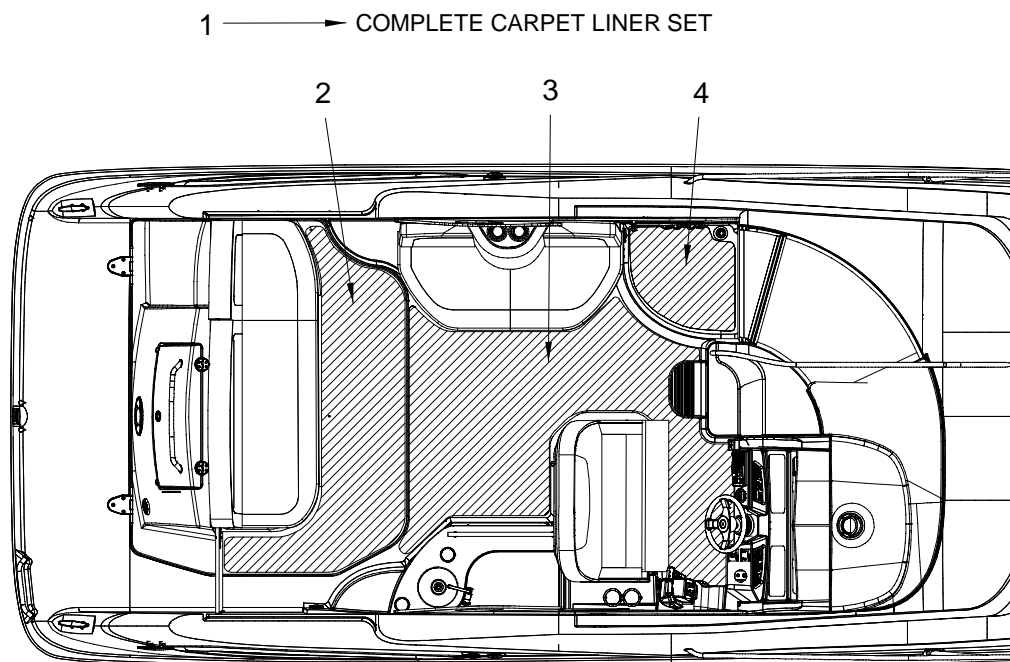


NOTE:
 THERE ARE TWO COLOR OF CLEATS ON BOTTOM OF BASE.
 VENDOR DOES NOT SEPARATE BREAKDOWN. WHEN ORDERING
 SPECIFY COLOR - WHITE OR GREY. PRICE IS FOR EACH WITH A
 QUANTITY OF ONE.

COCKPIT (AFT VIEW) SUNPAD

- 1 1500552 CLIP, TABLE LEG 60MM TUBE BLK
- 2 992495 POST, TABLE LEG 11.75" ANOD FLUTED
- 3 1838166 CUSH, 290DA-06 SNPD FILR W/BASE
- 4 1849985 LEG, FLDWN 290DA-06 SNPD FILR
 (PART OF 1838166)
- 5 1849982 CLEAT, HDPE 290DA-06 SNPD FILR
 (PART OF 1838166)
- 6 1849986 HINGE, 290DA-06 SNPD FILR BASE
 (PART OF 1838166)
- 7 1849981 BASE, HDPE 290DA-06 SNPD FILR
 (PART OF 1838166)
- 8 1849979 CUSH, 290DA-06 SNPD FILR
 (PART OF 1838166)
- 1849980 CUSH SKN, 290DA-06 SNPD FILR
 (PART OF 1838166)
- 9 1873380 TABLE, TEAK 290/320DA-07 CKPT W/BASE
 (HULL# 1266 -> UP)
- 1819913 TABLE, TEAK 290/320DA-06 CKPT W/CVR/BASE
 (HULL# 1201 -> 1265)
- 10 876979 BASE, LEG/POST SURF MT ALUM
 290DA 07,CANVAS,CVR TBL CKPT
- 11 1885257 CORD, SHOCK/BUNGEE 1/8" CLR CLAY
 (CORD FOR TABLE COVER)
- 12 1879445
- 13 983692 ACCESS PLATE, POLYPROP W/ O-RING 4" WHT
 (LOCATED IN AFT SEAT BASE STORAGE)

COCKPIT SNAP-IN CARPET LINER



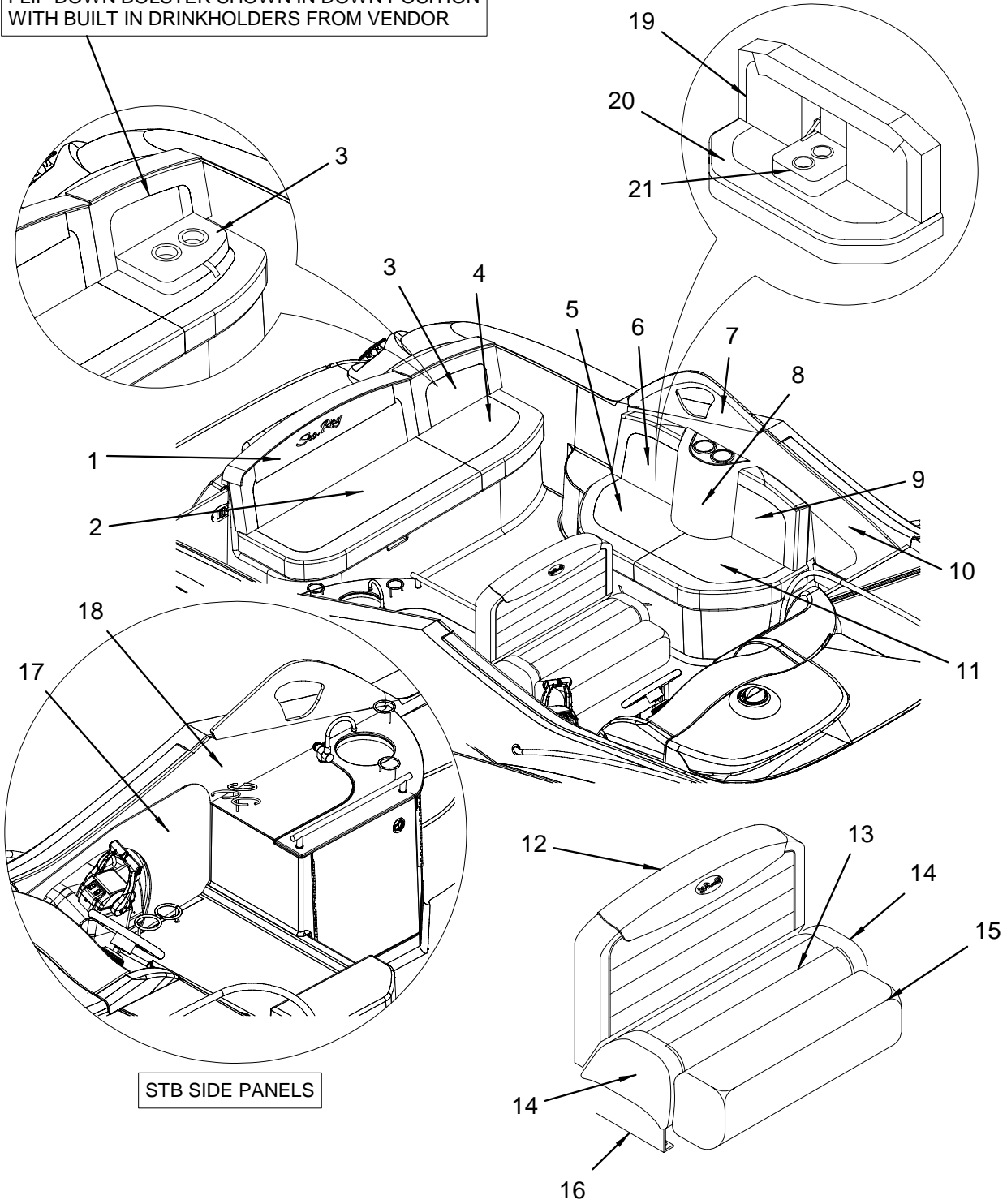
SNAP-IN CARPET DETAILS

COCKPIT SNAP-IN CARPET LINER

- 1 1874876 290DA 07,CARPET,SNPN LINER CMPLT
- 2 1874877 290DA 07,CARPET,AFT SNPN
- 3 1874878 290DA 07,CARPET,CTR SNPN
- 4 1874881 290DA 07,CARPET,FWD SNPN
- 5 154369 SNAP STUD, W/#8 X 3/8" PH SS
- 6 800326 BINDING, CANVAS 1" LINEN STRAIGHT SUNBRELLA
- 7 1790664 SNAP REINFORCEMENT, PLAS BACKER 500 PC/ROLL
- 8 1163864 SNAP SOCKET, W/ 1/8" HOLE
- 9 1163872 SNAP BUTTON, W/ 1/8" BARREL
- 10 1609916 CARPET, EXT 28 OZ DUNE PEBBLE #902 RL 7"W
(CARPET USED FOR CARPET LINER)

COCKPIT (UPHOLSTERY)

FLIP DOWN BOLSTER SHOWN IN DOWN POSITION WITH BUILT IN DRINKHOLDERS FROM VENDOR



STB SIDE PANELS

COCKPIT (UPHOLSTERY)

- 1 1808382 CUSH, 290DA-06 AFT SEAT B/R STB
1809068 CUSH SKN, 290DA-06 AFT SEAT B/R STB
- 2 1808380 CUSH, 290DA-06 AFT SEAT STB
1809123 CUSH SKN, 290DA-06 AFT SEAT STB
- 3 1808381 CUSH, 290DA-06 AFT SEAT FLIP-DWN B/R PRT
1809124 CUSH SKN, 290DA-06 AFT ST B/R PRT W/DRNKHLD
- 4 1808379 CUSH, 290DA-06 AFT SEAT PRT
1809070 CUSH SKN, 290DA-06 AFT SEAT PRT
- 5 1808384 CUSH, 290DA-06 PRT SEAT AFT
(HULL# 1201 -> 1408)
1809125 CUSH SKN, 290DA-06 PRT SEAT AFT
(HULL# 1201 -> 1408)
- 6 1808386 CUSH, 290DA-06 PRT SEAT B/R AFT
(HULL# 1201 -> 1408)
1809126 CUSH SKN, 290DA-06 PRT SEAT B/R AFT
(HULL# 1201 -> 1408)
- 7 1890896 PANEL, 290DA-07 PRT SIDE UPR N/TREES
1811963 FILLER, LDPVC CKPT SIDE PNL SPKR ARW
- 8 1808387 CUSH, 290DA-06 PRT SEAT B/R CNTR COLUMN
(HULL# 1201 -> 1408)
1809127 CUSH SKN, 290DA-06 PRT SEAT B/R CNTR COLUMN
(HULL# 1201 -> 1408)
- 9 1808385 CUSH, 290DA-06 PRT SEAT B/R FWD
(HULL# 1201 -> 1408)
1809128 CUSH SKN, 290DA-06 PRT SEAT B/R FWD
(HULL# 1201 -> 1408)
- 10 1808393 PANEL, 290DA-06 PRT SIDE LWR
- 11 1808383 CUSH, 290DA-06 PRT SEAT FWD
(HULL# 1201 -> 1408)
1809129 CUSH SKN, 290DA-06 PRT SEAT FWD
(HULL# 1201 -> 1408)
- 12 1833467 CUSH, 290DA-06 DBL H/S B/R
1838753 CUSH SKN, 290DA-06 DBL H/S B/R
1874910 290DA 07,H/S SHELL,FBRGLS
- 13 1833468 CUSH, 290DA-06 DBL H/S
1838754 CUSH SKN, 290DA-06 DBL H/S BTM
1798770 BRACKET, HELM SEAT 3/4"X2.25"X1/2"OFF-SET SS
- 14 1833470 CUSH, 290DA-06 DBL H/S SIDE BLSTR P&S
1838755 CUSH SKN, 290DA-06 DBL H/S SIDE BLSTR PRT/STB
- 15 1833469 CUSH, 290DA-06 DBL H/S THGHRS W/BRKTS
1838756 CUSH SKN, 290DA-06 DBL H/S THRS
- 16 1726762 SUPPORT, ALUM 340DA-03 BKT SEAT PWDRCT
- 17 1808395 PANEL, 290DA-06 STB SIDE LWR
- 18 1890897 PANEL, 290DA-07 STB SIDE UPR N/TREES
- 19 1887174 CUSH, 290DA-07 PRT SEAT B/R
(HULL# 1409 -> UP)
1895929 CUSH SKN, 290DA-07 PRT SEAT B/R
(HULL# 1409 -> UP)
- 20 1887175 CUSH, 290DA-07 PRT SEAT
(HULL# 1409 -> UP)
1895930 CUSH SKN, 290DA-07 PRT SEAT
(HULL# 1409 -> UP)
- 21 1887176 CUSH, 290DA-07 PRT SEAT FLIP-DWN B/R
(HULL# 1409 -> UP)
1895931 CUSH SKN, 290DA-07 PRT SEAT FLIP-DWN B/R
(HULL# 1409 -> UP)

COCKPIT STORAGE/NON-VISIBLE CARPET

- 1752085 CARPET, EXT 24 OZ NICKEL BT
(GLUED IN CARPET)

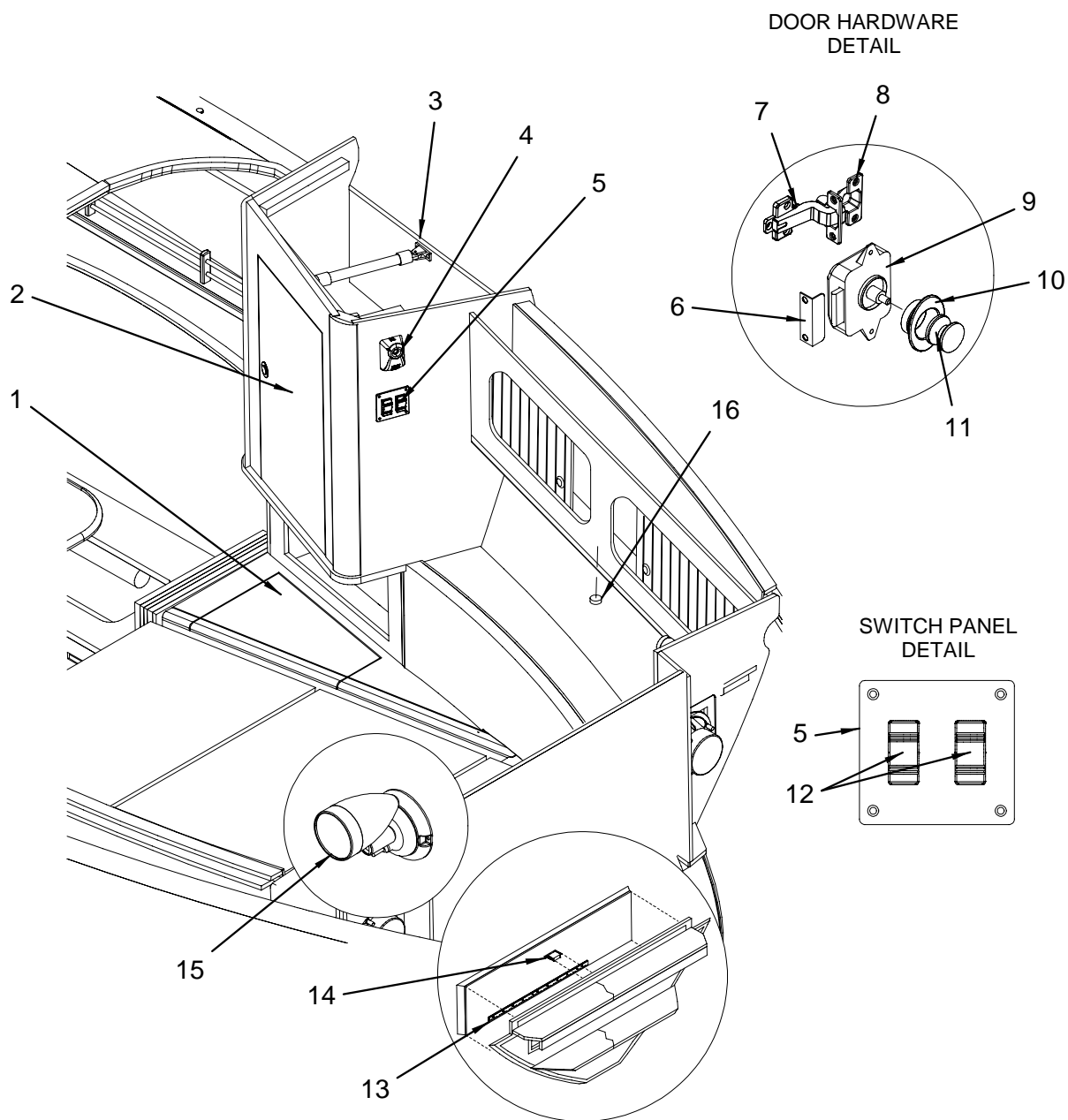
NOT SHOWN

- 1820025 UPH PARTS, DOUBLE END TREE CLIP 1M/CTN F

VELCRO

- 1286426 VELCRO, DUAL LOCK CLR 1"X 50YD W/ADH BACK

FORWARD STATEROOM (PORT VIEW)



FORWARD STATEROOM (PORT VIEW)

- 1 1874887 290DA 07,DOOR,STRG PRT FWDSTRM
- 2 1874886 290DA 07,DOOR,H/L PRT FWDSTRM
- 3 799114 BAR, HANGING ROD (CLOTHES) ALUM 12.75"
- 4 1781228 MONITOR, CO DETECTOR WHT CMD-4
- 1782156 PLATE, CO MONITOR BCKNG WHT CMD-4
(PART OF 1781228)
- 1816921 PLATE, CO MONITOR BCKNG CMD-4M-RLY-FCB W/CONN
- 5 1804371 PANEL, 290DA-06 CABIN LT SW DUAL 2-WAY BLK
- 1541655 ACTUATOR, ROCK SWITCH-LIGHTS BLK
(PART OF 1804371)
- 1609312 BODY, ROCK SW SPDT BLK 12V INCAND NON-LIT
(PART OF 1804371)
- 6 761445 CATCH, RIM-LOCK STRIKE PLATE
- 7 839399 HINGE, SELF CLOSING BLUM SCREW-ON
- 8 525667 HINGE, CONCEALED FULL OVERLAY MT PLATE ONLY
- 9 772418 CATCH, RIM-LOCK WHT
- 10 1776837 PULL, ROSETTE SAT/NCKL RND 16MM (5/8")
- 11 1742136 PULL, PUSH-BUTTON KNOB SAT/NCKL
- 12 1609312 BODY, ROCK SW SPDT BLK 12V INCAND NON-LIT
- 1541655 ACTUATOR, ROCK SWITCH-LIGHTS BLK
- 13 1817501 HINGE, AL CONT 3"X 53.75" SAT
- 14 390849 CATCH, GRABBER LATCH W/10LB HOLD BLK PLAS
- 15 1803184 SPOTLIGHT, SWVL TASK BRSHD SS W/SW W/CONN
- 1820310 BULB, REPL FOR #1803184/1831205
(PART OF 1803184)
- 16 1803185 LIGHT, INDIRECT LED WHT BUTTON W/COLLAR/CONN
(REPLACEMENT BULB NOT SOLD SEPARATELY)

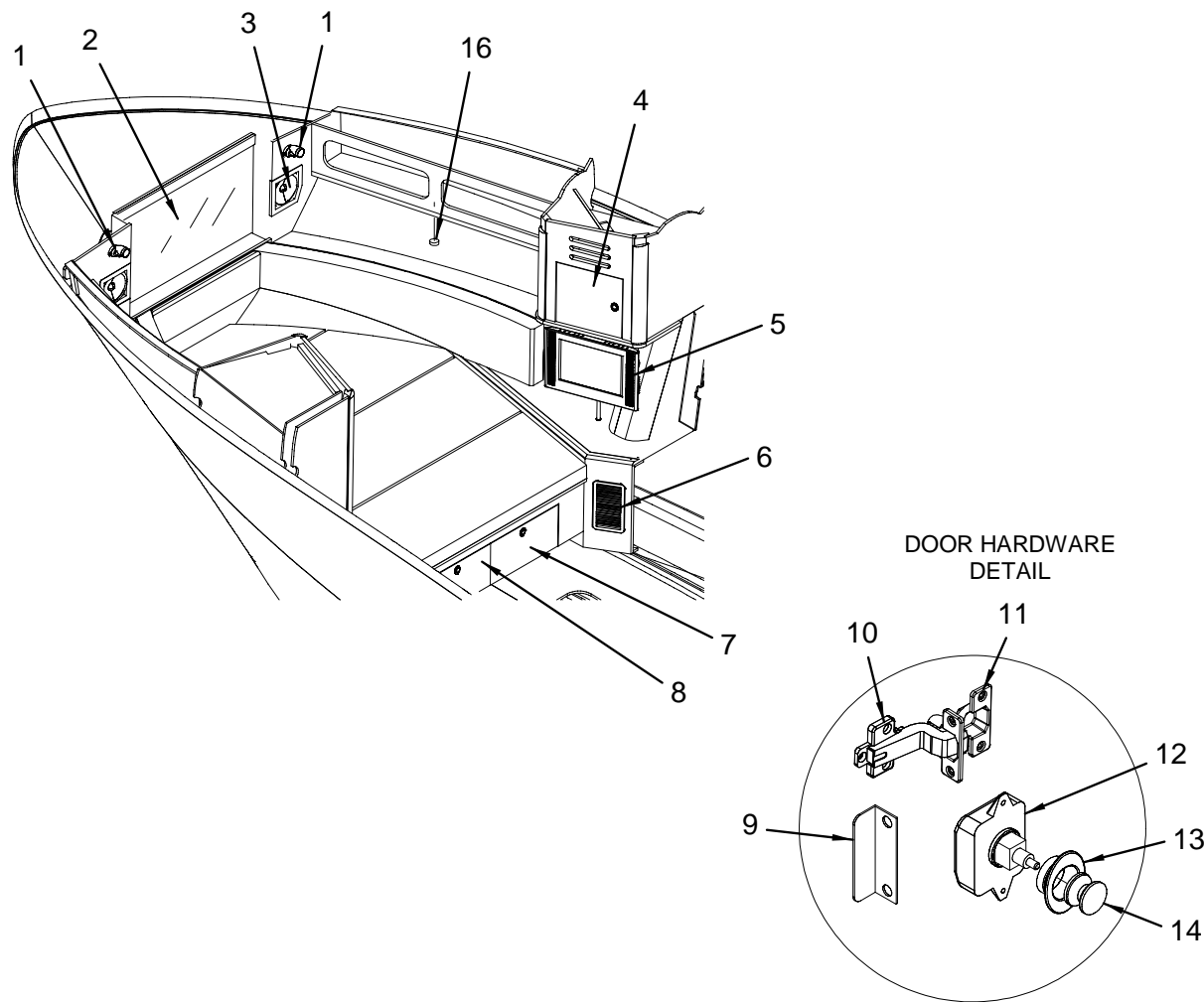
BRACKETS

- 835835 BRACKET, ALUM 1"X 1"X 3" 3/16"HOLES 2SIDES
- 835850 BRACKET, ALUM 1"X 1"X 1" 3/16"HOLES
- 952804 BRACKET, ALUM 2"X 1/8"X 5" 8@3/16"HOLES
- 836122 BRACKET, PVC 1.5"X 1.5"X 3" 3/16"HOLES

NOT SHOWN

- 798314 SNAP CAP, PRESS-ON COVER #2 PHILLIP BLK
- 663708 BUMPER, CLEAR .020" THICK
(DOOR BUMPER)
- 563205 TRIM, VINYL 5/8" POLISHED CHROME
- 1764546 SCREEN, DECK TRAPEZOID SKYSCREEN MK5
- 1798386 SCREEN, DECK TRAPEZOID SKYSCREEN SHADE ONLY
(PART OF 1764546)
- 1798387 SCREEN, DECK TRAPEZOID SKYSCREEN SCREEN ONLY
(PART OF 1764546)
- 1806312 TRIM RING, T/F SKYLIGHT INR CUSTOM PRT TAN
- 1806313 TRIM RING, T/F SKYLIGHT INR CUSTOM STB TAN

FORWARD STATEROOM (STARBOARD VIEW)



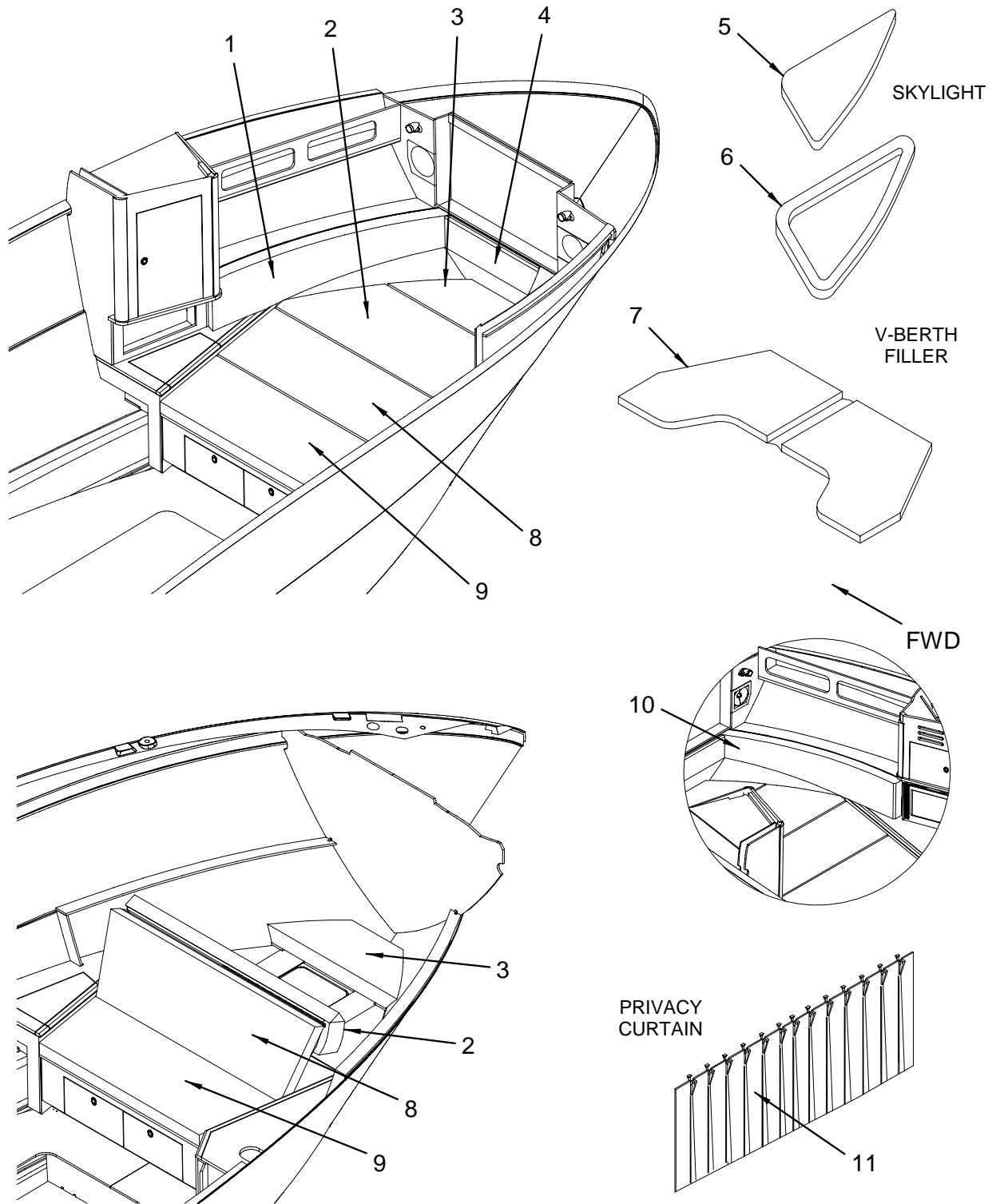
FORWARD STATEROOM (STARBOARD VIEW)

NOT SHOWN

- 1 1803184 SPOTLIGHT, SWVL TASK BRSHD SS W/SW W/CONN
- 1820310 BULB, REPL FOR #1803184/1831205
(PART OF 1803184)
- 2 1874871 290DA 07,MIR ASSY,FWDSTRM
- 1806431 MIRROR, 1/8"X 21.25"P/E X 35.5"CLEAR
- 3 1690557 SPEAKER, COAXIAL 6.5" N/CVR
- 4 1874872 290DA 07,DOOR,STRG UPR STB FWDSTRM
- 5 1804801 TELEVISION, 15" LG LCD W/SIDE SPKRS
- 1890399 TELEVISION, 15" SHARP LCD PAL W/BTM SPEAKER
(HULL# 1359 -> UP)
- 1804807 TELEVISION, 15" LG LCD PAL
(HULL# 1201 -> 1358)
- 1787507 RECEPTACLE, DUPLEX BRN 15A LVT
- 1787508 COVER PLATE, SGL DUPLEX RECEPT BRN LVT
- 1768472 PLUG, 220V BLK RECEPTACLE
- 6 859280 A/C COMP, GRILL 6X10 CLW
- 7 1874873 290DA 07,DOOR,STRG LWR STB FWDSTRM
- 8 1874875 290DA 07,DOOR,STRG LWR PRT FWDSTRM
- 9 761445 CATCH, RIM-LOCK STRIKE PLATE
- 10 839399 HINGE, SELF CLOSING BLUM SCREW-ON
- 11 525667 HINGE, CONCEALED FULL OVERLAY MT PLATE ONLY
- 12 772418 CATCH, RIM-LOCK WHT
- 13 1776837 PULL, ROSETTE SAT/NCKL RND 16MM (5/8")
- 14 1742136 PULL, PUSH-BUTTON KNOB SAT/NCKL
- 15 1803185 LIGHT, INDIRECT LED WHT BUTTON W/COLLAR/CONN
(REPLACEMENT BULB NOT SOLD SEPARATELY)

- 663708 BUMPER, CLEAR .020" THICK
(DOOR BUMPER)
- 195032 HINGE, AL CONT 1.25" X 72" BRITE

FORWARD STATEROOM (UPHOLSTERY)



FORWARD STATEROOM (UPHOLSTERY)

1	1874847	290DA 07,BLSTR,PRT FWDSTRM
	1874848	290DA 07,BLSTR SKN,PRT FWDSTRM
2	1874855	290DA 07,CUSH,CTR FWD FWDSTRM
	1874856	290DA 07,CUSH SKN,CTR FWD FWDSTRM
3	1874853	290DA 07,CUSH,FWD FWDSTRM
	1874854	290DA 07,CUSH SKN,FWD FWDSTRM
4	1874852	290DA 07,BLSTR,CTR FWDSTRM
	1874851	290DA 07,BLSTR SKN,CTR FWDSTRM
5	1874905	290DA 07,CVR,PRT SKYLIGHT FWDSTRM
	1874906	290DA 07,CVR,STB SKYLIGHT FWDSTRM
6	1874903	290DA 07,MUFF,PRT SKYLIGHT FWDSTRM
	1874904	290DA 07,MUFF,STB SKYLIGHT FWDSTRM
7	1874907	290DA 07,CUSH,FILR FWDSTRM
	1874908	290DA 07,CUSH SKN,FILR FWDSTRM
8	1874858	290DA 07,CUSH,CTR AFT FWDSTRM
	1874857	290DA 07,CUSH SKN,CTR AFT FWDSTRM
9	1874859	290DA 07,CUSH,AFT FWDSTRM
	1874860	290DA 07,CUSH SKN,AFT FWDSTRM
10	1874849	290DA 07,BLSTR,STB FWDSTRM
	1874850	290DA 07,BLSTR SKN,STB FWDSTRM
11	1839618	CURTAIN, 290DA-07 GLAMOUR OATML FWD PRIV
	1840179	CURTAIN, 290DA-07 MOREHEAD/PRL FWD PRIV
	186676	UPH PARTS, DRAPE CEILING BRKT
	221325	UPH PARTS, END STOP W/SCREW
	737239	TRACK, ALUM CURT TRK 8'1 BEAM TYPE

ACCENT VINYL

989426	VINYL, ALLANTE II BLK EXP FLAT (CABINERY TRIM)
1733925	VINYL, ALLANTE II BLK EXP W/1/4"FB (CABINERY TRIM)

BOLSTER MATERIAL

1792444	FABRIC, SLEEK/WHEAT FLAT (INTERIOR D)(SEAT CUSHION & BACK BOLSTER)
1768940	FABRIC, GLAMOUR OATML FLAT (INTERIOR A, B)(SEAT CUSHION & BACK BOLSTER)
1802191	FABRIC, MOREHEAD/PEARL T533/922882 FLAT (INTERIOR C)(SEAT CUSHION & BACK BOLSTER)
1833430	FABRIC, WALTER/SUEDE FLAT (INTERIOR B)(BACK BOLSTER ONLY)

CURTAINS

1839618	CURTAIN, 290DA-07 GLAMOUR OATML FWD PRIV (FWD PRIVACY - FWD STATEROOM)
1840179	CURTAIN, 290DA-07 MOREHEAD/PRL FWD PRIV (FWD PRIVACY - FWD STATEROOM)

CUSHION MATERIAL

1792444	FABRIC, SLEEK/WHEAT FLAT (INTERIOR D)(SEAT CUSHION & BACK BOLSTER)
1768940	FABRIC, GLAMOUR OATML FLAT (INTERIOR A, B)(SEAT CUSHION & BACK BOLSTER)
1802191	FABRIC, MOREHEAD/PEARL T533/922882 FLAT (INTERIOR C)(SEAT CUSHION & BACK BOLSTER)

FOAM

1806434	FOAM, P/C 290DA-06 FWD STRM CUSH ST
---------	-------------------------------------

HEADLINER/HULL LINER/WASHABLE SURFACE

1140367	VINYL, RVIEW LT CAMEO N/W FLAT
1747515	VINYL, RVIEW LT CAMEO N/W 1/4"FB
1736787	VINYL, RVIEW LT CAMEO N/W 1/2"FB

INTERIOR CARPET

1467182	CARPET, INT 44 OZ WHEATON 6'W 100% BCF NYLON (GLUED IN CARPET)
---------	---

NOT SHOWN

122929	TRACK, TAMBOUR SLIDE LEFT SPIRAL
122937	TRACK, TAMBOUR SLIDE RIGHT SPIRAL
1893700	BUMPER, CLEAR 3/8"W X 5/32"T

PILLOW PACKAGES

1794299	PILLOW PKG, 2006/07 SPCR VBRTH PKGD (2) (INTERIOR D)(V-BERTH)
1794279	PILLOW PKG, 2006/07 SPCR VBRTH/MIDCAB PKGA(2) (INTERIOR A)(V-BERTH & SALON)
1839721	PILLOW PKG, 2007 SPCR VBRTH/MIDCAB PKGB (2) (INTERIOR B)(V-BERTH & SALON)

PILLOW PACKAGES (continued)

1839847	PILLOW PKG, 2007 SPCR VBRTH/MIDCAB PKGC (2) (INTERIOR C)(V-BERTH & SALON)
---------	--

SPEAKER COVER MATERIAL

1090430	FABRIC, SPKR CLOTH CREPE BUFF #18994 1/8"FB
---------	---

STORAGE & BUNK TOPS

1128487	FABRIC, GEOMETRIC STRAW (NDLPNCH) W/BACK
---------	--

UPHOLSTERY MATERIALS

177881	ZIPPER, #5 DELRIN CONTINUOUS BLK
180182	ZIPPER, #5 DELRIN CONTINUOUS WHT
178327	SLIDE, DELRIN #5 BLK 1-S LOCK
180406	SLIDE, DELRIN #5 WHT 1-S LOCK
291138	FABRIC, DYMETROL MATERIAL
103309	MESH, WHITE 60"

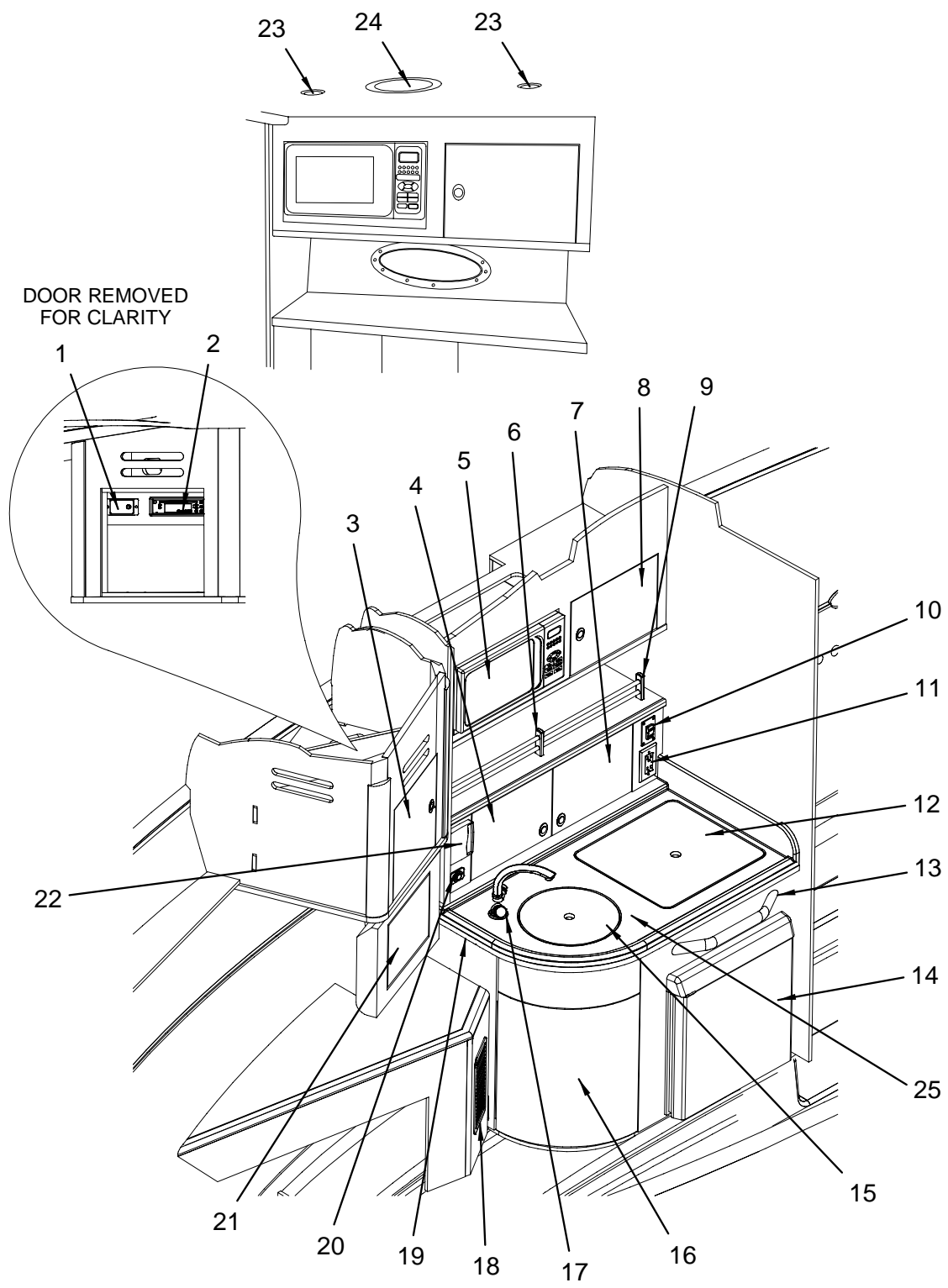
VINYLS

1003474	VINYL, ALLANTE II CREAM EXP FLAT (INTERIOR A, B, D) (INTERIOR SEATING & V-BERTH BUNK BOLSTER)
1142165	VINYL, ALLANTE II WHT SAND EXP FLAT (INTERIOR C) (INTERIOR SEATING & V-BERTH BUNK BOLSTER)

WELT

1142181	WELT, RVIEW LT CAMEO 5/32"
---------	----------------------------

GALLEY



GALLEY

1	1180041	ANTENNA, TV AMP W/SHIP/SHORE A/B SW 12/24VDC	14	1805288	REFRIGERATOR, 2.7 CF HOLDER SHELF REAR (PART OF 1658368)		
2	1817493	DVD, KEC 12V DVD3 DIN		1805289	REFRIGERATOR, 2.7 CF ICE CUBE TRAY (PART OF 1658368)		
	1819303	DVD, KEC 12V DVD3 ZONEFREE		1805290	REFRIGERATOR, 2.7 CF FRAME CVR/4 SIDES BLK (PART OF 1658368)		
	1848849	REMOTE, DVD KEC 12V DVD2M/3M ZONEFREE (PART OF 1817493 & 1819303)		1805291	REFRIGERATOR, 2.7 CF FRAME CAB LH (PART OF 1658368)		
	1759176	EXTENSION, CABLE A/V 6' RCA W/MALE CONN		1805292	REFRIGERATOR, 2.7 CF FRAME CAB BTM (PART OF 1658368)		
	1803007	VIDEO EQUIPMENT, REMOTE GAMING SYS INPUT PNL		1805293	REFRIGERATOR, 2.7 CF FRAME CAB RH (PART OF 1658368)		
	1803988	HARNESS, 290DA-06 TV W/SEPARATE DVD		1805294	REFRIGERATOR, 2.7 CF BUSHING (PART OF 1658368)		
	1813842	MOUNTING KIT, SLEEVE FOR DVD2		1805295	REFRIGERATOR, 2.7 CF BUSHNG "I" (PART OF 1658368)		
3	1874872	290DA 07, DOOR, STRG UPR STB FWD STRM		1805570	REFRIGERATOR, 2.7 CF DOOR HANDLE ASSY (PART OF 1658368)		
4	1874889	290DA 07, DOOR, STRG MID FWD GLY		1671064	REFRIGERATOR, 2.7 CF AC/DC 220/50 (220V)		
5	1687637	MICROWAVE, SYLVANIA 0.5CF BLK 110V		1806041	REFRIGERATOR, 2.7 CF DOOR ASSY 220/50 (PART OF 1671064)		
	1793050	MICROWAVE, SYLVANIA 0.5CF BLK 220V		15	1794090	COVER, CORIAN 290DA-06 GLY SINK BRNT AMBR	
6	1802279	STANCHION, SS 290DA-06 STRG SHELF CNTR			1794091	COVER, CORIAN 290DA-06 GLY SINK SNDSTN	
	1804381	ROD, ACRYLIC 1/2" X 6' BLK			1063445	SINK, SS 12"DIA X 7" DEEP RND	
7	1874891	290DA 07, DOOR, STRG MID AFT GLY		16	1874893	290DA 07, DOOR, STRG LWR GLY	
8	1874888	290DA 07, DOOR, STRG UPR GLY			1809136	STOP, DOOR STEEL FLAP STAY 78DEG BRN/NCKL	
9	1802257	STANCHION, SS 290DA-06 STRG SHELF END			156893	WEBBING, POLYPROPYLENE 1" BLACK	
10	1688434	PANEL, 340DA-03 SLN/FWD STRM LIGHT SW BLK		17	1772522	FAUCET, GLY 7"RISE BRUSHED NCKL/CHR	
	797761	BODY, ROCK SW SPST BLK 12V INCAND NON-LIT (PART OF 1688434)			1807537	FAUCET, GLY 7"RISE HANDLE CAP BRSHD NCKL/CHR (PART OF 1772522)	
	1541655	ACTUATOR, ROCK SWITCH-LIGHTS BLK (PART OF 1688434)			1807538	FAUCET, GLY 7"RISE HNDL SCREW BRSHD NCKL/CHR (PART OF 1772522)	
11	1787503	RECEPTACLE, GFCI DPLX BLK W/IND LIGHT 15A LVT			1807539	FAUCET, GLY 7"RISE HNDL WASHER BRSHD NCKL/CHR (PART OF 1772522)	
12	1802468	COVER, CORIAN 290DA-06 STOVE BRNT AMBR PLSHD			1807540	FAUCET, GLY 7"RISE HNDL RING BRSHD NCKL/CHR (PART OF 1772522)	
	1479146	COVER, CORIAN 280DA-01 STOVE SNDSTN POLISHED			1807541	FAUCET, GLY 7"RISE HANDLE BRSHD NCKL/CHR (PART OF 1772522)	
	1802471	INSERT, CORIAN 280DA-06 STOVE BRNT AMBR BUTNE			1807542	FAUCET, GLY 7"RISE VALVE BRSHD NCKL/CHR (PART OF 1772522)	
	1511070	INSERT, CORIAN 280DA-01 STOVE SNDSTN BUTANE			1807543	FAUCET, GLY 7"RISE SPOUT BRSHD NCKL/CHR (PART OF 1772522)	
	1802472	INSERT, CORIAN 280DA-06 STV BRNTAMBR ALC/ELEC			1807544	FAUCET, GLY 7"RISE AERATOR BRSHD NCKL/CHR (PART OF 1772522)	
	1510650	INSERT, CORIAN 280DA-01 STOVE SNDSTN ALC/ELEC			1807545	FAUCET, GLY 7"RISE MOUNTING BRSHD NCKL/CHR (PART OF 1772522)	
	1494418	STOVE, ELEC 1-BURNER CARIBBEAN COOKTOP 110		18	859280	A/C COMP, GRILL 6X10 CLW	
	1494459	STOVE, ELEC 1-BURNER CARIBBEAN COOKTOP 240			19	1818955	FBRGLS PART, 290DA-06 GLY TOP BRNTAMBR (PINN)
	1060060	STOVE, BUTANE SGL BURNER W/GLASS LID/POT HOLD (PART OF 1060060)				1818954	FBRGLS PART, 290DA-06 GLY TOP SNDSTN (PINNCL)
	1797614	STOVE, BUTANE SGL BURNER POT HLDR ONLY (PART OF 1060060)				1780215	NOSING, ALUM 5/8" X 12' T-1 ROUNDED BRUSHED
	1797616	STOVE, BUTANE SGL BURNER LID STAY ONLY (PART OF 1060060)		20	1287283	RECEPTACLE, FEMALE 12V LONG THRD BLK	
	1797617	STOVE, BUTANE SGL BURNER TEMP GLASS LID ONLY (PART OF 1060060)			1259977	PLATE, FEMALE 12V RECEPTACLE MNT	
	1797618	STOVE, BUTANE SGL BURNER DOOR GAS COMPARTMENT (PART OF 1060060)			1744738	LABEL, RECEPTACLE 12V-15A MAX (LEXAN)	
	1797619	STOVE, BUTANE SGL BURNER END CAP ONLY (PART OF 1060060)		21	1804801	TELEVISION, 15" LG LCD W/SIDE SPKRS	
	1389402	STOVE, BUTANE SGL BURNER W/GLS LID/POT HLD CE			1890399	TELEVISION, 15" SHARP LCD PAL W/BTM SPEAKER (HULL# 1359 -> UP)	
	729954	STOVE, ALC/ELEC 1-BURNER W/BLK GLASS LID 110V			1804807	TELEVISION, 15" LG LCD PAL (HULL# 1201 -> 1358)	
	729962	STOVE, ALC/ELEC 1-BURNER W/BLK GLASS LID 220V			1804105	SUPPORT, SS 290DA-06 SLN TV W/SWVL/VERT ADJ	
	1194539	SWITCH, PUSH-BUTTON STOVE W/48"20GA WIRE 12OZ			1793987	GROMMET, PLAS FLANGE/INSERT 2" BLK	
	1763796	RAIL, STOVE 1-BURNER ALCOHOL			1787507	RECEPTACLE, DUPLEX BRN 15A LVT	
13	1747819	RAIL, GRAB 18" OVAL W/STUD 316L			1787508	COVER PLATE, SGL DUPLEX RECEPT BRN LVT	
14	1658368	REFRIGERATOR, 2.7 CF			1768472	PLUG, 220V BLK RECEPTACLE	
	1738813	LATCH, COVER PLATE FOR TRAVEL LATCH (PART OF 1658368)			637058	CONN, COAX EURO TV ADAPTER "F" TYPE	
	1738814	LATCH, TRAVEL LATCH SPRING (PART OF 1658368)		22	1604271	A/C COMP, DISPLAY ECU BLK W/3/4" DOOR	
	1738816	LATCH, TRAVEL PLATE (PART OF 1658368)			1055821	A/C COMP, FACE PLATE FOR CONTROL BLK (PART OF 1604271)	
	1804906	REFRIGERATOR, 2.7 CF CVR-CNTRL (PART OF 1658368)		23	1805075	LIGHT, RIGG 6.25" RECESSED 12V/20W SAT NCKL	
	1804907	REFRIGERATOR, 2.7 CF HINGE ASSY (PART OF 1658368)			1425024	BULB, REPL FOR #1197466 12V/20W HALOGEN (PART OF 1805075)	
	1804908	REFRIGERATOR, 2.7 CF PARTITION DOOR POCKET (PART OF 1658368)		24	1803185	LIGHT, INDIRECT LED WHT BUTTON W/COLLAR/CONN (REPLACEMENT BULB NOT SOLD SEPARATELY)	
	1804994	REFRIGERATOR, 2.7 CF DOOR SHELF BIN (PART OF 1658368)			25	1885294	FBRGLS PART, 290DA-07 GLY TOP BRNTAMBR (PHNX)
	1804995	REFRIGERATOR, 2.7 CF DOOR FRAME BTM (PART OF 1658368)			1885293	FBRGLS PART, 290DA-07 GLY TOP SNDSTN (PHNX)	
	1805268	REFRIGERATOR, 2.7 CF CVR HINGE LH (PART OF 1658368)		ADHESIVES			
	1805269	REFRIGERATOR, 2.7 CF CVR HINGE RH (PART OF 1658368)		1785063	ADHESIVE, BOSTIK 940A WHITE SAUSAGE TUBE (FLOORING, SIMULATED TEAK - CABIN)		
	1805270	REFRIGERATOR, 2.7 CF DOOR PNL BLK (PART OF 1658368)		BRACKETS			
	1805271	REFRIGERATOR, 2.7 CF DOOR FRAME ASSY (PART OF 1658368)		835835	BRACKET, ALUM 1" X 1" X 3" 3/16" HOLES 2SIDES		
	1805284	REFRIGERATOR, 2.7 CF DOOR ASSY (PART OF 1658368)		836023	BRACKET, ALUM 1.5" X 1.5" X 1.5" 3/16" HOLES		
	1805285	REFRIGERATOR, 2.7 CF SHELF LWR (PART OF 1658368)		952895	BRACKET, ALUM 2" X 1/8" X 3" 2@3/16" HOLES WIDE		
	1805286	REFRIGERATOR, 2.7 CF SHELF UPR (PART OF 1658368)					
	1805287	REFRIGERATOR, 2.7 CF DRAINAGE PAN (PART OF 1658368)					

DOOR HARDWARE

761445	CATCH, RIM-LOCK STRIKE PLATE
772418	CATCH, RIM-LOCK WHT
1132380	CATCH, RIM-LOCK WHT (SHIM ONLY)
1742136	PULL, PUSH-BUTTON KNOB SAT/NCKL
1776837	PULL, ROSETTE SAT/NCKL RND 16MM (5/8")
525667	HINGE, CONCEALED FULL OVERLAY MT PLATE ONLY
839399	HINGE, SELF CLOSING BLUM SCREW-ON

ELECTRICAL

1787507	RECEPTACLE, DUPLEX BRN 15A LVT
1787508	COVER PLATE, SGL DUPLEX RECEPT BRN LVT
1787506	RECEPTACLE, DUPLEX BLACK 15A
1787521	COVER PLATE, SGL DUPLEX RECEPT BLK LVT
1817495	RELAY, 120VAC 30 AMP SPDT
627737	BOX, RECEPTACLE/SWITCH PVC 1-GANG DEEP
144899	BOX, PVC SWITCH BOX
144907	COVER PLATE, SWITCH BOX BLUE PVC
1787551	RECEPTACLE, GERMAN STD MOS WHT(SNAP CVR) LVT
583906	RELAY, 240VAC 50/60 HZ 20 AMP DPDT
893289	FRAME, IDEA-SERIES 3-GANG SUPPORT FRAME GREY
975011	SWITCH, BLANK IDEA-SERIES WHT
975029	COVER PLATE, IDEA-SERIES 3-GANG WHT
975037	BRKR, IDEA 230V 2P EURO GFCI 16A 10MA WHT

FLOORING

1782245	FLOORING, TEAK 2 3/8"W1/4"BLK GROUT LINE 4X10 (FLOORING, TEAK - CABIN)
---------	---

HEADLINER/HULL LINER/WASHABLE SURFACE

1736787	VINYL, RVIEW LT CAMEO N/W 1/2"FB
---------	----------------------------------

LABELS

1747493	LABEL, LEAVING WINDOW OPEN EXHAUST FUMES
---------	--

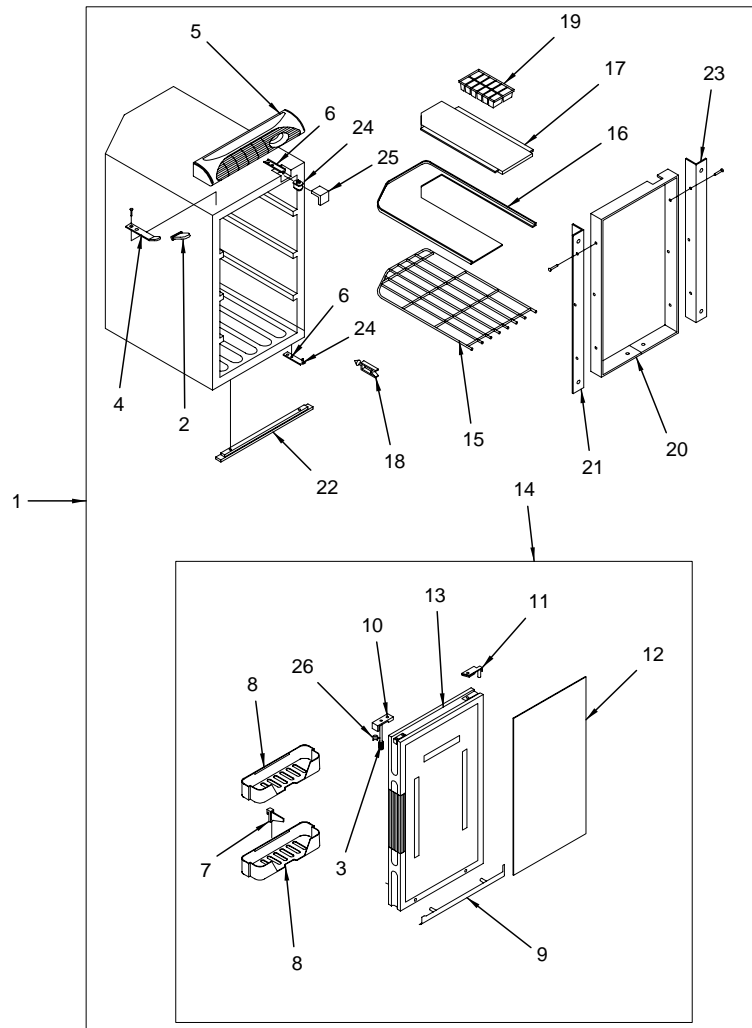
NOT SHOWN

798314	SNAP CAP, PRESS-ON COVER #2 PHILLIP BLK
663708	BUMPER, CLEAR .020" THICK (DOOR BUMPER)

VINYLS

989426	VINYL, ALLANTE II BLK EXP FLAT
1003474	VINYL, ALLANTE II CREAM EXP FLAT

GALLEY (REFRIGERATOR)

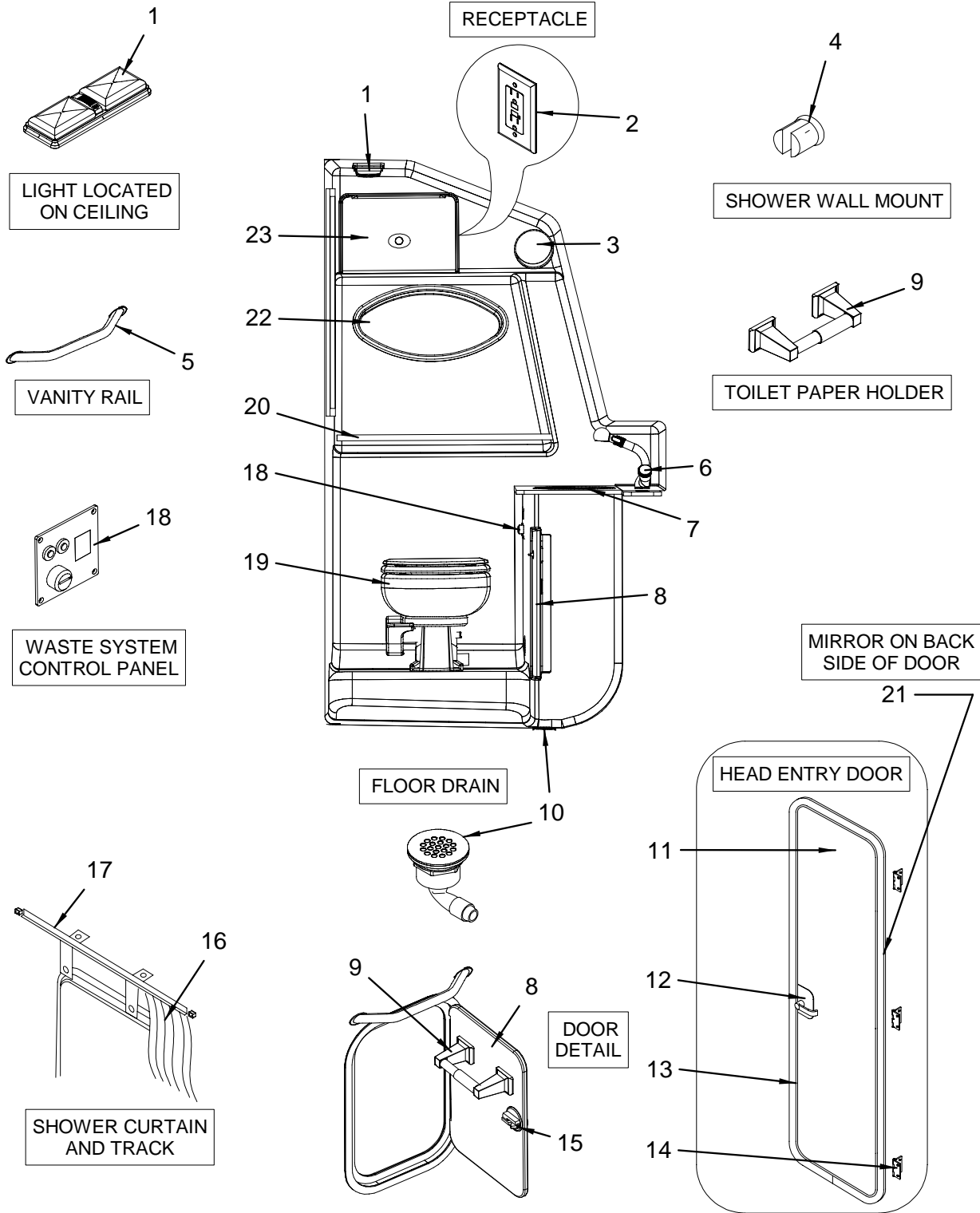


GALLEY (REFRIGERATOR)

26 1805570 REFRIGERATOR, 2.7 CF DOOR HANDLE ASSY

- 1 1658368 REFRIGERATOR, 2.7 CF
- 2 1738813 LATCH, COVER PLATE FOR TRAVEL LATCH
- 3 1738814 LATCH, TRAVEL LATCH SPRING
- 4 1738816 LATCH, TRAVEL PLATE
- 5 1804906 REFRIGERATOR, 2.7 CF CVR-CNTRL
- 6 1804907 REFRIGERATOR, 2.7 CF HINGE ASSY
- 7 1804908 REFRIGERATOR, 2.7 CF PARTITION DOOR POCKET
- 8 1804994 REFRIGERATOR, 2.7 CF DOOR SHELF BIN
- 9 1804995 REFRIGERATOR, 2.7 CF DOOR FRAME BTM
- 10 1805268 REFRIGERATOR, 2.7 CF CVR HINGE LH
- 11 1805269 REFRIGERATOR, 2.7 CF CVR HINGE RH
- 12 1805270 REFRIGERATOR, 2.7 CF DOOR PNL BLK
- 13 1805271 REFRIGERATOR, 2.7 CF DOOR FRAME ASSY
- 14 1805284 REFRIGERATOR, 2.7 CF DOOR ASSY
- 15 1805285 REFRIGERATOR, 2.7 CF SHELF LWR
- 16 1805286 REFRIGERATOR, 2.7 CF SHELF UPR
- 17 1805287 REFRIGERATOR, 2.7 CF DRAINAGE PAN
- 18 1805288 REFRIGERATOR, 2.7 CF HOLDER SHELF REAR
- 19 1805289 REFRIGERATOR, 2.7 CF ICE CUBE TRAY
- 20 1805290 REFRIGERATOR, 2.7 CF FRAME CVR/4 SIDES BLK
- 21 1805291 REFRIGERATOR, 2.7 CF FRAME CAB LH
- 22 1805292 REFRIGERATOR, 2.7 CF FRAME CAB BTM
- 23 1805293 REFRIGERATOR, 2.7 CF FRAME CAB RH
- 24 1805294 REFRIGERATOR, 2.7 CF BUSHING
- 25 1805295 REFRIGERATOR, 2.7 CF BUSHNG "I"

HEAD



HEAD

- 1 312983 LIGHT, DBL DOME FLUSH MT W/SWITCH WHT
604801 BULB, DOME LIGHT 12V
(PART OF 312983)
1199090 BULB, REPL FOR LIGHT #0312983
(PART OF 312983)
- 2 1787505 RECEPTACLE, DUPLEX WHT 15A
1787520 COVER PLATE, SGL DUPLEX RECEPT WHT LVT
627737 BOX, RECEPTACLE/SWITCH PVC 1-GANG DEEP
- 3 1581966 A/C COMP, GRILL 4" RND W/O DA BLK
- 4 1740886 MOUNT, HDPE SHOWER WALL (MNT ONLY)
- 5 1761038 RAIL, GRAB 10" ELLIPTICAL W/STUDS 316L
- 6 1772520 FAUCET/SHOWER, BRUSHED NCKL/CHR PULLOUT
1853913 FAUCET/SHOWER, SPRAYER ONLY BRSHD NCKL/CHR
(PART OF 1772520)
1853914 FAUCET/SHOWER, HOSE WASHER ONLY
(PART OF 1772520)
1853915 FAUCET/SHOWER, HANGER ONLY
(PART OF 1772520)
1853916 FAUCET/SHOWER, BRASS HOT/COLD VALVE ONLY
(PART OF 1772520)
1853917 FAUCET/SHOWER, HDWR KIT W/WTS
(PART OF 1772520)
- 7 1794089 TOP, CORIAN 290DA-06 HEAD VANITY BRNT AMBR
1802469 TOP, CORIAN 290DA-06 HEAD VANITY SNDSTN
146753 SINK, SS GLY/HEAD OVAL 10.5"X 13.25"SATIN
583427 DRAIN, W/PLUG 100DEG 3/4"BARB CHR
1734472 DRAIN ASSY, STOPPER #4202 MED BLK
(PART OF 583427)
- 8 1794088 DOOR, HDPE 290DA-06 HEAD LWR PRL W/NCKLPSH
663708 BUMPER, CLEAR .020" THICK
- 9 1155241 HOLDER, TOILET PAPER WALL MNT WHT ROLLER
- 10 196782 DRAIN ASSY, SHOWER 1.5"
344721 DRAIN ASSY, GASKET SHOWER SLIP NUT 1.5"
344762 DRAIN ASSY, SHOWER SLIP NUT 1.5"
(PART OF 196782)
408724 ELBOW, PVC 1.5"FLANGE X 3/4"BARB X 90DEG
- 11 1874898 290DA 07,DOOR,HEAD
- 12 1776179 LATCH, OFFSHR FLSH RH-OUT PRVKNB SAT/NCK 5/8"
- 13 1163393 FRAME, ALUM 17 15/16"X 64" ANW L-OUT
- 14 132324 HINGE, BUTT CHROME/ZINC 2"
- 15 776567 CATCH, ROUND PLAS 13/16" "DUAL LOCK" (3M)
- 16 1075415 CURTAIN, SHOWER ECRU 66.5"X 24"
- 17 132183 TRACK, ALUM CURT TRK 0.275"X 0.688" TAB TYPE
- 18 1802480 PANEL, 290DA-06 WASTE SYS CNTRL
- 19 1745171 HEAD, VACU-FLUSH BONE 147 (ECOVAC) LO-PRO SID
1784547 SEAT ASSY, CVR/SEAT/HNG PIN BONE
- 20 1804520 RAIL, GRAB 290DA-06 HEAD SHELF RETAINER
- 21 1513928 MIRROR, PLEX 280DA-01 HEAD DOOR MRINE GRD CLR
- 22 1057991 TRIM RING, V/F PORTLIGHT INNER CUSTOM 98
1331313 PORTLIGHT, SCREEN 3/8"X 7/8"
1454008 PORTLIGHT, OPENING ALL SS 3/8"-7/8" FROS REV1
866434 KNOB, PORTLIGHT KNOB ONLY (BOMAR)
(PART OF 1454008)
1107044 PORTLIGHT, HANDLES QUICKDOGS (BOMAR)
(PART OF 1454008)
1314459 PORTLIGHT, GASKET SATURATED FOAM
(PART OF 1454008)
(
1331727 PORTLIGHT, LENS ONLY FROSTED (BOMAR)
(PART OF 1454008)
1331735 PORTLIGHT, GASKET ONLY (BOMAR)
(PART OF 1454008)
1513183 TRIM RING, PORTLIGHT 3/8" SS
(PART OF 1454008)
- 23 1804749 DOOR, HDPE 290DA-06 HEAD MEDCAB PRL W/NCKLPB
1742137 PULL, ROSETTE SAT/NCKL OVAL 19MM
(SUPPLIED WITH DOOR - 1804749)
1742136 PULL, PUSH-BUTTON KNOB SAT/NCKL
(SUPPLIED WITH DOOR - 1804749)
772418 CATCH, RIM-LOCK WHT
(SUPPLIED WITH DOOR - 1804749)
1835595 HINGE, SS 1 1/16"X 12" PIANO
(SUPPLIED WITH DOOR - 1804749)

BRACKETS

- 836080 BRACKET, PVC 1.5"X 1.5"X 12" 1/4"HOLES

HEADLINER/HULL LINER/WASHABLE SURFACE

- 1736787 VINYL, RVIEW LT CAMEO N/W 1/2"FB

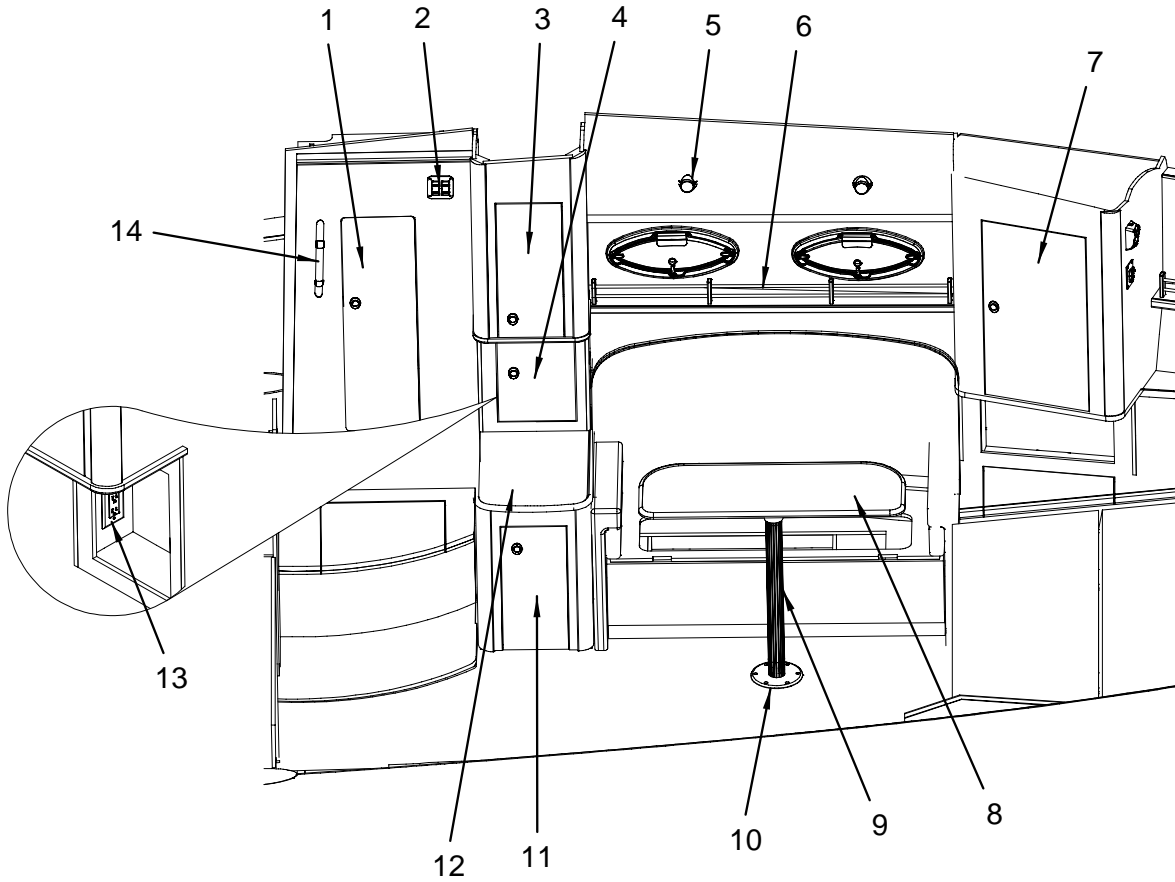
NOT SHOWN

- 154377 SNAP STUD, W/#8 X 5/8" PH SS
663708 BUMPER, CLEAR .020" THICK
(DOOR BUMPER)
326009 THRU-HULL, PLAS 2" WHT (FULL THREAD)
622050 BUMPER, CLEAR THIN 3/8"
1795090 MIRROR, PLEX 20.5"X 18" HEAD CLR W/PVC

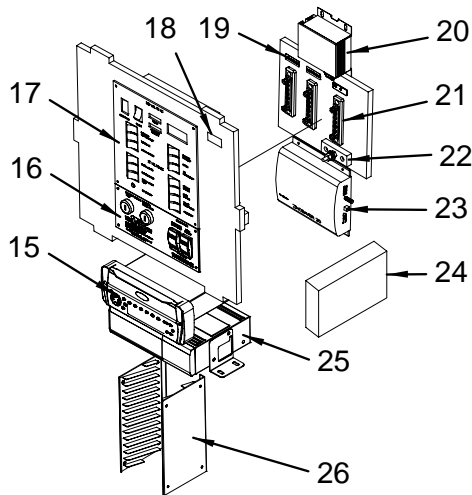
SPLIT CONDUIT

- 1501824 HOSE, CONDUIT/SPLIT 3/4" FLAME RETARDANT
1501824 HOSE, CONDUIT/SPLIT 3/4" FLAME RETARDANT

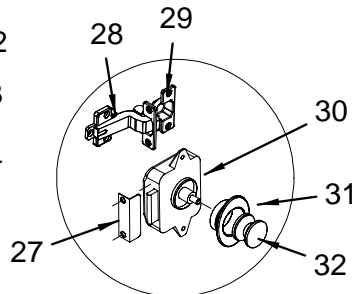
SALON



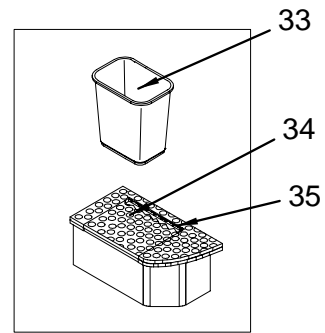
STEREO CABINET



DOOR HARDWARE DETAIL



ENTRY STEP



SALON

1	1874894	290DA 07,DOOR,MDP CAB	20	1801721	HARNES, 290DA-06 PREM CKPT STEREO
	839399	HINGE, SELF CLOSING BLUM SCREW-ON		1750879	CABLE, RCA AUDIO "Y" (1-FM/ 2-M) W/NOISE SUPP
	525667	HINGE, CONCEALED FULL OVERLAY MT PLATE ONLY		1758576	CABLE, RCA AUDIO EFX-2 "Y" ADAPTER
2	1804371	PANEL, 290DA-06 CABIN LT SW DUAL 2-WAY BLK	21	1324334	BUSS BAR, MINIBUS BAR DC
	1541655	ACTUATOR, ROCK SWITCH-LIGHTS BLK	22	795583	BUSS BAR, SGL POST 5/16"
	1609312	BODY, ROCK SW SPDT BLK 12V INCAND NON-LIT	23	1749388	GALVANIC ISOLATOR, PROSAFE 30AMP (ISOL ONLY)
3	1874899	290DA 07,DOOR,AFT UPR STRG SLN	24	1812978	INVERTER, TRUSINE WAVE XANTREX 400W 12VDC
	839399	HINGE, SELF CLOSING BLUM SCREW-ON	25	1733835	STEREO, CD CHANGER 6-DISC DCZ625 C-NET
	525667	HINGE, CONCEALED FULL OVERLAY MT PLATE ONLY		1122357	STEREO, CD (6 DISC) MAGAZINE CLARION
4	1874909	290DA 07,DOOR,AFT MID STRG SLN	26	1269026	HOLDER, COMPACT DISC 13CD HOLD BLK
	839399	HINGE, SELF CLOSING BLUM SCREW-ON	27	761445	CATCH, RIM-LOCK STRIKE PLATE
	525667	HINGE, CONCEALED FULL OVERLAY MT PLATE ONLY	28	839399	HINGE, SELF CLOSING BLUM SCREW-ON
5	1803184	SPOTLIGHT, SWVL TASK BRSHD SS W/SW W/CONN	29	525667	HINGE, CONCEALED FULL OVERLAY MT PLATE ONLY
	1820310	BULB, REPL FOR #1803184/1831205	30	772418	CATCH, RIM-LOCK WHT
		(PART OF 1803184)		1132380	CATCH, RIM-LOCK WHT (SHIM ONLY)
6	1804381	ROD, ACRYLIC 1/2"X 6' BLK	31	1776837	PULL, ROSETTE SAT/NCKL RND 16MM (5/8")
	1802279	STANCHION, SS 290DA-06 STRG SHELF CNTR	32	1742136	PULL, PUSH-BUTTON KNOB SAT/NCKL
	1802257	STANCHION, SS 290DA-06 STRG SHELF END	33	431098	BASKET, TRASH 11 3/8"X 8.25"X 12 1/8" BEIGE
7	1874895	290DA 07,DOOR,STRG FWD SLN	34	1874897	290DA 07,STEP,ENTR
	839399	HINGE, SELF CLOSING BLUM SCREW-ON		1316983	FLOORING, VINYL LONCOIN II FLECKS SANDSTONE
	525667	HINGE, CONCEALED FULL OVERLAY MT PLATE ONLY		1810962	TEAK, P/C 290DA-06 ENTRY STEPS 3PC
8	1818813	TABLE, WOOD 290/300DA-06 SLN BLSM CHERY 2TONE		1783977	(FLOORING, TEAK - CABIN)
	1883892	TABLE, WOOD 290DA-07 DINETTE 2-TONE BLSMCHRY			MOLDING, T-MOLD/PVC 1 5/8"X 25' BLK
		(HULL# 1297 -> UP)(OPPOSING DINETTE SEATING OPTION)			(FLOORING, TEAK - CABIN)
	1883834	POST, SS 290DA-07 BCKRST 16"STRAIGHT W/SCKT	35	198663	HINGE, AL CONT FORM/SGL 1.25"X 72" BLK
		(HULL# 1297 -> UP)(OPPOSING DINETTE SEATING OPTION)			
	1657659	POST, TABLE LEG 2 7/8"X 30" ANOD FLUTED			
	1125285	BASE, TABLE FLUSH MNT ALUM TPR CASTING			
	609883	CLEAT, PLAS 3/4"X 1"X 4" GREY			
		(LOCATED UNDER SEAT)			
	1837283	POPLAR, TRIM VERT CRUSR BLSM CHERRY GLOSS 8'			
9	1657659	POST, TABLE LEG 2 7/8"X 30" ANOD FLUTED			
10	1125285	BASE, TABLE FLUSH MNT ALUM TPR CASTING			
11	1874896	290DA 07,DOOR,LWR SLN			
	839399	HINGE, SELF CLOSING BLUM SCREW-ON			
	525667	HINGE, CONCEALED FULL OVERLAY MT PLATE ONLY			
12	1884214	TABLE TOP, 290DA-07 SLN LWR STRG CAB BLK MDF			
		(HULL# 1333 -> UP)			
	1805797	TABLE TOP, 290DA-06 SLN LWR STRG CAB BLK			
		(HULL# 1201 -> 1332)			
13	1881817	RECEPTACLE, GFCI DPLX BLK W/IND/SMRTLCK 15A			
		(HULL# 1280 -> UP)			
	627737	BOX, RECEPTACLE/SWITCH PVC 1-GANG DEEP			
	1787503	RECEPTACLE, GFCI DPLX BLK W/IND LIGHT 15A LVT			
		(HULL# 1201 -> 1279)			
14	1747819	RAIL, GRAB 18" OVAL W/STUD 316L			
15	1854318	STEREO, AM/FM CD/CHNGR/SIR/XM SAT CMD4A			
		(HULL# 1265 -> UP)			
	1803464	STEREO, AM/FM CD W/CHNGR/SIR SAT PLAYER CMD4			
		(HULL# 1201-> 1264)			
	1847461	STEREO, SIRIUS SATELLITE RCVR SIRCL3M-6MO			
	1887355	CABLE, SIRIUS SATELLITE RCVR CENET SIRCLM3			
		(PART OF 1847461)			
	1581560	ANTENNA, AMPLIFIED 13398			
	875484	ANTENNA LEAD, STEREO SOFT WIRE 30"			
	1850253	VIDEO EQUIPMENT, AUXILIARY INPUT MP3 MA-AUX2			
	1772076	EXTENSION, CABLE 20'/15' FM RECEIVER W/CONN			
	1818575	CABLE, RCA AUDIO 1M W/EFX-2 CONNECTORS			
	1803706	HARNES, STEREO ADAPTOR CMD4 W/PACKARD CONN			
	1750880	CABLE, RCA AUDIO 6' W/EFX-2 CONN W/NOISE SUPP			
		(PREMIUM COCKPIT SOUND SYSTEM - 12 VOLT)			
16	1799375	PANEL, 290DA-06 IGN SW GAS TE N/GEN			
	1799684	PANEL, BLANK:290DA-06 ENG MSTRKEY SW GAS BLK			
		(BLANK PANEL FOR 1799375)			
	1799376	PANEL, 290DA-06 IGN SW GAS TE W/LOWCO GEN			
	1799368	PANEL, BLANK:290DA-06 IGN/GEN SW LOWCO GAS			
		(BLANK PANEL FOR 1799376)			
17	1759673	PANEL, BLANK:260DA-05 AC MDP 120/60 W/GEN			
	1802479	PANEL, 290DA-06 AC MDP 220/50 N/GEN			
	1801681	PANEL, 290DA-06 AC MDP 120/60 W/GEN			
	1801684	PANEL, 290DA-06 AC MDP 220/50 W/GEN			
18	1816196	LABEL, WARNING ELEC SHK HZRD INVRTR DISCNT DC			
19	1790407	LABEL, AC NEUTRAL (LEXAN)			
	1790408	LABEL, AC GROUNDING (LEXAN)			
	1790406	LABEL, DC NEGATIVE (LEXAN)			
20	1804089	STEREO, AMP MARINE AUDIO MA-PA2.1 12V			
	1854218	STEREO, AMP JL 450W6/5/4/3 CH POWER AMP WHT			
		(HULL# 1353 -> UP)			
	1782018	STEREO, AMP CLARION APX280M			
		(HULL# 1201 -> 1352)			
		(PREMIUM COCKPIT SOUND SYSTEM - 12 VOLT)			
	1807866	STEREO, AMP PANASONIC 400W 4CHNL			
		(HULL# 1201 -> 1352)			
		(PREMIUM COCKPIT SOUND SYSTEM - 12 VOLT)			

BRACKETS

836023 BRACKET, ALUM 1.5"X 1.5"X 1.5" 3/16"HOLES

CURTAINS

1839622 CURTAIN, 280/290DA-07 GLAMOUR OATML PRTLIGHT
(INTERIOR D, A, B, C)

1840037 CURTAIN, 280/290DA-07 MOREHEAD/PRL PRTLIGHT
(INTERIOR C)

ELECTRICAL

1803185 LIGHT, INDIRECT LED WHT BUTTON W/COLLAR/CONN
(REPLACEMENT BULB NOT SOLD SEPARATELY)

HARNESSES

1846415 HARNES, 290DA-07 CABIN 120V
(HULL# 1256 -> UP)

1801717 HARNES, 290DA-06 CABIN 120V
(HULL# 1201 -> 1255)

1846417 HARNES, 290DA-07 CABIN 220V
(HULL# 1256 -> UP)

1801718 HARNES, 290DA-06 CABIN 220V
(HULL# 1201 -> 1255)

LABELS

1812911 LABEL, DANGER CO CABIN 06

1747493 LABEL, LEAVING WINDOW OPEN EXHAUST FUMES

NOT SHOWN

798314 SNAP CAP, PRESS-ON COVER #2 PHILLIP BLK

663708 BUMPER, CLEAR .020" THICK
(DOOR BUMPER)

1819369 LIFT HANDLE, HATCH LIFT BOLT W/RING 2.25"
(FLOOR HATCHES)

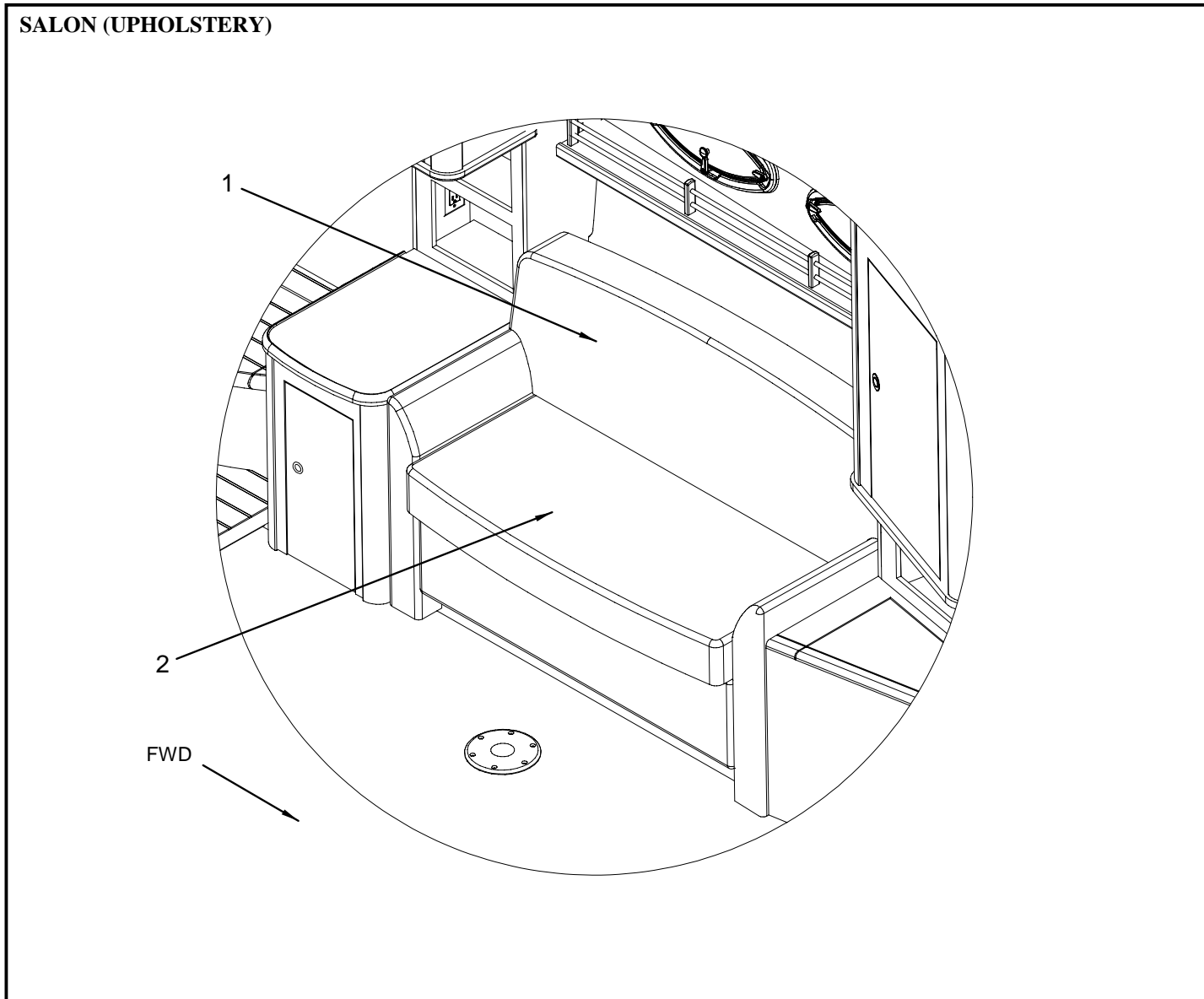
1884272 MAPLE, P/C 1"X 1.5"X 25"TABLE CLEAT BLSMCHRY
(OPPOSING DINETTE SEATING OPTION)

VINYL

1003474 VINYL, ALLANTE II CREAM EXP FLAT
(INTERIOR D, A, B)

1142165 VINYL, ALLANTE II WHT SAND EXP FLAT
(INTERIOR C)

989426 VINYL, ALLANTE II BLK EXP FLAT
(INTERIOR C)



SALON (UPHOLSTERY)

- 1 1874882 290DA 07,B/R,SLN SOFA
- 1874883 290DA 07,B/R SKN,SLN SOFA
- 2 1874884 290DA 07,CUSH,SLN SOFA
- 1874885 290DA 07,CUSH SKN,SLN SOFA

ACCENT VINYL

- 989426 VINYL, ALLANTE II BLK EXP FLAT (CABINetry TRIM)

BOLSTER MATERIAL

- 1792444 FABRIC, SLEEK/WHEAT FLAT (INTERIOR D)(SEAT CUSHION & BACK BOLSTER)
- 1768940 FABRIC, GLAMOUR OATML FLAT (INTERIOR A, B)(SEAT CUSHION & BACK BOLSTER)
- 1833430 FABRIC, WALTER/SUEDE FLAT (INTERIOR B)(BACK BOLSTER ONLY)
- 1802191 FABRIC, MOREHEAD/PEARL T533/922882 FLAT (INTERIOR C)(SEAT CUSHION & BACK BOLSTER)

CURTAINS

- 1839622 CURTAIN, 280/290DA-07 GLAMOUR OATML PRTLGT (PORT LIGHT - SALON)
- 1840037 CURTAIN, 280/290DA-07 MOREHEAD/PRL PRTLGT (PORT LIGHT - SALON)

CURTAINS (continued)

- 1839534 CURTAIN, 290DA-07 GLAMOUR OATML AFT PRIV (AFT PRIVACY - SALON)
- 1840181 CURTAIN, 290DA-07 MOREHEAD/PRL AFT PRIV (AFT PRIVACY - SALON)

CUSHION MATERIAL

- 1792444 FABRIC, SLEEK/WHEAT FLAT (INTERIOR D)(SEAT CUSHION & BACK BOLSTER)
- 1768940 FABRIC, GLAMOUR OATML FLAT (INTERIOR A, B)(SEAT CUSHION & BACK BOLSTER)
- 1802191 FABRIC, MOREHEAD/PEARL T533/922882 FLAT (INTERIOR C)(SEAT CUSHION & BACK BOLSTER)

FOAM

- 1806436 FOAM, P/C 290DA-06 SLN CUSH SET
- 1885310 FOAM, P/C 290DA-07 DINETTE CUSH SET (OPPOSING DINETTE SEATING OPTION)

HEADLINER/HULL LINER/WASHABLE SURFACE

- 1140367 VINYL, RVIEW LT CAMEO N/W FLAT
- 1747515 VINYL, RVIEW LT CAMEO N/W 1/4"FB
- 1736787 VINYL, RVIEW LT CAMEO N/W 1/2"FB

INTERIOR CARPET

1467182 CARPET, INT 44 OZ WHEATON 6"W 100% BCF NYLON
(GLUED IN CARPET)

NOT SHOWN

122929 TRACK, TAMBOUR SLIDE LEFT SPIRAL
122937 TRACK, TAMBOUR SLIDE RIGHT SPIRAL

PILLOW PACKAGES

1794301 PILLOW PKG, 2006/07 SPCR MIDCAB PKGD (2)
(INTERIOR D)(SALON)
1794279 PILLOW PKG, 2006/07 SPCR VBRTH/MIDCAB PKGA(2)
(INTERIOR A)(V-BERTH & SALON)
1839721 PILLOW PKG, 2007 SPCR VBRTH/MIDCAB PKGB (2)
(INTERIOR B)(V-BERTH & SALON)
1839847 PILLOW PKG, 2007 SPCR VBRTH/MIDCAB PKGC (2)
(INTERIOR C)(V-BERTH & SALON)

SPEAKER COVER MATERIAL

1090430 FABRIC, SPKR CLOTH CREPE BUFF #18994 1/8"FB

STORAGE & BUNK TOPS

1128487 FABRIC, GEOMETRIC STRAW (NDLPNCH) W/BACK

UPHOLSTERY MATERIALS

177881 ZIPPER, #5 DELRIN CONTINUOUS BLK
180182 ZIPPER, #5 DELRIN CONTINUOUS WHT
178327 SLIDE, DELRIN #5 BLK 1-S LOCK
180406 SLIDE, DELRIN #5 WHT 1-S LOCK
291138 FABRIC, DYMETROL MATERIAL
103309 MESH, WHITE 60"
602169 TAB, PULL TAB MATERIAL 1.5"X 250YDS

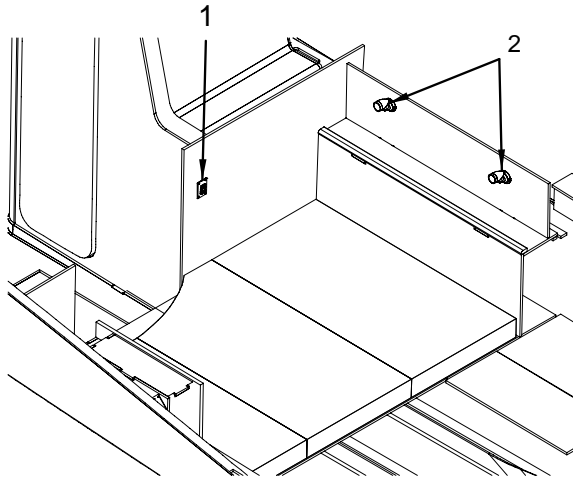
VINYLS

1003474 VINYL, ALLANTE II CREAM EXP FLAT
(INTERIOR A, B, D)
(INTERIOR SEATING & V-BERTH BUNK BOLSTER)
1142165 VINYL, ALLANTE II WHT SAND EXP FLAT
(INTERIOR C)
(INTERIOR SEATING & V-BERTH BUNK BOLSTER)

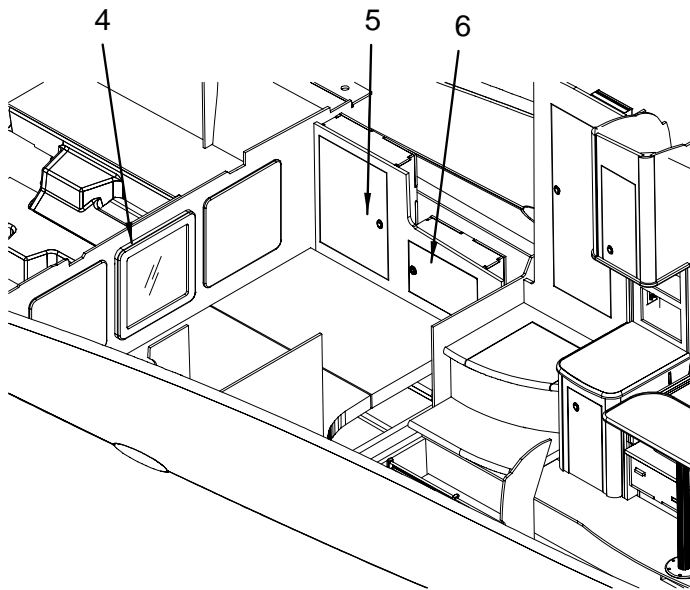
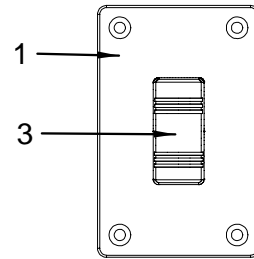
WELT

1142181 WELT, RVIEW LT CAMEO 5/32"

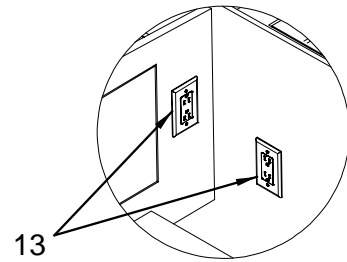
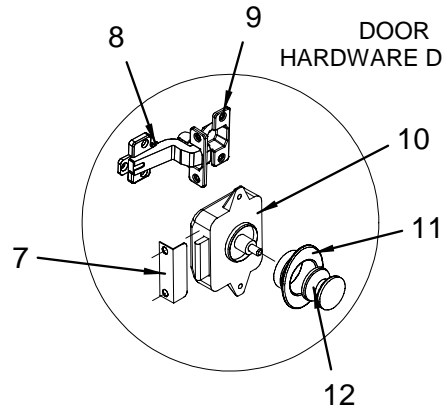
MID STATEROOM



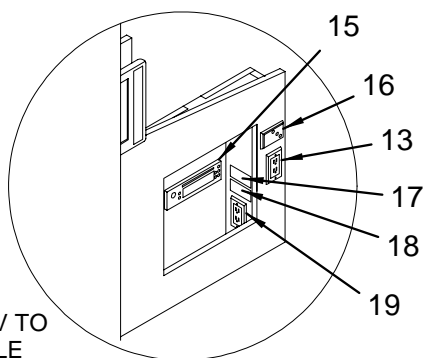
LIGHT SWITCH PANEL



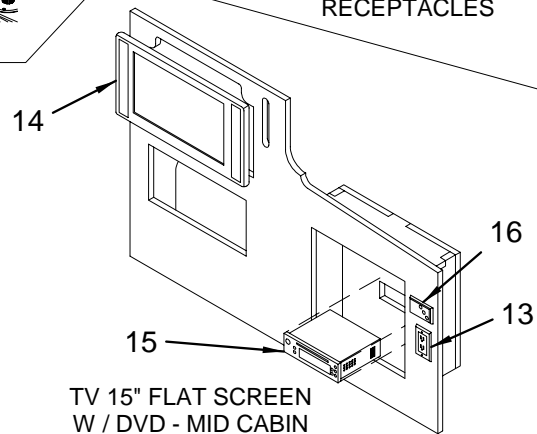
DOOR
HARDWARE DETAIL



RECEPTACLES



INVERTER - 12V TO
120V/60 CYCLE



TV 15" FLAT SCREEN
W / DVD - MID CABIN

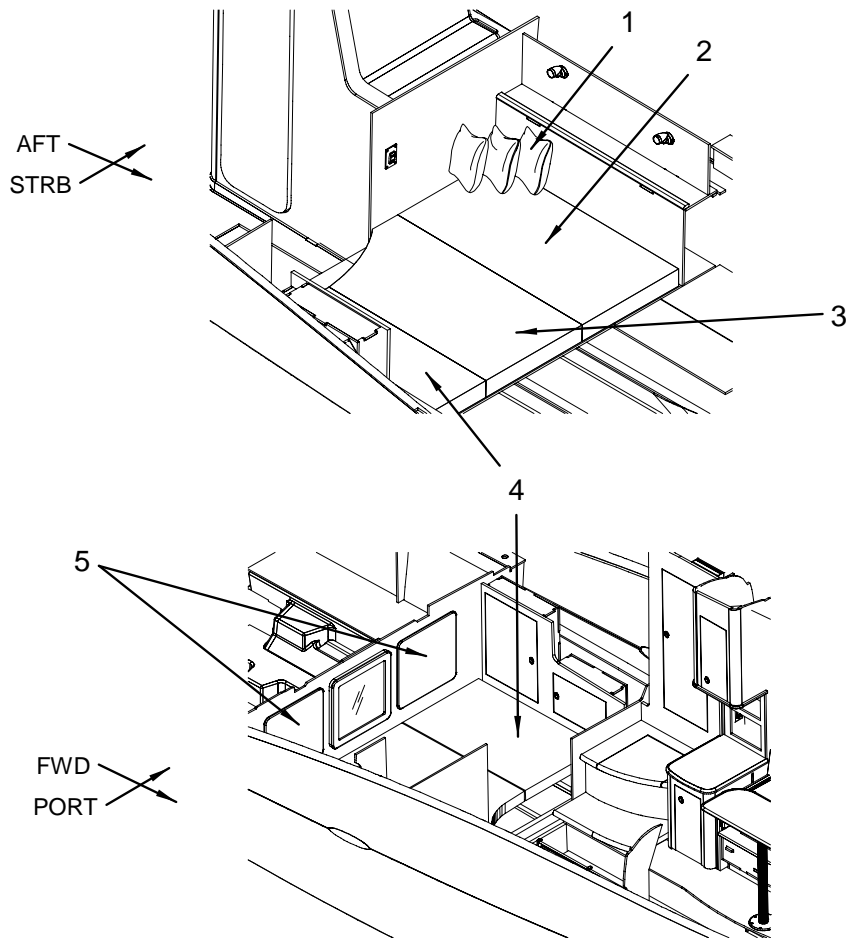
MID STATEROOM

- 1 1550615 PANEL, ENTRANCE LIGHTS
- 877225 SWITCH, ROCKER 'V' SPST ON-OFF
(PART OF 1550615)
- 1809655 PANEL, BLANK ENTR LIGHTS
(PART OF 1550615)
- 2 1803184 SPOTLIGHT, SWVL TASK BRSHD SS W/SW W/CONN
- 1820310 BULB, REPL FOR #1803184/1831205
(PART OF 1803184)
- 3 1541655 ACTUATOR, ROCK SWITCH-LIGHTS BLK
- 797761 BODY, ROCK SW SPST BLK 12V INCAND NON-LIT
- 4 1874902 290DA 07,MIR ASSY,AFTSTRM
- 1806427 MIRROR, 1/8"X 17"X 17"CLEAR
- 776567 CATCH, ROUND PLAS 13/16" "DUAL LOCK" (3M)
- 141903 HINGE, AL CONT 2"X 72" SAT
- 5 1874869 290DA 07,DOOR,STRG AFT PRT MIDSTRM
- 6 1874870 290DA 07,DOOR,STRG FWD PRT MIDSTRM
- 7 761445 CATCH, RIM-LOCK STRIKE PLATE
- 8 839399 HINGE, SELF CLOSING BLUM SCREW-ON
- 9 525667 HINGE, CONCEALED FULL OVERLAY MT PLATE ONLY
- 10 772418 CATCH, RIM-LOCK WHT
- 1132380 CATCH, RIM-LOCK WHT (SHIM ONLY)
- 11 1776837 PULL, ROSETTE SAT/NCKL RND 16MM (5/8")
- 12 1742136 PULL, PUSH-BUTTON KNOB SAT/NCKL
- 13 1787506 RECEPTACLE, DUPLEX BLACK 15A
- 1787521 COVER PLATE, SGL DUPLEX RECEPT BLK LVT
- 627737 BOX, RECEPTACLE/SWITCH PVC 1-GANG DEEP
- 14 1804801 TELEVISION, 15" LG LCD W/SIDE SPKRS
- 1885249 REMOTE, TV 15" LG LCD W/SIDE SPKRS
(PART OF 1804801)
- 1890399 TELEVISION, 15" SHARP LCD PAL W/BTM SPEAKER
(HULL# 1359 -> UP)
- 1804807 TELEVISION, 15" LG LCD PAL
(HULL# 1201 -> 1358)
- 1887955 REMOTE, TV 15" LG LCD PAL
(PART OF 1804807)
- 1755388 BRACKET, TV (LCD) WALL MOUNT OMNI
- 695957 SPLITTER, 2-WAY HYBRID TV/SPLITTER COMBINER
- 1787507 RECEPTACLE, DUPLEX BRN 15A LVT
- 1787508 COVER PLATE, SGL DUPLEX RECEPT BRN LVT
- 1768472 PLUG, 220V BLK RECEPTACLE
- 637058 CONN, COAX EURO TV ADAPTER "F" TYPE
- 226530 PANEL, LAM 1/2" 4X8 BLK MATTE/RAW BACK G1S
- 15 1817493 DVD, KEC 12V DVD3 DIN
- 1819303 DVD, KEC 12V DVD3 ZONEFREE
- 1848849 REMOTE, DVD KEC 12V DVD2M/3M ZONEFREE
(REMOTE FOR 1817493 & 1819303)
- 1813842 MOUNTING KIT, SLEEVE FOR DVD2
- 1759176 EXTENSION, CABLE A/V 6' RCA W/MALE CONN
- 16 1803007 VIDEO EQUIPMENT, REMOTE GAMING SYS INPUT PNL
- 17 1816198 LABEL, CAUTION ELEC LOAD ONLY INVRTR REPC
- 18 1816197 LABEL, WARNING ELEC SHK HZRD INVRTR FED RECPT
- 19 1881816 RECEPTACLE, GFCI DPLX WHT W/IND/SMRTLCK 15A
- 627737 BOX, RECEPTACLE/SWITCH PVC 1-GANG DEEP

NOT SHOWN

- 1733944 LIGHT, COURTESY SURF MNT BLK LED OVAL 12V
(LED NOT REPLACEABLE)
- 663708 BUMPER, CLEAR .020" THICK
(DOOR BUMPER)
- 724930 SNAP CAP, PRESS-ON COVER #2 PHILLIP ALMOND
- 983692 ACCESS PLATE, POLYPROP W/ O-RING 4" WHT

MID STATEROOM (UPHOLSTERY)



MID STATEROOM (UPHOLSTERY)

- 1 1794301 PILLOW PKG, 2006/07 SPCR MIDCAB PKGD (2)
(INTERIOR D)
- 1794279 PILLOW PKG, 2006/07 SPCR VBRTH/MIDCAB PKGA(2)
(INTERIOR A)
- 1839721 PILLOW PKG, 2007 SPCR VBRTH/MIDCAB PKGB (2)
(INTERIOR B)
- 1839847 PILLOW PKG, 2007 SPCR VBRTH/MIDCAB PKGC (2)
(INTERIOR C)
- 2 1874861 290DA 07,CUSH,STB MIDSTRM
- 1874862 290DA 07,CUSH SKN,STB MIDSTRM
- 3 1874863 290DA 07,CUSH,CTR MIDSTRM
- 1874864 290DA 07,CUSH SKN,CTR MIDSTRM
- 4 1874865 290DA 07,CUSH,PRT MIDSTRM
- 1874866 290DA 07,CUSH SKN,PRT MIDSTRM
- 5 1892986 290DA 07,PNL,MIDSTRM WALL
(WHEN ORDERING SPECIFY HULL NUMBER FOR FABRIC SELECTION OPTION)

ACCENT VINYL

- 989426 VINYL, ALLANTE II BLK EXP FLAT
(CABINETRY TRIM)

BOLSTER MATERIAL

- 1792444 FABRIC, SLEEK/WHEAT FLAT
(INTERIOR D)(SEAT CUSHION & BACK BOLSTER)

BOLSTER MATERIAL (continued)

- 1768940 FABRIC, GLAMOUR OATML FLAT
(INTERIOR A, B)(SEAT CUSHION & BACK BOLSTER)
- 1802191 FABRIC, MOREHEAD/PEARL T533/922882 FLAT
(INTERIOR C)(SEAT CUSHION & BACK BOLSTER)
- 1833430 FABRIC, WALTER/SUEDE FLAT
(INTERIOR B)(BACK BOLSTER ONLY)

CURTAIN MATERIALS

- 186676 UPH PARTS, DRAPE CEILING BRKT
- 221325 UPH PARTS, END STOP W/SCREW
- 737239 TRACK, ALUM CURT TRK 8' I BEAM TYPE

CURTAINS

- 1839534 CURTAIN, 290DA-07 GLAMOUR OATML AFT PRIV
(INTERIOR D, A, B)
- 1840181 CURTAIN, 290DA-07 MOREHEAD/PRL AFT PRIV
(INTERIOR C)

FOAM

- 1806435 FOAM, P/C 290DA-06 MID STRM CUSH SET

HEADLINER/HULL LINER/WASHABLE SURFACE

1140367 VINYL, RVIEW LT CAMEO N/W FLAT
1747515 VINYL, RVIEW LT CAMEO N/W 1/4"FB
1736787 VINYL, RVIEW LT CAMEO N/W 1/2"FB

SPEAKER COVER MATERIAL

1090430 FABRIC, SPKR CLOTH CREPE BUFF #18994 1/8"FB

UPHOLSTERY MATERIALS

177881 ZIPPER, #5 DELRIN CONTINUOUS BLK
180182 ZIPPER, #5 DELRIN CONTINUOUS WHT
180406 SLIDE, DELRIN #5 WHT 1-S LOCK
178327 SLIDE, DELRIN #5 BLK 1-S LOCK
103309 MESH, WHITE 60"
291138 FABRIC, DYMETROL MATERIAL

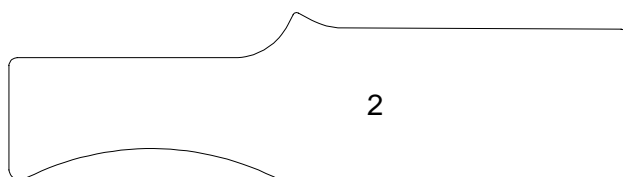
WELT

1142181 WELT, RVIEW LT CAMEO 5/32"

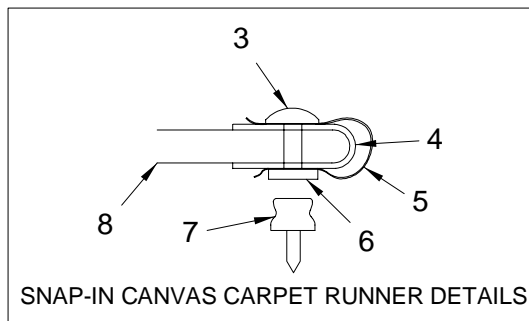
INTERIOR (CANVAS CARPET RUNNER)



1



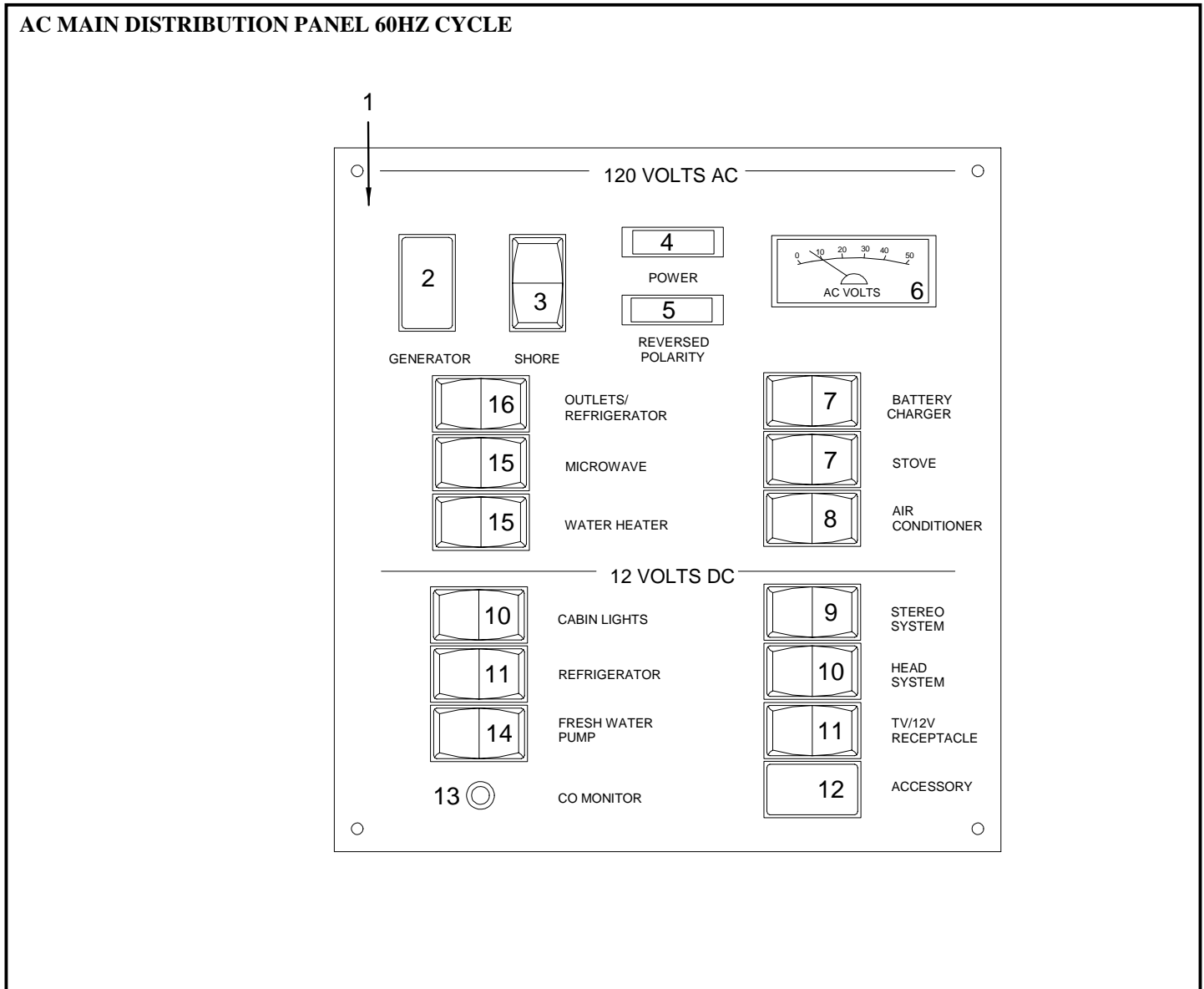
2



SNAP-IN CANVAS CARPET RUNNER DETAILS

INTERIOR (CANVAS CARPET RUNNER)

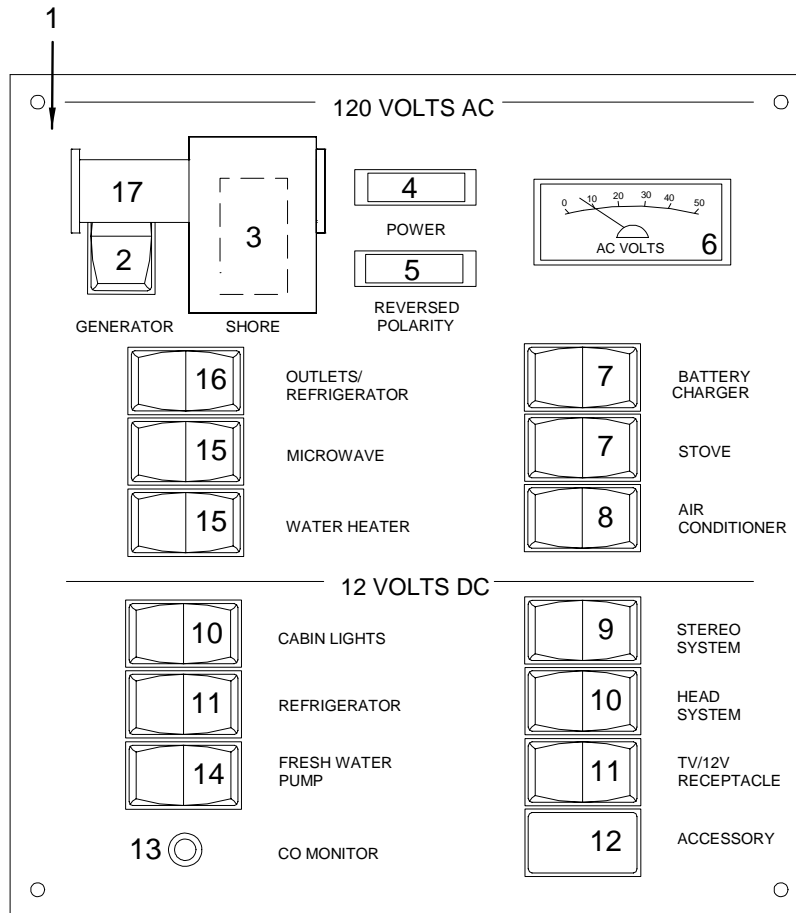
- 1 1874900 290DA 07,CANVAS,CR TST STD
- 2 1874901 290DA 07,CANVAS,CR TST OPT
(TEAK GALLEY FLOOR)
- 3 1574771 SNAP BUTTON, W/1/4" BARREL BLK
- 4 1218205 BINDING, CANVAS 1" TOAST TWEED SNBRLA
- 5 1790664 SNAP REINFORCEMENT, PLAS BACKER 500 PC/ROLL
- 6 1163864 SNAP SOCKET, W/ 1/8" HOLE
- 7 154377 SNAP STUD, W/#8 X 5/8" PH SS
- 8 1180025 CANVAS, SUNBRELLA TOAST TWEED 60"



AC MAIN DISTRIBUTION PANEL 60HZ CYCLE

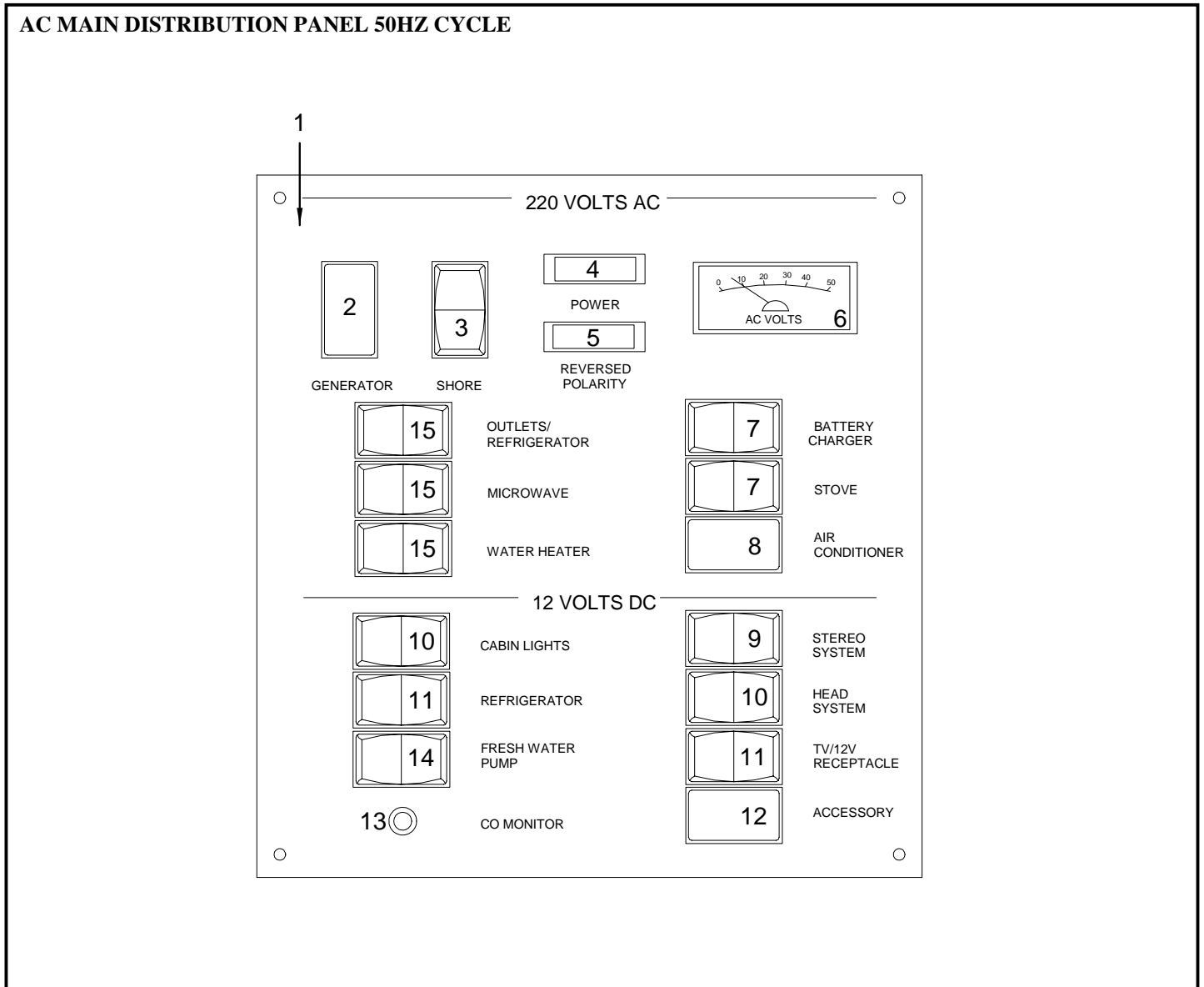
- 1 1801679 PANEL, 290DA-06 AC MDP 120/60 N/GEN
- 1759673 PANEL, BLANK:260DA-05 AC MDP 120/60 W/GEN
- 2 432872 PLUG, BRKR/ROCK
- 3 648873 BRKR/ROCK, 2-POLE AC/DC VERT 30A WHT
- 4 572529 LIGHT, POLARITY GRN 125V
- 5 557611 LIGHT, POLARITY RED 125V
- 6 767608 GAUGE, VOLTMETER AC 0-150 ANALOG WINDOW MT SM
- 7 1776973 BRKR/ROCK, SGL-POLE AC/DC HORZ UP LUG 10A WHT
- 8 432872 PLUG, BRKR/ROCK
- 1795343 BRKR/ROCK, SGL-POLE AC/DC HORZ UP LUG 20A WHT
- 9 1799306 BRKR/ROCK, SGL-POLE AC/DC HORZ UP LUG 25A RED
- 10 1799305 BRKR/ROCK, SGL-POLE AC/DC HORZ UP LUG 20A RED
- 11 1799304 BRKR/ROCK, SGL-POLE AC/DC HORZ UP LUG 15A RED
- 12 432872 PLUG, BRKR/ROCK
- 355081 BRKR/ROCK, SGL-POLE AC/DC HORZ 25A RED
- 13 1181700 BRKR, P/BTN-MANUAL RESET M-SERIES 1A W/SCREW
- 14 1799341 BRKR/ROCK, SGL-POLE AC/DC HORZ UP LUG 10A RED
- 15 1776975 BRKR/ROCK, SGL-POLE AC/DC HORZ UP LUG 15A WHT
- 16 1795343 BRKR/ROCK, SGL-POLE AC/DC HORZ UP LUG 20A WHT

AC MAIN DISTRIBUTION PANEL 60HZ WITH GENERATOR



AC MAIN DISTRIBUTION PANEL 60HZ WITH GENERATOR

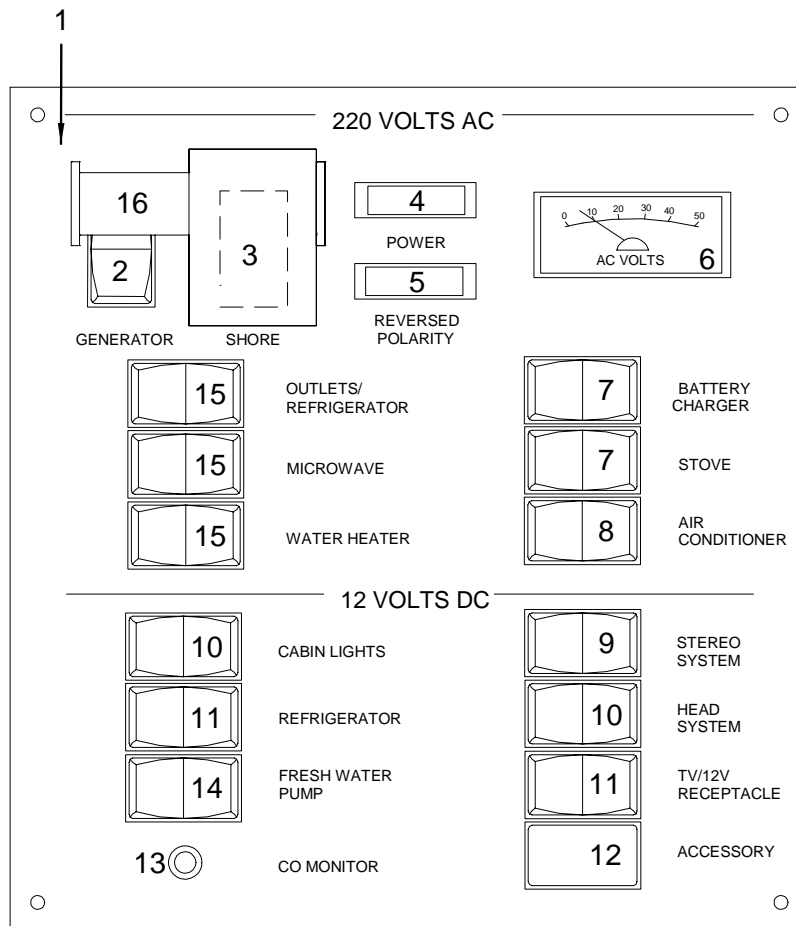
- 1 1801681 PANEL, 290DA-06 AC MDP 120/60 W/GEN
- 1759673 PANEL, BLANK:260DA-05 AC MDP 120/60 W/GEN
- 2 595926 BRKR/ROCK, 2-POLE AC/DC VERT 50A WHT
- 3 648873 BRKR/ROCK, 2-POLE AC/DC VERT 30A WHT
- 4 572529 LIGHT, POLARITY GRN 125V
- 5 557611 LIGHT, POLARITY RED 125V
- 6 767608 GAUGE, VOLTMETER AC 0-150 ANALOG WINDOW MT SM
- 7 1776973 BRKR/ROCK, SGL-POLE AC/DC HORZ UP LUG 10A WHT
- 8 432872 PLUG, BRKR/ROCK
- 1795343 BRKR/ROCK, SGL-POLE AC/DC HORZ UP LUG 20A WHT
- 9 1799306 BRKR/ROCK, SGL-POLE AC/DC HORZ UP LUG 25A RED
- 10 1799305 BRKR/ROCK, SGL-POLE AC/DC HORZ UP LUG 20A RED
- 11 1799304 BRKR/ROCK, SGL-POLE AC/DC HORZ UP LUG 15A RED
- 12 432872 PLUG, BRKR/ROCK
- 355081 BRKR/ROCK, SGL-POLE AC/DC HORZ 25A RED
- 13 1181700 BRKR, P/BTN-MANUAL RESET M-SERIES 1A W/SCREW
- 14 1799341 BRKR/ROCK, SGL-POLE AC/DC HORZ UP LUG 10A RED
- 15 1776975 BRKR/ROCK, SGL-POLE AC/DC HORZ UP LUG 15A WHT
- 16 1795343 BRKR/ROCK, SGL-POLE AC/DC HORZ UP LUG 20A WHT
- 17 340679 SLIDE ASSY, SLIDE BAR MDP PANEL



AC MAIN DISTRIBUTION PANEL 50HZ CYCLE

- 1 1802479 PANEL, 290DA-06 AC MDP 220/50 N/GEN
- 2 432872 PLUG, BRKR/ROCK
- 3 440354 BRKR/ROCK, 2-POLE AC/DC VERT 20A WHT
- 4 557603 LIGHT, POLARITY GRN 220V
- 5 557629 LIGHT, POLARITY RED 220V
- 6 796334 GAUGE, VOLTMETER AC 0-300 ANALOG WINDOW MOUNT
- 7 1776961 BRKR/ROCK, SGL-POLE AC/DC HORZ UPT LUG 5A WHT
- 8 432872 PLUG, BRKR/ROCK
- 9 1776975 BRKR/ROCK, SGL-POLE AC/DC HORZ UP LUG 15A WHT
- 10 1799306 BRKR/ROCK, SGL-POLE AC/DC HORZ UP LUG 25A RED
- 11 1799305 BRKR/ROCK, SGL-POLE AC/DC HORZ UP LUG 20A RED
- 12 1799304 BRKR/ROCK, SGL-POLE AC/DC HORZ UP LUG 15A RED
- 13 432872 PLUG, BRKR/ROCK
- 14 355081 BRKR/ROCK, SGL-POLE AC/DC HORZ 25A RED
- 15 1181700 BRKR, P/BTN-MANUAL RESET M-SERIES 1A W/SCREW
- 16 1799341 BRKR/ROCK, SGL-POLE AC/DC HORZ UP LUG 10A RED
- 17 1776973 BRKR/ROCK, SGL-POLE AC/DC HORZ UP LUG 10A WHT

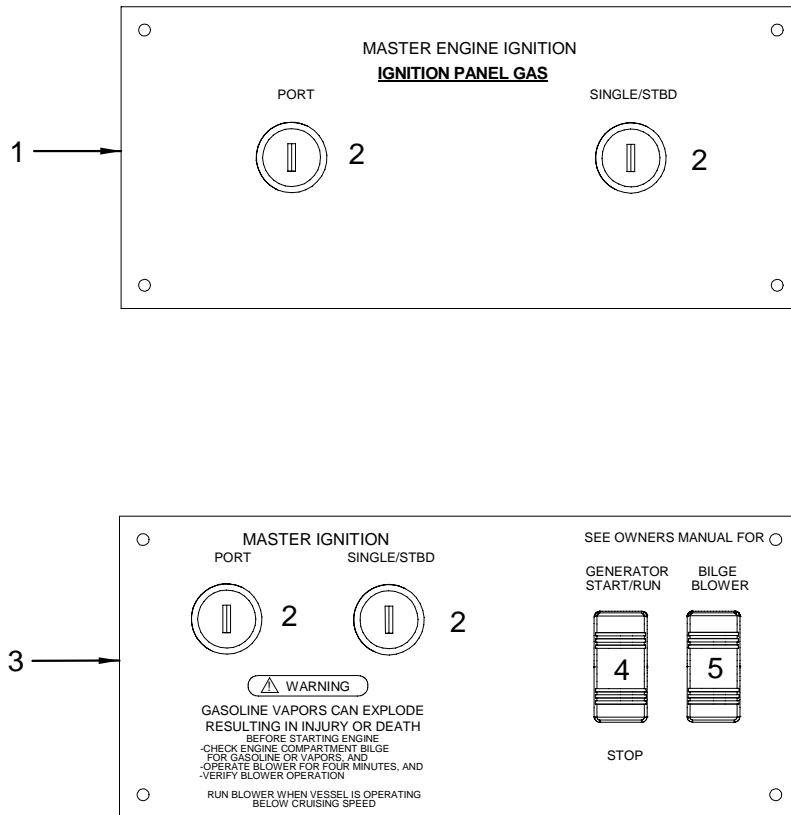
AC MAIN DISTRIBUTION PANEL 50HZ WITH GENERATOR



AC MAIN DISTRIBUTION PANEL 50HZ WITH GENERATOR

- 1 1801684 PANEL, 290DA-06 AC MDP 220/50 W/GEN
- 2 629337 BRKR/ROCK, 2-POLE AC/DC VERT 35A WHT
- 3 440354 BRKR/ROCK, 2-POLE AC/DC VERT 20A WHT
- 4 557603 LIGHT, POLARITY GRN 220V
- 5 557629 LIGHT, POLARITY RED 220V
- 6 796334 GAUGE, VOLTMETER AC 0-300 ANALOG WINDOW MOUNT
- 7 1776961 BRKR/ROCK, SGL-POLE AC/DC HORZ UPT LUG 5A WHT
- 8 432872 PLUG, BRKR/ROCK
- 1776975 BRKR/ROCK, SGL-POLE AC/DC HORZ UP LUG 15A WHT
- 9 1799306 BRKR/ROCK, SGL-POLE AC/DC HORZ UP LUG 25A RED
- 10 1799305 BRKR/ROCK, SGL-POLE AC/DC HORZ UP LUG 20A RED
- 11 1799304 BRKR/ROCK, SGL-POLE AC/DC HORZ UP LUG 15A RED
- 12 432872 PLUG, BRKR/ROCK
- 355081 BRKR/ROCK, SGL-POLE AC/DC HORZ 25A RED
- 13 1181700 BRKR, P/BTN-MANUAL RESET M-SERIES 1A W/SCREW
- 14 1799341 BRKR/ROCK, SGL-POLE AC/DC HORZ UP LUG 10A RED
- 15 1776973 BRKR/ROCK, SGL-POLE AC/DC HORZ UP LUG 10A WHT
- 16 340679 SLIDE ASSY, SLIDE BAR MDP PANEL

IGNITION SWITCH PANEL (TWIN ENGINE GAS)

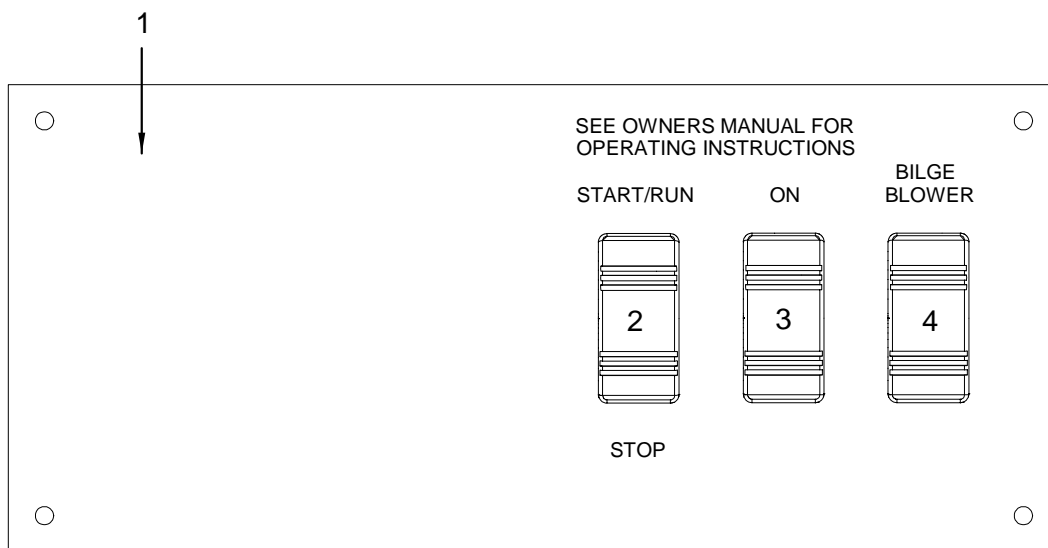


IGNITION SWITCH PANEL (TWIN ENGINE GAS)

- 1 1799375 PANEL, 290DA-06 IGN SW GAS TE N/GEN
- 1799684 PANEL, BLANK:290DA-06 ENG MSTRKEY SW GAS BLK (PART OF 1799375)
- 2 1544188 SWITCH, KEY ASHI DENSO
- 1666171 KEY, MSTR IGN MDB PNL "3103" (PART OF 1544188)
- 1666197 KEY, MSTR IGN MDB PNL "3110" (PART OF 1544188)
- 1666205 KEY, MSTR IGN MDB PNL "3112" (PART OF 1544188)
- 1666213 KEY, MSTR IGN MDB PNL "3113" (PART OF 1544188)
- 1666239 KEY, MSTR IGN MDB PNL "3135" (PART OF 1544188)
- 1666254 KEY, MSTR IGN MDB PNL "3203" (PART OF 1544188)
- 1666262 KEY, MSTR IGN MDB PNL "3210" (PART OF 1544188)
- 1666270 KEY, MSTR IGN MDB PNL "3212" (PART OF 1544188)
- 1666288 KEY, MSTR IGN MDB PNL "3213" (PART OF 1544188)
- 1666296 KEY, MSTR IGN MDB PNL "3235" (PART OF 1544188)
- 3 1799376 PANEL, 290DA-06 IGN SW GAS TE W/LOWCO GEN
- 1799368 PANEL, BLANK:290DA-06 IGN/GEN SW LOWCO GAS (PART OF 1799376)

- 4 1804271 BODY, ROCK SW XI SPST MOM INDP GRN LNZ 12V
- 1762694 BODY, ROCK SW SPDT MOM BLK W/IND INC LAMP
- 679324 ACTUATOR, ROCK BLK W/BLUE LENS ACCY
- 5 1804271 BODY, ROCK SW XI SPST MOM INDP GRN LNZ 12V
- 799304 BODY, ROCK SW SPST (MOM) BLK W/IND INC LAMP
- 679324 ACTUATOR, ROCK BLK W/BLUE LENS ACCY

GENERATOR PANEL (DIESEL)



GENERATOR PANEL (DIESEL)

- 1 1801720 PANEL, 290DA-06 GEN REMOTE SW DSL
- 2 1762694 BODY, ROCK SW SPDT MOM BLK W/IND INC LAMP
- 679324 ACTUATOR, ROCK BLK W/BLUE LENS ACCY
- 3 681510 BODY, ROCK SW DPST 12V W/INC LAMP
- 679324 ACTUATOR, ROCK BLK W/BLUE LENS ACCY
- 4 799304 BODY, ROCK SW SPST (MOM) BLK W/IND INC LAMP
- 679324 ACTUATOR, ROCK BLK W/BLUE LENS ACCY

MULTI-INFO PACKET



MULTI-INFO PACKET**MULTI-INFO PACKET**

1848059 PACKET, MULTI-INFO 290DA-07

OWNERS PACKET CONTENTS

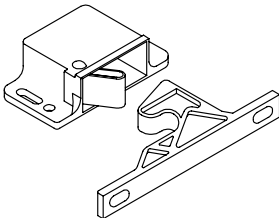
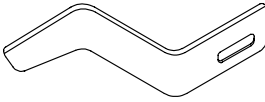
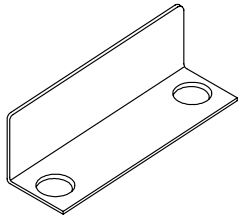
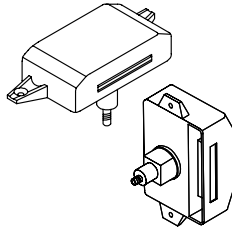
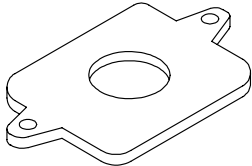
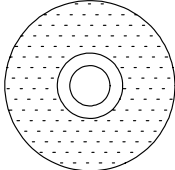
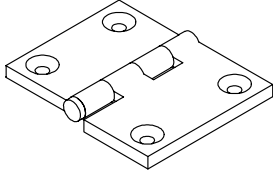
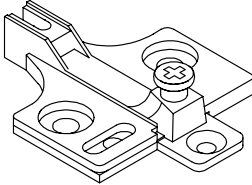
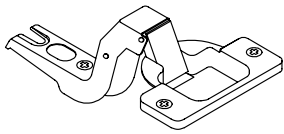
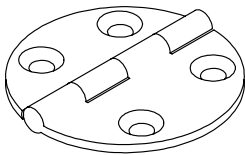
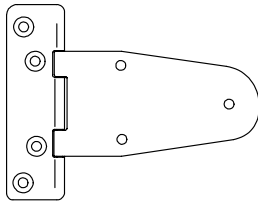
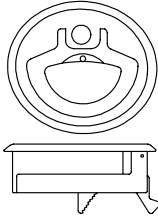
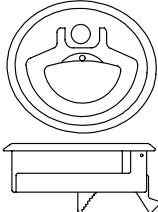
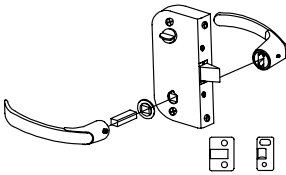
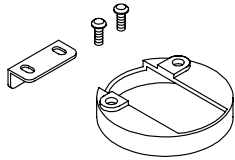
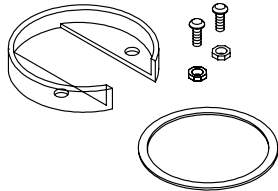
902726 PACKET, OWNERS BRIEFCASE CANVAS BLK (TYPHOON)
 137711 CARD, NAVIGATION INFORMATION
 137729 CARD, COAST PILOTING INFORMATION
 1411404 ENVELOPE, DEALER INFORMATION
 1507912 CARD, PASSPORT TO SAVINGS
 1507938 CARD, TALOR WINDSHIELD/GLASS CARE
 1751550 CARD, CANVAS CARE & CLEANING MORBERN
 1751553 BOOKLET, COAST GUARD FEDERAL REQUIREMENT
 1751559 CARD, CANVAS CARE & CLEANING SUNBRELLA
 1751562 CARD, WARRANTY SUNBRELLA LIMITED
 1751563 BOOKLET, STA-BIL FUEL STABILIZER
 1751564 CARD, CANVAS CARE & CLEANING SEA RAY
 1764423 BROCHURE, CARBON MONOXIDE AWARENESS
 1766184 BROCHURE, WATERSKI SAFETY GUIDELINES
 1797956 CHECK LIST, IN SERVICE - SP CRUISERS 05.5
 1798084 LABEL, CHEMICAL WARNINGS
 1801918 CARD, WARRANTY - SPRT CRSR/SPRT YCHT/YCHT 06
 750075 CARD, MARINE ELECTRONICS
 798595 HARNESS, ACCY HATCH LIFT PIGTAIL
 833749 FUSE BOX, SPARE W/6 ATC BLADE STYLE
 1805468 CARD, LADDER MAINTENANCE

OWNERS PACKET SUPPLIED BY PLANT

187245 LABEL, BOATMAN'S CHECK LIST
 434191 CARD, NAVIGATIONAL INTERNATIONAL
 (EXPORT PACKING - INTERNATIONAL)
 522599 KEY, DECK PLATE CAP
 (FUEL CAP)
 1068592 KEY, DECK PLATE CAP
 (WASTE CAP)
 1683713 CARD, QUICK REFERENCE SHRPWR SPCRUIS/02
 1691479 MANUAL, OWNERS - SEA RAY INT'L 12-LANGUAGE
 (C E OPTION GROUP)
 1747505 LABEL, INFO REPL PROD/BROCH/DLRLOC/ETC
 1766115 PACKET, SIRIUS WELCOME KIT
 1880468 CHECK LIST, INT'L DISCLOSURE SPBT/SPCRUSR '06
 (INTERNATIONAL IN-SERVICE CHECKLIST)

KNOXVILLE HARDWARE

KNOXVILLE PLANT HARDWARE

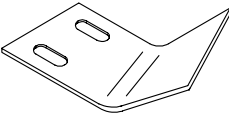
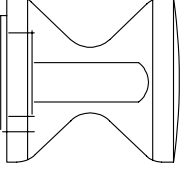
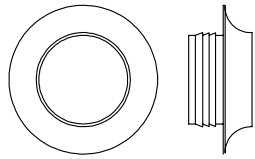
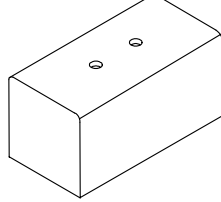
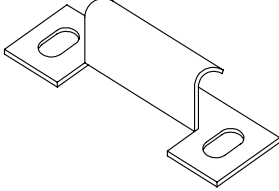
<p>BLACK 10LB</p>  <p>1 → 390849</p>	<p>2" OFFSET SHORT SS</p>  <p>2 → 1781439</p>	 <p>3 → 761445</p>	<p>WHITE</p>  <p>4 → 772418</p>
 <p>5 → 1132380</p>	 <p>6 → 776567</p>	 <p>7 → 132324</p>	 <p>8 → 525667</p>
 <p>9 → 839399</p>	 <p>10 → 1338821</p>	 <p>11 → 1683753</p>	<p>STAINLESS STEEL</p>  <p>12 → 1781437</p>
<p>STAINLESS STEEL</p>  <p>13 → 1781434</p>	<p>RH OUT SATIN/NICKLE</p>  <p>14 → 1776179</p>	 <p>15 → 1781435</p>	 <p>16 → 1781440</p>

KNOXVILLE HARDWARE

- 1 390849 CATCH, GRABBER LATCH W/10LB HOLD BLK PLAS
- 2 1781439 CATCH, PAWL 2"OFFSET SHORT SS
- 3 761445 CATCH, RIM-LOCK STRIKE PLATE
- 4 772418 CATCH, RIM-LOCK WHT
- 5 1132380 CATCH, RIM-LOCK WHT (SHIM ONLY)
- 6 776567 CATCH, ROUND PLAS 13/16" "DUAL LOCK" (3M)
- 7 132324 HINGE, BUTT CHROME/ZINC 2"
- 8 525667 HINGE, CONCEALED FULL OVERLAY MT PLATE ONLY
- 9 839399 HINGE, SELF CLOSING BLUM SCREW-ON
- 10 1338821 HINGE, SS STRAP 2.56" X 2.56" X 1/4"
- 11 1683753 HINGE, SS 320DA-02 CKPT HATCH
- 12 1781437 LATCH, COMPRESSION 2"N/LOCKING SS
- 13 1781434 LATCH, FLUSH MNT N/LOCKING SLAM SS
- 14 1776179 LATCH, OFFSHR FLSH RH-OUT PRVKNB SAT/NCK 5/8"
- 15 1781435 PLATE, CUP BRKT 2"LONG SCREW W/HDWR PKG
- 16 1781440 PLATE, DEEP BRKT 2"W/HDWR PKG SS

KNOXVILLE HARDWARE (CONTINUED 1)

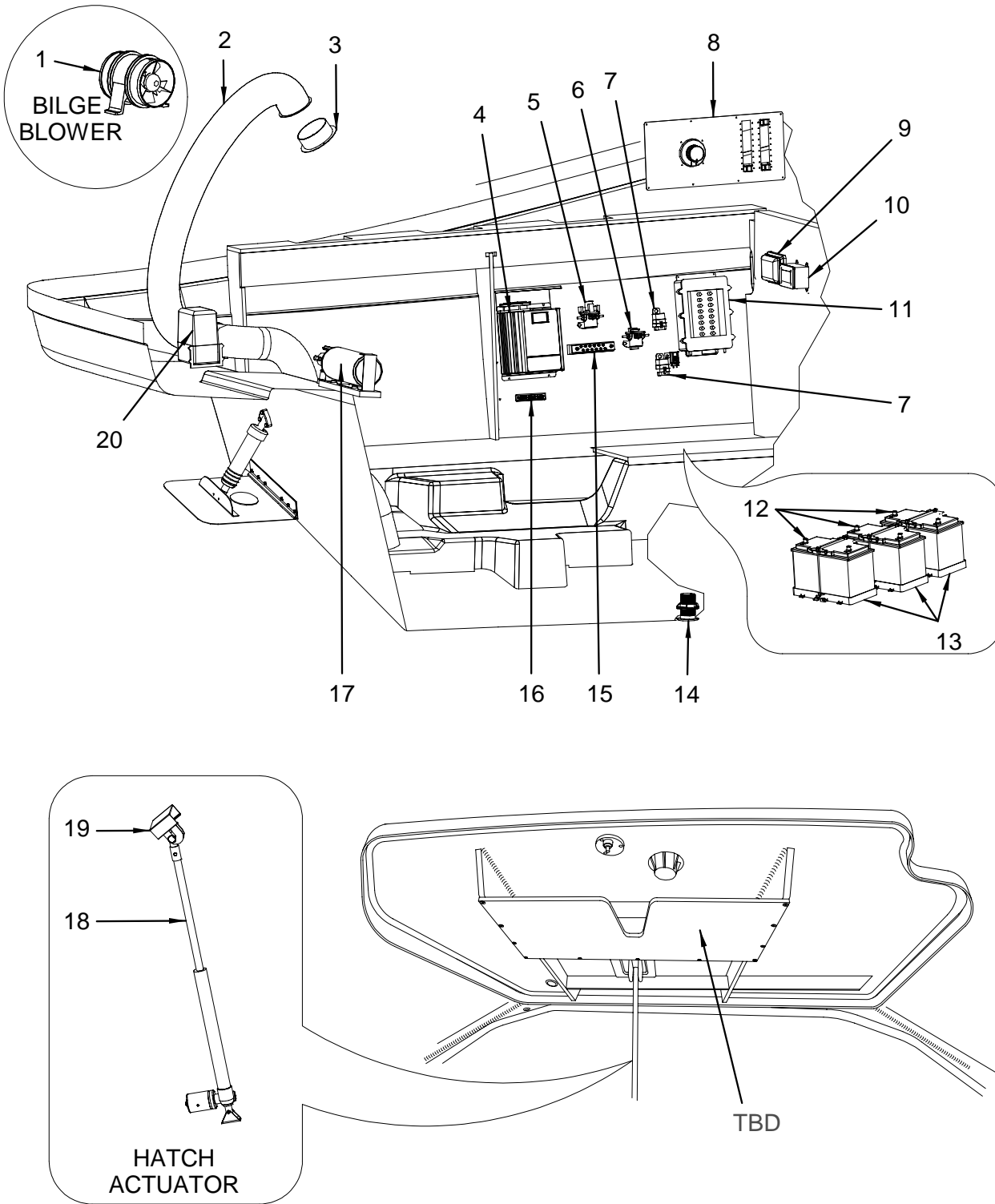
KNOXVILLE PLANT HARDWARE

	SATIN	SATIN/NICKLE	ARTIC WHITE
 1 → 1499151	 2 → 1742136	 3 → 1776837	 4 → 1046796
 5 → 1805874			

KNOXVILLE HARDWARE (CONTINUED 1)

- 1 1499151 PLATE, STRIKER XL "L" SHAPED 316 SS
- 2 1742136 PULL, PUSH-BUTTON KNOB SAT/NCKL
- 3 1776837 PULL, ROSETTE SAT/NCKL RND 16MM (5/8")
- 4 1046796 STOP, HDPE 310DA-98 TRNS DOOR 3/4"X 3/4"X 1.5
- 5 1805874 PLATE, STRIKER SLAM LATCH SS 1 13/16"SPCL

BILGE (PORT VIEW)



BILGE (PORT VIEW)

1	1794013	BLOWER, BILGE 4" ATTWOOD W/CONN
2	124016	HOSE, VENT/BLOWER 4" EX HVY DTY
3	791749	VENT, PLAS GRILL 4" WHT
4	1684144	CONVERTER, 30AMP 120VAC/12VDC
5	644609	SOLENOID, MAGNET LATCHING 12V 100A/500A W/HDW (WINDLASS - LOFRANS MARLIN - ROPE/CHAIN) (WINDLASS - LOFRANS MARLIN - CHAIN)
6	1690833	SOLENOID, EMERG START 12V 100AMP
7	1690529	RELAY, SPST 12V 20/40A IGN PROT HATCH LOCKOUT (SUPPLIED WITH BILGE HARNESS)
8	1799350	PANEL, 290DA-06 MDC BRKR W/BATT GAS TE
	1799345	PANEL, BLANK:290DA-06 MDC BRKR W/BATT GAS TE (BLANK PANEL FOR 1799350)
	1799367	PANEL, 290DA-06 MDC BRKR W/BATT DSL
	1799361	PANEL, BLANK:290DA-06 MDC BRKR W/BATT DSL (BLANK PANEL FOR 1799367)
	1799352	PANEL, 290DA-06 MDC BRKR W/BATT GAS S/E
	1799351	PANEL, BLANK:290DA-06 MDC BRKR W/BATT GAS SE (BLANK PANEL FOR 1799352)
9	822668	LIGHT, SGL DOME FLUSH MT PLAS WHT W/O SWITCH
	604801	BULB, DOME LIGHT 12V (PART OF 822668)
10	522813	BOX, RECEPTACLE PVC SURFACE MOUNT CARLON
	147397	COVER PLATE, CARLON BOX SGL
	1743616	LABEL, UNPLUG SHORE POWER WARNING
11	1810629	MODULE, ELEC INTERFACE AFT S-CRUISER 06
12	140509	BOOT, ENG STARTER RED
	650499	BOOT, BATTERY CABLE 4/0 RED 11/16"
	1258979	BOOT, BATTERY CABLE 105C "T" BLK 4/0
	650507	BOOT, BATTERY CABLE 4/0 BLK 11/16"
	793307	CONN, RING 4GA X 3/8R BATT/CBL COP PLTD CLSD
13	1239458	HOLDER, BATTERY GR27/31 BLK NYLON W/SS
14	1690371	ACC PART, MERC S-CRFT TRNS W/19" NYL DEP/TEMP
	1757382	NAVIGATOR, SRNII TRANSDUCR DEPTH/TEMP W/PT NY
	1847395	TRANSDUCER, MULTI SENSOR KIT VOLVO
	1795135	TRANSDUCER, NRTHSTR 491FF DEP/TEMP W/6"PGTAIL
	1795499	TRANSDUCER, DEPTH/TEMP FOR DSM250 FISHFINDER
	933853	TRANSDUCER, DEPTH RETRACTABLE VALOX RAYDATA
	933861	TRANSDUCER, SPEED SELF SEALING VALOX RAYDATA
15	638205	BUSS BAR, DC GROUND 12-POSITION LARGE (SUPPLIED WITH BILGE HARNESS)
16	1324334	BUSS BAR, MINIBUS BAR DC
17	1837240	FIRE EXT SYS, FE241 (SR) 250CF AUTO/MAN W/CON (HULL# 1243 -> UP)
	1787273	HALON SYS, MANUAL/AUTO 250CF W/CONN (HULL# 1201 -> 1242)
	1799844	HALON SYS, INDICATOR LIGHT 12V GRN (PART OF 1837240 & 1787273)
	598169	HALON CABLE, MANUAL PULL CABLE 18'
	1642271	FIRE EXT SYS, FM200 250CF GAS/DSL-MAN/AUTO
	1148857	HALON SYS, ENG INTRUPT/RESTR 12V 5-CKT
18	1799988	ACTUATOR, ELEC HATCH LIFT 18"12V 6000RPM
	1808429	ACTUATOR, EXTEN 5.25"X 1.25"OD X .049"SS
19	1686744	BRACKET, 320DA-02 HATCH LIFT UPR
20	1110071	TRIM TAB, HYD PUMP KIT W/10"HOSE/3"NIPPLE

BRACKETS

836007	BRACKET, ALUM 1.5"X 1.5"X 3" 3/16"HOLES
836023	BRACKET, ALUM 1.5"X 1.5"X 1.5" 3/16"HOLES
836114	BRACKET, PVC 1.5"X 1.5"X 6" 3/16"HOLES
908566	BRACKET, ALUM 2"X 2"X 1/4"X 7.5"W/5/8"HOLES 2

CLAMPS

123661	CLAMP, LOOM VINYL DIP 1"
--------	--------------------------

ELECTRICAL

795583	BUSS BAR, SGL POST 5/16"
--------	--------------------------

HARNESSES

1486620	HARNESS, 280DA-01 GROUNDING
1507276	HARNESS, MERC DATA S-CRFT W/TERM 1000-1RSL-30
1507300	HARNESS, SYSTEM SPEED
1727448	HARNESS, MERC DATA S-CRFT W/TERM 1000-1RSL-425
1846412	HARNESS, 290DA-07 BILGE 120V (HULL #1256 -> UP)
1801710	HARNESS, 290DA-06 BILGE W/S-CRFT 120V (HULL #1201 -> 1255)
1846414	HARNESS, 290DA-07 BILGE 220V (HULL #1256 -> UP) (220 VOLT / 50 CYCLE ELECTRICAL SYSTEM)
1801711	HARNESS, 290DA-06 BILGE W/S-CRFT 220V (HULL #1201 -> 1255)

HARNESSES (continued)

1795136	HARNESS, NRTHSTR 491FF TRANS DEP/TEMP 30'
1757379	HARNESS, TRNSDCR DEPTH/TEMP 30' NRTHSTR 6000I
1795162	HARNESS, PIGTAIL 5'SRN II XDUCR TO 6000I
1847957	HARNESS, FIRE SYS SHUTDWN VOLVO

LABELS

1744737	LABEL, DISCHARGE OF OIL (LEXAN)
1745156	LABEL, NOTICE OVERBOARD DISCHARGE (LEXAN)
1746895	LABEL, CHECK BATTERY CELL FLUID LEVEL
1746896	LABEL, DANGER STAY CLEAR OF MOVING PARTS
1745512	LABEL, STAY CLEAR OF MOVING PARTS ON ENGINE
1888131	LABEL, WARNING ENG HATCH SUPPORT

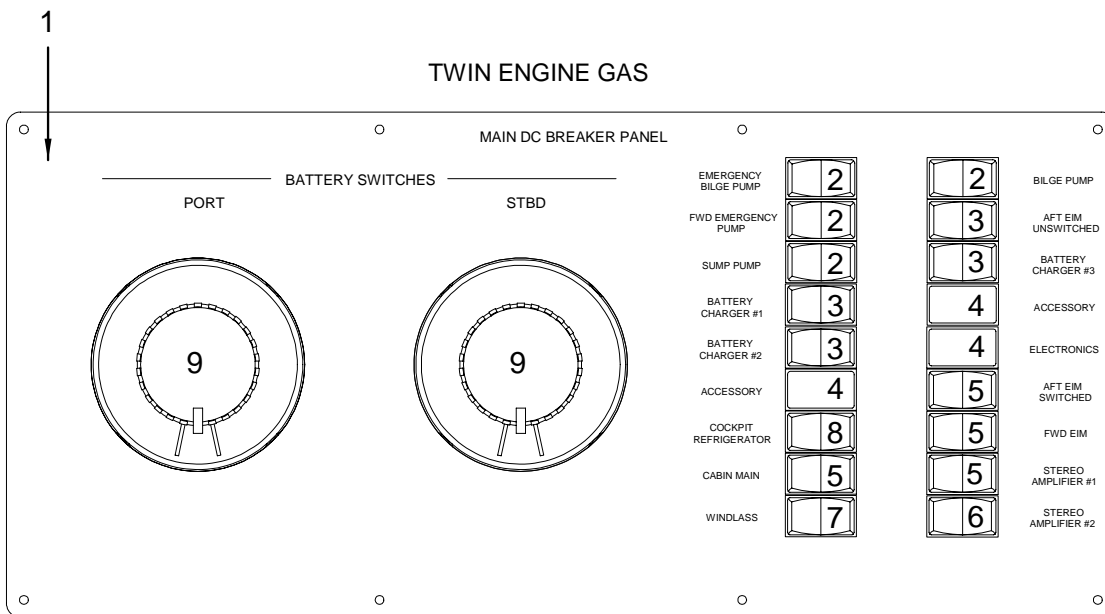
NOT SHOWN

1486497	ACC PART, VOLVO BOOT PROTECTIVE SLEEVE
1818932	CHANNEL, 290DA-06 HTCH ACTUATOR 4"
1847960	CONTROL, ACTUATOR SHIFT VOLVO

SPLIT CONDUIT

1501824	HOSE, CONDUIT/SPLIT 3/4" FLAME RETARDANT
1501832	HOSE, CONDUIT/SPLIT 3/8" FLAME RETARDANT

DC MAIN BREAKER PANEL (GAS)



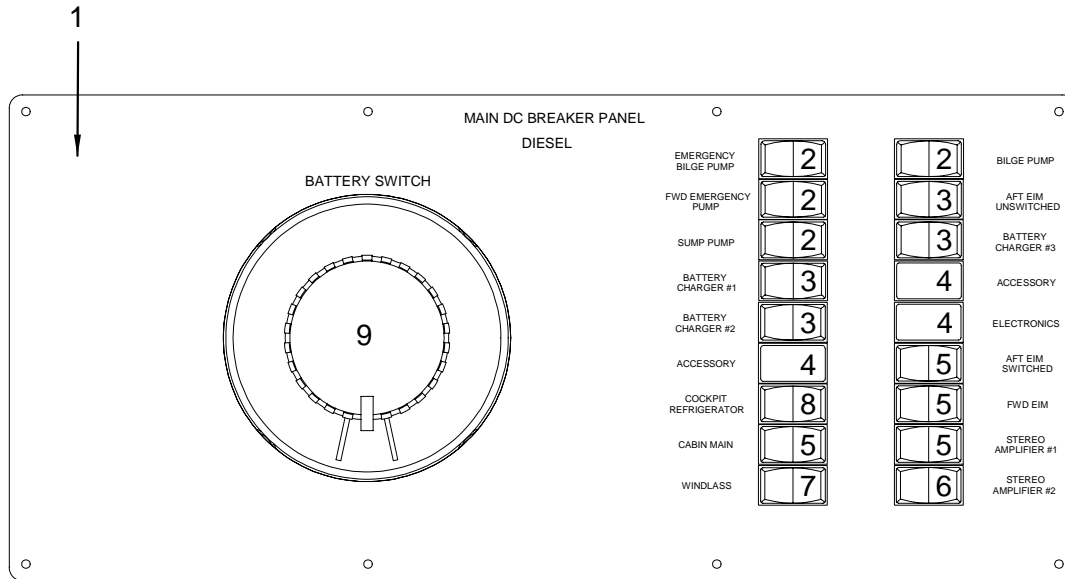
DC MAIN BREAKER PANEL (GAS)

- 1 1799350 PANEL, 290DA-06 MDC BRKR W/BATT GAS TE
- 1799345 PANEL, BLANK:290DA-06 MDC BRKR W/BATT GAS TE
(BLANK PANEL FOR 1799350)
- 1799352 PANEL, 290DA-06 MDC BRKR W/BATT GAS S/E
- 1799351 PANEL, BLANK:290DA-06 MDC BRKR W/BATT GAS SE
(BLANK PANEL FOR 1799352)
- 2 1181726 BRKR/ROCK, SGL-POLE MNL RSET DC IGNPRT 5A YLW
- 3 1412006 BRKR/ROCK, SGL-POLE MNL RSET DC IGNPRT 30A YL
- 4 432872 PLUG, BRKR/ROCK
- 5 1181775 BRKR/ROCK, SGL-POLE MNL RSET DC IGNPRT 50A YL
(PREMIUM COCKPIT SOUND SYSTEM - 12 VOLT)
(STEREO AMPLIFIER #1)
- 6 432872 PLUG, BRKR/ROCK
- 1771141 BRKR/ROCK, SGL-POLE MNL RSET DC IGNPRT 25A YL
(PREMIUM COCKPIT SOUND SYSTEM - 12 VOLT)
(STEREO AMPLIFIER #2)
- 7 432872 PLUG, BRKR/ROCK
- 1772527 BRKR/ROCK, SGL-POLE C-SERIES DC IGNPRT 50A LD
(WINDLASS - LOFRANS MARLIN - ROPE/CHAIN)
(WINDLASS - LOFRANS MARLIN - CHAIN)
- 8 432872 PLUG, BRKR/ROCK
- 1181759 BRKR/ROCK, SGL-POLE MNL RSET DC IGNPRT 15A YL
(COCKPIT REFRIGERATOR DUAL VOLT-120V/60-12V)
(COCKPIT REFRIGERATOR DUAL VOLT-220V/50-12V)
- 9 1726840 SWITCH, BATTERY SEL W/O LOCK W/O DISC REV 1

NOT SHOWN

- 829432 BUSS BAR, DBL POST 5/16"
(SUPPLIED WITH PANEL HARNESS)

DC MAIN BREAKER PANEL (DIESEL)



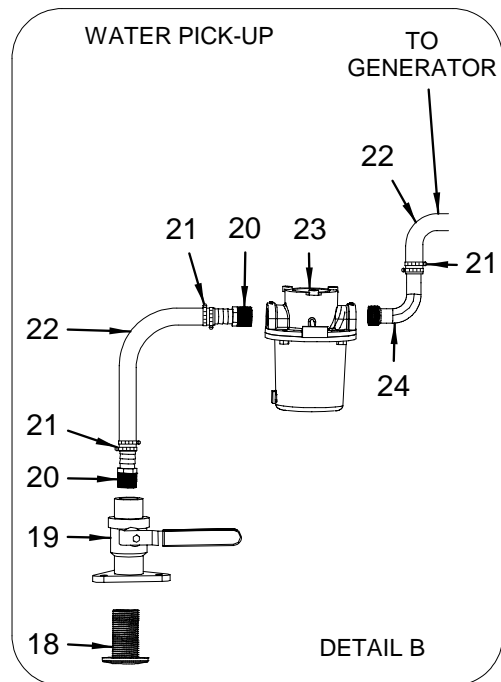
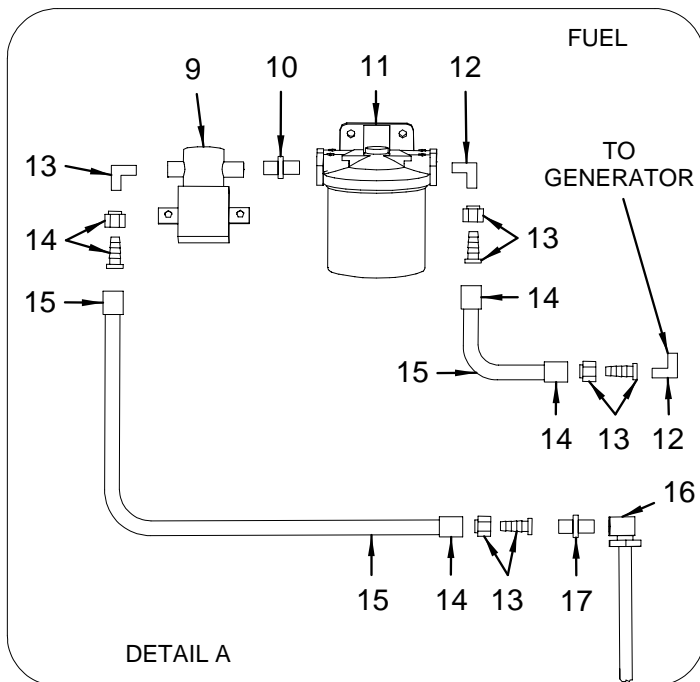
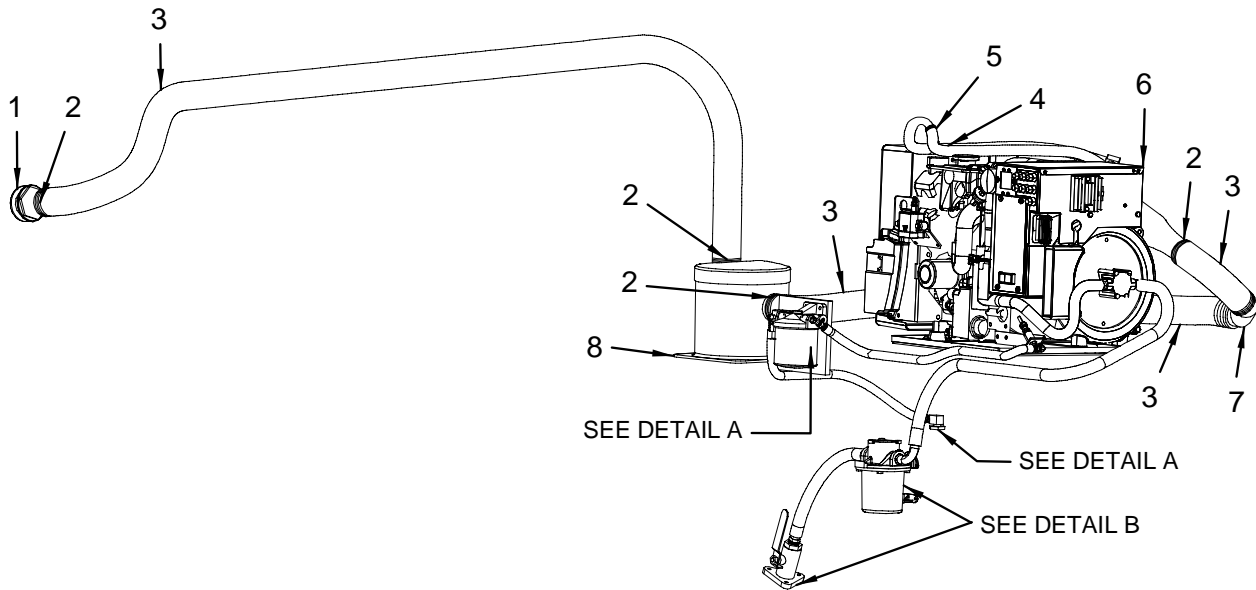
DC MAIN BREAKER PANEL (DIESEL)

- 1 1799367 PANEL, 290DA-06 MDC BRKR W/BATT DSL
- 1799361 PANEL, BLANK:290DA-06 MDC BRKR W/BATT DSL
(PART OF 1799367)
- 2 1181726 BRKR/ROCK, SGL-POLE MNL RSET DC IGNPRT 5A YLW
- 3 1412006 BRKR/ROCK, SGL-POLE MNL RSET DC IGNPRT 30A YL
- 4 432872 PLUG, BRKR/ROCK
- 5 1181775 BRKR/ROCK, SGL-POLE MNL RSET DC IGNPRT 50A YL
(PREMIUM COCKPIT SOUND SYSTEM - 12 VOLT)
(STEREO AMPLIFIER #1)
- 6 432872 PLUG, BRKR/ROCK
- 1771141 BRKR/ROCK, SGL-POLE MNL RSET DC IGNPRT 25A YL
(PREMIUM COCKPIT SOUND SYSTEM - 12 VOLT)
(STEREO AMPLIFIER #2)
- 7 432872 PLUG, BRKR/ROCK
- 1772527 BRKR/ROCK, SGL-POLE C-SERIES DC IGNPRT 50A LD
(WINDLASS - LOFRANS MARLIN - ROPE/CHAIN)
(WINDLASS - LOFRANS MARLIN - CHAIN)
- 8 432872 PLUG, BRKR/ROCK
- 1181759 BRKR/ROCK, SGL-POLE MNL RSET DC IGNPRT 15A YL
(COCKPIT REFRIGERATOR DUAL VOLT-120V/60-12V)
(COCKPIT REFRIGERATOR DUAL VOLT-220V/50-12V)
- 9 136150 SWITCH, BATTERY ON/OFF DSL W/DISC

NOT SHOWN

- 829432 BUSS BAR, DBL POST 5/16"
(SUPPLIED WITH PANEL HARNESS)

GENERATOR SYSTEM (GAS)



GENERATOR SYSTEM (GAS)

- 1 1769255 THRU-HULL, SS EXHAUST 2" W/SS LIP
- 1835350 THRU-HULL, FLAP ONLY SS EXH 2" X-LONG
(PART OF 1769255)
- 2 417717 CLAMP, HOSE #36 7/8"-2.75" SS .505
- 3 913053 HOSE, EXHAUST 2" CORR HW
- 4 124594 HOSE, WATER 5/8" HVY DTY (HEATER)
- 5 123398 CLAMP, HOSE #06M 5/16"-7/8" SS MINI
- 6 1803671 GENERATOR, 5ECD GAS KOHLER 120V/60 SCRFT
- 1833211 GENERATOR, 4EFCO GAS KOHLER 220V/50 SCRFT
- 7 1718687 EXHAUST, EL 2"X 90DEG RBR W/T-BOLT CLAMPS
- 8 1784602 MUFFLER, 2"IN X 2"OUT 9"X 9" BASE
- 160374 MUFFLER, DRAIN PLUG
(PART OF 1784602)
- 9 1791155 VALVE, BRASS FUEL SHUT-OFF 12V SER7000 10W
- 10 162750 ADAPTER, BRASS 1/4"MPT X 1/4"SAE
- 11 148171 FILTER, FUEL/WATER SEPARATOR KIT
- 12 629253 ELBOW, BRASS 90DEG 1/4"SAE X 1/4"MPT
- 13 1887750 FITTING, BRASS BARB/NUT 1/4" FEMALE SAE
- 14 1887693 FERRULE, FUEL LINE 1/4" .575"ID X .625"OD
- 15 1884010 HOSE, FUEL 1/4" TYPE A CLASS 1-15 ISO/CE/CARB
- 16 1804423 TUBE, PICK-UP ASSY 290DA-06 12.36"W/3/8"ELB
- 17 716688 ADAPTER, BRASS 3/8"MPT X 1/4"SAE
- 18 640300 THRU-HULL, BRZ 3/4" W/O NUT
- 19 518431 SEACOCK, BRZ 3/4" W/O TAILPIECE
- 20 531426 ADAPTER, BRZ 3/4"MPT X 3/4"BARB
- 21 256677 CLAMP, HOSE #12 1/2"-1.25" SS .505
- 22 123810 HOSE, GEN PURPOSE 3/4"
- 23 1791584 STRAINER, BRZ WATER INTAKE 3/4" W/NYLON STRAP
- 1851357 BRACKET, STRAINER MNT UPR
(PART OF 1791584)
- 1851358 BRACKET, STRAINER MNT LWR
(PART OF 1791584)
- 1404854 PLUG, PLASTIC STRAINER DRAIN
(PART OF 1791584)
- 24 169193 ELBOW, BRZ 90DEG 3/4"MPT X 3/4"BARB

CLAMPS

- 261354 CLAMP, LOOM VINYL DIP #38 2 3/8"

ELECTRICAL

- 1810630 MODULE, ELEC INTERFACE SWITCHING SYS 06

HARNESSES

- 1818615 HARNESS, 290DA-06 GEN KOHLER ECD GAS 120/220V

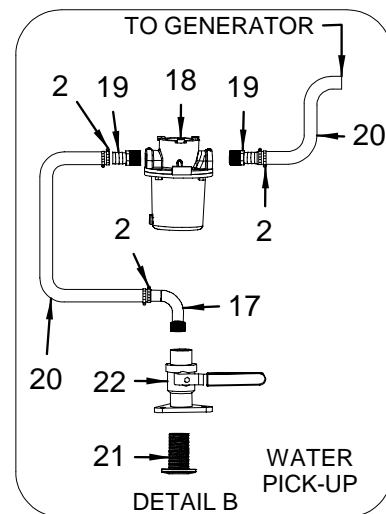
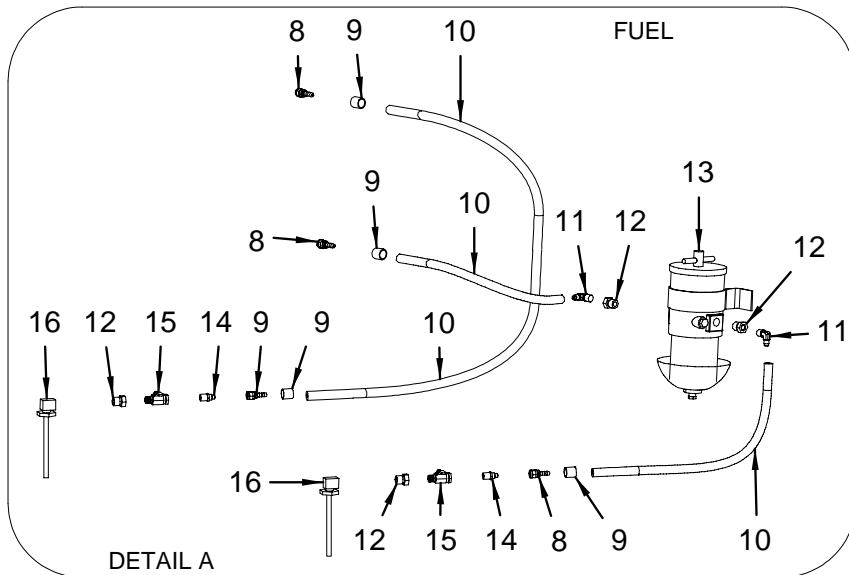
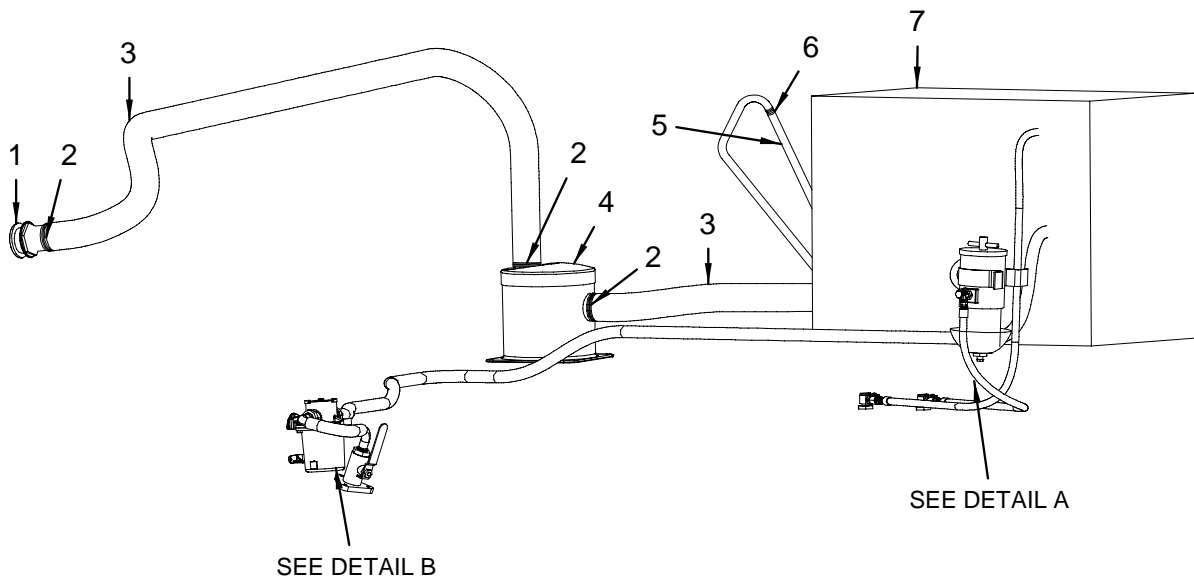
LABELS

- 1831528 LABEL, GENERATOR RESET NOTICE

NOT SHOWN

- 168955 ELBOW, BRASS 90DEG 1/4"MPT X 1/2"SAE
- 1838670 CABLE, BATT KIT 290DA-07 GAS GEN
- 130781 CABLE, BATT RED #2AWG
- 130799 CABLE, BATT BLK #2AWG
- 570135 NIPPLE, BRASS 1/4"MPT X 1/4"MPT
- 321158 EXHAUST, EL 2"X 90DEG W/2-4" & 1-2.5" LEGS

GENERATOR SYSTEM (DIESEL)



GENERATOR SYSTEM (DIESEL)

- 1 1769255 THRU-HULL, SS EXHAUST 2" W/SS LIP
- 1835350 THRU-HULL, FLAP ONLY SS EXH 2" X-LONG
(PART OF 1769255)
- 2 417717 CLAMP, HOSE #36 7/8"-2.75" SS .505
- 3 913053 HOSE, EXHAUST 2" CORR HW
- 4 1784602 MUFFLER, 2"IN X 2"OUT 9"X 9" BASE
- 160374 MUFFLER, DRAIN PLUG
(PART OF 1784602)
- 5 124594 HOSE, WATER 5/8" HVY DTY (HEATER)
- 6 123398 CLAMP, HOSE #06M 5/16"-7/8" SS MINI
- 7 1727348 GENERATOR, 5.0 KW DSL KOHLER 120V/60
(GENERATOR 4.0 E0Z KOHLER - DIESEL - 120V/60)
(GENERATOR 3.5 EFOZ KOHLER - DIESEL - 220V/50)
- 8 1887750 FITTING, BRASS BARB/NUT 1/4" FEMALE SAE
- 9 1887693 FERRULE, FUEL LINE 1/4" .575"ID X .625"OD
- 10 1884010 HOSE, FUEL 1/4" TYPE A CLASS 1-15 ISO/CE/CARB
- 11 629253 ELBOW, BRASS 90DEG 1/4"SAE X 1/4"MPT
- 12 791392 BUSHING, SS THD 1/4"FPT X 3/8"MPT
- 13 1524065 FILTER, REMOTE FUEL DSL (500MASR)
- 14 162750 ADAPTER, BRASS 1/4"MPT X 1/4"SAE
- 15 1764348 VALVE, BRASS FUEL 1/4"MPT X 1/4"FPT LO-PRO
- 16 1804423 TUBE, PICK-UP ASSY 290DA-06 12.36"W/3/8"ELB
- 17 169193 ELBOW, BRZ 90DEG 3/4"MPT X 3/4"BARB
- 18 1791584 STRAINER, BRZ WATER INTAKE 3/4" W/NYLON STRAP
- 1851357 BRACKET, STRAINER MNT UPR
(PART OF 1791584)
- 1851358 BRACKET, STRAINER MNT LWR
(PART OF 1791584)
- 1404854 PLUG, PLASTIC STRAINER DRAIN
(PART OF 1791584)
- 19 531426 ADAPTER, BRZ 3/4"MPT X 3/4"BARB
- 20 123810 HOSE, GEN PURPOSE 3/4"
- 21 640300 THRU-HULL, BRZ 3/4" W/O NUT
- 22 518431 SEACOCK, BRZ 3/4" W/O TAILPIECE

ELECTRICAL

- 1810630 MODULE, ELEC INTERFACE SWITCHING SYS 06

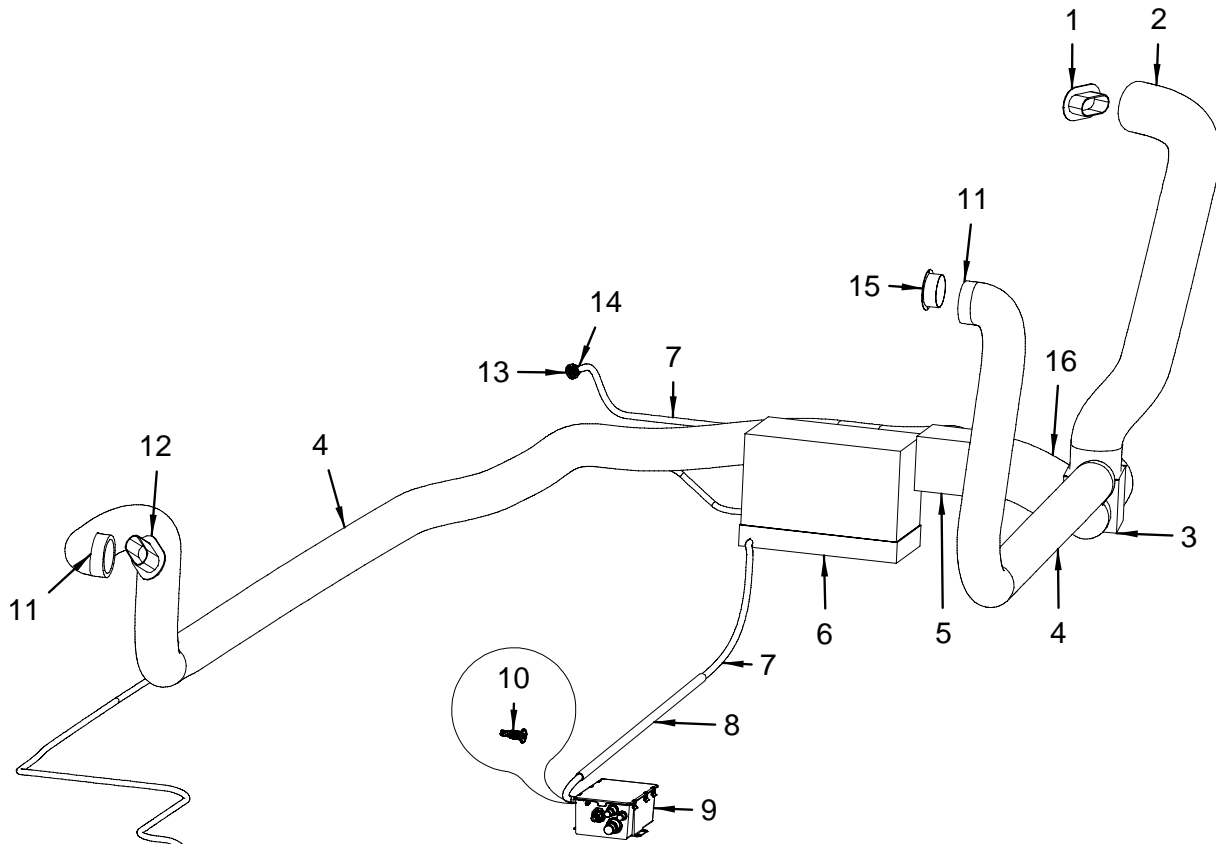
HARNESSES

- 1801715 HARNESS, 290DA-06 GEN KOHLER DSL 120V
- 1801716 HARNESS, 290DA-06 GEN KOHLER DSL 220V

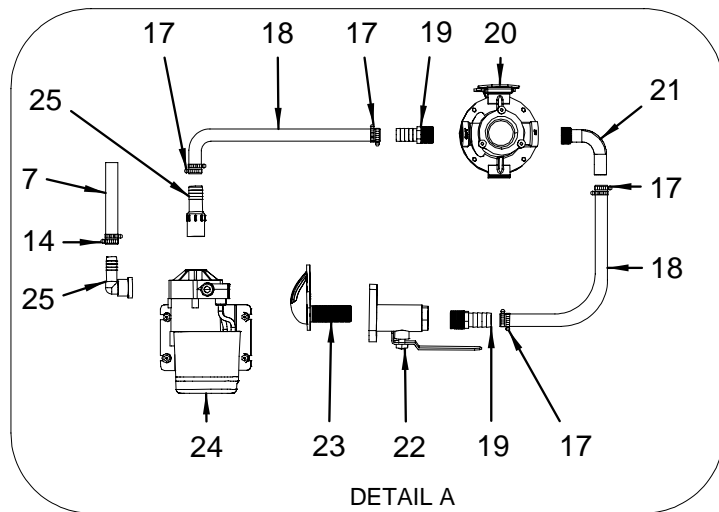
NOT SHOWN

- 1718687 EXHAUST, EL 2"X 90DEG RBR W/T-BOLT CLAMPS
- 1808426 BRACE, SPAR 290DA-06 DSL W/A/C/GEN SEACOCK

AIR CONDITIONING SYSTEM (GAS)



SEE DETAIL A



AIR CONDITIONING SYSTEM (GAS)

1	957092	A/C COMP, HOSE RING 5" OBLONG
2	266528	HOSE, AC/DUCT INSULATED 5"
3	1803902	A/C COMP, PLENUM BOX 6L 5T 4R W/6.5X6.5X6.5DV
4	639856	HOSE, AC/DUCT INSULATED 4" X 10'
5	1803900	A/C COMP, PLENUM BLWR 6T 4O W/6.5X6.5X6.5 DV
6	1759845	A/C COMP, COMPACT 10K SXF10-1 115V 50/60HZ
	1769422	A/C COMP, COMPACT 10K SMXII 220V 50HZ GG
7	1058957	HOSE, WATER A/C WHT 5/8"
8	149757	PIPE, PVC SCH 40 BOE PIPE 1.5"
9	1792643	SHOWER, SUMP ASSY MULTI-PORT 750GPH 12V W/CON
10	124487	THRU-HULL, PLAS 5/8" WHT
11	1605443	A/C COMP, CONN 4"HOSE
12	958140	A/C COMP, HOSE RING 4" OBLONG
13	1778933	THRU-HULL, SS 5/8" BARB SHORT W/RBR GASKET
14	263954	CLAMP, HOSE #10 1/2"-1 1/8" SS .505
15	1581966	A/C COMP, GRILL 4" RND W/O DA BLK
16	430926	HOSE, AC/DUCT INSULATED 6" FLEX
17	256677	CLAMP, HOSE #12 1/2"-1.25" SS .505
18	123810	HOSE, GEN PURPOSE 3/4"
19	531426	ADAPTER, BRZ 3/4" MPT X 3/4" BARB
20	1791584	STRAINER, BRZ WATER INTAKE 3/4" W/NYLON STRAP
	1851357	BRACKET, STRAINER MNT UPR (PART OF 1761584)
	1851358	BRACKET, STRAINER MNT LWR (PART OF 1761584)
	1404854	PLUG, PLASTIC STRAINER DRAIN (PART OF 1761584)
21	169193	ELBOW, BRZ 90DEG 3/4" MPT X 3/4" BARB
22	518431	SEACOCK, BRZ 3/4" W/O TAILPIECE
23	531574	PICK-UP, BRZ WATER INTAKE 3/4"
	161596	PICK-UP, BRZ WATER INTAKE 1.5"
24	948265	A/C COMP, PUMP SEAWATER 115V
	948349	A/C COMP, PUMP SEAWATER 230V
25	948273	A/C COMP, HOSE FITTINGS FOR PMP500

BRACKETS

836007	BRACKET, ALUM 1.5"X 1.5"X 3" 3/16" HOLES
--------	--

ELECTRICAL

1604271	A/C COMP, DISPLAY ECU BLK W/3/4" DOOR
1055821	A/C COMP, FACE PLATE FOR CONTROL BLK (PART OF 1604271)
1604263	A/C COMP, CABLE INTERCONNECT 15'
147397	COVER PLATE, CARLON BOX SGL
522813	BOX, RECEPTACLE PVC SURFACE MOUNT CARLON
1376474	CONN, NYLON 1/2" FLAT CORD GRIP WATERPROOF
1478841	CONN, NYLON 1/2" ROUND SKIN TOP WATERPROOF

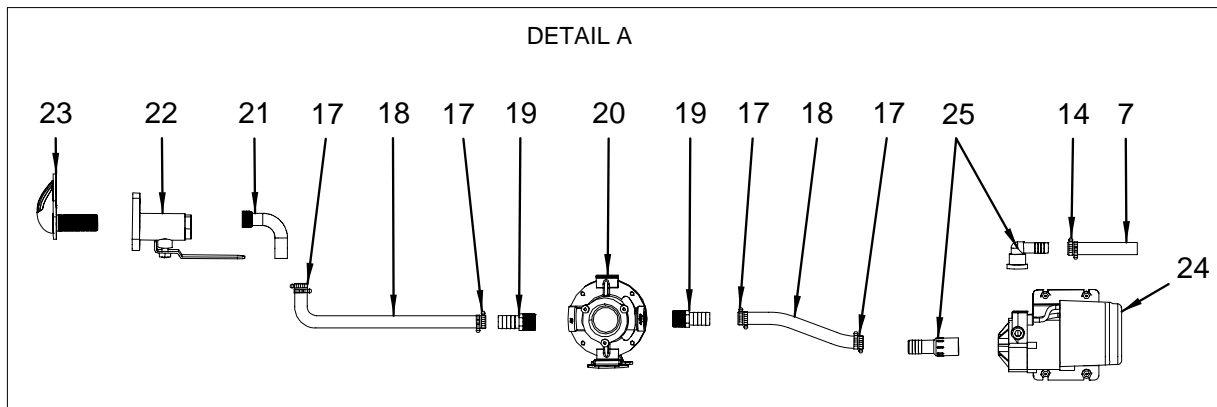
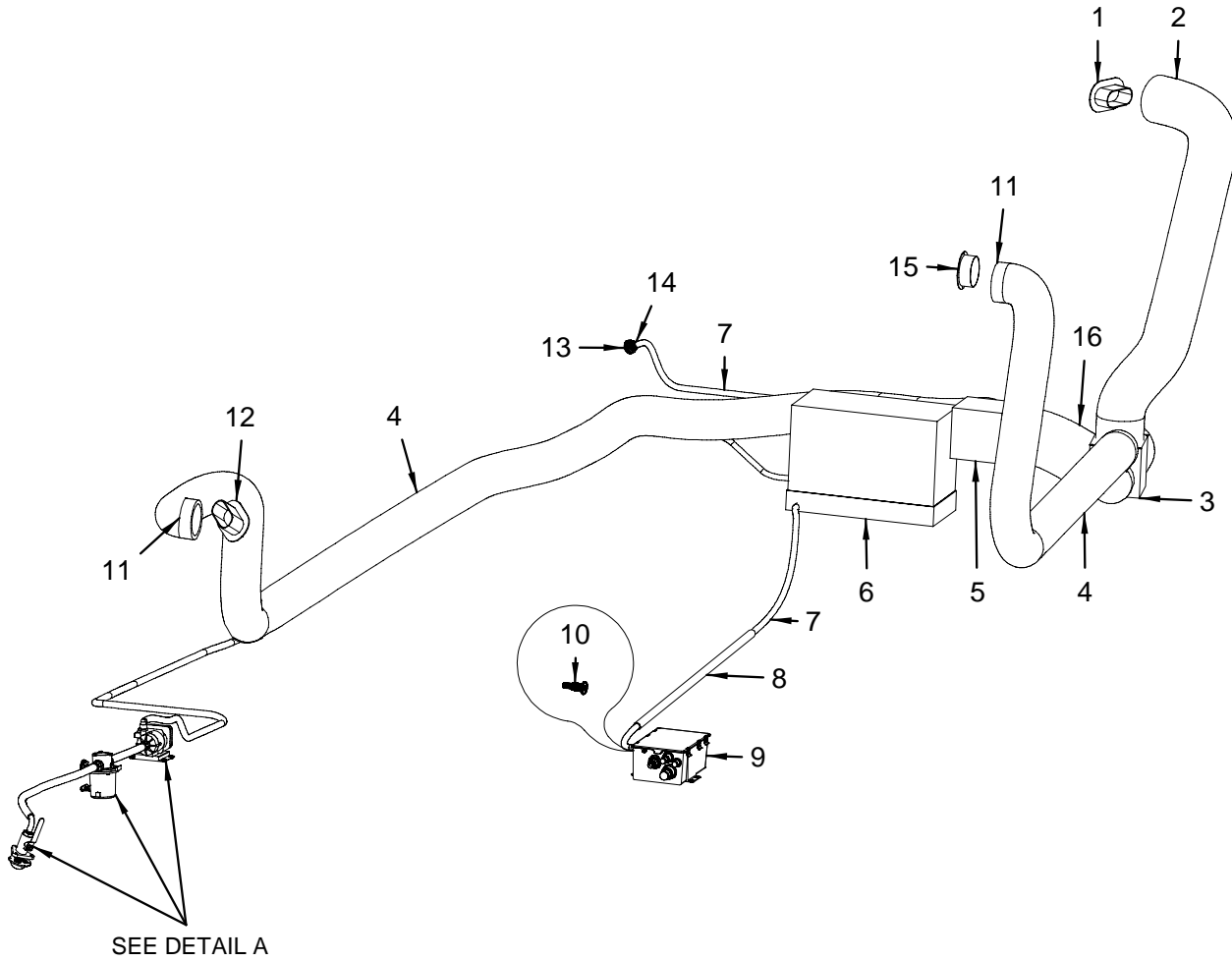
LABELS

1751884	LABEL, 1/2"X 1.5" A/C CONDENSATE
1743616	LABEL, UNPLUG SHORE POWER WARNING

NOT SHOWN

674143	THRU-HULL, PLAS 3/4"X 90DEG WHT
859280	A/C COMP, GRILL 6X10 CLW (RETURN AIR GRILL)
1762241	A/C COMP, ELL PLAS 1/2" MPT X 5/8" HOSE
1882429	ELBOW, POLY 3/4" MPT X 3/4" BARB X 90DEG (HULL# 1308 -> UP)
147496	ELBOW, GENOVA 3/4" MPT X 3/4" BARB X 90DEG (HULL# 1201 -> 1307)

AIR CONDITIONING SYSTEM (DIESEL)



AIR CONDITIONING SYSTEM (DIESEL)

1	957092	A/C COMP, HOSE RING 5" OBLONG
2	266528	HOSE, AC/DUCT INSULATED 5"
3	1803902	A/C COMP, PLENUM BOX 6L 5T 4R W/6.5X6.5X6.5DV
4	639856	HOSE, AC/DUCT INSULATED 4" X 10"
5	1803900	A/C COMP, PLENUM BLWR 6T 4O W/6.5X6.5X6.5 DV
6	1759845	A/C COMP, COMPACT 10K SXF10-1 115V 50/60HZ
	1769422	A/C COMP, COMPACT 10K SMXII 220V 50HZ GG
7	1058957	HOSE, WATER A/C WHT 5/8"
8	149757	PIPE, PVC SCH 40 BOE PIPE 1.5"
9	1792643	SHOWER, SUMP ASSY MULTI-PORT 750GPH 12V W/CON
10	124487	THRU-HULL, PLAS 5/8" WHT
11	1605443	A/C COMP, CONN 4"HOSE
12	958140	A/C COMP, HOSE RING 4" OBLONG
13	1778933	THRU-HULL, SS 5/8" BARB SHORT W/RBR GASKET
14	263954	CLAMP, HOSE #10 1/2"-1 1/8" SS .505
15	1581966	A/C COMP, GRILL 4" RND W/O DA BLK
16	430926	HOSE, AC/DUCT INSULATED 6" FLEX
17	256677	CLAMP, HOSE #12 1/2"-1.25" SS .505
18	123810	HOSE, GEN PURPOSE 3/4"
19	531426	ADAPTER, BRZ 3/4" MPT X 3/4" BARB
20	1791584	STRAINER, BRZ WATER INTAKE 3/4" W/NYLON STRAP
	1851357	BRACKET, STRAINER MNT UPR (PART OF 1791584)
	1851358	BRACKET, STRAINER MNT LWR (PART OF 1791584)
	1404854	PLUG, PLASTIC STRAINER DRAIN (PART OF 1791584)
21	169193	ELBOW, BRZ 90DEG 3/4" MPT X 3/4" BARB
22	518431	SEACOCK, BRZ 3/4" W/O TAILPIECE
23	531574	PICK-UP, BRZ WATER INTAKE 3/4"
	161596	PICK-UP, BRZ WATER INTAKE 1.5"
24	948265	A/C COMP, PUMP SEAWATER 115V
	948349	A/C COMP, PUMP SEAWATER 230V
25	948273	A/C COMP, HOSE FITTINGS FOR PMP500

BRACKETS

836007	BRACKET, ALUM 1.5"X 1.5"X 3" 3/16" HOLES
--------	--

ELECTRICAL

1604271	A/C COMP, DISPLAY ECU BLK W/3/4" DOOR
1055821	A/C COMP, FACE PLATE FOR CONTROL BLK (PART OF 1604271)
1604263	A/C COMP, CABLE INTERCONNECT 15'
147397	COVER PLATE, CARLON BOX SGL
522813	BOX, RECEPTACLE PVC SURFACE MOUNT CARLON
1376474	CONN, NYLON 1/2" FLAT CORD GRIP WATERPROOF
1478841	CONN, NYLON 1/2" ROUND SKIN TOP WATERPROOF

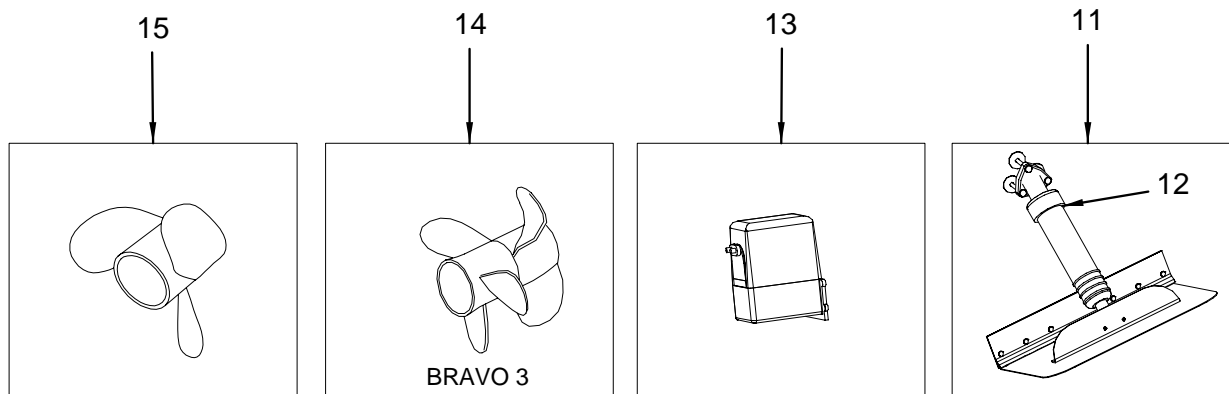
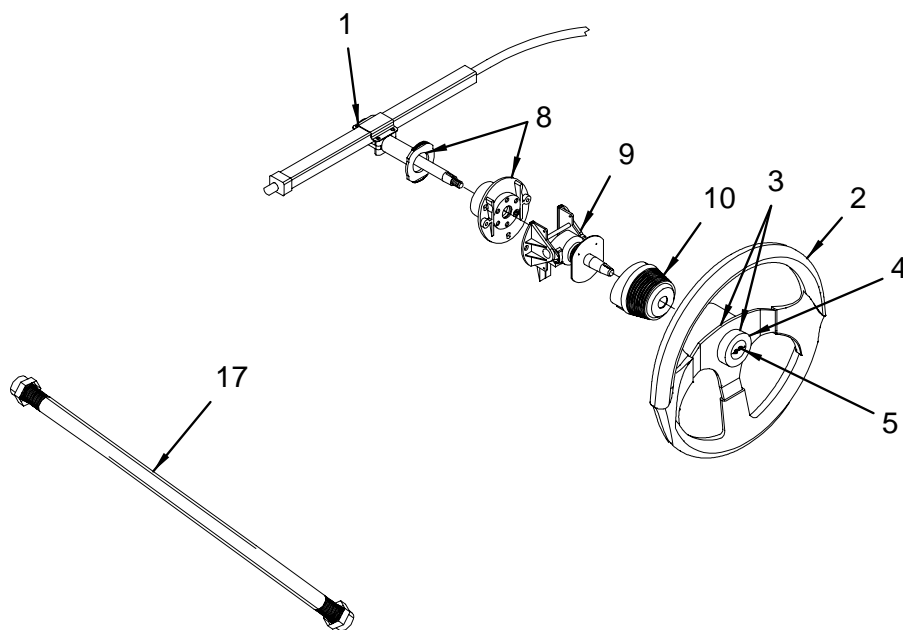
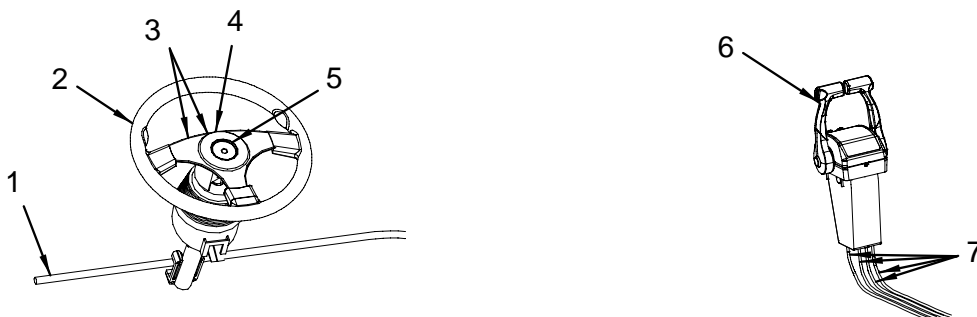
LABELS

1751884	LABEL, 1/2"X 1.5" A/C CONDENSATE
1743616	LABEL, UNPLUG SHORE POWER WARNING

NOT SHOWN

674143	THRU-HULL, PLAS 3/4"X 90DEG WHT
859280	A/C COMP, GRILL 6X10 CLW (RETURN AIR GRILL)
1762241	A/C COMP, ELL PLAS 1/2" MPT X 5/8" HOSE
1882429	ELBOW, POLY 3/4" MPT X 3/4" BARB X 90DEG (HULL# 1308 -> UP)
147496	ELBOW, GENOVA 3/4" MPT X 3/4" BARB X 90DEG (HULL# 1201 -> 1307)

STEERING SYSTEM



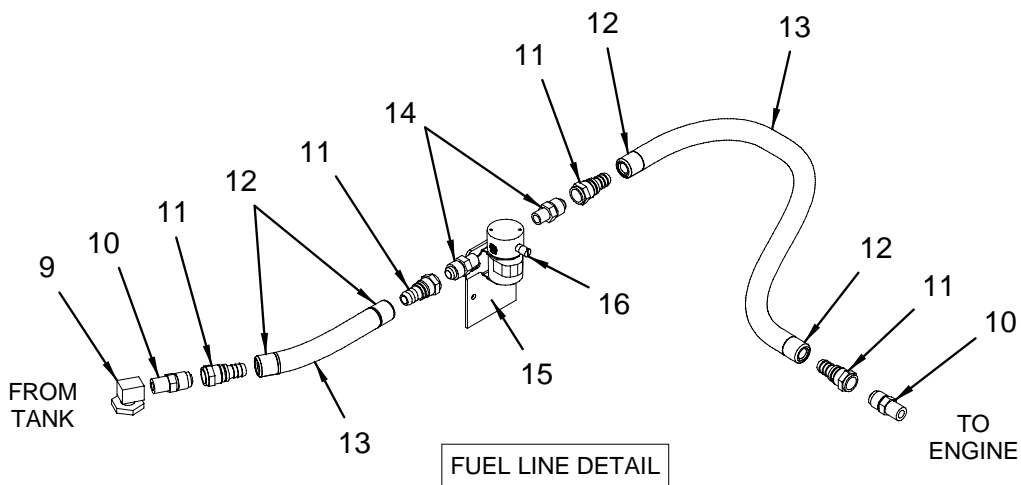
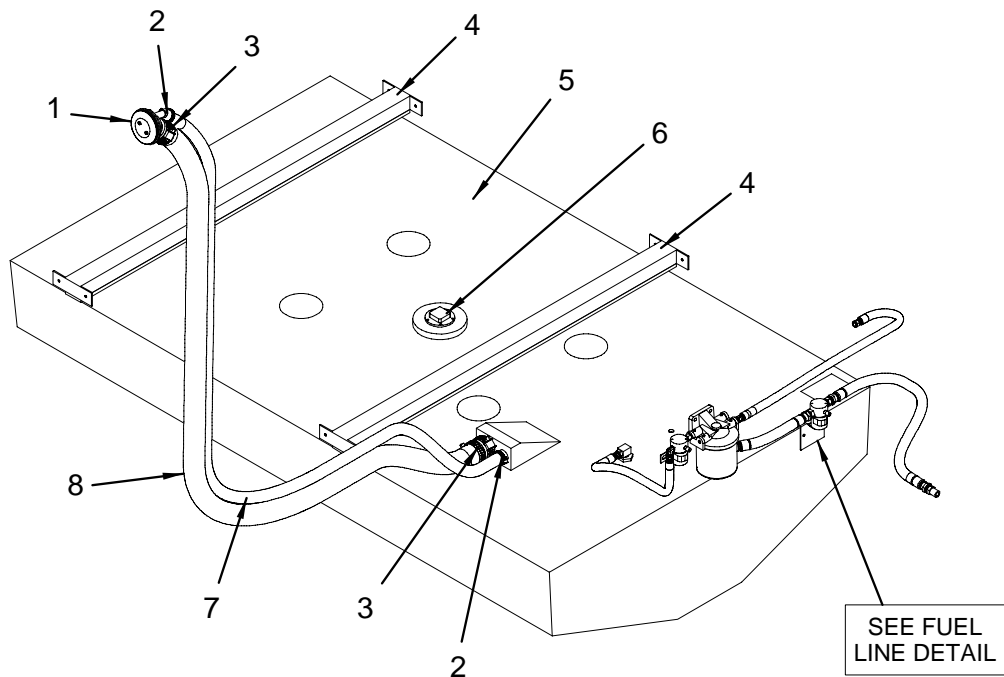
STEERING SYSTEM

- 1 1091941 STEERING, BACK MNT RACK/CABLE 16.5' ASSY
- 2 1810006 STEERING WHEEL, 14.25" SPCRUIS SEARS W/BLK
758599 HUB KIT, STEERING WHEEL DINO 332
(PART OF 1810006)
- 1797180 HARNESS, TWN ENG INST/INTELIWHEEL S-CRFT
(PART OF 1810006)
- 3 1792417 PAD, STEER WHL CTR FOR #1526292
(PART OF 1810006)
- 4 1835885 STEERING WHEEL, CHR RING FOR 1810006
(PART OF 1810006)
- 5 1747682 EMBLEM, S/R EMB SCRIPT WHEEL CHR-BEZEL 1.75"
- 6 1757822 CONTROL, CNSL MNT DUAL 4000 GEN II
- 1757821 CONTROL, CNSL MNT SGL 4000 GEN II
- 7 1848790 CABLE, CNTRL MERC GEN II PLAT 17'
(HULL# 1298 -> UP)
- 1757751 CABLE, CONTROL MERC GEN II STD 16 LAY 17'BULK
(HULL# 1201 -> 1297)
- 1759686 CABLE, CNTRL MERC GEN II PLAT 15'
(HULL# 1298 -> UP)
- 1757747 CABLE, CONTROL MERC GEN II STD 16 LAY 15'BULK
(HULL# 1201 -> 1297)
- 1881782 CABLE, CONTROL MERC SAE/SAE ENG END PLAT 10'
(HULL# 1298 -> UP)
- 1335900 CABLE, CONTROL TELEFLEX TFXEXTREME 10'
(HULL# 1201 -> 1297)
- 8 1092246 STEERING, TILT HELM BACK-MNT
- 9 662510 STEERING, PERFORMANCE TILT MECHANISM
- 126987 STEERING, MOUNT 90 DEG BEZEL ONLY
(PART OF 662510)
- 1815911 STEERING, HELM PUMP SEA STAR SPRT TILT 2.0 CI
- 10 958439 STEERING, BELLOWS TILT STEERING BLK
(PART OF 662510)
- 11 1574342 TRIM TAB, ASSY 14X14 SPECIAL W/O PUMP
- 12 133876 TRIM TAB, HYD CYLINDER ONLY
- 13 1110071 TRIM TAB, HYD PUMP KIT W/10'HOSE/3"NIPPLE
- 14 1360239 PROP, 15.75"X 22" CUP BR3 LH
- 1360247 PROP, 14.25"X 22" CUP BR3 RH
- 1427095 PROP, 15.5"X 24" CUP BR3 LH
- 1427103 PROP, 14.25"X 24" CUP BR3 RH
- 708172 PROP, 15.75"X 22" SS BR3 LH
- 708180 PROP, 14.25"X 22" SS BR3 RH
- 15 1804370 PROP, DUAL VOLVO BRZ (G-5)
- 16 142083 TIE BAR, MERC V-8 TYPE 30"-46"

NOT SHOWN

- 1847962 STEERING HOSE, HOSE KIT 6M VOLVO

FUEL SYSTEM (GAS)



FUEL SYSTEM (GAS)

- 1 1109354 DECK PLATE, GAS CHR W/VENT 45DG NCK RED CODE
- 1068592 KEY, DECK PLATE CAP
(PART OF 1109354)
- 1098615 DECK PLATE, GAS CHR W/VENT (SHIM ONLY)
(PART OF 1109354)
- 1213867 DECK PLATE, CAP W/CHAIN GAS (FOR #1109354)
(PART OF 1109354)
- 2 263954 CLAMP, HOSE #10 1/2"-1 1/8" SS .505
- 3 256693 CLAMP, HOSE #24 1"-2" SS .505
- 4 1797624 BRACKET, ALUM FUEL TANK 43 1/8" 290DA-06
- 5 1795152 TANK, FUEL 290DA-06 125GAL PLAS W/SS SENDER
- 1497452 TAPE, FOAM NEOPRENE W/3M 9828 3/8"TH X 2"W
- 1766404 BRACKET, ALUM 2"X 2"X 1/4"X 7.5"W/1/4"HOLES 6
- 6 1798198 SENDING UNIT, WEMA 13" SS W/SCRWS&GSKT W/CONN
(PART OF 1795152)
- 7 123778 HOSE, FUEL 5/8" TYPE A CLASS 1 ISO/CE
- 8 123745 HOSE, FUEL 1.5" TYPE A CLASS 2
- 9 1804423 TUBE, PICK-UP ASSY 290DA-06 12.36"W/3/8"ELB
- 10 169623 ADAPTER, BRASS 3/8"MPT X 1/2"SAE
- 11 1887748 FITTING, BRASS BARB/NUT 1/2" FEMALE SAE
- 12 1887695 FERRULE, FUEL LINE 1/2" .850"ID X .90"OD
- 13 1884012 HOSE, FUEL 1/2" TYPE A CLASS 1-15 ISO/CE/CARB
- 14 169920 ADAPTER, BRASS 1/4"MPT X 1/2"SAE
- 15 1791654 BRACKET, ALUM 1/8"X 3"X 4" FUEL VALVE MNT
- 16 1791155 VALVE, BRASS FUEL SHUT-OFF 12V SER7000 10W

HARNESSES

- 1849589 HARNESS, FUEL SNDNG UNIT ULTSONC 15'
(SERVICE REPLACEMENT ONLY)

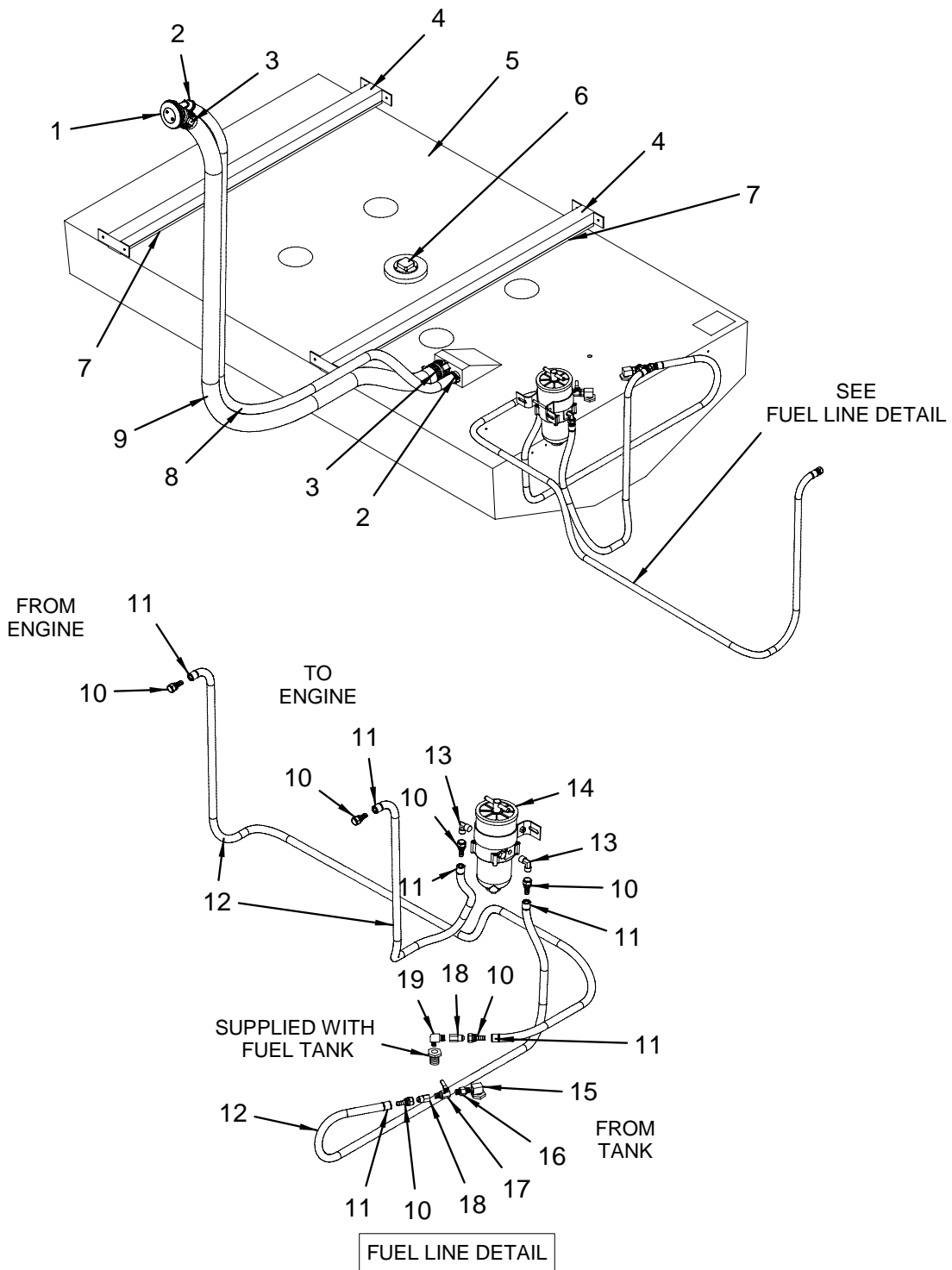
LABELS

- 1745513 LABEL, WARNING LEAKING FUEL
- 1745158 LABEL, FUEL RECOMMENDATION/LP GAS WARNING
(HULL# 1358 -> UP)
- 1745157 LABEL, FUEL RECOMMENDATION
(HULL# 1201 -> 1357)

NOT SHOWN

- 123695 CLAMP, LOOM VINYL DIP #12 3/4"
- 169748 ELBOW, BRASS 90DEG 1/2"SAE X 3/8"MPT
- 468934 TAPE, VAC PAK WHT (4"X 36YDS) PRESERVATION

FUEL SYSTEM (DIESEL)



FUEL SYSTEM (DIESEL)

- 1 1194505 DECK PLATE, DSL CHR W/VENT 45DG NCK GRN CODE
- 1098615 DECK PLATE, GAS CHR W/VENT (SHIM ONLY)
- 522599 KEY, DECK PLATE CAP
- 2 263954 CLAMP, HOSE #10 1/2"-1 1/8" SS .505
- 3 256693 CLAMP, HOSE #24 1"-2" SS .505
- 4 1797624 BRACKET, ALUM FUEL TANK 43 1/8" 290DA-06
- 5 1819225 TANK, FUEL 290DA-06 125GAL DSL PLAS W/SS SNDR
- 1766404 BRACKET, ALUM 2"X 2"X 1/4"X 7.5"W/1/4"H/6 HOLES 6
- 6 1798198 SENDING UNIT, WEMA 13" SS W/SCRWS&GSKT W/CONN
(PART OF 1819225)
- 7 1497452 TAPE, FOAM NEOPRENE W/3M 9828 3/8"TH X 2"W
- 8 123778 HOSE, FUEL 5/8" TYPE A CLASS 1 ISO/CE
- 9 123745 HOSE, FUEL 1.5" TYPE A CLASS 2
- 10 1887748 FITTING, BRASS BARB/NUT 1/2" FEMALE SAE
- 11 1887695 FERRULE, FUEL LINE 1/2" .850"ID X .90"OD
- 12 1884012 HOSE, FUEL 1/2" TYPE A CLASS 1-15 ISO/CE/CARB
- 13 169748 ELBOW, BRASS 90DEG 1/2"SAE X 3/8"MPT
- 14 1524065 FILTER, REMOTE FUEL DSL (500MASR)
- 15 1804423 TUBE, PICK-UP ASSY 290DA-06 12.36"W/3/8"ELB
- 16 1806759 VALVE, BRASS 1/2"MPT X 1/2"MPT CHECK
- 17 1687213 VALVE, BRASS FUEL 1/2"MPT X 1/2"FPT
- 18 1816146 ADAPTER, BRASS 1/2"FPT X 1/2"MSAE
- 19 1376037 ELBOW, BRASS 90DEG 1/2"MPT X 1/2"MPT

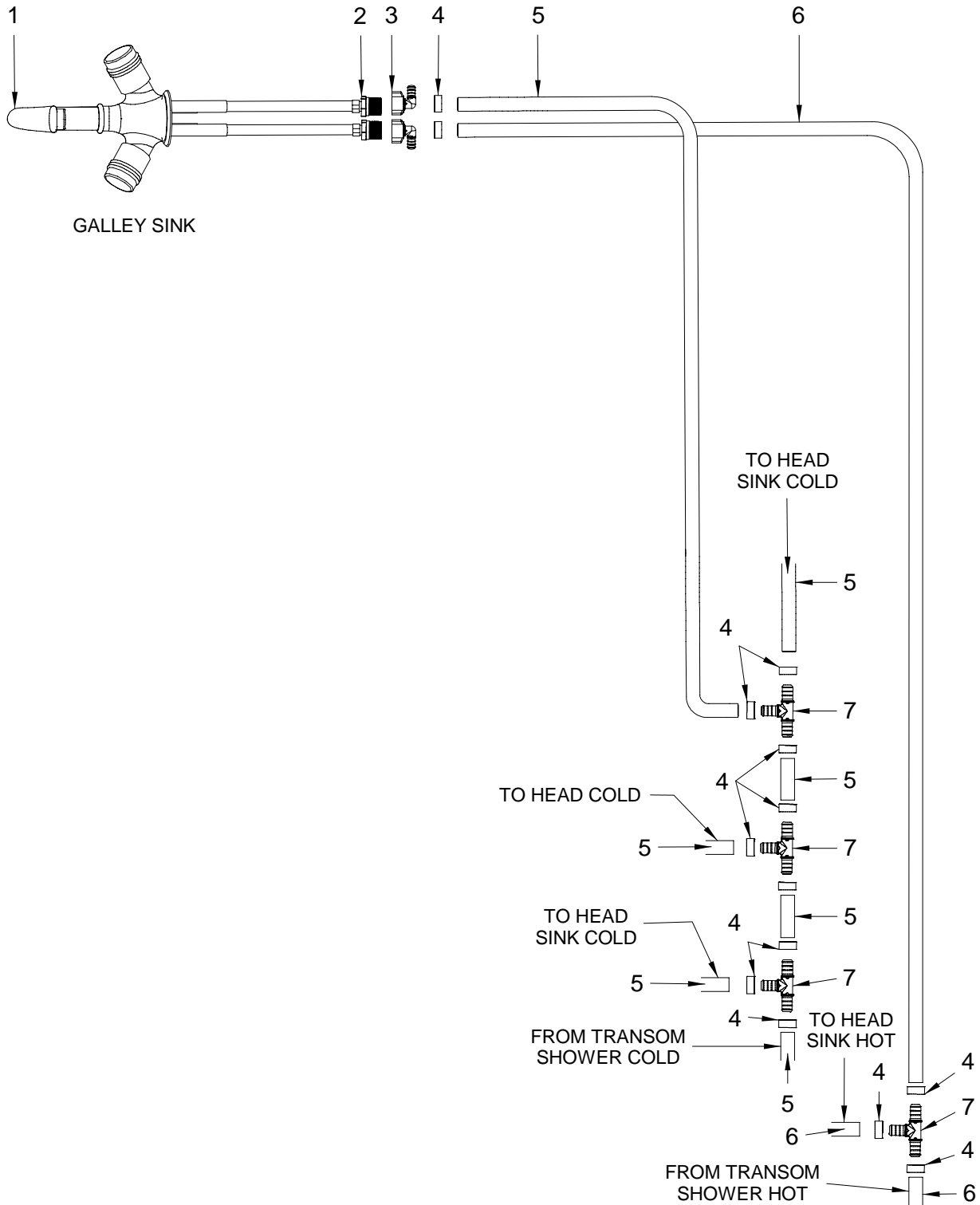
HARNESSES

- 1849589 HARNESS, FUEL SNDNG UNIT ULTSONC 15'
(SERVICE REPLACEMENT ONLY)

NOT SHOWN

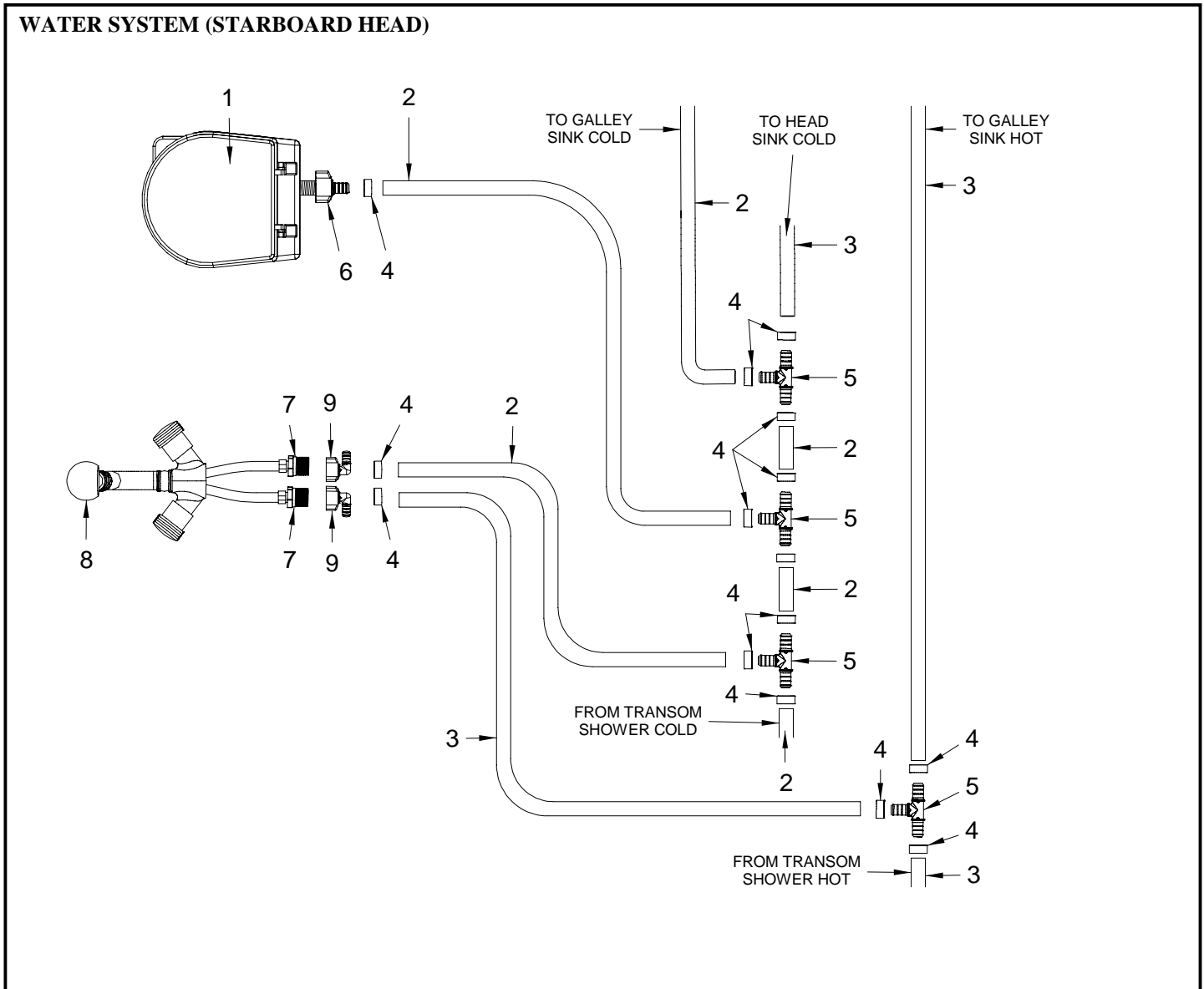
- 169821 ADAPTER, BRASS 1/2"MPT X 1/2"SAE
- 288407 ADAPTER, BRASS 1/2"FPT X 3/8"MPT

WATER SYSTEM (GALLEY)



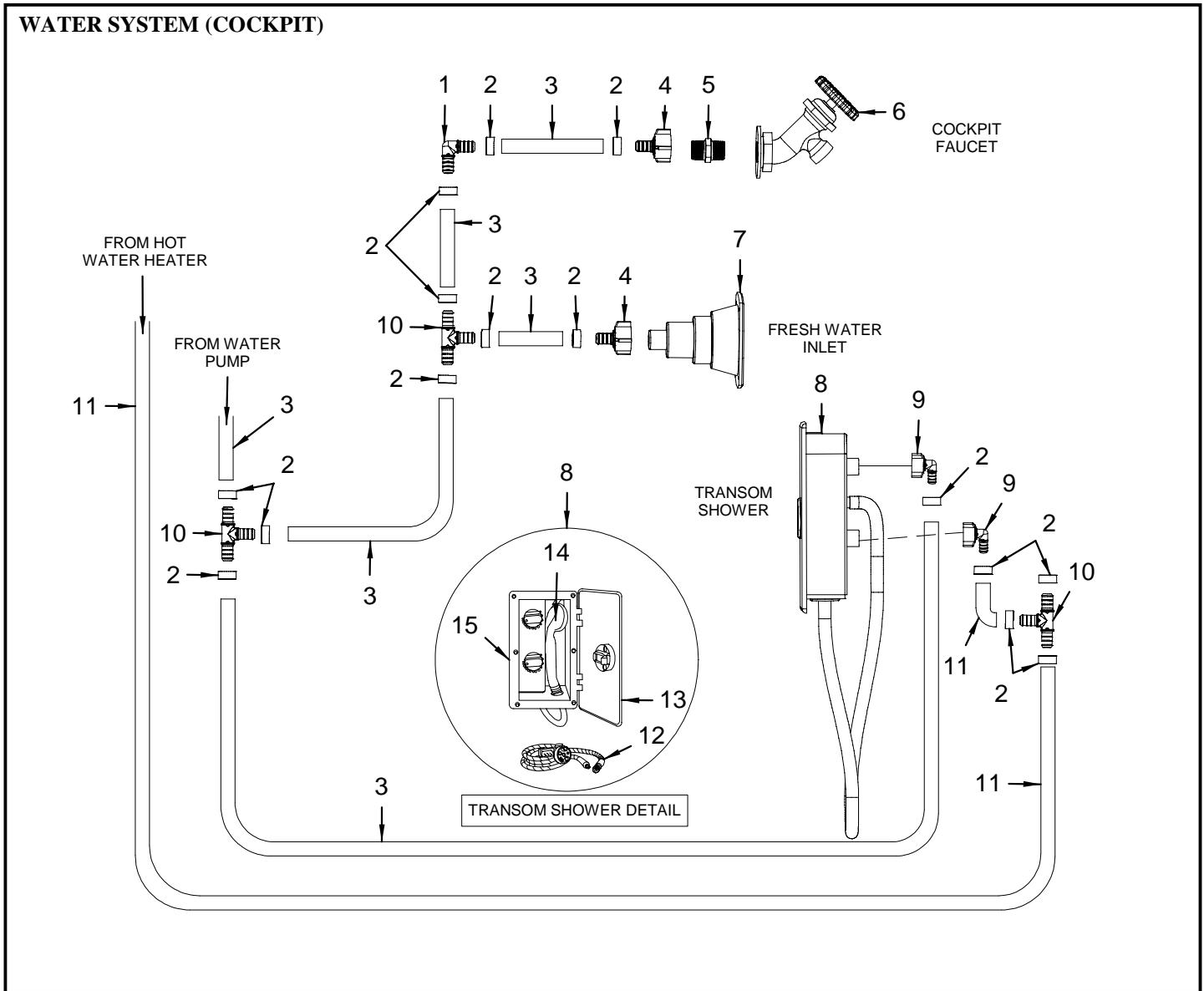
WATER SYSTEM (GALLEY)

- 1 1772522 FAUCET, GLY 7"RISE BRUSHED NCKL/CHR
- 1807537 FAUCET, GLY 7"RISE HANDLE CAP BRSHD NCKL/CHR
(PART OF 1772522)
- 1807538 FAUCET, GLY 7"RISE HNDL SCREW BRSHD NCKL/CHR
(PART OF 1772522)
- 1807539 FAUCET, GLY 7"RISE HNDL WASHER BRSHD NCKL/CHR
(PART OF 1772522)
- 1807540 FAUCET, GLY 7"RISE HNDL RING BRSHD NCKL/CHR
(PART OF 1772522)
- 1807541 FAUCET, GLY 7"RISE HANDLE BRSHD NCKL/CHR
(PART OF 1772522)
- 1807542 FAUCET, GLY 7"RISE VALVE BRSHD NCKL/CHR
(PART OF 1772522)
- 1807543 FAUCET, GLY 7"RISE SPOUT BRSHD NCKL/CHR
(PART OF 1772522)
- 1807544 FAUCET, GLY 7"RISE AERATOR BRSHD NCKL/CHR
(PART OF 1772522)
- 1807545 FAUCET, GLY 7"RISE MOUNTING BRSHD NCKL/CHR
(PART OF 1772522)
- 2 1227032 ADAPTER, SEATECH BRS 1/2"NPT X 3/8"COMP FAUCT
(SUPPLIED WITH FAUCET)
- 3 1789686 ADAPTER, ZURN STRAIGHT 1/2" SWIVEL
- 4 1789718 CLAMP, CRIMP RING ZURN 1/2"
- 5 1789735 TUBING, ZURN 1/2"X 1000' BLUE
- 6 1789751 TUBING, ZURN 1/2"X 1000' RED
- 7 1789706 TEE, ZURN 1/2" BARB



WATER SYSTEM (STARBOARD HEAD)

- 1 1745171 HEAD, VACU-FLUSH BONE 147 (ECOVAC) LO-PRO SID
1784547 SEAT ASSY, CVR/SEAT/HNG PIN BONE
(PART OF 1745171)
- 2 1789735 TUBING, ZURN 1/2"X 1000' BLUE
- 3 1789751 TUBING, ZURN 1/2"X 1000' RED
- 4 1789718 CLAMP, CRIMP RING ZURN 1/2"
- 5 1789706 TEE, ZURN 1/2" BARB
- 6 1789686 ADAPTER, ZURN STRAIGHT 1/2" SWIVEL
- 7 1227032 ADAPTER, SEATECH BRS 1/2"NPT X 3/8"COMP FAUCT
(SUPPLIED WITH FAUCET)
- 8 1772520 FAUCET/SHOWER, BRUSHED NCKL/CHR PULLOUT
1853913 FAUCET/SHOWER, SPRAYER ONLY BRSHD NCKL/CHR
(PART OF 1772520)
- 1853914 FAUCET/SHOWER, HOSE WASHER ONLY
(PART OF 1772520)
- 1853915 FAUCET/SHOWER, HANGER ONLY
(PART OF 1772520)
- 1853916 FAUCET/SHOWER, BRASS HOT/COLD VALVE ONLY
(PART OF 1772520)
- 1853917 FAUCET/SHOWER, HDWR KIT W/WTS
(PART OF 1772520)
- 9 1789708 ELBOW, ZURN 1/2" SWIVEL



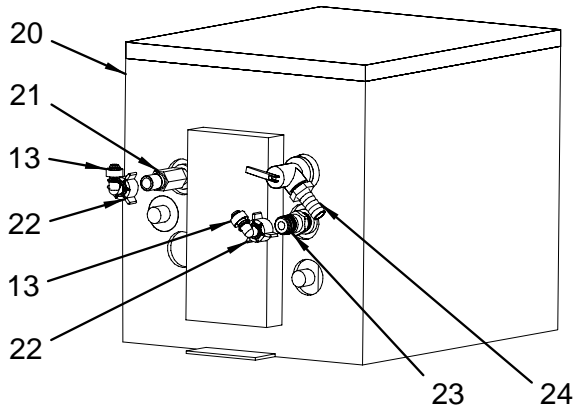
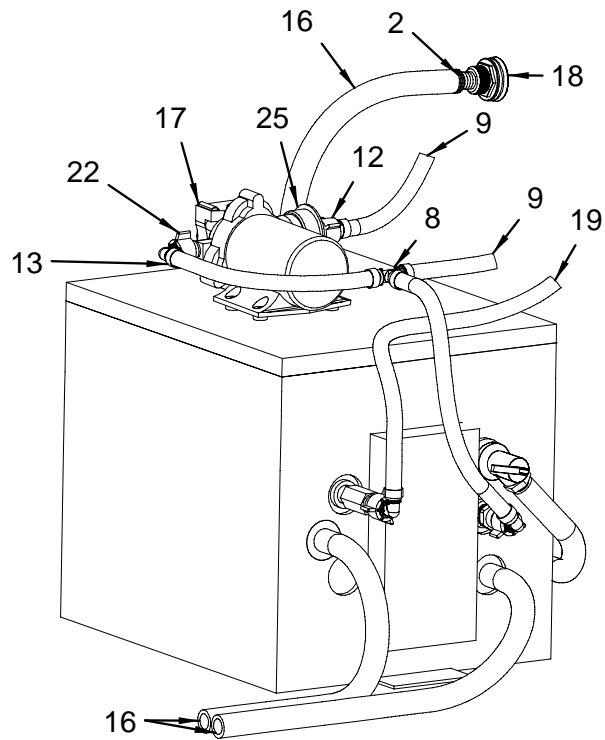
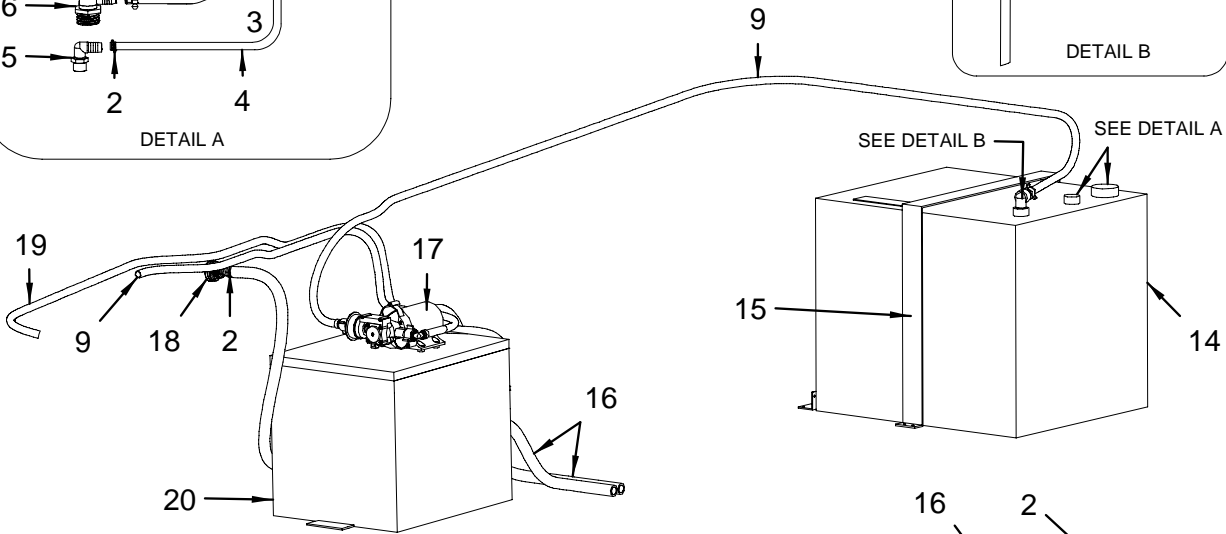
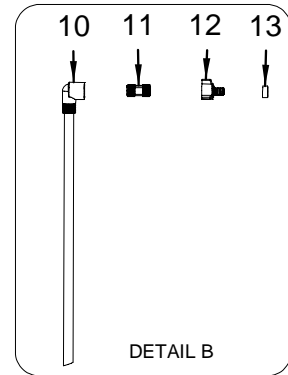
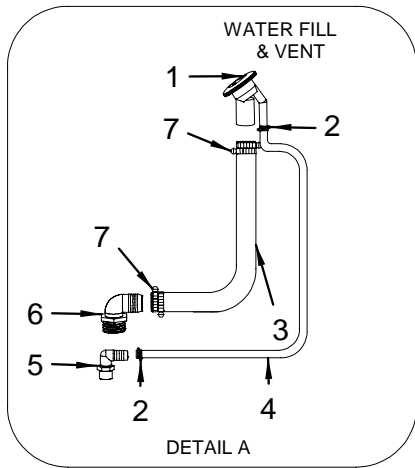
WATER SYSTEM (COCKPIT)

LABELS

1743534 LABEL, FRESH WATER (LEXAN)

- 1 1789703 ELBOW, ZURN 1/2" BARB
- 2 1789718 CLAMP, CRIMP RING ZURN 1/2"
- 3 1789735 TUBING, ZURN 1/2" X 1000' BLUE
- 4 1789686 ADAPTER, ZURN STRAIGHT 1/2" SWIVEL
- 5 1791378 NIPPLE, ZURN 1/2" BRASS HEX
- 6 1096262 FAUCET, SILLCOCK WASHDOWN (WHITECAP)
- 7 141168 INLET, WATER W/PRESS REGULATOR WHT
- 8 736702 FAUCET, WASHDOWN BOX W/MIXER (AQUATIK) VERT
- 1848792 FAUCET, WASHDOWN RUBBER SHOWERHEAD HLDR
(PART OF 736702)
- 1298710 FAUCET, CARTRIDGE CERAMIC 90DEG LH
(PART OF 736702)
- 1302504 FAUCET, CARTRIDGE CERAMIC 90DEG RH
(PART OF 736702)
- 9 1789708 ELBOW, ZURN 1/2" SWIVEL
- 10 1789706 TEE, ZURN 1/2" BARB
- 11 1789751 TUBING, ZURN 1/2" X 1000' RED
- 12 1302595 FAUCET, WASHDOWN HOSE W/FPT ONLY(AQUATIK)
(PART OF 736702)
- 13 1302587 FAUCET, WASHDOWN DOOR ONLY (AQUATIK)
(PART OF 736702)
- 1742646 LATCH, WASHDOWN DOOR (AQUATIK)
(PART OF 736702)
- 14 1302603 FAUCET, WASHDOWN SPRAYER HEAD ONLY(AQUATIK)
(PART OF 736702)
- 15 1302579 FAUCET, WASHDOWN SHOWER UNIT ONLY (AQUATIK)
(PART OF 736702)

WATER SYSTEM (BILGE)



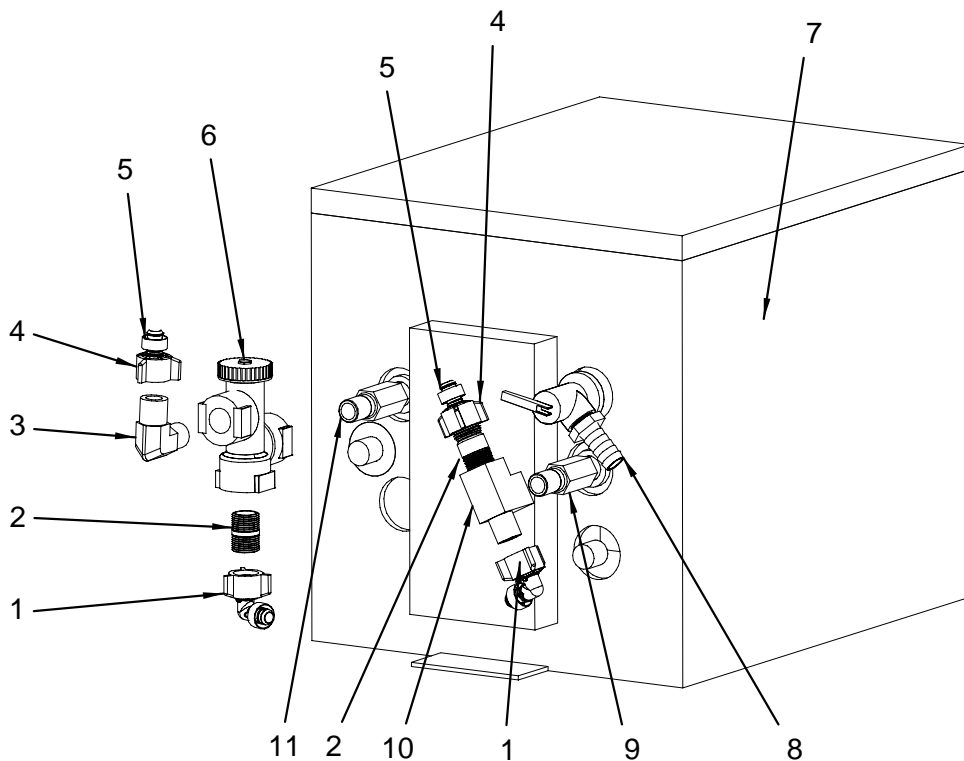
WATER SYSTEM (BILGE)

- 1 1109362 DECK PLATE, WATER CHR WVNT 45DG NCK BLUE
- 1068592 KEY, DECK PLATE CAP
(PART OF 1109362)
- 1405844 DECK PLATE, CAP W/CHAIN WATER
(PART OF 1109362)
- 2 256677 CLAMP, HOSE #12 1/2"-1.25" SS .505
- 3 490219 HOSE, CORR SAN/WATER-FILL 1.5" RH
- 4 124719 HOSE, SANI/CHEMICAL TDX 5/8"
- 5 167874 ELBOW, GENOVA 1/2"MPT X 1/2"BARB X 90DEG
- 6 814830 ELBOW, PVC 1.5"MPT X 1.5"BARB X 90DEG MACHINE
- 7 256693 CLAMP, HOSE #24 1"-2" SS .505
- 8 1789706 TEE, ZURN 1/2" BARB
- 9 1789735 TUBING, ZURN 1/2"X 1000' BLUE
- 10 964387 TUBE, PICK-UP WATER 17" 1/2"DIA SCH 40 WHT
(PART OF 959809)
- 11 1789748 NIPPLE, ZURN 1/2" CLOSE GRY
- 12 1789686 ADAPTER, ZURN STRAIGHT 1/2" SWIVEL
- 13 1789718 CLAMP, CRIMP RING ZURN 1/2"
- 14 959809 TANK, WATER - 28GAL W/PICKUP TUBE
- 964387 TUBE, PICK-UP WATER 17" 1/2"DIA SCH 40 WHT
(PART OF 959809)
- 15 1690502 STRAP, WATER TANK 280DA-02
- 1497460 TAPE, FOAM NEOPRENE W/3M 9828 1/4"TH X 2"W
- 16 124594 HOSE, WATER 5/8" HVY DTY (HEATER)
- 17 1771071 PUMP, FRESH WTR SHURFLO 2.8GPM SFT MNT W/CONN
- 18 1778933 THRU-HULL, SS 5/8"BARB SHORT W/RBR GASKET
- 19 1789751 TUBING, ZURN 1/2"X 1000' RED
- 20 1142496 HEATER, WATER 6 GAL 110/60 W/75-210T&P
- 1790450 ELEMENT, HEATER WTR 110/60 W/75-210
(PART OF 1142496)
(CAN BE USED ON 6, 11, & 20GL)
- 1146877 VALVE, TEMPERING 75PSI/210DEG
(PART OF 1142496 & 1156728)
- 1156728 HEATER, WATER 6 GAL 220/50 W/75-210T&P
- 1754598 HEATER, WATER ELEMENT FOR 6 GAL 220V
(PART OF 1156728)
- 21 1791673 VALVE, ZURN 1/2" MPT X 1/2" MPT CHECKVALVE
- 22 1789708 ELBOW, ZURN 1/2" SWIVEL
- 23 168898 NIPPLE, BRASS 1/2"MPT X 3.5"
- 24 144675 ADAPTER, BRASS 1/2"MPT X 5/8"BARB
- 25 1797944 FILTER, IN-LINE WATER 1/2"MPSM X 1/2"NPSF

NOT SHOWN

- 123604 CLAMP, LOOM VINYL DIP 2.5"
- 1744830 ADAPTER, STRT RED BRSS 3/4"MPT X 5/8"BARB

WATER HEATER (CLOSED COOLING SYSTEM)



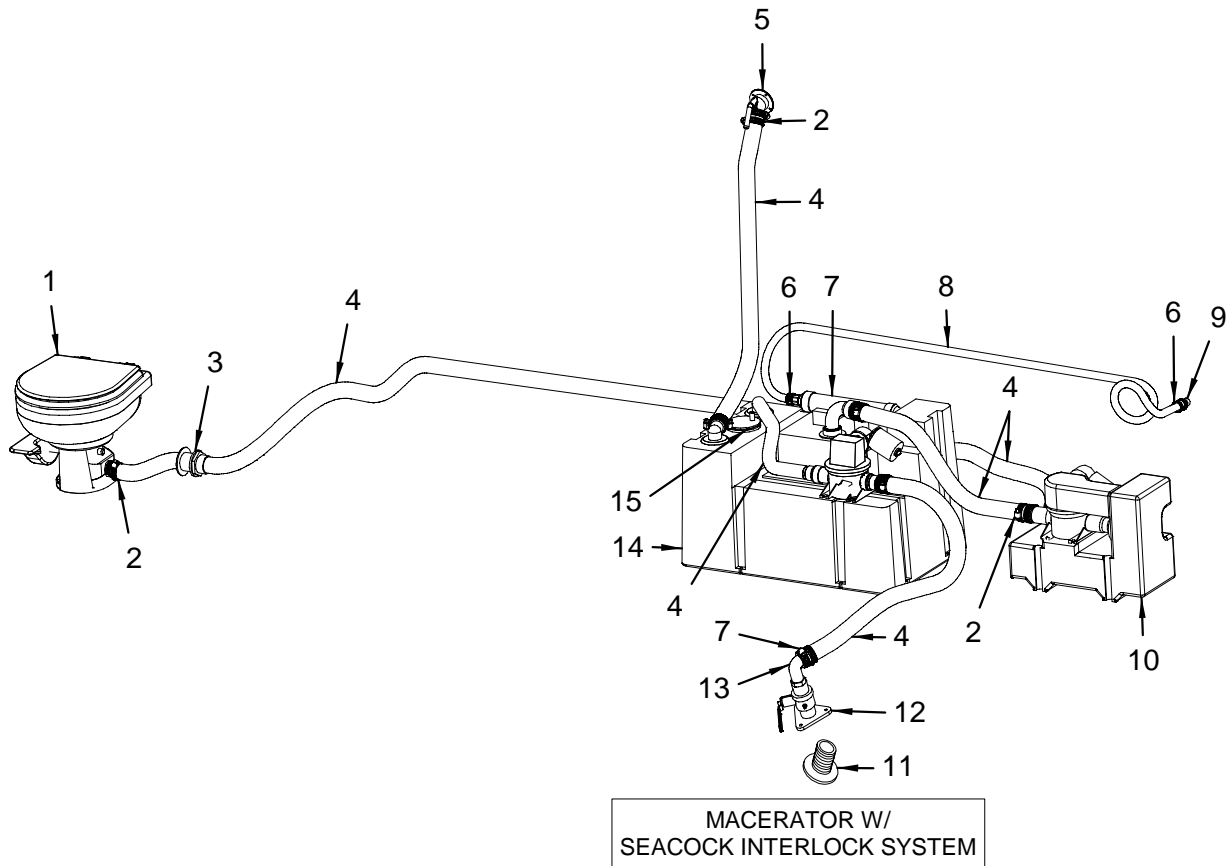
WATER HEATER (CLOSED COOLING SYSTEM)

- 1 1789708 ELBOW, ZURN 1/2" SWIVEL
- 2 1791378 NIPPLE, ZURN 1/2" BRASS HEX
- 3 1376037 ELBOW, BRASS 90DEG 1/2"MPT X 1/2"MPT
(FRESHWATER COOLING-TWIN STERN DRIVES-GAS)
(DIESEL ENGINE)
- 4 1789686 ADAPTER, ZURN STRAIGHT 1/2" SWIVEL
- 5 1789718 CLAMP, CRIMP RING ZURN 1/2"
- 6 1054766 VALVE, BRASS WATER HEATER TEMPERING 120-160DG
(FRESHWATER COOLING-TWIN STERN DRIVES-GAS)
(DIESEL ENGINE)
- 7 1142496 HEATER, WATER 6 GAL 110/60 W/75-210T&P
1790450 ELEMENT, HEATER WTR 110/60 W/75-210
(PART OF 1142496)
(CAN BE USED ON 6, 11, & 20GL)
- 1146877 VALVE, TEMPERING 75PSI/210DEG
(PART OF 1142496 & 1156728)
- 1156728 HEATER, WATER 6 GAL 220/50 W/75-210T&P
- 1754598 HEATER, WATER ELEMENT FOR 6 GAL 220V
(PART OF 1156728)
- 8 144675 ADAPTER, BRASS 1/2"MPT X 5/8" BARB
- 9 168898 NIPPLE, BRASS 1/2"MPT X 3.5"
- 10 325944 TEE, BRASS STREET 1/2"MPT X 1/2"FPT X 1/2"FPT
(FRESHWATER COOLING-TWIN STERN DRIVES-GAS)
(DIESEL ENGINE)
- 11 1791673 VALVE, ZURN 1/2" MPT X 1/2" MPT CHECKVALVE

FRESH WATER COOLING

- 124206 HOSE, WATER INTAKE 1.25" HW
- 158063 STRAINER, BRZ WATER INTAKE 1.25"
- 144691 ELBOW, BRZ 90DEG 1.25"MPT X 1.25" BARB (PERKO)
- 586917 ELBOW, BRZ 45DEG 1.25"MPT X 1.25" BARB
- 518449 SEACOCK, BRZ 1.25" W/O TAILPIECE
- 531590 PICK-UP, BRZ WATER INTAKE 1.25"
- 161596 PICK-UP, BRZ WATER INTAKE 1.5"
(BOTTOM PAINT / BLANK 6LPSTP BR3 YANMAR)

SEWAGE SYSTEM



SEWAGE SYSTEM

- 1 1745171 HEAD, VACU-FLUSH BONE 147 (ECOVAC) LO-PRO SID
1784547 SEAT ASSY, CVR/SEAT/HNG PIN BONE
(PART OF 1745171)
- 2 256693 CLAMP, HOSE #24 1"-2" SS .505
- 3 326009 THRU-HULL, PLAS 2" WHT (FULL THREAD)
- 4 846899 HOSE, SANI 1.5" PREMIUM RBR BLK
- 5 1796538 DECK PLATE, WASTE CHR W/CAPD VNT 45DG NCK BLK
1474790 DECK PLATE, CAP W/GASKET
(PART OF 1796538)
- 1068592 KEY, DECK PLATE CAP
- 1098615 DECK PLATE, GAS CHR W/VENT (SHIM ONLY)
- 6 263954 CLAMP, HOSE #10 1/2"-1 1/8" SS .505
- 7 1788791 FILTER, HEAD TREATMENT SYSTEM DOMETIC
(PART OF 1304856)
- 8 124719 HOSE, SANI/CHEMICAL TDX 5/8"
- 9 1433176 VENT, FUEL/WATER SS 5/8" 90DEG FLSH MNT
- 10 1798723 VACUUM GEN, HEAD SYS PMP/ACUM LOPRO 12V W/CON
- 11 579870 THRU-HULL, BRZ 1.5" W/O NUT
- 12 518456 SEACOCK, BRZ 1.5" W/O TAILPIECE
1302116 SWITCH, SEACOCK INTERLOCK W/60" LEADS/CONN
- 13 531566 ELBOW, BRZ 90DEG 1.5"MPT X 1.5"BARB
- 14 1304856 TANK, HOLDING 28 GAL HTS W/FIL/SEND W/CONN
- 15 1738926 SENDING UNIT, HOLD TANK CAP FOR MRRP 1304856
(PART OF 1304856)

CLAMPS

- 123604 CLAMP, LOOM VINYL DIP 2.5"

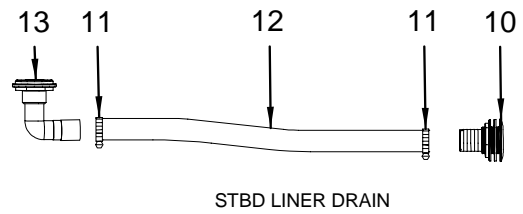
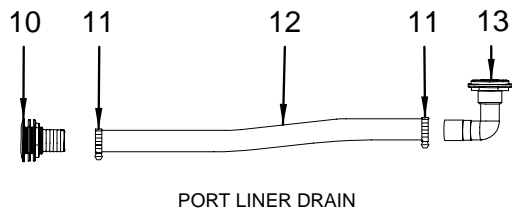
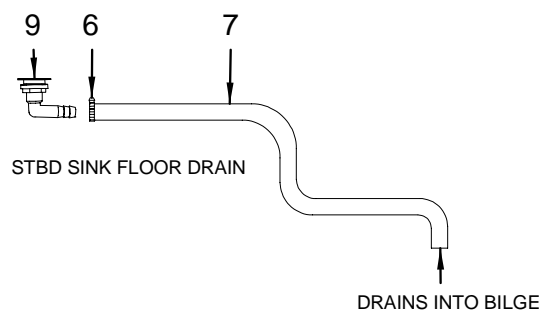
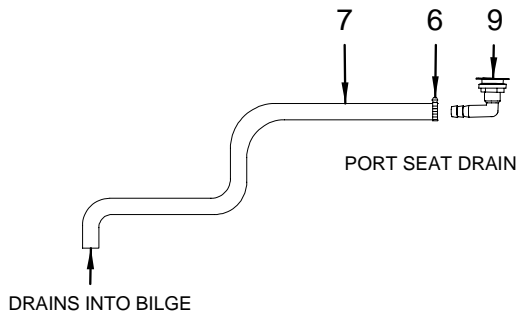
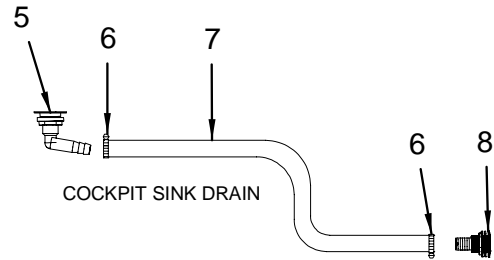
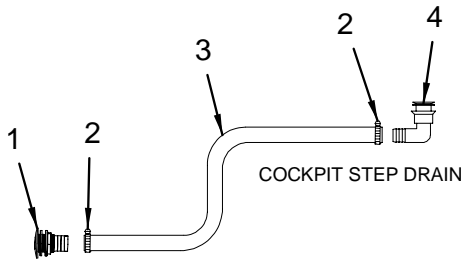
NOT SHOWN

- 1413616 TANK, HOLDING NEW OWNERS GIFT PACK

SPLIT CONDUIT

- 1811331 HOSE, CONDUIT/SPLIT 2" WHT FLAME RETARDANT

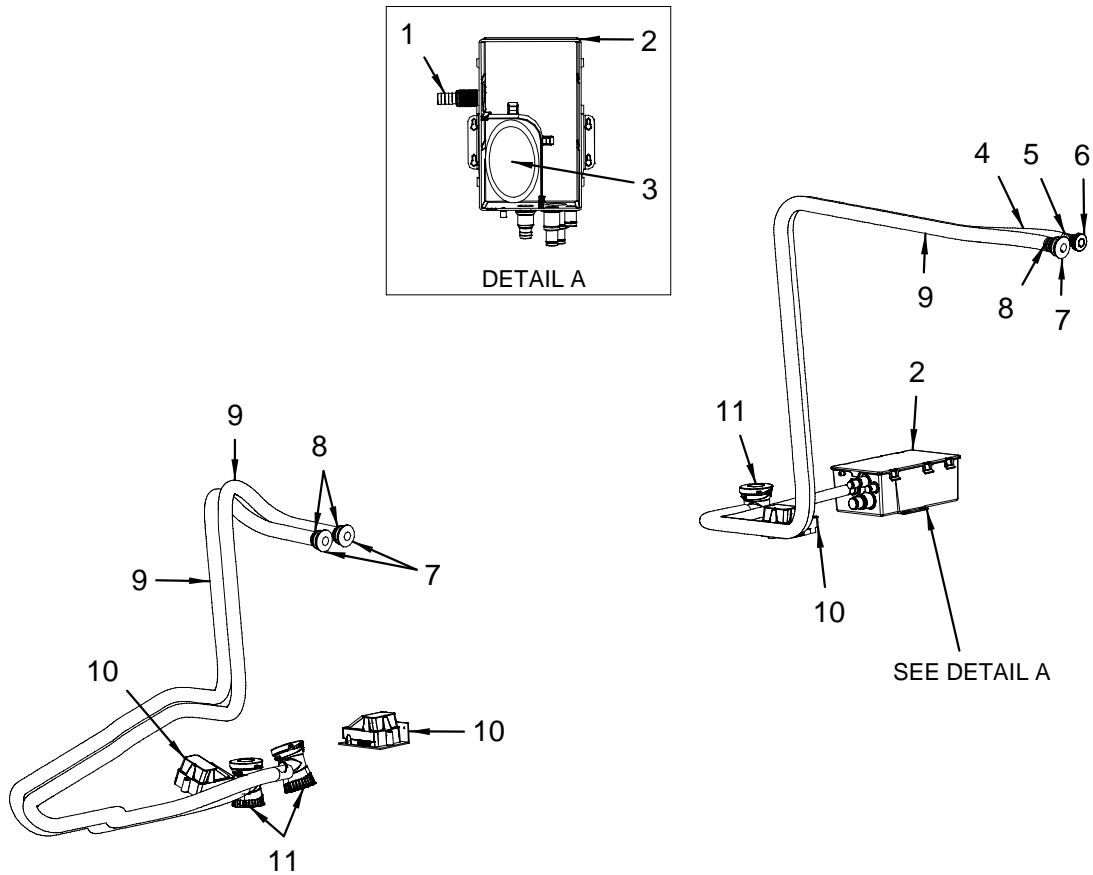
DRAINAGE SYSTEM (COCKPIT)



DRAINAGE SYSTEM (COCKPIT)

- 1 1778931 THRU-HULL, SS 1 1/8" BARB SHORT W/RBR GASKET
- 2 256685 CLAMP, HOSE #16 3/4"-1.5" SS .505
- 3 1042076 HOSE, WATER 1 1/8" BLK
- 4 266130 DRAIN, LINER W/90 DEG ELBOW 1" PLASTIC
- 5 175687 DRAIN, SINK STRAINER 2.5" SS W/5/8" BARB
- 1839033 DRAIN, SINK STRAINER BASKET ONLY
(PART OF 175687)
- 6 263954 CLAMP, HOSE #10 1/2"-1 1/8" SS .505
- 7 123885 HOSE, CORR BILGE 3/4" BLK
- 8 1778929 THRU-HULL, SS 3/4" BARB SHORT W/RBR GASKET
- 9 674143 THRU-HULL, PLAS 3/4" X 90 DEG WHT
- 10 1778928 THRU-HULL, SS 1.5" BARB SHORT W/RBR GASKET
- 11 256693 CLAMP, HOSE #24 1"-2" SS .505
- 12 490219 HOSE, CORR SAN/WATER-FILL 1.5" RH
- 13 791673 THRU-HULL, PLAS 1.5" TUBE X 90 DEG

DRAINAGE SYSTEM (BILGE PUMP AND SUMP)

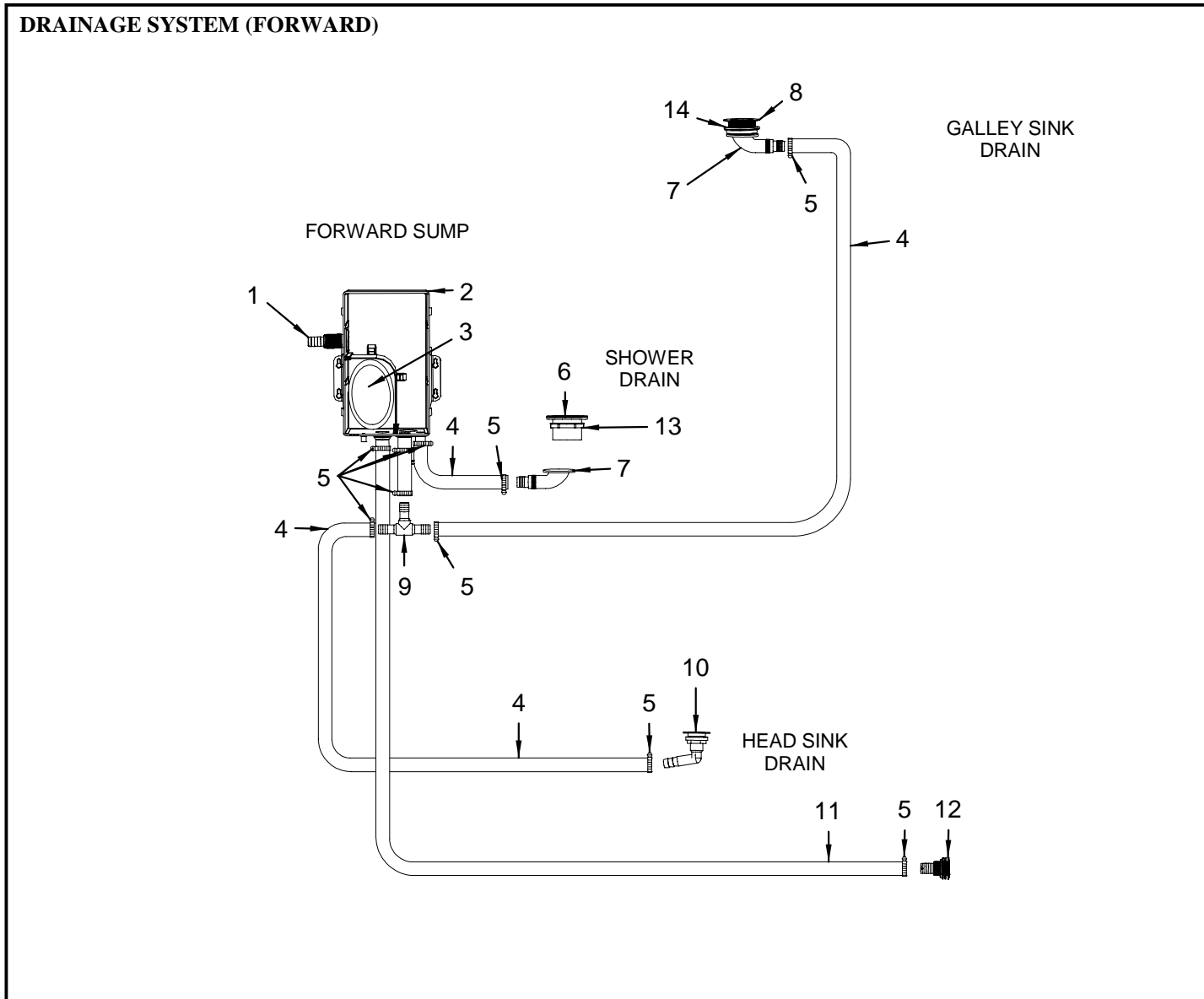


DRAINAGE SYSTEM (BILGE PUMP AND SUMP)

- 1 124487 THRU-HULL, PLAS 5/8" WHT
- 2 1792643 SHOWER, SUMP ASSY MULTI-PORT 750GPH 12V W/CONN
- 3 1796904 PUMP, BILGE 1200GPH TSUNAMI W/CONN
- 4 123877 HOSE, CORR SAN/WATER-FILL 3/4"
- 5 263954 CLAMP, HOSE #10 1/2"-1 1/8" SS .505
- 6 1778929 THRU-HULL, SS 3/4" BARB SHORT W/RBR GASKET
- 7 1778931 THRU-HULL, SS 1 1/8" BARB SHORT W/RBR GASKET
- 8 256685 CLAMP, HOSE #16 3/4"-1.5" SS .505
- 9 1042076 HOSE, WATER 1 1/8" BLK
- 10 1794015 SWITCH, FLOAT ATTWOOD W/CVR W/CONN
1801270 BRACKET, ALUM FLOAT SWITCH HI-WTR ATTWOOD
- 11 1796904 PUMP, BILGE 1200GPH TSUNAMI W/CONN

MANUAL BILGE PUMP (C E OPTION GROUP)

- 490219 HOSE, CORR SAN/WATER-FILL 1.5" RH
- 256701 CLAMP, HOSE #28 1 5/16"-2.25" SS .505
- 1778926 THRU-HULL, SS 1" BARB SHORT W/RBR GASKET
- 1547769 BOARD, LDPVC 290SS-01 AMP MNT
- 1745514 LABEL, PREVENT DISCHARGE OF POLLUTANTS
- 529016 PUMP, BILGE 16GPM MANUAL TWO POS
- 801563 PUMP, BILGE MANUAL PICKUP/STRAINER

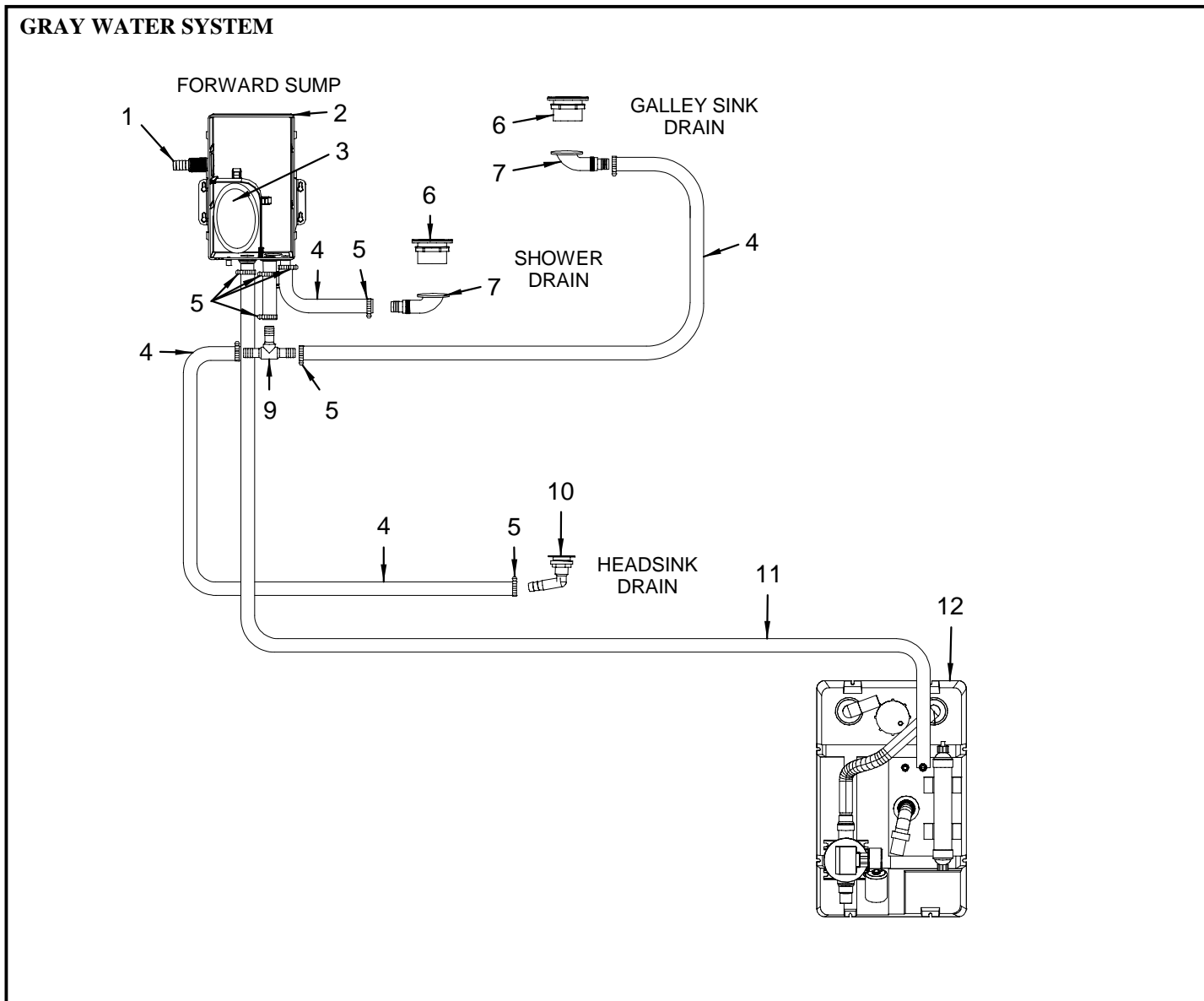


DRAINAGE SYSTEM (FORWARD)

LABELS

- 1 124487 THRU-HULL, PLAS 5/8" WHT (AIR CONDITIONING / HEATING-3/4 TON)
- 2 1792643 SHOWER, SUMP ASSY MULTI-PORT 750GPH 12V W/CON
- 3 1796904 PUMP, BILGE 1200GPH TSUNAMI W/CONN
- 4 123885 HOSE, CORR BILGE 3/4" BLK
- 5 263954 CLAMP, HOSE #10 1/2"-1 1/8" SS .505
- 6 196782 DRAIN ASSY, SHOWER 1.5"
- 344762 DRAIN ASSY, SHOWER SLIP NUT 1.5" (PART OF 196782)
- 344721 DRAIN ASSY, GASKET SHOWER SLIP NUT 1.5"
- 7 408724 ELBOW, PVC 1.5"FLANGE X 3/4"BARB X 90DEG
- 8 175687 DRAIN, SINK STRAINER 2.5" SS W/5/8"BARB
- 1839033 DRAIN, SINK STRAINER BASKET ONLY (PART OF 175687)
- 9 1882428 TEE, POLY 3/4"BARB X 3/4"BARB X 3/4"BARB (HULL# 1308 -> UP)
- 141523 TEE, PVC 3/4"BARB X 3/4"BARB X 3/4"BARB (HULL# 1201 -> 1307)
- 10 583427 DRAIN, W/PLUG 100DEG 3/4"BARB CHR
- 1734472 DRAIN ASSY, STOPPER #4202 MED BLK (PART OF 583427)
- 11 123877 HOSE, CORR SAN/WATER-FILL 3/4"
- 12 1778929 THRU-HULL, SS 3/4"BARB SHORT W/RBR GASKET
- 13 344762 DRAIN ASSY, SHOWER SLIP NUT 1.5" (PART OF 196782)
- 14 344721 DRAIN ASSY, GASKET SHOWER SLIP NUT 1.5"

- 1745160 LABEL, 1/2"X 1.5" SHWR DRAIN
- 1745517 LABEL, 1/2"X 1.5" DISCHARGE
- 1751566 LABEL, 1/2"X 1.5" GALLEY SINK



GRAY WATER SYSTEM

- 1 124487 THRU-HULL, PLAS 5/8" WHT (AIR CONDITIONING / HEATING-3/4 TON)
- 2 1792643 SHOWER, SUMP ASSY MULTI-PORT 750GPH 12V W/CON
- 3 1796904 PUMP, BILGE 1200GPH TSUNAMI W/CONN
- 4 123885 HOSE, CORR BILGE 3/4" BLK
- 5 263954 CLAMP, HOSE #10 1/2"-1 1/8" SS .505
- 6 196782 DRAIN ASSY, SHOWER 1.5"
- 344762 DRAIN ASSY, SHOWER SLIP NUT 1.5" (PART OF 196782)
- 344721 DRAIN ASSY, GASKET SHOWER SLIP NUT 1.5"
- 7 408724 ELBOW, PVC 1.5"FLANGE X 3/4"BARB X 90DEG
- 8 175687 DRAIN, SINK STRAINER 2.5" SS W/5/8"BARB
- 1839033 DRAIN, SINK STRAINER BASKET ONLY (PART OF 175687)
- 9 1882428 TEE, POLY 3/4"BARB X 3/4"BARB X 3/4"BARB (HULL# 1308 -> UP)
- 141523 TEE, PVC 3/4"BARB X 3/4"BARB X 3/4"BARB (HULL# 1201 -> 1307)
- 10 583427 DRAIN, W/PLUG 100DEG 3/4"BARB CHR
- 1734472 DRAIN ASSY, STOPPER #4202 MED BLK (PART OF 583427)
- 11 123877 HOSE, CORR SAN/WATER-FILL 3/4"
- 12 1684143 TANK, HOLDING 28 GAL W/T12PUMP/RELAY/90DEGELL
- 1789111 PUMP, HOLDING TANK REPLACEMENT (PART OF 1684143)

LABELS

- 1745161 LABEL, 1/2"X 1.5" VANITY SINK
- 1768876 LABEL, 1/2"X 1.5" DRAIN

NOT SHOWN

- 182964 THRU-HULL, PLAS 3/4" WHT

D6-310DPH (298 PHP) VOLVO DIESEL STERN DR.

1816146	ADAPTER, BRASS 1/2" FPT X 1/2" MSAE
288407	ADAPTER, BRASS 1/2" FPT X 3/8" MPT
169821	ADAPTER, BRASS 1/2" MPT X 1/2" SAE
1789686	ADAPTER, ZURN STRAIGHT 1/2" SWIVEL
130807	CABLE, BATT BLK #20AWG
1801705	CABLE, BATT KIT 290DA-06 DSL
1881782	CABLE, CONTROL MERC SAE/SAE ENG END PLAT 10'
1335900	CABLE, CONTROL TELEFLEX TFX TREME 10'
1789718	CLAMP, CRIMP RING ZURN 1/2"
793331	CONN, RING 2/0GA X 1/2R .928 BARE PLTD CLSD
793257	CONN, RING 2/0GA X 3/8R BATT/CBL COP PLTD CLS
793356	CONN, RING 4/0GA X 1/2R 1.15 BARE PLTD CLSD
1847960	CONTROL, ACTUATOR SHIFT VOLVO
1847959	CONTROL, ELEC REMOTE SNGL VOLVO
1194505	DECK PLATE, DSL CHR W/VENT 45DG NCK GRN CODE
1376037	ELBOW, BRASS 90DEG 1/2" MPT X 1/2" MPT
169748	ELBOW, BRASS 90DEG 1/2" SAE X 3/8" MPT
1789708	ELBOW, ZURN 1/2" SWIVEL
1524065	FILTER, REMOTE FUEL DSL (500MASR)
1847403	GAUGE, ALARM VOLVO
1847958	GAUGE, EVC LCD DISPLAY W/TRIP SOFTWARE
1847402	GAUGE, FUEL VOLVO
1847405	GAUGE, INST MNTG KIT 52MM VOLVO
1847406	GAUGE, INST MNTG KIT 85MM VOLVO
1847404	GAUGE, OIL PRESS ENG PSI VOLVO
1847397	GAUGE, SPEEDO 0-70 MPH VOLVO
1847399	GAUGE, TACH LCD DISPLAY VOLVO D4/D6
1847400	GAUGE, TEMP C VOLVO
1847401	GAUGE, TRIM VOLVO D3/D4/D6
1148857	HALON SYS, ENG INTRUPT/RESTRT 12V 5-CKT
1805736	HARNESS, 290DA-06 VOLVO INTERFACE
1847950	HARNESS, EVC KIT MAIN STA SNGL VOLVO
1847957	HARNESS, FIRE SYS SHUTDWN VOLVO
1847954	HARNESS, PCU TO HCU CABLE 7M VOLVO
1847953	HARNESS, Y-SPLIT CABLE VOLVO
123786	HOSE, FUEL 1/2" TYPE A CLASS 1 ISO/CE
1884012	HOSE, FUEL 1/2" TYPE A CLASS 1-15 ISO/CE/CARB
1744804	LABEL, DANGER COMBO-DSL POWERED BOAT
1791378	NIPPLE, ZURN 1/2" BRASS HEX
1799689	PANEL, 290DA-06 IGN/EXTNGSHR INDCTR SE
1799367	PANEL, 290DA-06 MDC BRKR W/BATT DSL
1801688	PANEL, BLANK:290DA-06 ELEC W/VOLVO EVC DISPLY
1801702	PANEL, BLANK:290DA-06 IGN/EXTNGSR INDCTR DSL
1799679	PANEL, BLANK:290DA-06 INST SE W/SCRFT BLKCR
1847396	PANEL, TRIM VOLVO
1804370	PROP, DUAL VOLVO BRZ (G-5)
1847949	RELAY, ACCY CNTRL 12V VOLVO
1846425	S/D, VOLVO D6 310DPH KIT REV 290DA
1847962	STEERING HOSE, HOSE KIT 6M VOLVO
1815911	STEERING, HELM PUMP SEA STAR SPRT TILT 2.0 CI
1819225	TANK, FUEL 290DA-06 125GAL DSL PLAS W/SS SNDR
325944	TEE, BRASS STREET 1/2" MPT X 1/2" FPT X 1/2" FPT
1789706	TEE, ZURN 1/2" BARB
1847395	TRANSDUCER, MULTI SENSOR KIT VOLVO
1806759	VALVE, BRASS 1/2" MPT X 1/2" MPT CHECK
1687213	VALVE, BRASS FUEL 1/2" MPT X 1/2" FPT
1054766	VALVE, BRASS WATER HEATER TEMPERING 120-160DG

6LPA-STZP W/BR3 (301 PHP) YANMAR STERN DR.

1816146	ADAPTER, BRASS 1/2" FPT X 1/2" MSAE
288407	ADAPTER, BRASS 1/2" FPT X 3/8" MPT
169821	ADAPTER, BRASS 1/2" MPT X 1/2" SAE
1789686	ADAPTER, ZURN STRAIGHT 1/2" SWIVEL
130807	CABLE, BATT BLK #20AWG
1801705	CABLE, BATT KIT 290DA-06 DSL
1789718	CLAMP, CRIMP RING ZURN 1/2"
256693	CLAMP, HOSE #24 1"-2" SS .505
256701	CLAMP, HOSE #28 1 5/16"-2.25" SS .505
793331	CONN, RING 2/0GA X 1/2R .928 BARE PLTD CLSD
793257	CONN, RING 2/0GA X 3/8R BATT/CBL COP PLTD CLS
793356	CONN, RING 4/0GA X 1/2R 1.15 BARE PLTD CLSD
1757821	CONTROL, CNSL MNT SGL 4000 GEN II
1194505	DECK PLATE, DSL CHR W/VENT 45DG NCK GRN CODE
1376037	ELBOW, BRASS 90DEG 1/2" MPT X 1/2" MPT
169748	ELBOW, BRASS 90DEG 1/2" SAE X 3/8" MPT
586917	ELBOW, BRZ 45DEG 1.25" MPT X 1.25" BARB
144691	ELBOW, BRZ 90DEG 1.25" MPT X 1.25" BARB (PERKO)
531566	ELBOW, BRZ 90DEG 1.5" MPT X 1.5" BARB
1789708	ELBOW, ZURN 1/2" SWIVEL
1524065	FILTER, REMOTE FUEL DSL (500MASR)

6LPA-STZP W/BR3 (301 PHP) YANMAR STERN DR. (continued)

1690031	GAUGE, ENG TRIM S-CRFT 2"
1767746	GAUGE, FUEL 2" SGL STA 12V W/PIGTL
1689917	GAUGE, LINK SPEED 3" S-CRFT 0-70MPH
1689852	GAUGE, OIL PRESS 100 PSI S-CRFT 2"
1887754	GAUGE, SGL ALARM YANMAR
1767745	GAUGE, SPEEDO 65 MPH 3" W/PIGTL
1880689	GAUGE, TACH/LCD HOUR 3" 0-4000RPM YANMAR
1767744	GAUGE, TELE 4/1 SR5" 100PSI 240F VTRIM STB PGT
1689851	GAUGE, TEMP 250F S-CRFT 2"
1148857	HALON SYS, ENG INTRUPT/RESTRT 12V 5-CKT
1805736	HARNESS, 290DA-06 VOLVO INTERFACE
1890299	HARNESS, 290DA-07 YANMAR INTERFACE
1802108	HARNESS, MERC ANALOG GAUGE ASSY
1887757	HARNESS, YANMAR 30' ALARM EXTENSION
1887756	HARNESS, YANMAR ALARM W/14PIN ADPTR 6LPA-STZP
123786	HOSE, FUEL 1/2" TYPE A CLASS 1 ISO/CE
1884012	HOSE, FUEL 1/2" TYPE A CLASS 1-15 ISO/CE/CARB
124206	HOSE, WATER INTAKE 1.25" HW
1744804	LABEL, DANGER COMBO-DSL POWERED BOAT
1791378	NIPPLE, ZURN 1/2" BRASS HEX
1887753	OUTDRIVE UNIT, MERC BR3X 1.81:1 DSL
1799689	PANEL, 290DA-06 IGN/EXTNGSHR INDCTR SE
1799367	PANEL, 290DA-06 MDC BRKR W/BATT DSL
1890297	PANEL, 290DA-07 IGN/EXTNGSHR YANMAR SE
1801702	PANEL, BLANK:290DA-06 IGN/EXTNGSR INDCTR DSL
1799679	PANEL, BLANK:290DA-06 INST SE W/SCRFT BLKCR
1890300	PANEL, BLANK:290DA-07 ELEC RAYMARINE TRIDATA
1884018	PANEL, BLANK:290DA-07 INST YANMAR BLKCR
531590	PICK-UP, BRZ WATER INTAKE 1.25"
161596	PICK-UP, BRZ WATER INTAKE 1.5"
707430	PROP, 14 3/8" X 20" SS BR3 RH
707422	PROP, 16" X 20" SS BR3 LH
1891722	RISER, 11" 6LP H YANMAR S/D
1891103	S/D, YANMAR 315/301HP 6LPA-STZP RH 11" RSR
518449	SEACOCK, BRZ 1.25" W/O TAILPIECE
518456	SEACOCK, BRZ 1.5" W/O TAILPIECE
158063	STRAINER, BRZ WATER INTAKE 1.25"
1583475	STRAINER, BRZ WATER INTAKE 1.5"
325944	TEE, BRASS STREET 1/2" MPT X 1/2" FPT X 1/2" FPT
1789706	TEE, ZURN 1/2" BARB
933853	TRANSDUCER, DEPTH RETRACTABLE VALOX RAYDATA
933861	TRANSDUCER, SPEED SELF SEALING VALOX RAYDATA
1408590	TRIDATA, RAYTHEON (DEPTH, SPEED, TEMP, LOG)
1850928	TRIDATA, RAYTHEON (DEPTH, SPEED, TEMP, LOG) PLUS
1806759	VALVE, BRASS 1/2" MPT X 1/2" MPT CHECK
1687213	VALVE, BRASS FUEL 1/2" MPT X 1/2" FPT
1054766	VALVE, BRASS WATER HEATER TEMPERING 120-160DG

T-4.3L MPI BR 3 (T-220 PHP) MCM STERN DR

1778015	OUTDRIVE UNIT, MERC BRAVO III 2.20:1 '05
1848904	S/D, MERC 220PHP 4.3L MPI B 4.7"

T-5.0L MPI BR 3 (T-260 PHP) MCM STERN DR

1778015	OUTDRIVE UNIT, MERC BRAVO III 2.20:1 '05
1427103	PROP, 14.25" X 24" CUP BR3 RH
1427095	PROP, 15.5" X 24" CUP BR3 LH
1837959	S/D, MERC 260HP 5.0MPI BR 4.7" 14P

FLOORING, SIMULATED TEAK - CABIN

1782245	FLOORING, TEAK 2 3/8" W/1/4" BLK GROUT LINE 4X10
801324	HDPE, 1/4" X 4" X 8' LAVANT II UTIL GRD BLK
1783977	MOLDING, T-MOLD/PVC 1 5/8" X 25' BLK
1810962	TEAK, P/C 290DA-06 ENTRY STEPS 3PC

FLAG POLE & BASE, U.S. FLAG

1854249	CLIP, FLAG KEY RNG 302SS
1838426	FLAG, USA 16" X 24"
1848879	HOLDER, FLUSH MOUNT MAGNETIC STERN FLAG POLE
1838431	POLE, FLAGSTAFF SS MAGNETIC SPRTBT/SPRTRCSR

FRESHWATER COOLING-TWIN S/D 4.3L OR 5.0L

1789686	ADAPTER, ZURN STRAIGHT 1/2" SWIVEL
1789718	CLAMP, CRIMP RING ZURN 1/2"
256693	CLAMP, HOSE #24 1"-2" SS .505
154856	CONN, RING 8GA X 10R .374 W/INSUL ELONG
1376037	ELBOW, BRASS 90DEG 1/2" MPT X 1/2" MPT
586917	ELBOW, BRZ 45DEG 1.25" MPT X 1.25" BARB
144691	ELBOW, BRZ 90DEG 1.25" MPT X 1.25" BARB (PERKO)
1789708	ELBOW, ZURN 1/2" SWIVEL
124206	HOSE, WATER INTAKE 1.25" HW

FRESHWATER COOLING-TWIN S/D 4.3L OR 5.0L (continued)

168898	NIPPLE, BRASS 1/2"MPT X 3.5"
1791378	NIPPLE, ZURN 1/2" BRASS HEX
531590	PICK-UP, BRZ WATER INTAKE 1.25"
1851384	S/D, MERC 220PHP 4.3L MPI B 4.7" CC
518449	SEACOCK, BRZ 1.25" W/O TAILPIECE
158063	STRAINER, BRZ WATER INTAKE 1.25"
325944	TEE, BRASS STREET 1/2"MPT X 1/2"FPT X 1/2"FPT
1789706	TEE, ZURN 1/2" BARB
1789735	TUBING, ZURN 1/2"X 1000' BLUE
1054766	VALVE, BRASS WATER HEATER TEMPERING 120-160DG

AUSTRALIAN BUILDERS PLATE

1850621	PLATE, BUILDERS AU 06-290DA
1888197	PLATE, BUILDERS AU 07-290DA

NORTHSTAR 6100I GPS / CHARTPLOTTER

1687181	BOOT, PVC TERM INSUL CAP(485N9V02)RED
937490	FUSE BLOCK, 10-GNG BLADE-TYPE ELECTRONICS
730994	FUSE, BLADE TYPE CLOSED 7.5A
1770974	HARNESS, GPS CBL 20' NRTHSTR 6000I
1770975	HARNESS, GPS CBL EXT 15' NRTHSTR 6000I
1795162	HARNESS, PIGTAIL 5'SRN II XDUCR TO 6000I
1757379	HARNESS, TRNSDCR DEPTH/TEMP 30' NRTHSTR 6000I
1792386	NAVIGATOR, NRTHSTR 6000I 6.4" CMPLT PKG
1757382	NAVIGATOR, SRNII TRANSDUCR DEPTH/TEMP W/PT NY
1801694	PANEL, BLANK:290DA-06 ELEC NRTHSTR 6.4"6000I

COCKPIT SUN PAD SEATING

1500552	CLIP, TABLE LEG 60MM TUBE BLK
1838166	CUSH, 290DA-06 SNPD FILR W/BASE
992495	POST, TABLE LEG 11.75" ANOD FLUTED

SMARTCRAFT SYSTEM VIEW- TWINS ONLY

1816009	ACC PART, MERC S-CRFT SYS VIEW '06 VER 3.45
1689917	GAUGE, LINK SPEED 3" S-CRFT 0-70MPH
1689881	GAUGE, LINK TACH 3" S-CRFT 0-6000RPM
1799685	PANEL, BLANK:290DA-06 ELEC W/S-CRFT SYSVIEW

TV 15" FLATSCRN/ DVD/ GAMING PORT-MID CABIN

627737	BOX, RECEPTACLE/SWITCH PVC 1-GANG DEEP
1755388	BRACKET, TV (LCD) WALL MOUNT OMNI
135228	CABLE, MARINE STRANDED 14/3 BLK/GRN/WHIT
1787508	COVER PLATE, SGL DUPLEX RECEPT BRN LVT
1817493	DVD, KEC 12V DVD3 DIN
1759176	EXTENSION, CABLE A/V 6' RCA W/MALE CONN
1813842	MOUNTING KIT, SLEEVE FOR DVD2
1787507	RECEPTACLE, DUPLEX BRN 15A LVT
695957	SPLITTER, 2-WAY HYBRID TV/SPLITTER COMBINER
1804801	TELEVISION, 15" LG LCD W/SIDE SPKRS
1803007	VIDEO EQUIPMENT, REMOTE GAMING SYS INPUT PNL

2ND STEREO REMOTE CONTROL -TRANSOM

935080	CABLE, CLARION DUAL REMOTE "Y"
1312750	CABLE, CLARION REMOTE EXTENSION CABLE 24'
1803477	STEREO, REMOTE CNTRL N/DSPL BLK FACE/SS BZL

GENERATOR 4.0 EOZ KOHLER - DIESEL - 120V/60

162750	ADAPTER, BRASS 1/4"MPT X 1/4"SAE
531426	ADAPTER, BRZ 3/4"MPT X 3/4"BARB
140509	BOOT, ENG STARTER RED
836007	BRACKET, ALUM 1.5"X 1.5"X 3" 3/16"HOLES
791392	BUSHING, SS THD 1/4"FPT X 3/8"MPT
130799	CABLE, BATT BLK #2AWG
1804881	CABLE, BATT KIT 290DA-06 DSL GEN
1801707	CABLE, BATT KIT 290DA-06 DSL W/DSL GEN
130781	CABLE, BATT RED #2AWG
136051	CABLE, BATT RED #4/0AWG
123398	CLAMP, HOSE #06M 5/16"-7/8" SS MINI
417717	CLAMP, HOSE #36 7/8"-2.75" SS .505
261354	CLAMP, LOOM VINYL DIP #38 2 3/8"
1094820	CONN, RING 2GA X 1/2R TIN PLTD CLSD END
793265	CONN, RING 2GA X 3/8R BATT/CBL COP PLTD CLSD
793281	CONN, RING 2GA X 5/16R .630 BARE ELONG CLSD
793356	CONN, RING 4/0GA X 1/2R 1.15 BARE PLTD CLSD
793349	CONN, RING 4/0GA X 3/8R 1.15 BARE PLTD CLSD
1244284	CONN, RING 4/0GA X 5/16R CLSD END
154856	CONN, RING 8GA X 10R .374 W/INSUL ELONG
629253	ELBOW, BRASS 90DEG 1/4"SAE X 1/4"MPT
169193	ELBOW, BRZ 90DEG 3/4"MPT X 3/4"BARB
1718687	EXHAUST, EL 2"X 90DEG RBR W/T-BOLT CLAMPS

GENERATOR 4.0 EOZ KOHLER - DIESEL - 120V/60 (continued)

1887693	FERRULE, FUEL LINE 1/4" .575"ID X .625"OD
965954	FERRULE, FUEL LINE 1/4"ISO/CE .650"ID
1524065	FILTER, REMOTE FUEL DSL (500MASR)
629279	FITTING, BRASS 1/4"BARB/NUT
1887750	FITTING, BRASS BARB/NUT 1/4" FEMALE SAE
1727348	GENERATOR, 5.0 KW DSL KOHLER 120V/60
1801715	HARNESS, 290DA-06 GEN KOHLER DSL 120V
1429190	HEAT SHRINK, TUBING BLK 1"X 4'
1429208	HEAT SHRINK, TUBING RED 1"X 4'
913053	HOSE, EXHAUST 2" CORR HW
340901	HOSE, FUEL 1/4" TYPE A CLASS 1 ISO/CE
1884010	HOSE, FUEL 1/4" TYPE A CLASS 1-15 ISO/CE/CARB
123810	HOSE, GEN PURPOSE 3/4"
124594	HOSE, WATER 5/8" HVY DTY (HEATER)
1810630	MODULE, ELEC INTERFACE SWITCHING SYS 06
1784602	MUFFLER, 2"IN X 2"OUT 9"X 9" BASE
1801681	PANEL, 290DA-06 AC MDP 120/60 W/GEN
1801720	PANEL, 290DA-06 GEN REMOTE SW DSL
518431	SEACOCK, BRZ 3/4" W/O TAILPIECE
1791584	STRAINER, BRZ WATER INTAKE 3/4" W/NYLON STRAP
640300	THRU-HULL, BRZ 3/4" W/O NUT
1769255	THRU-HULL, SS EXHAUST 2" W/SS LIP
1804423	TUBE, PICK-UP ASSY 290DA-06 12.36"W/3/8"ELB
1764348	VALVE, BRASS FUEL 1/4"MPT X 1/4"FPT LO-PRO

GENERATOR 3.5 EFOZ KOHLER -DIESEL - 220V/50

162750	ADAPTER, BRASS 1/4"MPT X 1/4"SAE
531426	ADAPTER, BRZ 3/4"MPT X 3/4"BARB
140509	BOOT, ENG STARTER RED
836007	BRACKET, ALUM 1.5"X 1.5"X 3" 3/16"HOLES
1734756	BRKR, CIRC KOHLER GAS GEN 18A/50HZ KIT
791392	BUSHING, SS THD 1/4"FPT X 3/8"MPT
130799	CABLE, BATT BLK #2AWG
1804881	CABLE, BATT KIT 290DA-06 DSL GEN
1801707	CABLE, BATT KIT 290DA-06 DSL W/DSL GEN
130781	CABLE, BATT RED #2AWG
136051	CABLE, BATT RED #4/0AWG
123398	CLAMP, HOSE #06M 5/16"-7/8" SS MINI
417717	CLAMP, HOSE #36 7/8"-2.75" SS .505
261354	CLAMP, LOOM VINYL DIP #38 2 3/8"
1094820	CONN, RING 2GA X 1/2R TIN PLTD CLSD END
793265	CONN, RING 2GA X 3/8R BATT/CBL COP PLTD CLSD
793281	CONN, RING 2GA X 5/16R .630 BARE ELONG CLSD
793356	CONN, RING 4/0GA X 1/2R 1.15 BARE PLTD CLSD
793349	CONN, RING 4/0GA X 3/8R 1.15 BARE PLTD CLSD
1244284	CONN, RING 4/0GA X 5/16R CLSD END
154856	CONN, RING 8GA X 10R .374 W/INSUL ELONG
629253	ELBOW, BRASS 90DEG 1/4"SAE X 1/4"MPT
169193	ELBOW, BRZ 90DEG 3/4"MPT X 3/4"BARB
1718687	EXHAUST, EL 2"X 90DEG RBR W/T-BOLT CLAMPS
1887693	FERRULE, FUEL LINE 1/4" .575"ID X .625"OD
965954	FERRULE, FUEL LINE 1/4"ISO/CE .650"ID
1524065	FILTER, REMOTE FUEL DSL (500MASR)
629279	FITTING, BRASS 1/4"BARB/NUT
1887750	FITTING, BRASS BARB/NUT 1/4" FEMALE SAE
1727348	GENERATOR, 5.0 KW DSL KOHLER 120V/60
1801715	HARNESS, 290DA-06 GEN KOHLER DSL 220V
1429190	HEAT SHRINK, TUBING BLK 1"X 4'
1429208	HEAT SHRINK, TUBING RED 1"X 4'
913053	HOSE, EXHAUST 2" CORR HW
340901	HOSE, FUEL 1/4" TYPE A CLASS 1 ISO/CE
1884010	HOSE, FUEL 1/4" TYPE A CLASS 1-15 ISO/CE/CARB
123810	HOSE, GEN PURPOSE 3/4"
124594	HOSE, WATER 5/8" HVY DTY (HEATER)
1810630	MODULE, ELEC INTERFACE SWITCHING SYS 06
1784602	MUFFLER, 2"IN X 2"OUT 9"X 9" BASE
1801681	PANEL, 290DA-06 AC MDP 220/50 W/GEN
1801720	PANEL, 290DA-06 GEN REMOTE SW DSL
518431	SEACOCK, BRZ 3/4" W/O TAILPIECE
1791584	STRAINER, BRZ WATER INTAKE 3/4" W/NYLON STRAP
640300	THRU-HULL, BRZ 3/4" W/O NUT
1769255	THRU-HULL, SS EXHAUST 2" W/SS LIP
1804423	TUBE, PICK-UP ASSY 290DA-06 12.36"W/3/8"ELB
1764348	VALVE, BRASS FUEL 1/4"MPT X 1/4"FPT LO-PRO

NORTHSTAR 491 FISHFINDER (6000I/6100I ONLY)

1795128	DEPTH FINDER, NRTHSTR 491FF MODULE
1795136	HARNESS, NRTHSTR 491FF TRANS DEP/TEMP 30'
1795135	TRANSDUCER, NRTHSTR 491FF DEP/TEMP W/6PGTAIL

DOOR, CABIN ENTRY WITH SCREEN DOOR

1808831 DOOR, 290DA-06 CABIN ENTRY FLAT W/SCRN ARW

OPPOSING DINETTE SEATING OPTION

761445 CATCH, RIM-LOCK STRIKE PLATE
 772418 CATCH, RIM-LOCK WHT
 1132380 CATCH, RIM-LOCK WHT (SHIM ONLY)
 609883 CLEAT, PLAS 3/4"X 1"X 4" GREY
 1885310 FOAM, P/C 290DA-07 DINETTE CUSH SET
 839399 HINGE, SELF CLOSING BLUM SCREW-ON
 1884272 MAPLE, P/C 1"X 1.5"X 25"TABLE CLEAT BLSMCHRY
 1529387 PANEL, LAM 1/2" 4X8 BLK MATTE G2S
 226530 PANEL, LAM 1/2" 4X8 BLK MATTE/RAW BACK G1S
 1818819 PANEL, LAM 3/4" 4X8 BLSM CHERRY G2S W/BLK/PC
 1818820 PANEL, LAM 5/8" 4X8 BLSM CHERRY G2S W/BLK/PC
 1883834 POST, SS 290DA-07 BCKRST 16"STRAIGHT W/SCKT
 1742136 PULL, PUSH-BUTTON KNOB SAT/NCKL
 1776837 PULL, ROSETTE SAT/NCKL RND 16MM (5/8")
 1883892 TABLE, WOOD 290DA-07 DINETTE 2-TONE BLSMCHRY

ZZ UNREFERENCED ACCESSORY GROUP ITEMS

1810918 CRADLE, STRG 16' 280-340 MODELS STRN DRIVE

CAMPER CANVAS PACKAGE

1846472 CANVAS, 290DA-06 CAMP CMLPT BLK PH-3
 1794005 CANVAS, 290DA-06 CAMP TOP BOOT W/ARCH BLK

COCKPIT COVER

1811124 CANVAS, 290DA-06 CPC W/ARCH BLK

INVERTER - 12V TO 120V/60 CYCLE

627737 BOX, RECEPTACLE/SWITCH PVC 1-GANG DEEP
 355081 BRKR/ROCK, SGL-POLE AC/DC HORZ 25A RED
 135228 CABLE, MARINE STRANDED 14/3 BLK/GRN/WHT
 1812978 INVERTER, TRUSINE WAVE XANTREX 400W 12VDC
 1816198 LABEL, CAUTION ELEC LOAD ONLY INVRTR REPT
 1816196 LABEL, WARNING ELEC SHK HZRD INVRTR DISCNT DC
 1816197 LABEL, WARNING ELEC SHK HZRD INVRTR FED RECPT
 1787503 RECEPTACLE, GFCI DPLX BLK W/WIND LIGHT 15A LVT
 1881817 RECEPTACLE, GFCI DPLX BLK W/WIND/SMRTLCK 15A
 1787502 RECEPTACLE, GFCI DPLX WHT W/WIND LIGHT 15A LVT
 1881816 RECEPTACLE, GFCI DPLX WHT W/WIND/SMRTLCK 15A

TV 15" FLAT SCREEN W / DVD - SALON

1180041 ANTENNA, TV AMP W/SHIP/SHORE A/B SW 12/24VDC
 792325 ANTENNA, TV GLOMAX ASSY W/CONN
 627737 BOX, RECEPTACLE/SWITCH PVC 1-GANG DEEP
 135228 CABLE, MARINE STRANDED 14/3 BLK/GRN/WHT
 145011 CONN, COAX TV CABLE MALE
 136085 CORD SET, TV CABLE 50FT
 1787508 COVER PLATE, SGL DUPLEX RECEPT BRN LVT
 1817493 DVD, KEC 12V DVD3 DIN
 1759176 EXTENSION, CABLE A/V 6' RCA W/MALE CONN
 1793987 GROMMET, PLAS FLANGE/INSERT 2" BLK
 1803988 HARNESS, 290DA-06 TV W/SEPARATE DVD
 133694 INLET, PHONE/TV CABLE COMBO WHT
 1813842 MOUNTING KIT, SLEEVE FOR DVD2
 226530 PANEL, LAM 1/2" 4X8 BLK MATTE/RAW BACK G1S
 1787507 RECEPTACLE, DUPLEX BRN 15A LVT
 1804105 SUPPORT, SS 290DA-06 SLN TV W/SWVL/VERT ADJ
 1804801 TELEVISION, 15" LG LCD W/SIDE SPKRS
 1803007 VIDEO EQUIPMENT, REMOTE GAMING SYS INPUT PNL

GPS / CHARTPLOTTER - NORTHSTAR 6000I

1687181 BOOT, PVC TERM INSUL CAP(485N9V02)RED
 937490 FUSE BLOCK, 10-GNG BLADE-TYPE ELECTRONICS
 730994 FUSE, BLADE TYPE CLOSED 7.5A
 1770974 HARNESS, GPS CBL 20' NRTHSTR 6000I
 1770975 HARNESS, GPS CBL EXT 15' NRTHSTR 6000I
 1795162 HARNESS, PIGTAIL 5'SRN II XDUCR TO 6000I
 1757379 HARNESS, TRNSDCR DEPTH/TEMP 30' NRTHSTR 6000I
 1792386 NAVIGATOR, NRTHSTR 6000I 6.4" CMLPT PKG
 1757382 NAVIGATOR, SRNII TRANSDUCR DEPTH/TEMP W/PT NY
 1801694 PANEL, BLANK:290DA-06 ELEC NRTHSTR 6.4"6000I

TV 15" FLAT SCREEN W / DVD - MID CABIN

627737 BOX, RECEPTACLE/SWITCH PVC 1-GANG DEEP
 1755388 BRACKET, TV (LCD) WALL MOUNT OMNI
 135228 CABLE, MARINE STRANDED 14/3 BLK/GRN/WHT
 1787508 COVER PLATE, SGL DUPLEX RECEPT BRN LVT
 1817493 DVD, KEC 12V DVD3 DIN

TV 15" FLAT SCREEN W / DVD - MID CABIN (continued)

1759176 EXTENSION, CABLE A/V 6' RCA W/MALE CONN
 1813842 MOUNTING KIT, SLEEVE FOR DVD2
 1787507 RECEPTACLE, DUPLEX BRN 15A LVT
 695957 SPLITTER, 2-WAY HYBRID TV/SPLITTER COMBINER
 1804801 TELEVISION, 15" LG LCD W/SIDE SPKRS
 1803007 VIDEO EQUIPMENT, REMOTE GAMING SYS INPUT PNL

SPOTLIGHT, 5" REMOTE CONTROLLED

1755306 CONTROL, SEARCH LIGHT N/HARNESS
 1756641 HARNESS, SPOTLIGHT ASSY 25' W/MALE CONN
 1501857 HOSE, CONDUIT/SPLIT 1.5" FLAME RETARDANT
 1754590 SPOTLIGHT, 5" SS GUEST

PREMIUM COCKPIT SOUND SYSTEM - 12 VOLT

1771141 BRKR/ROCK, SGL-POLE MNL RSET DC IGNPRT 25A YL
 1181775 BRKR/ROCK, SGL-POLE MNL RSET DC IGNPRT 50A YL
 935080 CABLE, CLARION DUAL REMOTE "Y"
 1312750 CABLE, CLARION REMOTE EXTENSION CABLE 24'
 1750879 CABLE, RCA AUDIO "Y" (1-FM/ 2-M) W/NOISE SUPP
 1818575 CABLE, RCA AUDIO 1M W/EFX-2 CONNECTORS
 1750880 CABLE, RCA AUDIO 6' W/EFX-2 CONN W/NOISE SUPP
 1758576 CABLE, RCA AUDIO EFX-2 "Y" ADAPTER
 1774181 GRILL, 10" SUBWOOFER POLK/MOMO G10 WHT
 1801721 HARNESS, 290DA-06 PREM CKPT STEREO
 1816916 PLUG KIT, DEUTSCH DT4-SR-SU
 1849195 SPEAKER, 10" SUBWOOFER MARINE WHT
 1854215 SPEAKER, JL COMPONENT
 1764471 SPEAKER, POLK/MOMO 10" SUBWOOFER RV1
 1784476 SPEAKER, POLK/MOMO 6.5"MD-RNG/TWTR/CRSOVR WHT
 1782018 STEREO, AMP CLARION APX280M
 1854218 STEREO, AMP JL 450W6/5/4/3 CH POWER AMP WHT
 1807866 STEREO, AMP PANASONIC 400W 4CHNL
 1803477 STEREO, REMOTE CNTRL NMD/PSL BLK FACE/SS BZL

GENERATOR 4.0 EFCD KOHLER - GAS - 220V/50HZ

162750 ADAPTER, BRASS 1/4"MPT X 1/4"SAE
 716688 ADAPTER, BRASS 3/8"MPT X 1/4"SAE
 531426 ADAPTER, BRZ 3/4"MPT X 3/4"BARB
 140509 BOOT, ENG STARTER RED
 836007 BRACKET, ALUM 1.5"X 1.5"X 3" 3/16"HOLES
 130799 CABLE, BATT BLK #2AWG
 1838670 CABLE, BATT KIT 290DA-07 GAS GEN
 130781 CABLE, BATT RED #2AWG
 123398 CLAMP, HOSE #06M 5/16"-7/8" SS MINI
 417717 CLAMP, HOSE #36 7/8"-2.75" SS .505
 261354 CLAMP, LOOM VINYL DIP #38 2 3/8"
 793265 CONN, RING 2GA X 3/8R BATT/CBL COP PLTD CLSD
 793281 CONN, RING 2GA X 5/16R .630 BARE ELONG CLSD
 793356 CONN, RING 4/0GA X 1/2R 1.15 BARE PLTD CLSD
 793307 CONN, RING 4GA X 3/8R BATT/CBL COP PLTD CLSD
 154856 CONN, RING 8GA X 10R .374 W/INSUL ELONG
 168955 ELBOW, BRASS 90DEG 1/4"MPT X 1/2"SAE
 629253 ELBOW, BRASS 90DEG 1/4"SAE X 1/4"MPT
 169193 ELBOW, BRZ 90DEG 3/4"MPT X 3/4"BARB
 1718687 EXHAUST, EL 2"X 90DEG RBR W/T-BOLT CLAMPS
 321158 EXHAUST, EL 2"X 90DEG W/2.4"X 1.25" LEGS
 1887693 FERRULE, FUEL LINE 1/4" .575"ID X .625"OD
 965954 FERRULE, FUEL LINE 1/4"ISO/CE .650"ID
 148171 FILTER, FUEL/WATER SEPARATOR KIT
 629279 FITTING, BRASS 1/4"BARB/NUT
 1887750 FITTING, BRASS BARB/NUT 1/4" FEMALE SAE
 1833211 GENERATOR, 4EFCD GAS KOHLER 220V/50 SCRFT
 1818615 HARNESS, 290DA-06 GEN KOHLER ECD GAS 120/220V
 913053 HOSE, EXHAUST 2" CORR HW
 340901 HOSE, FUEL 1/4" TYPE A CLASS 1 ISO/CE
 1884010 HOSE, FUEL 1/4" TYPE A CLASS 1-15 ISO/CE/CARB
 123810 HOSE, GEN PURPOSE 3/4"
 124594 HOSE, WATER 5/8" HVY DTY (HEATER)
 1831528 LABEL, GENERATOR RESET NOTICE
 1810630 MODULE, ELEC INTERFACE SWITCHING SYS 06
 1784602 MUFFLER, 2"IN X 2"OUT 9"X 9" BASE
 570135 NIPPLE, BRASS 1/4"MPT X 1/4"MPT
 1801684 PANEL, 290DA-06 AC MDP 220/50 W/GEN
 1799376 PANEL, 290DA-06 IGN SW GAS TE W/LOWCO GEN
 518431 SEACOCK, BRZ 3/4" W/O TAILPIECE
 1791584 STRAINER, BRZ WATER INTAKE 3/4" W/NYLON STRAP
 640300 THRU-HULL, BRZ 3/4" W/O NUT
 1769255 THRU-HULL, SS EXHAUST 2" W/SS LIP
 1804423 TUBE, PICK-UP ASSY 290DA-06 12.36"W/3/8"ELB
 1791155 VALVE, BRASS FUEL SHUT-OFF 12V SER7000 10W

GENERATOR 5.0 ECD KOHLER - GAS - 120V/60HZ

162750	ADAPTER, BRASS 1/4"MPT X 1/4"SAE
716688	ADAPTER, BRASS 3/8"MPT X 1/4"SAE
531426	ADAPTER, BRZ 3/4"MPT X 3/4"BARB
140509	BOOT, ENG STARTER RED
836007	BRACKET, ALUM 1.5"X 1.5"X 3" 3/16"HOLES
130799	CABLE, BATT BLK #2AWG
1838670	CABLE, BATT KIT 290DA-07 GAS GEN
130781	CABLE, BATT RED #2AWG
123398	CLAMP, HOSE #06M 5/16"-7/8" SS MINI
417717	CLAMP, HOSE #36 7/8"-2.75" SS .505
261354	CLAMP, LOOM VINYL DIP #38 2 3/8"
793265	CONN, RING 2GA X 3/8R BATT/CBL COP PLTD CLSD
793281	CONN, RING 2GA X 5/16R .630 BARE ELONG CLSD
793356	CONN, RING 4/0GA X 1/2R 1.15 BARE PLTD CLSD
793307	CONN, RING 4GA X 3/8R BATT/CBL COP PLTD CLSD
168955	ELBOW, BRASS 90DEG 1/4"MPT X 1/2"SAE
629253	ELBOW, BRASS 90DEG 1/4"SAE X 1/4"MPT
169193	ELBOW, BRZ 90DEG 3/4"MPT X 3/4"BARB
1718687	EXHAUST, EL 2"X 90DEG RBR W/T-BOLT CLAMPS
321158	EXHAUST, EL 2"X 90DEG W/2-4" & 1-2.5" LEGS
1887693	FERRULE, FUEL LINE 1/4" .575"ID X .625"OD
965954	FERRULE, FUEL LINE 1/4"ISO/CE .650"ID
148171	FILTER, FUEL/WATER SEPARATOR KIT
629279	FITTING, BRASS 1/4"BARB/NUT
1887750	FITTING, BRASS BARB/NUT 1/4" FEMALE SAE
1803671	GENERATOR, 5ECD GAS KOHLER 120V/60 SCRFT
1818615	HARNESS, 290DA-06 GEN KOHLER ECD GAS 120/220V
913053	HOSE, EXHAUST 2" CORR HW
340901	HOSE, FUEL 1/4" TYPE A CLASS 1 ISO/CE
1884010	HOSE, FUEL 1/4" TYPE A CLASS 1-15 ISO/CE/CARB
123810	HOSE, GEN PURPOSE 3/4"
124594	HOSE, WATER 5/8" HVY DTY (HEATER)
1831528	LABEL, GENERATOR RESET NOTICE
1810630	MODULE, ELEC INTERFACE SWITCHING SYS 06
1784602	MUFFLER, 2"IN X 2"OUT 9"X 9" BASE
570135	NIPPLE, BRASS 1/4"MPT X 1/4"MPT
1801681	PANEL, 290DA-06 AC MDP 120/60 W/GEN
1799376	PANEL, 290DA-06 IGN SW GAS TE W/LOWCO GEN
518431	SEACOCK, BRZ 3/4" W/O TAILPIECE
1791584	STRAINER, BRZ WATER INTAKE 3/4" W/NYLON STRAP
640300	THRU-HULL, BRZ 3/4" W/O NUT
1769255	THRU-HULL, SS EXHAUST 2" W/SS LIP
1804423	TUBE, PICK-UP ASSY 290DA-06 12.36"W/3/8"ELB
1791155	VALVE, BRASS FUEL SHUT-OFF 12V SER7000 10W

MACERATOR W/ SEACOCK INTERLOCK SYSTEM

256693	CLAMP, HOSE #24 1"-2" SS .505
123604	CLAMP, LOOM VINYL DIP 2.5"
154856	CONN, RING 8GA X 10R .374 W/INSUL ELONG
531566	ELBOW, BRZ 90DEG 1.5"MPT X 1.5"BARB
846899	HOSE, SANI 1.5" PREMIUM RBR BLK
1745156	LABEL, NOTICE OVERBOARD DISCHARGE (LEXAN)
518456	SEACOCK, BRZ 1.5" W/O TAILPIECE
1302116	SWITCH, SEACOCK INTERLOCK W/60" LEADS/CONN
1684143	TANK, HOLDING 28 GAL W/T12PUMP/RELAY/90DEGELL
579870	THRU-HULL, BRZ 1.5" W/O NUT

BUTANE STOVE

263954	CLAMP, HOSE #10 1/2"-1 1/8" SS .505
123778	HOSE, FUEL 5/8" TYPE A CLASS 1 ISO/CE
1802471	INSERT, CORIAN 280DA-06 STOVE BRNT AMBR BUTNE
1745158	LABEL, FUEL RECOMMENDATION/LP GAS WARNING
1060060	STOVE, BUTANE SGL BURNER W/GLASS LID/POT HOLD
1778933	THRU-HULL, SS 5/8"BARB SHORT W/RBR GASKET

BOATER SAFETY KIT

1848242	KIT, SAFETY PACKAGE-SPCRUIS W/WHT FNDRS/LINE
1848243	KIT, SIGNAL ORION FLARE

FIRE SUPPRESSION FM 200 - INTERNATIONAL

1642271	FIRE EXT SYS, FM200 250CF GAS/DSL-MAN/AUTO
---------	--

GRAY WATER SYSTEM

1789718	CLAMP, CRIMP RING ZURN 1/2"
1789708	ELBOW, ZURN 1/2" SWIVEL
123885	HOSE, CORR BILGE 3/4" BLK
1768876	LABEL, 1/2"X 1.5" DRAIN
1745161	LABEL, 1/2"X 1.5" VANITY SINK
1789706	TEE, ZURN 1/2" BARB
182964	THRU-HULL, PLAS 3/4" WHT

GRAY WATER SYSTEM (continued)

1778929	THRU-HULL, SS 3/4"BARB SHORT W/RBR GASKET
1789735	TUBING, ZURN 1/2"X 1000' BLUE

UNDER WATER SWIM PLATFORM LIGHTING

122853	FITTING, WATER TIGHT OUTLET FOR 5/16" CABLE
1774634	LIGHT, UNDRWTR 12V/50W HALOGEN SEALED BEAM

RAYMARINE DSM 300 FISH FINDER

1801244	DEPTH FINDER, DIGITAL SOUNDR MODL HSB2/DSM300
731000	FUSE, BLADE TYPE CLOSED 10A
1795499	TRANSDUCER, DEPTH/TEMP FOR DSM250 FISHFINDER

RAYMARINE - C70 CHARTPLOTTER / GPS

1687181	BOOT, PVC TERM INSUL CAP(485N9V02)RED
154864	CONN, RING 12/10GA X 1/4R W/INSUL
937490	FUSE BLOCK, 10-GNG BLADE-TYPE ELECTRONICS
730994	FUSE, BLADE TYPE CLOSED 7.5A
881383	GASKET, GLOMAX TV GPS MOUNT BLK
1800496	GPS, RAYSTAR RS125 SENSOR NMEA & SEATALK
1745159	LABEL, CAUTION BUSS ELECTRONICS (LEXAN)
788711	MOUNT, ANTENNA DECK GPS SS
1772720	NAVIGATION DISPLAY, RAYMARINE C70 7" CLR LCD
1799686	PANEL, BLANK:290DA-06 ELEC W/C70

TRANS-SHIELD COVER (SHIPPING COVER)

1766056	VINYL FILM, 290DA-06/300DA-04 PLAS CVR
---------	--

SHIP WATER READY

579573	CLIP, RETAINER BOAT HOOK 5/8"TO 1 1/4"
796912	FENDER, 8"X 20" WHT #1026
1581099	FIRE EXT, DRY CHEM HAND-HELD 1A 10BC 2.5OLB
159244	HOOK, ALUM BOAT HOOK
184341	KIT, FIRST AID
184358	KIT, SIGNAL GUN KIT
184366	RING BUOY, RESCUE RING BUOY 20"
187351	ROPE, NYLON DOCKLINE 1/2"X 30'
773481	TUBE, SIGNAL KIT 12" "UTILITUBE" W/ORANGE LID

BOTTOM PAINT (STERN DRIVES) WHITE HULL ONLY

1355338	PAINT, BOTTOM BLACK HYDROCOAT
946152	PAINT, PRIMER METAL #6455/044
1271147	PAINT, PRIMER METAL #6627
868893	PAINT, PRIMER SANDLESS #6999
325191	PLUG, RED BRASS DRAIN 1/2"MPT W/FLANGE
1574342	TRIM TAB, ASSY 14X14 SPECIAL W/O PUMP

COCKPIT REFRIGERATOR DUAL VOLT-220V/50-12V

627737	BOX, RECEPTACLE/SWITCH PVC 1-GANG DEEP
1181759	BRKR/ROCK, SGL-POLE MNL RSET DC IGNPRT 15A YL
1646900	CABLE, MARINE UL BOAT 14/3 EURO
1804747	DOOR, PLEX 290DA-06 WET BAR W/SLOTS ARW STHC
1758957	PVC BOARD, 1/2"X 4'X 8' WHT INTEFOAM
1787565	RECEPTACLE, LEVITON EXT W/CVR 220/50 GERMAN
1747062	REFRIGERATOR, 1.7 CU FT 12VDC/240V

AIR CONDITIONING / HEATING - 120V/60

1604263	A/C COMP, CABLE INTERCONNECT 15'
1759845	A/C COMP, COMPACT 10K SXF10-1 115V 50/60HZ
1605443	A/C COMP, CONN 4"HOSE
1604271	A/C COMP, DISPLAY ECU BLK W/3/4" DOOR
1762241	A/C COMP, ELL PLAS 1/2"MPT X 5/8" HOSE
1581966	A/C COMP, GRILL 4" RND W/O DA BLK
859280	A/C COMP, GRILL 6X10 CLW
948273	A/C COMP, HOSE FITTINGS FOR PMP500
958140	A/C COMP, HOSE RING 4" OBLONG
957092	A/C COMP, HOSE RING 5" OBLONG
1803900	A/C COMP, PLENUM BLWR 6T 40 W/6.5X6.5X6.5 DIV
1803902	A/C COMP, PLENUM BOX 6L 5T 4R W/6.5X6.5X6.5 DIV
948265	A/C COMP, PUMP SEAWATER 115V
531426	ADAPTER, BRZ 3/4"MPT X 3/4"BARB
522813	BOX, RECEPTACLE PVC SURFACE MOUNT CARLON
836007	BRACKET, ALUM 1.5"X 1.5"X 3" 3/16"HOLES
1795343	BRKR/ROCK, SGL-POLE AC/DC HORZ UP LUG 20A WHT
135210	CABLE, MARINE STRANDED 10/3
135202	CABLE, MARINE STRANDED 12/3
135228	CABLE, MARINE STRANDED 14/3 BLK/GRN/WHT
263954	CLAMP, HOSE #10 1/2"-1 1/8" SS .505
1376474	CONN, NYLON 1/2" FLAT CORD GRIP WATERPROOF
1478841	CONN, NYLON 1/2" ROUND SKIN TOP WATERPROOF
154856	CONN, RING 8GA X 10R .374 W/INSUL ELONG

AIR CONDITIONING / HEATING - 120V/60 (continued)

147397	COVER PLATE, CARLON BOX SGL
169193	ELBOW, BRZ 90DEG 3/4"MPT X 3/4"BARB
147496	ELBOW, GENOVA 3/4"MPT X 3/4"BARB X 90DEG
1882429	ELBOW, POLY 3/4"MPT X 3/4"BARB X 90DEG
639856	HOSE, AC/DUCT INSULATED 4" X 10'
266528	HOSE, AC/DUCT INSULATED 5"
430926	HOSE, AC/DUCT INSULATED 6" FLEX
123810	HOSE, GEN PURPOSE 3/4"
1058957	HOSE, WATER A/C WHT 5/8"
1751884	LABEL, 1/2" X 1.5" A/C CONDENSATE
1743616	LABEL, UNPLUG SHORE POWER WARNING
226530	PANEL, LAM 1/2" 4X8 BLK MATTE/RAW BACK G1S
531574	PICK-UP, BRZ WATER INTAKE 3/4"
518431	SEACOCK, BRZ 3/4" W/O TAILPIECE
1791584	STRAINER, BRZ WATER INTAKE 3/4" W/NYLON STRAP
1882428	TEE, POLY 3/4"BARB X 3/4"BARB X 3/4"BARB
141523	TEE, PVC 3/4"BARB X 3/4"BARB X 3/4"BARB
674143	THRU-HULL, PLAS 3/4" X 90DEG WHT
124487	THRU-HULL, PLAS 5/8" WHT
1778933	THRU-HULL, SS 5/8"BARB SHORT W/RBR GASKET

AIR CONDITIONING / HEATING - 220V/50

1604263	A/C COMP, CABLE INTERCONNECT 15'
1769422	A/C COMP, COMPACT 10K SMXII 220V 50HZ GG
1605443	A/C COMP, CONN 4"HOSE
1604271	A/C COMP, DISPLAY ECU BLK W/3/4" DOOR
1762241	A/C COMP, ELL PLAS 1/2"MPT X 5/8" HOSE
1581966	A/C COMP, GRILL 4" RND W/O DA BLK
859280	A/C COMP, GRILL 6X10 CLW
948273	A/C COMP, HOSE FITTINGS FOR PMP500
958140	A/C COMP, HOSE RING 4" OBLONG
957092	A/C COMP, HOSE RING 5" OBLONG
1803900	A/C COMP, PLENUM BLWR 6T 40 W/6.5X6.5X6.5 DIV
1803902	A/C COMP, PLENUM BOX 6L 5T 4R W/6.5X6.5X6.5 DIV
948349	A/C COMP, PUMP SEAWATER 230V
531426	ADAPTER, BRZ 3/4"MPT X 3/4"BARB
522813	BOX, RECEPTACLE PVC SURFACE MOUNT CARLON
836007	BRACKET, ALUM 1.5" X 1.5" X 3" 3/16"HOLES
1776975	BRKR/ROCK, SGL-POLE AC/DC HORZ UP LUG 15A WHT
1626803	CABLE, MARINE UL BOAT 10/3 EURO
1626795	CABLE, MARINE UL BOAT 12/3 EURO
1646900	CABLE, MARINE UL BOAT 14/3 EURO
263954	CLAMP, HOSE #10 1/2"-1 1/8" SS .505
1376474	CONN, NYLON 1/2" FLAT CORD GRIP WATERPROOF
1478841	CONN, NYLON 1/2" ROUND SKIN TOP WATERPROOF
154856	CONN, RING 8GA X 10R .374 W/INSUL ELONG
147397	COVER PLATE, CARLON BOX SGL
169193	ELBOW, BRZ 90DEG 3/4"MPT X 3/4"BARB
147496	ELBOW, GENOVA 3/4"MPT X 3/4"BARB X 90DEG
1882429	ELBOW, POLY 3/4"MPT X 3/4"BARB X 90DEG
639856	HOSE, AC/DUCT INSULATED 4" X 10'
266528	HOSE, AC/DUCT INSULATED 5"
430926	HOSE, AC/DUCT INSULATED 6" FLEX
123810	HOSE, GEN PURPOSE 3/4"
1058957	HOSE, WATER A/C WHT 5/8"
1751884	LABEL, 1/2" X 1.5" A/C CONDENSATE
1743616	LABEL, UNPLUG SHORE POWER WARNING
226530	PANEL, LAM 1/2" 4X8 BLK MATTE/RAW BACK G1S
531574	PICK-UP, BRZ WATER INTAKE 3/4"
518431	SEACOCK, BRZ 3/4" W/O TAILPIECE
1791584	STRAINER, BRZ WATER INTAKE 3/4" W/NYLON STRAP
1882428	TEE, POLY 3/4"BARB X 3/4"BARB X 3/4"BARB
141523	TEE, PVC 3/4"BARB X 3/4"BARB X 3/4"BARB
674143	THRU-HULL, PLAS 3/4" X 90DEG WHT
124487	THRU-HULL, PLAS 5/8" WHT
1778933	THRU-HULL, SS 5/8"BARB SHORT W/RBR GASKET

220 VOLT / 50 CYCLE ELECTRICAL SYSTEM

627737	BOX, RECEPTACLE/SWITCH PVC 1-GANG DEEP
975037	BRKR, IDEA 230V 2P EURO GFCI 16A 10MA WHT
826867	BRKR/TOGGLE, 2-POLE AC MED DELAY 25A
1646900	CABLE, MARINE UL BOAT 14/3 EURO
1893286	CHARGER, 20AMP 120/220 50/60HZ 12VDC 1220I
1745132	CONVERTER, 20AMP 120/220 50/60HZ 12VDC REV 1
206268	CORD SET, 220V/50H 16A 50FT
975029	COVER PLATE, IDEA-SERIES 3-GANG WHT
893289	FRAME, IDEA-SERIES 3-GANG SUPPORT FRAME GREY
1801711	HARNESS, 290DA-06 BILGE W/S-CRFT 220V
1801718	HARNESS, 290DA-06 CABIN 220V
1846414	HARNESS, 290DA-07 BILGE 220V

220 VOLT / 50 CYCLE ELECTRICAL SYSTEM (continued)

1846417	HARNESS, 290DA-07 CABIN 220V
1156728	HEATER, WATER 6 GAL 220/50 W/75-210T&P
206276	INLET, SHORE POWER WHT 220V/50H 16A
1793050	MICROWAVE, SYLVANIA 0.5CF BLK 220V
1802479	PANEL, 290DA-06 AC MDP 220/50 N/GEN
1787551	RECEPTACLE, GERMAN STD MOS WHT(SNAP CVR) LVT
1787565	RECEPTACLE, LEVITON EXT W/CVR 220/50 GERMAN
1671064	REFRIGERATOR, 2.7 CF AC/DC 220/50
583906	RELAY, 240VAC 50/60 HZ 20 AMP DPDT
1494459	STOVE, ELEC 1-BURNER CARIBBEAN COOKTOP 240
975011	SWITCH, BLANK IDEA-SERIES WHT

GEL-COATED DASH - OPTIONAL

1776900	COMPASS, FLUSH MT 4 3/16" BLK W/CONN
1794026	DOOR, 290DA-06 CABIN ENTRY FLAT N/SCRN NCKL
1802622	DOOR, HDPE 290DA-06 HLM ACCES W/SS STHC NCKL
1799861	GEL COAT, NICKLE MMHP
1803183	HATCH, 290DA-06 CABIN ENTRY W/HDWR NCKL
1805769	INSERT, HDPE 290DA-06 THRTL BOX NCKL
1802210	NOSING, VINYL 1" X 1/4" X 10' WARM GRY/NCKL
1835986	STEP, ALUM HELM NCKLPWRDCT W/ALUM PAN/TKINSRT

WINDLASS - ROPE / CHAIN

140509	BOOT, ENG STARTER RED
835819	BRACKET, ALUM 1" X 1" X 6" 3/16"HOLES
835843	BRACKET, ALUM 1" X 1/2" X 3" 3/16"HOLES 2SIDES
1772527	BRKR/ROCK, SGL-POLE C-SERIES DC IGNPRT 50A LD
829432	BUSS BAR, DBL POST 5/16"
590646	CLIP, POLE STRG BLK - MAST LIGHT
1596923	FUSE HOLDER, BLADE TYPE ACCY 10A
1805771	GUARD, HDPE 1/2" X 3 3/8" X 6" WNDLS CHAIN
1762153	HARNESS, 260DA-05 WINDLASS CONTROL
1801708	HARNESS, 290DA-06 WINDLASS CABLE/DISCONNECT
1854317	PLATE, ALUM 1/4"WNDLS MNTG 07
1798149	PLATE, ALUM 1/4"X19.25"X15 7/8"X13"WNDLS MNTG
1745351	ROPE/CHN KT, LOFRANS 1/2" X 100'/1/4" X 20'REV1
644609	SOLENOID, MAGNET LATCHING 12V 100A/500A W/HDW
651869	SOLENOID, MAGNET LATCHING LEAD ONLY
757765	WINDLASS FOOTSWITCH, HVY DUTY W/SAFTY CVR WHT
1788185	WINDLASS SOLENOID, LOFRANS CONTROL BOX 05
1848989	WINDLASS, RP/CHN ASTER 700 W/2-FTSW/SLNOID
1727010	WINDLASS, RP/CHN MARLINI LO-PRO W/LONGSTUD

WINDLASS - CHAIN

1145275	ANCHOR SHACKLE, JAW/JAW SWIVEL HVY DTY 3/8"
140509	BOOT, ENG STARTER RED
835819	BRACKET, ALUM 1" X 1" X 6" 3/16"HOLES
835843	BRACKET, ALUM 1" X 1/2" X 3" 3/16"HOLES 2SIDES
1772527	BRKR/ROCK, SGL-POLE C-SERIES DC IGNPRT 50A LD
829432	BUSS BAR, DBL POST 5/16"
1048743	CHAIN STOP, SS W/LANYARD (WINDLINE)
1801007	CHAIN, HIGH TEST 1/4" X 100' GALV
590646	CLIP, POLE STRG BLK - MAST LIGHT
1596923	FUSE HOLDER, BLADE TYPE ACCY 10A
1805771	GUARD, HDPE 1/2" X 3 3/8" X 6" WNDLS CHAIN
1762153	HARNESS, 260DA-05 WINDLASS CONTROL
1801708	HARNESS, 290DA-06 WINDLASS CABLE/DISCONNECT
1854317	PLATE, ALUM 1/4"WNDLS MNTG 07
1798149	PLATE, ALUM 1/4"X19.25"X15 7/8"X13"WNDLS MNTG
644609	SOLENOID, MAGNET LATCHING 12V 100A/500A W/HDW
651869	SOLENOID, MAGNET LATCHING LEAD ONLY
757765	WINDLASS FOOTSWITCH, HVY DUTY W/SAFTY CVR WHT
1788185	WINDLASS SOLENOID, LOFRANS CONTROL BOX 05
1848989	WINDLASS, RP/CHN ASTER 700 W/2-FTSW/SLNOID
1727010	WINDLASS, RP/CHN MARLINI LO-PRO W/LONGSTUD

C E OPTION GROUP

1547769	BOARD, LDPVC 290SS-01 AMP MNT
256693	CLAMP, HOSE #24 1"-2" SS .505
256701	CLAMP, HOSE #28 1 5/16"-2.25" SS .505
1642271	FIRE EXT SYS, FM200 250CF GAS/DSL-MAN/AUTO
490219	HOSE, CORR SANWATER-FILL 1.5" RH
123778	HOSE, FUEL 5/8" TYPE A CLASS 1 ISO/CE
1745514	LABEL, PREVENT DISCHARGE OF POLLUTANTS
1691479	MANUAL, OWNERS - SEA RAY INT'L 12-LANGUAGE
1142520	PLATE, CE OPT B:10PERSON/1180KG
529016	PUMP, BILGE 16GPM MANUAL TWO POS
801563	PUMP, BILGE MANUAL PICKUP/STRAINER
326009	THRU-HULL, PLAS 2" WHT (FULL THREAD)
1778926	THRU-HULL, SS 1"BARB SHORT W/RBR GASKET

C E OPTION GROUP (continued)

1778928 THRU-HULL, SS 1.5" BARB SHORT W/RBR GASKET

2.43 TO 1 BRAVO 3 HIGH ALTITUDE GEAR RATIO

1778005 OUTDRIVE (HI-ALT), MERC BR-III 2.43:1 '05

COLORED HULL

1883602 GEL COAT, BLUSHGUARD FLAG BLUE 5769A90040A
 1799711 GEL COAT, MMHP MIDNIGHT BLUE
 1355338 PAINT, BOTTOM BLACK HYDROCOAT
 946152 PAINT, PRIMER METAL #6455/044
 1271147 PAINT, PRIMER METAL #6627
 868893 PAINT, PRIMER SANDLESS #6999
 325191 PLUG, RED BRASS DRAIN 1/2" MPT W/FLANGE
 1753015 TAPE, SOLID 3" WHT/WELL AMETHYST N/VOID
 1574342 TRIM TAB, ASSY 14X14 SPECIAL W/O PUMP
 1766056 VINYL FILM, 290DA-06/300DA-04 PLAS CVR

VACUUM FLUSH HEAD W/ DIRECT OVER BOARD INTL

154856 CONN, RING 8GA X 10R .374 W/INSUL ELONG
 531566 ELBOW, BRZ 90DEG 1.5" MPT X 1.5" BARB
 1745156 LABEL, NOTICE OVERBOARD DISCHARGE (LEXAN)
 518456 SEACOCK, BRZ 1.5" W/O TAILPIECE
 1302116 SWITCH, SEACOCK INTERLOCK W/60" LEADS/CONN
 579870 THRU-HULL, BRZ 1.5" W/O NUT

ALCOHOL / ELEC. STOVE- 120V/60 (1 BURNER)

1802472 INSERT, CORIAN 280DA-06 STV BRNTAMBR ALC/ELEC
 1745158 LABEL, FUEL RECOMMENDATION/LP GAS WARNING
 1763796 RAIL, STOVE 1-BURNER ALCOHOL
 729954 STOVE, ALC/ELEC 1-BURNER W/BLK GLASS LID 110V

ALCOHOL / ELEC. STOVE- 220V/50 (1 BURNER)

1802472 INSERT, CORIAN 280DA-06 STV BRNTAMBR ALC/ELEC
 1745158 LABEL, FUEL RECOMMENDATION/LP GAS WARNING
 1763796 RAIL, STOVE 1-BURNER ALCOHOL
 729962 STOVE, ALC/ELEC 1-BURNER W/BLK GLASS LID 220V

CANADIAN CONFORMITY STICKER

1818577 LABEL, STICKER 290DA CANADIAN CONFORMITY

BUTANE STOVE - CE APPROVED

263954 CLAMP, HOSE #10 1/2"-1 1/8" SS .505
 123778 HOSE, FUEL 5/8" TYPE A CLASS 1 ISO/CE
 1802471 INSERT, CORIAN 280DA-06 STOVE BRNT AMBR BUTNE
 1745158 LABEL, FUEL RECOMMENDATION/LP GAS WARNING
 1389402 STOVE, BUTANE SGL BURNER W/GLS LID/POT HLD CE
 1778933 THRU-HULL, SS 5/8" BARB SHORT W/RBR GASKET

WINDSHIELD W/ STAINLESS STEEL FRAME

1840164 CANVAS, 290DA-06 SIDE CURT ST SS/WS BLK PH-3
 1840167 CANVAS, 290DA-06 VSR CURT SS/WS BLK PH-3
 1837877 SUPPORT, SS W/S 290DA PRT
 1837878 SUPPORT, SS W/S 290DA STB
 1808794 W/S, 290DA-06 SS CMLPT W/SNP

INTERNATIONAL IN-SERVICE CHECKLIST

1880468 CHECK LIST, INT'L DISCLOSURE SPBT/SPCRUSR '06

"325DA" MODEL DESIGNATORS

1818574 EMBLEM, MODEL DESG 325 URETHANE BLK

COCKPIT REFRIGERATOR DUAL VOLT-120V/60-12V

627737 BOX, RECEPTACLE/SWITCH PVC 1-GANG DEEP
 1181759 BRKR/ROCK, SGL-POLE MNL RSET DC IGNPRT 15A YL
 135228 CABLE, MARINE STRANDED 14/3 BLK/GRN/WHT
 180067 COVER PLATE, WATERPROOF RECEPT W/2 DOORS
 1804747 DOOR, PLEX 290DA-06 WET BAR W/SLOTS ARW/STHC
 1758957 PVC BOARD, 1/2" X 4' X 8' WHT INTEFOAM
 145136 RECEPTACLE, CORR RESISTANT GREY
 1747061 REFRIGERATOR, 1.7 CU FT 12VDC/110AC