

2007 310DA

PARTS MANUAL

310

SUNDANCER®

International - 335 SUNDANCER



Sea Ray® Parts Manual, 2007 310 SUNDANCER MRP #
Sea Ray Boats, 2600 Sea Ray Blvd., Knoxville, TN 37914. For information call 1-800-SRBOATS or fax 1-314-213-7878 (USA and International).
Internet address: <http://www.searay.com>

Note: Not all accessories shown in pictures or described herein are standard equipment or even available as options.
Options and features are subject to change without notice.

Confirm the availability of all accessories and equipment with an authorized Sea Ray® dealer.

2007 310 SUNDANCER

TABLE OF CONTENTS



STANDARD & OPTIONAL LAYOUTS	PAGE
GELCOATS	1
EXTERIOR (HULL)	2, 3, 4
EXTERIOR (DECK) AFT	5, 6
EXTERIOR (DECK) RUMBLE SEAT	7, 8
EXTERIOR (DECK) FORWARD	9
EXTERIOR (WINDLASS)	10, 11
EXTERIOR (WINDSHIELD)	12, 13
EXTERIOR (SPOILER)	14, 15
EXTERIOR (GRAPHICS) NO TWO-TONE BLUE	16
EXTERIOR (GRAPHICS) NO TWO-TONE BLACK	17
EXTERIOR (GRAPHICS) TWO-TONE BLUE	18
EXTERIOR (GRAPHICS) TWO-TONE BLACK	19
EXTERIOR (GRAPHICS) TWO TONE - PEWTER	20
CANVAS (WHITE)	21
CANVAS (CAPTAIN NAVY)	22
CANVAS (BLACK)	23
COCKPIT (PORT VIEW)	24, 25
COCKPIT (STARBOARD VIEW AND ENTRY DOOR)	26, 27
MAIN DC BREAKER / BATTERY SWITCH PANEL	28, 29
COCKPIT (AFT VIEW)	30
COCKPIT (HELM)	31, 32
INSTRUMENT PANEL	33
SWITCH PANEL	34
POWER TRIM PANEL	35
ELECTRONIC PANELS	36, 37
ELECTRONIC PANELS (CONTINUED 1)	38, 39
ELECTRONIC PANELS (CONTINUED 2)	40, 41
ELECTRONIC PANELS (CONTINUED 3)	42, 43
ELECTRONIC PANELS (CONTINUED 4)	44, 45
ELECTRONIC PANELS (CONTINUED 5)	46, 47
NORTHSTAR NS100SS VHF RADIO	48
NORTHSTAR 6000I NAVIGATION	49
NORTHSTAR 6000I 2KW CLOSED DOME RADAR	50
NORTHSTAR 6000I 491 FISHFINDER	51
COCKPIT SNAP-IN CARPET LINER	52
COCKPIT (UPHOLSTERY)	53, 54
FORWARD STATEROOM (PORT VIEW)	55, 56
FORWARD STATEROOM (STARBOARD VIEW)	57, 58
FORWARD STATEROOM (UPHOLSTERY)	59, 60
PORT HEAD	61, 62
GALLEY	63, 64
COMPANIONWAY AND ENTRY STEPS	65, 66
SALON	67, 68
SALON (UPHOLSTERY)	69
MID STATEROOM	70, 71, 72
MAIN DISTRIBUTION PANEL 120VAC	73
MAIN DISTRIBUTION PANEL 220VAC	74
IGNITION SWITCH PANEL (TWIN ENGINE GAS)	75, 76
GENERATOR PANEL (DIESEL)	77
MDP COMPONENT BOARD	78
MID STATEROOM (UPHOLSTERY)	79, 80
INTERIOR (CANVAS CARPET RUNNER)	81, 82
MULTI-INFO PACKET	83
KNOXVILLE HARDWARE	84, 85
BILGE	86, 87, 88

	PAGE
A/C SYSTEM	89, 90
BILGE (WATER INTAKE SYSTEM) STERN DRIVE	91
BILGE (WATER INTAKE SYSTEM) V-DRIVE	92
BILGE (EXHAUST SYSTEM) V-DRIVE	93
GENERATOR SYSTEM (GAS)	94, 95
GENERATOR SYSTEM (DIESEL)	96, 97
STEERING SYSTEM (SHAFT ASSEMBLY)	98
STEERING SYSTEM (AFT)	99
STEERING SYSTEM (CONTROLS) STERN DRIVE	100, 101
STEERING SYSTEM (CONTROLS) V-DRIVE	102, 103
FUEL SYSTEM (STERN DRIVE) GAS	104, 105
FUEL SYSTEM (V-DRIVE) GAS	106, 107
FUEL SYSTEM (DIESEL)	108, 109
WATER SYSTEM (GALLEY)	110
WATER SYSTEM (PORT HEAD)	111
WATER SYSTEM (BILGE)	112
WATER SYSTEM (WATER HEATER)	113
WATER HEATER (CLOSED COOLING SYSTEM)	114
WATER SYSTEM (COCKPIT)	115, 116
SEWAGE SYSTEM	117, 118
DRAINAGE (FORWARD)	119
DRAINAGE SYSTEM (COCKPIT)	120
DRAINAGE SYSTEM (BILGE PUMP)	121
GRAY WATER SYSTEM	122

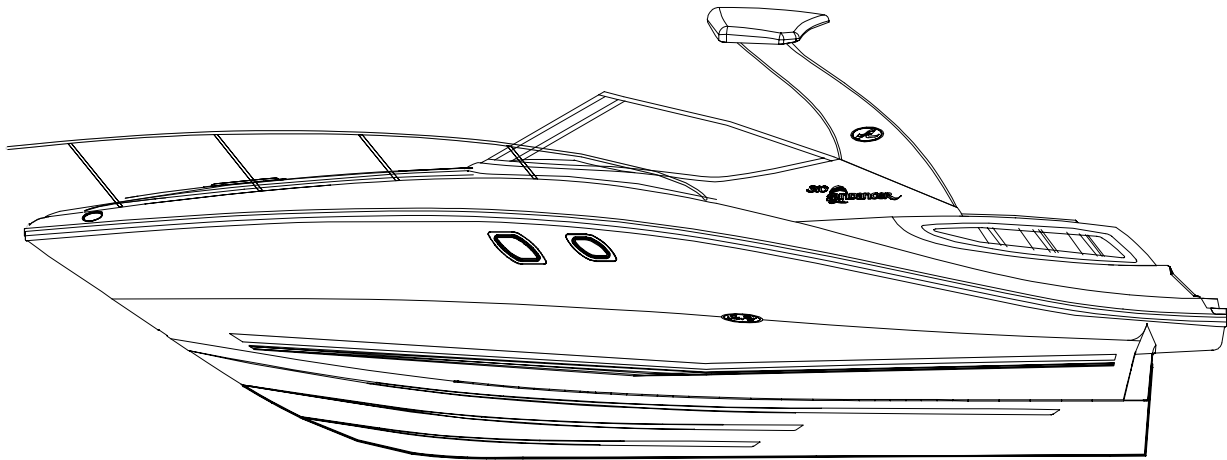
2007 310 SUNDANCER

TABLE OF CONTENTS



OPTIONS - PARTS LIST	PAGE
T-6LPA-STZP W/BR3 (T-301 PHP) YANMAR S/D	123
T-5.0L MPI DTS BR 3 (T-260 PHP) MCM S/D	123
T-350 MAG MPI DTS BR 3 (T-260 PHP) MCM S/D	123
T-350 MAG MPI HORIZON DTS BR3 (T-260 PHP)	123
T-MX 6.2L MPI DTS BR3 (T-320 PHP) MCM S/D	123
T-MX 6.2L MPI HORIZON DTS BR3 (T-320 PHP)	123, 124
TVD-350 MAG MPI DTS (T-300 PHP) INBOARDS	124
TVD-350 MAG MPI HORIZON DTS (T-300PHP) I/B	124, 125
TVD-MX 6.2L MPI DTS (T-320 PHP) INBOARDS	125
TVD-MX 6.2L MPI HORIZON DTS (T-320 PHP) I/B	125, 126
T-D4-260DPH (T-250 PHP) VOLVO DSL STERN DR.	126
T-D6-310DPH (T-298 HP) VOLVO DSL STERN DR.	126
T-350 MAG MPI HORIZON BR 3 (T-300PHP) S/D	126
T-350 MAG MPI BR 3 (T-300 PHP) MCM STERN DR.	126
TVD-350 MAG MPI (T-300 PHP) MERC.INBOARDS	126, 127
TVD-350 MAG MPI HORIZON (T-300 HP) INBOARDS	127
T-MX 6.2L MPI BR 3 (T-320 PHP) MCM STERN DR	127
TVD-MX 6.2L MPI (T-320 PHP) MCM V-DR./I/B	127, 128
TVD-MX 6.2 MPI HORIZON (T-320 PHP) INBOARDS	128
T-MX 6.2L MPI HORIZON BR 3 (T-320 PHP) S/D	128
T-5.0L MPI BR 3 (T-260 PHP) MCM STERN DR.	128
FLOORING, SIMULATED TEAK - CABIN	128
AIR COMPRESSOR (FOR WATER TOYS)	128
FLAG POLE & BASE, U.S. FLAG	128
ROD HOLDERS (4)	128
FRESHWATER COOLING-TWIN S/D 4.3L OR 5.0L	129
AUSTRALIAN BUILDERS PLATE	129
NORTHSTAR 6100I GPS / CHARTPLOTTER	129
NORTHSTAR 6100I RADAR / GPS / CHARTPLOTTER	129
SMARTCRAFT SYSTEM VIEW- TWINS ONLY	129
AFT SUNSHADE-COCKPIT (REMOVABLE & FOLDABLE)	129
SS GRILL W/LEVELLOCK & 2 GUNWALE ROD HOLDERS	129
TV 15" FLATSCREEN W/ REMOTE DVD - COCKPIT	129
TV 20" FLATSCREEN / DVD/ GAMING PORT/ SALON	129
TV 15" FLATSCRN/ DVD/ GAMING PORT-MID CABIN	129
TV 15" FLATSCRN / DVD/ GAMING PORT-V-BERTH	129, 130
NEUTRAL COLOR FITTED SHEETS	130
2ND STEREO REMOTE CONTROL -TRANSOM	130
GENERATOR 4.0 EOZ KOHLER - DIESEL - 120V/60	130
GENERATOR 3.5 EFOZ KOHLER -DIESEL - 220V/50	130
RAYMARINE C80 CHART PLOTTER / GPS / RADAR	130
NORTHSTAR 491 FISHFINDER (6000I/6100I ONLY)	130
BOW & STERN THRUSTERS	130, 131
COCKPIT COVER	131
INVERTER - 12V TO 120V/60 CYCLE	131
GPS / CHARTPLOTTER - NORTHSTAR 6000I	131
RADAR / GPS / CHARTPLOTTER NORTHSTAR 6000I	131
SPOTLIGHT, 5" REMOTE CONTROLLED	131
PREMIUM COCKPIT SOUND SYSTEM - 12 VOLT	131
GENERATOR 4.0 EFCO KOHLER - GAS - 220V/50HZ	131
GENERATOR 5.0 ECD KOHLER - GAS - 120V/60HZ	131, 132
MACERATOR W/ SEACOCK INTERLOCK SYSTEM	132
NORTHSTAR 3300 AUTOPILOT	132
BOATER SAFETY KIT	132
GRILL, COCKPIT - BUILT IN - 120V/60	132

	PAGE
GRILL, COCKPIT - BUILT IN - 220V/50	132
RAYMARINE - C80 CHART PLOTTER / GPS	132
FIRE SUPPRESSION FM 200 - INTERNATIONAL	132
GRAY WATER SYSTEM	132
ACC'Y TABLE W/LEVELLOCK/2 GUNWALE ROD HOLDER	132
UNDER WATER SWIM PLATFORM LIGHTING	132
BOW AND STERN THRUSTER - W/ V-DRIVES ONLY	132
RAYMARINE DSM 300 FISH FINDER	132
TRANS-SHIELD COVER (SHIPPING COVER)	133
BOW THRUSTER	133
SHIP WATER READY	133
BOTTOM PAINT (STERN DRIVES) WHITE HULL ONLY	133
COCKPIT REFRIGERATOR DUAL VOLT-220V/50-12V	133
ALCOHOL / ELECTRIC STOVE-220V/50 (2 BURNER)	133
220 VOLT / 50 CYCLE ELECTRICAL SYSTEM	133
AIR CONDITIONING / HEATING-12000BTU-120V/60	133
AIR CONDITIONING / HEATING-12000BTU-220V/50	133
GEL-COATED DASH - OPTIONAL	133, 134
SUN PAD/VINYL/WITH HEADREST-SS DECK RUNNERS	134
ALCOHOL / ELECTRIC STOVE-120V/60 (2 BURNER)	134
WINDLASS - CHAIN	134
WINDLASS - ROPE / CHAIN	134
C E OPTION GROUP	134
T-2.43 TO 1 BR3 HIGH ALTITUDE GEAR RATIOS	134
COLOR HULL	134
VACUUM FLUSH HEAD W/ DIRECT OVER BOARD INTL	134
DSS SATELLITE TV.SYS. KVH-M3 - 120V/60 ONLY	134
CANADIAN CONFORMITY STICKER	134
AUTOPILOT - RAYPILOT ST 7001+	134
WINDSHIELD W/ STAINLESS STEEL FRAME	134
INTERNATIONAL IN-SERVICE CHECKLIST	134
"335DA" MODEL DESIGNATORS	134
COCKPIT REFRIGERATOR DUAL VOLT-120V/60-12V	134

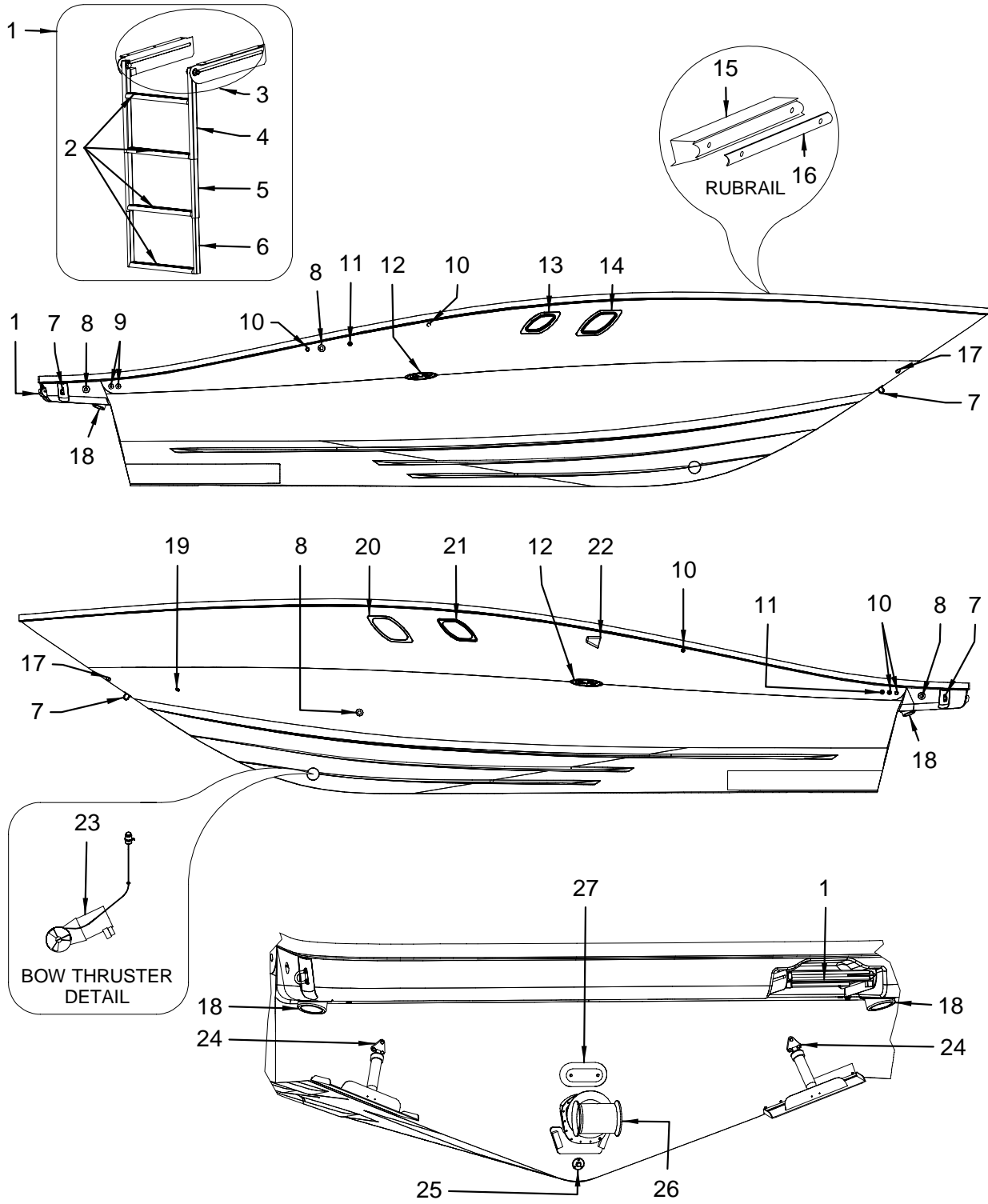
GELCOATS**GELCOATS**

- 1317858 GEL COAT, ARCTIC WHT
(HULL, DECK AND SMALL PARTS)
- 1452861 GEL COAT, PEARL AIR-DRY (BILGE)
(HULL, DECK AND SMALL PARTS)
- 1558469 GEL COAT, MAXGUARD LE PEARL
(SHOWERS)
- 1799861 GEL COAT, NICKLE MMHP
(GEL-COATED DASH)
- 1799711 GEL COAT, MMHP MIDNIGHT BLUE
(HULL# 1305 -> UP)
(MIDNIGHT BLUE COLORED HULL)
- 1883602 GEL COAT, BLUSHGUARD FLAG BLUE 5769A90040A
(FLAG BLUE COLORED HULL)
- 1799781 GEL COAT, NEW PEWTER VALSPAR
(PEWTER COLORED HULL)
- 1690845 GEL COAT, JET BLK
(BLACK COLORED HULL)

BOTTOM PAINT

- 1355338 PAINT, BOTTOM BLACK HYDROCOAT
- 1271147 PAINT, PRIMER METAL #6627
- 946152 PAINT, PRIMER METAL #6455/044
- 868901 THINNER, BOTTOM PAINT
- 868893 PAINT, PRIMER SANDLESS #6999

EXTERIOR (HULL)



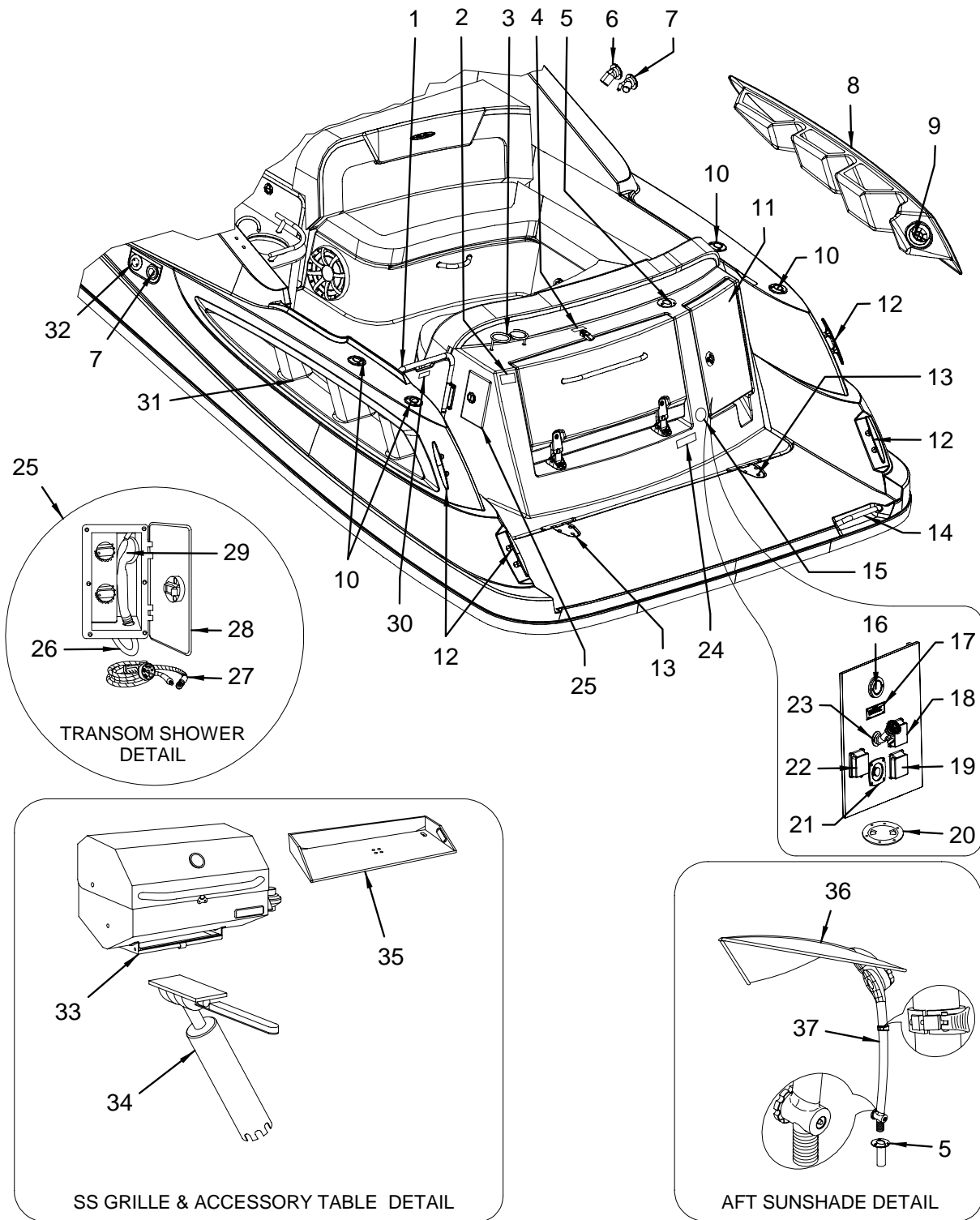
EXTERIOR (HULL)

1	1854250	LADDER, SWIM 4-STEP SS UNDRMNT RND 5DEG (HULL# 1242 -> UP)	23	650499	BOOT, BATTERY CABLE 4/0 RED 11/16" (BOW THRUSTER)	
	1763085	LADDER, SWIM 4-STEP SS UNDRMNT TELESCPNG 5DEG (HULL# 1201 -> 1241)		130807	(BOW & STERN THRUSTERS) CABLE, BATT BLK #2/0AWG (HULL# 1209 -> UP)	
2	1759993	LADDER, SWIM TREAD (CUT TO LGTH UPR/MID/LWR) (PART OF 1763085)		184051	(BOW THRUSTER) (BOW & STERN THRUSTERS) CABLE, BATT RED #2/0AWG (HULL# 1209 -> UP)	
3	1759988	LADDER, SWIM SLIDING GUDGEON 19.25"X 19" SS (PART OF 1763085)		793257	(BOW THRUSTER) (BOW & STERN THRUSTERS) CONN, RING 2/0GA X 3/8R BATT/CBL COP PLTD CLS (HULL# 1209 -> UP)	
4	1759989	LADDER, SWIM SS TELESCOP 16.5"X 16" UPR (PART OF 1763085)		793273	(BOW THRUSTER) (BOW & STERN THRUSTERS) CONN, RING 2/0GA X 5/16R BATT/CBL COP PLTD CL (HULL# 1209 -> UP)	
5	1759990	LADDER, SWIM SS TELESCOP 16.5"X 16" MID (PART OF 1763085)		793273	(BOW THRUSTER) (BOW & STERN THRUSTERS) CONN, RING 2/0GA X 5/16R BATT/CBL COP PLTD CL (HULL# 1209 -> UP)	
6	1759984	LADDER, SWIM SS TELESCOP LWR 16.5"X 14.5" (PART OF 1763085)		793331	(BOW THRUSTER) (BOW & STERN THRUSTERS) CONN, RING 2/0GA X 1/2R .928 BARE PLTD CLSD (HULL# 1209 -> UP)	
7	126599	EYE, STERN 1/2"X 3 7/16" W/BACKING PLATE		1429190	(BOW THRUSTER) (BOW & STERN THRUSTERS) HEAT SHRINK, TUBING BLK 1"X 4" (HULL# 1209 -> UP)	
	1473040	PLATE, BACKING UNIVERSAL 3/16"		1429208	(BOW THRUSTER) (BOW & STERN THRUSTERS) HEAT SHRINK, TUBING RED 1"X 4" (HULL# 1209 -> UP)	
8	1778928	THRU-HULL, SS 1.5"BARB SHORT W/RBR GASKET		1849624	(BOW THRUSTER) (BOW & STERN THRUSTERS) CABLE, BATT KIT 310DA-07 BOW THRSTR (HULL# 1201 -> 1208)	
9	1778931	THRU-HULL, SS 1 1/8"BARB SHORT W/RBR GASKET			(BOW THRUSTER) (BOW & STERN THRUSTERS) TRIM TAB, ASSY 12X18 SGL ACT	
10	1433176	VENT, FUEL/WATER SS 5/8" 90DEG FLSH MNT		24	725937	TRIM TAB, HYD PUMP KIT W/3"NIPPLE (HULL# 1240 -> UP)
11	1778929	THRU-HULL, SS 3/4"BARB SHORT W/RBR GASKET		268508	1631001	TRIM TAB, HYD PUMP KIT W/4"NIPPLE (HULL# 1201 -> 1239)
12	1443183	EMBLEM, "SEA RAY" SCRIPT HULL LOGO CHR 13"		841825	841825	SHIM, PVC TRIM TAB PUMP BLK
13	1848367	PORTLIGHT, OPENING HULL WNDW STB SML THK FRM		25	325191	PLUG, RED BRASS DRAIN 1/2"MPT W/FLANGE
	1848571	PORTLIGHT, SCREEN HULL WNDW STB SML THK FRM		162263	162263	PLUG, BRASS 1/2" MPT DRAIN SPARE (PART OF 325191)
14	1848366	PORTLIGHT, OPENING HULL WNDW STB LRG THK FRM		26	1835974	STERN THRUSTER, TUNNEL 125MM FOR SP40 (BOW & STERN THRUSTERS)
	1848573	PORTLIGHT, SCREEN HULL WNDW STB LRG THK FRM		1835973	1835973	STERN THRUSTER, SIDE PWR 88LB THRST 12V IGNP (BOW & STERN THRUSTERS)
15	1673565	RUBRAIL, PVC ARCWHT 19"SS INSERT 1.825"WIDE		1807469	1807469	BOW THRUSTER, PROP LOCK NUT F/1592401 (PART OF 1835973)
16	1080100	INSERT, RUB RAIL SS 3/4"X 12" (.062/304SS)		1807470	1807470	BOW THRUSTER, PROP WASHER F/1592401 (PART OF 1835973)
17	533430	VENT, CLAMSHELL ROPE LCKR 2"X2"		1819995	1819995	BOW THRUSTER, PROP F/1592401 (PART OF 1835973)
18	1774634	LIGHT, UNDRWTR 12V/50W HALOGEN SEALED BEAM (UNDER WATER SWIM PLATFORM LIGHTING) (BULB NOT REPLACEABLE)		1819996	1819996	BOW THRUSTER, PROP DRIVE PIN F/1592401 (PART OF 1835973)
	122853	FITTING, WATER TIGHT OUTLET FOR 5/16" CABLE (UNDER WATER SWIM PLATFORM LIGHTING)		1819997	1819997	BOW THRUSTER, ZINC ANODE F/1592401/1808795 (PART OF 1835973)
19	1778933	THRU-HULL, SS 5/8"BARB SHORT W/RBR GASKET (AIR CONDITIONING / HEATING)		1800993	1800993	STERN THRUSTER, DOCKING CNTRL PNL (BOW & STERN THRUSTERS)
20	1848365	PORTLIGHT, OPENING HULL WNDW PRT LRG		27	144329	ZINC, TRANSOM ZINC (V-DRIVE ENGINES ONLY)
	1848572	PORTLIGHT, SCREEN HULL WNDW PRT LRG				LABELS
21	1839315	PORTLIGHT, OPENING HULL WNDW PRT SML FRSTD			1743532	LABEL, SLING (LEXAN)
	1839335	PORTLIGHT, SCREEN HULL WNDW PRT SML FRSTD			1745519	LABEL, DANGER SHUT OFF ENG WHEN NEAR SWIMMERS
22	688721	COVER, CUSTOM CLAMSHELL (ABS/DR) (ARTIC WHITE HULL)			1751061	LABEL, BOW THRUSTER (BOW THRUSTER) (BOW & STERN THRUSTERS)
	1779687	COVER, CUSTOM CLAMSHELL ABS/DR PAINTED BLUE (BLUE COLORED HULL)			1813640	LABEL, STERN THRUSTER (BOW & STERN THRUSTERS)
	1884106	COVER, CUSTOM CLAMSHELL ABS/DR FLAG BLUE (HULL# 1305 -> UP) (FLAG BLUE COLORED HULL)				VAC PACK
	1797185	COVER, CUSTOM CLAMSHELL PEWTER (PEWTER COLORED HULL)			1444603	VINYL FILM, VAC PACK SHRINK 7MM X 24"X 248"
	1802212	COVER, CUSTOM CLAMSHELL ABS/DR PAINTED BLK (BLACK COLORED HULL)			1766057	VINYL FILM, 320DA-04 PLAS CVR (HULL# 1255 -> UP) (COLORED HULL) (TRANS-SHIELD COVER - SHIPPING COVER)
23	1592419	BOW THRUSTER, TUNNEL 125X900X4MM W/SM35S ONLY (BOW THRUSTER)			1766056	VINYL FILM, 290DA-06/300DA-04 PLAS CVR (HULL# 1201 -> 1254) (COLORED HULL) (TRANS-SHIELD COVER - SHIPPING COVER)
	1808795	BOW THRUSTER, SIDE PWR 77LB THRST SEALED GEAR (BOW THRUSTER)			1727511	EMBLEM, VACPAC SR LOGO W/ISO/CE SML
	1807469	BOW THRUSTER, PROP LOCK NUT F/1592401 (PART OF 1808795)			413070	TAPE, VAC PAK WHT (2"X 36YDS) PRESERVATION
	1807470	BOW THRUSTER, PROP WASHER F/1592401 (PART OF 1808795)			468934	TAPE, VAC PAK WHT (4"X 36YDS) PRESERVATION
	1819995	BOW THRUSTER, PROP F/1592401 (PART OF 1808795)			519611	STRAPPING, CLOTH RAYON
	1819997	BOW THRUSTER, ZINC ANODE F/1592401/1808795 (PART OF 1808795)			524868	VINYL FILM, VAC PACK ZIPPER DOOR 30"X 48"WHT
	1765067	BOW THRUSTER, JOYSTICK (IMTRA)12/24V W/ON/OFF (BOW THRUSTER)				
	1727462	BOW THRUSTER, CABLE SIDE PWR CNTRL 15M (HULL# 1216 -> UP) (BOW THRUSTER)				
	1687651	BOW THRUSTER, CABLE SIDE POWER CNTRL EXTEN (HULL# 1201 -> 1215) (BOW THRUSTER)				
	1585470	FUSE, ANL250 IGN PROTECTED (BOW THRUSTER)				
	795583	BUSS BAR, SGL POST 5/16" (BOW THRUSTER)				
	987446	FUSE BLOCK, BLADE TYPE ANL350/500 (BOW THRUSTER)				
	650507	BOOT, BATTERY CABLE 4/0 BLK 11/16" (BOW THRUSTER)				
		(BOW & STERN THRUSTERS)				

VAC PACK (continued)

614867	DECAL, "SLING" LARGE (VAC PAC)
642504	BUBBLE PACK, ADH 6"X 300'

EXTERIOR (DECK) AFT



EXTERIOR (DECK) AFT

1	1839594	DOOR, HDPE 310DA-07 TRNSM W/SS TRIM/HDWR (REPLACEMENT PARTS NOT SOLD SEPARATELY)	22	826867	BRKR/TOGGLE, 2-POLE AC MED DELAY 25A (220 VOLT / 50 CYCLE ELECTRICAL SYSTEM)
2	1792393	LABEL, TRNSM SEAT WARNING	23	1096262	FAUCET, SILLCOCK WASHDOWN (WHITECAP)
3	1750873	HOLDER, DRINK SS 2-RING 3" (KING)	24	1811367	LABEL, DANGER CO TRANSOM 06
4	1745515	LABEL, WARNING DO NOT STAND/WALK THIS AREA	25	736702	FAUCET, WASHDOWN BOX W/MIXER (AQUATIK) VERT
5	1880678	ROD HOLDER, FLUSH MNT SS 0DEG W/LOGO (HULL# 1213 -> UP) (AFT SUNSHADE)	1298710	298710	FAUCET, CARTRIDGE CERAMIC 90DEG LH (PART OF 736702)
	1850436	ROD HOLDER, FLUSH MNT SS 0DEG N/LOGO (HULL# 1201 -> 1212) (AFT SUNSHADE)	1302504	1302504	FAUCET, CARTRIDGE CERAMIC 90DEG RH (PART OF 736702)
6	1848574	DECK PLATE, WATER SS 1.5"STRGHT BLUE CLR-CODE	26	1302595	FAUCET, WASHDOWN HOSE W/FPT ONLY(AQUATIK) (PART OF 736702)
	1880328	CAP, SS DECK PLATE 1.5" 30DEG (PART OF 1848574)	27	1302579	FAUCET, WASHDOWN SHOWER UNIT ONLY (AQUATIK) (PART OF 736702)
	1880329	KEY, SS CAP DECK PLATE 1.5" 30DEG (PART OF 1848574)	28	1302587	FAUCET, WASHDOWN DOOR ONLY (AQUATIK) (PART OF 736702)
7	1846459	DECK PLATE, GAS SS 1.5"30DEG RED CLR-CODE	1742646	1742646	LATCH, WASHDOWN DOOR (AQUATIK) (PART OF 736702)
	1880328	CAP, SS DECK PLATE 1.5" 30DEG (PART OF 1846459)	29	1302603	FAUCET, WASHDOWN SPRAYER HEAD ONLY(AQUATIK) (PART OF 736702)
	1846463	DECK PLATE, DSL SS 2"30DEG GRN CLR-CODE (DIESEL ENGINES)	1848792	1848792	FAUCET, WASHDOWN RUBBER SHOWERHEAD HLDR (PART OF 736702)
	1880330	CAP, SS DECK PLATE DSL 2" 30DEG (PART OF 1846463)	30	1743571	LABEL, DANGER TRANSOM DOOR (LEXAN)
	1880329	KEY, SS CAP DECK PLATE 1.5" 30DEG (PART OF 1846459 & 1846463)	31	1851413	310DA 07,CVR,VENT BLG PRT FBRGLS
	1068592	KEY, DECK PLATE CAP	1408210	1408210	MESH, BLACK VINYL NET
8	1851395	310DA 07,CVR,VENT BLG STB FBRGLS	32	1846460	DECK PLATE, WASTE SS 1.5"30DEG BLK CLR-CODE
	1408210	MESH, BLACK VINYL NET	1880328	1880328	CAP, SS DECK PLATE 1.5" 30DEG (PART OF 1846460)
9	791749	VENT, PLAS GRILL 4" WHT	1880329	1880329	KEY, SS CAP DECK PLATE 1.5" 30DEG (PART OF 1846460)
10	1795401	ROD HOLDER, FLUSH MNT SS 30DEG CONTR W/LOGO (ROD HOLDERS - 4) (ACC'Y TABLE W/LEVELOCK/2 GUNWALE ROD HOLDER) (SS GRILL W/LEVELOCK & 2 GUNWALE ROD HOLDERS)	33	1786919	GRILL, PROPANE PORTBLE CATALINA SS (SS GRILL W/LEVELOCK & 2 GUNWALE ROD HOLDERS)
	147611	ADAPTER, BRASS 1/4"MPT X 3/8"BARB (ROD HOLDERS - 4) (ACC'Y TABLE W/LEVELOCK/2 GUNWALE ROD HOLDER) (SS GRILL W/LEVELOCK & 2 GUNWALE ROD HOLDERS)	34	1787883	BRACKET, SS ADJ LEVELOCK GOURMET BBO SERIES (SS GRILL W/LEVELOCK & 2 GUNWALE ROD HOLDERS)
	124347	HOSE, PVC CLEAR 3/8" (ROD HOLDERS - 4) (ACC'Y TABLE W/LEVELOCK/2 GUNWALE ROD HOLDER) (SS GRILL W/LEVELOCK & 2 GUNWALE ROD HOLDERS)	35	1784443	TABLE, HDPE BAIT/FILET MATE &LEVELOCK CMBO 31" (ACC'Y TABLE W/LEVELOCK/2 GUNWALE ROD HOLDER)
	417998	CLAMP, HOSE #04M 1/4"-5/8" SS MINI (ROD HOLDERS - 4) (ACC'Y TABLE W/LEVELOCK/2 GUNWALE ROD HOLDER) (SS GRILL W/LEVELOCK & 2 GUNWALE ROD HOLDERS)	36	1850433	CANVAS, ALUM WHT PDWRCT MANTIS SNSHD BLK (AFT SUNSHADE-COCKPIT - REMOVABLE & FOLDABLE)
11	1880050	310DA 07,LID,STB TRNSM STRG FBRGLS	1851168	1851168	CANVAS, ALUM WHT PDWRCT MANTIS SNSHD CAPT NVY (AFT SUNSHADE-COCKPIT - REMOVABLE & FOLDABLE)
	1848437	HINGE, SS CONT 2"X 18" ELCTRO POL	1888995	1888995	CANVAS, ALUM WHT PDWRCT MANTIS SNSHD WHT (AFT SUNSHADE-COCKPIT - REMOVABLE & FOLDABLE)
	1781434	LATCH, FLUSH MNT N/LOCKING SLAM SS	1758957	1758957	PVC BOARD, 1/2"X 4'X 8' WHT INTEFOAM (AFT SUNSHADE-COCKPIT - REMOVABLE & FOLDABLE)
	1781435	PLATE, CUP BRKT 2"LONG SCREW W/HDWR PKG	37	1850435	ROD HOLDER, MANTIS SNSHD MOUNT (AFT SUNSHADE-COCKPIT - REMOVABLE & FOLDABLE)
	1424597	CYLINDER, GAS SS 20PSI 15"EXT X 9"COMP (HULL# 1308 -> UP)			
	634550	BRACKET, SS GAS CYL 90DEG L-BRKT W/BALL LONG (HULL# 1308 -> UP)			
12	1777988	CLEAT, 10" SEA RAY SS 2-BOLT			
	1473057	PLATE, BACKING CLEAT 1/4"X 2.5"X 5"			
13	1683753	HINGE, SS 320DA-02 CKPT HATCH			
	1717451	PLATE, BACKING CKPT HATCH HINGE 1 3/16"X 8"			
	1717452	PLATE, BACKING CKPT HATCH HINGE 4"X 4 13/16"			
14	1691260	RAIL, GRAB 13.75" RND 1" TUBE SS			
15	1803477	STEREO, REMOTE CNTRL N/DSP/L BLK FACE/SS BZL (2ND STEREO REMOTE CONTROL -TRANSOM)			
	1312750	CABLE, CLARION REMOTE EXTENSION CABLE 24' (2ND STEREO REMOTE CONTROL -TRANSOM)			
	935080	CABLE, CLARION DUAL REMOTE "Y" (2ND STEREO REMOTE CONTROL -TRANSOM)			
16	1771003	LIGHT, COURTESY RND W/FRST LENS 12V/5W W/CONN			
	1192368	BULB, REPL FOR #0840868 12V/5W (REPLACEMENT BULB FOR 1771003)			
17	1745162	LABEL, LEAVING DOCKSIDE WTR CONNECTED WARNING			
18	133694	INLET, PHONE/TV CABLE COMBO WHT (TV 20" FS/DVD/GAMING PORT/SALON -NTSC/ZF)			
	136085	CORD SET, TV CABLE 50FT (TV 20" FS/DVD/GAMING PORT/SALON -NTSC/ZF)			
19	133678	INLET, SHORE POWER WHT 125V 30A			
	133652	ADAPTER, SHORE CORD 125V/30A(F)-125V/15A(M)			
	1244367	CORD SET, 120V/30A 50FT POWERCORD PLUS			
	206276	INLET, SHORE POWER WHT 220V/50H 16A (220 VOLT / 50 CYCLE ELECTRICAL SYSTEM)			
	206268	CORD SET, 220V/50H 16A 50FT (220 VOLT / 50 CYCLE ELECTRICAL SYSTEM)			
20	983692	ACCESS PLATE, POLYPROP W/ O-RING 4" WHT			
21	141168	INLET, WATER W/PRESS REGULATOR WHT			
22	829416	INLET, "MAIN BRKR" HOUSING WHT			
	582445	BRKR/TOGGLE, 2-POLE AC MED DELAY 35A			

BOATERS SAFETY KIT

1848242	KIT, SAFETY PACKAGE-SPCRUIS W/WHT FNDRS/LINE
---------	--

BRACKETS

836114	BRACKET, PVC 1.5"X 1.5"X 6" 3/16"HOLES
836122	BRACKET, PVC 1.5"X 1.5"X 3" 3/16"HOLES

FLAG POLE & BASE, U.S. FLAG

1838426	FLAG, USA 16" X 24"
1838431	POLE, FLAGSTAFF SS MAGNETIC SPRTBT/SPRTCRSR
1848879	HOLDER, FLUSH MOUNT MAGNETIC STERN FLAG POLE
1854249	CLIP, FLAG KEY RNG 302SS

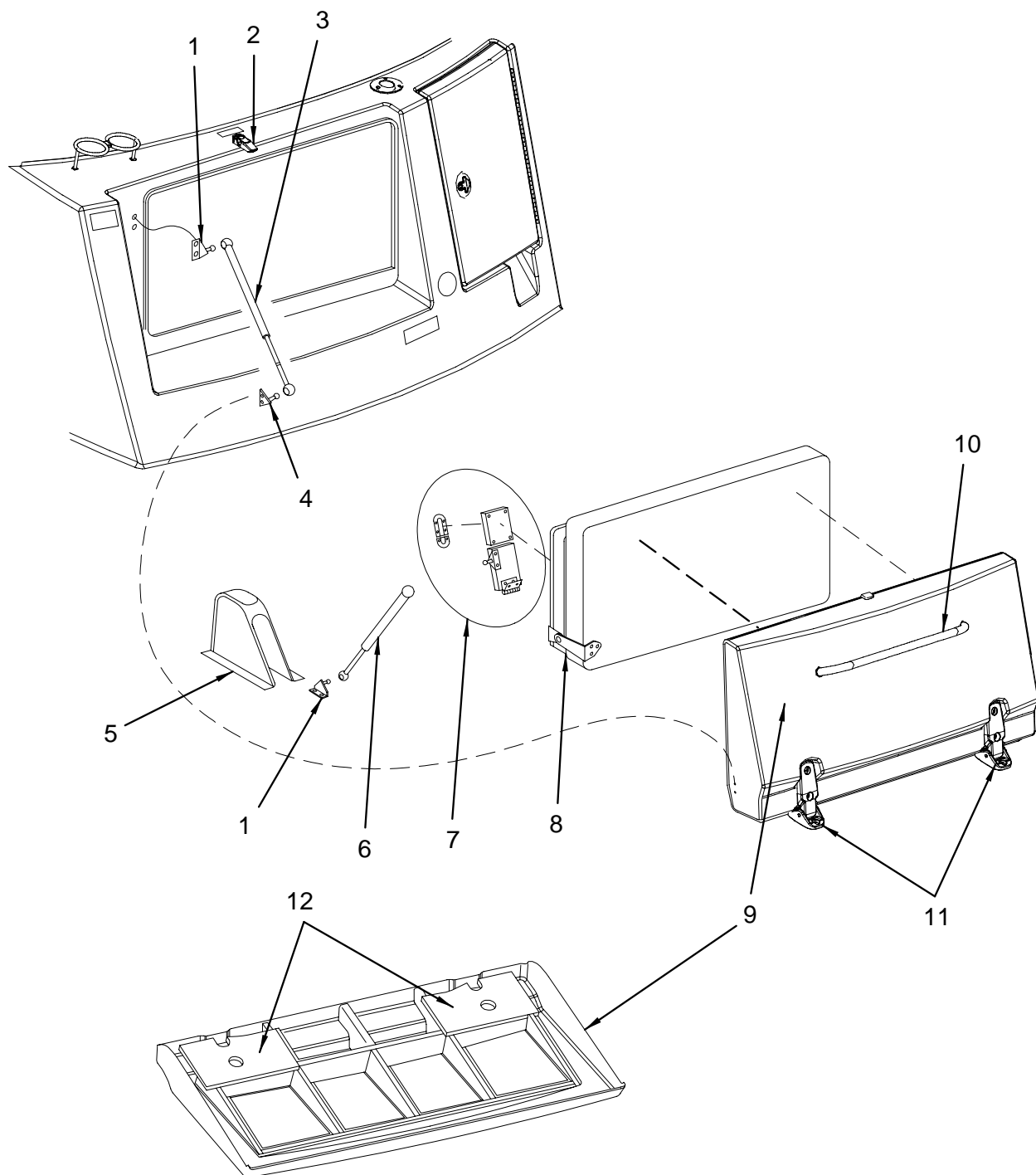
LABELS

1786899	LABEL, WARNING OPEN FLAME COOKING APPLIANCES (SS GRILL W/LEVELOCK & 2 GUNWALE ROD HOLDERS)
1745158	LABEL, FUEL RECOMMENDATION/LP GAS WARNING (SS GRILL W/LEVELOCK & 2 GUNWALE ROD HOLDERSEL) (ALCOHOL / ELECTRIC STOVE-120V/60) (ALCOHOL / ELECTRIC STOVE-220V/50)
1850429	BOLT, BUTTON HEAD 3/8-16 X1.75"SS/SC W/SKTRDRV

SHIP WATER READY

1581099	FIRE EXT, DRY CHEM HAND-HELD 1A 10BC 2.5OLB
159244	HOOK, ALUM BOAT HOOK
184341	KIT, FIRST AID
184358	KIT, SIGNAL GUN KIT
184366	RING BUOY, RESCUE RING BUOY 20"
187351	ROPE, NYLON DOCKLINE 1/2"X 30'
579573	CLIP, RETAINER BOAT HOOK 5/8"TO 1 1/4"
773481	TUBE, SIGNAL KIT 12" "UTILITUBE" W/ORANGE LID
796912	FENDER, 8"X 20" WHT #1026

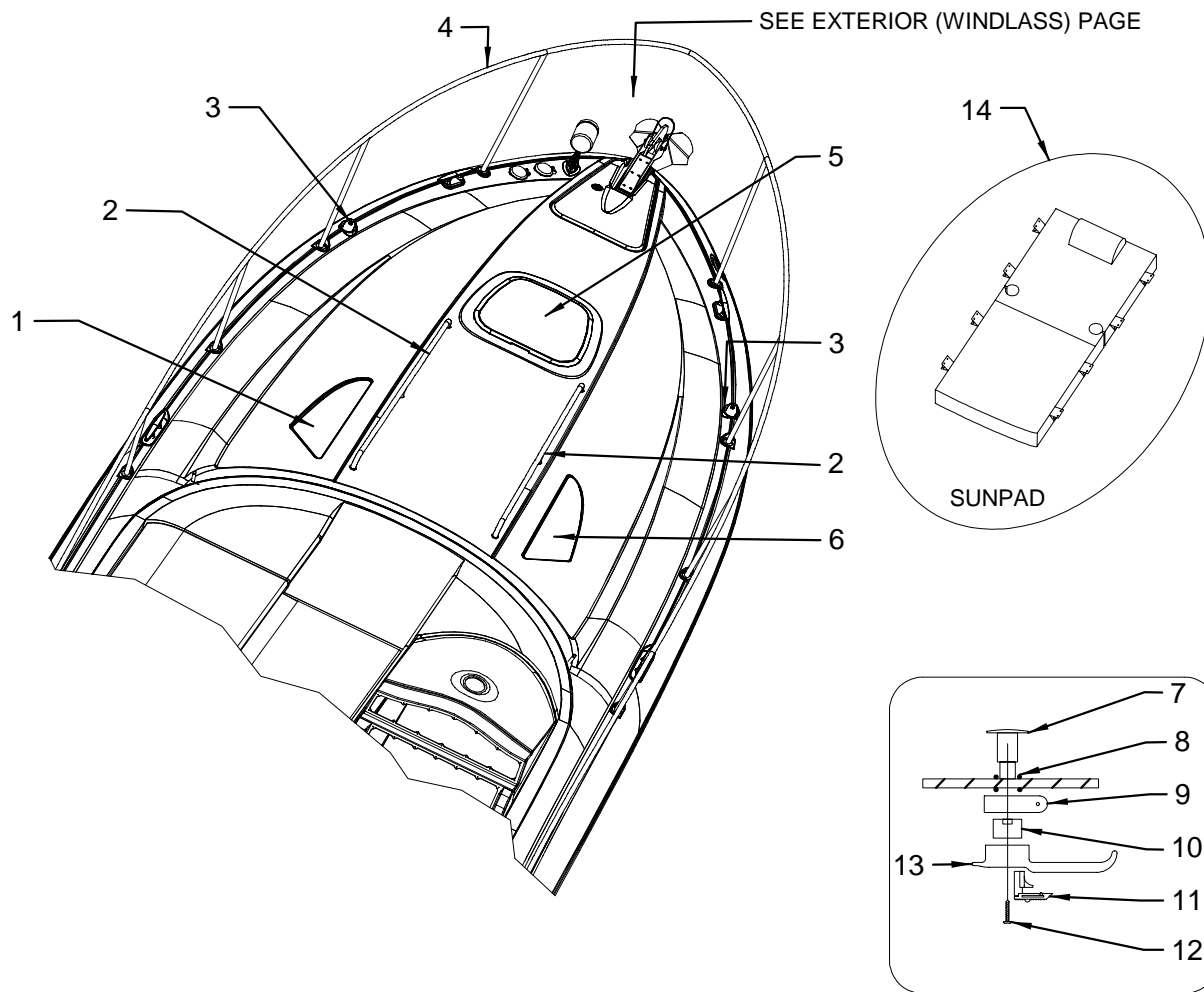
EXTERIOR (DECK) RUMBLE SEAT



EXTERIOR (DECK) RUMBLE SEAT

- 1 634550 BRACKET, SS GAS CYL 90DEG L-BRKT W/BALL LONG
(HULL# 1299 -> UP)
- 2 1847968 LATCH, DRAW TRNSM SEAT ZINC/CHR PLATED POL
- 3 1884389 CYLINDER, SS DAMPENER 20"EXT
(HULL# 1299 -> UP)
- 4 634592 BRACKET, SS GAS CYL FLAT W/BALL STUD
(HULL# 1299 -> UP)
- 5 1409929 COVER, ABS W/S VENT ACTUATOR ARW
(HULL# 1299 -> UP)
- 6 1884390 CYLINDER, GAS SS 30PSI 26"EXT X 12"COMP
(HULL# 1299 -> UP)
- 7 1885349 BOARD, HDPE 1/2X3X12 BARREL BOLT/SHIM/HNG ARW
(HULL# 1299 -> UP)
- 8 1847967 HINGE, SS TRNSM SEAT BACK PIVOT
- 9 1885311 LID, RTM TRNSM SEAT ARW
(HULL# 1308 -> UP)
- 1851426 310DA 07,LID,TRNSM SEAT FBRGLS
(HULL# 1201 -> 1307)
- 10 1747838 RAIL, GRAB 24" STRMLN W/STUD FLANGES 316L
- 11 1847966 HINGE, SS TRNSM SEAT BACK W/RBR PAD
- 12 1888672 BRACE, HDPE TRNSM SEAT LID ARW
(HULL# 1337 -> UP)
(HULL# 1201 -> 1336 - USED PLYWOOD BRACING)

EXTERIOR (DECK) FORWARD



SEE EXTERIOR (WINDLASS) PAGE

SUNPAD

EXTERIOR (DECK) FORWARD

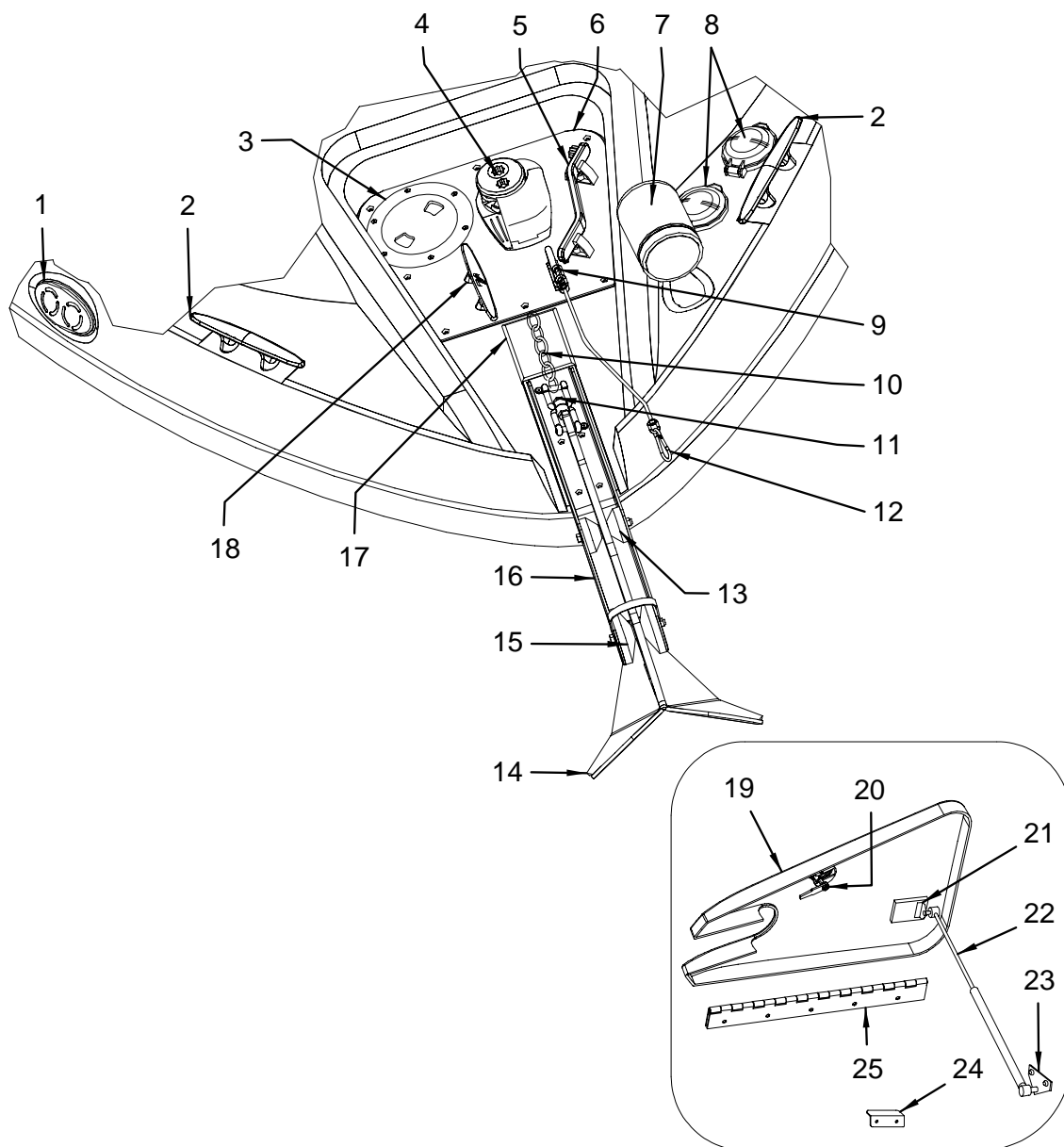
- 1 1795302 SKYLIGHT, GLASS 290DA-06 GRY TINT W/BDR PRT
(NOTE: ORDER DIRECT FROM TAYLOR)
- 2 1839629 RAIL, DECK RUNNER 310DA-07 P/S
(SUN PAD/VINYL/WITH HEADREST-SS DECK RUNNERS)
- 3 1771013 LIGHT, NAV SIDE SS HORZ 12V W/CONN
1423946 BULB, REPL FOR #1414895 12V
(PART OF 1771013)
- 1798179 LIGHT, NAV SIDE SS LENS CVR ONLY(RED/PRT)
(PART OF 1771013)
- 1798182 LIGHT, NAV SIDE SS LENS CVR ONLY(GRN/STB)
(PART OF 1771013)
- 4 1817494 RAIL, BOW 310DA-07 CMPLT WELDED
1210038 PLATE, BACKING BOW RAIL ALUM 2" ROUND
- 5 1688217 HATCH, DECK TRAPEZOID ARC WHT
(NOTE: ORDER DIRECT FROM TAYLOR)
- 1745363 GASKET, DECK HATCH TRAPEZOID
- 1764546 SCREEN, DECK TRAPEZOID SKYSCREEN MK5
- 1798386 SCREEN, DECK TRAPEZOID SKYSCREEN SHADE ONLY
(PART OF 1764546)
- 1798387 SCREEN, DECK TRAPEZOID SKYSCREEN SCREEN ONLY
(PART OF 1764546)
- 6 1796241 SKYLIGHT, GLASS 290DA-06 GRY TINT W/BDR STB
(NOTE: ORDER DIRECT FROM TAYLOR)
- 7 632794 HATCH, ALL HATCH SIZES MUSHROOM OR POST
(PART OF 1688217)
(NOTE: ORDER DIRECT FROM TAYLOR)
- 8 632778 HATCH, O-RING
(PART OF 1688217)

- 8 **(NOTE: ORDER DIRECT FROM TAYLOR)**
- 9 701466 HATCH, ARM UNIV PIVOT ALL SIZES
(PART OF 1688217)
- 10 701458 HATCH, DECK KNOB ULTRA 92/93
(PART OF 1688217)
(NOTE: ORDER DIRECT FROM TAYLOR)
- 800862 ARM, DECK HATCH TELESCOPE SHORT BDY BLK PLAS
(PART OF 1688217)
- 11 802827 HATCH, HATCH HANDLE
(PART OF 1688217)
(NOTE: ORDER DIRECT FROM TAYLOR)
- 12 802793 HATCH, SCREW 3/8" PLEX
(PART OF 1688217)
(NOTE: ORDER DIRECT FROM TAYLOR)
- 13 802801 HANDLE, DECK HATCH LATCHING
(PART OF 1688217)
(NOTE: ORDER DIRECT FROM TAYLOR)
- 14 1846964 CUSH, 310DA-07 SUNPAD FWD DECK OMNOVA
(SUN PAD/VINYL/WITH HEADREST-SS DECK RUNNERS)

LABELS

- 1745515 LABEL, WARNING DO NOT STAND/WALK THIS AREA
- 1752374 LABEL, SUN PAD WARNING UNDERWAY
(SUN PAD/VINYL/WITH HEADREST-SS DECK RUNNERS)

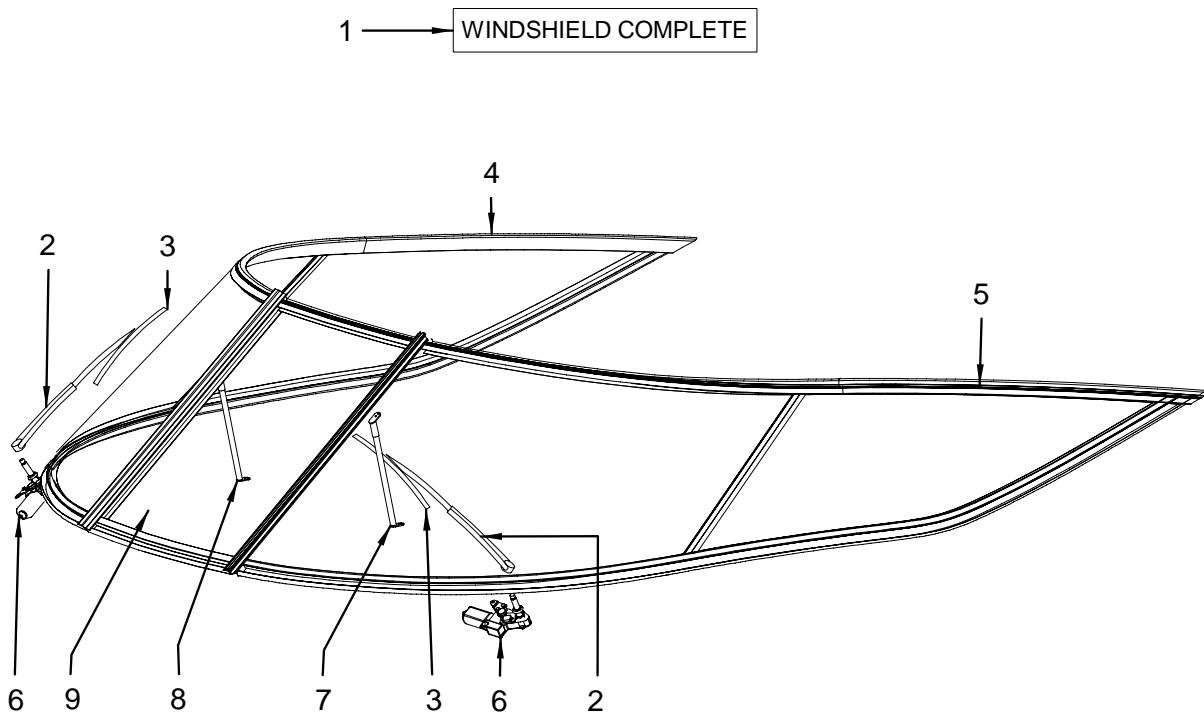
EXTERIOR (WINDLASS)



EXTERIOR (WINDLASS)

1	1837054	HORN, SGL CONCEALED W/SS GRILL/CONN	10	489575	CHAIN, HIGH TEST 5/16"X 125' (WINDLASS - CHAIN)
	1840005	HORN GRILL, SGL CONCEALED SS (PART OF 1837054)	11	1145275	ANCHOR SHACKLE, JAW/JAW SWIVEL HVY DTY 3/8"
	1836433	HARNESS, HORN ADAPTOR FIAMM	12	805499	LANYARD, CABLE ANCHOR 1/8"X 16"SS
2	1777988	CLEAT, 10" SEA RAY SS 2-BOLT		819334	HOOK, SNAP 5/16"X 3 1/8" SS
	1473057	PLATE, BACKING CLEAT 1/4"X 2.5"X 5"	13	1850682	ROLLER, ANCHOR DAVIT SML F/1073097 (PART OF 1246396)
3	983700	ACCESS PLATE, POLYPROP SCREW-OUT 6" WHT	14	1733352	ANCHOR, 25LB PLOW
4	1853433	WINDLASS, RP/CHN ANTARES 1000 W/2FTS W/SLNOID (HULL# 1312 -> UP) (WINDLASS - ROPE / CHAIN) (WINDLASS - CHAIN)	15	1727453	ROLLER, ANCHOR DAVIT F/1073097/1784251 (PART OF 1246396)
	1874393	WINDLASS, SOLENOID 12V ASTER700/ANTARES1000 (HULL# 1312 -> UP) (PART OF 1853433)	16	1246396	DAVIT, ANCHOR W/4"ROLLER 3/8"BAIL RV1
	1884118	WINDLASS, RP/CHN ANTARES 1000 (WINDLS ONLY) (HULL# 1312 -> UP) (PART OF 1853433)	17	1805771	GUARD, HDPE 1/2"X 3 3/8"X 6" WNDLS CHAIN (WINDLASS - ROPE / CHAIN) (WINDLASS - CHAIN)
	1882359	PLATE, ALUM 3/8"X16 7/8"X19 7/8"WINDLS MNT ARW (HULL# 1312 -> UP) (WINDLASS - ROPE / CHAIN) (WINDLASS - CHAIN)	18	1777987	CLEAT, 8" SEA RAY SS 2-BOLT (NOT USED WITH WINDLASS - CHAIN)
	1772549	WINDLASS, PROJECT 1000 LOW PROFILE (HULL# 1201 -> 1311) (WINDLASS - ROPE / CHAIN) (WINDLASS - CHAIN)		793471	PLATE, BACKING UNIVERSAL 3/16" (NOT USED WITH WINDLASS - CHAIN)
	1849849	HARNESS, 310DA-07 WINDLASS CABLE/DISCONNECT (WINDLASS - ROPE / CHAIN) (WINDLASS - CHAIN)		1048743	CHAIN STOP, SS W/LANYARD (WINDLINE) (WINDLASS - CHAIN)
	651869	SOLENOID, MAGNET LATCHING LEAD ONLY (WINDLASS - ROPE / CHAIN) (WINDLASS - CHAIN)	19	1851427	310DA 07.HATCH.ROPE LCKR FBRGLS
	798447	WINDLASS SOLENOID, LOFRANS CONTROL BOX 12V (WINDLASS - ROPE / CHAIN) (WINDLASS - CHAIN)	20	1781437	LATCH, COMPRESSION 2"N/LOCKING SS
	1849854	HARNESS, 310DA-07 WINDLASS CONTROL (HULL# 1201 -> 1311) (WINDLASS - ROPE / CHAIN) (WINDLASS - CHAIN) (CONNECTS TO WINDLASS CONTROL ON STARBOARD SWITCH PANEL)	1781439	1781439	CATCH, PAWL 2"OFFSET SHORT SS
	1873372	BRKR/ROCK, SGL-POLE C-SERIES IGNPRT 100A LD (WINDLASS - ROPE / CHAIN) (WINDLASS - CHAIN)	1781440	1781440	PLATE, DEEP BRKT 2"W/HDWR PKG SS
5	1874399	WINDLASS, BENT CLUTCH HANDLE ANTARES1000/1500 (HULL# 1312 -> UP) (PART OF 1853433)	21	634550	BRACKET, SS GAS CYL 90DEG L-BRKT W/BALL LONG (HULL# 1263 -> UP)
	1043918	WINDLASS, CRANK HANDLE LOFRANS PROGRESS (HULL# 1201 -> 1311) (PART OF 1772549)	22	1425396	CYLINDER, GAS SS 30PSI 15"EXT X 9"COMP (HULL# 1263 -> UP)
	590646	CLIP, POLE STRG BLK - MAST LIGHT (WINDLASS - ROPE / CHAIN) (WINDLASS - CHAIN)	23	634592	BRACKET, SS GAS CYL FLAT W/BALL STUD (HULL# 1263 -> UP)
	579573	CLIP, RETAINER BOAT HOOK 5/8"TO 1 1/4" (WINDLASS - ROPE / CHAIN) (WINDLASS - CHAIN)	24	1877917	BRACKET, SS DOOR KEEPER (HULL# 1263 -> UP)
6	1838533	PLATE, ALUM 3/8"X16 7/8"X18.75"WINDLS MNTG ARW (WINDLASS - ROPE / CHAIN) (WINDLASS - CHAIN)	25	1836186	HINGE, SS CONT 2"X 23" POLISHED
7	1754590	SPOTLIGHT, 5" SS GUEST (SPOTLIGHT, 5" REMOTE CONTROLLED)	LABELS		
	1759435	BULB, REPL FOR #1754590 SPOTLIGHT (PART OF 1754590)		1745518	LABEL, WINDLASS BRKR (WINDLASS - ROPE / CHAIN) (WINDLASS - CHAIN)
	1757404	HARNESS, SPOTLIGHT ASSY 35' W/MALE CONN (HULL# 1221 -> UP) (SPOTLIGHT, 5" REMOTE CONTROLLED)	NOT SHOWN		
	1756641	HARNESS, SPOTLIGHT ASSY 25' W/MALE CONN (HULL# 1201 -> 1220) (SPOTLIGHT, 5" REMOTE CONTROLLED)		168468	DECK PIPE, ROPE/DECK PIPE SS
	1501857	HOSE, CONDUIT/SPLIT 1.5" FLAME RETARDANT (SPOTLIGHT, 5" REMOTE CONTROLLED)		156893	WEBBING, POLYPROPYLENE 1" BLACK
8	1884137	WINDLASS, FOOTSWITCH DOWN WHT (HULL# 1312 -> UP) (PART OF 1853433)		1596923	FUSE HOLDER, BLADE TYPE ACCY 10A (WINDLASS - ROPE / CHAIN) (WINDLASS - CHAIN)
	1884138	WINDLASS, FOOTSWITCH UP WHT (HULL# 1312 -> UP) (PART OF 1853433)			
	757765	WINDLASS FOOTSWITCH, HVY DUTY W/SAFTY CVR WHT (HULL# 1201 -> 1311) (WINDLASS - ROPE / CHAIN) (WINDLASS - CHAIN)			
	1687161	COVER, PLAS SAFETY WINDLASS FOOTSWITCH (PART OF 757765)			
9	697508	EYE, BOW 3/8"X 2.75"			
10	144956	ROPE, NYLON ANCHOR LINE W/THIMBLE 1/2"X 150"			
	1788177	ROPE/CHN KIT, LOFRANS 9/16"X200/5/16"X25' HT (WINDLASS - ROPE / CHAIN)			

EXTERIOR (WINDSHIELD)



EXTERIOR (WINDSHIELD)

- 1 1839613 W/S, 310DA-07 ALUM CMLPT W/SNP CLIP TRK
(NOTE: ORDER DIRECT FROM TAYLOR)
- 1880558 W/S, 310DA-07 ALUM SCREW CVR
(PART OF 1839613)
- 1880559 W/S, 310DA-07 ALUM HDWR KIT
(PART OF 1839613)
- 1839614 W/S, 310DA-07 SS CMLPT W/SNP
(WINDSHIELD W/ STAINLESS STEEL FRAME)
(NOTE: ORDER DIRECT FROM TAYLOR)
- 1880507 W/S, 310DA-07 SS SCREW CVR
(PART OF 1839614)
- 1880508 W/S, 310DA-07 SS HDWR KIT
(PART OF 1839614)
- 1785544 VINYL, W/S GASKET 2005
- 2 1748549 WIPER ARM, 15"-19" BLACK (AM)
- 3 1749058 WIPER BLADE, 20" FLEX BLK (AM)
- 4 1839616 W/S, 310DA-07 ALUM STB FRNT/WNG W/SNP CLK TRK
(PART OF 1839613)
- 1880504 W/S, 310DA-07 SS STB FRNT/WNG W/SNP
(PART OF 1839614)
- 5 1839615 W/S, 310DA-07 ALUM PRT FRNT/WNG W/SNP CLK TRK
(PART OF 1839613)
- 1880505 W/S, 310DA-07 SS PRT FRNT/WNG W/SNP
(PART OF 1839614)
- 6 1748562 WIPER MOTOR, 85 DEG (AM)
- 1774618 HARNESS, MOTOR AM WIPER 6" PIGTAIL W/CONN
(HULL# 1203 -> UP)
- 1753304 HARNESS, MOTOR AM WIPER 6" PIGTAIL
(HULL# 1201 -> 1202)
- 7 1846672 SUPPORT, W/S 310DA-07 PRT
- 8 1846673 SUPPORT, W/S 310DA-07 STB
- 9 1839617 W/S, 310DA-07 ALUM DOOR W/SNP CLK TRK W/HDWR
(PART OF 1839613)
- 1880506 W/S, 310DA-07 SS CTR W/SNP
(PART OF 1839614)

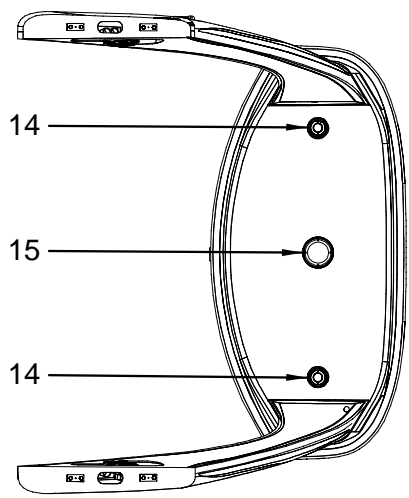
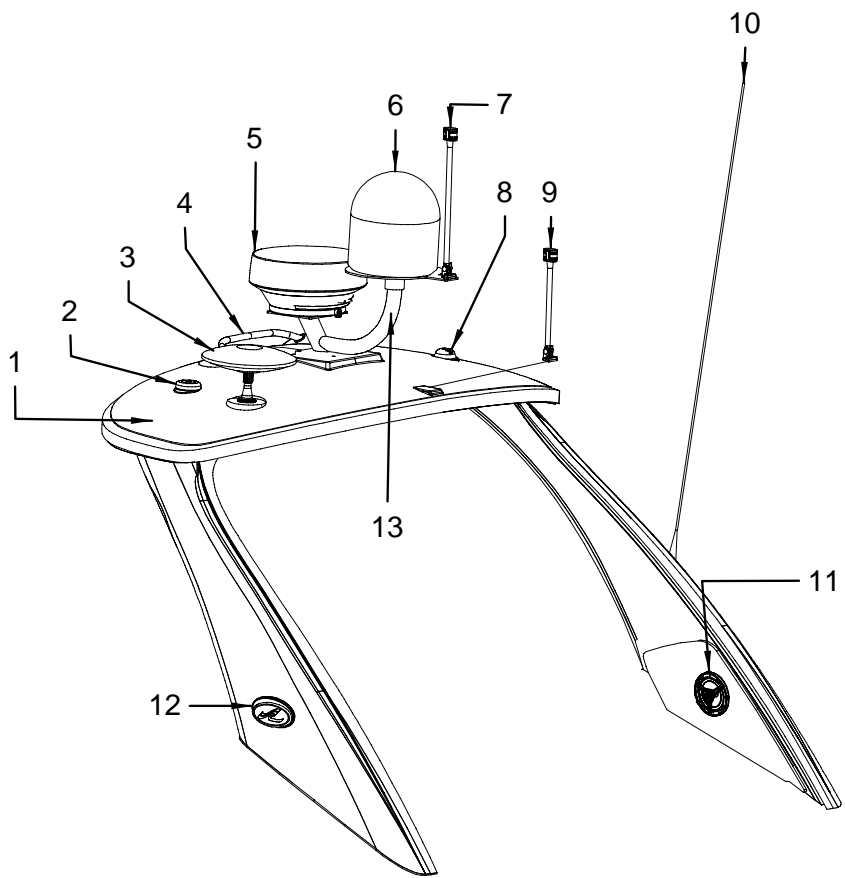
DECALS

- 1750454 DECAL, SEA RAY OWNERS CLUB (NBOA) RV
- 1791388 DECAL, MERCURY CERTIFIED INSTALLER
- 1806416 DECAL, SIRIUS "NOW PLAYING INSIDE"
- 1808431 DECAL, SIRIUS ACTIVATION ORNG/BLUE 6 MONTH

NOT SHOWN

- 191635 TAPE, FOAM SGL FACE BLK VINYL 1/4"X 3/4"

EXTERIOR (SPOILER)



EXTERIOR (SPOILER)

- 1 1839551 FBRGLS PART, 310DA-07 SPOILER
- 2 1800496 GPS, RAYSTAR RS125 SENSOR NMEA & SEATALK
(RAYMARINE - C80 CHART PLOTTER / GPS)
(RAYMARINE C80 CHART PLOTTER / GPS / RADAR)
- 1770976 NAVIGATOR, NRTHSTR 6000I GPS ANTENNA
(GPS / CHARTPLOTTER - NORTHSTAR 6000I)
(RADAR / GPS / CHARTPLOTTER NORTHSTAR 6000I)
- 1795140 HARNESS, NRTHSTR 6000I NMEA I/O CBL
(GPS / CHARTPLOTTER - NORTHSTAR 6000I)
(RADAR / GPS / CHARTPLOTTER NORTHSTAR 6000I)
- 1770974 HARNESS, GPS CBL 20' NRTHSTR 6000I
(GPS / CHARTPLOTTER - NORTHSTAR 6000I)
(RADAR / GPS / CHARTPLOTTER NORTHSTAR 6000I)
- 1770975 HARNESS, GPS CBL EXT 15' NRTHSTR 6000I
(GPS / CHARTPLOTTER - NORTHSTAR 6000I)
(RADAR / GPS / CHARTPLOTTER NORTHSTAR 6000I)
- 788711 MOUNT, ANTENNA DECK GPS SS
(RAYMARINE - C80 CHART PLOTTER / GPS)
(RAYMARINE C80 CHART PLOTTER / GPS / RADAR)
(GPS / CHARTPLOTTER - NORTHSTAR 6000I)
(RADAR / GPS / CHARTPLOTTER NORTHSTAR 6000I)
- 822619 BUSHING, WATER TIGHT 1.25" OD
(RAYMARINE - C80 CHART PLOTTER / GPS)
(RAYMARINE C80 CHART PLOTTER / GPS / RADAR)
(GPS / CHARTPLOTTER - NORTHSTAR 6000I)
(RADAR / GPS / CHARTPLOTTER NORTHSTAR 6000I)
- 881383 GASKET, GLOMAX TV GPS MOUNT BLK
(RAYMARINE - C80 CHART PLOTTER / GPS)
(RAYMARINE C80 CHART PLOTTER / GPS / RADAR)
(GPS / CHARTPLOTTER - NORTHSTAR 6000I)
(RADAR / GPS / CHARTPLOTTER NORTHSTAR 6000I)
- 3 792325 ANTENNA, TV GLOMAX ASSY W/CONN
(TV 20" FLATSCREEN / DVD/ GAMING PORT/ SALON)
- 1803748 MOUNT, ANTENNA TV GLOMAX ASSY W/CONN
(PART OF 792325)
- 4 1846694 RAIL, GRAB 1"OD X19 5/8"W/48.5DEG 304SS WHT
- 5 1839231 RADAR, RAYMARINE 2KW 18" RADOME N/CABLE
(HULL# 1217 -> UP)
(RAYMARINE C80 CHART PLOTTER / GPS / RADAR)
- 1476159 RADAR, RAYTHEON 2KW 18" RADAR DOME N/CABLE
(HULL# 1201 -> 1216)
(RAYMARINE C80 CHART PLOTTER / GPS / RADAR)
- 1875619 EXTENSION, CABLE 5M RAYDOME 90DEG
(RAYMARINE C80 CHART PLOTTER / GPS / RADAR)
- 1879739 CABLE, RAYDOME 5M W/90DEG CONN
(RAYMARINE C80 CHART PLOTTER / GPS / RADAR)
- 1882099 SUPPORT, ALUM NRTHSTR/RAYMAR RADAR WHT
(RAYMARINE C80 CHART PLOTTER / GPS / RADAR)
- 1796308 RADAR, NRTHSTR RADOME 2KW CMPLT
(RADAR / GPS / CHARTPLOTTER NORTHSTAR 6000I)
- 1819304 SUPPORT, ALUM NRTHSTR RADAR WHT
(RADAR / GPS / CHARTPLOTTER NORTHSTAR 6000I)
- 1807867 HARNESS, RADAR CBL EXT 16'NRTHSTR 6000I 2KW
(RADAR / GPS / CHARTPLOTTER NORTHSTAR 6000I)
- 1795967 RELAY, NRTHSTR RADAR KIT
(RADAR / GPS / CHARTPLOTTER NORTHSTAR 6000I)
- 6 1839454 ANTENNA, DSS TRAC VISION M3 W/12V RECVR
(DSS SATELLITE TV.SYS. KVH-M3 - 120V/60 ONLY)
- 1838167 CABLE, S-VIDEO 12'
(HULL# 1214 -> UP)
(DSS SATELLITE TV.SYS. KVH-M3 - 120V/60 ONLY)
- 1332550 CABLE, POWER EXT W/CONN
(HULL# 1201 -> 1213)
(DSS SATELLITE TV.SYS. KVH-M3 - 120V/60 ONLY)
- 1332568 CABLE, DATA EXT W/CONN
(HULL# 1201 -> 1213)
(DSS SATELLITE TV.SYS. KVH-M3 - 120V/60 ONLY)
- 198945 VELCRO, DUAL LOCK CLR 2"X 50YD W/ADH BACK
(DSS SATELLITE TV.SYS. KVH-M3 - 120V/60 ONLY)
- 7 1803549 LIGHT, NAV MASTHEAD COMBO 30" FOLD-DOWN
(DSS SATELLITE TV.SYS. KVH-M3 - 120V/60 ONLY)
- 291203 BULB, MASTHEAD NAV LIGHT 24V/10W
(REPLACEMENT BULB FOR 1803549)
- 646356 BULB, DBL END 12V FOR #0256313/794826
(REPLACEMENT BULB FOR 1803549)
- 8 1757933 ANTENNA, SHAKESPEARE SATELLITE RADIO ANTENNA
- 9 1887390 LIGHT, NAV MASTHEAD COMBO #1181 W/24" WIRE
(HULL# 1312 -> UP)
(STANDARD LIGHT)
(RAYMARINE C80 CHART PLOTTER / GPS / RADAR WITH DSS SATELLITE TV.SYS. KVH-M3 - 120V/60 ONLY)
(RADAR / GPS / CHARTPLOTTER NORTHSTAR 6000I WITH DSS SATELLITE TV.SYS. KVH-M3 - 120V/60 ONLY)
- 1754418 LIGHT, NAV MASTHEAD COMBO #1181 W/18" WIRE
(HULL# 1201 -> 1311)
(STANDARD LIGHT)
(RAYMARINE C80 CHART PLOTTER / GPS / RADAR WITH DSS SATELLITE TV.SYS. KVH-M3 - 120V/60 ONLY)

- 9 (RADAR / GPS / CHARTPLOTTER NORTHSTAR 6000I WITH DSS SATELLITE TV.SYS. KVH-M3 - 120V/60 ONLY)
- 291203 BULB, MASTHEAD NAV LIGHT 24V/10W
(REPLACEMENT BULB FOR 1754418 & 1887390)
- 646356 BULB, DBL END 12V FOR #0256313/794826
(REPLACEMENT BULB FOR 1754418 & 1887390)
- 1805560 LIGHT, NAV MASTHEAD COMBO 24" FOLD-DOWN
(RADAR / GPS / CHARTPLOTTER NORTHSTAR 6000I)
(RAYMARINE C80 CHART PLOTTER / GPS / RADAR)
(NORTHSTAR 6100I RADAR / GPS / CHARTPLOTTER)
- 659466 BULB, DBL END CLEAR 12V
(REPLACEMENT BULB FOR 1805560)
- 10 1286913 ANTENNA, 8' VALOR 4000 W/O MNT W/O CONN
- 1481258 MOUNT, RATCHET VHF SS W/GROMET & GASKET
- 11 1690557 SPEAKER, COAXIAL 6.5" N/CVR
(STANDARD SPEAKER)
- 1854215 SPEAKER, JL COMPONENT
(HULL# 1312 -> UP)
(PREMIUM COCKPIT SOUND SYSTEM - 12 VOLT)
(SUBCOMPONENTS NOT SOLD SEPARATELY AT THIS TIME)
- 1784476 SPEAKER, POLK/MOMO 6.5"MD-RNG/TWTR/CRSOVR WHT
(HULL# 1201 -> 1311)
(PREMIUM COCKPIT SOUND SYSTEM - 12 VOLT)
- 1765974 SPEAKER, POLK/MOMO EXT 6.5" MID-RANGE N/CVR
(PART OF 1784476)
- 1765976 SPEAKER, POLK/MOMO EXT TWEETER CUP BLK
(PART OF 1784476)
- 1765977 SPEAKER, POLK/MOMO EXT CROSSOVER
(PART OF 1784476)
- 1773447 GRILL, SPEAKER POLK/MOMO EXT 6.5" WHT
(PART OF 1784476)
- 1774180 SPEAKER, POLK/MOMO EXT 1" TWEETER WHT
(PART OF 1784476)
- 12 1443225 EMBLEM, S/R WAVE 8" OVAL CHR TRNSM
- 13 1849334 SUPPORT, ALUM SATELLITE KVH M3/JRC RADAR WHT
(DSS SATELLITE TV.SYS. KVH-M3 - 120V/60 ONLY)
- 14 1771019 LIGHT, NAV STERN FLUSH MT CKPT W/CONN
- 1200369 BULB, REPL FOR #0137380/#0783670
(REPLACEMENT BULB FOR 1771019)
- 15 137349 ACCESS PLATE, PLAS CVR 5" WHT
- 1523901 ACCESS PLATE, PLAS SPOILER 8.75" ARW
(RADAR / GPS / CHARTPLOTTER NORTHSTAR 6000I)
(NORTHSTAR 6100I RADAR / GPS / CHARTPLOTTER)

HARNESSES

- 1801719 HARNESS, 290DA-06 SPOILER

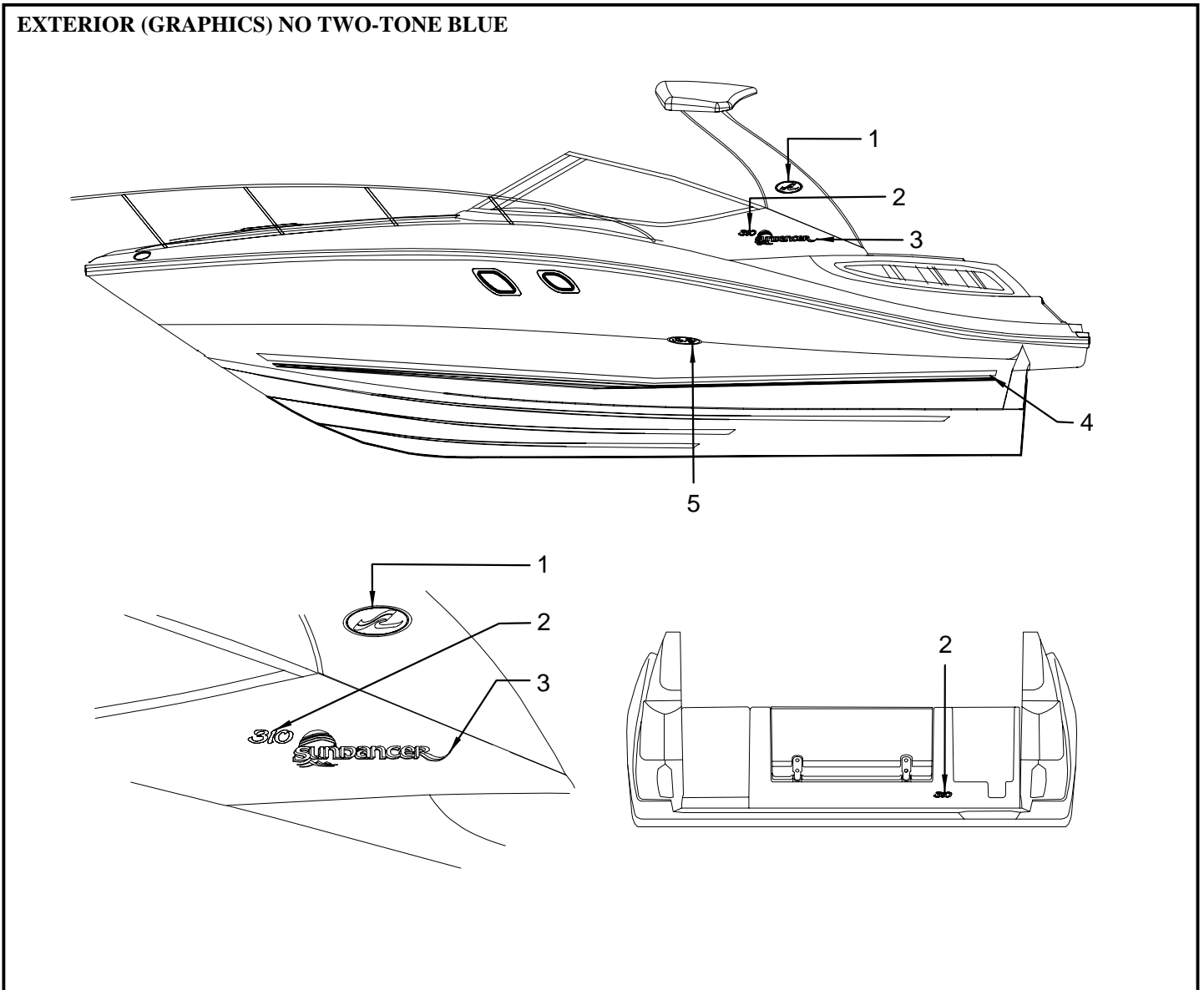
LABELS

- 1765879 LABEL, DANGER DO NOT CLIMB/STORE ON HARDTOP
- 1688700 LABEL, RCA DSS UNIT
(DSS SATELLITE TV.SYS. KVH-M3 - 120V/60 ONLY)

NOT SHOWN

- 1220441 TAPE, FOAM SGL FACE WHT VINYL 3/8"X 72YD
- 1625078 PLATE, SS SPOILER MNT W/2STUD 1/2"X3.5"
- 728014 TRACK, VINYL AWNING WHITE "FLEX-A-RAIL" 7.5"

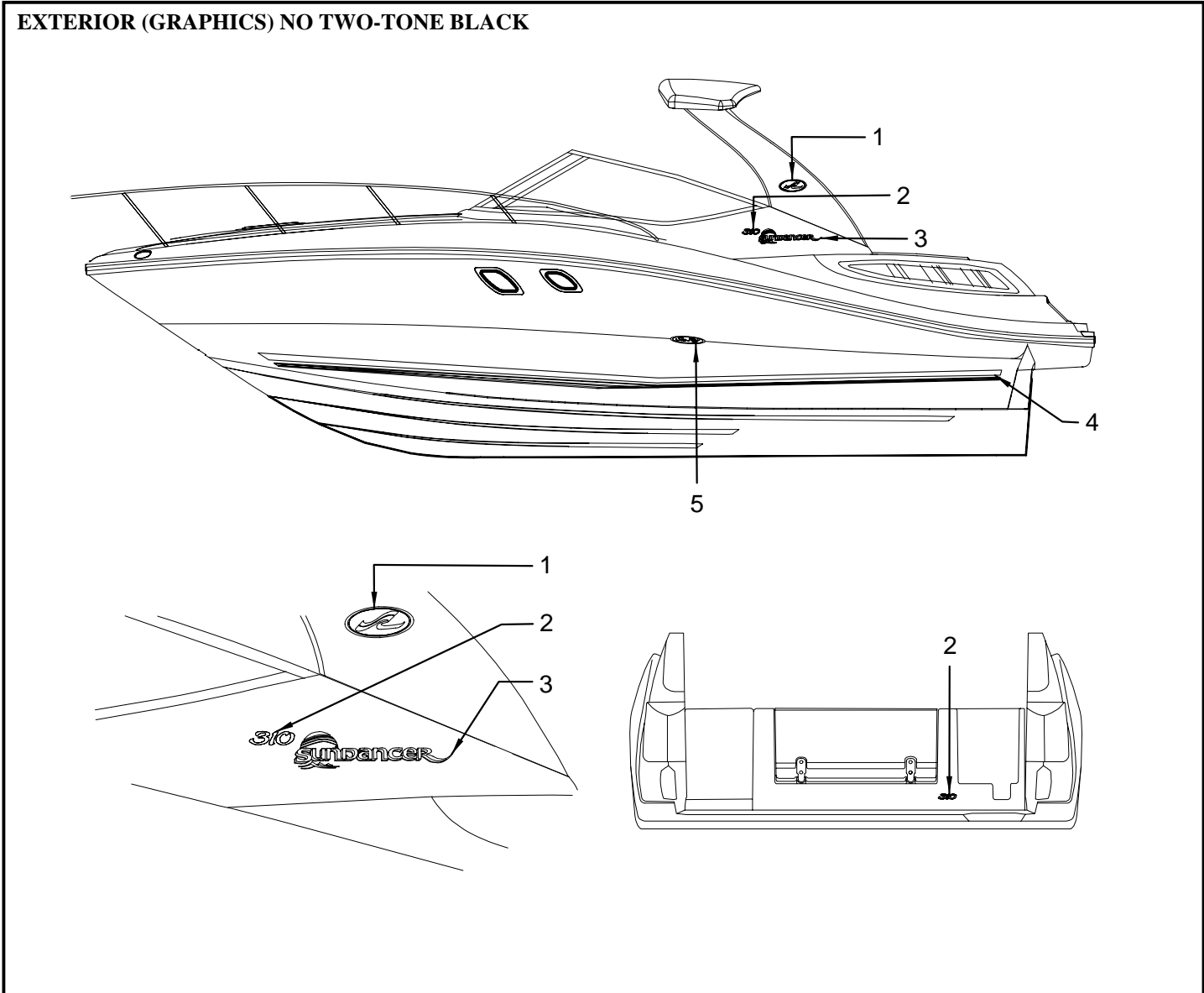
EXTERIOR (GRAPHICS) NO TWO-TONE BLUE



EXTERIOR (GRAPHICS) NO TWO-TONE BLUE

- 1 1443225 EMBLEM, S/R WAVE 8" OVAL CHR TRNSM
- 2 1529254 EMBLEM, MODEL DESG 310 URETHANE BLK W/CHR
1675057 EMBLEM, MODEL DESG 335 URETHANE BLK/CHR
(**"335DA" MODEL DESIGNATORS**)
(INTERNATIONAL ONLY)
- 3 1756555 DECAL, "SUNDANCER" DKBL/SLVR MET
- 4 1756549 TAPE, M/S 4"W/1"VOID DKBL/SLVR MET
- 5 1443183 EMBLEM, "SEA RAY" SCRIPT HULL LOGO CHR 13"

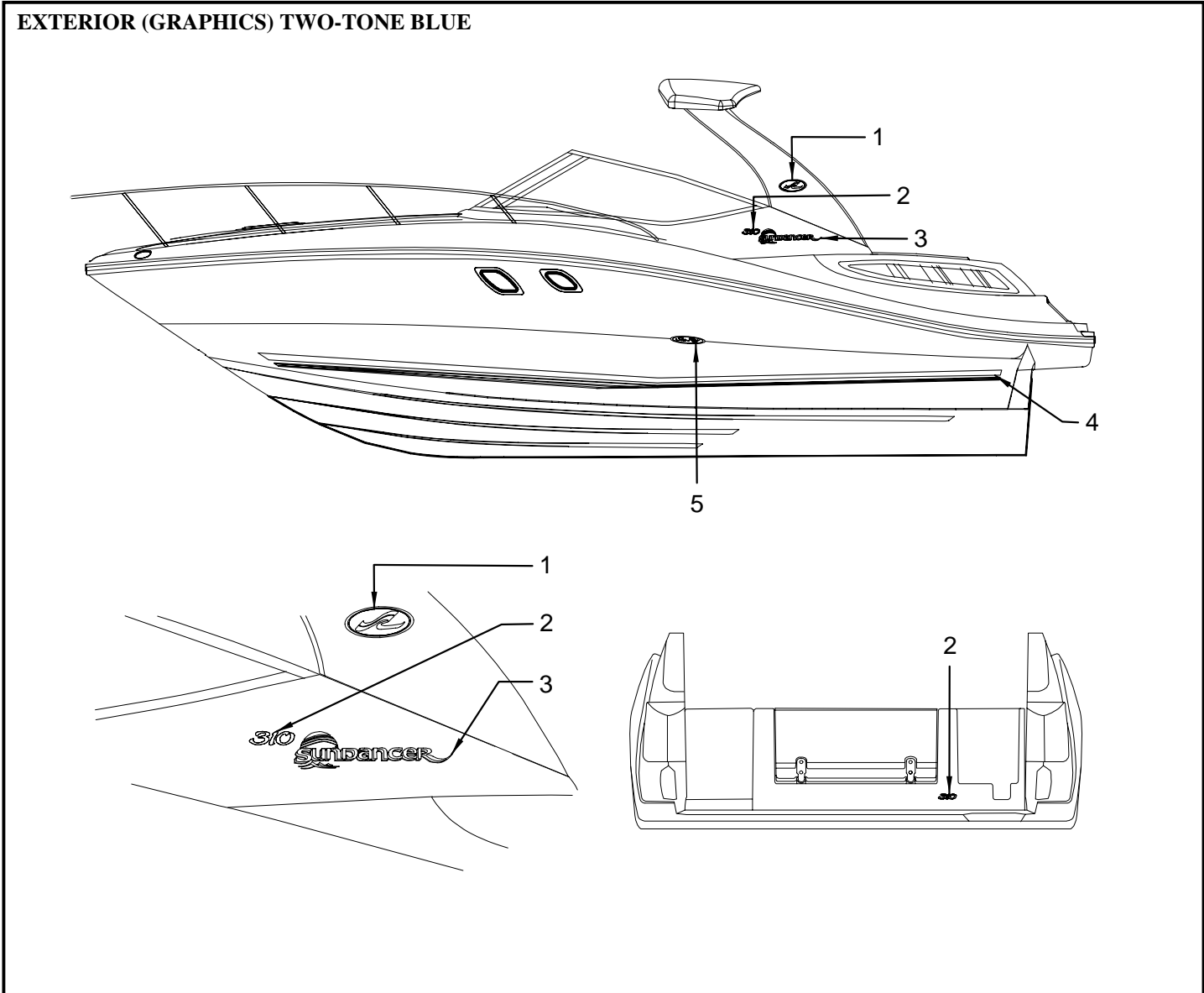
EXTERIOR (GRAPHICS) NO TWO-TONE BLACK



EXTERIOR (GRAPHICS) NO TWO-TONE BLACK

- 1 1443225 EMBLEM, S/R WAVE 8" OVAL CHR TRNSM
- 2 1529254 EMBLEM, MODEL DESG 310 URETHANE BLK W/CHR
1675057 EMBLEM, MODEL DESG 335 URETHANE BLK/CHR
(**"335DA" MODEL DESIGNATORS**)
(INTERNATIONAL ONLY)
- 3 1756554 DECAL, "SUNDANCER" BLK/SLVR MET
- 4 1756548 TAPE, M/S 4"W/1"VOID BLK/SLVR MET
- 5 1443183 EMBLEM, "SEA RAY" SCRIPT HULL LOGO CHR 13"

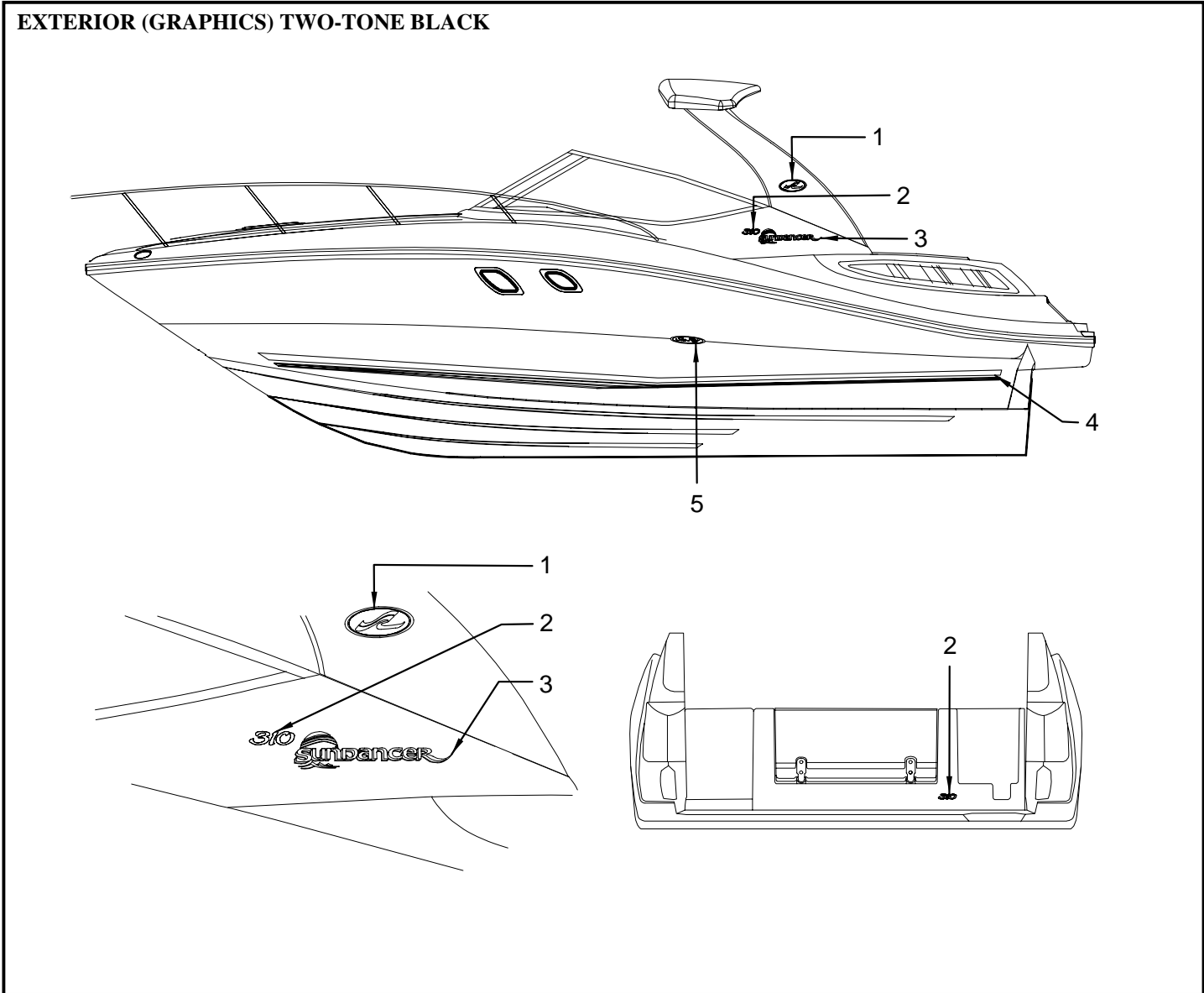
EXTERIOR (GRAPHICS) TWO-TONE BLUE



EXTERIOR (GRAPHICS) TWO-TONE BLUE

- 1 1443225 EMBLEM, S/R WAVE 8" OVAL CHR TRNSM
- 2 1529254 EMBLEM, MODEL DESG 310 URETHANE BLK W/CHR
1675057 EMBLEM, MODEL DESG 335 URETHANE BLK/CHR
(**"335DA" MODEL DESIGNATORS**)
(INTERNATIONAL ONLY)
- 3 1756555 DECAL, "SUNDANCER" DKBL/SLVR MET
- 4 1753015 TAPE, SOLID 3" WHT/WELL AMETHYST N/VOID
- 5 1443183 EMBLEM, "SEA RAY" SCRIPT HULL LOGO CHR 13"

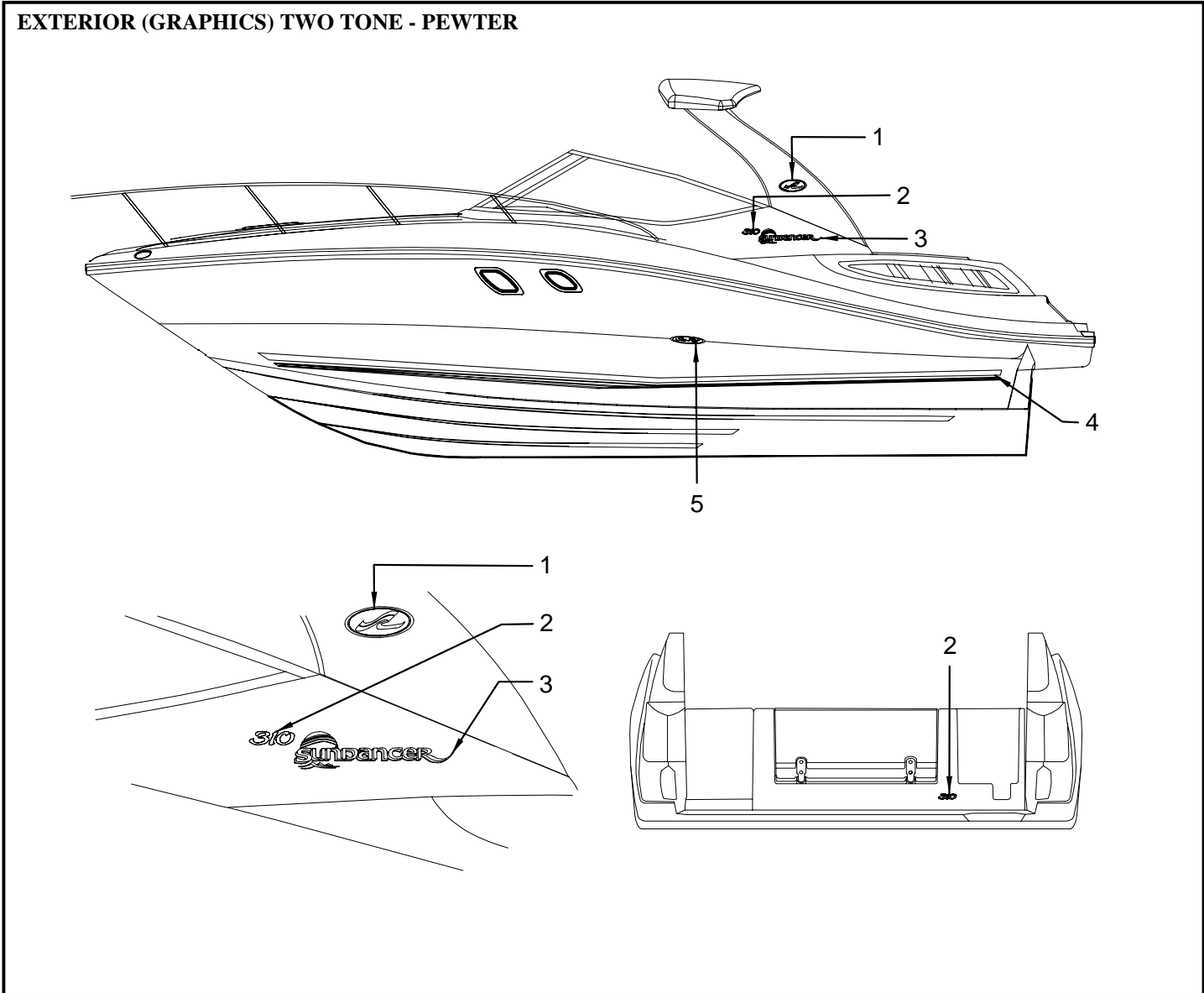
EXTERIOR (GRAPHICS) TWO-TONE BLACK



EXTERIOR (GRAPHICS) TWO-TONE BLACK

- 1 1443225 EMBLEM, S/R WAVE 8" OVAL CHR TRNSM
- 2 1529254 EMBLEM, MODEL DESG 310 URETHANE BLK W/CHR
- 1675057 EMBLEM, MODEL DESG 335 URETHANE BLK/CHR
("335DA" MODEL DESIGNATORS)
(INTERNATIONAL ONLY)
- 3 1756554 DECAL, "SUNDANCER" BLK/SLVR MET
- 4 1804765 TAPE, SOLID 3" PRL WHT/BLKMET N/VOID
- 5 1443183 EMBLEM, "SEA RAY" SCRIPT HULL LOGO CHR 13"

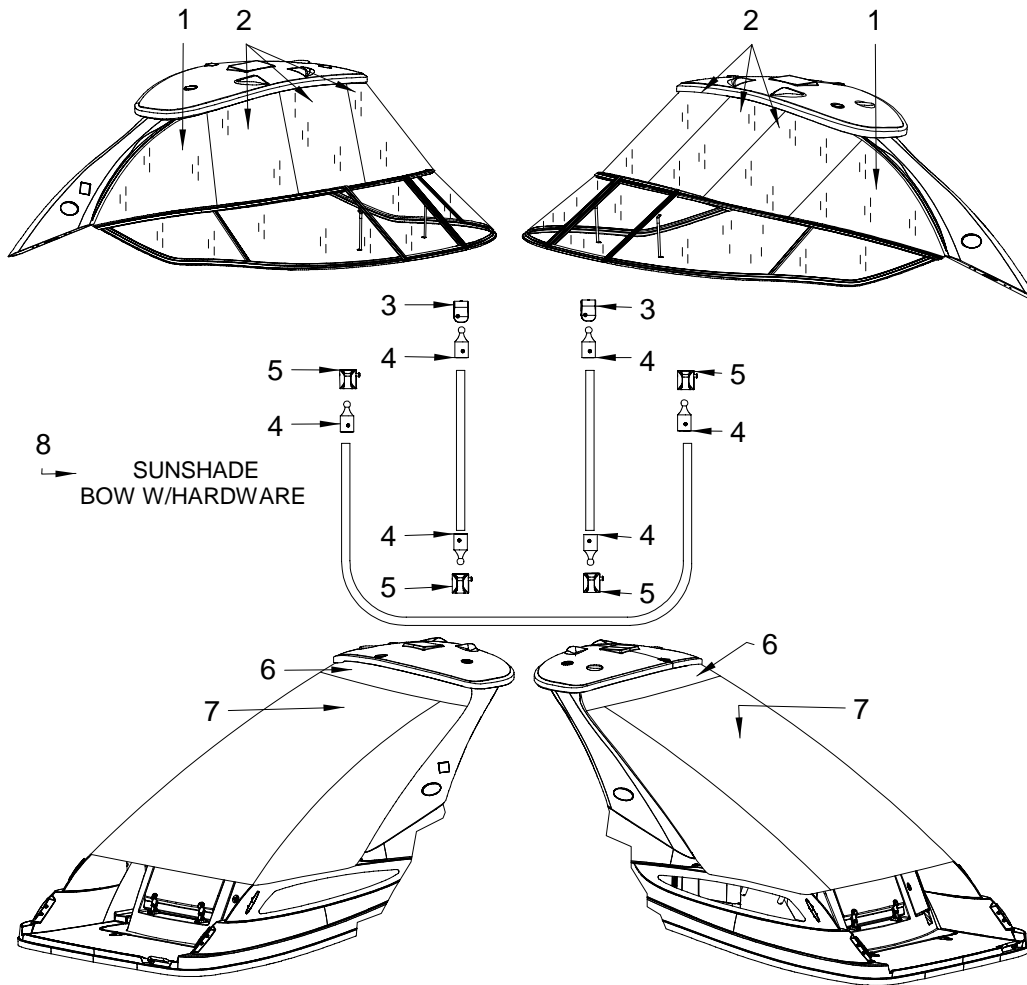
EXTERIOR (GRAPHICS) TWO TONE - PEWTER



EXTERIOR (GRAPHICS) TWO TONE - PEWTER

- 1 1443225 EMBLEM, S/R WAVE 8" OVAL CHR TRNSM
- 2 1529254 EMBLEM, MODEL DESG 310 URETHANE BLK W/CHR
1675057 EMBLEM, MODEL DESG 335 URETHANE BLK/CHR
(**"335DA" MODEL DESIGNATORS**)
(INTERNATIONAL ONLY)
- 3 1756554 DECAL, "SUNDANCER" BLK/SLVR MET
- 4 1804765 TAPE, SOLID 3" PRL WHT/BLKMET N/VOID
- 5 1443183 EMBLEM, "SEA RAY" SCRIPT HULL LOGO CHR 13"

CANVAS (WHITE)



CANVAS (WHITE)

- 1 1848531 CANVAS, 310DA-07 SIDE CURT/ALUM W/S WHT
- 1850440 CANVAS, 310DA-07 SIDE CURT/SS W/S WHT
(WINDSHIELD W/ STAINLESS STEEL FRAME)
- 2 1848532 CANVAS, 310DA-07 VSR/ALUM W/S 3PC CLR/WHT
- 1850443 CANVAS, 310DA-07 VSR/SS W/S 3PC CLR/WHT
(WINDSHIELD W/ STAINLESS STEEL FRAME)
- 3 1760355 SLIDE, JAW SLIDE BALL/SOCKET TYPE SS
- 4 1760354 CAP, SS EYE END BALL/SOCKET TYPE
- 5 1815410 HINGE, DECK BALL/SOCKET STRAIGHT LRG
- 6 1848529 CANVAS, 310DA-07 SNSHD TOP WHT
- 7 1848530 CANVAS, 310DA-07 SNSHD AFT CURT WHT
- 8 1848969 FRAME, SS 310DA-07 SNSHD TOP CNVS 1"OD X16GA

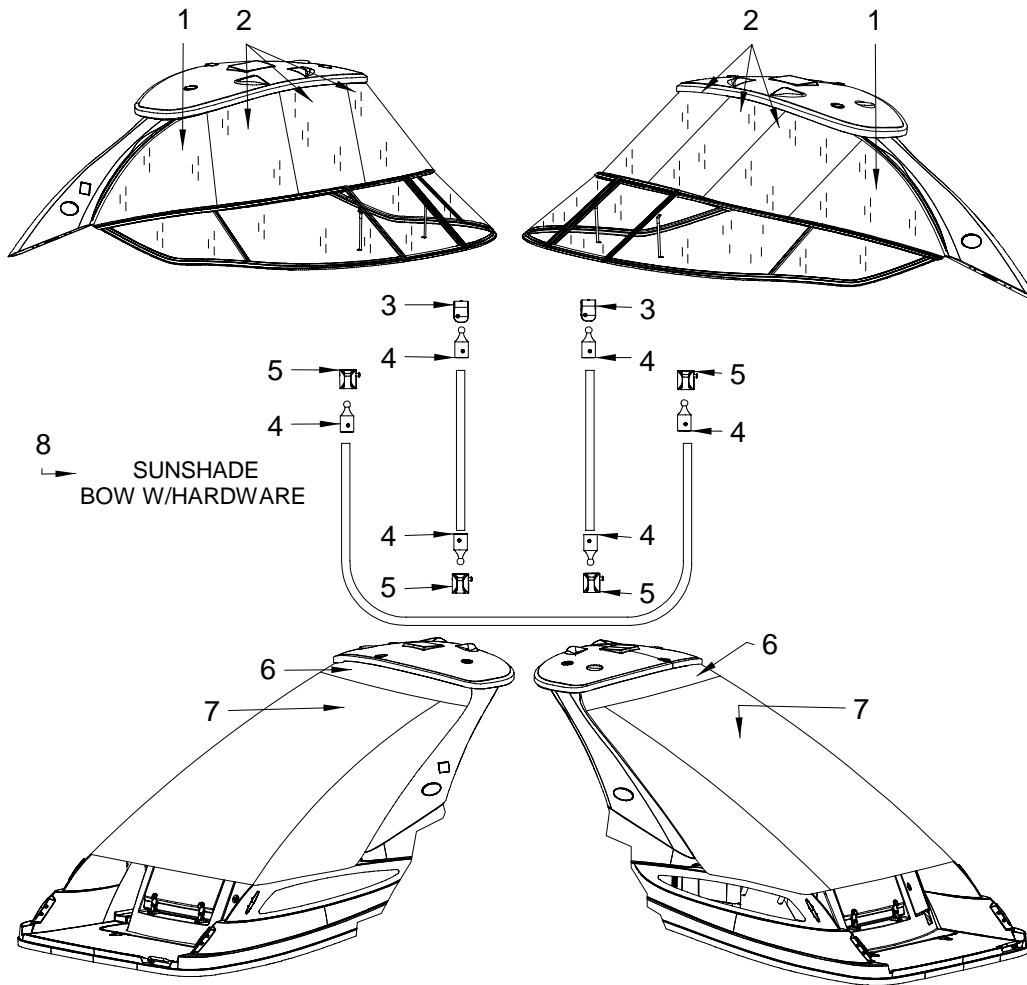
COCKPIT COVER

- 1850031 CANVAS, 310DA-07 CPC/ALUM W/S WHT
- 1850446 CANVAS, 310DA-07 CPC/SS W/S WHT
(WINDSHIELD W/ STAINLESS STEEL FRAME)

STORAGE BAG

- 788547 CANVAS, STRG BAG 10X60 LRG GREY 95
(HULL# 1210 -> UP)
- 1878559 CANVAS, STRG BAG LRG BLK
(HULL# 1201 -> 1209)

CANVAS (CAPTAIN NAVY)



CANVAS (CAPTAIN NAVY)

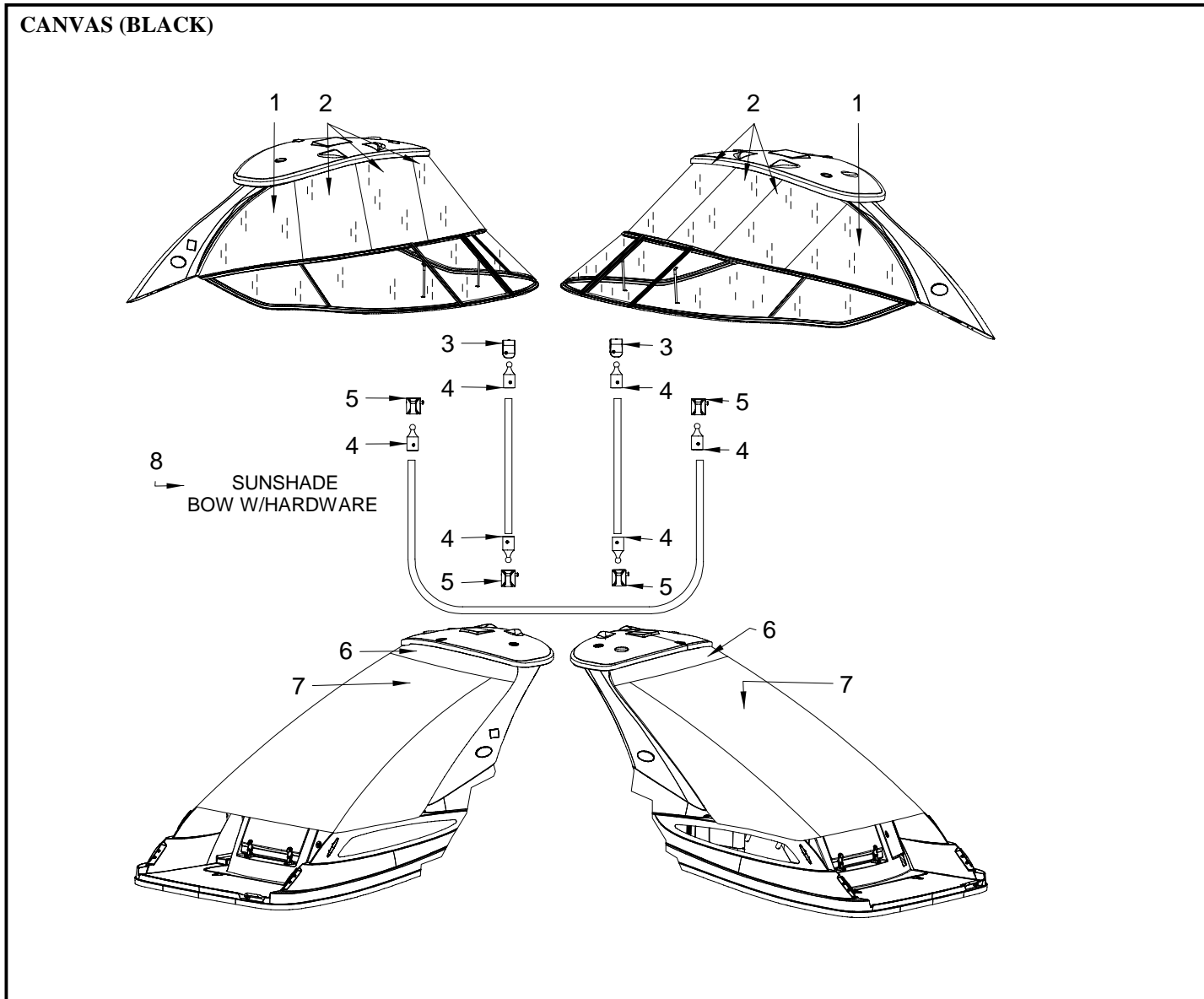
- 1 1848527 CANVAS, 310DA-07 SIDE CURT/ALUM W/S CAPT Nvy
- 1850439 CANVAS, 310DA-07 SIDE CURT/SS W/S CAPT Nvy
(WINDSHIELD W/ STAINLESS STEEL FRAME)
- 2 1848528 CANVAS, 310DA-07 VSR/ALUM W/S 3PC CLR/CAP Nvy
- 1850442 CANVAS, 310DA-07 VSR/SS W/S 3PC CLR/CAPT Nvy
(WINDSHIELD W/ STAINLESS STEEL FRAME)
- 3 1760355 SLIDE, JAW SLIDE BALL/SOCKET TYPE SS
- 4 1760354 CAP, SS EYE END BALL/SOCKET TYPE
- 5 1815410 HINGE, DECK BALL/SOCKET STRAIGHT LRG
- 6 1848525 CANVAS, 310DA-07 SNSHD TOP CAPT Nvy
- 7 1848526 CANVAS, 310DA-07 SNSHD AFT CURT CAPT Nvy
- 8 1848969 FRAME, SS 310DA-07 SNSHD TOP CNVS 1"OD X16GA

COCKPIT COVER

- 1850030 CANVAS, 310DA-07 CPC/ALUM W/S CAPT Nvy
- 1850445 CANVAS, 310DA-07 CPC/SS W/S CAPT Nvy
(WINDSHIELD W/ STAINLESS STEEL FRAME)

STORAGE BAG

- 788547 CANVAS, STRG BAG 10X60 LRG GREY 95
(HULL# 1210 -> UP)
- 1878559 CANVAS, STRG BAG LRG BLK
(HULL# 1201 -> 1209)



CANVAS (BLACK)

- 1 1848523 CANVAS, 310DA-07 SIDE CURT/ALUM W/S BLK
- 1850437 CANVAS, 310DA-07 SIDE CURT/SS W/S BLK
(WINDSHIELD W/ STAINLESS STEEL FRAME)
- 2 1848524 CANVAS, 310DA-07 VSR/ALUM W/S 3PC CLR/BLK
- 1850441 CANVAS, 310DA-07 VSR/SS W/S 3PC CLR/BLK
(WINDSHIELD W/ STAINLESS STEEL FRAME)
- 3 1760355 SLIDE, JAW SLIDE BALL/SOCKET TYPE SS
- 4 1760354 CAP, SS EYE END BALL/SOCKET TYPE
- 5 1815410 HINGE, DECK BALL/SOCKET STRAIGHT LRG
- 6 1848521 CANVAS, 310DA-07 SNSHD TOP BLK
- 7 1848522 CANVAS, 310DA-07 SNSHD AFT CURT BLK
- 8 1848969 FRAME, SS 310DA-07 SNSHD TOP CNVS 1"OD X16GA

COCKPIT COVER

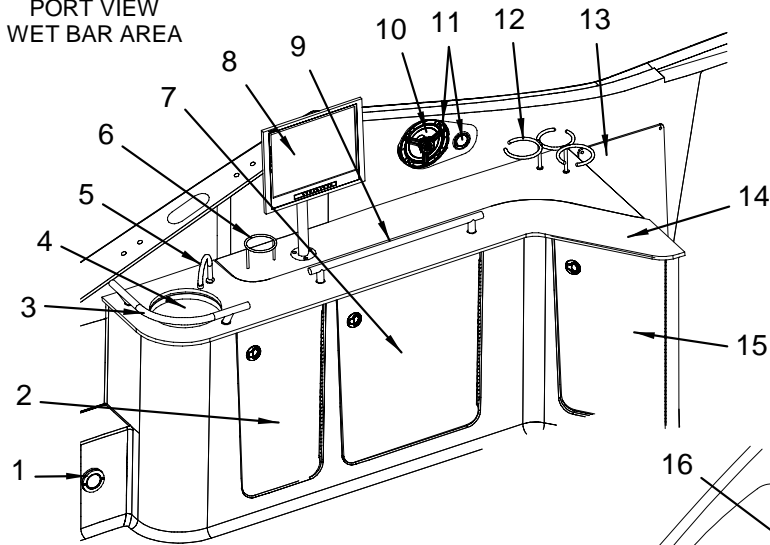
- 1850029 CANVAS, 310DA-07 CPC/ALUM W/S BLK
- 1850444 CANVAS, 310DA-07 CPC/SS W/S BLK
(WINDSHIELD W/ STAINLESS STEEL FRAME)

STORAGE BAG

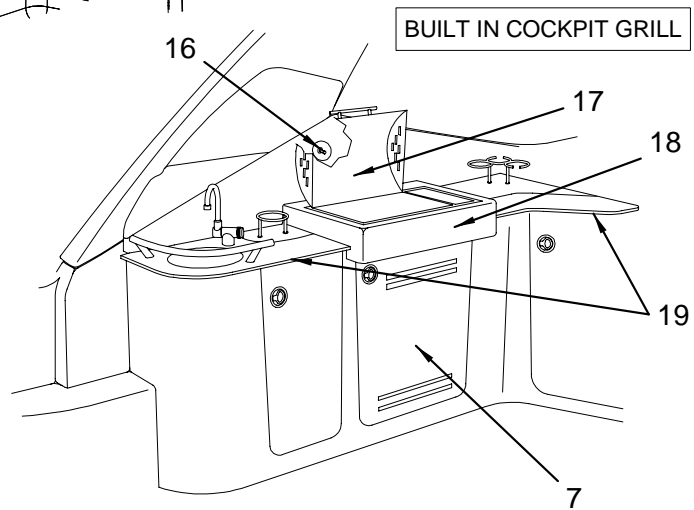
- 788547 CANVAS, STRG BAG 10X60 LRG GREY 95
(HULL# 1210 -> UP)
- 1878559 CANVAS, STRG BAG LRG BLK
(HULL# 1201 -> 1209)

COCKPIT (PORT VIEW)

PORT VIEW
WET BAR AREA

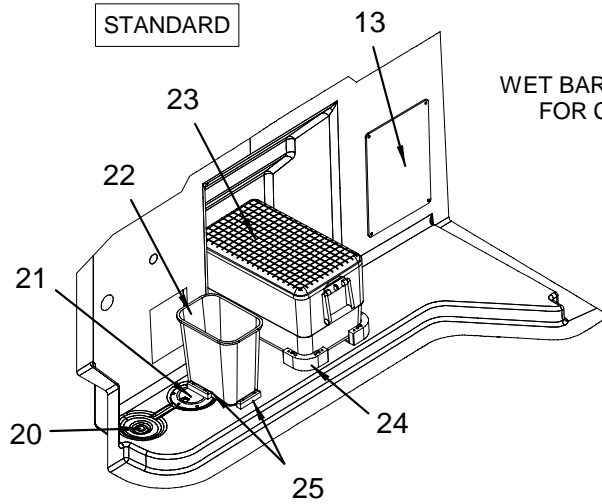


STBD
FWD

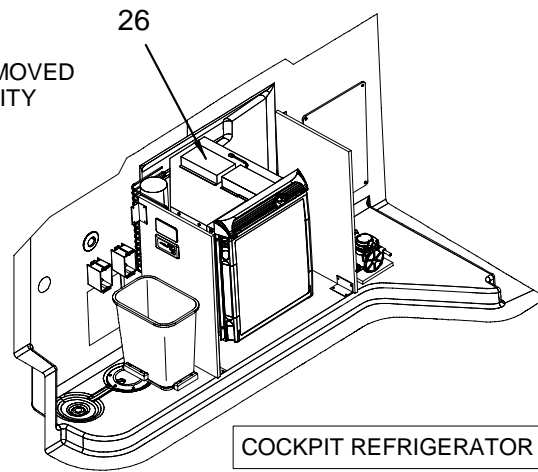


BUILT IN COCKPIT GRILL

STANDARD



WET BAR REMOVED
FOR CLARITY

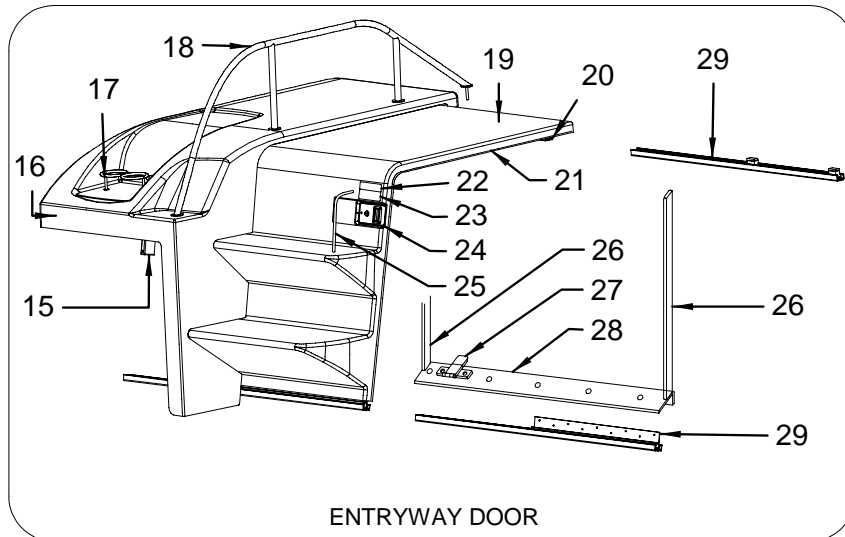
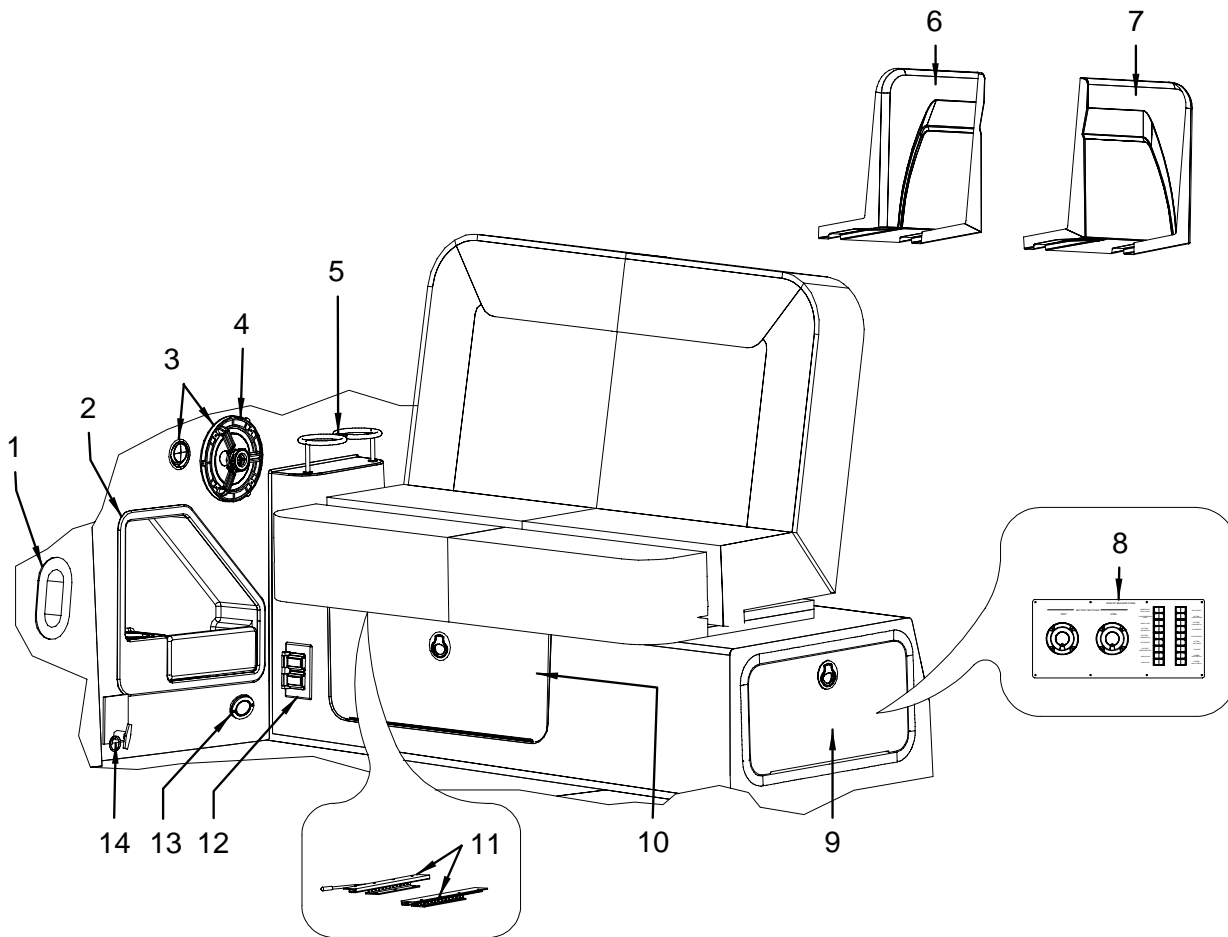


COCKPIT REFRIGERATOR

COCKPIT (PORT VIEW)

1	1771019	LIGHT, NAV STERN FLUSH MT CKPT W/CONN	11	1765974	SPEAKER, POLK/MOMO EXT 6.5" MID-RANGE N/CVR (PART OF 1784476)
	1200369	BULB, REPL FOR #0137380/#0783670 (REPLACEMENT BULB FOR 1771019)		1765976	SPEAKER, POLK/MOMO EXT TWEETER CUP BLK (PART OF 1784476)
2	1846510	DOOR, PLEX 1/2"X 12.25"X20"X11"ARW W/HDWR		1765977	SPEAKER, POLK/MOMO EXT CROSSOVER (PART OF 1784476)
	1781434	LATCH, FLUSH MNT N/LOCKING SLAM SS (PART OF 1846510)		1773447	GRILL, SPEAKER POLK/MOMO EXT 6.5" WHT (PART OF 1784476)
	1781436	PLATE, FLAT BRKT 2"SHORT SCREW W/HDWR PKG (PART OF 1846510)		1774180	SPEAKER, POLK/MOMO EXT 1" TWEETER WHT (PART OF 1784476)
3	1847840	RAIL, GRAB 7/8"OD X20.5" W/2STNCHN CRVD 304SS	12	1803696	HOLDER, BOTTLE SS 3-RING 4" (KING)
4	1756266	SINK, SS RND 10"BRSHD	13	1734122	COVER, HDPE 420DA-03 CKPT PLATES 12"X 18"
	1756687	DRAIN, SINK STRAINER 2.5" SS W/5/8"BARB	14	1846507	TOP, CORIAN 310DA-07 CKPT WET BAR SNDSTN (STANDARD TOP)
	1839033	DRAIN, SINK STRAINER BASKET ONLY (PART OF 175687)	15	1847972	DOOR, PLEX 1/2"X 14.5"X13.75"X24.5"ARW W/HDWR
5	1775010	FAUCET, FOLD DOWN SGL TAP CHR		1781434	LATCH, FLUSH MNT N/LOCKING SLAM SS (PART OF 1847972)
6	1750876	HOLDER, DRINK SS SGL 3" (KING) (NOT USED WITH COCKPIT TV)		1781436	PLATE, FLAT BRKT 2"SHORT SCREW W/HDWR PKG (PART OF 1847972)
7	1846508	DOOR, PLEX 1/2"X 20 3/8"X24 3/8"ARW W/HDWR (STANDARD DOOR)		855809	ROPE, DOCKLINE STRAP WHT W/HDWR (SHORT STYLE)
	1846509	DOOR, PLEX 1/2"X 20 3/8"X24 3/8"ARW W/SLOTS (DOOR WITH COCKPIT REFRIGERATOR)	16	1850431	STOP, HDPE 3/4"X 1"GRILL CNTRSNK ARW (GRILL, COCKPIT - BUILT IN - 120V/60) (GRILL, COCKPIT - BUILT IN - 220V/50)
	1848110	DOOR, PLEX 1/2"X 20 3/8"X22 3/8"ARW W/GRILL (DOOR WITH BUILT IN COCKPIT GRILL)	17	1848406	GRILL, ELECTRIC BRSHD SS 120V AC W/RND LID (GRILL, COCKPIT - BUILT IN - 120V/60)
	1848111	DOOR, PLEX 1/2"X 20 3/8"X22 3/8"ARW W/GR/SLT (DOOR WITH COCKPIT REFRIGERATOR AND BUILT IN COCKPIT GRILL)		1850430	GRILL, ELECTRIC BRSHD SS 240V AC W/RND LID (GRILL, COCKPIT - BUILT IN - 220V/50)
	1781434	LATCH, FLUSH MNT N/LOCKING SLAM SS (PART OF 1846508, 1846509, 1848110 & 1848111)	18	1848107	TOP, CORIAN 310DA-07 GRILL ASSY SNDSTN (GRILL, COCKPIT - BUILT IN - 120V/60) (GRILL, COCKPIT - BUILT IN - 220V/50)
	1781436	PLATE, FLAT BRKT 2"SHORT SCREW W/HDWR PKG (PART OF 1846508, 1846509, 1848110 & 1848111)	19	1847839	TOP, CORIAN 310DA-07 CKPT WETBAR W/GR/SLT (TOP WITH BUILT IN COCKPIT GRILL)
8	1852692	TELEVISION, 15"LG LCD HDTV BLK W/BTM SPKR (HULL# 1206 -> UP)	20	674143	THRU-HULL, PLAS 3/4"X 90DEG WHT
	1872710	(TV 15" FLATSCREEN W/ REMOTE DVD - COCKPIT)	21	983692	ACCESS PLATE, POLYPROP W/ O-RING 4" WHT
	1805175	REMOTE, TV 15"LG LCD HDTV BLK W/BTM SPKR (REMOTE FOR 1852692)	22	431098	BASKET, TRASH 11 3/8"X 8.25"X 12 1/8" BEIGE
	1815412	TELEVISION, 15.1" LG LCD HDTV W/BTM SPKR (HULL# 1201 -> 1205)	23	814012	COOLER, 36QT (NOT USED WITH COCKPIT REFRIGERATOR)
	1872088	(TV 15" FLATSCREEN W/ REMOTE DVD - COCKPIT)	24	819656	COOLER, TIE DOWN IGLOO (NOT USED WITH COCKPIT REFRIGERATOR)
	1815412	REMOTE, TV 15.1" LG LCD HDTV (REMOTE FOR 1805175)	25	609883	CLEAT, PLAS 3/4"X 1"X 4" GREY
	1872088	TELEVISION, 15" LG LCD 220V 15C1RB (HULL# 1318 -> UP)	26	1747061	REFRIGERATOR, 1.7 CU FT 12VDC/110AC (COCKPIT REFRIGERATOR DUAL VOLT-120V/60-12V)
	1888310	(TV 15" FLATSCREEN W/ REMOTE DVD - COCKPIT WITH PAL T.V. TUNER)		1747062	REFRIGERATOR, 1.7 CU FT 12VDC/240V (COCKPIT REFRIGERATOR DUAL VOLT-220V/50-12V)
	1815899	REMOTE, TV 15" LG LCD 220V 15C1RB (REMOTE FOR 1872088)	1738813	1738813	LATCH, COVER PLATE FOR TRAVEL LATCH (PART OF 1747061 & 1747062)
	1835480	TELEVISION, 15" TOSHIBA PAL LCD (HULL# 1201 -> 1317)	1738814	1738814	LATCH, TRAVEL LATCH SPRING (PART OF 1747061 & 1747062)
	1807962	(TV 15" FLATSCREEN W/ REMOTE DVD - COCKPIT WITH PAL T.V. TUNER)	1738816	1738816	LATCH, TRAVEL PLATE (PART OF 1747061 & 1747062)
	1838350	REMOTE, TV TOSHIBA PAL LCD (REMOTE FOR 1815899)	BRACKETS		
	1807963	MOUNT, CKPT TV POST 18 1/2" (TV 15" FLATSCREEN W/ REMOTE DVD - COCKPIT)	836007	836007	BRACKET, ALUM 1.5"X 1.5"X 3" 3/16"HOLES
	1803007	SCREW, MACHINE M4 X 10MM PPH SS (TV 15" FLATSCREEN W/ REMOTE DVD - COCKPIT)	836122	836122	BRACKET, PVC 1.5"X 1.5"X 3" 3/16"HOLES
	1756959	BASE, MOUNT CKPT TV (TV 15" FLATSCREEN W/ REMOTE DVD - COCKPIT)	LABELS		
	1758576	VIDEO EQUIPMENT, REMOTE GAMING SYS INPUT PNL (TV 15" FLATSCREEN W/ REMOTE DVD - COCKPIT)	1744745	1744745	LABEL, DISPOSAL OF GARBAGE
	1838716	EXTENSION, CABLE A/V 25' RCA W/MALE CONN (TV 15" FLATSCREEN W/ REMOTE DVD - COCKPIT)	1852083	1852083	LABEL, CAUTION REMOVE TV COVER (HULL# 1277 -> UP)
	1787507	CABLE, RCA AUDIO EFX-2 "Y" ADAPTER (TV 15" FLATSCREEN W/ REMOTE DVD - COCKPIT)	1852096	1852096	(TV 15" FLATSCREEN W/ REMOTE DVD - COCKPIT)
	1787508	HARNESS, 310DA-07 TV/DVD 30' (TV 15" FLATSCREEN W/ REMOTE DVD - COCKPIT)	LABEL, WARNING REMOVE HELM TV (HULL# 1277 -> UP)		
	627737	RECEPTACLE, DUPLEX BRN 15A LVT (TV 15" FLATSCREEN W/ REMOTE DVD - COCKPIT)	(TV 15" FLATSCREEN W/ REMOTE DVD - COCKPIT)		
	876458	COVER PLATE, SGL DUPLEX RECEPT BRN LVT (TV 15" FLATSCREEN W/ REMOTE DVD - COCKPIT)	NOT SHOWN		
	695957	BOX, RECEPTACLE/SWITCH PVC 1-GANG DEEP (TV 15" FLATSCREEN W/ REMOTE DVD - COCKPIT)	811885	811885	GROMMET, PLAS FLANGE/INSERT 2" ALMOND (HULL# 1201 -> 1327)
	1598051	COVER PLATE, CABLE TV WEATHERPROOF OUTLET BLK (TV 15" FLATSCREEN W/ REMOTE DVD - COCKPIT)	137349	137349	ACCESS PLATE, PLAS CVR 5" WHT
	9	SPLITTER, 2-WAY HYBRID TV/SPLITTER COMBINER (TV 15" FLATSCREEN W/ REMOTE DVD - COCKPIT)	1686699	1686699	PLATE, HDPE 320DA-02 STBD ACCESS (HULL# 1274 -> UP)
	10	GROMMET, PLAS FLANGE/INSERT 2" WHITE (TV 15" FLATSCREEN W/ REMOTE DVD - COCKPIT)			
	11	RAIL, GRAB 7/8"OD X24 5/8"304SS STRAIGHT			
	11854215	SPEAKER, COAXIAL 6.5" N/CVR (STANDARD SPEAKER)			
	1784476	SPEAKER, JL COMPONENT (HULL# 1312 -> UP)			
		(PREMIUM COCKPIT SOUND SYSTEM - 12 VOLT)			
		(SUBCOMPONENTS NOT SOLD SEPARATELY AT THIS TIME)			
		SPEAKER, POLK/MOMO 6.5"MD-RNG/TWTR/CRSOVR WHT (HULL# 1201 -> 1311)			
		(PREMIUM COCKPIT SOUND SYSTEM - 12 VOLT)			

COCKPIT (STARBOARD VIEW AND ENTRY DOOR)



ENTRYWAY DOOR

COCKPIT (STARBOARD VIEW AND ENTRY DOOR)

- 1 957092 A/C COMP, HOSE RING 5" OBLONG
(HULL# 1221 -> UP)
958140 A/C COMP, HOSE RING 4" OBLONG
(HULL# 1201 -> 1220)
- 2 1601897 BOX, V/F CKPT HELM STRG ARW W/Front PNL
1812917 HOLDER, DRINK SS 4"X 3" MUG SZ PLSHD RIM
3 1854215 SPEAKER, JL COMPONENT
(HULL# 1312 -> UP)
(PREMIUM COCKPIT SOUND SYSTEM - 12 VOLT)
(SUBCOMPONENTS NOT SOLD SEPARATELY AT THIS TIME)
1784476 SPEAKER, POLK/MOMO 6.5" MD-RNG/TWTR/CRSOVR WHT
(HULL# 1201 -> 1311)
(PREMIUM COCKPIT SOUND SYSTEM - 12 VOLT)
1765974 SPEAKER, POLK/MOMO EXT 6.5" MID-RANGE N/CVR
(PART OF 1784476)
1765976 SPEAKER, POLK/MOMO EXT TWEETER CUP BLK
(PART OF 1784476)
1765977 SPEAKER, POLK/MOMO EXT CROSSOVER
(PART OF 1784476)
1773447 GRILL, SPEAKER POLK/MOMO EXT 6.5" WHT
(PART OF 1784476)
1774180 SPEAKER, POLK/MOMO EXT 1" TWEETER WHT
(PART OF 1784476)
- 4 1690557 SPEAKER, COAXIAL 6.5" N/CVR
(STANDARD SPEAKER)
5 1750873 HOLDER, DRINK SS 2-RING 3" (KING)
6 1851441 310DA 07, SHELL, HELM SEAT STB FBRGLS
7 1851444 310DA 07, SHELL, HELM SEAT PRT FBRGLS
8 1811759 PANEL, 310DA-07 MDC BRKR W/BATT GAS TE
(HULL# 1213 -> UP)
(GAS ENGINES WITHOUT BOW THRUSTER)
(GAS ENGINES WITHOUT BOW & STERN THRUSTERS)
1811758 PANEL, BLANK:310DA-07 MDC BRKR W/BATT GAS TE
(BLANK PANEL ONLY - FOR 1811759)
1799350 PANEL, 290DA-06 MDC BRKR W/BATT GAS TE
(HULL# 1201 -> 1212)
(GAS ENGINES WITHOUT BOW THRUSTER)
(GAS ENGINES WITHOUT BOW & STERN THRUSTERS)
1799345 PANEL, BLANK:290DA-06 MDC BRKR W/BATT GAS TE
(BLANK PANEL ONLY - FOR 1799350)
1849706 PANEL, 310DA-07 MDC BRKR W/BATT DSL TE
(DIESEL ENGINES ONLY)
(GAS OR DIESEL ENGINES WITH BOW THRUSTER)
(GAS OR DIESEL ENGINES WITH BOW & STERN THRUSTERS)
1849707 PANEL, BLANK:310DA-07 MDC BRKR W/BATT DSL TE
(BLANK PANEL ONLY - FOR 1849706)
- 9 1846971 DOOR, STRG W/20"X 9.75" ARW FRAME W/SS STHCO
1781434 LATCH, FLUSH MNT N/LOCKING SLAM SS
(PART OF 1846971)
1781436 PLATE, FLAT BRKT 2" SHORT SCREW W/HDWR PKG
(PART OF 1846971)
- 10 1838342 DOOR, HDPE 1/2"X24.25"X 9.25" ARW W/SS STHCO
1781434 LATCH, FLUSH MNT N/LOCKING SLAM SS
(PART OF 1838342)
1781436 PLATE, FLAT BRKT 2" SHORT SCREW W/HDWR PKG
(PART OF 1838342)
1838307 STRG BOX, V/F 310DA-07 HELM SEAT STRG TUB
11 1590447 TRACK ASSY, HELMSEAT W/KNOB & CLIP LOPRO
12 180067 COVER PLATE, WATERPROOF RECEPT W/2 DOORS
145136 RECEPTACLE, CORR RESISTANT GREY
13 1771019 LIGHT, NAV STERN FLUSH MT CKPT W/CONN
1200369 BULB, REPL FOR #0137380/#0783670
14 1642313 HALON CABLE, MANUAL PULL CABLE 23'
1837240 FIRE EXT SYS, FE241 (SR) 250CF AUTO/MAN W/CON
1642271 FIRE EXT SYS, FM200 250CF GAS/DSL-MAN/AUTO
(FIRE SUPPRESSION FM 200 - INTERNATIONAL)
(C E OPTION GROUP)
- 15 1286947 STOP, HDPE 3/4"X 2"X 4" ENTRYWAY DOOR ARW
16 1851547 310DA 07, CVR, ENTRYWAY DOOR FBRGLS
17 1750874 HOLDER, DRINK SS 3-RING 3" (KING)
18 1846671 RAIL, GRAB FOREDECK ACCESS 1"OD X57 7/8"304SS
19 1851548 310DA 07, DOOR, ENTRYWAY FBRGLS
20 1885025 SHIM, HDPE DOOR 1/2"X 2" X28" ARW
21 1780215 NOSING, ALUM 5/8"X 12' T-1 ROUNDED BRUSHED
22 1743507 LABEL, DOOR MUST BE SECURED UNDERWAY
23 1743548 LABEL, WARNING RUNNING BOAT W/DOOR OPEN
24 762872 LOCK, CABIN DOOR WHT PC ALUM
914010 LOCK, CABIN DOOR BLK ANOD ALUM
(GEL-COATED DASH)
826453 SHIM, DOOR STRIKER
1736967 KEY, CABIN ENTRY MOBELLA (SPECIFY KEY#902)
1736968 KEY, CABIN ENTRY MOBELLA (SPECIFY KEY#911)
1736969 KEY, CABIN ENTRY MOBELLA (SPECIFY KEY#912)
1736970 KEY, CABIN ENTRY MOBELLA (SPECIFY KEY#915)
- 24 1736971 KEY, CABIN ENTRY MOBELLA (SPECIFY KEY#917)
1736972 KEY, CABIN ENTRY MOBELLA (SPECIFY KEY#929)
1736973 KEY, CABIN ENTRY MOBELLA (SPECIFY KEY#948)
1736974 KEY, CABIN ENTRY MOBELLA (SPECIFY KEY#932)
1736975 KEY, CABIN ENTRY MOBELLA (SPECIFY KEY#938)
1736976 KEY, CABIN ENTRY MOBELLA (SPECIFY KEY#943)
1737704 KEY, CABIN ENTRY MOBELLA (SPECIFY KEY#918)
- 25 1491737 RAIL, GRAB SS CABIN ENTRYWAY
(HULL# 1261 -> UP)
26 912774 NOSING, VINYL 1"X 1/4"X 12' RIGID SR WHT
1802210 NOSING, VINYL 1"X 1/4"X 10' WARM GRY/NCKL
(GEL-COATED DASH)
27 1340959 STOP, SLIDING DOOR/WINDOW CHR HVY DTY
28 1848995 THRESHOLD, SS 310DA-07 ENTRYWAY 22.5"
29 1758602 TRACK, ALUM ANOD SLIDE ASSY 43"UPR/50"LWR TLR

BRACKETS

- 836007 BRACKET, ALUM 1.5"X 1.5"X 3" 3/16"HOLES

LABELS

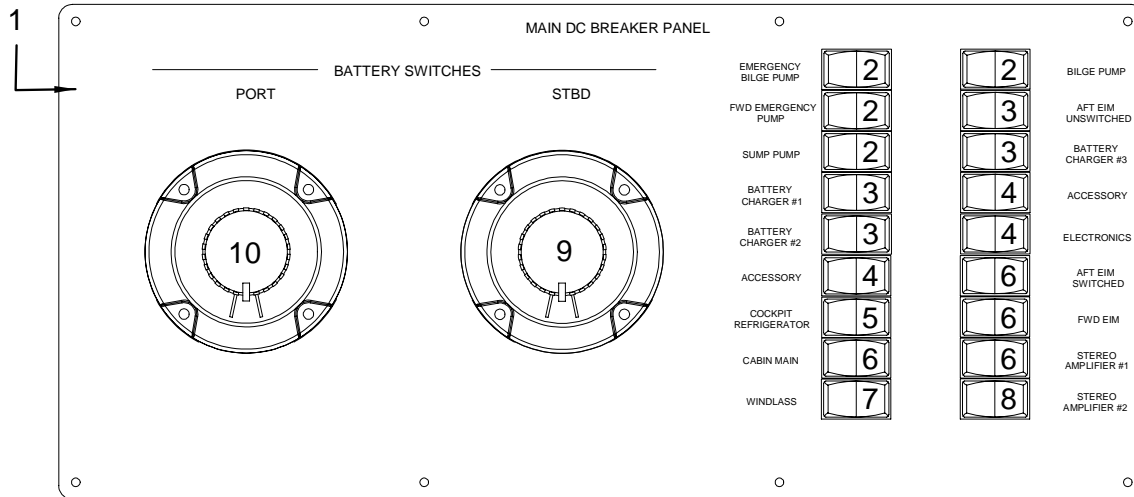
- 1547959 LABEL, WARNING BLOWER
1743548 LABEL, WARNING RUNNING BOAT W/DOOR OPEN
1744761 LABEL, NOTICE AUTO HALON SYSTEM (LEXAN)
1745519 LABEL, DANGER SHUT OFF ENG WHEN NEAR SWIMMERS
1746224 LABEL, INFO HELM SAFETY
1752856 LABEL, WARNING LTD VISION FROM HELM STN
1744744 LABEL, UPON HALON DISCHARGE SHUTDOWN ELEC SYS
(DIESEL ENGINES)

NOT SHOWN

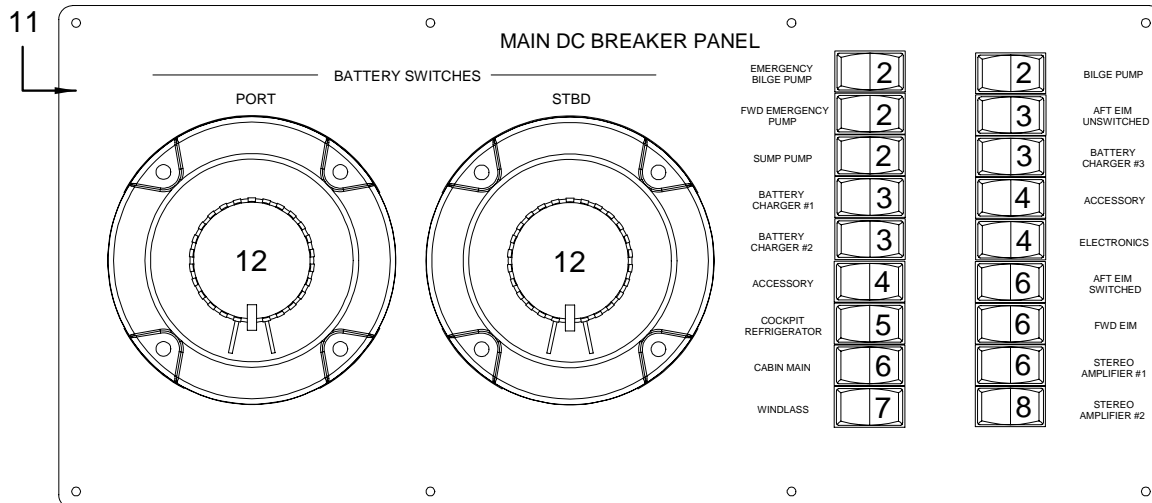
- 1848412 TRIM, EDGE WHT PEBBLE 1/2"
1848411 TRIM, EDGE BLK PEBBLE 1/2"
(GEL-COATED DASH)
124537 THRU-HULL, PLAS 1.5" WHT
(HULL# 1239 -> UP)

MAIN DC BREAKER / BATTERY SWITCH PANEL

**GAS ENGINES WITHOUT BOW THRUSTER
GAS ENGINES WITHOUT BOW & STERN THRUSTERS**



**DIESEL ENGINES ONLY
GAS OR DIESEL ENGINES WITH BOW THRUSTER
GAS OR DIESEL ENGINES WITH BOW & STERN THRUSTERS**



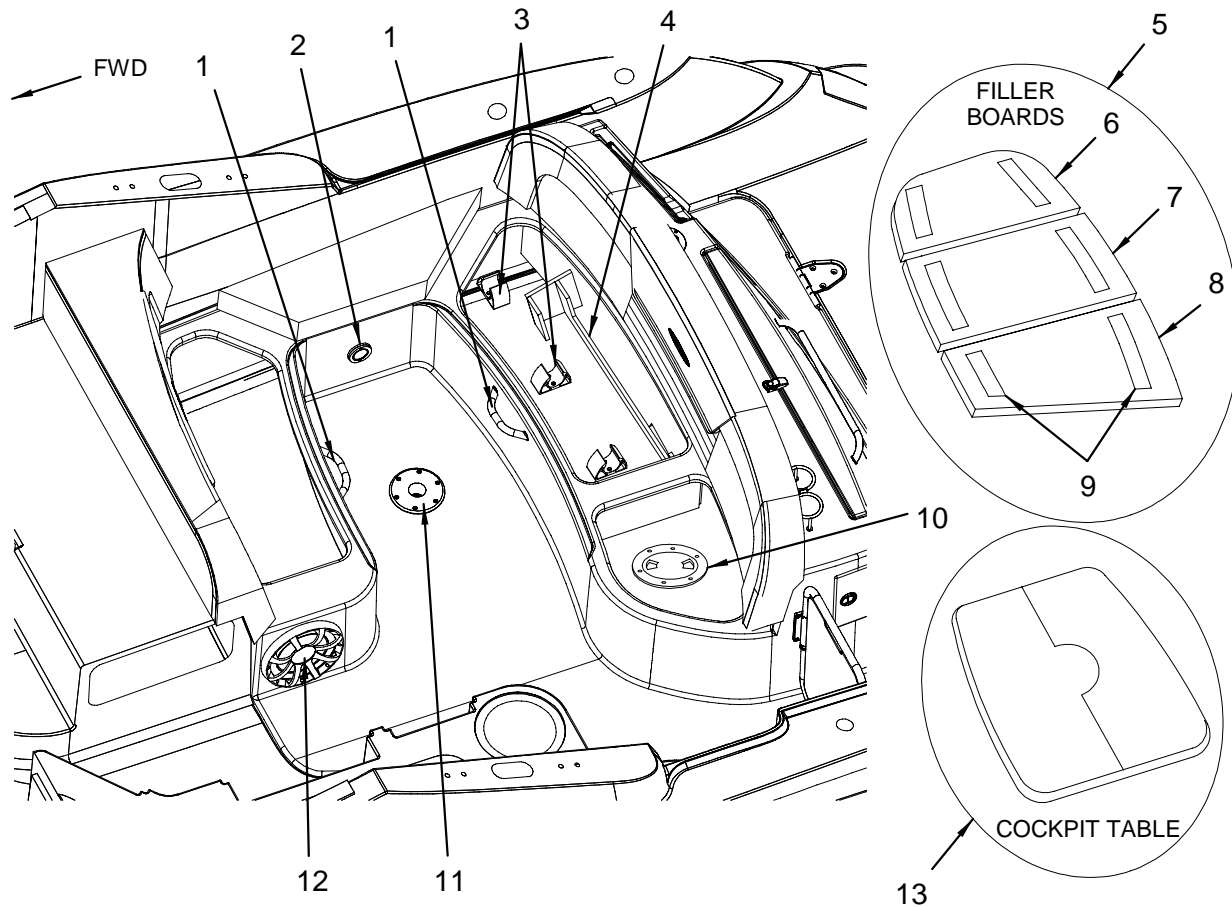
MAIN DC BREAKER / BATTERY SWITCH PANEL

- 1 1811759 PANEL, 310DA-07 MDC BRKR W/BATT GAS TE
(HULL# 1213 -> UP)
- 1811758 PANEL, BLANK:310DA-07 MDC BRKR W/BATT GAS TE
(BLANK PANEL ONLY - FOR 1811759)
- 1799350 PANEL, 290DA-06 MDC BRKR W/BATT GAS TE
(HULL# 1201 -> 1212)
- 1799345 PANEL, BLANK:290DA-06 MDC BRKR W/BATT GAS TE
(BLANK PANEL ONLY - FOR 1799350)
- 2 1181726 BRKR/ROCK, SGL-POLE MNL RSET DC IGNPRT 5A YLW
- 3 1412006 BRKR/ROCK, SGL-POLE MNL RSET DC IGNPRT 30A YL
- 4 432872 PLUG, BRKR/ROCK
- 5 1181759 BRKR/ROCK, SGL-POLE MNL RSET DC IGNPRT 15A YL
- 6 1181775 BRKR/ROCK, SGL-POLE MNL RSET DC IGNPRT 50A YL
- 7 1772527 BRKR/ROCK, SGL-POLE C-SERIES DC IGNPRT 50A LD
- 8 1771141 BRKR/ROCK, SGL-POLE MNL RSET DC IGNPRT 25A YL
- 9 1726841 SWITCH, BATTERY ON/OFF N/LCK N/DISC RV1
- 10 1726840 SWITCH, BATTERY SEL W/O LOCK W/O DISC REV 1
- 11 1849706 PANEL, 310DA-07 MDC BRKR W/BATT DSL TE
- 1849707 PANEL, BLANK:310DA-07 MDC BRKR W/BATT DSL TE
(BLANK PANEL ONLY - FOR 1849706)
- 12 136150 SWITCH, BATTERY ON/OFF DSL W/DISC

NOT SHOWN

- 829432 BUSS BAR, DBL POST 5/16"

COCKPIT (AFT VIEW)



COCKPIT (AFT VIEW)

- 1 1780393 RAIL, GRAB 8.5" 316L SS W/GASKET
- 2 1771019 LIGHT, NAV STERN FLUSH MT CKPT W/CONN
1200369 BULB, REPL FOR #0137380/#0783670
(REPLACEMENT BULB FOR 1771019)
- 3 1500552 CLIP, TABLE LEG 60MM TUBE BLK
- 4 1882736 310DA 07,RACK,TBL STRG CKPT
- 5 1882737 310DA 07,FILR BOARD,SET TBL CKPT
- 6 1882738 310DA 07,FILR BOARD,STB TBL CKPT
- 7 1882739 310DA 07,FILR BOARD,CTR TBL CKPT
- 8 1882740 310DA 07,FILR BOARD,PRT TBL CKPT
- 9 198945 VELCRO, DUAL LOCK CLR 2"X 50YD W/ADH BACK
- 10 983692 ACCESS PLATE, POLYPROP W/ O-RING 4" WHT
- 11 876961 BASE, LEG/POST FLUSH MT ALUM
1476779 POST, TABLE LEG 25"X 2.25" ALUM RIB DBL TPR
872440 POST, TABLE LEG 11.25" ANOD TAPERED RIBBED
(HULL# 1210 -> UP)
- 12 1849195 SPEAKER, 10" SUBWOOFER MARINE WHT
(HULL# 1312 -> UP)
(PREMIUM COCKPIT SOUND SYSTEM - 12 VOLT)
- 1892022 GRILL, 10" SUBWOOFER MARINE WHT W/BLK LOGO
(PART OF 1849195)
- 1764471 SPEAKER, POLK/MOMO 10" SUBWOOFER RV1
(HULL# 1201 -> 1311)
(PREMIUM COCKPIT SOUND SYSTEM - 12 VOLT)
- 1774181 GRILL, 10" SUBWOOFER POLK/MOMO G10 WHT
(PREMIUM COCKPIT SOUND SYSTEM - 12 VOLT)

13 1846506 TABLE, TEAK 7/8"X 21"X 32 3/8"W/HNG/ALUM BASE

AIR COMPRESSOR - FOR WATER TOYS

- 1726744 PUMP, AIR COMPRESSOR 230BR/ES
- 1747608 PANEL, 240BR-04 AIR CMPRSR ACT SW
- 1850448 HARNESS, AIR CMPRSR 12V
- 855809 ROPE, DOCKLINE STRAP WHT W/HDWR (SHORT STYLE)
- 334672 BUMPER, RECESSED WHT ROUND
- 1758957 PVC BOARD, 1/2"X 4'X 8' WHT INTEFOAM

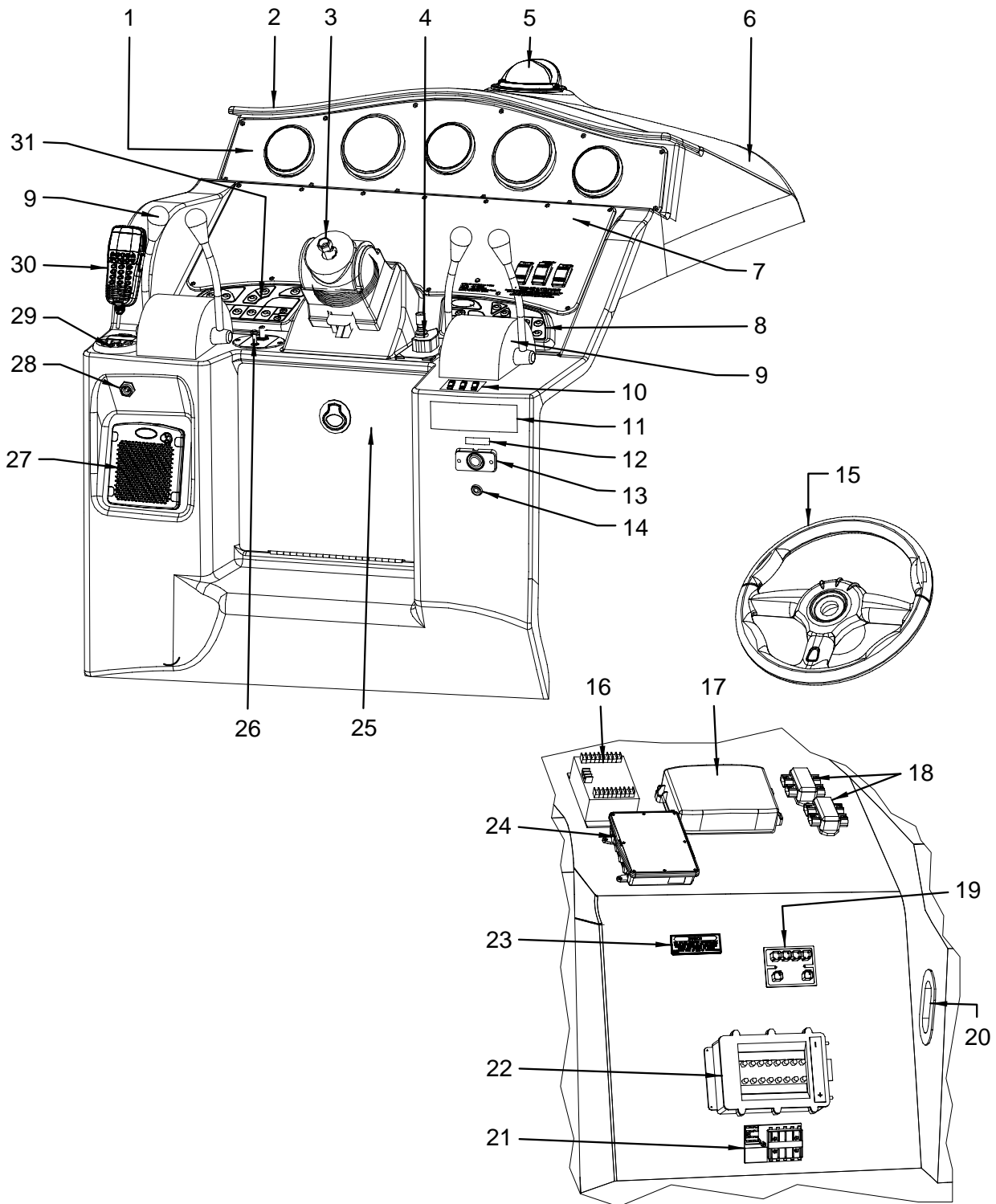
LABELS

1764402 LABEL, 7/16"X 7/8" CKPT STEREO CHG ADH/SUBSTR
(PREMIUM COCKPIT SOUND SYSTEM - 12 VOLT)

NOT SHOWN

326009 THRU-HULL, PLAS 2" WHT (FULL THREAD)

COCKPIT (HELM)



COCKPIT (HELM)

1	1811760	PANEL, BLANK:310DA-07 INST S-CRFT SRMAHOG
2	1835634	VISOR, DASH 310DA-07 PLEX BLK
3	662510	STEERING, PERFORMANCE TILT MECHANISM (STERN DRIVE ENGINES)
	317032	STEERING, HELM PUMP SEA STAR I TILT (V-DRIVE ENGINES)
4	1765067	BOW THRUSTER, JOYSTICK (IMTRA)12/24V W/ON/OFF (BOW THRUSTER)
	1800993	STERN THRUSTER, DOCKING CNTRL PNL (BOW & STERN THRUSTERS)
5	1776899	COMPASS, FLUSH MT 4 3/16" WHT W/CONN
	1776900	COMPASS, FLUSH MT 4 3/16" BLK W/CONN (GEL-COATED DASH)
	1798174	BULB, COMPASS REPL (SUNSHADE) (PART OF 1776899 & 1776900)
	1798175	BULB, COMPASS REPL (FRONT) (PART OF 1776899 & 1776900)
6	1851437	310DA 07,DASH,FBRGLS
7	1846522	PANEL, BLANK:310DA-07 ELEC (SEE ELECTRONIC PANELS SECTION)
8	1797304	MODULE, ELEC SWPAD S-CRUISER STB 05
9	1051689	CONTROL, THRTL/SHFT W/SS HANDLES W/GOLD KNOBS
	907063	KNOB, CONTROL GOLD SMOOTH (PART OF 1051689)
	907097	KNOB, CONTROL GOLD GROOVED W/RED ID (PART OF 1051689)
	1762415	BEZEL, DOME POLISHED SS FOR MRP#1051689 (PART OF 1051689)
	1818686	CONTROL, CNSL MNT DUAL DTS N/TRIM CHR (DTS ENGINES)
10	845818	PANEL, 280BR/SS-96 PROP TRIM PNL TWIN ENG (STERN DRIVE ENGINES ONLY)
11	1811368	LABEL, DANGER CO HELM 06
12	1744738	LABEL, RECEPTACLE 12V-15A MAX (LEXAN)
13	1287283	RECEPTACLE, FEMALE 12V LONG THRD BLK
	1259977	PLATE, FEMALE 12V RECEPTACLE MNT
14	1771022	ACC PART, MERC ALARM BUZZER W/HARNES W/CONN (HULL# 1259 -> UP) (GAS ENGINES ONLY)
	140327	ALARM, BUZZER HIGH WATER (HULL# 1201 -> 1258) (GAS ENGINES ONLY)
15	1810006	STEERING WHEEL, 14.25" SPCRUIS SEARS W/BLK
	758599	HUB KIT, STEERING WHEEL DINO 332 (PART OF 1810006)
	1792417	PAD, STEER WHL CTR FOR #1526292 (PART OF 1810006)
	1835885	STEERING WHEEL, CHR RING FOR 1810006 (PART OF 1810006)
	1747682	EMBLEM, S/R EMB SCRIPT WHEEL CHR-BEZEL 1.75"
16	1148857	HALON SYS, ENG INTRUPT/RESTR 12V 5-CKT (DIESEL ENGINES)
17	1801244	DEPTH FINDER, DIGITAL SOUNDR MODL HSB2/DSM300 (RAYMARINE DSM 300 FISH FINDER)
	731000	FUSE, BLADE TYPE CLOSED 10A (RAYMARINE DSM 300 FISH FINDER)
	1795128	DEPTH FINDER, NRTHSTR 491FF MODULE (NORTHSTAR 491 FISHFINDER - 6000I/6100I ONLY)
18	1507326	ACC PART, MERC S-CRFT JUNC BOX 4-WAY
19	1810630	MODULE, ELEC INTERFACE SWITCHING SYS 06 (GENERATOR)
20	957092	A/C COMP, HOSE RING 5" OBLONG (HULL# 1221 -> UP)
	958140	A/C COMP, HOSE RING 4" OBLONG (HULL# 1201 -> 1220)
21	937490	FUSE BLOCK, 10-GNG BLADE-TYPE ELECTRONICS (ELECTRONICS)
22	1810628	MODULE, ELEC INTERFACE FWD S-CRUISER 06
23	1745159	LABEL, CAUTION BUSS ELECTRONICS (LEXAN) (ELECTRONICS)
24	1807908	BASE, PLAS NRTHSTR VHF RADIO BLKBOX (PART OF 1807449)
	1807449	RADIO, VHF NRTHSTAR NS100
25	1835633	DOOR, HDPE 310DA-07 HLM ACCESS ARW W/SS STHCO
	1846511	DOOR, HDPE 310DA-07 HLM ACCESS NKL W/SS STHCO (GEL-COATED DASH)
	1781434	LATCH, FLUSH MNT N/LOCKING SLAM SS (PART OF 1835633 & 1846511)
	1781436	PLATE, FLAT BRKT 2"SHORT SCREW W/HDWR PKG (PART OF 1835633 & 1846511)
26	1755306	CONTROL, SEARCH LIGHT N/HARNES (SPOTLIGHT, 5" REMOTE CONTROLLED)
	1757404	HARNES, SPOTLIGHT ASSY 35' W/MALE CONN (HULL# 1221 -> UP) (SPOTLIGHT, 5" REMOTE CONTROLLED)

26	1756641	HARNES, SPOTLIGHT ASSY 25' W/MALE CONN (HULL# 1201 -> 1220) (SPOTLIGHT, 5" REMOTE CONTROLLED)
27	1807911	SPEAKER, REMOTE NRTHSTR VHF BLKBOX (PART OF 1807449)
28	1690376	ACC PART, MERC S-CRFT AIR TEMP SENSOR (GAS ENGINES WITHOUT SMARTCRAFT SYSTEM VIEW)
29	1799348	STEREO, REMOTE CNTRL W/DSPK BLK FACE/SS BZL
	1312750	CABLE, CLARION REMOTE EXTENSION CABLE 24'
30	1807910	RADIO, VHF NRTHSTR BLKBOX HANDSET (PART OF 1807449)
	1851777	RADIO, VHF MIC CLIP ONLY (PART OF 1807449)
31	1797300	MODULE, ELEC SWPAD S-CRUISER PRT 05

ELECTRICAL

731034	FUSE, BLADE TYPE CLOSED 5A
634998	BOX, V/F 7.75"X 5"X 3" BLANK
1802107	HARNES, ENG MERC S-CRFT 14 PIN 30'
1812222	HARNES, ENG MERC DATA 14-PIN DTS 25' (DTS ENGINES)
1790090	ACC PART, EXT HARNES 15' MERC KEY SW (DTS ENGINES)
1850928	TRIDATA, RAYTHEON (DEPTH,SPEED,TEMP,LOGO PLUS (HULL# 1216 -> UP) (DIESEL ENGINES)
1408590	TRIDATA, RAYTHEON (DEPTH,SPEED,TEMP,LOG) (HULL# 1215 ONLY) (DIESEL ENGINES)
1686717	HARNES, 340DA-03 EXTINGUISHER RELAY DSL (DIESEL ENGINES)

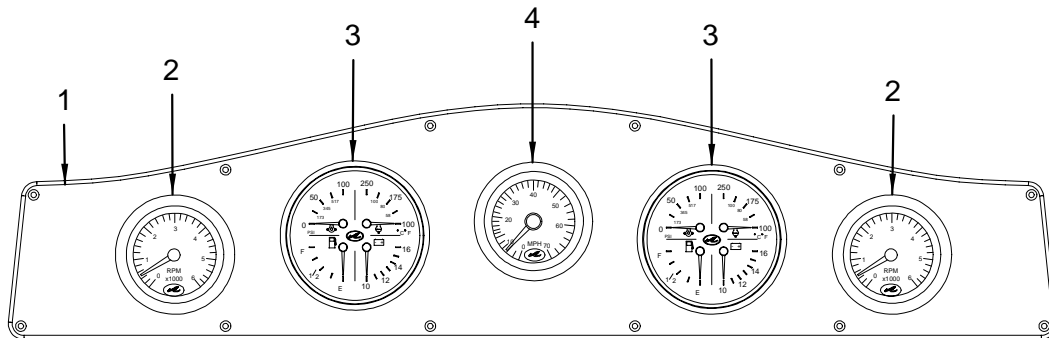
LABELS

1746899	LABEL, DANGER CARBON MONOXIDE (LEXAN)
129122	LABEL, NMMA CERTIFIED
1752709	PLATE, NMMA YACHT CERT GAS
976415	PLATE, CE OPT B:12PERSON/1360KG (C E OPTION GROUP)
1849893	LABEL, STICKER 310DA CANADIAN CONFORMITY (CANADIAN CONFORMITY STICKER)
1888198	PLATE, BUILDERS AU 07-310DA (FOR BOATS BUILT IN 2007) (AUSTRALIAN BUILDERS PLATE)
1850623	PLATE, BUILDERS AU 06-310DA (FOR BOATS BUILT IN 2006) (AUSTRALIAN BUILDERS PLATE)
1749696	LABEL, DANGER COMBO-GAS POWERED BOAT RV1
1744804	LABEL, DANGER COMBO-DSL POWERED BOAT (DIESEL ENGINES)
1746901	LABEL, CAUTION BATTERY SWITCH OFF/ALT DAMAGED
1757259	LABEL, GALVANIC ISOLATOR INSTALLED REVERSE...
1747504	LABEL, COMPASS AREA KEEP AWAY MTL OBJECTS (AUTOPILOT - RAYPILOT ST 7001+)

NOT SHOWN

835819	BRACKET, ALUM 1"X 1"X 6" 3/16"HOLES
--------	-------------------------------------

INSTRUMENT PANEL



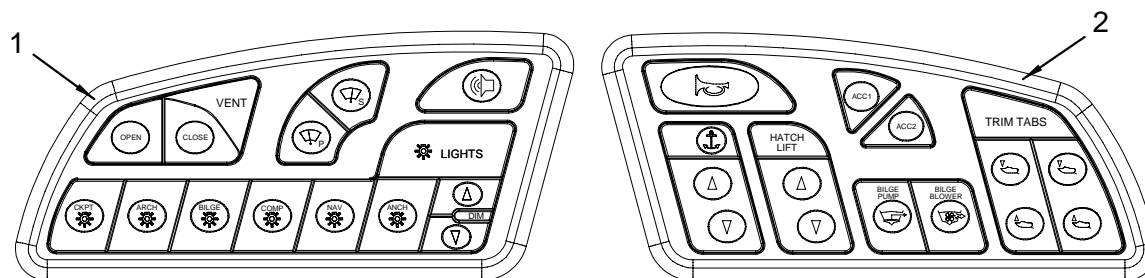
INSTRUMENT PANEL

- 1 1811760 PANEL, BLANK:310DA-07 INST S-CRFT SRMAHOG
- 2 1777617 GAUGE, SYS TACH 3" S-CRFT 0-7000RPM RV2
(GAS ENGINES WITHOUT SMARTCRAFT SYSTEM)
- 1689881 GAUGE, LINK TACH 3" S-CRFT 0-6000RPM
(GAS ENGINES WITH SMARTCRAFT SYSTEM)
- 1767752 GAUGE, TACH/LCDHOUR 5"4K MAG P/U 12V W/PIGTL
(DIESEL ENGINES)
- 1690381 NUT, LOCK 85MM SPIN LOCK VDO
- 3 1768244 GAUGE, 5" 4-IN-1 FUEL/OIL/TMP/TRIM S-CRFT
(GAS STERN DRIVE ENGINES)
- 1609007 GAUGE, 5" 4-IN-1 FUEL/VOLT/OIL/TMP S-CRFT
(V-DRIVE GAS ENGINES)
- 1767744 GAUGE, TELE 4/1 SR5"100PSI 240F VTRIM STB PGT
(DIESEL ENGINES)
- 1690382 NUT, LOCK 110MM SPIN LOCK VDO
- 4 1689917 GAUGE, LINK SPEED 3" S-CRFT 0-70MPH
- 1777616 GAUGE, SYS SPEED 3"SC 0-70MPH/RV2 POST 2602
(SMARTCRAFT SYSTEM VIEW- TWINS ONLY)
- 1690381 NUT, LOCK 85MM SPIN LOCK VDO

NOT SHOWN

- 1767746 GAUGE, FUEL 2" SGL STA 12V W/PIGTL
(BLANK ENGINES)

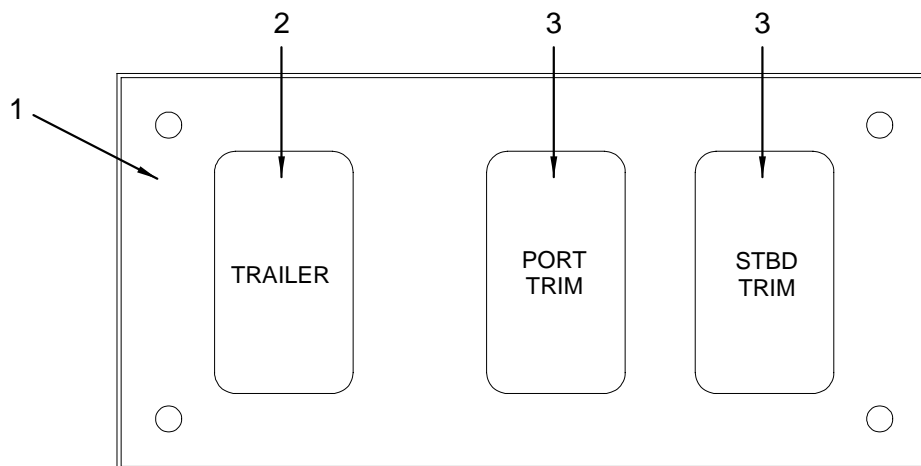
SWITCH PANEL



SWITCH PANEL

- 1 1797300 MODULE, ELEC SWPAD S-CRUISER PRT 05
- 2 1797304 MODULE, ELEC SWPAD S-CRUISER STB 05

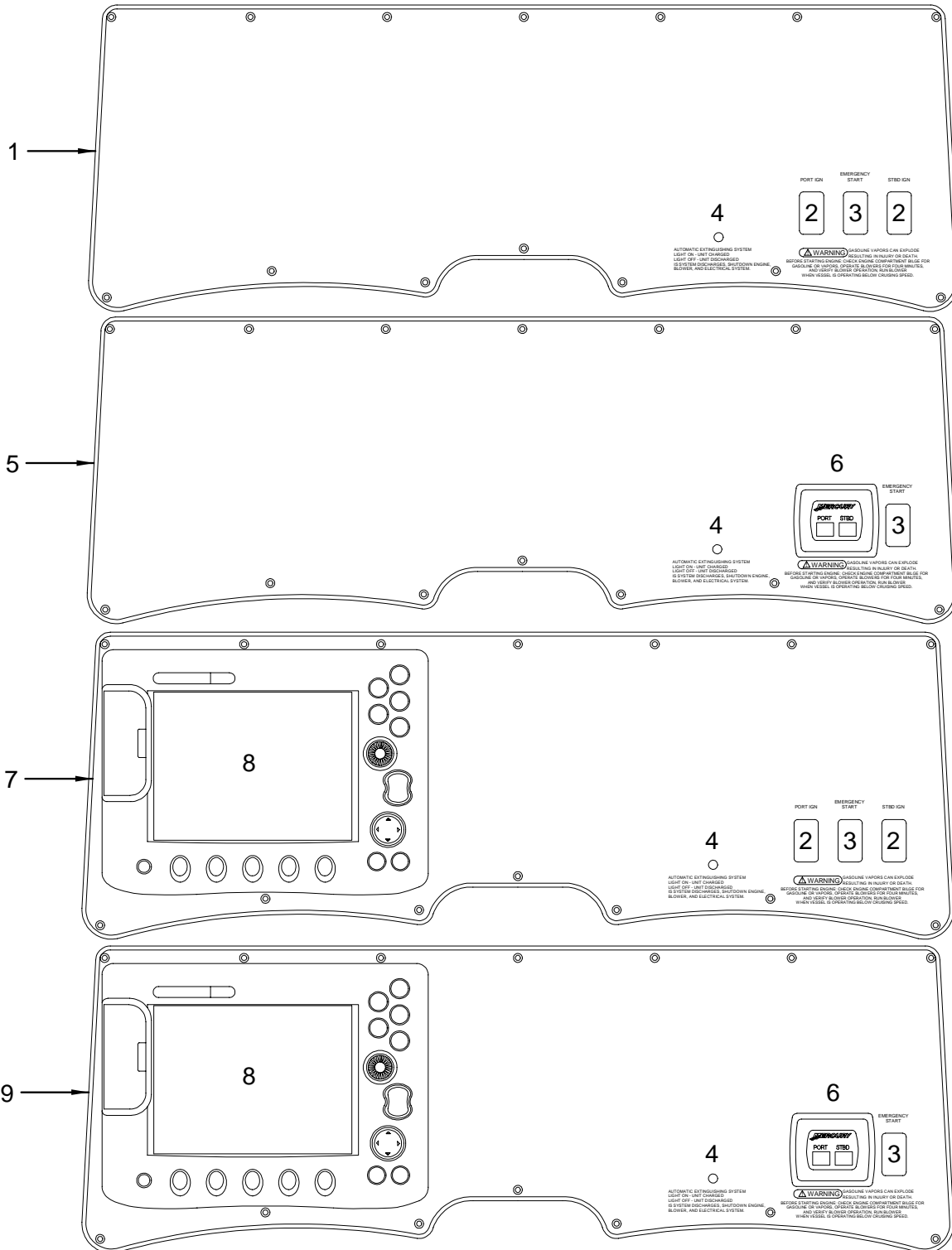
POWER TRIM PANEL



POWER TRIM PANEL

- 1 845818 PANEL, 280BR/SS-96 PROP TRIM PNL TWIN ENG
(STERN DRIVE ENGINES ONLY)
- 2 670539 BODY, ROCK SW DPST MOM
840926 ACTUATOR, ROCK VERT BLK W/O LENS TRAILER
- 3 767194 BODY, ROCK SW SPDT MOM W/BLK BASE
840918 ACTUATOR, ROCK VERT BLK W/O LENS PROPUL TRIM

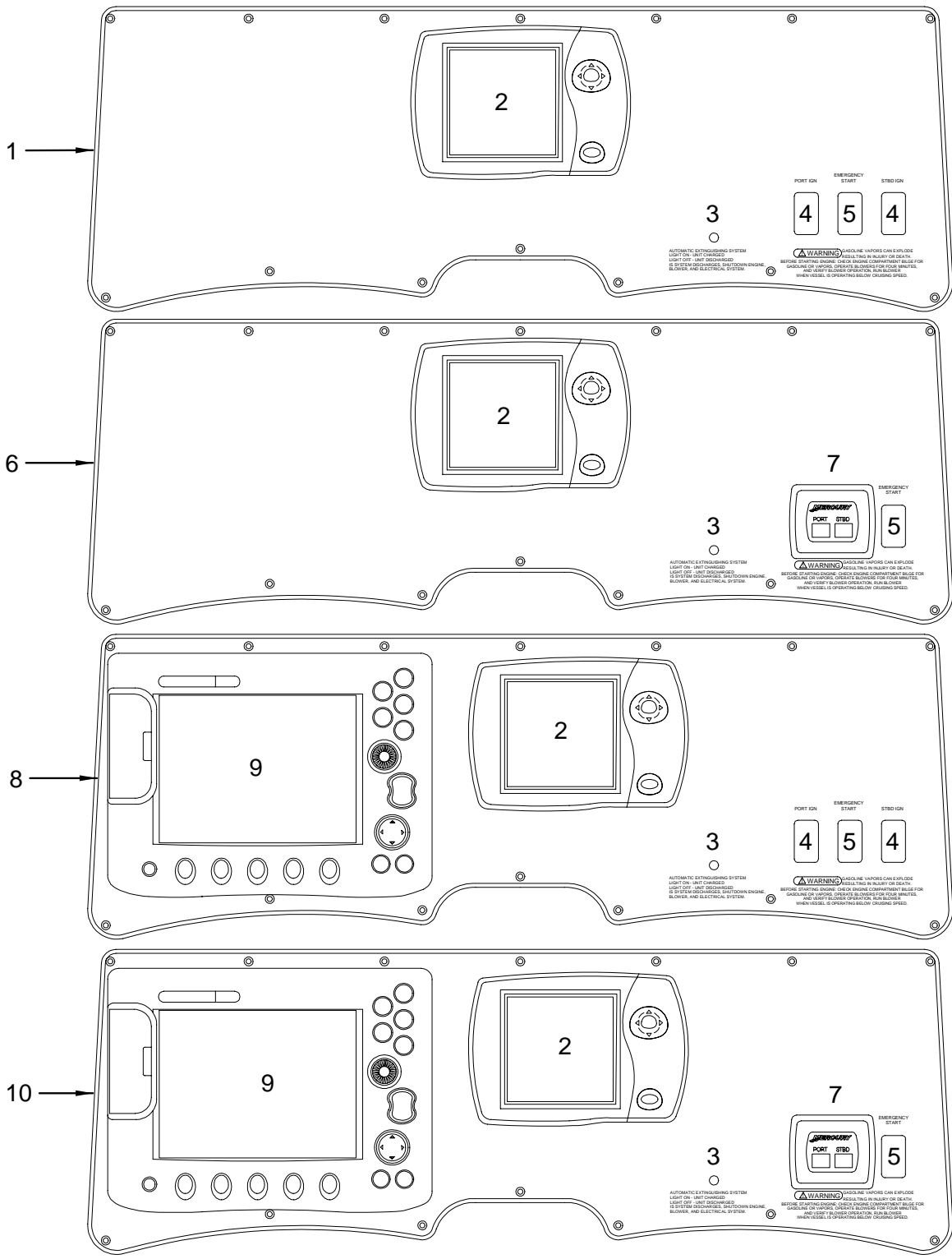
ELECTRONIC PANELS



ELECTRONIC PANELS

- 1 1846524 PANEL, 310DA-07 ELEC W/RCKR SW
- 1846522 PANEL, BLANK:310DA-07 ELEC
(BLANK PANEL ONLY - FOR 1846524)
- 2 1895535 ACTUATOR, ROCK BLK ENG START/STOP
- 1544196 SWITCH, DBL 2-CIRCUIT PROGRESSIVE
- 3 1895539 ACTUATOR, ROCK BLK EMER START
- 1526698 BODY, ROCK SW DPST MOM W/O BARRIER
- 4 179853 LIGHT, INDICATOR GREEN 15V
(SUPPLIED WITH FIRE SYSTEM)
- 5 1850270 PANEL, 310DA-07 ELEC W/RCKR SW/DTS
- 1850269 PANEL, BLANK:310DA-07 ELEC W/DTS
(BLANK PANEL ONLY - FOR 1850269)
- 6 1781396 SWITCH, START/STOP DUAL ENG KIT DTS
- 7 1846528 PANEL, 310DA-07 ELEC C80 W/RCKR SW
- 1846527 PANEL, BLANK:310DA-07 ELEC W/C80
(BLANK PANEL ONLY - FOR 1846528)
- 8 1772721 NAVIGATION DISPLAY, RAYMARINE C80 8" CLR LCD
- 9 1850272 PANEL, 310DA-07 ELEC W/RCKR SW/C80/DTS
- 1850271 PANEL, BLANK:310DA-07 ELEC W/C80/DTS
(BLANK PANEL ONLY - FOR 1850272)

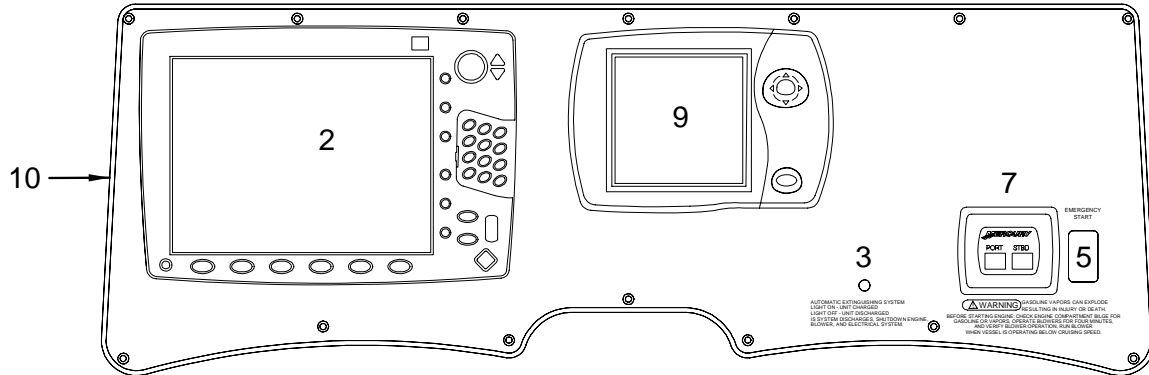
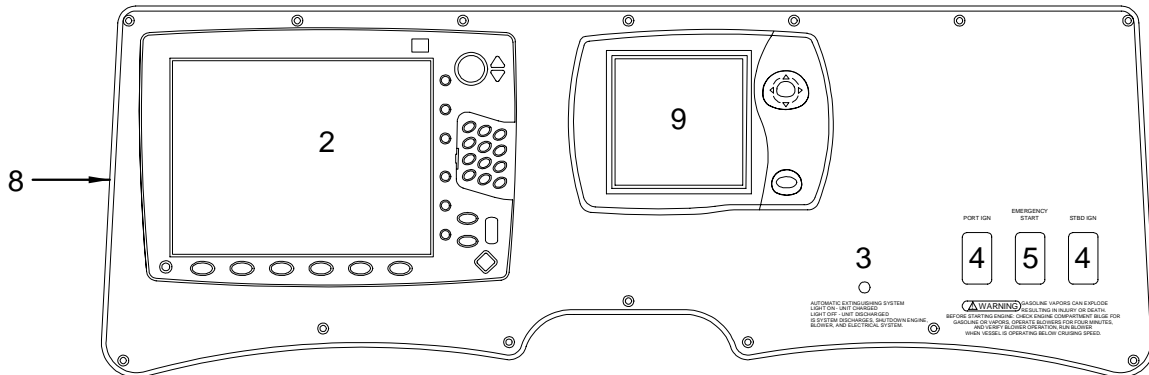
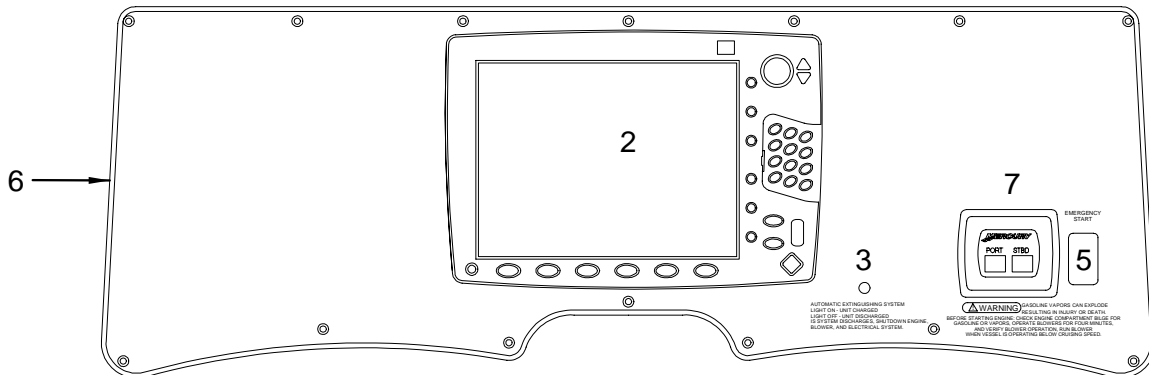
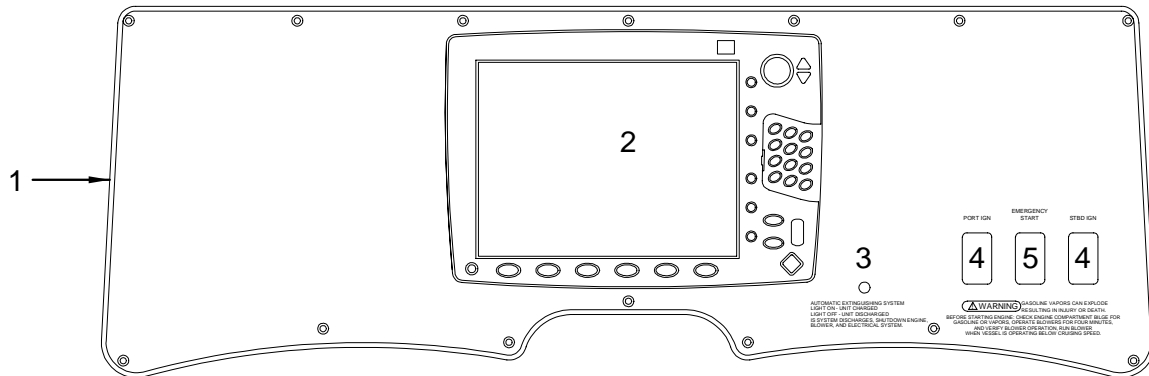
ELECTRONIC PANELS (CONTINUED 1)



ELECTRONIC PANELS (CONTINUED 1)

- 1 1846530 PANEL, 310DA-07 ELEC W/RCKR SW/SYSVW
- 1846529 PANEL, BLANK:310DA-07 ELEC W/SYSVW
(BLANK PANEL ONLY - FOR 1846530)
- 2 1816009 ACC PART, MERC S-CRFT SYS VIEW '06 VER 3.45
(NOTE: ORDER WARRANTY REPLACEMENT FROM MERCURY)
- 3 179853 LIGHT, INDICATOR GREEN 15V
(SUPPLIED WITH FIRE SYSTEM)
- 4 1895535 ACTUATOR, ROCK BLK ENG START/STOP
- 1544196 SWITCH, DBL 2-CIRCUIT PROGRESSIVE
- 5 1895539 ACTUATOR, ROCK BLK EMER START
- 1526698 BODY, ROCK SW DPST MOM W/O BARRIER
- 6 1850274 PANEL, 310DA-07 ELEC W/RCKR SW/SYSVW/DTS
- 1850273 PANEL, BLANK:310DA-07 ELEC W/SYSVW/DTS
- 7 1781396 SWITCH, START/STOP DUAL ENG KIT DTS
- 8 1846573 PANEL, 310DA-07 ELEC C80 W/SYSVW
- 1846569 PANEL, BLANK:310DA-07 ELEC C80 W/SYSVW
- 9 1772721 NAVIGATION DISPLAY, RAYMARINE C80 8" CLR LCD
- 10 1850330 PANEL, 310DA-07 ELEC C80/SYSVW/DTS
- 1850329 PANEL, BLANK:310DA-07 ELEC C80/SYSVW/DTS

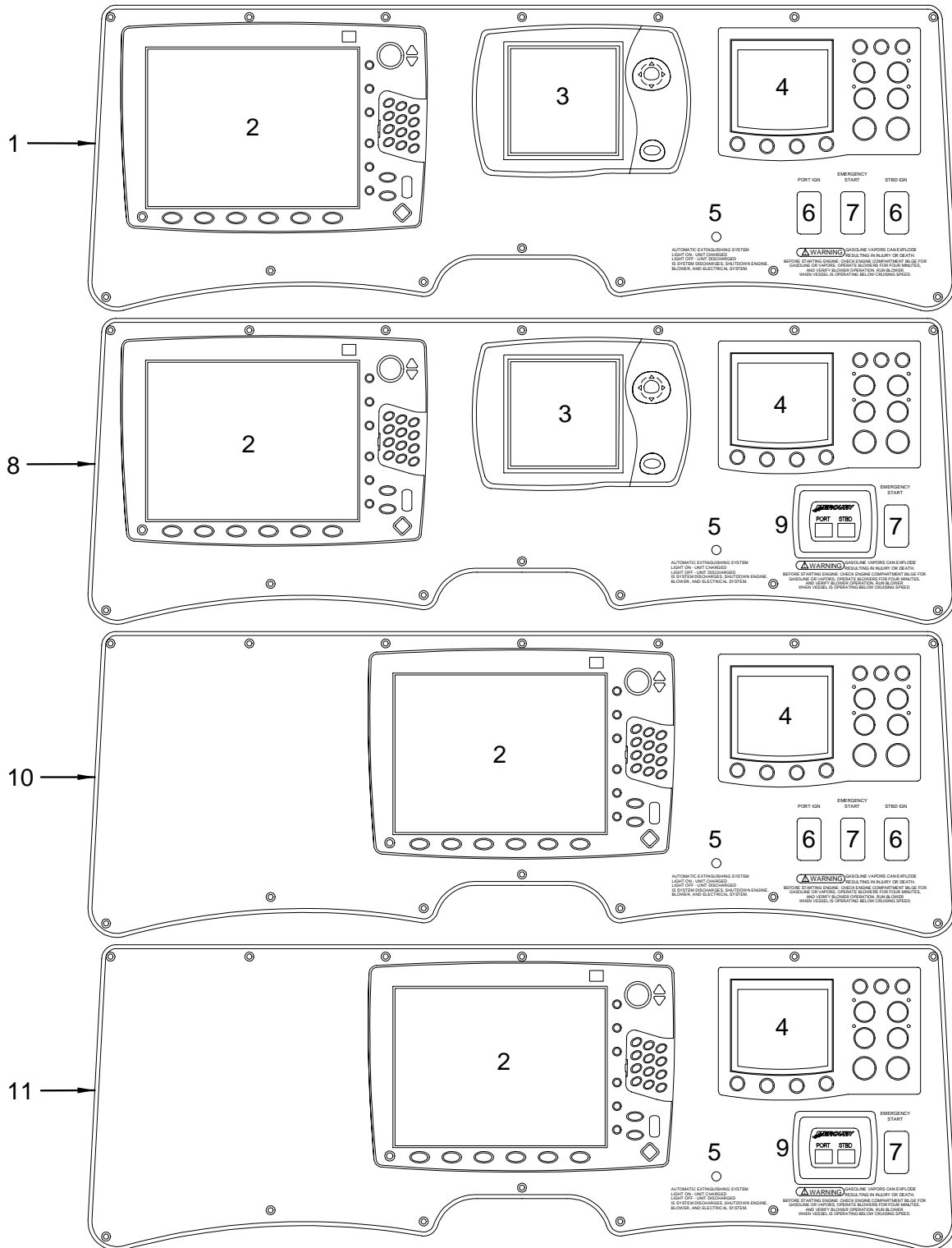
ELECTRONIC PANELS (CONTINUED 2)



ELECTRONIC PANELS (CONTINUED 2)

- 1 1846646 PANEL, 310DA-07 ELEC 6000I
- 1846642 PANEL, BLANK:310DA-07 ELEC 6000I
(BLANK PANEL ONLY - FOR 1846646)
- 2 1792387 NAVIGATION DISPLAY, NRTHSTR 6000I 8.4"
- 3 179853 LIGHT, INDICATOR GREEN 15V
(SUPPLIED WITH FIRE SYSTEM)
- 4 1895535 ACTUATOR, ROCK BLK ENG START/STOP
- 1544196 SWITCH, DBL 2-CIRCUIT PROGRESSIVE
- 5 1895539 ACTUATOR, ROCK BLK EMER START
- 1526698 BODY, ROCK SW DPST MOM W/O BARRIER
- 6 1850276 PANEL, 310DA-07 ELEC 6000I/DTS
- 1850275 PANEL, BLANK:310DA-07 ELEC 6000I/DTS
(BLANK PANEL ONLY - FOR 1850276)
- 7 1781396 SWITCH, START/STOP DUAL ENG KIT DTS
- 8 1846648 PANEL, 310DA-07 ELEC 6000I W/SYSVW
- 1846647 PANEL, BLANK:310DA-07 ELEC 6000I W/SYSVW
(BLANK PANEL ONLY - FOR 1846648)
- 9 1816009 ACC PART, MERC S-CRFT SYS VIEW '06 VER 3.45
(NOTE: ORDER WARRANTY REPLACEMENT FROM MERCURY)
- 10 1848234 PANEL, 310DA-07 ELEC 6000I/SYSVW/DTS
- 1848233 PANEL, BLANK:310DA-07 ELEC 6000I/SYSVW/DTS
(BLANK PANEL ONLY - FOR 1848234)

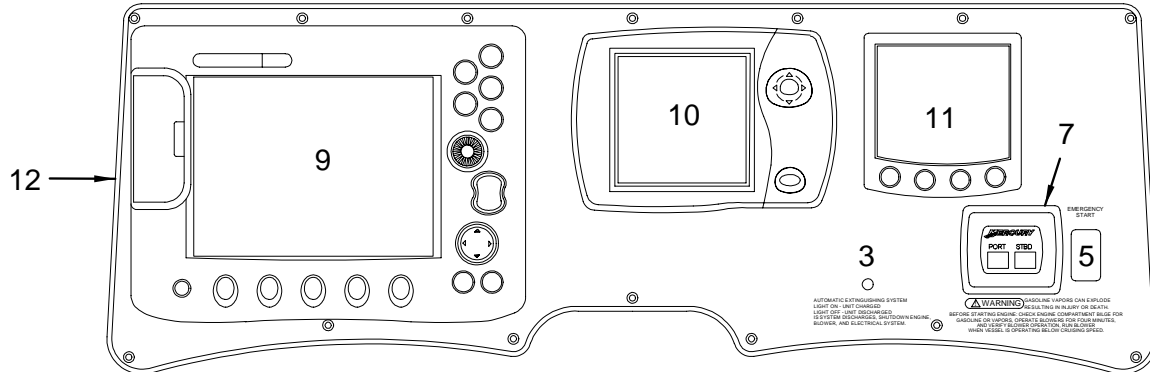
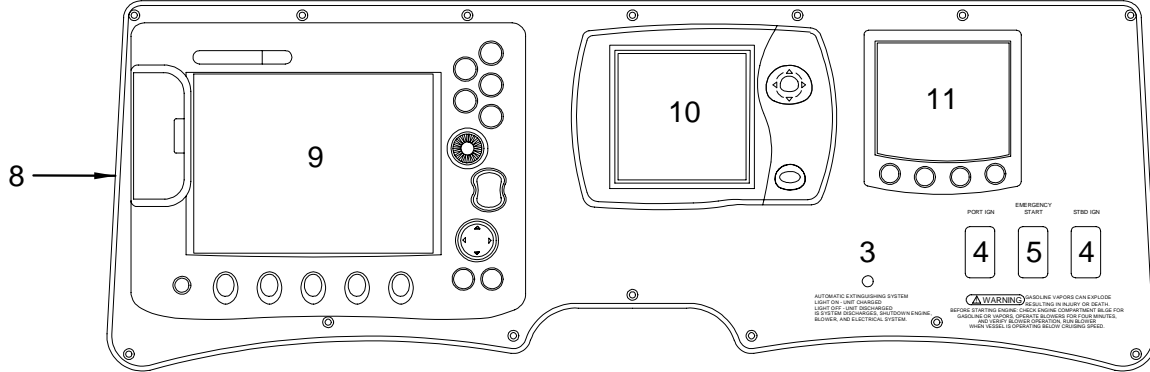
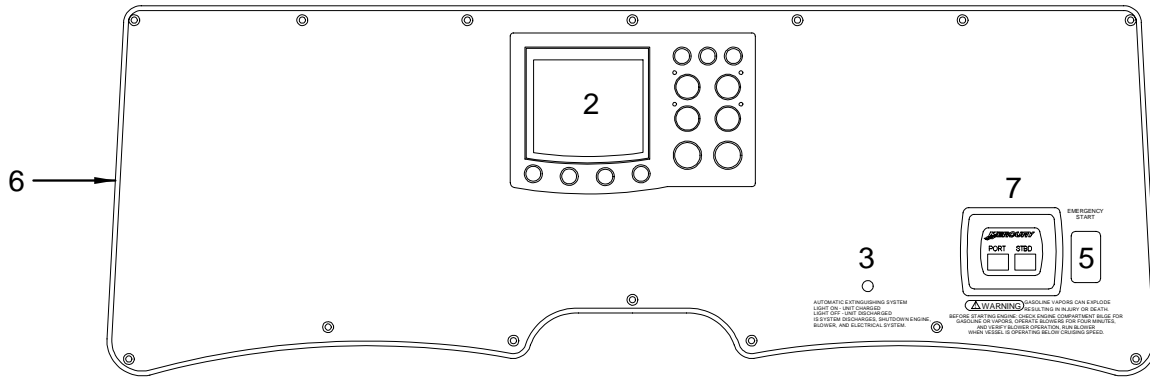
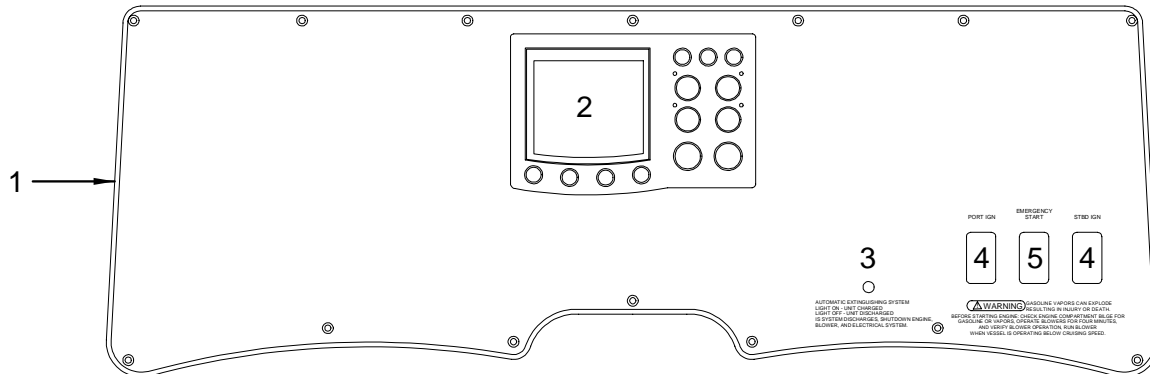
ELECTRONIC PANELS (CONTINUED 3)



ELECTRONIC PANELS (CONTINUED 3)

- 1 1850278 PANEL, 310DA-07 ELEC 6000I/SYSVW/AUTO
- 1850277 PANEL, BLANK:310DA-07 ELEC 6000I/SYSVW/AUTO
(BLANK PANEL ONLY - FOR 1850278)
- 2 1792387 NAVIGATION DISPLAY, NRTHSTR 6000I 8.4"
- 3 1816009 ACC PART, MERC S-CRFT SYS VIEW '06 VER 3.45
(NOTE: ORDER WARRANTY REPLACEMENT FROM MERCURY)
- 4 1807919 AUTO PILOT, NRTHSTR NS3300 DISPLAY ONLY
- 1807922 AUTO PILOT, NRTHSTR TYPE I PUMP UNIT
- 1807927 AUTO PILOT, NRTHSTR CORE PACK KIT (OPTIMAX)
- 1808609 HARNESS, AUTOPILOT NRTHSTR 10M EXT
- 1801623 HOSE KIT, 320/340SDA-06 HYD .313ID 21'
- 5 179853 LIGHT, INDICATOR GREEN 15V
(SUPPLIED WITH FIRE SYSTEM)
- 6 1895535 ACTUATOR, ROCK BLK ENG START/STOP
- 1544196 SWITCH, DBL 2-CIRCUIT PROGRESSIVE
- 7 1895539 ACTUATOR, ROCK BLK EMER START
- 1526698 BODY, ROCK SW DPST MOM W/O BARRIER
- 8 1850280 PANEL, 310DA-07 ELEC 6000I/SYSVW/AUTO/DTS
- 1850279 PANEL, BLANK:310DA ELEC 6000I/SYSVW/AUTO/DTS
(BLANK PANEL ONLY - FOR 1850280)
- 9 1781396 SWITCH, START/STOP DUAL ENG KIT DTS
- 10 1850282 PANEL, 310DA-07 ELEC 6000I/AUTO
- 1850281 PANEL, BLANK:310DA-07 ELEC 6000I/AUTO
(BLANK PANEL ONLY - FOR 1850282)
- 11 1850284 PANEL, 310DA-07 ELEC 6000I/AUTO/DTS
- 1850283 PANEL, BLANK:310DA-07 ELEC 6000I/AUTO/DTS
(BLANK PANEL ONLY - FOR 1850284)

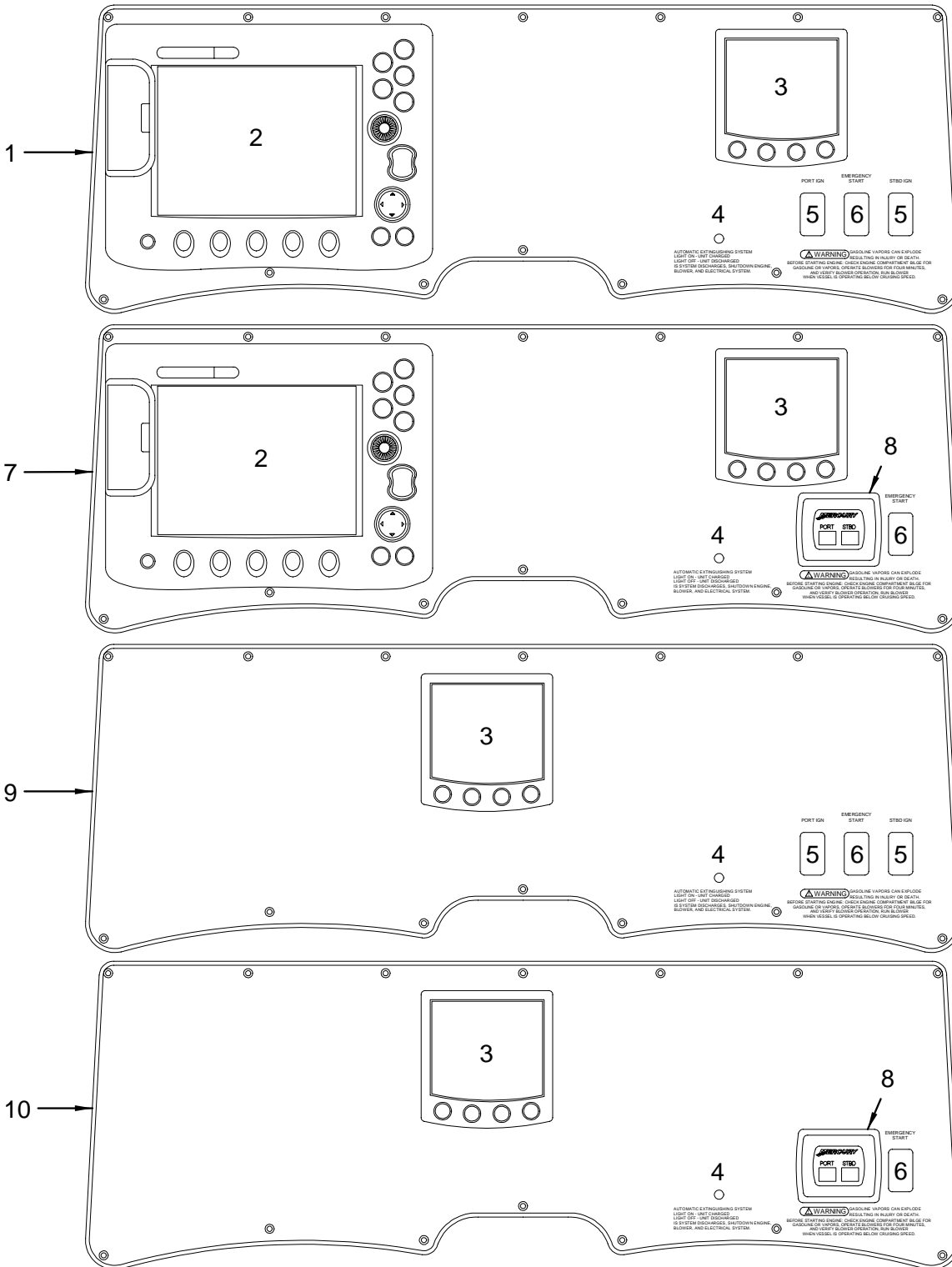
ELECTRONIC PANELS (CONTINUED 4)



ELECTRONIC PANELS (CONTINUED 4)

- 1 1850286 PANEL, 310DA-07 ELEC NRTHSTR AUTO
- 1850285 PANEL, BLANK:310DA-07 ELEC NRTHSTR AUTO
(BLANK PANEL ONLY - FOR 1850286)
- 2 1807919 AUTO PILOT, NRTHSTR NS3300 DISPLAY ONLY
- 1807922 AUTO PILOT, NRTHSTR TYPE I PUMP UNIT
- 1807927 AUTO PILOT, NRTHSTR CORE PACK KIT (OPTIMAX)
- 1808609 HARNESS, AUTOPILOT NRTHSTR 10M EXT
- 1801623 HOSE KIT, 320/340SDA-06 HYD .313ID 21'
- 3 179853 LIGHT, INDICATOR GREEN 15V
(SUPPLIED WITH FIRE SYSTEM)
- 4 1895535 ACTUATOR, ROCK BLK ENG START/STOP
- 1544196 SWITCH, DBL 2-CIRCUIT PROGRESSIVE
- 5 1895539 ACTUATOR, ROCK BLK EMER START
- 1526698 BODY, ROCK SW DPST MOM W/O BARRIER
- 6 1850291 PANEL, 310DA-07 ELEC NRTHSTR AUTO/DTS
- 1850290 PANEL, BLANK:310DA-07 ELEC NRTHSTR AUTO/DTS
(BLANK PANEL ONLY - FOR 1850291)
- 7 1781396 SWITCH, START/STOP DUAL ENG KIT DTS
- 8 1850293 PANEL, 310DA-07 ELEC C80/SYSVW/AUTO
- 1850292 PANEL, BLANK:310DA-07 ELEC C80/SYSVW/AUTO
(BLANK PANEL ONLY - FOR 1850293)
- 9 1772721 NAVIGATION DISPLAY, RAYMARINE C80 8" CLR LCD
- 10 1816009 ACC PART, MERC S-CRFT SYS VIEW '06 VER 3.45
(NOTE: ORDER WARRANTY REPLACEMENT FROM MERCURY)
- 11 1666163 AUTO PILOT, RAYPILOT ST7001 DISPLAY ONLY
- 12 1850288 PANEL, 310DA-07 ELEC C80/SYSVW/AUTO/DTS
- 1850287 PANEL, BLANK:310DA-07 ELEC C80/SYSVW/AUTO/DTS
(BLANK PANEL ONLY - FOR 1850288)

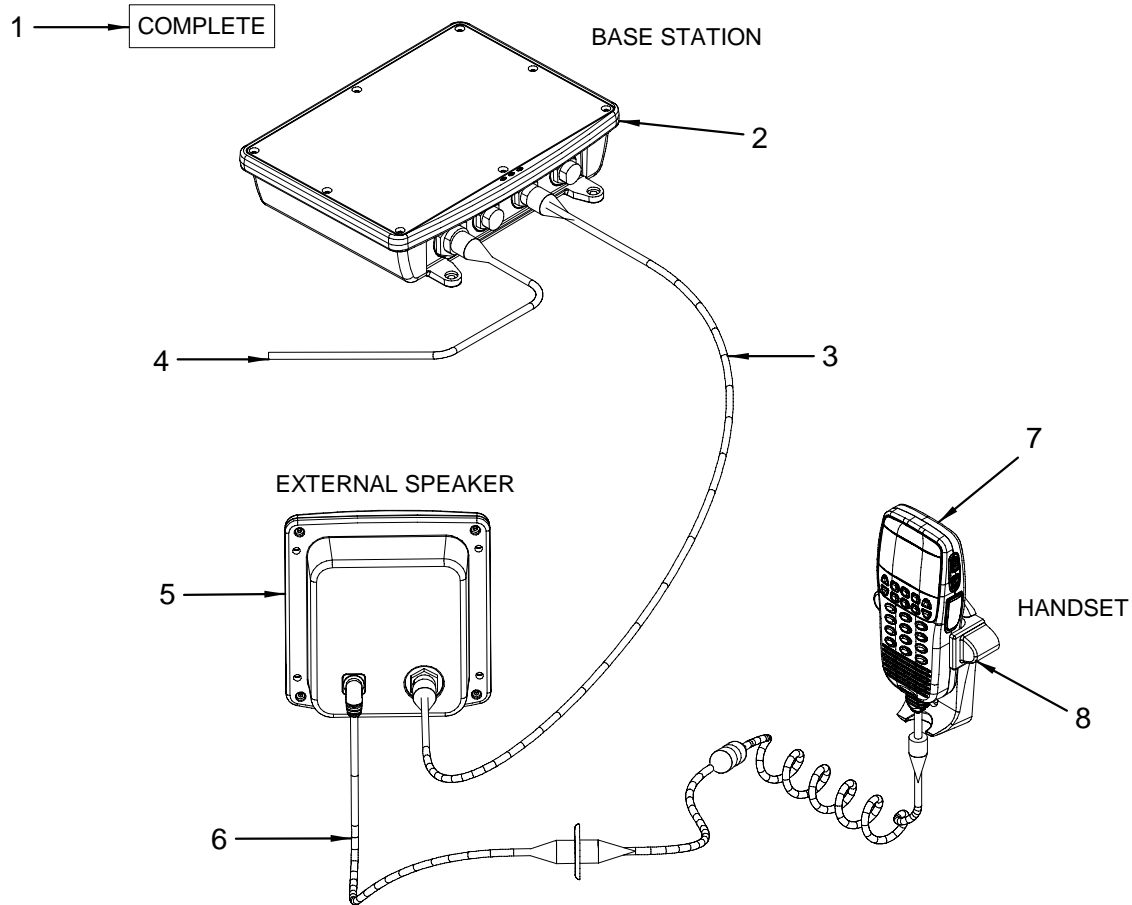
ELECTRONIC PANELS (CONTINUED 5)



ELECTRONIC PANELS (CONTINUED 5)

- 1 1850295 PANEL, 310DA-07 ELEC W/RCKR SW/C80/AUTO
- 1850294 PANEL, BLANK:310DA-07 ELEC C80/AUTO
(BLANK PANEL ONLY - FOR 1850295)
- 2 1772721 NAVIGATION DISPLAY, RAYMARINE C80 8" CLR LCD
- 3 1666163 AUTO PILOT, RAYPILOT ST7001 DISPLAY ONLY
- 4 179853 LIGHT, INDICATOR GREEN 15V
(SUPPLIED WITH FIRE SYSTEM)
- 5 1895535 ACTUATOR, ROCK BLK ENG START/STOP
- 1544196 SWITCH, DBL 2-CIRCUIT PROGRESSIVE
- 6 1895539 ACTUATOR, ROCK BLK EMER START
- 1526698 BODY, ROCK SW DPST MOM W/O BARRIER
- 7 1850297 PANEL, 310DA-07 ELEC W/RCKR SW/C80/AUTO/DTS
- 1850296 PANEL, BLANK:310DA-07 ELEC C80/AUTO/DTS
(BLANK PANEL ONLY - FOR 1850297)
- 8 1781396 SWITCH, START/STOP DUAL ENG KIT DTS
- 9 1850299 PANEL, 310DA-07 ELEC RAYMAR AUTO
- 1850298 PANEL, BLANK:310DA-07 ELEC RAYMAR AUTO
(BLANK PANEL ONLY - FOR 1850299)
- 10 1850301 PANEL, 310DA-07 ELEC RAYMAR AUTO/DTS
- 1850300 PANEL, BLANK:310DA-07 ELEC RAYMAR AUTO/DTS
(BLANK PANEL ONLY - FOR 1850301)

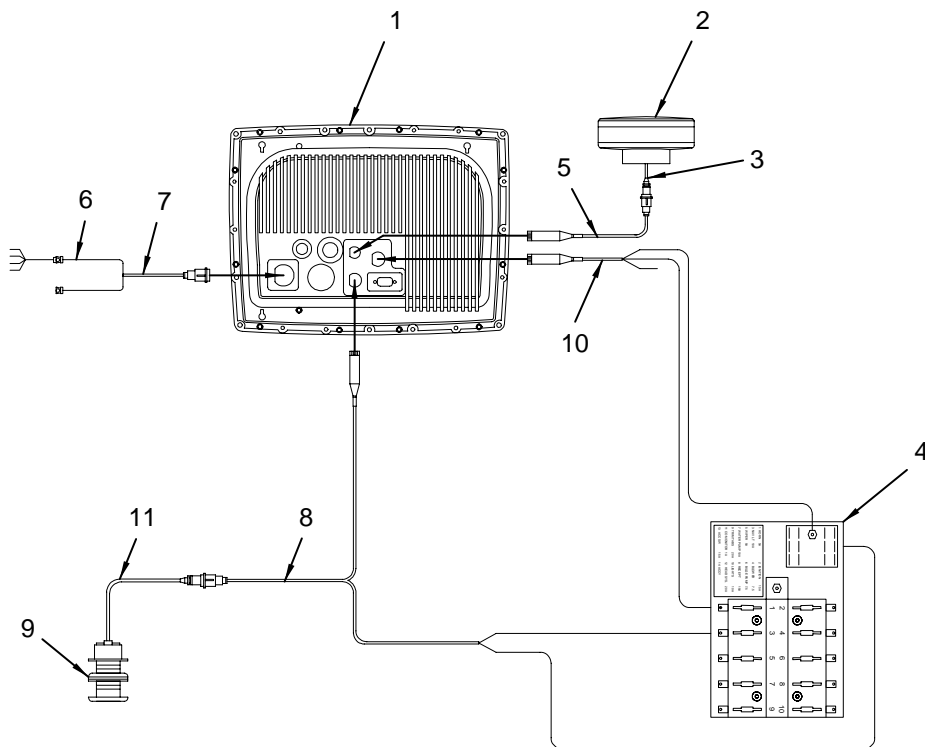
NORTHSTAR NS100SS VHF RADIO



NORTHSTAR NS100SS VHF RADIO

- 1 1807449 RADIO, VHF NRTHSTAR NS100
- 2 1807908 BASE, PLAS NRTHSTR VHF RADIO BLKBX
- 3 1807869 HARNESS, NRTHSTR VHF BLKBX TO SPKR CBL 72"
- 4 1807871 HARNESS, NRTHSTR VHF BLKBX PWR CBL 6'
- 5 1807911 SPEAKER, REMOTE NRTHSTR VHF BLKBX
- 6 1807870 HARNESS, NRTHSTR VHF BLKBX SPKR-HNDSET EXT 3'
- 7 1807910 RADIO, VHF NRTHSTR BLKBX HANDSET
- 8 1851777 RADIO, VHF MIC CLIP ONLY

NORTHSTAR 6000I NAVIGATION



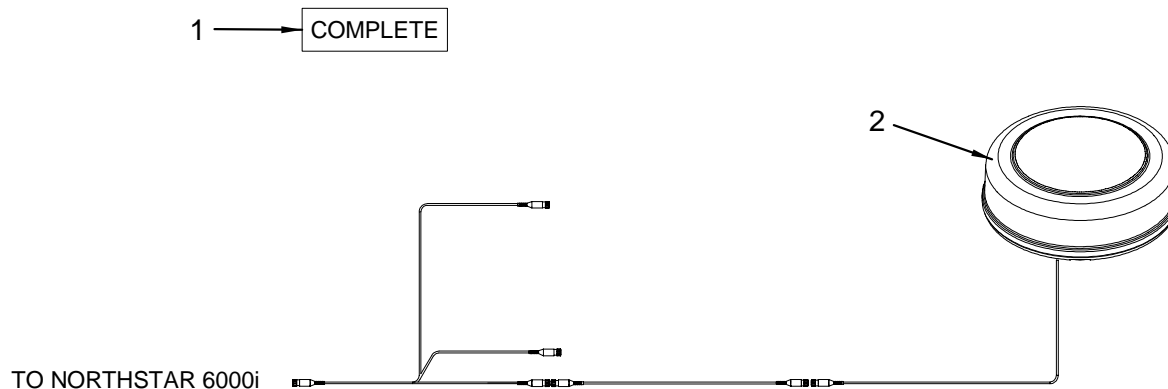
NORTHSTAR 6000I NAVIGATION

- 1 1792387 NAVIGATION DISPLAY, NRTHSTR 6000I 8.4"
- 2 1770976 NAVIGATOR, NRTHSTR 6000I GPS ANTENNA
- 3 1770975 HARNESS, GPS CBL EXT 15' NRTHSTR 6000I
- 4 730994 FUSE, BLADE TYPE CLOSED 7.5A
- 520668 FUSE, BLADE TYPE CLOSED 3A
- 5 1770974 HARNESS, GPS CBL 20' NRTHSTR 6000I
- 6 1795140 HARNESS, NRTHSTR 6000I NMEA I/O CBL
- 7 1770972 HARNESS, NRTHSTR 6000I RADAR INTERFACE CBL
- 8 1795162 HARNESS, PIGTAIL 5'SRN II XDUCR TO 6000I
- 9 1757382 NAVIGATOR, SRNII TRANSDUCR DEPTH/TEMP W/PT NY
- 10 1770973 HARNESS, POWER CBL KIT NRTHSTR 6000I
- 11 1757379 HARNESS, TRNSDCR DEPTH/TEMP 30' NRTHSTR 6000I

NOT SHOWN

- 1778187 NAVIGATOR, NRTHSTR 6000I 8.4" CMLPT PKG
- 1770977 NAVIGATOR, NRTHSTR FLUSH MNT KNOB
- 1807062 NAVIGATOR, NRTHSTR 6000I INSTALL KIT 8.4"
- 1769258 PLUG KIT, DEUTSCH DT04-3P 3PC KIT
- 1769259 PLUG KIT, DEUTSCH ST06-3S 3PC KIT
- 1784429 RADAR, NORTHSTAR HEADING SENSOR FOR 6000I
- 140665 GROUND BUSS, BRASS
- 179531 BUSS BAR, 3-GANG TERMINAL STRIP (SMALL)

NORTHSTAR 6000I 2KW CLOSED DOME RADAR



NORTHSTAR 6000I 2KW CLOSED DOME RADAR

- 1 1796308 RADAR, NRTHSTR RADOME 2KW CMPLT
- 2 1807864 RADAR, NRTHSTR CLSD DOME 2KW

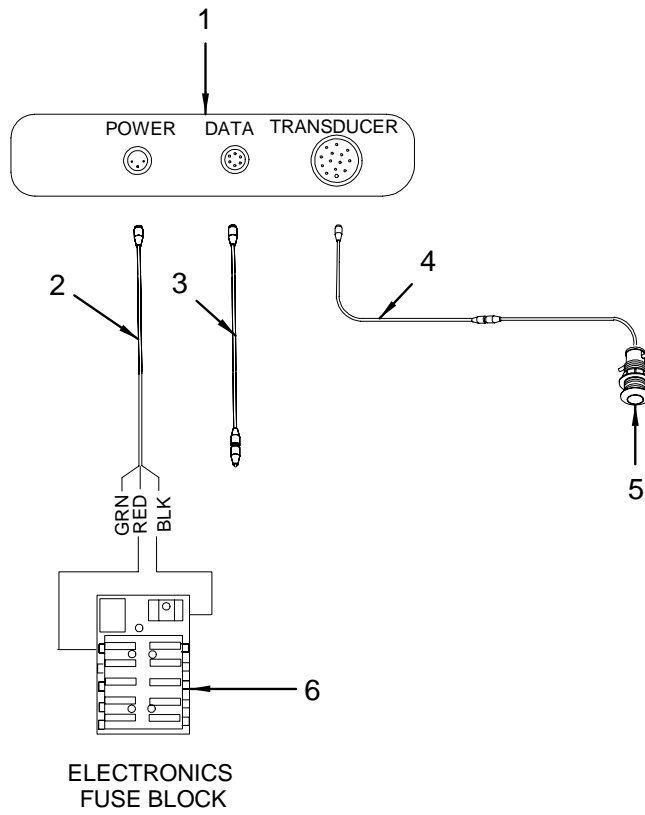
HARNESSES

- 1795140 HARNESS, NRTHSTR 6000I NMEA I/O CBL
- 1807868 HARNESS, RADAR CBL 16'NRTHSTR 6000I 2KW
- 1795967 RELAY, NRTHSTR RADAR KIT
- 1807867 HARNESS, RADAR CBL EXT 16'NRTHSTR 6000I 2KW
- 1807912 HARNESS, RADAR CBL INTRFACE NRTHSTR 6000I 2KW

NOT SHOWN

- 1784429 RADAR, NORTHSTAR HEADING SENSOR FOR 6000I
- 1819304 SUPPORT, ALUM NRTHSTR RADAR WHT

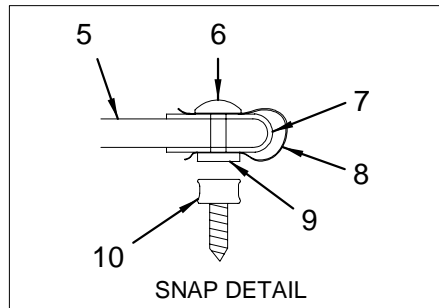
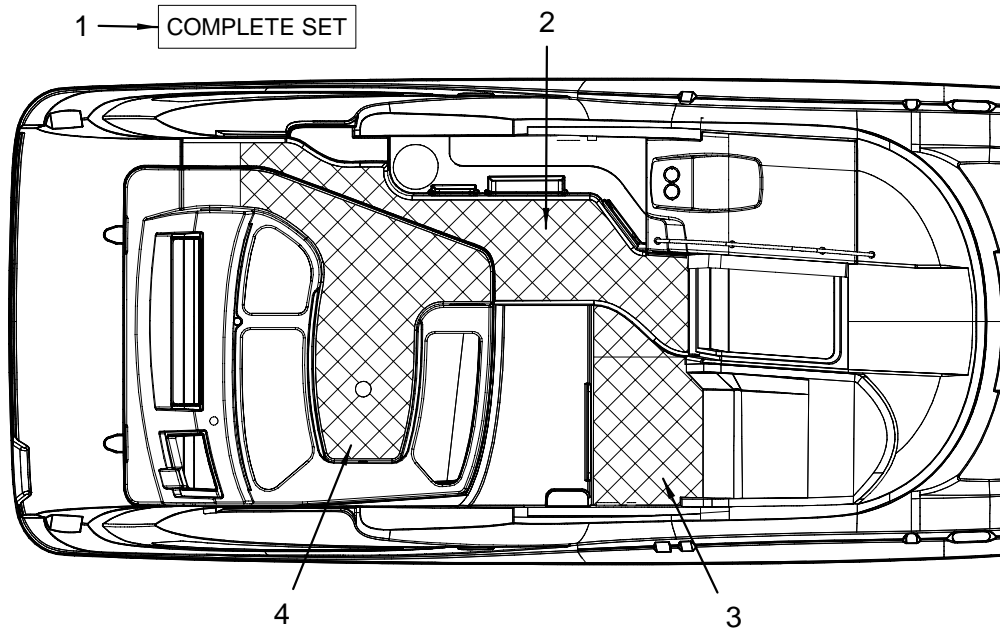
NORTHSTAR 6000I 491 FISHFINDER



NORTHSTAR 6000I 491 FISHFINDER

- 1 1795128 DEPTH FINDER, NRTHSTR 491FF MODULE
- 2 1795144 HARNESS, NRTHSTR 491FF PWR CBL 6FT0I
- 3 1795145 HARNESS, NRTHSTR 491FF TO 6000I CBL 10FT
- 4 1795136 HARNESS, NRTHSTR 491FF TRANS DEP/TEMP 30'
- 5 1795135 TRANSDUCER, NRTHSTR 491FF DEP/TEMP W/6'PGTAIL
- 6 265983 FUSE, BLADE TYPE ATO 10A

COCKPIT SNAP-IN CARPET LINER



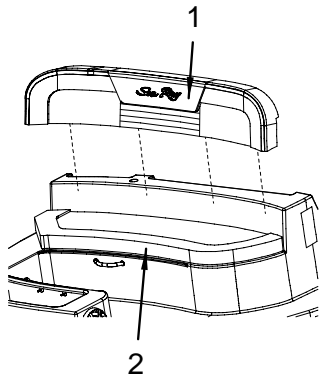
COCKPIT SNAP-IN CARPET LINER

- 1 1851040 310DA 07,CARPET LINER,CMPLT CKPT
- 2 1851041 310DA 07,CARPET LINER,PRT FWD CKPT
- 3 1851042 310DA 07,CARPET LINER,STB FWD CKPT
- 4 1851043 310DA 07,CARPET LINER,AFT CKPT
- 5 1609916 CARPET, EXT 28 OZ DUNE PEBBLE #902 RL 7"W
- 6 1163872 SNAP BUTTON, W/ 1/8" BARREL
- 7 800326 BINDING, CANVAS 1" LINEN STRAIGHT SUNBRELLA
- 8 1790664 SNAP REINFORCEMENT, PLAS BACKER 500 PC/ROLL
- 9 1163864 SNAP SOCKET, W/ 1/8" HOLE
- 10 154369 SNAP STUD, W/#8 X 3/8" PH SS

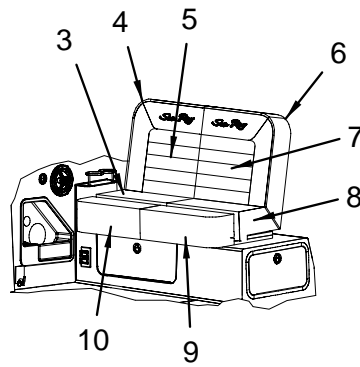
COCKPIT STORAGE/NON-VISIBLE CARPET

- 1752085 CARPET, EXT 24 OZ NICKEL BT

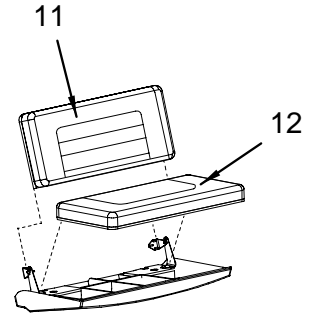
COCKPIT (UPHOLSTERY)



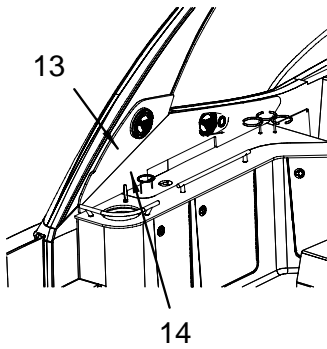
AFT SEAT



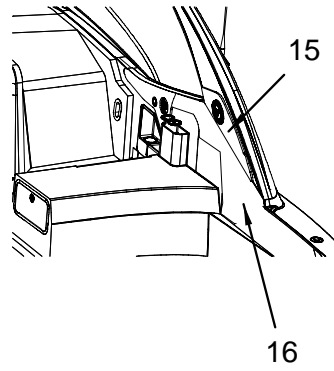
HELM SEAT



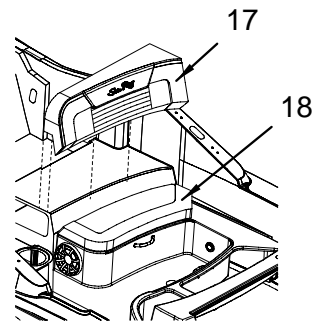
TRANSOM SEAT



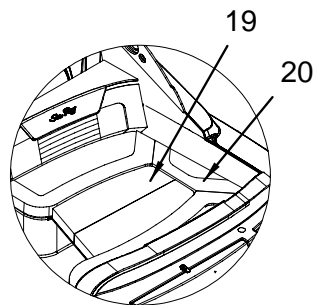
PORT SIDE PANELS



STARBOARD SIDE PANELS



AFT FACING SEAT



FILLER CUSHION

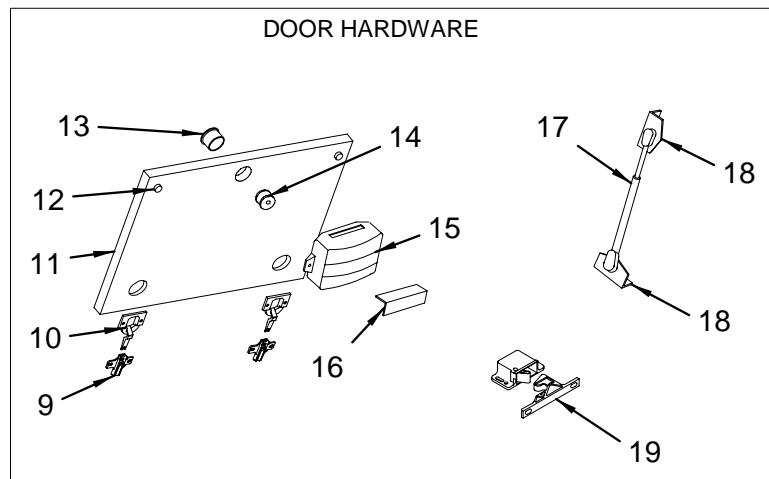
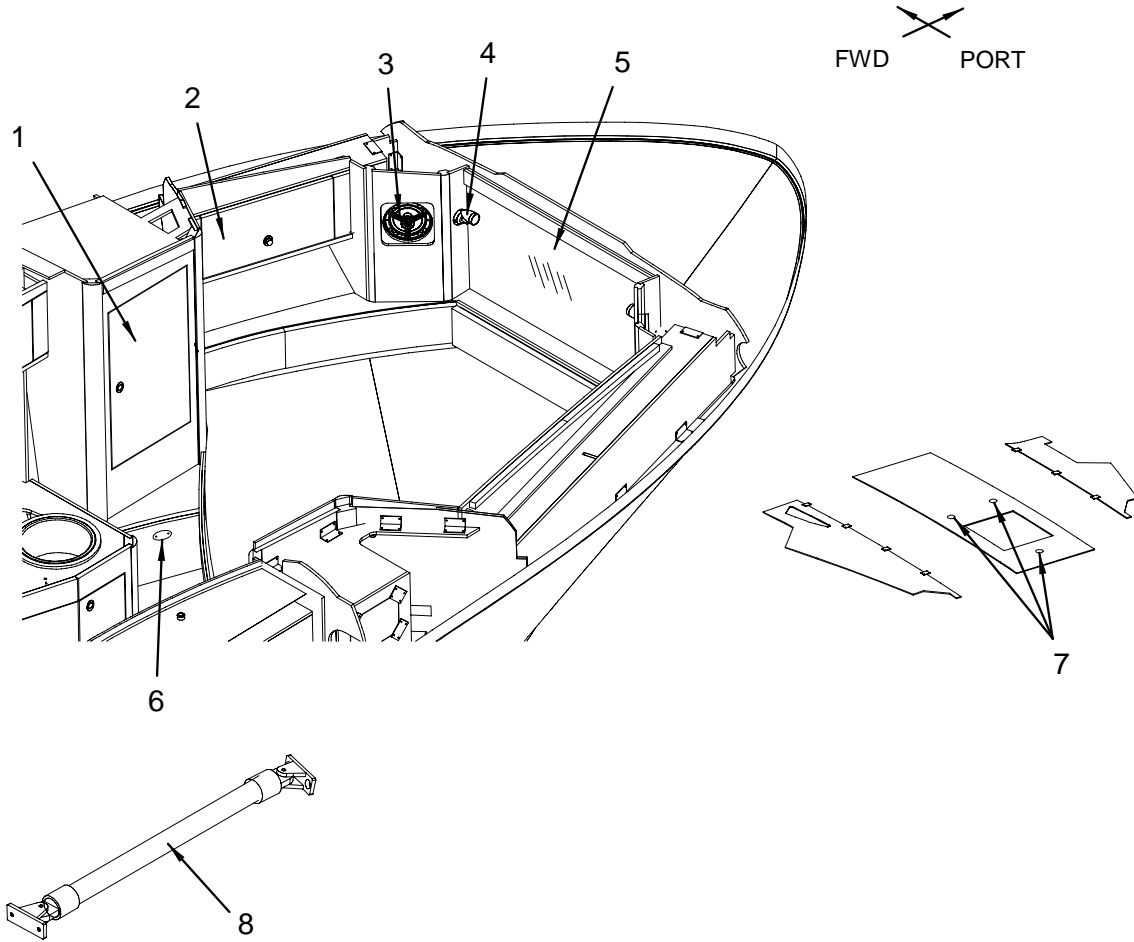
COCKPIT (UPHOLSTERY)

- | | | |
|----|---------|--|
| 1 | 1848252 | BCKRST, 310DA-07 CKPT AFT SEAT OMNOVA |
| | 1888499 | B/R SKN, 310DA-07 CKPT AFT SEAT OMNOVA |
| 2 | 1848249 | CUSH, 310DA-07 CKPT AFT SEAT OMNOVA |
| | 1888503 | CUSH SKN, 310DA-07 CKPT AFT SEAT OMNOVA |
| | 609883 | CLEAT, PLAS 3/4"X 1"X 4" GREY |
| 3 | 1848968 | HELMSEAT, 310DA-07 STB SEAT BTM OMNOVA |
| | 1888512 | H/S SKN, 310DA-07 STB SEAT BTM OMNOVA |
| | 1883852 | HELMSEAT, 310DA-07 STB SEAT BTM INSERT OMNOVA |
| | 1888513 | H/S SKN, 310DA-07 STB SEAT BTM INSERT OMNOVA |
| 4 | 1846991 | HELMSEAT, 310DA-07 STB SEAT BCK OMNOVA |
| | 1888510 | H/S SKN, 310DA-07 STB SEAT BACK OMNOVA |
| 5 | 1883851 | HELMSEAT, 310DA-07 STB SEAT BCK INSERT OMNOVA |
| | 1888511 | H/S SKN, 310DA-07 STB SEAT BACK INSERT OMNOVA |
| 6 | 1846990 | HELMSEAT, 310DA-07 PRT COMP SEAT BCK OMNOVA |
| | 1888506 | H/S SKN, 310DA-07 PRT COMP SEAT BACK OMNOVA |
| 7 | 1883853 | HELMSEAT, 310DA-07 PRT SEAT BCK INSERT OMNOVA |
| | 1888507 | H/S SKN, 310DA-07 PRT SEAT BACK INSERT OMNOVA |
| 8 | 1848966 | HELMSEAT, 310DA-07 PRT COMP SEAT BTM OMNOVA |
| | 1888508 | H/S SKN, 310DA-07 PRT COMP SEAT BTM OMNOVA |
| | 1883854 | HELMSEAT, 310DA-07 PRT SEAT BTM INSERT OMNOVA |
| | 1888509 | H/S SKN, 310DA-07 PRT SEAT BTM INSERT OMNOVA |
| 9 | 1848965 | HELMSEAT, 310DA-07 PRT COMP THGRS OMNOVA |
| | 1888859 | H/S SKN, 310DA-07 PRT COMP THRS OMNOVA |
| 10 | 1848967 | HELMSEAT, 310DA-07 STB THRS OMNOVA |
| | 1888514 | H/S SKN, 310DA-07 STB THRS OMNOVA |
| 11 | 1849747 | BCKRST, 310DA-07 TRNSM SEAT OMNOVA |
| | 1888500 | B/R SKN, 310DA-07 TRNSM SEAT OMNOVA |
| 12 | 1848250 | CUSH, 310DA-07 TRNSM SEAT OMNOVA |
| | 1888505 | CUSH SKN, 310DA-07 TRNSM SEAT OMNOVA |
| 13 | 1890898 | PANEL, 310DA SPLR ACNT PRT W/SPKR OMNV N/TREE
(INSTALLED WITH VELCRO) |
| | 1849745 | PANEL, 310DA-07 SPLR ACNT PRT W/SPKR OMNOVA
(INSTALLED WITH CHRISTMAS TREE FASTENERS) |
| | 1888520 | PNL SKN, 310DA-07 SPLR ACNT PRT W/SPKR OMNOVA |
| | 1286426 | VELCRO, DUAL LOCK CLR 1"X 50YD W/ADH BACK |
| 14 | 1848254 | PANEL, 310DA-07 CKPT PRT SIDE N/GRL OMNOVA |
| | 1888516 | PNL SKN, 310DA-07 CKPT PRT SIDE N/GRL OMNOVA |
| | 1849754 | PANEL, 310DA-07 CKPT PRT SIDE W/GRL OMNOVA
(GRILL, COCKPIT - BUILT IN - 120V/60)
(GRILL, COCKPIT - BUILT IN - 220V/50) |
| | 1888517 | PNL SKN, 310DA-07 CKPT PRT SIDE W/GRL OMNOVA
(GRILL, COCKPIT - BUILT IN - 120V/60)
(GRILL, COCKPIT - BUILT IN - 220V/50) |
| 15 | 1890899 | PANEL, 310DA SPLR ACNT STB W/SPKR OMNV N/TREE
(INSTALLED WITH VELCRO) |
| | 1849746 | PANEL, 310DA-07 SPLR ACNT STB W/SPKR OMNOVA
(INSTALLED WITH CHRISTMAS TREE FASTENERS) |
| | 1888521 | PNL SKN, 310DA-07 SPLR ACNT STB W/SPKR OMNOVA |
| | 1286426 | VELCRO, DUAL LOCK CLR 1"X 50YD W/ADH BACK |
| 16 | 1848253 | PANEL, 310DA-07 CKPT STB SIDE OMNOVA |
| | 1888519 | PNL SKN, 310DA-07 CKPT STB SIDE OMNOVA |
| 17 | 1848246 | BCKRST, 310DA-07 CKPT AFT FCNG SEAT OMNOVA |
| | 1888497 | B/R SKN, 310DA-07 CKPT AFT FCNG SEAT OMNOVA |
| 18 | 1848247 | CUSH, 310DA-07 CKPT AFT FACING SEAT OMNOVA |
| | 1888501 | CUSH SKN, 310DA-07 CKPT AFT FCNG SEAT OMNOVA |
| | 609883 | CLEAT, PLAS 3/4"X 1"X 4" GREY |
| 19 | 1848251 | CUSH, 310DA-07 CKPT AFT FLR OMNOVA |
| | 1888502 | CUSH SKN, 310DA-07 CKPT AFT FLR OMNOVA |
| 20 | 1848248 | CUSH, 310DA-07 CKPT STB SEAT OMNOVA |
| | 1888504 | CUSH SKN, 310DA-07 CKPT STB SEAT OMNOVA |

NOT SHOWN

- | | |
|---------|--|
| 1617281 | BRACKET, BLSTR CKPT ANGLED 1/4" STND-OFF SS |
| 1798770 | BRACKET, HELM SEAT 3/4"X2.25"X1/2"OFF-SET SS |

FORWARD STATEROOM (PORT VIEW)



FORWARD STATEROOM (PORT VIEW)

1	1850266	310DA 07,DOOR,FWD STRM PRT H/L
2	1851047	310DA 07,DOOR,FWD STRM PRT GNWL
3	1690557	SPEAKER, COAXIAL 6.5" N/CVR
4	1803184	SPOTLIGHT, SWVL TASK BRSHD SS W/SW W/CONN
	1820310	BULB, REPL FOR #1803184/1831205 (REPLACEMENT BULB FOR 1803184)
5	1851093	310DA 07,MIR ASSY,FWDSTRM
	1838236	MIRROR, 1/8"X 20.5"X 38.75"CLEAR
6	1771066	LIGHT, COURTESY OVAL STEP ANT WHT (INT)W/CONN
	1184639	BULB, REPL FOR MRP #0840850 (STEP LT) (REPLACEMENT BULB FOR 1771066)
7	1803185	LIGHT, INDIRECT LED WHT BUTTON W/COLLAR/CONN (LED NOT REPLACEABLE)
8	639724	BAR, HANGING ROD (CLOTHES) ALUM 18"
9	525667	HINGE, CONCEALED FULL OVERLAY MT PLATE ONLY
10	814350	HINGE, CONCEALED FULL OVERLAY 100DEG W/DOWEL (GUNWALE DOORS)
	839399	HINGE, SELF CLOSING BLUM SCREW-ON
11	1733074	MICA, 4'X 8'X.030"BLOSSOM CHERRY GLOSS GR20
	1750967	MICA, PVC EDGE BAND 7/8"X .017 BLOSSOM CHERRY
	898882	MICA, PVC EDGE BAND 7/8"X .017 BLK MATTE
12	663708	BUMPER, CLEAR .020" THICK
13	1776837	PULL, ROSETTE SAT/NCKL RND 16MM (5/8")
14	1742136	PULL, PUSH-BUTTON KNOB SAT/NCKL
15	772418	CATCH, RIM-LOCK WHT
16	761445	CATCH, RIM-LOCK STRIKE PLATE
17	1777168	CYLINDER, GAS 10PSI 10"EXT X 7"COMP (HULL# 1249 -> UP)
	950287	CYLINDER, GAS 20PSI 10"EXT X 7"COMP (HULL# 1201 -> 1248)
18	634550	BRACKET, SS GAS CYL 90DEG L-BRKT W/BALL LONG
19	390849	CATCH, GRABBER LATCH W/10LB HOLD BLK PLAS

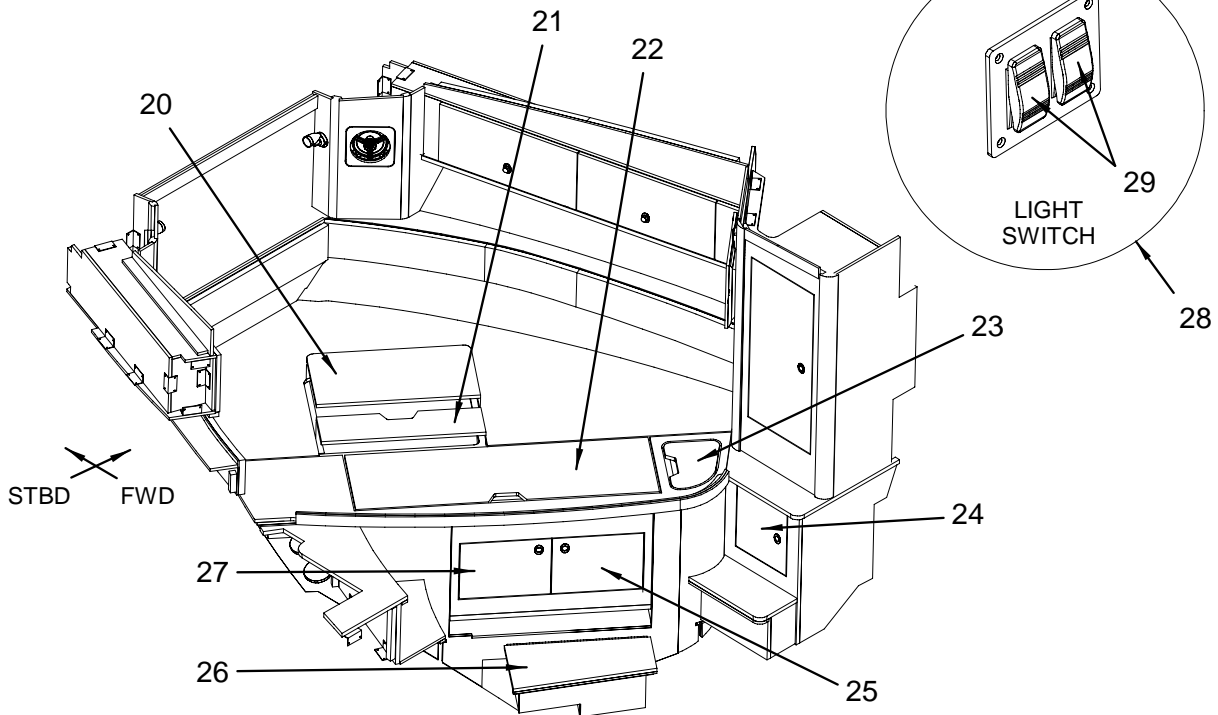
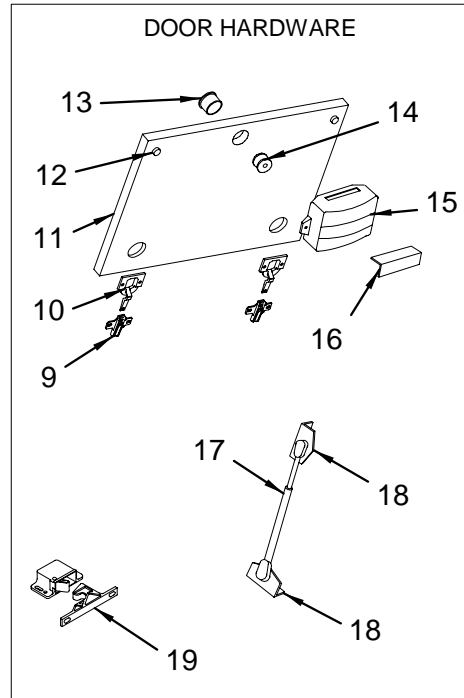
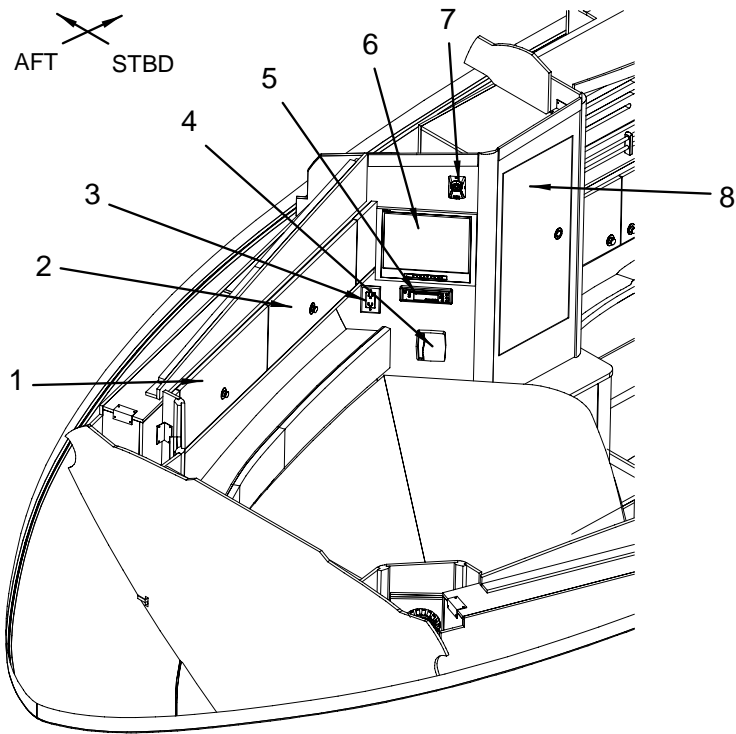
NOT SHOWN

835843	BRACKET, ALUM 1"X 1/2"X 3" 3/16"HOLES 2SIDES
836023	BRACKET, ALUM 1.5"X 1.5"X 1.5" 3/16"HOLES
952861	BRACKET, ALUM 2"X 1/8"X 3" 4@3/16"HOLES
952929	BRACKET, ALUM 1"X 1/8"X 3" 3/16"HOLES
1690661	BRACKET, PVC 1.5"X 0.5"X 3" 3/16"HOLES
952804	BRACKET, ALUM 2"X 1/8"X 5" 8@3/16"HOLES

PRIVACY CURTAIN

737239	TRACK, ALUM CURT TRK 8' I BEAM TYPE
157461	UPH PARTS, END STOP W/LOOP
186676	UPH PARTS, DRAPE CEILING BRKT
221325	UPH PARTS, END STOP W/SCREW

FORWARD STATEROOM (STARBOARD VIEW)



FORWARD STATEROOM (STARBOARD VIEW)

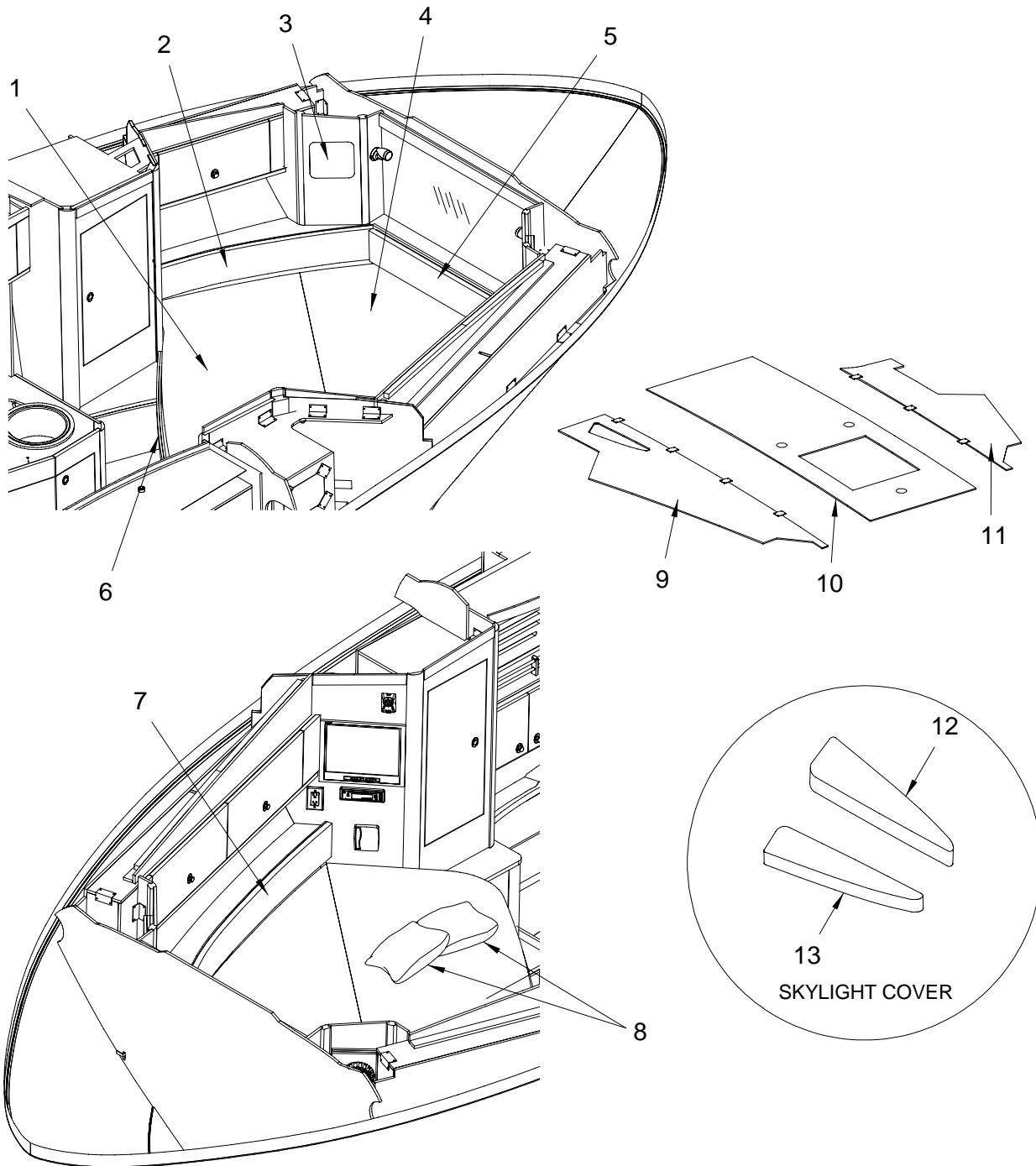
1 1851096 310DA 07,DOOR,FWD STRM STB FWD GNWL
 2 1851097 310DA 07,DOOR,FWD STRM STB AFT GNWL
 3 1787506 RECEPTACLE, DUPLEX BLACK 15A
 1787521 COVER PLATE, SGL DUPLEX RECEPT BLK LVT
 627737 BOX, RECEPTACLE/SWITCH PVC 1-GANG DEEP
 1787551 RECEPTACLE, GERMAN STD MOS WHT(SNAP CVR) LVT
 (220 VOLT / 50 CYCLE ELECTRICAL SYSTEM)
 1787565 RECEPTACLE, LEVITON EXT W/CVR 220/50 GERMAN
 (220 VOLT / 50 CYCLE ELECTRICAL SYSTEM)
 4 1805241 A/C COMP, CONTROLLER SMXHT DISPLAY DX-GREY
 (AIR CONDITIONING / HEATING-12000BTU-120V/60)
 (AIR CONDITIONING / HEATING-12000BTU-220V/50)
 5 1817493 DVD, KEC 12V DVD3 DIN
 (TV 15" FLATSCRN / DVD/ GAMING PORT-V-BERTH)
 1819303 DVD, KEC 12V DVD3 ZONEFREE
 (TV 15" FLATSCRN / DVD/ GAMING PORT-V-BERTH WITH ZONE
 FREE DVD)
 1848849 REMOTE, DVD KEC 12V DVD2M/3M ZONEFREE
 (REMOTE FOR 1817493 & 1819303)
 6 1852692 TELEVISION, 15"LG LCD HDTV BLK W/BTM SPKR
 (HULL# 1206 -> UP)
 (TV 15" FLATSCRN / DVD/ GAMING PORT-V-BERTH)
 1872710 REMOTE, TV 15"LG LCD HDTV BLK W/BTM SPKR
 (REMOTE FOR 1852692)
 1805175 TELEVISION, 15.1" LG LCD HDTV W/BTM SPKR
 (HULL# 1201 -> 1205)
 (TV 15" FLATSCRN / DVD/ GAMING PORT-V-BERTH)
 1815412 REMOTE, TV 15.1" LG LCD HDTV
 (REMOTE FOR 1805175)
 1872088 TELEVISION, 15" LG LCD 220V 15C1RB
 (HULL# 1318 -> UP)
 (TV 15" FLATSCRN / DVD/ GAMING PORT-V-BERTH WITH PAL
 T.V. TUNER)
 1888310 REMOTE, TV 15" LG LCD 220V 15C1RB
 (REMOTE FOR 1872088)
 1815899 TELEVISION, 15" TOSHIBA PAL LCD
 (HULL# 1201 -> 1317)
 (TV 15" FLATSCRN / DVD/ GAMING PORT-V-BERTH WITH PAL
 T.V. TUNER)
 1835480 REMOTE, TV TOSHIBA PAL LCD
 (REMOTE FOR 1815899)
 1838714 HARNESS, 310DA-07 TV/DVD 15'
 (TV 15" FLATSCRN / DVD/ GAMING PORT-V-BERTH)
 1750880 CABLE, RCA AUDIO 6' W/EFX-2 CONN W/NOISE SUPP
 (TV 15" FLATSCRN / DVD/ GAMING PORT-V-BERTH)
 1787506 RECEPTACLE, DUPLEX BLACK 15A
 (TV 15" FLATSCRN / DVD/ GAMING PORT-V-BERTH)
 1787521 COVER PLATE, SGL DUPLEX RECEPT BLK LVT
 (TV 20" FLATSCREEN / DVD/ GAMING PORT/ SALON)
 1768472 PLUG, 220V BLK RECEPTACLE
 (220 VOLT WITH TV 15" FLATSCRN / DVD/ GAMING
 PORT-V-BERTH)
 637058 CONN, COAX EURO TV ADAPTER "F" TYPE
 (220 VOLT WITH TV 15" FLATSCRN / DVD/ GAMING
 PORT-V-BERTH)
 7 1816919 MONITOR, CO DETECTOR WHT CMD-4-RLY
 1816921 PLATE, CO MONITOR BCKNG CMD-4M-RLY-FCB W/CONN
 8 1851102 310DA 07,DOOR,FWD STRM STB H/L
 9 525667 HINGE, CONCEALED FULL OVERLAY MT PLATE ONLY
 10 814350 HINGE, CONCEALED FULL OVERLAY 100DEG W/DOWEL
 (GUNWALE DOORS)
 839399 HINGE, SELF CLOSING BLUM SCREW-ON
 11 1733074 MICA, 4'X 8'X.030"BLOSSOM CHERRY GLOSS GR20
 1750967 MICA, PVC EDGE BAND 7/8"X .017 BLOSSOM CHERRY
 898882 MICA, PVC EDGE BAND 7/8"X .017 BLK MATTE
 12 663708 BUMPER, CLEAR .020" THICK
 13 1776837 PULL, ROSETTE SAT/NCKL RND 16MM (5/8")
 14 1742136 PULL, PUSH-BUTTON KNOB SAT/NCKL
 15 772418 CATCH, RIM-LOCK WHT
 16 761445 CATCH, RIM-LOCK STRIKE PLATE
 17 1777168 CYLINDER, GAS 10PSI 10"EXT X 7"COMP
 (HULL# 1249 -> UP)
 950287 CYLINDER, GAS 20PSI 10"EXT X 7"COMP
 (HULL# 1201 -> 1248)
 18 634550 BRACKET, SS GAS CYL 90DEG L-BRKT W/BALL LONG
 19 390849 CATCH, GRABBER LATCH W/10LB HOLD BLK PLAS
 20 1851103 310DA 07,HATCH,FWD A/C
 21 1851104 310DA 07,HATCH,AFT A/C
 22 1851106 310DA 07,HATCH,AFT BUNK
 23 1851107 310DA 07,HATCH,STB BUNK
 24 1851108 310DA 07,DOOR,FWD STRM STB LWR
 25 1851110 310DA 07,DOOR,FWD STRM BUNK STB
 26 1851112 310DA 07,LID,FWD STRM FLOOR STRG
 198663 HINGE, AL CONT FORM/SGL 1.25"X 72" BLK

27 1851118 310DA 07,DOOR,FWD STRM BUNK PRT
 28 1804371 PANEL, 290DA-06 CABIN LT SW DUAL 2-WAY BLK
 29 1541655 ACTUATOR, ROCK SWITCH-LIGHTS BLK
 (PART OF 1804371)
 1609312 BODY, ROCK SW SPDT BLK 12V INCAND NON-LIT
 (PART OF 1804371)

NOT SHOWN

1806313 TRIM RING, T/F SKYLIGHT INR CUSTOM STB TAN

FORWARD STATEROOM (UPHOLSTERY)



FORWARD STATEROOM (UPHOLSTERY)

- 1 1851130 310DA 07,MATTRESS,AFT FWD STRM
- 1851133 310DA 07,MATTRESS SKN,AFT FWD STRM
- 2 1851119 310DA 07,BLSTR,FWD STRM PRT
- 1851120 310DA 07,BLSTR SKN,FWD STRM PRT
- 3 1882924 310DA 07,CVR,SPKR FWDSTRM
- 4 1851127 310DA 07,MATTRESS,FWD FWD STRM
- 1851129 310DA 07,MATTRESS SKN,FWD FWD STRM
- 5 1882920 310DA 07,BLSTR,FWDSTRM CTR
- 1882921 310DA 07,BLSTR SKN,FWDSTRM CTR
- 6 1851134 310DA 07,BLSTR,FWD STRM BUNK
- 1851136 310DA 07,BLSTR SKN,FWD STRM BUNK
- 7 1851138 310DA 07,BLSTR,FWD STRM STB
- 1851140 310DA 07,BLSTR SKN,FWD STRM STB
- 8 1794279 PILLOW PKG, 2006/07 SPCR VBRTH/MIDCAB PKGA(2)
(INTERIOR A - MIRAGE)
- 1839721 PILLOW PKG, 2007 SPCR VBRTH/MIDCAB PKGB (2)
(INTERIOR B - ROUGE)
- 1839847 PILLOW PKG, 2007 SPCR VBRTH/MIDCAB PKGC (2)
(INTERIOR C - CONTEMPO)
- 1794299 PILLOW PKG, 2006/07 SPCR VBRTH PKGD (2)
(INTERIOR D - SAVOY)
- 9 1851095 310DA 07,PANEL,CEILING FWD STRM STB
- 10 1851094 310DA 07,PANEL,CEILING FWD STRM CTR
- 11 1851092 310DA 07,PANEL,CEILING FWD STRM PRT
- 12 1882922 310DA 07,CVR,PRT SKYLIGHT FWDSTRM
- 13 1882923 310DA 07,CVR,STB SKYLIGHT FWDSTRM

BOLSTER MATERIAL

- 1798080 FABRIC, GLAMOUR OATML-6"DIA QLT 10OZ/AC/B
(INTERIOR A - MIRAGE)
- 1798080 FABRIC, GLAMOUR OATML-6"DIA QLT 10OZ/AC/B
(INTERIOR B - ROUGE)
- 1835632 FABRIC, MOREHEAD/PEARL-6"DIA QLT 10OZ/AC/B
(INTERIOR C - CONTEMPO)
- 1797639 FABRIC, SLEEK WHEAT-6"DIA QLT 10OZ/AC/B
(INTERIOR D - SAVOY)

BUNK BOLSTER MATERIAL

- 1003474 VINYL, ALLANTE II CREAM EXP FLAT
(INTERIOR A - MIRAGE)
(INTERIOR B - ROUGE)
(INTERIOR D - SAVOY)
- 1142165 VINYL, ALLANTE II WHT SAND EXP FLAT
(INTERIOR C - CONTEMPO)

CUSHION MATERIAL

- 1798080 FABRIC, GLAMOUR OATML-6"DIA QLT 10OZ/AC/B
(INTERIOR A - MIRAGE)
- 1833433 FABRIC, WALTER/SUEDE-6"DIA QLT 10OZ/AC/B
(INTERIOR B - ROUGE)
- 1835632 FABRIC, MOREHEAD/PEARL-6"DIA QLT 10OZ/AC/B
(INTERIOR C - CONTEMPO)
- 1797639 FABRIC, SLEEK WHEAT-6"DIA QLT 10OZ/AC/B
(INTERIOR D - SAVOY)

FOAM

- 1838692 FOAM, P/C 310DA-07 FWD STRM CUSH W/VSCO ELSTC
- 1838694 FOAM, P/C 310DA-07 FWD STRM BLSTR ST

HEADLINER/HULL LINER/WASHABLE SURFACE

- 1140367 VINYL, RVIEW LT CAMEO N/W FLAT
- 1747515 VINYL, RVIEW LT CAMEO N/W 1/4"FB

INTERIOR CARPET

- 1467182 CARPET, INT 44 OZ WHEATON 6"W 100% BCF NYLON

PRIVACY CURTAIN

- 1848355 CURTAIN, 310DA-07 GLAMOUR OATML FWD PRIV
(INTERIOR A - MIRAGE)
(INTERIOR B - ROUGE)
(INTERIOR D - SAVOY)
- 1848357 CURTAIN, 310DA-07 MOREHEAD/PRL FWD PRIV
(INTERIOR C - CONTEMPO)

SHEETS

- 1839312 SHEET, 310DA-07 FWDSTRM FITTED W/PLW CS
(NEUTRAL COLOR FITTED SHEETS)

SPEAKER COVER MATERIAL

- 1090430 FABRIC, SPKR CLOTH CREPE BUFF #18994 1/8"FB

STORAGE & BUNK TOPS

- 1128487 FABRIC, GEOMETRIC STRAW (NDLPNCH) W/BACK

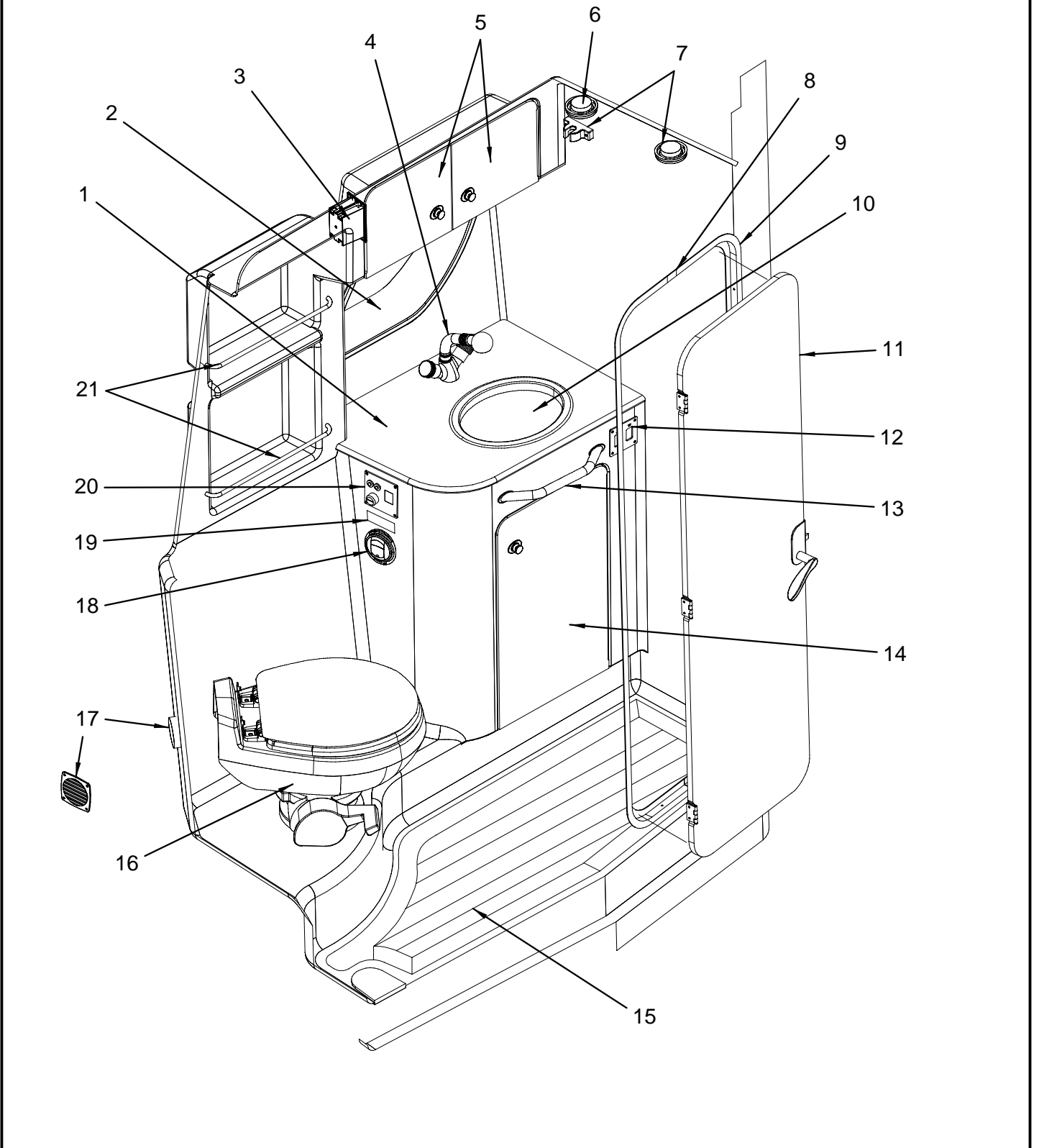
UPHOLSTERY

- 1235589 TACK STRIP, POLYPROPYLENE 3/8"
- 180182 ZIPPER, #5 DELRIN CONTINUOUS WHT
- 180406 SLIDE, DELRIN #5 WHT 1-S LOCK

VINYL - ACCENT

- 989426 VINYL, ALLANTE II BLK EXP FLAT
(CABINETRY TRIM)

PORT HEAD



PORT HEAD

- 1 1838573 TOP, CORIAN 310DA-07 HEAD VANITY SNDSTN
(SANDSTONE COUNTERTOPS)
1838572 TOP, CORIAN 310DA-07 HEAD VANITY BRNT AMBR
(BURNT AMBER COUNTERTOPS)
- 2 1838022 TRIM RING, V/F PORTLIGHT INNER CUSTOM 07 PRL
3 1881816 RECEPTACLE, GFCI DPLX WHT W/IND/SMRTLCK 15A
(HULL# 1314 -> UP)
1787502 RECEPTACLE, GFCI DPLX WHT W/IND LIGHT 15A LVT
(HULL# 1201 -> 1313)
1787551 RECEPTACLE, GERMAN STD MOS WHT(SNAP CVR) LVT
(220 VOLT / 50 CYCLE ELECTRICAL SYSTEM)
627737 BOX, RECEPTACLE/SWITCH PVC 1-GANG DEEP
4 1772520 FAUCET/SHOWER, BRUSHED NCKL/CHR PULLOUT
1853913 FAUCET/SHOWER, SPRAYER ONLY BRSHD NCKL/CHR
(PART OF 1772520)
1853914 FAUCET/SHOWER, HOSE WASHER ONLY
(PART OF 1772520)
1853916 FAUCET/SHOWER, BRASS HOT/COLD VALVE ONLY
(PART OF 1772520)
1853917 FAUCET/SHOWER, HDWR KIT W/WTS
(PART OF 1772520)
- 5 1838341 DOOR, HDPE 11 3/8"X 10 3/8"PRL 2PC W/NCKLPSH
772418 CATCH, RIM-LOCK WHT
(PART OF 1838341)
1742136 PULL, PUSH-BUTTON KNOB SAT/NCKL
(PART OF 1838341)
1776837 PULL, ROSETTE SAT/NCKL RND 16MM (5/8")
(PART OF 1838341)
- 6 1771003 LIGHT, COURTESY RND W/FRST LENS 12V/5W W/CONN
1192368 BULB, REPL FOR #0840868 12V/5W
(REPLACEMENT BULB FOR 1771003)
- 7 1853915 FAUCET/SHOWER, HANGER ONLY
(PART OF 1772520)
- 8 1771209 LABEL, DOOR SECURED UNDERWAY
9 1577618 FRAME, ALUM 64"X 19 5/8" ARC WHT
10 146753 SINK, SS GLY/HEAD OVAL 10.5"X 13.25"SATIN
11 1851143 310DA 07,DOOR,HEAD CMPLT
1776672 LATCH, OFFSHR FLSH LH-OUT PRVKNB SAT/NCK 5/8"
132324 HINGE, BUTT CHROME/ZINC 2"
1846404 MIRROR, PLEX 320/340SDA-07 HEAD DOOR CLR
12 1581917 PANEL, HEAD LIGHT/PWR VENT SW
797761 BODY, ROCK SW SPST BLK 12V INCAND NON-LIT
(LIGHTS - PART OF 1581917)
1541655 ACTUATOR, ROCK SWITCH-LIGHTS BLK
(LIGHTS - PART OF 1581917)
1609312 BODY, ROCK SW SPDT BLK 12V INCAND NON-LIT
(POWER VENT - PART OF 1581917)
1647577 ACTUATOR, ROCK SWITCH-POWER VENT BLK
(POWER VENT - PART OF 1581917)
- 13 1747836 RAIL, GRAB 12" STREAMLINE W/FLANGES (316L)
14 1838340 DOOR, HDPE 14 5/8"X 25.25" PRL W/BULB SEAL
772418 CATCH, RIM-LOCK WHT
(PART OF 1838340)
1742136 PULL, PUSH-BUTTON KNOB SAT/NCKL
(PART OF 1838340)
1776837 PULL, ROSETTE SAT/NCKL RND 16MM (5/8")
(PART OF 1838340)
1155241 HOLDER, TOILET PAPER WALL MNT WHT ROLLER
15 1848727 TEAK, P/C 310DA-07 HEAD FLOOR W/BRDR/PSA
16 1846853 HEAD, VACU-FLUSH BONE 5006 BTM DCHG LOW PRFLE
(HULL# 1204 -> UP)
1872707 HEAD, SEAT ASSY VAC-FLUSH BONE 5048 BACK DIS
(PART OF 1846853)
1744868 HEAD, VACU-FLUSH BONE 1006 BTM DIS WOOD
(HULL# 1201 -> 1203)
1784547 SEAT ASSY, CVR/SEAT/HNG PIN BONE
(PART OF 1744868)
- 17 1052059 VENT, LOUVERED 3 5/8"X 3 5/8" BLK
18 1322940 A/C COMP, GRILL 3" BLK W/DBL LVR
(AIR CONDITIONING / HEATING-12000BTU-120V/60)
(AIR CONDITIONING / HEATING-12000BTU-220V/50)
- 19 1745156 LABEL, NOTICE OVERBOARD DISCHARGE (LEXAN)
(VACUUM FLUSH HEAD W/ DIRECT OVER BOARD INTL)
(MACERATOR W/ SEACOCK INTERLOCK SYSTEM)
- 20 1802480 PANEL, 290DA-06 WASTE SYS CNTRL
893800 PANEL, WASTE LEVEL INDICATOR 12V
(PART OF 1802480)
533109 BRKR, P/BTN-MANUAL RESET 10A
(PART OF 1802480)
557785 SWITCH, IGN STARTER
(PART OF 1802480)
(REPLACEMENT KEYS FOR SWITCH LISTED BELOW)
1729450 KEY, SIERRA PK501A
1778652 KEY, SIERRA PK521J
1778656 KEY, SIERRA PK576K

- 20 1778657 KEY, SIERRA PK611M
1778658 KEY, SIERRA PK628H
1778659 KEY, SIERRA PK631N
1778660 KEY, SIERRA PK665P
1778661 KEY, SIERRA PK673F
21 1838026 RAIL, GRAB 3/8"OD X 16 1/8"X 2.25" 304SS

DOOR HARDWARE

- 663708 BUMPER, CLEAR .020" THICK

POWER VENT

- 1819766 BLOWER, BILGE 3" FACE MNT #5412 W/CONN
(HULL# 1205 -> UP)
129676 BLOWER, BILGE 3" FACE MNT #5412
(HULL# 1201 -> 1204)


SHOWER CURTAIN

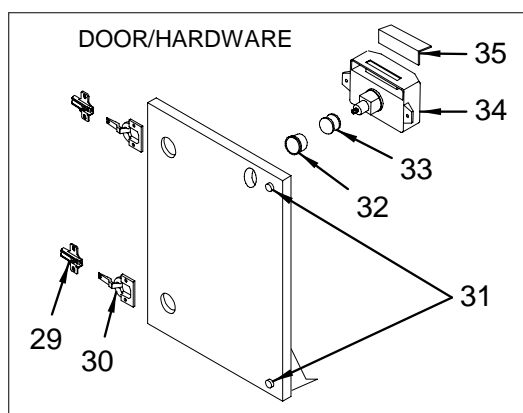
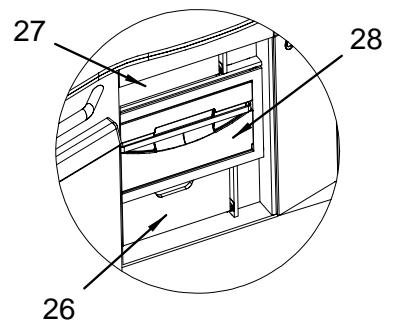
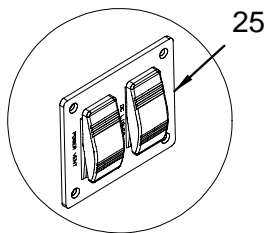
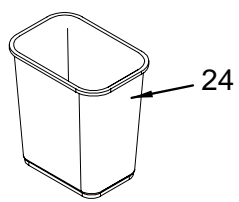
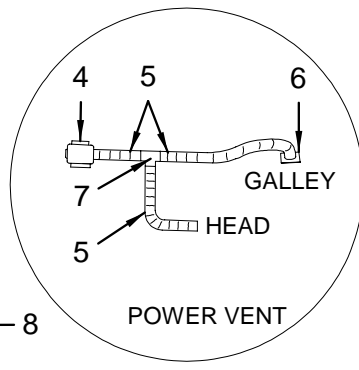
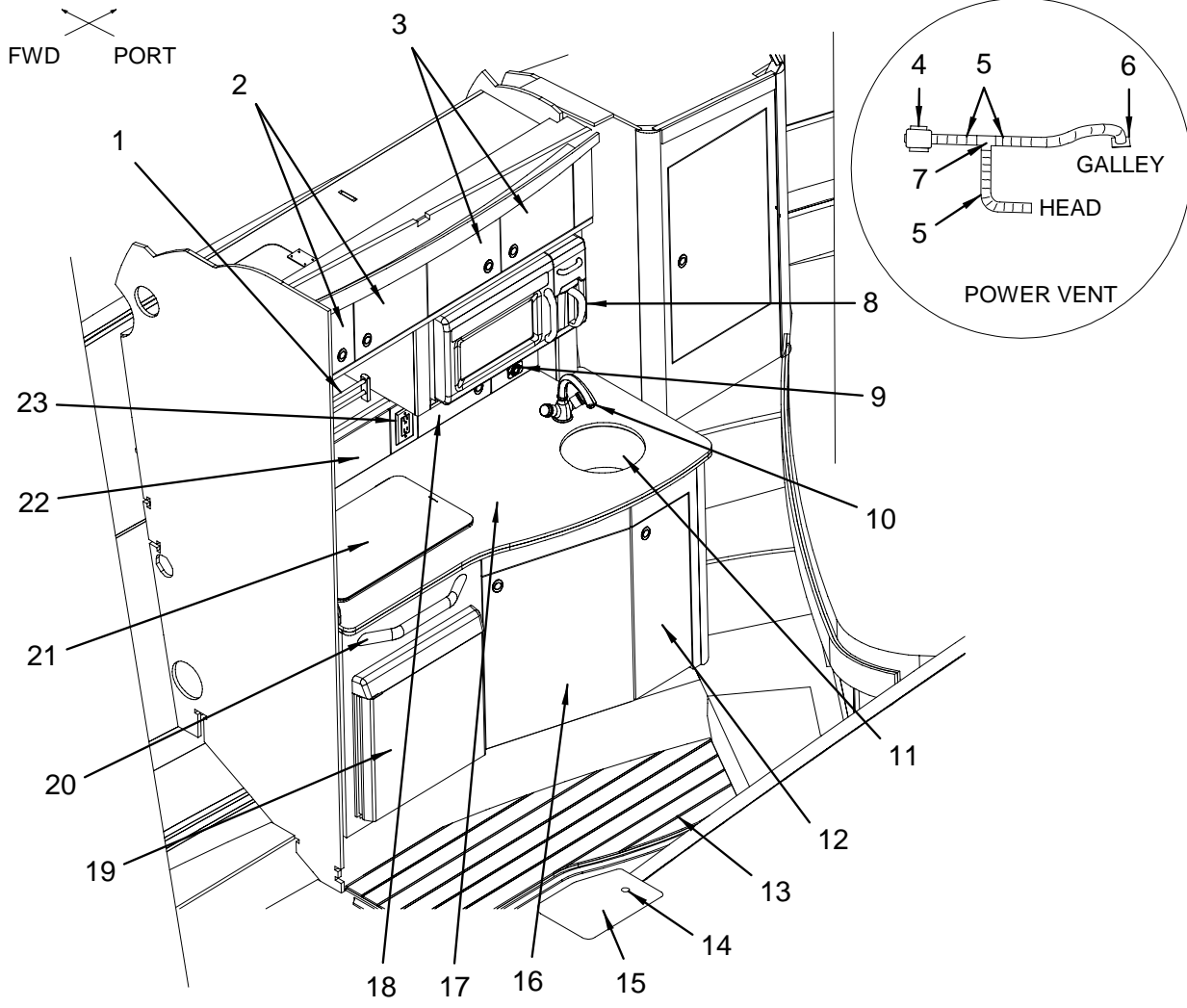
- 1075415 CURTAIN, SHOWER ECRU 66.5"X 24"
132183 TRACK, ALUM CURT TRK 0.275"X 0.688" TAB TYPE

WASHABLE SURFACE

- 1736787 VINYL, RVIEW LT CAMEO N/W 1/2"FB

GALLEY

FWD  PORT



GALLEY

- 1 1802257 STANCHION, SS 290DA-06 STRG SHELF END
1802279 STANCHION, SS 290DA-06 STRG SHELF CNTR
1804381 ROD, ACRYLIC 1/2"X 6' BLK
2 1851144 310DA 07.DOOR, GLY UPR LH
3 1851145 310DA 07.DOOR, GLY UPR RH
4 1819766 BLOWER, BILGE 3" FACE MNT #5412 W/CONN
129676 BLOWER, BILGE 3" FACE MNT #5412
(HULL# 1205 -> UP)
(HULL# 1201 -> 1204)
5 124024 HOSE, VENT/BLOWER 3" EX HVY DTY
256727 CLAMP, HOSE #48 1 5/8"-3.5" SS .505
6 948968 A/C COMP, HOSE RING 3" PLAS ROUND
7 279166 TEE, PVC 2" F SLIP ALL THE WAY
8 1784446 MICROWAVE, 1.2CF W/COFFEE MAKER
1850334 MICROWAVE, RING W/WHEELS
(PART OF 1784446)
1850337 MICROWAVE, GLASS PLATE
(PART OF 1784446)
1850338 MICROWAVE, COFFEE POT
(PART OF 1784446)
1850339 MICROWAVE, FILTER BASKET
(PART OF 1784446)
1793050 MICROWAVE, SYLVANIA 0.5CF BLK 220V
(220 VOLT / 50 CYCLE ELECTRICAL SYSTEM)
1787507 RECEPTACLE, DUPLEX BRN 15A LVT
1787508 COVER PLATE, SGL DUPLEX RECEPT BRN LVT
627737 BOX, RECEPTACLE/SWITCH PVC 1-GANG DEEP
9 1287283 RECEPTACLE, FEMALE 12V LONG THRD BLK
1259977 PLATE, FEMALE 12V RECEPTACLE MNT
10 1772522 FAUCET, GLY 7"RISE BRUSHED NCKL/CHR
1807537 FAUCET, GLY 7"RISE HANDLE CAP BRSHD NCKL/CHR
(PART OF 1772522)
1807538 FAUCET, GLY 7"RISE HNDL SCREW BRSHD NCKL/CHR
(PART OF 1772522)
1807539 FAUCET, GLY 7"RISE HNDL WASHER BRSHD NCKL/CHR
(PART OF 1772522)
1807540 FAUCET, GLY 7"RISE HNDL RING BRSHD NCKL/CHR
(PART OF 1772522)
1807541 FAUCET, GLY 7"RISE HANDLE BRSHD NCKL/CHR
(PART OF 1772522)
1807542 FAUCET, GLY 7"RISE VALVE BRSHD NCKL/CHR
(PART OF 1772522)
1807543 FAUCET, GLY 7"RISE SPOUT BRSHD NCKL/CHR
(PART OF 1772522)
1807544 FAUCET, GLY 7"RISE AERATOR BRSHD NCKL/CHR
(PART OF 1772522)
1807545 FAUCET, GLY 7"RISE MOUNTING BRSHD NCKL/CHR
(PART OF 1772522)
11 1063445 SINK, SS 12"DIA X 7"DEEP RND
175687 DRAIN, SINK STRAINER 2.5" SS W/5/8"BARB
1839033 DRAIN, SINK STRAINER BASKET ONLY
(PART OF 175687)
266130 DRAIN, LINER W/90 DEG ELBOW 1" PLASTIC
12 1851146 310DA 07.DOOR, GLY FWD LWR
13 1882926 310DA 07.FLR, TEAK GLY
(FLOORING, SIMULATED TEAK - CABIN)
1782245 FLOORING, TEAK 2 3/8"W/1/4"BLK GROUT LINE 4X10
(FLOORING, SIMULATED TEAK - CABIN)
14 140111 LIFT HANDLE, HATCH LIFT BOLT W/RING 3"
15 1882925 310DA 07.HATCH, FLR STRG GLY
16 1851147 310DA 07.DOOR, GLY AFT
17 1838050 TOP, CORIAN 310DA-07 GLY W/ELEC STV SNDSTN
(SANDSTONE COUNTERTOP WITH ELECTRIC STOVE)
1838049 TOP, CORIAN 310DA-07 GLY W/ELEC STV BRNTAMBR
(BURNT AMBER COUNTERTOP WITH ELECTRIC STOVE)
1838052 TOP, CORIAN 310DA-07 GLY W/ALCH STV SNDSTN
(SANDSTONE COUNTERTOP WITH ALCOHOL/ELECTRIC
STOVE)
1838051 TOP, CORIAN 310DA-07 GLY W/ALCH STV BRNTAMBR
(BURNT AMBER COUNTERTOP WITH ALCOHOL/ELECTRIC
STOVE)
1846983 TOP, CORIAN 310DA-07 GLY BCKSPLSH SNDSTN
(SANDSTONE COUNTERTOP)
1846982 TOP, CORIAN 310DA-07 GLY BCKSPLSH BRNTAMBR
(BURNT AMBER COUNTERTOP)
18 1851452 310DA 07.DOOR, GLY MID FWD
19 1658368 REFRIGERATOR, 2.7 CF
1671064 REFRIGERATOR, 2.7 CF AC/DC 220/50
(220 VOLT / 50 CYCLE ELECTRICAL SYSTEM)
1787507 RECEPTACLE, DUPLEX BRN 15A LVT
1787508 COVER PLATE, SGL DUPLEX RECEPT BRN LVT
627737 BOX, RECEPTACLE/SWITCH PVC 1-GANG DEEP
1787551 RECEPTACLE, GERMAN STD MOS WHT(SNAP CVR) LVT
(220 VOLT / 50 CYCLE ELECTRICAL SYSTEM)

- 20 1747819 RAIL, GRAB 18" OVAL W/STUD 316L
21 1182997 STOVE, ELEC 2-BURNER CARIBBEAN COOKTOP 110
1183003 STOVE, ELEC 2-BURNER CARIBBEAN COOKTOP 220
(220 VOLT / 50 CYCLE ELECTRICAL SYSTEM)
1324185 STOVE, ALC/ELEC 2-BURNER NON-PRESS #436
(ALCOHOL / ELECTRIC STOVE-120V/60 - 2 BURNER)
1324193 STOVE, ALC/ELEC 2-BURNER NON-PRESS #436
(ALCOHOL / ELECTRIC STOVE-220V/50 - 2 BURNER)
1765379 RAIL, STOVE ALCOHOL/ELECTRIC 300DA
(ALCOHOL / ELECTRIC STOVE-120V/60 - 2 BURNER)
(ALCOHOL / ELECTRIC STOVE-220V/50 - 2 BURNER)
1846993 COVER, CORIAN 310/330DA-07 STOVE SNDSTN
(SANDSTONE COUNTERTOP)
1846992 COVER, CORIAN 310/330DA-07 STOVE BRNT AMBR
(BURNT AMBER COUNTERTOP)
144899 BOX, PVC SWITCH BOX
144907 COVER PLATE, SWITCH BOX BLUE PVC
1194539 SWITCH, PUSH-BUTTON STOVE W/48"20GA WIRE 120Z
1817495 RELAY, 120VAC 30 AMP SPDT
583906 RELAY, 240VAC 50/60 HZ 20 AMP DPDT
(220 VOLT / 50 CYCLE ELECTRICAL SYSTEM)
22 1851454 310DA 07.DOOR, GLY MID AFT
23 1787506 RECEPTACLE, DUPLEX BLACK 15A
1787521 COVER PLATE, SGL DUPLEX RECEPT BLK LVT
627737 BOX, RECEPTACLE/SWITCH PVC 1-GANG DEEP
1787551 RECEPTACLE, GERMAN STD MOS WHT(SNAP CVR) LVT
(220 VOLT / 50 CYCLE ELECTRICAL SYSTEM)
24 431098 BASKET, TRASH 11 3/8"X 8.25"X 12 1/8" BEIGE
25 1806288 PANEL, 300/320/340SDA-06 GLY LIGHT/WNT SW BLK
1609858 ACTUATOR, ROCK SWITCH-LIGHTS BLK 90DEG ICON
(LIGHTS - PART OF 1806288)
797761 BODY, ROCK SW SPST BLK 12V INCAND NON-LIT
(LIGHTS - PART OF 1806288)
1609338 ACTUATOR, ROCK SWITCH-LIGHTS BLK
(POWER VENT - PART OF 1806288)
1609312 BODY, ROCK SW SPDT BLK 12V INCAND NON-LIT
(POWER VENT - PART OF 1806288)
26 1851148 310DA 07.DRWR, GLY LWR
1727147 DRAWER SLIDE, ROLLER METAL 12" ALFIT 1702
27 1851149 310DA 07.DRWR, GLY UPR
1727149 DRAWER SLIDE, ROLLER METAL 16" ALFIT 1702
777102 TRAY, "REV-A-SHELF" CUTLERY TRAY 12"
28 1846980 REFRIGERATOR, 1.3CF DRAWER 12/24VDC BLK DOOR
29 525667 HINGE, CONCEALED FULL OVERLAY MT PLATE ONLY
30 839399 HINGE, SELF CLOSING BUMPER SCREW-ON
31 663708 BUMPER, CLEAR .020" THICK
32 1776837 PULL, ROSETTE SAT/NCKL RND 16MM (5/8")
33 1742136 PULL, PUSH-BUTTON KNOB SAT/NCKL
34 772418 CATCH, RIM-LOCK WHT
35 761445 CATCH, RIM-LOCK STRIKE PLATE

BLINDS

- 1849765 BLINDS, 310DA-07 GLY PLTD SHADE BONE 26.5X15

ELECTRICAL

- 893289 FRAME, IDEA-SERIES 3-GANG SUPPORT FRAME GREY
(220 VOLT / 50 CYCLE ELECTRICAL SYSTEM)
975029 COVER PLATE, IDEA-SERIES 3-GANG WHT
(220 VOLT / 50 CYCLE ELECTRICAL SYSTEM)
975011 SWITCH, BLANK IDEA-SERIES WHT
(220 VOLT / 50 CYCLE ELECTRICAL SYSTEM)
975037 BRKR, IDEA 230V 2P EURO GFCI 16A 10MA WHT
(220 VOLT / 50 CYCLE ELECTRICAL SYSTEM)

LABELS

- 1743616 LABEL, UNPLUG SHORE POWER WARNING
1744738 LABEL, RECEPTACLE 12V-15A MAX (LEXAN)
1744745 LABEL, DISPOSAL OF GARBAGE
1745124 LABEL, EXH FAN MUST BE ON WHEN COOK APPL USED

LIGHTS

- 1803185 LIGHT, INDIRECT LED WHT BUTTON W/COLLAR/CONN
(LED NOT REPLACEABLE)
1805075 LIGHT, RIGG 6.25" RECESSED 12V/20W SAT NCKL
1425024 BULB, REPL FOR #1197466 12V/20W HALOGEN
(REPLACEMENT BULB FOR 1805075)

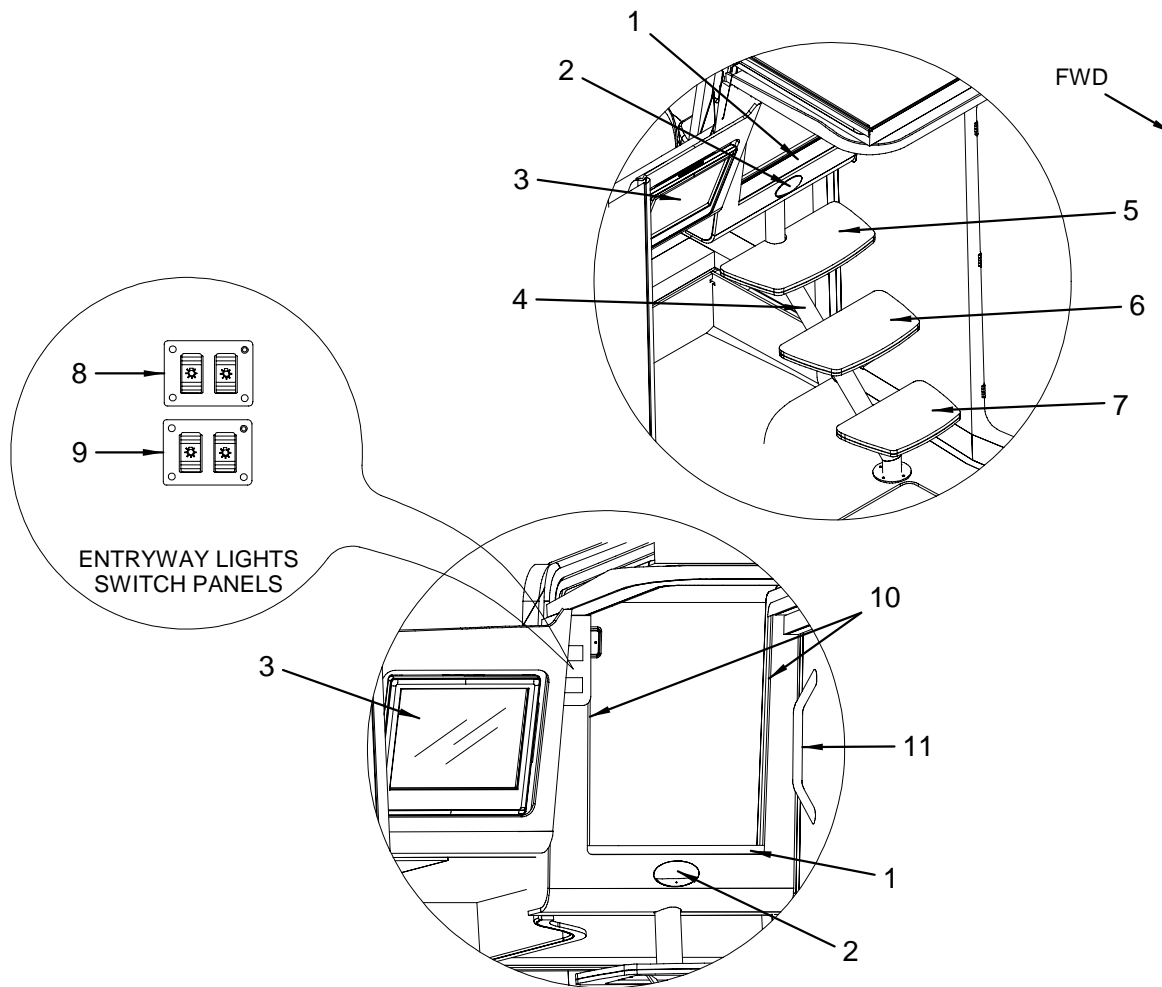
NOT SHOWN

- 1806312 TRIM RING, T/F SKYLIGHT INR CUSTOM PRT TAN

VINYL - ACCENT

- 989426 VINYL, ALLANTE II BLK EXP FLAT
(CABINERY TRIM)

COMPANIONWAY AND ENTRY STEPS



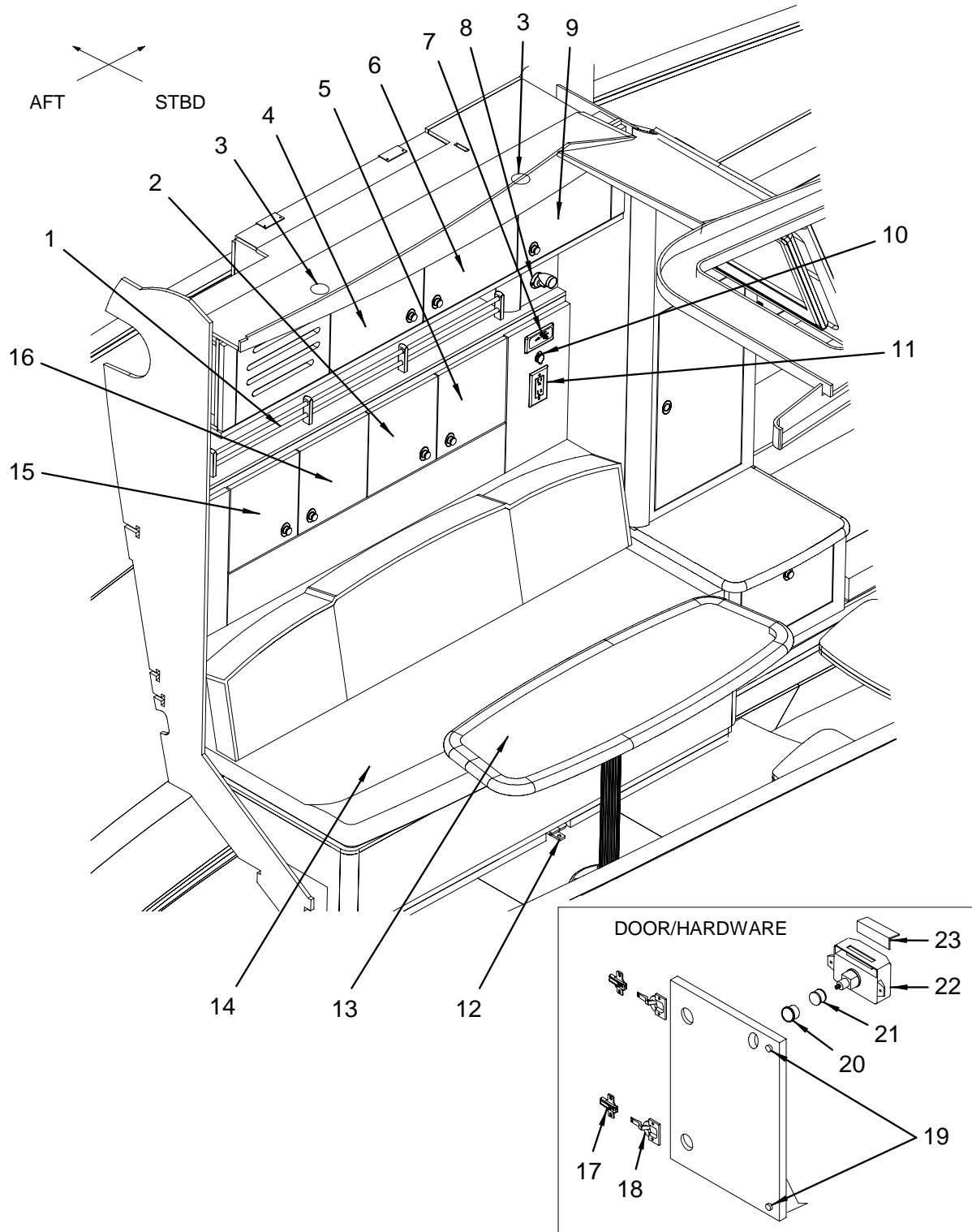
COMPANIONWAY AND ENTRY STEPS

- 1 1848995 THRESHOLD, SS 310DA-07 ENTRYWAY 22.5"
- 2 1771066 LIGHT, COURTESY OVAL STEP ANT WHT (INT)W/CONN
1184639 BULB, REPL FOR MRP #0840850 (STEP LT)
(REPLACEMENT BULB FOR 1771066)
- 3 1888148 TELEVISION, 20" LG LCD
(HULL# 1286 -> UP)
(TV 20" FLATSCREEN / DVD/ GAMING PORT/ SALON)
- 1872710 REMOTE, TV 15"LG LCD HDTV BLK W/BTM SPKR
(REMOTE FOR 1888148)
- 1805630 TELEVISION, 20" TOSHIBA LCD/4:3
(HULL# 1201 -> 1285)
(TV 20" FLATSCREEN / DVD/ GAMING PORT/ SALON)
- 1814314 REMOTE, TV 20" TOSHIBA LCD/4:3
(REMOTE FOR 1805630)
- 1809202 TELEVISION, 20" TOSHIBA PAL LCD
(TV 20" FLATSCREEN / DVD/ GAMING PORT/ SALON WITH PAL
T.V. TUNER)
- 1835480 REMOTE, TV TOSHIBA PAL LCD
(REMOTE FOR 1809202)
- 1750880 CABLE, RCA AUDIO 6' W/EFX-2 CONN W/NOISE SUPP
(TV 20" FLATSCREEN / DVD/ GAMING PORT/ SALON)
- 1787506 RECEPTACLE, DUPLEX BLACK 15A
(TV 20" FLATSCREEN / DVD/ GAMING PORT/ SALON)
- 1787521 COVER PLATE, SGL DUPLEX RECEPT BLK LVT
(TV 20" FLATSCREEN / DVD/ GAMING PORT/ SALON)
- 1768472 PLUG, 220V BLK RECEPTACLE
(220 VOLT WITH TV 20" FS/DVD/GAMING PORT/SALON)

- 3 637058 CONN, COAX EURO TV ADAPTER "F" TYPE
(220 VOLT WITH TV 20" FS/DVD/GAMING PORT/SALON)
- 4 1847391 STEP, ALUM 310DA-07 ENTRYWAY 3-STEP PWDRCT
- 5 1882940 310DA 07,STEP, TOP LONCOIN ENTRYWAY
1316983 FLOORING, VINYL LONCOIN II FLECKS SANDSTONE
1882943 310DA 07,STEP, TOP TEAK ENTRYWAY
(FLOORING, SIMULATED TEAK - CABIN)
- 1850033 TEAK, P/C 310DA-07 ENTRY STEPS 3PC
(FLOORING, SIMULATED TEAK - CABIN)
- 1783977 MOLDING, T-MOLD/PVC 1 5/8"X 25' BLK
(FLOORING, SIMULATED TEAK - CABIN)
- 6 1882941 310DA 07,STEP,CTR LONCOIN ENTRYWAY
1316983 FLOORING, VINYL LONCOIN II FLECKS SANDSTONE
1882944 310DA 07,STEP,CTR TEAK ENTRYWAY
(FLOORING, SIMULATED TEAK - CABIN)
- 1850033 TEAK, P/C 310DA-07 ENTRY STEPS 3PC
(FLOORING, SIMULATED TEAK - CABIN)
- 1783977 MOLDING, T-MOLD/PVC 1 5/8"X 25' BLK
(FLOORING, SIMULATED TEAK - CABIN)
- 7 1882942 310DA 07,STEP,LWR LONCOIN ENTRYWAY
1316983 FLOORING, VINYL LONCOIN II FLECKS SANDSTONE
1882945 310DA 07,STEP,LWR TEAK ENTRYWAY
(FLOORING, SIMULATED TEAK - CABIN)
- 1850033 TEAK, P/C 310DA-07 ENTRY STEPS 3PC
(FLOORING, SIMULATED TEAK - CABIN)
- 1783977 MOLDING, T-MOLD/PVC 1 5/8"X 25' BLK
(FLOORING, SIMULATED TEAK - CABIN)
- 801324 HDPE, 1/4"X 4'X 8' LAVANT II UTIL GRD BLK
(FLOORING, SIMULATED TEAK - CABIN)

- 8 1849385 PANEL, 310DA-07 CABIN LT SW SNGL/DUAL BEIGE
1541655 ACTUATOR, ROCK SWITCH-LIGHTS BLK
(AFT CABIN AND SALON LIGHTS)
(PART OF 1849385)
- 797761 BODY, ROCK SW SPST BLK 12V INCAND NON-LIT
(AFT CABIN AND SALON LIGHTS)
(PART OF 1849385)
- 9 1849373 PANEL, 310DA-07 CABIN LT SW DUAL 2-WAY BEIGE
1541655 ACTUATOR, ROCK SWITCH-LIGHTS BLK
(INDIRECT AND V-BERTH LIGHTS)
(PART OF 1849373)
- 1609312 BODY, ROCK SW SPDT BLK 12V INCAND NON-LIT
(INDIRECT AND V-BERTH LIGHTS)
(PART OF 1849373)
- 10 912774 NOSING, VINYL 1"X 1/4"X 12' RIGID SR WHT
1802210 NOSING, VINYL 1"X 1/4"X 10' WARM GRY/NCKL
(GEL-COATED DASH)
- 11 1747819 RAIL, GRAB 18" OVAL W/STUD 316L

SALON



SALON

- 1 1802257 STANCHION, SS 290DA-06 STRG SHELF END
- 1802279 STANCHION, SS 290DA-06 STRG SHELF CNTR
- 1804381 ROD, ACRYLIC 1/2"X 6' BLK
- 2 1851456 310DA 07,DOOR,SLN LWR CAB CTR AFT
- 3 1819777 LIGHT, DAVID-EYEBALL SAT/NCKL RNG/FRST W/CONN
- 947796 BULB, REPL FOR TEBE/CHARLY BOY/SAMPEI/DAVID
(REPLACEMENT BULB FOR 1819777)
- 1448463 BULB, XENON 12V/10W
- 4 1851457 310DA 07,DOOR,SLN UPR CAB FWD
- 5 1851458 310DA 07,DOOR,SLN LWR CAB AFT
- 6 1851461 310DA 07,DOOR,SLN UPR CAB CTR
- 7 1803007 VIDEO EQUIPMENT, REMOTE GAMING SYS INPUT PNL
(TV 20" FLATSCREEN / DVD/ GAMING PORT/ SALON)
- 627737 BOX, RECEPTACLE/SWITCH PVC 1-GANG DEEP
(TV 20" FLATSCREEN / DVD/ GAMING PORT/ SALON)
- 1885292 ROD, THREAD 4MM X 30MM SS
(TV 20" FLATSCREEN / DVD/ GAMING PORT/ SALON)
- 1850019 SCREW, MACHINE M4 X 20MM PPH SS
(TV 20" FLATSCREEN / DVD/ GAMING PORT/ SALON)
- 8 1803184 SPOTLIGHT, SWVL TASK BRSHD SS W/SW W/CONN
- 1820310 BULB, REPL FOR #1803184/1831205
(REPLACEMENT BULB FOR 1803184)
- 9 1851463 310DA 07,DOOR,SLN UPR CAB AFT
- 1180041 ANTENNA, TV AMP W/SHIP/SHORE A/B SW 12/24VDC
(TV 20" FLATSCREEN / DVD/ GAMING PORT/ SALON)
- 1581560 ANTENNA, AMPLIFIED 13398
- 1818887 STEREO, AMP PANASONIC 50WX2CHNL
(ONLY USED ON BOAT WITHOUT PREMIUM COCKPIT SOUND
SYSTEM - 12 VOLT)
- 10 1287283 RECEPTACLE, FEMALE 12V LONG THRD BLK
- 1259977 PLATE, FEMALE 12V RECEPTACLE MNT
- 11 1787506 RECEPTACLE, DUPLEX BLACK 15A
- 1787521 COVER PLATE, SGL DUPLEX RECEPT BLK LVT
- 627737 BOX, RECEPTACLE/SWITCH PVC 1-GANG DEEP
- 1787551 RECEPTACLE, GERMAN STD MOS WHT(SNAP CVR) LVT
(220 VOLT / 50 CYCLE ELECTRICAL SYSTEM)
- 12 1340959 STOP, SLIDING DOOR/WINDOW CHR HVY DTY
- 13 1838048 TABLE, WOOD 45.75"X 15.5"BLSMCHRY W/ALUM BASE
- 1125285 BASE, TABLE FLUSH MNT ALUM TPR CASTING
- 1657659 POST, TABLE LEG 2 7/8"X 30" ANOD FLUTED
- 14 1743535 DRAWER SLIDE, METAL 18" HVY DTY/FULL EXT
- 15 1851464 310DA 07,DOOR,SLN LWR CAB FWD
- 16 1851466 310DA 07,DOOR,SLN LWR CAB CTR FWD
- 17 525667 HINGE, CONCEALED FULL OVERLAY MT PLATE ONLY
- 18 839399 HINGE, SELF CLOSING BLUM SCREW-ON
- 19 663708 BUMPER, CLEAR .020" THICK
- 20 1776837 PULL, ROSETTE SAT/NCKL RND 16MM (5/8")
- 21 1742136 PULL, PUSH-BUTTON KNOB SAT/NCKL
- 22 772418 CATCH, RIM-LOCK WHT
- 23 761445 CATCH, RIM-LOCK STRIKE PLATE

BLINDS

- 1849764 BLINDS, 310DA-07 SLN PLTD SHADE BONE 48"X15"

HARNESSES

- 1838709 HARNESS, 310DA-07 CABIN 120V
- 1838711 HARNESS, 310DA-07 CABIN 220V
(220 VOLT / 50 CYCLE ELECTRICAL SYSTEM)
- 1848220 HARNESS, 310DA-07 CEILING

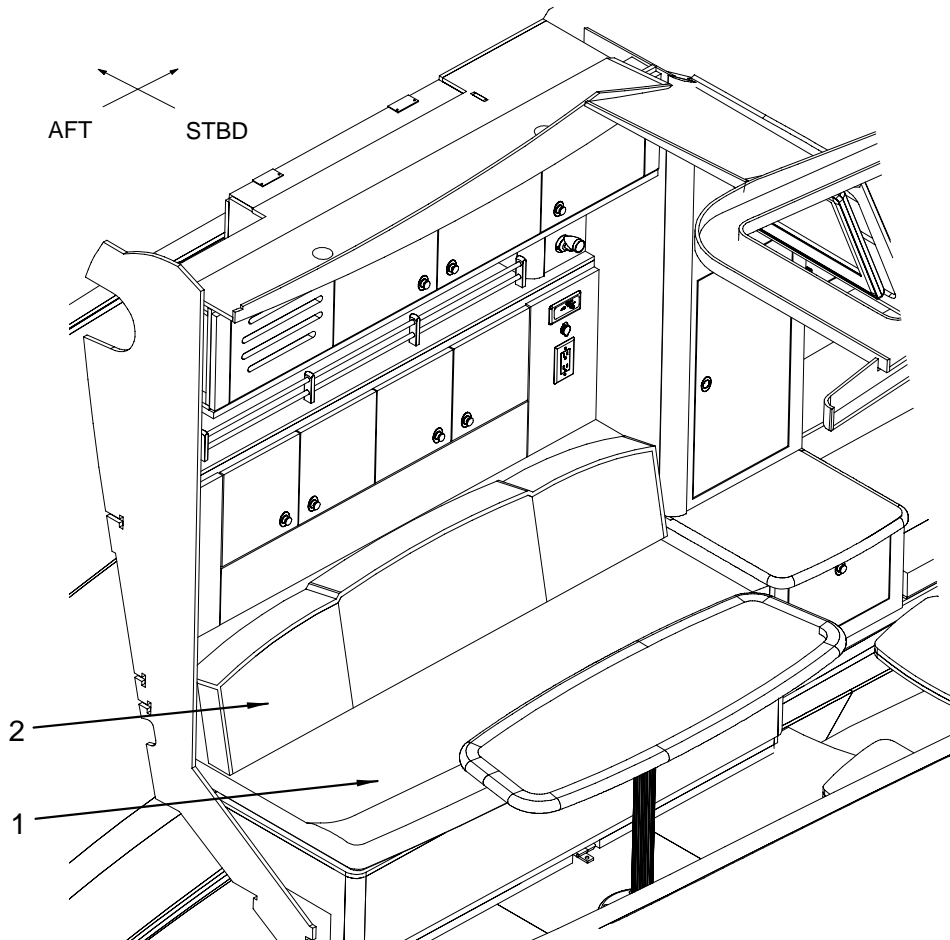
LIGHTS

- 1803185 LIGHT, INDIRECT LED WHT BUTTON W/COLLAR/CONN
(LED NOT REPLACEABLE)

NOT SHOWN

- 952895 BRACKET, ALUM 2"X 1/8"X 3" 2@3/16"HOLES WIDE

SALON (UPHOLSTERY)



SALON (UPHOLSTERY)

- 1 1851470 310DA 07,CUSH,SLN SOFA
- 1851471 310DA 07,CUSH SKN,SLN SOFA
- 609883 CLEAT, PLAS 3/4"X 1"X 4" GREY
- 2 1851553 310DA 07,B/R,SLN SOFA
- 1851554 310DA 07,B/R SKN,SLN SOFA

CUSHION MATERIAL

- 1003474 VINYL, ALLANTE II CREAM EXP FLAT
(INTERIOR A - MIRAGE)
(INTERIOR B - ROUGE)
(INTERIOR D - SAVOY)
- 1142165 VINYL, ALLANTE II WHT SAND EXP FLAT
(INTERIOR C - CONTEMPO)

FOAM

- 1847984 FOAM, P/C 310DA-07 SALON CUSH SET

HEADLINER/HULL LINER/WASHABLE SURFACE

- 1140367 VINYL, RVIEW LT CAMEO N/W FLAT
- 1747515 VINYL, RVIEW LT CAMEO N/W 1/4"FB

INTERIOR CARPET

- 1467182 CARPET, INT 44 OZ WHEATON 6'W 100% BCF NYLON

SPEAKER COVER MATERIAL

- 1090430 FABRIC, SPKR CLOTH CREPE BUFF #18994 1/8"FB

STORAGE & BUNK TOPS

- 1128487 FABRIC, GEOMETRIC STRAW (NDLPNCH) W/BACK

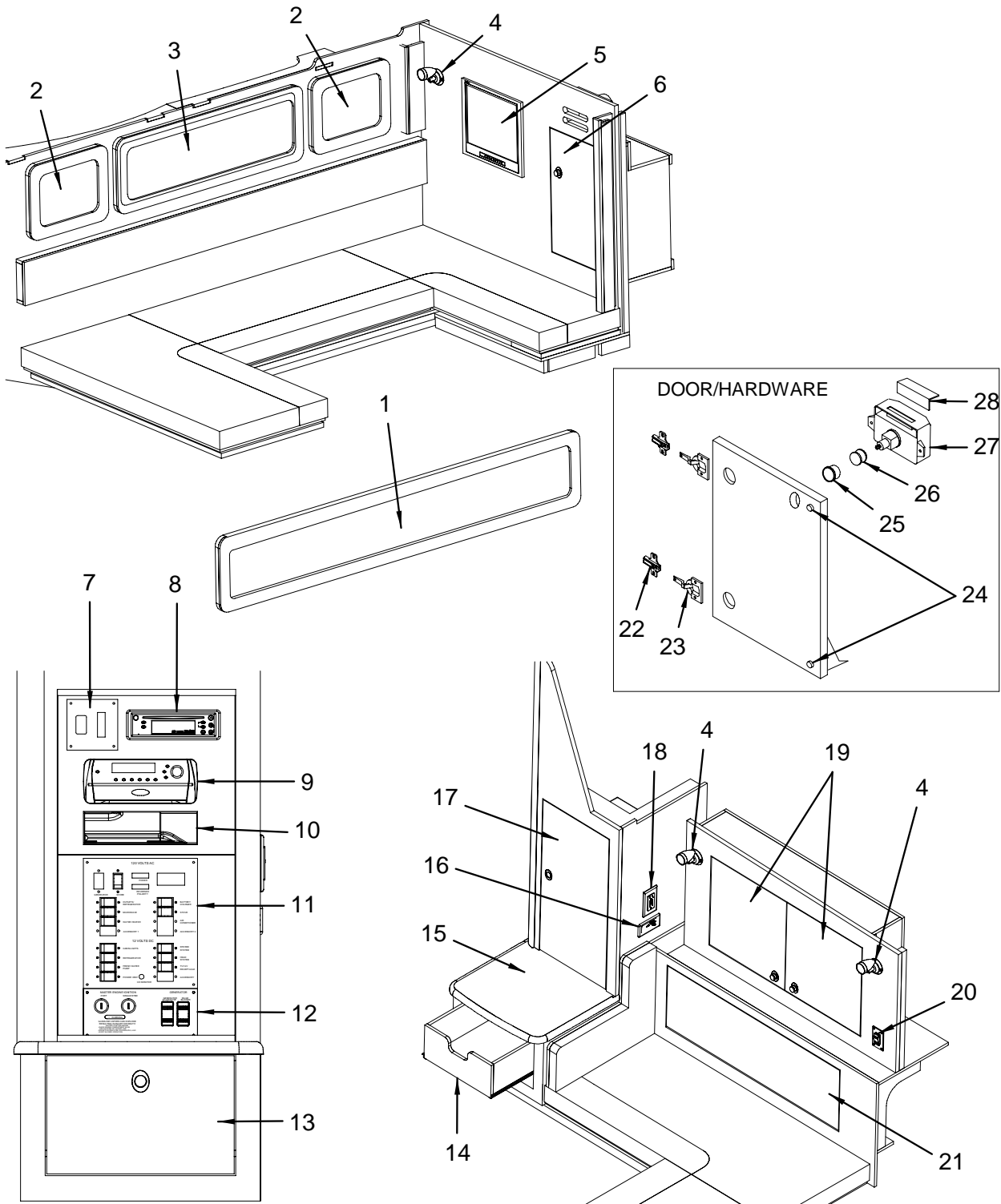
UPHOLSTERY

- 103309 MESH, WHITE 60"
- 156893 WEBBING, POLYPROPYLENE 1" BLACK
- 180182 ZIPPER, #5 DELRIN CONTINUOUS WHT
- 180406 SLIDE, DELRIN #5 WHT 1-S LOCK
- 602169 TAB, PULL TAB MATERIAL 1.5"X 250YDS
- 634931 FABRIC, PULL STRIP 6"X 250YD

VINYL - ACCENT

- 989426 VINYL, ALLANTE II BLK EXP FLAT
(CABINETRY TRIM)

MID STATEROOM



MID STATEROOM

1	1740327	MIRROR, 1/8"X 11.75"N/P X 69.5"POL1EDGE (HULL# 1206 -> UP) (REPLACED 1846464 & 1816465)	10	1122357	STEREO, CD (6 DISC) MAGAZINE CLARION (PART OF 1733835)
2	1846464	MIRROR, 1/8"X 9"X 12"CLEAR (HULL# 1201 -> 1205)	11	1846396	PANEL, 310DA-07 AC/DC MDP 120/60 N/GEN
3	1846465	MIRROR, 1/8"X 9"X 33"CLEAR (HULL# 1201 -> 1205)	11	1846399	PANEL, 310DA-07 AC/DC MDP 220/50 N/GEN (220 VOLT / 50 CYCLE ELECTRICAL SYSTEM)
4	1803184	SPOTLIGHT, SWVL TASK BRSHD SS W/SW W/CONN	11	1846397	PANEL, 310DA-07 AC/DC MDP 120/60 W/GEN (GENERATOR 5.0 ECD KOHLER - GAS - 120V/60HZ)
	1820310	BULB, REPL FOR #1803184/1831205 (REPLACEMENT BULB FOR 1803184)	11	1846400	PANEL, 310DA-07 AC/DC MDP 220/50 W/GEN (GENERATOR 4.0 EFCD KOHLER - GAS - 220V/50HZ)
5	1852692	TELEVISION, 15"LG LCD HDTV BLK W/BTM SPKR (HULL# 1206 -> UP) (TV 15" FLATSCRN/ DVD/ GAMING PORT-MID CABIN)		195479	HINGE, AL CONT FORM/DBL 2.5"X 72" SATIN
	1872710	REMOTE, TV 15"LG LCD HDTV BLK W/BTM SPKR (REMOTE FOR 1852692)	12	1848222	PANEL, 310DA-07 IGN KEY SW GAS N/GEN
	1805175	TELEVISION, 15.1" LG LCD HDTV W/BTM SPKR (HULL# 1201 -> 1205) (TV 15" FLATSCRN/ DVD/ GAMING PORT-MID CABIN)	12	1848230	PANEL, 310DA-07 IGN KEY SW GAS W/GEN (GENERATOR 5.0 ECD KOHLER - GAS - 120V/60HZ)
	1815412	REMOTE, TV 15.1" LG LCD HDTV (REMOTE FOR 1805175)		1848226	PANEL, 310DA-07 IGN KEY SW GAS N/GEN W/DTS (T-5.0L DTS MPI BR 3 (T-260 PHP) MCM S/D)
	1872088	TELEVISION, 15" LG LCD 220V 15C1RB (HULL# 1318 -> UP) (TV 15" FLATSCRN/ DVD/ GAMING PORT-MID CABIN WITH PAL T.V. TUNER)	13	1851549	310DA 07,DOOR,SLN LWR STRG
	1888310	REMOTE, TV 15" LG LCD 220V 15C1RB (REMOTE FOR 1872088)	14	1851550	310DA 07,DRWR,SLN LWR STRG
	1815899	TELEVISION, 15" TOSHIBA PAL LCD (HULL# 1201 -> 1317) (TV 15" FLATSCRN/ DVD/ GAMING PORT-MID CABIN WITH PAL T.V. TUNER)		1727149	DRAWER SLIDE, ROLLER METAL 16" ALFIT 1702
	1835480	REMOTE, TV TOSHIBA PAL LCD (REMOTE FOR 1815899)	15	1884215	TABLE TOP, 310DA-07 SLN LWR DRWR CAB BLK MDF (HULL# 1292 -> UP)
	1758298	ISOLATOR, 2-CHANNEL GROUND LOOP (RCA) (TV 15" FLATSCRN/ DVD/ GAMING PORT-MID CABIN)		1838732	TABLE TOP, 310DA-07 SLN LWR DRWR CAB BLK (HULL# 1201 -> 1291)
	1849609	HARNES, 310DA-07 TV/DVD KIT (TV 15" FLATSCRN/ DVD/ GAMING PORT-MID CABIN)	16	1803007	VIDEO EQUIPMENT, REMOTE GAMING SYS INPUT PNL (TV 15" FLATSCRN/ DVD/ GAMING PORT-MID CABIN)
	1838715	HARNES, 310DA-07 TV/DVD 25" (TV 15" FLATSCRN/ DVD/ GAMING PORT-MID CABIN)		1759176	EXTENSION, CABLE A/V 6' RCA W/MALE CONN (TV 15" FLATSCRN/ DVD/ GAMING PORT-MID CABIN)
	1755388	BRACKET, TV (LCD) WALL MOUNT OMNI (HULL# 1256 -> UP) (TV 15" FLATSCRN/ DVD/ GAMING PORT-MID CABIN)		1761064	FILTER, VIDEO INTERFERENCE (TV 15" FLATSCRN/ DVD/ GAMING PORT-MID CABIN)
	1850017	SCREW, MACHINE M4 X 35MM PPH SS (HULL# 1256 -> UP) (TV 15" FLATSCRN/ DVD/ GAMING PORT-MID CABIN)		1762641	FILTER, POWER INTERFACE 20AMP (TV 15" FLATSCRN/ DVD/ GAMING PORT-MID CABIN)
	1750878	CABLE, RCA AUDIO 20' W/EFX-2 CONN W/NOISE SUP		136093	CORD SET, PHONE 50FT (TV 15" FLATSCRN/ DVD/ GAMING PORT-MID CABIN)
	1772076	EXTENSION, CABLE 20'/15' FM RECEIVER W/CONN		1785521	SPLITTER, 3-WAY HYBRID (TV 15" FLATSCRN/ DVD/ GAMING PORT-MID CABIN)
	799049	EXTENSION, CABLE 12' AM/FM		703306	SPLITTER, 4-WAY (TV 15" FLATSCRN/ DVD/ GAMING PORT-MID CABIN)
	1787506	RECEPTACLE, DUPLEX BLACK 15A (TV 15" FLATSCRN/ DVD/ GAMING PORT-MID CABIN)		1885292	ROD, THREAD 4MM X 30MM SS (TV 15" FLATSCRN/ DVD/ GAMING PORT-MID CABIN)
	1787521	COVER PLATE, SGL DUPLEX RECEPT BLK LVT (TV 15" FLATSCRN/ DVD/ GAMING PORT-MID CABIN)		1850019	SCREW, MACHINE M4 X 20MM PPH SS (TV 15" FLATSCRN/ DVD/ GAMING PORT-MID CABIN)
	1768472	PLUG, 220V BLK RECEPTACLE (220 VOLT WITH TV 15" FLATSCRN/ DVD/ GAMING PORT-MID CABIN)	17	1851551	310DA 07,DOOR,SLN MDP CAB
	637058	CONN, COAX EURO TV ADAPTER "F" TYPE (220 VOLT WITH TV 15" FLATSCRN/ DVD/ GAMING PORT-MID CABIN)	18	1881817	RECEPTACLE, GFCl DPLX BLK W/IND/SMRTLCK 15A (HULL# 1216 -> UP)
6	1851467	310DA 07,DOOR,MID STRM PRT STRG CAB		1787503	RECEPTACLE, GFCl DPLX BLK W/IND LIGHT 15A LVT (HULL# 1201 -> 1215)
	1817493	DVD, KEC 12V DVD3 DIN (TV 15" FLATSCRN/ DVD/ GAMING PORT-MID CABIN)		627737	BOX, RECEPTACLE/SWITCH PVC 1-GANG DEEP
	1813842	MOUNTING KIT, SLEEVE FOR DVD2 (TV 15" FLATSCRN/ DVD/ GAMING PORT-MID CABIN)	19	1851468	310DA 07,DOOR,MID STRM STB STRG FWD
	1819303	DVD, KEC 12V DVD3 ZONEFREE (TV 15" FLATSCRN/ DVD/ GAMING PORT-MID CABIN WITH ZONE FREE DVD)	20	1849389	PANEL, 310DA-07 CABIN LT SW SNGL 2-WAY BLK
	1848849	REMOTE, DVD KEC 12V DVD2M/3M ZONEFREE (REMOTE FOR 1817493 & 1819303)		1541655	ACTUATOR, ROCK SWITCH-LIGHTS BLK (PART OF 1849389)
7	1577717	PANEL, WATER LEVEL IND		1609312	BODY, ROCK SW SPDT BLK 12V INCAND NON-LIT (PART OF 1849389)
	679332	BODY, ROCK SW SPST MOM (PART OF 1577717)	21	1851469	310DA 07,DOOR,MID STRM STB STRG AFT
	681486	ACTUATOR, ROCK BLK W/O LENS ACCY (PART OF 1577717)		390849	CATCH, GRABBER LATCH W/10LB HOLD BLK PLAS
	806901	INDICATOR, WATER LEVEL 12V (PART OF 1577717)		195032	HINGE, AL CONT 1.25" X 72" BRITE
8	1854318	STEREO, AM/FM CD/CHNGR/SIR/XM SAT CMD4A (HULL# 1209 -> UP)		1854218	STEREO, AMP JL 450W6/5/4/3 CH POWER AMP WHT (HULL# 1312 -> UP) (PREMIUM COCKPIT SOUND SYSTEM - 12 VOLT)
	1803464	STEREO, AM/FM CD W/CHNGR/SIR SAT PLAYER CMD4 (HULL# 1201 -> 1208)		1807866	STEREO, AMP PANASONIC 400W 4CHNL (HULL# 1201 -> 1311) (PREMIUM COCKPIT SOUND SYSTEM - 12 VOLT)
	1803706	HARNES, STEREO ADAPTOR CMD4 W/PACKARD CONN		1782018	STEREO, AMP CLARION APX280M (HULL# 1201 -> 1311) (PREMIUM COCKPIT SOUND SYSTEM - 12 VOLT)
	1750893	CABLE, RCA AUDIO 14' W/EFX-2 CONN N/SUP		1750879	CABLE, RCA AUDIO "Y" (1-FM/ 2-M) W/NOISE SUPP (PREMIUM COCKPIT SOUND SYSTEM - 12 VOLT)
	956078	ADAPTER, STEREO FEMALE/FEMALE (HULL# 1236 -> UP)		1818575	CABLE, RCA AUDIO 1M W/EFX-2 CONNECTORS (PREMIUM COCKPIT SOUND SYSTEM - 12 VOLT)
9	1847461	STEREO, SIRIUS SATELLITE RCVR SIRCL3M-6MO		1750880	CABLE, RCA AUDIO 6' W/EFX-2 CONN W/NOISE SUPP (PREMIUM COCKPIT SOUND SYSTEM - 12 VOLT)
	1887355	CABLE, SIRIUS SATELLITE RCVR CENET SIRCLM3 (PART OF 1847461)		1848756	HARNES, 310DA-07 PREM CKPT STEREO (HULL# 1201 -> 1311) (PREMIUM COCKPIT SOUND SYSTEM - 12 VOLT)
10	1733835	STEREO, CD CHANGER 6-DISC DCZ625 C-NET		1765977	SPEAKER, POLK/MOMO EXT CROSSOVER (PART OF 1784476)
			22	525667	HINGE, CONCEALED FULL OVERLAY MT PLATE ONLY
			23	839399	HINGE, SELF CLOSING BLUM SCREW-ON
			24	663708	BUMPER, CLEAR .020" THICK
			25	1776837	PULL, ROSETTE SAT/NCKL RND 16MM (5/8")
			26	1742136	PULL, PUSH-BUTTON KNOB SAT/NCKL
			27	772418	CATCH, RIM-LOCK WHT
			28	761445	CATCH, RIM-LOCK STRIKE PLATE
			ELECTRICAL		
				1749388	GALVANIC ISOLATOR, PROSAFE 30AMP (ISOL ONLY)
				1850253	VIDEO EQUIPMENT, AUXILIARY INPUT MP3 MA-AUX2

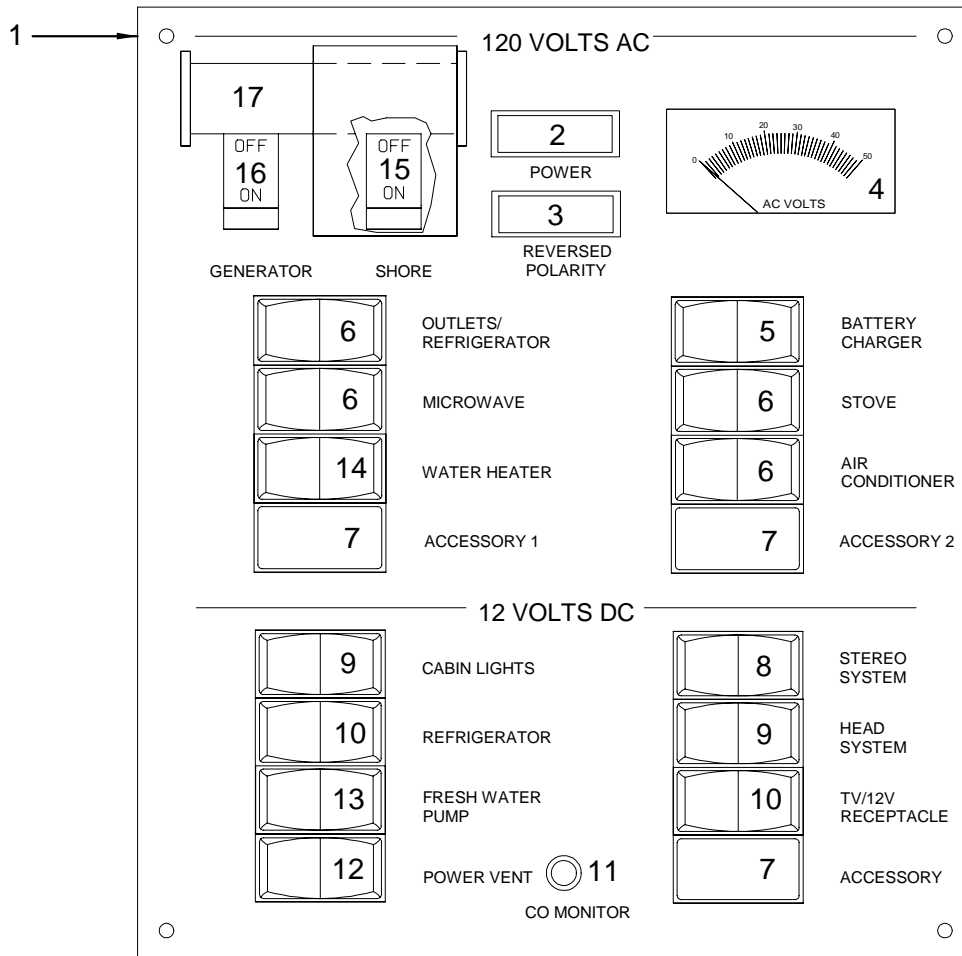
LABELS

- 1746899 LABEL, DANGER CARBON MONOXIDE (LEXAN)
(GAS ENGINES ONLY)
- 1812911 LABEL, DANGER CO CABIN 06
- 1747505 LABEL, INFO REPL PROD/BROCH/DLRLOC/ETC
- 1745156 LABEL, NOTICE OVERBOARD DISCHARGE (LEXAN)
(MACERATOR W/ SEACOCK INTERLOCK SYSTEM)
(VACUUM FLUSH HEAD W/ DIRECT OVER BOARD INTL)
- 1747493 LABEL, LEAVING WINDOW OPEN EXHAUST FUMES

LIGHTS

- 1803185 LIGHT, INDIRECT LED WHT BUTTON W/COLLAR/CONN
(LED NOT REPLACEABLE)
(PORT CABINET)

MAIN DISTRIBUTION PANEL 120VAC



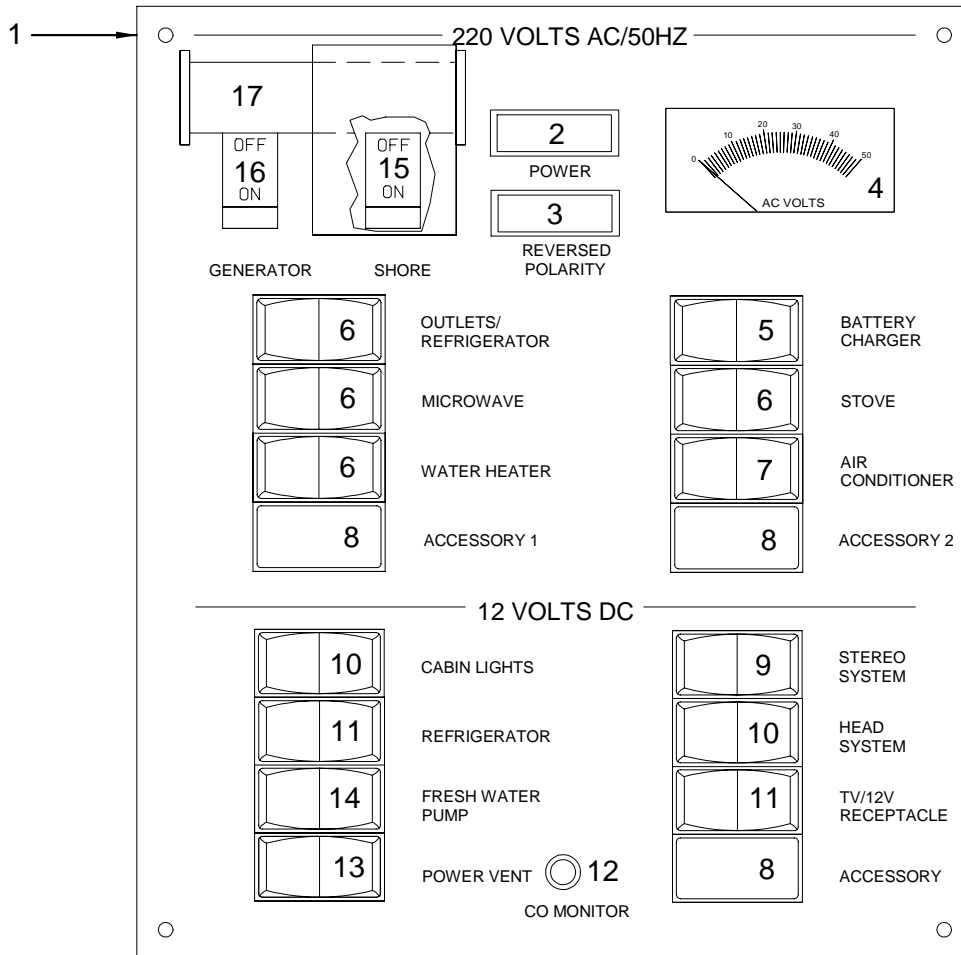
MAIN DISTRIBUTION PANEL 120VAC

NOT SHOWN

- 1 1846396 PANEL, 310DA-07 AC/DC MDP 120/60 N/GEN
- 1846397 PANEL, 310DA-07 AC/DC MDP 120/60 W/GEN
- 1846398 PANEL, BLANK:310DA-07 AC/DC MDP 120/60
(BLANK PANEL ONLY - FOR 1846396 & 1846397)
- 2 572529 LIGHT, POLARITY GRN 125V
- 3 557611 LIGHT, POLARITY RED 125V
- 4 767608 GAUGE, VOLTMETER AC 0-150 ANALOG WINDOW MT SM
- 5 1776973 BRKR/ROCK, SGL-POLE AC/DC HORZ UP LUG 10A WHT
- 6 1795343 BRKR/ROCK, SGL-POLE AC/DC HORZ UP LUG 20A WHT
- 7 432872 PLUG, BRKR/ROCK
- 8 1799306 BRKR/ROCK, SGL-POLE AC/DC HORZ UP LUG 25A RED
- 9 1799305 BRKR/ROCK, SGL-POLE AC/DC HORZ UP LUG 20A RED
- 10 1799304 BRKR/ROCK, SGL-POLE AC/DC HORZ UP LUG 15A RED
- 11 1181700 BRKR, P/BTN-MANUAL RESET M-SERIES 1A W/SCREW
- 12 1878882 BRKR/ROCK, SGL-POL AC/DC HORZ UP LUG 7.5A RED
- 13 1799341 BRKR/ROCK, SGL-POLE AC/DC HORZ UP LUG 10A RED
- 14 1776975 BRKR/ROCK, SGL-POLE AC/DC HORZ UP LUG 15A WHT
- 15 648873 BRKR/ROCK, 2-POLE AC/DC VERT 30A WHT
- 16 595926 BRKR/ROCK, 2-POLE AC/DC VERT 50A WHT
(WITH GENERATOR ONLY)
- 432872 PLUG, BRKR/ROCK
(WITHOUT GENERATOR)
- 17 340679 SLIDE ASSY, SLIDE BAR MDP PANEL
(WITH GENERATOR ONLY)

- 1776975 BRKR/ROCK, SGL-POLE AC/DC HORZ UP LUG 15A WHT
(GRILL, COCKPIT - BUILT IN - 120V/60)
(GRILL, COCKPIT - BUILT IN - 220V/50)
- 352062 BRKR/ROCK, SGL-POLE AC/DC HORZ 15A RED
(GRILL, COCKPIT - BUILT IN - 120V/60)
(GRILL, COCKPIT - BUILT IN - 220V/50)

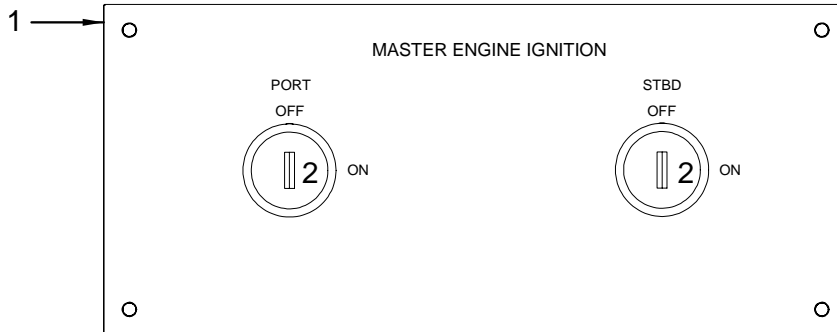
MAIN DISTRIBUTION PANEL 220VAC



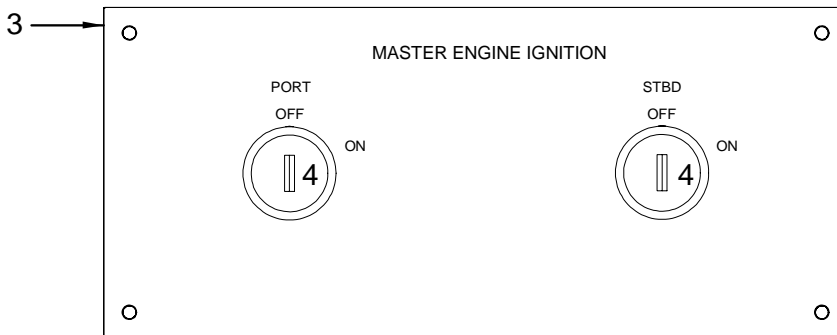
MAIN DISTRIBUTION PANEL 220VAC

- 1 1846399 PANEL, 310DA-07 AC/DC MDP 220/50 N/GEN
- 1846400 PANEL, 310DA-07 AC/DC MDP 220/50 W/GEN
- 1846402 PANEL, BLANK:310DA-07 AC/DC MDP 220/50
(BLANK PANEL ONLY - FOR 1846399 & 1846400)
- 2 557603 LIGHT, POLARITY GRN 220V
- 3 557629 LIGHT, POLARITY RED 220V
- 4 796334 GAUGE, VOLTMETER AC 0-300 ANALOG WINDOW MOUNT
- 5 1776961 BRKR/ROCK, SGL-POLE AC/DC HORZ UPT LUG 5A WHT
- 6 1776973 BRKR/ROCK, SGL-POLE AC/DC HORZ UP LUG 10A WHT
- 7 1776975 BRKR/ROCK, SGL-POLE AC/DC HORZ UP LUG 15A WHT
- 8 432872 PLUG, BRKR/ROCK
- 9 1799306 BRKR/ROCK, SGL-POLE AC/DC HORZ UP LUG 25A RED
- 10 1799305 BRKR/ROCK, SGL-POLE AC/DC HORZ UP LUG 20A RED
- 11 1799304 BRKR/ROCK, SGL-POLE AC/DC HORZ UP LUG 15A RED
- 12 1181700 BRKR, P/BTN-MANUAL RESET M-SERIES 1A W/SCREW
- 13 1878882 BRKR/ROCK, SGL-POL AC/DC HORZ UP LUG 7.5A RED
- 14 1799341 BRKR/ROCK, SGL-POLE AC/DC HORZ UP LUG 10A RED
- 15 440354 BRKR/ROCK, 2-POLE AC/DC VERT 20A WHT
- 16 629337 BRKR/ROCK, 2-POLE AC/DC VERT 35A WHT
(WITH GENERATOR ONLY)
- 432872 PLUG, BRKR/ROCK
(WITHOUT GENERATOR ONLY)
- 17 340679 SLIDE ASSY, SLIDE BAR MDP PANEL
(WITH GENERATOR ONLY)

IGNITION SWITCH PANEL (TWIN ENGINE GAS)

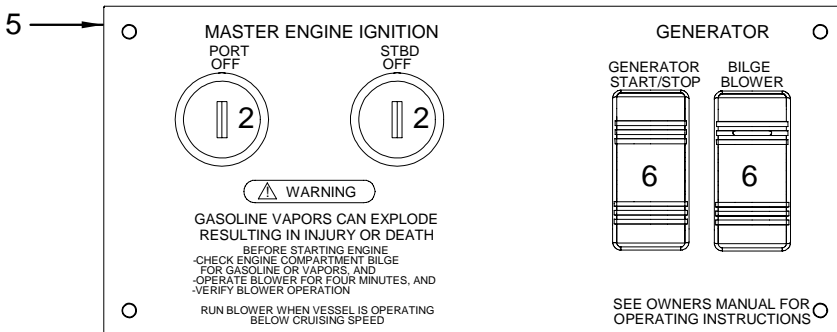


GAS ENGINES WITHOUT
GENERATOR OR
DIGITAL THROTTLE/SHIFT

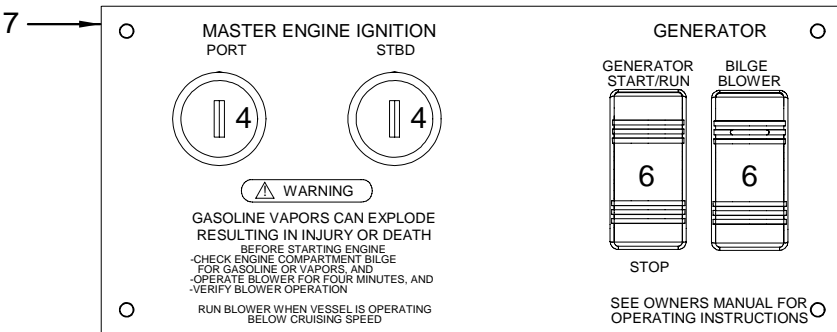


GAS ENGINES WITH
DIGITAL THROTTLE/SHIFT

NOT USED WITH T-5.0L DTS



GAS GENERATOR WITHOUT
T-5.0L DTS

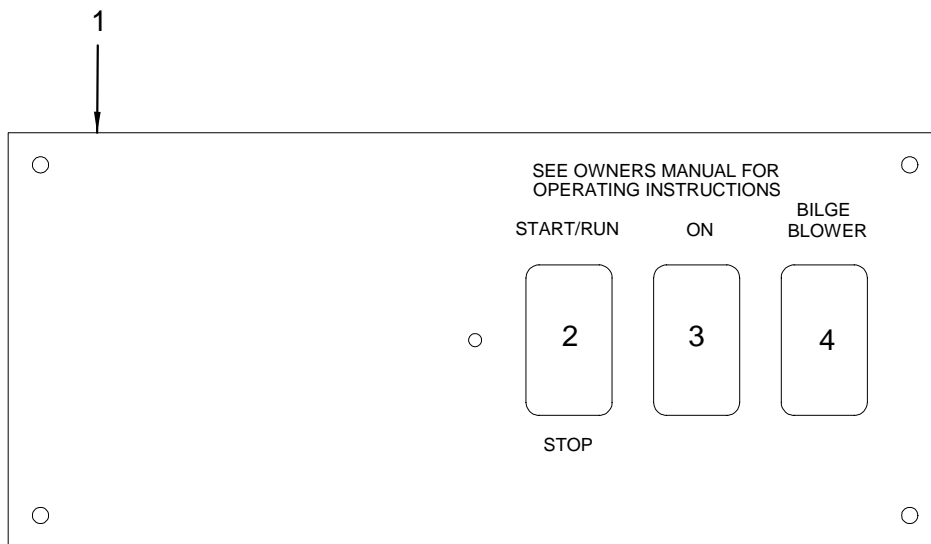


GAS GENERATOR WITH
T-5.0L DTS

IGNITION SWITCH PANEL (TWIN ENGINE GAS)

- 1 1848222 PANEL, 310DA-07 IGN KEY SW GAS N/GEN
- 1848221 PANEL, BLANK:310DA-07 IGN KEY SW GAS N/GEN
(BLANK PANEL ONLY - FOR 1848222)
- 2 1544188 SWITCH, KEY ASHI DENSO
- 3 1848226 PANEL, 310DA-07 IGN KEY SW GAS N/GEN W/DTS
- 1848223 PANEL, BLANK:310DA IGN KEY SW GAS N/GEN W/DTS
(BLANK PANEL ONLY - FOR 1848226)
- 4 1820272 SWITCH, IGN ASSY 3-POS
- 5 1848230 PANEL, 310DA-07 IGN KEY SW GAS W/GEN
- 1848228 PANEL, BLANK:310DA-07 IGN KEY SW GAS W/GEN
(BLANK PANEL ONLY - FOR 1848230)
- 6 1804271 BODY, ROCK SW XI SPST MOM INDP GRN LNZ 12V
(ACTUATOR INCLUDED WITH BASE)
- 7 1848232 PANEL, 310DA-07 IGN KEY SW GAS W/GEN/DTS
- 1848231 PANEL, BLANK:310DA IGN KEY SW GAS W/GEN/DTS
(BLANK PANEL ONLY - FOR 1848232)

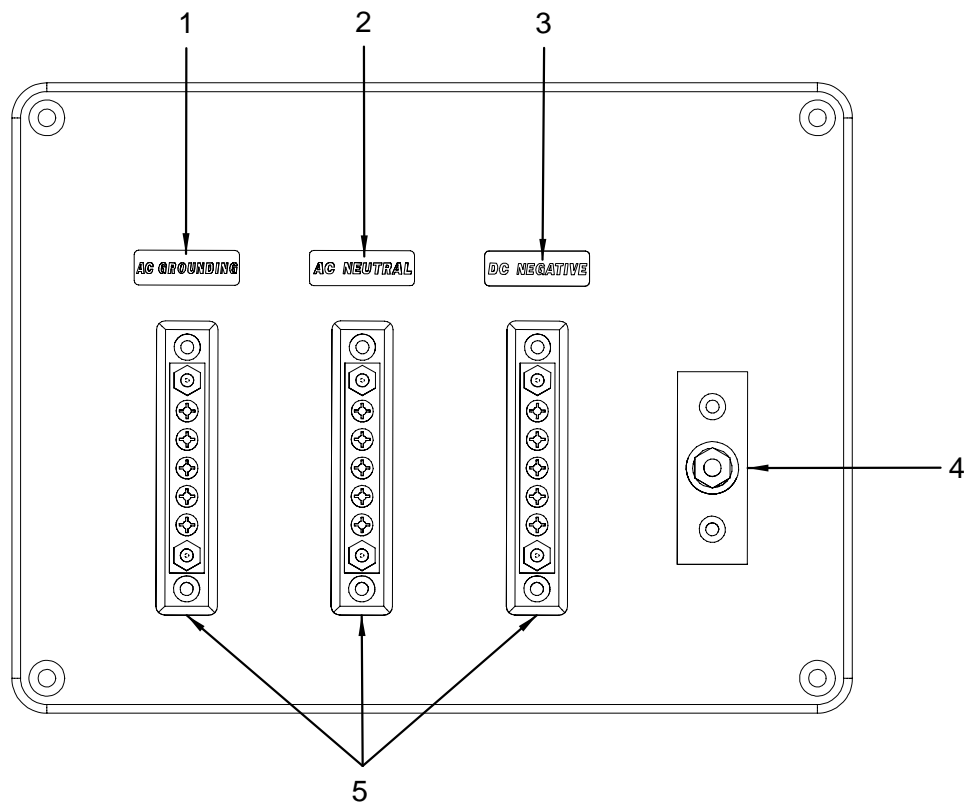
GENERATOR PANEL (DIESEL)



GENERATOR PANEL (DIESEL)

- 1 1801720 PANEL, 290DA-06 GEN REMOTE SW DSL
- 2 679324 ACTUATOR, ROCK BLK W/BLUE LENS ACCY
- 1762694 BODY, ROCK SW SPDT MOM BLK W/IND INC LAMP

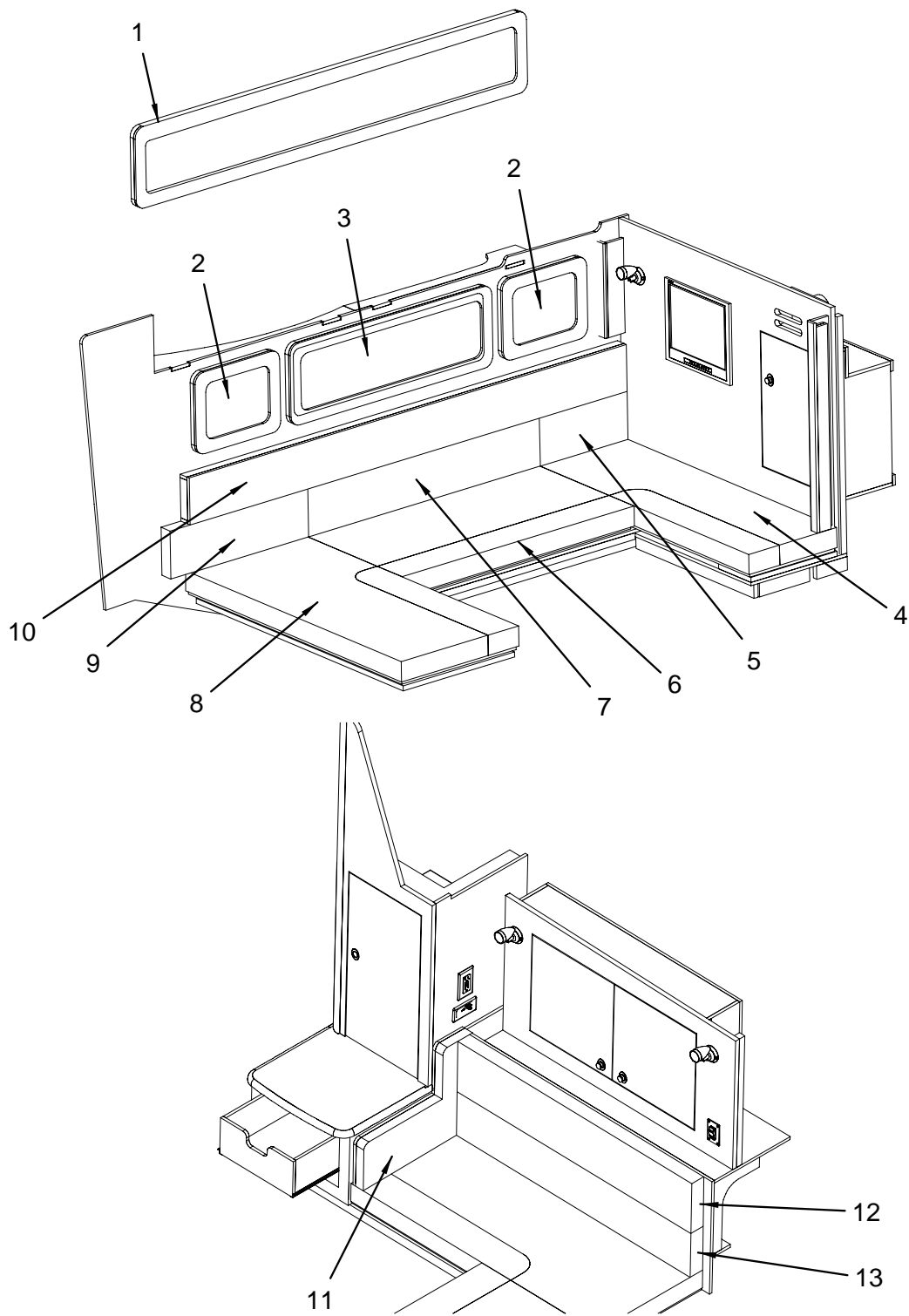
MDP COMPONENT BOARD



MDP COMPONENT BOARD

- 1 1790408 LABEL, AC GROUNDING (LEXAN)
- 2 1790407 LABEL, AC NEUTRAL (LEXAN)
- 3 1790406 LABEL, DC NEGATIVE (LEXAN)
- 4 795583 BUSS BAR, SGL POST 5/16"
- 5 1324334 BUSS BAR, MINIBUS BAR DC

MID STATEROOM (UPHOLSTERY)



MID STATEROOM (UPHOLSTERY)

- 1 1882939 310DA 07,MIR ASSY,MIDSTRM RV1
(HULL# 1206 -> UP)
- 2 1851480 310DA 07,MIR ASSY,MID STRM
(HULL# 1201 -> 1205)
- 3 1851481 310DA 07,MIR ASSY,MID STRM CTR
(HULL# 1201 -> 1205)
- 4 1851472 310DA 07,CUSH,MID STRM PRT
- 1851473 310DA 07,CUSH SKN,MID STRM PRT
- 5 1882927 310DA 07,CUSH,PRT AFT FILR MIDSTRM
- 1882928 310DA 07,CUSH SKN,PRT AFT FILR MIDSTRM
- 6 1851474 310DA 07,CUSH,MID STRM CTR
- 1851475 310DA 07,CUSH SKN,MID STRM CTR
- 7 1882929 310DA 07,CUSH,CTR AFT FILR MIDSTRM
- 1882930 310DA 07,CUSH SKN,CTR AFT FILR MIDSTRM
- 8 1851476 310DA 07,CUSH,MID STRM STB
- 1851477 310DA 07,CUSH SKN,MID STRM STB
- 9 1882931 310DA 07,CUSH,STB AFT FILR MIDSTRM
- 1882932 310DA 07,CUSH SKN,STB AFT FILR MIDSTRM
- 10 1851478 310DA 07,BLSTR,AFT MIDSTRM
- 1851479 310DA 07,BLSTR SKN,AFT MIDSTRM
- 11 1851552 310DA 07,ARMREST,MID STRM
- 1882938 310DA 07,ARMRST SKN,MIDSTRM
- 12 1882935 310DA 07,BLSTR,STB MIDSTRM
- 1882937 310DA 07,BLSTR SKN,STB MIDSTRM
- 13 1882933 310DA 07,CUSH,STB FILR MIDSTRM
- 1882934 310DA 07,CUSH SKN,STB FILR MIDSTRM

BOLSTER MATERIAL

- 1003474 VINYL, ALLANTE II CREAM EXP FLAT
(INTERIOR A - MIRAGE)
(INTERIOR B - ROUGE)
(INTERIOR D - SAVOY)
- 1142165 VINYL, ALLANTE II WHT SAND EXP FLAT
(INTERIOR C - CONTEMPO)

CUSHION MATERIAL

- 1003474 VINYL, ALLANTE II CREAM EXP FLAT
(INTERIOR A - MIRAGE)
(INTERIOR B - ROUGE)
(INTERIOR D - SAVOY)
- 1142165 VINYL, ALLANTE II WHT SAND EXP FLAT
(INTERIOR C - CONTEMPO)

HEADLINER/HULL LINER/WASHABLE SURFACE

- 1140367 VINYL, RVIEW LT CAMEO N/W FLAT
- 1747515 VINYL, RVIEW LT CAMEO N/W 1/4"FB

INTERIOR CARPET

- 1467182 CARPET, INT 44 OZ WHEATON 6'W 100% BCF NYLON

PILLOW PACKAGES

- 1794279 PILLOW PKG, 2006/07 SPCR VBRTH/MIDCAB PKGA(2)
(INTERIOR A - MIRAGE)
- 1839721 PILLOW PKG, 2007 SPCR VBRTH/MIDCAB PKGB (2)
(INTERIOR B - ROUGE)
- 1839847 PILLOW PKG, 2007 SPCR VBRTH/MIDCAB PKGC (2)
(INTERIOR C - CONTEMPO)
- 1794301 PILLOW PKG, 2006/07 SPCR MIDCAB PKGD (2)
(INTERIOR D - SAVOY)

PRIVACY CURTAIN

- 1848352 CURTAIN, 310DA-07 GLAMOUR OATML AFT PRIV
(INTERIOR A - MIRAGE)
(INTERIOR B - ROUGE)
(INTERIOR D - SAVOY)
- 1848356 CURTAIN, 310DA-07 MOREHEAD/PRL AFT PRIV
(INTERIOR C - CONTEMPO)
- 132183 TRACK, ALUM CURT TRK 0.275"X 0.688" TAB TYPE

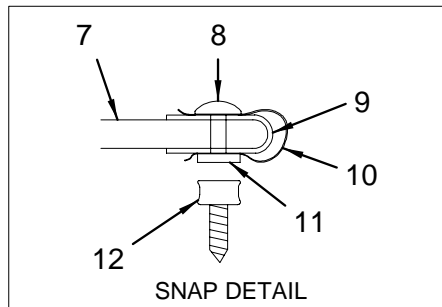
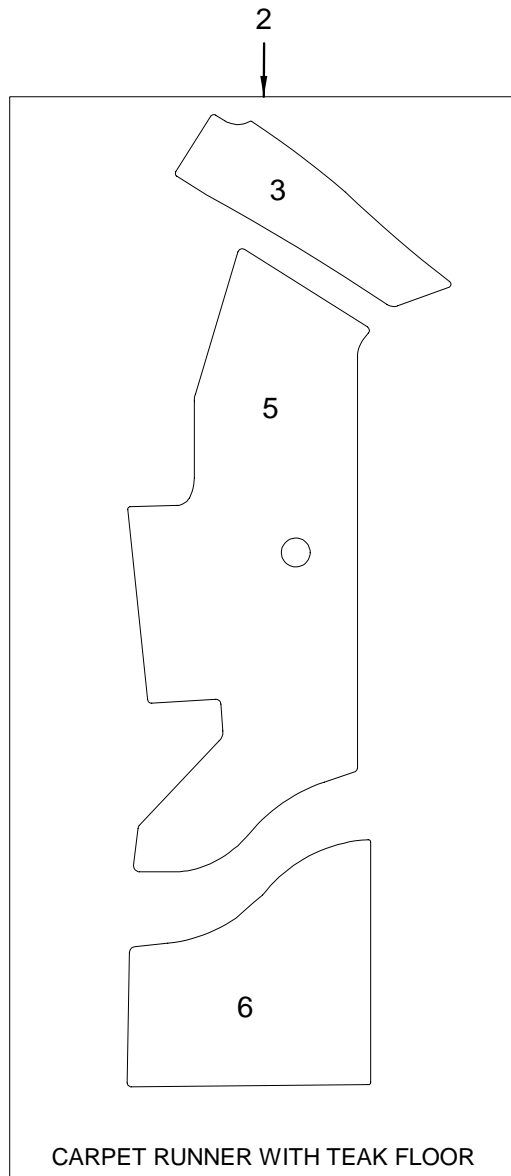
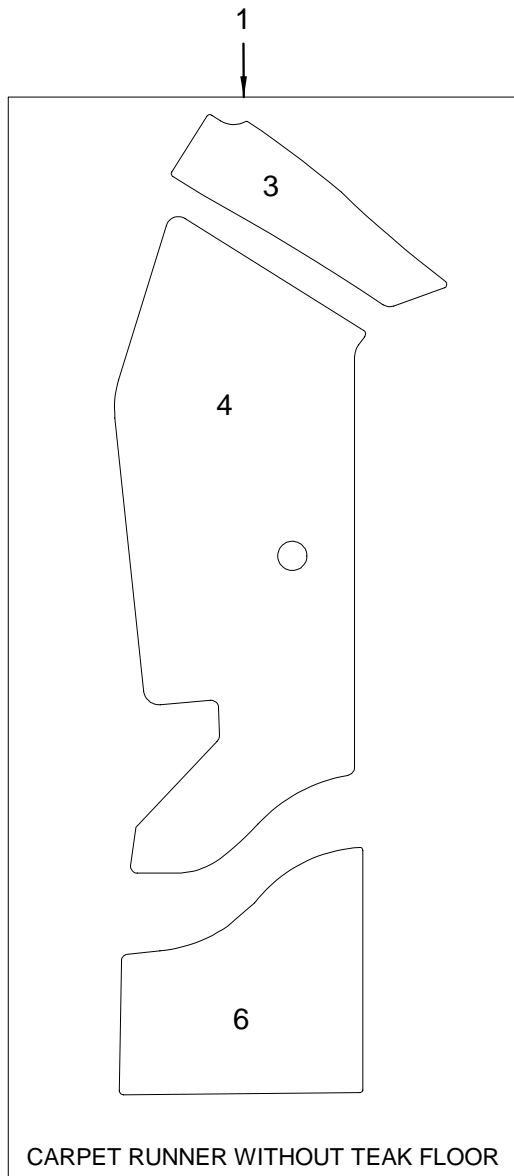
STORAGE & BUNK TOPS

- 1128487 FABRIC, GEOMETRIC STRAW (NDLPNCH) W/BACK

UPHOLSTERY

- 103309 MESH, WHITE 60"
- 156901 WELT, WELT CORD SYNTHETIC 5/32" X 1000'
- 180182 ZIPPER, #5 DELRIN CONTINUOUS WHT
- 180406 SLIDE, DELRIN #5 WHT 1-S LOCK
- 1847981 FOAM, P/C 310DA-07 MID STRM CUSH SET
- 602169 TAB, PULL TAB MATERIAL 1.5"X 250YDS
- 634931 FABRIC, PULL STRIP 6"X 250YD

INTERIOR (CANVAS CARPET RUNNER)



INTERIOR (CANVAS CARPET RUNNER)

- 1 1882946 310DA 07,CARPET RNR,CMPLT
- 2 1882959 310DA 07,CARPET RNR,CMPLT W/TEAK FLR
(FLOORING, SIMULATED TEAK - CABIN)
- 3 1882958 310DA 07,CARPET RNR,FWDSTRM
- 4 1882947 310DA 07,CARPET RNR,SLN
- 5 1882957 310DA 07,CARPET RNR,SLN W/TEAK FLR
(FLOORING, SIMULATED TEAK - CABIN)
- 6 1882948 310DA 07,CARPET RNR,MIDSTRM
- 7 1180025 CANVAS, SUNBRELLA TOAST TWEED 60"
- 8 1163872 SNAP BUTTON, W/ 1/8" BARREL
- 9 1218205 BINDING, CANVAS 1" TOAST TWEED SNBRLA
- 10 1790664 SNAP REINFORCEMENT, PLAS BACKER 500 PC/ROLL
- 11 1163864 SNAP SOCKET, W/ 1/8" HOLE
- 12 154369 SNAP STUD, W/#8 X 3/8" PH SS

MULTI-INFO PACKET

MULTI-INFO PACKET
MULTI-INFO PACKET

1848047 PACKET, MULTI-INFO 310DA-07

OWNERS PACKET CONTENTS

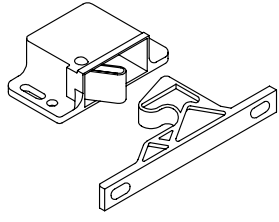
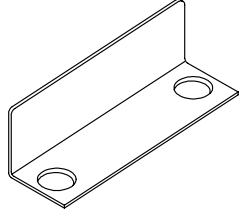
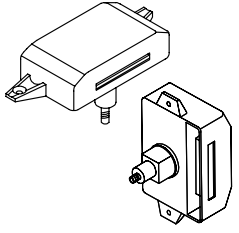
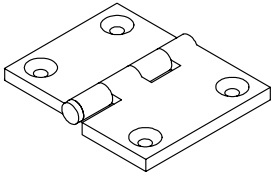
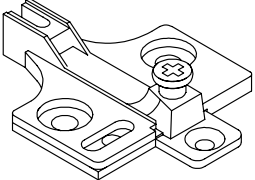
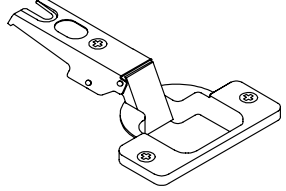
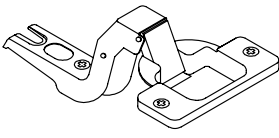
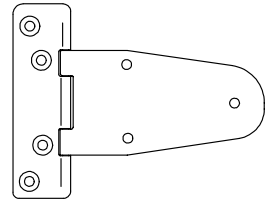
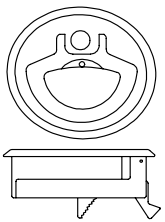
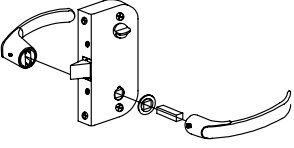
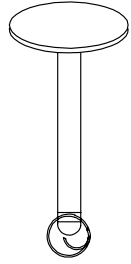
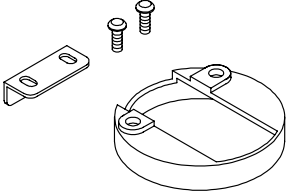
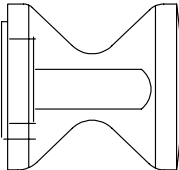
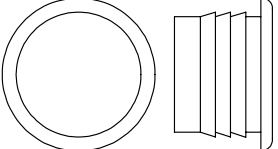
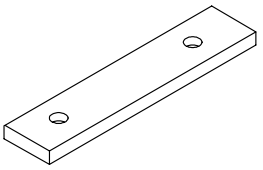
1848048 MANUAL, OWNERS - 310DA-07 10-TAB SPIRAL BOOK
 1846535 CARD, WARRANTY - SC/SY/Y '07
 1836824 CHECK LIST, IN SERVICE-SPBOATS/SPCRUISERS 06
 1507912 CARD, PASSPORT TO SAVINGS
 1764423 BROCHURE, CARBON MONOXIDE AWARENESS
 1766184 BROCHURE, WATERSKI SAFETY GUIDELINES
 1887036 BROCHURE, USCG YOU'RE IN COMMAND
 1887035 BROCHURE, USCG YOU'RE IN COMMAND PROP DANGER
 1798084 LABEL, CHEMICAL WARNINGS
 1411404 ENVELOPE, DEALER INFORMATION
 902726 PACKET, OWNERS BRIEFCASE CANVAS BLK (TYPHOON)
 833749 FUSE BOX, SPARE W/6 ATC BLADE STYLE
 798595 HARNESS, ACCY HATCH LIFT PIGTAIL
 1751553 BOOKLET, COAST GUARD FEDERAL REQUIREMENT
 1805468 CARD, LADDER MAINTENANCE
 1848351 MANUAL, CD DO'S AND DON'TS AT THE GAS PUMP

OWNERS PACKET SUPPLIED BY PLANT

800565 BOOKLET, BOATER'S GUIDE TO AC ELECTRICAL SYST
 1683713 CARD, QUICK REFERENCE SHRPWR SPCRUIS/02
 1691479 MANUAL, OWNERS - SEA RAY INT'L 12-LANGUAGE
 (C E OPTION GROUP)
 1766115 PACKET, SIRIUS WELCOME KIT
 1880468 CHECK LIST, INT'L DISCLOSURE SPBT/SPCRUSR '06
 (HULL# 1285 -> UP)
 (INTERNATIONAL IN-SERVICE CHECKLIST)

KNOXVILLE HARDWARE

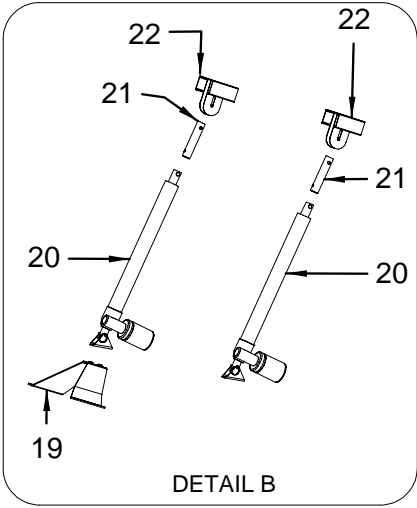
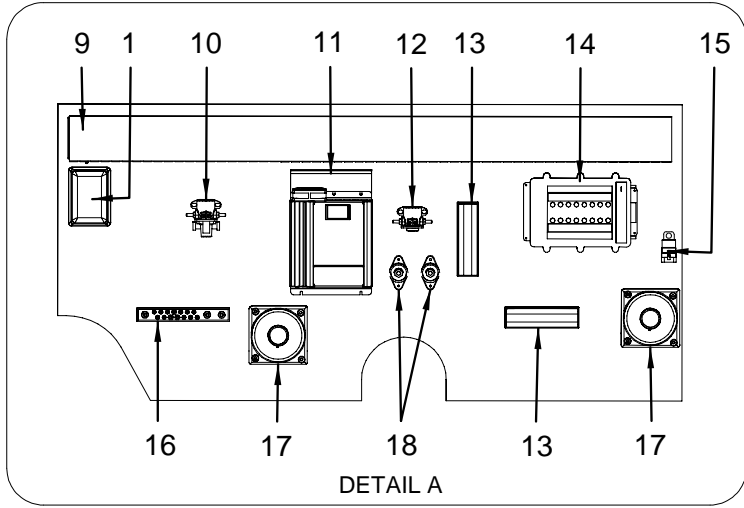
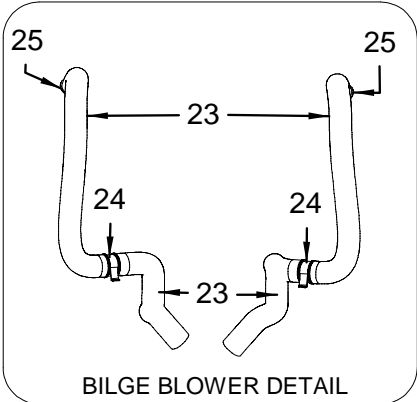
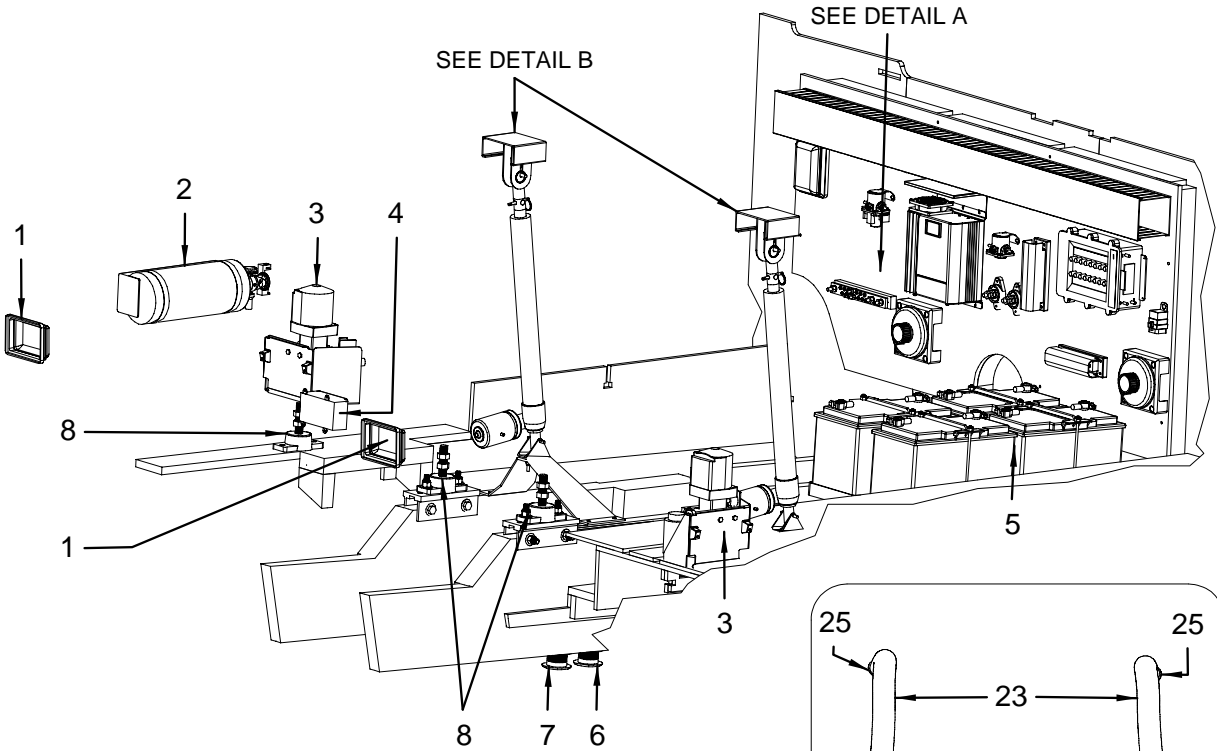
KNOXVILLE PLANT HARDWARE

<p>BLACK 10LB</p>  <p>1 → 390849</p>	 <p>2 → 761445</p>	<p>WHITE</p>  <p>3 → 772418</p>	 <p>4 → 132324</p>
 <p>5 → 525667</p>	 <p>6 → 814350</p>	 <p>7 → 839399</p>	 <p>8 → 1683753</p>
<p>STAINLESS STEEL</p>  <p>9 → 1781434</p>	<p>LH OUT SATIN/NICKLE</p>  <p>10 → 1776672</p>	 <p>11 → 140111</p>	 <p>12 → 1781435</p>
<p>SAT/NCKL</p>  <p>13 → 1742136</p>	<p>SAT/NCKL 16MM</p>  <p>14 → 1776837</p>	 <p>15 → 826453</p>	

KNOXVILLE HARDWARE

1	390849	CATCH, GRABBER LATCH W/10LB HOLD BLK PLAS
2	761445	CATCH, RIM-LOCK STRIKE PLATE
3	772418	CATCH, RIM-LOCK WHT
4	132324	HINGE, BUTT CHROME/ZINC 2"
5	525667	HINGE, CONCEALED FULL OVERLAY MT PLATE ONLY
6	814350	HINGE, CONCEALED FULL OVERLAY 100DEG W/DOWEL
7	839399	HINGE, SELF CLOSING BLUM SCREW-ON
8	1683753	HINGE, SS 320DA-02 CKPT HATCH
9	1781434	LATCH, FLUSH MNT N/LOCKING SLAM SS
10	1776672	LATCH, OFFSHR FLSH LH-OUT PRVKNB SAT/NCK 5/8"
11	140111	LIFT HANDLE, HATCH LIFT BOLT W/RING 3"
12	1781435	PLATE, CUP BRKT 2"LONG SCREW W/HDWR PKG
13	1742136	PULL, PUSH-BUTTON KNOB SAT/NCKL
14	1776837	PULL, ROSETTE SAT/NCKL RND 16MM (5/8")
15	826453	SHIM, DOOR STRIKER

BILGE



BILGE

1	1771064	LIGHT, SGL DOME FLSH MNT PLS WHT N/SW W/CONN BULB, DOME LIGHT 12V (REPLACEMENT BULB FOR 1771064)
2	1837240	FIRE EXT SYS, FE241 (SR) 250CF AUTO/MAN W/CON HALON CABLE, MANUAL PULL CABLE 23' (HULL# 1205 -> UP)
	598169	HALON CABLE, MANUAL PULL CABLE 18' (HULL# 1201 -> 1204)
	1642271	FIRE EXT SYS, FM200 250CF GAS/DSL-MAN/AUTO (FIRE SUPPRESSION FM 200 - INTERNATIONAL) (C E OPTION GROUP)
3	685404	ACC PART, MERC TRIM PUMP (SUPPLIED WITH STERNDRIIVE MERCURY ENGINES)
4	522813	BOX, RECEPTACLE PVC SURFACE MOUNT CARLON (AIR CONDITIONING / HEATING-12000BTU-120V/60) (AIR CONDITIONING / HEATING-12000BTU-220V/50)
	147397	COVER PLATE, CARLON BOX SGL (AIR CONDITIONING / HEATING-12000BTU-120V/60) (AIR CONDITIONING / HEATING-12000BTU-220V/50)
5	1239458	HOLDER, BATTERY GR27/31 BLK NYLON W/SS
	650499	BOOT, BATTERY CABLE 4/0 RED 11/16"
	650507	BOOT, BATTERY CABLE 4/0 BLK 11/16"
	1258979	BOOT, BATTERY CABLE 105C "T" BLK 4/0
	1258987	BOOT, BATTERY CABLE 105C "T" RED 4/0
	140509	BOOT, ENG STARTER RED
	1687181	BOOT, PVC TERM INSUL CAP(485N9V02)RED (HULL# 1225 -> UP)
	136044	CABLE, BATT BLK #4/0AWG (HULL# 1225 -> UP)
	136051	CABLE, BATT RED #4/0AWG (HULL# 1225 -> UP)
	130799	CABLE, BATT BLK #2AWG (HULL# 1225 -> UP) (GENERATOR)
	130781	CABLE, BATT RED #2AWG (HULL# 1225 -> UP) (GENERATOR)
	192385	CONN, BATT LUG 4/0GA NEG W/NUT/BOLT (HULL# 1225 -> UP)
	192393	CONN, BATT LUG 4/0GA POS W/NUT/BOLT (HULL# 1225 -> UP)
	518712	CONN, BATT LUG 4/0GA POS T-TYPE (HULL# 1225 -> UP)
	518720	CONN, BATT LUG 4/0GA NEG T-TYPE (HULL# 1225 -> UP)
	793349	CONN, RING 4/0GA X 3/8R 1.15 BARE PLTD CLSD (HULL# 1225 -> UP)
	1244284	CONN, RING 4/0GA X 5/16R CLSD END (HULL# 1225 -> UP)
	891143	CONN, RING 4GA X 5/16R W/INSUL (HULL# 1225 -> UP)
	793265	CONN, RING 2GA X 3/8R BATT/CBL COP PLTD CLSD (HULL# 1225 -> UP) (GENERATOR)
	793281	CONN, RING 2GA X 5/16R .630 BARE ELONG CLSD (HULL# 1225 -> UP) (GENERATOR)
	1848755	CABLE, BATT KIT 310DA-07 GAS STRN DRIVE (HULL# 1201 -> 1224) (GAS STERN DRIVE ENGINES)
	1847941	CABLE, BATT KIT 310DA-07 GAS V-DRV (HULL# 1201 -> 1224) (GAS V-DRIVE ENGINES)
	1849612	CABLE, BATT KIT 310DA-07 DSL (HULL# 1201 -> 1224) (DIESEL ENGINES)
	1849164	CABLE, BATT KIT 310DA-07 GAS GEN STRN DRV (HULL# 1201 -> 1224) (GAS GENERATOR WITH STERN DRIVE ENGINES)
	1849165	CABLE, BATT KIT 310DA-07 GAS GEN V/D (HULL# 1201 -> 1224) (GAS GENERATOR WITH V-DRIVE ENGINES)
	1849619	CABLE, BATT KIT 310DA-07 DSL W/DSL GEN (HULL# 1201 -> 1224) (DIESEL GENERATOR WITH DIESEL ENGINES)
	1849624	CABLE, BATT KIT 310DA-07 BOW THRSTR (HULL# 1201 -> 1224) (BOW THRUSTER) (BOW & STERN THRUSTERS)
	1849629	CABLE, BATT KIT 310DA-07 STRN THRSTR (HULL# 1201 -> 1224) (BOW & STERN THRUSTERS)
6	1690371	ACC PART, MERC S-CRFT TRNS W/19" NYL DEP/TEMP (STERN DRINVE ENGINES)
	1757382	NAVIGATOR, SRNII TRANSDUCR DEPTH/TEMP W/PT NY (RADAR / GPS / CHARTPLOTTER NORTHSTAR 6000I) (GPS / CHARTPLOTTER - NORTHSTAR 6000I)

6		(NORTHSTAR 6100I GPS / CHARTPLOTTER) (NORTHSTAR 6100I RADAR / GPS / CHARTPLOTTER) HARNES, PIGTAIL 5'SRN II XDUOCR TO 6000I (RADAR / GPS / CHARTPLOTTER NORTHSTAR 6000I) (GPS / CHARTPLOTTER - NORTHSTAR 6000I) (NORTHSTAR 6100I GPS / CHARTPLOTTER) (NORTHSTAR 6100I RADAR / GPS / CHARTPLOTTER)
	1795162	TRANSUCER, NRTHSTR 491FF DEP/TEMP W/6'PGTAIL (NORTHSTAR 491 FISHFINDER - 6000I/6100I ONLY)
	1795135	HARNES, NRTHSTR 491FF TRANS DEP/TEMP 30' (NORTHSTAR 491 FISHFINDER - 6000I/6100I ONLY)
	1795136	TRANSUCER, DEPTH/TEMP FOR DSM250 FISHFINDER (RAYMARINE DSM 300 FISH FINDER)
	1795499	TRANSUCER, DEPTH/TEMP FOR DSM250 FISHFINDER (RAYMARINE DSM 300 FISH FINDER)
	933853	TRANSUCER, DEPTH RETRACTABLE VALOX RAYDATA (DIESEL ENGINES)
7	1690510	SENSOR, S-CRFT PADDLE WHEEL SPEED (V-DRIVE ENGINES)
	933861	TRANSUCER, SPEED SELF SEALING VALOX RAYDATA (DIESEL ENGINES)
8	667345	SUPPORT, MOTOR MOUNT 7.5"X "L" SHAPED
	1261528	PLATE, BACKING 1/4"X 2"X 7.5" ALUM
	1094606	ENGINE MT, ENG STEP PAD GAS/HURTH TRANS (V-DRIVE ENGINES)
9	1051705	COVER BASE, PLAS DUCT WIRING CVR 4"X 6'WHT (HULL# 1373 -> UP)
	1248335	COVER BASE, PLAS DUCT WIRING 4"X 4"X 6' WHT (HULL# 1373 -> UP)
	498253	COVER BASE, PLAS DUCT WIRING CVR 4"X 6' GREY (HULL# 1373 -> UP)
	902916	COVER BASE, PLAS DUCT WIRING 4"X 4"X 6' GRY (HULL# 1373 -> UP)
10	644609	SOLENOID, MAGNET LATCHING 12V 100A/500A W/HDW (WINDLASS - ROPE / CHAIN) (WINDLASS - CHAIN)
11	1684144	CONVERTER, 30AMP 120VAC/12VDC
	1745132	CONVERTER, 20AMP 120/220 50/60HZ 12VDC REV 1 (220 VOLT / 50 CYCLE ELECTRICAL SYSTEM)
12	1690833	SOLENOID, EMERG START 12V 100AMP (GAS ENGINES)
	140814	SOLENOID, EMERG START (12V DSL) (DIESEL ENGINES)
	1737229	BOLT, HEX HD #8MM X 20MM YLW ZINC
	1737233	NUT, HEX COUPLING #8MM X 1.5" YLW ZINC
	1737231	WASHER, LOCK/SPLIT #8MM YLW ZINC
	1486497	ACC PART, VOLVO BOOT PROTECTIVE SLEEVE
13	987446	FUSE BLOCK, BLADE TYPE ANL350/500 (BOW THRUSTER) (BOW & STERN THRUSTERS)
14	1810629	MODULE, ELEC INTERFACE AFT S-CRUISER 06
15	1836602	RELAY, HELLA SEALED 5 POS
16	630871	BUSS BAR, MAIN DC GROUND (3-STUD)
17	136150	SWITCH, BATTERY ON/OFF DSL W/DISC (DIESEL ENGINES) (BOW THRUSTER) (BOW & STERN THRUSTERS)
18	795583	BUSS BAR, SGL POST 5/16"
19	1847108	SUPPORT, SS SPCRUIS ENG HATCH 35"NON ADJ
	1848631	BRACKET, SS HATCH LIFT BTWN STRNGRS 15" 316SS
20	1799988	ACTUATOR, ELEC HATCH LIFT 18"12V 6000RPM
21	1808429	ACTUATOR, EXTEN 5.25"X 1.25"OD X .049"SS (HULL# 1236 -> UP - ALL ENGINES) (HULL# 1201 -> 1235) (STERN DRIVE ENGINES)
	1589704	ACTUATOR, EXTEN 7.25"X 1.25"OD X .049"300DA-02 (HULL# 1201 -> 1235) (V-DRIVE ENGINES)
22	1686744	BRACKET, 320DA-02 HATCH LIFT UPR
23	124016	HOSE, VENT/BLOWER 4" EX HVY DTY
24	1794013	BLOWER, BILGE 4" ATTWOOD W/CONN
25	791749	VENT, PLAS GRILL 4" WHT

ELECTRICAL

1274588	CONN, SOLDERLESS W/CTR PIN
1507342	ACC PART, MERC S-CRFT WTHR CAP 10POS CAP (SMARTCRAFT SYSTEM VIEW- TWINS ONLY)
1726995	ACC PART, MERC ALARM BUZZER W/HARNES
1727800	PITOT, S/CRFT SPEEDO KIT SML BLOCK
184648	CONN, COUPLER TYPE PL-258

HARNESSES

1507292	HARNES, ENG SYSTEMS TACH/MONITOR
1507300	HARNES, SYSTEM SPEED
1689718	HARNES, MERC S-CRFT STEER EXT (HULL# 1206 -> UP) (V-DRIVE ENGINES)

HARNESSES (continued)

1689719	HARNESS, MERC S-CRFT STEER/PITOT (HULL# 1201 -> 1205) (V-DRIVE ENGINES)
1753564	HARNESS, MERC CAN LINK
1839412	HARNESS, FUEL ADAPTER 3 PIN TO NW 6 PIN (HULL# 1207 -> UP) (STERN DRIVE ENGINES)
1789965	HARNESS, MERCURY FUEL ADAPTER 6 PIN TO 3 (HULL# 1201 -> 1206) (STERN DRIVE ENGINES)
1848258	HARNESS, FUEL ADPTR 3 PIN TO 6PIN W/PADDL WHL (HULL# 1207 -> UP) (V-DRIVE ENGINES)
1789964	HARNESS, MERC FUEL ADPTR 6 PIN TO 3 W/PDL WHL (HULL# 1201 -> 1206) (V-DRIVE ENGINES)
1793838	HARNESS, MERC DUAL ENGINE INST ADP
1797180	HARNESS, TWN ENG INST/INTELIWHEEL S-CRFT (HULL# 1201 -> 1266)
1798143	HARNESS, ENG MERC S-CRFT SC100 LINK EXT 6" (HULL# 1201 -> 1258)
1802105	HARNESS, ENG MERC S-CRFT 14 PIN 20' (V-DRIVE ENGINES)
1802106	HARNESS, ENG MERC S-CRFT 14 PIN 25'
1839411	HARNESS, ENG MERC S-CRFT ADAPTR 10 PIN-14 PIN (HULL# 1201 -> 1246)
1838695	HARNESS, 310DA-07 STRN DRV BONDING
1810915	HARNESS, 310DA-07 V-DRIVE BONDING (V-DRIVE ENGINES)
1838702	HARNESS, 310DA-07 BILGE 120V
1838705	HARNESS, 310DA-07 BILGE 220V (220 VOLT / 50 CYCLE ELECTRICAL SYSTEM)
1794832	HARNESS, 340SDA-05 ENG YANMAR (DIESEL ENGINES)

INVERTER - 12V TO 120V/60 CYCLE

1812978	INVERTER, TRUSINE WAVE XANTREX 400W 12VDC
355081	BRKR/ROCK, SGL-POLE AC/DC HORZ 25A RED
1816196	LABEL, WARNING ELEC SHK HZRD INVRTR DISCNT DC
1816197	LABEL, WARNING ELEC SHK HZRD INVRTR FED RECPT
1816198	LABEL, CAUTION ELEC LOAD ONLY INVRTR REPCT

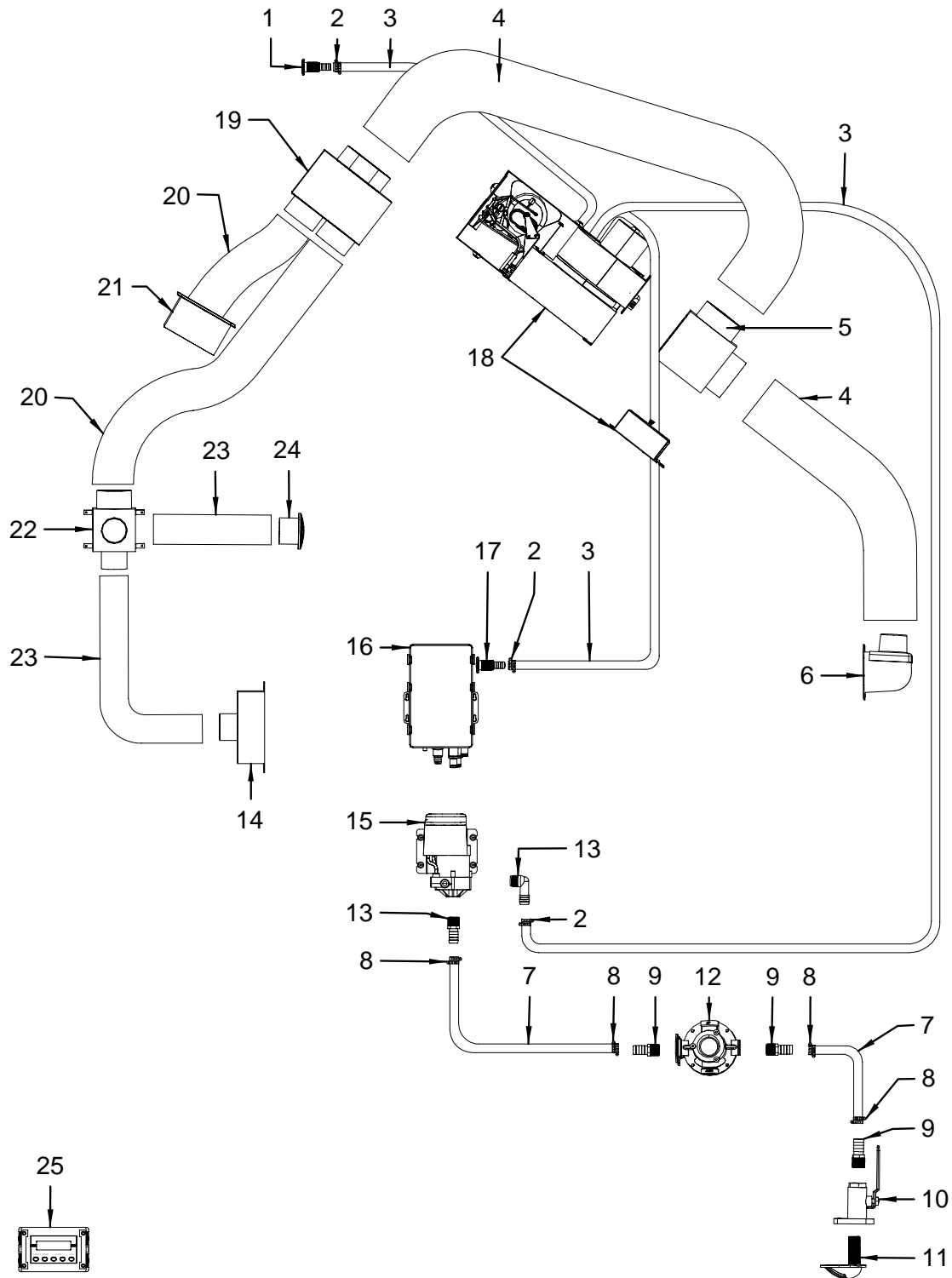
LABELS

1744737	LABEL, DISCHARGE OF OIL (LEXAN)
1745156	LABEL, NOTICE OVERBOARD DISCHARGE (LEXAN) (MACERATOR W/ SEACOCK INTERLOCK SYSTEM) (VACUUM FLUSH HEAD W/ DIRECT OVER BOARD INTL)
1745512	LABEL, STAY CLEAR OF MOVING PARTS ON ENGINE
1745513	LABEL, WARNING LEAKING FUEL
1746895	LABEL, CHECK BATTERY CELL FLUID LEVEL
1746896	LABEL, DANGER STAY CLEAR OF MOVING PARTS
1751885	LABEL, CAUTION: PRIOR TO TOWING VESSEL (V-DRIVE ENGINES)
1888131	LABEL, WARNING ENG HATCH SUPPORT (HULL# 1330 -> UP)

NOT SHOWN

1396142	MOLDING, FOAM RBR "D-SHAPE" 1.75" W/HAT ADH (ENGINE HATCH)
1656719	LATCH, FLUSH MOUNT ROUND T-HANDLE SS N/PAWL (ENGINE HATCH)
770404	INSULATION, 2" ACOUSTICAL 4.5'X 6' ALUM (ENGINE HATCH)
315507	INSULATION, VIBRACON 1"
123661	CLAMP, LOOM VINYL DIP 1"
141713	ADAPTER, BRASS 3/8"MPT X 5/8"BARB (T-350 MAG MPI HORIZON BR 3 (T-300PHP) S/D) (T-MX 6.2L MPI HORIZON BR 3 (T-320 PHP) S/D) (T-350 DTS MAG MPI HORIZON BR3 (T-260 PHP) (T-MX 6.2L DTS MPI HORIZON BR3 (T-320 PHP)

A/C SYSTEM



A/C SYSTEM

- 1 1778933 THRU-HULL, SS 5/8" BARB SHORT W/RBR GASKET
- 2 263954 CLAMP, HOSE #10 1/2"-1 1/8" SS .505
- 3 1058957 HOSE, WATER A/C WHT 5/8"
- 4 266528 HOSE, AC/DUCT INSULATED 5"
- 5 1848375 A/C COMP, PLENUM BLWR W/5" T/5" F PL10-12
- 6 1613934 A/C COMP, 360DA-02 PLENUM DISCHARGE FWD/AFT
(HULL# 1213 -> UP)
- 1574706 A/C COMP, TRANSITION BOX 4" X 4" PLAS
(HULL# 1201 -> 1212)
- 7 123810 HOSE, GEN PURPOSE 3/4"
- 8 256685 CLAMP, HOSE #16 3/4"-1.5" SS .505
- 9 531426 ADAPTER, BRZ 3/4" MPT X 3/4" BARB
- 10 518431 SEACOCK, BRZ 3/4" W/O TAILPIECE
- 11 531574 PICK-UP, BRZ WATER INTAKE 3/4"
- 12 1791584 STRAINER, BRZ WATER INTAKE 3/4" W/NYLON STRAP
1404854 PLUG, PLASTIC STRAINER DRAIN
(PART OF 1791584)
- 1851357 BRACKET, STRAINER MNT UPR
(PART OF 1791584)
- 1851358 BRACKET, STRAINER MNT LWR
(PART OF 1791584)
- 13 948273 A/C COMP, HOSE FITTINGS FOR PMP500
- 14 1848395 A/C COMP, PLENUM GRILL BOX 30 8X6X3
- 15 948265 A/C COMP, PUMP SEAWATER 115V
(AIR CONDITIONING / HEATING-12000BTU-120V/60)
- 948349 A/C COMP, PUMP SEAWATER 230V
(AIR CONDITIONING / HEATING-12000BTU-220V/50)
- 16 1792643 SHOWER, SUMP ASSY MULTI-PORT 750GPH 12V W/CON
- 17 124487 THRU-HULL, PLAS 5/8" WHT
- 18 1759843 A/C COMP, COMPACT 12K SMXII 115V 60HZ R22
(AIR CONDITIONING / HEATING-12000BTU-120V/60)
- 1769425 A/C COMP, COMPACT 12K SMXII 220V 50HZ GG
(AIR CONDITIONING / HEATING-12000BTU-220V/50)
- 19 1848392 A/C COMP, PLENUM BOX 5I OBLNG 4T 4T/5X9.5X6
- 20 639856 HOSE, AC/DUCT INSULATED 4" X 10"
- 21 1848393 A/C COMP, PLENUM GRILL BOX 4L OBLNG 10X6
- 22 1741490 A/C COMP, PLENUM BOX W/4I-3T-3R W/BRKTS
- 23 720169 HOSE, AC/DUCT 3"
- 24 1322940 A/C COMP, GRILL 3" BLK W/DBL LVR
- 25 1805241 A/C COMP, CONTROLLER SMXHT DISPLAY DX-GREY
1604263 A/C COMP, CABLE INTERCONNECT 15'

ELECTRICAL

- 522813 BOX, RECEPTACLE PVC SURFACE MOUNT CARLON
- 147397 COVER PLATE, CARLON BOX SGL
- 1478841 CONN, NYLON 1/2" ROUND SKIN TOP WATERPROOF
- 1376474 CONN, NYLON 1/2" FLAT CORD GRIP WATERPROOF
- 1818834 COVER PLATE, IDEA-SERIES 3-GANG NKL SQR CRNR

LABEL

- 1751884 LABEL, 1/2" X 1.5" A/C CONDENSATE

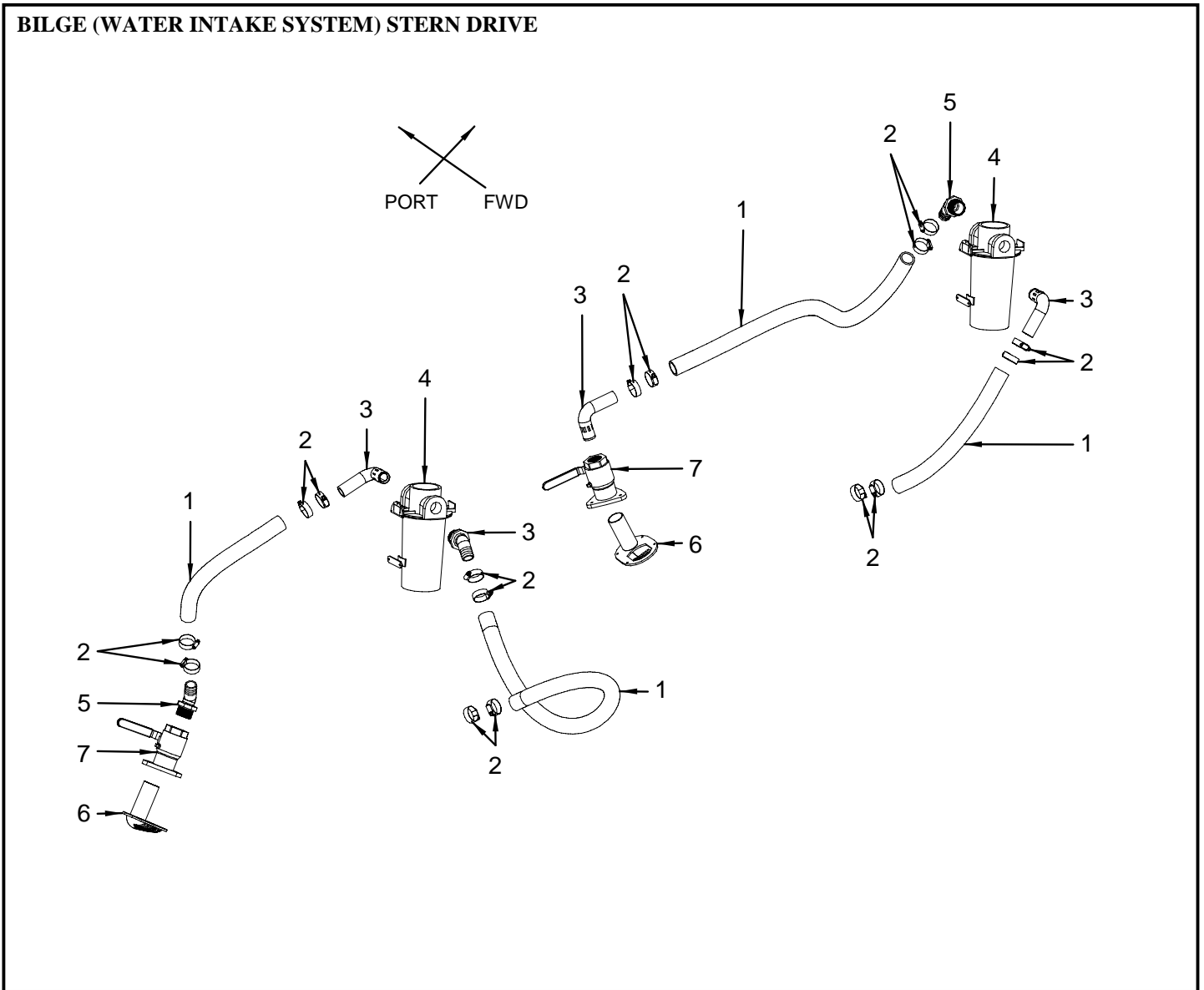
LABELS

- 1743616 LABEL, UNPLUG SHORE POWER WARNING

NOT SHOWN

- 256677 CLAMP, HOSE #12 1/2"-1.25" SS .505
- 411132 ELBOW, PVC 1/2" MPT X 1/2" BARB X 90DEG
- 1882429 ELBOW, POLY 3/4" MPT X 3/4" BARB X 90DEG
(HULL# 1249 -> UP)
- 147496 ELBOW, GENOVA 3/4" MPT X 3/4" BARB X 90DEG
(HULL# 1201 -> 1248)

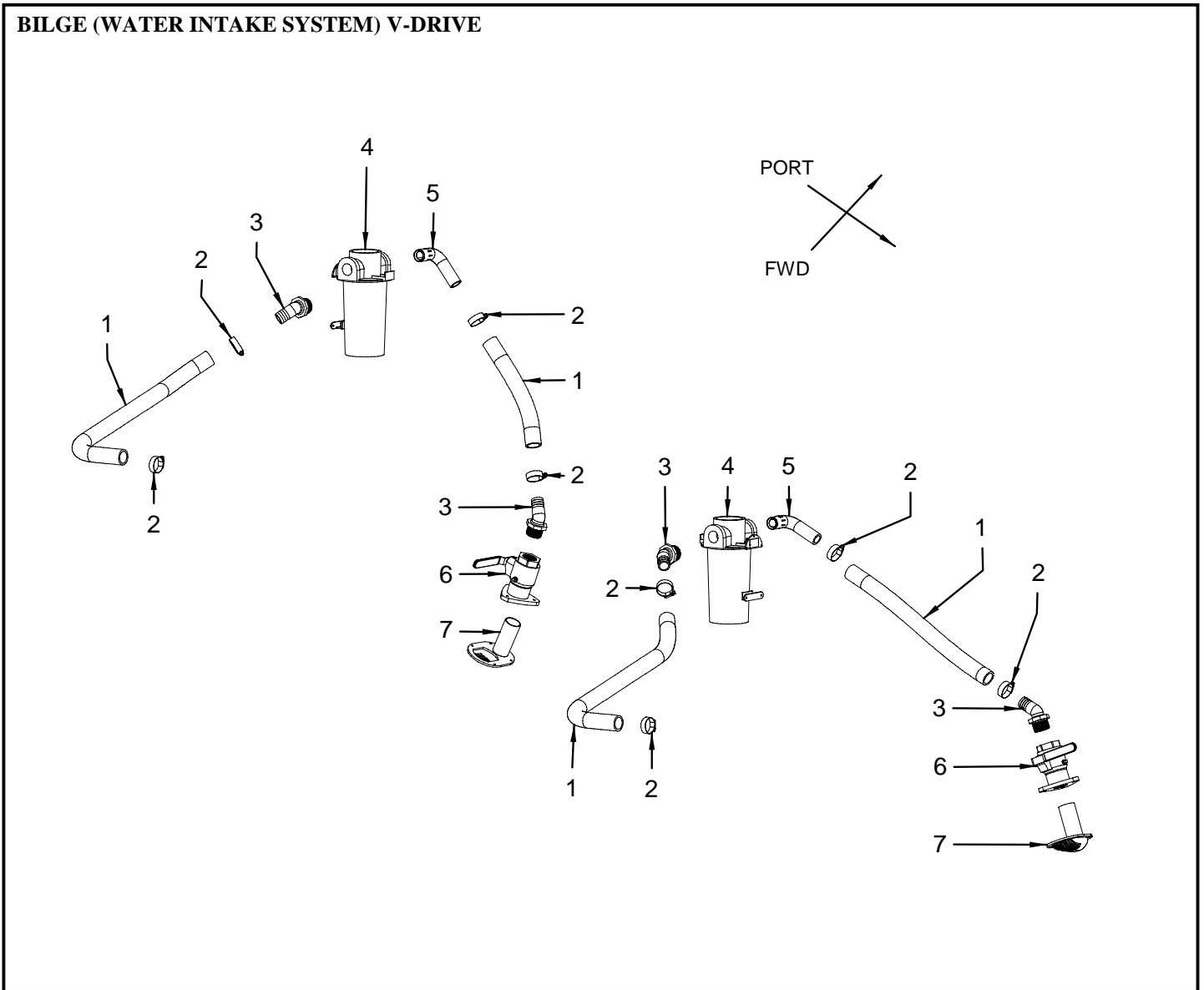
BILGE (WATER INTAKE SYSTEM) STERN DRIVE



BILGE (WATER INTAKE SYSTEM) STERN DRIVE

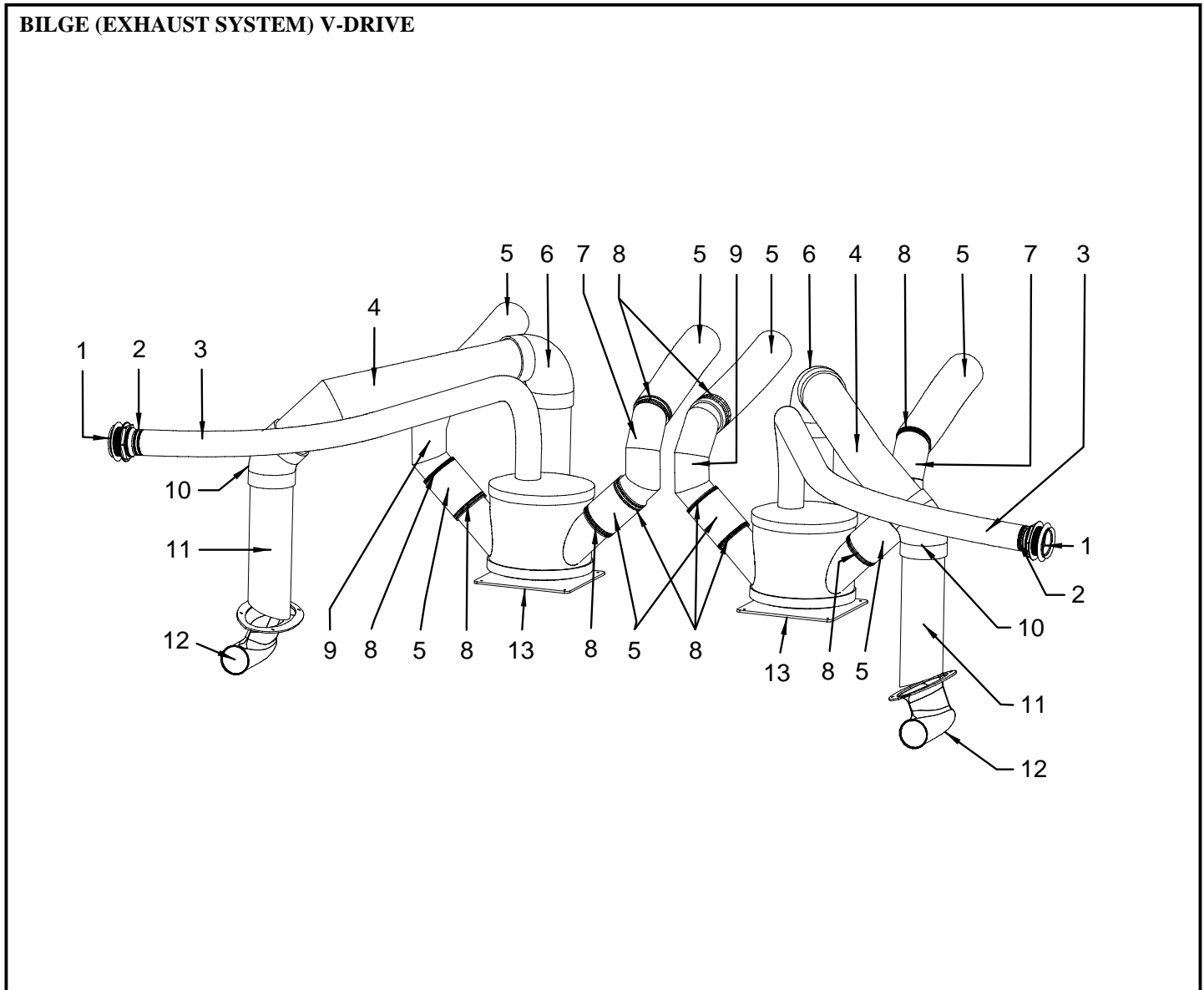
- 1 124206 HOSE, WATER INTAKE 1.25" HW
- 2 417717 CLAMP, HOSE #36 7/8"-2.75" SS .505
- 3 144691 ELBOW, BRZ 90DEG 1.25"MPT X 1.25"BARB (PERKO)
- 4 158063 STRAINER, BRZ WATER INTAKE 1.25"
- 1884113 BRACKET, STRAINER MNT LWR BRZ
(PART OF 158063)
- 1884114 CLAMP, SS STRAINER (STRAP)
(PART OF 158063)
- 5 586917 ELBOW, BRZ 45DEG 1.25"MPT X 1.25"BARB
- 518464 TAILPIECE, BRZ 1.25"MPT X 1.25"BARB
- 6 531590 PICK-UP, BRZ WATER INTAKE 1.25"
- 7 518449 SEACOCK, BRZ 1.25" W/O TAILPIECE

BILGE (WATER INTAKE SYSTEM) V-DRIVE



BILGE (WATER INTAKE SYSTEM) V-DRIVE

- 1 124206 HOSE, WATER INTAKE 1.25" HW
- 2 417717 CLAMP, HOSE #36 7/8"-2.75" SS .505
- 3 586917 ELBOW, BRZ 45DEG 1.25"MPT X 1.25"BARB
- 518464 TAILPIECE, BRZ 1.25"MPT X 1.25"BARB
- 4 158063 STRAINER, BRZ WATER INTAKE 1.25"
- 1884113 BRACKET, STRAINER MNT LWR BRZ
(PART OF 158063)
- 1884114 CLAMP, SS STRAINER (STRAP)
(PART OF 158063)
- 5 144691 ELBOW, BRZ 90DEG 1.25"MPT X 1.25"BARB (PERKO)
- 6 518449 SEACOCK, BRZ 1.25" W/O TAILPIECE
- 7 531590 PICK-UP, BRZ WATER INTAKE 1.25"



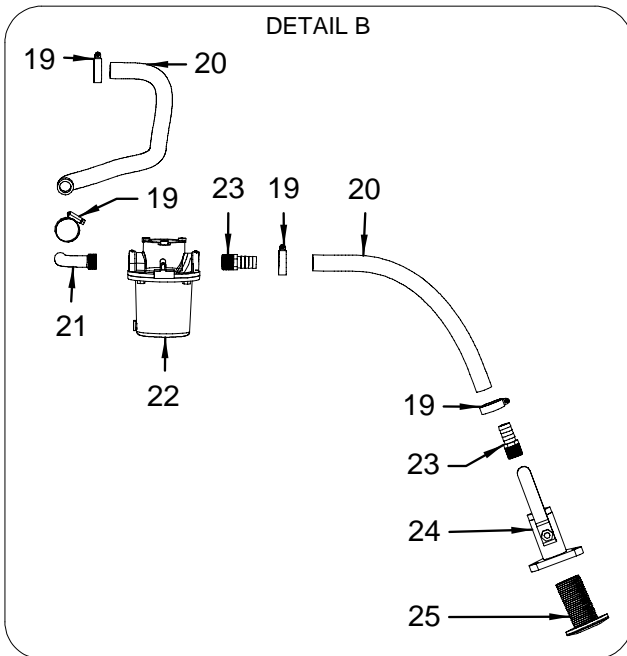
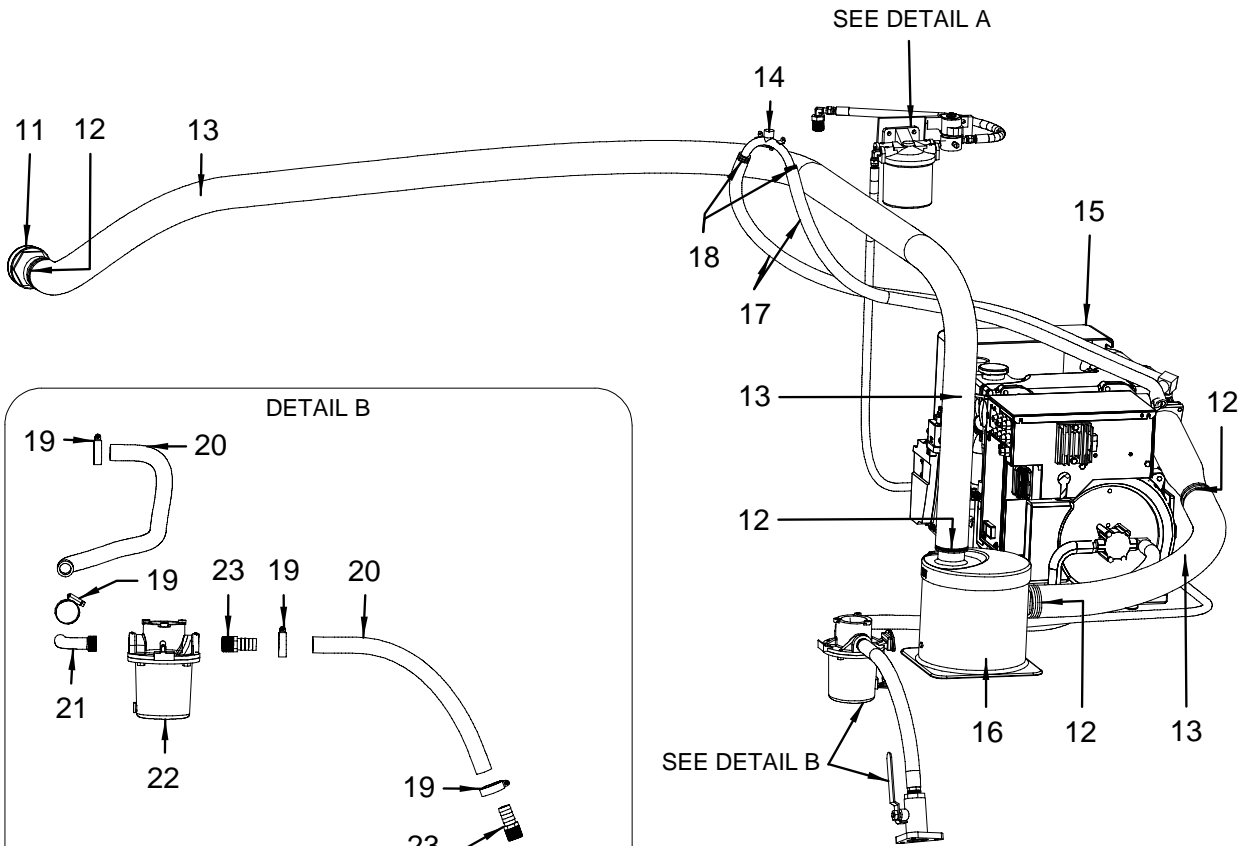
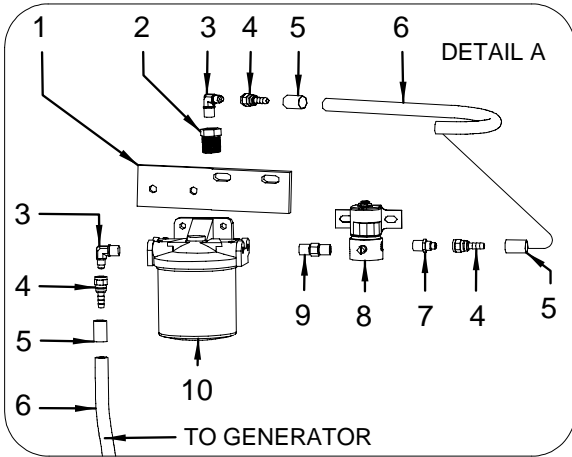
BILGE (EXHAUST SYSTEM) V-DRIVE

- 1 1761551 THRU-HULL, SS EXHAUST 2.5" X-LONG
1831304 THRU-HULL, FLAP ONLY SS EXH 2.5-3" X-LONG
(PART OF 1761551)
- 2 256727 CLAMP, HOSE #48 1 5/8"-3.5" SS .505
- 3 564682 HOSE, EXHAUST 2.5" HW
- 4 1833431 EXHAUST, EL 5"X 24.4" V-DRV P/S GAS 310DA-07
- 5 124107 HOSE, EXHAUST 4" SW
- 6 860064 EXHAUST, EL 5"X 90DEG RBR W/T-BOLT CLAMPS
- 7 1411875 EXHAUST, EL 4"X 9.38" V-DRIVE STBD 310DA-00
- 8 256743 CLAMP, HOSE #72 3 1/8"-5" SS .505
- 9 1411867 EXHAUST, EL 4"X 9.38" V-DRIVE PORT 310DA-00
- 10 912345 EXHAUST, EL 5"X 45DEG RBR W/CLAMPS
- 11 1835635 TUBING, EXH GLASS 5"X 18"X 21DEG
- 12 1215573 EXHAUST, BRZ U/W EXH OUTLET GAS 99
- 13 1598564 MUFFLER, 360DA-02 V/D 22"

LABELS

- 1744845 LABEL, EXHAUST OUTLET (LEXAN)

GENERATOR SYSTEM (GAS)



GENERATOR SYSTEM (GAS)

- 1 1791354 BRACKET, ELEC FUEL SHUT OFF A&B MOUNT
- 2 147561 BUSHING, SS THD 1/4"FPT X 1/2"MPT
- 3 629253 ELBOW, BRASS 90DEG 1/4"SAE X 1/4"MPT
- 4 1887750 FITTING, BRASS BARB/NUT 1/4" FEMALE SAE
(HULL# 1304 -> UP)
- 629279 FITTING, BRASS 1/4"BARB/NUT
(HULL# 1201 -> 1303)
- 5 1887693 FERRULE, FUEL LINE 1/4" .575"ID X .625"OD
(HULL# 1304 -> UP)
- 965954 FERRULE, FUEL LINE 1/4"ISO/CE .650"ID
(HULL# 1201 -> 1303)
- 6 1884010 HOSE, FUEL 1/4" TYPE A CLASS 1-15 ISO/CE/CARB
(HULL# 1304 -> UP)
- 340901 HOSE, FUEL 1/4" TYPE A CLASS 1 ISO/CE
(HULL# 1201 -> 1303)
- 7 162750 ADAPTER, BRASS 1/4"MPT X 1/4"SAE
- 8 1791155 VALVE, BRASS FUEL SHUT-OFF 12V SER7000 10W
- 9 570135 NIPPLE, BRASS 1/4"MPT X 1/4"MPT
- 168849 NIPPLE, BRASS 1/4"MPT X 1.5"HEX
- 10 148171 FILTER, FUEL/WATER SEPARATOR KIT
- 11 1769255 THRU-HULL, SS EXHAUST 2" W/SS LIP
- 1835350 THRU-HULL, FLAP ONLY SS EXH 2" X-LONG
(PART OF 1769255)
- 12 417717 CLAMP, HOSE #36 7/8"-2.75" SS .505
- 13 913053 HOSE, EXHAUST 2" CORR HW
- 14 1568765 SYPHON BREAK KIT, GEN EXH 5KW GAS
(SUPPLIED WITH GENERATOR)
- 15 1803671 GENERATOR, 5ECD GAS KOHLER 120V/60 SCRFT
(GENERATOR 5.0 ECD KOHLER - GAS - 120V/60HZ)
- 1833211 GENERATOR, 4EFCD GAS KOHLER 220V/50 SCRFT
(GENERATOR 4.0 EFCD KOHLER - GAS - 220V/50HZ)
- 16 1784602 MUFFLER, 2"IN X 2"OUT 9"X 9" BASE
- 160374 MUFFLER, DRAIN PLUG
(PART OF 1784602)
- 17 124594 HOSE, WATER 5/8" HVY DTY (HEATER)
- 18 263954 CLAMP, HOSE #10 1/2"-1 1/8" SS .505
- 19 256677 CLAMP, HOSE #12 1/2"-1.25" SS .505
- 20 123810 HOSE, GEN PURPOSE 3/4"
- 21 169193 ELBOW, BRZ 90DEG 3/4"MPT X 3/4"BARB
- 22 1791584 STRAINER, BRZ WATER INTAKE 3/4" W/NYLON STRAP
- 1404854 PLUG, PLASTIC STRAINER DRAIN
(PART OF 1791584)
- 1851357 BRACKET, STRAINER MNT UPR
(PART OF 1791584)
- 1851358 BRACKET, STRAINER MNT LWR
(PART OF 1791584)
- 23 531426 ADAPTER, BRZ 3/4"MPT X 3/4"BARB
- 24 518431 SEACOCK, BRZ 3/4" W/O TAILPIECE
- 25 640300 THRU-HULL, BRZ 3/4" W/O NUT

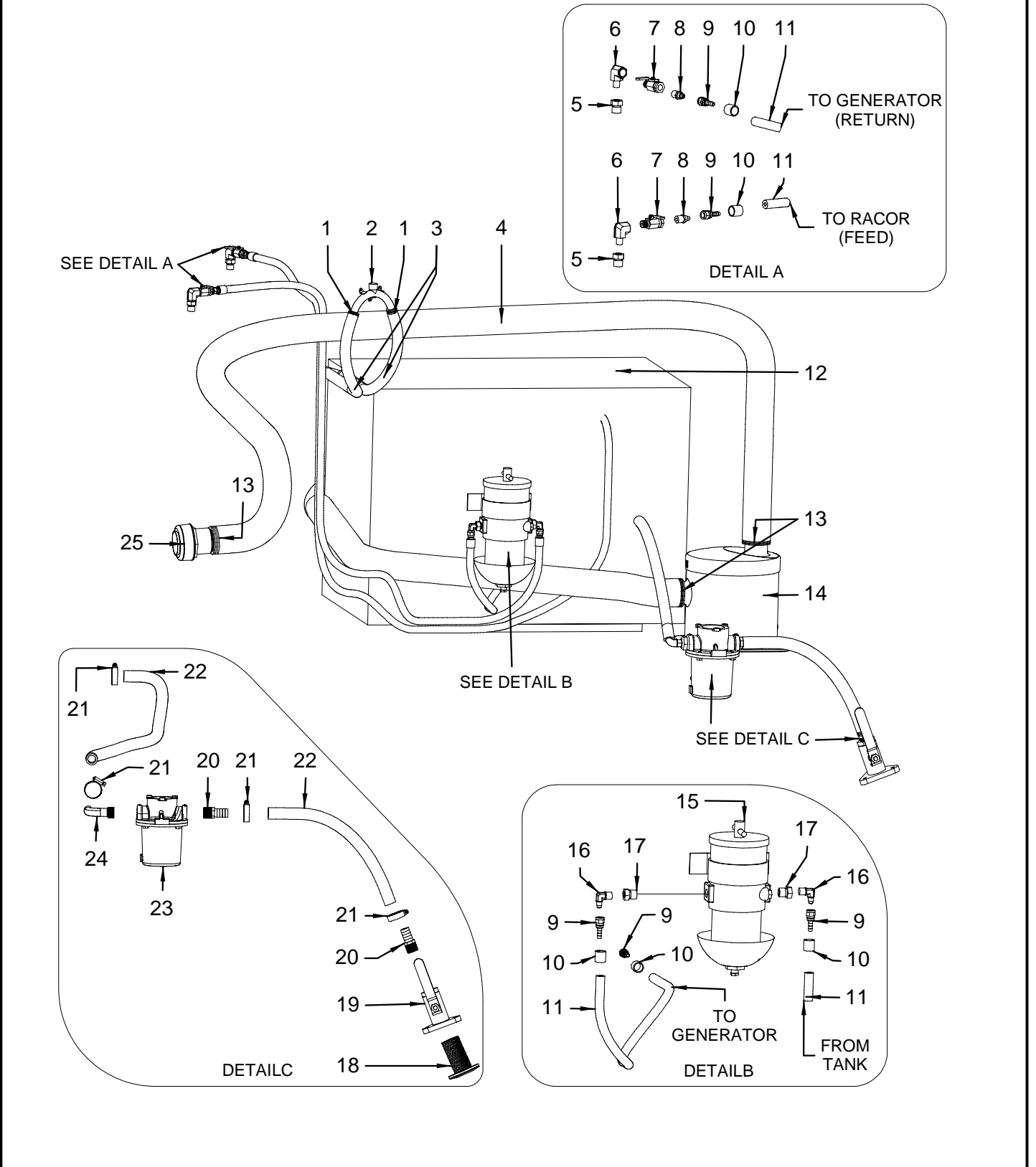
HARNESSES

- 1849162 HARNESS, 310DA-07 GEN KOHLER ECD GAS 120/220V

LABELS

- 1743616 LABEL, UNPLUG SHORE POWER WARNING
- 1831528 LABEL, GENERATOR RESET NOTICE

GENERATOR SYSTEM (DIESEL)



GENERATOR SYSTEM (DIESEL)

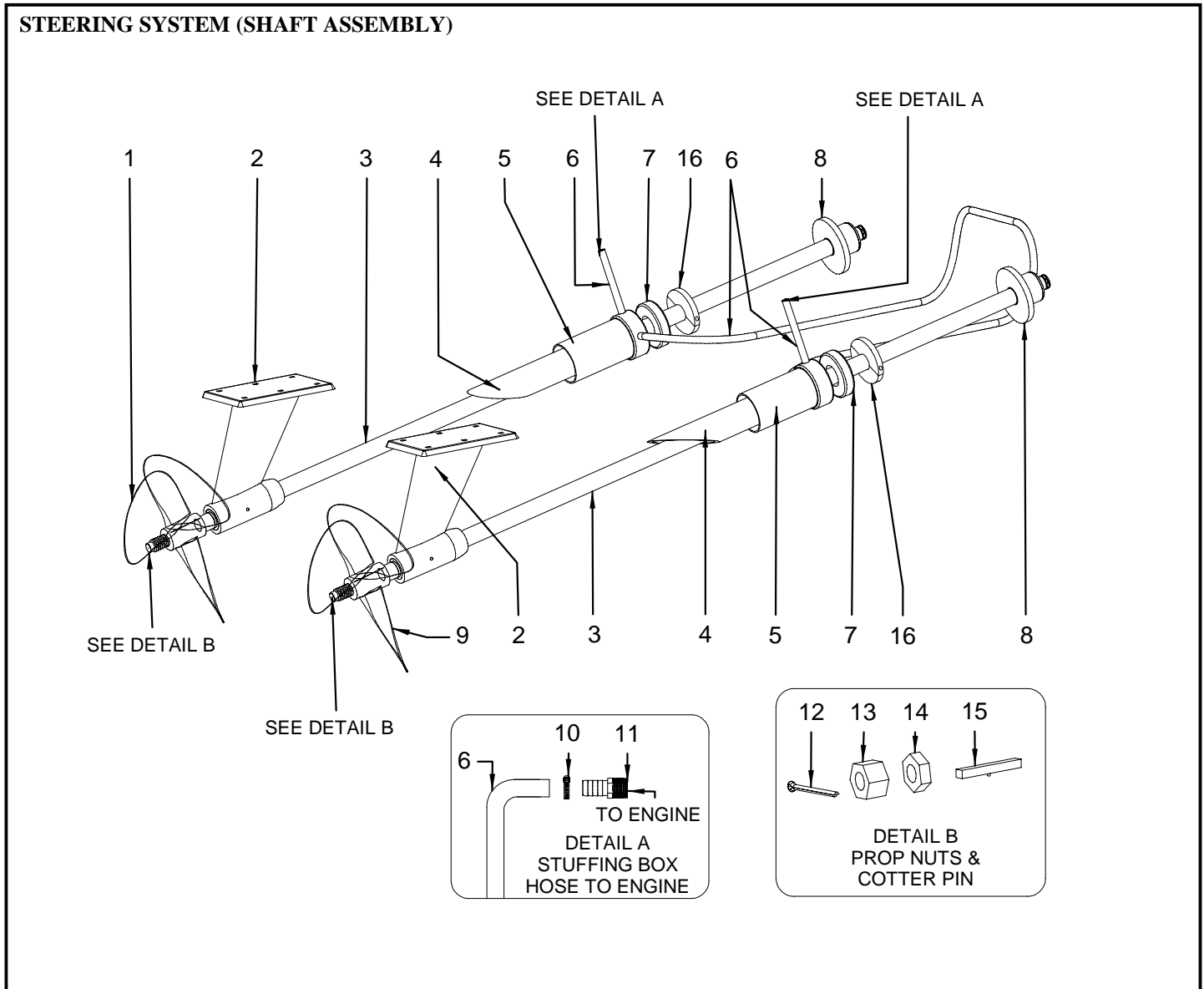
- 1 263954 CLAMP, HOSE #10 1/2"-1 1/8" SS .505
- 2 1568765 SYPHON BREAK KIT, GEN EXH 5KW GAS
(SUPPLIED WITH GENERATOR)
- 3 124594 HOSE, WATER 5/8" HVY DTY (HEATER)
- 4 913053 HOSE, EXHAUST 2" CORR HW
- 5 147561 BUSHING, SS THD 1/4"FPT X 1/2"MPT
- 6 140418 ELBOW, BRASS 90DEG STREET 1/4"
- 7 1764348 VALVE, BRASS FUEL 1/4"MPT X 1/4"FPT LO-PRO
- 8 162750 ADAPTER, BRASS 1/4"MPT X 1/4"SAE
- 9 1887750 FITTING, BRASS BARB/NUT 1/4" FEMALE SAE
(HULL# 1304 -> UP)
- 629279 FITTING, BRASS 1/4"BARB/NUT
(HULL# 1201 -> 1303)
- 10 1887693 FERRULE, FUEL LINE 1/4" .575"ID X .625"OD
(HULL# 1304 -> UP)
- 965954 FERRULE, FUEL LINE 1/4"ISO/CE .650"ID
(HULL# 1201 -> 1303)
- 11 1884010 HOSE, FUEL 1/4" TYPE A CLASS 1-15 ISO/CE/CARB
(HULL# 1304 -> UP)
- 340901 HOSE, FUEL 1/4" TYPE A CLASS 1 ISO/CE
(HULL# 1201 -> 1303)
- 12 1727348 GENERATOR, 5.0 KW DSL KOHLER 120V/60
- 13 417717 CLAMP, HOSE #36 7/8"-2.75" SS .505
- 14 1784602 MUFFLER, 2"IN X 2"OUT 9"X 9" BASE
160374 MUFFLER, DRAIN PLUG
(PART OF 1784602)
- 15 1524065 FILTER, REMOTE FUEL DSL (500MASR)
- 16 629253 ELBOW, BRASS 90DEG 1/4"SAE X 1/4"MPT
- 17 791392 BUSHING, SS THD 1/4"FPT X 3/8"MPT
- 18 640300 THRU-HULL, BRZ 3/4" W/O NUT
- 19 518431 SEACOCK, BRZ 3/4" W/O TAILPIECE
- 20 531426 ADAPTER, BRZ 3/4"MPT X 3/4"BARB
- 21 256677 CLAMP, HOSE #12 1/2"-1.25" SS .505
- 22 123810 HOSE, GEN PURPOSE 3/4"
- 23 1791584 STRAINER, BRZ WATER INTAKE 3/4" W/NYLON STRAP
1404854 PLUG, PLASTIC STRAINER DRAIN
(PART OF 1791584)
- 1851357 BRACKET, STRAINER MNT UPR
(PART OF 1791584)
- 1851358 BRACKET, STRAINER MNT LWR
(PART OF 1791584)
- 24 169193 ELBOW, BRZ 90DEG 3/4"MPT X 3/4"BARB
- 25 1769255 THRU-HULL, SS EXHAUST 2" W/SS LIP
1835350 THRU-HULL, FLAP ONLY SS EXH 2" X-LONG
(PART OF 1769255)

HARNESSES

- 1849163 HARNESS, 310DA-07 GEN KOHLER DSL 120/220V

LABELS

- 1743616 LABEL, UNPLUG SHORE POWER WARNING



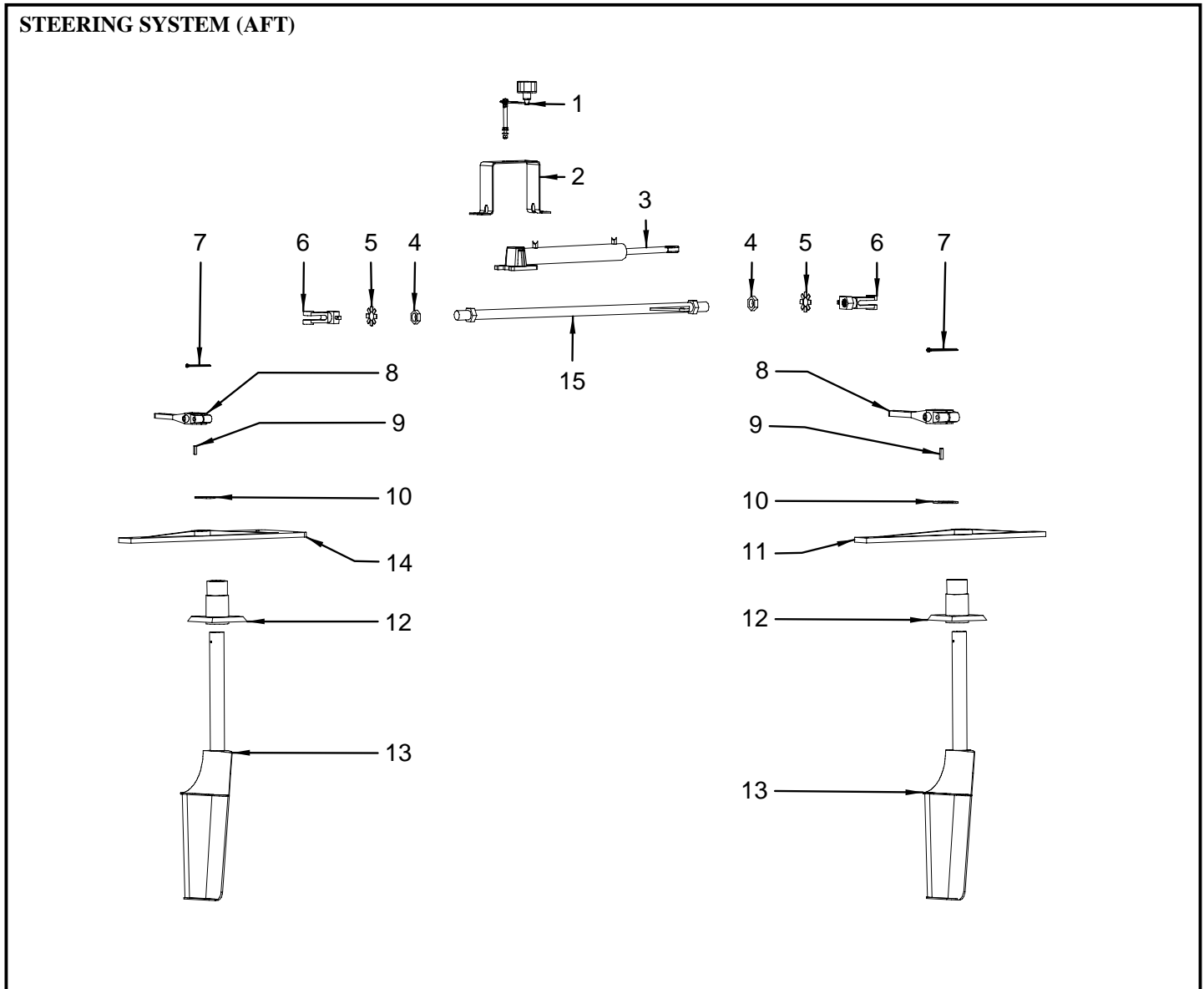
STEERING SYSTEM (SHAFT ASSEMBLY)

- 1 1851049 PROP, 18"X 16.5"X 4.85"LH #4C "Z" 1.5" SHAFT (HULL# 1303 -> UP)
- 1752165 PROP, 18"X 19"X 3.55" "C" LH (HULL# 1201 -> 1302)
- 2 1603547 STRUT, W/BEARING 1.5"W/1/2"MNT HOLES 320DA-02
- 3 981522 SHAFT, SS 1.5"X 73.19" AQ19 W/COUPLING
- 4 982025 TUBING, SHAFT LOG 2.63"OD X 12" 310DA 98
- 5 1581503 STUFFING BOX, UHMW 1.5"ID 2 5/8"HOSE (PART OF 1581503)
- 1691382 HOSE, SHAFT LOG 2.5"X2.625"X5.75"BLUE SILICON (PART OF 1581503)
- 1733930 CAP, FRONT SEAL SHAFT STUFF BOX 1.5" & 1.75" (PART OF 1581503)
- 1743341 CLAMP, HOSE 2.5" SHAFT LOG (PART OF 1581503)
- 6 1884011 HOSE, FUEL 3/8" TYPE A CLASS 1-15 ISO/CE/CARB (HULL# 1304 -> UP)
- 123760 HOSE, FUEL 3/8" TYPE A CLASS 1 ISO/CE (HULL# 1201 -> 1303)
- 7 803718 SEAL KIT, SPARE SHAFT STUFFING BOX 1.5"W/TOOL (PART OF 1581503)
- 8 991265 COUPLING, 1.5" HURTH REVERSED TAPPER (PART OF 981522)
- 1883554 KEY STOCK, COUPL 3/8"X 2 3/8" SS W/PIN (PART OF 981522)
- 1440742 NUT, JAM 1 1/8" X 12 HVY NYLOCK ZINC PLATED (PART OF 981522)
- 9 1851050 PROP, 18"X 16"X 4.85"RH #4C "Z" 1.5" SHAFT (HULL# 1303 -> UP)

- 9 1787896 PROP, 18"X 18.5"X 3.55" "C" RH (HULL# 1201 -> 1302)
- 10 123398 CLAMP, HOSE #06M 5/16"-7/8" SS MINI
- 11 1046382 ADAPTER, BRASS 3/8"MPT X 3/8"BARB
- 12 1690740 PIN, COTTER PIN 5/32"X 1 3/4" SS (PART OF 981522)
- 13 1440718 NUT, HEX 1 1/8"X 7 BRZ HVY FULL (PART OF 981522)
- 14 1440726 NUT, HEX 1 1/8"X 7 BRZ HVY JAM (PART OF 981522)
- 15 1690739 KEY STOCK, PROP 3/8"X 3 3/8" BRNZ (PART OF 981522)
- 16 1872604 COLLAR, SS SHAFT 1.5" (HULL# 1293 -> UP)

NOT SHOWN

- 1583087 BOLT, HEX HD #7/16-20 X 1.5" GR8 CAD PLT
- 1583327 WASHER, LOCK/SPLIT 7/16" CADNIUM PLATED
- 1583335 NUT, HEX #7/16-20 CADNIUM PLATED



STEERING SYSTEM (AFT)

- 1 1610427 HARNESS, MERC S-CRFT STEERING SNSR ASSY (V-DRIVE ENGINES WITH SMARTCRAFT SYSTEM VIEW)
- 1689718 HARNESS, MERC S-CRFT STEER EXT (V-DRIVE ENGINES WITH SMARTCRAFT SYSTEM VIEW)
- 2 1733142 BRACKET, SS RDR INDCATR W/SCRFT KIT (V-DRIVE ENGINES WITH SMARTCRAFT SYSTEM VIEW)
- 3 127068 STEERING, HYD CYLINDER BA135-7ATM I/B
- 4 143990 NUT, HEX JAM NUT #1-14 SS
- 5 622910 WASHER, TIE BAR LOCK WASHER 1" SS
- 6 143222 RUDDER CLEVIS, 4"LONG X 1"-14 FPT
- 7 144402 PIN, COTTER PIN 5/32"X 2" SS
- 8 161232 RUDDER ARM, 1.5"
- 9 144394 KEY STOCK, RUDDER 1/4"X 1/4"X 12" BRASS
- 10 161257 WASHER, RUDDER WASHER 1.5"
- 11 1831121 RUDDER SUPPORTS, 310DA-07 PRT
- 12 587147 STUFFING BOX, RUDDER W/PACK 1.5"DIA
- 13 604850 RUDDER, 310SB/350EB
- 14 1831122 RUDDER SUPPORTS, 310DA-07 STB W/RAM MNT
- 15 1646082 TIE BAR, RUDDER 32.00" V-DRIVE W/TAB

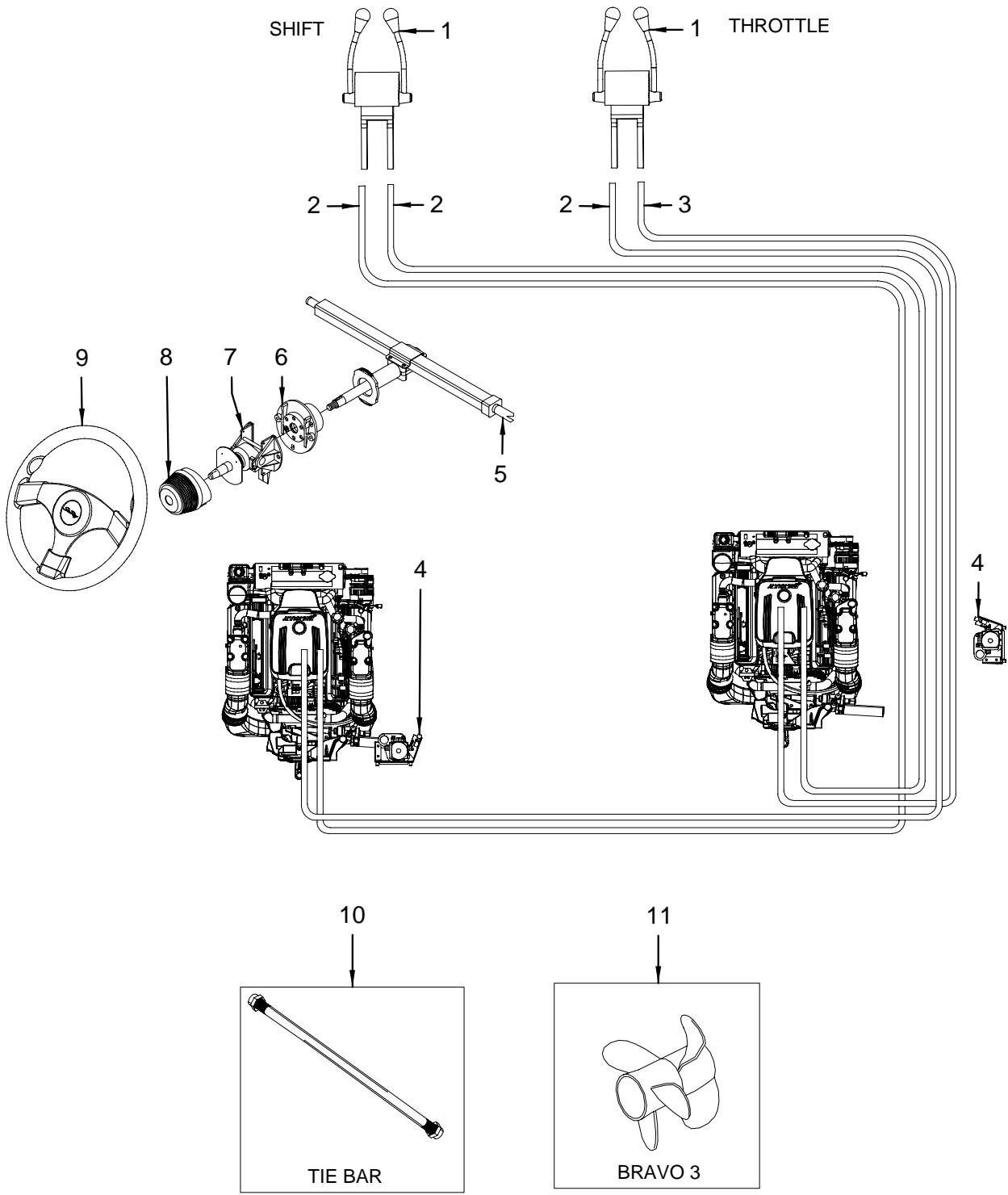
AUTOPILOT - RAYPILOT ST 7001+ (continued)

- 1755521 AUTO PILOT, RUDDER REFERENCE FOR HC5345 (PART OF 1612761)
- 1755738 AUTO PILOT, FLUXGATE COMPASS (PART OF 1612761)
- 1758953 ANGLE, RUDDER W/SWEEP ARM RAYMARINE (PART OF 1612761)
- 1685217 BRACKET, SS COREPAK ADJ
- 168807 STEERING, ADAPTER BRASS 1/4"MPT X 3/8"COMP
- 1727593 BRACKET, SS RUDDER INDICATOR RAYMAR W/S-CRFT
- 1762407 STEERING HOSE, 5/16"X 3"W/FITTINGS (SEASTAR)
- 1762408 STEERING HOSE, 5/16" X 2"W/FITTINGS (SEASTAR)
- 1777899 STEERING HOSE, 5/16"X 23"W/FITTINGS (SEASTAR)
- 195305 COUPLING, BRASS 1/4" FPT
- 577312 TEE, BRASS 3/8"COMP X 1/4"MPT X 3/8"COMP
- 763813 FUSE, BLADE TYPE CLOSED 25A
- 785295 ROD, THREAD 6MM X 40.67CM SS
- 852483 AUTO PILOT, RAYPILOT TYPE I PUMP UNIT
- 999284 STEERING, FITTING ELBOW TUBE TO 1/4"MPT
- 996959 STEERING, O/B HOSE KIT 22' W/2 HOSES

AUTOPILOT - RAYPILOT ST 7001+

- 1612761 AUTO PILOT, RAYPILOT TYPE 1 T150 CORE PACK
- 1698068 AUTO PILOT, RUDDER REFERENCE INDICATOR (PART OF 1612761)

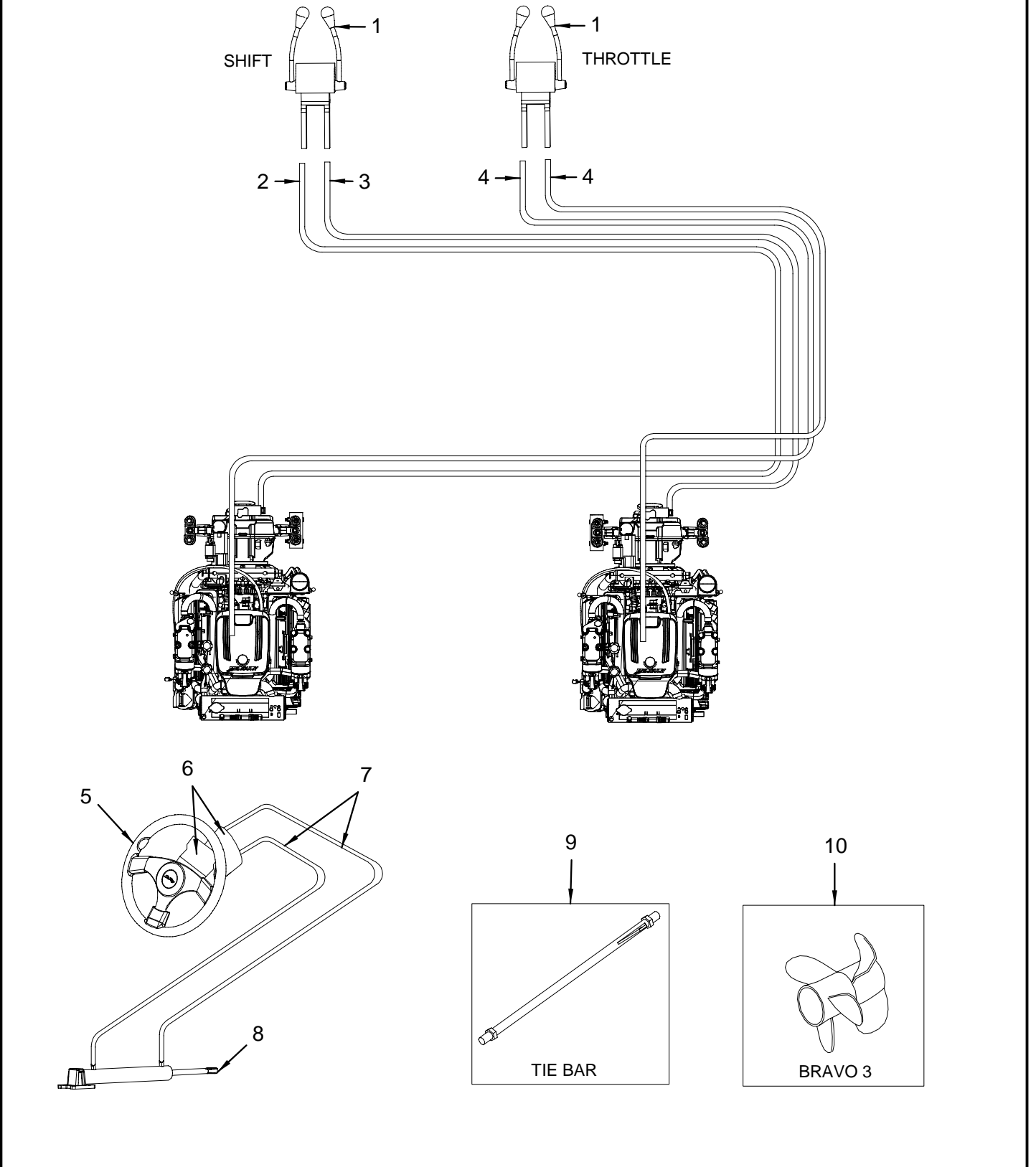
STEERING SYSTEM (CONTROLS) STERN DRIVE



STEERING SYSTEM (CONTROLS) STERN DRIVE

- 1 1051689 CONTROL, THRTL/SHFT W/SS HANDLES W/GOLD KNOBS
 907063 KNOB, CONTROL GOLD SMOOTH
 (PART OF 1051689)
 907097 KNOB, CONTROL GOLD GROOVED W/RED ID
 (PART OF 1051689)
 1762415 BEZEL, DOME POLISHED SS FOR MRP#1051689
 (PART OF 1051689)
 1073758 CONTROL, NEUTRAL SAFETY SWITCH
 1818686 CONTROL, CNSL MNT DUAL DTS N/TRIM CHR
 (DIGITAL THROTTLE/SHIFT ENGINES ONLY)
 1820273 ACC PART, MERC DTS CMND MOD MNTG HDWR
 (DIGITAL THROTTLE/SHIFT ENGINES ONLY)
 1812224 ACC PART, MERC DTS CMND MODULE
 (DIGITAL THROTTLE/SHIFT ENGINES ONLY)
 1819717 HARNESS, TWIN ENG HELM CNSL DTS
 (DIGITAL THROTTLE/SHIFT ENGINES ONLY)
- 2 1534437 CABLE, CONTROL TELEFLEX TFXEXTREME 24' W/CLIPS
 3 1534445 CABLE, CONTROL TELEFLEX TFXEXTREME 21' W/CLIPS
 4 685404 ACC PART, MERC TRIM PUMP
 5 1091891 STEERING, BACK MNT RACK/CABLE 21.0' ASSY
 6 1092246 STEERING, TILT HELM BACK-MNT
 7 662510 STEERING, PERFORMANCE TILT MECHANISM
 8 126987 STEERING, MOUNT 90 DEG BEZEL ONLY
 (PART OF 662510)
 958439 STEERING, BELLOWS TILT STEERING BLK
 (PART OF 662510)
- 9 1810006 STEERING WHEEL, 14.25" SPCRUIS SEARS W/BLK
 758599 HUB KIT, STEERING WHEEL DINO 332
 (PART OF 1810006)
 1792417 PAD, STEER WHL CTR FOR #1526292
 (PART OF 1810006)
 1835885 STEERING WHEEL, CHR RING FOR 1810006
 (PART OF 1810006)
 1747682 EMBLEM, S/R EMB SCRIPT WHEEL CHR-BEZEL 1.75"
- 10 142083 TIE BAR, MERC V-8 TYPE 30"-46"
 11 708172 PROP, 15.75"X 22" SS BR3 LH
 (T-5.0L MPI BR 3 (T-260PHP) MCM S/D)
 (T-350 MAG MPI BR 3 (T-300PHP) MCM S/D)
 (T-350 MAG MPI HORIZON BR 3 (T-300PHP) S/D)
 (T-5.0L DTS MPI BR 3 (T-260PHP) MCM S/D)
 (T-350 DTS MAG MPI BR 3 (T-260PHP) MCM S/D)
 (T-350 DTS MAG MPI HORIZON BR3 (T-260PHP)
- 708180 PROP, 14.25"X 22" SS BR3 RH
 (T-5.0L MPI BR 3 (T-260PHP) MCM S/D)
 (T-350 MAG MPI BR 3 (T-300PHP) MCM S/D)
 (T-350 MAG MPI HORIZON BR 3 (T-300PHP) S/D)
 (T-5.0L DTS MPI BR 3 (T-260PHP) MCM S/D)
 (T-350 DTS MAG MPI BR 3 (T-260PHP) MCM S/D)
 (T-350 DTS MAG MPI HORIZON BR3 (T-260PHP)
- 708198 PROP, 15.5"X 24" SS BR3 LH
 (T-MX 6.2L MPI BR 3 (T-320 PHP) MCM STERN DR)
 (T-MX 6.2L MPI HORIZON BR 3 (T-320 PHP) S/D)
 (T-6LPA-STZP W/BR3 (T-301 PHP) YANMAR S/D)
 (T-MX 6.2L DTS MPI BR3 (T-320 PHP) MCM S/D)
 (T-MX 6.2L DTS MPI HORIZON BR3 (T-320 PHP)
- 708206 PROP, 14.25"X 24" SS BR3 RH
 (T-MX 6.2L MPI BR 3 (T-320 PHP) MCM STERN DR)
 (T-MX 6.2L MPI HORIZON BR 3 (T-320 PHP) S/D)
 (T-6LPA-STZP W/BR3 (T-301 PHP) YANMAR S/D)
 (T-MX 6.2L DTS MPI BR3 (T-320 PHP) MCM S/D)
 (T-MX 6.2L DTS MPI HORIZON BR3 (T-320 PHP)
- 1360239 PROP, 15.75"X 22" CUP BR3 LH
 (BOTTOM PAINT)
 (COLORED HULL)
 (T-350 MAG MPI BR 3 (T-300PHP) MCM S/D)
 (T-350 MAG MPI HORIZON BR 3 (T-300PHP) S/D)
 (T-350 DTS MAG MPI BR 3 (T-260PHP) MCM S/D)
 (T-350 DTS MAG MPI HORIZON BR3 (T-260PHP)
- 1360247 PROP, 14.25"X 22" CUP BR3 RH
 (BOTTOM PAINT)
 (COLORED HULL)
 (T-350 MAG MPI BR 3 (T-300PHP) MCM S/D)
 (T-350 MAG MPI HORIZON BR 3 (T-300PHP) S/D)
 (T-350 DTS MAG MPI BR 3 (T-260PHP) MCM S/D)
 (T-350 DTS MAG MPI HORIZON BR3 (T-260PHP)

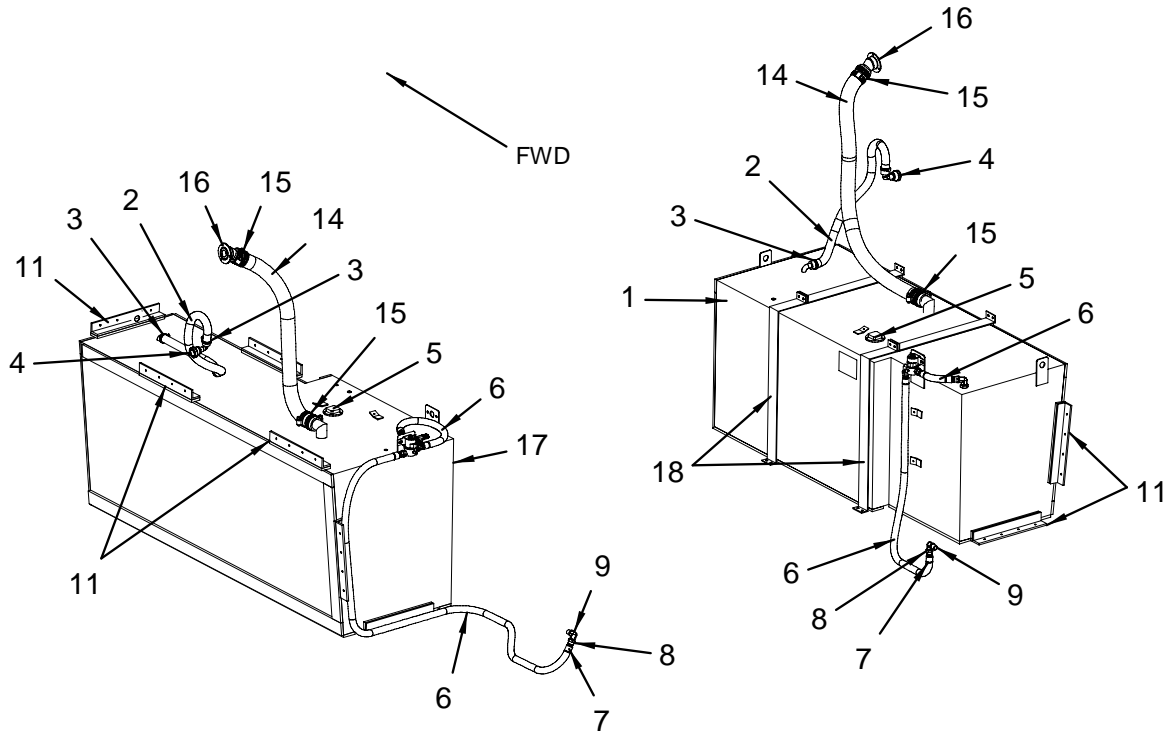
STEERING SYSTEM (CONTROLS) V-DRIVE



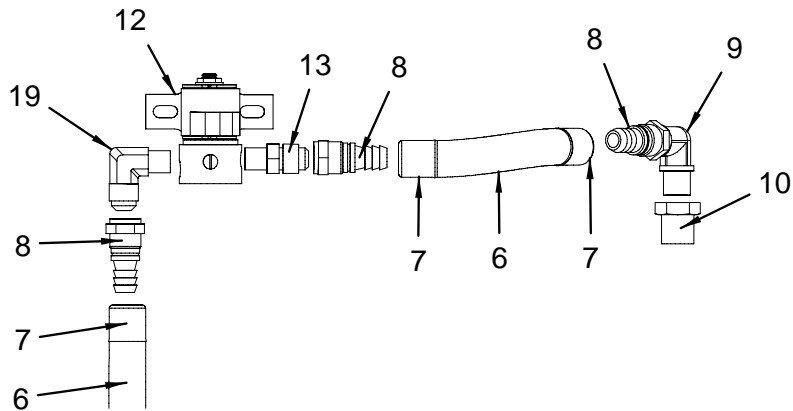
STEERING SYSTEM (CONTROLS) V-DRIVE

- 1 1051689 CONTROL, THRTL/SHFT W/SS HANDLES W/GOLD KNOBS
- 907063 KNOB, CONTROL GOLD SMOOTH
(PART OF 1051689)
- 907097 KNOB, CONTROL GOLD GROOVED W/RED ID
(PART OF 1051689)
- 1762415 BEZEL, DOME POLISHED SS FOR MRP#1051689
(PART OF 1051689)
- 1073758 CONTROL, NEUTRAL SAFETY SWITCH
- 1818686 CONTROL, CNSL MNT DUAL DTS N/TRIM CHR
(DIGITAL THROTTLE/SHIFT ENGINES ONLY)
- 1820273 ACC PART, MERC DTS CMND MOD MNTG HDWR
(DIGITAL THROTTLE/SHIFT ENGINES ONLY)
- 1812224 ACC PART, MERC DTS CMND MODULE
(DIGITAL THROTTLE/SHIFT ENGINES ONLY)
- 1819717 HARNESS, TWIN ENG HELM CNSL DTS
(DIGITAL THROTTLE/SHIFT ENGINES ONLY)
- 2 1534411 CABLE, CONTROL TELEFLEX TFXTREME 18' W/CLIPS
- 3 1534478 CABLE, CONTROL TELEFLEX TFXTREME 19' W/CLIPS
- 4 1534460 CABLE, CONTROL TELEFLEX TFXTREME 15' W/CLIPS
- 5 1810006 STEERING WHEEL, 14.25" SPCRUIS SEARS W/BLK
- 758599 HUB KIT, STEERING WHEEL DINO 332
(PART OF 1810006)
- 1792417 PAD, STEER WHL CTR FOR #1526292
(PART OF 1810006)
- 1835885 STEERING WHEEL, CHR RING FOR 1810006
(PART OF 1810006)
- 1747682 EMBLEM, S/R EMB SCRIPT WHEEL CHR-BEZEL 1.75"
- 6 317032 STEERING, HELM PUMP SEA STAR I TILT
- 7 1762738 HOSE KIT, 320/340SDA-04 HYD .313ID 24'
- 8 127068 STEERING, HYD CYLINDER BA135-7ATM I/B
- 9 1646082 TIE BAR, RUDDER 32.00" V-DRIVE W/TAB
- 10 1851049 PROP, 18"X 16.5"X 4.85"LH #4C "Z" 1.5" SHAFT
(HULL# 1303 -> UP)
(PORT)
- 1851050 PROP, 18"X 16"X 4.85"RH #4C "Z" 1.5" SHAFT
(HULL# 1303 -> UP)
(STARBOARD)
- 1752165 PROP, 18"X 19"X 3.55" "C" LH
(HULL# 1201 -> 1302)
(PORT)
- 1787896 PROP, 18"X 18.5"X 3.55" "C" RH
(HULL# 1201 -> 1302)
(STARBOARD)

FUEL SYSTEM (STERN DRIVE) GAS



FUEL PUMP DETAIL



FUEL SYSTEM (STERN DRIVE) GAS

- 1 1818823 TANK, FUEL 310DA-07 94GAL STB
- 2 123778 HOSE, FUEL 5/8" TYPE A CLASS 1 ISO/CE
- 3 256677 CLAMP, HOSE #12 1/2"-1.25" SS .505
- 4 1433176 VENT, FUEL/WATER SS 5/8" 90DEG FLSH MNT
- 5 1851166 SENDING UNIT, FUEL ELEC ISSPRO 22"
(PART OF 1818823)
- 1851167 SENDING UNIT, FUEL ELEC ISSPRO 25"
(PART OF 1818822)
- 6 1884012 HOSE, FUEL 1/2" TYPE A CLASS 1-15 ISO/CE/CARB
(HULL# 1304 -> UP)
- 123786 HOSE, FUEL 1/2" TYPE A CLASS 1 ISO/CE
(HULL# 1201 -> 1303)
- 7 1887695 FERRULE, FUEL LINE 1/2" .850"ID X .90"OD
(HULL# 1304 -> UP)
- 170621 FERRULE, FUEL LINE 1/2"ISO/CE .925"ID
(HULL# 1201 -> 1303)
- 8 1887748 FITTING, BRASS BARB/NUT 1/2" FEMALE SAE
(HULL# 1304 -> UP)
- 170605 FITTING, BRASS 1/2"BARB/NUT
(HULL# 1201 -> 1303)
- 9 169748 ELBOW, BRASS 90DEG 1/2"SAE X 3/8"MPT
- 169623 ADAPTER, BRASS 3/8"MPT X 1/2"SAE
(ENGINE PREP ONLY)
- 10 184077 BUSHING, SS THD 3/8"FPT X 1/2"MPT
- 11 836080 BRACKET, PVC 1.5"X 1.5"X 12" 1/4"HOLES
- 1497452 TAPE, FOAM NEOPRENE W/3M 9828 3/8"TH X 2"W
- 12 1791155 VALVE, BRASS FUEL SHUT-OFF 12V SER7000 10W
- 13 169920 ADAPTER, BRASS 1/4"MPT X 1/2"SAE
- 14 123745 HOSE, FUEL 1.5" TYPE A CLASS 2
- 15 256701 CLAMP, HOSE #28 1 5/16"-2.25" SS .505
- 16 1846459 DECK PLATE, GAS SS 1.5"30DEG RED CLR-CODE
- 1880328 CAP, SS DECK PLATE 1.5" 30DEG
(PART OF 1846459)
- 1880329 KEY, SS CAP DECK PLATE 1.5" 30DEG
(PART OF 1846459)
- 1068592 KEY, DECK PLATE CAP
- 17 1818822 TANK, FUEL 310DA-07 107GAL PRT
- 18 1833344 BRACKET, 310DA-07 FUEL TANK STRAP 2TOP/2SIDES
- 1497452 TAPE, FOAM NEOPRENE W/3M 9828 3/8"TH X 2"W
- 19 168955 ELBOW, BRASS 90DEG 1/4"MPT X 1/2"SAE

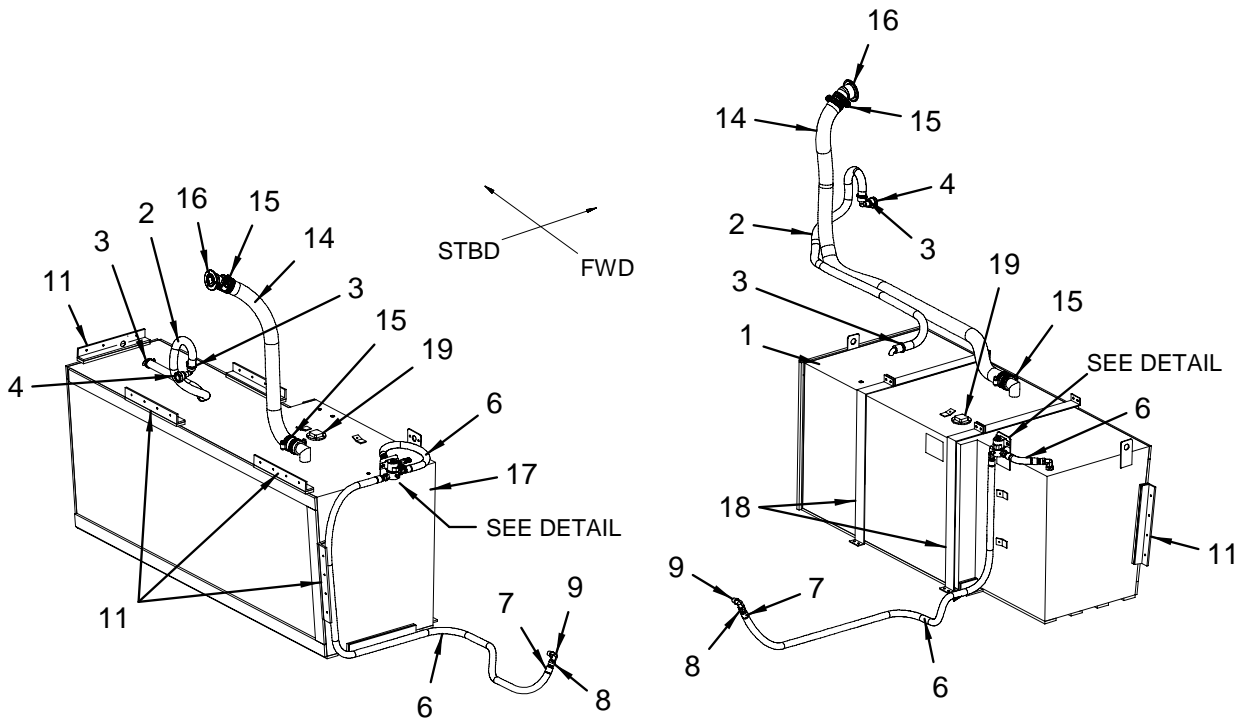
LABELS

- 1745157 LABEL, FUEL RECOMMENDATION
(HULL# 1201 -> 1315)
- 1745158 LABEL, FUEL RECOMMENDATION/LP GAS WARNING
(HULL# 1316 -> UP)
- 1745513 LABEL, WARNING LEAKING FUEL

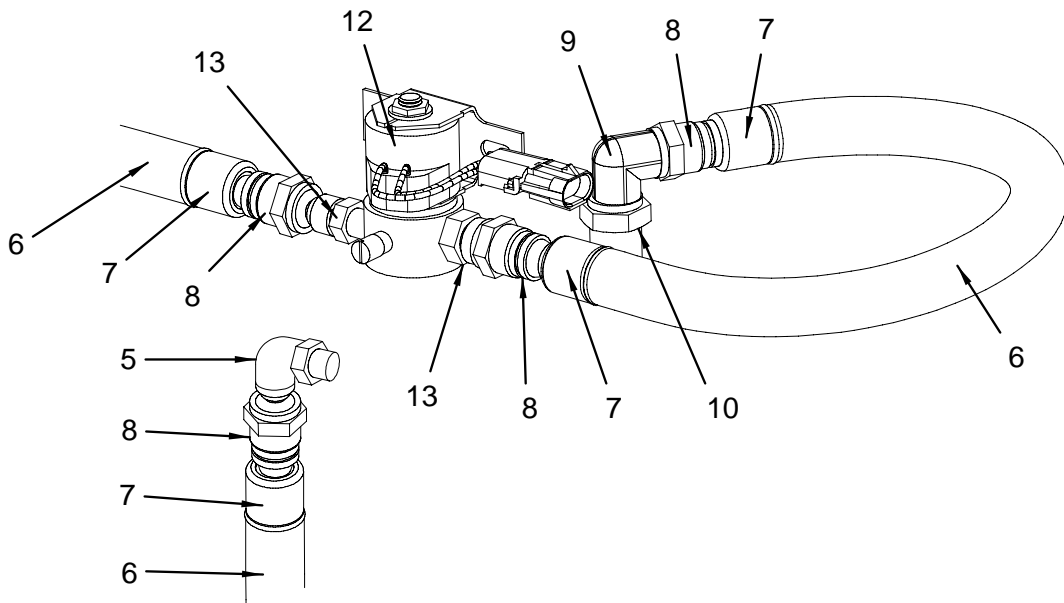
NOT SHOWN

- 123695 CLAMP, LOOM VINYL DIP #12 3/4"
- 123604 CLAMP, LOOM VINYL DIP 2.5"

FUEL SYSTEM (V-DRIVE) GAS



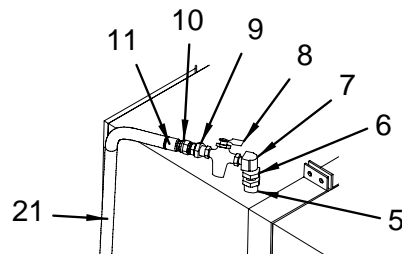
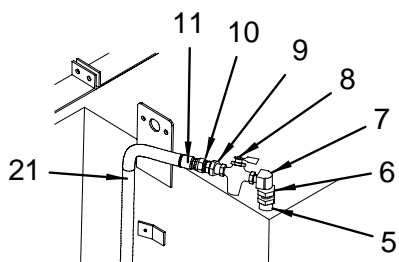
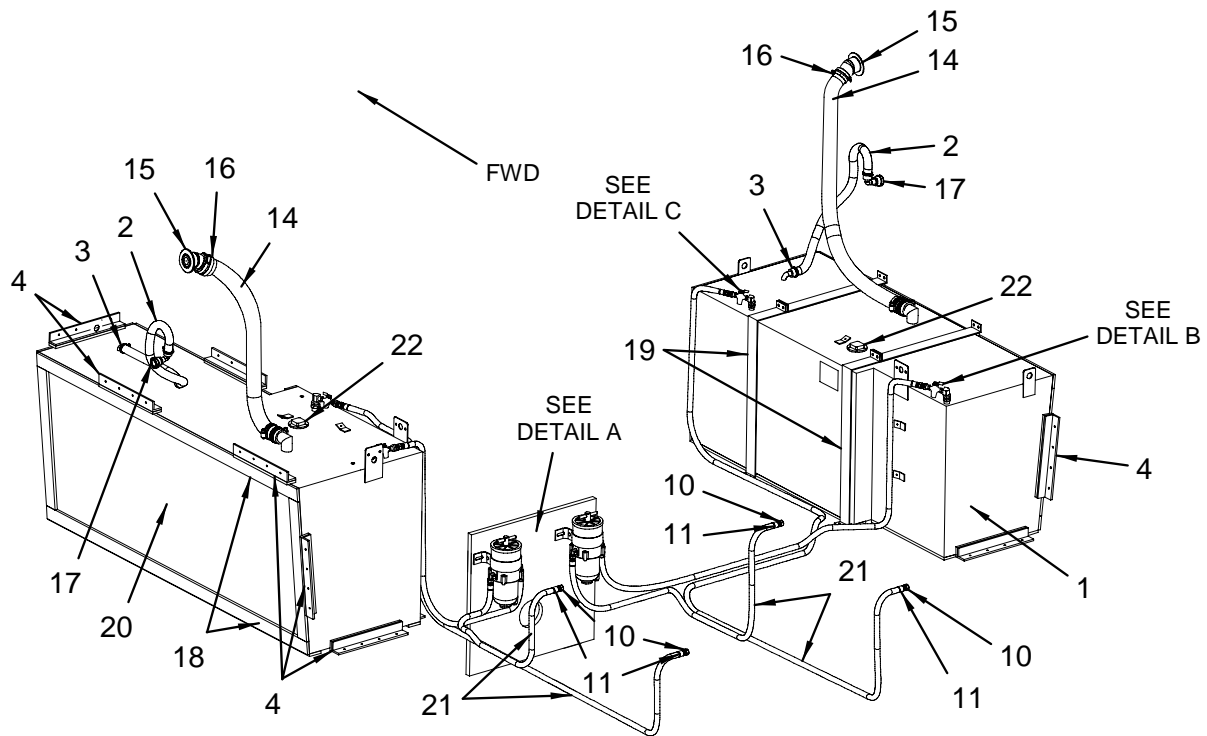
FUEL PUMP DETAIL



FUEL SYSTEM (V-DRIVE) GAS

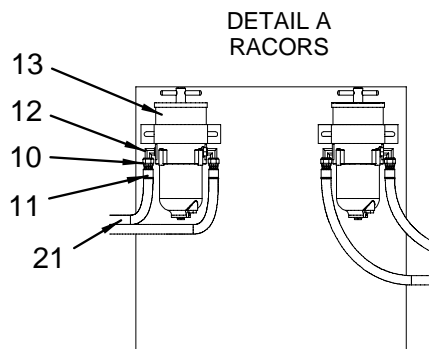
- 1 1818823 TANK, FUEL 310DA-07 94GAL STB
- 2 123778 HOSE, FUEL 5/8" TYPE A CLASS 1 ISO/CE
- 3 256677 CLAMP, HOSE #12 1/2"-1.25" SS .505
- 4 1433176 VENT, FUEL/WATER SS 5/8" 90DEG FLSH MNT
- 5 168955 ELBOW, BRASS 90DEG 1/4"MPT X 1/2"SAE
- 6 1884012 HOSE, FUEL 1/2" TYPE A CLASS 1-15 ISO/CE/CARB
(HULL# 1304 -> UP)
- 123786 HOSE, FUEL 1/2" TYPE A CLASS 1 ISO/CE
(HULL# 1201 -> 1303)
- 7 1887695 FERRULE, FUEL LINE 1/2" .850"ID X .90"OD
(HULL# 1304 -> UP)
- 170621 FERRULE, FUEL LINE 1/2"ISO/CE .925"ID
(HULL# 1201 -> 1303)
- 8 1887748 FITTING, BRASS BARB/NUT 1/2" FEMALE SAE
(HULL# 1304 -> UP)
- 170605 FITTING, BRASS 1/2"BARB/NUT
(HULL# 1201 -> 1303)
- 9 169748 ELBOW, BRASS 90DEG 1/2"SAE X 3/8"MPT
- 10 184077 BUSHING, SS THD 3/8"FPT X 1/2"MPT
- 11 836080 BRACKET, PVC 1.5"X 1.5"X 12" 1/4"HOLES
- 1497452 TAPE, FOAM NEOPRENE W/3M 9828 3/8"TH X 2"W
- 12 1791155 VALVE, BRASS FUEL SHUT-OFF 12V SER7000 10W
- 13 169920 ADAPTER, BRASS 1/4"MPT X 1/2"SAE
- 14 123745 HOSE, FUEL 1.5" TYPE A CLASS 2
- 15 256701 CLAMP, HOSE #28 1 5/16"-2.25" SS .505
- 16 1846459 DECK PLATE, GAS SS 1.5"30DEG RED CLR-CODE
- 1880328 CAP, SS DECK PLATE 1.5" 30DEG
(PART OF 1846459)
- 1880329 KEY, SS CAP DECK PLATE 1.5" 30DEG
(PART OF 1846459)
- 1068592 KEY, DECK PLATE CAP
- 17 1818822 TANK, FUEL 310DA-07 107GAL PRT
- 18 1833344 BRACKET, 310DA-07 FUEL TANK STRAP 2TOP/2SIDES
- 1497452 TAPE, FOAM NEOPRENE W/3M 9828 3/8"TH X 2"W
- 19 1851167 SENDING UNIT, FUEL ELEC ISSPRO 25"
(PART OF 1818822)
- 1851166 SENDING UNIT, FUEL ELEC ISSPRO 22"
(PART OF 1818823)

FUEL SYSTEM (DIESEL)



DETAIL B
PICKUP

DETAIL C
RETURN



DETAIL A
RACORS

FUEL SYSTEM (DIESEL)

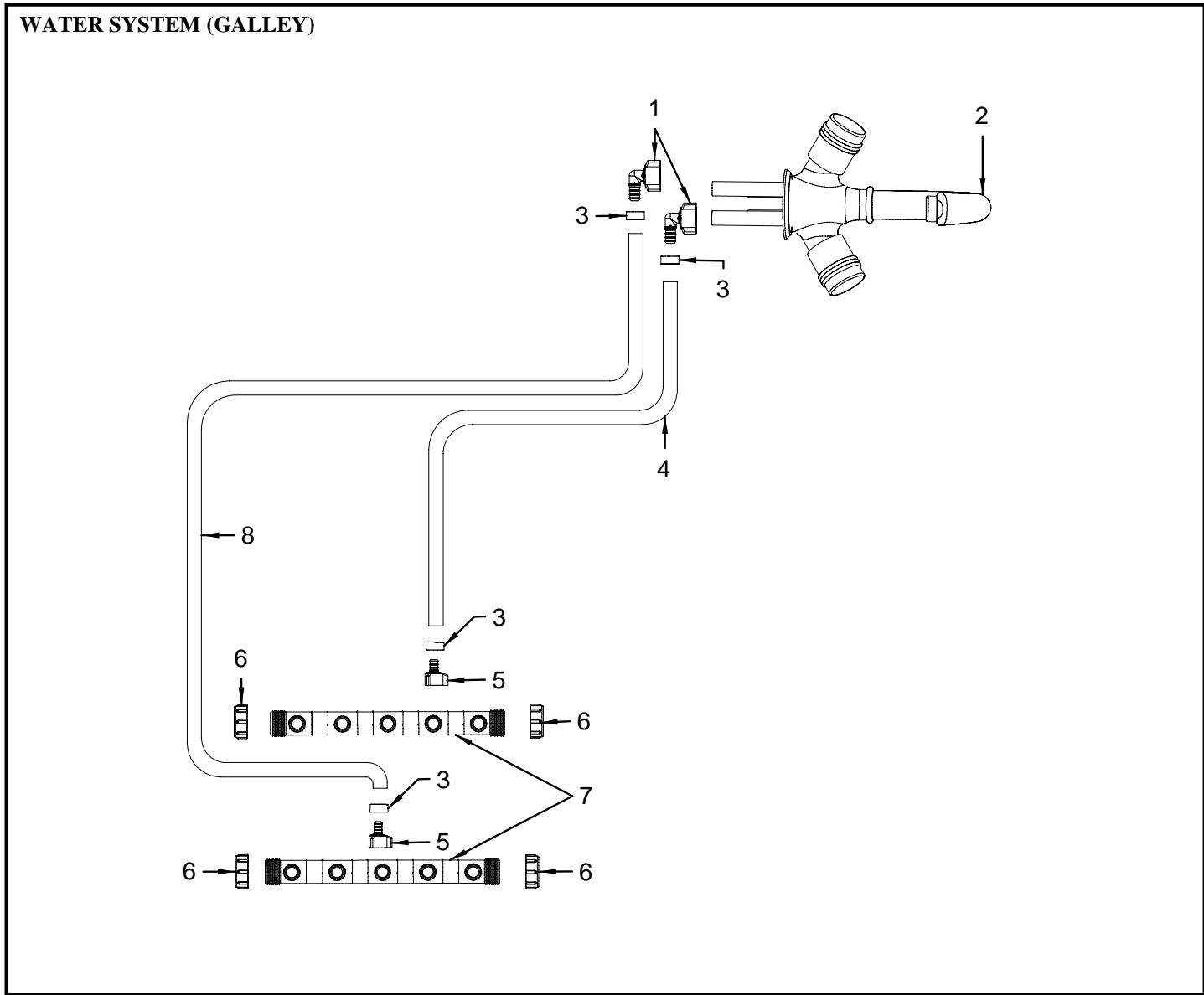
- 1 1818823 TANK, FUEL 310DA-07 94GAL STB
- 2 123778 HOSE, FUEL 5/8" TYPE A CLASS 1 ISO/CE
- 3 256677 CLAMP, HOSE #12 1/2"-1.25" SS .505
- 4 836080 BRACKET, PVC 1.5"X 1.5"X 12" 1/4"HOLES
- 1497452 TAPE, FOAM NEOPRENE W/3M 9828 3/8"TH X 2"W
- 5 184077 BUSHING, SS THD 3/8"FPT X 1/2"MPT
- 6 791392 BUSHING, SS THD 1/4"FPT X 3/8"MPT
- 7 140418 ELBOW, BRASS 90DEG STREET 1/4"
- 8 140046 VALVE, FUEL SHUT OFF DSL 1/4"
- 9 169920 ADAPTER, BRASS 1/4"MPT X 1/2"SAE
- 10 1887748 FITTING, BRASS BARB/NUT 1/2" FEMALE SAE
(HULL# 1304 -> UP)
- 170605 FITTING, BRASS 1/2"BARB/NUT
(HULL# 1201 -> 1303)
- 11 1887695 FERRULE, FUEL LINE 1/2" .850"ID X .90"OD
(HULL# 1304 -> UP)
- 170621 FERRULE, FUEL LINE 1/2"ISO/CE .925"ID
(HULL# 1201 -> 1303)
- 12 169748 ELBOW, BRASS 90DEG 1/2"SAE X 3/8"MPT
- 13 1524065 FILTER, REMOTE FUEL DSL (500MASR)
- 14 123745 HOSE, FUEL 1.5" TYPE A CLASS 2
- 15 1846463 DECK PLATE, DSL SS 2"30DEG GRN CLR-CODE
- 1880329 KEY, SS CAP DECK PLATE 1.5" 30DEG
(PART OF 1846463)
- 1880330 CAP, SS DECK PLATE DSL 2" 30DEG
(PART OF 1846463)
- 16 256701 CLAMP, HOSE #28 1 5/16"-2.25" SS .505
- 17 1433176 VENT, FUEL/WATER SS 5/8" 90DEG FLSH MNT
- 18 1497452 TAPE, FOAM NEOPRENE W/3M 9828 3/8"TH X 2"W
- 19 1833344 BRACKET, 310DA-07 FUEL TANK STRAP 2TOP/2SIDES
- 1497452 TAPE, FOAM NEOPRENE W/3M 9828 3/8"TH X 2"W
- 20 1818822 TANK, FUEL 310DA-07 107GAL PRT
- 21 1884012 HOSE, FUEL 1/2" TYPE A CLASS 1-15 ISO/CE/CARB
(HULL# 1304 -> UP)
- 123786 HOSE, FUEL 1/2" TYPE A CLASS 1 ISO/CE
(HULL# 1201 -> 1303)
- 22 1851167 SENDING UNIT, FUEL ELEC ISSPRO 25"
(PART OF 1818822)
- 1851166 SENDING UNIT, FUEL ELEC ISSPRO 22"
(PART OF 1818823)

LABELS

- 1744735 LABEL, FUEL SHUT-OFF (LEXAN)

NOT SHOWN

- 123612 CLAMP, LOOM VINYL DIP 11/16"
- 169524 ADAPTER, BRASS 3/8"MPT X 3/8"SAE
- 1806759 VALVE, BRASS 1/2"MPT X 1/2"MPT CHECK
- 1816146 ADAPTER, BRASS 1/2"FPT X 1/2"MSAE
- 1425156 NIPPLE, SEAFLEX BRS 1/2"MPT LONG

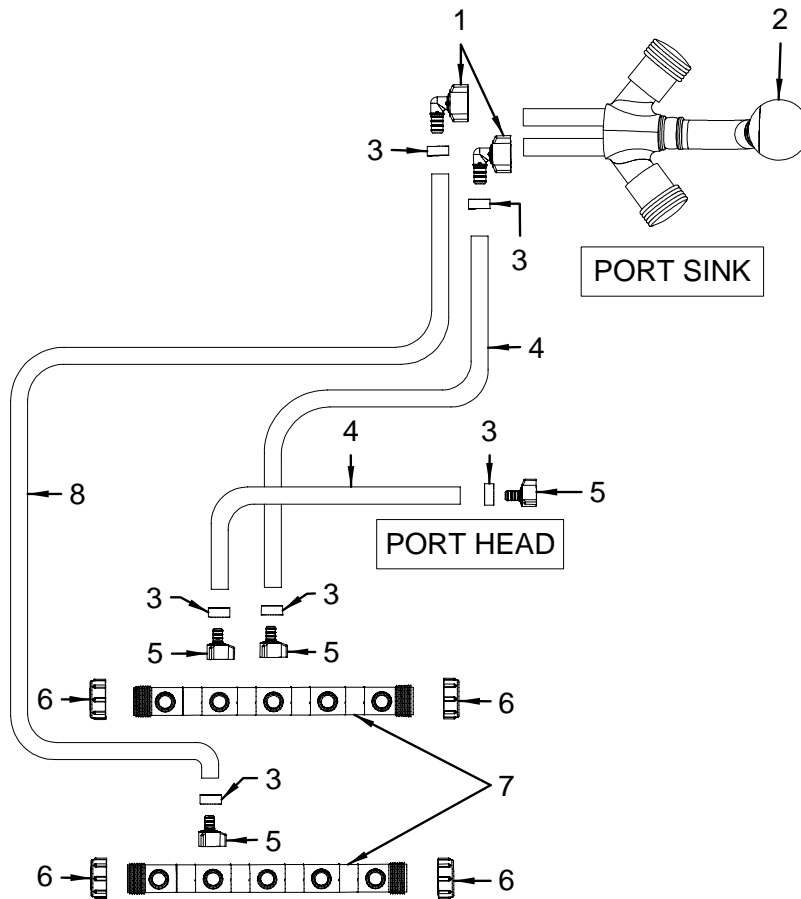


WATER SYSTEM (GALLEY)

8 1789751 TUBING, ZURN 1/2"X 1000' RED

- 1 1789708 ELBOW, ZURN 1/2" SWIVEL
- 2 1772522 FAUCET, GLY 7"RISE BRUSHED NCKL/CHR
- 1807537 FAUCET, GLY 7"RISE HANDLE CAP BRSHD NCKL/CHR
(PART OF 1772522)
- 1807538 FAUCET, GLY 7"RISE HNDL SCREW BRSHD NCKL/CHR
(PART OF 1772522)
- 1807539 FAUCET, GLY 7"RISE HNDL WASHER BRSHD NCKL/CHR
(PART OF 1772522)
- 1807540 FAUCET, GLY 7"RISE HNDL RING BRSHD NCKL/CHR
(PART OF 1772522)
- 1807541 FAUCET, GLY 7"RISE HANDLE BRSHD NCKL/CHR
(PART OF 1772522)
- 1807542 FAUCET, GLY 7"RISE VALVE BRSHD NCKL/CHR
(PART OF 1772522)
- 1807543 FAUCET, GLY 7"RISE SPOUT BRSHD NCKL/CHR
(PART OF 1772522)
- 1807544 FAUCET, GLY 7"RISE AERATOR BRSHD NCKL/CHR
(PART OF 1772522)
- 1807545 FAUCET, GLY 7"RISE MOUNTING BRSHD NCKL/CHR
(PART OF 1772522)
- 3 1789718 CLAMP, CRIMP RING ZURN 1/2"
- 4 1789735 TUBING, ZURN 1/2"X 1000' BLUE
- 5 1789686 ADAPTER, ZURN STRAIGHT 1/2" SWIVEL
- 6 1802624 FITTING, ZURN BRASS 1"MNFLD END STOP
- 7 1792205 MANIFOLD, ZURN SNGL SIDE W/5 PRT
- 1802628 BRACKET, PLAS ZURN SNGL MANIFOLD MNT
(HULL# 1234 -> UP)

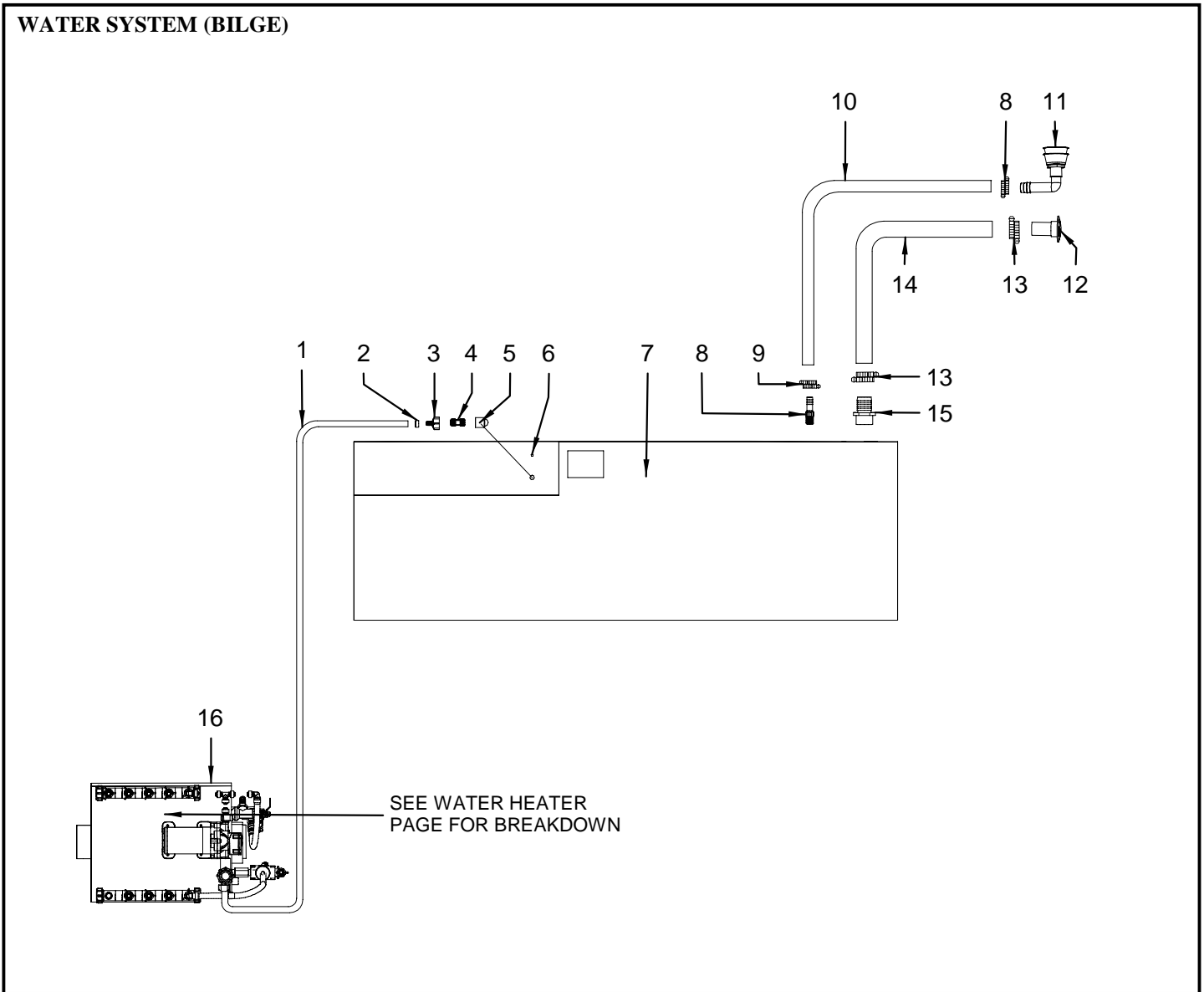
WATER SYSTEM (PORT HEAD)



WATER SYSTEM (PORT HEAD)

- 1 1789708 ELBOW, ZURN 1/2" SWIVEL
- 2 1772520 FAUCET/SHOWER, BRUSHED NCKL/CHR PULLOUT
- 1853913 FAUCET/SHOWER, SPRAYER ONLY BRSHD NCKL/CHR
(PART OF 1772520)
- 1853914 FAUCET/SHOWER, HOSE WASHER ONLY
(PART OF 1772520)
- 1853915 FAUCET/SHOWER, HANGER ONLY
(PART OF 1772520)
- 1853916 FAUCET/SHOWER, BRASS HOT/COLD VALVE ONLY
(PART OF 1772520)
- 1853917 FAUCET/SHOWER, HDWR KIT W/WTS
(PART OF 1772520)
- 3 1789718 CLAMP, CRIMP RING ZURN 1/2"
- 4 1789735 TUBING, ZURN 1/2"X 1000' BLUE
- 5 1789686 ADAPTER, ZURN STRAIGHT 1/2" SWIVEL
- 6 1802624 FITTING, ZURN BRASS 1"MNFLD END STOP
- 7 1792205 MANIFOLD, ZURN SNGL SIDE W/5 PRT
- 1802628 BRACKET, PLAS ZURN SNGL MANIFOLD MNT
(HULL# 1234 -> UP)
- 8 1789751 TUBING, ZURN 1/2"X 1000' RED

WATER SYSTEM (BILGE)

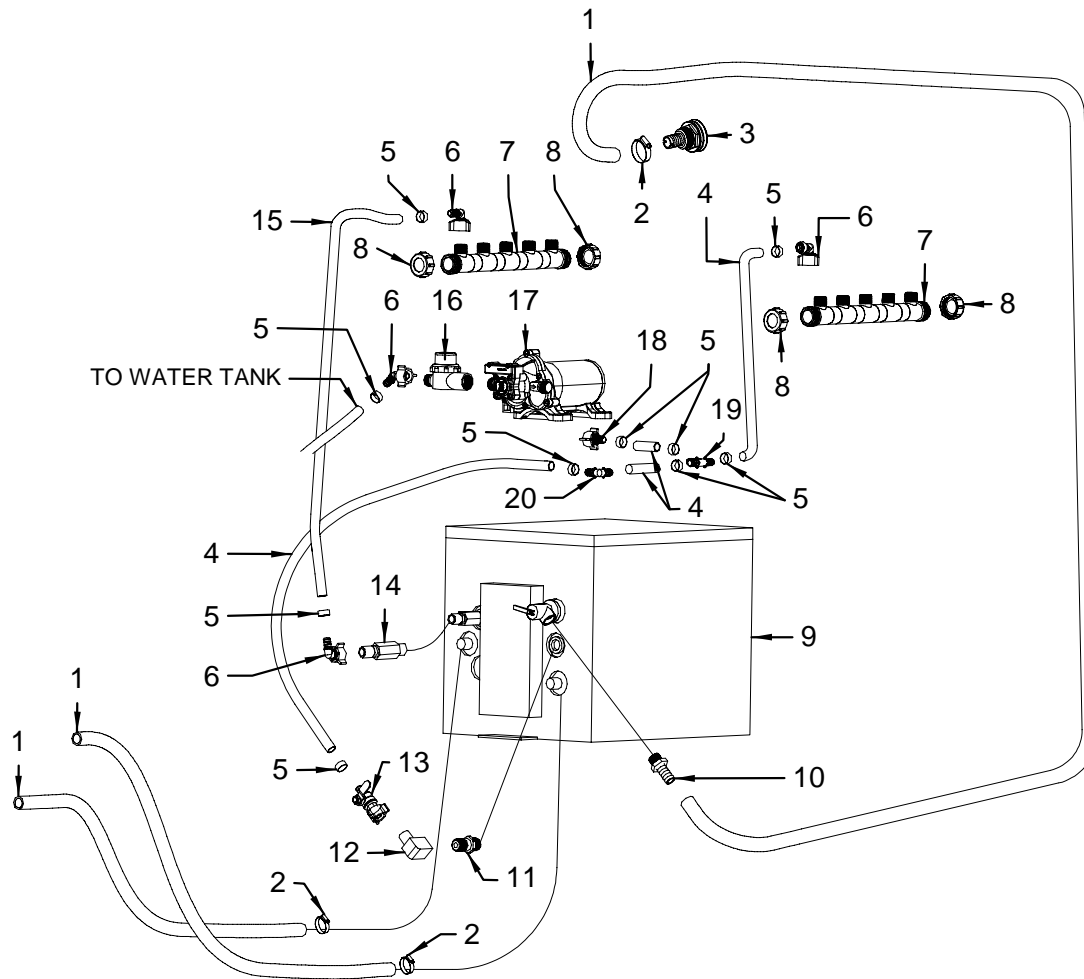


WATER SYSTEM (BILGE)

- 1 1789735 TUBING, ZURN 1/2"X 1000' BLUE
- 2 1789718 CLAMP, CRIMP RING ZURN 1/2"
- 3 1789686 ADAPTER, ZURN STRAIGHT 1/2" SWIVEL
- 4 1789748 NIPPLE, ZURN 1/2" CLOSE GRY
- 5 1127935 TUBE, PICK-UP WATER 8" 330DA 98
(PART OF 1839593)
- 6 1127927 SENDING UNIT, WATER 330DA-98 8"
(PART OF 1839593)
- 7 1839593 TANK, WATER 35GAL 61"X20"X9 7/16"W/SNDR/PCKUP
1497460 TAPE, FOAM NEOPRENE W/3M 9828 1/4"TH X 2"W
- 8 1577709 ADAPTER, PVC 1/2"MPT X 5/8"BARB
- 9 256677 CLAMP, HOSE #12 1/2"-1.25" SS .505
- 10 124719 HOSE, SANI/CHEMICAL TDX 5/8"
- 11 1433176 VENT, FUEL/WATER SS 5/8" 90DEG FLSH MNT
- 12 1848574 DECK PLATE, WATER SS 1.5"STRGHT BLUE CLR-CODE
1880328 CAP, SS DECK PLATE 1.5" 30DEG
(PART OF 1848574)
- 1880329 KEY, SS CAP DECK PLATE 1.5" 30DEG
(PART OF 1848574)
- 13 256693 CLAMP, HOSE #24 1"-2" SS .505
- 14 490219 HOSE, CORR SAN/WATER-FILL 1.5" RH
- 15 814814 ADAPTER, PVC 1.5"MPT X 1.5"BARB MACHINED
- 16 1142496 HEATER, WATER 6 GAL 110/60 W/75-210T&P
1790450 ELEMENT, HEATER WTR 110/60 W/75-210
(PART OF 1142496)
- 1156728 HEATER, WATER 6 GAL 220/50 W/75-210T&P
(220 VOLT / 50 CYCLE ELECTRICAL SYSTEM)

- 16 1754598 HEATER, WATER ELEMENT FOR 6 GAL 220V
(PART OF 1156728)
- 1146877 VALVE, TEMPERING 75PSI/210DEG
(PART OF 1142496 & 1156728)

WATER SYSTEM (WATER HEATER)



WATER SYSTEM (WATER HEATER)

- 1 124594 HOSE, WATER 5/8" HVY DTY (HEATER)
- 2 256677 CLAMP, HOSE #12 1/2"-1.25" SS .505
- 3 1778933 THRU-HULL, SS 5/8" BARB SHORT W/RBR GASKET
- 4 1789735 TUBING, ZURN 1/2" X 1000' BLUE
- 5 1789718 CLAMP, CRIMP RING ZURN 1/2"
- 6 1789708 ELBOW, ZURN 1/2" SWIVEL
- 7 1792205 MANIFOLD, ZURN SNGL SIDE W/5 PRT
1802628 BRACKET, PLAS ZURN SNGL MANIFOLD MNT
(HULL# 1234 -> UP)
- 8 1802624 FITTING, ZURN BRASS 1" MNFLD END STOP
- 9 1142496 HEATER, WATER 6 GAL 110/60 W/75-210T&P
1790450 ELEMENT, HEATER WTR 110/60 W/75-210
(PART OF 1142496)
- 1156728 HEATER, WATER 6 GAL 220/50 W/75-210T&P
(220 VOLT / 50 CYCLE ELECTRICAL SYSTEM)
- 1754598 HEATER, WATER ELEMENT FOR 6 GAL 220V
(PART OF 1156728)
- 1146877 VALVE, TEMPERING 75PSI/210DEG
(PART OF 1142496 & 1156728)
- 10 144675 ADAPTER, BRASS 1/2" MPT X 5/8" BARB
- 11 1791673 VALVE, ZURN 1/2" MPT X 1/2" MPT CHECKVALVE
- 12 169086 ELBOW, BRASS 90DEG STREET 1/2"
- 13 1802638 VALVE, ZURN 1/2" MANIFOLD BALL VALVE
(HULL# 1201 -> 1272)
- 14 168898 NIPPLE, BRASS 1/2" MPT X 3.5"
- 15 1789751 TUBING, ZURN 1/2" X 1000' RED

- 16 1797944 FILTER, IN-LINE WATER 1/2" MPT X 1/2" NPSF
- 17 1830714 PUMP, FRESH WATER SHURFLO 3.3GPM IMP W/CONN
- 18 1789686 ADAPTER, ZURN STRAIGHT 1/2" SWIVEL
- 19 1789706 TEE, ZURN 1/2" BARB
- 20 1789703 ELBOW, ZURN 1/2" BARB

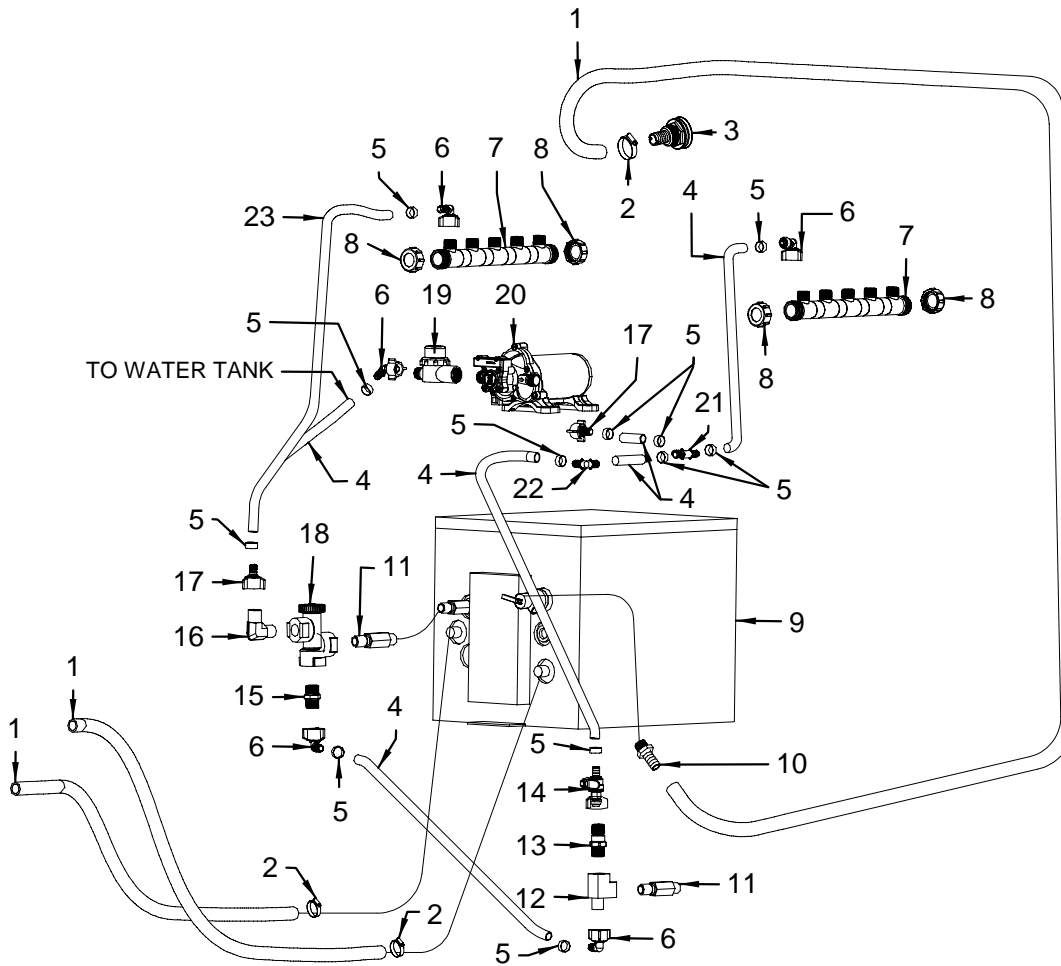
LABELS

- 1809840 LABEL, MANIFOLD HOT/COLD ZURN 64QKIPSP

NOT SHOWN

- 1744830 ADAPTER, STRT RED BRSS 3/4" MPT X 5/8" BARB
- 1802637 CAP, ZURN 1/2" MANIFOLD

WATER HEATER (CLOSED COOLING SYSTEM)



WATER HEATER (CLOSED COOLING SYSTEM)

- 1 124594 HOSE, WATER 5/8" HVY DTY (HEATER)
- 2 256677 CLAMP, HOSE #12 1/2"-1.25" SS .505
- 3 1778933 THRU-HULL, SS 5/8" BARB SHORT W/RBR GASKET
- 4 1789735 TUBING, ZURN 1/2" X 1000' BLUE
- 5 1789718 CLAMP, CRIMP RING ZURN 1/2"
- 6 1789708 ELBOW, ZURN 1/2" SWIVEL
- 7 1792205 MANIFOLD, ZURN SNGL SIDE W/5 PRT
1802628 BRACKET, PLAS ZURN SNGL MANIFOLD MNT
- 8 1802624 FITTING, ZURN BRASS 1" MNFLD END STOP
- 9 1142496 HEATER, WATER 6 GAL 110/60 W/75-210T&P
1790450 ELEMENT, HEATER WTR 110/60 W/75-210
(PART OF 1142496)
- 1156728 HEATER, WATER 6 GAL 220/50 W/75-210T&P
(220 VOLT / 50 CYCLE ELECTRICAL SYSTEM)
- 1754598 HEATER, WATER ELEMENT FOR 6 GAL 220V
(PART OF 1156728)
- 1146877 VALVE, TEMPERING 75PSI/210DEG
(PART OF 1142496 & 1156728)
- 10 144675 ADAPTER, BRASS 1/2" MPT X 5/8" BARB
- 11 168898 NIPPLE, BRASS 1/2" MPT X 3.5"
- 12 325944 TEE, BRASS STREET 1/2" MPT X 1/2" FPT X 1/2" FPT
- 13 1791673 VALVE, ZURN 1/2" MPT X 1/2" MPT CHECKVALVE
- 14 1802638 VALVE, ZURN 1/2" MANIFOLD BALL VALVE
(HULL# 1201 -> 1272)
- 15 1791378 NIPPLE, ZURN 1/2" BRASS HEX
- 16 1376037 ELBOW, BRASS 90DEG 1/2" MPT X 1/2" MPT

- 17 1789686 ADAPTER, ZURN STRAIGHT 1/2" SWIVEL
- 18 1054766 VALVE, BRASS WATER HEATER TEMPERING 120-160DG
- 19 1797944 FILTER, IN-LINE WATER 1/2" MPSM X 1/2" NPSF
- 20 1830714 PUMP, FRESH WATER SHURFLO 3.3GPM IMP W/CONN
- 21 1789706 TEE, ZURN 1/2" BARB
- 22 1789703 ELBOW, ZURN 1/2" BARB
- 23 1789751 TUBING, ZURN 1/2" X 1000' RED

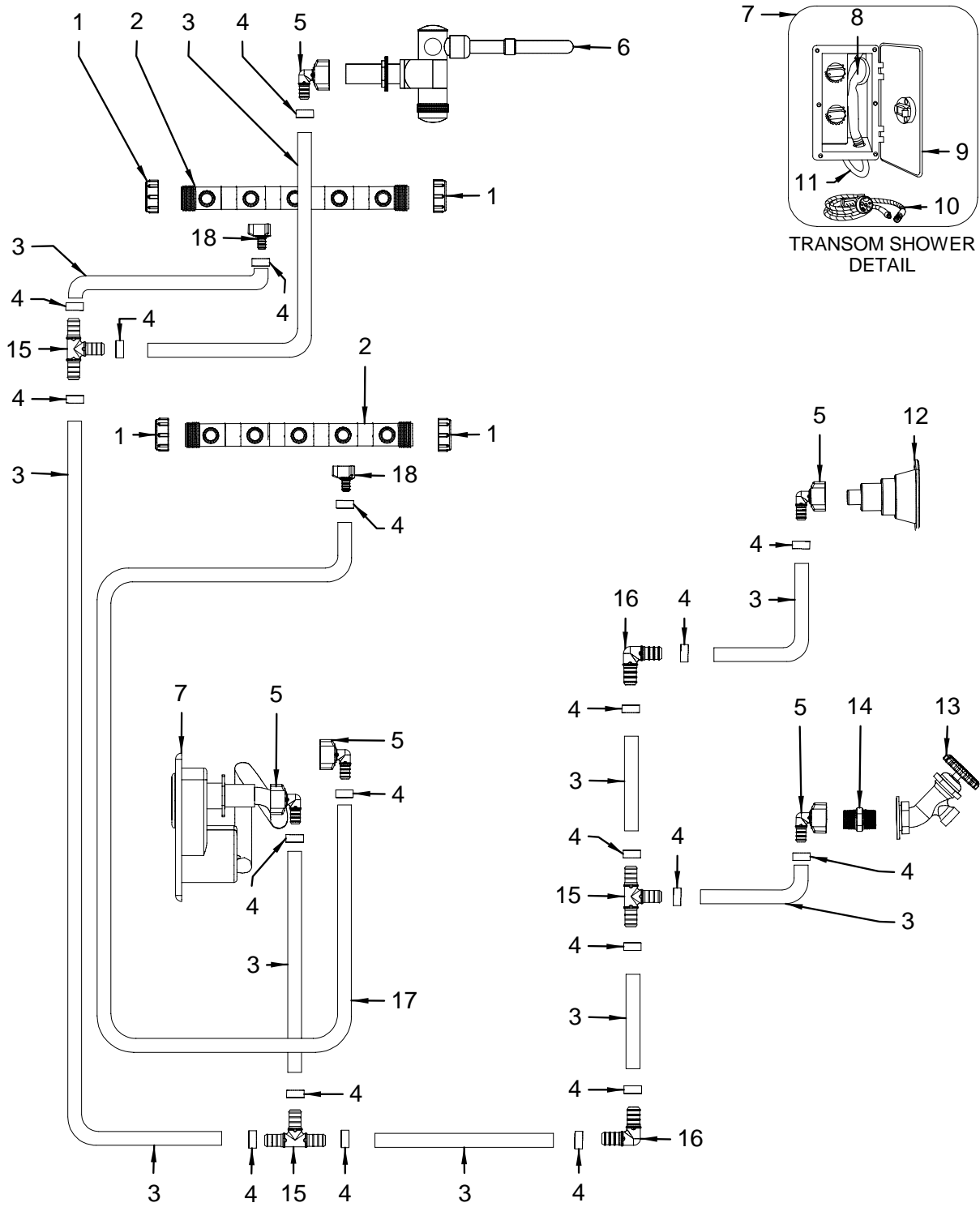
LABELS

- 1809840 LABEL, MANIFOLD HOT/COLD ZURN 64QKIPSP

NOT SHOWN

- 1744830 ADAPTER, STRT RED BRSS 3/4" MPT X 5/8" BARB
- 1802637 CAP, ZURN 1/2" MANIFOLD

WATER SYSTEM (COCKPIT)



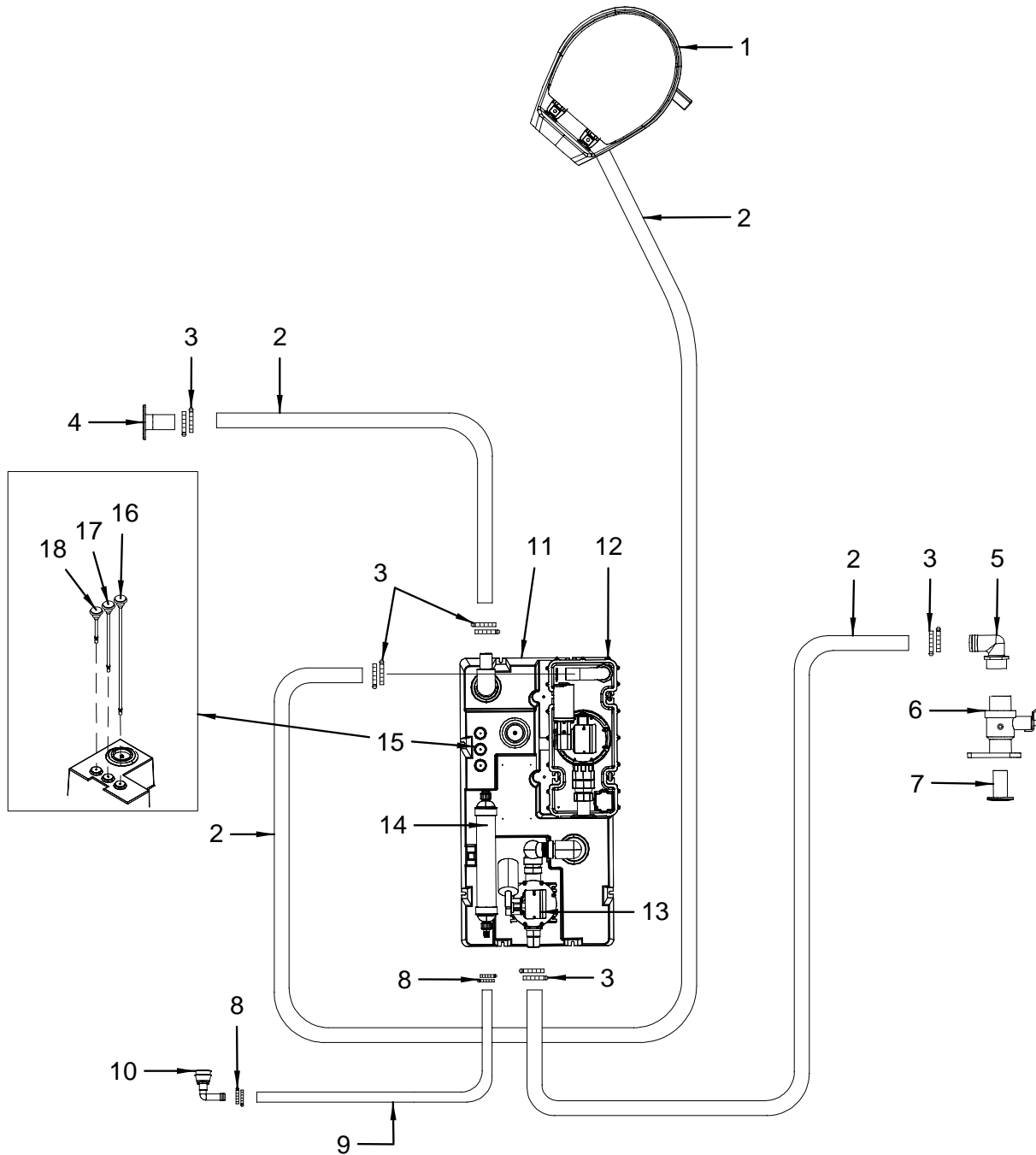
WATER SYSTEM (COCKPIT)

- 1 1802624 FITTING, ZURN BRASS 1"MNFLD END STOP
- 2 1792205 MANIFOLD, ZURN SNGL SIDE W/5 PRT
- 1802628 BRACKET, PLAS ZURN SNGL MANIFOLD MNT
(HULL# 1234 -> UP)
- 3 1789735 TUBING, ZURN 1/2"X 1000' BLUE
- 4 1789718 CLAMP, CRIMP RING ZURN 1/2"
- 5 1789708 ELBOW, ZURN 1/2" SWIVEL
- 6 1775010 FAUCET, FOLD DOWN SGL TAP CHR
- 7 736702 FAUCET, WASHDOWN BOX W/MIXER (AQUATIK) VERT
- 1298710 FAUCET, CARTRIDGE CERAMIC 90DEG LH
(PART OF 736702)
- 1302504 FAUCET, CARTRIDGE CERAMIC 90DEG RH
(PART OF 736702)
- 8 1302603 FAUCET, WASHDOWN SPRAYER HEAD ONLY(AQUATIK)
(PART OF 736702)
- 1848792 FAUCET, WASHDOWN RUBBER SHOWERHEAD HLDR
(PART OF 736702)
- 9 1302587 FAUCET, WASHDOWN DOOR ONLY (AQUATIK)
(PART OF 736702)
- 1742646 LATCH, WASHDOWN DOOR (AQUATIK)
(PART OF 736702)
- 10 1302579 FAUCET, WASHDOWN SHOWER UNIT ONLY (AQUATIK)
(PART OF 736702)
- 11 1302595 FAUCET, WASHDOWN HOSE W/FPT ONLY(AQUATIK)
(PART OF 736702)
- 12 141168 INLET, WATER W/PRESS REGULATOR WHT
- 13 1096262 FAUCET, SILLCOCK WASHDOWN (WHITECAP)
- 14 1791378 NIPPLE, ZURN 1/2" BRASS HEX
- 15 1789706 TEE, ZURN 1/2" BARB
- 16 1789703 ELBOW, ZURN 1/2" BARB
- 17 1789751 TUBING, ZURN 1/2"X 1000' RED
- 18 1789686 ADAPTER, ZURN STRAIGHT 1/2" SWIVEL

LABELS

- 1743534 LABEL, FRESH WATER (LEXAN)

SEWAGE SYSTEM



SEWAGE SYSTEM

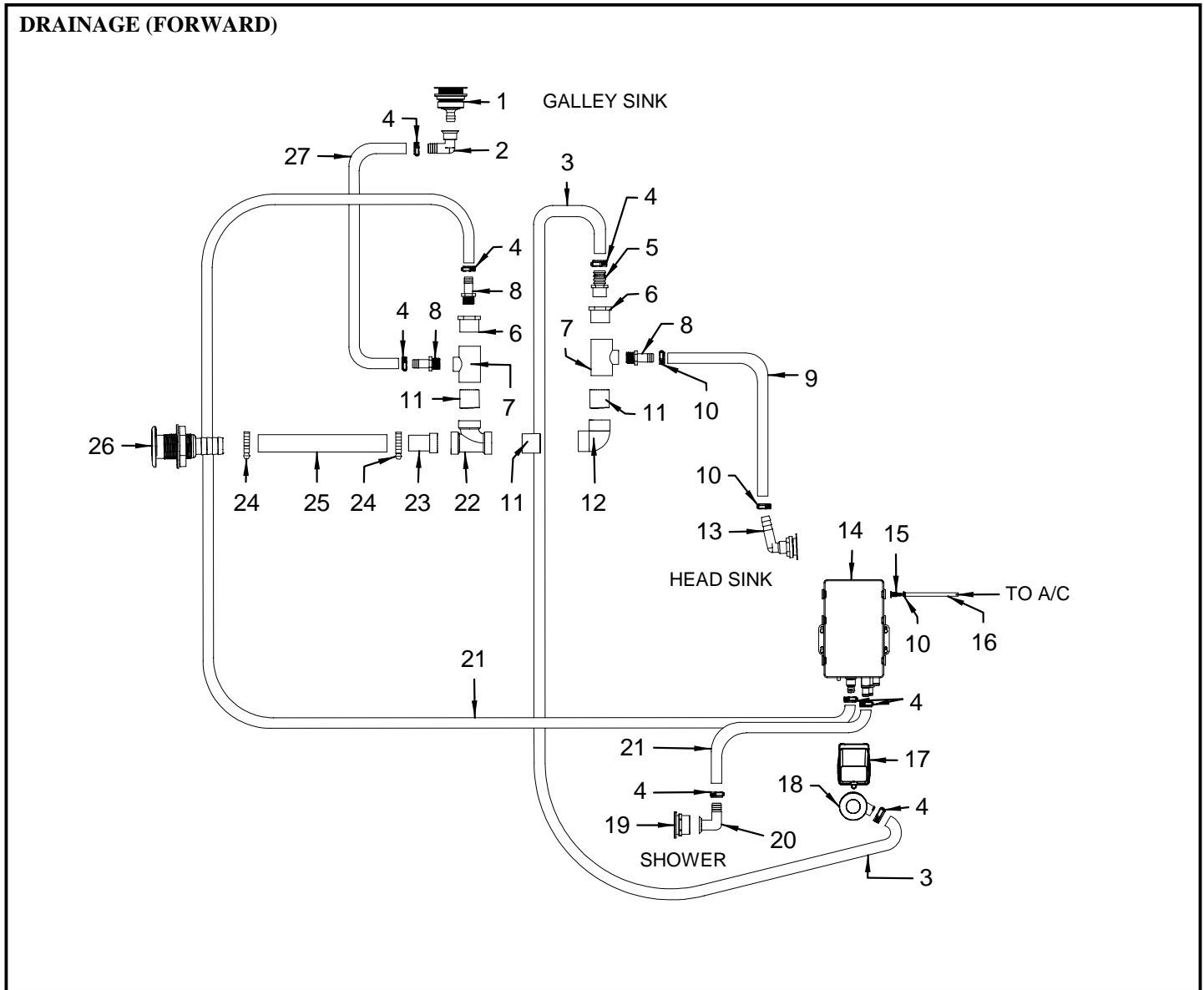
- 1 1846853 HEAD, VACU-FLUSH BONE 5006 BTM DCHG LOW PRFLE
(HULL# 1204 -> UP)
- 1872707 HEAD, SEAT ASSY VAC-FLUSH BONE 5048 BACK DIS
(PART OF 1846853)
- 1744868 HEAD, VACU-FLUSH BONE 1006 BTM DIS WOOD
(HULL# 1201 -> 1203)
- 1784547 SEAT ASSY, CVR/SEAT/HNG PIN BONE
(PART OF 1744868)
- 2 846899 HOSE, SANI 1.5" PREMIUM RBR BLK
- 3 256693 CLAMP, HOSE #24 1"-2" SS .505
- 4 1846460 DECK PLATE, WASTE SS 1.5"30DEG BLK CLR-CODE
1880328 CAP, SS DECK PLATE 1.5" 30DEG
(PART OF 1846460)
- 1880329 KEY, SS CAP DECK PLATE 1.5" 30DEG
(PART OF 1846460)
- 5 531566 ELBOW, BRZ 90DEG 1.5"MPT X 1.5"BARB
(MACERATOR W/ SEACOCK INTERLOCK SYSTEM)
(VACUUM FLUSH HEAD W/ DIRECT OVER BOARD INTL)
- 6 518456 SEACOCK, BRZ 1.5" W/O TAILPIECE
(MACERATOR W/ SEACOCK INTERLOCK SYSTEM)
(VACUUM FLUSH HEAD W/ DIRECT OVER BOARD INTL)
- 1302116 SWITCH, SEACOCK INTERLOCK W/60" LEADS/CONN
(MACERATOR W/ SEACOCK INTERLOCK SYSTEM)
(VACUUM FLUSH HEAD W/ DIRECT OVER BOARD INTL)
- 7 579870 THRU-HULL, BRZ 1.5" W/O NUT
(MACERATOR W/ SEACOCK INTERLOCK SYSTEM)
(VACUUM FLUSH HEAD W/ DIRECT OVER BOARD INTL)
- 8 256677 CLAMP, HOSE #12 1/2"-1.25" SS .505
- 9 124719 HOSE, SANI/CHEMICAL TDX 5/8"
- 10 1433176 VENT, FUEL/WATER SS 5/8" 90DEG FLSH MNT
- 11 1761960 TANK, HOLDING 28 GAL HTS W/VAC GEN W/CONN
1760159 TANK, HOLDING 28 GAL HTS W/VAC GEN/12V T-PMP
(MACERATOR W/ SEACOCK INTERLOCK SYSTEM)
- 12 1788792 VACUUM GEN, 12VDC DOMETIC
(PART OF 1761960 & 1760159)
- 13 1788793 PUMP, HEAD SYS MACERATOR 12VDC DOMETIC
(PART OF 1760159)
(MACERATOR W/ SEACOCK INTERLOCK SYSTEM)
- 14 1788791 FILTER, HEAD TREATMENT SYSTEM DOMETIC
(PART OF 1761960 & 1760159)
- 15 1835677 SENDING UNIT, HOLD TANK 28 GAL HTS W/VAC GEN
(PART OF 1761960 & 1760159)
(MACERATOR W/ SEACOCK INTERLOCK SYSTEM)
- 16 1852581 SENDING UNIT, HOLD TANK EMPTY LEVEL INDICATOR
(PART OF 1835677)
- 17 1852580 SENDING UNIT, HOLD TANK MID LEVEL INDICATOR
(PART OF 1835677)
- 18 1852579 SENDING UNIT, HOLD TANK FULL LEVEL INDICATOR
(PART OF 1835677)

LABELS

- 1745156 LABEL, NOTICE OVERBOARD DISCHARGE (LEXAN)
- 1745517 LABEL, 1/2"X 1.5" DISCHARGE

NOT SHOWN

- 1413616 TANK, HOLDING NEW OWNERS GIFT PACK
- 1798723 VACUUM GEN, HEAD SYS PMP/ACUM LOPRO 12V W/CON
(VACUUM FLUSH HEAD W/ DIRECT OVER BOARD INTL)



DRAINAGE (FORWARD)

- 1 175687 DRAIN, SINK STRAINER 2.5" SS W/5/8" BARB
- 1839033 DRAIN, SINK STRAINER BASKET ONLY
(PART OF 175687)
- 2 266130 DRAIN, LINER W/90 DEG ELBOW 1" PLASTIC
- 3 1042076 HOSE, WATER 1 1/8" BLK
(HULL# 1287 -> UP)
- 123901 HOSE, CORR BILGE 1 1/8" BLK
(HULL# 1201 -> 1286)
- 4 256685 CLAMP, HOSE #16 3/4"-1.5" SS .505
- 5 196683 ADAPTER, PVC 1"MPT X 1" BARB
- 6 698183 BUSHING, PVC 1.5"M SLIP X 1"FPT
- 7 686725 TEE, PVC 1.5"FM SLIP X 1.5"FM SLIP X 1"FPT
- 8 484550 ADAPTER, PVC 1"MPT X 3/4" BARB
- 9 123885 HOSE, CORR BILGE 3/4" BLK
- 10 263954 CLAMP, HOSE #10 1/2"-1 1/8" SS .505
- 11 149757 PIPE, PVC SCH 40 BOE PIPE 1.5"
- 12 168179 ELBOW, PVC 1.5"FM SLIP X 1.5"FM SLIP 90DEG
- 13 583427 DRAIN, W/PLUG 100DEG 3/4" BARB CHR
1734472 DRAIN ASSY, STOPPER #4202 MED BLK
(PART OF 583427)
- 14 1792643 SHOWER, SUMP ASSY MULTI-PORT 750GPH 12V W/CON
- 15 124487 THRU-HULL, PLAS 5/8" WHT
- 16 1058957 HOSE, WATER A/C WHT 5/8"
- 17 1794015 SWITCH, FLOAT ATTWOOD W/CVR W/CONN
- 18 1796904 PUMP, BILGE 1200GPH TSUNAMI W/CONN
- 19 196782 DRAIN ASSY, SHOWER 1.5"

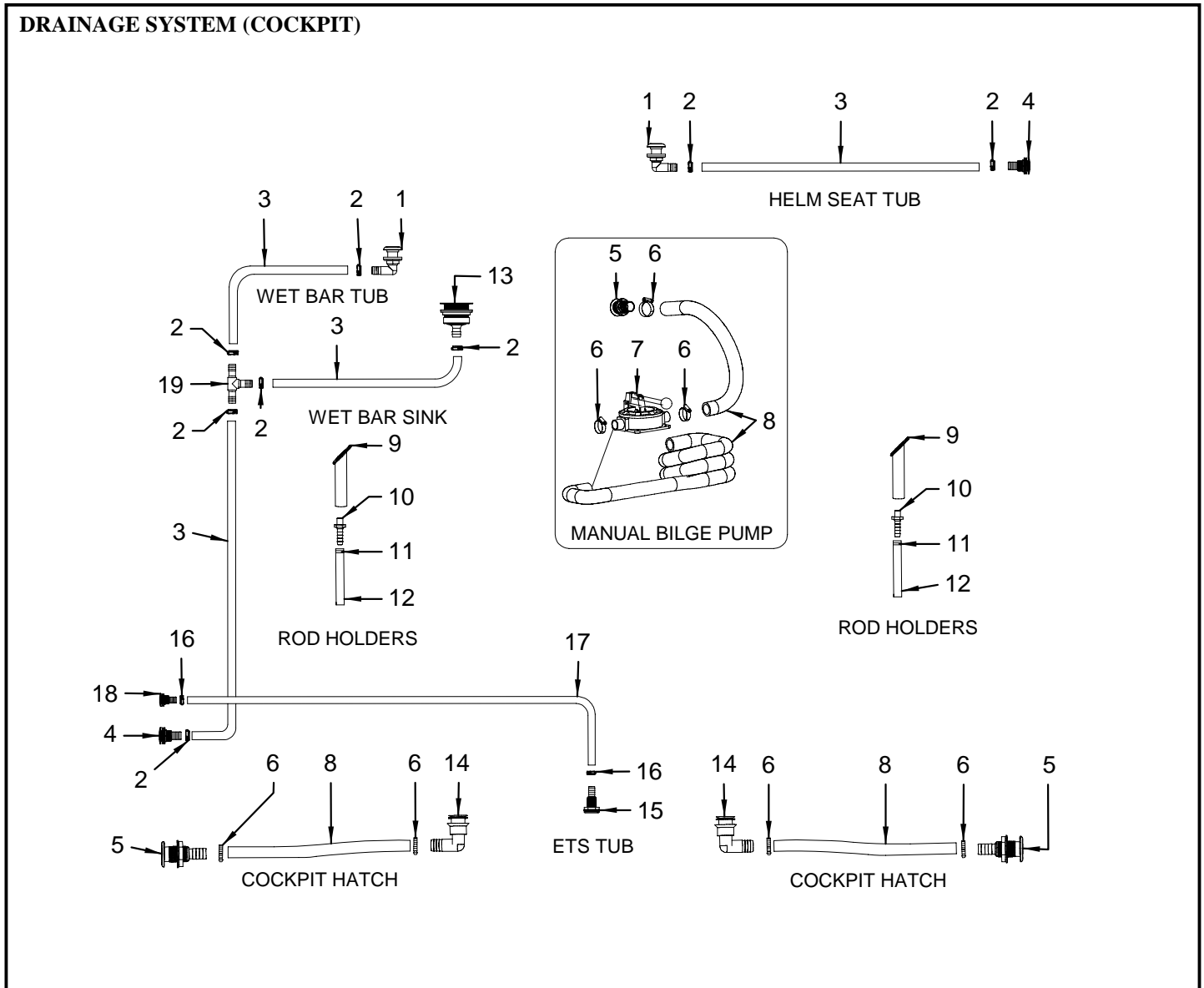
- 19 344721 DRAIN ASSY, GASKET SHOWER SLIP NUT 1.5"
- 344762 DRAIN ASSY, SHOWER SLIP NUT 1.5"
- 20 408724 ELBOW, PVC 1.5" FLANGE X 3/4" BARB X 90DEG
(HULL# 1237 -> UP)
- 1849210 ADAPTER, PLAS 1.5"FPT X 1" BARB BLK
(HULL# 1201 -> 1236)
- 21 123877 HOSE, CORR SAN/WATER-FILL 3/4"
- 22 1453828 TEE, PVC 1.5" FM SLIP SWEEP
- 23 184101 ADAPTER, PVC 1.5"OD X 1.5"ID SLIP
- 24 256693 CLAMP, HOSE #24 1"-2" SS .505
- 25 846899 HOSE, SANI 1.5" PREMIUM RBR BLK
- 26 1778928 THRU-HULL, SS 1.5" BARB SHORT W/RBR GASKET
- 27 123877 HOSE, CORR SAN/WATER-FILL 3/4"

LABELS

- 1745160 LABEL, 1/2" X 1.5" SHWR DRAIN
- 1768876 LABEL, 1/2" X 1.5" DRAIN

NOT SHOWN

- 836007 BRACKET, ALUM 1.5" X 1.5" X 3" 3/16" HOLES
- 266130 DRAIN, LINER W/90 DEG ELBOW 1" PLASTIC
- 1033745 HOSE, WATER 1" ID X 1 3/8" OD
- 1742987 ADAPTER, PVC 1"MPT X 1 1/8" BARB



DRAINAGE SYSTEM (COCKPIT)

- 1 674143 THRU-HULL, PLAS 3/4"X 90DEG WHT
- 2 256677 CLAMP, HOSE #12 1/2"-1.25" SS .505
- 3 123877 HOSE, CORR SAN/WATER-FILL 3/4"
- 4 1778929 THRU-HULL, SS 3/4"BARB SHORT W/RBR GASKET
- 5 1778928 THRU-HULL, SS 1.5"BARB SHORT W/RBR GASKET
- 6 256693 CLAMP, HOSE #24 1"-2" SS .505
- 7 604959 PUMP, BILGE 16GPM MANUAL THRU DECK MNT (HULL# 1254 -> UP) (C E OPTION GROUP)
- 529016 PUMP, BILGE 16GPM MANUAL TWO POS (HULL# 1201 -> 1253) (C E OPTION GROUP)
- 8 490219 HOSE, CORR SAN/WATER-FILL 1.5" RH
- 9 1795401 ROD HOLDER, FLUSH MNT SS 30DEG CONTR W/LOGO (ROD HOLDERS - 4) (ACC'Y TABLE W/LEVELOCK/2 GUNWALE ROD HOLDER) (SS GRILL W/LEVELOCK & 2 GUNWALE ROD HOLDERS)
- 10 147611 ADAPTER, BRASS 1/4"MPT X 3/8"BARB (ROD HOLDERS - 4) (ACC'Y TABLE W/LEVELOCK/2 GUNWALE ROD HOLDER) (SS GRILL W/LEVELOCK & 2 GUNWALE ROD HOLDERS)
- 11 1126747 TIE, CABLE 8.5" SCREW MNT BLK SS BARB (ROD HOLDERS - 4) (ACC'Y TABLE W/LEVELOCK/2 GUNWALE ROD HOLDER) (SS GRILL W/LEVELOCK & 2 GUNWALE ROD HOLDERS)
- 12 124347 HOSE, PVC CLEAR 3/8" (ROD HOLDERS - 4) (ACC'Y TABLE W/LEVELOCK/2 GUNWALE ROD HOLDER)

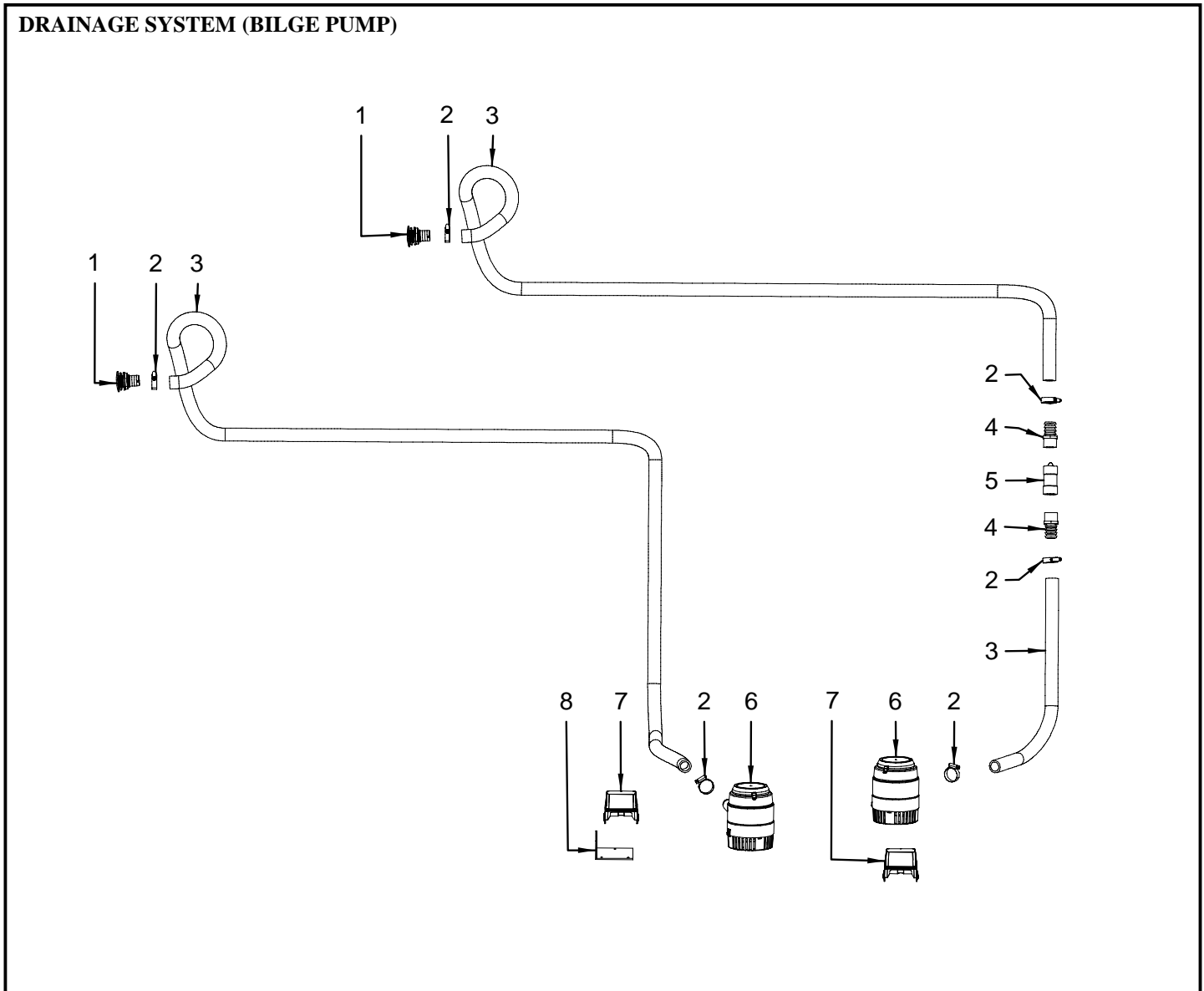
- 12 (SS GRILL W/LEVELOCK & 2 GUNWALE ROD HOLDERS)
- 13 175687 DRAIN, SINK STRAINER 2.5" SS W/5/8"BARB
- 1839033 DRAIN, SINK STRAINER BASKET ONLY (PART OF 175687)
- 14 791673 THRU-HULL, PLAS 1.5" TUBE X 90DEG
- 15 124487 THRU-HULL, PLAS 5/8" WHT
- 16 263954 CLAMP, HOSE #10 1/2"-1 1/8" SS .505
- 17 1058957 HOSE, WATER A/C WHT 5/8"
- 18 1778933 THRU-HULL, SS 5/8"BARB SHORT W/RBR GASKET
- 19 1882428 TEE, POLY 3/4"BARB X 3/4"BARB X 3/4"BARB (HULL# 1249 -> UP)
- 141523 TEE, PVC 3/4"BARB X 3/4"BARB X 3/4"BARB (HULL# 1201 -> 1248)

LABELS

- 1745123 LABEL, BILGE (LEXAN) (C E OPTION GROUP)
- 1745514 LABEL, PREVENT DISCHARGE OF POLLUTANTS (C E OPTION GROUP)
- 1751883 LABEL, 7/16"X 7/8" SALON (C E OPTION GROUP)

NOT SHOWN

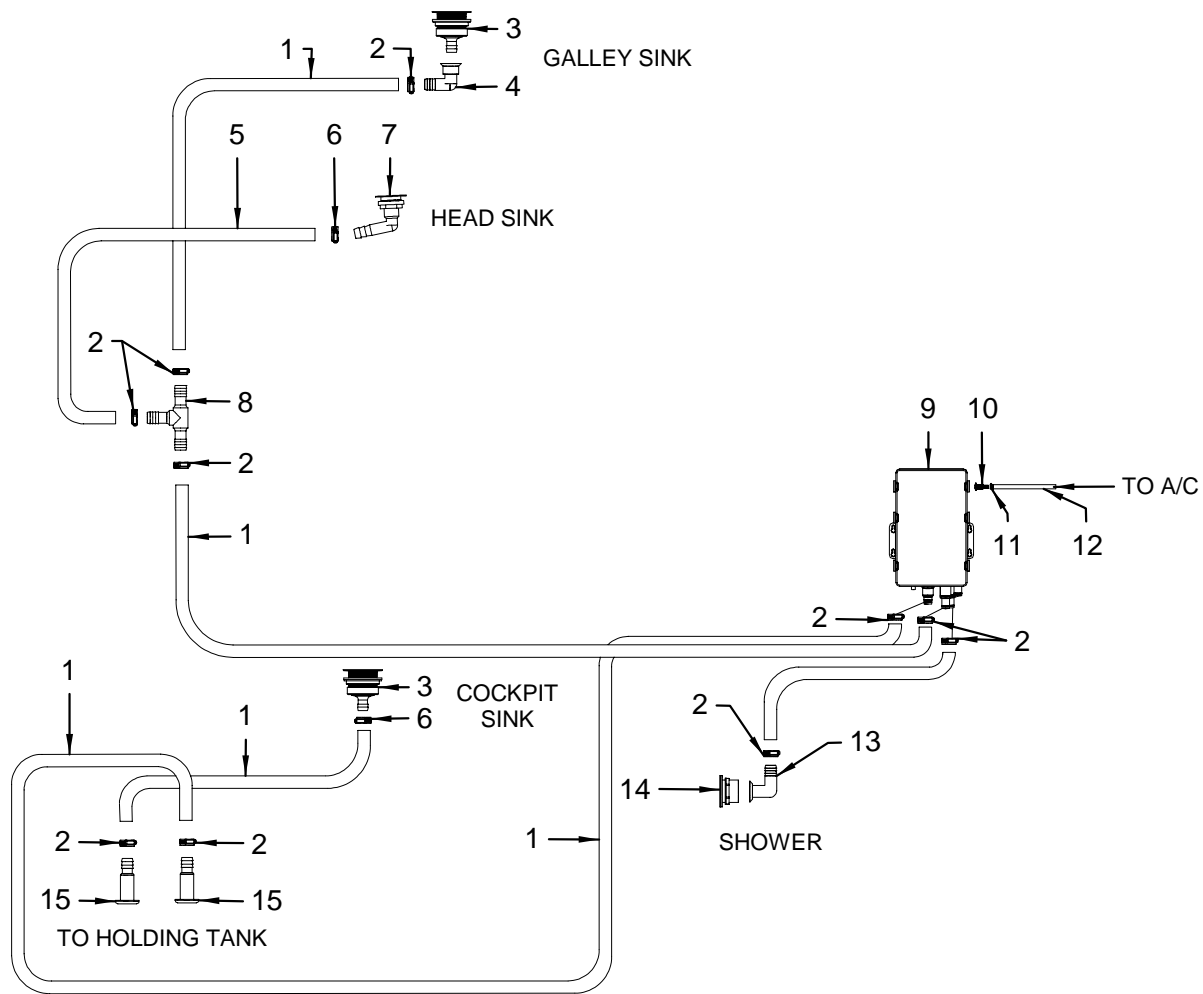
- 141721 VALVE, DIVERTER 1.5" (C E OPTION GROUP)
- 801563 PUMP, BILGE MANUAL PICKUP/STRAINER



DRAINAGE SYSTEM (BILGE PUMP)

- 1 1778931 THRU-HULL, SS 1 1/8" BARB SHORT W/RBR GASKET
- 2 256685 CLAMP, HOSE #16 3/4"-1.5" SS .505
- 3 1042076 HOSE, WATER 1 1/8" BLK
(HULL# 1287 -> UP)
- 123901 HOSE, CORR BILGE 1 1/8" BLK
(HULL# 1201 -> 1286)
- 4 196683 ADAPTER, PVC 1" MPT X 1" BARB
- 5 294488 VALVE, CHECK PLAS W/O SPRING 1" FPT
- 6 1815713 PUMP, BILGE 1700GPH ATTWOOD W/CONN
- 7 1794015 SWITCH, FLOAT ATTWOOD W/CVR W/CONN
- 8 1801270 BRACKET, ALUM FLOAT SWITCH HI-WTR ATTWOOD

GRAY WATER SYSTEM



GRAY WATER SYSTEM

15 182964 THRU-HULL, PLAS 3/4" WHT

LABELS

1745161 LABEL, 1/2"X 1.5" VANITY SINK
 1768876 LABEL, 1/2"X 1.5" DRAIN

- 1 123877 HOSE, CORR SAN/WATER-FILL 3/4"
- 2 256685 CLAMP, HOSE #16 3/4"-1.5" SS .505
- 3 175687 DRAIN, SINK STRAINER 2.5" SS W/5/8" BARB
 1839033 DRAIN, SINK STRAINER BASKET ONLY
 (PART OF 175687)
- 4 266130 DRAIN, LINER W/90 DEG ELBOW 1" PLASTIC
- 5 123885 HOSE, CORR BILGE 3/4" BLK
- 6 263954 CLAMP, HOSE #10 1/2"-1 1/8" SS .505
- 7 583427 DRAIN, W/PLUG 100DEG 3/4" BARB CHR
 1734472 DRAIN ASSY, STOPPER #4202 MED BLK
 (PART OF 583427)
- 8 1882428 TEE, POLY 3/4" BARB X 3/4" BARB X 3/4" BARB
 (HULL# 1249 -> UP)
 141523 TEE, PVC 3/4" BARB X 3/4" BARB X 3/4" BARB
 (HULL# 1201 -> 1248)
- 9 1792643 SHOWER, SUMP ASSY MULTI-PORT 750GPH 12V W/CON
- 10 124487 THRU-HULL, PLAS 5/8" WHT
- 11 263954 CLAMP, HOSE #10 1/2"-1 1/8" SS .505
- 12 1058957 HOSE, WATER A/C WHT 5/8"
- 13 408724 ELBOW, PVC 1.5" FLANGE X 3/4" BARB X 90DEG
 (HULL# 1237 -> UP)
 1849210 ADAPTER, PLAS 1.5" FPT X 1" BARB BLK
 (HULL# 1201 -> 1236)
- 14 196782 DRAIN ASSY, SHOWER 1.5"
 344762 DRAIN ASSY, SHOWER SLIP NUT 1.5"
 344721 DRAIN ASSY, GASKET SHOWER SLIP NUT 1.5"

T-6LPA-STZP W/BR3 (T-301 PHP) YANMAR S/D

- 1816146 ADAPTER, BRASS 1/2" FPT X 1/2"MSAE
- 169920 ADAPTER, BRASS 1/4" MPT X 1/2"SAE
- 169524 ADAPTER, BRASS 3/8" MPT X 3/8"SAE
- 147561 BUSHING, SS THD 1/4" FPT X 1/2" MPT
- 791392 BUSHING, SS THD 1/4" FPT X 3/8" MPT
- 184077 BUSHING, SS THD 3/8" FPT X 1/2" MPT
- 1849612 CABLE, BATT KIT 310DA-07 DSL
- 1789718 CLAMP, CRIMP RING ZURN 1/2"
- 123398 CLAMP, HOSE #06M 5/16"-7/8" SS MINI
- 123612 CLAMP, LOOM VINYL DIP 11/16"
- 1846463 DECK PLATE, DSL SS 2"30DEG GRN CLR-CODE
- 1376037 ELBOW, BRASS 90DEG 1/2" MPT X 1/2" MPT
- 168955 ELBOW, BRASS 90DEG 1/4" MPT X 1/2" SAE
- 140418 ELBOW, BRASS 90DEG STREET 1/4"
- 586917 ELBOW, BRZ 45DEG 1.25" MPT X 1.25" BARB
- 144691 ELBOW, BRZ 90DEG 1.25" MPT X 1.25" BARB (PERKO)
- 1789708 ELBOW, ZURN 1/2" SWIVEL
- 1887695 FERRULE, FUEL LINE 1/2" .850" ID X .90" OD
- 170621 FERRULE, FUEL LINE 1/2" ISO/CE .925" ID
- 1524065 FILTER, REMOTE FUEL DSL (500MASR)
- 170605 FITTING, BRASS 1/2" BARB/NUT
- 1887748 FITTING, BRASS BARB/NUT 1/2" FEMALE SAE
- 1767752 GAUGE, TACH/LCD HOUR 5" 4K MAG P/U 12V W/PIGTL
- 1767744 GAUGE, TELE 4/1 SR5" 100PSI 240F VTRIM STB PGT
- 1148857 HALON SYS, ENG INTRUPT/RESTR 12V 5-CKT
- 1686717 HARNESS, 340DA-03 EXTINGUISHER RELAY DSL
- 1794832 HARNESS, 340SDA-05 ENG YANMAR
- 123786 HOSE, FUEL 1/2" TYPE A CLASS 1 ISO/CE
- 1884012 HOSE, FUEL 1/2" TYPE A CLASS 1-15 ISO/CE/CARB
- 124206 HOSE, WATER INTAKE 1.25" HW
- 1744804 LABEL, DANGER COMBO-DSL POWERED BOAT
- 1744735 LABEL, FUEL SHUT-OFF (LEXAN)
- 1744744 LABEL, UPON HALON DISCHARGE SHUTDOWN ELEC SYS
- 1425156 NIPPLE, SEAFLEX BRS 1/2" MPT LONG
- 1849706 PANEL, 310DA-07 MDC BRKR W/BATT DSL TE
- 531590 PICK-UP, BRZ WATER INTAKE 1.25"
- 518449 SEACOCK, BRZ 1.25" W/O TAILPIECE
- 140814 SOLENOID, EMERG START (12V DSL)
- 158063 STRAINER, BRZ WATER INTAKE 1.25"
- 136150 SWITCH, BATTERY ON/OFF DSL W/DISC
- 518464 TAILPIECE, BRZ 1.25" MPT X 1.25" BARB
- 325944 TEE, BRASS STREET 1/2" MPT X 1/2" FPT
- 933853 TRANSDUCER, DEPTH RETRACTABLE VALOX RAYDATA
- 933861 TRANSDUCER, SPEED SELF SEALING VALOX RAYDATA
- 1408590 TRIDATA, RAYTHEON (DEPTH, SPEED, TEMP, LOG)
- 1850928 TRIDATA, RAYTHEON (DEPTH, SPEED, TEMP, LOG) PLUS
- 1789735 TUBING, ZURN 1/2" X 1000' BLUE
- 1806759 VALVE, BRASS 1/2" MPT X 1/2" MPT CHECK
- 1054766 VALVE, BRASS WATER HEATER TEMPERING 120-160DG
- 140046 VALVE, FUEL SHUT OFF DSL 1/4"

T-5.0L MPI DTS BR 3 (T-260 PHP) MCM S/D

- 1790090 ACC PART, EXT HARNESS 15' MERC KEY SW
- 1820273 ACC PART, MERC DTS CMND MOD MNTG HDWR
- 1812224 ACC PART, MERC DTS CMND MODULE
- 1818686 CONTROL, CNSL MNT DUAL DTS N/TRIM CHR
- 1812222 HARNESS, ENG MERC DATA 14-PIN DTS 25'
- 1753564 HARNESS, MERC CAN LINK
- 1819717 HARNESS, TWIN ENG HELM CNSL DTS
- 1778015 OUTDRIVE UNIT, MERC BRAVO III 2.20:1 '05
- 1850270 PANEL, 310DA-07 ELEC W/RCKR SW/DTS
- 1848226 PANEL, 310DA-07 IGN KEY SW GAS N/GEN W/DTS
- 1872816 S/D, MERC 260HP 5.0MPI BR3 DTS 3.0" 14P
- 1820272 SWITCH, IGN ASSY 3-POS
- 1781396 SWITCH, START/STOP DUAL ENG KIT DTS

T-350 MAG MPI DTS BR 3 (T-260 PHP) MCM S/D

- 1790090 ACC PART, EXT HARNESS 15' MERC KEY SW
- 1820273 ACC PART, MERC DTS CMND MOD MNTG HDWR
- 1812224 ACC PART, MERC DTS CMND MODULE
- 1818686 CONTROL, CNSL MNT DUAL DTS N/TRIM CHR
- 1812222 HARNESS, ENG MERC DATA 14-PIN DTS 25'
- 1753564 HARNESS, MERC CAN LINK
- 1819717 HARNESS, TWIN ENG HELM CNSL DTS
- 1778015 OUTDRIVE UNIT, MERC BRAVO III 2.20:1 '05
- 1850270 PANEL, 310DA-07 ELEC W/RCKR SW/DTS
- 1848226 PANEL, 310DA-07 IGN KEY SW GAS N/GEN W/DTS
- 1873127 S/D, MERC 300HP 350MAG BR3 DTS 3.0" 14P
- 1820272 SWITCH, IGN ASSY 3-POS
- 1781396 SWITCH, START/STOP DUAL ENG KIT DTS

T-350 MAG MPI HORIZON DTS BR3 (T-260 PHP)

- 1790090 ACC PART, EXT HARNESS 15' MERC KEY SW
- 1820273 ACC PART, MERC DTS CMND MOD MNTG HDWR
- 1812224 ACC PART, MERC DTS CMND MODULE
- 141713 ADAPTER, BRASS 3/8" MPT X 5/8" BARB
- 1789686 ADAPTER, ZURN STRAIGHT 1/2" SWIVEL
- 1789718 CLAMP, CRIMP RING ZURN 1/2"
- 256693 CLAMP, HOSE #24 1"-2" SS .505
- 1818686 CONTROL, CNSL MNT DUAL DTS N/TRIM CHR
- 1376037 ELBOW, BRASS 90DEG 1/2" MPT X 1/2" MPT
- 586917 ELBOW, BRZ 45DEG 1.25" MPT X 1.25" BARB
- 144691 ELBOW, BRZ 90DEG 1.25" MPT X 1.25" BARB (PERKO)
- 1789708 ELBOW, ZURN 1/2" SWIVEL
- 1812222 HARNESS, ENG MERC DATA 14-PIN DTS 25'
- 1753564 HARNESS, MERC CAN LINK
- 1819717 HARNESS, TWIN ENG HELM CNSL DTS
- 124206 HOSE, WATER INTAKE 1.25" HW
- 1791378 NIPPLE, ZURN 1/2" BRASS HEX
- 1778015 OUTDRIVE UNIT, MERC BRAVO III 2.20:1 '05
- 1850270 PANEL, 310DA-07 ELEC W/RCKR SW/DTS
- 1848226 PANEL, 310DA-07 IGN KEY SW GAS N/GEN W/DTS
- 531590 PICK-UP, BRZ WATER INTAKE 1.25"
- 1873128 S/D, MERC 300HP 350MAG HZN BR3 DTS 3" 14P
- 518449 SEACOCK, BRZ 1.25" W/O TAILPIECE
- 158063 STRAINER, BRZ WATER INTAKE 1.25"
- 1820272 SWITCH, IGN ASSY 3-POS
- 1781396 SWITCH, START/STOP DUAL ENG KIT DTS
- 518464 TAILPIECE, BRZ 1.25" MPT X 1.25" BARB
- 325944 TEE, BRASS STREET 1/2" MPT X 1/2" FPT X 1/2" FPT
- 1789735 TUBING, ZURN 1/2" X 1000' BLUE
- 1054766 VALVE, BRASS WATER HEATER TEMPERING 120-160DG

T-MX 6.2L MPI DTS BR3 (T-320 PHP) MCM S/D

- 1790090 ACC PART, EXT HARNESS 15' MERC KEY SW
- 1820273 ACC PART, MERC DTS CMND MOD MNTG HDWR
- 1812224 ACC PART, MERC DTS CMND MODULE
- 1818686 CONTROL, CNSL MNT DUAL DTS N/TRIM CHR
- 1812222 HARNESS, ENG MERC DATA 14-PIN DTS 25'
- 1753564 HARNESS, MERC CAN LINK
- 1819717 HARNESS, TWIN ENG HELM CNSL DTS
- 1778015 OUTDRIVE UNIT, MERC BRAVO III 2.20:1 '05
- 1850270 PANEL, 310DA-07 ELEC W/RCKR SW/DTS
- 1848226 PANEL, 310DA-07 IGN KEY SW GAS N/GEN W/DTS
- 708206 PROP, 14.25" X 24" SS BR3 RH
- 708198 PROP, 15.5" X 24" SS BR3 LH
- 1873129 S/D, MERC 320HP 6.2MPI BR3 DTS 3.0" 14P
- 1820272 SWITCH, IGN ASSY 3-POS
- 1781396 SWITCH, START/STOP DUAL ENG KIT DTS

T-MX 6.2L MPI HORIZON DTS BR3 (T-320 PHP)

- 1790090 ACC PART, EXT HARNESS 15' MERC KEY SW
- 1820273 ACC PART, MERC DTS CMND MOD MNTG HDWR
- 1812224 ACC PART, MERC DTS CMND MODULE
- 141713 ADAPTER, BRASS 3/8" MPT X 5/8" BARB
- 1789686 ADAPTER, ZURN STRAIGHT 1/2" SWIVEL
- 1789718 CLAMP, CRIMP RING ZURN 1/2"
- 256693 CLAMP, HOSE #24 1"-2" SS .505
- 1818686 CONTROL, CNSL MNT DUAL DTS N/TRIM CHR
- 1376037 ELBOW, BRASS 90DEG 1/2" MPT X 1/2" MPT
- 586917 ELBOW, BRZ 45DEG 1.25" MPT X 1.25" BARB
- 144691 ELBOW, BRZ 90DEG 1.25" MPT X 1.25" BARB (PERKO)
- 1789708 ELBOW, ZURN 1/2" SWIVEL
- 1812222 HARNESS, ENG MERC DATA 14-PIN DTS 25'
- 1753564 HARNESS, MERC CAN LINK
- 1819717 HARNESS, TWIN ENG HELM CNSL DTS
- 124206 HOSE, WATER INTAKE 1.25" HW
- 1791378 NIPPLE, ZURN 1/2" BRASS HEX
- 1778015 OUTDRIVE UNIT, MERC BRAVO III 2.20:1 '05
- 1850270 PANEL, 310DA-07 ELEC W/RCKR SW/DTS
- 1848226 PANEL, 310DA-07 IGN KEY SW GAS N/GEN W/DTS
- 531590 PICK-UP, BRZ WATER INTAKE 1.25"
- 708206 PROP, 14.25" X 24" SS BR3 RH
- 708198 PROP, 15.5" X 24" SS BR3 LH
- 1872817 S/D, MERC 320HP 6.2MPI HZN BR3 DTS 3" 14P
- 518449 SEACOCK, BRZ 1.25" W/O TAILPIECE
- 158063 STRAINER, BRZ WATER INTAKE 1.25"
- 1820272 SWITCH, IGN ASSY 3-POS
- 1781396 SWITCH, START/STOP DUAL ENG KIT DTS
- 518464 TAILPIECE, BRZ 1.25" MPT X 1.25" BARB
- 325944 TEE, BRASS STREET 1/2" MPT X 1/2" FPT X 1/2" FPT
- 1789735 TUBING, ZURN 1/2" X 1000' BLUE

T-MX 6.2L MPI HORIZON DTS BR3 (T-320 PHP) (continued)

1054766	VALVE, BRASS WATER HEATER TEMPERING 120-160DG
TVD-350 MAG MPI DTS (T-300 PHP) INBOARDS	
1790090	ACC PART, EXT HARNESS 15' MERC KEY SW
1820273	ACC PART, MERC DTS CMND MOD MNTG HDWR
1812224	ACC PART, MERC DTS CMND MODULE
1847393	ACTUATOR, EXTEN 10.25"X 1.25"OD X .049"SS
1589704	ACTUATOR, EXTEN 7.25"X 1.25"OD X.049"300DA-02
1258979	BOOT, BATTERY CABLE 105C "T" BLK 4/0
1258987	BOOT, BATTERY CABLE 105C "T" RED 4/0
650507	BOOT, BATTERY CABLE 4/0 BLK 11/16"
650499	BOOT, BATTERY CABLE 4/0 RED 11/16"
836023	BRACKET, ALUM 1.5"X 1.5"X 1.5" 3/16"HOLES
1847941	CABLE, BATT KIT 310DA-07 GAS V-DRV
1534460	CABLE, CONTROL TELEFLEX TFXEXTREME 15' W/CLIPS
1534411	CABLE, CONTROL TELEFLEX TFXEXTREME 18' W/CLIPS
1534478	CABLE, CONTROL TELEFLEX TFXEXTREME 19' W/CLIPS
123398	CLAMP, HOSE #06M 5/16"-7/8" SS MINI
417717	CLAMP, HOSE #36 7/8"-2.75" SS .505
256727	CLAMP, HOSE #48 1 5/8"-3.5" SS .505
256743	CLAMP, HOSE #72 3 1/8"-5" SS .505
1872604	COLLAR, SS SHAFT 1.5"
1818686	CONTROL, CNSL MNT DUAL DTS N/TRIM CHR
586917	ELBOW, BRZ 45DEG 1.25"MPT X 1.25"BARB
144691	ELBOW, BRZ 90DEG 1.25"MPT X 1.25"BARB (PERKO)
1094606	ENGINE MT, ENG STEP PAD GAS/HURTH TRANS
1215573	EXHAUST, BRZ U/W EXH OUTLET GAS 99
1411867	EXHAUST, EL 4"X 9.38" V-DRIVE PORT 310DA-00
1411875	EXHAUST, EL 4"X 9.38" V-DRIVE STBD 310DA-00
1833431	EXHAUST, EL 5"X 24.4" V-DRV P/S GAS 310DA-07
912345	EXHAUST, EL 5"X 45DEG RBR W/CLAMPS
860064	EXHAUST, EL 5"X 90DEG RBR W/T-BOLT CLAMPS
1609007	GAUGE, 5" 4-IN-1 FUEL/VOLT/OIL/TMP S-CRFT
1810915	HARNESS, 310DA-07 V-DRIVE BONDING
1812222	HARNESS, ENG MERC DATA 14-PIN DTS 25'
1848258	HARNESS, FUEL ADPTR 3 PIN TO 6PIN W/PADDL WHL
1753564	HARNESS, MERC CAN LINK
1819717	HARNESS, TWIN ENG HELM CNSL DTS
1762738	HOSE KIT, 320/340SDA-04 HYD .313ID 24'
564682	HOSE, EXHAUST 2.5" HW
124107	HOSE, EXHAUST 4" SW
123760	HOSE, FUEL 3/8" TYPE A CLASS 1 ISO/CE
1884011	HOSE, FUEL 3/8" TYPE A CLASS 1-15 ISO/CE/CARB
124206	HOSE, WATER INTAKE 1.25" HW
144394	KEY STOCK, RUDDER 1/4"X 1/4"X 12" BRASS
1751885	LABEL, CAUTION: PRIOR TO TOWING VESSEL
1744845	LABEL, EXHAUST OUTLET (LEXAN)
1598564	MUFFLER, 360DA-02 V/D 22"
1355338	PAINT, BOTTOM BLACK HYDROCOAT
946152	PAINT, PRIMER METAL #6455/044
1271147	PAINT, PRIMER METAL #6627
868893	PAINT, PRIMER SANDLESS #6999
1850270	PANEL, 310DA-07 ELEC W/RCKR SW/DTS
1848226	PANEL, 310DA-07 IGN KEY SW GAS N/GEN W/DTS
531590	PICK-UP, BRZ WATER INTAKE 1.25"
144402	PIN, COTTER PIN 5/32"X 2" SS
1261528	PLATE, BACKING 1/4"X 2"X 7.5" ALUM
325191	PLUG, RED BRASS DRAIN 1/2"MPT W/FLANGE
1851050	PROP, 18"X 16"X 4.85"RH #4C "Z" 1.5" SHAFT
1851049	PROP, 18"X 16.5"X 4.85"LH #4C "Z" 1.5" SHAFT
1787896	PROP, 18"X 18.5"X 3.55" "C" RH
1752165	PROP, 18"X 19"X 3.55" "C" LH
161232	RUDDER ARM, 1.5"
143222	RUDDER CLEVIS, 4"LONG X 1"-14 FPT
1831121	RUDDER SUPPORTS, 310DA-07 PRT
1831122	RUDDER SUPPORTS, 310DA-07 STB W/WRAM MNT
604850	RUDDER, 310SB/350EB
518449	SEACOCK, BRZ 1.25" W/O TAILPIECE
803718	SEAL KIT, SPARE SHAFT STUFFING BOX 1.5"W/TOOL
1690510	SENSOR, S-CRFT PADDLE WHEEL SPEED
981522	SHAFT, SS 1.5"X 73.19" AQ19 W/COUPLING
317032	STEERING, HELM PUMP SEA STAR I TILT
127068	STEERING, HYD CYLINDER BA135-7ATM I/B
158063	STRAINER, BRZ WATER INTAKE 1.25"
1603547	STRUT, W/BEARING 1.5"W/1/2"MNT HOLES 320DA-02
587147	STUFFING BOX, RUDDER W/PACK 1.5"DIA
1581503	STUFFING BOX, UHMW 1.5"ID 2 5/8"HOSE
667345	SUPPORT, MOTOR MOUNT 7.5"X "L" SHAPED
1820272	SWITCH, IGN ASSY 3-POS
1781396	SWITCH, START/STOP DUAL ENG KIT DTS

TVD-350 MAG MPI DTS (T-300 PHP) INBOARDS (continued)

518464	TAILPIECE, BRZ 1.25"MPT X 1.25"BARB
1761551	THRU-HULL, SS EXHAUST 2.5" X-LONG
1646082	TIE BAR, RUDDER 32.00" V-DRIVE W/TAB
725937	TRIM TAB, ASSY 12X18 SGL ACT
1835635	TUBING, EXH GLASS 5"X 18"X 21DEG
982025	TUBING, SHAFT LOG 2.63"OD X 12" 310DA 98
1872853	V/D, MERC 300HP 350MAG 2.0 DTS 3.0" 14PIN
144329	ZINC, TRANSOM ZINC
TVD-350 MAG MPI HORIZON DTS (T-300PHP) I/B	
1790090	ACC PART, EXT HARNESS 15' MERC KEY SW
1820273	ACC PART, MERC DTS CMND MOD MNTG HDWR
1812224	ACC PART, MERC DTS CMND MODULE
1847393	ACTUATOR, EXTEN 10.25"X 1.25"OD X .049"SS
1589704	ACTUATOR, EXTEN 7.25"X 1.25"OD X.049"300DA-02
141713	ADAPTER, BRASS 3/8"MPT X 5/8"BARB
1789686	ADAPTER, ZURN STRAIGHT 1/2" SWIVEL
1258979	BOOT, BATTERY CABLE 105C "T" BLK 4/0
1258987	BOOT, BATTERY CABLE 105C "T" RED 4/0
650507	BOOT, BATTERY CABLE 4/0 BLK 11/16"
650499	BOOT, BATTERY CABLE 4/0 RED 11/16"
836023	BRACKET, ALUM 1.5"X 1.5"X 1.5" 3/16"HOLES
1847941	CABLE, BATT KIT 310DA-07 GAS V-DRV
1534460	CABLE, CONTROL TELEFLEX TFXEXTREME 15' W/CLIPS
1534411	CABLE, CONTROL TELEFLEX TFXEXTREME 18' W/CLIPS
1534478	CABLE, CONTROL TELEFLEX TFXEXTREME 19' W/CLIPS
1789718	CLAMP, CRIMP RING ZURN 1/2"
123398	CLAMP, HOSE #06M 5/16"-7/8" SS MINI
256693	CLAMP, HOSE #24 1"-2" SS .505
417717	CLAMP, HOSE #36 7/8"-2.75" SS .505
256727	CLAMP, HOSE #48 1 5/8"-3.5" SS .505
256743	CLAMP, HOSE #72 3 1/8"-5" SS .505
1872604	COLLAR, SS SHAFT 1.5"
1818686	CONTROL, CNSL MNT DUAL DTS N/TRIM CHR
1376037	ELBOW, BRASS 90DEG 1.25"MPT X 1/2"MPT
586917	ELBOW, BRZ 45DEG 1.25"MPT X 1.25"BARB
144691	ELBOW, BRZ 90DEG 1.25"MPT X 1.25"BARB (PERKO)
1789708	ELBOW, ZURN 1/2" SWIVEL
1094606	ENGINE MT, ENG STEP PAD GAS/HURTH TRANS
1215573	EXHAUST, BRZ U/W EXH OUTLET GAS 99
1411867	EXHAUST, EL 4"X 9.38" V-DRIVE PORT 310DA-00
1411875	EXHAUST, EL 4"X 9.38" V-DRIVE STBD 310DA-00
1833431	EXHAUST, EL 5"X 24.4" V-DRV P/S GAS 310DA-07
912345	EXHAUST, EL 5"X 45DEG RBR W/CLAMPS
860064	EXHAUST, EL 5"X 90DEG RBR W/T-BOLT CLAMPS
1609007	GAUGE, 5" 4-IN-1 FUEL/VOLT/OIL/TMP S-CRFT
1810915	HARNESS, 310DA-07 V-DRIVE BONDING
1812222	HARNESS, ENG MERC DATA 14-PIN DTS 25'
1848258	HARNESS, FUEL ADPTR 3 PIN TO 6PIN W/PADDL WHL
1753564	HARNESS, MERC CAN LINK
1819717	HARNESS, TWIN ENG HELM CNSL DTS
1762738	HOSE KIT, 320/340SDA-04 HYD .313ID 24'
564682	HOSE, EXHAUST 2.5" HW
124107	HOSE, EXHAUST 4" SW
123760	HOSE, FUEL 3/8" TYPE A CLASS 1 ISO/CE
1884011	HOSE, FUEL 3/8" TYPE A CLASS 1-15 ISO/CE/CARB
124206	HOSE, WATER INTAKE 1.25" HW
144394	KEY STOCK, RUDDER 1/4"X 1/4"X 12" BRASS
1751885	LABEL, CAUTION: PRIOR TO TOWING VESSEL
1744845	LABEL, EXHAUST OUTLET (LEXAN)
1598564	MUFFLER, 360DA-02 V/D 22"
1355338	PAINT, BOTTOM BLACK HYDROCOAT
946152	PAINT, PRIMER METAL #6455/044
1271147	PAINT, PRIMER METAL #6627
868893	PAINT, PRIMER SANDLESS #6999
1850270	PANEL, 310DA-07 ELEC W/RCKR SW/DTS
1848226	PANEL, 310DA-07 IGN KEY SW GAS N/GEN W/DTS
531590	PICK-UP, BRZ WATER INTAKE 1.25"
144402	PIN, COTTER PIN 5/32"X 2" SS
1261528	PLATE, BACKING 1/4"X 2"X 7.5" ALUM
325191	PLUG, RED BRASS DRAIN 1/2"MPT W/FLANGE
1851050	PROP, 18"X 16"X 4.85"RH #4C "Z" 1.5" SHAFT
1851049	PROP, 18"X 16.5"X 4.85"LH #4C "Z" 1.5" SHAFT
1787896	PROP, 18"X 18.5"X 3.55" "C" RH
1598564	PROP, 18"X 19"X 3.55" "C" LH
1791378	RUDDER ARM, 1.5"
1355338	RUDDER CLEVIS, 4"LONG X 1"-14 FPT
946152	RUDDER SUPPORTS, 310DA-07 PRT
1271147	RUDDER SUPPORTS, 310DA-07 STB W/WRAM MNT
868893	RUDDER, 310SB/350EB
1850270	SEACOCK, BRZ 1.25" W/O TAILPIECE
1848226	SEAL KIT, SPARE SHAFT STUFFING BOX 1.5"W/TOOL
531590	SENSOR, S-CRFT PADDLE WHEEL SPEED
144402	SHAFT, SS 1.5"X 73.19" AQ19 W/COUPLING
1261528	STEERING, HELM PUMP SEA STAR I TILT
325191	STEERING, HYD CYLINDER BA135-7ATM I/B
1851050	STRAINER, BRZ WATER INTAKE 1.25"
1851049	STRUT, W/BEARING 1.5"W/1/2"MNT HOLES 320DA-02
1787896	STUFFING BOX, RUDDER W/PACK 1.5"DIA
1752165	STUFFING BOX, UHMW 1.5"ID 2 5/8"HOSE
161232	SUPPORT, MOTOR MOUNT 7.5"X "L" SHAPED
143222	SWITCH, IGN ASSY 3-POS
1831121	SWITCH, START/STOP DUAL ENG KIT DTS
1831122	SWITCH, START/STOP DUAL ENG KIT DTS

TVD-350 MAG MPI HORIZON DTS (T-300PHP) I/B (continued)

604850 RUDDER, 310SB/350EB
 518449 SEACOCK, BRZ 1.25" W/O TAILPIECE
 803718 SEAL KIT, SPARE SHAFT STUFFING BOX 1.5"W/TOOL
 1690510 SENSOR, S-CRFT PADDLE WHEEL SPEED
 981522 SHAFT, SS 1.5"X 73.19" AQ19 W/COUPLING
 317032 STEERING, HELM PUMP SEA STAR I TILT
 127068 STEERING, HYD CYLINDER BA135-7ATM I/B
 158063 STRAINER, BRZ WATER INTAKE 1.25"
 1603547 STRUT, W/BEARING 1.5"W/1/2"MNT HOLES 320DA-02
 587147 STUFFING BOX, RUDDER W/PACK 1.5"DIA
 1581503 STUFFING BOX, UHMW 1.5"ID 2 5/8"HOSE
 667345 SUPPORT, MOTOR MOUNT 7.5"X "L" SHAPED
 1820272 SWITCH, IGN ASSY 3-POS
 1781396 SWITCH, START/STOP DUAL ENG KIT DTS
 518464 TAILPIECE, BRZ 1.25"MPT X 1.25"BARB
 325944 TEE, BRASS STREET 1/2"MPT X 1/2"FPT X 1/2"FPT
 1761551 THRU-HULL, SS EXHAUST 2.5" X-LONG
 1646082 TIE BAR, RUDDER 32.00" V-DRIVE W/TAB
 725937 TRIM TAB, ASSY 12X18 SGL ACT
 1835635 TUBING, EXH GLASS 5"X 18"X 21DEG
 982025 TUBING, SHAFT LOG 2.63"OD X 12" 310DA 98
 1789735 TUBING, ZURN 1/2"X 1000' BLUE
 1872858 V/D, MERC 300HP 350MAG HZN 2.0 DTS 3.0" 14PIN
 1054766 VALVE, BRASS WATER HEATER TEMPERING 120-160DG
 144329 ZINC, TRANSOM ZINC

TVD-MX 6.2L MPI DTS (T-320 PHP) INBOARDS

1790090 ACC PART, EXT HARNESS 15' MERC KEY SW
 1820273 ACC PART, MERC DTS CMND MOD MNTG HDWR
 1812224 ACC PART, MERC DTS CMND MODULE
 1847393 ACTUATOR, EXTEN 10.25"X 1.25"OD X .049"SS
 1589704 ACTUATOR, EXTEN 7.25"X 1.25"OD X.049"300DA-02
 1258979 BOOT, BATTERY CABLE 105C "T" BLK 4/0
 1258987 BOOT, BATTERY CABLE 105C "T" RED 4/0
 650507 BOOT, BATTERY CABLE 4/0 BLK 11/16"
 650499 BOOT, BATTERY CABLE 4/0 RED 11/16"
 836023 BRACKET, ALUM 1.5"X 1.5"X 1.5" 3/16"HOLES
 1847941 CABLE, BATT KIT 310DA-07 GAS V-DRV
 1534460 CABLE, CONTROL TELEFLEX TFXXTREME 15' W/CLIPS
 1534411 CABLE, CONTROL TELEFLEX TFXXTREME 18' W/CLIPS
 1534478 CABLE, CONTROL TELEFLEX TFXXTREME 19' W/CLIPS
 123398 CLAMP, HOSE #06M 5/16"-7/8" SS MINI
 417717 CLAMP, HOSE #36 7/8"-2.75" SS .505
 256727 CLAMP, HOSE #48 1 5/8"-3.5" SS .505
 256743 CLAMP, HOSE #72 3 1/8"-5" SS .505
 1872604 COLLAR, SS SHAFT 1.5"
 1818686 CONTROL, CNSL MNT DUAL DTS N/TRIM CHR
 586917 ELBOW, BRZ 45DEG 1.25"MPT X 1.25"BARB
 144691 ELBOW, BRZ 90DEG 1.25"MPT X 1.25"BARB (PERKO)
 1094606 ENGINE MT, ENG STEP PAD GAS/HURTH TRANS
 1215573 EXHAUST, BRZ U/W EXH OUTLET GAS 99
 1411867 EXHAUST, EL 4"X 9.38" V-DRIVE PORT 310DA-00
 1411875 EXHAUST, EL 4"X 9.38" V-DRIVE STBD 310DA-00
 1833431 EXHAUST, EL 5"X 24.4" V-DRV P/S GAS 310DA-07
 912345 EXHAUST, EL 5"X 45DEG RBR W/CLAMPS
 860064 EXHAUST, EL 5"X 90DEG RBR W/T-BOLT CLAMPS
 1609007 GAUGE, 5" 4-IN-1 FUEL/VOLT/OIL/TMP S-CRFT
 1810915 HARNESS, 310DA-07 V-DRIVE BONDING
 1812222 HARNESS, ENG MERC DATA 14-PIN DTS 25'
 1848258 HARNESS, FUEL ADPTR 3 PIN TO 6PIN W/PADDL WHL
 1753564 HARNESS, MERC CAN LINK
 1819717 HARNESS, TWIN ENG HELM CNSL DTS
 1762738 HOSE KIT, 320/340SDA-04 HYD .313ID 24'
 564682 HOSE, EXHAUST 2.5" HW
 124107 HOSE, EXHAUST 4" SW
 123760 HOSE, FUEL 3/8" TYPE A CLASS 1 ISO/CE
 1884011 HOSE, FUEL 3/8" TYPE A CLASS 1-15 ISO/CE/CARB
 124206 HOSE, WATER INTAKE 1.25" HW
 144394 KEY STOCK, RUDDER 1/4"X 1/4"X 12" BRASS
 1751885 LABEL, CAUTION: PRIOR TO TOWING VESSEL
 1744845 LABEL, EXHAUST OUTLET (LEXAN)
 1598564 MUFFLER, 360DA-02 V/D 22"
 1355338 PAINT, BOTTOM BLACK HYDROCOAT
 946152 PAINT, PRIMER METAL #6455/044
 1271147 PAINT, PRIMER METAL #6627
 868893 PAINT, PRIMER SANDLESS #6999
 1850270 PANEL, 310DA-07 ELEC W/RCKR SW/DTS
 1848226 PANEL, 310DA-07 IGN KEY SW GAS N/GEN W/DTS
 531590 PICK-UP, BRZ WATER INTAKE 1.25"
 144402 PIN, COTTER PIN 5/32"X 2" SS

TVD-MX 6.2L MPI DTS (T-320 PHP) INBOARDS (continued)

1261528 PLATE, BACKING 1/4"X 2"X 7.5" ALUM
 325191 PLUG, RED BRASS DRAIN 1/2"MPT W/FLANGE
 1851050 PROP, 18"X 16"X 4.85"RH #4C "Z" 1.5" SHAFT
 1851049 PROP, 18"X 16.5"X 4.85"RH #4C "Z" 1.5" SHAFT
 1787896 PROP, 18"X 18.5"X 3.55" "C" RH
 1752165 PROP, 18"X 19"X 3.55" "C" LH
 161232 RUDDER ARM, 1.5"
 143222 RUDDER CLEVIS, 4"LONG X 1"-14 FPT
 1831121 RUDDER SUPPORTS, 310DA-07 PRT
 1831122 RUDDER SUPPORTS, 310DA-07 STB W/AM MNT
 604850 RUDDER, 310SB/350EB
 518449 SEACOCK, BRZ 1.25" W/O TAILPIECE
 803718 SEAL KIT, SPARE SHAFT STUFFING BOX 1.5"W/TOOL
 1690510 SENSOR, S-CRFT PADDLE WHEEL SPEED
 981522 SHAFT, SS 1.5"X 73.19" AQ19 W/COUPLING
 317032 STEERING, HELM PUMP SEA STAR I TILT
 127068 STEERING, HYD CYLINDER BA135-7ATM I/B
 158063 STRAINER, BRZ WATER INTAKE 1.25"
 1603547 STRUT, W/BEARING 1.5"W/1/2"MNT HOLES 320DA-02
 587147 STUFFING BOX, RUDDER W/PACK 1.5"DIA
 1581503 STUFFING BOX, UHMW 1.5"ID 2 5/8"HOSE
 667345 SUPPORT, MOTOR MOUNT 7.5"X "L" SHAPED
 1820272 SWITCH, IGN ASSY 3-POS
 1781396 SWITCH, START/STOP DUAL ENG KIT DTS
 518464 TAILPIECE, BRZ 1.25"MPT X 1.25"BARB
 1761551 THRU-HULL, SS EXHAUST 2.5" X-LONG
 1646082 TIE BAR, RUDDER 32.00" V-DRIVE W/TAB
 725937 TRIM TAB, ASSY 12X18 SGL ACT
 1835635 TUBING, EXH GLASS 5"X 18"X 21DEG
 982025 TUBING, SHAFT LOG 2.63"OD X 12" 310DA 98
 1872869 V/D, MERC 320HP 6.2MPI 2.0 DTS 3.0" 14PIN
 144329 ZINC, TRANSOM ZINC

TVD-MX 6.2L MPI HORIZON DTS (T-320 PHP) I/B

1790090 ACC PART, EXT HARNESS 15' MERC KEY SW
 1820273 ACC PART, MERC DTS CMND MOD MNTG HDWR
 1812224 ACC PART, MERC DTS CMND MODULE
 1847393 ACTUATOR, EXTEN 10.25"X 1.25"OD X .049"SS
 1589704 ACTUATOR, EXTEN 7.25"X 1.25"OD X.049"300DA-02
 141713 ADAPTER, BRASS 3/8"MPT X 5/8"BARB
 1789686 ADAPTER, ZURN STRAIGHT 1/2" SWIVEL
 1258979 BOOT, BATTERY CABLE 105C "T" BLK 4/0
 1258987 BOOT, BATTERY CABLE 105C "T" RED 4/0
 650507 BOOT, BATTERY CABLE 4/0 BLK 11/16"
 650499 BOOT, BATTERY CABLE 4/0 RED 11/16"
 836023 BRACKET, ALUM 1.5"X 1.5"X 1.5" 3/16"HOLES
 1847941 CABLE, BATT KIT 310DA-07 GAS V-DRV
 1534460 CABLE, CONTROL TELEFLEX TFXXTREME 15' W/CLIPS
 1534411 CABLE, CONTROL TELEFLEX TFXXTREME 18' W/CLIPS
 1534478 CABLE, CONTROL TELEFLEX TFXXTREME 19' W/CLIPS
 123398 CLAMP, CRIMP RING ZURN 1/2"
 417717 CLAMP, HOSE #06M 5/16"-7/8" SS MINI
 256693 CLAMP, HOSE #24 1"-2" SS .505
 417717 CLAMP, HOSE #36 7/8"-2.75" SS .505
 256727 CLAMP, HOSE #48 1 5/8"-3.5" SS .505
 256743 CLAMP, HOSE #72 3 1/8"-5" SS .505
 1872604 COLLAR, SS SHAFT 1.5"
 1818686 CONTROL, CNSL MNT DUAL DTS N/TRIM CHR
 1376037 ELBOW, BRASS 90DEG 1/2"MPT X 1/2"MPT
 586917 ELBOW, BRZ 45DEG 1.25"MPT X 1.25"BARB
 144691 ELBOW, BRZ 90DEG 1.25"MPT X 1.25"BARB (PERKO)
 1789708 ELBOW, ZURN 1/2" SWIVEL
 1094606 ENGINE MT, ENG STEP PAD GAS/HURTH TRANS
 1215573 EXHAUST, BRZ U/W EXH OUTLET GAS 99
 1411867 EXHAUST, EL 4"X 9.38" V-DRIVE PORT 310DA-00
 1411875 EXHAUST, EL 4"X 9.38" V-DRIVE STBD 310DA-00
 1833431 EXHAUST, EL 5"X 24.4" V-DRV P/S GAS 310DA-07
 912345 EXHAUST, EL 5"X 45DEG RBR W/CLAMPS
 860064 EXHAUST, EL 5"X 90DEG RBR W/T-BOLT CLAMPS
 1609007 GAUGE, 5" 4-IN-1 FUEL/VOLT/OIL/TMP S-CRFT
 1810915 HARNESS, 310DA-07 V-DRIVE BONDING
 1812222 HARNESS, ENG MERC DATA 14-PIN DTS 25'
 1848258 HARNESS, FUEL ADPTR 3 PIN TO 6PIN W/PADDL WHL
 1753564 HARNESS, MERC CAN LINK
 1819717 HARNESS, TWIN ENG HELM CNSL DTS
 1762738 HOSE KIT, 320/340SDA-04 HYD .313ID 24'
 564682 HOSE, EXHAUST 2.5" HW
 124107 HOSE, EXHAUST 4" SW
 123760 HOSE, FUEL 3/8" TYPE A CLASS 1 ISO/CE
 1884011 HOSE, FUEL 3/8" TYPE A CLASS 1-15 ISO/CE/CARB

TVD-MX 6.2L MPI HORIZON DTS (T-320 PHP) I/B (continued)

124206	HOSE, WATER INTAKE 1.25" HW
144394	KEY STOCK, RUDDER 1/4"X 1/4"X 12" BRASS
1751885	LABEL, CAUTION: PRIOR TO TOWING VESSEL
1744845	LABEL, EXHAUST OUTLET (LEXAN)
1598564	MUFFLER, 360DA-02 V/D 22"
1791378	NIPPLE, ZURN 1/2" BRASS HEX
1355338	PAINT, BOTTOM BLACK HYDROCOAT
946152	PAINT, PRIMER METAL #6455/044
1271147	PAINT, PRIMER METAL #6627
868893	PAINT, PRIMER SANDLESS #6999
1850270	PANEL, 310DA-07 ELEC W/RCKR SW/DTS
1848226	PANEL, 310DA-07 IGN KEY SW GAS N/GEN W/DTS
531590	PICK-UP, BRZ WATER INTAKE 1.25"
144402	PIN, COTTER PIN 5/32"X 2" SS
1261528	PLATE, BACKING 1/4"X 2"X 7.5" ALUM
325191	PLUG, RED BRASS DRAIN 1/2"MPT W/FLANGE
1851050	PROP, 18"X 16"X 4.85"RH #4C "Z" 1.5" SHAFT
1851049	PROP, 18"X 16.5"X 4.85"LH #4C "Z" 1.5" SHAFT
1787896	PROP, 18"X 18.5"X 3.55" "C" RH
1752165	PROP, 18"X 19"X 3.55" "C" LH
161232	RUDDER ARM, 1.5"
143222	RUDDER CLEVIS, 4"LONG X 1"-14 FPT
1831121	RUDDER SUPPORTS, 310DA-07 PRT
1831122	RUDDER SUPPORTS, 310DA-07 STB W/ RAM MNT
604850	RUDDER, 310SB/350EB
518449	SEACOCK, BRZ 1.25" W/O TAILPIECE
803718	SEAL KIT, SPARE SHAFT STUFFING BOX 1.5"W/TOOL
1690510	SENSOR, S-CRFT PADDLE WHEEL SPEED
981522	SHAFT, SS 1.5"X 73.19" AQ19 W/COUPLING
317032	STEERING, HELM PUMP SEA STAR I TILT
127068	STEERING, HYD CYLINDER BA135-7ATM I/B
158063	STRAINER, BRZ WATER INTAKE 1.25"
1603547	STRUT, W/BEARING 1.5"W/1/2"MNT HOLES 320DA-02
587147	STUFFING BOX, RUDDER W/PACK 1.5"DIA
1581503	STUFFING BOX, UHMW 1.5"ID 2 5/8"HOSE
667345	SUPPORT, MOTOR MOUNT 7.5"X "L" SHAPED
1820272	SWITCH, IGN ASSY 3-POS
1781396	SWITCH, START/STOP DUAL ENG KIT DTS
518464	TAILPIECE, BRZ 1.25"MPT X 1.25"BARB
325944	TEE, BRASS STREET 1/2"MPT X 1/2"FPT X 1/2"FPT
1761551	THRU-HULL, SS EXHAUST 2.5" X-LONG
1646082	TIE BAR, RUDDER 32.00" V-DRIVE W/TAB
725937	TRIM TAB, ASSY 12X18 SGL ACT
1835635	TUBING, EXH GLASS 5"X 18"X 21DEG
982025	TUBING, SHAFT LOG 2.63"OD X 12" 310DA 98
1789735	TUBING, ZURN 1/2"X 1000' BLUE
1872864	V/D, MERC 320HP 6.2MPI HZN 2.0 DTS 3.0" 14PIN
1054766	VALVE, BRASS WATER HEATER TEMPERING 120-160DG
144329	ZINC, TRANSOM ZINC

T-D4-260DPH (T-250 PHP) VOLVO DSL STERN DR

1887695	FERRULE, FUEL LINE 1/2". 850"ID X .90"OD
1887748	FITTING, BRASS BARB/NUT 1/2" FEMALE SAE
1884012	HOSE, FUEL 1/2" TYPE A CLASS 1-15 ISO/CE/CARB
518464	TAILPIECE, BRZ 1.25"MPT X 1.25"BARB

T-D6-310DPH (T-298 HP) VOLVO DSL STERN DR.

1887695	FERRULE, FUEL LINE 1/2". 850"ID X .90"OD
1887748	FITTING, BRASS BARB/NUT 1/2" FEMALE SAE
1884012	HOSE, FUEL 1/2" TYPE A CLASS 1-15 ISO/CE/CARB
518464	TAILPIECE, BRZ 1.25"MPT X 1.25"BARB

T-350 MAG MPI HORIZON BR 3 (T-300PHP) S/D

141713	ADAPTER, BRASS 3/8"MPT X 5/8"BARB
1789686	ADAPTER, ZURN STRAIGHT 1/2" SWIVEL
1789718	CLAMP, CRIMP RING ZURN 1/2"
256693	CLAMP, HOSE #24 1"-2" SS .505
1376037	ELBOW, BRASS 90DEG 1/2"MPT X 1/2"MPT
586917	ELBOW, BRZ 45DEG 1.25"MPT X 1.25"BARB
144691	ELBOW, BRZ 90DEG 1.25"MPT X 1.25"BARB (PERKO)
1789708	ELBOW, ZURN 1/2" SWIVEL
124206	HOSE, WATER INTAKE 1.25" HW
1791378	NIPPLE, ZURN 1/2" BRASS HEX
1778015	OUTDRIVE UNIT, MERC BRAVO III 2.20:1 '05
531590	PICK-UP, BRZ WATER INTAKE 1.25"
1848901	S/D, MERC 300HP 350MAG HZN BR3 W/3"RSR 14P
518449	SEACOCK, BRZ 1.25" W/O TAILPIECE
158063	STRAINER, BRZ WATER INTAKE 1.25"
518464	TAILPIECE, BRZ 1.25"MPT X 1.25"BARB
325944	TEE, BRASS STREET 1/2"MPT X 1/2"FPT X 1/2"FPT

T-350 MAG MPI HORIZON BR 3 (T-300PHP) S/D (continued)

1789735	TUBING, ZURN 1/2"X 1000' BLUE
1054766	VALVE, BRASS WATER HEATER TEMPERING 120-160DG

T-350 MAG MPI BR 3 (T-300 PHP) MCM STERN DR

1778015	OUTDRIVE UNIT, MERC BRAVO III 2.20:1 '05
1837982	S/D, MERC 300HP 350MAG BR 3.0" 14P

TVD-350 MAG MPI (T-300 PHP) MERC.INBOARDS

1847393	ACTUATOR, EXTEN 10.25"X 1.25"OD X .049"SS
1589704	ACTUATOR, EXTEN 7.25"X 1.25"OD X.049"300DA-02
1258979	BOOT, BATTERY CABLE 105C "T" BLK 4/0
1258987	BOOT, BATTERY CABLE 105C "T" RED 4/0
650507	BOOT, BATTERY CABLE 4/0 BLK 11/16"
650499	BOOT, BATTERY CABLE 4/0 RED 11/16"
836023	BRACKET, ALUM 1.5"X 1.5"X 1.5" 3/16"HOLES
1849165	CABLE, BATT KIT 310DA-07 GAS GEN V/D
1847941	CABLE, BATT KIT 310DA-07 GAS V-DRV
1534460	CABLE, CONTROL TELEFLEX TFXTREME 15' W/CLIPS
1534411	CABLE, CONTROL TELEFLEX TFXTREME 18' W/CLIPS
1534478	CABLE, CONTROL TELEFLEX TFXTREME 19' W/CLIPS
123398	CLAMP, HOSE #06M 5/16"-7/8" SS MINI
417717	CLAMP, HOSE #36 7/8"-2.75" SS .505
256727	CLAMP, HOSE #48 1 5/8"-3.5" SS .505
256743	CLAMP, HOSE #72 3 1/8"-5" SS .505
1872604	COLLAR, SS SHAFT 1.5"
586917	ELBOW, BRZ 45DEG 1.25"MPT X 1.25"BARB
144691	ELBOW, BRZ 90DEG 1.25"MPT X 1.25"BARB (PERKO)
1094606	ENGINE MT, ENG STEP PAD GAS/HURTH TRANS
1215573	EXHAUST, BRZ U/W EXH OUTLET GAS 99
1411867	EXHAUST, EL 4"X 9.38" V-DRIVE PORT 310DA-00
1411875	EXHAUST, EL 4"X 9.38" V-DRIVE STBD 310DA-00
1833431	EXHAUST, EL 5"X 24.4" V-DRV P/S GAS 310DA-07
912345	EXHAUST, EL 5"X 45DEG RBR W/CLAMPS
860064	EXHAUST, EL 5"X 90DEG RBR W/T-BOLT CLAMPS
1609007	GAUGE, 5" 4-IN-1 FUEL/VOLT/OIL/TMP S-CRFT
1810915	HARNESS, 310DA-07 V-DRIVE BONDING
1802105	HARNESS, ENG MERC S-CRFT 14 PIN 20'
1848258	HARNESS, FUEL ADPTR 3 PIN TO 6PIN W/PADDL WHL
1762738	HOSE KIT, 320/340SDA-04 HYD .313ID 24'
564682	HOSE, EXHAUST 2.5" HW
124107	HOSE, EXHAUST 4" SW
123760	HOSE, FUEL 3/8" TYPE A CLASS 1 ISO/CE
1884011	HOSE, FUEL 3/8" TYPE A CLASS 1-15 ISO/CE/CARB
124206	HOSE, WATER INTAKE 1.25" HW
144394	KEY STOCK, RUDDER 1/4"X 1/4"X 12" BRASS
1751885	LABEL, CAUTION: PRIOR TO TOWING VESSEL
1744845	LABEL, EXHAUST OUTLET (LEXAN)
1598564	MUFFLER, 360DA-02 V/D 22"
1355338	PAINT, BOTTOM BLACK HYDROCOAT
946152	PAINT, PRIMER METAL #6455/044
1271147	PAINT, PRIMER METAL #6627
868893	PAINT, PRIMER SANDLESS #6999
531590	PICK-UP, BRZ WATER INTAKE 1.25"
144402	PIN, COTTER PIN 5/32"X 2" SS
1261528	PLATE, BACKING 1/4"X 2"X 7.5" ALUM
325191	PLUG, RED BRASS DRAIN 1/2"MPT W/FLANGE
1851050	PROP, 18"X 16"X 4.85"RH #4C "Z" 1.5" SHAFT
1851049	PROP, 18"X 16.5"X 4.85"LH #4C "Z" 1.5" SHAFT
1787896	PROP, 18"X 18.5"X 3.55" "C" RH
1752165	PROP, 18"X 19"X 3.55" "C" LH
161232	RUDDER ARM, 1.5"
143222	RUDDER CLEVIS, 4"LONG X 1"-14 FPT
1831121	RUDDER SUPPORTS, 310DA-07 PRT
1831122	RUDDER SUPPORTS, 310DA-07 STB W/ RAM MNT
604850	RUDDER, 310SB/350EB
518449	SEACOCK, BRZ 1.25" W/O TAILPIECE
803718	SEAL KIT, SPARE SHAFT STUFFING BOX 1.5"W/TOOL
1690510	SENSOR, S-CRFT PADDLE WHEEL SPEED
981522	SHAFT, SS 1.5"X 73.19" AQ19 W/COUPLING
317032	STEERING, HELM PUMP SEA STAR I TILT
127068	STEERING, HYD CYLINDER BA135-7ATM I/B
158063	STRAINER, BRZ WATER INTAKE 1.25"
1603547	STRUT, W/BEARING 1.5"W/1/2"MNT HOLES 320DA-02
587147	STUFFING BOX, RUDDER W/PACK 1.5"DIA
1581503	STUFFING BOX, UHMW 1.5"ID 2 5/8"HOSE
667345	SUPPORT, MOTOR MOUNT 7.5"X "L" SHAPED
518464	TAILPIECE, BRZ 1.25"MPT X 1.25"BARB
1761551	THRU-HULL, SS EXHAUST 2.5" X-LONG
1646082	TIE BAR, RUDDER 32.00" V-DRIVE W/TAB
725937	TRIM TAB, ASSY 12X18 SGL ACT

TVD-350 MAG MPI (T-300 PHP) MERC.INBOARDS (continued)

1835635 TUBING, EXH GLASS 5"X 18"X 21DEG
 982025 TUBING, SHAFT LOG 2.63"OD X 12" 310DA 98
 1849127 V/D, MERC 300HP 350MAG 2.0 3.0" 14PIN
 144329 ZINC, TRANSOM ZINC

TVD-350 MAG MPI HORIZON (T-300 HP) INBOARDS

1847393 ACTUATOR, EXTEN 10.25"X 1.25"OD X .049"SS
 1589704 ACTUATOR, EXTEN 7.25"X 1.25"OD X.049"300DA-02
 141713 ADAPTER, BRASS 3/8"MPT X 5/8"BARB
 1789686 ADAPTER, ZURN STRAIGHT 1/2" SWIVEL
 1258979 BOOT, BATTERY CABLE 105C "T" BLK 4/0
 1258987 BOOT, BATTERY CABLE 105C "T" RED 4/0
 650507 BOOT, BATTERY CABLE 4/0 BLK 11/16"
 650499 BOOT, BATTERY CABLE 4/0 RED 11/16"
 836023 BRACKET, ALUM 1.5"X 1.5"X 1.5" 3/16"HOLES
 1849165 CABLE, BATT KIT 310DA-07 GAS GEN V/D
 1847941 CABLE, BATT KIT 310DA-07 GAS V-DRV
 1534460 CABLE, CONTROL TELEFLEX TFXXTREME 15' W/CLIPS
 1534411 CABLE, CONTROL TELEFLEX TFXXTREME 18' W/CLIPS
 1534478 CABLE, CONTROL TELEFLEX TFXXTREME 19' W/CLIPS
 1789718 CLAMP, CRIMP RING ZURN 1/2"
 123398 CLAMP, HOSE #06M 5/16"-7/8" SS MINI
 256693 CLAMP, HOSE #24 1"-2" SS .505
 417717 CLAMP, HOSE #36 7/8"-2.75" SS .505
 256727 CLAMP, HOSE #48 1 5/8"-3.5" SS .505
 256743 CLAMP, HOSE #72 3 1/8"-5" SS .505
 1872604 COLLAR, SS SHAFT 1.5"
 1376037 ELBOW, BRASS 90DEG 1/2"MPT X 1/2"MPT
 586917 ELBOW, BRZ 45DEG 1.25"MPT X 1.25"BARB
 144691 ELBOW, BRZ 90DEG 1.25"MPT X 1.25"BARB (PERKO)
 1789708 ELBOW, ZURN 1/2" SWIVEL
 1094606 ENGINE MT, ENG STEP PAD GAS/HURTH TRANS
 1215573 EXHAUST, BRZ U/W EXH OUTLET GAS 99
 1411867 EXHAUST, EL 4"X 9.38" V-DRIVE PORT 310DA-00
 1411875 EXHAUST, EL 4"X 9.38" V-DRIVE STBD 310DA-00
 1833431 EXHAUST, EL 5"X 24.4" V-DRV P/S GAS 310DA-07
 912345 EXHAUST, EL 5"X 45DEG RBR W/CLAMPS
 860064 EXHAUST, EL 5"X 90DEG RBR W/T-BOLT CLAMPS
 1609007 GAUGE, 5" 4-IN-1 FUEL/VOLT/OIL/TMP S-CRFT
 1810915 HARNESS, 310DA-07 V-DRIVE BONDING
 1802105 HARNESS, ENG MERC S-CRFT 14 PIN 20'
 1848258 HARNESS, FUEL ADPTR 3 PIN TO 6PIN W/PADDL WHL
 1762738 HOSE KIT, 320/340SDA-04 HYD .313ID 24'
 564682 HOSE, EXHAUST 2.5" HW
 124107 HOSE, EXHAUST 4" SW
 123760 HOSE, FUEL 3/8" TYPE A CLASS 1 ISO/CE
 1884011 HOSE, FUEL 3/8" TYPE A CLASS 1-15 ISO/CE/CARB
 124206 HOSE, WATER INTAKE 1.25" HW
 144394 KEY STOCK, RUDDER 1/4"X 1/4"X 12" BRASS
 1751885 LABEL, CAUTION: PRIOR TO TOWING VESSEL
 1744845 LABEL, EXHAUST OUTLET (LEXAN)
 1598564 MUFFLER, 360DA-02 V/D 22"
 1791378 NIPPLE, ZURN 1/2" BRASS HEX
 1355338 PAINT, BOTTOM BLACK HYDROCOAT
 946152 PAINT, PRIMER METAL #6455/044
 1271147 PAINT, PRIMER METAL #6627
 868893 PAINT, PRIMER SANDLESS #6999
 531590 PICK-UP, BRZ WATER INTAKE 1.25"
 144402 PIN, COTTER PIN 5/32"X 2" SS
 1261528 PLATE, BACKING 1/4"X 2"X 7.5" ALUM
 325191 PLUG, RED BRASS DRAIN 1/2"MPT W/FLANGE
 1851050 PROP, 18"X 16"X 4.85"RH #4C "Z" 1.5" SHAFT
 1851049 PROP, 18"X 16.5"X 4.85"RH #4C "Z" 1.5" SHAFT
 1787896 PROP, 18"X 18.5"X 3.55" "C" RH
 1752165 PROP, 18"X 19"X 3.55" "C" LH
 161232 RUDDER ARM, 1.5"
 143222 RUDDER CLEVIS, 4"LONG X 1"-14 FPT
 1831121 RUDDER SUPPORTS, 310DA-07 PRT
 1831122 RUDDER SUPPORTS, 310DA-07 STB W/RAM MNT
 604850 RUDDER, 310SB/350EB
 518449 SEACOCK, BRZ 1.25" W/O TAILPIECE
 803718 SEAL KIT, SPARE SHAFT STUFFING BOX 1.5"W/TOOL
 1690510 SENSOR, S-CRFT PADDLE WHEEL SPEED
 981522 SHAFT, SS 1.5"X 73.19" AQ19 W/COUPLING
 317032 STEERING, HELM PUMP SEA STAR I TILT
 127068 STEERING, HYD CYLINDER BA135-7ATM I/B
 158063 STRAINER, BRZ WATER INTAKE 1.25"
 1603547 STRUT, W/BEARING 1.5"W/1/2"MNT HOLES 320DA-02
 587147 STUFFING BOX, RUDDER W/PACK 1.5"DIA
 1581503 STUFFING BOX, UHMW 1.5"ID 2 5/8"HOSE

TVD-350 MAG MPI HORIZON (T-300 HP) INBOARDS (continued)

667345 SUPPORT, MOTOR MOUNT 7.5"X "L" SHAPED
 518464 TAILPIECE, BRZ 1.25"MPT X 1.25"BARB
 325944 TEE, BRASS STREET 1/2"MPT X 1/2"FPT X 1/2"FPT
 1761551 THRU-HULL, SS EXHAUST 2.5" X-LONG
 1646082 TIE BAR, RUDDER 32.00" V-DRIVE W/TAB
 725937 TRIM TAB, ASSY 12X18 SGL ACT
 1835635 TUBING, EXH GLASS 5"X 18"X 21DEG
 982025 TUBING, SHAFT LOG 2.63"OD X 12" 310DA 98
 1789735 TUBING, ZURN 1/2"X 1000' BLUE
 1849126 V/D, MERC 300HP 350MAG HZN 2.0 3.0" 14PIN
 1054766 VALVE, BRASS WATER HEATER TEMPERING 120-160DG
 144329 ZINC, TRANSOM ZINC

T-MX 6.2L MPI BR 3 (T-320 PHP) MCM STERN DR

1778015 OUTDRIVE UNIT, MERC BRAVO III 2.20:1 '05
 708206 PROP, 14.25"X 24" SS BR3 RH
 708198 PROP, 15.5"X 24" SS BR3 LH
 1837988 S/D, MERC 320HP 6.2MPI BR 3.0"14P

TVD-MX 6.2L MPI (T-320 PHP) MCM V-DR./I/B

1847393 ACTUATOR, EXTEN 10.25"X 1.25"OD X .049"SS
 1589704 ACTUATOR, EXTEN 7.25"X 1.25"OD X.049"300DA-02
 1258979 BOOT, BATTERY CABLE 105C "T" BLK 4/0
 1258987 BOOT, BATTERY CABLE 105C "T" RED 4/0
 650507 BOOT, BATTERY CABLE 4/0 BLK 11/16"
 650499 BOOT, BATTERY CABLE 4/0 RED 11/16"
 836023 BRACKET, ALUM 1.5"X 1.5"X 1.5" 3/16"HOLES
 1849165 CABLE, BATT KIT 310DA-07 GAS GEN V/D
 1847941 CABLE, BATT KIT 310DA-07 GAS V-DRV
 1534460 CABLE, CONTROL TELEFLEX TFXXTREME 15' W/CLIPS
 1534411 CABLE, CONTROL TELEFLEX TFXXTREME 18' W/CLIPS
 1534478 CABLE, CONTROL TELEFLEX TFXXTREME 19' W/CLIPS
 123398 CLAMP, HOSE #06M 5/16"-7/8" SS MINI
 417717 CLAMP, HOSE #36 7/8"-2.75" SS .505
 256727 CLAMP, HOSE #48 1 5/8"-3.5" SS .505
 256743 CLAMP, HOSE #72 3 1/8"-5" SS .505
 1872604 COLLAR, SS SHAFT 1.5"
 586917 ELBOW, BRZ 45DEG 1.25"MPT X 1.25"BARB
 144691 ELBOW, BRZ 90DEG 1.25"MPT X 1.25"BARB (PERKO)
 1094606 ENGINE MT, ENG STEP PAD GAS/HURTH TRANS
 1215573 EXHAUST, BRZ U/W EXH OUTLET GAS 99
 1411867 EXHAUST, EL 4"X 9.38" V-DRIVE PORT 310DA-00
 1411875 EXHAUST, EL 4"X 9.38" V-DRIVE STBD 310DA-00
 1833431 EXHAUST, EL 5"X 24.4" V-DRV P/S GAS 310DA-07
 912345 EXHAUST, EL 5"X 45DEG RBR W/CLAMPS
 860064 EXHAUST, EL 5"X 90DEG RBR W/T-BOLT CLAMPS
 1609007 GAUGE, 5" 4-IN-1 FUEL/VOLT/OIL/TMP S-CRFT
 1810915 HARNESS, 310DA-07 V-DRIVE BONDING
 1802105 HARNESS, ENG MERC S-CRFT 14 PIN 20'
 1848258 HARNESS, FUEL ADPTR 3 PIN TO 6PIN W/PADDL WHL
 1762738 HOSE KIT, 320/340SDA-04 HYD .313ID 24'
 564682 HOSE, EXHAUST 2.5" HW
 124107 HOSE, EXHAUST 4" SW
 123760 HOSE, FUEL 3/8" TYPE A CLASS 1 ISO/CE
 1884011 HOSE, FUEL 3/8" TYPE A CLASS 1-15 ISO/CE/CARB
 124206 HOSE, WATER INTAKE 1.25" HW
 144394 KEY STOCK, RUDDER 1/4"X 1/4"X 12" BRASS
 1751885 LABEL, CAUTION: PRIOR TO TOWING VESSEL
 1744845 LABEL, EXHAUST OUTLET (LEXAN)
 1598564 MUFFLER, 360DA-02 V/D 22"
 124107 HOSE, EXHAUST 4" SW
 123760 HOSE, FUEL 3/8" TYPE A CLASS 1 ISO/CE
 1884011 HOSE, FUEL 3/8" TYPE A CLASS 1-15 ISO/CE/CARB
 124206 HOSE, WATER INTAKE 1.25" HW
 144394 KEY STOCK, RUDDER 1/4"X 1/4"X 12" BRASS
 1751885 LABEL, CAUTION: PRIOR TO TOWING VESSEL
 1744845 LABEL, EXHAUST OUTLET (LEXAN)
 1598564 MUFFLER, 360DA-02 V/D 22"
 1355338 PAINT, BOTTOM BLACK HYDROCOAT
 946152 PAINT, PRIMER METAL #6455/044
 1271147 PAINT, PRIMER METAL #6627
 868893 PAINT, PRIMER SANDLESS #6999
 531590 PICK-UP, BRZ WATER INTAKE 1.25"
 144402 PIN, COTTER PIN 5/32"X 2" SS
 1261528 PLATE, BACKING 1/4"X 2"X 7.5" ALUM
 325191 PLUG, RED BRASS DRAIN 1/2"MPT W/FLANGE
 1851050 PROP, 18"X 16"X 4.85"RH #4C "Z" 1.5" SHAFT
 1851049 PROP, 18"X 16.5"X 4.85"RH #4C "Z" 1.5" SHAFT
 1787896 PROP, 18"X 18.5"X 3.55" "C" RH
 1752165 PROP, 18"X 19"X 3.55" "C" LH
 161232 RUDDER ARM, 1.5"
 143222 RUDDER CLEVIS, 4"LONG X 1"-14 FPT
 1831121 RUDDER SUPPORTS, 310DA-07 PRT
 1831122 RUDDER SUPPORTS, 310DA-07 STB W/RAM MNT
 604850 RUDDER, 310SB/350EB
 518449 SEACOCK, BRZ 1.25" W/O TAILPIECE
 803718 SEAL KIT, SPARE SHAFT STUFFING BOX 1.5"W/TOOL
 1690510 SENSOR, S-CRFT PADDLE WHEEL SPEED

TVD-MX 6.2L MPI (T-320 PHP) MCM V-DR./I/B (continued)

981522	SHAFT, SS 1.5"X 73.19" AQ19 W/COUPLING
317032	STEERING, HELM PUMP SEA STAR I TILT
127068	STEERING, HYD CYLINDER BA135-7ATM I/B
158063	STRAINER, BRZ WATER INTAKE 1.25"
1603547	STRUT, W/BEARING 1.5"W/1/2"MNT HOLES 320DA-02
587147	STUFFING BOX, RUDDER W/PACK 1.5"DIA
1581503	STUFFING BOX, UHMW 1.5"ID 2.5/8"HOSE
667345	SUPPORT, MOTOR MOUNT 7.5"X "L" SHAPED
518464	TAILPIECE, BRZ 1.25"MPT X 1.25"BARB
1761551	THRU-HULL, SS EXHAUST 2.5" X-LONG
1646082	TIE BAR, RUDDER 32.00" V-DRIVE W/TAB
725937	TRIM TAB, ASSY 12X18 SGL ACT
1835635	TUBING, EXH GLASS 5"X 18"X 21DEG
982025	TUBING, SHAFT LOG 2.63"OD X 12" 310DA 98
1849128	V/D, MERC 320HP 6.2MPI 2.0 3.0" 14PIN
144329	ZINC, TRANSOM ZINC

TVD-MX 6.2 MPI HORIZON (T-320 PHP) INBOARDS

1847393	ACTUATOR, EXTEN 10.25"X 1.25"OD X .049"SS
1589704	ACTUATOR, EXTEN 7.25"X 1.25"OD X .049"300DA-02
141713	ADAPTER, BRASS 3/8"MPT X 5/8"BARB
1789686	ADAPTER, ZURN STRAIGHT 1/2" SWIVEL
1258979	BOOT, BATTERY CABLE 105C "T" BLK 4/0
1258987	BOOT, BATTERY CABLE 105C "T" RED 4/0
650507	BOOT, BATTERY CABLE 4/0 BLK 11/16"
650499	BOOT, BATTERY CABLE 4/0 RED 11/16"
836023	BRACKET, ALUM 1.5"X 1.5"X 1.5" 3/16"HOLES
1849165	CABLE, BATT KIT 310DA-07 GAS GEN V/D
1847941	CABLE, BATT KIT 310DA-07 GAS V-DRV
1534460	CABLE, CONTROL TELEFLEX TFXEXTREME 15' W/CLIPS
1534411	CABLE, CONTROL TELEFLEX TFXEXTREME 18' W/CLIPS
1534478	CABLE, CONTROL TELEFLEX TFXEXTREME 19' W/CLIPS
1789718	CLAMP, CRIMP RING ZURN 1/2"
123398	CLAMP, HOSE #06M 5/16"-7/8" SS MINI
256693	CLAMP, HOSE #24 1"-2" SS .505
417717	CLAMP, HOSE #36 7/8"-2.75" SS .505
256727	CLAMP, HOSE #48 1 5/8"-3.5" SS .505
256743	CLAMP, HOSE #72 3 1/8"-5" SS .505
1872604	COLLAR, SS SHAFT 1.5"
1376037	ELBOW, BRASS 90DEG 1/2"MPT X 1/2"MPT
586917	ELBOW, BRZ 45DEG 1.25"MPT X 1.25"BARB
144691	ELBOW, BRZ 90DEG 1.25"MPT X 1.25"BARB (PERKO)
1789708	ELBOW, ZURN 1/2" SWIVEL
1094606	ENGINE MT, ENG STEP PAD GAS/HURTH TRANS
1215573	EXHAUST, BRZ U/W EXH OUTLET GAS 99
1411867	EXHAUST, EL 4"X 9.38" V-DRIVE PORT 310DA-00
1411875	EXHAUST, EL 4"X 9.38" V-DRIVE STBD 310DA-00
1833431	EXHAUST, EL 5"X 24.4" V-DRV P/S GAS 310DA-07
912345	EXHAUST, EL 5"X 45DEG RBR W/CLAMPS
860064	EXHAUST, EL 5"X 90DEG RBR W/T-BOLT CLAMPS
1609007	GAUGE, 5" 4-IN-1 FUEL/VOLT/OIL/TMP S-CRFT
1810915	HARNESS, 310DA-07 V-DRIVE BONDING
1802105	HARNESS, ENG MERC S-CRFT 14 PIN 20'
1848258	HARNESS, FUEL ADPTR 3 PIN TO 6PIN W/PADDL WHL
1762738	HOSE KIT, 320/340SDA-04 HYD .313ID 24'
564682	HOSE, EXHAUST 2.5" HW
124107	HOSE, EXHAUST 4" SW
123760	HOSE, FUEL 3/8" TYPE A CLASS 1 ISO/CE
1884011	HOSE, FUEL 3/8" TYPE A CLASS 1-15 ISO/CE/CARB
124206	HOSE, WATER INTAKE 1.25" HW
144394	KEY STOCK, RUDDER 1/4"X 1/4"X 12" BRASS
1751885	LABEL, CAUTION: PRIOR TO TOWING VESSEL
1744845	LABEL, EXHAUST OUTLET (LEXAN)
1598564	MUFFLER, 360DA-02 V/D 22"
1791378	NIPPLE, ZURN 1/2" BRASS HEX
1355338	PAINT, BOTTOM BLACK HYDROCOAT
946152	PAINT, PRIMER METAL #6455/044
1271147	PAINT, PRIMER METAL #6627
868893	PAINT, PRIMER SANDLESS #6999
531590	PICK-UP, BRZ WATER INTAKE 1.25"
144402	PIN, COTTER PIN 5/32"X 2" SS
1261528	PLATE, BACKING 1/4"X 2"X 7.5" ALUM
325191	PLUG, RED BRASS DRAIN 1/2"MPT W/FLANGE
1851050	PROP, 18"X 16"X 4.85"RH #4C "Z" 1.5" SHAFT
1851049	PROP, 18"X 16.5"X 4.85"LH #4C "Z" 1.5" SHAFT
1787896	PROP, 18"X 18.5"X 3.55" "C" RH
1752165	PROP, 18"X 19"X 3.55" "C" LH
161232	RUDDER ARM, 1.5"
143222	RUDDER CLEVIS, 4"LONG X 1"-14 FPT
1831121	RUDDER SUPPORTS, 310DA-07 PRT

TVD-MX 6.2 MPI HORIZON (T-320 PHP) INBOARDS (continued)

1831122	RUDDER SUPPORTS, 310DA-07 STB W/RAM MNT
604850	RUDDER, 310SB/350EB
518449	SEACOCK, BRZ 1.25" W/O TAILPIECE
803718	SEAL KIT, SPARE SHAFT STUFFING BOX 1.5"W/TOOL
1690510	SENSOR, S-CRFT PADDLE WHEEL SPEED
981522	SHAFT, SS 1.5"X 73.19" AQ19 W/COUPLING
317032	STEERING, HELM PUMP SEA STAR I TILT
127068	STEERING, HYD CYLINDER BA135-7ATM I/B
158063	STRAINER, BRZ WATER INTAKE 1.25"
1603547	STRUT, W/BEARING 1.5"W/1/2"MNT HOLES 320DA-02
587147	STUFFING BOX, RUDDER W/PACK 1.5"DIA
1581503	STUFFING BOX, UHMW 1.5"ID 2.5/8"HOSE
667345	SUPPORT, MOTOR MOUNT 7.5"X "L" SHAPED
518464	TAILPIECE, BRZ 1.25"MPT X 1.25"BARB
325944	TEE, BRASS STREET 1/2"MPT X 1/2"FPT X 1/2"FPT
1761551	THRU-HULL, SS EXHAUST 2.5" X-LONG
1646082	TIE BAR, RUDDER 32.00" V-DRIVE W/TAB
725937	TRIM TAB, ASSY 12X18 SGL ACT
1835635	TUBING, EXH GLASS 5"X 18"X 21DEG
982025	TUBING, SHAFT LOG 2.63"OD X 12" 310DA 98
1789735	TUBING, ZURN 1/2"X 1000' BLUE
1849130	V/D, MERC 320HP 6.2MPI HZN 2.0 3.0" 14PIN
1054766	VALVE, BRASS WATER HEATER TEMPERING 120-160DG
144329	ZINC, TRANSOM ZINC

T-MX 6.2L MPI HORIZON BR 3 (T-320 PHP) S/D

141713	ADAPTER, BRASS 3/8"MPT X 5/8"BARB
1789686	ADAPTER, ZURN STRAIGHT 1/2" SWIVEL
1789718	CLAMP, CRIMP RING ZURN 1/2"
256693	CLAMP, HOSE #24 1"-2" SS .505
1376037	ELBOW, BRASS 90DEG 1/2"MPT X 1/2"MPT
586917	ELBOW, BRZ 45DEG 1.25"MPT X 1.25"BARB
144691	ELBOW, BRZ 90DEG 1.25"MPT X 1.25"BARB (PERKO)
1789708	ELBOW, ZURN 1/2" SWIVEL
124206	HOSE, WATER INTAKE 1.25" HW
1791378	NIPPLE, ZURN 1/2" BRASS HEX
1778015	OUTDRIVE UNIT, MERC BRAVO III 2.20:1 '05
531590	PICK-UP, BRZ WATER INTAKE 1.25"
708206	PROP, 14.25"X 24" SS BR3 RH
708198	PROP, 15.5"X 24" SS BR3 LH
1848902	S/D, MERC 320HP 6.2MPI HZN BR3 W/3"RSR 14P
518449	SEACOCK, BRZ 1.25" W/O TAILPIECE
158063	STRAINER, BRZ WATER INTAKE 1.25"
518464	TAILPIECE, BRZ 1.25"MPT X 1.25"BARB
325944	TEE, BRASS STREET 1/2"MPT X 1/2"FPT X 1/2"FPT
1789735	TUBING, ZURN 1/2"X 1000' BLUE
1054766	VALVE, BRASS WATER HEATER TEMPERING 120-160DG

T-5.0L MPI BR 3 (T-260 PHP) MCM STERN DR

1778015	OUTDRIVE UNIT, MERC BRAVO III 2.20:1 '05
1837958	S/D, MERC 260HP 5.0MPI BR 3.0" 14P

FLOORING, SIMULATED TEAK - CABIN

1782245	FLOORING, TEAK 2 3/8"W/1/4"BLK GROUT LINE 4X10
801324	HDPE, 1/4"X 4"X 8' LAVANT II UTIL GRD BLK
1783977	MOLDING, T-MOLD/PVC 1 5/8"X 25' BLK
1850033	TEAK, P/C 310DA-07 ENTRY STEPS 3PC

AIR COMPRESSOR (FOR WATER TOYS)

1181759	BRKR/ROCK, SGL-POLE MNL RSET DC IGNPRT 15A YL
334672	BUMPER, RECESSED WHT ROUND
1850448	HARNESS, AIR CMPRSR 12V
1747608	PANEL, 240BR-04 AIR CMPRSR ACT SW
1726744	PUMP, AIR COMPRESSOR 230BRIES
1758957	PVC BOARD, 1/2"X 4"X 8' WHT INTEFOAM
855809	ROPE, DOCKLINE STRAP WHT WHDWR (SHORT STYLE)

FLAG POLE & BASE, U.S. FLAG

706747	CLIP, FLAG
1854249	CLIP, FLAG KEY RING 302SS
1838426	FLAG, USA 16" X 24"
1848879	HOLDER, FLUSH MOUNT MAGNETIC STERN FLAG POLE
1838431	POLE, FLAGSTAFF SS MAGNETIC SPRTBT/SPRTCRSR

ROD HOLDERS (4)

147611	ADAPTER, BRASS 1/4"MPT X 3/8"BARB
417998	CLAMP, HOSE #04M 1/4"-5/8" SS MINI
124347	HOSE, PVC CLEAR 3/8"
1795401	ROD HOLDER, FLUSH MNT SS 30DEG CONTR W/LOGO

FRESHWATER COOLING-TWIN S/D 4.3L OR 5.0L

1789686	ADAPTER, ZURN STRAIGHT 1/2" SWIVEL
1789718	CLAMP, CRIMP RING ZURN 1/2"
256693	CLAMP, HOSE #24 1"-2" SS .505
1376037	ELBOW, BRASS 90DEG 1/2"MPT X 1/2"MPT
586917	ELBOW, BRZ 45DEG 1.25"MPT X 1.25"BARB
144691	ELBOW, BRZ 90DEG 1.25"MPT X 1.25"BARB (PERKO)
1789708	ELBOW, ZURN 1/2" SWIVEL
124206	HOSE, WATER INTAKE 1.25" HW
1791378	NIPPLE, ZURN 1/2" BRASS HEX
531590	PICK-UP, BRZ WATER INTAKE 1.25"
1851033	S/D, MERC 260HP 5.0MPI BR3 CC 3" 14P
518449	SEACOCK, BRZ 1.25" W/O TAILPIECE
158063	STRAINER, BRZ WATER INTAKE 1.25"
518464	TAILPIECE, BRZ 1.25"MPT X 1.25"BARB
325944	TEE, BRASS STREET 1/2"MPT X 1/2"FPT X 1/2"FPT
1789735	TUBING, ZURN 1/2"X 1000' BLUE
1054766	VALVE, BRASS WATER HEATER TEMPERING 120-160DG

AUSTRALIAN BUILDERS PLATE

1850623	PLATE, BUILDERS AU 06-310DA
1888198	PLATE, BUILDERS AU 07-310DA

NORTHSTAR 6100I GPS / CHARTPLOTTER

179531	BUSS BAR, 3-GANG TERMINAL STRIP (SMALL)
937490	FUSE BLOCK, 10-GNG BLADE-TYPE ELECTRONICS
520668	FUSE, BLADE TYPE CLOSED 3A
730994	FUSE, BLADE TYPE CLOSED 7.5A
881383	GASKET, GLOMAX TV GPS MOUNT BLK
1770974	HARNESS, GPS CBL 20' NRTHSTR 6000I
1770975	HARNESS, GPS CBL EXT 15' NRTHSTR 6000I
1795162	HARNESS, PIGTAIL 5'SRN II XDUCR TO 6000I
1757379	HARNESS, TRNSDCR DEPTH/TEMP 30' NRTHSTR 6000I
1745159	LABEL, CAUTION BUSS ELECTRONICS (LEXAN)
788711	MOUNT, ANTENNA DECK GPS SS
1778187	NAVIGATOR, NRTHSTR 6000I 8.4" CMLPT PKG
1757382	NAVIGATOR, SRNII TRANSDUCR DEPTH/TEMP W/PT NY
1846646	PANEL, 310DA-07 ELEC 6000I
1769258	PLUG KIT, DEUTSCH DT04-3P 3PC KIT
1769259	PLUG KIT, DEUTSCH ST06-3S 3PC KIT

NORTHSTAR 6100I RADAR / GPS / CHARTPLOTTER

1523901	ACCESS PLATE, PLAS SPOILER 8.75" ARW
822619	BUSHING, WATER TIGHT 1.25"OD
179531	BUSS BAR, 3-GANG TERMINAL STRIP (SMALL)
122853	FITTING, WATER TIGHT OUTLET FOR 5/16" CABLE
937490	FUSE BLOCK, 10-GNG BLADE-TYPE ELECTRONICS
520668	FUSE, BLADE TYPE CLOSED 3A
730994	FUSE, BLADE TYPE CLOSED 7.5A
881383	GASKET, GLOMAX TV GPS MOUNT BLK
140665	GROUND BUSS, BRASS
1770974	HARNESS, GPS CBL 20' NRTHSTR 6000I
1770975	HARNESS, GPS CBL EXT 15' NRTHSTR 6000I
1795162	HARNESS, PIGTAIL 5'SRN II XDUCR TO 6000I
1807867	HARNESS, RADAR CBL EXT 16'NRTHSTR 6000I 2KW
1807912	HARNESS, RADAR CBL INTRFACE NRTHSTR 6000I 2KW
1757379	HARNESS, TRNSDCR DEPTH/TEMP 30' NRTHSTR 6000I
1745159	LABEL, CAUTION BUSS ELECTRONICS (LEXAN)
1805560	LIGHT, NAV MASTHEAD COMBO 24" FOLD-DOWN
788711	MOUNT, ANTENNA DECK GPS SS
1778187	NAVIGATOR, NRTHSTR 6000I 8.4" CMLPT PKG
1757382	NAVIGATOR, SRNII TRANSDUCR DEPTH/TEMP W/PT NY
1846646	PANEL, 310DA-07 ELEC 6000I
1769258	PLUG KIT, DEUTSCH DT04-3P 3PC KIT
1769259	PLUG KIT, DEUTSCH ST06-3S 3PC KIT
1784429	RADAR, NORTHSTAR HEADING SENSOR FOR 6000I
1796308	RADAR, NRTHSTR RADOME 2KW CMLPT
1795967	RELAY, NRTHSTR RADAR KIT
1819304	SUPPORT, ALUM NRTHSTR RADAR WHT
533430	VENT, CLAMSHELL ROPE LCKR 2"X2"

SMARTCRAFT SYSTEM VIEW- TWINS ONLY

1816009	ACC PART, MERC S-CRFT SYS VIEW '06 VER 3.45
1507342	ACC PART, MERC S-CRFT WTHR CAP 10POS CAP
1689917	GAUGE, LINK SPEED 3" S-CRFT 0-70MPH
1689881	GAUGE, LINK TACH 3" S-CRFT 0-6000RPM
1846530	PANEL, 310DA-07 ELEC W/RCKR SW/SYSVW

AFT SUNSHADE-COCKPIT (REMOVABLE & FOLDABLE)

1850433	CANVAS, ALUM WHT PDWRCT MANTIS SNSHD BLK
1758957	PVC BOARD, 1/2"X 4'X 8' WHT INTEFOAM

AFT SUNSHADE-COCKPIT (REMOVABLE & FOLDABLE) (continued)

1850436	ROD HOLDER, FLUSH MNT SS ODEG N/LOGO
1880678	ROD HOLDER, FLUSH MNT SS ODEG W/LOGO
1850435	ROD HOLDER, MANTIS SNSHD MOUNT

SS GRILL W/LEVELOCK & 2 GUNWALE ROD HOLDERS

147611	ADAPTER, BRASS 1/4"MPT X 3/8"BARB
1787883	BRACKET, SS ADJ LEVELOCK GOURMET BBQ SERIES
417998	CLAMP, HOSE #04M 1/4"-5/8" SS MINI
1786919	GRILL, PROPANE PORTBLE CATALINA SS
124347	HOSE, PVC CLEAR 3/8"
1745158	LABEL, FUEL RECOMMENDATION/LP GAS WARNING
1786899	LABEL, WARNING OPEN FLAME COOKING APPLIANCES
1795401	ROD HOLDER, FLUSH MNT SS 30DEG CONTR W/LOGO

TV 15" FLATSCREEN W/ REMOTE DVD - COCKPIT

1807963	BASE, MOUNT CKPT TV
627737	BOX, RECEPTACLE/SWITCH PVC 1-GANG DEEP
1758576	CABLE, RCA AUDIO EFX-2 "Y" ADAPTER
876458	COVER PLATE, CABLE TV WEATHERPROOF OUTLET BLK
1787508	COVER PLATE, SGL DUPLEX RECEPT BRN LVT
1756959	EXTENSION, CABLE A/V 25' RCA W/MALE CONN
1598051	GROMMET, PLAS FLANGE/INSERT 2" WHITE
1838716	HARNESS, 310DA-07 TV/DVD 30'
1852083	LABEL, CAUTION REMOVE TV COVER
1852096	LABEL, WARNING REMOVE HELM TV
1807962	MOUNT, CKPT TV POST 18 1/2"
1758957	PVC BOARD, 1/2"X 4'X 8' WHT INTEFOAM
1787507	RECEPTACLE, DUPLEX BRN 15A LVT
695957	SPLITTER, 2-WAY HYBRID TV/SPLITTER COMBINER
1852692	TELEVISION, 15"LG LCD HDTV BLK W/BTM SPKR
1805175	TELEVISION, 15.1" LG LCD HDTV W/BTM SPKR
1803007	VIDEO EQUIPMENT, REMOTE GAMING SYS INPUT PNL

TV 20" FLATSCREEN / DVD/ GAMING PORT/ SALON

1180041	ANTENNA, TV AMP W/SHIP/SHORE A/B SW 12/24VDC
792325	ANTENNA, TV GLOMAX ASSY W/CONN
627737	BOX, RECEPTACLE/SWITCH PVC 1-GANG DEEP
1750880	CABLE, RCA AUDIO 6' W/EFX-2 CONN W/NOISE SUPP
136093	CORD SET, PHONE 50FT
136085	CORD SET, TV CABLE 50FT
1787521	COVER PLATE, SGL DUPLEX RECEPT BLK LVT
1817493	DVD, KEC 12V DVD3 DIN
1759176	EXTENSION, CABLE A/V 6' RCA W/MALE CONN
1756959	EXTENSION, CABLE A/V 25' RCA W/MALE CONN
1762641	FILTER, POWER INTERFACE 20AMP
1761064	FILTER, VIDEO INTERFERENCE
881383	GASKET, GLOMAX TV GPS MOUNT BLK
1849609	HARNESS, 310DA-07 TV/DVD KIT
133694	INLET, PHONE/TV CABLE COMBO WHT
1758298	ISOLATOR, 2-CHANNEL GROUND LOOP (RCA)
1813842	MOUNTING KIT, SLEEVE FOR DVD2
1787506	RECEPTACLE, DUPLEX BLACK 15A
1885292	ROD, THREAD 4MM X 30MM SS
1785521	SPLITTER, 3-WAY HYBRID
1888148	TELEVISION, 20" LG LCD
1805630	TELEVISION, 20" TOSHIBA LCD/4:3
1803007	VIDEO EQUIPMENT, REMOTE GAMING SYS INPUT PNL

TV 15" FLATSCRN/ DVD/ GAMING PORT-MID CABIN

627737	BOX, RECEPTACLE/SWITCH PVC 1-GANG DEEP
1755388	BRACKET, TV (LCD) WALL MOUNT OMNI
1787521	COVER PLATE, SGL DUPLEX RECEPT BLK LVT
1817493	DVD, KEC 12V DVD3 DIN
1759176	EXTENSION, CABLE A/V 6' RCA W/MALE CONN
1756959	EXTENSION, CABLE A/V 25' RCA W/MALE CONN
1762641	FILTER, POWER INTERFACE 20AMP
1761064	FILTER, VIDEO INTERFERENCE
1838715	HARNESS, 310DA-07 TV/DVD 25'
1758298	ISOLATOR, 2-CHANNEL GROUND LOOP (RCA)
1813842	MOUNTING KIT, SLEEVE FOR DVD2
1787506	RECEPTACLE, DUPLEX BLACK 15A
1852692	TELEVISION, 15"LG LCD HDTV BLK W/BTM SPKR
1805175	TELEVISION, 15.1" LG LCD HDTV W/BTM SPKR
1803007	VIDEO EQUIPMENT, REMOTE GAMING SYS INPUT PNL

TV 15" FLATSCRN / DVD/ GAMING PORT-V-BERTH

627737	BOX, RECEPTACLE/SWITCH PVC 1-GANG DEEP
1787521	COVER PLATE, SGL DUPLEX RECEPT BLK LVT
1817493	DVD, KEC 12V DVD3 DIN
1759176	EXTENSION, CABLE A/V 6' RCA W/MALE CONN

TV 15" FLATSCRN / DVD/ GAMING PORT-V-BERTH (continued)

1762641	FILTER, POWER INTERFACE 20AMP
1761064	FILTER, VIDEO INTERFERENCE
1838714	HARNES, 310DA-07 TV/DVD 15"
1758298	ISOLATOR, 2-CHANNEL GROUND LOOP (RCA)
1813842	MOUNTING KIT, SLEEVE FOR DVD2
1787506	RECEPTACLE, DUPLEX BLACK 15A
1852692	TELEVISION, 15" LG LCD HDTV BLK W/BTM SPKR
1805175	TELEVISION, 15.1" LG LCD HDTV W/BTM SPKR
1803007	VIDEO EQUIPMENT, REMOTE GAMING SYS INPUT PNL

NEUTRAL COLOR FITTED SHEETS

1839312	SHEET, 310DA-07 FWDSTRM FITTED W/PLLW CS
---------	--

2ND STEREO REMOTE CONTROL -TRANSOM

935080	CABLE, CLARION DUAL REMOTE "Y"
1312750	CABLE, CLARION REMOTE EXTENSION CABLE 24'
1803477	STEREO, REMOTE CNTRL N/DSPL BLK FACE/SS BZL

GENERATOR 4.0 E0Z KOHLER - DIESEL - 120V/60

162750	ADAPTER, BRASS 1/4"MPT X 1/4"SAE
531426	ADAPTER, BRZ 3/4"MPT X 3/4"BARB
1258979	BOOT, BATTERY CABLE 105C "T" BLK 4/0
1258987	BOOT, BATTERY CABLE 105C "T" RED 4/0
147561	BUSHING, SS THD 1/4"FPT X 1/2"MPT
791392	BUSHING, SS THD 1/4"FPT X 3/8"MPT
130799	CABLE, BATT BLK #2AWG
1849619	CABLE, BATT KIT 310DA-07 DSL W/DSL GEN
1849164	CABLE, BATT KIT 310DA-07 GAS GEN STRN DRV
130781	CABLE, BATT RED #2AWG
256677	CLAMP, HOSE #12 1/2"-1.25" SS .505
417717	CLAMP, HOSE #36 7/8"-2.75" SS .505
123695	CLAMP, LOOM VINYL DIP #12 3/4"
793265	CONN, RING 2GA X 3/8R BATT/CBL COP PLTD CLSD
793281	CONN, RING 2GA X 5/16R .630 BARE ELONG CLSD
629253	ELBOW, BRASS 90DEG 1/4"SAE X 1/4"MPT
140418	ELBOW, BRASS 90DEG STREET 1/4"
169193	ELBOW, BRZ 90DEG 3/4"MPT X 3/4"BARB
1887693	FERRULE, FUEL LINE 1/4" .575"ID X .625"OD
965954	FERRULE, FUEL LINE 1/4"ISO/CE .650"ID
1524065	FILTER, REMOTE FUEL DSL (500MASR)
629279	FITTING, BRASS 1/4"BARB/NUT
1887750	FITTING, BRASS BARB/NUT 1/4" FEMALE SAE
1727348	GENERATOR, 5.0 KW DSL KOHLER 120V/60
1849163	HARNES, 310DA-07 GEN KOHLER DSL 120/220V
913053	HOSE, EXHAUST 2" CORR HW
340901	HOSE, FUEL 1/4" TYPE A CLASS 1 ISO/CE
1884010	HOSE, FUEL 1/4" TYPE A CLASS 1-15 ISO/CE/CARB
123810	HOSE, GEN PURPOSE 3/4"
124594	HOSE, WATER 5/8" HVY DTY (HEATER)
1743616	LABEL, UNPLUG SHORE POWER WARNING
1810630	MODULE, ELEC INTERFACE SWITCHING SYS 06
1784602	MUFFLER, 2"IN X 2"OUT 9"X 9" BASE
570135	NIPPLE, BRASS 1/4"MPT X 1/4"MPT
1801720	PANEL, 290DA-06 GEN REMOTE SW DSL
1846397	PANEL, 310DA-07 AC/DC MDP 120/60 W/GEN
1848230	PANEL, 310DA-07 IGN KEY SW GAS W/GEN
518431	SEACOCK, BRZ 3/4" W/O TAILPIECE
1791584	STRAINER, BRZ WATER INTAKE 3/4" W/NYLON STRAP
640300	THRU-HULL, BRZ 3/4" W/O NUT
1769255	THRU-HULL, SS EXHAUST 2" W/SS LIP
1764348	VALVE, BRASS FUEL 1/4"MPT X 1/4"FPT LO-PRO

GENERATOR 3.5 EFOZ KOHLER -DIESEL - 220V/50

162750	ADAPTER, BRASS 1/4"MPT X 1/4"SAE
531426	ADAPTER, BRZ 3/4"MPT X 3/4"BARB
1258979	BOOT, BATTERY CABLE 105C "T" BLK 4/0
1258987	BOOT, BATTERY CABLE 105C "T" RED 4/0
1734756	BRKR, CIRC KOHLER GAS GEN 18A/50HZ KIT
147561	BUSHING, SS THD 1/4"FPT X 1/2"MPT
791392	BUSHING, SS THD 1/4"FPT X 3/8"MPT
130799	CABLE, BATT BLK #2AWG
1849619	CABLE, BATT KIT 310DA-07 DSL W/DSL GEN
1849164	CABLE, BATT KIT 310DA-07 GAS GEN STRN DRV
130781	CABLE, BATT RED #2AWG
256677	CLAMP, HOSE #12 1/2"-1.25" SS .505
417717	CLAMP, HOSE #36 7/8"-2.75" SS .505
123695	CLAMP, LOOM VINYL DIP #12 3/4"
793265	CONN, RING 2GA X 3/8R BATT/CBL COP PLTD CLSD
793281	CONN, RING 2GA X 5/16R .630 BARE ELONG CLSD
629253	ELBOW, BRASS 90DEG 1/4"SAE X 1/4"MPT

GENERATOR 3.5 EFOZ KOHLER -DIESEL - 220V/50 (continued)

140418	ELBOW, BRASS 90DEG STREET 1/4"
169193	ELBOW, BRZ 90DEG 3/4"MPT X 3/4"BARB
1887693	FERRULE, FUEL LINE 1/4" .575"ID X .625"OD
965954	FERRULE, FUEL LINE 1/4"ISO/CE .650"ID
1524065	FILTER, REMOTE FUEL DSL (500MASR)
629279	FITTING, BRASS 1/4"BARB/NUT
1887750	FITTING, BRASS BARB/NUT 1/4" FEMALE SAE
1727348	GENERATOR, 5.0 KW DSL KOHLER 120V/60
1849163	HARNES, 310DA-07 GEN KOHLER DSL 120/220V
913053	HOSE, EXHAUST 2" CORR HW
340901	HOSE, FUEL 1/4" TYPE A CLASS 1 ISO/CE
1884010	HOSE, FUEL 1/4" TYPE A CLASS 1-15 ISO/CE/CARB
123810	HOSE, GEN PURPOSE 3/4"
124594	HOSE, WATER 5/8" HVY DTY (HEATER)
1743616	LABEL, UNPLUG SHORE POWER WARNING
1810630	MODULE, ELEC INTERFACE SWITCHING SYS 06
1784602	MUFFLER, 2"IN X 2"OUT 9"X 9" BASE
570135	NIPPLE, BRASS 1/4"MPT X 1/4"MPT
1801720	PANEL, 290DA-06 GEN REMOTE SW DSL
1846400	PANEL, 310DA-07 AC/DC MDP 220/50 W/GEN
1848230	PANEL, 310DA-07 IGN KEY SW GAS W/GEN
518431	SEACOCK, BRZ 3/4" W/O TAILPIECE
1791584	STRAINER, BRZ WATER INTAKE 3/4" W/NYLON STRAP
640300	THRU-HULL, BRZ 3/4" W/O NUT
1769255	THRU-HULL, SS EXHAUST 2" W/SS LIP
1764348	VALVE, BRASS FUEL 1/4"MPT X 1/4"FPT LO-PRO

RAYMARINE C80 CHART PLOTTER / GPS / RADAR

1523901	ACCESS PLATE, PLAS SPOILER 8.75" ARW
822619	BUSHING, WATER TIGHT 1.25"OD
179531	BUSS BAR, 3-GANG TERMINAL STRIP (SMALL)
1879739	CABLE, RAYDOME 5M W/90DEG CONN
1747376	CABLE, SEATALK 5M (FOR RADAR ONLY)
1875619	EXTENSION, CABLE 5M RAYDOME 90DEG
1539055	EXTENSION, CABLE 5METER SEATALK (RADAR ONLY)
122853	FITTING, WATER TIGHT OUTLET FOR 5/16" CABLE
937490	FUSE BLOCK, 10-GNG BLADE-TYPE ELECTRONICS
730994	FUSE, BLADE TYPE CLOSED 7.5A
881383	GASKET, GLOMAX TV GPS MOUNT BLK
1800496	GPS, RAYSTAR RS125 SENSOR NMEA & SEATALK
140665	GROUND BUSS, BRASS
1745159	LABEL, CAUTION BUSS ELECTRONICS (LEXAN)
1805560	LIGHT, NAV MASTHEAD COMBO 24" FOLD-DOWN
788711	MOUNT, ANTENNA DECK GPS SS
1625086	MOUNT, SS SCANNER (RADAR DOME MNT)
1772721	NAVIGATION DISPLAY, RAYMARINE C80 8" CLR LCD
1846528	PANEL, 310DA-07 ELEC C80 W/RCKR SW
1769258	PLUG KIT, DEUTSCH DT04-3P 3PC KIT
1769259	PLUG KIT, DEUTSCH ST06-3S 3PC KIT
1839231	RADAR, RAYMARINE 2KW 18" RADOME N/CABLE
1476159	RADAR, RAYTHEON 2KW 18" RADAR DOME N/CABLE
1882099	SUPPORT, ALUM NRTHSTR/RAYMAR RADAR WHT
533430	VENT, CLAMSHELL ROPE LCKR 2"X2"

NORTHSTAR 491 FISHFINDER (6000I/6100I ONLY)

1795128	DEPTH FINDER, NRTHSTR 491FF MODULE
1795136	HARNES, NRTHSTR 491FF TRANS DEP/TEMP 30'
1795135	TRANSDUCER, NRTHSTR 491FF DEP/TEMP W/6'PGTAIL

BOW & STERN THRUSTERS

1258979	BOOT, BATTERY CABLE 105C "T" BLK 4/0
1258987	BOOT, BATTERY CABLE 105C "T" RED 4/0
650507	BOOT, BATTERY CABLE 4/0 BLK 11/16"
650499	BOOT, BATTERY CABLE 4/0 RED 11/16"
1687651	BOW THRUSTER, CABLE SIDE POWER CNTRL EXTEN
1727462	BOW THRUSTER, CABLE SIDE PWR CNTRL 15M
1808795	BOW THRUSTER, SIDE PWR 77LB THRST SEALED GEAR
1592419	BOW THRUSTER, TUNNEL 125X900X4MM W/SM35S ONLY
795583	BUSS BAR, SGL POST 5/16"
130807	CABLE, BATT BLK #2/0AWG
1849624	CABLE, BATT KIT 310DA-07 BOW THRSTR
1849629	CABLE, BATT KIT 310DA-07 STRN THRSTR
184051	CABLE, BATT RED #2/0AWG
793331	CONN, RING 2/0GA X 1/2R .928 BARE PLTD CLSD
793257	CONN, RING 2/0GA X 3/8R BATT/CBL COP PLTD CLS
793273	CONN, RING 2/0GA X 5/16R BATT/CBL COP PLTD CL
987446	FUSE BLOCK, BLADE TYPE ANL350/500
1585470	FUSE, ANL250 IGN PROTECTED
1317858	GEL COAT, ARCTIC WHT
1429190	HEAT SHRINK, TUBING BLK 1"X 4"

BOW & STERN THRUSTERS (continued)

1429208	HEAT SHRINK, TUBING RED 1"X 4"
1239458	HOLDER, BATTERY GR27/31 BLK NYLON W/SS
490219	HOSE, CORR SAN/WATER-FILL 1.5" RH
1751061	LABEL, BOW THRUSTER
1813640	LABEL, STERN THRUSTER
1849706	PANEL, 310DA-07 MDC BRKR W/BATT DSL TE
1800993	STERN THRUSTER, DOCKING CNTRL PNL
1835973	STERN THRUSTER, SIDE PWR 88LB THRST 12V IGNP
1835974	STERN THRUSTER, TUNNEL 125MM FOR SP40
136150	SWITCH, BATTERY ON/OFF DSL W/DISC

COCKPIT COVER

1850029	CANVAS, 310DA-07 CPC/ALUM W/S BLK
---------	-----------------------------------

INVERTER - 12V TO 120V/60 CYCLE

627737	BOX, RECEPTACLE/SWITCH PVC 1-GANG DEEP
355081	BRKR/ROCK, SGL-POLE AC/DC HORZ 25A RED
135228	CABLE, MARINE STRANDED 14/3 BLK/GRN/WHT
1787508	COVER PLATE, SGL DUPLEX RECEPT BRN LVT
1812978	INVERTER, TRUSINE WAVE XANTREX 400W 12VDC
1816198	LABEL, CAUTION ELEC LOAD ONLY INVRTR REPT
1816196	LABEL, WARNING ELEC SHK HZRD INVRTR DISCNT DC
1816197	LABEL, WARNING ELEC SHK HZRD INVRTR FED RECPT
1787507	RECEPTACLE, DUPLEX BRN 15A LVT
1787503	RECEPTACLE, GFCI DPLX BLK W/IND LIGHT 15A LVT
1881817	RECEPTACLE, GFCI DPLX BLK W/IND/SMRTLCK 15A

GPS / CHARTPLOTTER - NORTHSTAR 6000I

179531	BUSS BAR, 3-GANG TERMINAL STRIP (SMALL)
937490	FUSE BLOCK, 10-GNG BLADE-TYPE ELECTRONICS
520668	FUSE, BLADE TYPE CLOSED 3A
730994	FUSE, BLADE TYPE CLOSED 7.5A
881383	GASKET, GLOMAX TV GPS MOUNT BLK
1770974	HARNESS, GPS CBL 20' NRTHSTR 6000I
1770975	HARNESS, GPS CBL EXT 15' NRTHSTR 6000I
1795162	HARNESS, PIGTAIL 5'SRN II XDUCR TO 6000I
1757379	HARNESS, TRNSDCR DEPTH/TEMP 30' NRTHSTR 6000I
1745159	LABEL, CAUTION BUSS ELECTRONICS (LEXAN)
788711	MOUNT, ANTENNA DECK GPS SS
1778187	NAVIGATOR, NRTHSTR 6000I 8.4" CMPLT PKG
1757382	NAVIGATOR, SRNII TRANSDUCR DEPTH/TEMP W/PT NY
1846646	PANEL, 310DA-07 ELEC 6000I
1769258	PLUG KIT, DEUTSCH DT04-3P 3PC KIT
1769259	PLUG KIT, DEUTSCH ST06-3S 3PC KIT

RADAR / GPS / CHARTPLOTTER NORTHSTAR 6000I

1523901	ACCESS PLATE, PLAS SPOILER 8.75" ARW
822619	BUSHING, WATER TIGHT 1.25" OD
179531	BUSS BAR, 3-GANG TERMINAL STRIP (SMALL)
122853	FITTING, WATER TIGHT OUTLET FOR 5/16" CABLE
937490	FUSE BLOCK, 10-GNG BLADE-TYPE ELECTRONICS
520668	FUSE, BLADE TYPE CLOSED 3A
730994	FUSE, BLADE TYPE CLOSED 7.5A
881383	GASKET, GLOMAX TV GPS MOUNT BLK
140665	GROUND BUSS, BRASS
1770974	HARNESS, GPS CBL 20' NRTHSTR 6000I
1770975	HARNESS, GPS CBL EXT 15' NRTHSTR 6000I
1795162	HARNESS, PIGTAIL 5'SRN II XDUCR TO 6000I
1807867	HARNESS, RADAR CBL EXT 16'NRTHSTR 6000I 2KW
1807912	HARNESS, RADAR CBL INTRFACE NRTHSTR 6000I 2KW
1757379	HARNESS, TRNSDCR DEPTH/TEMP 30' NRTHSTR 6000I
1745159	LABEL, CAUTION BUSS ELECTRONICS (LEXAN)
1805560	LIGHT, NAV MASTHEAD COMBO 24" FOLD-DOWN
788711	MOUNT, ANTENNA DECK GPS SS
1778187	NAVIGATOR, NRTHSTR 6000I 8.4" CMPLT PKG
1757382	NAVIGATOR, SRNII TRANSDUCR DEPTH/TEMP W/PT NY
1846646	PANEL, 310DA-07 ELEC 6000I
1769258	PLUG KIT, DEUTSCH DT04-3P 3PC KIT
1769259	PLUG KIT, DEUTSCH ST06-3S 3PC KIT
1784429	RADAR, NORTHSTAR HEADING SENSOR FOR 6000I
1796308	RADAR, NRTHSTR RADOME 2KW CMPLT
1795967	RELAY, NRTHSTR RADAR KIT
1819304	SUPPORT, ALUM NRTHSTR RADAR WHT
533430	VENT, CLAMSHELL ROPE LCKR 2"X2"

SPOTLIGHT, 5" REMOTE CONTROLLED

1755306	CONTROL, SEARCH LIGHT N/HARNESS
1756641	HARNESS, SPOTLIGHT ASSY 25' W/MALE CONN
1757404	HARNESS, SPOTLIGHT ASSY 35' W/MALE CONN
1501857	HOSE, CONDUIT/SPLIT 1.5" FLAME RETARDANT

SPOTLIGHT, 5" REMOTE CONTROLLED (continued)

1754590	SPOTLIGHT, 5" SS GUEST
---------	------------------------

PREMIUM COCKPIT SOUND SYSTEM - 12 VOLT

836023	BRACKET, ALUM 1.5"X 1.5"X 1.5" 3/16"HOLES
1771141	BRKR/ROCK, SGL-POLE MNL RSET DC IGPNRT 25A YL
1181775	BRKR/ROCK, SGL-POLE MNL RSET DC IGPNRT 50A YL
935080	CABLE, CLARION DUAL REMOTE "Y"
1312750	CABLE, CLARION REMOTE EXTENSION CABLE 24'
1750879	CABLE, RCA AUDIO "Y" (1-FM/2-M) W/NOISE SUPP
1750893	CABLE, RCA AUDIO 14' W/EFX-2 CONN N/SUP
1818575	CABLE, RCA AUDIO 1M W/EFX-2 CONNECTORS
1750880	CABLE, RCA AUDIO 6' W/EFX-2 CONN W/NOISE SUPP
1758576	CABLE, RCA AUDIO EFX-2 "Y" ADAPTER
1774181	GRILL, 10" SUBWOOFER POLK/MOMO G10 WHT
1848756	HARNESS, 310DA-07 PREM CKPT STEREO
1764402	LABEL, 7/16"X 7/8" CKPT STEREO CHG ADH/SUBSTR
1849749	PANEL, 310DA-07 SPLR ACNT PRT W/POLK OMNOVA
1849750	PANEL, 310DA-07 SPLR ACNT STB W/POLK OMNOVA
1758957	PVC BOARD, 1/2"X 4'X 8' WHT INTEFOAM
1849195	SPEAKER, 10" SUBWOOFER MARINE WHT
1854215	SPEAKER, JL COMPONENT
1764471	SPEAKER, POLK/MOMO 10" SUBWOOFER RV1
1784476	SPEAKER, POLK/MOMO 6.5"MD-RNG/TWTR/CRSOVR WHT
1782018	STEREO, AMP CLARION APX280M
1854218	STEREO, AMP JL 450W/6/5/4/3 CH POWER AMP WHT
1807866	STEREO, AMP PANASONIC 400W 4CHNL
1803477	STEREO, REMOTE CNTRL N/DSPL BLK FACE/SS BZL

GENERATOR 4.0 EFCD KOHLER - GAS - 220V/50HZ

162750	ADAPTER, BRASS 1/4"MPT X 1/4"SAE
531426	ADAPTER, BRZ 3/4"MPT X 3/4"BARB
1258979	BOOT, BATTERY CABLE 105C "T" BLK 4/0
1258987	BOOT, BATTERY CABLE 105C "T" RED 4/0
1791354	BRACKET, ELEC FUEL SHUT OFF A&B MOUNT
147561	BUSHING, SS THD 1/4"FPT X 1/2"MPT
130799	CABLE, BATT BLK #2AWG
1849164	CABLE, BATT KIT 310DA-07 GAS GEN STRN DRV
130781	CABLE, BATT RED #2AWG
256677	CLAMP, HOSE #12 1/2"-1.25" SS .505
417717	CLAMP, HOSE #36 7/8"-2.75" SS .505
123695	CLAMP, LOOM VINYL DIP #12 3/4"
793265	CONN, RING 2GA X 3/8R BATT/CBL COP PLTD CLSD
793281	CONN, RING 2GA X 5/16R .630 BARE ELONG CLSD
629253	ELBOW, BRASS 90DEG 1/4"SAE X 1/4"MPT
169193	ELBOW, BRZ 90DEG 3/4"MPT X 3/4"BARB
1887693	FERRULE, FUEL LINE 1/4" .575"ID X .625"OD
965954	FERRULE, FUEL LINE 1/4"ISO/CE .650"ID
148171	FILTER, FUEL/WATER SEPARATOR KIT
629279	FITTING, BRASS 1/4"BARB/NUT
1887750	FITTING, BRASS BARB/NUT 1/4" FEMALE SAE
1833211	GENERATOR, 4EFCD GAS KOHLER 220V/50 SCRFT
1849162	HARNESS, 310DA-07 GEN KOHLER ELEC GAS 120/220V
913053	HOSE, EXHAUST 2" CORR HW
340901	HOSE, FUEL 1/4" TYPE A CLASS 1 ISO/CE
1884010	HOSE, FUEL 1/4" TYPE A CLASS 1-15 ISO/CE/CARB
123810	HOSE, GEN PURPOSE 3/4"
124594	HOSE, WATER 5/8" HVY DTY (HEATER)
1831528	LABEL, GENERATOR RESET NOTICE
1743616	LABEL, UNPLUG SHORE POWER WARNING
1745513	LABEL, WARNING LEAKING FUEL
1810630	MODULE, ELEC INTERFACE SWITCHING SYS 06
1784602	MUFFLER, 2"IN X 2"OUT 9"X 9" BASE
168849	NIPPLE, BRASS 1/4"MPT X 1.5"HEX
570135	NIPPLE, BRASS 1/4"MPT X 1/4"MPT
1846400	PANEL, 310DA-07 AC/DC MDP 220/50 W/GEN
1848230	PANEL, 310DA-07 IGN KEY SW GAS W/GEN
518431	SEACOCK, BRZ 3/4" W/O TAILPIECE
1791584	STRAINER, BRZ WATER INTAKE 3/4" W/NYLON STRAP
640300	THRU-HULL, BRZ 3/4" W/O NUT
1769255	THRU-HULL, SS EXHAUST 2" W/SS LIP
1791155	VALVE, BRASS FUEL SHUT-OFF 12V SER7000 10W

GENERATOR 5.0 ECD KOHLER - GAS - 120V/60HZ

162750	ADAPTER, BRASS 1/4"MPT X 1/4"SAE
531426	ADAPTER, BRZ 3/4"MPT X 3/4"BARB
1258979	BOOT, BATTERY CABLE 105C "T" BLK 4/0
1258987	BOOT, BATTERY CABLE 105C "T" RED 4/0
1791354	BRACKET, ELEC FUEL SHUT OFF A&B MOUNT
147561	BUSHING, SS THD 1/4"FPT X 1/2"MPT
130799	CABLE, BATT BLK #2AWG

GENERATOR 5.0 ECD KOHLER - GAS - 120V/60HZ (continued)

1849164	CABLE, BATT KIT 310DA-07 GAS GEN STRN DRV
130781	CABLE, BATT RED #2AWG
256677	CLAMP, HOSE #12 1/2"-1.25" SS .505
417717	CLAMP, HOSE #36 7/8"-2.75" SS .505
123695	CLAMP, LOOM VINYL DIP #12 3/4"
793265	CONN, RING 2GA X 3/8R BATT/CBL COP PLTD CLSD
793281	CONN, RING 2GA X 5/16R .630 BARE ELONG CLSD
629253	ELBOW, BRASS 90DEG 1/4"SAE X 1/4"MPT
169193	ELBOW, BRZ 90DEG 3/4"MPT X 3/4"BARB
1887693	FERRULE, FUEL LINE 1/4" .575"ID X .625"OD
965954	FERRULE, FUEL LINE 1/4"ISO/CE .650"ID
148171	FILTER, FUEL/WATER SEPARATOR KIT
629279	FITTING, BRASS 1/4"BARB/NUT
1887750	FITTING, BRASS BARB/NUT 1/4" FEMALE SAE
1803671	GENERATOR, 5ECD GAS KOHLER 120V/60 SCRF
1849162	HARNESS, 310DA-07 GEN KOHLER ECD GAS 120/220V
913053	HOSE, EXHAUST 2" CORR HW
340901	HOSE, FUEL 1/4" TYPE A CLASS 1 ISO/CE
1884010	HOSE, FUEL 1/4" TYPE A CLASS 1-15 ISO/CE/CARB
123810	HOSE, GEN PURPOSE 3/4"
124594	HOSE, WATER 5/8" HVY DTY (HEATER)
1831528	LABEL, GENERATOR RESET NOTICE
1743616	LABEL, UNPLUG SHORE POWER WARNING
1745513	LABEL, WARNING LEAKING FUEL
1810630	MODULE, ELEC INTERFACE SWITCHING SYS 06
1784602	MUFFLER, 2"IN X 2"OUT 9"X 9" BASE
168849	NIPPLE, BRASS 1/4"MPT X 1.5"HEX
570135	NIPPLE, BRASS 1/4"MPT X 1/4"MPT
1846397	PANEL, 310DA-07 AC/DC MDP 120/60 W/GEN
1848230	PANEL, 310DA-07 IGN KEY SW GAS W/GEN
518431	SEACOCK, BRZ 3/4" W/O TAILPIECE
1791584	STRAINER, BRZ WATER INTAKE 3/4" W/NYLON STRAP
640300	THRU-HULL, BRZ 3/4" W/O NUT
1769255	THRU-HULL, SS EXHAUST 2" W/SS LIP
1791155	VALVE, BRASS FUEL SHUT-OFF 12V SER7000 10W

MACERATOR W/ SEACOCK INTERLOCK SYSTEM

256693	CLAMP, HOSE #24 1"-2" SS .505
123604	CLAMP, LOOM VINYL DIP 2.5"
531566	ELBOW, BRZ 90DEG 1.5"MPT X 1.5"BARB
846899	HOSE, SANI 1.5" PREMIUM RBR BLK
1745156	LABEL, NOTICE OVERBOARD DISCHARGE (LEXAN)
518456	SEACOCK, BRZ 1.5" W/O TAILPIECE
1302116	SWITCH, SEACOCK INTERLOCK W/60" LEADS/CONN
1760159	TANK, HOLDING 28 GAL HTS W/VAC GEN/12V T-PMP
579870	THRU-HULL, BRZ 1.5" W/O NUT

NORTHSTAR 3300 AUTOPILOT

1807927	AUTO PILOT, NRTHSTR CORE PACK KIT (OPTIMAX)
1807919	AUTO PILOT, NRTHSTR NS3300 DISPLAY ONLY
1807922	AUTO PILOT, NRTHSTR TYPE I PUMP UNIT
731000	FUSE, BLADE TYPE CLOSED 10A
1808609	HARNESS, AUTOPILOT NRTHSTR 10M EXT
1801623	HOSE KIT, 320/340SDA-06 HYD .313ID 21'
1850286	PANEL, 310DA-07 ELEC NRTHSTR AUTO
996959	STEERING, O/B HOSE KIT 22" W/2 HOSES

BOATER SAFETY KIT

1848242	KIT, SAFETY PACKAGE-SPCRUIS W/WHT FNDRS/LINE
1848243	KIT, SIGNAL ORION FLARE

GRILL, COCKPIT - BUILT IN - 120V/60

627737	BOX, RECEPTACLE/SWITCH PVC 1-GANG DEEP
352062	BRKR/ROCK, SGL-POLE AC/DC HORZ 15A RED
1776975	BRKR/ROCK, SGL-POLE AC/DC HORZ UP LUG 15A WHT
1787508	COVER PLATE, SGL DUPLEX RECEPT BRN LVT
180067	COVER PLATE, WATERPROOF RECEPT W/2 DOORS
1848110	DOOR, PLEX 1/2"X 20 3/8"X22 3/8"ARW W/GRILL
1848406	GRILL, ELECTRIC BRSHD SS 120V AC W/RND LID
1849754	PANEL, 310DA-07 CKPT PRT SIDE W/GRL OMNOVA
145136	RECEPTACLE, CORR RESISTANT GREY
1787507	RECEPTACLE, DUPLEX BRN 15A LVT
1850431	STOP, HDPE 3/4"X 1"GRILL CNTRS/NK ARW
1847839	TOP, CORIAN 310DA-07 CKPT WETBAR W/GRL SNDSTN
1848107	TOP, CORIAN 310DA-07 GRILL ASSY SNDSTN

GRILL, COCKPIT - BUILT IN - 220V/50

627737	BOX, RECEPTACLE/SWITCH PVC 1-GANG DEEP
352062	BRKR/ROCK, SGL-POLE AC/DC HORZ 15A RED
1776975	BRKR/ROCK, SGL-POLE AC/DC HORZ UP LUG 15A WHT

GRILL, COCKPIT - BUILT IN - 220V/50 (continued)

1787508	COVER PLATE, SGL DUPLEX RECEPT BRN LVT
1848110	DOOR, PLEX 1/2"X 20 3/8"X22 3/8"ARW W/GRILL
1850430	GRILL, ELECTRIC BRSHD SS 240V AC W/RND LID
1849754	PANEL, 310DA-07 CKPT PRT SIDE W/GRL OMNOVA
1787507	RECEPTACLE, DUPLEX BRN 15A LVT
1787551	RECEPTACLE, GERMAN STD MOS WHT(SNAP CVR) LVT
1787565	RECEPTACLE, LEVITON EXT W/CVR 220/50 GERMAN
1850431	STOP, HDPE 3/4"X 1"GRILL CNTRS/NK ARW
1847839	TOP, CORIAN 310DA-07 CKPT WETBAR W/GRL SNDSTN
1848107	TOP, CORIAN 310DA-07 GRILL ASSY SNDSTN

RAYMARINE - C80 CHART PLOTTER / GPS

179531	BUSS BAR, 3-GANG TERMINAL STRIP (SMALL)
937490	FUSE BLOCK, 10-GNG BLADE-TYPE ELECTRONICS
730994	FUSE, BLADE TYPE CLOSED 7.5A
881383	GASKET, GLOMAX TV GPS MOUNT BLK
1800496	GPS, RAYSTAR RS125 SENSOR NMEA & SEATALK
1745159	LABEL, CAUTION BUSS ELECTRONICS (LEXAN)
788711	MOUNT, ANTENNA DECK GPS SS
1772721	NAVIGATION DISPLAY, RAYMARINE C80 8" CLR LCD
1846528	PANEL, 310DA-07 ELEC C80 W/RCKR SW
1769258	PLUG KIT, DEUTSCH DT04-3P 3PC KIT
1769259	PLUG KIT, DEUTSCH ST06-3S 3PC KIT

FIRE SUPPRESSION FM 200 - INTERNATIONAL

1642271	FIRE EXT SYS, FM200 250CF GAS/DSL-MAN/AUTO
---------	--

GRAY WATER SYSTEM

123885	HOSE, CORR BILGE 3/4" BLK
1768876	LABEL, 1/2"X 1.5" DRAIN
1745161	LABEL, 1/2"X 1.5" VANITY SINK
182964	THRU-HULL, PLAS 3/4" WHT
124487	THRU-HULL, PLAS 5/8" WHT
1778931	THRU-HULL, SS 1 1/8" BARB SHORT W/RBR GASKET
1778929	THRU-HULL, SS 3/4" BARB SHORT W/RBR GASKET

ACC'Y TABLE W/LEVELOCK/2 GUNWALE ROD HOLDER

147611	ADAPTER, BRASS 1/4"MPT X 3/8"BARB
417998	CLAMP, HOSE #04M 1/4"-5/8" SS MINI
124347	HOSE, PVC CLEAR 3/8"
1795401	ROD HOLDER, FLUSH MNT SS 30DEG CONTR W/LOGO
1784443	TABLE, HDPE BAIT/FILET MATE & LEVLOCK CMBO 31"

UNDER WATER SWIM PLATFORM LIGHTING

122853	FITTING, WATER TIGHT OUTLET FOR 5/16" CABLE
1774634	LIGHT, UNDRWTR 12V/50W HALOGEN SEALED BEAM

BOW AND STERN THRUSTER - W/ V-DRIVES ONLY

1258979	BOOT, BATTERY CABLE 105C "T" BLK 4/0
1258987	BOOT, BATTERY CABLE 105C "T" RED 4/0
650507	BOOT, BATTERY CABLE 4/0 BLK 11/16"
650499	BOOT, BATTERY CABLE 4/0 RED 11/16"
1727462	BOW THRUSTER, CABLE SIDE PWR CNTRL 15M
1808795	BOW THRUSTER, SIDE PWR 77LB THRST SEALED GEAR
1592419	BOW THRUSTER, TUNNEL 125X900X4MM W/SM35S ONLY
795583	BUSS BAR, SGL POST 5/16"
130807	CABLE, BATT BLK #2/0AWG
184051	CABLE, BATT RED #2/0AWG
793331	CONN, RING 2/0GA X 1/2R .928 BARE PLTD CLSD
793257	CONN, RING 2/0GA X 3/8R BATT/CBL COP PLTD CLS
793273	CONN, RING 2/0GA X 5/16R BATT/CBL COP PLTD CL
987446	FUSE BLOCK, BLADE TYPE ANL350/500
1585470	FUSE, ANL250 IGN PROTECTED
1317858	GEL COAT, ARCTIC WHT
1429190	HEAT SHRINK, TUBING BLK 1"X 4'
1429208	HEAT SHRINK, TUBING RED 1"X 4'
1239458	HOLDER, BATTERY GR27/31 BLK NYLON W/SS
490219	HOSE, CORR SAN/WATER-FILL 1.5" RH
1751061	LABEL, BOW THRUSTER
1813640	LABEL, STERN THRUSTER
1849706	PANEL, 310DA-07 MDC BRKR W/BATT DSL TE
1800993	STERN THRUSTER, DOCKING CNTRL PNL
1835973	STERN THRUSTER, SIDE PWR 88LB THRST 12V IGNP
1835974	STERN THRUSTER, TUNNEL 125MM FOR SP40
136150	SWITCH, BATTERY ON/OFF DSL W/DIS

RAYMARINE DSM 300 FISH FINDER

1801244	DEPTH FINDER, DIGITAL SOUND MODL HSB2/DSM300
731000	FUSE, BLADE TYPE CLOSED 10A
1795499	TRANSDUCER, DEPTH/TEMP FOR DSM250 FISHFINDER

TRANS-SHIELD COVER (SHIPPING COVER)

1766056	VINYL FILM, 290DA-06/300DA-04 PLAS CVR
1766057	VINYL FILM, 320DA-04 PLAS CVR

BOW THRUSTER

1258979	BOOT, BATTERY CABLE 105C "T" BLK 4/0
650507	BOOT, BATTERY CABLE 4/0 BLK 11/16"
650499	BOOT, BATTERY CABLE 4/0 RED 11/16"
1687651	BOW THRUSTER, CABLE SIDE POWER CNTRL EXTEN
1727462	BOW THRUSTER, CABLE SIDE PWR CNTRL 15M
1765067	BOW THRUSTER, JOYSTICK (IMTRA)12/24V W/ON/OFF
1808795	BOW THRUSTER, SIDE PWR 77LB THRST SEALED GEAR
1592419	BOW THRUSTER, TUNNEL 125X900X4MM W/SM35S ONLY
795583	BUSS BAR, SGL POST 5/16"
130807	CABLE, BATT BLK #2/0AWG
1849624	CABLE, BATT KIT 310DA-07 BOW THRSTR
184051	CABLE, BATT RED #2/0AWG
793331	CONN, RING 2/0GA X 1/2R .928 BARE PLTD CLSD
793257	CONN, RING 2/0GA X 3/8R BATT/CBL COP PLTD CLS
793273	CONN, RING 2/0GA X 5/16R BATT/CBL COP PLTD CL
987446	FUSE BLOCK, BLADE TYPE ANL350/500
1585470	FUSE, ANL250 IGN PROTECTED
1317858	GEL COAT, ARCTIC WHT
1429190	HEAT SHRINK, TUBING BLK 1"X 4'
1429208	HEAT SHRINK, TUBING RED 1"X 4'
1239458	HOLDER, BATTERY GR27/31 BLK NYLON W/SS
490219	HOSE, CORR SAN/WATER-FILL 1.5" RH
1751061	LABEL, BOW THRUSTER
1849706	PANEL, 310DA-07 MDC BRKR W/BATT DSL TE
136150	SWITCH, BATTERY ON/OFF DSL W/DISC

SHIP WATER READY

579573	CLIP, RETAINER BOAT HOOK 5/8"TO 1 1/4"
796912	FENDER, 8"X 20" WHT #1026
1581099	FIRE EXT, DRY CHEM HAND-HELD 1A 10BC 2.50LB
159244	HOOK, ALUM BOAT HOOK
184341	KIT, FIRST AID
184358	KIT, SIGNAL GUN KIT
184366	RING BUOY, RESCUE RING BUOY 20"
187351	ROPE, NYLON DOCKLINE 1/2"X 30'
773481	TUBE, SIGNAL KIT 12" "UTILITUBE" W/ORANGE LID

BOTTOM PAINT (STERN DRIVES) WHITE HULL ONLY

1355338	PAINT, BOTTOM BLACK HYDROCOAT
946152	PAINT, PRIMER METAL #6455/044
1271147	PAINT, PRIMER METAL #6627
868893	PAINT, PRIMER SANDLESS #6999
325191	PLUG, RED BRASS DRAIN 1/2"MPT W/FLANGE
725937	TRIM TAB, ASSY 12X18 SGL ACT

COCKPIT REFRIGERATOR DUAL VOLT-220V/50-12V

627737	BOX, RECEPTACLE/SWITCH PVC 1-GANG DEEP
836007	BRACKET, ALUM 1.5"X 1.5"X 3" 3/16"HOLES
1181759	BRKR/ROCK, SGL-POLE MNL RSET DC IGNPRT 15A YL
1646900	CABLE, MARINE UL BOAT 14/3 EURO
1846509	DOOR, PLEX 1/2"X 20 3/8"X24 3/8"ARW W/SLOTS
1758957	PVC BOARD, 1/2"X 4'X 8' WHT INTEFOAM
1787565	RECEPTACLE, LEVITON EXT W/CVR 220/50 GERMAN
1747062	REFRIGERATOR, 1.7 CU FT 12VDC/240V

ALCOHOL / ELECTRIC STOVE-220V/50 (2 BURNER)

1745158	LABEL, FUEL RECOMMENDATION/LP GAS WARNING
1765379	RAIL, STOVE ALCOHOL/ELECTRIC 300DA
1324193	STOVE, ALC/ELEC 2-BURNER 220/50 #436
1838051	TOP, CORIAN 310DA-07 GLY W/ALCH STV BRNTAMBR

220 VOLT / 50 CYCLE ELECTRICAL SYSTEM

975037	BRKR, IDEA 230V 2P EURO GFCI 16A 10MA WHT
826867	BRKR/TOGGLE, 2-POLE AC MED DELAY 25A
1745132	CONVERTER, 20AMP 120/220 50/60HZ 12VDC REV 1
206268	CORD SET, 220V/50H 16A 50FT
975029	COVER PLATE, IDEA-SERIES 3-GANG WHT
893289	FRAME, IDEA-SERIES 3-GANG SUPPORT FRAME GREY
1838705	HARNESS, 310DA-07 BILGE 220V
1838711	HARNESS, 310DA-07 CABIN 220V
1156728	HEATER, WATER 6 GAL 220/50 W/75-210T&P
206276	INLET, SHORE POWER WHT 220V/50H 16A
1793050	MICROWAVE, SYLVANIA 0.5CF BLK 220V
1846399	PANEL, 310DA-07 AC/DC MDP 220/50 N/GEN
1787551	RECEPTACLE, GERMAN STD MOS WHT(SNAP CVR) LVT
1787565	RECEPTACLE, LEVITON EXT W/CVR 220/50 GERMAN

220 VOLT / 50 CYCLE ELECTRICAL SYSTEM (continued)

1671064	REFRIGERATOR, 2.7 CF AC/DC 220/50
583906	RELAY, 240VAC 50/60 HZ 20 AMP DDPDT
1183003	STOVE, ELEC 2-BURNER CARIBBEAN COOKTOP 220
975011	SWITCH, BLANK IDEA-SERIES WHT

AIR CONDITIONING / HEATING-12000BTU-120V/60

1613934	A/C COMP, 360DA-02 PLENUM DISCHARGE FWD/AFT
1604263	A/C COMP, CABLE INTERCONNECT 15'
1759843	A/C COMP, COMPACT 12K SMXII 115V 60HZ R22
1805241	A/C COMP, CONTROLLER SMXHT DISPLAY DX-GREY
1322940	A/C COMP, GRILL 3" BLK W/DBL LVR
948273	A/C COMP, HOSE FITTINGS FOR PMP500
1848375	A/C COMP, PLENUM BLWR W/5" T/5" F PL10-12
1848392	A/C COMP, PLENUM BOX 5I OBLNG 4T 4T/5X9.5X6
1741490	A/C COMP, PLENUM BOX W/4I-3T-3R W/BRKTS
1848395	A/C COMP, PLENUM GRILL BOX 30 8X6X3
1848393	A/C COMP, PLENUM GRILL BOX 4L OBLNG 10X6
1848394	A/C COMP, PLENUM GRILL BOX 5L ANF FLSH 5X5.5
948265	A/C COMP, PUMP SEAWATER 115V
531426	ADAPTER, BRZ 3/4"MPT X 3/4"BARB
522813	BOX, RECEPTACLE PVC SURFACE MOUNT CARLON
1795343	BRKR/ROCK, SGL-POLE AC/DC HORZ UP LUG 20A WHT
256677	CLAMP, HOSE #12 1/2"-1.25" SS .505
1376474	CONN, NYLON 1/2" FLAT CORD GRIP WATERPROOF
1478841	CONN, NYLON 1/2" ROUND SKIN TOP WATERPROOF
147397	COVER PLATE, CARLON BOX SGL
1818834	COVER PLATE, IDEA-SERIES 3-GANG NKL SQR CRNR
1882429	ELBOW, POLY 3/4"MPT X 3/4"BARB X 90DEG
411132	ELBOW, PVC 1/2"MPT X 1/2"BARB X 90DEG
720169	HOSE, AC/DUCT 3"
639856	HOSE, AC/DUCT INSULATED 4" X 10'
266528	HOSE, AC/DUCT INSULATED 5"
123810	HOSE, GEN PURPOSE 3/4"
1058957	HOSE, WATER A/C WHT 5/8"
1751884	LABEL, 1/2"X 1.5" A/C CONDENSATE
1743616	LABEL, UNPLUG SHORE POWER WARNING
531574	PICK-UP, BRZ WATER INTAKE 3/4"
518431	SEACOCK, BRZ 3/4" W/O TAILPIECE
1791584	STRAINER, BRZ WATER INTAKE 3/4" W/NYLON STRAP
1778933	THRU-HULL, SS 5/8"BARB SHORT W/RBR GASKET

AIR CONDITIONING / HEATING-12000BTU-220V/50

1613934	A/C COMP, 360DA-02 PLENUM DISCHARGE FWD/AFT
1604263	A/C COMP, CABLE INTERCONNECT 15'
1769425	A/C COMP, COMPACT 12K SMXII 220V 50HZ GG
1805241	A/C COMP, CONTROLLER SMXHT DISPLAY DX-GREY
1322940	A/C COMP, GRILL 3" BLK W/DBL LVR
948273	A/C COMP, HOSE FITTINGS FOR PMP500
1848375	A/C COMP, PLENUM BLWR W/5" T/5" F PL10-12
1848392	A/C COMP, PLENUM BOX 5I OBLNG 4T 4T/5X9.5X6
1741490	A/C COMP, PLENUM BOX W/4I-3T-3R W/BRKTS
1848395	A/C COMP, PLENUM GRILL BOX 30 8X6X3
1848393	A/C COMP, PLENUM GRILL BOX 4L OBLNG 10X6
1848394	A/C COMP, PLENUM GRILL BOX 5L ANF FLSH 5X5.5
948349	A/C COMP, PUMP SEAWATER 230V
531426	ADAPTER, BRZ 3/4"MPT X 3/4"BARB
522813	BOX, RECEPTACLE PVC SURFACE MOUNT CARLON
1776975	BRKR/ROCK, SGL-POLE AC/DC HORZ UP LUG 15A WHT
256677	CLAMP, HOSE #12 1/2"-1.25" SS .505
1376474	CONN, NYLON 1/2" FLAT CORD GRIP WATERPROOF
1478841	CONN, NYLON 1/2" ROUND SKIN TOP WATERPROOF
147397	COVER PLATE, CARLON BOX SGL
1818834	COVER PLATE, IDEA-SERIES 3-GANG NKL SQR CRNR
1882429	ELBOW, POLY 3/4"MPT X 3/4"BARB X 90DEG
411132	ELBOW, PVC 1/2"MPT X 1/2"BARB X 90DEG
720169	HOSE, AC/DUCT 3"
639856	HOSE, AC/DUCT INSULATED 4" X 10'
266528	HOSE, AC/DUCT INSULATED 5"
123810	HOSE, GEN PURPOSE 3/4"
1058957	HOSE, WATER A/C WHT 5/8"
1751884	LABEL, 1/2"X 1.5" A/C CONDENSATE
1743616	LABEL, UNPLUG SHORE POWER WARNING
531574	PICK-UP, BRZ WATER INTAKE 3/4"
518431	SEACOCK, BRZ 3/4" W/O TAILPIECE
1791584	STRAINER, BRZ WATER INTAKE 3/4" W/NYLON STRAP
1778933	THRU-HULL, SS 5/8"BARB SHORT W/RBR GASKET

GEL-COATED DASH - OPTIONAL

1776900	COMPASS, FLUSH MT 4 3/16" BLK W/CONN
1846511	DOOR, HDPE 310DA-07 HLM ACCESS NKL W/SS STHCO

GEL-COATED DASH - OPTIONAL (continued)

1799861	GEL COAT, NICKLE MMHP
914010	LOCK, CABIN DOOR BLK ANOD ALUM
1802210	NOSING, VINYL 1"X 1/4"X 10' WARM GRY/NCKL
1848411	TRIM, EDGE BLK PEBBLE 1/2"

SUN PAD/VINYL/WITH HEADREST-SS DECK RUNNERS

1846964	CUSH, 310DA-07 SUNPAD FWD DECK OMNOVA
1752374	LABEL, SUN PAD WARNING UNDERWAY
1839629	RAIL, DECK RUNNER 310DA-07 P/S

ALCOHOL / ELECTRIC STOVE-120V/60 (2 BURNER)

1745158	LABEL, FUEL RECOMMENDATION/LP GAS WARNING
1765379	RAIL, STOVE ALCOHOL/ELECTRIC 300DA
1324185	STOVE, ALC/ELEC 2-BURNER NON-PRESS #436
1838051	TOP, CORIAN 310DA-07 GLY W/ALCH STV BRNTAMBR

WINDLASS - CHAIN

1145275	ANCHOR SHACKLE, JAW/JAW SWIVEL HVY DTY 3/8"
140509	BOOT, ENG STARTER RED
1185099	BRKR, SURF MNT THERMAL 100AMP MANUAL RESET
1772527	BRKR/ROCK, SGL-POLE C-SERIES DC IGNPRT 50A LD
1873372	BRKR/ROCK, SGL-POLE C-SERIES IGNPRT 100A LD
829432	BUSS BAR, DBL POST 5/16"
1048743	CHAIN STOP, SS W/LANYARD (WINDLINE)
489575	CHAIN, HIGH TEST 5/16"X 125'
590646	CLIP, POLE STRG BLK - MAST LIGHT
579573	CLIP, RETAINER BOAT HOOK 5/8"TO 1 1/4"
1596923	FUSE HOLDER, BLADE TYPE ACCY 10A
1805771	GUARD, HDPE 1/2"X 3 3/8"X 6" WNDLS CHAIN
1849849	HARNESS, 310DA-07 WINDLASS CABLE/DISCONNECT
1849854	HARNESS, 310DA-07 WINDLASS CONTROL
1746896	LABEL, DANGER STAY CLEAR OF MOVING PARTS
1745518	LABEL, WINDLASS BRKR
1838533	PLATE, ALUM 3/8"X16 7/8"X18.75"WNDLS MNTG ARW
1882359	PLATE, ALUM 3/8"X16 7/8"X19 7/8"WNDLS MNT ARW
644609	SOLENOID, MAGNET LATCHING 12V 100A/500A W/HWDW
651869	SOLENOID, MAGNET LATCHING LEAD ONLY
757765	WINDLASS FOOTSWITCH, HVY DUTY W/SAFTY CVR WHT
798447	WINDLASS SOLENOID, LOFRANS CONTROL BOX 12V
1772549	WINDLASS, PROJECT 1000 LOW PROFILE
1853433	WINDLASS, RP/CHN ANTARES 1000 W/2FTS W/SLNOID

WINDLASS - ROPE / CHAIN

140509	BOOT, ENG STARTER RED
1185099	BRKR, SURF MNT THERMAL 100AMP MANUAL RESET
1772527	BRKR/ROCK, SGL-POLE C-SERIES DC IGNPRT 50A LD
1873372	BRKR/ROCK, SGL-POLE C-SERIES IGNPRT 100A LD
829432	BUSS BAR, DBL POST 5/16"
590646	CLIP, POLE STRG BLK - MAST LIGHT
579573	CLIP, RETAINER BOAT HOOK 5/8"TO 1 1/4"
1596923	FUSE HOLDER, BLADE TYPE ACCY 10A
1805771	GUARD, HDPE 1/2"X 3 3/8"X 6" WNDLS CHAIN
1849849	HARNESS, 310DA-07 WINDLASS CABLE/DISCONNECT
1849854	HARNESS, 310DA-07 WINDLASS CONTROL
1746896	LABEL, DANGER STAY CLEAR OF MOVING PARTS
1745518	LABEL, WINDLASS BRKR
1838533	PLATE, ALUM 3/8"X16 7/8"X18.75"WNDLS MNTG ARW
1882359	PLATE, ALUM 3/8"X16 7/8"X19 7/8"WNDLS MNT ARW
1788177	ROPE/CHN KIT, LOFRANS 9/16"X200'/5/16"X25' HT
644609	SOLENOID, MAGNET LATCHING 12V 100A/500A W/HWDW
651869	SOLENOID, MAGNET LATCHING LEAD ONLY
757765	WINDLASS FOOTSWITCH, HVY DUTY W/SAFTY CVR WHT
798447	WINDLASS SOLENOID, LOFRANS CONTROL BOX 12V
1772549	WINDLASS, PROJECT 1000 LOW PROFILE
1853433	WINDLASS, RP/CHN ANTARES 1000 W/2FTS W/SLNOID

C E OPTION GROUP

256693	CLAMP, HOSE #24 1"-2" SS .505
1642271	FIRE EXT SYS, FM200 250CF GAS/DSL-MAN/AUTO
1501857	HOSE, CONDUIT/SPLIT 1.5" FLAME RETARDANT
490219	HOSE, CORR SAN/WATER-FILL 1.5" RH
1751883	LABEL, 7/16"X 7/8" SALON
1745123	LABEL, BILGE (LEXAN)
1745514	LABEL, PREVENT DISCHARGE OF POLLUTANTS
1691479	MANUAL, OWNERS - SEA RAY INT'L 12-LANGUAGE
976415	PLATE, CE OPT B-12PERSON/1360KG
604959	PUMP, BILGE 16GPM MANUAL THRU DECK MNT
529016	PUMP, BILGE 16GPM MANUAL TWO POS
801563	PUMP, BILGE MANUAL PICKUP/STRAINER
1778928	THRU-HULL, SS 1.5"BARB SHORT WRBR GASKET

C E OPTION GROUP (continued)

141721	VALVE, DIVERTER 1.5"
T-2.43 TO 1 BR3 HIGH ALTITUDE GEAR RATIOS	
1778005	OUTDRIVE (HI-ALT), MERC BR-III 2.43:1 '05

COLORED HULL

1884106	COVER, CUSTOM CLAMSHELL ABS/DR FLAG BLUE
1779687	COVER, CUSTOM CLAMSHELL ABS/DR PAINTED BLUE
1883602	GEL COAT, BLUSHGUARD FLAG BLUE 5769A90040A
1799711	GEL COAT, MMHP MIDNIGHT BLUE
1355338	PAINT, BOTTOM BLACK HYDROCOAT
946152	PAINT, PRIMER METAL #6455/044
1271147	PAINT, PRIMER METAL #6627
868893	PAINT, PRIMER SANDLESS #6999
325191	PLUG, RED BRASS DRAIN 1/2"MPT W/FLANGE
1753015	TAPE, SOLID 3" WHT/WELL AMETHYST N/VOID
725937	TRIM TAB, ASSY 12X18 SGL ACT
1766056	VINYL FILM, 290DA-06/300DA-04 PLAS CVR

VACUUM FLUSH HEAD W/ DIRECT OVER BOARD INTL

154856	CONN, RING 8GA X 10R .374 W/INSUL ELONG
531566	ELBOW, BRZ 90DEG 1.5"MPT X 1.5"BARB
1745156	LABEL, NOTICE OVERBOARD DISCHARGE (LEXAN)
518456	SEACOCK, BRZ 1.5" W/O TAILPIECE
1302116	SWITCH, SEACOCK INTERLOCK W/60" LEADS/CONN
579870	THRU-HULL, BRZ 1.5" W/O NUT
1798723	VACUUM GEN, HEAD SYS PMP/ACUM LOPRO 12V W/CONN

DSS SATELLITE TV.SYS. KVH-M3 - 120V/60 ONLY

1839454	ANTENNA, DSS TRAC VISION M3 W/12V RECVR
1332568	CABLE, DATA EXT W/CONN
1332550	CABLE, POWER EXT W/CONN
1838167	CABLE, S-VIDEO 12'
1688700	LABEL, RCA DSS UNIT
1803549	LIGHT, NAV MASTHEAD COMBO 30" FOLD-DOWN
1849334	SUPPORT, ALUM SATELLITE KVH M3/JRC RADAR WHT
198945	VELCRO, DUAL LOCK CLR 2"X 50YD W/ADH BACK

CANADIAN CONFORMITY STICKER

1849893	LABEL, STICKER 310DA CANADIAN CONFORMITY
---------	--

AUTOPILOT - RAYPILOT ST 7001+

1666163	AUTO PILOT, RAYPILOT ST7001 DISPLAY ONLY
1612761	AUTO PILOT, RAYPILOT TYPE 1 T150 CORE PAKK
852483	AUTO PILOT, RAYPILOT TYPE I PUMP UNIT
1685217	BRACKET, SS COREPAK ADJ
1727593	BRACKET, SS RUDDER INDICATOR RAYMAR W/S-CRFT
195305	COUPLING, BRASS 1/4" FPT
763813	FUSE, BLADE TYPE CLOSED 25A
1747504	LABEL, COMPASS AREA KEEP AWAY MTL OBJECTS
1850299	PANEL, 310DA-07 ELEC RAYMAR AUTO
785295	ROD, THREAD 6MM X 40.67CM SS
1762408	STEERING HOSE, 5/16" X 2"W/FITTINGS (SEASTAR)
1777899	STEERING HOSE, 5/16"X 23"W/FITTINGS (SEASTAR)
1762407	STEERING HOSE, 5/16"X 3"W/FITTINGS (SEASTAR)
168807	STEERING, ADAPTER BRASS 1/4"MPT X 3/8"COMP
999284	STEERING, FITTING ELBOW TUBE TO 1/4"MPT
577312	TEE, BRASS 3/8"COMP X 1/4"MPT X 3/8"COMP

WINDSHIELD W/ STAINLESS STEEL FRAME

1850437	CANVAS, 310DA-07 SIDE CURT/SS W/S BLK
1850441	CANVAS, 310DA-07 VSR/SS W/S 3PC CLR/BLK
1839614	W/S, 310DA-07 SS CMPLT W/SNP

INTERNATIONAL IN-SERVICE CHECKLIST

1880468	CHECK LIST, INT'L DISCLOSURE SPBT/SPCRUSR '06
---------	---

"335DA" MODEL DESIGNATORS

1675057	EMBLEM, MODEL DESG 335 URETHANE BLK/CHR
---------	---

COCKPIT REFRIGERATOR DUAL VOLT-120V/60-12V

627737	BOX, RECEPTACLE/SWITCH PVC 1-GANG DEEP
836007	BRACKET, ALUM 1.5"X 1.5"X 3" 3/16"HOLES
1181759	BRKR/ROCK, SGL-POLE MNL RSET DC IGNPRT 15A YL
135228	CABLE, MARINE STRANDED 14/3 BLK/GRN/WHT
180067	COVER PLATE, WATERPROOF RECEPT W/2 DOORS
1846509	DOOR, PLEX 1/2"X 20 3/8"X24 3/8"ARW W/SLOTS
1758957	PVC BOARD, 1/2"X 4'X 8' WHT INTEFOAM
145136	RECEPTACLE, CORR RESISTANT GREY
1747061	REFRIGERATOR, 1.7 CU FT 12VDC/110AC