

1999 460DA

PARTS MANUAL

460

SUNDANCER®



Sea Ray® Parts Manual, 1999 460 SUNDANCER MRP # 1172659

Sea Ray Boats, 2600 Sea Ray Blvd., Knoxville, TN 37914. For information call 1-800-SRBOATS or fax 1-314-213-7878 (USA and International).

Internet address: <http://www.searay.com>

Note: Not all accessories shown in pictures or described herein are standard equipment or even available as options.

Options and features are subject to change without notice.

Confirm the availability of all accessories and equipment with an authorized Sea Ray® dealer.

1999 460 SUNDANCER

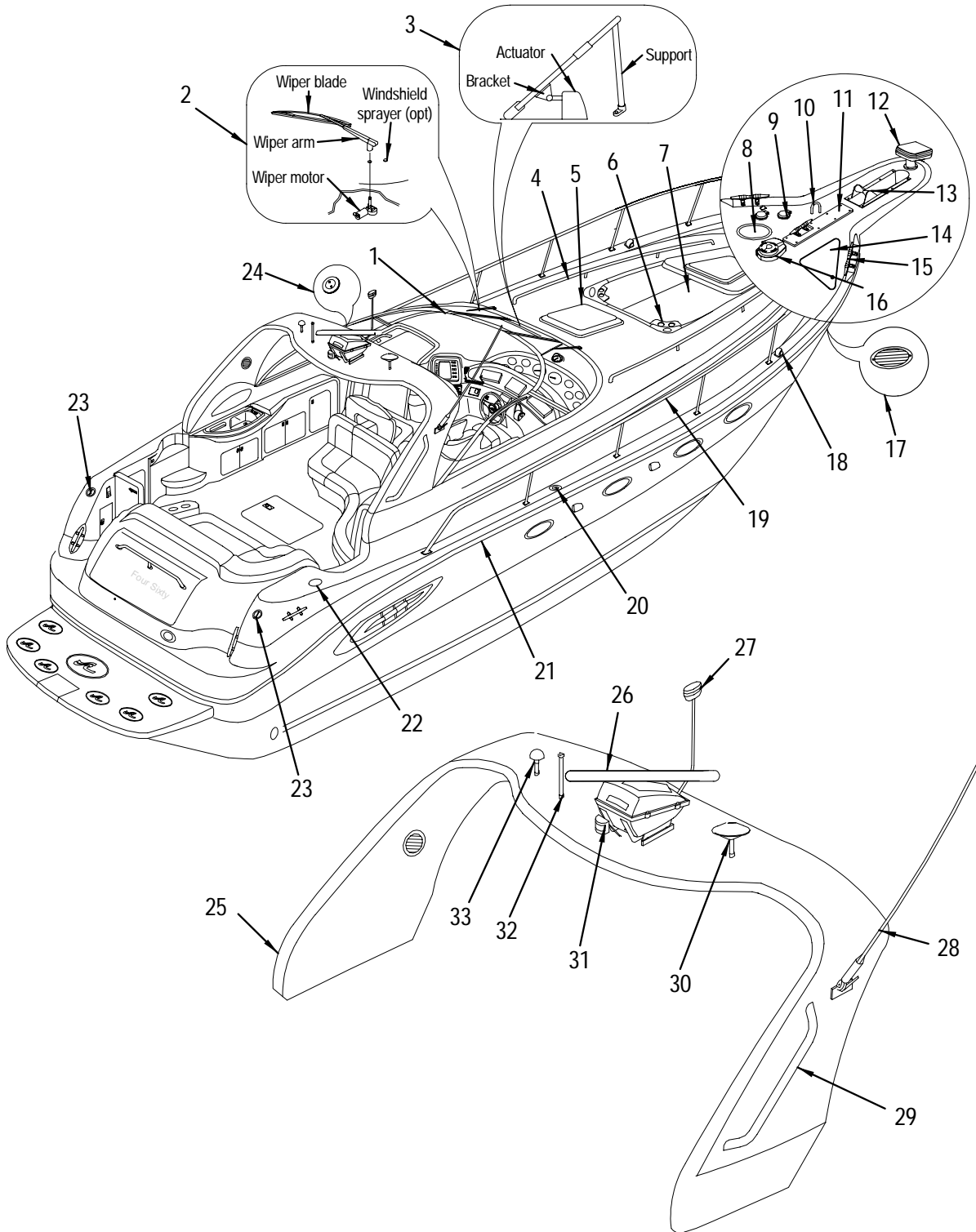
TABLE OF CONTENTS



STANDARD & OPTIONAL LAYOUTS	PAGE
EXTERIOR (DECK AND SPOILER)	1, 2
EXTERIOR (HULL & TRANSOM STORAGE)	3, 4
EXTERIOR (GRAPHICS)	5, 6
COCKPIT	7, 8
DC BREAKER PANEL (MAIN)	9, 10
BATTERY SWITCH PANEL	11
COCKPIT (SEATING & UPHOLSTERY)	12, 13
HELM	14, 15
HELM (SWITCH, INSTRUMENT & BREAKER PANEL)	16, 17
CANVAS AND HARDWARE	18, 19
CANVAS (ENCLOSURE LAYOUT)	20, 21
FORWARD STATEROOM	22, 23
PORT HEAD	24, 25
STARBOARD HEAD	26, 27
MID STATEROOM	28, 29
SALON (FORWARD VIEW)	30, 31
SALON (AFT VIEW)	32, 33
GALLEY (AFT VIEW)	34
GALLEY (FORWARD VIEW)	35, 36
MDP COMPONENT BOARD	37
MAIN DISTRIBUTION PANEL (240 V/AC)	38
MAIN DISTRIBUTION PANEL (220 V/AC)	39
MAIN DISTRIBUTION PANEL (12 VOLT/DC)	40
BILGE (ENGINE SET-UP)	41, 42
BILGE (EXHAUST SYSTEM)	43
AIR CONDITIONING SYSTEM	44, 45
OIL EXCHANGE SYSTEM	46, 47
STEERING SYSTEM	48, 49
FUEL SYSTEM	50, 51
FUEL (DISTRIBUTION SYSTEM)	52, 53
WATER SYSTEM (FORWARD)	54, 55
WATER SYSTEM (AFT)	56, 57
SEWAGE SYSTEM	58, 59
DRAINAGE SYSTEM	60, 61

OPTIONS - PARTS LIST	PAGE
TVD-3208TA (T-435PHP) V-DRIVE CAT. DIESELS	62
TVD-3116TA (T-292 PHP)V-DR.CAT INBOARD DSLS	62
TVD-3126TA (T-407 PHP) V-DR.INBOARDS DSLS	62
TVD-3116TA (T-340 PHP) V-DR. CAT. DIESELS	62
TVD-VOLVO 63P TAMD (T-355SHP)INBOARDS	62
TVD-VOLVO 73P TAMD (T-412SHP)INBOARDS	62
TVD-CUMMINS 6CTA (T-430 PHP) V-DR.INBOARDS	62
MACERATOR	62
GRAY WATER SYSTEM	62
BOW THRUSTER - ELECTRIC	62, 63
SAFETY PACKAGE - (C.G.PK.)	63
FORWARD DECK SUN PAD (S)	63
COCKPIT TABLE	63
220 VOLT / 50 CYCLE ELECTRICAL SYSTEM	63
SPARE PROPS (PAIR) W/HOLDER	63
GENERATOR SOUND BOX	63
SINGLE 50AMP-240V/60 DOCK SER.& CABLEMASTER	63
WINDSHIELD WASHER	63
TAN DASH GELCOAT	63
SPARE SHAFT - INSTALLED	63
WATER DELIVERY - INCLUDES SAFETY PKG & FUEL	63
AUTOPILOT - RAYTHEON RAYPILOT 650	63, 64
RADAR FURUNO 1942 W/ RP110 CHART PLOTTER	64
WINDLASS - LOFRANS PROGRESS (CHAIN)	64
C E OPTION GROUP	64
TWIN DISC ELEC.SHIFT & THROTTLE CONTROLS	64
TNT HYDRAULIC MARINE LIFT SWIM PLATFORM SYS	64
VITRACORE - CLEAR MAPLE FINISH	64
VITRACORE - SOVEREIGN CHERRY FINISH	64
OWNER ORIENTATION VIDEO - PAL FORMAT	64
MANUAL BILGE PUMP	64
BOSE LS SALON ENTERTAINMENT CENTER -120V/60	64
BOSE LS SALON ENTERTAINMENT CENTER -220V/50	64
RADAR-R10XX / RAY CHART 601XX CHART PLOTTER	64
LYNX - OPT.INTERIOR SEATING	65
DOE-ULTRASUEDE UPGRADE (PKG. A. SUGGESTED)	65
SAND-ULTRASUEDE UPGRADE (B,C,D, SUGGESTED)	65
WHEAT-ULTASUEDE UPGRADE (B,C,D, SUGGESTED)	65
CARPET OPTION-DUSK (PKG. A. SUGGESTED)	65
RADAR - RAYTHEON R41XX /601XX CHART PLOTTER	65

EXTERIOR (DECK AND SPOILER)



EXTERIOR (DECK AND SPOILER)

EXTERIOR (DECK)

1	1120534	W/S, 460DA-99 SS CMLPT
	1173988	W/S, 460DA-99 PORT FRONT
	1174002	W/S, 460DA-99 STBD FRONT
	1174010	W/S, 460DA-99 CTR
	1174028	W/S, 460DA-99 PORT WING
	1174036	W/S, 460DA-99 STBD WING
	1174044	W/S, 460DA-99 SUPPORT BARS
	1174069	W/S, 460DA-99 SCREW COVER
	1193895	RAIL, GRAB 460DA-99 W/S 40"
2	648436	WIPER BLADE, 28" FLEX BLACK HVY DUTY (PANTO)
	890087	WIPER MOTOR, 68 DEG 2SPD W/2"SHAFT PORT 12V
	890095	WIPER MOTOR, 68 DEG 2SPD W/2"SHAFT STBD 12V
	890103	WIPER ARM, 26"
	908699	WIPER, SPRAY MISTER SS 15DEG
3	1100254	ACTUATOR, ELEC W/S VENT 2"8P CE
	1159441	SUPPORT, W/S 460DA-99 PORT
	1159458	SUPPORT, W/S 460DA-99 STBD
	763557	BRACKET, W/S ACT 2" SML
4	1145044	RAIL, DECK RUNNER 460DA-99
5	985754	HATCH, DECK 20X20 ULTRA II NO CLIPS
	858845	SCREEN, DECK SKYSCREEN 20"X 20" SLR
	968362	GASKET, DECK HATCH 20X20
6	1017458	HOLDER, HDPE 2-HOLE DECK SUNPAD DRINK
7	1173855	460DA 99, SUNPAD, CMLPT HIN#
	1256866	460DA 99, CUSH, STBD SUNPAD HIN#
	1256874	460DA 99, SUNPAD SKIN, STBD HIN#
	1256882	460DA 99, CUSH, PORT SUNPAD HIN#
	1256890	460DA 99, SUNPAD SKIN, PORT HIN#
8	653238	ACCESS PLATE, PLAS T-HANDLE 6" WHT
9	757765	WINDLASS FOOTSWITCH, HVY DUTY W/SAFTY CVR WHT
	798447	WINDLASS SOLENOID, LOFRANS CONTROL BOX 12V
10	697508	EYE, BOW 3/8" X 2.75"
	805499	LANYARD, CABLE ANCHOR 1/8" SS
	144998	LANYARD, SS 6"
11	1169358	PAD, HDPE 460DA-99 CHAIN GUARD ARW
12	930263	SPOTLIGHT, ACR HALOGEN WHT 12V
	930289	SPOTLIGHT, MASTER CONTROLLER W/PIC
	930305	SPOTLIGHT, RESISTOR 0.1OHM 25W
	845784	BULB, SPOTLIGHT 12V
13	1159466	DAVIT, ANCHOR SS W/ROLLER 460DA-99
14	1149152	HATCH, RTM ANCHOR STRG TRIANG W/SKID ARW 99
	800888	HINGE, SS CONT 2"X 72" (.188 CURL WIDTH)
	749341	TRIM-SEAL, 5/16" W/7/16" BULB LOC-C
	832014	LATCH, FLUSH D-RING W/O LOCK W/INDICATOR WHT
	1160225	ANCHOR, 44LB GALV PLOW
	525352	ANCHOR SHACKLE, W/SCREW PIN 1/2" SS
	1145275	ANCHOR SHACKLE, JAW/JAW SWIVEL HVY DTY 3/8"
	533430	VENT, CLAMSHELL ROPE LCKR 2"X2"
	156893	WEBBING, POLYPROPYLENE 1" BLACK
	487371	BRACKET, BILGE WASHDOWN
	185538	ROPE, DOCKLINE STRAP ONLY WHT W/HDWR
	1096262	FAUCET, SILLCOCK WASHDOWN (WHITECAP)
15	291666	CLEAT, 10" 4-BOLT SS
	208074	PLATE, BACKING CLEAT 10" YACHT SS
16	896910	WINDLASS, RP/CHN PROGI LO-PRO STD
	830844	HOLDER, P/B WINDLASS CRANK HANDLE
	896902	ROPE/CHAIN KIT, LOFRANS 5/8" X 200' 5/16" X 25'
	819342	HOOK, SNAP 3/8" X 4" SS
	140509	BOOT, ENG STARTER RED
17	796805	HORN, DUAL CONCEALED TRUMPET AIR
	824748	HORN CVR, CONCEALED DUAL WHT LG
	1140516	BOARD, P/B 460DA-99 HORN MOUNT
18	794826	LIGHT, NAV SIDE WHT HORZ 12V
	646356	BULB, DBL END 12V FOR #0256313/794826
19	1144013	RAIL, BOW 460DA-99
20	1109347	DECK PLATE, WASTE SS BLK CLR-CODE
	522599	KEY, DECK PLATE CAP
	522581	DECK PLATE, CAP W/CHAIN
21	897322	RUBRAIL, PVC ARCWHT 20" (SS INSERT 3/4")
	1080100	INSERT, RUB RAIL SS 3/4" X 12" (.062/304SS)
22	808089	ROD HOLDER, FLUSH MNT CHR/BRS 30DEG CONTR SML
	124354	HOSE, PVC CLEAR 1/4"
23	1114263	DECK PLATE, DSL SS 2" GRN CLR-CODE
	695676	DECK PLATE, CAP 2"
	522599	KEY, DECK PLATE CAP
24	1109321	DECK PLATE, WATER SS BLUE CLR-CODE
	522557	DECK PLATE, CAP W/CHAIN GAS/WATER
	522599	KEY, DECK PLATE CAP

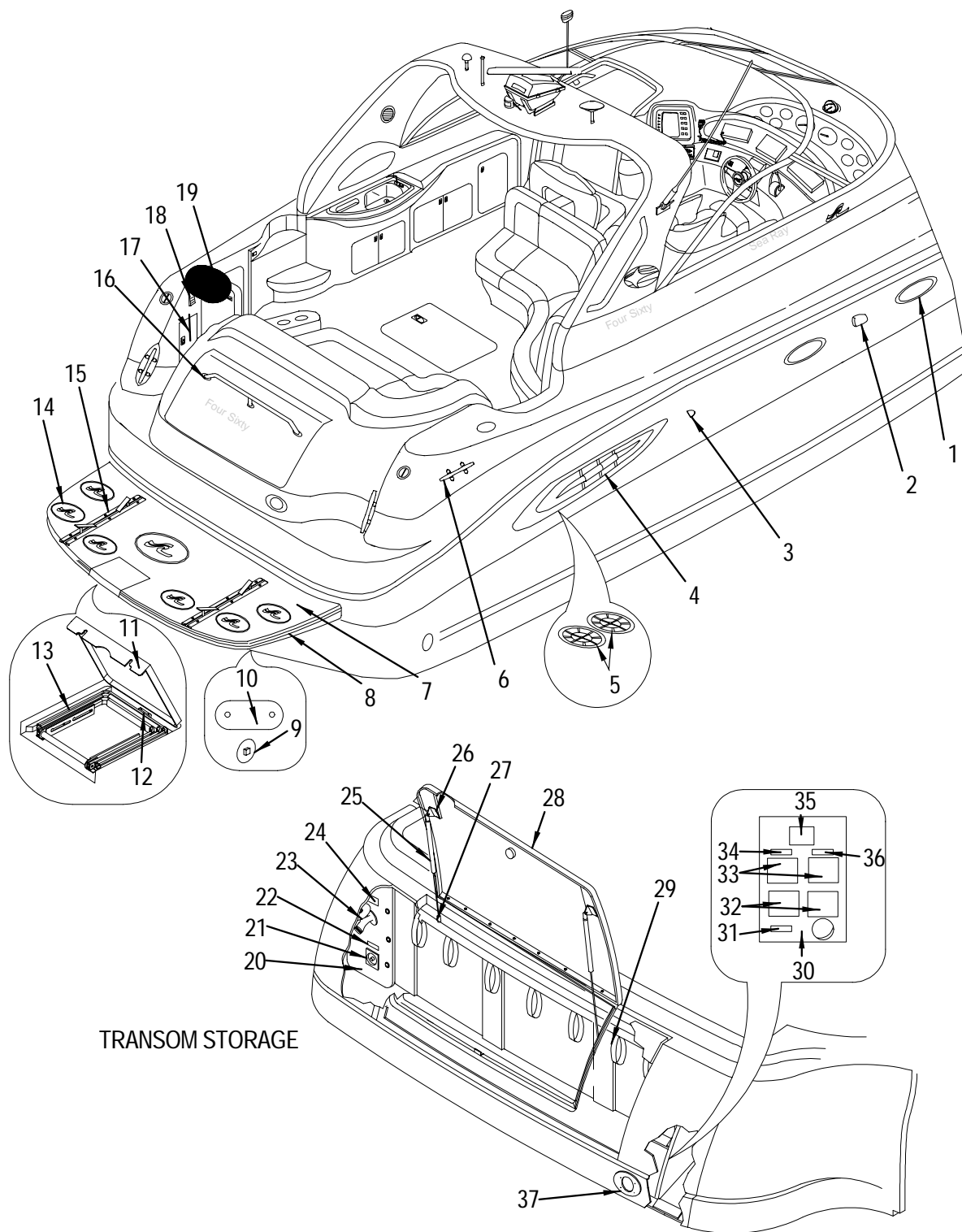
EXTERIOR (SPOILER)

25	1173848	460DA 98, SPOILER, CMLPT FBRGLS HIN#
	945923	PLATE, PLEX 9.75" X 39.75" SPOILER ACCESS
	137349	ACCESS PLATE, PLAS CVR 5" WHT
26	788356	RADAR, RAYTHEON R41XX ARRAY
	788349	(RADAR OPTION) RADAR, RAYTHEON R41XX PEDESTAL (RADAR OPTION)
27	707158	LIGHT, NAV MASTHEAD COMBO WHT 4"
	646356	BULB, DBL END 12V FOR #0256313/794826
	1125160	POST, 450EB-98 MAST LIGHT W/BEND (OPT)
28	1056100	ANTENNA, 8' SHAKESPEARE 5225 GLXY W/O MNT
	822619	BUSHING, WATER TIGHT 1.25" OD
29	1158831	RAIL, GRAB 460DA-99 SPOILER PORT
	1158849	RAIL, GRAB 460DA-99 SPOILER STBD
30	1143643	ANTENNA, TV GLOMAX AMP/GAIN CNTRL DC ONLY
	792325	ANTENNA, TV GLOMAX ASSY W/CONN
	792333	ANTENNA, TV GLOMAX AMP/GAIN CNTRL
31	1132646	LIGHT, NAV STERN WHT LENS/WHT BODY 10W/12V
	1146729	BULB, NAV STERN 10W/12V (FOR MRP#1132646)
	774232	BRACKET, 450EB/460DA/630SS STERN LIGHT
32	955435	ANTENNA, STEREO 10" WHT FLEX W/CABLE/CONN
33	1055771	GPS, RAYSTAR 112 SENSOR
	788711	MOUNT, ANTENNA DECK GPS SS

LABELS

187179	TAG, WARNING RED
1105477	DECAL, PREFERRED CUSTOMER CLUB
642108	DECAL, STRUCTURAL WARRANTY
711176	DECAL, PREMIUM VINYLESTER RESIN
652370	LABEL, STICKER LOADED BY TRANSPORTATION
852558	LABEL, SUN PAD WARNING UNDERWAY
996199	LABEL, ABYC MEMBERSHIP

EXTERIOR (HULL & TRANSOM STORAGE)



EXTERIOR (HULL & TRANSOM STORAGE)**EXTERIOR (HULL)**

1	725978	PORTLIGHT, OPENING ALL SS 3/4"
	1106095	PORTLIGHT, FIXED SS-OUTER/ABACO-INNER
	808121	PORTLIGHT, OPENING ALL SS 3/8" FROSTED
2	957175	COVER, CUSTOM CLAMSHELL LRG W/1CUTOUT(ABS/DR)
3	126888	VENT, FUEL/WATER TANK 5/8"X 3"
4	1151448	VENT, T/F 460DA-99 OUTER BILGE INSERT PORT
	1151455	VENT, T/F 460DA-99 OUTER BILGE INSERT STBD
	1151463	COVER, RTM 460DA-99 BILGE VENT PORT ARW
	1151471	COVER, RTM 460DA-99 BILGE VENT STBD ARW
5	791749	VENT, PLAS GRILL 4" WHT
6	291666	CLEAT, 10" 4-BOLT SS
	208074	PLATE, BACKING CLEAT 10" YACHT SS
7	1181346	460DA 98, SWIM PLATFORM, STD FBRGLS HIN#
	1181353	460DA 98, SWIM PLATFORM, OPT TNT FBRGLS HIN#
	707489	BRACKET, SWMPLTFM MTG
	450072	PLATE, BACKING SS SWMPLTFM
	548453	PLATE, BACKING SWMPLTFM 1/4" ALUM
8	743625	TRIM, EDGE WHITE MOTOR BOX LARGE
9	325191	PLUG, RED BRASS DRAIN PLUG 1/2"MPT
	162263	PLUG, BRASS 1/2" MPT DRAIN SPARE
10	398222	ZINC, TRANSOM ZINC LARGE
	144360	BOLT, ZINC #3/8-16 X 4.5" SIL/BRZ
	144378	NUT, ZINC 3/8-16 SIL/BRZ
11	870899	HATCH, RTM LADDER RCSD ADDL PLTFM ARW 96
	636365	HINGE, SS CONT 2"X 15"
12	609883	CLEAT, PLAS 3/4"X 1"X 4" GREY
13	941344	LADDER, SWIM 3-STEP SS CONCEALED REV GUDGNS
14	973842	INSERT, HDPE SWMPLTFM W/SR LOGO ARW
	1096080	INSERT, HDPE TWO/TONE (SEA RAY)
	988717	INSERT, HDPE 1998 TNT OPT TWO/TONE (OPTIONAL)
15	1252089	LIFT, 460DA-99 TRACK SUPPORT
16	1115260	RAIL, GRAB 46" TRANSOM
17	736702	FAUCET, WASHDOWN BOX W/MIXER (AQUATIK) VERT
18	851253	PANEL, CKPT LIGHTS SWITCH WHT
19	1176403	460DA 99, DOOR, TRANSOM FBRGLS HIN#
	465930	HINGE, SS TRANSOM DOOR 17.5"X 3"
	159103	BOLT, BARREL CHR 4 7/16" BOLT 5.25" LOA

LABELS

221861	LABEL, SLING (LEXAN)
852517	LABEL, LADDER AND PLATFORM WARNING
276808	LABEL, STICKER SHORE POWER WARNING 50/30 OPT
1112879	LABEL, DANGER SHUT OFF ENG WHEN NEAR SWIMMERS
921759	LABEL, DANGER STAY CLEAR OF MOVING PARTS
970715	LABEL, WARNING WINDOWS CLOSED WHEN REFUELING
987727	LABEL, DANGER COMBO-DSL POWERED BOAT
1113562	LABEL, WARNING DO NOT STAND/WALK THIS AREA

NOT SHOWN HULL

745398	PLATE, SS BACKING 3/8"X 4" BRDG PAN
1067628	PLATE, ALUM 1/4"X 12"X 18" TRANSOM

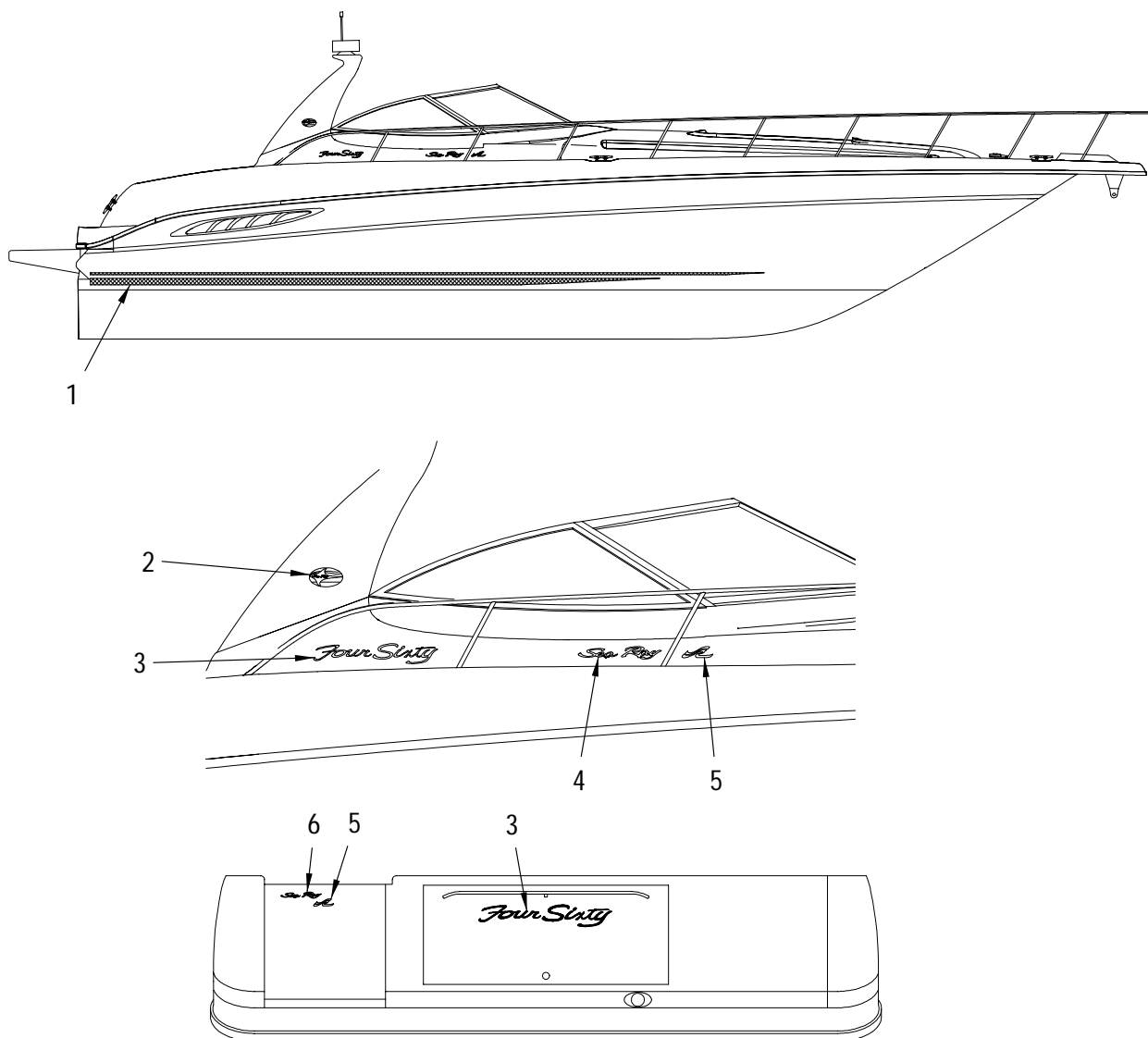
EXTERIOR (TRANSOM STORAGE)

20	1257401	BULKHD, HDPE 460DA-99 AFT TRANS WALL
21	141168	INLET, WATER W/PRESS REGULATOR WHT
22	852616	LABEL, LEAVING DOCKSIDE WATER CONNECTED WARN
23	1096262	FAUCET, SILLCOCK WASHDOWN (WHITECAP)
24	221903	LABEL, FRESH WATER (LEXAN)
25	826305	CYLINDER, GAS 40PSI 20"EXT X 12"COMP
26	634592	BRACKET, SS GAS CYL FLAT W/BALL STUD
27	732792	BRACKET, SS GAS CYL 90DEG 2.062" W/STUD
28	1176411	460DA 98, DOOR, TRANSOM STRG FBRGLS HIN#
	777268	LATCH, FLUSH MOUNT PULL WHT 2MM-7MM
	851360	HINGE, SS CONT 2"X 71.5" (PIN DIA .125)
29	185538	ROPE, DOCKLINE STRAP ONLY WHT W/HDWR
30	1257419	BULKHD, P/B 460DA-99 AFT TRANS WALL ELEC
31	135046	LABEL, DANGER UNPLUG SHORE POWER
32	463877	INLET, SHORE POWER SS 250V/50A
33	463919	INLET, SHORE POWER SS 220V/50H 32A (220V OPT)
34	221770	LABEL, "LINE 1" (LEXAN)
35	133702	INLET, PHONE/TV CABLE COMBO SS
36	221788	LABEL, "LINE 2" (LEXAN)
37	994558	HAWSE PIPE, FLANGE SS OVAL

NOT SHOWN TRANSOM STORAGE

136077	CORD SET, 240V/50A 50FT
206268	CORD SET, 220V/50H 16A 50FT (220V OPT)
136085	CORD SET, TV CABLE 50FT
136093	CORD SET, PHONE 50FT
190579	BUSHING, NYLON 0.76"OD X 3/8"SHAFT

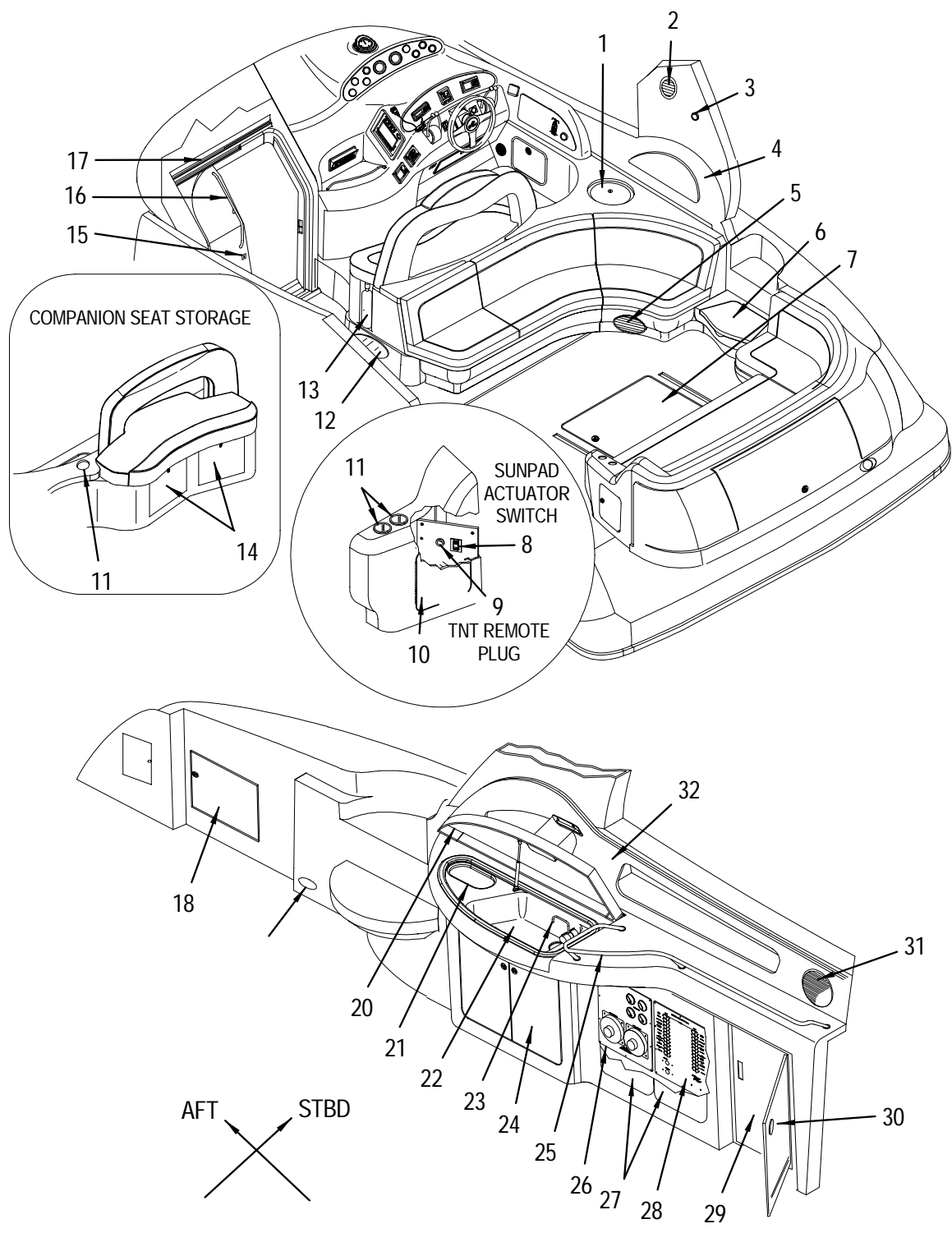
EXTERIOR (GRAPHICS)



EXTERIOR (GRAPHICS)

- 1 913996 TAPE, M/S 5"W/3/4"VOID BLK/GLDMET
- 944694 TAPE, M/S 5"W/3/4"VOID BLK/MISTBL
- 944686 TAPE, M/S 5"W/3/4"VOID BLK/LTJDESTN
- 2 809707 EMBLEM, SEA RAY FIBERGLASS (ARCH)
- 3 1170380 EMBLEM, URETHANE "FOUR SIXTY" DRIP GLD/BLK
- 1170406 EMBLEM, URETHANE "FOUR SIXTY" DRIP GRN
- 1170398 EMBLEM, URETHANE "FOUR SIXTY" DRIP BLUE
- 4 735597 EMBLEM, "SEA RAY" SCRIPT GOLD 13"
- 211607 EMBLEM, "SEA RAY" SCRIPT CHROME 13"
- 5 735605 EMBLEM, S/R LOGO/WAVE GOLD MED
- 205575 EMBLEM, S/R LOGO/WAVE CHROME MED
- 6 748236 EMBLEM, "SEA RAY" SCRIPT GOLD 5"
- 188060 EMBLEM, "SEA RAY" SCRIPT CHROME 5"

COCKPIT



COCKPIT

32 1257351 460DA 99, SIDE PANEL PORT W/INSERT HIN#

- 1 450007 COOLER, ICE BKT 10"DIA X 8"DEEP W/2"FLANGE
- 802934 LID, HDPE ROUND HELMSEAT COOLER ARW
- 2 1049865 SPEAKER, COAXIAL EXT 6.5" CM1620
- 3 914812 STEREO, REMOTE CNTRL
- 917625 CABLE, CLARION REMOTE EXT FOR M101RC
- 4 1178649 460DA 99, SIDE PANEL STBD W/ INSERT HIN#
- 5 1049857 SPEAKER, 10" SUBWOOFER CM2501
- 6 1178623 460DA 99, STEP STBD CKPT FBRGLS HIN#
- 145284 HINGE, SS CONT 1.25"X 72"
- 736983 TAPE, NON-SKID WHT 2"
- 7 1178631 460DA 99, HATCH, BILGE CKPT HIN#
- 896217 PULL, FLUSH HATCH CHR T-HNDL
- 634600 CYLINDER, GAS 60PSI 20"EXT X 12"COMP
- 634592 BRACKET, SS GAS CYL FLAT W/BALL STUD
- 732792 BRACKET, SS GAS CYL 90DEG 2.062" W/STUD
- 140285 HINGE, SS CONT 2"X 72" (.225 CURL WIDTH)
- 8 1158633 PANEL, HDPE 540/550DA-02 SUNPAD RETAINER
- 991232 PANEL, SUNPAD SWITCH
- 773879 BODY, ROCK SW DPDT (MOM) BLK W/O JUMPER
- 757419 ACTUATOR, HARD WHT W/O LENS ACCY
- 9 1256312 PLUG, TNT PLATFORM REMOTE
- 10 1143718 DOOR, HDPE 460DA-99 CKPT END CAP
- 777268 LATCH, FLUSH MOUNT PULL WHT 2MM-7MM
- 844746 HINGE, SS CONT 1.5"X 32" W/1/8"PIN
- 11 738088 DRINKHOLDR, PLAS 4"X 3" MUG SZ WHT W/NPL
- 12 725978 PORTLIGHT, OPENING ALL SS 3/4"
- 13 841262 FIRE EXT, DRY CHEM HAND-HELD 10BC 2.75LB
- 14 1143734 DOOR, HDPE 460DA-99 CKPT COMP SEAT STRG
- 777268 LATCH, FLUSH MOUNT PULL WHT 2MM-7MM
- 844746 HINGE, SS CONT 1.5"X 32" W/1/8"PIN
- 15 1151893 DOOR, 460DA-99 CABIN ENTRY WHT W/WARN TAG
- 1151885 DOOR, 460DA-99 CABIN ENTRY ZPHR W/WARN TAG
- 1257641 LOCK, CABIN ENTRY "VIPLEX" W/KEY BLK PLUSH
- 1257658 LOCK, CABIN ENTRY "VIPLEX" W/KEY WHT PLUSH
- 16 1176395 RAIL, GRAB-99 460DA-CABIN ENTRY
- 17 1248798 TRACK, DOOR TOP 460DA-99 CAB ENT WHT LEAD
- 1248814 TRACK, DOOR BTM 460DA-99 CAB ENT WHT LEAD
- 1249598 TRACK, DOOR TOP 460DA-99 CAB ENT WHT FOLLOW
- 1249606 TRACK, DOOR BTM 460DA-99 CAB ENT WHT FOLLOW
- 1248889 TRACK, DOOR TOP 460DA-99 CAB ENT ZPHR LEAD
- 1248897 TRACK, DOOR BTM 460DA-99 CAB ENT ZPHR LEAD
- 1249630 TRACK, DOOR TOP 460DA-99 CAB ENT ZPHR FOLLOW
- 1249648 TRACK, DOOR BTM 460DA-99 C/ENT ZPHR FOLLOW
- 1248822 ROLLER, DOOR TOP CAB ENT DBL DOORS
- 1248830 ROLLER, DOOR BTM UNIT CAB ENT DBL DOORS
- 18 778563 DOOR, STRG W/O NOTCH W/17X17 WHT FRAME RH 95
- 844746 HINGE, SS CONT 1.5"X 32" W/1/8"PIN
- 777268 LATCH, FLUSH MOUNT PULL WHT 2MM-7MM
- 19 137406 LIGHT, NAV STERN FLUSH MT RND CHR/BRZ
- 20 1151489 LID, RTM 460DA-99 WET BAR ARW
- 1166461 PLATE, GRAB 460DA-99 WET BAR LID
- 634550 BRACKET, SS GAS CYL 90DEG L-BRKT W/BALL LONG
- 732792 BRACKET, SS GAS CYL 90DEG 2.062" W/STUD
- 950287 CYLINDER, GAS 20PSI 10"EXT X 7"COMP
- 21 862128 FLANGE, V/F TRASH CHUTE
- 22 1137389 SINK, V/F 460DA-99 CKPT WET BAR ARW
- 583427 DRAIN, W/PLUG 100DEG 3/4"BARB CHR
- 23 942888 FAUCET, CKPT CERAMIC TAP SWIVEL/FOLD SPOUT
- 24 1143742 DOOR, HDPE 460DA-99 WET BAR STRG P/S
- 777268 LATCH, FLUSH MOUNT PULL WHT 2MM-7MM
- 844746 HINGE, SS CONT 1.5"X 32" W/1/8"PIN
- 813451 BASKET, TRASH 9"X 15 3/16"X 18" WHT
- 145110 RECEPTACLE, GFI DUPLEX GREY 15A
- 180471 BOX, RECEPTACLE STD SYL PHENOLIC
- 627737 BOX, RECEPTACLE/SWITCH PVC 1-GANG DEEP
- 801563 PUMP, BILGE MANUAL PICKUP/STRAINER
- 25 1166057 RAIL, GRAB 460DA-99 WET BAR
- 26 974360 PANEL, 480DB/450EB-98/460DA-99 MAIN DC BRKR
- 27 1143726 DOOR, HDPE 460DA-99 DC BRKR P/S
- 777268 LATCH, FLUSH MOUNT PULL WHT 2MM-7MM
- 844746 HINGE, SS CONT 1.5"X 32" W/1/8"PIN
- 28 979906 PANEL, 480DB-98/460DA-99, BATTERY SWITCH
- 29 864678 ICE MAKER, 23 LB WHT W/FLNGE CFC FREE 120V/60 (120V)
- 864686 ICE MAKER, 23 LB WHT W/FLNGE CFC FREE 220V/50 (220V OPTION)
- 30 1143759 DOOR, HDPE 460DA-99 ICE MAKER
- 777268 LATCH, FLUSH MOUNT PULL WHT 2MM-7MM
- 844746 HINGE, SS CONT 1.5"X 32" W/1/8"PIN
- 31 1049865 SPEAKER, COAXIAL EXT 6.5" CM1620

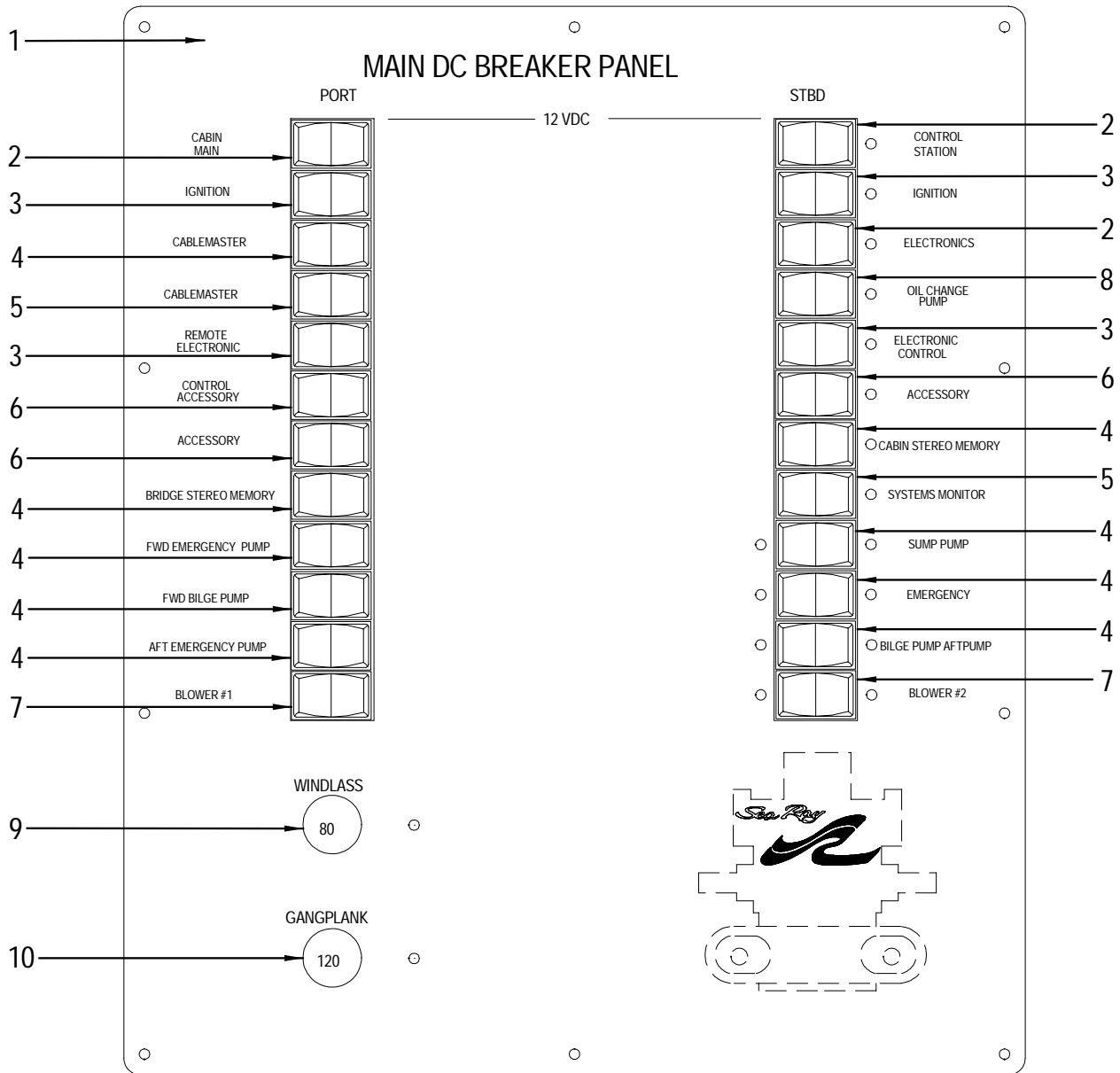
LABELS

- 221812 LABEL, SHIFT (LEXAN)
- 221960 LABEL, CAUTION RUNNING BOAT (LEXAN)
- 222026 LABEL, FUEL SHUT-OFF (LEXAN)
- 852582 LABEL, UNPLUG SHORE POWER WARNING
- 852632 LABEL, WARNING LEAKING FUEL
- 852640 LABEL, DOOR SECURED UNDERWAY
- 1112879 LABEL, DANGER SHUT OFF ENG WHEN NEAR SWIMMERS
- 921767 LABEL, CAUTION BATTERY SWITCH OFF/ALT DAMAGED
- 937664 LABEL, 7/16"X 7/8" CKPT
- 125070 PLATE, NMMA YACHT CERT DSL
- 532820 LABEL, DISPOSAL OF GARBAGE
- 811000 LABEL, DANGER TRNSM DOOR (LEXAN)

NOT SHOWN

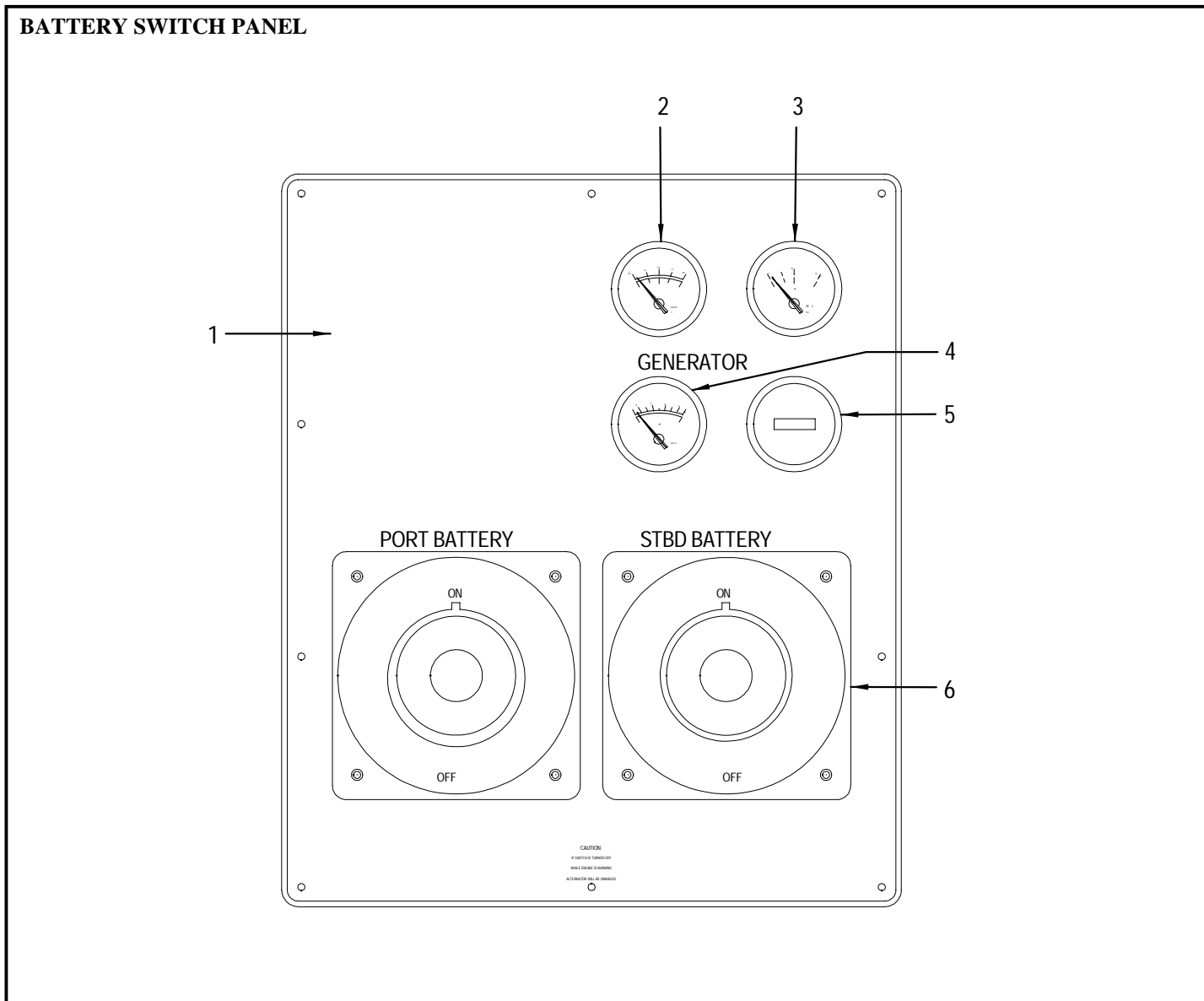
- 175661 DRAIN, LINER W/100 DEG ELBOW 1.5"
- 609883 CLEAT, PLAS 3/4"X 1"X 4" GREY
- 129247 BAR, ALUM FLAT 1/8"X 2"X 12'
- 704486 MOLDING, FOAM RBR "D-SHAPE" 1.75" W/ADH
- 912774 NOSING, VINYL 1"X 1/4"X 12' RIGID SR WHT
- 177378 BELL, FOG BELL 8" CHR/BRZ
- 407247 FLOORING, VINYL GRID DECKING WHT "DRI-DEK"
- 186221 BRACKET, ALUM 1.5"X 1.5"X 1.5" SUPPORT
- 186239 BRACKET, ALUM 1.5"X 1.5"X 3"
- 663708 BUMPER, CLEAR .020" THICK
- 1016989 HOLDER, DRINK SS SGL

DC BREAKER PANEL (MAIN)



DC BREAKER PANEL (MAIN)

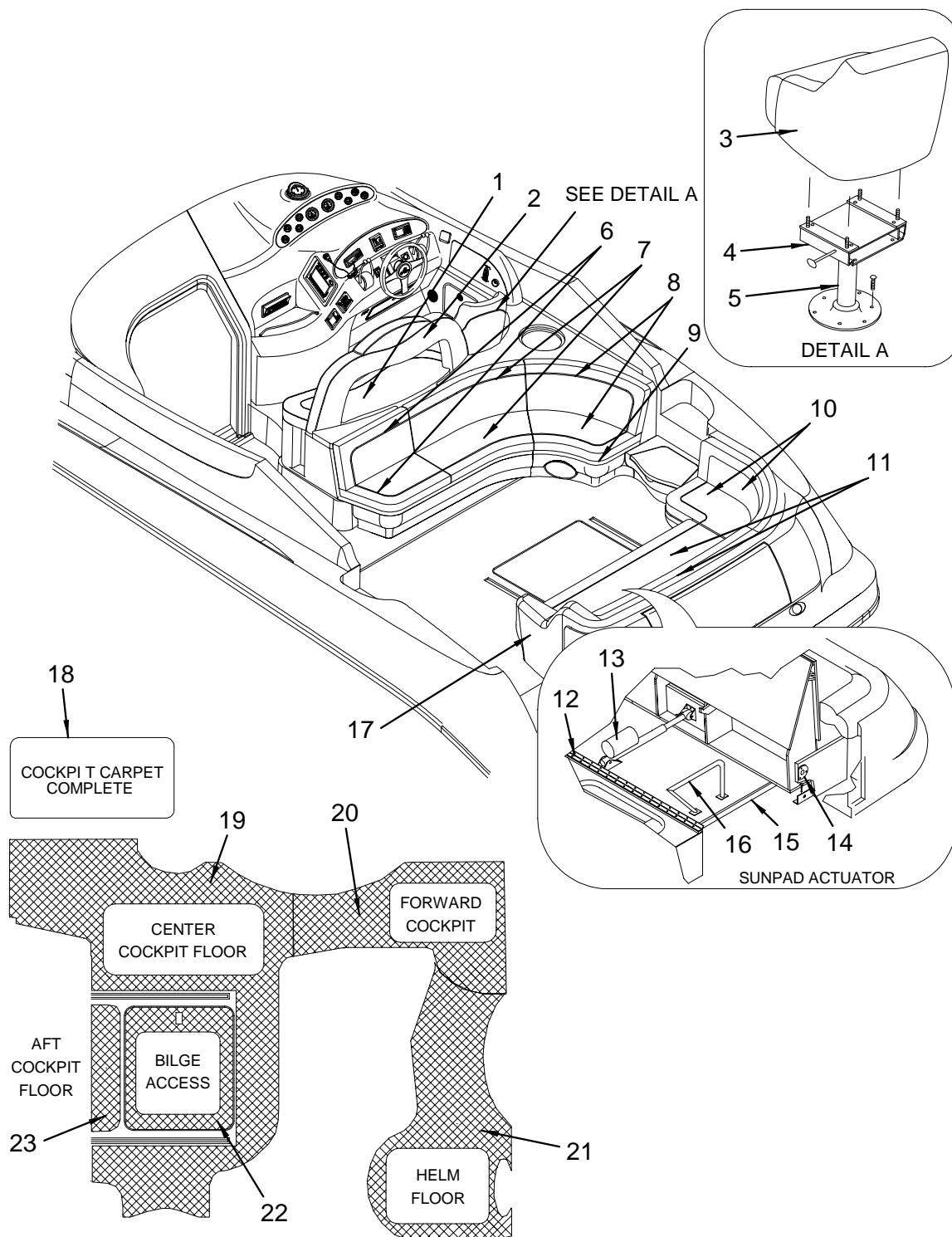
- 1 974360 PANEL, 480DB/450EB-98/460DA-99 MAIN DC BRKR
- 1142421 PANEL, BLANK:480DB/450EB-98 MAIN DC BRKR
- 2 826644 BRKR/ROCK, SGL-POLE MNL RESET DC 50A RED
(CABIN MAIN, CONTROL STATION, ELECTRONIC)
- 3 826578 BRKR/ROCK, SGL-POLE MNL RESET DC 10A RED
(IGNITION & ELECTRONIC CONTROL)
- 4 826586 BRKR/ROCK, SGL-POLE MNL RESET DC 15A RED
(CBLMSTR, BRDG STER MEM, FWD & AFT EMER PUMP, CAB
STER MEM, FWD/AFT PUMP)
- 5 826545 BRKR/ROCK, SGL-POLE MNL RESET DC 5A RED
(CABLE MASTER REMOTE & SYSTEMS MONITOR)
- 6 986216 PLUG, REFER TO MRP #0432872
(ACCESSORY WILL DETERMINE AMP OF BREAKER)
- 7 826552 BRKR/ROCK, SGL-POLE MNL RESET DC 6A RED
(BLOWER #1 & BLOWER #2)
- 8 826594 BRKR/ROCK, SGL-POLE MNL RESET DC 20A RED
(OIL CHANGE PUMP)
- 9 228064 BRKR, MANUAL RESET KLIXON 105A
(WINDLASS CONTROL)
- 10 182378 BRKR, MANUAL RESET KLIXON 120A
(GANG PLANK)



BATTERY SWITCH PANEL

- 1 979906 PANEL, 480DB-98/460DA-99, BATTERY SWITCH
- 1142439 PANEL, BLANK:480DB-98/460DA-99 BATT SWITCH
- 2 912568 GAUGE, WATER TEMP 240 DEG 12V MLSS
- 3 912410 GAUGE, OIL PRESS 0-100 2" 12V MLSS
- 4 912402 GAUGE, HOUR 2" 12V MLSS
- 5 883397 GAUGE, VOLTMETER 10-16 MLSS
- 6 136150 SWITCH, BATTERY ON/OFF DSL W/DISC

COCKPIT (SEATING & UPHOLSTERY)



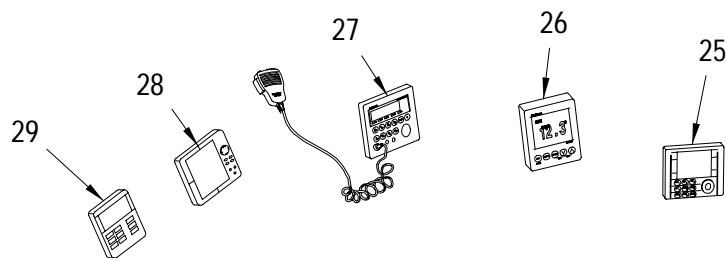
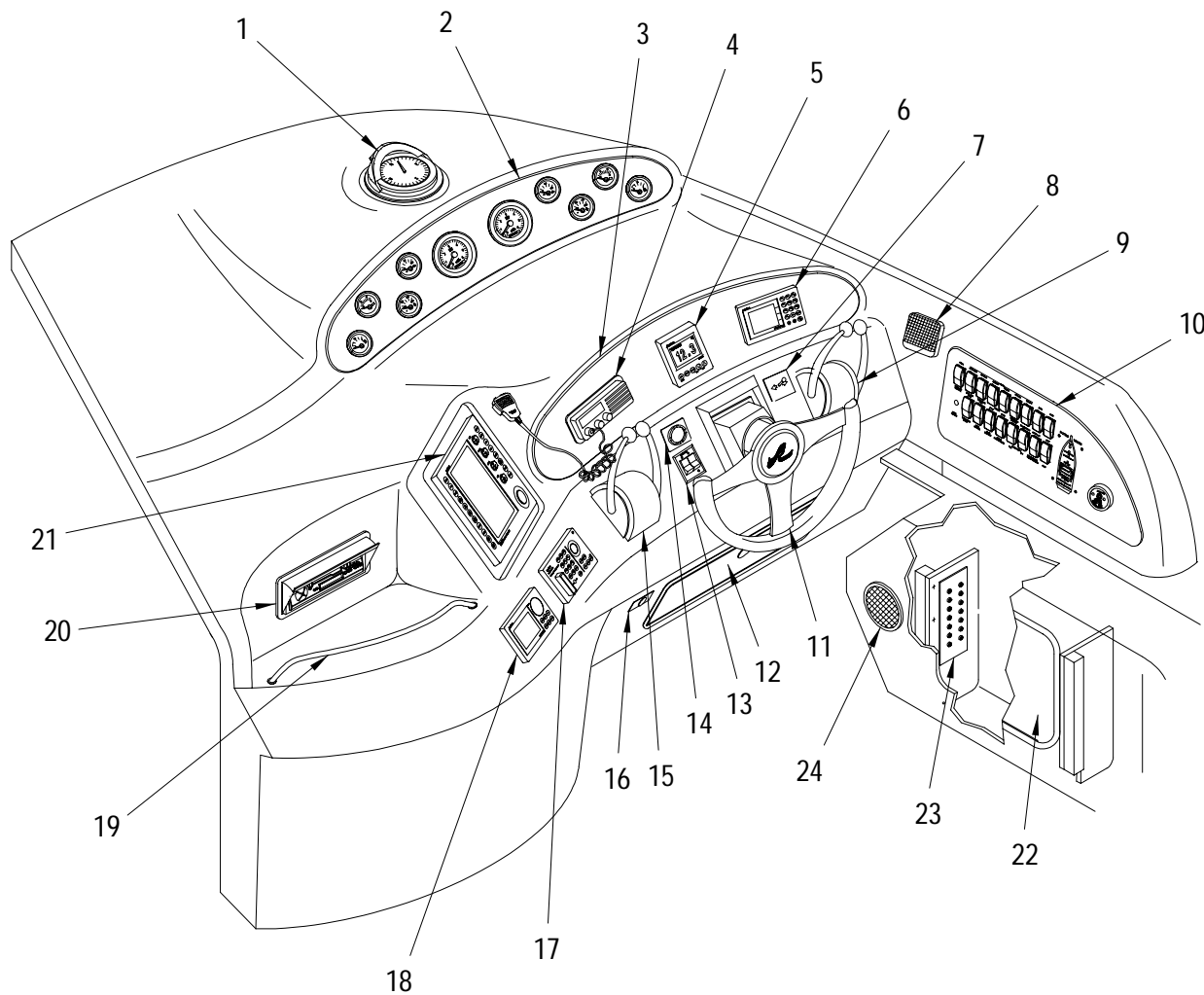
COCKPIT (SEATING & UPHOLSTERY)

1	1177898	460DA 99, CUSH, COMPANION SEAT HIN#
	1177906	460DA 99, CUSH SKIN, COMP SEAT HIN#
	1139922	BRACE, 460DA-99 COMPANION SEAT BACK
2	1177914	460DA 99, CUSH, B/R COMP SEAT HIN#
	1257369	460DA 99, B/R SKIN, COMP SEAT CKPT HIN#
	1257377	460DA 99, B/R, TOP COMP SEAT CKPT HIN#
	1257393	460DA 99, B/R SKIN, TOP COMP SEAT CKPT HIN#
	1137009	INSERT, 48X18 GRNDSEAWHT W/8.5"GOLD SCPT
3	1167642	HELMSEAT, SPYCHT-99 W/THRS SEAWHT GOLD
4	706911	PLATE, BACKING HELMSEAT 1/4"X14"X14"NO HOLES
5	1167675	BASE, HDPE BKT SEAT SLIDE
6	1177922	460DA 99, CUSH, CKPT AFT FACING INBD HN#
	1177930	460DA 99, CUSH SKIN, CKPT AFT FACING INBD HN#
	1177948	460DA 99, CUSH, B/R CKPT AFT FCING, INBD HN#
	1177955	460DA 99, B/R SKIN, CKPT AFT FCING INBD HN#
7	1177971	460DA 99, CUSH, B/R CKPT AFT FCING, CTR HN#
	1177963	460DA 99, B/R SKIN, CKPT AFT FCING CTR HN#
	1177989	460DA 99, CUSH, CKPT AFT FCING CTR HN#
	1177997	460DA 99, CUSH SKIN, CKPT AFT FACING CTR HN#
8	1178003	460DA 99, CUSH, CKPT AFT FACING OTBD HN#
	1178011	460DA 99, CUSH SKIN, CKPT AFT FACING OTBD HN#
	1178029	460DA 99, CUSH, B/R CKPT AFT FACING OTBD HN#
	1178037	460DA 99, B/R SKIN, CKPT AFT FCING OTBD HN#
9	743625	TRIM, EDGE WHITE MOTOR BOX LARGE
10	1178045	460DA 99, CUSH, CKPT FWD FACING OTBD HN#
	1178052	460DA 99, CUSH SKIN, CKPT FWD FACING OTBD HN#
	1178060	460DA 99, CUSH, B/R CKPT FWD FCING OTBD HN#
	1178086	460DA 99, B/R SKIN, CKPT FWD FACING OTBD HN#
11	1178102	460DA 99, CUSH, CKPT SUNPAD HN#
	1178128	460DA 99, CUSH SKIN, CKPT SUNPAD HN#
	1178136	460DA 99, CUSH, B/R CKPT SUNPAD HIN#
	1176502	460DA 99, B/R SKIN, SUNPAD CKPT HIN#
12	800888	HINGE, SS CONT 2"X 72" (.188 CURL WIDTH)
13	1100247	ACTUATOR, ELEC HATCH LIFT 8"12V CE
	994939	BRACKET, SS 540/550DA-02 AFT ELEC RAM
	1154970	BRACKET, SS 460DA-99 FWD ELEC RAM
	1009604	SHIM, HDPE 540/550DA-02 CKPT SUNPAD
14	994954	HINGE, SS 540/550DA-02 SUNPAD
15	1141175	SLIDE ASSY, SEAT MILLENNIUM 12 1/8" MNT HOLES
	994814	TRACK, ALUM 1.5M P/C 60" DRILLED SZ0
	994905	BRACKET, 540/550DA-02 U-SHAPED SUN-PAD WHEELS
	994871	ROLLER, MS DB SHORT CAR SZO W/SHA SPECIAL SR
16	1154988	SUPPOT, SS 460DA-99 CKPT SUNPAD
17	1257427	460DA 99, ARMREST, CKPT AFT SEAT HIN#
18	1243823	460DA 99, CARPET, COCKPIT HIN#
	911107	CARPET, EXT 28 OZ DUNE MARBLE #903 FB
	1123504	CARPET, EXT 24 OZ DOE SKIN #9294 BT
19	1257435	460DA 99, CARPET, COCKPIT CTR FLOOR HIN#
20	1257468	460DA 99, CARPET, COCKPIT FWD HIN#
21	1257443	460DA 99, CARPET, COCKPIT HELM FLOOR HIN#
22	1257450	460DA 99, CARPET, COCKPIT BILGE ACCESS HIN#
23	1257476	460DA 99, CARPET, COCKPIT AFT HIN#

MISCELLANEOUS UPHOLSTERY

1141001	FOAM, P/C 460DA-99 CKPT KIT
774513	VINYL FILM, PLAS .040"X 1.25"X 30YD
1104660	VINYL, TRITON MR TAN N/W FLAT
1142959	VINYL, SEABROOK D SEA WHITE EXP FLAT
1142967	VINYL, SEABROOK D SEA WHITE 1/4"F/B
1143007	VINYL, SLIT 1.5" SEABROOK D SEA WHT EXP
1143015	VINYL, SLIT 1.5" GRANDE D GOLD RUSH EXP
1143148	VINYL, GRANDE D SEA WHITE EXP FLAT
1143155	VINYL, GRANDE D SEA WHITE EXP 1/4"F/B
178756	TACK STRIP, CARDBOARD 1/2"X 71YDS
180182	ZIPPER, #5 DELRIN CONTINUOUS WHT
180406	SLIDE, DELRIN #5 WHT 1-S LOCK
103309	MESH, WHITE 60"
156901	WELT, WELT CORD SYNTHETIC 5/32" X 1000'
598029	VINYL, SLIT 8" WHITE MESH
602169	TAB, PULL TAB MATERIAL 1.5"X 250YDS

HELM



B & G ELECTRONICS OPTION

HELM

1	777227	COMPASS, FLUSH MT 3.75" WHT (STANDARD)
	141788	COMPASS, FLUSH MT HELMSMAN BLK (TAN DASH GELCOAT OPTION)
	155754	LABEL, COMPASS
2	1136456	PANEL, 460DA-99 GAUGE CATS/CUMMINS
3	1136977	PANEL, 460DA-99 ELECT RAYTHEON
4	1027697	RADIO, VHF RAY-210
	810168	CONSOLE MOUNT KIT, VHF REAR (RAYTHEON 202)
5	900415	RAYDATA, RAYTHEON (DEPTH,SPEED,TEMP)
6	742965	NAVIGATION DISPLAY, NAV 398
7	981308	PANEL, BOW THRUSTER (BRAVO BURL) (OPTIONAL)
	1139187	BOW THRUSTER, SWITCH W/HARNESS 18"
	1048370	BOW THRUSTER, JOYSTICK PNL W/20'EXT HARNESS
	1048388	BOW THRUSTER, EXT HARNESS 20'
8	1009638	SPEAKER, REMOTE VHF GRAY (RAYTHEON)
9	1051689	CONTROL, THRTL/SHFT W/SS HANDLES W/GOLD KNOBS (THROTTLE)
	221820	LABEL, THROTTLE (LEXAN)
10	1136449	PANEL, 460DA-99 SWITCH
11	837211	STEERING WHEEL, 3-SPOKE WOOD W/URETH PAD
	322909	EMBLEM, SEA RAY LOGO 1 3/8"ROUND
	317032	STEERING, HELM PUMP SEA STAR I TILT
12	807115	DOOR, HDPE STRG W/13.5"X 21" ARW FRAME (STANDARD)
	1199322	DOOR, STRG W/13.5"X 21" ZPHR W/FRAME (TAN DASH GELCOAT OPTION)
	844746	HINGE, SS CONT 1.5"X 32" W/1/8"PIN
	777268	LATCH, FLUSH MOUNT PULL WHT 2MM-7MM
13	157487	SWITCH, TRIM TAB RCKR CNTRL N/HARNESS
14	930289	SPOTLIGHT, MASTER CONTROLLER W/PIC
	930305	SPOTLIGHT, RESISTOR 0.1OHM 25W
	930297	PAD, SPOTLIGHT REMOTE CONTROL
15	1051689	CONTROL, THRTL/SHFT W/SS HANDLES W/GOLD KNOBS (SHIFT)
	221812	LABEL, SHIFT (LEXAN)
16	324335	RECEPTACLE, FEMALE 12V
	324756	LABEL, RECEPTACLE 12V-15A MAX (LEXAN)
17	1055789	CHART PLOTTER, RAYCHART 601XX C-MAP NT (RADAR-RAYTHEON, R10XX OPTION)
18	791558	AUTO PILOT, RAYPILOT 650 DISPLAY ONLY (AUTOPILOT OPTION)
	852475	AUTO PILOT, RAYPILOT TYPE I CORE PACK (AUTOPILOT OPTION)
	1167733	PANEL, AUTOPILOT-99 SWITCH BLK (AUTOPILOT OPTION)
19	1166453	RAIL, GRAB 460DA-99 DASH
20	676601	COVER, STEREO RETRACTABLE BLK
	1160100	STEREO, AM/FM CASS W/CHANGER CNTRL
	858407	MODULE, MUX LIGHT SWITCH CONTROLLER 12V
	1159482	CONN, PHONO PLUG COUPLER (STEREO)
	736629	CABLE, RCA AUDIO 6' W/EFX-2 CONN
	780122	CABLE, CD CHANGER EXTENSION 16' MALE/FEMALE
21	788331	RADAR, RAYTHEON R41XX DISPLAY UNIT (RADAR RAYTHEON OPTION)
	1154863	PANEL, 460DA-99 RAYTHEON R41XX TRIM (RADAR RAYTHEON OPTION)
	1154848	PANEL, 460DA-99 RAYTHEON R10XX RADAR TRIM (RADAR R10XX OPTION)
	1154855	PANEL, 460DA-99 FARUNO RADAR TRIM (RADAR FURUNO OPTION)
	1089820	RADAR, FURUNO 1942 DISPLAY UNIT (RADAR FURUNO 1942 SPECIAL INSTR.)
	1154830	PANEL, BLANK:460DA-99 RADAR (RADAR-RAYTHEON, R10XX, FURUNO OPTION)
22	1001148	DOOR, STRG 12.5"X 22.5"X 2.5"R WHT 97
	935809	FRAME, ALUM 12.5"X 22.5"X 2.5"R WHT
	844746	HINGE, SS CONT 1.5"X 32" W/1/8"PIN
	777268	LATCH, FLUSH MOUNT PULL WHT 2MM-7MM
23	1129352	PANEL, 460DA-99 CNTRL STA BRKR
24	1049865	SPEAKER, COAXIAL EXT 6.5" CM1620

B & G ELECTRONICS (SEE OPTIONS FOR DETAIL)

25	810234	GPS, B&G NETWORK DISPLAY UNIT PACK BLK
26	810218	DEPTH FINDER, B&G NETWORK QUAD SYS BLK
27	916817	RADIO, VHF/HAILER B&G W/REMOTE SPEAKER/MIC
28	937425	CHART PLOTTER, FURUNO RP110
29	810226	AUTO PILOT, B&G NETWORK DISPLAY BLK

ELECTRICAL HARNESSES

1129378	HARNESS, 460DA-99 EXT BLOWER
1129386	HARNESS, 460DA-99 FWD STRM
1129394	HARNESS, 460DA-99 FWD STRM HEAD
1129402	HARNESS, 460DA-99 MID STRM HEAD
1129410	HARNESS, 460DA-99 BILGE
1129428	HARNESS, 460DA-99 GALLEY
1129436	HARNESS, 460DA-99 PORT CABIN
1129444	HARNESS, 460DA-99 MID STRM
1129451	CANVAS, 420AC-99 BIM TOP BOOT MEDB
1129469	HARNESS, 460DA-99 STBD CABIN
1129477	HARNESS, 460DA-99 WINDSHIELD
1144120	HARNESS, 460DA-99 BONDING/GROUNDING
1145010	HARNESS, 460DA-99 STBD CKPT
1145028	HARNESS, 460DA-99 PORT CKPT DECK
1145036	HARNESS, 460DA-99 CKPT SEAT BASE
1145333	HARNESS, 460DA-99 SPOILER
1151497	HARNESS, 460DA-99 BILGE LIGHT/BLOWER/DECK
1129360	HARNESS, 460DA-99 ENG PORT/STBD

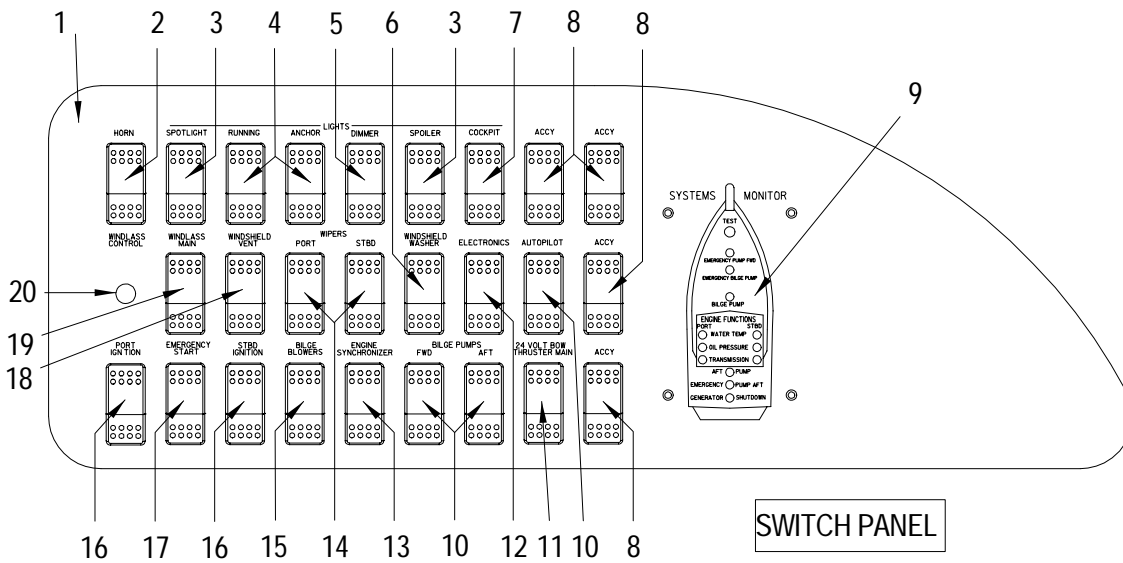
LABELS

930578	LABEL, CAUTION BUSS ELECTRONICS (LEXAN)
--------	---

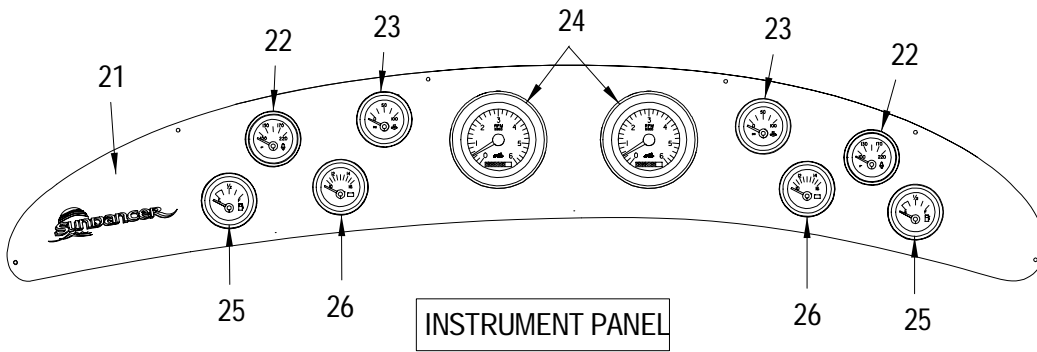
NOT SHOWN

161992	CONTROL, CONNECTOR KIT
1073758	CONTROL, NEUTRAL SAFETY SWITCH

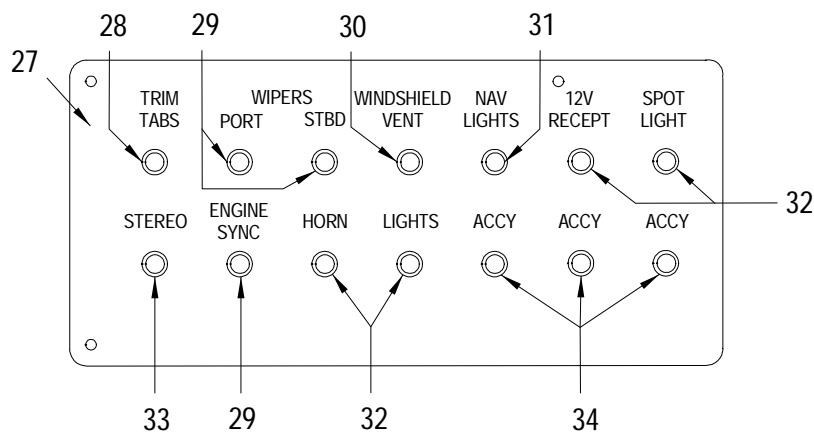
HELM (SWITCH, INSTRUMENT & BREAKER PANEL)



SWITCH PANEL



INSTRUMENT PANEL



BREAKER PANEL

HELM (SWITCH, INSTRUMENT & BREAKER PANEL)**HELM (SWITCH PANEL)**

- 1 1136449 PANEL, 460DA-99 SWITCH
- 1181361 PANEL, BLANK:460DA-99 SWITCH
- 2 679332 BODY, ROCK SW SPST MOM
- 759084 ACTUATOR, ROCK VERT BLK W/RED HORN SYMBOL
- 3 648097 BODY, ROCK SW SPST BLK 12V INCAND
- 679324 ACTUATOR, ROCK BLK W/BLUE LENS ACCY
(SPOTLIGHT, SPOILER LIGHTS)
- 4 681510 BODY, ROCK SW DPST 12V W/INC LAMP
- 679324 ACTUATOR, ROCK BLK W/BLUE LENS ACCY
(RUNNING LIGHTS, ANCHOR LIGHTS)
- 5 767194 BODY, ROCK SW SPDT MOM W/BLK BASE
- 681486 ACTUATOR, ROCK BLK W/O LENS ACCY
(DIMMER)
- 6 679332 BODY, ROCK SW SPST MOM
- 681486 ACTUATOR, ROCK BLK W/O LENS ACCY
(WINDSHIELD WASHER)
- 7 679332 BODY, ROCK SW SPST MOM
- 679324 ACTUATOR, ROCK BLK W/BLUE LENS ACCY
(COCKPIT LIGHTS)
- 8 720151 PLUG, ROCKER SW 'V' SERIES BLK
- 9 1181395 PANEL, 460DA-99 SYS MON
- 10 648097 BODY, ROCK SW SPST BLK 12V INCAND
- 679324 ACTUATOR, ROCK BLK W/BLUE LENS ACCY
(AUTOPILOT, BILGE PUMPS)
- 11 932871 BODY, ROCK SW DPDT MOM 24V W/INDEP INC LAMP
- 679324 ACTUATOR, ROCK BLK W/BLUE LENS ACCY
(BOW THRUSTER)
- 12 681510 BODY, ROCK SW DPST 12V W/INC LAMP
- 679324 ACTUATOR, ROCK BLK W/BLUE LENS ACCY
(ELECTRONICS)
- 13 681502 BODY, ROCK SW SPST 12V W/INDEP INC LAMP
- 679324 ACTUATOR, ROCK BLK W/BLUE LENS ACCY
(ENGINE SYNCHRONIZER)
- 14 932889 SWITCH, ROCKER 'V' SPTT ON-ON-ON 12V/24V
- 681486 ACTUATOR, ROCK BLK W/O LENS ACCY
(WIPERS)
- 15 799304 BODY, ROCK SW SPST (MOM) BLK W/INC LAMP
- 679324 ACTUATOR, ROCK BLK W/BLUE LENS ACCY
(BILGE BLOWERS)
- 16 670521 BODY, ROCK SW 2 CKT PROG
- 681486 ACTUATOR, ROCK BLK W/O LENS ACCY
(IGNITION)
- 17 670539 BODY, ROCK SW DPST MOM
- 681486 ACTUATOR, ROCK BLK W/O LENS ACCY
(EMERGENCY START)
- 18 767194 BODY, ROCK SW SPDT MOM W/BLK BASE
- 681486 ACTUATOR, ROCK BLK W/O LENS ACCY
(WINDSHIELD VENT)
- 19 681494 BODY, ROCK SW DPDT MOM 12V W/INDEP INC LAMP
- 679324 ACTUATOR, ROCK BLK W/BLUE LENS ACCY
(WINDLASS MAIN)
- 20 806893 SWITCH, TOGGLE 2-WAY LOCKING BLACK

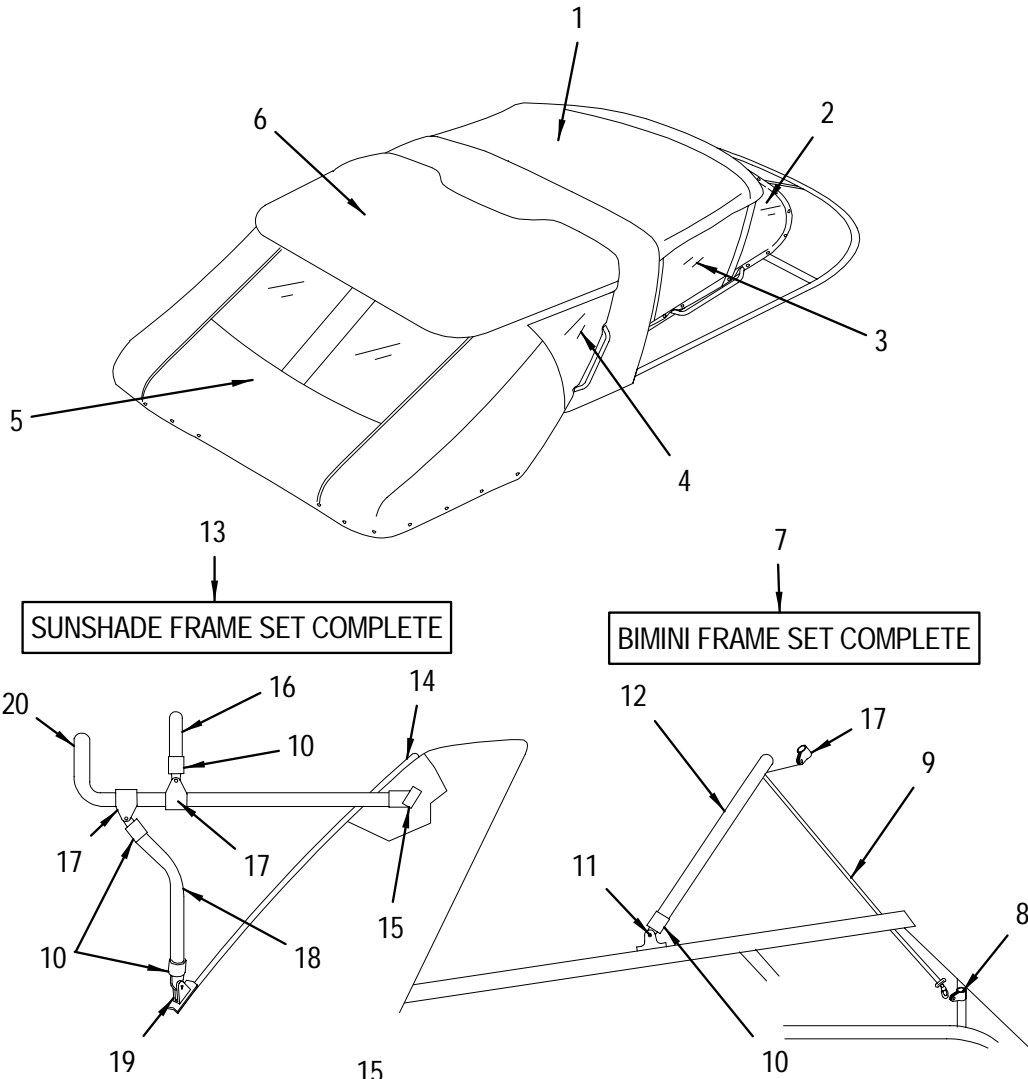
HELM (INSTRUMENT PANEL)

- 21 1136456 PANEL, 460DA-99 GAUGE CATS/CUMMINS
- 1171891 PANEL, 460DA-99 GAUGE VOLVO
- 1180926 PANEL, BLANK:460DA-99 GAUGE (CATS/CUMMINS)
- 1180918 PANEL, BLANK:460DA-99 GAUGE (VOLVO)
- 22 912527 GAUGE, TACH/HOUR 5"4K MAG P/U 12V MLSS
- 1169838 GAUGE, TACH/HOUR 5"4K MAG P/U 30T VOLVO MLSS
- 23 912410 GAUGE, OIL PRESS 0-100 2" 12V MLSS
- 24 912568 GAUGE, WATER TEMP 240 DEG 12V MLSS
- 25 883397 GAUGE, VOLTMETER 10-16 MLSS
- 26 883405 GAUGE, FUEL 2" SGL STA 12V MLSS

HELM (BREAKER PANEL)

- 27 1129352 PANEL, 460DA-99 CNTRL STA BRKR
- 1182989 PANEL, BLANK:460DA-99 CNTRL STA BRKR
- 28 775759 BRKR, P/BTN-MANUAL RESET 20A W/SCREW TER
- 29 775775 BRKR, P/BTN-MANUAL RESET 7A W/SCREW TER
- 30 775767 BRKR, P/BTN-MANUAL RESET 5A W/SCREW TER
- 31 533026 BRKR, P/BTN-MANUAL RESET 10A W/SCREW TER
- 32 775783 BRKR, P/BTN-MANUAL RESET 15A W/SCREW TER
- 33 839969 BRKR, P/BTN-MANUAL RESET 25A W/SCREW TER
- 34 179671 PLUG, HOLE 3/8" BLK

CANVAS AND HARDWARE



CANVAS HARDWARE

775080 	464115 	175075 	1244995
175042 	986794 	663393 	221143
8	17	19	11

10

CANVAS AND HARDWARE

1	1179043	CANVAS, 460DA-99 BIM TOP N/FRAME HNTR
	1179027	CANVAS, 460DA-99 BIM TOP N/FRAME LINEN
	1197755	CANVAS, 460DA-99 BIM TOP N/FRAME MEDB
	1179035	CANVAS, 460DA-99 BIM TOP N/FRAME SAPHR
2	1179159	CANVAS, 460DA-99 VISOR CLEAR/HNTR
	1179092	CANVAS, 460DA-99 VISOR CLEAR/LINEN
	1197813	CANVAS, 460DA-99 VISOR CLEAR/MEDB
	1179191	CANVAS, 460DA-99 VISOR CLEAR/SAPHR
3	1179183	CANVAS, 460DA-99 SIDE CURT SET HNTR
	1179209	CANVAS, 460DA-99 SIDE CURT SET LINEN
	1197763	CANVAS, 460DA-99 SIDE CURT SET MEDB
	1179217	CANVAS, 460DA-99 SIDE CURT SET SAPHR
4	1179076	CANVAS, 460DA-99 SUNSHADE SIDE CURT HNTR
	1179241	CANVAS, 460DA-99 SUNSHADE SIDE CURT LINEN
	1197805	CANVAS, 460DA-99 SUNSHADE SIDE CURT MEDB
	1179084	CANVAS, 460DA-99 SUNSHADE SIDE CURT SAPHR
5	1179142	CANVAS, 460DA-99 AFT CURT HNTR
	1179167	CANVAS, 460DA-99 AFT CURT LINEN
	1197730	CANVAS, 460DA-99 AFT CURT MEDB
	1179258	CANVAS, 460DA-99 AFT CURT SAPHR
6	1179233	CANVAS, 460DA-99 SUNSHADE N/FRAME HNTR
	1179100	CANVAS, 460DA-99 SUNSHADE N/FRAME LINEN
	1197797	CANVAS, 460DA-99 SUNSHADE N/FRAME MEDB
	1179175	CANVAS, 460DA-99 SUNSHADE N/FRAME SAPHR
7	1144021	CANVAS, 460DA-99 BIM FRAME SET W/HDWR
8	175042	SLIDE, JAW SLIDE W/BOLT 1" SS (CONV TOP)
9	1244987	CABLE, TENSION 460DA-99 CANVAS W/HDWR
10	1244995	CAP, SS EYE END 1.25" SS
11	221143	HINGE, DECK FLAT STRAIGHT W/SCREW SS
12	1244946	CANVAS, 460DA-99 BIM TOP MAIN BOW W/HDWR STD
13	1144039	CANVAS, 460DA-99 SUNSHADE FRAME SET W/HDWR
14	728014	TRACK, VINYL AWNING WHITE "FLEX-A-RAIL" 7.5'
15	775080	HINGE, DECK SIDE-MOUNT SS CONV TOP
16	1244961	CANVAS, 460DA-99 AFT SUNSHADE BOW2 W/HDWR STD
17	986794	SLIDE, JAW 1.25" SS
18	1244979	CANVAS, 460DA-99 SUNSHADE STIFF LEG W/HWR STD
19	663393	HINGE, DECK, ANGLE W/PULL PIN HOLE
20	1244953	CANVAS, 460DA-99 SUNSHADE MAIN BOW W/HDWR STD

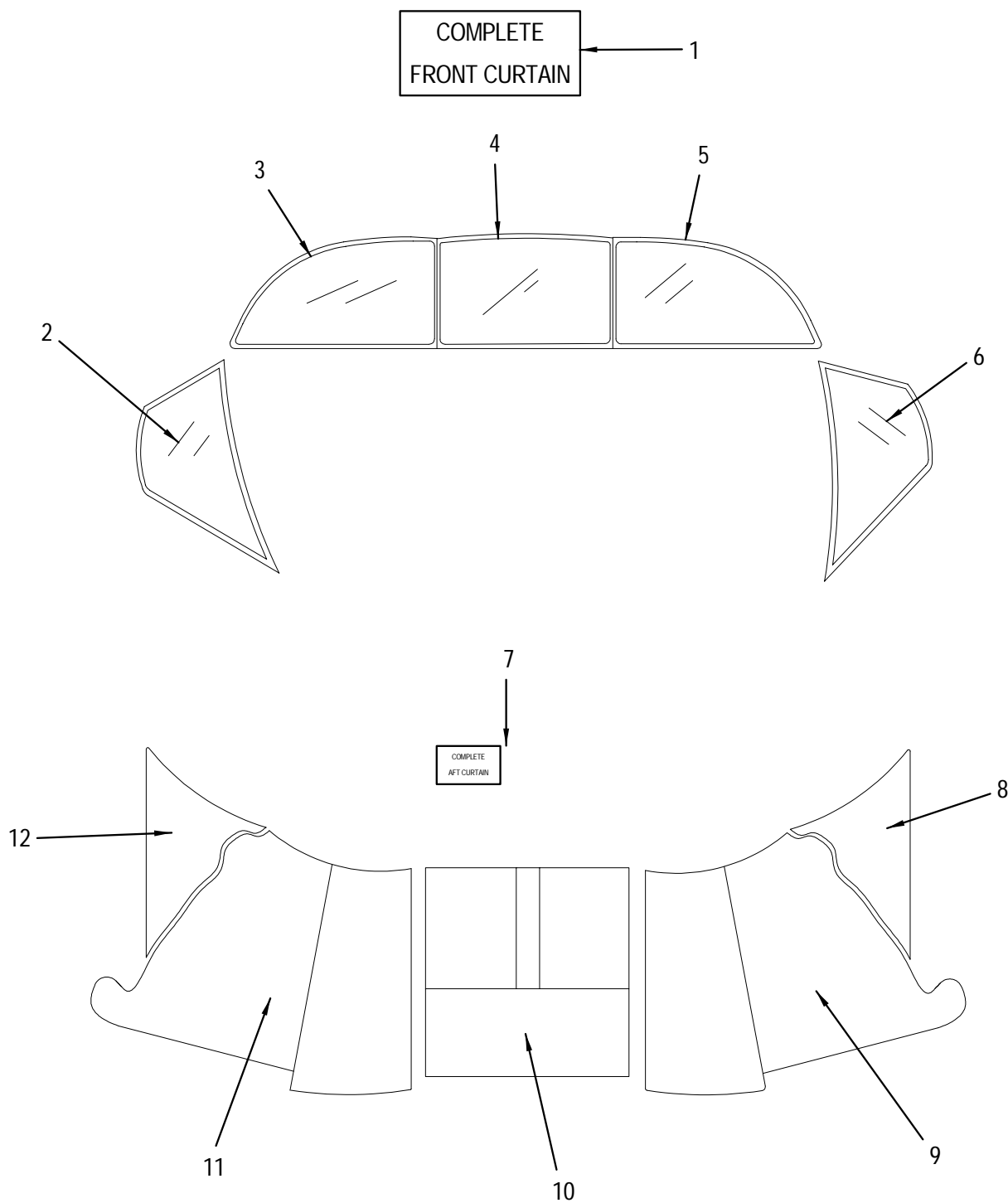
MISCELLANEOUS

154369	SNAP STUD, W/#8 X 3/8" PH SS
154393	SNAP SOCKET, MED ACTION
524256	SNAP BUTTON, W/ 1/4" BARREL WHT
720730	CANVAS, SUNBRELLA LINEN TWEED 60"
175075	PIN, QUICK RELEASE SS W/RING 1/4" X 1 3/8"

NOT SHOWN

1179068	CANVAS, 460DA-99 BIM TOP BOOT HNTR
1179050	CANVAS, 460DA-99 BIM TOP BOOT LINEN
1197748	CANVAS, 460DA-99 BIM TOP BOOT MEDB
1179225	CANVAS, 460DA-99 BIM TOP BOOT SAPHR

CANVAS (ENCLOSURE LAYOUT)



CANVAS (ENCLOSURE LAYOUT)

1	1179159	CANVAS, 460DA-99 VISOR CLEAR/HNTR
	1179092	CANVAS, 460DA-99 VISOR CLEAR/LINEN
	1197813	CANVAS, 460DA-99 VISOR CLEAR/MEDB
	1179191	CANVAS, 460DA-99 VISOR CLEAR/SAPHR
2	1243765	CANVAS, 460DA-99 SIDE CURT PORT HNTR
	1243773	CANVAS, 460DA-99 SIDE CURT PORT LINEN
	1243781	CANVAS, 460DA-99 SIDE CURT PORT MEDB
	1243799	CANVAS, 460DA-99 SIDE CURT PORT SAPHR
3	1243609	CANVAS, 460DA-99 VISOR PORT CLEAR/HNTR
	1243617	CANVAS, 460DA-99 VISOR PORT CLEAR/LINEN
	1243625	CANVAS, 460DA-99 VISOR PORT CLEAR/MEDB
	1243633	CANVAS, 460DA-99 VISOR PORT CLEAR/SAPHR
4	1243682	CANVAS, 460DA-99 VISOR CTR CLEAR/HNTR
	1243690	CANVAS, 460DA-99 VISOR CTR CLEAR/LINEN
	1243708	CANVAS, 460DA-99 VISOR CTR CLEAR/MEDB
	1243716	CANVAS, 460DA-99 VISOR CTR CLEAR/SAPHR
5	1243641	CANVAS, 460DA-99 VISOR STBD CLEAR/HNTR
	1243658	CANVAS, 460DA-99 VISOR STBD CLEAR/LINEN
	1243666	CANVAS, 460DA-99 VISOR STBD CLEAR/MEDB
	1243674	CANVAS, 460DA-99 VISOR STBD CLEAR/SAPHR
6	1243724	CANVAS, 460DA-99 SIDE CURT STBD HNTR
	1243732	CANVAS, 460DA-99 SIDE CURT STBD LINEN
	1243740	CANVAS, 460DA-99 SIDE CURT STBD MEDB
	1243757	CANVAS, 460DA-99 SIDE CURT STBD SAPHR
7	1179142	CANVAS, 460DA-99 AFT CURT HNTR
	1179167	CANVAS, 460DA-99 AFT CURT LINEN
	1197730	CANVAS, 460DA-99 AFT CURT MEDB
	1179258	CANVAS, 460DA-99 AFT CURT SAPHR
8	1243526	CANVAS, 460DA-99 S/S SIDE CURT STBD HNTR
	1243534	CANVAS, 460DA-99 S/S SIDE CURT STBD LINEN
	1243542	CANVAS, 460DA-99 S/S SIDE CURT STBD MEDB
	1243559	CANVAS, 460DA-99 SIDE CURT STBD SAPHR
9	1243443	CANVAS, 460DA-99 AFT CURT STBD HNTR
	1243450	CANVAS, 460DA-99 AFT CURT STBD LINEN
	1243468	CANVAS, 460DA-99 AFT CURT STBD MEDB
	1243476	CANVAS, 460DA-99 AFT CURT STBD SAPHR
10	1243484	CANVAS, 460DA-99 AFT CURT CTR HNTR
	1243492	CANVAS, 460DA-99 AFT CURT CTR LINEN
	1243500	CANVAS, 460DA-99 AFT CURT CTR MEDB
	1243518	CANVAS, 460DA-99 AFT CURT CTR SAPHR
11	1243401	CANVAS, 460DA-99 AFT CURT PORT HNTR
	1243419	CANVAS, 460DA-99 AFT CURT PORT LINEN
	1243427	CANVAS, 460DA-99 AFT CURT PORT MEDB
	1243435	CANVAS, 460DA-99 AFT CURT PORT SAPHR
12	1243567	CANVAS, 460DA-99 S/S SIDE CURT PORT HNTR
	1243575	CANVAS, 460DA-99 S/S SIDE CURT PORT LINEN
	1243583	CANVAS, 460DA-99 S/S SIDE CURT PORT MEDB
	1243591	CANVAS, 460DA-99 S/S SIDE CURT PORT SAPHR

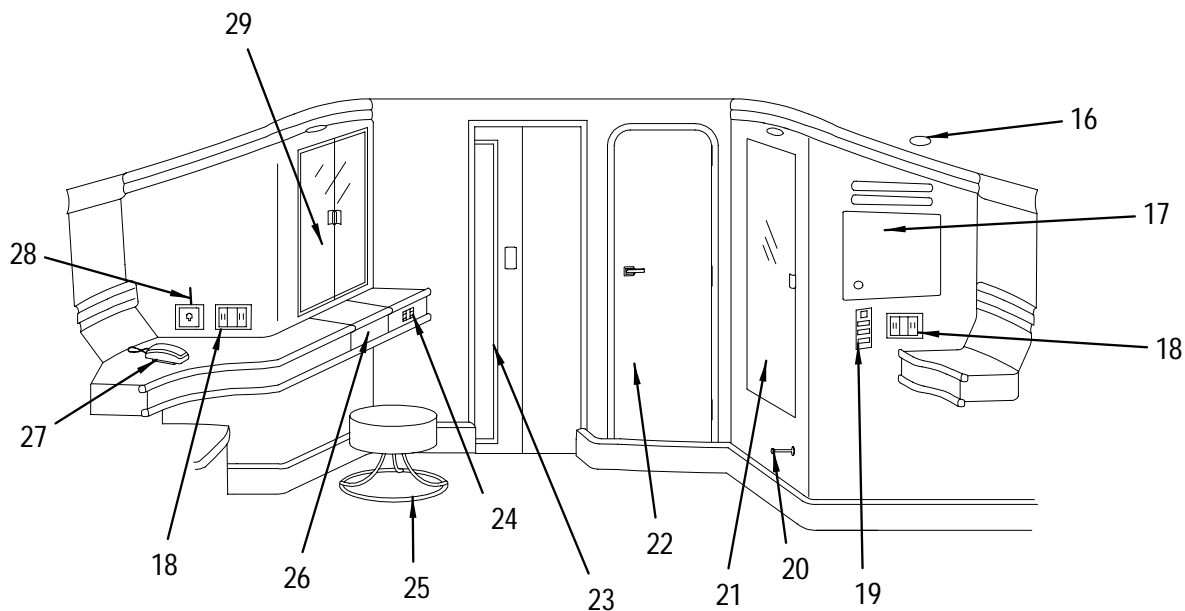
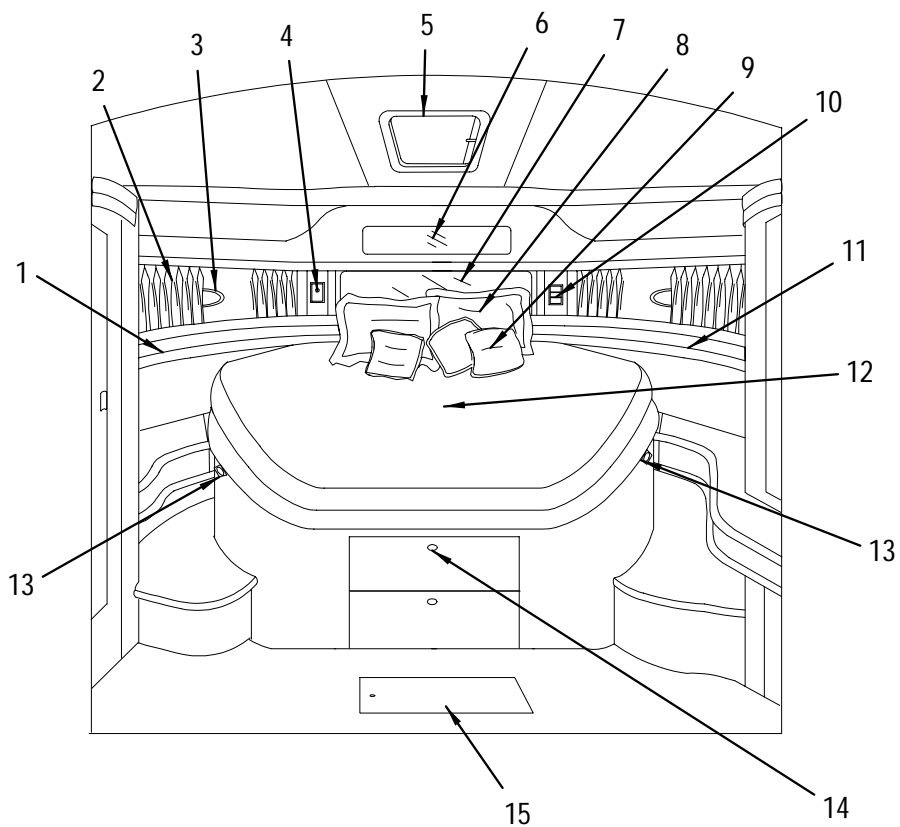
COMPLETE CANVAS PACKAGE (A)

1144047	CANVAS, 460DA-99 STD SET "A" LINEN
1140144	CANVAS, 460DA-99 STD SET "A" HNTR
1197771	CANVAS, 460DA-99 STD SET "A" MEDB
1140169	CANVAS, 460DA-99 STD SET "A" SAPHR

COMPLETE CANVAS PACKAGE (B)

1144054	CANVAS, 460DA-99 STD SET "B" LINEN
1140151	CANVAS, 460DA-99 STD SET "B" HNTR
1197789	CANVAS, 460DA-99 STD SET "B" MEDB
1140177	CANVAS, 460DA-99 STD SET "B" SAPHR

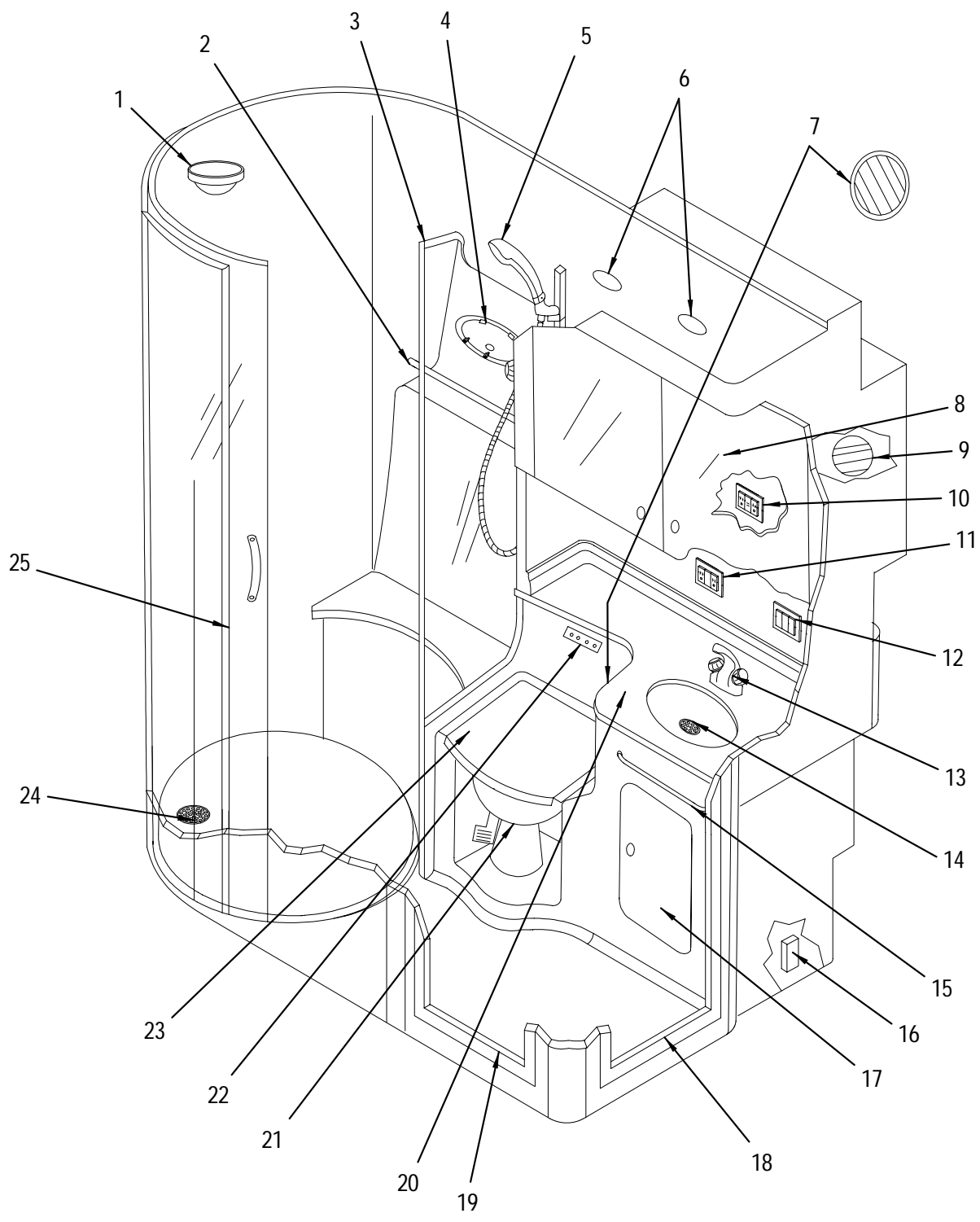
FORWARD STATEROOM



FORWARD STATEROOM

1	1179761	460DA 99, BOLSTER, PORT FWD STRM HIN#	23	633776	ROLLER, HANGER TOP MOUNT BRKT (GLIDE MASTER)
2	1162882	CURTAIN, 460DA-99 PKGB-WOODALE #44 GRN	24	893230	SWITCH, IDEA-SERIES SPST GREY
	1162932	CURTAIN, 460DA-99 PKGA-GRANITE IVORY		894626	SWITCH, IDEA-SERIES SPDT GREY
	1167030	CURTAIN, 480DB-99 PKGC-SULLIVAN/NAVY DIAMOND		893297	COVER PLATE, IDEA-SERIES 3-GANG GOLD
	1162908	CURTAIN, 460DA-99 PKGD-PLACIO BARK/SULLIVAN		893289	FRAME, IDEA-SERIES 3-GANG SUPPORT FRAME GREY
	132183	TRACK, ALUM CURT TRK 0.275"X 0.688" TAB TYPE	25	1179852	460DA 99, CUSH, VANITY STOOL HIN#
3	1057991	TRIM RING, W/F PORTLIGHT INNER CUSTOM 98		853481	BASE, BAR STOOL SS 14"
4	819763	SWITCH, VOLUME CNTRL ROTARY WHT (JAMO)	26	1179795	460DA 99, LID, VANITY STRG STBD HIN#
	893289	FRAME, IDEA-SERIES 3-GANG SUPPORT FRAME GREY		521526	HINGE, CONCEALED FULL OVERLAY W/100 DEG ANGLE
	893297	COVER PLATE, IDEA-SERIES 3-GANG GOLD		525667	HINGE, CONCEALED FULL OVERLAY MT PLATE ONLY
	627737	BOX, RECEPTACLE/SWITCH PVC 1-GANG DEEP	27	300368	TELEPHONE, ALMOND
5	858845	SCREEN, DECK SKYSCREEN 20"X 20" SLR	28	893255	INLET, IDEA-SERIES PHONE GRY
6	1156108	MIRROR, 1/8"X 6"X 39"		952010	FRAME, IDEA-SERIES 1-GANG SUPPORT W/RIBS
7	1075761	MIRROR, 1/8"X 10"X 51.25"	29	1179662	460DA 99, DOOR, FWDSTRM STBD H/L MIRROR HIN#
8	651257	PILLOW, QUEEN SIZE		1176635	PULL, DOOR FLUSH MIRROR .050 BRUSHED BRASS
9	1137132	PILLOW PKG, 1999 SPYACHT PKG B MSTR STRM (4)		390849	CATCH, GRABBER LATCH W/10LB HOLD BLK PLAS
10	894626	SWITCH, IDEA-SERIES SPDT GREY		521526	HINGE, CONCEALED FULL OVERLAY W/100 DEG ANGLE
	893263	SWITCH, BLANK IDEA-SERIES GREY		525667	HINGE, CONCEALED FULL OVERLAY MT PLATE ONLY
	893289	FRAME, IDEA-SERIES 3-GANG SUPPORT FRAME GREY		1156116	MIRROR, 1/4"X 11.25" P/E X 38.5" P/E BVL ALL
	893297	COVER PLATE, IDEA-SERIES 3-GANG GOLD		575001	BAR, HANGING ROD (CLOTHES) ALUM 33"
	627737	BOX, RECEPTACLE/SWITCH PVC 1-GANG DEEP		840868	LIGHT, COURTESY ROUND W/FROSTED LENS 12V/5W
11	1179779	460DA 99, BOLSTER, STBD FWD STRM HIN#		1192368	BULB, REPL FOR #0840868 12V/5W
12	1256908	460DA 99, MATTRESS CMLPT FWDSTRM HIN#		183236	SWITCH, LOCKER LIGHT PLUNGER WHT
	1179688	460DA 99, BEDSPREAD, HIN#	LABELS		
	1179696	460DA 99, SHEET SET, W/PILLOW CASE HIN#	937698	LABEL, 7/16"X 7/8" STATEROOM	
	1009901	SHEETING, SHEET MATERIAL CREAM 96"	937680	LABEL, 7/16"X 7/8" VALANCE	
	757849	FABRIC, MATTRESS TICKING CREAM 82"	MISCELLANEOUS UPHOLSTERY (FABRIC AND PARTS)		
	1179860	460DA 99, HATCH, BUNK STRG FWDSTRM HIN#	180182	ZIPPER, #5 DELRIN CONTINUOUS WHT	
	634600	CYLINDER, GAS 60PSI 20"EXT X 12"COMP	180406	SLIDE, DELRIN #5 WHT 1-S LOCK	
	634550	BRACKET, SS GAS CYL 90DEG L-BRKT W/BALL LONG	221325	UPH PARTS, END STOP W/SCREW	
	195479	HINGE, AL CONT FORM/DBL 2.5"X 72" SATIN	1140995	FOAM, P/C 460DA-99 FWD STRM KIT 4PC	
13	894642	LIGHT, STEP SS (BIMINI)	989426	VINYL, ALLANTE II BLK EXP FLAT	
	894659	BULB, STEP LIGHT 12V/5WATT (BIMINI)	1079797	VINYL, ALLANTE II CHAMPAGNE EXP FLAT	
14	225003	DRAWER, PLAS 16"X 23.75"X 7.1"	1091743	VINYL, ALLANTE II CHAMPAGNE EXP 1/4" F/B DOW	
	119255	DRAWER SLIDE, PLAS 20"	178665	ELASTIC, WHITE 1/4"	
	1257609	460DA 99, DRAWER FACE, 8"X24-5/8" FWDSTRM HN#	1128487	FABRIC, GEOMETRIC STRAW (NDLPNCH) W/BACK	
	187591	PLATE, DRAWER STOP PLATE 1/8"X2"X3"ALUM	1141845	FABRIC, WHEATAN #44 FLAT	
	772418	CATCH, RIM-LOCK WHT	1141886	FABRIC PNL, WHEATAN #44-RNDM QLT 12OZ/PC/B	
	761445	CATCH, RIM-LOCK STRIKE PLATE	1141951	FABRIC, WHEATAN #44-RNDM QLT PC/B	
	762849	LATCH, 6MM X 1" SHAFT EXTENSION	NOT SHOWN		
	761429	PULL, PUSH-BUTTON PLAS BRASS 3/4" W/ROSETTE (HULL # 501-586)	186221	BRACKET, ALUM 1.5"X 1.5"X 1.5" SUPPORT	
	945238	PULL, PUSH-BUTTON POL SOLID BRASS (HULL # 587-UP)	186239	BRACKET, ALUM 1.5"X 1.5"X 3"	
	945246	PULL, ROSETTE POL SOLID BRASS 19MM (HULL # 587-UP)	911826	SPEAKER, CLARION INT 6.5" BLK SRR1620	
15	1179845	460DA 99, HATCH, FWDSTRM HIN#	632570	CATCH, GRABBER LATCH W/ 5LB HOLD BLK PLAS	
	174599	LIFT HANDLE, HATCH LIFT BOLT 1/4"X 4" SHANK			
16	894774	LIGHT, DAVID-EYEBALL GLD/TRIM RING CHR/FRST L			
	947796	BULB, REPL FOR TEBE/CHARLY BOY/SAMPEI/DAVID			
17	1179639	460DA 99, DOOR, FWDSTRM PORT TV STRG HIN#			
	1176635	PULL, DOOR FLUSH MIRROR .050 BRUSHED BRASS			
	772418	CATCH, RIM-LOCK WHT			
	898577	SLIDE ASSY, PIVOT DOOR 16" (KNAPP/VOGT)			
	1127984	TV/VCR, 13" PANASONIC BLK W/REMOTE (STANDARD)			
	1185438	TV/VCR, 14" AIWA (220V OPTION)			
	192492	CONN, ROMEX PLAS 1/2"			
	184580	CONN, TV/FM ANTENNA TYPE F-59			
	145078	COVER PLATE, SGL DUPLEX RECEPT BRN			
	145094	RECEPTACLE, DUPLEX BRN 15A			
	180471	BOX, RECEPTACLE STD SYL PHENOLIC			
18	893222	RECEPTACLE, IDEA-SERIES SGL GRY			
	627737	BOX, RECEPTACLE/SWITCH PVC 1-GANG DEEP			
	893297	COVER PLATE, IDEA-SERIES 3-GANG GOLD			
	893263	SWITCH, BLANK IDEA-SERIES GREY			
	893289	FRAME, IDEA-SERIES 3-GANG SUPPORT FRAME GREY			
19	660126	A/C COMP, ECU CONTROL UNIT			
20	172262	STOP, DOOR W/HOOK W/BUMPER 3.25"			
21	1179787	460DA 99, DOOR, STRG W/SHLVS PORT/MIRROR HIN#			
	1156124	MIRROR, 1/4"X 14.75" P/E X 55.5" P/E BVL ALL			
	525667	HINGE, CONCEALED FULL OVERLAY MT PLATE ONLY			
	839399	HINGE, SELF CLOSING BLUM SCREW-ON			
	1176635	PULL, DOOR FLUSH MIRROR .050 BRUSHED BRASS			
22	1179472	460DA 99, DOOR, PORT HEAD FWDSTRM ENTRY HN#			
23	1689907	460DA 99, DOOR, ENTRY PCKT FWD STRM HIN#			
	861914	LOCK, SLIDING DOOR BRASS			
	1156132	MIRROR, 1/8"X 19.5"X 69"			
	633727	TRACK, ALUM POCKET DOOR (GLIDE MASTER)			
	633768	ROLLER, POCKET DOOR HANGER (GLIDE MASTER)			

PORT HEAD



PORT HEAD

NOT SHOWN

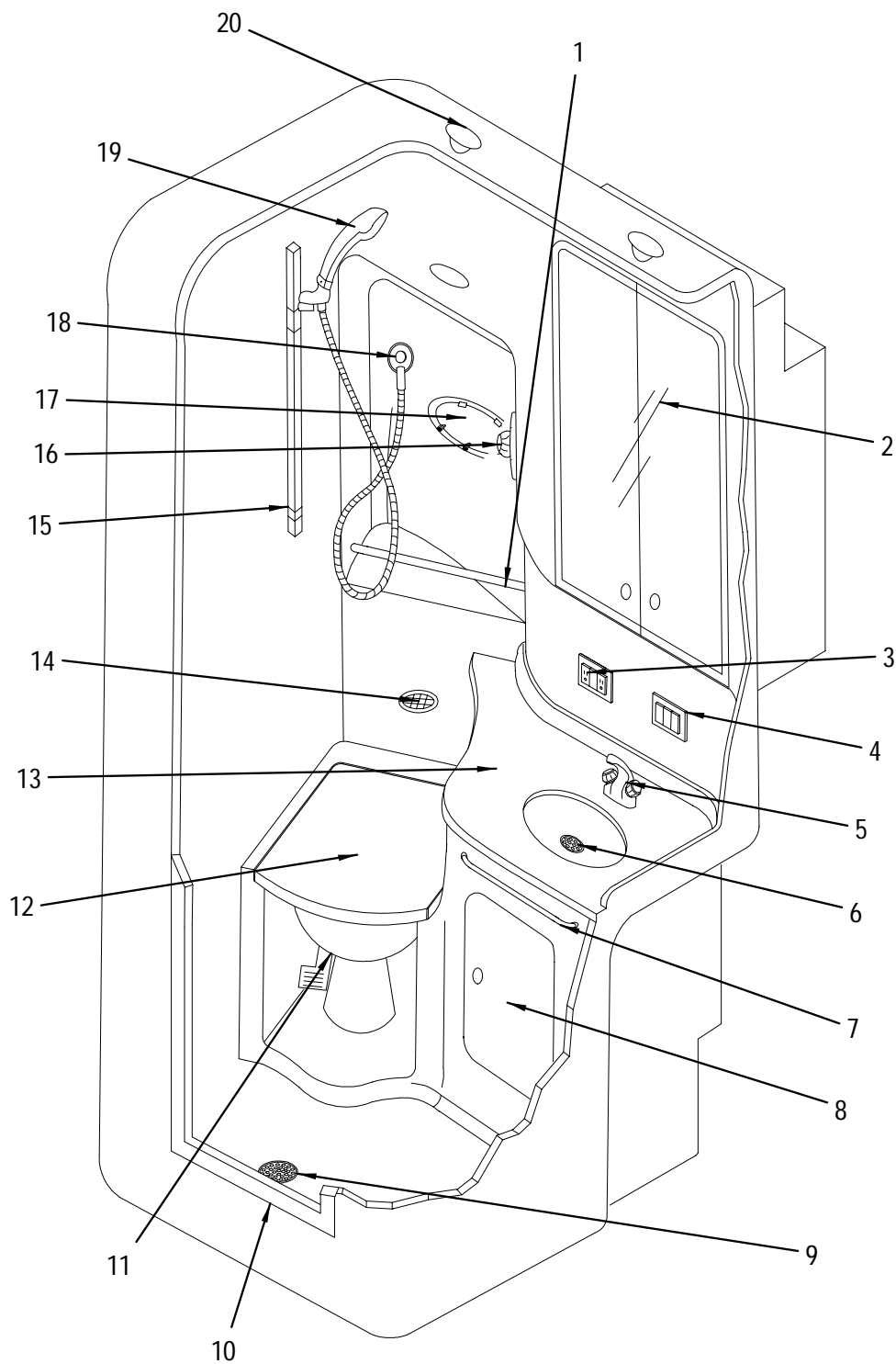
937706 LABEL, 7/16"X 7/8" HEAD

VINYL

986810 VINYL, ALLANTE II SEA OYSTER EXP 1/4"F/B DOW

- 1 516344 LIGHT, HALOGEN BRASS W/BUBBLE LENS
975565 BULB, HALOGEN 12V/20W
- 2 1147149 RAIL, GRAB 460DA-99 MASTER HEAD SHOWER
3 1140342 BULKHD, PLEX 460DA-99 MSTR HEAD SHOWER
4 1057991 TRIM RING, V/F PORTLIGHT INNER CUSTOM 98
808121 PORTLIGHT, OPENING ALL SS 3/8" FROSTED
- 5 177220 SHOWER, ASSY P/BUTTON W/MT W/40"SS HOSE
496364 SHOWER BAR, WITH SLIDE FOR SHOWER WAND 24"
860387 FAUCET, BATH MIXER CHROME W/CRYSTAL KNOB
900373 SHOWER, UNION FIXTURE CHR
- 6 894774 LIGHT, DAVID-EYEBALL GLD/TRIM RING CHR/FRST L
947796 BULB, REPL FOR TEBE/CHARLY BOY/SAMPEI/DAVID
7 137356 VENT, POWER VENT 3" BLK
124024 HOSE, VENT/BLOWER 3" EX HVY DTY
129676 BLOWER, BILGE 3" FACE MNT #5412
172783 ADAPTER, HOSE FLANGE 3"
- 8 1140441 DOOR, PLEX 460DA-99 MSTR HEAD CAB MIRROR
761429 PULL, PUSH-BUTTON PLAS BRASS 3/4" W/ROSETTE
(HULL # 501-586)
945238 PULL, PUSH-BUTTON POL SOLID BRASS
(HULL # 587-UP)
945246 PULL, ROSETTE POL SOLID BRASS 19MM
(HULL # 587-UP)
761445 CATCH, RIM-LOCK STRIKE PLATE
772418 CATCH, RIM-LOCK WHT
558031 BUMPER, CLEAR SMALL ROUND
798058 HINGE, CONCEALED FULL OVERLAY 105DEG SALICE
834333 HINGE, CONCEALED PART OVERLAY MT PLATE SALICE
- 9 948372 A/C COMP, GRILL 4" W/DA CLW
- 10 258368 RECEPTACLE, GFI DUPLEX WHT 15A
180471 BOX, RECEPTACLE STD SYL PHENOLIC
- 11 627737 BOX, RECEPTACLE/SWITCH PVC 1-GANG DEEP
893222 RECEPTACLE, IDEA-SERIES SGL GRY
893289 FRAME, IDEA-SERIES 3-GANG SUPPORT FRAME GREY
893297 COVER PLATE, IDEA-SERIES 3-GANG GOLD
893263 SWITCH, BLANK IDEA-SERIES GREY
- 12 893230 SWITCH, IDEA-SERIES SPST GREY
893263 SWITCH, BLANK IDEA-SERIES GREY
893289 FRAME, IDEA-SERIES 3-GANG SUPPORT FRAME GREY
893297 COVER PLATE, IDEA-SERIES 3-GANG GOLD
627737 BOX, RECEPTACLE/SWITCH PVC 1-GANG DEEP
813915 FUSE, FERRULE TYPE AGC 7.5A
948208 FUSE HOLDER, FERRULE TYPE VIMAR
- 13 939173 FAUCET, LAV CTRSET CHR/BRS
14 146175 DRAIN ASSY, 1.25" DRAIN W/PLUG PLASTIC
- 15 910646 RAIL, GRAB 15" OVAL LOW PRFL
- 16 180109 COVER PLATE, BILGE BOX 4"X 4" BRN PHENOLIC
180513 BOX, BILGE OUTLET PVC 4" X 4"
- 17 988675 DOOR, STRG W/20"X 14" FRAME INT GLD BTN
761429 PULL, PUSH-BUTTON PLAS BRASS 3/4" W/ROSETTE
(HULL # 501-586)
945238 PULL, PUSH-BUTTON POL SOLID BRASS
(HULL # 587-UP)
945246 PULL, ROSETTE POL SOLID BRASS 19MM
(HULL # 587-UP)
761445 CATCH, RIM-LOCK STRIKE PLATE
772418 CATCH, RIM-LOCK WHT
558031 BUMPER, CLEAR SMALL ROUND
798058 HINGE, CONCEALED FULL OVERLAY 105DEG SALICE
834333 HINGE, CONCEALED PART OVERLAY MT PLATE SALICE
146399 HOLDER, TOILET PAPER WALL MNT CHR ROLLER
- 18 1179472 460DA 99, DOOR, PORT HEAD FWDSTRM ENTRY HN#
1215532 LATCH, NOVA RH-OUT PRVKNB CHR W/BRASS HDSCR
132324 HINGE, BUTT CHROME/ZINC 2"
172262 STOP, DOOR W/HOOK W/BUMPER 3.25"
- 19 1179464 460DA 99, DOOR, PORT HEAD SALON ENTRY HN#
1215532 LATCH, NOVA RH-OUT PRVKNB CHR W/BRASS HDSCR
132324 HINGE, BUTT CHROME/ZINC 2"
- 20 1140466 TOP, CORIAN 460DA-99 MSTR HEAD VAN AURORA
- 21 270298 HEAD, VACU-FLUSH BTM DISCHARGE BONE
- 22 851311 PANEL, WASTE LEVEL INDICATOR
- 23 870873 COVER, RTM TOILET LID CMLPT ANW 96
800888 HINGE, SS CONT 2"X 72" (.188 CURL WIDTH)
609883 CLEAT, PLAS 3/4"X 1"X 4" GREY
- 24 418871 DRAIN ASSY, SHOWER 1.25"NPT
- 25 906297 DOOR, 450DA/580SS SHOWER CURV (W/O TRACK) FWD
906347 TRACK, 450DA/580SS SHOWER DOOR FWD
1257500 HANDLE, 450DA/580SS CURVED SHOWER DOOR

STARBOARD HEAD



STARBOARD HEAD

NOT SHOWN UPHOLSTERY (continued)

986810 VINYL, ALLANTE II SEA OYSTER EXP 1/4"F/B DOW

1	1147131	RAIL, GRAB 460DA-99 GUEST HEAD SHOWER
2	1140458	DOOR, PLEX 460DA-99 MID STRM HEAD CAB MIRROR
	761429	PULL, PUSH-BUTTON PLAS BRASS 3/4" W/ROSETTE (HULL # 501-586)
	945238	PULL, PUSH-BUTTON POL SOLID BRASS (HULL # 587-UP)
	945246	PULL, ROSETTE POL SOLID BRASS 19MM (HULL # 587-UP)
	761445	CATCH, RIM-LOCK STRIKE PLATE
	772418	CATCH, RIM-LOCK WHT
	558031	BUMPER, CLEAR SMALL ROUND
	798058	HINGE, CONCEALED FULL OVERLAY 105DEG SALICE
	834333	HINGE, CONCEALED PART OVERLAY MT PLATE SALICE
3	893222	RECEPTACLE, IDEA-SERIES SGL GRY
	893289	FRAME, IDEA-SERIES 3-GANG SUPPORT FRAME GREY
	893297	COVER PLATE, IDEA-SERIES 3-GANG GOLD
	893263	SWITCH, BLANK IDEA-SERIES GREY
	627737	BOX, RECEPTACLE/SWITCH PVC 1-GANG DEEP
4	893230	SWITCH, IDEA-SERIES SPST GREY
	893263	SWITCH, BLANK IDEA-SERIES GREY
	893289	FRAME, IDEA-SERIES 3-GANG SUPPORT FRAME GREY
	893297	COVER PLATE, IDEA-SERIES 3-GANG GOLD
	627737	BOX, RECEPTACLE/SWITCH PVC 1-GANG DEEP
	813915	FUSE, FERRULE TYPE AGC 7.5A
	948208	FUSE HOLDER, FERRULE TYPE VIMAR
5	939173	FAUCET, LAV CTRSET CHR/BR
6	146175	DRAIN ASSY, 1.25" DRAIN W/PLUG PLASTIC
7	910646	RAIL, GRAB 15" OVAL LOW PRFL
8	988675	DOOR, STRG W/20"X 14" FRAME INT GLD BTN
	761429	PULL, PUSH-BUTTON PLAS BRASS 3/4" W/ROSETTE (HULL # 501-586)
	945238	PULL, PUSH-BUTTON POL SOLID BRASS (HULL # 587-UP)
	945246	PULL, ROSETTE POL SOLID BRASS 19MM (HULL # 587-UP)
	761445	CATCH, RIM-LOCK STRIKE PLATE
	772418	CATCH, RIM-LOCK WHT
	558031	BUMPER, CLEAR SMALL ROUND
	798058	HINGE, CONCEALED FULL OVERLAY 105DEG SALICE
	834333	HINGE, CONCEALED PART OVERLAY MT PLATE SALICE
	146399	HOLDER, TOILET PAPER WALL MNT CHR ROLLER
9	418871	DRAIN ASSY, SHOWER 1.25"NPT
10	1176726	460DA 99, DOOR, STBD HEAD CMLPT HIN#
	1215532	LATCH, NOVA RH-OUT PRVKNB CHR W/BRASS HDSCLR
	132324	HINGE, BUTT CHROME/ZINC 2"
11	270298	HEAD, VACU-FLUSH BTM DISCHARGE BONE
12	870873	COVER, RTM TOILET LID CMLPT ANW 96
	800888	HINGE, SS CONT 2"X 72" (.188 CURL WIDTH)
	609883	CLEAT, PLAS 3/4"X 1"X 4" GREY
13	1140474	TOP, CORIAN 460DA-99 MIDSTRM HEAD VAN AURORA
14	129676	BLOWER, BILGE 3" FACE MNT #5412
	124024	HOSE, VENT/BLOWER 3" EX HVY DTY
	137356	VENT, POWER VENT 3" BLK
	172783	ADAPTER, HOSE FLANGE 3"
15	496364	SHOWER BAR, WITH SLIDE FOR SHOWER WAND 24"
16	860387	FAUCET, BATH MIXER CHROME W/CRYSTAL KNOB
17	1057991	TRIM RING, V/F PORTLIGHT INNER CUSTOM 98
18	900373	SHOWER, UNION FIXTURE CHR
19	177220	SHOWER, ASSY P/BUTTON W/MT W/40"SS HOSE
20	516344	LIGHT, HALOGEN BRASS W/BUBBLE LENS
	975565	BULB, HALOGEN 12V/20W

ELECTRICAL

851311	PANEL, WASTE LEVEL INDICATOR
192492	CONN, ROMEX PLAS 1/2"
180109	COVER PLATE, BILGE BOX 4"X 4" BRN PHENOLIC
180513	BOX, BILGE OUTLET PVC 4" X 4"
638239	BUSS BAR, 3-GANG TERMINAL STRIP (LARGE)
258368	RECEPTACLE, GFI DUPLEX WHT 15A
180471	BOX, RECEPTACLE STD SYL PHENOLIC

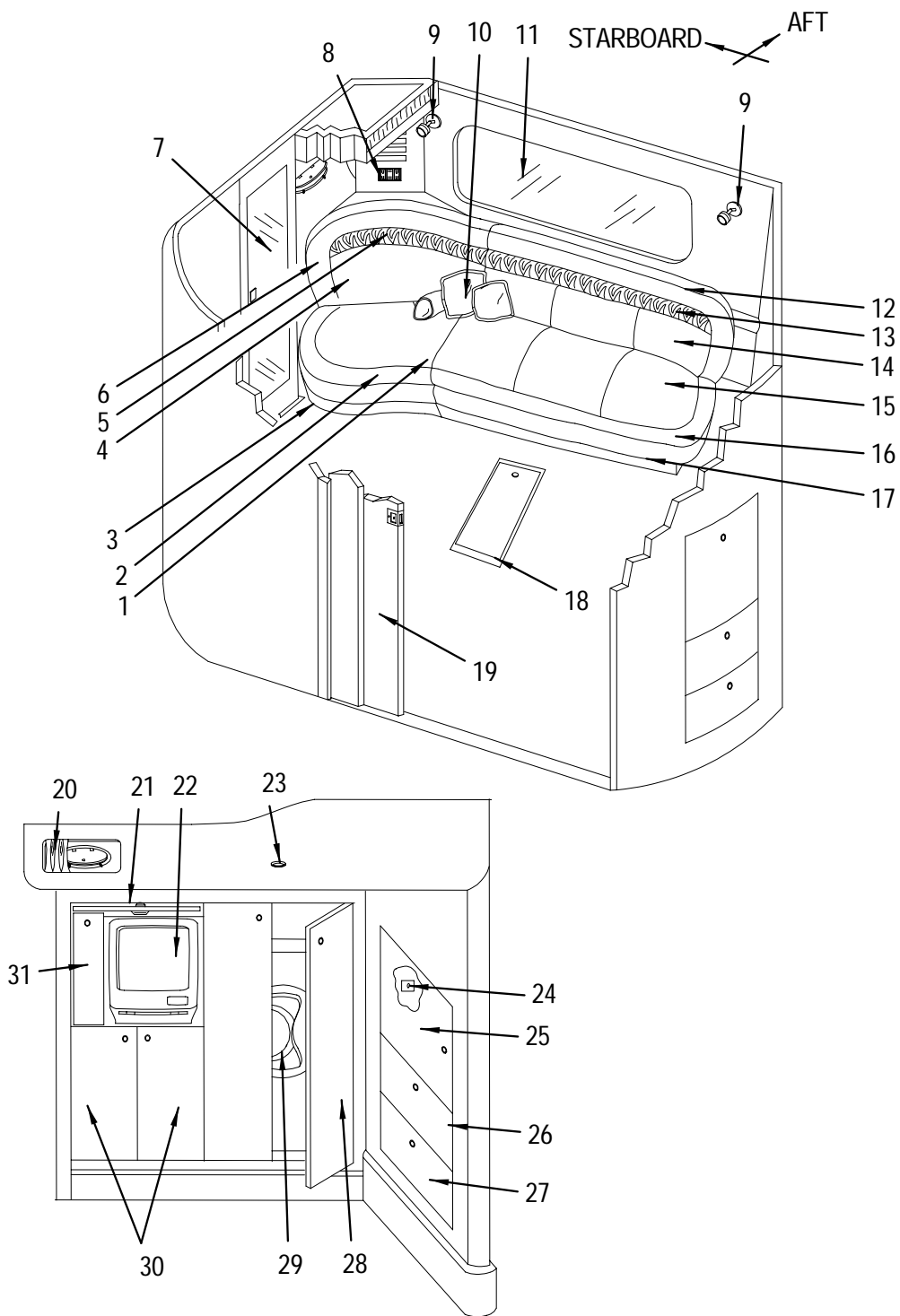
LABELS

937706	LABEL, 7/16"X 7/8" HEAD
135046	LABEL, DANGER UNPLUG SHORE POWER

NOT SHOWN UPHOLSTERY

1104900	CURTAIN, SHOWER GUARD ALMOND
1007053	TRACK, ALUM CURT TRK 12' I BEAM TYPE
186668	UPH PARTS, EYELET CARRIERS W/NYLON WHEEL
186676	UPH PARTS, DRAPE CEILING BRKT

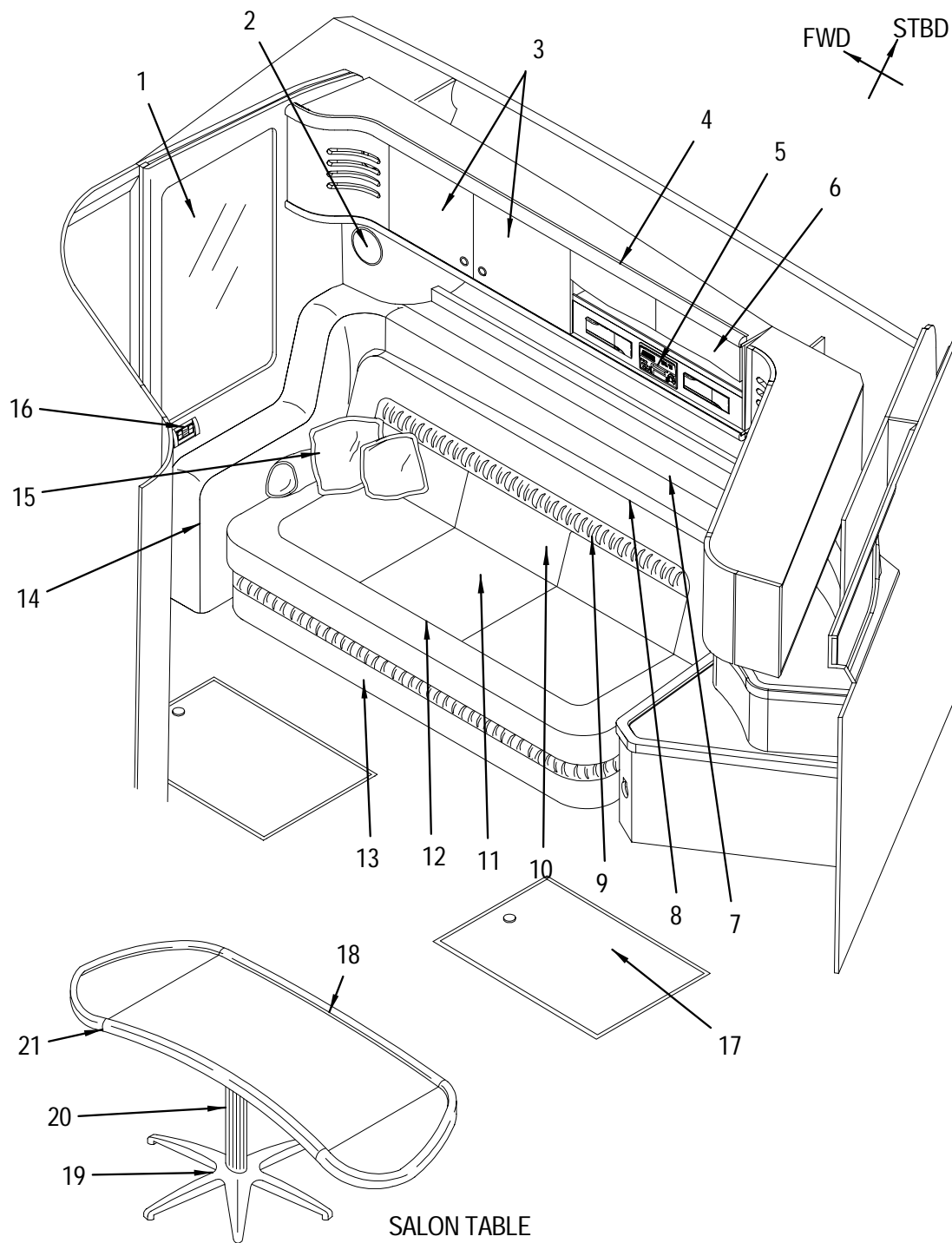
MID STATEROOM



MID STATEROOM

1	174722	460DA 99, CUSH, MIDSTRM STBD SOFA HIN#	22	145078	COVER PLATE, SGL DUPLEX RECEIPT BRN
	979922	460DA 99, CUSH SKIN, MIDSTRM STBD SOFA HIN#		145094	RECEPTACLE, DUPLEX BRN 15A
2	1256965	460DA 99, LOFT, SEAT MID STRM SOFA HIN#	23	894774	LIGHT, DAVID-EYEBALL GLD/TRIM RING CHR/FRST L
3	1256999	460DA 99, TOEKICK, MID STRM STBD SOFA HIN#		947796	BULB, REPL FOR TEBE/CHARLY BOY/SAMPEI/DAVID
4	1180959	460DA 99, CUSH, B/R MIDSTRM STBD SOFA HIN#	24	957191	PANEL, SOFA CNTRL SW DUAL FOR MONOPLEX MDL200
	1180967	460DA 99, B/R SKIN, MIDSTRM STBD SOFA HIN#		957217	MODULE, SOFA CONTROL DUAL MOTOR W/PIGTAIL
5	1256940	460DA 99, INSERT, B/R MIDSTRM SOFA STBD HIN#	25	1181254	460DA 99, DOOR, MIDSTRM STRG PORT HIN#
6	1246404	460DA 99, BLSTR, MIDSTRM STBD SOFA HIN#		761445	CATCH, RIM-LOCK STRIKE PLATE
	1256924	460DA 99, BLSTR SKIN, MIDSTRM STBD SOFA HIN#		761429	PULL, PUSH-BUTTON PLAS BRASS 3/4" W/ROSETTE
7	1180942	460DA 99, DOOR, FWDSTRM HANG LCKR		945238	(HULL # 501-586)
	1156082	MIRROR, 1/4"X 13.75"P/E X 50.25"P/E		945238	PULL, PUSH-BUTTON POL SOLID BRASS
	799114	BAR, HANGING ROD (CLOTHES) ALUM 12.75"		945246	(HULL # 587-UP)
	390849	CATCH, GRABBER LATCH W/10LB HOLD BLK PLAS		521526	PULL, ROSETTE POL SOLID BRASS 19MM
	525667	HINGE, CONCEALED FULL OVERLAY MT PLATE ONLY		525667	(HULL # 587-UP)
	521526	HINGE, CONCEALED FULL OVERLAY W/100 DEG ANGLE	26	1181262	HINGE, CONCEALED FULL OVERLAY MT PLATE ONLY
	1176635	PULL, DOOR FLUSH MIRROR .050 BRUSHED BRASS		119156	460DA 99, DRAWER FACE, MIDSTRM UPR HIN#
	840868	LIGHT, COURTESY ROUND W/FROSTED LENS 12V/5W		119255	DRAWER, PLAS 10"X 15"X 7.1"
	1192368	BULB, REPL FOR #0840868 12V/5W		119255	DRAWER SLIDE, PLAS 20"
	183236	SWITCH, LOCKER LIGHT PLUNGER WHT	27	1181270	460DA 99, DRAWER FACE, MIDSTRM LWR HIN#
8	893222	RECEPTACLE, IDEA-SERIES SGL GRY		123042	DRAWER, PLAS 15"X 18"X 7.1"
	893297	COVER PLATE, IDEA-SERIES 3-GANG GOLD		119255	DRAWER SLIDE, PLAS 20"
	893289	FRAME, IDEA-SERIES 3-GANG SUPPORT FRAME GREY	28	1180991	460DA 99, DOOR, WASHER/DRYER HIN#
	893263	SWITCH, BLANK IDEA-SERIES GREY		761429	PULL, PUSH-BUTTON PLAS BRASS 3/4" W/ROSETTE
	893230	SWITCH, IDEA-SERIES SPST GREY		945238	(HULL # 501-586)
9	971192	LIGHT, SAMPEI HALOGEN GLD W/SW 12V/10W		945238	PULL, PUSH-BUTTON POL SOLID BRASS
	947796	BULB, REPL FOR TEBE/CHARLY BOY/SAMPEI/DAVID		945246	(HULL # 587-UP)
10	1137165	PILLOW PKG, 1999 SPYACHT PKG A THIRD STRM (2)		945246	PULL, ROSETTE POL SOLID BRASS 19MM
	1137173	PILLOW PKG, 1999 SPYACHT PKG B THIRD STRM (2)		761445	(HULL # 587-UP)
	1137181	PILLOW PKG, 1999 SPYACHT PKG C THIRD STRM (2)		761445	CATCH, RIM-LOCK STRIKE PLATE
	1137199	PILLOW PKG, 1999 SPYACHT PKG D THIRD STRM (2)		772418	CATCH, RIM-LOCK WHT
11	1156090	MIRROR, 1/8"X 23"X 76"		947325	SLIDE ASSY, PIVOT DOOR 18" (KNAPP/VOGT)
12	1257021	460DA 99, BOLSTER, B/R MIDSTRM ELEC SOFA HIN#	29	959528	WASHER/DRYER, COMBO SPLENDEIDE 2000 VENTED
	1254176	460DA 99, BLSTR SKIN, MIDSTRM ELEC SOFA HIN#		1218536	LABEL, WARNING WASHER/DRYER
13	1257062	460DA 99, INSERT, B/R MIDSTRM ELEC SOFA HIN#		180463	BOX, RECEPTACLE HANDY DUPLEX METAL
14	1246412	460DA 99, CUSH, B/R MIDSTRM ELEC SOFA INBD HN#		124016	HOSE, VENT/BLOWER 4" EX HVY DTY
	1246420	460DA 99, B/R SKIN, MIDSTRM ELEC SOFA INBD HN#	30	1180983	460DA 99, DOOR, LWR TV CAB PORT HIN#
	1257070	460DA 99, CUSH, B/R MIDSTRM ELEC SOFA CTR HN#		761429	PULL, PUSH-BUTTON PLAS BRASS 3/4" W/ROSETTE
	1257096	460DA 99, B/R SKIN, MIDSTRM ELEC SOFA CTR HN#		945238	(HULL # 501-586)
	1257104	460DA 99, CUSH, B/R MDSTRM ELEC SOFA OTBD HN#		945246	PULL, PUSH-BUTTON POL SOLID BRASS
	1257112	460DA 99, B/R SKIN, MDSTRM ELEC SOFA OTBD HN#		945246	(HULL # 587-UP)
15	1246438	460DA 99, CUSH, MDSTRM ELEC SOFA INBD HN#		761445	CATCH, RIM-LOCK STRIKE PLATE
	1246446	460DA 99, CUSH SKIN, MDSTRM ELEC SOFA INBD HN#		772418	CATCH, RIM-LOCK WHT
	1257195	460DA 99, CUSH, MDSTRM ELEC SOFA CTR HN#		521526	HINGE, CONCEALED FULL OVERLAY W/100 DEG ANGLE
	1257203	460DA 99, CUSH SKIN, MDSTRM ELEC SOFA CTR HN#		525667	HINGE, CONCEALED FULL OVERLAY MT PLATE ONLY
	1257211	460DA 99, CUSH, MDSTRM ELC SOFA OTBD HN#	31	1246537	460DA 99, DRAWER, VIDEO TAPE STRG HIN#
	1257237	460DA 99, CUSH SKIN, MDSTRM ELEC SOFA OTBD HN#		604652	TRAY, VIDEO TAPE ORG
	960112	FRAME, DUAL ELEC CONVERTIBLE SLEEPER		632570	CATCH, GRABBER LATCH W/ 5LB HOLD BLK PLAS
16	1246453	460DA 99, BLSTR, PORT BTM MDSTRM ELC SOFA HN#		898577	SLIDE ASSY, PIVOT DOOR 16" (KNAPP/VOGT)
	1257245	460DA 99, BLSTR SKIN, PTBTM MDSTRM EL SOFA HN#	DRAWER HARDWARE		
17	1257252	460DA 99, TOEKICK, SOFA MIDSTRM PORT SOFA HN#		761445	CATCH, RIM-LOCK STRIKE PLATE
18	1181239	460DA 99, HATCH, MIDSTRM FLOOR		762849	LATCH, 6MM X 1" SHAFT EXTENSION
	174599	LIFT HANDLE, HATCH LIFT BOLT 1/4"X 4" SHANK		187591	PLATE, DRAWER STOP PLATE 1/8"X2"X3"ALUM
19	1181247	460DA 99, DOOR, MIDSTRM POCKET HIN#		761429	PULL, PUSH-BUTTON PLAS BRASS 3/4" W/ROSETTE
	565929	CHANNEL, ALUM-U 3/8"X 5/16"X 1/16"X 6'		945238	(HULL # 501-586)
	641597	GUIDE, TOP PIVOT ROLLER		945238	PULL, PUSH-BUTTON POL SOLID BRASS
	861914	LOCK, SLIDING DOOR BRASS		945246	(HULL # 587-UP)
	765800	STOP, SLIDING DOOR/WINDOW CHR		945246	PULL, ROSETTE POL SOLID BRASS 19MM
	633776	ROLLER, HANGER TOP MOUNT BRKT (GLIDE MASTER)		632570	(HULL # 587-UP)
	633768	ROLLER, POCKET DOOR HANGER (GLIDE MASTER)		632570	CATCH, GRABBER LATCH W/ 5LB HOLD BLK PLAS
	878934	TRACK, 400DA DBL DOOR BYPASSING 6'	LABELS		
20	1162882	CURTAIN, 460DA-99 PKGB-WOODALE #44 GRN		937680	LABEL, 7/16"X 7/8" VALANCE
	1162908	CURTAIN, 460DA-99 PKGD-PLACIO BARK/SULLIVAN		937698	LABEL, 7/16"X 7/8" STATEROOM
	1162924	CURTAIN, 460DA-99 PKGC-SULLIVAN/NAVY DIAMOND	NOT SHOWN		
	1162932	CURTAIN, 460DA-99 PKGA-GRANITE IVORY		894642	LIGHT, STEP SS (BIMINI)
	132183	TRACK, ALUM CURT TRK 0.275"X 0.688" TAB TYPE		894659	BULB, STEP LIGHT 12V/5WATT (BIMINI)
21	1246545	460DA 99, DOOR, PIVOT TV CAB MIDSTRM HIN#		957092	A/C COMP, HOSE RING 5" OBLONG
	761445	CATCH, RIM-LOCK STRIKE PLATE			
	772418	CATCH, RIM-LOCK WHT			
	947325	SLIDE ASSY, PIVOT DOOR 18" (KNAPP/VOGT)			
	761429	PULL, PUSH-BUTTON PLAS BRASS 3/4" W/ROSETTE			
	945238	(HULL # 501-586)			
	945238	PULL, PUSH-BUTTON POL SOLID BRASS			
	945246	(HULL # 587-UP)			
	945246	PULL, ROSETTE POL SOLID BRASS 19MM			
	945246	(HULL # 587-UP)			
22	1127984	TV/VCR, 13" PANASONIC BLK W/REMOTE			
	1185438	(STANDARD)			
	1185438	TV/VCR, 14" AIWA			
	180463	(220V OPTION)			
	184580	BOX, RECEPTACLE HANDY DUPLEX METAL			
	184580	CONN, TV/FM ANTENNA TYPE F-59			

SALON (FORWARD VIEW)



SALON (FORWARD VIEW)

1	1219864	MIRROR, 1/8"X 21"X 36 3/8"
2	911826	SPEAKER, CLARION INT 6.5" BLK SRR1620
	1090430	FABRIC, SPKR CLOTH CREPE BUFF #18994 1/8"FB
3	1181379	460DA 99, DOOR, SALON UPR STRG LH HIN#
	1247360	460DA 99, DOOR, SALON UPR STRG RH HIN#
	761429	PULL, PUSH-BUTTON PLAS BRASS 3/4" W/ROSETTE (HULL # 501-586)
	945238	PULL, PUSH-BUTTON POL SOLID BRASS (HULL # 587-UP)
	945246	PULL, ROSETTE POL SOLID BRASS 19MM (HULL # 587-UP)
	761445	CATCH, RIM-LOCK STRIKE PLATE
	772418	CATCH, RIM-LOCK WHT
	521526	HINGE, CONCEALED FULL OVERLAY W/100 DEG ANGLE
	525667	HINGE, CONCEALED FULL OVERLAY MT PLATE ONLY
4	853416	J-MOLD, ALUM 1/4"X 16' GOLD
5	1049808	STEREO, AM/FM CASS/CD W/CHANGER CNTRL
	1049832	STEREO, CD CHANGER 6-DISC M635
	533919	TRAY, COMPACT DISC ORGANIZER
	875484	ANTENNA LEAD, STEREO SOFT WIRE 30"
6	1247592	460DA 99, DOOR, SALON STEREO LH HIN#
	1247600	460DA 99, DOOR, SALON STEREO RH HIN#
	761429	PULL, PUSH-BUTTON PLAS BRASS 3/4" W/ROSETTE (HULL # 501-586)
	945238	PULL, PUSH-BUTTON POL SOLID BRASS (HULL # 587-UP)
	945246	PULL, ROSETTE POL SOLID BRASS 19MM (HULL # 587-UP)
	761445	CATCH, RIM-LOCK STRIKE PLATE
	772418	CATCH, RIM-LOCK WHT
	525667	HINGE, CONCEALED FULL OVERLAY MT PLATE ONLY
	839399	HINGE, SELF CLOSING BLUM SCREW-ON
7	1181437	460DA 99, CUSH, BOLSTER SALON SOFA HIN#
	1247394	460DA 99, BOLSTER SKIN, SALON SOFA HIN#
8	1257260	460DA 99, BOLSTER, B/R SALON SOFA HIN#
	1247568	460DA 99, BLSTR SKIN, B/R N SOFA HIN#
	1257286	460DA 99, INSERT, B/R SALON SOFA HIN#
10	1247550	460DA 99, CUSH, B/R SALON SOFA FWD HIN#
	1257294	460DA 99, B/R SKIN, SALON SOFA FWD HIN#
	1257302	460DA 99, CUSH, B/R SALON SOFA CTR HIN#
	1257310	460DA 99, B/R SKIN, SALON SOFA CTR HIN#
	1257328	460DA 99, CUSH, B/R SALON SOFA AFT HIN#
	1257336	460DA 99, B/R SKIN, SALON SOFA AFT HIN#
11	1247535	460DA 99, CUSH, SALON SOFA FWD HIN#
	1247543	460DA 99, CUSH SKIN, SALON SOFA FWD HIN#
	1257344	460DA 99, CUSH SKIN, SALON SOFA CTR HIN#
	1257534	460DA 99, CUSH, SALON SOFA AFT HIN#
	1257559	460DA 99, SKIN SEAT SALON SOFA AFT HIN#
12	1257567	460DA 99, LOFT, SEAT SALON SOFA HIN#
13	1247576	460DA 99, CUSH, TOEKICK SALON ELEC SOFA HIN#
	1247584	460DA 99, TOEKICK SKIN, SALON ELEC SOFA HIN#
	960112	FRAME, DUAL ELEC CONVERTIBLE SLEEPER
14	1247378	460DA 99, CUSH, ARMREST SALON SOFA HIN#
	1247386	460DA 99, ARMREST SKIN, SALON SOFA HIN#
15	1137215	PILLOW PKG, 1999 SPYACHT PKG B SALON (4)
	1137207	PILLOW PKG, 1999 SPYACHT PKG A SALON (4)
	1137223	PILLOW PKG, 1999 SPYACHT PKG C SALON (4)
	1137231	PILLOW PKG, 1999 SPYACHT PKG D SALON (4)
16	893263	SWITCH, BLANK IDEA-SERIES GREY
	893230	SWITCH, IDEA-SERIES SPST GREY
	893297	COVER PLATE, IDEA-SERIES 3-GANG GOLD
	893289	FRAME, IDEA-SERIES 3-GANG SUPPORT FRAME GREY
17	1181429	460DA 99, HATCH, SALON FLOOR HIN#
	174599	LIFT HANDLE, HATCH LIFT BOLT 1/4"X 4" SHANK
18	1247618	460DA 99, TABLE, SALON CMPLT HIN#
	1181411	460DA 99, TABLE, SALON (TOP ONLY) CMPLT HIN#
19	198119	SPIDER, LEG/POST MT ALUM (ZWAARDVIS)
20	198093	POST, TABLE LEG 19"- 32" W/GAS CYL ALUM
	268946	BASE, TABLE 5 LEG SPIDER
21	831966	HINGE, CONCEALED SOSS (WINGS:1/2"W X 2 3/8"L)

CARPET RUNNER

1179555	CANVAS, 460DA-99 CARPET RUNNER LINEN
1179605	CANVAS, 460DA-99 CARPET RUNNER SAPHR

INDIRECT LIGHTING

639658	LIGHT, FLEX-A-LIGHT CUT END CAP FOR 1/2"
639666	LIGHT, FLEX-A-LIGHT MOUNTING CLIP FOR 1/2"
702373	LIGHT, FLEX-A-LIGHT 12V 1/2"CLR SOLID PVC 30"
742460	CORD, FLEX-A-LIGHT IN-LINE W/CONN 18"FOR 1/2"

LABELS

187245	LABEL, BOATMAN'S CHECK LIST
852574	LABEL, INTERMEDIATE BREAKER WARNING
937615	LABEL, 7/16"X 7/8" SALON
937623	LABEL, 7/16"X 7/8" BILGE
937631	LABEL, 7/16"X 7/8" INDIRECT

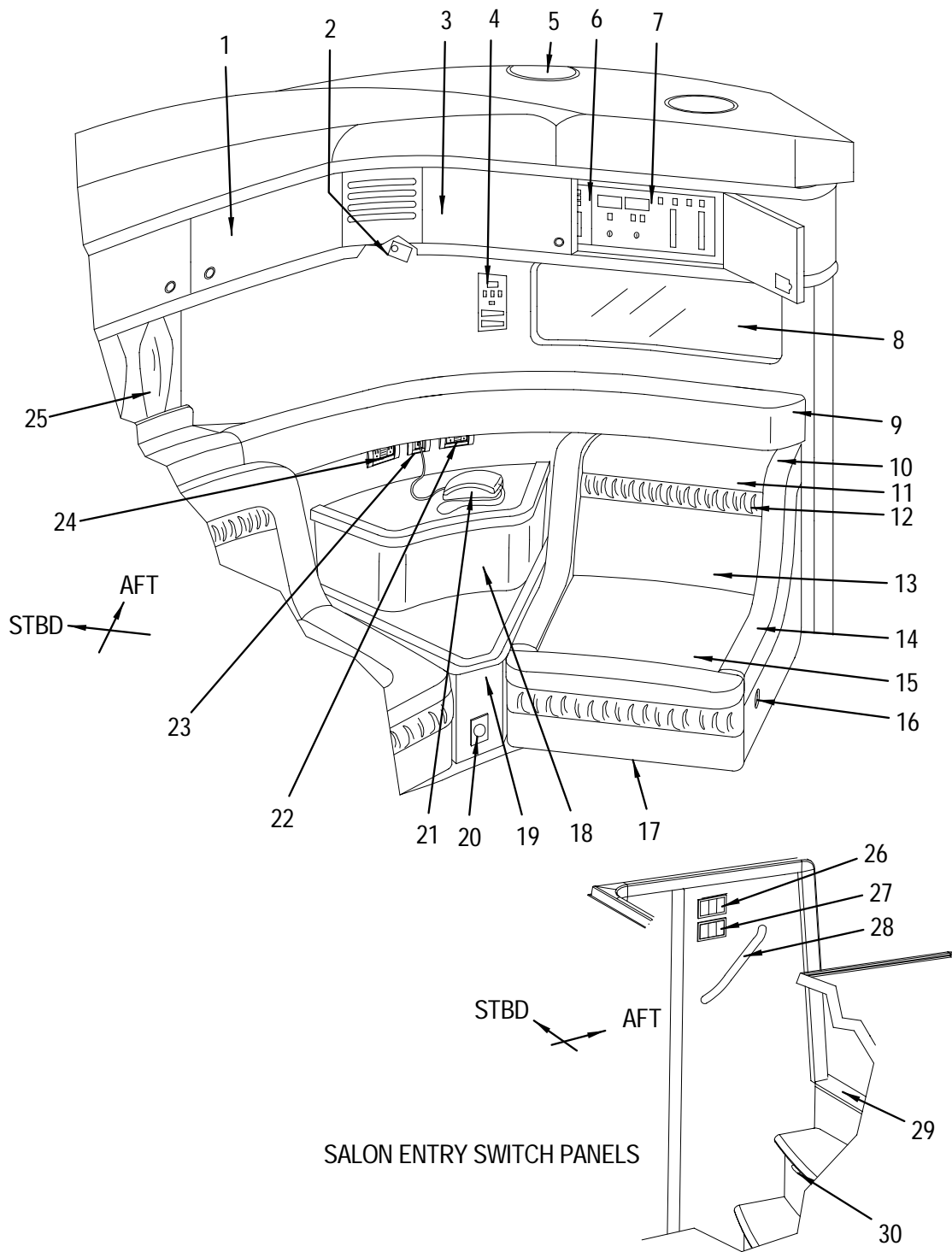
NOT SHOWN (MISCELLANEOUS)

141911	HINGE, AL CONT 1.25"X 72" BRT
440032	HOOK, UTILITY COAT

OWNERS PACKET

1171867	PACKET, MULTI-INFO 460DA-99
902726	PACKET, OWNERS BRIEFCASE CANVAS BLK (TYPHOON)
907808	CARD, WARRANTY DOUGLASS BATT ORIG EQUIP LTD
954180	VIDEO, 97 OWNER ORIENTATION SPYCHT/YCHT NTSC
800565	BOOKLET, BOATER'S GUIDE TO AC ELECTRICAL SYST
167817	CHECK LIST, IN SERVICE CHECK LIST
184424	KEY RING, PLASTIC BUOY RED
471219	BOOKLET, "HOW TO KEEP STAINLESS STAINLESS"

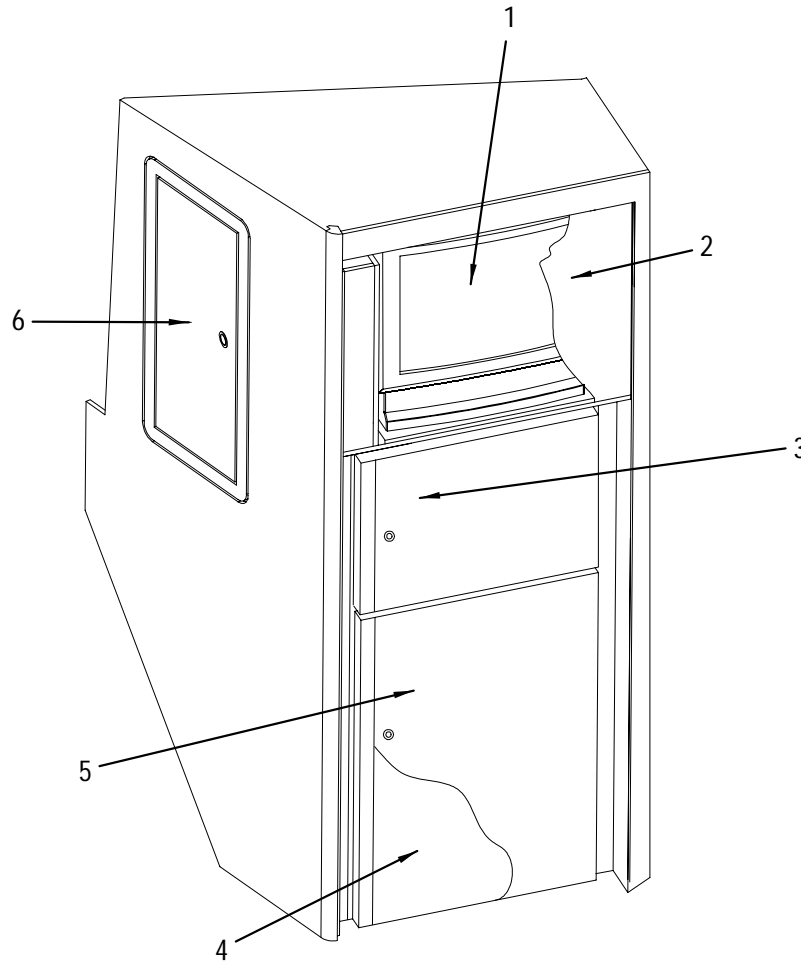
SALON (AFT VIEW)



SALON (AFT VIEW)

1	1247592	460DA 99, DOOR, SALON STEREO LH HIN#	26	893289	FRAME, IDEA-SERIES 3-GANG SUPPORT FRAME GREY
	1247600	460DA 99, DOOR, SALON STEREO RH HIN#	27	894626	SWITCH, IDEA-SERIES SPDT GREY
	761429	PULL, PUSH-BUTTON PLAS BRASS 3/4" W/ROSETTE (HULL # 501-586)		893263	SWITCH, BLANK IDEA-SERIES GREY
	945238	PULL, PUSH-BUTTON POL SOLID BRASS (HULL # 587-UP)		893297	COVER PLATE, IDEA-SERIES 3-GANG GOLD
	945246	PULL, ROSETTE POL SOLID BRASS 19MM (HULL # 587-UP)		893289	FRAME, IDEA-SERIES 3-GANG SUPPORT FRAME GREY
	761445	CATCH, RIM-LOCK STRIKE PLATE	28	978775	RAIL, GRAB 450DA-97.5 ENTRYWAY
	772418	CATCH, RIM-LOCK WHT	29	1169366	THRESHOLD, SS 460DA-99 ENTRYWAY
	839399	HINGE, SELF CLOSING BLUM SCREW-ON	30	894642	LIGHT, STEP SS (BIMINI)
	525667	HINGE, CONCEALED FULL OVERLAY MT PLATE ONLY		894659	BULB, STEP LIGHT 12V/5WATT (BIMINI)
2	957217	MODULE, SOFA CONTROL DUAL MOTOR W/PIGTAIL	NOT SHOWN		
	957191	PANEL, SOFA CNTRL SW DUAL FOR MONOPLEX MDL200		334672	BUMPER, RECESSED WHT ROUND
3	1181387	460DA 99, DOOR, LH MDP/DC HIN#		558031	BUMPER, CLEAR SMALL ROUND
	1247626	460DA 99, DOOR, RH MDP/DC HIN#		663708	BUMPER, CLEAR .020" THICK
	1151570	SLIDE ASSY, PIVOT DOOR 24" (KNAPP/VOGT)			
	761429	PULL, PUSH-BUTTON PLAS BRASS 3/4" W/ROSETTE (HULL # 501-586)			
	945238	PULL, PUSH-BUTTON POL SOLID BRASS (HULL # 587-UP)			
	945246	PULL, ROSETTE POL SOLID BRASS 19MM (HULL # 587-UP)			
	761445	CATCH, RIM-LOCK STRIKE PLATE			
	772418	CATCH, RIM-LOCK WHT			
4	660126	A/C COMP, ECU CONTROL UNIT			
5	935882	LIGHT, JAMAICA BRS 12V/20W			
	947796	BULB, REPL FOR TEBE/CHARLY BOY/SAMPEI/DAVID			
6	1121870	PANEL, 450EB-98/460DA-99 DC DIST			
7	974378	PANEL, 480DB-98 MDP 240VAC			
8	1156140	MIRROR, 1/8"X 14"X 29.5"			
9	1257526	460DA 99, BOLSTER, AFT SALON HIN#			
10	1181403	460DA 99, INCLINER, SALON CMPLT HIN#			
11	1247634	460DA 99, CUSH, B/R UPR INCLINER, SALON HIN#			
	1247642	460DA 99, B/R SKIN, UPR INCLINER, SALON HIN#			
12	1247659	460DA 99, CUSH, B/R MID INCLINER SALON HIN#			
	1247667	460DA 99, B/R SKIN, MID INCLINER SALON HIN#			
13	1247675	460DA 99, CUSH, B/R LWR INCLINER SALON HIN#			
	1247683	460DA 99, B/R SKIN, LWR INCLINER SALON HIN#			
14	1247691	460DA 99, CUSH, ARMREST INCLINER RH SALON HN#			
	1247709	460DA 99, ARMREST SKIN, INCLINER RH SALON HN#			
	1247717	460DA 99, CUSH, ARMREST INCLINER LH SALON HN#			
	1247725	460DA 99, SKIN, ARMREST INCLINER LH SALON HN#			
15	1247733	460DA 99, CUSH, INCLINER SALON HIN#			
	1247741	460DA 99, CUSH SKIN, INCLINER SALON HIN#			
16	1158757	FRAME, INCLINER (CHAIR) W/RELEASE CABLE			
17	1247758	460DA 99, CUSH, OTTOMAN INCLINER SALON HIN#			
	1247766	460DA 99, OTTOMAN SKIN, INCLINER SALON HIN#			
18	1247774	460DA 99, TABLE, CORNER UPR SALON HIN#			
19	1247782	460DA 99, TABLE, CORNER LWR SALON HIN#			
20	770339	VACUUM, CENTRAL SYS 110V W/INST KIT (STANDARD)			
	770347	VACUUM, CENTRAL SYS 220V W/INST KIT (220V OPTION)			
	770370	VACUUM, WALL MTG BRKT/ADAPTER			
	770354	VACUUM, HOSE 20' W/ATTACHMENTS			
	774679	VACUUM, HOSE 40' VINYL GREY 2"ID FLEX			
	770362	VACUUM, INLET BISQUE W/WIRES			
	770388	VACUUM, TEE 90DEG			
	824763	VACUUM, CLAMP COUPLING W/HDWR			
	123513	CLAMP, HOSE #32 1 9/16"-2.5" SS			
	261354	CLAMP, LOOM VINYL DIP #38 2 3/8"			
21	300368	TELEPHONE, ALMOND			
22	914689	SWITCH, DIMMER AC-LV 2-MODULE			
	893222	RECEPTACLE, IDEA-SERIES SGL GRY			
	893289	FRAME, IDEA-SERIES 3-GANG SUPPORT FRAME GREY			
	893297	COVER PLATE, IDEA-SERIES 3-GANG GOLD			
23	893255	INLET, IDEA-SERIES PHONE GRY			
	952010	FRAME, IDEA-SERIES 1-GANG SUPPORT W/RIBS			
	952028	COVER PLATE, IDEA-SERIES 1-GANG GLD 1700 SER			
24	893222	RECEPTACLE, IDEA-SERIES SGL GRY			
	893263	SWITCH, BLANK IDEA-SERIES GREY			
	893289	FRAME, IDEA-SERIES 3-GANG SUPPORT FRAME GREY			
	893297	COVER PLATE, IDEA-SERIES 3-GANG GOLD			
25	1162882	CURTAIN, 460DA-99 PKGB-WOODALE #44 GRN			
	132183	TRACK, ALUM CURT TRK 0.275"X 0.688" TAB TYPE			
	1160159	BLINDS, 460DA-99 CELL-BUFF/LAB-VAN			
26	960153	SWITCH, IDEA-SERIES SPST (MOM) GREY			
	893263	SWITCH, BLANK IDEA-SERIES GREY			
	893230	SWITCH, IDEA-SERIES SPST GREY			
	893297	COVER PLATE, IDEA-SERIES 3-GANG GOLD			

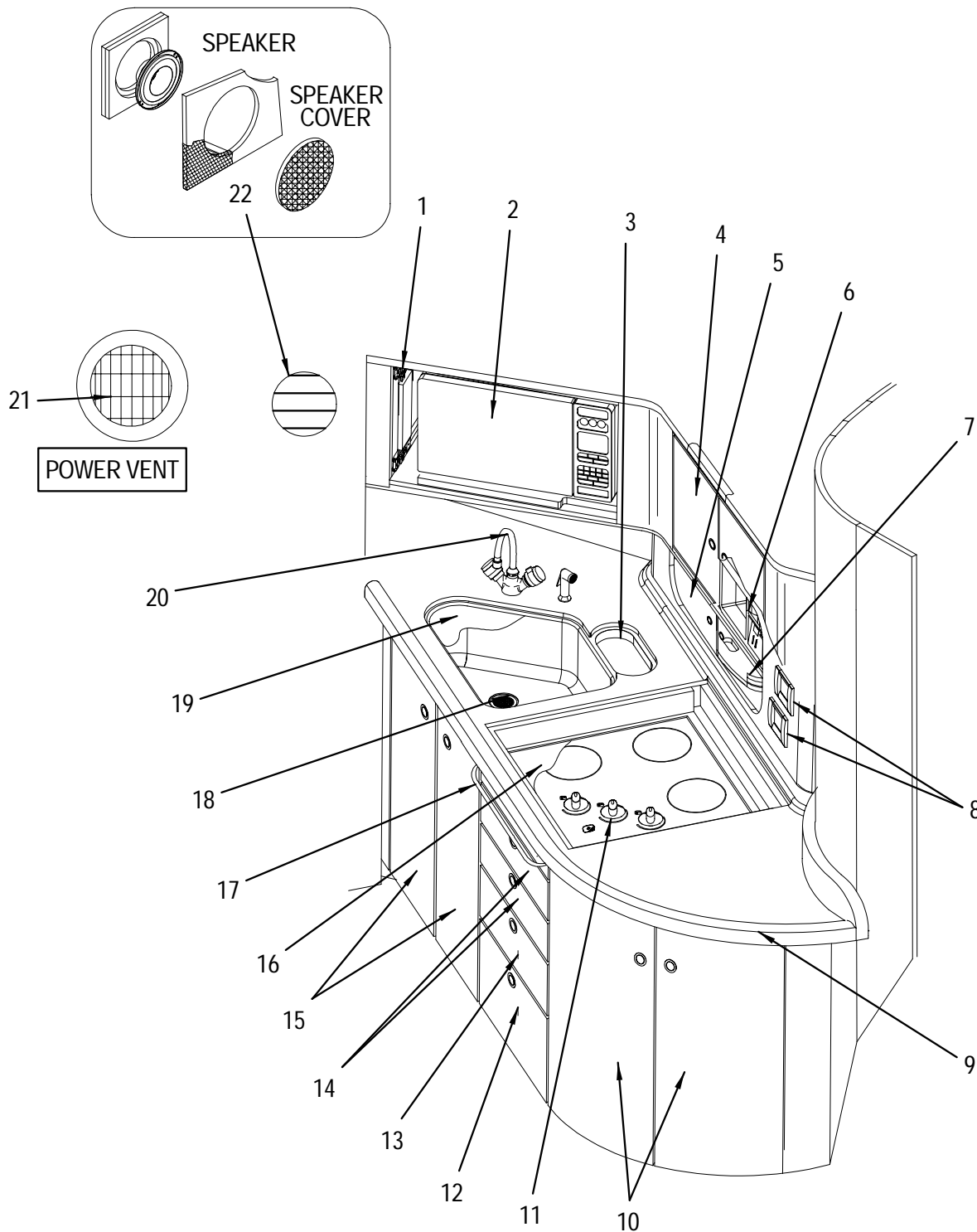
GALLEY (AFT VIEW)



GALLEY (AFT VIEW)

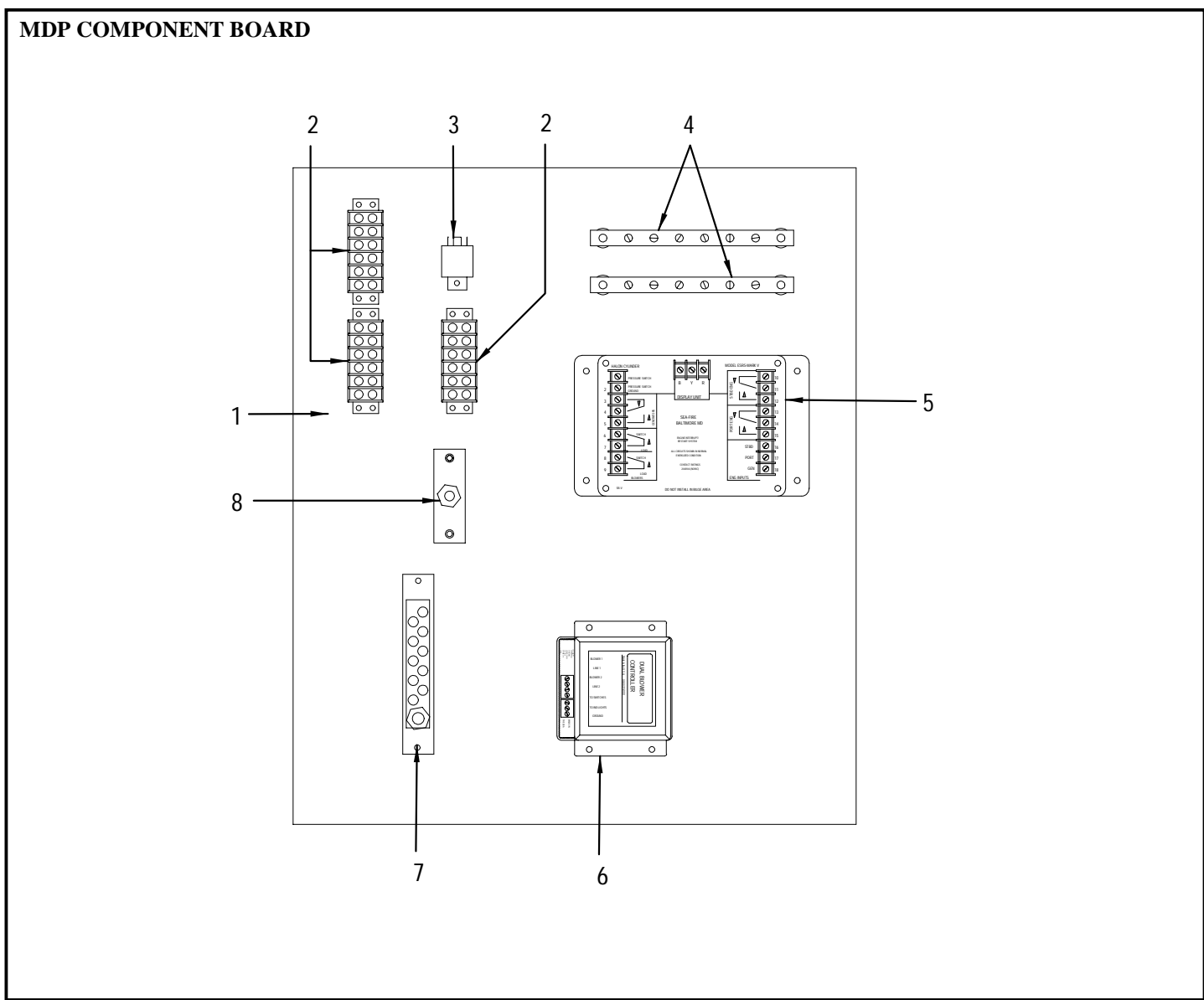
- | | |
|---|---|
| <p>1 1127976 TV/VCR, 20" PANASONIC BLK W/REMOTE
(STANDARD)
933234 TELEVISION, 21" PHILLIPS MULTI-SYSTEM EURO
(220V OPTION)
818070 VCR, PHILLIPS EURO
(220V OPTION)
2 1173947 460DA 99, DOOR, GALLEY-TV PIVOT HN#
761429 PULL, PUSH-BUTTON PLAS BRASS 3/4" W/ROSETTE
(HULL # 501-586)
945238 PULL, PUSH-BUTTON POL SOLID BRASS
(HULL # 587-UP)
945246 PULL, ROSETTE POL SOLID BRASS 19MM
(HULL # 587-UP)
898577 SLIDE ASSY, PIVOT DOOR 16" (KNAPP/VOGT)
956797 CATCH, Y-TYPE WHT PLAS (ROTARY)
3 1181478 460DA 99, DOOR, GALLEY-FREEZER HN#
525667 HINGE, CONCEALED FULL OVERLAY MT PLATE ONLY
839399 HINGE, SELF CLOSING BLUM SCREW-ON
761429 PULL, PUSH-BUTTON PLAS BRASS 3/4" W/ROSETTE
(HULL # 501-586)
945238 PULL, PUSH-BUTTON POL SOLID BRASS
(HULL # 587-UP)
945246 PULL, ROSETTE POL SOLID BRASS 19MM
(HULL # 587-UP)
761445 CATCH, RIM-LOCK STRIKE PLATE
772418 CATCH, RIM-LOCK WHT
4 789610 REFRIGERATOR, 6.3 CF CFC FREE AC/DC 110V
(STANDARD)</p> | <p>4 789636 REFRIGERATOR, 6.3 CF CFC FREE 220V
(220V OPTION)
5 1173954 460DA 99, DOOR, GALLEY-REFRIG HN#
772400 BRACKET, REFRIG SWING/HOLD
1172402 BRACKET, 460DA-99 REFRIG SWING/HOLD 4.5"
525667 HINGE, CONCEALED FULL OVERLAY MT PLATE ONLY
839399 HINGE, SELF CLOSING BLUM SCREW-ON
761429 PULL, PUSH-BUTTON PLAS BRASS 3/4" W/ROSETTE
(HULL # 501-586)
945238 PULL, PUSH-BUTTON POL SOLID BRASS
(HULL # 587-UP)
945246 PULL, ROSETTE POL SOLID BRASS 19MM
(HULL # 587-UP)
761445 CATCH, RIM-LOCK STRIKE PLATE
772418 CATCH, RIM-LOCK WHT
6 1173863 460DA 99, DOOR, STRG GALLEY ENTWY HN#
525667 HINGE, CONCEALED FULL OVERLAY MT PLATE ONLY
839399 HINGE, SELF CLOSING BLUM SCREW-ON
761429 PULL, PUSH-BUTTON PLAS BRASS 3/4" W/ROSETTE
(HULL # 501-586)
945238 PULL, PUSH-BUTTON POL SOLID BRASS
(HULL # 587-UP)
945246 PULL, ROSETTE POL SOLID BRASS 19MM
(HULL # 587-UP)
761445 CATCH, RIM-LOCK STRIKE PLATE
772418 CATCH, RIM-LOCK WHT</p> |
|---|---|

GALLEY (FORWARD VIEW)



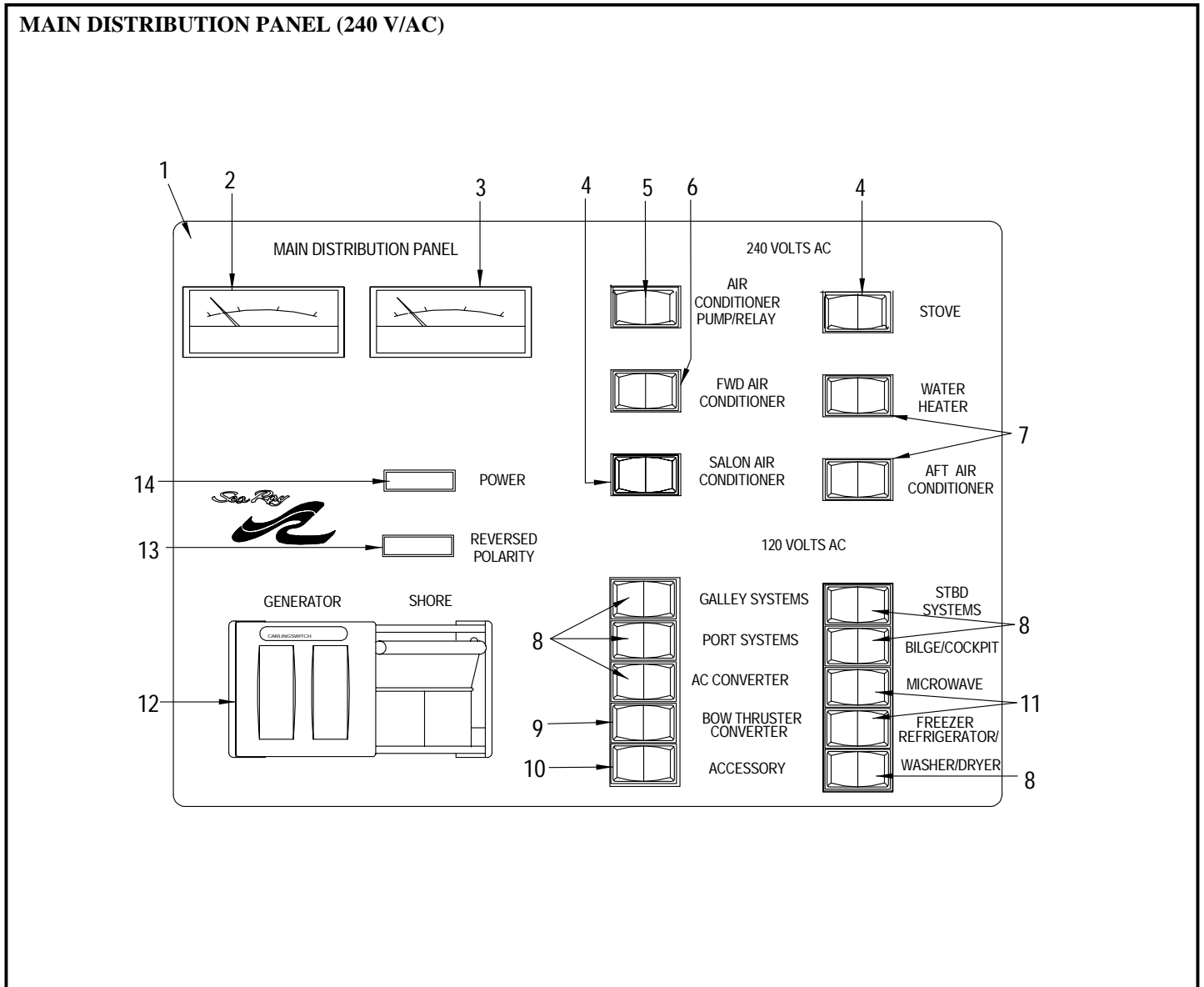
GALLEY (FORWARD VIEW)

1	1173962	460DA 99, DOOR, GALLEY-MICROWAVE PIVOT HIN#	13	945246	PULL, ROSETTE POL SOLID BRASS 19MM (HULL # 587-UP)
	1151570	SLIDE ASSY, PIVOT DOOR 24" (KNAPP/VOGT)		761445	CATCH, RIM-LOCK STRIKE PLATE
	956797	CATCH, Y-TYPE WHT PLAS (ROTARY)		772418	CATCH, RIM-LOCK WHT
	761429	PULL, PUSH-BUTTON PLAS BRASS 3/4" W/ROSETTE (HULL # 501-586)		762849	LATCH, 6MM X 1" SHAFT EXTENSION
	945238	PULL, PUSH-BUTTON POL SOLID BRASS (HULL # 587-UP)	14	1257518	460DA 99, DRAWER FACE, 4-3/4"X19-1/2" GAL HN#
	945246	PULL, ROSETTE POL SOLID BRASS 19MM (HULL # 587-UP)		118935	DRAWER, PLAS 15"X 18"X 3.3"
2	285197	MICROWAVE, SHARP 0.9CF CONVECTION 120/60 BLK (STANDARD)		119255	DRAWER SLIDE, PLAS 20"
	916866	MICROWAVE, ELECTROLUX 0.8CF 220V (220V OPTION)		761429	PULL, PUSH-BUTTON PLAS BRASS 3/4" W/ROSETTE (HULL # 501-586)
3	862128	FLANGE, V/F TRASH CHUTE		945238	PULL, PUSH-BUTTON POL SOLID BRASS (HULL # 587-UP)
	780205	BASKET, TRASH 11"X 14.5"X 18" ALMOND		945246	PULL, ROSETTE POL SOLID BRASS 19MM (HULL # 587-UP)
	1111152	COVER, CORIAN 460DA TRASH CHUTE AURORA		761445	CATCH, RIM-LOCK STRIKE PLATE
	1165489	COVER, CORIAN 460DA-99 TRASH CHUTE SNDSTN		772418	CATCH, RIM-LOCK WHT
4	1173905	460DA 99, DOOR, GALLEY CAB UPR STRG RH HN#		762849	LATCH, 6MM X 1" SHAFT EXTENSION
	1247956	460DA 99, DOOR, GALLEY CAB UPR STRG LH HN#		777102	TRAY, "REV-A-SHELF" CUTLERY TRAY 12"
	525667	HINGE, CONCEALED FULL OVERLAY MT PLATE ONLY		1082429	SLIDE ASSY, DRAWER SLIDE 10" KNAPP/VOGT
	839399	HINGE, SELF CLOSING BLUM SCREW-ON	15	1173897	460DA 99, DOOR, GALLEY CAB STRG LWR RH HN#
	761429	PULL, PUSH-BUTTON PLAS BRASS 3/4" W/ROSETTE (HULL # 501-586)		1248137	460DA 99, DOOR, GALLEY CAB STRG LWR LH HN#
	945238	PULL, PUSH-BUTTON POL SOLID BRASS (HULL # 587-UP)		525667	HINGE, CONCEALED FULL OVERLAY MT PLATE ONLY
	945246	PULL, ROSETTE POL SOLID BRASS 19MM (HULL # 587-UP)		839399	HINGE, SELF CLOSING BLUM SCREW-ON
	761445	CATCH, RIM-LOCK STRIKE PLATE		761429	PULL, PUSH-BUTTON PLAS BRASS 3/4" W/ROSETTE (HULL # 501-586)
	772418	CATCH, RIM-LOCK WHT		945238	PULL, PUSH-BUTTON POL SOLID BRASS (HULL # 587-UP)
	757039	STANCHION, HDPE 1/2"X 1.5"X 2.5" ARW		945246	PULL, ROSETTE POL SOLID BRASS 19MM (HULL # 587-UP)
	773036	STOP, HDPE GALLEY DISH 1/2"X 3"X 2.5"		761445	CATCH, RIM-LOCK STRIKE PLATE
	187591	PLATE, DRAWER STOP PLATE 1/8"X2"X3"ALUM		772418	CATCH, RIM-LOCK WHT
5	1173939	460DA 99, DOOR, GAL CAB PLSTC SLD C/M RH HN#	16	987511	COVER, CORIAN 540DA-98 GLY STOVE AURORA
	1173970	460DA 99, DOOR, GAL CAB PLSTC SLD C/M LH HN#		987495	COVER, CORIAN 540DA-98 GALLEY STOVE SANDSTN
	945246	PULL, ROSETTE POL SOLID BRASS 19MM	17	335521	RAIL, GRAB 18" OVAL W/STUD
	1111525	PANEL, PLAS 60"X 16.5"	18	175687	DRAIN, SINK STRAINER 2.5" SS
	1111509	TRACK, PLAS 8" WHT	19	1155092	COVER, CORIAN 460DA-99 SINK AURORA
	1111517	GLIDE, PLAS WHT		1155100	COVER, CORIAN 460DA-99 SINK SNDSTN
6	866418	COFFEEMAKER, SPACEMAKER WHT	20	891952	FAUCET, GALLEY CLASSIC CHR/POL BRS W/SPRYR
7	898569	SLIDE ASSY, PIVOT DOOR 12" (KNAPP/VOGT)		893388	FAUCET, HNDL CHR/BRS (CLASSIC)
	956797	CATCH, Y-TYPE WHT PLAS (ROTARY)	21	137356	VENT, POWER VENT 3" BLK
8	893230	SWITCH, IDEA-SERIES SPST GREY		124024	HOSE, VENT/BLOWER 3" EX HVY DTY
	893263	SWITCH, BLANK IDEA-SERIES GREY		129676	BLOWER, BILGE 3" FACE MNT #5412
	627737	BOX, RECEPTACLE/SWITCH PVC 1-GANG DEEP		172783	ADAPTER, HOSE FLANGE 3"
	893222	RECEPTACLE, IDEA-SERIES SGL GRY	22	911826	SPEAKER, CLARION INT 6.5" BLK SRR1620
	893289	FRAME, IDEA-SERIES 3-GANG SUPPORT FRAME GREY		1090430	FABRIC, SPKR CLOTH CREPE BUFF #18994 1/8"FB
	893297	COVER PLATE, IDEA-SERIES 3-GANG GOLD		1257575	460DA 99, COVER, SPEAKER GALLEY HIN#
9	1123447	NOSING, ALUM 8" ROUNDED GOLD (ROLDOR)	ELECTRICAL		
	853416	J-MOLD, ALUM 1/4"X 16' GOLD		145078	COVER PLATE, SGL DUPLEX RECEPT BRN
10	1173871	460DA 99, DOOR, GALLEY CAB CURVED RH HIN#		180471	BOX, RECEPTACLE STD SYL PHENOLIC
	1173889	460DA 99, DOOR, GALLEY CAB CURVED LH HIN#		145094	RECEPTACLE, DUPLEX BRN 15A
	525667	HINGE, CONCEALED FULL OVERLAY MT PLATE ONLY		180125	COVER PLATE, MTL HANDY BOX
	839399	HINGE, SELF CLOSING BLUM SCREW-ON		180463	BOX, RECEPTACLE HANDY DUPLEX METAL
	761429	PULL, PUSH-BUTTON PLAS BRASS 3/4" W/ROSETTE (HULL # 501-586)		258368	RECEPTACLE, GFI DUPLEX WHT 15A
	945238	PULL, PUSH-BUTTON POL SOLID BRASS (HULL # 587-UP)		583906	RELAY, 240VAC 50/60 HZ 20 AMP DPDT
	945246	PULL, ROSETTE POL SOLID BRASS 19MM (HULL # 587-UP)		931329	TRANSFORMER, 120-12VAC 50VA CBX
	761445	CATCH, RIM-LOCK STRIKE PLATE		948208	FUSE HOLDER, FERRULE TYPE VIMAR
	772418	CATCH, RIM-LOCK WHT		192492	CONN, ROMEX PLAS 1/2"
11	867804	STOVE, ELEC 3-BURN BLK BEVELED GLASS 230V	LABELS		
	1010503	SWITCH, PUSH-BUTTON STOVE W/48"20GA WIRE 1.7LB		532820	LABEL, DISPOSAL OF GARBAGE
12	1257583	460DA 99, DRAWER FACE, 9"X19-1/2" GAL HN#		868380	LABEL, WARNING TURN OFF COFFEE MAKER
	123042	DRAWER, PLAS 15"X 18"X 7.1"		135046	LABEL, DANGER UNPLUG SHORE POWER
	119255	DRAWER SLIDE, PLAS 20"	MISCELLANEOUS		
	761429	PULL, PUSH-BUTTON PLAS BRASS 3/4" W/ROSETTE (HULL # 501-586)		186221	BRACKET, ALUM 1.5"X 1.5"X 1.5" SUPPORT
	945238	PULL, PUSH-BUTTON POL SOLID BRASS (HULL # 587-UP)		186239	BRACKET, ALUM 1.5"X 1.5"X 3"
	945246	PULL, ROSETTE POL SOLID BRASS 19MM (HULL # 587-UP)		390849	CATCH, GRABBER LATCH W/10LB HOLD BLK PLAS
	761445	CATCH, RIM-LOCK STRIKE PLATE		956797	CATCH, Y-TYPE WHT PLAS (ROTARY)
	772418	CATCH, RIM-LOCK WHT			
	762849	LATCH, 6MM X 1" SHAFT EXTENSION			
13	1257591	460DA 99, DRAWER FACE, 6-3/16"X19-1/2"GAL HN#			
	755835	DRAWER, PLAS 15"X 18"X 4.724" CLASSIC			
	119255	DRAWER SLIDE, PLAS 20"			
	761429	PULL, PUSH-BUTTON PLAS BRASS 3/4" W/ROSETTE (HULL # 501-586)			
	945238	PULL, PUSH-BUTTON POL SOLID BRASS (HULL # 587-UP)			



MDP COMPONENT BOARD

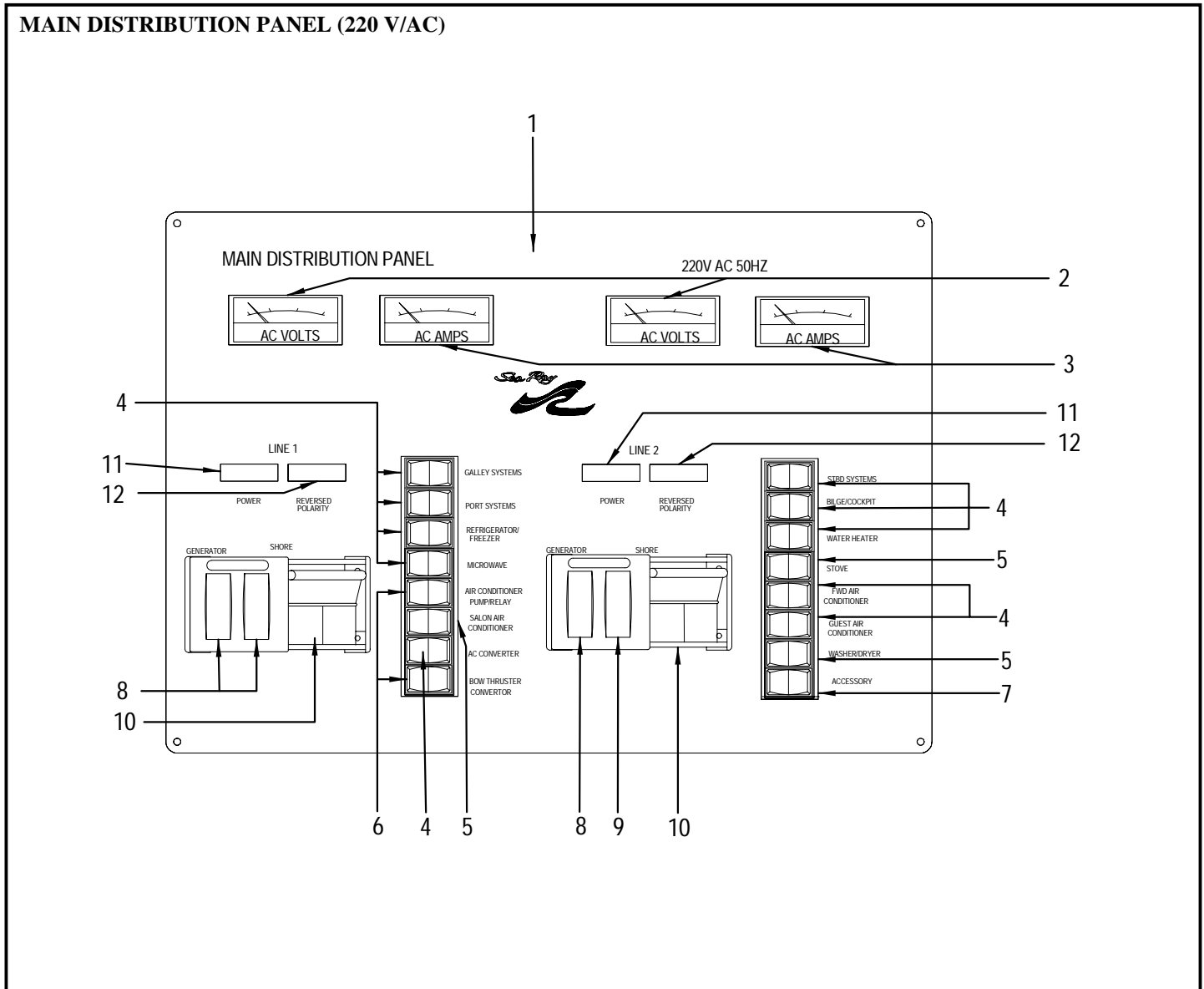
- 1 1172568 480DB 98, BOARD, MDP COMP HIN#
- 726893 PROBOARD, 1/2"X 4"X 8' GREY
- 2 179242 BUSS BAR, 6-GANG TERMINAL STRIP
- 3 828103 RELAY, SPST 12V/40A
- 4 179580 BUSS BAR, COPPER 1/8"X 1/2"X 6" W/10-32 HOLES
- 179606 BUSS BAR, DELRON SPACER
- 5 623819 HALON SYS, ENG INTERRUPT/RESTART 12V 5-CKT
- 6 800417 MODULE, BILGE BLOWER CONTROLLER
- 7 643510 BUSS BAR, DC GROUND 10-POSITION SML
- 8 795583 BUSS BAR, SGL POST 5/16"



MAIN DISTRIBUTION PANEL (240 V/AC)

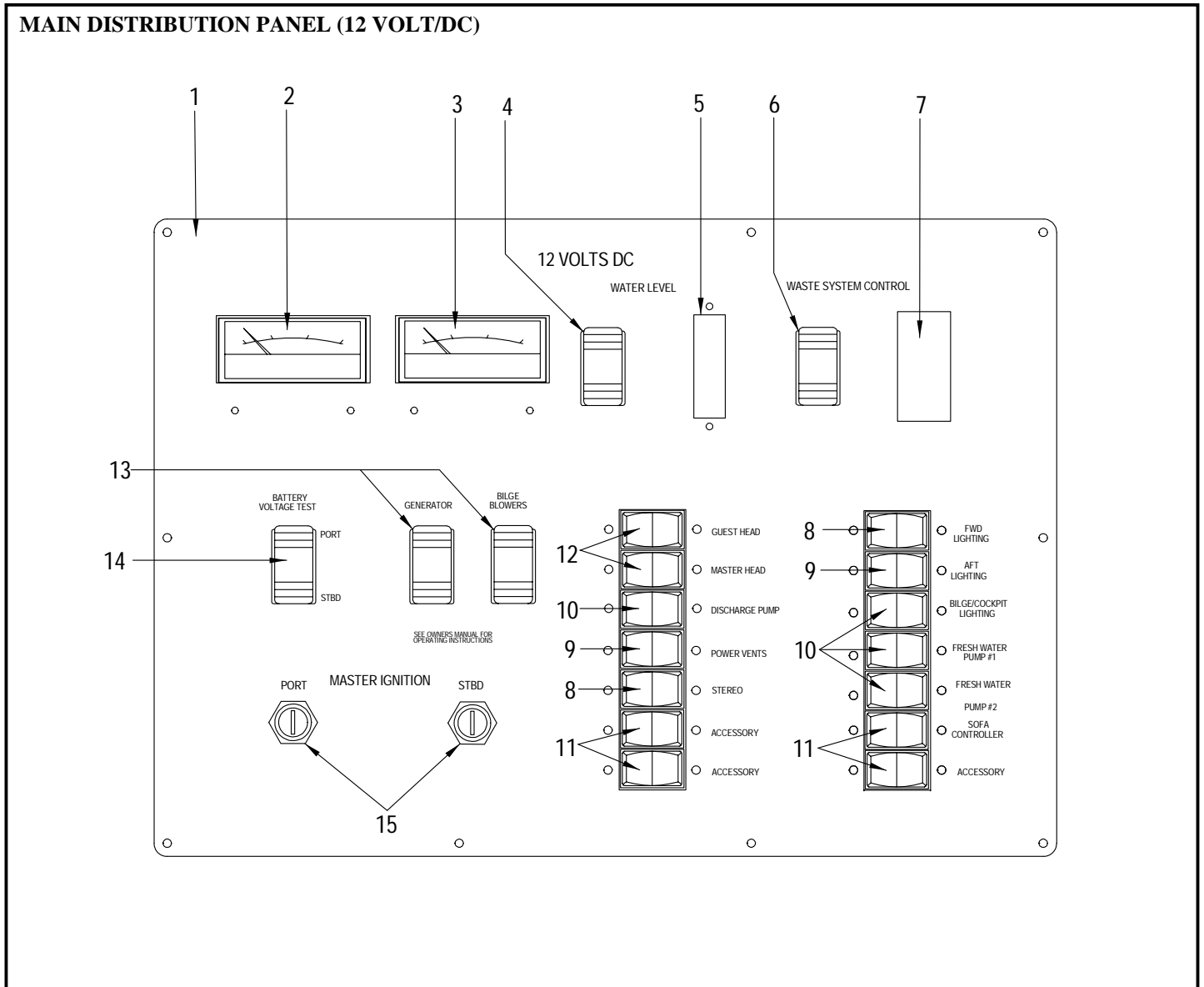
14 572529 LIGHT, POLARITY GRN 125V

- 1 974378 PANEL, 480DB-98 MDP 240VAC
- 1142405 PANEL, BLANK:480DB-98 MDP 240VAC
- 2 468207 GAUGE, VOLTMETER AC 0-300 ANALOG WINDOW MOUNT (WINDOW MOUNT)
- 3 491936 GAUGE, AMMETER AC 0-50 ANALOG WINDOW MOUNT (WINDOW MOUNT)
- 4 381608 BRKR/ROCK, 2-POLE AC/DC HORZ 20A WHT (SALON A/C UNIT & STOVE)
- 5 366567 BRKR/ROCK, 2-POLE AC/DC HORZ 5A WHT (A/C PUMP RELAY)
- 6 381608 BRKR/ROCK, 2-POLE AC/DC HORZ 20A WHT (FWD A/C UNIT)
- 7 366013 BRKR/ROCK, 2-POLE AC/DC HORZ 10A WHT (WATER HEATER & GUEST A/C)
- 8 331991 BRKR/ROCK, SGL-POLE AC/DC HORZ 20A WHT (GALLEY SYSTEMS, PORT SYSTEMS, CONVERTER STBD SYSTEMS, BILGE/CKPT & WASHER/DRYER)
- 9 332593 BRKR/ROCK, SGL-POLE AC/DC HORZ 10A WHT (BOW THRUSTER CONV OPT)
- 10 986216 PLUG, REFER TO MRP #0432872 (ACCESSORY WILL DETERMINE AMP OF BREAKER)
- 11 332031 BRKR/ROCK, SGL-POLE AC/DC HORZ 15A WHT (MICROWAVE & REFRIGERATOR/FREEZER)
- 12 582486 BRKR/TOGGLE, 3-POLE AC MED DELAY 50A (GENERATOR & SHORE)
- 986224 SLIDE ASSY, SLIDE BAR MDP PNL 6-POLE
- 13 557611 LIGHT, POLARITY RED 125V



MAIN DISTRIBUTION PANEL (220 V/AC)

- 1 979930 PANEL, 480DB-98 MAIN DIST 220VAC 50HZ
- 1142397 TRIM, CORIAN 1/4"X 1 3/32"X 98" SNDSTN
- 2 468207 GAUGE, VOLTMETER AC 0-300 ANALOG WINDOW MOUNT (WINDOW MOUNT)
- 3 491936 GAUGE, AMMETER AC 0-50 ANALOG WINDOW MOUNT (WINDOW MOUNT)
- 4 352013 BRKR/ROCK, SGL-POLE AC/DC HORZ 10A RED (GALY-PORT-STBD SYS REFRIG/FRZR,MICRO,AC,CONV,BILGE CKPT,WTR HEATER,FWD-AFT A/C)
- 5 331991 BRKR/ROCK, SGL-POLE AC/DC HORZ 20A WHT (SALON AIR CONDITIONER, STOVE & WASHER/DRYER)
- 6 353326 BRKR/ROCK, SGL-POLE AC/DC HORZ 5A WHT (AIR CONDITIONER PUMP RELAY & BOW THRUSTER CONVERTER)
- 7 762922 PLUG, BRKR/ROCK BLK (ACCESSORY WILL DETERMINE AMP OF BREAKER)
- 8 582445 BRKR/TOGGLE, 2-POLE AC MED DELAY 35A (SHORE LINE 1 & GENERATOR 1 & 2)
- 9 851295 BRKR/TOGGLE, 2-POLE AC MED DELAY 20A (10-32) (SHORE LINE 2)
- 10 986224 SLIDE ASSY, SLIDE BAR MDP PNL 6-POLE
- 11 572529 LIGHT, POLARITY GRN 125V (POWER LINE 1 & 2)
- 12 557611 LIGHT, POLARITY RED 125V (REVERSE POLARITY LINE 1 & 2)

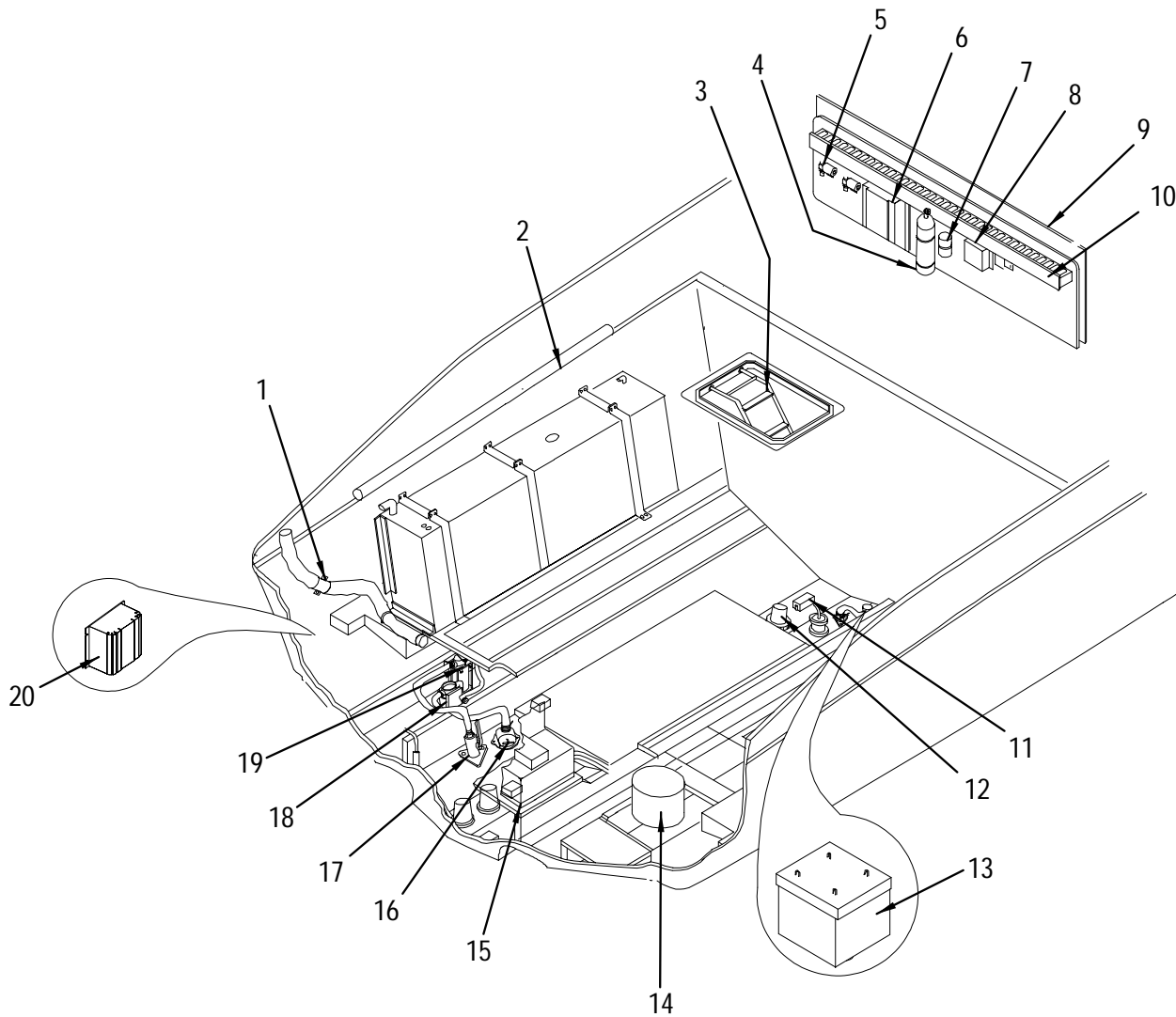


MAIN DISTRIBUTION PANEL (12 VOLT/DC)

- 1 1121870 PANEL, 450EB-98/460DA-99 DC DIST
- 1246057 PANEL, BLANK:460DA-99 DC DIST
- 2 468165 GAUGE, VOLTMETER DC 8-16 ANALOG WINDOW MOUNT (WINDOW MOUNT)
- 3 468124 GAUGE, AMMETER DC 0-50 ANALOG WINDOW MOUNT (WINDOW MOUNT)
- 4 679332 BODY, ROCK SW SPST MOM
- 681486 ACTUATOR, ROCK BLK W/O LENS ACCY
- 5 806901 INDICATOR, WATER LEVEL 12V
- 6 648097 BODY, ROCK SW SPST BLK 12V INCAND
- 679324 ACTUATOR, ROCK BLK W/BLEU LENS ACCY
- 7 893800 PANEL, WASTE LEVEL INDICATOR 12V
- 8 355081 BRKR/ROCK, SGL-POLE AC/DC HORZ 25A RED (STEREO & FWD LIGHTING)
- 9 352112 BRKR/ROCK, SGL-POLE AC/DC HORZ 20A RED (POWER VENTS & AFT LIGHTING)
- 10 352062 BRKR/ROCK, SGL-POLE AC/DC HORZ 15A RED (DISCHARGE PUMP(OPT), BILGE/CKPT LIGHTING, FRESH WTR PUMPS, REFRIG/FRZR)
- 11 432872 PLUG, BRKR/ROCK (ACCESSORY WILL DETERMINE AMP OF BREAKER)
- 12 352013 BRKR/ROCK, SGL-POLE AC/DC HORZ 10A RED (GUEST HEAD & MASTER HEAD)
- 13 799304 BODY, ROCK SW SPST (MOM) BLK W/IND INC LAMP (BILGE BLOWERS & GENERATOR)
- 679324 ACTUATOR, ROCK BLK W/BLEU LENS ACCY

- 14 719849 BODY, ROCK SW SPDT ON-(MOM ON)
- 681486 ACTUATOR, ROCK BLK W/O LENS ACCY (BATTERY VOLTAGE TEST)
- 15 719880 SWITCH, IGN 2-POS ON-OFF

BILGE (ENGINE SET-UP)



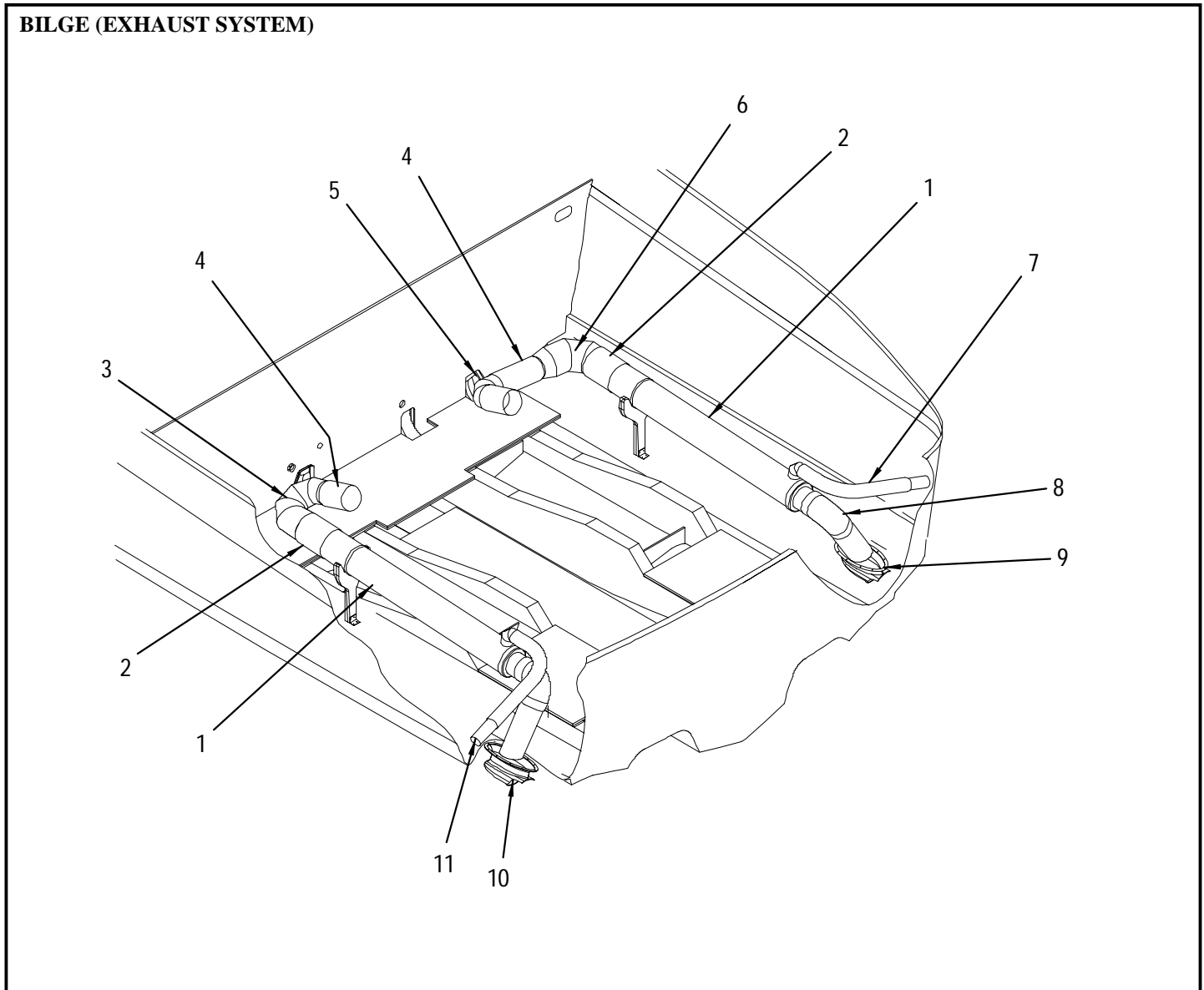
BILGE (ENGINE SET-UP)**NOT SHOWN LABELS**

1	744581	BLOWER, BILGE 4" TURBO 4000 WATER RESISTANT
	123554	CLAMP, HOSE #64 2 5/8"-4.5" SS
	124016	HOSE, VENT/BLOWER 4" EX HVY DTY
2	124339	HOSE, CONDUIT/SPLIT 1.5" BLK
	124289	HOSE, CONDUIT/SPLIT 3/4" BLK
3	1119460	LADDER, BILGE 460DA/EB-99
4	196352	HALON SYS, AUTOMATIC 500CF (1301 HALON)
5	1128172	PUMP, FRESH WATER SHURFLO 3.3GPM IMP
6	1039080	CONVERTER, 50AMP 120/240VAC 50/60HZ 12VDC
7	140814	SOLENOID, EMERG START (12V DSL)
8	232348	SYNCHRONIZER, GLENDENNING DSL ENG
9	770404	INSULATION, 2" ACOUSTICAL 4.5'X 6' ALUM
10	498253	COVER BASE, PLAS DUCT WIRING CVR 4"X 6' GREY
	498261	COVER BASE, PLAS DUCT WIRING 4"X 3"X 6'
11	678086	SWITCH, FLOAT SUREBAIL
12	125443	PUMP, BILGE 2000GPH
	123406	CLAMP, HOSE #12 1/2"-1.25" SS
	466615	HOSE CUFF, 1" RH WHT
	124578	THRU-HULL, PLAS 1 1/8" WHT
	555375	VALVE, CHECK WHALE 1"- 1.5"
13	877811	BATTERY, GROUP 27 DOUGLAS
	1216514	BOOT, BATTERY CABLE 4/0 BLK 1"
	1216522	BOOT, BATTERY CABLE 4/0 RED 1"
	140509	BOOT, ENG STARTER RED
	933143	HOLDER, HDPE 3-D BATT HOLD DOWN BRKT
	130799	CABLE, BATT BLK #2AWG
	130781	CABLE, BATT RED #2AWG
	136044	CABLE, BATT BLK #4/0AWG
	136051	CABLE, BATT RED #4/0AWG
	130435	HOLDER, BATTERY GR27 BLK NYLON W/SS
14	1115948	CBLMSTR KIT, 12V 75'L/PRO CORD W/REMOTE (OPTIONAL)
15	120477	GENERATOR, 8.0 KW DSL WSTRBK
	1010511	BRKR, SURF MNT THERMAL 50AMP MANUAL RESET
	188383	BRACKET, ANTI-SIPHON MOUNTING
	124701	HOSE, WATER 1" EX HVY DTY
	800425	MODULE, GEN CONTROLLER WSTRBK
	183533	SWITCH, OIL PRESSURE SENDER
	224105	SYPHON BREAK KIT, GEN EXH TEE FITTING 1"
	335109	TEE, BRASS STREET 1/8"FPT X 1/8"MPT X 1/8"FPT
16	843854	SEACOCK, BRZ 2"
	123513	CLAMP, HOSE #32 1 9/16"-2.5" SS
	261354	CLAMP, LOOM VINYL DIP #38 2 3/8"
	480491	HOSE, WATER INTAKE 2" HW
	516617	PICK-UP, BRZ WATER INTAKE 2"
	869305	TAILPIECE, BRZ 2"MPT X 2"BARB
17	531368	SEACOCK, BRZ 1"
	170357	ADAPTER, BRZ 1"MPT X 1"BARB STRAIGHT
	123463	CLAMP, HOSE #16 3/4"-1.5" SS
	480491	HOSE, WATER INTAKE 2" HW
	640318	THRU-HULL, BRZ 1" W/O NUT
18	507749	STRAINER, BRZ WATER INTAKE 2"
	506931	ELBOW, RED BRASS 90DEG 2"MPT X 2"BARB
	161554	STRAINER, WRENCH
19	161521	STRAINER, BRZ WTR INTAKE 1"
	170381	ELBOW, BRZ 90DEG 1"MPT X 1"BARB
	850529	EXHAUST, BRZ U/W EXH OUTLET DSL REVISED 96
	161554	STRAINER, WRENCH
20	355842	ISOLATOR, BATTERY 2ALT/2BATT 75A (SINCERA)

134890	LABEL, FUEL WARNING NMMA - DSL
258509	LABEL, DISCHARGE OF OIL (LEXAN)
852624	LABEL, STAY CLEAR OF MOVING PARTS
914341	LABEL, CHECK BATTERY CELL FLUID LEVEL
937540	LABEL, 1/2"X 1.5" SHOWER DRAIN
937557	LABEL, 1/2"X 1.5" VANITY SINK
937565	LABEL, 1/2"X 1.5" VANITY FLOOR
937573	LABEL, 1/2"X 1.5" GALLEY SINK
938423	LABEL, 1/2"X 1.5" A/C CONDENSATE
938431	LABEL, 1/2"X 1.5" DISCHARGE
1089242	LABEL, CAUTION: PRIOR TO TOWING VESSEL
921759	LABEL, DANGER STAY CLEAR OF MOVING PARTS

MISCELLANEOUS

1109073	HARNES, 450EB-98 BILGE
1058957	HOSE, WATER A/C WHT 5/8"
124271	HOSE, CONDUIT/SPLIT 1/2" BLK
124172	HOSE, EXHAUST 2" HW
184085	RUBBER SHEET, VIBRATION PAD 1/2"X 39"X 66"
1151604	SUPPORT, 460DA-99 FWD CKPT LINER
1151620	SUPPOT, 460DA-99 AFT CKPT LINER
843656	FLOORING, VINYL DIAMOND PLATE 4'X 75'
172742	HOSE, GARDEN 5/8" PLAS CONNECTOR MALE
172759	HOSE, GARDEN 5/8" PLAS CONNECTOR FEMALE
161778	BOTTLE, RECOVERY FRESH WATER COOLING
187542	BRACKET, STRAINER 8"
187567	BRACKET, STRAINER 4.25"
714436	BRACKET, SS 3/8"X 2.5" BRDG PAN 2-STUD
464115	LANYARD, 6" W/TAB
964882	PLATE, BACKING ENG MOUNT KIT 480DB/450EB



BILGE (EXHAUST SYSTEM)

NOT SHOWN

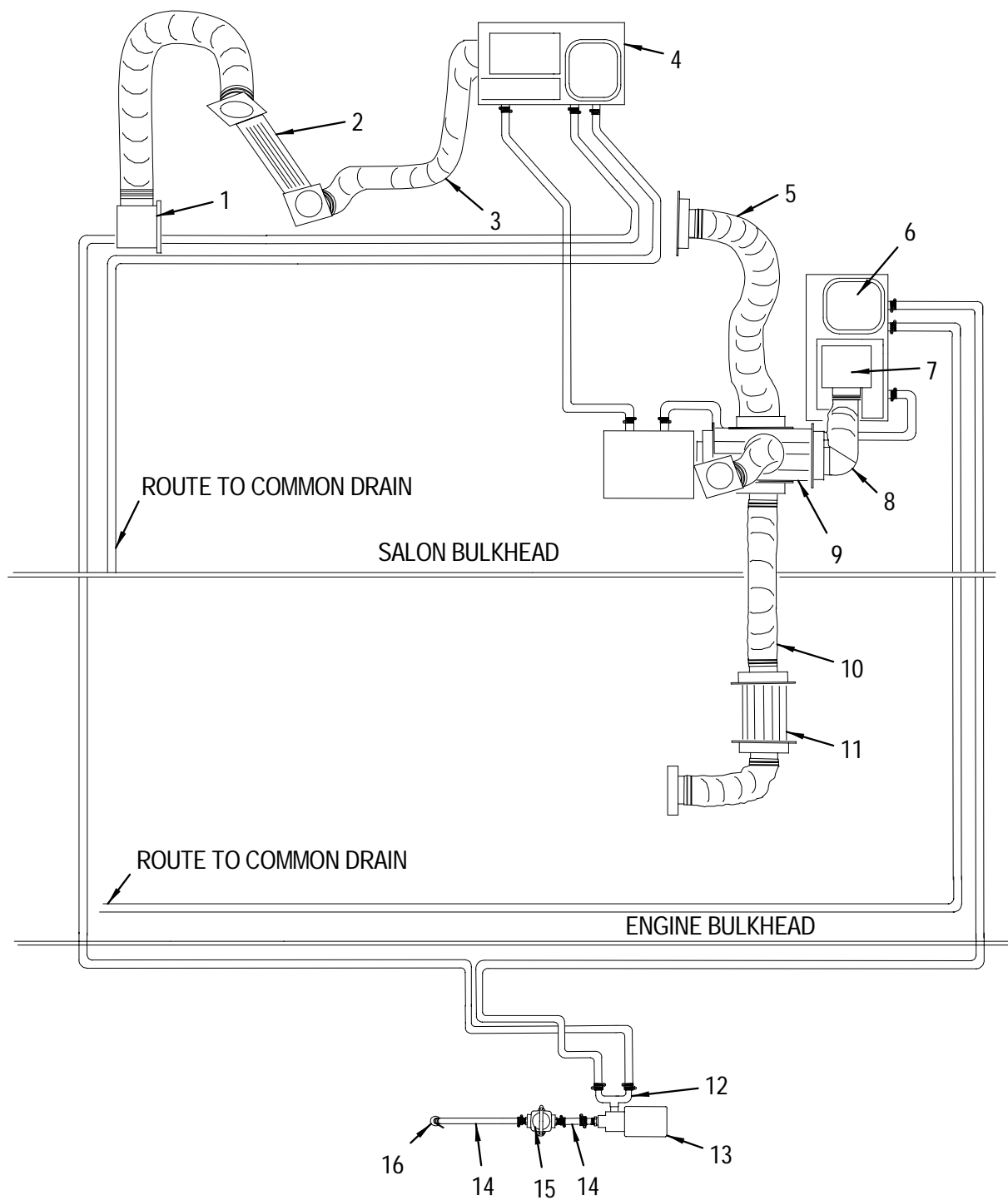
- 1 1089317 MUFFLER, 450EB-98 ENG EXH 3116/3126
- 2 124131 HOSE, EXHAUST 8" SW
- 3 1090778 EXHAUST, EL SS 6"X 8"OUT HOSE-MOUNT
- 4 124123 HOSE, EXHAUST 6" SW
- 5 677641 EXHAUST, EL SS 6"X 90DEG CURVED HOSE-MOUNT
- 6 1089325 EXHAUST, EL 6"X 8" 3116/3126 450EB-98
- 7 832733 HOSE, EXHAUST 3" HW
- 8 828277 EXHAUST, EL 6"X 90DEG RBR HT W/T-BOLT CLAMPS
- 9 159954 TUBING, EXH GLASS 6"X 30"
- 10 850529 EXHAUST, BRZ U/W EXH OUTLET DSL REVISED 96
- 11 162404 TUBING, EXH GLASS 3"

- 123539 CLAMP, HOSE #48 1 5/8"-3.5" SS
- 123596 CLAMP, HOSE #152 2 5/16"-10" SS

BILGE (GENERATOR EXHAUST)

- 123513 CLAMP, HOSE #32 1 9/16"-2.5" SS
- 124172 HOSE, EXHAUST 2" HW
- 261354 CLAMP, LOOM VINYL DIP #38 2 3/8"
- 144501 TUBING, EXH GLASS 2"X 10"
- 846873 MUFFLER, 2"IN X 2"OUT W/SIDE INLET (DURALIFT)
- 852509 LABEL, REMOTE BYPASS ON
- 196667 HOSE, GEN PURPOSE 1"
- 160044 BOOT, TOGGLE SWITCH BOOT HEXSEAL
- 183384 SWITCH, TOGGLE SPST CHROME
- 196683 ADAPTER, PVC 1"MPT X 1"BARB
- 894519 FITTING, STEEL 3/4"-16 STR THREAD X 1/4"FPT

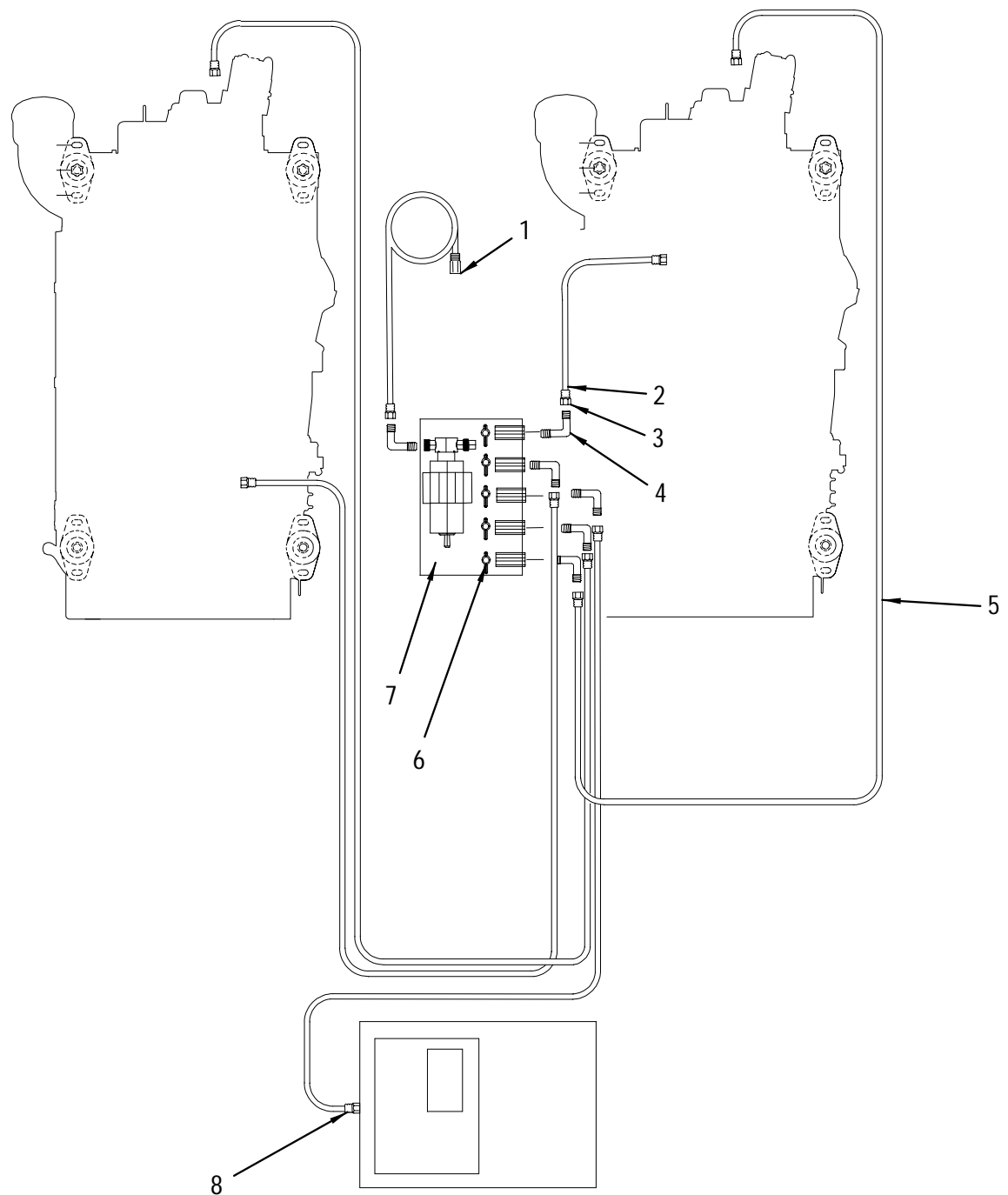
AIR CONDITIONING SYSTEM



AIR CONDITIONING SYSTEM

- 1 1174911 A/C COMP, PLENUM 5"X 6"X 6"
- 2 1174929 A/C COMP, PLENUM 6X16-6.5X16.5X3
- 3 124065 HOSE, AC/DUCT INSULATED 4"
- 4 673632 A/C COMP, 7K BTU ROT/COMP 230V
- 5 124065 HOSE, AC/DUCT INSULATED 4"
- 6 948760 A/C COMP, 16K BTU STOWAWAY 230V
- 7 1174937 A/C COMP, PLENUM W/7"-7T 5L BAF 7X8X8
- 8 124453 HOSE, AC/DUCT INSULATED 7"
- 9 1174945 A/C COMP, PLENUM W/7"-5T 4F 8X8X8
- 10 266528 HOSE, AC/DUCT INSULATED 5"
- 11 1174952 A/C COMP, PLENUM W/4R 4L 6X6
- 12 1171875 A/C COMP, MANIFOLD M12-2-90
- 13 840033 A/C COMP, PUMP SEAWATER 230V 60C
- 14 124701 HOSE, WATER 1" EX HVY DTY
- 15 531368 SEACOCK, BRZ 1"
- 16 531582 PICK-UP, BRZ WATER INTAKE 1"

OIL EXCHANGE SYSTEM



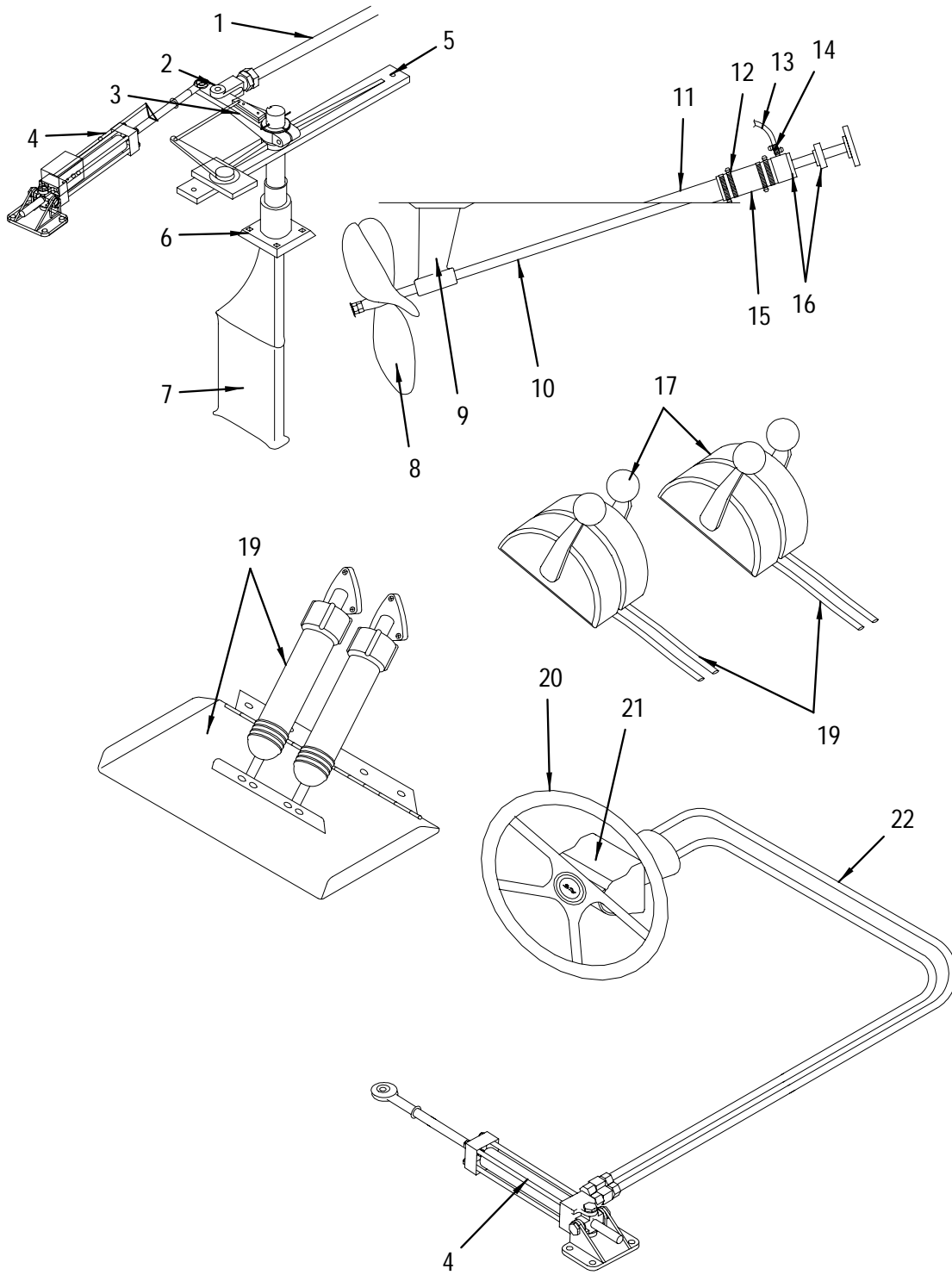
OIL EXCHANGE SYSTEM

- 1 637595 PLUG, BRASS 1/2" MPT FLARED SAE
- 2 170621 FERRULE, FUEL LINE 1/2"
- 3 170605 FITTING, BRASS 1/2" BARB/NUT
- 4 169102 ELBOW, BRASS 90DEG 1/2" MPT X 1/2" SAE
- 5 123786 HOSE, FUEL 1/2" TYPE A CLASS 1
- 6 1140425 BOARD, HDPE OIL EXCHANGER VALVE
- 7 1095702 PUMP, OIL CHANGE KIT 12V 5-VALVE
- 8 342675 ADAPTER, BRASS 1/2" FPT X 3/4" MPT

NOT SHOWN

- 821082 JUG, JERRY WHT 2.5GAL 63MM
- 821090 JUG, JERRY CAP BLK 2.5GAL 63MM
- 872077 CONTAINER, V/F HDPE RESIN OIL BOTTLE BLK
- 596809 PLATE, OIL EXCHANGE VALVE I.D.
- 123661 CLAMP, LOOM VINYL DIP 1"
- 123646 CLAMP, LOOM VINYL DIP #32 2"

STEERING SYSTEM



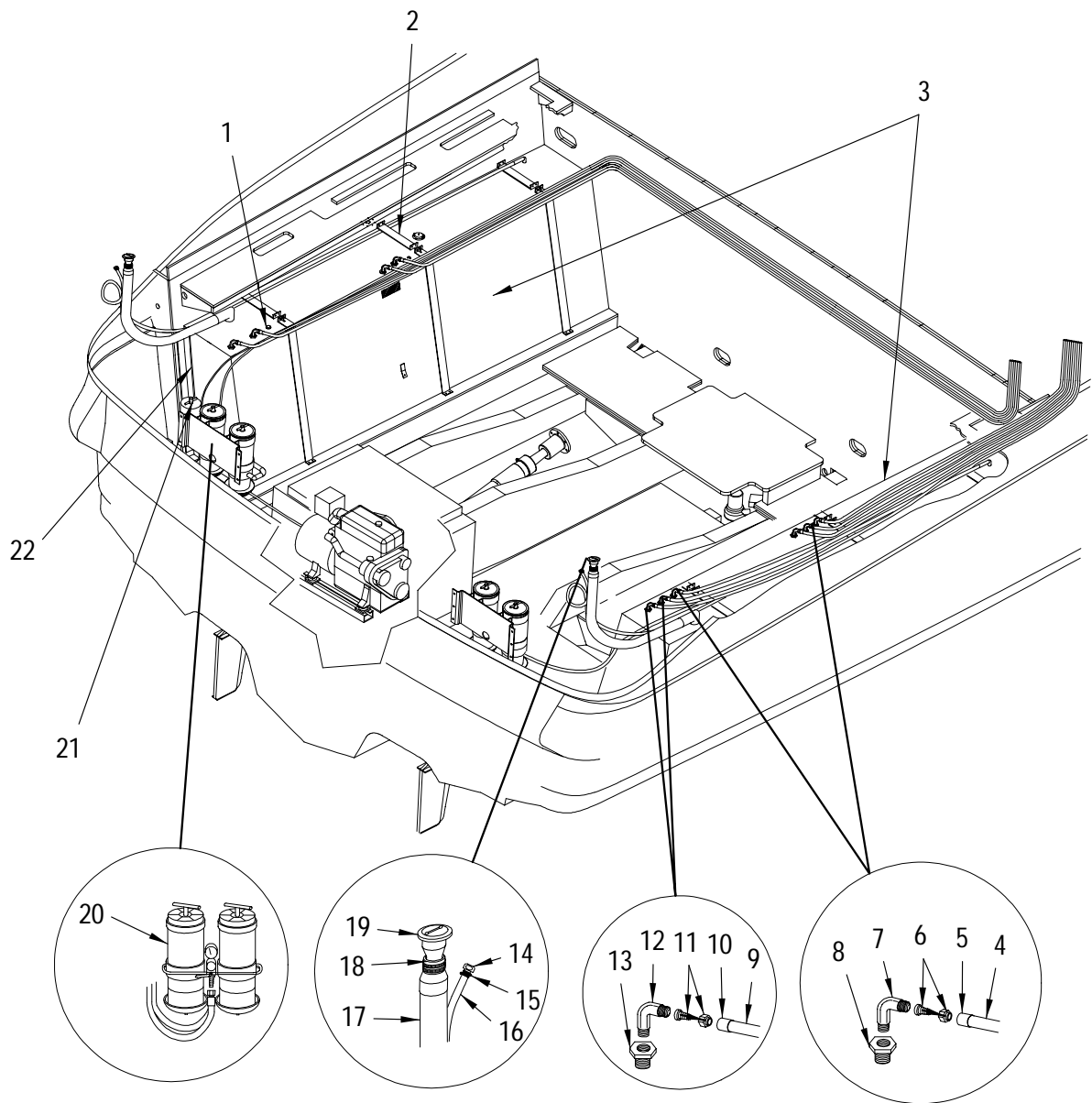
STEERING SYSTEM

1	1039445	TIE BAR, RUDDER 57" W/TAB
2	143222	RUDDER CLEVIS, 4"LONG X 1"-14 FPT
	144006	WASHER, TIE BAR LOCK WASHER 3/4"
3	161232	RUDDER ARM, 1.5"
4	416545	STEERING, HYD CYLINDER 150-7ATM
5	161182	RUDDER SUPPORTS, 440AC/390EC
	1044502	RUDDER SUPPORTS, 450EB-98 UPR STBD
6	587147	STUFFING BOX, RUDDER W/PACK 1.5"DIA
	213769	STUFFING BOX, PACKING ONLY 1/4" "STERNLON"
7	1096254	RUDDER, 450EB-98
	161091	RUDDER PORT, 1.5"
	144394	KEY STOCK, RUDDER 1/4"X 1/4"X 12" BRASS
	161257	WASHER, RUDDER WASHER 1.5"
8	1116342	PROP, 22"X 20"X 1.75" R4BC NIBRAL H/S
	1116359	PROP, 22"X 20"X 1.75" L4BC NIBRAL H/S
	192005	PIN, COTTER PIN 1/8"X 2.5"
	210443	NUT, JAM HEX #7/8-9 SS
	152678	NUT, HEX #7/8-9 SS
9	1010537	STRUT, W/BEARING 1.75" 450EB-98
10	1041094	SHAFT, SS 1.75"X 96" AQ19 CAT 3116/292HP
11	668228	TUBING, SHAFT LOG 3.5"OD X 14"
12	123554	CLAMP, HOSE #64 2 5/8"-4.5" SS
13	684738	HOSE, FUEL 3/8" TYPE A CLASS 1
14	123398	CLAMP, HOSE #06M 5/16"-7/8" SS MINI
15	791426	STUFFING BOX, UHMW 1.75"ID 3.5"HOSE
16	803734	SEAL KIT, SHAFT STUFFING BOX 1.75" W/TOOL
17	1051689	CONTROL, THRRTL/SHFT W/SS HANDLES W/GOLD KNOBS
	1073758	CONTROL, NEUTRAL SAFETY SWITCH
	161992	CONTROL, CONNECTOR KIT
18	974105	CABLE, CONTROL TELEFLEX TFXEXTREME 18'
	974139	CABLE, CONTROL TELEFLEX TFXEXTREME 28'
	974162	CABLE, CONTROL TELEFLEX TFXEXTREME 24'
19	976274	TRIM TAB, ASSY 12X26 DUAL RAM 12V W/ZINC
20	837211	STEERING WHEEL, 3-SPOKE WOOD W/URETH PAD
	322909	EMBLEM, SEA RAY LOGO 1 3/8"ROUND
21	317032	STEERING, HELM PUMP SEA STAR I TILT
22	990093	TUBING, HYD 3/8" BLK (TELEFLEX)

NOT SHOWN

1093269	BUSHING, BRZ 1/2"ID X 5/8"OD
161349	SHIM, BRASS 2"X 2"X 3/16"
587295	BRACKET, CUMMINS TRANSMISSION CABLE
170589	FITTING, BRASS 3/8"BARB/NUT
1073758	CONTROL, NEUTRAL SAFETY SWITCH
723478	SYNCHRONIZER ADAPTER, 3116 CAT DRV
139980	FERRULE, FUEL LINE 3/8"
232314	SYNCHRONIZER CABLE, 11FT "X" DRIVE
232348	SYNCHRONIZER, GLENDENNING DSL ENG
280123	SYNCHRONIZER CABLE, 8FT THROTTLE
703140	SYNCHRONIZER CABLE, 14FT "X" DRIVE

FUEL SYSTEM



FUEL SYSTEM

1	494724	PLUG, SS 3/8"MPT
2	177444	STRAP, FUEL TANK HOLDING 420DA
3	775627	TANK, FUEL 450DA 200GAL PORT
	775635	TANK, FUEL 450DA 200GAL STBD
4	947457	HOSE, FUEL 1/4" ISO/CE
5	629287	FERRULE, FUEL LINE 1/4"
6	629279	FITTING, BRASS 1/4"BARB/NUT
7	629253	ELBOW, BRASS 90DEG 1/4"SAE X 1/4"MPT
8	791392	BUSHING, SS THD 1/4"FPT X 3/8"MPT
9	684738	HOSE, FUEL 3/8" TYPE A CLASS 1
10	139980	FERRULE, FUEL LINE 3/8"
11	170589	FITTING, BRASS 3/8"BARB/NUT
12	169474	ELBOW, BRASS 90DEG 3/8"SAE X 3/8"MPT
13	184077	BUSHING, SS THD 3/8"FPT X 1/2"MPT
14	584763	VENT, FUEL/WATER TANK 5/8"X 4"
15	123406	CLAMP, HOSE #12 1/2"-1.25" SS
16	947507	HOSE, FUEL 5/8" ISO/CE
17	123752	HOSE, FUEL 2" TYPE A CLASS 2
18	123513	CLAMP, HOSE #32 1 9/16"-2.5" SS
19	1114263	DECK PLATE, DSL SS 2" GRN CLR-CODE
20	898049	FILTER, DUAL FUEL (75-900MA)
21	140335	FILTER, REMOTE FUEL DSL (500MA)
	162750	ADAPTER, BRASS 1/4"MPT X 1/4"SAE
	170522	FITTING, STEEL 9/16"-18 STR THREAD X 1/4"FPT
	629253	ELBOW, BRASS 90DEG 1/4"SAE X 1/4"MPT
22	797332	TANK, BRACKET PVC 1/4"X 2"X 2"X 8"
	797324	TANK, BRACKET PVC 1/4"X 2"X 2"X 12"

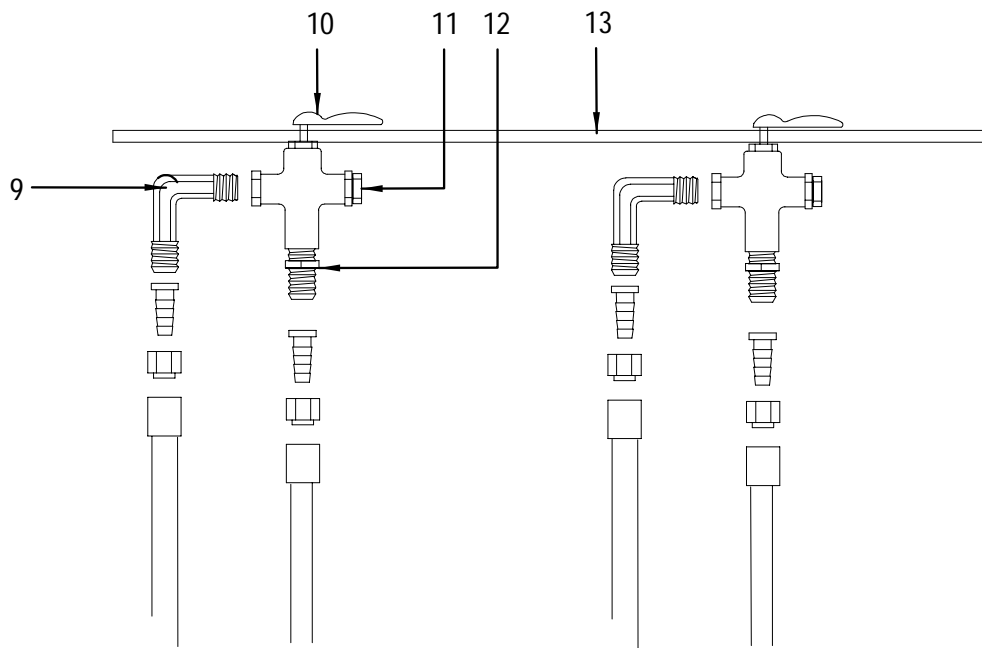
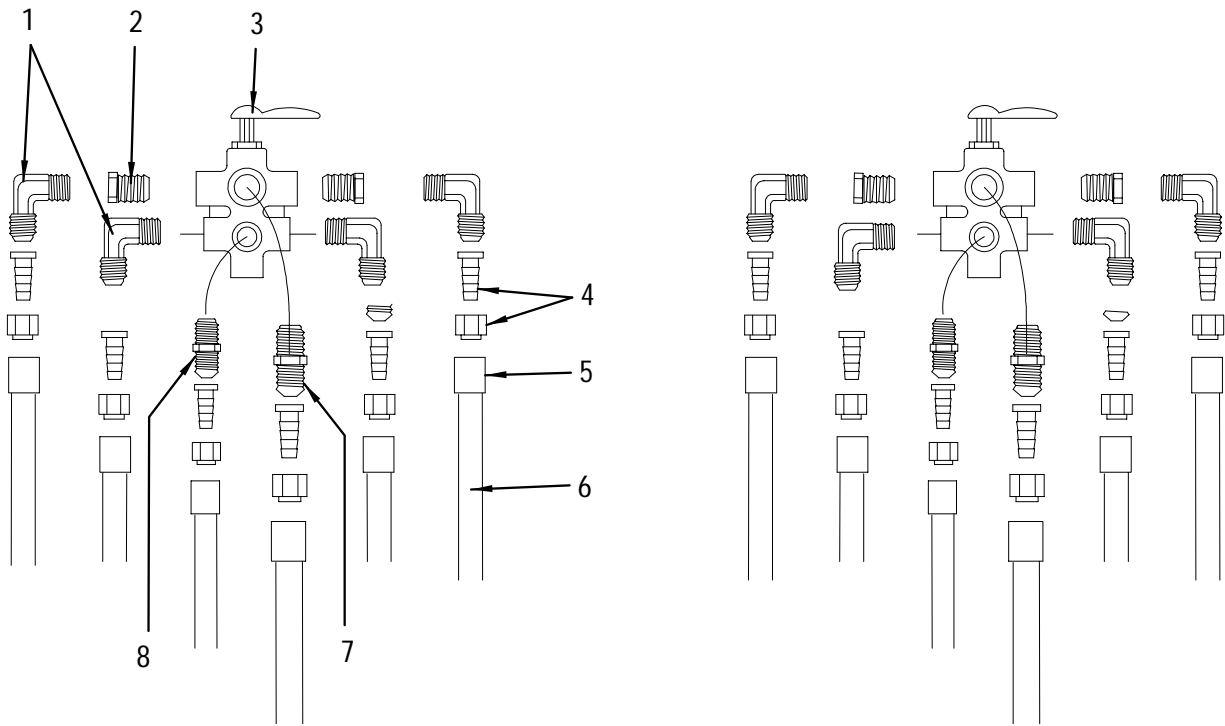
NOT SHOWN

261362	CLAMP, LOOM VINYL DIP #48 3"
130690	TAPE, FOAM CLSD-CELL NEOPRENE 1/4"TH X 2"W
485318	TAPE, FOAM CLSD-CELL NEOPRENE 3/8"TH X 2"W
169813	ADAPTER, BRASS 1/2"MPT X 3/8"SAE

W/OPTIONAL GENERATOR

168831	NIPPLE, BRASS 1/8"MPT X 2"
170555	COUPLING, BRASS 1/4"FPT X 1/4"FPT
171405	TEE, BRASS 1/8"FPT
801902	ADAPTER, BRASS 1/8"MPT X 1/4"SAE
168948	ELBOW, BRASS 90DEG 1/4"FPT
168955	ELBOW, BRASS 90DEG 1/4"MPT X 1/2"SAE
629246	ELBOW, BRASS 90DEG 1/4"SAE X 1/8"MPT
187765	BRACKET, STRAINER 10"
855205	ADAPTER, BRASS 1/4"FPT X 1/2"SAE

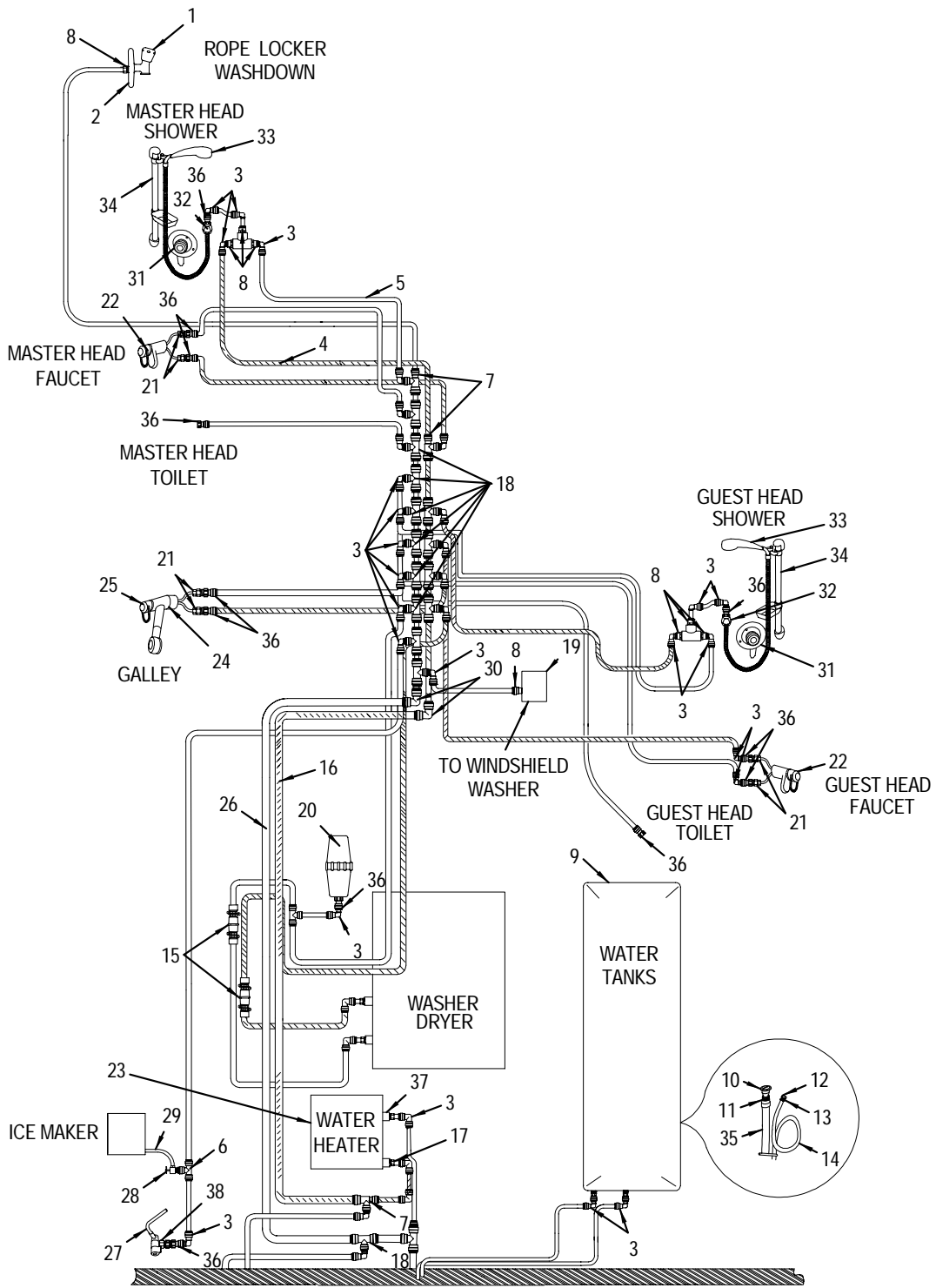
FUEL (DISTRIBUTION SYSTEM)



FUEL (DISTRIBUTION SYSTEM)

1	169474	ELBOW, BRASS 90DEG 3/8"SAE X 3/8"MPT
2	171348	BUSHING, BRASS 3/8"FPT X 1/2"MPT
3	171728	VALVE, BRASS 6-WAY FUEL 1/2"
4	170589	FITTING, BRASS 3/8"BARB/NUT
5	139980	FERRULE, FUEL LINE 3/8"
6	684738	HOSE, FUEL 3/8" TYPE A CLASS 1
7	169524	ADAPTER, BRASS 3/8"MPT X 3/8"SAE
8	169813	ADAPTER, BRASS 1/2"MPT X 3/8"SAE
9	629253	ELBOW, BRASS 90DEG 1/4"SAE X 1/4"MPT
10	140004	VALVE, BRASS 3-WAY FUEL 1/4"
11	172346	PLUG, BRASS 1/4" MPT
12	162750	ADAPTER, BRASS 1/4"MPT X 1/4"SAE
13	897751	PANEL, 580SS-97 FUEL CROSSOVER
	964296	PANEL, HDPE 580SS-97 FUEL CROSSOVER
	726893	PROBOARD, 1/2"X 4'X 8' GREY
	841411	BRACKET, 2"X 3"X 5" FUEL BOARD VALVE
	801902	ADAPTER, BRASS 1/8"MPT X 1/4"SAE
	855205	ADAPTER, BRASS 1/4"FPT X 1/2"SAE

WATER SYSTEM (FORWARD)



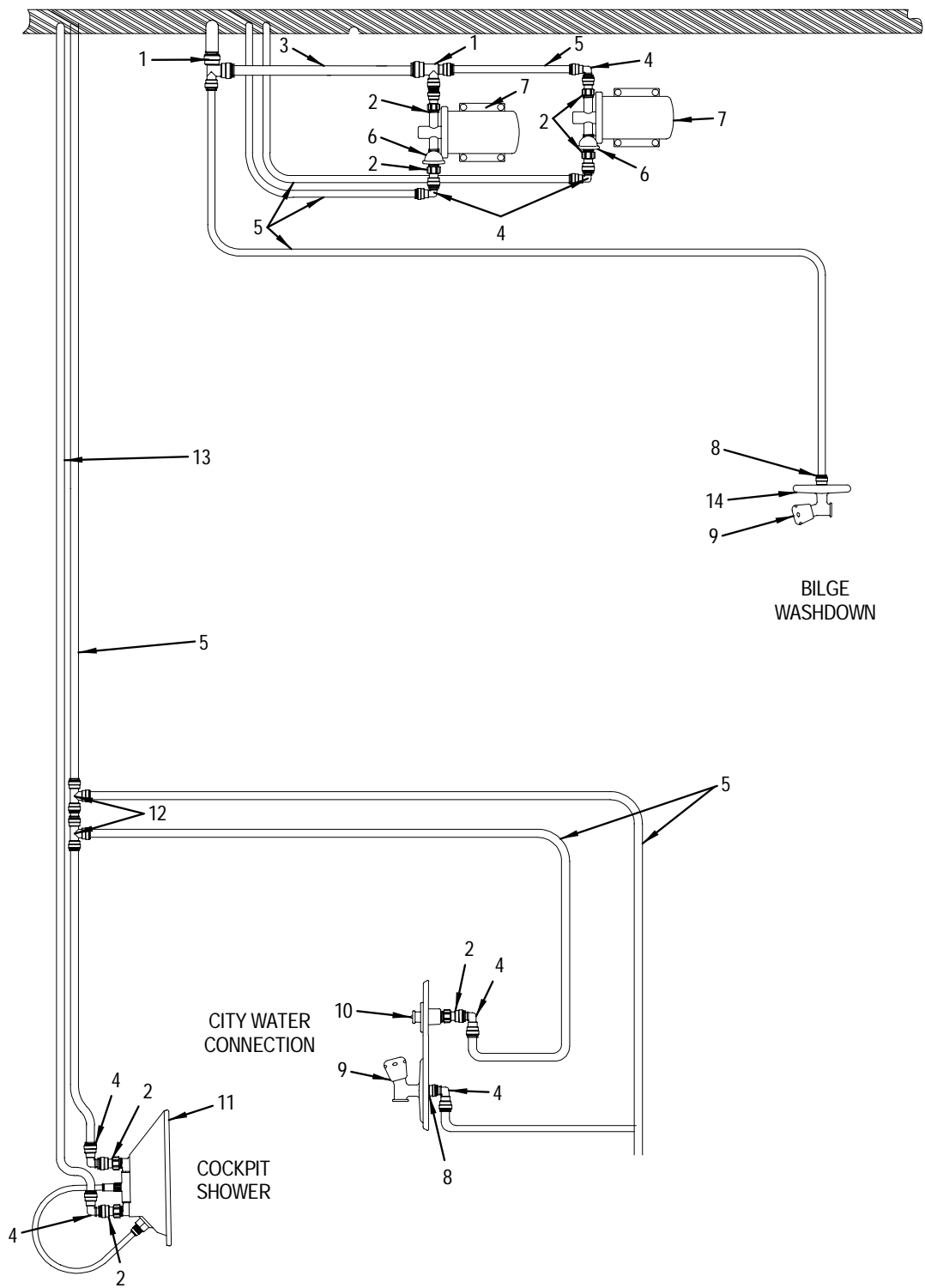
WATER SYSTEM (FORWARD)

1	1096262	FAUCET, SILLCOCK WASHDOWN (WHITECAP)
2	487371	BRACKET, BILGE WASHDOWN
3	909978	ELBOW, WHALE 90DEG STEM 15MM
4	910042	TUBING, WHALE 15MM X 11MM X 164' RED
5	910034	TUBING, WHALE 15MM X 11MM X 164' BLUE
6	909929	TEE, WHALE EQUAL 15MM
7	909879	TEE, WHALE REDUCER 22MM-15MM-15MM
8	909952	ADAPTER, WHALE STRAIGHT 1/2"M-15MM BRASS
9	1132679	TANK, WATER 460DA-99 - 102GAL
	141747	ANGLE, PVC 2"X 2"X 1/4"X 10' GREY
	1141167	SENDING UNIT, WATER 10"
10	1109321	DECK PLATE, WATER SS BLUE CLR-CODE
11	123489	CLAMP, HOSE #24 1"-2" SS
12	584763	VENT, FUEL/WATER TANK 5/8"X 4"
13	123398	CLAMP, HOSE #06M 5/16"-7/8" SS MINI
14	124719	HOSE, SANI/CHEMICAL TDX 5/8"
15	983072	VALVE, SEA TECH SHUTOFF 15MM
16	909911	TUBING, WHALE 22MM X 17.5MM X 164' RED
17	936724	ADAPTER, WHALE STEM CHECK 1/2"MPT X 15MM BRAS
18	909861	TEE, WHALE REDUCER 22MM-22MM-15MM
19	770453	VALVE, BRASS WATER SHUT-OFF ELEC 12V 1/2"FPT
20	621318	TANK, WATER ACCUMULATOR (JABSCO)
21	917963	ADAPTER, BRASS WHALE COMPRESSION 1/2"MNPT-3/8"
22	939173	FAUCET, LAV CTRSET CHR/BRS
23	1156736	HEATER, WATER 11 GAL 220/50 W/75-210 T&P
	1115732	BRACE, P/B HEATER SUPPORT
24	891952	FAUCET, GALLEY CLASSIC CHR/POL BRS W/SPRYR
25	893388	FAUCET, HNDL CHR/BRS (CLASSIC)
26	909903	TUBING, WHALE 22MM X 17.5MM X 164' BLUE
27	942888	FAUCET, CKPT CERAMIC TAP SWIVEL/FOLD SPOUT
28	947069	ADAPTER, WHALE 15MM ICE MAKER VALVE
29	124354	HOSE, PVC CLEAR 1/4"
30	909804	ELBOW, WHALE 90DEG EQUAL 22MM
31	860387	FAUCET, BATH MIXER CHROME W/CRYSTAL KNOB
32	900373	SHOWER, UNION FIXTURE CHR
33	177220	SHOWER, ASSY P/BUTTON W/MT W/40"SS HOSE
34	496364	SHOWER BAR, WITH SLIDE FOR SHOWER WAND 24"
35	123844	HOSE, SANI/SMOOTH WALL 1.5"
36	910000	ADAPTER, WHALE 1/2"F-15MM
37	909986	ADAPTER, BRASS WHALE 1/2"M-15MM STEM
38	992693	ADAPTER, BRASS 3/8"BSPX X 1/2"MPT

NOT SHOWN

647818	TEE, PLAS 1/4" ALL BARB
661181	ADAPTER, NYLON 1/2"MPT X 1/4"BARB

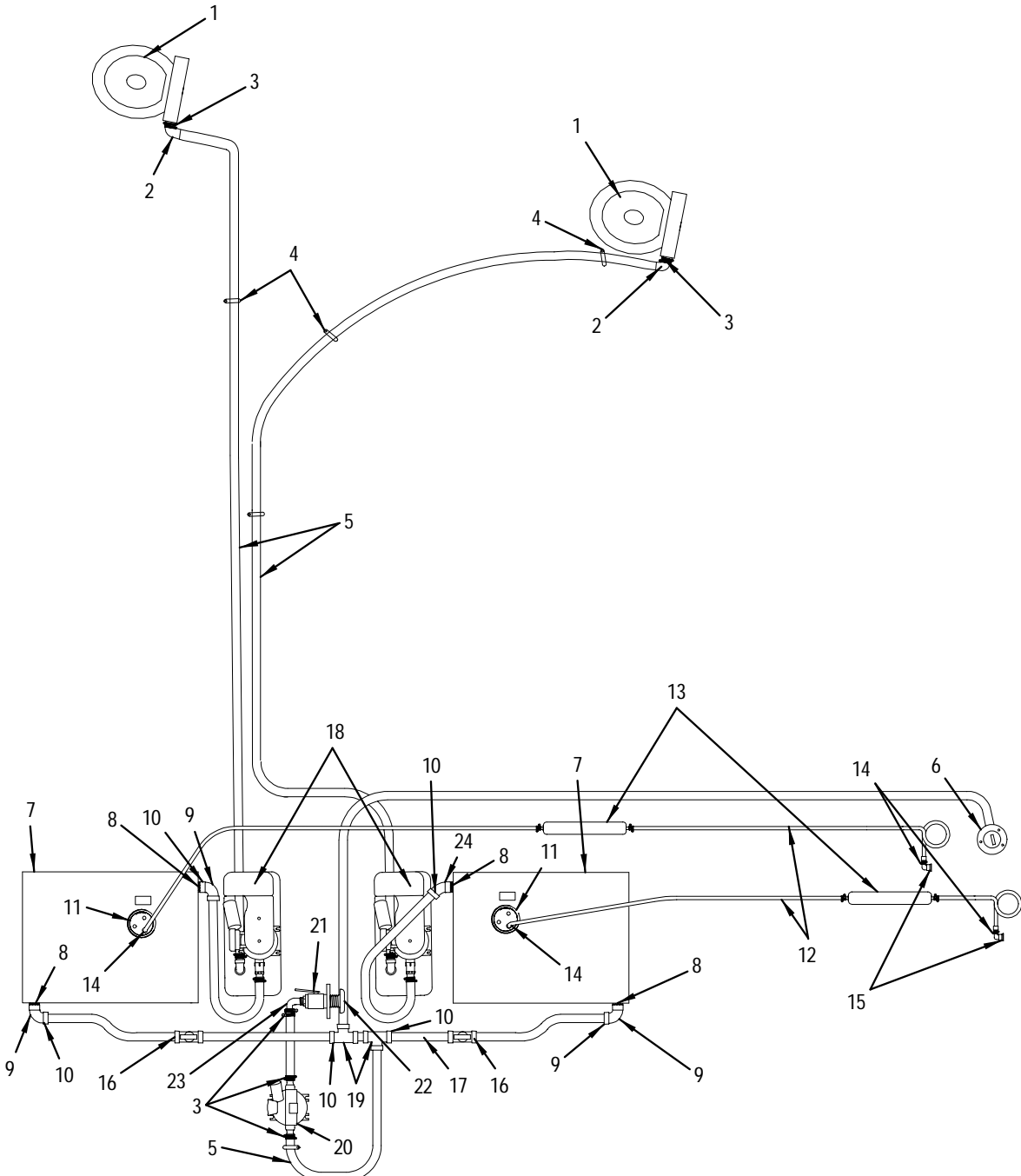
WATER SYSTEM (AFT)



WATER SYSTEM (AFT)

1	909879	TEE, WHALE REDUCER 22MM-15MM-15MM
2	910000	ADAPTER, WHALE 1/2"F-15MM
3	909903	TUBING, WHALE 22MM X 17.5MM X 164' BLUE
4	909978	ELBOW, WHALE 90DEG STEM 15MM
5	910034	TUBING, WHALE 15MM X 11MM X 164' BLUE
6	406710	FILTER, IN-LINE WATER 1/2" FPT
7	1128172	PUMP, FRESH WATER SHURFLO 3.3GPM IMP
8	909952	ADAPTER, WHALE STRAIGHT 1/2"M-15MM BRASS
9	1096262	FAUCET, SILLCOCK WASHDOWN (WHITECAP)
10	141168	INLET, WATER W/PRESS REGULATOR WHT
11	736702	FAUCET, WASHDOWN BOX W/MIXER (AQUATIK) VERT
12	909929	TEE, WHALE EQUAL 15MM
13	910042	TUBING, WHALE 15MM X 11MM X 164' RED
14	487371	BRACKET, BILGE WASHDOWN

SEWAGE SYSTEM



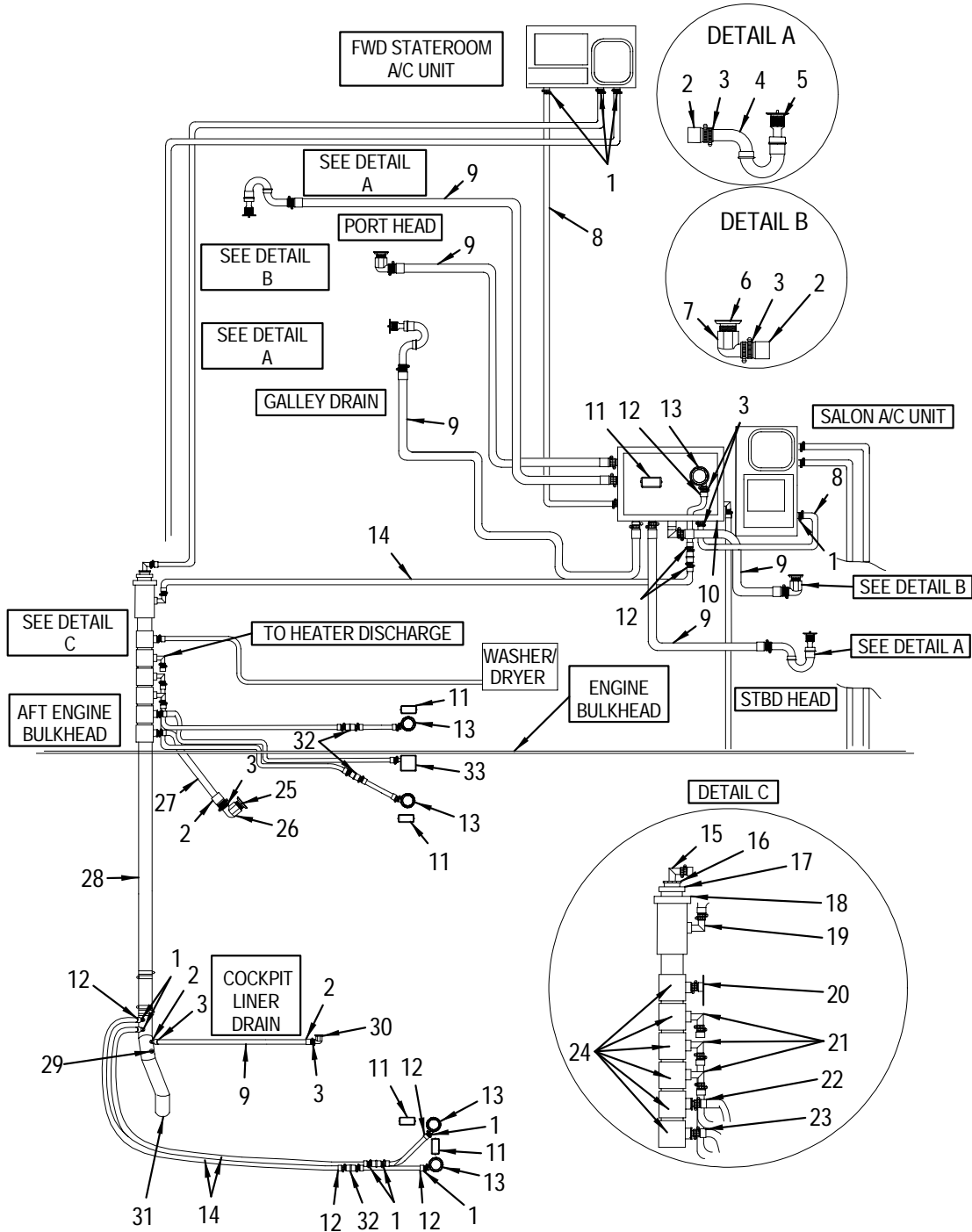
SEWAGE SYSTEM

1	270298	HEAD, VACU-FLUSH BTM DISCHARGE BONE
2	970970	ELBOW KIT, 08/48 OUTLET 90 DEG
3	123489	CLAMP, HOSE #24 1"-2" SS
4	123646	CLAMP, LOOM VINYL DIP #32 2"
5	846899	HOSE, SANI 1.5" PREMIUM RBR BLK
6	1109347	DECK PLATE, WASTE SS BLK CLR-CODE
7	671222	TANK, HOLDING 28 GAL 440EB-PORT/450DA-STBD
	130690	TAPE, FOAM CLSD-CELL NEOPRENE 1/4"TH X 2"W
	693044	STRAP, WASTE HOLDING TANK 440/450EB 4PC
	783175	TANK, HOLDING 28 GAL
8	168187	ADAPTER, PVC 1.5"MPT X 1.5"FM SLIP
9	268797	ELBOW, PVC 1.5"F SLIP X 1.5"M SLIP X 90DEG
10	184101	ADAPTER, PVC 1.5"OD X 1.5"ID SLIP
11	664813	SENDING UNIT, HOLD TANK CAP W/PROBE (3-POS)
12	124719	HOSE, SANI/CHEMICAL TDX 5/8"
13	134759	FILTER, HEAD TREATMENT SYSTEM
14	123398	CLAMP, HOSE #06M 5/16"-7/8" SS MINI
15	126888	VENT, FUEL/WATER TANK 5/8"X 3"
16	673921	VALVE, BALL PVC 2-WAY 1.5" W/QUICK DISC
17	149757	PIPE, PVC SCH 40 BOE PIPE 1.5"
18	844274	VACUUM GEN, HEAD SYS PUMP/ACCUM 12V
19	454322	TEE, PVC 1.5"FM SLIP DBL BEND

OPTIONAL MACERATOR

20	134858	PUMP, HEAD SYS MACERATOR
21	518456	SEACOCK, BRZ 1.5" W/O TAILPIECE
22	124644	THRU-HULL, BRZ 1.5" N/ NUT
23	637389	ELBOW, RED BRASS 45DEG 1.5"MPT X 1.5"BARB
24	290510	ELBOW, PVC 1.5"FM SLIP X 1.5"M SLIP 45DEG

DRAINAGE SYSTEM



DRAINAGE SYSTEM

1	123406	CLAMP, HOSE #12 1/2"-1.25" SS
2	172726	HOSE CUFF, 1.5" RH WHT
3	123489	CLAMP, HOSE #24 1"-2" SS
4	162453	DRAIN, P-TRAP ASSY W/CONN 1.25"-1.50"
5	146175	DRAIN ASSY, 1.25" DRAIN W/PLUG PLASTIC
	175687	DRAIN, SINK STRAINER 2.5" SS
6	418871	DRAIN ASSY, SHOWER 1.25"NPT
7	532416	ELBOW, PVC 1.25"FPT X 1.5"BARB X 90DEG
8	124412	HOSE, PVC CLEAR/WHT W/RED TRACER 5/8"
9	490219	HOSE, CORR SAN/WATER-FILL 1.5" RH
10	939892	SHOWER, SUMP ASSY 12V W/800 PUMP/CHCK VLV
	791475	LID, PLEX 12" X 23 5/8" SHOWER SUMP
11	678086	SWITCH, FLOAT SUREBAIL
12	466615	HOSE CUFF, 1" RH WHT
13	125443	PUMP, BILGE 2000GPH
14	466664	HOSE, CORR VAC 1" RH
15	167874	ELBOW, GENOVA 1/2"MPT X 1/2"BARB X 90DEG
16	603530	BUSHING, REFER TO MRP #0533943
17	698183	BUSHING, PVC 1.5"M SLIP X 1"FPT
18	627851	BUSHING, PVC 2.5"M SLIP X 1.5"FM SLIP
19	168039	ELBOW, PVC 1"MPT X 1"BARB X 90DEG
20	484550	ADAPTER, PVC 1"MPT X 3/4"BARB
21	168039	ELBOW, PVC 1"MPT X 1"BARB X 90DEG
22	184101	ADAPTER, PVC 1.5"OD X 1.5"ID SLIP
23	168351	ADAPTER, PVC 1/2"MPT X 1/2"BARB GREY
24	627786	TEE, PVC 2.5"FM SLIP X 2.5"FM SLIP X 1"FPT
25	583427	DRAIN, W/PLUG 100DEG 3/4"BARB CHR
26	175661	DRAIN, LINER W/100 DEG ELBOW 1.5"
27	123844	HOSE, SANI/SMOOTH WALL 1.5"
28	627778	PIPE, PVC SCH 40 BOE PIPE 2.5"
29	1148758	CAP, BLACK RUBBER 1.5"
30	268797	ELBOW, PVC 1.5"F SLIP X 1.5"M SLIP X 90DEG
31	1090562	COLLECTOR, COMMON DRAIN ASSY 450/480
32	555375	VALVE, CHECK WHALE 1"- 1.5"

NOT SHOWN

	132258	HOSE CUFF, 3/4"RH
	123877	HOSE, CORR SAN/WATER-FILL 3/4"



TVD-3208TA (T-435PHP) V-DRIVE CAT. DIESELS

- 169821 ADAPTER, BRASS 1/2"MPT X 1/2"SAE
- 169920 ADAPTER, BRASS 1/4"MPT X 1/2"SAE
- 161778 BOTTLE, RECOVERY FRESH WATER COOLING
- 974121 CABLE, CONTROL TELEFLEX TFXXTREME 26'
- 974139 CABLE, CONTROL TELEFLEX TFXXTREME 28'
- 123588 CLAMP, HOSE #104 4"-7" SS
- 755934 ELBOW, BRZ 45DEG 2"MPT X 2"BARB
- 1089325 EXHAUST, EL 6"X 8" 3116/3126 450EB-98
- 677641 EXHAUST, EL SS 6"X 90DEG CURVED HOSE-MOUNT
- 124354 HOSE, PVC CLEAR 1/4"
- 1286236 LADDER, BILGE 450EB/460DA OPT
- 1283555 MUFFLER, 450EB-99 ENG EXH PORT W/BYPASS TUBE
- 1283563 MUFFLER, 450EB-99 ENG EXH STBD W/BYPASS INSR
- 1290188 PROP, 24"X 25"X 2" L4BC NIBRAL H/S
- 1290196 PROP, 24"X 25"X 2" R4BC NIBRAL H/S
- 803726 SEAL KIT, SHAFT STUFFING BOX 2" W/TOOL
- 1041110 SHAFT, SS 2"X 83.75" AQ22 CAT 3208/3126 435HP
- 1081447 STRUT, W/BEARING 2" 450EB-98
- 803270 STUFFING BOX, UHMW 2"ID 3.5"HOSE
- 1210905 SYNCHRONIZER CABLE, 13FT THROTTLE
- 167460 TEE, PVC 1.5"BARB X 1"BARB X 1.5"BARB
- 159970 TUBING, EXH GLASS 1"
- 1242239 V/D, CAT 422HP 3208 ZF280VLD 1.77:1 LH
- 1242247 V/D, CAT 422HP 3208 ZF280VLD 1.77:1 RH

TVD-3116TA (T-292 PHP)V-DR.CAT INBOARD DSLS

- 647776 V/D, CAT 292HP 3116 HTH800V 1.64:1 LH
- 647768 V/D, CAT 292HP 3116 HTH800V 1.64:1 RH

TVD-3126TA (T-407 PHP) V-DR.INBOARDS DSLS

- 1198696 BOLT, COUPLING 5/8-18 X 2" SHCS
- 974121 CABLE, CONTROL TELEFLEX TFXXTREME 26'
- 1170331 PROP, 24"X 25"X 2" L4BC NIBRAL H/S
- 1170349 PROP, 24"X 25"X 2" R4BC NIBRAL H/S
- 803726 SEAL KIT, SHAFT STUFFING BOX 2" W/TOOL
- 1041110 SHAFT, SS 2"X 83.75" AQ22 CAT 3208/3126 435HP
- 1081447 STRUT, W/BEARING 2" 450EB-98
- 803270 STUFFING BOX, UHMW 2"ID 3.5"HOSE
- 1104942 V/D, CAT 407HP 3126MUI 280VLD-ES 1.77:1 LH
- 1104959 V/D, CAT 407HP 3126MUI 280VLD-ES 1.77:1 RH

TVD-3116TA (T-340 PHP) V-DR. CAT. DIESELS

- 1223445 SHAFT, SS 1.75"X 94.5" AQ22 CAT 3116/340HP
- 723528 V/D, CAT 340HP 3116 HTH800V 1.64:1 LH
- 723536 V/D, CAT 340HP 3116 HTH800V 1.64:1 RH

TVD-VOLVO 63P TAMD (T-355SHP)INBOARDS

- 169920 ADAPTER, BRASS 1/4"MPT X 1/2"SAE
- 826586 BRKR/ROCK, SGL-POLE MNL RESET DC 15A RED
- 1028158 CABLE, CONTROL TELEFLEX TFXXTREME 5'
- 123588 CLAMP, HOSE #104 4"-7" SS
- 123554 CLAMP, HOSE #64 2 5/8"-4.5" SS
- 140467 ELBOW, BRASS 90DEG 3/8"SAE X 1/4"MPT
- 755934 ELBOW, BRZ 45DEG 2"MPT X 2"BARB
- 1170703 EXHAUST, EL 6"X 90DEG 450EB-99 PORT
- 1170711 EXHAUST, EL SS 5"IN X 6"OUT X 90DEG PORT
- 124115 HOSE, EXHAUST 5" SW
- 1170695 MUFFLER, 450EB-99 ENG EXH VOLVO TAMD73 PORT
- 1174994 MUFFLER, 450EB-99 ENG EXH VOLVO TAMD73 STBD
- 1171891 PANEL, 460DA-99 GAUGE VOLVO
- 1205616 PROP, 23"X 26"X 2" L4BC NIBRAL H/S
- 1205608 PROP, 23"X 26"X 2" R4BC NIBRAL H/S
- 803726 SEAL KIT, SHAFT STUFFING BOX 2" W/TOOL
- 1041110 SHAFT, SS 2"X 83.75" AQ22 CAT 3208/3126 435HP
- 1081447 STRUT, W/BEARING 2" 450EB-98
- 803270 STUFFING BOX, UHMW 2"ID 3.5"HOSE

TVD-VOLVO 73P TAMD (T-412SHP)INBOARDS

- 169920 ADAPTER, BRASS 1/4"MPT X 1/2"SAE
- 826586 BRKR/ROCK, SGL-POLE MNL RESET DC 15A RED
- 1028158 CABLE, CONTROL TELEFLEX TFXXTREME 5'
- 123588 CLAMP, HOSE #104 4"-7" SS
- 123554 CLAMP, HOSE #64 2 5/8"-4.5" SS
- 140467 ELBOW, BRASS 90DEG 3/8"SAE X 1/4"MPT
- 755934 ELBOW, BRZ 45DEG 2"MPT X 2"BARB
- 1170703 EXHAUST, EL 6"X 90DEG 450EB-99 PORT
- 1170711 EXHAUST, EL SS 5"IN X 6"OUT X 90DEG PORT
- 124115 HOSE, EXHAUST 5" SW
- 1170695 MUFFLER, 450EB-99 ENG EXH VOLVO TAMD73 PORT
- 1174994 MUFFLER, 450EB-99 ENG EXH VOLVO TAMD73 STBD

TVD-VOLVO 73P TAMD (T-412SHP)INBOARDS (continued)

- 1171891 PANEL, 460DA-99 GAUGE VOLVO
- 1205616 PROP, 23"X 26"X 2" L4BC NIBRAL H/S
- 1205608 PROP, 23"X 26"X 2" R4BC NIBRAL H/S
- 803726 SEAL KIT, SHAFT STUFFING BOX 2" W/TOOL
- 1041110 SHAFT, SS 2"X 83.75" AQ22 CAT 3208/3126 435HP
- 1081447 STRUT, W/BEARING 2" 450EB-98
- 803270 STUFFING BOX, UHMW 2"ID 3.5"HOSE
- 1170273 V/D, VOLVO 412HP TAMD73P ZF 280VLD 1.77:1 LH
- 1170265 V/D, VOLVO 412HP TAMD73P ZF 280VLD 1.77:1 RH

TVD-CUMMINS 6CTA (T-430 PHP) V-DR.INBOARDS

- 780338 ADAPTER, BRASS 1/8"MPT X 3/8"BARB
- 186221 BRACKET, ALUM 1.5"X 1.5"X 1.5"SUPPORT
- 974238 CABLE, CONTROL TELEFLEX TFXXTREME 12'
- 974121 CABLE, CONTROL TELEFLEX TFXXTREME 26'
- 974196 CABLE, CONTROL TELEFLEX TFXXTREME 27'
- 123588 CLAMP, HOSE #104 4"-7" SS
- 123463 CLAMP, HOSE #16 3/4"-1.5" SS
- 123554 CLAMP, HOSE #64 2 5/8"-4.5" SS
- 161992 CONTROL, CONNECTOR KIT
- 169102 ELBOW, BRASS 90DEG 1/2"MPT X 1/2"SAE
- 140475 ELBOW, BRASS 90DEG 3/8"SAE X 1/8"MPT
- 755934 ELBOW, BRZ 45DEG 2"MPT X 2"BARB
- 1215078 MUFFLER, 450EB-99 ENG EXH CUMMINS
- 1215326 PROP, 23"X 27"X 2" L4BC NIBRAL H/S
- 1215334 PROP, 23"X 27"X 2" R4BC NIBRAL H/S
- 803726 SEAL KIT, SHAFT STUFFING BOX 2" W/TOOL
- 1041110 SHAFT, SS 2"X 83.75" AQ22 CAT 3208/3126 435HP
- 1081447 STRUT, W/BEARING 2" 450EB-98
- 803270 STUFFING BOX, UHMW 2"ID 3.5"HOSE
- 1212752 V/D, CUM 417HP 450C ZF280VLD1-ES 1.77:1 LH
- 1212802 V/D, CUM 417HP 450C ZF280VLD1-ES 1.77:1 RH

MACERATOR

- 679324 ACTUATOR, ROCK BLK W/BUE LENS ACCY
- 184101 ADAPTER, PVC 1.5"OD X 1.5"ID SLIP
- 648097 BODY, ROCK SW SPST BLK 12V INCAND
- 352062 BRKR/ROCK, SGL-POLE AC/DC HORZ 15A RED
- 123489 CLAMP, HOSE #24 1"-2" SS
- 123646 CLAMP, LOOM VINYL DIP #32 2"
- 531566 ELBOW, BRZ 90DEG 1.5"MPT X 1.5"BARB
- 846899 HOSE, SANI 1.5" PREMIUM RBR BLK
- 955278 LABEL, NOTICE OVERBOARD DISCHARGE (LEXAN)
- 149757 PIPE, PVC SCH 40 BOE PIPE 1.5"
- 134858 PUMP, HEAD SYS MACERATOR
- 518456 SEACOCK, BRZ 1.5" W/O TAILPIECE
- 1249044 TEE, PVC 1.5"DBL BEND KIT
- 124644 THRU-HULL, BRZ 1.5" N/ NUT

GRAY WATER SYSTEM

- 196683 ADAPTER, PVC 1"MPT X 1"BARB
- 168187 ADAPTER, PVC 1.5"MPT X 1.5"FM SLIP
- 184101 ADAPTER, PVC 1.5"OD X 1.5"ID SLIP
- 168419 ADAPTER, PVC 3/4"MPT X 3/4"BARB
- 533943 BUSHING, PVC 1"MPT X 1/2"FPT
- 698183 BUSHING, PVC 1.5"M SLIP X 1"FPT
- 123398 CLAMP, HOSE #06M 5/16"-7/8" SS MINI
- 123489 CLAMP, HOSE #24 1"-2" SS
- 123646 CLAMP, LOOM VINYL DIP #32 2"
- 1109347 DECK PLATE, WASTE SS BLK CLR-CODE
- 466664 HOSE, CORR VAC 1" RH
- 846899 HOSE, SANI 1.5" PREMIUM RBR BLK
- 124719 HOSE, SANI/CHEMICAL TDX 5/8"
- 664813 SENDING UNIT, HOLD TANK CAP W/PROBE (3-POS)
- 693044 STRAP, WASTE HOLDING TANK 440/450EB 4PC
- 783175 TANK, HOLDING 28 GAL
- 167445 TEE, PVC 1"BARB X 3/4"FPT X 1"BARB
- 124578 THRU-HULL, PLAS 1 1/8" WHT
- 182964 THRU-HULL, PLAS 3/4" WHT
- 124487 THRU-HULL, PLAS 5/8" WHT
- 1235456 VALVE, HOLDING TANK RELIEF 1.5" TANK SAVER
- 584763 VENT, FUEL/WATER TANK 5/8"X 4"

BOW THRUSTER - ELECTRIC

- 883546 BATTERY, 8D-3 DOUGLAS
- 1216514 BOOT, BATTERY CABLE 4/0 BLK 1"
- 1216522 BOOT, BATTERY CABLE 4/0 RED 1"
- 140509 BOOT, ENG STARTER RED
- 1047414 BOW THRUSTER, 80KGF 24VDC 7.28"ID TUNNEL
- 1048388 BOW THRUSTER, EXT HARNESS 20"

BOW THRUSTER - ELECTRIC (continued)

1048404	BOW THRUSTER, FBRGLS TUNNEL 7 7/8"X 72"
1048370	BOW THRUSTER, JOYSTICK PNL W/20"EXT HARNESS
1139187	BOW THRUSTER, SWITCH W/HARNESS 18"
331991	BRKR/ROCK, SGL-POLE AC/DC HORZ 20A WHT
638205	BUSS BAR, DC GROUND 12-POSITION LARGE
944702	CLIP, BATTERY HOLD DOWN SS
1048420	CONVERTER, 12AMP 120/240VAC 50/60HZ 24VDC
987446	FUSE BLOCK, BLADE TYPE ANL350/500
978809	FUSE HOLDER, BLADE ANL
1044205	FUSE, FLAT HEAVY DUTY 350A (BUSSMAN)
212050	HEAT SHRINK, TUBING 1/2"
904250	HOLDER, BATTERY MOLDED DUAL 8D BLK
933143	HOLDER, HDPE 3-D BATT HOLD DOWN BRKT
987115	LABEL, BOW THRUSTER
987065	LABEL, BOW THRUSTER 500AMP FUSE
986976	LABEL, BOW THRUSTER CONV LRG
186999	LABEL, CAUTION BATTERY
135046	LABEL, DANGER UNPLUG SHORE POWER
944660	LATCH, DRAW FLEX SS/BLK "R" SERIES 130
578252	OIL, GEAR/LUBE 831-VALVOLINE
981308	PANEL, BOW THRUSTER (BRAVO BURL)
930925	ROD, THREAD #1/4-20 X 2" THD X 11" W/1"HOOK SS
980227	SOLENOID, MAGNET LATCHING 24V 200A/1200A

SAFETY PACKAGE - (C.G.PK.)

888826	FENDER, 8"X 20" W/10"X 3/8" LINE
841262	FIRE EXT, DRY CHEM HAND-HELD 10BC 2.75LB
159244	HOOK, ALUM BOAT HOOK
184341	KIT, FIRST AID
184358	KIT, SIGNAL GUN KIT
184408	LIFE VEST, ADULT ORANGE TYPE 2
184366	RING BUOY, RESCUE RING BUOY 20"
187401	ROPE, NYLON 3/8"
187369	ROPE, NYLON DOCKLINE 5/8"X 40'
773457	TUBE, CHART HLDR 26.5" "UTILITUBE"
773481	TUBE, SIGNAL KIT 12" "UTILITUBE" W/ORANGE LID

FORWARD DECK SUN PAD (S)

1143254	FOAM, P/C 460DA-99 SUNPAD
103309	MESH, WHITE 60"
180406	SLIDE, DELRIN #5 WHT 1-S LOCK
524256	SNAP BUTTON, W/ 1/4" BARREL WHT
154393	SNAP SOCKET, MED ACTION
154369	SNAP STUD, W/#8 X 3/8" PH SS
728014	TRACK, VINYL AWNING WHITE "FLEX-A-RAIL" 7.5'
1039007	VELCRO, HOOK WHT 2" (SEW ON)
476531	VELCRO, LOOP WHT 2" (SEW ON)
199125	WELT, WELT CORD SYNTHETIC 6/32"
180182	ZIPPER, #5 DELRIN CONTINUOUS WHT

COCKPIT TABLE

398420	BUMPER, NAIL-ON GLIDE 1 1/8"DIA WHT 4PK
737890	MOUNT, LEG/POST FLUSH MT ANOD
198093	POST, TABLE LEG 19" - 32" W/GAS CYL ALUM
198119	SPIDER, LEG/POST MT ALUM (ZWAARDVIS)

220 VOLT / 50 CYCLE ELECTRICAL SYSTEM

677047	ADAPTER, EURO TV
180463	BOX, RECEPTACLE HANDY DUPLEX METAL
627737	BOX, RECEPTACLE/SWITCH PVC 1-GANG DEEP
975037	BRKR, IDEA 230V 2P EURO GFCI 16A 10MA WHT
826867	BRKR/TOGGLE, 2-POLE AC MED DELAY 25A
582445	BRKR/TOGGLE, 2-POLE AC MED DELAY 35A
179580	BUSS BAR, COPPER 1/8"X 1/2"X 6" W/10-32 HOLES
179606	BUSS BAR, DELRON SPACER
637058	CONN, COAX EURO TV ADAPTER "F" TYPE
206268	CORD SET, 220V/50H 16A 50FT
345066	CORD SET, 220V/50H 32A 50FT
975029	COVER PLATE, IDEA-SERIES 3-GANG WHT
615864	COVER PLATE, WALL 2-MODULE MOSAIC WHT
180067	COVER PLATE, WATERPROOF RECEPT W/2 DOORS
893289	FRAME, IDEA-SERIES 3-GANG SUPPORT FRAME GREY
615856	FRAME, US STYLE (MOAIC)
802074	GALVANIC ISOLATOR, ZINC SAVER II 30AMP
864686	ICE MAKER, 23 LB WHT W/FLNGE CFC FREE 220V/50
829416	INLET, "MAIN BRKR" HOUSING WHT
133694	INLET, PHONE/TV CABLE COMBO WHT
641167	INLET, SHORE POWER SS 220V/50H 16A
463919	INLET, SHORE POWER SS 220V/50H 32A
916866	MICROWAVE, ELECTROLUX 0.8CF 220V

220 VOLT / 50 CYCLE ELECTRICAL SYSTEM (continued)

979930	PANEL, 480DB-98 MAIN DIST 220VAC 50HZ
615849	RECEPTACLE, GERMAN STD MOSAIC WHT
256305	RECEPTACLE, LEGRAND EXT W/CVR 220/50 GERMAN
902064	RECEPTACLE, SGL GERMAN STD GREY
789636	REFRIGERATOR, 6.3 CF CFC FREE 220V
893263	SWITCH, BLANK IDEA-SERIES GREY
975011	SWITCH, BLANK IDEA-SERIES WHT
933234	TELEVISION, 21" PHILLIPS MULTI-SYSTEM EURO
931337	TRANSFORMER, 220-12VAC 50VA CBX
611301	TRANSFORMER, STEP DOWN 240V TO 120V 1500WATTS
1185438	TV/VCR, 14" AIWA
770347	VACUUM, CENTRAL SYS 220V W/INST KIT
818070	VCR, PHILLIPS EURO

SPARE PROPS (PAIR) W/HOLDER

718973	HOLDER, SPARE PROP SS 2" SHAFT 4-BLADE
1116359	PROP, 22"X 20"X 1.75" L4BC NIBRAL H/S
1116342	PROP, 22"X 20"X 1.75" R4BC NIBRAL H/S

GENERATOR SOUND BOX

1084987	SOUND SHIELD, GEN 8KW WSTRBK
---------	------------------------------

SINGLE 50AMP-240V/60 DOCK SER.& CABLEMASTER

182345	BRKR, MANUAL RESET KLIXON 20A
826545	BRKR/ROCK, SGL-POLE MNL RESET DC 5A RED
826586	BRKR/ROCK, SGL-POLE MNL RESET DC 15A RED
791459	CABLE, COAXIAL RG6 1000'
600510	CABLE, MARINE STRANDED 12/3 W/BUE JACKET
600502	CABLE, MARINE STRANDED 14/3 W/BUE JACKET
135277	CABLE, MARINE STRANDED 6/4 (6/3-8/1)
1150770	CBLMSTR KIT, 12V 75'CORD W/REMOTE 460DA-99
262261	CONN, ROMEX METAL 1"

WINDSHIELD WASHER

681486	ACTUATOR, ROCK BLK W/O LENS ACCY
909986	ADAPTER, BRASS WHALE 1/2"M-15MM STEM
661181	ADAPTER, NYLON 1/2"MPT X 1/4"BARB
679332	BODY, ROCK SW SPST MOM
417998	CLAMP, HOSE #04M 1/4"-5/8" SS MINI
910083	CLIP, WHALE COLLET 15MM
941526	CLIP, WHALE COLLET 22MM
909978	ELBOW, WHALE 90DEG STEM 15MM
641332	HOSE, PVC CLEAR/WHT BRAIDED 1/4"ID
647818	TEE, PLAS 1/4" ALL BARB
909861	TEE, WHALE REDUCER 22MM-22MM-15MM
1137025	TUBING, WHALE 15MM X 10MM X 164' BLUE
770453	VALVE, BRASS WATER SHUT-OFF ELEC 12V 1/2"FPT
908699	WIPER, SPRAY MISTER SS 15DEG

TAN DASH GELCOAT

141788	COMPASS, FLUSH MT HELMSMAN BLK
1151885	DOOR, 460DA-99 CABIN ENTRY ZPHR W/WARN TAG
1199322	DOOR, STRG W/13.5"X 21" ZPHR W/FRAME
721126	GEL COAT, ZEPHYR ARMORCOTE
856708	NOSING, VINYL 1"X 1/4"X 10' RIGID MALT
1239912	PANEL, PLEX 460DA-99 ENTRYWAY ACCESS ZPHR
1104660	VINYL, TRITON MR TAN NW FLAT

SPARE SHAFT - INSTALLED

1113646	BRACKET, 450EB-98 SPARE SHAFT SET 3PC
1223437	SHAFT, SS 1.75"X 94.5" AQ19 CAT 3116/292HP

WATER DELIVERY - INCLUDES SAFETY PKG & FUEL

456921	CHEMICAL, AQUA MAGWATER ADDITIVE
888826	FENDER, 8"X 20" W/10"X 3/8" LINE
841262	FIRE EXT, DRY CHEM HAND-HELD 10BC 2.75LB
159244	HOOK, ALUM BOAT HOOK
184341	KIT, FIRST AID
184358	KIT, SIGNAL GUN KIT
184408	LIFE VEST, ADULT ORANGE TYPE 2
184366	RING BUOY, RESCUE RING BUOY 20"
187401	ROPE, NYLON 3/8"
187369	ROPE, NYLON DOCKLINE 5/8"X 40'
773481	TUBE, SIGNAL KIT 12" "UTILITUBE" W/ORANGE LID

AUTOPILOT - RAYTHEON RAYPILOT 650

791558	AUTO PILOT, RAYPILOT 650 DISPLAY ONLY
852475	AUTO PILOT, RAYPILOT TYPE I CORE PACK
852483	AUTO PILOT, RAYPILOT TYPE I PUMP UNIT
179531	BUSS BAR, 3-GANG TERMINAL STRIP (SMALL)



AUTOPILOT - RAYTHEON RAYPILOT 650 (continued)

- 810168 CONSOLE MOUNT KIT, VHF REAR (RAYTHEON 202)
- 140418 ELBOW, BRASS 90DEG STREET 1/4"
- 168807 STEERING, ADAPTER BRASS 1/4"MPT X 3/8"COMP
- 161927 STEERING, TEE HYDRAULIC (BRASS)
- 990093 TUBING, HYD 3/8" BLK (TELEFLEX)

RADAR FURUNO 1942 W/ RP110 CHART PLOTTER

- 1154855 PANEL, 460DA-99 FARUNO RADAR TRIM

WINDLASS - LOFRANS PROGRESS (CHAIN)

- 1145275 ANCHOR SHACKLE, JAW/JAW SWIVEL HVY DTY 3/8"
- 1048743 CHAIN STOP, SS W/LANYARD (WINDLINE)
- 225060 CHAIN, GRADE 40 GALV 5/16" 200'

C E OPTION GROUP

- 184101 ADAPTER, PVC 1.5"OD X 1.5"ID SLIP
- 627851 BUSHING, PVC 2.5"M SLIP X 1.5"FM SLIP
- 123489 CLAMP, HOSE #24 1"-2" SS
- 123646 CLAMP, LOOM VINYL DIP #32 2"
- 935015 FIRE EXT SYS, FM200 500CF GAS/DSL-AUTO
- 466615 HOSE CUFF, 1" RH WHT
- 172726 HOSE CUFF, 1.5" RH WHT
- 490219 HOSE, CORR SAN/WATER-FILL 1.5" RH
- 947473 HOSE, FUEL 3/8" ISO/CE
- 934539 LABEL, PREVENT DISCHARGE OF POLLUTANTS
- 935999 MANUAL, FOREIGN LANGUAGE INSERT FOUR-LANGUAGE
- 1102193 PANEL, 560DB-98 MANUAL BILGE PUMP
- 976431 PLATE, CE OPT B:15PERSON/1815KG
- 604959 PUMP, BILGE 16GPM MANUAL THRU DECK MNT
- 801563 PUMP, BILGE MANUAL PICKUP/STRAINER
- 842054 TEE, PVC 2.5"FM SLIP ALL THE WAY
- 627786 TEE, PVC 2.5"FM SLIP X 2.5"FM SLIP X 1" FPT
- 124537 THRU-HULL, PLAS 1.5" WHT
- 141721 VALVE, DIVERTER 1.5"

TWIN DISC ELEC.SHIFT & THROTTLE CONTROLS

- 715912 CONTROL, TWIN DISC 10' COMM CABLE
- 715938 CONTROL, TWIN DISC DUAL INSTALLATION KIT
- 1220870 CONTROL, TWIN DISC PORT
- 1220862 CONTROL, TWIN DISC STBD W/SYNCH
- 1220854 CONTROL, TWIN DISC TWIN ENG LEVER ASSY BLK
- 715979 HARNESS, TWIN DISC ADAPTER
- 715953 HARNESS, TWIN DISC DUAL ENG 60'
- 715961 HARNESS, TWIN DISC MAGNETIC P/U 20'
- 757955 SENDING UNIT, TACH DRV SYNC START .187DIA PIN
- 757930 SENDING UNIT, TACH SYNC START

TNT HYDRAULIC MARINE LIFT SWIM PLATFORM SYS

- 1149129 BRACING BARS, SWMPLTFM 450EB/460DA/480DB
- 130799 CABLE, BATT BLK #2AWG
- 130781 CABLE, BATT RED #2AWG
- 192278 CONN, RING 2GA X 1/4R .630 BARE ELONG
- 192294 CONN, RING 2GA X 3/8R .630 BARE ELONG
- 192518 CONN, ROMEX METAL 3/4"
- 1151547 COVER, T/F 460DA-99 TNT RAM OPT
- 809970 FLUID, HYDRAULIC J-13 ESSO-UNIVIS
- 1100338 FLUID, HYDRAULIC OIL
- 978809 FUSE HOLDER, BLADE ANL
- 665877 GEL COAT, WHT (SUMMER)
- 665885 GEL COAT, WHT ARMORCOTE (SUMMER)
- 188250 HEAT SHRINK, TUBING BLK 1"
- 188243 HEAT SHRINK, TUBING BLK 3/4"
- 124289 HOSE, CONDUIT/SPLIT 3/4" BLK
- 1096080 INSERT, HDPE TWO/TONE (SEA RAY)
- 1157056 INSERT, HDPE TWO/TONE NO LOGO
- 1087485 LABEL, PLATFORM MAXIMUM CAPACITY 800#
- 1161603 LIFT, 460DA-99 HYD PWC ELEV
- 1149095 PLATFORM, CRADLE ASSY W/SLIDES FOR SWIM PLTFM
- 1163971 REMOTE, WIRELESS RECEIVER/TNT HYD PLTFM
- 1154277 REMOTE, WIRELESS TRANSMITTER TNT HYD PLTFM
- 743625 TRIM, EDGE WHITE MOTOR BOX LARGE

VITRACORE - CLEAR MAPLE FINISH

- 1017318 LABEL, IMPRESSIONS CABINETS - CARE/MAINT
- 968206 MICA, 4'X 8'X.030"HAMPTON CHERRY
- 964619 PAINT, LACQ MOISTURE HI-GLOSS
- 1145564 PLASTIC, IMPRESSIONS CLR MAPLE .020"POLYCARB
- 1148089 PLASTIC, IMPRESSIONS CLR MAPLE .040"POLYCARB
- 1151505 PLASTIC, IMPRESSIONS CLR MPL .060"4X8 H/C
- 1004506 SEALANT, CAULK ACRYLIC CEDAR

VITRACORE - CLEAR MAPLE FINISH (continued)

- 952036 STAIN, CHERRY

VITRACORE - SOVEREIGN CHERRY FINISH

- 1017318 LABEL, IMPRESSIONS CABINETS - CARE/MAINT
- 968206 MICA, 4'X 8'X.030"HAMPTON CHERRY
- 597369 OAK, MOLD BATTEN 3/8"X 1.25"X 80"
- 964619 PAINT, LACQ MOISTURE HI-GLOSS
- 951475 PLASTIC, IMPRESSIONS SOV CHERRY .020"POLYCARB
- 970889 PLASTIC, IMPRESSIONS SOV CHERRY .040"POLYCARB
- 970475 PLASTIC, IMPRESSIONS SOV CHERRY .060" 4X8 H/C
- 997288 SEALANT, SILICONE REDWOOD ACRYLIC LATEX
- 952036 STAIN, CHERRY

OWNER ORIENTATION VIDEO - PAL FORMAT

- 968370 VIDEO, 97 OWNER ORIENTATION SPYCHT/YCHT PAL

MANUAL BILGE PUMP

- 184101 ADAPTER, PVC 1.5"OD X 1.5"ID SLIP
- 627851 BUSHING, PVC 2.5"M SLIP X 1.5"FM SLIP
- 123489 CLAMP, HOSE #24 1"-2" SS
- 172726 HOSE CUFF, 1.5" RH WHT
- 490219 HOSE, CORR SAN/WATER-FILL 1.5" RH
- 1102193 PANEL, 560DB-98 MANUAL BILGE PUMP
- 604959 PUMP, BILGE 16GPM MANUAL THRU DECK MNT
- 801563 PUMP, BILGE MANUAL PICKUP/STRAINER
- 842054 TEE, PVC 2.5"FM SLIP ALL THE WAY
- 141721 VALVE, DIVERTER 1.5"

BOSE LS SALON ENTERTAINMENT CENTER -120V/60

- 449587 BATTERY, AA 1.5V
- 180463 BOX, RECEPTACLE HANDY DUPLEX METAL
- 728097 CABLE, RCA AUDIO CABLE 17' W/EFX-2 CONN
- 1159482 CONN, PHONO PLUG COUPLER
- 192492 CONN, ROMEX PLAS 1/2"
- 192500 CONN, ROMEX PLAS 1/2"
- 145078 COVER PLATE, SGL DUPLEX RECEPT BRN
- 145094 RECEPTACLE, DUPLEX BRN 15A
- 1227495 SPEAKER, ACOUSTIMAS 3 SERIES CUBE BLK 120
- 1227511 SPEAKER, ACOUSTIMAS 3 SERIES INPUT CORD
- 1227529 SPEAKER, ACOUSTIMAS 3 SERIES PWR SUBWFR/CORD
- 1227537 SPEAKER, ACOUSTIMAS 3 SERIES SPKR WIRE
- 917617 SPEAKER, WALL MNT BRACKET BLK
- 1227594 STEREO, LIFESTYLE 20 AM ANTENNA
- 1227610 STEREO, LIFESTYLE 20 AUDIO INPUT CORD
- 1227578 STEREO, LIFESTYLE 20 CD CARTRIDGE
- 1227545 STEREO, LIFESTYLE 20 FM ANTENNA
- 1227602 STEREO, LIFESTYLE 20 PWR SUBWFR W/CORD
- 1227552 STEREO, LIFESTYLE 20 RECEIVER-HEAD W/PWR PACK
- 1227560 STEREO, LIFESTYLE 20 SPKR CORD
- 1227586 STEREO, LIFESTYLE 20/30/35/50 CUBE SPKR
- 914309 STEREO, REMOTE CONTROL BOSE LIFESTYLE 120V

BOSE LS SALON ENTERTAINMENT CENTER -220V/50

- 449587 BATTERY, AA 1.5V
- 180463 BOX, RECEPTACLE HANDY DUPLEX METAL
- 728097 CABLE, RCA AUDIO CABLE 17' W/EFX-2 CONN
- 940163 CABLE, STEREO 3' ADAPTER
- 940155 CABLE, STEREO 50' EXTENSION
- 1159482 CONN, PHONO PLUG COUPLER
- 192492 CONN, ROMEX PLAS 1/2"
- 192500 CONN, ROMEX PLAS 1/2"
- 145078 COVER PLATE, SGL DUPLEX RECEPT BRN
- 145094 RECEPTACLE, DUPLEX BRN 15A
- 1057785 SPEAKER, ACOUSTIMAS 3 SERIES III BLK 220V
- 917617 SPEAKER, WALL MNT BRACKET BLK
- 914275 STEREO, L/S 20 MUSIC SYS BOSE DUAL BLK
- 914309 STEREO, REMOTE CONTROL BOSE LIFESTYLE 120V

RADAR-R10XX / RAY CHART 601XX CHART PLOTTER

- 832022 BRACKET, 400DB ACR SPOTLIGHT RESISTOR
- 511972 BRACKET, RADAR W/INSTALL
- 1055789 CHART PLOTTER, RAYCHART 601XX C-MAP NT
- 810168 CONSOLE MOUNT KIT, VHF REAR (RAYTHEON 202)
- 881383 GASKET, GLOMAX TV GPS MOUNT BLK
- 897025 INTERFACE BOX, FOR RAYTHEON RC-XX-RP
- 434118 LABEL, DANGER NO LOOKING DIRECTLY INTO RADOME
- 1154848 PANEL, 460DA-99 RAYTHEON R10XX RADAR TRIM
- 1047653 RADAR, RAYTHEON R10XX DOME/DISPLAY
- 533430 VENT, CLAMHELL ROPE LCKR 2"X2"

LYNX - OPT.INTERIOR SEATING

1141787 VINYL, EMPIRE II LYNX EXP FLAT

DOE-ULTRASUEDE UPGRADE (PKG. A. SUGGESTED)

1141811 FABRIC, ULTRASUEDE DOE FLAT

SAND-ULTRASUEDE UPGRADE (B,C,D, SUGGESTED)

1141829 FABRIC, ULTRASUEDE SAND FLAT

WHEAT-ULTRASUEDE UPGRADE (B,C,D, SUGGESTED)

1141837 FABRIC, ULTRASUEDE WHEAT FLAT

CARPET OPTION-DUSK (PKG. A. SUGGESTED)

1148311 CARPET, INT 44 OZ DUSK #9005-B BT

RADAR - RAYTHEON R41XX /601XX CHART PLOTTER

832022 BRACKET, 400DB ACR SPOTLIGHT RESISTOR
743450 BRACKET, RADAR STAND-OFF RAYTHEON R41
511972 BRACKET, RADAR W/INSTALL
1055789 CHART PLOTTER, RAYCHART 601XX C-MAP NT
810168 CONSOLE MOUNT KIT, VHF REAR (RAYTHEON 202)
881383 GASKET, GLOMAX TV GPS MOUNT BLK
897025 INTERFACE BOX, FOR RAYTHEON RC-XX-RP
434118 LABEL, DANGER NO LOOKING DIRECTLY INTO RADOME
1154863 PANEL, 460DA-99 RAYTHEON R41XX TRIM
1156983 RADAR, CABLE 15METER STD INTER-UNIT
788356 RADAR, RAYTHEON R41XX ARRAY
788331 RADAR, RAYTHEON R41XX DISPLAY UNIT
788349 RADAR, RAYTHEON R41XX PEDESTAL
533430 VENT, CLAMSHELL ROPE LCKR 2"X2"