

Parts Manual for **SNAPPER**[®]

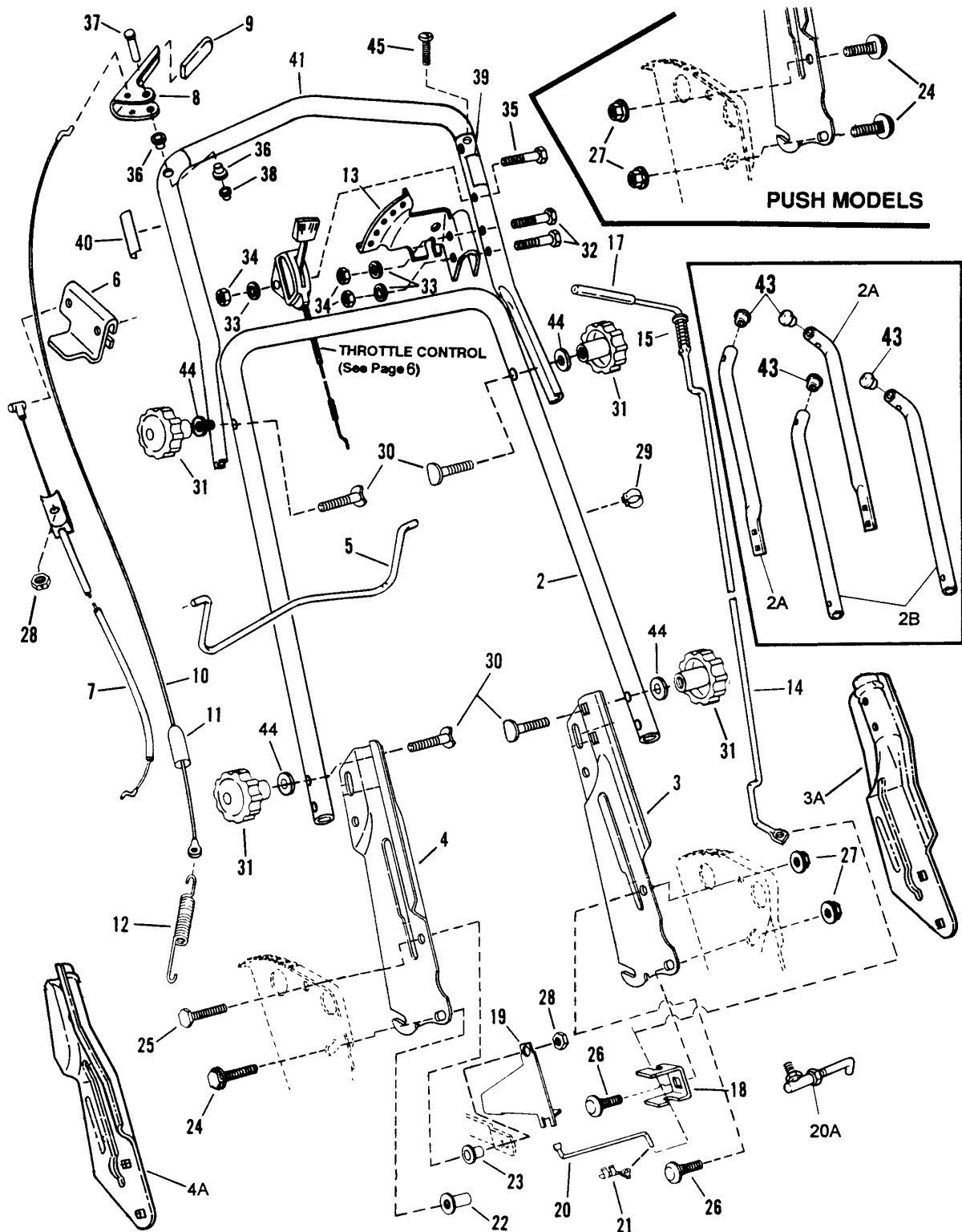
21" STEEL DECK WALK BEHIND MOWERS (90's) SERIES 0 & 1



PUSH MODELS	PROPELLED MODELS
21500	DP21500
21501	EDP21400
D21500	EP21400
NR21501	EP21450
R21400	EP21500
R21500T2	EP21550
R21501	EP21550E
-----	EP21600
More	FRP21600TV
Propelled Models	NRP21501
	NRP21550E
	ODP21400
EFRP21600TV	P21400
RP21501	P21500
RP21550	P21550
RP21550E	P21550V
RP21550V	P21600
RP21600	P21600TV
RP21600E	RP21400
	RP21500
	RP21500E
	RP21500KWV
	RP21500T2

SNAPPER McDonough, GA, 30253 U.S.A.

PAGE	GROUP
4	Handles & Controls
8	Handles & Controls (1996 Model Year)
12	Cutting Deck, Blade, Interlock
16	Front Wheel Bracket
18	Rear Wheel Brackets, Latches
22	Front Wheels
24	Rear Wheels
26	Drive System Self-Propelled
30	Drive System Self - Propelled Opening Price Point Mowers
32	Transmission (Differential)
34	Side Chute, Adapter
36	Grass Bag
38	Throttle Controls & Engine Specs
40	Decals (Part 1)
42	Decals (Part 2)
44	Electric Start
46	Snapperizer
48	Accessory - Thatcherizer
50	Accessories



Handles & Controls

Item	Part No	Qty	Description	Note
1	7046914		HANDLE, Upper	<i>Was 24889, Self Propelled</i>
	7024895		HANDLE, Upper	<i>Use on Push</i>
	7033477		HANDLE, Upper	<i>Use on Opening</i>
2	7024890		HANDLE, Middle	
2A	7033406		HANDLE, Middle	<i>Use on Push Opening Price</i>
2B	7024646		HANDLE, Middle	<i>Use on Self-Prop Opening Price</i>
3	7033985		HANDLE, Lower Left Hand	
3A	7046502		HANDLE, Lower Left Hand	<i>Was 38467, Use on Opening Price</i>
4	7033986		HANDLE, Lower Right Hand	
4A	7035342		HANDLE, Lower Right Hand	<i>Was 38466, Use on Opening Price</i>
5	7024978		CONTROL, Blade	
6	7033904		CLIP, Blade Control	
7	7025036		CABLE, Blade Control 50.51"	<i>Was 25036, Use on Briggs</i>
	7016707		CABLE, Blade Control 48.65"	<i>Use on Briggs Opening Price</i>
	7026136		CABLE, Blade Control 74.05"	<i>Use on Tecumseh</i>
8	7032826		HANDLE, Wheel Drive	<i>Use on Self Propelled</i>
9	7014307		GRIP, Wheel Drive Handle	<i>Use on Self Propelled</i>
10	7025013		CABLE, Clutch Pull (Z-BEND) 41.44"	<i>Use on Self Propelled</i>
11	7012121		COVER, Vinyl	<i>Use on Self Propelled</i>
12	7012122		SPRING, Clutch	<i>Use on Self Propelled</i>
13	7038478		SECTOR, Speed	<i>Use on Self Propelled</i>
14	7029911		LEVER, Speed Control 38"	<i>Was 26822, Self Propelled</i>
15	7012093		SPRING, Speed Control	<i>Use on Self Propelled</i>
16	7090188		WASHER, 3/8" Flat	
17	7023801		GRIP, Speed Control Handle	<i>Use on Self Propelled</i>
18	7032830		ANCHOR, Speed Control	<i>Use on Self Propelled</i>
19	7032408		GUIDE, Lower V-Belt	<i>Use on Self Propelled</i>
20	7023790		ROD, Transfer	<i>Use on Self Propelled</i>
20A	7051698		ASSEMBLY, Transfer Rod	<i>Use on Self Propelled</i>
21	7010937		CLIP, Transfer Rod	<i>Use on Self Propelled</i>
22	7090895		TEE-NUT, 5/16-18	<i>Use on Self Propelled</i>
23	7012114		BUSHING, Differential	<i>Use on Self Propelled</i>
24	7090595		BOLT, 5/16-18 x 3/4" Flange Lock, Gr. 5	
25	7090238		SCREW, 5/16-24 x 1" Hex Cap, Gr. 5	<i>Use on Self Propelled</i>
26	7090799		BOLT, 5/16-18 x 5/8" Carriage, Gr. 5	<i>Was 91026, Self Propelled</i>
27	7091601		NUT, 5/16-18 Hex Flange Lock, Gr. 5	<i>Was 91070 (Use on All)</i>
28	7091606		NUT, 5/16-24 Center Lock, Gr. 5	<i>Was 91074, Self Propelled</i>

Footnotes:

Handles & Controls

Item	Part No	Qty	Description	Note
29	7023813		CLIP, Cable/Wiring	
30	7091740		SCREW, 5/16-18 x 1-7/8 Curved Hd Gr. 2	<i>Was 91189 (Use on All)</i>
31	7023735		KNOB, 5/16-18	
32	7091025		SCREW, 1/4-28 x 1-3/8 Hex Cap, Gr. 5	<i>Use on Self Propelled</i>
33	7090053		WASHER, 1/4 Internal Tooth Lock	<i>Was 91023 (Use on All)</i>
34	7090095		NUT, 1/4-28 Hex, Gr. 5 or B	<i>Was 91024 (Use on All)</i>
35	7091022		SCREW, 1/4-28 x 1-3/4" Hex Cap, Gr. 5	
36	7014343		BUSHING	<i>Use on Self Propelled</i>
37	7023792		PIN, Clutch Handle	<i>Use on Self Propelled</i>
38	7091020		PUSH-NUT (for handle pin)	<i>Use on Self Propelled</i>
39	7024211		DECAL, Blade Control (LH Side)	<i>Use on All (Except European)</i>
39A	7023893		DECAL, Blade Control (On Mid Handle)	<i>Not shown, European & Self Propelled</i>
40	7023886		DECAL, Wheel Control (RH Side)	<i>Use on European Self Propelled</i>
41	7022460		GRIP, Foam	
42	7024087		DECAL, Speed Sector	<i>Not shown, Use on Self Propelled</i>
42A	7024446		DECAL, Speed Sector	<i>Not shown, European & Self Propelled</i>
43	7016544		PLUG	<i>Use on Push & S.P. Opening Price</i>
44	7090391		WASHER, 5/16 Internal Tooth Lock	<i>Was 91068</i>
45	7090545		SCREW, 5/16-24 x 1-1/2" Machine, Gr. 5	

Footnotes:

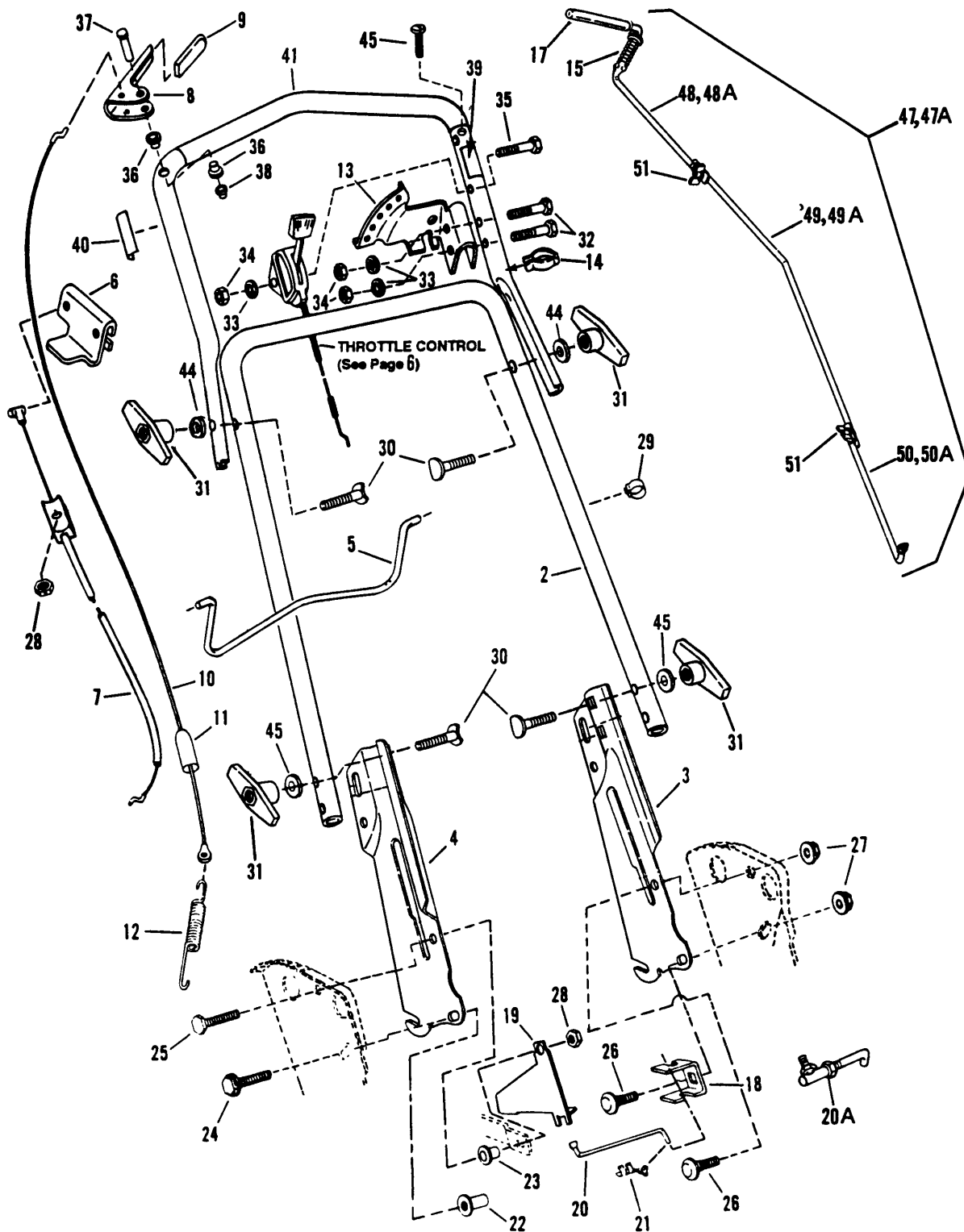
Handles & Controls (1996 Model Year)

Item	Part No	Qty	Description	Note
1	7024889		HANDLE, Upper	See Note One Below
	7035252		HANDLE, Upper	See Note Two Below
2	7024890		HANDLE, Middle	See Note One Below
	7026350		HANDLE, Middle	See Note Two Below
3	7033985		HANDLE, Lower Left Hand	See Note One Below
	7046502		HANDLE, Lower Left Hand	Was 38467, See Note Two Below
4	7033986		HANDLE, Lower Right Hand	See Note One Below
	7035342		HANDLE, Lower Right Hand	Was 38466, See Note Two Below
5	7024978		CONTROL, Blade	All
6	7033904		CLIP, Blade Control	All
	7034372		CLIP, Blade Control	FRP21600TV Model
7	7025036		CABLE, Blade Control, 50.51"	See Note One Below
	7024144		CABLE, Blade Control, 45.45"	See Note Two Below
	7026136		CABLE, Blade Control, 74.05	RP2150072 Model. RP21500KWV uses 7026875 52.9"
	7029009		CABLE, Blade Control, 60.05"	P21600TV 8 FRP21600TV
8	7032826		HANDLE, Wheel Drive	All
9	7014307		GRIP, Wheel Drive Handle	All
10	7025013		CABLE, Clutch Pull (Z-BEND) 41.44"	See Note One Below
	7023134		CABLE, Clutch Pull (Z-BEND) 36.06"	See Note Two Below
11	7012121		COVER, Vinyl	All
12	7012122		SPRING, Clutch	All
13	7038478		SECTOR, Speed	All
14	7024641	3	TIE, Wire	FRP21600TV Model
15	7012093		SPRING, Speed Control	All
16	7090188		WASHER, 3/8" Flat	All
17	7023801		GRIP, Speed Control Handle	All
18	7034892		ANCHOR, Speed Control	All
19	7032408		GUIDE, Lower V-Belt	All
20	7023790		ROD, Transfer	All
20A	7051698		ASSEMBLY, Transfer Rod	All
21	7010937		CLIP, Transfer Rod	All
22	7090895		TEE-NUT, 5/16-18	All
23	7012114		BUSHING, Differential	All
24	7090595		BOLT, 5/16-18 x 3/4" Flange Lock, Grade 5	All
25	7090238		SCREW, 5/16-24 x 1" Hex Cap, Grade 5	All
26	7090799		BOLT, 5/16-18 x 5/8" Carriage, Grade 5	Was 91026 (All)
27	7091601		NUT, 5/16-18 Hex Flange Lock, Grade 5	Was 91070 (All)

Footnotes:

1. Used on: RP21500T2, RP21600, P21600TV, RP21600E, EP21600, FRP21600TV
2. Used on: RP21501 & NRP21501

Handles & Controls (1996 Model Year)



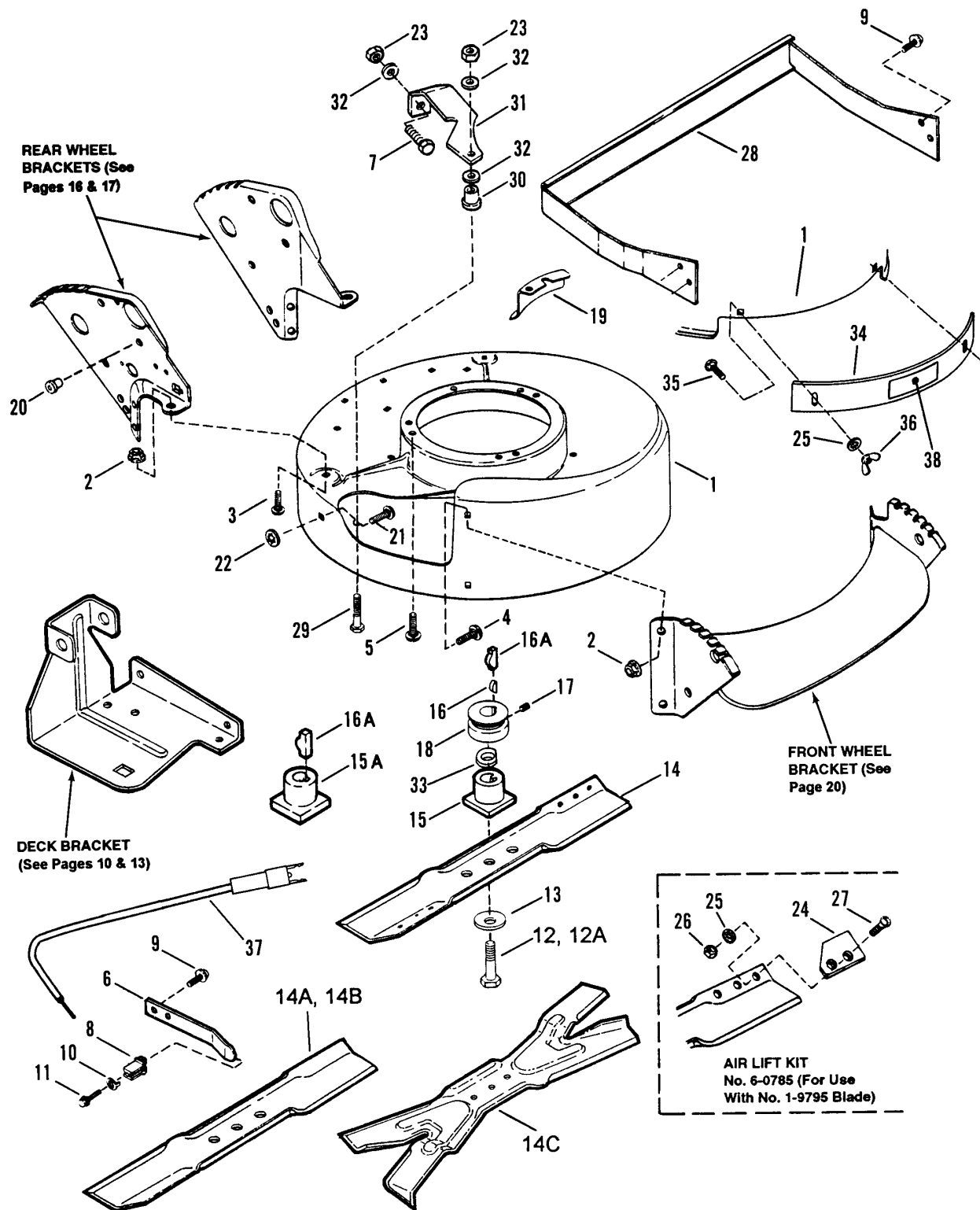
Handles & Controls (1996 Model Year)

Item	Part No	Qty	Description	Note
28	7091606		NUT, 5/16-24 Center Lock, Grade 5	Was 91074 (All)
29	7023813		CLIP, Cable/Wiring	All
30	7091740		SCREW, 5/16-18x1-7/8 Curved Head, Grade 2	Was 91189 (All)
31	7035744		T-KNOB, 5/16-18	Was 16324, All
32	7091025		SCREW, 1/4-28 x 1-3/8 Hex Cap, Grade 5	All
33	7090053		WASHER, 1/4 Internal Tooth Lock	Was 91023 (All)
34	7090095		NUT, 1/4-28 Hex, Grade 5 or B	Was 91024 (All)
35	7091022		SCREW, 1/4-28 x 1-3/4" Hex Cap, Grade 5	All
36	7014343		BUSHING	All
37	7023792		PIN, Clutch Handle	All
38	7091020		PUSH-NUT (for handle pin)	All
39	7024211		DECAL, Blade Control (L H Side)	All (Except European)
	7023893		DECAL, Blade Control (On Mid Handle)	European
40	7023886		DECAL, Wheel Control (R H Side)	European
41	7022460		GRIP, Foam	All
42	7024087		DECAL, Speed Selector	All (Except European)
	7024446		DECAL, Speed Selector	European
44	7090391		WASHER, 5/16 Internal Tooth Lock	Was 91068 (All)
45	7090545		SCREW, 5/16-24 x 1-1/2" Machine, Grade 5	All
46	7026141		GUIDE, Pull Rope	FRP21600TV Model, Not shown at RH upper #31
47	7029217		ASSEMBLY, Speed Control Lever	(Includes Items 48 thru 51)
47A	7029233		ASSEMBLY, Speed Control Lever	(Includes items 48A, 49A, 50A & 51) See Note Two Below
48	7029217		ROD, Upper	Was 29153, See Note One Below
48A	7029189		ROD, Upper	See Note Two Below
49	7029217		ROD, Intermediate	Was 29154, See Note One Below
49A	7029190		ROD, Intermediate	See Note Two Below
50	7029217		ROD, Lower	Was 29155, See Note One Below
50A	7029191		ROD, Lower	See Note Two Below
51	7029161	2	NUT, 1/4-20 Wing	Used on Item 47 & 47A
52	7026219		CLAMP, Cable	All, Not shown

Footnotes:

1. Used on: RP21500T2, RP21600, P21600TV, RP21600E, EP21600, FRP21600TV
2. Used on: RP21501 & NRP21501

Cutting Deck, Blade, Interlock

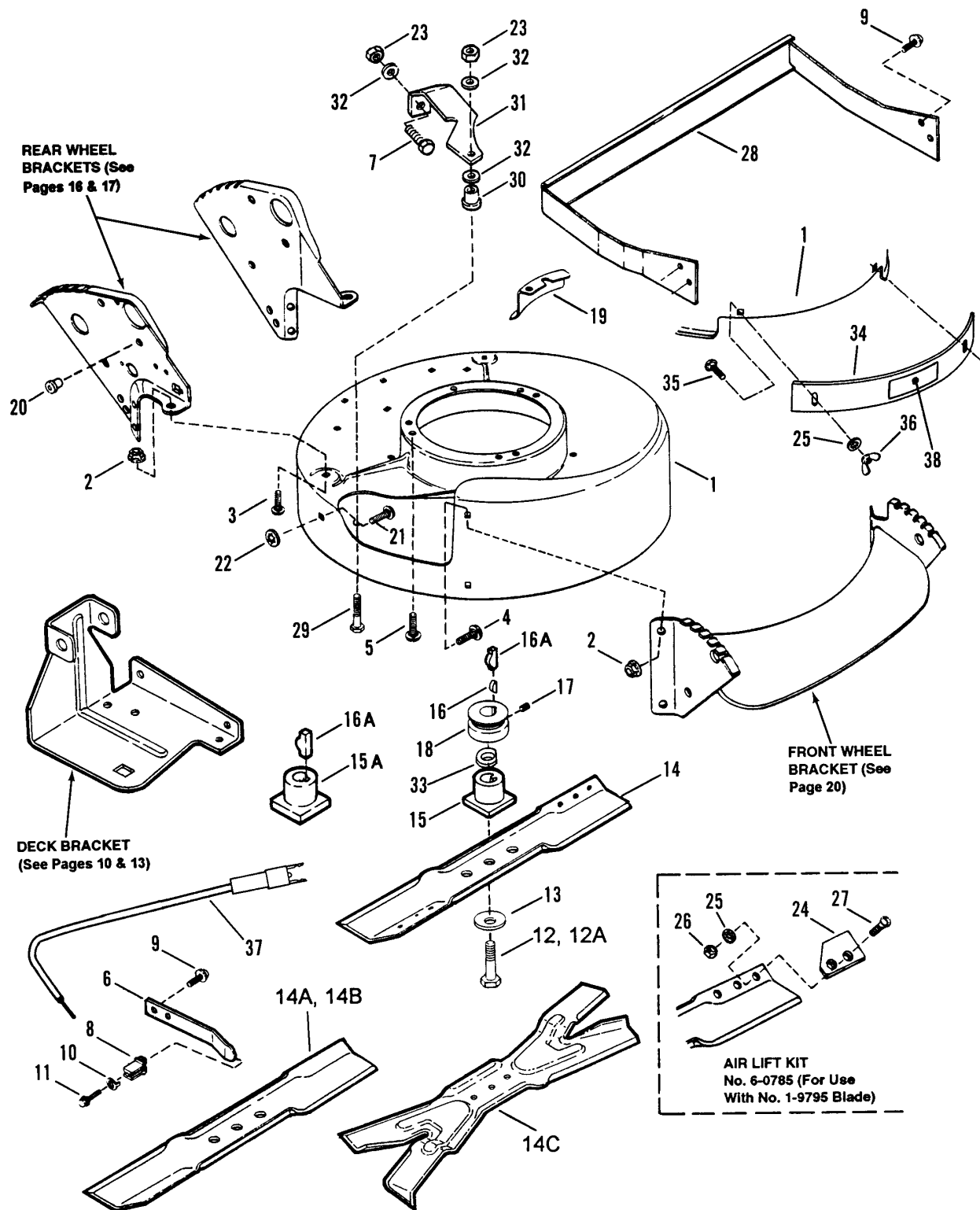


Cutting Deck, Blade, Interlock

Item	Part No	Qty	Description	Note
1	7057663		DECK, Mower	<i>(Includes painted Deck with Decals)</i>
	7053271		DECK, Mower	<i>(Includes painted Deck with Decals) (ODP21400 Model)</i>
	7058540		DECK, Mower	<i>Was 53952 (Includes painted Deck with Decals) (FRP21600TV Model)</i>
2	7091601	10	NUT, 5/16-18 Hex Flange Lock, Grade 5	<i>Was 90585</i>
3	7090731	9	BOLT, 5/16-18 x 1/2" Short Neck Carriage (Gr. 5)	
4	7091169		BOLT, Bolt 5/16-18 x 1-1/8" Short Neck Carriage, Grade 5	
5	7090324	3	SCREW, 3/8-16 x 1" Self-Tapping (Engine Mounting)	
6	7032417		SPRING, Wheel Bracket Type Interlock	
7	7090534		SCREW, 5/16-18 x 1/2" Hex Head Cap, Grade 5	
8	7026175		INSULATOR, Interlock	
9	7091122	6	SCREW, 1/4-20 x 1/2" Hex Self-tapping	<i>Was 90539</i>
10	7090385		WASHER, #8 Tab Internal Tooth Lock	
11	7090379		SCREW, #8-18 x 3/4" Hex Head Machine	
12	7090167		SCREW, 3/8-24 x 2" Hex Head Cap, Grade 5	
12A	7090483		SCREW, 3/8-24 x 1-3/4" Hex Head Cap, Grade 5	
13	7012063	2	WASHER, Cone	
14	7019795		BLADE, Cutter	<i>3 holes in air lift</i>
14A	7019795		BLADE, Cutter	<i>Was 19702 (ODP21400 Model)</i>
14B	7026691		BLADE, Cutter	<i>(Standard Lift)</i>
14C	7026407		BLADE, Cutter (Ninja - Quad Edge)	<i>7017168 Recycling 21" Recycling Blade is also available</i>
15	7015626		HUB, Blade Drive 25mm	
15A	7012927		HUB, Blade Drive 7/8"	
16	7015894		KEY, Woodruff #506	<i>(Briggs)</i>
16A	7010783		KEY, Woodruff #505	<i>(Hi-Pro)</i>
17	7090201		SCREW, 5/16-18 x 5/16" Hex Socket Set	
18	7015780		PULLEY, Engine (25mm I.D. x 2-1/8" O.D.)	
18	7024596		PULLEY, Engine (7/8" I.D. x 2-1/4" O.D.)	<i>(ODP21400 Model)</i>
19	7031968		SHIELD, Belt Opening Cover	<i>(Push Models Only)</i>
20	7012135		BUSHING, Interlock Wire	
21	7091508		BOLT, 5/16-18 x 3/4" Short Neck Carriage, Grade 5	<i>Was 90001</i>
22	7011791		RETAINER, 5/16 Bolt	
23	7091511	2	NUT, 5/16-18 Hex, Grade 5	<i>Was 90196</i>
--	7060785		KIT, Air Lift.	<i>(Includes items 24 thru 27)</i>
24	7032558	2	LIFT, Air	
25	7090391	6	WASHER, 5/16 Internal Tooth Lock	
26	7091297	4	NUT, 5/16-24 Hex, Grade 5	<i>Was 90223</i>
27	7090228	4	SCREW, 5/16-24 x 21/32" Machine	

Footnotes:

Cutting Deck, Blade, Interlock

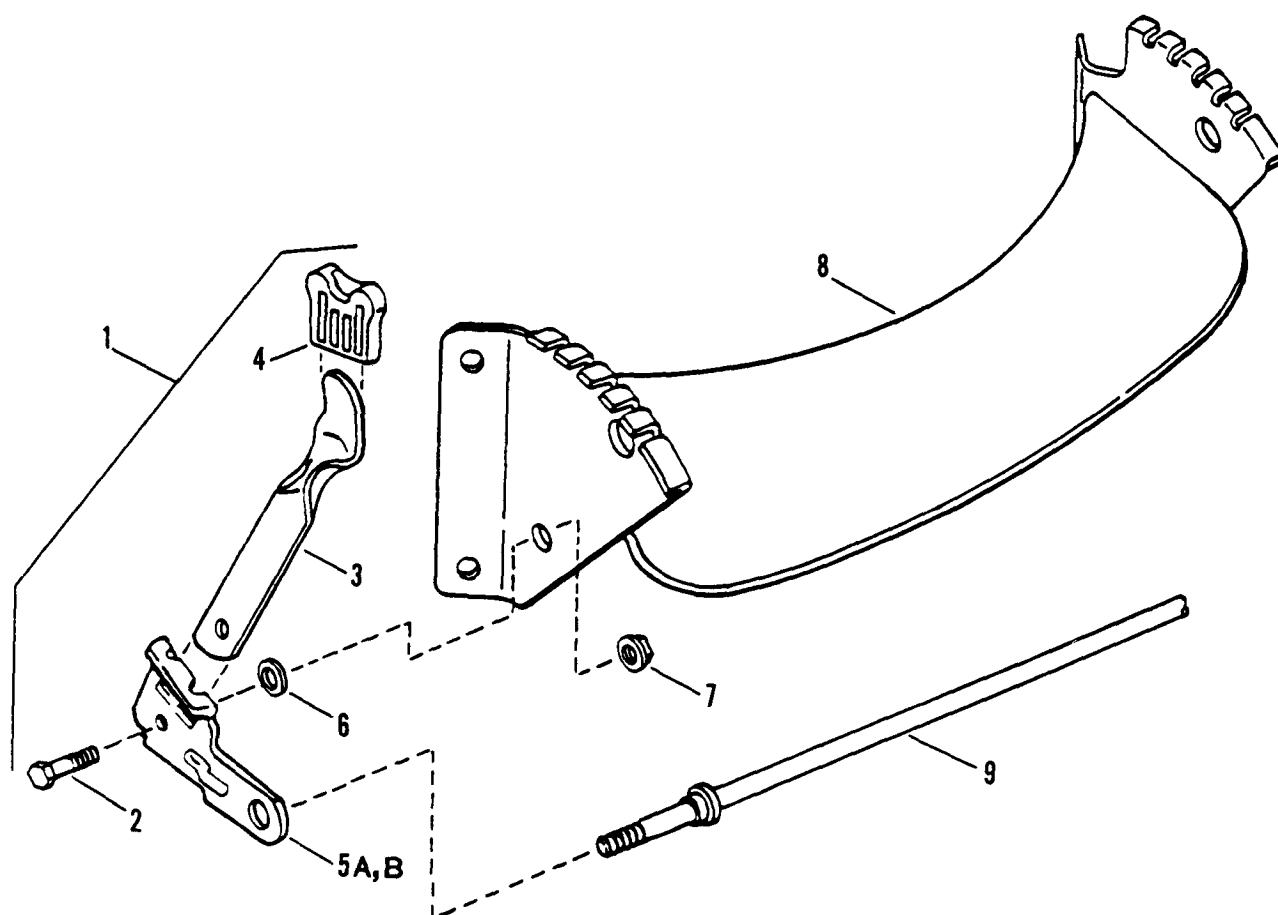


Cutting Deck, Blade, Interlock

Item	Part No	Qty	Description	Note
28	7041400		STRUCTURE, Fender	<i>(European Models)</i>
29	7090702		BOLT, 5/16-18 x 2-1/4" Hex Flange Lock	
30	7013320		BUSHING	
31	7033863		COVER, Belt	<i>(European Models)</i>
32	7090187	3	WASHER, 5/16 Split Lock	
33	7029000		SPACER, Blade Hub	<i>(FRP21600TV Model)</i>
34	7043851		BAFFLE, Front	<i>Was 34870 (FRP21600TV Model)</i>
35	7090799	2	BOLT, 5/16-18 x 5/8" Carriage, Gr. 5	<i>Was 91026 (FRP21600TV Model)</i>
36	7091601	2	NUT, 5/16-18 Flange Lock, Grade 5	<i>Was 91070 (FRP21600TV Model)</i>
37	7026879		WIRE, Ground	<i>(Briggs)</i>
38	7029193		DECAL, Front Baffle	

Footnotes:

Front Wheel Bracket

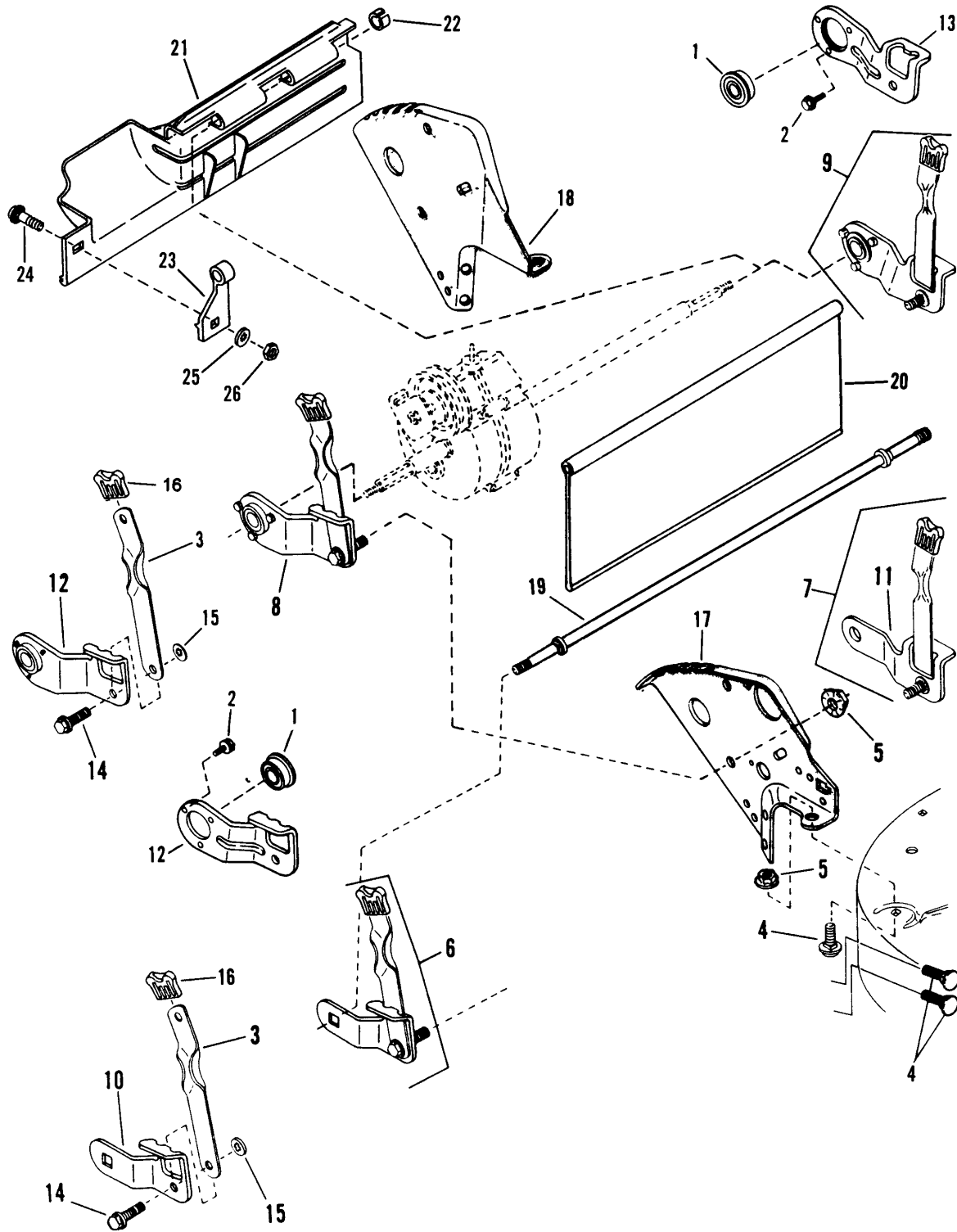


Front Wheel Bracket

Item	Part No	Qty	Description	Note
1	7051885		ASSEMBLY, Arm Left Wheel (Square hole)	<i>(Consists of Items 2,3,4,5A,6)</i>
	7051886		ASSEMBLY, Arm Right Wheel (Round hole)	<i>(Consists of Items 2,3,4,5B,6)</i>
2	7015761		BOLT, 5/16-18 x 3/4" Shoulder	
3	7012325		LATCH, Height	
4	7027702		GRIP, Latch	
5A	7031016		ARM, Left Wheel (Square hole)	
5B	7031017		ARM, Right Wheel (Round Hole)	
6	7011791		RETAINER, 5/16 Bolt	
7	7091601		NUT, 5/16-18 Hex Flange Lock, Grade 5	<i>Was 91070</i>
8	7041666		BRACKET, Front Wheel	<i>Was 41387 (All Except ODP21400 Model)</i>
	7041666		BRACKET, Front Wheel	<i>Was 41486 (ODP21400 Model)</i>
	7074702		BRACKET, Front Wheel	<i>Was 41770 (FRP21600TV Model)</i>
9	7021119		AXLE	

Footnotes:

Rear Wheel Brackets, Latches

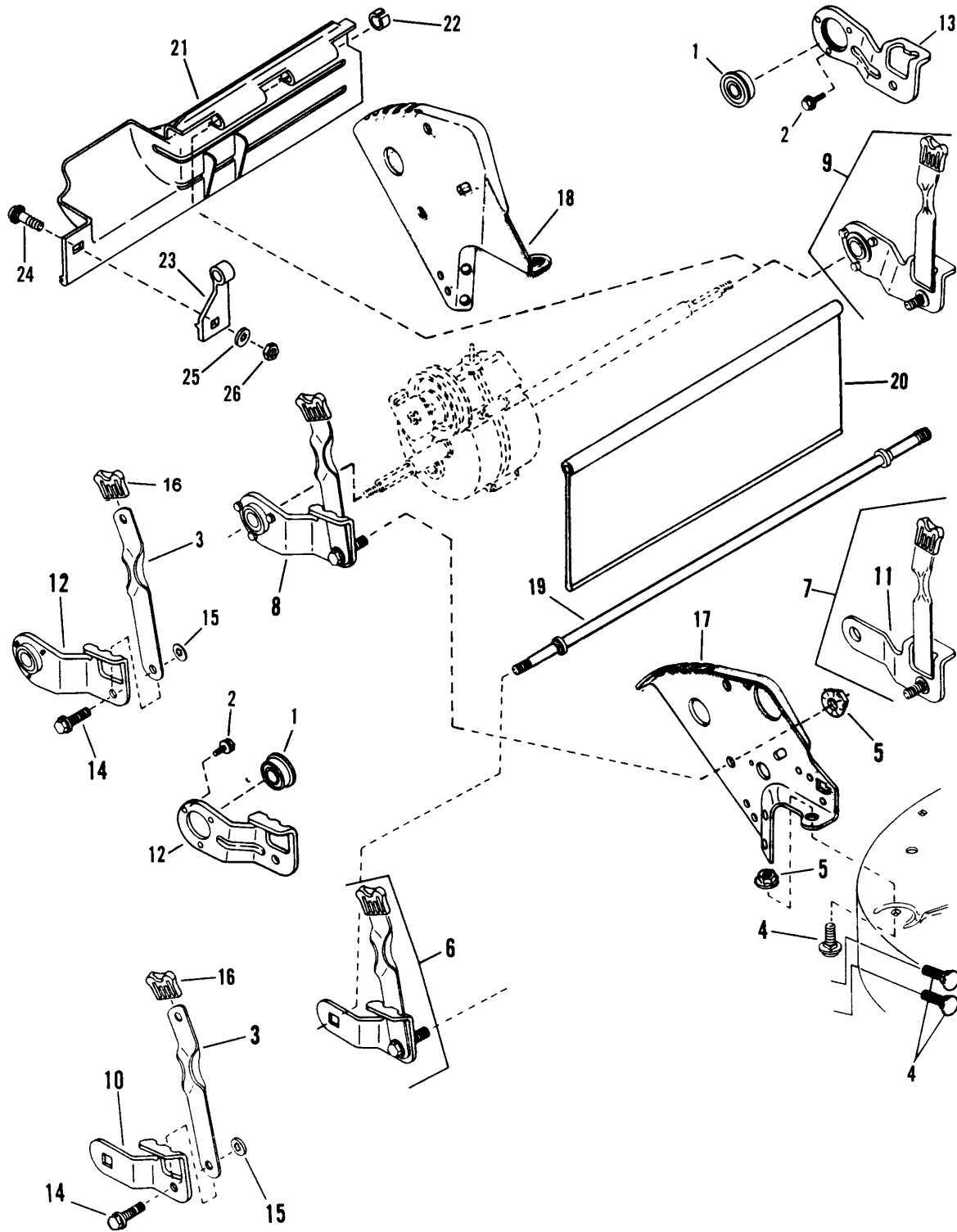


Rear Wheel Brackets, Latches

Item	Part No	Qty	Description	Note
1	7046983		BEARING, 9/16 (Heavy duty)	Was 18767
1	7012312		BEARING, 9/16	
2	7091012	3	SCREW, #10-32 x 3/8" Self-Tapping (Torx)	
3	7035717		LATCH, Height Adjusting (Long)	Was 19218
3	7029002		LATCH, Height Adjusting - Right (Long)	(FRP21600TV Model)
3	7029001		LATCH, Height Adjusting - Left (Long)	(FRP21600TV Model)
4	7091508		BOLT, 5/16-18 x 3/4" Short Neck Carriage, Grade 5	Was 90001
5	7091601		NUT, 5/16-18 Hex Flange Lock, Grade 5 (B)	Was 91070
6	7054228		ASSEMBLY, Wheel Arm (Round Hole, Right Rear) Push Models	Was 53008 (Includes 3, 11A, 14A, 15, 16)
7	7053019		ASSEMBLY, Wheel Arm (Square Hole, Left Rear) Push Models	(Includes 8, 10A, 14A, 15, 16)
8	7054246		ASSEMBLY, Wheel Arm (Right Rear)	Was 51814 (Self Propelled Models) (Includes items 1, 2, 3, 12, 14A, 15, 16)
8	7053926		ASSEMBLY, Wheel Arm (Right Rear)	(FRP21600TV Model) (Includes items 1A, 2, 3A, 12, 14, 15, 16)
9	7054247		ASSEMBLY, Wheel Arm (Left Rear)	Was 51815 (Self Propelled Models) (Includes items 1, 2, 3, 13, 14A, 15, 16)
9	7053925		ASSEMBLY, Wheel Arm (Left Rear)	(FRP21600TV Model) (Includes items 1A, 2, 3B, 13, 14, 15, 16)
10	7033776		ARM, Round Axle End (Right Rear) Push Models	(Push Models)
11	7033775		ARM, Square Axle End (Left Rear) Push Models	(Push Models)
12	7032722		ARM, Wheel Right Rear	(Self Propelled Models)
13	7032723		ARM, Wheel Left Rear	(Self Propelled Models)
14	7015761		BOLT, 5/16-18 x 3/4" Shoulder	
14	7011078		BOLT, 5/16-18 x 1" Shoulder	
15	7011791		RETAINER, 5/16 Bolt	
16	7027702		GRIP, Latch	
17	7033846		BRACKET, Right Rear Wheel	
17	7033494		BRACKET, Right Rear Wheel	(FRP21600TV Model)
18	7036242		BRACKET, Left Rear Wheel	
18	7033495		BRACKET, Left Rear Wheel	(FRP21600TV Model)
19	7021119		AXLE	(Rear on Push Models - Also Front on All)
20	7026166		GUARD, Rear Foot	(Push Models)
21	7019522		GUARD, Rear Foot	(Self-Propelled Models)
22	7023791		RING	
23	7012616		SUPPORT, Foot Guard	
24	7091604		BOLT, 1/4-20 x 1/2" Short Neck Carriage, Grade 5	Was 90005
25	7090053		WASHER, 1/4 Internal Tooth Lock	Was 91023

Footnotes:

Rear Wheel Brackets, Latches

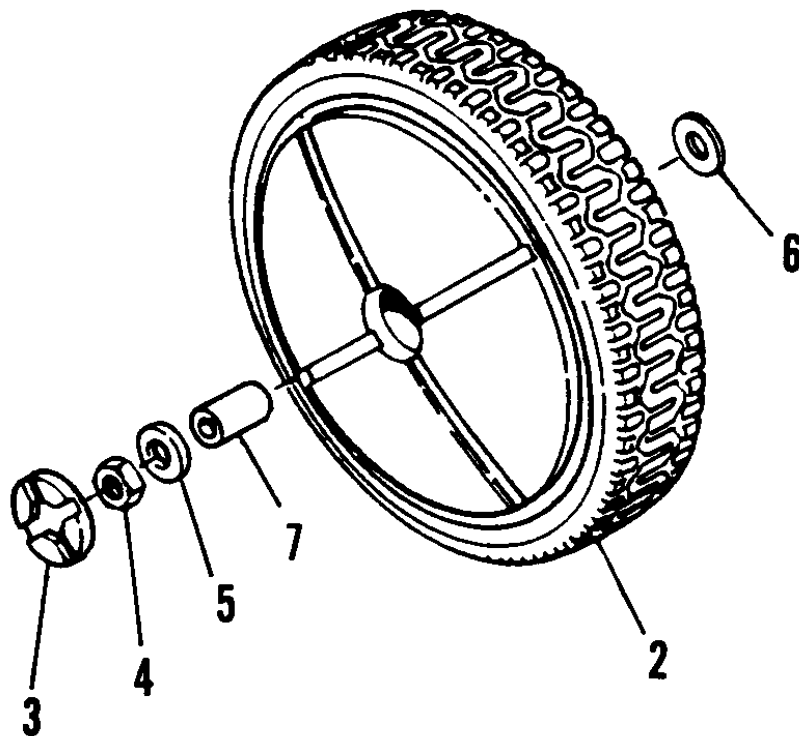
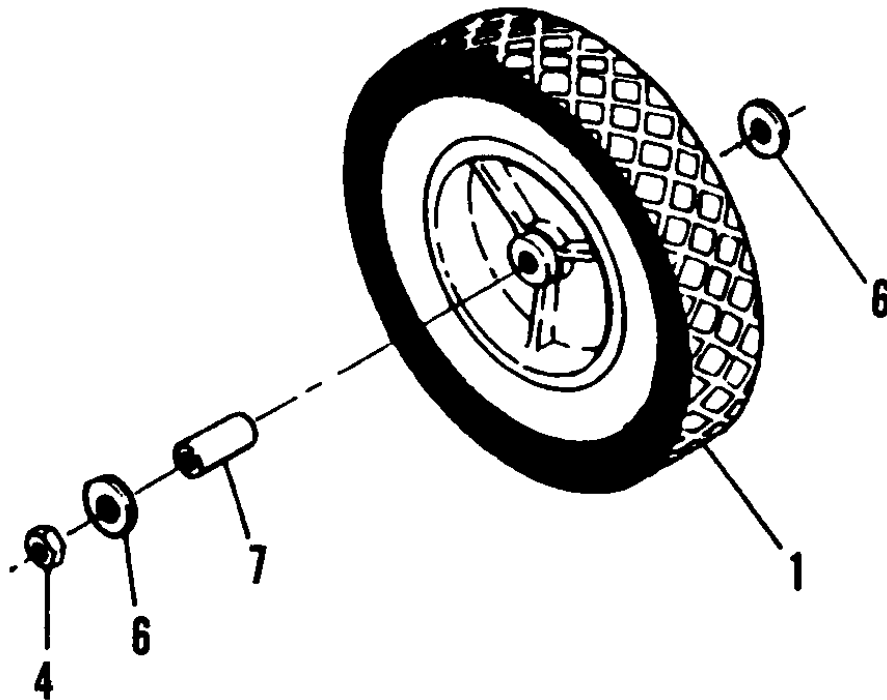


Rear Wheel Brackets, Latches

Item	Part No	Qty	Description	Note
26	7091576		NUT, 1/4-20 Hex, Grade 5	<i>Was 90063</i>

Footnotes:

Front Wheels

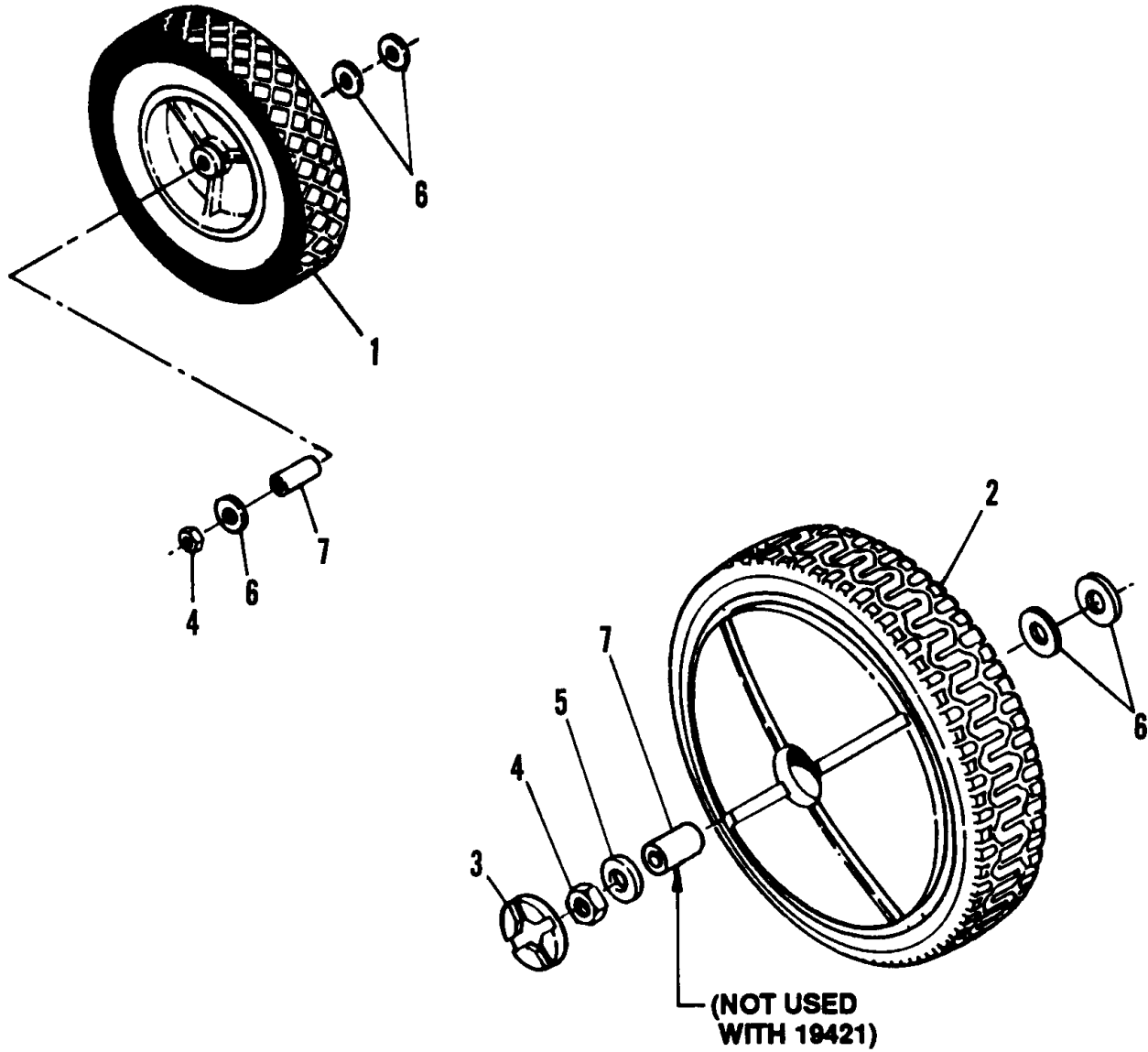


Front Wheels

Item	Part No	Qty	Description	Note
1	7022795		WHEEL, 7 x 1.50 Plastic	(ODP21400 Model)
2	7025076		WHEEL, 8 x 2.00 Plastic	(All Except ODP21400 Model)
	7029010		WHEEL, 8 x 1.75 Plastic	(FRP21600TV Model)
3	7017829		PLUG, Wheel	(All Except ODP21400 Model)
4	7090377		NUT, 7/16-20 Hex (Thin)	
5	7031961		WASHER, 7/16 x 7/8" O.D. Flat	(All Except ODP21400 Model)
6	7031961		WASHER, 7/16 x 1" O.D. Flat	
7	7012309		BUSHING, Axle	(All Models)

Footnotes:

Rear Wheels

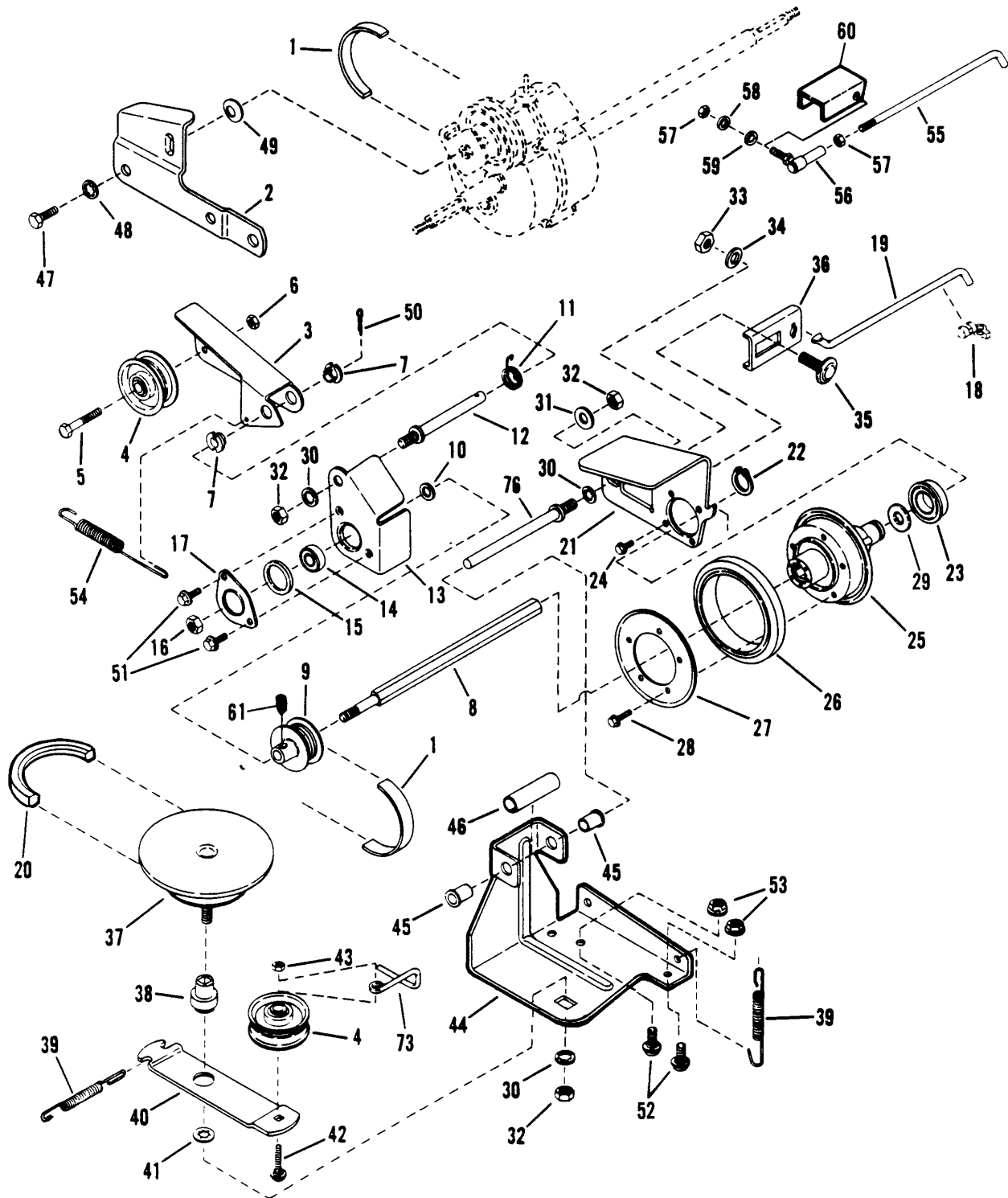


Rear Wheels

Item	Part No	Qty	Description	Note
1	7022797		WHEEL, 9 x 1.75 Plastic	(ODP21400 Model)
2	7019420		WHEEL, 9 x 2.00 Plastic	(Push Models)
	7019421		WHEEL, 9 x 2.00 Plastic	(Self Propelled Models)
	7029011		WHEEL, 10 x 1.75 Plastic	(FRP21600TV Model)
3	7017829		PLUG, Wheel	(All Except ODP21400 Model)
4	7090377		NUT, 7/16-20 Hex (Thin)	
5	7031961		WASHER, 7/16 x 7/8" O.D. Flat	(All Except ODP21400 Model) Was 91172
6	7031961		WASHER, 7/16 x 1" O.D. Flat	
7	7012309		BUSHING, Axle	(All Push Models)

Footnotes:

Not used with 19421

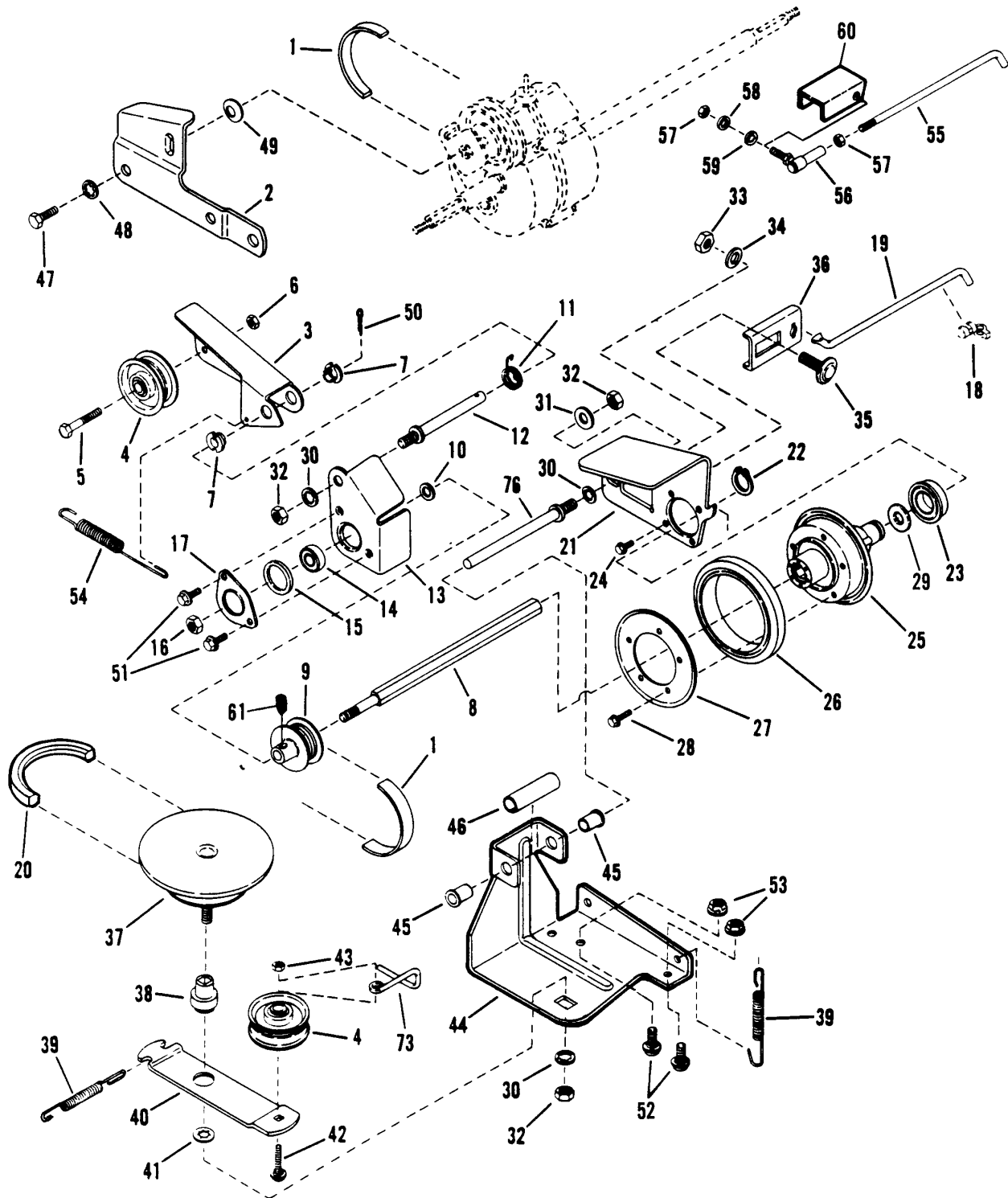


Drive System Self-Propelled

Item	Part No	Qty	Description	Note
1	7012354		BELT, Poly-Vee	
2	7034179		LINK, Differential	Was 31880
	7051921		ASSEMBLY, Clutch Idler	(Includes items 8 thru 7)
3	7032832		ARM, Clutch Idler	
4	7012124	2	PULLEY, Idler	
5	7091025		SCREW, 1/4-28 x 1-3/8" Hex Head Cap, Grade 5	
6	7090303		NUT, 1/4-28 Hex Top Lock	
7	7012117	2	BUSHING, 3/8 I.D. Nylon	
8	7072284		SHAFT, Hex Drive	Was 23744
9	7019383		PULLEY, Poly-V (2" O.D.)	
10	7012316		WASHER, 3/8" Flat	
11	7012126		SPRING, Torsion	
12	7012111		STUD	
13	7031873		HOLDER, Bearing (Inner Half)	
14	7028014		BEARING, Ball	
15	7011025		O-RING	
16	7090289		NUT, 3/8-24 Hex Center Lock, Grade 5	
17	7031809		HOLDER, Bearing (Outer Half)	
18	7010937		CLIP, 1/4 Right Arc (Transfer Rod)	
19	7023790		ROD, Transfer	
20	7012353		BELT, Engine Drive	
	7053225		ASSEMBLY, Driven Disc	(Includes items 21 thru 29)
	7053225		ASSEMBLY, Driven Disc	Was 54091 (FRP21600TV & P21600TV Models Only)(Includes 21A thru 29)
21	7038486		PLATE, Thrust	
22	7010746		RING, Retaining	
23	7026693		BEARING, Ball	
24	7090981	4	SCREW, #10-32 x 1/4" Self-Tapping Machine	
25	7061276		ASSEMBLY, Hub (Includes 11108 Bushing & 90913 Screws)	Was 53217
26	7023364		RING, Driven	
27	7031013		PLATE, Ring Retaining	
28	7090913	5	SCREW, #10-24 x 1/2" Hex Washer Self-Tap (Torx)	
29	7010121		WASHER, 3/4 Shim	
30	7090390	3	WASHER, 3/8 Internal Tooth Lock	
31	7090122		WASHER, 3/8" Flat	
32	7091630	3	NUT, 3/8-24 Hex, Grade B	Was 90155
33	7091511		NUT, 5/16-18 Hex, Grade 5	Was 90196
34	7090187		WASHER, 5/16 Split Lock	

Footnotes:

Note** Used on Electric Start and European models ONLY

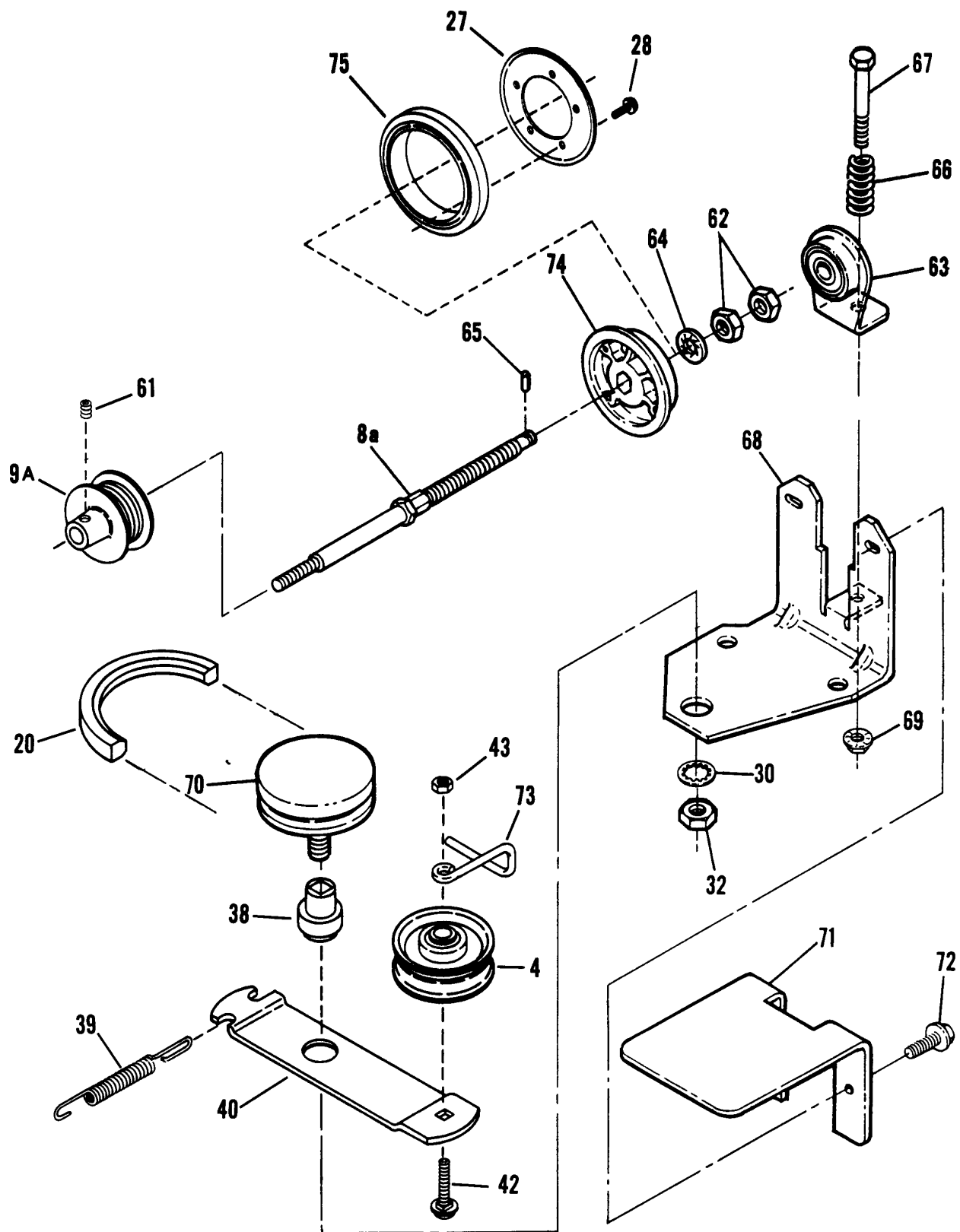


Drive System Self-Propelled

Item	Part No	Qty	Description	Note
35	7090316		BOLT, 5/16-18 x 3/4" Carriage, Grade 5	<i>Was 91097</i>
36	7032831		CONNECTOR, Transfer Rod	
37	7061275		KIT, Drive Disc Assembly	
38	7017696		BUSHING	
39	7029025	2	SPRING (Wheel Drive & Idler)	<i>Was 17326</i>
40	7032116		ARM, Idler	
41	7013847		RETAINER, 3/8 Bolt	
42	7090947		BOLT, 1/4-20 x 1-1/2" Carriage, Grade 5	
43	7090372		NUT, 1/4-20 Hex Center Lock, Grade 5 or B	
	7052987		ASSEMBLY, Deck Bracket	<i>(Includes items 44 thru 46)</i>
44	7033774		BRACKET, Deck	
45	7012306	2	BUSHING, Flange	
46	7021758		SPACER	
47	7090534		SCREW, 5/16-18 x 1/2" Hex Head Cap, Grade 5	
48	7090391		WASHER, 5/16 Internal Tooth Lock	<i>Was 91068</i>
49	7011079		WASHER, Spring	
50	7091597		PIN, 3/32 x 1/2" Cotter	<i>Was 90555</i>
51	7091122		SCREW, 1/4-20 x 1/2" Self-Tapping	<i>Was 90539</i>
52	7090731	2	BOLT, 5/16-18 x 1/2" Short Neck Carriage, Grade 5	
53	7091601		NUT, 5/16-18 Hex Flange Lock, Grade 5	<i>Was 90585</i>
54	7012122		SPRING, Clutch	
55	7015752		**LINK, Transfer	
56	7015753		**JOINT, Ball	
57	7090095		**NUT, 1/4-28 Hex, Grade 5	
58	7091294		**WASHER, 1/4 Flat	<i>Was 90055</i>
59	7090053		**WASHER, 1/4 Internal Tooth Lock	
60	7032664		SHIELD, Hex Shaft	<i>(European Models)</i>
61	7013670		*SCREW, 1/4-28 x 1/4" Hex Socket Set	
73	7016380		*SCRAPER, Drive Pulley	
76	7012125		GUIDE, Thrust Plate	

Footnotes:

Note** Used on Electric Start and European models ONLY



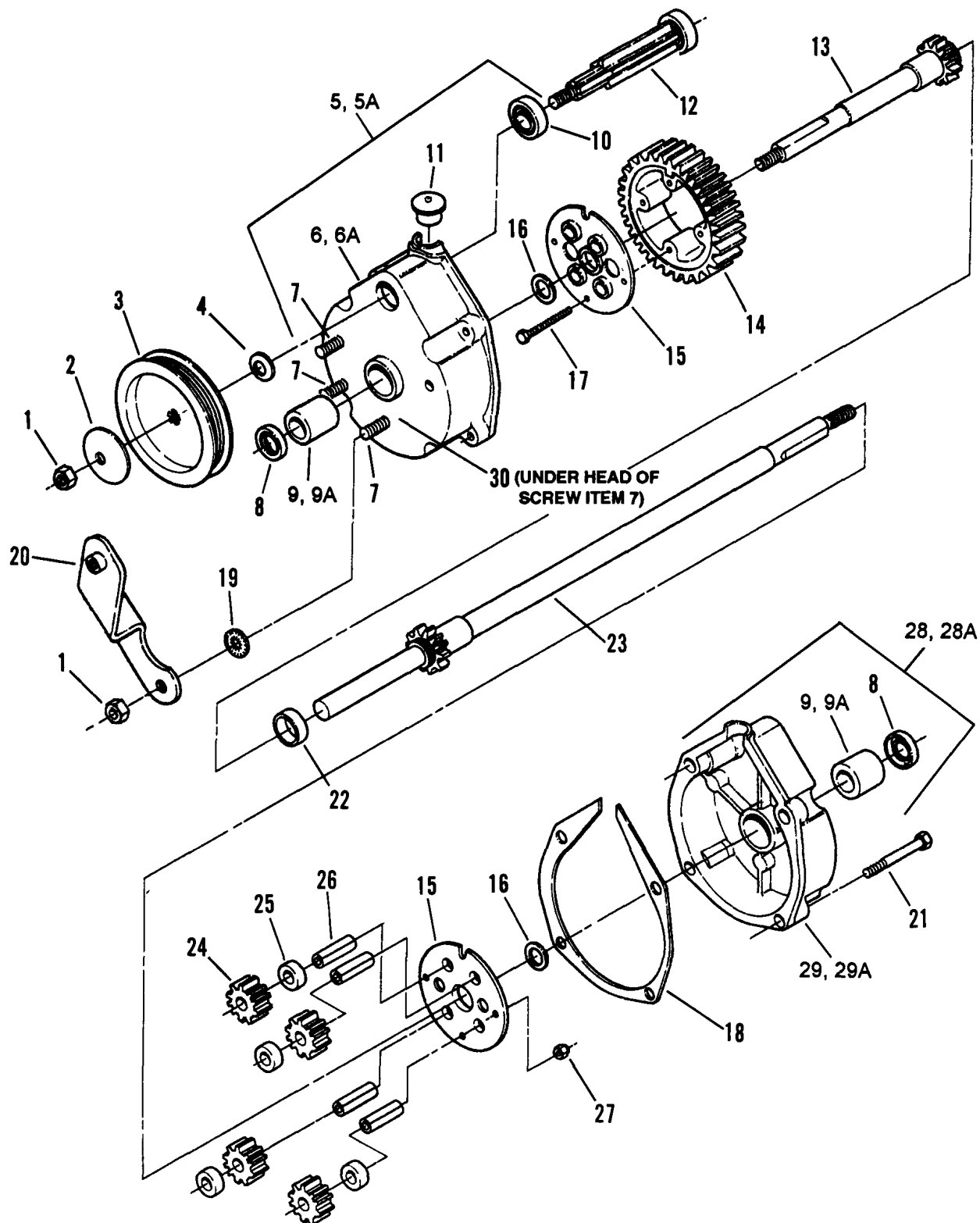
Drive System Self - Propelled Opening Price Point Mowers

Item	Part No	Qty	Description	Note
4	7012124	2	PULLEY, Idler	
8A	7024547		*SHAFT, Hex Drive	
9A	7024516		*PULLEY, Poly V (1-3/4" O.D.)	
20	7012353		BELT, Engine Drive	
	7053225		ASSEMBLY, Driven Disc	<i>(Includes items 21 thru 29)</i>
	7053225		ASSEMBLY, Driven Disc	<i>Was 54091 (FRP21600TV & P21600TV Models Only)(Includes 21A thru 29)</i>
27	7031013		PLATE, Ring Retaining	
28	7090913	5	SCREW, #10-24 x 1/2" Hex Washer Self-Tap (Torx)	
30	7090390	3	WASHER, 3/8 Internal Tooth Lock	
32	7091630	3	NUT, 3/8-24 Hex, Grade B	<i>Was 90155</i>
38	7017696		BUSHING	
39	7029025	2	SPRING (Wheel Drive & Idler)	<i>Was 17326</i>
40	7032116		ARM, Idler	
42	7090947		BOLT, 1/4-20 x 1-1/2" Carriage, Grade 5	
43	7090372		NUT, 1/4-20 Hex Center Lock, Grade 5 or B	
	7052987		ASSEMBLY, Deck Bracket	<i>(Includes items 44 thru 46)</i>
61	7013670		*SCREW, 1/4-28 x 1/4" Hex Socket Set	
62	7090265		*NUT, 1/2-20 Hex, Grade 2	
63	7052854		*ASSEMBLY, Holder & Bearing	
64	7090509		*WASHER, 1/2 Internal Tooth Lock	
65	7014001		*PIN, 1/8 x 3/4" Roll	
66	7024545		*SPRING	
67	7090464		*SCREW, 5/16-24 x 2-3/4" Hex Head Cap, Grade 5	
68	7033670		*BRACKET, Deck	
69	7090480		*NUT, 5/16-24 Hex Flange Top Lock	
70	7052867		*ASSEMBLY, Drive Disk	
71	7033671		*COVER, Driven Ring	
72	7090913	2	*SCREW, #10-24 x 1/2" Hex Washer Self-Tap (Torx)	<i>Was 90307</i>
73	7016380		*SCRAPER, Drive Pulley	
74	7024546		*HUB, Driven Disc	<i>Was 24928 (Accepts Items 26, 27 & 28)</i>
75	7023364		*RING, Driven	

Footnotes:

Note* Used On ODP21400 Model.

Transmission (Differential)



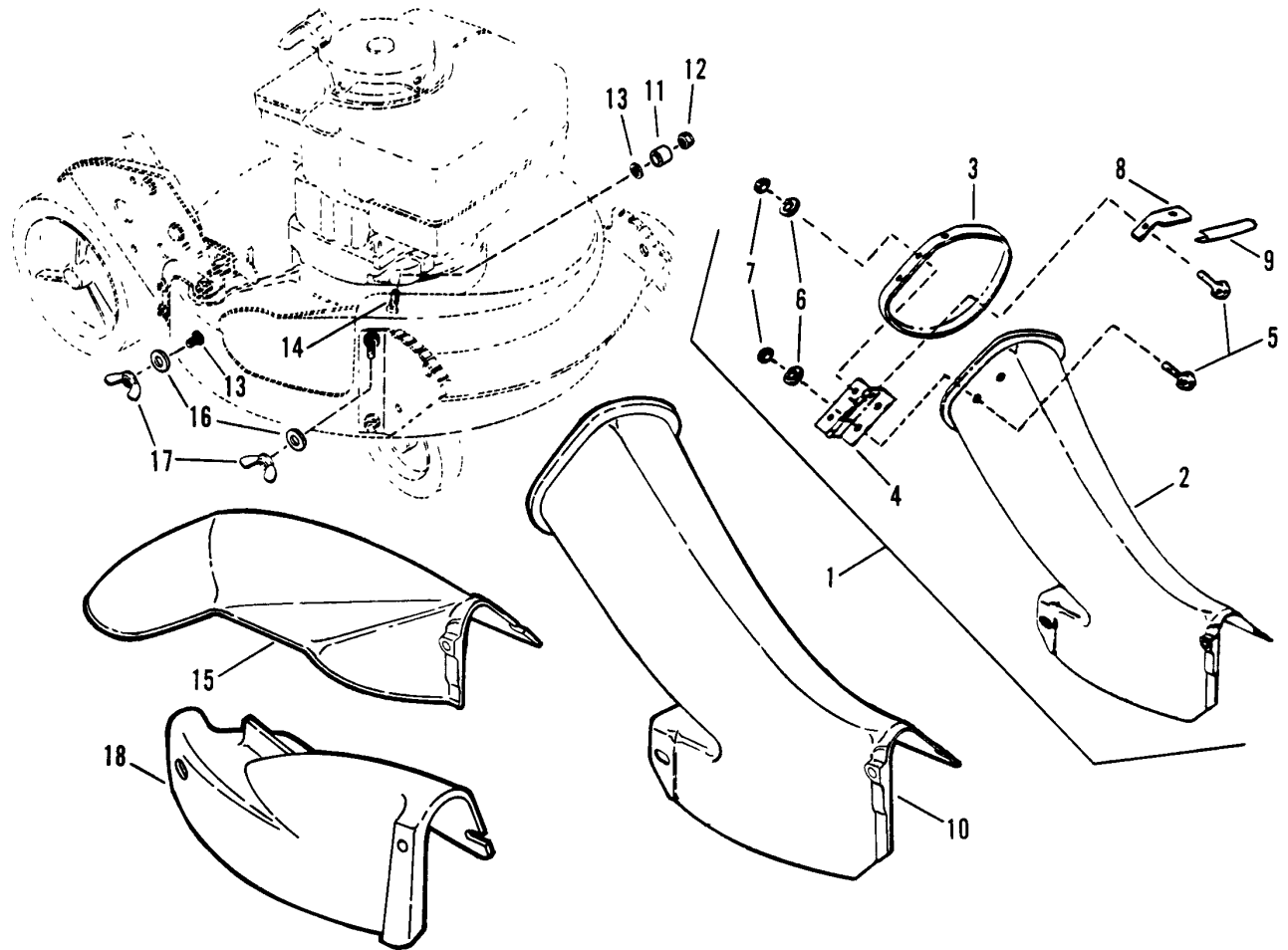
Transmission (Differential)

Item	Part No	Qty	Description	Note
--	7059070		ASSEMBLY, Transmission	<i>Was 57525 (1995 Model Year & Earlier)(Includes 1 thru 30)</i>
--	7059070		ASSEMBLY, Transmission	<i>Was 53945 (1996 Model Year & Later) Includes 1 thru 4,5A,6A,7,8,9A,10 thru 27,28A,29A and 30; for models: P21600TV and FRP21600TV</i>
1	7092062	4	NUT, 5/16-24 Hex Lock, Grade C	<i>Was 11201</i>
2	7014263		WASHER, Spring	
3	7019213		PULLEY, Poly-Vee Belt	
4	7011724		WASHER, Spring	
5	7053942		ASSEMBLY, Housing Right	<i>Was 59794 (Includes 6 thru 10)</i>
5A	7053942		ASSEMBLY, Housing Right	<i>(Includes items 6A, 7, 8, 9A & 10)</i>
6	7051908		HOUSING, Right Side	<i>Was 17080</i>
6A	7029034		HOUSING, Right Side	
7	7014155	3	SCREW, 5/16-24 x 1-1/8" Rib Neck, Grade 5	
8	7012314	2	SEAL, 5/8 I.D.	
9	7012507	2	BEARING, Differential	
9A	7029035	2	BEARING, Differential	
10	7073963		BEARING, Ball	<i>Was 11767</i>
11	7016544		PLUG, Housing	
12	7050767		GEAR, Input	
13	7050830		AXLE, Short	
14	7012495		GEAR, Differential (46 Tooth)	
15	7031970	2	PLATE	
16	7031965	2	WASHER, Thrust	
17	7090557	4	SCREW, #10-32 x 1-1/2" Hex Head Cap, Grade 5	
18	7011774		GASKET, Housing	
19	7090189	3	WASHER, 5/16 Internal/External Tooth Lock	
20	7051903		BRACKET, Differential	
21	7090911	4	SCREW, 1/4-20 x 1-1/4" Self-Tapping	
22	7012543		SPACER, Axle Gear	
23	7050831		AXLE, Long	
24	7021115	4	GEAR, Pinion (12 Tooth)	
25	7012500	4	SPACER, Pinion Gear	
26	7011110	4	SHAFT, Pinion	
27	7090376	4	NUT, #10-32 Hex Nyloc	
28	7053939		ASSEMBLY, Housing Left	<i>Was 57523 (Includes 8, 9 & 29)</i>
28A	7053939		ASSEMBLY, Housing Left	<i>(Includes items 8, 9A & 29A)</i>
29	7057634		HOUSING, Left Side	<i>Was 17015</i>
29A	7029033		HOUSING, Left Side	
30	7024442		GASKET, 5/8 O.D.	

Footnotes:

Innerchangeable, housings are different, use 4 OZ of 00 grease #61017

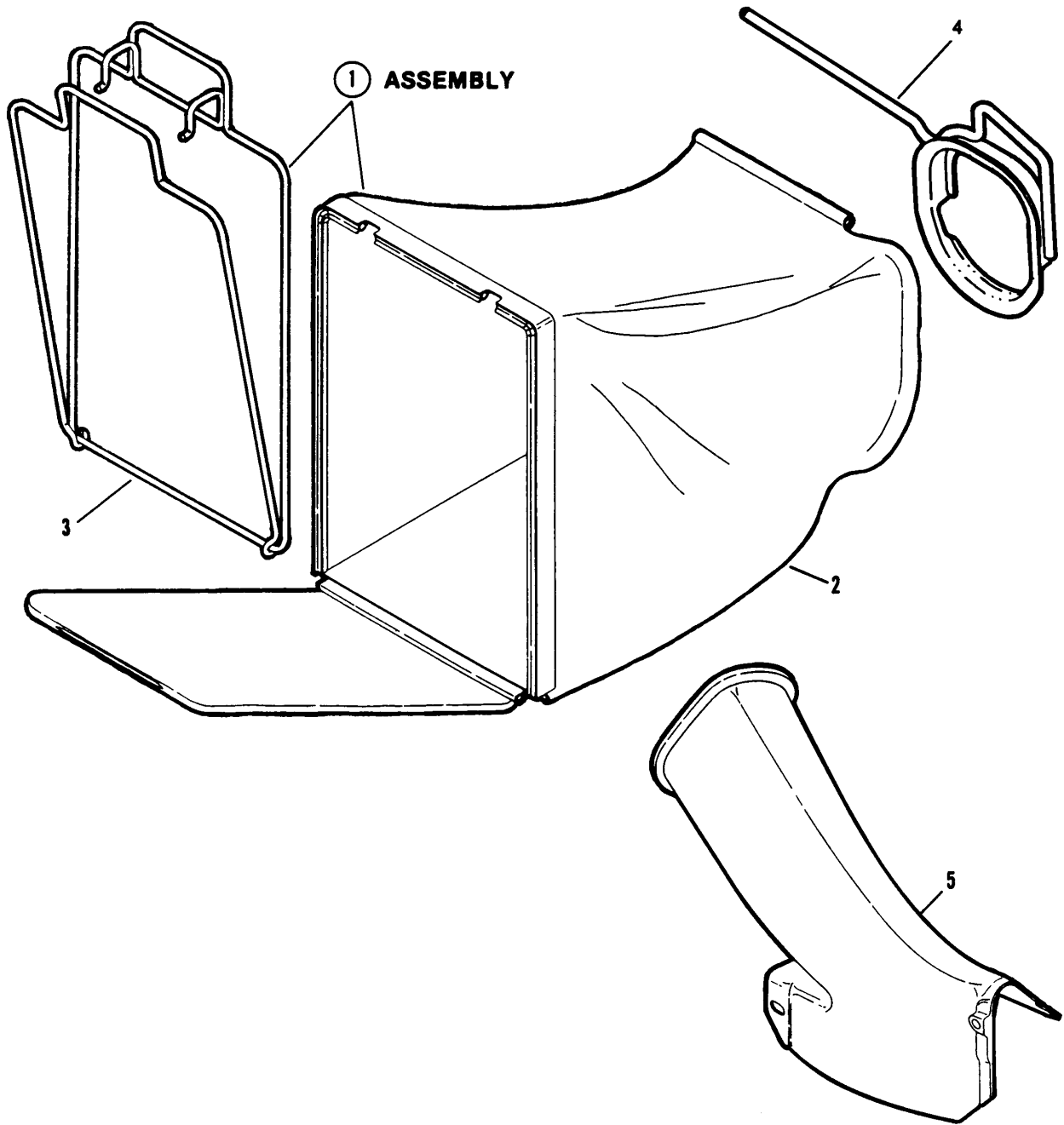
Side Chute, Adapter



Side Chute, Adapter

Item	Part No	Qty	Description	Note
1	7051951		ASSEMBLY, Bag Adapter & Cover	<i>(European Models Only); (Includes Items 2 thru 9)</i>
2	7016107		ADAPTER, Grass Bag	
3	7019287		COVER, Bag Adapter	
4	7023000		HINGE, Chute Cover	
5	7091604	5	BOLT, 1/4-20 x 1/2" Short Neck Carriage, Grade 5	<i>Was 90005</i>
6	7090053	5	WASHER, 1/4 Internal Tooth Lock	<i>Was 91023</i>
7	7091576	5	NUT, 1/4-20 Hex, Grade 5	<i>Was 90063</i>
8	7032661		STOP, Cover	
9	7023042		MOLDING, Trim	
10	7016050		ADAPTER, Grass Bag	
11	7024340		SPACER	
12	7090951		NUT, 5/16-18 Hex Flange Center Lock	
13	7011791		RETAINER, 5/16 Bolt	
14	7091508		BOLT, 5/16-18 x 3/4" Short Neck Carriage, Grade 5	<i>Was 90001</i>
15	7042965		KIT, Side Chute	<i>Was 60955</i>
16	7091076		WASHER, 5/16 Flat	
17	7024085		WING-NUT, 5/16-18 Nyloc	
18	7029149		COVER, 21" Deck	<i>Was 16865</i>

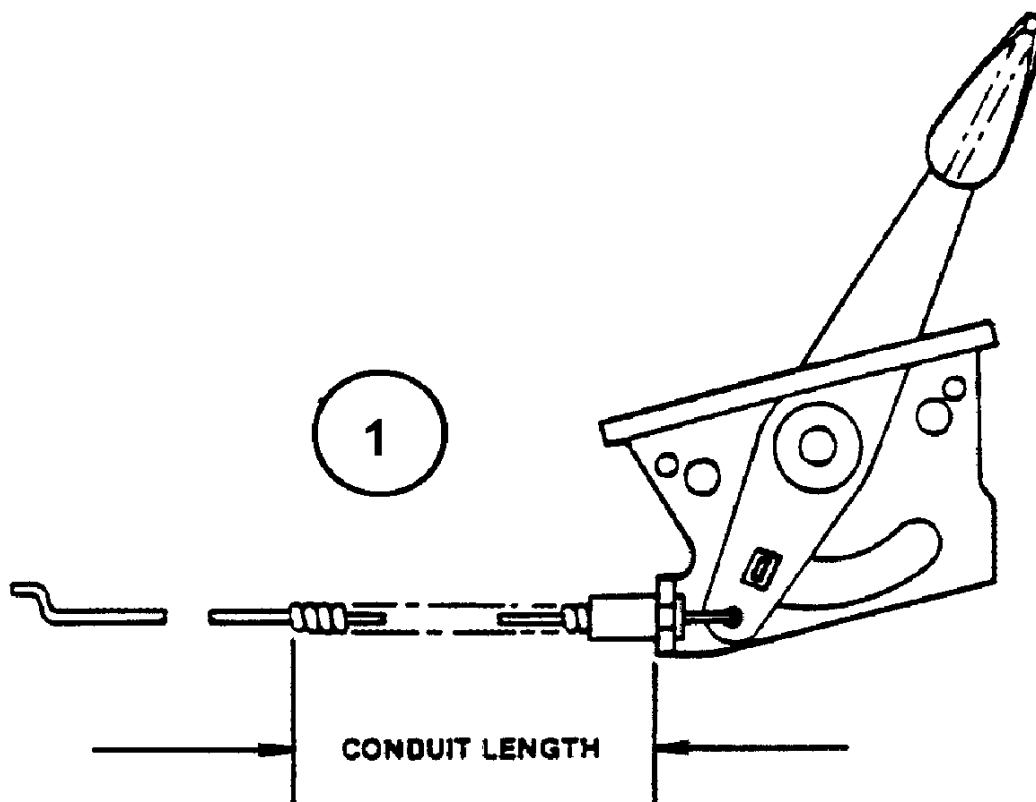
Footnotes:



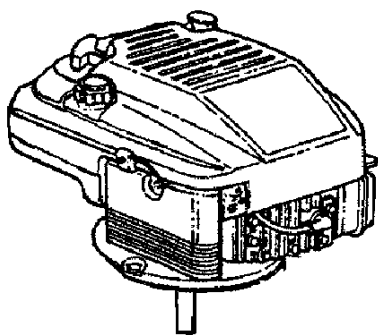
Grass Bag

Item	Part No	Qty	Description	Note
	7061919		KIT, Grass Bag Catcher	<i>Was 61824 (Includes 2 thru 5) (ODP21400 Model); (Includes items 2 thru 6)</i>
	7061153		KIT, Grass Bag Catcher	
1	7059322		ASSEMBLY, Grass Bag	<i>Was 54058 (Includes 2 thru 4) (ODP21400 Model); (Includes items 2 thru 4)</i>
	7051636		ASSEMBLY, Grass Bag	
2	7075765		BAG, Door Type (Wide = 13") (Black)	<i>Was 29963 (25051 = 14.5" wide) (ODP21400 Model)</i>
	7016005		BAG, Door Type (Narrow = 11") (Black)	
3	7053013		ASSEMBLY, Bag Wire	<i>(ODP21400 Model)</i>
	7051889		ASSEMBLY, Bag Wire	
4	7042489		CONNECTOR, Grass Bag	
5	7016050		ADAPTER, Bag	
6	7033562		BAR, Cross	<i>Was 61152 (ODP21400 Model)(Not Shown)</i>

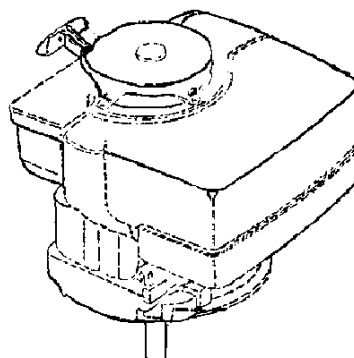
Footnotes:



BRIGGS & STRATTON



TECUMSEH



KAWASAKI - Not Shown

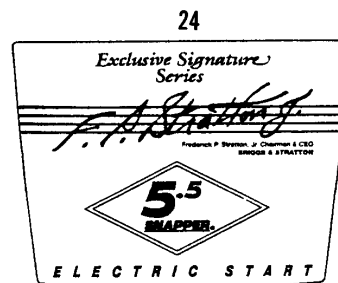
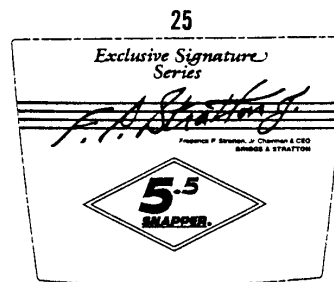
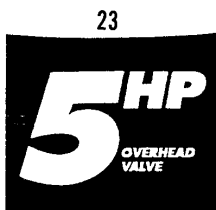
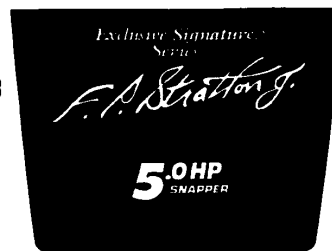
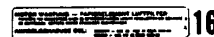
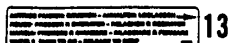
Throttle Controls & Engine Specs

Item	Part No	Qty	Description	Note
1	7022548		CONTROL, Throttle (Briggs 4 cycle, 48" with choke detent)	
1	7028421		CONTROL, Throttle (Briggs 4 cycle, 48" without choke detent)	1995 models with primer
1	7024136		CONTROL, Throttle (Briggs OHV 4 cycle, 49.75")	
1	7024139		CONTROL, Throttle (Tecumseh 2 cycle, 54.5")	
1	7029052		CONTROL, Throttle (Tecumseh 4 cycle, 51.5")	
2	--		ENGINE, Briggs (Model 122702-3151-01) 4 HP	
2	--		ENGINE, Briggs (Model 122702-0120-01) 4.5 HP	
2	--		ENGINE, Briggs (Model 124802-3210-01) 5.5 HP	
2	--		ENGINE, Briggs (Model 12F802-0838-01) 5 HP	
2	--		ENGINE, Briggs (Model 128802-0211-01) 5.5 HP	
2	--		ENGINE, Briggs (Model 99772-3624-01) 5.5 HP	
2	--		ENGINE, Briggs (Model 128807-0212-01) 5.5 HP Electric Start	
2	--		ENGINE, Briggs (Model 99772-3111-02) 5.5 HP	
2	--		ENGINE, Briggs (Model 99777-0951-A1) 6 HP Electric Start	
2	--		ENGINE, Briggs (Model 12J802-1520-21) 6 HP	
2	--		ENGINE, Briggs (Model 12J802-1522-A1) 6 HP	
2	--		ENGINE, Briggs (Model 12J802-1528-21) 6 HP	
2	--		ENGINE, Briggs (Model 12J802-1530-21) 6 HP	
2	--		ENGINE, Kawasaki (Model FC-150V-F511) 5 HP	
2	--		ENGINE, Robin (Model EC130V-51110) 4 HP	
2	--		ENGINE, Tecumseh (Model TVXL840-8456E) 5 HP 2 Cycle	
2	--		ENGINE, Tecumseh (Model OVRM60-21803A) 6 HP	

Footnotes:

Note* Purchase engine parts from engine manufacturer dealer.

Decals (Part 1)



Decals (Part 1)

Item	Part No	Qty	Description	Note
1	7026384		LOGO, Recycling Mulcher (Ninja)	
2	7024211		DECAL, Blade Control	
3	7023893		DECAL, Blade Control	<i>(European Models Only)</i>
4	7024087		DECAL, Speed Sector	
5	7024446		DECAL, Speed Sector	<i>(European Models Only)</i>
6	7013010		DECAL, Danger	
7	7027480		DECAL, 4.5 HP	
8	7072921		DECAL, Convertible	<i>Was 24380</i>
9	7044640		DECAL, Snapper	<i>Was 19279</i>
10	7023009		DECAL, Noise Control	<i>(European Models Only)</i>
11	7023008		DECAL, GS	<i>(European Models Only)</i>
12	7017218		DECAL, Spark Plug	<i>(European Models Only)</i>
13	7023886		DECAL, Wheel Control	<i>(European Models Only)</i>
14	7023007		DECAL, Ignition	
15	7013312		DECAL, Caution Discharge Opening	
16	7023032		DECAL, Air Cleaner	
17	--		DECAL, SNAPPER 2.50 Dia.	<i>No longer available</i>
	7027870		DECAL, SNAPPER 2.59 Dia.	
	7024204		DECAL, SNAPPER 3.38 Dia.	
18	7024271		DECAL, 5 HP Signature	
19	7024218		DECAL, 5.5 HP Overhead Valve	
20	7024187		DECAL, 5 HP 2 Cycle	
21	7026878		DECAL, OHV	
22	7024197		DECAL, 4 HP 2 Cycle	
23	7027432		DECAL, 5 HP Overhead Valve	
24	7027875		DECAL, 5.5 HP Signature	<i>(Electric Start)</i>
25	7027874		DECAL, 5.5 HP Signature	
26	7027873		DECAL, Signature	
27	7029193		DECAL, Front Baffle	

Footnotes:



28



29

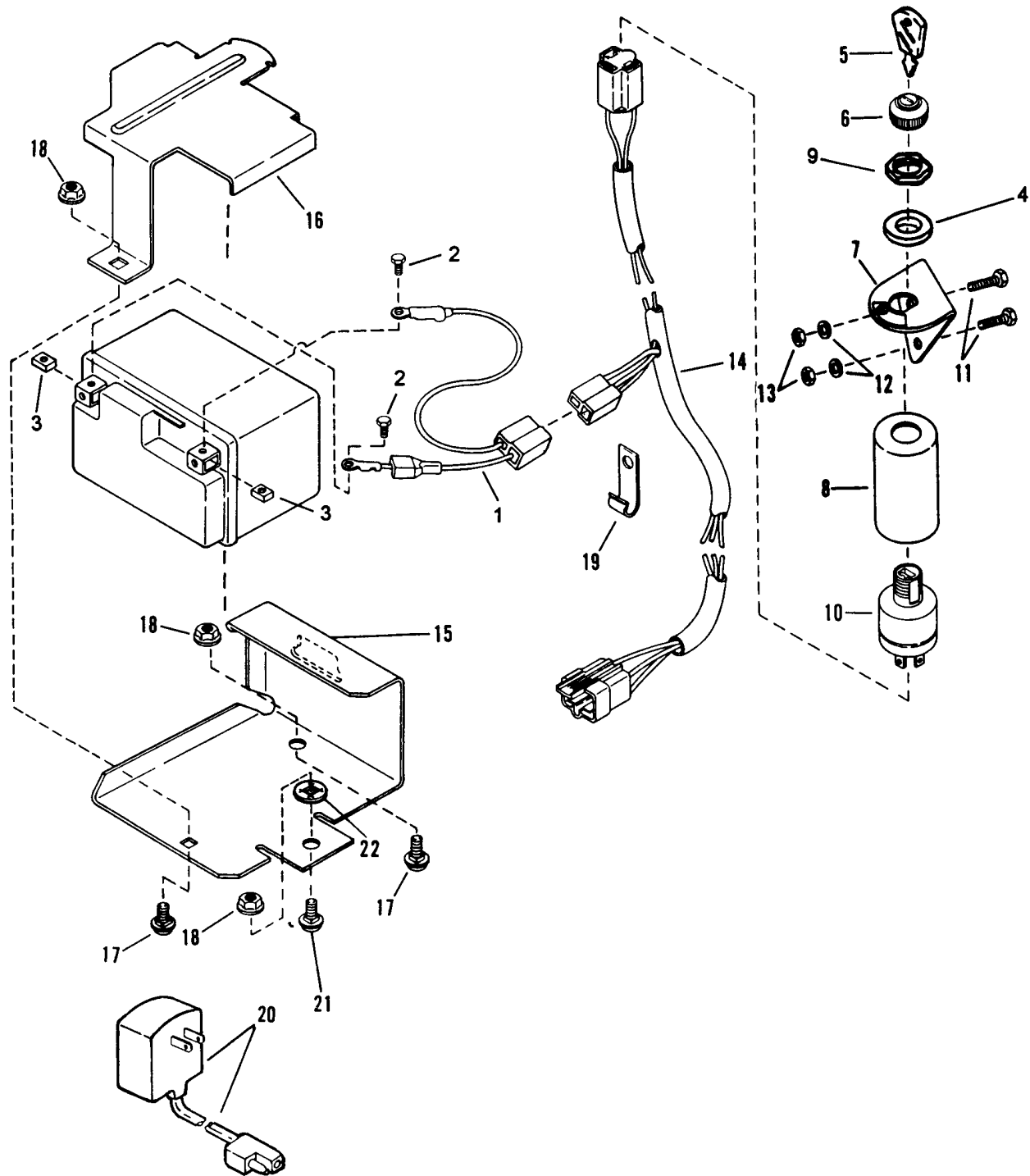


30

Decals (Part 2)

Item	Part No	Qty	Description	Note
28	7029055		DECAL, Engine - Starter	
29	7029056		DECAL, Shroud - Engine	
30	7029057		DECAL, Medallion - Deck	

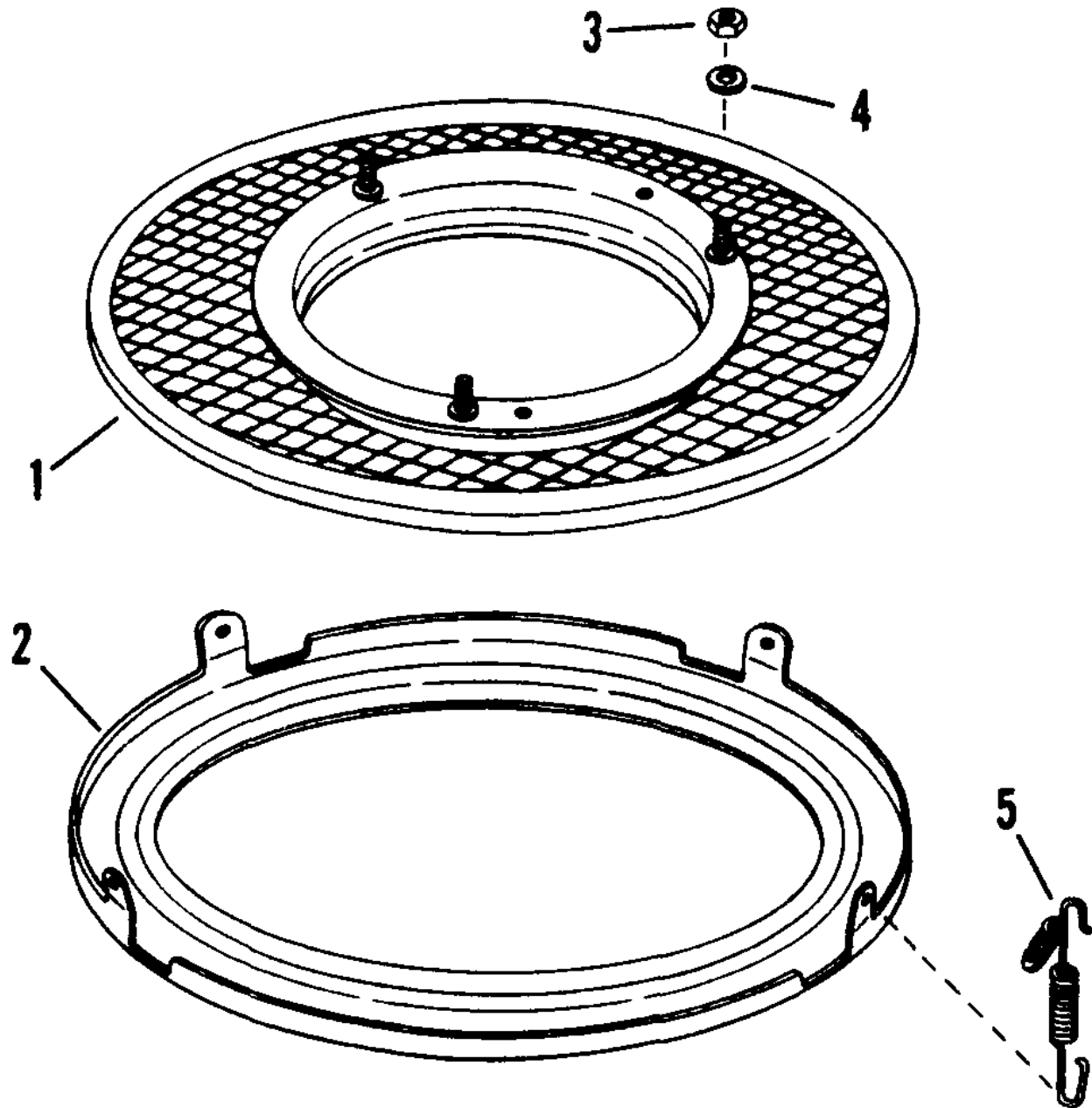
Footnotes:



Electric Start

Item	Part No	Qty	Description	Note
	7067012		KIT, Battery	(Includes Battery & Items 1 Thru 3)
1	7015488		HARNESS, Battery	
2	7043977	2	SCREW, #10-24 x 1/2" Hex Head Cap	
3	7090932	2	NUT, #1024 Square	
4	7016132		SPACER	
	7053969		ASSEMBLY, Switch/Brkt.	(Incl. Items 4 & 5 Thru 10)
5	7073406		KEY, Switch (With Cover)	Was 23504
6	7023506		BEZEL	
7	7034896		BRACKET, Ignition Switch	
8	7029080		COVER, Switch	
9	7012685		NUT, 3/4-20 Hex Lock	
10	7028765		SWITCH, Ignition	
11	7091025	2	SCREW, 1/4-28 x 1-3/8" Hex Head Cap, Gr. 5	
12	7090053	2	WASHER, 1/4 Internal Tooth Lock	Was 91023
13	7090095	2	NUT, 1/4-28 Hex Grade 5 or B	Was 91024
14	7029081		HARNESS, Wiring	
15	7032906		BRACKET, Battery	
16	7036132		COVER, Battery	
17	7090731	2	BOLT, 5/16-18 x 1/2" Short Nk. Carriage, Gr. 5	
18	7091601	3	NUT, 5/16-18 Hex Flange Lock Grade 5	Was 90585
19	7012652		CLIP, Wiring	
20	7061188		CHARGER, Battery (120 Volt - 60 Hertz) (wire plug drawing wrong)	Was 60766 (18834 + 24444)
	7061385		CHARGER, Battery (230 Volt - 50 Hertz)	(18977 + 67012)
	7061267		CHARGER, Battery	(18834 + 67012)
21	7090799		BOLT, 5/16-18 x 5/8" Short Nk. Carriage, Gr. 5	Was 91026
22	7011791		RETAINER, 5/16 Bolt	

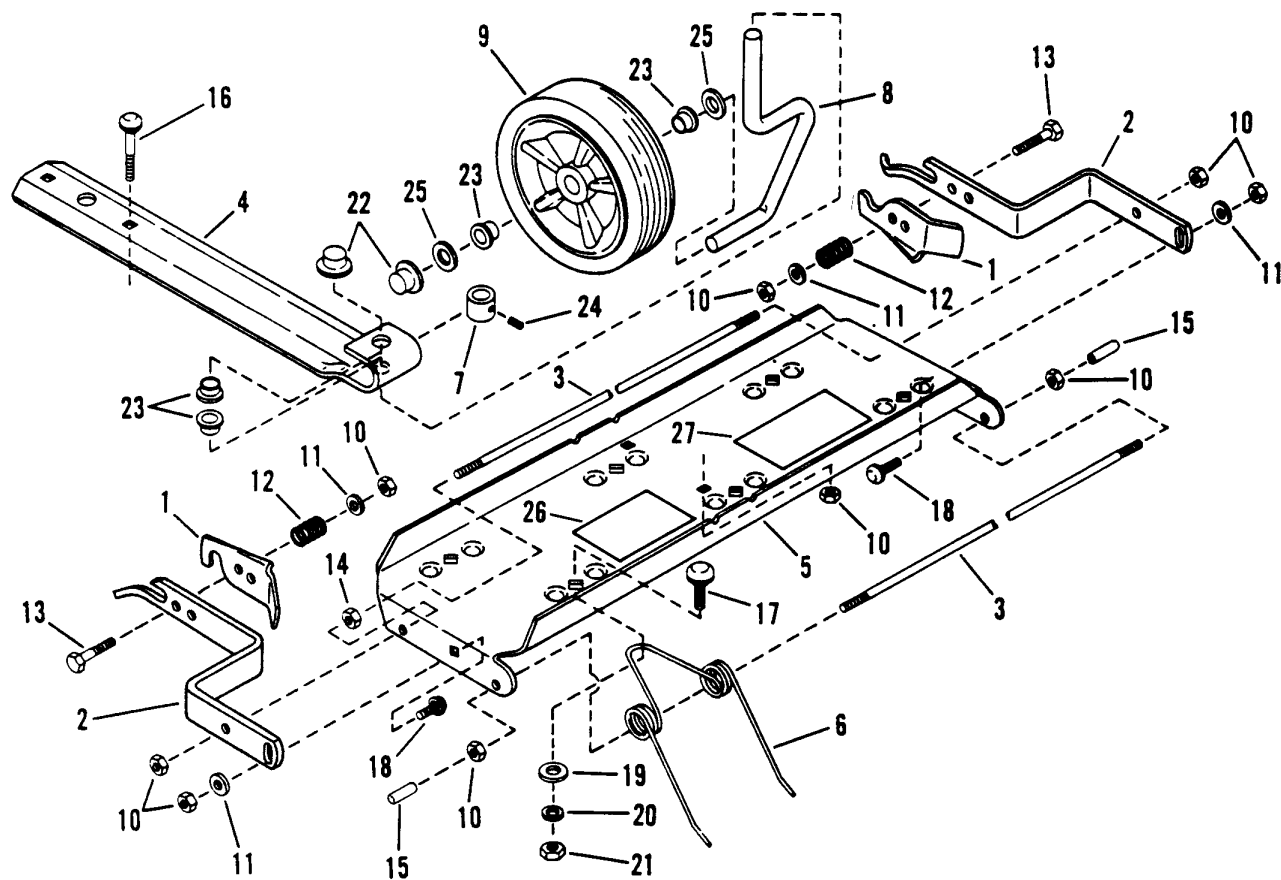
Footnotes:



Snapperizer

Item	Part No	Qty	Description	Note
	7060440		KIT, Snapperizer	<i>(Includes Items 1 Thru 5)</i>
1	7051243		SCREEN, Fastener Assembly	
2	7039759		RING, Bottom	
3	7091297	3	NUT, 5/16-24 Hex, Grade 5	<i>Was 90223</i>
4	7090187	3	WASHER, 5/16 Split Lock	
5	7012587	3	SPRING	

Footnotes:

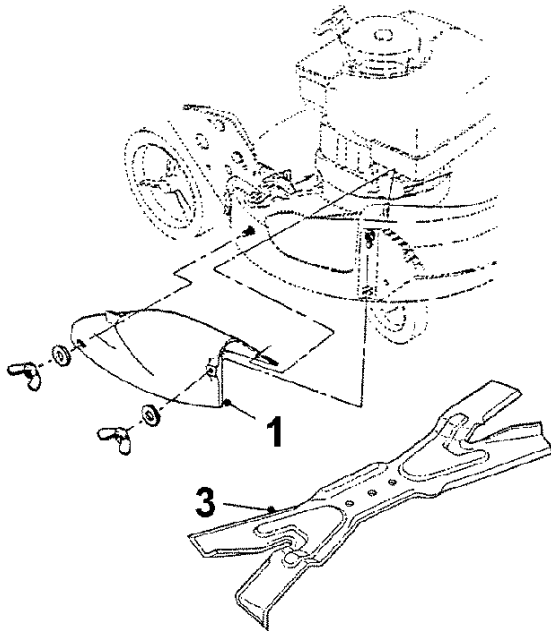


Accessory - Thatcherizer

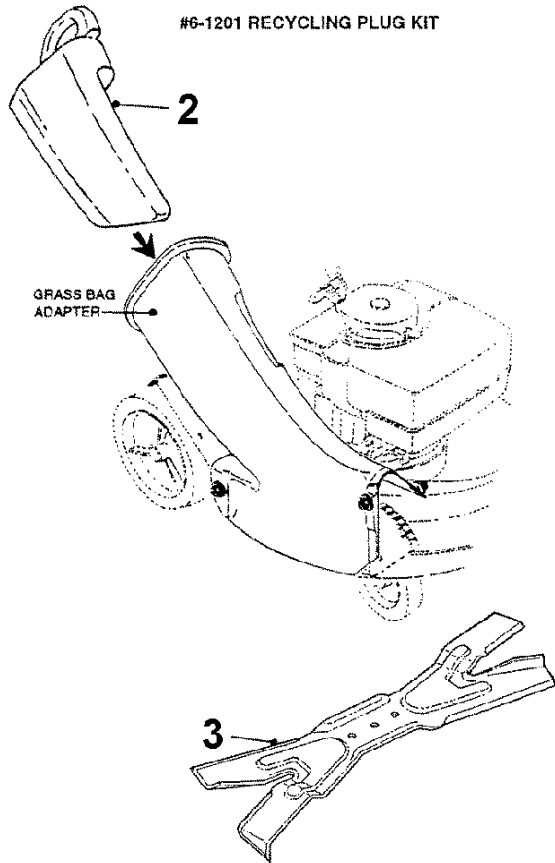
Item	Part No	Qty	Description	Note
--	7061256		KIT, Thatcherizer	<i>(Includes Items 1 Thru 27)</i>
1	7032891	2	LATCH, Frame Attachment	
2A	7026572		BAR, Mount (Right Hand)	
2B	7026573		BAR, Mount (Left Hand)	
3	7018499	2	ROD, Tine	
4	7018700		SUPPORT, Wheel	
5	7019948		TRAY, Tine	
6	7018496	6	KIT, Tine Thatching Spring	<i>Was 60574</i>
7	7014100		BUSHING, Wheel Adjuster	
8	7018493		AXLE, Wheel	
9	7018189		WHEEL, 7.00 x 1.50 Gage	
10	7091705	10	NUT, 1/4-20 Hex Top Lock	<i>Was 90761</i>
11	7091294	4	WASHER, 1/4 Flat	<i>Was 90055</i>
12	7022425	2	SPRING, Compression	
13	7090825		BOLT, 1/4-20 x 1-1/4" Hex, Grade 5	
14	7091576	2	NUT, 1/4-20 Hex, Grade 5	<i>Was 90063</i>
15	7022424	2	CAP, Vinyl	
16	7090798	2	BOLT, 1/4-20 x 2-1/2" Carriage	
17	7091303	6	BOLT, 5/16-18 x 1" Carr., Gr. 5	<i>Was 90383</i>
18	7091530	2	BOLT, 1/4-20 x 3/4" Carr. Gr. 5	<i>Was 90074</i>
19	7014098	6	WASHER, Reinforcing	
20	7090187	6	WASHER, 5/16 Split Lock	
21	7091511	6	NUT, 5/16-18 Hex, Gr. 5	<i>Was 90196</i>
22	7014101	2	NUT, 1/2 Push	
23	7014342	4	BEARING, Nyliner	
24	7014103		SCREW, 5/16-18 x 1/4" Set	
25	7090250	2	WASHER, 1/2 Flat	
26	7014115		DECAL, Adjustment	
27	7014062		DECAL, Thatcherizer	

Footnotes:

#6-1200 RECYCLING COVER KIT



#6-1201 RECYCLING PLUG KIT



Accessories

Item	Part No	Qty	Description	Note
	7061200		KIT, Recycling Cover	
	7061201		Kit, Recycling Plug	
1	7029149		COVER, 21" Deck	Was 16865
2	7016814		PLUG, Chute Adapter	
3	7026407		BLADE, 21" Quad Edge	
	7033562		KIT, Cross Bar	Not shown. Was 61152 (Includes Cross Bar 33562)(ODP21400 Model)
	7033562		CROSS BAR	

Footnotes:

Parts Manual for

SNAPPER[®]

**21" STEEL DECK
WALK BEHIND MOWERS (90's)
SERIES 0 & 1**

IT IS THE POLICY OF SNAPPER TO IMPROVE ITS PRODUCTS
WHenever IT IS POSSIBLE AND PRACTICAL TO DO SO. WE
RESERVE THE RIGHT TO MAKE CHANGES OR ADD IMPROVEMENTS
AT ANY TIME WITHOUT INCURRING ANY OBLIGATION TO MAKE
SUCH CHANGES ON PRODUCTS MANUFACTURED PREVIOUSLY.

SNAPPER[®] McDonough, GA, 30253 U.S.A.