



A TEREX BRAND

Parts Manual

Serial Number Range

S-80X

from SN S8016D-236 to S8016D-339

S-80

from S80D-340

S-85

Part No. 1285234GT
Rev: A7
March 2022

Technical Publications

Genie has endeavored to deliver the highest degree of accuracy possible. However, continuous improvement of our products is a Genie policy. Therefore, product specifications are subject to change without notice.

Readers are encouraged to notify Genie of errors and send in suggestions for improvement. All communications will be carefully considered for future printings of this and all other manuals.

Contact Us:

Internet: www.genielift.com
e-mail: awp.techpub@terex.com

Find a Manual for this Model


Go to <http://www.genielift.com>

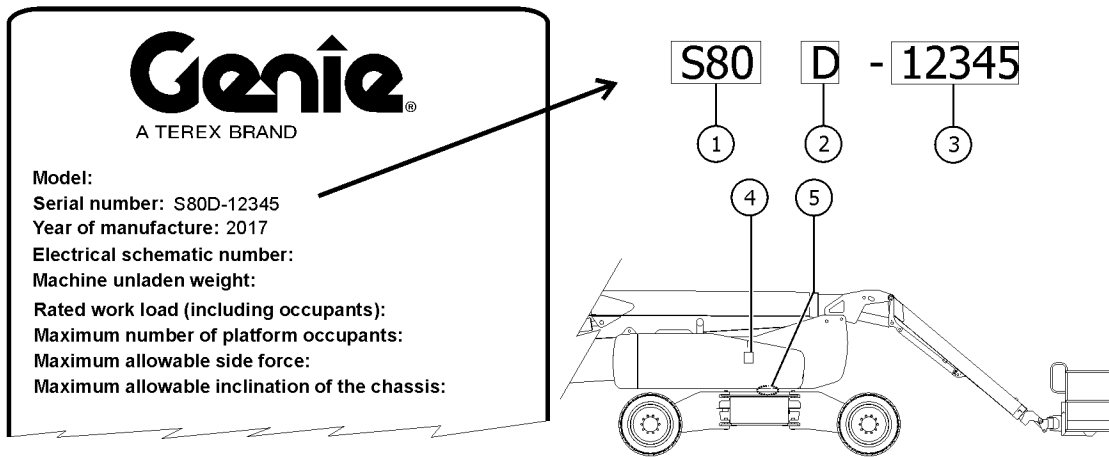
Use the links to locate Operator's, Parts, Maintenance, and Service and Repair Manuals.

Copyright © 2017 Terex Corporation

1285234GT Rev A7 March 2022
First Edition, Sixth Printing

Genie is a registered trademark of Terex South Dakota, Inc. in the USA and many other countries. "S" is a trademark of Terex South Dakota, Inc.

 Printed on recycled paper



Genie
A TEREX BRAND

Model:
Serial number: S80D-12345
Year of manufacture: 2017
Electrical schematic number:
Machine unladen weight:
Rated work load (including occupants):
Maximum number of platform occupants:
Maximum allowable side force:
Maximum allowable inclination of the chassis:

S80 D - 12345

1 2 3

4 5

- 1 Model
- 2 Facility code
- 3 Sequence number
- 4 Serial label (located under cover)
- 5 Serial number (stamped on chassis)

How to Order Parts

Please be prepared with the following information when ordering replacement parts for your Terex or Genie product.

- Machine model number
- Machine serial number
- Part number
- Part description and quantity
- Purchase order number
- "Ship to" address
- Desired method of shipment
- Name and telephone number of the authorized distributor in your area

Use the Service Parts Fax Order Form on the next page and fax your order to our Parts Department.

If you don't know the name of your authorized distributor, or if your area is not currently serviced by an authorized distributor, please call Terex or Genie Industries.

Machine Information

Model

Serial Number

Date of Purchase

Authorized Genie Distributor

Phone Number

North America

Telephone (425)881-1800
 Toll Free (800)536-1800 in US and Canada
 Fax (425)556-8659
 Toll Free fax (888)274-6192
 Email AWP.PartsSalesPO@terex.com
<http://genielift.com/en>

EMEAR (Europe, Middle East, Africa and Russia)

Telephone (31)(165)519 313
 Fax (31)(165)511 148
<http://genielift.co.uk>

Asia Pacific (Genie Singapore)

Telephone +65 6692 7777
 Fax +65 6261 8893
<http://genielift.com.sg/>

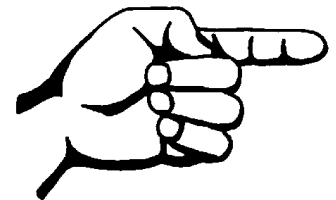
Australia

Telephone (61)(7)3456 4444
 Fax (61)(7)3456 4466
<http://genielift.com.au>

South America

Telephone (55)(11)4082 5600
 Fax (55)(11)4082 5630

Please refer to section 001 for the Recommended Spare Parts List.



This page intentionally left blank.

Service Parts Fax Order Form

Fax to: (425) 556-8659 or Toll Free: 888-274-6192
International: +1-425-556-8659



Please fill out completely

Date _____ Account Number _____

Your Name _____ Your Fax Number _____

_____ Your Phone Number _____

Bill To _____ Ship To _____

Purchase Order Number _____ Ship Via _____

Model(s) _____ **Serial No.(s)** _____

Optional Equipment _____

Part Number	Description	Quantity	Price

All back-ordered parts will be shipped when available via the same ship method as the original order unless Noted below:

- Ship complete order only - No back orders
- Ship all available parts and contact customer on disposition of back-ordered parts
- Other (please specify)



Description	Page
001 Parts Stocking List	12
001.1 Parts Stocking List	12
100 Decals	16
101.1 Decals with Words, Hydraulic Tank Side - View 1	16
102.1 Decals with Words, Hydraulic Tank Side - View 2, S-80	18
102.2 Decals with Words, Hydraulic Tank Side - View 2, S-85	20
103.1 Decals with Words, Engine Side, S-80	22
103.2 Decals with Words, Engine Side, S-85	24
104.1 Decals with Words, Boom	26
105.1 Decals with Words, Platform	28
106.1 Decals with Symbols, Hydraulic Tank Side - View 1	30
107.1 Decals with Symbols, Hydraulic Tank Side - View 2, S-80	32
107.2 Decals with Symbols, Hydraulic Tank Side - View 2, S-85	34
108.1 Decals with Symbols, Engine Side, S-80	36
108.2 Decals with Symbols, Engine Side, S-85	38
109.1 Decals with Symbols, Boom	40
110.1 Decals with Symbols, Platform	42
200 Drive Chassis Components.....	44
201.1 Steer End	44
202.1 Axle Installation	48
203.1 Oscillation Control Valve	52
204.1 Hub Assembly - 2 WD Spindle	54
205.1 Drive Hub Assembly with Brake - Type 1	56
206.1 Drive Hub Assembly with Brake - Type 2	58
300 Turntable Components.....	60
301.1 Hydraulic and Fuel Tanks - Diesel Models	60
302.1 Hydraulic and Fuel Tanks - Gasoline/LPG Models	64
303.1 Hydraulic Tank Side Components	68
304.1 Turntable Covers - Hydraulic Tank Side	74
305.1 Turntable Covers - Engine Side	78
306.1 Turntable Components and Swivel Drive Assembly	82
307.1 Turntable Center Components	88
308.1 Ground Control Box - View 1	90
309.1 Ground Control Box - View 2	94
310.1 Ground Control Box - Deutz TD2.9L4	98
311.1 Turntable Components - Relay Panel, Diesel Models	106
312.1 Turntable Components - Relay Panel, Gasoline/LPG Models	108
313.1 Turntable Components - Relay Panel, Deutz TD 2.9L4	110



Table of Contents

Description	Page
314.1 Turntable Components - Relay Panel, Perkins 404D-22T	112
315.1 Turntable Counterweight	114
316.1 Wire Harness Diagram, S-80X and S-80	116
317.1 Wire Harness Diagram, S-85	122
400 Engine Components	128
401.1 Deutz TD2011L04i Engine - View 1	128
402.1 Deutz TD2011L04i Engine - View 2	132
403.1 Deutz TD2011L04i Engine - View 3	134
404.1 Deutz TD2011L04i Engine - View 4	136
405.1 Deutz TD 2.9L4 Engine - View 1	138
406.1 Deutz TD 2.9L4 Engine - View 2	142
407.1 Deutz TD 2.9L4 Engine - View 3	146
408.1 Deutz TD 2.9L4 Engine - View 4	150
409.1 GM 3.0L Engine - View 1	154
410.1 GM 3.0L Engine - View 2	156
411.1 GM 3.0L Engine - View 3	158
412.1 GM 3.0L Engine - View 4	160
413.1 Perkins 404D-22T Engine - View 1	162
414.1 Perkins 404D-22T Engine - View 2	168
415.1 Perkins 404D-22T Engine - View 3	170
416.1 Perkins 404D-22T Engine - View 4	172
417.1 Engine Tray	174
418.1 Deutz TD 2.9L CHINA III Engine - View 1	176
419.1 Deutz TD 2.9L CHINA III Engine - View 2	180
420.1 Deutz TD 2.9L CHINA III Engine - View 3	184
421.1 Deutz TD 2.9L CHINA III Engine - View 4	188
500 Boom Components	192
501.1 Cable Track Installation	192
502.1 Extension Boom Tube 1, S-80 and S-85	196
503.1 Extension Boom Tube 1, S-80X	198
504.1 Extension Boom Tube 2	200
505.1 Extension Boom Tube 3	202
506.1 Cable Assembly and Primary Extension Cylinder	204
507.1 Boom Link Assembly - View 1	208
508.1 Boom Link Assembly - View 2	212
509.1 Platform Rotator, S-80X and S-80	216
510.1 Jib Boom and Platform Rotator, S-85	218
511.1 Platform Installation	224
600 Platform Components	226

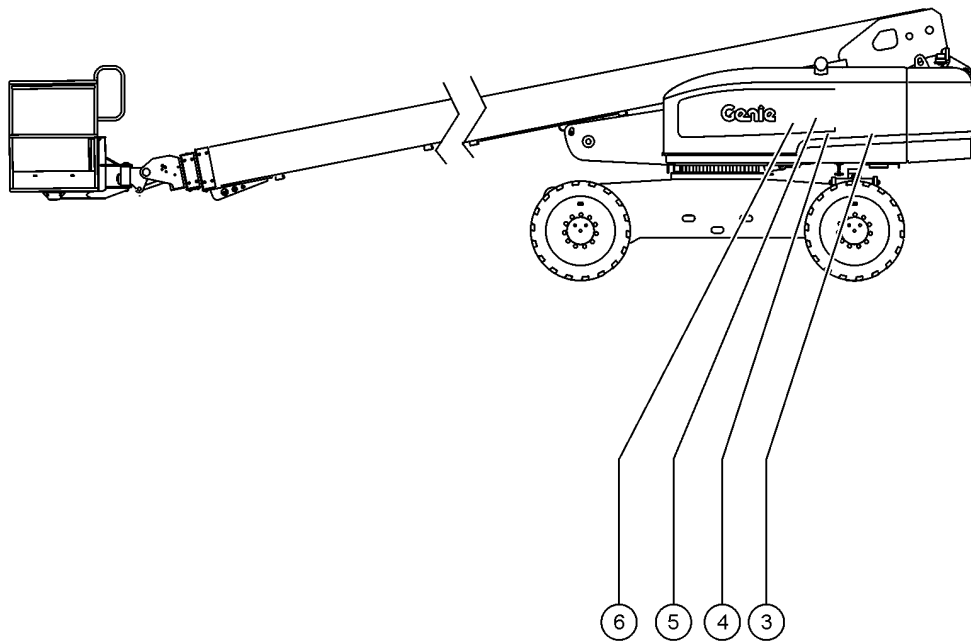
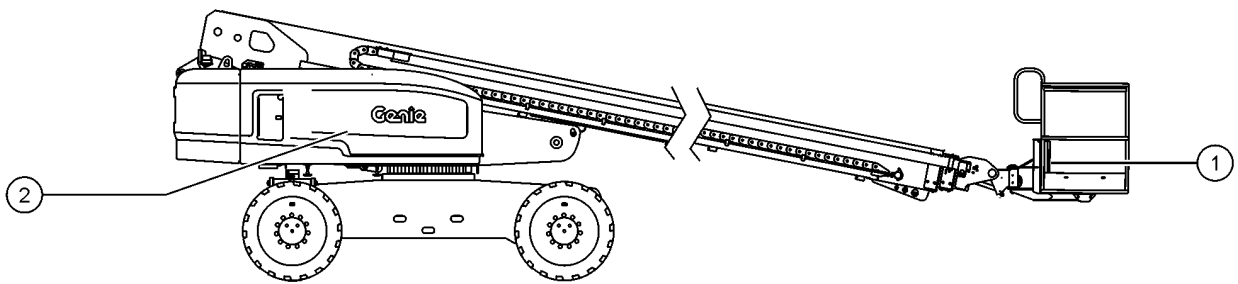
Description	Page
601.1 Platform Installation (to SN S85D-993)	226
601.2 Platform Installation (from SN S85D-994)	230
602.1 Platform Control Box, S-80	234
602.2 Platform Control Box, S-85	240
603.1 Joysticks	246
700 Hydraulic Components	248
701.1 Traction Manifold	248
702.1 Two-Speed/Brake Manifold	252
703.1 Function Enable Valve and Platform Rotator Manifold	254
704.1 Platform Manifold, S-80X and S-80	256
705.1 Platform Manifold, S-85	258
706.1 Function Manifold	260
707.1 Oil Diverter Manifold (welder option)	266
708.1 Pumps	268
709.1 2WD Drive and Steer System	270
710.1 4WD Drive and Steer System	272
711.1 Oscillate System	276
712.1 Turntable Components	278
713.1 Boom, S-80X and S-80	284
714.1 Boom, S-85	288
800 Accessories	292
801.1 Alarm and Beacon Package, Driving Lights	292
802.1 Platform Options	294
803.1 Hostile Environment Package - Ground and Platform Control Box Covers	296
804.1 Hostile Environment Package - Booms	298
805.1 Hostile Environment Package - Turntable	300
806.1 Hostile Environment Package - Engine Air Cleaners	302
807.1 Hostile Environment Package - Cylinder Bellows, S-80, S-80X	304
808.1 Hostile Environment Package - Cylinder Bellows, S-85	306
809.1 Panel Cradle Option	308
810.1 Full Gauge Option	310
810.2 Full Gauge Option - Perkins 404D-22T	312
811.1 Hydraulic Oil Cooler Option	314
812.1 Half-Mesh and Pipe Cradle Option	316
813.1 Spare LPG Tank Option	320
814.1 Welder Ready Option, Chassis Components - View 1	322
815.1 Welder Ready Option, Platform Components - View 2	328
816.1 Welder Ready Option, Hoses and Fittings - View 3	330
817.1 Platform Recirculating Hydraulic Oil Option	332
818.1 Belt Generator Option - View 1	334



Table of Contents

Description	Page
818.2 Belt Generator Option (Perkins 404D-22T and Deutz TD 2.9L4) - View 1	336
819.1 Belt Generator Option - View 2	338
820.1 Platform Overload - European Models	340
821.1 Air Line and Weld Cables	342
822.1 Aircraft Protection Package	344
823.1 Operator Protection Structure	348
824.1 Cold Start Package	350
825.1 Arctic High Pressure Hose Kit, S-85	352
826.1 Arctic High Pressure Hose Kit, S-80, S-80X	354
827.1 Fall Arrest Bar	356
828.1 Lift Guard Contact Alarm Option (from January 2017)	358
828.2 Operators Protection Alarm (to January 2017)	362
829.1 Power To Platform	366
830.1 Telematics Option	368
Part Number Index	370

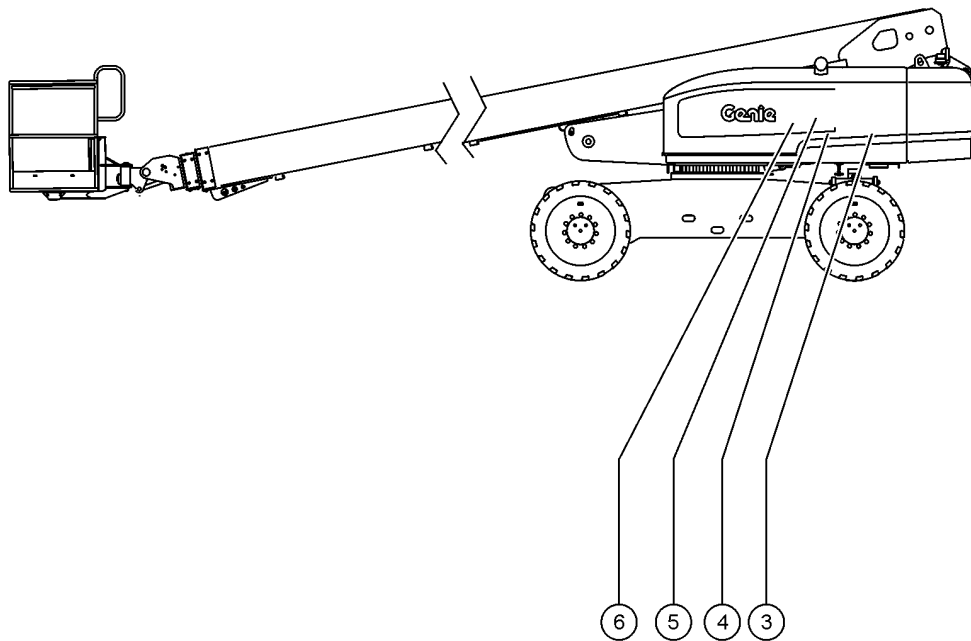
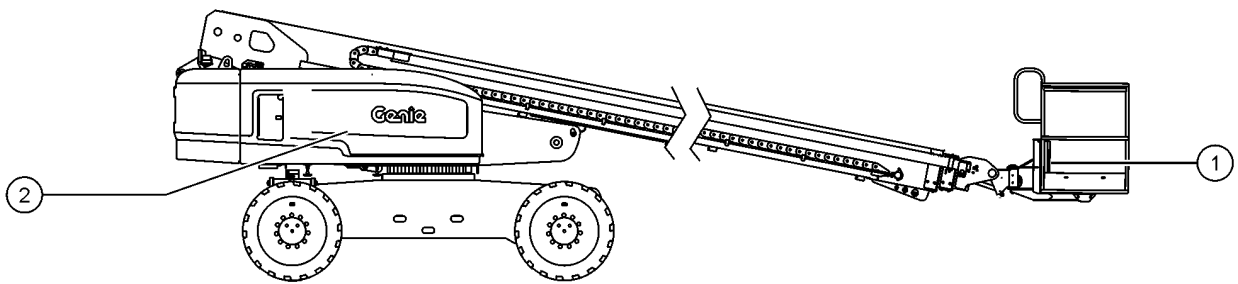
001.1 Parts Stocking List



Item	Part No.	Description	Qty.
A		—INSPECTION SERVICE KITS—	
A-	1278714GT	KIT,ENGINE SERVICE,250 HOUR,DEUTZ TD2.9,S80/Z80	
B		--GENERAL SERVICE PARTS--	
B-	1484GT	PAINT, AEROSOL, BRIGHT BLUE*** 12-ounce spray paint	
B-	1268GT	PAINT, AEROSOL, GENIE GRAY*** 12-ounce spray paint	
B-	1258567GT	PAINT, AEROSOL, TRAFFIC BLACK 12-ounce spray paint	
B-	32150GT	PAINT, WET, GENIE BLUE (1 GL)** 1-gallon	
B-	32151GT	PAINT, WET, GENIE GRAY (1GL)** 1-gallon	
B-	1257733GT	PAINT, WET, TRAFFIC BLACK(1 GL)** 1-gallon	
B-	66399GT	GREASE, DIELECTRIC 4 OZ**	
B-	60536GT	FUSE,20 AMP,MAXI (refer to figure 311.1)	
B-	94327GT	FUSE,30 AMP (refer to figure 311.1)	
B-	1283776GT	SEAL MARKER,CROSS CHECK,BLUE,TUBE	
B-	93500GT	PARKER DIGITAL PRESSURE GAUGE	
B-	49612GT	O-RING KIT (ORFS FITTINGS) O-ring kit, Parker	
B-	28750GT	O-RING KIT,FIELD SVC,ALL PROD* O-ring kit, SAE	
B-	33994GT	PLUG AND CAP KIT-SERVICE,37 ** Plug and cap kit, SAE	
B-	60334GT	FILTER ASSY,HIGH PRESS SAE-12*	
B-			
1		--MANUALS--	
1-	27581GT	MANUAL, EMI SAFETY	
1-	1298933GT	MANUAL, SAIA MANUAL OF RESPONSIBILITIES, MEWP	
2		—HYD FILTERS—	
2-	60857GT	FILTER,ELEMENT,BETA(5)=1000 All Models	
3		—Deutz TD2011L04i Models—	
3-	62425GT	FILTER,AIR CLEANER, SUPERBOOM (refer to 408.1)	



001.1 Parts Stocking List

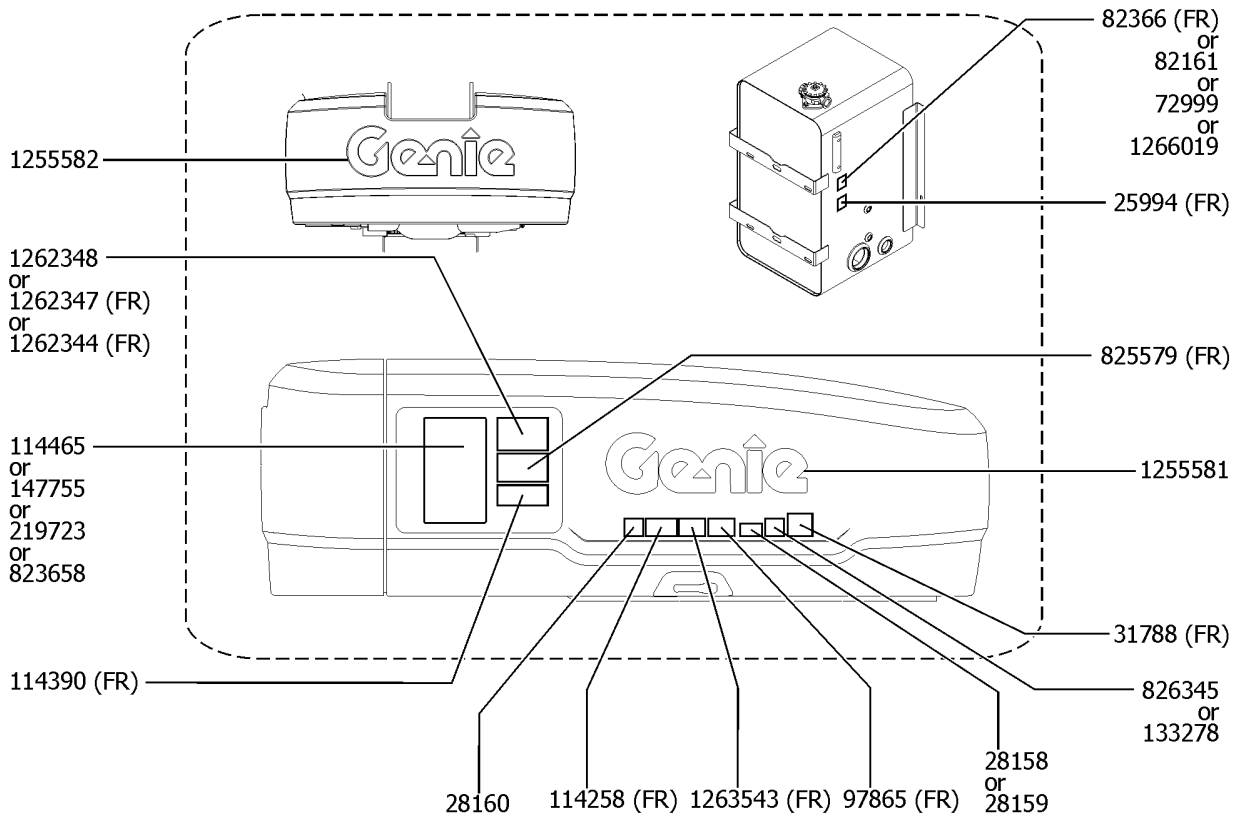
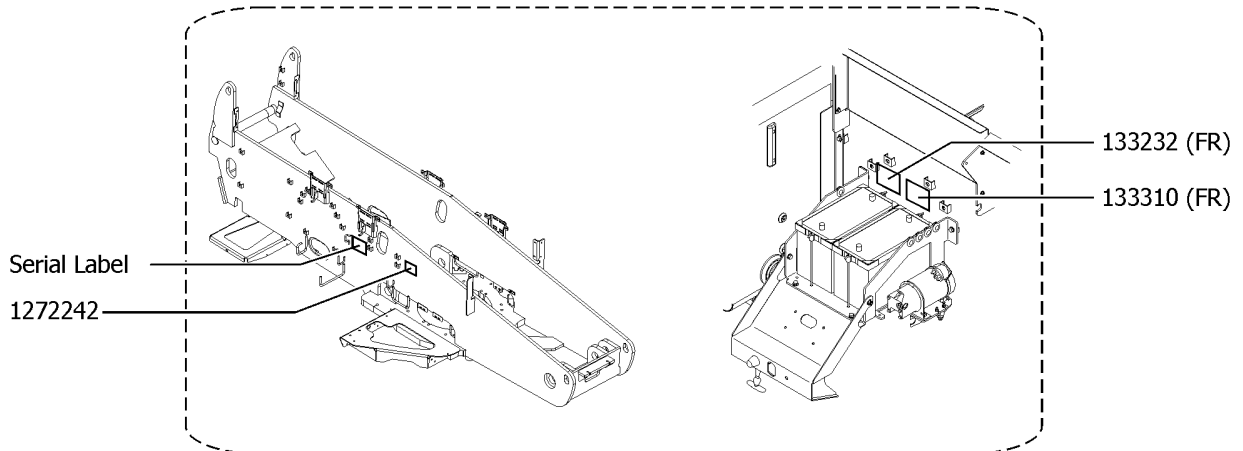


Item	Part No.	Description	Qty.
3-	29560GT	FILTER,FUEL/WTR SEP, DTZ 1008 (refer to 404.1)	
3-	49924GT	FILTER,OIL,DEUTZ F4L1011F (refer to 404.1)	
3-	102589GT	V-BELT, DEUTZ F4L2011 (refer to 409.1)	
.....			
4		—Deutz TD 2.9L4 Models—	
4-	62425GT	FILTER,AIR CLEANER, SUPERBOOM (refer to 406.1)	
4-	214228GT	FILTER, DEUTZ 2.9, FUEL (refer to 408.1)	
4-	236260GT	FILTER, FUEL PRE-FILTER, SPIN-ON, DEUTZ (refer to 408.1)	
4-	49924GT	FILTER,OIL,DEUTZ F4L1011F (refer to 405.1)	
4-	1262866GT	FAN BELT, ALTERANTOR (refer to 407.1)	
.....			
5		—GM 3.0L Models—	
5-	62420GT	FILTER,AIR*** (refer to 409.1)	
5-	65626GT	FILTER-FUEL, GM 3.0L ENGINE (refer to 412.1)	
5-	1271652GT	FILTER, FUEL, GM3.0L (refer to 412.1)	
5-	65623GT	FILTER-OIL,GM 3.0L ENGINE (refer to 412.1)	
5-	65621GT	BELT-FAN, GM 3.0L ENGINE (refer to 412.1)	
5-	58412GT	SPARK PLUG WIRE SET,GM 3.0 (refer to 412.1)	
.....			
6		—Perkins 404D-22T Models—	
6-	62420GT	FILTER,AIR*** (refer to 414.1)	
6-	75020GT	SEPRTR/FLTR,FUEL DSL,15GPH,,30 (refer to 413.1)	
6-	1262047GT	OIL FILTER,PERKINS 404D/F-22T (refer to 415.1)	
6-	1262488GT	BELT,ALTERNATOR,PERKINS 404D/F (refer to 415.1)	
6-	1262484GT	FUEL FILTER ASSY,PERKINS 404D/ (refer to 415.1)	



101.1 Decals with Words, Hydraulic Tank Side - View 1

NOTE:
Part numbers with "(FR)"
indicates French translation
is available

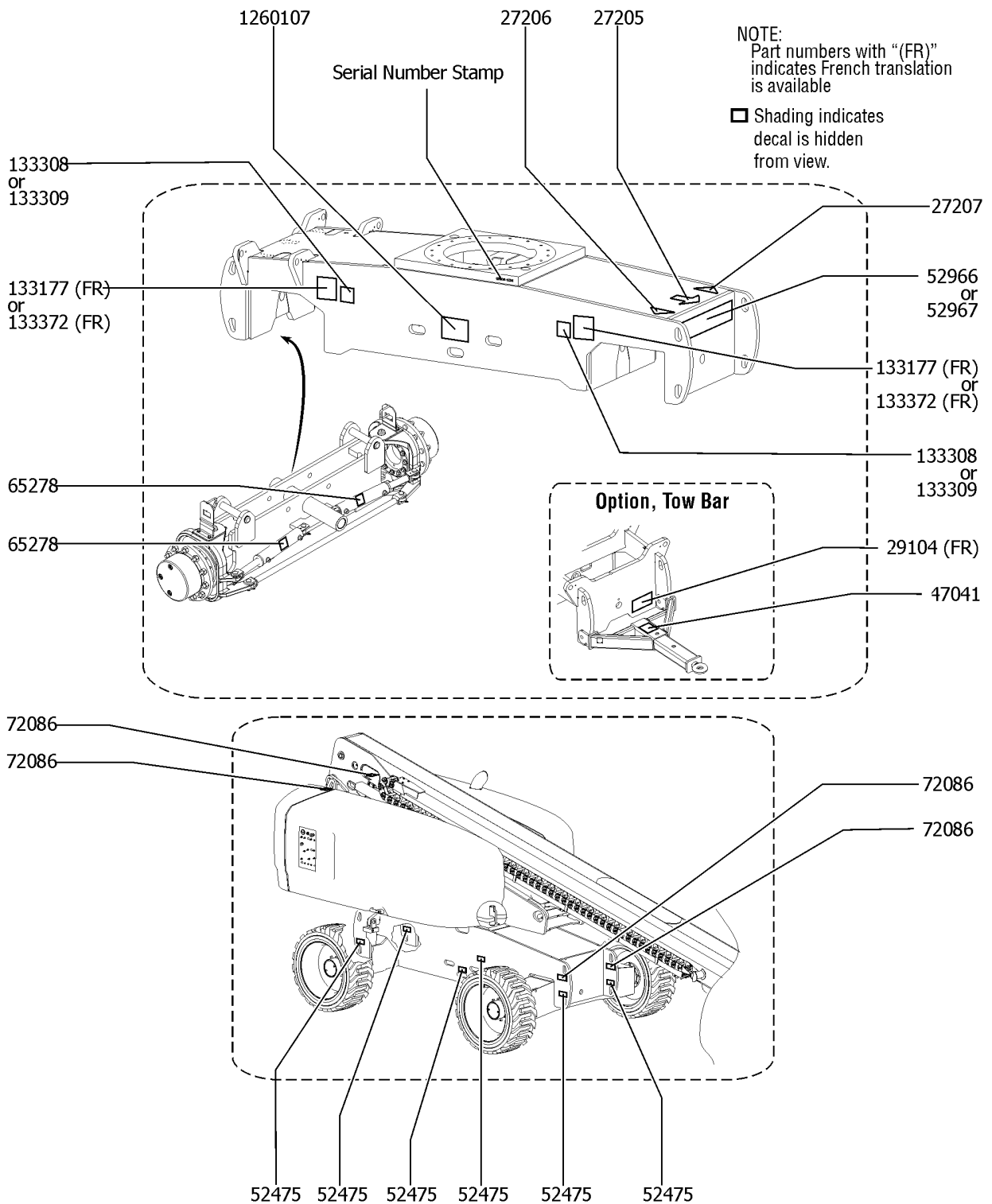


101.1 Decals with Words, Hydraulic Tank Side - View 1

Item	Part No.	Description	Qty.
1	25994GT	DECAL,NOTICE,SHUTOFF VALVES	1
2	28158GT	DECAL,LABEL,UNLEADED GAS ONLY	1
		(fuel option)	
3	28159GT	DECAL,LABEL,DIESEL FUEL	1
		(fuel option)	
4	28160GT	DECAL,LABEL,LIQUID PROPANE	1
		(LPG tank option)	
5	31788GT	DECAL,DANGER,BATTERY SAFETY***	1
6	72999GT	DECAL,LABEL,PETRO CANADA***	1
		(hydraulic oil option)	
7	82161GT	DECAL,LABEL,UCON HYDROLUBE	1
		(hydraulic oil option)	
8	82366GT	DECAL,CHEVRON RANDO HD	1
		(hydraulic oil option)	
9	97865GT	DECAL,WARN,ELECTRO HAZARD	1
10	114258GT	DECAL,DANGER,NO SMOKING	1
11	114390GT	DECAL,DANGER,ELECT HAZARD***	1
12	114465GT	DECAL GROUND CONTROL BOX	1
		(S-80 and S-85) Tier 3	
13	133232GT	DECAL,LABEL,AUX BATTERY	1
14	133278GT	DECAL,LOW/ULTRA LOW SULFUR FUEL	1
		(TPEM/ROW) diesel models only	
15	133310GT	DECAL,LABEL,ENG STRT& CONTROLS	1
16	147755GT	DECAL,GR CNTL PNL 60X 80X	1
		(S-80X) Tier 3	
17	219723GT	DECAL,GROUND BOX,TIER IV	1
		(S-80 and S-85) Tier 4	
18	823658GT	LABEL, GBOX, S60X TIER 4	1
		(S-80X) Tier 4	
19	825579GT	DECAL, LCD, TIER 4	1
		(Tier 4 engines only)	
20	826345GT	DECAL,ULS DIESEL ONLY,TIER 4	1
		(Tier 4)	
21	1255581GT	DECAL,COSMETIC, 10" GENIE BLUE	1
22	1255582GT	DECAL COSMETIC,15" GENIE BLUE	1
23	1262344GT	DECAL, OPERATING INSTRUCTIONS	1
		(S-80X) ANSI	
24	1262347GT	DECAL, OPERATING INSTRUCTIONS	1
		(S-85) ANSI	
25	1262348GT	DECAL, OPERATING INSTRUCTIONS	1
		(S-80 and S-85) Australia	
26	1263543GT	DECAL,COMPARTMENT ACCESS	1
27	1266019GT	DECAL, LABEL, SHELL TELLUS	1
		(hydraulic oil option)	
28	1272242GT	DECAL,MACHINE REGISTRATION/OWN	1



102.1 Decals with Words, Hydraulic Tank Side - View 2, S-80

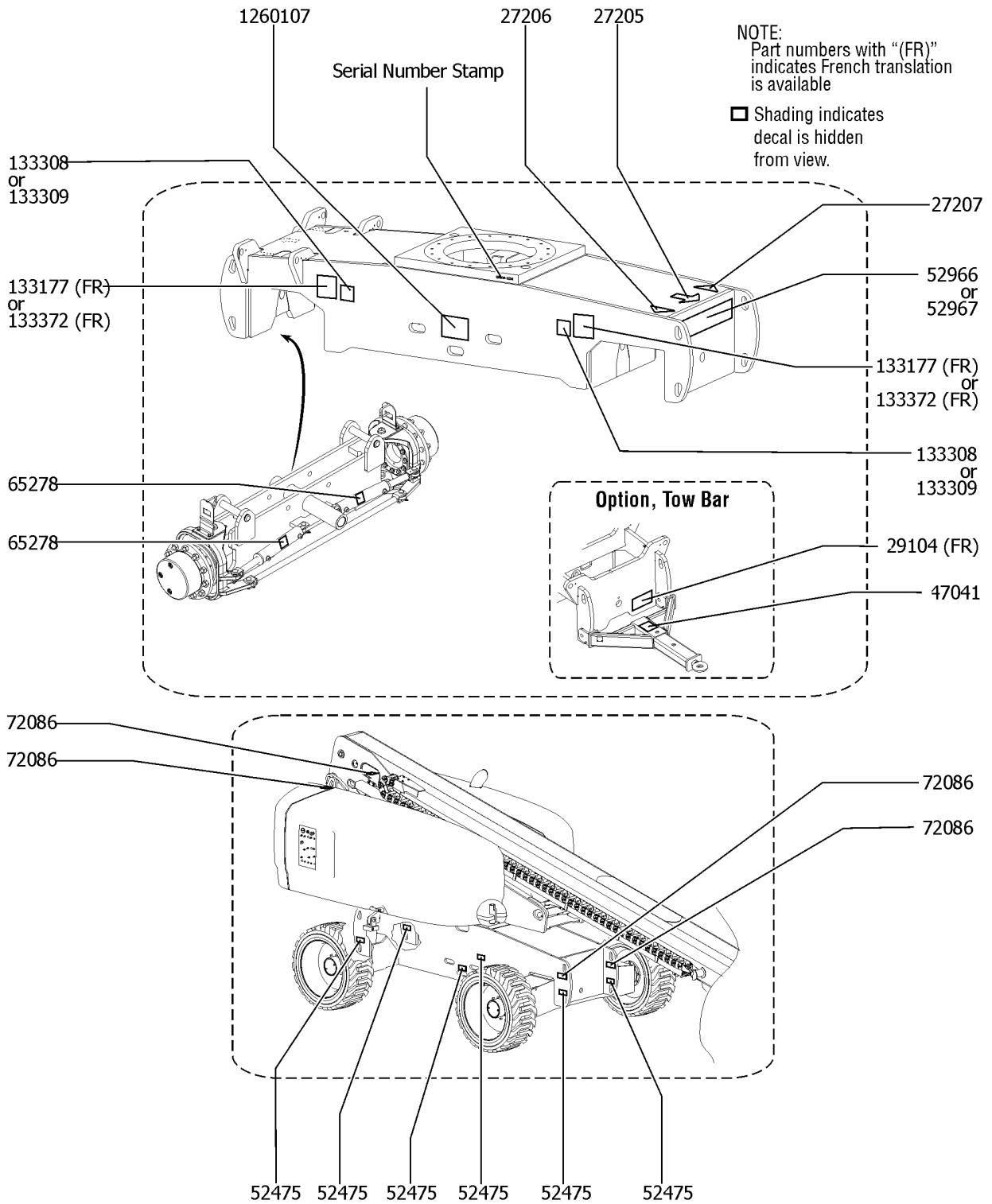


102.1 Decals with Words, Hydraulic Tank Side - View 2, S-80

<i>Item</i>	<i>Part No.</i>	<i>Description</i>	<i>Qty.</i>
1	27205GT	DECAL,ARROW YELLOW LRG 9"	1
2	27206GT	DECAL,TRIANGLE,BLUE	1
3	27207GT	DECAL,TRIANGLE,YELLOW	1
4	29104GT	DECAL,TOWING INSTRUCTIONS	1
		(tow option)	
5	47041GT	DECAL,CAUTION,TOWING SPEED	1
		(tow option)	
6	52475GT	DECAL LABEL TRANSPORT TIE DOWN*	6
7	52966GT	DECAL,COSMETIC,4 X 2	1
		(tow option)	
8	52967GT	DECAL,COSMETIC,4 X 4	1
		(tow option)	
9	65278GT	DECAL,CAUTION,NO STEP	2
10	72086GT	DECAL,LABEL,LIFTING EYE	4
11	133177GT	DECAL,DANGER/LABEL,TIRE SPECS	2
		(foam filled)	
12	133308GT	DECAL,LABEL,WHEEL LOAD S80	2
		(S-80 and S-80X)	
14	133372GT	DECAL,DANGER/LABEL,TIRE SPECHF	2
		(ANSI only) hi-floatation tires	
15	1260107GT	DECAL, TRANSPORT/LIFTING, S60	1



102.2 Decals with Words, Hydraulic Tank Side - View 2, S-85

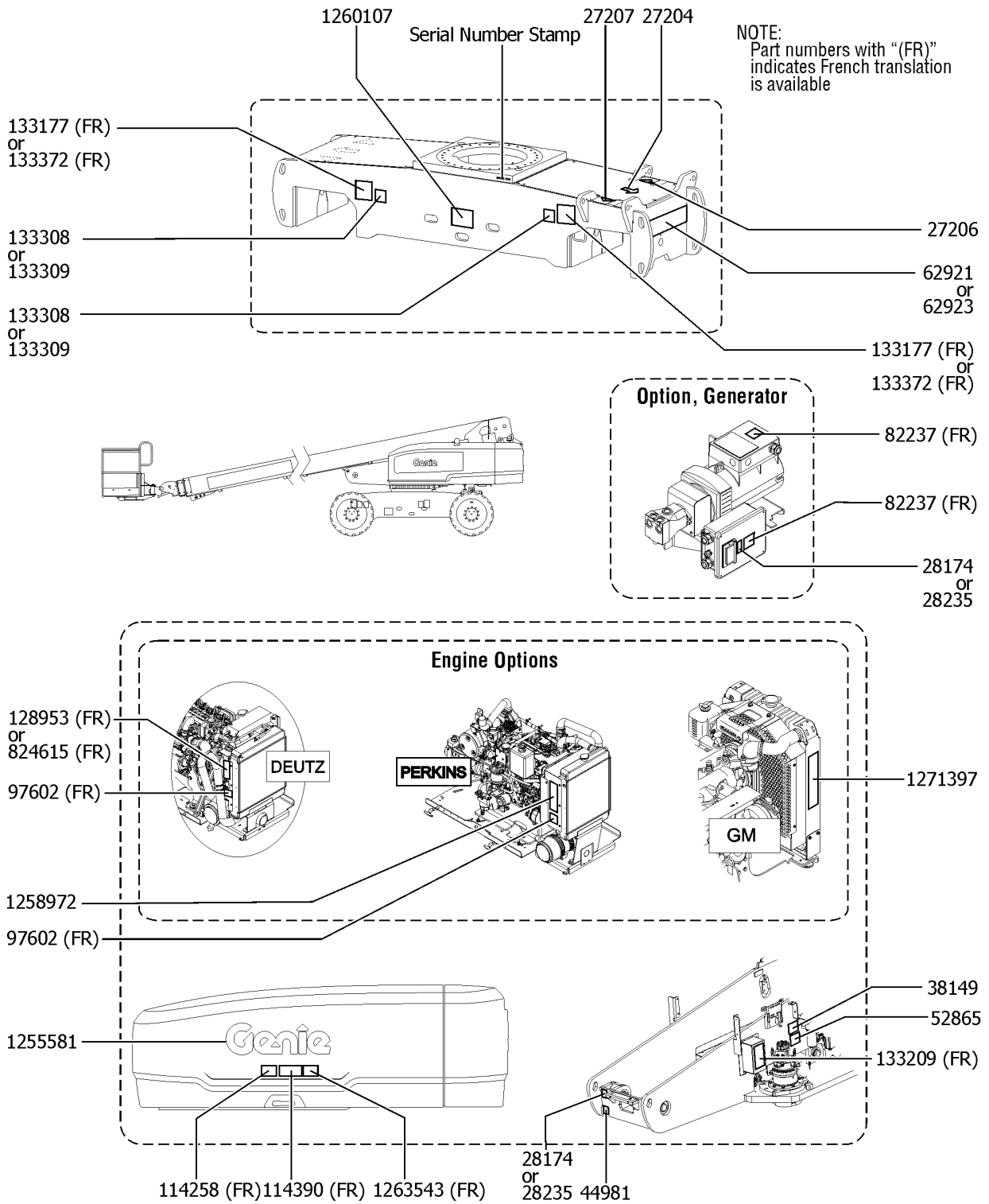


102.2 Decals with Words, Hydraulic Tank Side - View 2, S-85

Item	Part No.	Description	Qty.
1	27205GT	DECAL,ARROW YELLOW LRG 9"	1
2	27206GT	DECAL,TRIANGLE,BLUE	1
3	27207GT	DECAL,TRIANGLE,YELLOW	1
4	29104GT	DECAL,TOWING INSTRUCTIONS	1
		(tow option)	
5	47041GT	DECAL,CAUTION,TOWING SPEED	1
		(tow option)	
6	52475GT	DECAL LABEL TRANSPORT TIE DOWN*	6
7	52966GT	DECAL,COSMETIC,4 X 2	1
		(tow option)	
8	52967GT	DECAL,COSMETIC,4 X 4	1
		(tow option)	
9	65278GT	DECAL,CAUTION,NO STEP	2
10	72086GT	DECAL,LABEL,LIFTING EYE	4
11	133177GT	DECAL,DANGER/LABEL,TIRE SPECS	2
		(foam filled)	
12	133308GT	DECAL,LABEL,WHEEL LOAD S80	2
		(S-80 and S-80X)	
14	133372GT	DECAL,DANGER/LABEL,TIRE SPECHF	2
		(ANSI only) hi-floatation tires	
15	1260107GT	DECAL, TRANSPORT/LIFTING, S60	1



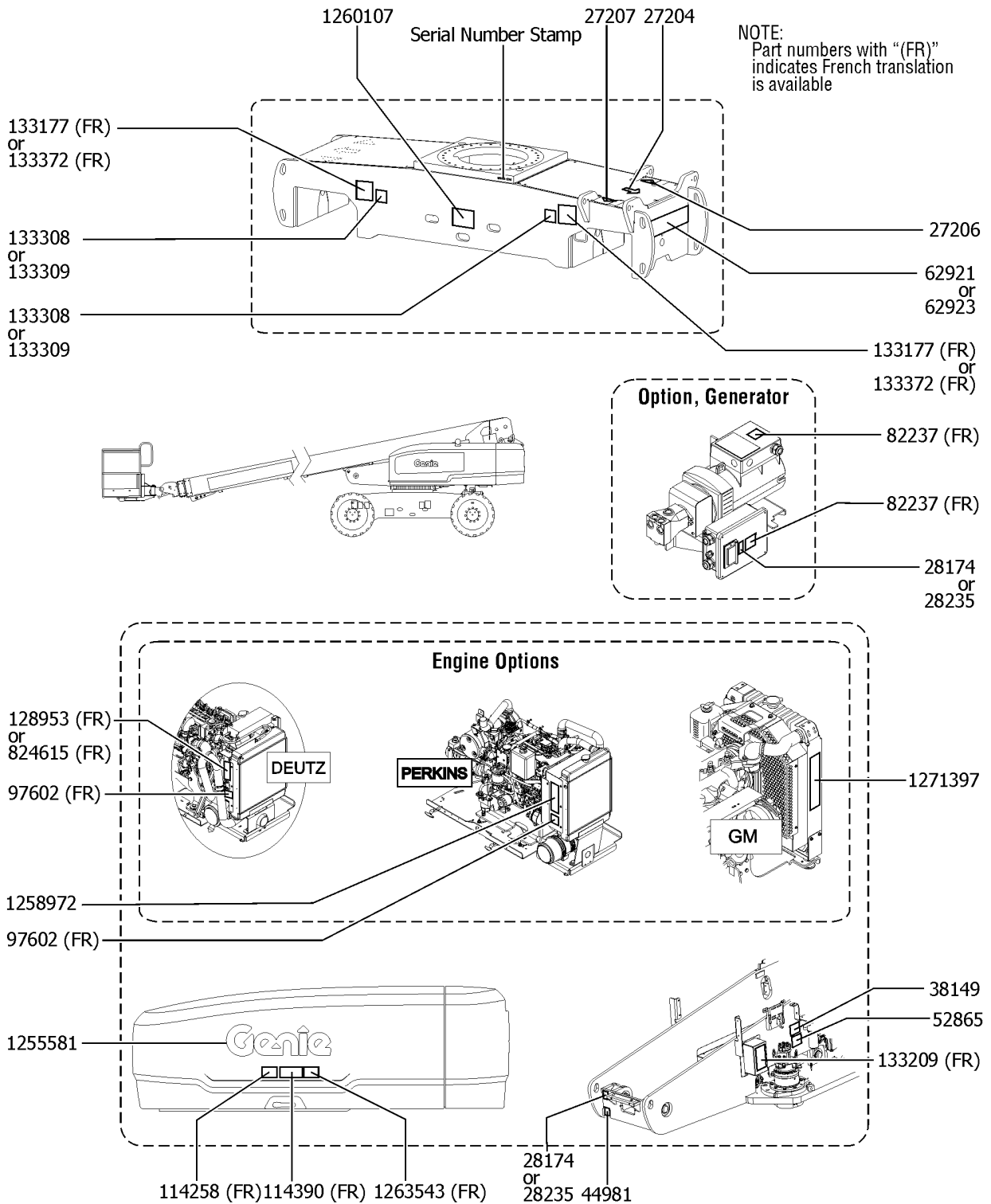
103.1 Decals with Words, Engine Side, S-80



Item	Part No.	Description	Qty.
1	27204GT	DECAL,ARROW BLUE	1
2	27206GT	DECAL,TRIANGLE,BLUE	1
3	27207GT	DECAL,TRIANGLE,YELLOW	1
4	28174GT	DECAL,POWER TO PLATFORM 230V	2
5	28235GT	DECAL,POWER TO PLATFORM 115V	2
6	38149GT	DECAL,LABEL,PATENTS (US Only)	1
7	44981GT	DECAL LABEL AIRLINE 110PSI (airline to platform option)	1
8	52865GT	DECAL,ANNUAL INSP*** (US Only)	1
9	62921GT	DECAL,COSMETIC,S80 (S-80)	1
11	82237GT	DECAL,DANGER,HIGH VOLTAGE (generator option)	2
12	97602GT	DECAL,EXPLOSION HAZARD	1
13	114258GT	DECAL,DANGER,NO SMOKING	1
14	114390GT	DECAL,DANGER,ELECT HAZARD***	1
15	128953GT	DECAL,ENGINE SPEC,DEUTZ,TD2011 (TD2011L04i) ROW	1
16	133177GT	DECAL,DANGER/LABEL,TIRE SPECS (foam filled)	2
17	133209GT	DECAL, RELAY BLOCK, S80/85	1
18	133308GT	DECAL,LABEL,WHEEL LOAD S80 (S-80 and S-80X)	2
20	133372GT	DECAL,DANGER/LABEL,TIRE SPECF (ANSI only) hi-floatation tires	2
21	824615GT	DECAL,ENGINE SPEC,DEUTZ TD2.9 (TD2.9 L4) Tier 4	1
22	1255581GT	DECAL,COSMETIC, 10" GENIE BLUE	1
23	1258972GT	DECAL,ENGINE SPEC,PERKINS 404D-22T (404D-22T)	1
24	1260107GT	DECAL, TRANSPORT/LIFTING, S60	1
25	1263543GT	DECAL,COMPARTMENT ACCESS	1
26	1271397GT	DECAL, ENG, SPECS, GM 3.0L (GM 3.0L)	1



103.2 Decals with Words, Engine Side, S-85

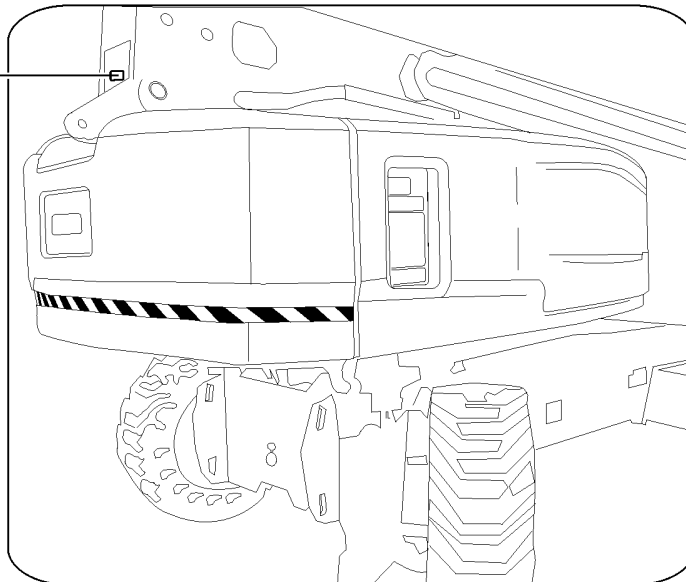
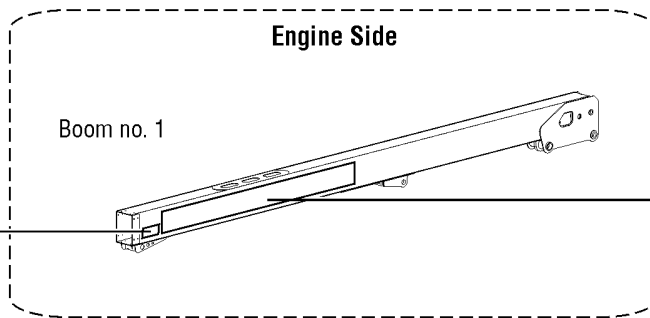
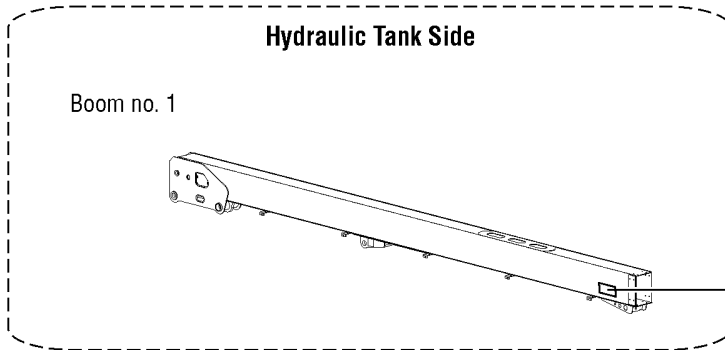


Item	Part No.	Description	Qty.
1	27204GT	DECAL,ARROW BLUE	1
2	27206GT	DECAL,TRIANGLE,BLUE	1
3	27207GT	DECAL,TRIANGLE,YELLOW	1
4	28174GT	DECAL,POWER TO PLATFORM 230V	2
5	28235GT	DECAL,POWER TO PLATFORM 115V	2
6	38149GT	DECAL,LABEL,PATENTS (US Only)	1
7	44981GT	DECAL LABEL AIRLINE 110PSI (airline to platform option)	1
8	52865GT	DECAL,ANNUAL INSP*** (US Only)	1
9	62921GT	DECAL,COSMETIC,S80 (S-80)	1
11	82237GT	DECAL,DANGER,HIGH VOLTAGE (generator option)	2
12	97602GT	DECAL,EXPLOSION HAZARD	1
13	114258GT	DECAL,DANGER,NO SMOKING	1
14	114390GT	DECAL,DANGER,ELECT HAZARD***	1
15	128953GT	DECAL,ENGINE SPEC,DEUTZ,TD2011 (TD2011L04i) ROW	1
16	133177GT	DECAL,DANGER/LABEL,TIRE SPECS (foam filled)	2
17	133209GT	DECAL, RELAY BLOCK, S80/85	1
18	133308GT	DECAL,LABEL,WHEEL LOAD S80 (S-80 and S-80X)	2
20	133372GT	DECAL,DANGER/LABEL,TIRE SPECF (ANSI only) hi-floatation tires	2
21	824615GT	DECAL,ENGINE SPEC,DEUTZ TD2.9 (TD2.9 L4) Tier 4	1
22	1255581GT	DECAL,COSMETIC, 10" GENIE BLUE	1
23	1258972GT	DECAL,ENGINE SPEC,PERKINS 404D-22T (404D-22T)	1
24	1260107GT	DECAL, TRANSPORT/LIFTING, S60	1
25	1263543GT	DECAL,COMPARTMENT ACCESS	1
26	1271397GT	DECAL, ENG, SPECS, GM 3.0L (GM 3.0L)	1



104.1 Decals with Words, Boom

NOTE:
Part numbers with "(FR)"
indicates French translation
is available

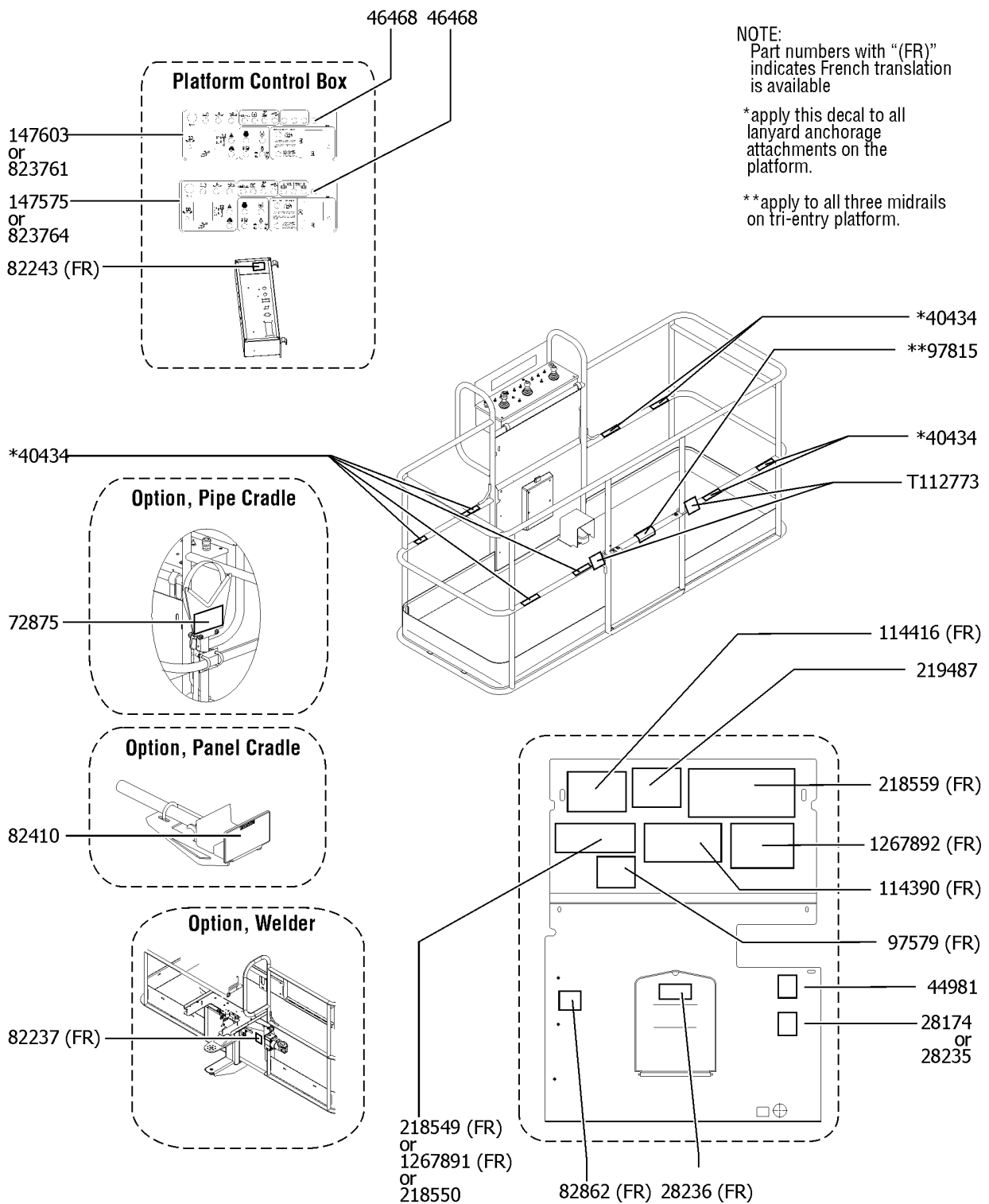


104.1 Decals with Words, Boom

<i>Item</i>	<i>Part No.</i>	<i>Description</i>	<i>Qty.</i>
1	31060GT	DECAL,DANGER DO NOT ALTER SWTC (S-80X Only)	3
2	62920GT	DECAL,COSMETIC,GENIE S-80 (S-80)	1
3	62922GT	DECAL,COSMETIC,GENIE S-85 (S-85)	1
4	147659GT	DECAL,COSM GENIE S80X (S-80X)	1



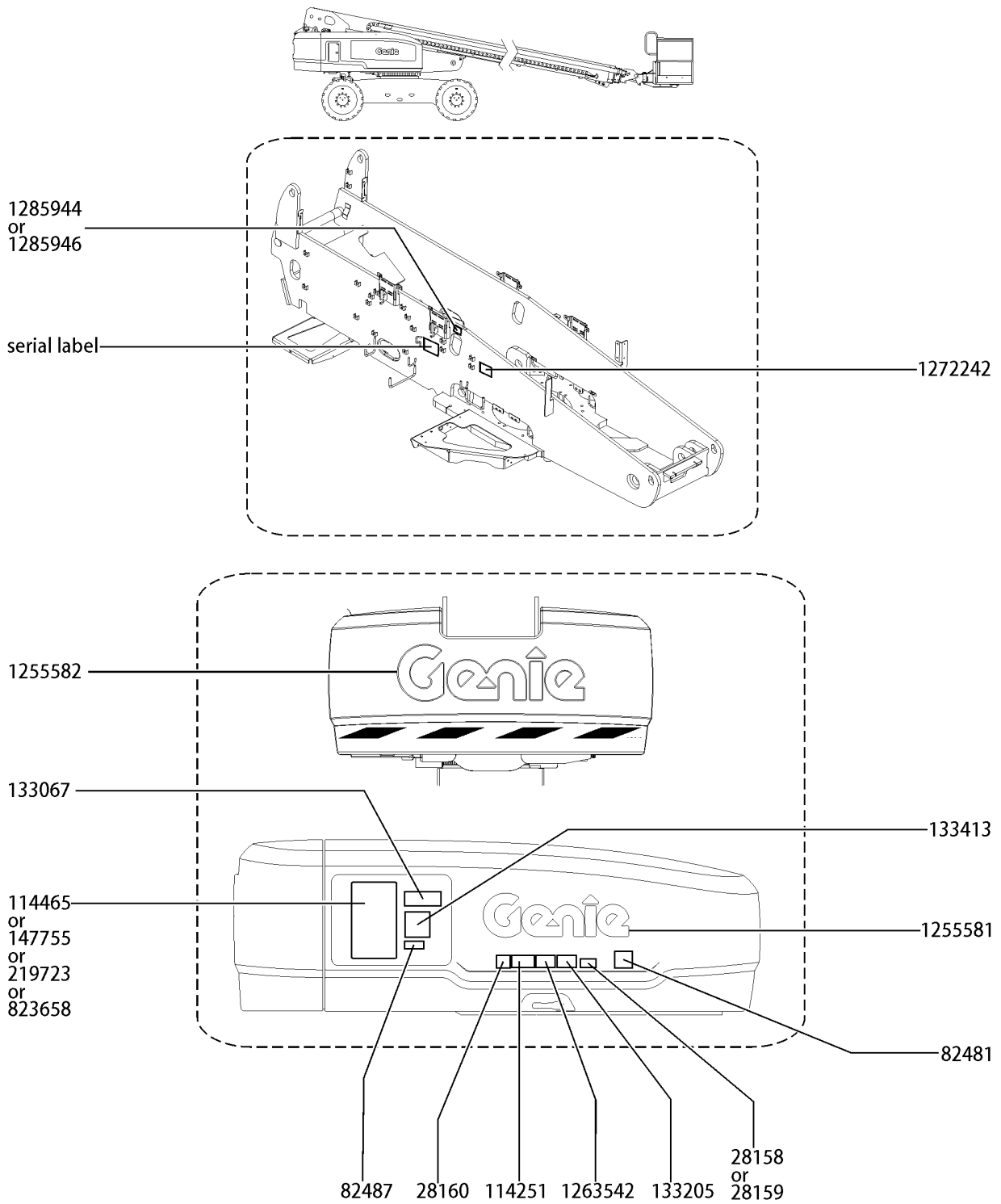
105.1 Decals with Words, Platform



Item	Part No.	Description	Qty.
1	28174GT	DECAL,POWER TO PLATFORM 230V	1
2	28235GT	DECAL,POWER TO PLATFORM 115V	1
3	28236GT	DECAL,WARN,IMPROPER OPERATION	1
4	40434GT	DECAL,LANYARD ANCHORAGE POINT	8
5	44981GT	DECAL LABEL AIRLINE 110PSI	1
		(airline to platform option)	
6	46468GT	DECAL,FUNCTION OVERRIDE	1
		(aircraft protection option)	
7	72875GT	DECAL,WARNING,PIPE CRADLE,BOOM	2
		(pipe cradle option)	
8	82237GT	DECAL,DANGER,HIGH VOLTAGE	1
		(welder option)	
9	82243GT	DECAL FAULT CODE	1
10	82410GT	DECAL,WARNING,PANEL CRADLE	2
		(panel cradle)	
11	82862GT	DECAL,FIRE EXTINGUISHER	1
		(welder option)	
12	97579GT	DECAL,DANGER,TIP-OVER,WELDER**	1
		(welder option)	
13	97815GT	DECAL,LABEL,LOWER MIDRAIL	1
14	114390GT	DECAL,DANGER,ELECT HAZARD***	1
15	114416GT	DECAL,DANGER,TIPOVER,TILT	1
16	147575GT	DECAL, PLAT CNTL PNL 60X 80X	1
		(S-80X) Tier 3	
17	147603GT	DECAL, PLAT CNTL PNL	1
		(S-80 and S-85) Tier 3	
18	218549GT	DECAL,DANGER,CAP,ANSI WORD	1
		(S-85) ANSI	
19	218550GT	DECAL,DANGER,CAP,AUS WORD	1
		(S-80 and S-85) Australia	
20	218559GT	DECAL,DANGER/WARNING COMBO	1
21	219487GT	DECAL,PLATFORM OVERLOAD	1
		Australia Only	
22	823761GT	LABEL, PBOX, S65 TIER 4	1
		(S-80 and S-85) Tier 4	
23	823764GT	LABEL, PBOX, S60X TIER 4	1
		(S-80X) Tier 4	
24	1267891GT	DECAL, TIPOVER HAZARD, S80X	1
		(S-80X) ANSI	
25	1267892GT	DECAL, RUNAWAY HAZARD	1
26	T112773GT	TAPE, PROTECTIVE MASK	2



106.1 Decals with Symbols, Hydraulic Tank Side - View 1

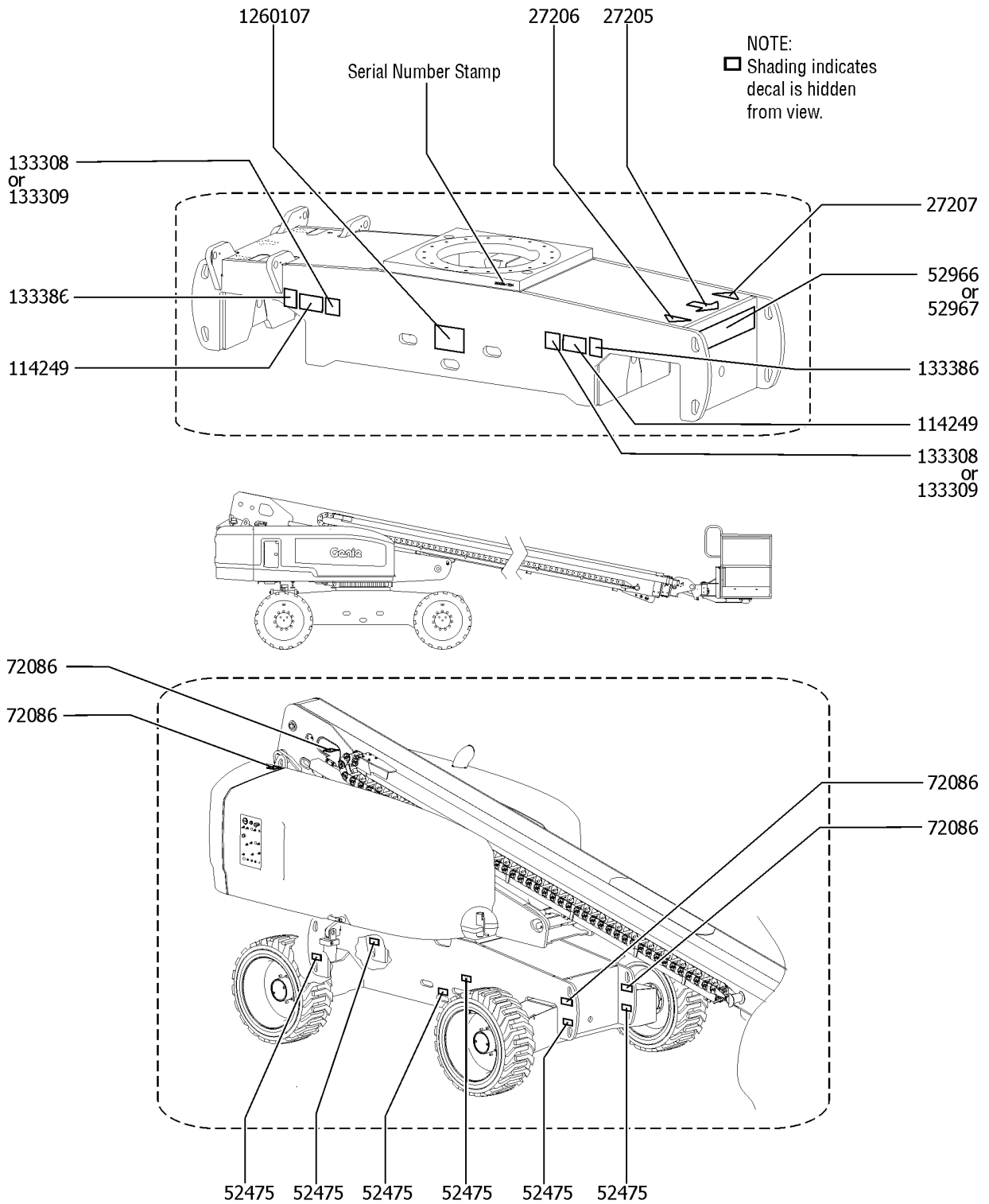


106.1 Decals with Symbols, Hydraulic Tank Side - View 1

Item	Part No.	Description	Qty.
1	28158GT	DECAL,LABEL,UNLEADED GAS ONLY (fuel option)	1
2	28159GT	DECAL,LABEL,DIESEL FUEL (fuel option)	1
3	28160GT	DECAL,LABEL,LIQUID PROPANE (LPG Tank option)	1
4	82481GT	DECAL,SYMBOL-BATTERY SAFETY	1
5	82487GT	DECAL,SYMBOL-READ THE MANUAL	1
6	114251GT	DECAL,LABEL,NO SMOKING,SYMB	1
7	114465GT	DECAL,GROUND CONTROL BOX (S-80 & S-85) Tier 3	1
8	133067GT	DECAL,DANGER,ELEC.HAZ.STAY CLR	1
9	133205GT	DECAL,LABEL, ELECTRO HAZARD	1
10	133413GT	DECAL,EMERGENCY LOWERING	1
11	147755GT	DECAL,GR CNTL PNL 60X 80X (S-80X) Tier 3	1
12	219723GT	DECAL,GROUND BOX,TIER IV (S-80 & S-85) Tier 4	1
13	823658GT	LABEL, GBOX, S60X TIER 4 (S-80X) Tier 4	1
14	1255581GT	DECAL,COSMETIC, 10" GENIE BLUE	1
15	1255582GT	DECAL COSMETIC,15" GENIE BLUE	1
16	1263542GT	DECAL,IMPROPER OPERATION,SYMBOL	1
17	1272242GT	DECAL,MACHINE REGISTRATION/OWN	1
18	1285944GT	DECAL, S80 EMISSION INFO, CHINA III Only China models, S-80	1
18B	1285946GT	DECAL, S85 EMISSION INFO, CHINA III Only China models, S-85	1



107.1 Decals with Symbols, Hydraulic Tank Side - View 2, S-80

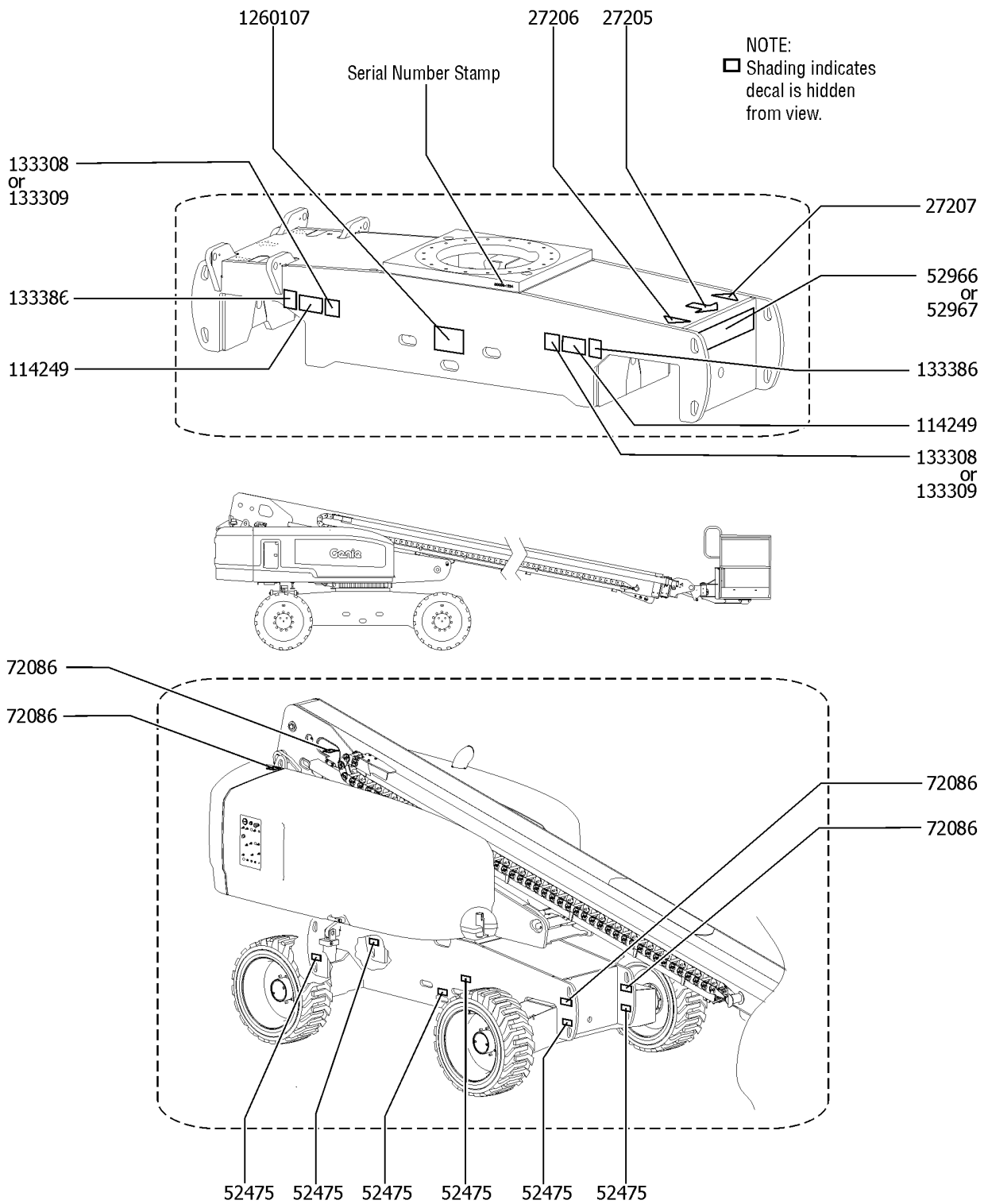


107.1 Decals with Symbols, Hydraulic Tank Side - View 2, S-80

<i>Item</i>	<i>Part No.</i>	<i>Description</i>	<i>Qty.</i>
1	27205GT	DECAL,ARROW YELLOW LRG 9"	1
7	72086GT	DECAL,LABEL,LIFTING EYE	4



107.2 Decals with Symbols, Hydraulic Tank Side - View 2, S-85

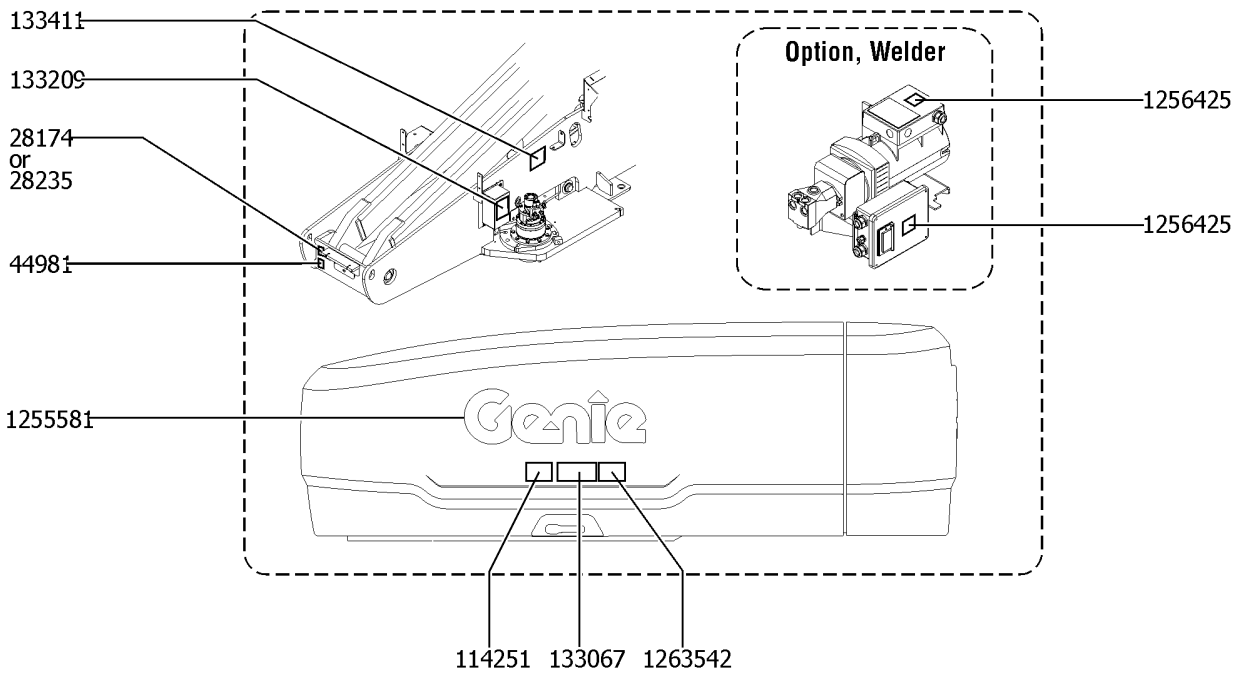
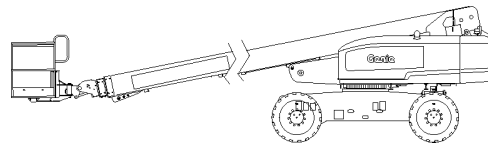
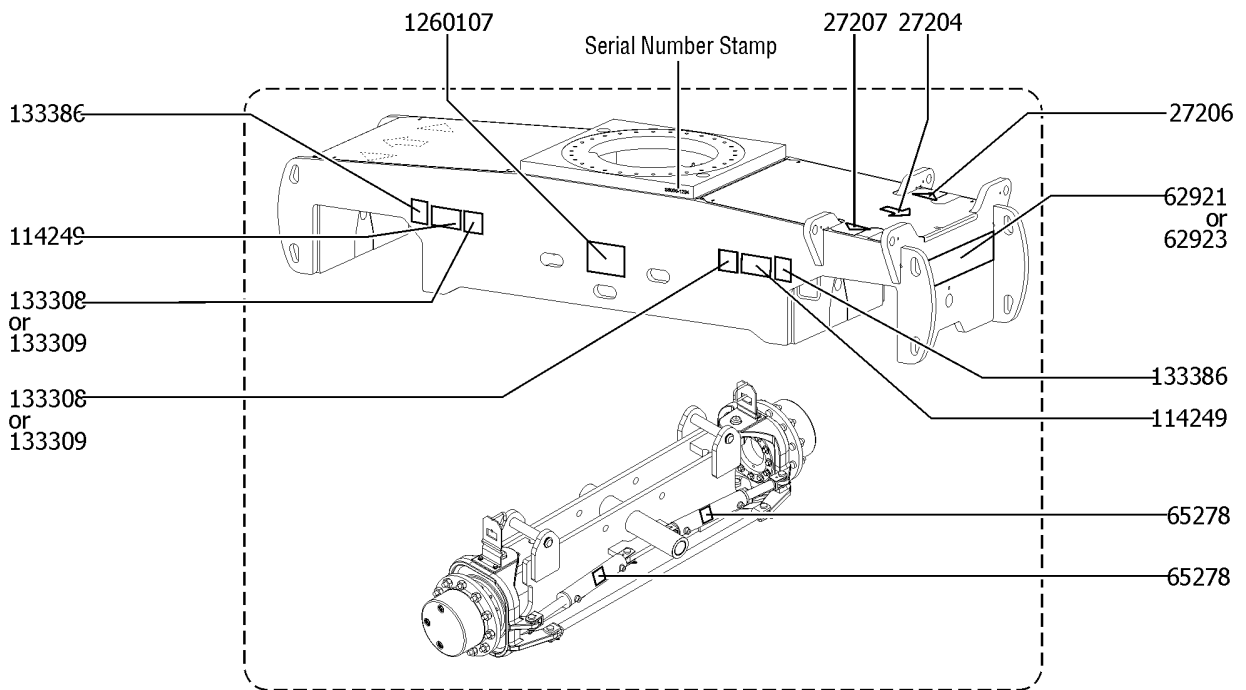


107.2 Decals with Symbols, Hydraulic Tank Side - View 2, S-85

Item	Part No.	Description	Qty.
1	27205GT	DECAL,ARROW YELLOW LRG 9"	1
2	27206GT	DECAL,TRIANGLE,BLUE	1
3	27207GT	DECAL,TRIANGLE,YELLOW	1
4	52475GT	DECAL LABEL TRANSPORT TIE DOWN*	6
5	52966GT	DECAL,COSMETIC,4 X 2	1
		(drive option)	
6	52967GT	DECAL,COSMETIC,4 X 4	1
		(drive option)	
7	72086GT	DECAL,LABEL,LIFTING EYE	4
8	114249GT	DECAL,LABEL,TIPOVER,TIRES,SYMB	2
10	133309GT	DECAL,LABEL,WHEEL LOAD S85	2
		(S-85)	
11	133386GT	LABEL,TIRE PRESSURE,HF	2
		(hi-floatation tires option)	
12	1260107GT	DECAL, TRANSPORT/LIFTING, S60	1



108.1 Decals with Symbols, Engine Side, S-80

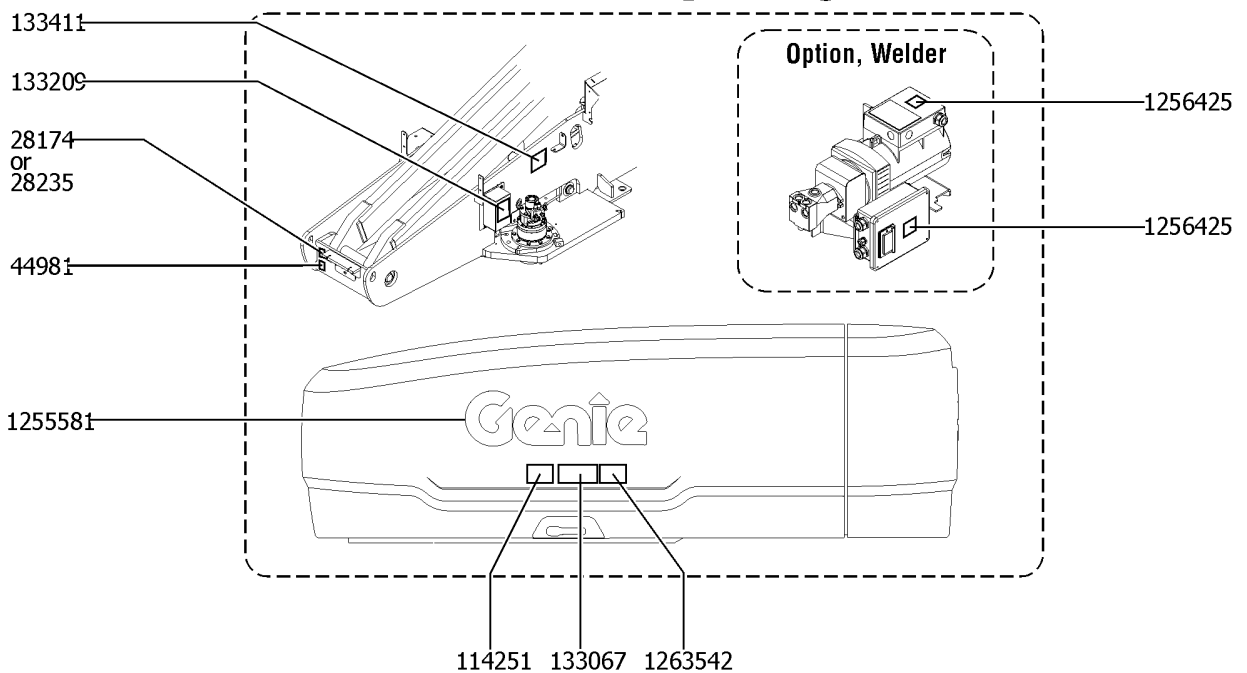
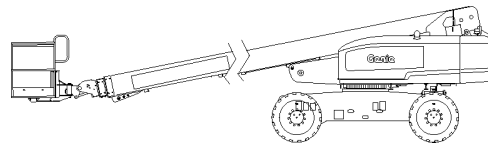
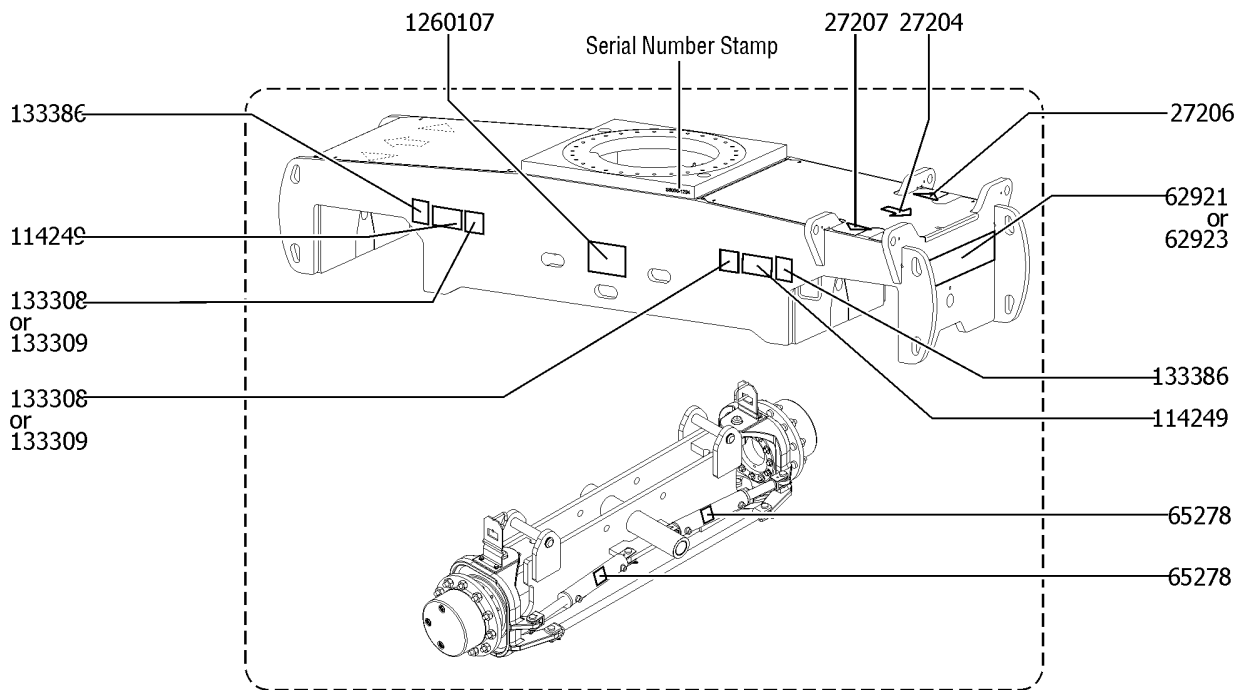


108.1 Decals with Symbols, Engine Side, S-80

Item	Part No.	Description	Qty.
1	27204GT	DECAL,ARROW BLUE	1
2	27206GT	DECAL,TRIANGLE,BLUE	1
3	27207GT	DECAL,TRIANGLE,YELLOW	1
4	28174GT	DECAL,POWER TO PLATFORM 230V	1
5	28235GT	DECAL,POWER TO PLATFORM 115V	1
6	44981GT	DECAL LABEL AIRLINE 110PSI (airline to platform)	1
7	62921GT	DECAL,COSMETIC,S80 (S-80 and S-80X)	1
9	65278GT	DECAL,CAUTION,NO STEP	2
10	114249GT	DECAL,LABEL,TIPOVER,TIRES,SYMB	2
11	114251GT	DECAL,LABEL,NO SMOKING,SYMB	1
12	133067GT	DECAL,DANGER,ELEC.HAZ.STAY CLR	1
13	133209GT	DECAL, RELAY BLOCK, S80/85	1
14	133308GT	DECAL,LABEL,WHEEL LOAD S80 (S-80 and S-80X)	2
16	133386GT	LABEL,TIRE PRESSURE,HF (hi-floatation tires option)	2
17	133411GT	DECAL,LABEL,106 DB*** (CE Only)	1
18	1255581GT	DECAL,COSMETIC, 10" GENIE BLUE	1
19	1256425GT	DECAL, DANGER, ELECTROCUTION HAZARD, SYMBOL (welder option)	2
20	1260107GT	DECAL, TRANSPORT/LIFTING, S60	1
21	1263542GT	DECAL,IMPROPER OPERATION,SYMBOL	1



108.2 Decals with Symbols, Engine Side, S-85

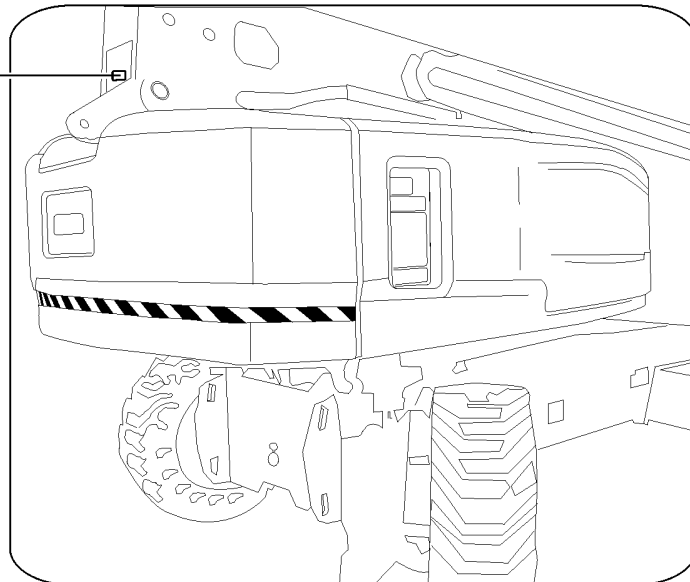
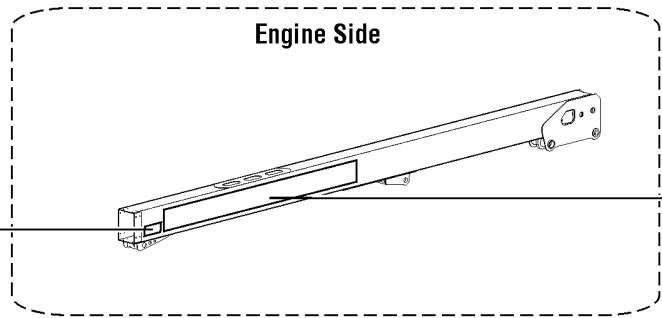
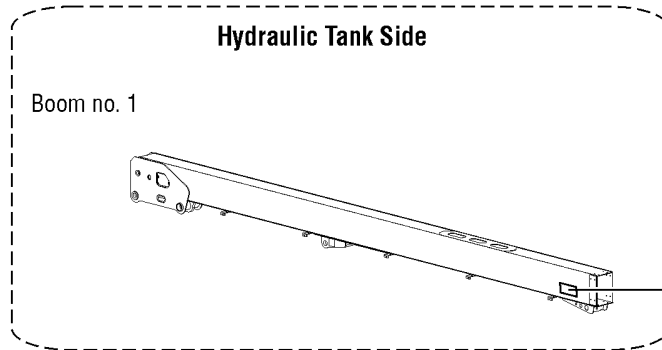


108.2 Decals with Symbols, Engine Side, S-85

Item	Part No.	Description	Qty.
1	27204GT	DECAL,ARROW BLUE	1
2	27206GT	DECAL,TRIANGLE,BLUE	1
3	27207GT	DECAL,TRIANGLE,YELLOW	1
4	28174GT	DECAL,POWER TO PLATFORM 230V	1
5	28235GT	DECAL,POWER TO PLATFORM 115V	1
6	44981GT	DECAL LABEL AIRLINE 110PSI (airline to platform)	1
7	62921GT	DECAL,COSMETIC,S80	1
		(S-80 and S-80X)	
9	65278GT	DECAL,CAUTION,NO STEP	2
10	114249GT	DECAL,LABEL,TIPOVER,TIRES,SYMB	2
11	114251GT	DECAL,LABEL,NO SMOKING,SYMB	1
12	133067GT	DECAL,DANGER,ELEC.HAZ.STAY CLR	1
13	133209GT	DECAL, RELAY BLOCK, S80/85	1
14	133308GT	DECAL,LABEL,WHEEL LOAD S80	2
		(S-80 and S-80X)	
16	133386GT	LABEL,TIRE PRESSURE,HF	2
		(hi-floatation tires option)	
17	133411GT	DECAL,LABEL,106 DB***	1
		(CE Only)	
18	1255581GT	DECAL,COSMETIC, 10" GENIE BLUE	1
19	1256425GT	DECAL, DANGER, ELECTROCUTION HAZARD, SYMBOL	2
		(welder option)	
20	1260107GT	DECAL, TRANSPORT/LIFTING, S60	1
21	1263542GT	DECAL,IMPROPER OPERATION,SYMBOL	1



109.1 Decals with Symbols, Boom

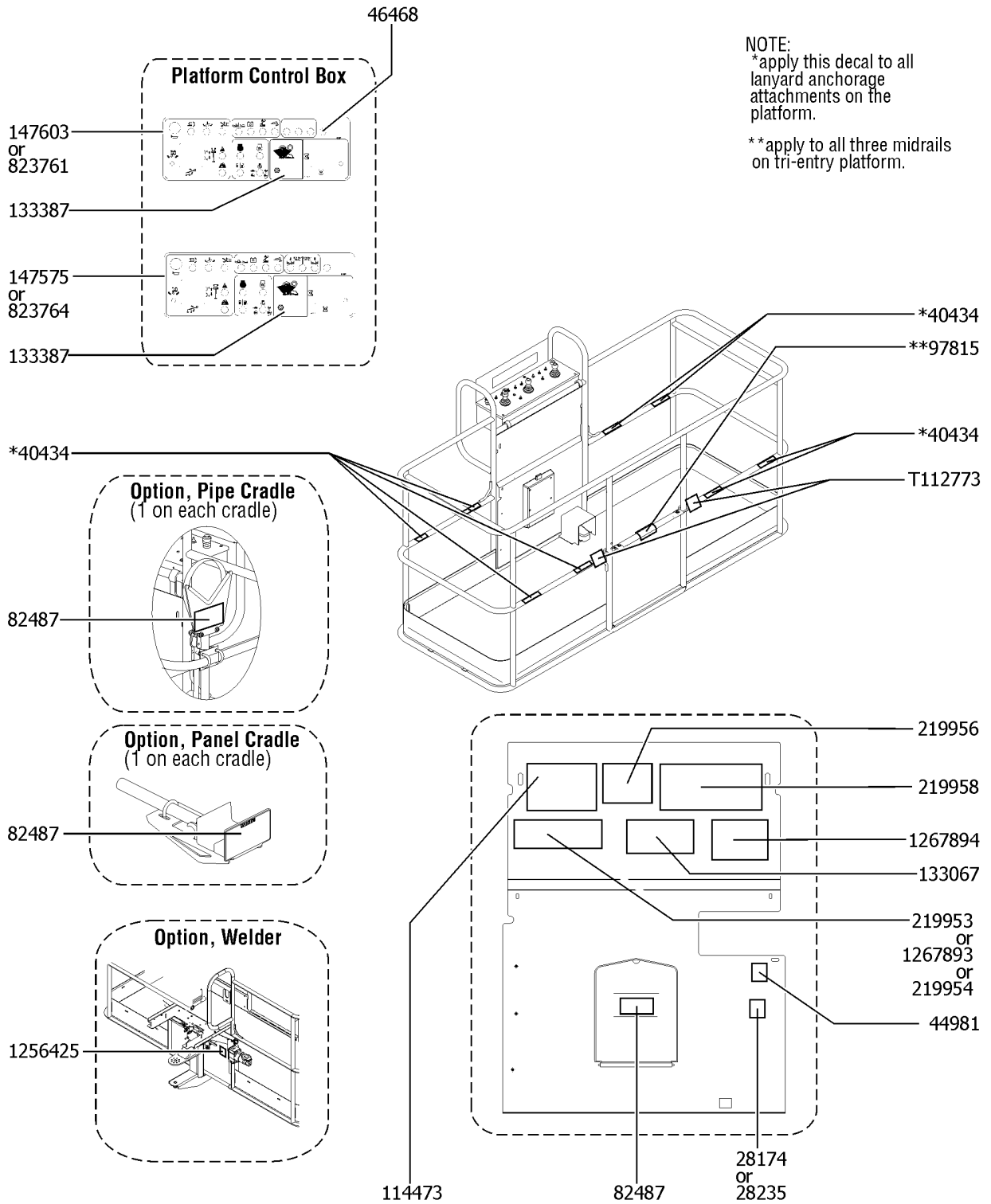


109.1 Decals with Symbols, Boom

<i>Item</i>	<i>Part No.</i>	<i>Description</i>	<i>Qty.</i>
1	62920GT	DECAL,COSMETIC,GENIE S-80 (S-80)	1
2	62922GT	DECAL,COSMETIC,GENIE S-85 (S-85)	1
3	114252GT	DECAL,LABEL,TIP OVER LMT SWTCH (S-80X Only)	3
4	147659GT	DECAL,COSM GENIE S80X (S-80X)	1



110.1 Decals with Symbols, Platform

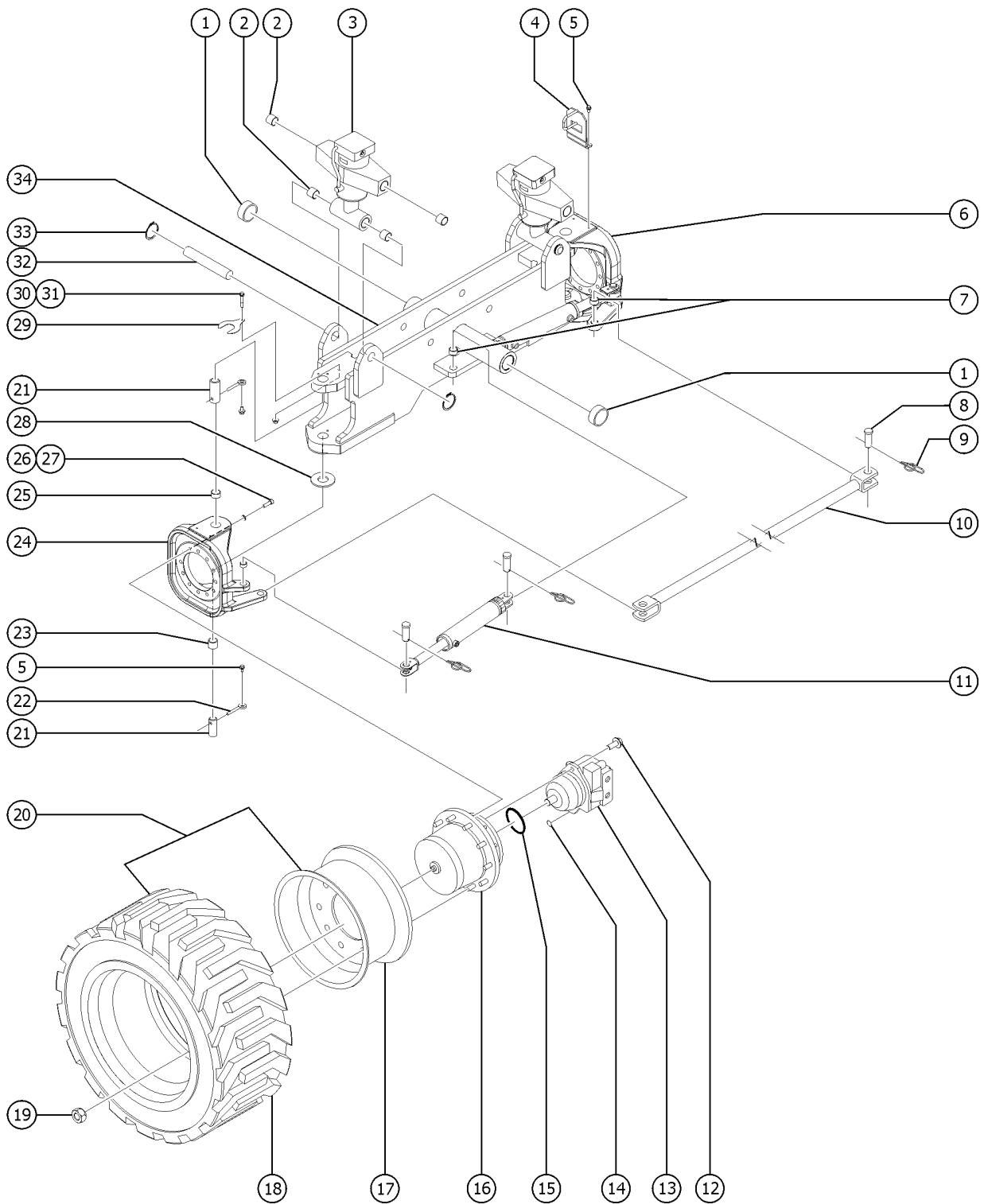


110.1 Decals with Symbols, Platform

Item	Part No.	Description	Qty.
1	28174GT	DECAL,POWER TO PLATFORM 230V	1
2	28235GT	DECAL,POWER TO PLATFORM 115V	1
3	40434GT	DECAL,LANYARD ANCHORAGE POINT	8
4	44981GT	DECAL LABEL AIRLINE 110PSI	1
		(airline to platform option)	
5	46468GT	DECAL,FUNCTION OVERRIDE	1
		(aircraft protection option)	
6	82487GT	DECAL,SYMBOL-READ THE MANUAL	1
7	97815GT	DECAL,LABEL,LOWER MIDRAIL	1
8	114473GT	DECAL,DANGER,ELEC.HAZ.STAY CLR	1
9	133067GT	DECAL,DANGER,ELEC.HAZ.STAY CLR	1
10	133387GT	DECAL,DRIVE ENABLE PATCH	1
11	147575GT	DECAL, PLAT CNTL PNL 60X 80X	1
		(S-80X) Tier 3	
12	147603GT	DECAL, PLAT CNTL PNL	1
		(S-80 and S-85) Tier 3	
13	219953GT	DECAL,TIP-OVER HAZARD,ANSI	1
		(S-85) ANSI	
14	219954GT	DECAL,TIP-OVER HAZARD,CE	1
		(S-80 and S-85) CE	
15	219956GT	DECAL,PLATFORM OVERLOAD	1
		CE Only	
16	219958GT	DECAL,TIP-OVER,CRUSH	1
17	823761GT	LABEL, PBOX, S65 TIER 4	1
		(S-80 and S-85) Tier 4	
18	823764GT	LABEL, PBOX, S60X TIER 4	1
		(S-80X) Tier 4	
19	1256425GT	DECAL, DANGER, ELECTROCUTION HAZARD, SYMBOL	1
		(welder option)	
20	1267893GT	DECAL, TIPOVER HAZARD, S80X, SYM	1
		(S-80X) ANSI	
21	1267894GT	NEW SLOPE RATING DECAL SYMBOL	1
22	T112773GT	TAPE, PROTECTIVE MASK	2



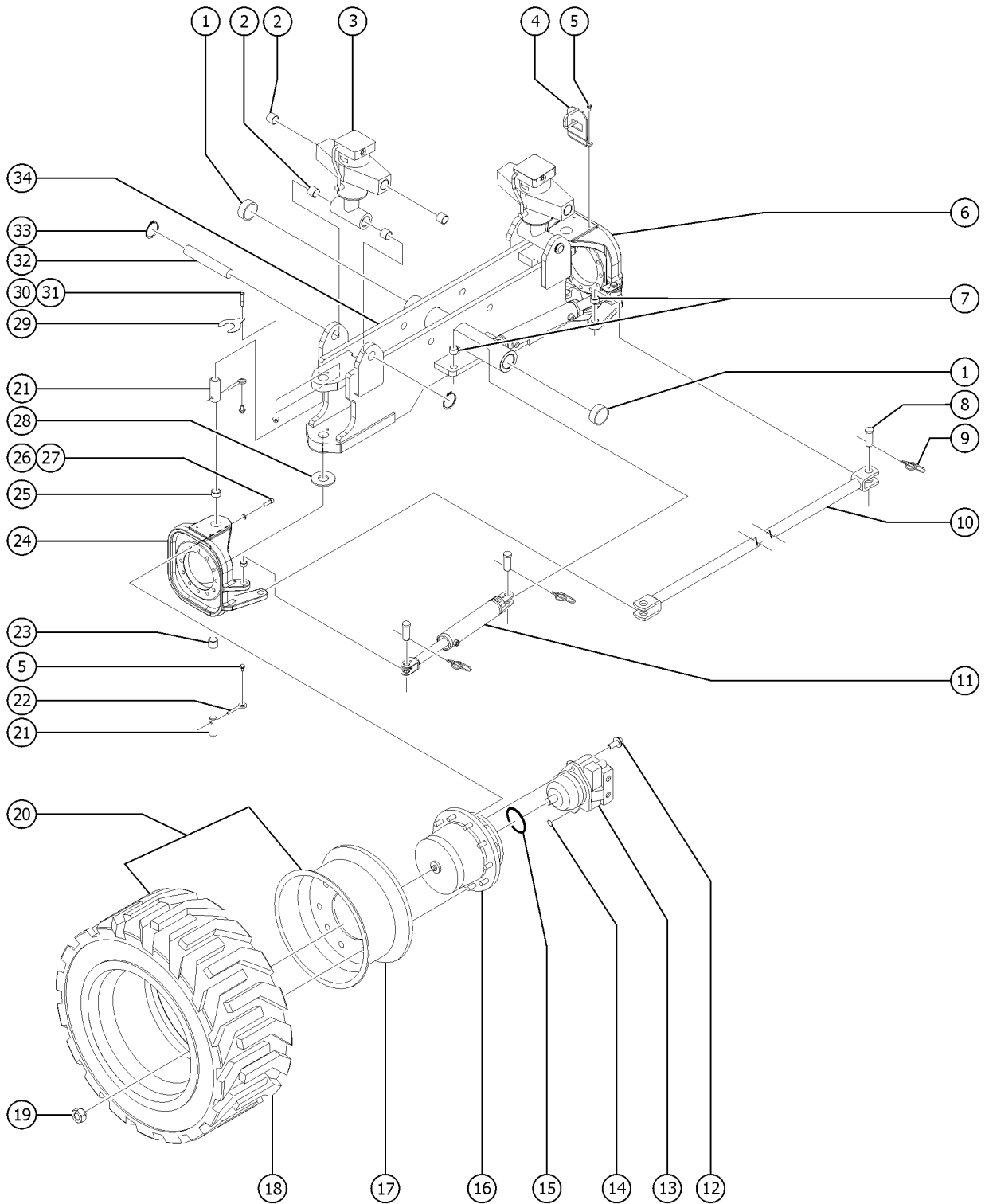
201.1 Steer End



Item	Part No.	Description	Qty.
1	27698GT	BEARING,2.50IDX2.75ODX2.00L	2
2	30221GT	BEARING,1.75IDX2.00ODX1.50LG	8
3	81330GT	CYLINDER,OSCILLATE***	2
3-	33428GT	VALVE,COUNTERBALANCE	
3-	43018GT	SEAL KIT (39345)	
3-	77519GT	SEAL KIT,OSC CYLINDER (81330)*	
4	1268563GT	WELDMENT, GUIDE BRACKET,YOKE	2
5	824089GT	SCREW,HHF,3/8-16X.75,8,ZAG	8
6	1269323GT	ASSY,S80YOKE,W/BEARINGS,RFLR,N	1
7	25817GT	BEARING,1.00IDX1.25ODX1.00L	6
8	19440GT	PIN,CLEVIS,1 X 2.5 LG	6
9	74389GT	RUE RING,1.00	6
10	1268565GT	WELDMENT, TIE ROD, S80, NDL	1
11	59370GT	CYLINDER,STEER	2
11-	88349GT	SEAL KIT,STEER CYL ***	
12	824134GT	SCREW,HHF,M12-1.75X30,DIN6921,	4
13	101070GT	MOTOR,PISTON,2 SPEED,45CC	2
		(4WD and High-flotation option)	
13-	106098GT	SEAL KIT,MOTOR,LC/KC***	
14	106117GT	O-RING,2-010,VITON	2
		(Mating O-ring for Brake Port)(Extremely small)	
15	106118GT	O-RING,2-157,VITON***	2
		(Motor to Hub O-ring)	
16	227775GT	WHEEL DRIVE,W/BRAKE 57.49:1	2
		4WD (Refer to 205.1)	
16B	227776GT	WHEEL DRIVE W/BRAKE 86.74:1	2
		High-flotation option (refer to 206.1)	
16C	227774GT	WHEEL DRIVE, IDLER	2
		2WD (Refer to 204.1)	
17	121270GT	WHEEL,HF,22.5 X 14.00	
		for 121281	
17B	121268GT	WHEEL,24.5 X 15.00	
		for 121286, 121287, 121271, 121272	
18	81164GT	TIRE,41/18LL X 22.5,14PR,TURF*	
		for 121281	
18B	101943GT	TIRE,18-625,16 PLY RT HBR,N-M	
		for 121271, 121272	
18C	88261GT	TIRE,18-625,16 PLY,RT HBR	
		for 121286, 121287	



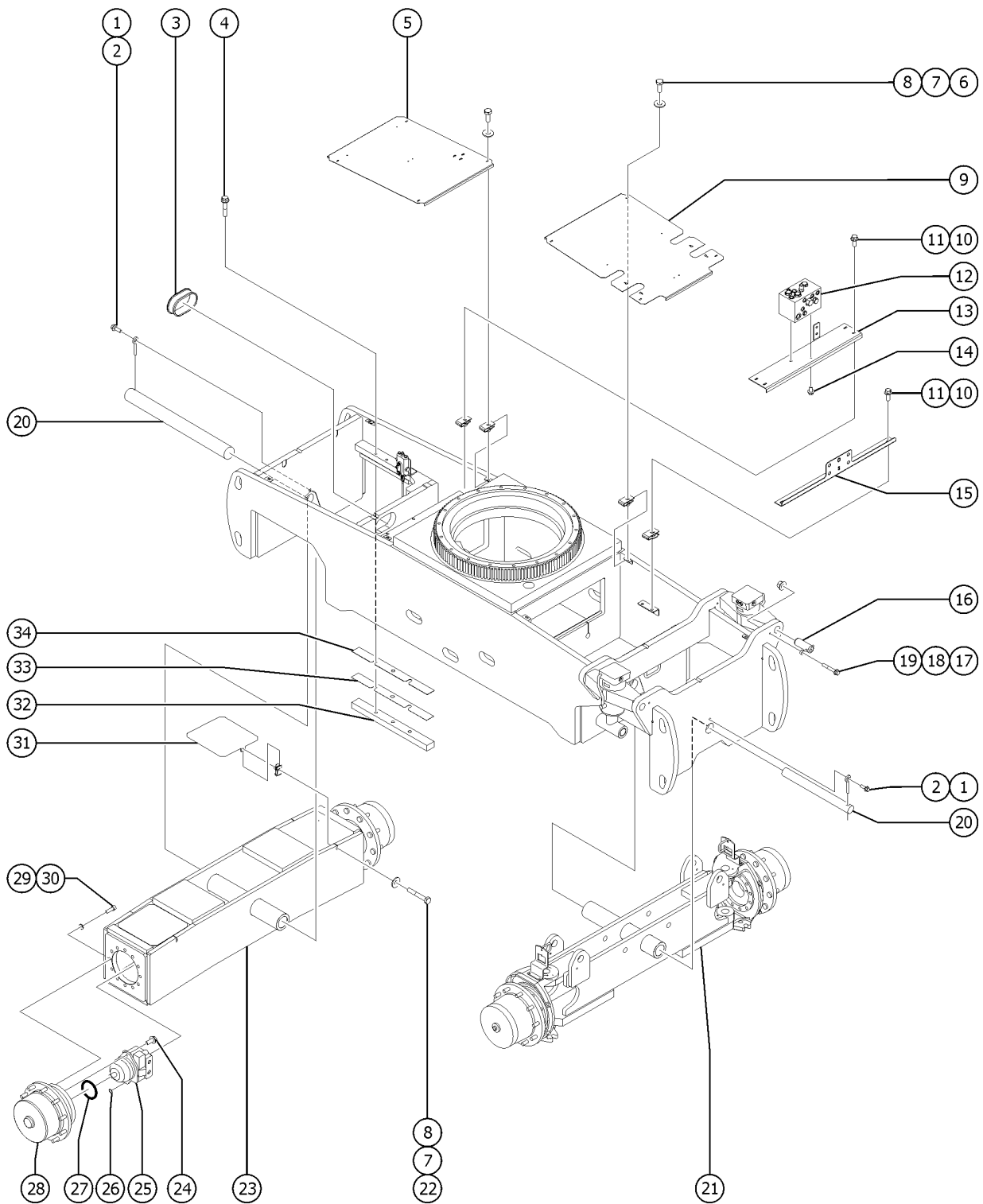
201.1 Steer End



Item	Part No.	Description	Qty.
19	1259931GT	NUT,LUG,3/4-16 X 7/8 RADIUS,ZA	44
20	121286GT	TIRE & WHEEL ASSY,RT LP FOAM,L	1
		RT, Foam-filled, left (11 holes)	
20-	121287GT	TIRE & WHEEL ASSY,RT LP FOAM,R	
		RT, Foam-filled, right (11 holes)	
20-	121271GT	TIRE & WHEEL ASSY,FOAM NM,LH	
		RT, Foam-filled, Non-marking, left	
20-	121272GT	TIRE & WHEEL ASSY,FOAM NM,RH	
		RT, Foam-filled, Non-marking, right	
20-	1263978GT	ASSY,TIRE,18/625,LH,EXMILE	
		RT, Foam-filled, left	
20-	1263979GT	ASSY,TIRE,18/625,RH,EXMILE	
		RT, Foam-filled, right	
20-	121281GT	ASSEMBLY,TIRE WHEEL,HF***** Turf, Air-filled (includes items 17-18). For air-filled turf-tire replacement only. Air-filled turf-tires are intended for use only on machines factory equipped with this option. Contact Genie Service for additional detail.	
21	30199GT	PIN,1.75 DIA X 4.50 LG, THREADED	4
22	825019GT	ROD END,.375 X 3.69, ZAG	4
23	119620GT	BEARING,1.75 ID X 2.00 OD X 1.50 L	2
24	1269321GT	ASSY,S80 YOKE W/BEARINGS,L,NDL	1
25	51144GT	BEARING,1.75 ID X 2.00 OD X 1.25 L	2
26	1269593GT	SCREW,SHC,M16-2.0 X 55,DIN912,12.9,ZAB	24
27	825348GT	WASHER,FLAT,M16,DIN6916,HRD,ZAB	24
28	60555GT	WASHER,THRUST 5 X 1.81 BRONZE	2
29	88241GT	SHIM,GALVANIZED STEER YOKE	2
30	1256856GT	SCREW,HHF,3/8-16 X 2.5,8,ZAG	2
31	824029GT	NUT,TL FLG,3/8-16,G,ZAG	2
32	121371GT	PIN,1.75 DIA X 10.50 LG,2 RING	2
33	825759GT	SNAP RING,EXTERNAL,1.75,ZAG	4
34	1269322GT	ASSY,STEER AXLE,W/BEARINGS,NDL	1



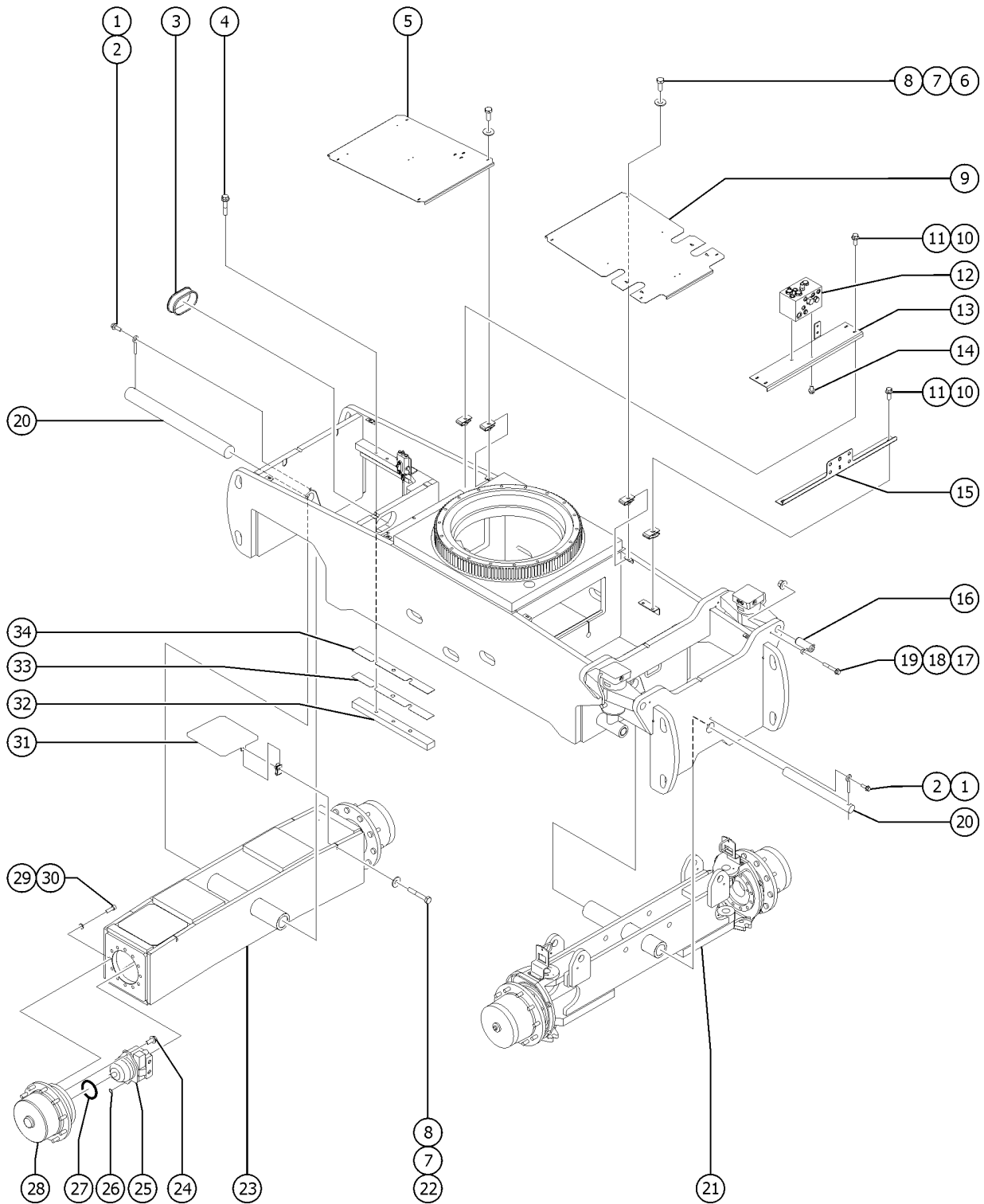
202.1 Axle Installation



Item	Part No.	Description	Qty.
1	1253498GT	SCREW,HHF,1/2-13X1.5,8,ZAG	2
2	30418GT	ROD END,0.5 X 3.75***	2
3	53387GT	GUARD, HOSE PROTECTOR	2
4	1255802GT	SCREW,HHF,1/2-13X2.5,8,ZAG	6
5	1268568GT	COVER, DRIVE CHASSIS, REAR,NDL	1
6	824059GT	SCREW,HHC,1/4-20X.75,8,ZAG	8
7	824113GT	WASHER,FLAT,1/4,USS,ZAG	12
8	56912GT	SPRING CLIP,1/4-20,.025-.15X.5	12
9	1268569GT	COVER, DRIVE CHASSIS, FRONT,ND	1
10	824090GT	SCREW,HHF,3/8-16X1,8,ZAG	6
11	29868GT	SPRING CLIP,3/8-16,.05-.20X.73,ZAG	6
12		Ref. Traction Manifold (refer to 701.1)	
13	1268570GT	FORMING, TRAC. CONT. MAN. BRKT	1
14	237830GT	SCREW,HHF,1/2-13X1,8,ZAG	2
15	1268571GT	FORMING, BULKHEAD BRKT, NDL	1
16	81498GT	PIN,1.75DIA X 4.50LG, THREADED	4
17	1256856GT	SCREW,HHF,3/8-16X2.5,8,ZAG	4
18	825019GT	ROD END,.375X3.69,ZAG	4
19	824029GT	NUT,TL FLG,3/8-16,G,ZAG	4
20	81378GT	PIN,2.50DIA X 27.63LG,1HOLE	2
21		Ref. Steer End (refer to 201.1)	
22	824063GT	SCREW, HHC, 1/4-20 X 1.75, 8, ZAG	4
23	1269319GT	ASSY, NON-STEER AXLE W/BEARINGS	1
24	824134GT	SCREW,HHF,M12-1.75X30,DIN6921,	4
25	101070GT	MOTOR,PISTON,2 SPEED,45CC (4WD and High-flotation option)	2
25B	121668GT	MOTOR,PISTON,2 SPEED,45CC/18CC (2WD models)	2
26	106117GT	O-RING,2-010,VITON (mating O-ring for brake port) (extremely small)	2
27	106118GT	O-RING,2-157,VITON*** (motor to Hub O-ring)	2



202.1 Axle Installation

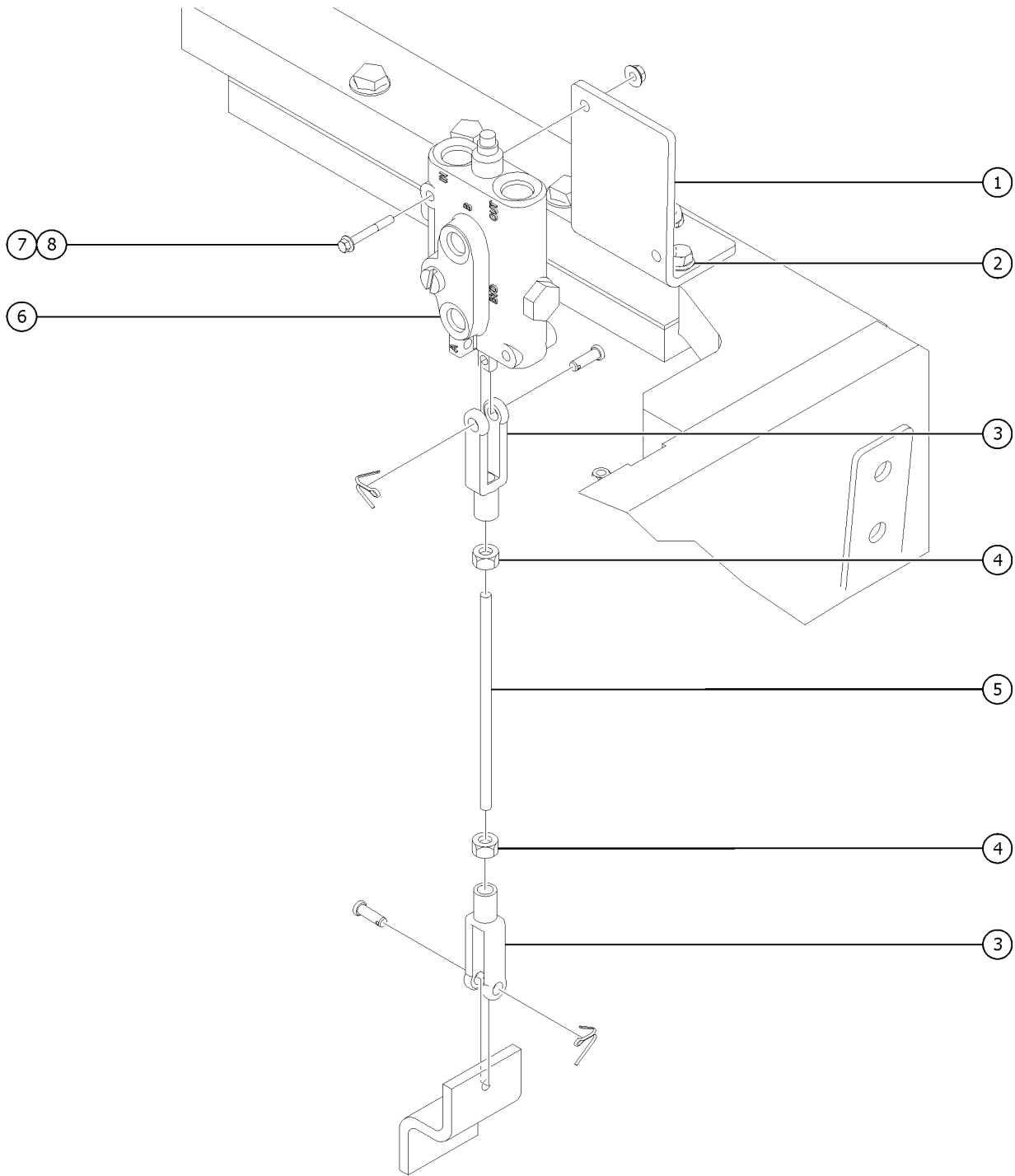


202.1 Axle Installation

<i>Item</i>	<i>Part No.</i>	<i>Description</i>	<i>Qty.</i>
28	227775GT	WHEEL DRIVE,W/BRAKE 57.49:1 (refer to 205.1)	2
28B	227776GT	WHEEL DRIVE W/BRAKE 86.74:1 (2WD and High-flotation option) (refer to 206.1)	2
29	1269593GT	SCREW,SHC,M16-2.0X55,DIN912,12.9,ZAB	24
30	825348GT	WASHER,FLAT,M16,DIN6916,HRD,ZAB	24
31	1268573GT	FORMING, COVER, REAR AXLE, NDL	2
32	1268574GT	BAR, AXLE ROTATION STOP, OSC,N	2
33	81609GT	SHIM,AXLE ROTATION STOP,22G	2
34	81610GT	SHIM,AXLE ROTATION STOP,16G	2



203.1 Oscillation Control Valve

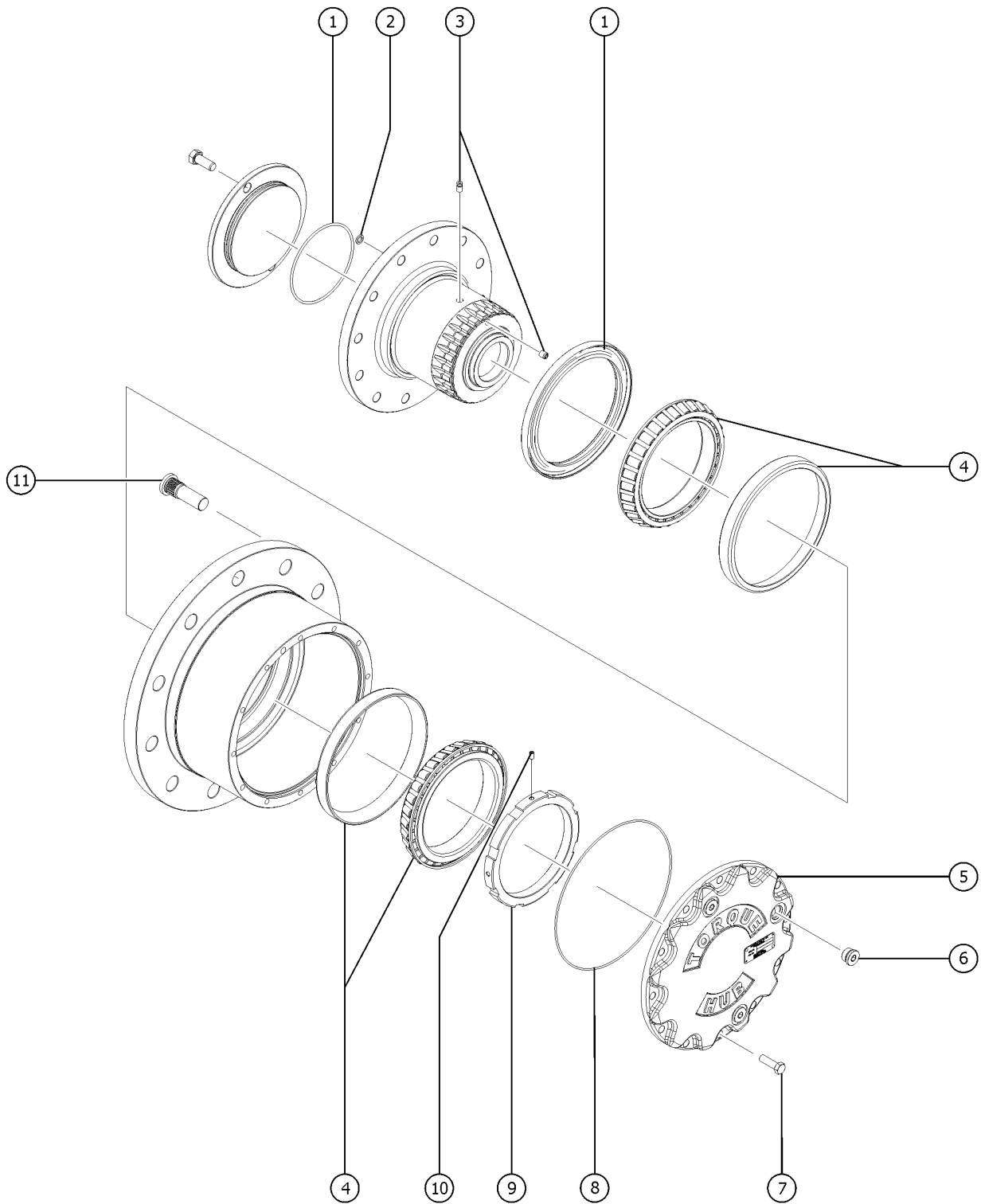


203.1 Oscillation Control Valve

<i>Item</i>	<i>Part No.</i>	<i>Description</i>	<i>Qty.</i>
1	1268575GT	FORMING, OSC. MANIFOLD MOUNT,N	1
2	824089GT	SCREW,HHF,3/8-16X.75,8,ZAG	2
3	21130GT	CLEVIS YOKE-1/4-28,PLTD W/PIN	2
		(Includes clevis pin and cotter pin)	
4	824041GT	NUT, 1/4-28, 8, ZAG	2
5	1268606GT	ROD,THREADED,1/4-28X6,ZAG	1
6	49768GT	VLV,MAN,3 POS/4 WAY,CLOSE CTR*	1
7	1253485GT	SCREW,HHF,1/4-20X2,8,ZAG	2
8	824027GT	NUT,TL FLG,1/4-20,G,ZAG	2



204.1 Hub Assembly - 2 WD Spindle

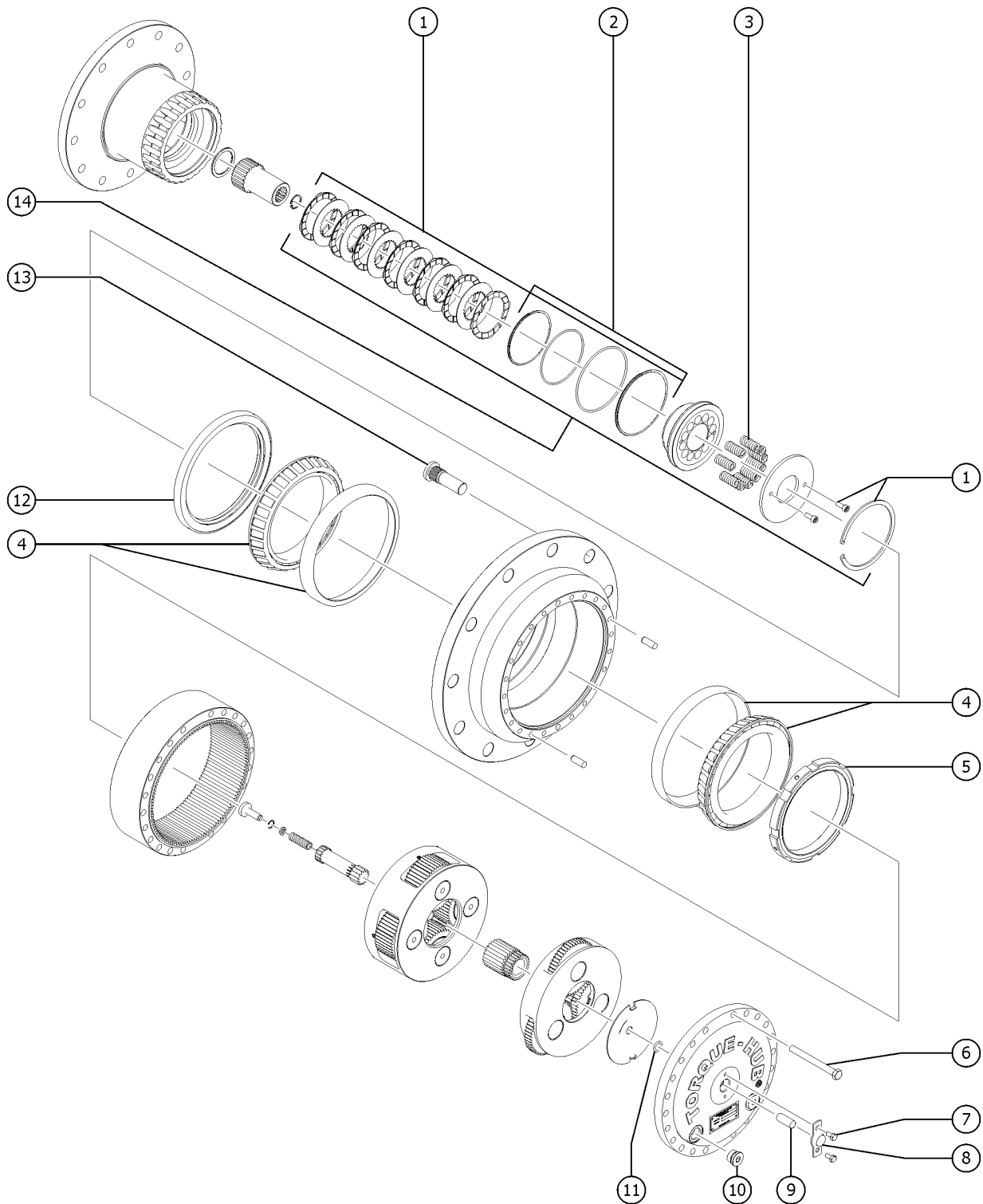


204.1 Hub Assembly - 2 WD Spindle

<i>Item</i>	<i>Part No.</i>	<i>Description</i>	<i>Qty.</i>
A	227774GT	WHEEL DRIVE, IDLER	1
1	T111507GT	SEAL KIT (121291)*** (Includes O-ring part 33990)	
2	235135GT	O-ring	1
3	235136GT	EXPANSION PLUG	2
4	235137GT	BEARING, TAPERED - ASSY	2
5	122460GT	COVER PLATE (121351)	1
6	58237GT	PLUG,TORQUE HUB,DRAIN***	3
7	235138GT	BOLT,HEX-UNC(.375-16,1.25g)	12
8	33990GT	O-RING, TORQUE HUB COVER	1
		(part of seal kit T111507)	
9	146051GT	BEARING NUT***	1
10	146052GT	SET SCREW***	1
11	33441GT	STUD,WHEEL,3/4-16, (34115)	11



205.1 Drive Hub Assembly with Brake - Type 1

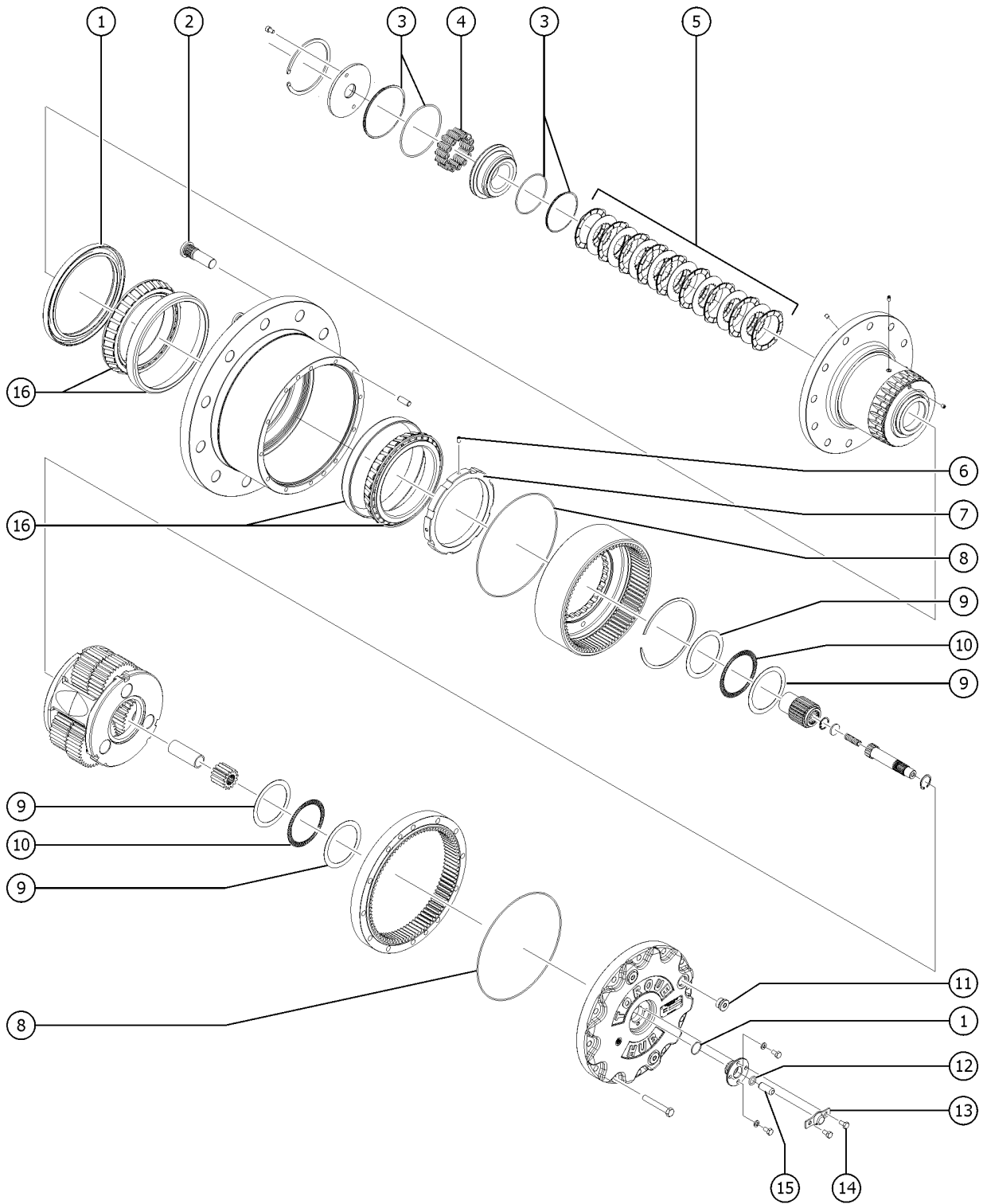


205.1 Drive Hub Assembly with Brake - Type 1

Item	Part No.	Description	Qty.
-	227775GT	WHEEL DRIVE,W/BRAKE 57.49:1 (shown)	
-	215623GT	SEAL KIT (227775) for 227775	
-	9990046GT	COVER, PLATE for 227775	
-	9990109GT	O-RING, NBR70 for 9990046	
-	1286605GT	BEARING KIT,WHEEL DRIVE W/BRAKE (227775) for 227775	
1	235133GT	Brake Lining Kit	1
2	235139GT	Brake Seal Kit	1
3	235140GT	Spring Kit	1
4	235137GT	BEARING, TAPERED - ASSY	2
5	146051GT	BEARING NUT***	1
6	235151GT	BOLT,HEX-UNC(.375-16)	22
7	111362GT	BOLT,WHEEL DRIVE CAP(106122)	2
8	106122GT	CAP,DISENGAGE,4HP/4HB***	1
9	235152GT	DISENGAGE, ROD	1
10	235153GT	PIPE PLUG, MAGN	2
11	111363GT	O-RING,DISCONNECT ROD (111060)	1
12	215623GT	SEAL KIT (227775) for 227775 (inventory limited to stock on hand as component is no longer available)	
12	1286604GT	SEAL KIT,WHEEL DRIVE W/BRAKE (227775) for 227775	
13	33441GT	STUD,WHEEL,3/4-16, (34115)	11
14	235150GT	Brake Replacement Kit	1



206.1 Drive Hub Assembly with Brake - Type 2

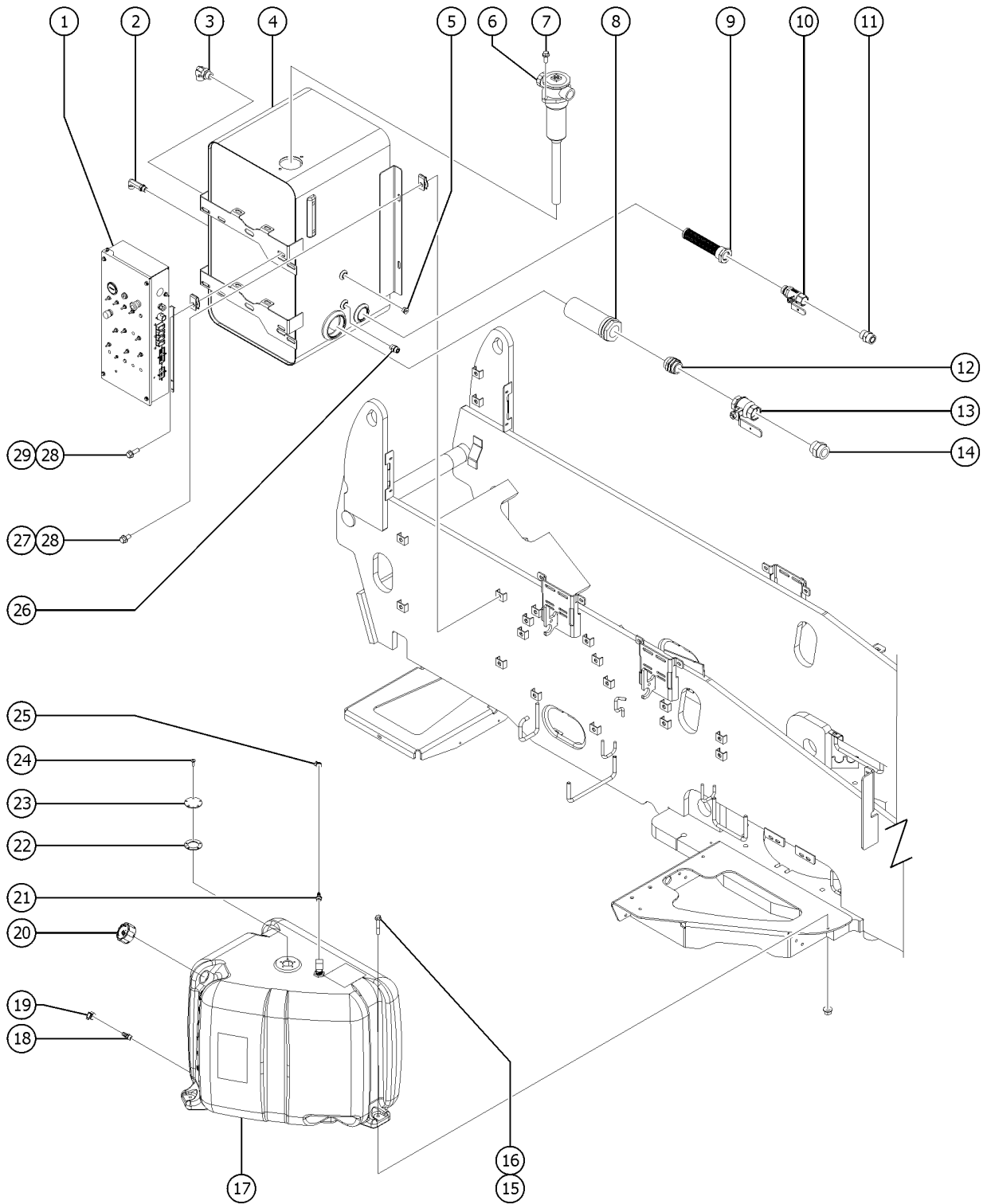


206.1 Drive Hub Assembly with Brake - Type 2

Item	Part No.	Description	Qty.
A	227776GT	WHEEL DRIVE W/BRAKE 86.74:1	
1	T111507GT	SEAL KIT (121291)*** (Includes items 8 and 12)	1
2	33441GT	STUD,WHEEL,3/4-16, (34115)	11
3	106125GT	SEAL KIT, BRAKE, 4HP (inventory limited to stock on hand as component is no longer available)	
3	1286602GT	SEAL KIT,WHEEL DRIVE W/BRAKE (101584/101585)	
4	122879GT	SPRING KIT (121291)	1
5	122878GT	BRAKE LINING KIT (121291)	1
6	146052GT	SET SCREW***	1
7	146051GT	BEARING NUT***	1
8	33990GT	O-RING, TORQUE HUB COVER	2
		(part of seal kit T111507)	
9	58999GT	WASHER,THRUST,(33434)**	4
10	65846GT	BEARING,THRUST WASHER***	2
11	58237GT	PLUG,TORQUE HUB,DRAIN***	3
12	111363GT	O-RING,DISCONNECT ROD (111060)	1
		(part of seal kit T111507)	
13	106122GT	CAP,DISENGAGE,4HP/4HB***	1
14	235154GT	BOLT,HEX-UNC(.250-20, .500G)	4
15	235152GT	DISENGAGE, ROD	1
16	235137GT	BEARING, TAPERED - ASSY	2



301.1 Hydraulic and Fuel Tanks - Diesel Models

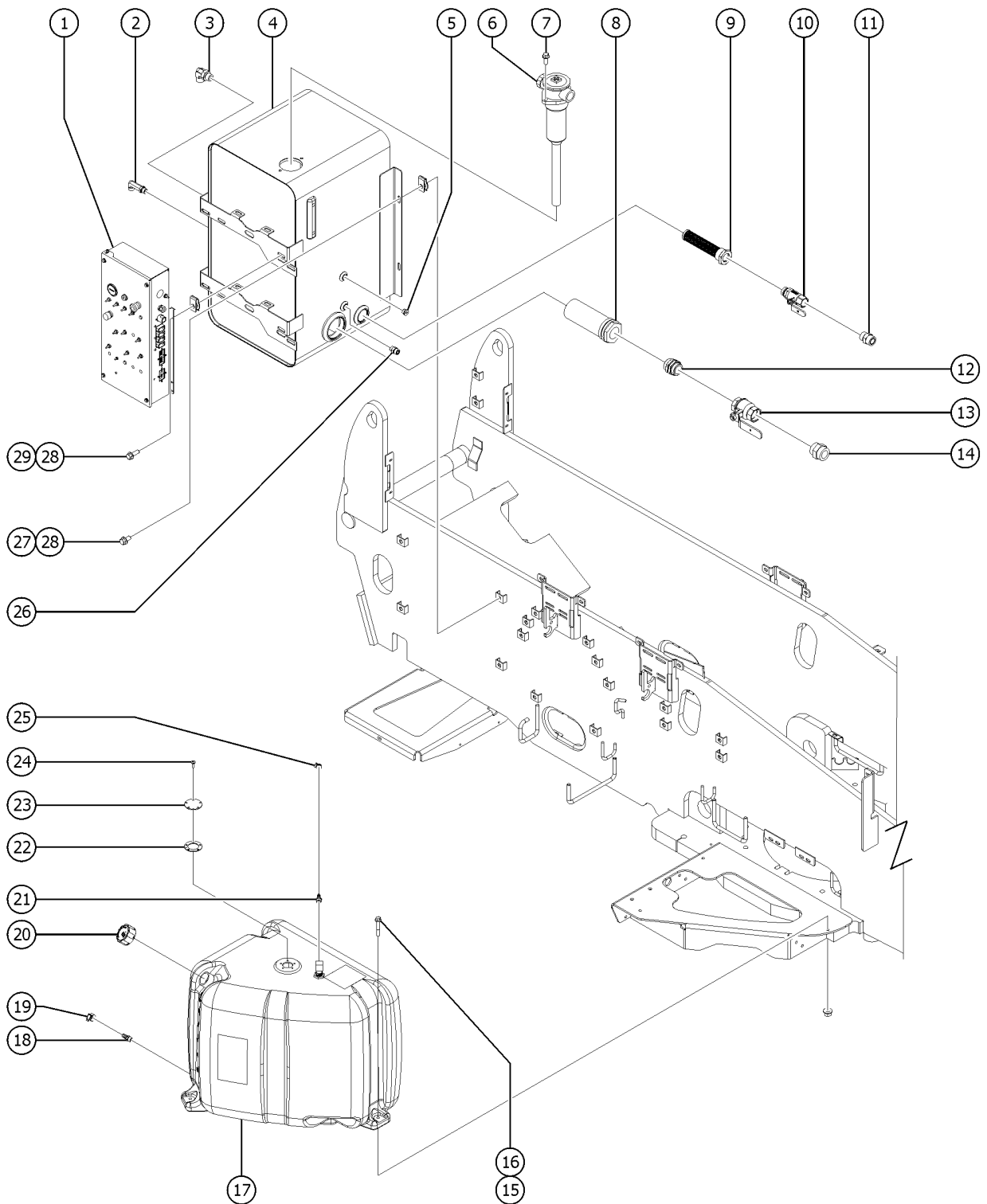


301.1 Hydraulic and Fuel Tanks - Diesel Models

Item	Part No.	Description	Qty.
1		Ref. GROUND CONTROL BOX (refer to 308.1, 309.1 or 310.1)	1
2	75614GT	ELBOW,90D,LONG,521520-8	1
3	48959GT	ELBOW,90D,520220-12	1
4	111578GT	TANK, HYDRAULIC 40 GAL	1
4-	21141GT	GAUGE-SIGHT,LHA-LGTB***	
5	59371GT	PLUG, HEX SOCKET, 090109B-8*	1
6	110345GT	FILTER ASSY,INTANK	1
6A-	147223GT	SEAL,FILTER LID	
6B	77353GT	KIT,ELEMENT**	
6B-	94526GT	GASKET,RETURN FILTER-77353	
6B-	77354GT	FILTER LID,RFM165	
6B-	77365GT	BREATHER CAP,RFM165	
6B-	88917GT	FILTER,ELEMENT,BETA(10)=200	
7	824090GT	SCREW,HHF,3/8-16X1,8,ZAG	2
8	75257GT	STRAINER ASSY,#24 O-RING	1
9	101490GT	STRAINER,16 SAE F/24 SAE M	1
10	48996GT	VALVE,BALL,16 MSAE-16 FSAE***	1
11	48984GT	CONN,520120-16	2
12	75254GT	UNION,STR.THREAD 24***	1
13	75256GT	VALVE BALL,24 FSAE-24 FSAE***	1
14	61083GT	CONN,520120-24	1
15	1253478GT	SCREW,HHF,3/8-16X2,8,ZAG	3
16	824029GT	NUT,TL FLG,3/8-16,G,ZAG	3
17	1274331GT	ASSY, FUEL TANK, 35GAL, DIESEL	1
17-	54324GT	FITTING,BULKHEAD,3/8NPT,FUELTK	
17-	823356GT	TUBE,FUEL RETURN,3/8X3/8X23.5	
18	824471GT	FITTING,3/8 NPT TO 1/2 BARB	1
19	46131GT	CLAMP,HOSE,.63" - 1.0" X .5"	1



301.1 Hydraulic and Fuel Tanks - Diesel Models

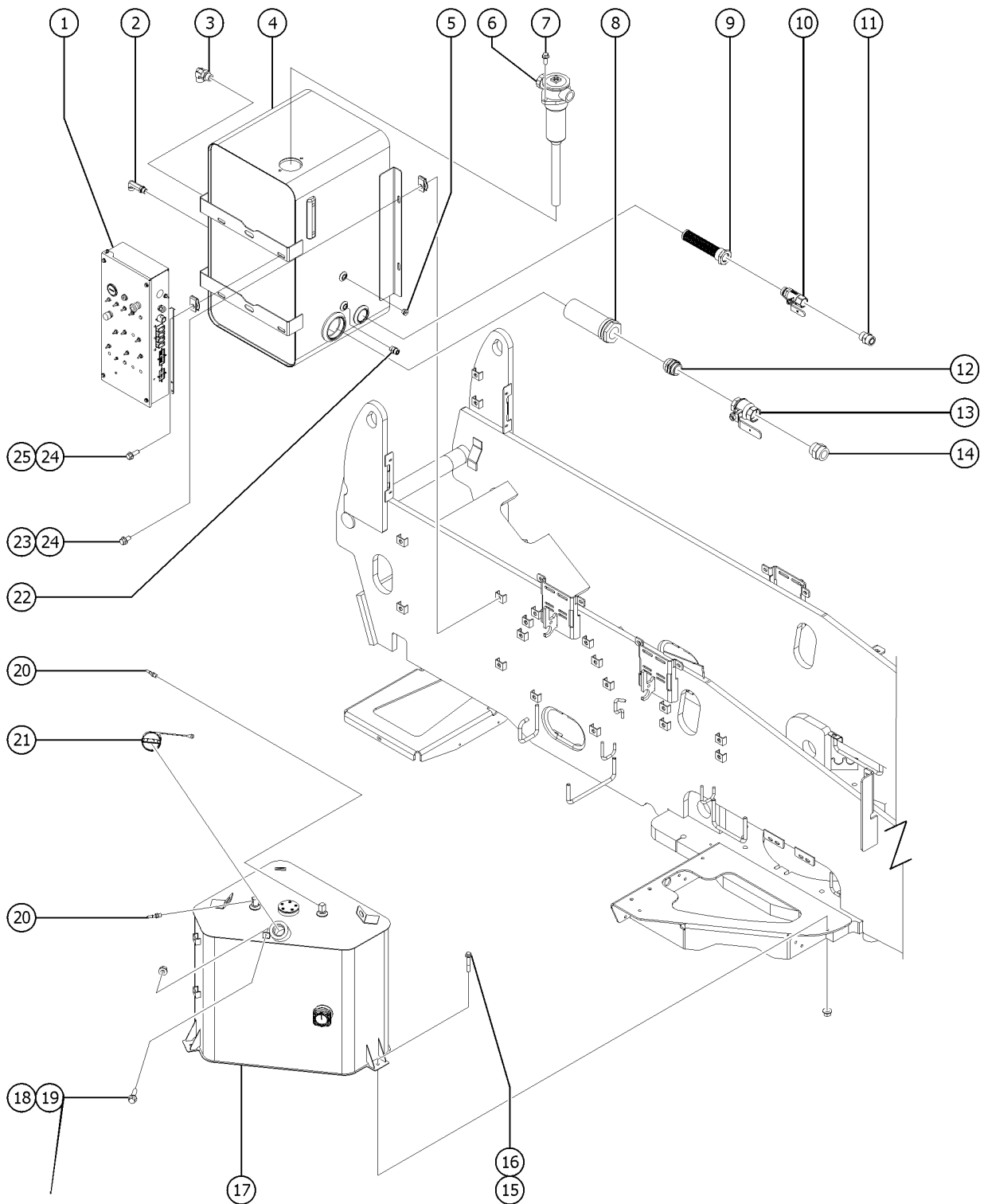


301.1 Hydraulic and Fuel Tanks - Diesel Models

<i>Item</i>	<i>Part No.</i>	<i>Description</i>	<i>Qty.</i>
20	101726GT	CAP,FUEL,DIESEL,1/8"VENT(GRN)	1
21	27901GT	HOSE END,BARBED,RIGID,-6-6	1
22	1271773GT	GASKET, TANK, FUEL SENSOR	1
23	1271772GT	CAP, TANK, FUEL SENSOR	1
24	1251757GT	SCREW,PHPM,10-32X.50,ZAG	5
25	81154GT	CLAMP,HOSE,SIZE .31 > .91	1
26	48933GT	CONN,520120-8***	1
27	824089GT	SCREW,HHF,3/8-16X.75,8,ZAG	4
28	29868GT	SPRING CLIP,3/8-16,.05-.20X.73,ZAG	8
29	121419GT	SCREW,HHF,1/4-20 X .75	4



302.1 Hydraulic and Fuel Tanks - Gasoline/LPG Models

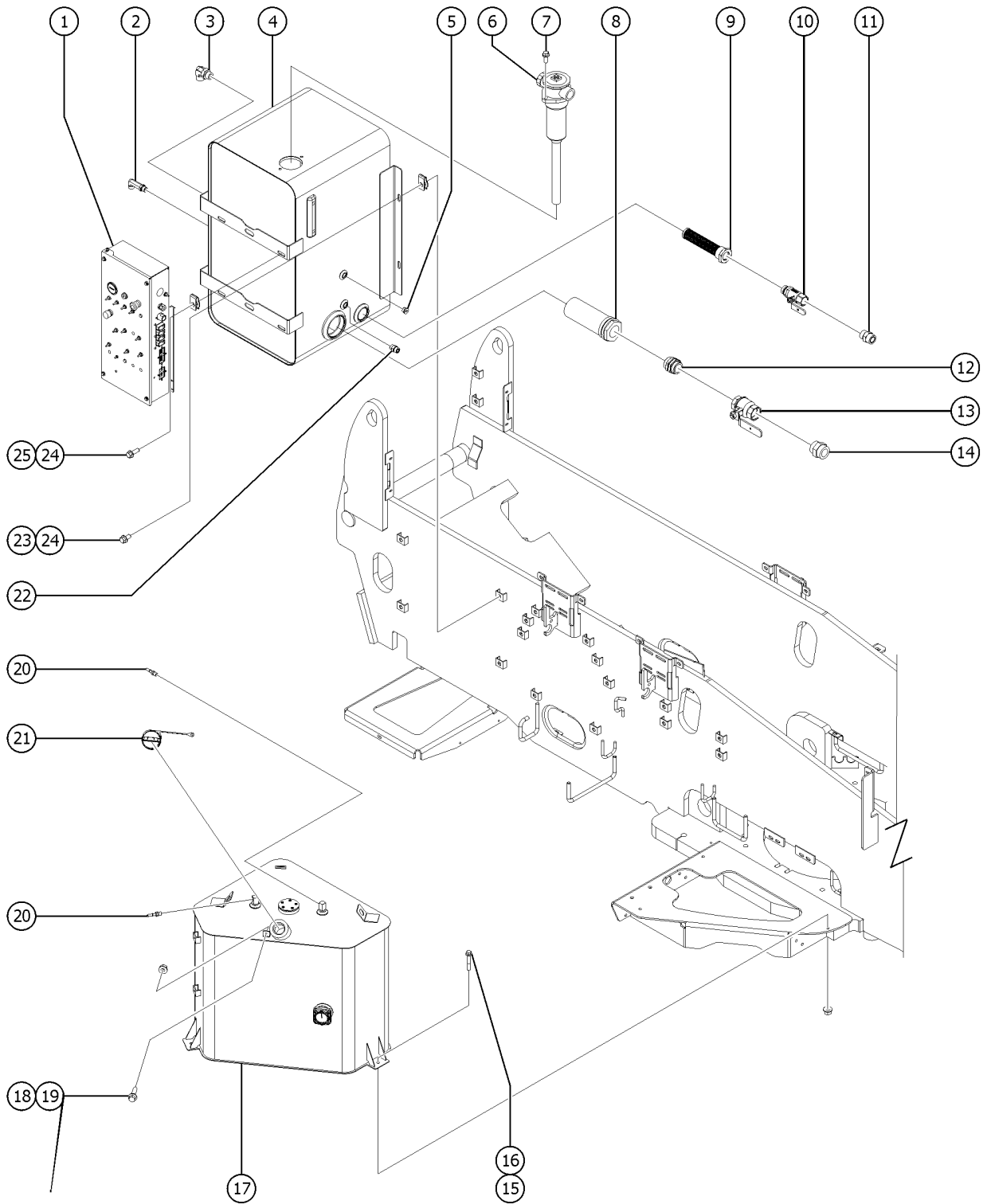


302.1 Hydraulic and Fuel Tanks - Gasoline/LPG Models

Item	Part No.	Description	Qty.
1		Ref. GROUND CONTROL BOX (refer to 308.1, 309.1 or 310.1)	1
2	75614GT	ELBOW,90D,LONG,521520-8	1
3	48959GT	ELBOW,90D,520220-12	1
4	111578GT	TANK, HYDRAULIC 40 GAL	1
4A-	21141GT	GAUGE-SIGHT,LHA-LGTB***	
5	59371GT	PLUG, HEX SOCKET, 090109B-8*	1
6	110345GT	FILTER ASSY,INTANK	1
6A-	147223GT	SEAL,FILTER LID	
6B	77353GT	KIT,ELEMENT**	
6B-	94526GT	GASKET,RETURN FILTER-77353	
6B-	77354GT	FILTER LID,RFM165	
6B-	77365GT	BREATHER CAP,RFM165	
6B-	88917GT	FILTER,ELEMENT,BETA(10)=200	
7	824090GT	SCREW,HHF,3/8-16X1,8,ZAG	2
8	75257GT	STRAINER ASSY,#24 O-RING	1
9	147419GT	KIT,STRAINER REPLACEMENT	1
10	48996GT	VALVE,BALL,16 MSAE-16 FSAE***	1
11	48984GT	CONN,520120-16	2
12	75254GT	UNION,STR.THREAD 24***	1
13	75256GT	VALVE BALL,24 FSAE-24 FSAE***	1
14	61083GT	CONN,520120-24	1
15	1253478GT	SCREW,HHF,3/8-16X2,8,ZAG	3
16	824029GT	NUT,TL FLG,3/8-16,G,ZAG	3
17	146415GT	TANK ASSY, GAS, 30 GAL.	1
17-	49826GT	SCREW,PHILLIPS,PHM,10-32 X.625	
17-	146552GT	PLATE, COVER, FUEL LEVEL SNDR	
17-	146551GT	GASKET, FUEL LEVEL SENDER, Z80	
17-	146413GT	GAUGE, FUEL LEVEL, 20/30 GAL	



302.1 Hydraulic and Fuel Tanks - Gasoline/LPG Models

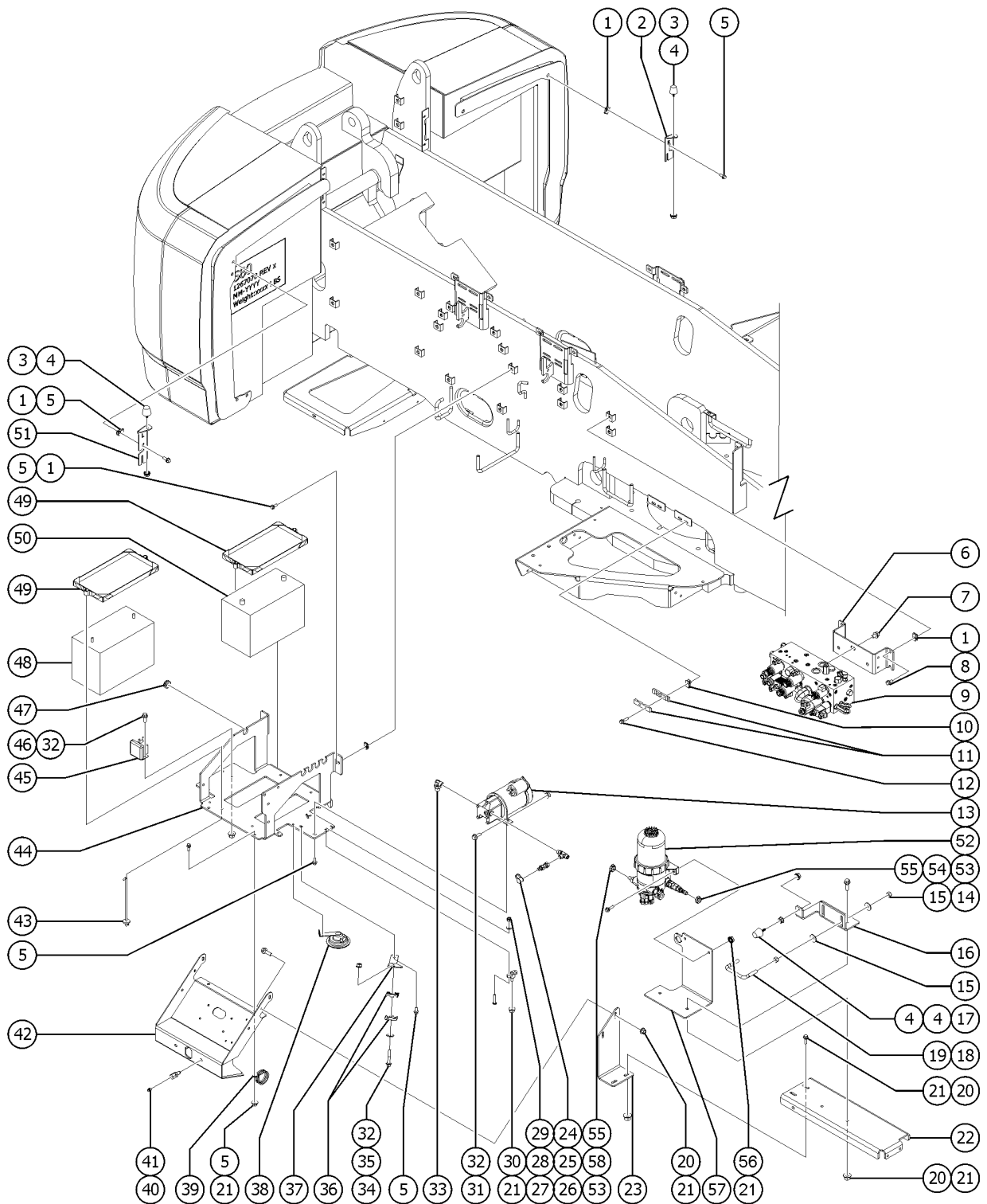


302.1 Hydraulic and Fuel Tanks - Gasoline/LPG Models

<i>Item</i>	<i>Part No.</i>	<i>Description</i>	<i>Qty.</i>
17-	146417GT	ASSY, FUEL PICKUP TUBE	
18	824079GT	SCREW,HHF,1/4-20X1,8,ZAG	1
19	824027GT	NUT,TL FLG,1/4-20,G,ZAG	1
20	111818GT	FITTING,1/4 NPT X SAE J2044	2
21	119918GT	CAP,FUEL,GASOLINE 3.5PSI	1
22	48933GT	CONN,520120-8***	1
23	824089GT	SCREW,HHF,3/8-16X.75,8,ZAG	4
24	29868GT	SPRING CLIP,3/8-16,.05-.20X.73,ZAG	8
25	121419GT	SCREW,HHF,1/4-20 X .75	4



303.1 Hydraulic Tank Side Components

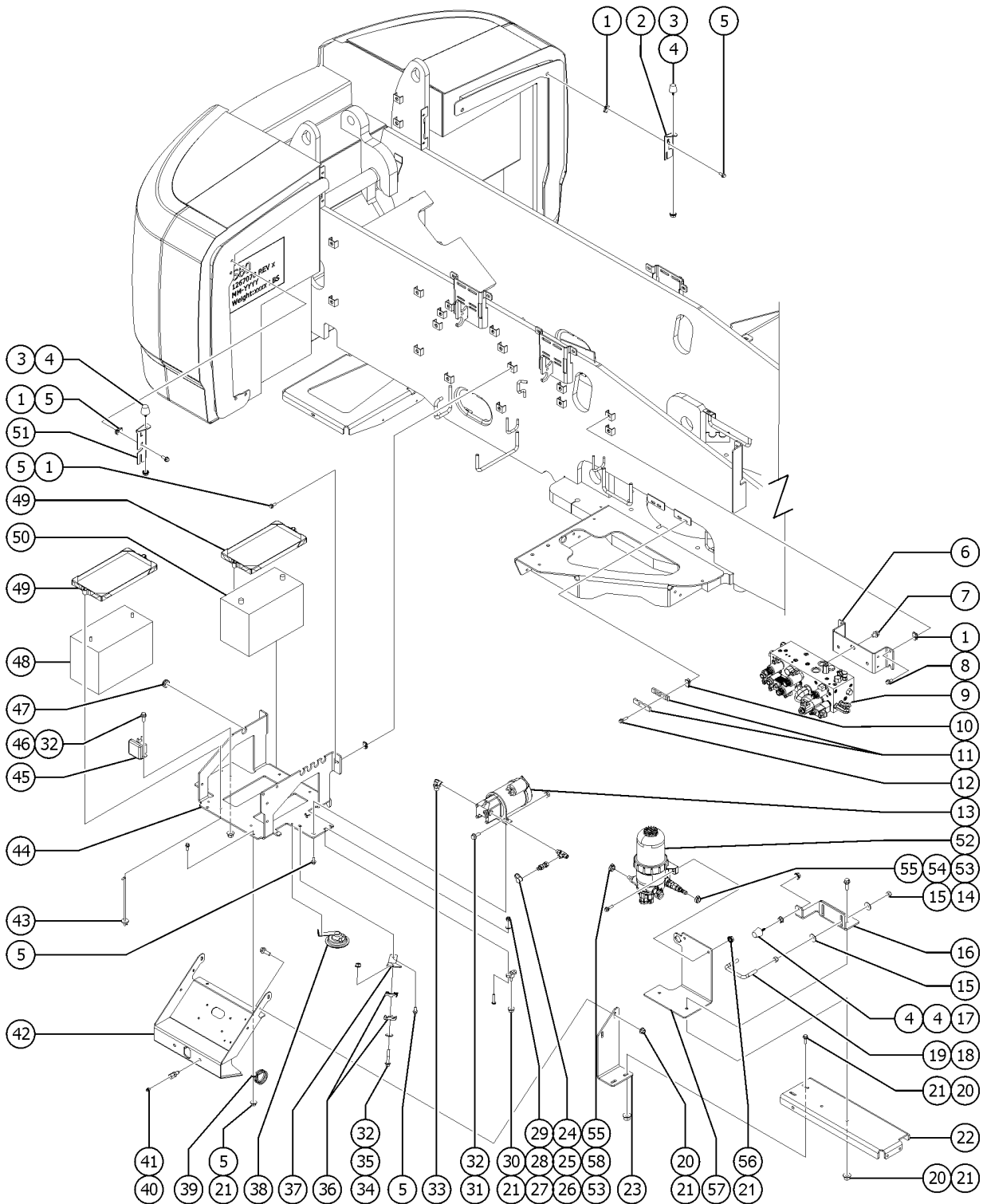


303.1 Hydraulic Tank Side Components

Item	Part No.	Description	Qty.
1	29868GT	SPRING CLIP,3/8-16,.05-.20X.73,ZAG	16
2	1272230GT	FORMING,BRKT,ENGINE COVER	2
3	30973GT	BUMPER,RUBBER-1 X 1.25	4
4	1255805GT	NUT,SERRATED,5/16-18,8,ZAG	6
5	824090GT	SCREW,HHF,3/8-16X1,8,ZAG	18
6	121687GT	FORMING,MANIFOLD MOUNT	1
7	1257454GT	SCREW,HHF,1/2-13X.75,8,ZAG	3
8	824089GT	SCREW,HHF,3/8-16X.75,8,ZAG	4
9		Ref. FUNCTION MANIFOLD	1
		(refer to 706.1)	
10	56912GT	SPRING CLIP,1/4-20,.025-.15X.5	4
11	121690GT	CLAMP,HALF,HARDLINE,3/8	4
12	824079GT	SCREW,HHF,1/4-20X1,8,ZAG	4
13	146180GT	ASSEMBLY, AUX POWER UNIT, 12VDC	1
13A-	1264969GT	MOTOR, 12VDC, I-TERMINAL	
13A-	146181GT	SOLENOID, APU	
13A-	146182GT	GROUND WIRE,SOLENOID	
13A-	37187GT	SEAL KIT, 37185 PUMP	
13A-	37192GT	COUPLER, PUMP / MOTOR (36179)	
13A-	58489GT	PUMP ASSY,AUX.POWER UNIT 89617	
13A-	62414GT	SEAL, SHAFT, 60511 APU	
13B	81535GT	HARNESS,BATT.+ TO APU SOLENOID	
13B-	81536GT	HARNESS,APU GND TO ENGINE BLCK	
14	1255804GT	NUT,JAM,1/2-13,A,ZAG	2
15	1255760GT	WASHER,FLAT,1/2,USS,ZAG	4
16	1267071GT	FORMING,BRACKET,LATCH	1
17	1261277GT	RUBBER BUMPER, 1.25 X 1.25 IN	1
18	1259855GT	UBOLT, 0.4724 IN D X 4.0 IN L	1
19	1259106GT	NUT,1/2-13,8,ZAG	2



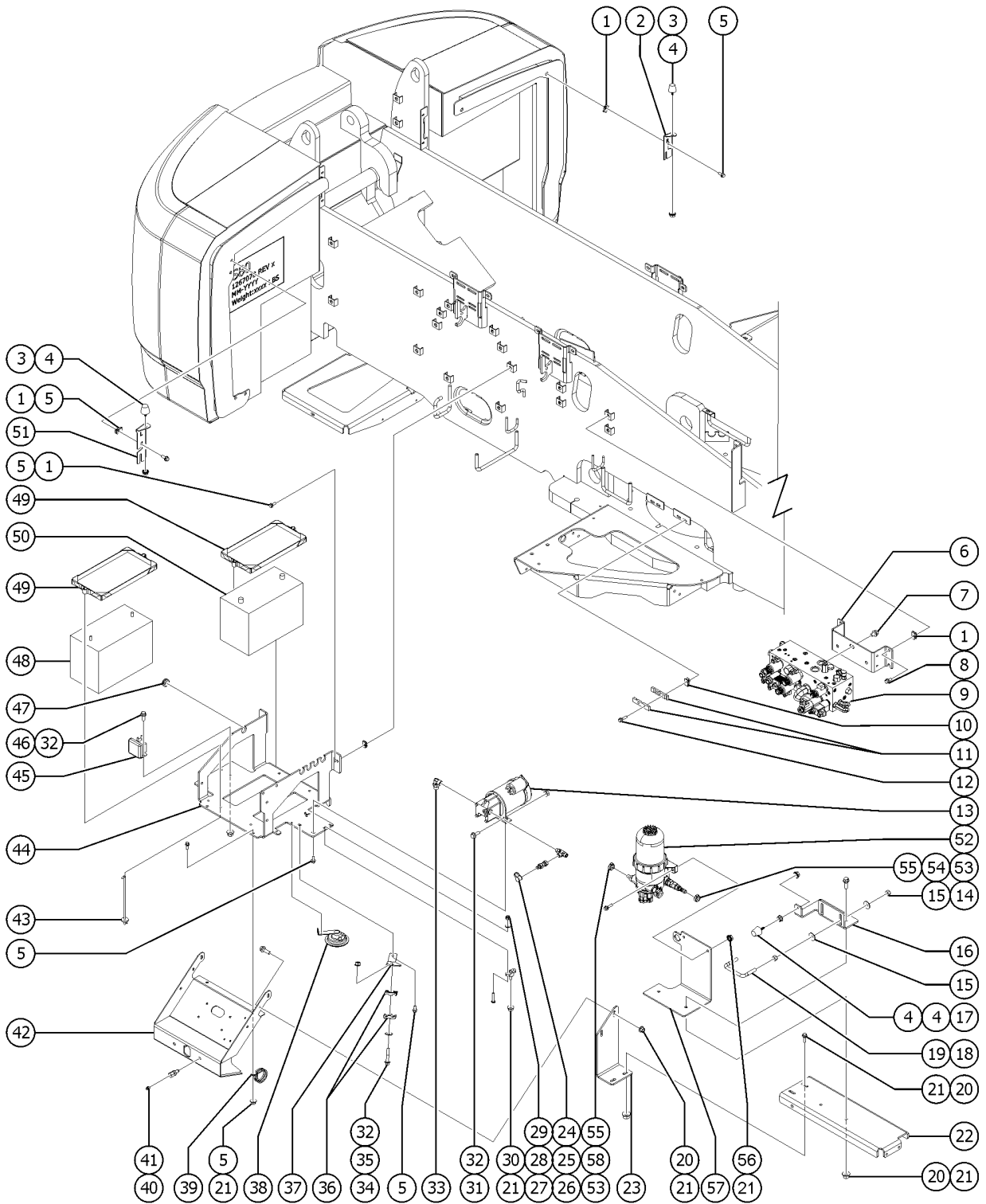
303.1 Hydraulic Tank Side Components



Item	Part No.	Description	Qty.
20	824091GT	SCREW,HHF,3/8-16X1.25,8,ZAG	8
21	824029GT	NUT,TL FLG,3/8-16,G,ZAG	13
22	1267072GT	FORMING,BRACKET,LATCH	1
23	1267073GT	FORMING,BRACKET,LATCH	1
24	48918GT	TEE,RUN,520428-6	1
25	48867GT	NIPPLE,DIAGNOSTIC	1
26	48880GT	CAP,DIAGNOSTIC NIPPLE	1
27	6178GT	NUT,NYLOCK,10-32	2
28	1253185GT	WASHER,FLAT,#10,USS,ZAG	2
29	75041GT	SCREW,PHILLIPS,PHM,10-32 X 1	2
30	94982GT	STANDOFF, 3/8" BLACK	1
31	121419GT	SCREW,HHF,1/4-20 X .75	1
32	824027GT	NUT,TL FLG,1/4-20,G,ZAG	5
33	48932GT	FITTING,ELBOW,90D,520220-8***	1
34	824081GT	SCREW,HHF,1/4-20X1.5,8,ZAG	1
35	824113GT	WASHER,FLAT,1/4,USS,ZAG	1
36	78736GT	CLAMP,2 HOSE,PLASTIC,5/8	2
37	219392GT	FORMING, BAT CABLE GUIDE	1
38	81578GT	HORN,12VDC,SPADE TERMINALS***	1
39	61745GT	CLAMP,2.25,#36 X 3/8,RUB CUSH	1
40	28646GT	ZERK,GREASE,1/8 NPT	1
41	48885GT	CONNECTOR,BULKHEAD,FEMALE-4	1
42	1267382GT	WELDMENT, HOOD LATCH MOUNT	1
43	45708GT	HOOK,BATT HOLD DOWN,10"	4
44	1274198GT	FORMING, BATTERY TRAY, NDL	1
45	237068GT	SEPARATOR,DUAL BATTERY,100A	1
45-	214393GT	KIT, BATT SEPARATOR, ANSI/CSA	
45-	215209GT	KIT, BATT SEPARATOR, CE	



303.1 Hydraulic Tank Side Components

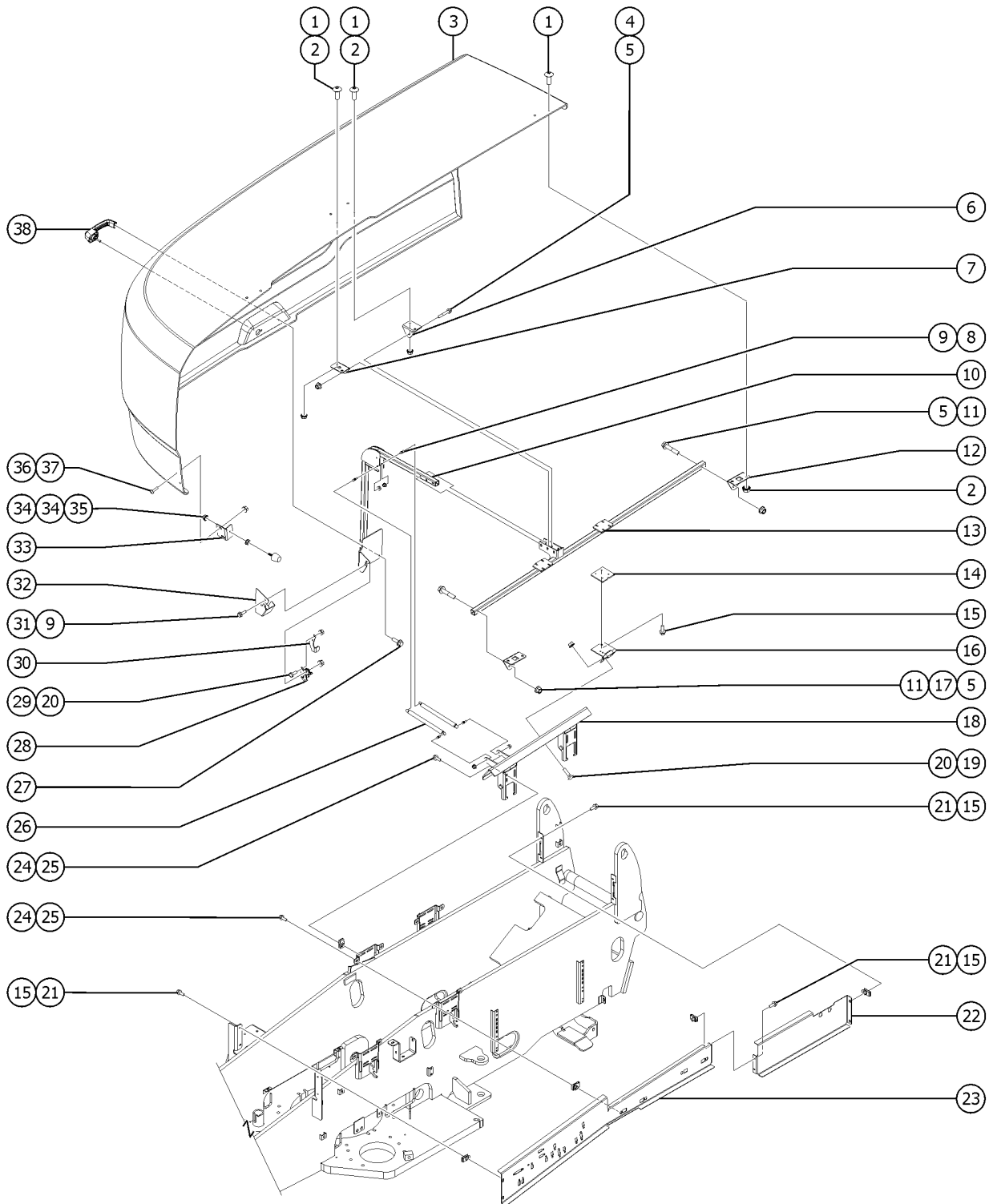


303.1 Hydraulic Tank Side Components

<i>Item</i>	<i>Part No.</i>	<i>Description</i>	<i>Qty.</i>
45-	215210GT	KIT, BATT SEPARATOR, AS	
46	824078GT	SCREW,HHF,1/4-20X.75,8,ZAG	3
47	104570GT	GROMMET,RUBBER .688 X .25 X 1	5
48	77694GT	BATTERY,12V DEEP CYC 5/16"STUD	1
48-	824029GT	NUT,TL FLG,3/8-16,G,ZAG	
49	30144GT	BATTERY HOLD DOWN,GROUP 31	2
50	1255113GT	START BATTERY,HC110 AGM,1100CCA	1
51	1272231GT	FORMING,BRKT,TANK COVER	2
52	1286335GT	PRE-FILTER,FUEL,DEUTZ TD2.9,FH23841	1
53	822087GT	CLAMP,HOSE,1EAR,25/32	2
54	824635GT	FITTING,STR,1/2 HS X 3/4-16,JI	1
55	162209GT	FITTING,CONN,16MM-8MJ	1
56	824092GT	SCREW, HHF, 3/8-16 X 1.5, 8, ZAG	2
57	1286388GT	FORMING, PRE-FILTER BRACKET	1
58	162207GT	FITTING,ELBOW,8GS-8FJX90S	1



304.1 Turntable Covers - Hydraulic Tank Side

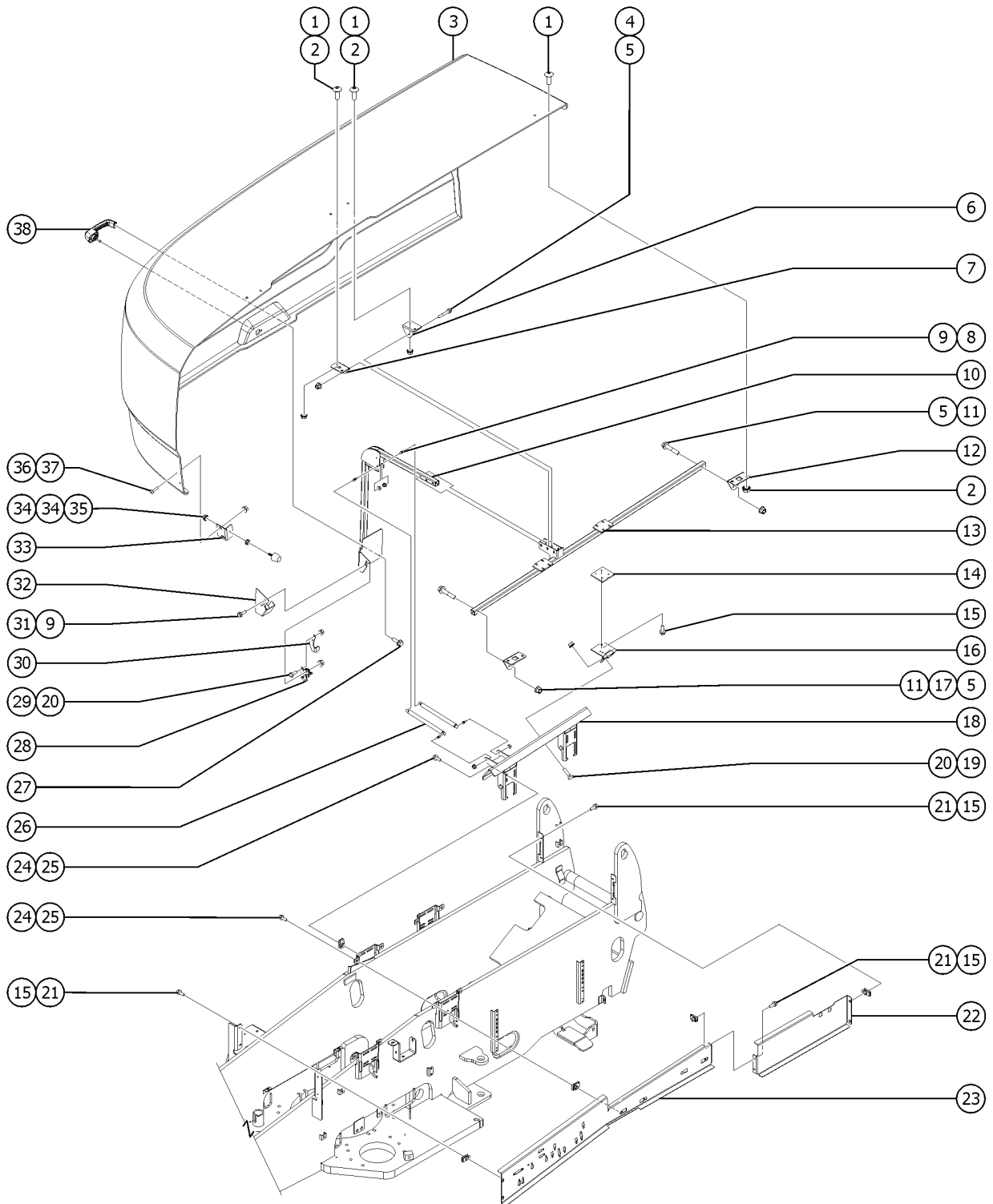


304.1 Turntable Covers - Hydraulic Tank Side

Item	Part No.	Description	Qty.
1	1261836GT	SCREW,THM,TORX,3/8-16X1,SS	8
2	1257628GT	NUT,SERRATED,3/8-16,ZAG	8
3	1253265GT	COVER, SWING CHASSIS, TS	1
4	1256856GT	SCREW,HHF,3/8-16X2.5,8,ZAG	3
5	824029GT	NUT,TL FLG,3/8-16,G,ZAG	5
6	1274826GT	MOUNT,COVER SUPPORT,CTR 93 DEG	1
7	1274827GT	MOUNT, COVER SUPPORT CTR 86DEG	1
8	33555GT	BALL STUD**	4
9	824028GT	NUT,TL FLG,5/16-18,G,ZAG	6
10	1266895GT	WLDMT, LOWER COVER SUPPORT	1
11	1253478GT	SCREW,HHF,3/8-16X2,8,ZAG	2
12	1258723GT	MOUNT, COVER SUPPORT FRONT	1
13	1266897GT	WLDMT,HIGHER COVER SUPPORT,TS	1
14	1258724GT	SUPPORT, TAPPED HINGE	2
15	824078GT	SCREW,HHF,1/4-20X.75,8,ZAG	12
16	1266902GT	HINGE,.375X.1875THK,SLOTTED	2
17	1258722GT	MOUNT, COVER SUPPORT REAR	1
18	1269080GT	WELDMENT, COVER SUPPORT,TANK SIDE	1
19	1256127GT	BOLT,CARRIAGE,1/4-20X1,5,ZAG	6
20	824027GT	NUT,TL FLG,1/4-20,G,ZAG	8
21	56912GT	SPRING CLIP,1/4-20,.025-.15X.5	8
22	1267082GT	FORMING,COVER,RIGHT BACK	1
23	1267084GT	FORMING,COVER,RIGHE FRONT	1
24	824090GT	SCREW,HHF,3/8-16X1,8,ZAG	8
25	29868GT	SPRING CLIP,3/8-16,.05-.20X.73,ZAG	8
26	28301GT	GAS STRUT,250 LBS FORCE***	2
27	231532GT	SCREW,HHF,M6X20,DIN6921,10.9,Y	2
28	215254GT	LATCH,ROTARY,ENGINE COVER	1



304.1 Turntable Covers - Hydraulic Tank Side

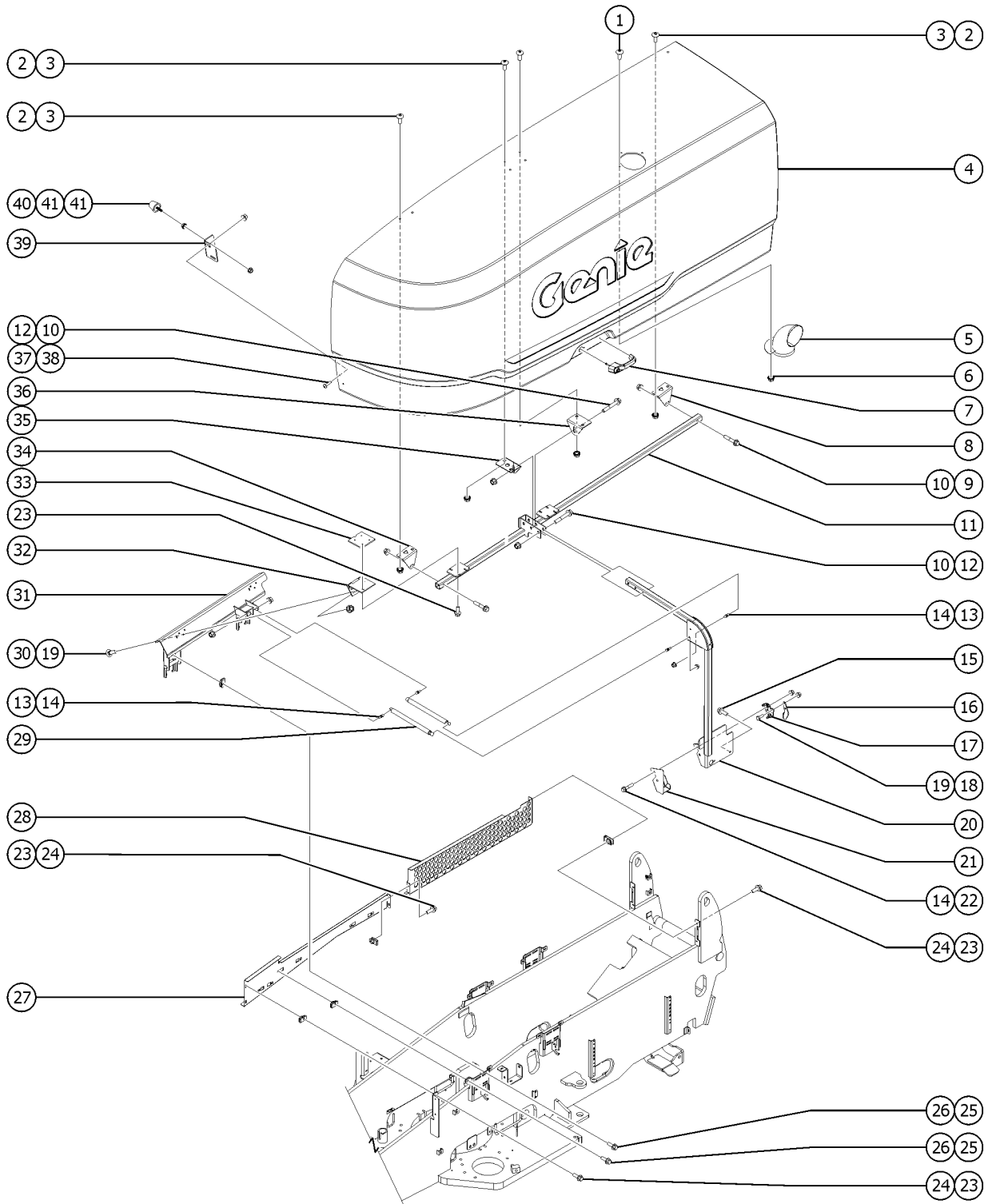


304.1 Turntable Covers - Hydraulic Tank Side

Item	Part No.	Description	Qty.
29	824059GT	SCREW,HHC,1/4-20X.75,8,ZAG	2
30	1262210GT	FORMING, LATCH TRIGGER, TS	1
31	1255763GT	SCREW,HHF,5/16-18X1.5,8,ZAG	2
32	1261244GT	FORMING,LATCH GUARD,TS	1
33	1271984GT	BRACKET, BUMPER	1
34	1255805GT	NUT,SERRATED,5/16-18,8,ZAG	2
35	1261277GT	RUBBER BUMPER, 1.25 X 1.25 IN	1
36	1261837GT	SCREW, THM, TORX, M6X25, ZAB	2
37	231513GT	NUT,TL FLG,M6-1.0,DIN6927,10,Z	2
38	1256054GT	HANDLE,YELLOW LOCKING,CODE 455	1
38-	37947GT	KEYS,10 PACK*** sold separately	
38-	83093GT	KEY SINGLE*** sold separately	



305.1 Turntable Covers - Engine Side

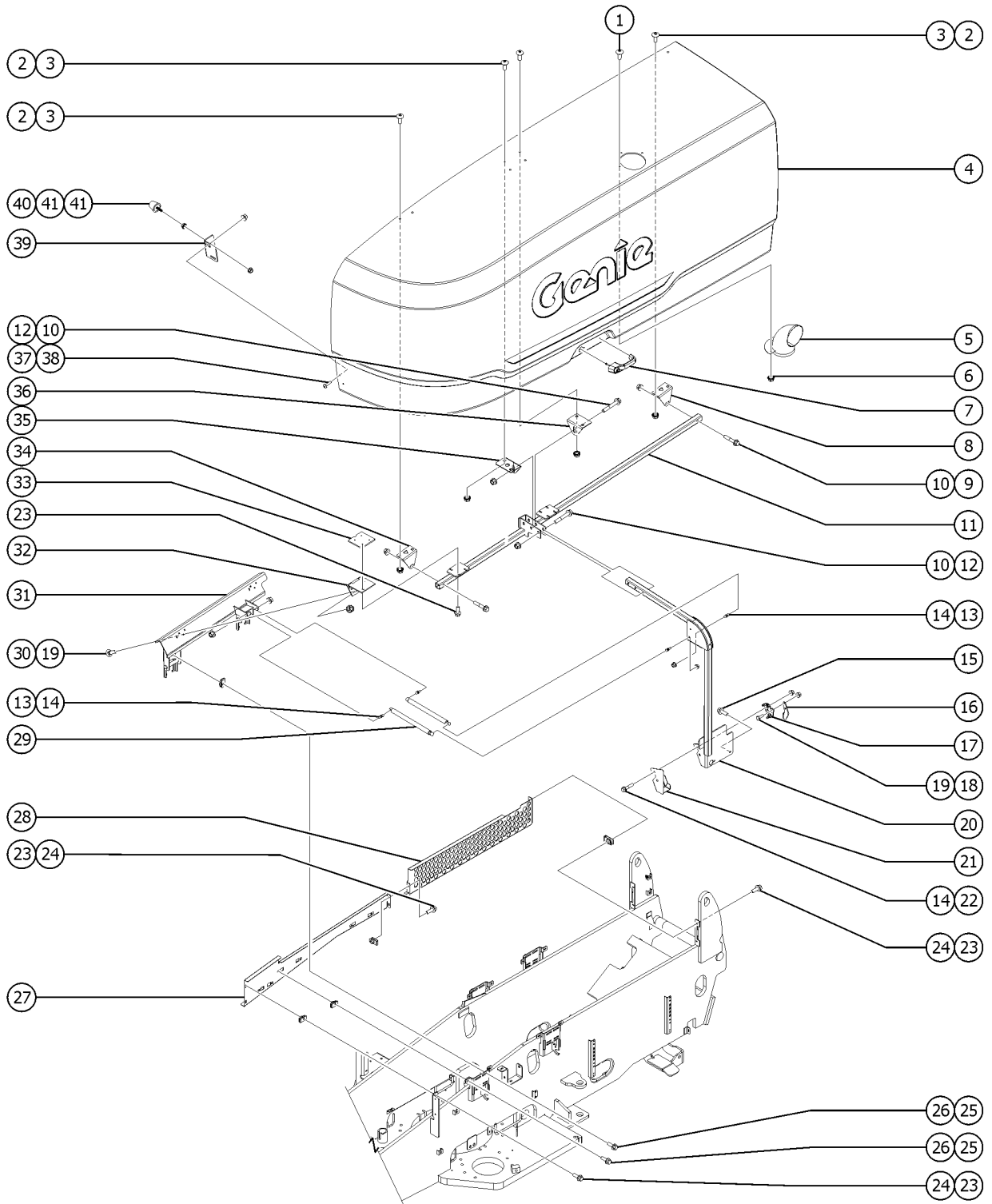


305.1 Turntable Covers - Engine Side

Item	Part No.	Description	Qty.
1	1261835GT	SCREW, THM, TORX, 1/4-20X1,SS	3
2	1261836GT	SCREW,THM,TORX,3/8-16X1,SS	8
3	1257628GT	NUT,SERRATED,3/8-16,ZAG	8
4	1253264GT	COVER, SWING CHASSIS, ES	1
5	1283132GT	WELDMENT,EXHUAST TUBE S80	1
6	1256679GT	NUT,SERRATED,1/4-20,8,ZAG	3
7	1256054GT	HANDLE,YELLOW LOCKING,CODE 455	1
7-	37947GT	KEYS,10 PACK*** sold separately	
7-	83093GT	KEY SINGLE*** sold separately	
8	1258723GT	MOUNT, COVER SUPPORT FRONT	1
9	1253478GT	SCREW,HHF,3/8-16X2,8,ZAG	2
10	824029GT	NUT,TL FLG,3/8-16,G,ZAG	5
11	1266916GT	WLDMT,HIGHER COVER SUPPORT,ES	1
12	1256856GT	SCREW,HHF,3/8-16X2.5,8,ZAG	3
13	33555GT	BALL STUD**	4
14	824028GT	NUT,TL FLG,5/16-18,G,ZAG	6
15	231532GT	SCREW,HHF,M6X20,DIN6921,10.9,Y	2
16	1262211GT	FORMING, LATCH TRIGGER, ES	1
17	215254GT	LATCH,ROTARY,ENGINE COVER	1
18	824059GT	SCREW,HHC,1/4-20X.75,8,ZAG	2
19	824027GT	NUT,TL FLG,1/4-20,G,ZAG	8
20	1267309GT	WLDMT, LOWER COVER SUPPORT	1
21	1261245GT	FORMING,LATCH GUARD,ES	1
22	1255763GT	SCREW,HHF,5/16-18X1.5,8,ZAG	2
23	824078GT	SCREW,HHF,1/4-20X.75,8,ZAG	10
24	56912GT	SPRING CLIP,1/4-20,.025-.15X.5	6
25	824090GT	SCREW,HHF,3/8-16X1,8,ZAG	8
26	29868GT	SPRING CLIP,3/8-16,.05-.20X.73,ZAG	8



305.1 Turntable Covers - Engine Side

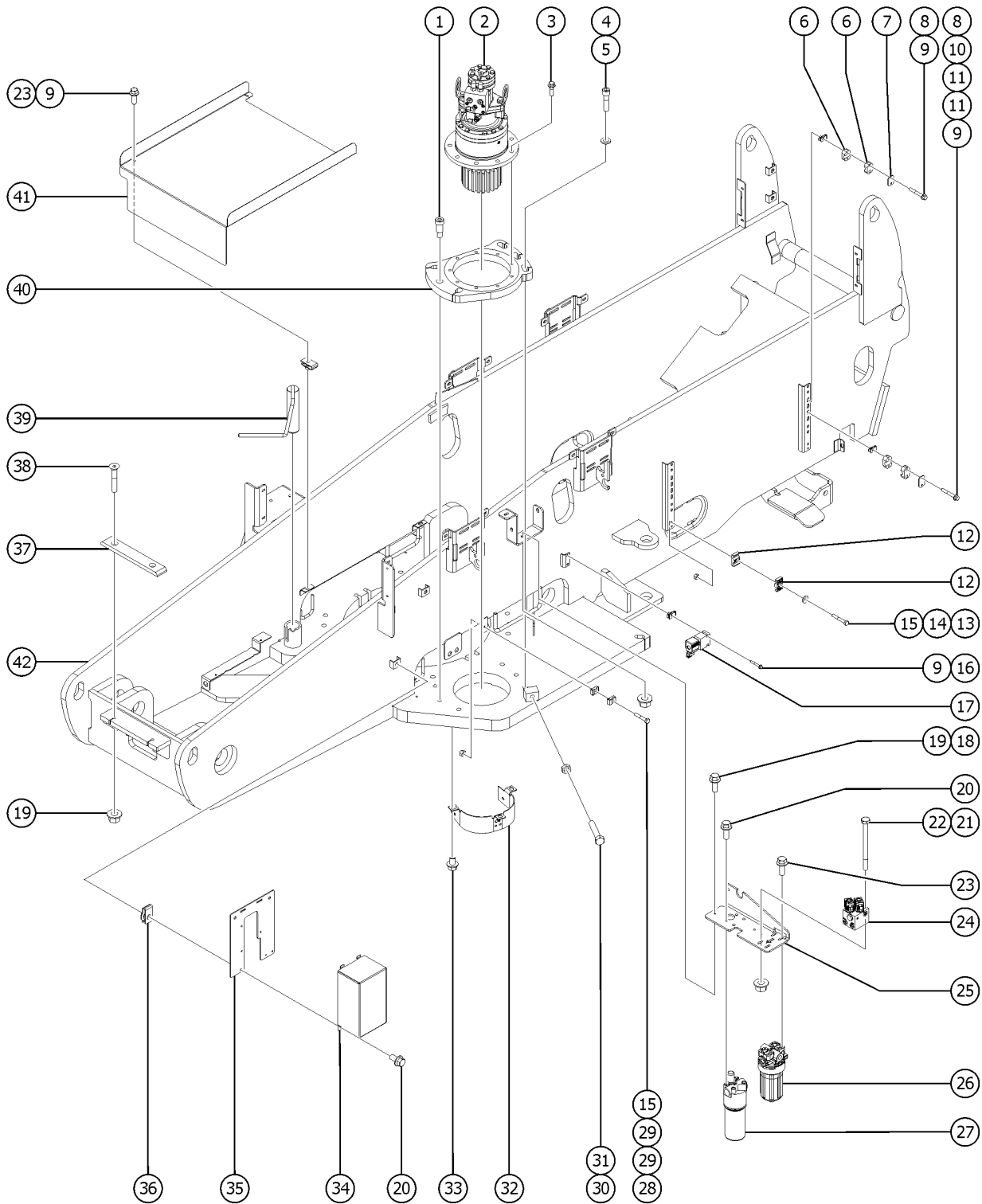


305.1 Turntable Covers - Engine Side

<i>Item</i>	<i>Part No.</i>	<i>Description</i>	<i>Qty.</i>
27	1267081GT	FORMING,COVER,LEFT FRONT	1
28	1267080GT	FORMING,COVER,LEFT BACK	1
29	28301GT	GAS STRUT,250 LBS FORCE***	2
30	1256127GT	BOLT,CARRIAGE,1/4-20X1,5,ZAG	6
31	1269081GT	WELDMENT, COVER SUPPORT,ENGINE SIDE	1
32	1266902GT	HINGE,,375X.1875THK,SLOTTED	2
33	1258724GT	SUPPORT, TAPPED HINGE	2
34	1258722GT	MOUNT, COVER SUPPORT REAR	1
35	1274827GT	MOUNT, COVER SUPPORT CTR 86DEG	1
36	1274826GT	MOUNT,COVER SUPPORT,CTR 93 DEG	1
37	1261837GT	SCREW, THM, TORX, M6X25, ZAB	2
38	231513GT	NUT,TL FLG,M6-1.0,DIN6927,10,Z	2
39	1271984GT	BRACKET, BUMPER	1
40	1261277GT	RUBBER BUMPER, 1.25 X 1.25 IN	1
41	1255805GT	NUT,SERRATED,5/16-18,8,ZAG	2



306.1 Turntable Components and Swivel Drive Assembly

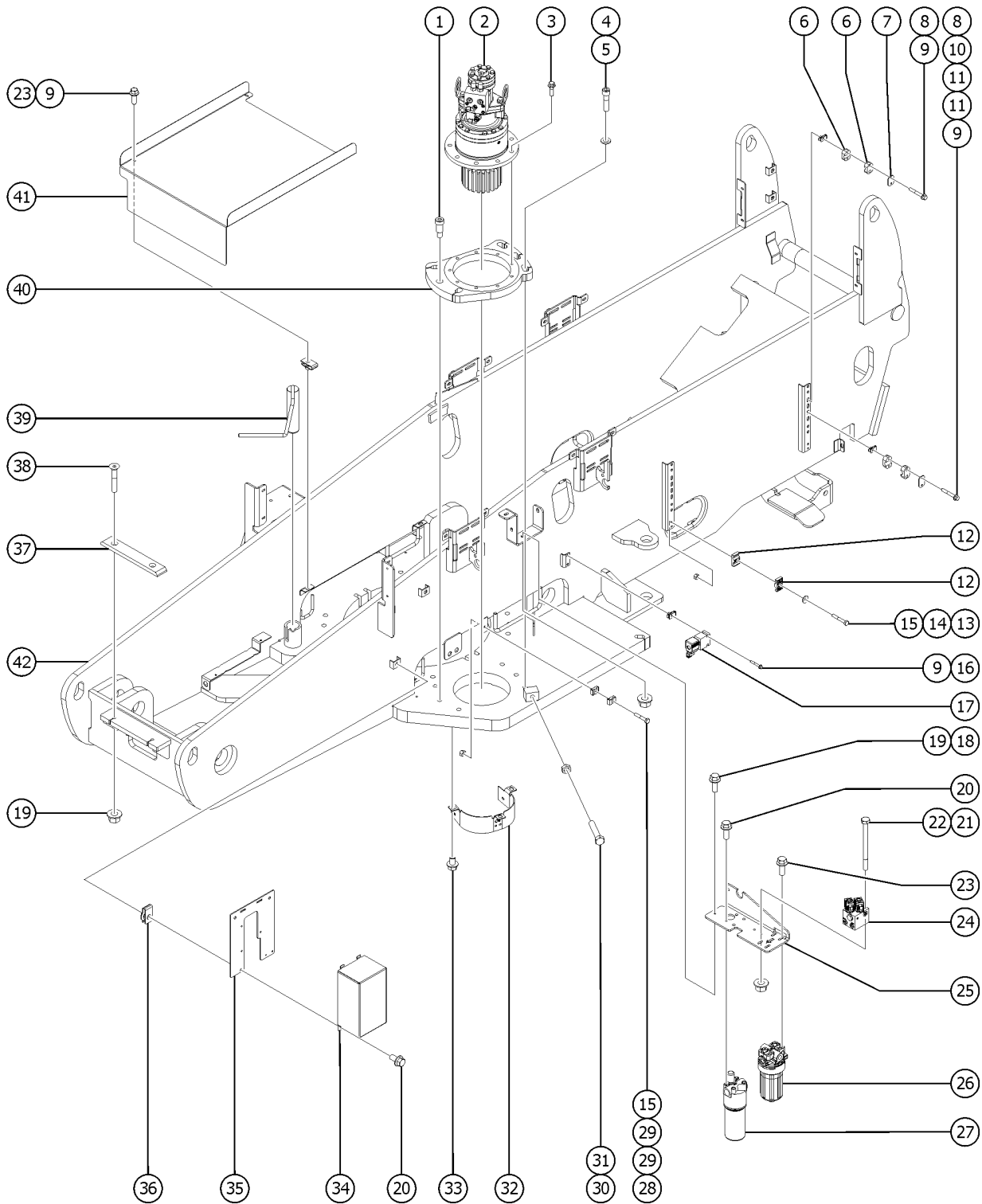


306.1 Turntable Components and Swivel Drive Assembly

Item	Part No.	Description	Qty.
1	1269586GT	BOLT,SHS,1.0X1.5X3/4-10,ZAG	1
2	1255768GT	SWING DRIVE ASSEMBLY	1
2-	1255769GT	SEAL KIT, SWING BRAKE (used on swing drive 1255768)	
2-	1255770GT	KIT, FRICTION DISC (used on swing drive 1255768)	
2-	1255771GT	KIT, BRAKE SPRING (used on swing drive 1255768)	
2-	1255772GT	KIT, SWING BRAKE REBUILD (used on swing drive 1255768)	
2-	1255773GT	BRAKE TUBING (used on swing drive 1255768)	
2-	139308GT	SWING MOTOR COMPLETE*** (used on swing drive 1255768)	
2-	139309GT	CBV ASSEMBLY*** (used on swing drive 1255768)	
2-	139315GT	O-RING,MOTOR/BRAKE*** (used on swing drive 1255768)	
2-	139323GT	VALVE,COUNTERBAL,CBCA-LIN*** (used on swing drive 1255768)	
2-	58304GT	SHAFT,OUTPUT (used on swing drive 1255768)	
3	826171GT	SCREW,HHF,1/2-13X1.75,8,ZAG	9
4	1256860GT	SCREW,SHC,3/4-10X3,A574,ZAG	5
5	1256863GT	WASHER,FLAT,.75,F436,HRD,ZAG	5
6	121219GT	CLAMP HALF,#8 TUBE	4
7	121217GT	COVER PLATE,TUBE CLAMP #8	2
8	1257866GT	SCREW,HHF,1/4-20X2.25,8,ZAG	8
9	56912GT	SPRING CLIP,1/4-20,.025-.15X.5	14
10	121216GT	COVER PLATE, TUBE CLAMP #12	2
11	121218GT	CLAMP HALF,#12 TUBE	4
12	78736GT	CLAMP,2 HOSE,PLASTIC,5/8	2
13	824063GT	SCREW, HHC, 1/4-20 X 1.75, 8, ZAG	1
14	824113GT	WASHER,FLAT,1/4,USS,ZAG	1
15	824024GT	NUT,TL,1/4-20,C,ZAG	2
16	824082GT	SCREW,HHF,1/4-20X1.75,8,ZAG	2
17		Ref. VALVE,FUNCTION ENABLE (refer to 703.1)	1
18	824090GT	SCREW,HHF,3/8-16X1,8,ZAG	2



306.1 Turntable Components and Swivel Drive Assembly

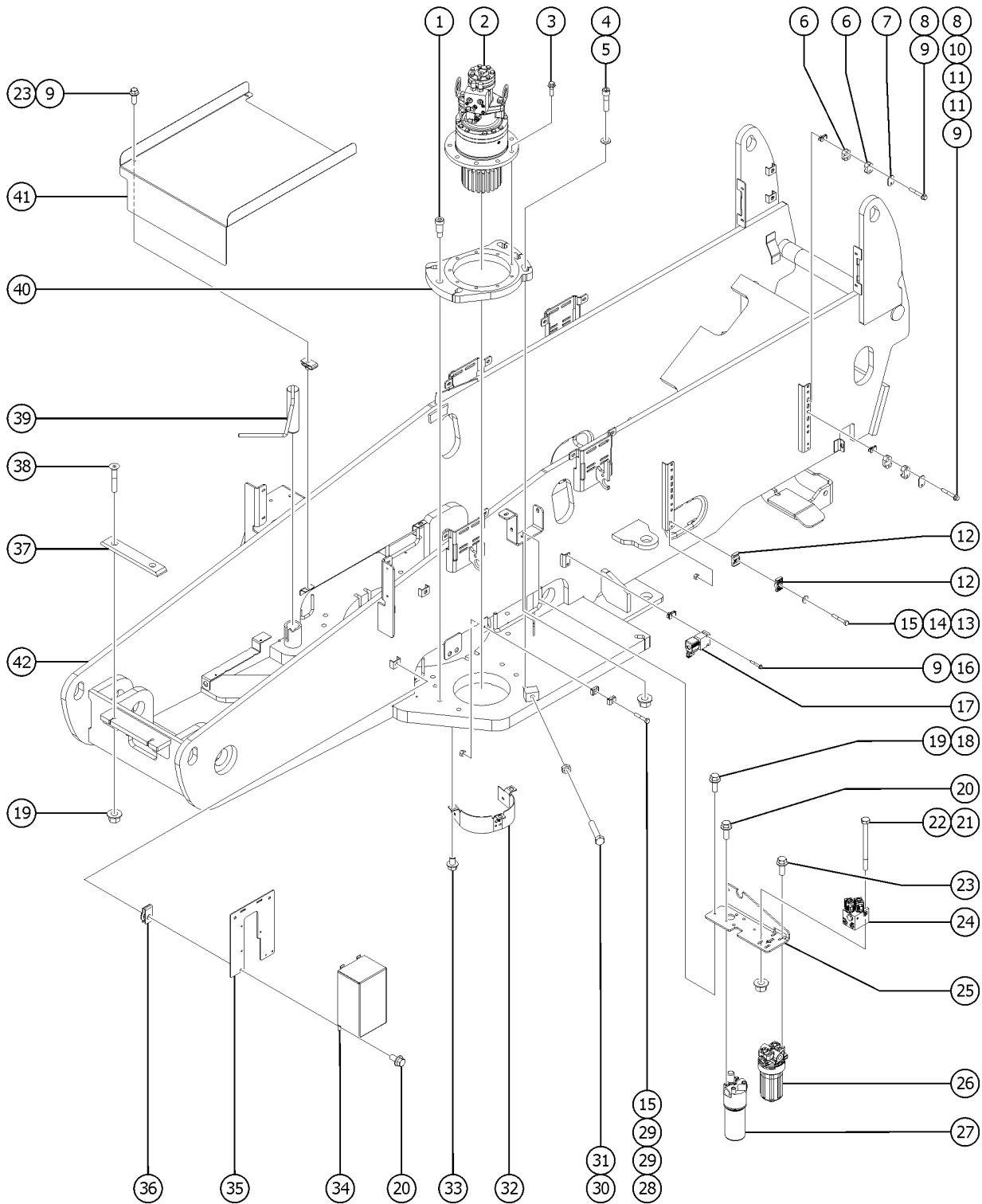


306.1 Turntable Components and Swivel Drive Assembly

Item	Part No.	Description	Qty.
19	824029GT	NUT,TL FLG,3/8-16,G,ZAG	4
20	824089GT	SCREW,HHF,3/8-16X.75,8,ZAG	7
21	1256123GT	SCREW,HHC,1/4-20X3.25,8,ZAG	2
22	824027GT	NUT,TL FLG,1/4-20,G,ZAG	2
23	824078GT	SCREW,HHF,1/4-20X.75,8,ZAG	8
24		Ref. TWO SPEED BRAKE MANIFOLD (refer to 702.1)	1
25	121336GT	FORMING, FILTER MOUNT	1
26	1267807GT	ASSEMBLY, MED. PRESS. FILTER,	1
27	60334GT	FILTER ASSY,HIGH PRESS SAE-12*	1
27-	58222GT	O-RING,FILTER ASSY (60334)***	
27-	58223GT	SEAL,FILTER ASSY (60334)***	
27-	60857GT	FILTER,ELEMENT,BETA(5)=1000	
28	824062GT	SCREW,HHC,1/4-20X1.5,8,ZAG	1
29	121215GT	CLAMP HALF, #6 DOUBLE TUBE	2
30	1256846GT	SCREW,HEX TAP,3/4-10X4,8,ZAG	1
31	1256837GT	NUT,JAM,3/4-10,A, ZAG	1
32	81986PGT	COVER,ROTATION GEAR PAINTED	1
33	1257454GT	SCREW,HHF,1/2-13X.75,8,ZAG	3
34	1314444GT	FORMING, RELAY BLOCK COVER, PNTD	1
35	111602GT	PLATE, RELAY BLOCK MOUNT	1
36	29868GT	SPRING CLIP,3/8-16,.05-.20X.73,ZAG	3
37	41549GT	PAD,BOOM REST	1
38	1256842GT	SCREW,FHS,3/8-16X2.25,F835,ZAG	2
39	121353GT	WELDMENT, TRANSPORT LOCK	1
40	121393GT	MACHINED BACKLASH	1
41	121381GT	FORMING, COVER, SWIVEL	1
42	1289118GT	ASSY.SWING CHASSIS	1
42-	1267341GT	WELDMENT,SWING CHASSIS, S80/85	1



306.1 Turntable Components and Swivel Drive Assembly

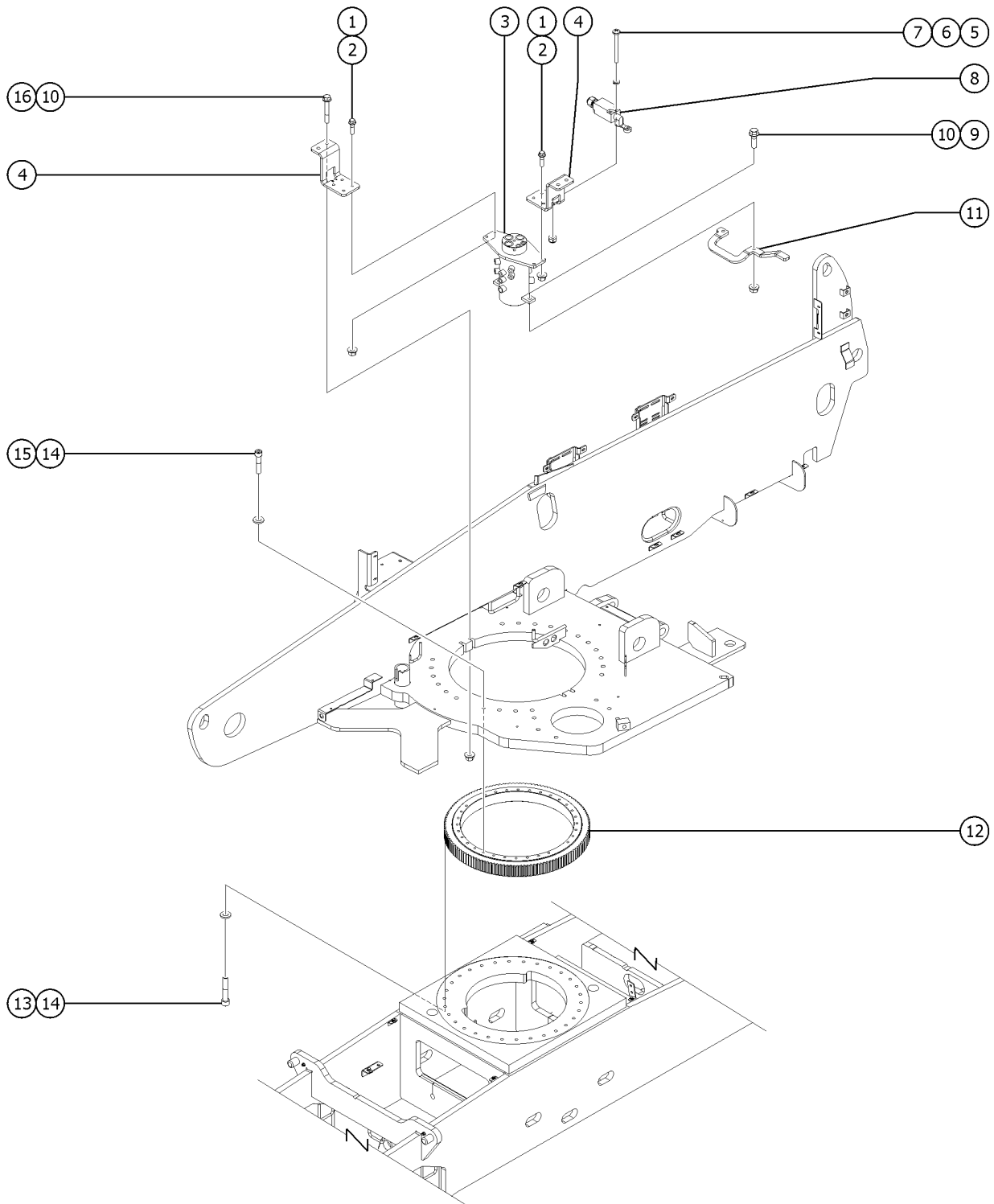


306.1 Turntable Components and Swivel Drive Assembly

<i>Item</i>	<i>Part No.</i>	<i>Description</i>	<i>Qty.</i>
42-	50560GT	BEARING,1.25IDX1.50ODX1.50L	2



307.1 Turntable Center Components

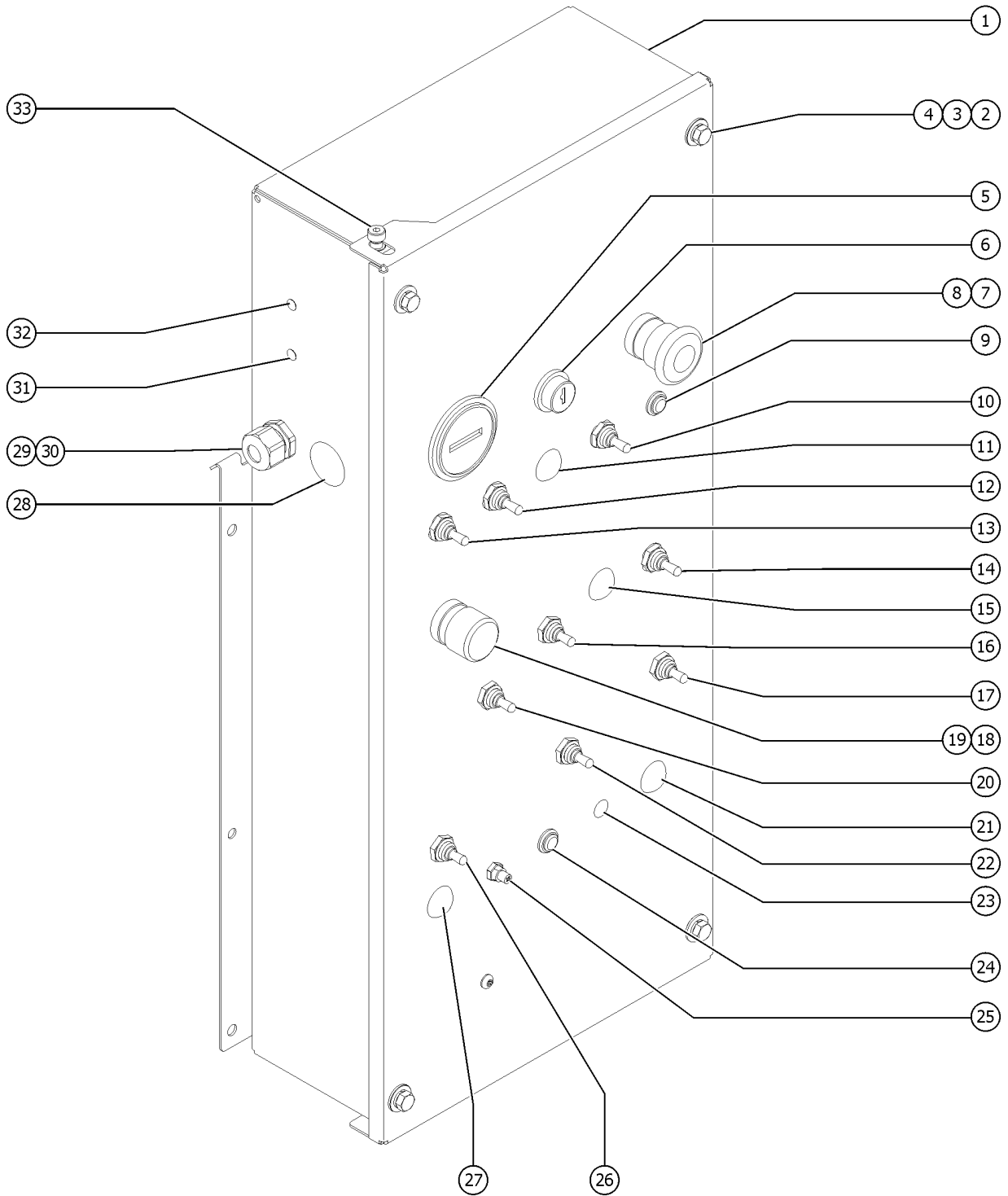


307.1 Turntable Center Components

<i>Item</i>	<i>Part No.</i>	<i>Description</i>	<i>Qty.</i>
1	824092GT	SCREW, HHF, 3/8-16 X 1.5, 8, ZAG	4
2	824029GT	NUT, TL FLG, 3/8-16, G, ZAG	4
3	89571GT	SWIVEL, HYD 8 PORT***	1
3-	94937GT	SEAL KIT, 8-PORT SWIVEL	
3-	T106954GT	SEAL, O-RING LIP	
3-	T106955GT	SEAL, POLY, CHAMFER	
3-	T106957GT	SEAL, CAP, NOTCHED	
3-	T106961GT	SEAL, O-RING ENERGIZER	
3-	T106962GT	SEAL, CAP, NOTCHED	
4	60575PGT	BRACKET, HYD. ROTATOR MOUNT MNT	2
5	1256177GT	SCREW, PHPM, 10-32 X 1.75, ZAG	2
6	1256312GT	WASHER, LOCK, #10, ZAG	2
7	6178GT	NUT, NYLOCK, 10-32	2
8	121467GT	HARN, LS, DRIVE EN, S80/85 2008	1
9	826171GT	SCREW, HHF, 1/2-13 X 1.75, 8, ZAG	2
10	1251997GT	NUT, TL FLG, 1/2-13, G, ZAG	6
11	121311GT	FORMING, SWIVEL STOP	1
12	50035GT	BEARING, TURNTABLE	1
12-	227785GT	BEARING TURNTABLE SEAL ***	
13	1268596GT	SCREW, SHC, 5/8-11 X 3.5, A574, ZAG	30
14	1256182GT	WASHER, FLAT, 5/8, F436, HRD, ZAG	52
15	824107GT	SCREW, SHC, 5/8-11 X 3, A574, ZAG	22
16	1256851GT	SCREW, HHF, 1/2-13 X 3.5, 8, ZAG	4



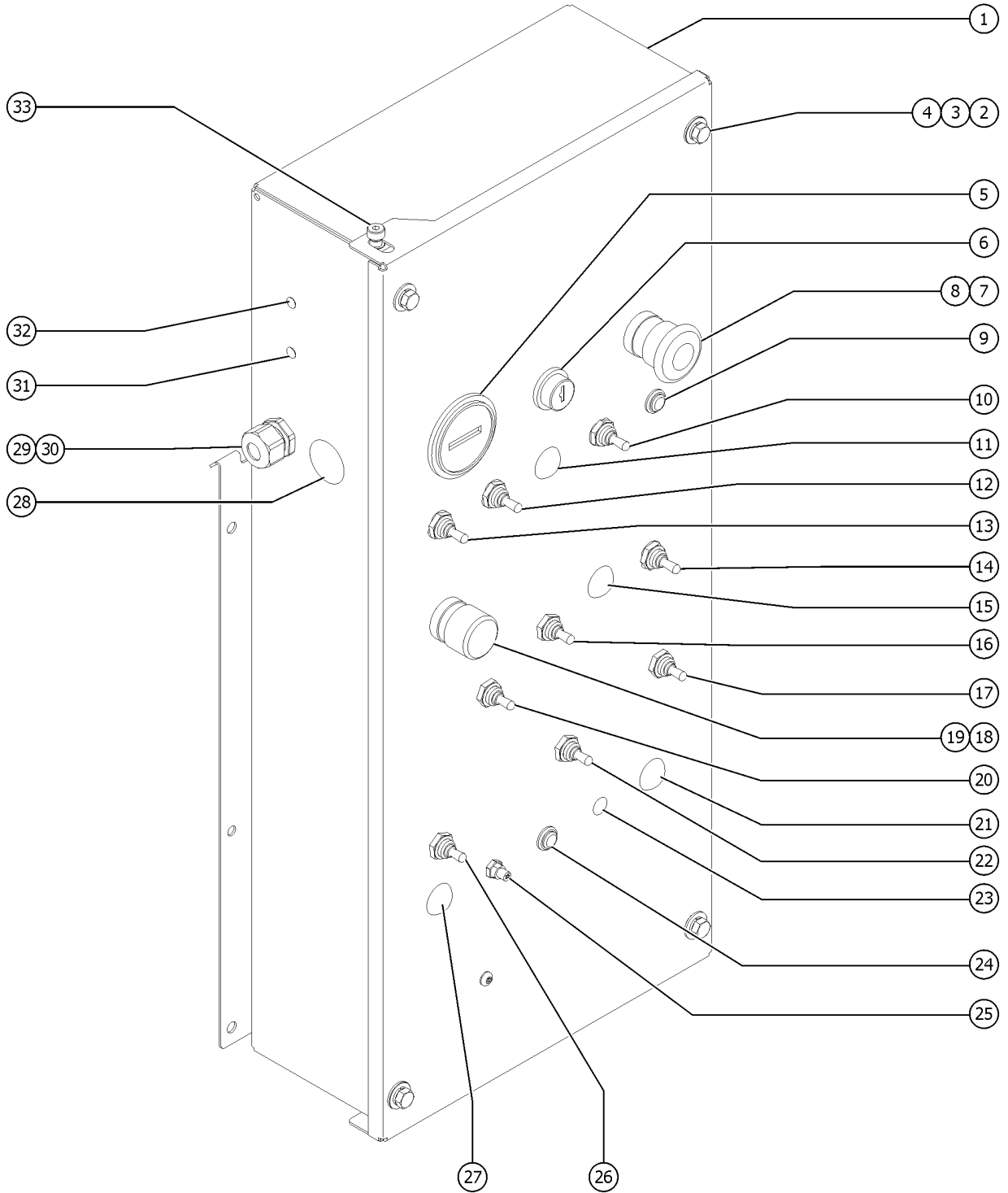
308.1 Ground Control Box - View 1



Item	Part No.	Description	Qty.
A	1258617GT	ASSY,GBOX,PERKINS 404D,S80/85 (Perkins 404D-22T)	1
B	1265459GT	ASSEMBLY, GBOX, DEUTZ 2.9T,S80 (Deutz TD2.9)	1
C	1265460GT	ASSEMBLY, GBOX, DEUTZ2011,S80 (Deutz TD2011L04i)	1
D	42781GT	PLUG, NYLON .250 BLACK DOMED	
E	54365GT	SCREW,PHIL,PHM,10-32 X .5,SSTL	
E	6178GT	NUT,NYLOCK,10-32	
1	1253160GT	WELDMENT, GBOX, S80/85 2013	1
2	6090GT	SCREW,HHC,1/4-20 X .75	4
3	6356GT	WASHER,LOCK,.25	4
4	6638GT	WASHER,FLAT,USS,1/4"Y	4
5	19506GT	HOUR METER, 10-80 VOLTS***	1
6	83131GT	KEYSWITCH,3 POS W/KEYS,LOCKING	
6A-	88827GT	GASKET,KEYSWITCH,PLASTIC***	1
6A-	96008-SGT	KEYSWITCH,3 POS. W/KEYS***	1
6A-	83093GT	KEY SINGLE*** (Includes boot)	
6A-	37947GT	KEYS,10 PACK***	
6B	217241GT	OPT, KEY SWITCH, STANDARD (not available for Australia)	
6B-	88827GT	GASKET,KEYSWITCH,PLASTIC***	
7	66812GT	BUTTON,PUSH,RED MUSHROOM HEAD	1
8	73805GT	CONTACT,NC	1
8-	66821GT	BASE,WITHOUT CONTACTS	
8-	66818GT	CONTACT,NC	
9	218167GT	LIGHT,INDICATOR,AMBER 12V ENGINE (Perkins 404D-22T)	1
9B	218165GT	LIGHT,INDICATOR,RED 12V H-BRI (Deutz TD2011L04i, TD2.9)	
10	128204GT	SWITCH TOGGLE ASSY SPDT 2P MNT	1
11	229567GT	PLUG,SANTOPRENE .5 BLACK DOME (Perkins 404D-22T, Deutz TD2011L04i)	1
12	128200GT	SWITCH TOGGLE ASSY SPDT 3P MOM (Perkins 404D-22T, Deutz TD2011L04i)	1
13	128200GT	SWITCH TOGGLE ASSY SPDT 3P MOM	1



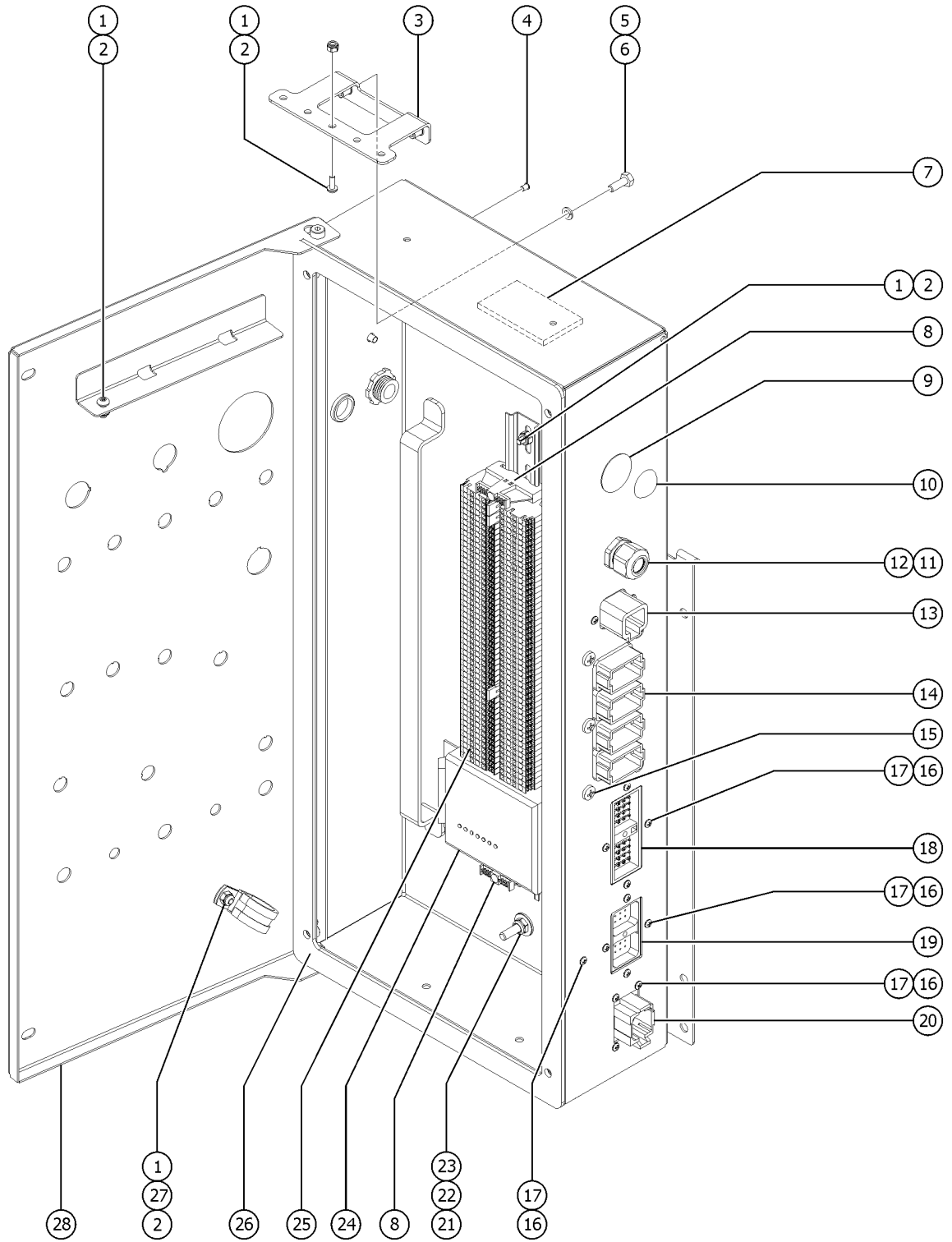
308.1 Ground Control Box - View 1



Item	Part No.	Description	Qty.
14	128202GT	SWITCH TOGGLE ASSY DPDT 3P MOM	1
15	229567GT	PLUG,SANTOPRENE .5 BLACK DOME	1
16	128202GT	SWITCH TOGGLE ASSY DPDT 3P MOM	1
17	128200GT	SWITCH TOGGLE ASSY SPDT 3P MOM	1
18	66813GT	BUTTON,PUSH,BLACK W/SEAL***	1
19	66815GT	BASE, W/1 N.O. CONTACTS***	1
19-	66821GT	BASE,WITHOUT CONTACTS	
19-	66816GT	CONTACT,N.O.	
20	128202GT	SWITCH TOGGLE ASSY DPDT 3P MOM	1
21	229567GT	PLUG,SANTOPRENE .5 BLACK DOME	1
22	128202GT	SWITCH TOGGLE ASSY DPDT 3P MOM	1
23	21858GT	PLUG,NYLON .38 BLACK DOMED	1
24	218165GT	LIGHT,INDICATOR,RED 12V H-BRI	1
25	147094GT	ASSY, CIRCUIT BREAKER 15A	1
26	128201GT	SWITCH TOGGLE ASSY DPDT 2P MOM	1
27	229567GT	PLUG,SANTOPRENE .5 BLACK DOME	1
28	15243GT	PLUG,NYLON .875 BLACK DOMED	1
29	121753GT	HARNESS,ALARM/BEACON,S80 2008	1
30	6935GT	LOCKNUT,ELEC,1/2"	1
31	42781GT	PLUG, NYLON .250 BLACK DOMED	1
32	42781GT	PLUG, NYLON .250 BLACK DOMED	1
		(Perkins 404D-22T, Deutz TD2.9)	
32B	8915GT	SCREW,HHC,1/4-20 X 1.25	1
		(Deutz TD2011L04i)	
32B-	6638GT	WASHER,FLAT,USS,1/4"Y	
32B-	6889GT	NUT,LP NYLOCK,1/4-20	
33	88315GT	SCREW,SHS,1/4-20 X .25 ZINC	2
		SUPERSEDE; USE UNTIL EXHAUSTED	
33A	1263233GT	BOLT,SHS,5/16X.25X1/4-20,8,ZAG	1
		REPLACES 88315	



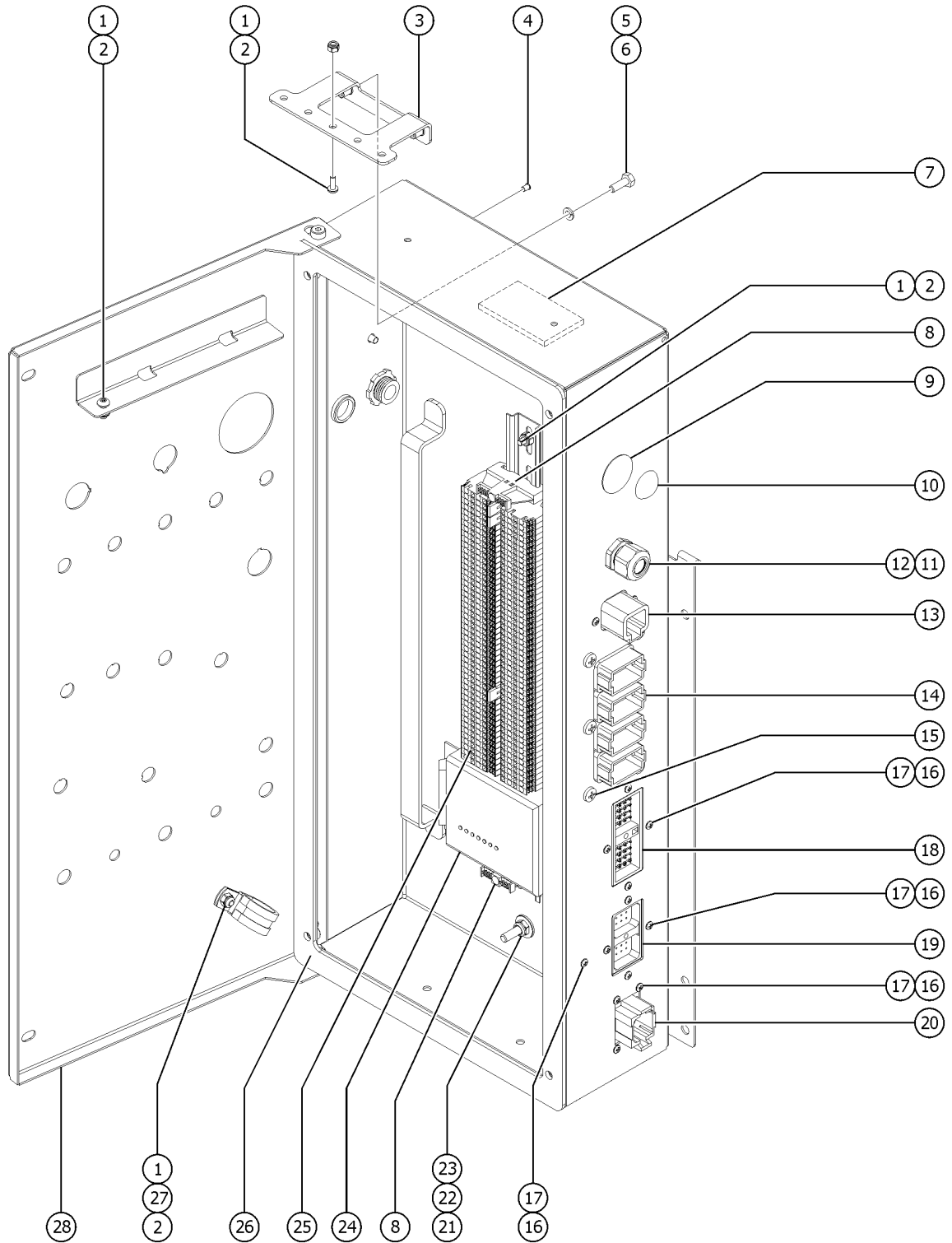
309.1 Ground Control Box - View 2



Item	Part No.	Description	Qty.
A	42781GT	PLUG, NYLON .250 BLACK DOMED	
B	54365GT	SCREW,PHIL,PHM,10-32 X .5,SSTL	
B	6178GT	NUT,NYLOCK,10-32	
1	54365GT	SCREW,PHIL,PHM,10-32 X .5,SSTL	6
2	6178GT	NUT,NYLOCK,10-32	6
3	1253409GT	ANGLE, RELAY MOUNTING	1
4	42288GT	PLUG,NYLON .188 BLACK DOMED	1
		(Perkins 404D-22T)	
5	6090GT	SCREW,HHC,1/4-20 X .75	2
		(Perkins 404D-22T)	
6	6356GT	WASHER,LOCK,.25	2
		(Perkins 404D-22T)	
7	30997GT	CORROSION INHIBITOR,FOAM	1
8	74913GT	END STOP, DIN RAIL,SCREW CLAMP	2
9	45385GT	PLUG,NYLON 1.12 BLACK DOMED	1
10	229567GT	PLUG,SANTOPRENE .5 BLACK DOME	1
		(Perkins 404D-22T, Deutz TD2011L04i)	
11	7056GT	CONN,SQUEEZE,1/2NPT .38-.50,SM	1
12	6935GT	LOCKNUT,ELEC,1/2"	1
13	73717GT	CONN, RECEP, 4 WAY, DEUTSCH, DTP, FLANGE	1
14	73736GT	CONN,RECEP 48 WAY,4 X 12	1
15	73803GT	SCREW,SHM,PHP, #12 X .75	6
16	49820GT	SCREW,PHILLIPS,PHM,6-32 X .5	15
17	12344GT	NUT,NYLOCK,6-32	15
18	73754GT	CONN,RECEP 40 WAY,W/FLANGE	1
19	73753GT	CONN,RECEP 24 WAY,W/FLANGE	1
20	87755GT	CONN, RECEP, 8 WAY, DEUTSCH, DT, GRAY/FLANGE	1
21	6889GT	NUT,LP NYLOCK,1/4-20	1
22	6638GT	WASHER,FLAT,USS,1/4"Y	1
23	6888GT	SCREW,HHC,1/4-20 X 1	1
24	56057GT	MODULE,IGNITION/START,12/24V	1
		(Perkins 404D-22T, Deutz TD2011L04i)	
25	1253154GT	ASSY, TERM RAIL, S80/85 2013	1
		(includes item 8)	



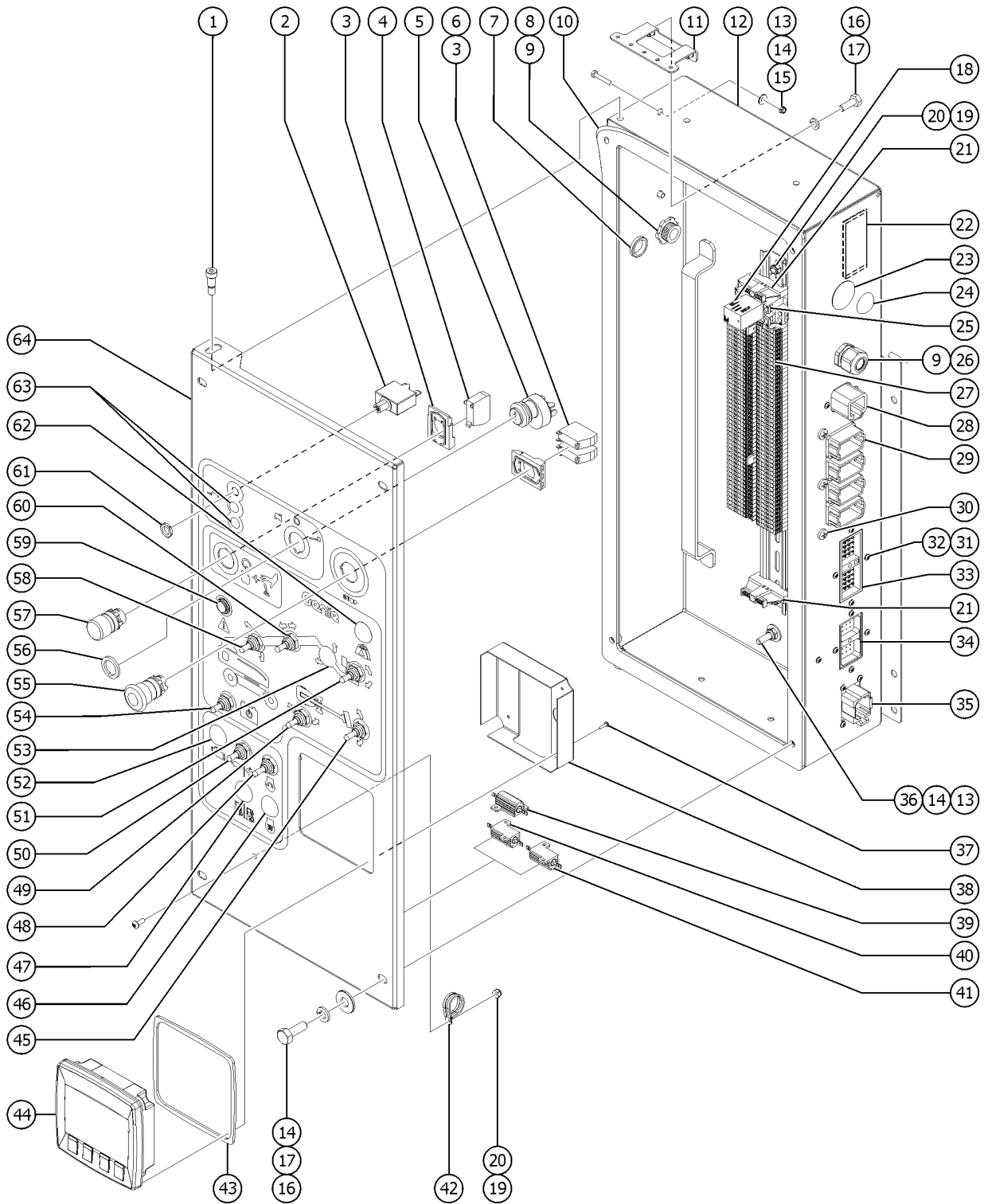
309.1 Ground Control Box - View 2



<i>Item</i>	<i>Part No.</i>	<i>Description</i>	<i>Qty.</i>
25-	216791GT	TERMINAL BLOCK,WIELAND	
25-	216793GT	TERMINAL BLOCK END PLATE	
25-	33422GT	DIN RAIL,17"	
25-	74917GT	JUMPER COMB, 2-WAY,WIELAND	
26	121599GT	GASKET,GBOX,S80/85 2008	1
27	18666GT	CLAMP,1.00,#16 X 1/4,RUB CUSH	1
28	121314GT	WELDMENT,LID,GBOX,S0/85 2008	1



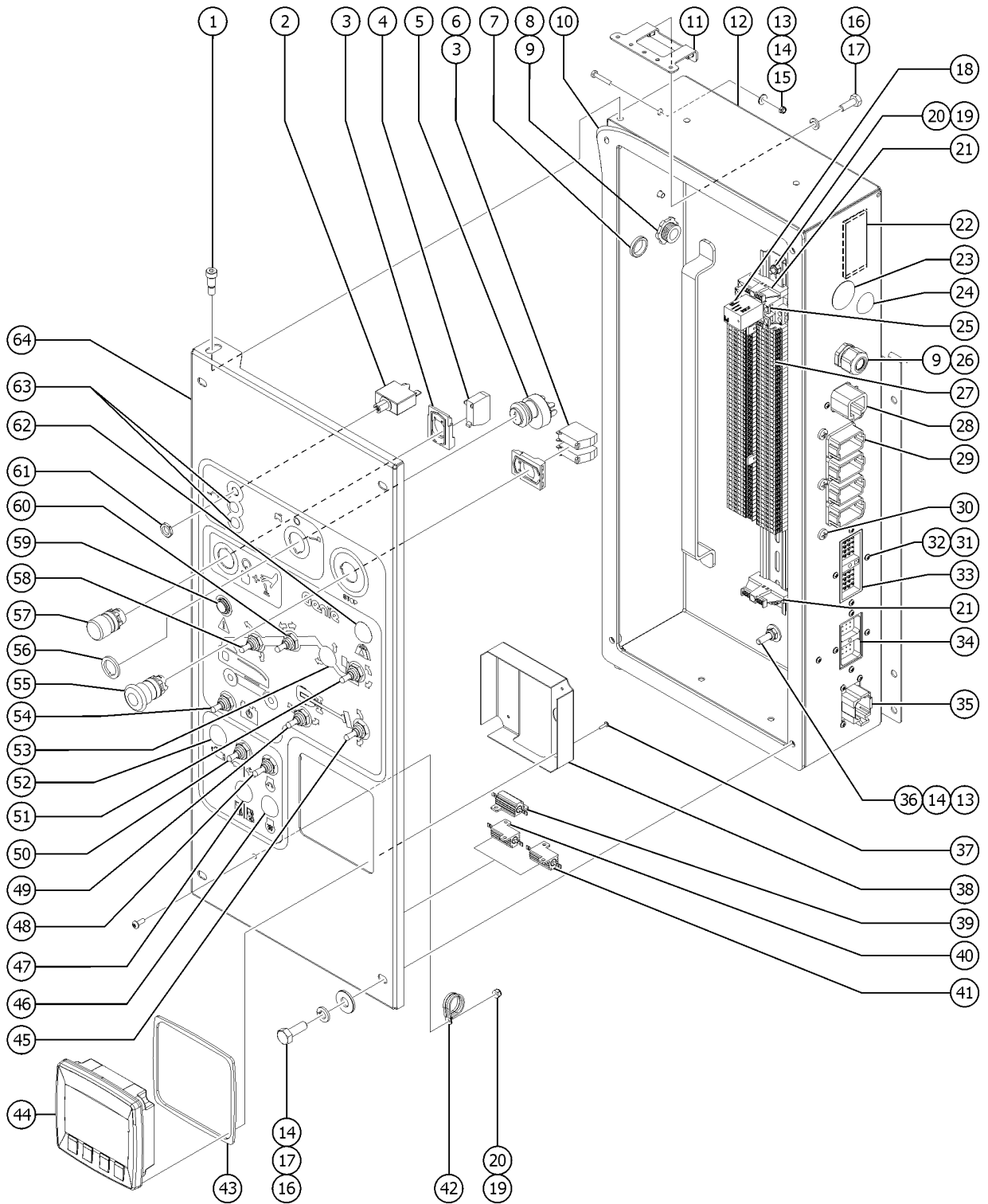
310.1 Ground Control Box - Deutz TD2.9L4



Item	Part No.	Description	Qty.
A		Verify Engine Make and Model Before Ordering.	
B	1265459GT	ASSEMBLY, GBOX, DEUTZ 2.9T,S80	1
C	121846GT	RELAY,TIME DELAY,2 SEC,10A	
		(CE option)	
1	88315GT	SCREW,SHS,1/4-20 X .25 ZINC	2
		SUPERSEDE; USE UNTIL EXHAUSTED	
1A	1263233GT	BOLT,SHS,5/16X.25X1/4-20,8,ZAG	2
		REPLACES 88315	
2	147090GT	CIRCUIT BREAKER, 15A	1
3	66821GT	BASE,WITHOUT CONTACTS	2
4	66816GT	CONTACT,N.O.	1
5	96008-SGT	KEYSWITCH,3 POS. W/KEYS***	1
		(includes 1 pair of keys)	
5-	96009GT	WASHER,NITRILE	
5-	37947GT	KEYS,10 PACK***	
		(use with keyswitch 96008-S)	
5-	66814GT	CONTACT,N.O.***	
		(includes 2 each N.O. contacts)	
5-	66816GT	CONTACT,N.O.	
5-	83093GT	KEY SINGLE***	
		(includes boot, use with keyswitch 96008-S)	
5-	83131GT	KEYSWITCH,3 POS W/KEYS,LOCKING	
6	66818GT	CONTACT,NC	2
7	15243GT	PLUG,NYLON .875 BLACK DOMED	1
8	121753GT	HARNESS,ALARM/BEACON,S80 2008	1
9	6935GT	LOCKNUT,ELEC,1/2"	2
10	121599GT	GASKET,GBOX,S80/85 2008	1
11	1253409GT	ANGLE, RELAY MOUNTING	1
12	1253160GT	WELDMENT, GBOX, S80/85 2013	1
12-	42288GT	PLUG,NYLON .188 BLACK DOMED	
12-	42781GT	PLUG, NYLON .250 BLACK DOMED	
12-	96010GT	SCREW,PHILLIPS,PHM,8-32 X.25**	
13	6889GT	NUT,LP NYLOCK,1/4-20	2
14	6638GT	WASHER,FLAT,USS,1/4"Y	6
15	6145GT	SCREW,HHC,1/4-20 X 1.5	1



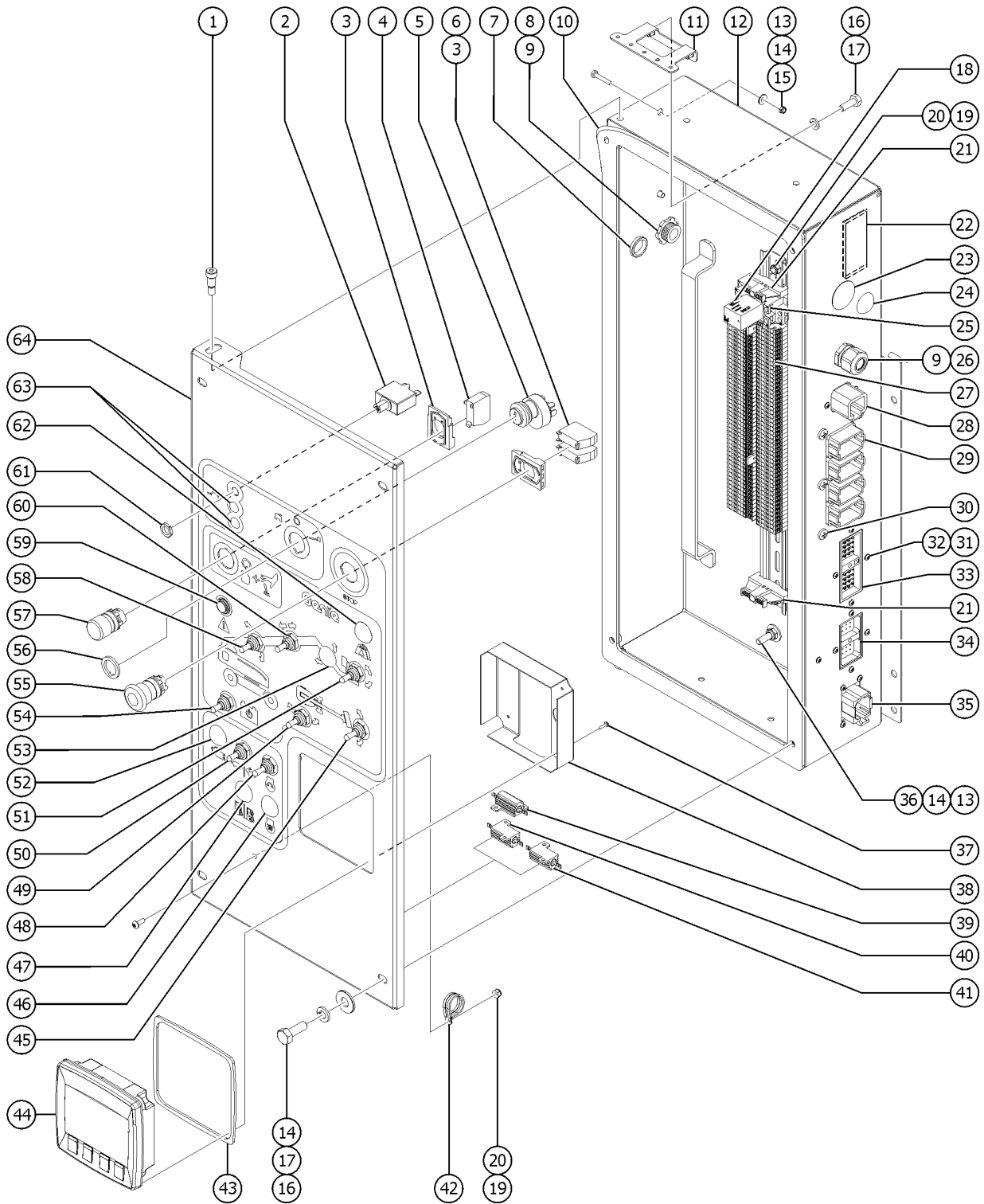
310.1 Ground Control Box - Deutz TD2.9L4



Item	Part No.	Description	Qty.
16	6090GT	SCREW,HHC,1/4-20 X .75	6
17	6356GT	WASHER,LOCK,.25	6
18	33607GT	RELAY,OMRON,DPDT,12V	1
		(welder option)	
19	6178GT	NUT,NYLOCK,10-32	6
20	54365GT	SCREW,PHIL,PHM,10-32 X .5,SSTL	6
21	74913GT	END STOP, DIN RAIL,SCREW CLAMP	2
22	30997GT	CORROSION INHIBITOR,FOAM	1
23	45385GT	PLUG,NYLON 1.12 BLACK DOMED	1
24	229567GT	PLUG,SANTOPRENE .5 BLACK DOME	1
25	33608GT	RELAY,SOCKET,OMRON	1
		(welder option)	
26	7056GT	CONN,SQUEEZE,1/2NPT .38-.50,SM	1
27	1253154GT	ASSY, TERM RAIL, S80/85 2013	1
		(complete assembly)	
27-	216791GT	TERMINAL BLOCK,WIELAND	
27-	216793GT	TERMINAL BLOCK END PLATE	
27-	33422GT	DIN RAIL,17"	
27-	74913GT	END STOP, DIN RAIL,SCREW CLAMP	
27-	74917GT	JUMPER COMB, 2-WAY,WIELAND	
28	73717GT	CONN, RECEP, 4 WAY, DEUTSCH, DTP, FLANGE	1
29	73736GT	CONN,RECEP 48 WAY,4 X 12	1
30	73803GT	SCREW,SHM,PHP, #12 X .75	6
31	49820GT	SCREW,PHILLIPS,PHM,6-32 X .5	15
32	12344GT	NUT,NYLOCK,6-32	15
33	73754GT	CONN,RECEP 40 WAY,W/FLANGE	1
34	73753GT	CONN,RECEP 24 WAY,W/FLANGE	1
35	87755GT	CONN, RECEP, 8 WAY, DEUTSCH, DT, GRAY/FLANGE	1
36	6888GT	SCREW,HHC,1/4-20 X 1	1
37	1252684GT	SCREW,DP200 M3X10 4PACK	4
		(part of assembly 1251984)	
38	219718GT	BRACKET,DP200 PANEL MOUNT	1
		(part of assembly 1251984)	



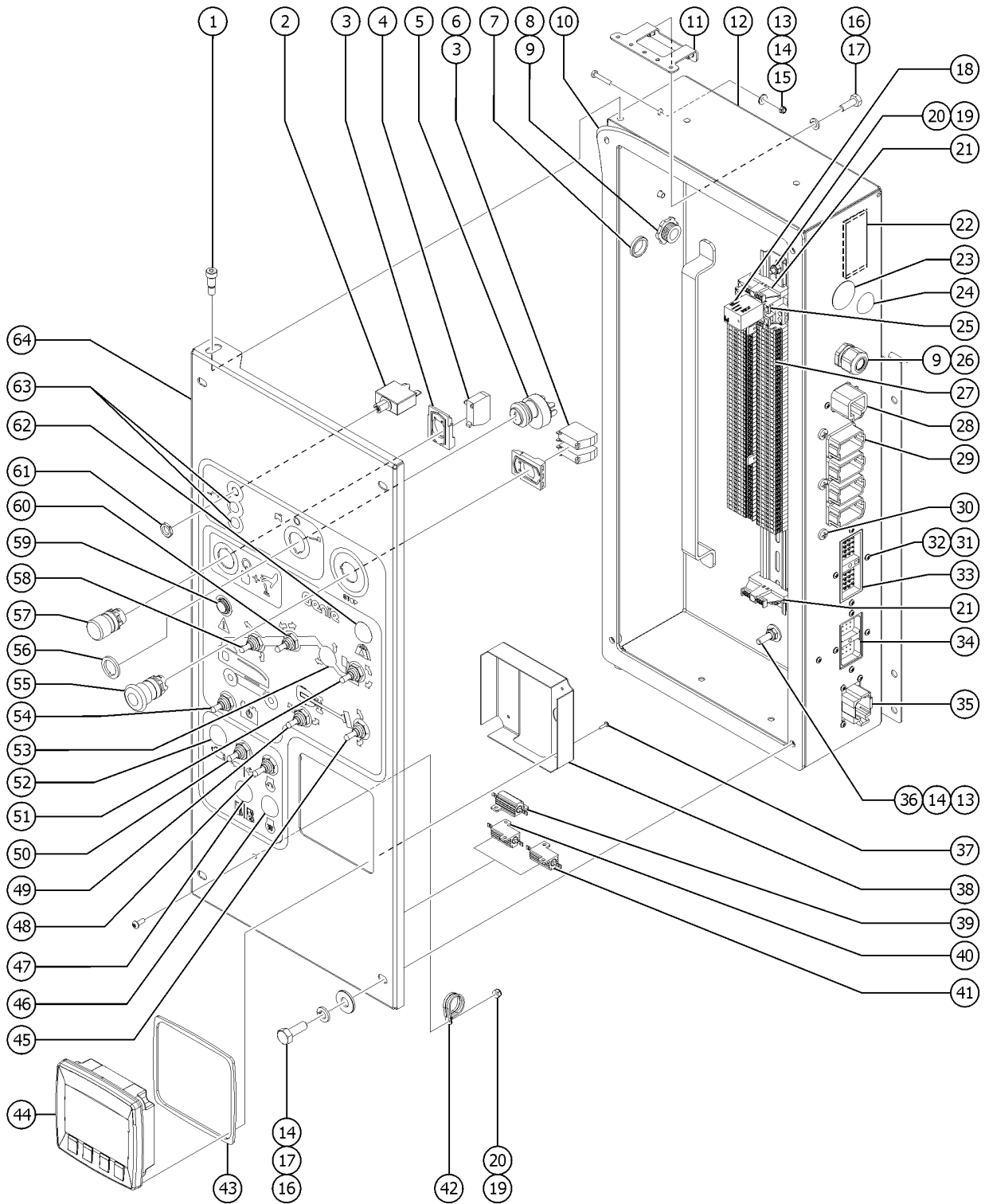
310.1 Ground Control Box - Deutz TD2.9L4



Item	Part No.	Description	Qty.
39	89575GT	RESISTOR,7.5 OHM,25 WATT,1PCNT	1
40	27287GT	RESISTOR,10 OHM,25 WATT	1
41	40614GT	RESISTOR,5 OHM,25W***	1
42	21618GT	CLAMP,1.13,#18 X 1/4,RUB CUSH	1
43	1252685GT	GASKET,DP200 BLACK PANEL SEAL	1
		(part of assembly 1251984)	
44	1251984GT	ASSY,DISPLAY,DP200 DEUTZ T4	1
		(includes items 39, 40 and 45)	
45	128200GT	SWITCH TOGGLE ASSY SPDT 3P MOM	1
		(platform rotate switch)	
46	229567GT	PLUG,SANTOPRENE .5 BLACK DOME	1
47	229567GT	PLUG,SANTOPRENE .5 BLACK DOME	1
		(gasoline/LPG models - fuel select switch)	
48	128200GT	SWITCH TOGGLE ASSY SPDT 3P MOM	1
		(engine start switch)	
49	128202GT	SWITCH TOGGLE ASSY DPDT 3P MOM	1
		(turntable rotate switch)	
50	128204GT	SWITCH TOGGLE ASSY SPDT 2P MNT	1
		(function enable switch)	
51	128202GT	SWITCH TOGGLE ASSY DPDT 3P MOM	1
		(platform level switch)	
52	229567GT	PLUG,SANTOPRENE .5 BLACK DOME	1
		(check engine light)	
53	229567GT	PLUG,SANTOPRENE .5 BLACK DOME	1
		(S-80 and S-80X models)	
53B	128200GT	SWITCH TOGGLE ASSY SPDT 3P MOM	1
		(S-85 models)	
54	128201GT	SWITCH TOGGLE ASSY DPDT 2P MOM	1
		(emergency power switch)	
55	66812GT	BUTTON,PUSH,RED MUSHROOM HEAD	1
		(red emergency stop button)	
56	88827GT	GASKET,KEYSWITCH,PLASTIC***	1
57	66813GT	BUTTON,PUSH,BLACK W/SEAL ***	1
		(function enable) (models with push button) shown	
57-	80716GT	SWITCH,SELECTOR,BLACK	
		(function enable) (models with selector switch) not shown	
58	128202GT	SWITCH TOGGLE ASSY DPDT 3P MOM	1
		(boom up/down switch)	
59	218165GT	LIGHT,INDICATOR,RED 12V H-BRI	1
		(machine malfunction indicator light)	
60	128202GT	SWITCH TOGGLE ASSY DPDT 3P MOM	1
		(boom extend/retract switch)	
61	122994GT	NICKEL PLATED JAM NUT	1
62	229567GT	PLUG,SANTOPRENE .5 BLACK DOME	1
63	21858GT	PLUG,NYLON .38 BLACK DOMED	2
64	1251825GT	WELDMENT, LID, GBOX, TIER IV S80	1



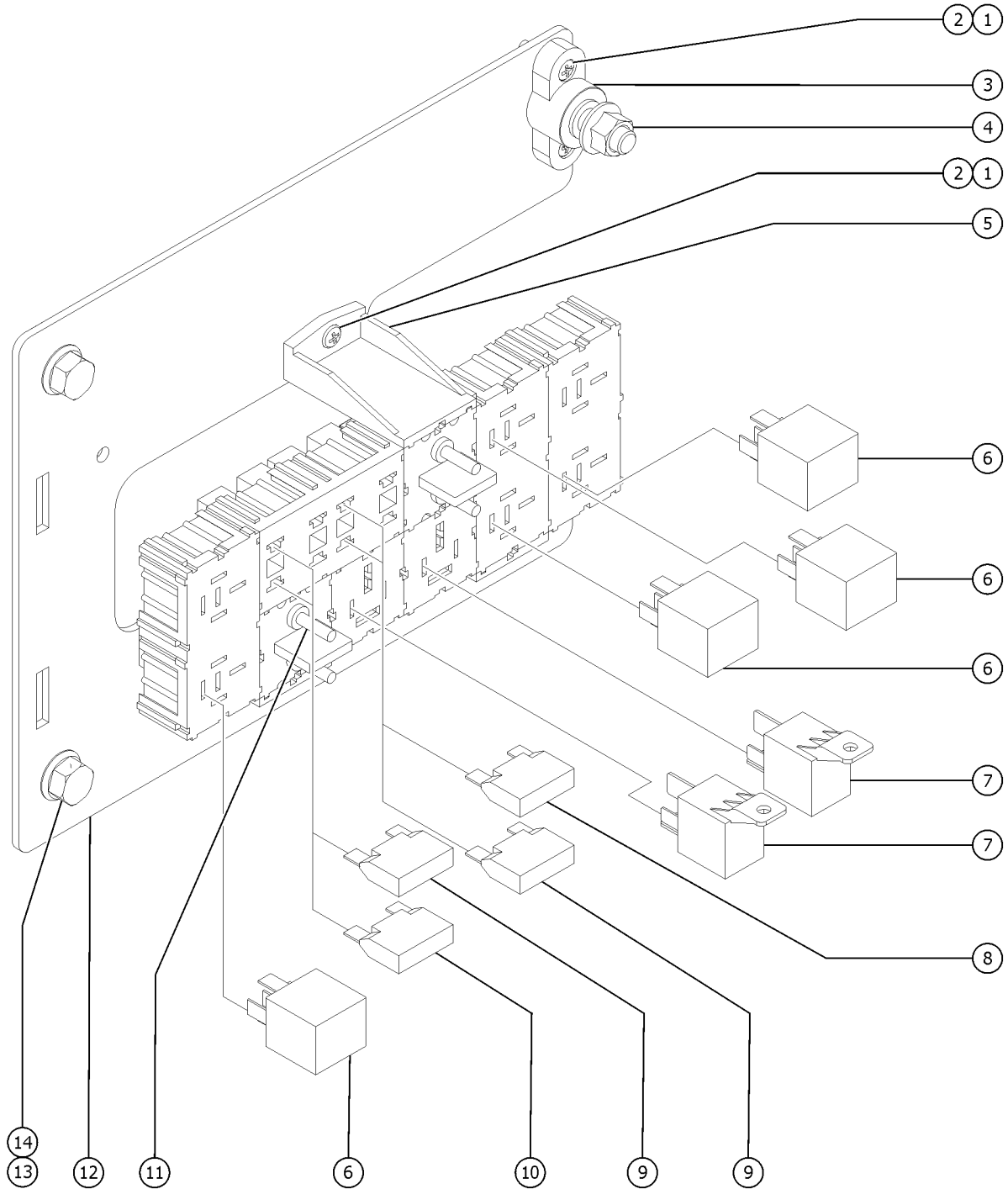
310.1 Ground Control Box - Deutz TD2.9L4



<i>Item</i>	<i>Part No.</i>	<i>Description</i>	<i>Qty.</i>
64-	6578GT	CABLE TIE, 7 3/8"	



311.1 Turntable Components - Relay Panel, Diesel Models

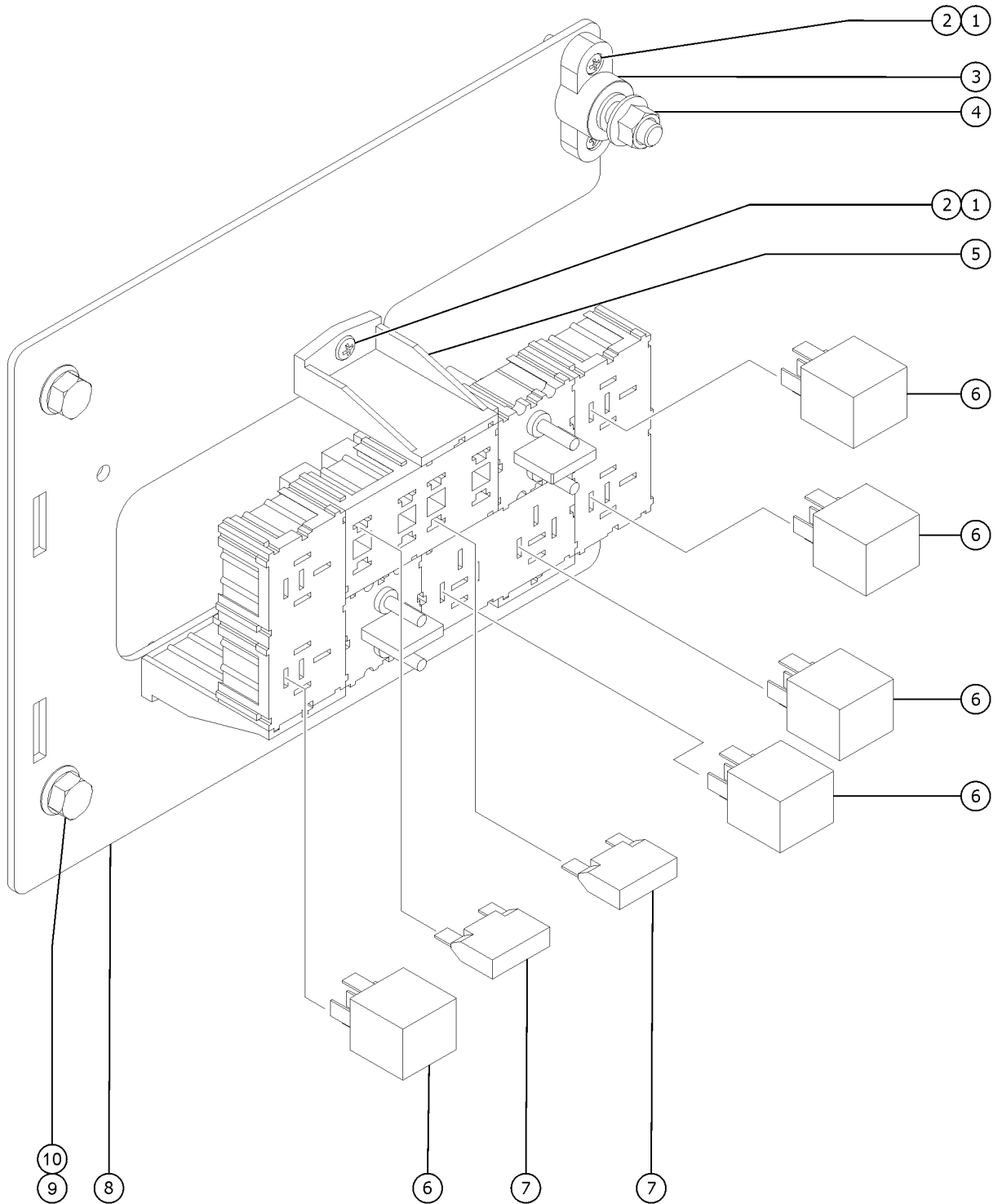


311.1 Turntable Components - Relay Panel, Diesel Models

Item	Part No.	Description	Qty.
A	88159GT	LOCK,WEDGE,RLY 9.5MM	
1	49816GT	SCREW,PHILLIPS,PHM,10-32 X .75	3
2	6178GT	NUT,NYLOCK,10-32	3
3	94982GT	STANDOFF, 3/8" BLACK	1
4	824029GT	NUT,TL FLG,3/8-16,G,ZAG	1
5	88160GT	BRACKET,LEG,RLY BLOCK	
6	34052GT	RELAY,SPDT,12V(AUTO) PLUG IN**	4
6-	88167GT	CONN,DUAL RLY MODULE,10 POS	
7	61225GT	RELAY,12VDC,70AMP,SEALED	2
7-	88162GT	CONN,POWER RLY MODULE,4POS	
8	101340GT	FUSE,60 AMP,MAXI	1
8-	88164GT	CONN MAXI FUSE MODULE,4POS	
9	94327GT	FUSE,30 AMP	2
9-	88164GT	CONN MAXI FUSE MODULE,4POS	
10	60536GT	FUSE,20 AMP,MAXI	1
		(Deutz models)	
10-	88164GT	CONN MAXI FUSE MODULE,4POS	
11	106051GT	CONN,FEED THRU STUD	2
11-	88164GT	CONN MAXI FUSE MODULE,4POS	
12		REF. PLATE, RELAY BLOCK MOUNT	1
		(refer to 306.1)	
13	75051GT	SCREW,SER FLNG3/8UNCX3/4ZNYEL	4
14	29868GT	SPRING CLIP,3/8-16,.05-.20X.73,ZAG	3



312.1 Turntable Components - Relay Panel, Gasoline/LPG Models

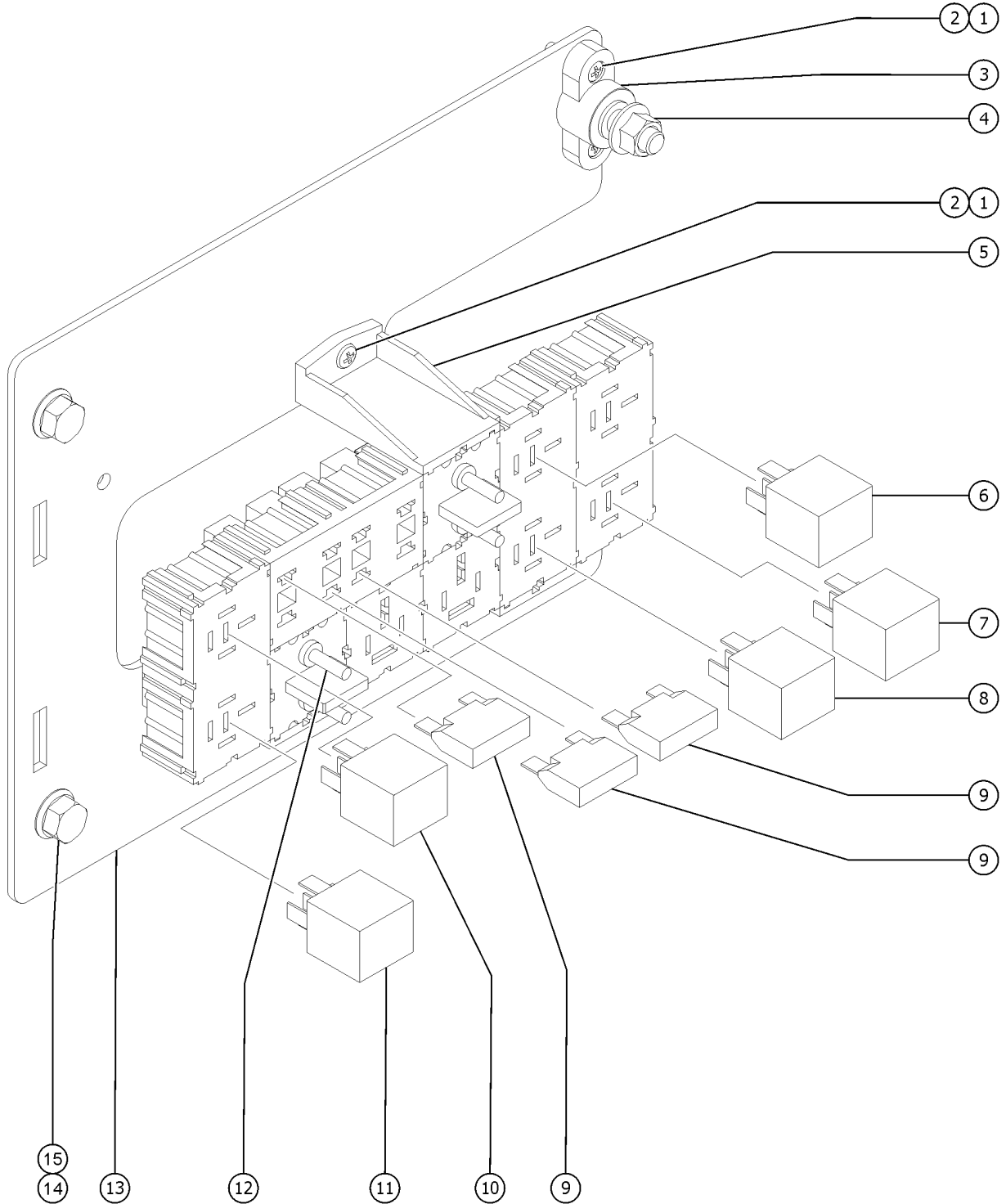


312.1 Turntable Components - Relay Panel, Gasoline/LPG Models

<i>Item</i>	<i>Part No.</i>	<i>Description</i>	<i>Qty.</i>
A	88159GT	LOCK,WEDGE,RLY 9.5MM	
1	49816GT	SCREW,PHILLIPS,PHM,10-32 X .75	3
2	6178GT	NUT,NYLOCK,10-32	3
3	94982GT	STANDOFF, 3/8" BLACK	1
4	824029GT	NUT,TL FLG,3/8-16,G,ZAG	1
5	88160GT	BRACKET,LEG,RLY BLOCK	
6	34052GT	RELAY,SPDT,12V(AUTO) PLUG IN**	5
6-	88167GT	CONN,DUAL RLY MODULE,10 POS	
7	94327GT	FUSE,30 AMP	2
7-	88164GT	CONN MAXI FUSE MODULE,4POS	
8		REF. PLATE, RELAY BLOCK MOUNT	1
		(refer to 306.1)	
9	75051GT	SCREW,SER FLNG3/8UNCX3/4ZNYEL	4
10	29868GT	SPRING CLIP,3/8-16,.05-.20X.73,ZAG	3



313.1 Turntable Components - Relay Panel, Deutz TD 2.9L4

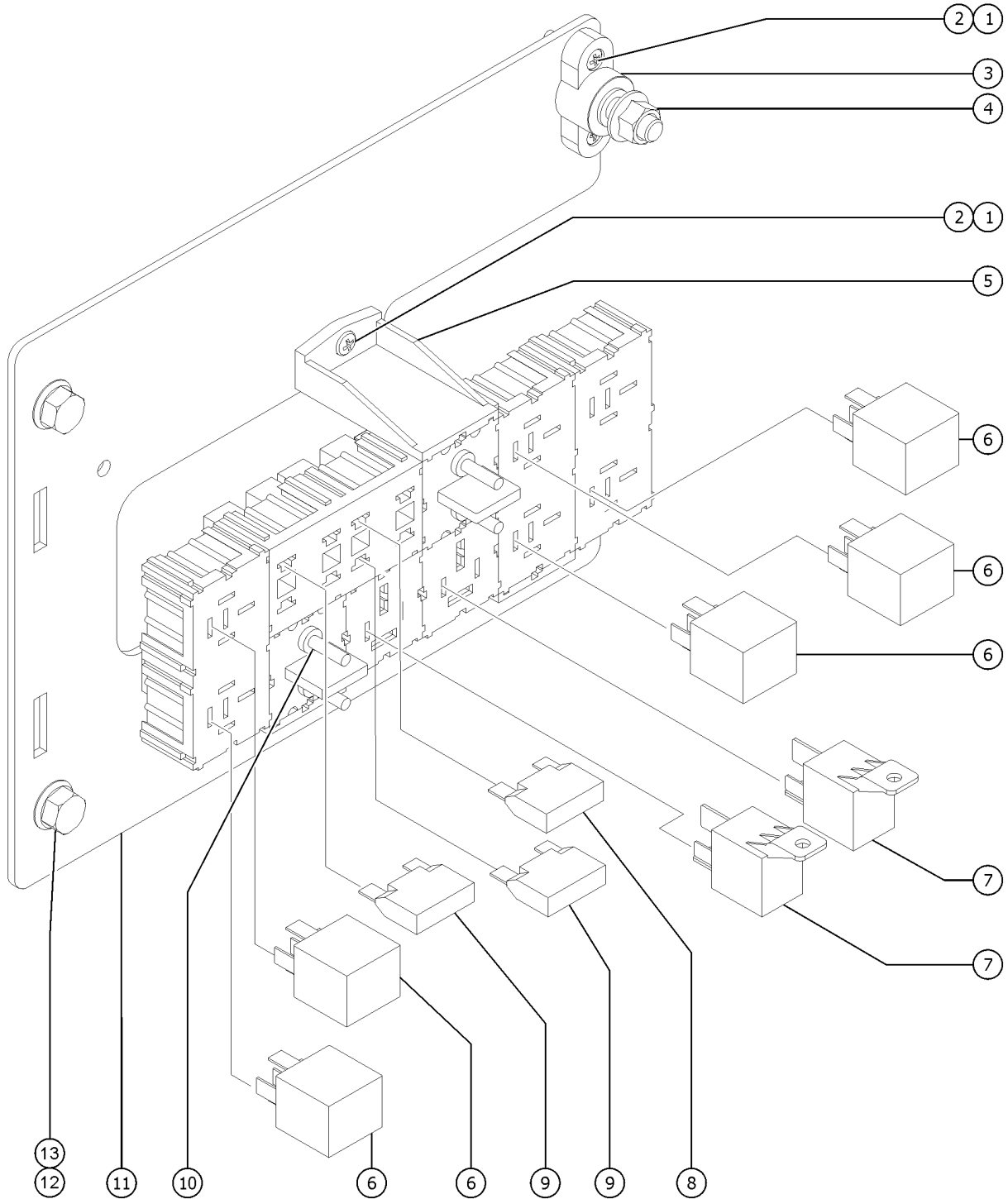


313.1 Turntable Components - Relay Panel, Deutz TD 2.9L4

Item	Part No.	Description	Qty.
A	88159GT	LOCK,WEDGE,RLY 9.5MM	
1	49816GT	SCREW,PHILLIPS,PHM,10-32 X .75	3
2	6178GT	NUT,NYLOCK,10-32	3
3	94982GT	STANDOFF, 3/8" BLACK	1
4	824029GT	NUT,TL FLG,3/8-16,G,ZAG	1
5	88160GT	BRACKET,LEG,RLY BLOCK	
6	34052GT	RELAY,SPDT,12V(AUTO) PLUG IN** CR2 (ENG/IGN RLY)	1
7	34052GT	RELAY,SPDT,12V(AUTO) PLUG IN** CR6 (FUEL PUMP RLY)	
8	34052GT	RELAY,SPDT,12V(AUTO) PLUG IN** CR39 (VDROP RLY)	
9	60536GT	FUSE,20 AMP,MAXI	3
9-	88164GT	CONN MAXI FUSE MODULE,4POS	
10	34052GT	RELAY,SPDT,12V(AUTO) PLUG IN** CR17 (OIL COOL RLY, OPTION)	1
11	34052GT	RELAY,SPDT,12V(AUTO) PLUG IN** CR5 (HORN RLY)	1
12	106051GT	CONN,FEED THRU STUD	2
12-	88164GT	CONN MAXI FUSE MODULE,4POS	
13		REF. PLATE, RELAY BLOCK MOUNT (refer to 306.1)	1
14	75051GT	SCREW,SER FLNG3/8UNCX3/4ZNYEL	4
15	29868GT	SPRING CLIP,3/8-16,.05-.20X.73,ZAG	3



314.1 Turntable Components - Relay Panel, Perkins 404D-22T

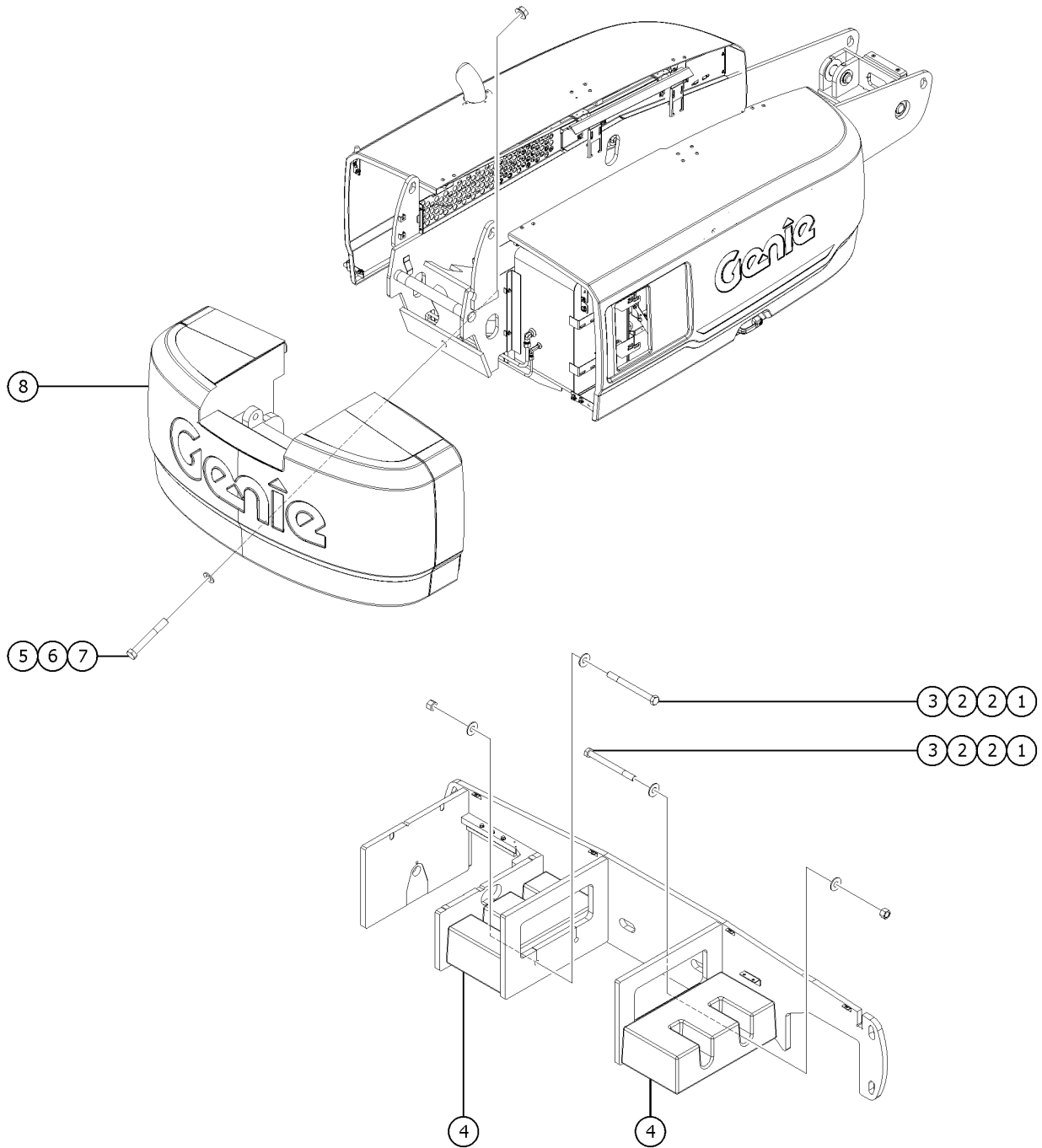


314.1 Turntable Components - Relay Panel, Perkins 404D-22T

Item	Part No.	Description	Qty.
A	88159GT	LOCK,WEDGE,RLY 9.5MM	
1	49816GT	SCREW,PHILLIPS,PHM,10-32 X .75	3
2	6178GT	NUT,NYLOCK,10-32	3
3	94982GT	STANDOFF, 3/8" BLACK	1
4	824029GT	NUT,TL FLG,3/8-16,G,ZAG	1
5	88160GT	BRACKET,LEG,RLY BLOCK	
6	34052GT	RELAY,SPDT,12V(AUTO) PLUG IN**	5
6-	88167GT	CONN,DUAL RLY MODULE,10 POS	
7	61225GT	RELAY,12VDC,70AMP,SEALED	2
7-	88162GT	CONN,POWER RLY MODULE,4POS	
8	101340GT	FUSE,60 AMP,MAXI	1
8-	88164GT	CONN MAXI FUSE MODULE,4POS	
9	60536GT	FUSE,20 AMP,MAXI	2
10	106051GT	CONN,FEED THRU STUD	2
10-	88164GT	CONN MAXI FUSE MODULE,4POS	
11		REF. PLATE, RELAY BLOCK MOUNT (refer to 306.1)	1
12	75051GT	SCREW,SER FLNG3/8UNCX3/4ZNYEL	4
13	29868GT	SPRING CLIP,3/8-16,.05-.20X.73,ZAG	3



315.1 Turntable Counterweight

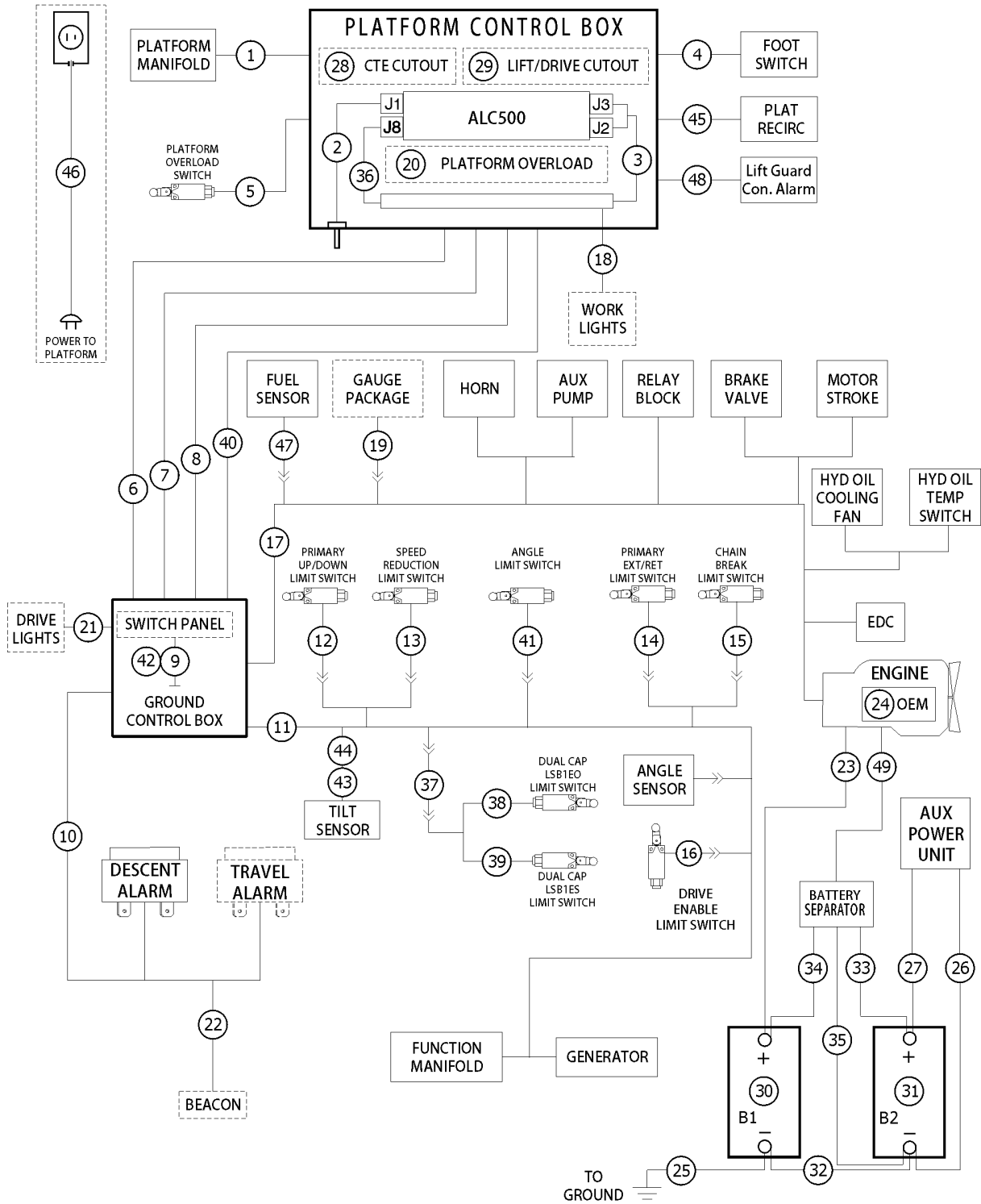


315.1 Turntable Counterweight

<i>Item</i>	<i>Part No.</i>	<i>Description</i>	<i>Qty.</i>
1	826792GT	SCREW,HHC,1-8X11,5,ZAG (S-80X and S-85)	4
2	1256469GT	WASHER,FLAT,1.0,USS,ZAG (S-80X and S-85)	8
3	826794GT	NUT,TL,1-8,C,ZAGRING (S-80X and S-85)	4
4	1274162GT	CASTING, CHASSIS WEIGHT, NDL (S-80X and S-85)	2
5	1273404GT	SCREW,HHC,1-8X7.5,8,ZAG	1
6	824116GT	WASHER,FLAT,1.0,F436,HRD,ZAG	1
7	824031GT	NUT,TL FLG,1-8,G,ZAG	1
8	1267078GT	COUNTERWEIGHT,S80 (S-80 and S-80X)	1
8B	1267079GT	COUNTERWEIGHT,S85 (S-85)	1



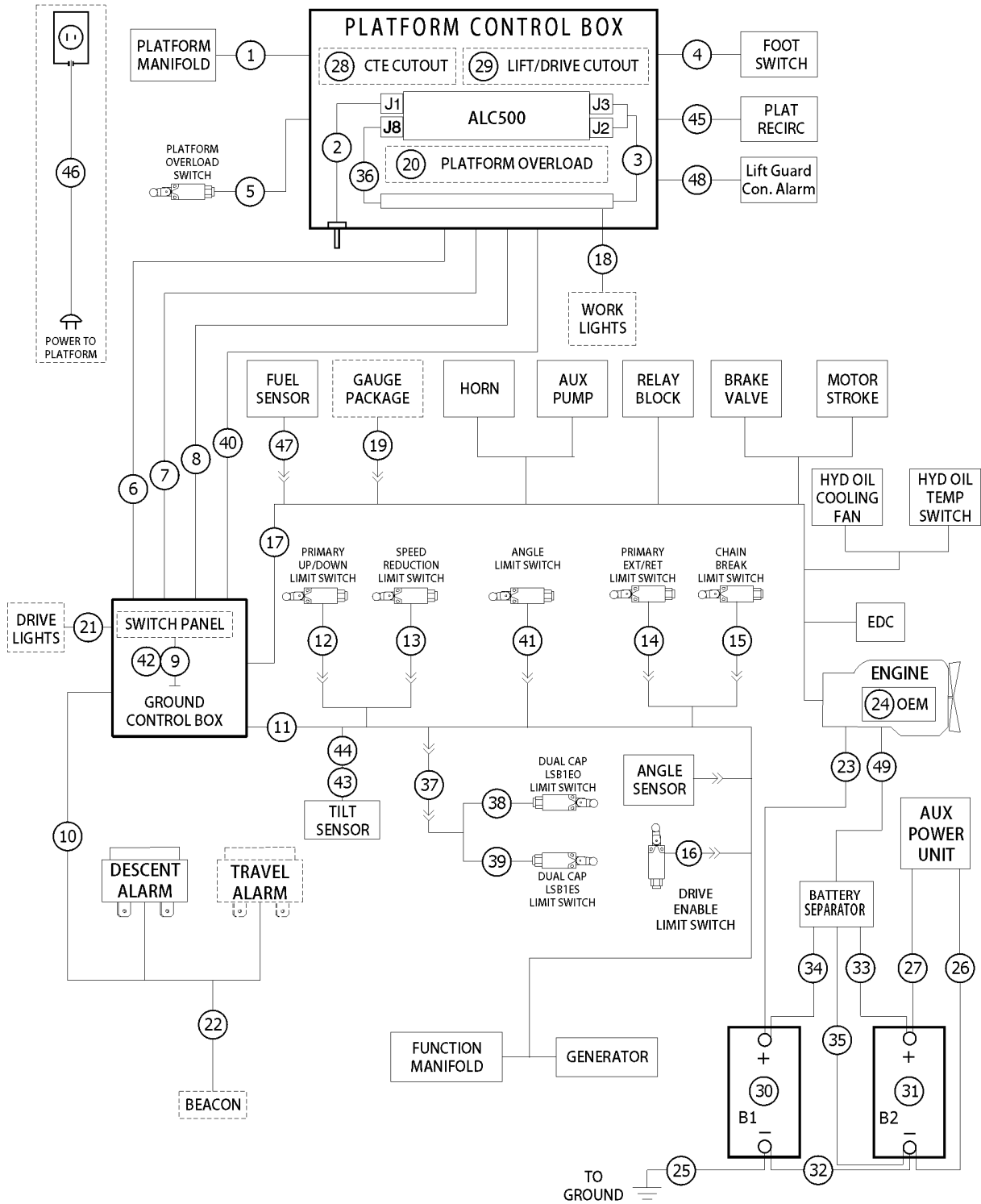
316.1 Wire Harness Diagram, S-80X and S-80



Item	Part No.	Description	Qty.
A-	1264822GT	KIT, TRC RETROFIT, STNDRD Telematics (includes 1264834)	
B-	1264834GT	INSTRN, TRC RETROFIT, STNDRD	
C-	121456GT	HARN,PBOX,JOYSTICK,S80/85 2008	
D-	228448GT	HARN,PROX KILL+AC BYPASS S60	
1	121726GT	HARN,PLAT MANIFOLD,S80	1
2	1275802GT	HARNESS,PBOX,S80/85 (Deutz TD2011L04i, GM 3.0L and Perkins 404D-22T)	1
3	1275803GT	HARN, PBOX, DEUTZ 2.9T, S80 (Deutz TD 2.9L4)	1
4	227516GT	ASSEMBLY,FOOT SWITCH	1
5	121848GT	ASSY,LS,LOAD SENSE,38.5 IN	1
6	121732GT	HARNESS,16/22 BOOM 1,S80-2008 (green - brown)	1
7	121477GT	HARNESS,18/22 BOOM 2,S80-2008 (grey - black)	1
8	121478GT	HARNESS,12V TO PLAT,S80-2008	1
9	1265454GT	HARNESS, GBOX, DEUTZ 2.9T, S80 (Deutz TD 2.9L4)	1
9-	60452GT	CONN,RECEP 3 WAY SAE J1939 (Deutz TD 2.9L4)	1
9B	1265455GT	HARNESS, GBOX, DEUTZ2011,S80 (Deutz TD2011L04i)	1
9C	1258618GT	HARN,GBOX,PERKINS 404D,S80/85 (Perkins 404D-22T)	1
10	121753GT	HARNESS,ALARM/BEACON,S80 2008	1
11	1264385GT	HARNESS, MANIFOLD, FUNCTION	1
12	121469GT	HARN,LS,BOOM ANGLE S80/85 2008	1
12-	110771-141C7GT	LIMIT SW.TAB,BLUE METAL	
13	T107193GT	HARN,LS OP PRI VEL LST3O	1
13-	110771-13107GT	SWITCH,LIMIT,W/RLLR ARM,NO/NC	
14	121466GT	HARNESS,LS,BOOM RET S80/85	1
14-	88356-32163GT	SWITCH,LIMIT,TABULATED,BLUE	
15	121468GT	HARNESS,LS,CHAIN BREAK S80/85	1
15-	88356-13107GT	SWITCH,LIMIT,TABULATE,BLUE	
16	121467GT	HARN,LS,DRIVE EN,S80/85 2008	1
16-	88356-33103GT	SWITCH,LIMIT TABULATED,BLUE	



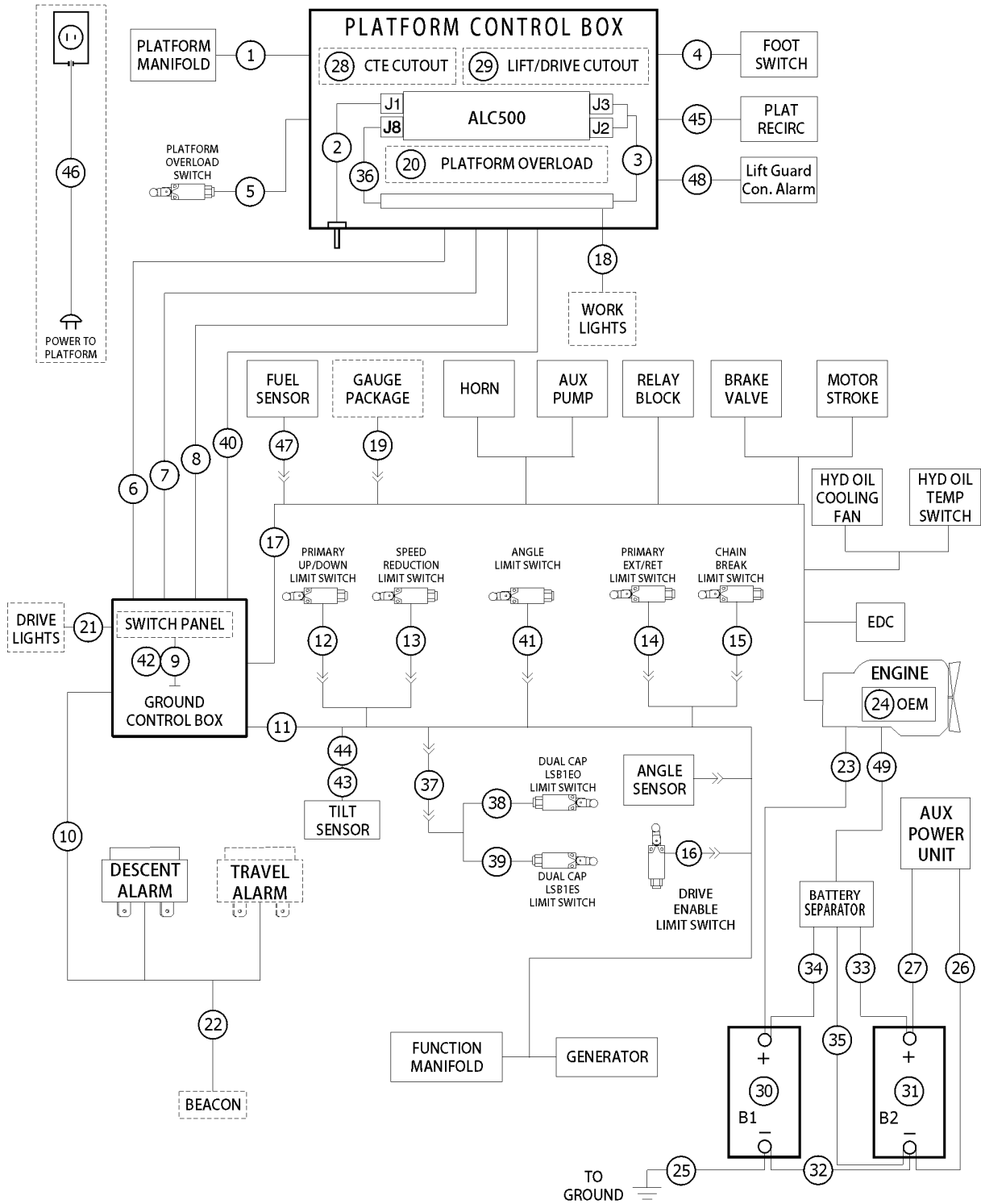
316.1 Wire Harness Diagram, S-80X and S-80



Item	Part No.	Description	Qty.
17	216760GT	HARNESS, DEUTZ 2008 (Deutz TD2011L04i)	1
17B	824585GT	HARN, ENG, TIER IV DEUTZ, S80 (Deutz TD 2.9L4)	1
17C	1258619GT	HARNESS,ENG,PERKINS 404D,S80/85 (Perkins 404D-22T)	1
18	T115760GT	HARNESS,12V WORK LIGHTS	1
18B	T115761GT	HARNESS,12V WORK LIGHT RELAY (use with harness item T115760)	1
19	121492GT	HARNESS,GAUGE OPT. S80/85	1
20	219490GT	HARNESS,LS W/RECOVERY	1
21	121447GT	HARNESS,DRV LIGHTS,S80/85 2008	1
22	121489GT	HARNESS,BEACON,S80/85 2008	1
23	121474GT	BATTERY CABLE,2/0,POS,RD,123"	
24	122399GT	HARNESS, TD2011L04I, DEUTZ (Deutz models)	
25	217370GT	CABLE,BATTERY NEG,BK	1
26	121619GT	HARNESS,BATT2 TO APU(+),S80	1
27	121622GT	HARNESS,BATT2 TO APU(-),S80	1
28	121521GT	OPT,CTE CUTOUT,S80/85 2008	1
29	1258701GT	HARNESS,CE OPTION,S80/85	1
30	30143GT	BATTERY,12V,1000 CCA GRP 31	
31	77694GT	BATTERY,12V DEEP CYC 5/16"STUD	
32	106555GT	HARNESS,GND BATT 1 TO BATT 2	
33	121618GT	HARNESS,BATT2 TO SEPERATOR,S80	
34	121617GT	HARNESS,BATT1 TO SEPERATOR,S80	
35	121621GT	HARNESS,SEPERATOR GND,S80	
36	1259219GT	HARNESS,PBOX,DUAL CAP,S80X S-80X only	
37	147653GT	HARN, LS CABLE,S80 DUAL CAP S-80X only	
38	147651GT	HARN,LSB1,DUAL CAP ASSY S-80X only	1
39	T106479GT	HARN,LS SAFETY,PRI.DUAL CAP S-80X only	1
40	T106478GT	HARN,LS OP PRI.DUAL CAP S-80X only	1
41	T107194GT	HARN,LS SAFETY PRI VEL LST3S S-80X only	1



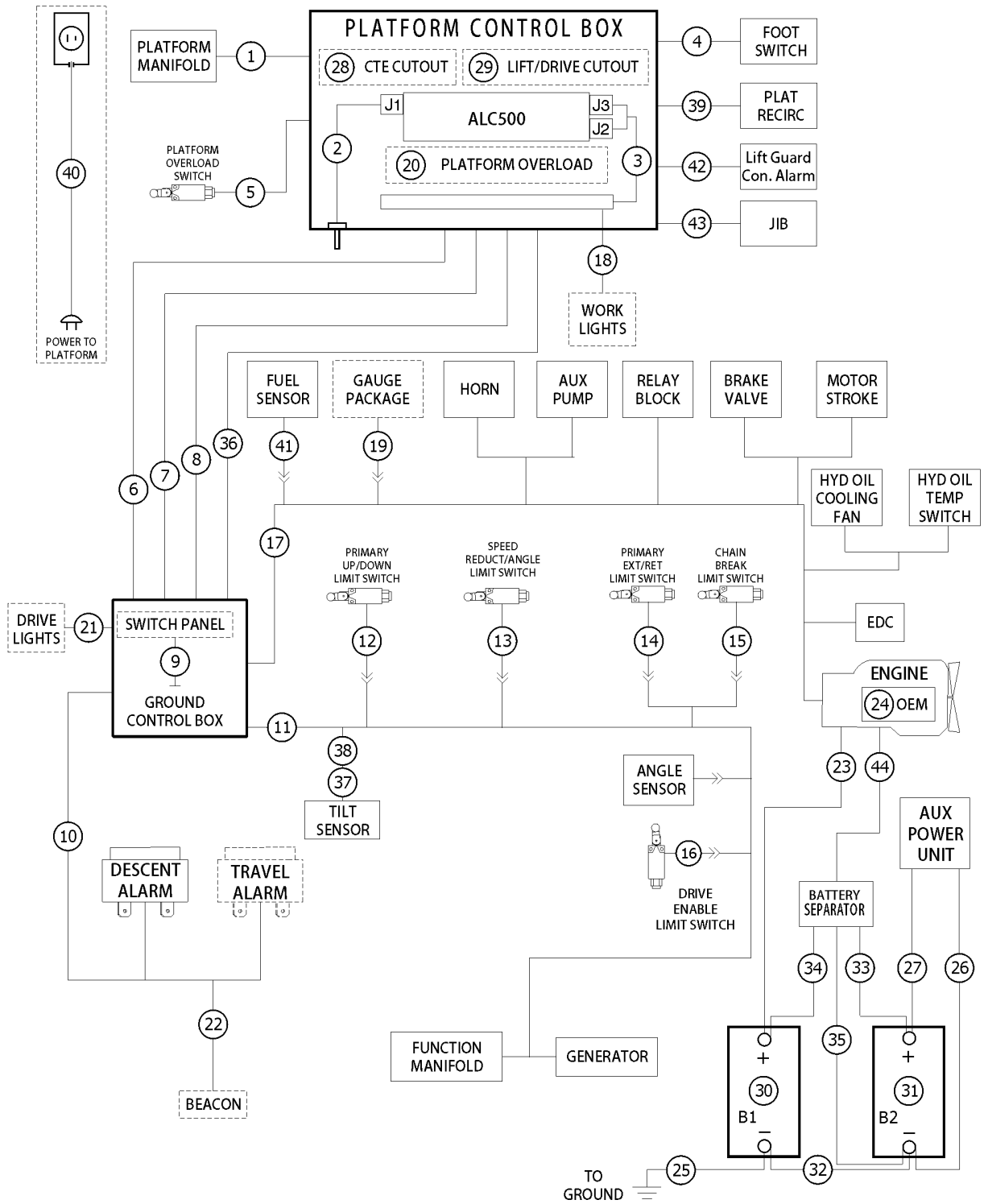
316.1 Wire Harness Diagram, S-80X and S-80



Item	Part No.	Description	Qty.
41-	110771-11117GT	SWITCH,LIMIT,W/RLLR ARM,NO/NC	
42	229357GT	HARNESS, LIGHT PACKAGE, S80	
43	1264947GT	KIT, LEVEL SENSOR, 6 PIN CONN (for ANSI/CSA models with 6-pin wire harness connector, includes instructions)	
44	1260218GT	HARNESS,TILT ALARM,12V	
		(for CSA models only)	
44-	1285811GT	KIT,TILT ALARM,IC MODELS	
44-	1285689GT	INSTRUCTIONS,INSTALL (LEVEL SENSOR ALARM) for kit 1285811	
45	226550GT	HARNESS, PLAT RECIRC, S80/85	1
46	30794GT	WIRE,12/3 SJEOW,BK-WH-GR/YL	12
		power to platform cable option)	12
47	1273602GT	HARNESS, LEVEL, FUEL, S80	1
48	1278108GT	HARNESS, CONTACT ALARM, S40,S60,S80	1
48-	19274GT	RELAY,SPDT,12V(AUTO)**	
		(Use with harness item 1278108)	
49	237267GT	HARNESS,START ASSIST,S80	1



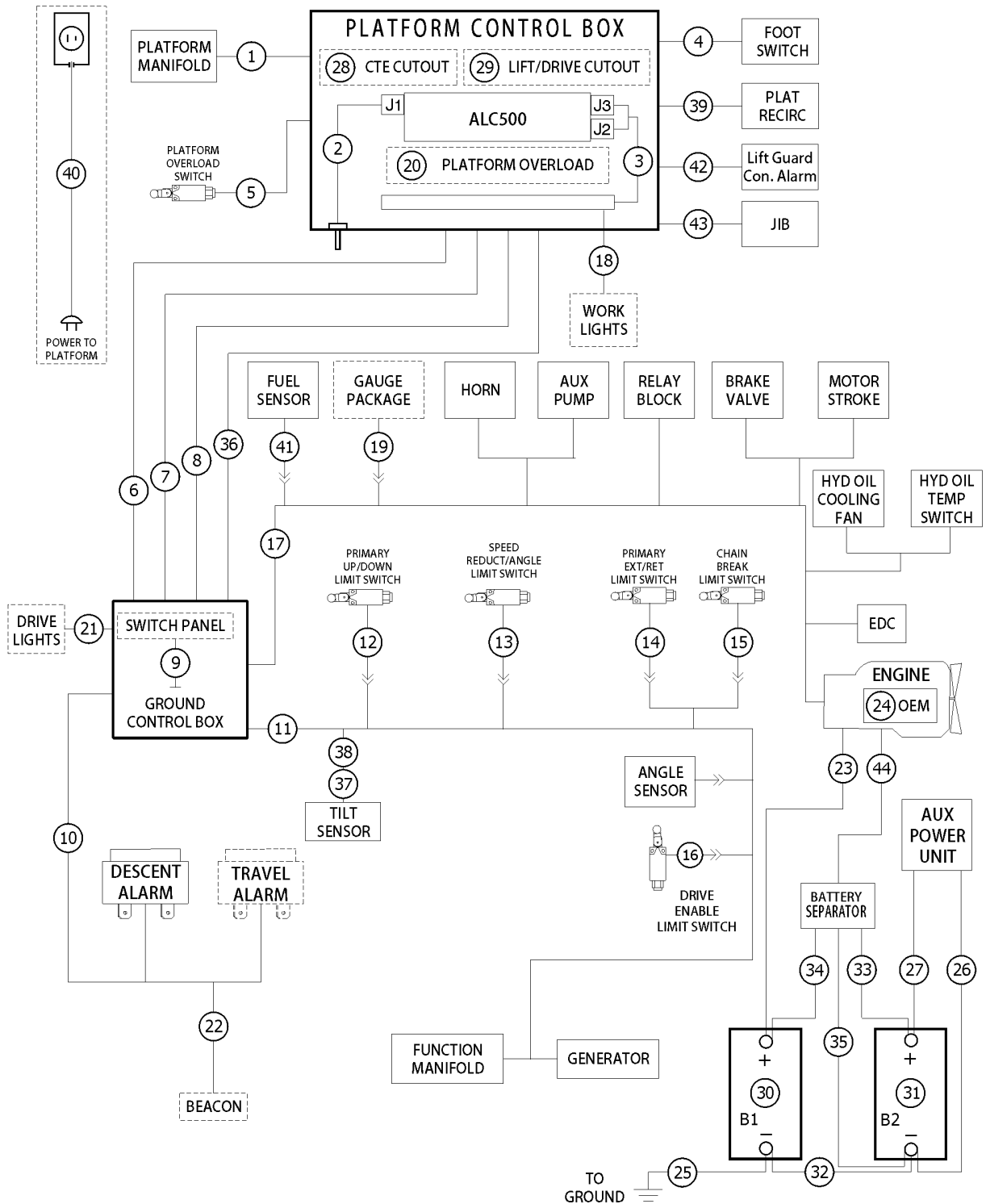
317.1 Wire Harness Diagram, S-85



Item	Part No.	Description	Qty.
A-	1264822GT	KIT, TRC RETROFIT, STNDRD Telematics (includes 1264834)	
B-	1264834GT	INSTRN, TRC RETROFIT, STNDRD	
C-	121456GT	HARN,PBOX,JOYSTICK,S80/85 2008	
D-	228448GT	HARN,PROX KILL+AC BYPASS S60	
1	121727GT	HARN,PLAT MANIFOLD,S85	1
2	1275802GT	HARNESS,PBOX,S80/85 (Deutz TD2011L04i, GM 3.0L and Perkins 404D-22T)	1
3	1275803GT	HARN, PBOX, DEUTZ 2.9T, S80 (Deutz TD 2.9L4)	1
4	227516GT	ASSEMBLY,FOOT SWITCH	1
5	121848GT	ASSY,LS,LOAD SENSE,38.5 IN	1
6	121733GT	HARNESS,16/22 BOOM 1,S85-2008 (Green - Brown)	1
7	121480GT	HARNESS,18/22 BOOM 2,S85-2008 (Gray - Black)	1
8	121481GT	HARNESS,12V TO PLAT,S85 2008	1
9	1265454GT	HARNESS, GBOX, DEUTZ 2.9T, S80 (Deutz TD 2.9L4)	1
9-	60452GT	CONN,RECEP 3 WAY SAE J1939 (Deutz TD 2.9L4)	
9B	1265455GT	HARNESS, GBOX, DEUTZ2011,S80 (Deutz TD2011L04i)	1
9C	1258618GT	HARN,GBOX,PERKINS 404D,S80/85 (Perkins 404D-22T)	1
10	121753GT	HARNESS,ALARM/BEACON,S80 2008	1
11	1264385GT	HARNESS, MANIFOLD, FUNCTION	1
12	121469GT	HARN,LS,BOOM ANGLE S80/85 2008	1
12-	110771-141C7GT	LIMIT SW.TAB,BLUE METAL	
13	T107193GT	HARN,LS OP PRI VEL LST30	1
13-	110771-13107GT	SWITCH,LIMIT,W/RLLR ARM,NO/NC	
14	121466GT	HARNESS,LS,BOOM RET S80/85	1
14-	88356-32163GT	SWITCH,LIMIT,TABULATED,BLUE	
15	121468GT	HARNESS,LS,CHAIN BREAK S80/85	1
15-	88356-13107GT	SWITCH,LIMIT,TABULATE,BLUE	
16	121467GT	HARN,LS,DRIVE EN,S80/85 2008	1
16-	88356-33103GT	SWITCH,LIMIT TABULATED,BLUE	



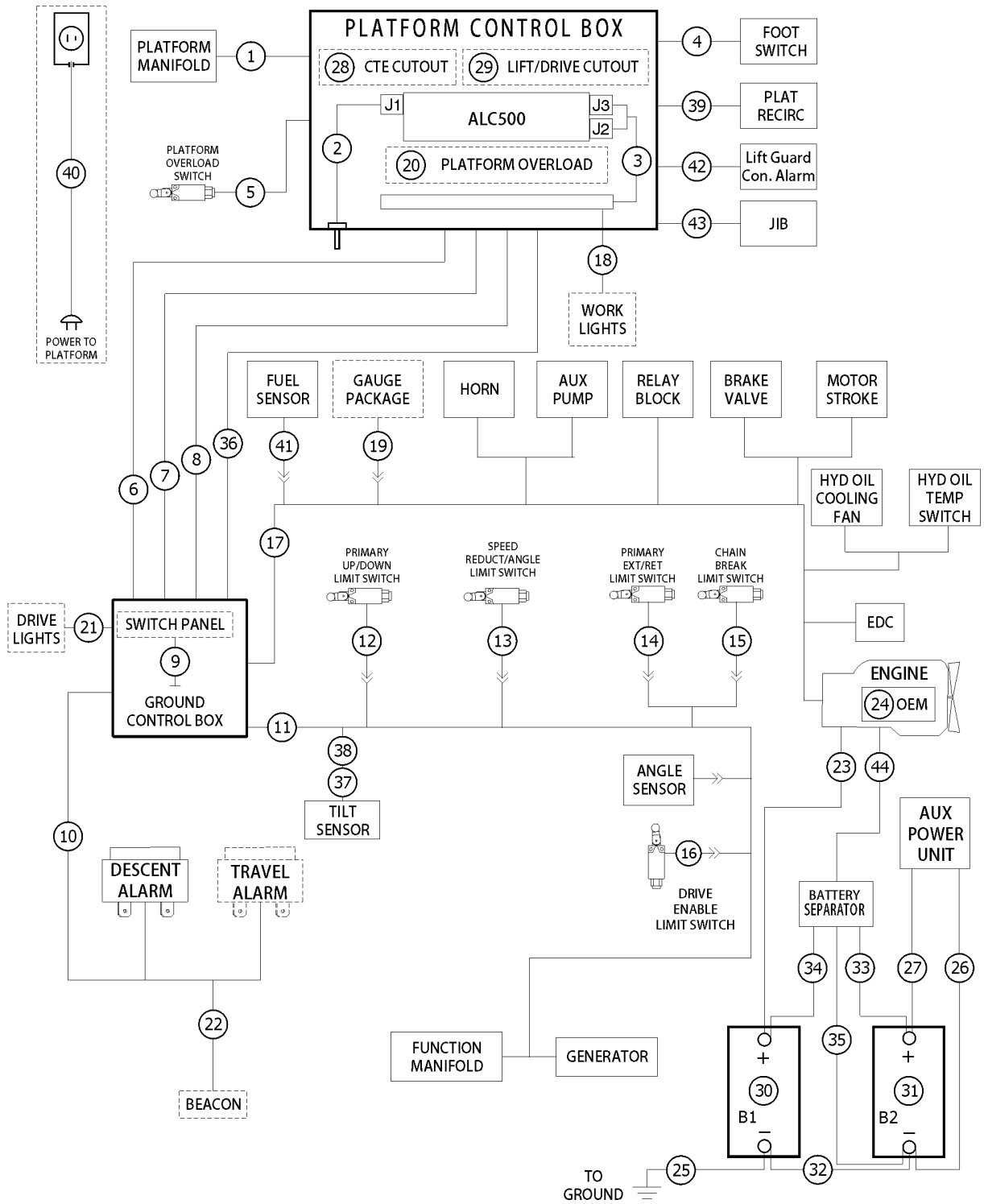
317.1 Wire Harness Diagram, S-85



Item	Part No.	Description	Qty.
17	216760GT	HARNESS, DEUTZ 2008 (Deutz TD2011L04i)	1
17B	824585GT	HARN, ENG, TIER IV DEUTZ, S80 (Deutz TD 2.9L4)	1
17C	1258619GT	HARNESS,ENG,PERKINS 404D,S80/85 (Perkins 404D-22T)	1
18	T115760GT	HARNESS,12V WORK LIGHTS	1
18B	T115761GT	HARNESS,12V WORK LIGHT RELAY (use with harness item T115760)	1
19	121492GT	HARNESS,GAUGE OPT. S80/85	1
20	219490GT	HARNESS,LS W/RECOVERY	1
21	121447GT	HARNESS,DRV LIGHTS,S80/85 2008	1
22	121489GT	HARNESS,BEACON,S80/85 2008	1
23	121474GT	BATTERY CABLE,2/0,POS,RD,123"	
24	122399GT	HARNESS, TD2011L04I, DEUTZ (Deutz models)	
25	217370GT	CABLE,BATTERY NEG,BK	1
26	121619GT	HARNESS,BATT2 TO APU(+),S80	1
27	121622GT	HARNESS,BATT2 TO APU(-),S80	1
28	121521GT	OPT,CTE CUTOUT,S80/85 2008	1
29	1258701GT	HARNESS,CE OPTION,S80/85	1
30	30143GT	BATTERY,12V,1000 CCA GRP 31	
31	77694GT	BATTERY,12V DEEP CYC 5/16"STUD	
32	106555GT	HARNESS,GND BATT 1 TO BATT 2	
33	121618GT	HARNESS,BATT2 TO SEPERATOR,S80	
34	121617GT	HARNESS,BATT1 TO SEPERATOR,S80	
35	121621GT	HARNESS,SEPERATOR GND,S80	
36	229358GT	HARNESS, LIGHT PACKAGE, S85	
37	1264947GT	KIT, LEVEL SENSOR, 6 PIN CONN (for ANSI/CSA models with 6-pin wire harness connector, includes instructions)	
38	1260218GT	HARNESS,TILT ALARM,12V (for CSA models only)	
38-	1285811GT	KIT,TILT ALARM,IC MODELS	
38-	1285689GT	INSTRUCTIONS,INSTALL (LEVEL SENSOR ALARM) for kit 1285811	
39	226550GT	HARNESS, PLAT RECIRC, S80/85	1

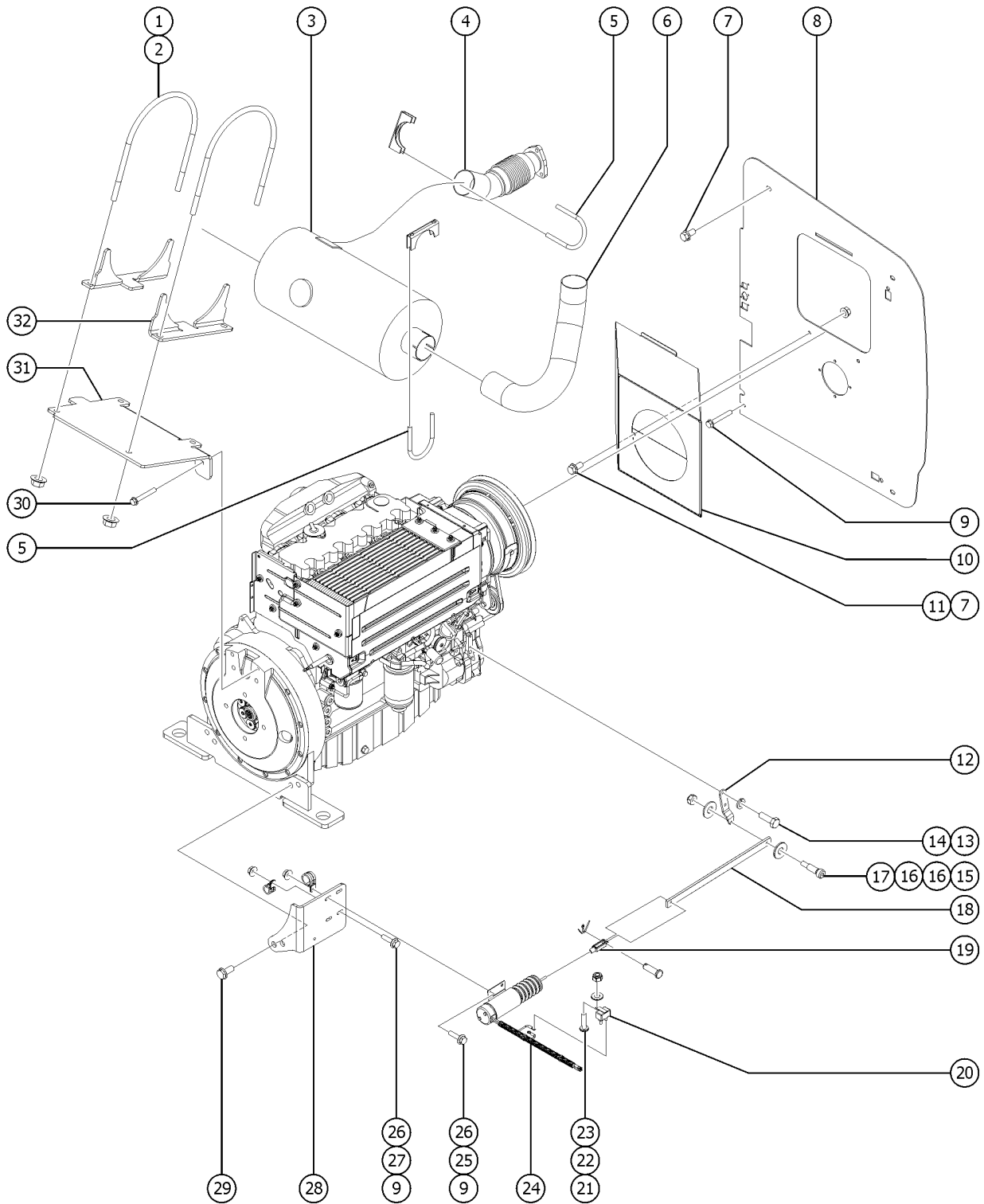


317.1 Wire Harness Diagram, S-85



<i>Item</i>	<i>Part No.</i>	<i>Description</i>	<i>Qty.</i>
40	30794GT	WIRE,12/3 SJEOW,BK-WH-GR/YL (power to platform cable option)	12 72
41	1273602GT	HARNESS, LEVEL, FUEL, S80	1
42	1278108GT	HARNESS, CONTACT ALARM, S40,S60,S80	1
42-	19274GT	RELAY,SPDT,12V(AUTO)** (use with harness item 1278108)	
43	121735GT	HARNESS,JIB KIT,S85-2008	1
44	237267GT	HARNESS,START ASSIST,S80	1

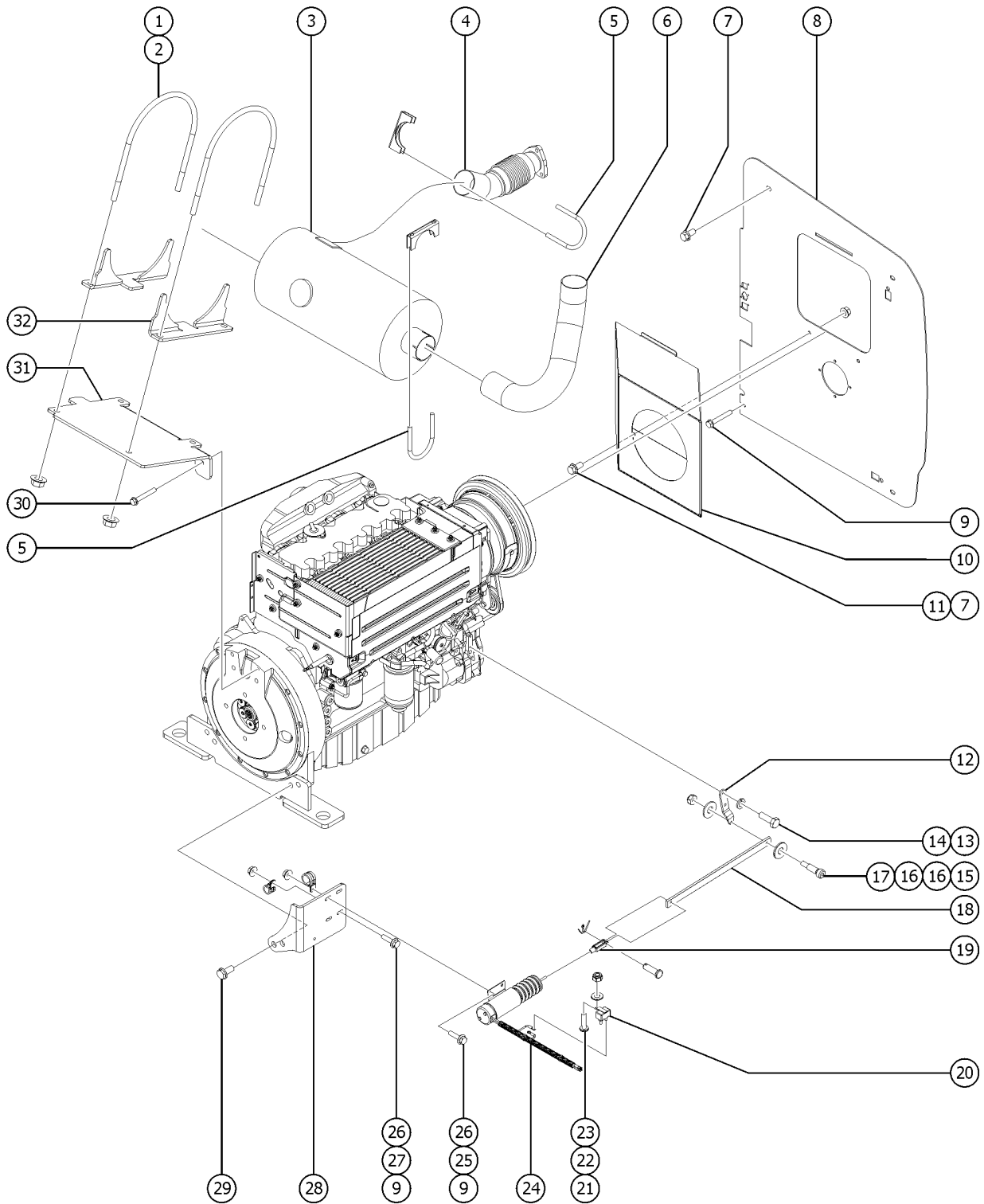
401.1 Deutz TD2011L04i Engine - View 1



Item	Part No.	Description	Qty.
1	70449GT	U-BOLT,1/2-13 X 8.5	2
2	121423GT	NUT,FLG,1/2-13	4
3	70444GT	MUFFLER,2.5"INLET/OUTLET	1
4	70445GT	FLEX PIPE,EXHAUST,2.5" DIA	1
5	71911GT	CLAMP,MUFFLER, 2.50 INCH	2
6	70465GT	TAILPIPE,DEUTZ BF4L2011	1
7	75051GT	SCREW,SER FLNG3/8UNCX3/4ZNYEL	5
8	1274053GT	PLATE, BULKHEAD, DEUTZ TD2011	1
9	121420GT	SCREW,HHF,1/4-20 X 1.00	5
10	121410GT	WELDMENT,COOLING AIRBOX	1
11	121422GT	NUT,HEX,FLG,3/8-16	2
12	50787-SGT	LEVER, GOVERNOR ACTUATOR	1
13	22578GT	SCREW,HHC,M6 X 20MM,GR8.8	2
14	49407GT	WASHER,LOCK,M6	2
15	6584GT	SCREW,SHS,10-24 X .625	1
16	6638GT	WASHER,FLAT,USS,1/4"Y	2
17	5365GT	NUT,NYLOCK,10-24	1
18	139322GT	THROTTLE LINKAGE, DSL	1
19	21130GT	CLEVIS YOKE-1/4-28,PLTD W/PIN	1
20	128829GT	CIRCUIT BRKR 15A TYPE 2 METAL	1
21	49816GT	SCREW,PHILLIPS,PHM,10-32 X .75	1
22	6146GT	WASHER,FLAT,MS,#10,Y	1
23	6178GT	NUT,NYLOCK,10-32	1
24	121615GT	THROTTLE SOLENOID ASSY, TROMB.	1
24-	128829GT	CIRCUIT BRKR 15A TYPE 2 METAL	
25	18666GT	CLAMP,1.00,#16 X 1/4,RUB CUSH	1
26	121421GT	NUT,FLG,1/4-20	4
27	45454GT	CLAMP,RUB CUSH,0.75,#12 X 3/8*	1

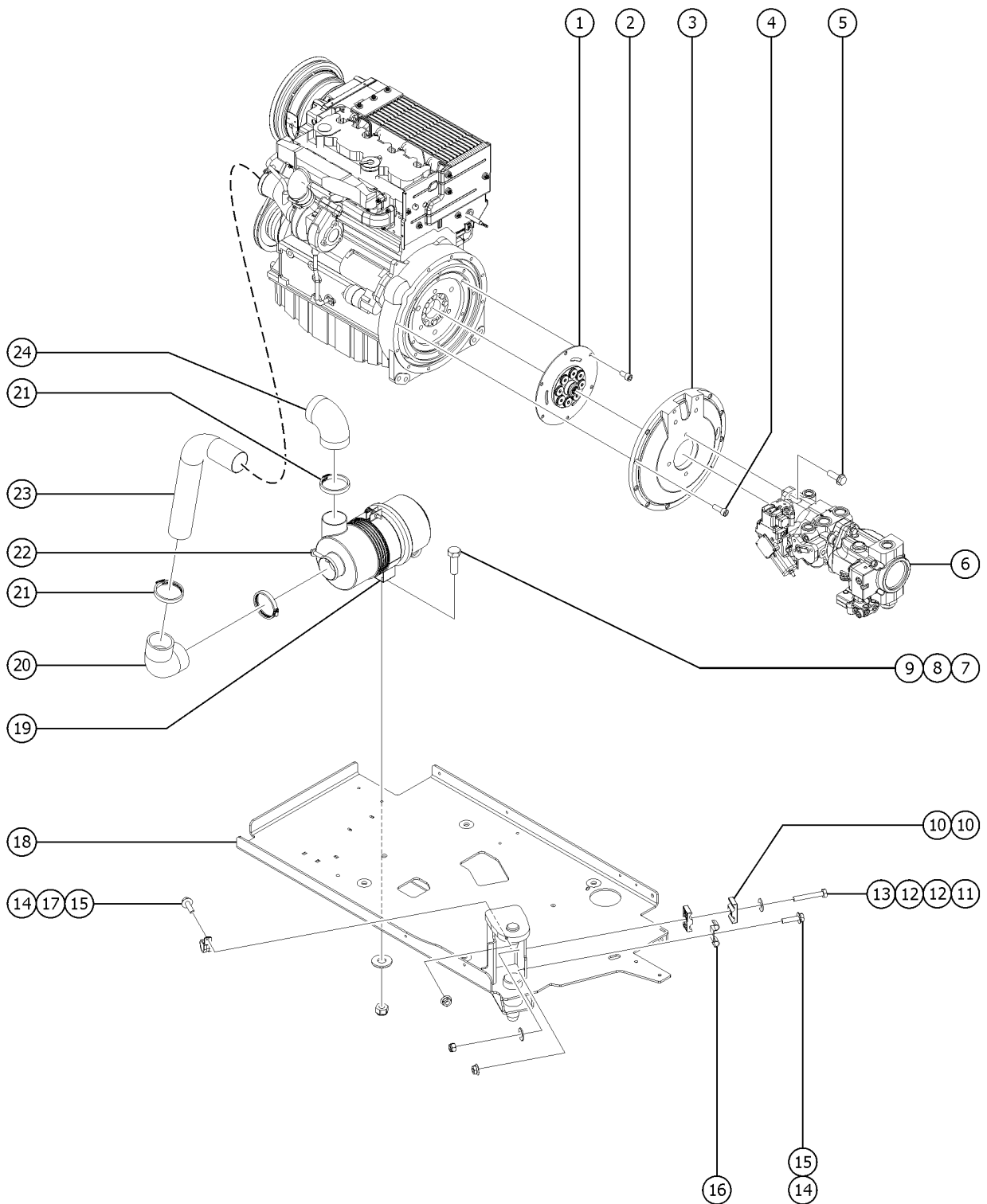


401.1 Deutz TD2011L04i Engine - View 1



<i>Item</i>	<i>Part No.</i>	<i>Description</i>	<i>Qty.</i>
28	139321GT	FORMING, SOLENOID MOUNT***	1
29	121688GT	SCREW,HHC,FLG,M14 X 35	2
30	121430GT	SCREW,FLG HD,M10 X 70 GR12.9	2
31	70448PGT	FORMING,MUFFLER MOUNT	1
32	70483GT	FORMING,8.5' MUFFLER MOUNT	2

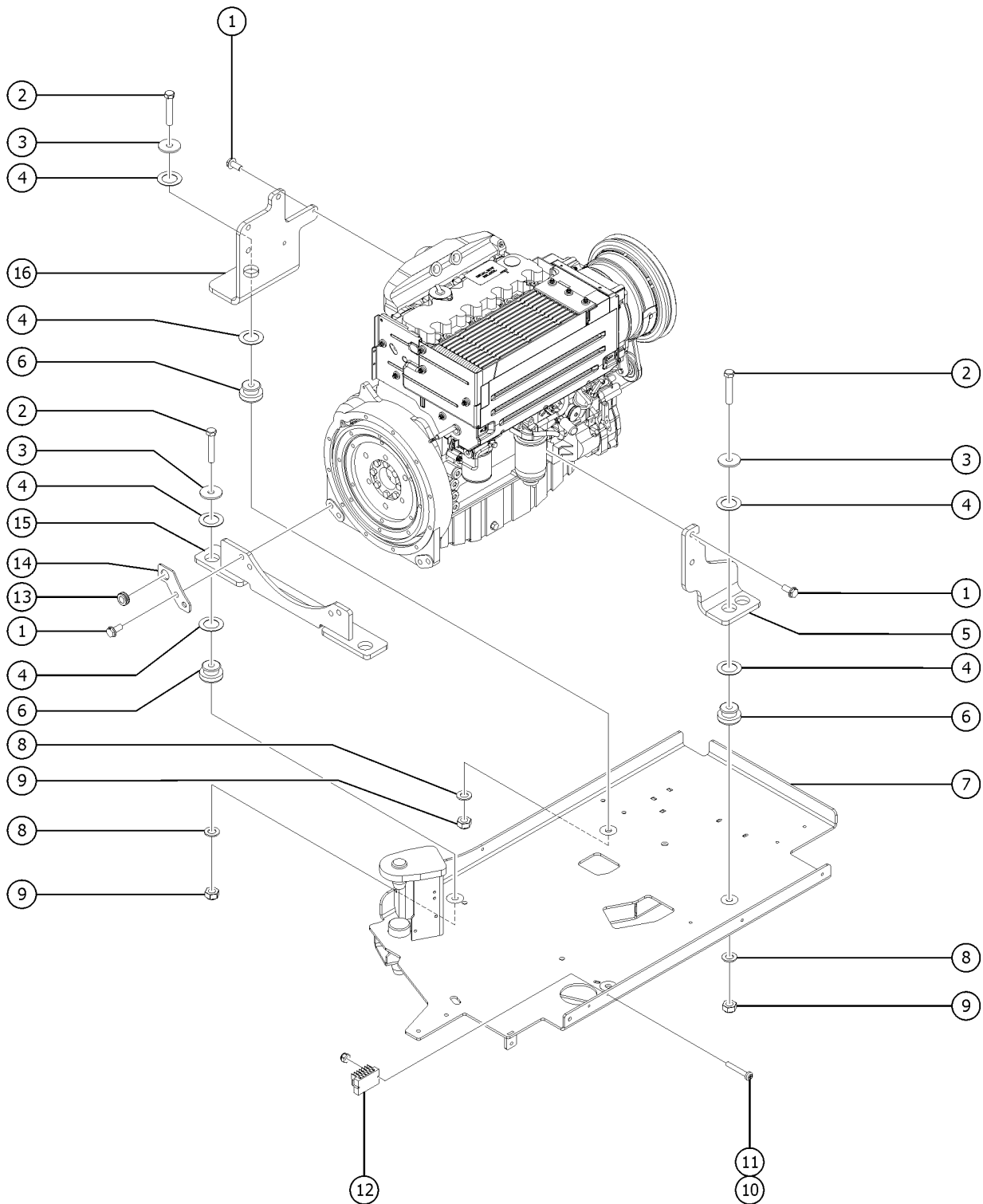
402.1 Deutz TD2011L04i Engine - View 2



Item	Part No.	Description	Qty.
1	128004GT	COUPLER, 15 TOOTH, FBA, SAE 8	1
2	62476GT	SCREW,SHC,M10X1.5X20MM (75090)	6
3	70381GT	COVER, FLYWHEEL CASTING	1
4	61110GT	SCREW,SHC,M10X1.5X30 GR 12.9	9
5	123167GT	FLGHCS,1/2-13X1.50,GR8,BLK PH	4
6		REF.DRIVE PUMP AND FUNCTION PUMP	1
		(refer to 708.1)	
7	13002GT	SCREW,HHC,5/16-18 X 1 GR5	2
8	5397GT	WASHER,FLAT,USS,5/16",Y	2
9	6782GT	NUT, NYLOCK, 5/16-18	2
10	78736GT	CLAMP,2 HOSE,PLASTIC,5/8	2
11	6637GT	SCREW,HHC,1/4-20 X 1.75	1
12	6638GT	WASHER,FLAT,USS,1/4"Y	2
13	6091GT	NUT, NYLOCK, 1/4-20	1
14	121420GT	SCREW,HHF,1/4-20 X 1.00	2
15	121421GT	NUT,FLG,1/4-20	2
16	75289GT	CLAMP,HOSE,1/2" DOUBLE	1
17	18666GT	CLAMP,1.00,#16 X 1/4,RUB CUSH	1
18		REF. WELDMENT,ENGINE TRAY	1
		(refer to 417.1)	
19	81468GT	MOUNTING BAND,AIR CLEANER	1
20	139455GT	ELBOW,AIR INTAKE,RUBBER	1
21	30489GT	CLAMP,HOSE,3.50	3
22	81467GT	AIR CLEANER,NELSON	1
22-	75450GT	AIR CLEANER CLIPS, SUPERBOOM	
22-	75451GT	AIR CLEANER COVER, SUPERBOOM*	
22-	52866GT	EVACUATOR VALVE-AIR CLEANER	
22-	62425GT	FILTER,AIR CLEANER, SUPERBOOM	
23	121563GT	TUBE,AIR INTAKE,DEUTZ	1
24	60561GT	ELBOW,INLET,CUMMINS	1



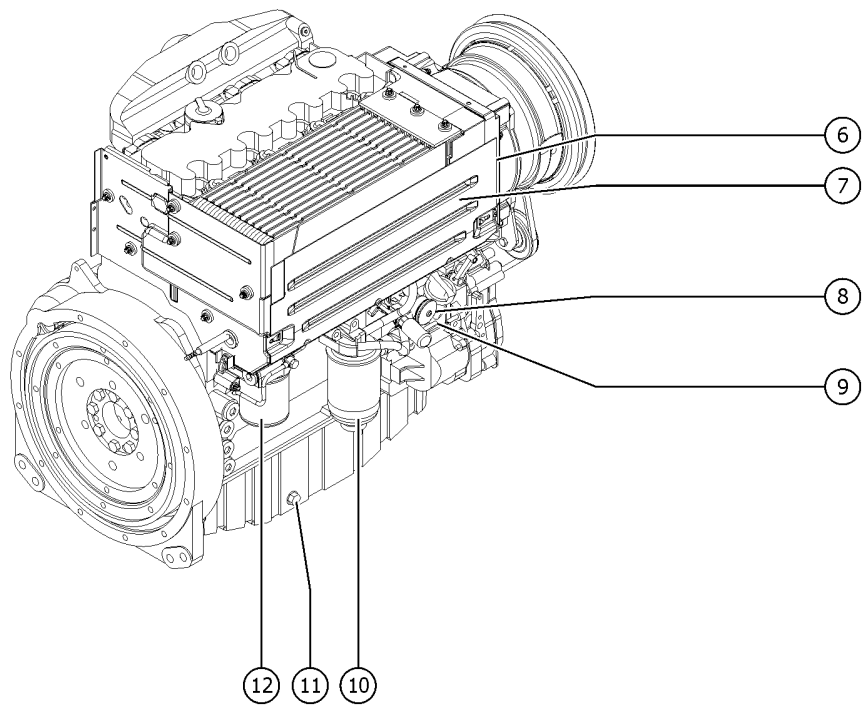
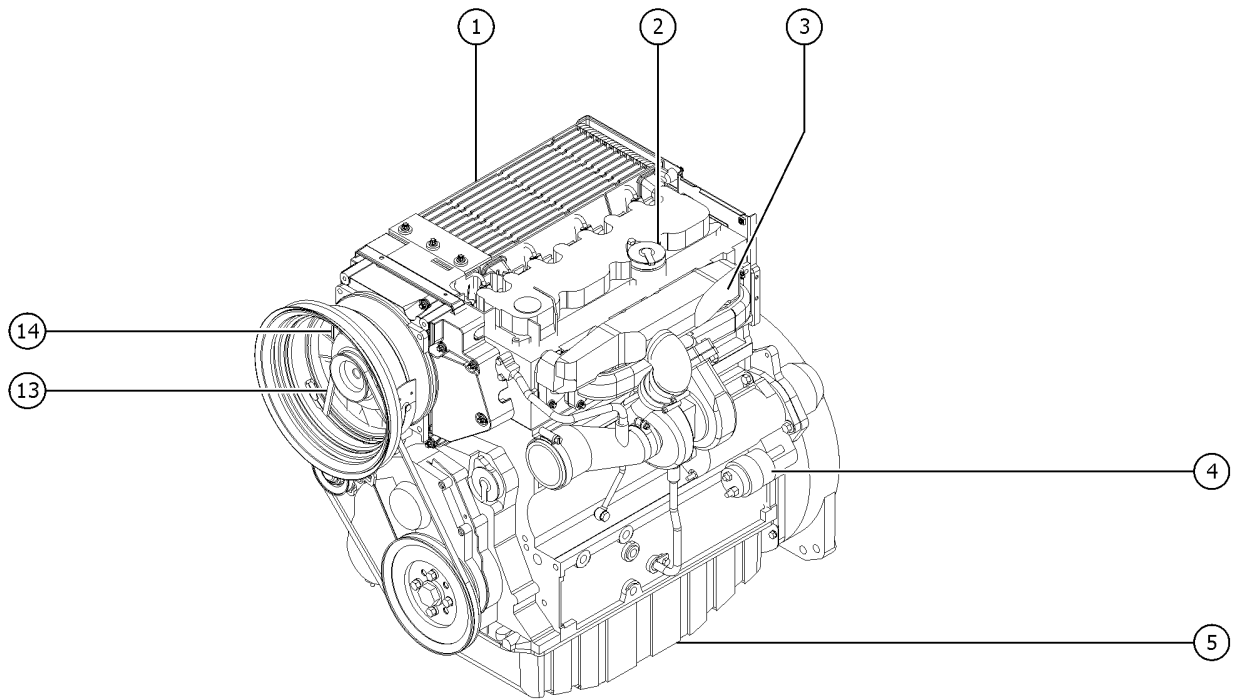
403.1 Deutz TD2011L04i Engine - View 3



Item	Part No.	Description	Qty.
1	121688GT	SCREW,HHC,FLG,M14 X 35	7
2	13003GT	SCREW,HHC,5/8-11 X 3.5 GRD.8	4
3	33418GT	WASHER,FLAT,.625 X 2.25 X.15	4
4	18596GT	WASHER,FLAT,1.56 X 2.5 X .061	8
5	70455GT	FORMING,ENGINE MOUNT	1
6	102045GT	ISOLATOR,ENGINE VIBRATION	4
7		REF. WELDMENT,ENGINE TRAY	1
		(refer to 417.1)	
8	13064GT	WASHER,FLAT,.625 HARDENED	4
9	6024GT	NUT,NYLOCK,5/8-11	4
10	49817GT	SCREW,PHILLIPS,PHM,10-32 X1.25	2
11	6178GT	NUT,NYLOCK,10-32	2
12	89997GT	RELAY MODULE(89996,89998)	1
13	60584GT	GROMMET,RUBBER .75 X .19 X 1**	1
14	217203GT	PLATE,BRACKET,BATTERY CABLE	1
15	70456GT	WELDMENT,REAR ENGINE MOUNT	1
16	70454GT	FORMING,ENGINE MOUNT	1



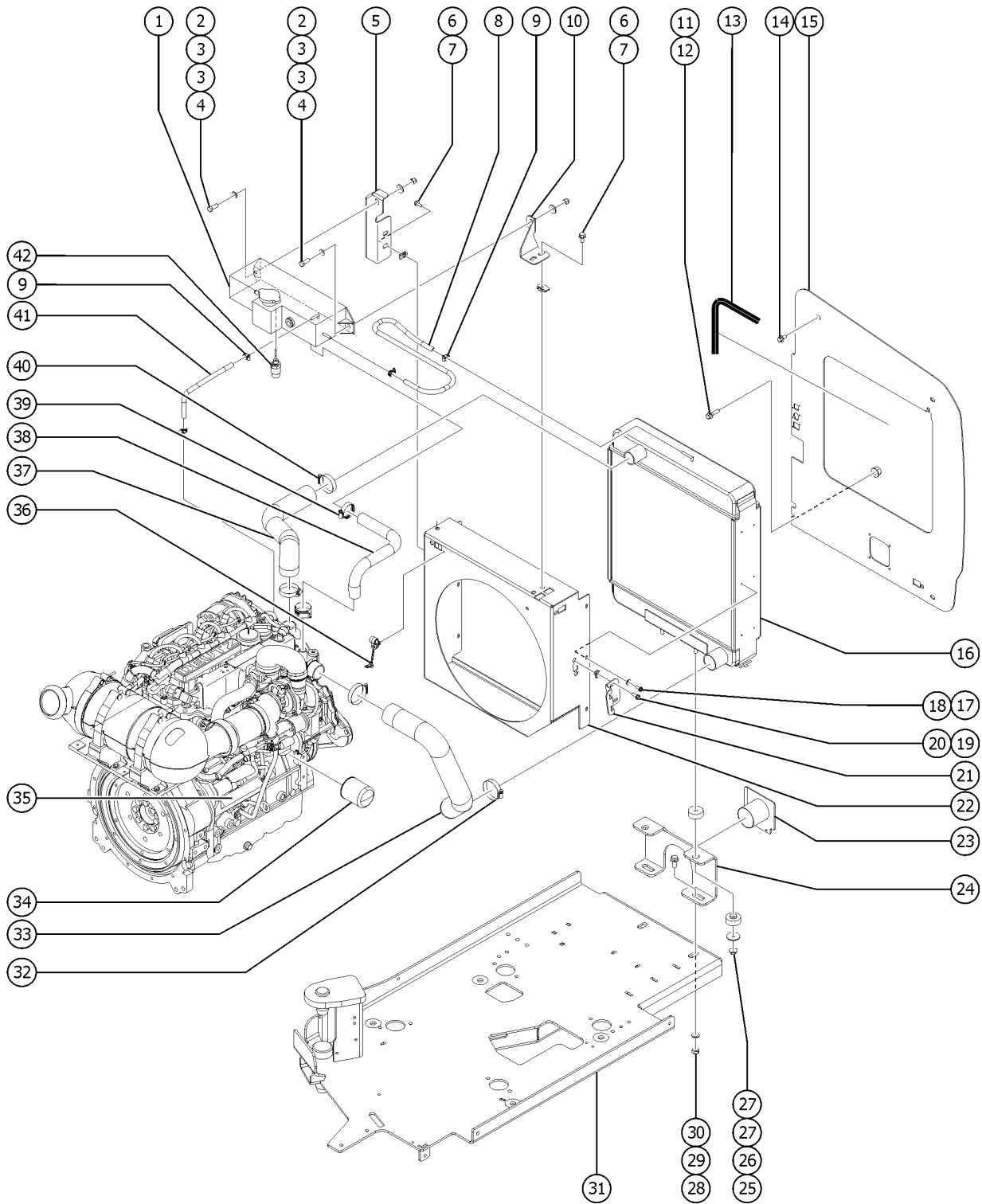
404.1 Deutz TD2011L04i Engine - View 4



Item	Part No.	Description	Qty.
A-	27089GT	HOSE,5/16 FUEL,SAE 30R7 (tank to engine input line)	108
B-	30490GT	HOSE,1/4 FUEL LINE,SAE 30R7 (tank to engine return line)	101
2	29557GT	CAP,OIL FILLER,DEUTZ,DIESEL ***	1
3	102590GT	EXHAUST MANIFOLD, DEUTZ F4L201	1
3-	29559GT	GASKET,EXHAUST	
4	49915GT	SOLENOID-STARTR DEUTZF4L1011F*	1
5	102586GT	OIL PAN,DEUTZ F4L2011	1
6	1289103GT	COVER,ENGINE,TD2011 L04I	1
7	111445GT	SENDING UNIT,OIL TEMP SWCH,DTZ	1
8	58299GT	SENDING UNIT,OIL PRESS.,DEUTZ*	1
9	52352GT	DIPSTICK-F3L1011F (DEUTZ)	
10	29560GT	FILTER,FUEL/WTR SEP, DTZ 1008 (Genie genuine part. see PN 1254826 for compatible aftermarket replacement)	
10-	1254826GT	FUEL FILTER W/SEP,DEUTZ,1008 (Genie aftermarket part. filter for Deutz F3L 1011F engine)	
10-	58566GT	FILTER HEAD (29560)	
11	102587GT	PLUG,ENGINE OIL,DEUTZ F4L2011	1
12	49924GT	FILTER,OIL,DEUTZ F4L1011F (Genie genuine part. See PN 1255653 for compatible aftermarket replacement)	1
12-	1255653GT	FILTER,OIL,DEUTZ,REPLACEMENT (Genie aftermarket part. compatible with Genie Genuine Part 49924)	
13	58630GT	V-BELT, DEUTZ TD2011LOAI	
14	58249GT	ALTERNATOR, DEUTZ,BF4L2011***	



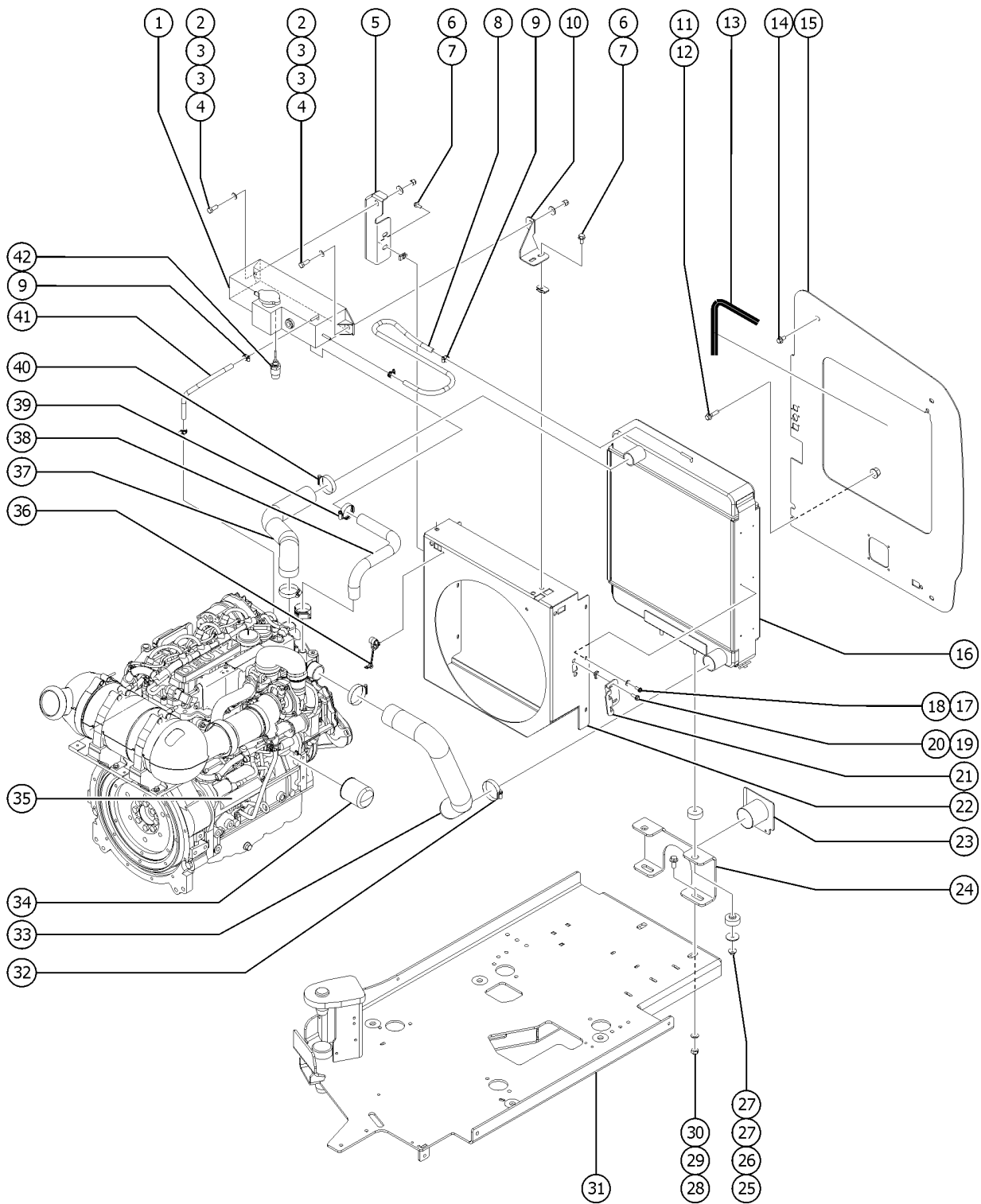
405.1 Deutz TD 2.9L4 Engine - View 1



Item	Part No.	Description	Qty.
Due to Tier 4 regulations, many engine replacement parts require engine serial number at time of order placement. When ordering engine parts please have both machine and engine serial numbers available. For internal engine parts, contact engine dealer.			
1	161938GT	EXPANSION TANK,METAL,D2.9	1
1-	1274900GT	SIGHT GLASS for 161938	
1-	1254823GT	CAP,RADIATOR,PERKINS (94232) for 161938	
2	6175GT	SCREW,HHC,3/8-16 X 1	2
3	6097GT	WASHER,FLAT,USS,3/8",Y	4
4	4828GT	NUT,NYLOCK,3/8-16	2
5	826825GT	BRACKET,EXPANSION TANK, LEFT M	1
6	75051GT	SCREW,SER FLNG3/8UNCX3/4ZNYEL	4
7	29868GT	SPRING CLIP,3/8-16,.05-.20X.73,ZAG	4
8	824600GT	HOSE,HEATER,1/4"	28- in ch es
9	21465GT	CLAMP,HOSE,SIZE .25 TO .63	4
10	825218GT	BRACKET,EXPANSION TANK,DEUTZ 2	1
11	824079GT	SCREW,HHF,1/4-20X1,8,ZAG	1
12	824027GT	NUT,TL FLG,1/4-20,G,ZAG	1
13	119218GT	TRIM EDGE, 1/8X3/4,SIDE BULB	88- in ch es
14	824089GT	SCREW,HHF,3/8-16X.75,8,ZAG	3
15	1270963GT	PLATE, BULKHEAD, DEUTZ 2.9L	1
16	826795GT	RADIATOR,6-CORE,19.375W X 18.1	1
17	21019GT	SCREW,PHIL,PHM,10-24 X.5,SEMS	1
18	6146GT	WASHER,FLAT,MS,#10,Y	6
19	121419GT	SCREW,HHF,1/4-20 X .75	2
20	56912GT	SPRING CLIP,1/4-20,.025-.15X.5	2
21	823751GT	BRACKET,INTAKE PIPE,MOUNT,DEUT	1
22	826859GT	SHROUD,17" FAN,6-CORE RADIATOR	1
23	1251928GT	WLDT, INTAKE, T4 DEUTZ, Z80/S80	1



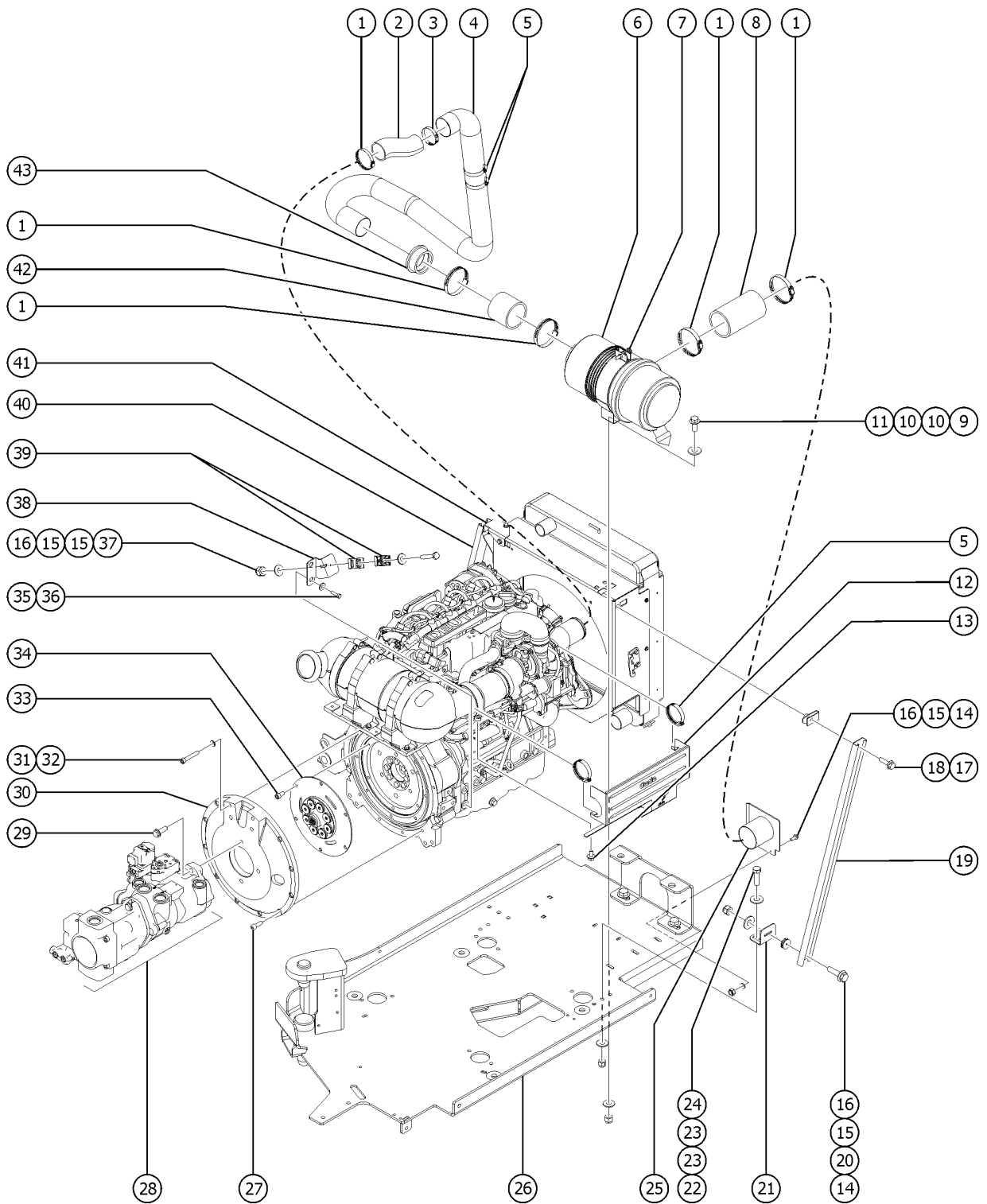
405.1 Deutz TD 2.9L4 Engine - View 1



Item	Part No.	Description	Qty.
24	826835GT	FORMING,6-CORE RADIATOR MOUNT	1
25	48425GT	NUT,FLG-LRG,3/8-16,YZ	2
26	15086GT	WASHER,FLAT,,375 X 1.5 X .125	2
27	24038GT	SHOCK MOUNT,SMALL	4
28	6024GT	NUT,NYLOCK,5/8-11	2
29	13064GT	WASHER,FLAT,,625 HARDENED	2
30	128912GT	BOLT,FLANGE,5/8-11X1.5"GR8 PLT	2
31		REF. WELDMENT,ENGINE TRAY,2.9L DEUTZ (Refer to 417.1)	
32	35434GT	CLAMP,HOSE,2.00***	2
33	162284GT	HOSE,LOWER RADIATOR, 2.9L DEUT	1
34A	49924GT	FILTER,OIL,DEUTZ F4L1011F	1
34B	1255653GT	FILTER,OIL,DEUTZ,REPLACEMENT	1
35	1254594GT	STARTER,3.2KW,DEUTZ D2.9	1
36	219508GT	CLAMP, FIXED DIA, NYLON, 3/8"	1
37	162283GT	HOSE, UPPER RADIATOR, DEUTZ D	1
38	823229GT	HOSE,EXPANSION TANK,COMPENSATION	1
39	36208GT	CLAMP,HOSE,1.25***	2
40	22672GT	CLAMP,HOSE,1.75	2
41	824600GT	HOSE,HEATER,1/4"	24- in ches
42	162210GT	SENSOR,COOLANT LEVEL,DEUTZ	1
42-	826152GT	WASHER, CRUSH, COOLANT SENSOR	



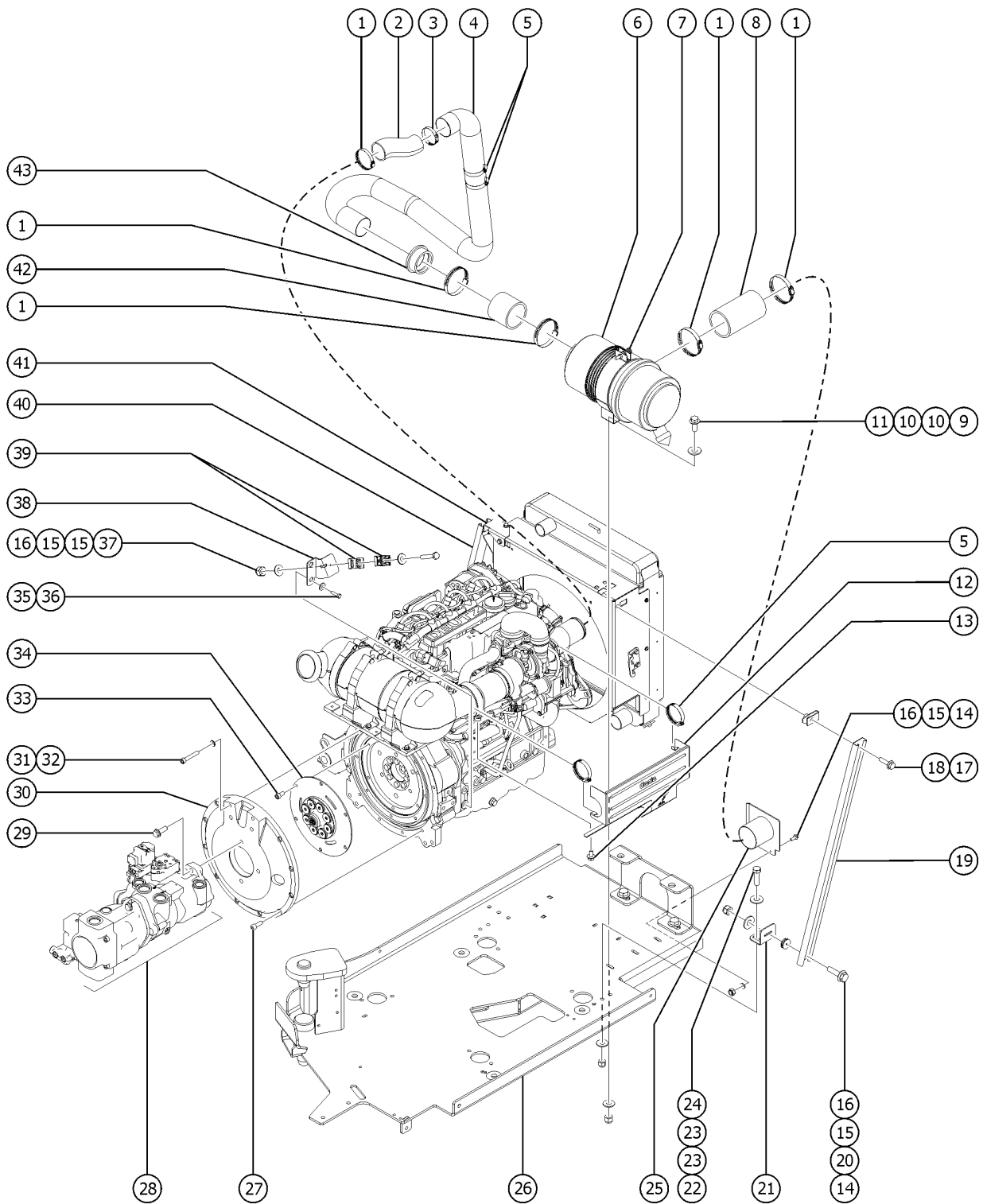
406.1 Deutz TD 2.9L4 Engine - View 2



Item	Part No.	Description	Qty.
Due to Tier 4 regulations, many engine replacement parts require engine serial number at time of order placement. When ordering engine parts please have both machine and engine serial numbers available. For internal engine parts, contact engine dealer.			
1	30489GT	CLAMP,HOSE,3.50	5
2	823703GT	HOSE,REDUCER,OFFSET,TURBO INLE	1
3	30971GT	CLAMP,HOSE,3.00"	1
4	823239GT	TUBE,INTAKE,DEUTZ 2.9L	1
5	45435GT	CLAMP,HOSE,3.00"	4
6	81467GT	AIR CLEANER,NELSON	1
6-	75450GT	AIR CLEANER CLIPS, SUPERBOOM	
6-	75451GT	AIR CLEANER COVER, SUPERBOOM*	
6-	52866GT	EVACUATOR VALVE-AIR CLEANER	
6-	62425GT	FILTER,AIR CLEANER, SUPERBOOM	
7	81468GT	MOUNTING BAND,AIR CLEANER	1
8	106211-600GT	HOSE,RUBBER 3"ID X .25 BLACK X 6.00 LG	1
9	13002GT	SCREW,HHC,5/16-18 X 1 GR5	2
10	5397GT	WASHER,FLAT,USS,5/16",Y	4
11	6782GT	NUT, NYLOCK, 5/16-18	2
12	1254949GT	HEAT SHIELD,DEUTZ TD2.9L	1
13	1251983GT	SCREW,HHF,M8-1.25X16,DIN6921,1	4
14	121420GT	SCREW,HHF,1/4-20 X 1.00	
15	6638GT	WASHER,FLAT,USS,1/4"Y	
16	6091GT	NUT, NYLOCK, 1/4-20	
17	121419GT	SCREW,HHF,1/4-20 X .75	5
18	56912GT	SPRING CLIP,1/4-20,.025-.15X.5	5
19	823144GT	UNISTRUT,FAN SHROUD BRACE,R,DE	1
20	229986GT	GROMMET RUBBER .375X1.00X.1875	2
21	823147GT	FORMING,FAN SHROUD STRUT MOUNT	2
22	6019GT	SCREW,HHC,3/8-16 X 1.25 GRD 5	4



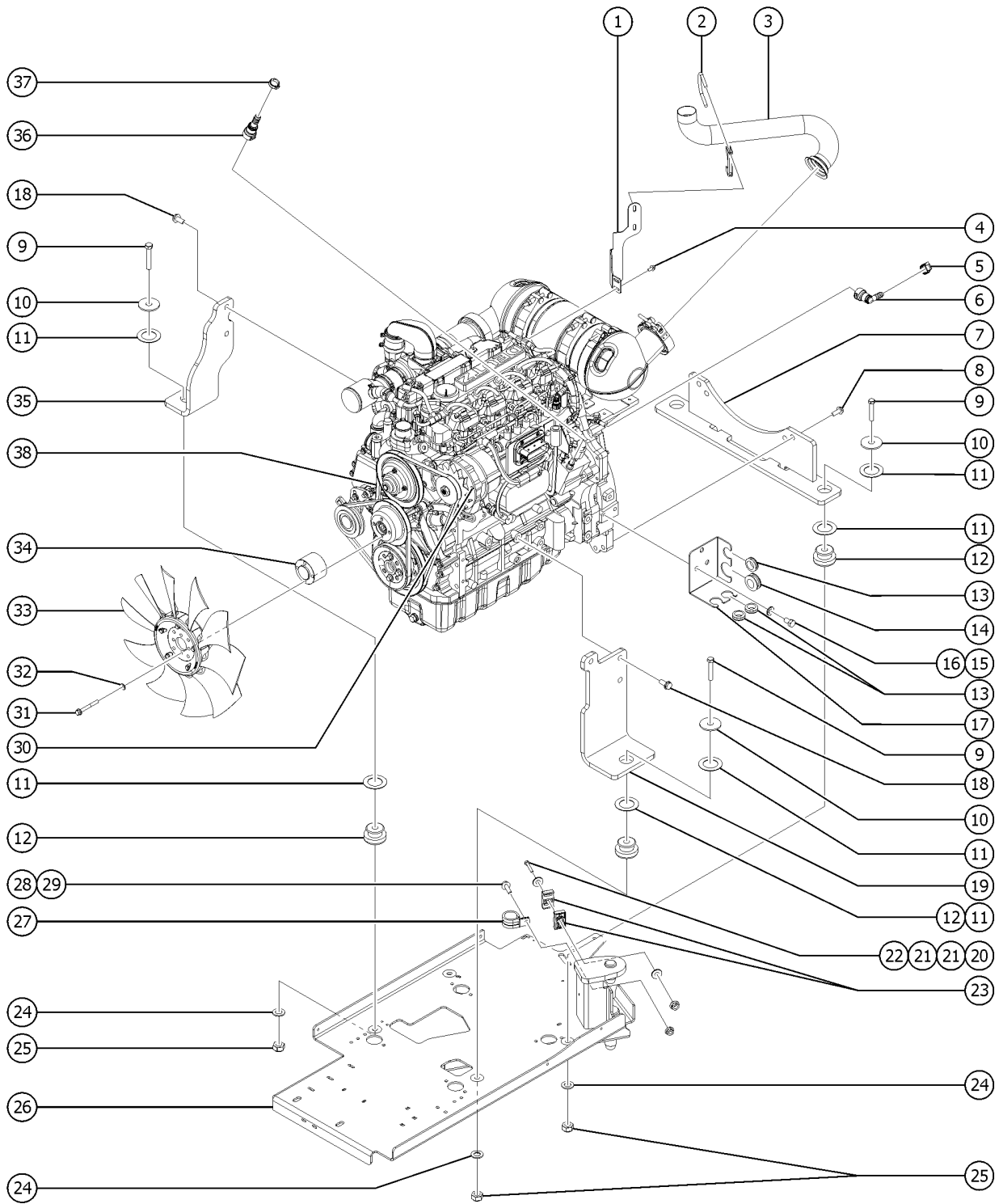
406.1 Deutz TD 2.9L4 Engine - View 2



Item	Part No.	Description	Qty.
23	6097GT	WASHER,FLAT,USS,3/8",Y	8
24	4828GT	NUT,NYLOCK,3/8-16	4
25		REF. WLDT, INTAKE, T4 DEUTZ, Z80/S8 (refer to 405.1)	1
26		REF. WELDMENT,ENGINE TRAY,2.9L DEUTZ (refer to 417.1)	1
27	61110GT	SCREW,SHC,M10X1.5X30 GR 12.9	10
28		REF.DRIVE PUMP AND FUNCTION PUMP (refer to 708.1)	1
29	123167GT	FLGHCS,1/2-13X1.50,GR8,BLK PH	4
30	70381GT	COVER, FLYWHEEL CASTING	1
31	111748GT	SCREW,SHC,M10X1.5 X 60 GR8.8	2
32	22699GT	WASHER,FLAT,M10,ZINC PLTD.	2
33	62476GT	SCREW,SHC,M10X1.5X20MM (75090)	6
34	128004GT	COUPLER, 15 TOOTH, FBA, SAE 8	1
35	27585GT	SCREW,HHC,M12 X 20MM	2
36	49410GT	WASHER,FLAT,M12	2
37	6637GT	SCREW,HHC,1/4-20 X 1.75	1
38	825939GT	FORMING, CLAMP, BATTERY CABLE	1
39	78736GT	CLAMP,2 HOSE,PLASTIC,5/8	2
40	823143GT	UNISTRUT,FAN SHROUD BRACE,L,DE	1
41	1252687GT	BRACKET, STRUT BRACE	1
42	106211-300GT	HOSE,RUBBER 3"ID X .25 BLACK	1
43	101640GT	REDUCER,RUBBER 3.0 - 2.5	1



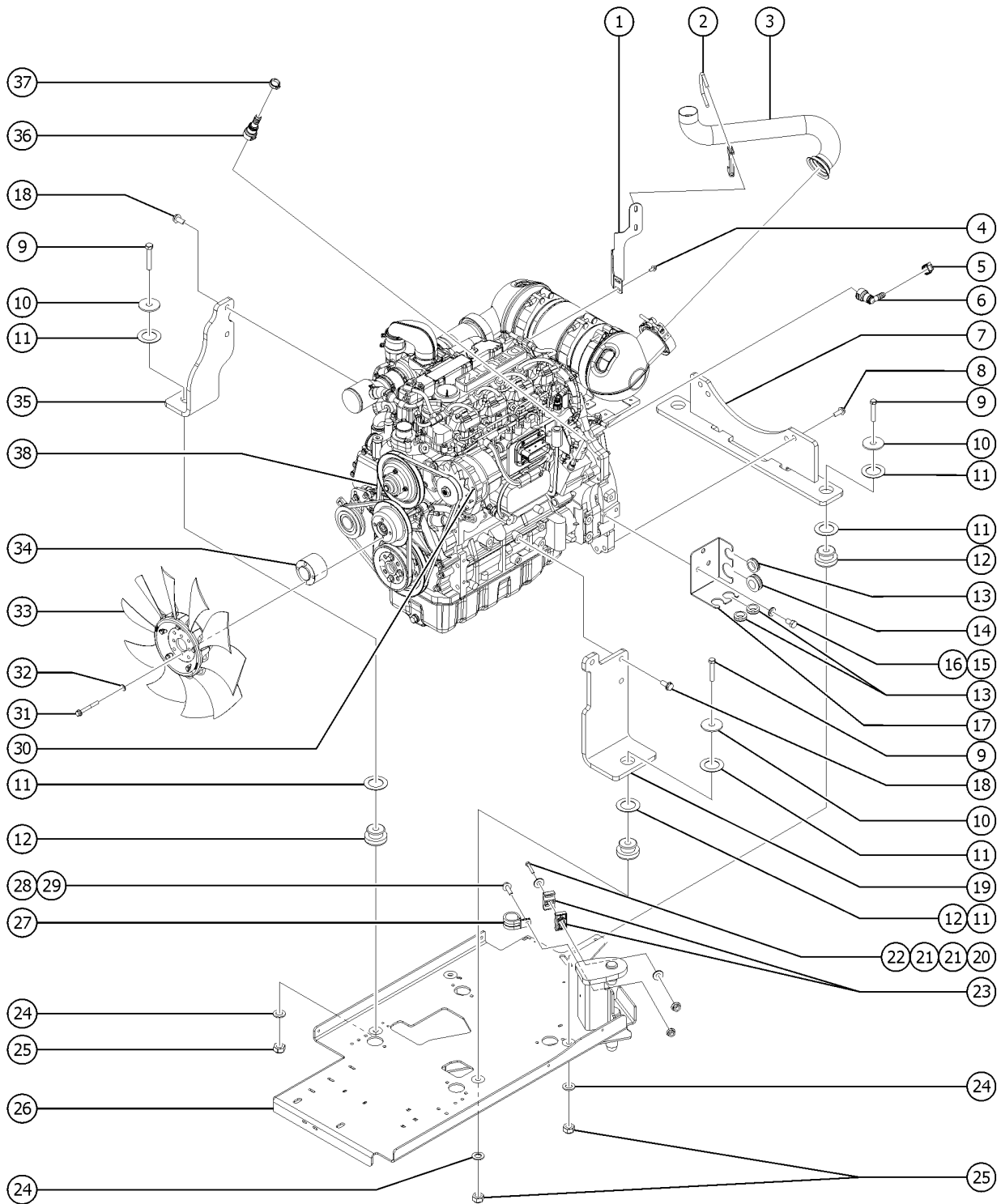
407.1 Deutz TD 2.9L4 Engine - View 3



Item	Part No.	Description	Qty.
Due to Tier 4 regulations, many engine replacement parts require engine serial number at time of order placement. When ordering engine parts please have both machine and engine serial numbers available. For internal engine parts, contact engine dealer.			
1	1268921GT	FORMING, TAILPIPE SUPPORT, S80	1
2	71911GT	CLAMP, MUFFLER, 2.50 INCH	1
3	1278569GT	EXHAUST PIPE, 2.9L DEUTZ, DINEX	1
4	824132GT	SCREW, HHF, M8-1.25X20, DIN6921, 10.9, ZAB	2
5	81154GT	CLAMP, HOSE, SIZE .31 > .91	1
6	826000GT	CONNECTOR, SAE10, QUICK CONNECT	1
7	823135GT	WELDMENT, REAR MOUNT, ENGINE	1
8	121433GT	SCREW, HHF, M14 X 40MM	4
9	13003GT	SCREW, HHC, 5/8-11 X 3.5 GRD.8	4
10	33418GT	WASHER, FLAT, .625 X 2.25 X .15	4
11	18596GT	WASHER, FLAT, 1.56 X 2.5 X .061	8
12	102045GT	ISOLATOR, ENGINE VIBRATION	4
13	124962GT	GROMMET, RUBBER, 1.0 X 1.25X1.5	3
14	106923GT	GROMMET, RUBBER .38X1.38X1.0	1
15	27585GT	SCREW, HHC, M12 X 20MM	3
16	49410GT	WASHER, FLAT, M12	3
17	826873GT	FORMING, ENGINE HARNESS SUPPOR	1
18	121688GT	SCREW, HHC, FLG, M14 X 35	5
19	823012GT	MOUNT, ENGINE, LEFT SIDE	1
20	6637GT	SCREW, HHC, 1/4-20 X 1.75	1
21	6638GT	WASHER, FLAT, USS, 1/4"Y	2
22	6091GT	NUT, NYLOCK, 1/4-20	1
23	78736GT	CLAMP, 2 HOSE, PLASTIC, 5/8	2
24	13064GT	WASHER, FLAT, .625 HARDENED	4
25	6024GT	NUT, NYLOCK, 5/8-11	4
26		REF. WELDMENT, ENGINE TRAY, 2.9L DEUTZ (refer to 417.1)	1

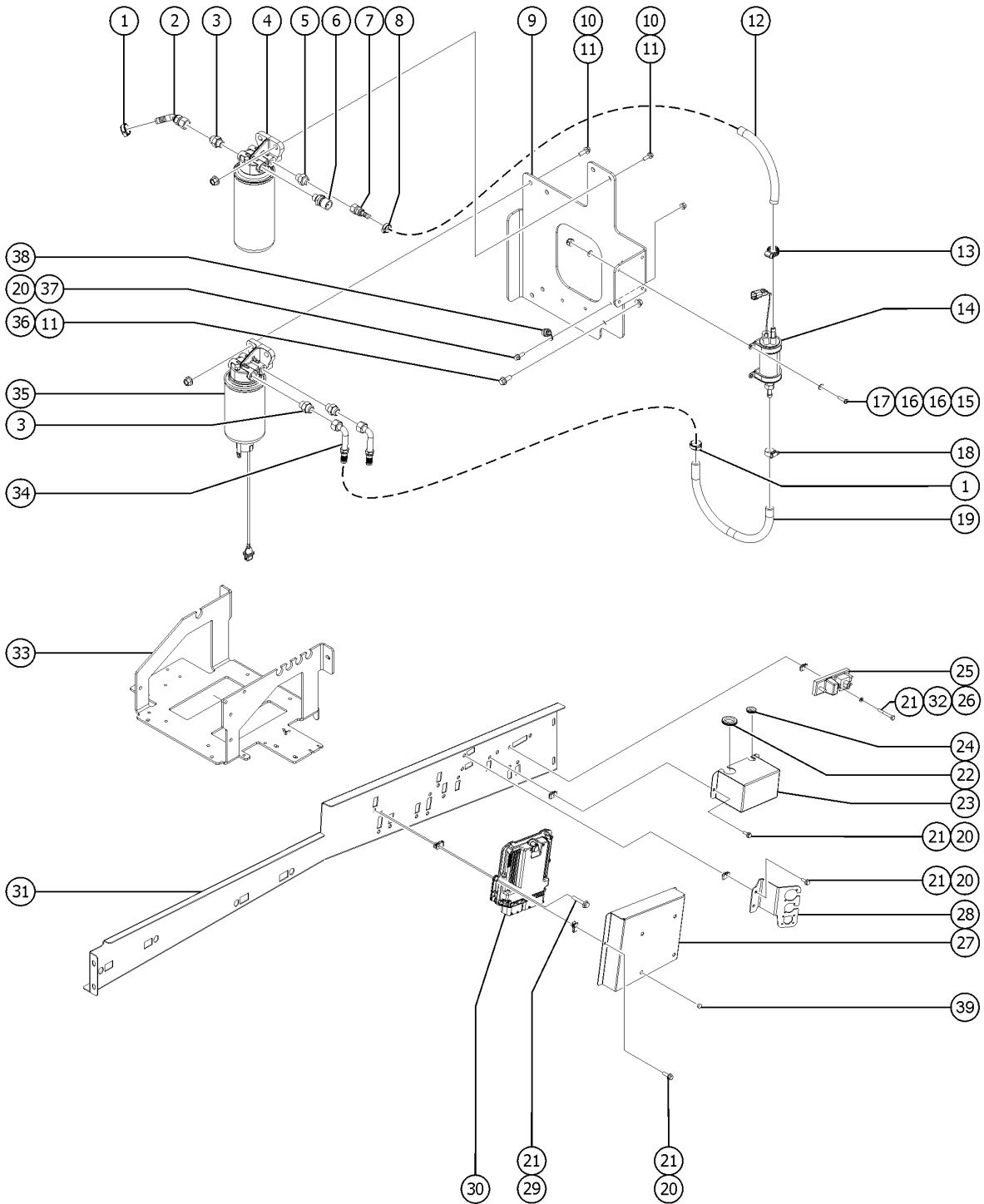


407.1 Deutz TD 2.9L4 Engine - View 3



<i>Item</i>	<i>Part No.</i>	<i>Description</i>	<i>Qty.</i>
27	18666GT	CLAMP,1.00,#16 X 1/4,RUB CUSH	1
28	121420GT	SCREW,HHF,1/4-20 X 1.00	1
29	121421GT	NUT,FLG,1/4-20	1
30	236251GT	ALTERNATOR,95 AMP,DEUTZ TCD3.6	1
31	1262219GT	SCREW,HHC,M8-1.25X65,DIN931,10	4
32	33277GT	WASHER,FLAT,M8,YELLOW ZINC	4
33	1251496GT	FAN,10 BLADE,17",DEUTZ 2.9L	1
34	1258641GT	SPACER, FAN, DEUTZ, 43MM LNG	1
35	823013GT	MOUNT,ENGINE,RIGHT SIDE	1
36	1255651GT	CONNECTOR,SAE12,QUICK CONNECT	1
37	822087GT	CLAMP,HOSE,1EAR,25/32	1
38	1262866GT	FAN BELT, ALTERANTOR	1

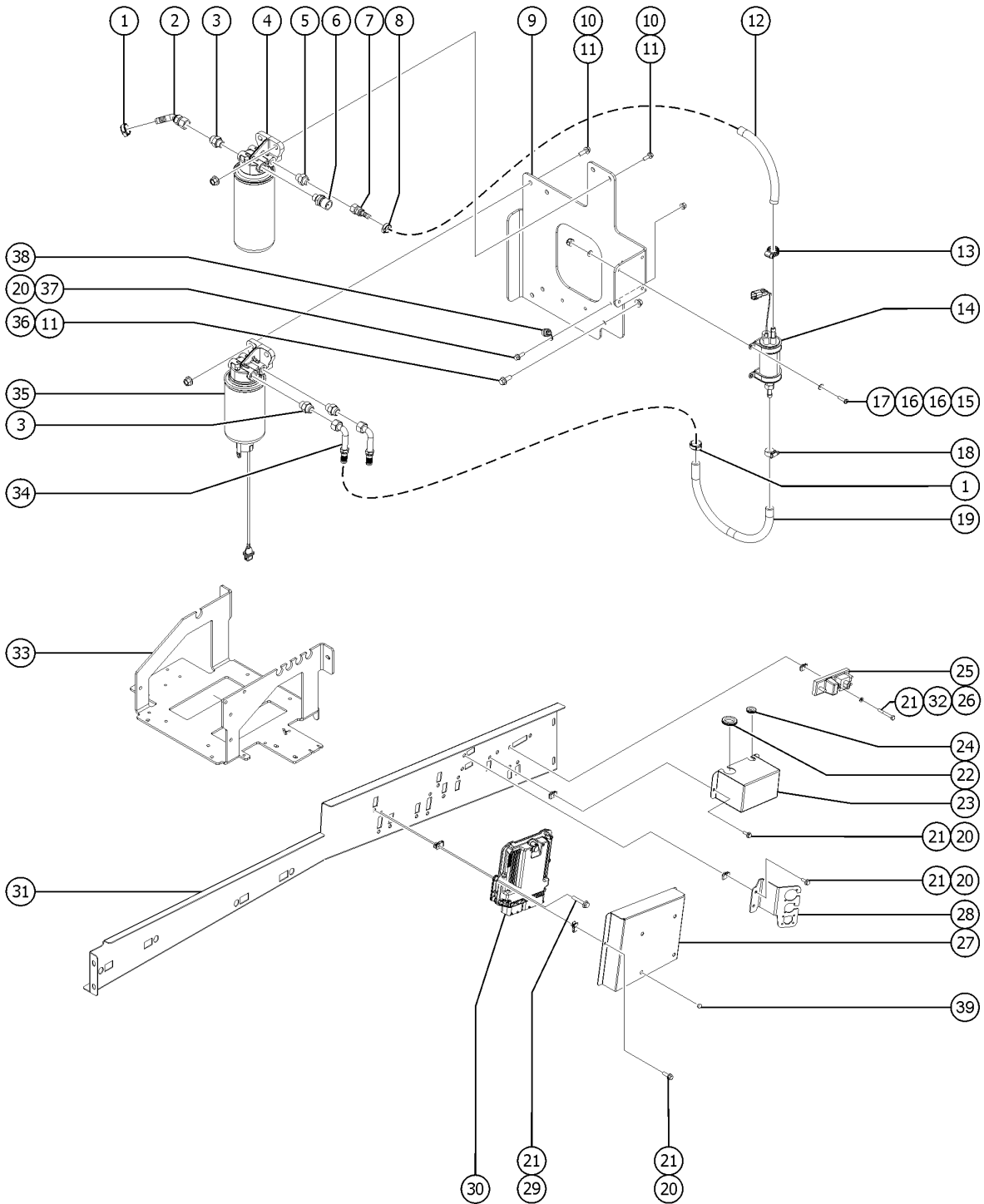
408.1 Deutz TD 2.9L4 Engine - View 4



Item	Part No.	Description	Qty.
		Due to Tier 4 regulations, many engine replacement parts require engine serial number at time of order placement. When ordering engine parts please have both machine and engine serial numbers available. For internal engine parts, contact engine dealer.	
1	822087GT	CLAMP,HOSE,1EAR,25/32	3
2	826357GT	FITTING,45DEG,1/2 HS X 3/4-16	1
3	162209GT	FITTING,CONN,16MM-8MJ	3
4	214228GT	FILTER, DEUTZ 2.9, FUEL	1
4-	214228GT	FILTER, DEUTZ 2.9, FUEL	
5	162208GT	FITTING,CONN,16MM-6MJ	1
6	824673GT	SENSOR, PRESSURE,DEUTZ 2.9	1
7	824351GT	FITTING,STR,3/8 HS X 9/16-18,J	1
8	96770GT	CLAMP, HOSE, 1 EAR, 11/16	1
9	1267313GT	BRACKET,FUEL SYSTEM,DEUTZ 2.9L	1
10	824091GT	SCREW,HHF,3/8-16X1.25,8,ZAG	4
11	824029GT	NUT,TL FLG,3/8-16,G,ZAG	7
12	823420GT	HOSE,FUEL,3/8,GATES RLA	1
13	81154GT	CLAMP,HOSE,SIZE .31 > .91	1
14	236259GT	LIFT PUMP,FUEL,DEUTZ	1
15	49816GT	SCREW,PHILLIPS,PHM,10-32 X .75	4
16	1253185GT	WASHER,FLAT,#10,USS,ZAG	8
17	6178GT	NUT,NYLOCK,10-32	4
18	46131GT	CLAMP,HOSE,.63" - 1.0" X .5"	1
19	823421GT	HOSE,FUEL,1/2,GATES RLA	1
20	824078GT	SCREW,HHF,1/4-20X.75,8,ZAG	5
21	56912GT	SPRING CLIP,1/4-20,.025-.15X.5	12
22	826860GT	RUBBER GROMMET 1.00 X 1.563 X	1
23	824397GT	COVER,POWER RELAY MODULE,DEUTZ	1
24	824422GT	GROMMET,RUBBER,.5 X .063 X .75	2
25	824023GT	RELAY, POWER & FUSE MODULE	1



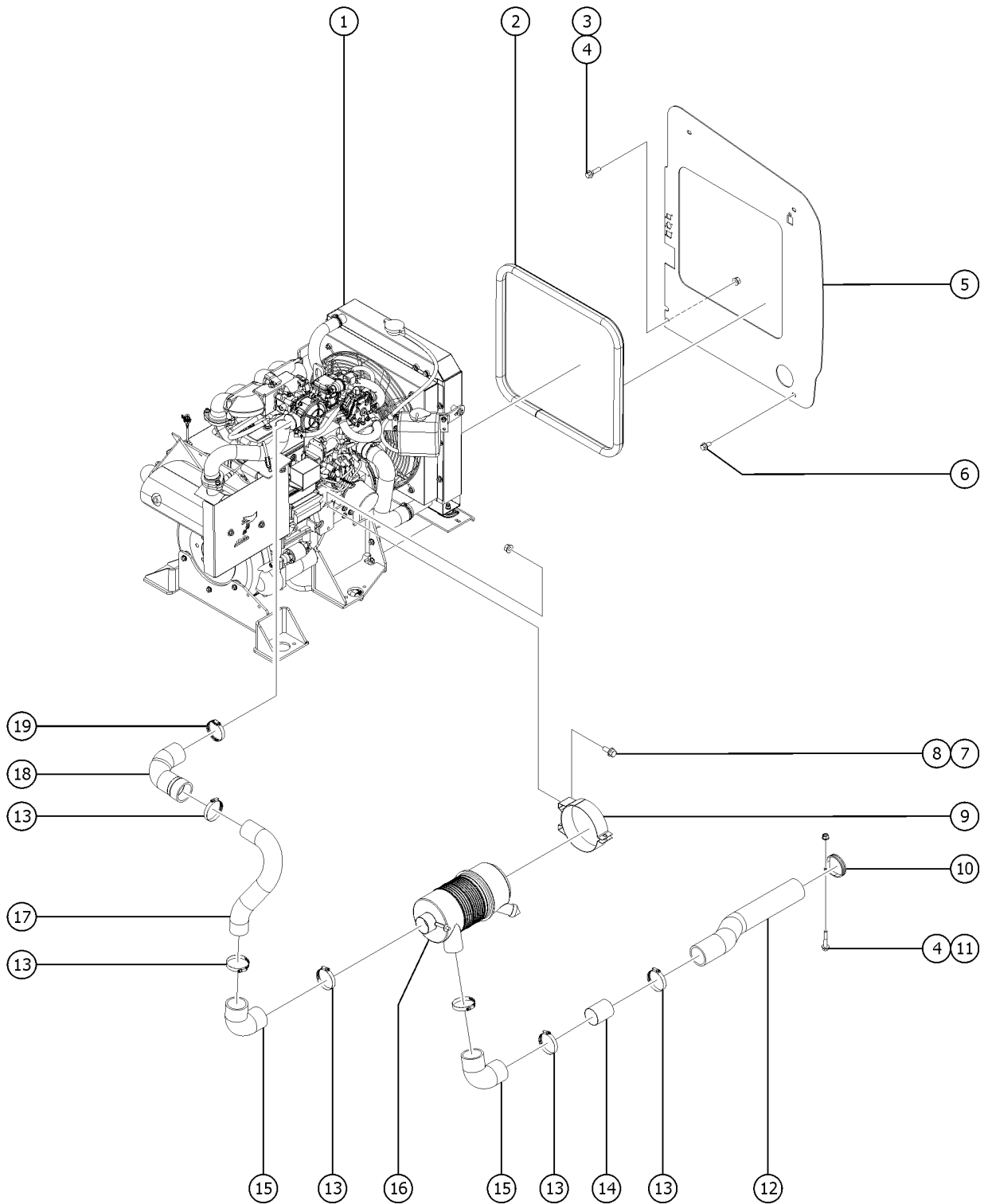
408.1 Deutz TD 2.9L4 Engine - View 4



<i>Item</i>	<i>Part No.</i>	<i>Description</i>	<i>Qty.</i>
26	1268947GT	SCREW,HHC,1/4-20X2,8,ZAG	1
27	1267882GT	COVER BRACKET, ECU, TIER IV	1
28	1267314GT	BRACKET,DATA PORT,DEUTZ/PERKINS TIER IV	1
29	824080GT	SCREW,HHF,1/4-20X1.25,8,ZAG	4
30	214795GT	ECM, DEUTZ (must contact service parts to order, SN information is required)	1
31	1267084GT	FORMING,COVER,RIGHE FRONT	1
32	825355GT	WASHER,FLAT,M6,DIN125,ZAB	3
33	121258GT	FORMING, BATTERY TRAY	1
34	162207GT	FITTING,ELBOW,8GS-8FJX90S	2
35	236260GT	FILTER, FUEL PRE-FILTER, SPIN-ON, DEUTZ	
36	824090GT	SCREW,HHF,3/8-16X1,8,ZAG	3
37	824027GT	NUT,TL FLG,1/4-20,G,ZAG	1
38	6833GT	CLAMP,0.50,#8 X 1/4,RUB CUSH	1
39	21858GT	PLUG,NYLON .38 BLACK DOMED	4



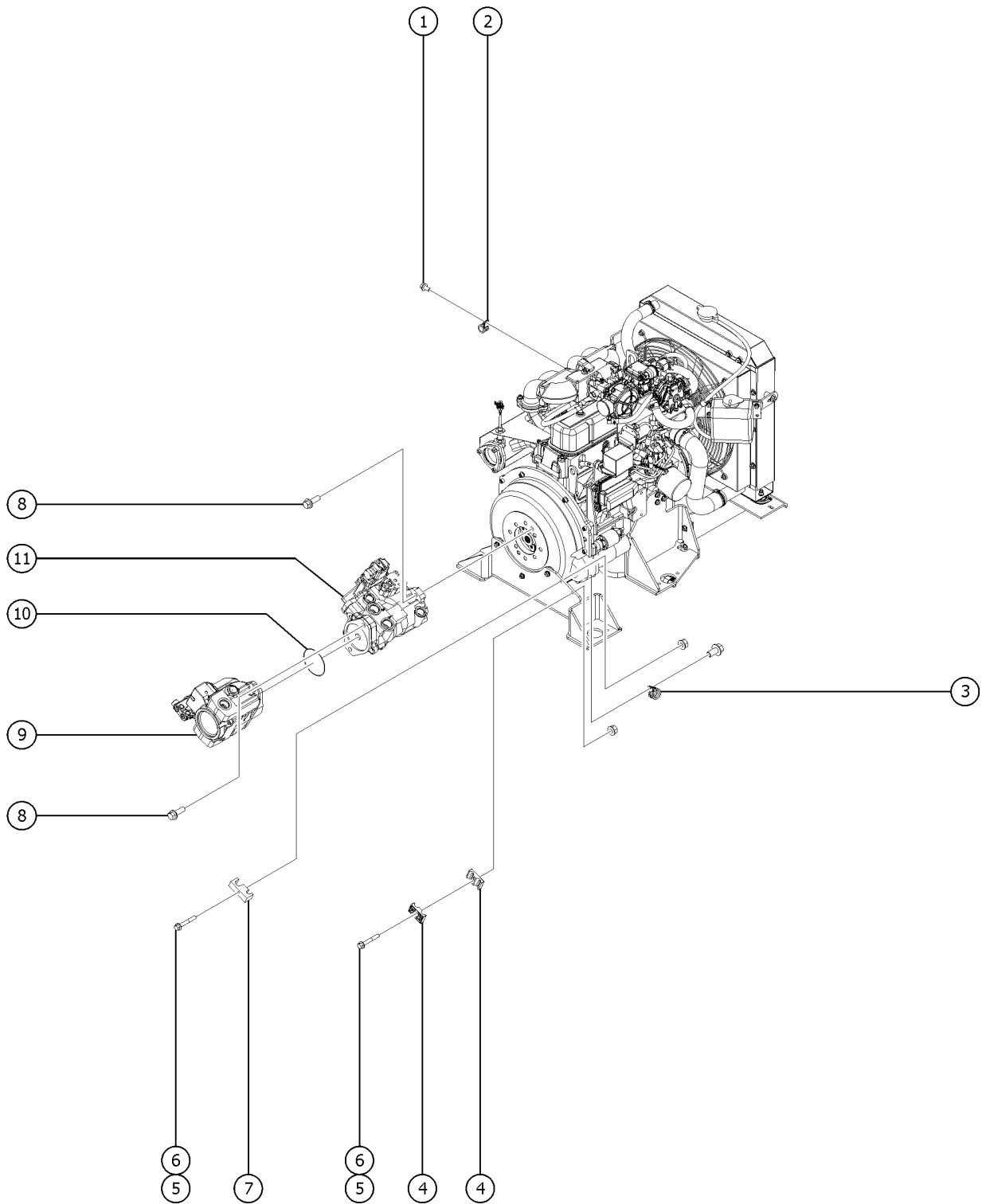
409.1 GM 3.0L Engine - View 1



Item	Part No.	Description	Qty.
2	60875GT	TRIM MOLDING	96
3	824079GT	SCREW,HHF,1/4-20X1,8,ZAG	1
4	824027GT	NUT,TL FLG,1/4-20,G,ZAG	2
5	1272467GT	PLATE, BULKHEAD, GM 3.0L	1
6	824089GT	SCREW,HHF,3/8-16X.75,8,ZAG	3
7	824085GT	SCREW,HHF,5/16-18X.75,8,ZAG	2
8	824028GT	NUT,TL FLG,5/16-18,G,ZAG	2
9	53952GT	BRKT,AIR CLEANER ORIENTATION**	1
10	70257GT	CLAMP,3.0,#48 X 1/4,RUB CUSH	1
11	824081GT	SCREW,HHF,1/4-20X1.5,8,ZAG	1
12	88846GT	HOSE,AIR INLET	1
13	30971GT	CLAMP,HOSE,3.00"	6
14	94324GT	TUBE,RD,STL,ALUMIZD,2.5 X .065	3
15	34164GT	ELBOW,90 DEGR,RUBBER,2.5"I.D.*	2
16	63463GT	TUBE, AIR CLEANER SPACER	1
16-	58415GT	CLIP,AIR CLEANER END CAP*** end cap not available separately	
16-	62420GT	FILTER,AIR***	
16-	65810GT	BAFFLE, AIR CLEANER (27915)**	
16-	52866GT	EVACUATOR VALVE-AIR CLEANER	
17	70465GT	TAILPIPE,DEUTZ BF4L2011	1
18	1269549GT	HOSE,CLEANAIR,90DEG,2.25X2.5	1
19	45435GT	CLAMP,HOSE,3.00"	1



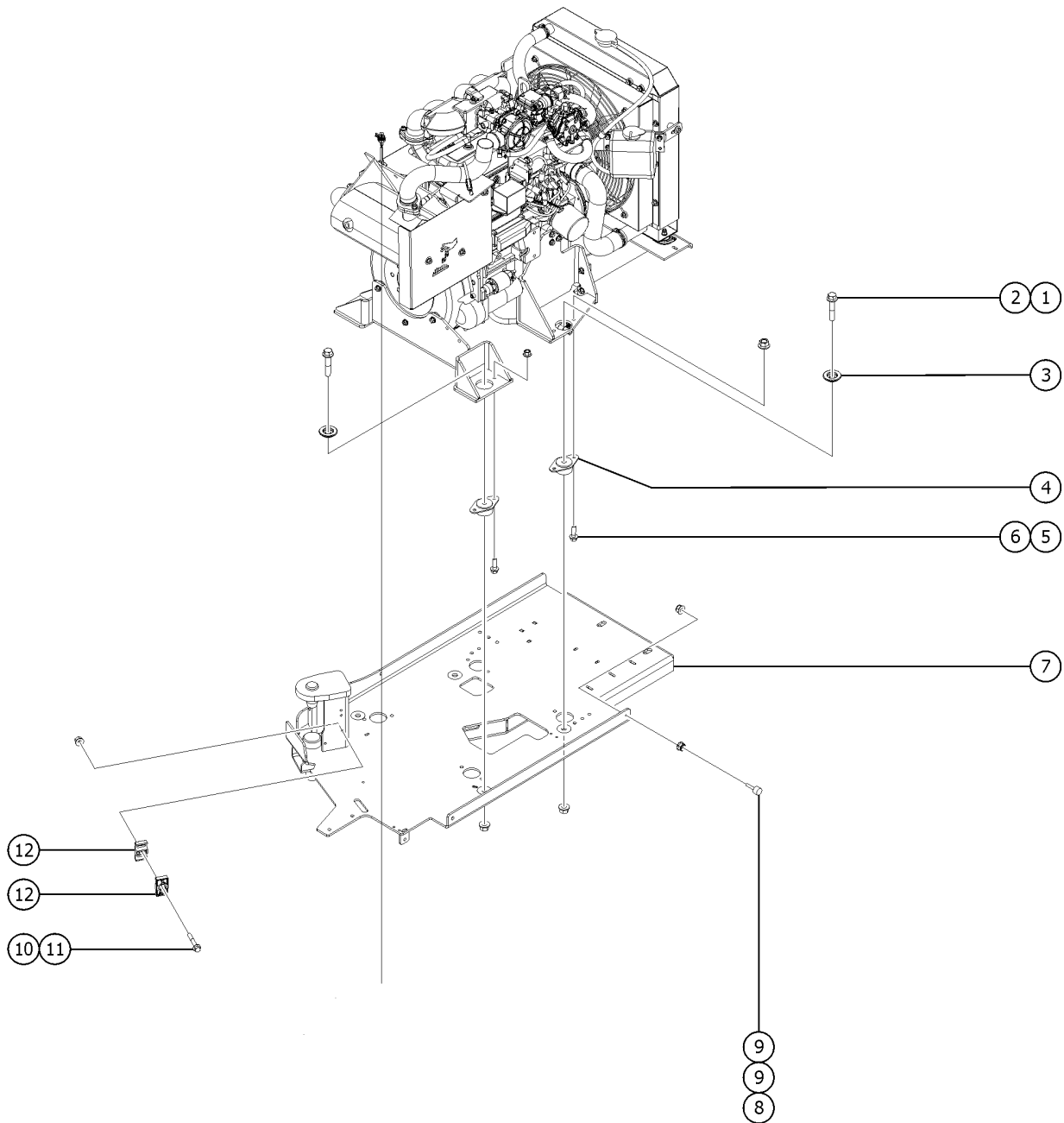
410.1 GM 3.0L Engine - View 2



Item	Part No.	Description	Qty.
1	824089GT	SCREW,HHF,3/8-16X.75,8,ZAG	1
2	45454GT	CLAMP,RUB CUSH,0.75,#12 X 3/8*	1
3		REF. KIT,ENGINE,GM3.0L,PSI,S80/Z80	1
		(refer to 412.1)	
4	13268GT	CLAMP,0.75,#12 X 1/4,RUB CUSH	2
5	78736GT	CLAMP,2 HOSE,PLASTIC,5/8	2
6	824082GT	SCREW,HHF,1/4-20X1.75,8,ZAG	2
7	824027GT	NUT,TL FLG,1/4-20,G,ZAG	2
8	121860GT	CLAMP, HOSE/CABLE	1
9	1253498GT	SCREW,HHF,1/2-13X1.5,8,ZAG	4
10	121310GT	PUMP,FUNCTION,38CC,LS	1
11	52087GT	O-RING,2-044 BUNA***	1
12	101068GT	PUMP,PISTON,46CC,B MOUNT,13T**	1
12A-	29739GT	SEAL KIT,SAUER-DANFOSS M46***	1
12B	52087GT	O-RING,2-044 BUNA*** (installed between lift and drive pump)	1
12C	77819GT	EDC ASSY,SAUER M46***	1



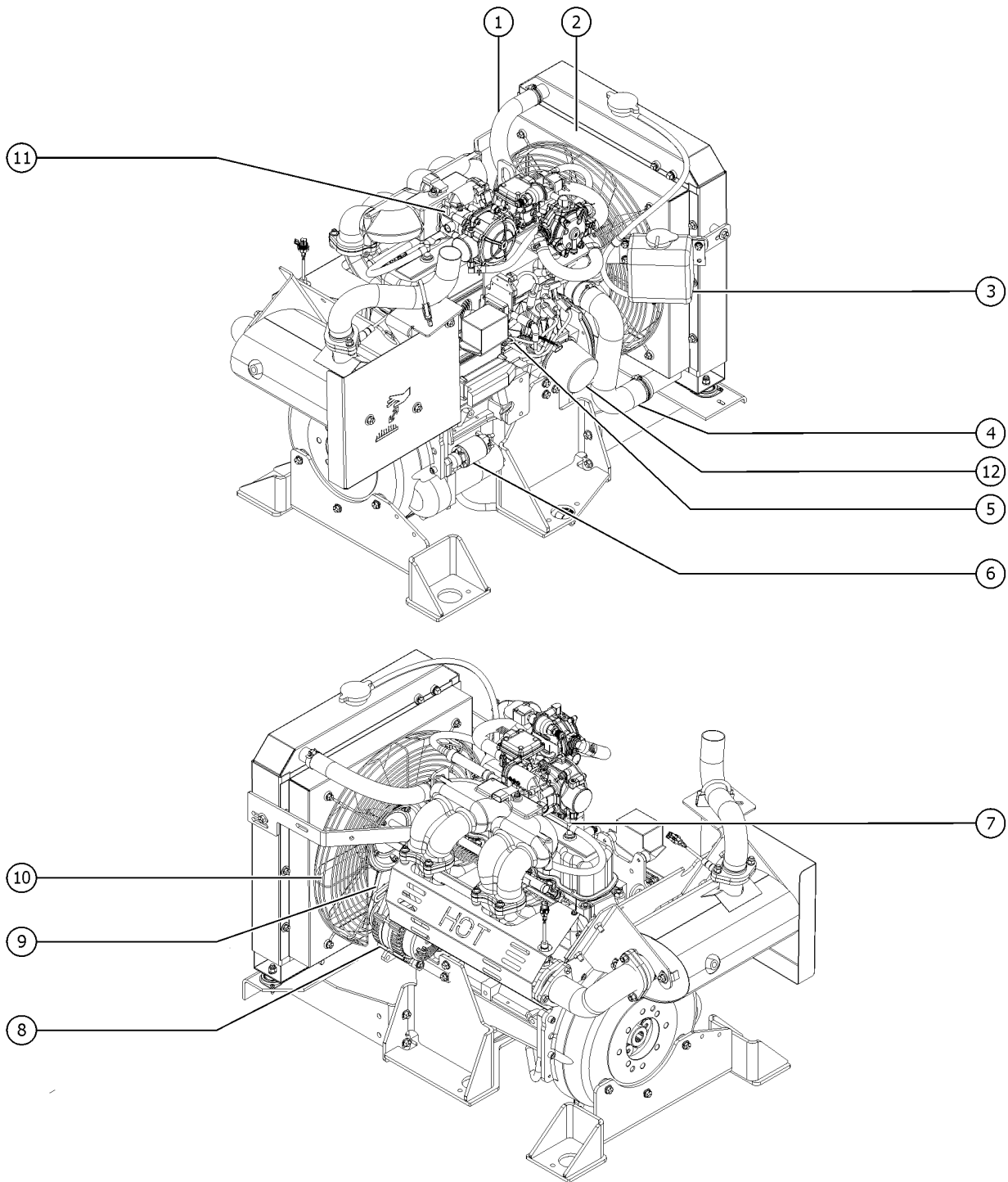
411.1 GM 3.0L Engine - View 3



<i>Item</i>	<i>Part No.</i>	<i>Description</i>	<i>Qty.</i>
1	1255802GT	SCREW,HHF,1/2-13X2.5,8,ZAG	4
2	1251997GT	NUT,TL FLG,1/2-13,G,ZAG	4
3	1274069GT	CASTING, WASHER, ENGINE ISOLAT	4
4	70452GT	ISOLATOR,ENGINE VIBRATION	4
5	824091GT	SCREW,HHF,3/8-16X1.25,8,ZAG	8
6	824029GT	NUT,TL FLG,3/8-16,G,ZAG	8
7		REF. WELDMENT,ENGINE TRAY,2.9L DEUT (refer to 417.1)	1
8	36388GT	BUMPER,RUBBER,.75 X .50H,STUD	1
9	1277924GT	NUT,NYLOCK FLG,1/4-20,F,ZAG	2
10	824082GT	SCREW,HHF,1/4-20X1.75,8,ZAG	1
11	824027GT	NUT,TL FLG,1/4-20,G,ZAG	1
12	78736GT	CLAMP,2 HOSE,PLASTIC,5/8	2



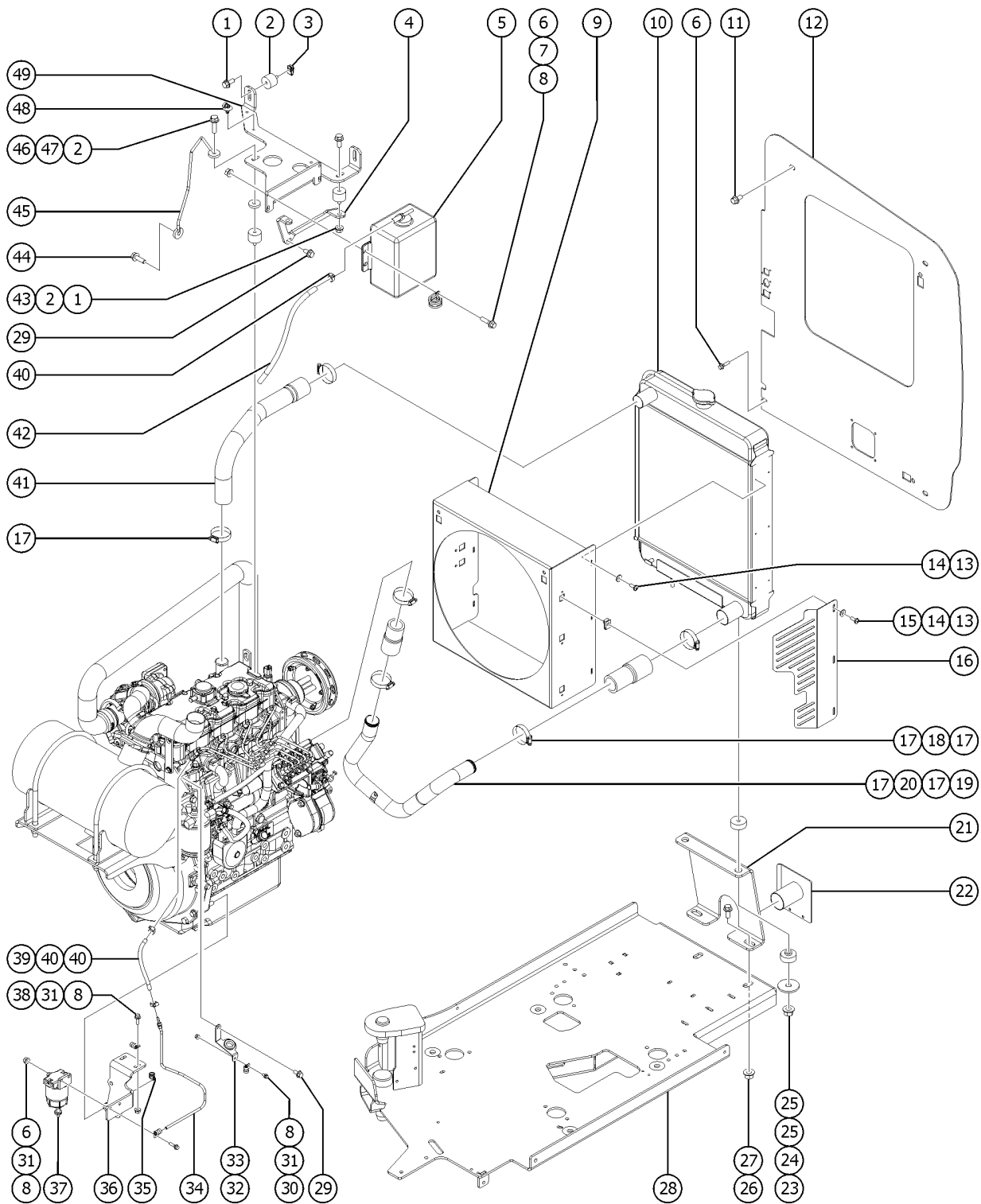
412.1 GM 3.0L Engine - View 4



<i>Item</i>	<i>Part No.</i>	<i>Description</i>	<i>Qty.</i>
B	65626GT	FILTER-FUEL, GM 3.0L ENGINE	1
C	1271652GT	FILTER, FUEL, GM3.0L	1
D	58412GT	SPARK PLUG WIRE SET,GM 3.0	1
E	1271825GT	ECM, SSI .79L / .97L	
1	81424GT	RADIATOR HOSE,UPPER-GM	1
2	1272060GT	RADIATOR, GM3.0L ENG	1
3	1272025GT	BOTTLE, OVERFLOW, GM3.0L ENG	1
4	81425GT	RADIATOR HOSE,LOWER-GM	1
5	1272026GT	DIPSTICK, GM3.0L ENG	1
6	1272069GT	STARTER, GM3.0L ENG	1
7	65620GT	PCV VALVE-GM 3.0L ENGINE	1
8	77822GT	ALTERNATOR, GM3.0L ENGINE	1
9	65621GT	BELT-FAN, GM 3.0L ENGINE	1
10	1272057GT	FAN, PULLER 18", GM3.0L ENG	1
11	1271837GT	THROTTLE BODY, 40MM	1
11-	1271845GT	GASKET, THROTTLE BODY 40MM	
12	65623GT	FILTER-OIL,GM 3.0L ENGINE	1



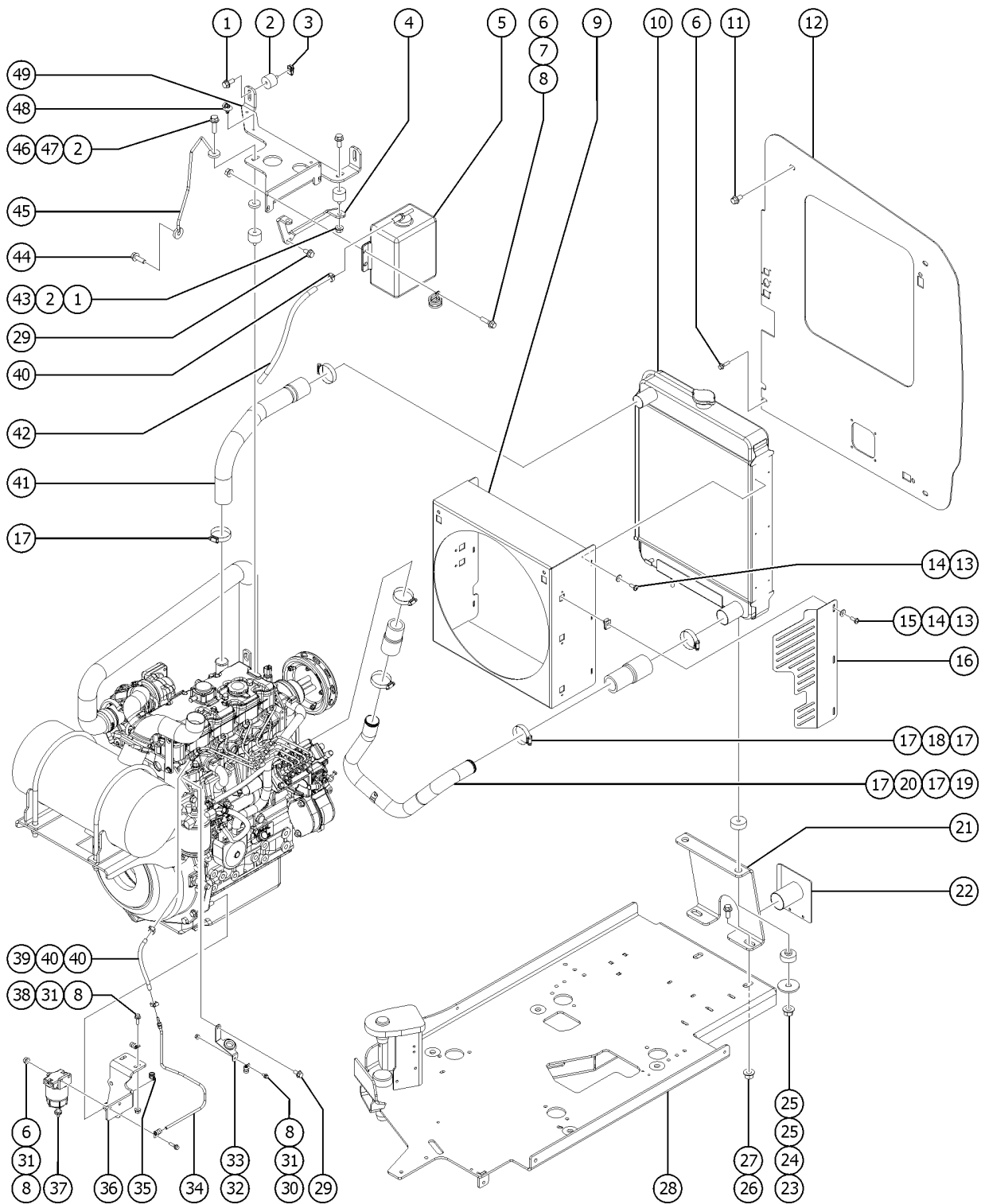
413.1 Perkins 404D-22T Engine - View 1



Item	Part No.	Description	Qty.
A-		Due to Tier 4 regulations, many engine replacement parts require engine serial number at time of order placement. When ordering engine parts please have both machine and engine serial numbers available. For internal engine parts, contact engine dealer	
B-	1261963GT	BREATHER VALVE,PERKINS 404D-22T	
B-	1261964GT	DIPSTICK TUBE,PERKINS 404D-22T	
B-	1262595GT	CYLINDER HEAD COVER,PERKINS 404D	
B-	1261966GT	PISTON AND RING KIT,PERKINS 404D-22T	
B-	1261969GT	PISTON RING KIT,PERKINS 404D-22T	
B-	1262598GT	EXHAUST VALVE,PERKINS 404D	
B-	1262016GT	SPEED SENSOR,PERKINS 404D-22T	
B-	1262467GT	SOLENOID,PERKINS 404D-22T	
B-	1262469GT	OIL PRESSURE SWITCH,PERKINS 404D-22T	
B-	1262490GT	GASKET,CYL HEAD COVER,PERKINS 404D-22T	
B-	1262496GT	SEAL,ROCKER BOX,PERKINS 404D-22T	
B-	1262498GT	O-RING,LIFT PUMP,PERKINS 404D-22T	
B-	1262500GT	GASKET,EXHAUST MANIFOLD,PERKINS 404D-22T	
B-	1262589GT	GASKET,AIR PIPE HOUSING,PERKINS 404D	
1	824132GT	SCREW,HHF,M8-1.25X20,DIN6921,10.9,ZAB	4
2	60585GT	ISOLATOR,VIBRATION,M8 MALE/FEM	5
3	230820GT	SPRING CLIP, M8-1.25, 0.8-4.0 X 13, ZAB	2
4	1253194GT	BRACE,UPPER RADIATOR SUPPORT,	1
5	70367GT	BOTTLE,COOLANT RECOVERY,3.7***	1
6	824079GT	SCREW,HHF,1/4-20X1,8,ZAG	7
7	13268GT	CLAMP,0.75,#12 X 1/4,RUB CUSH	1
8	824027GT	NUT,TL FLG,1/4-20,G,ZAG	8
9	1253192GT	FAN SHROUD,PERKINS 404F-22T	1
10	110304GT	RADIATOR,FORD/PERKINS***	1
11	824089GT	SCREW,HHF,3/8-16X.75,8,ZAG	3
12	1270964GT	PLATE, BULKHEAD, PERKINS 404F	1
13	824220GT	SCREW,PHPM SEMS ET,10-24X.5,ZA	9



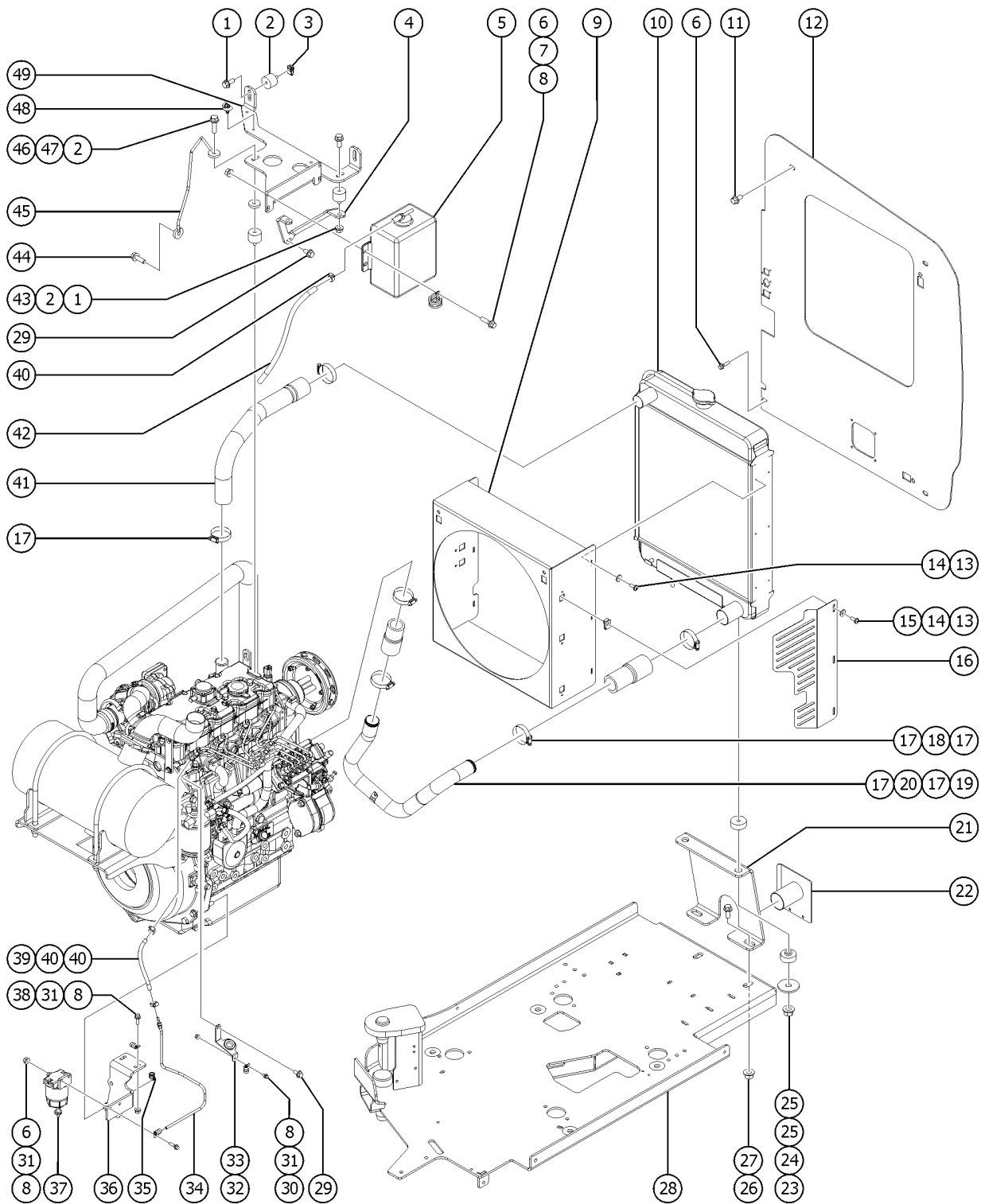
413.1 Perkins 404D-22T Engine - View 1



Item	Part No.	Description	Qty.
14	1253185GT	WASHER,FLAT,#10,USS,ZAG	9
15	73575GT	SPRING CLIP,10-24,.025-.125X.468,ZAG	3
16	1254471GT	GUARD,FAN,PERKINS 404F-22T	1
17	22672GT	CLAMP,HOSE,1.75	6
18	1261204GT	HOSE COUPLING,RUBBER,LOWER RAD	1
19	1261882GT	WELDMENT,LOWER RADIATOR SSSL,	1
20	1261205GT	HOSE COUPLING,RUBBER,LOWER RAD	1
21	1253193GT	BRACKET,LOWER RADIATOR	1
22	1253431GT	WELDMENT,INTAKE,PERKINS 404F-	1
23	824029GT	NUT,TL FLG,3/8-16,G,ZAG	2
24	824120GT	WASHER,FLAT,.375X1.50X.125,ZAG	2
25	24038GT	SHOCK MOUNT,SMALL	4
26	1253319GT	NUT,TL FLG,5/8-11,G,ZAG	2
27	1253208GT	SCREW,HHF,5/8-11X1.5,8,ZAG	2
28		REF. WELDMENT,ENGINE TRAY,2.9L DEUTZ (refer to 417.1)	1
29	1251983GT	SCREW,HHF,M8-1.25X16,DIN6921,1	2
30	824077GT	SCREW,HHF,1/4-20X.5,8,ZAG	1
31	45470GT	CLAMP,0.31,#5 X 1/4,RUB CUSH	4
32	1259890GT	FORMING, SUPPORT, FUEL RETURN	1
33	1260927GT	GROMMET, RUBBER, .75X.375X1.25	1
34	1259907GT	WELDMENT,FUEL RETURN LINE,404D	1
35	112043GT	CLAMP,0.63,#10 X 3/8,RUB CUSH	1
36	128588GT	FORMING,SOLENOID MOUNT	1
37	75020GT	SEPRTR/FLTR,FUEL DSL,15GPH,.30	1
37-	21465GT	CLAMP,HOSE,SIZE .25 TO .63	
37-	54205GT	HOSE END,BARB,1/4 MNPTX5/16,90	
38	824078GT	SCREW,HHF,1/4-20X.75,8,ZAG	1
39	35418GT	HOSE,FUEL,3/16,SAE 30R7	6



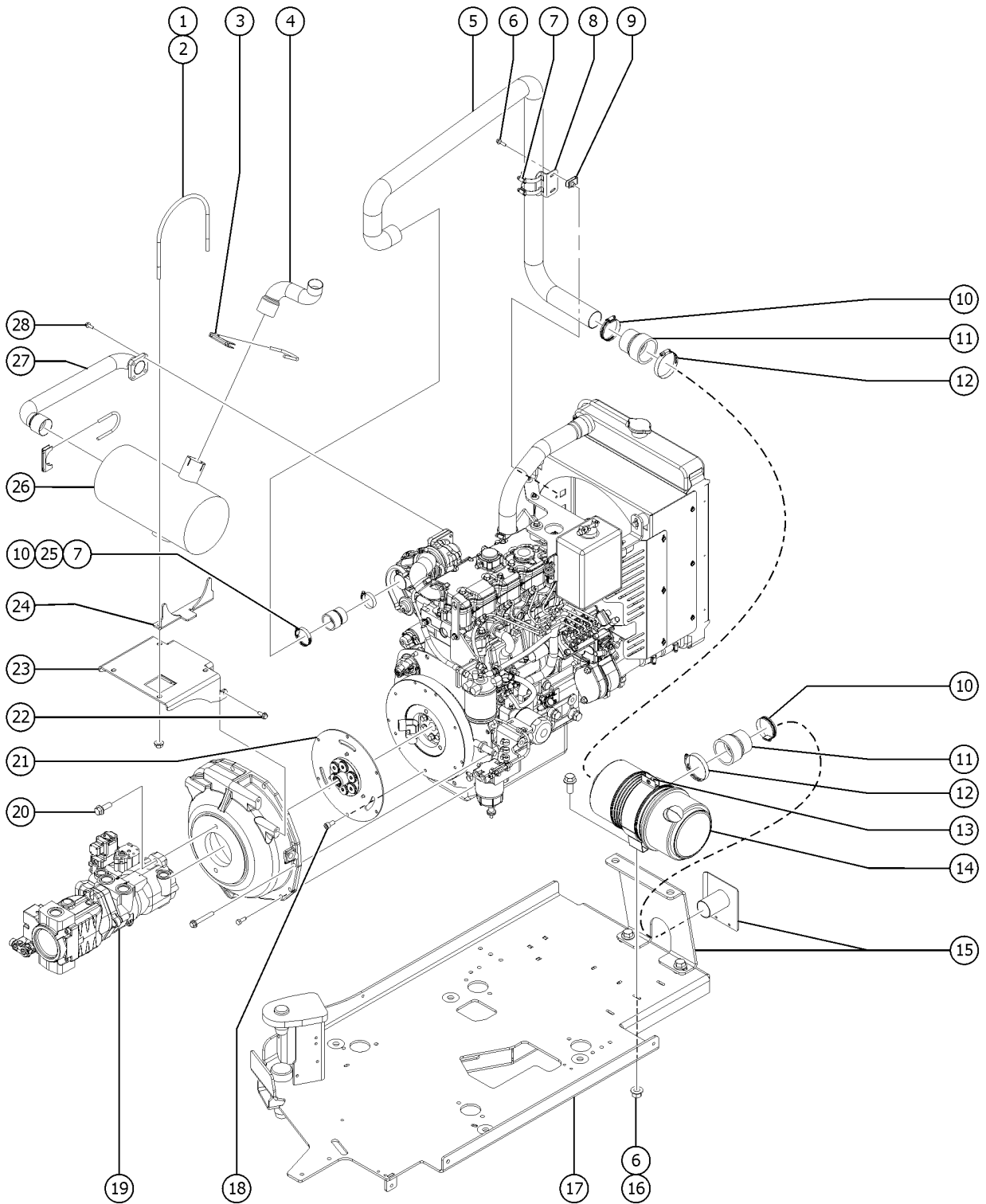
413.1 Perkins 404D-22T Engine - View 1



<i>Item</i>	<i>Part No.</i>	<i>Description</i>	<i>Qty.</i>
40	21465GT	CLAMP,HOSE,SIZE .25 TO .63	7
41	1252979GT	HOSE,UPPER RADIATOR,PERK	1
42	106226GT	TUBING,VINYL,1/2" CLEAR	1
43	237832GT	NUT,TL,FLG,M8-1.25,DIN6927,10,	2
44	824133GT	SCREW,HHF,M8-1.25X25,DIN6921,1	1
45	1259264GT	WIRE MANAGEMENT,GUIDE ROD ASSY	1
46	1255537GT	SCREW,HHF,M8-1.25X30,DIN6921,1	1
47	1261722GT	WASHER, FLAT .394 X 1.25 X .25	1
48	110149GT	CABLE TIE,DFT MOUNT,BLK,6.5"	3
49	1258071GT	BRACKET,UPPER RADIATOR MOUNT,4	1



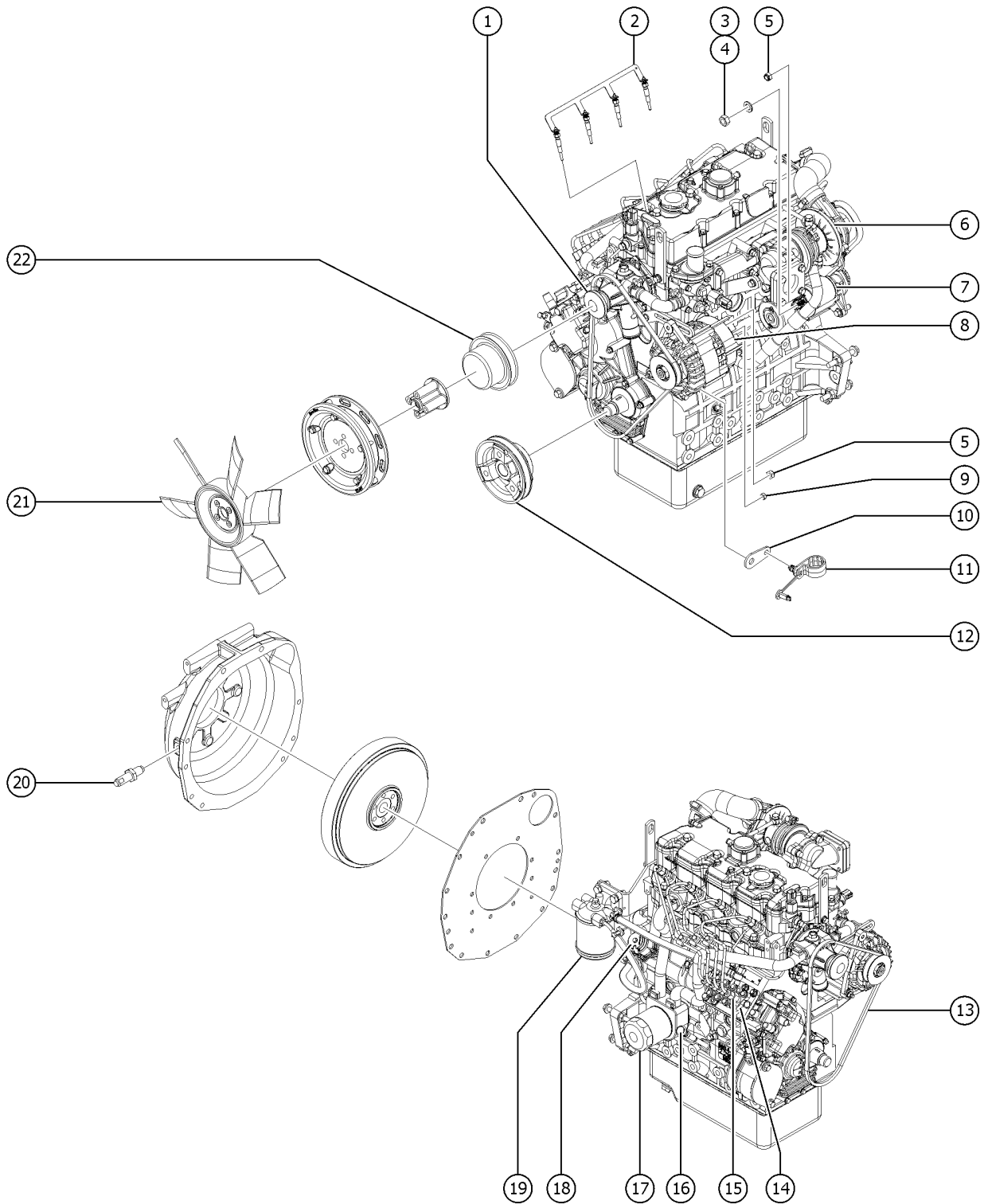
414.1 Perkins 404D-22T Engine - View 2



Item	Part No.	Description	Qty.
		Due to Tier 4 regulations, many engine replacement parts require engine serial number at time of order placement. When ordering engine parts please have both machine and engine serial numbers available. For internal engine parts, contact engine dealer.	
1	70449GT	U-BOLT,1/2-13 X 8.5	2
2	1251997GT	NUT,TL FLG,1/2-13,G,ZAG	4
3	71911GT	CLAMP,MUFFLER, 2.50 INCH	2
4	1258014GT	TAILPIPE,404D-22T,S-80	1
5	1256514GT	TUBE,INTAKE,PERKINS 404D-22T	1
6	824079GT	SCREW,HHF,1/4-20X1,8,ZAG	4
7	22672GT	CLAMP,HOSE,1.75	3
8	823751GT	BRACKET,INTAKE PIPE,MOUNT,DEUT	1
9	56912GT	SPRING CLIP,1/4-20,.025-.15X.5	2
10	45435GT	CLAMP,HOSE,3.00"	3
11	216150GT	ADAPTER, AIR HOSE, PERK 404F	2
12	30971GT	CLAMP,HOSE,3.00"	2
13	53952GT	BRKT,AIR CLEANER ORIENTATION**	1
14	63463GT	TUBE, AIR CLEANER SPACER	1
14-	58415GT	CLIP,AIR CLEANER END CAP*** end cap not available separately	
14-	62420GT	FILTER,AIR***	
14-	65810GT	BAFFLE, AIR CLEANER (27915)**	
14-	52866GT	EVACUATOR VALVE-AIR CLEANER	
15		REF. BRACKET,LOWER RADIATOR (refer to 413.1)	
16	824027GT	NUT,TL FLG,1/4-20,G,ZAG	2
17		REF. WELDMENT,ENGINE TRAY,2.9L DEUTZ (refer to 417.1)	
18	62476GT	SCREW,SHC,M10X1.5X20MM (75090)	6
19		REF.DRIVE PUMP AND FUNCTION PUMP (refer to 708.1)	
20	1253498GT	SCREW,HHF,1/2-13X1.5,8,ZAG	4
21	128003GT	COUPLER,15 TOOTH,FBA,PERKINS**	1
22	231530GT	SCREW,HHF,M10-1.5X25,DIN6921,0.9,ZAB	4



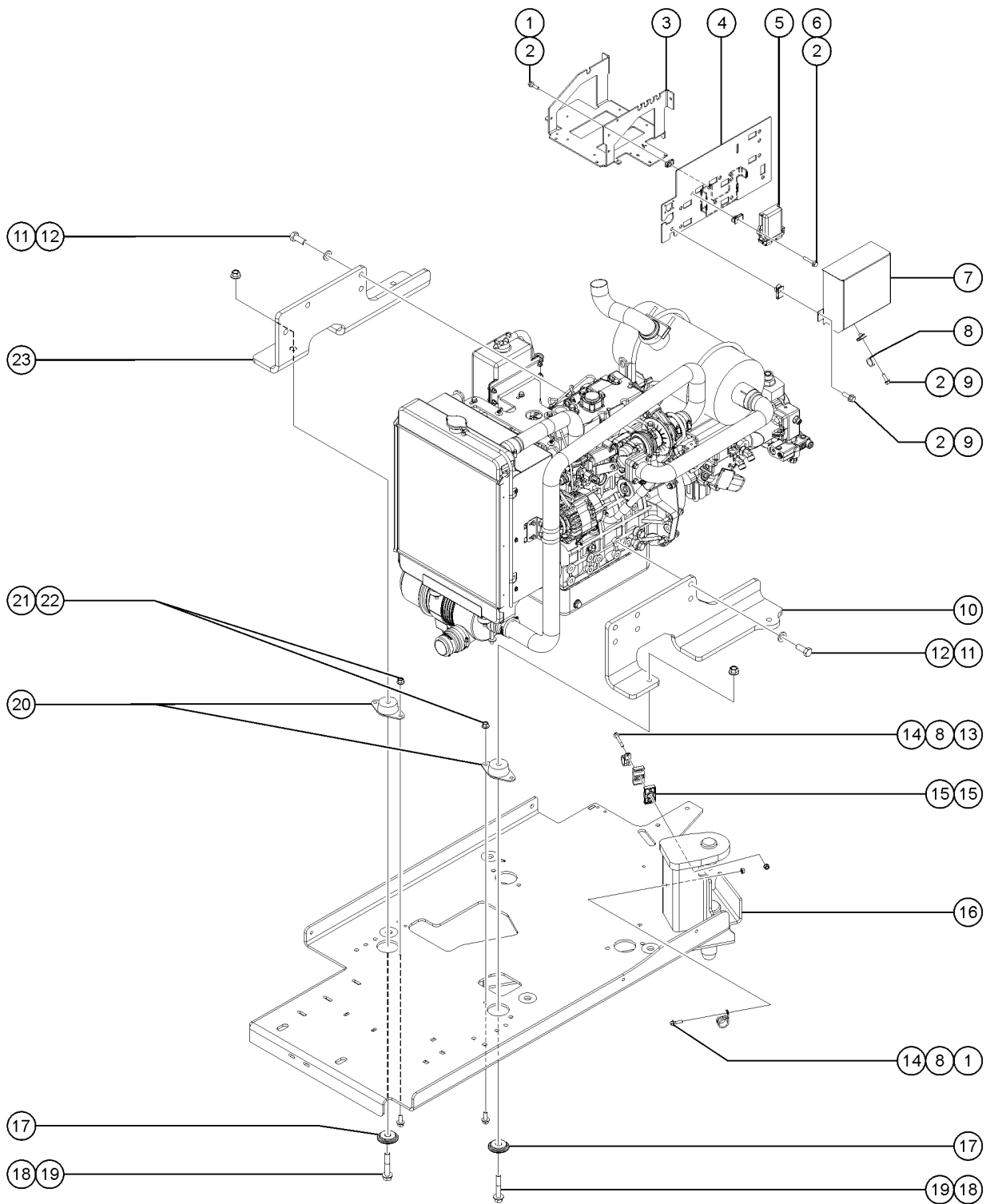
415.1 Perkins 404D-22T Engine - View 3



Item	Part No.	Description	Qty.
		Due to Tier 4 regulations, many engine replacement parts require engine serial number at time of order placement. When ordering engine parts please have both machine and engine serial numbers available. For internal engine parts, contact engine dealer.	
1	1262503GT	WATER PUMP,PERKINS 404D-22T	1
2	1262471GT	GLOWPLUG,ENGINE,PERKINS 404D/F	1
3	22571GT	NUT, HEX, M8 X 1.25	1
4	33277GT	WASHER,FLAT,M8,YELLOW ZINC	1
5	49364GT	NUT,NYLOCK,M6X1.00	2
6	1262022GT	TURBOCHARGER,PERKINS 404D-22T	1
7	1262585GT	STARTER MOTOR,PERKINS 404D	1
8	1262486GT	ALTERNATOR,PERKINS 404D/F-22T	1
9	27082GT	NUT, NYLOCK, M5 X .80	2
10	1259757GT	WIRE MANAGEMENT, WIRE LOOM SUP	1
11	121603GT	CLAMP,FIXED DIA.NYLON,.875"	1
12	1262494GT	CRANKSHAFT PULLEY,PERKIS 404D-	1
13	1262488GT	BELT,ALTERNATOR,PERKINS 404D/F	1
14	1261980GT	FUEL INJECTOR PUMP,PERKINS 404	1
15	1262017GT	ATOMISER (FUEL INJECTOR),PERKI	1
16	1262478GT	DIPSTICK,PERKINS 404D-22T	1
17	1262047GT	OIL FILTER,PERKINS 404D/F-22T	2
18	1261978GT	LIFT PUMP,PERKINS 404D-22T	1
19	1262484GT	FUEL FILTER ASSY,PERKINS 404D/	1
20	1281137GT	ASSEMBLY, SPEED SENSOR	1
21	1252686GT	FAN,10 BLADE,17",PERKINS 404F-	1
22	1262050GT	WATER PUMP PULLEY,PERKINS 404D	1



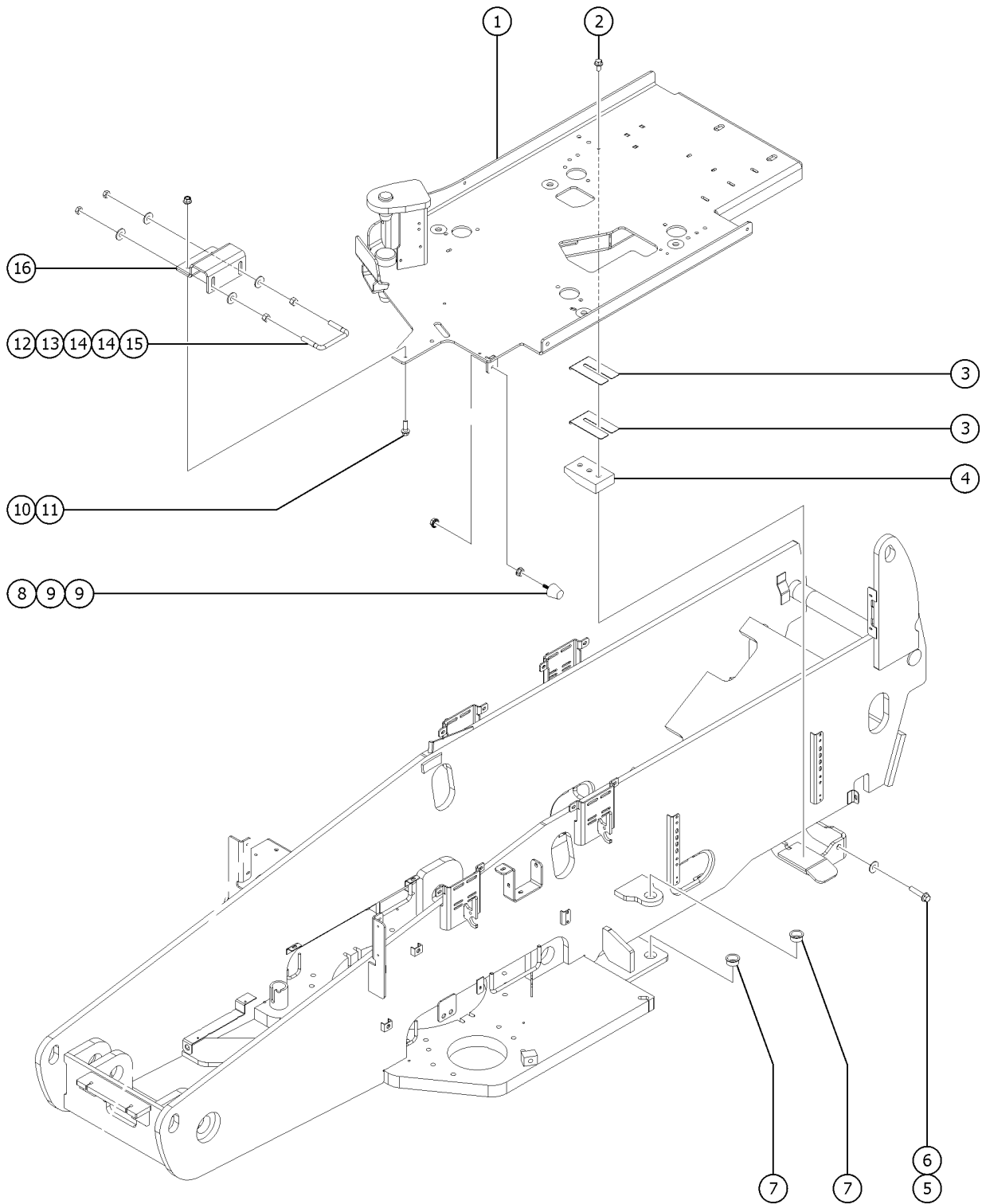
416.1 Perkins 404D-22T Engine - View 4



Item	Part No.	Description	Qty.
Due to Tier 4 regulations, many engine replacement parts require engine serial number at time of order placement. When ordering engine parts please have both machine and engine serial numbers available. For internal engine parts, contact engine dealer.			
1	824079GT	SCREW,HHF,1/4-20X1,8,ZAG	4
2	56912GT	SPRING CLIP,1/4-20,.025-.15X.5	7
3	1274198GT	FORMING, BATTERY TRAY, NDL	1
4	1274201GT	WELDMENT, T4F MOUNT BRACKET, B	1
5	1262052GT	ENGINE CONTROL GOV,PERKINS 404	1
6	824080GT	SCREW,HHF,1/4-20X1.25,8,ZAG	2
7	1274200GT	BRACKET,COVER, ECU, TIER IV	1
8	18666GT	CLAMP,1.00,#16 X 1/4,RUB CUSH	3
9	824078GT	SCREW,HHF,1/4-20X.75,8,ZAG	2
10	1253574GT	FORMING, ENGINE MOUNT, LH	1
11	1257705GT	SCREW,HHC,M14-1.5X35,DIN961,10	10
12	1257810GT	CLAMP,HOSE,2.50"	10
13	1257866GT	SCREW,HHF,1/4-20X2.25,8,ZAG	1
14	824027GT	NUT,TL FLG,1/4-20,G,ZAG	2
15	78736GT	CLAMP,2 HOSE,PLASTIC,5/8	2
16		REF. WELDMENT,ENGINE TRAY,2.9L DEUTZ (refer to 417.1)	
17	102066GT	CASTING,WASHER,REBOUND	4
18	1257862GT	SCREW,HHF,1/2-13X2.75,8,ZAG	4
19	1251997GT	NUT,TL FLG,1/2-13,G,ZAG	4
20	70452GT	ISOLATOR,ENGINE VIBRATION	4
21	824029GT	NUT,TL FLG,3/8-16,G,ZAG	8
22	824090GT	SCREW,HHF,3/8-16X1,8,ZAG	8
23	1253573GT	FORMING, ENGINE MOUNT, RH	1



417.1 Engine Tray

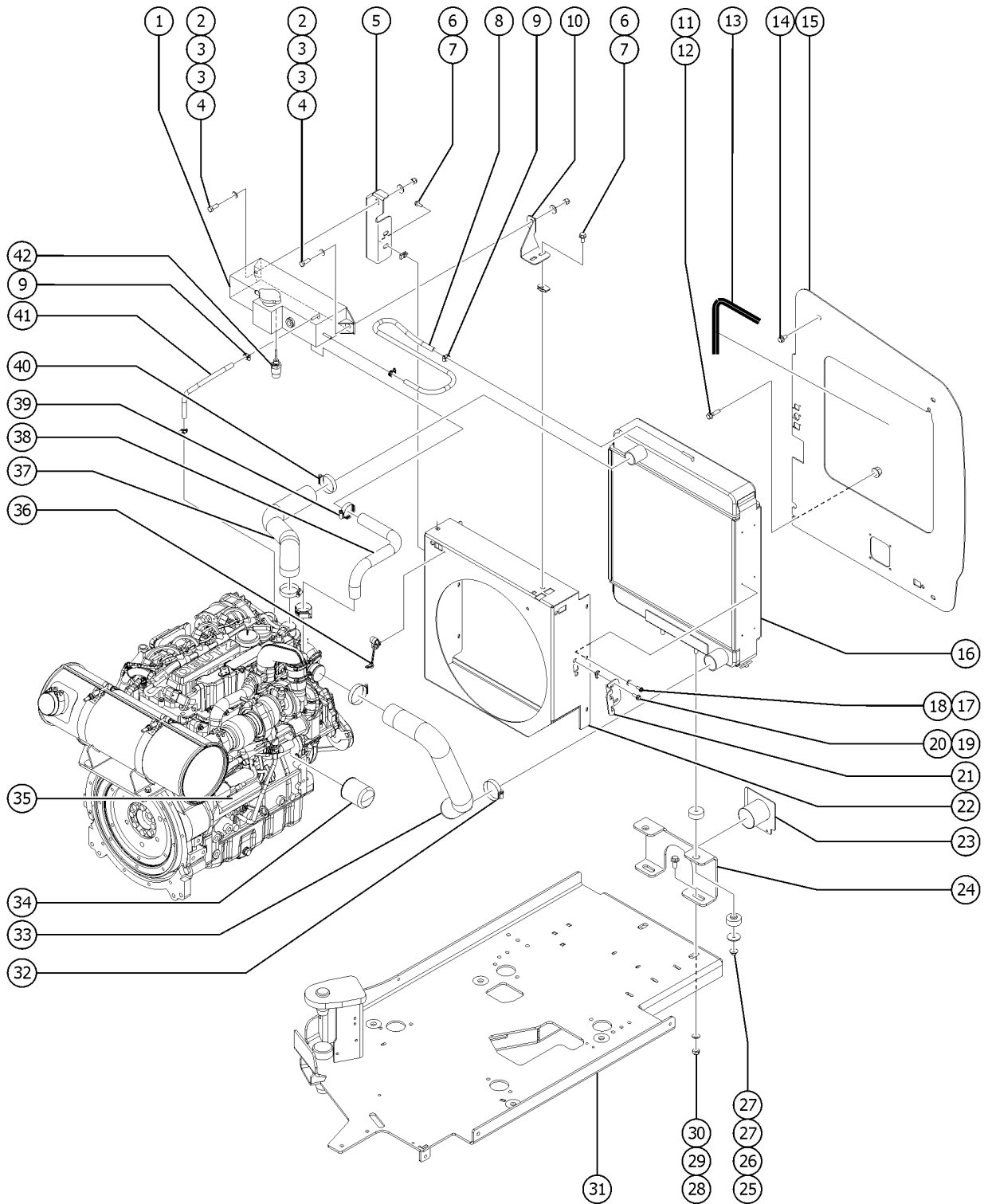


417.1 Engine Tray

<i>Item</i>	<i>Part No.</i>	<i>Description</i>	<i>Qty.</i>
1	1267076GT	WELDMENT,ENGINE TRAY,2.9L DEUT (Deutz TD 2.9L4 and Perkins 404D-22T)	1
1B	1267074GT	WELDMENT,ENGINE TRAY (Deutz TD2011L04i)	1
2	824089GT	SCREW,HHF,3/8-16X.75,8,ZAG	2
3	1283442GT	SHIM, WEAR PAD, 3X5	2
4	81522GT	WEAR PAD,ENGINE TRAY	1
5	1256126GT	SCREW,HHF,5/8-11X2,8,ZAG	1
6	824115GT	WASHER,FLAT,5/8,USS,ZAG	1
7	41858GT	BEARING,FL,1.51X1.75X.84LG	2
8	1261277GT	RUBBER BUMPER, 1.25 X 1.25 IN	1
9	1255805GT	NUT,SERRATED,5/16-18,8,ZAG	2
10	824091GT	SCREW,HHF,3/8-16X1.25,8,ZAG	2
11	824029GT	NUT,TL FLG,3/8-16,G,ZAG	2
12	1259855GT	UBOLT, 0.4724 IN D X 4.0 IN L	1
13	1259106GT	NUT,1/2-13,8,ZAG	2
14	1255760GT	WASHER,FLAT,1/2,USS,ZAG	4
15	1255804GT	NUT,JAM,1/2-13,A,ZAG	2
16	1267070GT	FORMING,BRACKET,LATCH	1



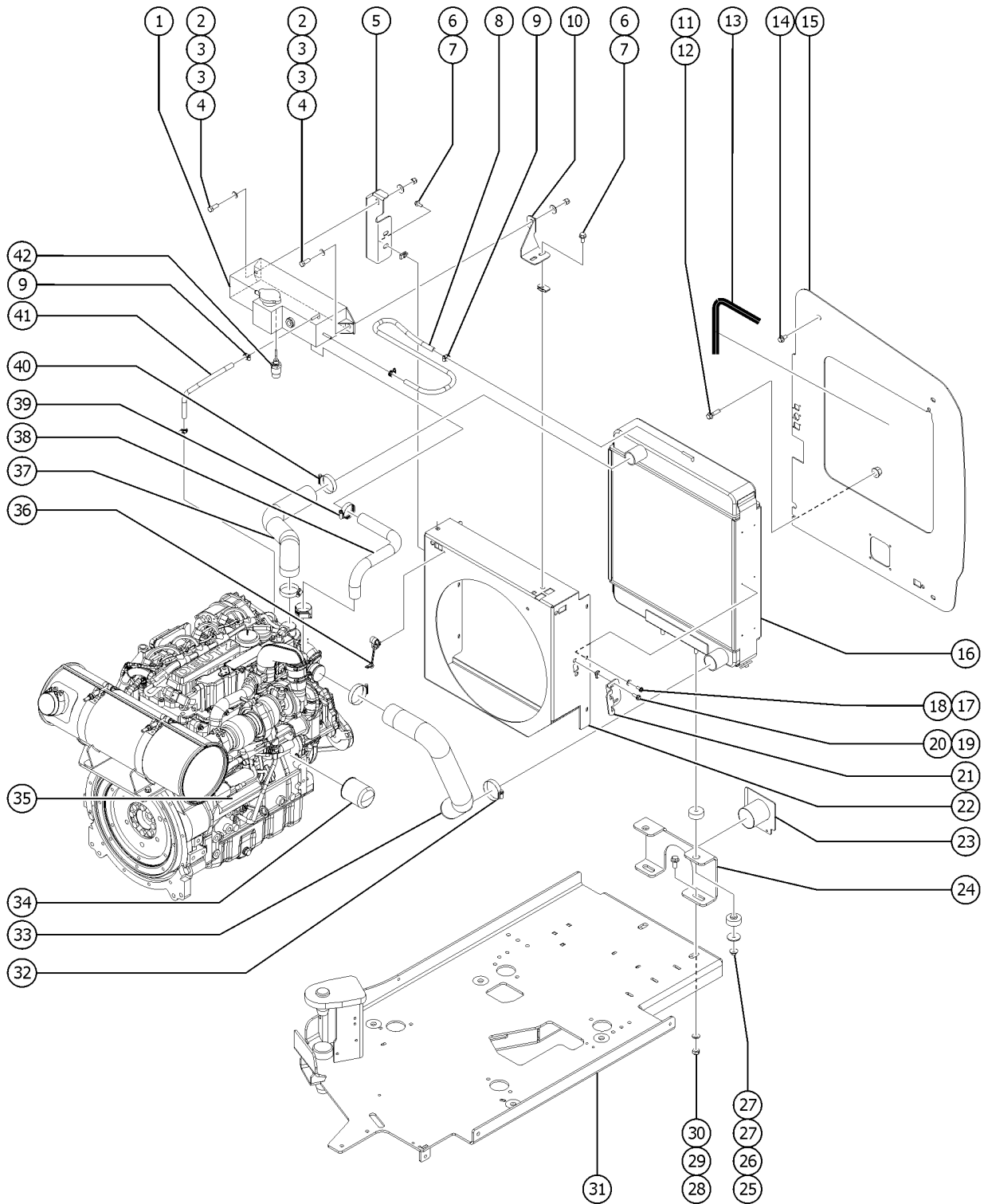
418.1 Deutz TD 2.9L CHINA III Engine - View 1



Item	Part No.	Description	Qty.
1	161938GT	EXPANSION TANK,METAL,D2.9	1
1-	1254823GT	CAP,RADIATOR,PERKINS (94232) for 161938	
1-	1274900GT	SIGHT GLASS for 161938	
2	6175GT	SCREW,HHC,3/8-16 X 1	2
3	6097GT	WASHER,FLAT,USS,3/8",Y	4
4	4828GT	NUT,NYLOCK,3/8-16	2
5	826825GT	BRACKET,EXPANSION TANK, LEFT M	1
6	75051GT	SCREW,SER FLNG3/8UNCX3/4ZNYEL	4
7	29868GT	SPRING CLIP,3/8-16,.05-.20X.73,ZAG	4
8	824600GT	HOSE,HEATER,1/4"	28- in ches
9	21465GT	CLAMP,HOSE,SIZE .25 TO .63	4
10	825218GT	BRACKET,EXPANSION TANK,DEUTZ 2	1
11	824079GT	SCREW,HHF,1/4-20X1,8,ZAG	1
12	824027GT	NUT,TL FLG,1/4-20,G,ZAG	1
13	119218GT	TRIM EDGE, 1/8X3/4,SIDE BULB	88- in ches
14	824089GT	SCREW,HHF,3/8-16X.75,8,ZAG	3
15	1270963GT	PLATE, BULKHEAD, DEUTZ 2.9L	1
16	826795GT	RADIATOR,6-CORE,19.375W X 18.1	1
17	21019GT	SCREW,PHIL,PHM,10-24 X.5,SEMS	1
18	6146GT	WASHER,FLAT,MS,#10,Y	6
19	121419GT	SCREW,HHF,1/4-20 X .75	2
20	56912GT	SPRING CLIP,1/4-20,.025-.15X.5	2
21	823751GT	BRACKET,INTAKE PIPE,MOUNT,DEUT	1
22	826859GT	SHROUD,17" FAN,6-CORE RADIATOR	1
23	1251928GT	WLDT, INTAKE, T4 DEUTZ, Z80/S80	1
24	826835GT	FORMING,6-CORE RADIATOR MOUNT	1
25	48425GT	NUT,FLG-LRG,3/8-16,YZ	2



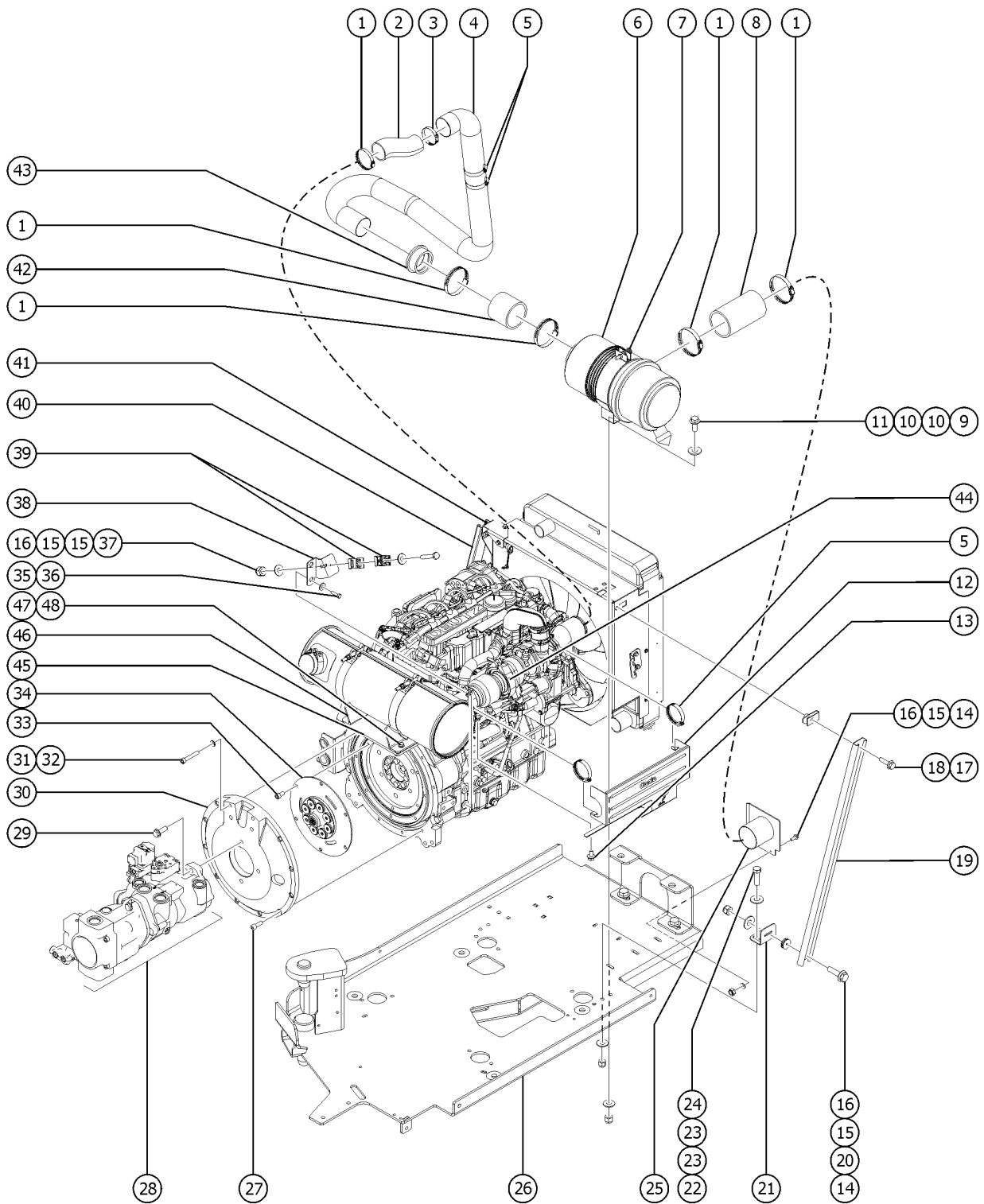
418.1 Deutz TD 2.9L CHINA III Engine - View 1



Item	Part No.	Description	Qty.
26	15086GT	WASHER,FLAT,.375 X 1.5 X .125	2
27	24038GT	SHOCK MOUNT,SMALL	4
28	6024GT	NUT,NYLOCK,5/8-11	2
29	13064GT	WASHER,FLAT,.625 HARDENED	2
30	128912GT	BOLT,FLANGE,5/8-11X1.5"GR8 PLT	2
31		REF. WELDMENT,ENGINE TRAY,2.9L DEUTZ (Refer to 417.1)	
32	35434GT	CLAMP,HOSE,2.00***	2
33	162284GT	HOSE,LOWER RADIATOR, 2.9L DEUT	1
34	49924GT	FILTER,OIL,DEUTZ F4L1011F	1
34B	1255653GT	FILTER,OIL,DEUTZ,REPLACEMENT	1
35	1254594GT	STARTER,3.2KW,DEUTZ D2.9	1
36	219508GT	CLAMP, FIXED DIA, NYLON, 3/8"	1
37	162283GT	HOSE, UPPER RADIATOR, DEUTZ D	1
38	823229GT	HOSE,EXPANSION TANK,COMPENSATION	1
39	36208GT	CLAMP,HOSE,1.25***	2
40	22672GT	CLAMP,HOSE,1.75	2
41	824600GT	HOSE,HEATER,1/4"	24- in ches
42	162210GT	SENSOR,COOLANT LEVEL,DEUTZ	1
42-	826152GT	WASHER, CRUSH, COOLANT SENSOR	



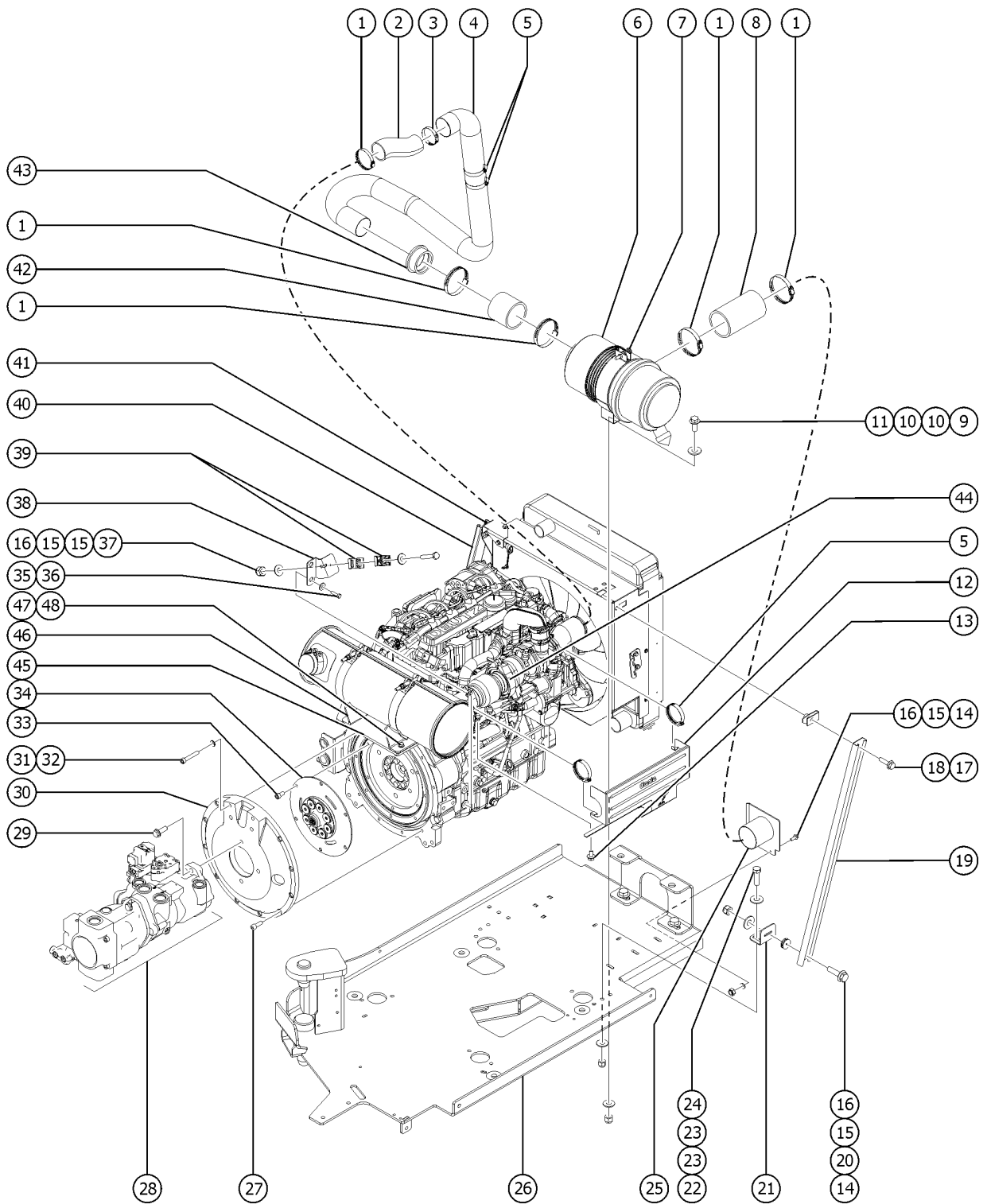
419.1 Deutz TD 2.9L CHINA III Engine - View 2



Item	Part No.	Description	Qty.
1	30489GT	CLAMP,HOSE,3.50	5
2	823703GT	HOSE,REDUCER,OFFSET,TURBO INLE	1
3	30971GT	CLAMP,HOSE,3.00"	1
4	823239GT	TUBE,INTAKE,DEUTZ 2.9L	1
5	45435GT	CLAMP,HOSE,3.00"	4
6	81467GT	AIR CLEANER,NELSON	1
6-	52866GT	EVACUATOR VALVE-AIR CLEANER	
6-	62425GT	FILTER,AIR CLEANER, SUPERBOOM	
6-	75450GT	AIR CLEANER CLIPS, SUPERBOOM	
6-	75451GT	AIR CLEANER COVER, SUPERBOOM*	
7	81468GT	MOUNTING BAND,AIR CLEANER	1
8	106211-600GT	HOSE,RUBBER 3"ID X .25 BLACK X 6.00 LG	1
9	13002GT	SCREW,HHC,5/16-18 X 1 GR5	2
10	5397GT	WASHER,FLAT,USS,5/16",Y	4
11	6782GT	NUT, NYLOCK, 5/16-18	2
12	1254949GT	HEAT SHIELD,DEUTZ TD2.9L	1
13	1251983GT	SCREW,HHF,M8-1.25X16,DIN6921,1	4
14	121420GT	SCREW,HHF,1/4-20 X 1.00	
15	6638GT	WASHER,FLAT,USS,1/4"Y	
16	6091GT	NUT, NYLOCK, 1/4-20	
17	121419GT	SCREW,HHF,1/4-20 X .75	5
18	56912GT	SPRING CLIP,1/4-20,.025-.15X.5	5
19	823144GT	UNISTRUT,FAN SHROUD BRACE,R,DE	1
20	229986GT	GROMMET RUBBER .375X1.00X.1875	2
21	823147GT	FORMING,FAN SHROUD STRUT MOUNT	2
22	6019GT	SCREW,HHC,3/8-16 X 1.25 GRD 5	4
23	6097GT	WASHER,FLAT,USS,3/8",Y	8
24	4828GT	NUT,NYLOCK,3/8-16	4



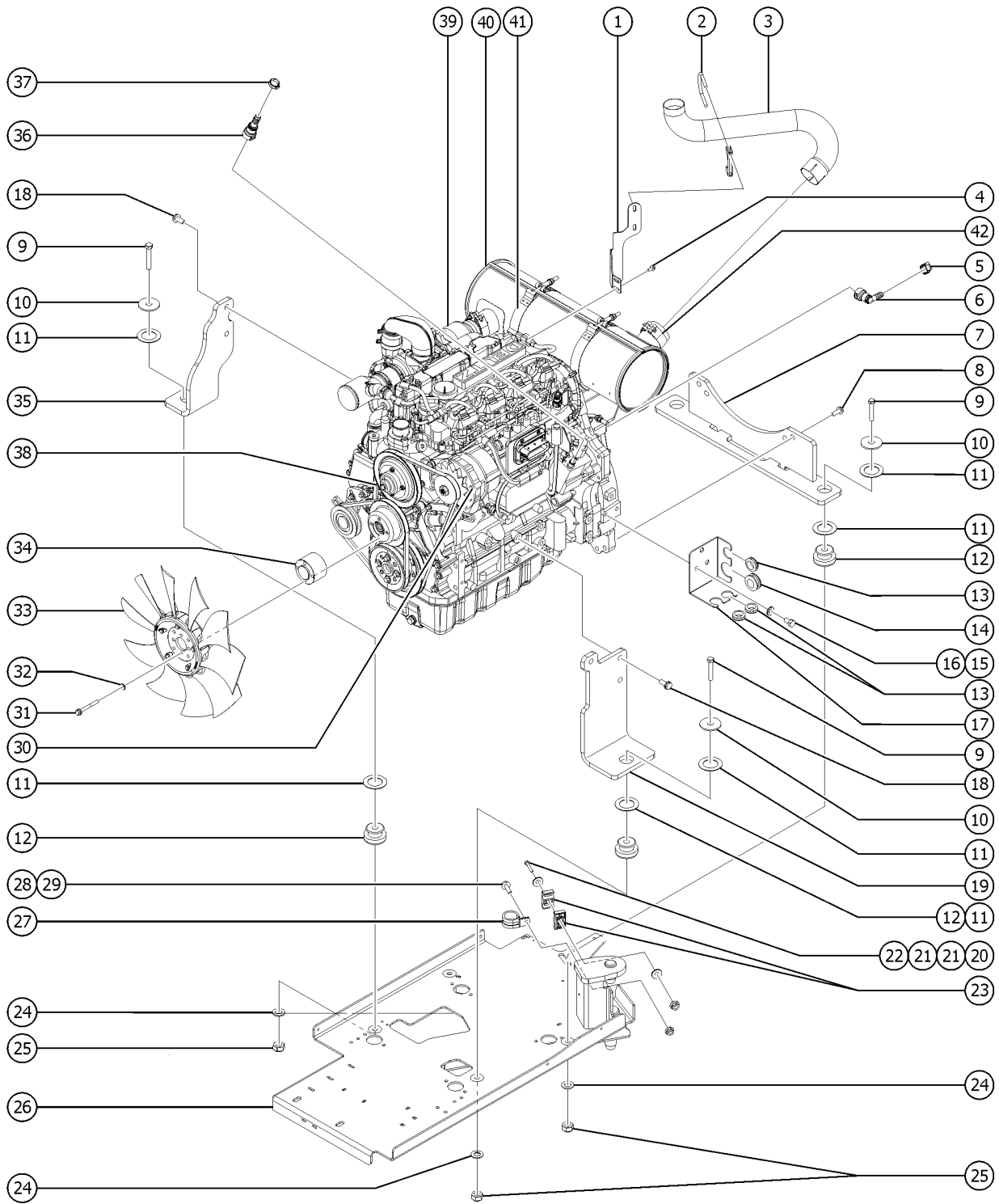
419.1 Deutz TD 2.9L CHINA III Engine - View 2



Item	Part No.	Description	Qty.
25		REF. WLDT, INTAKE, T4 DEUTZ, Z80/S8 (refer to 405.1)	
26		REF. WELDMENT,ENGINE TRAY,2.9L DEUTZ (refer to 417.1)	
27	61110GT	SCREW,SHC,M10X1.5X30 GR 12.9	10
28		REF.DRIVE PUMP AND FUNCTION PUMP (refer to 708.1)	
29	123167GT	FLGHCS,1/2-13X1.50,GR8,BLK PH	4
30	70381GT	COVER, FLYWHEEL CASTING	1
31	111748GT	SCREW,SHC,M10X1.5 X 60 GR8.8	2
32	22699GT	WASHER,FLAT,M10,ZINC PLTD.	2
33	62476GT	SCREW,SHC,M10X1.5X20MM (75090)	6
34	128004GT	COUPLER, 15 TOOTH, FBA, SAE 8	1
35	27585GT	SCREW,HHC,M12 X 20MM	2
36	49410GT	WASHER,FLAT,M12	2
37	6637GT	SCREW,HHC,1/4-20 X 1.75	1
38	825939GT	FORMING, CLAMP, BATTERY CABLE	1
39	78736GT	CLAMP,2 HOSE,PLASTIC,5/8	2
40	823143GT	UNISTRUT,FAN SHROUD BRACE,L,DE	1
41	1252687GT	BRACKET, STRUT BRACE	1
42	106211-300GT	HOSE,RUBBER 3"ID X .25 BLACK	1
43	101640GT	REDUCER,RUBBER 3.0 - 2.5	1
44	1288342GT	V CLAMP, TD2.9 TURBO OUTLET	1
45	1287194GT	WELDMENT,MUFFLER MOUNT,DEUTZ TD2.9,S85	1
46	1288340GT	BRACKET, TD2.9 MUFFLER	2
47	824133GT	SCREW,HHF,M8-1.25X25,DIN6921,1	4
48	237832GT	NUT,TL,FLG,M8-1.25,DIN6927,10,	4



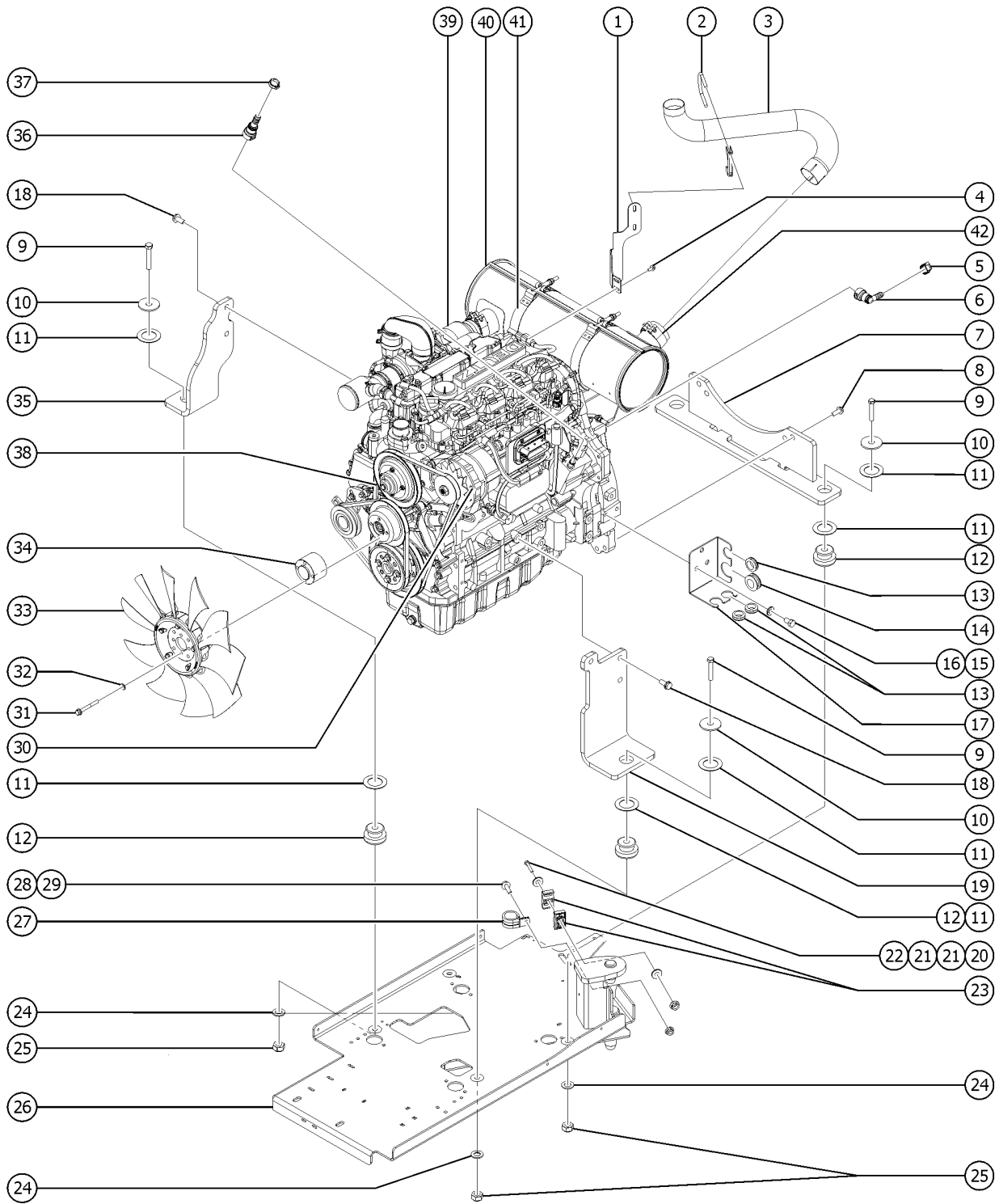
420.1 Deutz TD 2.9L CHINA III Engine - View 3



Item	Part No.	Description	Qty.
1	1268921GT	FORMING, TAILPIPE SUPPORT, S80	1
2	71911GT	CLAMP, MUFFLER, 2.50 INCH	1
3	1287264GT	TAILPIPE, TD2.9 MUFFLER	1
4	824132GT	SCREW, HHF, M8-1.25X20, DIN6921, 10.9, ZAB	2
5	81154GT	CLAMP, HOSE, SIZE .31 > .91	1
6	826000GT	CONNECTOR, SAE10, QUICK CONNECT	1
7	823135GT	WELDMENT, REAR MOUNT, ENGINE	1
8	121433GT	SCREW, HHF, M14 X 40MM	4
9	13003GT	SCREW, HHC, 5/8-11 X 3.5 GRD.8	4
10	33418GT	WASHER, FLAT, .625 X 2.25 X .15	4
11	18596GT	WASHER, FLAT, 1.56 X 2.5 X .061	8
12	102045GT	ISOLATOR, ENGINE VIBRATION	4
13	124962GT	GROMMET, RUBBER, 1.0 X 1.25X1.5	3
14	106923GT	GROMMET, RUBBER .38X1.38X1.0	1
15	27585GT	SCREW, HHC, M12 X 20MM	3
16	49410GT	WASHER, FLAT, M12	3
17	826873GT	FORMING, ENGINE HARNESS SUPPOR	1
18	121688GT	SCREW, HHC, FLG, M14 X 35	5
19	823012GT	MOUNT, ENGINE, LEFT SIDE	1
20	6637GT	SCREW, HHC, 1/4-20 X 1.75	1
21	6638GT	WASHER, FLAT, USS, 1/4"Y	2
22	6091GT	NUT, NYLOCK, 1/4-20	1
23	78736GT	CLAMP, 2 HOSE, PLASTIC, 5/8	2
24	13064GT	WASHER, FLAT, .625 HARDENED	4
25	6024GT	NUT, NYLOCK, 5/8-11	4
26		REF. WELDMENT, ENGINE TRAY, 2.9L DEUTZ (refer to 417.1)	
27	18666GT	CLAMP, 1.00, #16 X 1/4, RUB CUSH	1
28	121420GT	SCREW, HHF, 1/4-20 X 1.00	1



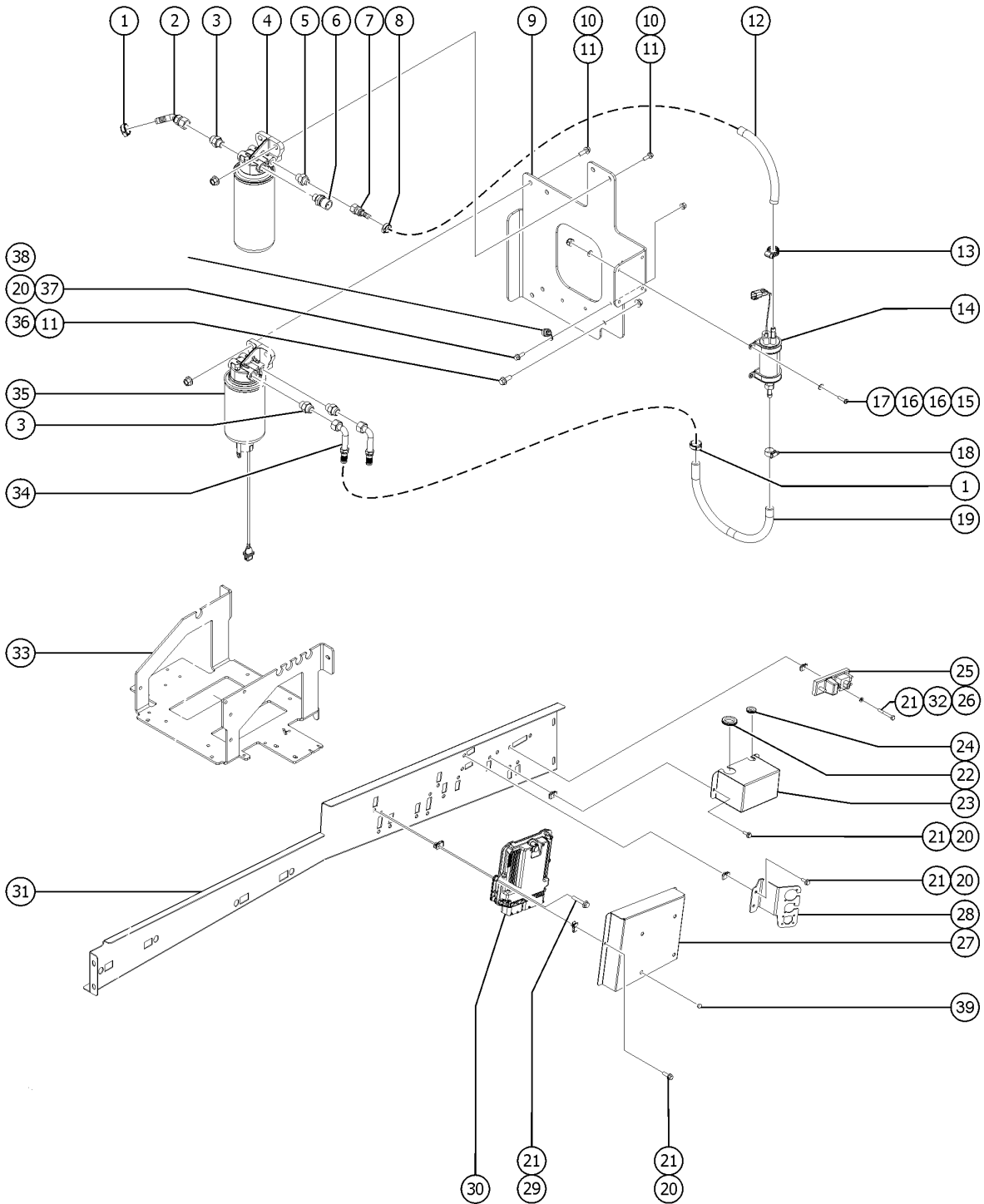
420.1 Deutz TD 2.9L CHINA III Engine - View 3



<i>Item</i>	<i>Part No.</i>	<i>Description</i>	<i>Qty.</i>
29	121421GT	NUT,FLG,1/4-20	1
30	236251GT	ALTERNATOR,95 AMP,DEUTZ TCD3.6	1
31	1262219GT	SCREW,HHC,M8-1.25X65,DIN931,10	4
32	33277GT	WASHER,FLAT,M8,YELLOW ZINC	4
33	1251496GT	FAN,10 BLADE,17",DEUTZ 2.9L	1
34	1258641GT	SPACER, FAN, DEUTZ, 43MM LNG	1
35	823013GT	MOUNT,ENGINE,RIGHT SIDE	1
36	1255651GT	CONNECTOR,SAE12,QUICK CONNECT	1
37	822087GT	CLAMP,HOSE,1EAR,25/32	1
38	1262866GT	FAN BELT, ALTERANTOR	1
39	1287263GT	FLEXIBLE BELLOW PIPE, TD2.9 MUFFLER	1
40	1287261GT	MUFFLER, DEUTZ TD2.9	1
41	1295436GT	T-BOLT CLAMP, TD2.9 MUFFLER, S85	2
42	1288341GT	TIGHTFIT CLAMP, TD2.9 MUFFLER	1



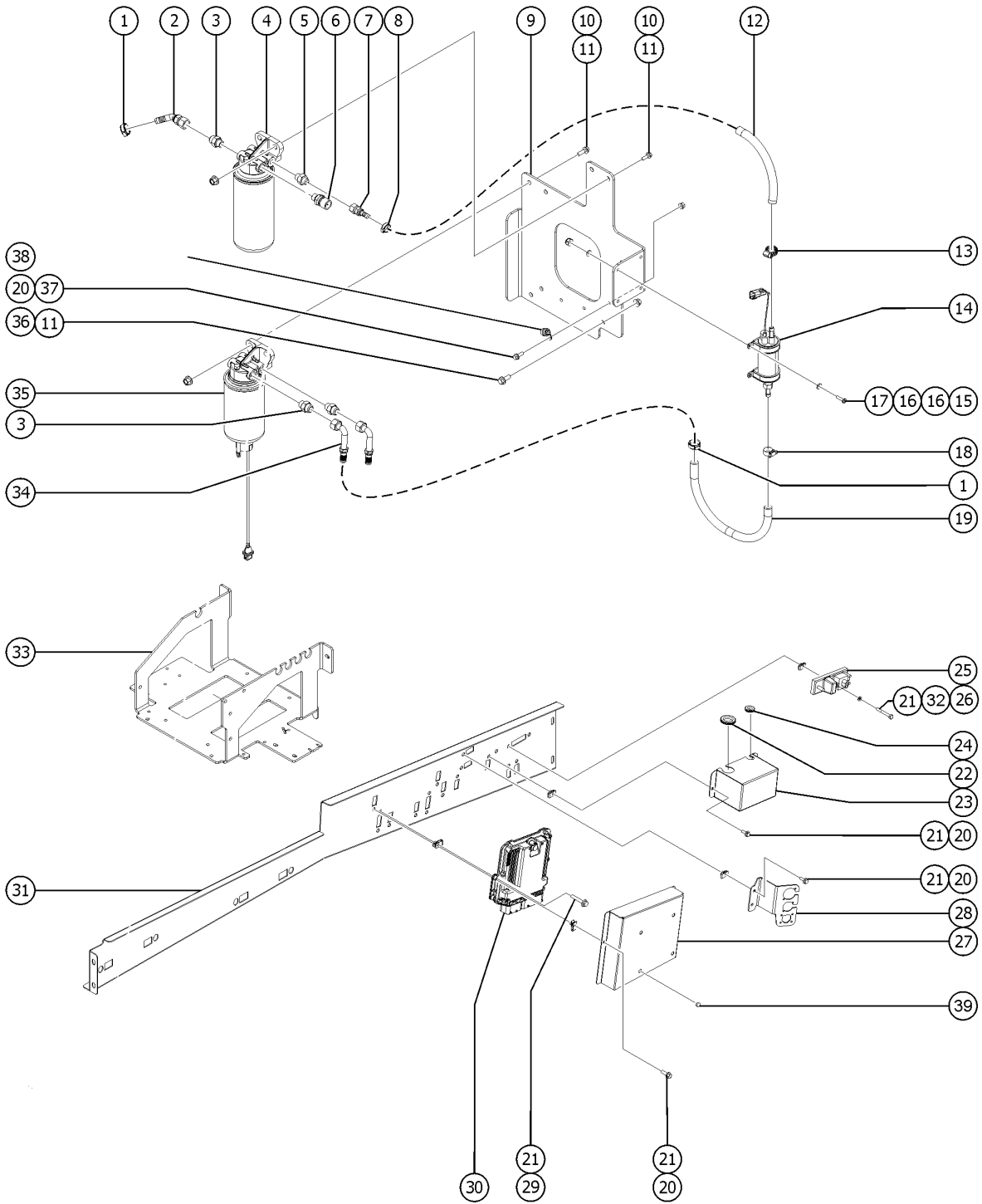
421.1 Deutz TD 2.9L CHINA III Engine - View 4



Item	Part No.	Description	Qty.
1	822087GT	CLAMP,HOSE,1EAR,25/32	1
2	826357GT	FITTING,45DEG,1/2 HS X 3/4-16	1
3	162209GT	FITTING,CONN,16MM-8MJ	3
4	1261236GT	ASSY,FUEL FILTER,DEUTZ 2.9	1
4-	214228GT	FILTER, DEUTZ 2.9, FUEL	
5	162208GT	FITTING,CONN,16MM-6MJ	1
6	824673GT	SENSOR, PRESSURE,DEUTZ 2.9	1
7	824351GT	FITTING,STR,3/8 HS X 9/16-18,J	1
8	96770GT	CLAMP, HOSE, 1 EAR, 11/16	1
9	1267313GT	BRACKET,FUEL SYSTEM,DEUTZ 2.9L	1
10	824091GT	SCREW,HHF,3/8-16X1.25,8,ZAG	4
11	824029GT	NUT,TL FLG,3/8-16,G,ZAG	7
12	823420GT	HOSE,FUEL,3/8,GATES RLA	1
13	81154GT	CLAMP,HOSE,SIZE .31 > .91	1
14	236259GT	LIFT PUMP,FUEL,DEUTZ	1
15	49816GT	SCREW,PHILLIPS,PHM,10-32 X .75	4
16	1253185GT	WASHER,FLAT,#10,USS,ZAG	8
17	6178GT	NUT,NYLOCK,10-32	4
18	46131GT	CLAMP,HOSE,.63" - 1.0" X .5"	1
19	823421GT	HOSE,FUEL,1/2,GATES RLA	1
20	824078GT	SCREW,HHF,1/4-20X.75,8,ZAG	5
21	56912GT	SPRING CLIP,1/4-20,.025-.15X.5	12
22	826860GT	RUBBER GROMMET 1.00 X 1.563 X	1
23	824397GT	COVER,POWER RELAY MODULE,DEUTZ	1
24	824422GT	GROMMET,RUBBER,.5 X .063 X .75	2
25	824023GT	RELAY, POWER & FUSE MODULE	1
26	1253485GT	SCREW,HHF,1/4-20X2,8,ZAG	1
27	1267882GT	COVER BRACKET, ECU, TIER IV	1



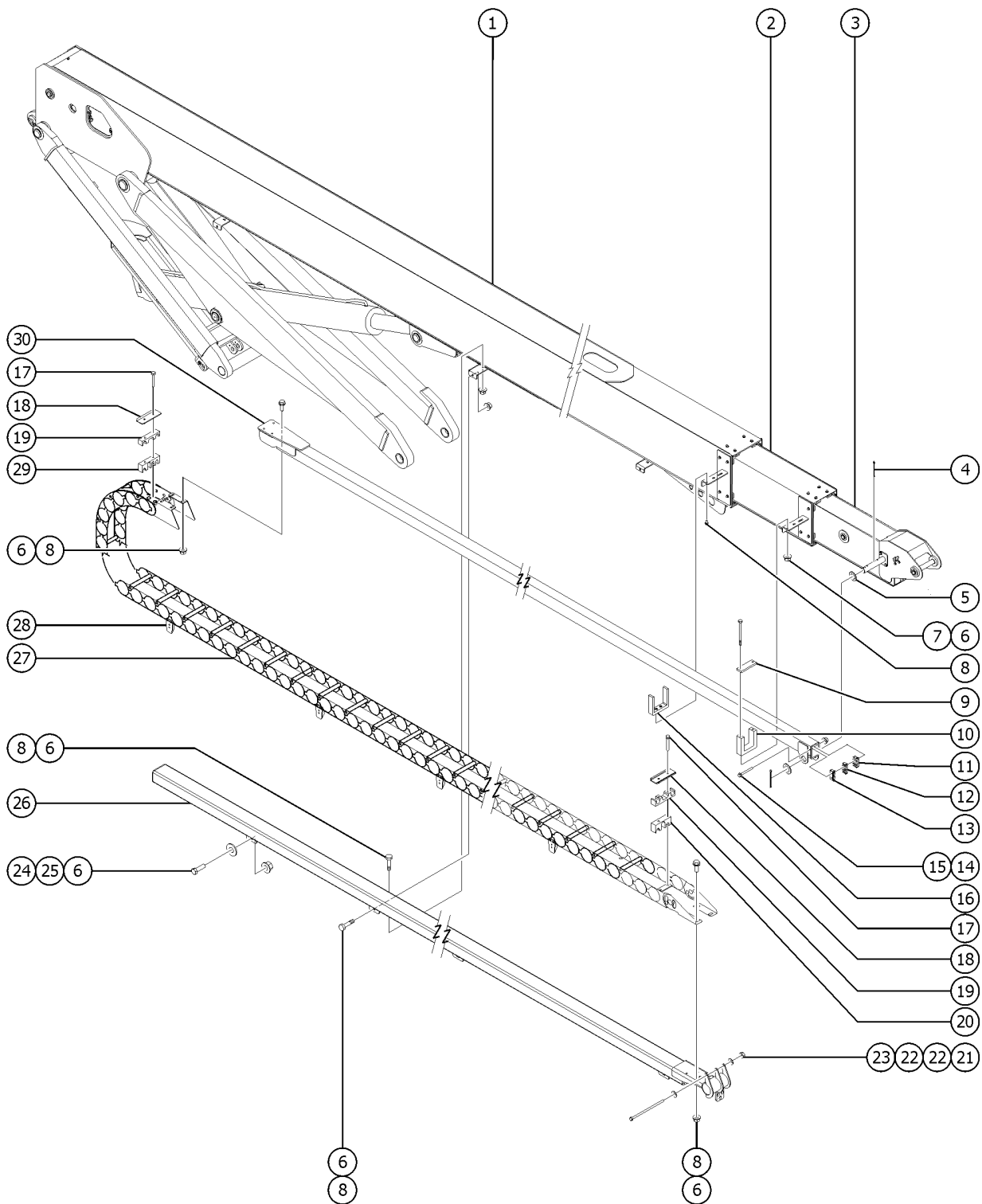
421.1 Deutz TD 2.9L CHINA III Engine - View 4



<i>Item</i>	<i>Part No.</i>	<i>Description</i>	<i>Qty.</i>
28	18666GT	CLAMP,1.00,#16 X 1/4,RUB CUSH	1
29	824080GT	SCREW,HHF,1/4-20X1.25,8,ZAG	4
30	214795GT	ECM, DEUTZ (must contact service parts to order, SN information is required)	1
31	1274201GT	WELDMENT, T4F MOUNT BRACKET, B	1
32	824079GT	SCREW,HHF,1/4-20X1,8,ZAG	3
33	121258GT	FORMING, BATTERY TRAY	1
34	162207GT	FITTING,ELBOW,8GS-8FJX90S	2
35	1261239GT	ASSY,FUEL PREFILTER,DEUTZ 2.9	1
35-	236260GT	FILTER, FUEL PRE-FILTER, SPIN-ON, DEUTZ	
36	824090GT	SCREW,HHF,3/8-16X1,8,ZAG	3
37	824027GT	NUT,TL FLG,1/4-20,G,ZAG	1
38	6833GT	CLAMP,0.50,#8 X 1/4,RUB CUSH	1
39	21858GT	PLUG,NYLON .38 BLACK DOMED	4



501.1 Cable Track Installation

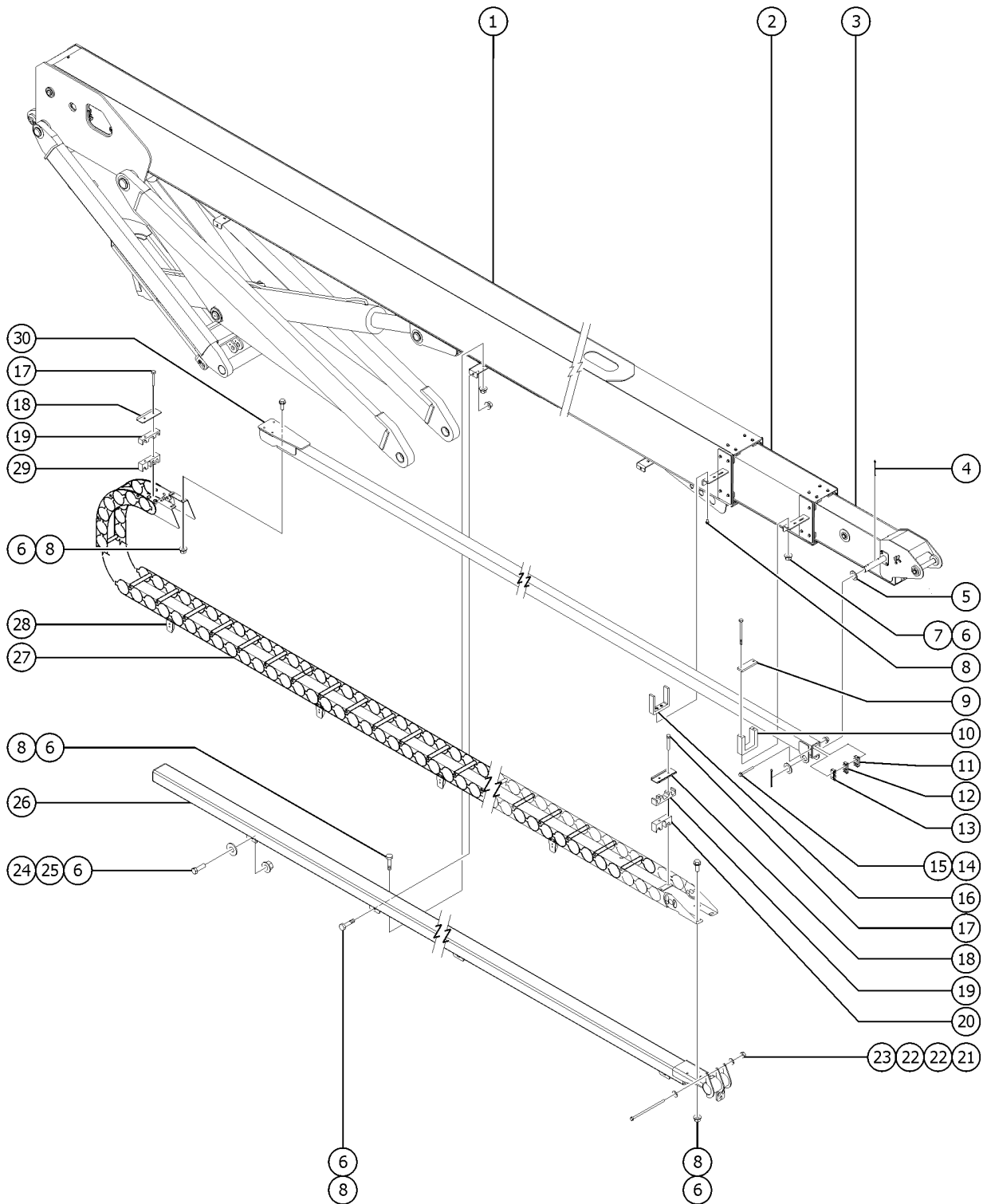


501.1 Cable Track Installation

Item	Part No.	Description	Qty.
1		Ref. BOOM NUMBER 1 (refer to 502.1)	1
2		Ref. BOOM NUMBER 2 (refer to 503.1)	1
3		Ref. BOOM NUMBER 3 (refer to 504.1)	1
4	42079GT	PIN,COTTER,.156 X 2.5	2
5	1251565GT	WASHER,SHIM,1.56X2.5X.061,ZAG	2
6	824029GT	NUT,TL FLG,3/8-16,G,ZAG	20
7	1255391GT	SCREW,HHC,3/8-16X7,8,ZAG	2
8	824090GT	SCREW,HHF,3/8-16X1,8,ZAG	19
9	81342GT	WEAR PAD,5.5 X 1.75 X .5	1
10	81341GT	WEAR PAD,CABLE TRACK PULL TUBE	1
11	121872GT	CLAMP,PULL TUBE HOSES,RIGHT	1
12	121871GT	CLAMP,PULL TUBE HOSES,MID	1
12B	T115764GT	CLAMP,PULL TUBE,RIGHT,WK LT (worklight option)	1
12C	228891GT	CLAMP,PULL TUBE HOSES,RH (arctic high pressure hose kit)	1
13	121870GT	CLAMP,PULL TUBE HOSES,LEFT	1
13B	T115763GT	CLAMP,PULL TUBE,LEFT,WK LT (worklight option)	1
13C	228892GT	CLAMP,PULL TUBE HOSES,LH (arctic high pressure hose kit)	1
14	1257867GT	SCREW,HHF,1/4-20X3.5,8,ZAG	2
15	824027GT	NUT,TL FLG,1/4-20,G,ZAG	2
16	81340GT	WEAR PAD ASSEMBLY,CABLE TRACK	1
17	1256123GT	SCREW,HHC,1/4-20X3.25,8,ZAG	4
17B	50160GT	SCREW,HHC,1/4-20 X 3.75 (welder and air line options)	
18	121065GT	FORMING,CLAMP,TOP,CABLE TRACK	2
19	121095GT	CLAMP, OPTIONS, CABLETRACK	2
20	T115580GT	CLAMP,CABLE TRACK	1
20B	1257230GT	CLAMP,CABLE TRACK (arctic high pressure hose kit)	1
21	824024GT	NUT,TL,1/4-20,C,ZAG	1
22	824113GT	WASHER,FLAT,1/4,USS,ZAG	2



501.1 Cable Track Installation

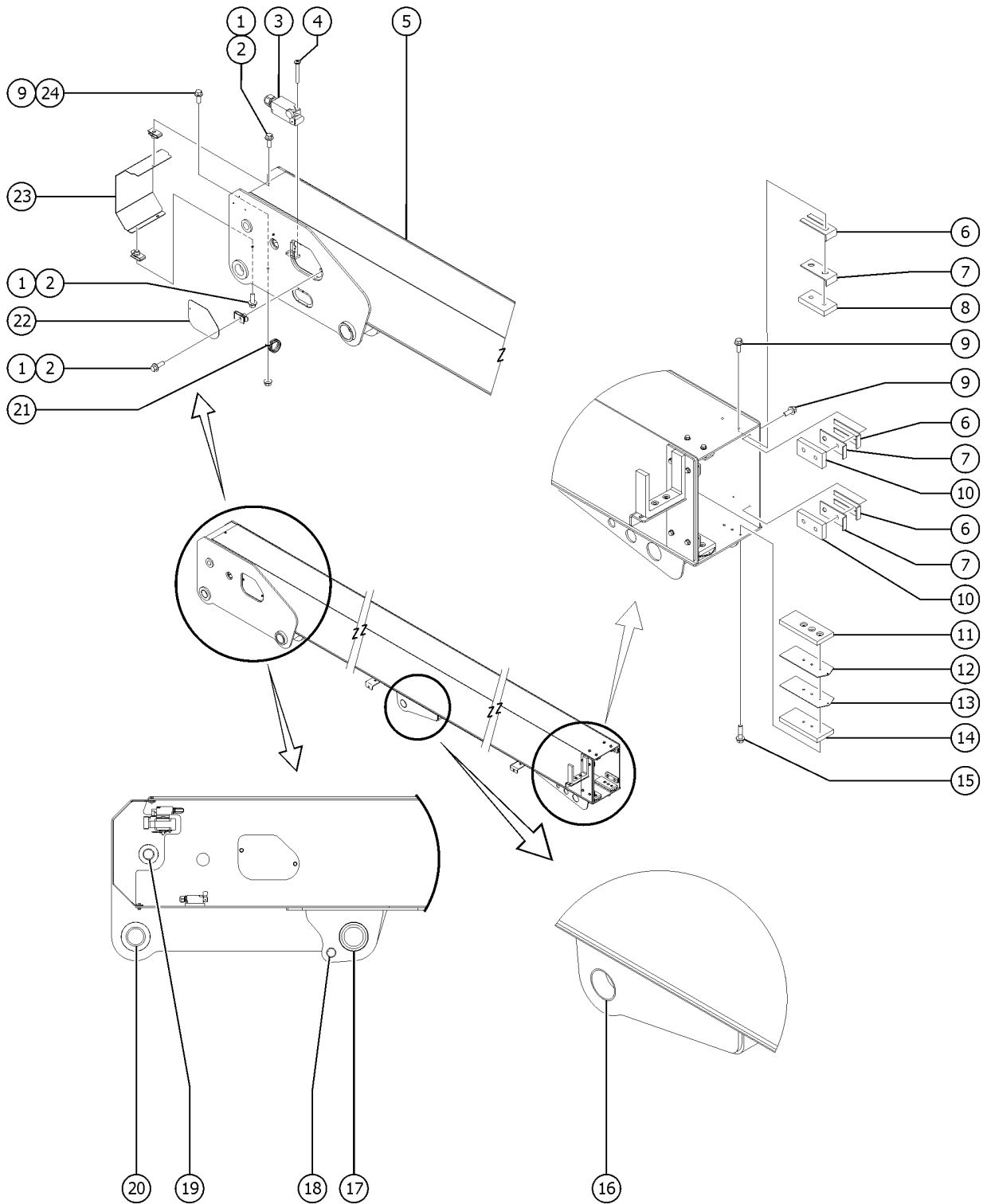


501.1 Cable Track Installation

<i>Item</i>	<i>Part No.</i>	<i>Description</i>	<i>Qty.</i>
23	1268605GT	SCREW,HHC,1/4-20X6,8,ZAG	1
24	6019GT	SCREW,HHC,3/8-16 X 1.25 GRD 5	1
25	6097GT	WASHER,FLAT,USS,3/8",Y	1
26	121061GT	WELDMENT,CABLE TRACK TRAY	1
27	121064GT	CABLE TRACK,SX,70 LNK (Include items 18 & 28)	1
27-	122661GT	REPAIR KIT,4 LINK,W/GUIDE	
27-	122662GT	END BRACKET,MOVING END	
27-	122663GT	END BRACKET,FIXED END	
27-	122664GT	ALUMINUM FLAT CROSS BAR	
27-	122665GT	FLAT BAR W/PEM NUTS	
27-	122666GT	SEPERATOR,PLASTIC	
28	218448GT	FINGER,GUIDE,CABLE TRACK	16
28-	122668GT	GUIDE FINGER,PLASTIC	
28-	87085GT	RIVET,ALUM,P,.188 X .25	
29	T115765GT	CLAMP,CABLE TRACK, WK LT	1
30	121063GT	WELDMENT,LONG,GUIDE TUBE	1



502.1 Extension Boom Tube 1, S-80 and S-85

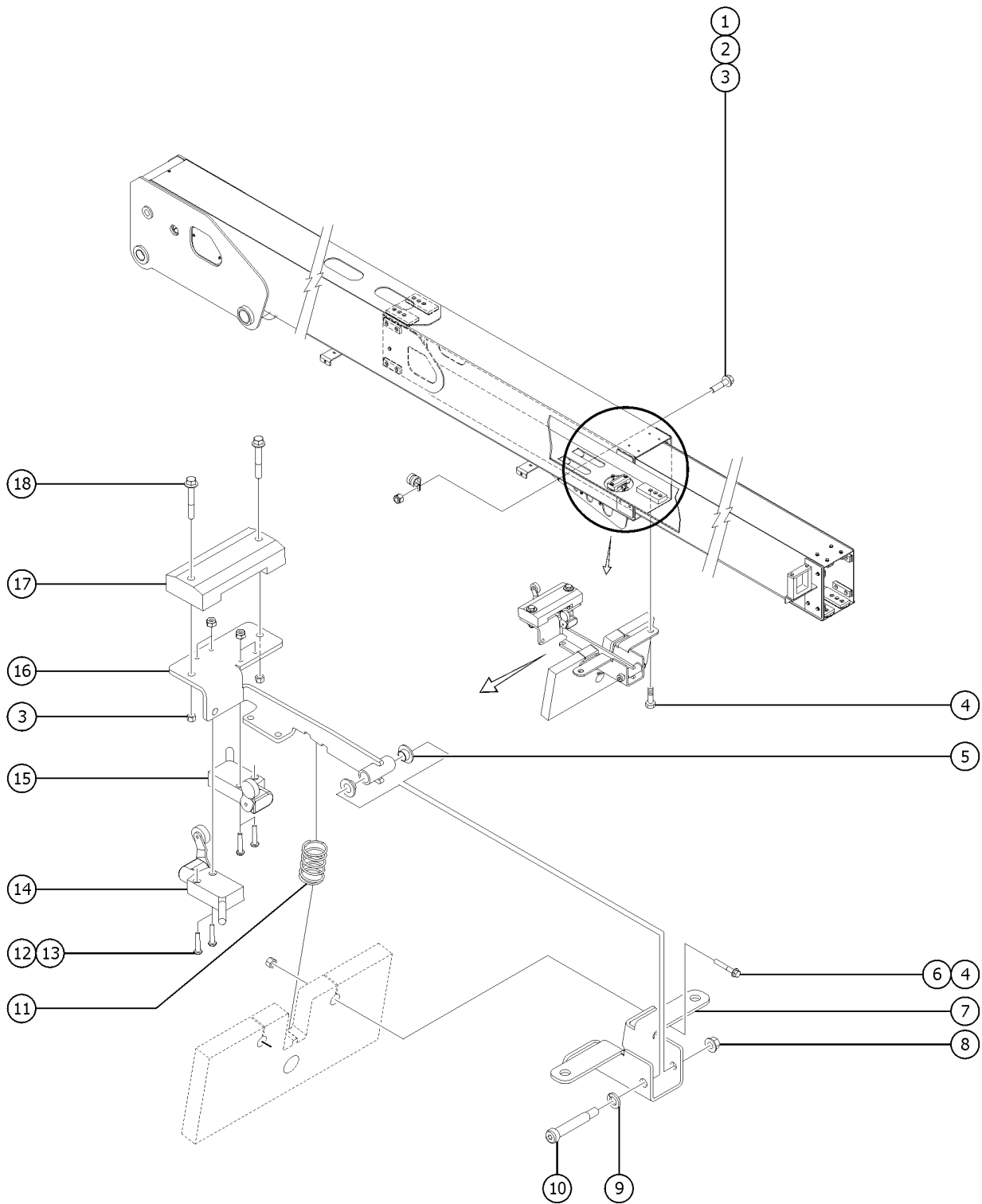


502.1 Extension Boom Tube 1, S-80 and S-85

Item	Part No.	Description	Qty.
1	824078GT	SCREW,HHF,1/4-20X.75,8,ZAG	7
2	56912GT	SPRING CLIP,1/4-20,.025-.15X.5	7
3		Ref. LIMIT SWITCH	1
		(refer to 316.1 and 317.1)	
4	51063GT	SCREW,PHILLIPS,RHM,10-32 X 1.5	2
5	121025GT	ASSEMBLY,BOOM SEC #1	1
6	1283888GT	SHIM,WEAR PAD,5X 1.5 16GA	8
7	38620GT	SHIM,WEAR PAD,5 X 1.5,14GA	6
8	30138GT	WEAR PAD,5 X 1.5 X .625 W/NUTS	2
9	824067GT	SCREW, HHC, 3/8-16 X 1, 8, ZAG	13
10	73461GT	WEAR PAD,5 X 1.5 X .875 W/NUTS	4
11	88648GT	WEAR PAD,7X3X.625 W/NUTS	2
12	1283565GT	SHIM,WEAR PAD,7 X 3,12GA	2
13	1283564GT	SHIM,WEAR PAD,7 X 3,16GA	2
14	121164GT	BAR,SPACER	2
15	824092GT	SCREW, HHF, 3/8-16 X 1.5, 8, ZAG	4
16	27697GT	BEARING,2.50IDX2.75ODX1.50L	2
17	121754GT	BEARING,3.00IDX3.50DX2.25LG	2
18	50560GT	BEARING,1.25IDX1.50ODX1.50L	1
19	110876GT	BEARING,1.5"ID X 1.75OD X1.25L	2
20	101559GT	BEARING,FL,2.50IDX2.75ODX1.61L	2
21	61745GT	CLAMP,2.25,#36 X 3/8,RUB CUSH	1
22	121029GT	COVER PLATE,BOOM	2
23	1284532GT	FORMING,COVER,PRIM.BOOM,PAINTED	1
24	824029GT	NUT,TL FLG,3/8-16,G,ZAG	2



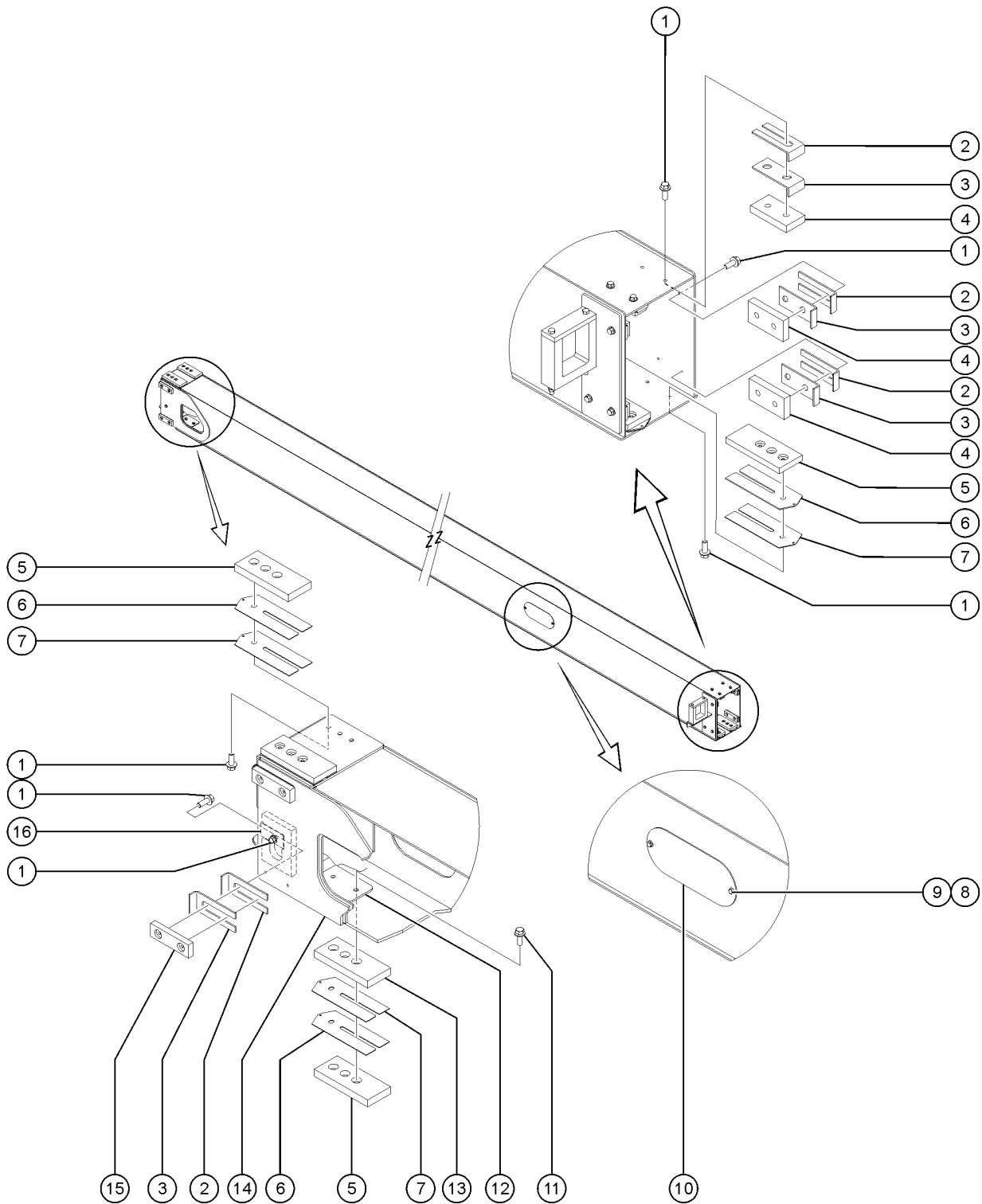
503.1 Extension Boom Tube 1, S-80X



Item	Part No.	Description	Qty.
-		Ref. Wire Harness Assembly For installed Wear Pads and Bearings on Boom Tube 1, refer to 502.1	
1	824079GT	SCREW,HHF,1/4-20X1,8,ZAG	
2	6833GT	CLAMP,0.50,#8 X 1/4,RUB CUSH	3
3	824024GT	NUT,TL,1/4-20,C,ZAG	
4	824093GT	SCREW,HHF,3/8-16X1.75,8,ZAG	
5	47222GT	WASHER, SHOULDER, NYLON	2
6	824025GT	NUT,TL,3/8-16,C,ZAG	
7	147628GT	COVER, LIMIT SWITCH ARM MOUNT	1
8	824028GT	NUT,TL FLG,5/16-18,G,ZAG	
9	824110GT	WASHER,LOCK,3/8,ZAG	
10	1257863GT	BOLT,SHS,3/8X1.75X5/16-18,ZAG	
11	T112459GT	SPRING,0.984"OD X 1.50"LG	1
12	54380GT	SCREW,PHILLIPS,PHM,8-32 X .875	
13	18605GT	NUT,NYLOCK,8-32	
14	T106478GT	HARN,LS OP PRI.DUAL CAP	1
14-	139644-14B61GT	LIMIT SWITCH,BLUE,MICRO	
15	T106479GT	HARN,LS SAFETY,PRI.DUAL CAP	1
15-	139644-14B61GT	LIMIT SWITCH,BLUE,MICRO	
16	147631GT	WELDMENT, LIMIT SWITCH ARM	1
17	147505GT	WEARPAD, LIMIT SWITCH GUIDE	1
18	824082GT	SCREW,HHF,1/4-20X1.75,8,ZAG	



504.1 Extension Boom Tube 2



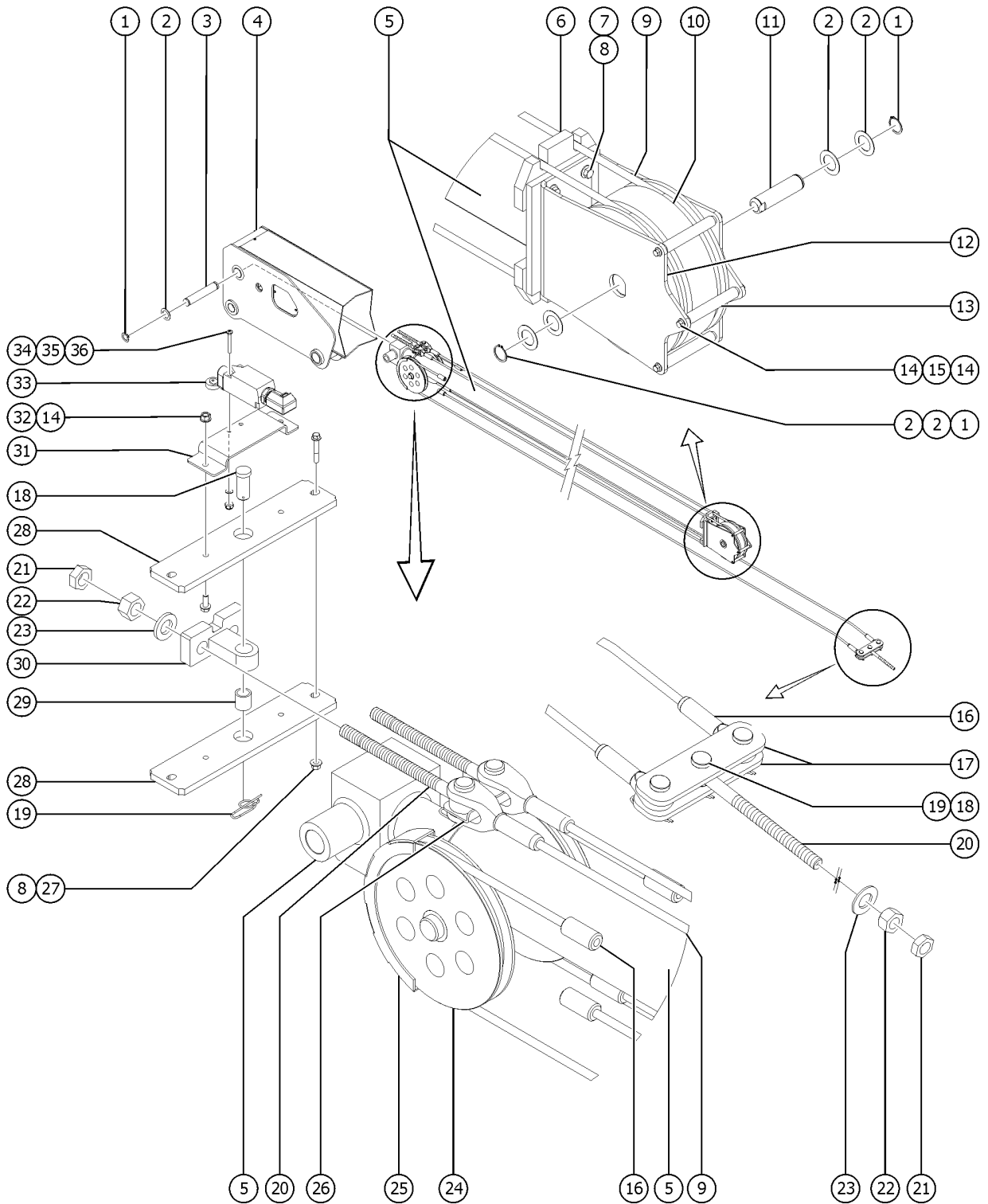
<i>Item</i>	<i>Part No.</i>	<i>Description</i>	<i>Qty.</i>
1	824090GT	SCREW,HHF,3/8-16X1,8,ZAG	29
2	1283888GT	SHIM,WEAR PAD,5X 1.5 16GA	10
3	38620GT	SHIM,WEAR PAD,5 X 1.5,14GA	10
4	73461GT	WEAR PAD,5 X 1.5 X .875 W/NUTS	6
5	88648GT	WEAR PAD,7X3X.625 W/NUTS	5
6	1283565GT	SHIM,WEAR PAD,7 X 3,12GA	5
7	1283564GT	SHIM,WEAR PAD,7 X 3,16GA	5
8	824078GT	SCREW,HHF,1/4-20X.75,8,ZAG	4
9	56912GT	SPRING CLIP,1/4-20,.025-.15X.5	4
10	77884GT	COVER,BOOM SECTION #2	2
11	1256118GT	SCREW,HHC,3/8-16X1.5,8,ZAG	2
12	121045GT	FORMING,LS RAMP	1
13	121164GT	BAR,SPACER	1
14	147620GT	WELDMENT, BOOM SEC #2, S80 DC	1
15	30138GT	WEAR PAD,5 X 1.5 X .625 W/NUTS	4
16	121658GT	CAP,EXTENSION	2



<i>Item</i>	<i>Part No.</i>	<i>Description</i>	<i>Qty.</i>
1	147484GT	WELDMENT,BOOM SEC #3	1
2	81347GT	WELDMENT,TRACK PULL TUBE PIVOT	1
3	824068GT	SCREW,HHC,3/8-16X1.25,8,ZAG	6
4	824029GT	NUT,TL FLG,3/8-16,G,ZAG	2
5	147544GT	BEARING,1.25IDX1.50ODX2.25L	2
6	824079GT	SCREW,HHF,1/4-20X1,8,ZAG	4
7	56912GT	SPRING CLIP,1/4-20,.025-.15X.5	4
8	121030GT	FORMNG,DEBRIS COVER,SEC #3	1
9	121163GT	PLATE,CABLE BLOCK	2
10	121160GT	WELDMENT,EXTENSION BRACKET	1
11	824089GT	SCREW,HHF,3/8-16X.75,8,ZAG	4
12	1283564GT	SHIM,WEAR PAD,7 X 3,16GA	4
13	1283565GT	SHIM,WEAR PAD,7 X 3,12GA	4
14	88648GT	WEAR PAD,7X3X.625 W/NUTS	4
15	1264897GT	PLATE,TAP BLOCK	1
16	1283888GT	SHIM,WEAR PAD,5X 1.5 16GA	4
17	38620GT	SHIM,WEAR PAD,5 X 1.5,14GA	4
18	30138GT	WEAR PAD,5 X 1.5 X .625 W/NUTS	4
19	824067GT	SCREW, HHC, 3/8-16 X 1, 8, ZAG	14



506.1 Cable Assembly and Primary Extension Cylinder

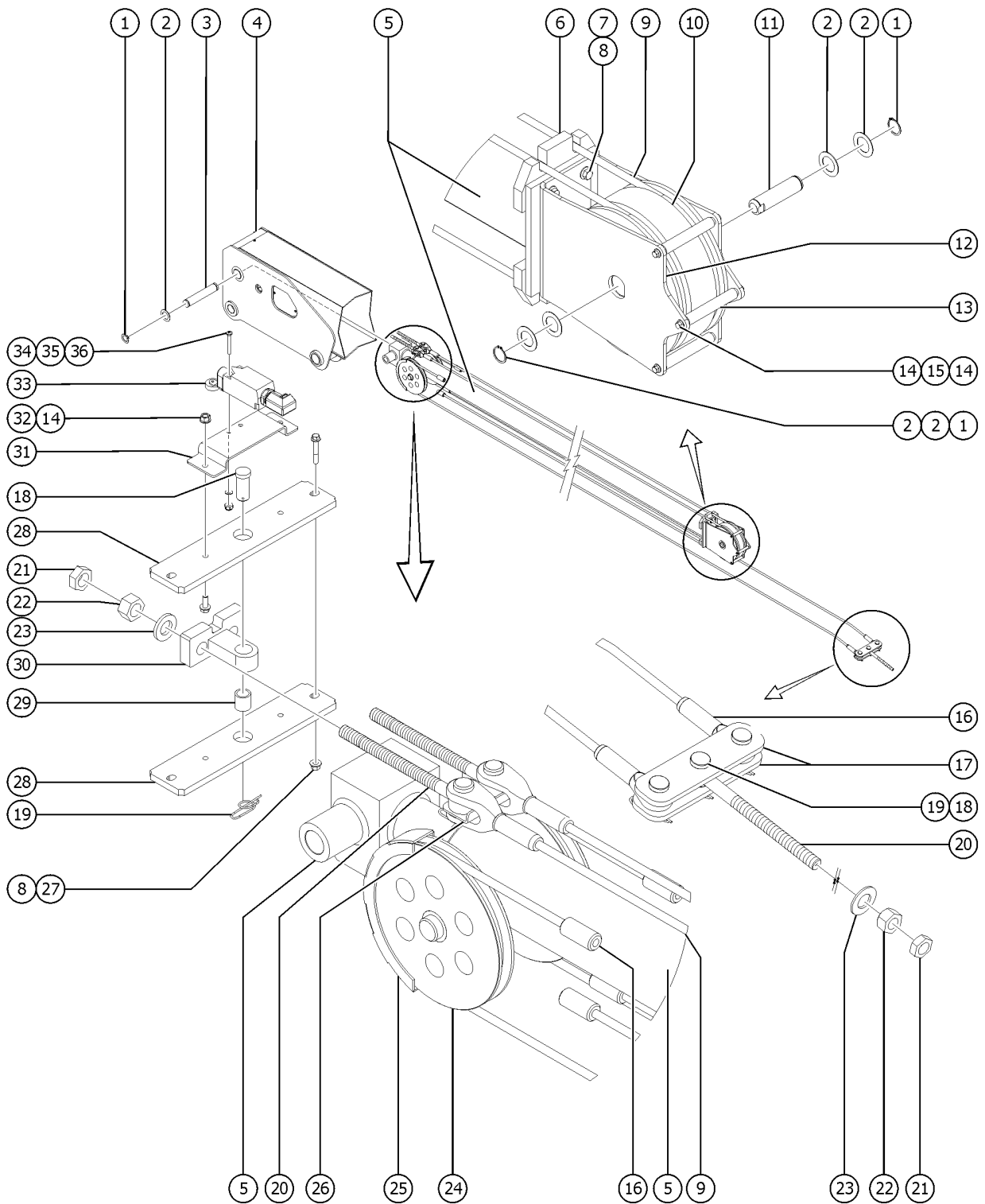


506.1 Cable Assembly and Primary Extension Cylinder

Item	Part No.	Description	Qty.
A	217710GT	KIT,EXT/RET CABLE REPLMNT,S80/85 (replaces all extension and retraction cables) (contains all necessary hardware and fasteners) (for easier installation, suggest ordering 94510, below)
B	94510GT	TOOL,CABLE GRIP, 7/16" (for installation of 217710)
1	825796GT	SNAP RING,EXTERNAL,1.50,ZAG	4
2	1251565GT	WASHER,SHIM,1.56X2.5X.061,ZAG	6
3	121034GT	PIN,1.500 X 15.000,2 RINGS	1
4		Ref. BOOM NUMBER 1 (refer to 502.1)	1
5	121142GT	CYLINDER,PRIMARY EXTENSION***	1
5-	121762GT	VALVE,COUNTERBALANCE,1000 ATM (extend valve)
5-	146058GT	SEAL KIT (121142)
5-	43018GT	SEAL KIT (39345) (used with valves 77409 and 121762)
5-	77409GT	VALVE,COUNTERBALANCE,1000 ATM (retract valve)
6	121155GT	GUIDE,EXT. CABLES	2
7	1253478GT	SCREW,HHF,3/8-16X2,8,ZAG	4
8	824029GT	NUT,TL FLG,3/8-16,G,ZAG	6
9	121149GT	CABLE ASSY,EXTEND	2
10	121147GT	SHEAVE,EXTEND	1
11	121156GT	PIN,DIA. 1.50 X 5.875	1
12	121146GT	FORMING,BRACKET,EXTEND SHEAVE	1
13	121670GT	ROLLER,1/2" PVC	3
14	824078GT	SCREW,HHF,1/4-20X.75,8,ZAG	8
15	121671GT	ROLLER,1/2" ALUMINUM	3
16	121150GT	CABLE ASSY,RETRACT	2
17	121044GT	PLATE,RETRACT CABLE EQUALIZER	2
18	87247GT	PIN,CLEVIS,1X2.25 LG	4
19	74389GT	RUE RING,1.00	6
20	77656GT	ROD END,CABLE	3
21	1256837GT	NUT,JAM,3/4-10,A, ZAG	3
22	1268597GT	NUT,3/4-10,8,ZAG	3



506.1 Cable Assembly and Primary Extension Cylinder

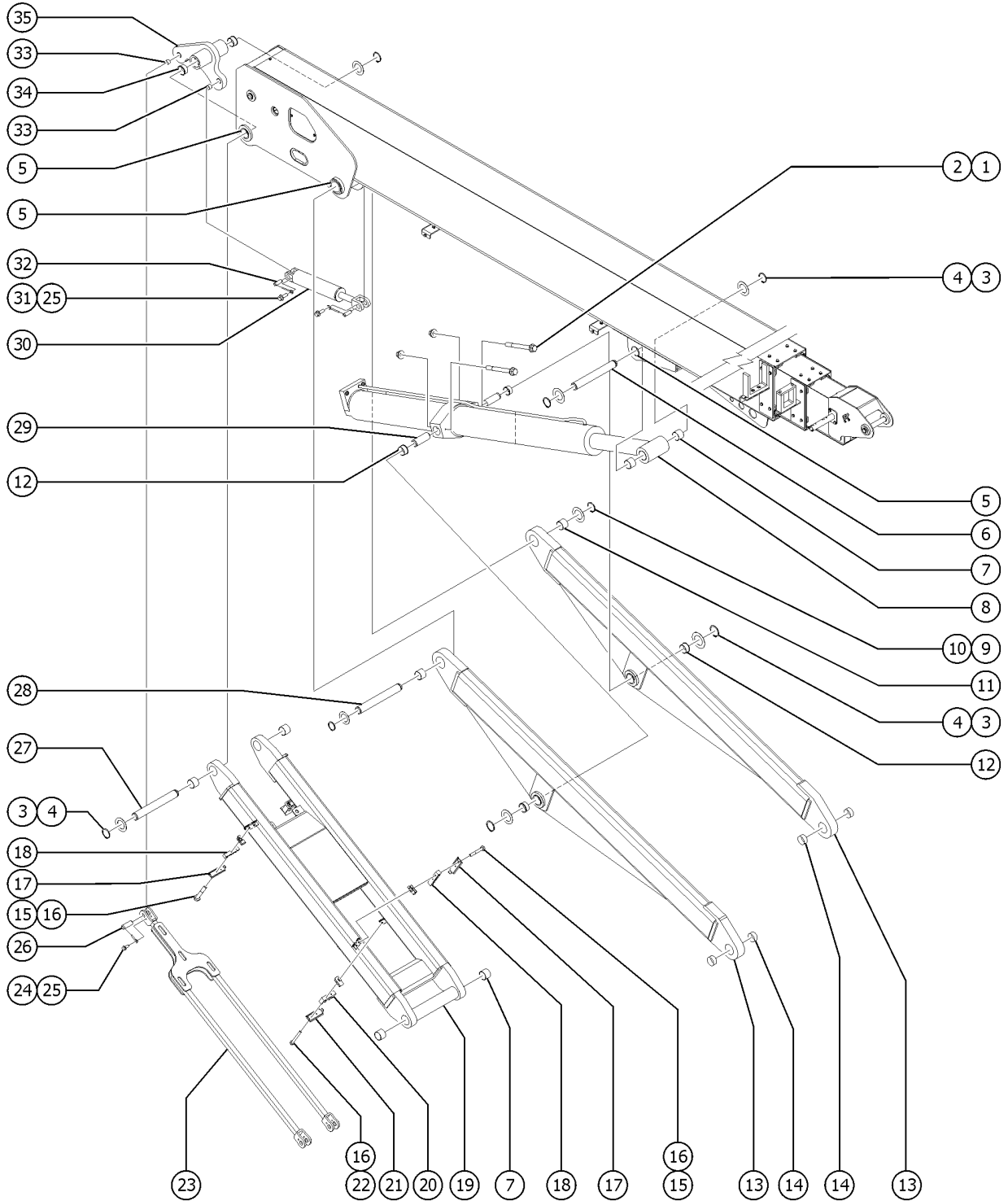


506.1 Cable Assembly and Primary Extension Cylinder

Item	Part No.	Description	Qty.
23	1256863GT	WASHER,FLAT, .75,F436,HRD,ZAG	3
24	88568GT	SHEAVE,RETRACT CABLE(SMALLER)	2
25	121151GT	WELDMENT,RETRACT SHEAVE COVER	1
25-	824078GT	SCREW,HHF,1/4-20X.75,8,ZAG	
26	121189GT	PLATE,ANTIROTATION	1
27	1256856GT	SCREW,HHF,3/8-16X2.5,8,ZAG	2
28	121028GT	PLATE,ROCKER	2
29	25817GT	BEARING,1.00IDX1.25ODX1.00L	1
30	121180GT	ASSEMBLY,PIVOT PLATE	1
30-	121181GT	MACH.,PIVOT PLATE WELDMENT	
31	77653GT	FORMING,LIMIT SWITCH BRACKET	1
32	824027GT	NUT,TL FLG,1/4-20,G,ZAG	2
33		Ref. HARNESS,LS,CHAIN BREAK S80/85	1
		(refer to 316.1 or 317.1)	
34	51063GT	SCREW,PHILLIPS,RHM,10-32 X 1.5	2
35	6146GT	WASHER,FLAT,MS,#10,Y	2
36	6178GT	NUT,NYLOCK,10-32	2



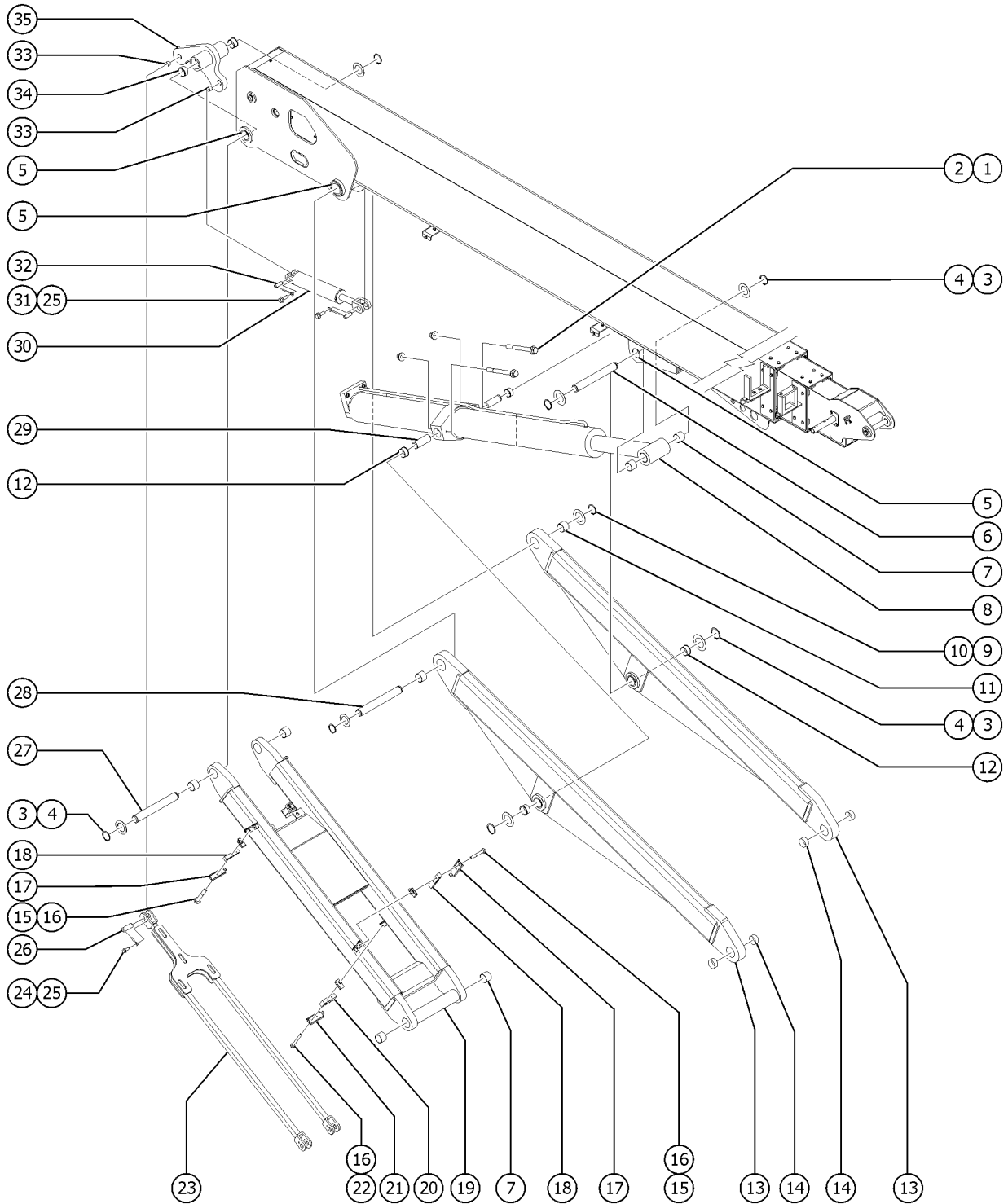
507.1 Boom Link Assembly - View 1



Item	Part No.	Description	Qty.
1	1268601GT	SCREW,HHF,1/2-13X5,8,ZAG	2
2	1251997GT	NUT,TL FLG,1/2-13,G,ZAG	2
3	825760GT	SNAP RING,EXTERNAL,2.50,ZAG	6
4	1256111GT	WASHER,SHIM,2.5X4X.062,ZAG	6
5		Ref. BEARING (refer to 502.1)	
6	121031GT	PIN,2.50 X 12.200,2 RINGS	1
7	27698GT	BEARING,2.50IDX2.75ODX2.00L	6
8	121140GT	CYLINDER,LIFT,S80-85***	1
8-	1251820GT	GLAND NUT SEAL ASSY	
8-	146059GT	SEAL KIT (121140)	
8-	31106GT	VALVE,CNTERBAL,CBBB-LHN@3000**	
8-	43018GT	SEAL KIT (39345) (used on valve 31106)	
9	825762GT	SNAP RING,EXTERNAL,3.00,ZAG	2
10	1258728GT	WASHER,FLAT,3.062X4.5X.05,ZAG	2
11	121406GT	BEARING,3.00IDX3.25ODX2.50LG	2
12	101559GT	BEARING,FL,2.50IDX2.75ODX1.61L	4
13	121158GT	WELDMENT,LONG LINK	2
14	121399GT	BEARING,2.50IDX2.75OBX1.25LG	4
15	824063GT	SCREW, HHC, 1/4-20 X 1.75, 8, ZAG	4
16	56912GT	SPRING CLIP,1/4-20,.025-.15X.5	8
17	229338GT	CLAMP, TOP WELD OPT, SHORT LINK	2
18	229337GT	CLAMP, ELEC. WELD OPT, SHORT LINK	2
19	121157GT	WELDMENT, SHORT LINK	1
20	121087GT	CLAMP, HYD, SHORT LINK	2
20-	229327GT	CLAMP, SHORT LINK (arctic high pressure hose kit)	
21	121089GT	CLAMP, TOP, SHORT LINK	2
22	1256803GT	SCREW, HHC, 1/4-20X2.75, 8, ZAG	4
23	121646GT	WELDMENT, MASTER LINK (angle sensor calibration required after replacement)	1



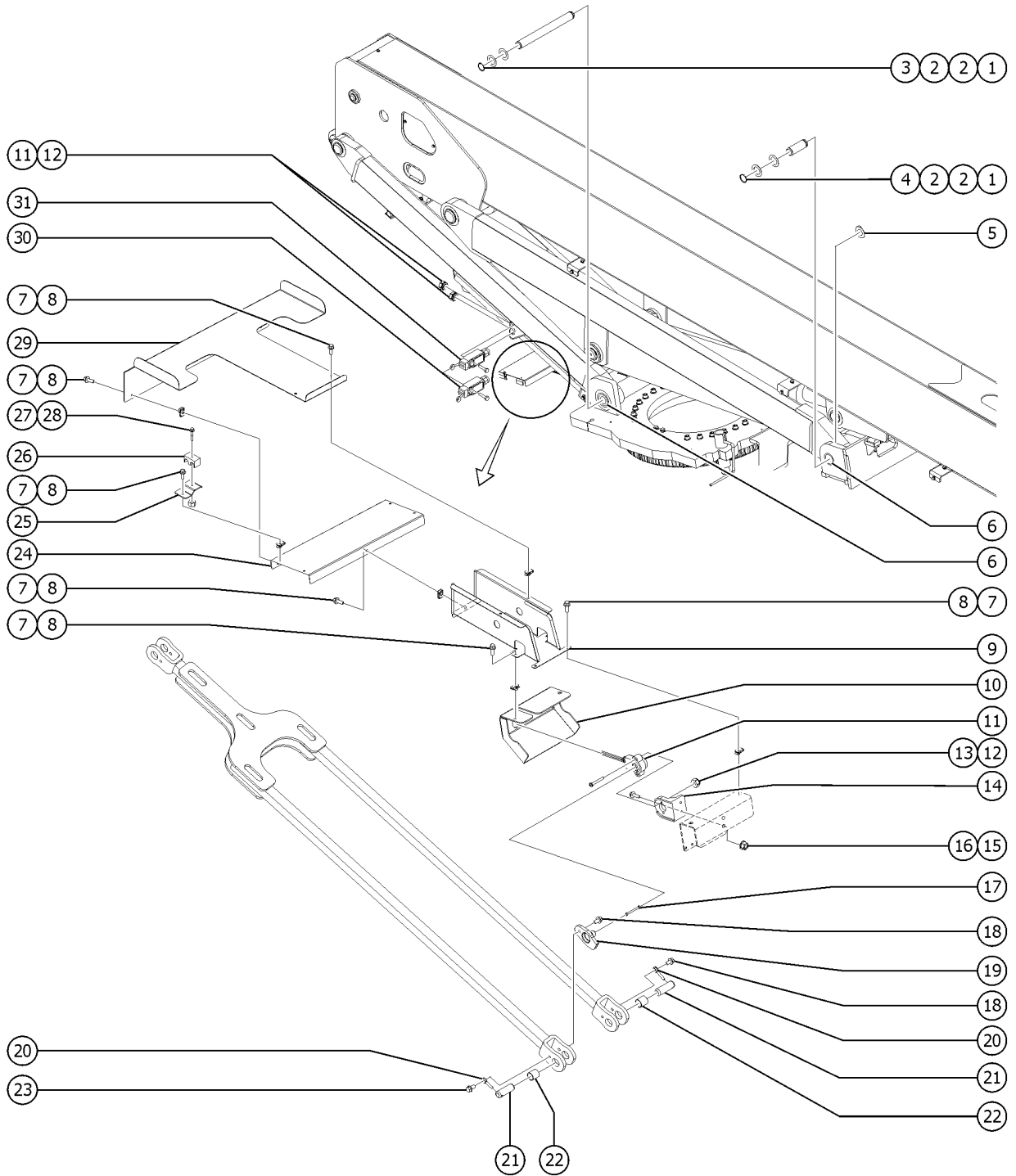
507.1 Boom Link Assembly - View 1



<i>Item</i>	<i>Part No.</i>	<i>Description</i>	<i>Qty.</i>
24	122201GT	SCREW,FLANGE,HHC,3/8-16X1.00	1
25	25284GT	ROD END,.375 X 2.25***	3
26	50742GT	PIN,1.25DIAX3.75LG,1HOLE	1
27	121032GT	PIN,2.500 X 19.750,2 RINGS	1
28	121033GT	PIN, 3.00 X 21.50, 2 RINGS	1
29	121039GT	PIN,2.500X6.900,1 RING,1 HOLE	2
30	121236GT	CYLINDER,MASTER***	1
30-	146060GT	SEAL KIT (121236)	
31	824090GT	SCREW,HHF,3/8-16X1,8,ZAG	2
32	119032GT	PIN,1.25DIAX4.38LG,1HOLE	2
33	50560GT	BEARING,1.25IDX1.50ODX1.50L	2
34	101566GT	BEARING,FL,2.50IDX2.75ODX1.36L	2
35	121343GT	MACHINED, TIMING LINK CAM	1



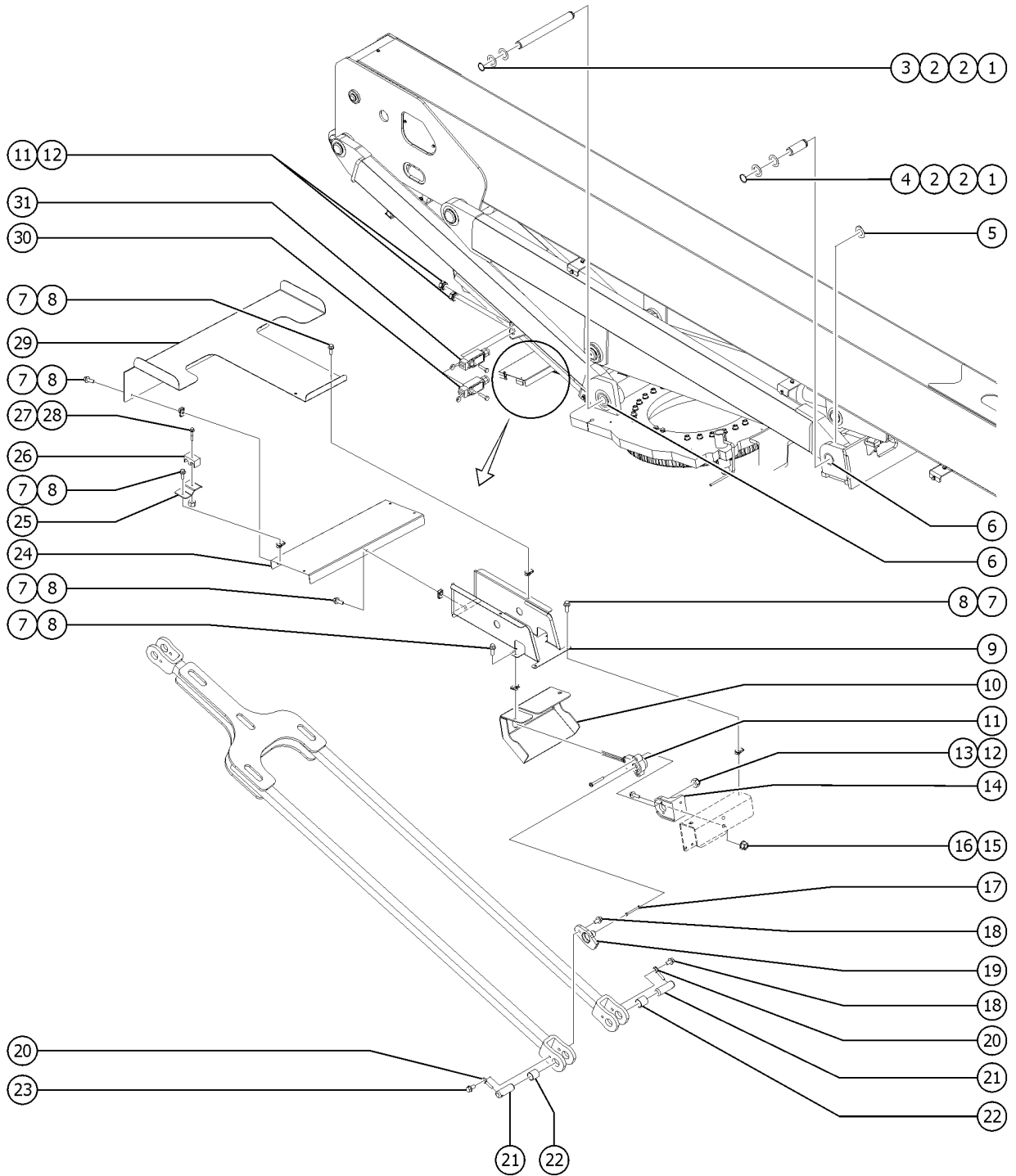
508.1 Boom Link Assembly - View 2



Item	Part No.	Description	Qty.
1	825760GT	SNAP RING,EXTERNAL,2.50,ZAG	6
2	1256111GT	WASHER,SHIM,2.5X4X.062,ZAG	12
3	121388GT	PIN,2.50DIAX24.50,2RINGS,TAPER	1
4	121387GT	PIN,2.50DIAX7.00,2 RINGS,TAPER	2
5	121869GT	FORMING,LINK THRUST WASHER	4
6	121399GT	BEARING,2.50IDX2.75OBX1.25LG	6
7	824078GT	SCREW,HHF,1/4-20X.75,8,ZAG	13
8	56912GT	SPRING CLIP,1/4-20,.025-.15X.5	13
9	121822GT	WELDMENT,CABLE GUIDE	1
10	121865GT	LIMIT SW COVER	1
11	94980GT	SENSOR,DUAL OUTPUT,ANGLE*** (calibration required after replacement)	1
12	15513GT	NUT,HEX,10-32	
13	75041GT	SCREW,PHILLIPS,PHM,10-32 X 1	
14	121391GT	INJECTION,ANGLE SENSOR BRACKET	1
15	824027GT	NUT,TL FLG,1/4-20,G,ZAG	2
16	824079GT	SCREW,HHF,1/4-20X1,8,ZAG	2
17	101599GT	KEY,BALL POINT HEX	1
18	824089GT	SCREW,HHF,3/8-16X.75,8,ZAG	2
19	121650GT	INJECTION, 10 DEGREE LIMIT CAM	1
20	25284GT	ROD END,.375 X 2.25***	2
21	50742GT	PIN,1.25DIAX3.75LG,1HOLE	2
22	50560GT	BEARING,1.25IDX1.50ODX1.50L	2
23	75051GT	SCREW,SER FLNG3/8UNCX3/4ZNYEL	1
24	121819GT	FORMING,CABLE SUPPORT	1
25	219393GT	FORMING,BRACKET BATTERY CABLE	1
26	70289GT	CLAMP,LINK,LH WELD WIRE	1
27	824081GT	SCREW,HHF,1/4-20X1.5,8,ZAG	1
28	824024GT	NUT,TL,1/4-20,C,ZAG	1



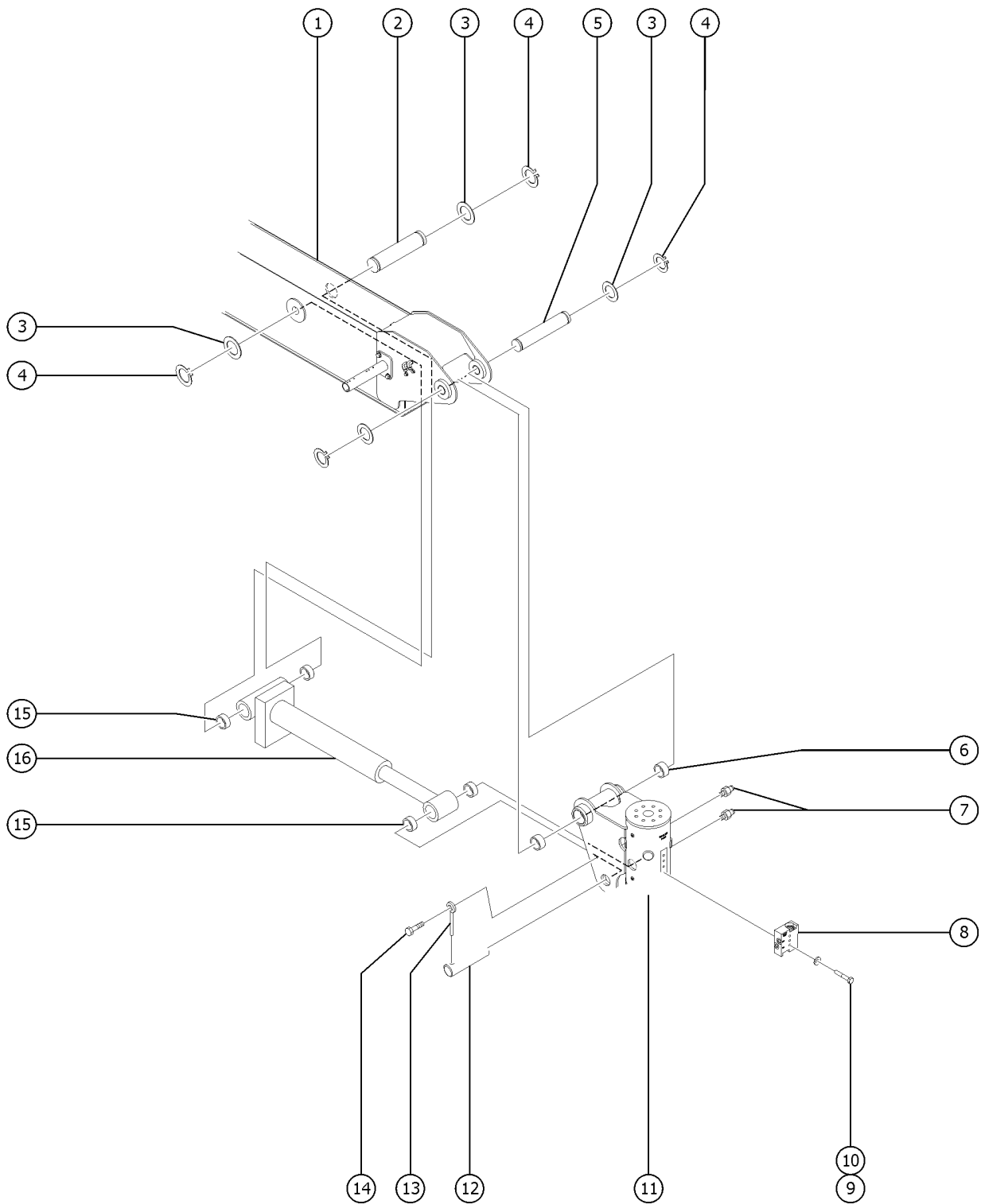
508.1 Boom Link Assembly - View 2



<i>Item</i>	<i>Part No.</i>	<i>Description</i>	<i>Qty.</i>
29	121820GT	FORMING,CABLE COVER	1
30	T107193GT	HARN,LS OP PRI VEL LST3O	1
		(refer to 316.1 or 317.1)	
30-	110771-13107GT	SWITCH,LIMIT,W/RLLR ARM,NO/NC	
		(refer to 316.1 or 317.1)	
31	T107194GT	HARN,LS SAFETY PRI VEL LST3S	1
		(S-80X only) [when replacing, customer must calibrate Angle Sensor item 11 (94980)] (refer to 312.1)	
31-	110771-11117GT	SWITCH,LIMIT,W/RLLR ARM,NO/NC	



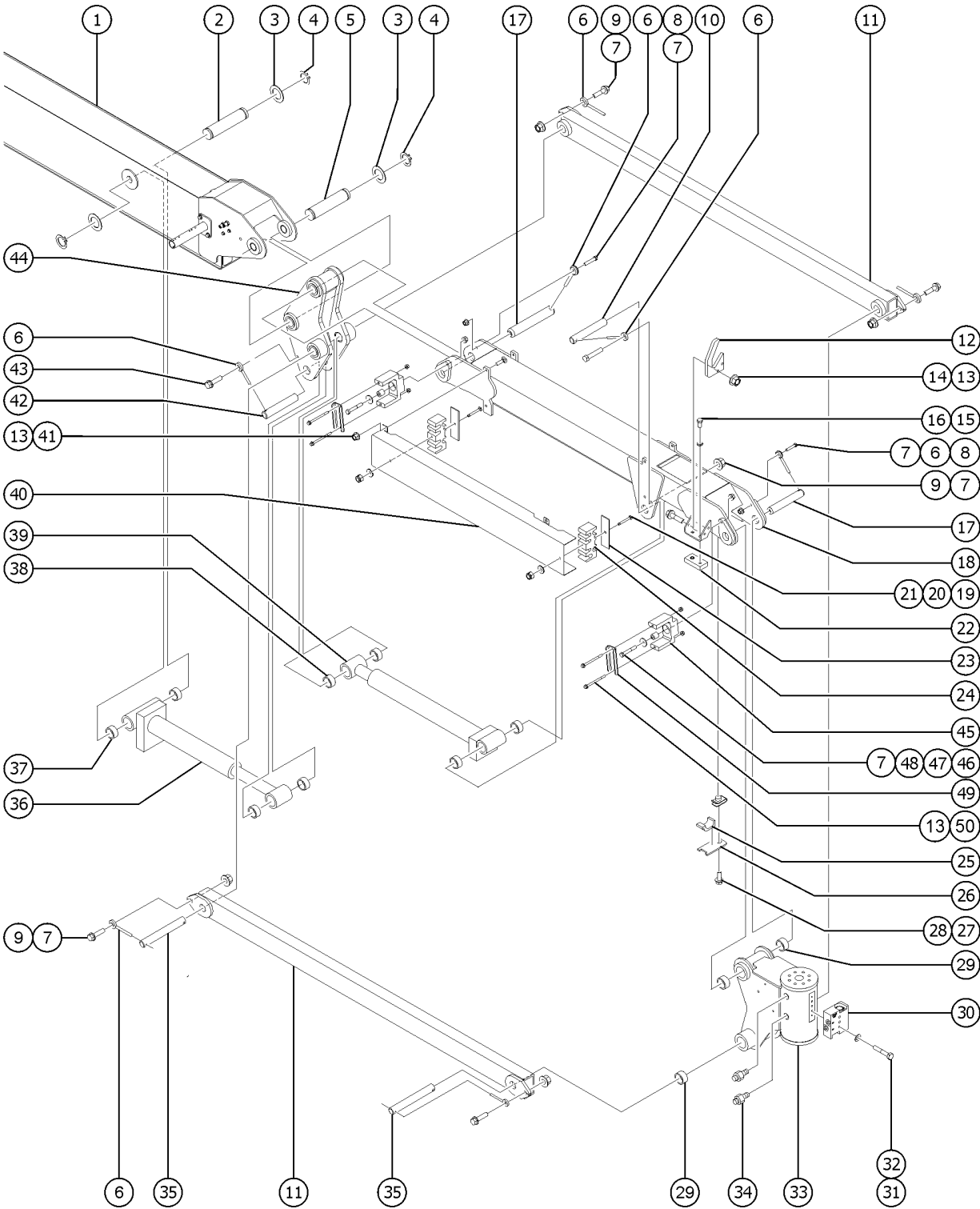
509.1 Platform Rotator, S-80X and S-80



Item	Part No.	Description	Qty.
A	61283GT	SLEAVING,PARKER TEK,2.00"	
1		Ref., BOOM TUBE 3	
		(refer to 504.1)	
2	88345GT	PIN,1.25DIAX8.26LG,2RING	1
3	824151GT	WASHER,SHIM,1.270X2.130X.062,Z	4
4	824164GT	SNAP RING,EXTERNAL,1.25,ZAG	4
5	147485GT	PIN,1.250 X 10.125, 2 RINGS	1
6	30370GT	BEARING,1.25IDX1.5ODX1.00L	2
7	88516GT	SCREW,BLEEDER,M5X0.8	2
8		Ref., ROTATOR MANIFOLD	
		(refer to 703.1)	
9	824062GT	SCREW,HHC,1/4-20X1.5,8,ZAG	3
10	824109GT	WASHER,LOCK,1/4,ZAG	3
11	88576GT	ROTATOR,NON-JIB	1
		(S-80)	
11A-	122944GT	SEAL KIT,8K ROTATOR***	
		(use with rotator 88576)	
11B	226541GT	ROTATOR,PLATFORM,15K	1
		(S-80X)	
11B-	226542GT	SEAL KIT, 15K ROTATOR	
		(use with rotator 226541)	
12	T108075GT	PIN,1.25DIAX5.25LG,1HOLE	2
13	825019GT	ROD END,.375X3.69,ZAG	1
14	1256118GT	SCREW,HHC,3/8-16X1.5,8,ZAG	1
15	47377GT	BEARING,1.25 ID X 1.5 OD X .75	4
16	121234GT	CYLINDER,LEVEL	1
		(includes item 15)	
16-	237237GT	SEAL KIT (121234)	
16-	77303GT	VALVE, CNTRBAL 3500 PSI, ATM VEN	
16-	43018GT	SEAL KIT (39345)	
		(use with valve 77303)	



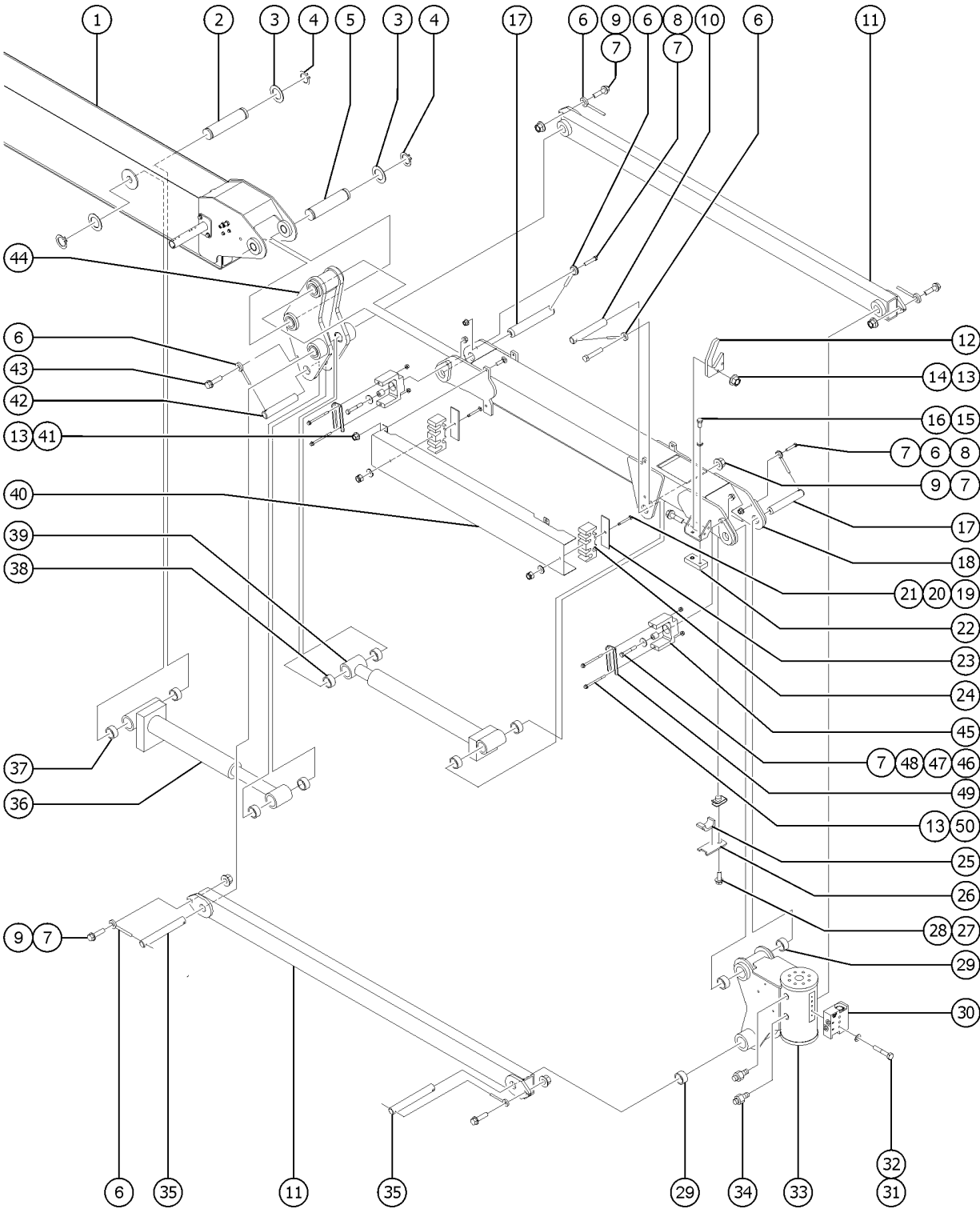
510.1 Jib Boom and Platform Rotator, S-85



Item	Part No.	Description	Qty.
A	61283GT	SLEAVING,PARKER TEK,2.00"	24
1		Ref., BOOM TUBE 3	
		(refer to 505.1)	
2	88345GT	PIN,1.25DIAx8.26LG,2RING	1
3	824151GT	WASHER,SHIM,1.270X2.130X.062,Z	4
4	824164GT	SNAP RING,EXTERNAL,1.25,ZAG	4
5	147485GT	PIN,1.250 X 10.125, 2 RINGS	1
6	825019GT	ROD END,.375X3.69,ZAG	8
7	824029GT	NUT,TL FLG,3/8-16,G,ZAG	7
8	5224GT	SCREW,HHC,3/8-16 X 2	2
9	824092GT	SCREW, HHF, 3/8-16 X 1.5, 8, ZAG	5
10	T108077GT	PIN,1.25DIAx7.00LG,1HOLE	1
11	61306-SGT	COMPR.LINK,MACHINED,GND CONTR*	2
12	128482GT	HOSE GUIDE, JIB	1
13	824027GT	NUT,TL FLG,1/4-20,G,ZAG	6
14	824079GT	SCREW,HHF,1/4-20X1,8,ZAG	2
15	1256109GT	SCREW,HHC,3/8-16X.75,8,ZAG	4
16	824110GT	WASHER,LOCK,3/8,ZAG	4
17	T108076GT	PIN,1.25DIAx7.88LG,1HOLE	2
18	128450GT	MACHINING, JIB BOOM WELDMENT**	1
19	1256180GT	BOLT,CARRIAGE,1/4-20X2.75,5,ZAG	2
20	824113GT	WASHER,FLAT,1/4,USS,ZAG	2
21	824024GT	NUT,TL,1/4-20,C,ZAG	2
22	81640GT	WEAR PAD,3 X 1.5 X.625 W/NUTS	2
23	128483GT	BACKING PLATE, HOSE BLOCK, JIB	2
24	121857GT	CLAMP,JIB HOSE/CABLE	2
25	119542GT	CLAMP,TWO HOSE	1
26	119536PGT	BRACKET,HOSE CLAMP,PAINTED	1
27	824078GT	SCREW,HHF,1/4-20X.75,8,ZAG	1



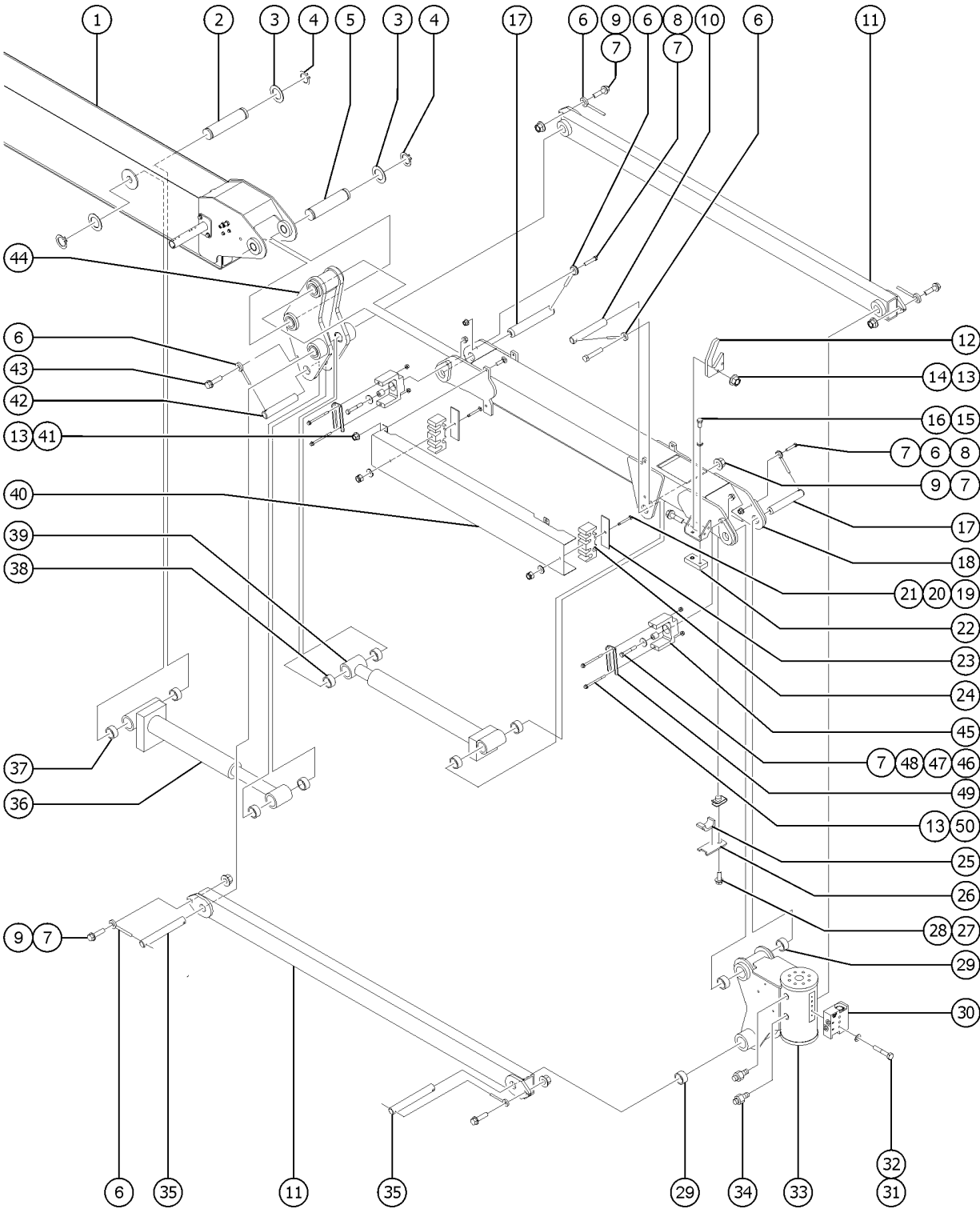
510.1 Jib Boom and Platform Rotator, S-85



Item	Part No.	Description	Qty.
28	56912GT	SPRING CLIP,1/4-20,.025-.15X.5	1
29	30222GT	BEARING,FL,1.25IDX1.41ODX1.50L	4
30		Ref. MANIFOLD (refer to 703.1)	
31	824062GT	SCREW,HHC,1/4-20X1.5,8,ZAG	3
32	824109GT	WASHER,LOCK,1/4,ZAG	3
33	94397GT	ROTATOR,PLAT JIB,160 DEG*** (includes items 35)	1
33-	122944GT	SEAL KIT,8K ROTATOR***	
33-	75395GT	BEARING KIT,PLAT ROTATOR,SUPER	
34	88516GT	SCREW,BLEEDER,M5X0.8	2
35	81175GT	PIN,1.25DIAX14.45LG,2HOLE	2
36	121234GT	CYLINDER,LEVEL (includes items 38)	1
36-	237237GT	SEAL KIT (121234)	
36-	43018GT	SEAL KIT (39345) (use with valve 77303)	
36-	77303GT	VALVE, CNTRBAL 3500 PSI, ATM VEN	
37	47377GT	BEARING,1.25 ID X 1.5 OD X .75	4
38	47377GT	BEARING,1.25 ID X 1.5 OD X .75	4
39	63213GT	CYLINDER,JIB (STICK BOOMS) (includes items 39)	1
39-	33428GT	VALVE,COUNTERBALANCE	
39-	43018GT	SEAL KIT (39345)	
39-	63353GT	SEAL KIT,CYL,S65 (63213)	
40	128454GT	COVER, JIB HOSES/CABLES**	1
41	1256127GT	BOLT,CARRIAGE,1/4-20X1.5,ZAG	4
42	T108075GT	PIN,1.25DIAX5.25LG,1HOLE	1
43	122209GT	SCREW,HHF,3/8-16 X1.50	1
44	1289119GT	ASSY,JIB BELL CRANK	1
44-	128268GT	BEARING,FL, 1.25X1.5X2.13	2
44-	35675GT	BEARING,FL,1.25IDX1.5ODX1.25L	4
44-	77992GT	BELLCRANK MACHINED,JIB	1



510.1 Jib Boom and Platform Rotator, S-85

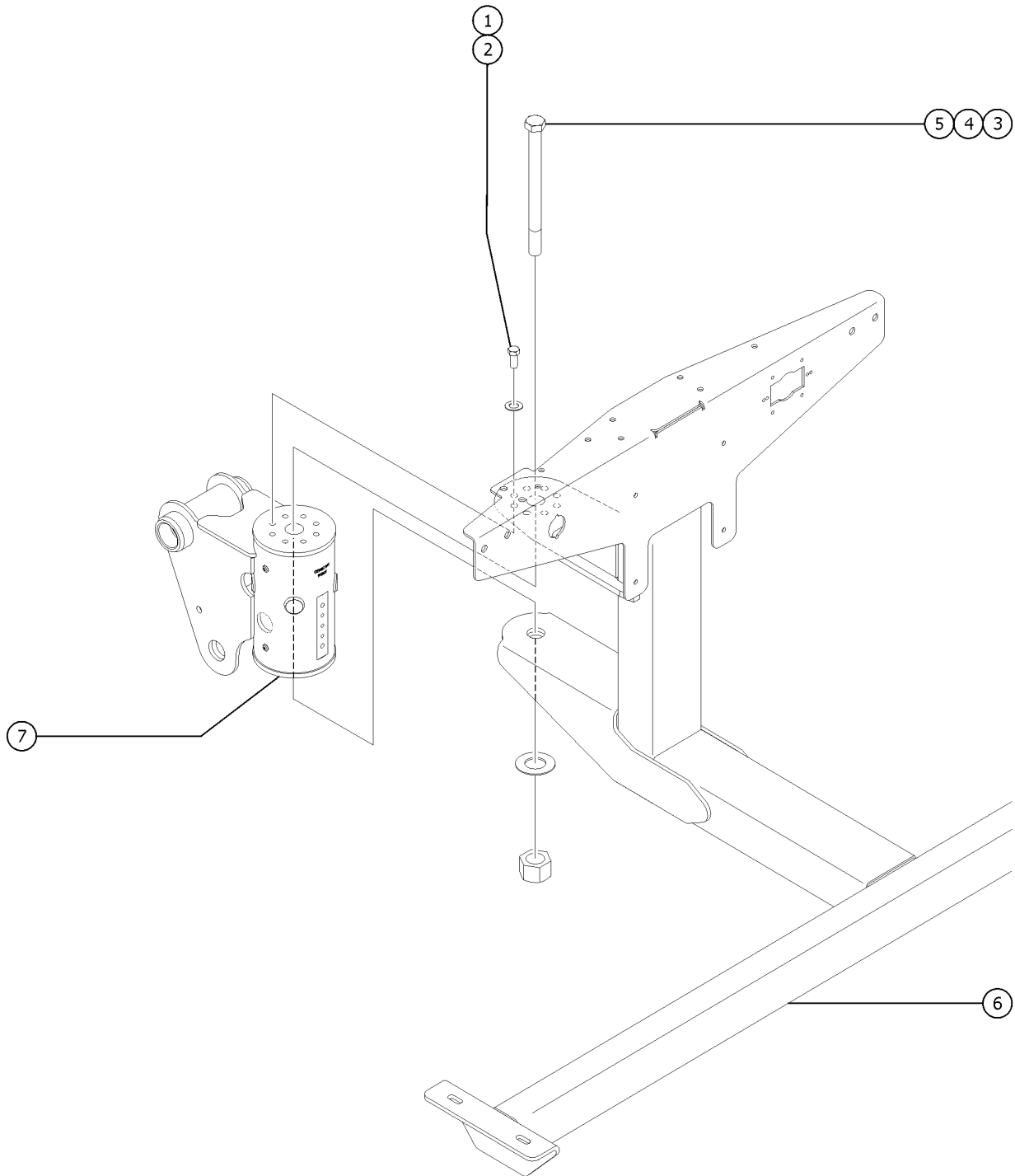


510.1 Jib Boom and Platform Rotator, S-85

<i>Item</i>	<i>Part No.</i>	<i>Description</i>	<i>Qty.</i>
45	1284741GT	UHMW,CABLE GUIDE	2
46	824069GT	SCREW,HHC,3/8-16X2.5,8,ZAG	2
47	233509GT	WASHER,FLAT,M10X30X2.5,DIN9021,ZAB	2
48	101932GT	TUBE, RD., STL., DOM .75 X .437 X .78	2
49	1265019GT	TUBE, CABLE GUIDE	2
50	1257867GT	SCREW,HHF,1/4-20X3.5,8,ZAG	4



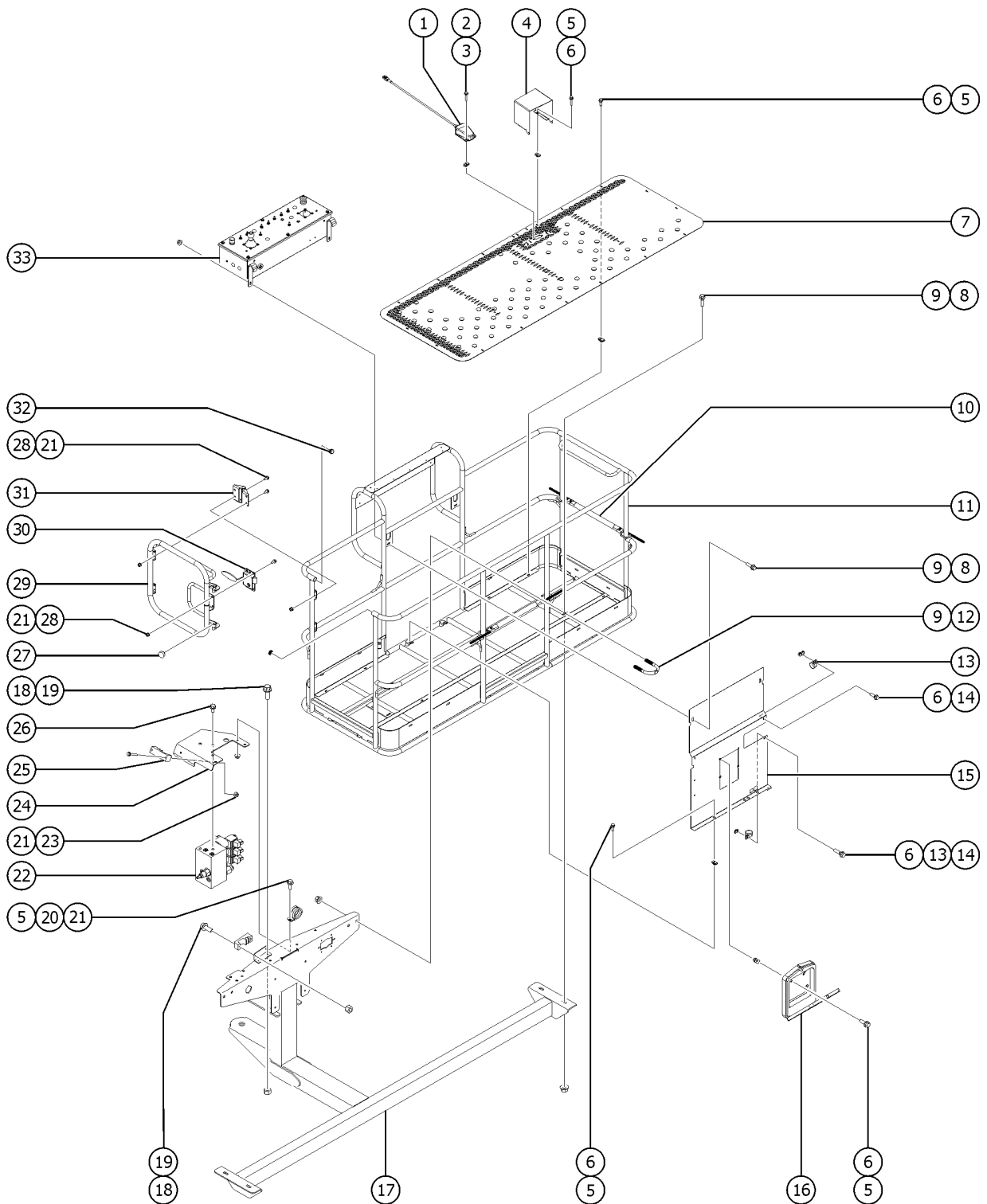
511.1 Platform Installation



<i>Item</i>	<i>Part No.</i>	<i>Description</i>	<i>Qty.</i>
1	1256843GT	SCREW,HHC,1/2-13X1.25,8,ZAG (S-80X, ANSI)	8
1B	826791GT	SCREW,HHC,3/8-16X.875,8,ZAG (S-80 & S-85)	8
2	825353GT	WASHER,FLAT,1/2,SAE,HRD,ZAG (S-80X, ANSI)	8
2B	826793GT	WASHER,FLAT,3/8,SAE,HRD,ZAG (S-80 & S-85)	8
3	824075GT	SCREW, HHC, 1-8 X 12.75, 5, ZAG (S-80X, ANSI)	1
3B	826792GT	SCREW,HHC,1-8X11,5,ZAG (S-80 & S-85)	1
4	824116GT	WASHER,FLAT,1.0,F436,HRD,ZAG	1
5	826794GT	NUT,TL,1-8,C,ZAGRING	1
6		Ref. PLATFORM MOUNT (refer to 601.1)	
7		Ref. PLATFORM ROTATOR (refer to 509.1 or 510.1)	



601.1 Platform Installation (to SN S85D-993)

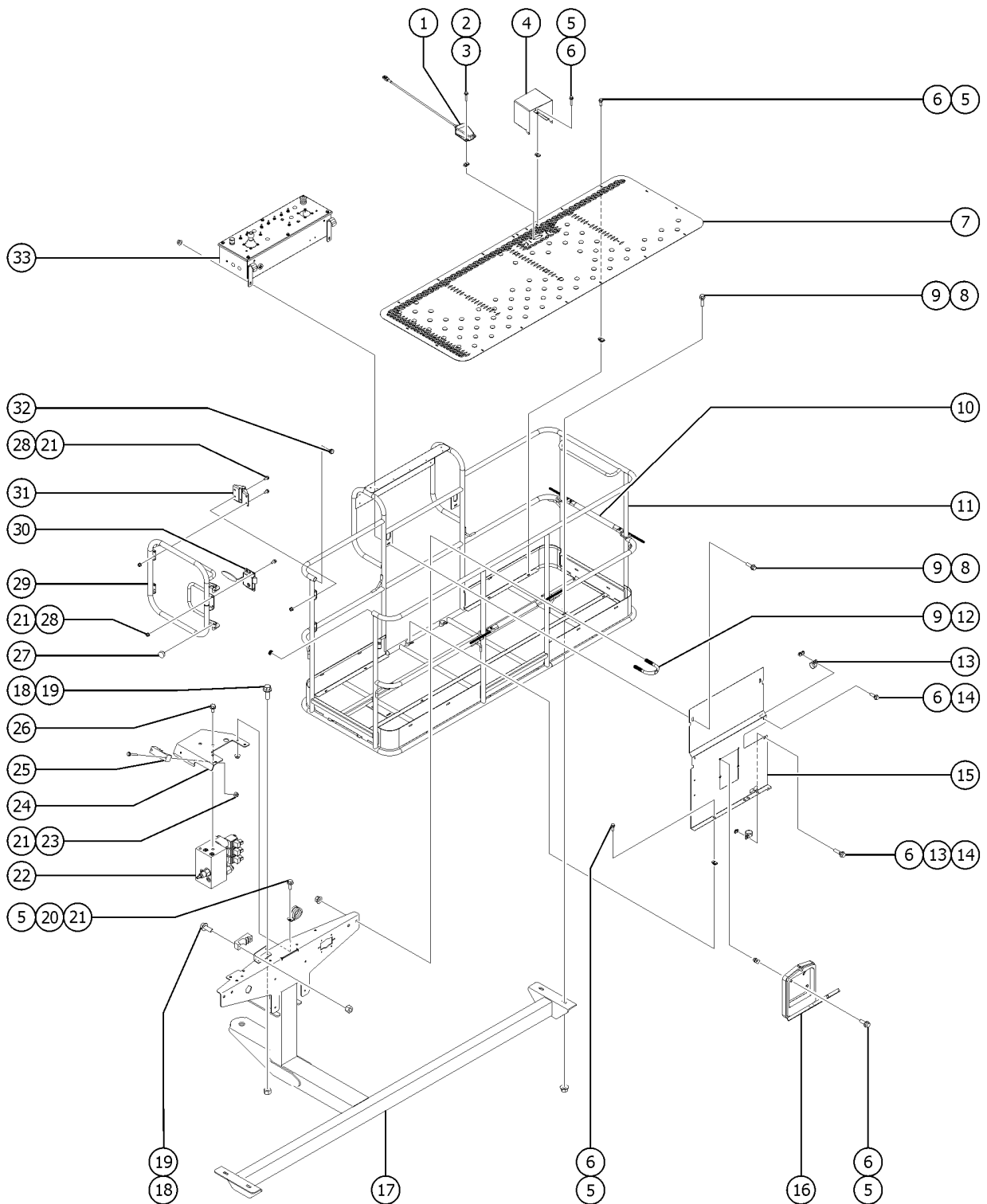


601.1 Platform Installation (to SN S85D-993)

Item	Part No.	Description	Qty.
A-	1273066GT	OPTION, 8 PLATFORM W/SIDE SWING GATE (complete 8' platform assembly)	
B-	1273065GT	OPTION, 6 PLATFORM W/SIDE SWING GATE (complete 6' platform assembly)	
1	227516GT	ASSEMBLY, FOOT SWITCH	1
2	1269641GT	SCREW, HHF, 10-24X1, ZAG	2
3	73575GT	SPRING CLIP, 10-24, .025-.125X.468, ZAG	2
4	147121GT	COVER, FOOT SWITCH, LARGE	1
5	824078GT	SCREW, HHF, 1/4-20X.75, 8, ZAG	
6	56912GT	SPRING CLIP, 1/4-20, .025-.15X.5	
7	73478PGT	FLOORING, 8 FT PLATFORM*** (for 8' platform)	1
7B	1267746GT	FLOORING, 72X30 PLATFORM (for 6' platform)	1
8	824091GT	SCREW, HHF, 3/8-16X1.25, 8, ZAG	
9	824029GT	NUT, TL FLG, 3/8-16, G, ZAG	
10	102992GT	SLIDING MIDRAIL KIT, PTD (for 8' platform)	2
10B	102992GT	SLIDING MIDRAIL KIT, PTD (for 6' platform)	1
11	1274859GT	ASSY, 8' PLAT WELDMNT W/SIDE GATE for 8' platform (includes item 10) (order floor separately)	
11B	1274858GT	ASSY, 6' PLAT WELDMNT W/SIDE GATE for 6' platform (includes item 10)	
12	1251600GT	U-BOLT, FLATTENED, 1.5 X 3/8	2
13	56424GT	CLAMP, 1.25X.5 RUBBER-CUSHION	3
14	824079GT	SCREW, HHF, 1/4-20X1.8, ZAG	3
15	89377GT	PLATE, DOCUMENT BOX MOUNT	1
16	24514GT	BOX, INSTRUCTION STORAGE	1
17		Ref. WELDMNT, PLATFORM SUPPORT, CE CE models (refer to 820.1)	1
17B	147347GT	WELDMNT, PLAT SUPPORT (for S-80X ANSI only)	1
17C	60370-SGT	PLATFORM SUPPORT WELDMNT-SERV* (ANSI models)	1
18	824081GT	SCREW, HHF, 1/4-20X1.5, 8, ZAG	
19	824024GT	NUT, TL, 1/4-20, C, ZAG	
20	13268GT	CLAMP, 0.75, #12 X 1/4, RUB CUSH	1
21	824027GT	NUT, TL FLG, 1/4-20, G, ZAG	



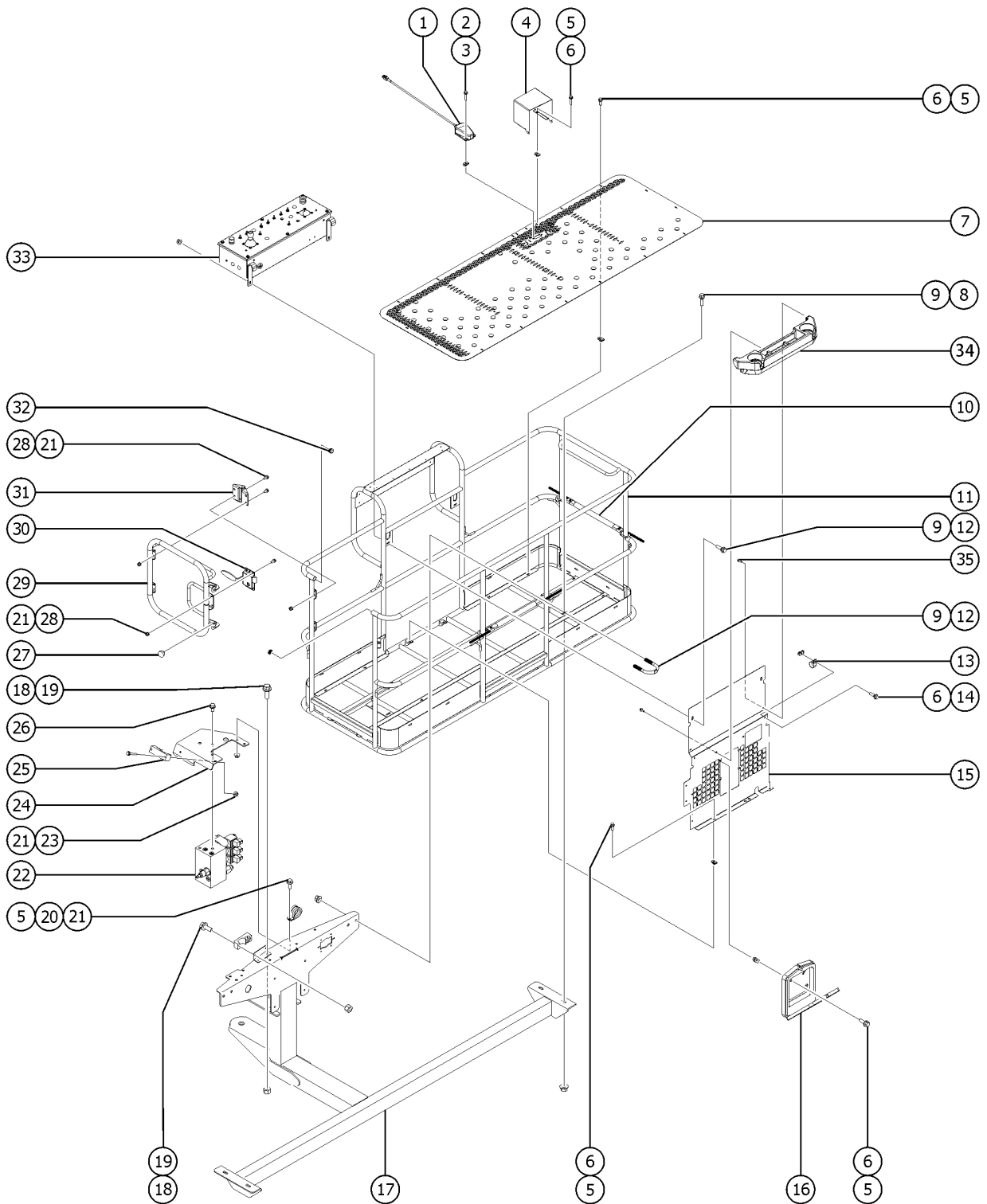
601.1 Platform Installation (to SN S85D-993)



Item	Part No.	Description	Qty.
22		REF. MANIFOLD,PLATFORM (S-80 and S-80X) (refer to 704.1)	
22B		REF. MANIFOLD,PLATFORM (S-85) (refer to 705.1)	
23	1253485GT	SCREW,HHF,1/4-20X2,8,ZAG	2
24	121766GT	FORMING,PLATFORM MANIFOLD MNT	
25	121582GT	CLAMP,CABLE STRAIN RELIEF	1
25-	T115766GT	CLAMP,STRAIN RELIEF,WK LT (worklight option)	
26	824089GT	SCREW,HHF,3/8-16X.75,8,ZAG	2
27	43392GT	BUMPER,BATTERY BOX & RAILS	2
28	1256855	SCREW,HHF,1/4-20X.625,8,ZAG	12
29	1265397GT	WELDMENT, SWING GATE	1
30	1267747GT	LATCH, SWING GATE	1
31	104804GT	HINGE, SPRING, LONG LEG	2
32	55753GT	BUMPER, PLASTIC, 1.25 O.D.	2
33		REF. PLATFORM CONTROL BOX ASSEMBLY (refer to 602.1)	



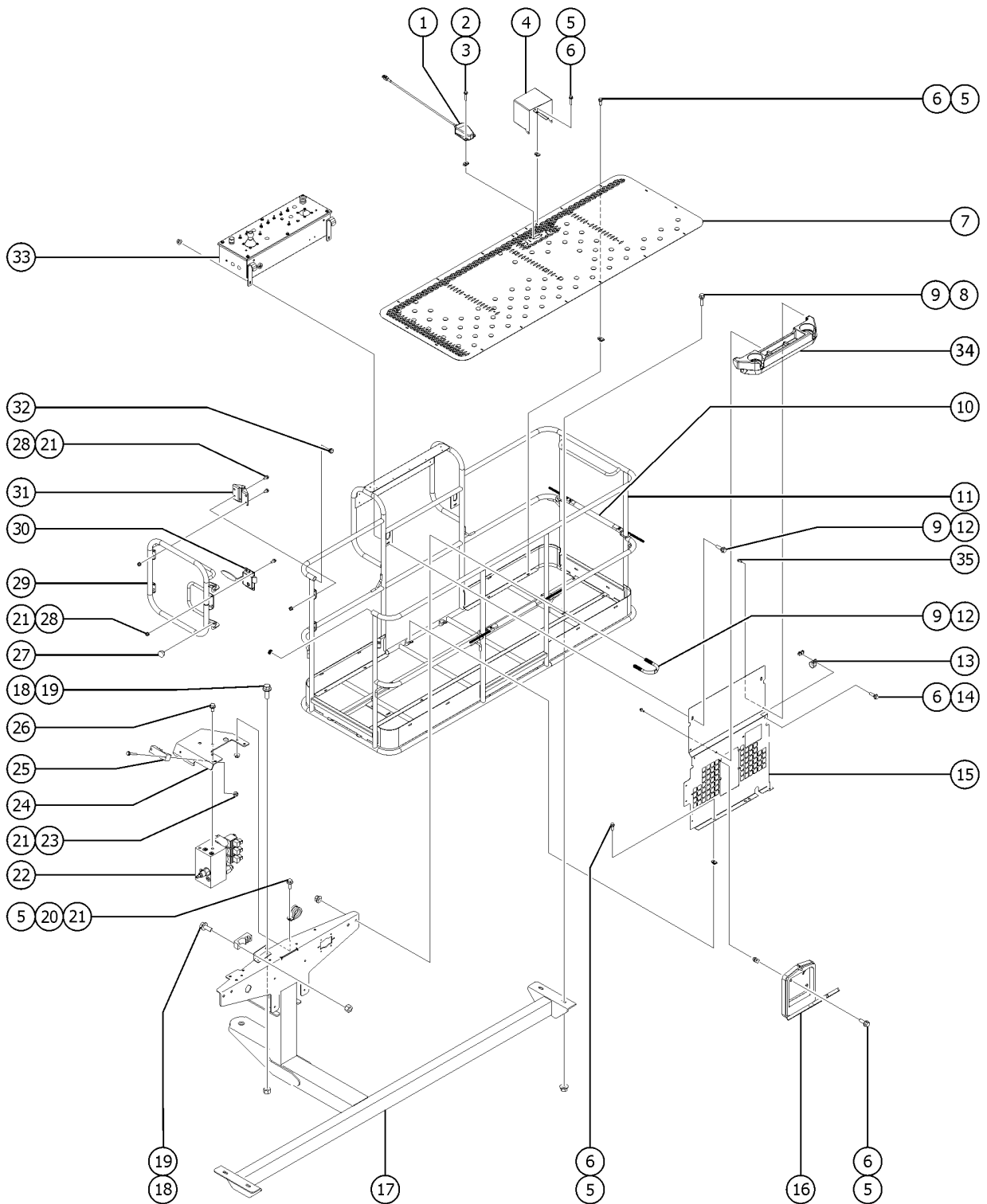
601.2 Platform Installation (from SN S85D-994)



Item	Part No.	Description	Qty.
A	1273066GT	OPTION, 8 PLATFORM W/SIDE SWING GATE (complete 8' platform assembly)	
B	1273065GT	OPTION, 6 PLATFORM W/SIDE SWING GATE (complete 6' platform assembly)	
1	227516GT	ASSEMBLY, FOOT SWITCH	1
2	1269641GT	SCREW, HHF, 10-24X1, ZAG	2
3	73575GT	SPRING CLIP, 10-24, .025-.125X.468, ZAG	2
4	147121GT	COVER, FOOT SWITCH, LARGE	1
5	824078GT	SCREW, HHF, 1/4-20X.75, 8, ZAG	
6	56912GT	SPRING CLIP, 1/4-20, .025-.15X.5	
7	73478PGT	FLOORING, 8 FT PLATFORM*** (for 8' platform)	1
7B	1267746GT	FLOORING, 72X30 PLATFORM (for 6' platform)	1
8	824091GT	SCREW, HHF, 3/8-16X1.25, 8, ZAG	
9	824029GT	NUT, TL FLG, 3/8-16, G, ZAG	
10	102992GT	SLIDING MIDRAIL KIT, PTD (for 8' platform)	2
10B	102992GT	SLIDING MIDRAIL KIT, PTD (for 6' platform)	1
11	1274859GT	ASSY, 8' PLAT WELDMNT W/SIDE GATE for 8' platform (includes item 10) (order floor separately)	1
11B	1274858GT	ASSY, 6' PLAT WELDMNT W/SIDE GATE for 6' platform (includes item 10)	1
12	1251600GT	U-BOLT, FLATTENED, 1.5 X 3/8	2
13	56424GT	CLAMP, 1.25X.5 RUBBER-CUSHION	3
14	824079GT	SCREW, HHF, 1/4-20X1.8, ZAG	3
15	1275088GT	FORMING, ALUM. DECAL PLATE	1
16	24514GT	BOX, INSTRUCTION STORAGE	1
17		Ref. WELDMNT, PLATFORM SUPPORT, CE CE models (refer to 820.1)	1
17B	147347GT	WELDMNT, PLAT SUPPORT (for S-80X ANSI only)	1
17C	60370-SGT	PLATFORM SUPPORT WELDMNT-SERV* (ANSI models)	1
18	824081GT	SCREW, HHF, 1/4-20X1.5, 8, ZAG	
19	824024GT	NUT, TL, 1/4-20, C, ZAG	
20	13268GT	CLAMP, 0.75, #12 X 1/4, RUB CUSH	1
21	824027GT	NUT, TL FLG, 1/4-20, G, ZAG	



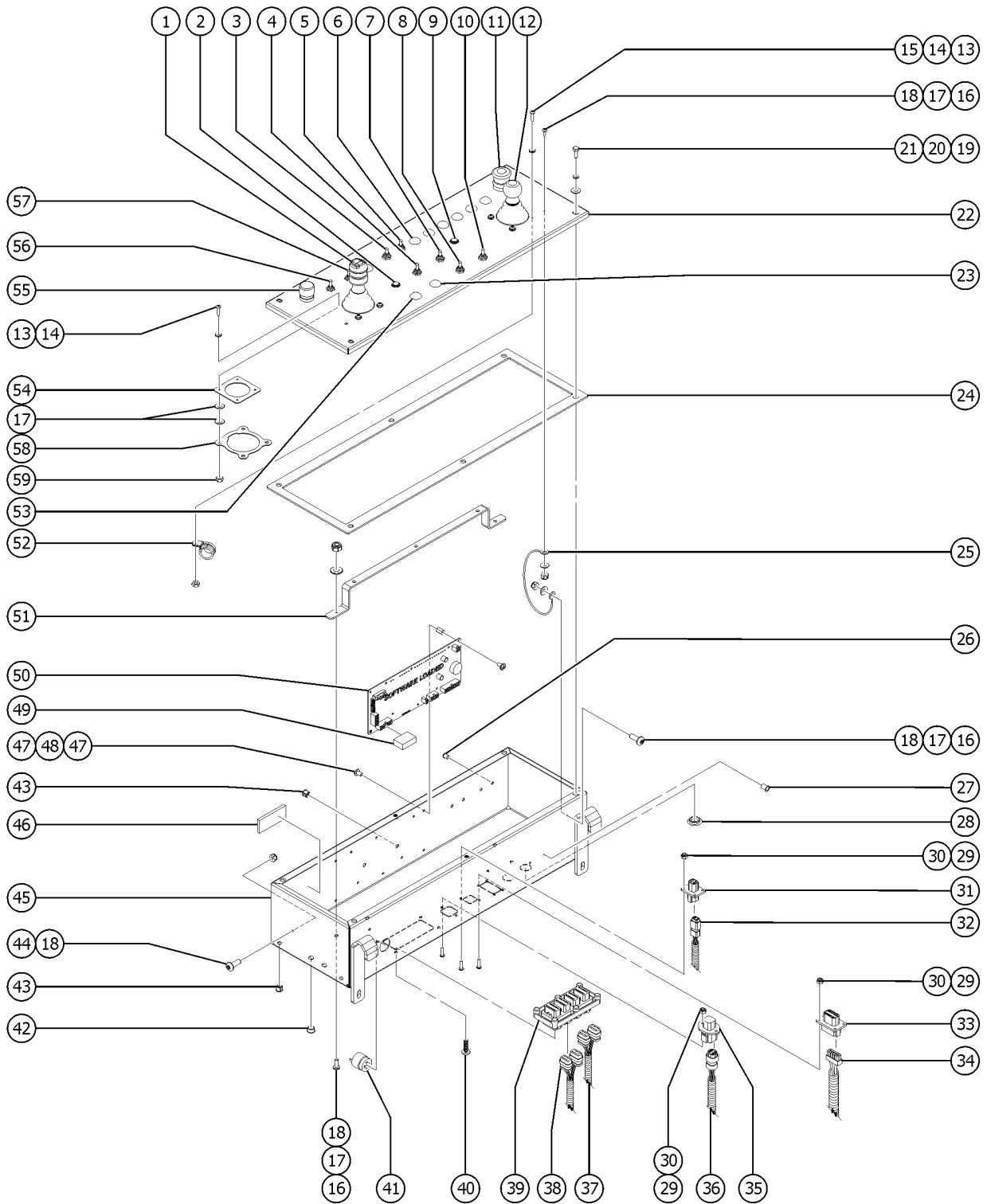
601.2 Platform Installation (from SN S85D-994)



Item	Part No.	Description	Qty.
22		REF. MANIFOLD, PLATFORM (S-80 and S-80X) (refer to 704.1)	
22B		REF. MANIFOLD, PLATFORM (S-85) (refer to 705.1)	
23	1253485GT	SCREW,HHF,1/4-20X2,8,ZAG	2
24	121766GT	FORMING,PLATFORM MANIFOLD MNT	
25	121582GT	CLAMP,CABLE STRAIN RELIEF	1
25-	T115766GT	CLAMP,STRAIN RELIEF,WK LT (worklight option)	
26	824089GT	SCREW,HHF,3/8-16X.75,8,ZAG	2
27	43392GT	BUMPER,BATTERY BOX & RAILS	2
28	1256855	SCREW,HHF,1/4-20X.625,8,ZAG	12
29	1265397GT	WELDMENT, SWING GATE	1
30	1267747GT	LATCH, SWING GATE	1
31	104804GT	HINGE, SPRING, LONG LEG	2
32	55753GT	BUMPER, PLASTIC, 1.25 O.D.	2
33		REF. PLATFORM CONTROL BOX ASSEMBLY (refer to 602.1)	
34	1289552GT	KIT, PLATFORM WORK TRAY	
35	1256855	SCREW,HHF,1/4-20X.625,8,ZAG	4



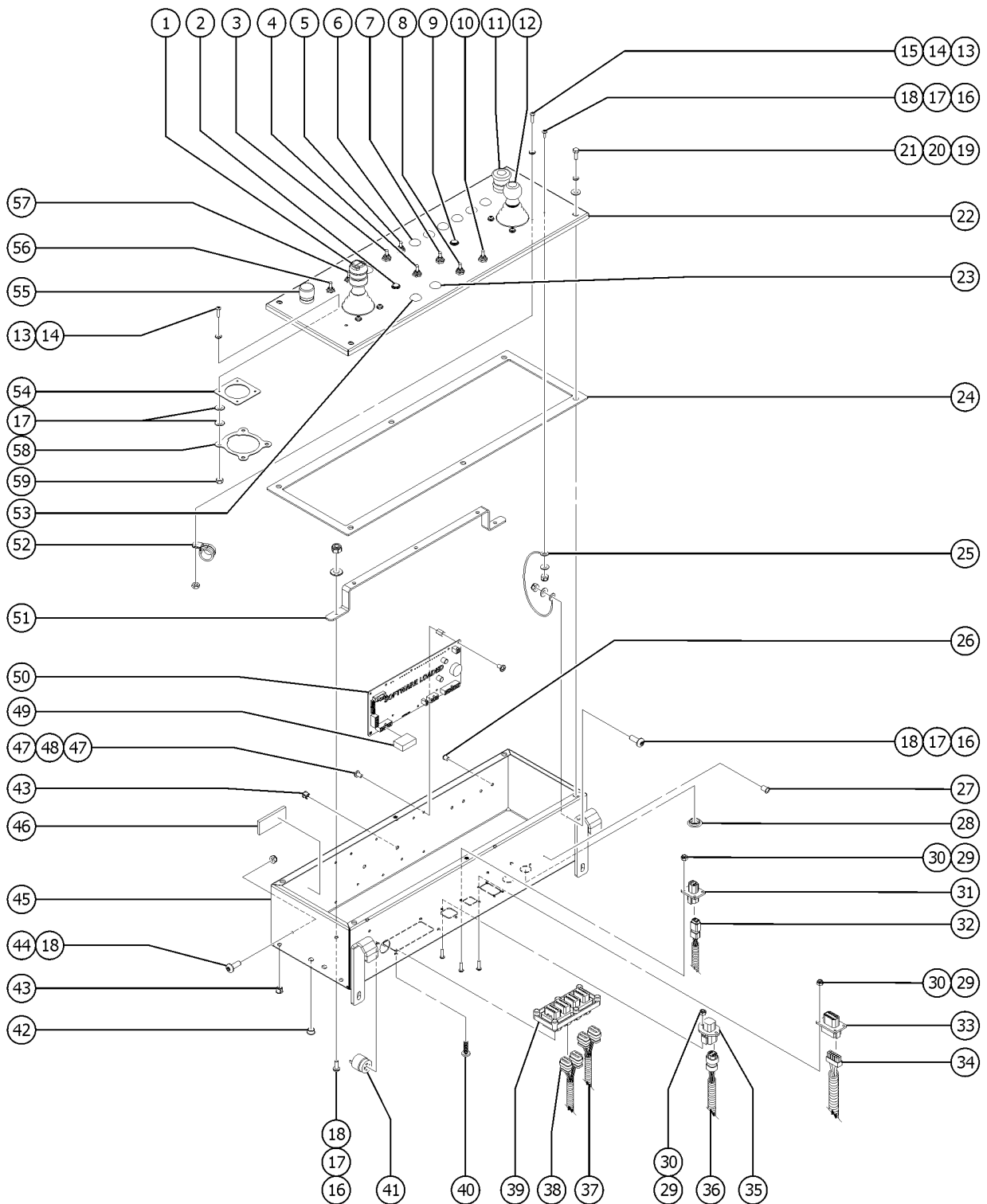
602.1 Platform Control Box, S-80



Item	Part No.	Description	Qty.
A-	1258620GT	ASSY,PBOX,PERKINS 404D,S80/85 (Perkins 404D-22T) Machine model and serial number required when ordering. Please contact Genie Service Parts for assistance.
B-	1260214GT	ASSY,PBOX,GAS/LP,S80/85 (Gas) Machine model and serial number required when ordering. Please contact Genie Service Parts for assistance.
C-	1260215GT	ASSY,PBOX,DIESEL,S80/85 (Deutz TD 2011L04i models) Machine model and serial number required when ordering. Please contact Genie Service Parts for assistance.	..
D-	824583GT	ASSY, PBOX, T4 DEUTZ 2.9L S80 (Deutz TD 2.9L4 models) Machine model and serial number required when ordering. Please contact Genie Service Parts for assistance.
E-	121445GT	ASSY,PBOX JUMPER,GAS/LP (Gas) Machine model and serial number required when ordering. Please contact Genie Service Parts for assistance.
F-	121444GT	ASSY,PBOX JUMPER,DIESEL (Diesel) Machine model and serial number required when ordering. Please contact Genie Service Parts for assistance.	.
1		Ref. JOYSTICK (refer to 603.1)	1
2	218165GT	LIGHT,INDICATOR,RED 12V H-BRI	1
3	128204GT	SWITCH TOGGLE ASSY SPDT 2P MNT	1
4	128200GT	SWITCH TOGGLE ASSY SPDT 3P MOM	1
5	128201GT	SWITCH TOGGLE ASSY DPDT 2P MOM	1
6	229567GT	PLUG,SANTOPRENE .5 BLACK DOME (Perkins 404D-22T)	1
6B	218165GT	LIGHT,INDICATOR,RED 12V H-BRI (Deutz TD 2.9L4, GM 3.0L and Deutz TD2011L04i)	1
7	128200GT	SWITCH TOGGLE ASSY SPDT 3P MOM Deutz TD2011L04i and Perkins 404D-22T)	1
7B	229567GT	PLUG,SANTOPRENE .5 BLACK DOME (GM 3.0L)	1
7C	825018GT	LIGHT,AMBER 12V INCANDESCENT (Deutz TD 2.9L4)	1
8	128204GT	SWITCH TOGGLE ASSY SPDT 2P MNT	1
9	218165GT	LIGHT,INDICATOR,RED 12V H-BRI	1
10	128200GT	SWITCH TOGGLE ASSY SPDT 3P MOM	1
11	66812GT	BUTTON,PUSH,RED MUSHROOM HEAD	1
11-	146478GT	BOOT(BELLOWS),E-STOP,BLACK	1
11-	94506GT	BASE,W/3 NC CONTACTS	1
12		Ref. JOYSTICK Drive joystick needs to be ordered separately; (refer to 603.1)	1
13	139338GT	SCREW PH M5-0.8X20 DIN 7500CE	8
14	1269498GT	SHOULDER WASHER, NYLON	8
15	104030GT	NUT HEX M5-0.8 CLASS 8 ZINC	8



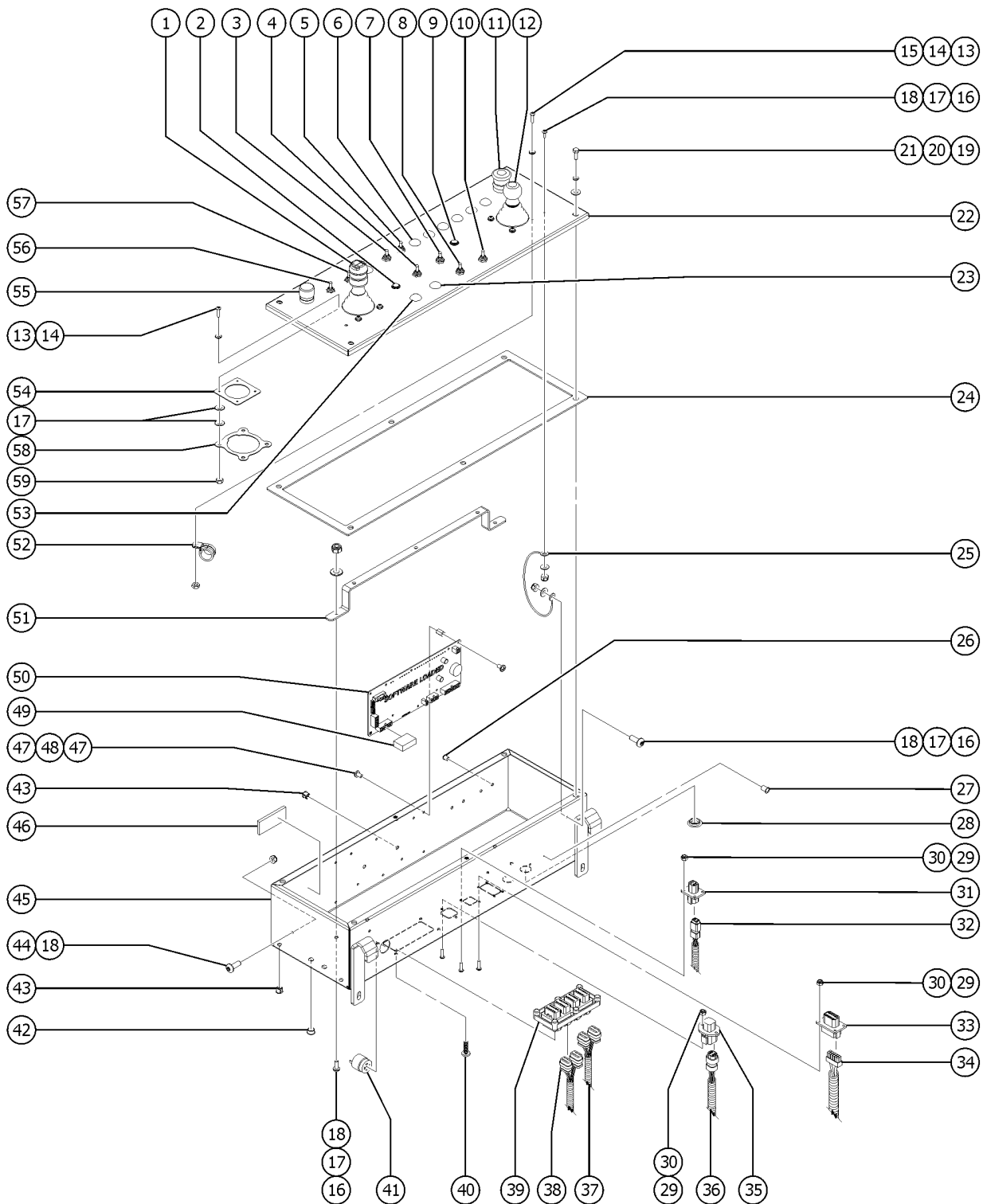
602.1 Platform Control Box, S-80



Item	Part No.	Description	Qty.
16	54365GT	SCREW,PHIL,PHM,10-32 X .5,SSTL	7
17	6146GT	WASHER,FLAT,MS,#10,Y	20
18	6178GT	NUT,NYLOCK,10-32	7
19	6090GT	SCREW,HHC,1/4-20 X .75	4
20	6356GT	WASHER,LOCK,.25	4
21	6638GT	WASHER,FLAT,USS,1/4"Y	4
22	1275805GT	FORMING, PLAT. BOX LID	1
23	229567GT	PLUG,SANTOPRENE .5 BLACK DOME (Deutz TD 2.9L4, Perkins 404D-22T and Deutz TD2011L04i)	
23B	128204GT	SWITCH TOGGLE ASSY SPDT 2P MNT (GM 3.0L)	
24	81488GT	GASKET,PLATFORM CONTROL BOX	1
25	77351GT	LANYARD,PLATFORM CONTROL BOX	2
26	42781GT	PLUG, NYLON .250 BLACK DOMED	8
27	42288GT	PLUG,NYLON .188 BLACK DOMED	3
28	15243GT	PLUG,NYLON .875 BLACK DOMED	2
29	12344GT	NUT,NYLOCK,6-32	8
30	49820GT	SCREW,PHILLIPS,PHM,6-32 X .5	8
31	73723GT	CONN RECEP,FLANGED	1
32		Ref. FOOT SWITCH WIRE HARNESS ASSEMBLY S-80 (refer to 315.1)	
33	73730GT	CONN, RECEP, 12 WAY, DEUTSCH, DT, GRAY/FLANGE	1
34		Ref. HARN,PLAT MANIFOLD,S80 S-80 (refer to 315.1)	
35	73717GT	CONN, RECEP, 4 WAY, DEUTSCH, DTP, FLANGE	1
36		Ref. S80 POWER TO PLAT DC S-80 (refer to 315.1)	
37		Ref. S80 HARNESS BOOM CABLE 2 S-80 (refer to 315.1)	
38		Ref. S80 HARNESS BOOM CABLE 1 S-80 (refer to 315.1)	
39	73736GT	CONN,RECEP 48 WAY,4 X 12	1
40	73803GT	SCREW,SHM,PHP, #12 X .75	4
41	45383GT	ALARM,WARBLE TONE 5-30 VDC***	1
42	21858GT	PLUG,NYLON .38 BLACK DOMED	2



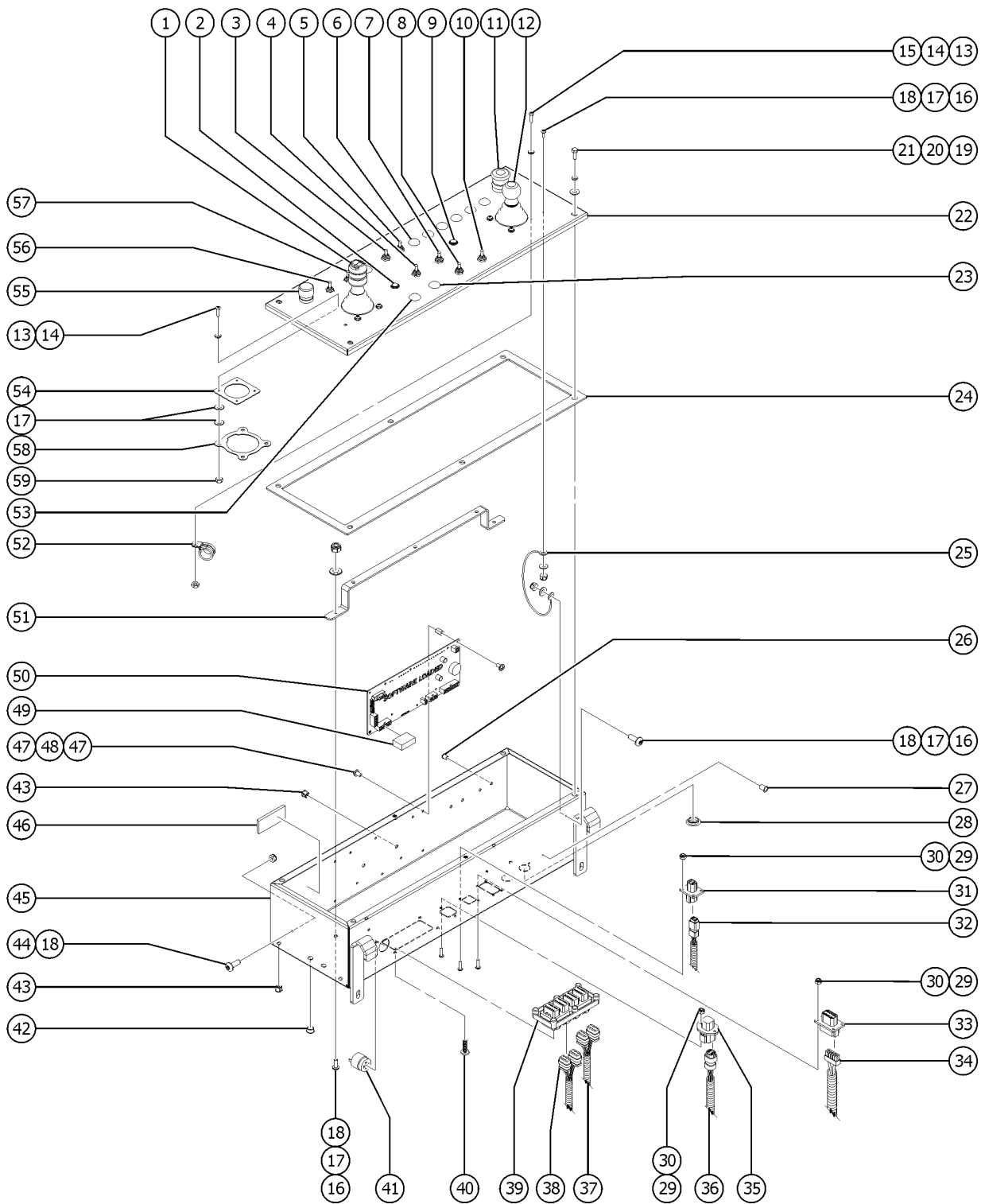
602.1 Platform Control Box, S-80



Item	Part No.	Description	Qty.
43	30996GT	PLUG,NYLON .313 BLACK DOMED	4
44	77048GT	SCREW,PHM,10-32X3/4,ST TYPE F	1
		(Deutz TD 2.9L4)	
44B	54365GT	SCREW,PHIL,PHM,10-32 X .5,SSTL	1
		(Deutz TD2011L04i, GM 3.0L and Perkins 404D-22T)	
45	121720GT	WELDMENT,PLAT CONT BOX,2008	1
46	30997GT	CORROSION INHIBITOR,FOAM	1
47	81551GT	SCREW,PHIL,PHM,6-32 X 1/4 SS	20
48	81550GT	STANDOFF,6-32 X 3/8L X 1/4 HEX	10
49	121456GT	HARN,PBOX,JOYSTICK,S80/85 2008	1
50	1260213GT	ASSY,PCB,ALC500-II,S80	1
51	119644GT	BRACKET,PBOX WIRE SUPPORT	1
52	18666GT	CLAMP,1.00,#16 X 1/4,RUB CUSH	1
53	229567GT	PLUG,SANTOPRENE .5 BLACK DOME	
54		GASKET, ISOLATION, JOYSTICK	2
54-	1269500GT	KIT, ISOLATION, 2 JOYSTICK	
		For replacement please order kit 1269500GT	
55	66813GT	BUTTON,PUSH,BLACK W/SEAL***	1
55-	66815GT	BASE, W/1 N.O. CONTACTS***	
56	128200GT	SWITCH TOGGLE ASSY SPDT 3P MOM	1
57	128200GT	SWITCH TOGGLE ASSY SPDT 3P MOM	1
58	1296721GT	MOUNT,HOLDER PLATE,JOYSTICK	2
59	27082GT	NUT, NYLOCK, M5 X .80	8



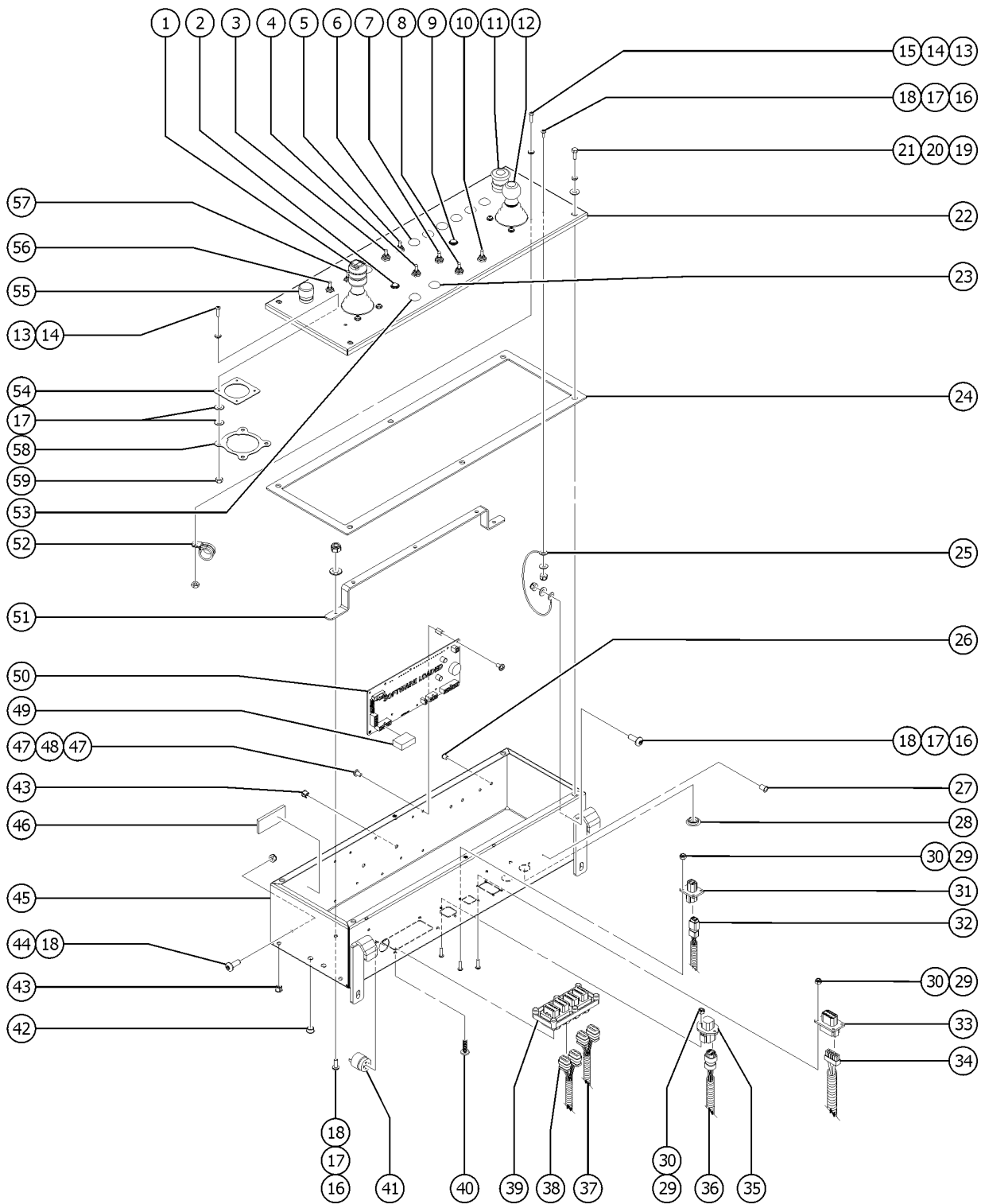
602.2 Platform Control Box, S-85



Item	Part No.	Description	Qty.
A-	1258620GT	ASSY,PBOX,PERKINS 404D,S80/85 (Perkins 404D-22T) Machine model and serial number required when ordering. Please contact Genie Service Parts for assistance.
B-	1260214GT	ASSY,PBOX,GAS/LP,S80/85 (Gas) Machine model and serial number required when ordering. Please contact Genie Service Parts for assistance.
C-	1260215GT	ASSY,PBOX,DIESEL,S80/85 (Deutz TD 2011L04i models) Machine model and serial number required when ordering. Please contact Genie Service Parts for assistance.	..
D-	824583GT	ASSY, PBOX, T4 DEUTZ 2.9L S80 (Deutz TD 2.9L4 models) Machine model and serial number required when ordering. Please contact Genie Service Parts for assistance.
E-	121445GT	ASSY,PBOX JUMPER,GAS/LP (Gas) Machine model and serial number required when ordering. Please contact Genie Service Parts for assistance.
F-	121444GT	ASSY,PBOX JUMPER,DISEL (Diesel) Machine model and serial number required when ordering. Please contact Genie Service Parts for assistance.	.
1		Ref. JOYSTICK (refer to 603.1)	1
2	218165GT	LIGHT,INDICATOR,RED 12V H-BRI	1
3	128204GT	SWITCH TOGGLE ASSY SPDT 2P MNT	1
4	128200GT	SWITCH TOGGLE ASSY SPDT 3P MOM	1
5	128201GT	SWITCH TOGGLE ASSY DPDT 2P MOM	1
6	229567GT	PLUG,SANTOPRENE .5 BLACK DOME (Perkins 404D-22T)	1
6B	218165GT	LIGHT,INDICATOR,RED 12V H-BRI (Deutz TD 2.9L4, GM 3.0L and Deutz TD2011L04i)	1
7	128200GT	SWITCH TOGGLE ASSY SPDT 3P MOM Deutz TD2011L04i and Perkins 404D-22T)	1
7B	229567GT	PLUG,SANTOPRENE .5 BLACK DOME (GM 3.0L)	1
7C	825018GT	LIGHT,AMBER 12V INCANDESCENT (Deutz TD 2.9L4)	1
8	128204GT	SWITCH TOGGLE ASSY SPDT 2P MNT	1
9	218165GT	LIGHT,INDICATOR,RED 12V H-BRI	1
10	128200GT	SWITCH TOGGLE ASSY SPDT 3P MOM	1
11	66812GT	BUTTON,PUSH,RED MUSHROOM HEAD	1
11-	146478GT	BOOT(BELLOWS),E-STOP,BLACK	1
11-	94506GT	BASE,W/3 NC CONTACTS	1
12		Ref. JOYSTICK Drive joystick needs to be ordered separately; (refer to 603.1)	1
13	139338GT	SCREW PH M5-0.8X20 DIN 7500CE	8
14	1269498GT	SHOULDER WASHER, NYLON	8
15	104030GT	NUT HEX M5-0.8 CLASS 8 ZINC	8



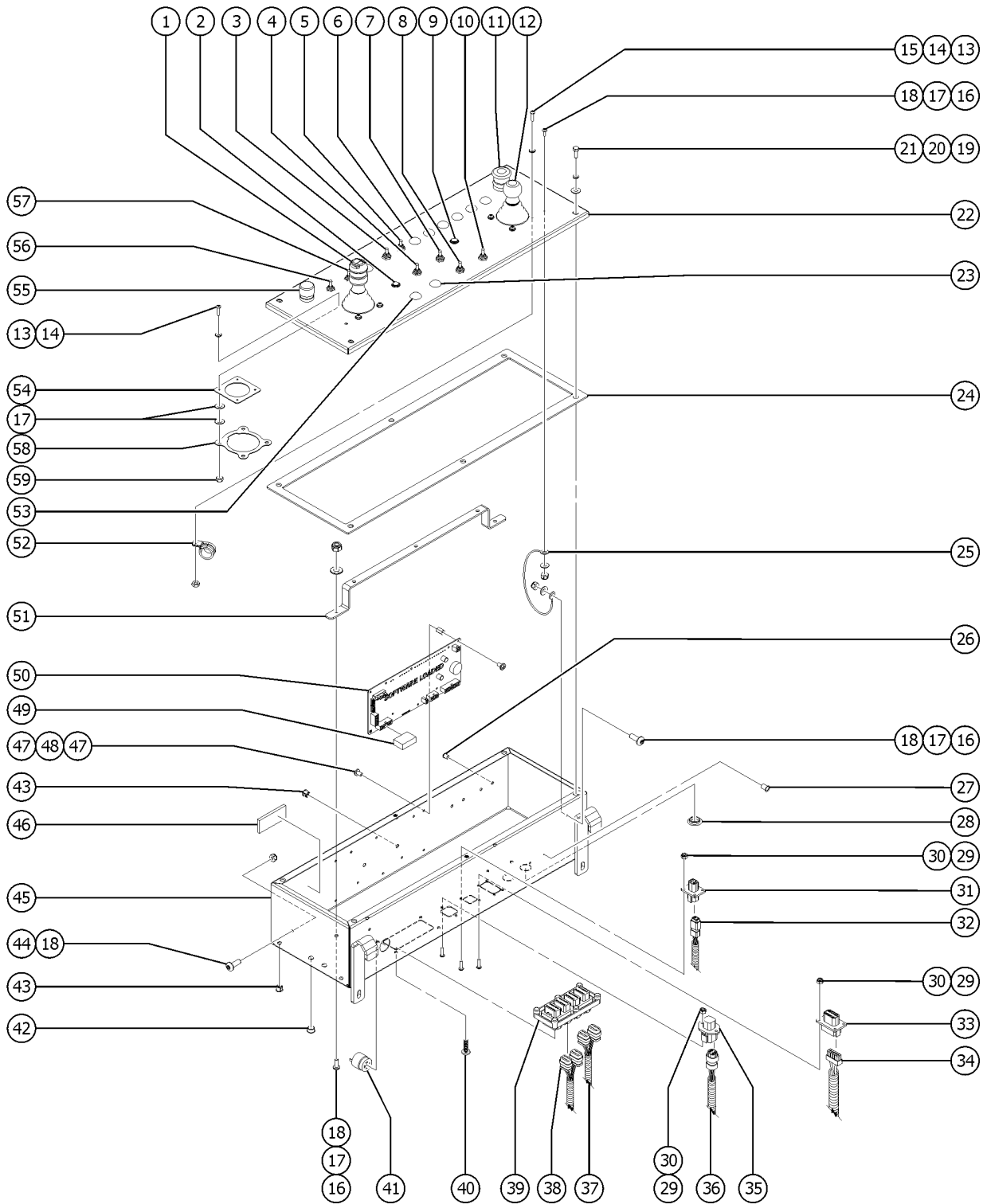
602.2 Platform Control Box, S-85



Item	Part No.	Description	Qty.
16	54365GT	SCREW,PHIL,PHM,10-32 X .5,SSTL	7
17	6146GT	WASHER,FLAT,MS,#10,Y	20
18	6178GT	NUT,NYLOCK,10-32	7
19	6090GT	SCREW,HHC,1/4-20 X .75	4
20	6356GT	WASHER,LOCK,.25	4
21	6638GT	WASHER,FLAT,USS,1/4"Y	4
22	1275805GT	FORMING, PLAT. BOX LID	1
23	229567GT	PLUG,SANTOPRENE .5 BLACK DOME (Deutz TD 2.9L4, Perkins 404D-22T and Deutz TD2011L04i)	
23B	128204GT	SWITCH TOGGLE ASSY SPDT 2P MNT (GM 3.0L)	
24	81488GT	GASKET,PLATFORM CONTROL BOX	1
25	77351GT	LANYARD,PLATFORM CONTROL BOX	2
26	42781GT	PLUG, NYLON .250 BLACK DOMED	8
27	42288GT	PLUG,NYLON .188 BLACK DOMED	3
28	15243GT	PLUG,NYLON .875 BLACK DOMED	2
29	12344GT	NUT,NYLOCK,6-32	8
30	49820GT	SCREW,PHILLIPS,PHM,6-32 X .5	8
31	73723GT	CONN RECEP,FLANGED	1
32B		Ref. FOOT SWITCH WIRE HARNESS ASSEMBLY S-85 (refer to 315.1)	
33	73730GT	CONN, RECEP, 12 WAY, DEUTSCH, DT, GRAY/FLANGE	1
34B		Ref. HARN,PLAT MANIFOLD,S85 S-85 (refer to 315.1)	
35	73717GT	CONN, RECEP, 4 WAY, DEUTSCH, DTP, FLANGE	1
36B		Ref. S85 POWER TO PLAT DC S-85 (refer to 315.1)	
37B		Ref. S85 HARNESS BOOM CABLE 2 S-85 (refer to 315.1)	
38B		Ref. S85 HARNESS BOOM CABLE 1 S-85 (refer to 315.1)	
39	73736GT	CONN,RECEP 48 WAY,4 X 12	1
40	73803GT	SCREW,SHM,PHP, #12 X .75	4
41	45383GT	ALARM,WARBLE TONE 5-30 VDC***	1
42	21858GT	PLUG,NYLON .38 BLACK DOMED	2



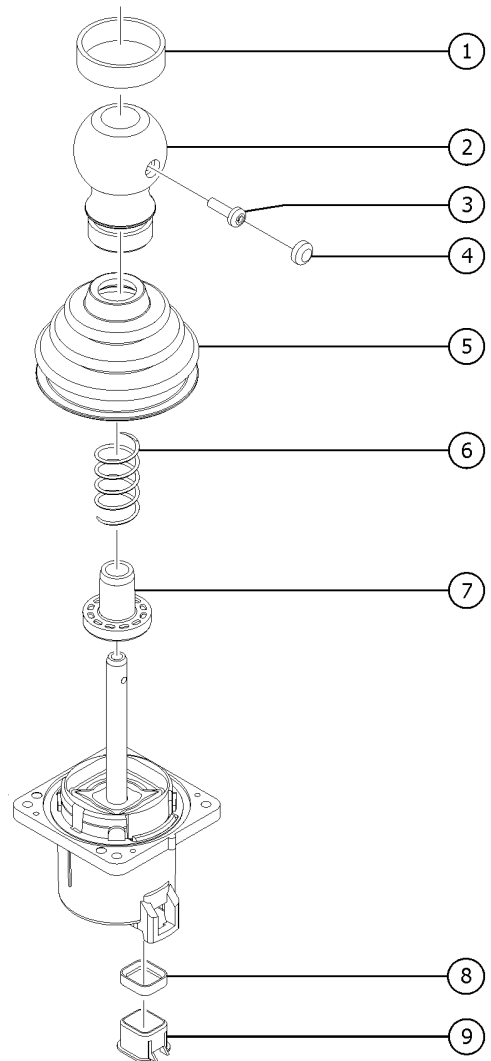
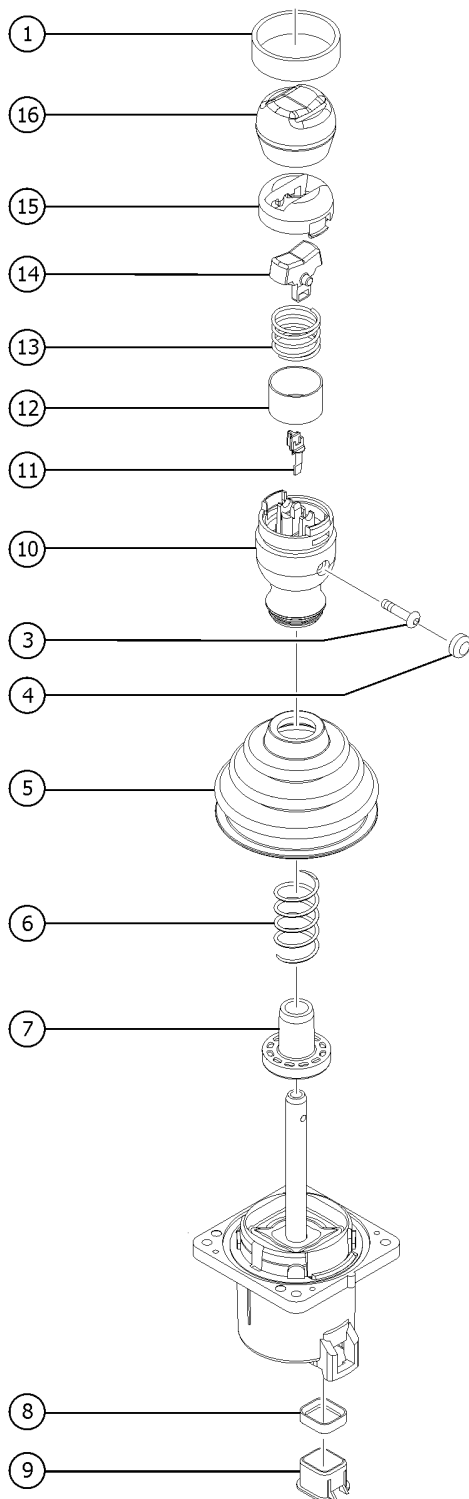
602.2 Platform Control Box, S-85



<i>Item</i>	<i>Part No.</i>	<i>Description</i>	<i>Qty.</i>
43	30996GT	PLUG,NYLON .313 BLACK DOMED	4
44	77048GT	SCREW,PHM,10-32X3/4,ST TYPE F	1
		(Deutz TD 2.9L4)	
44B	54365GT	SCREW,PHIL,PHM,10-32 X .5,SSTL	1
		(Deutz TD2011L04i, GM 3.0L and Perkins 404D-22T)	
45	121720GT	WELDMENT,PLAT CONT BOX,2008	1
46	30997GT	CORROSION INHIBITOR,FOAM	1
47	81551GT	SCREW,PHIL,PHM,6-32 X 1/4 SS	20
48	81550GT	STANDOFF,6-32 X 3/8L X 1/4 HEX	10
49	121456GT	HARN,PBOX,JOYSTICK,S80/85 2008	1
50	1260213GT	ASSY,PCB,ALC500-II,S80	1
51	119644GT	BRACKET,PBOX WIRE SUPPORT	1
52	18666GT	CLAMP,1.00,#16 X 1/4,RUB CUSH	1
53	229567GT	PLUG,SANTOPRENE .5 BLACK DOME	
54	1269497GT	GASKET, ISOLATION, JOYSTICK	2
55	66813GT	BUTTON,PUSH,BLACK W/SEAL ***	1
55-	66815GT	BASE, W/1 N.O. CONTACTS***	
56	128200GT	SWITCH TOGGLE ASSY SPDT 3P MOM	1
57	128200GT	SWITCH TOGGLE ASSY SPDT 3P MOM	1
58	1296721GT	MOUNT,HOLDER PLATE,JOYSTICK	2
59	27082GT	NUT, NYLOCK, M5 X .80	8



603.1 Joysticks

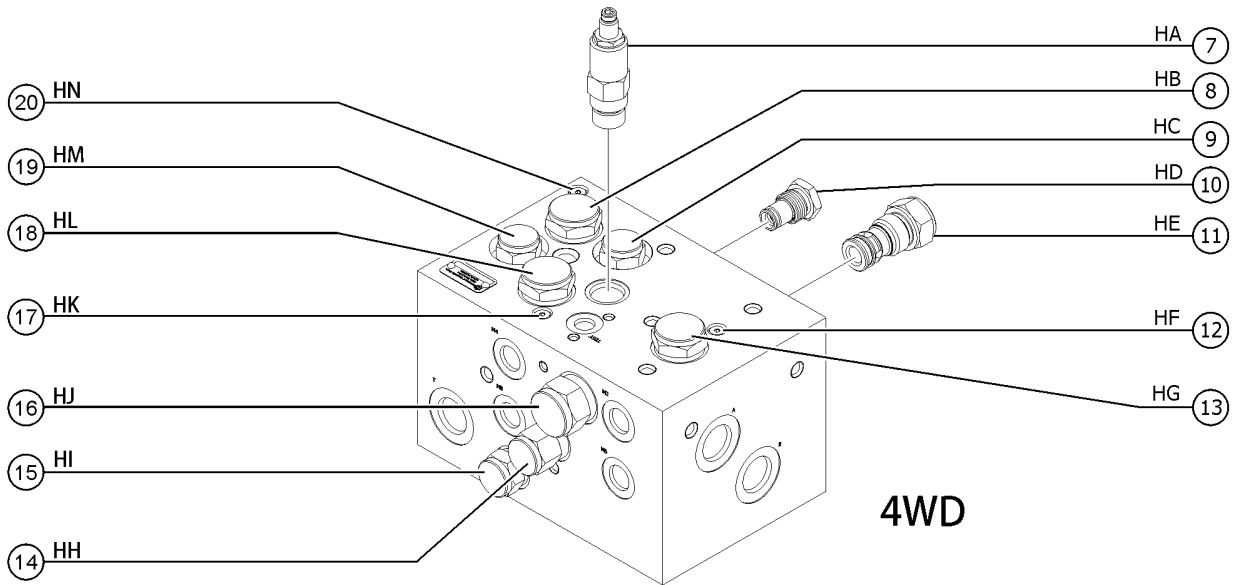
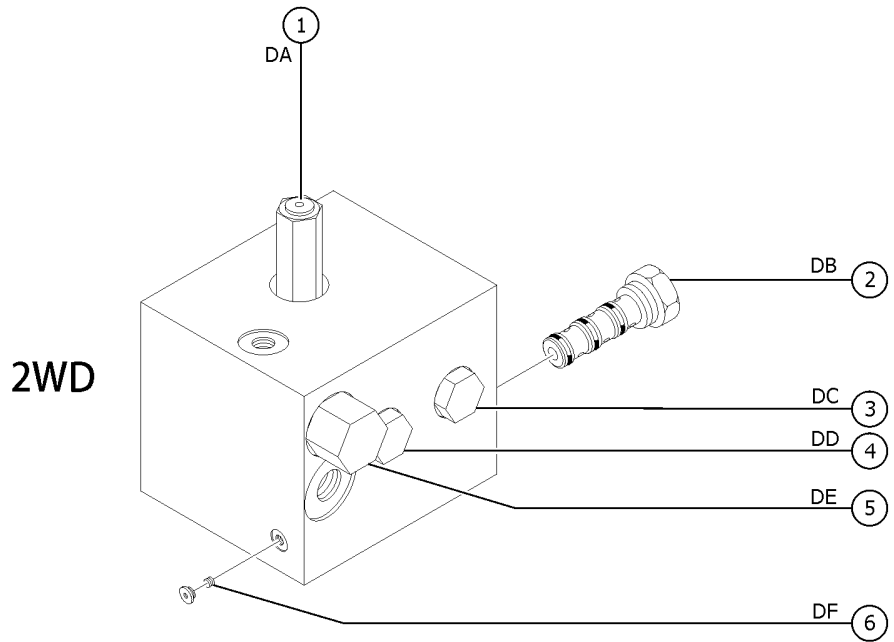


603.1 Joysticks

Item	Part No.	Description	Qty.
A-	1274970GT	JOYSTICK, 2 AXIS ROCKER, BLUE OEM joystick (calibration required after replacement) includes gasket part 1269497 and shoulder washer part 1269498 (refer to 603.1)	1
B-	1274971GT	JOYSTICK, 2 AXIS, BLUE OEM joystick (calibration required after replacement) includes gasket part 1269497 and shoulder washer part 1269498 (refer to 603.1)	1
C-	1274969GT	JOYSTICK, 1 AXIS ROCKER, BLUE OEM joystick (calibration required after replacement) includes gasket part 1269497 and shoulder washer part 1269498 (refer to 603.1)	1
D-	83098GT	TERM,AMP MTE,SOC,22-26 GA BULK	
1	1271713GT	SHRINK TUBE,BLU,3:1,40MM	2
2	62392GT	KNOB,JOYSTICK, 62390/62391	1
3	T112626GT	SCREW, PHM, #6-32 X .625 ZINC	1
4	1269499GT	PLUG, JOYSTICK HANDLE	2
5	139598GT	BOOT,JOYSTICK	1
6		SPRING,JOYSTK CENTR,62390/91 (no longer available from supplier)	
7	119915GT	COLLAR,JOYSTICK,CENTER	1
8	128000GT	SEAL, CONNECTOR (DT JOYSTICKS)	1
9	128001GT	SLEEVE,CONNECTOR,DT JOYSTICKS	1
10	75449GT	KNOB,ROCKER JOYSTICK 75565	1
11	75448GT	SUPPORT,SENSOR,JOYSTICK	1
12	75447GT	SWITCH SHIELD,ROCK JOYSTK75565	1
13	75446GT	SPRING,SWITCH CENTERING,75565	1
14	75445GT	ROCKER ASSY.,MAGNETIC 75565	1
15	75444GT	ROCKER,RETAINER, 75565	1
16	75443GT	BOOT, ROCKER JOYSTICK 75565	1



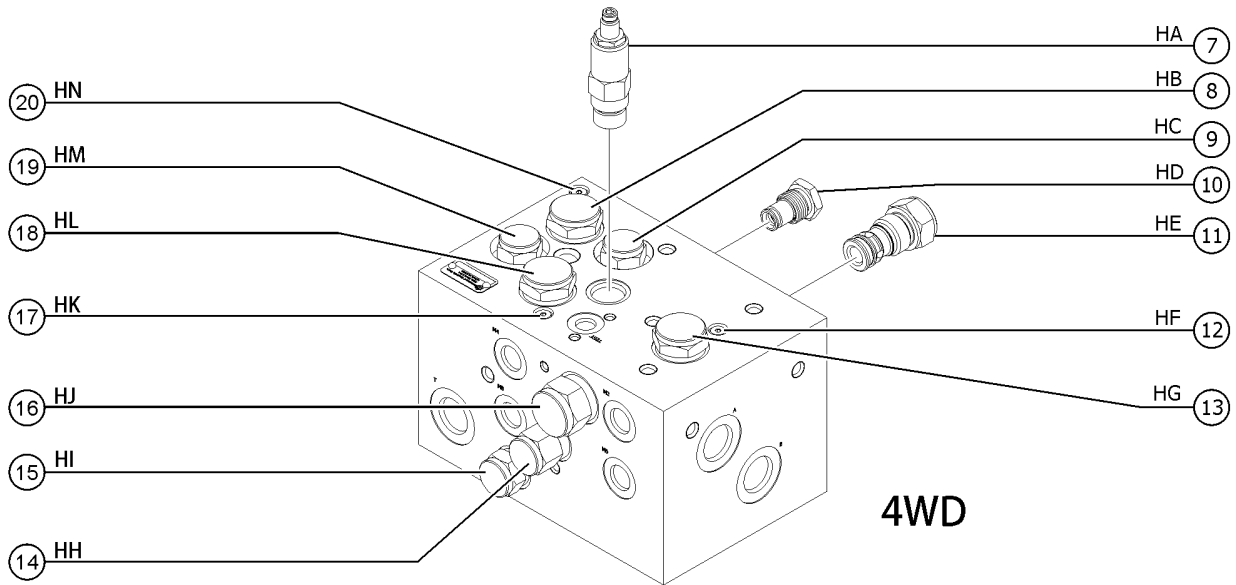
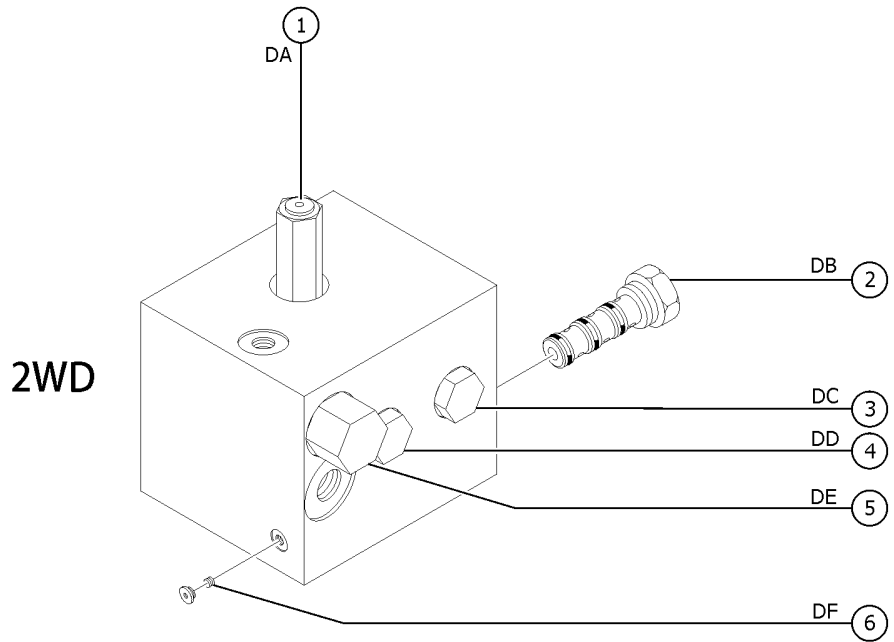
701.1 Traction Manifold



Item	Part No.	Description	Qty.
A	88783GT	MANIFOLD,TRACTION,2WD (complete)	
A-	1287434GT	PLUG,SAE #03 (139712) Plug for ORIFICE, 0.040"	
B	139712GT	MANIFOLD,TRACTION,4WD*** (complete)	
C	28750GT	O-RING KIT,FIELD SVC,ALL PROD*	
D	49612GT	O-RING KIT (ORFS FITTINGS)	
E	33994GT	PLUG AND CAP KIT-SERVICE,37 **	
F	49613GT	PLUG AND CAP KIT-SERVICE,ORFS*	
1	94758GT	VALVE,RELIEF,280PSI (DA, Charge pressure circuit)	
1-	110194GT	SEAL KIT, VALVE, #10	
2	52726GT	VALVE,FLOW DIVIDER/COMBINER (DB, Controls flow to drive motors in forward and reverse)	
2-	84135GT	SEAL KIT, VALVE	
3	27836GT	VALVE,CHECK,5 PSI (DC, Drive circuit)	
3-	110194GT	SEAL KIT, VALVE, #10	
4	27836GT	VALVE,CHECK,5 PSI (DD, Drive circuit)	
4-	110194GT	SEAL KIT, VALVE, #10	
5	27761GT	VALVE,SHUTTLE (DE, Controls flow to drive motors in forward and reverse)	
5-	84134GT	SEAL KIT, VALVE	
6	101440GT	ORIFICE PLUG, 0.070" (DF, Equalizes flow across flow divider combiner valve 2)	
7	139718GT	VALVE, RELIEF, 280PSI (HA, Charge pressure circuit)	
7-	139512GT	SEAL KIT, VALVE	
8	139717GT	VALVE, FLOW DIVIDE/COMB,24GPM (HB, Controls flow to non-steer end drive motors in forward and reverse)	
8-	139512GT	SEAL KIT, VALVE	
9	139527GT	VALVE, CHECK, 5PSI (HC, Steer end drive motor circuit)	
9-	139528GT	SEAL KIT, VALVE	
10	139527GT	VALVE, CHECK, 5PSI (HD, Non-steer end drive motor circuit)	
10-	139528GT	SEAL KIT, VALVE	
11	139716GT	VALVE, CHECK (HE, Non-steer end drive motor circuit)	
11-	139727GT	SEAL KIT, VALVE	



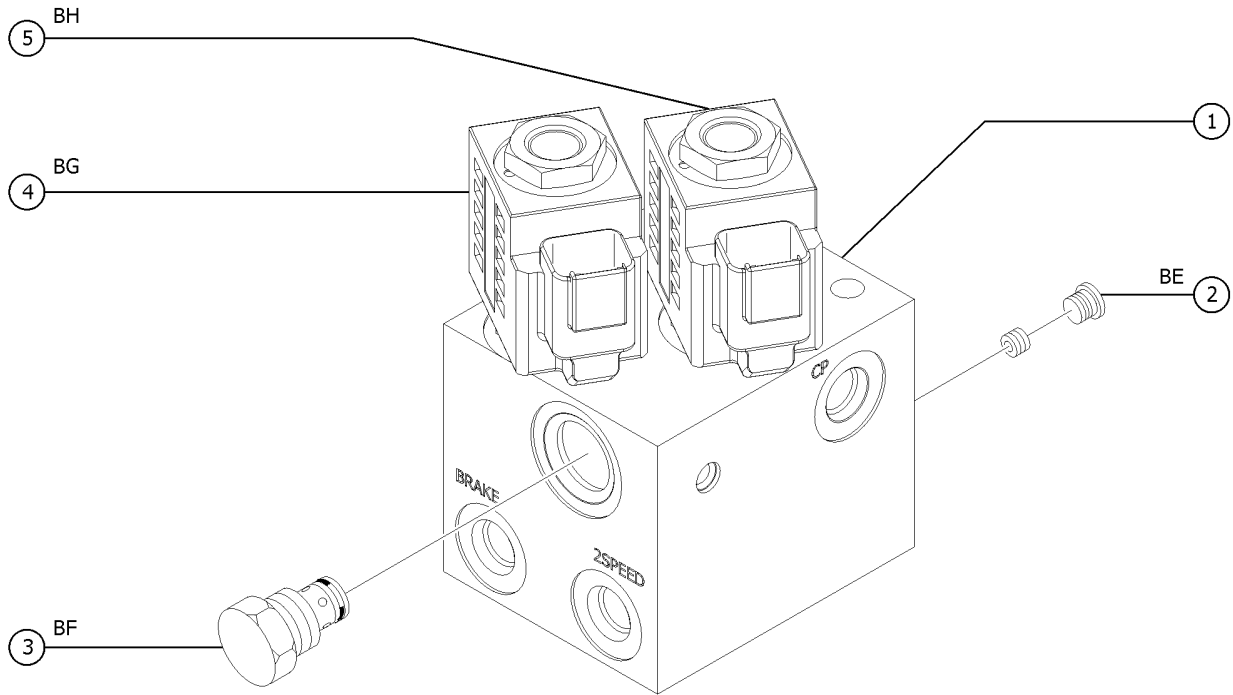
701.1 Traction Manifold



Item	Part No.	Description	Qty.
12	139719GT	ORIFICE, 0.040" (HF, Equalizes pressure on both sides of flow divider/combiner valve 13)
13	139508GT	VALVE, FLOW DIVIDE/COMBINE 1:1 (HG, Controls flow to flow divider/combiner valves 8 and 18)
13-	139512GT	SEAL KIT, VALVE
14	139715GT	VALVE, SHUTTLE, FIXED (HH, Steer end drive motor circuit)
14-	139512GT	SEAL KIT, VALVE
15	139527GT	VALVE, CHECK, 5PSI (HI, Steer end drive motor circuit)
15-	139528GT	SEAL KIT, VALVE
16	139716GT	VALVE, CHECK (HJ, Charge pressure circuit that directs hot oil out of low pressure side of drive pump)
16-	139727GT	SEAL KIT, VALVE
17	139719GT	ORIFICE, 0.040" (HK, Equalizes pressure on both sides of flow divider/combiner valve 18)
18	139717GT	VALVE, FLOW DIVIDE/COMB,24GPM (HL, Controls flow to steer end drive motors in forward and reverse)
18-	139512GT	SEAL KIT, VALVE
19	139527GT	VALVE, CHECK, 5PSI (HM, Non-steer end drive motor circuit)
19-	139528GT	SEAL KIT, VALVE
20	139719GT	ORIFICE, 0.040" (HN, Equalizes pressure on both sides of flow divider/combiner valve 8)



702.1 Two-Speed/Brake Manifold

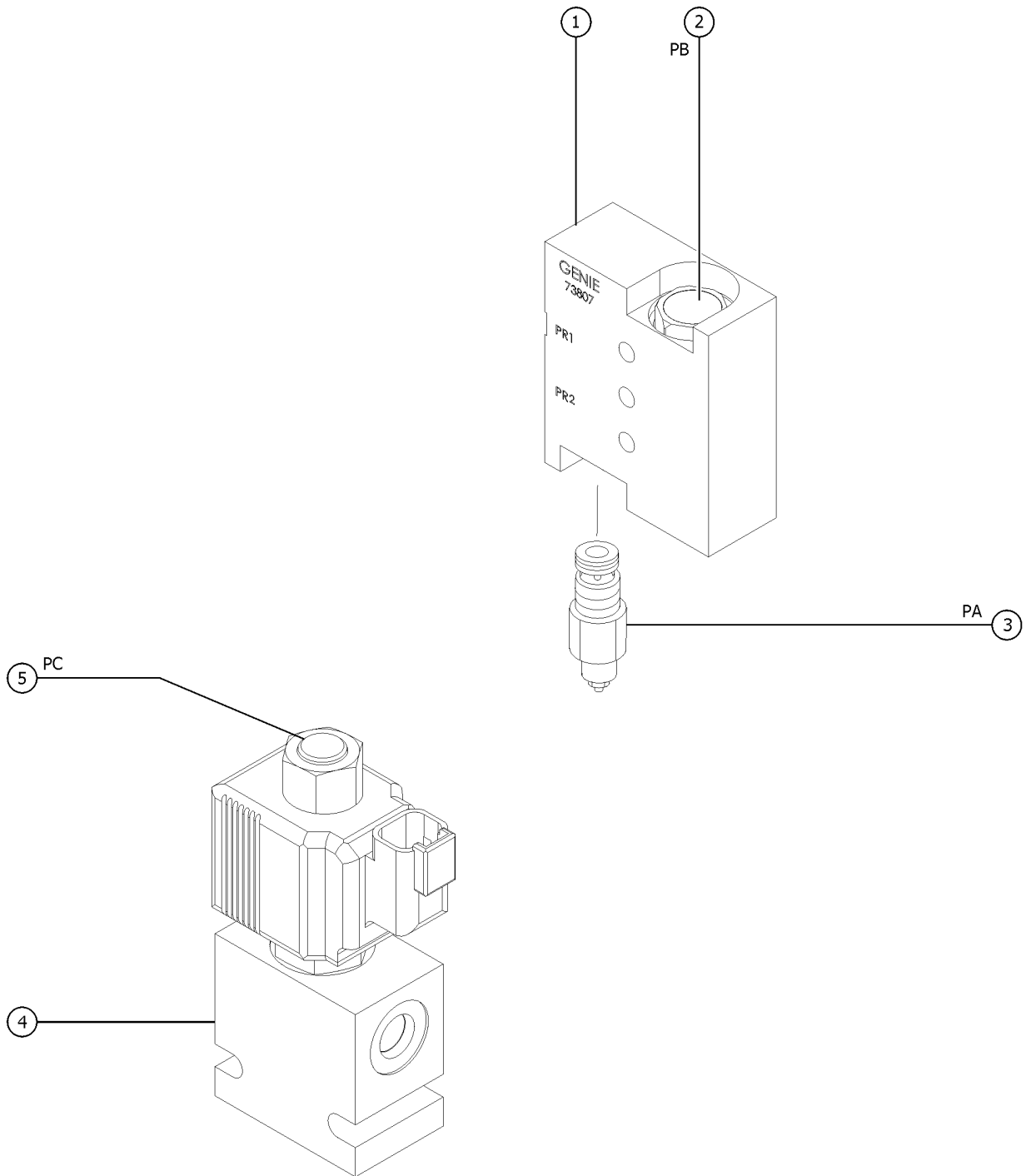


702.1 Two-Speed/Brake Manifold

<i>Item</i>	<i>Part No.</i>	<i>Description</i>	<i>Qty.</i>
1	216602GT	MANIFOLD,BRAKE,2-SPEED (Complete)	
2	219245GT	ORIFICE PLUG .025 DIA. BE, Turntable rotaton brake release	
3	35726GT	VALVE,HYDRAULIC CHECK BF, Brake release circuit	
3-	161145GT	SEAL KIT,CHECK VALVE 219246	
4-	219243GT	COIL, SOLENOID VALVE, 10V BG, Brake release	
4-	161144GT	SEAL KIT,SOLENOID VALVE 219247	
4	219247GT	VALVE, SOLENOID	
4-	94759GT	NUT,SOLENOID	
5	219247GT	VALVE, SOLENOID	
5-	161144GT	SEAL KIT,SOLENOID VALVE 219247	
5-	219243GT	COIL, SOLENOID VALVE, 10V BH, Two speed motor shift;	
5-	94759GT	NUT,SOLENOID	



703.1 Function Enable Valve and Platform Rotator Manifold

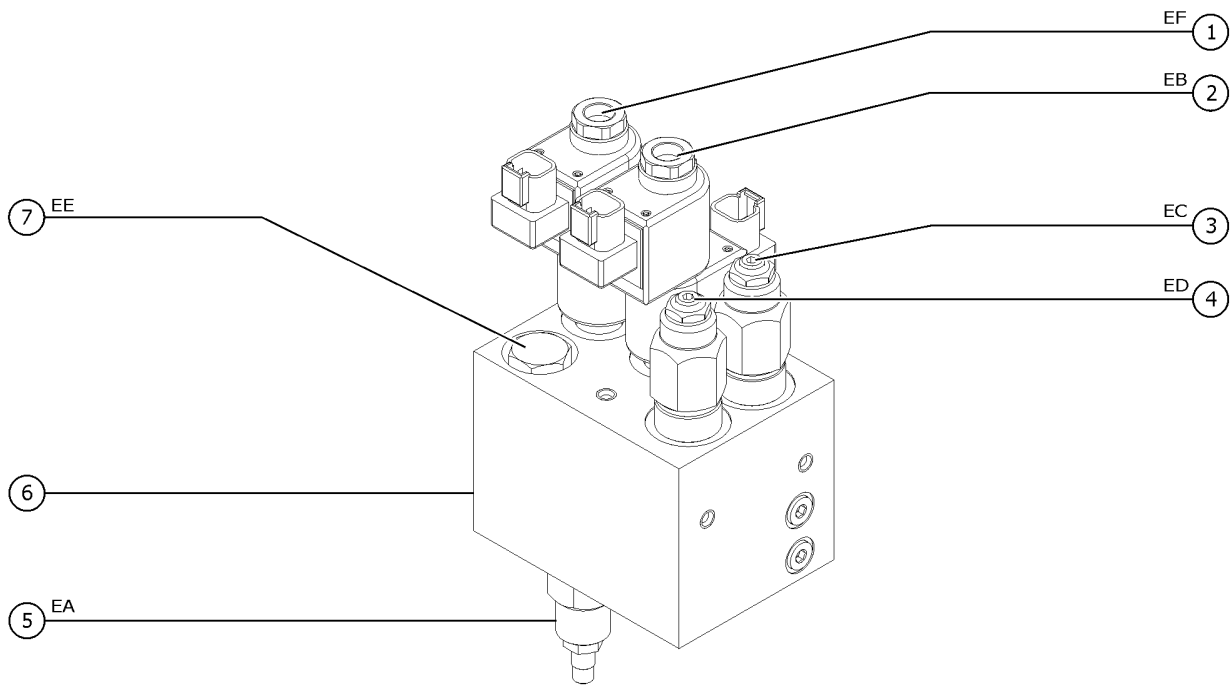


703.1 Function Enable Valve and Platform Rotator Manifold

<i>Item</i>	<i>Part No.</i>	<i>Description</i>	<i>Qty.</i>
1	73807GT	MANIFOLD,ROTATOR,CB*** (complete)	
1-	62507GT	O-RING, ROTATOR MANIFOLD	
2	62506GT	VALVE - COUNTERBALANCE** (PB, Platform rotate left)	
2-	43018GT	SEAL KIT (39345)	
3	62506GT	VALVE - COUNTERBALANCE** (PA, Platform rotate right)	
3-	43018GT	SEAL KIT (39345)	
4	106454GT	VALVE,FUNCTION ENABLE (complete)	
5	107742GT	VALVE,SOLENOID 2 POS 2 WAY (PC, Differential sensing)	
5-	89733GT	COIL SOLENOID VALVE***	
5-	89770GT	SEAL KIT, SOLENOID VALVE	



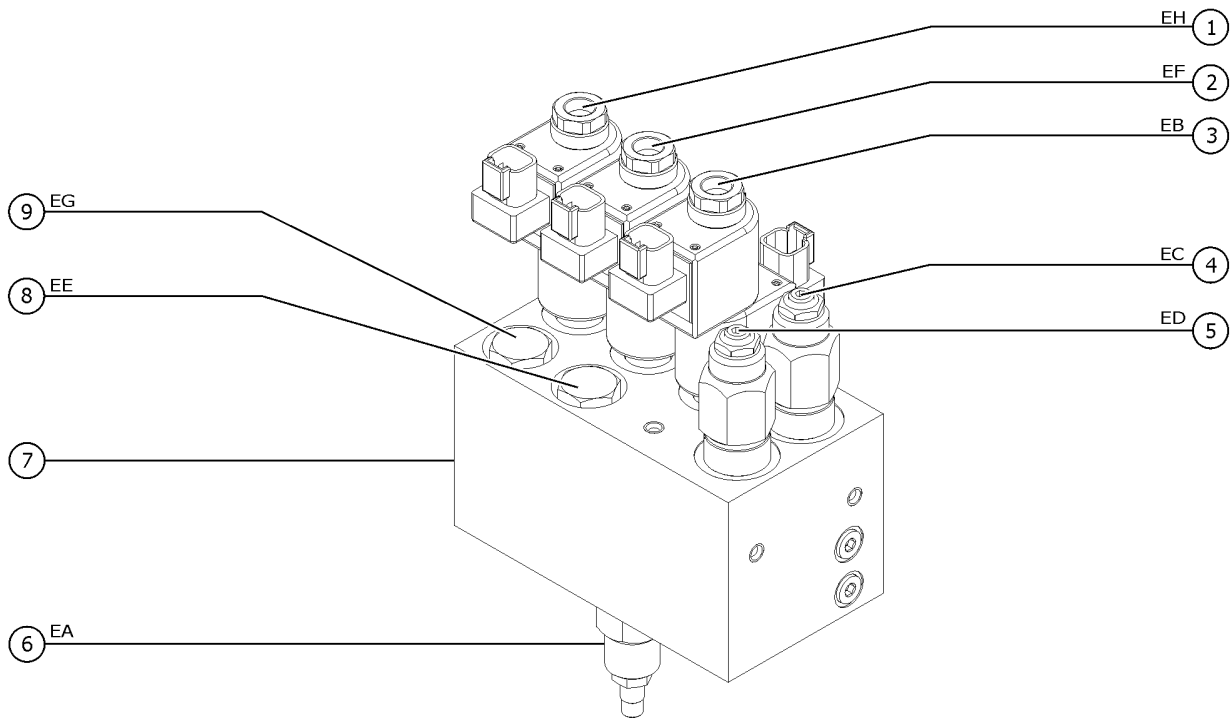
704.1 Platform Manifold, S-80X and S-80



Item	Part No.	Description	Qty.
A-	121707GT	MANIFOLD,PLATFORM,S80,2SEC (Complete)	
1	122121GT	SOLENOID VALVE (EF, platform rotate CW/CCW)	
1-	122120GT	SEAL KIT, SOLENOID VALVE	
1-	122148GT	COIL, SOLENOID VALVE,20W	
1-	52943GT	NUT, SOLENOID VALVE COIL	
2	122121GT	SOLENOID VALVE (EP, platform level up/down)	
2-	122120GT	SEAL KIT, SOLENOID VALVE	
2-	122148GT	COIL, SOLENOID VALVE,20W	
2-	52943GT	NUT, SOLENOID VALVE COIL	
3	50481GT	VALVE,COUNTERBALANCE,3500 PSI (EC, platform level CB valve)	
3-	43018GT	SEAL KIT (39345)	
4	50481GT	VALVE,COUNTERBALANCE,3500 PSI (ED, platform level CB valve)	
4-	43018GT	SEAL KIT (39345)	
5	62258GT	VALVE,NEEDLE*** (EA, platform level)	
6	121707GT	MANIFOLD,PLATFORM,S80,2SEC	
7	1274553GT	PRESSURE COMP FLOW CONTROL 0.3GPM EE, Platform rotate flow control	
7-	74902GT	SEAL KIT, VALVE	



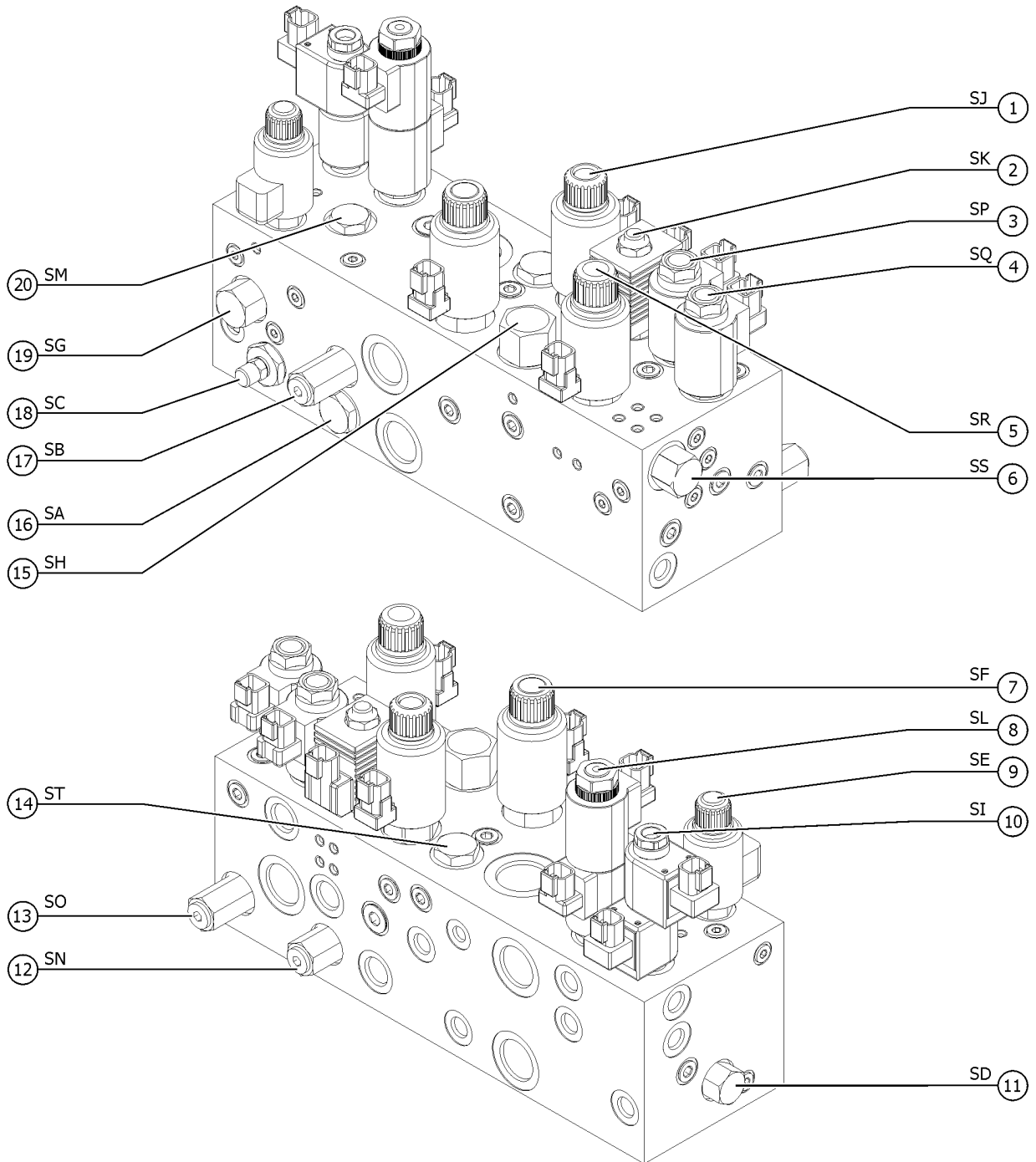
705.1 Platform Manifold, S-85



Item	Part No.	Description	Qty.
A-	121706GT	MANIFOLD,PLATFORM,S856,3 SEC (Complete)	
1	122121GT	SOLENOID VALVE (EH, Jib up/down)	
1-	122120GT	SEAL KIT, SOLENOID VALVE	
1-	122148GT	COIL, SOLENOID VALVE,20W	
1-	52943GT	NUT, SOLENOID VALVE COIL	
2	122121GT	SOLENOID VALVE (EF, Platform rotate CW/CCW)	
2-	122120GT	SEAL KIT, SOLENOID VALVE	
2-	122148GT	COIL, SOLENOID VALVE,20W	
2-	52943GT	NUT, SOLENOID VALVE COIL	
3	122121GT	SOLENOID VALVE (EB, Platform level up/down)	
3-	122120GT	SEAL KIT, SOLENOID VALVE	
3-	122148GT	COIL, SOLENOID VALVE,20W	
3-	52943GT	NUT, SOLENOID VALVE COIL	
4	50481GT	VALVE,COUNTERBALANCE,3500 PSI (EC, Platform level CB valve)	
4-	43018GT	SEAL KIT (39345)	
5	50481GT	VALVE,COUNTERBALANCE,3500 PSI (ED, Platform level CB valve)	
5-	43018GT	SEAL KIT (39345)	
6	62258GT	VALVE,NEEDLE*** (EA, Platform level)	
7	121706GT	MANIFOLD,PLATFORM,S856,3 SEC	
8	1274553GT	PRESSURE COMP FLOW CONTROL 0.3GPM (EE, Platform rotate flow control)	
8-	74902GT	SEAL KIT, VALVE	
9	1274554GT	PRESSURE COMP FLOW CONTROL 0.8GPM (EG, Jib flow control)	
9-	74902GT	SEAL KIT, VALVE	



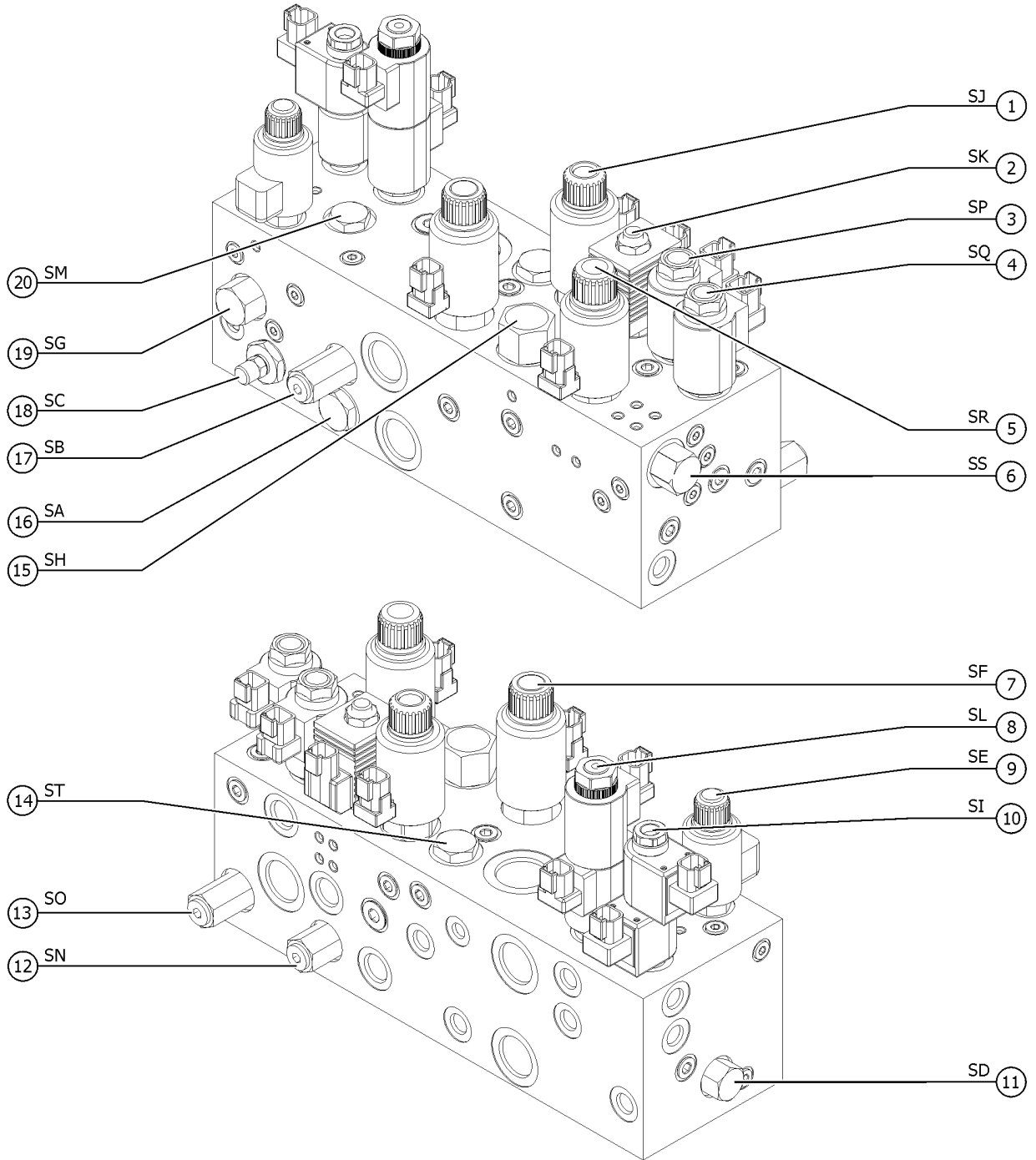
706.1 Function Manifold



Item	Part No.	Description	Qty.
A-	121708GT	MANIFOLD,SWING S80/85,5 SEC (complete)	
1	122643GT	Valve-Solenid 2 Postion 3WA (SJ, Boom up)	
1-	122652GT	COIL, D14E 10 VDC DED	
1-	45921GT	RETAINER-N.C.PROPOR.SOLENOID	
1-	110198GT	SEAL KIT, VALVE, #12	
2	89309GT	VALVE - SOLENOID 2POSITION 3WA (SK, Boom down)	
2-	62275GT	COIL,10V	
2-	45912GT	NUT,SOLENOID VALVE 2P3W	
2-	89310GT	SEAL KIT, SOLENOID VALVE	
3	122649GT	VALVE,SOLENOID,NO,POPPET (SP, Retract)	
3-	111778GT	COIL,10V DC(D10,26 WATT)	
3-	102940GT	NUT,SOLENOID VALVE	
3-	122657GT	SEAL KIT	
4	122649GT	VALVE,SOLENOID,NO,POPPET (SP, Extend)	
4-	111778GT	COIL,10V DC(D10,26 WATT)	
4-	102940GT	NUT,SOLENOID VALVE	
4-	122657GT	SEAL KIT	
5	107753GT	VALVE,PROPORTIONAL (SR, Extend/Retract proportional)	
5-	58303GT	COIL,VALVE,PROPORTIONAL***	
5-	45912GT	NUT,SOLENOID VALVE 2P3W	
5-	89310GT	SEAL KIT, SOLENOID VALVE	
6	122651GT	VALV, DIFFERENTIAL SENSING (SS, Boom extend)	
6-	122657GT	SEAL KIT	
7	107752GT	VALVE,PROPORTIONAL (SF, Boom up/down proportional)	
7-	58303GT	COIL,VALVE,PROPORTIONAL***	
7-	45921GT	RETAINER-N.C.PROPOR.SOLENOID	
7-	110198GT	SEAL KIT, VALVE, #12	
8	122647GT	SOLENOID VALVE SPOOL TYPE (SL, Steering directional)	



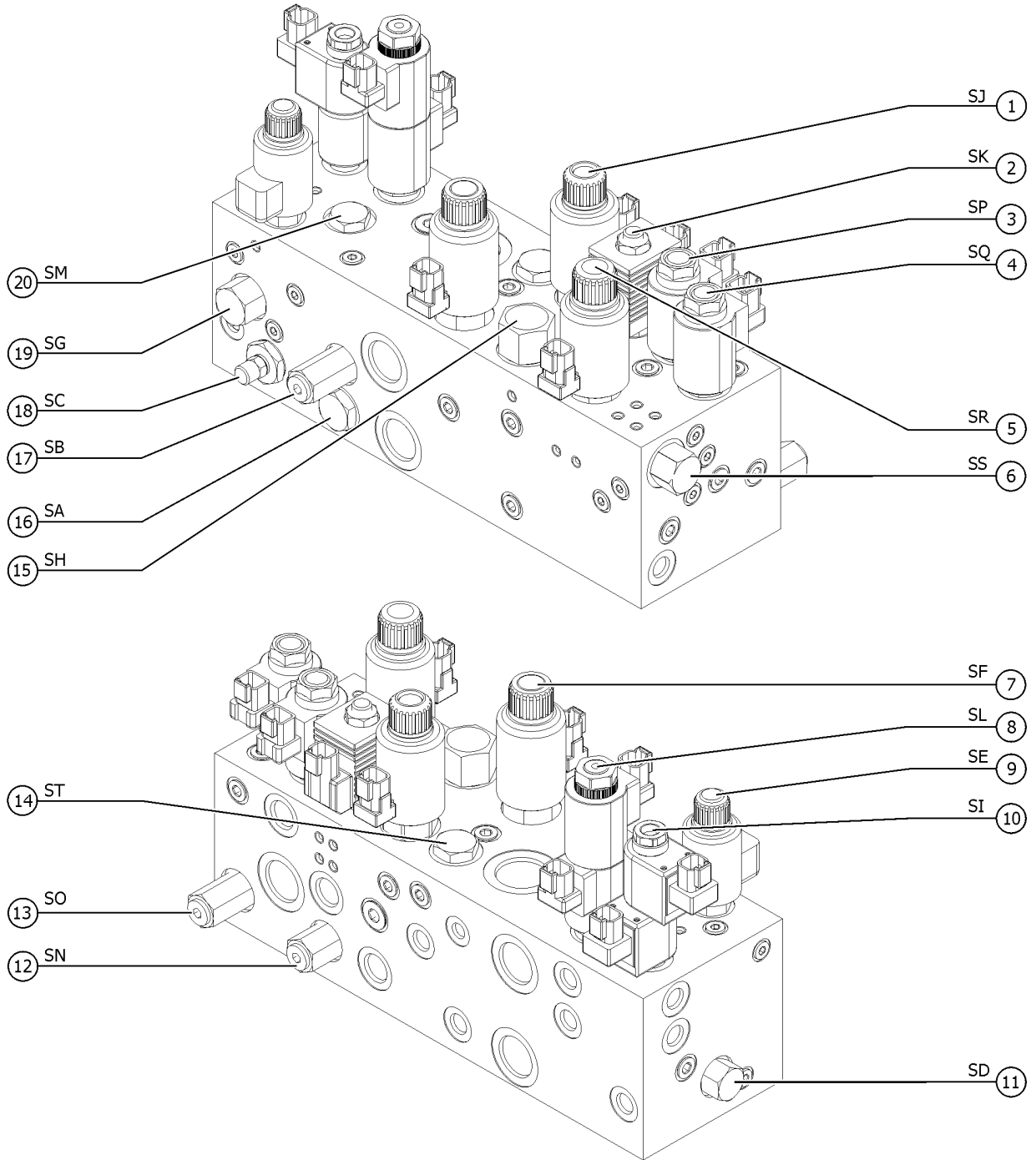
706.1 Function Manifold



Item	Part No.	Description	Qty.
8-	111778GT	COIL,10V DC(D10,26 WATT)	
8-	122653GT	Coil Nut	
8-	122657GT	SEAL KIT	
9	102528GT	VALVE,PROPORTIONAL	
		(SE, Swing proportional)	
9-	89737GT	COIL, PROPORTIONAL VALVE***	
9-	89738GT	NUT, PROPORTIONAL VALVE	
9-	89312GT	SEAL KIT, SOLENOID VALVE	
9-	102526GT	O-RING, PROPORTIONAL VALVE	
		(between coil and nut)	
10	122645GT	SOLENOID VALVE,SPOOL TYPE	
		(SI, Swing directional)	
10-	89733GT	COIL SOLENOID VALVE***	
10-	102940GT	NUT,SOLENOID VALVE	
10-	122120GT	SEAL KIT, SOLENOID VALVE	
11	19060GT	VALVE,FLOW REGULATOR	
		(SD, Oscilate flow control)	
11-	74902GT	SEAL KIT, VALVE	
12	48415GT	VALVE,RELIEF	
		(SN, Boom down relief)	
12-	74902GT	SEAL KIT, VALVE	
13	110209GT	VALVE, RELIEF, 2400 PSI	
		(SO, Boom extend relief)	
13-	74902GT	SEAL KIT, VALVE	
14	122656GT	VALVE, CHECK, 30 PSI	
		(ST, Return check valve)	
14-	110194GT	SEAL KIT, VALVE, #10	
15	122650GT	VALV, DIFFERENTIAL SENSING	
		(SH, Primary lift)	
15-	122660GT	Seal Kit	
16	122646GT	BYPASS VALVE RELIEF	
		(SA, Back flow check function pump)	
16-	110194GT	SEAL KIT, VALVE, #10	
17	52715GT	VALVE,RELIEF 3200 PSI	
		(SB, System main relief)	
17-	74902GT	SEAL KIT, VALVE	
18	122644GT	PRESSURE REDUCING VALVE	
		(SC, Oscilate pressure control)	
19	52714GT	VALVE,DIFFERENTIAL SENSING	
		(SG, Differential sensing. TT rotate)	

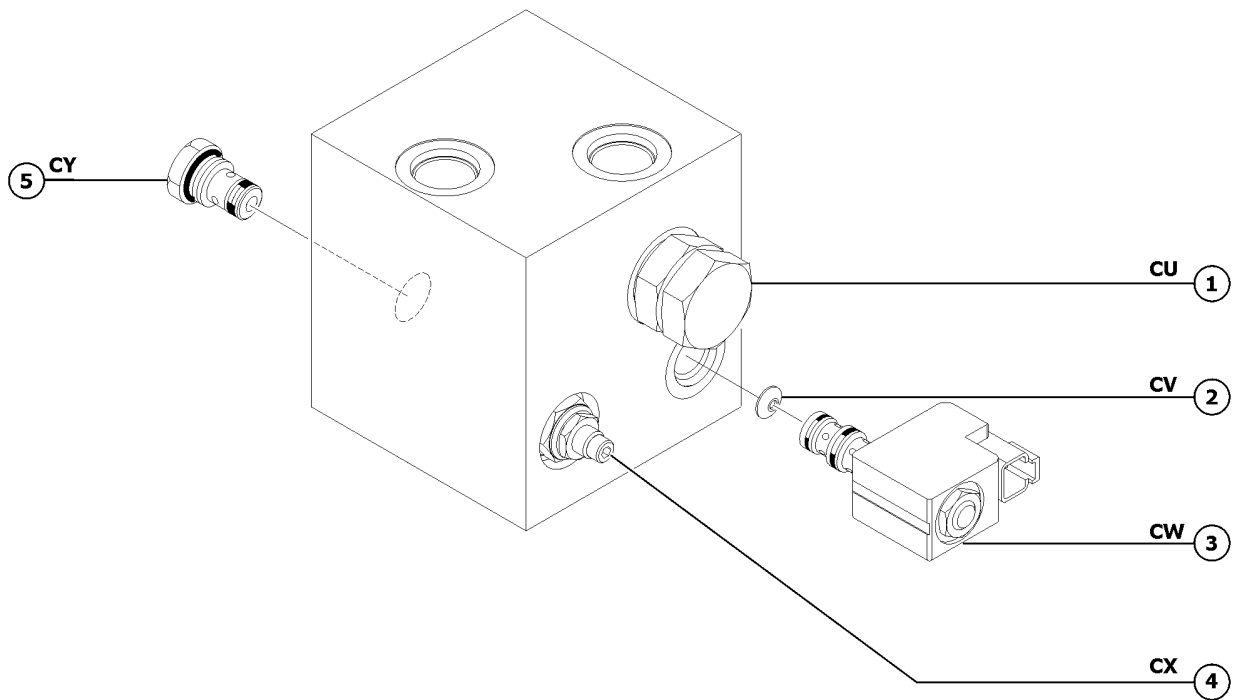


706.1 Function Manifold



<i>Item</i>	<i>Part No.</i>	<i>Description</i>	<i>Qty.</i>
19-	74902GT	SEAL KIT, VALVE	
20	122641GT	VALVE, FLOW REGULATOR	
		(SM, Steering flow control)	
20-	74902GT	SEAL KIT, VALVE	

707.1 Oil Diverter Manifold (welder option)

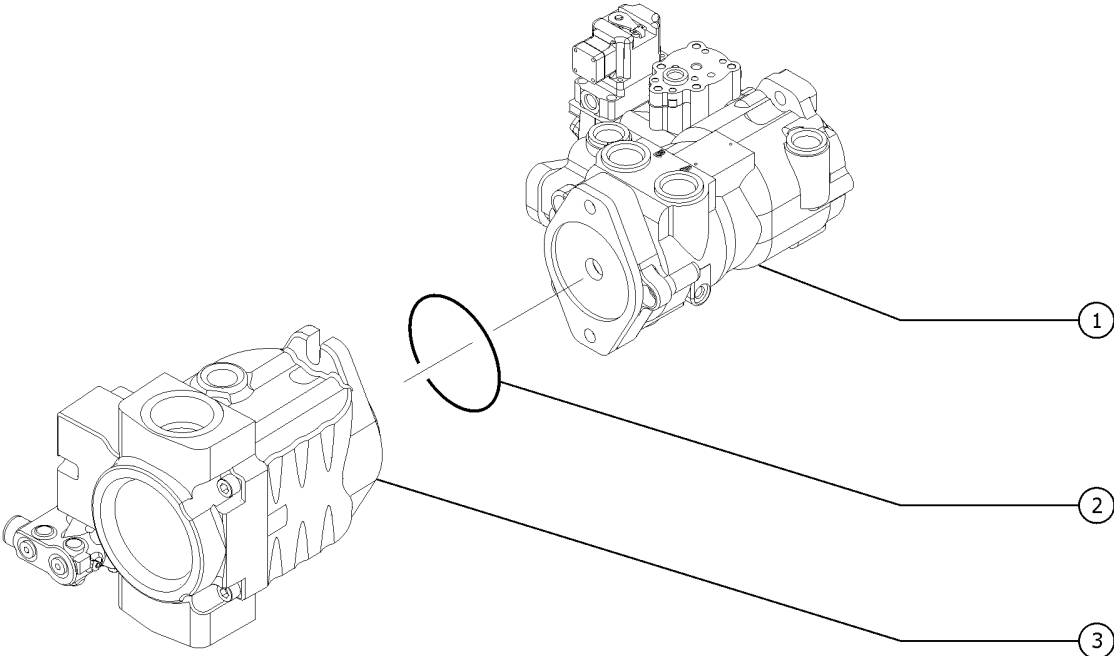


707.1 Oil Diverter Manifold (welder option)

Item	Part No.	Description	Qty.
A-	101516GT	MANIFOLD,DRIVE OIL DIVERTER (Complete)	
1	102746GT	VALVE,PILOT OPER DIRECTIONAL (CU, Diverter valve)	
2	106394GT	ORIFICE DISC,.030,CONE (CV, Delays shift to drive)	
3	94760GT	VALVE,SOLENOID,10V,W/OUT COIL* (CW, Pilot valve to diverter)	
3-	94765GT	COIL-10V DC***	
3-	94759GT	NUT,SOLENOID	
3-	128419GT	SEAL KIT	
4	122302GT	RELIEF,VALVE 270 PSI (CX, Charge pressure circuit)	
4-	128416GT	SEAL KIT	
5	94757GT	VALVE,CHECK,3 PSI*** (CY, Prevents oil flow to generator)	
5-	128416GT	SEAL KIT	

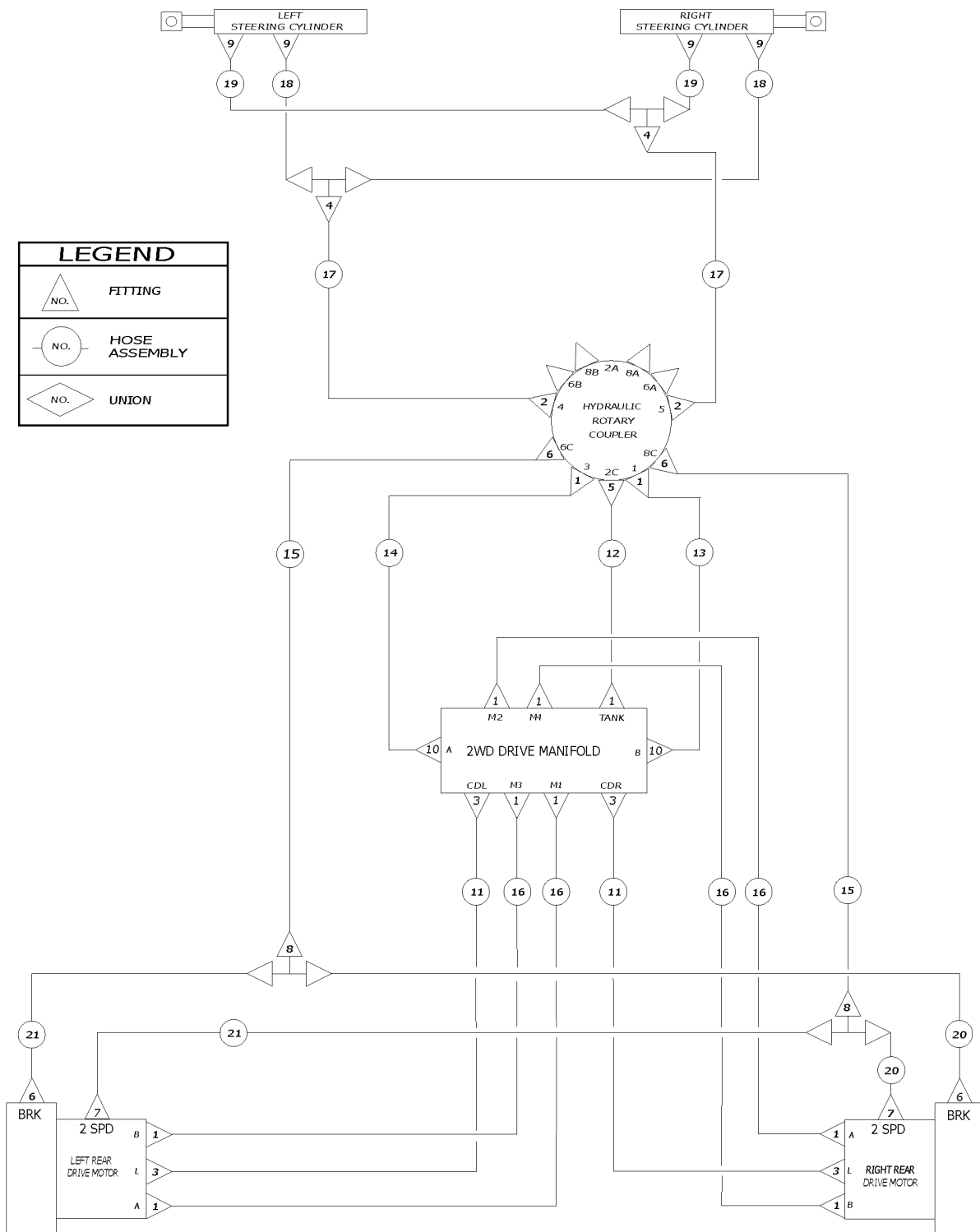


708.1 Pumps



<i>Item</i>	<i>Part No.</i>	<i>Description</i>	<i>Qty.</i>
1	101068GT	PUMP,PISTON,46CC,B MOUNT,13T** (drive pump)	1
1-	29739GT	SEAL KIT,SAUER-DANFOSS M46***	
1-	77819GT	EDC ASSY,SAUER M46***	
1-	58290GT	VALVE,EDC,PILOT,SAUER,M46***	
2	52087GT	O-RING,2-044 BUNA***	1
3	121310GT	PUMP,FUNCTION,38CC,LS	1
3-	122669GT	SEAL KIT	

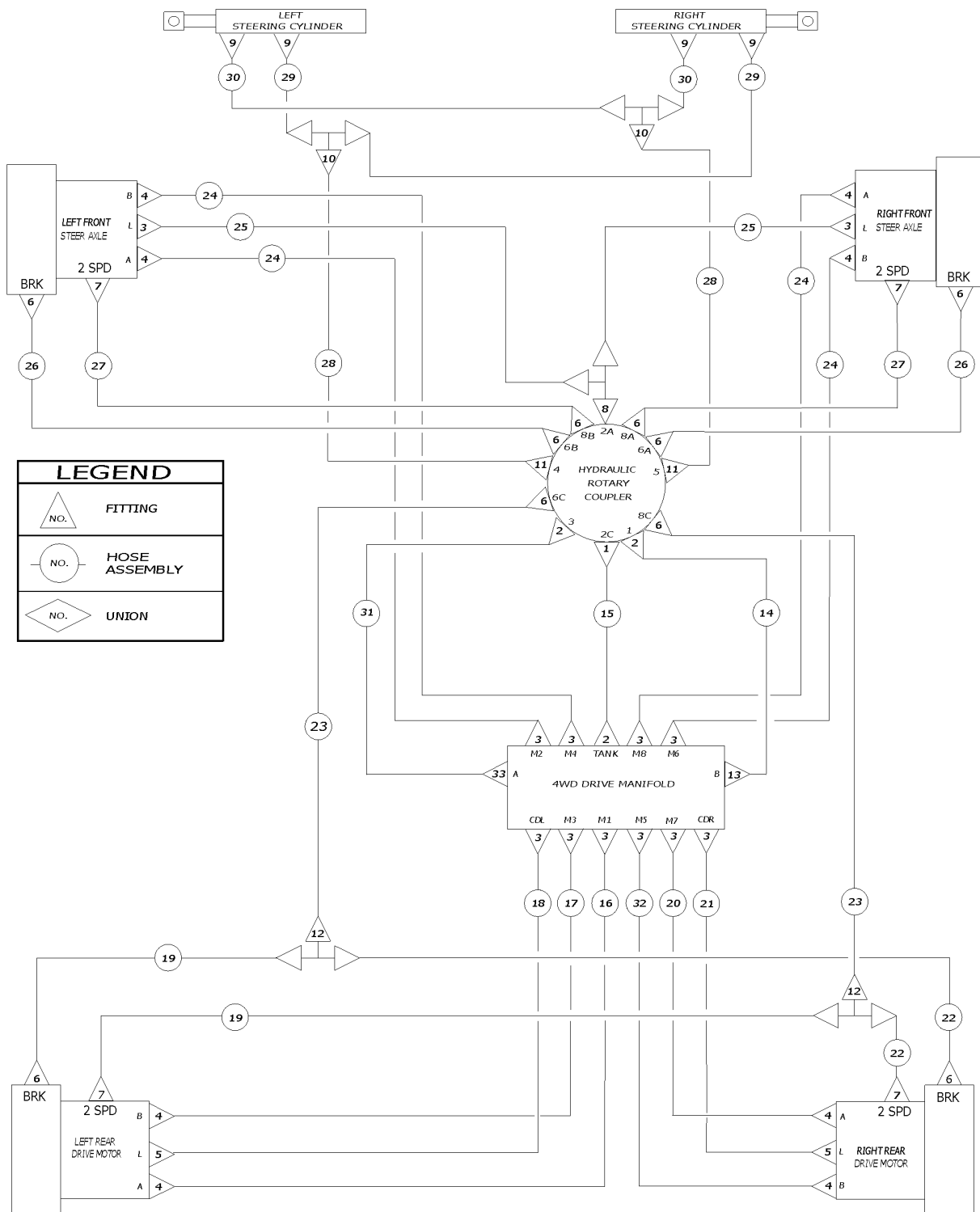
709.1 2WD Drive and Steer System



Item	Part No.	Description	Qty.
1	48960GT	FITTING,CONN,520120-12***	10
2	48916GT	FITTING,CONN,520120-6	2
3	48933GT	CONN,520120-8***	4
4	89449GT	FITTING, BRANCH BULKHEAD	2
5	48963GT	FITTING,ELBOW,45D,520320-12***	1
6	48905GT	CONN,520120-4***	4
7	48911GT	ELBOW,90D,520220-4-6***	2
8	48909GT	TEE,BULKHEAD,RUN,520958-4	2
9	48915GT	ELBOW,90D,520220-6	4
10	48959GT	ELBOW,90D,520220-12	2
11	49143-5229GT	HOSE ASSY,1/2,90 FEM,STR FEM	2
12	49149-2526GT	HOSE ASSY,3/4,STR FEM,STR FEM	1
13	89871-2648GT	HOSE ASSY,3/4,STR FEM,STR FEM	1
14	89871-2448GT	HOSE ASSY,3/4,STR FEM,STR FEM	1
15	49116-3137GT	HOSE ASSY,1/4,45 FEM,STR FEM	2
16	94374-5130GT	HOSE ASSY,3/4",90F,STR F	4
17	49130-2957GT	HOSE ASSEMBLY,3/8	2
18	49128-2409GT	HOSE ASSEMBLY,3/8"	2
19	49128-3709GT	HOSE ASSEMBLY,3/8"	2
20	49117-5391GT	HOSE ASSY,1/4,90 FEM,STR FEM	2
21	49119-4578GT	HOSE ASSY,1/4,STR FEM,STR FEM	2



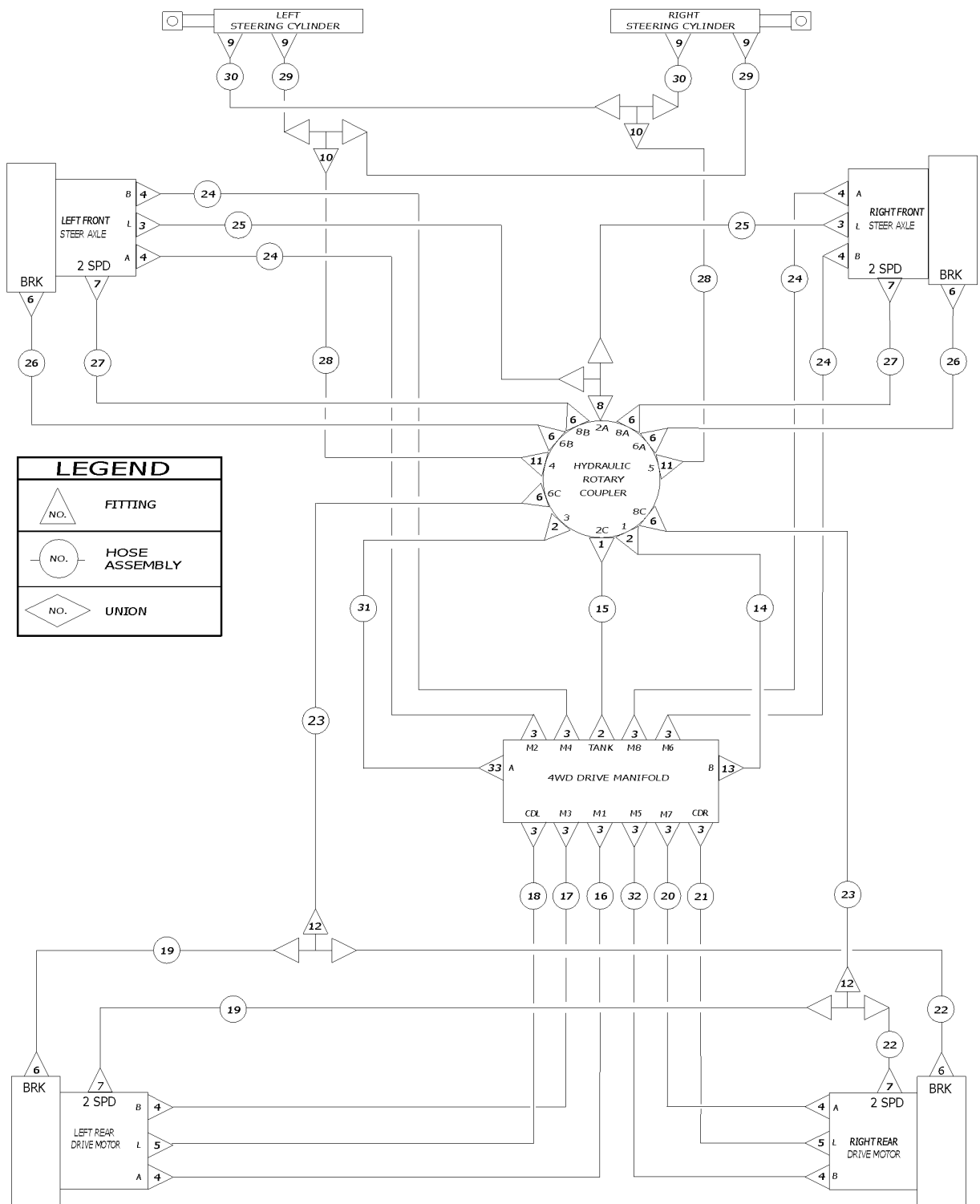
710.1 4WD Drive and Steer System



Item	Part No.	Description	Qty.
1	48963GT	FITTING,ELBOW,45D,520320-12***	1
2	48960GT	FITTING,CONN,520120-12***	3
3	48933GT	CONN,520120-8***	12
4	48948GT	CONN,520120-8-12	8
5	48932GT	FITTING,ELBOW,90D,520220-8***	2
6	48905GT	CONN,520120-4***	10
7	48911GT	ELBOW,90D,520220-4-6***	4
8	48936GT	TEE,BRANCH,520429-8	1
9	48915GT	ELBOW,90D,520220-6	4
10	89449GT	FITTING, BRANCH BULKHEAD	2
11	48916GT	FITTING,CONN,520120-6	2
12	48909GT	TEE,BULKHEAD,RUN,520958-4	2
13	48959GT	ELBOW,90D,520220-12	1
14	89871-2448GT	HOSE ASSY,3/4,STR FEM,STR FEM	1
15	49149-2526GT	HOSE ASSY,3/4,STR FEM,STR FEM	1
16	75278-4829GT	HOSE ASSY,1/2,90 FEM,STR FEM	1
17	75278-5229GT	HOSE ASSY,1/2,90 FEM,STR FEM	1
18	49183-5092GT	HOSE ASSY,1/2,STR FEM,STR FEM*	1
19	49119-4578GT	HOSE ASSY,1/4,STR FEM,STR FEM	2
20	75278-4729GT	HOSE ASSY,1/2,90 FEM,STR FEM	1
21	49183-4692GT	HOSE ASSY,1/2,STR FEM,STR FEM	1
22	49117-5391GT	HOSE ASSY,1/4,90 FEM,STR FEM	2
23	49116-3137GT	HOSE ASSY,1/4,45 FEM,STR FEM	2
24	81812-14692GT	ASSY, HOSE, HYD, -8, 4250, STR, STR	4
25	49141-11463GT	ASSY,HOSE,HYD,-6,3000,STR,STR	2
26	49117-11491GT	HOSE ASSY,1/4,90 FEM,STR FEM**	2
27	49119-11378GT	HOSE ASSY,1/4,STR FEM,STR FEM	2
28	49130-2957GT	HOSE ASSEMBLY,3/8	2



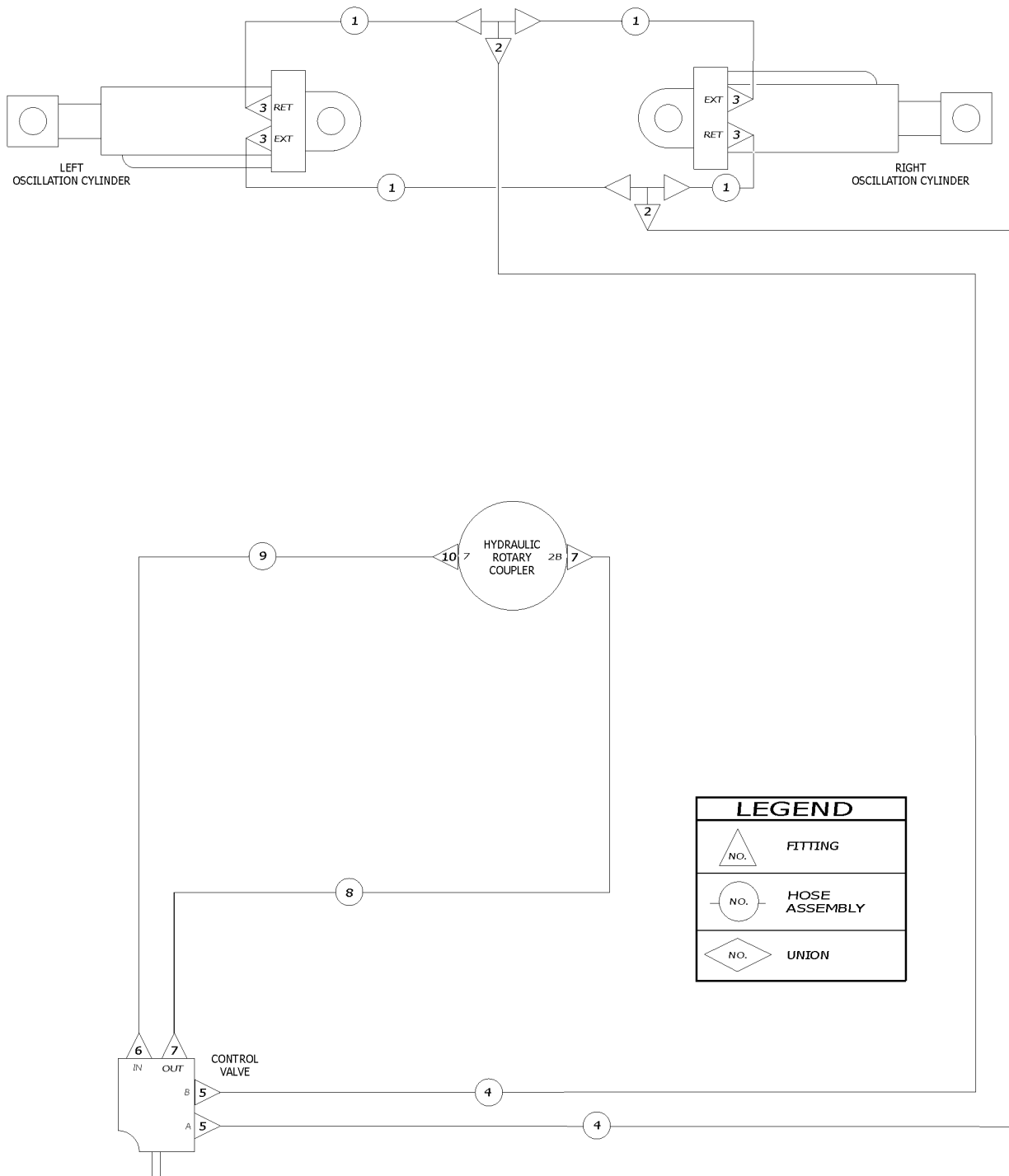
710.1 4WD Drive and Steer System



<i>Item</i>	<i>Part No.</i>	<i>Description</i>	<i>Qty.</i>
29	49128-2409GT	HOSE ASSEMBLY,3/8"	2
30	49128-3709GT	HOSE ASSEMBLY,3/8"	2
31	49117-4891GT	HOSE ASSY,1/4,90 FEM,STR FEM	
32	75278-5029GT	HOSE ASSY,1/2,90 FEM,STR FEM	
33	48960GT	FITTING,CONN,520120-12***	



711.1 Oscillate System

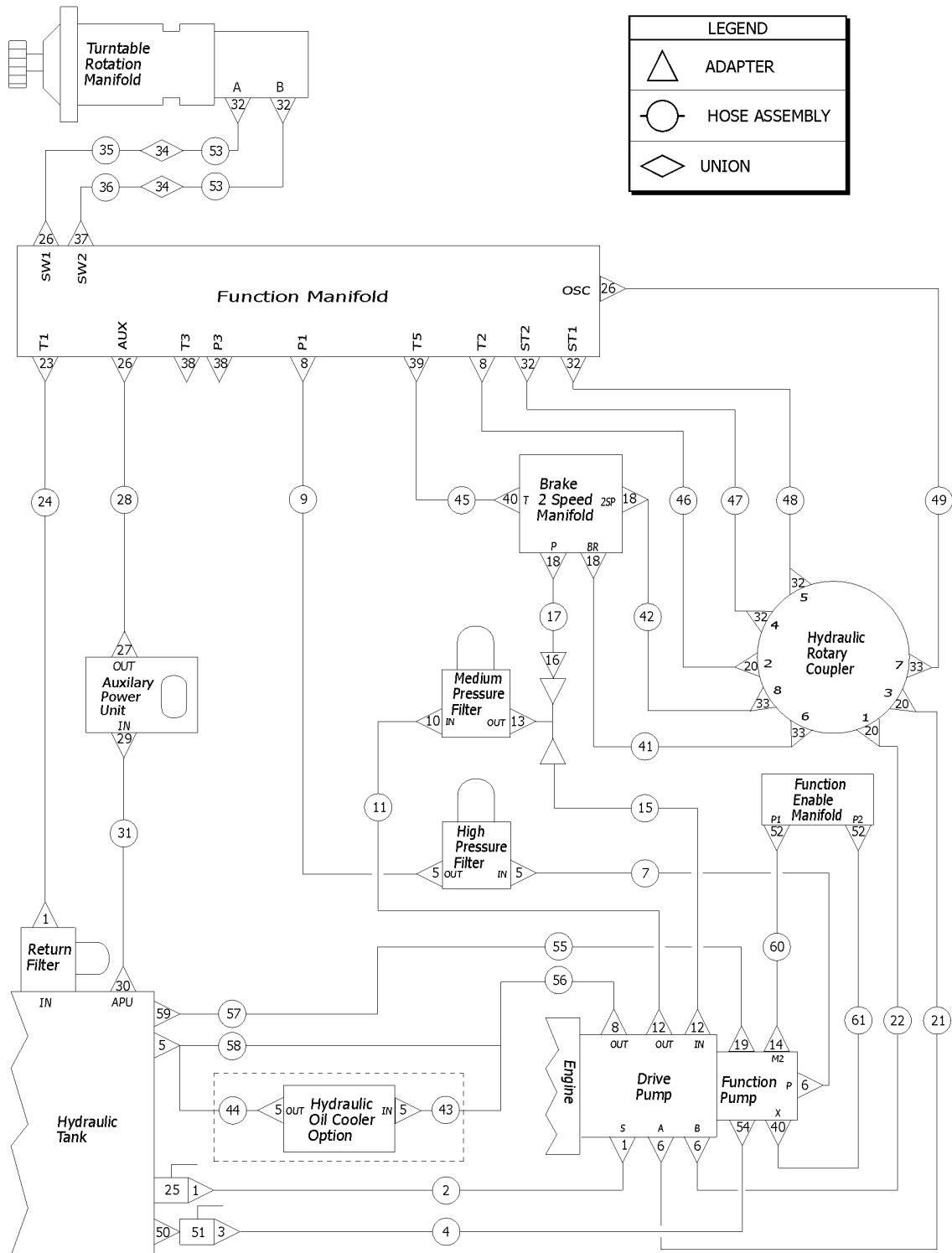


711.1 Oscillate System

<i>Item</i>	<i>Part No.</i>	<i>Description</i>	<i>Qty.</i>
1	49128-4209GT	HOSE ASSY,3/8,90D	4
2	89449GT	FITTING, BRANCH BULKHEAD	2
3	48920GT	ELBOW,45D,520320-6	4
4	49130-8382GT	HOSE ASSY,FEM SW,6-6	2
5	48915GT	ELBOW,90D,520220-6	2
6	48914GT	CONN,520120-4-8	1
7	48930GT	CONN,520120-6-8	2
8	49128-4509GT	HOSE ASSY,3/8" 90 FEM,STR FEM	1
9	49117-4891GT	HOSE ASSY,1/4,90 FEM,STR FEM	1
10	48907GT	48907GT	1



712.1 Turntable Components

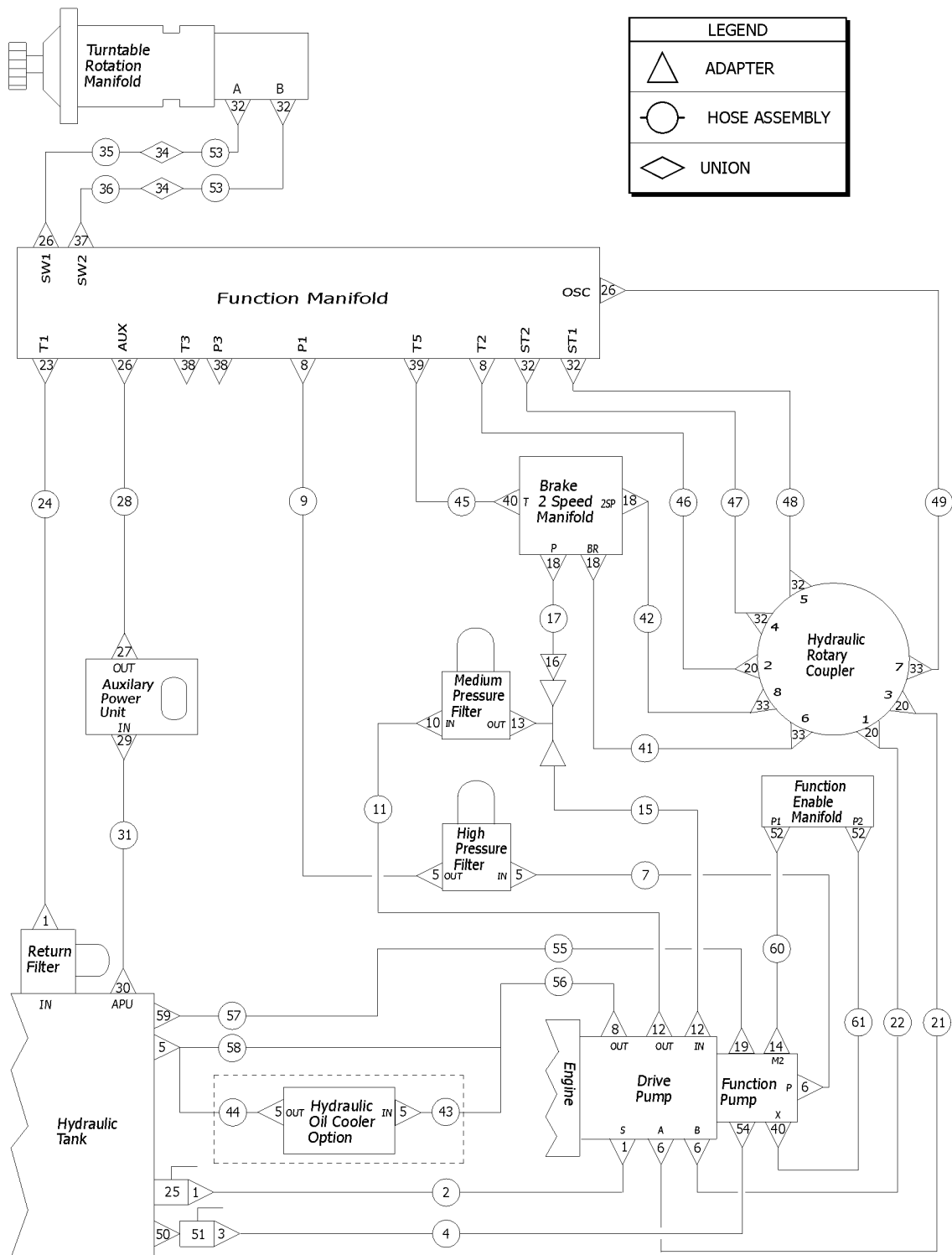


712.1 Turntable Components

Item	Part No.	Description	Qty.
1	48984GT	CONN,520120-16	3
2	88942-9554GT	HOSE ASSY,1",90 FEM,STR FEM	1
3	61083GT	CONN,520120-24	1
4	121608-9175GT	HOSE ASSY,1-1/2,STR,90D JIC	1
5	48959GT	ELBOW,90D,520220-12	5
6	48977GT	CONN,520120-12-16	3
7	94374-4330GT	HOSE ASSY,3/4,90 FEM,STR FEM	1
8	48960GT	FITTING,CONN,520120-12***	3
8-	48959GT	ELBOW,90D,520220-12	
		(use with hose 49151-3548)	
8-	48963GT	FITTING,ELBOW,45D,520320-12***	
		(welder option)	
8-	48964GT	TEE,RUN,SWIVEL,520432-12	
		(welder option)	
9	89871-5348GT	HOSE ASSY,3/4,STR FEM,STR FEM	1
10	48933GT	CONN,520120-8***	1
11	217058GT	HOSE ASSY,1/2,90 FEM,STR FEM	1
12	42790GT	ELBOW,45D,520320-8-10	2
13	48935GT	TEE, RUN, 520428-8	1
14	48912GT	CONN,520120-4-6***	1
15	49143-4129GT	HOSE ASSY,1/2,90 FEM,STR FEMM*	1
16	111572GT	REDUCER,520123-8-6	1
17	1256206GT	HYD TUBE,BRAKE/2 SPD PRESS LINE	1
18	48927GT	CONN,520120-6-4	3
19	48946GT	CONN,520120-8-10	1
20	48963GT	FITTING,ELBOW,45D,520320-12***	3
21	89871-5848GT	HOSE ASSY,3/4,STR FEM	1
22	89871-5648GT	HOSE ASSY,3/4,STR FEM	1
23	48983GT	ELBOW,90D,520220-16	1
24	88942-6754GT	HOSE ASSY,1,90 FEM,STR FEM	1
25	48996GT	VALVE,BALL,16 MSAE-16 FSAE***	1



712.1 Turntable Components

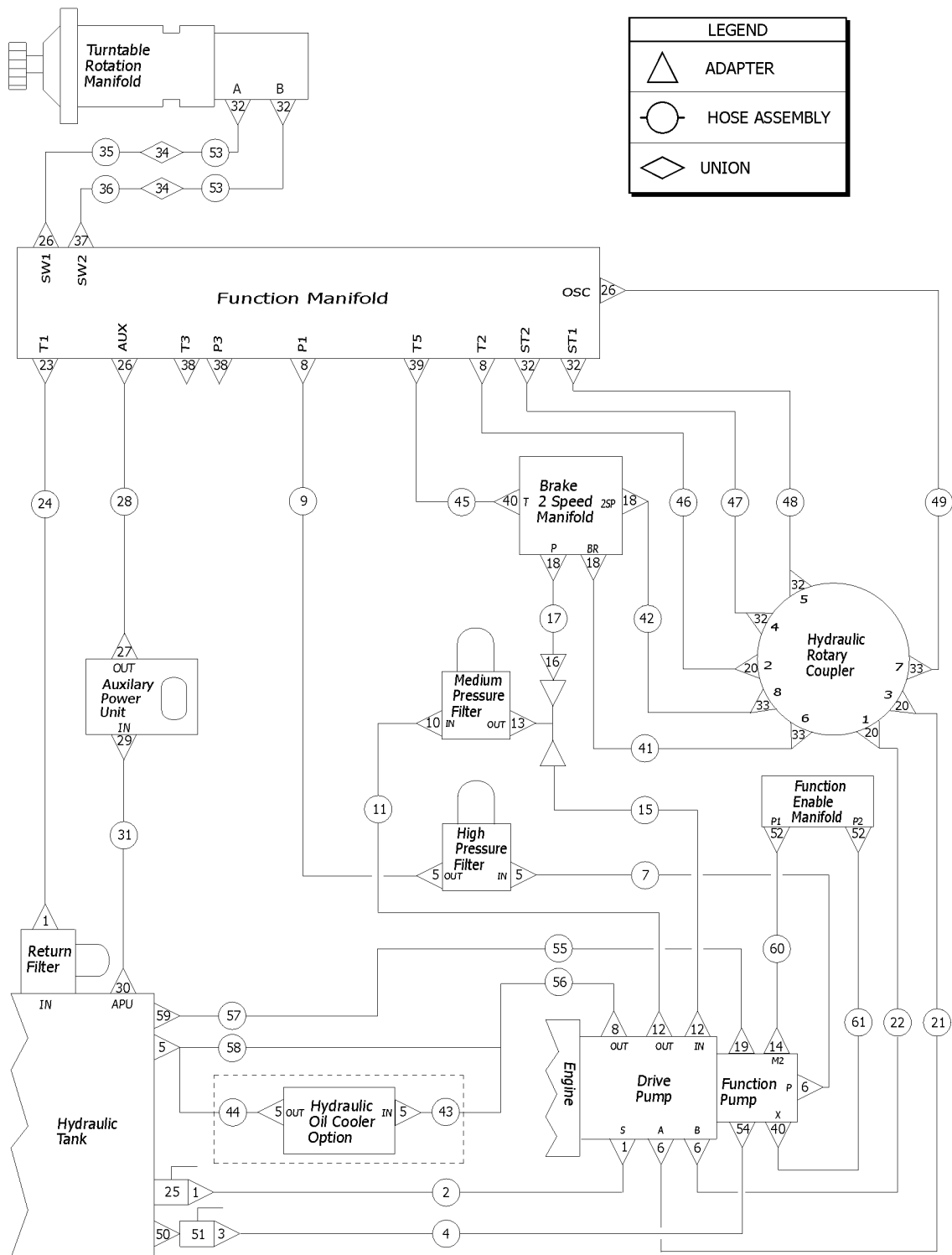


712.1 Turntable Components

Item	Part No.	Description	Qty.
26	48915GT	ELBOW,90D,520220-6	3
27	48918GT	TEE,RUN,520428-6	1
28	49128-1509GT	HOSE ASSY,3/8,90 FEM,STR FEM	1
29	48932GT	FITTING,ELBOW,90D,520220-8***	1
30	48933GT	CONN,520120-8***	1
31	49183-2692GT	HOSE ASSY,1/2,STR FEM,STR FEM*	1
32	48916GT	FITTING,CONN,520120-6	7
33	48928GT	ELBOW,45D,520320-6-4	3
34	61321GT	ELBOW,90D,BLKHD,ORFS-6-6 W/NUT	2
35	121685GT	HYD TUBE,SWING DRIVE #1	1
36	121684GT	HYD TUBE,SWING DRIVE #2	1
37	56003GT	ELBOW,90D,LONG,521520-6	1
38	87172GT	PLUG,HEX SOCKET,090109B-12	2
39	48905GT	CONN,520120-4***	1
40	48904GT	CONN,520120-4*** (Deutz and Perkins models)	2
41	1256825GT	HYD TUBE,BRAKE	1
42	1256824GT	HYD TUBE,2-SPEED	1
43	121370GT	HYD TUBE, DRIVE CASE COOLER	1
44	49151-1898GT	HOSE ASSY,3/4,STR FEM,STR FEM	1
45	49117-6191GT	HOSE ASSY,1/4,90 FEM,STR FEM	1
46	49149-3126GT	HOSE ASSY,3/4,45 FEM,STR FEM	1
47	121682GT	HYD TUBE,STEER TUBE #2	1
48	121683GT	HYD TUBE,STEER TUBE #1	1
49	121681GT	HYD TUBE,OSC TUBE	1
50	75254GT	UNION,STR.THREAD 24***	1
51	75256GT	VALVE BALL,24 FSAE-24 FSAE***	1
52	48907GT	48907GT (Deutz and Perkins models)	2
53	49128-2609GT	HOSE ASSEMBLY,3/8"	2



712.1 Turntable Components

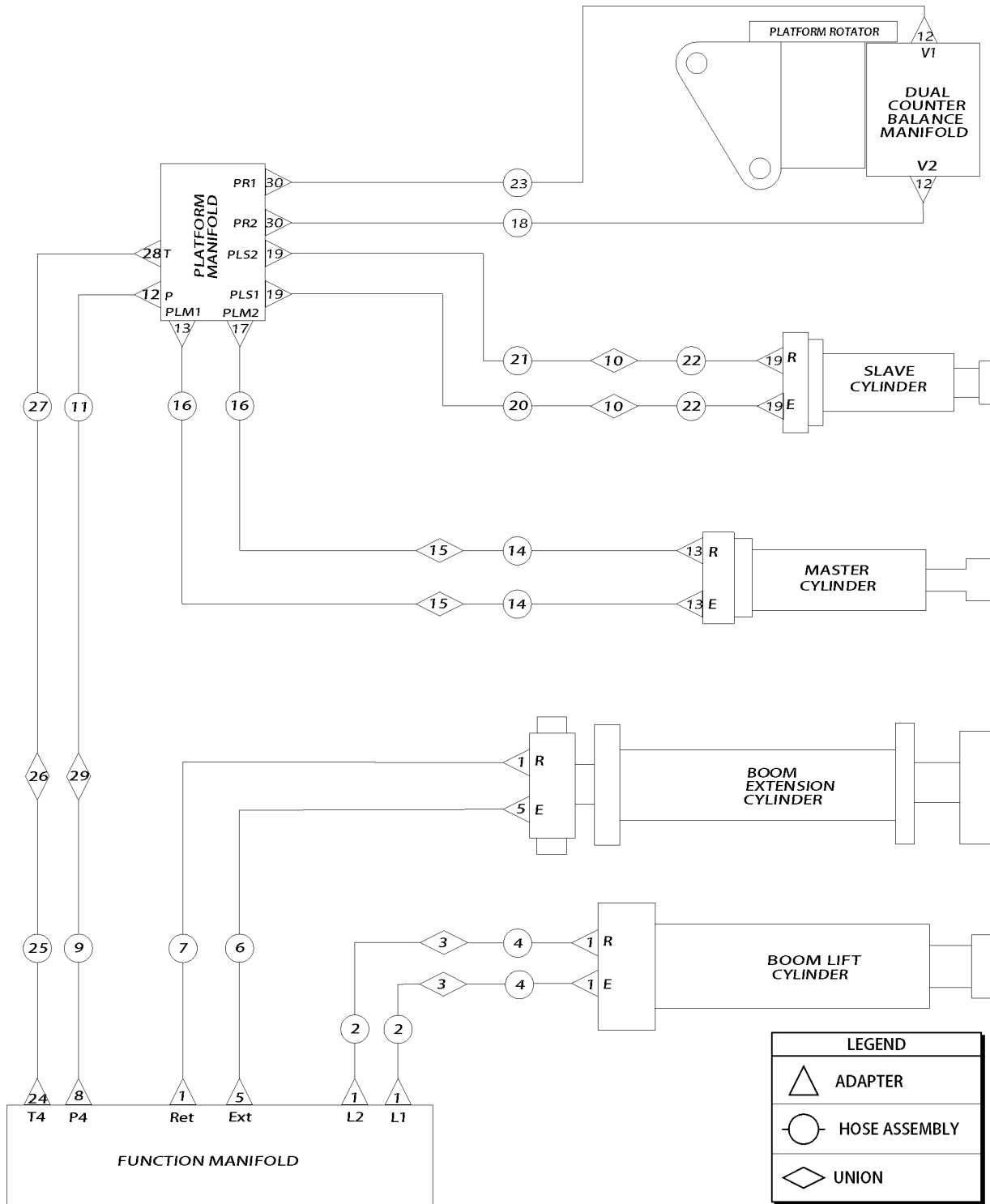


712.1 Turntable Components

<i>Item</i>	<i>Part No.</i>	<i>Description</i>	<i>Qty.</i>
54	121777GT	CONN,070121-24-24	1
55	49143-2829GT	HOSE ASSY,1/2,90 FEM,STR FEMM*	1
55-		SEAL, ORFS TUBE FLANGE, 8PLS	
		(no longer available)	
56	49151-3548GT	HOSE ASSY,3/4,STR FEM,STR FEM	1
57	121366GT	HYD TUBE,FUNCTION CASE	1
58	121365GT	HYD TUBE, DRIVE CASE	1
59	75614GT	ELBOW,90D,LONG,521520-8	1
60	49116-1437GT	HOSE ASSY,1/4,45 FEM,STR FEM	1
61	49119-1378GT	HOSE ASSY,1/4,STR FEM,STR FEM	1



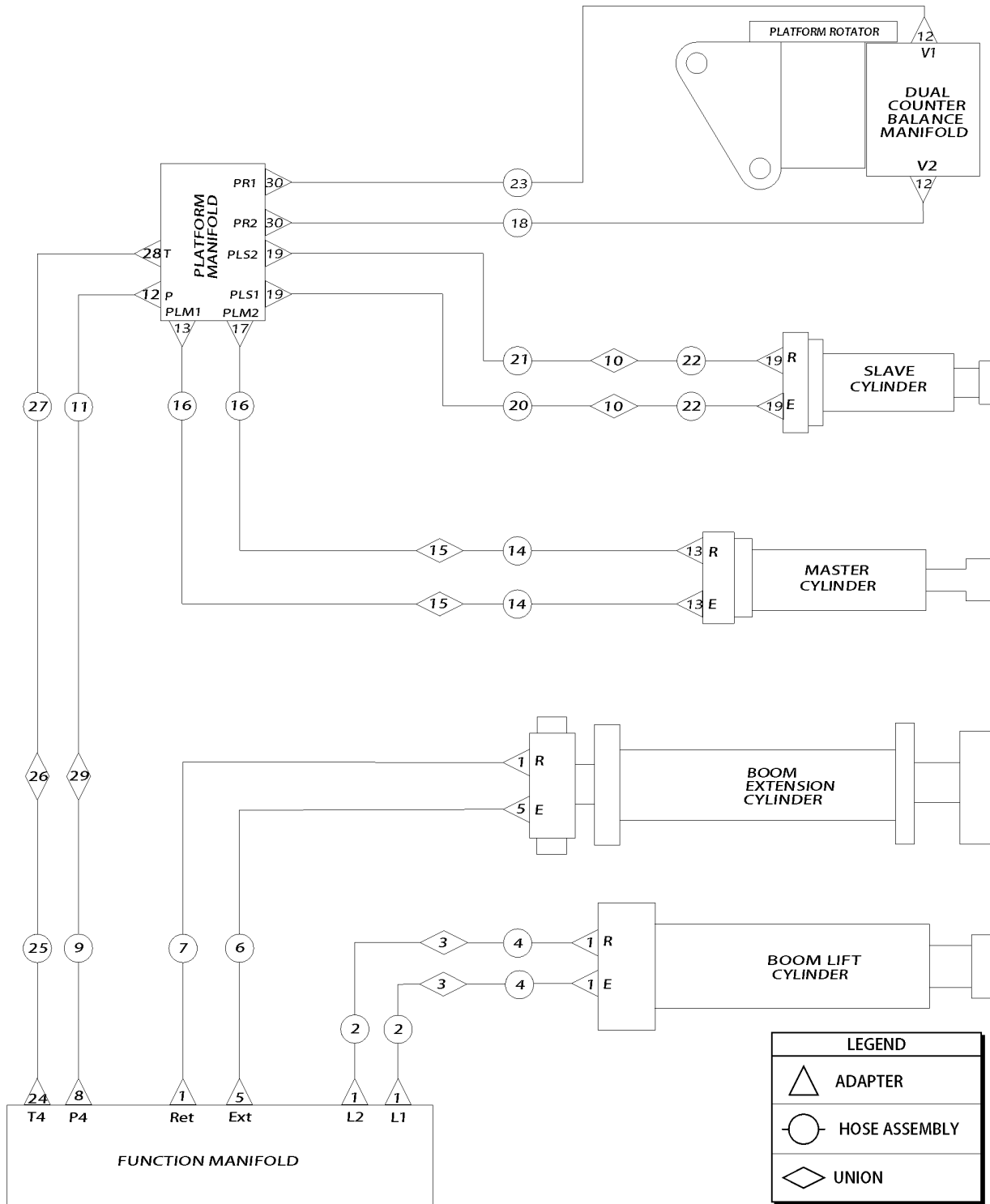
713.1 Boom, S-80X and S-80



Item	Part No.	Description	Qty.
1	48933GT	CONN,520120-8***	6
2	49143-14429GT	HOSE ASSY,1/2,90 FEM,STR FEMM* (components: 48822, 48827 and 48756 @ 142 inches)	2
3	48894GT	CONN,BULKHEAD,520601-8	2
4	49137-5041GT	HOSE ASSY,1/2,90L FEM,STR FEM (components: 48822, 48824 and 48756 @ 48 inches)	2
5	48960GT	FITTING,CONN,520120-12***	2
6	102313-17526GT	HOSE ASSY,3/4,45 FEM,STR FEM (components: 48841, 48845 and 94358 @ 172 inches)	1
7	49141-17463GT	HOSE ASSY,1/2,45 FEM,STR FEM (components: 48822, 48826 and 48756 @ 172 inches)	1
8	48912GT	CONN,520120-4-6***	1
9	49119-51078GT	HOSE ASSY,1/4 STR FEM,STR FEM (components: 48800, 48800 and 48751 @ 509 inches)	1
10	61079GT	ELBOW,90D,BULKHEAD,520701-4	2
11	49119-66978GT	HOSE ASSY,1/4 STR FEM,STR FEM (components: 48800, 48800 and 48751 @ 668 inches)	1
12	48907GT	48907GT	4
13	48904GT	CONN,520120-4***	3
14	49119-34078GT	HOSE ASSY,1/4,STR FEM,STR FEM* (components: 48800, 48800 and 48751 @ 339 inches)	2
15	61269GT	UNION,BULKHEAD,ORFS,520601,-4	2
16	49119-66978GT	HOSE ASSY,1/4 STR FEM,STR FEM (components: 48800, 48800 and 48751 @ 668 inches)	2
17	61259GT	ELBOW,90D,LONG,521520-4	1
18	49116-2637GT	HOSE ASSY,1/4,45 FEM,STR FEM (components: 48800, 48801 and 48751 @ 24 inches)	1
19	48905GT	CONN,520120-4***	6
20	49117-4691GT	HOSE ASSY,1/4,90 FEM,STR FEM (components: 48800, 48802 and 48751 @ 45 inches)	1
21	121787-4691GT	HOSE ASSY,1/4,90L FEM,STR FEM (components: 48800, 121788 and 48751 @ 45 inches)	1
22	49117-2791GT	HOSE ASSY,1/4",90 FEM,STR FEM	2
23	49116-2437GT	HOSE ASSY,1/4,45 FEM,STR FEM (components: 48800, 48801 and 4875 @ 22 inches)	1
24	48916GT	FITTING,CONN,520120-6	1
25	49128-50409GT	HOSE ASSY,3/8,90 FEM,STR FEM (components: 48816, 48812 and 48753 @ 502 inches)	1
26	61321GT	ELBOW,90D,BLKHD,ORFS-6-6 W/NUT	1
27	49130-63782GT	HOSE ASSY,3/8",STR FEM/STR FEM (components: 48812, 48812 and 48753 @ 636 inches)	1
28	48920GT	ELBOW,45D,520320-6	1



713.1 Boom, S-80X and S-80

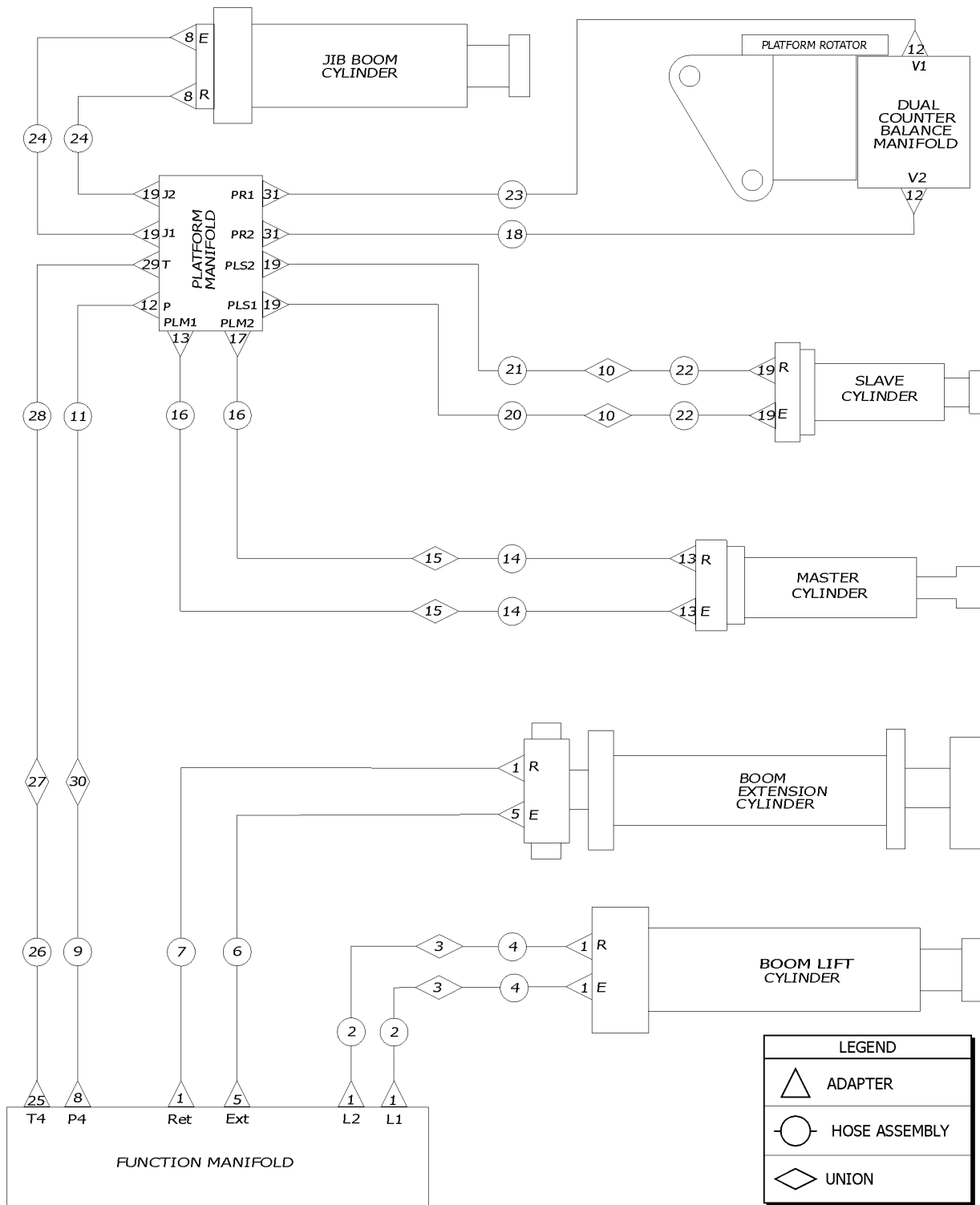


713.1 Boom, S-80X and S-80

<i>Item</i>	<i>Part No.</i>	<i>Description</i>	<i>Qty.</i>
29	61269GT	UNION,BULKHEAD,ORFS,520601,-4	1
30	1293788GT	No.4 STR ORFS W/125 MICRON SCREEN	2



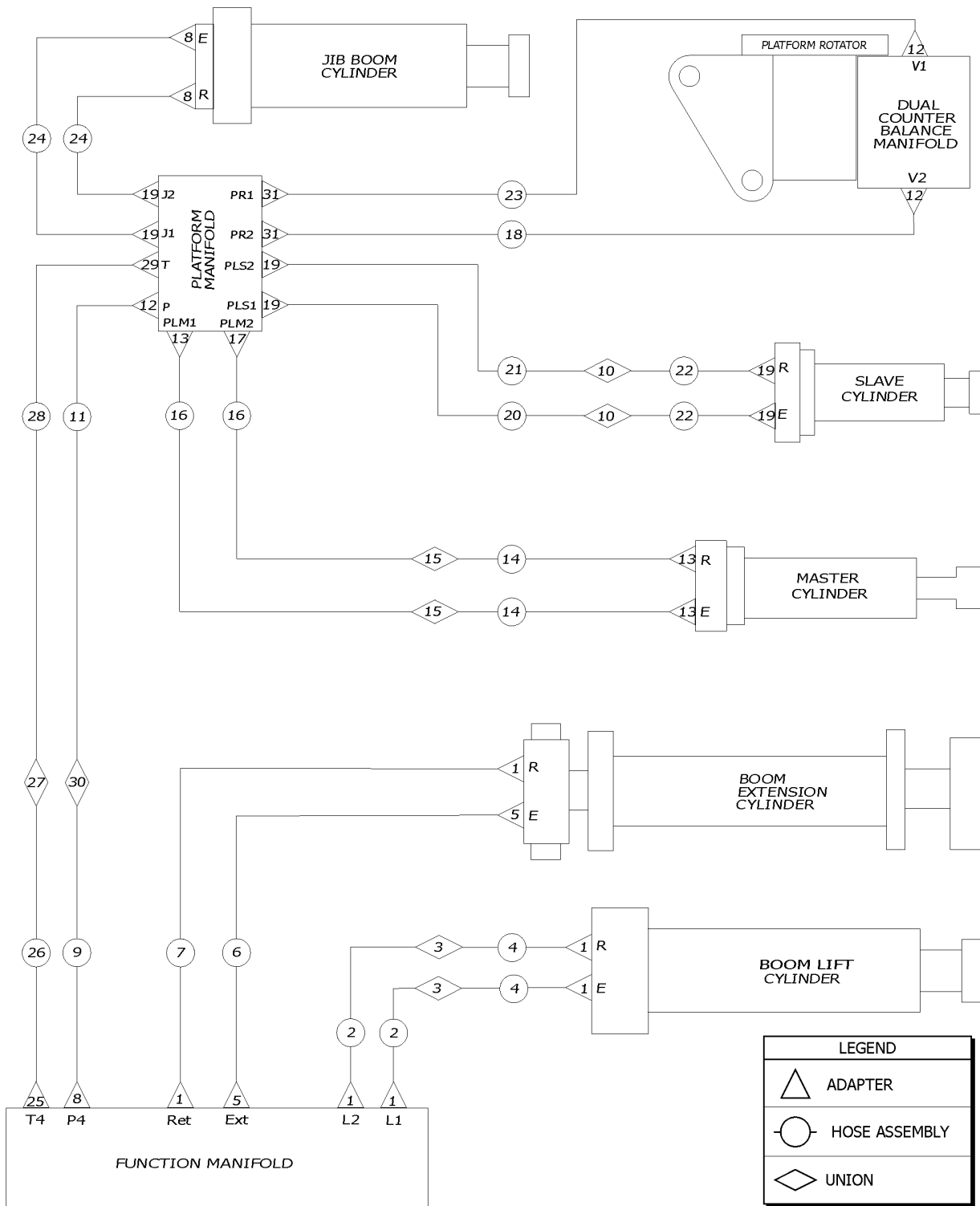
714.1 Boom, S-85



Item	Part No.	Description	Qty.
1	48933GT	CONN,520120-8***	6
2	49143-14429GT	HOSE ASSY,1/2,90 FEM,STR FEMM* (components: 48822, 48827 and 48756 @ 142 inches)	2
3	48894GT	CONN,BULKHEAD,520601-8	2
4	49137-5041GT	HOSE ASSY,1/2,90L FEM,STR FEM (components: 48822, 48824 and 48756 @ 48 inches)	2
5	48960GT	FITTING,CONN,520120-12***	2
6	102313-17526GT	HOSE ASSY,3/4,45 FEM,STR FEM (components: 48841, 48845 and 94358 @ 172 inches)	1
7	49141-17463GT	HOSE ASSY,1/2,45 FEM,STR FEM (components: 48822, 48826 and 48756 @ 172 inches)	1
8	48912GT	CONN,520120-4-6***	3
9	49119-51078GT	HOSE ASSY,1/4 STR FEM,STR FEM (components: 48800, 48800 and 48751 @ 509 inches)	1
10	61079GT	ELBOW,90D,BULKHEAD,520701-4	3
11	49119-74578GT	HOSE ASSY,1/4 STR FEM,STR FEM (components: 48800, 48800 and 48751 @ 744 inches)	1
12	48907GT	48907GT	3
13	48904GT	CONN,520120-4***	3
14	49119-34078GT	HOSE ASSY,1/4,STR FEM,STR FEM* (components: 48800, 48800 and 48751 @ 339 inches)	2
15	61269GT	UNION,BULKHEAD,ORFS,520601,-4	2
16	49119-74578GT	HOSE ASSY,1/4 STR FEM,STR FEM (components: 48800, 48800 and 48751 @ 744 inches)	2
17	61259GT	ELBOW,90D,LONG,521520-4	1
18	49116-2637GT	HOSE ASSY,1/4,45 FEM,STR FEM (components: 48800, 48801 and 48751 @ 24 inches)	1
19	48905GT	CONN,520120-4***	10
20	49117-13291GT	HOSE ASSY,1/4,90 FEM,STR FEM (components: 48800, 48802 and 48751 @ 131 inches)	1
21	121787-13291GT	HOSE ASSY,1/4,90L FEM,STR FEM (components: 48800, 121788 and 48751 @ 131 inches)	1
22	49117-2791GT	HOSE ASSY,1/4",90 FEM,STR FEM	2
23	49116-2437GT	HOSE ASSY,1/4,45 FEM,STR FEM (components: 48800, 48801 and 48751 @ 22 inches)	1
24	217055GT	HOSE ASSY,1/4,STR FEM,STR FEM (components: 48800, 48801 and 101697 @ 22 inches)	2
25	48916GT	FITTING,CONN,520120-6	1
26	49128-50409GT	HOSE ASSY,3/8,90 FEM,STR FEM (components: 48816, 48812 and 48753 @ 502 inches)	1
27	61321GT	ELBOW,90D,BLKHD,ORFS-6-6 W/NUT	1
28	49130-71382GT	HOSE ASSY,HYD,3/8",STR FEM ORFS-6 X STR FEM ORFS-6 (components: 48812, 48812 and 48753 @ 712 inches)	1



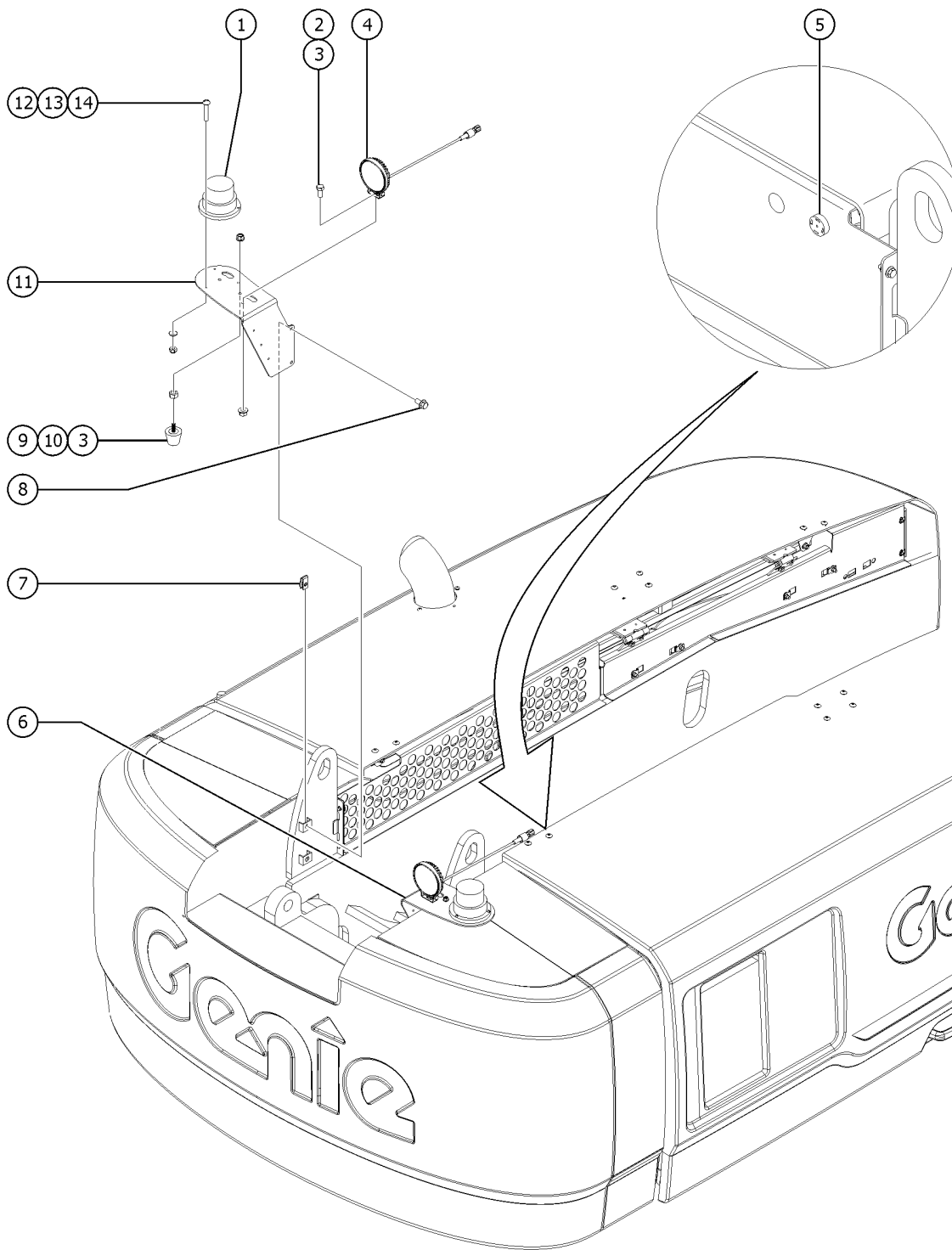
714.1 Boom, S-85



<i>Item</i>	<i>Part No.</i>	<i>Description</i>	<i>Qty.</i>
29	48920GT	ELBOW,45D,520320-6	1
30	61269GT	UNION,BULKHEAD,ORFS,520601,-4	1
31	1293788GT	No.4 STR ORFS W/125 MICRON SCREEN	2



801.1 Alarm and Beacon Package, Driving Lights

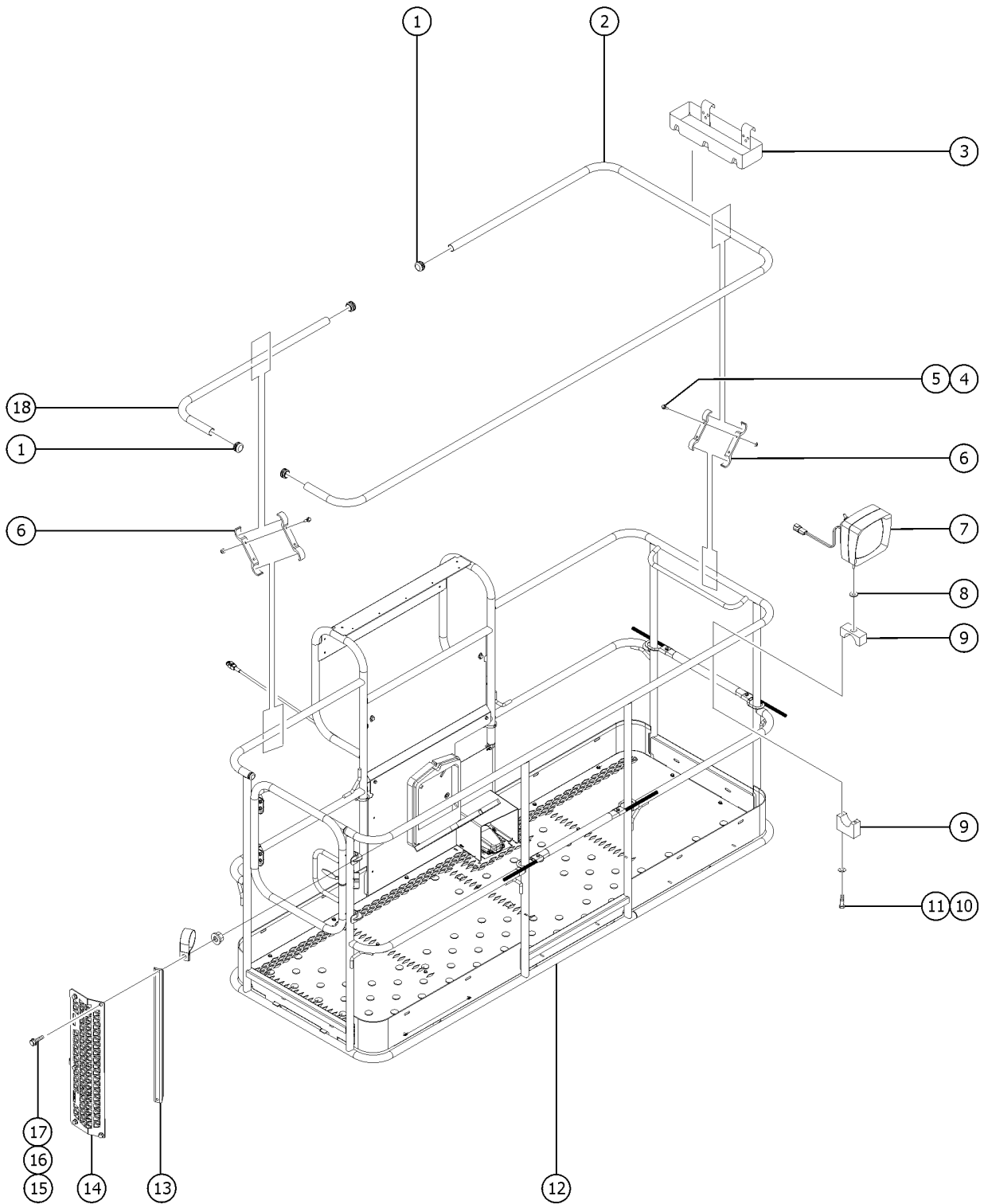


801.1 Alarm and Beacon Package, Driving Lights

Item	Part No.	Description	Qty.
1	56704GT	STROBE,FIREBOLT,12-80VDC,AMB**	2
1-	121489GT	HARNESS,BEACON,S80/85 2008	
1-	122019GT	FLASHTUBE,U SHAPED,360DEG,BULB	
1-	226393GT	FLASHTUBE,STRAIGHT,360DEG,BULB	
1-	72282GT	LENS,AMBER,STROBE,FIREBOLT	
2	1256464GT	SCREW,HHC,5/16-18X.75,8,ZAG	2
3	824028GT	NUT,TL FLG,5/16-18,G,ZAG	4
4	121800GT	ASSY, WORK/DRIVE LIGHTS 2008	2
5	45462GT	ALARM,CHIME TONE 5-25VDC*** (does not include 72326 nut)	1
5-	72326GT	NUT,PLASTIC,RING FOR ALARMS	
6	121588GT	FORMING,DRIVELIGHT,LEFT,S80-85	1
7	29868GT	SPRING CLIP,3/8-16,.05-.20X.73,ZAG	4
8	824089GT	SCREW,HHF,3/8-16X.75,8,ZAG	4
9	30973GT	BUMPER,RUBBER-1 X 1.25	2
10	1261250GT	NUT,5/16-18,8,ZAG	2
11	121589GT	FORMING,DRIVE LIGHT,RIGHT,S80	1
12	6147GT	SCREW,RHM,10-32 X 1	6
13	1253185GT	WASHER,FLAT,#10,USS,ZAG	6
14	6178GT	NUT,NYLOCK,10-32	6



802.1 Platform Options

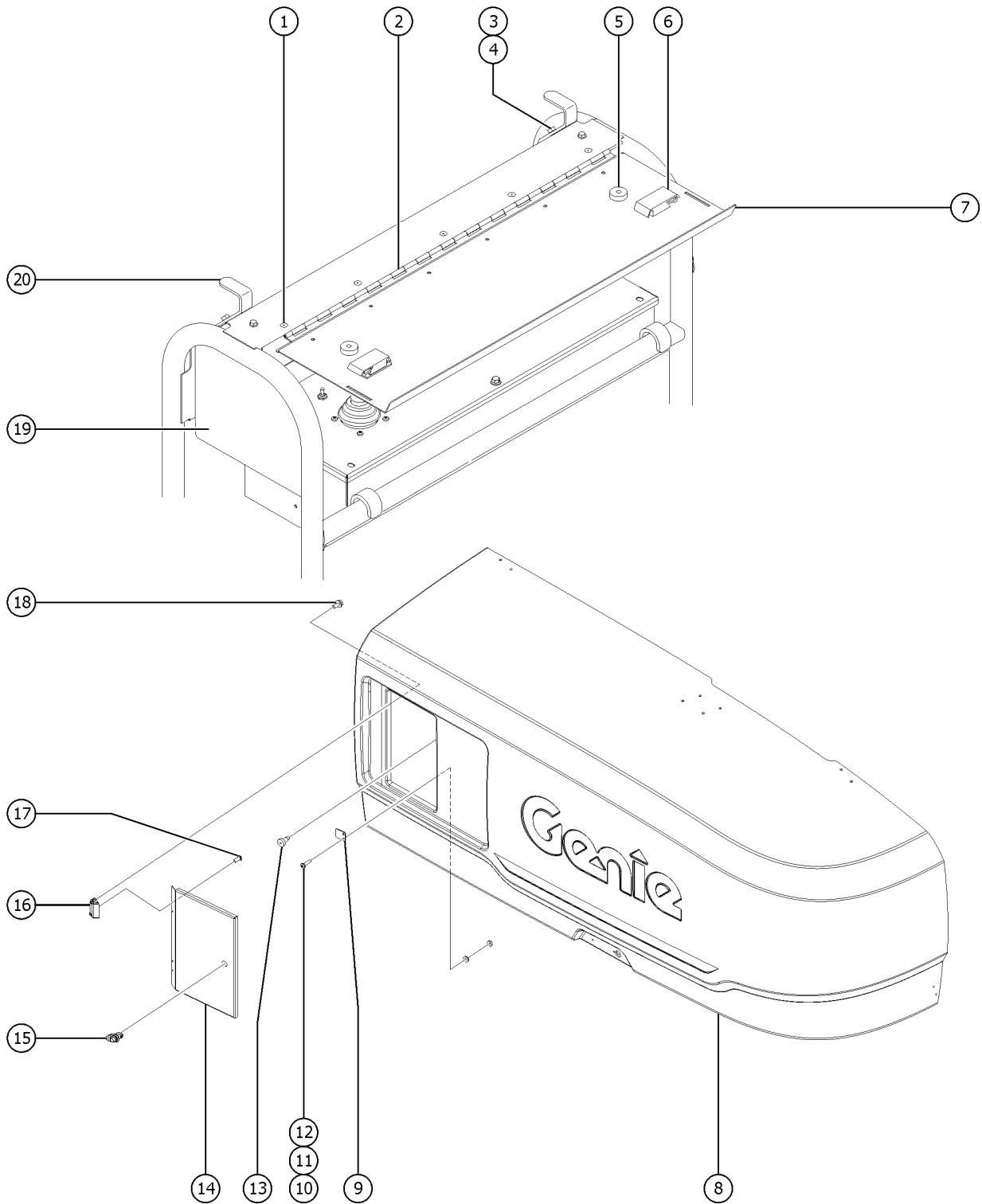


802.1 Platform Options

Item	Part No.	Description	Qty.
A	1291495GT	KIT, AUX RAIL, 6' PLAT, SIDE GATE (6 foot platform)	
B	1291496GT	KIT, AUX RAIL, 8' PLAT, SIDE GATE (8 foot platform)	
1	55753GT	BUMPER, PLASTIC, 1.25 O.D.	4
2	1271077GT	AUX RAIL, 8' PLAT., TRI ENTRY (8 foot platform)	1
2B	1270570GT	AUX RAIL, 6' PLAT, SIDE ENTRY (6 foot platform)	1
3	9599-SGT	TOOL TRAY ACCESSORY***	1
4	824079GT	SCREW,HHF,1/4-20X1,8,ZAG (8 foot platform)	26
4B	824079GT	SCREW,HHF,1/4-20X1,8,ZAG (6 foot platform)	22
5	824027GT	NUT,TL FLG,1/4-20,G,ZAG (8 foot platform)	26
5B	824027GT	NUT,TL FLG,1/4-20,G,ZAG (6 foot platform)	22
6	122073GT	SUPPORT, RAILING (8 foot platform)	26
6B	122073GT	SUPPORT, RAILING (6 foot platform)	22
7	71498GT	WORKLIGHT, 12V, DEUTSCH RECEIPT	2
8	5397GT	WASHER,FLAT,USS,5/16",Y	2
9	35956GT	WORK LIGHT MOUNTING BRACKET	2
10	6145GT	SCREW,HHC,1/4-20 X 1.5	4
11	6356GT	WASHER,LOCK,.25	4
12		Ref.WELDMENT, PLATFORM (refer to 601.2)	1
13	1277966GT	TUBE, SWING GATE GUARD	1
14	1277952GT	GUARD, SWING GATE	1
15	824086GT	SCREW,HHF,5/16-18X1,8,ZAG (8 foot platform)	5
16	56424GT	CLAMP,1.25X.5 RUBBER-CUSHION	5
17	824028GT	NUT,TL FLG,5/16-18,G,ZAG	5
18	1271078GT	AUX RAIL, 8' PLAT., TRI ENTRY (8 foot platform)	1
18B	1270571GT	AUX RAIL, 6' PLAT, SIDE ENTRY (6 foot platform)	1



803.1 Hostile Environment Package - Ground and Platform Control Box Covers

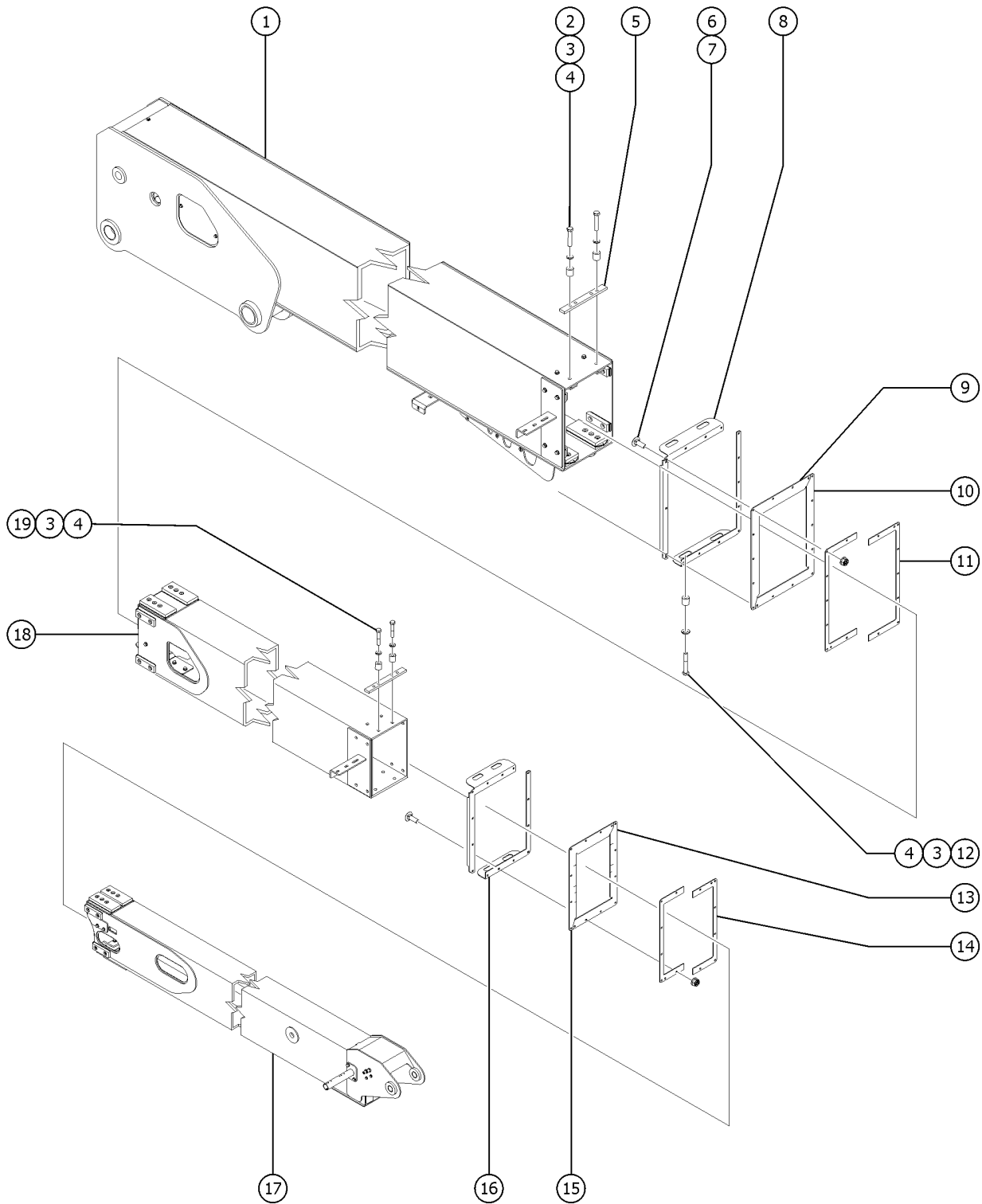


803.1 Hostile Environment Package - Ground and Platform Control Box Covers

Item	Part No.	Description	Qty.
1	54486GT	RIVET,ALUM,ALUM,3/16BUTTONHEAD	11
2	111526GT	HINGE,PLAT CONTROL BOX COVER	1
3	824078GT	SCREW,HHF,1/4-20X.75,8,ZAG	8
4	824027GT	NUT,TL FLG,1/4-20,G,ZAG	8
5	43392GT	BUMPER,BATTERY BOX & RAILS	2
6	30468GT	LATCH,SLIDE, FLUSH MOUNT STYLE	2
7	102785PGT	CONTROL BOX COVER,LID,PTD	1
8		Ref. COVER, SWING CHASSIS, TS	1
		(refer to 304.1)	
9	1261001GT	STRIKER, LATCH	1
10	824215GT	SCREW, PHPM, 10-32 X .75, ZAG	2
11	1253185GT	WASHER,FLAT,#10,USS,ZAG	2
12	1256804GT	NUT,10-32,ZAG	2
13	34619GT	BUMPER,RUBBER***	2
14	1260980GT	FORMING, CONTROL BOX COVER	1
15	1259583GT	LATCH,PUSH BUTTON	1
16	1259584GT	HINGE,CONSTANT TORQUE	2
17	229845GT	SCREW,BHSCS,M5X10,SS	4
18	218457GT	SPACER,GUARD,ALTERNATOR	4
19	88607PGT	COVER,CONTROL BOX LEFT SIDE***	1
19-	88606PGT	COVER,CONTROL BOX RIGHT SIDE**	
20	102786PGT	FORMING,LATCH,CTRL BOX LID PTD	2



804.1 Hostile Environment Package - Booms

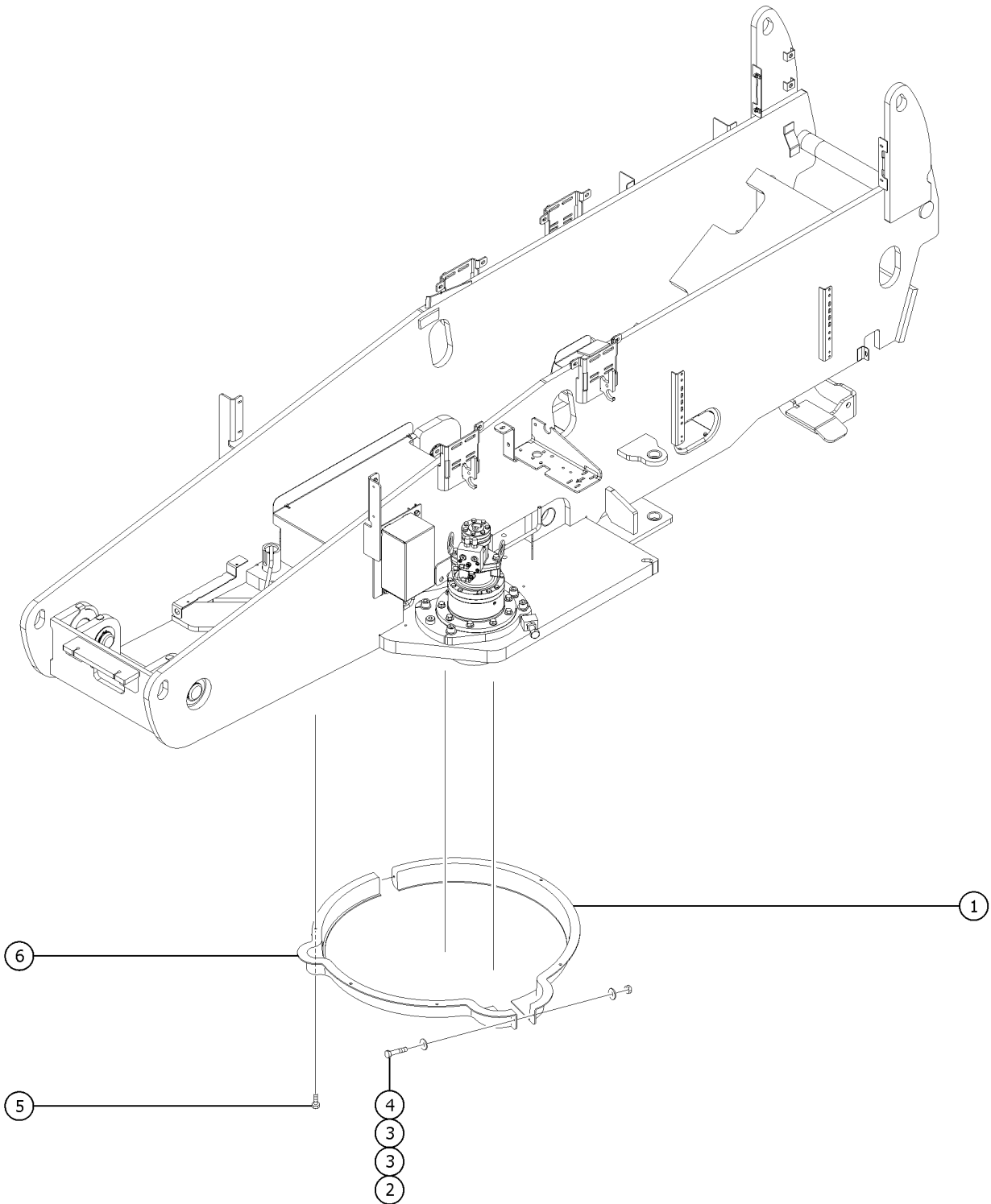


804.1 Hostile Environment Package - Booms

Item	Part No.	Description	Qty.
1		Ref. BOOM TUBE 1 (refer to 502.1)	
2	1252978GT	SCREW,HHC,3/8-16X2.25,8,ZAG	2
3	824110GT	WASHER,LOCK,3/8,ZAG	8
4	101932GT	TUBE, RD., STL., DOM .75 X .437 X .78	8
5	121173GT	SPACER,BOOM WIPER TOP	2
6	824124GT	BOLT, CARRIAGE, 1/4-20 X .75, 5, ZAG	30
7	1277924GT	NUT,NYLOCK FLG,1/4-20,F,ZAG	30
8	121166GT	FORMING,BRKT,WIPER,BOOM #1	2
9	121659GT	WIPER,RUBBER,S80,SEC #1, TOP	1
10	121660GT	WIPER,RUBBER,S80,SEC #1,BOTTOM	1
11	121167GT	PLATE,WIPER BACKING,BOOM #1	2
12	824069GT	SCREW,HHC,3/8-16X2.5,8,ZAG	2
13	121662GT	WIPER,RUBBER,S80,SEC #2,BOT	1
14	121170GT	PLATE,BACKING WIPER 2 TO 3	2
15	121661GT	WIPER,RUBBER,S80,SEC#2, TOP	1
16	121169GT	FORMING,BRKT,WIPER,BOOM #2	2
17		Ref. BOOM TUBE 3 (refer to 505.1)	
18		Ref. BOOM TUBE 2 (refer to 504.1)	
19	1256108GT	SCREW,HHC,3/8-16X2,8,ZAG	4



805.1 Hostile Environment Package - Turntable

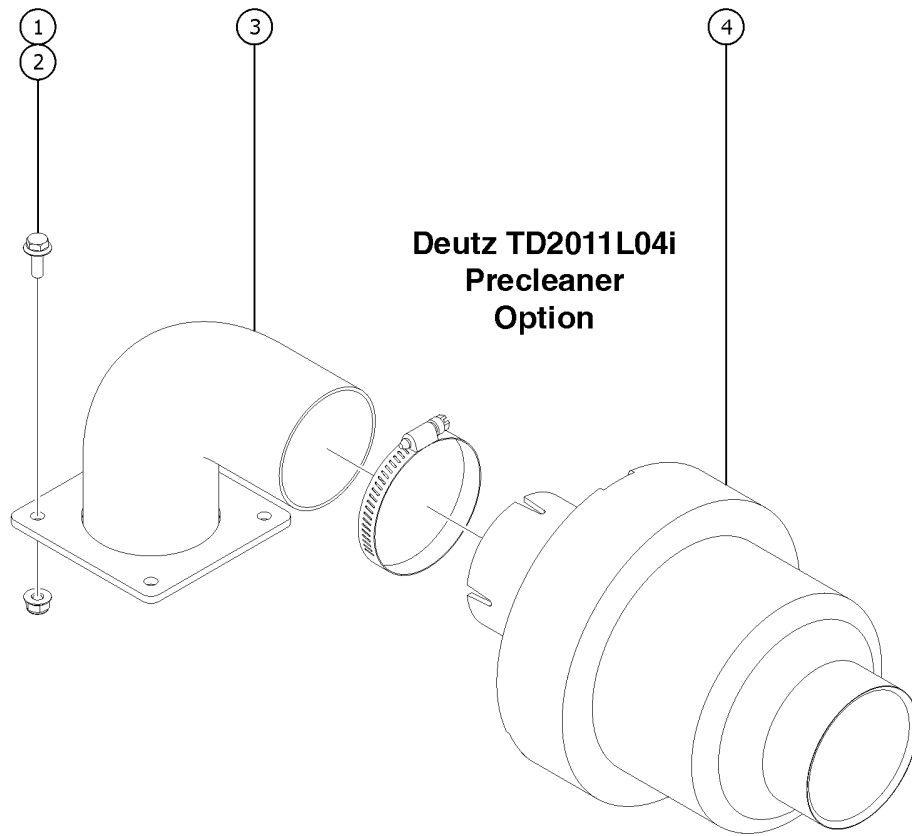


805.1 Hostile Environment Package - Turntable

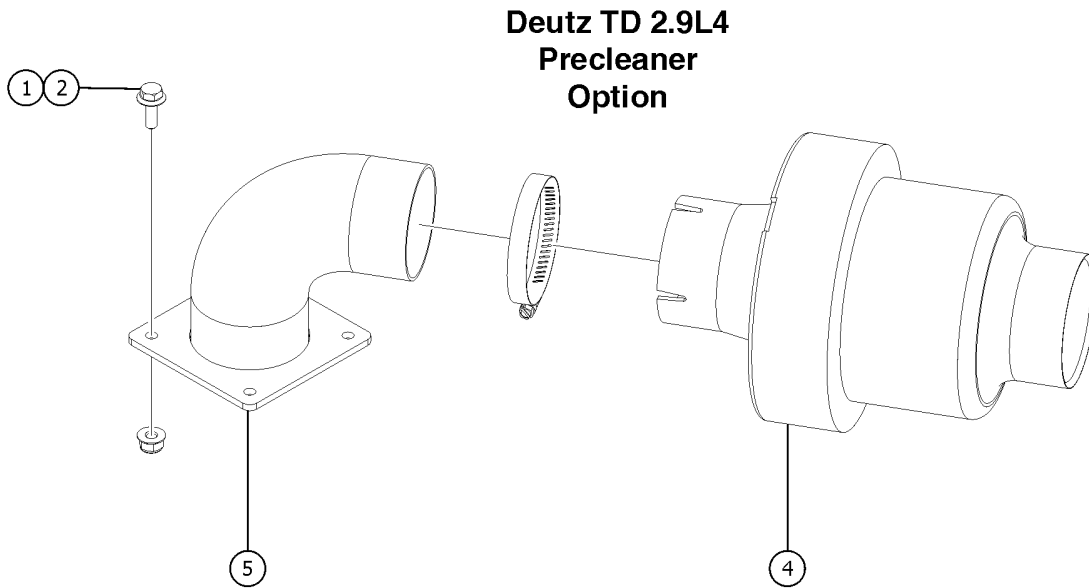
<i>Item</i>	<i>Part No.</i>	<i>Description</i>	<i>Qty.</i>
1	121316GT	COVER,RING GEAR,FRONT	1
2	6090GT	SCREW,HHC,1/4-20 X .75	
3	6638GT	WASHER,FLAT,USS,1/4"Y	
4	6091GT	NUT, NYLOCK, 1/4-20	
5	121066GT	SCREW,HHC,FLG,3/8-16 X 1 GR8	6
6	121317GT	COVER,RING GEAR,REAR	1



806.1 Hostile Environment Package - Engine Air Cleaners



**Deutz TD2011L04i
Precleaner
Option**



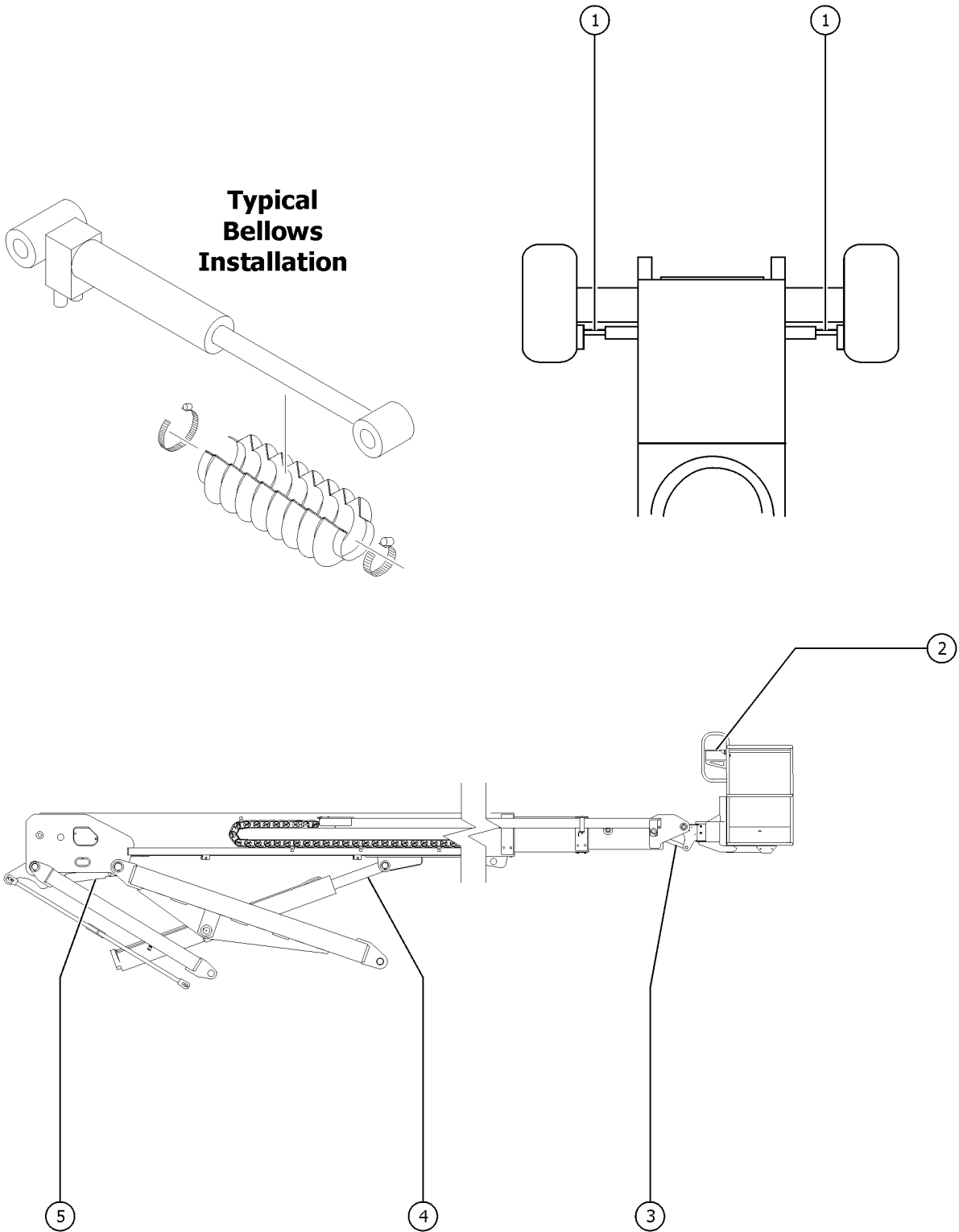
**Deutz TD 2.9L4
Precleaner
Option**

806.1 Hostile Environment Package - Engine Air Cleaners

<i>Item</i>	<i>Part No.</i>	<i>Description</i>	<i>Qty.</i>
1	824078GT	SCREW,HHF,1/4-20X.75,8,ZAG	4
2	1277924GT	NUT,NYLOCK FLG,1/4-20,F,ZAG	4
3	121413GT	WELDMENT,PRECLEANER MT,DEUTZ	1
4	89959GT	PRECLEANER,INLINE 3"	1
		(Includes clamp)	
5	825948GT	WELDMENT, PRECLEANER MT, DEUTZ/PERKINS	1



807.1 Hostile Environment Package - Cylinder Bellows, S-80, S-80X

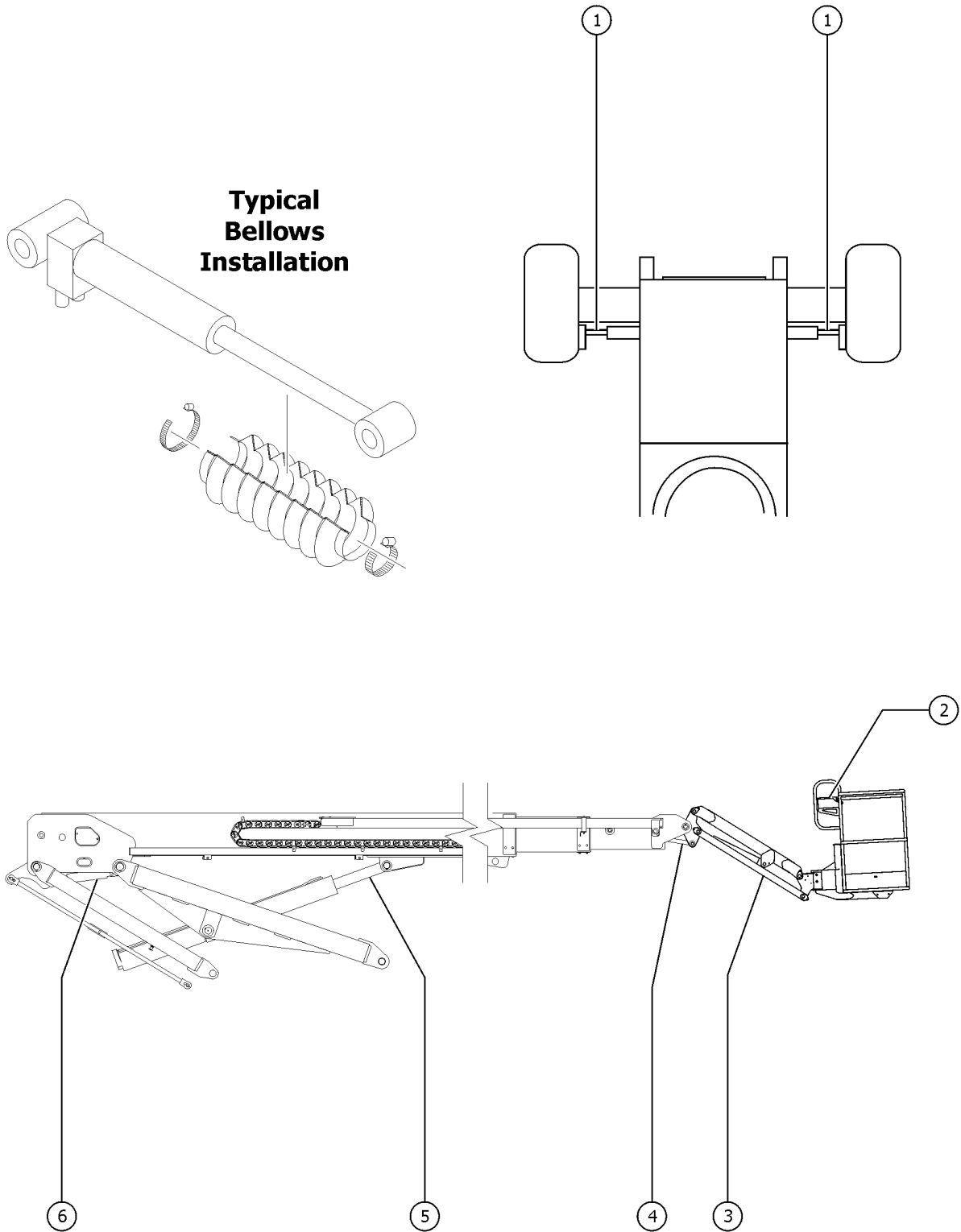


807.1 Hostile Environment Package - Cylinder Bellows, S-80, S-80X

Item	Part No.	Description	Qty.
A	81700GT	COVER,PROTECTIVE,OSC.CYLINDER	
B	35432GT	CLAMP,HOSE,6.50	
C	45435GT	CLAMP,HOSE,3.00"	
1	34533GT	COVER,PROTECTIVE,STEER CYL	2
1-	30971GT	CLAMP,HOSE,3.00"	
1-	35434GT	CLAMP,HOSE,2.00***	
2	T107895GT	DECAL,PROTECTOR,CLEAR	1
3	94537GT	BELLOWS,CYLINDER,PLAT LEVEL	1
3-	230995GT	COVER,HSE&CBL DLX HOSTILE	
3-	23405GT	10-32 NUTSERT	
3-	30489GT	CLAMP,HOSE,3.50	
3-	49819GT	SCREW,PHILLIPS,PHM,10-32 X .5	
3-	6146GT	WASHER,FLAT,MS,#10,Y	
4	121178GT	BELLOWS,LIFT CLYINDER	1
4-	31523GT	CLAMP, FAN GUARD, DEUTZ F4L1011	
4-	34955GT	CLAMP, HOSE, 5.00	
5	121177GT	BELLOWS,MASTER CYLINDER	1
5-	22672GT	CLAMP,HOSE,1.75	
5-	34955GT	CLAMP, HOSE, 5.00	



808.1 Hostile Environment Package - Cylinder Bellows, S-85

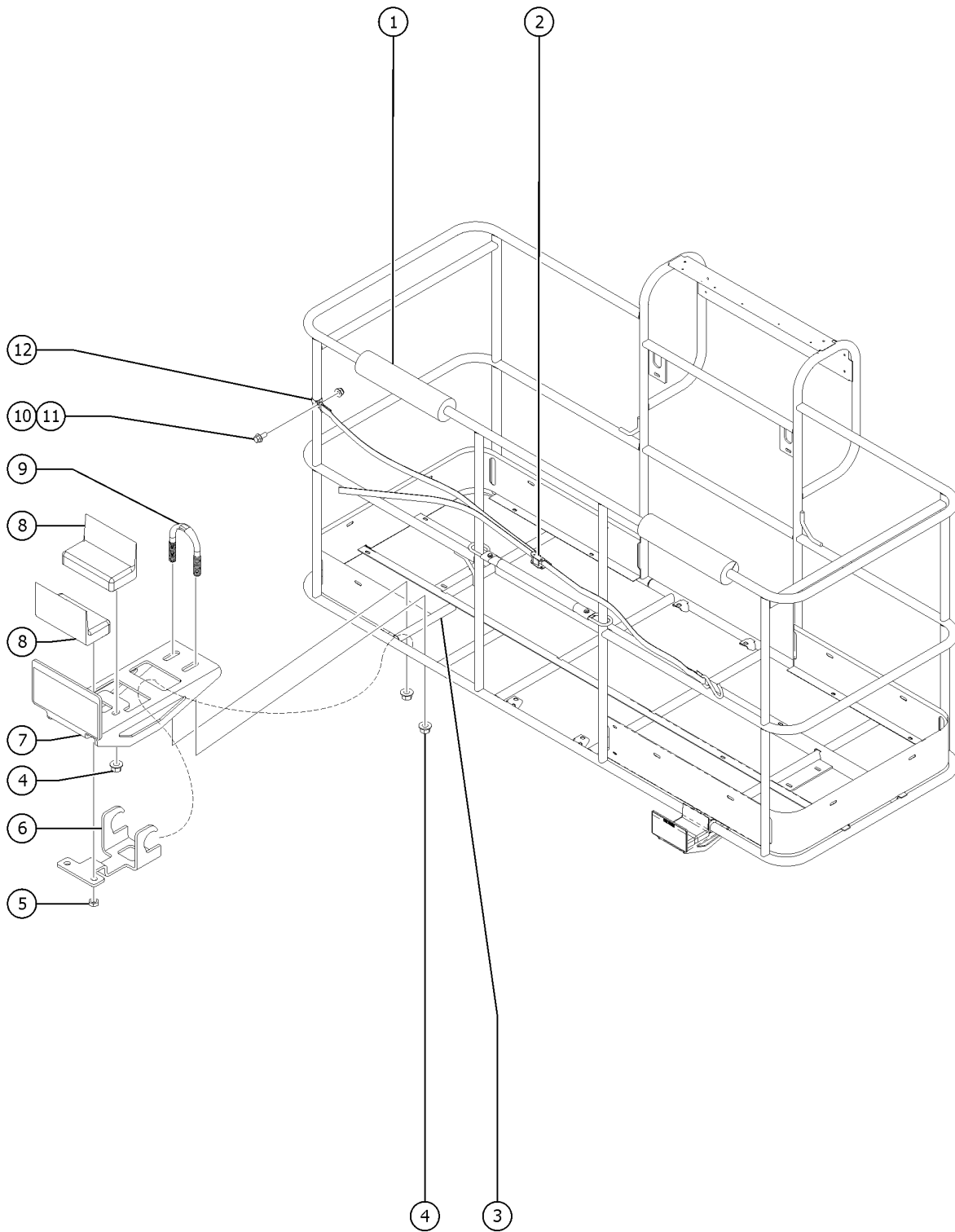


808.1 Hostile Environment Package - Cylinder Bellows, S-85

Item	Part No.	Description	Qty.
A	81700GT	COVER,PROTECTIVE,OSC.CYLINDER	
B	35432GT	CLAMP,HOSE,6.50	
C	45435GT	CLAMP,HOSE,3.00"	
1	34533GT	COVER,PROTECTIVE,STEER CYL	2
1-	30971GT	CLAMP,HOSE,3.00"	
1-	35434GT	CLAMP,HOSE,2.00***	
2	T107895GT	DECAL,PROTECTOR,CLEAR	1
3	34505GT	COVER,PROTECTIVE,JIB CYLINDER	1
3-	30971GT	CLAMP,HOSE,3.00"	
3-	35434GT	CLAMP,HOSE,2.00***	
4	94537GT	BELLOWS,CYLINDER,PLAT LEVEL	1
4-	230995GT	COVER,HSE&CBL DLX HOSTILE	
4-	23405GT	10-32 NUTSERT	
4-	30489GT	CLAMP,HOSE,3.50	
4-	49819GT	SCREW,PHILLIPS,PHM,10-32 X .5	
4-	6146GT	WASHER,FLAT,MS,#10,Y	
5	121178GT	BELLOWS,LIFT CLYINDER	1
5-	31523GT	CLAMP, FAN GUARD, DEUTZ F4L1011	
5-	34955GT	CLAMP, HOSE, 5.00	
6	121177GT	BELLOWS,MASTER CYLINDER	1
6-	22672GT	CLAMP,HOSE,1.75	
6-	34955GT	CLAMP, HOSE, 5.00	



809.1 Panel Cradle Option

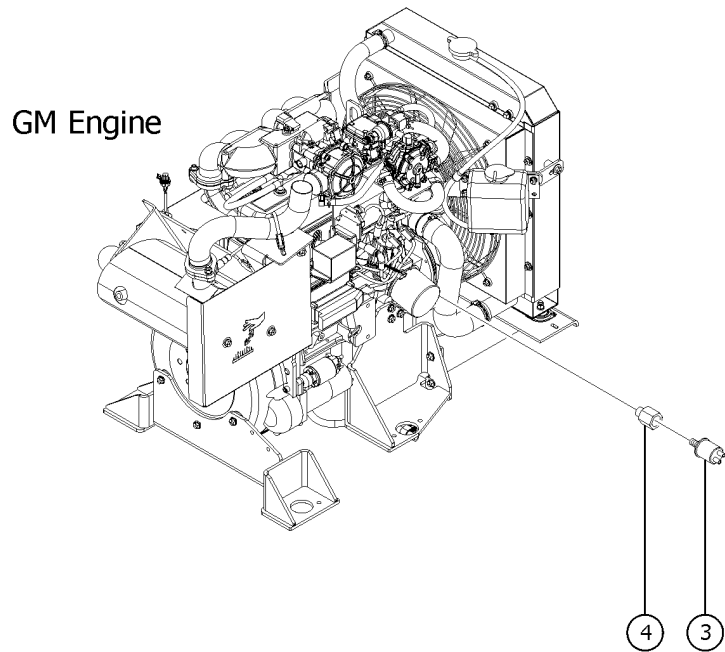
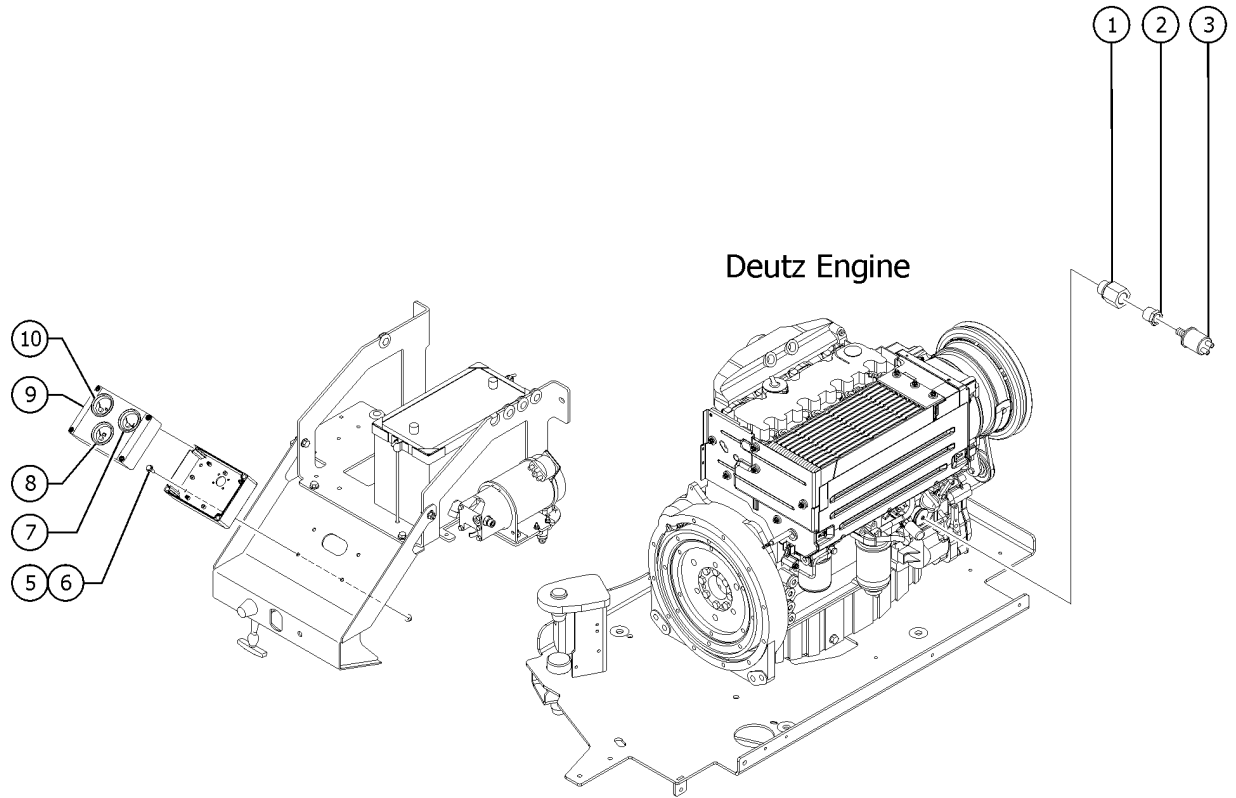


809.1 Panel Cradle Option

Item	Part No.	Description	Qty.
A-	77683GT	ACCESSORY,PANEL CRADLE,ANSI (ANSI models)	
B-	94493-SGT	KIT,PANEL CRADLE,CE (CE models)	
1	88377-1400GT	FOAM PAD***	2
2	77664GT	ADJUSTABLE STRAP ASSY	1
3	1274322GT	NUT,NYLOCK FLG,3/8-16,F,ZAG	8
4	5397GT	WASHER,FLAT,USS,5/16",Y for machines before 2010	
5	228849GT	FORMING,SECONDARY SUPPORT 77576P is no longer available. For machines before 2010, must install Qty 2 service kit 233992 (ANSI) or 233993 (CE) for initial replacement.	2
6	228848GT	FORMING PANEL CRADLE 89724 is no longer available. For machines before 2010, must install Qty 2 service kit 233992 (ANSI) or 233993 (CE) for initial replacement.	2
6-	233992GT	KIT,PANEL CRADEL BRACKET,WORD (ANSI models) (includes hook, panel support bracket and installation instructions)	1
6-	233993GT	KIT,PANEL CRADLE BRACKET,SYMBL (CE models) (includes hook, panel support bracket and installation instructions)	1
7	56934GT	PAD,REST,1"THICK,FLANGED	4
7-	824038GT	NUT,TL JAM,3/8-16,A,ZAG for 56934	4
8	1251600GT	U-BOLT, FLATTENED, 1.5 X 3/8	2
9	73463-1175GT	TUBE,RD,ALUM 1.25 X .083	2
10	1256855	SCREW,HHF,1/4-20X.625,8,ZAG	1
11	6638GT	WASHER,FLAT,USS,1/4"Y for machines before 2010	
12	1277924GT	NUT,NYLOCK FLG,1/4-20,F,ZAG	1
13	56424GT	CLAMP,1.25X.5 RUBBER-CUSHION	1



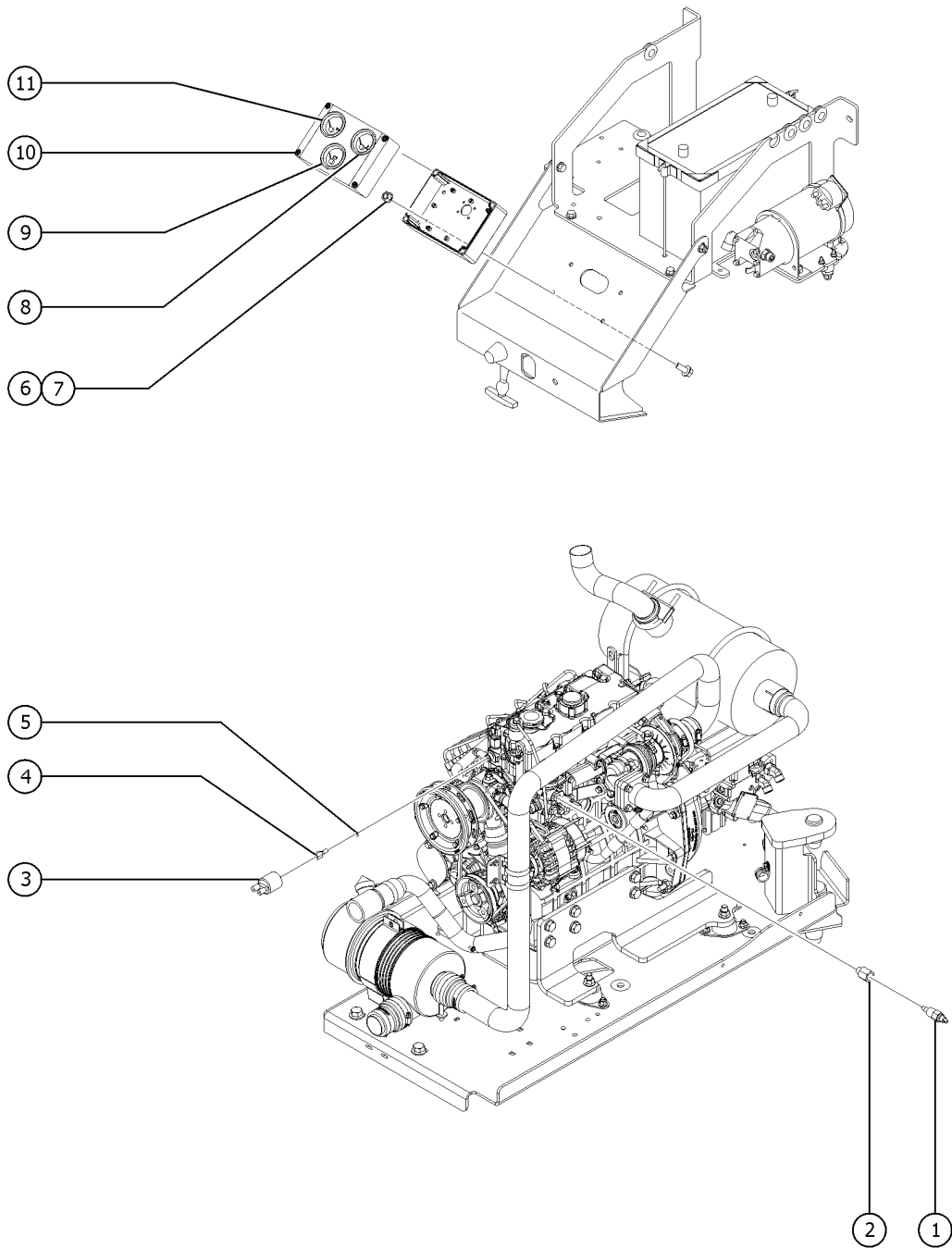
810.1 Full Gauge Option



Item	Part No.	Description	Qty.
A	121512GT	OPT,FULL GAUGE, S80 DEUTZ	
B	121508GT	OPT,FULL GAUGE,S80 DUAL FUEL	
C		Ref. HARNESS,GAUGE OPT	
		(refer to 316.1 or 317.1)	
1	106034GT	ADAPTER,M18	1
2	106033GT	ADAPTER,NPT 6-4	1
3	30810GT	SENDING UNIT,OIL PRESSURE***	1
		(dual-terminal sender)	
4	28607GT	ADAPTER,140139-8-6	1
5	121419GT	SCREW,HHF,1/4-20 X .75	4
6	121421GT	NUT,FLG,1/4-20	4
7	53759-SGT	GAUGE,WATER TEMP	1
		(dual fuel)	
7B	53760-SGT	GAUGE,OIL TEMP	1
		(deutz models)	
8	53761-SGT	GAUGE,VOLTAGE	1
9	121490GT	ASSY,GAUGE OPT.WATER COOLED	1
		(dual fuel)	
9A-	121491GT	ENCLOSURE BOX, GAUGE OPT.	
9B	121482GT	ASSY,GAUGE OPT. OIL COOLED	1
		(deutz models)	
9B-	121491GT	ENCLOSURE BOX, GAUGE OPT.	
10	53758-SGT	GAUGE,OIL PRESSURE W/O SENDER	1



810.2 Full Gauge Option - Perkins 404D-22T

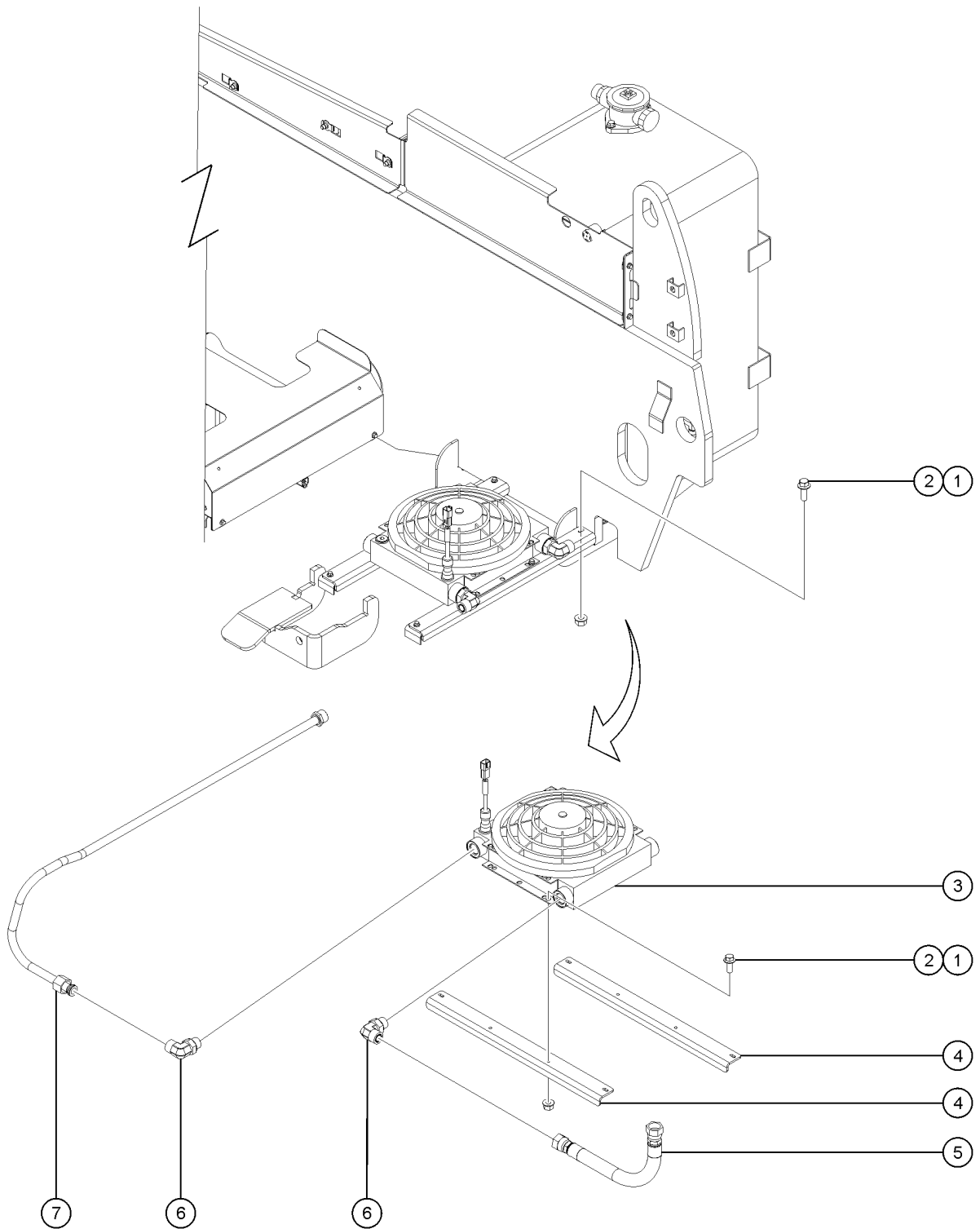


810.2 Full Gauge Option - Perkins 404D-22T

<i>Item</i>	<i>Part No.</i>	<i>Description</i>	<i>Qty.</i>
A	1263553GT	OPT,FULL GAUGE,S80 PERKINS 404D-22T	1
1	34058GT	SENDING UNIT,TMP,FRD,GM,PRK704	1
2	1260414GT	ADAPTER, BSPT3/8"-19 TO NPTF1/2-14	1
3	102348GT	SENDING UNIT,OIL PRESS PERKINS	1
4	139936GT	ADAPTER,EYEBOLT	1
5	101085GT	GASKET	1
6	824027GT	NUT,TL FLG,1/4-20,G,ZAG	4
7	824078GT	SCREW,HHF,1/4-20X.75,8,ZAG	4
8	53759-SGT	GAUGE,WATER TEMP	1
9	53761GT	GAUGE,VOLTAGE***	1
10	121490GT	ASSY,GAUGE OPT.WATER COOLED	1
10-	121491GT	ENCLOSURE BOX, GAUGE OPT.	
11	53758-SGT	GAUGE,OIL PRESSURE W/O SENDER	1



811.1 Hydraulic Oil Cooler Option

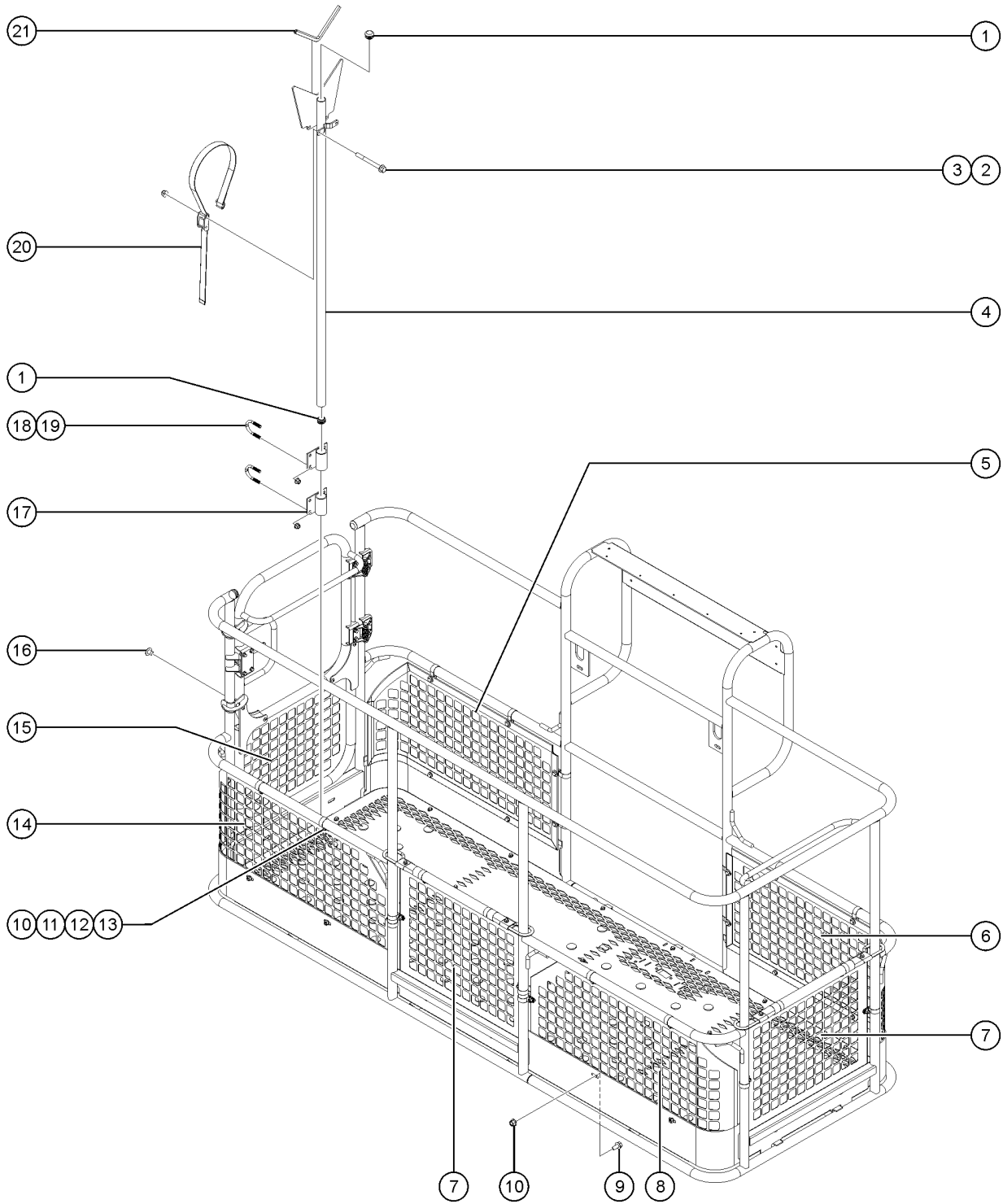


811.1 Hydraulic Oil Cooler Option

<i>Item</i>	<i>Part No.</i>	<i>Description</i>	<i>Qty.</i>
1	824078GT	SCREW,HHF,1/4-20X.75,8,ZAG	8
2	824027GT	NUT,TL FLG,1/4-20,G,ZAG	8
3	71259GT	OIL COOLER W/FAN, 12VDC	1
4	121389GT	FORMING,OIL COOLER SUPPORT	2
5	49151-1898GT	HOSE ASSY,3/4,STR FEM,STR FEM	1
6	48959GT	ELBOW,90D,520220-12	2
7	121370GT	HYD TUBE, DRIVE CASE COOLER	1



812.1 Half-Mesh and Pipe Cradle Option

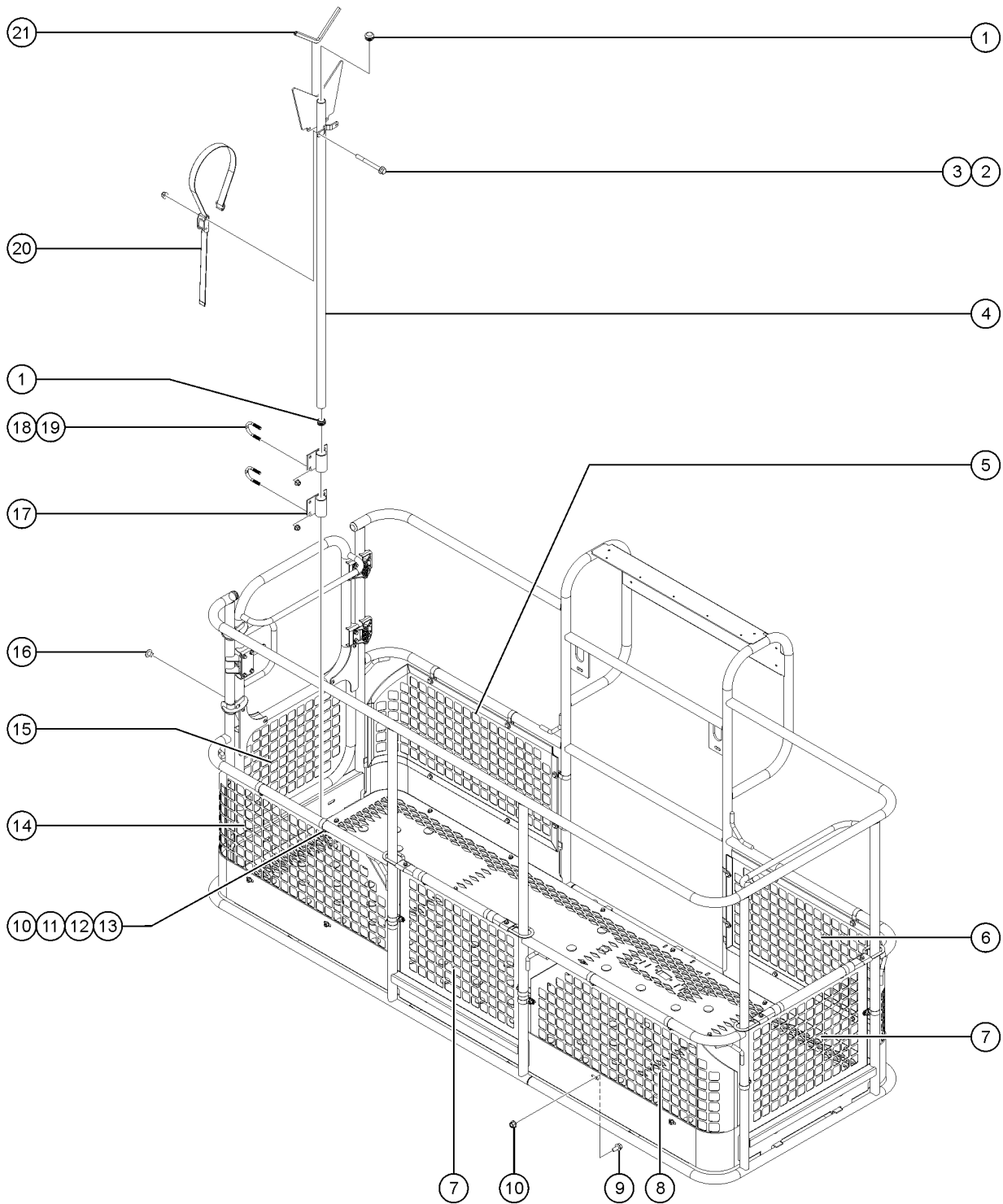


812.1 Half-Mesh and Pipe Cradle Option

Item	Part No.	Description	Qty.
A	85300GT	PIPE CRADLE ASSY. SERV (ONE)** (ANSI & CE only) (This is a single assembly. Qty 2 of 85300GT required to complete a set)	
A-	65630GT	INSTRUCTIONS-PIPE CRADLE,BOOMS	
1	55753GT	BUMPER, PLASTIC, 1.25 O.D.	4
2	824083GT	SCREW,HHF,1/4-20X2.5,8,ZAG	4
3	1277924GT	NUT,NYLOCK FLG,1/4-20,F,ZAG	4
4	56525GT	WELDMENT, PIPE CRADLE	2
5	1270994GT	PANEL, HALF MESH (8 foot platform)	1
5B	1270314GT	PANEL, HALF MESH (6 foot platform)	1
6	1271019GT	PANEL, HALF MESH (8 foot platform)	1
7	1271061GT	PANEL, HALF MESH (8 foot platform)	2
7B	1271061GT	PANEL, HALF MESH (6 foot platform)	1
8	1271018GT	PANEL, HALF MESH (8 foot platform)	1
8B	1270313GT	PANEL, HALF MESH (6 foot platform)	1
9	824085GT	SCREW,HHF,5/16-18X.75,8,ZAG	12
10	824028GT	NUT,TL FLG,5/16-18,G,ZAG (8 foot platform)	34
10B	824028GT	NUT,TL FLG,5/16-18,G,ZAG (6 foot platform)	33
11	56424GT	CLAMP,1.25X.5 RUBBER-CUSHION (8 foot platform)	22
11B	56424GT	CLAMP,1.25X.5 RUBBER-CUSHION (6 foot platform)	21
12	825358GT	WASHER,FLAT,5/16,USS,ZAG (8 foot platform)	22
12B	825358GT	WASHER,FLAT,5/16,USS,ZAG (6 foot platform)	21
13	1264101GT	SCREW,HHC,5/16-18X1,8,ZAG (8 foot platform)	22
13B	1264101GT	SCREW,HHC,5/16-18X1,8,ZAG (6 foot platform)	21
14	1271040GT	PANEL, HALF MESH (8 foot platform)	1
14B	1270316GT	PANEL, HALF MESH (6 foot platform)	1
15	1285700GT	WELDMENT. GATE, HALF MESH (used on 6' and 8' side entry platforms) (Swing Gate Weldment, refer to 602.1)	
15-	55753GT	BUMPER, PLASTIC, 1.25 O.D.	
16	824207GT	RIVET,STL,STL,DOMED,1/4X.375,Z	8
17	81368GT	WELDMENT,PIPE CRADLE MOUNT	4



812.1 Half-Mesh and Pipe Cradle Option

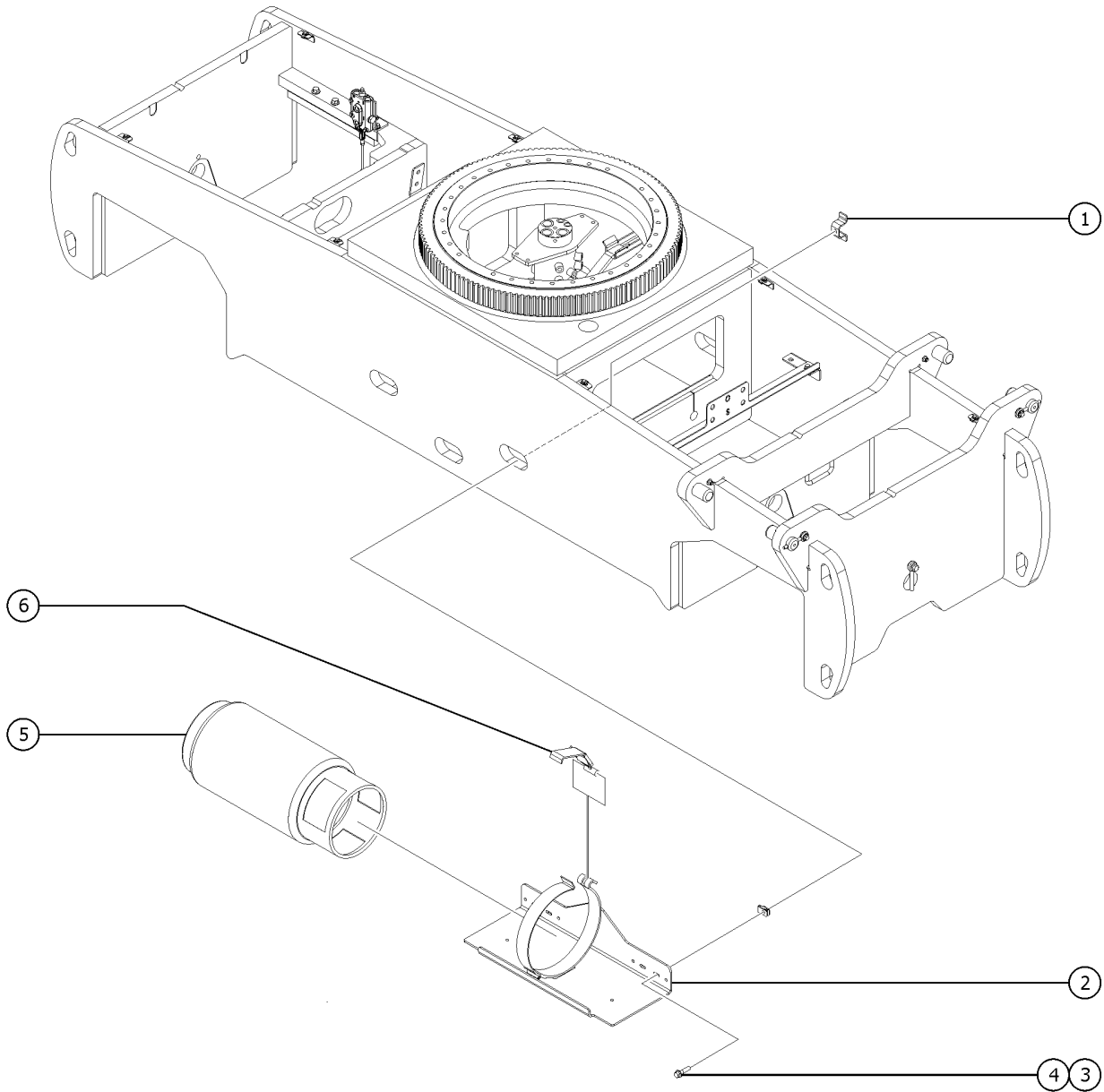


812.1 Half-Mesh and Pipe Cradle Option

<i>Item</i>	<i>Part No.</i>	<i>Description</i>	<i>Qty.</i>
18	1251600GT	U-BOLT, FLATTENED, 1.5 X 3/8	8
19	1274322GT	NUT,NYLOCK FLG,3/8-16,F,ZAG	16
20	56570GT	STRAP, CONDUIT HOLDER 60"***	2
21	19018-1100GT	TRIMLOCK,BLACK,5/32"	2



813.1 Spare LPG Tank Option

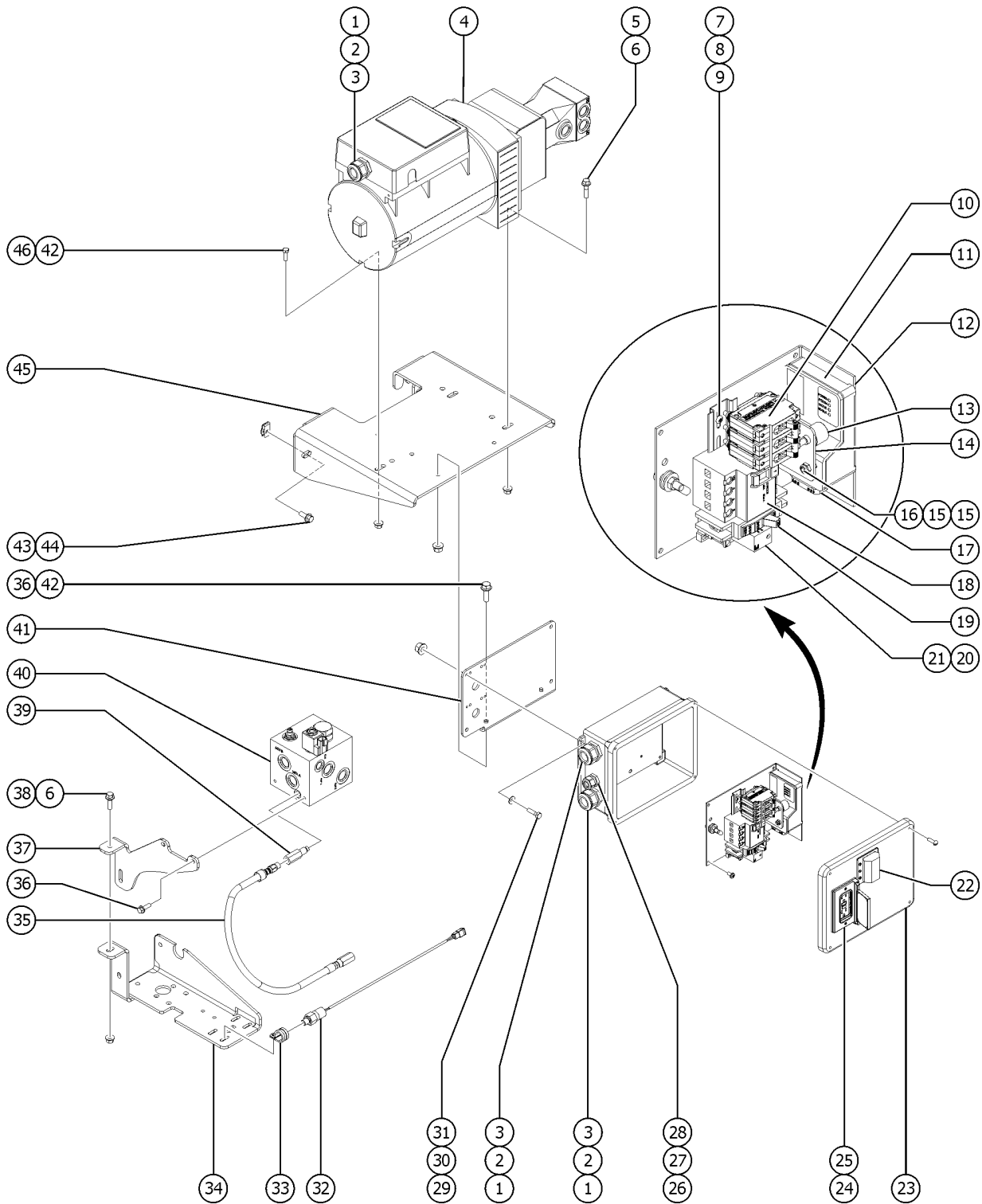


813.1 Spare LPG Tank Option

<i>Item</i>	<i>Part No.</i>	<i>Description</i>	<i>Qty.</i>
A	77853GT	OPTION,LP TANK 2ND	
1	77785GT	FORMING,LP BRACKET MOUNT	2
2	60143-SGT	WELD, LPG TANK MOUNT	1
3	824092GT	SCREW, HHF, 3/8-16 X 1.5, 8, ZAG	2
4	29868GT	SPRING CLIP,3/8-16,.05-.20X.73,ZAG	2
5	53605GT	TANK, 7 GAL/33.5 POUND, LP	1
6	49000GT	L.P.TANK LATCH	1



814.1 Welder Ready Option, Chassis Components - View 1

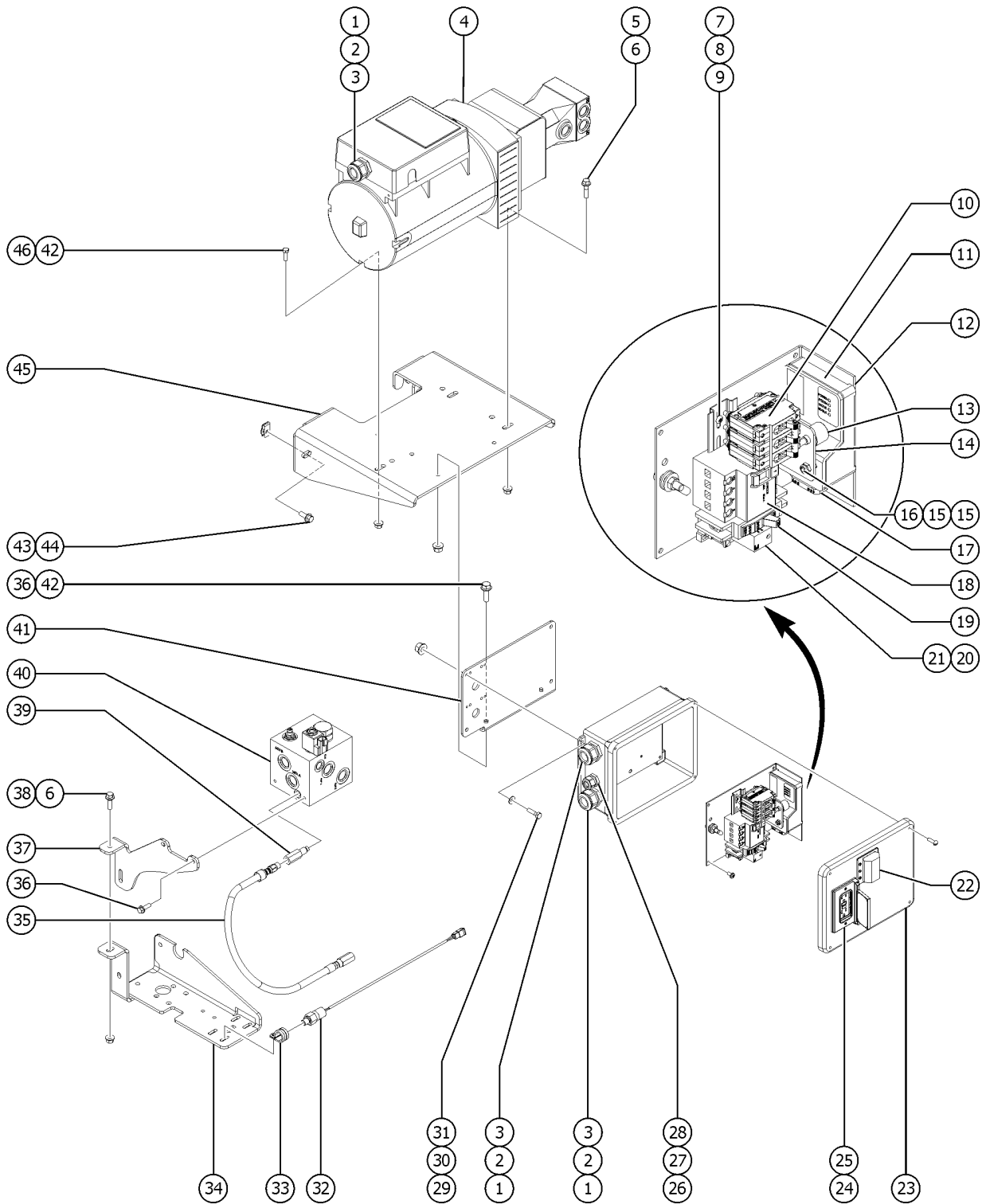


814.1 Welder Ready Option, Chassis Components - View 1

Item	Part No.	Description	Qty.
1	20776GT	CABLE SQUEEZE CONN.	3
2	106104GT	O-RING,SEAL RING,1" NPT (PKG)	3
3	18665GT	LOCKNUT,ELECTRIC,1" NPT	3
4	106113GT	GENERATOR,HYDRO-12KEP-21-3	1
4-	21187GT	PLUG,NYLON 1.38 BLACK DOMED	
4-	106274GT	GENERATOR,12.5 KW,W/O MOTOR***	
4-	110344GT	BRUSH BOX,ASSY,GEN***	
4-	122300GT	COVER,WELDER GENERATOR	
4-	T113655GT	COUPLING, 28MM (106113)	
4-	T114022GT	SPIDER (106113)	
4-	T114023GT	COUPLING (106113)	
5	824092GT	SCREW, HHF, 3/8-16 X 1.5, 8, ZAG	2
6	824029GT	NUT,TL FLG,3/8-16,G,ZAG	4
7	54365GT	SCREW,PHIL,PHM,10-32 X .5,SSTL	2
8	42315GT	DIN RAIL,6.38"	1
9	6178GT	NUT,NYLOCK,10-32	2
10	1276986GT	CIRCUIT BREAKER,MAGTRIP,3PH,40A.	1
11	106658GT	MODULE,SX CONTROLLER,LOW AMP	1
11-	102357GT	POTENTIOMETER ASSY, WELDER	
11-	106140PGT	BRACKET,1K OHM 10-TURN POT,PNT	
12	102314GT	PANEL, ENCLOSURE, LINCO WELDER	1
12-	13000GT	SCREW,HHC,5/16-18 X 1.25	
12-	6037GT	NUT,HEX,5/16-18,GR5	
12-	5397GT	WASHER,FLAT,USS,5/16",Y	
12-	43322GT	TERMINAL, #8 RING,5/16ID	
12-	6886GT	WASHER,LOCK,.313	
13	101995GT	RESISTOR,POT,1K OHM,2-WATT	1
14	106140GT	BRACKET,1K OHM 10-TURN POT**	1



814.1 Welder Ready Option, Chassis Components - View 1

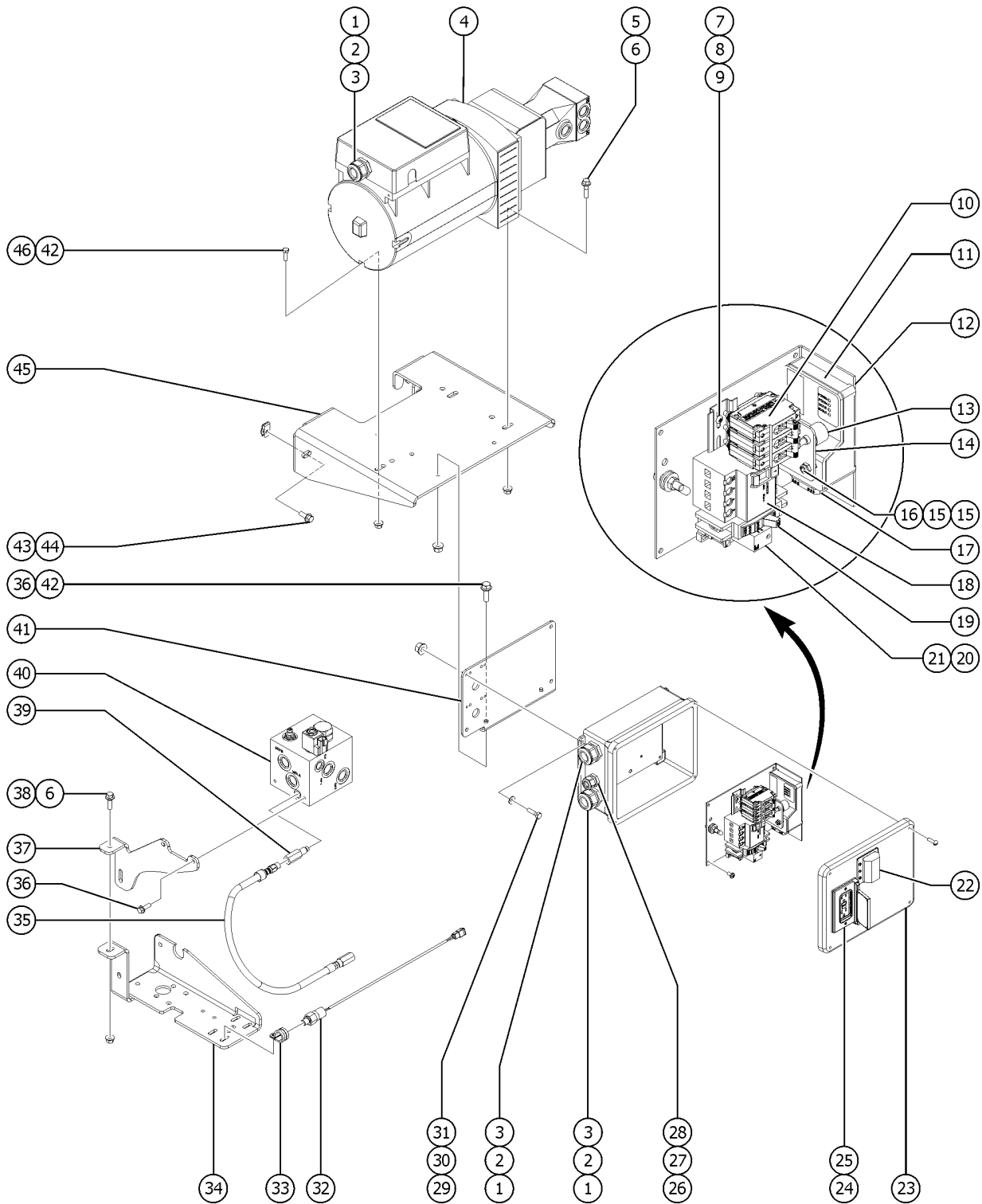


814.1 Welder Ready Option, Chassis Components - View 1

Item	Part No.	Description	Qty.
15	6889GT	NUT,LP NYLOCK,1/4-20	4
16	36294GT	SCREW,HHC,1/4-20 X 2.75	2
17	226503GT	HARNESS,WELD GEN ENCLOSURE	1
18	824617GT	CIRCUIT BREAKER,GFCI,3PH,63A,3	1
19	106073GT	CIRCUIT BREAKER,20A,SINGLE PH	1
20	33607GT	RELAY,OMRON,DPDT,12V	1
21	33608GT	RELAY,SOCKET,OMRON	1
22	1276672GT	BOOT, ENVIRO, 3PH CIRCUIT BREAKER	1
23	1278673GT	ASSY, JBOX, 8X10	1
23-	1277599GT	COVER,JBOX W/SX,BREAKER RETRO KIT	
24	74006GT	COVER,GFCI,HORIZONTAL,WEATHER	1
24-	63375GT	SCREW,FHM,6-32 X .75	
24-	12344GT	NUT,NYLOCK,6-32	
25	80543GT	RECEPTACLE, 120VAC, 20A, GFCI	1
26	61278GT	CONN. SQZ,1/2NPT .56-.63.	1
27	56237GT	O-RING,ORFS,-12	1
28	6935GT	LOCKNUT,ELEC,1/2"	1
29	824060GT	SCREW,HHC,1/4-20X1,8,ZAG	4
30	824113GT	WASHER,FLAT,1/4,USS,ZAG	4
31	824027GT	NUT,TL FLG,1/4-20,G,ZAG	4
32	146284GT	SWITCH,PRESS,#4NPT,200PSIF for first time replacement, order service kit 1271398GT.	1
32B	1271398GT	KIT,GEN. PRESSURE SWITCH includes pressure switch, hose, fittings and installation instructions	
33	18666GT	CLAMP,1.00,#16 X 1/4,RUB CUSH	1
34		Ref. BULKHEAD	
		(refer to 306.1)	
35	1271313-2200GT	ASSY, HOSE, HYD, -4, 3250, STR, STR	1
36	824086GT	SCREW,HHF,5/16-18X1,8,ZAG	4
37	1267315GT	FORMING,WELD GEN MANIFOLD MT	1
38	824091GT	SCREW,HHF,3/8-16X1.25,8,ZAG	2



814.1 Welder Ready Option, Chassis Components - View 1

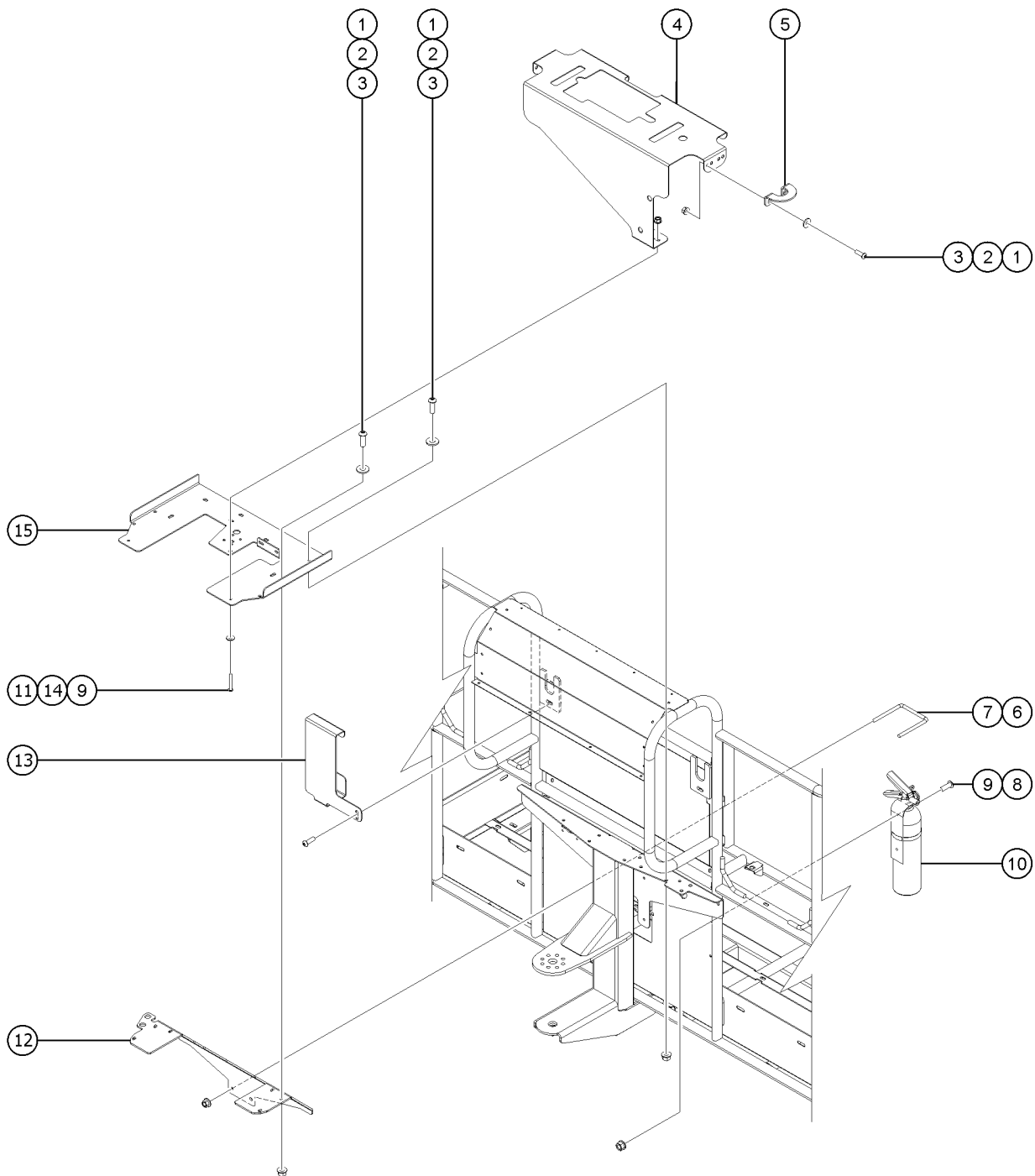


814.1 Welder Ready Option, Chassis Components - View 1

<i>Item</i>	<i>Part No.</i>	<i>Description</i>	<i>Qty.</i>
39	146285GT	CONN, SAE#4-1/4" NPT	1
40		Ref. MANIFOLD,DRIVE OIL DIVERTER	
		(refer to 707.1)	
41	111576GT	FORMING,CONTROLBOX MT,WELD GEN	1
42	824028GT	NUT,TL FLG,5/16-18,G,ZAG	3
43	824090GT	SCREW,HHF,3/8-16X1,8,ZAG	4
44	29868GT	SPRING CLIP,3/8-16,.05-.20X.73,ZAG	4
45	1268186GT	BRACKET, GENERATOR 12 KW	1
46	1264101GT	SCREW,HHC,5/16-18X1,8,ZAG	1



815.1 Welder Ready Option, Platform Components - View 2

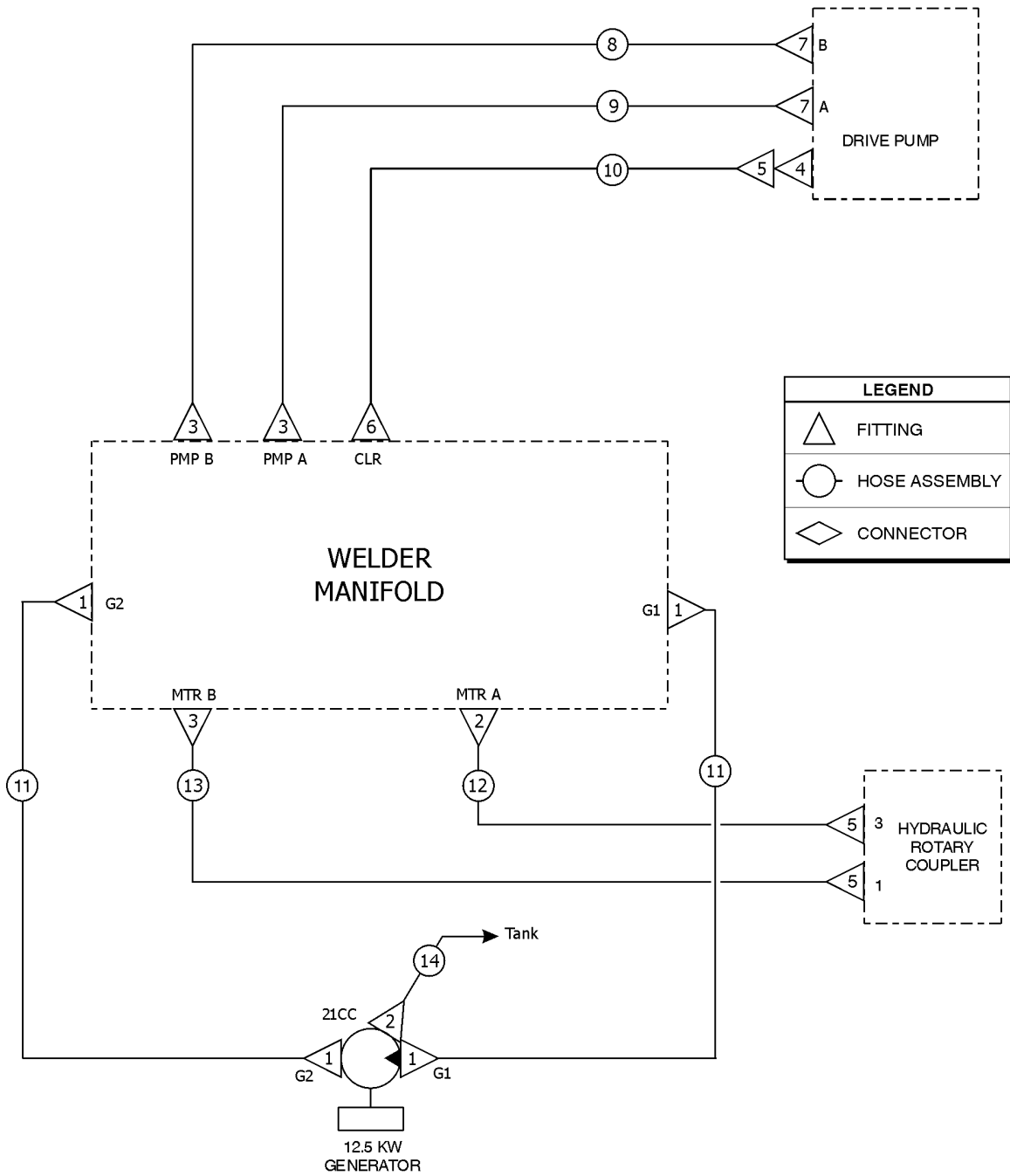


815.1 Welder Ready Option, Platform Components - View 2

Item	Part No.	Description	Qty.
A	28443GT	CABLE TIE,11.5" BLACK	
B	110277GT	FIRE SLEEVE, 2.46"	61
C	110276GT	FIRE SLEEVE, 1.25"	23
D	110276GT	FIRE SLEEVE, 1.25"	43
E	214620GT	SOCKET,3P,30A,4 WIRE, FEM	1
F	214621GT	SOCKET, BOOT, 3P, 30A, 4 WIRE	1
G	214622GT	PLUG, BOOT, 3P, 30A, 4 WIRE	1
H	106183GT	FUSE,.6AMP,250V,WELDER,V275S	
I	106275GT	KIT,WELD LEADS ASSY,V275S	
J	214623GT	PLUG, 3P,30A, 4 WIRE, MALE	
K	45454GT	CLAMP,RUB CUSH,0.75,#12 X 3/8*	1
1	128322GT	SCREW,5/16-18X1.00,SECURITY TO	15
2	825358GT	WASHER,FLAT,5/16,USS,ZAG	
3	824028GT	NUT,TL FLG,5/16-18,G,ZAG	15
4	101547PGT	BRACKET,WELDER SUPPORT,PNT	1
5	217366GT	BRACKET,WELDER TOP	2
6	106044GT	U-BOLT,3/8-16X4X4.63X3.00	1
7	824029GT	NUT,TL FLG,3/8-16,G,ZAG	2
8	1256124GT	SCREW,BHC,1/4-20X.75,F835,ZAG	2
9	824027GT	NUT,TL FLG,1/4-20,G,ZAG	3
10	88406GT	FIRE EXTINGUISHER	1
11	106141GT	SCREW,SECURITY,1/4-20 X 1.75LG	1
12	102409GT	BRACKET,WELDER MOUNT SUPPORT	1
13	106204PGT	BRACKET,V275S WELD LEADS	1
14	824113GT	WASHER,FLAT,1/4,USS,ZAG	1
15	102408GT	BRACKET,LINCOLN WELDER,PNTD	1



816.1 Welder Ready Option, Hoses and Fittings - View 3

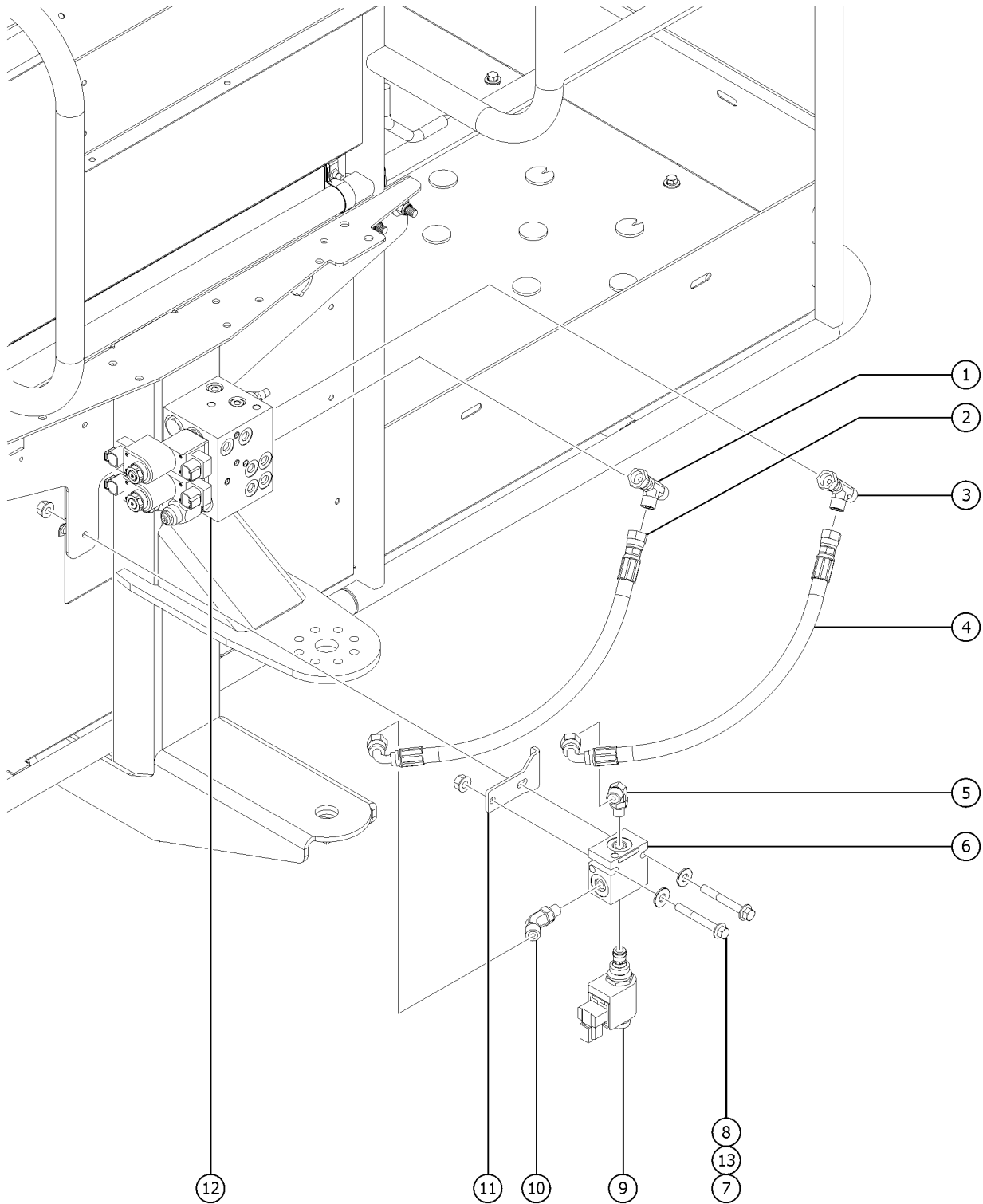


816.1 Welder Ready Option, Hoses and Fittings - View 3

<i>Item</i>	<i>Part No.</i>	<i>Description</i>	<i>Qty.</i>
1	48959GT	ELBOW,90D,520220-12	5
2	48948GT	CONN,520120-8-12	1
3	48960GT	FITTING,CONN,520120-12***	3
4	48964GT	TEE,RUN,SWIVEL,520432-12	1
5	48963GT	FITTING,ELBOW,45D,520320-12***	3
6	48933GT	CONN,520120-8***	1
7	48977GT	CONN,520120-12-16	2
8	102313-2826GT	HOSE ASSY,3/4" HYD,45F,STRF	1
9	102313-3126GT	HOSE ASSY,3/4" HYD,45F,STRF	1
10	121889GT	HOSE ASSY,1/2,45,36IN,STR 8-12	1
11	94374-9688	HOSE ASSY,3/4",10-12 90 F,ST F	2
12	89871-4398GT	HOSE ASSY,3/4"STR-STR	1
13	94374-4830GT	HOSE ASSY,3/4",90F,STR F	1
14	121890GT	HOSE ASSY,1/2,90MD,34IN,STR	1



817.1 Platform Recirculating Hydraulic Oil Option

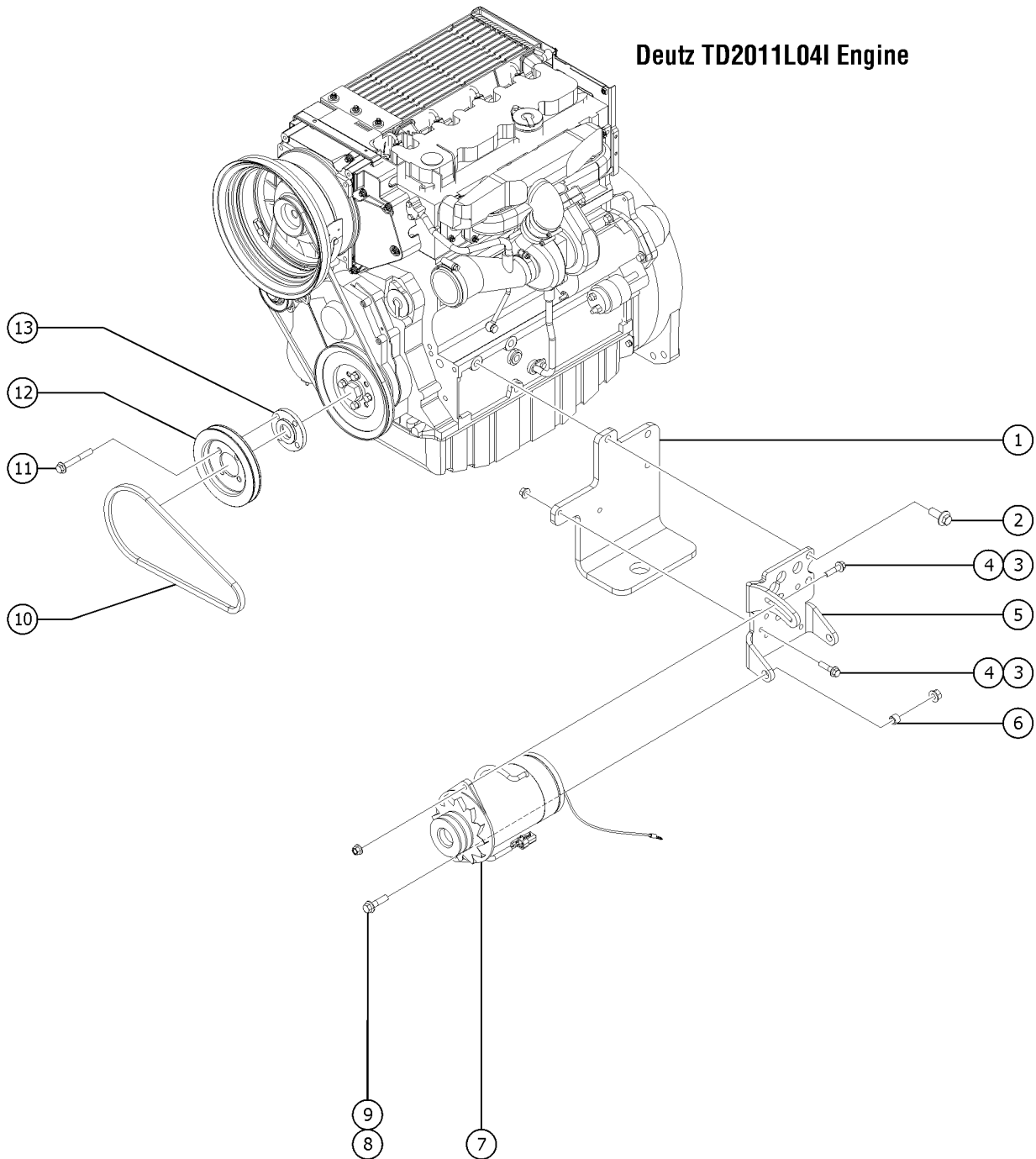


817.1 Platform Recirculating Hydraulic Oil Option

<i>Item</i>	<i>Part No.</i>	<i>Description</i>	<i>Qty.</i>
A	227777GT	ASSY, PLAT RECIRC, S80/85	
1	48908GT	FITTING,TEE,RUN,SWIVEL520432-4	1
2	49117-1491GT	HOSE ASSY,1/4,90 FEM,STR FEM	1
3	48875GT	TEE,RUN,SWIVEL,520432-6	1
4	49163-1494GT	HOSE ASSY,1/4,90D FEM,STR FEM	1
5	48904GT	CONN,520120-4***	1
6	119907GT	CARTRIDGE,VALVE HOUSING	1
7	4266GT	SCREW,HHC,1/4-20 X 2	2
8	6091GT	NUT, NYLOCK, 1/4-20	2
9	119908GT	VALVE,SOLENOID,NOR	1
10	48907GT	48907GT	1
11	226534GT	FORMING,VALVE BRACKET	1
12		Ref. Platform Manifold (refer to 704.1 and 705.1)	
13	6638GT	WASHER,FLAT,USS,1/4"Y	2



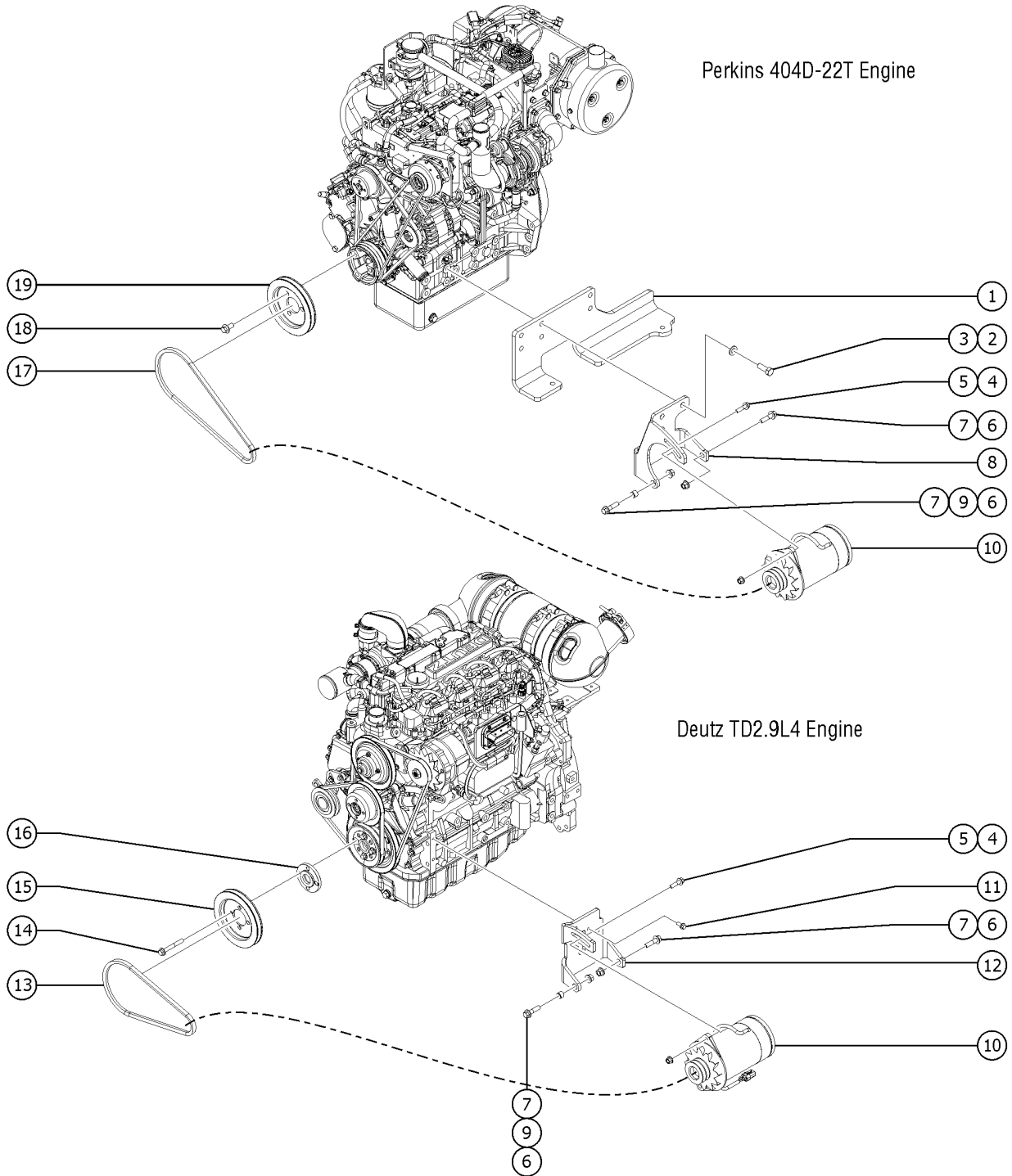
818.1 Belt Generator Option - View 1



Item	Part No.	Description	Qty.
A	1254589GT	HARNESS,KIT,BD-GEN,S80	
1		Ref. FORMING, ENGINE MOUNT	
		(refer to 403.1)	
2	1256776GT	SCREW,HHF,M14-2.0X35,DIN6921,10.9,ZAB	3
3	824092GT	SCREW, HHF, 3/8-16 X 1.5, 8, ZAG	3
4	824029GT	NUT,TL FLG,3/8-16,G,ZAG	3
5	119533GT	FORMING,GENERATOR MOUNT***	1
6	45400GT	SPACER TUBE,.50 LG	1
7	60707GT	GENERATOR,3500W,120V,60HZ**	1
7B	89908GT	GENERATOR,3000W,220V,50HZ***	1
8	1256765GT	SCREW,HHF,7/16-14X1.75,8,ZAG	2
9	1256766GT	NUT,TL FLG,7/16-14,G,ZAG	2
10	106535GT	BELT,AX33***	1
11	215816GT	SCREW, HHF, M1=1.5X80,ZAB	4
12	1254367GT	PULLEY,DEUTZ T4 GENERATOR	1
13	1253596GT	SPACER,PULLEY,DEUTZ TIER 4 GEN	1



818.2 Belt Generator Option (Perkins 404D-22T and Deutz TD 2.9L4) - View 1

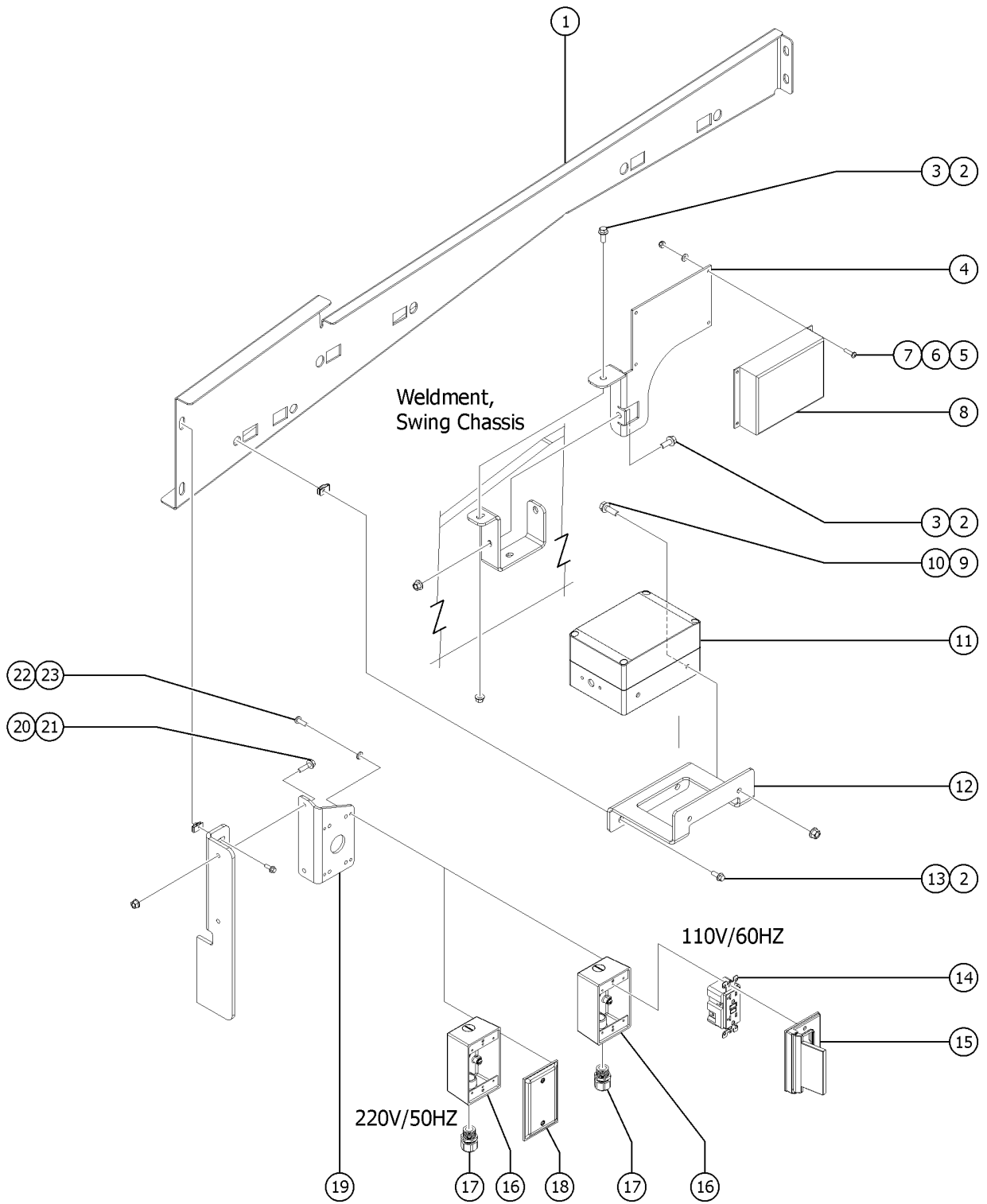


818.2 Belt Generator Option (Perkins 404D-22T and Deutz TD 2.9L4) - View 1

Item	Part No.	Description	Qty.
A	1254589GT	HARNESS,KIT,BD-GEN,S80	1
1		Ref. FORMING, ENGINE MOUNT, LH (refer to 416.1)	
2	54687GT	SCREW,HHC,M14 X 1.5X40MM,GR8.8	3
3	1257810GT	CLAMP,HOSE,2.50"	3
4	824092GT	SCREW, HHF, 3/8-16 X 1.5, 8, ZAG	1
5	824029GT	NUT,TL FLG,3/8-16,G,ZAG	1
6	1256765GT	SCREW,HHF,7/16-14X1.75,8,ZAG	2
7	1256766GT	NUT,TL FLG,7/16-14,G,ZAG	2
8	1253175GT	FORMING, GENERATOR MOUNT	1
9	45400GT	SPACER TUBE,.50 LG	1
10	60707GT	GENERATOR,3500W,120V,60HZ**	1
10B	89908GT	GENERATOR,3000W,220V,50HZ***	
11	824132GT	SCREW,HHF,M8-1.25X20,DIN6921,10.9,ZAB	2
12	1251549GT	FORMING, GENERATOR MOUNT	1
13	1251542GT	V BELT, COGGED, AX32	1
14	215816GT	SCREW, HHF, M1-1.5X80,ZAB	4
15	1254367GT	PULLEY,DEUTZ T4 GENERATOR	1
16	1253596GT	SPACER,PULLEY,DEUTZ TIER 4 GEN	1
17	1253176GT	V BELT,COGGED,AX37	1
18	231087GT	SCREW,HHF,M12 X 1.75 X 25	3
19	1253177GT	PULLEY, PERKINS T4 GENERATOR	1



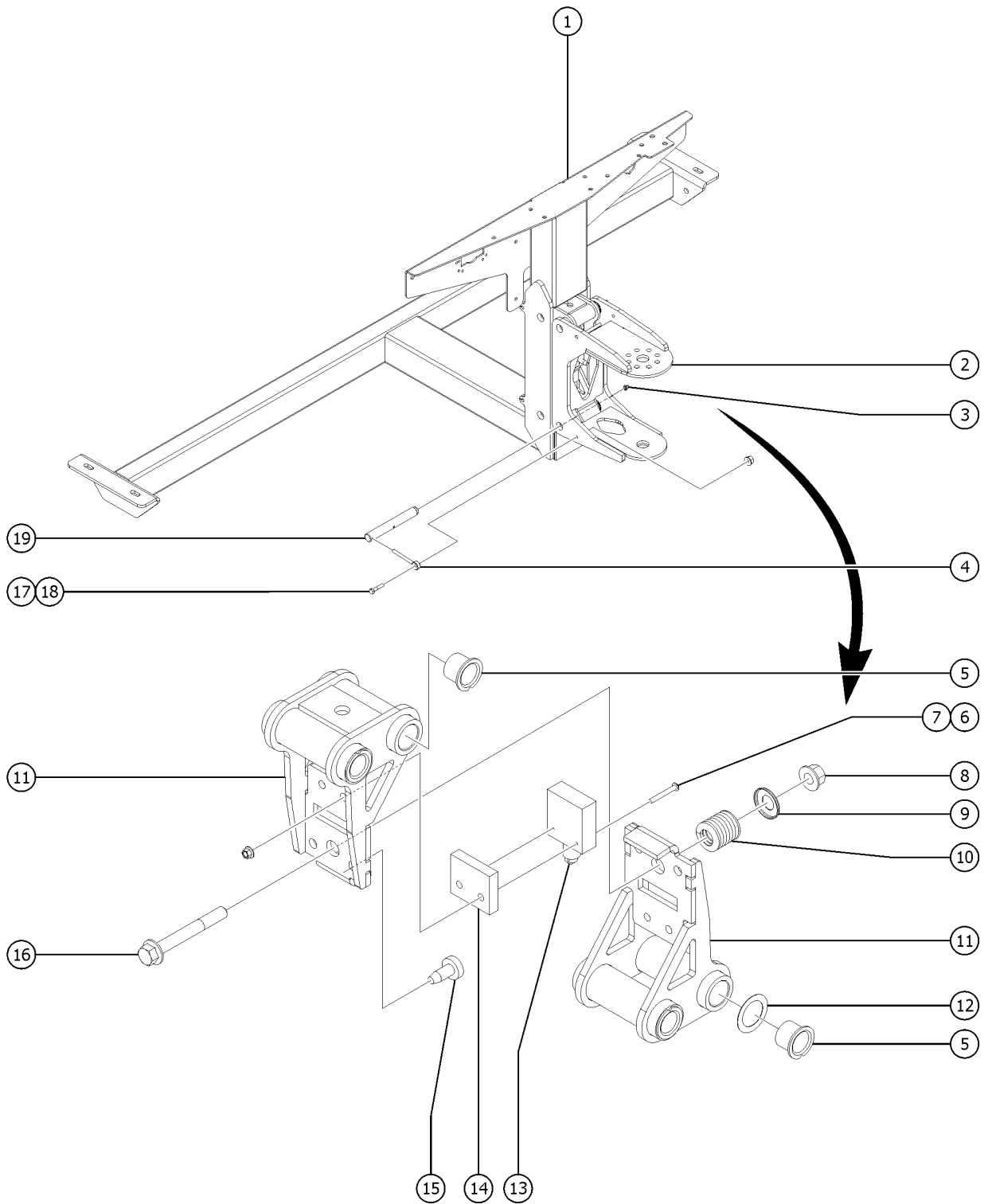
819.1 Belt Generator Option - View 2



Item	Part No.	Description	Qty.
1		Ref. FORMING,COVER,LEFT FRONT (refer to 305.1)	
2	824090GT	SCREW,HHF,3/8-16X1,8,ZAG	4
3	824029GT	NUT,TL FLG,3/8-16,G,ZAG	2
4	1269584GT	FORMING,BD-GEN REGULATOR MT	1
5	824215GT	SCREW, PHPM, 10-32 X .75, ZAG	4
6	1253185GT	WASHER,FLAT,#10,USS,ZAG	4
7	6178GT	NUT,NYLOCK,10-32	4
8	60738GT	VOLTAGE REGULATOR,110V	1
8B	60739GT	VOLTAGE REGULATOR,220V	1
9	824086GT	SCREW,HHF,5/16-18X1,8,ZAG	2
10	824028GT	NUT,TL FLG,5/16-18,G,ZAG	2
11	81558GT	HARNESS for GENERATOR W/REGULATOR (Harness only, for BD generator)	
11B	81559GT	HARNESS for GENERATOR W/REG.220V (Harness only, for BD generator)	1
12	1268183GT	BRACKET, GENERATOR BOX, MOUNT	1
13	29868GT	SPRING CLIP,3/8-16,.05-.20X.73,ZAG	2
14	80543GT	RECEPTACLE, 120VAC, 20A, GFCI	1
15	74006GT	COVER,GFCI,HORIZONTAL,WEATHER (North American models)	1
16	10775GT	T-BOX,2.75 X 4.5 X 2.0	1
17	7056GT	CONN,SQUEEZE,1/2NPT .38-.50,SM	1
17-	6935GT	LOCKNUT,ELEC,1/2"	
18	10777GT	COVER,BLANK	1
18-	81458GT	GASKET, UK POWER TO PLAT	
19	1267316GT	JUNCTION BOX OUTLET BRACKET	1
20	824079GT	SCREW,HHF,1/4-20X1,8,ZAG	2
21	824027GT	NUT,TL FLG,1/4-20,G,ZAG	2
22	1257296GT	SCREW,PHPM-ST,8.32X.50,TYPE F,	4
23	1256312GT	WASHER,LOCK,#10,ZAG	4



820.1 Platform Overload - European Models

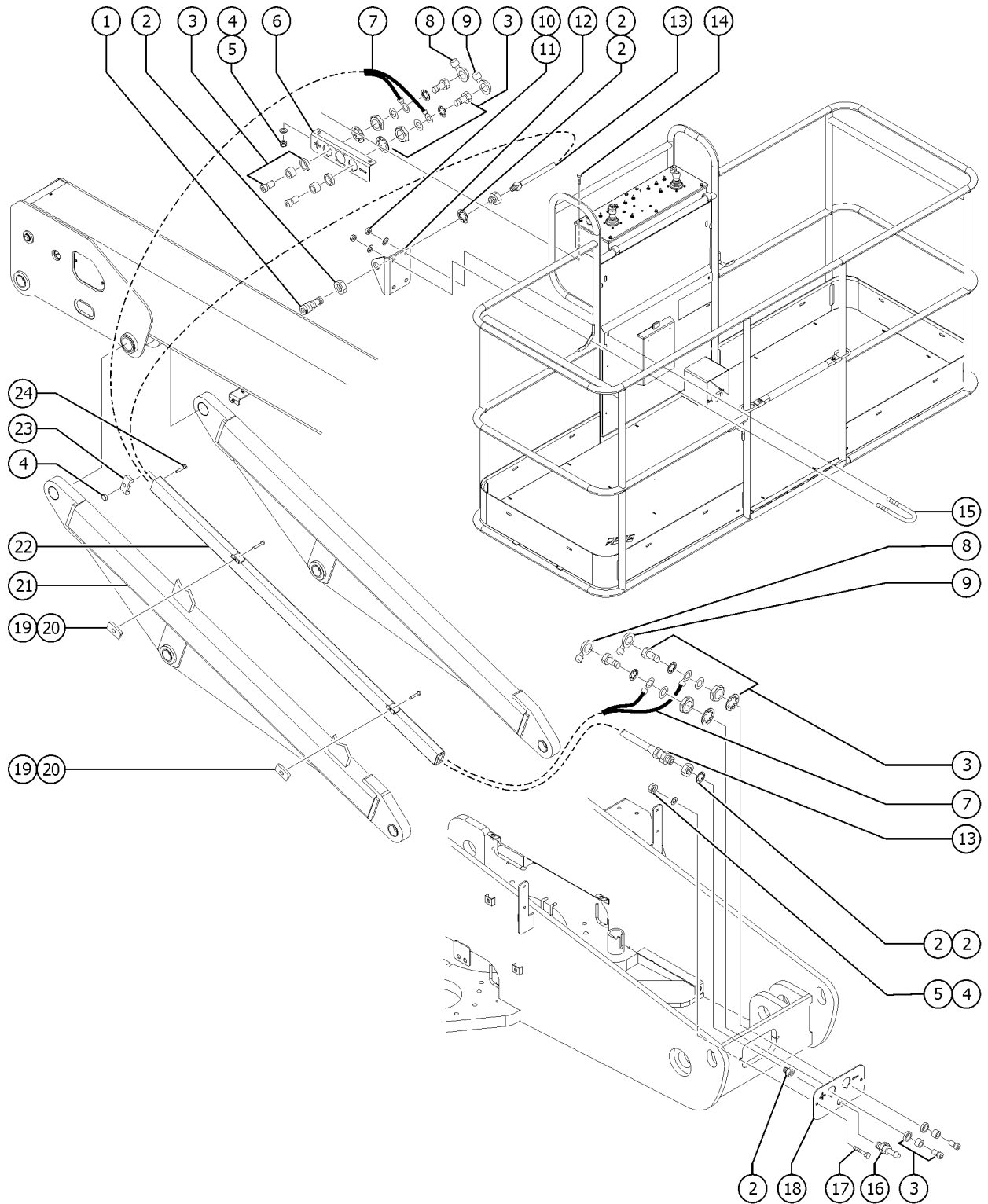


820.1 Platform Overload - European Models

Item	Part No.	Description	Qty.
A	128045GT	MODULE,LOAD SENSE 2007	
B	121846GT	RELAY,TIME DELAY,2 SEC,10A (part of load sense with recovery option)	
C	121847GT	RELAY,TIME DELAY,2 SEC,30A (part of load sense with recovery option)	
1	61997GT	WELDMENT,PLATFORM SUPPORT,CE (CE models)	1
2	61804GT	WELDMENT,ROTATOR SUPPORT	1
3	94643GT	ZERK,GREASE,5/16-24,STRAIT	4
4	825020GT	ROD END,.250X2.75,ZAG	4
5	25685GT	BEARING,GARLOCK,12FDU12	8
6	1257264GT	SCREW,BHC,10-32X1.5,F835,ZAG	2
7	824032GT	NUT,TL FLG,10-32,F,ZAG	2
8	824029GT	NUT,TL FLG,3/8-16,G,ZAG	1
9A	61975GT	RETAINER,SPRING,1.21 X .375	1
9B	61977GT	RETAINER,SPRING,1.46 X .375 (load sense, 750 lb)	1
10A	61974GT	SPRING,COMP,1" OD,232 LB/IN	1
10B	61976GT	SPRING,COMP,1-1/4"OD 352 LB/IN (load sense, 750 lb)	1
11	61809GT	WELDMENT,LOAD SUPPORT (includes item 5)	2
12	110789GT	WASHER,SHIM .0151 THK.	16
13	121848GT	ASSY,LS,LOAD SENSE,38.5 IN	1
14	61972GT	MOUNT,SWITCH	1
15	34619GT	BUMPER,RUBBER***	2
16	824095GT	SCREW,HHF, 3/8-16 X 3, 8, ZAG	1
17	824061GT	SCREW,HHC,1/4-20X1.25,8,ZAG	4
18	824027GT	NUT,TL FLG,1/4-20,G,ZAG	4
19	61726GT	PIN,0.75DIAX5.75LG,CHAMFER	4



821.1 Air Line and Weld Cables

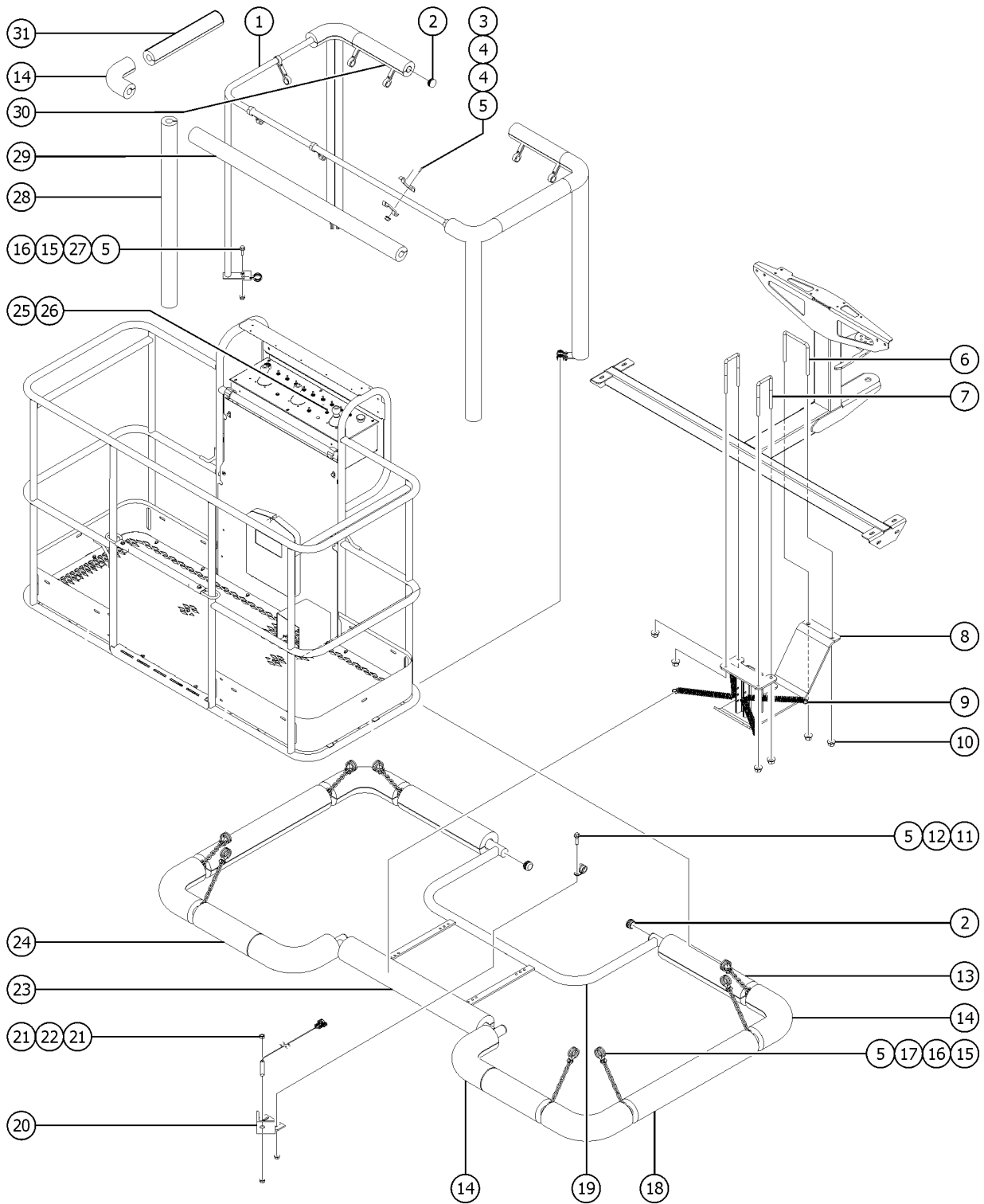


821.1 Air Line and Weld Cables

Item	Part No.	Description	Qty.
1	49215GT	MPT,CPLR,1/4"SER,3/8"X18	1
2	49212GT	FEMALE BULKHEAD CONNECTOR-8	2
3	81130GT	RECEPTICLE,WELD CABLE,FEMALE	4
4	6091GT	NUT, NYLOCK, 1/4-20	
5	6638GT	WASHER,FLAT,USS,1/4"Y	
6	88658GT	BRACKET,WELD OPTION	1
7	T109690GT	WELD CABLE ASSY, S85 (includes parts 51147 and 89977)	12 03
7B	T109691GT	WELD CABLE ASSY, S80 (includes parts 51147 and 89977)	11 43
8	51147GT	BOOT,CABLE TERMINAL,LG,RED,2/0	2
9	89977GT	BOOT,CABLE TERMINAL,BLACK,2/0	2
10	4828GT	NUT,NYLOCK,3/8-16	
11	5397GT	WASHER,FLAT,USS,5/16",Y	
12	60886PGT	BRACKET,AIRLINE TO PLATFORM	
13	T109692GT	AIRLINE ASSY, S85	12 14
13B	T109693GT	AIRLINE ASSY, S80	11 54
14	6090GT	SCREW,HHC,1/4-20 X .75	
15	122755GT	UBOLT,FLATTENED,1.5DIAX3/8 UNC	1
16	49214GT	MALE PIPE THD,1/4" SER,3/8"X18	1
17	36294GT	SCREW,HHC,1/4-20 X 2.75	
18	121595GT	PLATE,WELD OPTION	1
19	121899GT	PLATE,3/8-16 TAPPED	2
20	122209GT	SCREW,HHF,3/8-16 X1.50	
21		(refer to 506.1)	
22	121781GT	WELDMENT,LONG LINK,CABLE COVER	1
23	121785GT	CLAMP,OPTIONS,LONG LINK	1
24	6145GT	SCREW,HHC,1/4-20 X 1.5	



822.1 Aircraft Protection Package

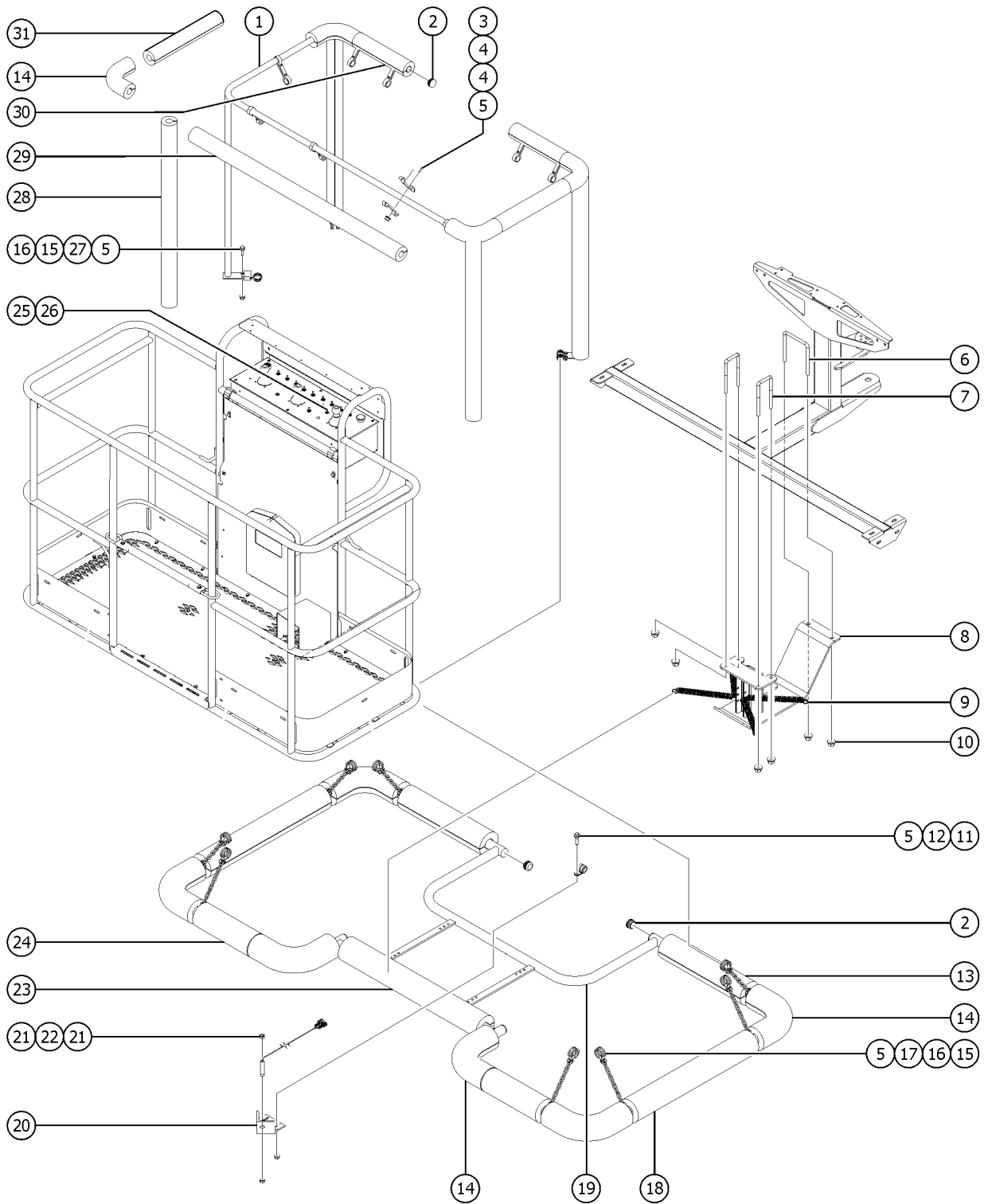


822.1 Aircraft Protection Package

Item	Part No.	Description	Qty.
1	46188GT	WELDMENT, AIRCRAFT TOP BUMPER (includes item 27)	1
2	55753GT	BUMPER, PLASTIC, 1.25 O.D.	6
3	824227GT	SCREW,BHC,1/4-20X1,F835,ZAG	20
4	122073GT	SUPPORT, RAILING	20
5	824027GT	NUT,TL FLG,1/4-20,G,ZAG	46
6	106044GT	U-BOLT,3/8-16X4X4.63X3.00	1
7	66472GT	U-BOLT, SQR, 3/8-16X2X5, PLTD	2
8	822764GT	WDMT,SKID PLATE	1
9	822769GT	SPRING,EXTENSION,1.92LB/IN	4
10	824029GT	NUT,TL FLG,3/8-16,G,ZAG	6
11	824079GT	SCREW,HHF,1/4-20X1,8,ZAG	2
12	6833GT	CLAMP,0.50,#8 X 1/4,RUB CUSH	1
13	75617-1550GT	PADDING,FOAM 3.5"OD X 1.50"ID	2
14	75636GT	PADDING,FOAM,3.0"X1.50ID 90DEG	10
15	21618GT	CLAMP,1.13,#18 X 1/4,RUB CUSH	24
16	824078GT	SCREW,HHF,1/4-20X.75,8,ZAG	24
17	56426-700GT	CHAIN,NO.2 (11 LINKS)	8
18	75617-2275GT	PADDING,FOAM 3.5"OD X 1.50"ID	2
19	822759GT	WDMT,AIRCRAFT SENSOR BUMPER	1
20	77797GT	WELDMENT, SENSOR MOUNT	1
21	88390GT	NUT,HEX,M8,PLASTIC	2
22	1261292GT	HARNES ASSY,PCON,PROX KILL (includes 27391 proximity sensor)	1
22-	128580GT	SWITCH TOGGLE SPDT 3P MOM SHDR	
22-	27391GT	PROXIMITY SENSOR***	
23	822768GT	FOAM,AIRCRAFT PROTECTION	1
24	75617-1025GT	PADDING,FOAM 3.5"OD X 1.50"ID	2
25	128203GT	SWITCH TOGGLE ASSY SPDT 2P MOM	1
26	27246GT	BOOT,TOGGLE SWITCH,SHORT*	1



822.1 Aircraft Protection Package

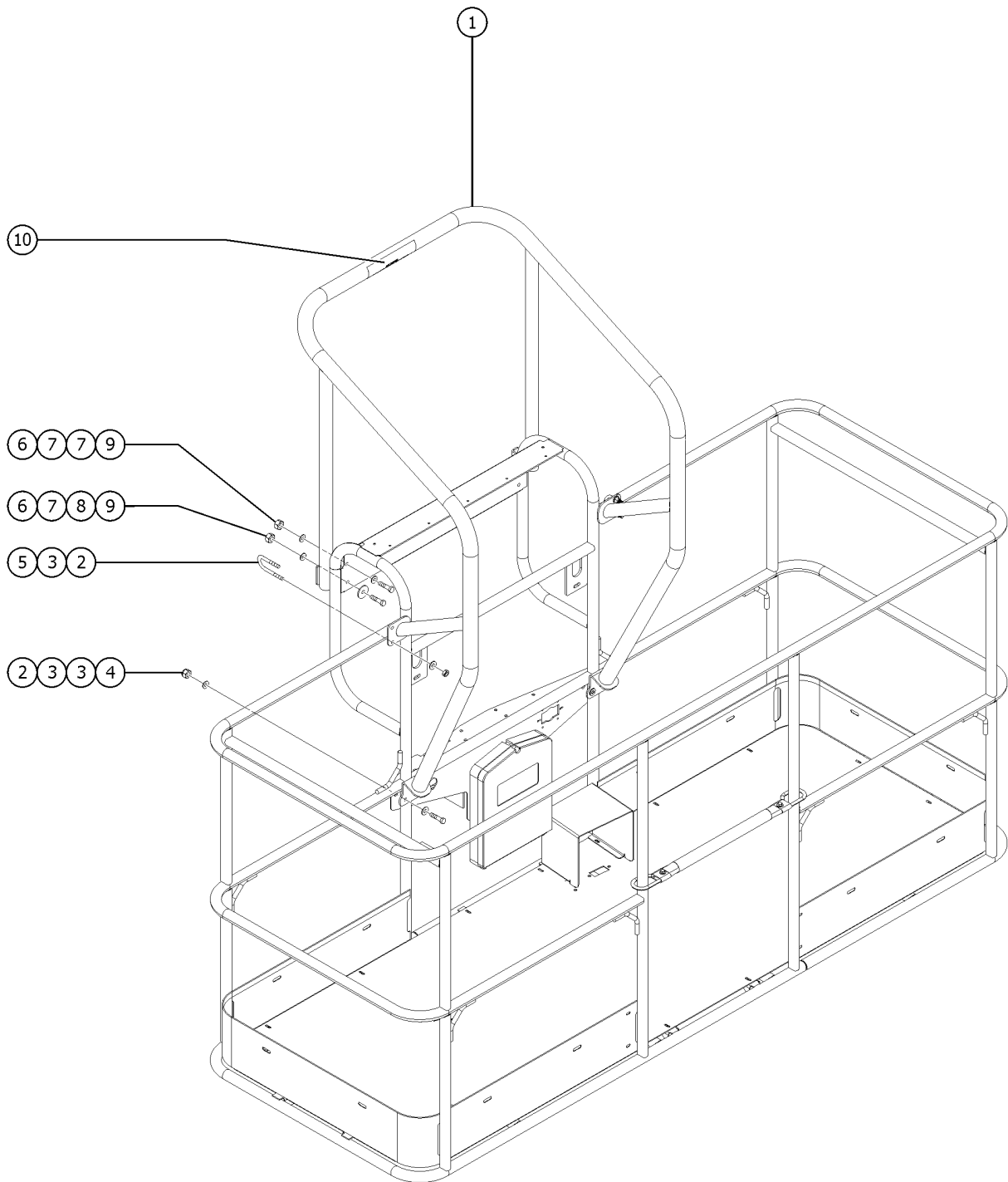


822.1 Aircraft Protection Package

<i>Item</i>	<i>Part No.</i>	<i>Description</i>	<i>Qty.</i>
27	81802GT	PLATE, AIRCRAFT PROTECTION OPT	4
28	1259329GT	PADDING, FOAM, 46.5"	4
29	75617-6275GT	PADDING,FOAM 3.5"OD X 1.50"ID	1
30	1278629GT	PADDING,FOAM, 10.0"	2
31	75617-2075GT	PADDING,FOAM 3.5"OD X 1.50"ID	2



823.1 Operator Protection Structure

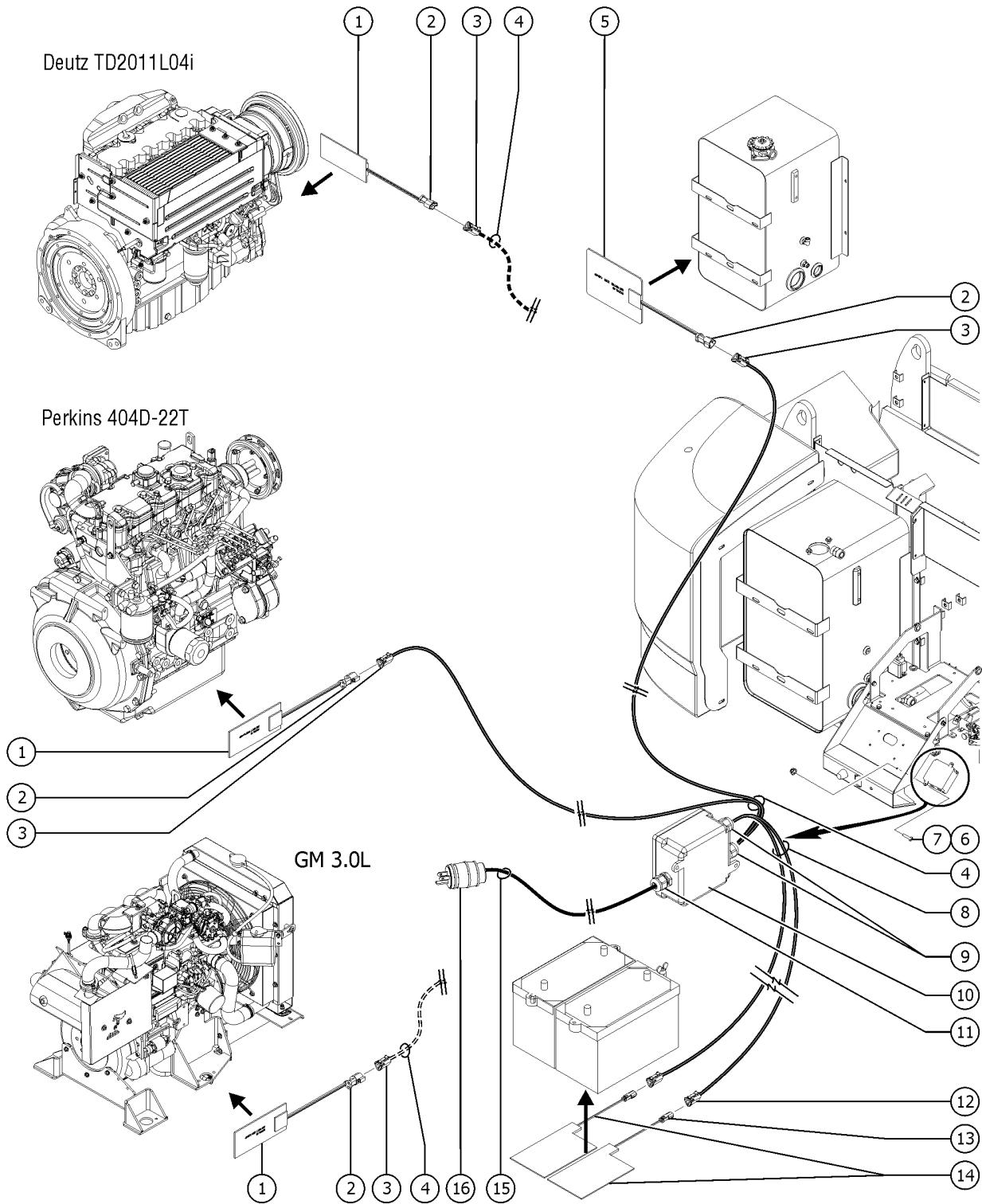


823.1 Operator Protection Structure

<i>Item</i>	<i>Part No.</i>	<i>Description</i>	<i>Qty.</i>
A		Fits all 6' and 8' Booms	
1	219158GT	ACCESSORY, OPERATOR PROT STRUCT (complete) includes all fasteners	1
2	1256468GT	NUT, 3/8-16, 8, ZAG	8
3	1255758GT	WASHER, FLAT, 3/8, USS, ZAG	12
4	824069GT	SCREW, HHC, 3/8-16X2.5, 8, ZAG	4
5	1251600GT	U-BOLT, FLATTENED, 1.5 X 3/8	4
6	1261184GT	NUT, 1/4-20, 8, ZAG	4
7	824113GT	WASHER, FLAT, 1/4, USS, ZAG	6
8	824120GT	WASHER, FLAT, .375X1.50X.125, ZAG (use only with the platform control box cover option)	2
9	824060GT	SCREW, HHC, 1/4-20X1, 8, ZAG	4
10		(refer to Section 100)	1



824.1 Cold Start Package

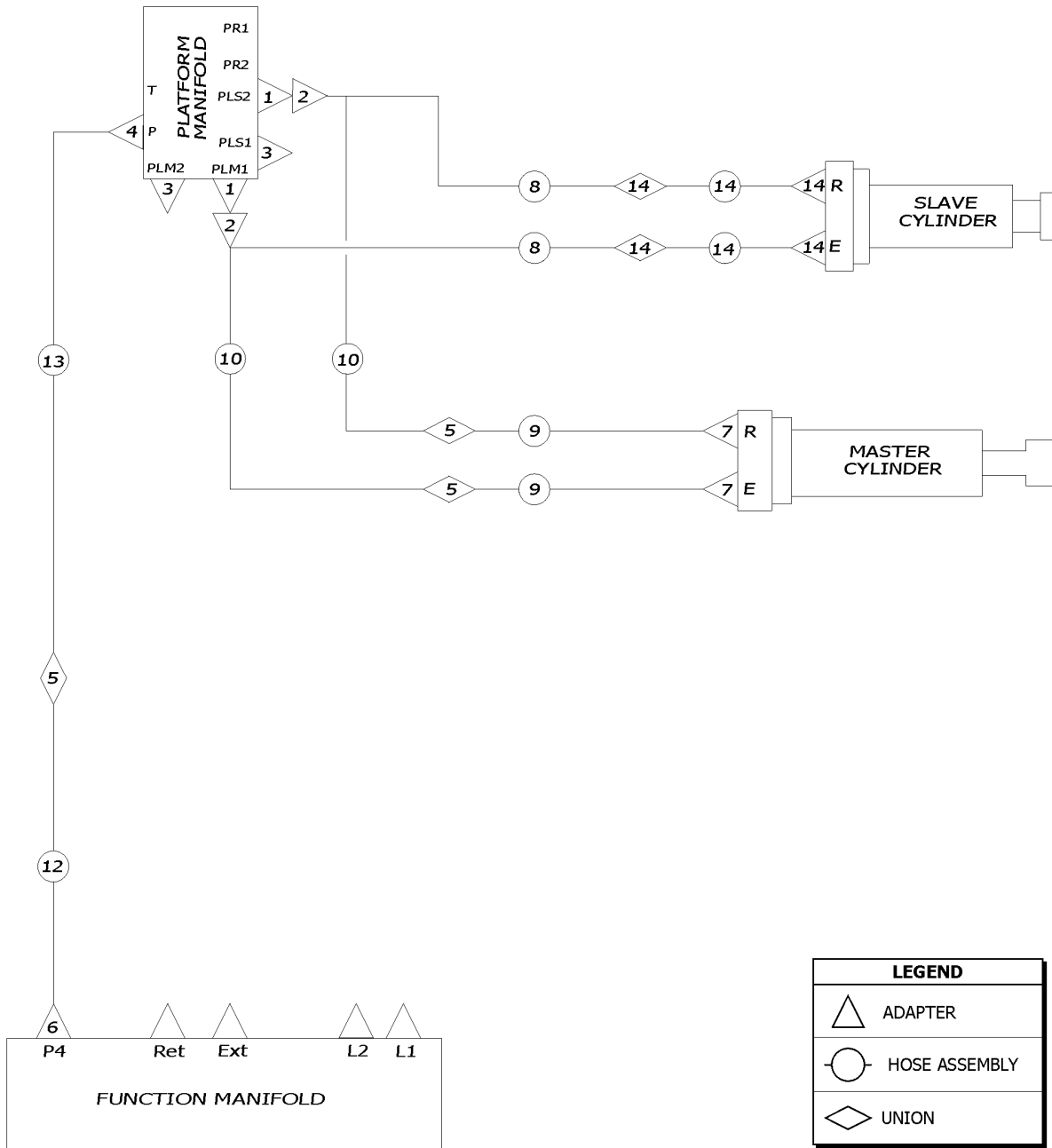


824.1 Cold Start Package

Item	Part No.	Description	Qty.
A	1275725GT	HARNESS,START ASSIST,404D (Perkins 404D-22T)	
B	237267GT	HARNESS,START ASSIST,S80 (Deutz TD2011L04i, Deutz TD 2.9L4 and GM 3.0L)	
1	216615GT	ASSY HEATER, MODEL 18, 120V (120V)	1
1B	216616GT	ASSY HEATER,MODEL 18,240V (240V)	1
1C	1259661GT	ASSY,ENGINE HEATER,120V (120V) (only for Deutz TD 2.9L4 models, includes two adhesive pads)	1
1D	1259708GT	ASSY,ENGINE HEATER,240V (240V) (only for Deutz TD 2.9L4 models, includes two adhesive pads)	1
2	119066GT	CONN, RECEP, 3 WAY, DEUTSCH, DT, ENDCAP (Part of heater assembly)	2
3	119057GT	CONN PLUG 3 WAY ENDCAP DT (Part of wire harness)	2
4	216662GT	HARNESS,ENG/HYD HEATER,120V (120V)	1
4B	216683GT	HARNESS,ENG/HYD HEATER,240V (240V)	1
5	216612GT	ASSY,120V HEATER, HYD TANK (120V)	1
5B	216611GT	ASSY,240V HEATER, HYD TANK (240V)	1
6	826516GT	SCREW, PHPM, 10-32 X 1.0, ZAG	2
7	824032GT	NUT,TL FLG,10-32,F,ZAG	2
8	216659GT	HARNESS, 120V BATT CABLE, 36" (120V)	1
8B	216680GT	HARNESS, 240V BATT CABLE, 36" (240V)	1
9	99778GT	CABLE SQUEEZE CONN,4 WIRE (part of of wire harness)	2
9-	238123GT	HUBBLE NUT, PG11	
10	214249GT	COLD WEATHER 120V J BOX ASSY (120V)	1
10B	237711GT	COLD WEATHER 240V J BOX ASSY (240V)	1
11	214536GT	SQUEEZE CONN W/NUT, 2WIRE, 4MM (part of of wire harness)	1
12	119056GT	CONN PLUG 2 WAY ENDCAP DT	1
13	119065GT	CONN, RECEP, 2 WAY, DEUTSCH, DT	1
14	216617GT	ASSY, BATTERY HEATER, 120V (120V)	2
14B	216618GT	ASSY BATTERY HEATER,240V (240V)	2
15	216645GT	HARNESS, 120V POWER CORD, 12" (120V) (includes items 11 and 16)	1
15B	216646GT	HARNESS, 240V POWER CORD, 12" (240V) (includes item 11 only)	1
16	119403GT	CONN,PLUG 120 AC/15A DOMESTIC (part of wire harness)	1



825.1 Arctic High Pressure Hose Kit, S-85

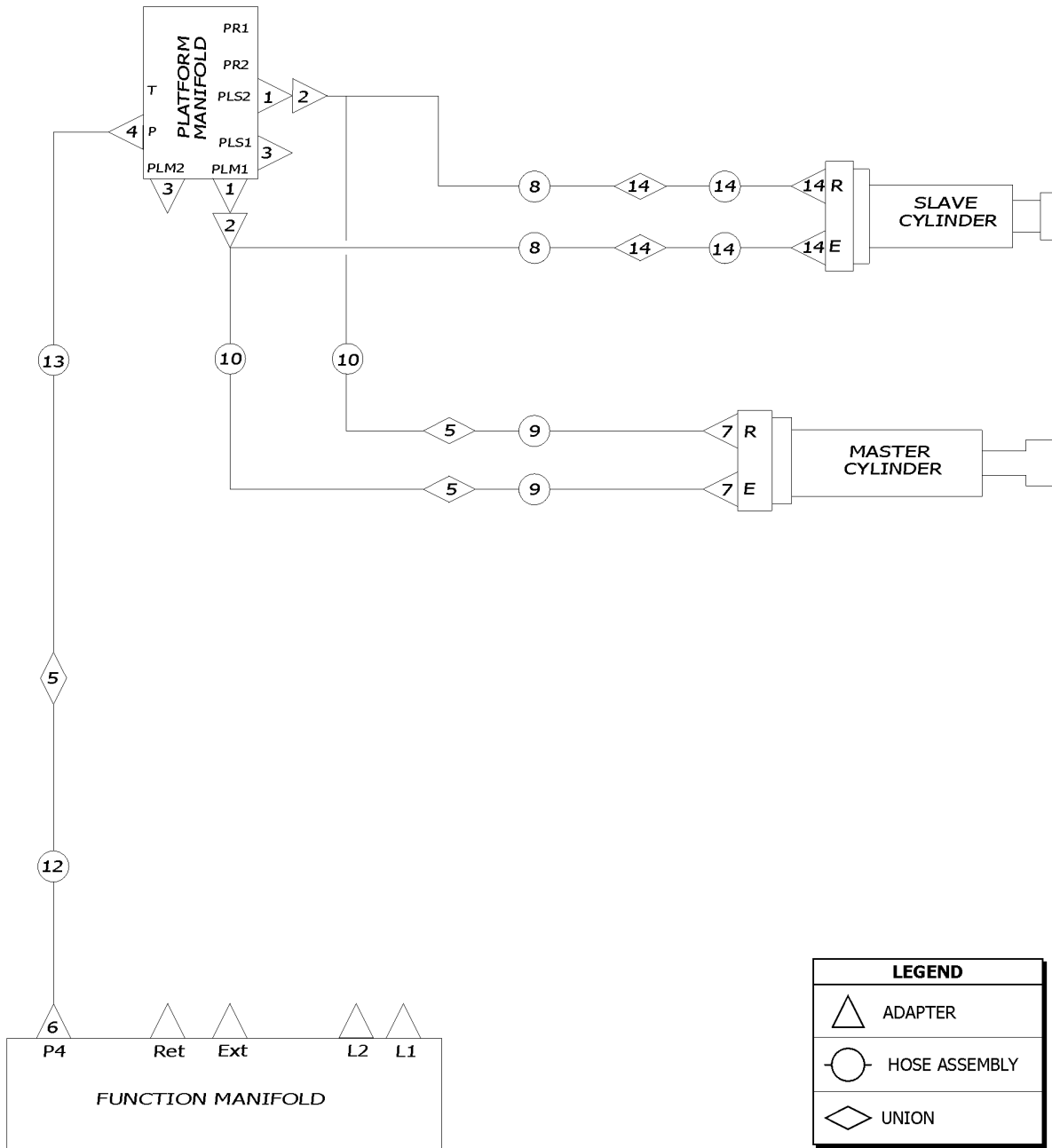


825.1 Arctic High Pressure Hose Kit, S-85

<i>Item</i>	<i>Part No.</i>	<i>Description</i>	<i>Qty.</i>
1	48927GT	CONN,520120-6-4	2
2	48875GT	TEE,RUN,SWIVEL,520432-6	2
3	39882GT	PLUG,HEX SOCKET,090109B-4	2
4	48928GT	ELBOW,45D,520320-6-4	1
5	61321GT	ELBOW,90D,BLKHD,ORFS-6-6 W/NUT	3
6	48916GT	FITTING,CONN,520120-6	1
7	48926GT	FITTING,ELBOW,90D,520220-6-4	2
8	234975GT	HOSE ASSY3/8,-4STRFEM,-6 90FEM	2
9	49128-34109GT	HOSEASSY3/8,-6STRFEM,-6 90FEM	2
10	49130-80582GT	HOSEASSY3/8,-6STRFEM,-6STRFEM	2
12	49130-51082GT	HOSEASSY3/8,-6STRFEM,-6STRFEM	1
13	49128-80609GT	HOSEASSY3/8,-6STRFEM,-6 90FEM	1
14		Ref. HOSE (refer to 714.1)	



826.1 Arctic High Pressure Hose Kit, S-80, S-80X

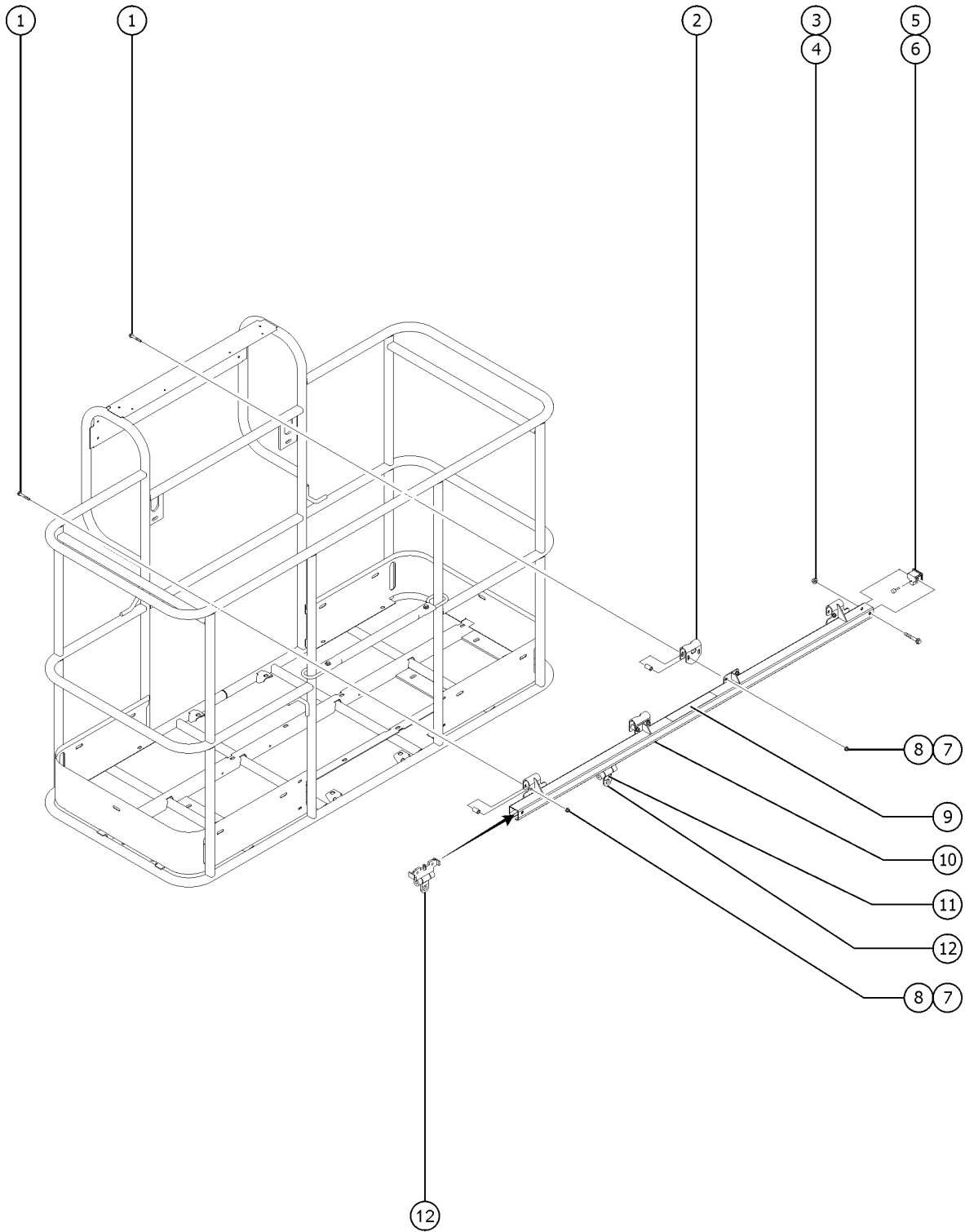


826.1 Arctic High Pressure Hose Kit, S-80, S-80X

<i>Item</i>	<i>Part No.</i>	<i>Description</i>	<i>Qty.</i>
1	48927GT	CONN,520120-6-4	2
2	48875GT	TEE,RUN,SWIVEL,520432-6	2
3	39882GT	PLUG,HEX SOCKET,090109B-4	2
4	48928GT	ELBOW,45D,520320-6-4	1
5	61321GT	ELBOW,90D,BLKHD,ORFS-6-6 W/NUT	3
6	48916GT	FITTING,CONN,520120-6	1
7	48926GT	FITTING,ELBOW,90D,520220-6-4	2
8	228896GT	HOSEASSY3/8,-4STRFEM,-6 90FEM	2
9	49128-34109GT	HOSEASSY3/8,-6STRFEM,-6 90FEM	2
10	49130-66982GT	HOSEASSY3/8,-6STRFEM,-6STRFEM	2
12	49130-51082GT	HOSEASSY3/8,-6STRFEM,-6STRFEM	1
13	49128-67009GT	HOSEASSY3/8,-6STRFEM,-6 90FEM	1
14		Ref. HOSE (refer to 713.1)	



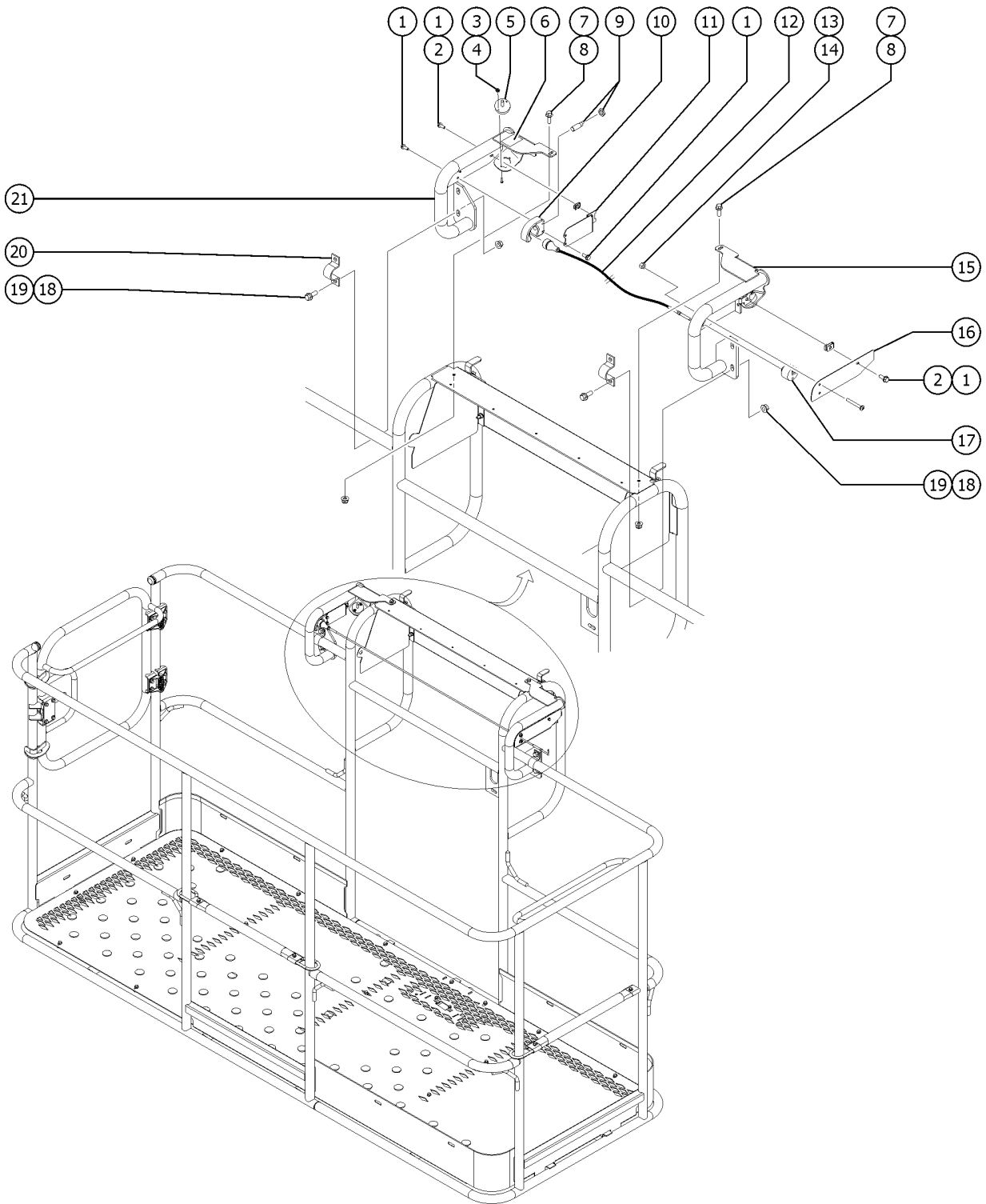
827.1 Fall Arrest Bar



Item	Part No.	Description	Qty.
1	1256856GT	SCREW,HHF,3/8-16X2.5,8,ZAG	8
2	1256389GT	FORMING,INNER HANGER	2
3	1251997GT	NUT,TL FLG,1/2-13,G,ZAG	2
4	1256851GT	SCREW,HHF,1/2-13X3.5,8,ZAG	2
5	1260892GT	END STOP. TFAAS TRACK	2
6	36388GT	BUMPER,RUBBER,.75 X .50H,STUD	2
7	1274322GT	NUT,NYLOCK FLG,3/8-16,F,ZAG	8
8	1256481GT	SPACER, HANGER BRACKET	8
9	1256400GT	DECAL,TFAAS TRACK,WORD	1
9B	1260910GT	DECAL,TFAAS TRACK,SYMBOL	1
9C	1256400FRGT	DECAL,TFAAS TRACK,WORD FR	1
10	1256377GT	ACC,TFAAS FALL ARREST,8FT WORD (includes instructions and decals)	1
10A-	1256379GT	ASSY,TFAAS TRACK,8FT WORD (includes decals)	
10B	1261022GT	ACC,TFAAS FALL ARREST,8FT SYM (includes instructions and decals)	1
10B-	1261024GT	ASSY,TFAAS TRACK,8FT SYM (includes decals)	
10C	1261018GT	ACC,TFAAS FALL ARREST,8FT FR (includes instructions and decals)	1
10C-	1261020GT	ASSY,TFAAS TRACK,8FT FR (includes decals)	
10D	1256378GT	ACC,TFAAS FALL ARREST,6FT WORD (includes instructions and decals)	1
10D-	1256380GT	ASSY,TFAAS TRACK,6FT WORD (includes decals)	
10E	1261023GT	ACC,TFAAS FALL ARREST,6FT SYM (includes instructions and decals)	1
10E-	1261025GT	ASSY,TFAAS TRACK,6FT SYM (includes decals)	
10F	1261019GT	ACC,TFAAS FALL ARREST,6FT FR (includes instructions and decals)	1
10F-	1261021GT	ASSY,TFAAS TRACK,6FT FR (includes decals)	
11	40434GT	DECAL,LANYARD ANCHORAGE POINT	1
12	1256439GT	TROLLEY, TFAAS TRACK	1



828.1 Lift Guard Contact Alarm Option (from January 2017)

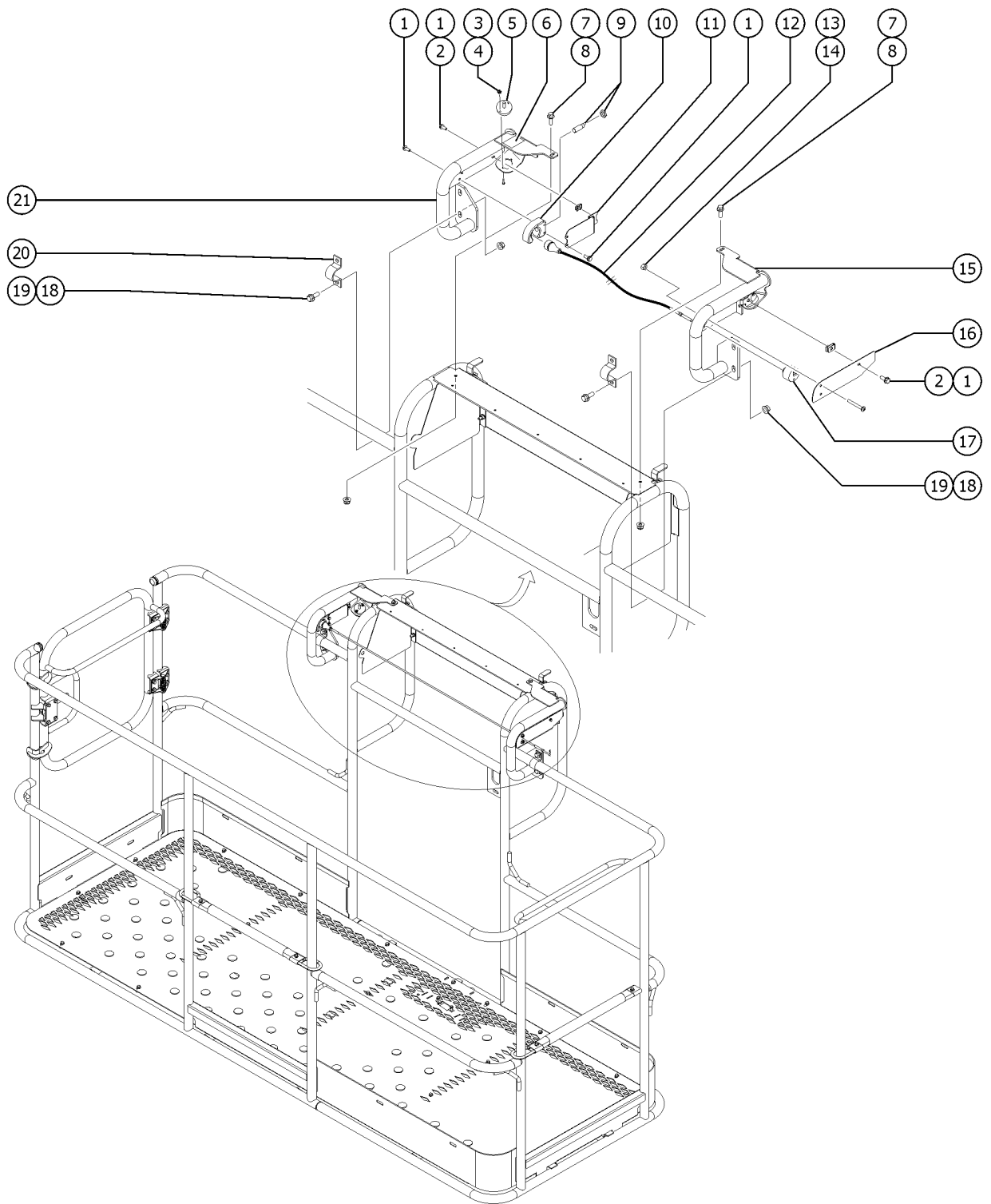


828.1 Lift Guard Contact Alarm Option (from January 2017)

Item	Part No.	Description	Qty.
1	1264934GT	SCREW,HHF,10-24X.5	7
2	73575GT	SPRING CLIP,10-24,.025-.125X.468,ZAG	2
3	12344GT	NUT,NYLOCK,6-32	4
4	1256859GT	SCREW,PHPM,6-32X7/8,ZAG	4
5	1278111GT	ASSEMBLY, LIGHT, CONTACT ALARM	2
5B	1285850GT	ASSEMBLY,AMBER LIGHTS,CONTACT	
6	1278542GT	DECAL, INSTRUCTION, CONTACT ALARM	1
7	824078GT	SCREW,HHF,1/4-20X.75,8,ZAG	2
8	1277924GT	NUT,NYLOCK FLG,1/4-20,F,ZAG	2
9	1278119GT	ASSEMBLY,SENSOR, PROX,CONTACT ALARM	1
10	1278433GT	ASSY SENSOR W/HOUSING (Includes holder item 1277877 and sensor part 1278119)	1
10-	1277877GT	HOLDER, SENSOR	
11	1277873GT	FORMING, SENSOR HOLDER	1
12	1278416GT	ASSEMBLY,CONTACT ALARM CABLE, LARGE	1
12-	1261184GT	NUT,1/4-20,8,ZAG (part of assembly 1278416)	
12-	1278124GT	MAGNET, 1/4-20, 15 LB. (part of assembly 1278416)	
12-	1278368GT	GRIP, CABLE (part of assembly 1278416)	
12-	1278458GT	CONTACT ALARM WIRE ASSY, LARGE (part of assembly 1278416)	
13	1274168GT	NUT,NYLOCK,10-32,A,ZAG	2
14	824216GT	SCREW, PHPM, 10-32 X 1.5, ZAG	2
15	1278138GT	WELDMENT, RIGHT CONTACT ALARM, LARGE	1
15-	824037GT	NUT, HH JAM, 1/4-20, A, ZAG	
15-	1277924GT	NUT,NYLOCK FLG,1/4-20,F,ZAG	
16	1277875GT	PLATE, CABLE AND WIRE COVER	1
17	1277876GT	GUIDE, CABLE	1
18	1274322GT	NUT,NYLOCK FLG,3/8-16,F,ZAG	4
19	824090GT	SCREW,HHF,3/8-16X1,8,ZAG	4
20	1278363GT	CLAMP, 1.25 INCH TUBE	2



828.1 Lift Guard Contact Alarm Option (from January 2017)

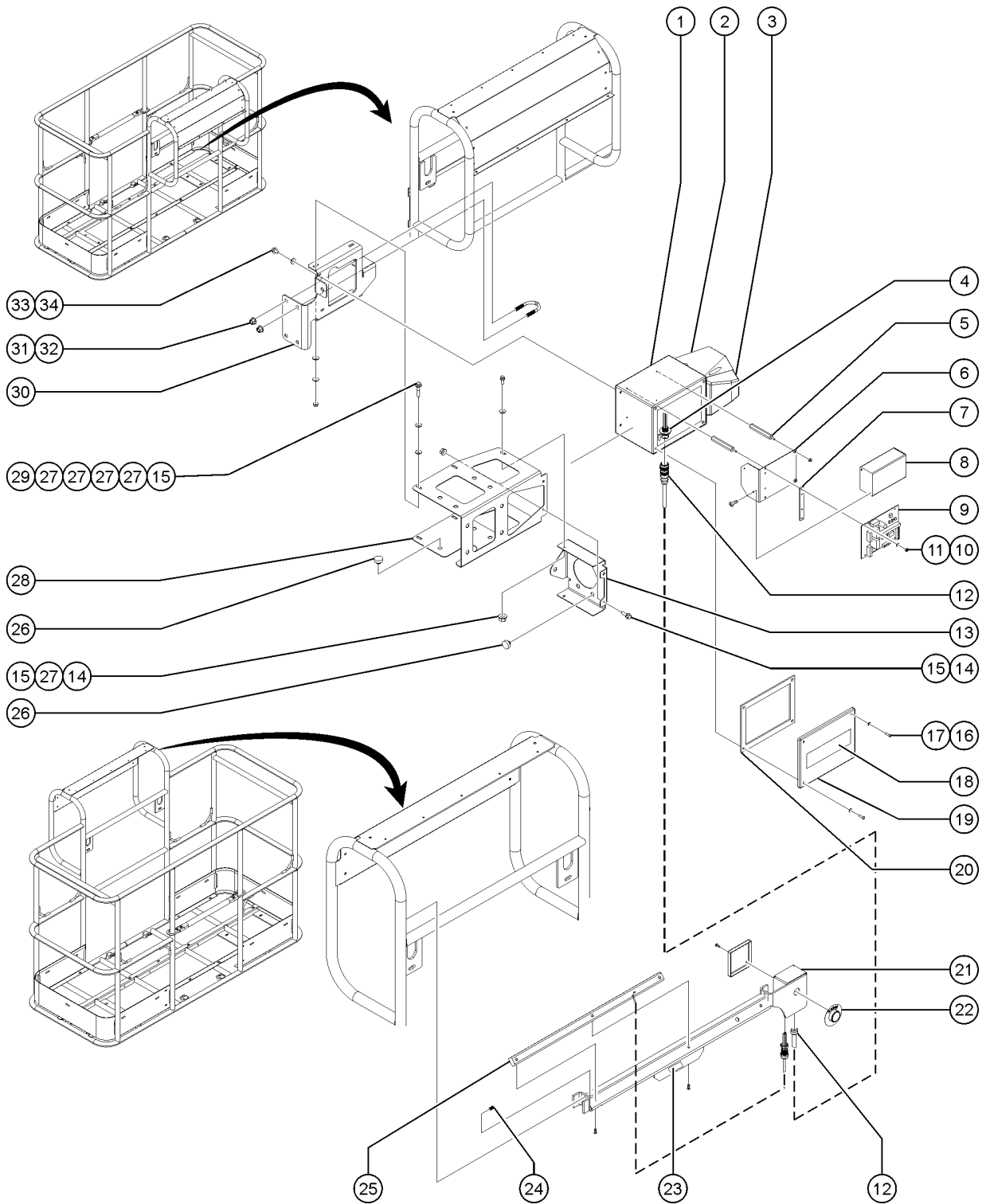


828.1 Lift Guard Contact Alarm Option (from January 2017)

<i>Item</i>	<i>Part No.</i>	<i>Description</i>	<i>Qty.</i>
21	1278144GT	WELDMENT, LEFT CONTACT ALARM, LARGE	1



828.2 Operators Protection Alarm (to January 2017)

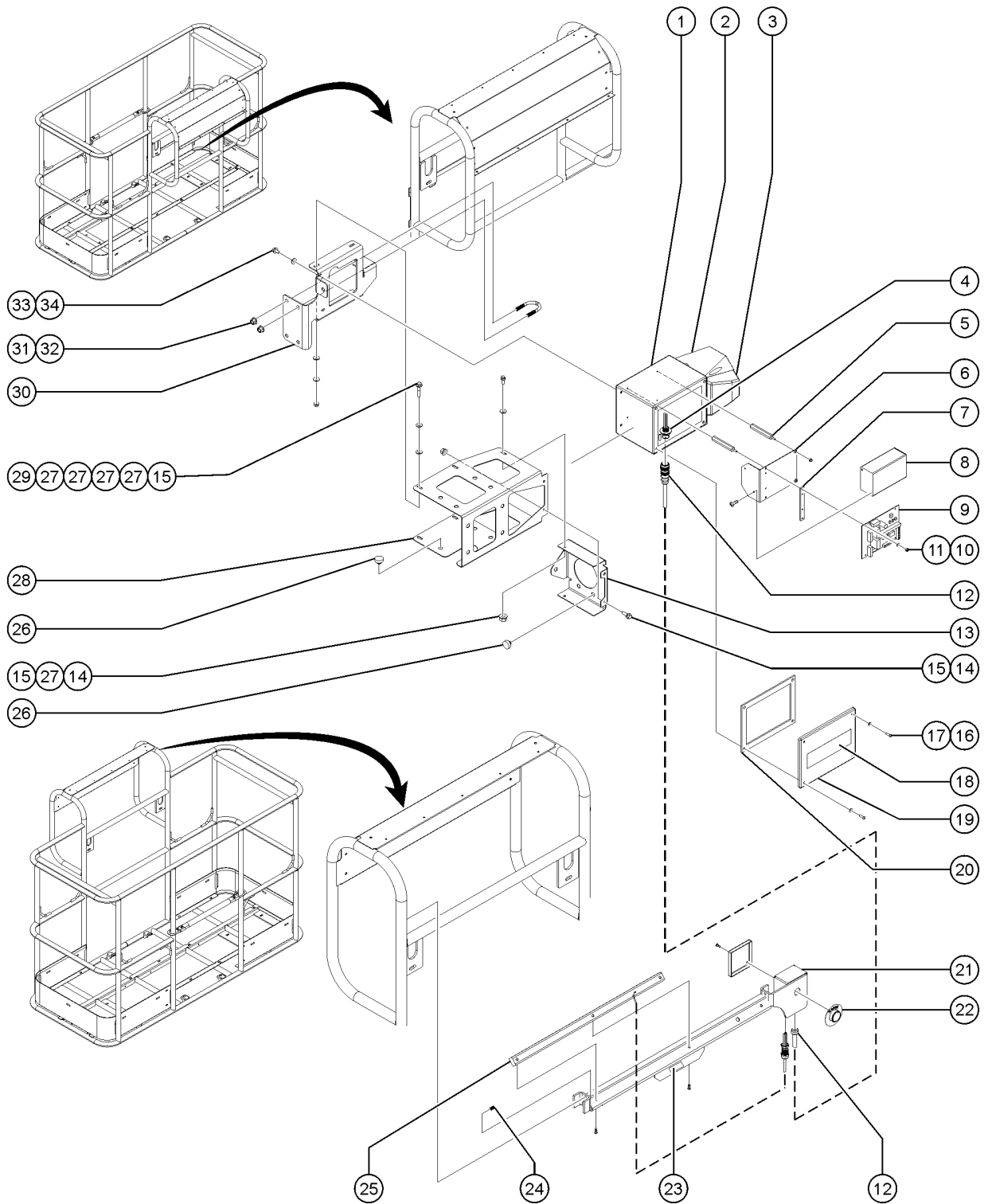


828.2 Operators Protection Alarm (to January 2017)

Item	Part No.	Description	Qty.
A	1275537GT	ASSEMBLY, OPA PROTECTION CAGE	1
1	1255018GT	BASE ENCLOSURE,RED,OPA	1
2	1255021GT	SOUNDER,MIDI,OPA	1
3	1255037GT	SOUNDER LENS, OPA, BLUE (standard lens fitted to OPA)	1
3B	1270116GT	SOUNDER LENS, OPA, RED	1
3C	1270117GT	SOUNDER LENS, OPA, AMBER	1
3D	1270118GT	SOUNDER LENS, OPA, CLEAR	1
4	1255033GT	HARN,PIGTAIL,TAPESWITCH,OPA	1
5	1255028GT	STAND OFF,CONTROL UNIT	4
6	1255024GT	BRACKET,CONTROL UNIT	1
7	1255025GT	SPACER,HEAT SINK	1
8	1255023GT	ASSY,MODULE,CONTROL UNIT,OPA	1
9	1255022GT	MODULE,CONTROL UNIT,PCB,OPA	1
10	1255067GT	NUT,M4 NYLOCK	4
11	1255066GT	WASHER,M4 NYLON	4
12	1255035GT	ASSEMBLY,CABLE,TAPESWITCH	1
13	1275539GT	FORMING, OPA CAP	1
14	824078GT	SCREW,HHF,1/4-20X.75,8,ZAG	5
15	824027GT	NUT,TL FLG,1/4-20,G,ZAG	9
16	1255038GT	SCREW,M5X16 BHD	4
17	1255027GT	WASHER,M5 NYLON	4
18	1255890GT	DECAL,COSMETIC,GENIE	1
19	1255020GT	LID ENCLOSURE,RED,OPA	1
20	1255019GT	GASKET,ENCLOSURE	1
21	1255029GT	ASSEMBLY,TAPESWITCH (6/8' platforms) (includes j-box and fasteners)	1
22	1255036GT	ASSEMBLY RESET SWITCH	1
23	1255889GT	DECAL,SYMBOL-READ THE MANUAL	1
24	1255068GT	SCREW,M6X8	2



828.2 Operators Protection Alarm (to January 2017)

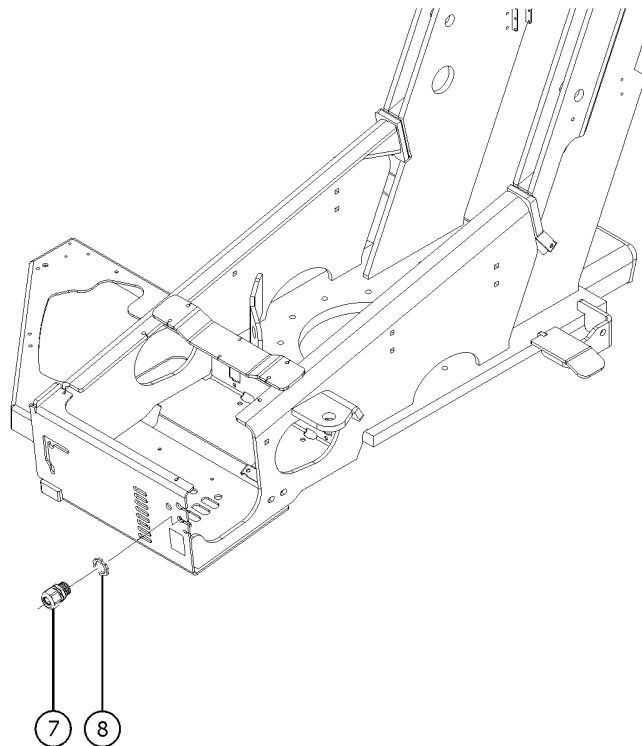
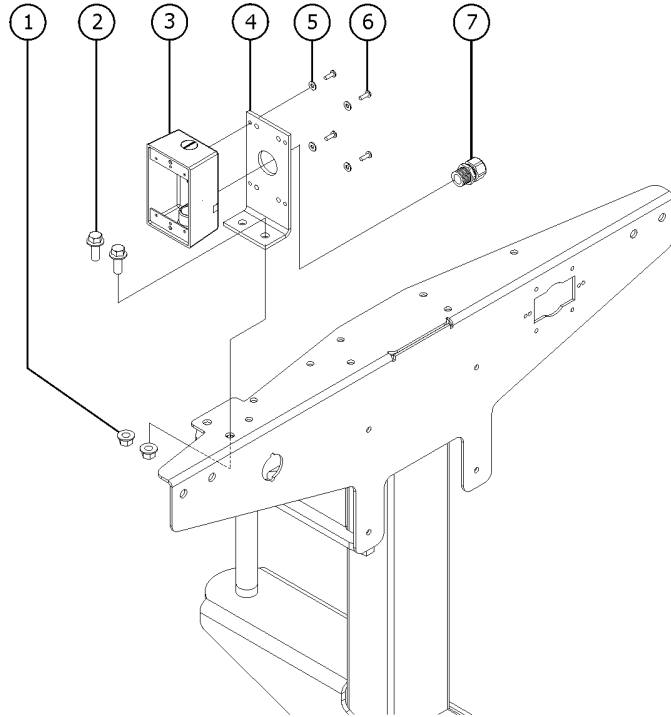
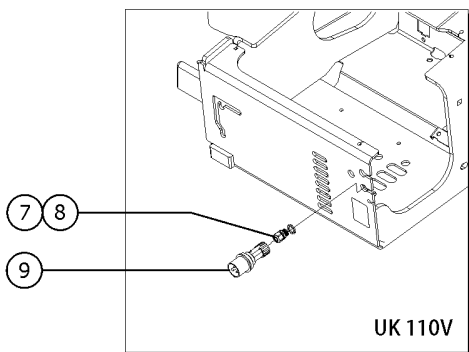
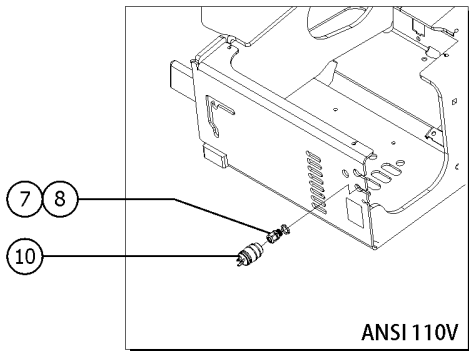
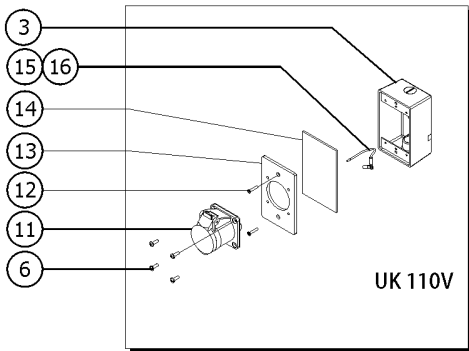
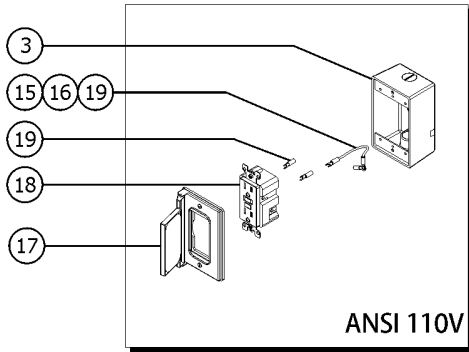


828.2 Operators Protection Alarm (to January 2017)

<i>Item</i>	<i>Part No.</i>	<i>Description</i>	<i>Qty.</i>
25	1255047GT	SENSOR,RUBBER EDGE (6'8" platforms)	1
26	43392GT	BUMPER,BATTERY BOX & RAILS	17
27	824113GT	WASHER,FLAT,1/4,USS,ZAG	19
28	1275538GT	FORMING, OPA CAGE	1
29	824080GT	SCREW,HHF,1/4-20X1.25,8,ZAG	4
30	1275540GT	FORMING, OPA, BRACKET	1
30-	1271945GT	KIT, OPA WELDER BRACKET Complete assembly bracket with fasteners and U-Bolt 1251600; from SN 35544	
31	824029GT	NUT,TL FLG,3/8-16,G,ZAG	4
32	1251600GT	U-BOLT, FLATTENED, 1.5 X 3/8	2
33	237238GT	SCREW,HHF,M6-1.0X12,DIN6921,10	2
34	1257389GT	WASHER, FLAT, M6X18X1.6,DIN9021,ZAB	2



829.1 Power To Platform

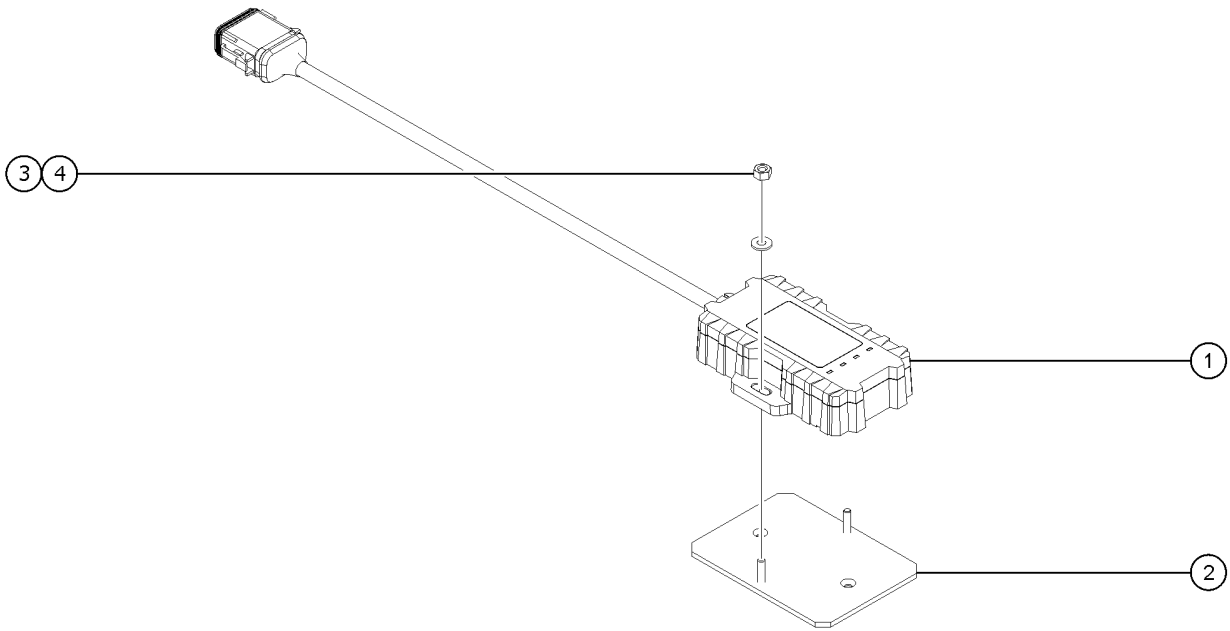


829.1 Power To Platform

Item	Part No.	Description	Qty.
1	824029GT	NUT,TL FLG,3/8-16,G,ZAG	2
2	824090GT	SCREW,HHF,3/8-16X1,8,ZAG	2
3	10775GT	T-BOX,2.75 X 4.5 X 2.0	1
4	81096GT	BRACKET,POWER TO PLAT, DOM	1
5	1257390GT	WASHER,FLAT,#8,SAE,ZAG	4
6	54365GT	SCREW,PHIL,PHM,10-32 X .5,SSTL	4
7	7056GT	CONN,SQUEEZE,1/2NPT .38-.50,SM	2
8	6935GT	LOCKNUT,ELEC,1/2"	1
		power cable not shown	
9	144161GT	PLUG,PWR,UK,16AMP,3PIN,BLK	1
10	119403GT	CONN,PLUG 120 AC/15A DOMESTIC	1
11	T112560GT	RECEPTACLE,UK,110V	1
12	63375GT	SCREW,FHM,6-32 X .75	2
13	T112561GT	PLATE,UK,POWER TO PLAT	1
14	74052GT	GASKET,COVER,GFCI,WEATHERPROOF	1
15	55089GT	WIRE,14 GA,GREEN/YELLOW,THHN**	6
16	13597GT	TERMINAL,#10 RING,BLUE	2
		crimp one end of 13597 to swing chassis ground wire	
17	74006GT	COVER,GFCI,HORIZONTAL,WEATHER	1
18	13585GT	OUTLET, 110V	1
19	36878GT	TERMINAL,FORK,BLUE (BULK)	3
		connect one each of 36878 to swing chassis positive and negative wires	



830.1 Telematics Option



830.1 Telematics Option

<i>Item</i>	<i>Part No.</i>	<i>Description</i>	<i>Qty.</i>
-	1292977GT	HARNESS, RETROFIT, EXTENDED, M7, GENIE LIFT CONNECT for units after SN S8016D-236 for first time insulation, must order this Harness with one of the models 1289520GT, 1289521GT, 1289522GT, or 1289523GT	1
1	1289520GT	MODULE, TELEMATICS, ZTR, M7, NORTH AMERICA North America	1
1B	1289521GT	MODULE, TELEMATICS, ZTR, M7, EMEA/APAC EMEA/APAC	
1C	1289522GT	MODULE, TELEMATICS, ZTR, M7, APAC/ANZ APAC/ANZ	
1D	1289523GT	MODULE, TELEMATICS, ZTR, M7, JAPAN Japan	
2	1307200GT	BRACKET, TELEMATICS	1
3	1271081GT	NUT, NYLOCK, 8-32, 8, ZAG	2
4	1257390GT	WASHER, FLAT, #8, SAE, ZAG	2



<u>Part no.</u>	<u>Page Number</u>	<u>Part no.</u>	<u>Page Number</u>	<u>Part no.</u>	<u>Page Number</u>
1268GT	13	15086GT	141, 179	27697GT	197
1484GT	13	15243GT	93, 99, 237, 243	27698GT	45, 209
4266GT	333	15513GT	213	27761GT	249
4828GT	139, 143, 177, 181, 343	18596GT	135, 147, 185	27836GT	249
5224GT	219	18605GT	199	27901GT	63
5365GT	129	18665GT	323	28158GT	17, 31
5397GT	133, 143, 181, 293, 309, 323...	18666GT	97, 129, 133, 149, 173, 185...	28159GT	17, 31
6019GT	143, 181, 195	19018-1100GT	319	28160GT	17, 31
6024GT	133, 141, 147, 179, 185	19060GT	263	28174GT	23, 25, 29, 37, 39, 43
6037GT	323	19274GT	121, 127	28235GT	23, 25, 29, 37, 39, 43
6090GT	97, 99, 101, 237, 243, 301	19440GT	45	28236GT	29
6091GT	133, 143, 147, 181, 185, 301...	19506GT	91	28301GT	75, 81
6097GT	139, 143, 177, 181, 195	20776GT	323	28443GT	329
6145GT	99, 295, 343	21019GT	139, 177	28607GT	311
6146GT	129, 139, 177, 207, 237, 243...	21130GT	53, 129	28646GT	71
6147GT	293	21141GT	61, 65	28750GT	13, 249
6175GT	139, 177	21187GT	323	29104GT	19, 21
6178GT	77, 89, 97, 99, 101, 107	21465GT	139, 165, 167, 177	29557GT	137
6356GT	97, 99, 101, 237, 243, 295	21618GT	103, 345	29559GT	137
6578GT	105	21858GT	99, 103, 133, 197, 237, 243	29560GT	15, 137
6584GT	129	22571GT	171	29739GT	157, 269
6637GT	133, 143, 147, 183, 185	22578GT	129	29868GT	49, 63, 67, 69, 75, 79...
6638GT	97, 99, 99, 99, 129, 133...	22672GT	141, 183, 189, 179	30138GT	197, 201, 203
6782GT	133, 143, 181	22699GT	305, 307	30143GT	119, 125
6833GT	153, 191, 199, 345	23405GT	145, 183	30144GT	73
6886GT	323	24038GT	305, 307	30199GT	47
6888GT	95, 101	24514GT	141, 165, 179	30221GT	45
6889GT	93, 95, 99, 325	25284GT	227, 231	30222GT	45
6935GT	93, 95, 99, 325, 339, 367	25685GT	211, 213	30370GT	221
7056GT	95, 101, 339, 367	25817GT	341	30370GT	217
8915GT	93	25817GT	45, 207	30418GT	49
9599-SGT	295	25994GT	17	30468GT	297
10775GT	339, 367	27082GT	171, 239, 245	30489GT	133, 143, 181, 305, 307
10777GT	339	27089GT	137	30490GT	137
12344GT	99, 101, 237, 243, 323, 359	27204GT	23, 25, 37, 39	30794GT	121, 127
13000GT	323	27205GT	19, 21, 33, 35	30810GT	311
13002GT	133, 143, 181	27206GT	19, 21, 23, 25, 35, 37...	30971GT	143, 153, 189, 181, 305, 307
13003GT	135, 147, 185	27207GT	19, 21, 23, 25, 35, 37...	30973GT	69, 293
13064GT	133, 141, 147, 179, 185	27246GT	345	30996GT	239, 245
13268GT	157, 163, 227, 231	27287GT	103	30997GT	95, 101, 239, 245
13585GT	367	27391GT	345	31060GT	27
13597GT	367	27581GT	13	31106GT	209
		27585GT	145, 147, 183, 185	31523GT	305, 307



<u>Part no.</u>	<u>Page Number</u>	<u>Part no.</u>	<u>Page Number</u>	<u>Part no.</u>	<u>Page Number</u>
31788GT	17	42315GT	323	48926GT	353, 355
32150GT	13	42781GT	91, 93, 95, 99, 231, 243	48927GT	279, 353, 355
32151GT	13	42790GT	279	48928GT	281, 353, 355
33277GT	149, 171, 187	43018GT	43, 203, 209, 211, 221, 255...	48930GT	277
33418GT	135, 147, 185	43322GT	323	48932GT	71, 273, 281
33422GT	97, 101	43392GT	229, 233, 297, 365	48933GT	33, 31, 211, 213, 219, 281...
33428GT	45, 221	44981GT	23, 25, 29, 37, 39, 43	48935GT	279
33441GT	55, 57, 59	45383GT	237, 243	48936GT	273
33555GT	75, 79	45385GT	95, 101	48946GT	279
33607GT	101, 325	45400GT	335, 337	48948GT	273, 331
33608GT	101, 325	45435GT	143, 153, 169, 181, 305, 307	48959GT	31, 33, 211, 213, 219, 317...
33990GT	55, 59	45454GT	129, 157, 329	48960GT	285, 289...
33994GT	13, 249	45462GT	293	48963GT	271, 273, 279, 331
34052GT	107, 109, 111, 113	45470GT	165	48964GT	279, 331
34058GT	313	45708GT	71	48977GT	279, 331
34164GT	155	45912GT	261	48983GT	279
34505GT	307	45921GT	261	48984GT	61, 65, 279
34533GT	305, 307	46131GT	61, 151, 189	48996GT	61, 65, 279
34619GT	297, 341	46188GT	345	49000GT	321
34955GT	305, 307	46468GT	29, 43	49116-1437GT	283
35418GT	165	47041GT	19, 21	49116-2437GT	285, 289
35432GT	305, 307	47222GT	199	49116-2637GT	285, 289
35434GT	141, 179, 305, 307	47377GT	217, 221	49116-3137GT	271, 273
35675GT	221	48415GT	263	49117-1491GT	333
35726GT	253	48425GT	141, 177	49117-2791GT	285, 289
35956GT	295	48867GT	71	49117-4691GT	285
36208GT	141, 179	48875GT	333, 353, 355	49117-4891GT	275, 277
36294GT	325, 343	48880GT	71	49117-5391GT	271, 273
36388GT	159, 357	48885GT	71	49117-6191GT	281
36878GT	367	48894GT	285, 289	49117-11491GT	273
37187GT	69	48904GT	281, 285, 289, 333	49117-13291GT	289
37192GT	69	48905GT	211, 213, 231, 233, 289	49119-1378GT	283
37947GT	77, 79, 91, 99	48907GT	277, 281, 283, 289, 333	49119-4578GT	271, 273
38149GT	23, 25	48908GT	333	49119-11378GT	273
38620GT	197, 201, 203	48909GT	271, 273	49119-34078GT	285, 289
39882GT	353, 355	48911GT	271, 273	49119-51078GT	285, 289
40434GT	29, 43, 357	48912GT	279, 285, 289	49119-66978GT	285
40614GT	103	48914GT	277	49119-74578GT	289
41549GT	85	48915GT	271, 273, 277, 281	49128-1509GT	281
41858GT	175	48916GT	211, 213, 231, 233, 289, 353...	49128-2409GT	271, 275
42079GT	193	48918GT	71, 281	49128-2609GT	281
42288GT	95, 99, 237, 243	48920GT	277, 285, 291	49128-3709GT	271, 275



<u>Part no.</u>	<u>Page Number</u>	<u>Part no.</u>	<u>Page Number</u>	<u>Part no.</u>	<u>Page Number</u>
49128-4209GT	277	49915GT	137	56426-700GT	345
49128-4509GT	277	49924GT	15, 137, 141, 179	56525GT	317
49128-34109GT	353, 355	50035GT	89	56570GT	319
49128-50409GT	285, 289	50160GT	193	56704GT	293
49128-67009GT	355	50481GT	257, 259	56912GT	49, 69, 13, 19, 85, 139...
49128-80609GT	353	50560GT	87, 197, 211, 213	56934GT	309
49130-2957GT	271, 273	50742GT	211, 213	58222GT	85
49130-8382GT	277	50787-SGT	129	58223GT	85
49130-51082GT	353, 355	51063GT	197, 207	58237GT	55, 59
49130-63782GT	285	51144GT	47	58249GT	137
49130-66982GT	355	51147GT	343	58290GT	269
49130-71382GT	289	52087GT	157, 269	58299GT	137
49130-80582GT	353	52352GT	137	58303GT	261
49137-5041GT	285, 289	52475GT	19, 21, 35	58304GT	83
49141-11463GT	273	52714GT	263	58412GT	15, 161
49141-17463GT	285, 289	52715GT	263	58415GT	155, 169
49143-2829GT	283	52726GT	249	58489GT	69
49143-4129GT	279	52865GT	23, 25	58566GT	137
49143-5229GT	271	52866GT	133, 143, 153, 169, 181	58630GT	137
49143-14429GT	285, 289	52943GT	257, 259	58999GT	59
49149-2526GT	271, 273	52966GT	19, 21, 35	59370GT	45
49149-3126GT	281	52967GT	19, 21, 35	59371GT	61, 65
49151-1898GT	281, 315	53387GT	49	60143-SGT	321
49151-3548GT	283	53605GT	321	60334GT	13, 85
49163-1494GT	333	53758-SGT	311, 313	60370-SGT	227, 231
49183-2692GT	281	53759-SGT	311, 313	60452GT	117, 123
49183-4692GT	273	53760-SGT	311	60536GT	13, 107, 111, 113
49183-5092GT	273	53761GT	313	60555GT	47
49212GT	343	53761-SGT	311	60561GT	133
49214GT	343	53952GT	155, 169	60575PGT	89
49215GT	343	54205GT	165	60584GT	135
49364GT	171	54324GT	61	60585GT	163
49407GT	129	54365GT	91, 95, 101, 237, 239, 243...	60707GT	335, 337
49410GT	145, 147, 183, 185	54380GT	199	60738GT	339
49612GT	13, 249	54486GT	297	60739GT	339
49613GT	249	54687GT	337	60857GT	13, 85
49768GT	53	55089GT	367	60875GT	155
49816GT	107, 109, 111, 113, 129, 151...	55753GT	229, 233, 295, 317, 345	60886PGT	343
49817GT	135	56003GT	281	61079GT	285, 289
49819GT	305, 307	56057GT	95	61083GT	61, 65, 279
49820GT	95, 101, 237, 243	56237GT	325	61110GT	133, 145, 183
49826GT	65	56424GT	227, 231, 295, 309, 317	61225GT	107, 113



<u>Part no.</u>	<u>Page Number</u>	<u>Part no.</u>	<u>Page Number</u>	<u>Part no.</u>	<u>Page Number</u>
61259GT	285, 289	66812GT	91, 103, 235, 241	74006GT	325, 339, 367
61269GT	285, 287, 289, 291	66813GT	93, 103, 239, 245	74052GT	367
61278GT	325	66814GT	99	74389GT	45, 205
61283GT	217, 219	66815GT	93, 239, 245	74902GT	257, 259, 263, 265
61306-SGT	219	66816GT	93, 99	74913GT	95, 101
61321GT	281, 285, 289, 353, 355	66818GT	91, 99	74917GT	97, 101
61726GT	341	66821GT	91, 93, 99	75020GT	15, 165
61745GT	71, 197	70257GT	155	75041GT	71, 213
61804GT	341	70289GT	213	75051GT	107, 109, 111, 115, 129, 139...
61809GT	341	70367GT	163	75254GT	61, 65, 281
61972GT	341	70381GT	133, 145, 183	75256GT	61, 65, 281
61974GT	341	70444GT	129	75257GT	61, 65
61975GT	341	70445GT	129	75278-4729GT	273
61976GT	341	70448PGT	131	75278-4829GT	273
61977GT	341	70449GT	129, 169	75278-5029GT	275
61997GT	341	70452GT	159, 173	75278-5229GT	273
62258GT	257, 259	70454GT	135	75289GT	133
62275GT	261	70455GT	135	75395GT	221
62392GT	247	70456GT	135	75443GT	247
62414GT	69	70465GT	129, 155	75444GT	247
62420GT	15, 155, 169	70483GT	131	75445GT	247
62425GT	13, 15, 133, 143, 181	71259GT	315	75446GT	247
62476GT	133, 145, 169, 183	71498GT	295	75447GT	247
62506GT	255	71911GT	129, 147, 169, 185	75448GT	247
62507GT	255	72086GT	19, 21, 33, 35	75449GT	247
62920GT	27, 41	72282GT	293	75450GT	133, 143, 181
62921GT	23, 25, 37, 39	72326GT	293	75451GT	133, 143, 181
62922GT	27, 41	72875GT	29	75614GT	61, 65, 283
63213GT	221	72999GT	17	75617-1025GT	345
63353GT	221	73461GT	197, 201	75617-1550GT	345
63375GT	325, 367	73463-1175GT	309	75617-2075GT	347
63463GT	155, 169	73478PGT	227, 231	75617-2275GT	345
65278GT	19, 21, 37, 39	73575GT	165, 227, 231, 359	75617-6275GT	347
65620GT	161	73717GT	95, 101, 237, 243	75636GT	345
65621GT	15, 161	73723GT	237, 243	77048GT	239, 245
65623GT	15, 161	73730GT	237, 243	77303GT	217, 221
65626GT	15, 161	73736GT	95, 101, 237, 243	77351GT	237, 243
65630GT	317	73753GT	95, 101	77353GT	61, 65
65810GT	155, 169	73754GT	95, 101	77354GT	61, 65
65846GT	59	73803GT	95, 101, 237, 243	77365GT	61, 65
66399GT	13	73805GT	91	77409GT	205
66472GT	345	73807GT	255	77519GT	45



<u>Part no.</u>	<u>Page Number</u>	<u>Part no.</u>	<u>Page Number</u>	<u>Part no.</u>	<u>Page Number</u>
77653GT	207	81609GT	51	88568GT	207
77656GT	205	81610GT	51	88576GT	217
77664GT	309	81640GT	219	88606PGT	297
77683GT	309	81700GT	305, 307	88607PGT	297
77694GT	73, 119, 125	81802GT	347	88648GT	197, 201, 203
77785GT	321	81812-14692GT	273	88658GT	343
77797GT	345	81986PGT	85	88783GT	249
77819GT	157, 269	82161GT	17	88827GT	91, 103
77822GT	161	82237GT	23, 25, 29	88846GT	155
77853GT	321	82243GT	29	88917GT	61, 65
77884GT	201	82366GT	17	88942-6754GT	279
77992GT	221	82410GT	29	88942-9554GT	279
78736GT	71, 83, 133, 143, 147, 157...	82481GT	31	89309GT	261
80543GT	325, 339	82487GT	31, 43	89310GT	261
80716GT	103	82862GT	29	89312GT	263
81096GT	367	83093GT	77, 79, 91, 99	89377GT	227
81130GT	343	83098GT	247	89449GT	271, 273, 277
81154GT	63, 147, 151, 185, 189	83131GT	91, 99	89571GT	89
81164GT	45	84134GT	249	89575GT	103
81175GT	221	84135GT	249	89733GT	255, 263
81330GT	45	85300GT	317	89737GT	263
81340GT	193	87085GT	195	89738GT	263
81341GT	193	87172GT	281	89770GT	255
81342GT	193	87247GT	205	89871-2448GT	271, 273
81347GT	203	87755GT	95, 101	89871-2648GT	271
81368GT	317	88159GT	107, 109, 111, 113	89871-4398GT	331
81378GT	49	88160GT	107, 109, 111, 113	89871-5348GT	279
81424GT	161	88162GT	107, 113	89871-5648GT	279
81425GT	161	88164GT	107, 109, 111, 113	89871-5848GT	279
81458GT	339	88167GT	107, 109, 113	89908GT	335, 337
81467GT	133, 143, 181	88241GT	47	89959GT	303
81468GT	133, 143, 181	88261GT	45	89977GT	343
81488GT	237, 243	88315GT	93, 99	89997GT	135
81498GT	49	88345GT	217, 219	93500GT	13
81522GT	175	88349GT	45	94324GT	155
81535GT	69	88356-13107GT	117, 123	94327GT	13, 107, 109
81536GT	69	88356-32163GT	117, 123	94374-4330GT	279
81550GT	239, 245	88356-33103GT	117, 123	94374-4830GT	331
81551GT	239, 245	88377-1400GT	309	94374-5130GT	271
81558GT	339	88390GT	345	94374-9688	331
81559GT	339	88406GT	329	94397GT	221
81578GT	71	88516GT	217, 221	94493-SGT	309



<u>Part no.</u>	<u>Page Number</u>	<u>Part no.</u>	<u>Page Number</u>	<u>Part no.</u>	<u>Page Number</u>
94506GT	235, 241	102313-17526GT	285, 289	106394GT	267
94510GT	205	102314GT	323	106454GT	255
94526GT	61, 65	102348GT	313	106535GT	335
94537GT	305, 307	102357GT	323	106555GT	119, 125
94643GT	341	102408GT	329	106658GT	323
94757GT	267	102409GT	329	106923GT	147, 185
94758GT	249	102526GT	263	107742GT	255
94759GT	253, 267	102528GT	263	107752GT	261
94760GT	267	102586GT	137	107753GT	261
94765GT	267	102587GT	137	110149GT	167
94937GT	89	102589GT	15	110194GT	249, 263
94980GT	213	102590GT	137	110198GT	261
94982GT	71, 107, 109, 111, 113	102746GT	267	110209GT	263
96008-SGT	91, 99	102785PGT	297	110276GT	329
96009GT	99	102786PGT	297	110277GT	329
96010GT	99	102940GT	261, 263	110304GT	163
96770GT	151, 189	102992GT	227, 231	110344GT	323
97579GT	29	104030GT	235, 241	110345GT	61, 65
97602GT	23, 25	104570GT	73	110771-141C7GT	117, 123
97815GT	29, 43	104804GT	229, 233	110771-11117GT	121, 215
97865GT	17	106033GT	311	110771-13107GT	117, 123, 215
99778GT	351	106034GT	311	110789GT	341
101068GT	157, 269	106044GT	329, 345	110876GT	197
101070GT	45, 49	106051GT	107, 111, 113	111362GT	57
101085GT	313	106073GT	325	111363GT	57, 59
101340GT	107, 113	106098GT	45	111445GT	137
101440GT	249	106104GT	323	111526GT	297
101490GT	61	106113GT	323	111572GT	279
101516GT	267	106117GT	45, 49	111576GT	327
101547PGT	329	106118GT	45, 49	111578GT	61, 65
101559GT	197, 209	106122GT	57, 59	111602GT	85
101566GT	211	106125GT	59	111748GT	145, 183
101599GT	213	106140GT	323	111778GT	261, 263
101640GT	145, 183	106140PGT	323	111818GT	67
101726GT	63	106141GT	329	112043GT	165
101932GT	223, 299	106183GT	329	114249GT	35, 37, 39
101943GT	45	106204PGT	329	114251GT	31, 37, 39
101995GT	323	106211-300GT	145, 183	114252GT	41
102045GT	135, 147, 185	106211-600GT	143, 181	114258GT	17, 23, 25
102066GT	173	106226GT	167	114390GT	17, 23, 25, 29
102313-2826GT	331	106274GT	323	114416GT	29
102313-3126GT	331	106275GT	329	114465GT	17, 31



<u>Part no.</u>	<u>Page Number</u>	<u>Part no.</u>	<u>Page Number</u>	<u>Part no.</u>	<u>Page Number</u>
114473GT	43	121151GT	207	121366GT	283
119032GT	211	121155GT	205	121370GT	281, 315
119056GT	351	121156GT	205	121371GT	47
119057GT	351	121157GT	209	121381GT	85
119065GT	351	121158GT	209	121387GT	213
119066GT	351	121160GT	203	121388GT	213
119218GT	139, 177	121163GT	203	121389GT	315
119403GT	351, 367	121164GT	197, 201	121391GT	213
119533GT	335	121166GT	299	121393GT	85
119536PGT	219	121167GT	299	121399GT	209, 213
119542GT	219	121169GT	299	121406GT	209
119620GT	47	121170GT	299	121410GT	129
119644GT	239, 245	121173GT	299	121413GT	303
119907GT	333	121177GT	305, 307	121419GT	63, 67, 71, 139, 143, 177
119908GT	333	121178GT	305, 307	121420GT	129, 133, 143, 149
119915GT	247	121180GT	207	121421GT	181, 185, 149, 187
119918GT	67	121181GT	207	121422GT	311
121025GT	197	121189GT	207	121423GT	129
121028GT	207	121215GT	85	121430GT	131
121029GT	197	121216GT	83	121433GT	147, 185
121030GT	203	121217GT	83	121444GT	235, 241
121031GT	209	121218GT	83	121445GT	235, 241
121032GT	211	121219GT	83	121447GT	119, 125
121033GT	211	121234GT	217, 221	121456GT	117, 123, 239, 245
121034GT	205	121236GT	211	121466GT	117, 123
121039GT	211	121258GT	153, 191	121467GT	89, 117, 123
121044GT	205	121268GT	45	121468GT	117, 123
121045GT	201	121270GT	45	121469GT	117, 123
121061GT	195	121271GT	47	121474GT	119, 125
121063GT	195	121272GT	47	121477GT	117
121064GT	195	121281GT	47	121478GT	117
121065GT	193	121286GT	47	121480GT	123
121066GT	301	121287GT	47	121481GT	123
121087GT	209	121310GT	157, 269	121482GT	311
121089GT	209	121311GT	89	121489GT	119, 125, 293
121095GT	193	121314GT	97	121490GT	311, 313
121140GT	209	121316GT	301	121491GT	311, 313
121142GT	205	121317GT	301	121492GT	119, 125
121146GT	205	121336GT	85	121508GT	311
121147GT	205	121343GT	211	121512GT	311
121149GT	205	121353GT	85	121521GT	119, 125
121150GT	205	121365GT	283	121563GT	133



<u>Part no.</u>	<u>Page Number</u>	<u>Part no.</u>	<u>Page Number</u>	<u>Part no.</u>	<u>Page Number</u>
121582GT	229, 233	121762GT	205	122650GT	263
121588GT	293	121766GT	229, 233	122651GT	261
121589GT	293	121777GT	283	122652GT	261
121595GT	343	121781GT	343	122653GT	263
121599GT	97, 99	121785GT	343	122656GT	263
121603GT	171	121787-4691GT	285	122657GT	261, 263
121608-9175GT	279	121787-13291GT	289	122660GT	263
121615GT	129	121800GT	293	122661GT	195
121617GT	119, 125	121819GT	213	122662GT	195
121618GT	119, 125	121820GT	215	122663GT	195
121619GT	119, 125	121822GT	213	122664GT	195
121621GT	119, 125	121846GT	99, 341	122665GT	195
121622GT	119, 125	121847GT	341	122666GT	195
121646GT	209	121848GT	117, 123, 341	122668GT	195
121650GT	213	121857GT	219	122669GT	269
121658GT	201	121860GT	157	122755GT	343
121659GT	299	121865GT	213	122878GT	59
121660GT	299	121869GT	213	122879GT	59
121661GT	299	121870GT	193	122944GT	217, 221
121662GT	299	121871GT	193	122994GT	103
121668GT	49	121872GT	193	123167GT	133, 145, 183
121670GT	205	121889GT	331	124962GT	147, 185
121671GT	205	121890GT	331	128000GT	247
121681GT	281	121899GT	343	128001GT	247
121682GT	281	122019GT	293	128003GT	169
121683GT	281	122073GT	295, 345	128004GT	133, 145, 183
121684GT	281	122120GT	257, 259, 263	128045GT	341
121685GT	281	122121GT	257, 259	128200GT	91, 95, 103, 235, 239, 241...
121687GT	69	122148GT	257, 259	128201GT	93, 103, 235, 241
121688GT	131, 135, 147, 185	122201GT	211	128202GT	93, 103
121690GT	69	122209GT	221, 343	128203GT	345
121706GT	259	122300GT	323	128204GT	91, 103, 235, 237, 241,
121707GT	257	122302GT	267		243
121708GT	261	122399GT	119, 125	128268GT	221
121720GT	239, 245	122460GT	55	128322GT	329
121726GT	117	122641GT	265	128416GT	267
121727GT	123	122643GT	261	128419GT	267
121732GT	117	122644GT	263	128450GT	219
121733GT	123	122645GT	263	128454GT	221
121735GT	127	122646GT	263	128482GT	219
121753GT	93, 99, 117, 123	122647GT	261	128483GT	219
121754GT	197	122649GT	261	128580GT	345
				128588GT	165



<u>Part no.</u>	<u>Page Number</u>	<u>Part no.</u>	<u>Page Number</u>	<u>Part no.</u>	<u>Page Number</u>
128829GT	129	146058GT	205	214228GT	15, 151, 189
128912GT	141, 179	146059GT	209	214249GT	351
128953GT	23, 25	146060GT	211	214393GT	71
133067GT	31, 37, 39, 43	146180GT	69	214536GT	351
133177GT	19, 21, 23, 25	146181GT	69	214620GT	329
133205GT	31	146182GT	69	214621GT	329
133209GT	23, 25, 37, 39	146284GT	325	214622GT	329
133232GT	17	146285GT	327	214623GT	329
133278GT	17	146413GT	65	214795GT	153, 191
133308GT	19, 21, 23, 25, 37, 39	146415GT	65	215209GT	71
133309GT	35	146417GT	67	215210GT	73
133310GT	17	146478GT	235, 241	215254GT	75, 79
133372GT	19, 21, 23, 25	146551GT	65	215623GT	57
133386GT	35, 37, 39	146552GT	65	215816GT	335, 337
133387GT	43	147090GT	99	216150GT	169
133411GT	37, 39	147094GT	93	216602GT	253
133413GT	31	147121GT	227, 231	216611GT	351
139308GT	83	147223GT	61, 65	216612GT	351
139309GT	83	147347GT	227, 231	216615GT	351
139315GT	83	147419GT	65	216616GT	351
139321GT	131	147484GT	203	216617GT	351
139322GT	129	147485GT	217, 219	216618GT	351
139323GT	83	147505GT	199	216645GT	351
139338GT	235, 241	147544GT	203	216646GT	351
139455GT	133	147575GT	29, 43	216659GT	351
139508GT	251	147603GT	29, 43	216662GT	351
139512GT	249, 251	147620GT	201	216680GT	351
139527GT	249, 251	147628GT	199	216683GT	351
139528GT	249, 251	147631GT	199	216760GT	119, 125
139598GT	247	147651GT	119	216791GT	97, 101
139644-14B61GT	199	147653GT	119	216793GT	97, 101
139712GT	249	147659GT	27, 41	217055GT	289
139715GT	251	147755GT	17, 31	217058GT	279
139716GT	249, 251	161144GT	253	217203GT	135
139717GT	249, 251	161145GT	253	217241GT	91
139718GT	249	161938GT	139, 177	217366GT	329
139719GT	251	162207GT	73, 153, 191	217370GT	119, 125
139727GT	249, 251	162208GT	151, 189	217710GT	205
139936GT	313	162209GT	73, 151, 189	218165GT	91, 93, 103, 235, 241
144161GT	367	162210GT	141, 179	218167GT	91
146051GT	55, 57, 59	162283GT	141, 179	218448GT	195
146052GT	55, 59	162284GT	141, 179	218457GT	297



<u>Part no.</u>	<u>Page Number</u>	<u>Part no.</u>	<u>Page Number</u>	<u>Part no.</u>	<u>Page Number</u>
218549GT	29	229845GT	297	823135GT	147, 185
218550GT	29	229986GT	143, 181	823143GT	145, 183
218559GT	29	230820GT	163	823144GT	143, 181
219158GT	349	230995GT	305, 307	823147GT	143, 181
219243GT	253	231087GT	337	823229GT	141, 179
219245GT	253	231513GT	77, 81	823239GT	143, 181
219247GT	253	231530GT	169	823356GT	61
219392GT	71	231532GT	75, 79	823420GT	151, 189
219393GT	213	233509GT	223	823421GT	151, 189
219487GT	29	233992GT	309	823658GT	17, 31
219490GT	119, 125	233993GT	309	823703GT	143, 181
219508GT	141, 179	234975GT	353	823751GT	139, 169, 177
219718GT	101	235133GT	57	823761GT	29, 43
219723GT	17, 31	235135GT	55	823764GT	29, 43
219953GT	43	235136GT	55	824023GT	151, 189
219954GT	43	235137GT	55, 57, 59	824024GT	83, 193, 199, 213, 219, 227...
219956GT	43	235138GT	55	824025GT	199
219958GT	43	235139GT	57	824027GT	53, 67, 71, 75, 79, 85...
226393GT	293	235140GT	57	824028GT	75, 79, 151, 199, 293, 295...
226503GT	325	235150GT	57	824029GT	47, 49, 61, 65, 71, 73...
226534GT	333	235151GT	57	824031GT	115
226541GT	217	235152GT	57, 59	824032GT	341, 351
226542GT	217	235153GT	57	824037GT	359
226550GT	121, 125	235154GT	59	824038GT	309
227516GT	117, 123, 227, 231	236251GT	149, 187	824041GT	53
227774GT	45, 55	236259GT	151, 189	824059GT	49, 77, 79
227775GT	45, 51, 57	236260GT	15, 153, 191	824060GT	325, 349
227776GT	45, 51, 59	237068GT	71	824061GT	341
227777GT	333	237237GT	217, 221	824062GT	85, 217, 221
227785GT	89	237238GT	365	824063GT	49, 83, 209
228448GT	117, 123	237267GT	121, 127, 351	824067GT	197, 203
228848GT	309	237711GT	351	824068GT	203
228849GT	309	237830GT	49	824069GT	223, 299, 349
228891GT	193	237832GT	167, 183	824075GT	225
228892GT	193	238123GT	351	824077GT	165
228896GT	355	822087GT	73, 149, 151, 187, 189	824078GT	73, 75, 79, 85, 151, 165
229327GT	209	822759GT	345	824079GT	87, 89, 151, 153, 163, 169...
229337GT	209	822764GT	345	824080GT	153, 173, 191, 365
229338GT	209	822768GT	345	824081GT	71, 155, 213, 227, 231
229357GT	121	822769GT	345	824082GT	83, 157, 159, 199
229358GT	125	823012GT	147, 185	824083GT	317
229567GT	91, 93, 95, 101, 103, 235...	823013GT	149, 187	824085GT	155, 317



<u>Part no.</u>	<u>Page Number</u>	<u>Part no.</u>	<u>Page Number</u>	<u>Part no.</u>	<u>Page Number</u>
824086GT	295, 325, 339	825355GT	153	1252979GT	167
824089GT	45, 53, 63, 67, 69, 85...	825358GT	317, 329	1253154GT	95, 101
824090GT	49, 61, 65, 69, 75, 79...	825579GT	17	1253160GT	91, 99
824091GT	11, 151, 159, 175, 189, 227	825759GT	47	1253175GT	337
824092GT	75, 89, 191, 219, 321, 323...	825760GT	209, 213	1253176GT	337
824093GT	199	825762GT	209	1253177GT	337
824095GT	341	825796GT	205	1253185GT	11, 151, 165, 189, 295, 297...
824107GT	89	825939GT	145, 183	1253192GT	163
824109GT	217, 221	825948GT	303	1253193GT	165
824110GT	199, 219, 299	826000GT	147, 185	1253194GT	163
824113GT	49, 11, 83, 193, 219, 325...	826152GT	141, 179	1253208GT	165
824115GT	175	826171GT	83, 89	1253264GT	79
824116GT	115, 225	826345GT	17	1253265GT	75
824120GT	165, 349	826357GT	151, 189	1253319GT	165
824124GT	299	826516GT	351	1253409GT	95, 99
824132GT	147, 163, 185, 337	826791GT	225	1253431GT	165
824133GT	167, 183	826792GT	115, 225	1253478GT	61, 65, 75, 79, 205
824134GT	45, 49	826793GT	225	1253485GT	53, 189, 229, 233
824151GT	217, 219	826794GT	115, 225	1253498GT	49, 157, 169
824164GT	217, 219	826795GT	139, 177	1253573GT	173
824207GT	317	826825GT	139, 177	1253574GT	173
824215GT	297, 339	826835GT	141, 177	1253596GT	335, 337
824216GT	359	826859GT	139, 177	1254367GT	335, 337
824220GT	163	826860GT	151, 189	1254471GT	165
824227GT	345	826873GT	147, 185	1254589GT	335, 337
824351GT	151, 189	1251496GT	149, 187	1254594GT	141, 179
824397GT	151, 189	1251542GT	337	1254823GT	139, 177
824422GT	151, 189	1251549GT	337	1254826GT	137
824471GT	61	1251565GT	193, 205	1254949GT	143, 181
824583GT	235, 241	1251600GT	221, 231, 309, 319, 349, 365	1255018GT	363
824585GT	119, 125	1251757GT	63	1255019GT	363
824600GT	139, 141, 177, 179	1251820GT	209	1255020GT	363
824615GT	23, 25	1251825GT	103	1255021GT	363
824617GT	325	1251928GT	139, 177	1255022GT	363
824635GT	73	1251983GT	143, 165, 181	1255023GT	363
824673GT	151, 189	1251984GT	103	1255024GT	363
825018GT	235, 241	1251997GT	89, 159, 169, 173, 209, 357	1255025GT	363
825019GT	47, 49, 217, 219	1252684GT	101	1255027GT	363
825020GT	341	1252685GT	103	1255028GT	363
825218GT	139, 177	1252686GT	171	1255029GT	363
825348GT	47, 51	1252687GT	145, 183	1255033GT	363
825353GT	225	1252978GT	299	1255035GT	363

<u>Part no.</u>	<u>Page Number</u>	<u>Part no.</u>	<u>Page Number</u>	<u>Part no.</u>	<u>Page Number</u>
1255036GT	363	1256377GT	357	1257862GT	173
1255037GT	363	1256378GT	357	1257863GT	199
1255038GT	363	1256379GT	357	1257866GT	83, 173
1255047GT	365	1256380GT	357	1257867GT	193, 223
1255066GT	363	1256389GT	357	1258014GT	169
1255067GT	363	1256400FRGT	357	1258071GT	167
1255068GT	363	1256400GT	357	1258567GT	13
1255113GT	73	1256425GT	37, 39, 43	1258617GT	91
1255391GT	193	1256439GT	357	1258618GT	117, 123
1255537GT	167	1256464GT	293	1258619GT	119, 125
1255581GT	17, 23, 25, 31, 37, 39	1256468GT	349	1258620GT	235, 241
1255582GT	17, 31	1256469GT	115	1258641GT	149, 187
1255651GT	149, 187	1256481GT	357	1258701GT	119, 125
1255653GT	137, 141, 179	1256514GT	169	1258722GT	75, 81
1255758GT	349	1256679GT	79	1258723GT	75, 79
1255760GT	69, 175	1256765GT	335, 337	1258724GT	75, 81
1255763GT	77, 79	1256766GT	335, 337	1258728GT	209
1255768GT	83	1256776GT	335	1258972GT	23, 25
1255769GT	83	1256803GT	209	1259106GT	69, 175
1255770GT	83	1256804GT	297	1259219GT	119
1255771GT	83	1256824GT	281	1259264GT	167
1255772GT	83	1256825GT	281	1259329GT	347
1255773GT	83	1256837GT	85, 205	1259583GT	297
1255802GT	49, 159	1256842GT	85	1259584GT	297
1255804GT	69, 175	1256843GT	225	1259661GT	351
1255805GT	69, 77, 81, 175	1256846GT	85	1259708GT	351
1255889GT	363	1256851GT	89, 357	1259757GT	171
1255890GT	363	1256855	229, 233, 309	1259855GT	69, 175
1256054GT	77, 79	1256856GT	41, 49, 15, 19, 201, 357	1259890GT	165
1256108GT	299	1256859GT	359	1259907GT	165
1256109GT	219	1256860GT	83	1259931GT	47
1256111GT	209, 213	1256863GT	83, 207	1260107GT	19, 21, 23, 25, 35, 37...
1256118GT	201, 217	1257230GT	193	1260213GT	239, 245
1256123GT	85, 193	1257264GT	341	1260214GT	235, 241
1256124GT	329	1257296GT	339	1260215GT	235, 241
1256126GT	175	1257389GT	365	1260218GT	121, 125
1256127GT	75, 81, 221	1257390GT	367, 369	1260414GT	313
1256177GT	89	1257454GT	69, 85	1260892GT	357
1256180GT	219	1257628GT	75, 79	1260910GT	357
1256182GT	89	1257705GT	173	1260927GT	165
1256206GT	279	1257733GT	13	1260980GT	297
1256312GT	89, 339	1257810GT	173, 337	1261001GT	297



<u>Part no.</u>	<u>Page Number</u>	<u>Part no.</u>	<u>Page Number</u>	<u>Part no.</u>	<u>Page Number</u>
1261018GT	357	1262469GT	163	1267070GT	175
1261019GT	357	1262471GT	171	1267071GT	69
1261020GT	357	1262478GT	171	1267072GT	71
1261021GT	357	1262484GT	15, 171	1267073GT	71
1261022GT	357	1262486GT	171	1267074GT	175
1261023GT	357	1262488GT	15, 171	1267076GT	175
1261024GT	357	1262490GT	163	1267078GT	115
1261025GT	357	1262494GT	171	1267079GT	115
1261184GT	349, 359	1262496GT	163	1267080GT	81
1261204GT	165	1262498GT	163	1267081GT	81
1261205GT	165	1262500GT	163	1267082GT	75
1261236GT	189	1262503GT	171	1267084GT	75, 153
1261239GT	191	1262585GT	171	1267309GT	79
1261244GT	77	1262589GT	163	1267313GT	151, 189
1261245GT	79	1262595GT	163	1267314GT	153
1261250GT	293	1262598GT	163	1267315GT	325
1261277GT	69, 77, 81, 175	1262866GT	15, 149, 187	1267316GT	339
1261292GT	345	1263233GT	93, 99	1267341GT	85
1261722GT	167	1263542GT	31, 37, 39	1267382GT	71
1261835GT	79	1263543GT	17, 23, 25	1267746GT	227, 231
1261836GT	75, 79	1263553GT	313	1267747GT	229, 233
1261837GT	77, 81	1263978GT	47	1267807GT	85
1261882GT	165	1263979GT	47	1267882GT	153, 189
1261963GT	163	1264101GT	317, 327	1267891GT	29
1261964GT	163	1264385GT	117, 123	1267892GT	29
1261966GT	163	1264822GT	117, 123	1267893GT	43
1261969GT	163	1264834GT	117, 123	1267894GT	43
1261978GT	171	1264897GT	203	1268183GT	339
1261980GT	171	1264934GT	359	1268186GT	327
1262016GT	163	1264947GT	121, 125	1268563GT	45
1262017GT	171	1264969GT	69	1268565GT	45
1262022GT	171	1265019GT	223	1268568GT	49
1262047GT	15, 171	1265397GT	229, 233	1268569GT	49
1262050GT	171	1265454GT	117, 123	1268570GT	49
1262052GT	173	1265455GT	117, 123	1268571GT	49
1262210GT	77	1265459GT	91, 99	1268573GT	51
1262211GT	79	1265460GT	91	1268574GT	51
1262219GT	149, 187	1266019GT	17	1268575GT	53
1262344GT	17	1266895GT	75	1268596GT	89
1262347GT	17	1266897GT	75	1268597GT	205
1262348GT	17	1266902GT	75, 81	1268601GT	209
1262467GT	163	1266916GT	79	1268605GT	195



<u>Part no.</u>	<u>Page Number</u>	<u>Part no.</u>	<u>Page Number</u>	<u>Part no.</u>	<u>Page Number</u>
1268606GT	53	1271773GT	63	1275540GT	365
1268921GT	147, 185	1271825GT	161	1275725GT	351
1268947GT	153	1271837GT	161	1275802GT	117, 123
1269080GT	75	1271845GT	161	1275803GT	117, 123
1269081GT	81	1271945GT	365	1275805GT	237, 243
1269319GT	49	1271984GT	77, 81	1276672GT	325
1269321GT	47	1272025GT	161	1276986GT	323
1269322GT	47	1272026GT	161	1277599GT	325
1269323GT	45	1272057GT	161	1277873GT	359
1269497GT	245	1272060GT	161	1277875GT	359
1269498GT	235, 241	1272069GT	161	1277876GT	359
1269499GT	247	1272230GT	69	1277877GT	359
1269500GT	239	1272231GT	73	1277924GT	137, 139, 303, 309, 317, 359
1269549GT	155	1272242GT	17, 31	1277952GT	295
1269584GT	339	1272467GT	155	1277966GT	295
1269586GT	83	1273065GT	227, 231	1278108GT	121, 127
1269593GT	47, 51	1273066GT	227, 231	1278111GT	359
1269641GT	227, 231	1273404GT	115	1278119GT	359
1270116GT	363	1273602GT	121, 127	1278124GT	359
1270117GT	363	1274053GT	129	1278138GT	359
1270118GT	363	1274069GT	159	1278144GT	361
1270313GT	317	1274162GT	115	1278363GT	359
1270314GT	317	1274168GT	359	1278368GT	359
1270316GT	317	1274198GT	71, 173	1278416GT	359
1270570GT	295	1274200GT	173	1278433GT	359
1270571GT	295	1274201GT	173, 191	1278458GT	359
1270963GT	139, 177	1274322GT	309, 319, 357, 359	1278542GT	359
1270964GT	163	1274331GT	61	1278569GT	147
1270994GT	317	1274553GT	257, 259	1278629GT	347
1271018GT	317	1274554GT	259	1278673GT	325
1271019GT	317	1274826GT	75, 81	1278714GT	13
1271040GT	317	1274827GT	75, 81	1281137GT	171
1271061GT	317	1274858GT	227, 231	1283132GT	79
1271077GT	295	1274859GT	227, 231	1283442GT	175
1271078GT	295	1274900GT	139, 177	1283564GT	197, 201, 203
1271081GT	369	1274969GT	247	1283565GT	197, 201, 203
1271313-2200GT	325	1274970GT	247	1283776GT	13
1271397GT	23, 25	1274971GT	247	1283888GT	197, 201, 203
1271398GT	325	1275088GT	231	1284532GT	197
1271652GT	15, 161	1275537GT	363	1284741GT	223
1271713GT	247	1275538GT	365	1285689GT	121, 125
1271772GT	63	1275539GT	363	1285700GT	317

<u>Part no.</u>	<u>Page Number</u>	<u>Part no.</u>	<u>Page Number</u>	<u>Part no.</u>	<u>Page Number</u>
1285811GT	121, 125	T106962GT	89		
1285850GT	359	T107193GT	117, 123, 215		
1285944GT	31	T107194GT	119, 215		
1285946GT	31	T107895GT	305, 307		
1286335GT	73	T108075GT	217, 221		
1286388GT	73	T108076GT	219		
1286602GT	59	T108077GT	219		
1286604GT	57	T109690GT	343		
1286605GT	57	T109691GT	343		
1287194GT	183	T109692GT	343		
1287261GT	187	T109693GT	343		
1287263GT	187	T111507GT	55, 59		
1287264GT	185	T112459GT	199		
1287434GT	249	T112560GT	367		
1288340GT	183	T112561GT	367		
1288341GT	187	T112626GT	247		
1288342GT	183	T112773GT	29, 43		
1289103GT	137	T113655GT	323		
1289118GT	85	T114022GT	323		
1289119GT	221	T114023GT	323		
1289520GT	369	T115580GT	193		
1289521GT	369	T115760GT	119, 125		
1289522GT	369	T115761GT	119, 125		
1289523GT	369	T115763GT	193		
1289552GT	233	T115764GT	193		
1291495GT	295	T115765GT	195		
1291496GT	295	T115766GT	229, 233		
1292977GT	369				
1293788GT	287, 291				
1295436GT	187				
1296721GT	239, 245				
1298933GT	13				
1307200GT	369				
1314444GT	85				
9990046GT	57				
9990109GT	57				
T106478GT	119, 199				
T106479GT	119, 199				
T106954GT	89				
T106955GT	89				
T106957GT	89				
T106961GT	89				



California Proposition 65

 **WARNING**

Operating, servicing and maintaining this equipment, passenger vehicle or off-highway motor vehicle can expose you to chemicals including engine exhaust, carbon monoxide, phthalates, and lead, which are known to the State of California to cause cancer and birth defects or other reproductive harm. These chemicals can be emitted from or contained in other various parts and systems, fluids and some component wear by-products. To minimize exposure, avoid breathing exhaust, do not idle the engine except as necessary, service your equipment and vehicle in a well-ventilated area and wear gloves or wash your hands frequently when servicing your equipment or vehicle and after operation. For more information go to www.P65Warnings.ca.gov/passenger-vehicle.

Breathing diesel engine exhaust exposes you to chemicals known to the State of California to cause cancer and birth defects or other reproductive harm.

- Always start and operate the engine in a well-ventilated area.
- If in an enclosed area, vent the exhaust to the outside.
- Do not modify or tamper with the exhaust system.
- Do not idle the engine except as necessary.

For more information go to www.P65warnings.ca.gov/diesel.

www.genielift.com

Distributed By:

Parts Manual
S-80, S-85, S-80X

from SN S8016D-236 to S8016D-339
from S80D-340

Part No.
1285234GT

Rev A7

Genie
A TEREX BRAND