



Doosan Infracore  
Portable Power



# PARTS MANUAL

## MOBILE POWERSOURCE GENERATOR

# G10 50Hz

*Doosan purchased Bobcat Company from Ingersoll-Rand Company in 2007. Any reference to Ingersoll-Rand Company or use of trademarks, service marks, logos, or other proprietary identifying marks belonging to Ingersoll-Rand Company in this manual is historical or nominative in nature, and is not meant to suggest a current affiliation between Ingersoll-Rand Company and Doosan Company or the products of either.*

Doosan Infracore Portable Power  
1293 Glenway Drive  
Statesville, NC 28625-9218  
[www.doosanportablepower.com](http://www.doosanportablepower.com)

Book 22926166 Revision E (6/08)

**Revised (01-13)**



## TABLE OF CONTENTS

### Parts Book

TITLE	PAGE
<b>Parts List</b>	
Engine and Engine Mounting . . . . .	58
Engine Spare Parts . . . . .	59
Cooling System Parts . . . . .	60
Cooling System Parts . . . . .	61
Engine Air Intake . . . . .	62
Exhaust Assembly . . . . .	63
Battery . . . . .	64
Alternator, Alternator Mounting . . . . .	65
Alternator, Alternator Mounting . . . . .	67
Enclosure Assembly . . . . .	68
Enclosure Assembly . . . . .	69
Foam Assembly . . . . .	70
Fuel Tank & Hardware . . . . .	71
Fuel Tank Piping . . . . .	72
Central Drains . . . . .	73
Control Panel Assembly . . . . .	74
Control Panel - Standard Sockets - 1 Phase . . . . .	75
Control Panel - UK Sockets - 3 Phase . . . . .	76
Control Panel - UK Sockets - 3 Phase . . . . .	77
Control Panel - CE Sockets - 3 Phase . . . . .	78
Decal Location . . . . .	79
Frame Assembly . . . . .	80
Forklift Skid Option . . . . .	81
Fuel / Water Separator Option . . . . .	82
Recommended Spares & Service Kits . . . . .	83
Recommended Spares & Service Kits . . . . .	84
 <b>Wiring Diagrams</b>	
1 Phase, AC Wiring Diagram . . . . .	89
1 Phase, DC Wiring Diagram . . . . .	90
3 Phase, AC Wiring Diagram . . . . .	92
3 Phase, DC Wiring Diagram . . . . .	93

***\*\*Always use Ingersoll Rand Replacement parts!\*\****



## **GENERAL**

This publication, which contains an illustrated parts breakdown, has been prepared as an aid in locating those parts which may be required in the maintenance of the unit. Always insist on genuine Ingersoll Rand branded parts for your unit.

**Doosan Infracore Portable Power can bear no responsibility for injury or damages resulting directly from the use of non-approved repair parts.**

Portable Power service facilities and Ingersoll Rand parts are available worldwide. Consult local yellow pages or visit: [www.doosanportablepower.com](http://www.doosanportablepower.com).

Special order parts may not be included in this manual. Contact the Portable Power Parts Department with the unit serial number for assistance with these special parts.

### **Description**

The illustrated parts breakdown illustrates and lists the various assemblies, subassemblies and detailed parts which make up this particular machine. This covers the standard models and the more popular options that are available.

In referring to the rear, the front or to either side of the unit, always consider the drawbar end of the unit as the front.

Standing at the rear of the unit facing the drawbar (front) will determine the right and left sides.

### **Fasteners**

Both SAE/inch and ISO/metric hardware have been used in the design and assembly of these units. In the disassembly and reassembly of parts, extreme care must be taken to avoid damaging threads by the use of wrong fasteners.

### **How To Order**

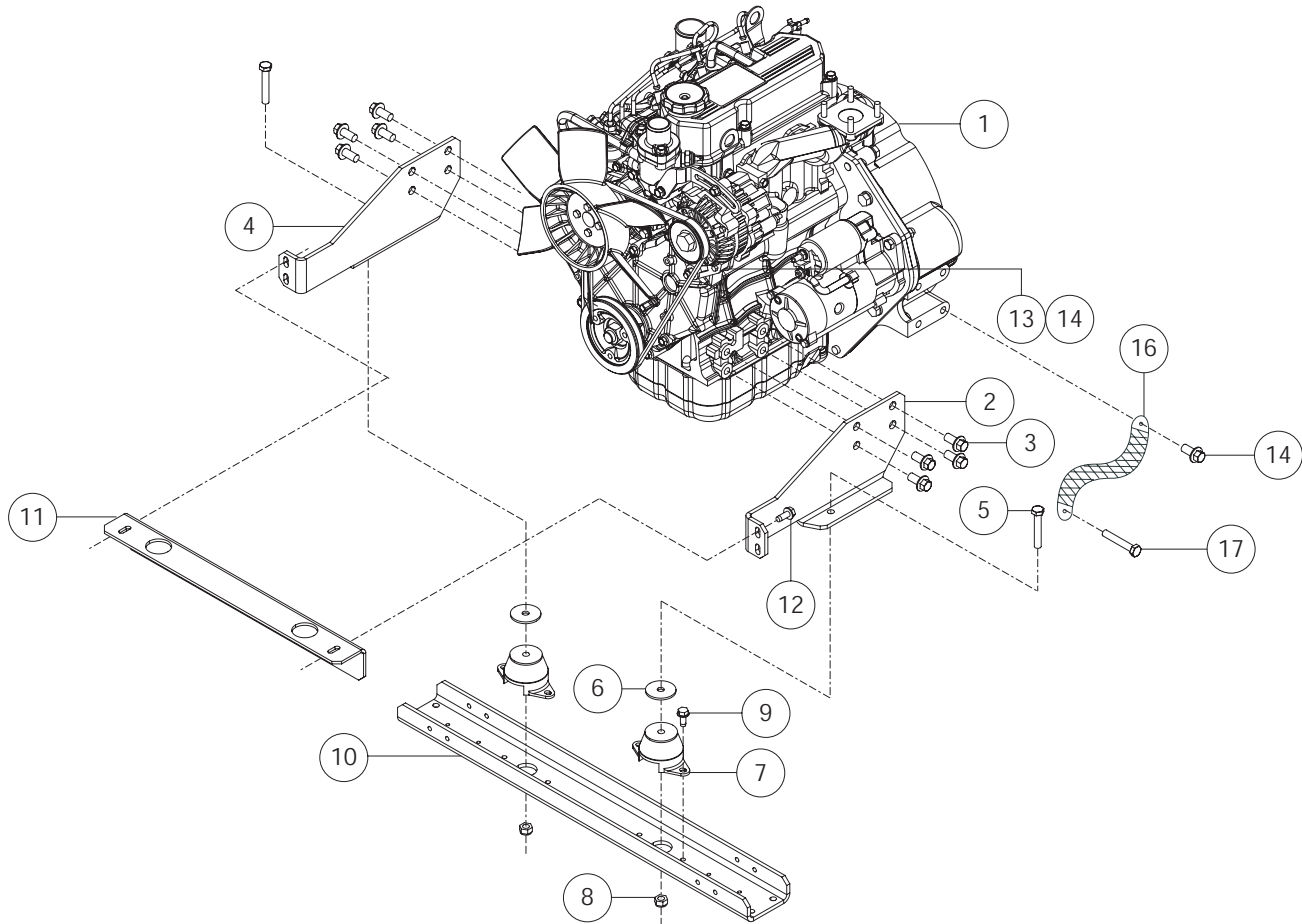
Always specify the model and serial number of the unit.

Specify the part number and description.



# Parts List

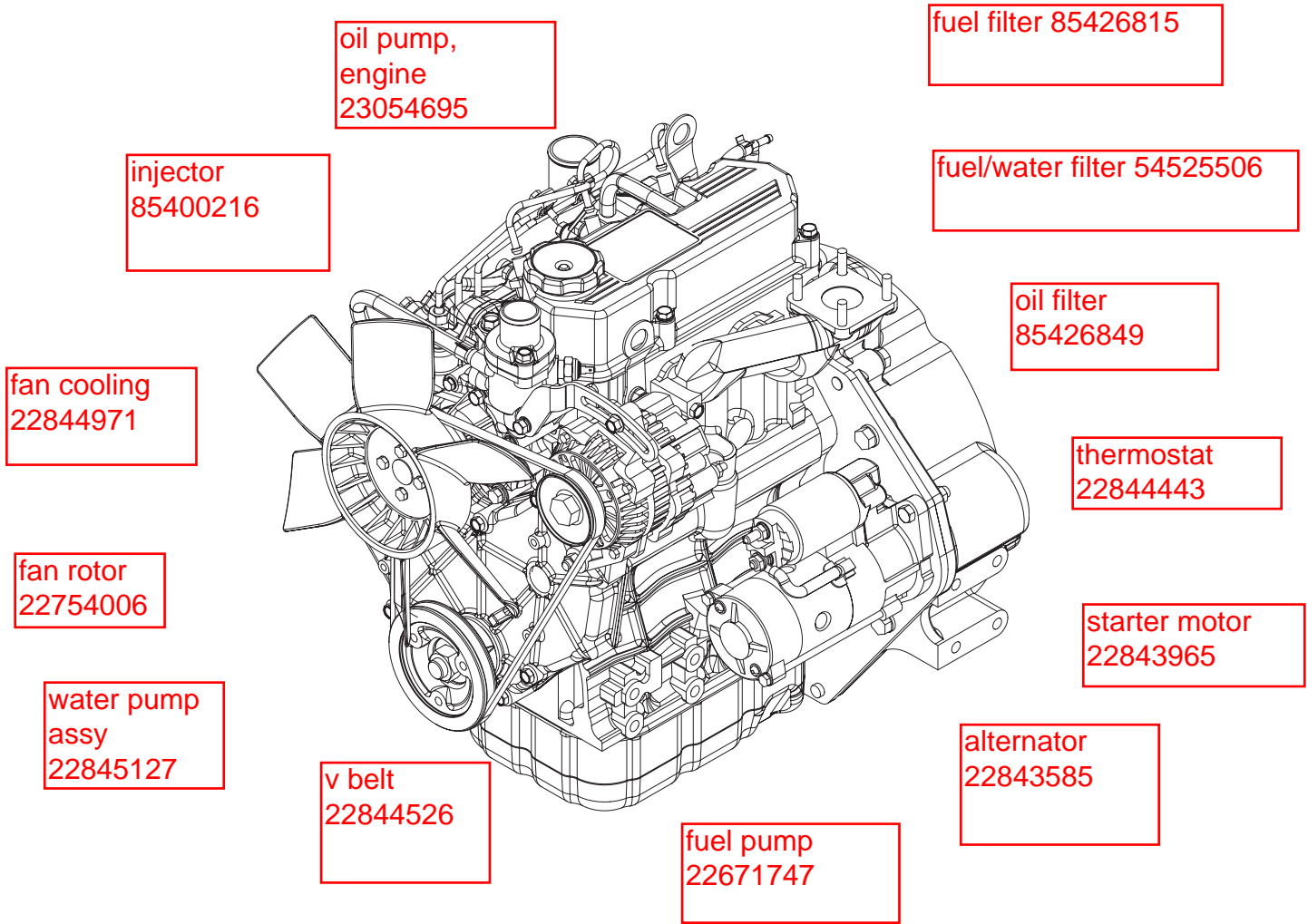
## Engine and Engine Mounting



22926166\_060\_06/08\_B

ITEM	COMM. NO.	DESCRIPTION	QTY	DIMENSIONS/NOTES
1	22755177	Engine	1	
2	22662258	Engine Mounting Bracket, LH	1	
3	96729595	Screw, Hex	8	M8 - 1.25 X 30
4	22662266	Engine Mounting Bracket, RH	1	
5	96730411	Screw, Hex	2	M16 - 2.0 X 75
6	36899037	Washer, Snubbing	2	
7	36875565	Isolator	2	
8	35273366	Nut, Hex	2	M10 - 1.5
9	35279025	Screw, Tapping	4	M8 - 1.25 X 20
10	22806400	Support, Engine	1	
11	22662282	Radiator Bracket Support	1	
12	35279025	Screw, Tapping	4	M8 - 1.25 X 20
13	22611610	Plate, Relay Mounting	1	
14	96749627	Screw	2	M12 - 1.25 X 16
15	22607436	Wiring Harness, Engine (Not Shown)	1	
16	35578194	Strap, Ground	1	14"
17	96749627	Screw, Tapping	1	3/8 - 16 X 1.0

## Engine Spare Parts

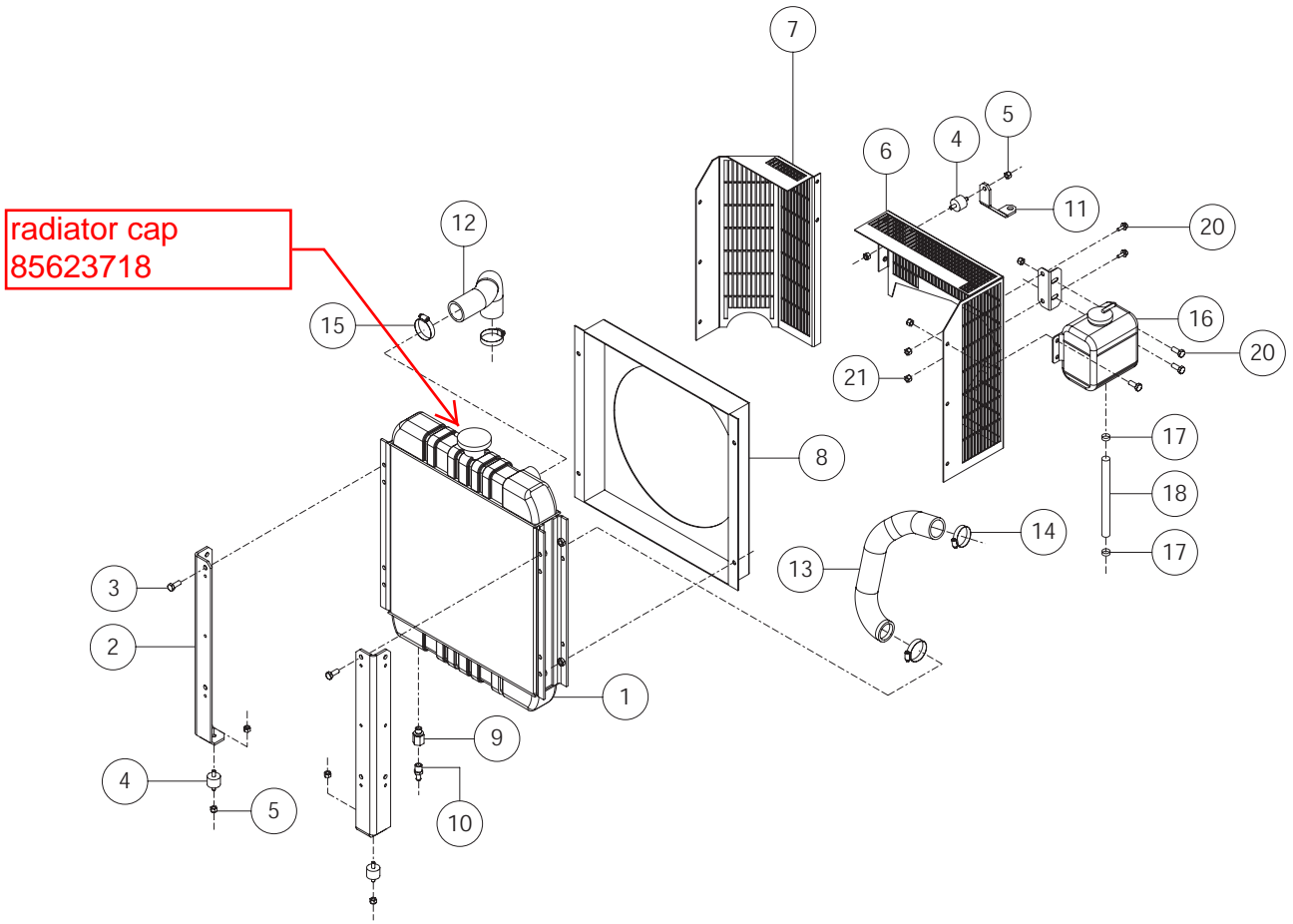


22926166\_061\_05/06\_A

ITEM	COMM. NO.	DESCRIPTION	QTY	DIMENSIONS/NOTES
	54757935	Oil Pressure Switch	1	
	22554224	Water Temperature Switch	1	
	22741714	Washer, Sealing, (Temp. Switch)	1	



## Cooling System Parts

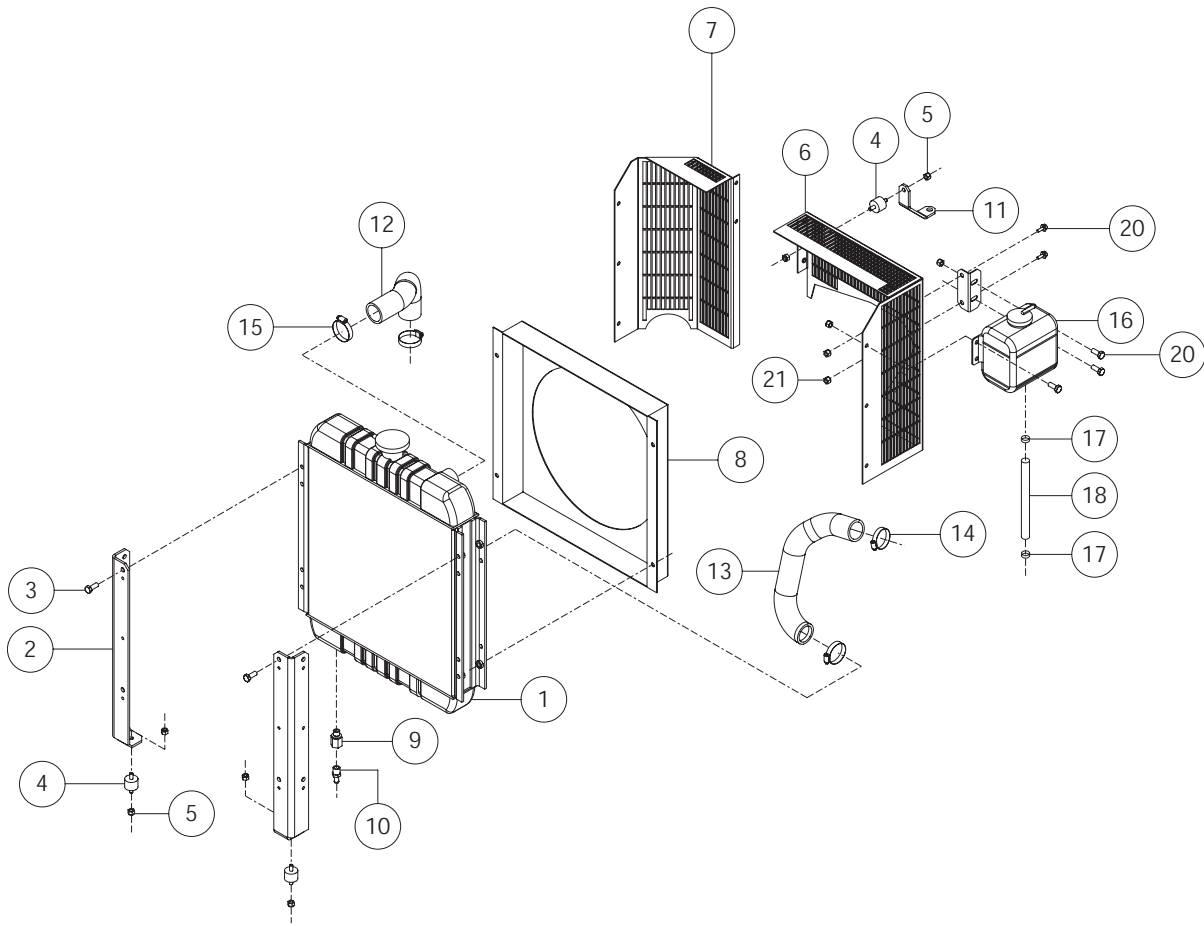


22926166\_062\_05/06\_A

ITEM	COMM. NO.	DESCRIPTION	QTY	DIMENSIONS/NOTES
1	22662357	Radiator	1	
2	22662332	Plate, Radiator Mounting	2	
3	96702824	Screw, Hex	4	
4	22278360	Sandwich Mount	3	
5	95923298	Nut	6	
6	22702674	Fan Guard, Left	1	
7	22702682	Fan Guard, Right	1	
8	22662365	Shroud, Fan	1	
9	22806947	Adapter	1	
10	35369511	Hose Fitting	2	
11	22702690	Support, Guard	1	
12	22843312	Hose, Radiator Top	1	
13	22843320	Hose, Radiator Bottom	1	
14	22671721	Clamp, Hose	2	
15	22671739	Clamp, Hose	2	

*Continued on next page*

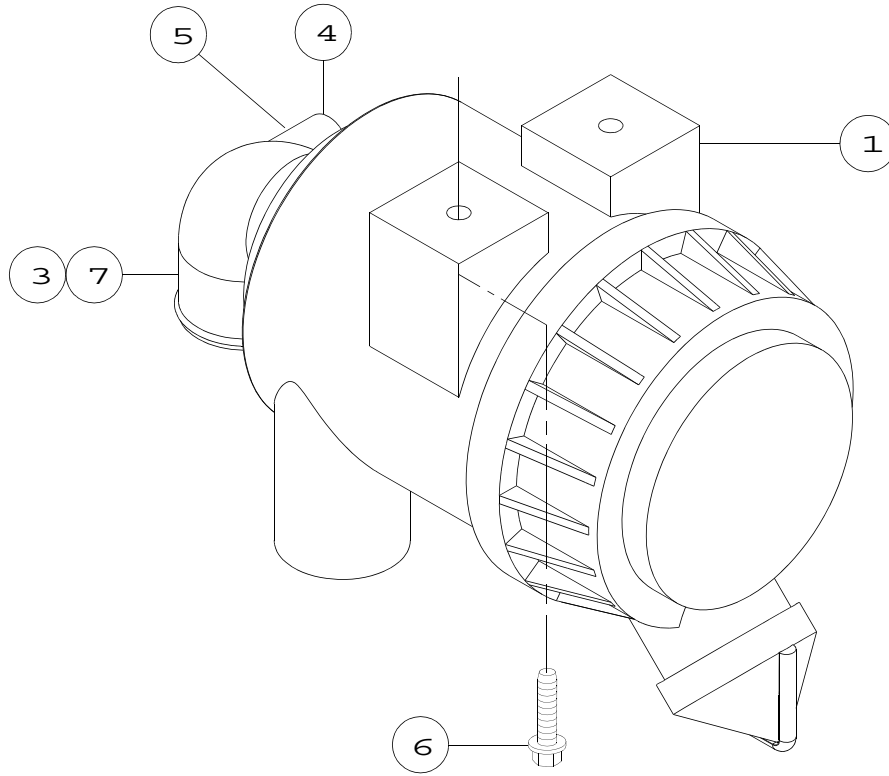
## Cooling System Parts



22926166\_062\_05/06\_A

ITEM	COMM. NO.	DESCRIPTION	QTY	DIMENSIONS/NOTES
				<b>.....Continued</b>
16	36884948	Bottle, Coolant Recovery	1	
17	35296342	Clamp, Hose	2	
18	35360775	Hose, Fuel ( 36 inches )	1	
19	96701461	Screw	5	M6 - 1.0 X 25
20	36898104	Nut	5	M6 - 1.0
21	23037849	Bracket, Coolant Recovery	1	

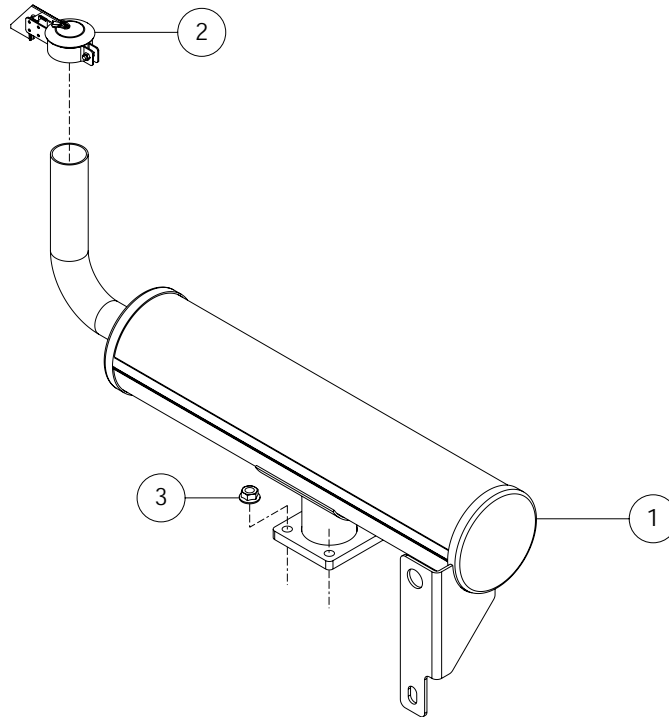
# Engine Air Intake



22926166\_064\_06/08\_B

ITEM	COMM. NO.	DESCRIPTION	QTY	DIMENSIONS/NOTES
1	22173561	Air Cleaner Assembly	1	
2	36890135	Element, Air Filter (Not Shown)	1	
3	54564737	Hose, Air Intake	1	
4	95953493	Nipple	1	1/8" X 3/4"
5	35314939	Indicator, Restriction	1	
6	96702824	Screw	2	
7	35221662	Clamp	2	

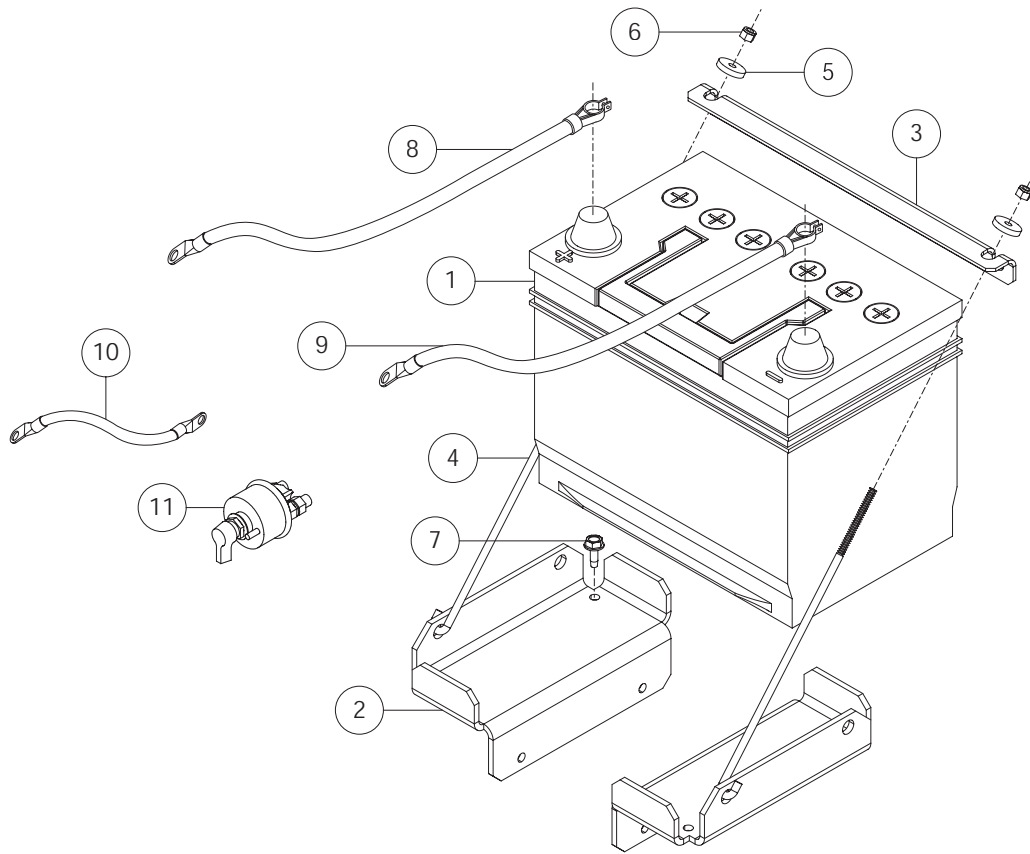
# Exhaust Assembly



22926166\_065\_05/06\_A

ITEM	COMM. NO.	DESCRIPTION	QTY	DIMENSIONS/NOTES
1	22892699	Muffler, Exhaust	1	
2	35846484	Cap, Rain	1	
3	36881886	Nut, Hex Flange	4	

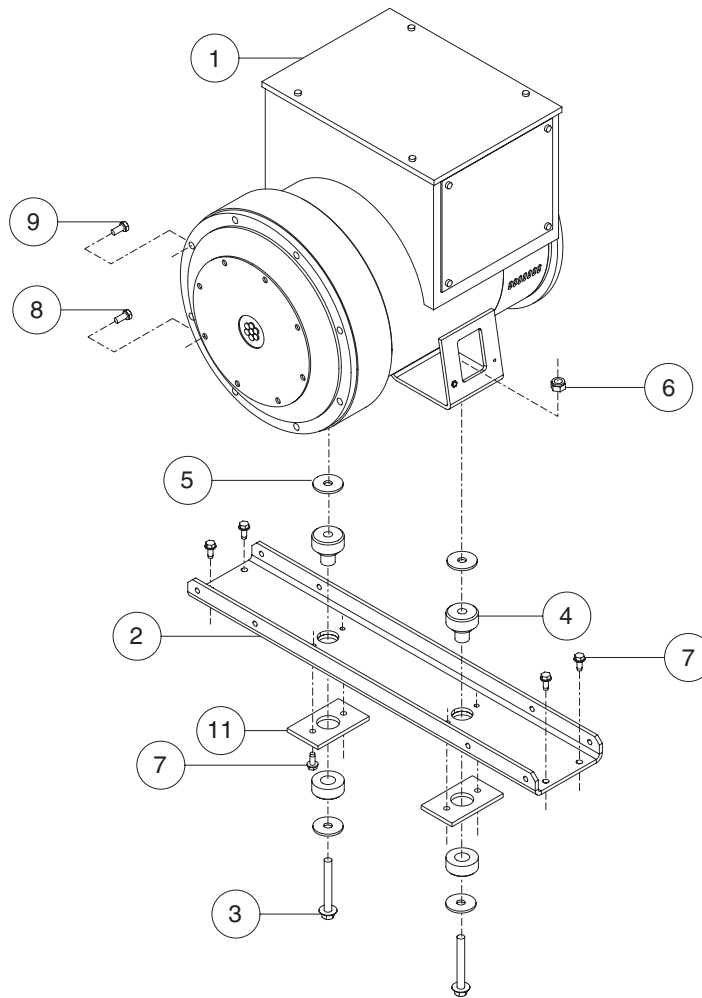
## Battery



22926166\_066\_05/06\_A

ITEM	COMM. NO.	DESCRIPTION	QTY	DIMENSIONS/NOTES
1	22890628	Battery Module	1	
2	22662183	Bracket, Battery Mounting	1	
3	22494983	Angle	1	
4	23050982	J-Bolt	2	8.5"
5	36853265	Washer, Plastic	2	
6	35144492	Nut, Hex	2	
7	35279025	Screw, Tapping	4	
8	35582410	Cable, Battery Positive	1	
9	36780609	Cable, Battery Negative	1	
10	22730972	Cable, Jumper (From Switch to Starter)	1	
11	36896975	Switch, Battery Disconnect	1	

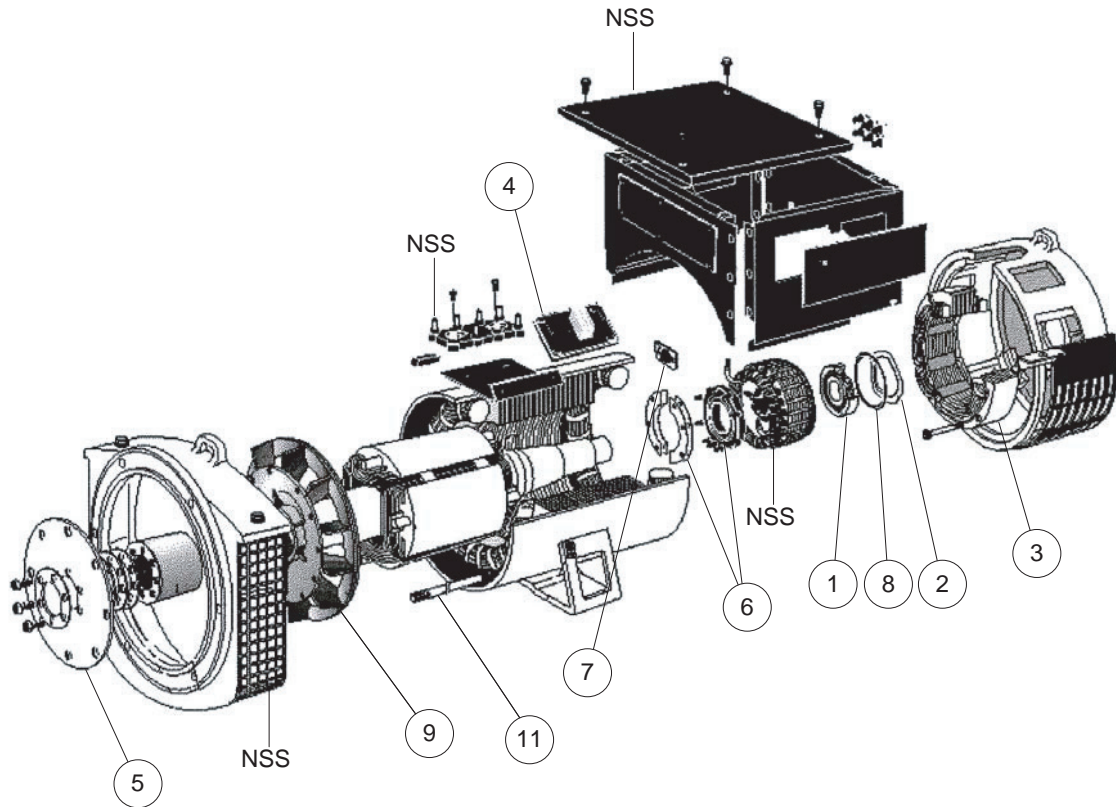
## Alternator, Alternator Mounting



22926166\_067\_05/06\_A

ITEM	COMM. NO.	DESCRIPTION	QTY	DIMENSIONS/NOTES
1	22757322	Alternator, LSA 422S4 50 Hz	1	
2	22662290	Support, Alternator	1	
3	96740782	Screw, Hex	2	M12 - 1.75 X 90
4	22429641	Isolator	2	
5	54429295	Washer, Snubbing	2	
6	35304047	Nut	2	
7	35279025	Screw, Tapping	4	M8 - 1.25 X 20
8	96708037	Bolt, Engine-Generator	8	M8 - 1.25 X 16
9	96741970	Bolt, Drive Disk	8	M10 - 1.25 X 30
10	22878615	Alternator Wire Assembly, 1Phase (Not Shown)	1	not in BOM?
	22878607	Alternator Wire Assembly, 3Phase (Not Shown)	1	
11	22742563	Plate, Isolator	2	
		36783488 strap ground		

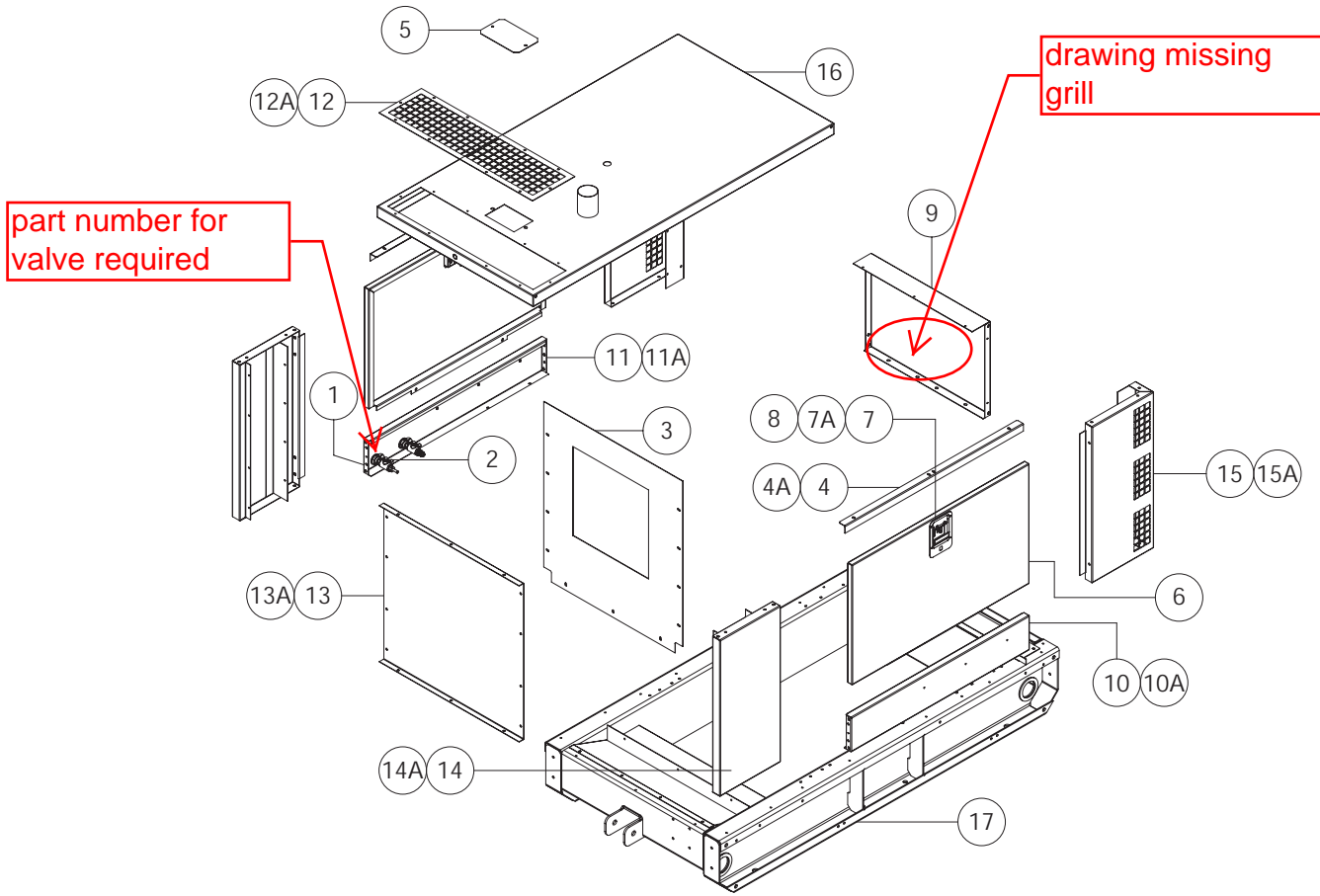
## Alternator, Alternator Mounting



22926166\_068\_06/08\_B

ITEM	COMM. NO.	DESCRIPTION	QTY	DIMENSIONS/NOTES
1	85425882	Bearing	1	
2	85509032	Wavey Washer	1	
3	85508893	Wound Exciter Field	1	
4	85402451	Voltage Regulator	1	
5	85425965	Drive Disc LSA 422S4	1	
6	85425858	Diode Bridge Assembly	1	
7	85425866	Surge Suppressor	1	
8	85508992	O-Ring	1	
9	22754006	Fan	1	
10	85626968	Fuse, AVR (Not Shown)	1	
11	22980031	Tie-Rods		
12	22980049	Stud Terminal Blocks (Not Shown)		
13	22980072	Stud Nuts (Not Shown)		

# Enclosure Assembly



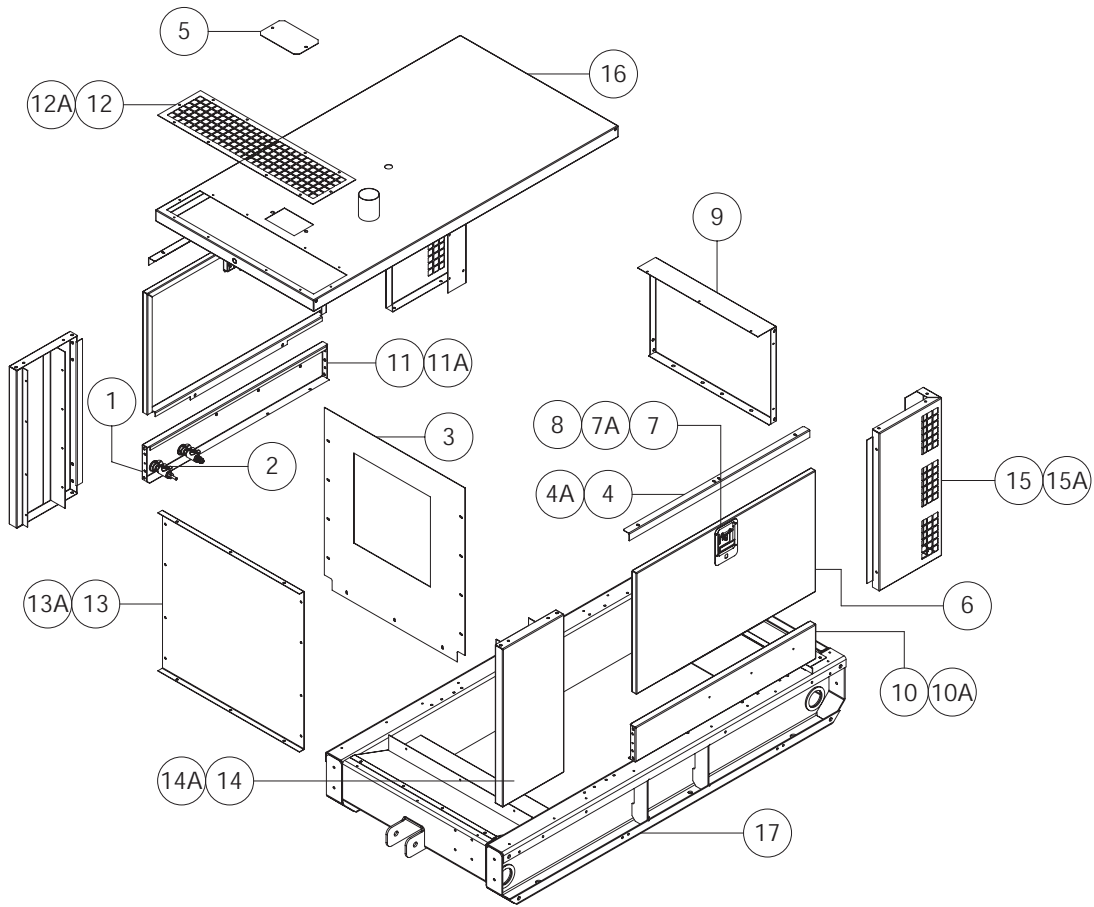
22926166\_069\_06/08\_B

ITEM	COMM. NO.	DESCRIPTION	QTY	DIMENSIONS/NOTES
1	22800783	Hose Fitting	1	
2	22219026	Connector, Bulkhead	2	
3	22647325	Baffle, Radiator	1	
4	22647366	Angle, Door	2	
4A	36797652	Screw, Tapping	8	
5	22312409	Cover, Radiator	1	
6	22647291	Door, Side	2	
7	36793602	Latch Door	1	
7A	36794816	Rivet	8	
8	22806681	Handle, Latch	2	
9	23051410	Panel, Rear	1	
10	22806566	Panel, Center, LH	1	
10A	36797652	Screw, Tapping	12	
11	22647309	Panel, Center, RH	1	
11A	36797652	Screw, Tapping	12	

*Continued on next page*



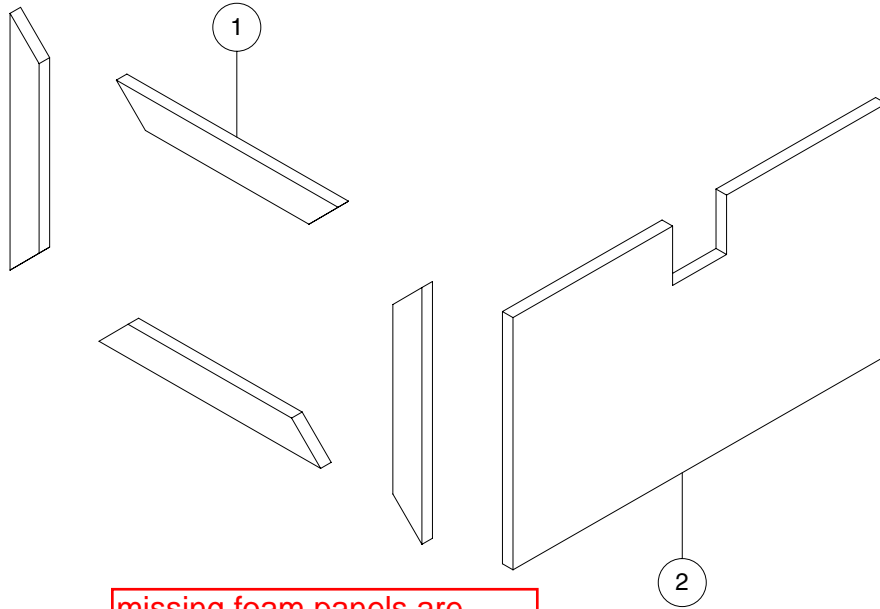
# Enclosure Assembly



22926166\_069\_06/08\_B

ITEM	COMM. NO.	DESCRIPTION	QTY	DIMENSIONS/NOTES
				<i>.....Continued</i>
12	22647077	Panel, Exhaust Grill	1	
12A	<del>36797652</del>	<del>Screw, Tapping</del>	10	
13	22647101	Panel, Front	1	
13A	<del>36797652</del>	<del>Screw, Tapping</del>	14	
14	22647085	Panel, Side, Front	2	?
14A	<del>36797652</del>	<del>Screw, Tapping</del>	8	
15	22875181	Panel, Side, Rear	2	
15A	<del>36797652</del>	<del>Screw, Tapping</del>	12	
16	22892921	Panel, Roof	1	
17	22892566	Frame G10	1	

## Foam Assembly



missing foam panels are  
required in revised manual

22926166\_071\_05/06\_A

ITEM	COMM. NO.	DESCRIPTION	QTY	DIMENSIONS/NOTES
1	22704993	Foam, Exhaust Baffle	4	
2	22705008	Foam, Side Door	2	

### FOAM SHEETS

Supplying foam sheets for current Doosan Portable Power Products is a very time consuming process, even more so for old machines. Due to such small quantities involved it proves very expensive and time consuming process. To address this problem Doosan Portable Power offer complete foam sheets ex stock from which the customer can cut to their own individual application.

#### PART NUMBER SIZES

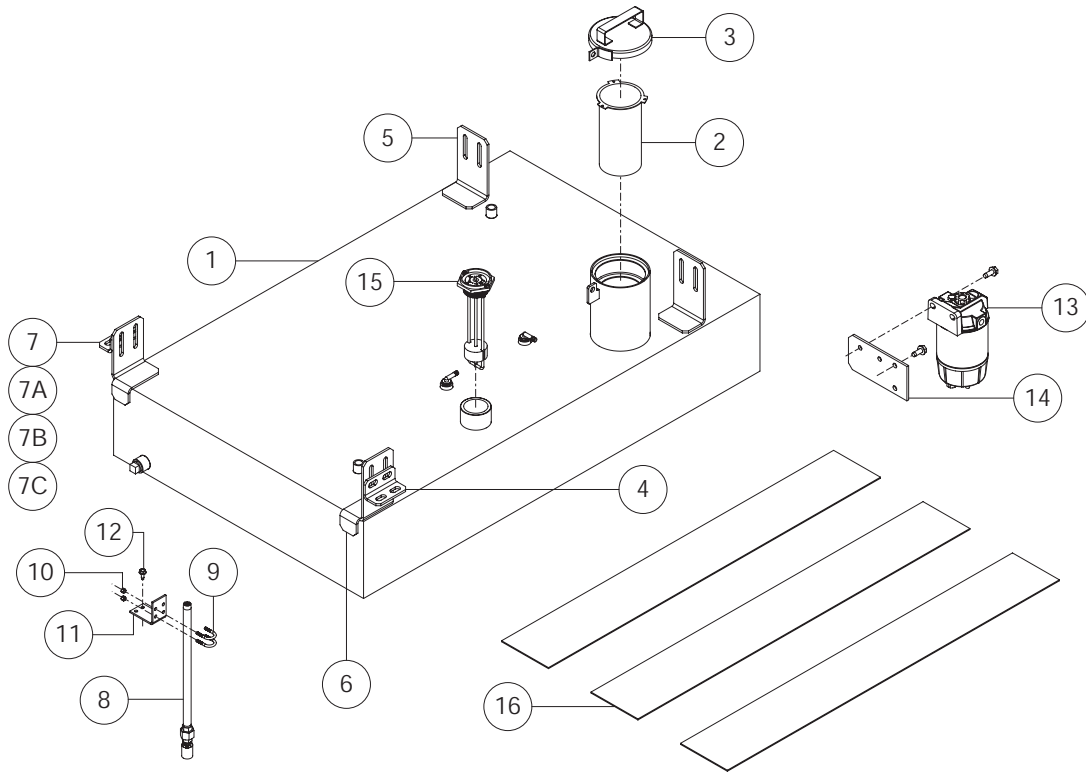
92949742 1.9m x 1.5m x 25mm thick (7' x 5' x 1" thick)

92949759 .95m x 1.5m x 25mm thick (3' x 5' x 1" thick)

92949767 1.9m x 1.5m x 50mm thick (7' x 5' x 2" thick)

92949775 .95m x 1.5m x 50mm thick (3' x 5' x 2" thick)

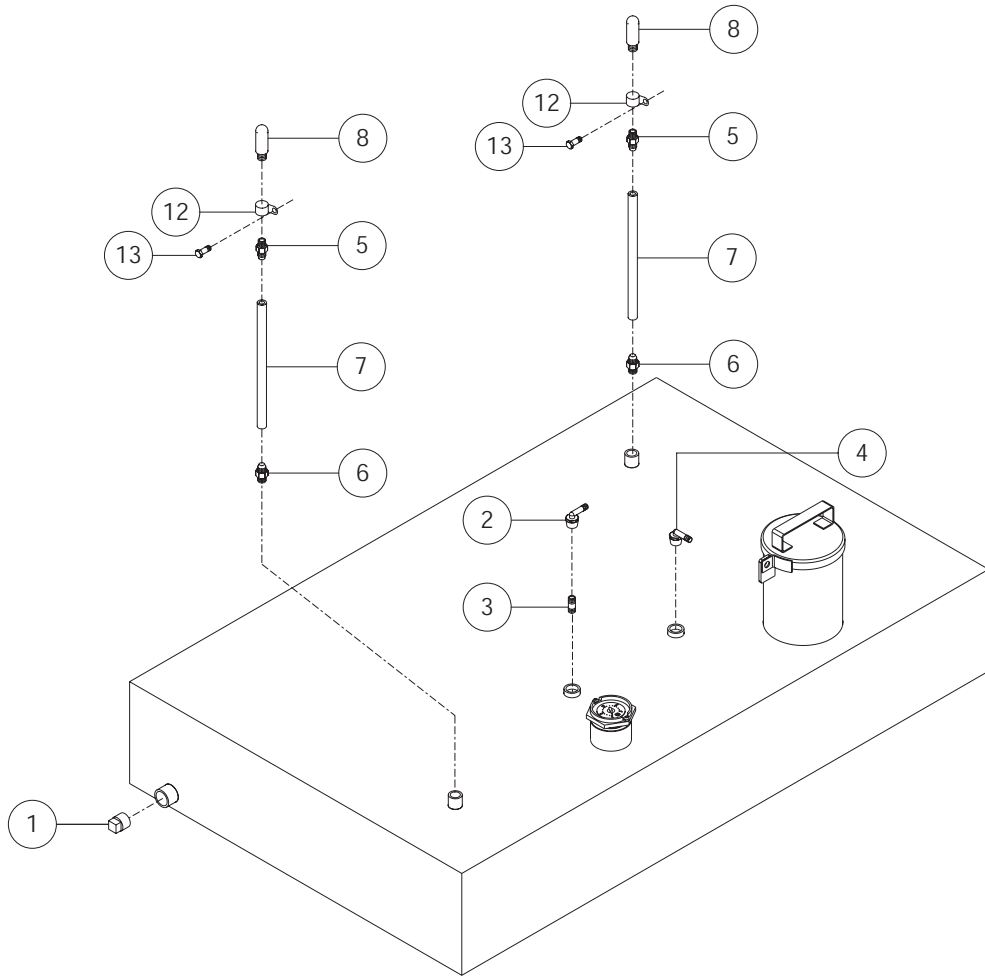
## Fuel Tank & Hardware



22926166\_072\_06/08\_B

ITEM	COMM. NO.	DESCRIPTION	QTY	DIMENSIONS/NOTES
1	22662415	Fuel Tank Assembly	1	
2	36845022	Strainer, Fuel Tank	1	
3	36845014	Cap, Fuel Filler	1	
4	22783245	Bracket, Tank Mounting	2	
5	22765523	Bracket, Tank Mounting	2	
6	22765549	Bracket, Tank Mounting	1	
7	22785539	Bracket, Tank Mounting	1	
7A	36889608	Screw, Hex	4	M8 - 1.25 X 25
7B	36881886	Nut, Hex	4	M8 - 1.25
7C	22959936	Screw, Tapping	4	M8 - 1.25 X 20
8	<del>22580351</del>	<del>Containment Level Switch</del>		<span style="border: 1px solid red; padding: 2px;">error, switch not fitted</span>
9	22616353	U-Bolt	2	
10	95923298	Nut, Self Locking	4	
11	22580336	Bracket, Switch	1	
12	96738802	Screw, Tapping	6	
13	54525506	Fuel/Water Separator Filter	1	
14	22630628	Bracket, Fuel/Water Separator	2	
15	22747380	Fuel Tank Gauge	1	
16	22585111	Pad, Fuel Tank	3	

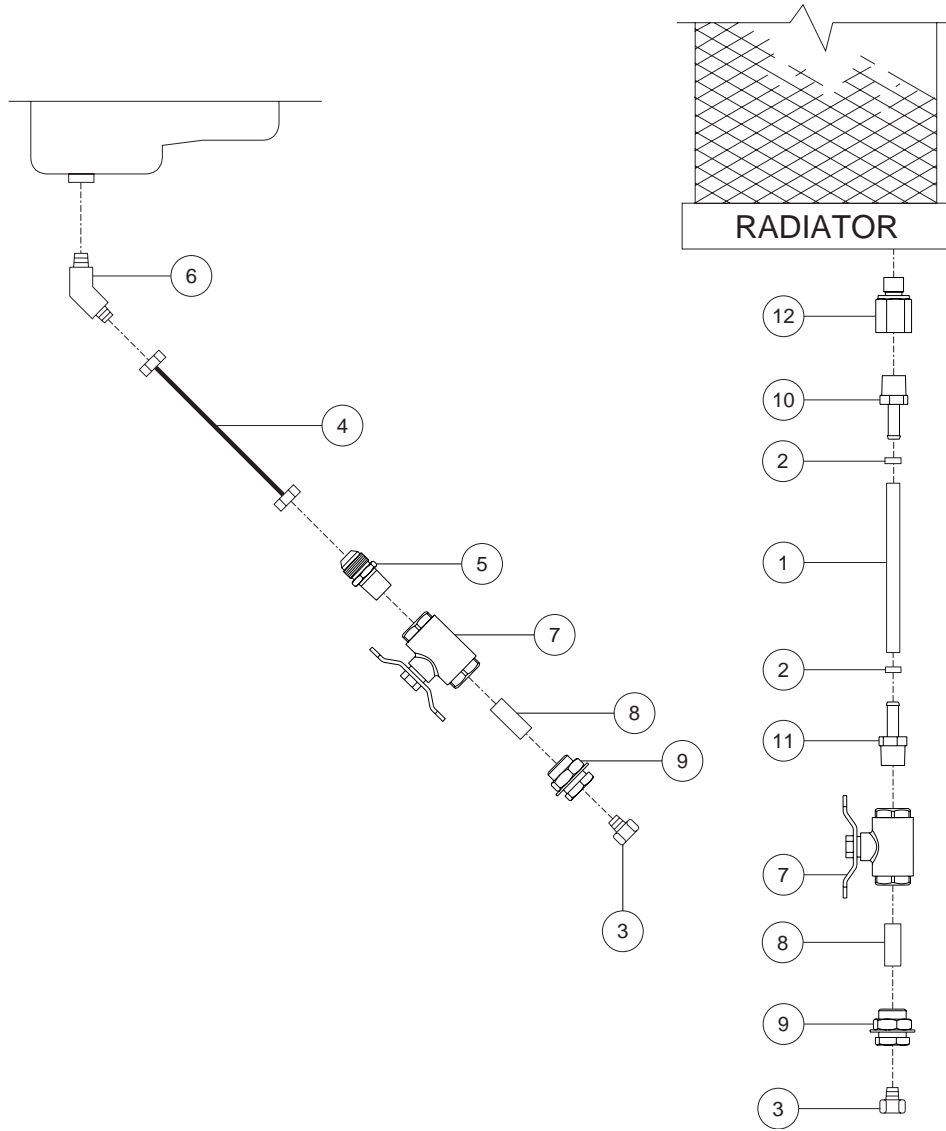
## Fuel Tank Piping



22926166\_073\_06/08\_B

ITEM	COMM. NO.	DESCRIPTION	QTY	DIMENSIONS/NOTES
1	95992392	Plug	1	
2	35378538	Elbow, Barbed (Fuel Feed)	1	
3	95940748	Bushing (Fuel Feed)	1	
4	35363506	Elbow, Barbed (Fuel Return)	1	
5	35369339	Connector, Female	2	
6	35369347	Connector, Male	2	
7	35356484	Tubing	2	24"
8	35322395	Silencer	2	
9	35363498	Hose, Pick Up to Pump (Not Shown)	1	8"
10	35363498	Hose, Pump to Engine (Not Shown)	2	22"
11	35363498	Hose, Return (Not Shown)	2	25"
12	35253038	Clamp, Hose	2	
13	92368687	Screw, Tapping	2	M6 - 1.0 X 14
14	35296342	Clamp (Not Shown)	8	

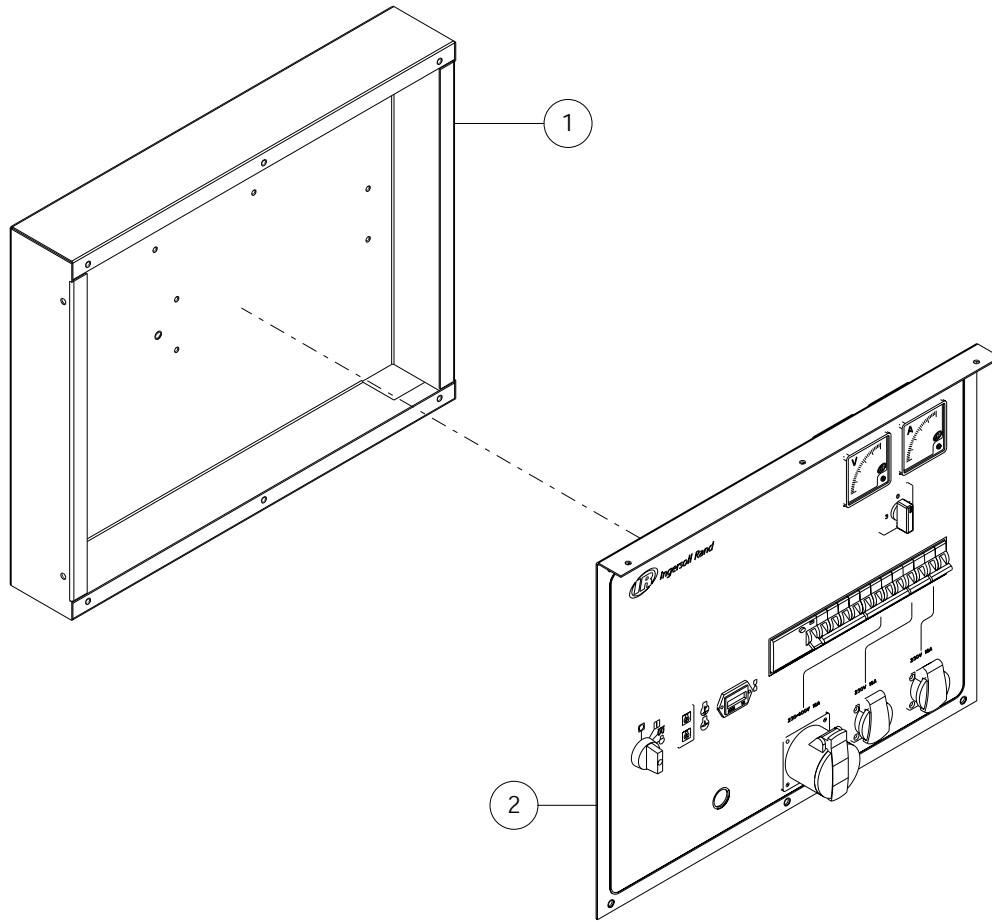
# Central Drains



22926166\_075\_05/06\_A

ITEM	COMM. NO.	DESCRIPTION	QTY	DIMENSIONS/NOTES
1	35363498	Hose	1	10"
2	35296342	Clamp	2	
3	95928222	Plug	2	
4	35306125	Hose Assembly	1	
5	35283126	Connector	1	
6	22686133	Elbow	1	
7	22375141	Valve	2	
8	95092318	Nipple	2	
9	22219026	Bulkhead Fitting	2	
10	35369511	Adapter	1	
11	22800783	Adapter	1	
12	22806947	Adapter	1	

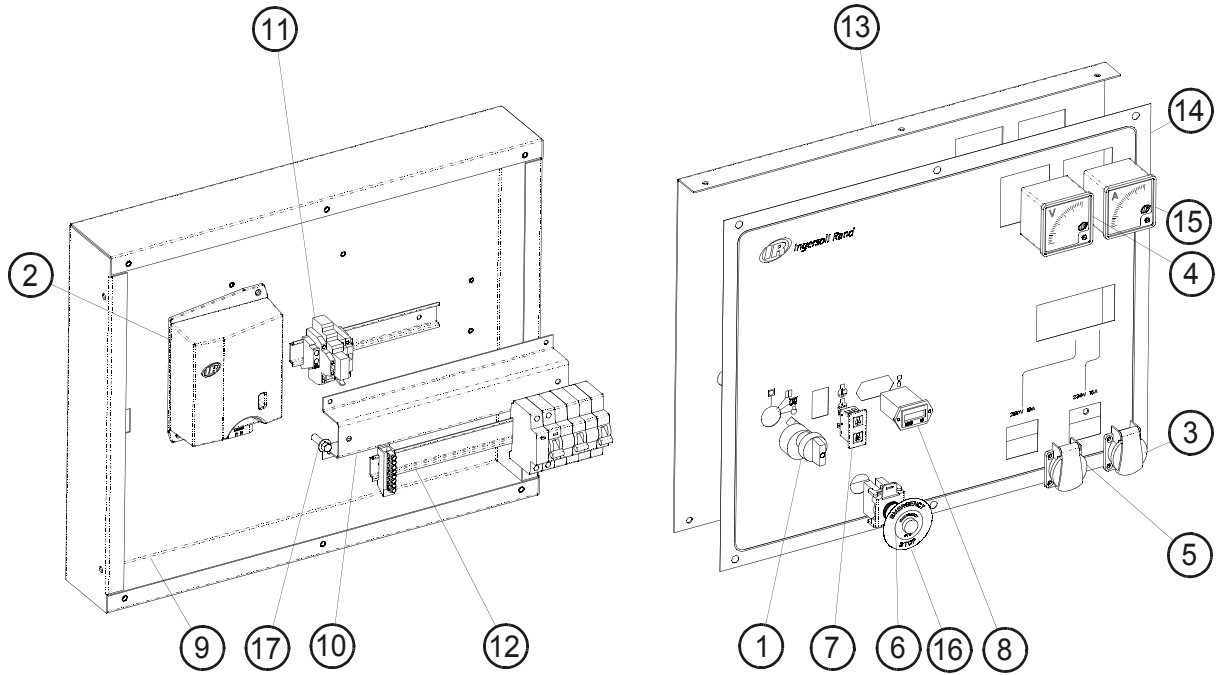
# Control Panel Assembly



22926166\_076\_05/06\_A

ITEM	COMM. NO.	DESCRIPTION	QTY	DIMENSIONS/NOTES
1	22857932	Control Box	1	
2	22857817	Control Panel, 3 Phase CE Sockets	1	
	22881585	Control Panel, 1 Phase <del>Standard</del> <b>standard</b>	1	
	23129729	Control Panel, 1 Phase, 3 Phase UK Sockets	1	

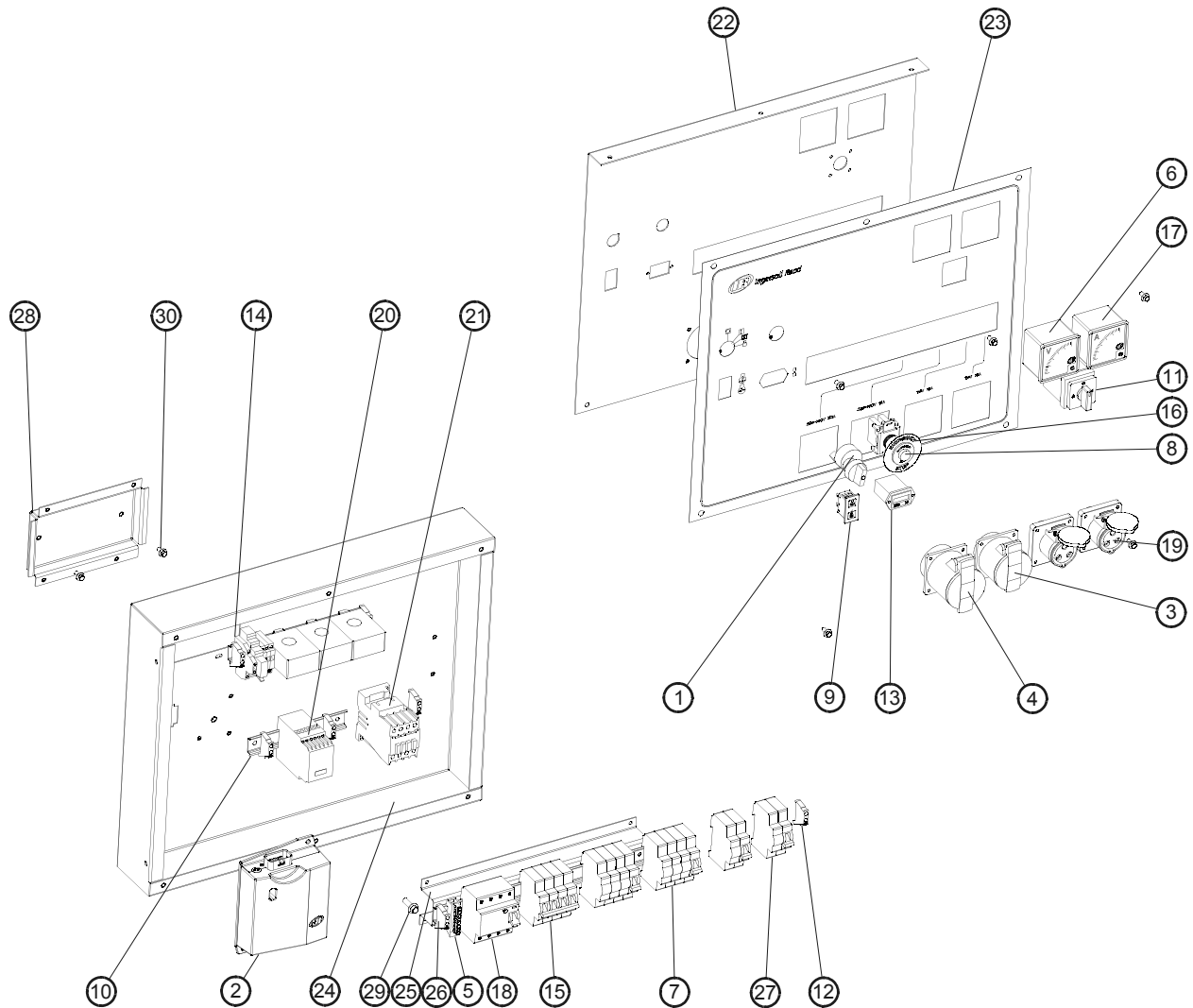
## Control Panel - Standard Sockets - 1 Phase



22926166\_077\_06/08\_B

ITEM	COMM. NO.	DESCRIPTION	QTY	DIMENSIONS/NOTES
1	22127385	Switch, Start	1	
2	22578447	Controller, Electronic	1	
3	22650451	Socket, 16A, 230V	1	
4	22672471	Voltmeter	1	
5	22681373	Socket, 16A, 230V	1	
6	22688717	Switch, E-Stop	1	
7	22711865	Module, 2 Warning Lights	1	
8	22780985	Hourmeter, 100,000 Hr	1	
9	22857932	Control Box	1	
10	22862486	Bracket	1	
11	22881262	Assembly, DIN rail	1	
12	22881288	Breaker	1	
13	22881585	Panel, Control	1	
14	22881643	Decal, Control Panel	1	
15	22881700	Ampermeter	1	
16	22894273	Label, E-Stop	1	
17	36889608	Screw	1	M8 - 1.25 X 25

## Control Panel - UK Sockets - 3 Phase

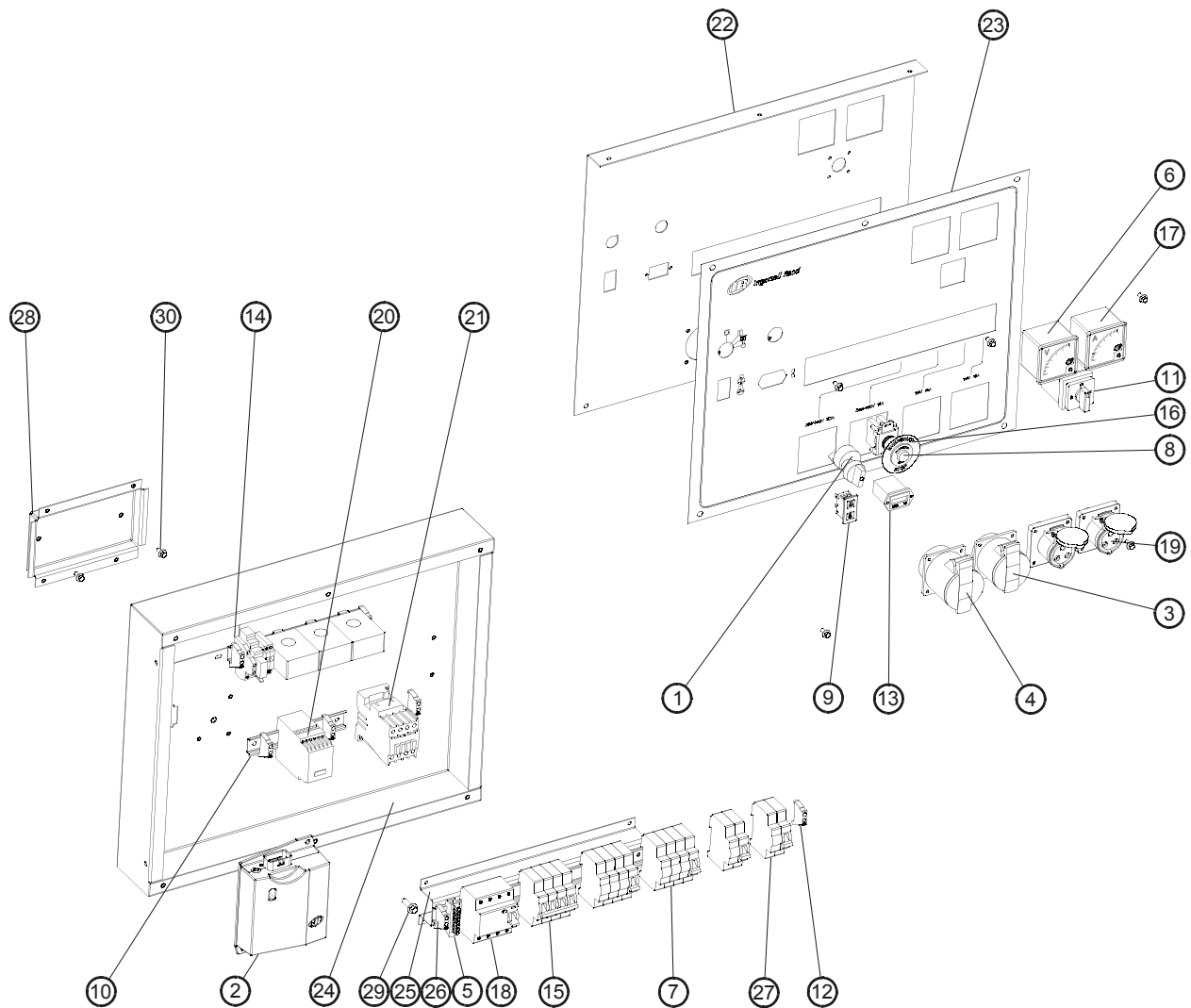


22926166\_077\_06/08\_B

ITEM	COMM. NO.	DESCRIPTION	QTY	DIMENSIONS/NOTES
1	22127385	Switch, Start	1	
2	22578447	Controller	1	
3	22650444	Socket, 16A, 400V	1	
4	22650469	Socket, 32A, 400V	1	
5	22666093	Bridge, PE	1	
6	22672471	Voltmeter	1	
7	22681431	Breaker, Circuit	1	
8	22688717	Switch, E-Stop	1	
9	22711865	Module, 2 Warning Lights	1	
10	22734859	Rail, DIN	1	
11	22747893	Ammeter	1	
12	22750970	Terminal, Lock	5	
13	22780985	Hourmeter, 100,000 hr	1	
14	22862155	Dinrail Assembly	1	
15	22885768	Breaker, Circuit	1	



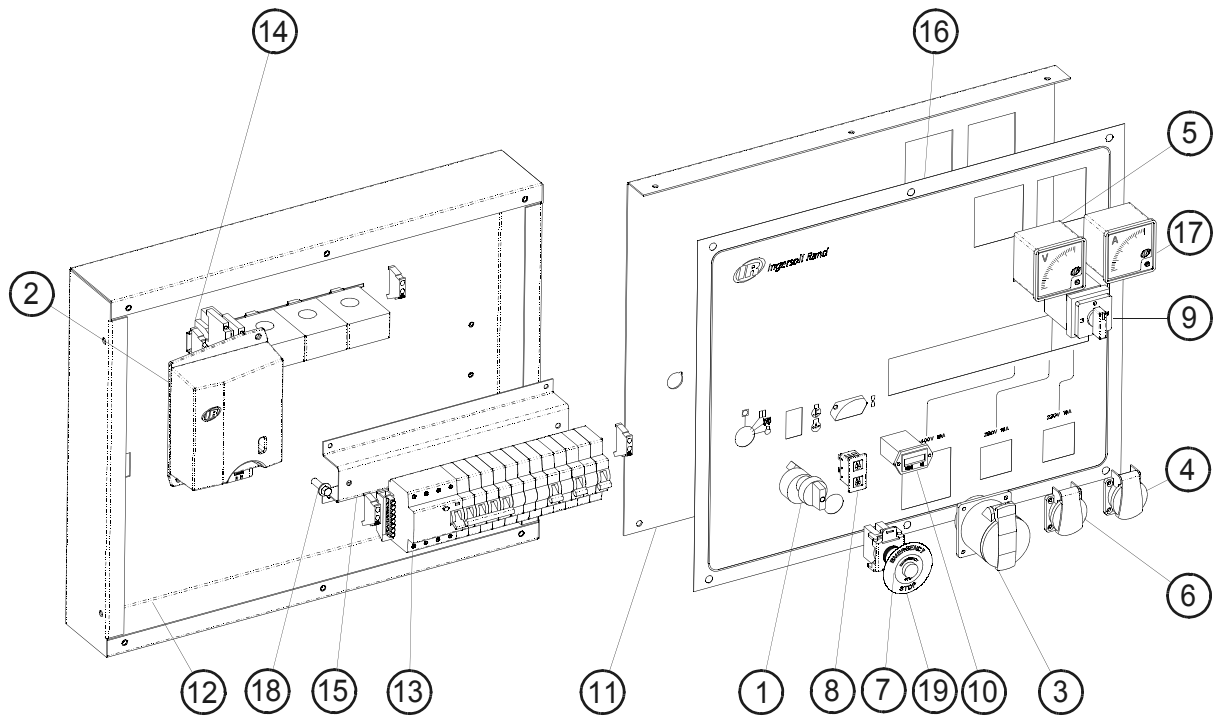
## Control Panel - UK Sockets - 3 Phase



22926166\_077\_06/08\_B

ITEM	COMM. NO.	DESCRIPTION	QTY	DIMENSIONS/NOTES
16	22894273	Label, E-Stop	1	
17	22966089	Amperemeter	1	
18	22967970	Breaker, RCD	1	
19	23059637	Socket, 16A, 110V	2	
20	23109549	Relay, Overcurrent	1	
21	23109556	Contactor, 25A	1	
22	23129729	Panel, Control	1	
23	23129745	Decal, Control Panel	1	
24	23133986	Box, Control	1	
25	23134075	Bracket	1	
26	23134083	Rail, DIN	1	
27	23135866	Breaker, Circuit	1	
28	23137227	Cover, Power Pedestal	1	
29	36889608	Screw	1	M8 - 1.25 X 25
30	96705058	Screw	8	M6 - 1.0 X 12

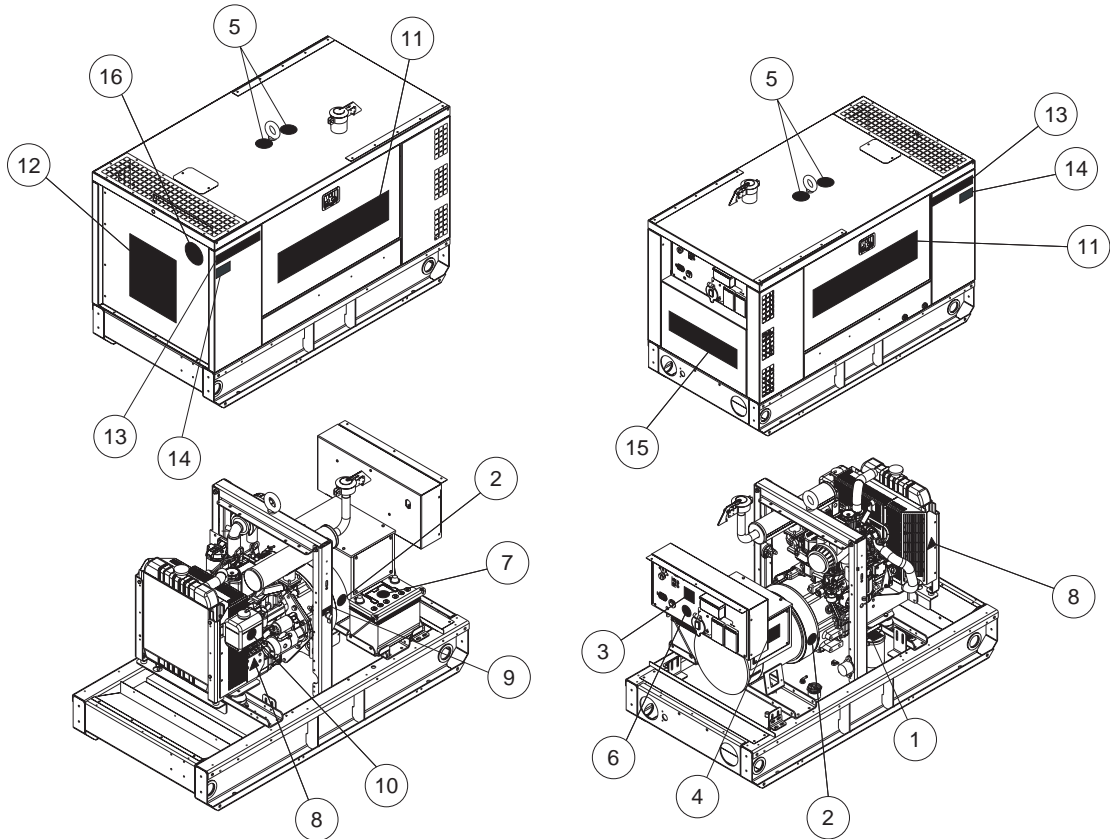
## Control Panel - CE Sockets - 3 Phase



22926166\_077\_06/08\_B

ITEM	COMM. NO.	DESCRIPTION	QTY	DIMENSIONS/NOTES
1	22127385	Sswitch, Start	1	
2	22578447	Controller	1	
3	22650444	Socket, 16A, 400V	1	
4	22650451	Socket, 16A, 230V	1	
5	22672471	Voltmeter	1	
6	22681373	Socket, 16A, 230V	1	
7	22688717	Switch, E-Stop	1	
8	22711865	Module, 2 Warning Lights	1	
9	22747893	Switch, Ammeter	1	
10	22780985	Hourmeter, 100,000 hr	1	
11	22857817	Panel, Control	1	
12	22857932	Box, Control	1	
13	22857965	Breaker	1	
14	22862155	Assembly, Dinrail	1	
15	22862486	Bracket	1	
16	22862874	Decal, Control Panel	1	
17	22966089	Ampermeter	1	
18	36889608	Screw	1	M8 - 1.25 X 25
19	22894273	Label, E-Stop	1	

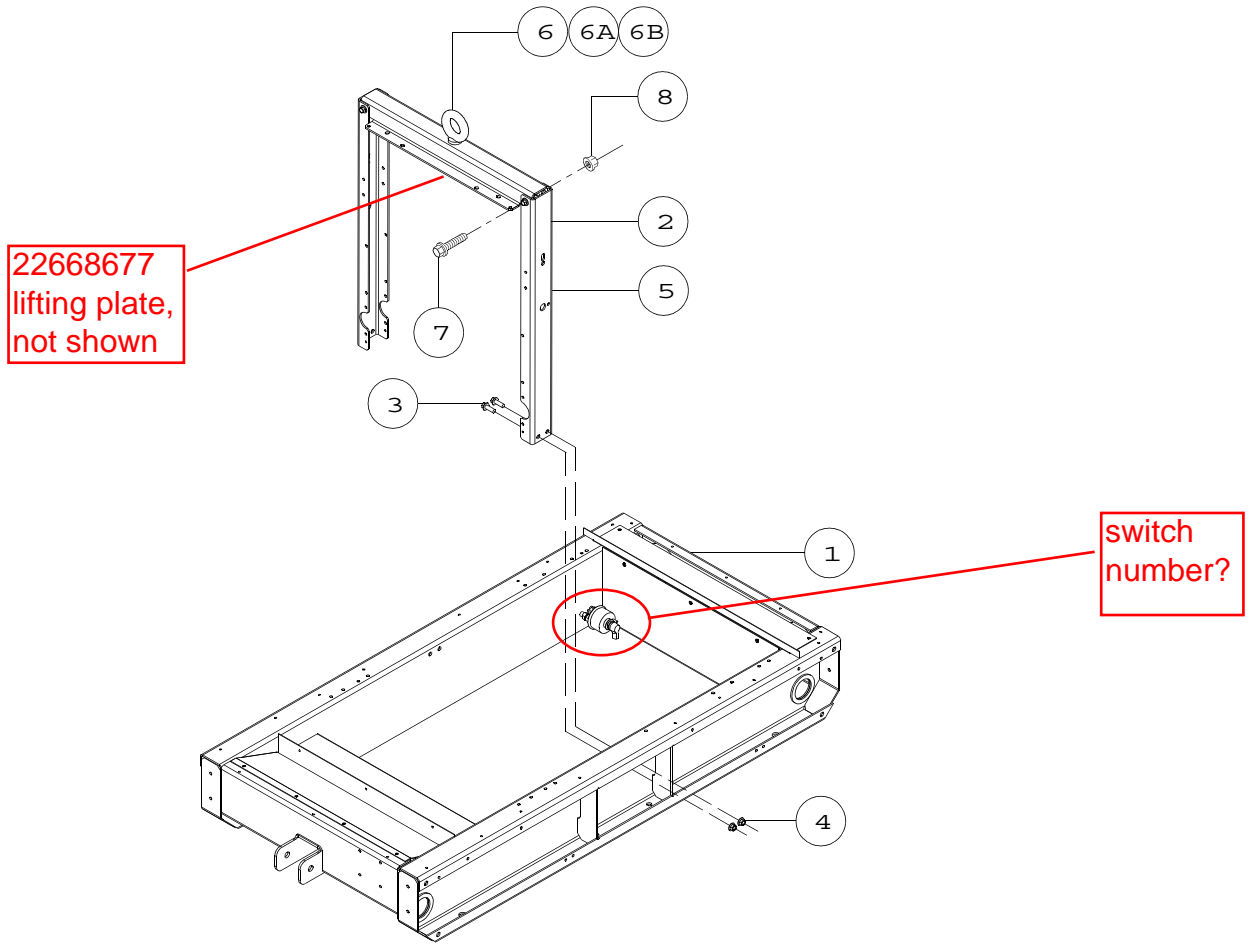
## Decal Location



22926166\_078\_06/08\_B

ITEM	COMM. NO.	DESCRIPTION	QTY	DIMENSIONS/NOTES
1	93171254	Decal, Diesel Fuel	1	
2	23047566	Decal, No Water	2	
3	92867449	Decal, Refer to Manual	1	
4	92930593	Decal, Hazardous Voltage	1	
5	93171262	Decal, Lift Point	2	
6	92912559	Decal, Earth Warning	1	
7	23047608	Decal, No Flame	1	
8	23047582	Decal, Crush Hazard	2	
9	54642327	Decal, Battery Disconnect	1	
10	23047624	Decal, Coolant Level	1	
11	22873681	Decal, IR Side Logo	2	
12	22895247	Decal, IR Front Logo	1	
13	22762512	Decal, 12" Powersource	2	
14	22810634	Decal, G10 Model	2	
15	22916720	Decal, IR Powered	1	
16	22713648	Decal, IR Logo 22" Rear	1	
17	23250756	Data plate 50Hz (Not Shown)	1	
	36794816	Rivet	2	
18	23062893	Decal, 91dB Sound Power (Not Shown)	2	

# Frame Assembly

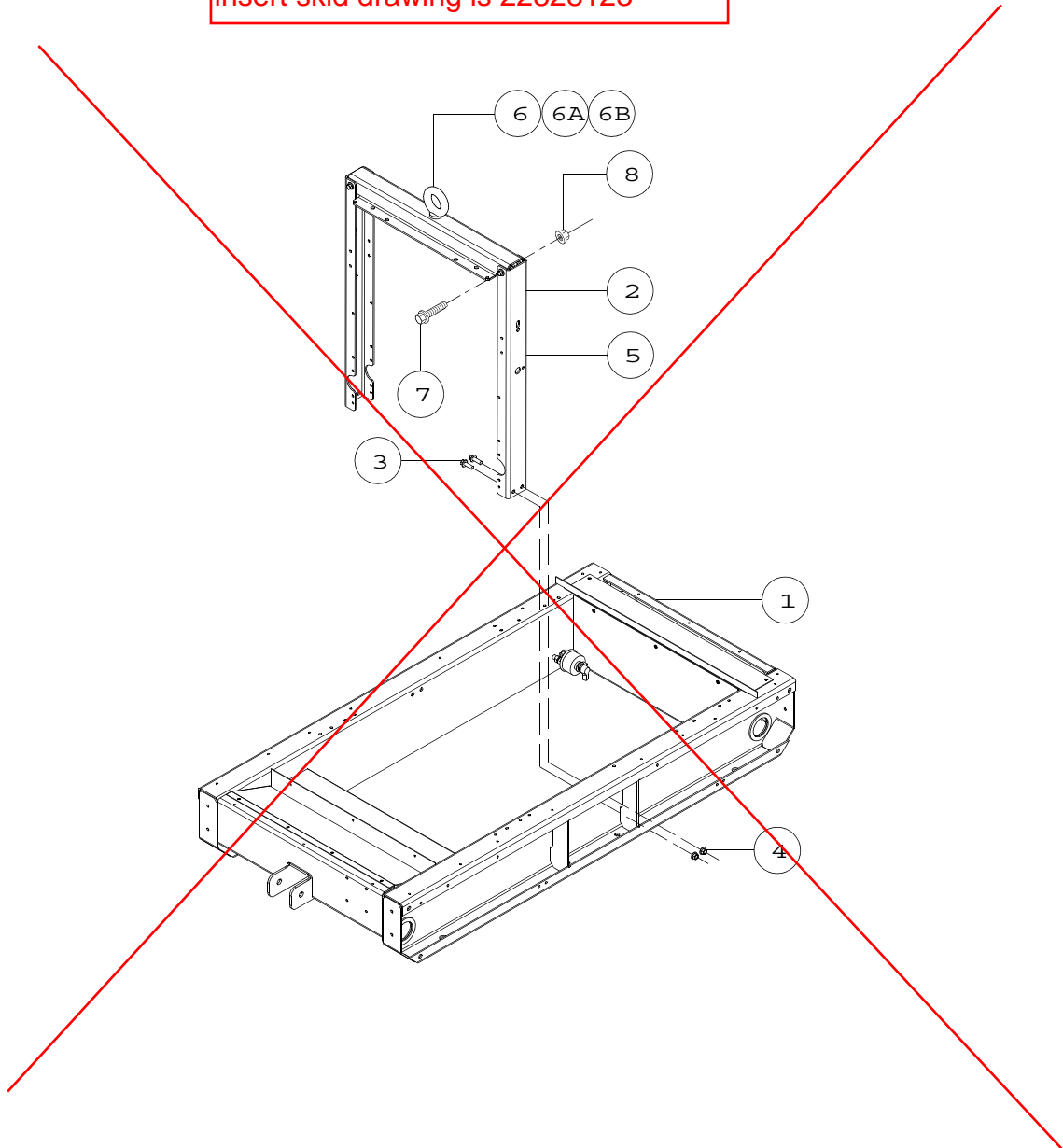


22926166\_079\_06/08\_B

ITEM	COMM. NO.	DESCRIPTION	QTY	DIMENSIONS/NOTES
1	22892566	Frame, Nova G10	1	
2	23131279	Lifting Bail, Top	1	
3	<del>36880995</del>	<del>Screw, Hex</del>	8	
4	<del>36879195</del>	<del>Nut, Hex Flange</del>	8	
5	23131287	Lifting Bail, Side	2	
6	22668677	Plate, Lifting	1	
6A	23138985	Eyebolt	1	
6B	96720933	Nut, Hex Flange	1	1" - 8
7	<del>36880995</del>	<del>Screw</del>	4	
8	<del>36879195</del>	<del>Nut</del>	4	
<span style="border: 1px solid red; padding: 2px;">9</span>	23140866	Lift Bail Assembly	1	

# Forklift Skid Option

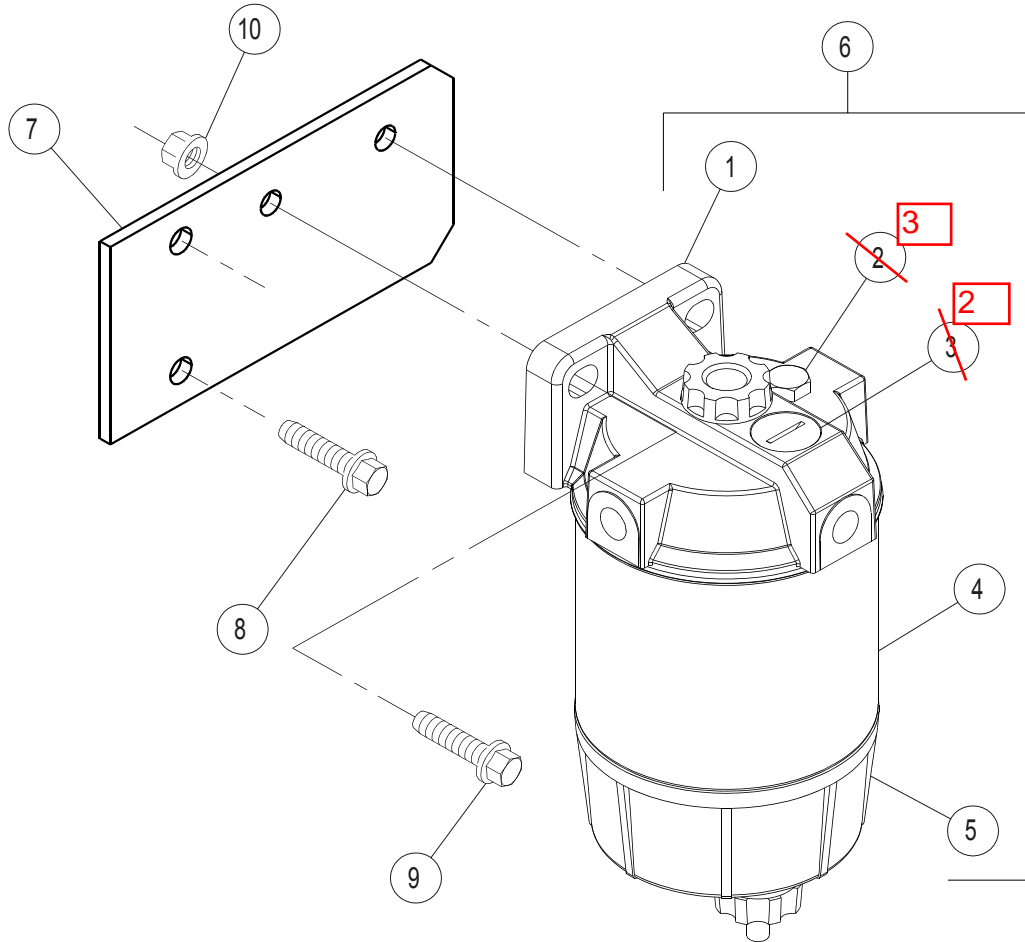
wrong drawing  
insert skid drawing is 22828123



22926166\_079\_06/08\_B

ITEM	COMM. NO.	DESCRIPTION	QTY	DIMENSIONS/NOTES
1	22828123	Skid, Forklift	1	
2	36879302	Screw	4	M16 - 2.0 X 50
3	36879211	Nut	4	M16 - 2.0

## Fuel / Water Separator Option



22926166\_074\_06/08\_B

ITEM	COMM. NO.	DESCRIPTION	QTY	DIMENSIONS/NOTES
1	54480512	Head Assembly	1	
2	35358381	Cover, Check Ball	1	
3	54480520	Plug, Vent	1	
4	54525530	Element Assembly, Fuel/Water	1	
5	54480504	Bowl	1	
6	54525506	Fuel/Water Separator Filter Assembly - Complete	1	
7	22630628	Bracket, Fuel / Water Separator	1	
8	35279025	Screw, Tapping	2	M8 - 1.25 X 20
9	36889608	Screw	2	M8 - 1.25 X 25
10	36881886	Nut	2	M8 - 1.25

Recommended Spares & Service Kits

ITEM	COMM. NO.	DESCRIPTION	QTY	DIMENSIONS/NOTES
		RECOMMENDED SPARE PARTS	qty?	
		CLASS 1: RECOMMENDED MAINTENANCE AND REPAIR ITEMS		
	89311716	Oil Protec 15W40		
	85426815	Fuel Filter Primary		
	54525530	Element Assembly, Fuel/Water		
	85426849	Oil Filter		
	36890135	Air Filter Element		
	22843346	Cap, Radiator		
	22843312	Upper Radiator Hose		
	22843320	Lower Radiator Hose		
	22844526	Fan Belt		
	54757935	Oil Pressure Switch		
	22554224	Water Temperature Switch		
	22842736	Solenoid Assembly		
	22843270	Thermostat		
	22843759	Gasket, Rocker Cover		
	22688717	Emergency Stop Switch		
	44003929	250 Hr. Maintenance Kit - Without Fluids		
	44003937	500 Hr. Maintenance Kit - Without Fluids		
		CLASS 2: PARTS REQUIRED TO PREVENT EXTENDED DOWNTIME IN REMOTE LOCATIONS		
	85400216	Injector		
	22843965	Starter		
	22843585	Charging Alternator		
	22671747	Electric Fuel Pump		
	85400612	Glow Plug		
	22845127	Water Pump		
	22757322	AC Alternator Assembly		
	85626968	Fuse Voltage Regulator		
	85402451	Automatic Voltage Regulator		
	85425882	Bearing		
	85509032	Wavy Washer		
	85425858	Diode Bridge	alternator	
	85425866	Surge Suppressor		
	22754006	Alternator Cooling Fan		
	22980031	Tie Rods		
	22578447	Control Module, CM		
	22711865	Module Warning		
	22127385	Start Switch S1		
	22672471	Voltmeter, M5		
	22881700	Ammeter 1Ph, M6		
	22966089	Ammeter 3Ph, M6		
				<i>Continued.....</i>

Recommended Spares & Service Kits

ITEM	COMM. NO.	DESCRIPTION	QTY	DIMENSIONS/NOTES
		CLASS 2: PARTS REQUIRED TO PREVENT EXTENDED DOWNTIME IN REMOTE LOCATIONS		..... <i>Continued</i>
	23161466	Fuse, F1, F2, 1 Amp		
	36793651	Fuse, F4, 25 Amp		
	22780134	Fuse, F5, 250MA		
	22881668	Circuit Breaker 1Ph, CB1		
	22967970	Circuit Breaker 3Ph, CB1		
	22885768	Circuit Breaker 3Ph, CB2		
	22511505	Relay 70 Amp 12VDC, K1 K2		
	22780985	Hour Meter M1		
	22747315	Shunt Trip Relay ST		







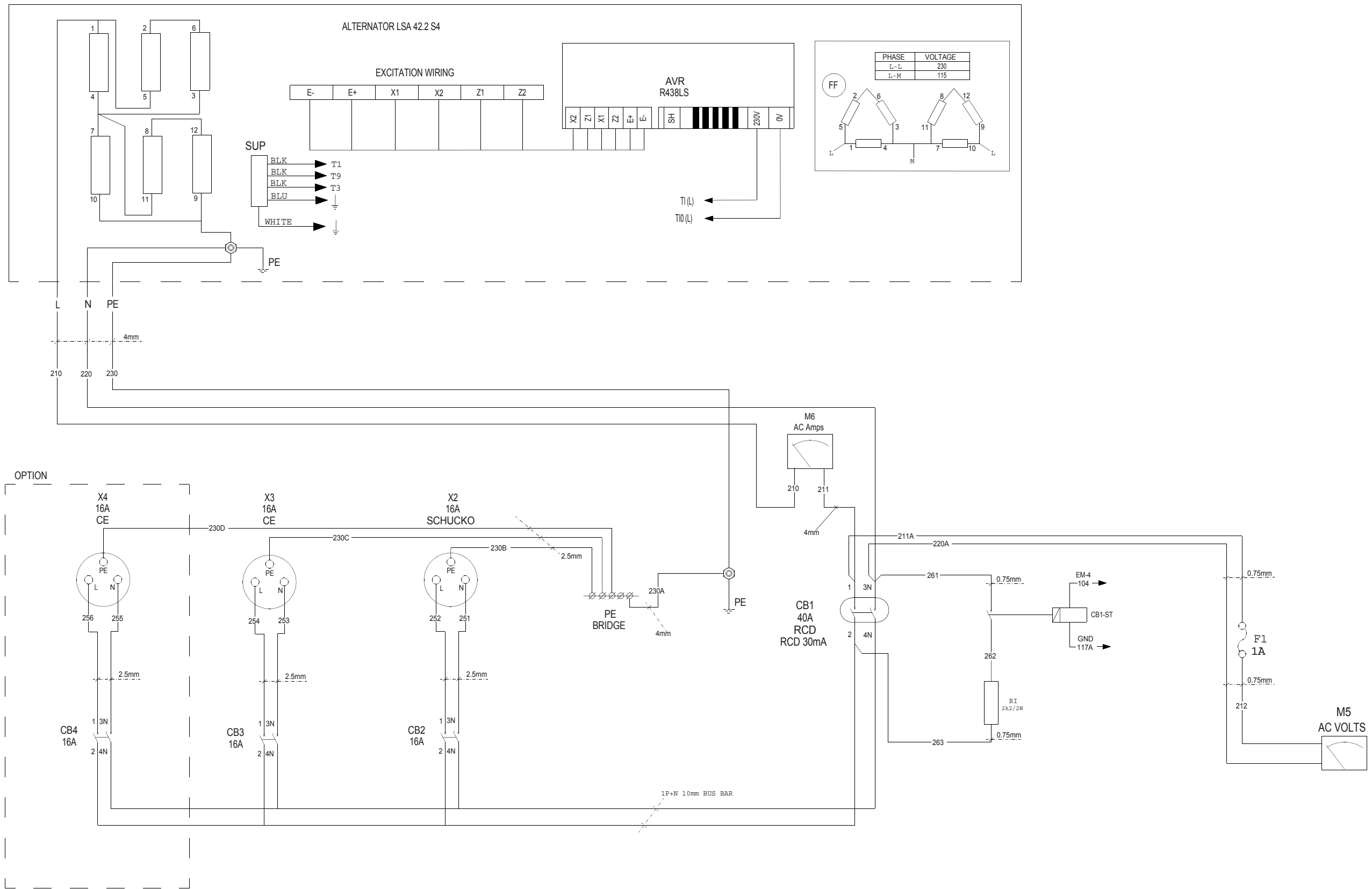




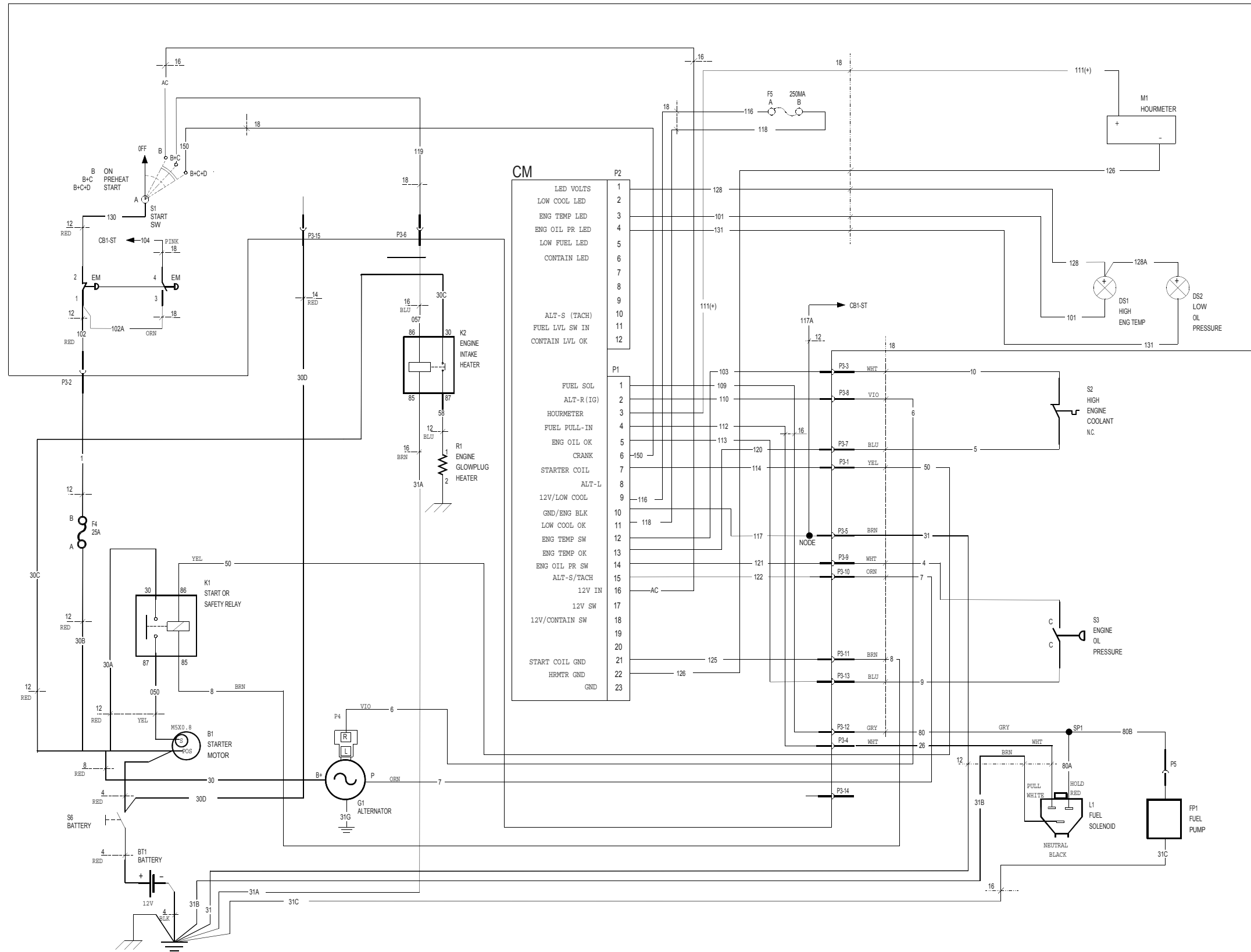
# Wiring Diagrams



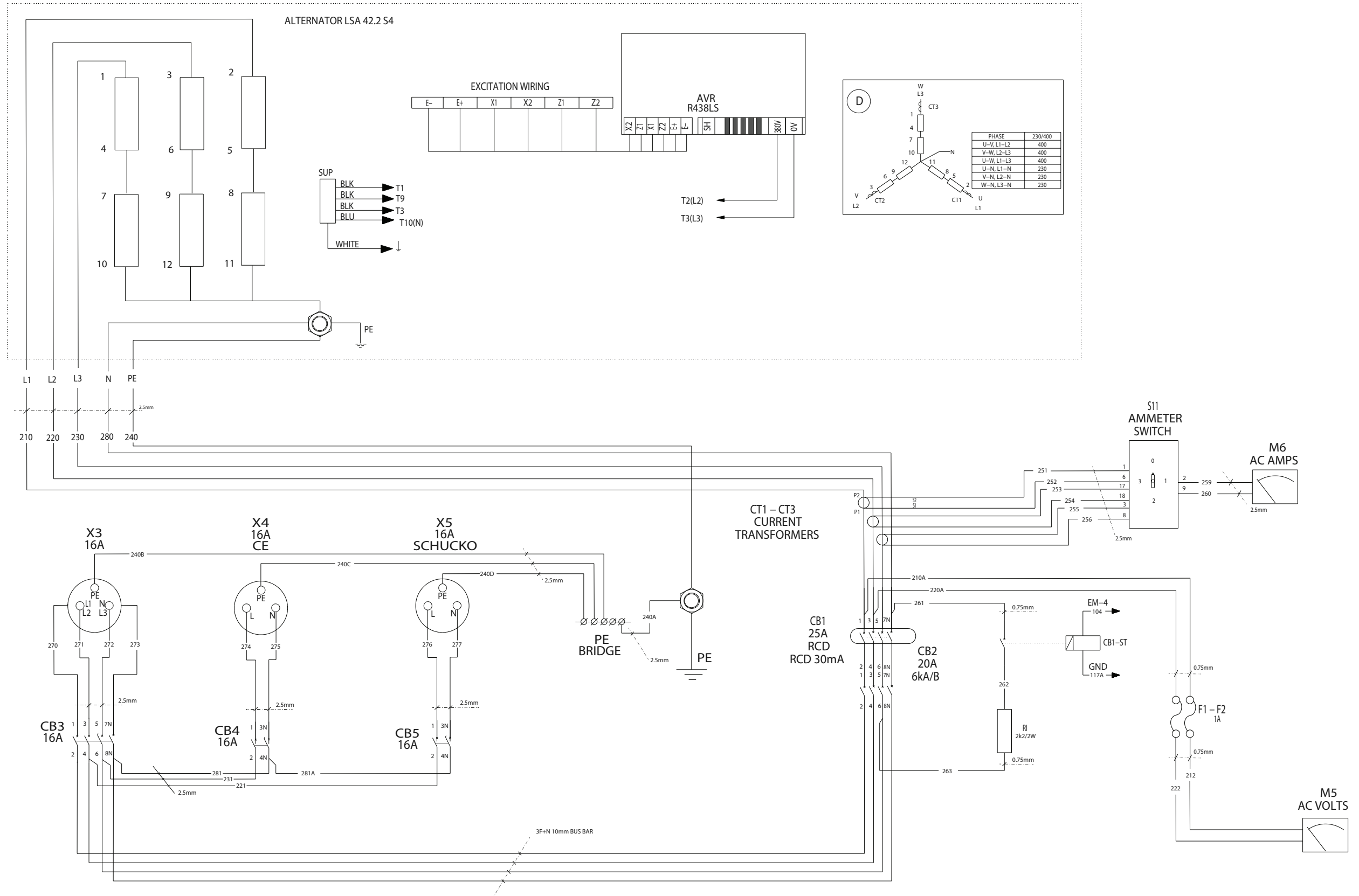
# 1 Phase, AC Wiring Diagram



# 1 Phase, DC Wiring Diagram



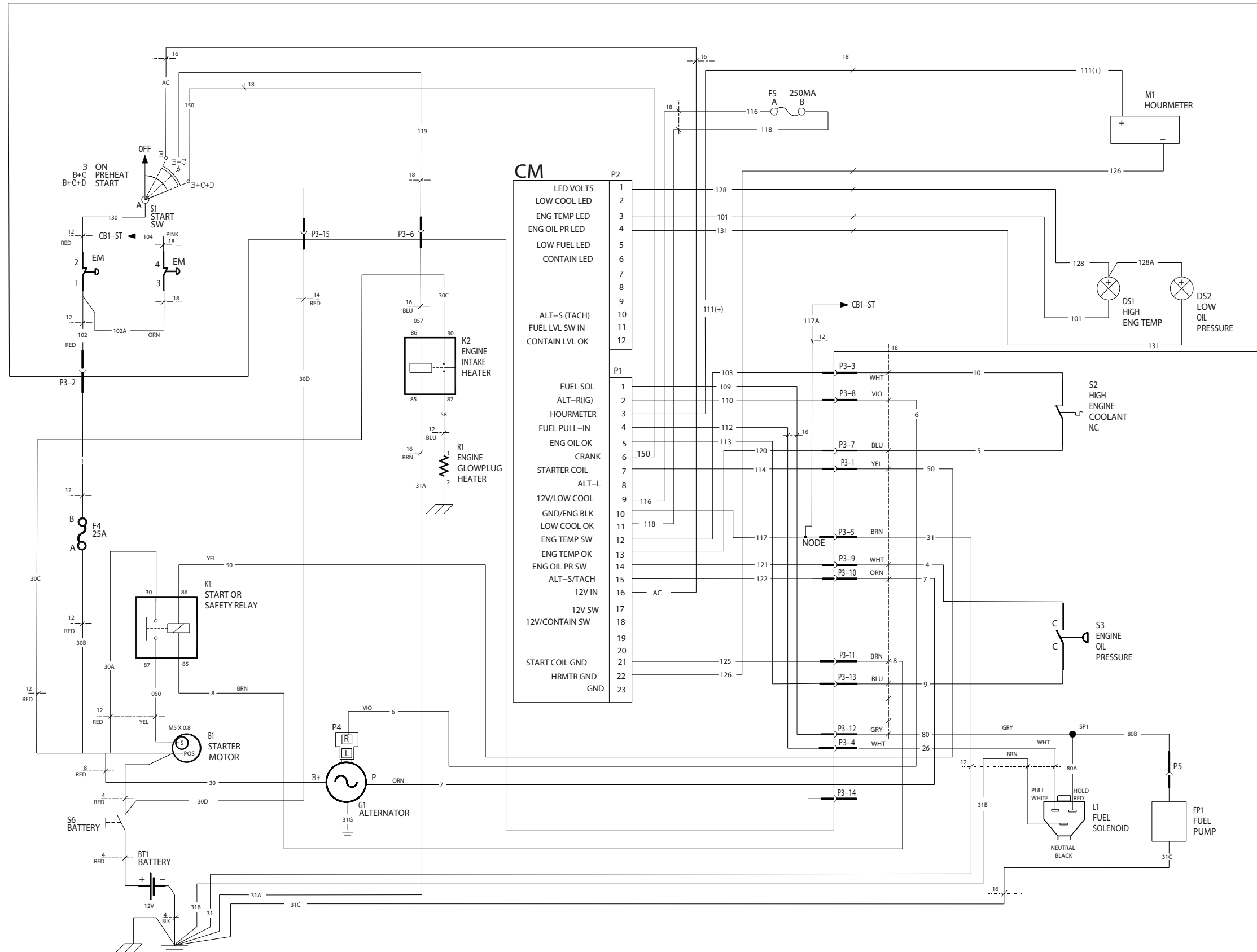
### 3 Phase, AC Wiring Diagram



22926166\_087\_02/06\_A



### 3 Phase, DC Wiring Diagram



22926166\_088\_02/06\_A

## WORD INDEX

### CPN

250 Hr. Maintenance Kit - Without Fluids	83
500 Hr. Maintenance Kit - Without Fluids	83

### A

AC Alternator Assembly	83
Air Cleaner Assembly	62
Air Filter Element	83
Alternator	
LSA 422S4 50 Hz	65
Alternator Assembly	49
Alternator Cooling Fan	83
Alternator Wire Assembly	
1Phase (Not Shown)	65
3Phase (Not Shown)	65
Ammeter	76
Ammeter 1Ph	
M6	83
Ammeter 3Ph	
M6	83
Ampermeter	75, 77, 78
Angle	64
Door	68
Assembly	
DIN rail	75
Dinrail	78
Automatic Voltage Regulator	83

### B

Baffle	
Radiator	68
Ball	
Steel Bearing	18
Battery Module	64
Bearing	
Radial Ball	46
Bearing Set	
0.25 Undersized	20
0.50 Undersized	20
0.75 Undersized	20
Connecting Rod	
0.25 Oversized	25
0.50 Oversized	25
0.75 Oversized	25
Standard	25
Standard	20
Belt	
Fan	36
Block	
Cylinder	17
Block Assembly	
Cylinder	16
Block Sub Assembly	
Cylinder	16
Body Sub Assembly	38

### Bolt

Alternator	49
Bearing Cap	16
Connecting Rod	25
Cylinder Head	11
Drive Disk	65
Drive Plate	27
Engine-Generator	65
Eye	42
Flange	35, 49
Governor Case	42
High Speed Set	40
Low Idle Set	41
Rocker Bracket	13
Starter	47
Washer Head	44
with Washer 11, 14, 15, 21, 22, 23, 29, 34, 35, 36, 37, 39, 42, 46, 47	

### Bolt Assembly

High Speed	40
------------	----

### Bottle

Coolant Recovery	61
------------------	----

### Bowl

	82
--	----

### Box

Control	77, 78
---------	--------

### Bracket

Battery Mounting	64
Coolant Recovery	61
Fuel / Water Separator	82
Fuel Filter	39
Fuel/Water Separator	71
Rocker Shaft	13
Switch	71
Tank Mounting	71

### Breaker

	75, 78
Circuit	76, 77
RCD	77

### Bridge

PE	76
----	----

### Bulkhead Fitting

	73
--	----

### Bushing

Camshaft	16
Idler	28
Knock	17
Bushing (Fuel Feed)	72

### C

#### Cable

Battery Negative	64
Battery Positive	64
Jumper (From Switch to Starter)	64
Camshaft	15

## WORD INDEX

Cap		Control Module	
Bearing Front	16	CM	83
Bearing No. 2	16	Control Panel	
Bearing No. 3	16	1 Phase	
Bearing Rear	17	3 Phase UK Sockets	74
Connecting Rod	25	1 Phase Standard	74
Fuel Filler	71	3 Phase CE Sockets	74
Oil Filler	14	Controller	76, 78
Radiator	83	Electronic	75
Rain	63	Cover	
Sealing	10, 13, 16, 17, 18	Check Ball	82
Torque Set	42	Governor Shaft	41
Valve Stem	12	Inlet	29
Vinyl	37	Power Pedestal	77
Cap Assembly	52	Radiator	68
Cap Sealing	17	Rocker	14
Cap Set		Thermostat	35
Bearing	16	Tie Rod	42
Case		Torque Set	42
Gear	21	Cover Assembly	
Governor	41	Inlet	29
Oil Seal	19	Rocker	14
Thermostat	35	Crankshaft	26
Case Assembly		C-Ring	
Governor	40	High Speed	40
Thermostat	35	Torque Set	40
Charging Alternator	83		
Circuit Breaker 1Ph		<b>D</b>	
CB1	84	Data plate 50Hz (Not Shown)	79
Circuit Breaker 3Ph		Decal	
CB1	84	12" Powersource	79
CB2	84	91dB Sound Power (Not Shown)	79
Clamp		Battery Disconnect	79
Filter	39	Control Panel	75, 77, 78
Hose	52, 60, 61, 72	Coolant Level	79
Clamp (Not Shown)	72	Crush Hazard	79
Clamp A	37	Diesel Fuel	79
Clamp B	37	Earth Warning	79
CLASS 1		G10 Model	79
RECOMMENDED MAINTENANCE AND REPAIR		Hazardous Voltage	79
ITEMS	83	IR Front Logo	79
CLASS 2		IR Logo 22" Rear	79
PARTS REQUIRED TO PREVENT EXTENDED		IR Powered	79
DOWNTIME IN REMOTE LOCATIONS	83, 84	IR Side Logo	79
Clip		Lift Point	79
Hose	35, 37, 39	No Flame	79
Cock Assembly	52	No Water	79
Collar		Refer to Manual	79
Union	45	Dinrail Assembly	76
Connector		Diode Bridge	83
Bulkhead	68	Diode Bridge Assembly	67
Female	72	Door	
Male	72	Side	68
Contactora		Drive Disc LSA 422S4	67
25A	77		
Containment Level Switch	71		
Control Box	74, 75		

## WORD INDEX

### E

Elbow	
Barbed (Fuel Feed)	72
Barbed (Fuel Return)	72
Electric Fuel Pump	83
Element	
Air Filter (Not Shown)	62
Element Assembly	
Fuel/Water	82, 83
Element Sub Assembly	43
Emergency Stop Switch	83
Engine	58
Engine Mounting Bracket	
LH	58
RH	58
Eyebolt	80

### F

Fan	67
Cooling	36
Fan Belt	83
Fan Guard	
Left	60
Right	60
Filter	
Fuel	39
Oil	33
Flywheel	27
Flywheel Assembly	27
Foam	
Exhaust Baffle	70
Side Door	70
Frame	
Nova G10	80
Frame G10	69
Fuel Filter Primary	83
Fuel Pump Assembly	52
Fuel Tank Assembly	71
Fuel Tank Gauge	71
Fuel/Water Separator Filter	71
Fuel/Water Separator Filter Assembly - Complete	82
Fuse	
AVR (Not Shown)	67
F1	
F2	
1 Amp	84
F4	
25 Amp	84
F5	
250MA	84
Fuse Voltage Regulator	83

### G

Gage	
Oil Level	33

### Gasket

Cylinder Head	54
Delivery	43
Engine Cylinder Head	11
Exhaust Manifold	30, 54
Front Plate	21, 54
Fuel Return	37, 53
Gear Case	21, 54
Governor Case	41, 54
Holder	37, 53
Inlet Cover	29, 54
Inlet Pipe	52, 54
Liquid (Not Shown)	54
Muffler	52
Oil Drain	53
Oil Seal Case	19, 53
Rocker Cover	14, 54, 83
Thermostat	35, 54
Thermostat Case	35, 54
Tie-Rod	42
Tie-Rod Cover	53
Water Pump	34, 53
Gasket (Not Shown)	53
Gasket Kit	
Overhaul	53
Gear	
Camshaft	28
Crankshaft	28
Idle	28
Injection Pump	28
Ring	27
Gear Assembly	
Idle	28
Glow Plug	83
Guide	
Exhaust Valve	10
Inlet Valve	10
Oil Level Gage	17

### H

Handle	
Latch	68
Hanger	
Engine	11
Head	
Cylinder	10, 11
Head Assembly	82
Cylinder	10
Holder	
Delivery	43

Hose	
Air Intake	62
Fuel	37, 39
Fuel ( 36 inches )	61
Pick Up to Pump (Not Shown)	72
Pump to Engine (Not Shown)	72
Radiator Bottom	60
Radiator Top	60
Return (Not Shown)	72
Water Lower	52
Water Upper	52
Hose Assembly	
Air Vent	37
Fuel	39
Hose Fitting	60, 68
Hour Meter M1	84
Hourmeter	
100	
000 Hr	75
000 hr	76, 78
Housing	
Flywheel	22
Sub Assembly	43
<b>I</b>	
Indicator	
Restriction	62
Injector	38, 83
Isolator	58, 65
<b>J</b>	
J-Bolt	64
Jet	
Combustion	11
Joint	
3 Way	37
Water Pump	34
<b>K</b>	
Key	
Sunk	46
Woodruff	15, 26
<b>L</b>	
Label	
E-Stop	75, 77, 78
Latch Door	68
Lever	
Governor	41
Governor Spring	41
Speed Control	41
Lever Assembly	
Tension	41
Lift Bail Assembly	80
Lifting Bail	
Side	80
Top	80

Lock	
Valve Spring	12
Lower Radiator Hose	83
<b>M</b>	
Manifold	
Exhaust	30
Module	
2 Warning Lights	75, 76, 78
Module Warning	83
Mount	
Rubber	52
Muffler	
Exhaust	63
<b>N</b>	
Nozzle Assembly	38
Nut	
Connecting Rod	25
Hex	58, 64, 71
Hex Flange	63, 80
High Speed Set	40
Jam	13, 32, 40
Nozzle Retaining	38
Self Locking	71
Torque Set	40
<b>O</b>	
Oil Filter	83
Oil Pressure Switch	59, 83
Oil Protec 15W40	83
<b>P</b>	
Packing	52
Body	31, 54
Pad	
Fuel Tank	71
Pan	
Oil	23
Pan Assembly	
Oil	23
Panel	
Center	
LH	68
RH	68
Control	75, 77, 78
Exhaust Grill	69
Front	69
Rear	68
Roof	69
Side	
Front	69
Rear	69
Parts Ordering	5
Piece	
Distance	38

## WORD INDEX

Pin			Relay 70 Amp 12VDC	
Dowel	17, 18		K1 K2	84
Grooved	40		Retainer	
Knock	22		Valve Stem	12
Piston	24		Ring	
Pressure	38		Piston no. 1	24
Spring	40		Piston no. 2	24
Tappet	44		Snap	12
Pipe	14		Ring Assembly	
#1 Injection	37		Oil	24
#2 Injection	37		Ring Set	
#3 Injection	37		Piston	24
Breather	14, 29		Piston 0.25 Oversized	24
Fuel Leak-Off	37		Piston 0.50 Oversized	24
Oil	42		Rivet	
Thermostat	35		Serration	44
Piston			Rocker & Shaft Assembly	12
0.25 Oversized	24		Rocker Arm	13
0.50 Oversized	24		Rocker Assembly	12
Standard	24		Rod	
Plate	44		Connecting	25
Adjusting	44, 49		Push	15
Connection	48		Rod Assembly	
Front	21		Connecting	25
Isolator	66			
Lifting	80		<b>S</b>	
Name	44		Sandwich Mount	60
Radiator Mounting	60		Screw	
Rear	22		Air Bleeder	44
Relay Mounting	58		Hex	58, 60, 65, 71, 80
Tappet Shim	44		Hollow	44
Thrust	15		Rack Set	40
Water Pump	34		Rocker	13
Plug			Tapping	58, 64, 65, 68, 69, 71, 72, 82
Drain	23, 51		Screw Assembly	
Expansion	17		Rack Set	40
Glow	48		Seal	
Tapered	11, 18, 19		Oil	19, 21
Vent	82		Side	18
Pulley			Valve Stem	12, 53
Crankshaft	26		Seal Side	54
Water Pump	34		Seat	
Pump Assembly			Exhaust Valve	10
Fuel Injection	43		Inlet Valve	10
Oil	31		Spring	43
Water	34		Shaft	
			Fuel Injector Pump	46
<b>R</b>			Governor	41
Rack Assembly			Idler	18
Control	43		Oil Filter	18
Radiator	60		Rocker	13
Radiator Assembly	52		Sliding Sleeve	42
Radiator Bracket Support	58		Shaft Assembly	
Rail			Idler	18
DIN	76, 77		Rocker	13
RECOMMENDED SPARE PARTS	83			
Relay				
Overcurrent	77			

## WORD INDEX

Shim	
Governor	41
T=0.2	45
T=0.3	45
T=0.4	45
T=0.5	45
T=0.6	45
T=0.7	45
T=0.8	45
T=0.9	45
T=1.0	45
Shroud	
Fan	60
Shunt Trip Relay ST	84
Silencer	72
Skid	
Forklift	81
Sleeve	
Control	43
Sliding	42
Socket	
16A	
110V	77
230V	75, 78
400V	76, 78
32A	
400V	76
Solenoid & Nut Set	50
Solenoid Assembly	50, 83
Spring	
Delivery	43
Governor	41
Plunger	43
Rocker	13
Start	41
Tie-Rod	41
Valve	12
Washer	38
Start Switch S1	83
Starter	83
Starter Assembly	47
Strainer	
Fuel Tank	71
Strainer Assembly	
Oil	32
Strap	
Ground	58
Stud	30
Stud Nuts (Not Shown)	67
Stud Terminal Blocks (Not Shown)	67
Support	
Alternator	65
Engine	58
Guard	60
Surge Suppressor	67, 83
Switch	
Ammeter	78
Battery Disconnect	64
E-Stop	75, 76, 78
Start	75, 76
Swwitch	
Start	78
<b>T</b>	
Tappet	15
Tappet Sub Assembly	43
Terminal	
Lock	76
Thermostat	35, 83
Thermostat Assembly	35
Tie Rods	83
Tie-Rod	41
Tie-Rods	67
Tubing	72
<b>U</b>	
Upper Radiator Hose	83
<b>V</b>	
Valve	73
Exhaust	12
Inlet	12
Valve Assembly	
Relief	33
Valve Sub Assembly	43
Voltage Regulator	67
Voltmeter	75, 76, 78
M5	83
<b>W</b>	
Washer	46, 49
Pipe Union	44
Plain	26, 49
Plastic	64
Sealing	45, 51
(Temp. Switch)	59
Snubbing	58, 65
Spring	26, 40, 47, 49
T=1.25	38
T=1.30	38
T=1.35	38
T=1.40	38
T=1.45	38
T=1.50	38
T=1.55	38
T=1.60	38
T=1.65	38
T=1.70	38
Water Pump	83
Water Temperature Switch	59, 83
Wavy Washer	67
Wavy Washer	83

**WORD INDEX**

Weight Assembly Governor ..... 42  
Wiring Harness  
    Engine (Not Shown) ..... 58  
Wound Exciter Field ..... 67



## WORD INDEX

## NUMERICAL INDEX

COMM.NO.	PAGE	COMM.NO.	PAGE	COMM.NO.	PAGE
22127385	75	22671739	52	22802003	33
.....	76	.....	60	.....	53
.....	78	22671747	52	22802136	18
.....	83	.....	83	22802284	13
22173561	62	22672471	75	22803027	33
22219026	68	.....	76	22804728	13
.....	73	.....	78	22804785	19
22278360	60	.....	83	22804801	49
22312409	68	22681373	75	22804819	23
22375141	73	.....	78	22804827	37
22429641	65	22681431	76	22804967	49
22494983	64	22686133	73	22804975	35
22511505	84	22688717	75	22805014	15
22554224	59	.....	76	.....	21
.....	83	.....	78	.....	23
22578447	75	.....	83	.....	39
.....	76	22702674	60	22805055	46
.....	78	22702682	60	22805097	29
.....	83	22702690	60	22805105	14
22580336	71	22704993	70	22805154	35
22580351	71	22705008	70	22805170	11
22585111	71	22711865	75	22805188	47
22607436	58	.....	76	22805212	37
22611610	58	.....	78	22805279	12
22616353	71	.....	83	22805295	51
22630628	71	22713648	79	22805303	37
.....	82	22730972	64	22805311	37
22647077	69	22734859	76	22805402	11
22647085	69	22741714	59	22806400	58
22647101	69	22742563	66	22806566	68
22647291	68	22747315	84	22806681	68
22647309	68	22747380	71	22806947	60
22647325	68	22747893	76	.....	73
22647366	68	.....	78	22810634	79
22650444	76	22750970	76	22828123	81
.....	78	22754006	67	22842330	22
22650451	75	.....	83	22842348	51
.....	78	22755177	58	22842355	44
22650469	76	22757322	65	22842363	43
22662183	64	.....	83	22842371	43
22662258	58	22762512	79	22842389	43
22662266	58	22765523	71	22842397	43
22662282	58	22765549	71	22842405	43
22662290	65	22780134	84	22842413	43
22662332	60	22780985	75	22842421	43
22662357	52	.....	76	22842439	43
.....	60	.....	78	22842447	43
22662365	60	.....	84	22842454	43
22662415	71	22783245	71	22842462	44
22666093	76	22785539	71	22842470	43
22668677	80	22800783	68	22842488	44
22671622	52	.....	73	22842496	44
.....	54	22801666	16	22842504	43
22671648	52	22801682	16	22842512	44
22671721	52	22801732	15	22842520	38
.....	60	22801880	53	22842538	38

## NUMERICAL INDEX

COMM.NO.	PAGE	COMM.NO.	PAGE	COMM.NO.	PAGE
22842546	38	22843056	20	22843551	41
22842553	38	22843064	20		54
22842561	38	22843072	20	22843569	41
22842579	38	22843080	20	22843577	42
22842587	38	22843098	21	22843585	49
22842595	38	22843106	21		83
22842603	38	22843114	21	22843593	49
22842611	38		54	22843601	49
22842629	38	22843122	24	22843619	38
22842637	44	22843130	24	22843627	38
22842645	22	22843148	24	22843635	38
22842652	25	22843155	24	22843643	38
22842660	25	22843163	18	22843650	38
22842678	25	22843189	28	22843668	13
22842686	25	22843197	28	22843676	13
22842694	52	22843205	28	22843684	44
22842702	39	22843213	31	22843692	44
22842710	42		54	22843700	44
	53	22843221	32	22843718	11
22842728	50	22843239	31		54
22842736	50	22843247	33	22843726	10
	83	22843254	34	22843734	13
22842744	34	22843262	35	22843742	14
	53	22843270	83	22843759	14
22842751	40	22843288	54		54
22842769	40	22843296	35		83
22842777	40		54	22843767	15
22842785	40	22843304	35	22843775	16
22842801	40	22843312	52	22843783	23
22842819	40		60	22843791	25
22842827	42		83	22843809	26
22842835	40	22843320	52	22843817	26
22842843	10		60	22843825	27
22842850	10		83	22843833	29
22842868	11	22843338	37		54
22842876	11	22843346	37	22843841	29
22842884	12		83	22843858	30
22842892	12	22843353	37	22843866	30
22842900	12	22843361	37		54
22842918	12	22843379	37	22843874	37
22842926	12	22843387	41	22843882	37
22842934	13	22843395	41	22843890	39
22842942	13	22843403	42	22843908	41
22842959	15	22843411	42	22843916	41
22842967	15	22843429	41	22843932	45
22842975	16	22843437	41	22843940	46
22842983	19	22843445	41	22843957	43
22842991	16	22843452	41	22843965	47
22843007	22	22843478	42		83
22843015	19	22843486	41	22843973	48
22843023	19	22843494	41	22843981	53
	53	22843502	41	22843999	54
22843031	21	22843510	41	22844005	44
	54	22843528	42	22844146	12
22843049	18	22843536	42	22844153	30
	54	22843544	41	22844161	18

## NUMERICAL INDEX

COMM.NO.	PAGE	COMM.NO.	PAGE	COMM.NO.	PAGE
22844179	40	22844856	17	22857965	78
22844187	40	22844864	17	22862155	76
22844195	18	22844872	17		78
22844203	40	22844880	18	22862486	75
22844427	10	22844898	10		78
22844435	46	22844906	45	22862874	78
22844443	35	22844914	52	22873681	79
22844450	25	22844922	52	22875181	69
22844468	21	22844930	52	22878607	65
22844476	12	22844955	14	22878615	65
22844484	25	22844963	39	22881262	75
22844492	13	22844971	36	22881288	75
22844500	18	22844989	22	22881585	74
22844518	27	22844997	11		75
22844526	36	22845002	53	22881643	75
	83	22845010	45	22881668	84
22844534	12	22845028	45	22881700	75
	53	22845036	45		83
22844542	46	22845044	45	22885768	76
22844559	27	22845051	45		84
22844567	19	22845077	45	22890628	64
	45	22845085	45	22892566	69
22844575	21	22845093	45		80
	42	22845101	45	22892699	63
22844583	18	22845119	42	22892921	69
22844591	31	22845127	34	22894273	75
22844609	30		83		77
22844617	34	22845135	35		78
22844625	36	22845143	34	22895247	79
	39	22845150	34	22916720	79
22844633	42		53	22959936	71
22844641	22	22845168	34	22966089	77
22844658	22	22845176	47		78
22844666	34	22845184	18		83
22844674	34	22845192	50	22967970	77
22844682	30	22845200	35		84
22844690	40	22845218	37	22980031	67
22844708	47	22845226	17		83
	49	22845234	12	22980049	67
22844716	26	22845242	24	22980072	67
22844724	40	22845259	24	23037849	61
22844732	32	22845275	24	23047566	79
22844740	49	22845283	17	23047582	79
22844757	26	22845291	17	23047608	79
22844765	40	22845309	17	23047624	79
22844773	47	22845317	39	23048424	28
	49	22845325	35	23048432	40
22844781	26	22845333	37	23048481	42
22844799	17	22845341	39	23050982	64
22844807	46	22845358	35	23051410	68
22844815	15	22845366	37	23059637	77
	26	22857817	74	23062893	79
22844823	42		78	23109549	77
22844831	32	22857932	74	23109556	77
	53		75	23129729	74
22844849	42		78		77

## NUMERICAL INDEX

COMM.NO.	PAGE	COMM.NO.	PAGE	COMM.NO.	PAGE
23129745	77	36880995	80	85625135	23
23131279	80	36881886	63		53
23131287	80		71	85626968	67
23133986	77		82		83
23134075	77	36884948	61	89311716	83
23134083	77	36889608	71	92368687	72
23135866	77		75	92867449	79
23137227	77		77	92912559	79
23138985	80		78	92930593	79
23140866	80		82	93171254	79
23161466	84	36890135	62	93171262	79
23250756	79		83	95092318	73
35144492	64	36896975	64	95923298	60
35221662	62	36898104	61		71
35253038	72	36899037	58	95928222	73
35273366	58	44003929	83	95940748	72
35279025	58	44003937	83	95953493	62
	64	54429295	65	95992392	72
	65	54480504	82	96701461	61
	82	54480512	82	96702824	60
35283126	73	54480520	82		62
35296342	61	54525506	71	96705058	77
	72		82	96708037	65
	73	54525530	82	96720933	80
35304047	65		83	96729595	58
35306125	73	54564737	62	96730411	58
35314939	62	54642327	79	96738802	71
35322395	72	54757935	59	96740782	65
35356484	72		83	96741970	65
35358381	82	85400109	37	96749627	58
35360775	61		53		
35363498	72	85400117	37		
	73		53		
35363506	72	85400216	38		
35369339	72		83		
35369347	72	85400612	48		
35369511	60		83		
	73	85402451	67		
35378538	72		83		
35578194	58	85425858	67		
35582410	64		83		
35846484	63	85425866	67		
36780609	64		83		
36793602	68	85425882	67		
36793651	84		83		
36794816	68	85425965	67		
	79	85426815	39		
36797652	68		83		
	69	85426849	33		
36845014	71		83		
36845022	71	85508562	14		
36853265	64	85508893	67		
36875565	58	85508992	67		
36879195	80	85509032	67		
36879211	81		83		
36879302	81				



Doosan Infracore  
Portable Power



Doosan Infracore Portable Power  
1293 Glenway Drive  
Statesville, N.C. 28625-9218  
[www.doosanportablepower.com](http://www.doosanportablepower.com)