



A TEREX BRAND

Parts Manual

Serial Number Range

Z-80/60

from SN Z80H-6400

Part No. 1263389GT
Rev: A6
August 2022

Technical Publications

Genie has endeavored to deliver the highest degree of accuracy possible. However, continuous improvement of our products is a Genie policy. Therefore, product specifications are subject to change without notice.

Readers are encouraged to notify Genie of errors and send in suggestions for improvement. All communications will be carefully considered for future printings of this and all other manuals.

Contact Us:

Internet: www.genielift.com
e-mail: awp.techpub@terex.com

Find a Manual for this Model


Go to <http://www.genielift.com>

Use the links to locate Operator's, Parts, Maintenance, and Service and Repair Manuals.

Copyright © 2011 Terex Corporation

1263389 Rev A6 August 2022
First Edition, First Printing

Genie is a registered trademark of Terex South Dakota, Inc. in the USA and many other countries. "Z" is a trademark of Terex South Dakota, Inc.

 Printed on recycled paper



A TEREX COMPANY

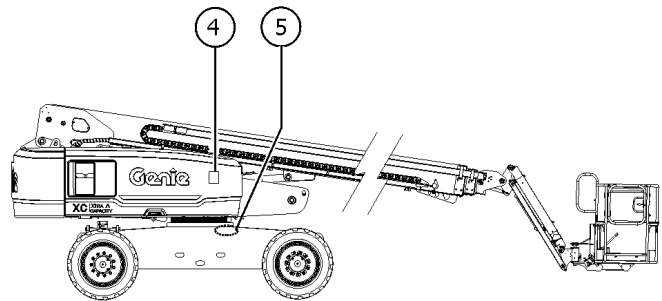
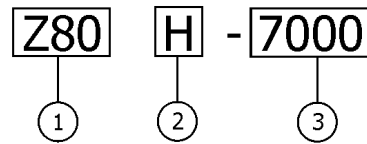
Model: Z-80/60
Serial number: Z80H-7000
Model year: 2006 Manufacture date: 01/05/18
Electrical schematic number: ES0188
Machine unladen weight:

Rated work load (including occupants): 500 lb / 227 kg
Maximum number of platform occupants: 2
Maximum allowable side force : 150 lb / 670 N
Maximum allowable inclination of the chassis:
0 deg
Maximum wind speed : 28 mph/ 12.5 m/s
Maximum platform height : 86 ft/ 26.38 m
Maximum platform reach : 60 ft/ 18.28 m
Gradeability: N/A
Country of manufacture: USA
This machine complies with:
ANSI A92.5
CAN B.354.4

Genie Industries
18340 NE 76th Street
Redmond, WA 98052
USA



PN - 77055



- 1 Model
- 2 Facility code
- 3 Sequence number
- 4 Serial label (located under cover)
- 5 Serial number (stamped on chassis)

How to Order Parts

Please be prepared with the following information when ordering replacement parts for your Terex or Genie product.

- Machine model number
- Machine serial number
- Part number
- Part description and quantity
- Purchase order number
- "Ship to" address
- Desired method of shipment
- Name and telephone number of the authorized distributor in your area

Use the Service Parts Fax Order Form on the next page and fax your order to our Parts Department.

If you don't know the name of your authorized distributor, or if your area is not currently serviced by an authorized distributor, please call Terex or Genie Industries.

Machine Information

Model

Serial Number

Date of Purchase

Authorized Genie Distributor

Phone Number

North America

Telephone (425)881-1800

Toll Free (800)536-1800 in US and Canada

Fax (425)556-8659

Toll Free fax (888)274-6192

Email AWP.PartsSalesPO@terex.com

<http://genielift.com/en>

EMEAR (Europe, Middle East, Africa and Russia)

Telephone (31)(165)519 313

Fax (31)(165)511 148

<http://genielift.co.uk>

Asia Pacific (Genie Singapore)

Telephone +65 6692 7777

Fax +65 6261 8893

<http://genielift.com.sg/>

Australia

Telephone (61)(7)3456 4444

Fax (61)(7)3456 4466

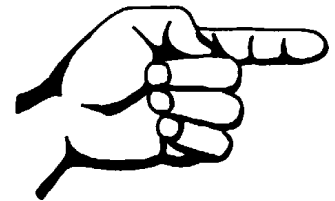
<http://genielift.com.au>

South America

Telephone (55)(11)4082 5600

Fax (55)(11)4082 5630

Please refer to section 001 for the Recommended Spare Parts List.



This page intentionally left blank.

Description	Page
001 Parts Stocking List	12
001.1 Parts Stocking List	12
100 Decals	18
101.1 Decals with Words, Tank Side, Non-Steer End	18
102.1 Decals with Words, Engine Side, Steer End, View 1	22
103.1 Decals with Words, Engine Side, Steer End, View 2	24
104.1 Decals with Words, Boom	26
105.1 Decals with Words, Platform	28
106.1 Decals with Symbols, Tank Side, Non-Steer End	32
107.1 Decals with Symbols, Engine Side, Steer End	36
108.1 Decals with Symbols, Boom	38
109.1 Decals with Symbols, Platform	40
200 Drive Chassis Components.....	42
201.1 4WD Steer Axle Linkage	42
202.1 Front Steer Axle	46
203.1 Axle Installation	48
204.1 Drive Chassis and Axle Counterweights	54
205.1 Drive Hub Assembly with Brake - Type 1 (from SN 6400 to 6528 and from 6862 to 6911)	56
205.2 Drive Hub Assembly with Brake - Type 1 (from SN 6529 to 6861 and from 6912)	58
206.1 Drive Hub Assembly with Brake - Type 2	60
300 Turntable Components.....	62
301.1 Hydraulic and Fuel Tanks	62
302.1 Hydraulic and Fuel Tanks - Gasoline/LPG Models	72
303.1 Turntable Rotator and Hydraulic Rotary Coupler Installation	82
304.1 Ground Control Box - View 1	90
305.1 Ground Control Box - View 2	94
306.1 Turntable Covers	96
306.2 Turntable Covers (from SN Z80H-7148)	100
307.1 Turntable Components, Engine Side	104
308.1 Turntable Components - Relay Panel	108
309.1 Wire Harness Diagram	112
309.101 Harness Prim Boom SAE 11C 2010	118
309.102 Harness, Sec Boom SAE 11C, Z80	120
309.102A Harness, Power To Plat, Upper	122
309.102B Harness, Power to plat, Upper, Z80, 12/3 Cable	124
309.102C Harness, Power To Plat, Lower	126
309.102D Harness, Power to Plat, Lower, Z80, 12/3 Cable	128
309.103A Harness, Ground Box, Tier IV, Z80	130

Table of Contents

Description	Page
309.103B Harness, Gbox, Stage V, ALC 1000	132
309.104 Harness, Pcon, Switch Panel, Z80	134
309.105 Wire Harness, Plat Manfld Z80	136
309.106 Harness, PCON, TOG SW, ALC1000	138
309.107 Harness TCON Manifold Z80 2010	140
309.108 Harness, Switch, Limit, TCON	142
309.109 Harness, Upper Limit Switch/PBA	144
309.110 Harness, LS, OP, Oscillate, LH	146
309.111 Harness, LS, OP, Oscillate, RH	148
309.112 Harness, Prox Sensor, ACP	150
309.113 ASSY, LS, load Sense, ALC1000	152
309.114 Harness,LS,OP,Jib	154
309.115 Harness, LS,OP,PRI.EXT	156
309.116 Harness,LS,OP,PRI.Retract	158
309.117 Harn LS Safety Sec Ret LSS1RS	160
309.118 Harn LS Safety SEC ANGL LSS2AS	162
309.119 Harness,LS,OP,Drive Enable	164
309.120 Harness,LS,OP,SEC.Retract	166
309.121 Harness,LS,OP,SEC.,Angle	168
309.122 Harness,LS,OP,SEC.,Angle	170
309.123 Harness,LS,OP,PRI.,Angle	172
309.124 Harness,LS,OP,SEC.35DEG Angle	174
309.125 Harness, Power, TCON, Z-80	176
309.125A Harness,GND,BATT 1 To BATT 2	178
309.125B Harness,#8AWG BATT To Seperatr	180
309.125C Harness,BATT To APU Solenoid	182
309.125D Harness,APU to Engine Block	184
309.126 Harness,PBOX,Joysticks,Z80	186
309.127A Harness, Engine, Deutz BF4L2011, Tier3, Z80	188
309.127B Harness, ENG, Perkins, 804, Z80	190
309.127C Harness, ENG, CONT, TME27, Z80	194
309.127D Harness, TCON-ENG, Z80, Dualfuel	198
309.127E Harness-B, TME27 Engine, EPA2007	200
309.127F Harness, Deutz 2.9, Tier4, Z80	202
309.127FF Harness, Engine, Deutz 2.9, Tier4, Z80	206
309.127G Harness, Perkins, Tier4, Z80	210
309.127H Harness, Eng, Perkins 404D, Z80	214
309.127HH Harness, Engine, Perkins 404D, Tier3, Z80	218
309.127I Harness, Deutz 2.2 Stage V, Z80	222
309.127J Harness, Engine, GM3.0, Z80	226
309.127JJ Harness, Engine, GM 3.0, Z80	230
309.127K Harness, Engine, Perkins, 404F-E22TA, Z80	232

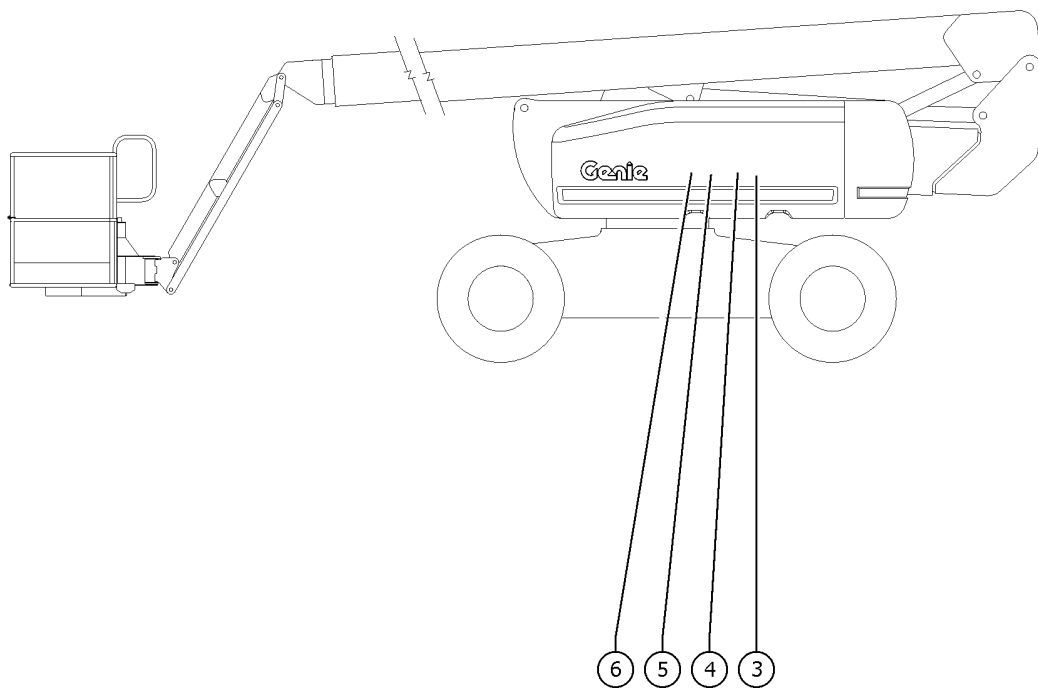
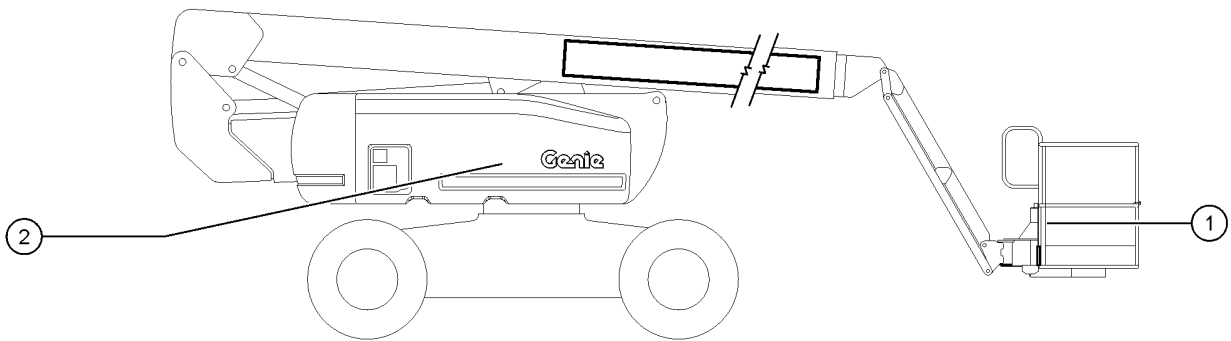
Description	Page
309.127L Harness, Engine, Perkins 404F-E22TA, Tier4, Z80	236
309.127M Harness, Deutz 2.2 Tier IV, Z80	240
309.128 Harness, Drive Chassis 4WS Z-80	244
309.128A Harness, Drive Chassis 2WS	246
309.129 Harness, Plat Level Recovery	248
309.130 Harness, Work Lights, Z80	250
309.131 Harness, Flashing Beacon	252
309.132 Harness, Weld Gen Enclosure	254
309.133 Harness, Weld Generator, Z80	256
309.133A Harness, Weld Gen Enclosure	258
309.134 Harness, Plug, Non-Load Weighing	260
400 Engine Components	262
401.1 Deutz TD2011L04i Engine - View 1	262
402.1 Deutz TD2011L04i Engine - View 2	266
403.1 Deutz TD2011L04i Engine - View 3	268
404.1 Deutz TD2011L04i Engine - View 4	270
405.1 Deutz TD 2.9L4 Engine - View 1	272
406.1 Deutz TD 2.9L4 Engine - View 2	276
407.1 Deutz TD 2.9L4 Engine - View 3	280
408.1 Deutz TD 2.9L4 Engine - View 4	284
409.1 GM 3.0L Engine - View 1	288
410.1 GM 3.0L Engine - View 2	290
411.1 GM 3.0L Engine - View 3	292
412.1 GM 3.0L Engine - View 4	294
413.1 Perkins 404D-22T Engine - View 1	304
414.1 Perkins 404D-22T Engine - View 2	310
415.1 Perkins 404D-22T Engine - View 3	314
416.1 Perkins 404D-22T Engine - View 4	318
417.1 Engine Tray and Battery	320
418.1 Perkins 404F-E22TA Engine - View 1 (from SN Z80H-7552)	324
419.1 Perkins 404F-E22TA Engine - View 2 (from SN Z80H-7552)	326
420.1 Perkins 404F-E22TA Engine - View 3 (from SN Z80H-7552)	328
421.1 Perkins 404F-E22TA Engine - View 4 (from SN Z80H-7552)	332
422.1 Deutz TCD 2.2L, Stage V - View 1 (from SN Z80H-7733)	334
423.1 Deutz TCD 2.2L, Stage V - View 2 (from SN Z80H-7733)	336
424.1 Deutz TCD 2.2L, Stage V - View 3 (from SN Z80H-7733)	340
425.1 Deutz TCD 2.2L, Stage V - View 4 (from SN Z80H-7733)	344
426.1 Deutz TCD 2.2L, Stage V - View 5 (from SN Z80H-7733)	348
427.1 Deutz TCD 2.2L, Stage V - View 6 (from SN Z80H-7733)	350
428.1 Deutz TCD 2.2L, Stage V - View 7 (from SN Z80H-7733)	352

Table of Contents

Description	Page
500 Boom Components	356
501.1 Primary and Secondary Lift Cylinders and Linkage	356
502.1 Primary Boom and Cable Track - View 1	362
503.1 Primary Boom and Cable Track - View 1	370
504.1 Secondary Boom	374
505.1 Jib Boom and Platform Rotator	382
506.1 Jib Boom and Platform Rotator	388
600 Platform Components	390
601.1 Platform configuration	390
601.2 Platform Components	392
602.1 Platform Controls	396
603.1 Platform Controls, Perkins 404D-22T and Deutz TD2.9L4	402
604.1 Joysticks	406
700 Hydraulic Components	408
701.1 Steer/Oscillate Manifold	408
702.1 2WS Steer/Oscillate Manifold	414
703.1 Traction Manifold	418
704.1 Function Manifold - View 1	422
705.1 Function Manifold - View 2	426
706.1 Platform Manifold	432
707.1 Platform Rotate Manifold	436
708.1 Pumps	438
709.1 Hydraulic Hoses and Fittings - Steer System	440
710.1 Hydraulic Hoses and Fittings - Drive System	442
711.1 Hydraulic Hoses and Fittings - Turntable Components	446
712.1 Hydraulic Hoses and Fittings - Boom Components	450
800 Accessories	454
801.1 Drive Light and Flashing Beacon Options	454
802.1 Platform Accessories	456
803.1 Base and Platform Covers	460
804.1 Hostile Environment Package - Primary and Secondary Boom Wipers	462
805.1 Hostile Environment Package - Turntable	464
806.1 Hostile Environment Package - Cylinder Bellows	466
807.1 Hostile Environment Package - Engine Air Cleaners	468
808.1 Engine Air Cleaners (Perkins 404F-22T and Deutz TD 2.9L4)	470
809.1 Panel Cradle Option	472
810.1 Platform Overload - European Models	474
811.1 Air Line and Power to Platform	476

Description	Page
812.1 Welder Option - Hydraulic Generator, Chassis Components (to SN Z80H-6691)	480
812.2 Welder Option - Hydraulic Generator, Chassis Components (from SN Z80H-6692)	486
813.1 Welder Option, Hoses and Fittings	494
814.1 Welder Option, Platform Components	496
814.2 Welder Option - Hydraulic Generator, Chassis Components (from SN Z80H-6692)	500
815.1 Hydraulic Generator Option (MTE)	504
816.1 Hydraulic Generator Option (MTE), Hoses and Fittings	508
817.1 Cold Start Package	510
818.1 Platform Mesh-Side Swing Gate 8' and 6'	512
818.2 Platform Mesh-Front Swing Gate 8' and 6'	516
819.1 Spare LPG Tank Carrier Option	520
820.1 Lift Guard Contact Alarm Option	522
821.1 Aircraft Protection Package	526
822.1 Operator Protection Structure	530
823.1 Traveling Fall Arrest Anchor System	532
824.1 Pass Option, Deutz TD2.9	534
825.1 Aircraft Protection, Front Gate	536
826.1 Telematics Option	538
827.1 Lift Tools Access Deck - 8 Feet	540
828.1 Lift Tools Access Deck - 6 Feet	544
Part Number Index	548

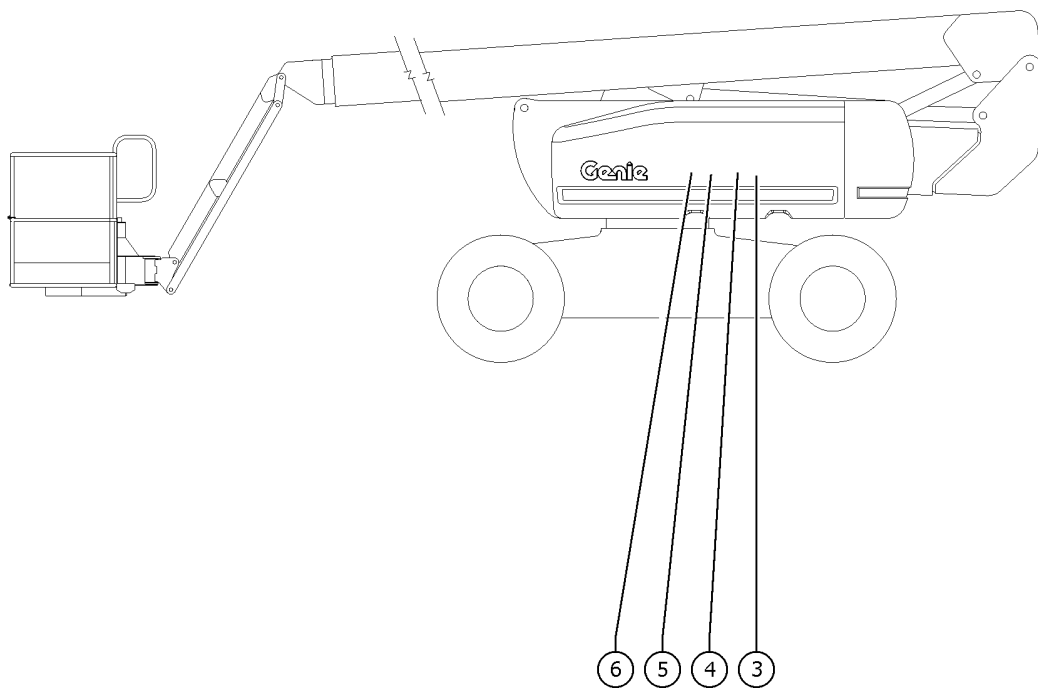
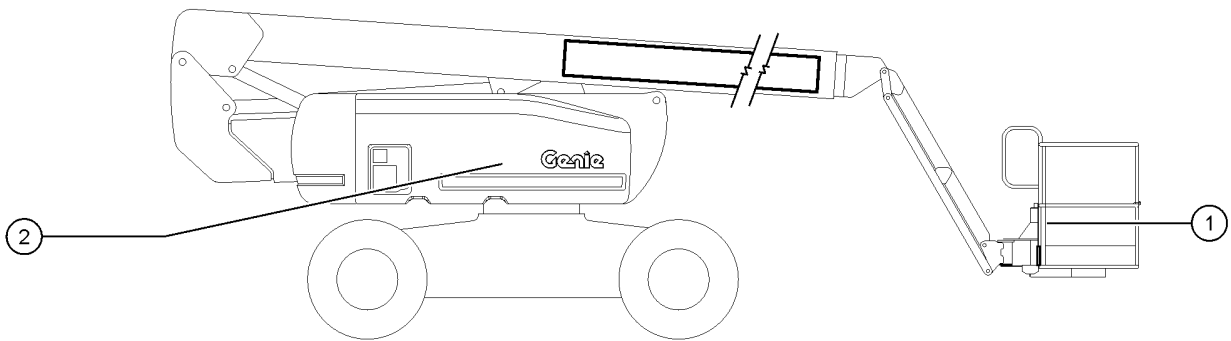
001.1 Parts Stocking List



Item	Part No.	Description	Qty.
A		—INSPECTION SERVICE KITS—	
A-	1278714GT	KIT,ENGINE SERVICE,250 HOUR,DEUTZ TD2.9,S80/Z80	
A-	1285419GT	KIT,ANNUAL INSPECTION,Z80 from SN Z8014-4987	
B		—GENERAL SERVICE PARTS—	
B-	1484GT	PAINT, AEROSOL, BRIGHT BLUE*** 12-ounce spray paint	
B-	1268GT	PAINT, AEROSOL, GENIE GRAY*** 12-ounce spray paint	
B-	1258567GT	PAINT, AEROSOL, TRAFFIC BLACK 12-ounce spray paint	
B-	32150GT	PAINT, WET, GENIE BLUE (1 GL)** 1-gallon	
B-	32151GT	PAINT, WET, GENIE GRAY (1GL)** 1-gallon	
B-	1257733GT	PAINT, WET, TRAFFIC BLACK(1 GL)** 1-gallon	
B-	60536GT	FUSE,20 AMP,MAXI (refer to figure 307.1)	
B-	94327GT	FUSE,30 AMP (refer to figure 307.1)	
B-	66399GT	GREASE, DIELECTRIC 4 OZ**	
B-	1283776GT	SEAL MARKER,CROSS CHECK,BLUE,TUBE	
B-	93500GT	PARKER DIGITAL PRESSURE GAUGE	
B-	49612GT	O-RING KIT (ORFS FITTINGS) O-ring kit, Parker	
B-	28750GT	O-RING KIT,FIELD SVC,ALL PROD* O-ring kit, SAE	
B-	33994GT	PLUG AND CAP KIT-SERVICE,37 ** Plug and cap kit, SAE	
1		—MANUALS—	
1-	27581GT	MANUAL, SAFTY MANNAL	
1-	1298933GT	MANUAL, SAIA MANUAL OF RESPONSIBILITIES, MEWP	
2		—HYDRAULIC FILTERS—	
2-	60857GT	FILTER,ELEMENT,BETA(5)=1000 All Models	
2-	61326GT	FILTER ELEMENT,10 MICRON,60508 All Models	



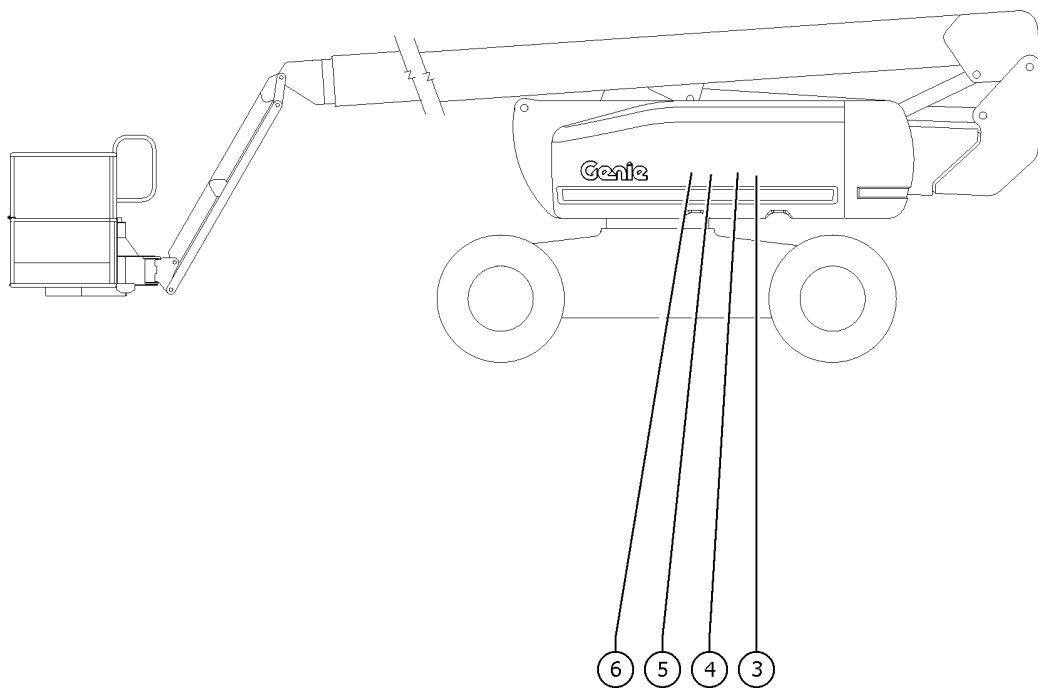
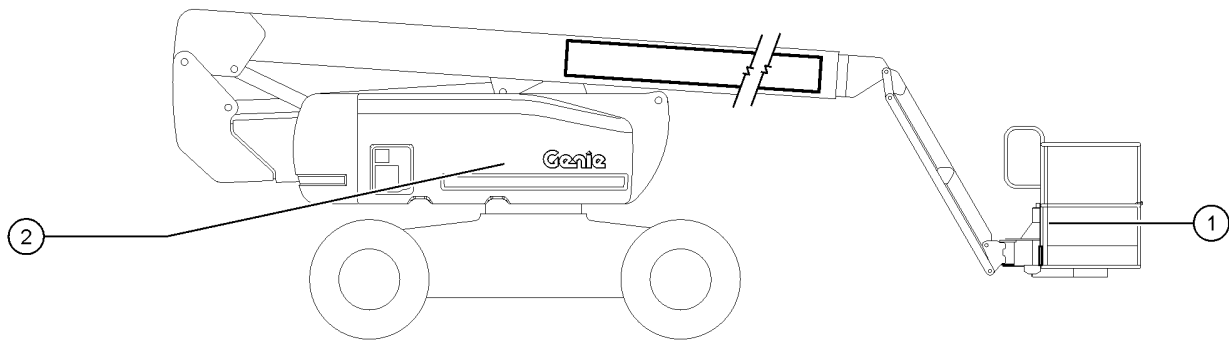
001.1 Parts Stocking List



Item	Part No.	Description	Qty.
3		—Deutz TD2011L04i Models—	
3-	81467GT	AIR CLEANER,NELSON	
3-	1254826GT	FUEL FILTER W/SEP,DEUTZ,1008	
3-	1255653GT	FILTER,OIL,DEUTZ,REPLACEMENT	
3-	58630GT	V-BELT, DEUTZ TD2011LOAI	
4		—Deutz TD 2.9L4 Models—	
4-	62425GT	FILTER,AIR CLEANER, SUPERBOOM	
4-	214228GT	FILTER, FUEL SPIN-ON, DEUTZ	
4-	236260GT	PRE-FILTER,FUEL,DEUTZ	
4-	49924GT	HOSE,EGR,TCD3.6 T4F	
4-	1262866GT	FAN BELT, ALTERANTOR	
4-	1262487GT	BELT,AIR PUMP,PERKINES 404F-22T	
5		—GM 3.0L EFI Models—	
5-	62420GT	FILTER,AIR***	
5-	65626GT	FILTER-FUEL, GM 3.0L ENGINE	
5-	65627GT	FILTER-LPG, GM ENGINE	
5-	65623GT	FILTER-OIL,GM 3.0L ENGINE	
5-	65621GT	BELT-FAN, GM 3.0L ENGINE	
5-	65620GT	PCV VALVE-GM 3.0L ENGINE	
5-	65622GT	SPARK PLUG-GM 3.0L ENGINE	
6		—Perkins 404D-22T Models—	
6-	62420GT	FILTER,AIR***	
6-	62433GT	FILTER,ELEMENT,30 MIC,75020	
6-	89765GT	BELT, V (PERKINS 404)	



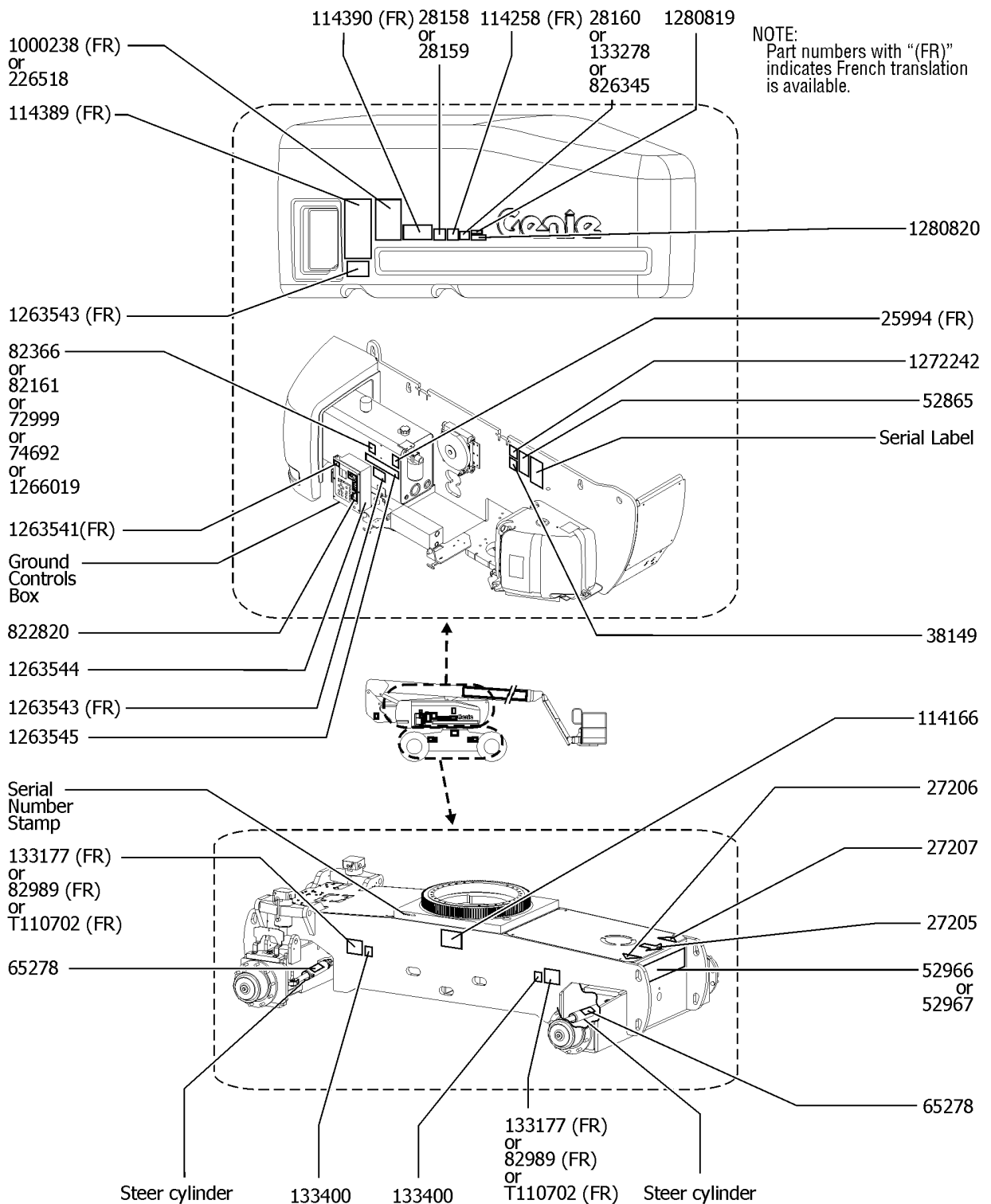
001.1 Parts Stocking List



<i>Item</i>	<i>Part No.</i>	<i>Description</i>	<i>Qty.</i>
6-	1262047GT	OIL FILTER,PERKINS 404D/F-22T	
6-	1262484GT	FUEL FILTER ASSY,PERKINS 404D/	



101.1 Decals with Words, Tank Side, Non-Steer End

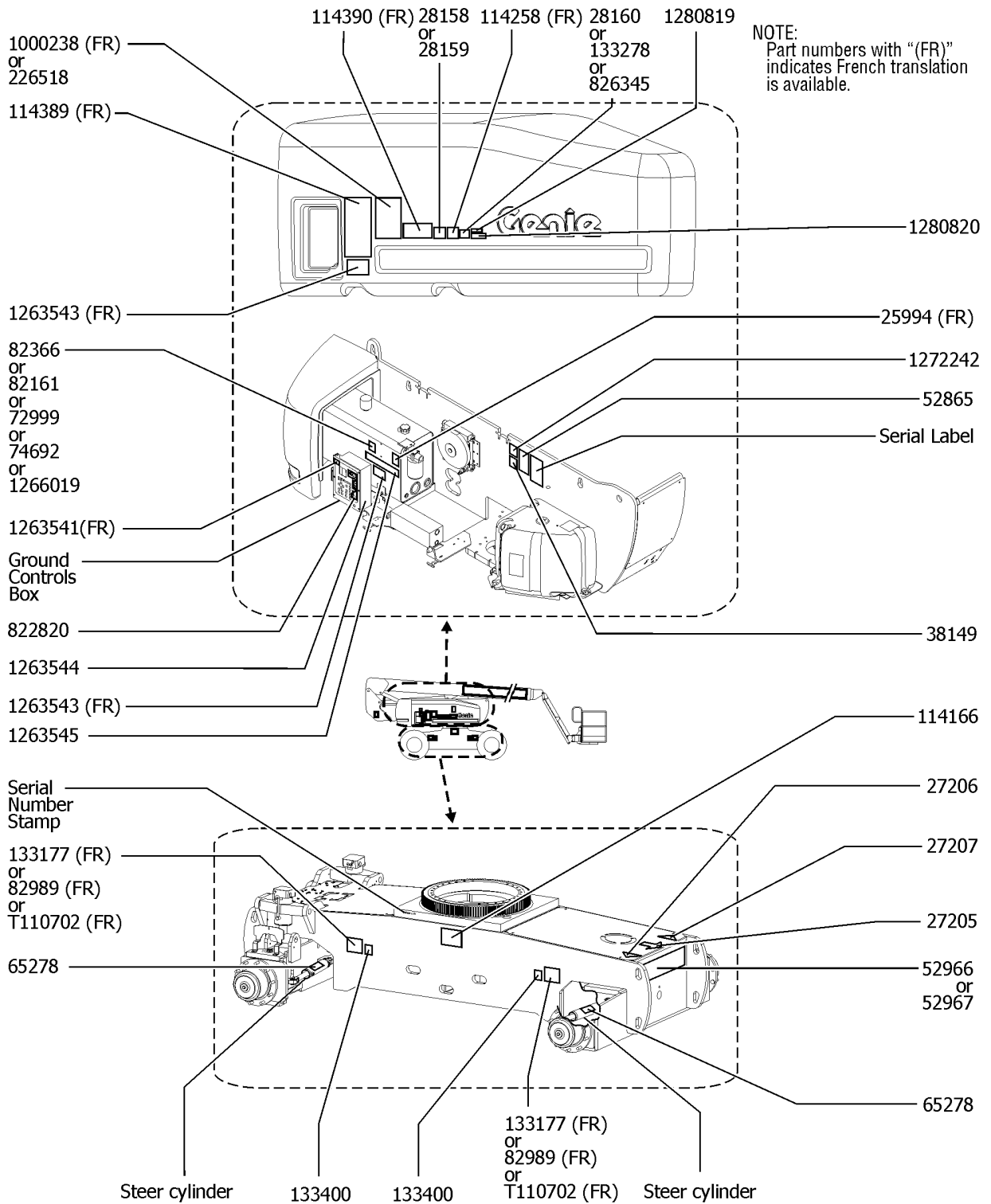


101.1 Decals with Words, Tank Side, Non-Steer End

Item	Part No.	Description	Qty.
A		Decal Kits are model, option or configuration specific. Refer to the kit instructions for proper configuration.	
B	824304GT	DECAL KIT,Z80 COMP,WORD,AUS AUS models	
B-	824308GT	INSTRUCTIONS, INSTALL (824304)	
1	25994GT	DECAL,NOTICE,SHUTOFF VALVES	1
2	27205GT	DECAL,ARROW YELLOW LRG 9"	1
3	27206GT	DECAL,TRIANGLE,BLUE	1
4	27207GT	DECAL,TRIANGLE,YELLOW	1
5	28158GT	DECAL,LABEL,UNLEADED GAS ONLY Option, Fuel	1
6	28159GT	DECAL,DIESEL Option, Fuel	1
7	28160GT	DECAL,LABEL,LIQUID PROPANE Option, LPG	1
8	38149GT	DECAL,LABEL,PATENTS US Only	1
9	52865GT	DECAL,ANNUAL INSP*** US Only	1
10	52966GT	DECAL,COSMETIC,4 X 2 Option, drive	1
11	52967GT	DECAL,COSMETIC,4 X 4 Option, drive	1
12	65278GT	DECAL,CAUTION,NO STEP	2
13	72999GT	DECAL,LABEL,PETRO CANADA*** Option, hydraulic oil	1
14	74692GT	HYD.FLUID,FIRE RES.QUINTOLUB** Option, hydraulic oil	1
15	82161GT	DECAL,LABEL,UCON HYDROLUBE Option, hydraulic oil	1
16	82366GT	DECAL,CHEVRON RANDO HD Option, hydraulic oil	1
17	82989GT	DECAL,DANGER/NOTICE,TIRES,HIF Option, hi-floatation	2
18	114166GT	DECAL,LABEL,TRANSPORT DIAGRAM	1
19	114258GT	DECAL,DANGER,NO SMOKING	1
20	114389GT	DECAL,DANGER,GENERAL SAFETY	1
21	114390GT	DECAL,DANGER,ELECT HAZARD***	1
22	133177GT	DECAL,DANGER/LABEL,TIRE SPECS Option, Foam	2
23	133278GT	DECAL,LOW/ULTRA LOW SULFUR FUEL (ROW)	1
24	133400GT	DECAL,LABEL,WHEEL LOAD Z80***	2
25	226518GT	DECAL,INST,OPER INST,Z80,AUS (AUS)	1



101.1 Decals with Words, Tank Side, Non-Steer End

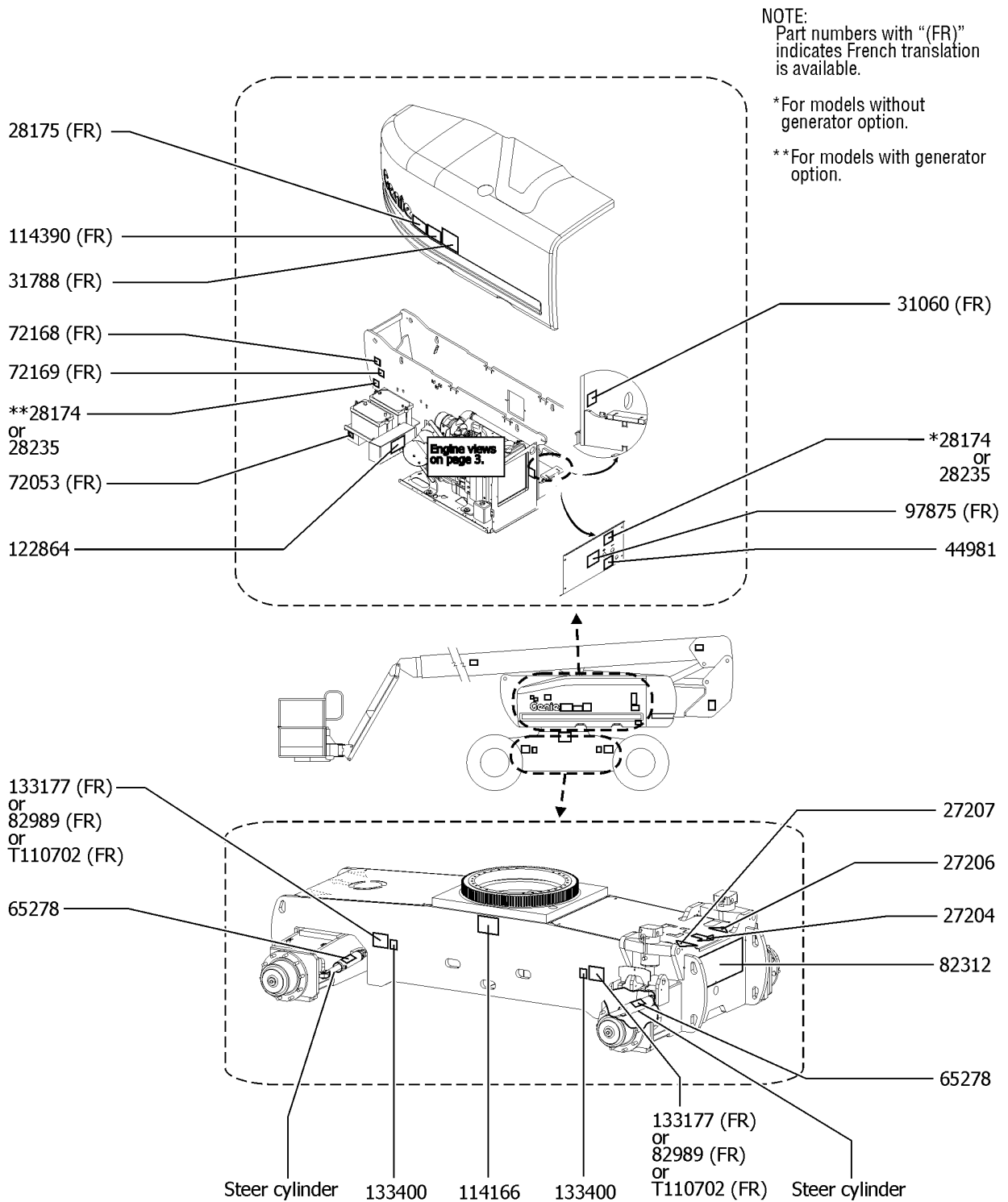


101.1 Decals with Words, Tank Side, Non-Steer End

Item	Part No.	Description	Qty.
26	822820GT	DECAL,GROUND CONTROL,Z80	1
27	826345GT	DECAL,ULS DIESEL ONLY,TIER 4	1
		(Tier 4)	
28	1000238GT	DECAL,NOTICE,OPERATING INST.	1
		(ANSI)	
29	1263541GT	DECAL, TIP OVER HAZARD	1
30	1263543GT	DECAL,COMPARTMENT ACCESS	2
31	1263544GT	DECAL, BYPASS KEY SWITCH	1
32	1263545GT	DECAL, INSTR-BYPASS KEY SWITCH	1
33	1266019GT	DECAL, LABEL, SHELL TELLUS	1
		Option, hydraulic oil	
34	1272242GT	DECAL,MACHINE REGISTRATION/OWN	1
35	1280819GT	DECAL,WARNING,CANCER AND REPRODUCTIVE HARM, PROP 65	1
		(US Only)	
36	1280820GT	DECAL,FUEL,DIESEL EXHAUST, PROP 65	1
		(US Only)	
37	T110702GT	DECAL, SOLID TIRE, 41X17-24F2A	2
		Option, solid	
36	1280820GT	DECAL,FUEL,DIESEL EXHAUST, PROP 65	1
		(US Only)	
37	T110702GT	DECAL, SOLID TIRE, 41X17-24F2A	2
		Option, solid	



102.1 Decals with Words, Engine Side, Steer End, View 1



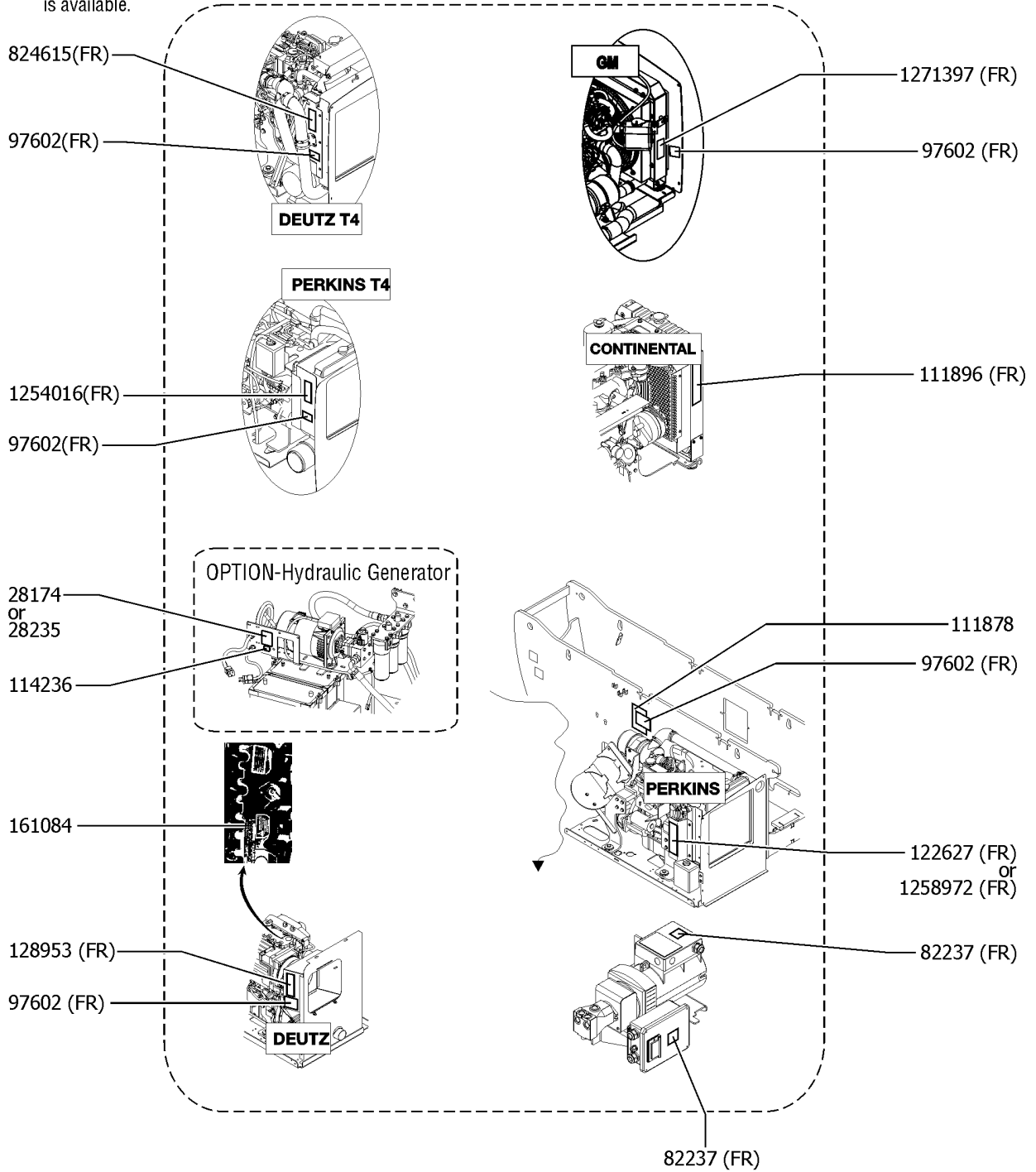
102.1 Decals with Words, Engine Side, Steer End, View 1

Item	Part No.	Description	Qty.
1	27204GT	DECAL,ARROW BLUE	1
2	27206GT	DECAL,TRIANGLE,BLUE	1
3	27207GT	DECAL,TRIANGLE,YELLOW	1
4	28174GT	DECAL,POWER TO PLATFORM 230V	1
5	28175GT	DECAL,WARNING-COMPART ACCESS	1
6	28235GT	DECAL,POWER TO PLATFORM 115V	1
7	31060GT	DECAL,DANGER DO NOT ALTER SWTC	1
8	31788GT	DECAL,DANGER,BATTERY SAFETY***	1
9	44981GT	DECAL LABEL AIRLINE 110PSI	1
		Option, airline to platform	
10	65278GT	DECAL,CAUTION,NO STEP	2
11	72053GT	DECAL,LABEL,30A CB	1
		Option, generator	
12	72168GT	DECAL,LABEL,STARTER BATTERY	1
13	72169GT	DECAL,LABEL,CONTROLS BATTERY	1
14	82312GT	DECAL,COSMETIC,Z80	1
15	82989GT	DECAL,DANGER/NOTICE,TIRES,HIF	2
		Option, hi-floatation	
16	97875GT	DECAL,WARN.WELD LINE INST.WORD	1
		Option, Weld Cable line	
17	114166GT	DECAL,LABEL,TRANSPORT DIAGRAM	1
18	114390GT	DECAL,DANGER,ELECT HAZARD***	1
19	122864GT	DECAL,RELAY & FUSE PANELS	1
20	133177GT	DECAL,DANGER/LABEL,TIRE SPECS	2
		Option, foam	
21	133400GT	DECAL,LABEL,WHEEL LOAD Z80***	2
22	T110702GT	DECAL, SOLID TIRE, 41X17-24F2A	2
		Option, solid	



103.1 Decals with Words, Engine Side, Steer End, View 2

NOTE:
Part numbers with "(FR)"
indicates French translation
is available.



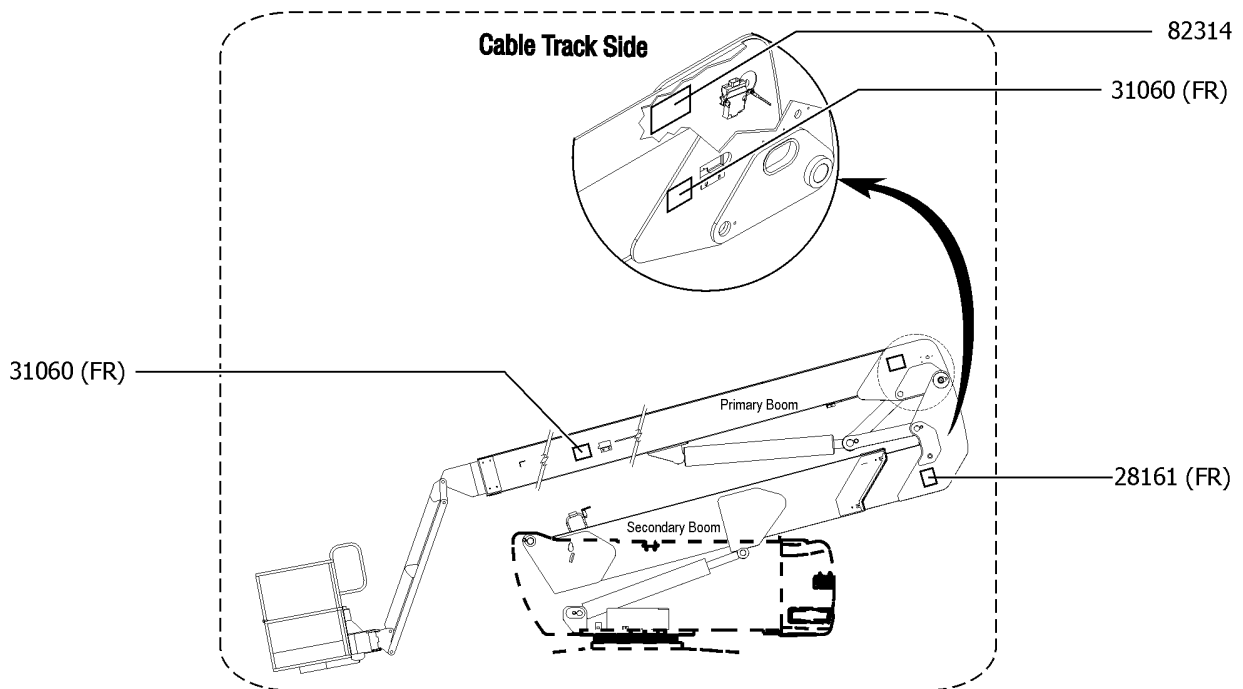
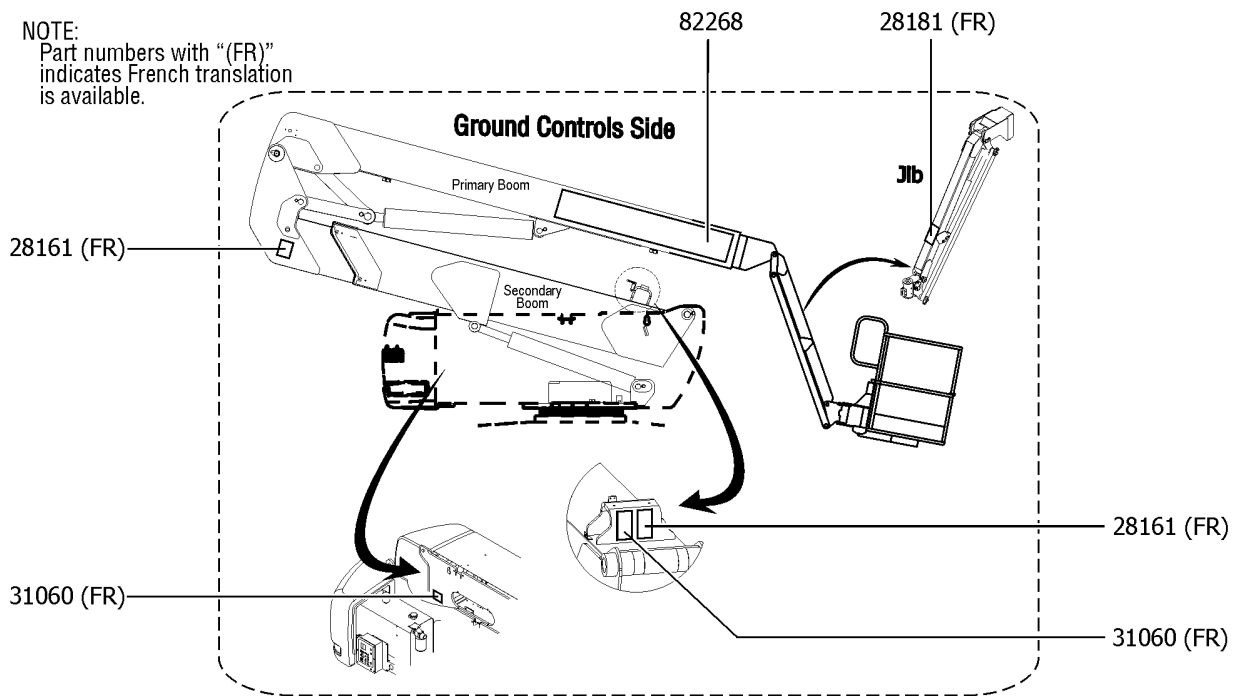
103.1 Decals with Words, Engine Side, Steer End, View 2

Item	Part No.	Description	Qty.
1	28174GT	DECAL,POWER TO PLATFORM 230V Option, hydraulic generator	1
2	28235GT	DECAL,POWER TO PLATFORM 115V Option, hydraulic generator	1
3	82237GT	DECAL,DANGER,HIGH VOLTAGE Option, weld generator	2
4	97602GT	DECAL,EXPLOSION HAZARD	1
5	111878GT	DECAL,FUSE AND RELAY TME27 (continental only)	1
6	111896GT	DECAL,ENG.SPECS,CONTINENTAL (continental)	1
7	114236GT	DECAL,LABEL,CB SYMBOL Option, hydraulic generator	1
8	122627GT	DECAL,T3 ENGINE SPEC.PERKINS (Perkins)	1
9	128953GT	DECAL,ENGINE SPEC,DEUTZ,TD2011 (Deutz TD2011L04i)	1
10	161084GT	DECAL, DEUTZ ROW RELABEL (Deutz TD2011L04i)	1
11	824615GT	DECAL,ENGINE SPEC,DEUTZ TD2.9 (Deutz TD 2.9L4)	1
12	1254016GT	DECAL,ENGINE SPEC,PERKINS 404F (Perkins Tier 4)	1
13	1258972GT	DECAL,ENGINE SPEC,PERKINS 404D-22T (Perkins ROW)	1
14	1271397GT	DECAL, ENG, SPECS, GM 3.0L (GM)	1



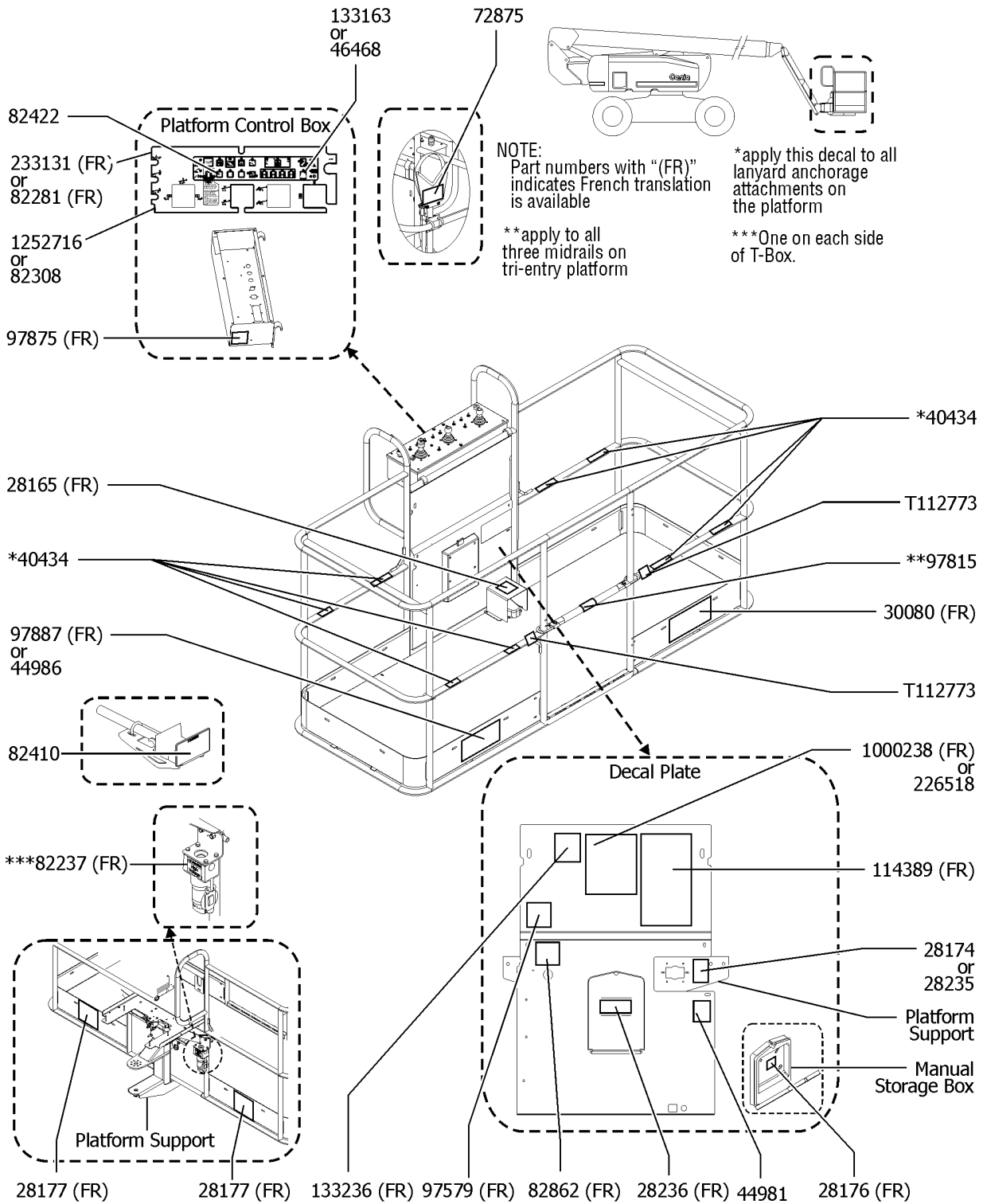
104.1 Decals with Words, Boom

NOTE:
Part numbers with "(FR)"
indicates French translation
is available.



<i>Item</i>	<i>Part No.</i>	<i>Description</i>	<i>Qty.</i>
1	28161GT	DECAL,WARN,CRUSH HAZARD HAND	3
2	28181GT	DECAL,WARN,FALL HAZARD	1
3	31060GT	DECAL,DANGER DO NOT ALTER SWTC	4
4	82268GT	DECAL,COSMETIC,GENIE Z-80/60	1
5	82314GT	DECAL,DANGER,TIP-OVER	1

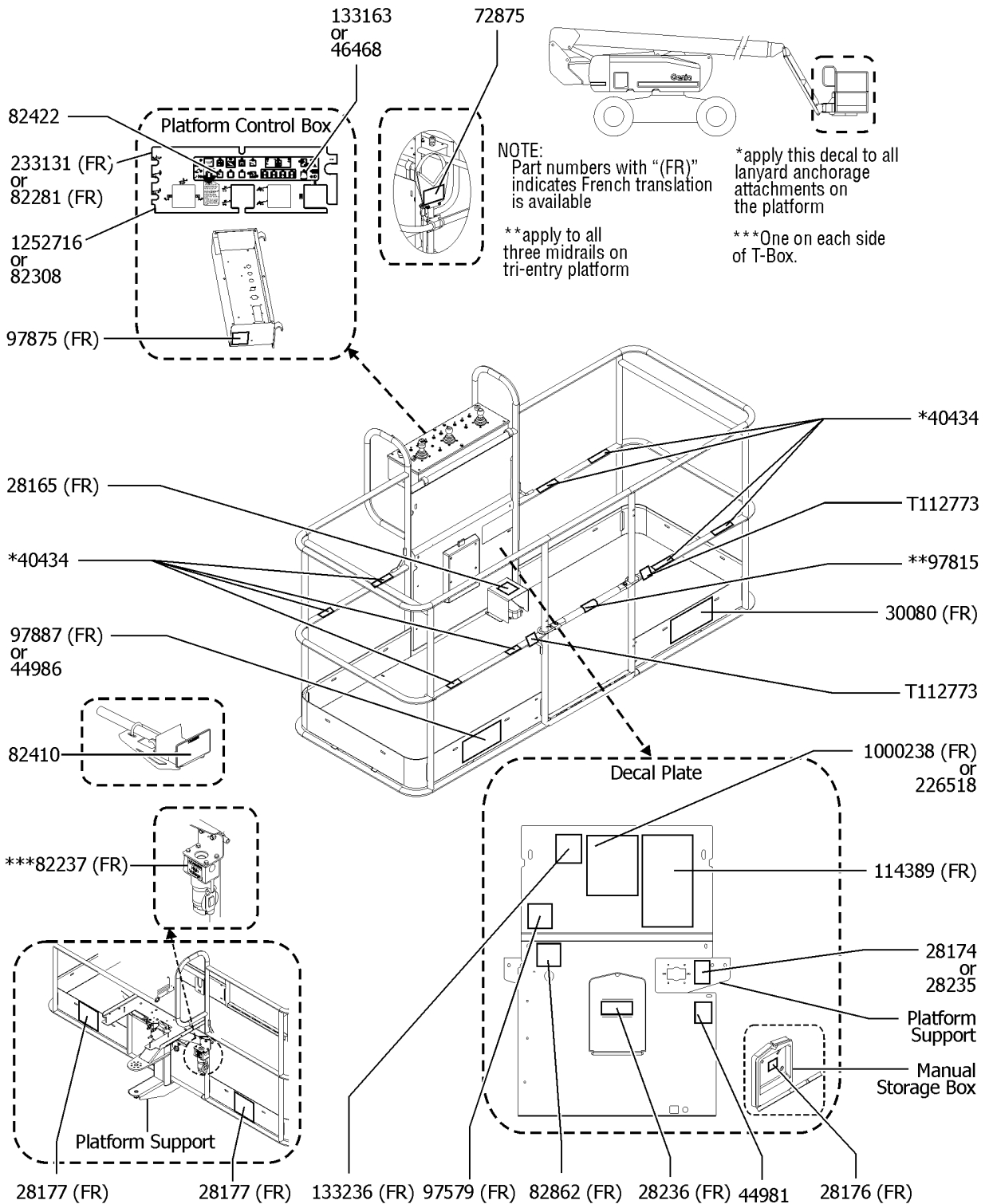
105.1 Decals with Words, Platform



Item	Part No.	Description	Qty.
-	824301GT	DECAL KIT,Z80 PLAT,WORD,ANSI/AUS (ANSI)	
1	28165GT	DECAL,INSTRUCT,FOOTSWITCH OPER	1
2	28174GT	DECAL,POWER TO PLATFORM 230V	1
3	28176GT	DECAL,LABEL,MANUAL NOT HERE	1
4	28177GT	DECAL,WARN,CRUSH HAZARD PLAT	2
5	28235GT	DECAL,POWER TO PLATFORM 115V	1
6	28236GT	DECAL,WARN,IMPROPER OPERATION	1
7	30080GT	DECAL,NOTICE,MAX LOAD 500 LBS	1
8	40434GT	DECAL,LANYARD ANCHORAGE POINT	8
9	44981GT	DECAL LABEL AIRLINE 110PSI Option, airline to platform	1
10	44986GT	DECAL,INSTR,SIDE FRC/WIND,AUS (Australia)	1
11	46468GT	DECAL,FUNCTION OVERRIDE Option, aircraft protection	1
12	72875GT	DECAL,WARNING,PIPE CRADLE,BOOM Option, Pipe Cradle	2
13	82237GT	DECAL,DANGER,HIGH VOLTAGE Option, welder	2
14	82281GT	DECAL,PLAT CONTROL PANEL,Z80	1
15	82308GT	DECAL,CONTROL PANEL PROT 82281	1
16	82410GT	DECAL,WARNING,PANEL CRADLE Option, panel cradle	2
17	82422GT	SCREW, BHC, 1/4-20 X 1, ZAG Option, worklights or drive lights	1
18	82862GT	DECAL,FIRE EXTINGUISHER Option, welder	1
19	97579GT	DECAL,DANGER,TIP-OVER,WELDER** Option, welder	1
20	97815GT	DECAL,LABEL,LOWER MIDRAIL	1
21	97875GT	DECAL,WARN.WELD LINE INST.WORD Option, weld cable line	1
22	97887GT	DECAL,INSTR,MAX SIDE FRC,ANSI (ANSI)	1
23	114389GT	DECAL,DANGER,GENERAL SAFETY	1
24	133163GT	DECAL,FUNCTION OVERRIDE Option, aircraft protection	1
25	133236GT	DECAL,DANGER,TIPOVER,TILT 135*	1
26	226518GT	DECAL,INST,OPER INST,Z80,AUS (Australia)	1
27	233131GT	DECAL, PLATFORM CONTROL PANEL	1



105.1 Decals with Words, Platform

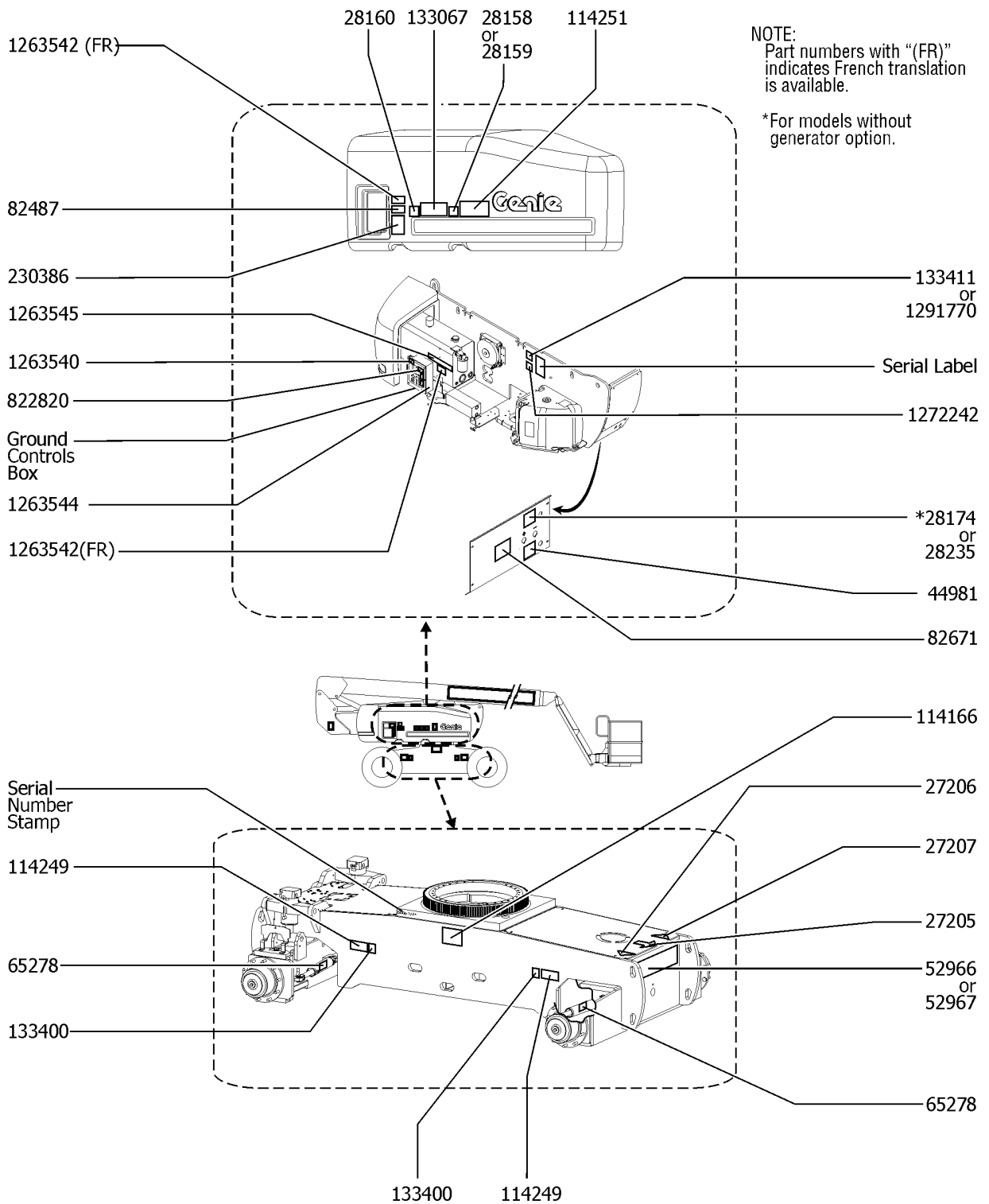


105.1 Decals with Words, Platform

<i>Item</i>	<i>Part No.</i>	<i>Description</i>	<i>Qty.</i>
28	1000238GT	DECAL,NOTICE,OPERATING INST. (ANSI)	1
29	1252716GT	DECAL, PROTECTIVE CONVER, Z80	1
30	T112773GT	TAPE, PROTECTIVE MASK	2



106.1 Decals with Symbols, Tank Side, Non-Steer End

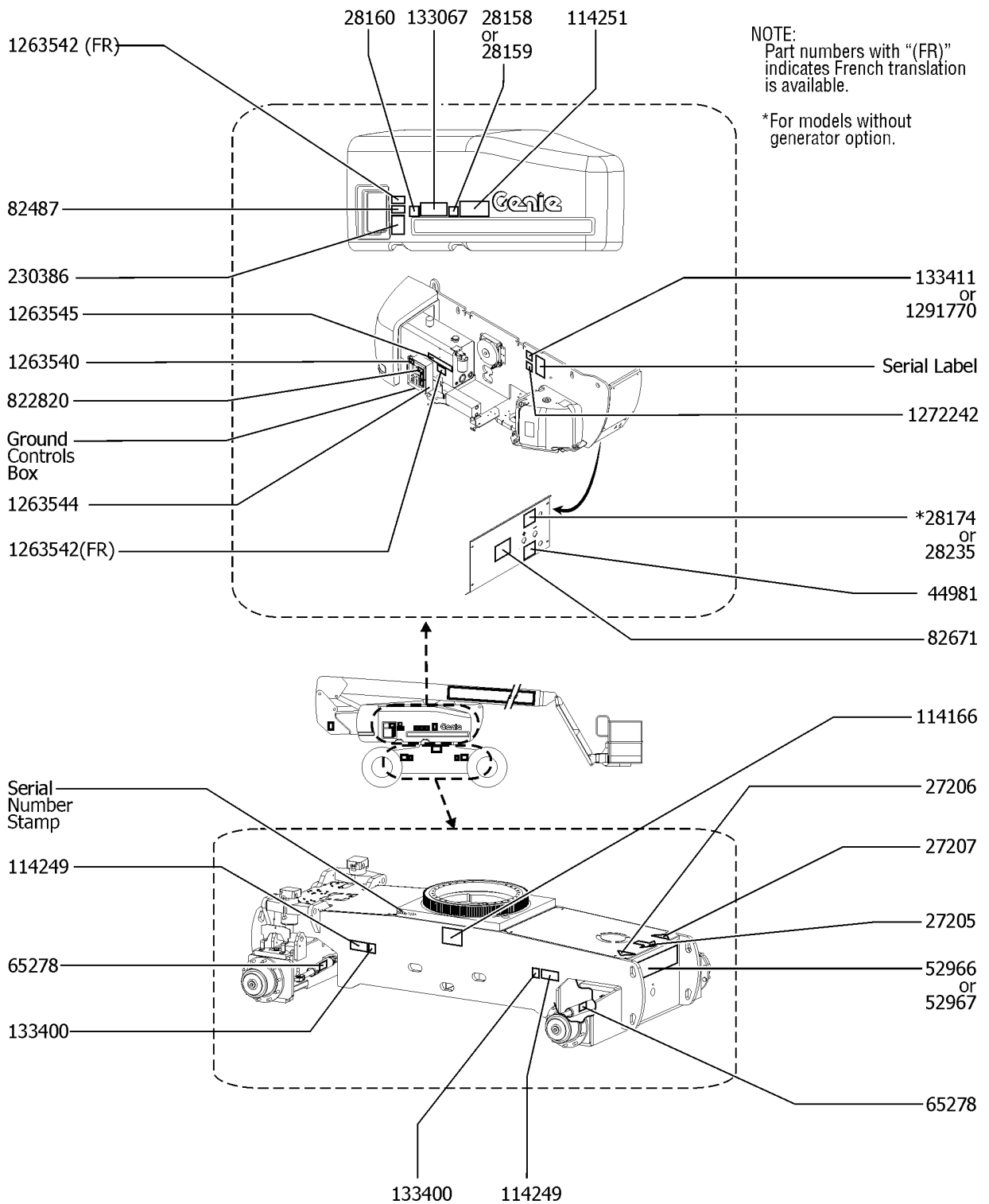


106.1 Decals with Symbols, Tank Side, Non-Steer End

Item	Part No.	Description	Qty.
A		Decal Kits are model, option or configuration specific. Refer to the kit instructions for proper configuration.	
B	824382GT	DECAL KIT,Z80 COMP,SYM,ANSI ANSI models	
B-	824394GT	INSTRUCTIONS, INSTALL (824382)	
C	824384GT	DECAL KIT,Z80 COMP,SYM,CE CE models	
C-	824396GT	INSTRUCTIONS, INSTALL (824384)	
1	27205GT	DECAL,ARROW YELLOW LRG 9"	1
2	27206GT	DECAL,TRIANGLE,BLUE	1
3	27207GT	DECAL,TRIANGLE,YELLOW	1
4	28158GT	DECAL,LABEL,UNLEADED GAS ONLY Option, fuel	1
5	28159GT	DECAL,DIESEL Option, fuel	1
6	28160GT	DECAL,LABEL,LIQUID PROPANE Option, LPG	1
7	28174GT	DECAL,POWER TO PLATFORM 230V	1
8	28235GT	DECAL,POWER TO PLATFORM 115V	1
9	44981GT	DECAL LABEL AIRLINE 110PSI Option, Airline to plat	1
10	52966GT	DECAL,COSMETIC,4 X 2 Option, drive	1
11	52967GT	DECAL,COSMETIC,4 X 4 Option, drive	1
12	65278GT	DECAL,CAUTION,NO STEP	2
13	82487GT	DECAL,SYMBOL-READ THE MANUAL	1
14	82671GT	DECAL,LABEL,WELD LINE INST,SYM Option, weld cable	1
15	114166GT	DECAL,LABEL,TRANSPORT DIAGRAM	1
16	114249GT	DECAL,LABEL,TIPOVER,TIRES,SYMB	2
17	114251GT	DECAL,LABEL,NO SMOKING,SYMB	1
18	133067GT	DECAL,DANGER,ELEC.HAZ.STAY CLR	1
19	133400GT	DECAL,LABEL,WHEEL LOAD Z80***	2
20	133411GT	DECAL,LABEL,106 DB*** CE Only	1
21	230386GT	DECAL,EMERGENCY LOWERING CE Only	1
22	822820GT	DECAL,GROUND CONTROL,Z80	1
23	1263540GT	DECAL, TIP OVER HAZARD	1



106.1 Decals with Symbols, Tank Side, Non-Steer End



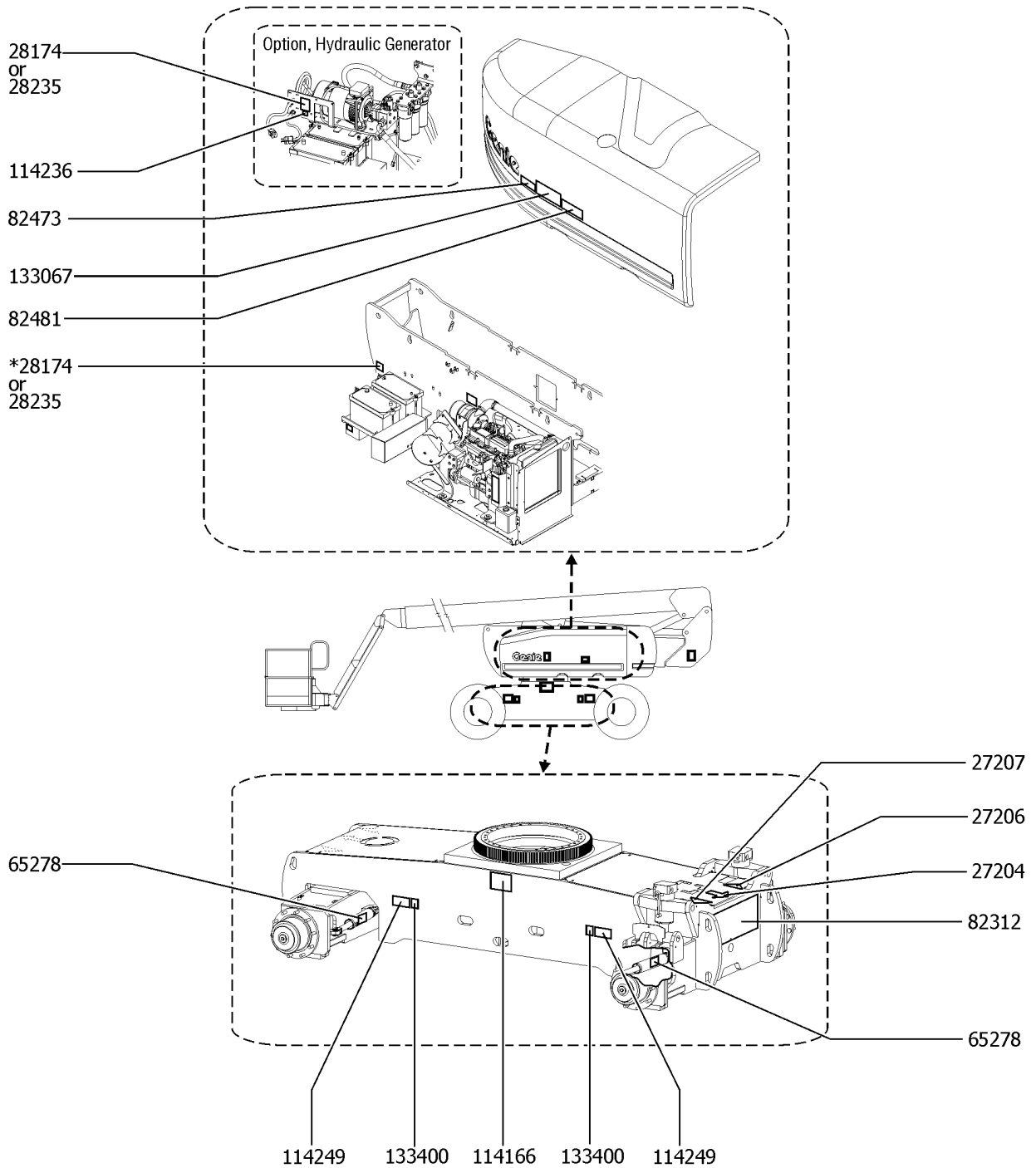
106.1 Decals with Symbols, Tank Side, Non-Steer End

<i>Item</i>	<i>Part No.</i>	<i>Description</i>	<i>Qty.</i>
24	1263542GT	DECAL,IMPROPER OPERATION,SYMBOL	2
25	1263544GT	DECAL, BYPASS KEY SWITCH	1
26	1263545GT	DECAL, INSTR-BYPASS KEY SWITCH	1
27	1272242GT	DECAL,MACHINE REGISTRATION/OWN	1
28	1291770GT	DECAL, LABEL, DECIBEL 108*** CE STAGE V ONLY	1



107.1 Decals with Symbols, Engine Side, Steer End

NOTE:
*For models with generator option.

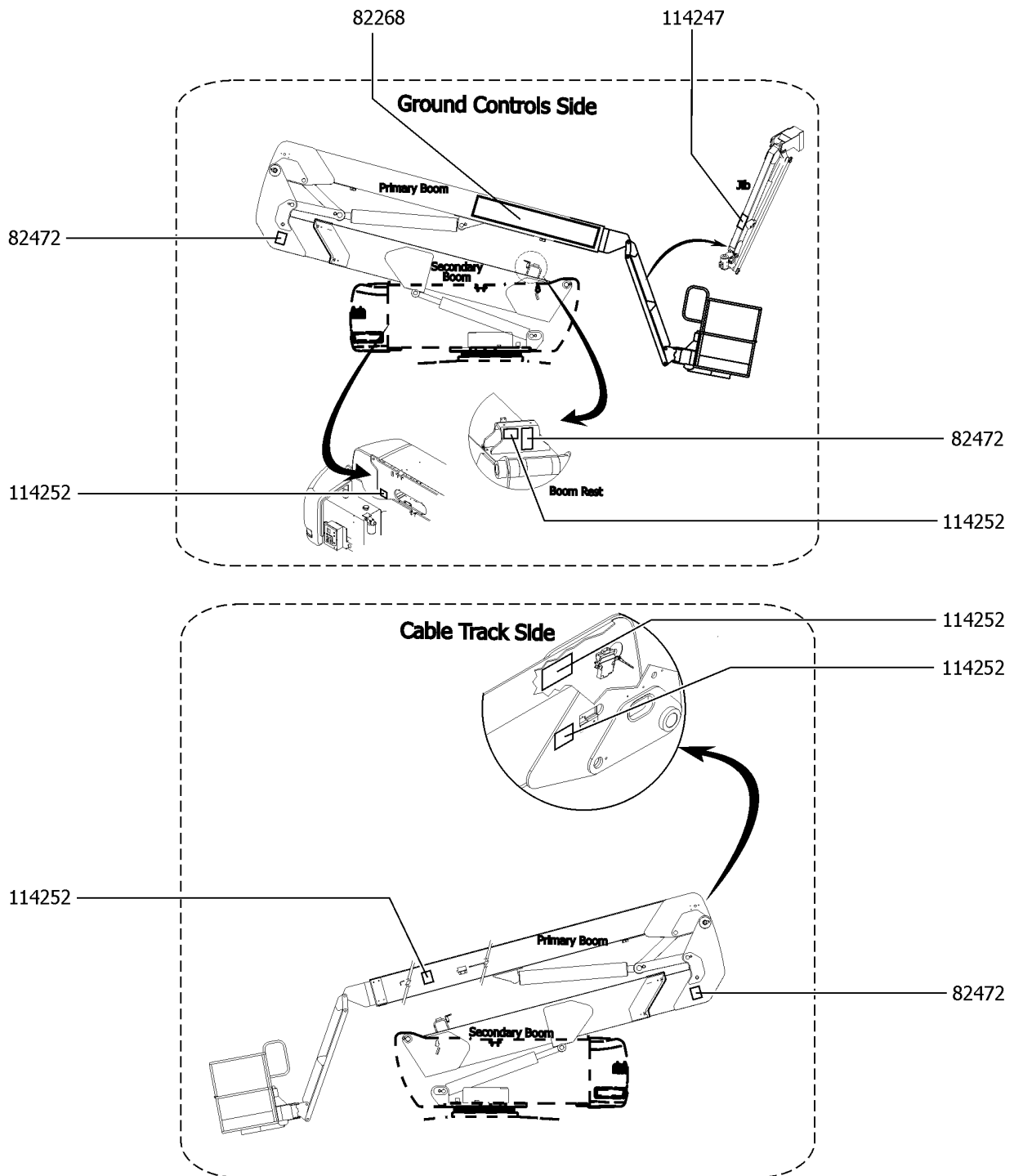


107.1 Decals with Symbols, Engine Side, Steer End

Item	Part No.	Description	Qty.
1	27204GT	DECAL,ARROW BLUE	1
2	27206GT	DECAL,TRIANGLE,BLUE	1
3	27207GT	DECAL,TRIANGLE,YELLOW	1
4	28174GT	DECAL,POWER TO PLATFORM 230V Option, Hydraulic Generator	1
5	28235GT	DECAL,POWER TO PLATFORM 115V Option, Hydraulic Generator	1
6	65278GT	DECAL,CAUTION,NO STEP	2
7	82312GT	DECAL,COSMETIC,Z80	1
8	82473GT	DECAL,SYMBOL-COMP ACCESS	1
9	82481GT	DECAL,SYMBOL-BATTERY SAFETY	1
10	114166GT	DECAL,LABEL,TRANSPORT DIAGRAM	1
11	114236GT	DECAL,LABEL,CB SYMBOL Option, Hydraulic Generator	1
12	114249GT	DECAL,LABEL,TIPOVER,TIRES,SYMB	2
13	133067GT	DECAL,DANGER,ELEC.HAZ.STAY CLR	1
14	133400GT	DECAL,LABEL,WHEEL LOAD Z80***	2



108.1 Decals with Symbols, Boom

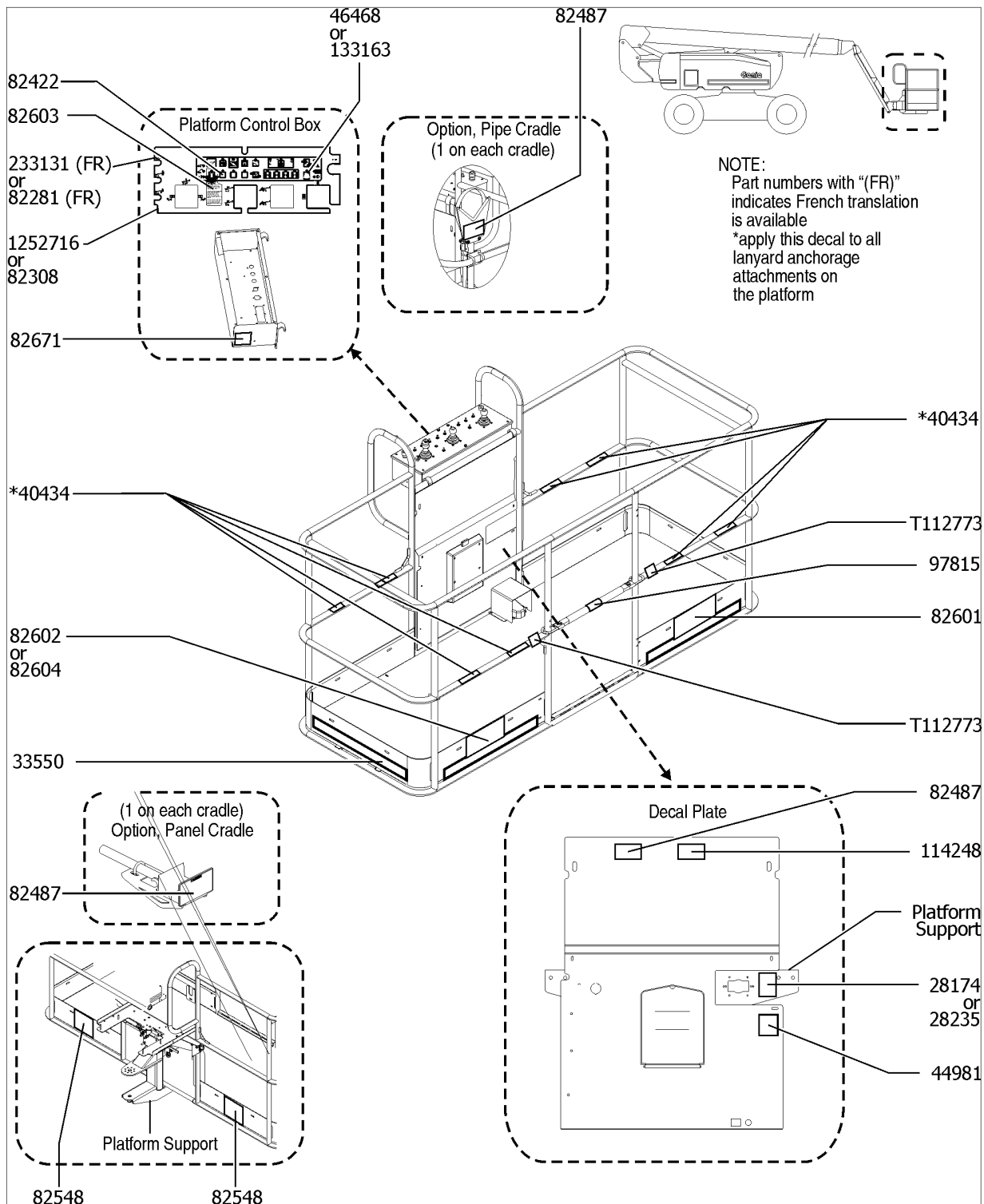


108.1 Decals with Symbols, Boom

<i>Item</i>	<i>Part No.</i>	<i>Description</i>	<i>Qty.</i>
1	82268GT	DECAL,COSMETIC,GENIE Z-80/60	1
2	82472GT	DECAL,WARNING,CRUSHING HAZARD	3
3	114247GT	DECAL,LABEL,FALL HAZARD***	1
4	114252GT	DECAL,LABEL,TIP OVER LMT SWTCH	5



109.1 Decals with Symbols, Platform

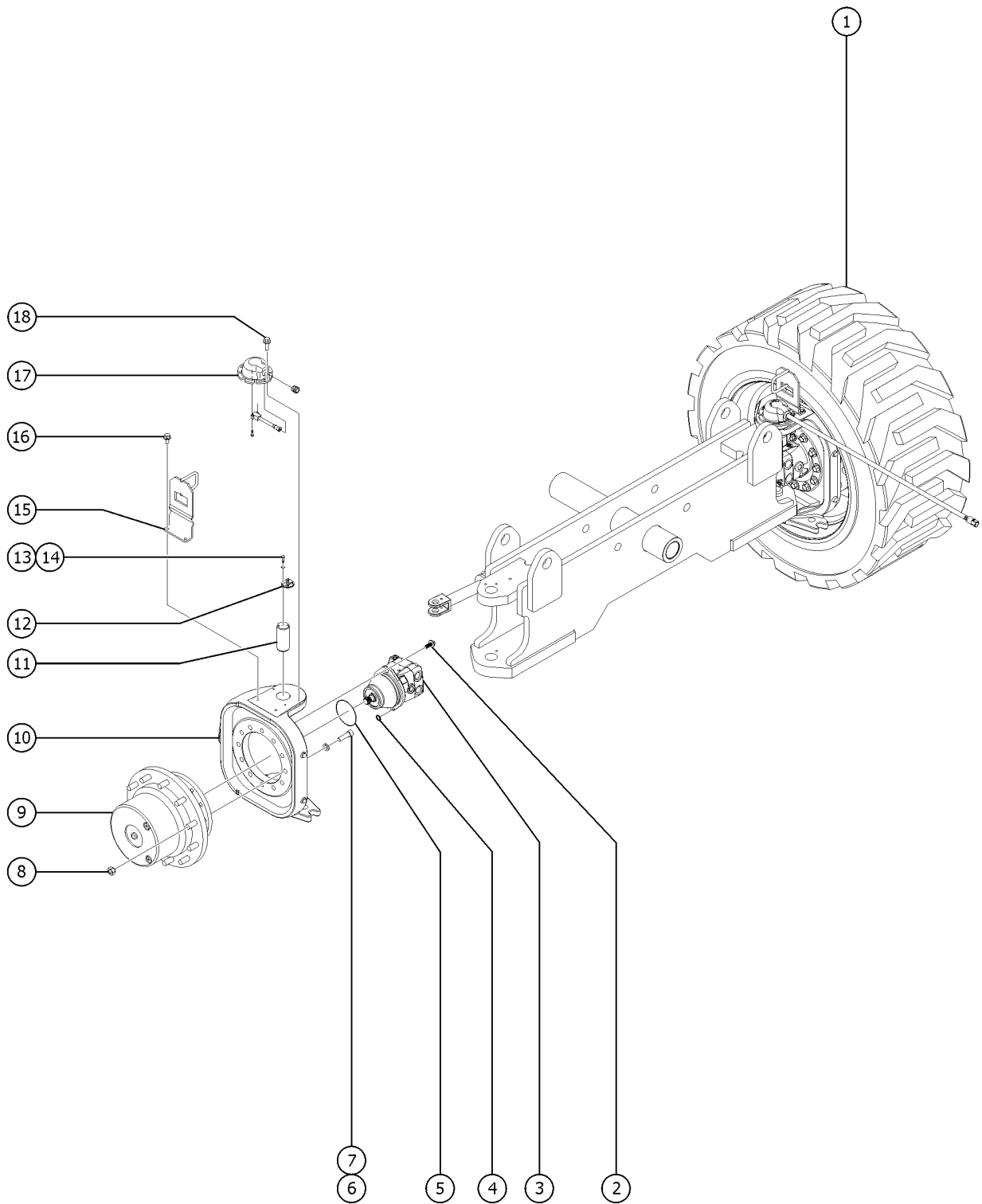


109.1 Decals with Symbols, Platform

Item	Part No.	Description	Qty.
A		Decal Kits are model, option or configuration specific. Refer to the kit instructions for proper configuration.	
B	824381GT	DECAL KIT,Z80 PLAT,SYMBOL,ANSI/CE ANSI / CE models	
B-	824393GT	INSTRUCTIONS, INSTALL,PLAT,SYM	
1	28174GT	DECAL,POWER TO PLATFORM 230V	1
2	28235GT	DECAL,POWER TO PLATFORM 115V	1
3	40434GT	DECAL,LANYARD ANCHORAGE POINT	8
4	44981GT	DECAL LABEL AIRLINE 110PSI Option, airline to platform	1
5	46468GT	DECAL,FUNCTION OVERRIDE Option, aircraft protection	1
6	82281GT	DECAL,PLAT CONTROL PANEL,Z80	1
7	82308GT	DECAL,CONTROL PANEL PROT 82281	1
8	82422GT	SCREW, BHC, 1/4-20 X 1, ZAG Option, worklights or drive lights	1
9	82487GT	DECAL,SYMBOL-READ THE MANUAL	1
10	82548GT	DECAL,WARN,CRUSH HAZARD PLAT	2
11	82601GT	DECAL,LABEL,MAX CAPACITY***	1
12	82602GT	DECAL,DANGER,MAX SIDE FRC,667N ANSI	1
13	82603GT	DECAL,DRIVE ENABLE PATCH***	1
14	82604GT	DECAL,DANGER,SIDE FRC 400N CE	1
15	82671GT	DECAL,LABEL,WELD LINE INST,SYM Option, weld cable line	1
16	97815GT	DECAL,LABEL,LOWER MIDRAIL	1
17	114248GT	DECAL,LABEL,TIPOVER,TILT AL SY	1
18	33550GT	TAPE,WARNING,BLK/YEL, 50'***	
19	133163GT	DECAL,FUNCTION OVERRIDE Option, aircraft protection	1
20	233131GT	DECAL, PLATFORM CONTROL PANEL	1
21	1252716GT	DECAL, PROTECTIVE CONVER, Z80	1
22	T112773GT	TAPE, PROTECTIVE MASK	2



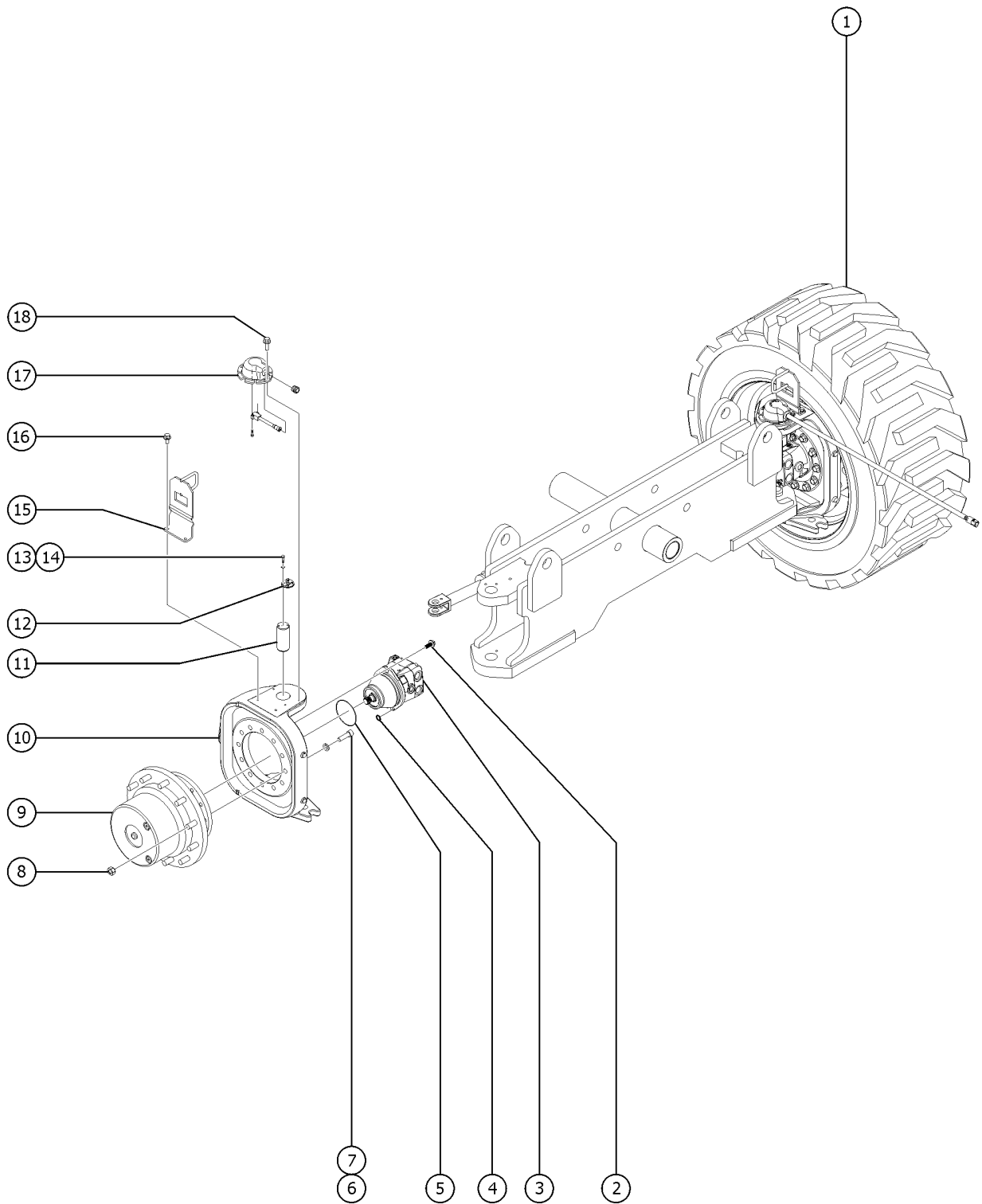
201.1 4WD Steer Axle Linkage



Item	Part No.	Description	Qty.
1A	121286GT	TIRE & WHEEL ASSY,RT LP FOAM,L RT, Foam-filled, left (11 holes)	
1A-	121287GT	TIRE & WHEEL ASSY,RT LP FOAM,R RT, Foam-filled, right (11 holes)	
1B	121271GT	TIRE & WHEEL ASSY,FOAM NM,LH RT, Foam-filled, Non-marking, left	
1B-	121272GT	TIRE & WHEEL ASSY,FOAM NM,RH RT, Foam-filled, Non-marking, right	
1C	227804GT	TIRE & WHEEL ASSY,RT LP FOAM,L RT, Low Profile, Foam-filled RNU, left	
1C-	227805GT	TIRE & WHEEL ASSY,RT LP FOAM,R RT, Low Profile, Foam-filled RNU, right	
1D	227985GT	TIRE & WHEEL ASSY,FOAM, NM,LH RT, Foam-filled, Non-marking, RNU, left	
1D-	228805GT	TIRE & WHEEL ASSY,FOAM NM,RH RT, Foam-filled, Non-marking, RNU, right	
1E	227772GT	Z80 HF WHEEL ASSEMBLY,RH (to SN Z80H-7732) RT, Air-filled, Flotation, right	
1E-	101234GT	TIRE,445D50/710,18PR (to SN Z80H-7732) for 227772, 227773	
1E-	226562GT	Z80 HF WHEEL,28.00 X 15.00 (to SN Z80H-7732) for 227772, 227773	
1E-	227773GT	Z80 HF WHEEL ASSEMBLY,LH (to SN Z80H-7732) RT, Air-filled, Flotation, left	
1F	139828GT	TIRE WHEEL ASSY,LEFT,SOLID RT, solid rubber, left	
1F-	139829GT	TIRE WHEEL ASSY,RIGHT,SOLID RT, solid rubber, right	
2	824134GT	SCREW,HHF,M12-1.75X30,DIN6921,	4
3A	101070GT	MOTOR,PISTON,2 SPEED,45CC	2
3A-	106098GT	SEAL KIT,MOTOR,LC/KC*** use with motor 101070	
3B	121668GT	MOTOR,PISTON,2 SPEED,45CC/18CC (high flotation option)	2
4	106117GT	O-RING,2-010,VITON	2
5	106118GT	O-RING,2-157,VITON***	2
6	1269593GT	SCREW,SHC,M16-2.0X55,DIN912,12.9,ZAB	24
7	825348GT	WASHER,FLAT,M16,DIN6916,HRD,ZAB	24
8	1259931GT	NUT,LUG,3/4-16 X 7/8 RADIUS,ZA	44
9A	227775GT	WHEEL DRIVE,W/BRAKE 57.49:1 from SN 6400 to 6528 and from 6862 to 6911 (refer to 205.1)	4
9A-	215623GT	SEAL KIT (227775) for 227775 (inventory limited to stock on hand as component is no longer available)	
9A-	1286604GT	SEAL KIT,WHEEL DRIVE W/BRAKE (227775) for 227775	
9A-	1286605GT	BEARING KIT,WHEEL DRIVE W/BRAKE (227775) for 227775	
9B	1278063GT	WHEEL DRIVE,W/BRAKE, OMNI, 57.49:1 from SN 6529 to 6861 and from 6912 (refer to 205.2)	2

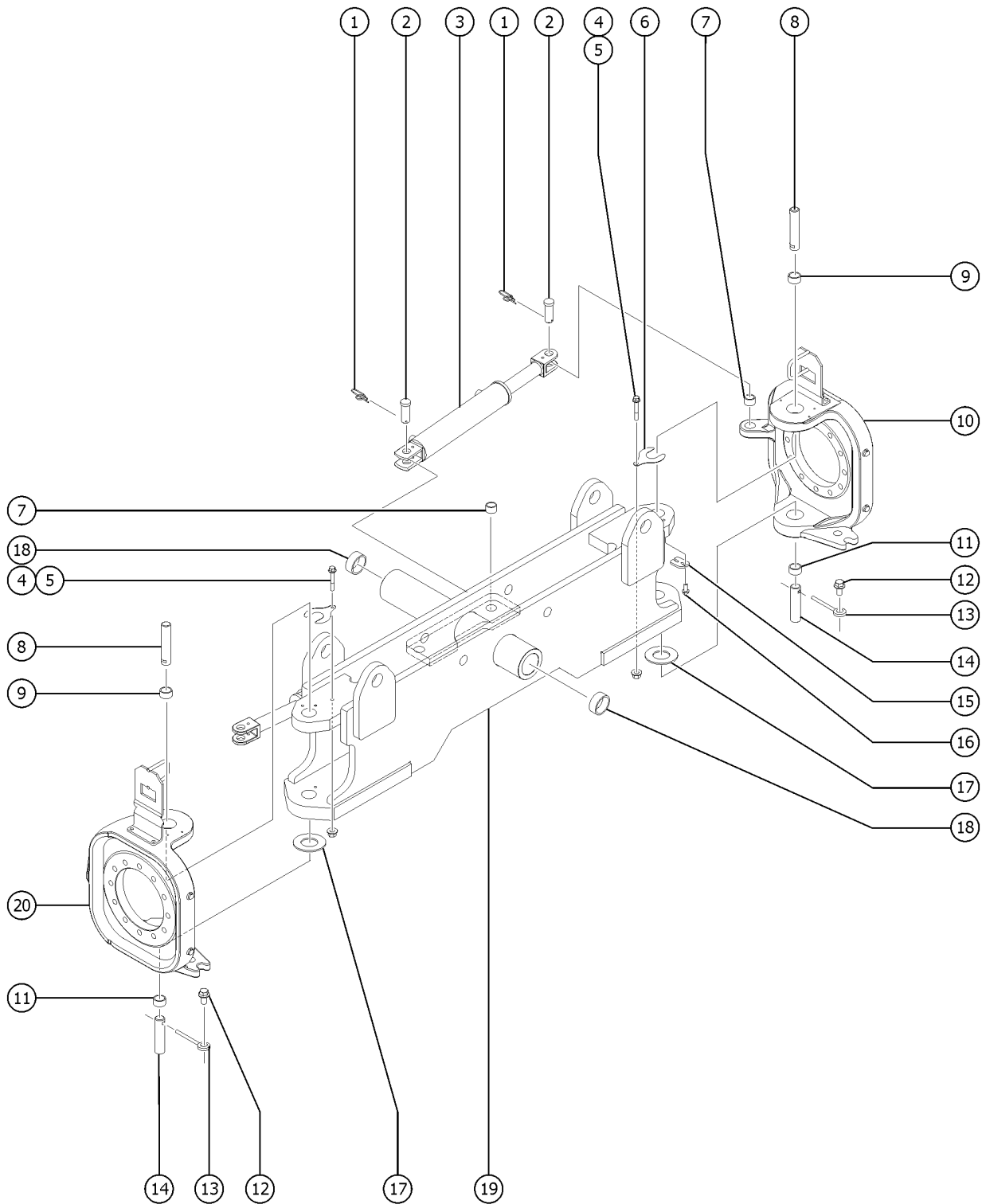


201.1 4WD Steer Axle Linkage



Item	Part No.	Description	Qty.
9B-	1278064GT	KIT, BRAKE REPLACEMENT, OMNI VB11 for 1278063 (includes brake pack, o-rings, 2 back up seals and snap ring)	
9B-	1278065GT	KIT, BEARING REPLACEMENT, OMNI VB11 for 1278063 (includes both tapered roller bearings and bearing shims)	
9B-	1278066GT	KIT, OIL SEAL REPLACEMENT, OMNI VB11 for 1278063 (includes cap seal, ring gear seal and dynamic ring to spindle oil seal)	
9B-	1278067GT	KIT, WHEEL STUD REPLACEMENT, OMNI VB11 or 1278063 (includes qty. 11 wheel studs)	
9B-	1278068GT	WHEEL STUD, OMNI VB11 for 1278063 (single wheel stud)	
9C	227776GT	WHEEL DRIVE W/BRAKE 86.74:1 (high flotation option) (refer to 206.1)	2
10		Ref.YOKE ASSEMBLY (Refer to 202.1)	1
11	229398GT	PIN,1.75DIA X 4.0LG	2
12	60618GT	ACTIVATOR,STEER SENSOR	2
12-	60747GT	SHIM,STEER SENSOR ACTIVATOR	
13	49819GT	SCREW,PHILLIPS,PHM,10-32 X .5	4
14	6607GT	WASHER,LOCK,#10 PLTD	4
15	121307GT	WELDMENT,GUIDE BRACKET,YOKE	2
16	824089GT	SCREW, HHF, 3/8-16 X .75, 8, ZAG.	4
17	107831GT	SUBASSY,STEER SENSOR	2
17-	107829GT	SENSOR,STEER ANGLE***	
18	824078GT	SCREW,HHF,1/4-20X.75,8,ZAG	4

202.1 Front Steer Axle

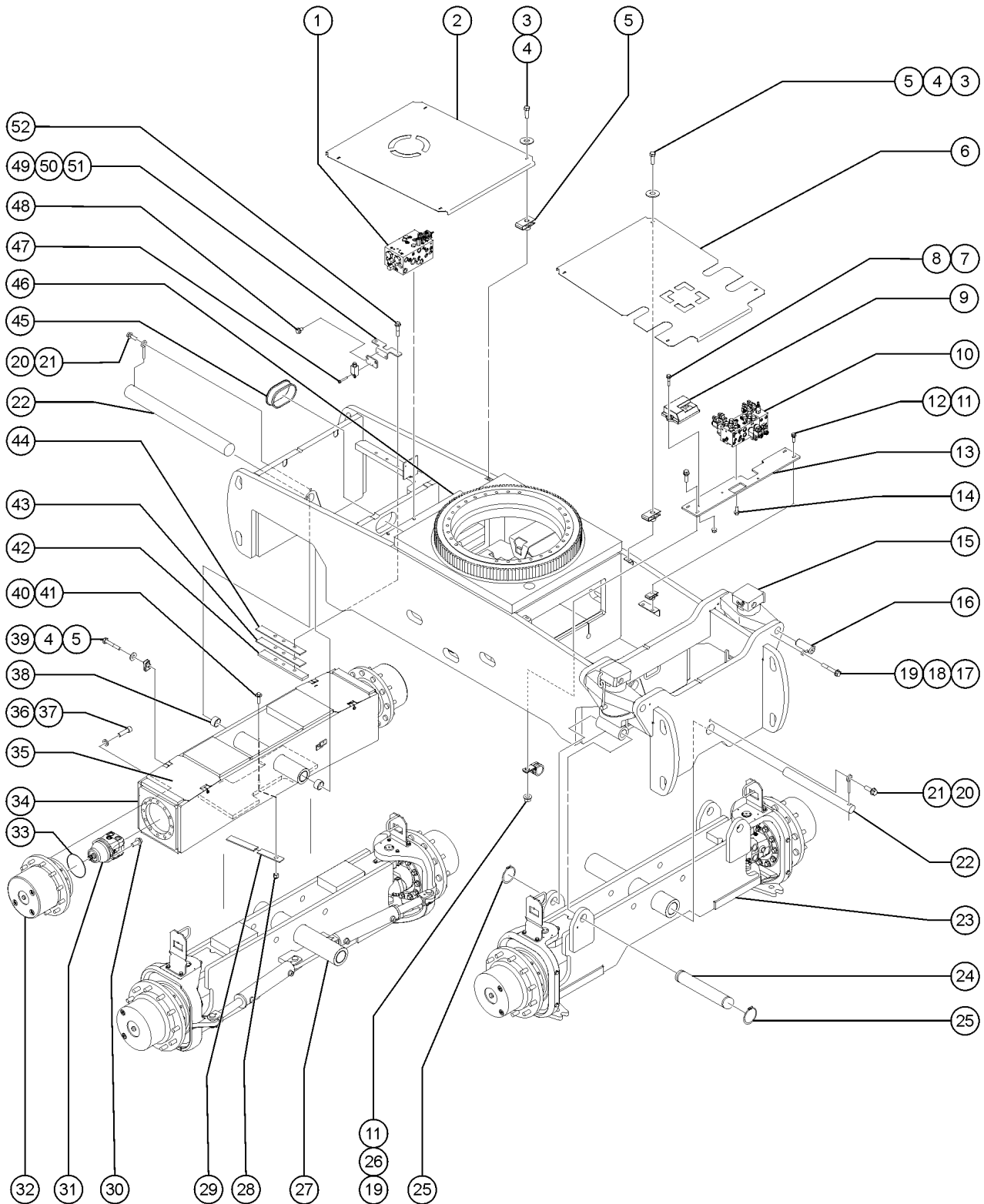


202.1 Front Steer Axle

Item	Part No.	Description	Qty.
1	824129GT	RUE RING,1.0,ZAG	4
2	824127GT	PIN, CLEVIS, SAE 1.0 X 2.41, ZAG	4
3	59370GT	CYLINDER,STEER	2
3-	88349GT	SEAL KIT,STEER CYL***	
4	1256856GT	SCREW,HHF,3/8-16X2.5,8,ZAG	2
5	824029GT	NUT,TL FLG,3/8-16,G,ZAG	2
6	88241GT	SHIM,GALVANIZED STEER YOKE	6
7	25817GT	BEARING,1.00IDX1.25ODX1.00L	4
8		Ref. PIN,1.75DIA X 4.0LG (refer to 201.1)	1
9	51144GT	BEARING,1.75IDX2.00ODX1.25L	2
10	230981GT	ASSY,Z80 YOKE, W/BEARINGS,L	1
11	119620GT	BEARING,1.75IDX2.00ODX1.50L	2
12	824089GT	SCREW, HHF, 3/8-16 X .75, 8, ZAG.	2
13	825019GT	ROD END, .375X3.69, ZAG	2
14	30199GT	PIN,1.75 DIA X 4.50LG,THREADED	2
15	88069GT	PLATE,KING PIN RETAINER *	2
16	824090GT	SCREW,HHF,3/8-16X1,8,ZAG	4
17	60555GT	WASHER,THRUST 5 X 1.81 BRONZE	2
18	27698GT	BEARING,2.50IDX2.75ODX2.00L	2
19	230980GT	ASSY,STEER AXLE, W/BEARINGS	1
20	230982GT	ASSY,Z80 YOKE, W/BEARINGS,RT	1



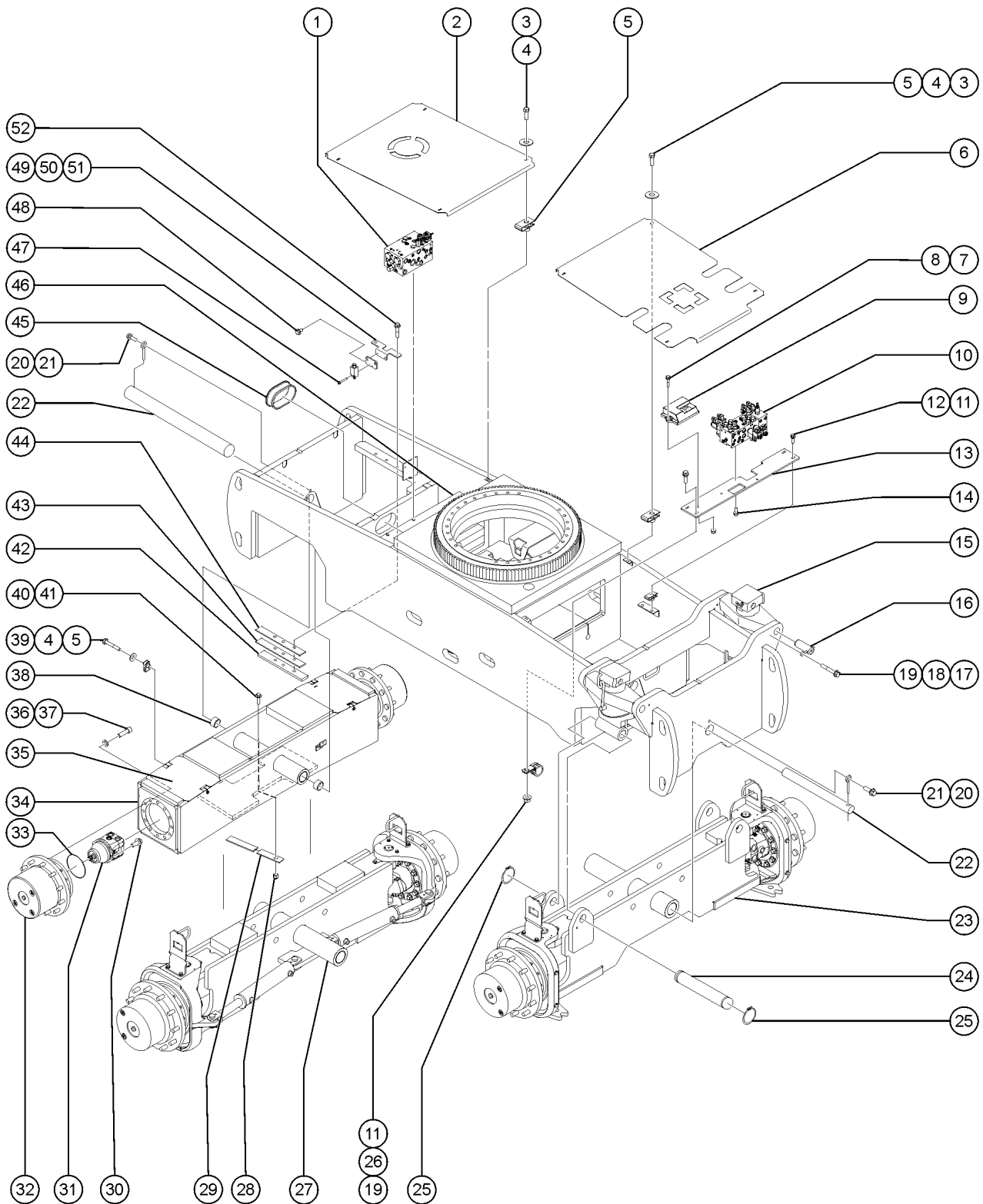
203.1 Axle Installation



Item	Part No.	Description	Qty.
	88139GT	HARNES,DRIVE CHASSIS 4WS Z-80	1
1		Ref. Traction Manifold (refer to 702.1)	
1-	237830GT	SCREW,HHF,1/2-13X1,8,ZAG	2
2	88059GT	COVER,DRIVE CHASSIS,REAR	1
3	824060GT	SCREW, HHC, 1/4-20 X 1, 8, ZAG	8
4	824113GT	WASHER,FLAT,1/4,USS,ZAG	12
5	56912GT	SPRING CLIP,1/4-20,.025-.15X.5	12
6	88058GT	COVER,DRIVE CHASSIS,FRONT	1
7	1255763GT	SCREW,HHF,5/16-18X1.5,8,ZAG	2
8	824028GT	NUT,TL FLG,5/16-18,G,ZAG	2
9	50154GT	CONTROL BOX ASSY,DRIVECHASSIS	1
10A		Ref. 2WS Oscillate Manifold (refer to 701.1)	
10B		Ref. 4WS Oscillate Manifold (refer to 702.1)	
11	824091GT	SCREW,HHF,3/8-16X1.25,8,ZAG	8
12	29868GT	SPRING CLIP,3/8-16,.05-.20X.73,ZAG	7
13	88103GT	PLATE,STEER MANIFOLD MOUNT	1
14	824090GT	SCREW,HHF,3/8-16X1,8,ZAG	2
15	81330GT	CYLINDER,OSCILLATE***	2
15-	30221GT	BEARING,1.75IDX2.00ODX1.50LG	8
15-	33428GT	VALVE,COUNTERBALANCE	
15-	43018GT	SEAL KIT (39345)	
15-	77519GT	SEAL KIT,OSC CYLINDER (81330)*	
16	81498GT	PIN,1.75DIA X 4.50LG,THREADED	4
17	1256856GT	SCREW,HHF,3/8-16X2.5,8,ZAG	4
18	825019GT	ROD END, .375X3.69, ZAG	4
19	824029GT	NUT,TL FLG,3/8-16,G,ZAG	5
20	1253498GT	SCREW,HHF,1/2-13X1.5,8,ZAG	2
21	1256267GT	ROD END,.5 X 3.75,ZAG	2



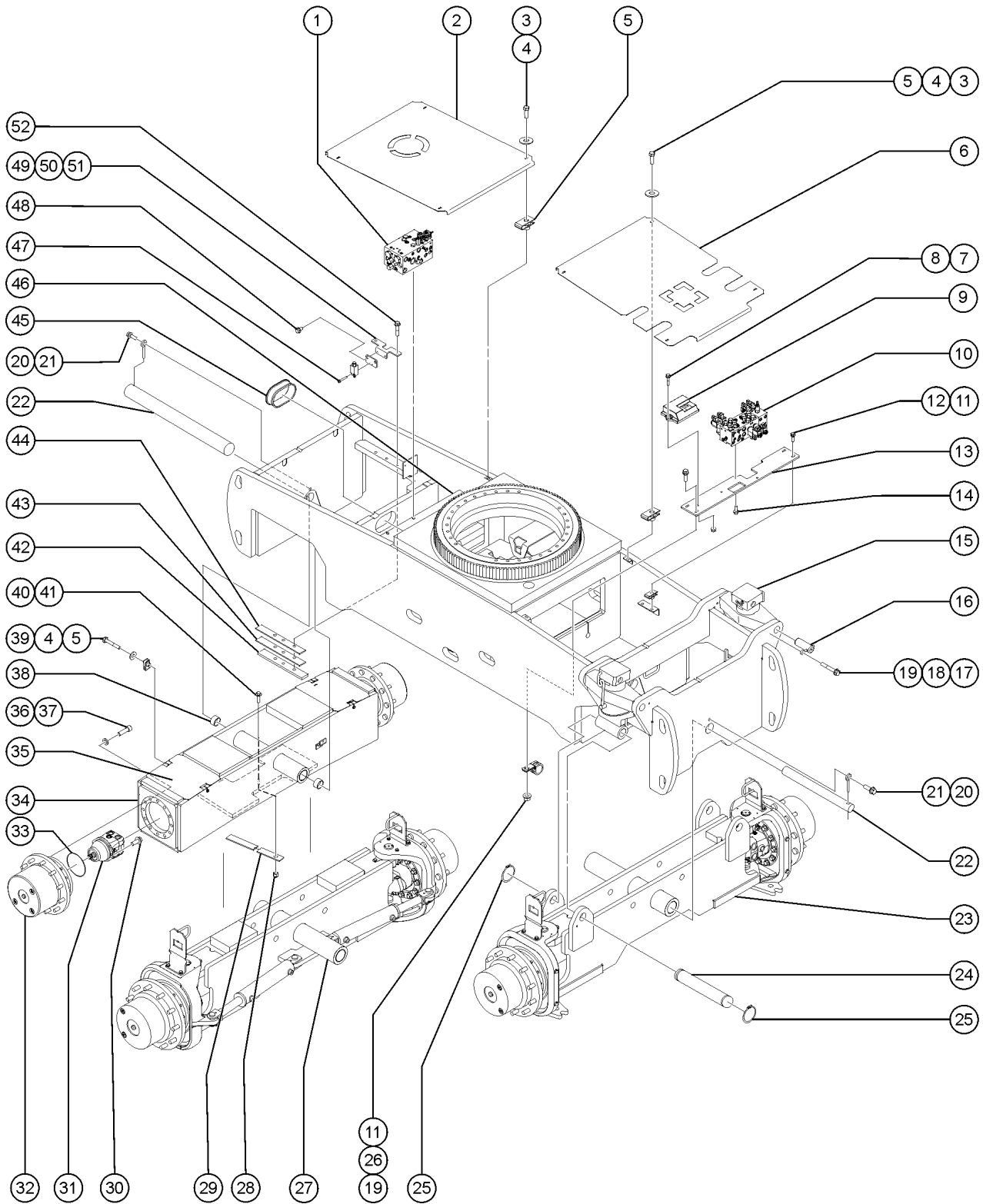
203.1 Axle Installation



Item	Part No.	Description	Qty.
22	81378GT	PIN,2.50DIA X 27.63LG,1HOLE	2
23		Ref. FRONT STEER AXLE ASSY	
		(refer to 202.1)	
24	121371GT	PIN,1.75DIA X 10.50LG,2 RING	2
25	825759GT	SNAP RING,EXTERNAL,1.75,ZAG	4
26	61109GT	CLAMP,1.25,#20 X 7/16,RUB CSH	1
27	230992GT	ASSY,STEER AXLE NON OSC,W/BEAR	1
		(refer to 201.1 and 202.1)	
28	6198GT	NUT,NYLOK,1/2-13	1
		From Z80H-8184	
29	107578GT	GROUND STRAP,24"LONG	1
		From Z80H-8184	
30	824134GT	SCREW,HHF,M12-1.75X30,DIN6921,	4
31		Ref. MOTOR,PISTON,2 SPEED,45CC	2
		(refer to 201.1)	
32		Ref. WHEEL DRIVE,	2
		(refer to 201.1)	
33	106118GT	O-RING,2-157,VITON***	2
33-	106117GT	O-RING,2-010,VITON	
34	230989GT	ASSY,NON-STEER AXLE W/BEARINGS	1
35	1310985GT	ASSEMBLY, COVER, REAR AXLE, GENIE BLUE	2
36	1269593GT	SCREW,SHC,M16-2.0X55,DIN912,12.9,ZAB	24
37	825348GT	WASHER,FLAT,M16,DIN6916,HRD,ZAB	24
38	27698GT	BEARING,2.50ID X 2.75OD X 2.00L	2
39	824063GT	SCREW, HHC, 1/4-20 X 1.75, 8, ZAG	4
40	104235GT	SCREW,HHC,1/2-13X2.25 GRD 8	1
		From Z80H-8184	
41	6095GT	WASHER,FLAT,USS,1/2",Y	1
		From Z80H-8184	
42	1310158GT	ASSY, BAR,AXLE ROTATION STOP, GENIE BLUE	2
43	81609GT	SHIM,AXLE ROTATION STOP,22G	2
44	81610GT	SHIM,AXLE ROTATION STOP,16G	2
45	53387GT	GUARD, HOSE PROTECTOR	2
46	146340GT	PLATE, MANIFOLD MOUNT	1
47	49817GT	SCREW,PHILLIPS,PHM,10-32 X1.25	4
48	1256857GT	SCREW,HHF,3/8-16X.625,8,ZAG	4



203.1 Axle Installation

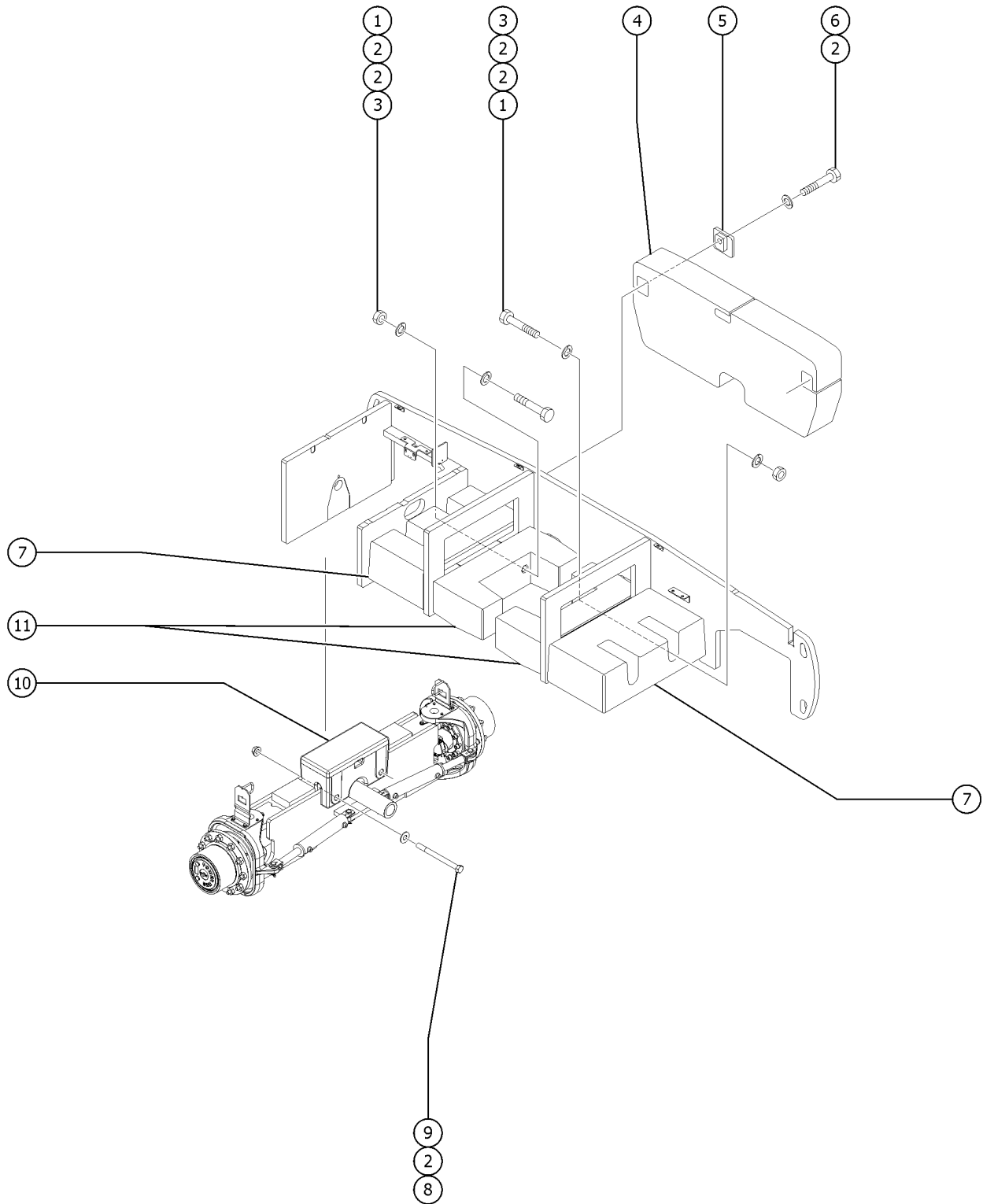


203.1 Axle Installation

<i>Item</i>	<i>Part No.</i>	<i>Description</i>	<i>Qty.</i>
49	88082GT	FORMING,SWITCH MOUNT	2
50	88083GT	PLATE,SWITCH MOUNT	2
51	88383GT	HARNESS,LS,OP,OSCILLATE,LH	
51-	88382GT	HARNESS,LS,OP,OSCILLATE,RH	
		(not Shown)	
52	1255802GT	SCREW,HHF,1/2-13X2.5,8,ZAG	6



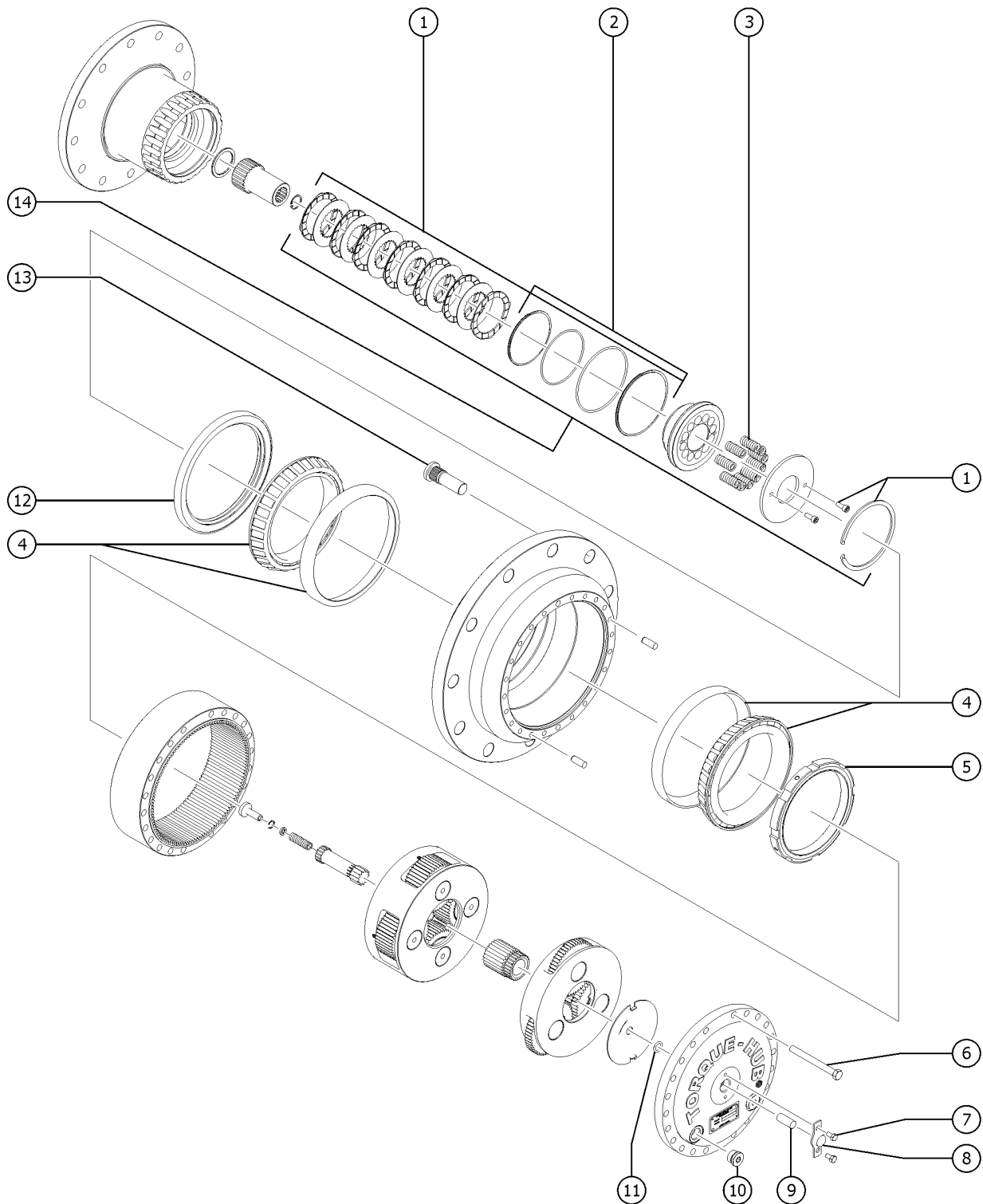
204.1 Drive Chassis and Axle Counterweights



204.1 Drive Chassis and Axle Counterweights

<i>Item</i>	<i>Part No.</i>	<i>Description</i>	<i>Qty.</i>
1	826794GT	NUT,TL,1-8,C,ZAGRING	4
2	1256469GT	WASHER,FLAT,1.0,USS,ZAG	
3	1268832GT	SCREW,HHC,1-8X19.5,2,ZAG	4
4	111533GT	PLATE,CW,HI-FLO,SAND,OPT,LH	1
4-	94723GT	PLATE,CW,HI-FLO,SAND OPT,RH	
5	94726GT	WELDMENT,COUNTERWEIGHT,PLUG	4
6	1268833GT	SCREW,HHC,1-8X4.5,5,ZAG	4
7	88482GT	CASTING,CHASSIS WEIGHT	2
8	1255389GT	SCREW,HHC,1-8X12,5,ZAG	4
9	824031GT	NUT,TL FLG,1-8,G,ZAG	4
10	88483GT	CASTING,AXLE COUNTERWEIGHT	2
11	34767GT	CASTING,DRV.CHAS.COUNTERWEIGHT	2

205.1 Drive Hub Assembly with Brake - Type 1 (from SN 6400 to 6528 and from 6862 to 6911)

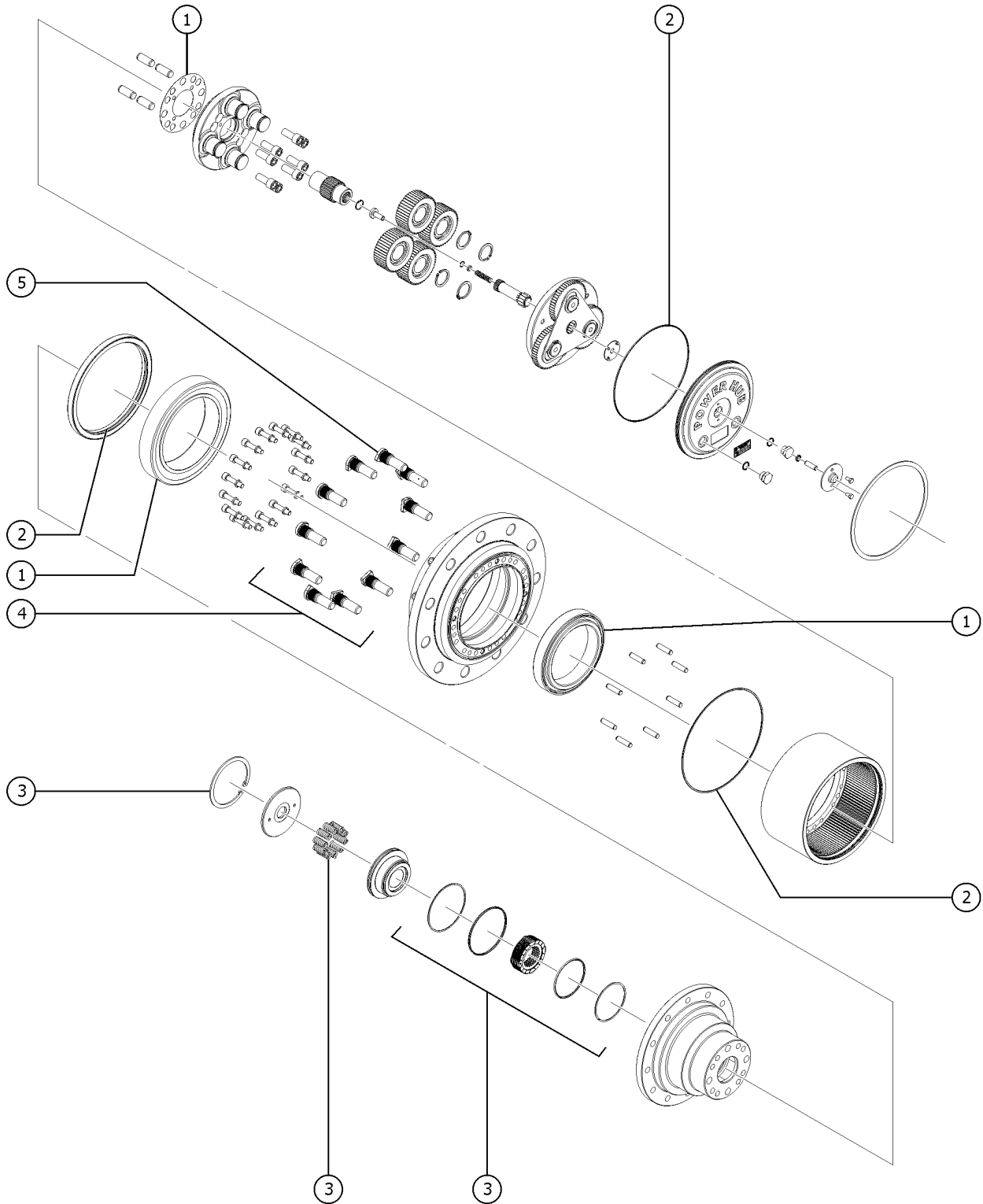


205.1 Drive Hub Assembly with Brake - Type 1 (from SN 6400 to 6528 and from 6862 to 6911)

Item	Part No.	Description	Qty.
-	227775GT	WHEEL DRIVE,W/BRAKE 57.49:1 shown	
-	215623GT	SEAL KIT (227775) for 227775	
-	1286605GT	BEARING KIT,WHEEL DRIVE W/BRAKE (227775) for 227775	
1	235133GT	Brake Lining Kit	1
2	235139GT	Brake Seal Kit	1
3	235140GT	Spring Kit	1
4	235137GT	BEARING, TAPERED - ASSY	2
5	146051GT	BEARING NUT***	1
6	235151GT	BOLT,HEX-UNC(.375-16)	22
7	111362GT	BOLT,WHEEL DRIVE CAP(106122)	2
8	106122GT	CAP,DISENGAGE,4HP/4HB***	1
9	235152GT	DISENGAGE, ROD	1
10	235153GT	PIPE PLUG, MAGN	2
11	111363GT	O-RING,DISCONNECT ROD (111060)	1
12	215623GT	SEAL KIT (227775) for 227775 (inventory limited to stock on hand as component is no longer available)	
12	1286604GT	SEAL KIT,WHEEL DRIVE W/BRAKE (227775) for 227775	
13	33441GT	STUD,WHEEL,3/4-16, (34115)	11
14	235150GT	Brake Replacement Kit	1



205.2 Drive Hub Assembly with Brake - Type 1 (from SN 6529 to 6861 and from 6912)

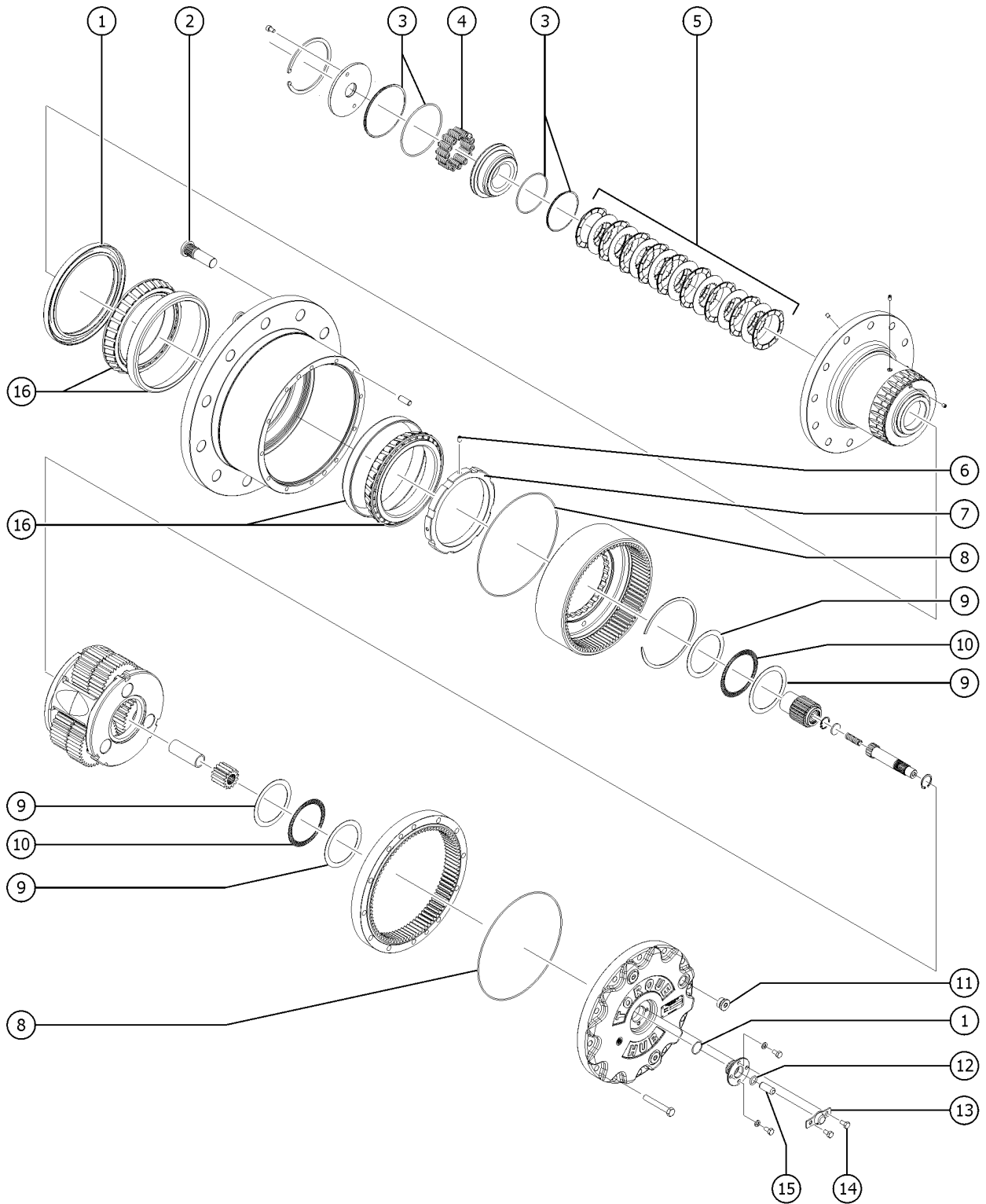


205.2 Drive Hub Assembly with Brake - Type 1 (from SN 6529 to 6861 and from 6912)

<i>Item</i>	<i>Part No.</i>	<i>Description</i>	<i>Qty.</i>
A	1278063GT	WHEEL DRIVE,W/BRAKE, OMNI, 57.49:1	1
1	1278065GT	KIT, BEARING REPLACEMENT, OMNI VB11	1
2	1278066GT	KIT, OIL SEAL REPLACEMENT, OMNI VB11	1
3	1278064GT	KIT, BRAKE REPLACEMENT, OMNI VB11	1
4	1278067GT	KIT, WHEEL STUD REPLACEMENT, OMNI VB11	1
5	1278068GT	WHEEL STUD, OMNI VB11	1



206.1 Drive Hub Assembly with Brake - Type 2

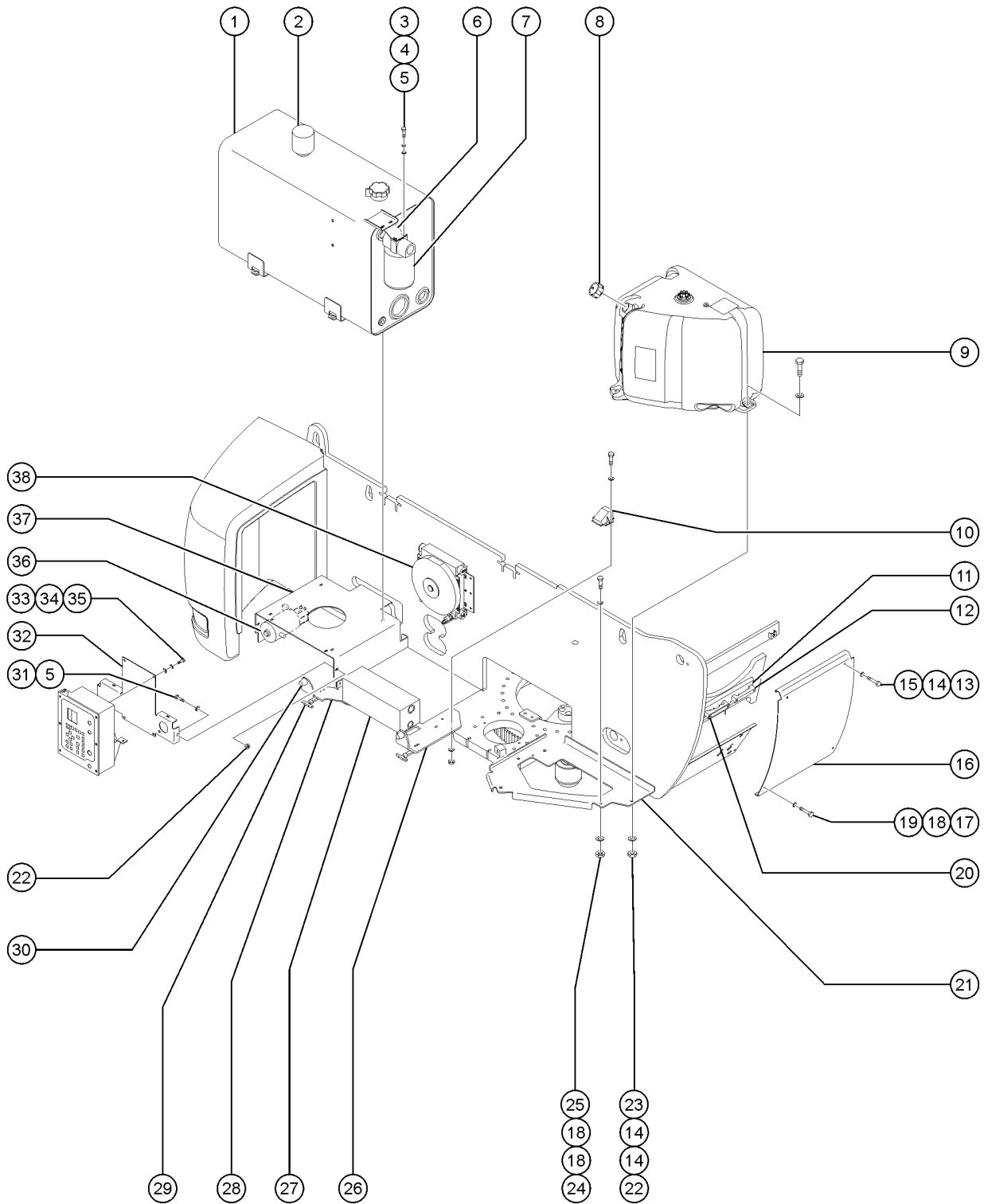


206.1 Drive Hub Assembly with Brake - Type 2

Item	Part No.	Description	Qty.
A	227776GT	WHEEL DRIVE W/BRAKE 86.74:1	
1	T111507GT	SEAL KIT (121291)*** includes items 8 and 12	1
2	33441GT	STUD,WHEEL,3/4-16, (34115)	11
3	122878GT	BRAKE LINING KIT (121291)	1
4	122879GT	SPRING KIT (121291)	1
5	106125GT	SEAL KIT, BRAKE, 4HP for 101584 (inventory limited to stock on hand as component is no longer available)	
5	1286602GT	SEAL KIT,WHEEL DRIVE W/BRAKE (101584/101585) for 101584	
6	146052GT	SET SCREW***	1
7	146051GT	BEARING NUT***	1
8	33990GT	O-RING, TORQUE HUB COVER	2
		part of seal kit T111507	
9	58999GT	WASHER,THRUST,(33434)**	4
10	65846GT	BEARING,THRUST WASHER***	2
11	58237GT	PLUG,TORQUE HUB,DRAIN***	3
12	111363GT	O-RING,DISCONNECT ROD (111060)	1
		part of seal kit T111507	
13	106122GT	CAP,DISENGAGE,4HP/4HB***	1
14	235154GT	BOLT,HEX-UNC(.250-20, .500G)	4
15	235152GT	DISENGAGE, ROD	1
16	235137GT	BEARING, TAPERED - ASSY	2



301.1 Hydraulic and Fuel Tanks

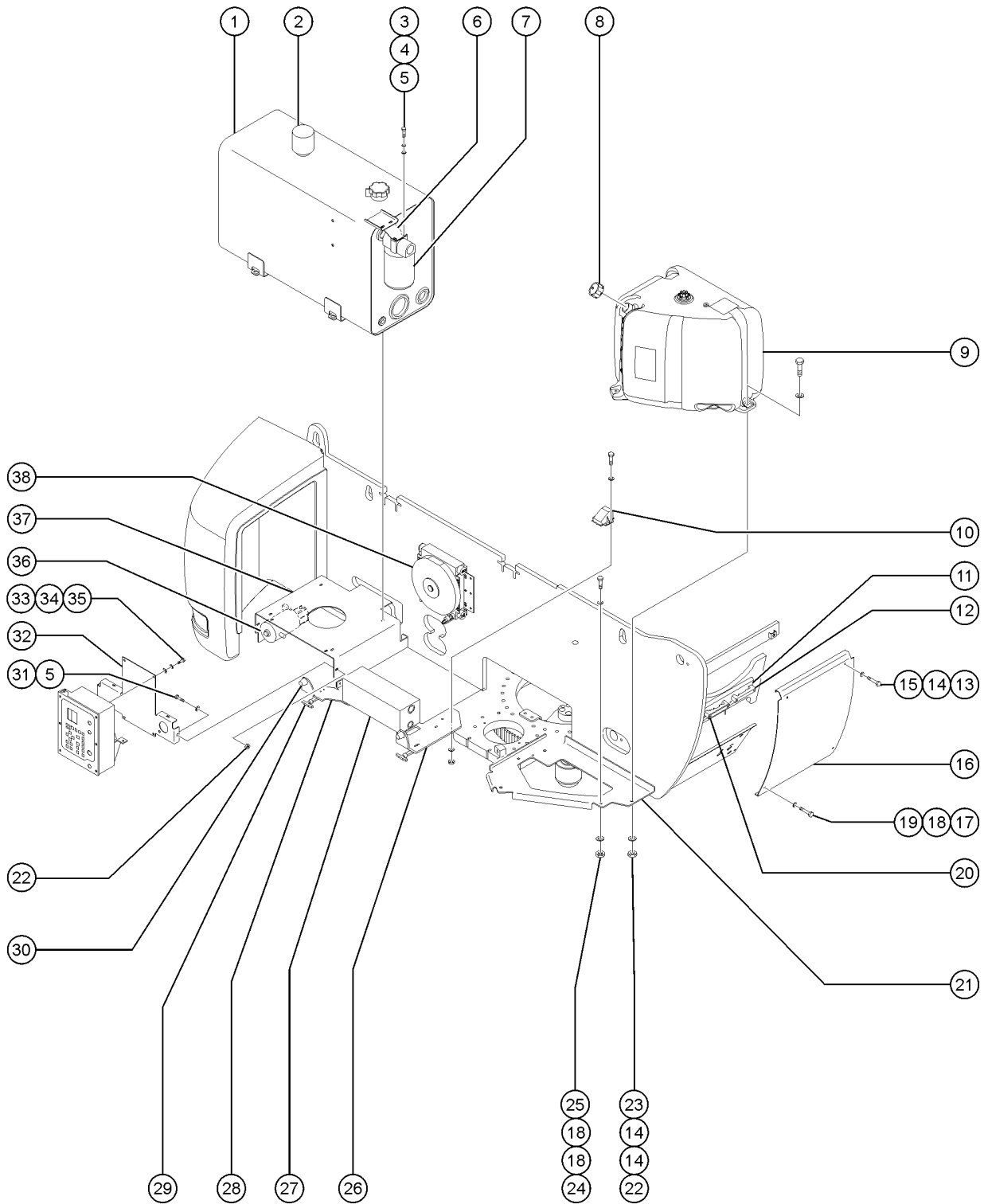


301.1 Hydraulic and Fuel Tanks

Item	Part No.	Description	Qty.
-	88154GT	HARNES,BATT TO APU SOLENOID	
-	88155GT	HARNES,APU TO ENGINE BLOCK	
1	61413GT	TANK,HYDRAULIC,45 GALLON	1
1-	21141GT	GAUGE-SIGHT,LHA-LGTB***	
1-	75113GT	FILLER NECK/CAP ASSY.HYD TANK*	
1-	75253GT	STRAINER ASSY,#16 O-RING	
1-	75257GT	STRAINER ASSY,#24 O-RING	
1-	824090GT	SCREW,HHF,3/8-16X1,8,ZAG	4
		(from SN Z80H-7148)	
1-	29868GT	SPRING CLIP,3/8-16,.05-.20X.73,ZAG	4
		(from SN Z80H-7148)	
2	60559GT	BREATHER,RESERVOIR 3 MICRON***	1
3	13002GT	SCREW,HHC,5/16-18 X 1 GR5	
		(to SN Z80H-7147)	
3B	824085GT	SCREW,HHF,5/16-18X.75,8,ZAG	2
		(from SN Z80H-7148)	
4	6886GT	WASHER,LOCK,.313	
		(to SN Z80H-7147)	
5	5397GT	WASHER,FLAT,USS,5/16",Y	
		(to SN Z80H-7147)	
6	60936PGT	BRACKET,RETURN FILTER***	1
6-	824085GT	SCREW,HHF,5/16-18X.75,8,ZAG	2
		(from SN Z80H-7148)	
6-	1274167GT	NUT,NYLOCK FLG,5/16-18,F,ZAG	2
		(from SN Z80H-7148)	
7	60508GT	FILTER,RETURN,ASSY 10 MICRON	1
7-	228823GT	FILTER ELEMENT,BETA(10)=1000	
		use with hydraulic fluid fire resistant option	
7-	52768GT	GAUGE,MED.PRESSUR FILTER,50530	
7-	61326GT	FILTER ELEMENT,10 MICRON,60508	
8	101726GT	CAP,FUEL,DIESEL,1/8"VENT(GRN)	1
		diesel models	
9	77675GT	ASSY,FUEL TANK Z80	1
9-	60890GT	SENDER,LOW FUEL INDICATOR	
9-	61234GT	FUEL RETURN,DAPCO 18.75	
		Deutz models	
9-	61240GT	BUSHING,FUEL TANK FITTING (SM)	
9-	88091GT	FUEL RETURN,DAPCO 1/4"	
		Perkins models	
9B		Gasoline/LPG fuel tanks	
		(refer to 302.1)	



301.1 Hydraulic and Fuel Tanks

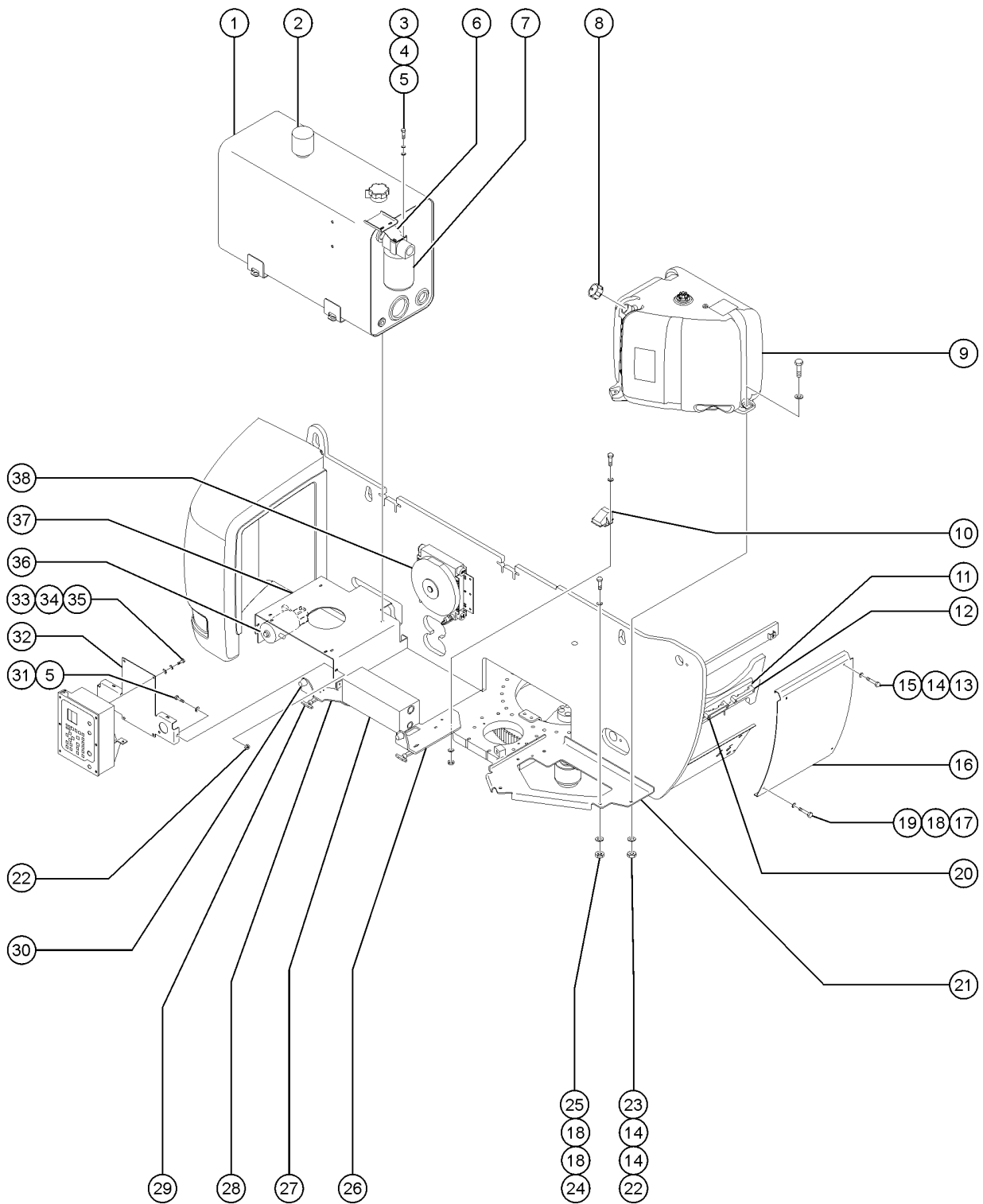


301.1 Hydraulic and Fuel Tanks

Item	Part No.	Description	Qty.
9C	1274331GT	ASSY, FUEL TANK, 35GAL, DIESEL (to SN Z80H-7415)	
9C-	824215GT	SCREW, PHPM, 10-32 X .75, ZAG 5	
9C-	1271770GT	SENSOR, FUEL LEVEL, 30" DIESEL	
9C-	1271772GT	CAP, TANK, FUEL SENSOR	
9C-	1271773GT	GASKET, TANK, FUEL SENSOR	
9C-	54324GT	FITTING,BULKHEAD,3/8NPT,FUELTK	
9C-	823356GT	TUBE,FUEL RETURN,3/8X3/8X23.5	
9D	1274249GT	ASSY,FUEL TANK, 35 GAL, PLASTIC FS 1 (from SN Z80H-7416)	
9D-	1274331GT	ASSY, FUEL TANK, 35GAL, DIESEL	
9D-	824215GT	SCREW, PHPM, 10-32 X .75, ZAG	
9D-	1271770GT	SENSOR, FUEL LEVEL, 30" DIESEL	
9D-	54324GT	FITTING,BULKHEAD,3/8NPT,FUELTK	
9D-	823356GT	TUBE,FUEL RETURN,3/8X3/8X23.5	
10	50161GT	SENSOR,TILT TURNTABLE(PLSTC)** 1	
10-	824079GT	SCREW,HHF,1/4-20X1,8,ZAG 2 (from SN Z80H-7148)	
11	88227PGT	FORMING,HOSE CHAFE PROTECTOR	
11-	824090GT	SCREW,HHF,3/8-16X1,8,ZAG 2 (from SN Z80H-7148)	
11-	29868GT	SPRING CLIP,3/8-16,.05-.20X.73,ZAG 2 (from SN Z80H-7148)	
12	88107GT	CLAMP RISER CABLETRACK-LEFT	
12-	88251GT	PLATE,HOSE CLAMP	
12-	1253478GT	SCREW,HHF,3/8-16X2,8,ZAG 2 (from SN Z80H-7148)	
12-	1274322GT	NUT,NYLOCK FLG,3/8-16,F,ZAG 2 (from SN Z80H-7148)	
13	6175GT	SCREW,HHC,3/8-16 X 1 (to SN Z80H-7147)	
13B	824090GT	SCREW,HHF,3/8-16X1,8,ZAG 2 (from SN Z80H-7148)	
14	6097GT	WASHER,FLAT,USS,3/8",Y (to SN Z80H-7147)	
15	29868GT	SPRING CLIP,3/8-16,.05-.20X.73,ZAG 2	
16	88121PGT	FORMING,TRNTBLE UPPER CNTR CVR 1	
17	6888GT	SCREW,HHC,1/4-20 X 1 (to SN Z80H-7147)	



301.1 Hydraulic and Fuel Tanks

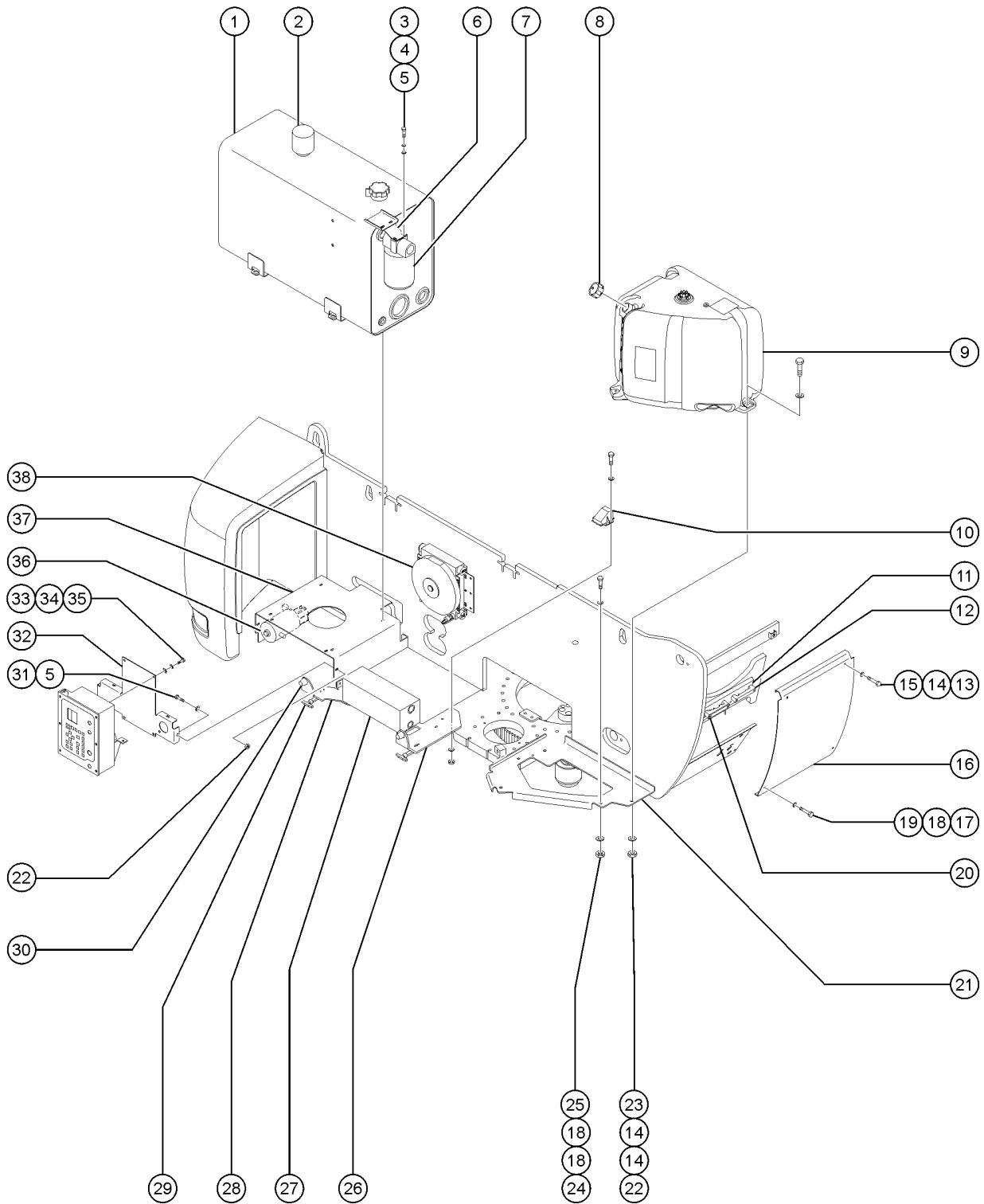


301.1 Hydraulic and Fuel Tanks

Item	Part No.	Description	Qty.
17B	824079GT	SCREW,HHF,1/4-20X1,8,ZAG (from SN Z80H-7148)	2
18	6638GT	WASHER,FLAT,USS,1/4"Y (to SN Z80H-7147)	
19	56912GT	SPRING CLIP,1/4-20,.025-.15X.5	2
20	102309GT	CLAMP,CABLE TRACK RISER,R.S.	1
20-	88251GT	PLATE,HOSE CLAMP	
20-	1253478GT	SCREW,HHF,3/8-16X2,8,ZAG (from SN Z80H-7148)	2
20-	1274322GT	NUT,NYLOCK FLG,3/8-16,F,ZAG (from SN Z80H-7148)	2
21	81829PGT	FORMING,FUEL TANK TRAY	1
22	4828GT	NUT,NYLOCK,3/8-16 (to SN Z80H-7147)	
22B	1274322GT	NUT,NYLOCK FLG,3/8-16,F,ZAG (from SN Z80H-7148)	7
23	5224GT	SCREW,HHC,3/8-16 X 2 (to SN Z80H-7147)	
23B	1253478GT	SCREW,HHF,3/8-16X2,8,ZAG (from SN Z80H-7148)	3
24	6091GT	NUT, NYLOCK, 1/4-20 (to SN Z80H-7147)	
24B	1274322GT	NUT,NYLOCK FLG,3/8-16,F,ZAG (from SN Z80H-7148)	2
25	8914GT	SCREW,HHC,1/4-20 X .625 (to SN Z80H-7147)	
25B	824090GT	SCREW,HHF,3/8-16X1,8,ZAG (from SN Z80H-7148)	1
25C	824094GT	SCREW,HHF,3/8-16X2.75,8,ZAG (from SN Z80H-7148)	1
26	88045PGT	FORMING,MANIFOLD SUPPORT	1
26-	824095GT	SCREW, HHF, 3/8-16 X 3, 8, ZAG (from SN Z80H-7148)	2
26-	1274322GT	NUT,NYLOCK FLG,3/8-16,F,ZAG (from SN Z80H-7148)	2
27		REF. Function Manifold (refer to 704.1 and 705.1)	1
27-	824090GT	SCREW,HHF,3/8-16X1,8,ZAG (from SN Z80H-7148)	4
28	88046PGT	FORMING,MANIFOLD SUPPORT	1
28-	824091GT	SCREW,HHF,3/8-16X1.25,8,ZAG (from SN Z80H-7148)	2
28-	1274322GT	NUT,NYLOCK FLG,3/8-16,F,ZAG (from SN Z80H-7148)	2
29	45363GT	LATCH,FLEXIBLE (refer to 306.2)	2
29-	6146GT	WASHER,FLAT,MS,#10,Y (to SN Z80H-7147)	
29-	6178GT	NUT,NYLOCK,10-32 (to SN Z80H-7147)	



301.1 Hydraulic and Fuel Tanks

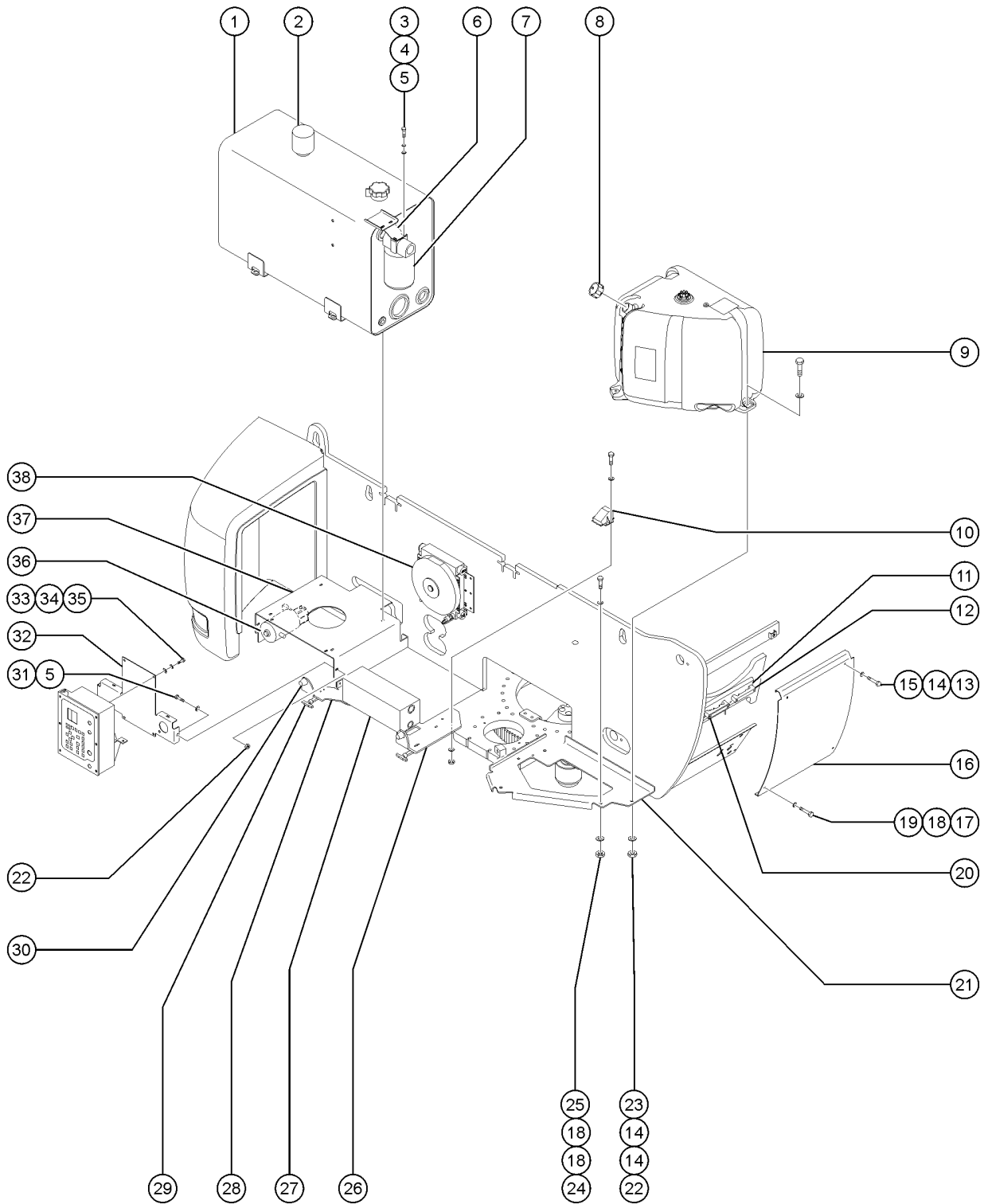


301.1 Hydraulic and Fuel Tanks

Item	Part No.	Description	Qty.
29-	75041GT	SCREW,PHILLIPS,PHM,10-32 X 1 (to SN Z80H-7147)	
30	30973GT	BUMPER,RUBBER-1 X 1.25	2
30-	5397GT	WASHER,FLAT,USS,5/16",Y (to SN Z80H-7147)	
30-	6782GT	NUT, NYLOCK, 5/16-18 (to SN Z80H-7147)	
30-	1274167GT	NUT,NYLOCK FLG,5/16-18,F,ZAG (from SN Z80H-7148)	2
31	6019GT	SCREW,HHC,3/8-16 X 1.25 GRD 5 (to SN Z80H-7147)	
31B	824091GT	SCREW,HHF,3/8-16X1.25,8,ZAG (from SN Z80H-7148)	4
32	88105PGT	FORMING,CONTROL BOX MOUNT	1
33	8914GT	SCREW,HHC,1/4-20 X .625 (to SN Z80H-7147)	
33B	1268957GT	SCREW,HHC,1/4-20X.63,8,ZAG (from SN Z80H-7148)	4
34	6356GT	WASHER,LOCK,.25 (to SN Z80H-7147)	
35	6638GT	WASHER,FLAT,USS,1/4"Y (to SN Z80H-7147)	
35B	824113GT	WASHER,FLAT,1/4,USS,ZAG (from SN Z80H-7148)	4
36	102710GT	PUMP,AUXILIARY,DUAL,12V	
36-	102659GT	PUMP,(102710 APU)	
36-	147290GT	SHAFT SEAL, APU	
36-	37187GT	SEAL KIT, 37185 PUMP	
36-	37191GT	GASKET, PUMP / MOTOR (36179)	
36-	62412GT	SOLENOID,MOTOR START,60511,APU	
36-	62413GT	MOTOR, 60511, APU, 12VDC	
36-	62414GT	SEAL, SHAFT, 60511 APU	
36-	824067GT	SCREW, HHC, 3/8-16 X 1, 8, ZAG (from SN Z80H-7148)	2
36-	825358GT	WASHER,FLAT,5/16,USS,ZAG (from SN Z80H-7148)	2
36-	66031GT	CLAMP,1.88,#30X3/8,RUB CUSH (from SN Z80H-7148)	1
37	88044PGT	FORMING,TANK SUPPORT (to SN Z80H-7147)	1
37B	1286158GT	WELDMENT,TANK SUPPORT (from SN Z80H-7148)	1
37B-	824093GT	SCREW,HHF,3/8-16X1.75,8,ZAG	3
37B-	1274322GT	NUT,NYLOCK FLG,3/8-16,F,ZAG	3



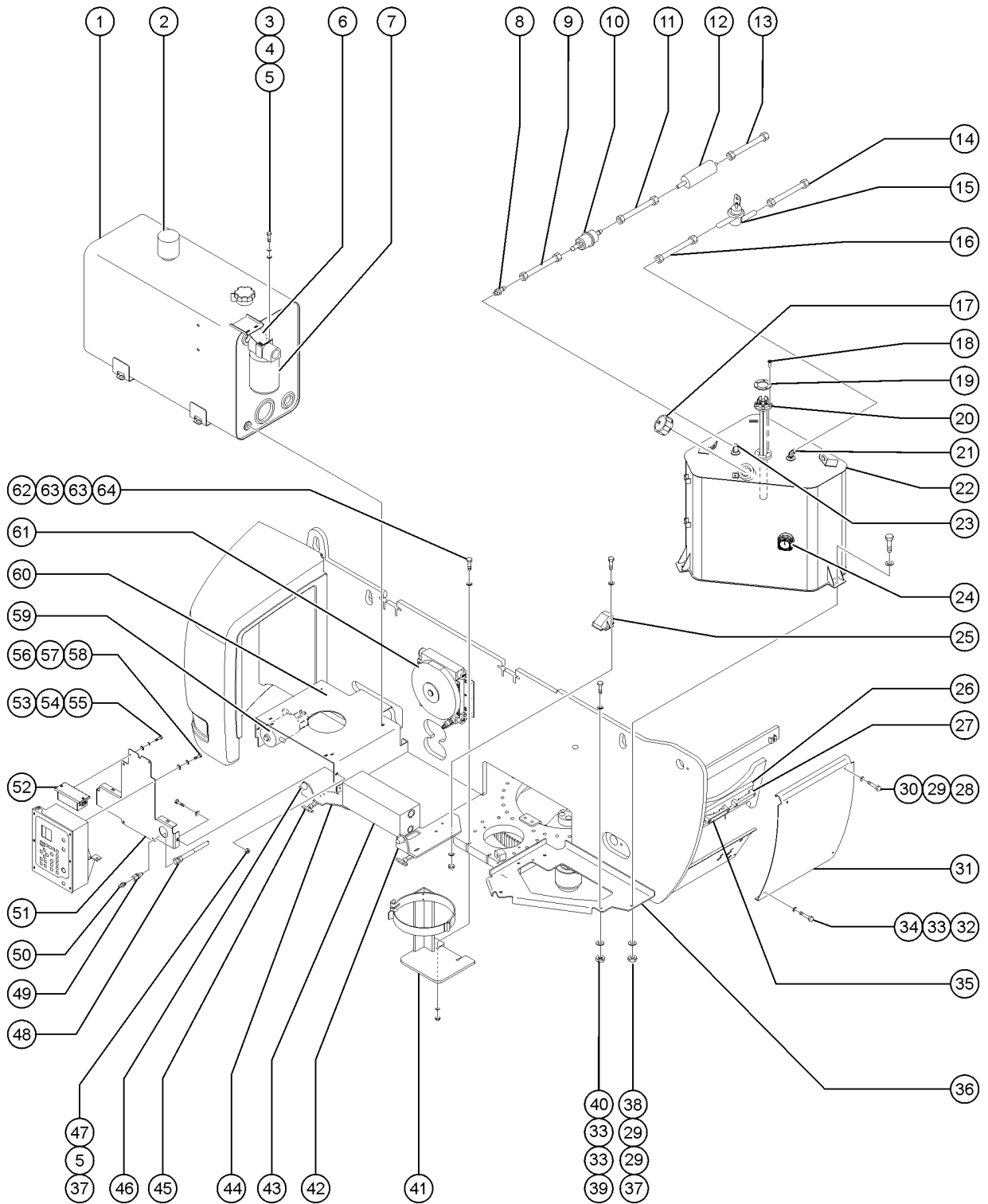
301.1 Hydraulic and Fuel Tanks



301.1 Hydraulic and Fuel Tanks

<i>Item</i>	<i>Part No.</i>	<i>Description</i>	<i>Qty.</i>
38	71259GT	OIL COOLER W/FAN, 12VDC	1
38-	13918GT	SCREW,HHC,3/8-16 X 1.75,GRD.8 (to SN Z80H-7147)	4
38-	1256847GT	SCREW,HHC,3/8-16X1.75,8,ZAG (from SN Z80H-7148)	2
38-	6097GT	WASHER,FLAT,USS,3/8",Y (to SN Z80H-7147)	
38-	1255758GT	WASHER,FLAT,3/8,USS,ZAG (from SN Z80H-7148)	4
38-	4828GT	NUT,NYLOCK,3/8-16 (to SN Z80H-7147)	
38-	1274166GT	NUT,NYLOCK,3/8-16,C,ZAG (from SN Z80H-7148)	2
38-	75854GT	FAN - VENTED	
38-	75855GT	THERMOSTAT -OIL COOLER (71259)	

302.1 Hydraulic and Fuel Tanks - Gasoline/LPG Models

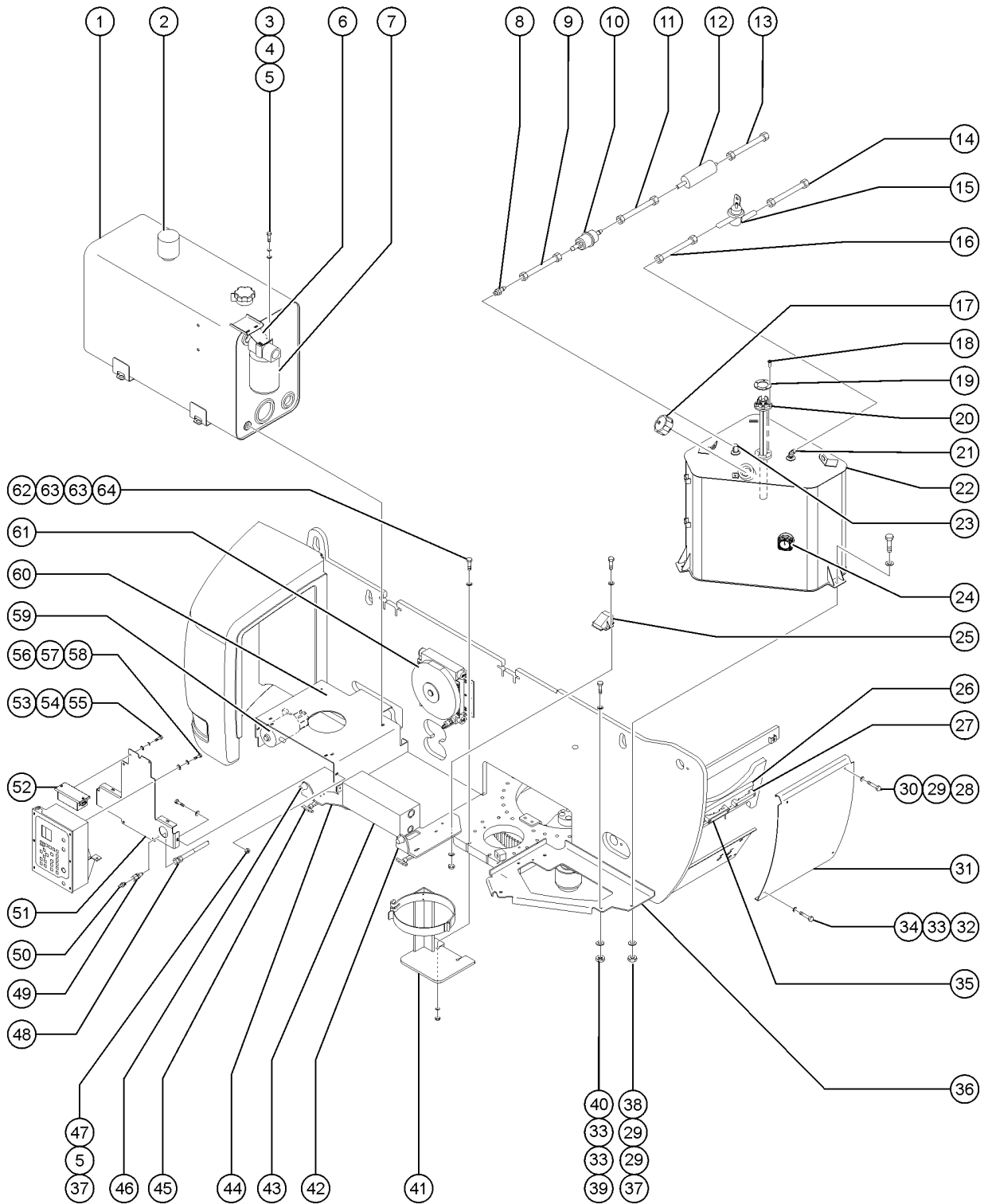


302.1 Hydraulic and Fuel Tanks - Gasoline/LPG Models

Item	Part No.	Description	Qty.
-	88154GT	HARNESS,BATT TO APU SOLENOID	
-	88155GT	HARNESS,APU TO ENGINE BLOCK	
1	61413GT	TANK,HYDRAULIC,45 GALLON	1
1-	21141GT	GAUGE-SIGHT,LHA-LGTB***	
1-	75253GT	STRAINER ASSY,#16 O-RING	
1-	75257GT	STRAINER ASSY,#24 O-RING	
1-	824090GT	SCREW,HHF,3/8-16X1,8,ZAG (from SN Z80H-7148)	4
1-	29868GT	SPRING CLIP,3/8-16,.05-.20X.73,ZAG (from SN Z80H-7148)	4
2	60559GT	BREATHER,RESERVOIR 3 MICRON***	1
3	13002GT	SCREW,HHC,5/16-18 X 1 GR5 (to SN Z80H-7147)	
3B	824085GT	SCREW,HHF,5/16-18X.75,8,ZAG (from SN Z80H-7148)	2
4	6886GT	WASHER,LOCK,.313 (to SN Z80H-7147)	
5	5397GT	WASHER,FLAT,USS,5/16",Y (to SN Z80H-7147)	
6	60936PGT	BRACKET,RETURN FILTER***	1
6-	824085GT	SCREW,HHF,5/16-18X.75,8,ZAG (from SN Z80H-7148)	2
6-	1274167GT	NUT,NYLOCK FLG,5/16-18,F,ZAG (from SN Z80H-7148)	2
7	60508GT	FILTER,RETURN,ASSY 10 MICRON	1
7-	228823GT	FILTER ELEMENT,BETA(10)=1000 use with hydraulic fluid fire resistant option	
7-	52768GT	GAUGE,MED.PRESSUR FILTER,50530	
7-	61326GT	FILTER ELEMENT,10 MICRON,60508	
8	111818GT	FITTING,1/4 NPT X SAE J2044	1
9	111817-9375GT	ASSY,FUEL HOSE	
10	111797GT	FILTER, GAS, SAE J2044 FITTING	1
11	111817-0725GT	HOSE ASSY,SAE J2260/J2044,2END	
12	111915GT	FUEL PUMP,TME 2.7L ENGINE	1
13	111817-5225GT	HOSE ASSY,SAE J2260/J2044,2END	
14	111817-1700GT	HOSE ASSY,SAE J2260/J2044,2END	1
15		Ref Fuel Pressure Regulator	
		(refer to 412.1)	



302.1 Hydraulic and Fuel Tanks - Gasoline/LPG Models

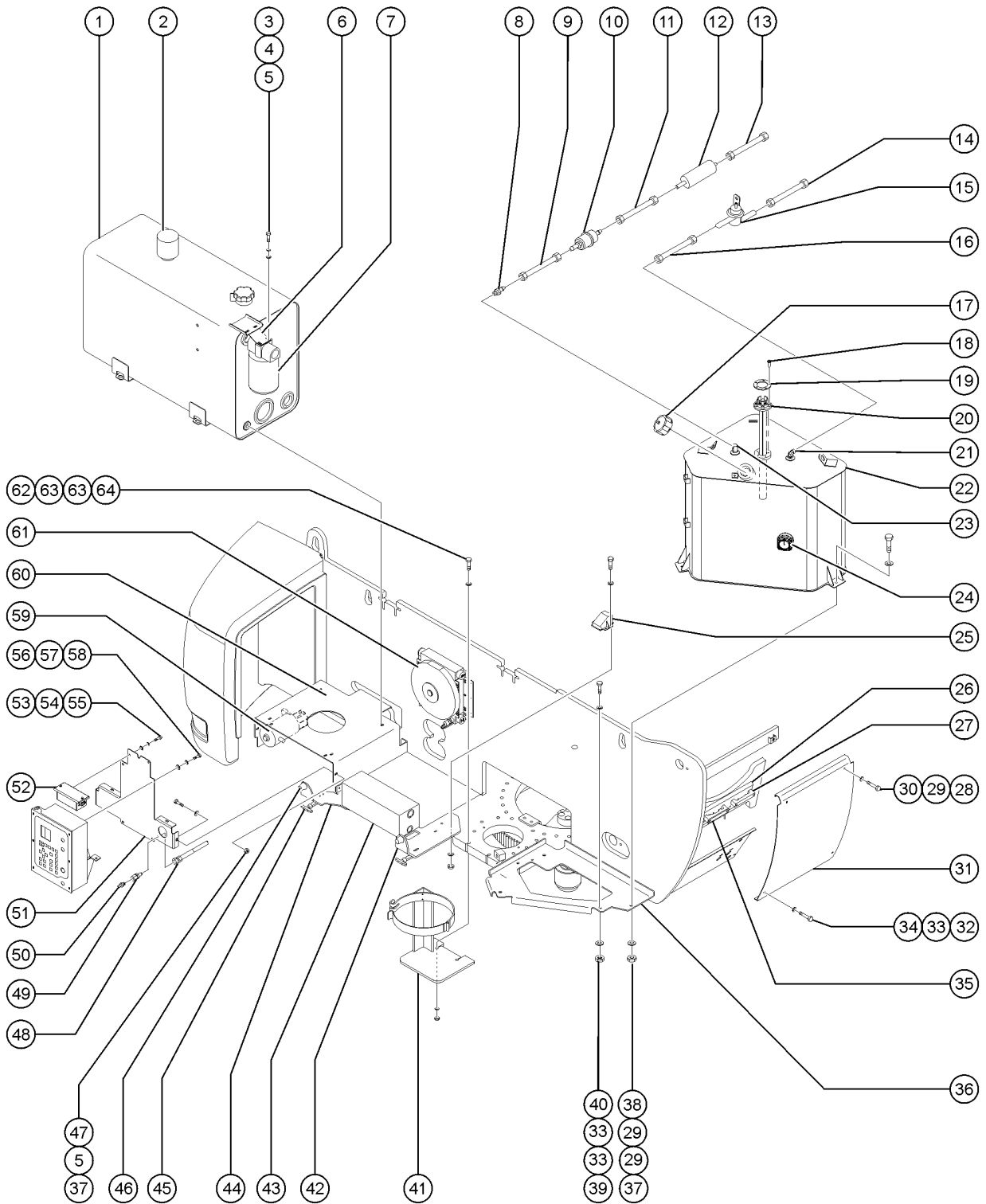


302.1 Hydraulic and Fuel Tanks - Gasoline/LPG Models

Item	Part No.	Description	Qty.
16	111817-3825GT	ASSY,FUEL HOSE	
17	119918GT	CAP,FUEL,GASOLINE 3.5PSI	
18	49826GT	SCREW,PHILLIPS,PHM,10-32 X.625	
19	146551GT	GASKET, FUEL LEVEL SENDER, Z80	
20	60890GT	SENDER,LOW FUEL INDICATOR	
21	128081GT	ELBOW,90D,1/4FPTX3/8MPT	
22	146415GT	TANK ASSY, GAS, 30 GAL. includes items 18, 19, 21, 23 and 24	
23	146417GT	ASSY, FUEL PICKUP TUBE	
24	146413GT	GAUGE, FUEL LEVEL, 20/30 GAL	
25	50161GT	SENSOR,TILT TURNTABLE(PLSTC)**	1
25-	824079GT	SCREW,HHF,1/4-20X1,8,ZAG (from SN Z80H-7148)	2
26	88227PGT	FORMING,HOSE CHAFE PROTECTOR	
26-	824090GT	SCREW,HHF,3/8-16X1,8,ZAG (from SN Z80H-7148)	2
26-	29868GT	SPRING CLIP,3/8-16,.05-.20X.73,ZAG (from SN Z80H-7148)	2
27	88107GT	CLAMP RISER CABLETRACK-LEFT	
27-	88251GT	PLATE,HOSE CLAMP	
27-	1253478GT	SCREW,HHF,3/8-16X2,8,ZAG (from SN Z80H-7148)	2
27-	1274322GT	NUT,NYLOCK FLG,3/8-16,F,ZAG (from SN Z80H-7148)	2
28	6175GT	SCREW,HHC,3/8-16 X 1 (to SN Z80H-7147)	
28B	824090GT	SCREW,HHF,3/8-16X1,8,ZAG (from SN Z80H-7148)	2
29	6097GT	WASHER,FLAT,USS,3/8",Y (to SN Z80H-7147)	
30	29868GT	SPRING CLIP,3/8-16,.05-.20X.73,ZAG	2
31	88121PGT	FORMING,TRNTBLE UPPER CNTR CVR	1
32	6888GT	SCREW,HHC,1/4-20 X 1 (to SN Z80H-7147)	
32B	824079GT	SCREW,HHF,1/4-20X1,8,ZAG (from SN Z80H-7148)	2
33	6638GT	WASHER,FLAT,USS,1/4"Y (to SN Z80H-7147)	
34	56912GT	SPRING CLIP,1/4-20,.025-.15X.5	2
35	102309GT	CLAMP,CABLE TRACK RISER,R.S.	1



302.1 Hydraulic and Fuel Tanks - Gasoline/LPG Models

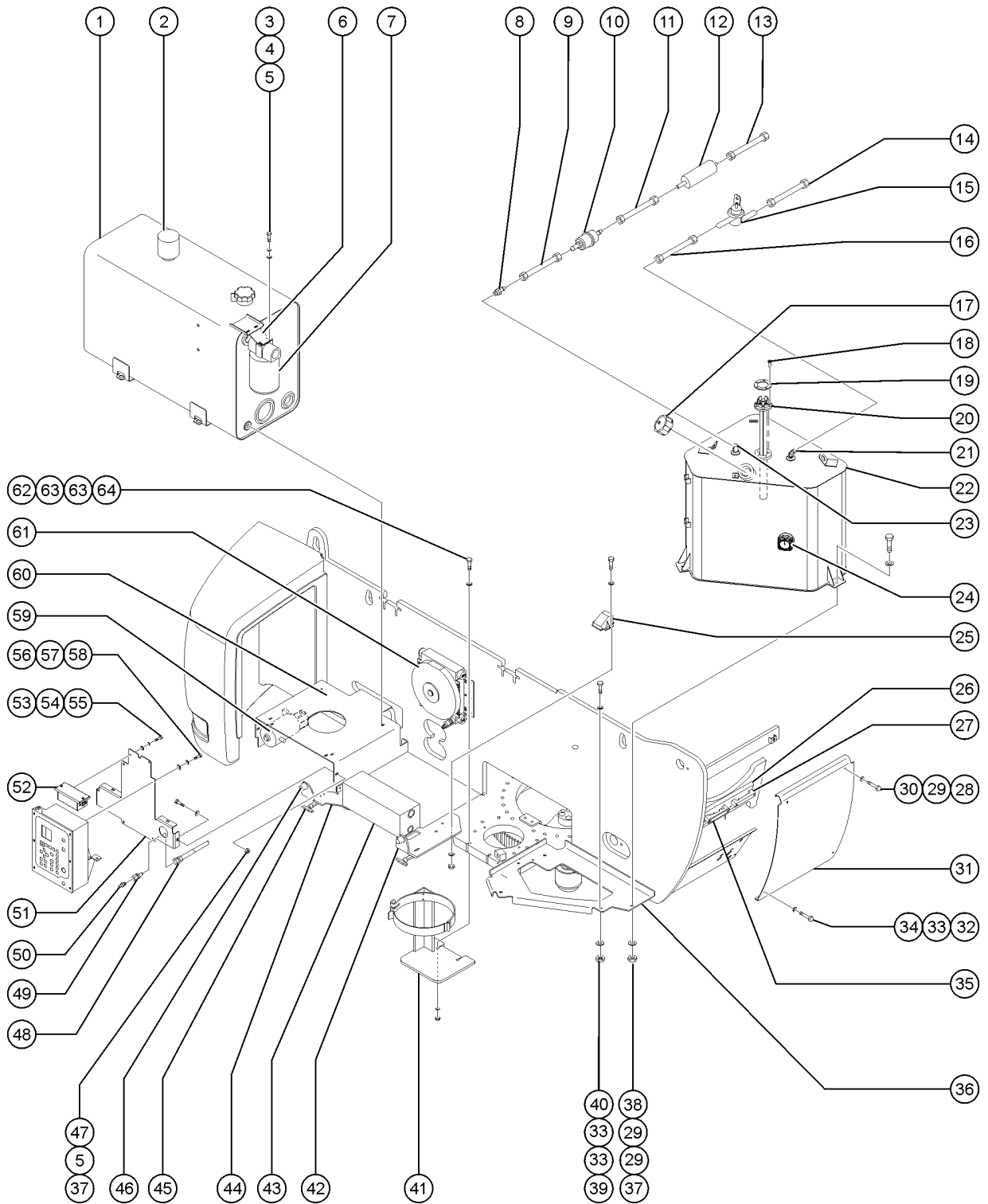


302.1 Hydraulic and Fuel Tanks - Gasoline/LPG Models

Item	Part No.	Description	Qty.
35-	88251GT	PLATE,HOSE CLAMP	
35-	1253478GT	SCREW,HHF,3/8-16X2,8,ZAG (from SN Z80H-7148)	2
35-	1274322GT	NUT,NYLOCK FLG,3/8-16,F,ZAG (from SN Z80H-7148)	2
36	81829PGT	FORMING,FUEL TANK TRAY	1
37	4828GT	NUT,NYLOCK,3/8-16 (to SN Z80H-7147)	
37B	1274322GT	NUT,NYLOCK FLG,3/8-16,F,ZAG (from SN Z80H-7148)	7
38	8516GT	SCREW,HCC,3/8-16 X 1.50 (to SN Z80H-7147)	
38B	1253478GT	SCREW,HHF,3/8-16X2,8,ZAG (from SN Z80H-7148)	3
39	6091GT	NUT,NYLOCK,1/4-20 (to SN Z80H-7147)	
39B	1274322GT	NUT,NYLOCK FLG,3/8-16,F,ZAG (from SN Z80H-7148)	2
40	8914GT	SCREW,HHC,1/4-20 X .625 (to SN Z80H-7147)	
40B	824090GT	SCREW,HHF,3/8-16X1,8,ZAG (from SN Z80H-7148)	1
40C	824094GT	SCREW,HHF,3/8-16X2.75,8,ZAG (from SN Z80H-7148)	1
41	88270GT	WELDMENT,LP BOTTLE MOUNT	1
41-	49000GT	L.P.TANK LATCH	
42	88045PGT	FORMING,MANIFOLD SUPPORT	1
42-	824095GT	SCREW,HHF,3/8-16 X 3, 8, ZAG (from SN Z80H-7148)	2
42-	1274322GT	NUT,NYLOCK FLG,3/8-16,F,ZAG (from SN Z80H-7148)	2
43		REF. Function Manifold (refer to 704.1 and 705.1)	1
43-	824090GT	SCREW,HHF,3/8-16X1,8,ZAG (from SN Z80H-7148)	4
44	88046PGT	FORMING,MANIFOLD SUPPORT	1
44-	824091GT	SCREW,HHF,3/8-16X1.25,8,ZAG (from SN Z80H-7148)	2
44-	1274322GT	NUT,NYLOCK FLG,3/8-16,F,ZAG (from SN Z80H-7148)	2
45	45363GT	LATCH,FLEXIBLE (refer to 306.2)	2
45-	6146GT	WASHER,FLAT,MS,#10,Y (to SN Z80H-7147)	
45-	6178GT	NUT,NYLOCK,10-32 (to SN Z80H-7147)	
45-	75041GT	SCREW,PHILLIPS,PHM,10-32 X 1 (to SN Z80H-7147)	
46	30973GT	BUMPER,RUBBER-1 X 1.25	2



302.1 Hydraulic and Fuel Tanks - Gasoline/LPG Models

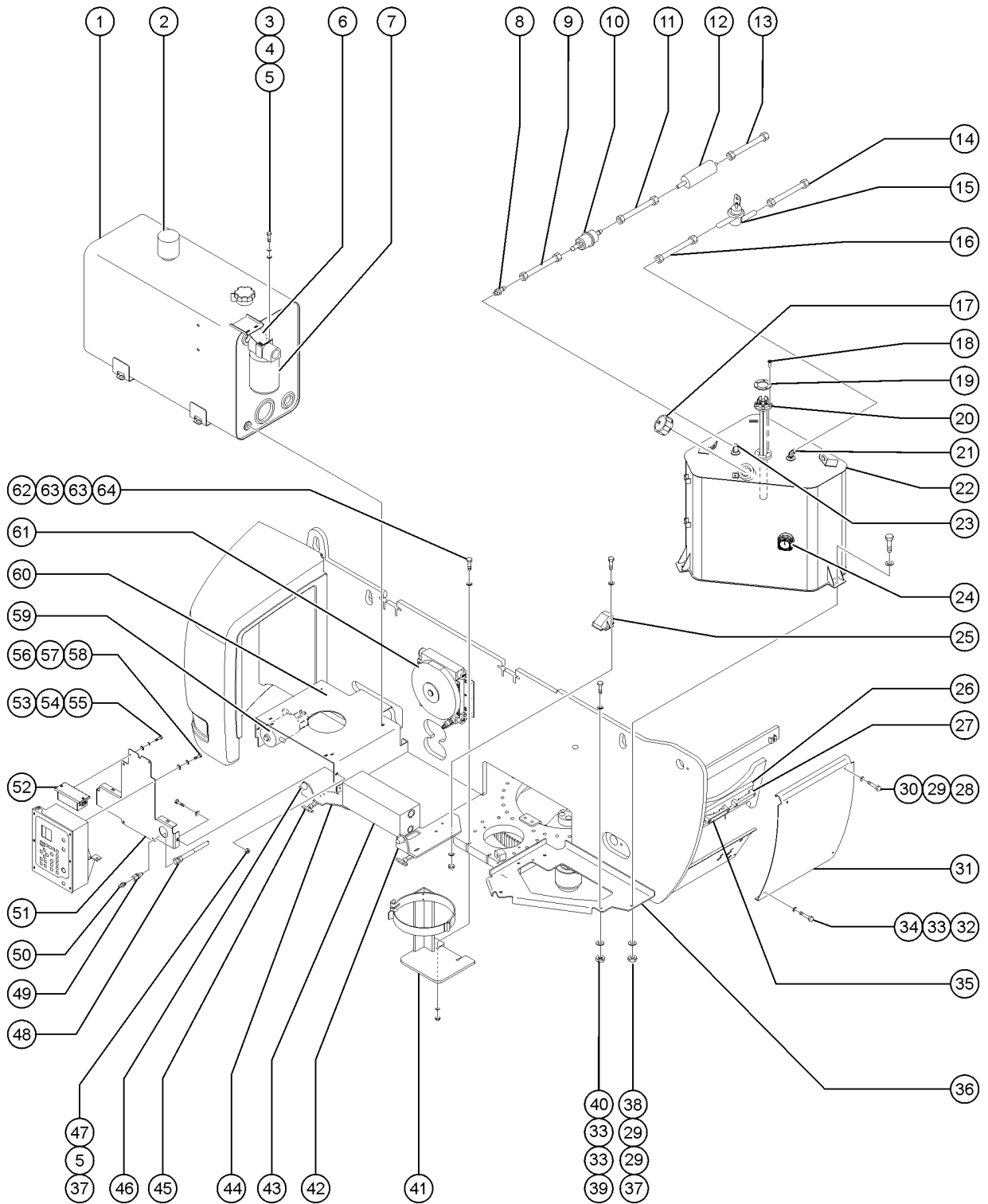


302.1 Hydraulic and Fuel Tanks - Gasoline/LPG Models

Item	Part No.	Description	Qty.
46-	5397GT	WASHER,FLAT,USS,5/16",Y (to SN Z80H-7147)	
46-	6782GT	NUT, NYLOCK, 5/16-18 (to SN Z80H-7147)	
46-	1274167GT	NUT,NYLOCK FLG,5/16-18,F,ZAG (from SN Z80H-7148)	2
47	6019GT	SCREW,HHC,3/8-16 X 1.25 GRD 5 (to SN Z80H-7147)	
47B	824091GT	SCREW,HHF,3/8-16X1.25,8,ZAG (from SN Z80H-7148)	4
48	49189-4638GT	HOSE ASSY,1/4",STR FEM,STR FEM (to SN Z80H-7147)	1
48B	49189-7238GT	HOSE ASSY,FM SW,JIC,4-4 (from SN Z80H-7148)	1
49	48885GT	CONNECTOR,BULKHEAD,FEMALE-4	1
50	28646GT	ZERK,GREASE,1/8 NPT	1
51	88105PGT	FORMING,CONTROL BOX MOUNT	1
52	1253314GT	ASSY, TELEMATICS CONN. BOX (to SN Z80H-7415)	
52-	34052GT	RELAY,SPDT,12V(AUTO) PLUG IN**	
52-	34053GT	ASSY,RELAY SOCKET, AUTO	
52B	1290797GT	ASSY,TELEMATICS 2.0 CONN,BOX (from SN Z80H-7416)	1
52B-	1253238GT	WELDMENT, TELEMATICS CONN. COV	
52B-	1290798GT	WELDMENT, TELEMATICS 2.0 BOX	
52B-	34052GT	RELAY,SPDT,12V(AUTO) PLUG IN**	
52B-	34053GT	ASSY,RELAY SOCKET, AUTO	
52B-	824077GT	SCREW,HHF,1/4-20X.5,8,ZAG	
53	824059GT	SCREW,HHC,1/4-20X.75,8,ZAG (to SN Z80H-7147)	
53B	824078GT	SCREW,HHF,1/4-20X.75,8,ZAG (from SN Z80H-7148)	
54	824109GT	WASHER,LOCK,1/4,ZAG (to SN Z80H-7147)	
55	824113GT	WASHER,FLAT,1/4,USS,ZAG (to SN Z80H-7147)	
56	8914GT	SCREW,HHC,1/4-20 X .625 (to SN Z80H-7147)	
56B	1268957GT	SCREW,HHC,1/4-20X.63,8,ZAG (from SN Z80H-7148)	4
57	6356GT	WASHER,LOCK,.25 (to SN Z80H-7147)	
58	6638GT	WASHER,FLAT,USS,1/4"Y (to SN Z80H-7147)	
58B	824113GT	WASHER,FLAT,1/4,USS,ZAG (from SN Z80H-7148)	4



302.1 Hydraulic and Fuel Tanks - Gasoline/LPG Models

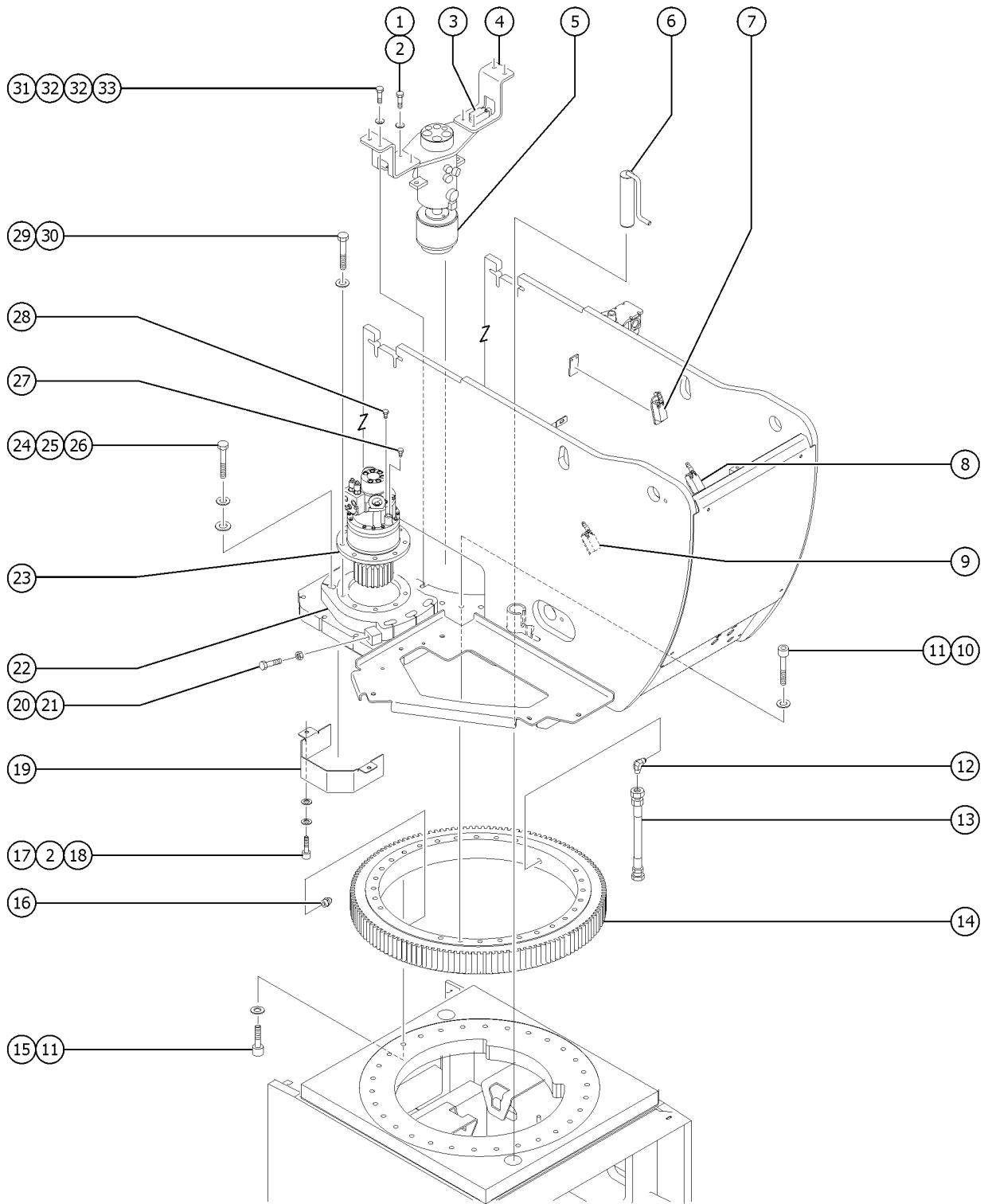


302.1 Hydraulic and Fuel Tanks - Gasoline/LPG Models

Item	Part No.	Description	Qty.
59		PUMP,AUXILIARY,DUAL,12V (refer to 301.1)	1
60	88044PGT	FORMING,TANK SUPPORT (to SN Z80H-7147)	1
60B	1286158GT	WELDMENT,TANK SUPPORT (from SN Z80H-7148)	1
60B-	824093GT	SCREW,HHF,3/8-16X1.75,8,ZAG	3
60B-	1274322GT	NUT,NYLOCK FLG,3/8-16,F,ZAG	3
61	71259GT	OIL COOLER W/FAN, 12VDC	1
61-	13918GT	SCREW,HHC,3/8-16 X 1.75,GRD.8 (to SN Z80H-7147)	4
61-	1256847GT	SCREW,HHC,3/8-16X1.75,8,ZAG (from SN Z80H-7148)	2
61-	6097GT	WASHER,FLAT,USS,3/8",Y (to SN Z80H-7147)	
61-	1255758GT	WASHER,FLAT,3/8,USS,ZAG (from SN Z80H-7148)	4
61-	4828GT	NUT,NYLOCK,3/8-16 (to SN Z80H-7147)	
61-	1274166GT	NUT,NYLOCK,3/8-16,C,ZAG (from SN Z80H-7148)	2
61-	75854GT	FAN - VENTED	
61-	75855GT	THERMOSTAT -OIL COOLER (71259)	
62	8357GT	SCREW,HHC,1/2-13 X 3.5	
63	6095GT	WASHER,FLAT,USS,1/2",Y	
64	6198GT	NUT,NYLOK,1/2-13	



303.1 Turntable Rotator and Hydraulic Rotary Coupler Installation

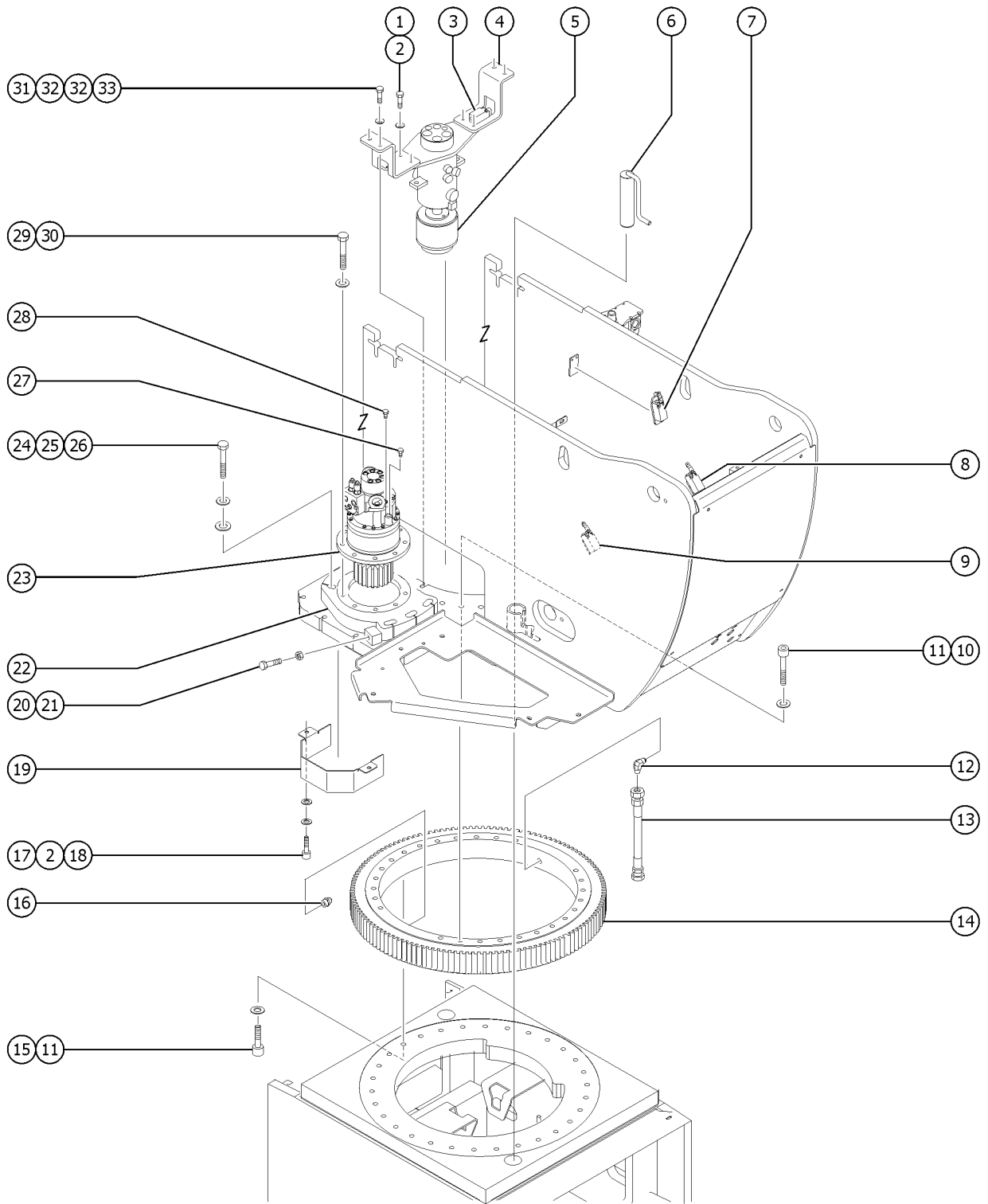


303.1 Turntable Rotator and Hydraulic Rotary Coupler Installation

Item	Part No.	Description	Qty.
1	6175GT	SCREW,HHC,3/8-16 X 1 (to SN Z80H-7147)	
1B	824090GT	SCREW,HHF,3/8-16X1,8,ZAG (from SN Z80H-7148)	4
2	6021GT	WASHER,LOCK,.375 (to SN Z80H-7147)	
3	88368GT	HARNESS,LS,OP,DRIVE ENABLE	1
3-	88356-43103GT	SWITCH,LIMIT,W/RLLR ARM,NO/NC*	
3-	97128GT	ROLLER ARM,LIMIT SWITCH***	
3-	1265481GT	SCREW,PHPM,10-32X2,ZAG (from SN Z80H-7148)	2
3-	1283005GT	NUT,NYLOCK FLG,10-32,A,ZAG (from SN Z80H-7148)	2
4	60575PGT	BRACKET,HYD.ROTATOR MOUNT MNT	2
5	1253811GT	ASSY, HYD/ELEC 6 PORT/6 CONT (complete; also replaces previous swivel assemblies 70238 and 122916) (verify swivel on machine before ordering replacement parts)	1
5-		Ref. SWIVEL,ELECTRIC 6 CONTACT*** Previous electrical 6 contact part 122917 that was used on swivel part 122916 is no longer available, order replacement kit 1261987.	
5-	1312433GT	SEAL KIT, HYD/ELEC ASSY (1253811)	
5-	10107GT	SCREW,HHC,5/16-18 X .75 for use with 1253811	
5-	1253697GT	MACHINED, SWIVEL MOUNTING for use with 1253811	
5-	1253792GT	MACHINED, SWIVEL ANTI-ROTATION for use with 1253811	
5-	1253808GT	SCREW,SHC,5/16-18X.75,A574,YZ for use with 1253811	
5-	1253809GT	ASSY, ELECTRIC SWIVEL, 6 CONTA for use with 1253811	
5-	1253810GT	ASSY, HYDRAULIC SWIVEL, 6 PORT for use with 1253811	
5-	1261987GT	KIT,ELECTRIC SWIVEL,6 CONTACT Replacement for previous electrical 6 contact part 122917	
5-	1262044GT	BOOT,POWER,RECEP,2 WAY Included with parts kit 1261987	
5-	88291GT	SWIVEL,HYDRAULIC,Z80 (70238)** or use with swivel assemblies 70238 and 122916	
5-	88293GT	SEAL KIT,SWIVEL (88291) for use with swivel assemblies 70238 and 122916	
5-	T106954GT	SEAL, O-RING LIP for use with swivel assemblies 70238 and 122916	
5-	T106955GT	SEAL, POLY, CHAMFER for use with swivel assemblies 70238 and 122916	
5-	T106956GT	SEAL,O-RING,SQUARE for use with swivel assemblies 70238 and 122916	
5-	T106957GT	SEAL, CAP, NOTCHED for use with swivel assemblies 70238 and 122916	
6	81834GT	WELDMENT,TRANSPORT LOCK	



303.1 Turntable Rotator and Hydraulic Rotary Coupler Installation

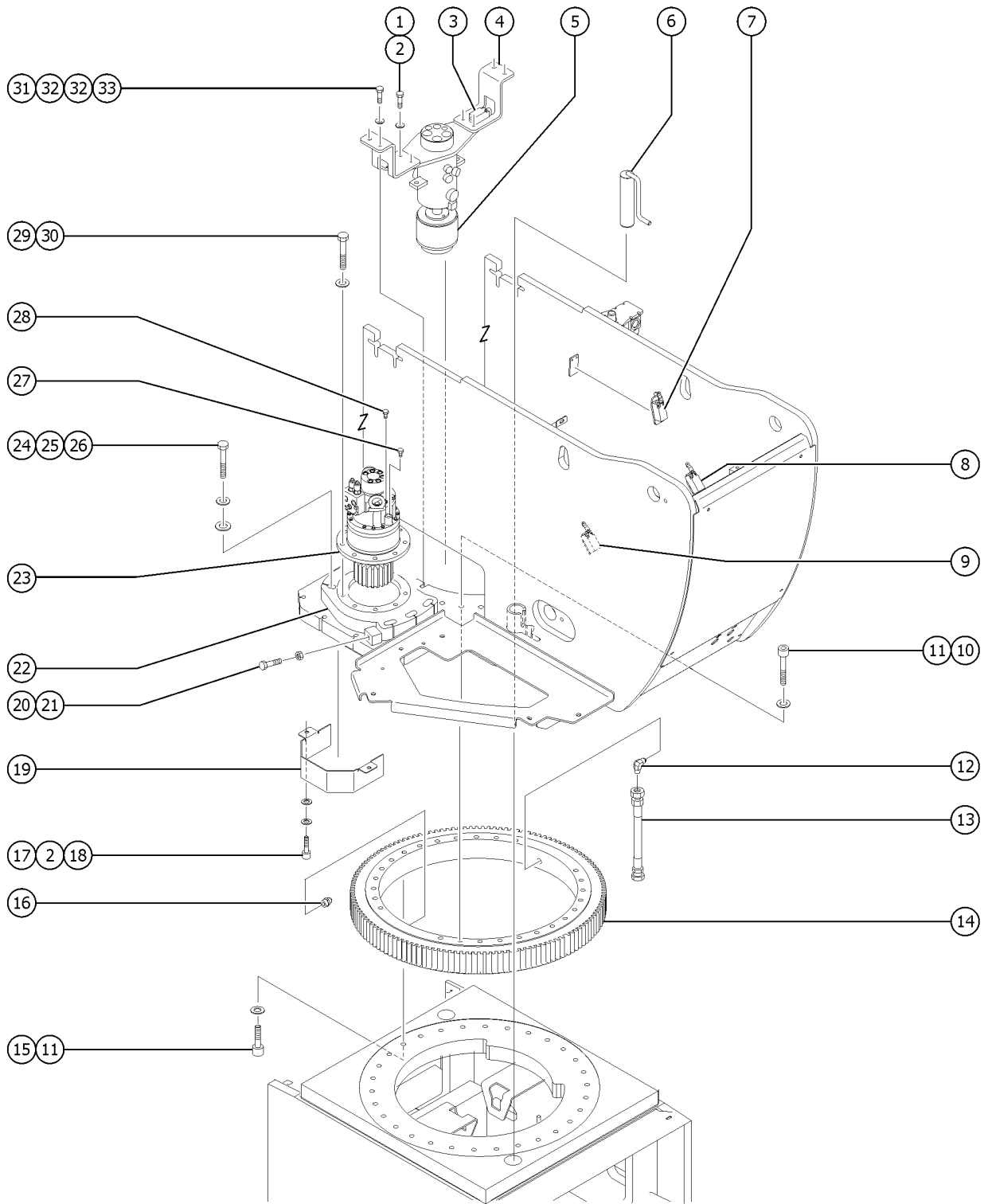


303.1 Turntable Rotator and Hydraulic Rotary Coupler Installation

Item	Part No.	Description	Qty.
7	1268595GT	HARNESS,LS,OP,SEC.ANGLE Replacement for previous harness part 88365	
7-	110771-41163GT	SWITCH,LIMIT,W/RLLR,NO/NC GOLD for use with harness 1268595	
7-	128636GT	ROLLER, ARM, LIMIT SWITCH, ZCY500 for use with limit switch 110771-41163	
7-	824216GT	SCREW, PHPM, 10-32 X 1.5, ZAG (from SN Z80H-7148)	2
7-	1283005GT	NUT,NYLOCK FLG,10-32,A,ZAG (from SN Z80H-7148)	2
8	88156GT	HARNESS,LS,OP,SEC.35DEG ANGLE	1
8-	110771-41163GT	SWITCH,LIMIT,W/RLLR,NO/NC GOLD	
8-	128636GT	ROLLER, ARM, LIMIT SWITCH, ZCY500	
8-	824216GT	SCREW, PHPM, 10-32 X 1.5, ZAG (from SN Z80H-7148)	2
8-	1283005GT	NUT,NYLOCK FLG,10-32,A,ZAG (from SN Z80H-7148)	2
9	1268602GT	HARN LS SAFETY SEC ANGL LSS2AS Replacement for previous harness part 146430	
9-	110771-71B68GT	LIMIT SWITCH ROLLER NC/NC/NO for use with harness 1268602	
9-	128636GT	ROLLER, ARM, LIMIT SWITCH, ZCY500 for use with limit switch 110771-71B68	
9-	1256177GT	SCREW,PHPM,10-32X1.75,ZAG (from SN Z80H-7148)	2
9-	1283005GT	NUT,NYLOCK FLG,10-32,A,ZAG (from SN Z80H-7148)	2
10	45495GT	SCREW,SHC,5/8-11 X 3.00,A574 (to SN Z80H-7147)	30
10B	824107GT	SCREW,SHC,5/8-11X3,A574,ZAG (from SN Z80H-7148)	30
11	13064GT	WASHER,FLAT,.625 HARDENED (to SN Z80H-7147)	60
11B	1256182GT	WASHER,FLAT,5/8,F436,HRD,ZAG (from SN Z80H-7148)	
12	48887GT	ELBOW,90D, 070202-4	
13		Ref. Hose Assembly (refer to 302.1)	
14	50035GT	BEARING,TURNTABLE	
14-	227785GT	BEARING TURNTABLE SEAL***	
15	1268596GT	SCREW,SHC,5/8-11X3.5,A574,ZAG	30
16	28646GT	ZERK,GREASE,1/8 NPT	
17	8255GT	SCREW,HHC,3/8-16 X .75 (to SN Z80H-7147)	
17B	824089GT	SCREW, HHF, 3/8-16 X .75, 8, ZAG. (from SN Z80H-7148)	2
18	6638GT	WASHER,FLAT,USS,1/4"Y (to SN Z80H-7147)	



303.1 Turntable Rotator and Hydraulic Rotary Coupler Installation

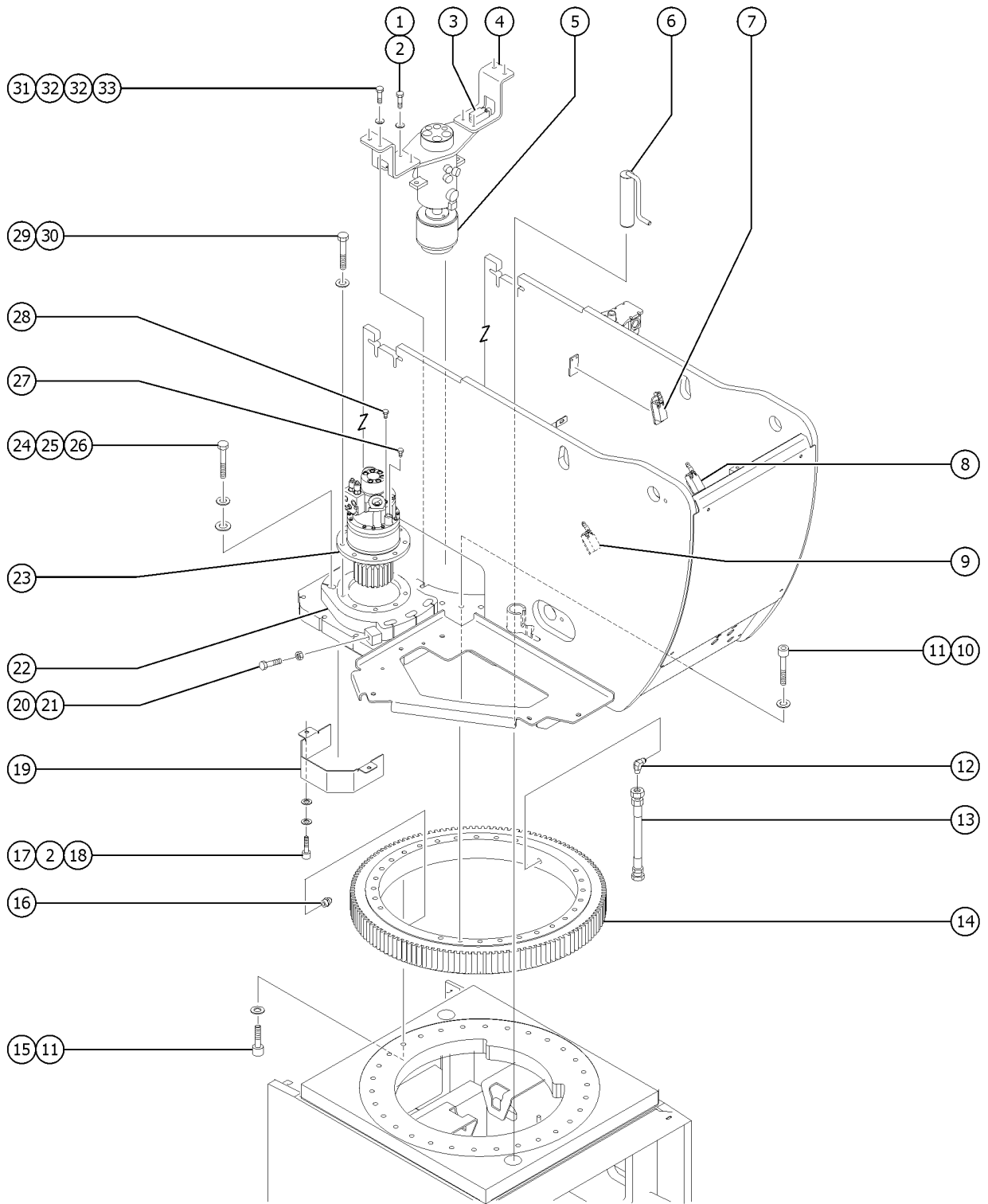


303.1 Turntable Rotator and Hydraulic Rotary Coupler Installation

Item	Part No.	Description	Qty.
19	88314PGT	FORMING,PINION GUARD PAINTED	1
20	61128GT	SCREW,HHC,3/4-10 X 4 FULL THRD	
		(to SN Z80H-7147)	
20B	1256846GT	SCREW,HEX TAP,3/4-10X4,8,ZAG	1
		(from SN Z80H-7148)	
21	6126GT	NUT,HEX,JAM,3/4-10	1
		(to SN Z80H-7147)	
21B	1268597GT	NUT,3/4-10,8,ZAG	1
		(from SN Z80H-7148)	
22	81516GT	PLATE,BACKLASH ADJ.MACHINED**	1
23	1255768GT	SWING DRIVE ASSEMBLY (Complete) swing drive 1255768 can be installed as a direct replacement of previous swing drives 139189, 88921, and 81367	
23-	1255769GT	SEAL KIT, SWING BRAKE	
		(Used on swing drive 1255768)	
23-	1255770GT	KIT, FRICTION DISC	
		(Used on swing drive 1255768)	
23-	1255771GT	KIT, BRAKE SPRING	
		(Used on swing drive 1255768)	
23-	1255772GT	KIT, SWING BRAKE REBUILD	
		(Used on swing drive 1255768)	
23-	1255773GT	BRAKE TUBING	
		(Used on swing drive 1255768)	
23-	139308GT	SWING MOTOR COMPLETE***	
		(Used on swing drive 1255768)	
23-	139309GT	CBV ASSEMBLY***	
		(Used on swing drive 1255768)	
23-	139315GT	O-RING,MOTOR/BRAKE***	
		(Used on swing drive 1255768)	
23-	139323GT	VALVE,COUNTERBAL,CBCA-LIN***	
		(Used on swing drive 1255768)	
23-	41489GT	SCREW,SHC,5/16-18 X 2,PLATED	
		manifold to motor	
23-	58304GT	SHAFT,OUTPUT	
		(Used on swing drive 1255768)	
23-	6886GT	WASHER,LOCK,.313	
		manifold to motor	
24	88212GT	SCREW,SHC,3/4-10 X 3.00,A574	6
		(to SN Z80H-7147)	
24B	1256860GT	SCREW,SHC,3/4-10X3,A574,ZAG	6
		(from SN Z80H-7148)	
25	34550GT	WASHER,LOCK,.75 PLTD	
		(to SN Z80H-7147)	
26	33278GT	WASHER,FLAT,.75 HARDENED	6
		(to SN Z80H-7147)	
26B	1256863GT	WASHER,FLAT,.75,F436,HRD,ZAG	6
		(from SN Z80H-7148)	
27	109802GT	PLUG,ORB #6	
		(to SN Z80H-7147) use with swing drive	
28	39882GT	PLUG,HEX SOCKET,090109B-4	
		(to SN Z80H-7147) use with swing drive (top plug)	
29	94747GT	SCREW,HHC,1/2-13 X 1.75 GRD 8	6
		(to SN Z80H-7147)	
29B	824102GT	SCREW,SHC,1/2-13X1.5,A574,ZAG	9
		(from SN Z80H-7148)	



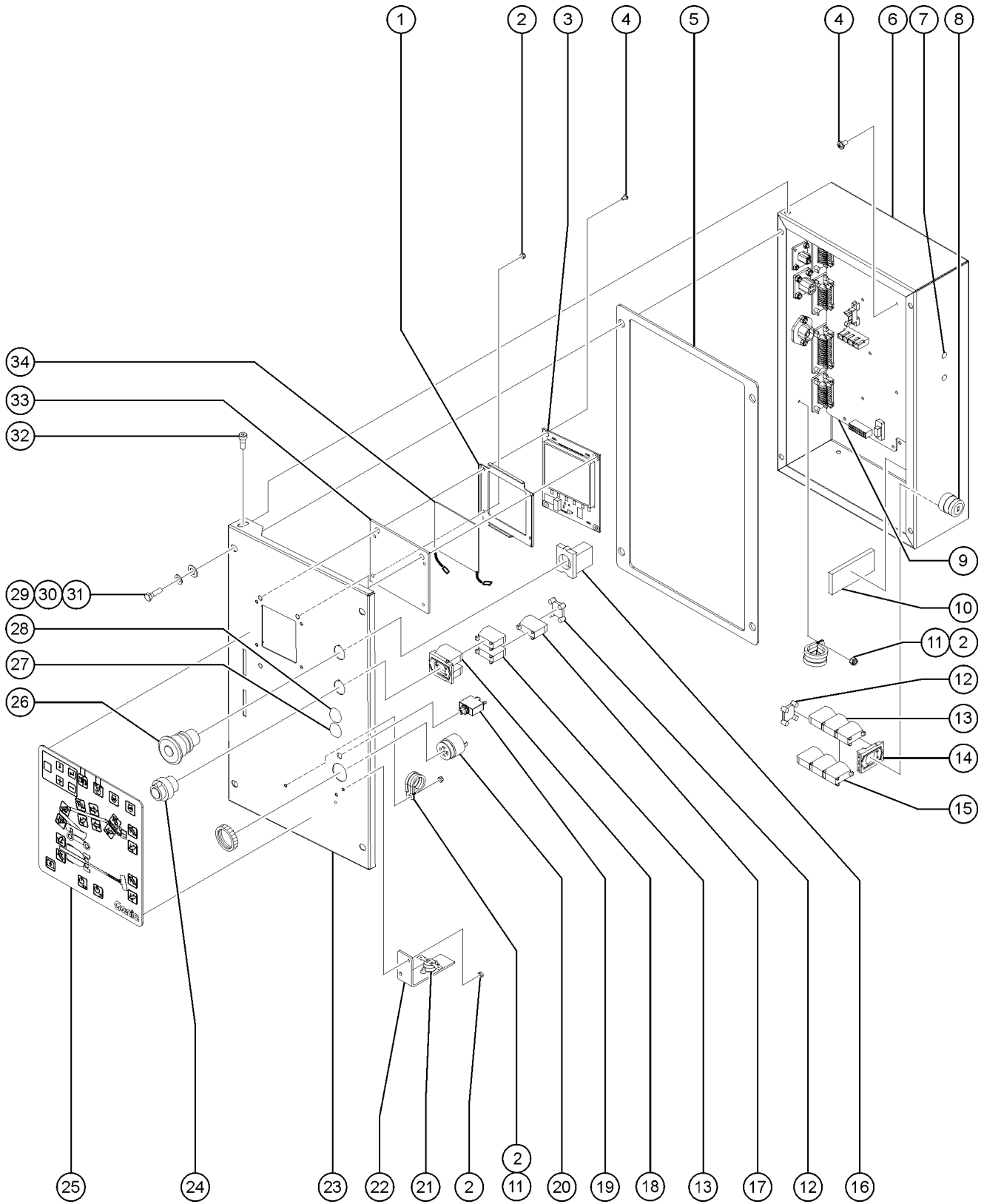
303.1 Turntable Rotator and Hydraulic Rotary Coupler Installation



303.1 Turntable Rotator and Hydraulic Rotary Coupler Installation

<i>Item</i>	<i>Part No.</i>	<i>Description</i>	<i>Qty.</i>
30	13066GT	WASHER, FLAT, .5 HARDENED (to SN Z80H-7147)	6
30B	825353GT	WASHER, FLAT, 1/2, SAE, HRD, ZAG (from SN Z80H-7148)	9
31	6605GT	SCREW, HHC, 3/8-16 X 3.5, GR5 (to SN Z80H-7147)	
31B	824095GT	SCREW, HHF, 3/8-16 X 3, 8, ZAG (from SN Z80H-7148)	4
32	6095GT	WASHER, FLAT, USS, 1/2", Y (to SN Z80H-7147)	
33	4828GT	NUT, NYLOCK, 3/8-16 (to SN Z80H-7147)	
33B	1274322GT	NUT, NYLOCK FLG, 3/8-16, F, ZAG (from SN Z80H-7148)	4

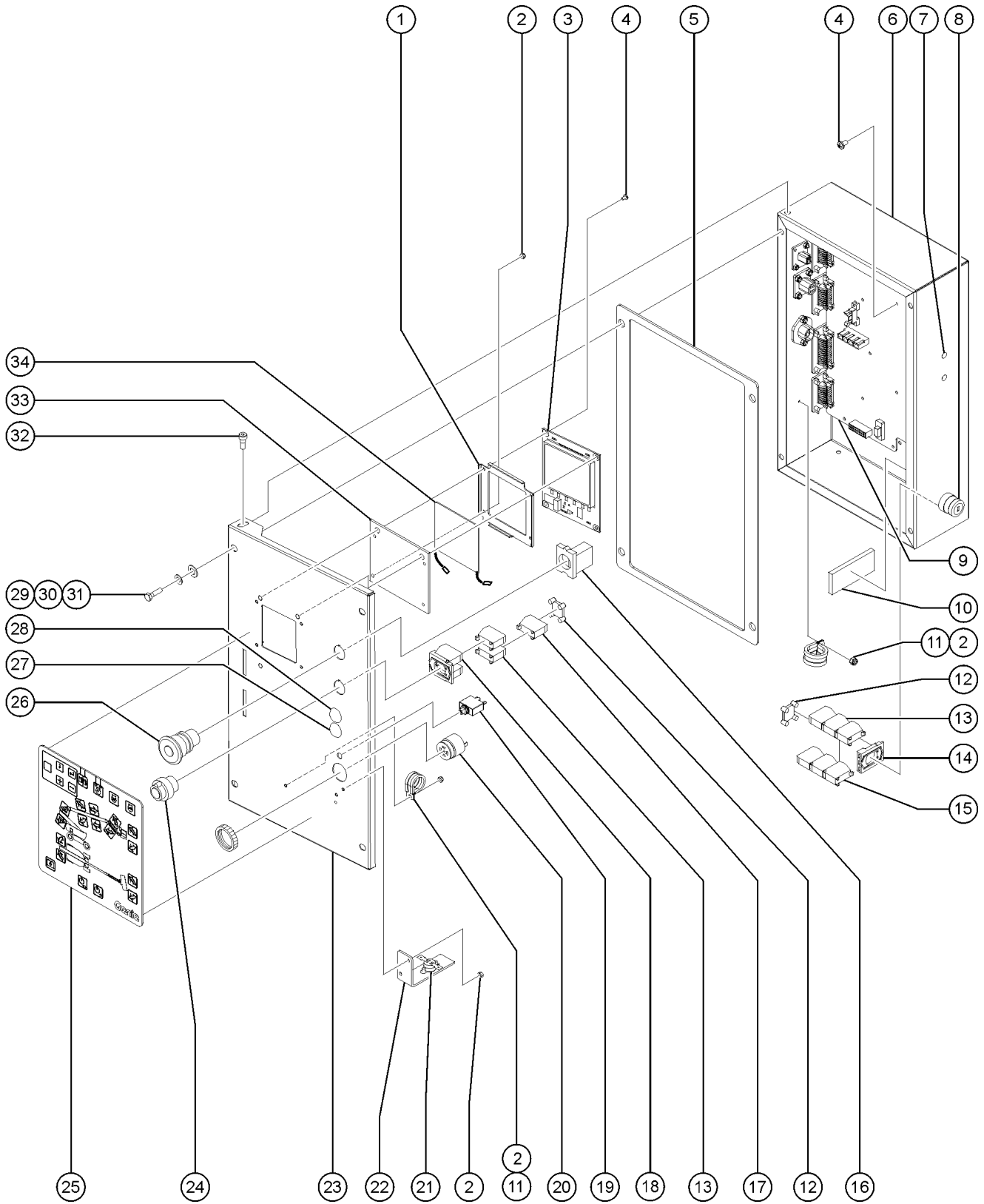
304.1 Ground Control Box - View 1



Item	Part No.	Description	Qty.
-	826634GT	ASSY, TCON BOX, Z80	1
-	1299461GT	ASSY. TCON BOX, Z80, DEUTZ 2.2L3 STG V (Deutz stage V models only)	1
1	62375GT	CLIP,LCD,GRND.CONTROL	
2	12344GT	NUT,NYLOCK,6-32	6
3	823804GT	PCB, ECM, ASSY, CAN GATEWAY, Z	1
4	81551GT	SCREW,PHIL,PHM,6-32 X 1/4 SS	16
5	88177GT	GASKET,GROUND CONTROL BOX	1
6	1251701GT	BOX, GROUND CONTROL	1
7	30996GT	PLUG,NYLON .313 BLACK DOMED from SN Z80H-7450	2
8	88150GT	KEYSWITCH,3 POS.MOM.DR,W/KEY**	1
9	219420GT	PCB,ASSY,ECM,GROUND,V2.05	1
10	30997GT	CORROSION INHIBITOR,FOAM	1
11	13268GT	CLAMP,0.75,#12 X 1/4,RUB CUSH	2
12	122366GT	KEYSWITCH,CONTACTS LOCK	2
13	66818GT	CONTACT,NC	6
14	66821GT	BASE,WITHOUT CONTACTS	1
15	66816GT	CONTACT,N.O.	3
16	66817GT	BASE WITH 1 NC CONTACT, E-STOP	1
17	122367GT	KEYSWITCH,DUMMY BLOCK	1
18	73805GT	CONTACT,NC	1
19	147095GT	ASSY, CIRCUIT BREAKER 20A	1
19-	122994GT	NICKEL PLATED JAM NUT	
19-	147091GT	CIRCUIT BREAKER, 20A	
19-	6700GT	WASHER,STAR,EXTERNAL,,375	
20	62379GT	ALARM,AUDIO,SUPERBOOM*	1
20-	45383GT	ALARM,WARBLE TONE 5-30 VDC***	
20-	72326GT	NUT,PLASTIC,RING FOR ALARMS	
21	122793GT	SWITCH,THERMOSTAT 60F OPEN	



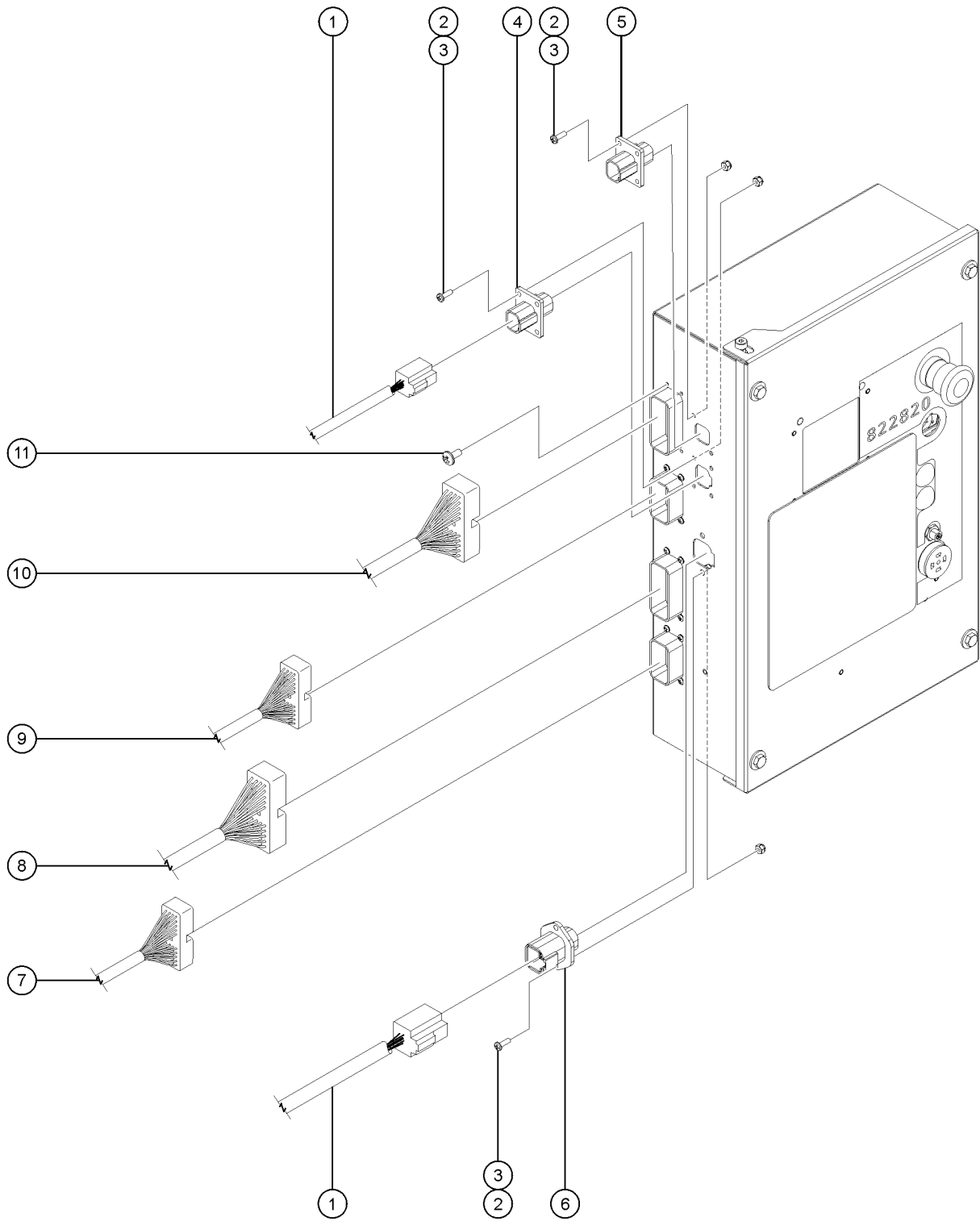
304.1 Ground Control Box - View 1



Item	Part No.	Description	Qty.
21-	6272GT	RIVET,STL,STL,P,.125 X .25	
22	231020GT	ASSY, BRACKET, CONTACT BLOCK includes 122793GT and rivets	
23	1253304GT	LID,GROUND CONTROL,Z135	1
24	122515GT	KIT,KEYSWITCH SVC LARGE BOOM	1
24-	122366GT	KEYSWITCH,CONTACTS LOCK	
24-	66811GT	KEYSWITCH,3POS.MNTND.DR WKEY**	
24-	218169GT	OPT, KEY SWITCH, RETAINED	
24-	218155GT	KEYSWITCH, LOCKING, 3 POS, W/K	
25	88057GT	SWITCH,MEMBRANE,GROUND CONTROL	1
26	122519GT	KIT,ESTOP SVC LARGE BOOM	1
26-	146478GT	BOOT(BELLOWS),E-STOP,BLACK	
26-	66812GT	BUTTON,PUSH,RED MUSHROOM HEAD	
27	229567GT	PLUG,SANTOPRENE .5 BLACK DOME	1
27-	1299638GT	LIGHT, RED, 12V, LED, NO GLOW (Deutz stage V models only)	1
28	229567GT	PLUG,SANTOPRENE .5 BLACK DOME	1
28-	1301024GT	LIGHT, YELLOW, 12V, LED, NO GLOW (Deutz stage V models only)	
29	6888GT	SCREW,HHC,1/4-20 X 1	4
		to SN Z80H-7186	
29-	824060GT	SCREW, HHC, 1/4-20 X 1, 8, ZAG from SN Z80H-7187	
30	6356GT	WASHER,LOCK,.25	4
		to SN Z80H-7186	
31	6638GT	WASHER,FLAT,USS,1/4"Y	4
		to SN Z80H-7186	
31-	824113GT	WASHER,FLAT,1/4,USS,ZAG from SN Z80H-7187	
32	1263233GT	BOLT,SHS,5/16X.25X1/4-20,8,ZAG	2
33	62374GT	LENS,LCD,GRND.CONTROL	1
34	122406GT	ASSEMBLY,LCD HEATER ALC1000	1
34-	231023GT	FIELD KIT,LCD HEATER,Z80 Z135	



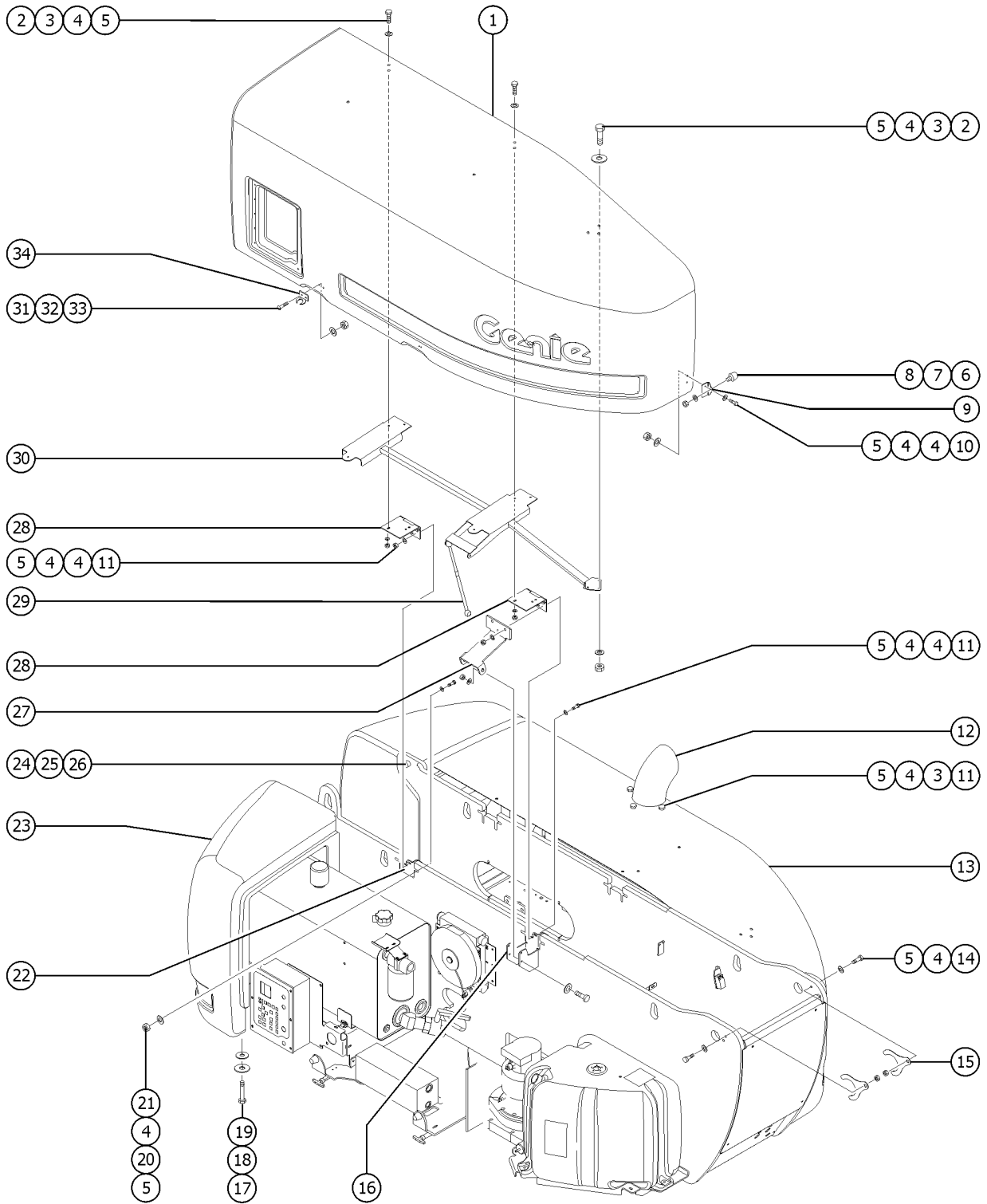
305.1 Ground Control Box - View 2



Item	Part No.	Description	Qty.
-	1274637GT	HARNESS, JUMPER, CAN, TIER 3 telematics	1
1	826635GT	HARNESS, GROUND BOX, TIER IV,	2
1-	60526GT	LOCK,RECEP 4 WAY,12-14GA	
2	49820GT	SCREW,PHILLIPS,PHM,6-32 X .5	8
3	12344GT	NUT,NYLOCK,6-32	8
4	73723GT	CONN RECEP,FLANGED	1
5	1269704GT	CONNECTOR, RECEP, 2WAY, FL	1
6	73717GT	CONN,RECEP 4 WAY,12-14GA FL***	1
7	1253170GT	HARNESS, SEC BOOM SAE 11C, Z80	1
8	1264458GT	HARNESS, SWITCH, LIMIT, TCON	
9	826636GT	HARNESS, DEUTZ 2.9, Z80 For Deutz TD 2.9L4	1
9-	119762GT	CONN PLUG 4 WAY EXTEND DT	
9B	1260172GT	HARNESS,ENG,PERKINS 404D,Z80 For Perkins 404D-22T	1
9B-	119762GT	CONN PLUG 4 WAY EXTEND DT	
9C	1269053GT	HARNESS, ENGINE, GM3.0, Z80 For GM3.0L; to SN Z80H-7413	
9C-	1291144GT	HARNESS, ENGINE, GM 3.0, Z80 For GM3.0L; from Z80H-7414	
9D	1253173GT	HARNESS,ENG,DEUTZ,BF4L2011,Z80 For Deutz TD2011L04i	
10	146427GT	HARNESS TCON MANIFOLD Z80 2010	1
11	122351GT	SCREW,#4X1/4,HI-LO,PH PHIL,TAP	16



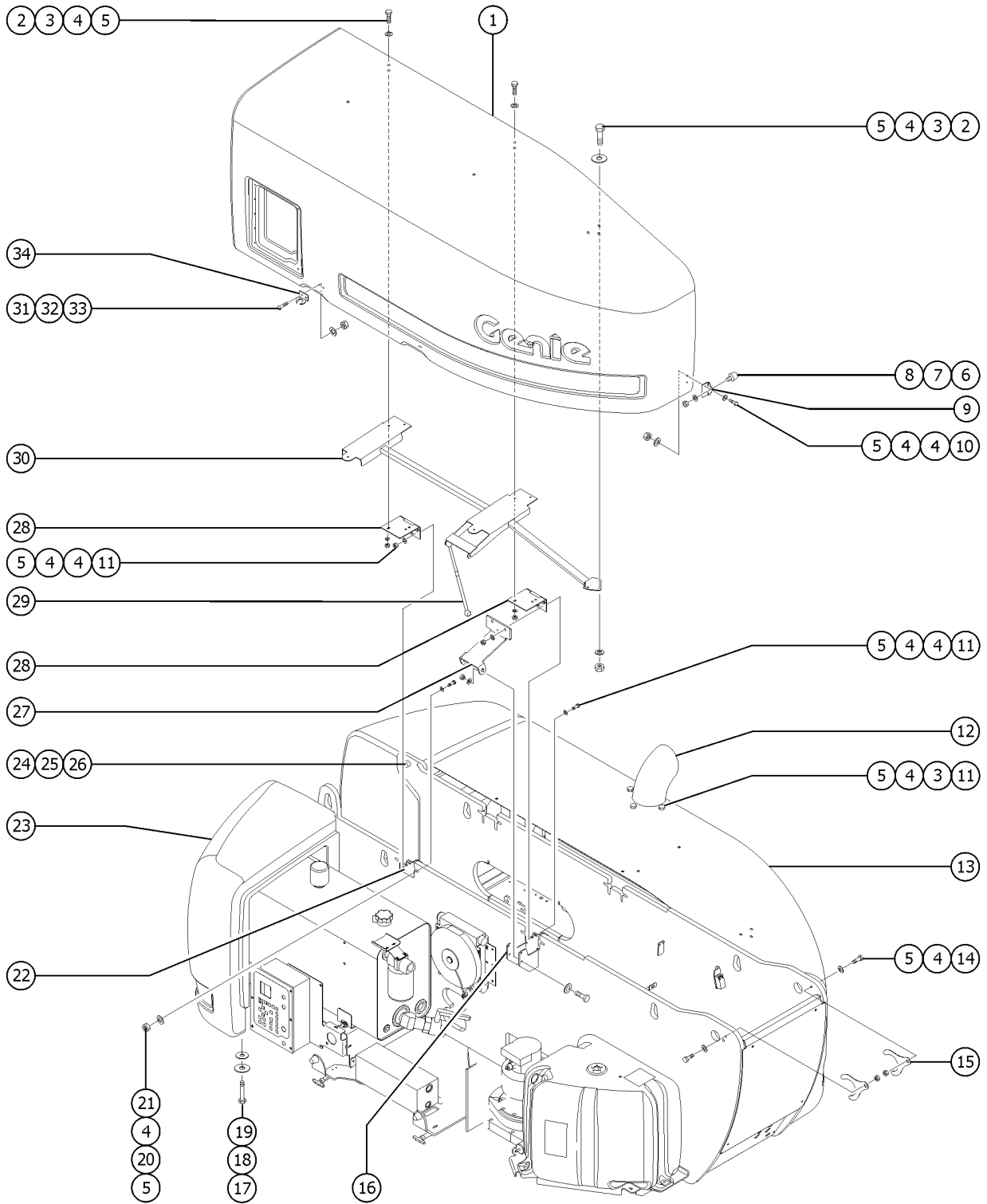
306.1 Turntable Covers



Item	Part No.	Description	Qty.
1	111353GT	Z80 LH COVER ASSY W/WRD DECALS	
1-	101405GT	COVER ASSY W/ SYMBOL DECALS LH	
1-	139648GT	PLUG,5/16 X .490",BLK	
1-	54723GT	PLUG,1/4 X .400",BLK	
1-	75076GT	KEEPER,LATCH (45363)	
1-	81197GT	PLUG,ENGINE COVER	
1-	81329GT	PLUG,ALARM BEACON HOLE	
2	8915GT	SCREW,HHC,1/4-20 X 1.25	
3	12906GT	WASHER,FENDER,.25 X 1.25 X.062	
4	6638GT	WASHER,FLAT,USS,1/4"Y	
5	6091GT	NUT, NYLOCK, 1/4-20	
6	30973GT	BUMPER,RUBBER-1 X 1.25	2
7	5397GT	WASHER,FLAT,USS,5/16",Y	
8	6782GT	NUT, NYLOCK, 5/16-18	
9	88106PGT	FORMING,COVER STOP,PAINT	2
10	6090GT	SCREW,HHC,1/4-20 X .75	
11	6888GT	SCREW,HHC,1/4-20 X 1	
12	101964GT	WELDMENT,EXHAUST TUBE	1
13	102969GT	COVER ASSY,W/WRD DECALS-RH Z80	1
13-	102970GT	COVER ASSY,W/SYM DECALS-RH Z80	
13-	81197GT	PLUG,ENGINE COVER	
13-	81329GT	PLUG,ALARM BEACON HOLE	
14	5224GT	SCREW,HHC,3/8-16 X 2	
15	T110762GT	SHIM,2.27 X .06 as-needed	
16	81869PGT	FORMING,HINGE MOUNT	2
17	42229GT	SCREW,HHC,1-8 X 3.5	
18	29605GT	WASHER,LOCK,1"	
19	122489GT	WASHER,FLAT,HRD,1.063X2X.134	3



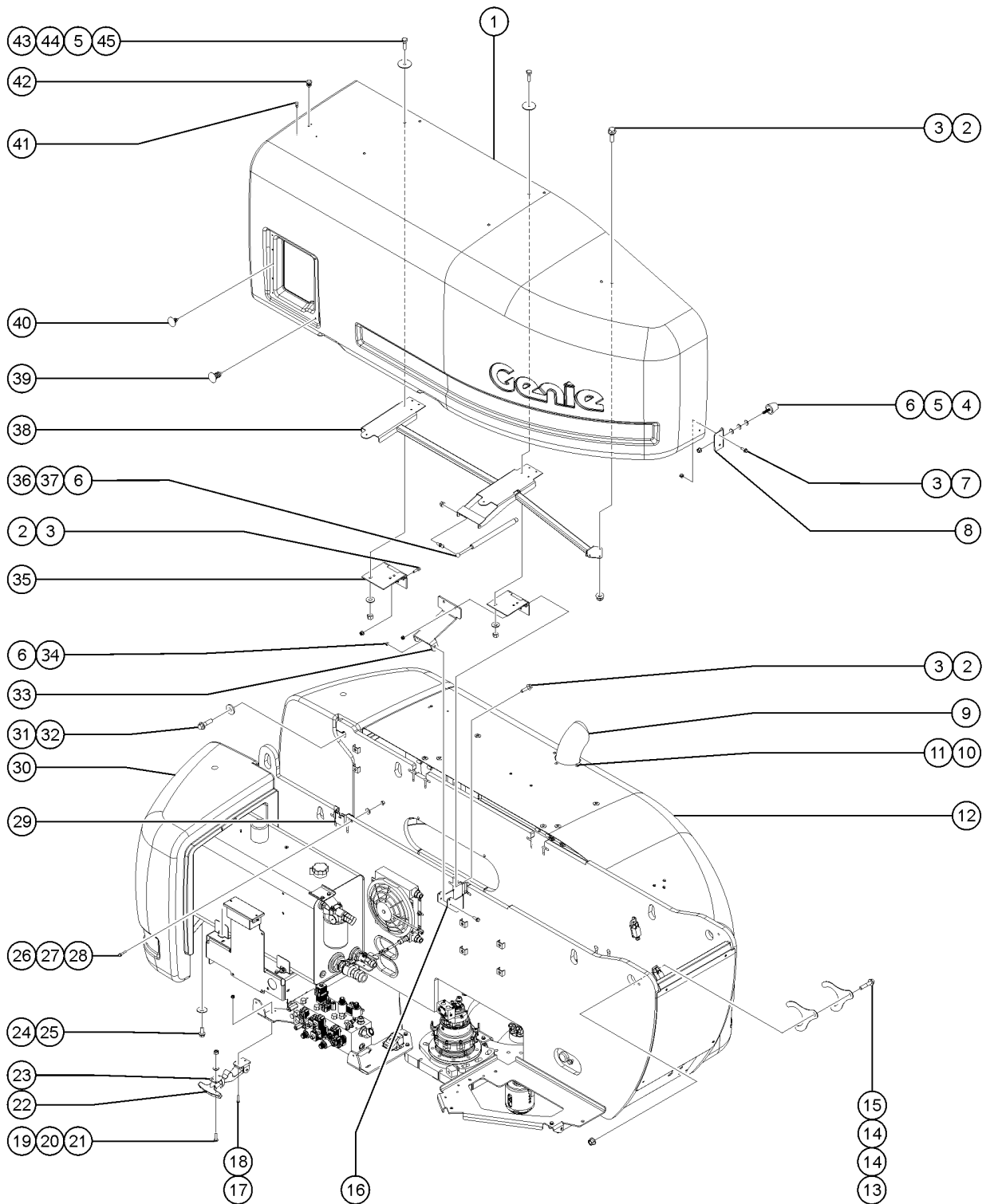
306.1 Turntable Covers



Item	Part No.	Description	Qty.
20	6356GT	WASHER,LOCK,,25	
21	6637GT	SCREW,HHC,1/4-20 X 1.75	
22	81868PGT	FORMING,HINGE MOUNT	2
23	61415GT	COUNTERWEIGHT,Z80 7250LBS	1
24	51428GT	SCREW,HHC,3/4-10 X 2.75	
25	13635-4GT	WASHER,SPINDLE, 500 LB BOOM	2
26	34550GT	WASHER,LOCK,,75 PLTD	
27	88240GT	FORMING,STRUT SUPPORT	
28	75073GT	HINGE,,375X.120THK.,SLOTTED	2
29	28301GT	GAS STRUT,250 LBS FORCE***	4
29-	27377GT	RETAINER,GAS SPRING***	
29-	33555GT	BALL STUD**	
29-	6002GT	NUT, LP NYLOCK, 5/16-18	
30	81874GT	WELDMENT,LEFT COVER SUPPORT	1
30-	81876GT	WELDMENT,RIGHT COVER SUPPORT	
31	49816GT	SCREW,PHILLIPS,PHM,10-32 X .75	
32	25926GT	WASHER,FLAT,M6 PLTD.	
33	6178GT	NUT,NYLOCK,10-32	
34	75076GT	KEEPER,LATCH (45363)	



306.2 Turntable Covers (from SN Z80H-7148)

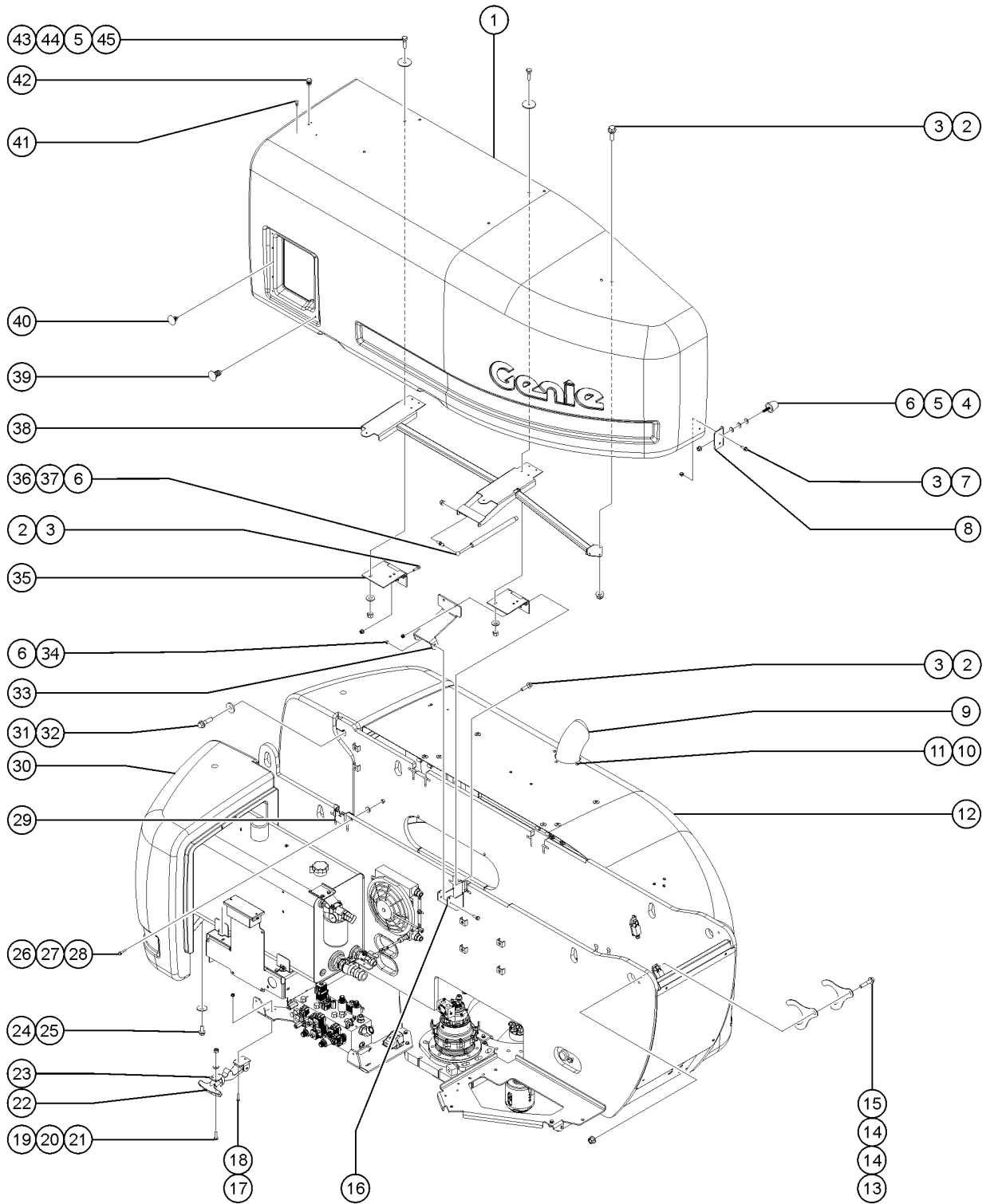


306.2 Turntable Covers (from SN Z80H-7148)

Item	Part No.	Description	Qty.
1	63466GT	COVER,TURNTABLE,LH	1
2	824079GT	SCREW,HHF,1/4-20X1,8,ZAG	9
3	1277924GT	NUT,NYLOCK FLG,1/4-20,F,ZAG	11
4	1261277GT	RUBBER BUMPER, 1.25 X 1.25 IN	1
5	824113GT	WASHER,FLAT,1/4,USS,ZAG	9
6	1274167GT	NUT,NYLOCK FLG,5/16-18,F,ZAG	7
7	824078GT	SCREW,HHF,1/4-20X.75,8,ZAG	2
8	88106GT	FORMING,COVER STOP***	1
9	101964GT	WELDMENT,EXHAUST TUBE	1
10	1261835GT	SCREW, THM, TORX, 1/4-20X1,SS	3
11	1256679GT	NUT,SERRATED,1/4-20,8,ZAG	3
12	101924GT	COVER,TURNTABLE RH	1
13	824093GT	SCREW,HHF,3/8-16X1.75,8,ZAG	1
14	T110762GT	SHIM,2.27 X .06	2
15	1274322GT	NUT,NYLOCK FLG,3/8-16,F,ZAG	1
16	81869GT	FORMING,HINGE MOUNT	1
17	826516GT	SCREW, PHPM, 10-32 X 1.0, ZAG	4
18	1283005GT	NUT,NYLOCK FLG,10-32,A,ZAG	4
19	824215GT	SCREW, PHPM, 10-32 X .75, ZAG	4
20	1253185GT	WASHER,FLAT,#10,USS,ZAG	4
21	1274168GT	NUT,NYLOCK,10-32,A,ZAG	4
22	45363GT	LATCH,FLEXIBLE	2
23	75076GT	KEEPER,LATCH (45363)	2
24	1259909GT	SCREW,HHC,1-8X3.5,5,ZAG	3
25	1292066GT	WASHER,FLAT,HRD,1.063X2X.134,ZAG	3
26	1253478GT	SCREW,HHF,3/8-16X2,8,ZAG	4
27	1255758GT	WASHER,FLAT,3/8,USS,ZAG	4
28	1274166GT	NUT,NYLOCK,3/8-16,C,ZAG	4



306.2 Turntable Covers (from SN Z80H-7148)

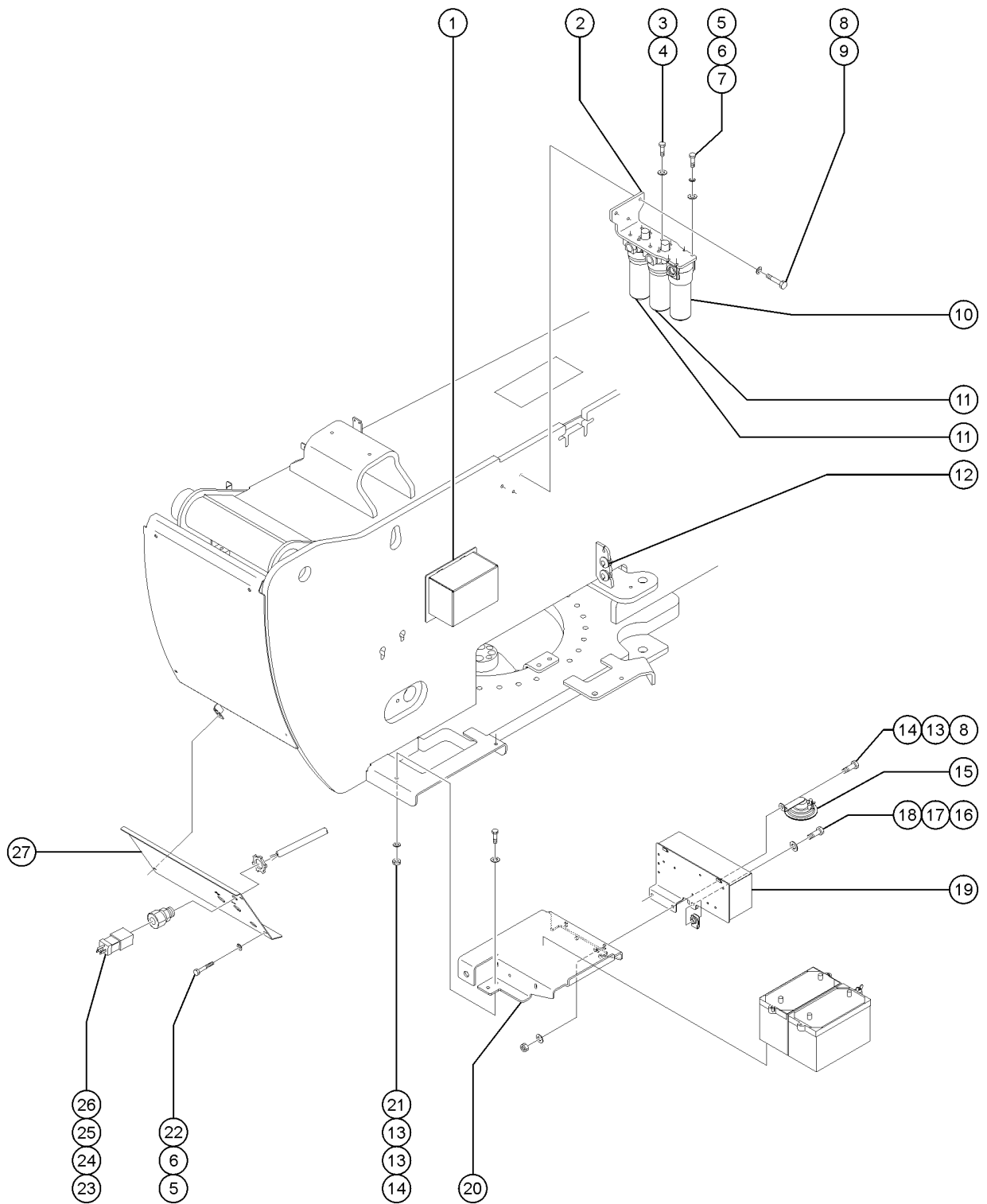


306.2 Turntable Covers (from SN Z80H-7148)

Item	Part No.	Description	Qty.
29	81868GT	FORMING,HINGE MOUNT	1
30	61415GT	COUNTERWEIGHT,Z80 7250LBS	1
31	1260498GT	SCREW,HHF,3/4-10X2.75,8,ZAG	2
32	1274115GT	PLATE, CW WASHER	2
33	88240GT	FORMING,STRUT SUPPORT	1
34	824086GT	SCREW,HHF,5/16-18X1,8,ZAG	2
35	75073GT	HINGE,.375X.120THK.,SLOTTED	2
36	28301GT	GAS STRUT,250 LBS FORCE***	2
36-	27377GT	RETAINER,GAS SPRING***	
37	33555GT	BALL STUD**	4
38	81874GT	WELDMENT,LEFT COVER SUPPORT (LH)	1
38-	81876GT	WELDMENT,RIGHT COVER SUPPORT (RH)	
39	139648GT	PLUG,5/16 X .490",BLK	2
40	54723GT	PLUG,1/4 X .400",BLK	7
41	81329GT	PLUG,ALARM BEACON HOLE	3
42	81197GT	PLUG,ENGINE COVER	1
43	824060GT	SCREW, HHC, 1/4-20 X 1, 8, ZAG	6
44	824119GT	WASHER,FLAT,..25X1.25X.062,ZAG	6
45	1274165GT	NUT,NYLOCK,1/4-20,C,ZAG	6



307.1 Turntable Components, Engine Side

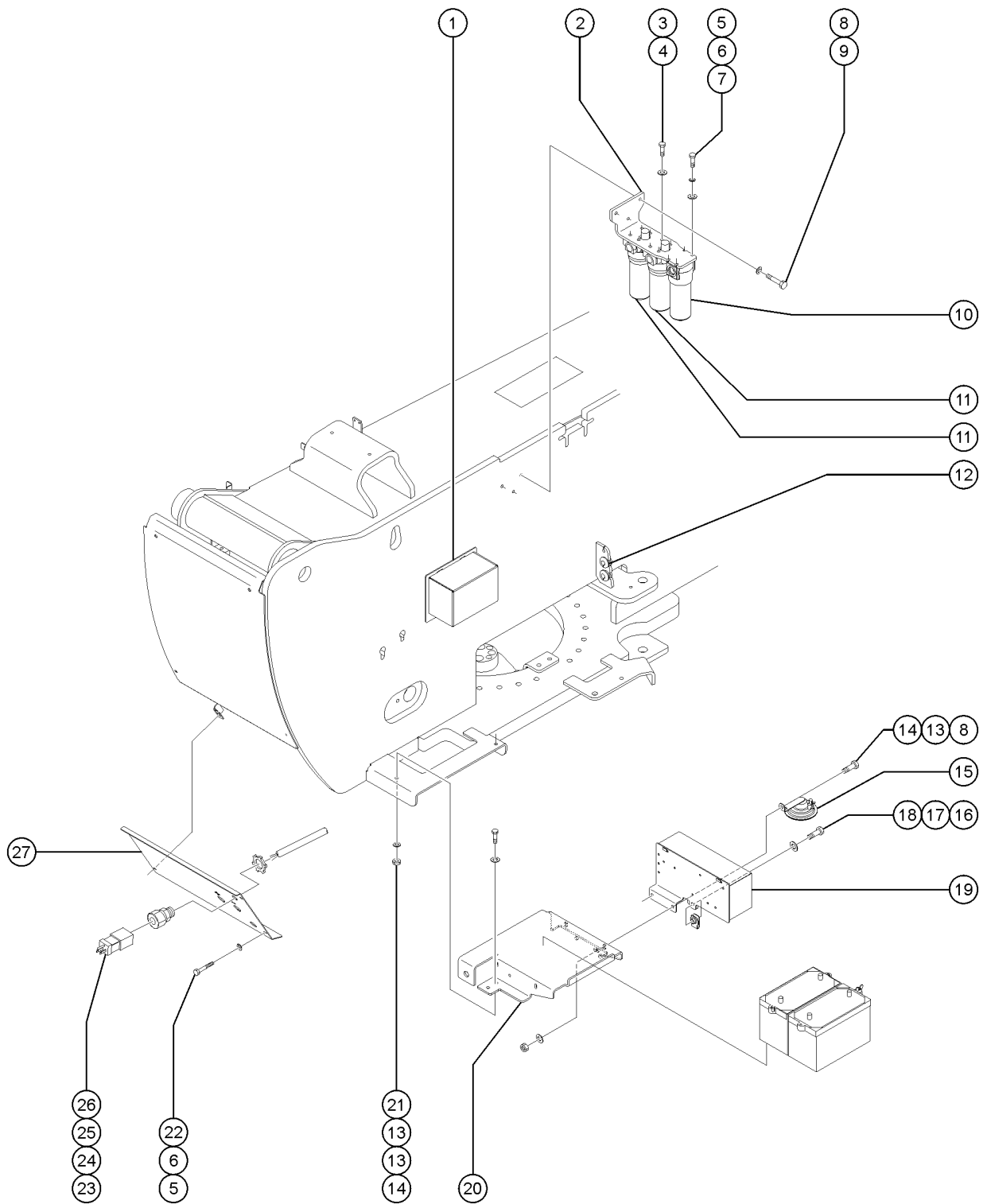


307.1 Turntable Components, Engine Side

Item	Part No.	Description	Qty.
1	88266PGT	COVER,RELAY	1
2	88085PGT	FORMING,FILTER BRACKET,P	1
3	6175GT	SCREW,HHC,3/8-16 X 1	
		(to SN Z80H-7147)	
3B	824089GT	SCREW, HHF, 3/8-16 X .75, 8, ZAG.	8
4	6021GT	WASHER, LOCK, .375	
		(to SN Z80H-7147)	
5	6888GT	SCREW,HHC,1/4-20 X 1	
		(to SN Z80H-7147)	
5B	824078GT	SCREW,HHF,1/4-20X.75,8,ZAG	4
		(from SN Z80H-7148)	
6	6356GT	WASHER, LOCK, .25	
		(to SN Z80H-7147)	
7	6638GT	WASHER, FLAT, USS, 1/4"Y	
		(to SN Z80H-7147)	
8	6019GT	SCREW,HHC,3/8-16 X 1.25 GRD 5	
		(to SN Z80H-7147)	
8B	824091GT	SCREW,HHF,3/8-16X1.25,8,ZAG	5
		(from SN Z80H-7148)	
9	6097GT	WASHER, FLAT, USS, 3/8",Y	
		(to SN Z80H-7147)	
9B	29868GT	SPRING CLIP,3/8-16,.05-.20X.73,ZAG	
		(from SN Z80H-7148)	
10		FILTER ASY,M PRESS,SAE8,WOIND* (77139)	1
		component no longer available	
10A-	1267807GT	ASSEMBLY, MED. PRESS. FILTER,	
		for 77139	
10A-	58222GT	O-RING,FILTER ASSY (60334)***	
		for 77139	
10A-	58223GT	SEAL,FILTER ASSY (60334)***	
		for 77139	
10A-	60857GT	FILTER,ELEMENT,BETA(5)=1000	
		for 77139	
10B	1267807GT	ASSEMBLY, MED. PRESS. FILTER,	
10B-	1268229GT	ELEMENT-5 MIC, PAPER, W/ BYPASS	
		for 1267807	
11	60334GT	FILTER ASSY,HIGH PRESS SAE-12	2
11-	58222GT	O-RING,FILTER ASSY (60334)***	
11-	58223GT	SEAL,FILTER ASSY (60334)***	
11-	60857GT	FILTER,ELEMENT,BETA(5)=1000	
12	61189GT	GROMMET,RUBBER .75 X .38 X1.13	2
13	6097GT	WASHER, FLAT, USS, 3/8",Y	
		(to SN Z80H-7147)	
14	4828GT	NUT,NYLOCK,3/8-16	
		(to SN Z80H-7147)	
14B	1274322GT	NUT,NYLOCK FLG,3/8-16,F,ZAG	2
		(from SN Z80H-7148)	



307.1 Turntable Components, Engine Side

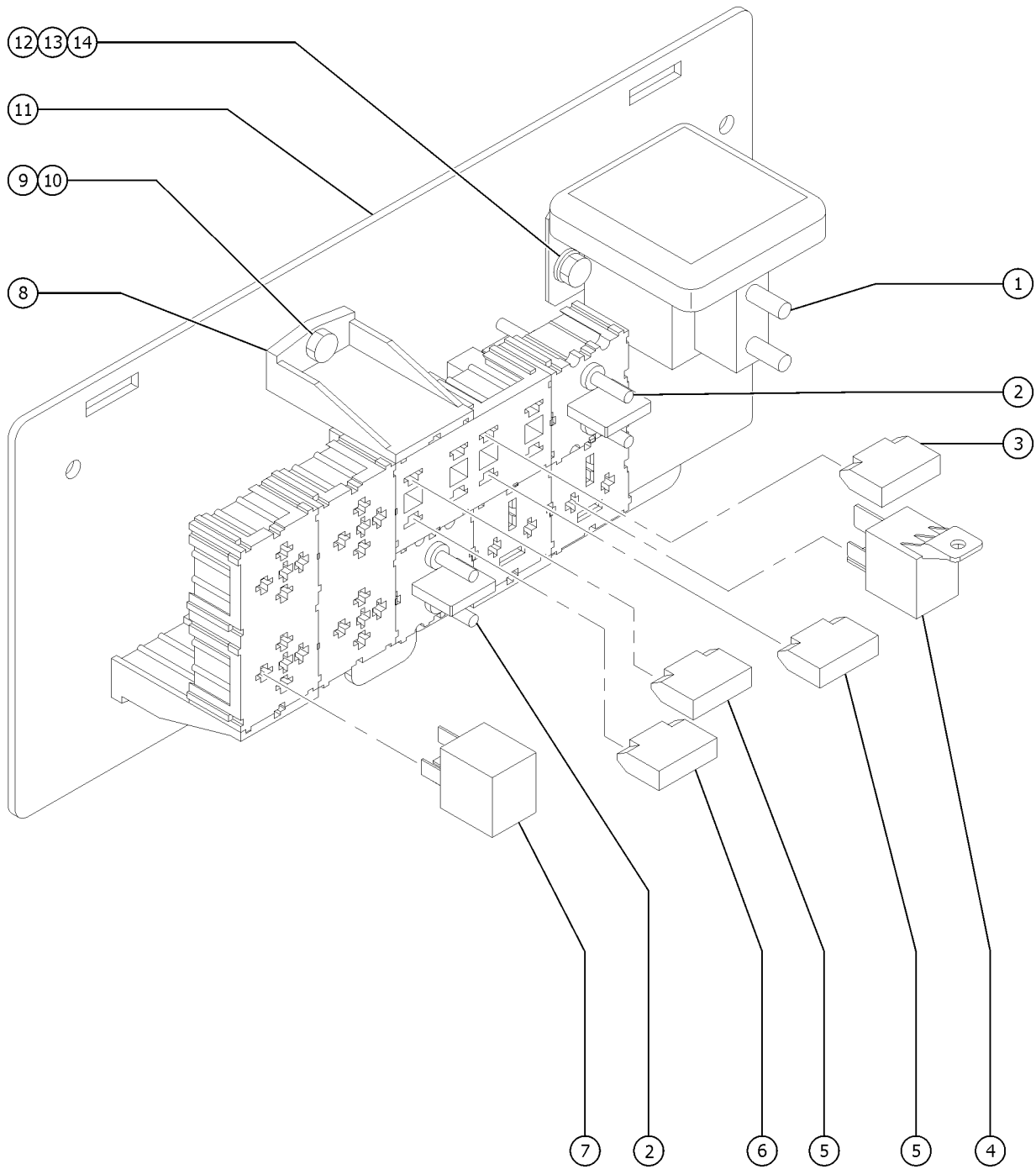


307.1 Turntable Components, Engine Side

Item	Part No.	Description	Qty.
15	81578GT	HORN,12VDC,SPADE TERMINALS***	1
16	6175GT	SCREW,HHC,3/8-16 X 1 (to SN Z80H-7147)	
16B	824089GT	SCREW, HHF, 3/8-16 X .75, 8, ZAG. (from SN Z80H-7148)	1
17	5397GT	WASHER,FLAT,USS,5/16",Y (to SN Z80H-7147)	
18	29868GT	SPRING CLIP,3/8-16,.05-.20X.73,ZAG	
19	122867GT	RELAY COVER ASSY W/DECAL (to SN Z80H-7147)	
19A-	229567GT	PLUG,SANTOPRENE .5 BLACK DOME	
19B	1254355GT	FORMING, COVER, FUSE PANEL (from SN Z80H-7148)	1
19B-	45384GT	PLUG,NYLON .50 BLACK DOMED	
20		Ref. Battery Tray Mount (refer to 417.1)	
21	8516GT	SCREW, HCC, 3/8-16 X 1.50 (to SN Z80H-7147)	
21B	824091GT	SCREW,HHF,3/8-16X1.25,8,ZAG (from SN Z80H-7148)	2
22	56912GT	SPRING CLIP,1/4-20,.025-.15X.5	4
23	6595GT	PLUG,ELECTRICAL,DOMESTIC	1
23-		FUSE,13 AMP,220V PLUG (component no longer available) refer to BS1362 BUSS TDC180-13A	
23-	119404GT	CONN,RECEP 120AC/15A DOMESTIC	
23-	1280665GT	PLUG, TYPE F, 230A, 50HZ, 16A, IP44	
23-	144161GT	PLUG,PWR,UK,16AMP,3PIN,BLK	
23-	25388GT	PLUG,FUSED,250V,13AMP,U.K.**	
24	7056GT	CONN,SQUEEZE,1/2NPT .38-.50,SM	1
25	6935GT	LOCKNUT,ELEC,1/2"	1
26	30794GT	WIRE,12/3 SJEOW,BK-WH-GR/YL primary boom	
26-	30794GT	WIRE,12/3 SJEOW,BK-WH-GR/YL jib boom	
26-	88398GT	HARNESS,POWER TO PLAT,UPPER	
26-	88399GT	HARNESS,POWER TO PLAT,LOWER	
27	88120PGT	FORMING,TRNTBL LOWER CNTR CVR	1



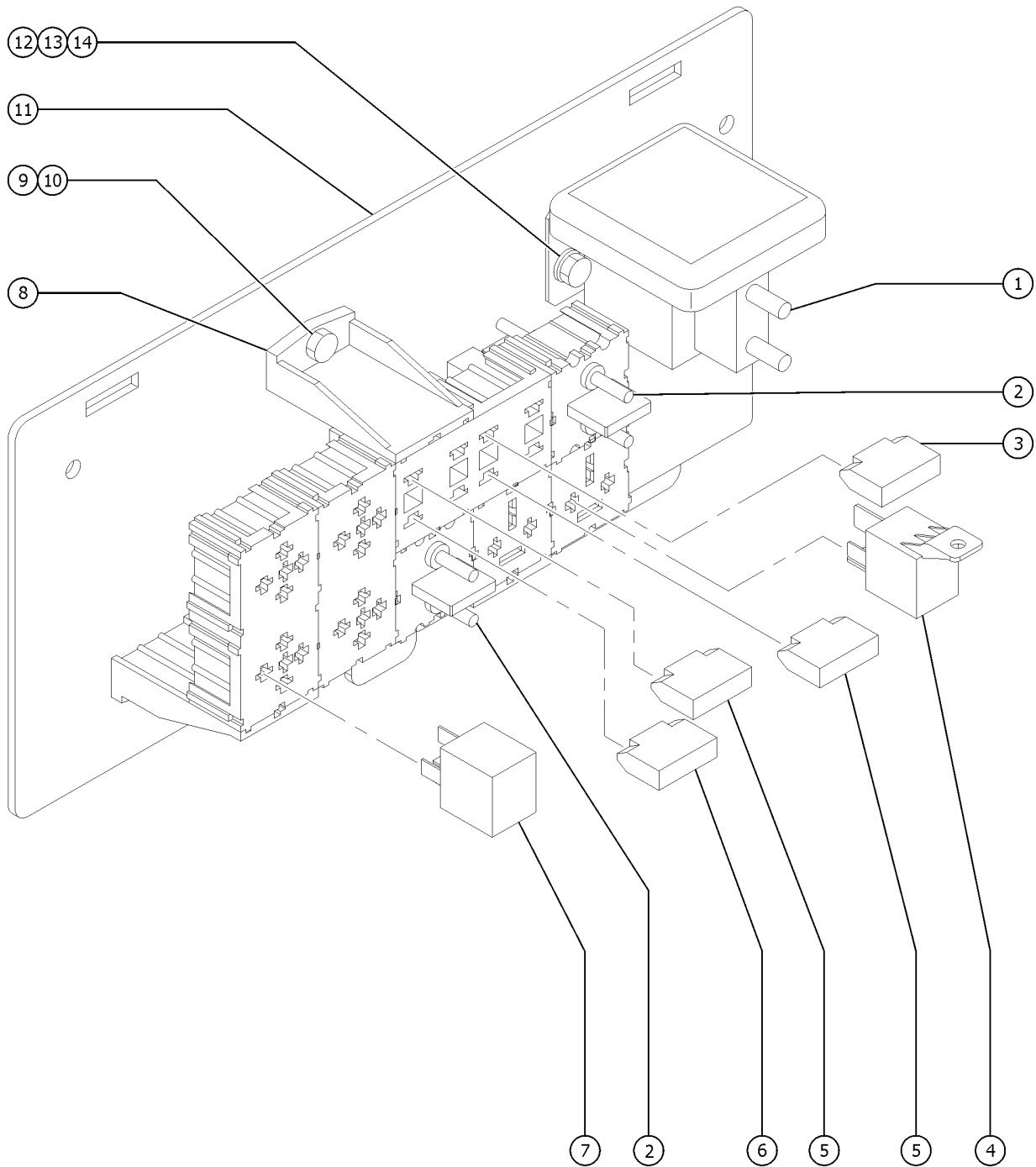
308.1 Turntable Components - Relay Panel



Item	Part No.	Description	Qty.
A	88159GT	LOCK,WEDGE,RLY 9.5MM	
1	237068GT	SEPARATOR,DUAL BATTERY,100A	1
1-	214393GT	KIT, BATT SEPARATOR, ANSI/CSA	
		includes part 237068	
1-	215209GT	KIT, BATT SEPARATOR, CE	
		includes part 237068	
1-	215210GT	KIT, BATT SEPARATOR, AS	
		includes part 237068	
2	106051GT	CONN,FEED THRU STUD	2
3	94327GT	FUSE,30 AMP	1
		diesel models	
3-	88164GT	CONN MAXI FUSE MODULE,4POS	
4	61225GT	RELAY,12VDC,70AMP,SEALED	2
		diesel models	
4-	61225GT	RELAY,12VDC,70AMP,SEALED	1
		gasoline/LPG models	
5	60536GT	FUSE,20 AMP,MAXI	2
		diesel models	
5-	88164GT	CONN MAXI FUSE MODULE,4POS	
6	101340GT	FUSE,60 AMP,MAXI	1
6-	88164GT	CONN MAXI FUSE MODULE,4POS	
7	34052GT	RELAY,SPDT,12V(AUTO) PLUG IN**	3
		Deutz models	
7-	34052GT	RELAY,SPDT,12V(AUTO) PLUG IN**	5
		Perkins models	
7-	88167GT	CONN,DUAL RLY MODULE,10 POS	
8	88160GT	BRACKET,LEG,RLY BLOCK	3
9	49816GT	SCREW,PHILLIPS,PHM,10-32 X .75	
		(to SN Z80H-7147)	
9B	824215GT	SCREW, PHPM, 10-32 X .75, ZAG	3
		(from SN Z80H-7148)	
10	6178GT	NUT,NYLOCK,10-32	
		(to SN Z80H-7147)	
10B	1274168GT	NUT,NYLOCK,10-32,A,ZAG	3
		(from SN Z80H-7148)	
11	102353PGT	FUSE PANEL,FORMING,Z80,PAINTED	1
		(to SN Z80H-7147)	
		shown	
11B	1254354GT	FORMING, FUSE PANEL, Z80	1
		(from SN Z80H-7148)	
12	6090GT	SCREW,HHC,1/4-20 X .75	
		(to SN Z80H-7147)	
12B	824078GT	SCREW,HHF,1/4-20X.75,8,ZAG	2
		(from SN Z80H-7148)	
13	5397GT	WASHER,FLAT,USS,5/16",Y	
		(to SN Z80H-7147)	
14	6091GT	NUT, NYLOCK, 1/4-20	
		(to SN Z80H-7147)	



308.1 Turntable Components - Relay Panel

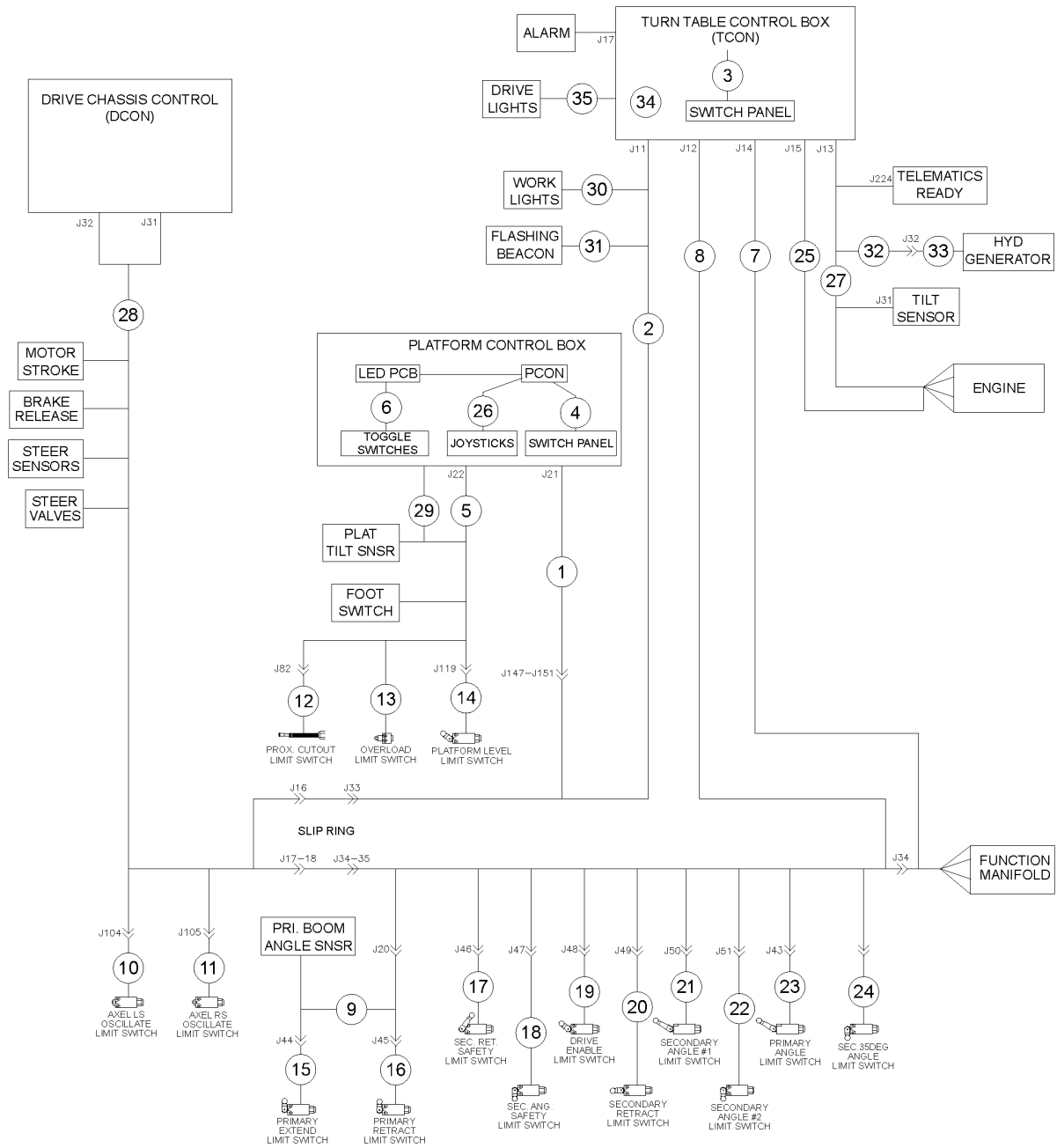


308.1 Turntable Components - Relay Panel

<i>Item</i>	<i>Part No.</i>	<i>Description</i>	<i>Qty.</i>
14B	1277924GT	NUT,NYLOCK FLG,1/4-20,F,ZAG (from SN Z80H-7148)	2



309.1 Wire Harness Diagram

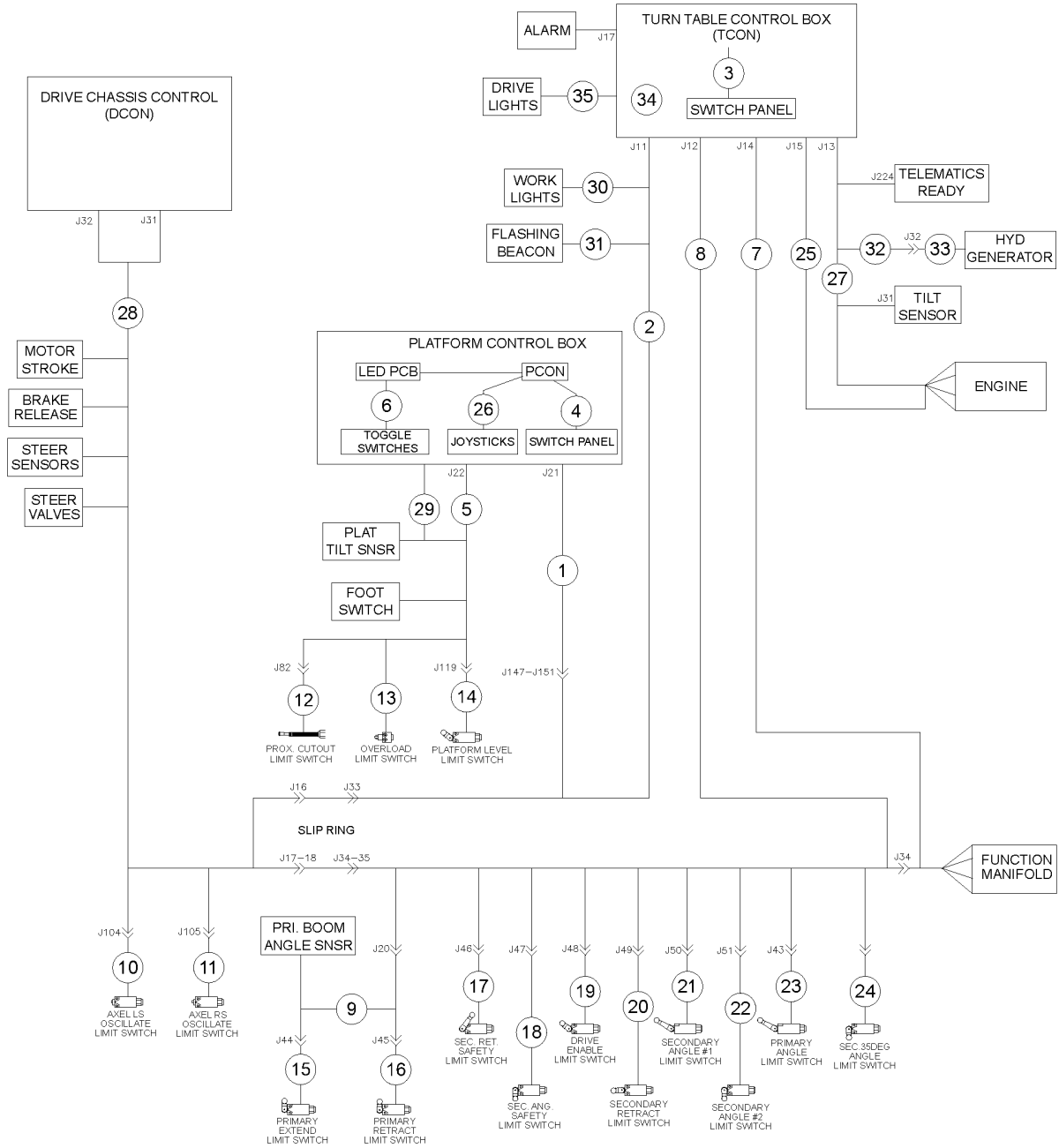


309.1 Wire Harness Diagram

Item	Part No.	Description	Qty.
1	146425GT	HARNESS PRIM BOOM SAE 11C 2010 (Refer to 309.101)	1
2	1253170GT	HARNESS, SEC BOOM SAE 11C, Z80 (Refer to 309.102)	1
2-	88398GT	HARNESS,POWER TO PLAT,UPPER (Refer to 309.102A) (to SN Z80H-7557)	1
2-	1296204GT	HARNESS, POWER TO PLAT, UPPER, Z80, 12/3 CABLE (Refer to 309.102B) (from SN Z80H-7558)	1
2-	88399GT	HARNESS,POWER TO PLAT,LOWER (Refer to 309.102C) (to SN Z80H-7557)	1
2-	1296205GT	HARNESS, POWER TO PLAT, LOWER, Z80, 12/3 CABLE (Refer to 309.102D) (from SN Z80H-7558)	1
3	230996GT	HARNESS, GROUND CONTROL, Z80 (Refer to 309.103)	1
3-	826635GT	HARNESS, GROUND BOX, TIER IV, (Refer to 309.103A)	1
3-	1284978GT	HARNESS, GBOX, STAGE V, ALC1000 (Refer to 309.103B)	1
4	1279752GT	HARNESS, PCON, SWITCH PANEL, Z80 (Refer to 309.104)	1
5	146040GT	WIRE HARNESS,PLAT MANFLD Z80 (Refer to 309.105)	1
6	235346GT	HARNESS, PCON, TOG SW, ALC1000 (Refer to 309.106)	1
7	146427GT	HARNESS TCON MANIFOLD Z80 2010 (Refer to 309.107)	1
8	1264458GT	HARNESS, SWITCH, LIMIT, TCON (Refer to 309.108)	1
9	88153GT	HARNESS,UPPER LIMIT SWITCH/PBA (Refer to 309.109)	1
10	88383GT	HARNESS,LS,OP,OSCILLATE,LH (Refer to 309.110)	1
11	88382GT	HARNESS,LS,OP,OSCILLATE,RH (Refer to 309.111)	1
12	1262767GT	HARNESS,PROX SENSOR,ACP (Refer to 309.112)	1
13	146399GT	ASSY, LS, LOAD SENSE, ALC1000 (Refer to 309.113)	1
14	88363GT	HARNESS,LS,OP,JIB (Refer to 309.114)	1
15	88362GT	HARNESS,LS,OP,PRI.EXT. (Refer to 309.115)	1
16	88360GT	HARNESS,LS,OP,PRI.,RETRACT (Refer to 309.116)	1
17	146429GT	HARN LS SAFETY SEC RET LSS1RS (Refer to 309.117)	1
18	1268602GT	HARN LS SAFETY SEC ANGL LSS2AS (Refer to 309.118)	1
19	88368GT	HARNESS,LS,OP,DRIVE ENABLE (Refer to 309.119)	1
20	88366GT	HARNESS,LS,OP,SEC.RETRACT (Refer to 309.120)	1
21	88359GT	HARNESS,LS,OP,SEC.,ANGLE (Refer to 309.121)	1
22	1268595GT	HARNESS,LS,OP,SEC.ANGLE (Refer to 309.122)	1



309.1 Wire Harness Diagram

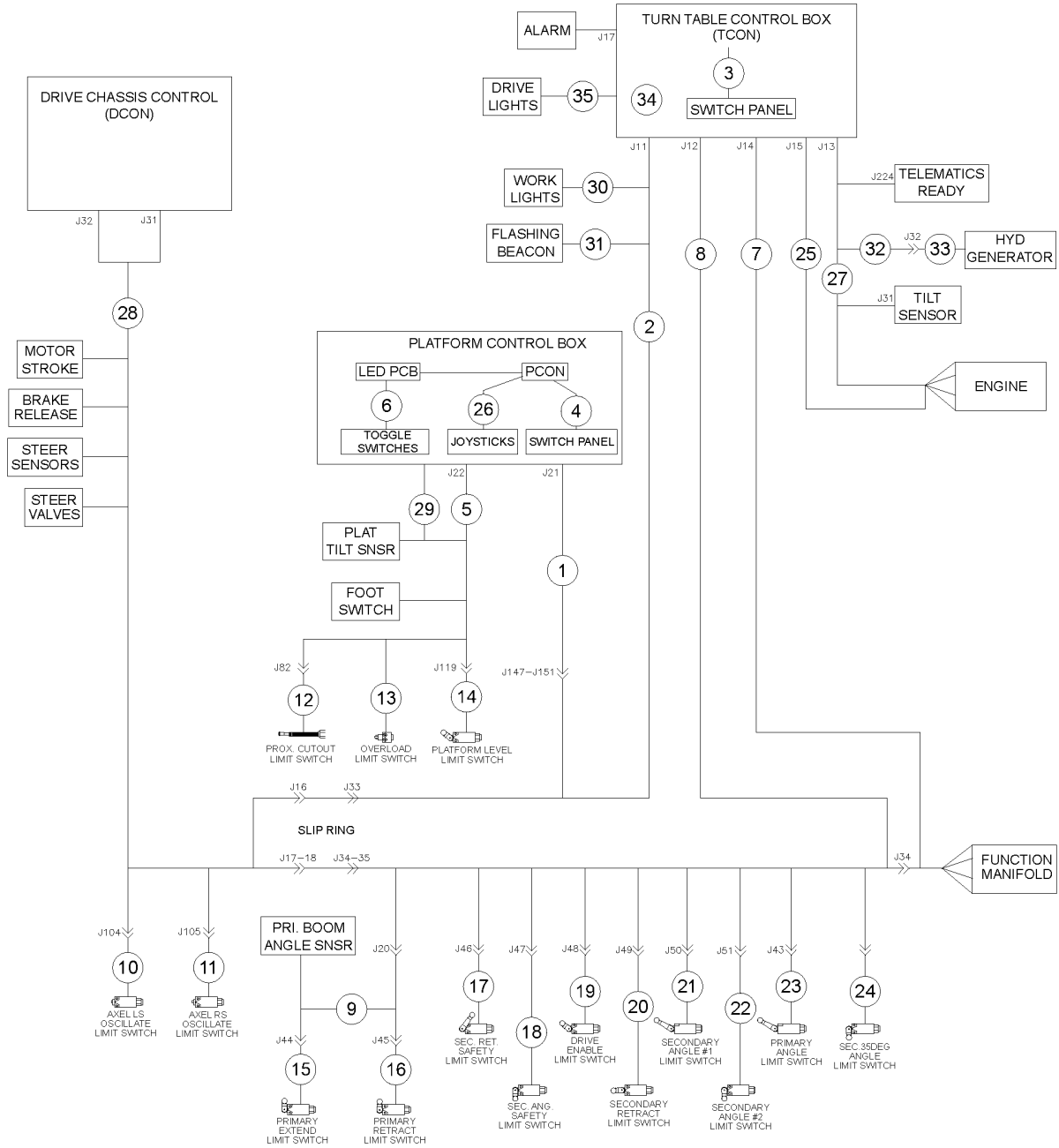


309.1 Wire Harness Diagram

Item	Part No.	Description	Qty.
23	88361GT	HARNESS,LS,OP,PRI.,ANGLE (Refer to 309.123)	1
24	88156GT	HARNESS,LS,OP,SEC.35DEG ANGLE (Refer to 309.124)	1
25	88137GT	HARNESS, POWER, TCON, Z-80 (Refer to 309.125)	1
25-	81562GT	HARNESS,GND,BATT 1 TO BATT 2** (Refer to 309.125A)	1
25-	81878GT	HARNESS,#8AWG BATT TO SEPERATR (Refer to 309.125B)	1
25-	88154GT	HARNESS,BATT TO APU SOLENOID (Refer to 309.125C)	1
25-	88155GT	HARNESS,APU TO ENGINE BLOCK (Refer to 309.125D)	1
26	122023GT	HARNESS,PBOX,JOYSTICKS,Z80 (Refer to 309.126)	1
27	1253173GT	HARNESS,ENG,DEUTZ,BF4L2011,Z80 (Refer to 309.127) (to SN Z80H-7415)	1
27-	1291141GT	HARNESS, ENGINE, DEUTZ BF4L2011, TIER3, Z80 (Refer to 309.127A) (from SN Z80H-7416)	1
27B	1253172GT	HARNESS, ENG, PERKINS, 804, Z80 (Refer to 309.127B)	1
27C	1253171GT	HARNESS, ENG, CONT, TME27, Z80 (Refer to 309.127C)	1
27D	122095GT	HARNESS,TCON-ENG,Z80,DUALFUEL (Refer to 309.127D)	1
27E	122865GT	HARNESS-B,TME27 ENGINE,EPA2007 (Refer to 309.127E)	1
27F	826636GT	HARNESS, DEUTZ 2.9, Z80 (Refer to 309.127F) (to SN Z80H-7415)	1
27F-	1291140GT	HARNESS, ENGINE, DEUTZ 2.9, TIER4, Z80 (Refer to 309.127FF) (from SN Z80H-7416)	1
27G	826637GT	HARNESS, PERKINS TIER4, Z80 (Refer to 309.127G)	1
27H	1260172GT	HARNESS,ENG,PERKINS 404D,Z80 (Refer to 309.127H) (to SN Z80H-7415)	1
27H-	1291143GT	HARNESS, ENGINE, PERKINS 404D, TIER3, Z80 (Refer to 309.127HH) (from SN Z80H-7416)	1
27I	1294904GT	HARNESS, DEUTZ 2.2 STAGE V, Z80 (Refer to 309.127I); (from SN Z80H-7733)	1
27J	1269053GT	HARNESS, ENGINE, GM3.0, Z80 (Refer to 309.127J) (to SN Z80H-7413)	1
27J-	1291144GT	HARNESS, ENGINE, GM 3.0, Z80 (Refer to 309.127JJ) (from Z80H-7414)	1
27K	1285105GT	HARNESS, ENGINE, PERKINS, 404F-E22TA, Z80 (Refer to 309.127K) (8 way telematics)	1
27L	1291142GT	HARNESS, ENGINE, PERKINS 404F-E22TA, TIER4, Z80 (Refer to 309.127L) (12 way telematics); (from SN Z80H-7552)	1
27M	1294903GT	HARNESS, DEUTZ 2.2 TIER IV, Z80 (Refer to 309.127M)	1
28	88139GT	HARNESS,DRIVE CHASSIS 4WS Z-80 (Refer to 309.128)	1
28-	88147GT	HARNESS,DRIVE CHASSIS 2WS (Refer to 309.128A)	1
29	122461GT	HARNESS,PLAT LEVEL RECOVERY (Refer to 309.129)	1



309.1 Wire Harness Diagram

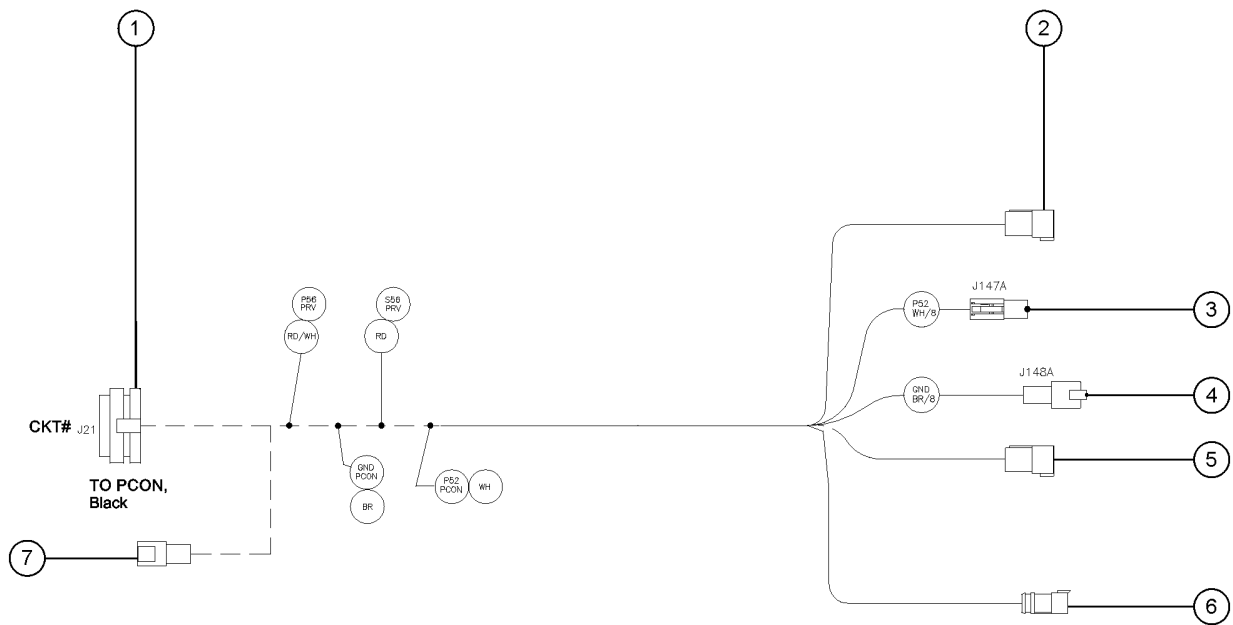


309.1 Wire Harness Diagram

<i>Item</i>	<i>Part No.</i>	<i>Description</i>	<i>Qty.</i>
30	1255092GT	HARNESS, WORK LIGHTS, Z80 (Refer to 309.130)	1
31	88143GT	HARNESS, FLASHING BEACON (Refer to 309.131)	1
32	226503GT	HARNESS, WELD GEN ENCLOSURE (Refer to 309.132)	1
33	226505GT	HARNESS, WELD GENERATOR, Z80 (Refer to 309.133)	1
33-	226503GT	HARNESS, WELD GEN ENCLOSURE (Refer to 309.133A)	1
34	88832GT	HARNESS, PLUG, NON-LOAD WEIGHING (Refer to 309.134)	1
35	1255093GT	ASSY, DRIVE LIGHTS, Z80 (Refer to 801.1)	1



309.101 Harness Prim Boom SAE 11C 2010

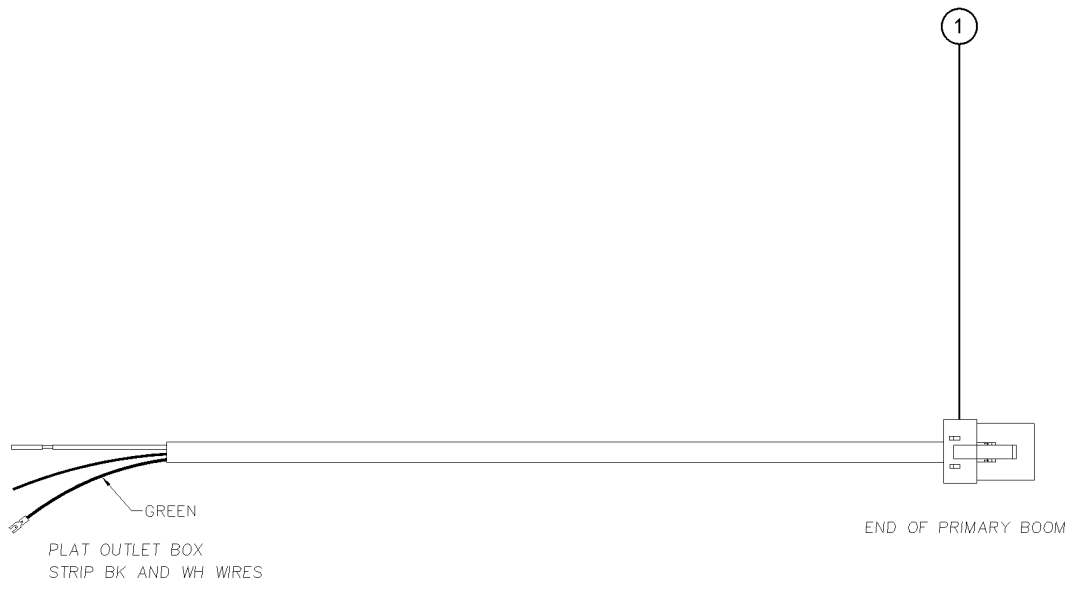


<i>Item</i>	<i>Part No.</i>	<i>Description</i>	<i>Qty.</i>
-	146425GT	HARNESS PRIM BOOM SAE 11C 2010	1
1	60512GT	CONN,PLUG 23 WAY,16-20 GA BLK	1
2	60529GT	CONN,RECEP 2 WAY,12-14GA	1
2-	60530GT	LOCK,RECEP 2 WAY,12-14GA	1
3	60769GT	CONN,RECEP 1 WAY,8-10GA	1
4	60768GT	CONN,PLUG 1 WAY,8-10GA	1
5	119067GT	CONN, RECEP, 4 WAY, DEUTSCH, DT, ENDCAP	1
5-	60443GT	LOCK, RECEP 4WAY, 14-18GA	1
6	60457GT	CONN,RECEP 3 WAY,SAE J1939	1
6-	60460GT	LOCK,RECEP 3 WAY,SAEJ1939	1
7	119065GT	CONN, RECEP, 2 WAY, DEUTSCH, DT	1
7-	60439GT	CONN, RECEP, 2 WAY, DEUTSCH, DT, LOCK	1



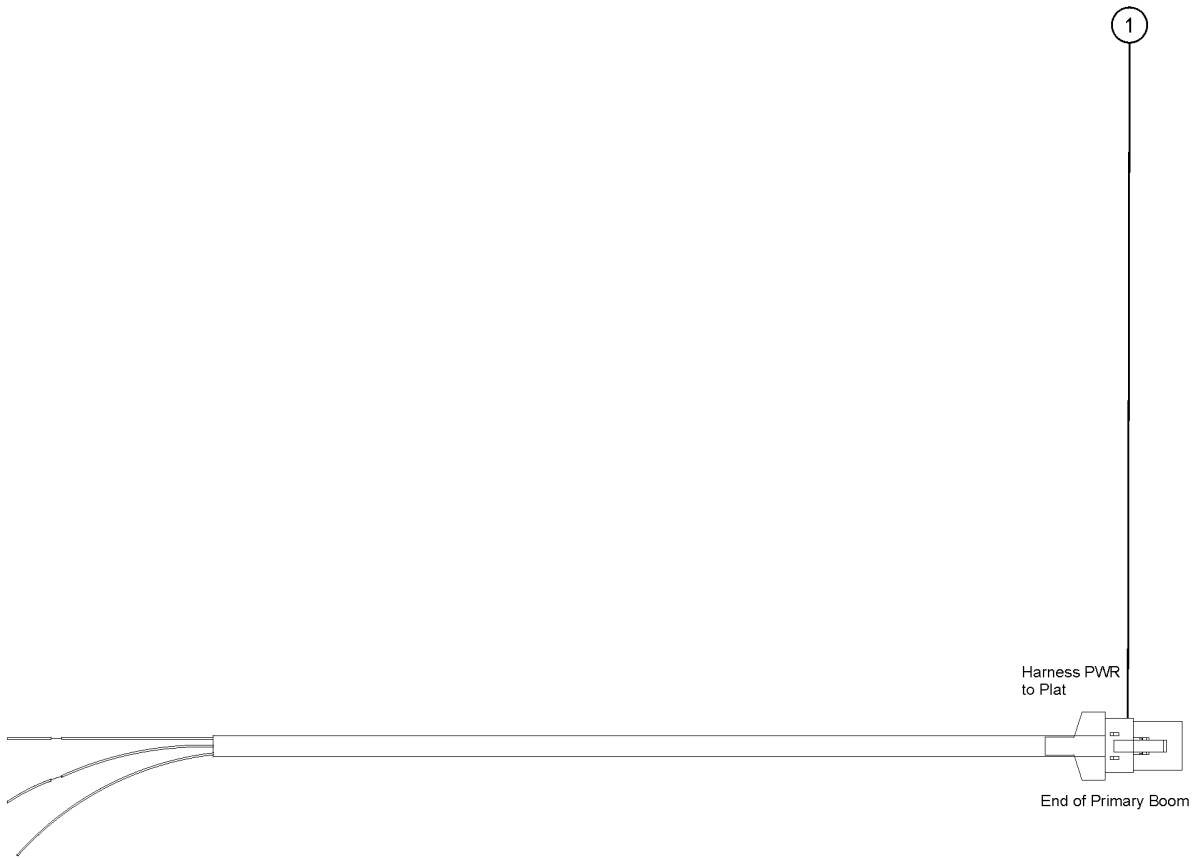
<i>Item</i>	<i>Part No.</i>	<i>Description</i>	<i>Qty.</i>
-	1253170GT	HARNESS, SEC BOOM SAE 11C, Z80	1
1	60531GT	CONN,PLUG 2 WAY,12-14GA	1
1-	60532GT	LOCK,PLUG 2 WAY,12-14GA	1
2	60512GT	CONN,PLUG 23 WAY,16-20 GA BLK	1
3	60451GT	CONN,TEE 3 WAY,SAE J1939	1
4	54373GT	WIRE LOOM,3/8,SLIT,HIGH TEMP	22
5	60450GT	CONN,PLUG 3 WAY,SAE J1939	6
5-	60459GT	LOCK,PLUG 3 WAY,SAE J1939	4
6	60450GT	CONN,PLUG 3 WAY,SAE J1939	4
6-	60427GT	CONN, PLUG, 3 WAY, DEUTSCH, DT, LOCK	2
7	75640GT	WIRE LOOM,3/4 DIA.	34
8	119058GT	CONN, PLUG, 4 WAY, DEUTSCH, DT, ENDCAP	1
8-		LOCK, PLUG 4WAY, 14-18GA	1
9	60769GT	CONN,RECEP 1 WAY,8-10GA	1
10	60768GT	CONN,PLUG 1 WAY,8-10GA	1

309.102A Harness, Power To Plat, Upper



<i>Item</i>	<i>Part No.</i>	<i>Description</i>	<i>Qty.</i>
-	88398GT	HARNESS,POWER TO PLAT,UPPER	1
1	60527GT	CONN, PLUG, 4 WAY, DEUTSCH, DTP	1
1-	60528GT	LOCK,PLUG 4 WAY,12-14GA***	1

309.102B Harness, Power to plat, Upper, Z80, 12/3 Cable

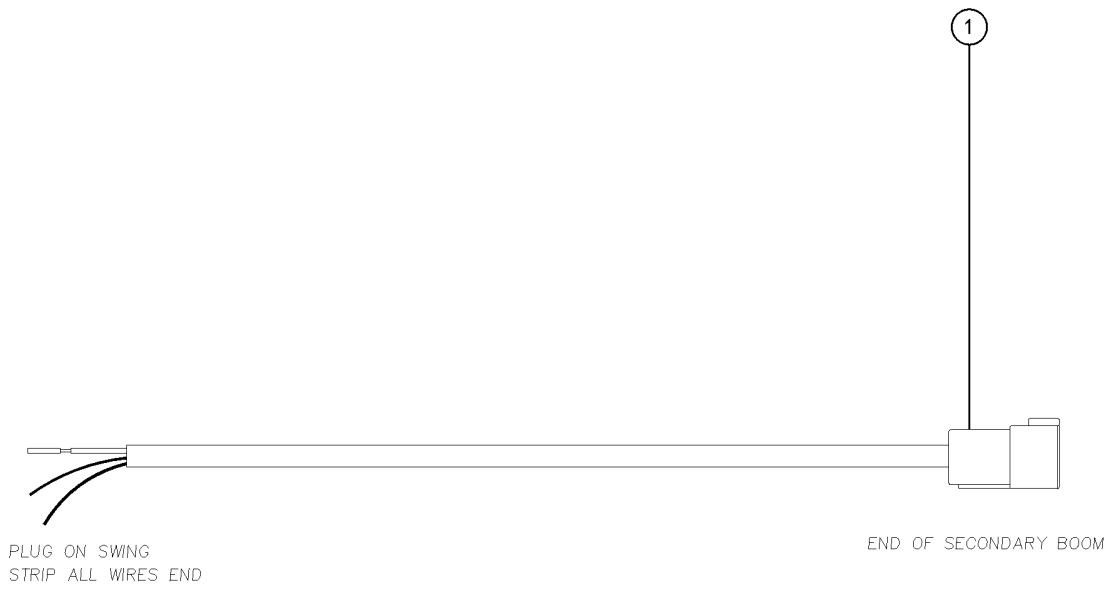


309.102B Harness, Power to plat, Upper, Z80, 12/3 Cable

<i>Item</i>	<i>Part No.</i>	<i>Description</i>	<i>Qty.</i>
-	1296204GT	HARNESS, POWER TO PLAT, UPPER, Z80, 12/3 CABLE	1
1	60527GT	CONN, PLUG, 4 WAY, DEUTSCH, DTP	1
1-	60528GT	LOCK,PLUG 4 WAY,12-14GA***	1



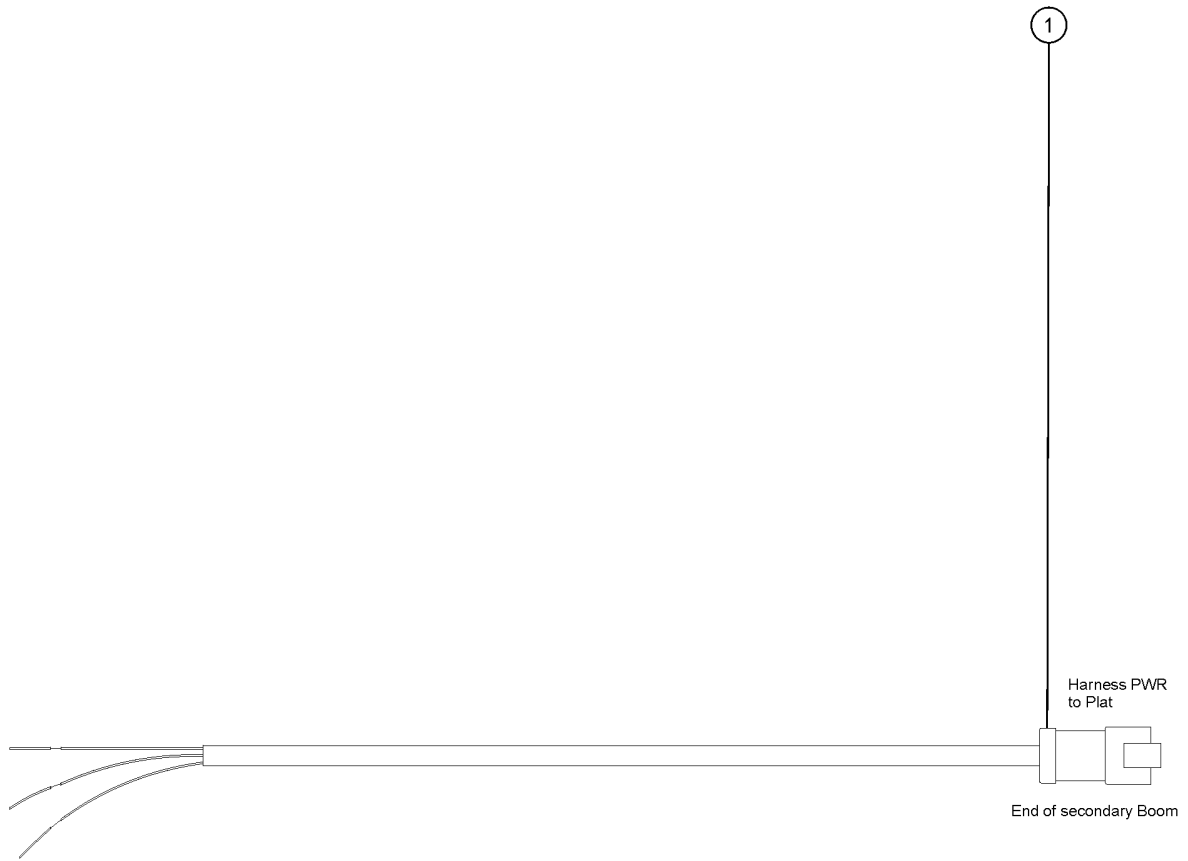
309.102C Harness, Power To Plat, Lower



<i>Item</i>	<i>Part No.</i>	<i>Description</i>	<i>Qty.</i>
-	88399GT	HARNESS,POWER TO PLAT,LOWER	1
1	60525GT	CONN,RECEP 4 WAY,12-14GA	1
1-	60526GT	LOCK,RECEP 4 WAY,12-14GA	1



309.102D Harness, Power to Plat, Lower, Z80, 12/3 Cable



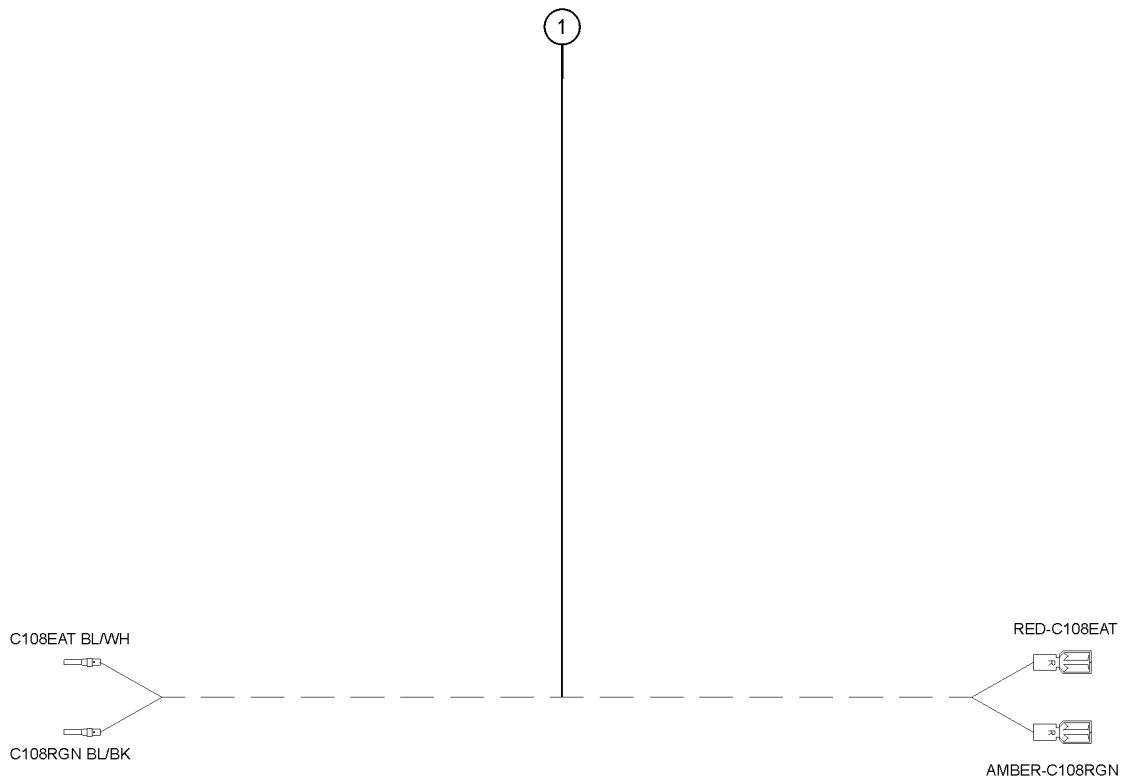
309.102D Harness, Power to Plat, Lower, Z80, 12/3 Cable

<i>Item</i>	<i>Part No.</i>	<i>Description</i>	<i>Qty.</i>
-	1296205GT	HARNESS, POWER TO PLAT, LOWER, Z80, 12/3 CABLE	1
1	60525GT	CONN,RECEP 4 WAY,12-14GA	1
1-	60526GT	LOCK,RECEP 4 WAY,12-14GA	1



<i>Item</i>	<i>Part No.</i>	<i>Description</i>	<i>Qty.</i>
-	826635GT	HARNES, GROUND BOX, TIER IV,	1
1	110654GT	CONN, PLUG, 8 WAY, MOLEX	1
2	75640GT	WIRE LOOM,3/4 DIA.	7
3	60452GT	CONN,RECEP 3 WAY SAE J1939	1
4	119057GT	CONN PLUG 3 WAY ENDCAP DT	1
4-	60459GT	LOCK,PLUG 3 WAY,SAE J1939	1
5	73723GT	CONN RECEP,FLANGED	1
5-	60443GT	LOCK, RECEP 4WAY, 14-18GA	1
6	60540GT	CONN,RECEP 4 WAY, SINGLE ROW	1
7	73717GT	CONN,RECEP 4 WAY,12-14GA FL***	1
7-	60526GT	LOCK,RECEP 4 WAY,12-14GA	1
8	81546GT	CONN, PLUG 16 WAY, MOLEX	1

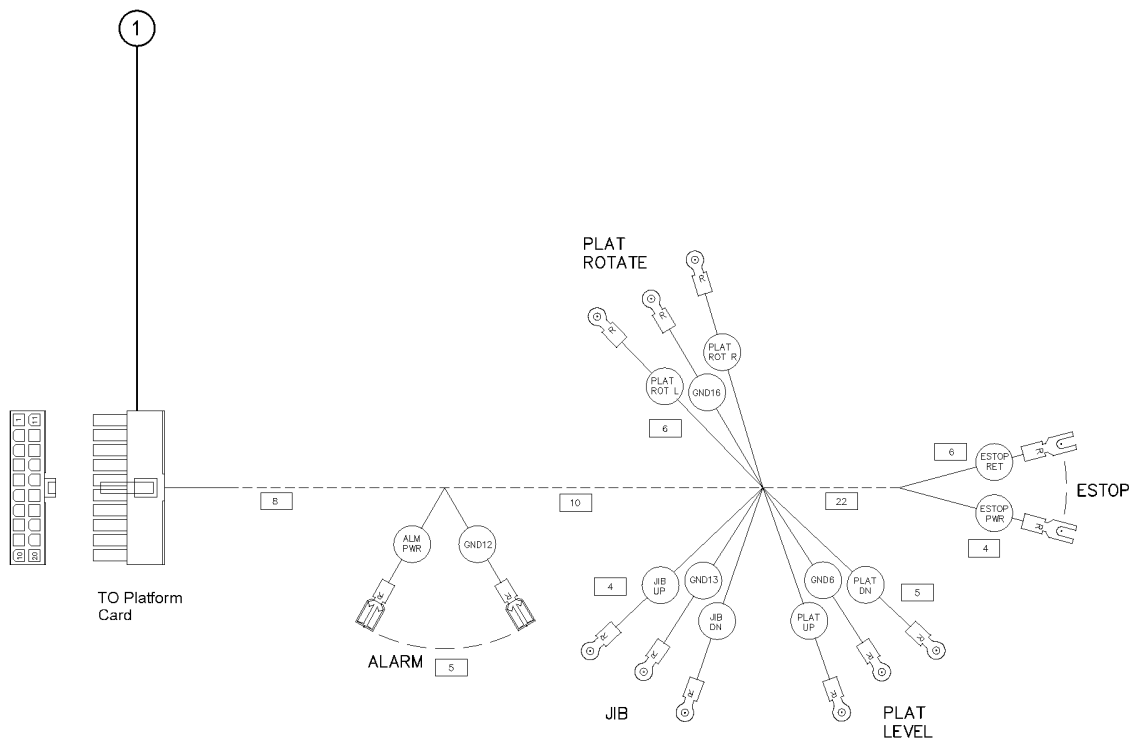
309.103B Harness, Gbox, Stage V, ALC 1000



309.103B Harness, Gbox, Stage V, ALC 1000

<i>Item</i>	<i>Part No.</i>	<i>Description</i>	<i>Qty.</i>
-	1284978GT	HARNESS, GBOX, STAGE V, ALC1000	1
1	99087GT	WIRE LOOM, 1/4 DIA. SLIT	30

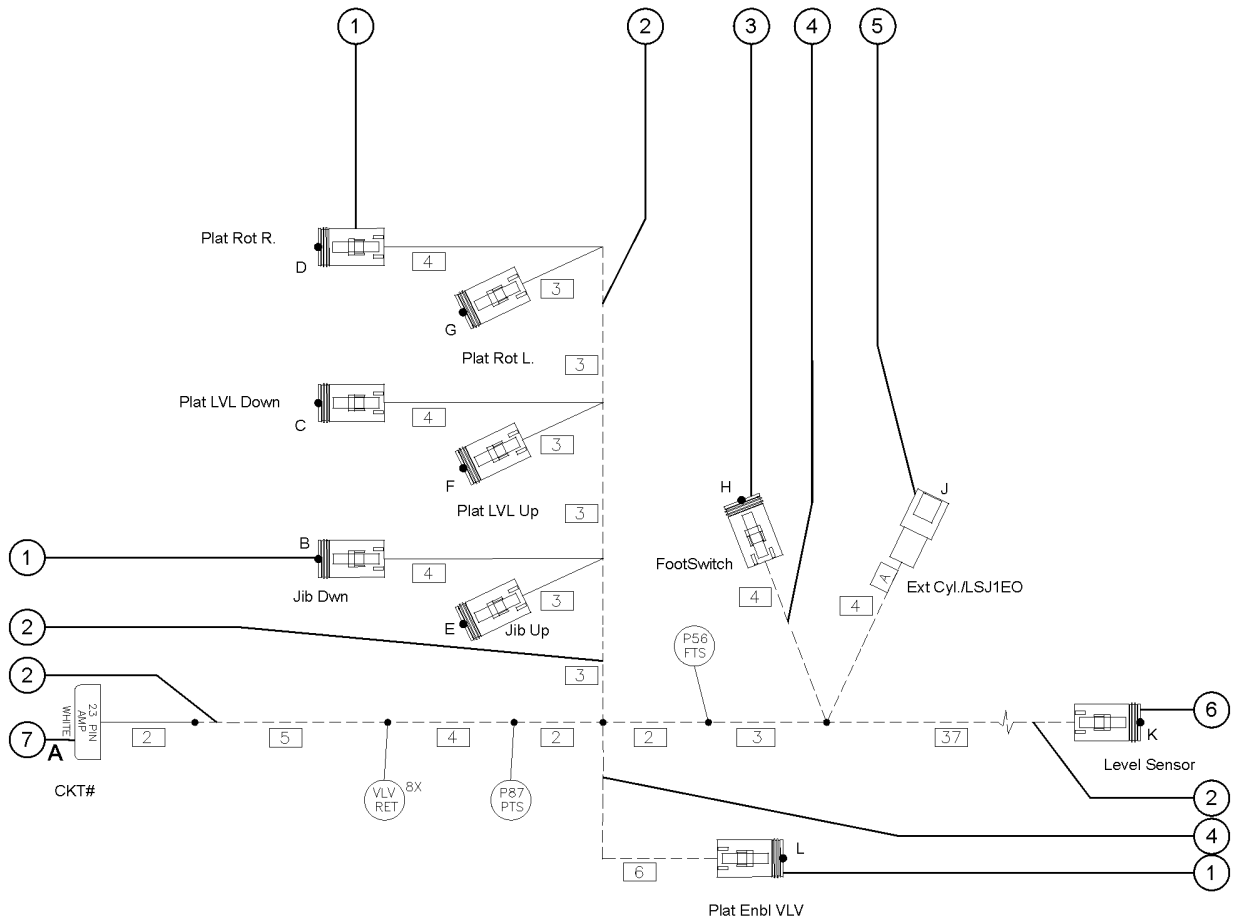




<i>Item</i>	<i>Part No.</i>	<i>Description</i>	<i>Qty.</i>
-	1279752GT	HARNESS, PCON, SWITCH PANEL, Z80	1
1	81545GT	CONN,MOLEX 20 WAY	1

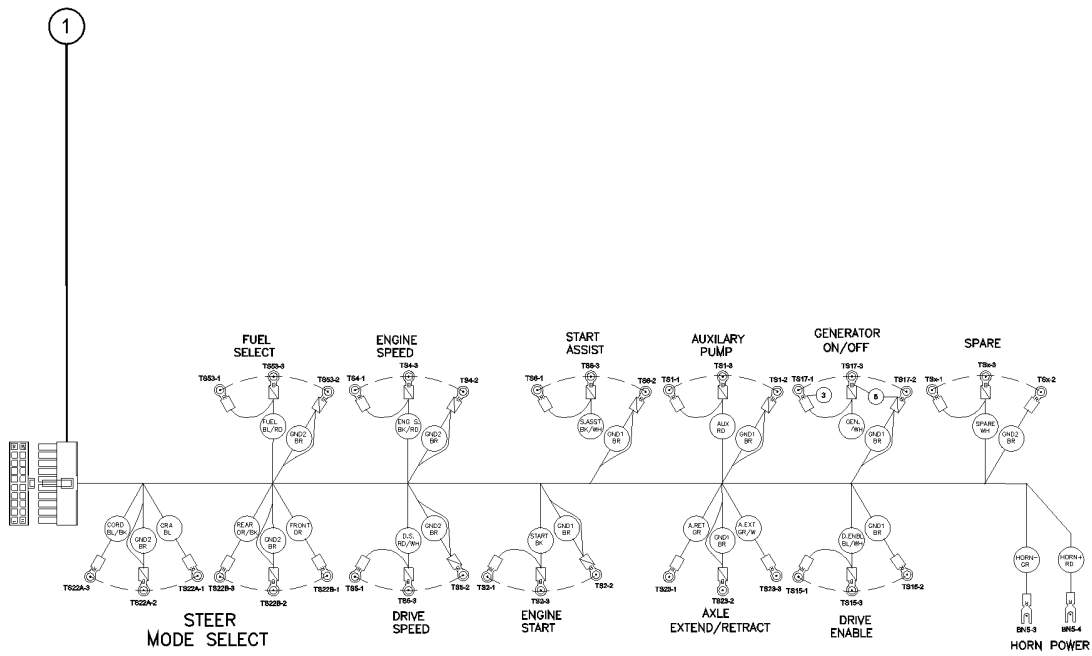


309.105 Wire Harness, Plat Manfid Z80



<i>Item</i>	<i>Part No.</i>	<i>Description</i>	<i>Qty.</i>
-	146040GT	WIRE HARNESS,PLAT MANFLD Z80	1
1	119056GT	CONN PLUG 2 WAY ENDCAP DT	7
1-	60425GT	LOCK,PLUG 2 WAY, 14-18GA	7
2	75640GT	WIRE LOOM,3/4 DIA.	62
3	60424GT	CONN,PLUG 2 WAY,14-18GA	1
3-	60425GT	LOCK,PLUG 2 WAY, 14-18GA	1
4		WIRE LOOM, 3/8" DIA SLIP, HI TEMP.	14
5	119065GT	CONN, RECEP, 2 WAY, DEUTSCH, DT	1
5-	60439GT	CONN, RECEP, 2 WAY, DEUTSCH, DT, LOCK	1
6	119059GT	CONN PLUG 6 WAY ENDCAP DT	1
6-	60431GT	LOCK,PLUG 6WAY,14-18GA	1
7	60513GT	CONN,PLUG 23 WAY,16-20 GA WHT	1

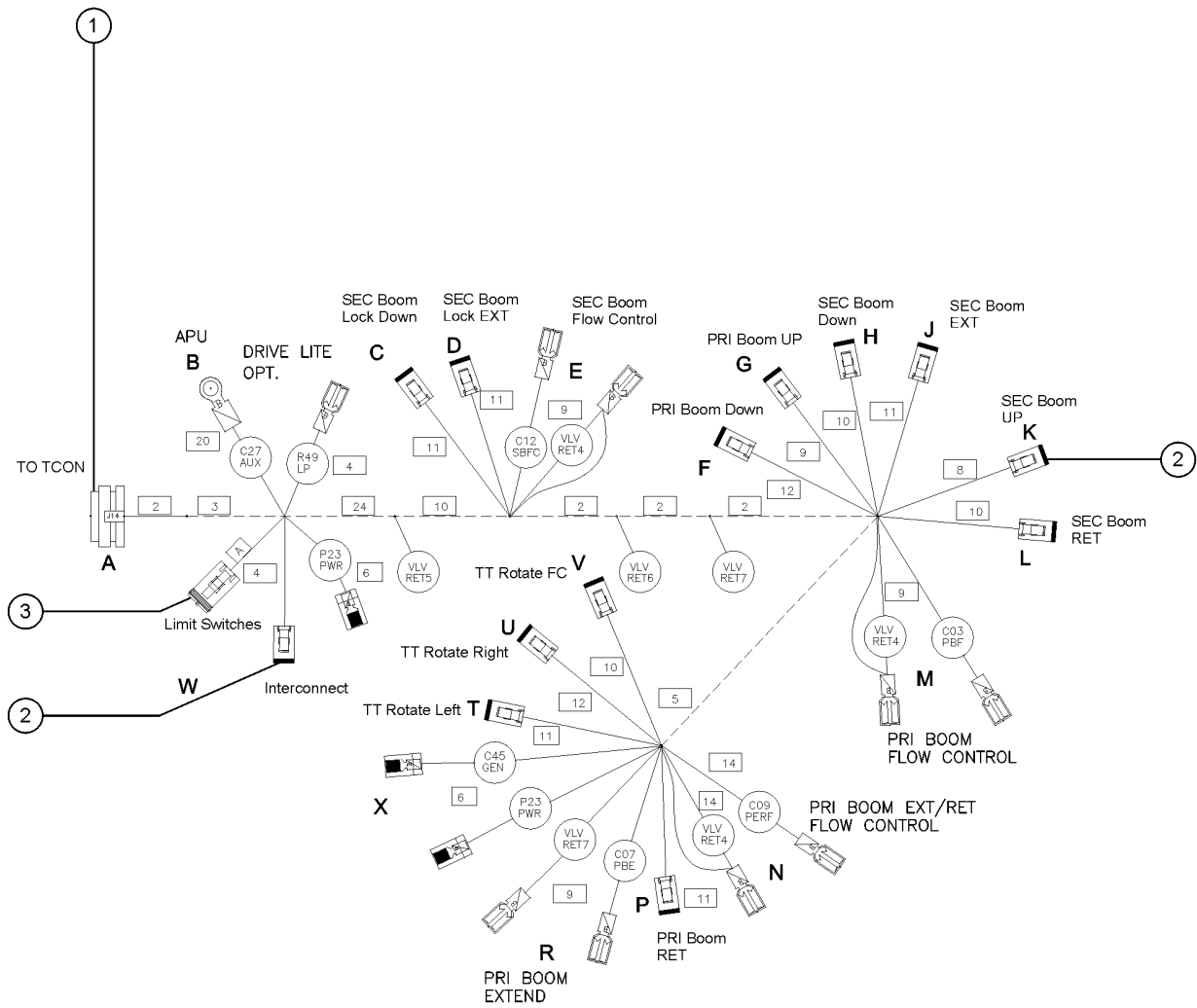




309.106 Harness, PCON, TOG SW, ALC1000

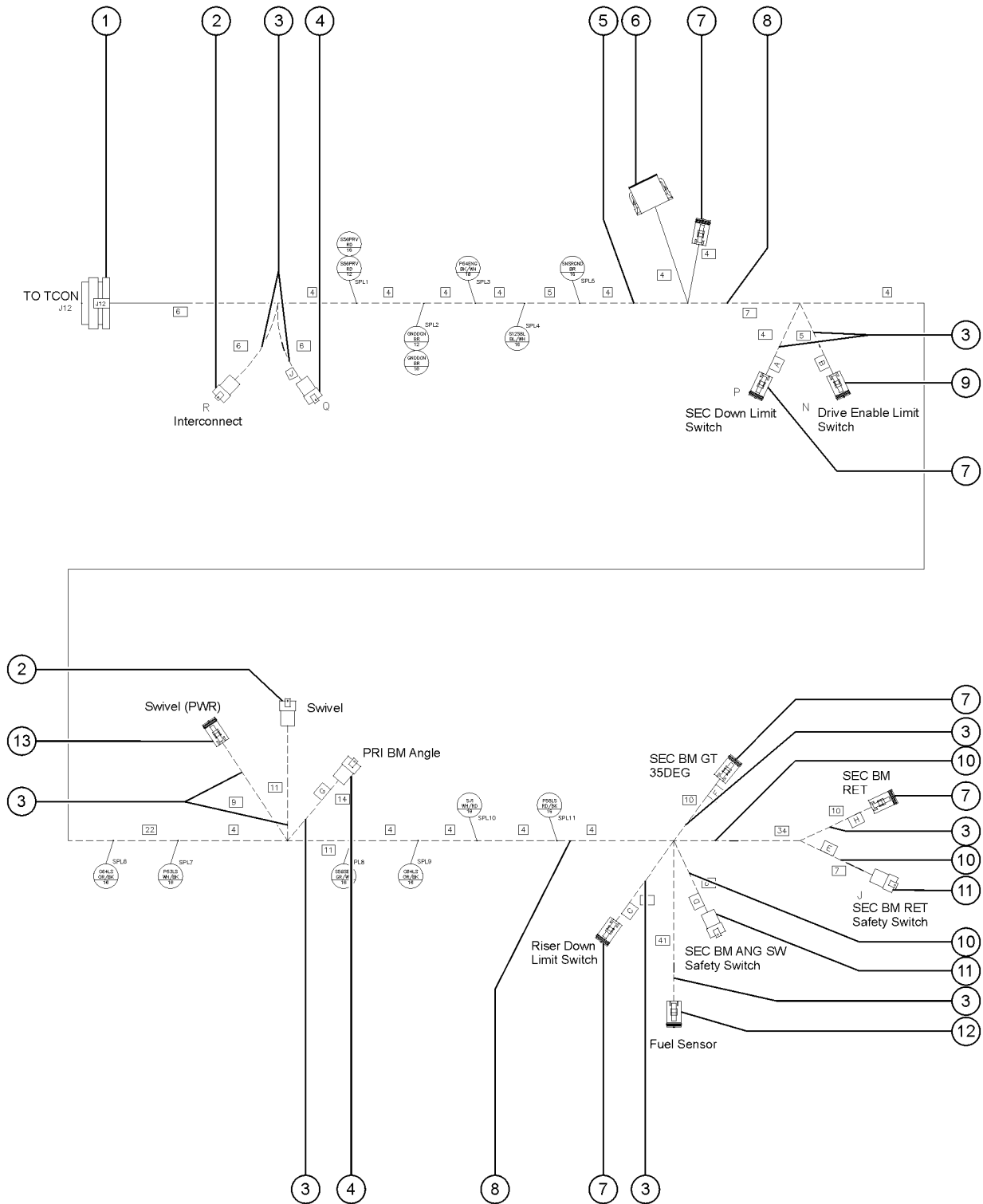
<i>Item</i>	<i>Part No.</i>	<i>Description</i>	<i>Qty.</i>
-	235346GT	HARNESS, PCON, TOG SW, ALC1000	1
1	81545GT	CONN,MOLEX 20 WAY	1





<i>Item</i>	<i>Part No.</i>	<i>Description</i>	<i>Qty.</i>
-	146427GT	HARNESS TCON MANIFOLD Z80 2010	1
1	60515GT	CONN,PLUG 35 WAY, 16-20GA WHT	1
2	119056GT	CONN PLUG 2 WAY ENDCAP DT	13
2-	60452GT	CONN,RECEP 3 WAY SAE J1939	13
3	119058GT	CONN, PLUG, 4 WAY, DEUTSCH, DT, ENDCAP	1
3-		LOCK, PLUG 4WAY, 14-18GA	1

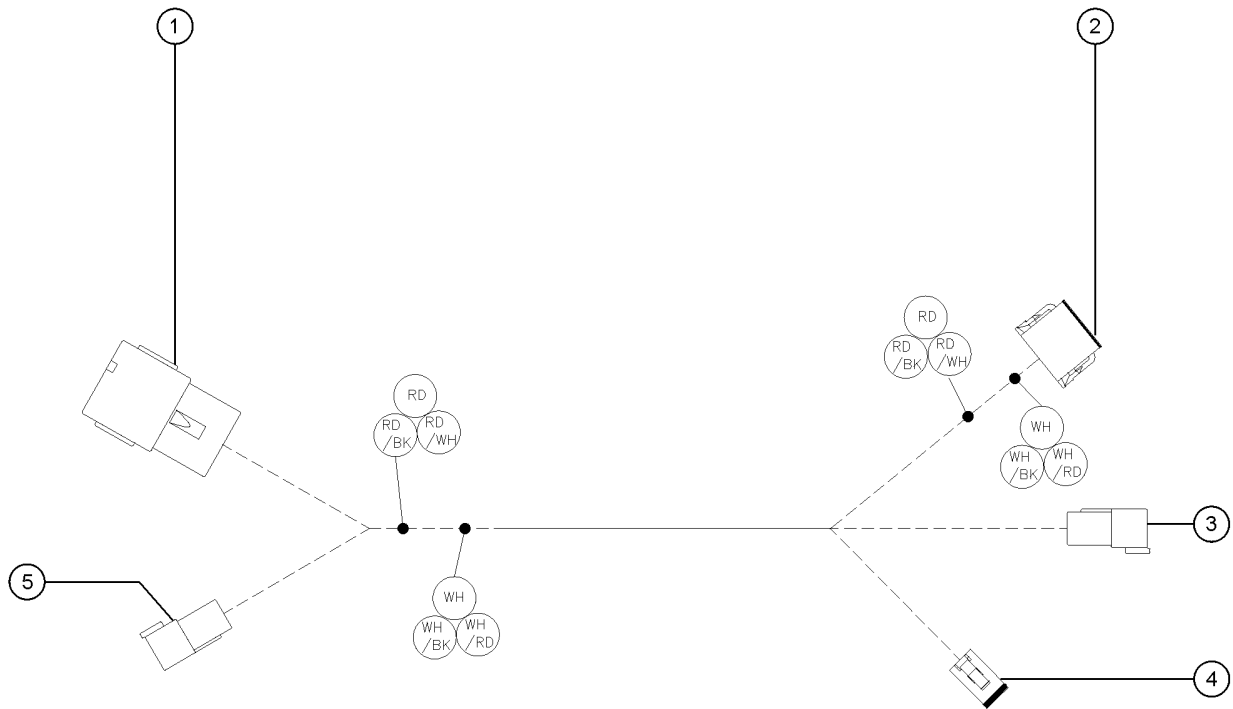
309.108 Harness, Switch, Limit, TCON



Item	Part No.	Description	Qty.
-	1264458GT	HARNESS, SWITCH, LIMIT, TCON	1
1	60514GT	CONN,PLUG 35 WAY,16-20GA BLK	1
2	119065GT	CONN, RECEP, 2 WAY, DEUTSCH, DT	2
2-	60439GT	CONN, RECEP, 2 WAY, DEUTSCH, DT, LOCK	2
3		WIRE LOOM, 3/8" DIA SLIP, HI TEMP.	134
4	119067GT	CONN, RECEP, 4 WAY, DEUTSCH, DT, ENDCAP	2
4-	60443GT	LOCK, RECEP 4WAY, 14-18GA	2
5	28131GT	WIRE LOOM,1.25 DIA.	29
6	119061GT	CONN, PLUG, 12 WAY, DEUTSCH, DT, BLACK	1
6-	60435GT	LOCK,PLUG 12 WAY,14-18GA,GRN	1
7	119058GT	CONN, PLUG, 4 WAY, DEUTSCH, DT, ENDCAP	4
7-		LOCK, PLUG 4WAY, 14-18GA	4
8	75640GT	WIRE LOOM,3/4 DIA.	57
9	119056GT	CONN PLUG 2 WAY ENDCAP DT	2
9-	60425GT	LOCK,PLUG 2 WAY, 14-18GA	2
10		WIRE LOOM, 1/2" DIA SLIP, HI TEMP.	50
11	119068GT	CONN,RECEP 6 WAY ENDCAP DT	2
11-	60445GT	LOCK,RECEP 6 WAY,14-18GA	2
12	119057GT	CONN PLUG 3 WAY ENDCAP DT	1
12-	60427GT	CONN, PLUG, 3 WAY, DEUTSCH, DT, LOCK	1
13	60531GT	CONN,PLUG 2 WAY,12-14GA	1
13-	60532GT	LOCK,PLUG 2 WAY,12-14GA	1

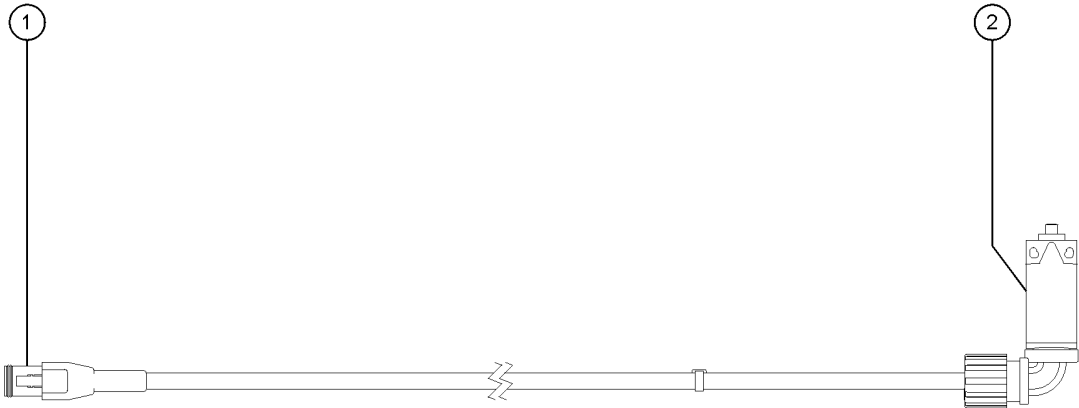


309.109 Harness, Upper Limit Switch/PBA



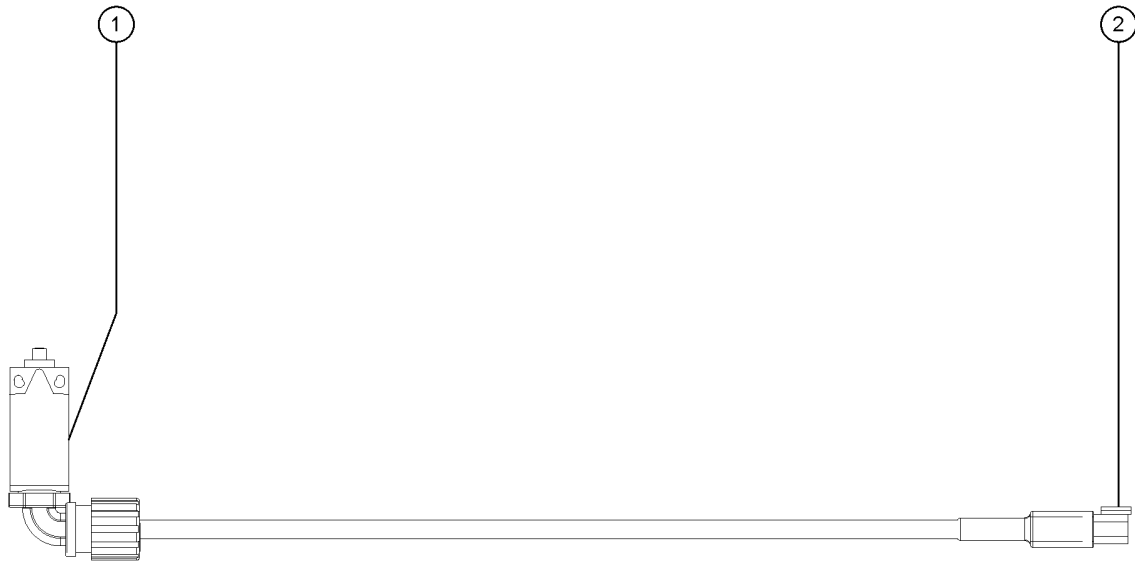
<i>Item</i>	<i>Part No.</i>	<i>Description</i>	<i>Qty.</i>
-	88153GT	HARNESS,UPPER LIMIT SWITCH/PBA	1
1	119070GT	CONN,RECEP 12 WAY ENDCAP DT	1
1-	54255GT	LOCK, RECEP 12WAY, 14-18GA	1
2	88331GT	CONN, PLUG, 12 WAY, DEUTSCH, DTM, GRAY, KEY-A	1
2-		LOCK,PLUG 12 WAY DTM 18-20GA	1
3	119065GT	CONN, RECEP, 2 WAY, DEUTSCH, DT	1
3-	60439GT	CONN, RECEP, 2 WAY, DEUTSCH, DT, LOCK	1
4	119058GT	CONN, PLUG, 4 WAY, DEUTSCH, DT, ENDCAP	1
4-		LOCK, PLUG 4WAY, 14-18GA	1
5	119067GT	CONN, RECEP, 4 WAY, DEUTSCH, DT, ENDCAP	1
5-	60443GT	LOCK, RECEP 4WAY, 14-18GA	1

309.110 Harness, LS, OP, Oscillate, LH



<i>Item</i>	<i>Part No.</i>	<i>Description</i>	<i>Qty.</i>
-	88383GT	HARNESS,LS,OP,OSCILLATE,LH	1
1	119058GT	CONN, PLUG, 4 WAY, DEUTSCH, DT, ENDCAP	1
1-		LOCK, PLUG 4WAY, 14-18GA	1
2	88356-175R7GT	SWITCH,LIMIT,TAB,BLUE,PLASTIC	1

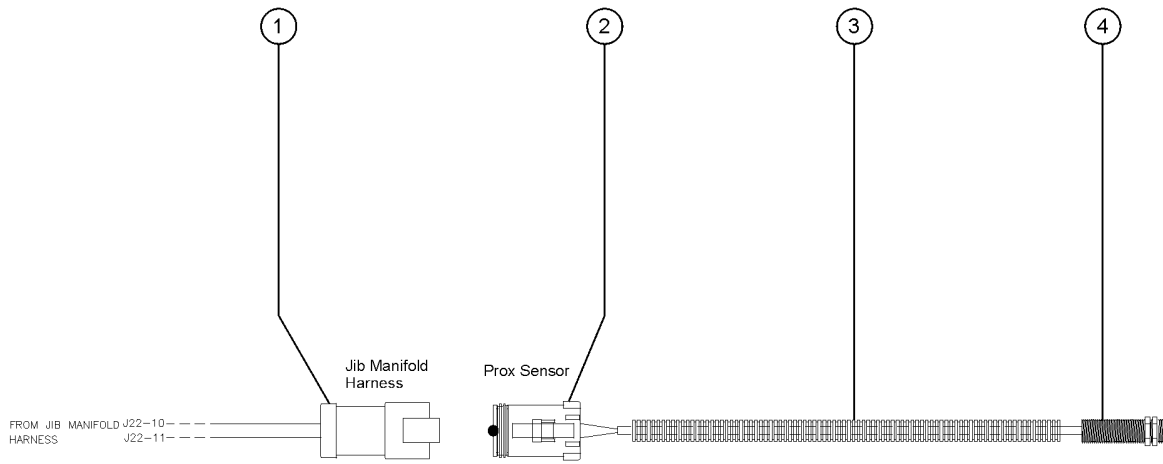
309.111 Harness, LS, OP, Oscillate, RH



<i>Item</i>	<i>Part No.</i>	<i>Description</i>	<i>Qty.</i>
-	88382GT	HARNESS,LS,OP,OSCILLATE,RH	1
1	88356-175R7GT	SWITCH,LIMIT,TAB,BLUE,PLASTIC	1
2	119067GT	CONN, RECEP, 4 WAY, DEUTSCH, DT, ENDCAP	1
2-	60443GT	LOCK, RECEP 4WAY, 14-18GA	1

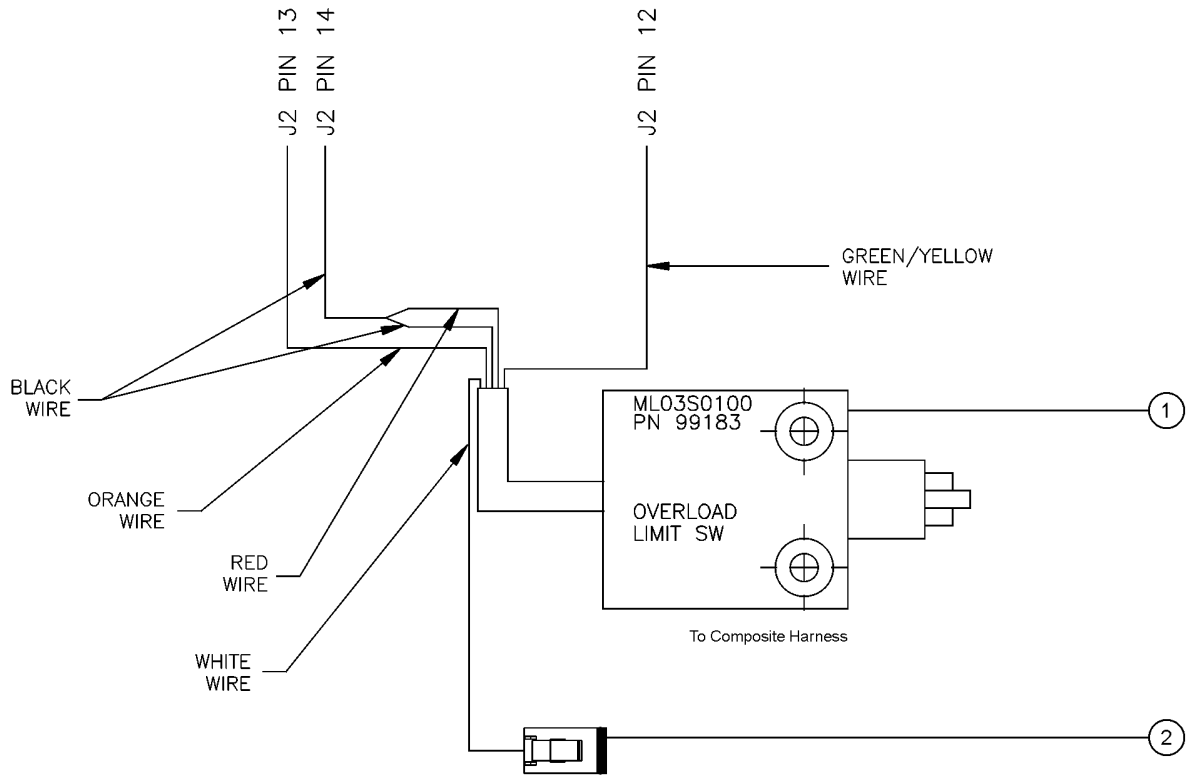


309.112 Harness, Prox Sensor, ACP



<i>Item</i>	<i>Part No.</i>	<i>Description</i>	<i>Qty.</i>
-	1262767GT	HARNESS,PROX SENSOR,ACP	1
1	119065GT	CONN, RECEP, 2 WAY, DEUTSCH, DT	1
1-	60439GT	CONN, RECEP, 2 WAY, DEUTSCH, DT, LOCK	1
2	119056GT	CONN PLUG 2 WAY ENDCAP DT	1
2-	60425GT	LOCK,PLUG 2 WAY, 14-18GA	1
3	99087GT	WIRE LOOM,1/4 DIA. SLIT	44
4	27391GT	PROXIMITY SENSOR***	1

309.113 ASSY, LS, load Sense, ALC1000

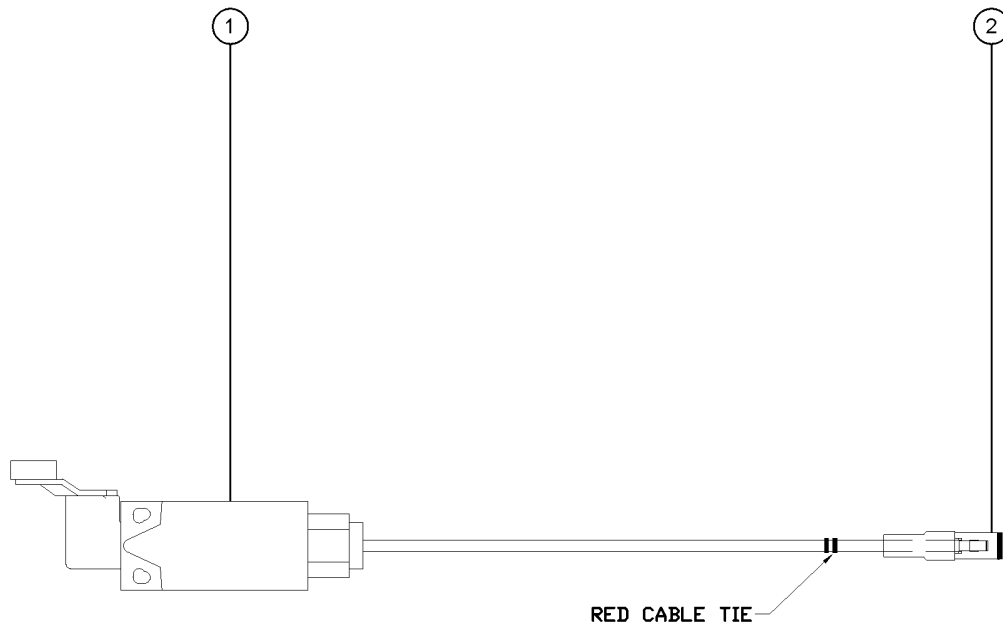


309.113 ASSY, LS, load Sense, ALC1000

<i>Item</i>	<i>Part No.</i>	<i>Description</i>	<i>Qty.</i>
-	146399GT	ASSY, LS, LOAD SENSE, ALC1000	1
1	99183GT	SWITCH, ROLLER PLUNGER LIMIT	1
2	119056GT	CONN PLUG 2 WAY ENDCAP DT	1
2-	60425GT	LOCK,PLUG 2 WAY, 14-18GA	1



309.114 Harness,LS,OP,Jib

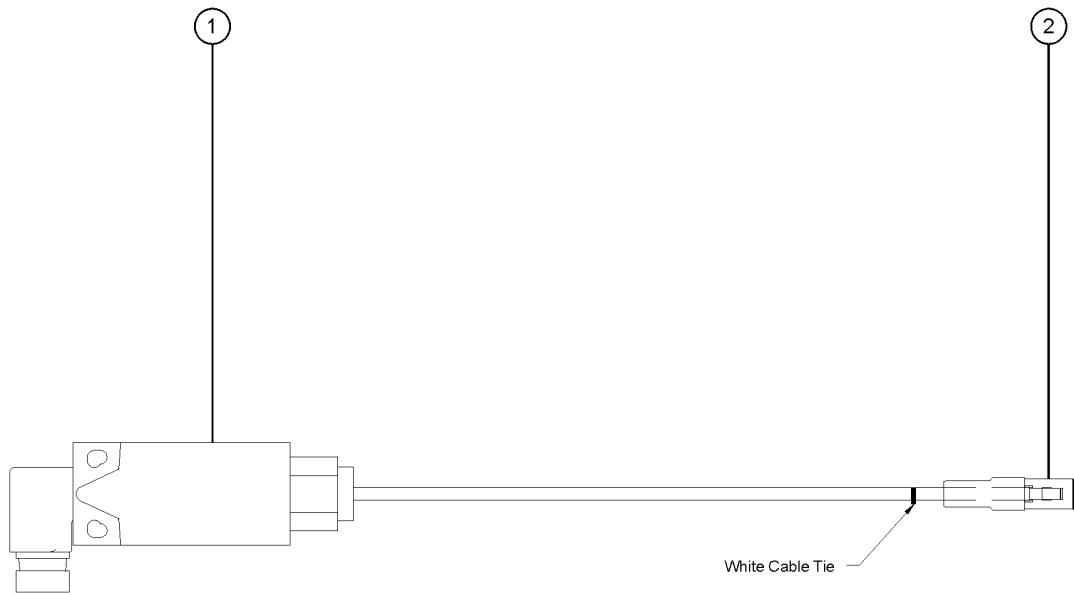


309.114 Harness,LS,OP,Jib

<i>Item</i>	<i>Part No.</i>	<i>Description</i>	<i>Qty.</i>
-	88363GT	HARNESS,LS,OP,JIB	1
1	88356-42133GT	SWITCH,LIMIT,W/ROLLER,NO/NC	1
2	119056GT	CONN PLUG 2 WAY ENDCAP DT	1
2-	60425GT	LOCK,PLUG 2 WAY, 14-18GA	1



309.115 Harness, LS,OP,PRI.EXT

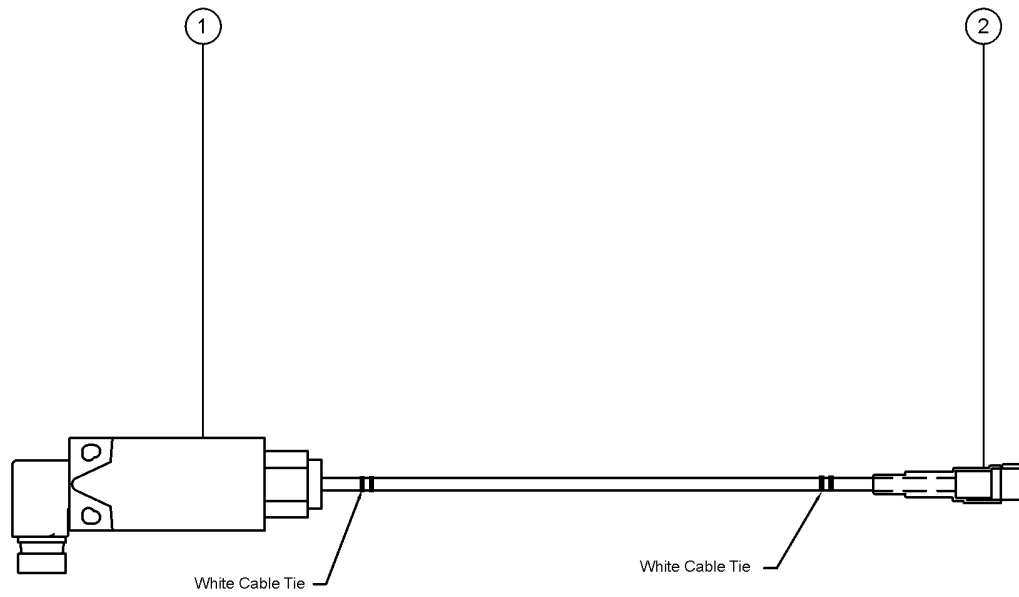


309.115 Harness, LS,OP,PRI.EXT

<i>Item</i>	<i>Part No.</i>	<i>Description</i>	<i>Qty.</i>
-	88362GT	HARNESS,LS,OP,PRI.EXT.	1
1	88356-44163GT	SWITCH,LIMIT,W/RLLR ARM,NO/NC*	1
2	119056GT	CONN PLUG 2 WAY ENDCAP DT	1
2-	60425GT	LOCK,PLUG 2 WAY, 14-18GA	1



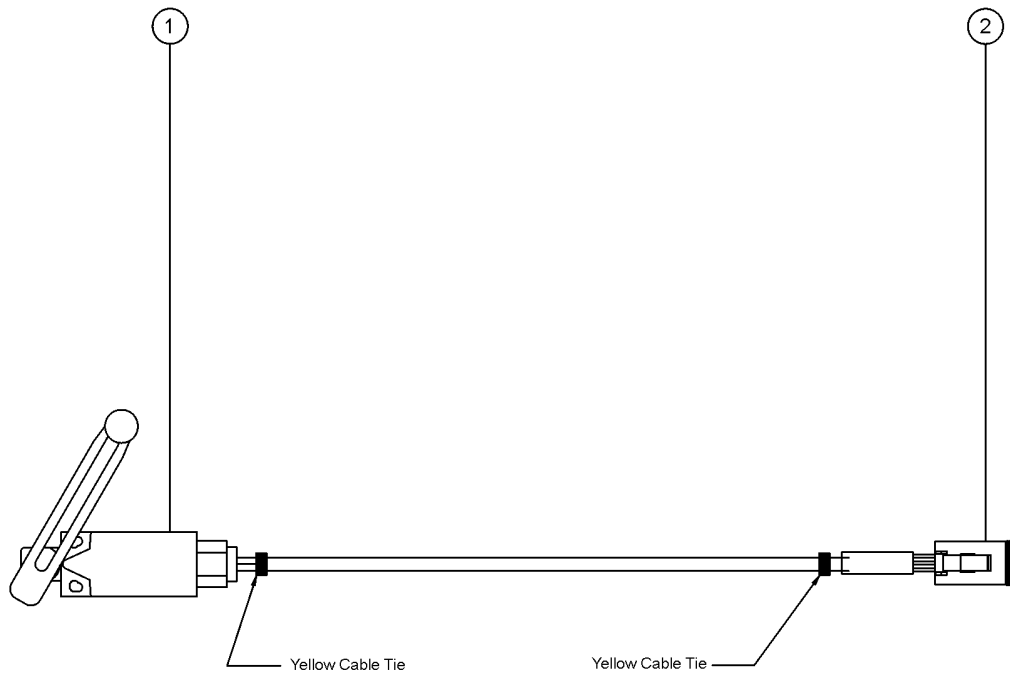
309.116 Harness,LS,OP,PRI.Retract



<i>Item</i>	<i>Part No.</i>	<i>Description</i>	<i>Qty.</i>
-	88360GT	HARNESS,LS,OP,PRI.,RETRACT	1
1	110771-44163GT	SWITCH LIMIT W/RLLR NO/NC GOLD	1
2	119067GT	CONN, RECEP, 4 WAY, DEUTSCH, DT, ENDCAP	1
2-	60443GT	LOCK, RECEP 4WAY, 14-18GA	1



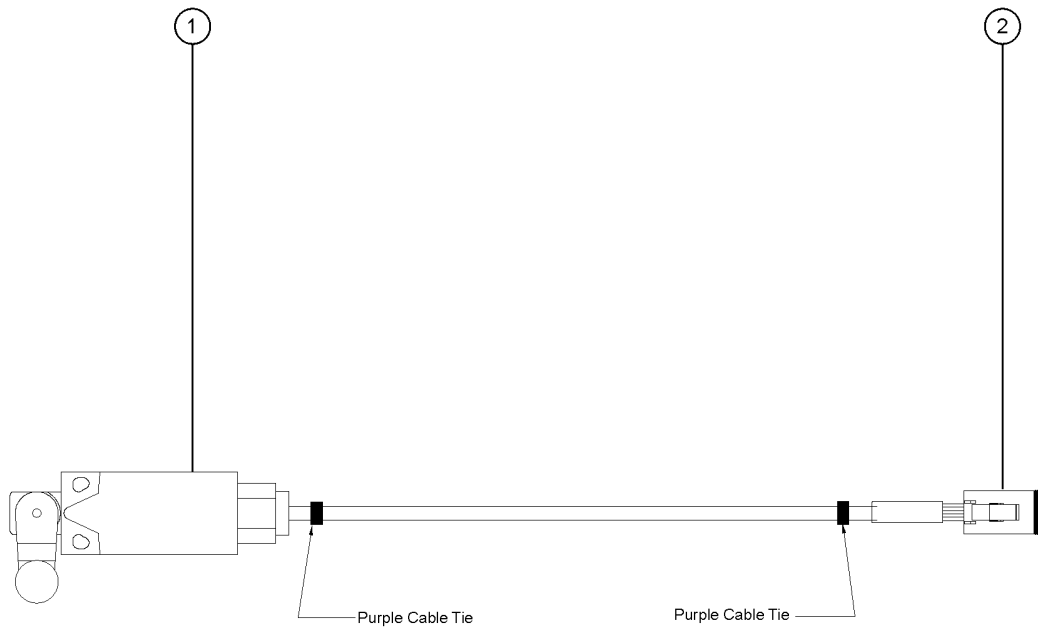
309.117 Ham LS Safety Sec Ret LSS1RS



<i>Item</i>	<i>Part No.</i>	<i>Description</i>	<i>Qty.</i>
-	146429GT	HARN LS SAFETY SEC RET LSS1RS	1
1	110771-714G8GT	LIMIT SWITCH ROLLER NC/NC/NO	1
2	119059GT	CONN PLUG 6 WAY ENDCAP DT	1
2-	60431GT	LOCK,PLUG 6WAY,14-18GA	1



309.118 Ham LS Safety SEC ANGL LSS2AS

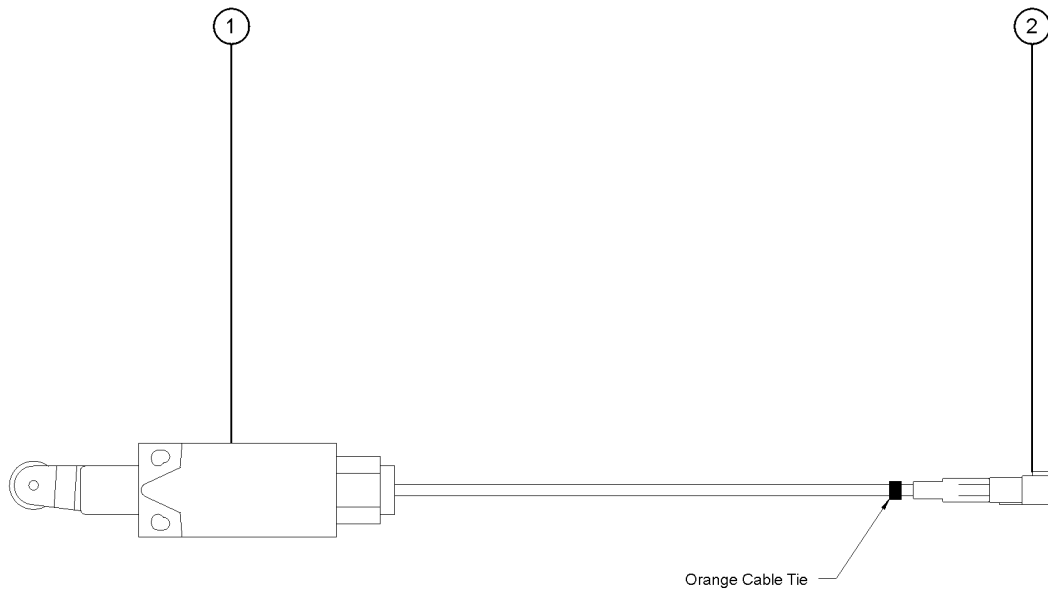


309.118 Harn LS Safety SEC ANGL LSS2AS

<i>Item</i>	<i>Part No.</i>	<i>Description</i>	<i>Qty.</i>
-	1268602GT	HARN LS SAFETY SEC ANGL LSS2AS	1
1	110771-71B68GT	LIMIT SWITCH ROLLER NC/NC/NO	1
2	119059GT	CONN PLUG 6 WAY ENDCAP DT	1
2-	60431GT	LOCK,PLUG 6WAY,14-18GA	1



309.119 Harness,LS,OP,Drive Enable

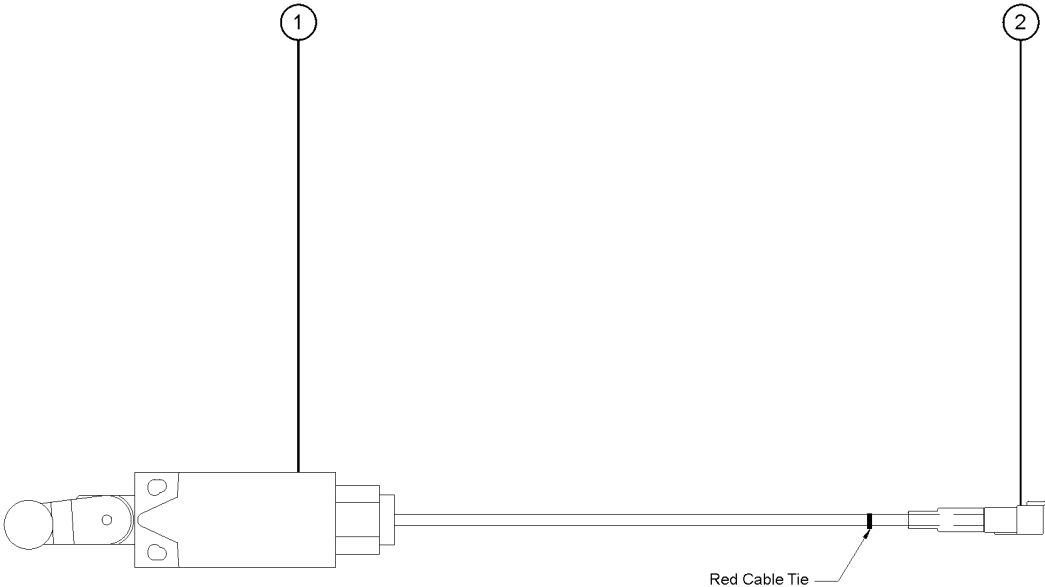


309.119 Harness,LS,OP,Drive Enable

<i>Item</i>	<i>Part No.</i>	<i>Description</i>	<i>Qty.</i>
-	88368GT	HARNESS,LS,OP,DRIVE ENABLE	1
1	88356-43103GT	SWITCH,LIMIT,W/RLLR ARM,NO/NC*	1
2	119065GT	CONN, RECEP, 2 WAY, DEUTSCH, DT	1
2-	60439GT	CONN, RECEP, 2 WAY, DEUTSCH, DT, LOCK	1



309.120 Harness,LS,OP,SEC.Retract

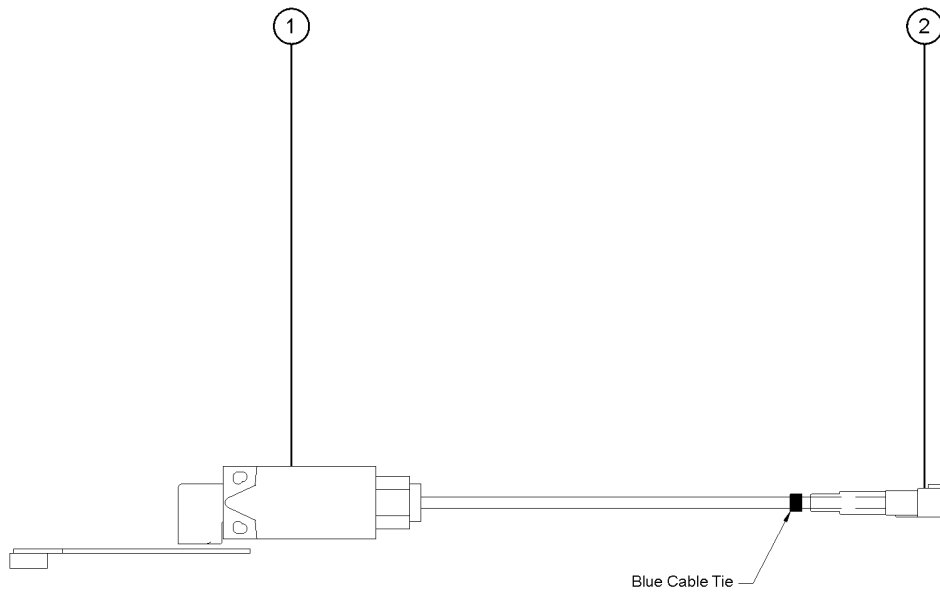


309.120 Harness,LS,OP,SEC.Retract

<i>Item</i>	<i>Part No.</i>	<i>Description</i>	<i>Qty.</i>
-	88366GT	HARNESS,LS,OP,SEC.RETRACT	1
1	110771-61103GT	SWITCH,LIMIT W/RLLR NO/NO GOLD	1
2	119067GT	CONN, RECEP, 4 WAY, DEUTSCH, DT, ENDCAP	1
2-	60443GT	LOCK, RECEP 4WAY, 14-18GA	1



309.121 Harness,LS,OP,SEC.,Angle

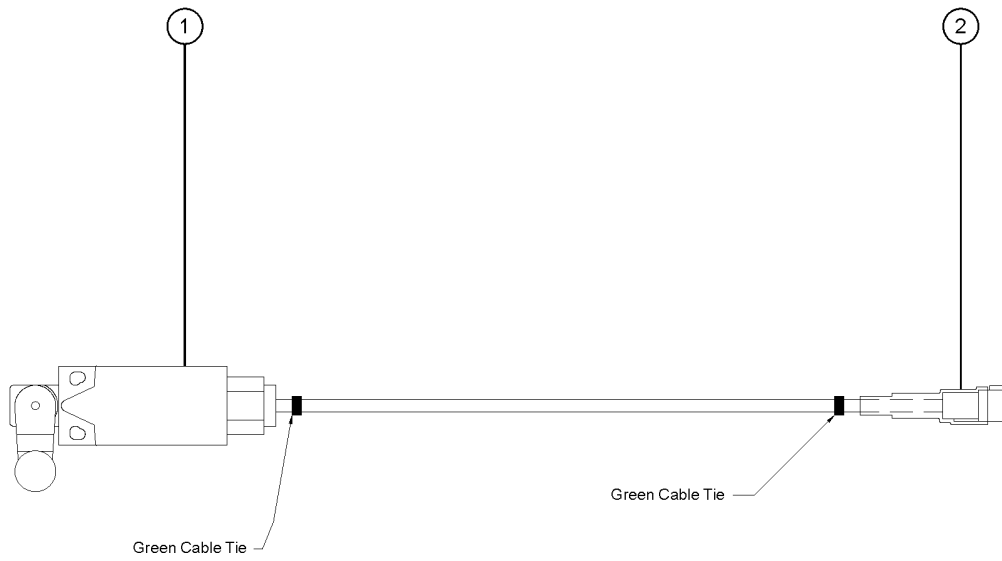


309.121 Harness,LS,OP,SEC.,Angle

<i>Item</i>	<i>Part No.</i>	<i>Description</i>	<i>Qty.</i>
-	88359GT	HARNESS,LS,OP,SEC.,ANGLE	1
1	88356-444P3GT	SWITCH,LIMIT,W/RLLR ARM,NO/NC*	1
2	119067GT	CONN, RECEP, 4 WAY, DEUTSCH, DT, ENDCAP	1
2-	60443GT	LOCK, RECEP 4WAY, 14-18GA	1

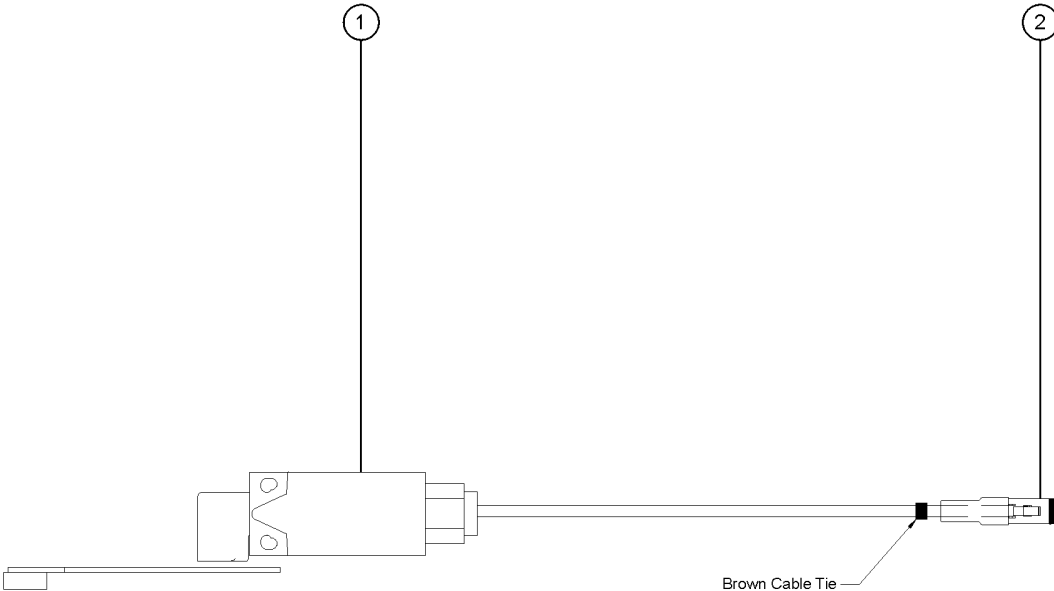


309.122 Harness,LS,OP,SEC.,Angle



<i>Item</i>	<i>Part No.</i>	<i>Description</i>	<i>Qty.</i>
-	1268595GT	HARNESS,LS,OP,SEC.ANGLE	1
1	110771-41B63GT	SWITCH,LIMIT,W/RLLR,NO/NC,GOLD	1
2	119067GT	CONN, RECEP, 4 WAY, DEUTSCH, DT, ENDCAP	1
2-	60443GT	LOCK, RECEP 4WAY, 14-18GA	1

309.123 Harness,LS,OP,PRI.,Angle

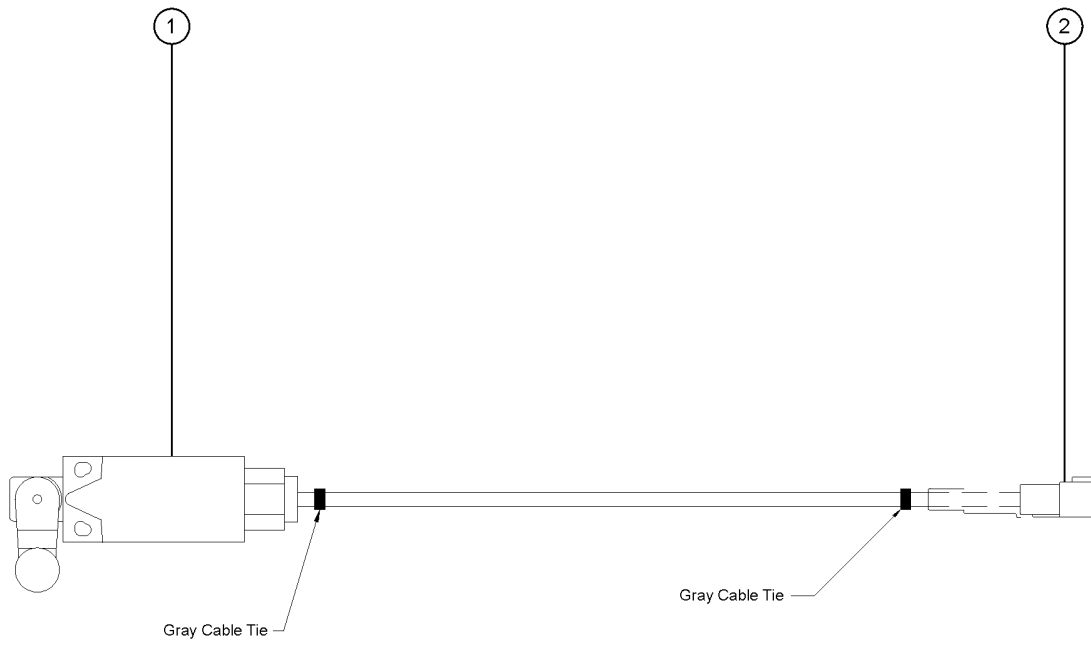


309.123 Harness,LS,OP,PRI.,Angle

<i>Item</i>	<i>Part No.</i>	<i>Description</i>	<i>Qty.</i>
-	88361GT	HARNESS,LS,OP,PRI.,ANGLE	1
1	88356-444P3GT	SWITCH,LIMIT,W/RLLR ARM,NO/NC*	1
2	119058GT	CONN, PLUG, 4 WAY, DEUTSCH, DT, ENDCAP	1
2-		LOCK, PLUG 4WAY, 14-18GA	1



309.124 Harness,LS,OP,SEC.35DEG Angle

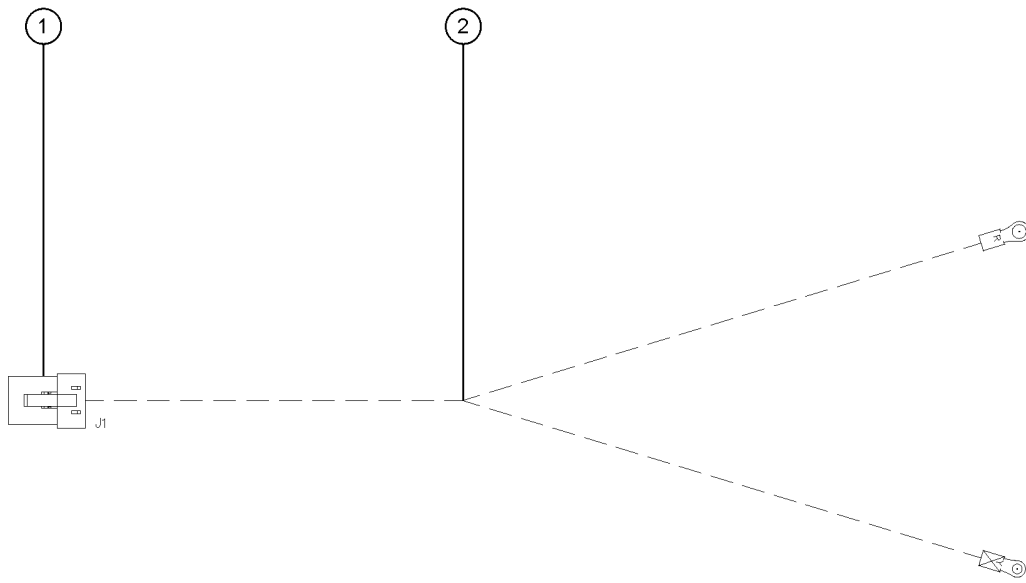


309.124 Harness,LS,OP,SEC.35DEG Angle

<i>Item</i>	<i>Part No.</i>	<i>Description</i>	<i>Qty.</i>
-	88156GT	HARNESS,LS,OP,SEC.35DEG ANGLE	1
1	110771-41163GT	SWITCH,LIMIT,W/RLLR,NO/NC GOLD	1
2	119065GT	CONN, RECEP, 2 WAY, DEUTSCH, DT	1
2-	60439GT	CONN, RECEP, 2 WAY, DEUTSCH, DT, LOCK	1



309.125 Harness, Power, TCON, Z-80



<i>Item</i>	<i>Part No.</i>	<i>Description</i>	<i>Qty.</i>
-	88137GT	HARNESS, POWER, TCON, Z-80	1
1	60527GT	CONN, PLUG, 4 WAY, DEUTSCH, DTP	1
1-	60528GT	LOCK, PLUG 4 WAY, 12-14GA***	1
2	54373GT	WIRE LOOM, 3/8, SLIT, HIGH TEMP	34

309.125A Harness,GND,BATT 1 To BATT 2



309.125A Harness,GND,BATT 1 To BATT 2

<i>Item</i>	<i>Part No.</i>	<i>Description</i>	<i>Qty.</i>
-	81562GT	HARNESS,GND,BATT 1 TO BATT 2**	1



309.125B Harness,#8AWG BATT To Seperatr

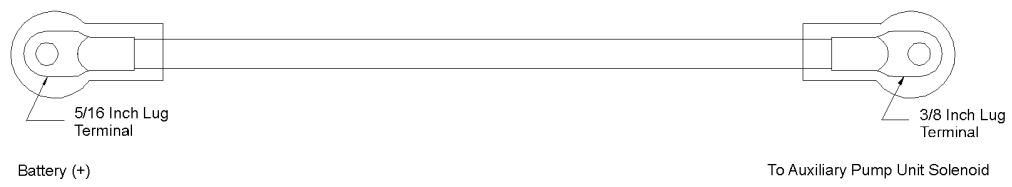


309.125B Harness,#8AWG BATT To Seperatr

<i>Item</i>	<i>Part No.</i>	<i>Description</i>	<i>Qty.</i>
-	81878GT	HARNESS,#8AWG BATT TO SEPERATR	1



309.125C Harness,BATT To APU Solenoid



309.125C Harness,BATT To APU Solenoid

<i>Item</i>	<i>Part No.</i>	<i>Description</i>	<i>Qty.</i>
-	88154GT	HARNESS,BATT TO APU SOLENOID	1



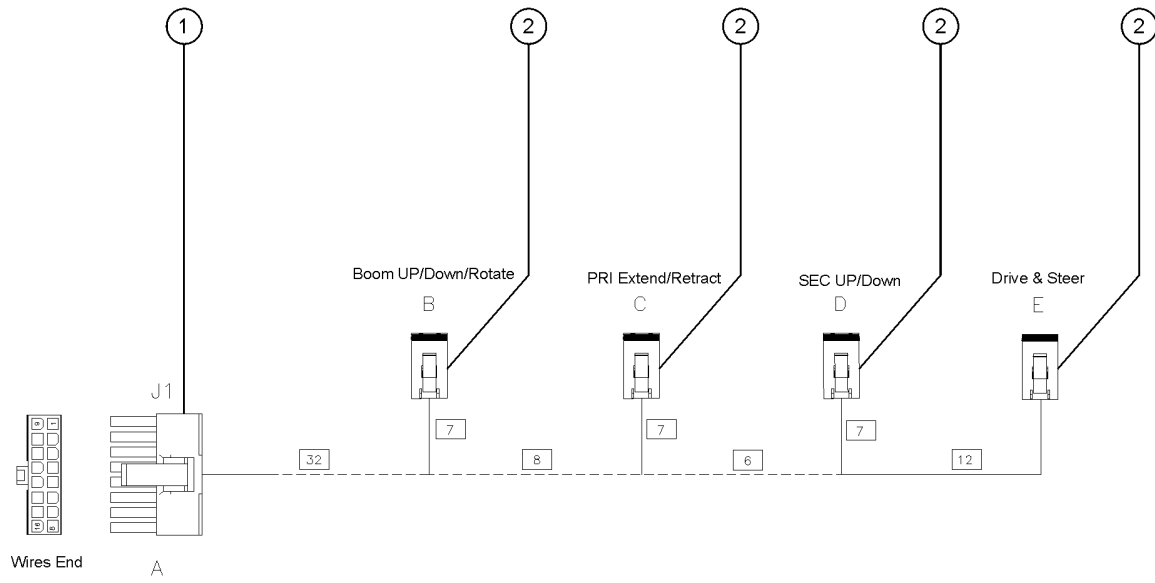
309.125D Harness,APU to Engine Block



309.125D Harness,APU to Engine Block

<i>Item</i>	<i>Part No.</i>	<i>Description</i>	<i>Qty.</i>
-	88155GT	HARNESS,APU TO ENGINE BLOCK	1



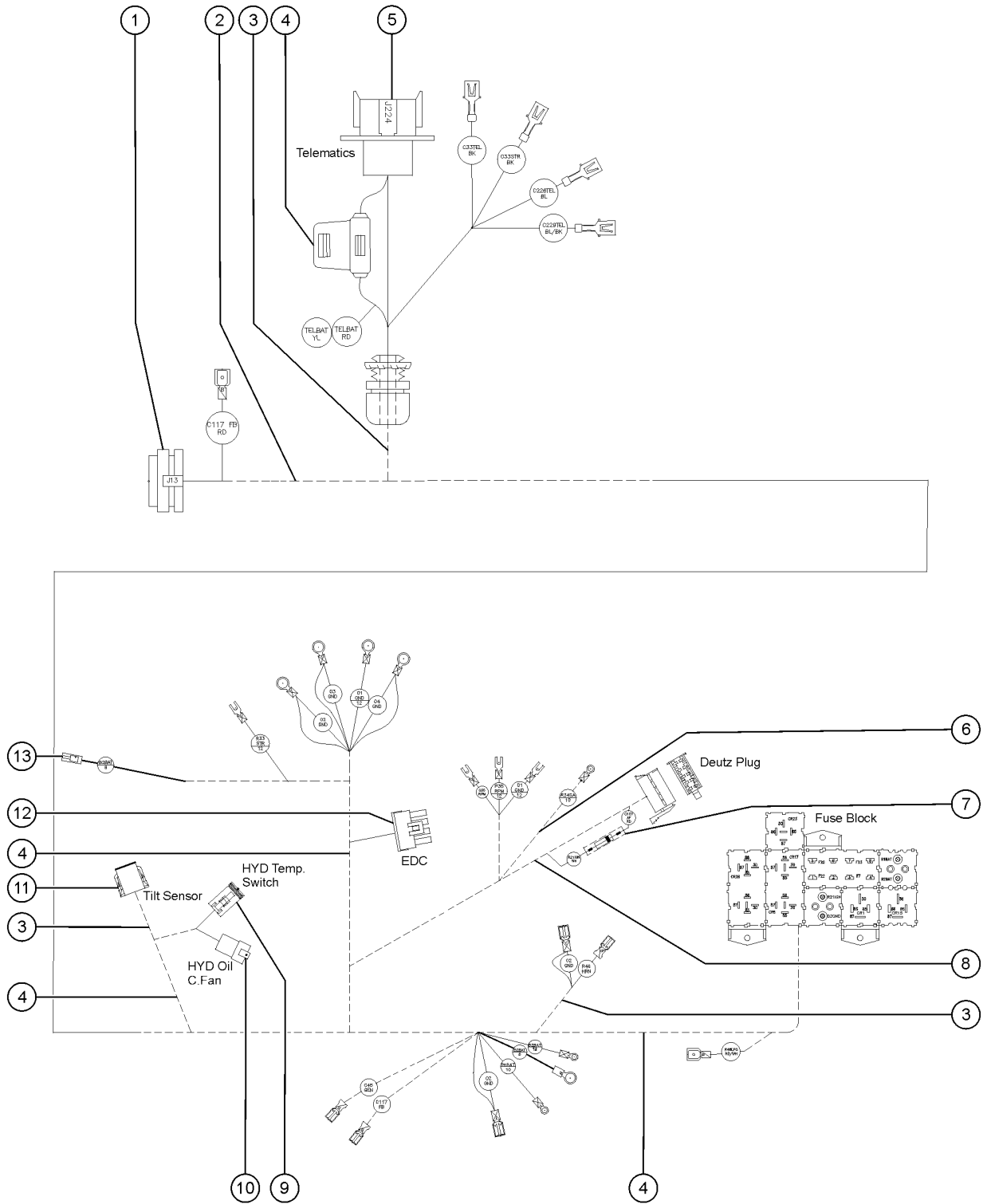


309.126 Harness,PBOX,Joysticks,Z80

<i>Item</i>	<i>Part No.</i>	<i>Description</i>	<i>Qty.</i>
-	122023GT	HARNESS,PBOX,JOYSTICKS,Z80	1
1	81546GT	CONN, PLUG 16 WAY, MOLEX	1
2	99343GT	CONNECTOR,PLUG 6 WAY 18-20 GA	4
2-	99344GT	LOCK,PLUG 6 WAY 18-20GA	4

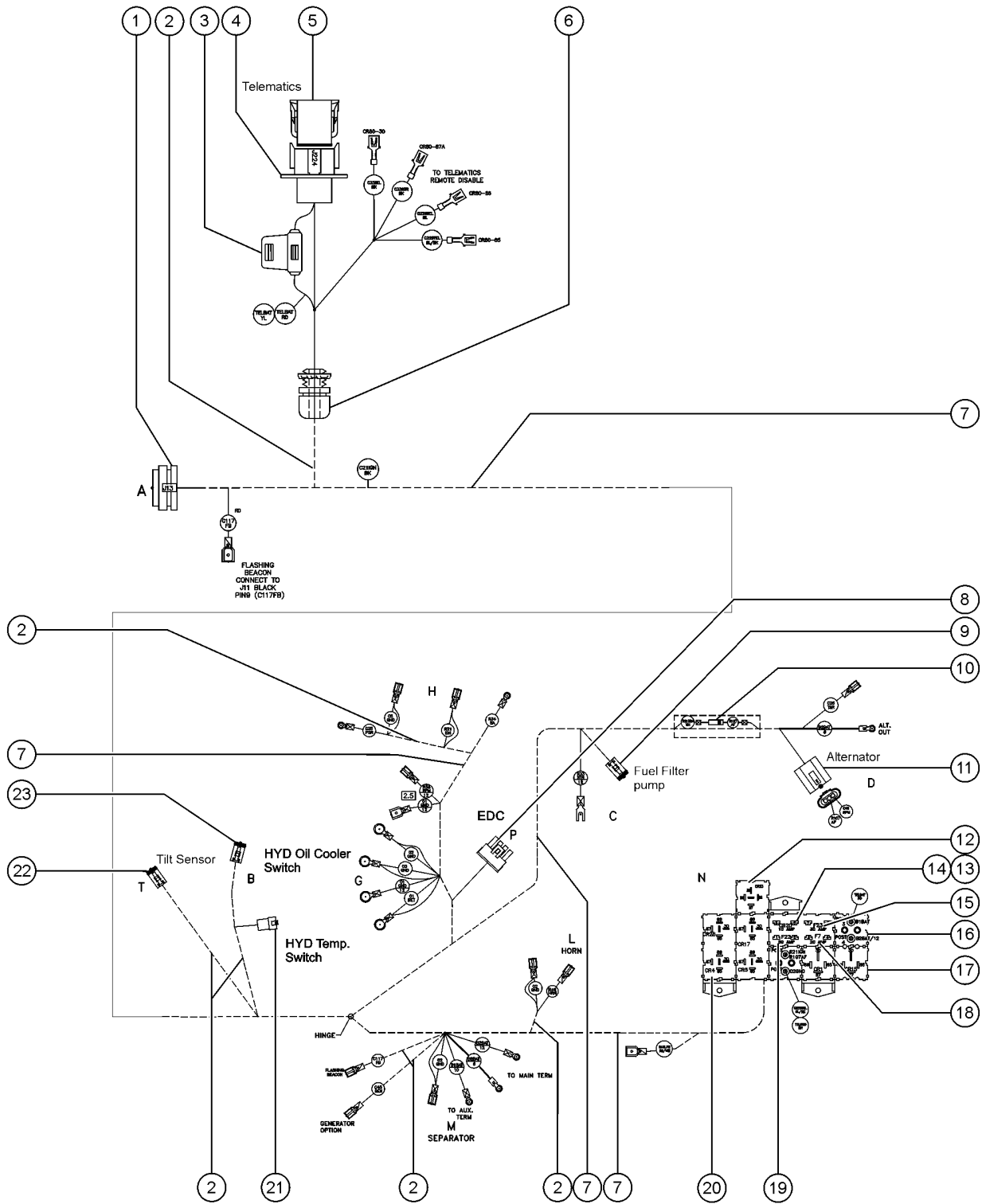


309.127A Harness, Engine, Deutz BF4L2011, Tier3, Z80



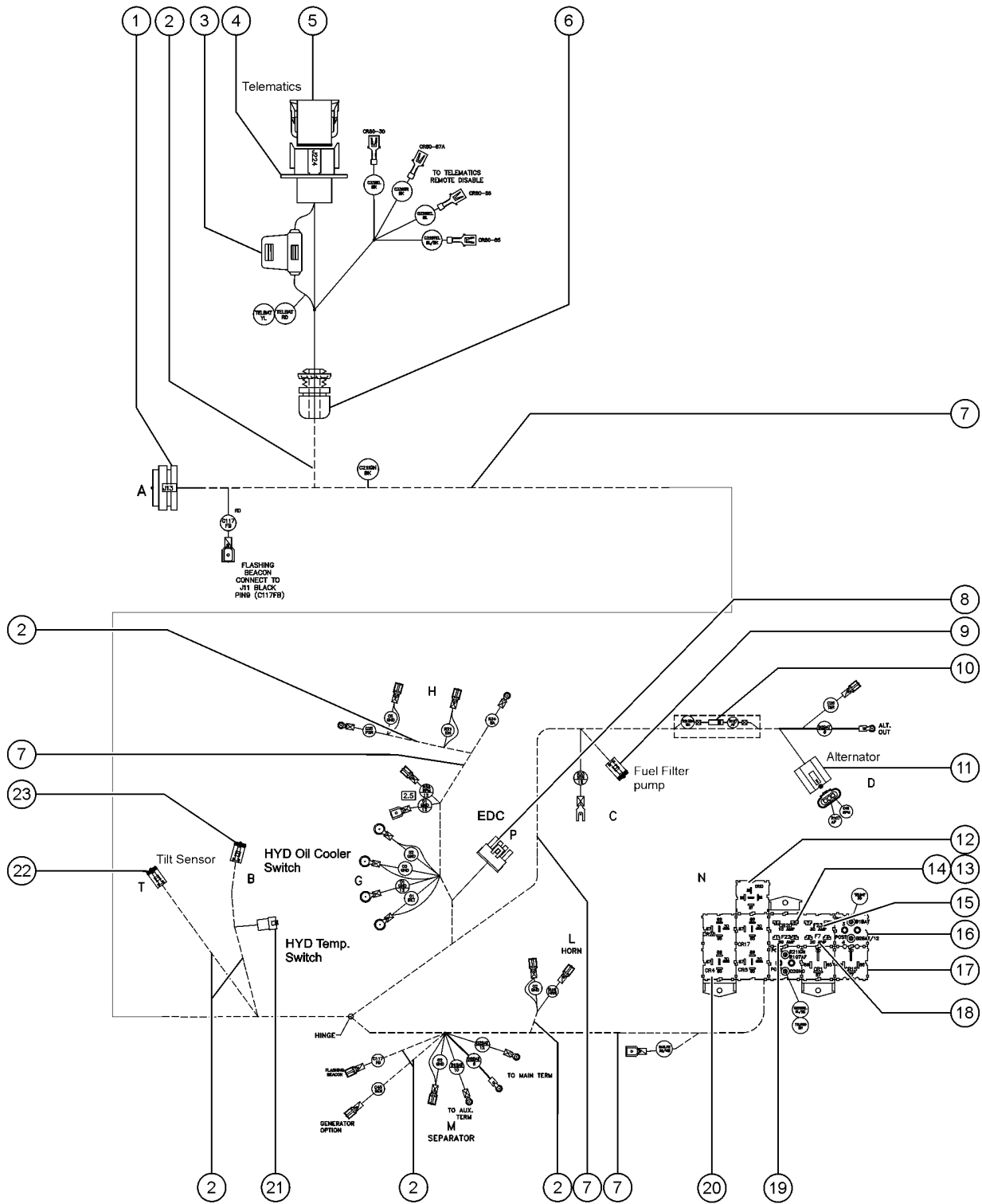
<i>Item</i>	<i>Part No.</i>	<i>Description</i>	<i>Qty.</i>
-	1291141GT	HARNESS, ENGINE, DEUTZ BF4L2011, TIER3, Z80	1
1	60513GT	CONN,PLUG 23 WAY,16-20 GA WHT	1
2	75640GT	WIRE LOOM,3/4 DIA.	179
3	53471GT	WIRE LOOM,3/8 NYLON,HI TEMP	104
4	121657GT	FUSE HOLDER,ATC 1-20 AMPS	1
4-	1253210GT	CRKT BRKR, THERM, AUTO RESET, 6A	1
5	73730GT	CONN,RECEP 12 WAY,GRY FLANGE	1
5-	54255GT	LOCK, RECEP 12WAY, 14-18GA	1
6	39908GT	WIRE LOOM,1/2 DIA.	18
7	45782GT	DIODE,6 AMP,200 PIV,BULK	1
8	1261898GT	WIRE LOOM 3/4 DIA SLIT HI TEMP	84
9	119056GT	CONN PLUG 2 WAY ENDCAP DT	1
9-	60425GT	LOCK,PLUG 2 WAY, 14-18GA	1
10	119065GT	CONN, RECEP, 2 WAY, DEUTSCH, DT	1
10-	60439GT	CONN, RECEP, 2 WAY, DEUTSCH, DT, LOCK	1
11	119059GT	CONN PLUG 6 WAY ENDCAP DT	1
11-	60431GT	LOCK,PLUG 6WAY,14-18GA	1
12	81765GT	CONN,DUAL EDC,4 PIN PACKARD	1
13	101162GT	CONN,PLUG 1 WAY,6GA	1





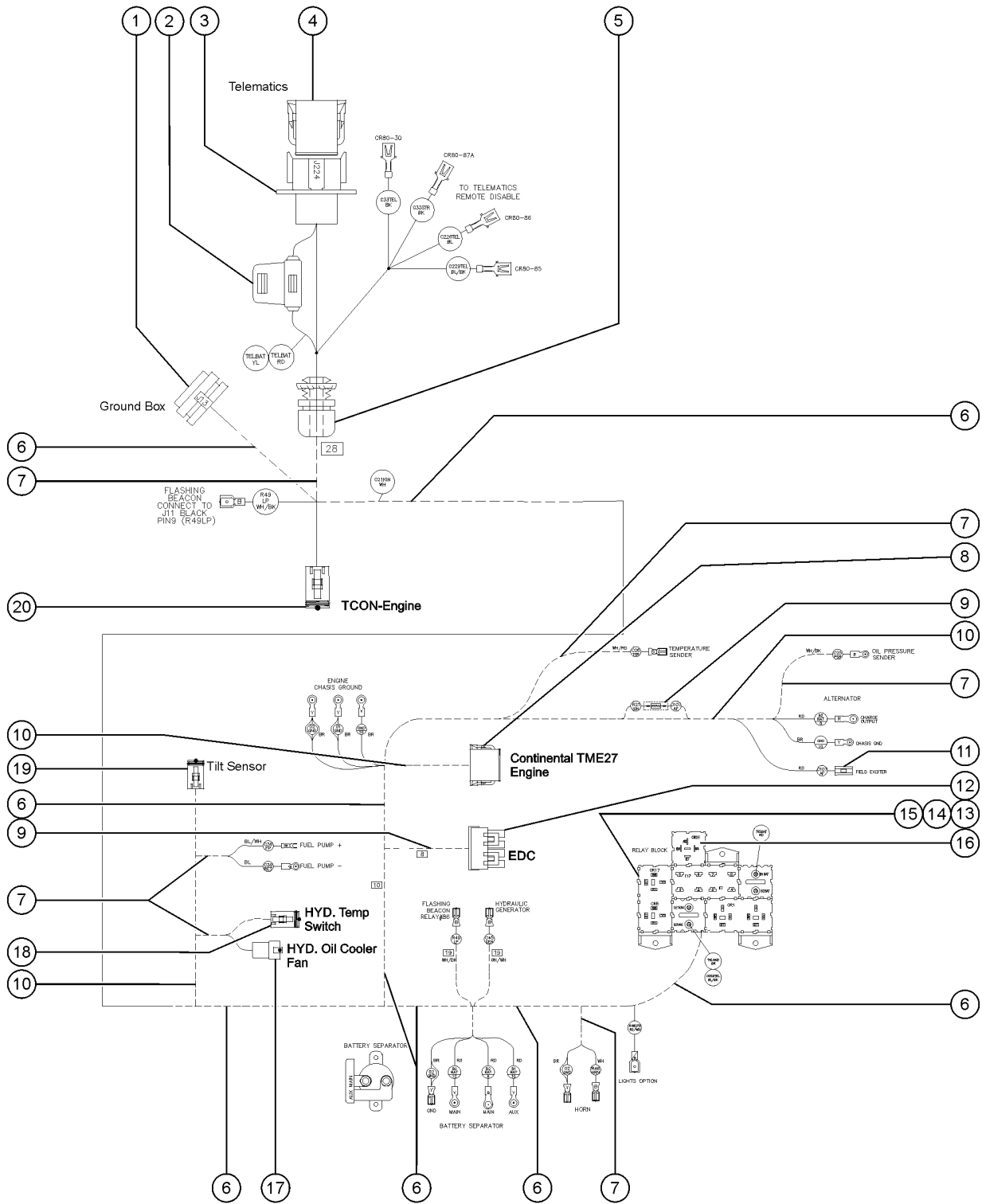
Item	Part No.	Description	Qty.
-	1253172GT	HARNESS, ENG, PERKINS, 804, Z80	1
1	60513GT	CONN,PLUG 23 WAY,16-20 GA WHT	1
2	53471GT	WIRE LOOM,3/8 NYLON,HI TEMP	15 7.5
3	1253210GT	CRKT BRKR, THERM, AUTO RESET, 6A	1
3-	121657GT	FUSE HOLDER,ATC 1-20 AMPS	1
4	87755GT	CONN,RECEP 8 WAY 14-18GA,FL	1
4-	60447GT	LOCK,RECEP 8 WAY,14-18GA	1
5	119060GT	CONN, PLUG, 8 WAY, DEUTSCH, DT, ENDCAP/ GRAY	1
5-	60433GT	LOCK,PLUG 8 WAY, 14-18GA	1
6	7057GT	CONN. SQZ,1/2NPT .39-.56 MED	1
6-	6935GT	LOCKNUT,ELEC,1/2"	1
7	75640GT	WIRE LOOM,3/4 DIA.	188
8	81765GT	CONN,DUAL EDC,4 PIN PACKARD	1
9	119056GT	CONN PLUG 2 WAY ENDCAP DT	1
9-	60425GT	LOCK,PLUG 2 WAY, 14-18GA	1
10	45782GT	DIODE,6 AMP,200 PIV,BULK	1
11	106023GT	CONN,3WAY,ALT,SUMITOMO TS	1
12	106068GT	CONN,SINGLE RLY MODULE,5POS	1
13	128978GT	CIRCUIT BREAKER TYPE 2, 10AMP	1
14	88164GT	CONN MAXI FUSE MODULE,4POS	1
15	94327GT	FUSE,30 AMP	1
16	106051GT	CONN,FEED THRU STUD	2
17	88162GT	CONN,POWER RLY MODULE,4POS	2
17-	61225GT	RELAY,12VDC,70AMP,SEALED	2
18	60536GT	FUSE,20 AMP,MAXI	1
19	101340GT	FUSE,60 AMP,MAXI	1
20	88167GT	CONN,DUAL RLY MODULE,10 POS	2
20-	34052GT	RELAY,SPDT,12V(AUTO) PLUG IN**	4





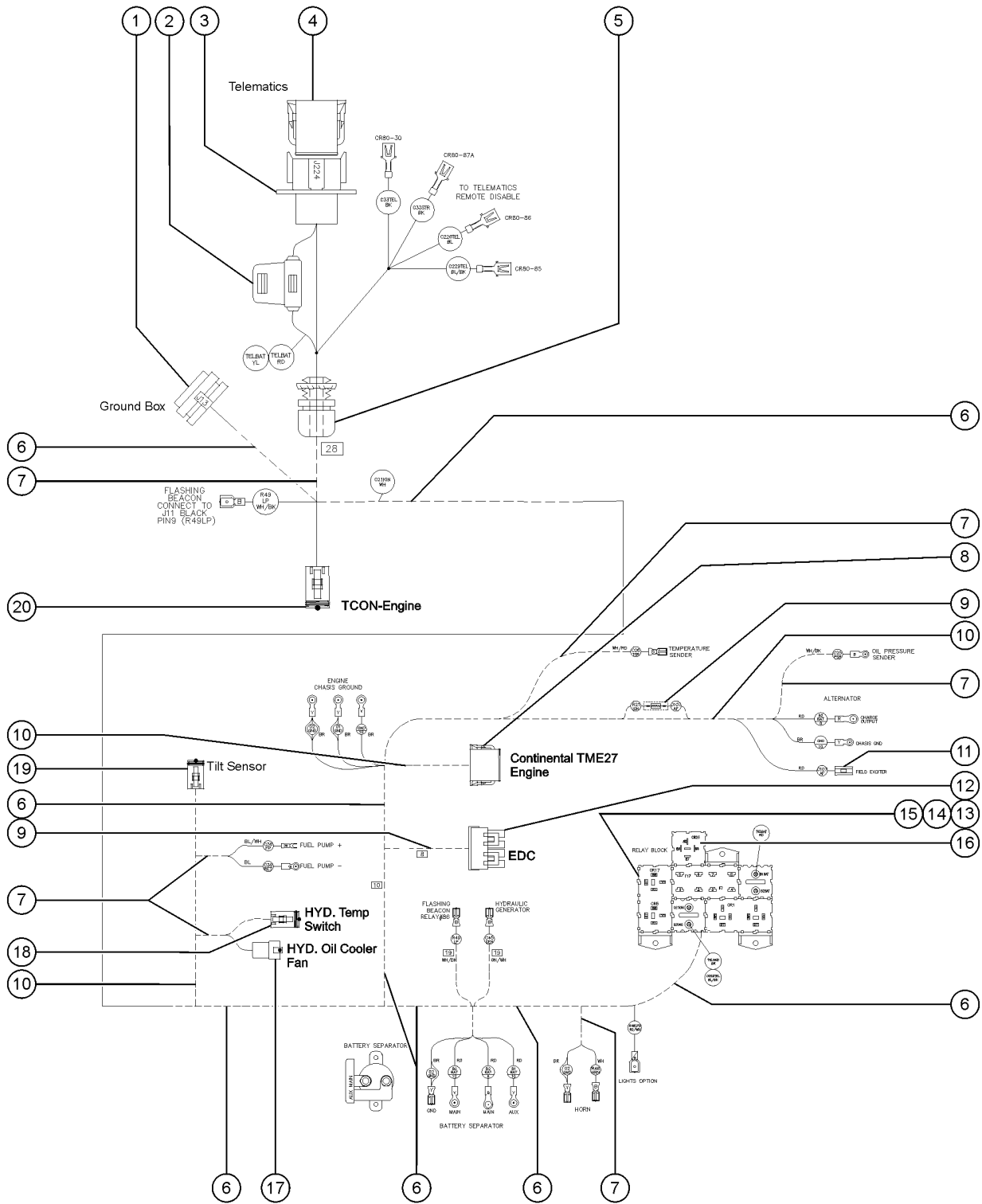
<i>Item</i>	<i>Part No.</i>	<i>Description</i>	<i>Qty.</i>
21	119065GT	CONN, RECEP, 2 WAY, DEUTSCH, DT	1
21-	60439GT	CONN, RECEP, 2 WAY, DEUTSCH, DT, LOCK	1
22	119059GT	CONN PLUG 6 WAY ENDCAP DT	1
22-	60431GT	LOCK,PLUG 6WAY,14-18GA	1
23	119056GT	CONN PLUG 2 WAY ENDCAP DT	1
23-	60425GT	LOCK,PLUG 2 WAY, 14-18GA	1





Item	Part No.	Description	Qty.
-	1253171GT	HARNESS, ENG, CONT, TME27, Z80	1
1	60513GT	CONN,PLUG 23 WAY,16-20 GA WHT	1
2	1253210GT	CRKT BRKR, THERM, AUTO RESET, 6A	1
2-	121657GT	FUSE HOLDER,ATC 1-20 AMPS	1
3	87755GT	CONN,RECEP 8 WAY 14-18GA,FL	1
3-	60447GT	LOCK,RECEP 8 WAY,14-18GA	1
4	119060GT	CONN, PLUG, 8 WAY, DEUTSCH, DT, ENDCAP/ GRAY	1
4-	60433GT	LOCK,PLUG 8 WAY, 14-18GA	1
5	7057GT	CONN. SQZ,1/2NPT .39-.56 MED	1
5-	6935GT	LOCKNUT,ELEC,1/2"	1
6	75640GT	WIRE LOOM,3/4 DIA.	166
7	53471GT	WIRE LOOM,3/8 NYLON,HI TEMP	196
8	119061GT	CONN, PLUG, 12 WAY, DEUTSCH, DT, BLACK	1
8-	60435GT	LOCK,PLUG 12 WAY,14-18GA,GRN	1
9	49864GT	RESISTOR,510 OHM,1 WATT	1
10		WIRE LOOM, 1/2" DIA SLIP, HI TEMP.	68
11	122067GT	CONN,ALT FIELD PLUG,PACKARD	1
12	81765GT	CONN,DUAL EDC,4 PIN PACKARD	1
13	34052GT	RELAY,SPDT,12V(AUTO) PLUG IN**	3
14	94327GT	FUSE,30 AMP	1
15	60536GT	FUSE,20 AMP,MAXI	1
16	106068GT	CONN,SINGLE RLY MODULE,5POS	1
17	119065GT	CONN, RECEP, 2 WAY, DEUTSCH, DT	1
17-	60439GT	CONN, RECEP, 2 WAY, DEUTSCH, DT, LOCK	1
18	119056GT	CONN PLUG 2 WAY ENDCAP DT	1
18-	60425GT	LOCK,PLUG 2 WAY, 14-18GA	1
19	119059GT	CONN PLUG 6 WAY ENDCAP DT	1
19-	60431GT	LOCK,PLUG 6WAY,14-18GA	1

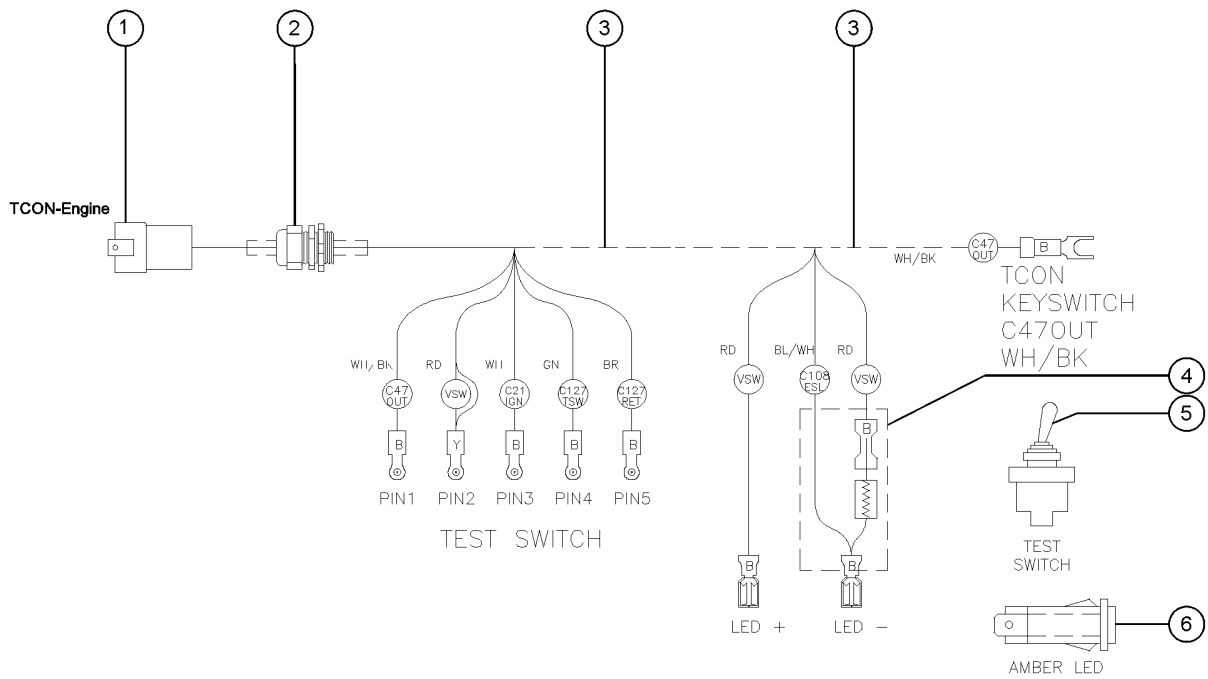




<i>Item</i>	<i>Part No.</i>	<i>Description</i>	<i>Qty.</i>
20	119068GT	CONN,RECEP 6 WAY ENDCAP DT	1
20-		LOCK, PLUG 4WAY, 14-18GA	1



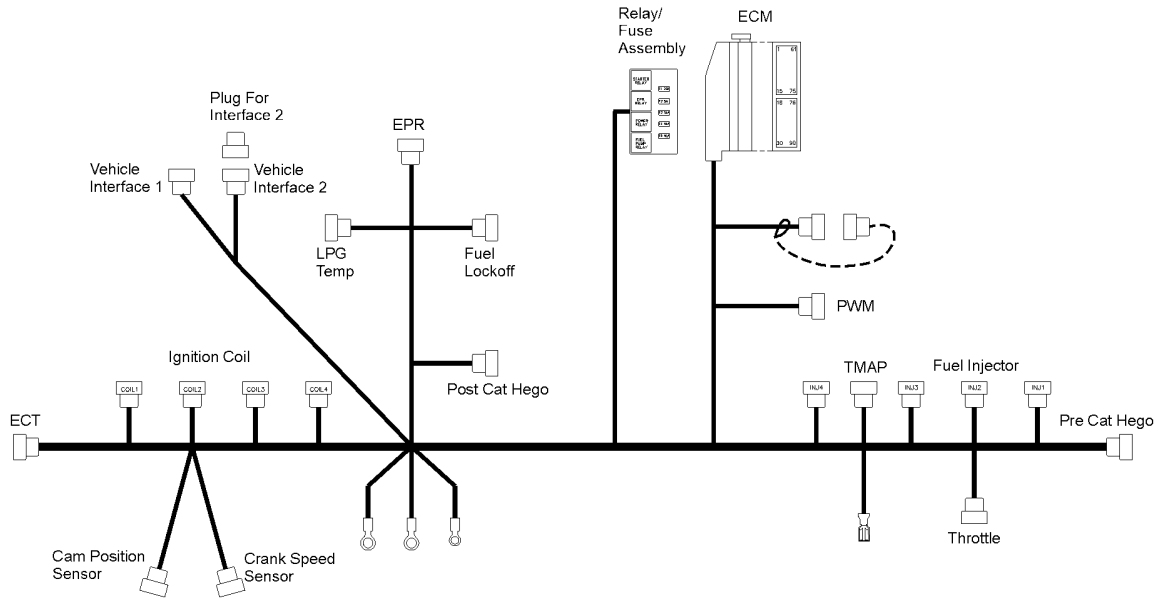
309.127D Harness, TCON-ENG, Z80, Dualfuel



309.127D Harness, TCON-ENG, Z80, Dualfuel

<i>Item</i>	<i>Part No.</i>	<i>Description</i>	<i>Qty.</i>
-	122095GT	HARNESS,TCON-ENG,Z80,DUALFUEL	1
1	119068GT	CONN,RECEP 6 WAY ENDCAP DT	1
1-	60445GT	LOCK,RECEP 6 WAY,14-18GA	1
2	7056GT	CONN,SQUEEZE,1/2NPT .38-.50,SM	1
2-	6935GT	LOCKNUT,ELEC,1/2"	1
3		WIRE LOOM, 1/2" DIA SLIP, HI TEMP.	15
4	104333GT	RESISTOR,1K OHM 2 WATT	1
5	13480GT	SWITCH TOGGLE DPDT 2POS MOM**	1
6	218166GT	LIGHT,INDICATOR,AMBER 12V H-BR	1





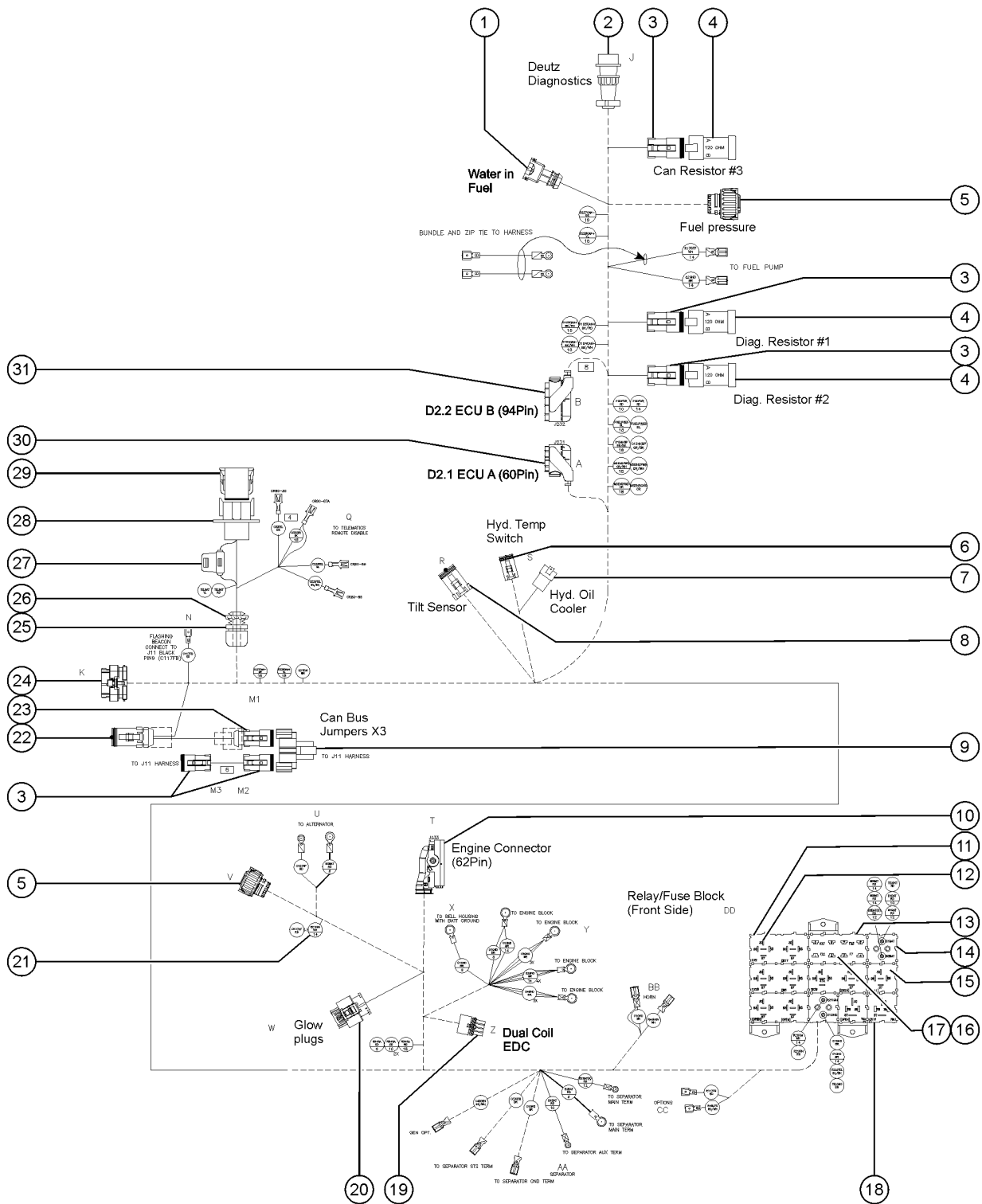
309.127E Harness-B, TME27 Engine, EPA2007

<i>Item</i>	<i>Part No.</i>	<i>Description</i>	<i>Qty.</i>
-	122865GT	HARNESS-B,TME27 ENGINE,EPA2007	1



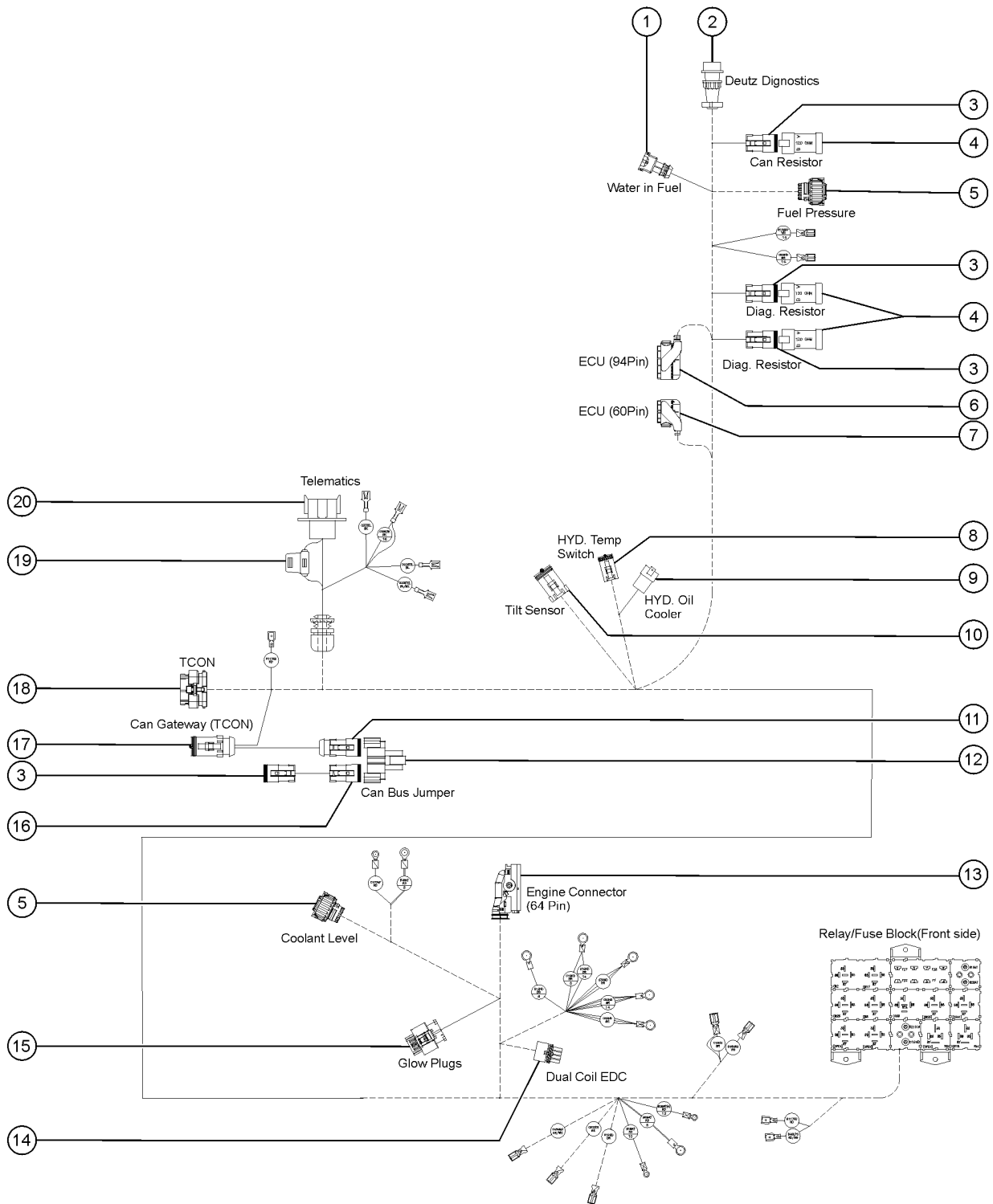
Item	Part No.	Description	Qty.
-	826636GT	HARNESS, DEUTZ 2.9, Z80	1
1	56687GT	CONNECTOR,AMP 2-WAY JPT	1
2	822448GT	CONN,REC,CANN TR 12WAY,SIZE14	1
2-	822449GT	DUST CAP,CANNON TR,SIZE 14	1
3	119057GT	CONN PLUG 3 WAY ENDCAP DT	5
3-	60459GT	LOCK,PLUG 3 WAY,SAE J1939	5
4	60452GT	CONN,RECEP 3 WAY SAE J1939	1
5	822445GT	CONN,CIRC. AMP 4WAY,BLACK	2
6	119056GT	CONN PLUG 2 WAY ENDCAP DT	1
6-	60425GT	LOCK,PLUG 2 WAY, 14-18GA	1
7	119065GT	CONN, RECEP, 2 WAY, DEUTSCH, DT	1
7-	60439GT	CONN, RECEP, 2 WAY, DEUTSCH, DT, LOCK	1
8	119059GT	CONN PLUG 6 WAY ENDCAP DT	1
8-	60431GT	LOCK,PLUG 6WAY,14-18GA	1
9	60451GT	CONN,TEE 3 WAY,SAE J1939	1
10	822436GT	CONN,RECEP 62POS,AMP MCP1.5K/2	1
10-	822437GT	COVER,AMP 39/62POS CONNECTORS	1
11	88167GT	CONN,DUAL RLY MODULE,10 POS	4
12	34052GT	RELAY,SPDT,12V(AUTO) PLUG IN**	5
13	88164GT	CONN MAXI FUSE MODULE,4POS	1
14	106051GT	CONN,FEED THRU STUD	2
15	106068GT	CONN,SINGLE RLY MODULE,5POS	1
16	94327GT	FUSE,30 AMP	1
17	101340GT	FUSE,60 AMP,MAXI	1
18	88162GT	CONN,POWER RLY MODULE,4POS	2
19	81765GT	CONN,DUAL EDC,4 PIN PACKARD	1
20	822442GT	CONN,REC 2 WAY,AMP 8MM NGI, BL	1
21	45782GT	DIODE,6 AMP,200 PIV,BULK	1





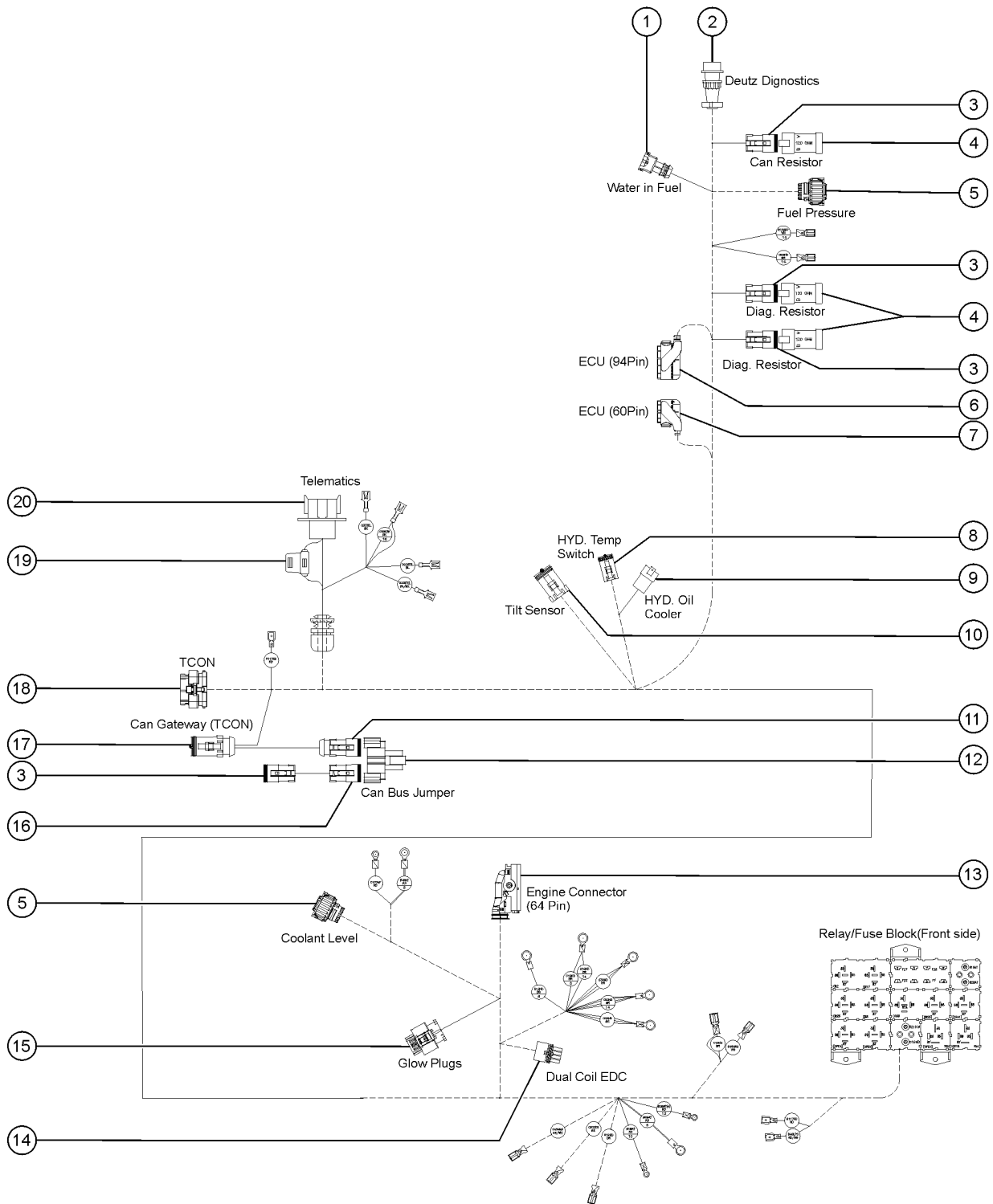
<i>Item</i>	<i>Part No.</i>	<i>Description</i>	<i>Qty.</i>
21-	42414GT	SPLICE,PARALLEL,BLUE,16GA	2
22	119762GT	CONN PLUG 4 WAY EXTEND DT	1
22-		LOCK, PLUG 4WAY, 14-18GA	1
23	60450GT	CONN,PLUG 3 WAY,SAE J1939	1
24	60513GT	CONN,PLUG 23 WAY,16-20 GA WHT	1
25	7056GT	CONN,SQUEEZE,1/2NPT .38-.50,SM	1
26	6935GT	LOCKNUT,ELEC,1/2"	1
27	1253210GT	CRKT BRKR, THERM, AUTO RESET, 6A	1
27-	121657GT	FUSE HOLDER,ATC 1-20 AMPS	1
28	87755GT	CONN,RECEP 8 WAY 14-18GA,FL	1
28-	60447GT	LOCK,RECEP 8 WAY,14-18GA	1
29	119060GT	CONN, PLUG, 8 WAY, DEUTSCH, DT, ENDCAP/ GRAY	1
29-	60433GT	LOCK,PLUG 8 WAY, 14-18GA	1
30	822438GT	CONN KIT,RECEP 60POS,AMP MQS 1	1
31	822439GT	CONN KIT,94POS,AMP MQS1.5/MCP2	1





Item	Part No.	Description	Qty.
-	1291140GT	HARNESS, ENGINE, DEUTZ 2.9, TIER4, Z80	1
-	45782GT	DIODE,6 AMP,200 PIV,BULK	1
1	56687GT	CONNECTOR,AMP 2-WAY JPT	1
2	822448GT	CONN,REC,CANN TR 12WAY,SIZE14	1
3	119057GT	CONN PLUG 3 WAY ENDCAP DT	4
3-	60459GT	LOCK,PLUG 3 WAY,SAE J1939	4
4	60452GT	CONN,RECEP 3 WAY SAE J1939	3
5	822445GT	CONN,CIRC. AMP 4WAY,BLACK	2
6	822439GT	CONN KIT,94POS,AMP MQS1.5/MCP2	1
7	822438GT	CONN KIT,RECEP 60POS,AMP MQS 1	1
8	119056GT	CONN PLUG 2 WAY ENDCAP DT	1
8-	60425GT	LOCK,PLUG 2 WAY, 14-18GA	1
9	119065GT	CONN, RECEP, 2 WAY, DEUTSCH, DT	1
9-	60439GT	CONN, RECEP, 2 WAY, DEUTSCH, DT, LOCK	1
10	119059GT	CONN PLUG 6 WAY ENDCAP DT	1
10-	60431GT	LOCK,PLUG 6WAY,14-18GA	1
11	60450GT	CONN,PLUG 3 WAY,SAE J1939	1
11-	60459GT	LOCK,PLUG 3 WAY,SAE J1939	1
12	60451GT	CONN,TEE 3 WAY,SAE J1939	1
13	822436GT	CONN,RECEP 62POS,AMP MCP1.5K/2	1
14	81765GT	CONN,DUAL EDC,4 PIN PACKARD	1
15	822442GT	CONN,REC 2 WAY,AMP 8MM NGI, BL	1
16	119057GT	CONN PLUG 3 WAY ENDCAP DT	1
16-	60427GT	CONN, PLUG, 3 WAY, DEUTSCH, DT, LOCK	1
17	119762GT	CONN PLUG 4 WAY EXTEND DT	1
17-		LOCK, PLUG 4WAY, 14-18GA	1
18	60513GT	CONN,PLUG 23 WAY,16-20 GA WHT	1
19	121657GT	FUSE HOLDER,ATC 1-20 AMPS	1

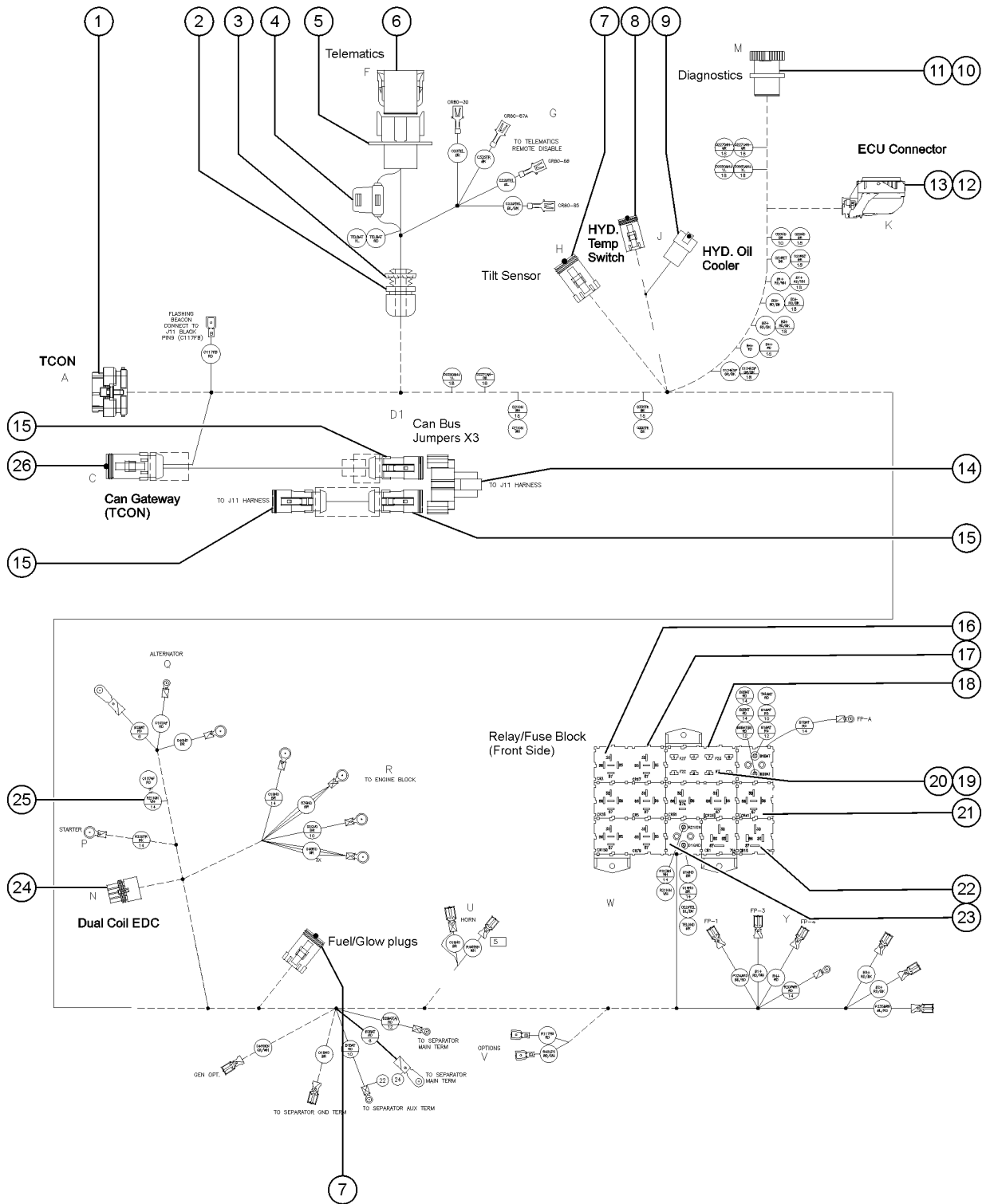




309.127FF Harness, Engine, Deutz 2.9, Tier4, Z80

<i>Item</i>	<i>Part No.</i>	<i>Description</i>	<i>Qty.</i>
19-	1253210GT	CRKT BRKR, THERM, AUTO RESET, 6A	1
20	73730GT	CONN,RECEP 12 WAY,GRY FLANGE	1
20-	54255GT	LOCK, RECEP 12WAY, 14-18GA	1

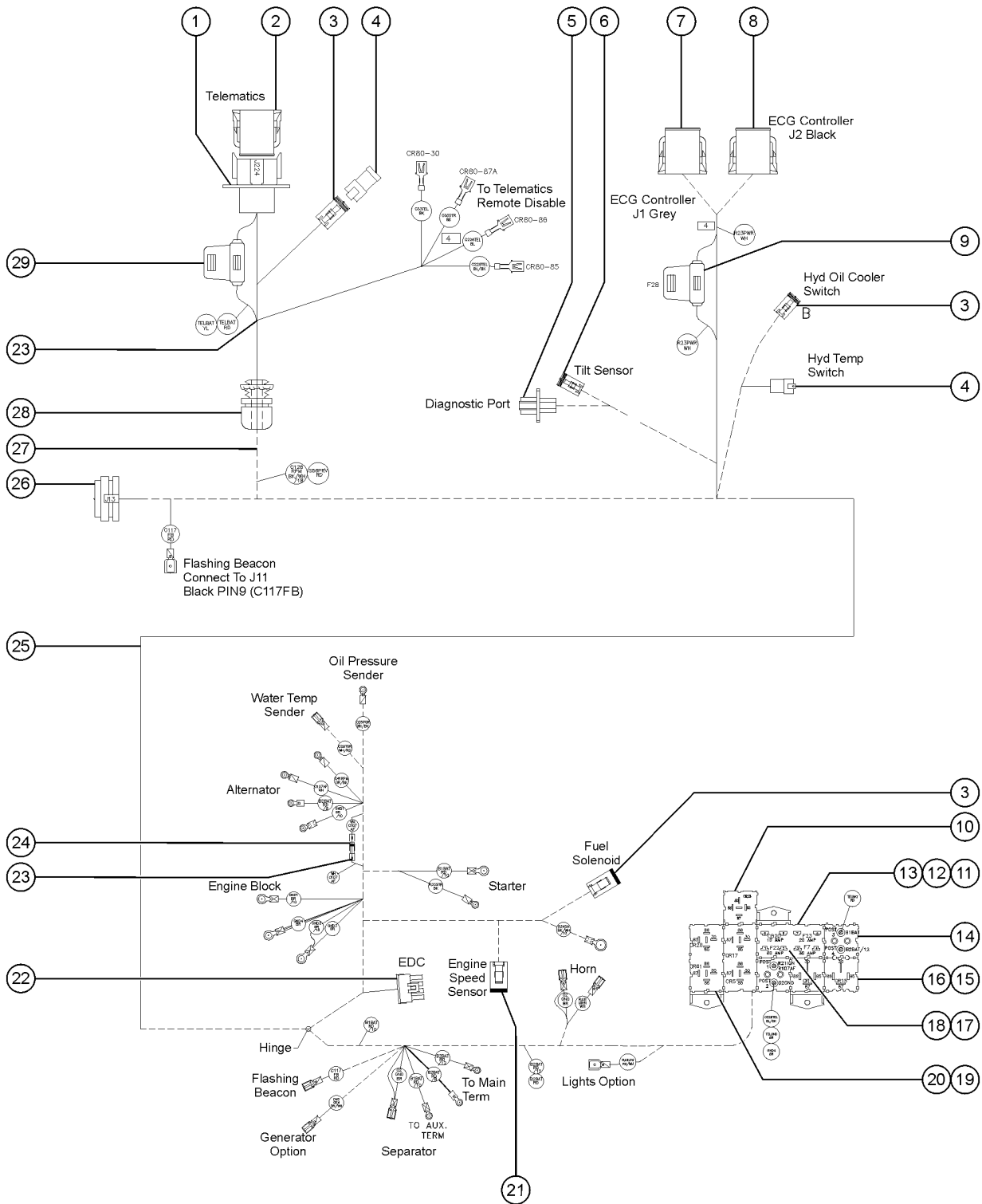




Item	Part No.	Description	Qty.
-	826637GT	HARNESS, PERKINS TIER4, Z80	1
1	60513GT	CONN,PLUG 23 WAY,16-20 GA WHT	1
2	7056GT	CONN,SQUEEZE,1/2NPT .38-.50,SM	1
3	6935GT	LOCKNUT,ELEC,1/2"	1
4	121657GT	FUSE HOLDER,ATC 1-20 AMPS	1
4-	1253210GT	CRKT BRKR, THERM, AUTO RESET, 6A	1
5	87755GT	CONN,RECEP 8 WAY 14-18GA,FL	1
5-	60447GT	LOCK,RECEP 8 WAY,14-18GA	1
6	119060GT	CONN, PLUG, 8 WAY, DEUTSCH, DT, ENDCAP/ GRAY	1
6-	60433GT	LOCK,PLUG 8 WAY, 14-18GA	1
7	119059GT	CONN PLUG 6 WAY ENDCAP DT	2
7-	60431GT	LOCK,PLUG 6WAY,14-18GA	2
8	119056GT	CONN PLUG 2 WAY ENDCAP DT	1
8-	60425GT	LOCK,PLUG 2 WAY, 14-18GA	1
9	119065GT	CONN, RECEP, 2 WAY, DEUTSCH, DT	1
9-	60439GT	CONN, RECEP, 2 WAY, DEUTSCH, DT, LOCK	1
10	823052GT	CONN,RECEP 9-WAY,FL. GRAY	1
11	823053GT	CONN,DUST CAP,RECEP,9-WAY GRAY	1
12	822794GT	CONN,MOLEX123,80WAY	1
13	822795GT	CONN,MOLEX123,80WAY,COVER	1
14	60451GT	CONN,TEE 3 WAY,SAE J1939	1
15	60450GT	CONN,PLUG 3 WAY,SAE J1939	3
15-	60427GT	CONN, PLUG, 3 WAY, DEUTSCH, DT, LOCK	1
16	34052GT	RELAY,SPDT,12V(AUTO) PLUG IN**	7
17	88167GT	CONN,DUAL RLY MODULE,10 POS	4
18	88164GT	CONN MAXI FUSE MODULE,4POS	1
19	101340GT	FUSE,60 AMP,MAXI	1
20	94327GT	FUSE,30 AMP	1

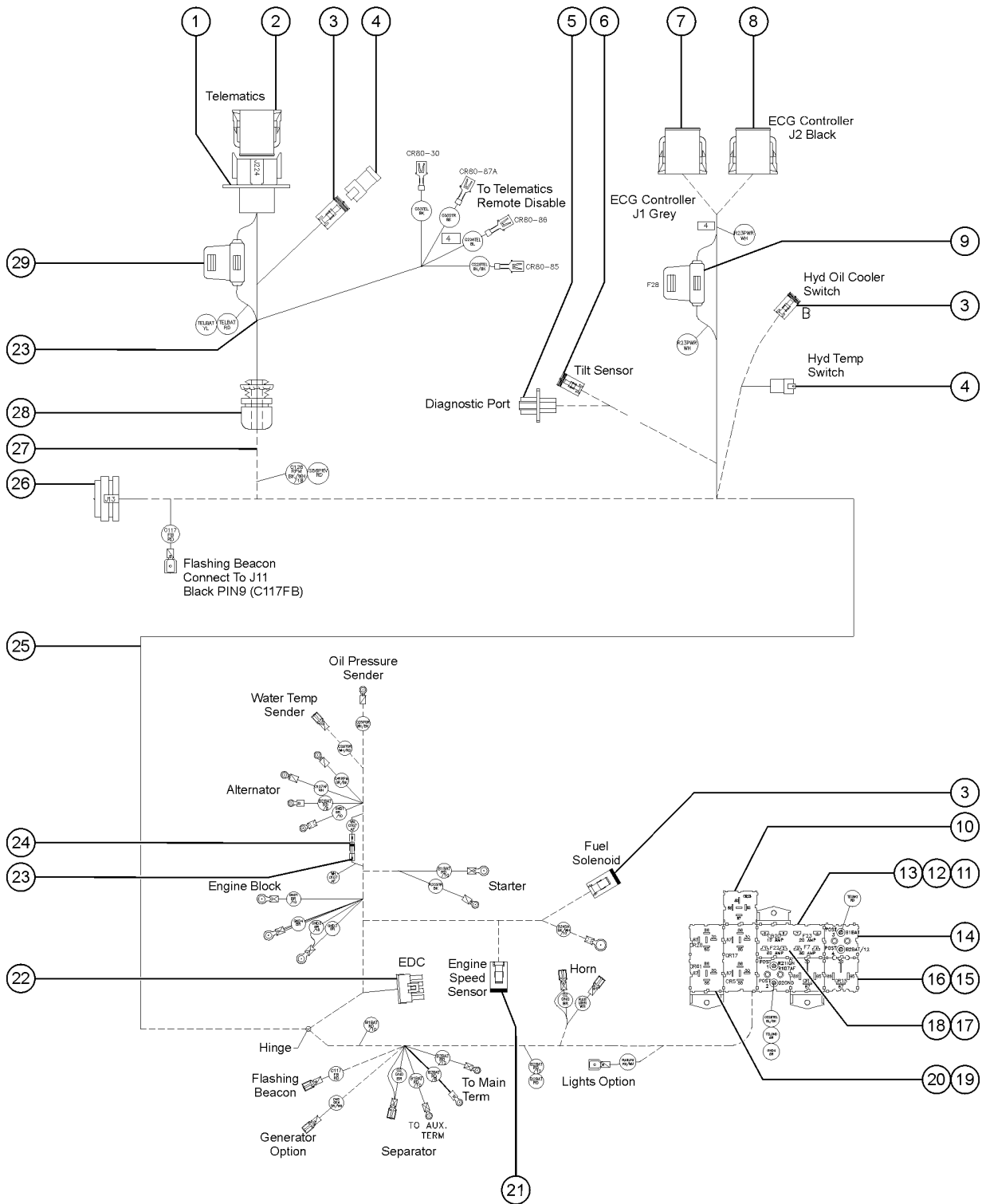


<i>Item</i>	<i>Part No.</i>	<i>Description</i>	<i>Qty.</i>
21	106068GT	CONN,SINGLE RLY MODULE,5POS	1
22	88162GT	CONN,POWER RLY MODULE,4POS	2
22-	61225GT	RELAY,12VDC,70AMP,SEALED	2
23	106051GT	CONN,FEED THRU STUD	2
24	81765GT	CONN,DUAL EDC,4 PIN PACKARD	1
25	45782GT	DIODE,6 AMP,200 PIV,BULK	1
26	119762GT	CONN PLUG 4 WAY EXTEND DT	1
26-		LOCK, PLUG 4WAY, 14-18GA	1



Item	Part No.	Description	Qty.
-	1260172GT	HARNESS,ENG,PERKINS 404D,Z80	1
1	87755GT	CONN,RECEP 8 WAY 14-18GA,FL	1
1-	60447GT	LOCK,RECEP 8 WAY,14-18GA	1
2	119060GT	CONN, PLUG, 8 WAY, DEUTSCH, DT, ENDCAP/ GRAY	1
2-	60433GT	LOCK,PLUG 8 WAY, 14-18GA	1
3	119056GT	CONN PLUG 2 WAY ENDCAP DT	2
3-	60425GT	LOCK,PLUG 2 WAY, 14-18GA	2
4	119065GT	CONN, RECEP, 2 WAY, DEUTSCH, DT	1
4-	60439GT	CONN, RECEP, 2 WAY, DEUTSCH, DT, LOCK	1
5	73723GT	CONN RECEPT,FLANGED	1
5-	60443GT	LOCK, RECEP 4WAY, 14-18GA	1
6	119059GT	CONN PLUG 6 WAY ENDCAP DT	1
6-	60431GT	LOCK,PLUG 6WAY,14-18GA	1
7	88331GT	CONN, PLUG, 12 WAY, DEUTSCH, DTM, GRAY, KEY-A	1
7-		LOCK,PLUG 12 WAY DTM 18-20GA	1
8	106780GT	CONN, PLUG, 12 WAY, DEUTSCH, DTM, BLACK, KEY-B	1
8-		LOCK,PLUG 12 WAY DTM 18-20GA	1
9	67505GT	FUSE,10 AMP,ATC	1
9-	121657GT	FUSE HOLDER,ATC 1-20 AMPS	1
10	106068GT	CONN,SINGLE RLY MODULE,5POS	1
11	128978GT	CIRCUIT BREAKER TYPE 2, 10AMP	1
12	88164GT	CONN MAXI FUSE MODULE,4POS	1
13	60536GT	FUSE,20 AMP,MAXI	1
14	106051GT	CONN,FEED THRU STUD	2
15	61225GT	RELAY,12VDC,70AMP,SEALED	2
16	88162GT	CONN,POWER RLY MODULE,4POS	2
17	94327GT	FUSE,30 AMP	1
18	101340GT	FUSE,60 AMP,MAXI	1

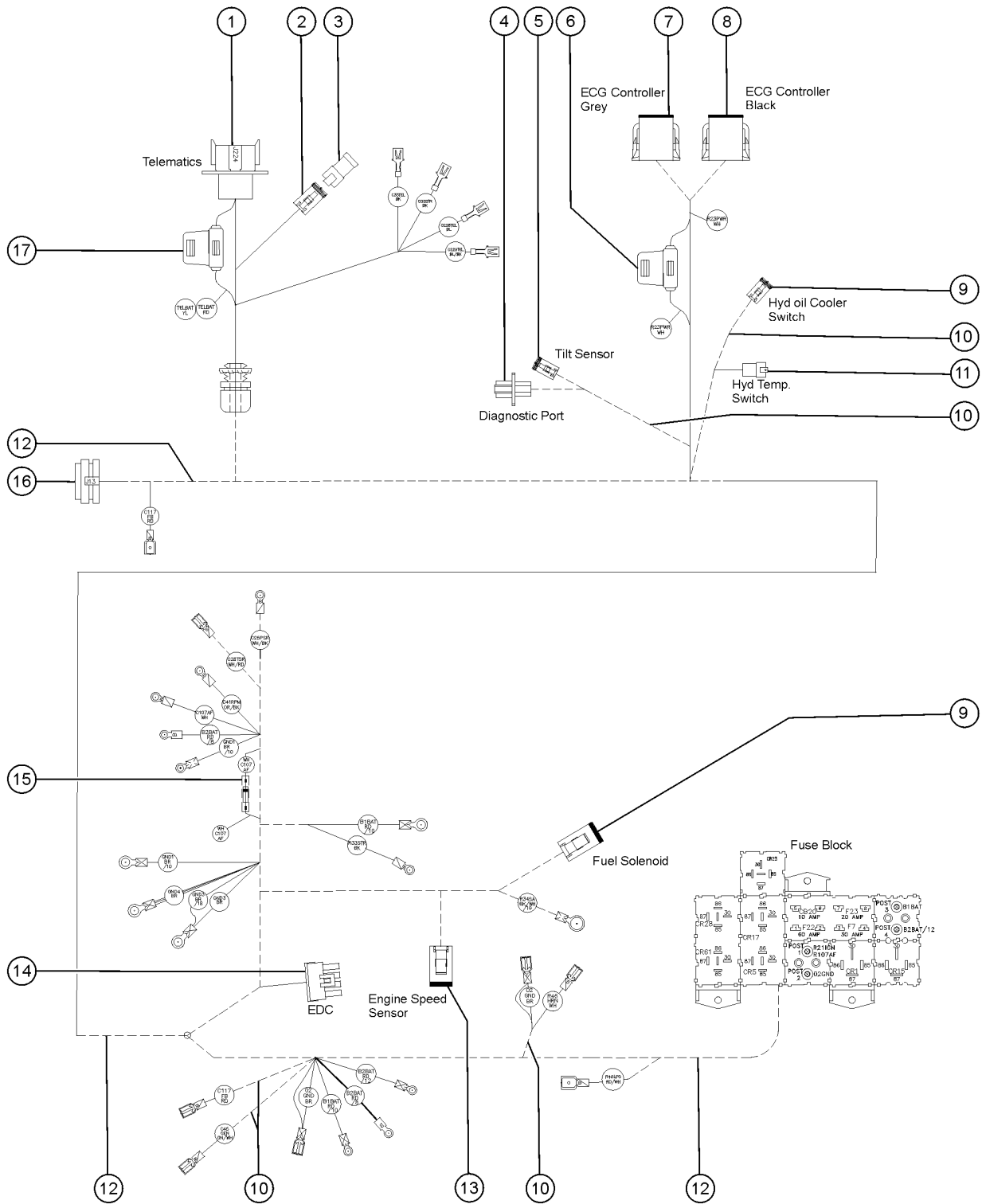




<i>Item</i>	<i>Part No.</i>	<i>Description</i>	<i>Qty.</i>
19	88167GT	CONN,DUAL RLY MODULE,10 POS	2
20	34052GT	RELAY,SPDT,12V(AUTO) PLUG IN**	5
21	1259995GT	CONN, PLUG 2 WAY, DTM	1
21-	1259996GT	LOCK, PLUG 2 WAY, 18-22 GA	1
22	81765GT	CONN,DUAL EDC,4 PIN PACKARD	1
23	42414GT	SPLICE,PARALLEL,BLUE,16GA	3
24	45782GT	DIODE,6 AMP,200 PIV,BULK	1
25	75640GT	WIRE LOOM,3/4 DIA.	188
26	60513GT	CONN,PLUG 23 WAY,16-20 GA WHT	1
27	53471GT	WIRE LOOM,3/8 NYLON,HI TEMP	15 7.5
28	7057GT	CONN. SQZ,1/2NPT .39-.56 MED	1
28-	6935GT	LOCKNUT,ELEC,1/2"	1
29	1253210GT	CRKT BRKR, THERM, AUTO RESET, 6A	1
29-	121657GT	FUSE HOLDER,ATC 1-20 AMPS	1



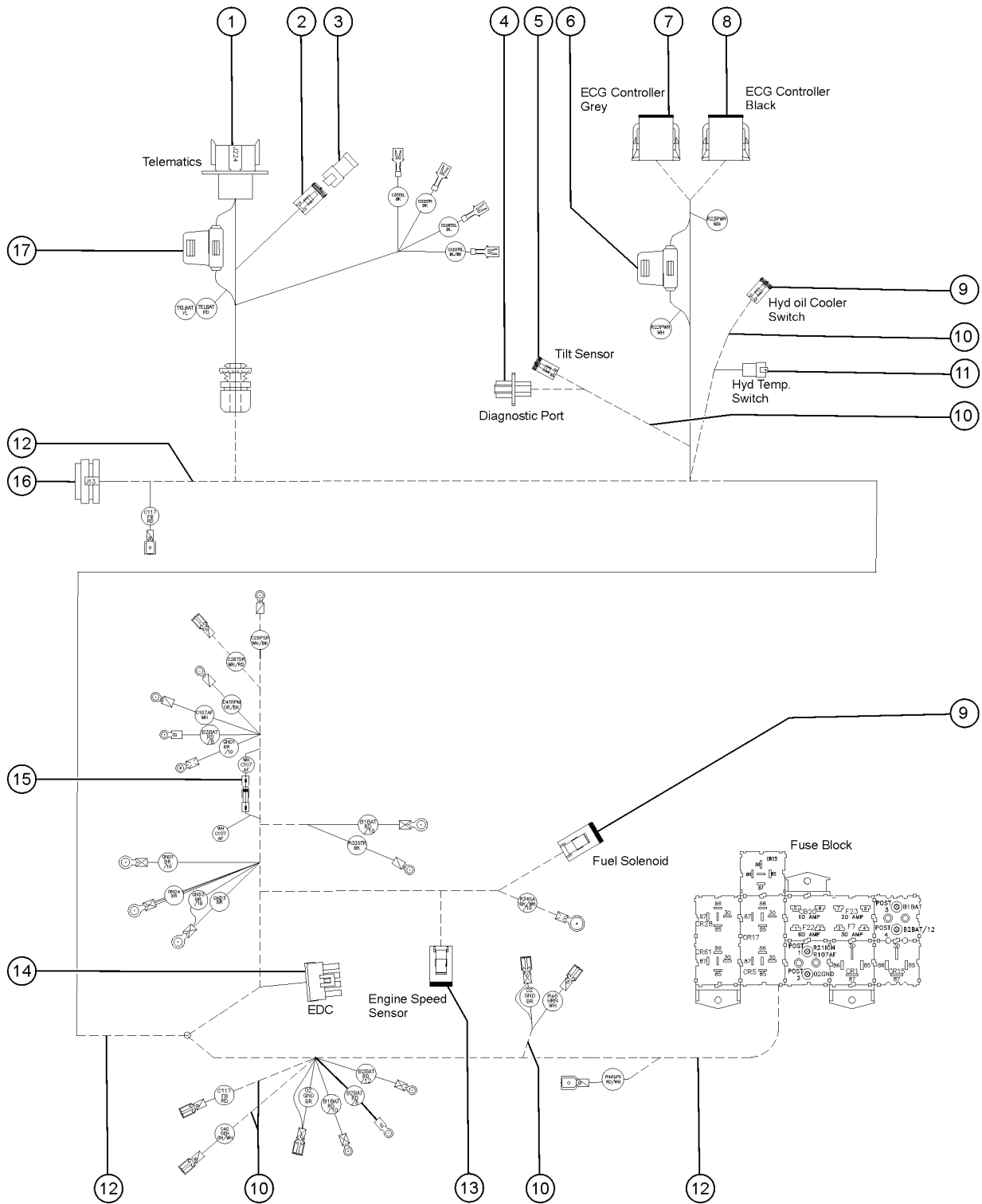
309.127HH Harness, Engine, Perkins 404D, Tier3, Z80



Item	Part No.	Description	Qty.
-	1291143GT	HARNESS, ENGINE, PERKINS 404D, TIER3, Z80	1
1	73730GT	CONN,RECEP 12 WAY,GRY FLANGE	1
1-	54255GT	LOCK, RECEP 12WAY, 14-18GA	1
2	119056GT	CONN PLUG 2 WAY ENDCAP DT	2
2-	60425GT	LOCK,PLUG 2 WAY, 14-18GA	2
3	119065GT	CONN, RECEP, 2 WAY, DEUTSCH, DT	2
3-	60439GT	CONN, RECEP, 2 WAY, DEUTSCH, DT, LOCK	2
4	73723GT	CONN RECEP,FLANGED	1
4-	60443GT	LOCK, RECEP 4WAY, 14-18GA	1
5	119059GT	CONN PLUG 6 WAY ENDCAP DT	1
5-	60431GT	LOCK,PLUG 6WAY,14-18GA	1
6	121657GT	FUSE HOLDER,ATC 1-20 AMPS	1
6-	67505GT	FUSE,10 AMP,ATC	1
7	88331GT	CONN, PLUG, 12 WAY, DEUTSCH, DTM, GRAY, KEY-A	1
7-		LOCK,PLUG 12 WAY DTM 18-20GA	1
8	106780GT	CONN, PLUG, 12 WAY, DEUTSCH, DTM, BLACK, KEY-B	1
8-		LOCK,PLUG 12 WAY DTM 18-20GA	1
9	119056GT	CONN PLUG 2 WAY ENDCAP DT	2
9-	60425GT	LOCK,PLUG 2 WAY, 14-18GA	2
10	53471GT	WIRE LOOM,3/8 NYLON,HI TEMP	158
11	119065GT	CONN, RECEP, 2 WAY, DEUTSCH, DT	1
11-	60439GT	CONN, RECEP, 2 WAY, DEUTSCH, DT, LOCK	1
12	75640GT	WIRE LOOM,3/4 DIA.	188
13	1259995GT	CONN, PLUG 2 WAY, DTM	1
13-	1259996GT	LOCK, PLUG 2 WAY, 18-22 GA	1
14	81765GT	CONN,DUAL EDC,4 PIN PACKARD	1
15	45782GT	DIODE,6 AMP,200 PIV,BULK	1
16	60513GT	CONN,PLUG 23 WAY,16-20 GA WHT	1



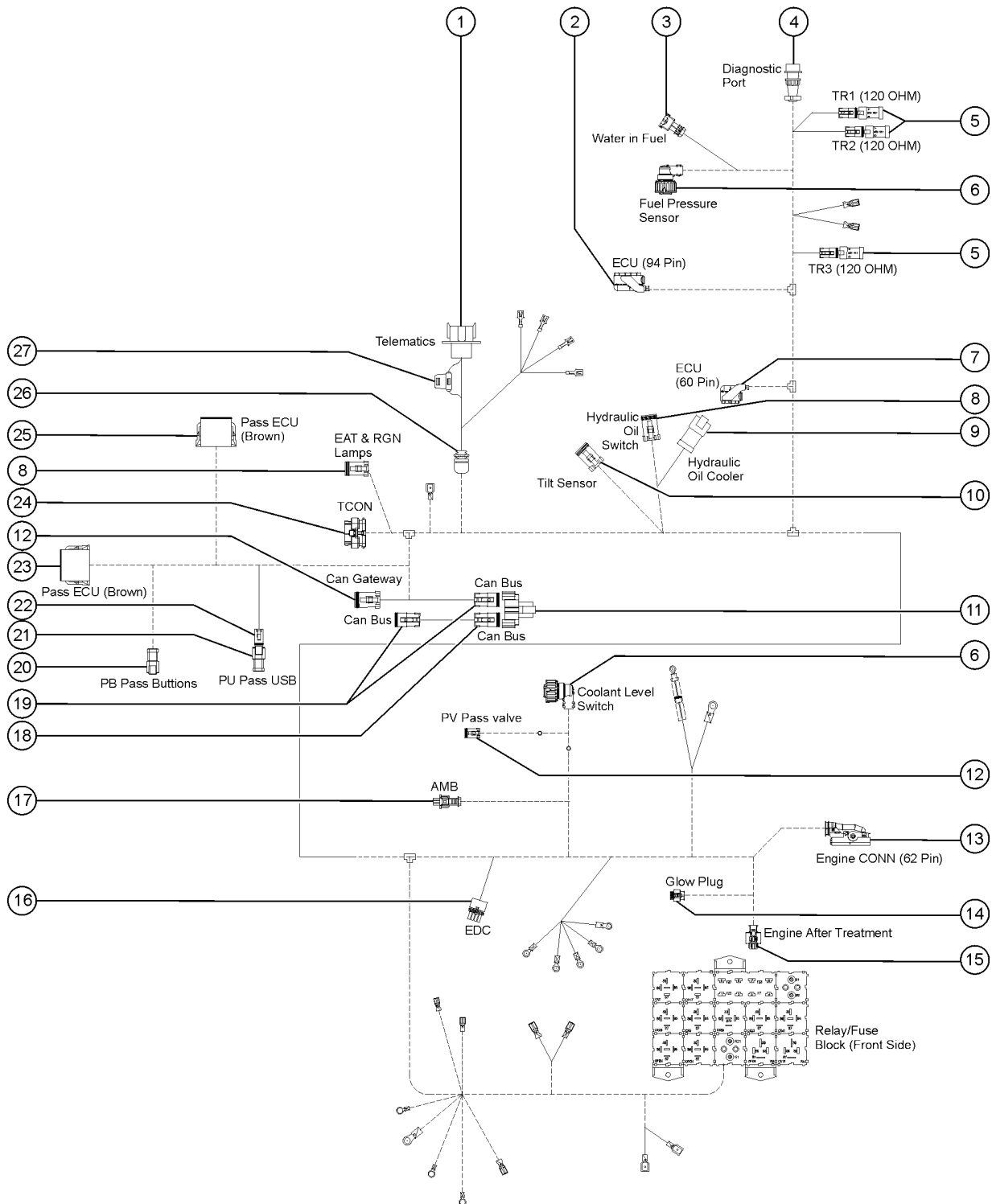
309.127HH Harness, Engine, Perkins 404D, Tier3, Z80



309.127HH Harness, Engine, Perkins 404D, Tier3, Z80

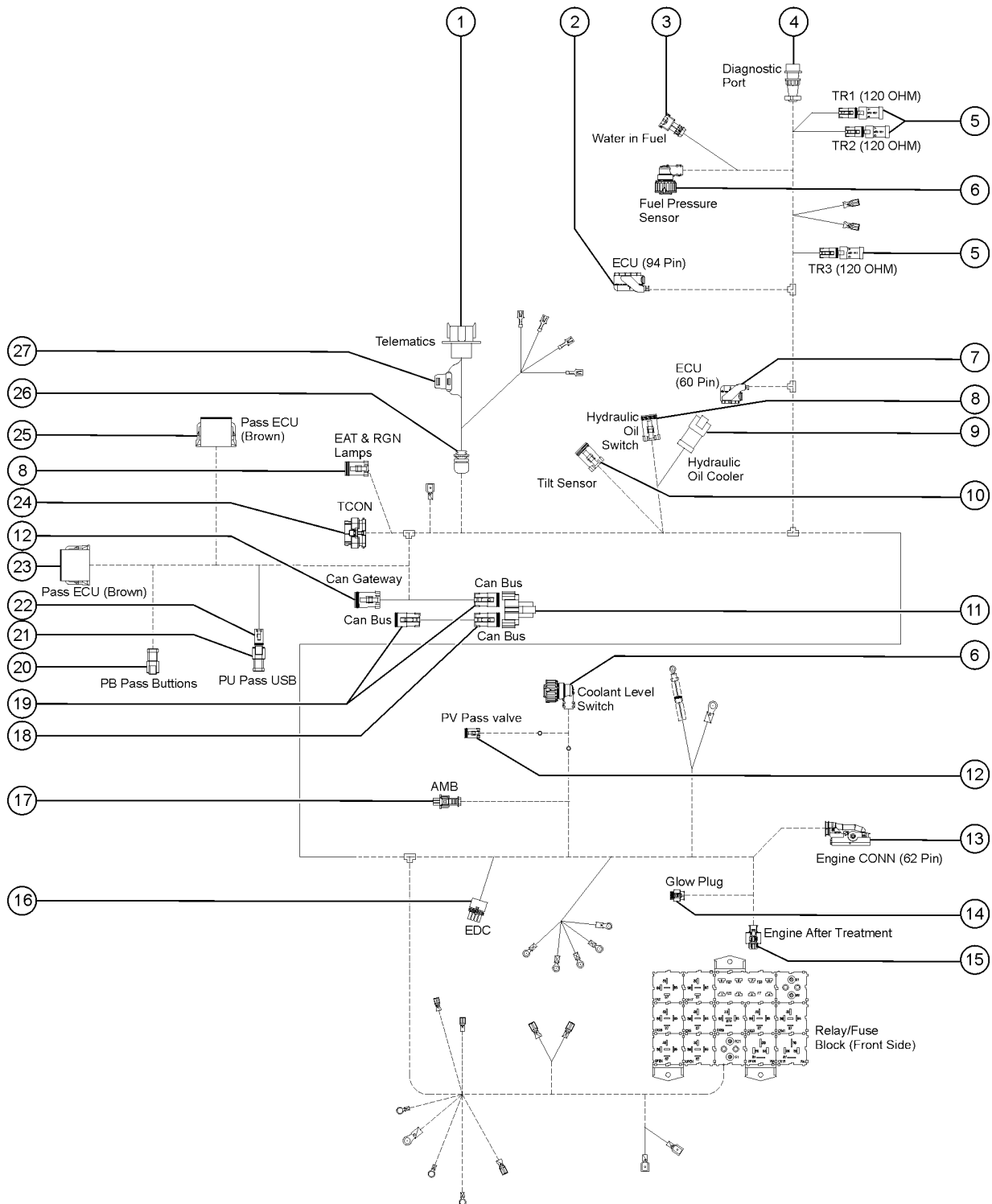
<i>Item</i>	<i>Part No.</i>	<i>Description</i>	<i>Qty.</i>
17	121657GT	FUSE HOLDER,ATC 1-20 AMPS	1
17-	1253210GT	CRKT BRKR, THERM, AUTO RESET, 6A	1



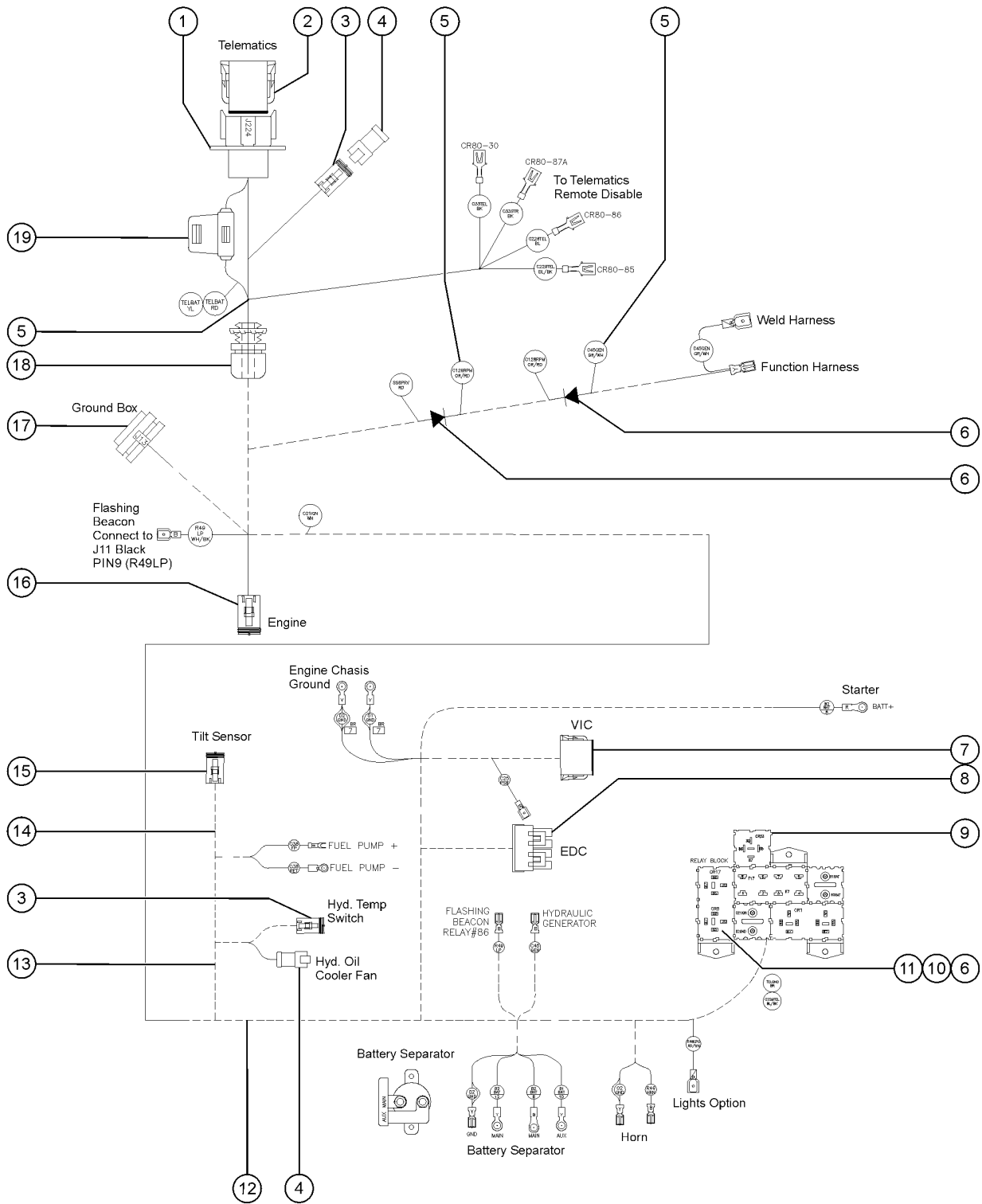


Item	Part No.	Description	Qty.
-	1294904GT	HARNESS, DEUTZ 2.2 STAGE V, Z80	1
1	73730GT	CONN,RECEP 12 WAY,GRY FLANGE	1
1-	54255GT	LOCK, RECEP 12WAY, 14-18GA	1
2	822439GT	CONN KIT,94POS,AMP MQS1.5/MCP2	1
3	822440GT	CONN, RECEP 2 WAY, AMP JR PT	1
4	822448GT	CONN,REC,CANN TR 12WAY,SIZE14	1
5	119057GT	CONN PLUG 3 WAY ENDCAP DT	3
5-	60459GT	LOCK,PLUG 3 WAY,SAE J1939	3
5-	60452GT	CONN,RECEP 3 WAY SAE J1939	3
6	822445GT	CONN,CIRC. AMP 4WAY,BLACK	2
7	822438GT	CONN KIT,RECEP 60POS,AMP MQS 1	1
8	119056GT	CONN PLUG 2 WAY ENDCAP DT	2
8-	60425GT	LOCK,PLUG 2 WAY, 14-18GA	2
9	119065GT	CONN, RECEP, 2 WAY, DEUTSCH, DT	1
9-	60439GT	CONN, RECEP, 2 WAY, DEUTSCH, DT, LOCK	1
10	119059GT	CONN PLUG 6 WAY ENDCAP DT	1
10-	60431GT	LOCK,PLUG 6WAY,14-18GA	1
11	60451GT	CONN,TEE 3 WAY,SAE J1939	1
12	119058GT	CONN, PLUG, 4 WAY, DEUTSCH, DT, ENDCAP	2
12-		LOCK, PLUG 4WAY, 14-18GA	2
13	822436GT	CONN,RECEP 62POS,AMP MCP1.5K/2	1
14	1290925GT	CONN,REC 1 WAY,AMP 8MM NGI, BLACK	1
15	1290926GT	CONN,RECEP 8 WAY,AMP	1
16	81765GT	CONN,DUAL EDC,4 PIN PACKARD	1
17	1290927GT	CONN, PLUG 2 WAY, BOSCH	1
18	119057GT	CONN PLUG 3 WAY ENDCAP DT	1
18-	60427GT	CONN, PLUG, 3 WAY, DEUTSCH, DT, LOCK	1
19	119057GT	CONN PLUG 3 WAY ENDCAP DT	2



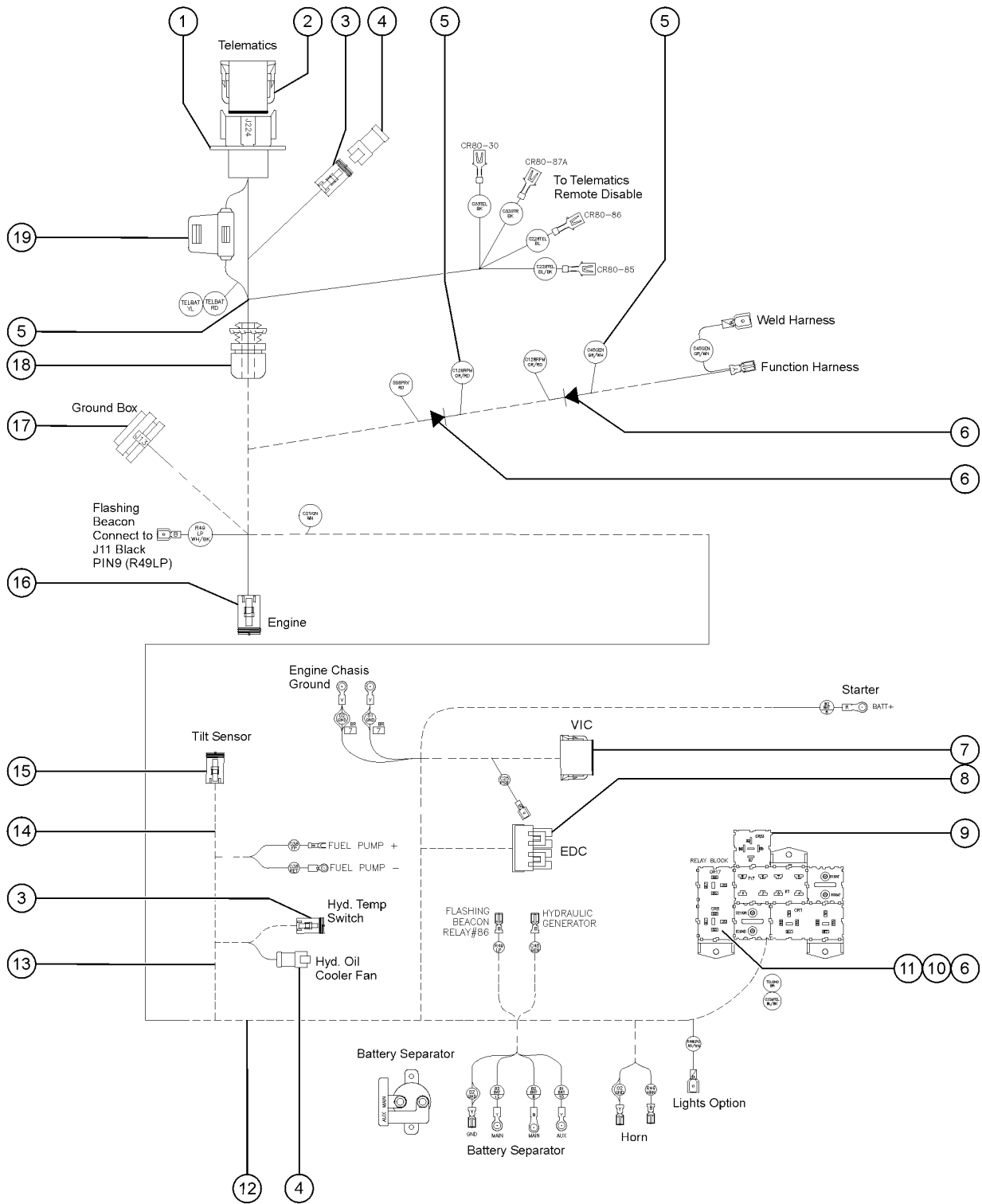


<i>Item</i>	<i>Part No.</i>	<i>Description</i>	<i>Qty.</i>
19-	60459GT	LOCK,PLUG 3 WAY,SAE J1939	2
20		CONN, RECEP 3 WAY DTM, 16-24 GA	1
20-		CONN, RECEP, 3 WAY, DEUTSCH, DTM, LOCK	1
21		CONN, RECEP 3 WAY DTM, 16-24 GA	1
22		CONN, PLUG, 3 WAY, DEUTSCH, DTM	1
22-		LOCK,PLUG 3 WAY DTM, 16-24GA	1
23		CONN,PLUG 12D WAY DTM 18-20GA	1
23-		LOCK,PLUG 12 WAY DTM 18-20GA	1
24	60513GT	CONN,PLUG 23 WAY,16-20 GA WHT	1
25		CONN,PLUG 12C WAY DTM 18-20GA	1
25-		LOCK,PLUG 12 WAY DTM 18-20GA	1
26	14041GT	LOCKNUT,ELECTRIC,3/4"	1
27	121657GT	FUSE HOLDER,ATC 1-20 AMPS	1
27-	1253210GT	CRKT BRKR, THERM, AUTO RESET, 6A	1



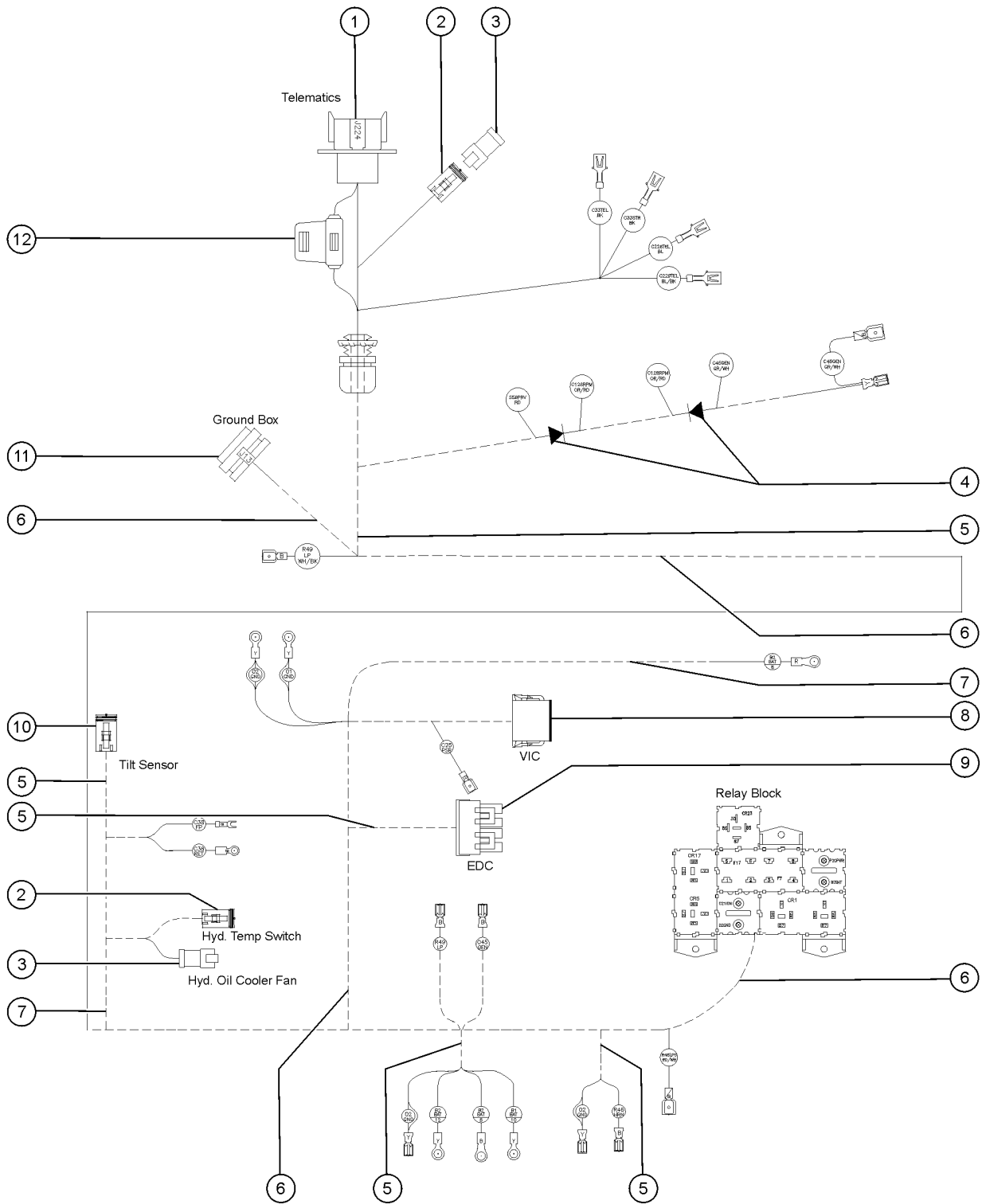
Item	Part No.	Description	Qty.
-	1269053GT	HARNESS, ENGINE, GM3.0, Z80	1
1	87755GT	CONN,RECEP 8 WAY 14-18GA,FL	1
1-	60447GT	LOCK,RECEP 8 WAY,14-18GA	1
2	119060GT	CONN, PLUG, 8 WAY, DEUTSCH, DT, ENDCAP/ GRAY	1
2-	60443GT	LOCK, RECEP 4WAY, 14-18GA	1
3	119056GT	CONN PLUG 2 WAY ENDCAP DT	2
3-	60425GT	LOCK,PLUG 2 WAY, 14-18GA	2
4	119065GT	CONN, RECEP, 2 WAY, DEUTSCH, DT	2
4-	60439GT	CONN, RECEP, 2 WAY, DEUTSCH, DT, LOCK	2
5	42414GT	SPLICE,PARALLEL,BLUE,16GA	3
6	45782GT	DIODE,6 AMP,200 PIV,BULK	2
7	119061GT	CONN, PLUG, 12 WAY, DEUTSCH, DT, BLACK	1
7-	60435GT	LOCK,PLUG 12 WAY,14-18GA,GRN	1
8	81765GT	CONN,DUAL EDC,4 PIN PACKARD	1
9	106068GT	CONN,SINGLE RLY MODULE,5POS	1
10	34052GT	RELAY,SPDT,12V(AUTO) PLUG IN**	3
11	60536GT	FUSE,20 AMP,MAXI	1
12	1261898GT	WIRE LOOM 3/4 DIA SLIT HI TEMP	166
13		WIRE LOOM, 1/2" DIA SLIP, HI TEMP.	68
14	53471GT	WIRE LOOM,3/8 NYLON,HI TEMP	143
15	119059GT	CONN PLUG 6 WAY ENDCAP DT	1
15-	60431GT	LOCK,PLUG 6WAY,14-18GA	1
16	119068GT	CONN,RECEP 6 WAY ENDCAP DT	1
16-		LOCK, PLUG 4WAY, 14-18GA	1
17	60513GT	CONN,PLUG 23 WAY,16-20 GA WHT	1
18	7057GT	CONN. SQZ,1/2NPT .39-.56 MED	1
18-	6935GT	LOCKNUT,ELEC,1/2"	1
19	1253210GT	CRKT BRKR, THERM, AUTO RESET, 6A	1



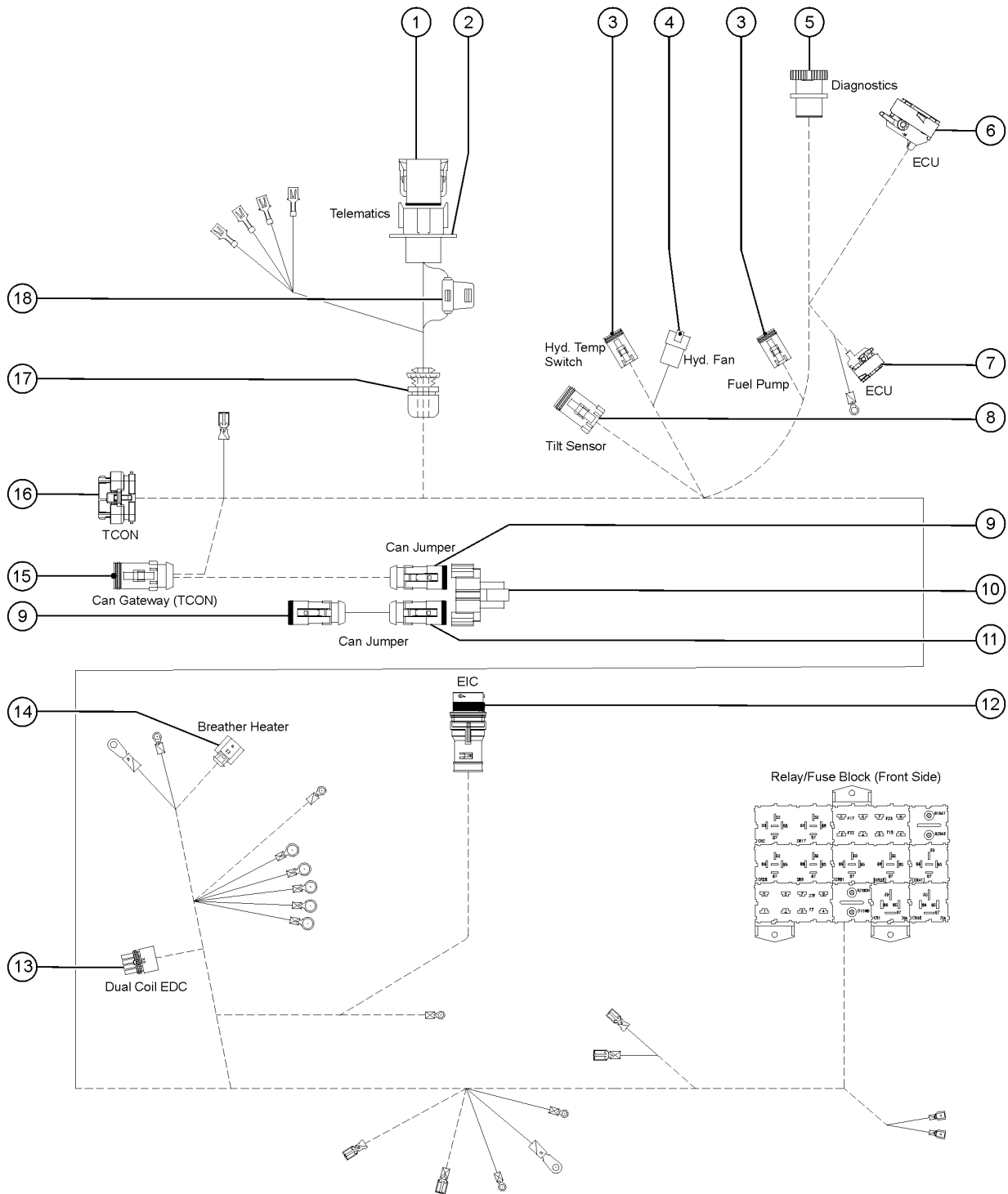


<i>Item</i>	<i>Part No.</i>	<i>Description</i>	<i>Qty.</i>
19-	121657GT	FUSE HOLDER,ATC 1-20 AMPS	1



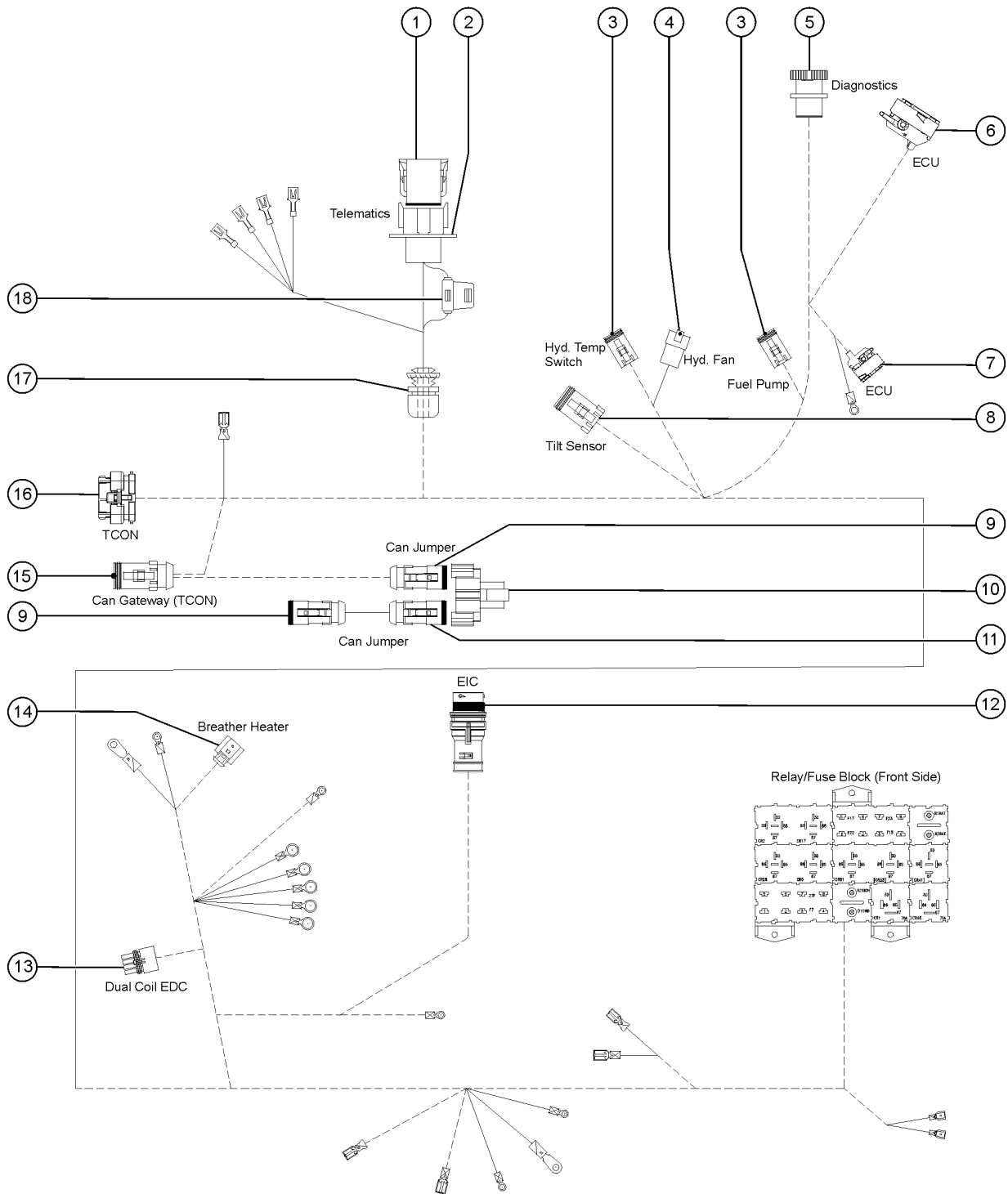


<i>Item</i>	<i>Part No.</i>	<i>Description</i>	<i>Qty.</i>
-	1291144GT	HARNESS, ENGINE, GM 3.0, Z80	1
1	73730GT	CONN,RECEP 12 WAY,GRY FLANGE	1
1-	54255GT	LOCK, RECEP 12WAY, 14-18GA	1
2	119056GT	CONN PLUG 2 WAY ENDCAP DT	2
2-	60425GT	LOCK,PLUG 2 WAY, 14-18GA	2
3	119065GT	CONN, RECEP, 2 WAY, DEUTSCH, DT	2
3-	60439GT	CONN, RECEP, 2 WAY, DEUTSCH, DT, LOCK	2
4	45782GT	DIODE,6 AMP,200 PIV,BULK	2
5	53471GT	WIRE LOOM,3/8 NYLON,HI TEMP	143
6	1261898GT	WIRE LOOM 3/4 DIA SLIT HI TEMP	166
7		WIRE LOOM, 1/2" DIA SLIP, HI TEMP.	68
8	119061GT	CONN, PLUG, 12 WAY, DEUTSCH, DT, BLACK	1
8-	60435GT	LOCK,PLUG 12 WAY,14-18GA,GRN	1
9	81765GT	CONN,DUAL EDC,4 PIN PACKARD	1
10	119059GT	CONN PLUG 6 WAY ENDCAP DT	1
10-	60431GT	LOCK,PLUG 6WAY,14-18GA	1
11	60513GT	CONN,PLUG 23 WAY,16-20 GA WHT	1
12	1253210GT	CRKT BRKR, THERM, AUTO RESET, 6A	1
12-	121657GT	FUSE HOLDER,ATC 1-20 AMPS	1



Item	Part No.	Description	Qty.
-	1285105GT	HARNESS, ENGINE, PERKINS, 404F-E22TA, Z80	1
-	45782GT	DIODE,6 AMP,200 PIV,BULK	1
-	150141GT	FUSE,40 AMP	1
1	1258768GT	CONN,PLUG 8WAY,BLOCKED GROMMET	1
2	87755GT	CONN,RECEP 8 WAY 14-18GA,FL	1
2-	60447GT	LOCK,RECEP 8 WAY,14-18GA	1
3	119056GT	CONN PLUG 2 WAY ENDCAP DT	2
3-	60425GT	LOCK,PLUG 2 WAY, 14-18GA	2
4	119065GT	CONN, RECEP, 2 WAY, DEUTSCH, DT	1
4-	60439GT	CONN, RECEP, 2 WAY, DEUTSCH, DT, LOCK	1
5	823052GT	CONN,RECEP 9-WAY,FL. GRAY	1
5-	823053GT	CONN,DUST CAP,RECEP,9-WAY GRAY	1
6	1284964GT	CONN, PLUG, 96 WAY	1
6-	1284966GT	LOCK, 1.2MM, TERM POS (96 WAY)	1
7	1284956GT	CONN, PLUG, 58 WAY	1
7-	1284959GT	LOCK, 1.2MM, TERM POS (58 WAY)	1
8	119059GT	CONN PLUG 6 WAY ENDCAP DT	1
8-	60431GT	LOCK,PLUG 6WAY,14-18GA	1
9	60450GT	CONN,PLUG 3 WAY,SAE J1939	2
9-	60459GT	LOCK,PLUG 3 WAY,SAE J1939	2
10	60451GT	CONN,TEE 3 WAY,SAE J1939	1
11	60450GT	CONN,PLUG 3 WAY,SAE J1939	1
11-	60427GT	CONN, PLUG, 3 WAY, DEUTSCH, DT, LOCK	1
12	1284969GT	CONN, PLUG, 47 WAY, EIC	1
13	81765GT	CONN,DUAL EDC,4 PIN PACKARD	1
14	1258096GT	CONN,PLUG,TYCO2.8MM,2-WAY	1
15	119762GT	CONN PLUG 4 WAY EXTEND DT	1
15-		LOCK, PLUG 4WAY, 14-18GA	1



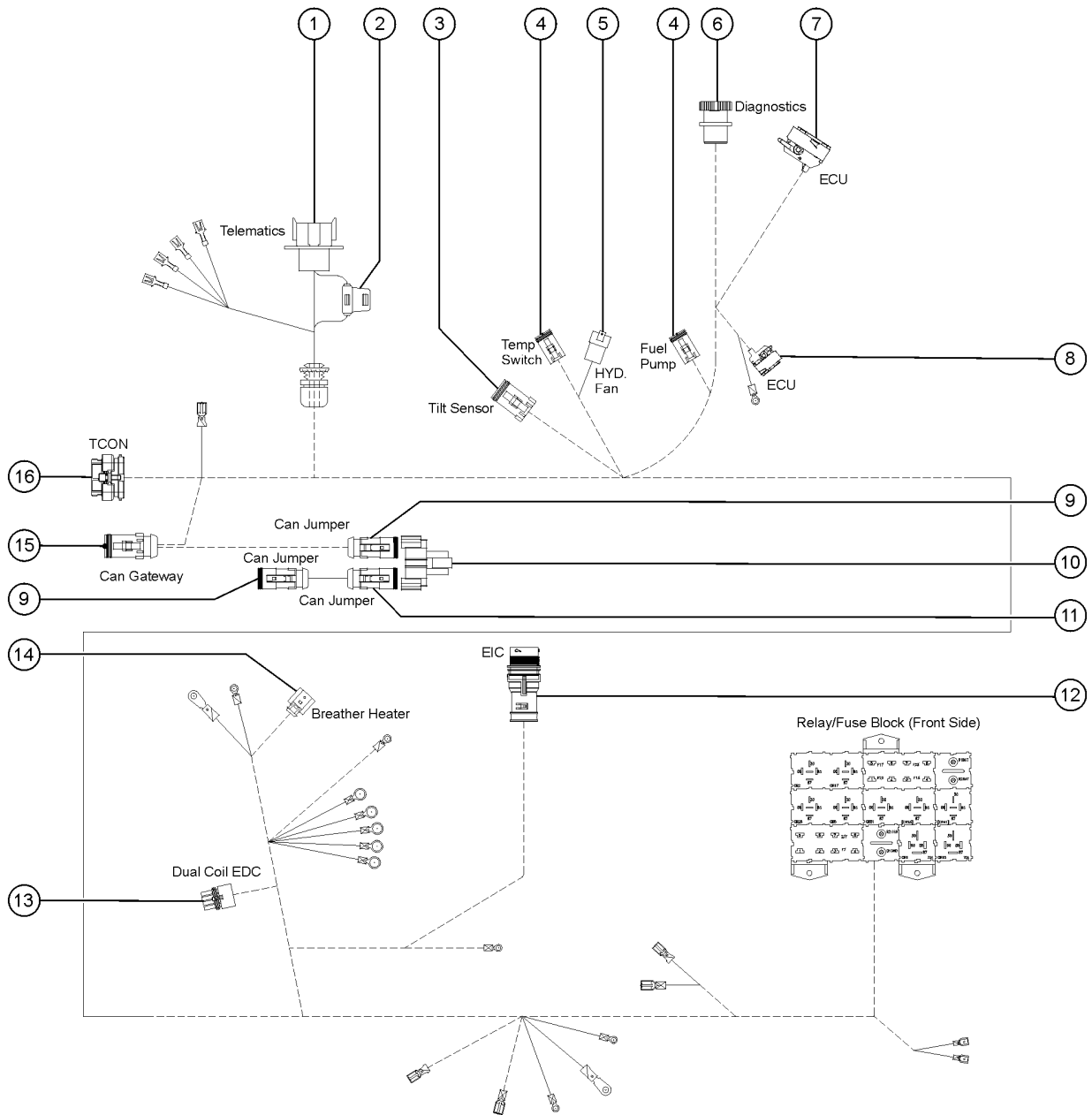


309.127K Harness, Engine, Perkins, 404F-E22TA, Z80

<i>Item</i>	<i>Part No.</i>	<i>Description</i>	<i>Qty.</i>
16	60513GT	CONN,PLUG 23 WAY,16-20 GA WHT	1
17	7056GT	CONN,SQUEEZE,1/2NPT .38-.50,SM	1
17-	6935GT	LOCKNUT,ELEC,1/2"	1
18	121657GT	FUSE HOLDER,ATC 1-20 AMPS	1
18-	1253210GT	CRKT BRKR, THERM, AUTO RESET, 6A	1



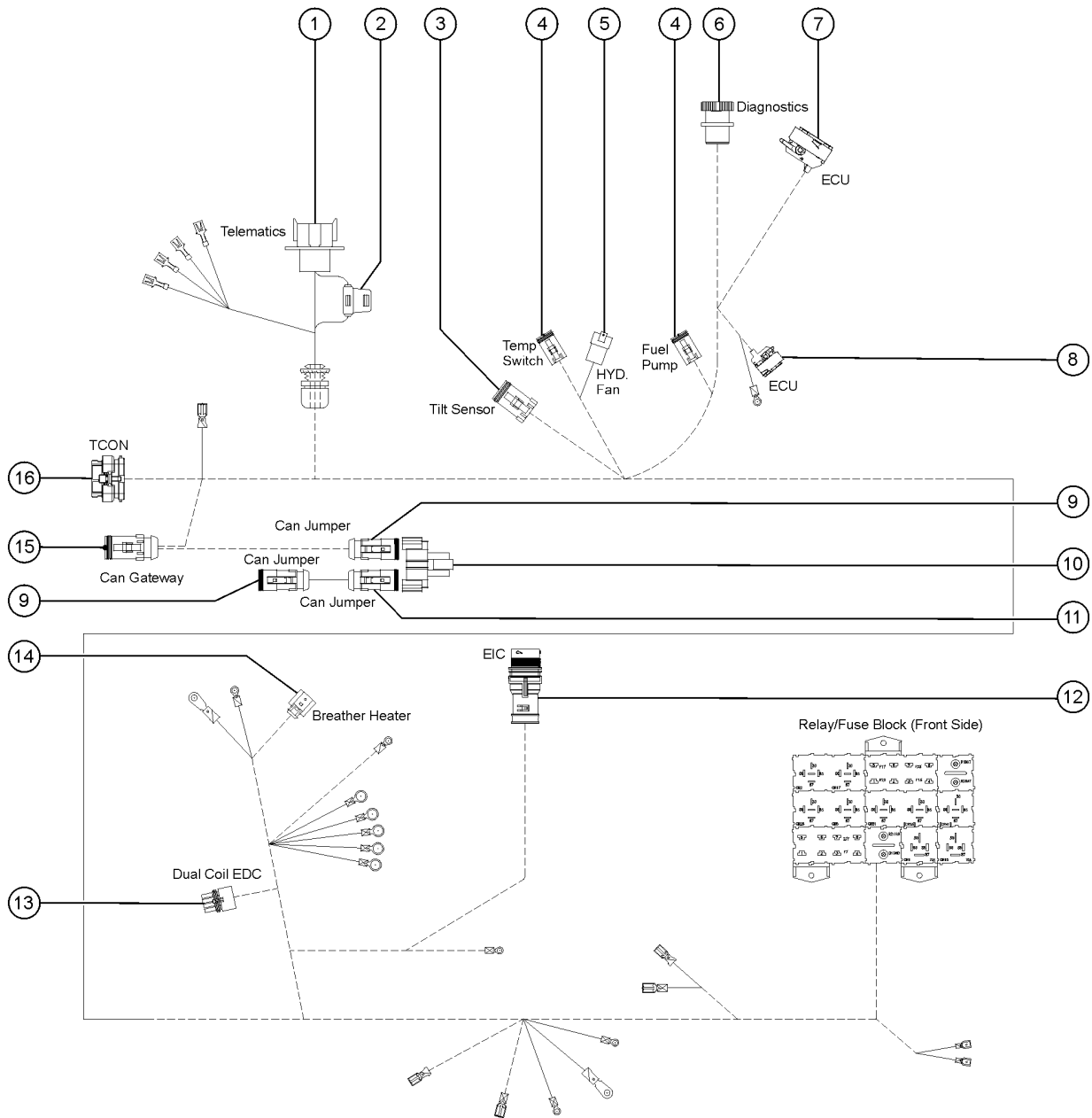
309.127L Harness, Engine, Perkins 404F-E22TA, Tier4, Z80



Item	Part No.	Description	Qty.
-	1291142GT	HARNESS, ENGINE, PERKINS 404F-E22TA, TIER4, Z80	1
-	45782GT	DIODE,6 AMP,200 PIV,BULK	1
-	150141GT	FUSE,40 AMP	1
1	73730GT	CONN,RECEP 12 WAY,GRY FLANGE	1
1-	54255GT	LOCK, RECEP 12WAY, 14-18GA	1
2	121657GT	FUSE HOLDER,ATC 1-20 AMPS	1
2-	1253210GT	CRKT BRKR, THERM, AUTO RESET, 6A	1
3	119059GT	CONN PLUG 6 WAY ENDCAP DT	1
3-	60431GT	LOCK,PLUG 6WAY,14-18GA	1
4	119056GT	CONN PLUG 2 WAY ENDCAP DT	2
4-	60425GT	LOCK,PLUG 2 WAY, 14-18GA	2
5	119065GT	CONN, RECEP, 2 WAY, DEUTSCH, DT	1
5-	60439GT	CONN, RECEP, 2 WAY, DEUTSCH, DT, LOCK	1
6	823052GT	CONN,RECEP 9-WAY,FL. GRAY	1
7	1284964GT	CONN, PLUG, 96 WAY	1
7-	1284966GT	LOCK, 1.2MM, TERM POS (96 WAY)	1
8	1284956GT	CONN, PLUG, 58 WAY	1
8-	1284959GT	LOCK, 1.2MM, TERM POS (58 WAY)	1
8-	1284960GT	LOCK, 2.8MM, TERM POS (58 WAY)	1
9	60450GT	CONN,PLUG 3 WAY,SAE J1939	2
9-	60459GT	LOCK,PLUG 3 WAY,SAE J1939	2
10	60451GT	CONN,TEE 3 WAY,SAE J1939	1
11	60450GT	CONN,PLUG 3 WAY,SAE J1939	1
11-	60427GT	CONN, PLUG, 3 WAY, DEUTSCH, DT, LOCK	1
12	1284969GT	CONN, PLUG, 47 WAY, EIC	1
13	81765GT	CONN,DUAL EDC,4 PIN PACKARD	1
14	1258096GT	CONN,PLUG,TYCO2.8MM,2-WAY	1
15	119762GT	CONN PLUG 4 WAY EXTEND DT	1



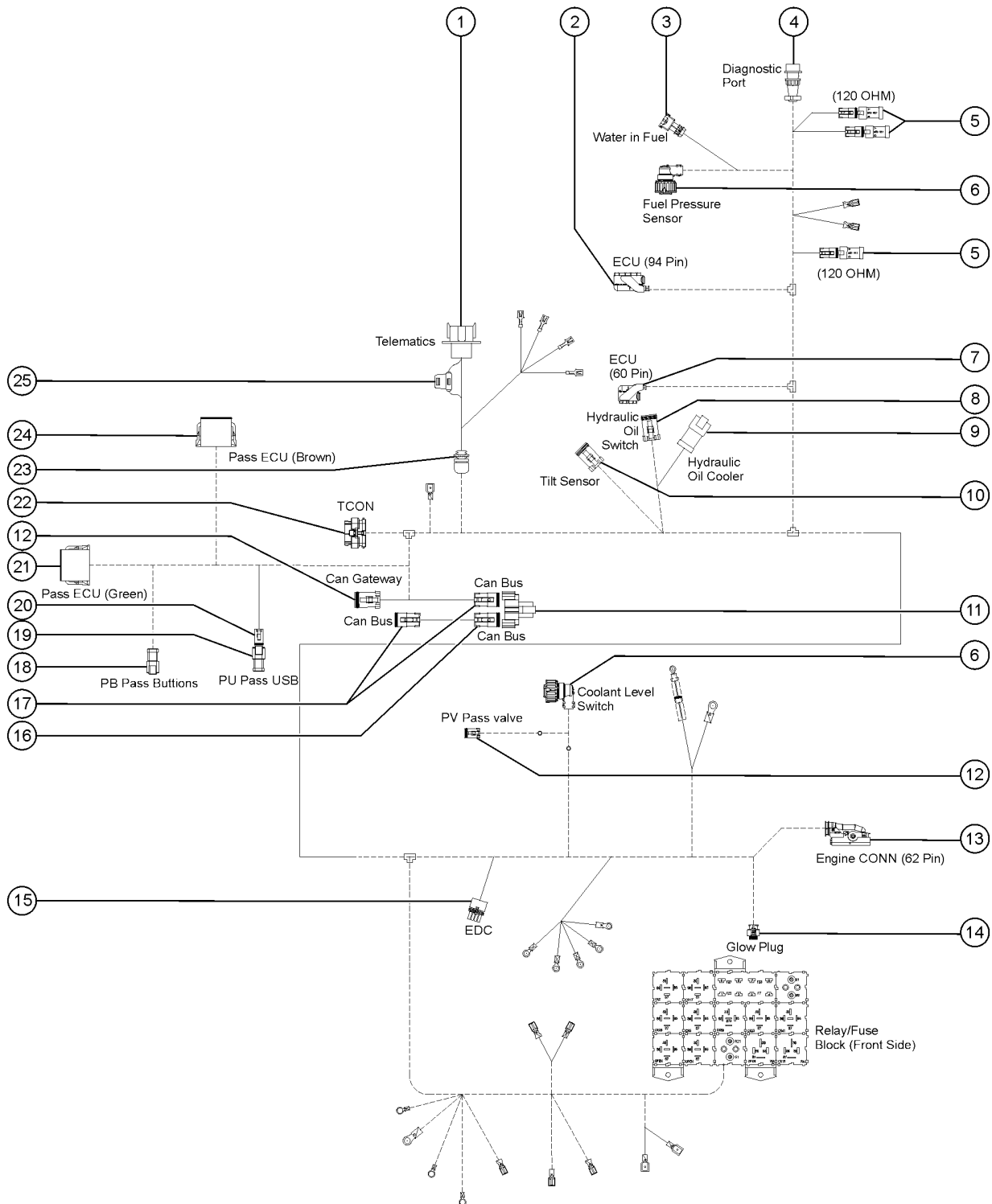
309.127L Harness, Engine, Perkins 404F-E22TA, Tier4, Z80



309.127L Harness, Engine, Perkins 404F-E22TA, Tier4, Z80

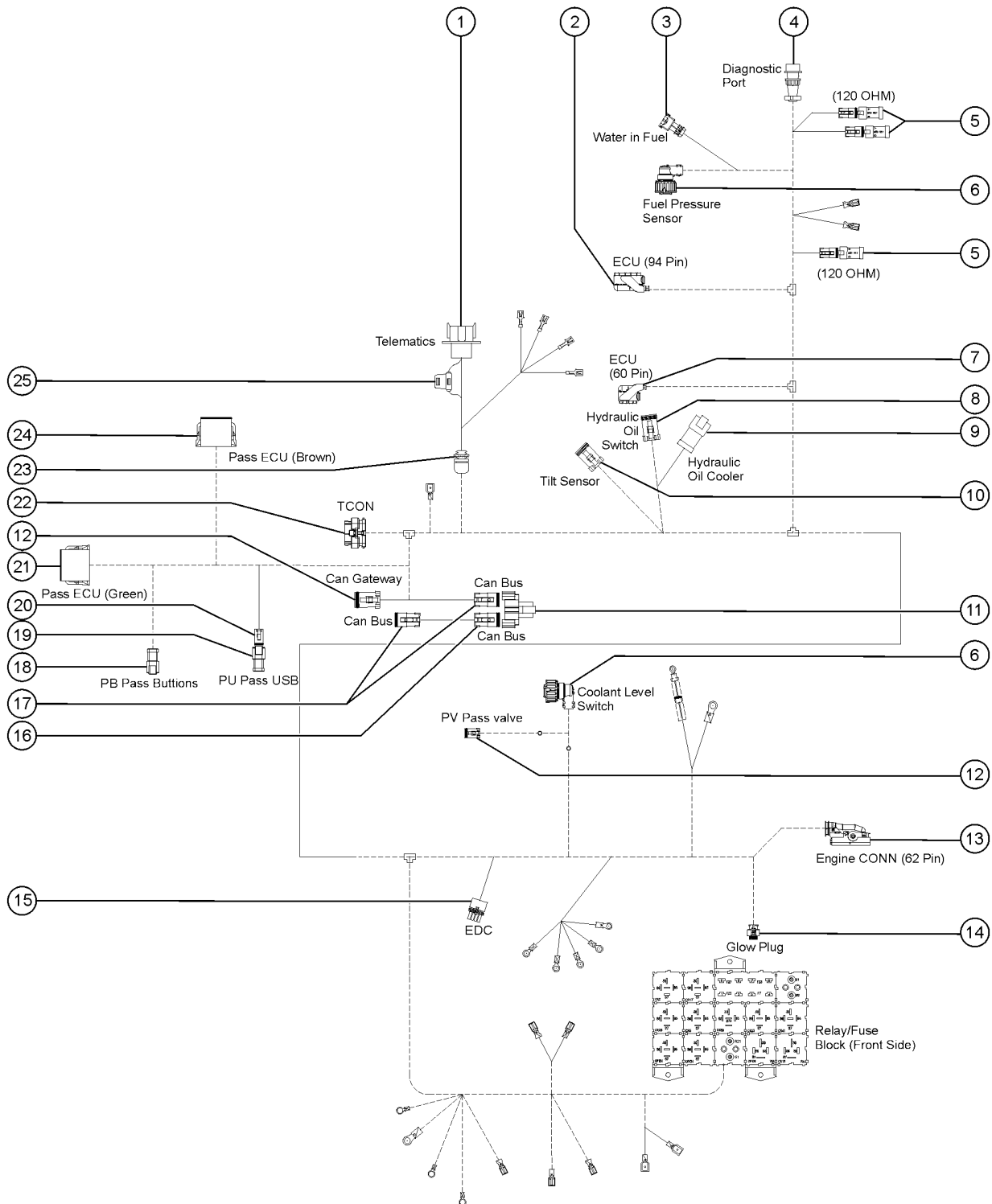
<i>Item</i>	<i>Part No.</i>	<i>Description</i>	<i>Qty.</i>
15-		LOCK, PLUG 4WAY, 14-18GA	1
16	60513GT	CONN,PLUG 23 WAY,16-20 GA WHT	1



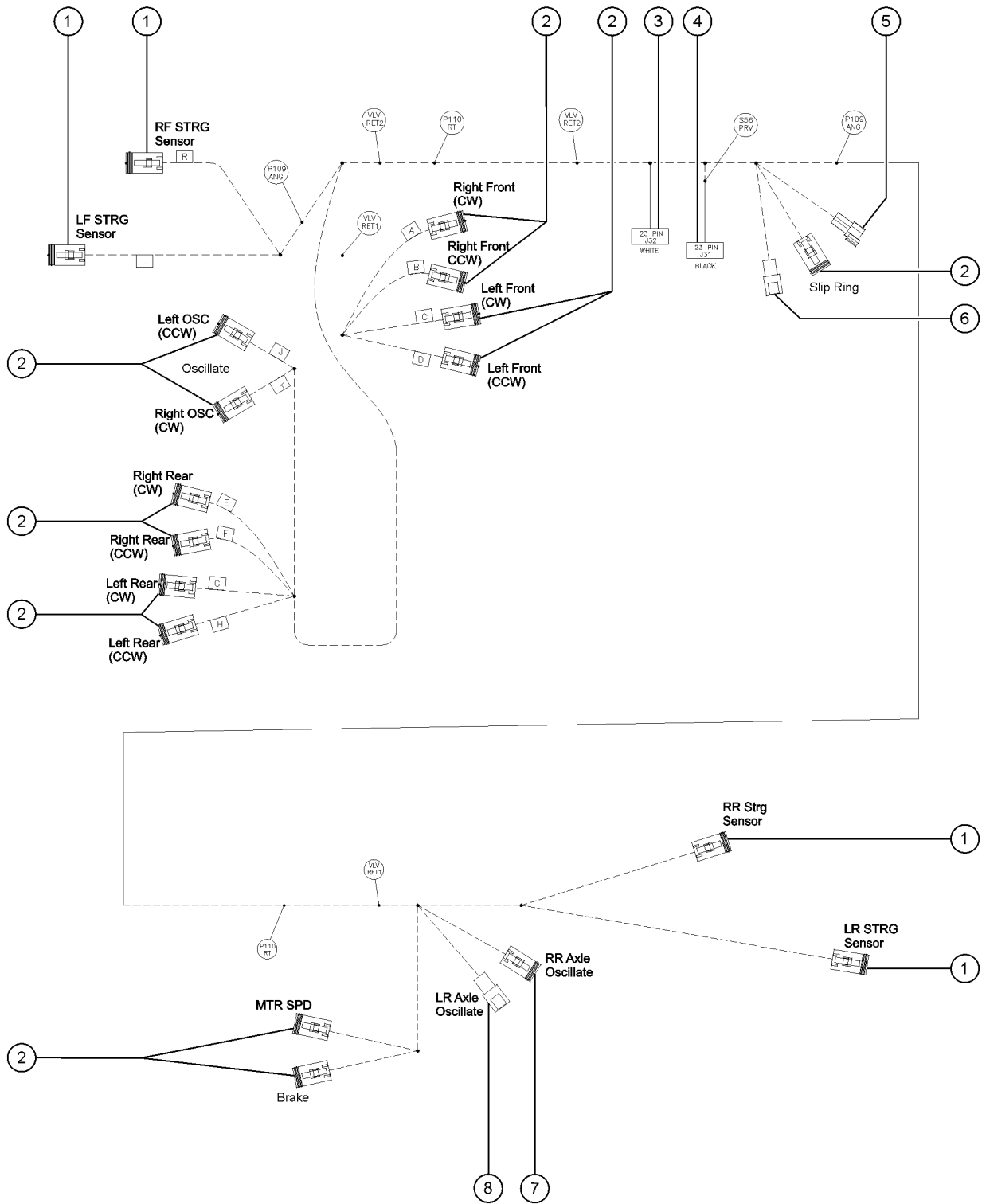


Item	Part No.	Description	Qty.
-	1294903GT	HARNESS, DEUTZ 2.2 TIER IV, Z80	1
1	73730GT	CONN,RECEP 12 WAY,GRY FLANGE	1
1-	54255GT	LOCK, RECEP 12WAY, 14-18GA	1
2	822439GT	CONN KIT,94POS,AMP MQS1.5/MCP2	1
3	822440GT	CONN, RECEP 2 WAY, AMP JR PT	1
4	822448GT	CONN,REC,CANN TR 12WAY,SIZE14	1
5	119057GT	CONN PLUG 3 WAY ENDCAP DT	3
5-	60459GT	LOCK,PLUG 3 WAY,SAE J1939	3
5-	60452GT	CONN,RECEP 3 WAY SAE J1939	3
6	822445GT	CONN,CIRC. AMP 4WAY,BLACK	2
7	822438GT	CONN KIT,RECEP 60POS,AMP MQS 1	1
8	119056GT	CONN PLUG 2 WAY ENDCAP DT	1
8-	60425GT	LOCK,PLUG 2 WAY, 14-18GA	1
9	119065GT	CONN, RECEP, 2 WAY, DEUTSCH, DT	1
9-	60439GT	CONN, RECEP, 2 WAY, DEUTSCH, DT, LOCK	1
10	119059GT	CONN PLUG 6 WAY ENDCAP DT	1
10-	60431GT	LOCK,PLUG 6WAY,14-18GA	1
11	60451GT	CONN,TEE 3 WAY,SAE J1939	1
12	119058GT	CONN, PLUG, 4 WAY, DEUTSCH, DT, ENDCAP	2
12-		LOCK, PLUG 4WAY, 14-18GA	2
13	822436GT	CONN,RECEP 62POS,AMP MCP1.5K/2	1
14	1290925GT	CONN,REC 1 WAY,AMP 8MM NGI, BLACK	1
15	81765GT	CONN,DUAL EDC,4 PIN PACKARD	1
16	119057GT	CONN PLUG 3 WAY ENDCAP DT	1
16-	60427GT	CONN, PLUG, 3 WAY, DEUTSCH, DT, LOCK	1
17	119057GT	CONN PLUG 3 WAY ENDCAP DT	2
17-	60459GT	LOCK,PLUG 3 WAY,SAE J1939	2
18		CONN, RECEP 3 WAY DTM, 16-24 GA	1



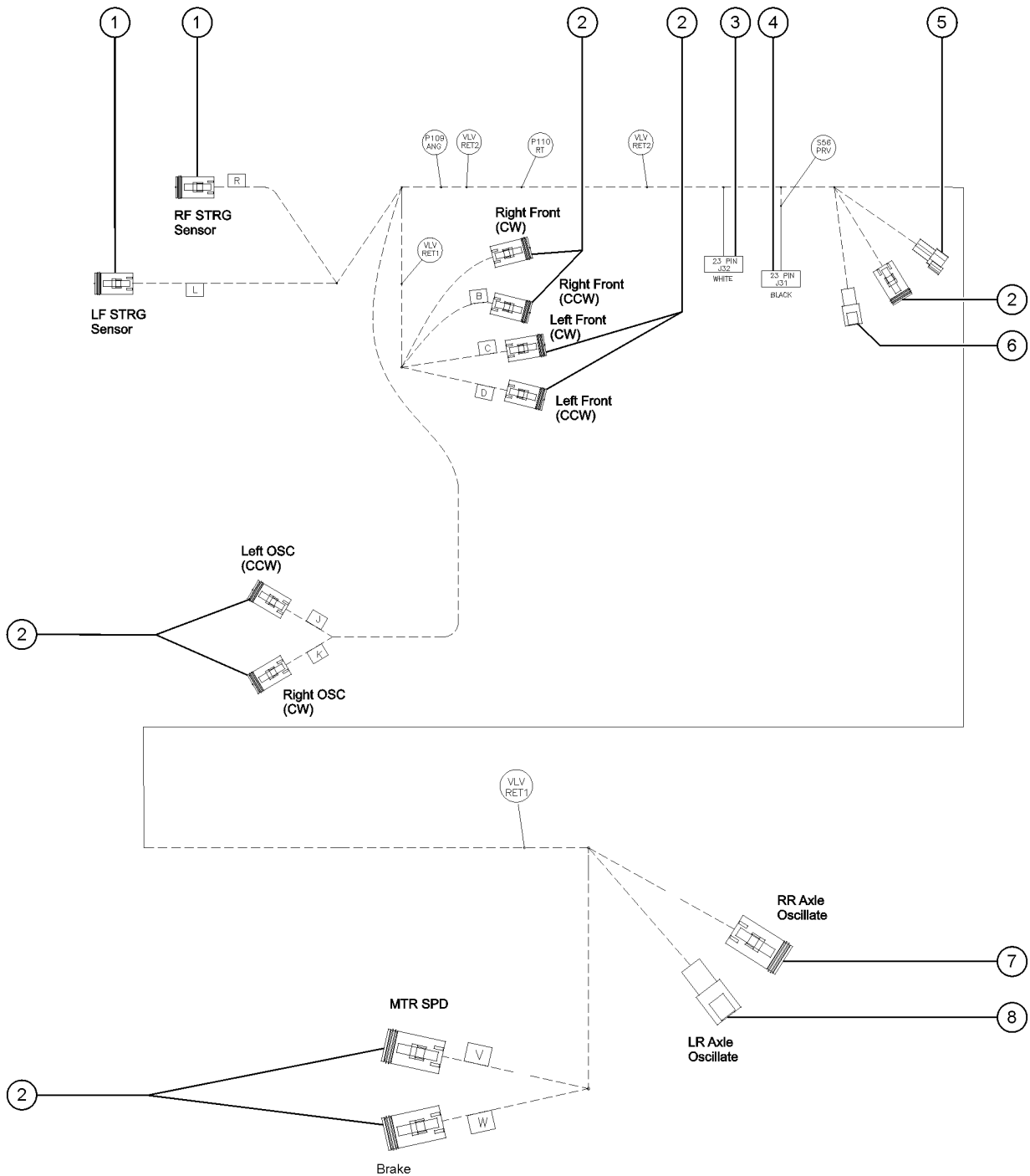


<i>Item</i>	<i>Part No.</i>	<i>Description</i>	<i>Qty.</i>
18-		CONN, RECEP, 3 WAY, DEUTSCH, DTM, LOCK	1
19		CONN, RECEP 3 WAY DTM, 16-24 GA	1
20		CONN, PLUG, 3 WAY, DEUTSCH, DTM	1
20-		LOCK, PLUG 3 WAY DTM, 16-24GA	1
21		CONN, PLUG 12C WAY DTM 18-20GA	1
21-		LOCK, PLUG 12 WAY DTM 18-20GA	1
22	60513GT	CONN, PLUG 23 WAY, 16-20 GA WHT	1
23	14041GT	LOCKNUT, ELECTRIC, 3/4"	1
24		CONN, PLUG 12D WAY DTM 18-20GA	1
24-		LOCK, PLUG 12 WAY DTM 18-20GA	1
25	121657GT	FUSE HOLDER, ATC 1-20 AMPS	1
25-	1253210GT	CRKT BRKR, THERM, AUTO RESET, 6A	1



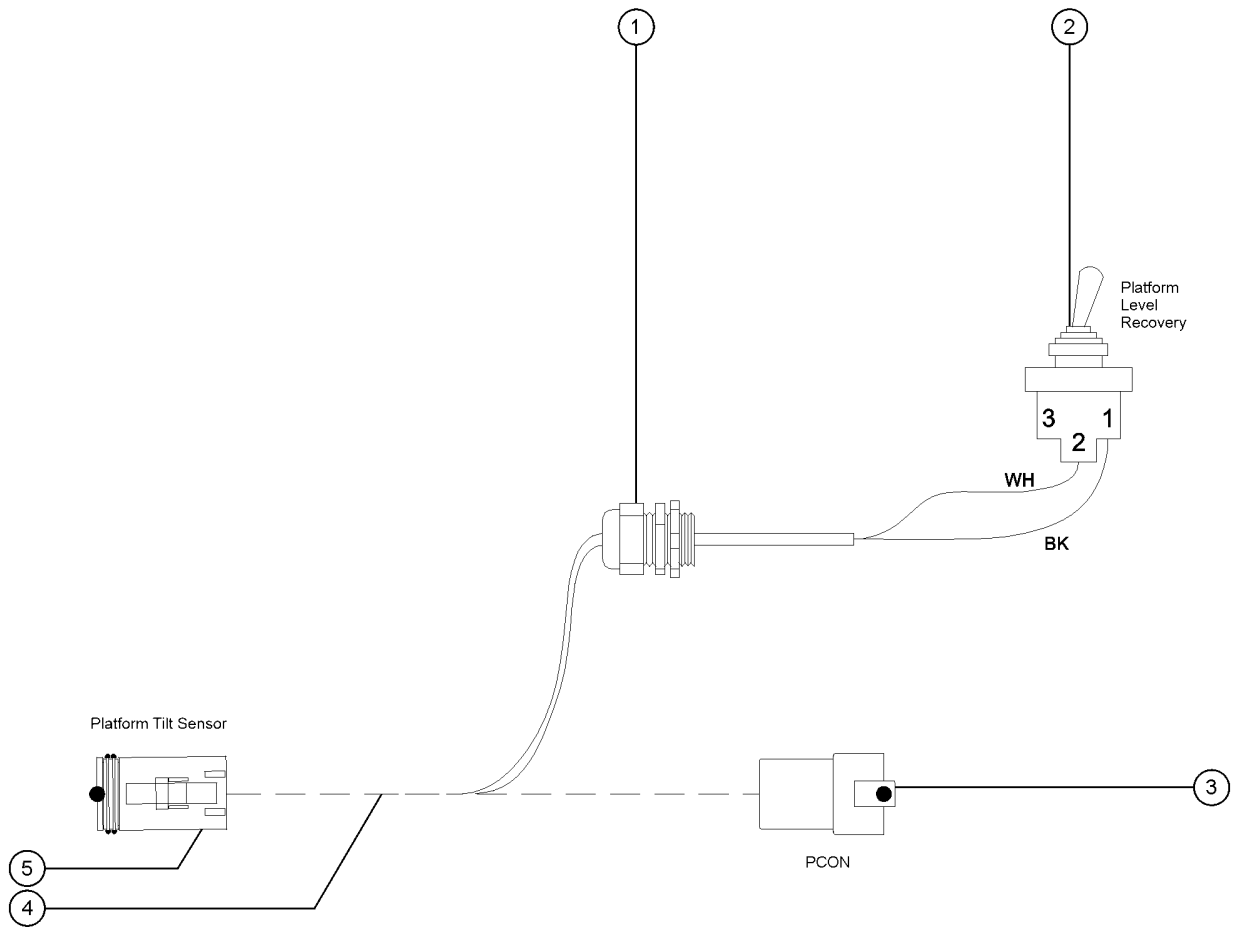
Item	Part No.	Description	Qty.
-	88139GT	HARNESS,DRIVE CHASSIS 4WS Z-80	1
1	119057GT	CONN PLUG 3 WAY ENDCAP DT	4
1-	60427GT	CONN, PLUG, 3 WAY, DEUTSCH, DT, LOCK	4
2	119056GT	CONN PLUG 2 WAY ENDCAP DT	12
2-	60425GT	LOCK,PLUG 2 WAY, 14-18GA	12
3	60513GT	CONN,PLUG 23 WAY,16-20 GA WHT	1
4	60512GT	CONN,PLUG 23 WAY,16-20 GA BLK	1
5	60457GT	CONN,RECEP 3 WAY,SAE J1939	1
5-	60460GT	LOCK,RECEP 3 WAY,SAEJ1939	1
6	60529GT	CONN,RECEP 2 WAY,12-14GA	1
6-	60530GT	LOCK,RECEP 2 WAY,12-14GA	1
7	119058GT	CONN, PLUG, 4 WAY, DEUTSCH, DT, ENDCAP	1
7-		LOCK, PLUG 4WAY, 14-18GA	1
8	119067GT	CONN, RECEP, 4 WAY, DEUTSCH, DT, ENDCAP	1
8-	60443GT	LOCK, RECEP 4WAY, 14-18GA	1





Item	Part No.	Description	Qty.
-	88147GT	HARNES,DRIVE CHASSIS 2WS	1
1	119057GT	CONN PLUG 3 WAY ENDCAP DT	2
1-	60427GT	CONN, PLUG, 3 WAY, DEUTSCH, DT, LOCK	2
2	119056GT	CONN PLUG 2 WAY ENDCAP DT	9
2-	60425GT	LOCK,PLUG 2 WAY, 14-18GA	9
3	60513GT	CONN,PLUG 23 WAY,16-20 GA WHT	1
4	60512GT	CONN,PLUG 23 WAY,16-20 GA BLK	1
5	60457GT	CONN,RECEP 3 WAY,SAE J1939	1
5-	60460GT	LOCK,RECEP 3 WAY,SAEJ1939	1
6	60529GT	CONN,RECEP 2 WAY,12-14GA	1
6-	60530GT	LOCK,RECEP 2 WAY,12-14GA	1
7	119058GT	CONN, PLUG, 4 WAY, DEUTSCH, DT, ENDCAP	1
7-		LOCK, PLUG 4WAY, 14-18GA	1
8	119067GT	CONN, RECEP, 4 WAY, DEUTSCH, DT, ENDCAP	1
8-	60443GT	LOCK, RECEP 4WAY, 14-18GA	1

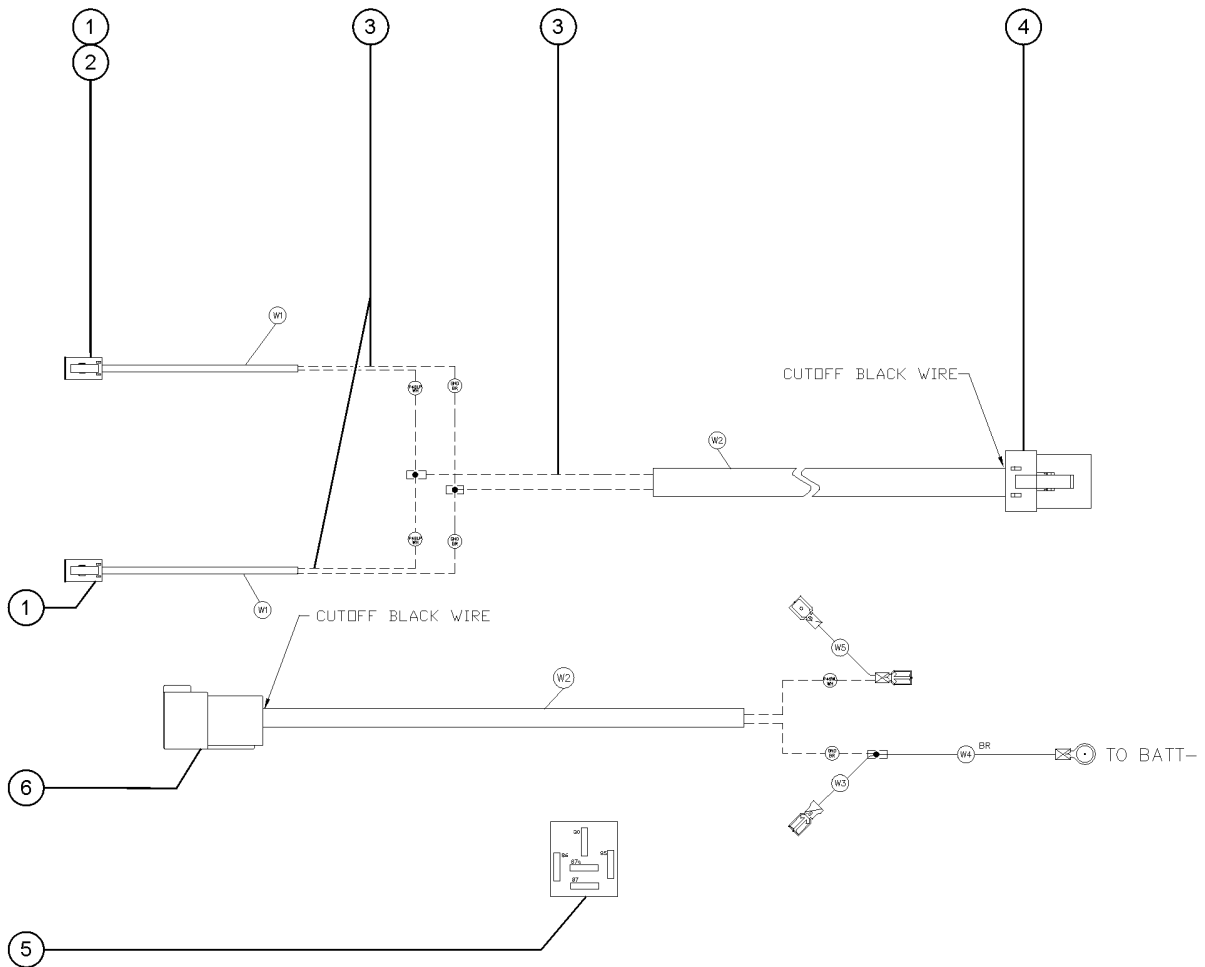
309.129 Harness, Plat Level Recovery



<i>Item</i>	<i>Part No.</i>	<i>Description</i>	<i>Qty.</i>
-	122461GT	HARNESS,PLAT LEVEL RECOVERY	1
1	7056GT	CONN,SQUEEZE,1/2NPT .38-.50,SM	1
1-	6935GT	LOCKNUT,ELEC,1/2"	1
2	128203GT	SWITCH TOGGLE ASSY SPDT 2P MOM	1
3	119068GT	CONN,RECEP 6 WAY ENDCAP DT	1
3-	60445GT	LOCK,RECEP 6 WAY,14-18GA	1
4	54373GT	WIRE LOOM,3/8,SLIT,HIGH TEMP	6
5	119059GT	CONN PLUG 6 WAY ENDCAP DT	1
5-	60431GT	LOCK,PLUG 6WAY,14-18GA	1



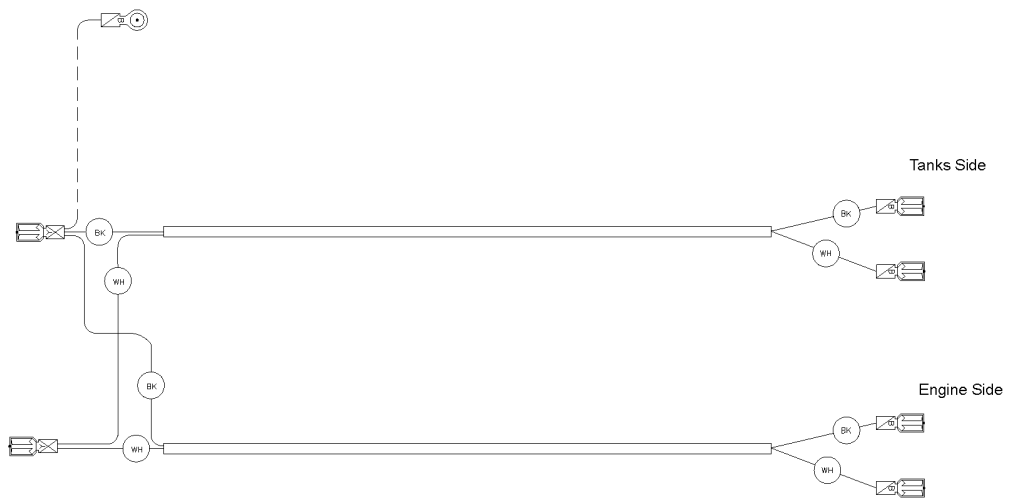
309.130 Harness, Work Lights, Z80



<i>Item</i>	<i>Part No.</i>	<i>Description</i>	<i>Qty.</i>
-	1255092GT	HARNESS, WORK LIGHTS, Z80	1
1	119056GT	CONN PLUG 2 WAY ENDCAP DT	2
1-	60425GT	LOCK,PLUG 2 WAY, 14-18GA	2
2	73814GT	CONN,DSCH,BOOT,DT2S-BT	2
3	53471GT	WIRE LOOM,3/8 NYLON,HI TEMP	9
4	60531GT	CONN,PLUG 2 WAY,12-14GA	1
4-	60532GT	LOCK,PLUG 2 WAY,12-14GA	1
5	34052GT	RELAY,SPDT,12V(AUTO) PLUG IN**	1
6	60529GT	CONN,RECEP 2 WAY,12-14GA	1
6-	60530GT	LOCK,RECEP 2 WAY,12-14GA	1



309.131 Harness, Flashing Beacon

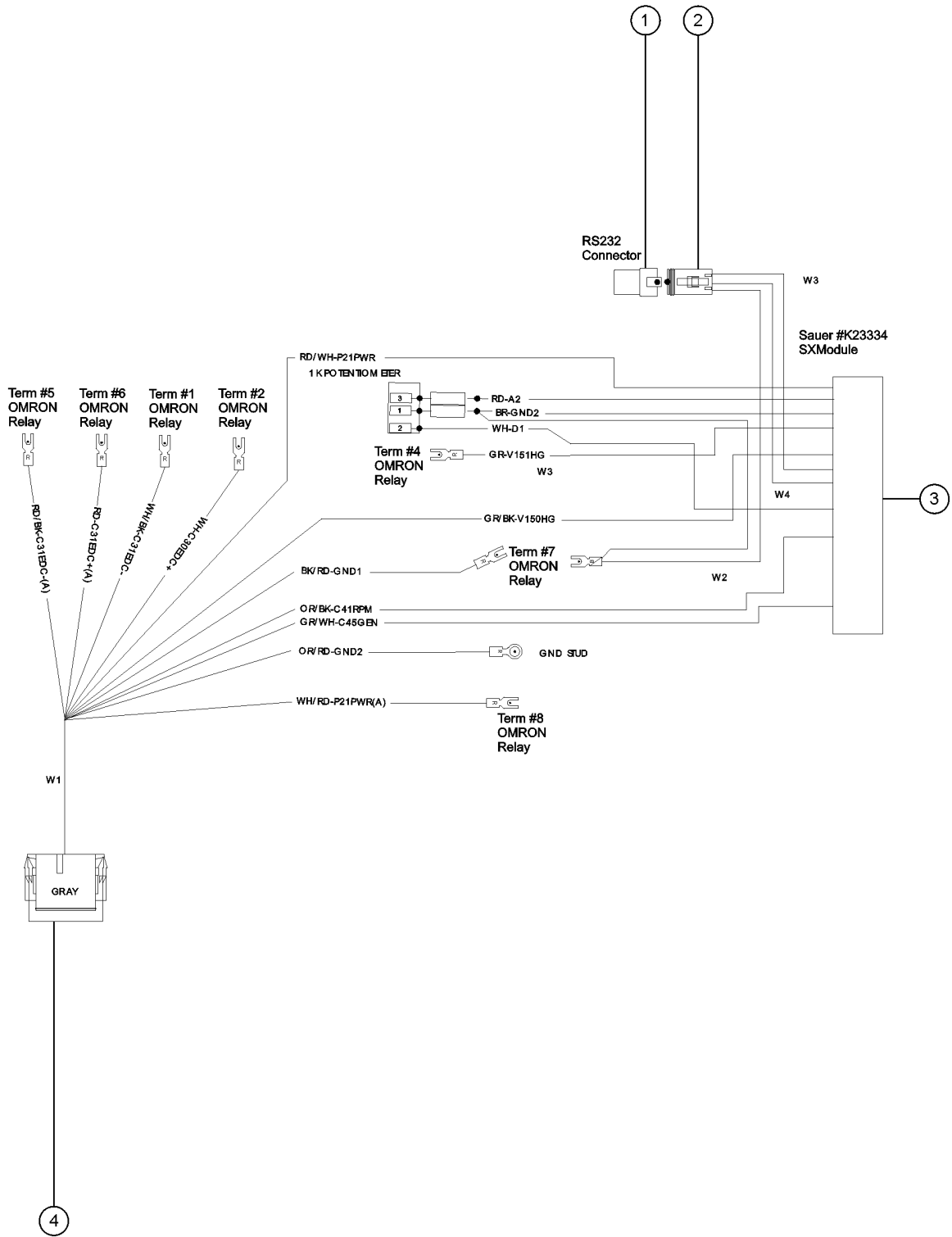


309.131 Harness, Flashing Beacon

<i>Item</i>	<i>Part No.</i>	<i>Description</i>	<i>Qty.</i>
-	88143GT	HARNESS,FLASHING BEACON	1

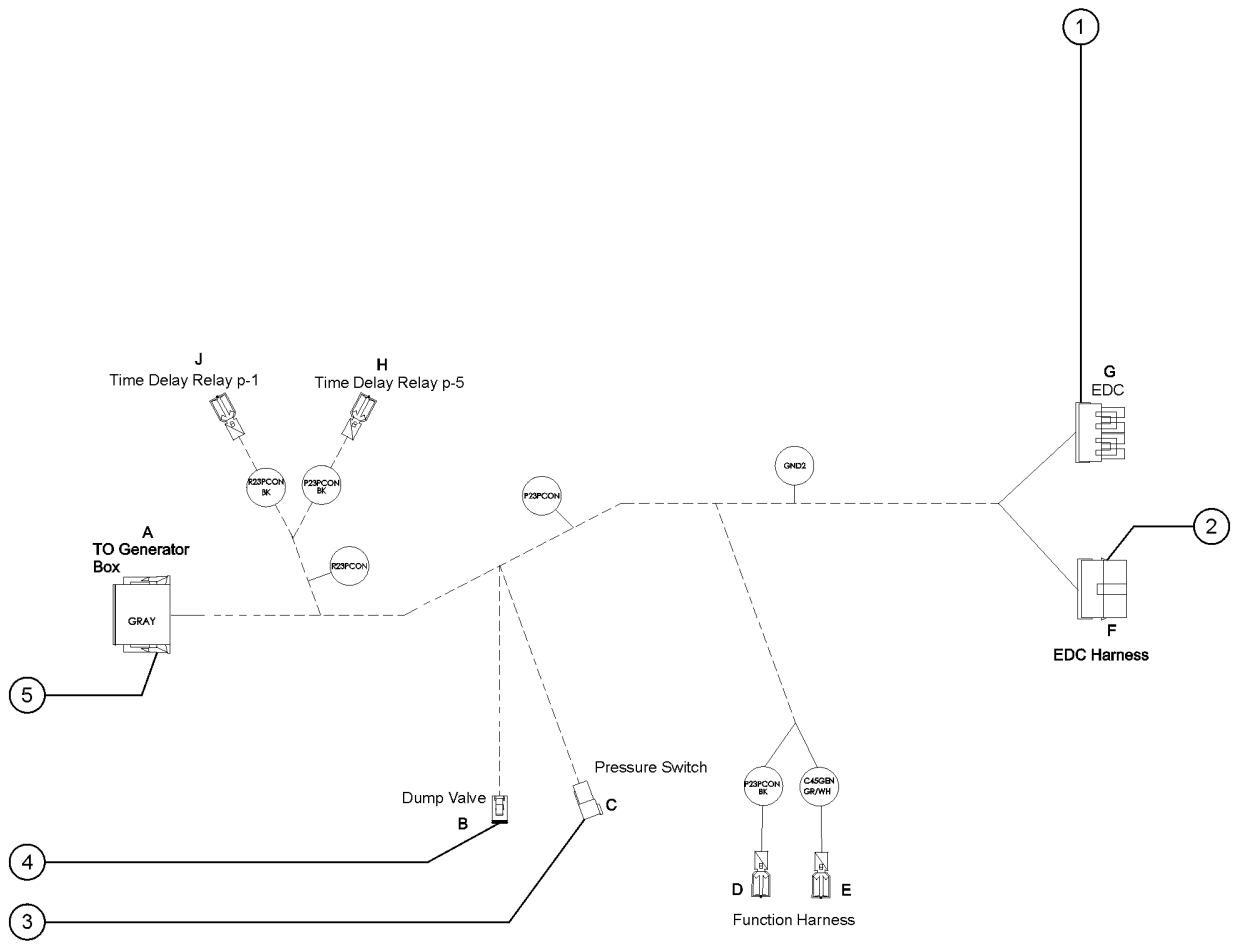


309.132 Harness, Weld Gen Enclosure

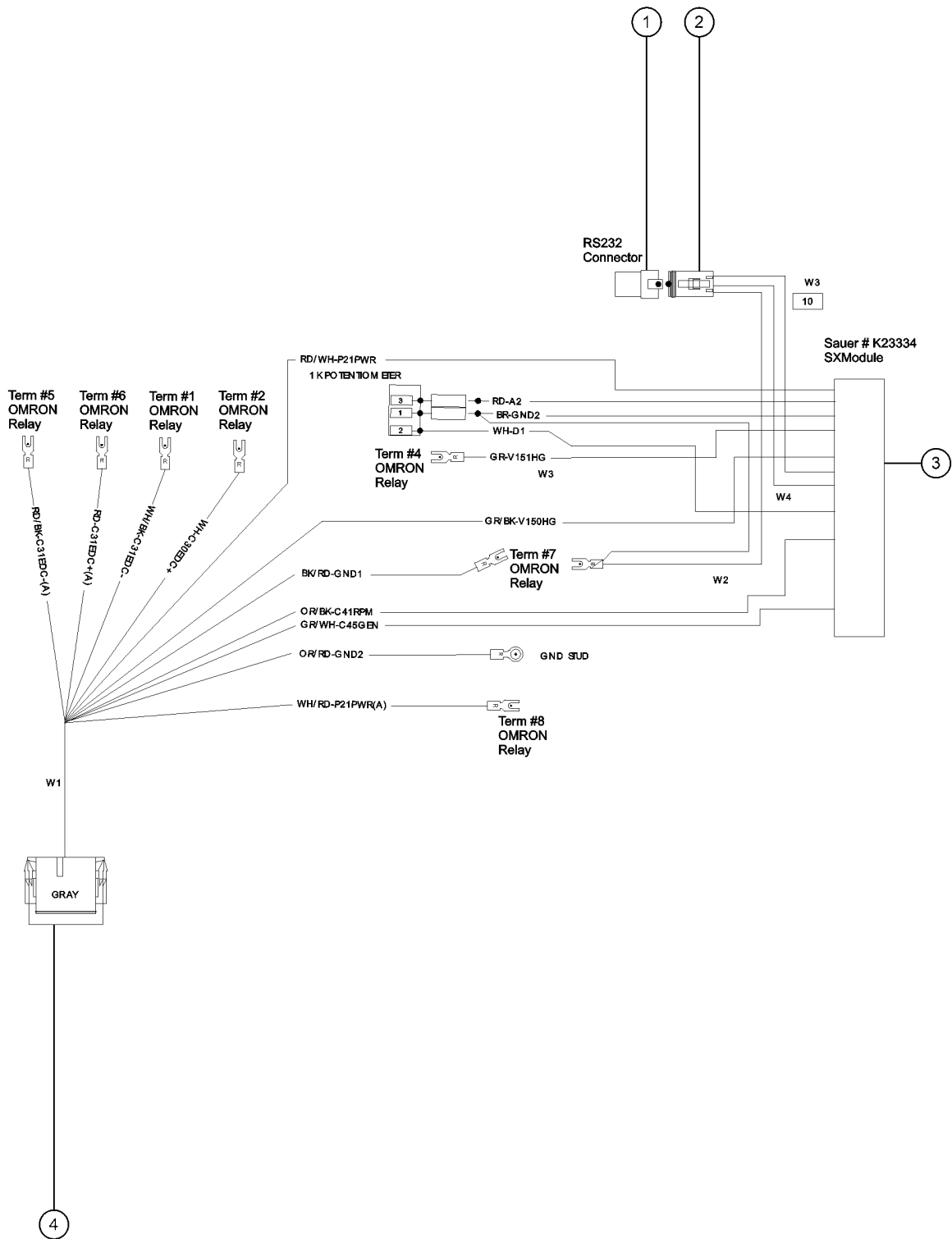


<i>Item</i>	<i>Part No.</i>	<i>Description</i>	<i>Qty.</i>
-	226503GT	HARNESS,WELD GEN ENCLOSURE	1
1	119057GT	CONN PLUG 3 WAY ENDCAP DT	1
1-	60427GT	CONN, PLUG, 3 WAY, DEUTSCH, DT, LOCK	1
2	119066GT	CONN, RECEP, 3 WAY, DEUTSCH, DT, ENDCAP	1
2-	60441GT	CONN, RECEP, 3 WAY, DEUTSCH, DT, LOCK	1
3	101700GT	CONNECTOR,MATING,SX MODULE	1
4	119070GT	CONN,RECEP 12 WAY ENDCAP DT	1
4-	54255GT	LOCK, RECEP 12WAY, 14-18GA	1

309.133 Harness, Weld Generator, Z80



<i>Item</i>	<i>Part No.</i>	<i>Description</i>	<i>Qty.</i>
-	226505GT	HARNESS,WELD GENERATOR,Z80	1
-	13097GT	FUSE,10 AMP	1
-	23083GT	FUSE HOLDER,WATERPROOF	1
1	81765GT	CONN,DUAL EDC,4 PIN PACKARD	1
2	102315GT	CONN,DUAL EDC,4 PIN PACKARD	1
3	119065GT	CONN, RECEP, 2 WAY, DEUTSCH, DT	1
3-	60439GT	CONN, RECEP, 2 WAY, DEUTSCH, DT, LOCK	1
4	119056GT	CONN PLUG 2 WAY ENDCAP DT	1
4-	60425GT	LOCK,PLUG 2 WAY, 14-18GA	1
5	119061GT	CONN, PLUG, 12 WAY, DEUTSCH, DT, BLACK	1
5-	60435GT	LOCK,PLUG 12 WAY,14-18GA,GRN	1

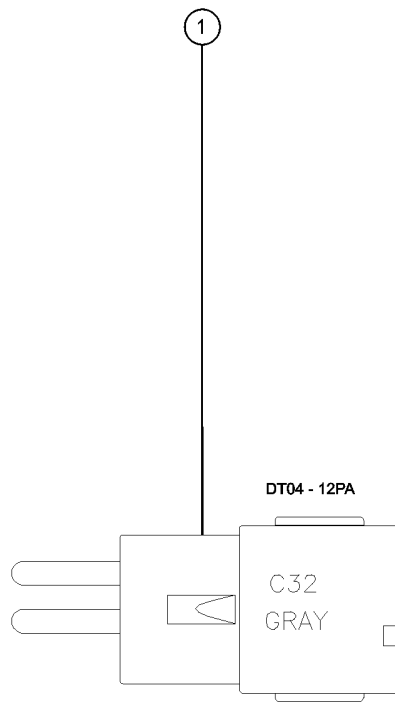


309.133A Harness, Weld Gen Enclosure

<i>Item</i>	<i>Part No.</i>	<i>Description</i>	<i>Qty.</i>
-	226503GT	HARNESS,WELD GEN ENCLOSURE	1
1	119057GT	CONN PLUG 3 WAY ENDCAP DT	1
1-	60427GT	CONN, PLUG, 3 WAY, DEUTSCH, DT, LOCK	1
2	119066GT	CONN, RECEP, 3 WAY, DEUTSCH, DT, ENDCAP	1
2-	60441GT	CONN, RECEP, 3 WAY, DEUTSCH, DT, LOCK	1
3	101700GT	CONNECTOR,MATING,SX MODULE	1
4	119070GT	CONN,RECEP 12 WAY ENDCAP DT	1
4-	54255GT	LOCK, RECEP 12WAY, 14-18GA	1



309.134 Harness, Plug, Non-Load Weighing

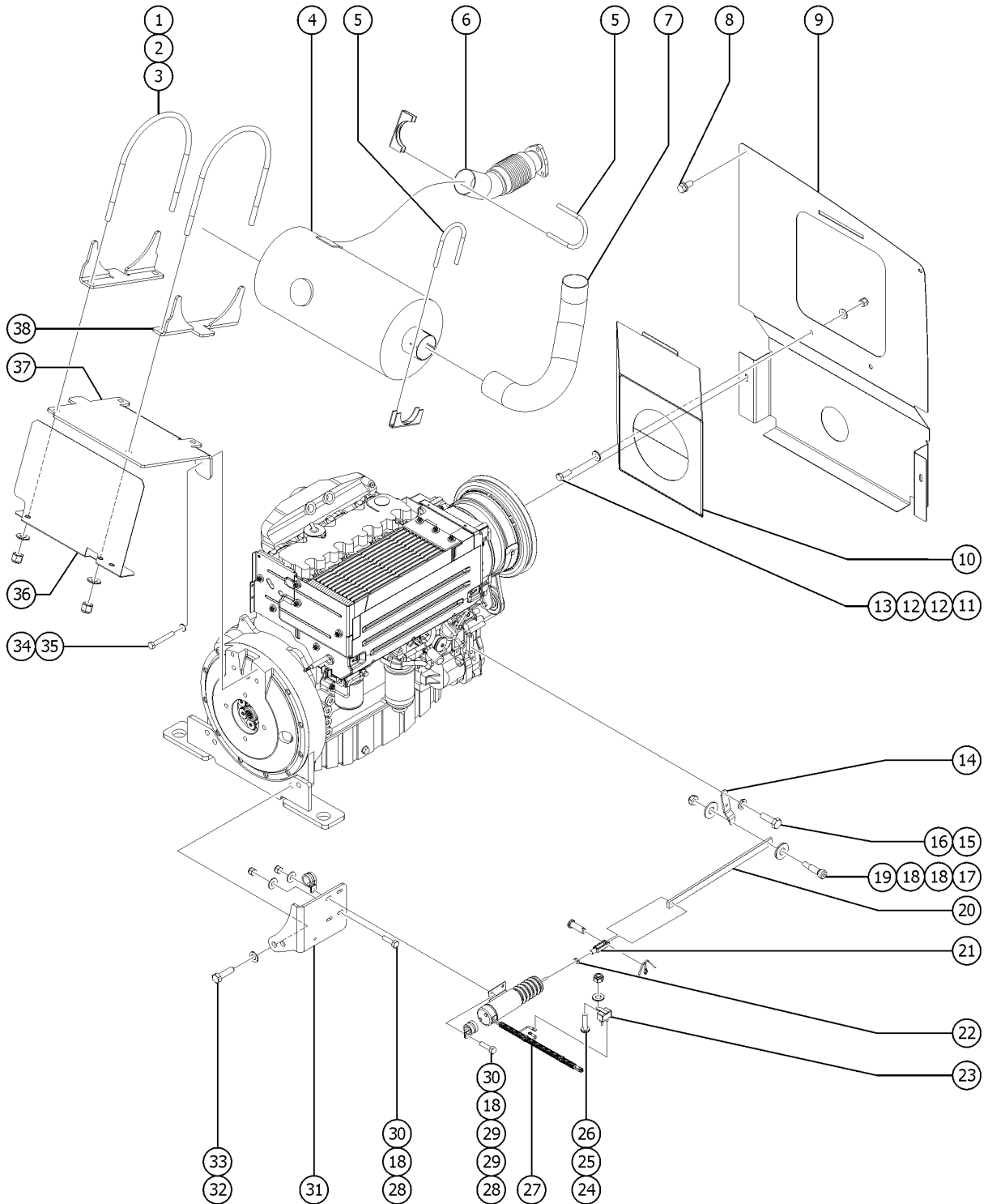


309.134 Harness, Plug, Non-Load Weighing

<i>Item</i>	<i>Part No.</i>	<i>Description</i>	<i>Qty.</i>
-	88832GT	HARNESS,PLUG,NON-LOAD WEIGHING	1
1	119070GT	CONN,RECEP 12 WAY ENDCAP DT	1
1-	54255GT	LOCK, RECEP 12WAY, 14-18GA	1

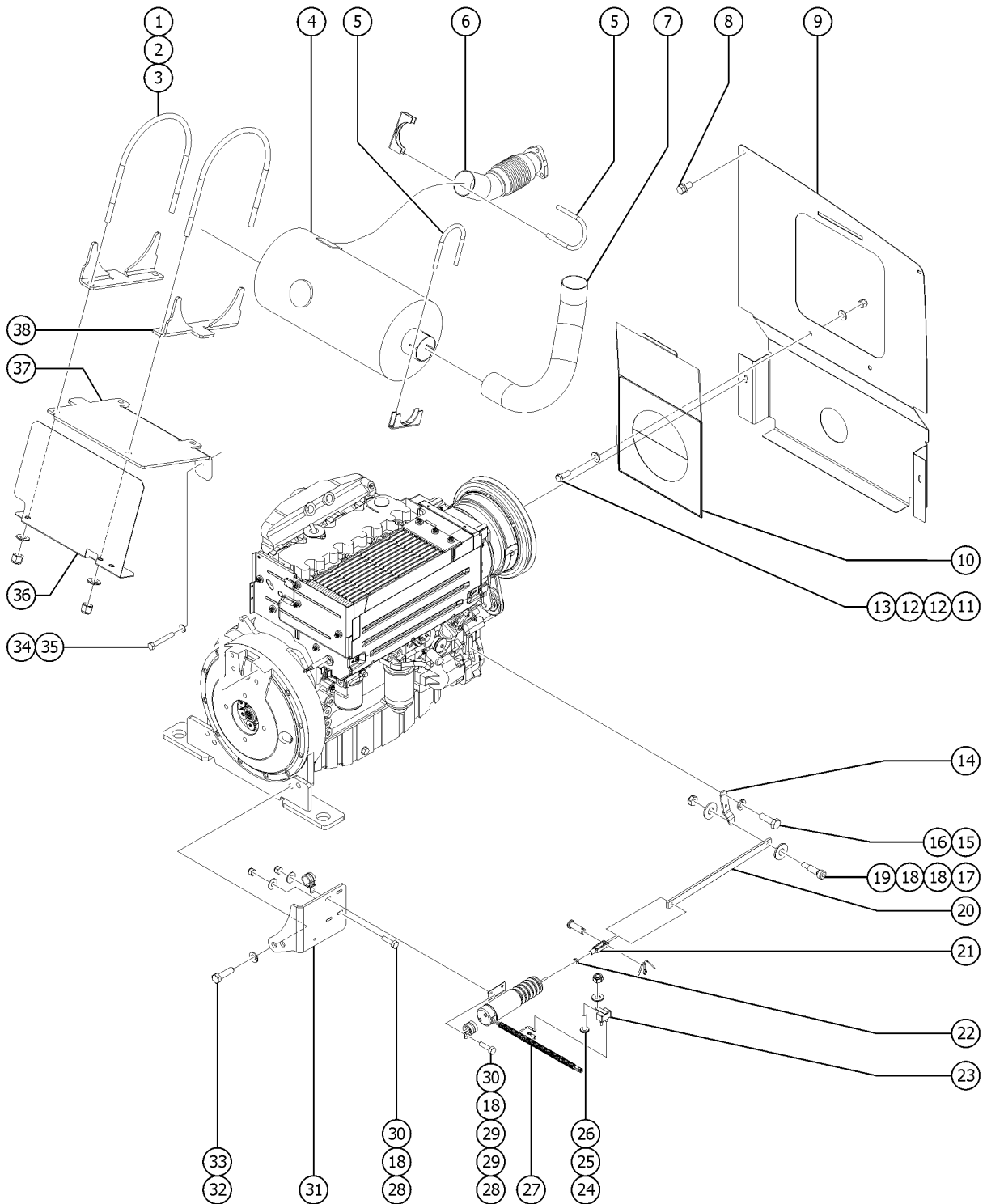


401.1 Deutz TD2011L04i Engine - View 1



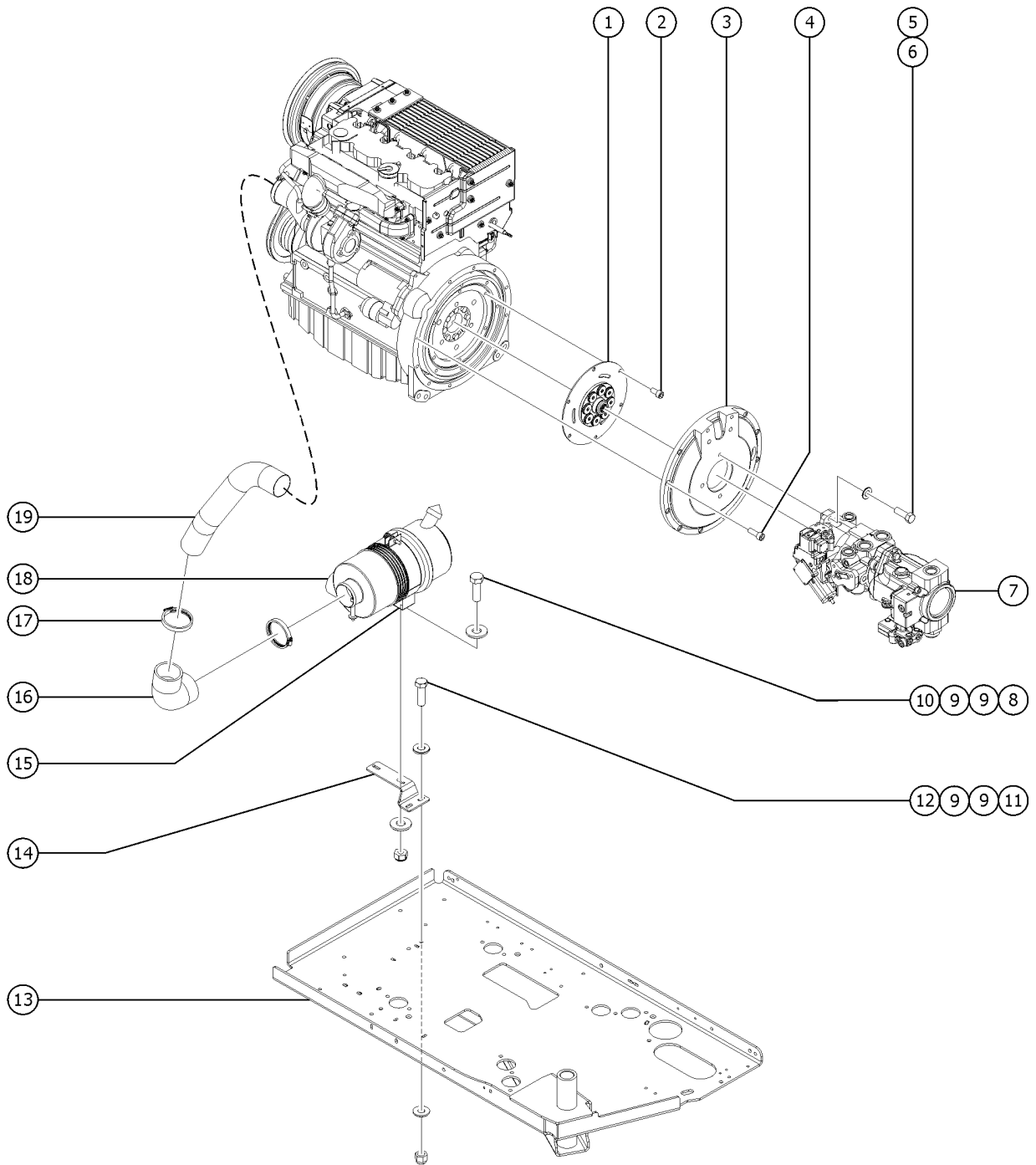
<i>Item</i>	<i>Part No.</i>	<i>Description</i>	<i>Qty.</i>
1	70449GT	U-BOLT,1/2-13 X 8.5	2
2	13066GT	WASHER,FLAT,.5 HARDENED	4
3	66777GT	NUT, TOP LOCK,1/2-13	4
4	70444GT	MUFFLER,2.5"INLET/OUTLET	1
5	71911GT	CLAMP,MUFFLER, 2.50 INCH	2
6	70445GT	FLEX PIPE,EXHAUST,2.5" DIA	1
7	70465GT	TAILPIPE,DEUTZ BF4L2011	1
8	75051GT	SCREW,SER FLNG3/8UNCX3/4ZNYEL	5
9	122588GT	FORMING,INTAKE BAFFLE,Z80	1
10	121410GT	WELDMENT,COOLING AIRBOX	1
11	6175GT	SCREW,HHC,3/8-16 X 1	2
12	5397GT	WASHER,FLAT,USS,5/16",Y	4
13	4828GT	NUT,NYLOCK,3/8-16	2
14	50787GT	LEVER,GOVERNOR ACTUATOR**	1
15	22578GT	SCREW,HHC,M6 X 20MM,GR8.8	2
16	49407GT	WASHER,LOCK,M6	2
17	6584GT	SCREW,SHS,10-24 X .625	1
18	6638GT	WASHER,FLAT,USS,1/4"Y	6
19	5365GT	NUT,NYLOCK,10-24	1
20	139322GT	THROTTLE LINKAGE, DSL	1
21	21130GT	CLEVIS YOKE-1/4-28,PLTD W/PIN	1
22	21496GT	NUT,HEX,1/4-28	1
23	128829GT	CIRCUIT BRKR 15A TYPE 2 METAL	1
24	49816GT	SCREW,PHILLIPS,PHM,10-32 X .75	1
25	6146GT	WASHER,FLAT,MS,#10,Y	1
26	6178GT	NUT,NYLOCK,10-32	1
27	121615GT	THROTTLE SOLENOID ASSY, TROMB.	1
28	6888GT	SCREW,HHC,1/4-20 X 1	4

401.1 Deutz TD2011L04i Engine - View 1



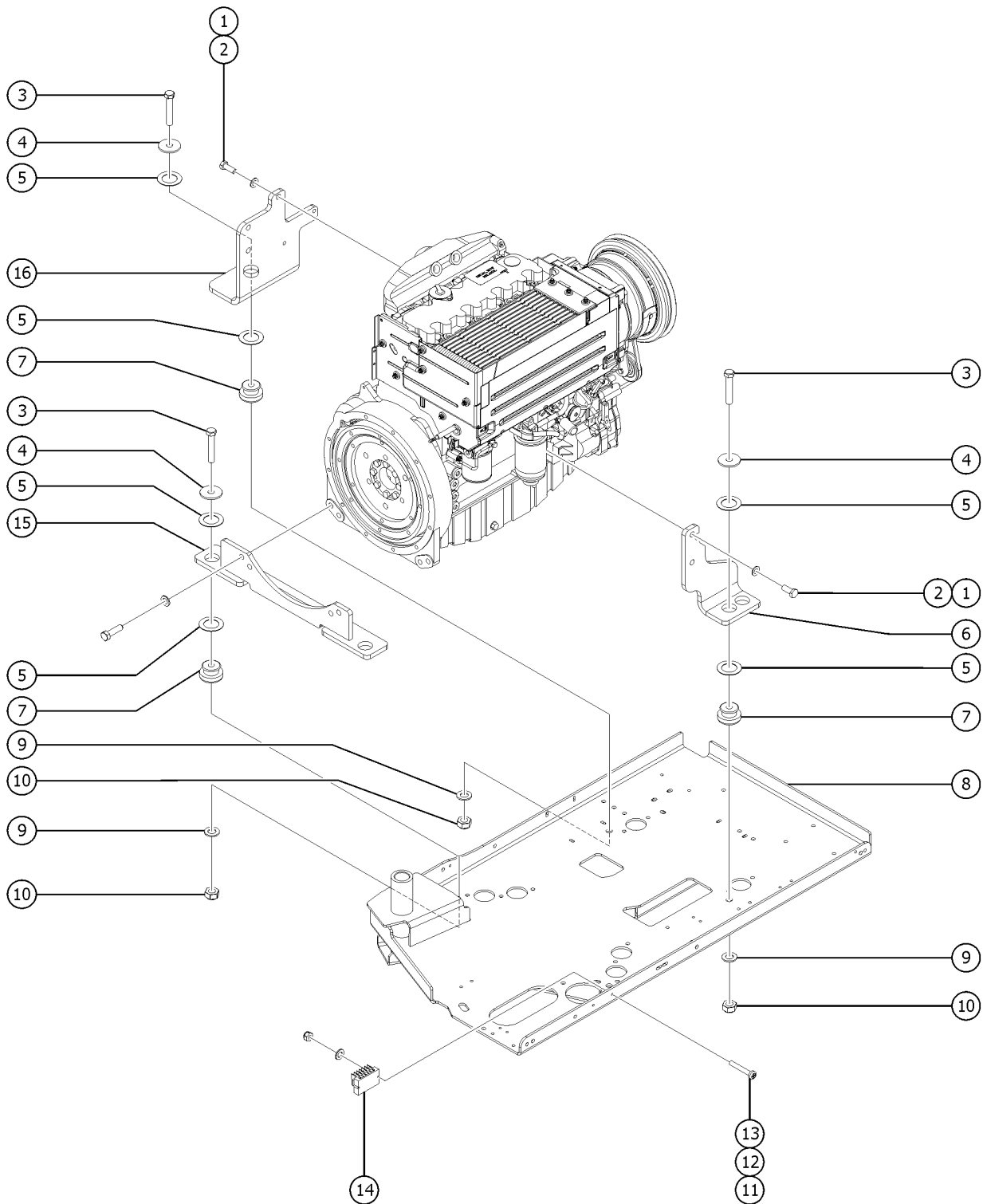
<i>Item</i>	<i>Part No.</i>	<i>Description</i>	<i>Qty.</i>
29	16073GT	CLAMP,0.63,#10 X 1/4,RUB CUSH	2
30	6091GT	NUT, NYLOCK, 1/4-20	4
31	139321GT	FORMING, SOLENOID MOUNT***	1
32	89259GT	SCREW HHC, M14x50	4
33	49411GT	WASHER,FLAT,M14	4
34	85053GT	SCREW,HHC,M10 X 1.5 X70,GR 8.8	2
35	22699GT	WASHER,FLAT,M10,ZINC PLTD.	2
36	102237PGT	FORMING,HEAT SHIELD,MUFFLER	1
37	70448GT	FORMING,MUFFLER MOUNT***	1
38	70483GT	FORMING,8.5' MUFFLER MOUNT	2

402.1 Deutz TD2011L04i Engine - View 2



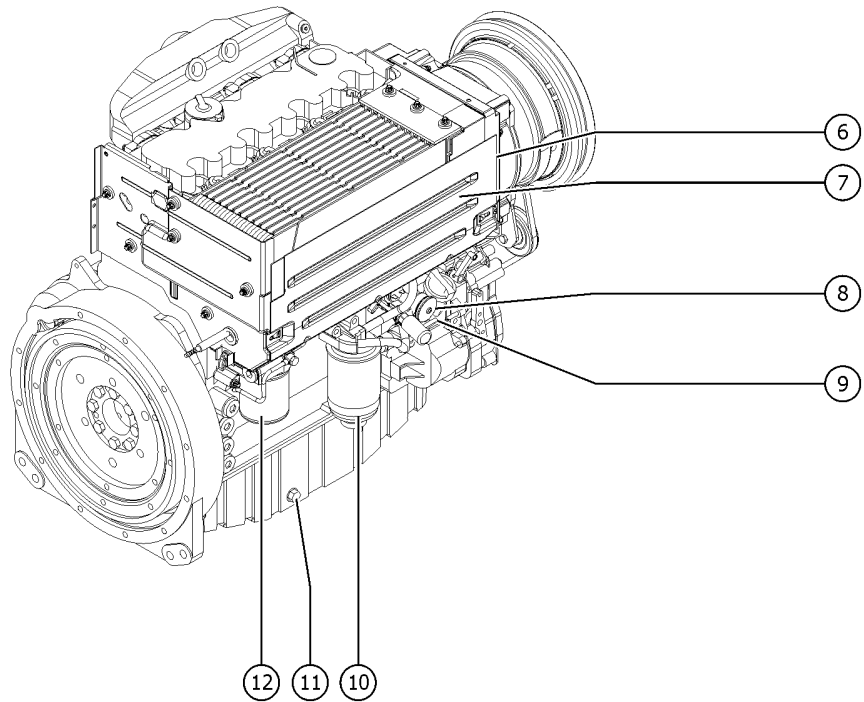
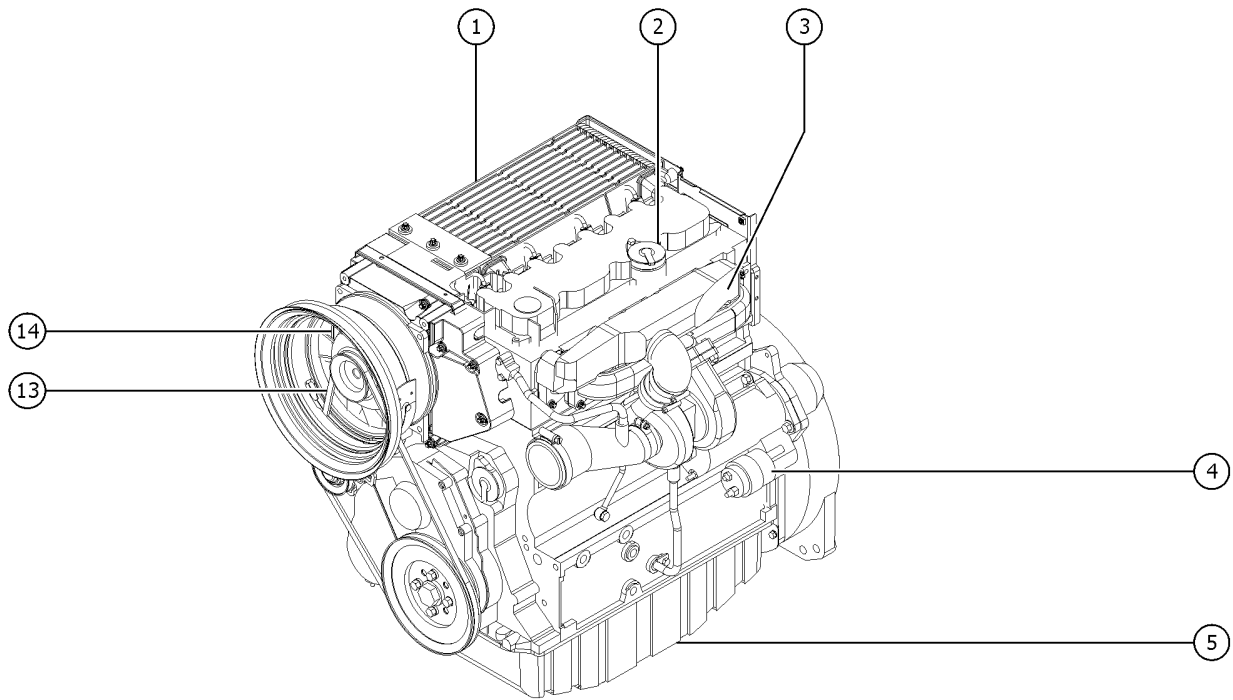
Item	Part No.	Description	Qty.
1	128004GT	COUPLER, 15 TOOTH, FBA, SAE 8	1
2	62476GT	SCREW,SHC,M10X1.5X20MM (75090)	6
3	70381GT	COVER, FLYWHEEL CASTING	1
4	61110GT	SCREW,SHC,M10X1.5X30 GR 12.9	9
5	8177GT	SCREW,HHC,1/2-13 X 1.5	2
6	13066GT	WASHER,FLAT,.5 HARDENED	2
7		REF.DRIVE PUMP AND FUNCTION PUMP	1
		refer to 708.1	
8	13002GT	SCREW,HHC,5/16-18 X 1 GR5	2
9	5397GT	WASHER,FLAT,USS,5/16",Y	8
10	6782GT	NUT, NYLOCK, 5/16-18	2
11	6019GT	SCREW,HHC,3/8-16 X 1.25 GRD 5	2
12	4828GT	NUT,NYLOCK,3/8-16	2
13		REF. WELDMENT,ENGINE TRAY	1
		refer to 417.1	
14	102209GT	FORMING,AIR CLEANER MOUNT**	1
15	81468GT	MOUNTING BAND,AIR CLEANER	1
16	139455GT	ELBOW,AIR INTAKE,RUBBER	1
17	30489GT	CLAMP,HOSE,3.50	2
18	81467GT	AIR CLEANER,NELSON	1
19	102227GT	TUBE,AIR INTAKE	1

403.1 Deutz TD2011L04i Engine - View 3



Item	Part No.	Description	Qty.
1	22558GT	SCREW,HHC,M14 X 40MM,GR 8.8	5
2	49411GT	WASHER,FLAT,M14	5
3	13003GT	SCREW,HHC,5/8-11 X 3.5 GRD.8	4
4	33418GT	WASHER,FLAT,.625 X 2.25 X.15	4
5	18596GT	WASHER,FLAT,1.56 X 2.5 X .061	8
6	70455GT	FORMING,ENGINE MOUNT	1
7	102045GT	ISOLATOR,ENGINE VIBRATION	4
8		REF. WELDMENT,ENGINE TRAY	1
		refer to 417.1	
9	13064GT	WASHER,FLAT,.625 HARDENED	4
10	6024GT	NUT,NYLOCK,5/8-11	4
11	49817GT	SCREW,PHILLIPS,PHM,10-32 X1.25	2
12	6146GT	WASHER,FLAT,MS,#10,Y	2
13	6178GT	NUT,NYLOCK,10-32	2
14	89997GT	RELAY MODULE(89996,89998)	1
14-	40645GT	TERMINAL,FORK,BLUE-PAND (REEL)	
15	70456GT	WELDMENT,REAR ENGINE MOUNT	1
16	70454GT	FORMING,ENGINE MOUNT	1

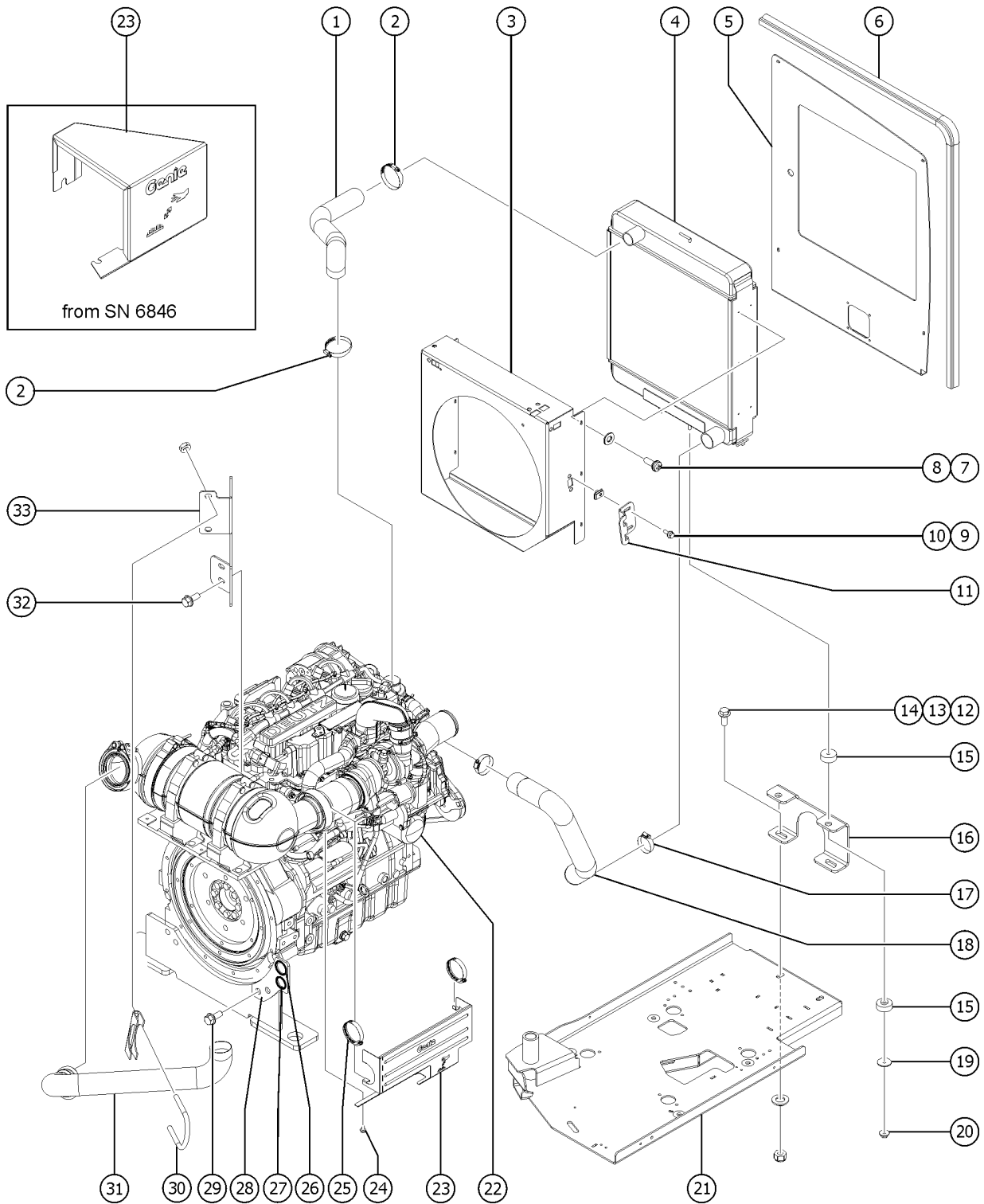
404.1 Deutz TD2011L04i Engine - View 4



Item	Part No.	Description	Qty.
2	29557GT	CAP,OIL FILLER,DEUTZ,DIESEL***	1
3	102590GT	EXHAUST MANIFOLD, DEUTZ F4L201	1
3-	29559GT	GASKET,EXHAUST	
4	49915GT	SOLENOID-STARTR DEUTZF4L1011F*	1
5	102586GT	OIL PAN,DEUTZ F4L2011	1
6	1289103GT	COVER,ENGINE,TD2011 L04I	1
7	111445GT	SENDING UNIT,OIL TEMP SWCH,DTZ	1
8	58299GT	SENDING UNIT,OIL PRESS.,DEUTZ*	1
9	52352GT	DIPSTICK-F3L1011F (DEUTZ)	
10	29560GT	FILTER,FUEL/WTR SEP, DTZ 1008 Genie Genuine Part. See PN 1254826 for compatible aftermarket replacement.	
10-	1254826GT	FUEL FILTER W/SEP,DEUTZ,1008 Genie Aftermarket Part. Filter for Deutz F3L 1011F Engine.	
10-	58566GT	FILTER HEAD (29560)	
11	102587GT	PLUG,ENGINE OIL,DEUTZ F4L2011	1
12	49924GT	HOSE,EGR,TCD3.6 T4F Genie Genuine Part. See PN 1255653 for compatible aftermarket replacement.	1
12-	1255653GT	FILTER,OIL,DEUTZ,REPLACEMENT Genie Aftermarket Part. Compatible with Genie Genuine Part 49924.	
13	58630GT	V-BELT, DEUTZ TD2011LOAI	
14	58249GT	ALTERNATOR, DEUTZ,BF4L2011***	



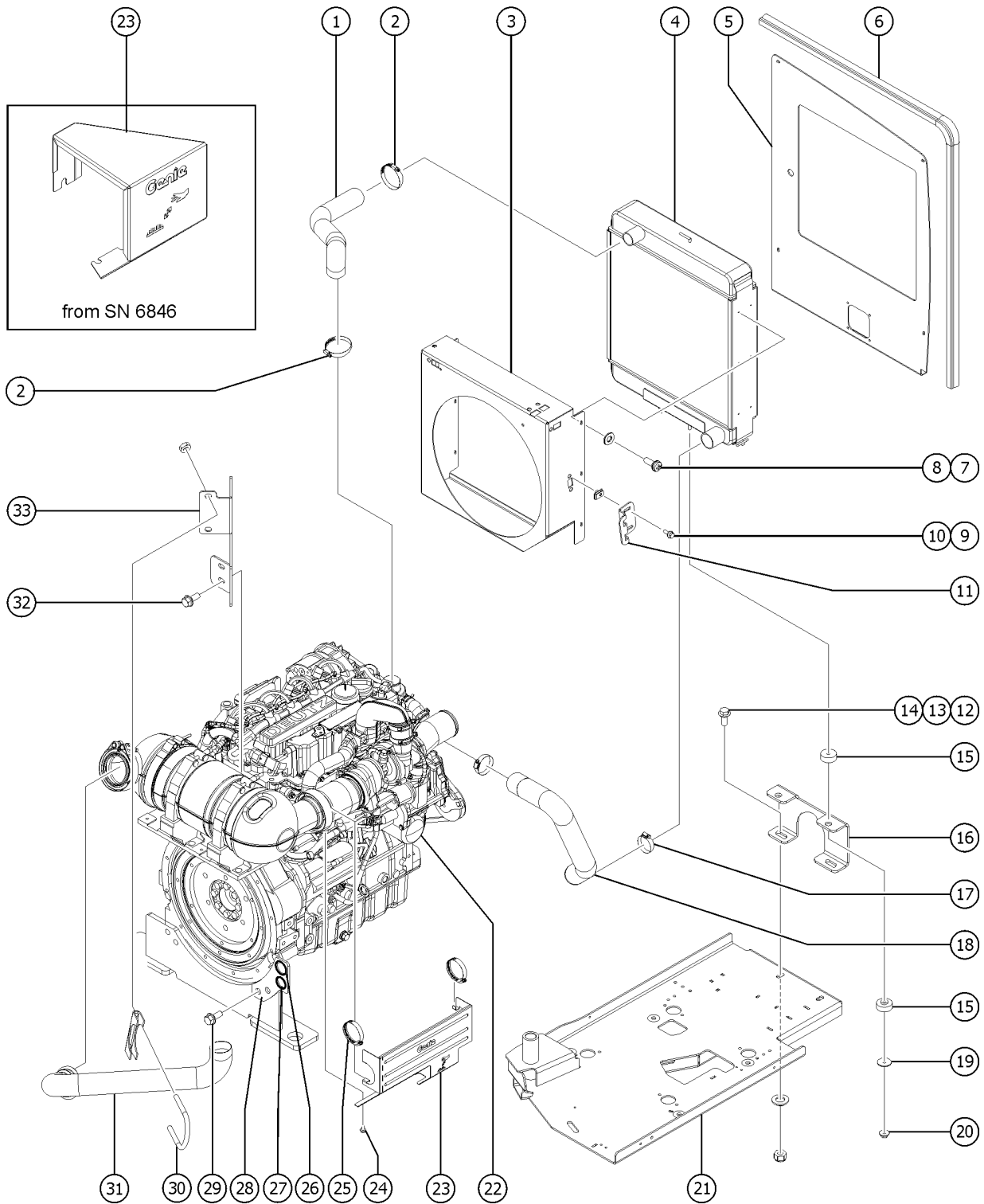
405.1 Deutz TD 2.9L4 Engine - View 1



Item	Part No.	Description	Qty.
A		Due to Tier 4 regulations, many engine replacement parts require the engine serial number at time of order placement. When ordering engine parts please have both machine and engine serial numbers available. For internal engine parts, contact engine dealer	
B	237730GT	ENGINE KIT, DEUTZ TD 2.9	
C	826636GT	HARNES, DEUTZ 2.9, Z80	
D	1272624GT	KIT,WATER PUMP 2.9 L4	
D	1289895GT	WASHER,WATER PUMP (1272624) for 1272624	
E	1277974GT	PINS,CONNECTOR,INJ HARNES,D2.9	
F-	1254594GT	STARTER,3.2KW,DEUTZ D2.9	
G-	1262868GT	BOLT, DEUTZ STARTER not included sold seperately	
1	162283GT	HOSE, UPPER RADIATOR, DEUTZ D	1
2	22672GT	CLAMP,HOSE,1.75	2
3	826859GT	SHROUD,17" FAN,6-CORE RADIATOR	1
4	826795GT	RADIATOR,6-CORE,19.375W X 18.1	1
5	825239GT	FORMING, INTAKE BAFFLE, Z80 DE	1
6	119218GT	TRIM EDGE, 1/8X3/4,SIDE BULB	81
7	21019GT	SCREW,PHIL,PHM,10-24 X.5,SEMS	6
8	6146GT	WASHER,FLAT,MS,#10,Y	6
9	121419GT	SCREW,HHF,1/4-20 X .75	2
10	25969GT	CLIP,SPRING,1/4-20 BLACK	2
11	823751GT	BRACKET,INTAKE PIPE,MOUNT,DEUT	1
11-	45435GT	CLAMP,HOSE,2.50" (from SN Z80H-7670)	2
12	128912GT	BOLT,FLANGE,5/8-11X1.5"GR8 PLT	2
13	13064GT	WASHER,FLAT,.625 HARDENED	2
14	6024GT	NUT,NYLOCK,5/8-11	2
15	24038GT	SHOCK MOUNT,SMALL	4
16	826835GT	FORMING,6-CORE RADIATOR MOUNT	1
17	35434GT	CLAMP,HOSE,2.00***	2
18	162284GT	HOSE,LOWER RADIATOR, 2.9L DEUT	1

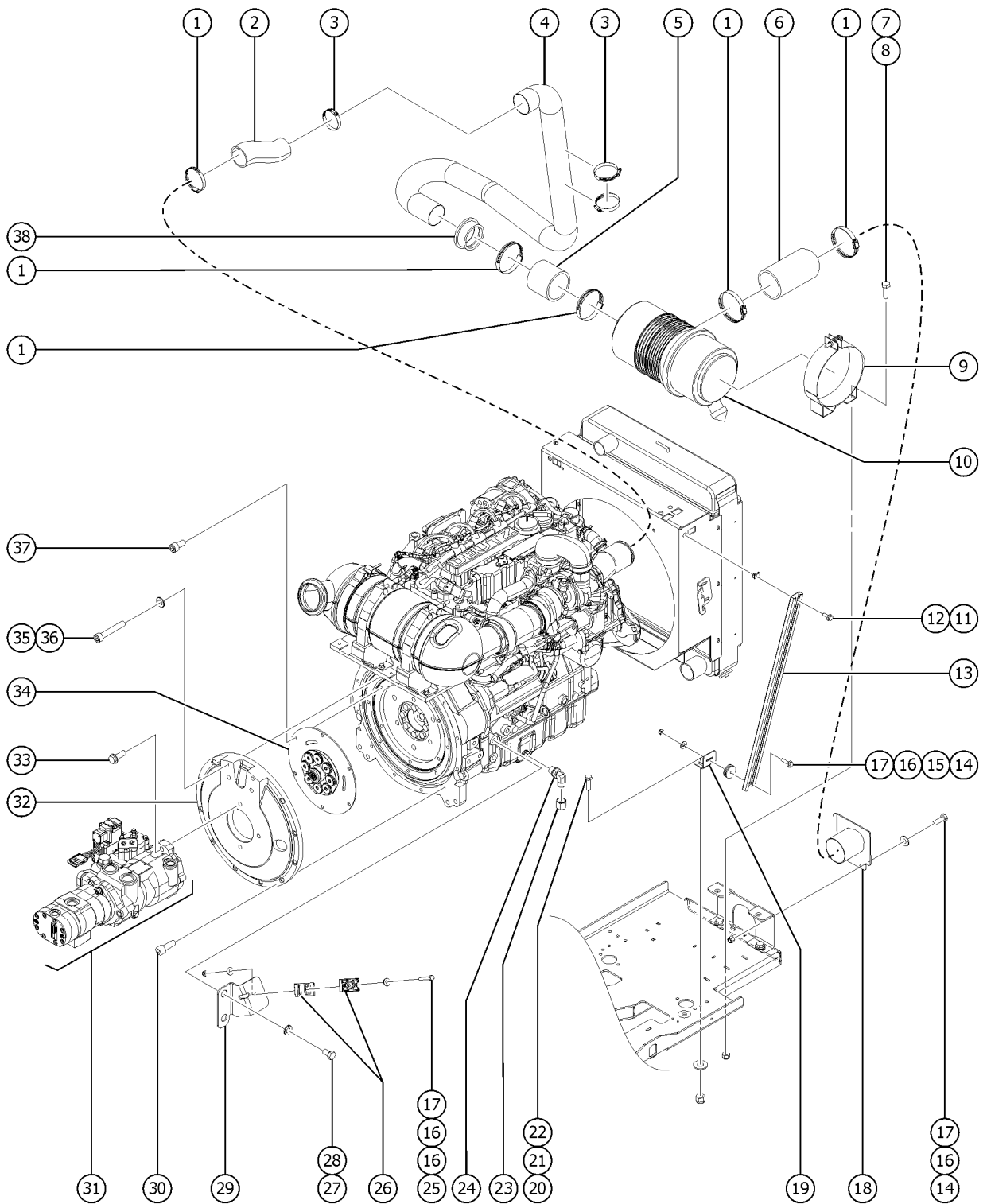


405.1 Deutz TD 2.9L4 Engine - View 1



Item	Part No.	Description	Qty.
19	15086GT	WASHER,FLAT,.375 X 1.5 X .125	2
20	48425GT	NUT,FLG-LRG,3/8-16,YZ	2
21		Ref. Engine Tray	
		(refer to 417.1)	
22	49924GT	HOSE,EGR,TCD3.6 T4F	1
22-	1255653GT	FILTER,OIL,DEUTZ,REPLACEMENT	
23A	1254717GT	HEAT SHIELD,DEUTZ TD2.9L	1
		(to SN 6845)	
23B	1254949GT	HEAT SHIELD,DEUTZ TD2.9L	1
		(from SN 6846)	
24A	1251983GT	SCREW,HHF,M8-1.25X16,DIN6921,10.9,ZAB	4
		(to SN 6845)	
24B	1251983GT	SCREW,HHF,M8-1.25X16,DIN6921,10.9,ZAB	2
		(from SN 6846)	
24B-	824131GT	SCREW,HHF,M6-1.0X16,DIN6921,10.9,ZAB	1
		(from SN 6846)	
25	45435GT	CLAMP,HOSE,2.50"	2
26	124962GT	GROMMET,RUBBER,1.0 X 1.25X1.5	1
		(from SN 6846)	
27	60584GT	GROMMET,RUBBER .75 X .19 X 1	1
		(from SN 6846)	
28	1286137GT	PLATE, BATTERY CABLE SUPPORT	1
		(from SN 6846)	
29	1251899GT	SCREW,HHF,M14-2.0 X 40,DIN6921,10.9,ZAB	4
30	71911GT	CLAMP,MUFFLER, 2.50 INCH	1
31	826822GT	EXHAUST PIPE, TIER IV DEUTZ, Z	1
32	237821GT	SCREW,HHF,M8X20,DIN6921,8.8,YZ	2
		(to SN 6845)	
33	826874GT	FORMING, TAIL PIPE SUPPORT, Z8	1

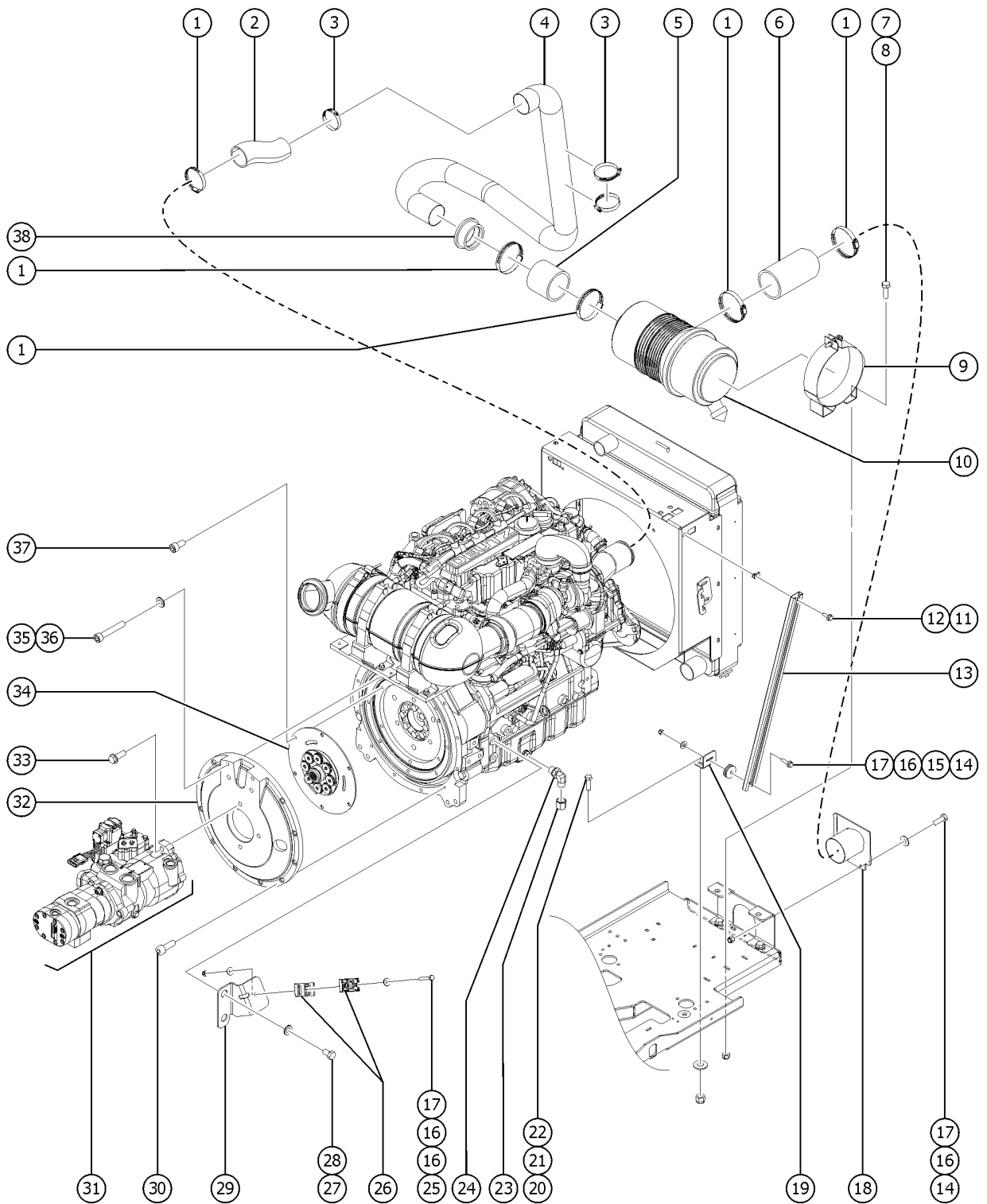
406.1 Deutz TD 2.9L4 Engine - View 2



Item	Part No.	Description	Qty.
A		Due to Tier 4 regulations, many engine replacement parts require the engine serial number at time of order placement. When ordering engine parts please have both machine and engine serial numbers available. For internal engine parts, contact engine dealer	
1	30489GT	CLAMP,HOSE,3.50	5
2	823703GT	HOSE,REDUCER,OFFSET,TURBO INLE	1
3	30971GT	CLAMP,HOSE,3.00"	3
4	823239GT	TUBE,INTAKE,DEUTZ 2.9L	1
5	106211-300GT	HOSE,RUBBER 3"ID X .25 BLACK	1
6	106211-600GT	HOSE,RUBBER 3"ID X .25 BLACK X 6.00 LG	1
7	13002GT	SCREW,HHC,5/16-18 X 1 GR5	2
8	1274167GT	NUT,NYLOCK FLG,5/16-18,F,ZAG	2
9	81468GT	MOUNTING BAND,AIR CLEANER	1
10	81467GT	AIR CLEANER,NELSON	1
10-	62425GT	FILTER,AIR CLEANER, SUPERBOOM	
11	121419GT	SCREW,HHF,1/4-20 X .75	1
12	25969GT	CLIP,SPRING,1/4-20 BLACK	1
13	823144GT	UNISTRUT,FAN SHROUD BRACE,R,DE	1
14	121420GT	SCREW,HHF,1/4-20 X 1.00	2
15	229986GT	GROMMET RUBBER .375X1.00X.1875	1
16	6638GT	WASHER,FLAT,USS,1/4"Y	4
17	6091GT	NUT, NYLOCK, 1/4-20	3
18	1251928GT	WLDT, INTAKE, T4 DEUTZ, Z80/S80	1
19	823147GT	FORMING,FAN SHROUD STRUT MOUNT	1
20	824090GT	SCREW,HHF,3/8-16X1,8,ZAG	2
21	6097GT	WASHER,FLAT,USS,3/8",Y	2
22	4828GT	NUT,NYLOCK,3/8-16	2
23	69775GT	CAP,520112-8	1
24	54428GT	FITTING,HYDRAULIC,90DEG,O-RING	1
25	6637GT	SCREW,HHC,1/4-20 X 1.75	1

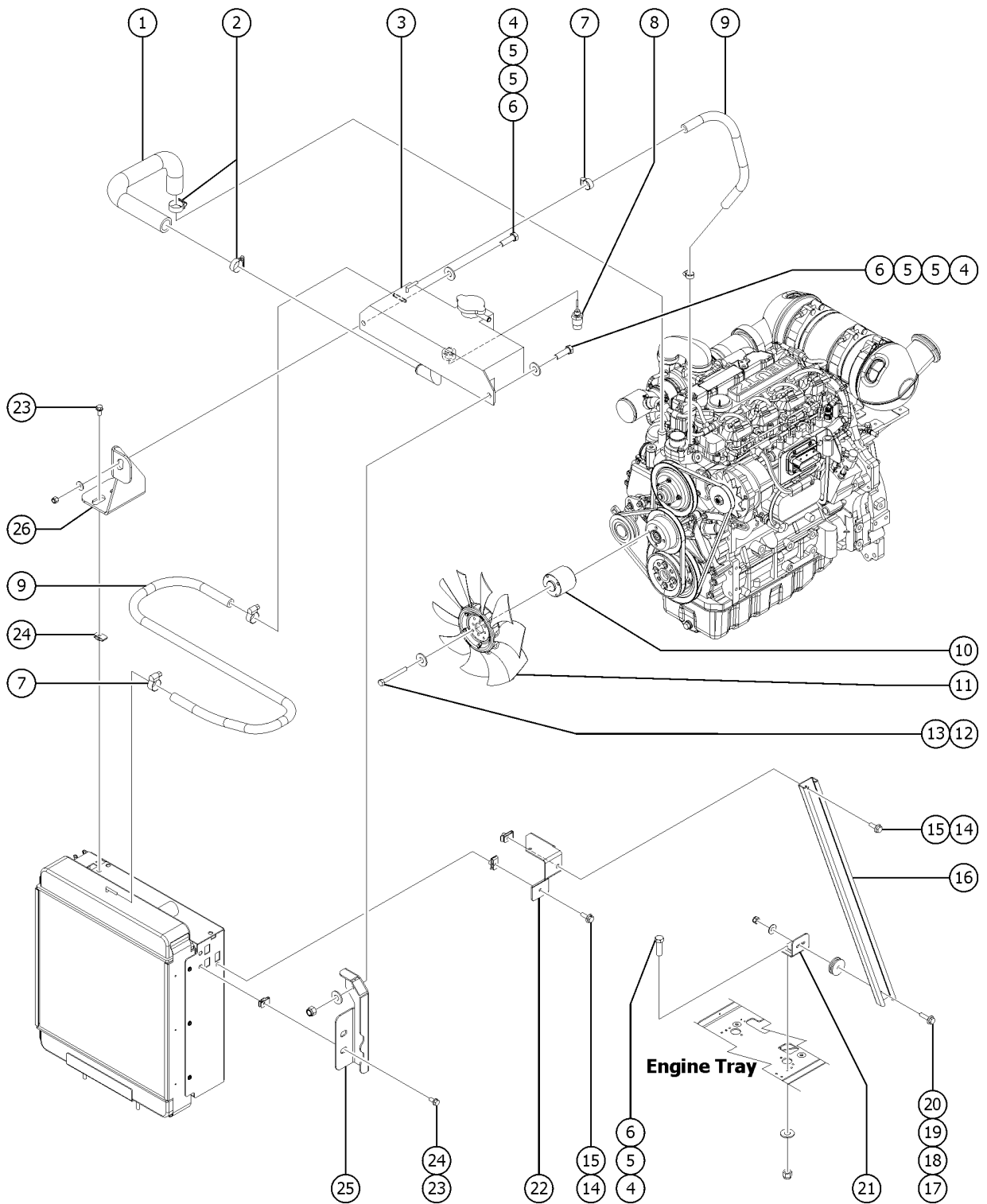


406.1 Deutz TD 2.9L4 Engine - View 2



<i>Item</i>	<i>Part No.</i>	<i>Description</i>	<i>Qty.</i>
26	78736GT	CLAMP,2 HOSE,PLASTIC,5/8	2
27	27585GT	SCREW,HHC,M12 X 20MM	2
28	49410GT	WASHER,FLAT,M12	2
29	825939GT	FORMING, CLAMP, BATTERY CABLE	1
30	61110GT	SCREW,SHC,M10X1.5X30 GR 12.9	10
31		Ref. DRIVE PUMP AND FUNCTION PUMP	
		(refer to 708.1)	
32	70381GT	COVER, FLYWHEEL CASTING	1
33	123167GT	FLGHCS,1/2-13X1.50,GR8,BLK PH	2
34	128004GT	COUPLER, 15 TOOTH, FBA, SAE 8	1
35	111748GT	SCREW,SHC,M10X1.5 X 60 GR8.8	2
36	22699GT	WASHER,FLAT,M10,ZINC PLTD.	2
37	62476GT	SCREW,SHC,M10X1.5X20MM (75090)	6
38	101640GT	REDUCER,RUBBER 3.0 - 2.5	1

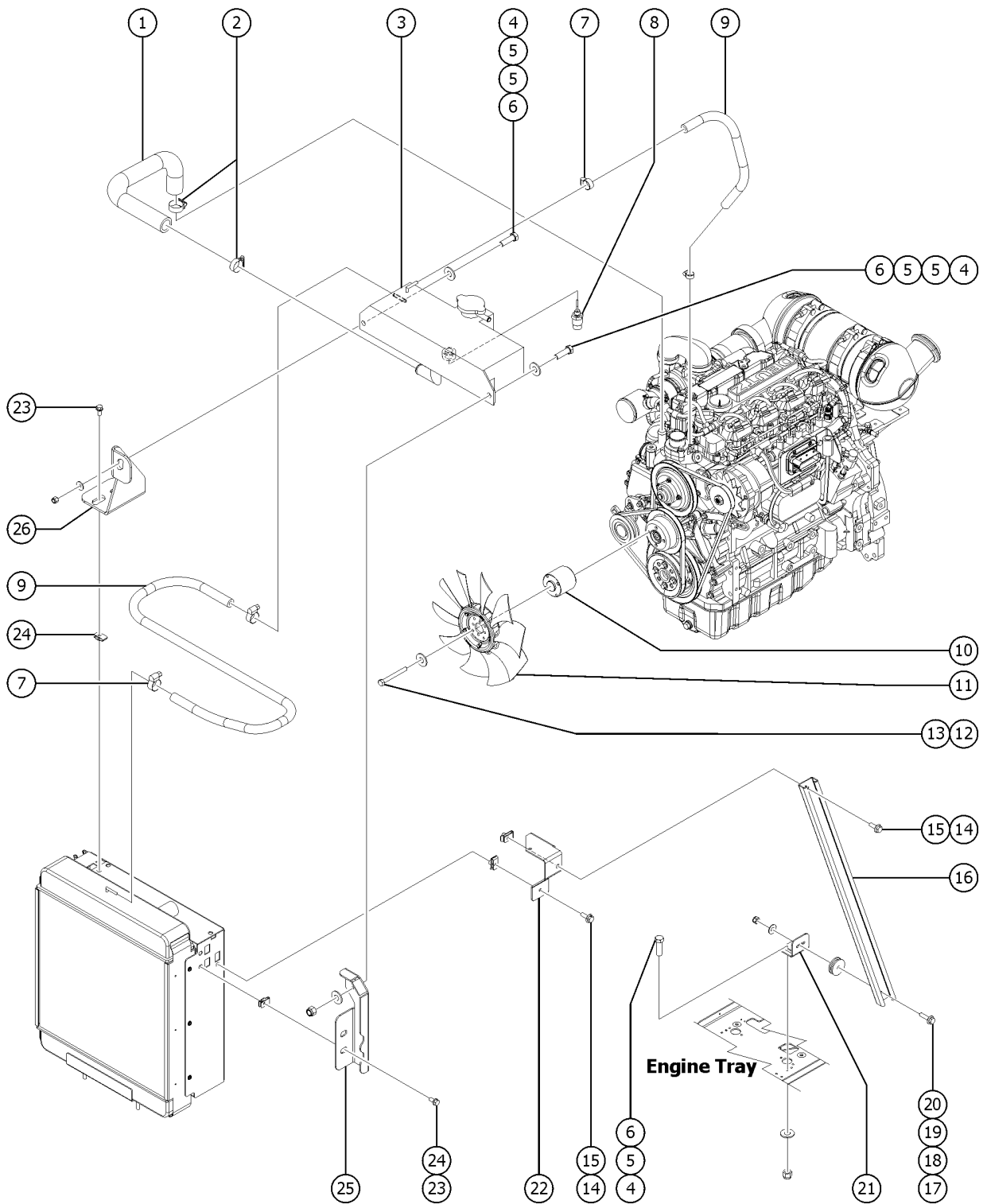
407.1 Deutz TD 2.9L4 Engine - View 3



Item	Part No.	Description	Qty.
A		Due to Tier 4 regulations, many engine replacement parts require the engine serial number at time of order placement. When ordering engine parts please have both machine and engine serial numbers available. For internal engine parts, contact engine dealer	
1	823229GT	HOSE,EXPANSION TANK,COMPENSATION	1
2	19273GT	CLAMP,HOSE,.75 **	2
3	161938GT	EXPANSION TANK,METAL,D2.9	1
3B	1274900GT	SIGHT GLASS	
		for 161938	
3C	1254823GT	CAP,RADIATOR,PERKINS (94232)	
		for 161938	
4	824090GT	SCREW,HHF,3/8-16X1,8,ZAG	4
5	6097GT	WASHER,FLAT,USS,3/8",Y	6
6	4828GT	NUT,NYLOCK,3/8-16	4
7	21465GT	CLAMP,HOSE,SIZE .25 TO .63	4
8	218715GT	COOLANT LEVEL SNSR, DEUTZ TCD3.6	1
9	1283995GT	HEATER HOSE,1/4"	
10	1258641GT	SPACER, FAN, DEUTZ, 43MM LNG	1
		For first time replacement, order bolt 1258771GT x4 (no washer required)	
11	1251496GT	FAN,10 BLADE,17",DEUTZ 2.9L	1
12	1262219GT	SCREW,HHC,M8-1.25X65,DIN931,10	4
		Order bolt 1258771 if replacing fan spacer 1258641GT on first time	
12-	1258771GT	SCREW,HHF,M8-1.25X60,DIN6921,10.9,ZAB	
		Use only when replacing fan spacer 1258461GT. It doesn't require washer 33277GT	
13	33277GT	WASHER,FLAT,M8,YELLOW ZINC	4
		No longer used if replacing fan spacer 1258461GT	
14	121419GT	SCREW,HHF,1/4-20 X .75	4
15	25969GT	CLIP,SPRING,1/4-20 BLACK	4
16	823143GT	UNISTRUT,FAN SHROUD BRACE,L,DE	1
17	121420GT	SCREW,HHF,1/4-20 X 1.00	1
18	229986GT	GROMMET RUBBER .375X1.00X.1875	1
19	6638GT	WASHER,FLAT,USS,1/4"Y	1
20	6091GT	NUT, NYLOCK, 1/4-20	1
21	823147GT	FORMING,FAN SHROUD STRUT MOUNT	1
22	1252687GT	BRACKET, STRUT BRACE	1
23	75051GT	SCREW,SER FLNG3/8UNCX3/4ZNYEL	4

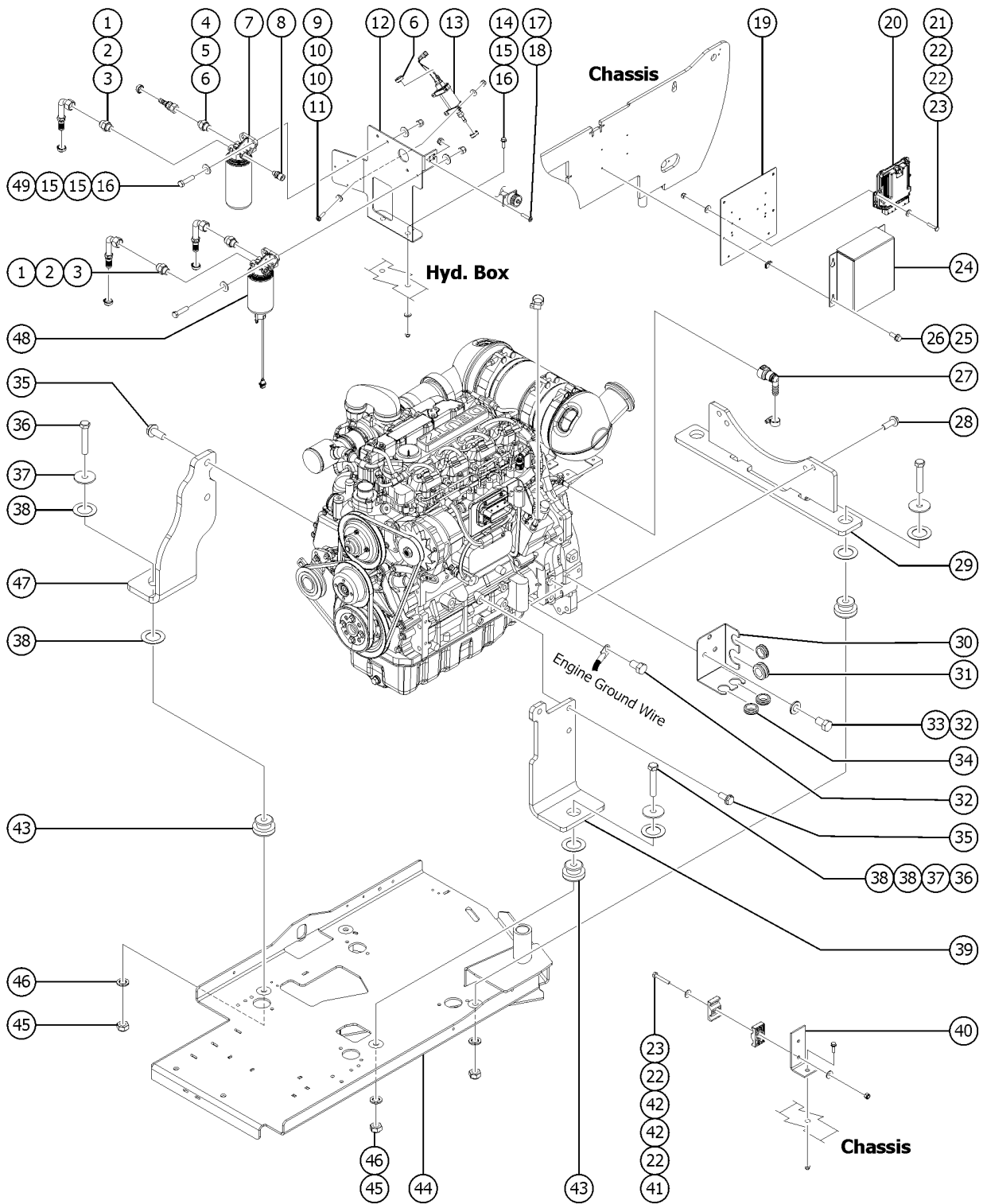


407.1 Deutz TD 2.9L4 Engine - View 3



<i>Item</i>	<i>Part No.</i>	<i>Description</i>	<i>Qty.</i>
24	29868GT	SPRING CLIP,3/8-16,.05-.20X.73,ZAG	4
25	826825GT	BRACKET,EXPANSION TANK, LEFT M	1
26	825218GT	BRACKET,EXPANSION TANK,DEUTZ 2	1

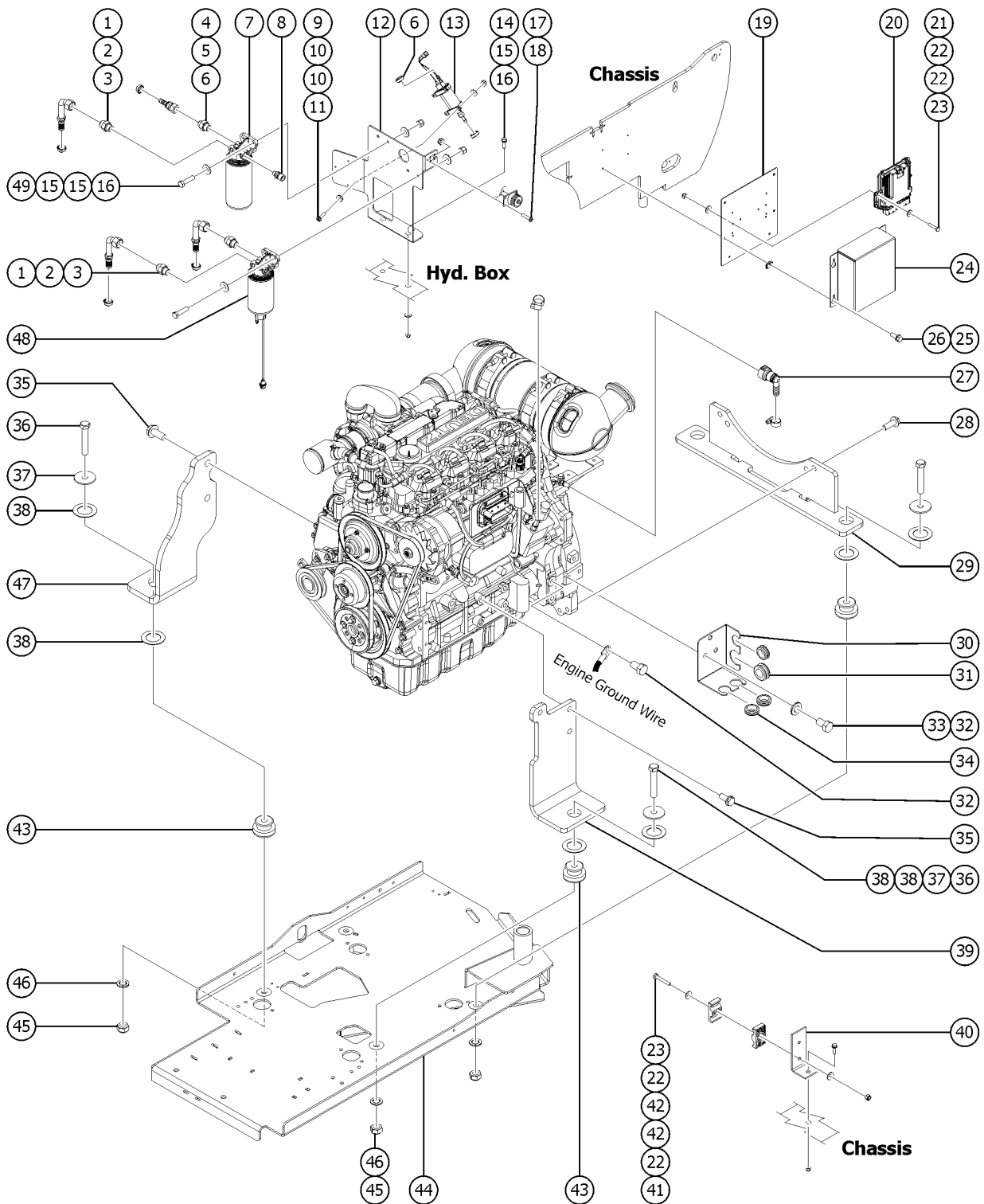
408.1 Deutz TD 2.9L4 Engine - View 4



Item	Part No.	Description	Qty.
A		Verify Engine Make and Model Before Ordering	
B		For internal engine parts, contact engine dealer	
1	162209GT	FITTING,CONN,16MM-8MJ	3
2	162207GT	FITTING,ELBOW,8GS-8FJX90S	3
3	822087GT	CLAMP,HOSE,1EAR,25/32	3
4	162208GT	FITTING,CONN,16MM-6MJ	1
5	824351GT	FITTING,STR,3/8 HS X 9/16-18,JIC,SW,FEMALE	1
6	96770GT	CLAMP, HOSE, 1 EAR, 11/16	2
7	214228GT	FILTER, FUEL SPIN-ON, DEUTZ	1
8	824673GT	MOUNT,ALTERNATOR,DEUTZ TCD3.6	1
9	49816GT	SCREW,PHILLIPS,PHM,10-32 X .75	4
10	6146GT	WASHER,FLAT,MS,#10,Y	8
11	6178GT	NUT,NYLOCK,10-32	4
12	826871GT	WLDMT, FUEL CIRCUIT, Z80	1
13	236259GT	LIFT PUMP,FUEL,DEUTZ	
13-	822087GT	CLAMP,HOSE,1EAR,25/32	1
14	122202GT	SCREW,FLANGE,HHC,3/8-16X1.25	2
15	6097GT	WASHER,FLAT,USS,3/8",Y	10
16	4828GT	NUT,NYLOCK,3/8-16	6
17	55306GT	SCREW,PHILLIPS,PHM,4-40 X .50	4
18	40766GT	NUT,NYLOCK,4-40	4
19	826212GT	PLATE, ECM MOUNT, Z80	1
20		Ref. ECU Models with Deutz D2.9 engines (This part is serialized, contact Genie Parts Sales with full model and SN of both the unit and engine)	
21	8915GT	SCREW,HHC,1/4-20 X 1.25	4
22	6638GT	WASHER,FLAT,USS,1/4"Y	10
23	6091GT	NUT, NYLOCK, 1/4-20	5
24	826211GT	FORMING, ECM COVER, Z80	1
25	121066GT	SCREW,HHC,FLG,3/8-16 X 1 GR8	4

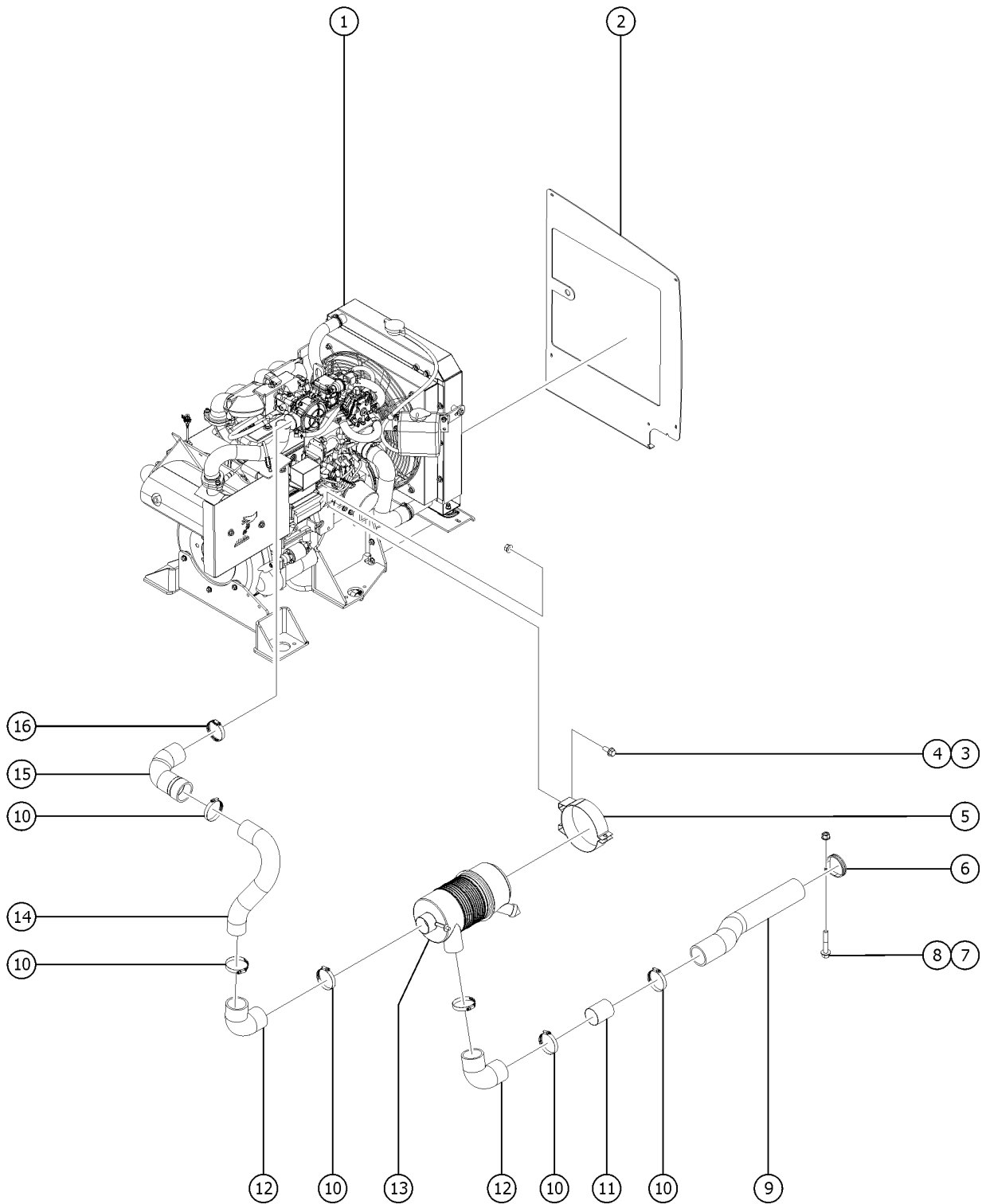


408.1 Deutz TD 2.9L4 Engine - View 4



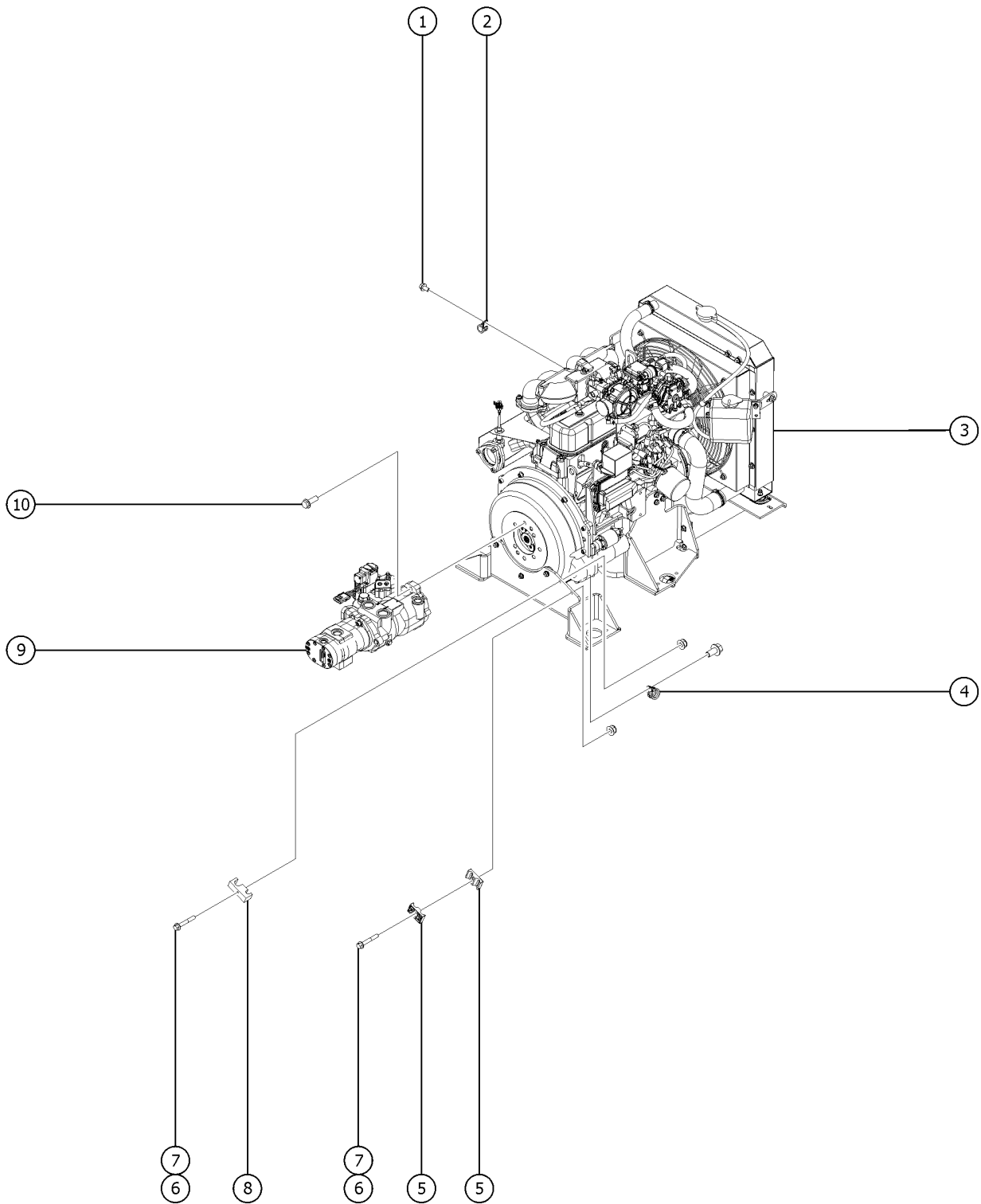
Item	Part No.	Description	Qty.
26	29868GT	SPRING CLIP,3/8-16,.05-.20X.73,ZAG	4
27	82600GT	CONNECTOR, SAE10, QUICK CONNECT	1
27-	21465GT	CLAMP,HOSE,SIZE .25 TO .63	
28	1251899GT	SCREW,HHF,M14-2.0 X 40,DIN6921,10.9,ZAB	4
29	823135GT	WELDMENT, REAR MOUNT,ENGINE	1
30	826873GT	FORMING, ENGINE HARNESS SUPPORT	1
31	106923GT	GROMMET,RUBBER .38X1.38X1.0	1
32	27585GT	SCREW,HHC,M12 X 20MM	4
33	49410GT	WASHER,FLAT,M12	3
34	124962GT	GROMMET,RUBBER,1.0 X 1.25X1.5	3
35	1256776GT	SCREW,HHF,M14-2.0X35,DIN6921,10.9,ZAB	5
36	13003GT	SCREW,HHC,5/8-11 X 3.5 GRD.8	4
37	33418GT	WASHER,FLAT,.625 X 2.25 X.15	4
38	1251565GT	WASHER,SHIM,1.56X2.5X.061,ZAG	8
39	823012GT	MOUNT,ENGINE,LEFT SIDE	1
40	70535GT	BRACKET,BATTERY CABLE	1
41	6637GT	SCREW,HHC,1/4-20 X 1.75	1
42	78736GT	CLAMP,2 HOSE,PLASTIC,5/8	2
43	102045GT	ISOLATOR,ENGINE VIBRATION	4
44		Ref. Engine Tray	
		(refer to 417.1)	
45	6024GT	NUT,NYLOCK,5/8-11	4
46	13064GT	WASHER,FLAT,.625 HARDENED	4
47	823013GT	MOUNT,ENGINE,RIGHT SIDE	1
48	236260GT	PRE-FILTER,FUEL,DEUTZ	1
49	8516GT	SCREW, HCC, 3/8-16 X 1.50	4

409.1 GM 3.0L Engine - View 1



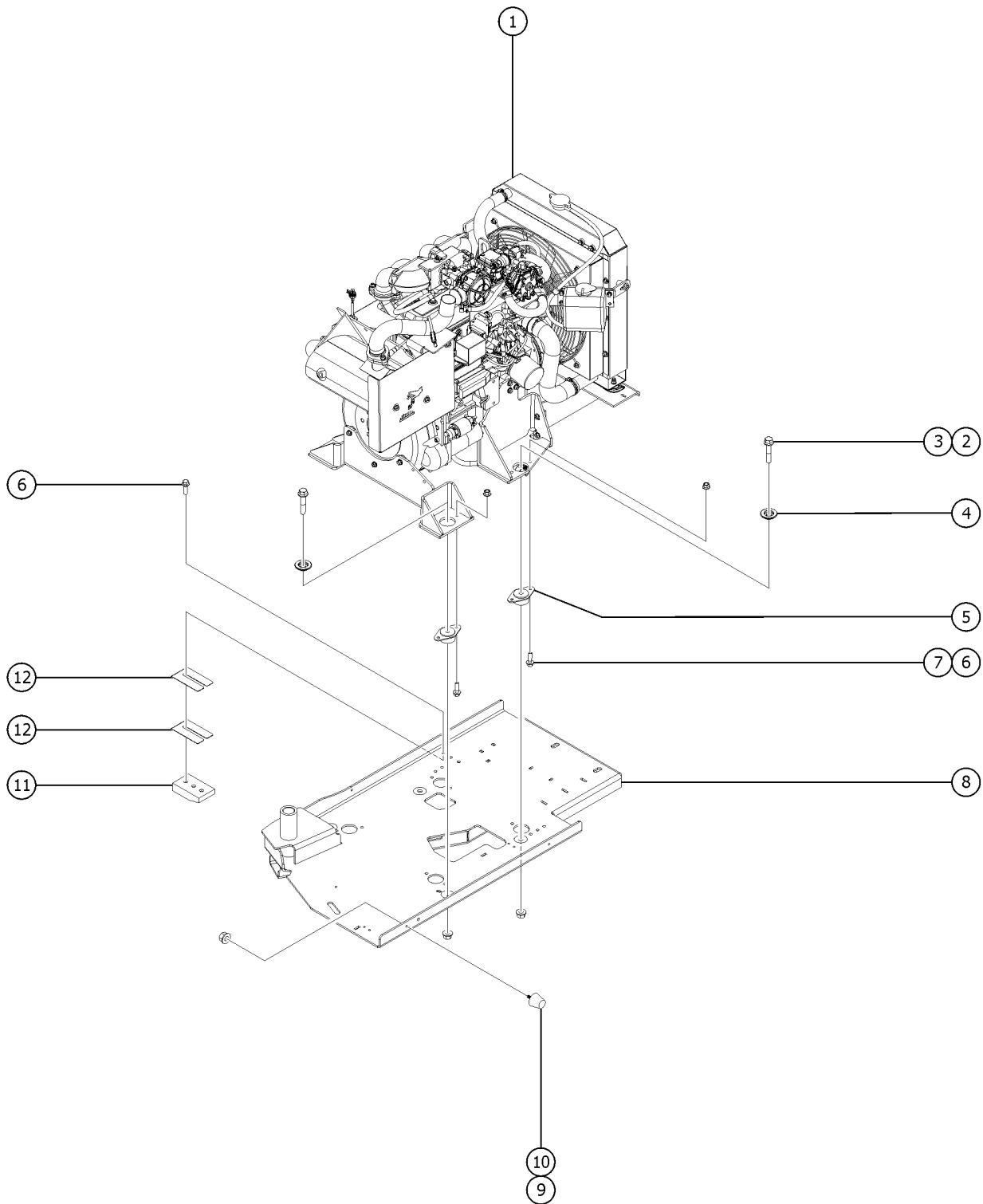
Item	Part No.	Description	Qty.
1		Ref. KIT,ENGINE,GM3.0L,PSI,S80/Z80 (refer to 412.1)	
2	1269604GT	FORMING,BAFFLE,Z80,GM3.0L	1
3	824085GT	SCREW,HHF,5/16-18X.75,8,ZAG	2
4	1274167GT	NUT,NYLOCK FLG,5/16-18,F,ZAG	2
5	53952GT	BRKT,AIR CLEANER ORIENTATION**	1
6	70257GT	CLAMP,3.0,#48 X 1/4,RUB CUSH	1
7	824081GT	SCREW,HHF,1/4-20X1.5,8,ZAG	1
8	1277924GT	NUT,NYLOCK FLG,1/4-20,F,ZAG	1
9	88846GT	HOSE,AIR INLET	1
10	30971GT	CLAMP,HOSE,3.00"	6
11	94324GT	TUBE,RD,STL,ALUMIZD,2.5 X .065	3
12	34164GT	ELBOW,90 DEGR,RUBBER,2.5" I.D.*	2
13	63463GT	AIR CLEANER,NELSON*** plastic housing	1
13-	58415GT	CLIP,AIR CLEANER END CAP*** end cap not available separately	
13-	62420GT	FILTER,AIR***	
13-	65810GT	BAFFLE, AIR CLEANER (27915)**	
13-	52866GT	EVACUATOR VALVE-AIR CLEANER	
14	70465GT	TAILPIPE,DEUTZ BF4L2011	1
15	1269549GT	HOSE,CLEANAIR,90DEG,2.25X2.5	1
16	45435GT	CLAMP,HOSE,2.50"	1

410.1 GM 3.0L Engine - View 2



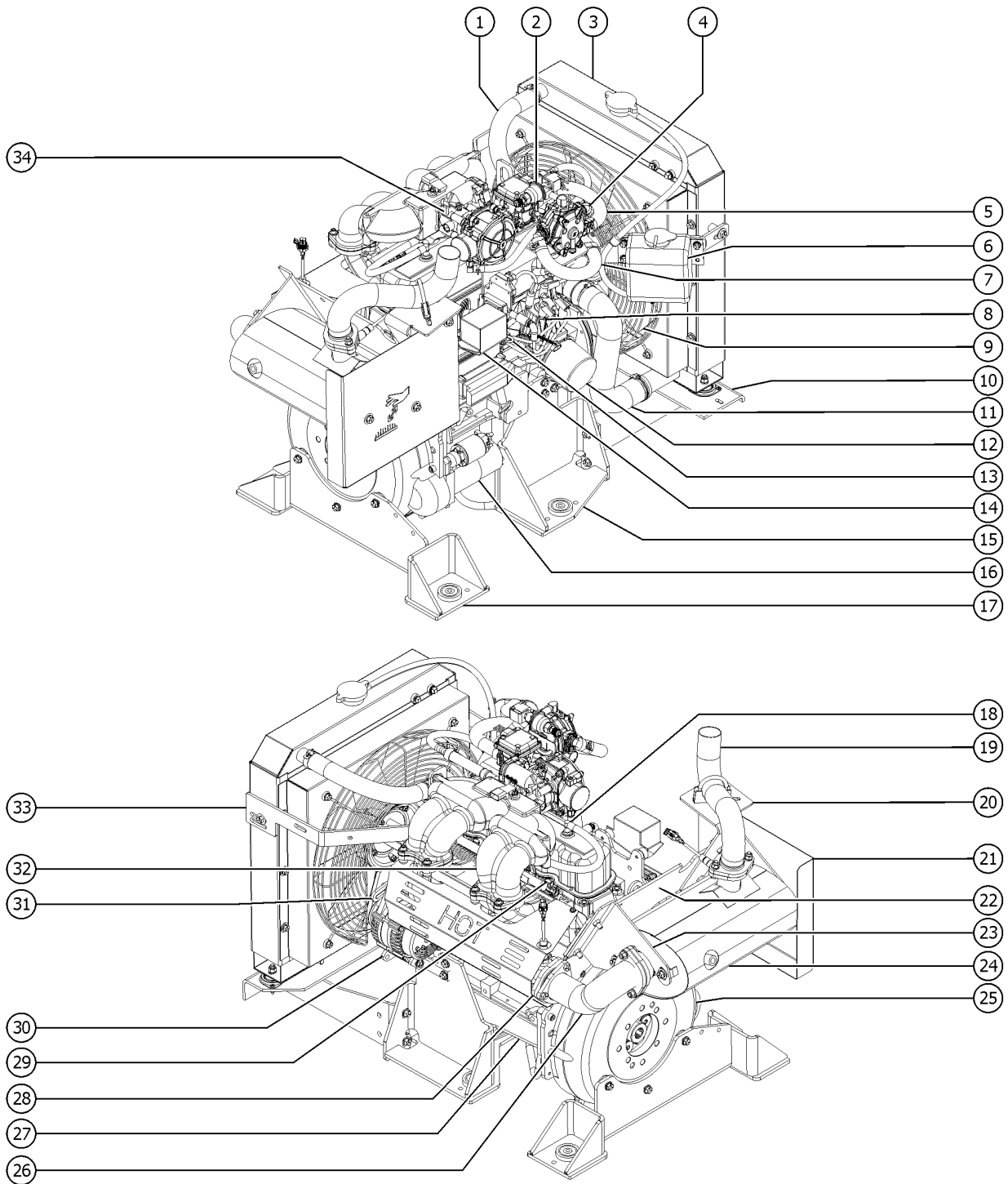
Item	Part No.	Description	Qty.
1	824089GT	SCREW, HHF, 3/8-16 X .75, 8, ZAG.	1
2	45454GT	CLAMP,RUB CUSH,0.75,#12 X 3/8*	1
3		Ref. KIT,ENGINE,GM3.0L,PSI,S80/Z80	
		(refer to 412.1)	
4	13268GT	CLAMP,0.75,#12 X 1/4,RUB CUSH	2
5	78736GT	CLAMP,2 HOSE,PLASTIC,5/8	2
6	824082GT	SCREW,HHF,1/4-20X1.75,8,ZAG	2
7	1277924GT	NUT,NYLOCK FLG,1/4-20,F,ZAG	2
8	121860GT	CLAMP, HOSE/CABLE	1
9		Ref. PUMP ASSY,DRIVE & FUNCTION	1
		(refer to 708.1)	
10	123167GT	FLGHCS,1/2-13X1.50,GR8,BLK PH	2

411.1 GM 3.0L Engine - View 3



Item	Part No.	Description	Qty.
1		Ref. KIT,ENGINE,GM3.0L,PSI,S80/Z80 (refer to 412.1)	
2	1255802GT	SCREW,HHF,1/2-13X2.5,8,ZAG	4
3	1274172GT	NUT,NYLOCK FLG,1/2-13,G,ZAG	4
4	1274069GT	CASTING, WASHER, ENGINE ISOLAT	4
5	70452GT	ISOLATOR,ENGINE VIBRATION	4
6	824091GT	SCREW,HHF,3/8-16X1.25,8,ZAG	11
7	1274322GT	NUT,NYLOCK FLG,3/8-16,F,ZAG	8
8	825240GT	WLDMT, ENGINE TRAY, Z80 T4 DEU	1
9	30973GT	BUMPER,RUBBER-1 X 1.25	2
10	1274167GT	NUT,NYLOCK FLG,5/16-18,F,ZAG	2
11	81522GT	WEAR PAD,ENGINE TRAY	1
11-	48425GT	NUT,FLG-LRG,3/8-16,YZ	
12	34344GT	SHIM,SIDE PAD 16GA. 3 X 5	2

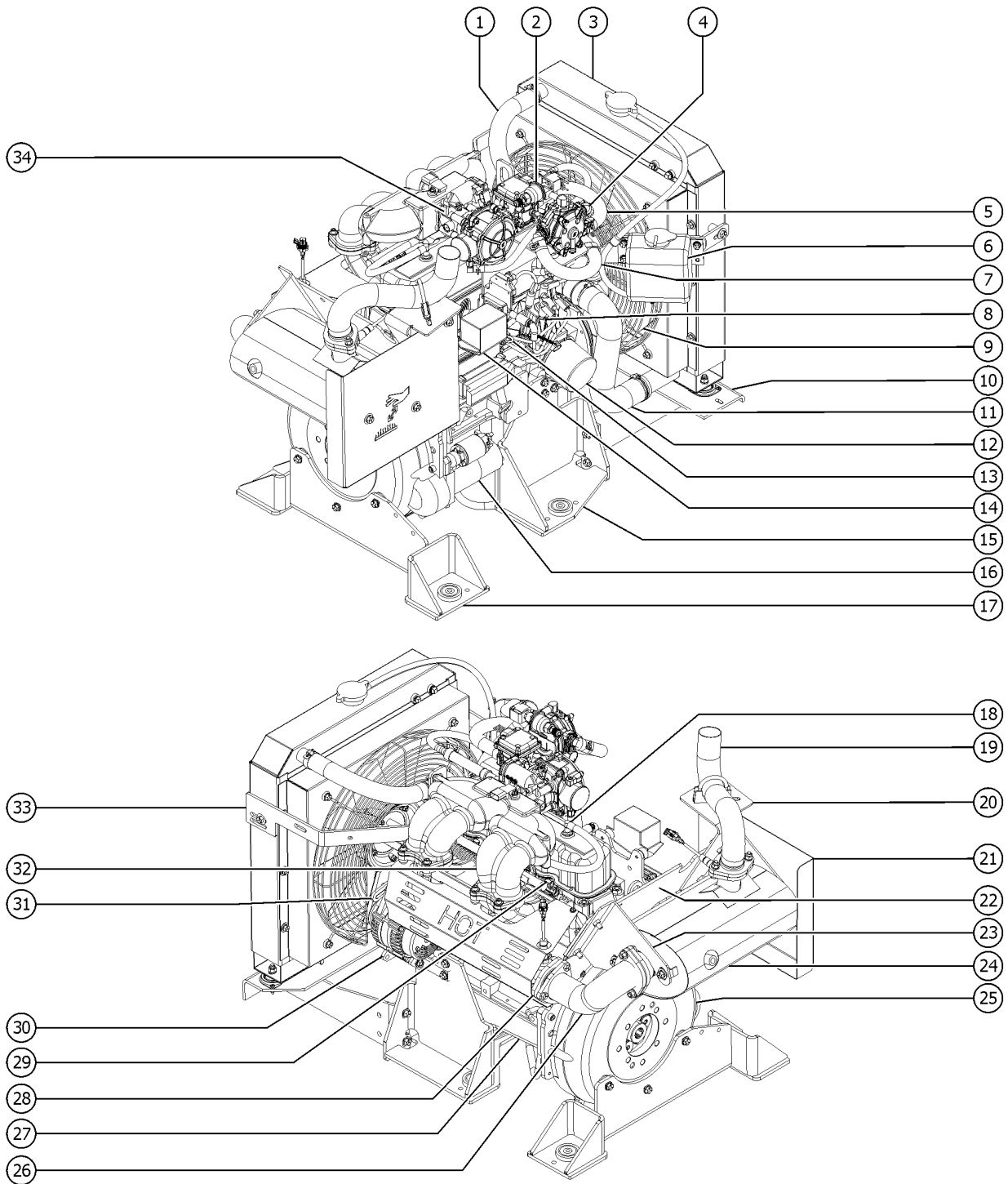
412.1 GM 3.0L Engine - View 4



Item	Part No.	Description	Qty.
B	1273154GT	MANUAL, OPERATORS, GM 3.0L	
C	1273165GT	MANUAL, SVC AND REPAIR, GM 3.0L	
D	119475GT	MAP SENSOR, DSG-423	1
E	1271825GT	ECM, SSI .79L / .97L	
F	119170GT	FUEL SENSOR ASSY.	1
F-	1284670GT	FITTING,GM 3.0L ENG for 119170	2
F-	1284671GT	FITTING,GM 3.0L ENG for 119170	1
F-	1271652GT	FILTER, FUEL, GM3.0L not shown	1
F-	77750GT	FUEL PUMP (GM ENG) not shown	1
F-	1271871GT	FITTING & GASKET FOR FUEL PUMP for 77750	1
F-	1284669GT	CLAMP,RUBBER,GM3.0L ENG for 1271652, 77750	1
1A	81424GT	RADIATOR HOSE,UPPER-GM	1
1B	1284622GT	OUTLET,T/STAT,GM 3.0L ENG	1
1C	1272070GT	THERMOSTAT, GM3.0L ENG	1
1D	1284623GT	GASKET,T/STAT COVER,GM 3.0L ENG	1
1E	1284624GT	HOUSING,THERMOSTAT,GM 3.0L ENG	1
1F	1284626GT	GASKET,T/S HSG,GM 3.0L ENG	1
1G	1284625GT	SENSOR,AS,GM 3.0L ENG	1
2A	58386GT	GM 3.0, LP REGULATOR	
2A-	1271815GT	FITTING, 70 DEGREE SWEPT 5/8" Vaporizer hot water supply	
2A-	1271808GT	VALVE, LOCK-OFF W/FILTER	1
2B	64066GT	HOSE ASSEMBLY,LP GAS 174" LONG	1
3	1272060GT	RADIATOR, GM3.0L ENG	1
3-	1284786GT	CAP,RADIATOR,GM 3.0L ENG	1
4	1272044GT	HOSE, FUEL, GM3.0L ENG Vaporizer hot water return to engine (cut to size)	
5	1272045GT	HOSE, VAPORIZER Vaporizer to Throttle Body	1
6A	1272025GT	BOTTLE, OVERFLOW, GM3.0L ENG	1
6B	1284630GT	HOSE, OVERFLOW	1

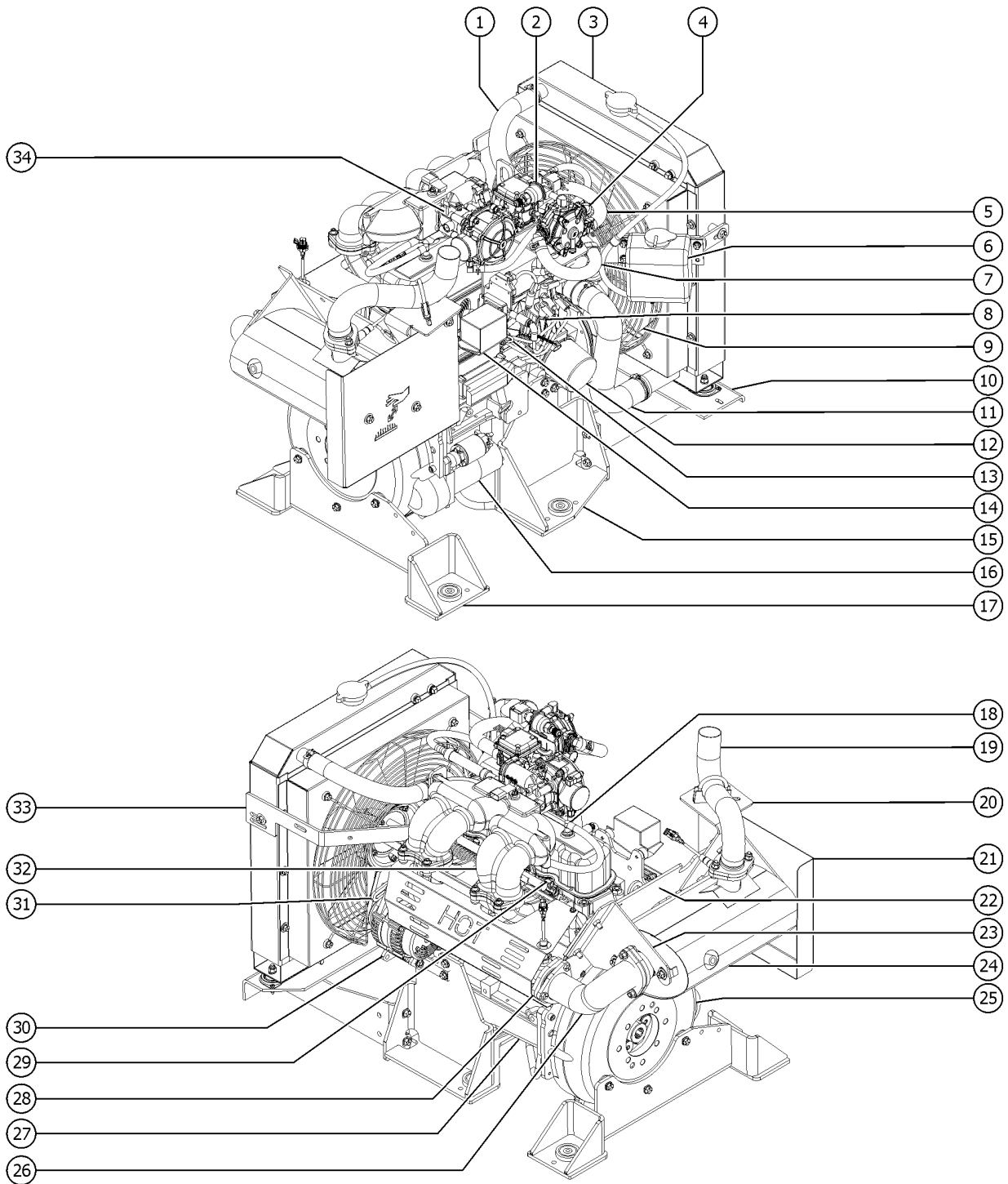


412.1 GM 3.0L Engine - View 4



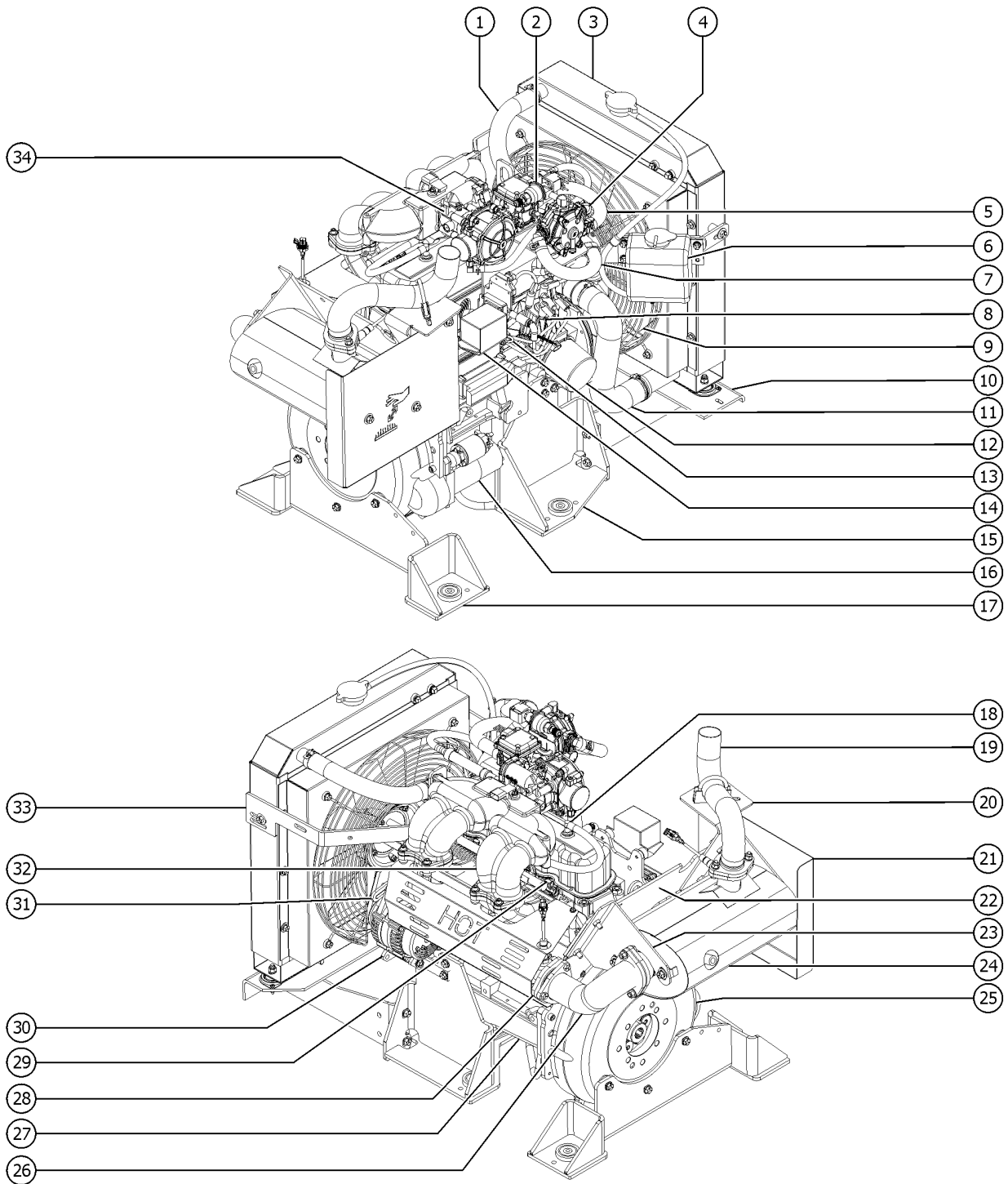
Item	Part No.	Description	Qty.
7	1272044GT	HOSE, FUEL, GM3.0L ENG	1
8A	77550GT	DISTRIBUTOR/GM 3.0L ENGINE	1
8A-	1284627GT	SENSOR,CAMSHAFT,GM 3.0L ENG	
8A-	65624GT	CAP-DISTRIBUTOR, GM 3.0L	
8A-	65625GT	ROTOR-DISTRIBUTOR, GM 3.0L	
8B	58412GT	SPARK PLUG WIRE SET,GM 3.0 set of 4 plug wires; order 1284619 coil wire separately	1
8B-	1284619GT	WIRE,COIL,HVS,GM 3.0L ENG	1
8C	65622GT	SPARK PLUG-GM 3.0L ENGINE	4
8D	77551GT	COIL-IGNITION/GM 3.0L ENGINE	1
9A	1272057GT	FAN, PULLER 18", GM3.0L ENG	1
9B	1272059GT	PUMP, WATER, GM3.0L ENG	1
9B-	1284785GT	GASKET,WATER PUMP	
9C	1272039GT	GASKET, TIMING CHAIN, GM3.0L	
10A	1284633GT	SUPPORT,RADIATOR,GM 3.0L ENG	1
10B	1272049GT	ISOLATOR, GM3.0L ENG	2
11	1272046GT	HOSE, RAD, LOWER, GM3.0L ENG	1
12	65623GT	FILTER-OIL,GM 3.0L ENGINE	1
12-	1272065GT	SENDER, OIL PRESSURE, GM3.0L ENG	1
13A	1272026GT	DIPSTICK, GM3.0L ENG	1
13B	1284621GT	TUBE,DIPSTICK,GM 3.0L ENG	1
14	1271826GT	ISOLATOR, RELAY BOX	2
15A	1284667GT	MOUNT,ENG,GM 3.0L ENG	1
15B	1284618GT	SENSOR/BRKT KIT,GM 3.0L ENG located behind engine support at distributor side of engine	1
15C	58634GT	GASKET, VALVE COVER, GM ENG engine side cover gasket; located behind engine support at distributor side of engine	
16	1272069GT	STARTER, GM3.0L ENG	1
17	1284666GT	BRACKET,REAR MOUNT,ALT,GM3.0L ENG secure to bellhousing	2
18	58634GT	GASKET, VALVE COVER, GM ENG	1
18A-	1272024GT	BOLT, CYLINDER HEAD, GM3.0L ENG	

412.1 GM 3.0L Engine - View 4



Item	Part No.	Description	Qty.
18A-	1272030GT	GASKET, CYL HEAD, GM3.0L ENG	
18B	65620GT	PCV VALVE-GM 3.0L ENGINE (rear) (hose routed to intake manifold)	1
18B-	1272042GT	GROMMET,PCV	1
18C	77540GT	CAP,OIL FILLER (front) (hose routed to throttle body)	1
18C-	1272043GT	GROMMET, PCV TUBE, GM3.0L ENG (front)	
18C-	1272047GT	HOSE, VAPOR, GM3.0L ENG (front) (adapter hose)	1
18C-	1284620GT	ELBOW	1
19A	1284643GT	TAILPIPE,EXHAUST,GM 3.0L ENG	1
19B	1284639GT	SEAL,EXHAUST,GM 3.0L ENG	1
19C	139610GT	SENSOR,AIR,CAT MONITOR	1
20	1284644GT	BRACKET,CATALYST,GM3.0L ENG	1
21	1284645GT	SHIELD,HEAT,GM 3.0L ENG	1
22	1284637GT	BRACKET,MUFFLER,GM3.0L ENG	1
23	1284642GT	BRACKET,CATALYST,GM3.0L ENG	1
24A	1284638GT	MUFFLER,CATALYST,GM3.0L ENG	1
24B	1284636GT	FLANGE,EXHAUST,GM3.0L ENG	
24C	139610GT	SENSOR,AIR,CAT MONITOR	1
25	83047GT	RING GEAR,GM , S-85	1
25B	1284617GT	SENSOR,C/SHAFT,GM 3.0L ENG	1
25C	1272062GT	SEAL, CRANKSHAFT, GM3.0L ENG round	1
25C-	1272037GT	GASKET, OIL SEAL, GM3.0L ENG	
25D	1284628GT	PLATE,HOUSING,GM 3.0L ENG lower inspection cover	
25E	1284629GT	DRIVE PLATE,GM 3.0L ENG attached to crankshaft	
26A	1284641GT	PIPE,EXHAUST,GM3.0L ENG	1
26B	1272064GT	SEAL, EXHAUST, H/T, GM3.0L ENG (at muffler)	1
26C	1272031GT	GASKET, DOUNUT, GM3.0L ENG (at exhaust manifold)	1
26D	1284635GT	FLANGE,EXHAUST,GM3.0L ENG	1
27A	1272035GT	GASKET, OIL PAN, GM3.0L ENG	1

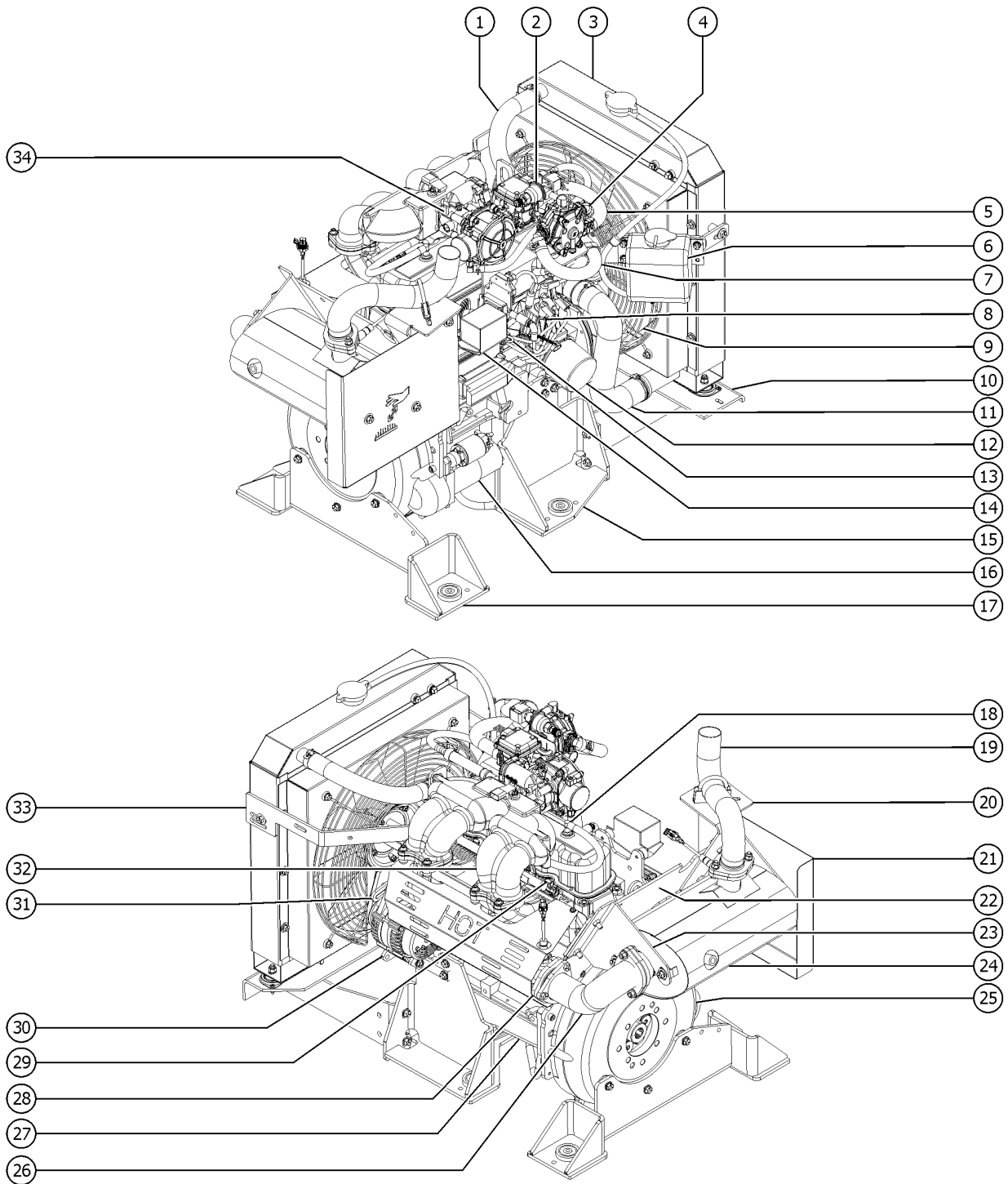
412.1 GM 3.0L Engine - View 4



Item	Part No.	Description	Qty.
27A-	1272058GT	PUMP, OIL, GM3.0L ENG	
27B	1272055GT	PLUG, OIL DRAIN, GM3.0L ENG	
27B-	1272036GT	GASKET, OIL PLUG, GM3.0L ENG	1
28A	1284649GT	MANIFOLD,EXHAUST,GM3.0L ENG	1
28B	1272032GT	GASKET, INT/EXH, GM3.0L ENG cylinder head to manifolds gasket	1
28C	1284646GT	SHIELD,HEAT,GM 3.0L ENG	1
28D	139610GT	SENSOR,AIR,CAT MONITOR	1
28E	1284647GT	EXHAUST FLANGE,GM 3.0L ENG	
28F	1272031GT	GASKET, DOUNUT, GM3.0L ENG	
29	1272061GT	RAIL, FUEL, W/INJ, GM3.0L ENG	1
30A	77822GT	ALTERNATOR, GM3.0L ENGINE	1
30A-	1284655GT	NUT,ALTERNATOR,GM 3.0L ENG for 77822	2
30B	1284654GT	BRACKET,ALTERNATOR,GM3.0L ENG alternator mount bracket	1
30B-	1284653GT	SPACER,ALT,GM 3.0L ENG for 1284663	1
30B-	1284660GT	WASHER,LCK,ALT,GM3.0L ENG for 1284663	1
30B-	1284661GT	WASHER,ALT,GM3.0L ENG for 1284663	2
30B-	1284662GT	NUT,ALT MNTG,GM3.0L ENG for 1284663	1
30B-	1284663GT	BOLT,ALT MNTG,GM3.0LENG alternator pivot bolt	1
30B-	1284664GT	WASHER,FLAT,GM3.0L ENG for 1284663	2
30B-	1284665GT	BOLT,GM 3.0L ENG to install 1284654	2
30C	1284651GT	BELT,ALTERNATOR,GM 3.0L ENG	1
31A	1284652GT	STRAP,ALT,GM3.0L ENG alternator belt tension bracket	
31A-	1284658GT	WASHER,LCK,ALT,GM3.0L ENG for 1284659	
31A-	1284659GT	BOLT,ALTERNATOR,GM 3.0L ENG belt bracket pivot bolt	
31B	1284656GT	BOLT,ALTERNATOR,GM 3.0L ENG for belt tension	1
31B-	1284657GT	WASHER,ALT,GM3.0L ENG for 1284656	
32A	1284648GT	MANIFOLD,INTAKE,GM 3.0L ENG upper intake manifold	1
32A-	1272033GT	GASKET, INTAKE, GM3.0L ENG upper intake to lower intake	2

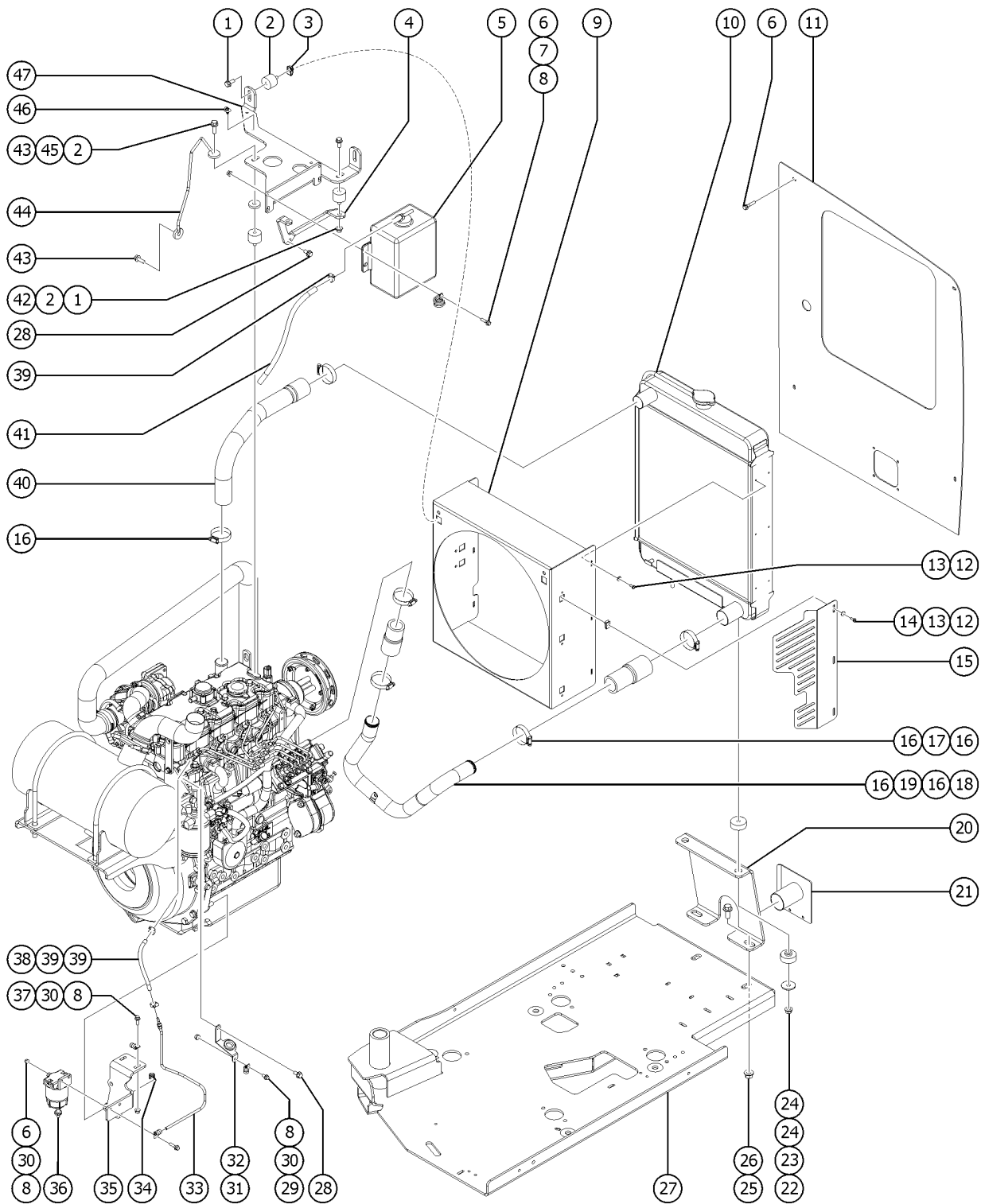


412.1 GM 3.0L Engine - View 4



Item	Part No.	Description	Qty.
32A-	1284650GT	MANIFOLD,INTAKE,GM 3.0L ENG lower intake manifold	1
32B		REF., GASKET (refer to item 28B)	1
33A	1284631GT	BRKT,RADIATOR TOP LH,GM3.0L ENG exhaust side	1
33B	1284632GT	BRKT,RADIATOR TOP RH,GM3.0L ENG distributor side	1
34	1271837GT	THROTTLE BODY, 40MM	1
34-	1272027GT	EPR, GM3.0L ENG	
34-	1271845GT	GASKET, THROTTLE BODY 40MM throttle body to intake manifold	
34-	1272048GT	INLET TO EPR, GM3.0L ENG EPR inlet	
34-	215280GT	MIXER, MSG425	
34-	1313038GT	INLET SEAL, MIXER, MSG425 (215280)	
34-	1313039GT	O-RING, MIXER, MSG425 (215280)	
34-	1313040GT	QUAD RING, MIXER, MSG425 (215280)	
34-	1272054GT	ORING, MIXER ADAPTER, GM3.0L ENG mixer outlet	
34-	1284634GT	FITTING,THROTTLE BODY,GM3.0L ENG 90 degree hose fitting on mixer	

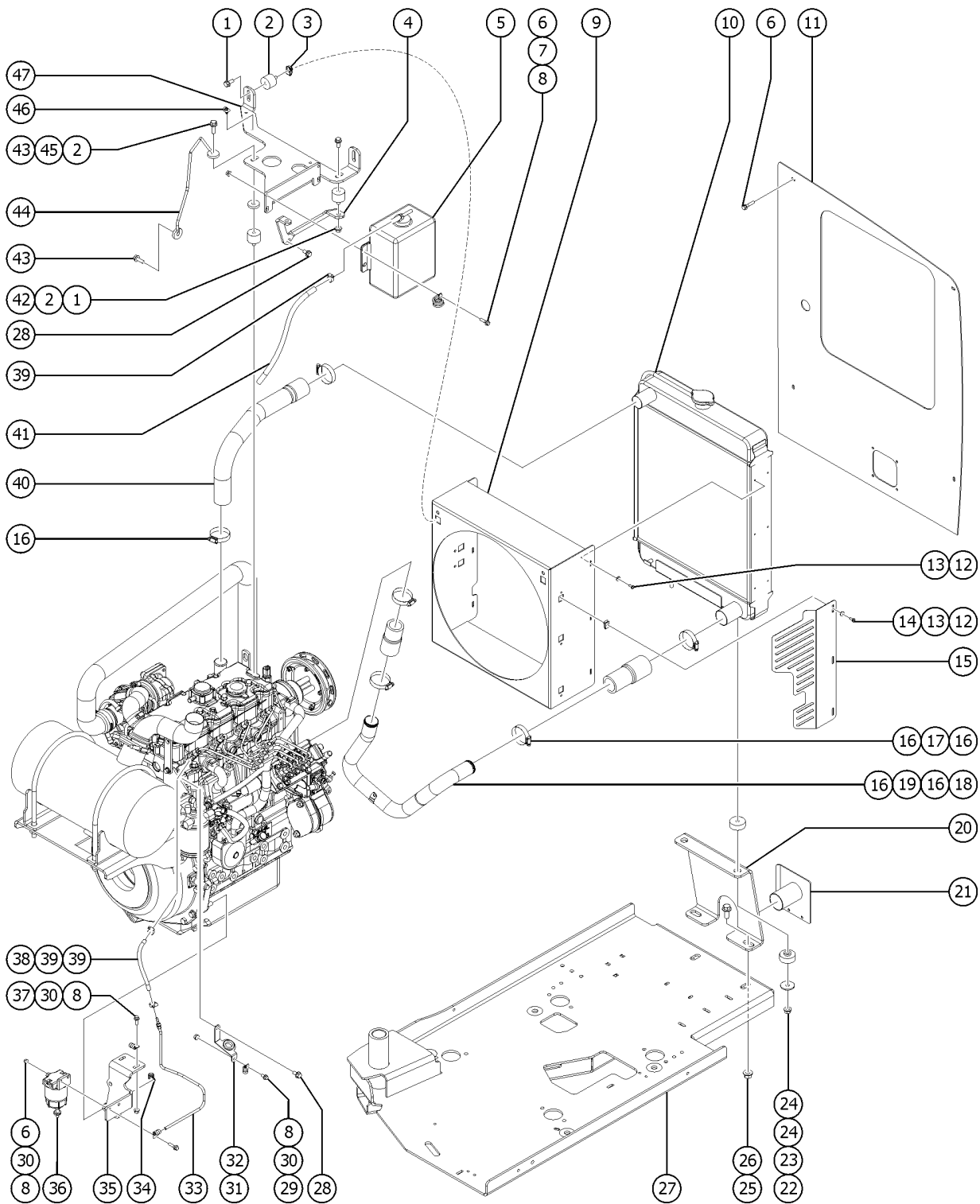
413.1 Perkins 404D-22T Engine - View 1



Item	Part No.	Description	Qty.
A-		Due to Tier 4 regulations, many engine replacement parts require engine serial number at time of order placement. When ordering engine parts please have both machine and engine serial numbers available. For internal engine parts, contact engine dealer	
B-	1261963GT	BREATHER VALVE,PERKINS 404D-22T	
B-	1261964GT	DIPSTICK TUBE,PERKINS 404D-22T	
B-	1262595GT	CYLINDER HEAD COVER,PERKINS 404D	
B-	1261966GT	PISTON AND RING KIT,PERKINS 404D-22T	
B-	1261969GT	PISTON RING KIT,PERKINS 404D-22T	
B-	1262598GT	EXHAUST VALVE,PERKINS 404D	
B-	1262016GT	SPEED SENSOR,PERKINS 404D-22T	
B-	1262467GT	SOLENOID,PERKINS 404D-22T	
B-	1262469GT	OIL PRESSURE SWITCH,PERKINS 404D-22T	
B-	1262490GT	GASKET,CYL HEAD COVER,PERKINS 404D-22T	
B-	1262496GT	SEAL,ROCKER BOX,PERKINS 404D-22T	
B-	1262498GT	O-RING,LIFT PUMP,PERKINS 404D-22T	
B-	1262500GT	GASKET,EXHAUST MANIFOLD,PERKINS 404D-22T	
B-	1262589GT	GASKET,AIR PIPE HOUSING,PERKINS 404D	
C-	1260172GT	HARNESS,ENG,PERKINS 404D,Z80	1
1	824132GT	SCREW,HHF,M8-1.25X20,DIN6921,10.9,ZAB	4
2	60585GT	ISOLATOR,VIBRATION,M8 MALE/FEM	5
3	230820GT	SPRING CLIP, M8-1.25, 0.8-4.0 X 13, ZAB	2
4	1253194GT	BRACE,UPPER RADIATOR SUPPORT,	1
5	70367GT	BOTTLE,COOLANT RECOVERY,3.7***	1
6	824079GT	SCREW,HHF,1/4-20X1,8,ZAG	10
7	13268GT	CLAMP,0.75,#12 X 1/4,RUB CUSH	1
8	824027GT	NUT, TL FLG, 1/4-20, G, ZAG	8
9	1253192GT	FAN SHROUD,PERKINS 404F-22T	1
10	110304GT	RADIATOR,FORD/PERKINS***	1
11	1254282GT	SHROUD,CNTRWT,Z80 404D-22T	1
12	824220GT	SCREW,PHPM SEMS ET,10-24X.5,ZA	9



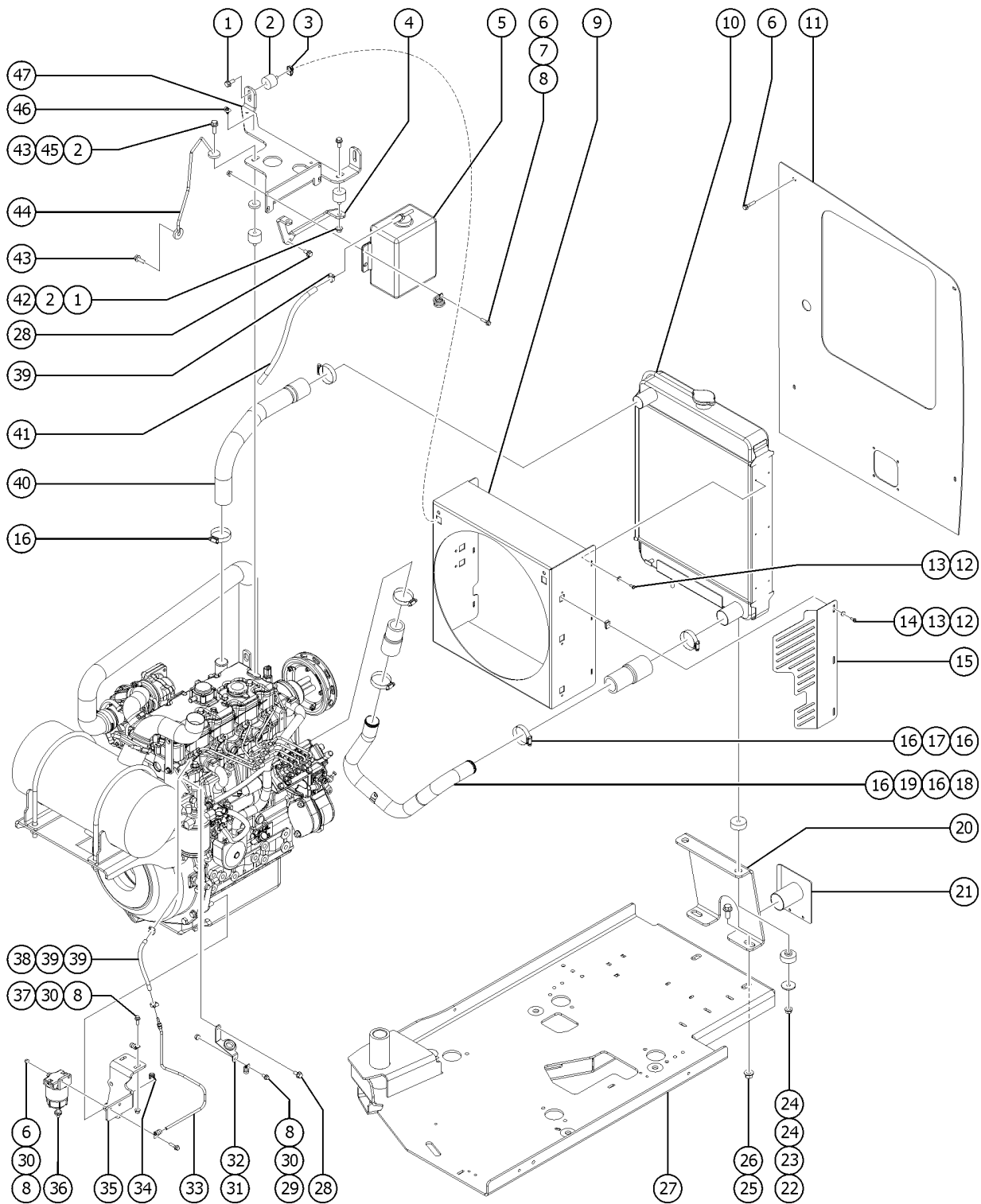
413.1 Perkins 404D-22T Engine - View 1



Item	Part No.	Description	Qty.
13	1253185GT	WASHER,FLAT,#10,USS,ZAG	9
14	73575GT	SPRING CLIP,10-24,.025-.125X.468,ZAG	3
15	1254471GT	GUARD,FAN,PERKINS 404F-22T	1
16	22672GT	CLAMP,HOSE,1.75	6
17	1261204GT	HOSE COUPLING,RUBBER,LOWER RAD	1
18	1261882GT	WELDMENT,LOWER RADIATOR SSSL,	1
19	1261205GT	HOSE COUPLING,RUBBER,LOWER RAD	1
20	1253193GT	BRACKET,LOWER RADIATOR	1
21	1253431GT	WELDMENT,INTAKE,PERKINS 404F-	1
22	824029GT	NUT,TL FLG,3/8-16,G,ZAG	2
23	824120GT	WASHER,FLAT,.375X1.50X.125,ZAG	2
24	24038GT	SHOCK MOUNT,SMALL	4
25	1253319GT	NUT,TL FLG,5/8-11,G,ZAG	2
26	1253208GT	SCREW,HHF,5/8-11X1.5,8,ZAG	2
27		REF.WLDMT, ENGINE TRAY, Z80 T4 DEU	1
		(Refer to 417.1)	
28	1251983GT	SCREW,HHF,M8-1.25X16,DIN6921,10.9,ZAB	2
29	824077GT	SCREW,HHF,1/4-20X.5,8,ZAG	1
30	45470GT	CLAMP,0.31,#5 X 1/4,RUB CUSH	4
31	1259890GT	FORMING, SUPPORT, FUEL RETURN	1
32	1260927GT	GROMMET, RUBBER, .75X.375X1.25	1
33	1259907GT	WELDMENT,FUEL RETURN LINE,404D	1
34	112043GT	CLAMP,0.63,#10 X 3/8,RUB CUSH	1
35	128588GT	FORMING,SOLENOID MOUNT	1
36	75020GT	SEPRTR/FLTR,FUEL DSL,15GPH,.30	1
36-	21465GT	CLAMP,HOSE,SIZE .25 TO .63	
36-	54205GT	HOSE END,BARB,1/4 MNPTX5/16,90	
36-	62433GT	FILTER,ELEMENT,30 MIC,75020	1
37	824078GT	SCREW,HHF,1/4-20X.75,8,ZAG	1

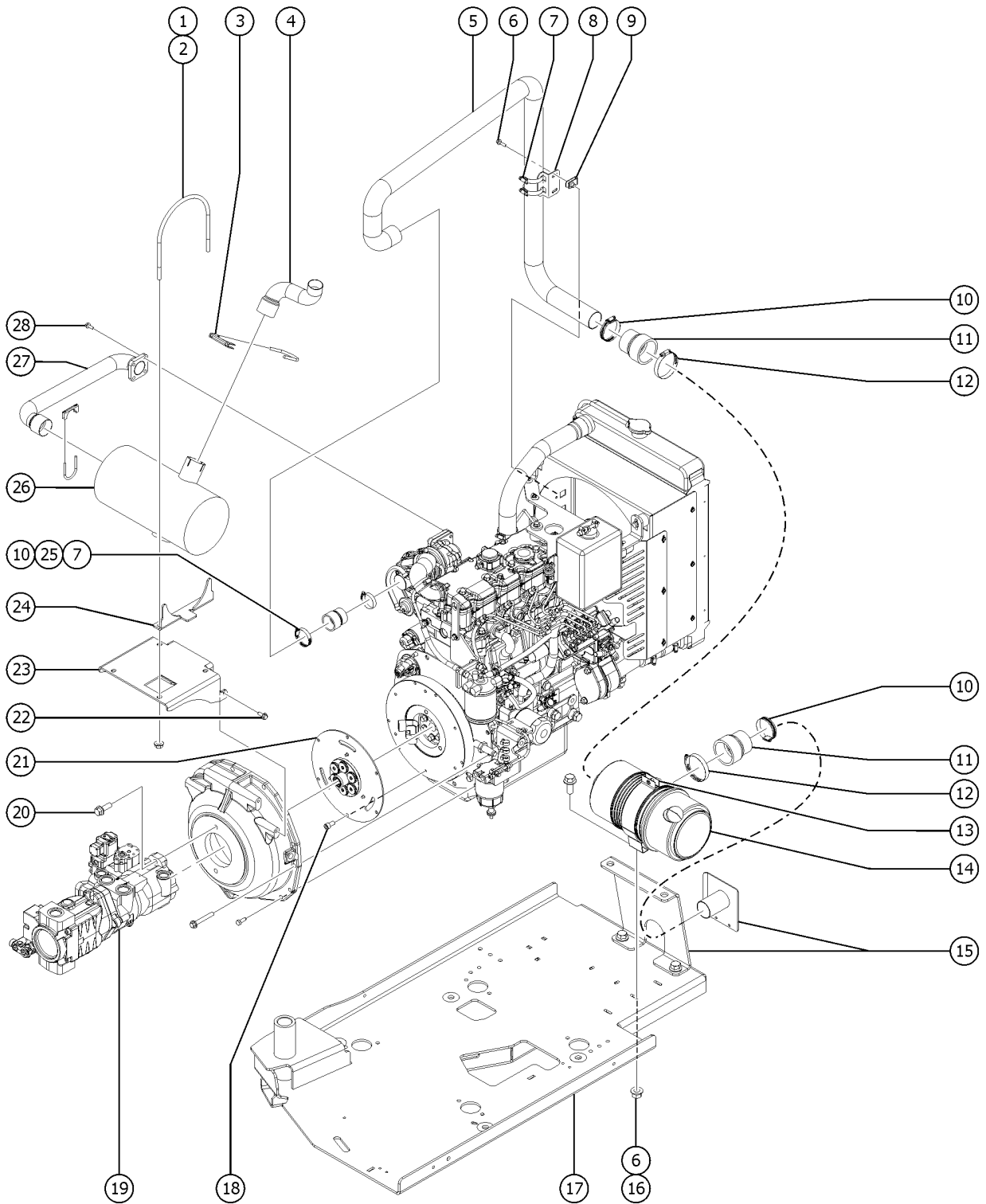


413.1 Perkins 404D-22T Engine - View 1



<i>Item</i>	<i>Part No.</i>	<i>Description</i>	<i>Qty.</i>
38	35418GT	HOSE,FUEL,3/16,SAE 30R7 from fuel return line to engine	6
39	21465GT	CLAMP,HOSE,SIZE .25 TO .63	8
40	1252979GT	HOSE,UPPER RADIATOR,PERK	1
41	106226GT	TUBING,VINYL,1/2" CLEAR	1
42	237832GT	NUT,TL,FLG,M8-1.25,DIN6927,10,	2
43	824133GT	SCREW,HHF,M8-1.25X25,DIN6921,10.9,ZAB	2
44	1259264GT	WIRE MANAGEMENT,GUIDE ROD ASSY	1
45	1261722GT	WASHER, FLAT .394 X 1.25 X .25	1
46	110149GT	CABLE TIE,DFT MOUNT,BLK,6.5"	3
47	1258071GT	BRACKET,UPPER RADIATOR MOUNT,4	1

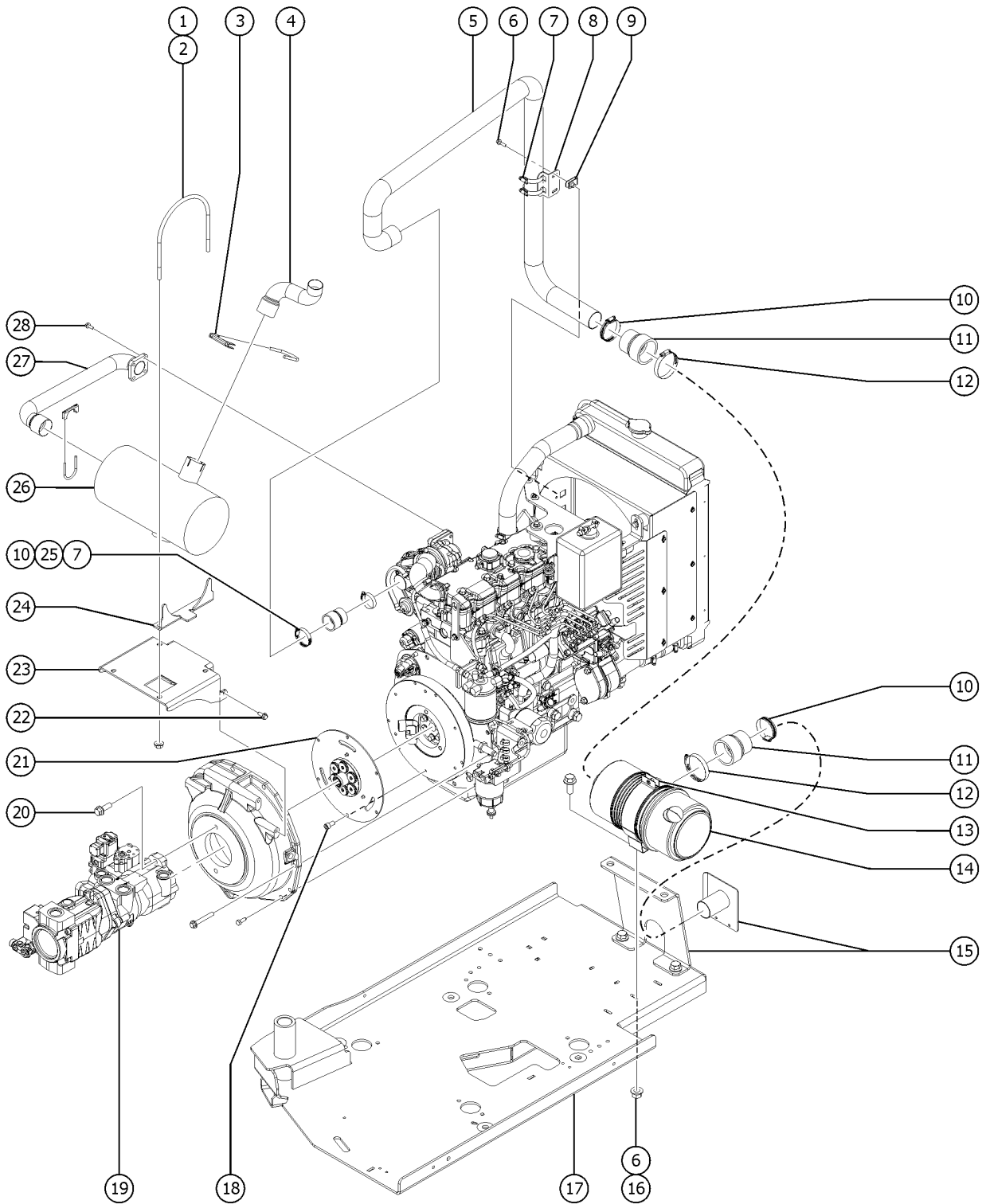
414.1 Perkins 404D-22T Engine - View 2



Item	Part No.	Description	Qty.
A		Due to Tier 4 regulations, many engine replacement parts require engine serial number at time of order placement. When ordering engine parts please have both machine and engine serial numbers available. For internal engine parts, contact engine dealer.	
1	70449GT	U-BOLT, 1/2-13 X 8.5	2
2	1251997GT	NUT, TL FLG, 1/2-13, G, ZAG	4
3	71911GT	CLAMP, MUFFLER, 2.50 INCH	2
4	1259895GT	TAILPIPE, 404D-22T, Z-80	1
5	1256514GT	TUBE, INTAKE, PERKINS 404D-22T	1
6	824079GT	SCREW, HHF, 1/4-20X1,8, ZAG	4
7	22672GT	CLAMP, HOSE, 1.75	3
8	823751GT	BRACKET, INTAKE PIPE, MOUNT, DEUT	1
9	56912GT	SPRING CLIP, 1/4-20, .025-.15X.5	2
10	45435GT	CLAMP, HOSE, 2.50"	3
11	216150GT	ADAPTER, AIR HOSE, PERK 404F	2
12	30971GT	CLAMP, HOSE, 3.00"	2
13	53952GT	BRKT, AIR CLEANER ORIENTATION**	1
14	63463GT	AIR CLEANER, NELSON*** plastic housing	1
14-	58415GT	CLIP, AIR CLEANER END CAP*** end cap not available separately	
14-	62420GT	FILTER, AIR***	
14-	65810GT	BAFFLE, AIR CLEANER (27915)**	
14-	52866GT	EVACUATOR VALVE-AIR CLEANER	
15		REF. WELDMENT, INTAKE, PERKINS 404F- (Refer to 413.1)	
16	824027GT	NUT, TL FLG, 1/4-20, G, ZAG	2
17		REF. WLDMT, ENGINE TRAY, Z80 T4 DEU (Refer to 417.1)	
18	62476GT	SCREW, SHC, M10X1.5X20MM (75090)	6
19		REF. DRIVE PUMP AND FUNCTION PUMP (Refer to 708.1)	
20	123167GT	FLGHCS, 1/2-13X1.50, GR8, BLK PH	2
21	128003GT	COUPLER, 15 TOOTH, FBA, PERKINS**	1
22	231530GT	SCREW, HHF, M10-1.5X25, DIN6921, 0.9, ZAB	4

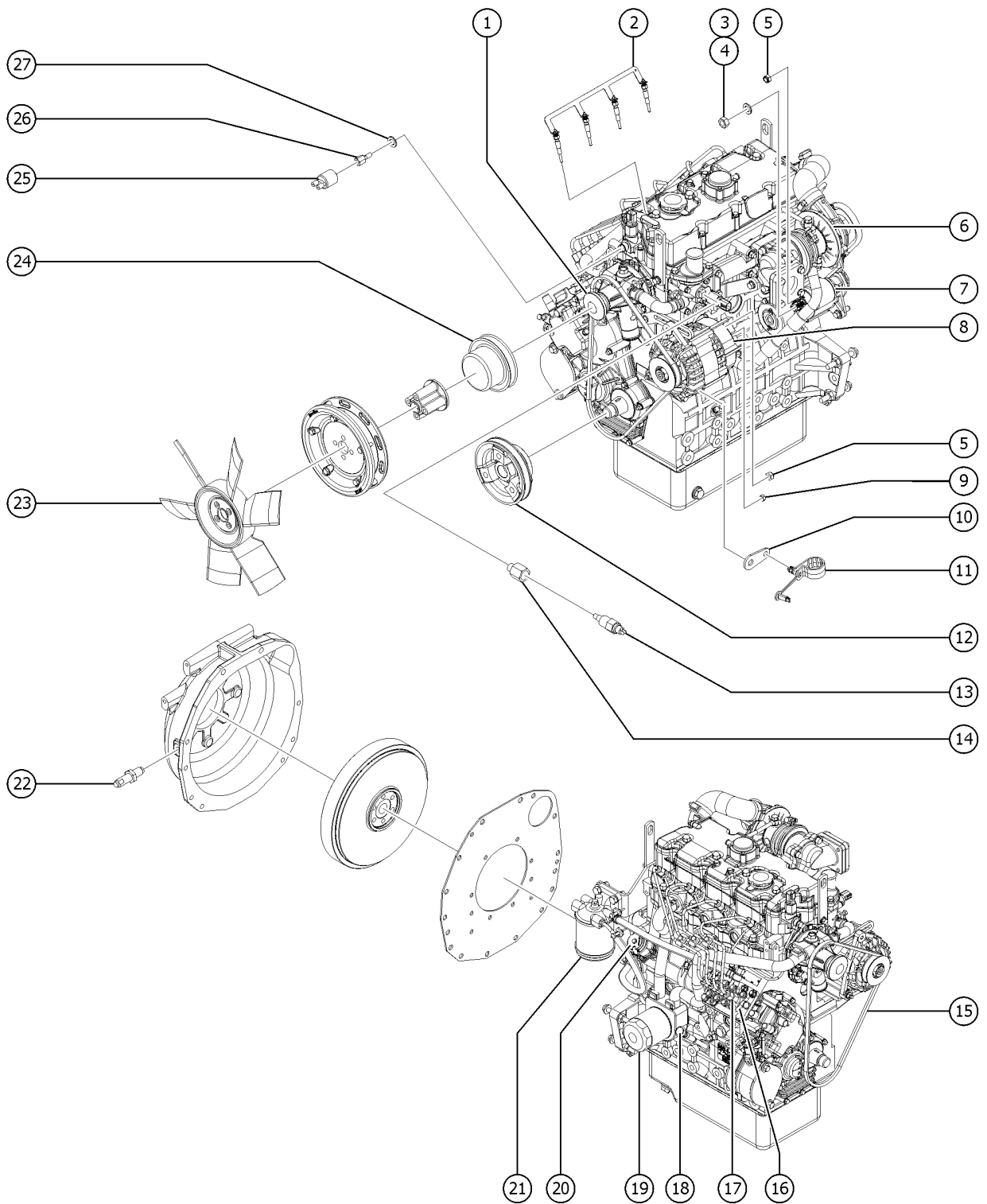


414.1 Perkins 404D-22T Engine - View 2



<i>Item</i>	<i>Part No.</i>	<i>Description</i>	<i>Qty.</i>
23	1258568GT	MOUNT,MUFFLER,PERKINS 404D-22T	1
24	70483GT	FORMING,8.5' MUFFLER MOUNT	2
25	1253487GT	ADAPTER, 2" TO 1.8", PERK 404F	1
26	70444GT	MUFFLER,2.5"INLET/OUTLET	1
27	1257995GT	WELDMENT,EXHAUST PIPE,PERKINS	1
28	824133GT	SCREW,HHF,M8-1.25X25,DIN6921,10.9,ZAB	4

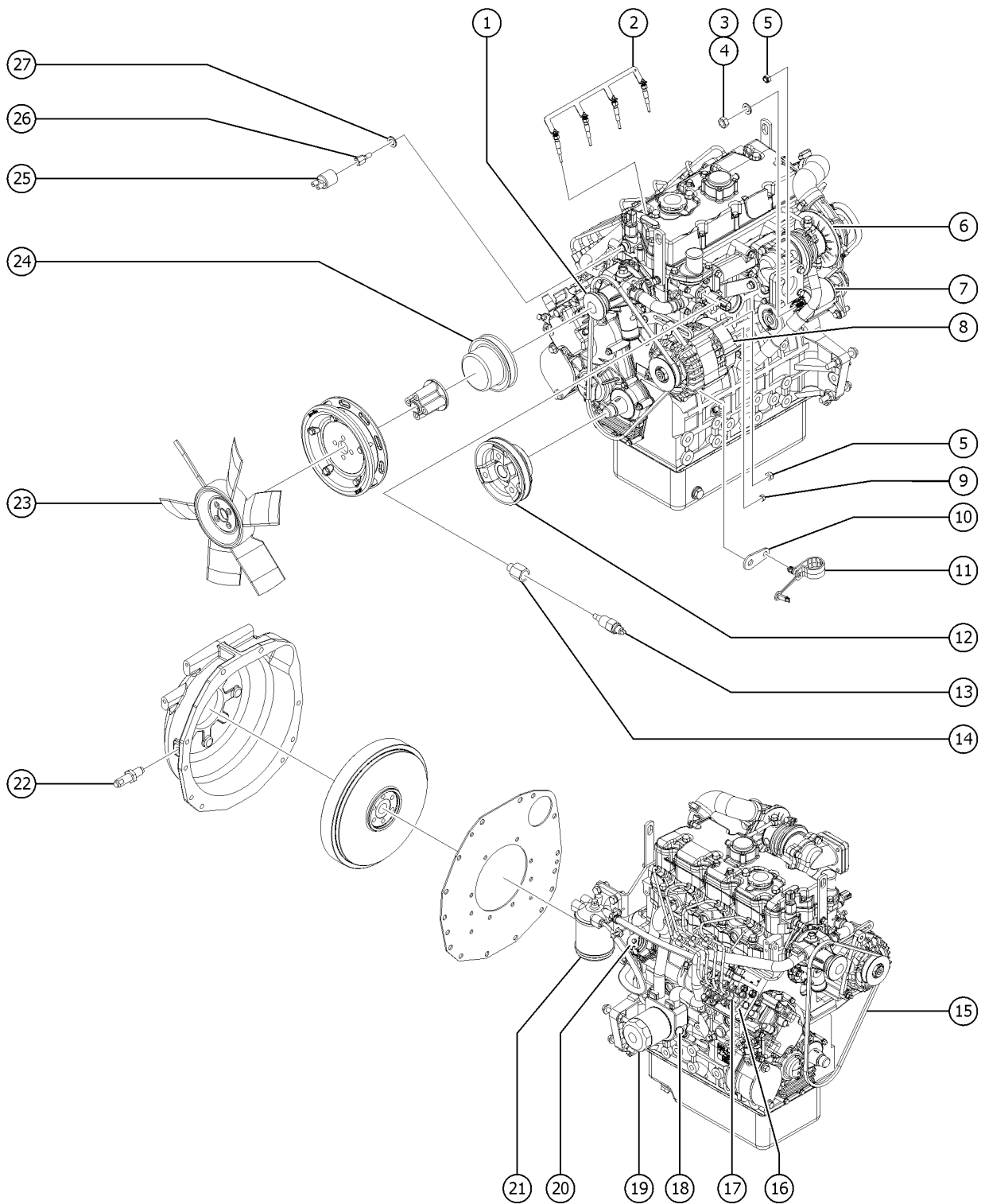
415.1 Perkins 404D-22T Engine - View 3



Item	Part No.	Description	Qty.
A		Due to Tier 4 regulations, many engine replacement parts require engine serial number at time of order placement. When ordering engine parts please have both machine and engine serial numbers available. For internal engine parts, contact engine dealer.	
1	1262503GT	WATER PUMP,PERKINS 404D-22T	1
2	1262471GT	GLOWPLUG,ENGINE,PERKINS 404D/F	1
3	22571GT	NUT,HEX,M8 X 1.25	1
4	33277GT	WASHER,FLAT,M8,YELLOW ZINC	1
5	49364GT	NUT,NYLOCK,M6X1.00	2
6	1262022GT	TURBOCHARGER,PERKINS 404D-22T	1
7	1262585GT	STARTER MOTOR,PERKINS 404D	1
8	1262486GT	ALTERNATOR,PERKINS 404D/F-22T	1
9	27082GT	NUT, NYLOCK, M5 X .80	2
10	1259757GT	WIRE MANAGEMENT, WIRE LOOM SUP	1
11	121603GT	CLAMP,FIXED DIA.NYLON,.875"	1
12	1262494GT	CRANKSHAFT PULLEY,PERKIS 404D-	1
13	34058GT	SENDING UNIT,TMP,FRD,GM,PRK704	1
14	1260414GT	ADAPTER, BSPT3/8"-19 TO NPTF1/2-14	1
15	89765GT	BELT, V (PERKINS 404)	1
16	1261980GT	FUEL INJECTOR PUMP,PERKINS 404	1
17	1262017GT	ATOMISER (FUEL INJECTOR),PERKI	1
18	1262478GT	DIPSTICK,PERKINS 404D-22T	1
19	1262047GT	OIL FILTER,PERKINS 404D/F-22T	1
20	72348GT	PUMP,LIFT(FUEL) PERKINS(54555)	1
21	1262484GT	FUEL FILTER ASSY,PERKINS 404D/	1
22	1281137GT	ASSEMBLY, SPEED SENSOR	1
23	1252686GT	FAN,10 BLADE,17",PERKINS 404F-	1
24	1262050GT	WATER PUMP PULLEY,PERKINS 404D	1
25	102348GT	SENDING UNIT,OIL PRESS PERKINS	1
26	139936GT	ADAPTER,EYEBOLT	1



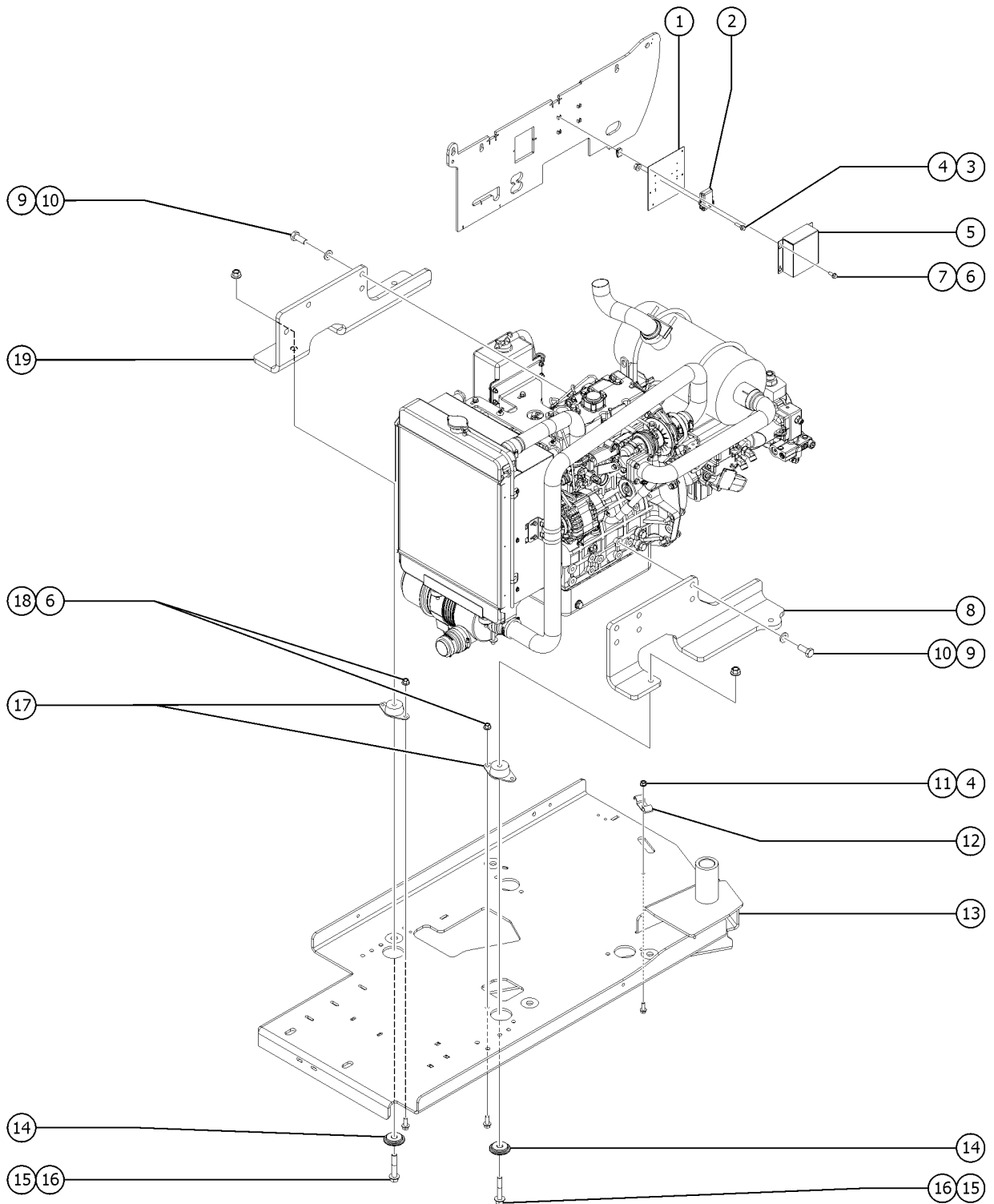
415.1 Perkins 404D-22T Engine - View 3



<i>Item</i>	<i>Part No.</i>	<i>Description</i>	<i>Qty.</i>
27	101085GT	GASKET	1



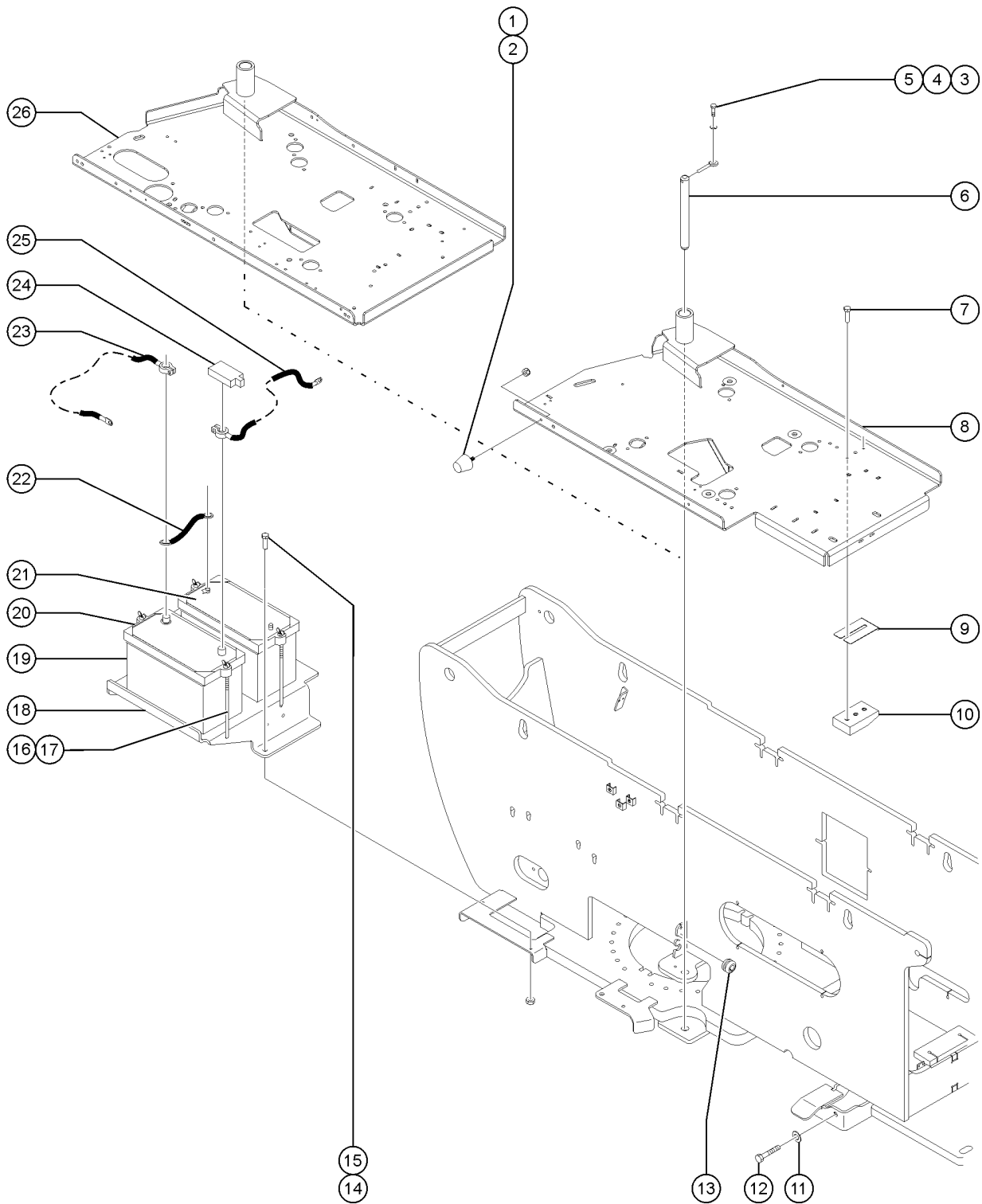
416.1 Perkins 404D-22T Engine - View 4



Item	Part No.	Description	Qty.
A		Due to Tier 4 regulations, many engine replacement parts require engine serial number at time of order placement. When ordering engine parts please have both machine and engine serial numbers available. For internal engine parts, contact engine dealer.	
1	826212GT	PLATE, ECM MOUNT, Z80	1
2	1262052GT	ENGINE CONTROL GOV,PERKINS 404	1
3	824079GT	SCREW,HHF,1/4-20X1,8,ZAG	2
4	824027GT	NUT, TL FLG, 1/4-20, G, ZAG	3
5	826211GT	FORMING, ECM COVER, Z80	1
6	824090GT	SCREW,HHF,3/8-16X1,8,ZAG	12
7	29868GT	SPRING CLIP,3/8-16,.05-.20X.73,ZAG	4
8	1253574GT	FORMING, ENGINE MOUNT, LH	1
9	1257705GT	SCREW,HHC,M14-1.5X35,DIN961,10	10
10	1257810GT	WASHER,FLAT,M14,DIN6916,HRD,ZAB	10
11	824078GT	SCREW,HHF,1/4-20X.75,8,ZAG	1
12	75289GT	CLAMP,HOSE,1/2" DOUBLE	1
13		REF.WLDMT, ENGINE TRAY, Z80 T4 DEU (Refer to 417.1)	1
14	102066GT	CASTING,WASHER,REBOUND	4
15	1257862GT	SCREW,HHF,1/2-13X2.75,8,ZAG	4
16	1251997GT	NUT,TL FLG,1/2-13,G,ZAG	4
17	70452GT	ISOLATOR,ENGINE VIBRATION	4
18	824029GT	NUT,TL FLG,3/8-16,G,ZAG	8
19	1253573GT	FORMING, ENGINE MOUNT, RH	1



417.1 Engine Tray and Battery

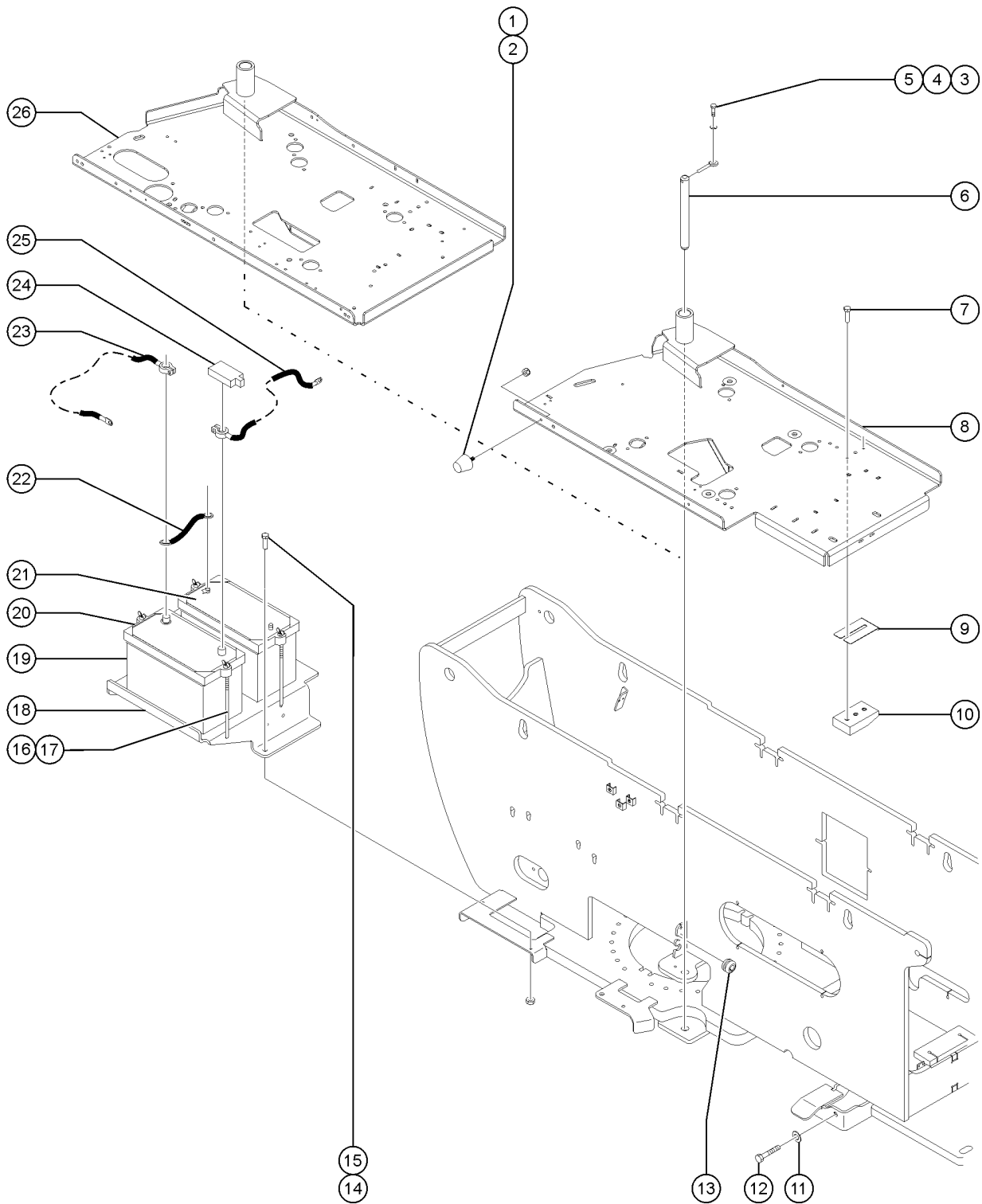


417.1 Engine Tray and Battery

Item	Part No.	Description	Qty.
-	237068GT	SEPARATOR,DUAL BATTERY,100A	
-	214393GT	KIT, BATT SEPARATOR, ANSI/CSA	
		includes part 237068	
-	215209GT	KIT, BATT SEPARATOR, CE	
		includes part 237068	
-	215210GT	KIT, BATT SEPARATOR, AS	
		includes part 237068	
-	81878GT	HARNESS,#8AWG BATT TO SEPERATR	
-	88154GT	HARNESS,BATT TO APU SOLENOID	
-	1291549GT	CABLE, JUMPER, GROUND, Z80 DEUTZ TIER3	
		Deutz TD2011L04i (from SN Z80H-7670)	
1	30973GT	BUMPER,RUBBER-1 X 1.25	2
2	1274167GT	NUT,NYLOCK FLG,5/16-18,F,ZAG	2
		(from SN Z80H-7148)	
3	6175GT	SCREW,HHC,3/8-16 X 1	
		(to SN Z80H-7147)	
3B	824068GT	SCREW,HHC,3/8-16X1.25,8,ZAG	1
		(from SN Z80H-7148)	
4	6021GT	WASHER,LOCK,.375	
		(to SN Z80H-7147)	
5	825019GT	ROD END, .375X3.69, ZAG	
6	81724GT	PIN,1.25 X 13.25 IN,CHAMFER	1
7	824090GT	SCREW,HHF,3/8-16X1,8,ZAG	3
7B	824089GT	SCREW, HHF, 3/8-16 X .75, 8, ZAG.	3
		Perkins 404F-E22TA models only	
7C	824068GT	SCREW,HHC,3/8-16X1.25,8,ZAG	3
		Deutz TCD 2.2L, Stage V models only	
7C-	824110GT	WASHER, LOCK, 3/8, ZAG	
		Deutz TCD 2.2L, Stage V models only	
8	825240GT	WLDMT, ENGINE TRAY, Z80 T4 DEU	1
		GM 3.0 L, Perkins 404TD-22, Deutz TD 2.9L4, Perkins 404F-E22TA, Deutz TCD 2.2L, Stage V	
9	34344GT	SHIM,SIDE PAD 16GA. 3 X 5	
10	81522GT	WEAR PAD,ENGINE TRAY	1
11	824115GT	WASHER,FLAT,5/8,USS,ZAG	1
		(from SN Z80H-7148)	
12	1260372GT	SCREW,HHC,5/8-11X1.75,8,ZAG	1
		(from SN Z80H-7148)	
13	61189GT	GROMMET,RUBBER .75 X .38 X1.13	2
14	4828GT	NUT,NYLOCK,3/8-16	
		(to SN Z80H-7147)	
14B	1274322GT	NUT,NYLOCK FLG,3/8-16,F,ZAG	2
		(from SN Z80H-7148)	
15	6019GT	SCREW,HHC,3/8-16 X 1.25 GRD 5	2
		(to SN Z80H-7147)	
15B	824091GT	SCREW,HHF,3/8-16X1.25,8,ZAG	2
		(from SN Z80H-7148)	



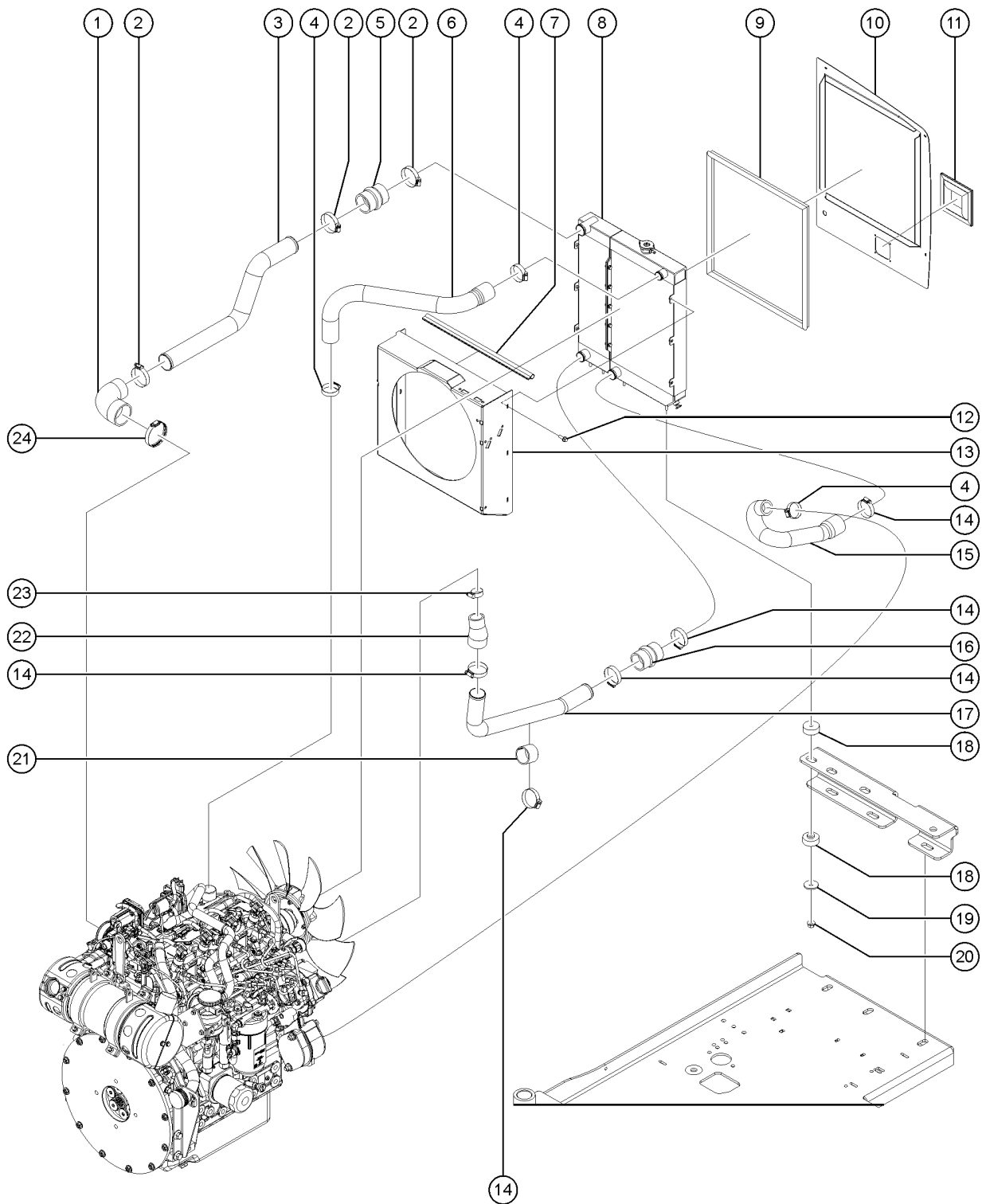
417.1 Engine Tray and Battery



417.1 Engine Tray and Battery

Item	Part No.	Description	Qty.
16	45708GT	HOOK,BATT HOLD DOWN,10"	4
17	8170GT	NUT,WING,1/4-20	4
		(to SN Z80H-7147)	
18	102343PGT	BATTERY TRAY,FORMING,PAINTED	1
19	77694GT	BATTERY,12V DEEP CYC 5/16"STUD	1
20	30144GT	BATTERY HOLD DOWN,GROUP 31	2
21	30143GT	BATTERY,12V,1000 CCA GRP 31	1
22	81562GT	HARNESS,GND,BATT 1 TO BATT 2**	1
23	88157GT	BATTERY CABLE,2/0,BLACK,64"	1
		Deutz (to SN Z80H-7669)	
23-	1291548GT	BATTERY CABLE, 2/0, BLACK, 73"	1
		Deutz TD2011L04i (from SN Z80H-7670)	
23-	1291615GT	BATTERY CABLE, 2/0, BLACK, 69"	1
		Deutz Tier 4 (from SN Z80H-7670)	
23-	88157GT	BATTERY CABLE,2/0,BLACK,64"	1
		Perkins models	
24	18189GT	BOOT,BATTERY TERMINAL,RED	1
25	88158GT	BATT.CABLE,00,POS.,RED,76"	1
		Deutz, Perkins models	
26	70462GT	WELDMENT,ENGINE TRAY***	1
		Deutz, TD2011L04i	

418.1 Perkins 404F-E22TA Engine - View 1 (from SN Z80H-7552)

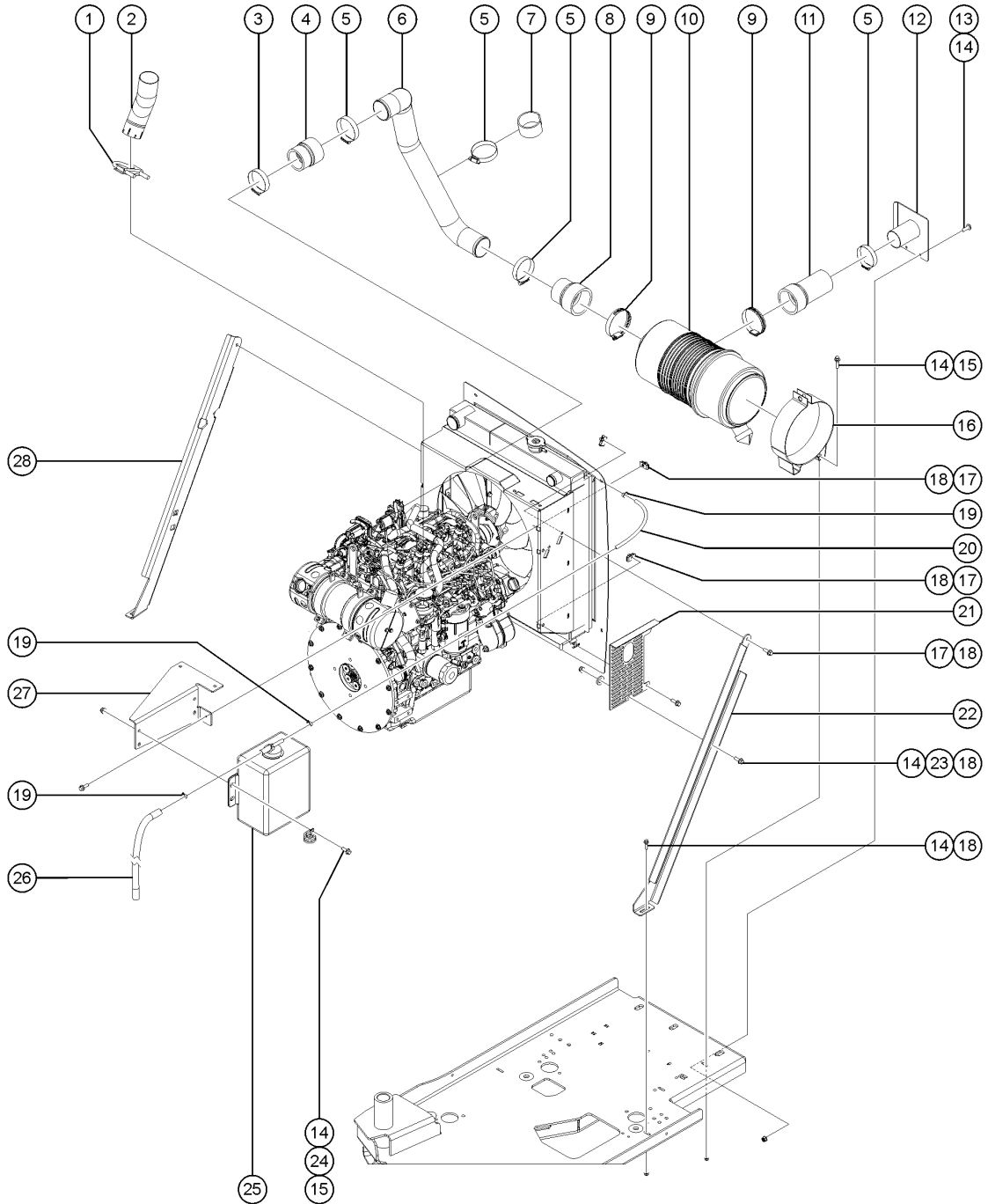


418.1 Perkins 404F-E22TA Engine - View 1 (from SN Z80H-7552)

Item	Part No.	Description	Qty.
1	1285406GT	ADAPTER, ELBOW, 2IN X 2.4IN	1
2	35434GT	CLAMP,HOSE,2.00***	3
3	1285265GT	TUBE, AIR, CAC TO INTAKE	1
4	119053GT	CLAMP,HOSE,1.50	3
5	1285481GT	COUPLER, 2.00", HUMP, LT SILICONE, BLUE	1
6	1285269GT	HOSE, UPPER RADIATOR	1
7	119219GT	TRIM,EDGE,1/8X3/4 END BULB	23
		Qty. 2	
8	1285603GT	ASSEMBLY, COOLERS, CAC AND RAD	1
9	119219GT	TRIM,EDGE,1/8X3/4 END BULB	93
10	1287818GT	FORMING, BAFFLE, Z80, 404F-E22TA	1
11	119219GT	TRIM,EDGE,1/8X3/4 END BULB	12
12	824078GT	SCREW,HHF,1/4-20X.75,8,ZAG	6
13	1294251GT	WELDMENT, SHROUD, 404F-E22TA	1
14	22672GT	CLAMP,HOSE,1.75	5
15	1285270GT	HOSE, LOWER RADIATOR	1
16	1285480GT	COUPLER, 1.75", HUMP, HT SILICONE, RED	1
17	1285264GT	TUBE, AIR, TURBO TO CAC	1
18	24038GT	SHOCK MOUNT,SMALL	8
19	824120GT	WASHER,FLAT, .375X1.50X.125,ZAG	4
20	1274322GT	NUT,NYLOCK FLG,3/8-16,F,ZAG	4
21	1287140GT	RUBBER, PIPE CUSHION	1
22	1285268GT	ADAPTER, TURBO OUTLET	1
23	36208GT	CLAMP,HOSE,1.25***	1
24	45435GT	CLAMP,HOSE,2.50"	1



419.1 Perkins 404F-E22TA Engine - View 2 (from SN Z80H-7552)

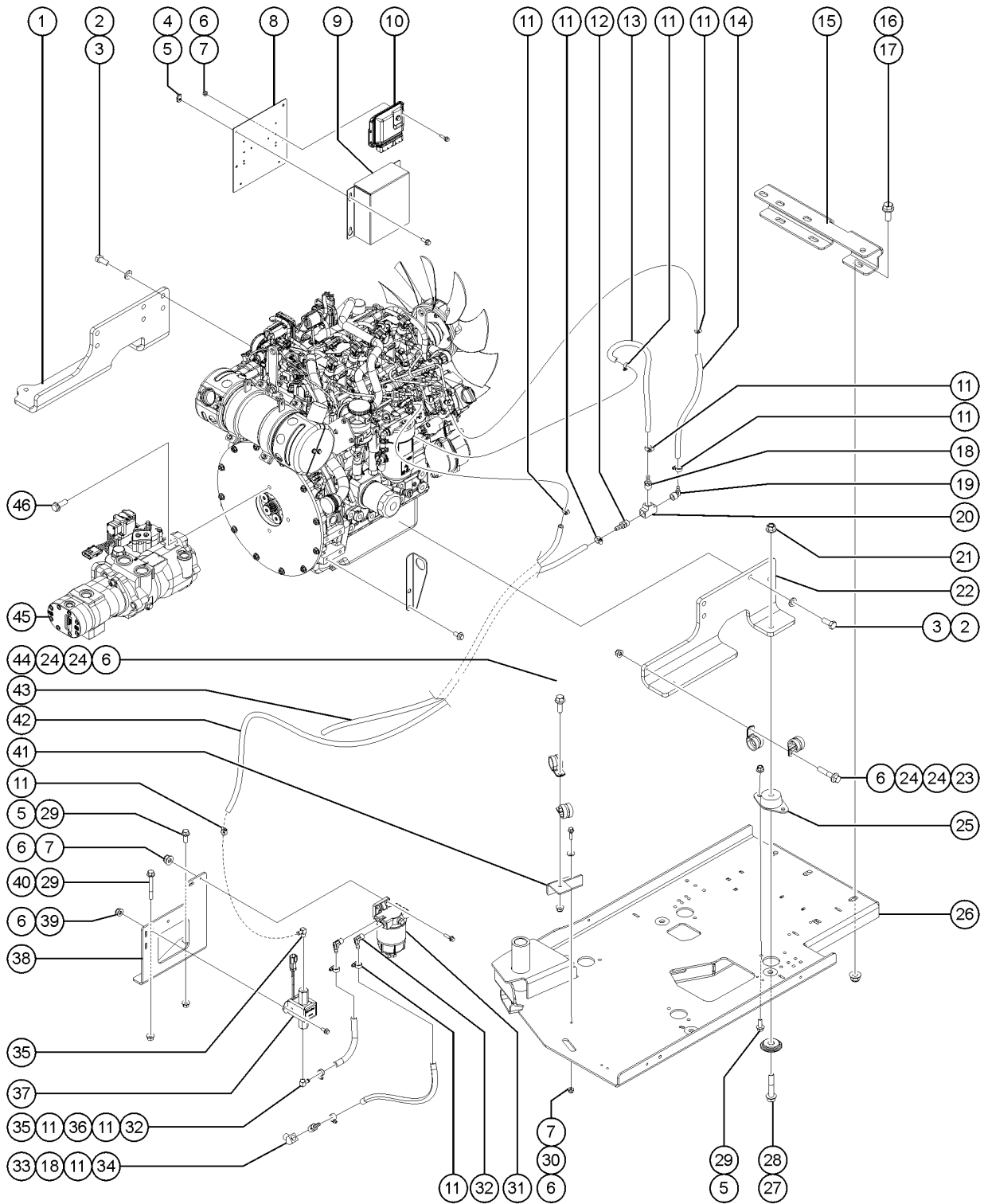


419.1 Perkins 404F-E22TA Engine - View 2 (from SN Z80H-7552)

Item	Part No.	Description	Qty.
1	102121GT	CLAMP,MUFFLER,1-7/8 IN.	1
2	1287778GT	TUBE, TAILPIPE, 404F-E22TA, Z80	1
3	22672GT	CLAMP,HOSE,1.75	1
4	1253487GT	ADAPTER, 2" TO 1.8", PERK 404F	1
5	35434GT	CLAMP,HOSE,2.00***	4
6	1285263GT	TUBE, AIR, CLEANER TO TURBO	1
7	1287140GT	RUBBER, PIPE CUSHION	1
8	216150GT	ADAPTER, AIR HOSE, PERK 404F	1
9	45435GT	CLAMP,HOSE,2.50"	2
10	63463GT	AIR CLEANER,NELSON***	1
11	1286204GT	ADAPTER, AIR CLEANER, 2.50 X 2.00	1
12	1253431GT	WELDMENT,INTAKE,PERKINS 404F-	1
13	1260984GT	SCREW,PHPM,1/4-20X.75,ZAG	2
14	1277924GT	NUT,NYLOCK FLG,1/4-20,F,ZAG	11
15	824079GT	SCREW,HHF,1/4-20X1,8,ZAG	6
16	53952GT	BRKT,AIR CLEANER ORIENTATION**	1
17	56912GT	SPRING CLIP,1/4-20,.025-.15X.5	8
18	824078GT	SCREW,HHF,1/4-20X.75,8,ZAG	11
19	21465GT	CLAMP,HOSE,SIZE .25 TO .63	3
20	1294296GT	HOSE, HEATER, 1/4", S/Z80, PERKINS	1
21	1289890GT	FORMING, FAN GUARD, 404F-E22TA	1
22	1286205GT	FORMING, STRUT, COOLER, SUPPORT	1
23	824113GT	WASHER,FLAT,1/4,USS,ZAG	1
24	13268GT	CLAMP,0.75,#12 X 1/4,RUB CUSH	1
25	70367GT	BOTTLE,COOLANT RECOVERY,3.7***	1
26	106226GT	TUBING,VINYL,1/2" CLEAR	38
27	1286206GT	FORMING, OVERFLOW BOTTLE MOUNT	1
28	1285267GT	FORMING, STRUT, COOLER SUPPORT, LEFT	1



420.1 Perkins 404F-E22TA Engine - View 3 (from SN Z80H-7552)

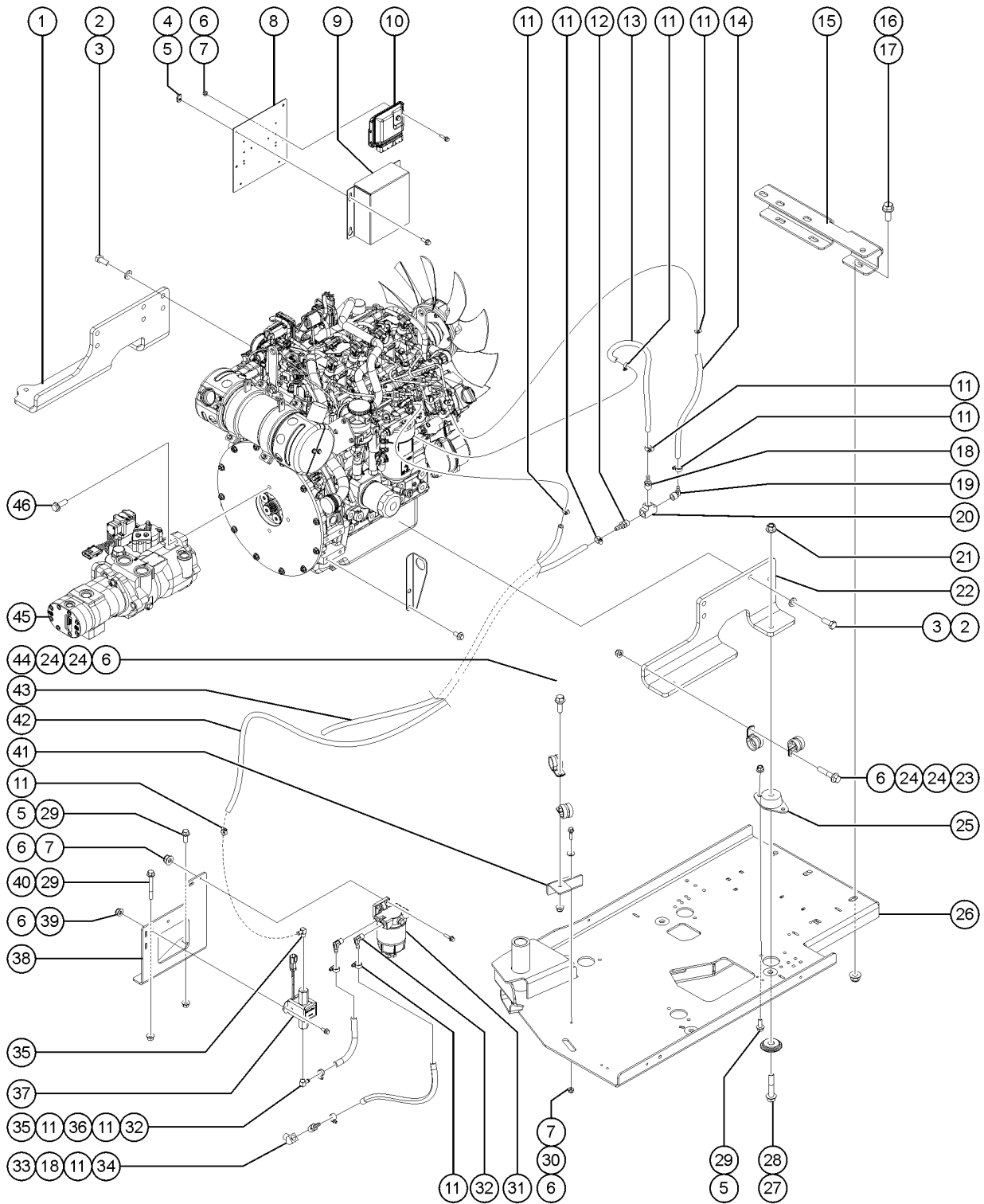


420.1 Perkins 404F-E22TA Engine - View 3 (from SN Z80H-7552)

Item	Part No.	Description	Qty.
1	1253574GT	FORMING, ENGINE MOUNT, LH	1
2	1257705GT	SCREW,HHC,M14-1.5X35,DIN961,10	10
3	1257810GT	WASHER,FLAT,M14,DIN6916,HRD,ZAB	10
4	29868GT	SPRING CLIP,3/8-16,.05-.20X.73,ZAG	4
5	824090GT	SCREW,HHF,3/8-16X1,8,ZAG	13
6	1277924GT	NUT,NYLOCK FLG,1/4-20,F,ZAG	11
7	824079GT	SCREW,HHF,1/4-20X1,8,ZAG	7
8	826212GT	PLATE, ECM MOUNT, Z80	1
9	826211GT	FORMING, ECM COVER, Z80	1
10		ECU, 404F-E22TA, CONTINUOUS (This part is serialized, contact Genie Parts Sales with full model and SN of both the unit and engine)	1
11	21465GT	CLAMP,HOSE,SIZE .25 TO .63	11
12	27901GT	HOSE END,BARBED,RIGID,-6-6	1
13	1290920GT	HOSE, FUEL, 5/16, MAIN FILTER RELIF TO T	1
14	1290921GT	HOSE, FUEL, 1/4, INJECTOR DRAIN TO T	1
15	1285266GT	FORMING, COOLER MOUNT	1
16	1253208GT	SCREW,HHF,5/8-11X1.5,8,ZAG	3
17	1283007GT	NUT,NYLOCK FLG,5/8-11,F,ZAG	3
18	54124GT	HOSE END,BARB,3/8 MNPT X 5/16	2
19	824874GT	FITTING,3/8NPT TO 1/4BARB,90	1
20	1287879GT	FITTING, TEE, 3/8 FEMALE NPT	1
21	1274172GT	NUT,NYLOCK FLG,1/2-13,G,ZAG	4
22	1253573GT	FORMING, ENGINE MOUNT, RH	1
23	824080GT	SCREW,HHF,1/4-20X1.25,8,ZAG	1
24	16073GT	CLAMP,0.63,#10 X 1/4,RUB CUSH	4
25	70452GT	ISOLATOR,ENGINE VIBRATION	4
26	825240GT	WLDMT, ENGINE TRAY, Z80 T4 DEU (Refer to 417.1)	1
27	1257862GT	SCREW,HHF,1/2-13X2.75,8,ZAG	4
28	102066GT	CASTING,WASHER,REBOUND	4



420.1 Perkins 404F-E22TA Engine - View 3 (from SN Z80H-7552)

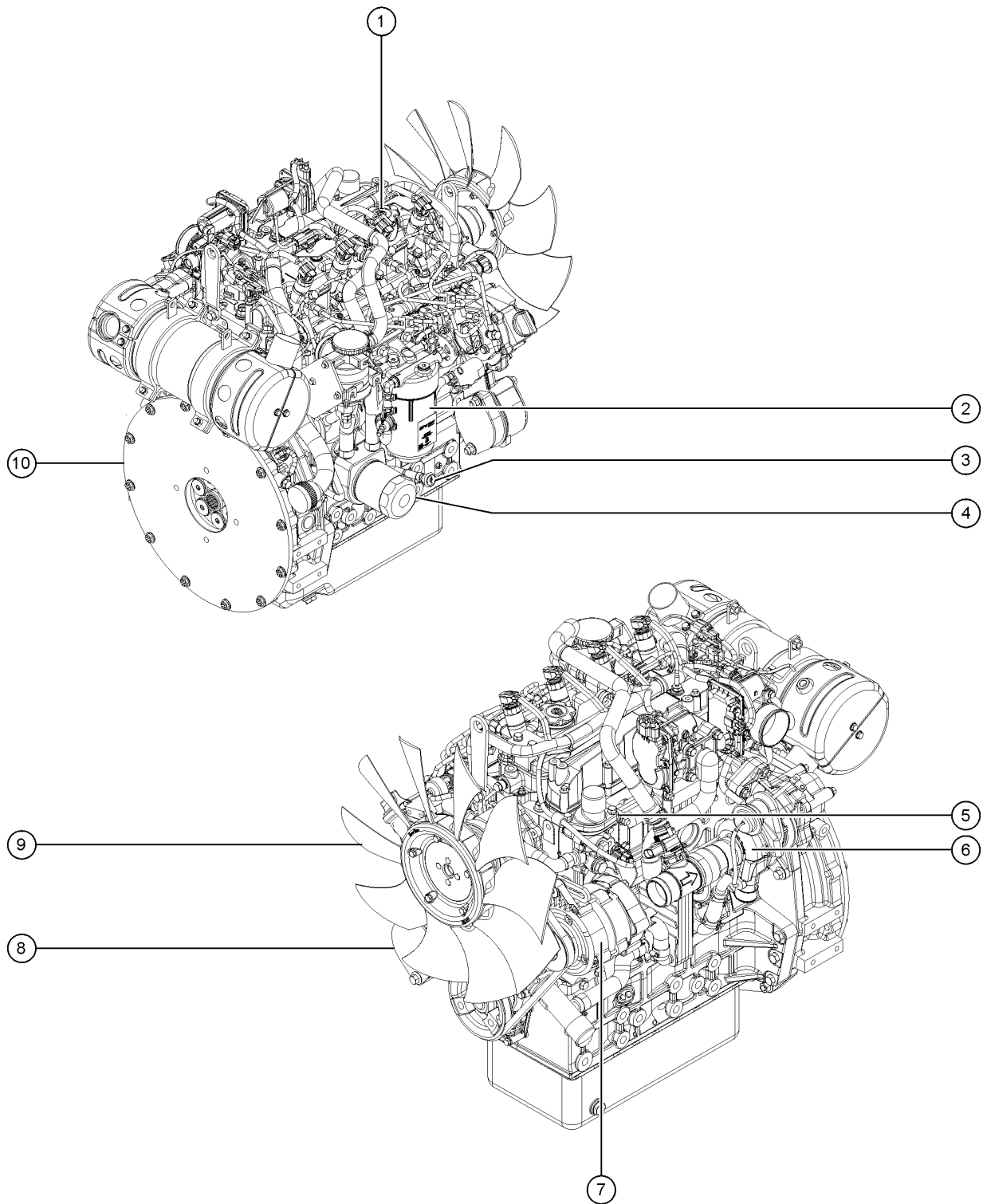


420.1 Perkins 404F-E22TA Engine - View 3 (from SN Z80H-7552)

Item	Part No.	Description	Qty.
29	1274322GT	NUT,NYLOCK FLG,3/8-16,F,ZAG	10
30	824113GT	WASHER,FLAT,1/4,USS,ZAG	1
31	147826GT	SEPRTR/FLTR,FUEL DSL,15GPH,,30	1
31-	62433GT	FILTER,ELEMENT,30 MIC,75020	
32	54205GT	HOSE END,BARB,1/4 MNPTX5/16,90	2
33	22348GT	ELBOW,130339-6-6	1
34	1294657GT	HOSE, TANK TO FILTER	1
35	38922GT	ELBOW,90DEG.1/8MPT-5/16 BARB	2
36	1290918GT	HOSE, FUEL, 5/16, PREFILTER TO ELP	1
37	1285222GT	FUEL PUMP,LIFT,PERKINS 404F-E22T	1
38	1294656GT	FORMING, FUEL FILTERS MOUNT	1
39	1256855	SCREW,HHF,1/4-20X.625,8,ZAG	2
40	824095GT	SCREW, HHF, 3/8-16 X 3, 8, ZAG	1
41	1288215GT	FORMING, BRACKET, FUEL, LINE SUPPORT	1
42	1294659GT	HOSE, MANIFOLD TO TANK	1
43	1294658GT	HOSE, FILTER TO ENGINE	1
44	824078GT	SCREW,HHF,1/4-20X.75,8,ZAG	1
45		Ref. Pumps (Refer to 708.1)	1
46	123167GT	FLGHCS,1/2-13X1.50,GR8,BLK PH	2



421.1 Perkins 404F-E22TA Engine - View 4 (from SN Z80H-7552)

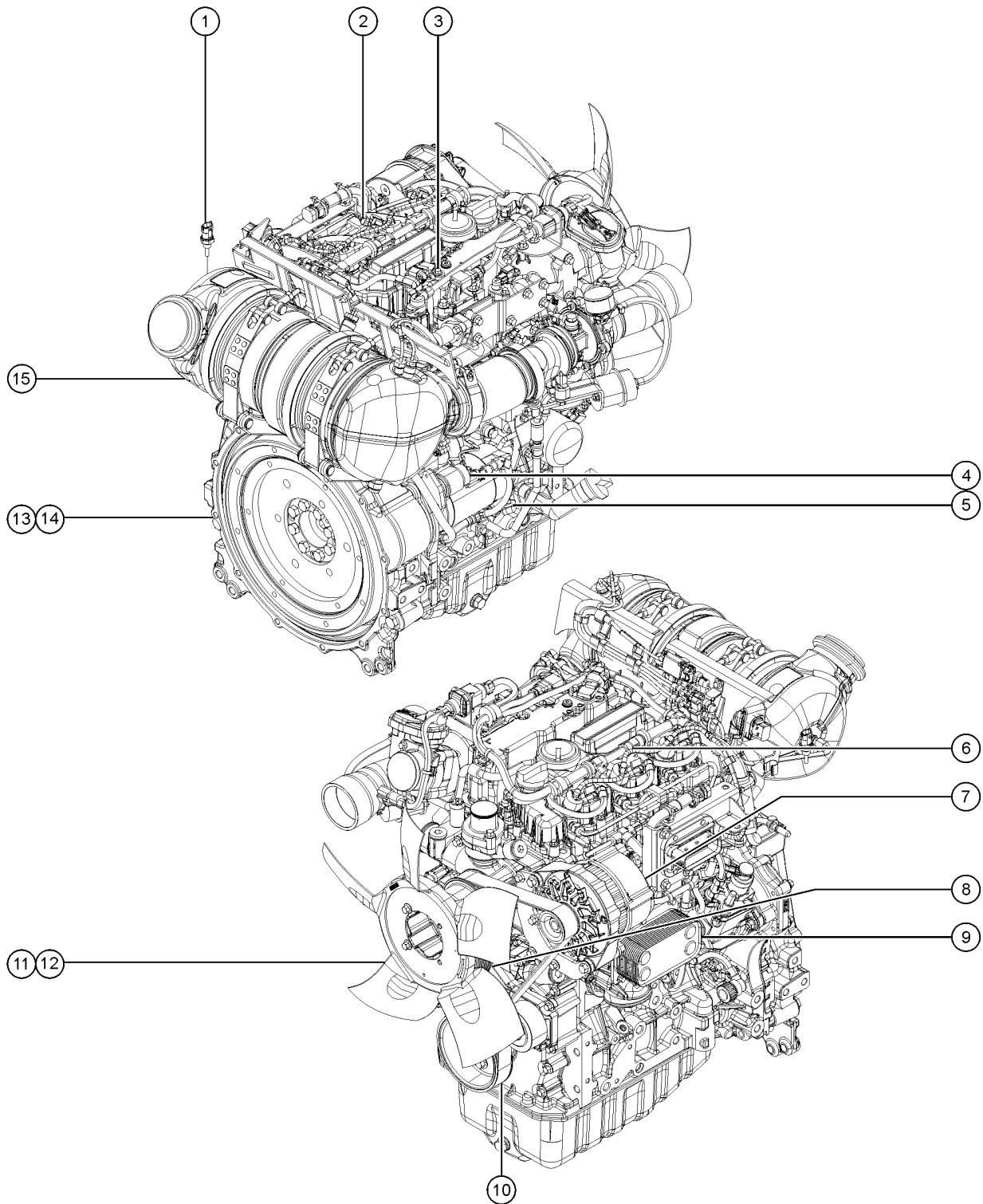


421.1 Perkins 404F-E22TA Engine - View 4 (from SN Z80H-7552)

Item	Part No.	Description	Qty.
-	1297341GT	SWITCH, PRESSURE, OIL, PERKINS	1
-	1297342GT	SUMP, OIL, PERKINS	1
-	1297343GT	SENSOR, TEMPERATURE, WATER, PERKINS	1
-	1297344GT	MANIFOLD, INTAKE, PERKINS	1
-	1297345GT	MANIFOLD, EXHAUST, PERKINS	1
-	1251819GT	GASKET,EXHAUST MANIFOLD,PERK	1
-	1297348GT	PUMP, PRESSURE, PERKINS	1
-	1291207GT	INJECTOR, PERKINS	1
-	1291208GT	TURBOCHARGER, 67HP, PERKINS	1
-	1291210GT	GLOW PLUGS, PERKINS	1
-	1297351GT	PUMP, INJECTOR, PERKINS	1
1	65636GT	CAP, OIL FILLER	1
1-	65638GT	SEAL, OIL FILLER CAP	1
2	1291205GT	FILTER, PRIMARY, FUEL, PERKINS	1
2-	1297346GT	ASSEMBLY, PREFILTER, FUEL, PERKINS	1
3	1297340GT	DIPSTICK, PERKINS	1
4	94762GT	OIL FILTER - PERKINS	1
5	128991GT	THERMOSTAT	1
6	1252940GT	STARTER,PERKINS 404F	1
7	1251814GT	ALTERNATOR - 85 AMP, INT REGU	1
7-	1297349GT	BRACKET, ALTERNATOR, PERKINS	1
8	1252942GT	PUMP,WATER,PERKINS 404F	1
8-	77482GT	PULLEY, WATER PUMP	1
9	1252686GT	FAN,10 BLADE,17",PERKINS 404F-	1
9	1291206GT	BELT, FAN, PERKINS	1
9	1297350GT	PULLEY, FAN, PERKINS	1
10	1297339GT	GEAR, RING, FLYWHEEL\STARTER, PERKINS	1



422.1 Deutz TCD 2.2L, Stage V - View 1 (from SN Z80H-7733)

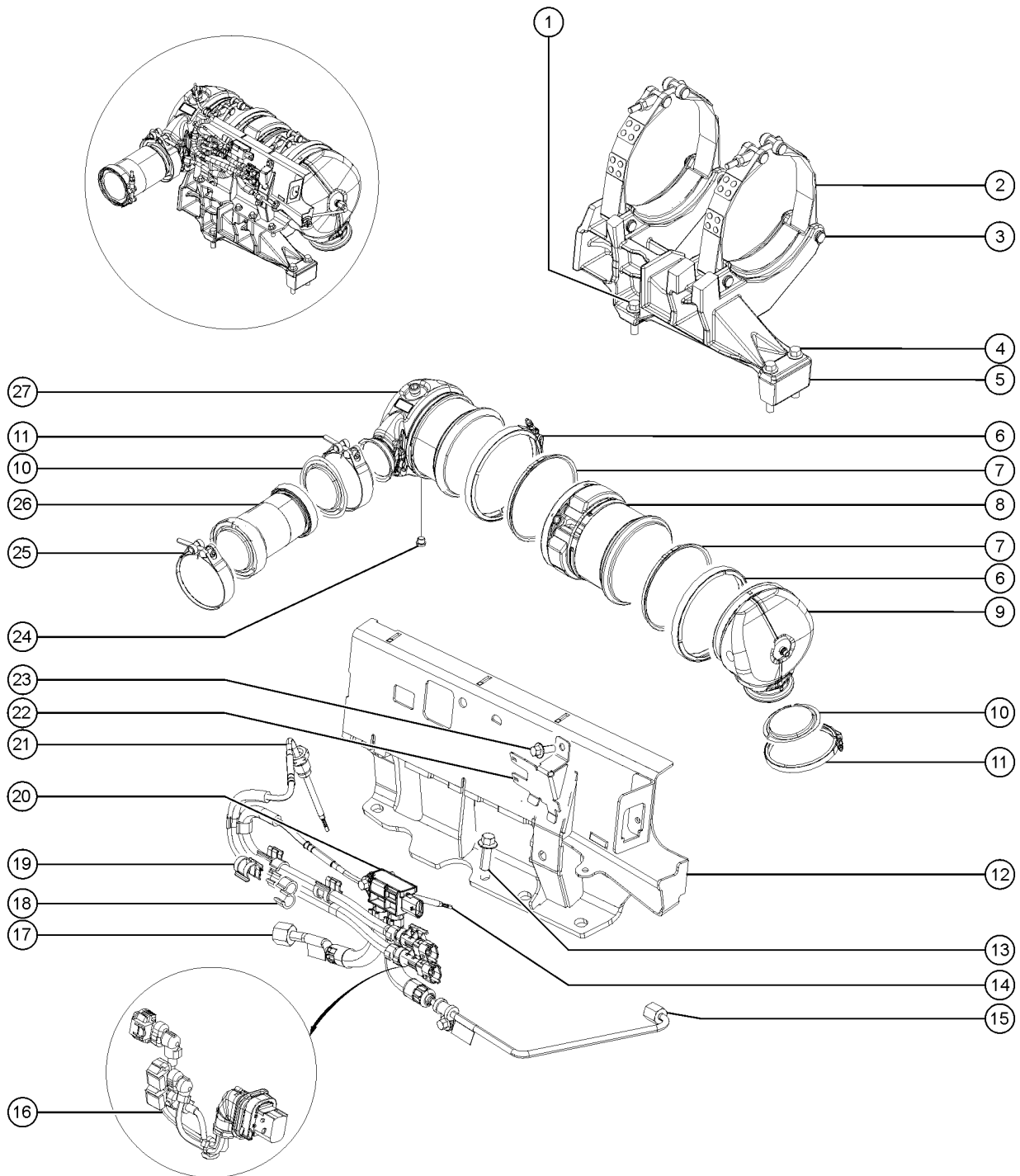


422.1 Deutz TCD 2.2L, Stage V - View 1 (from SN Z80H-7733)

Item	Part No.	Description	Qty.
-		Due to Stage V regulations, many engine replacement parts require the engine serial number at time of order placement. When ordering engine parts please have both machine and engine serial numbers available. For internal engine parts, contact engine dealer	
1	825693GT	COOLANT TEMP SENSOR,TD2.9	1
2	1261237GT	SENSOR,FUEL PRESSURE	1
2-	1262893GT	O-RING, OIL PRESSURE SENSOR	
3	1262896GT	SENSOR,INTAKE AIR PRESSURE	1
3-	1262897GT	O-RING, INTAKE AIR PRESSURE SENSOR	
4	1300704GT	STARTER	1
5	825708GT	DIPSTICK,TD2.9	1
6	1300706GT	CABLE HARNESS	1
7	07.0501.0051GT	ALTERNATOR	1
8	1300713GT	ADAPTER	1
9	1300707GT	OIL COOLER	1
10	1293934GT	Belt	1
11	1294968GT	FAN, 430MM	1
12	1294091GT	HEXAGON BOLT	4
13	89785GT	RING GEAR,DEUTZ F3L2011F	1
14	1262873GT	BOLT, DEUTZ FLYWHEEL	8
15		REF. DPF (Refer to 423.1)	



423.1 Deutz TCD 2.2L, Stage V - View 2 (from SN Z80H-7733)

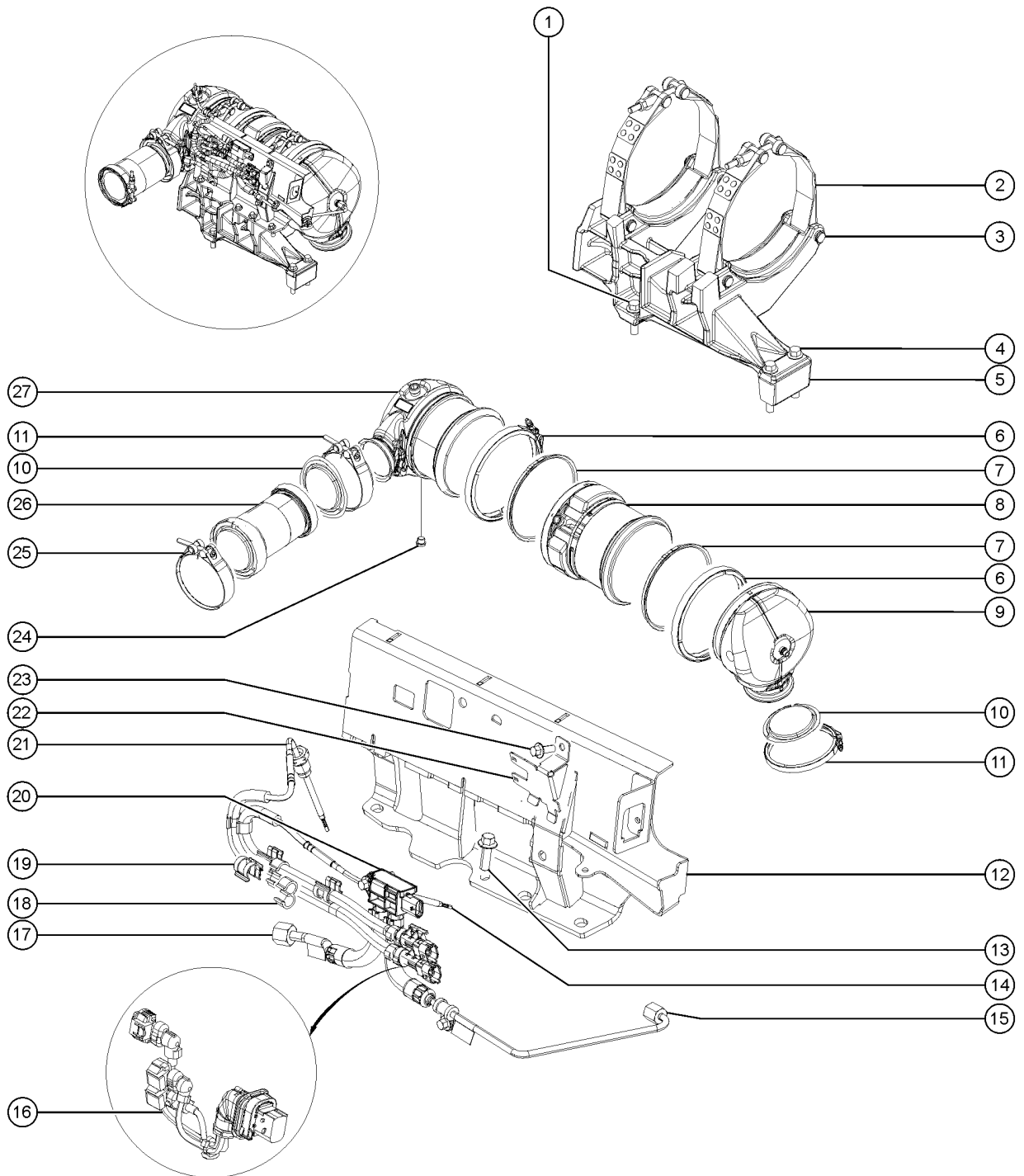


423.1 Deutz TCD 2.2L, Stage V - View 2 (from SN Z80H-7733)

Item	Part No.	Description	Qty.
-		Due to Stage V regulations, many engine replacement parts require the engine serial number at time of order placement. When ordering engine parts please have both machine and engine serial numbers available. For internal engine parts, contact engine dealer	
1	1297249GT	SCREW M10x38	2
2	1297244GT	STRAP W/SCREW	2
3	1297245GT	CIRCLIP	8
4	1297251GT	SCREW M10x65	2
5	1297250GT	BRACKET	1
6	1297261GT	CLIP	2
7	1297262GT	GASKET	2
8	1297263GT	PARTICULATE FILTER	1
9	1297264GT	DPF OUTLET	1
10	1257377GT	GASKET,MIXING PIPE,TCD3.6 T4F	2
11	825015GT	CLAMP, T4 TCD3.6 DOC	2
12	1297256GT	SHEET / PLATE	1
13	1293871GT	HEXAGON BOLT	3
14	07.4501.0252GT	TEMPERATURE SENSOR	1
15	1297252GT	TUBE	1
16	1297243GT	INTERCONNECTING PIPE	1
17	1297247GT	TUBE	1
18	1297248GT	HOSE CLIP	2
19	1297254GT	CLAMP	4
20	1297253GT	PRESSURE SENSOR	1
21	1257779GT	SENSOR,EXH,TEMP,TCD3.6 T4F	1
22	1297257GT	RETAINING PLATE	1
23	1297255GT	SCREW M6x12	1
24	1297258GT	PLUG	1
25	824775GT	CLAMP,TURBO OUTLET-TURBO PIPE,	1
26	1300708GT	COMPENSATOR	1



423.1 Deutz TCD 2.2L, Stage V - View 2 (from SN Z80H-7733)

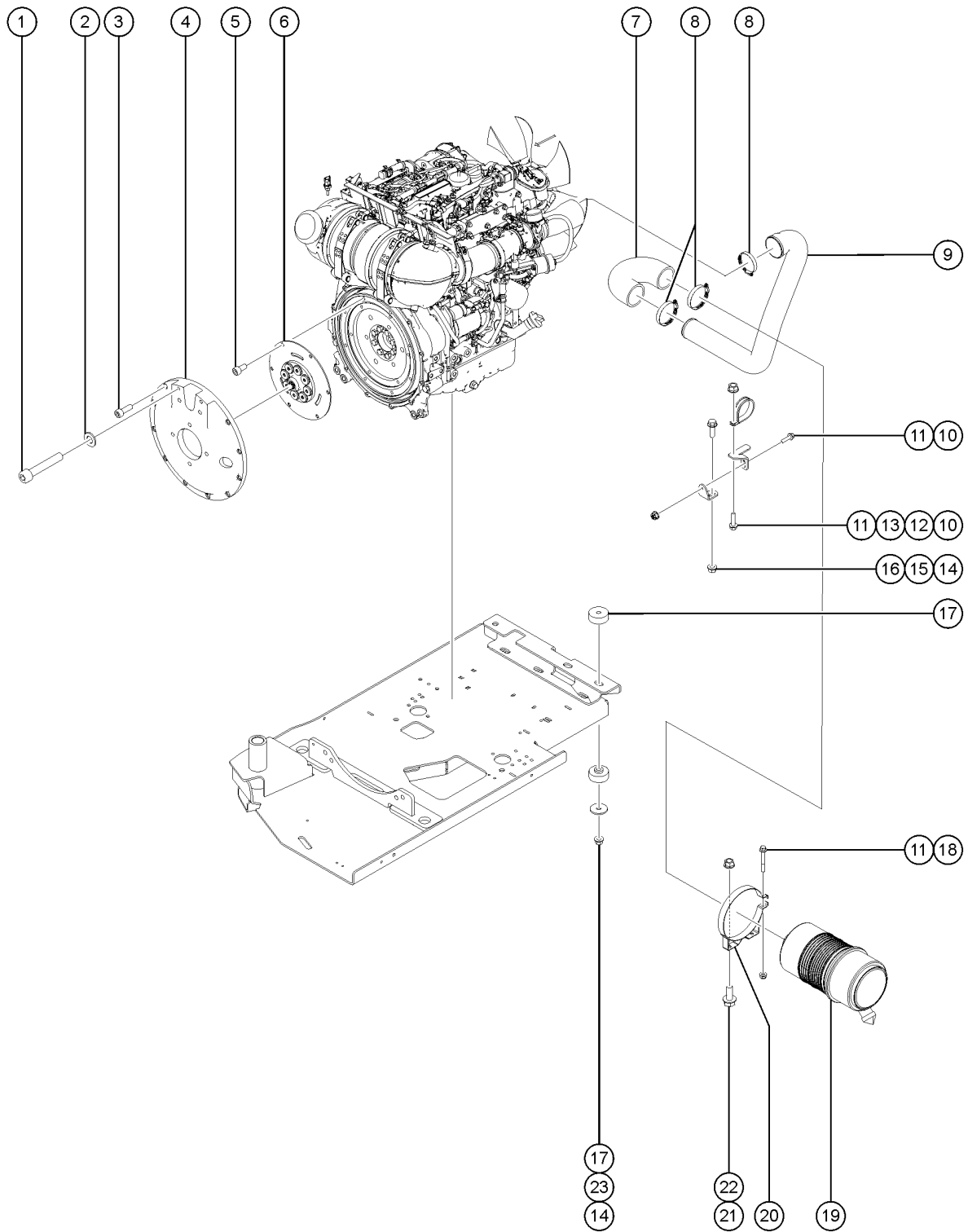


423.1 Deutz TCD 2.2L, Stage V - View 2 (from SN Z80H-7733)

<i>Item</i>	<i>Part No.</i>	<i>Description</i>	<i>Qty.</i>
27	1297260GT	DPF INLET	1



424.1 Deutz TCD 2.2L, Stage V - View 3 (from SN Z80H-7733)

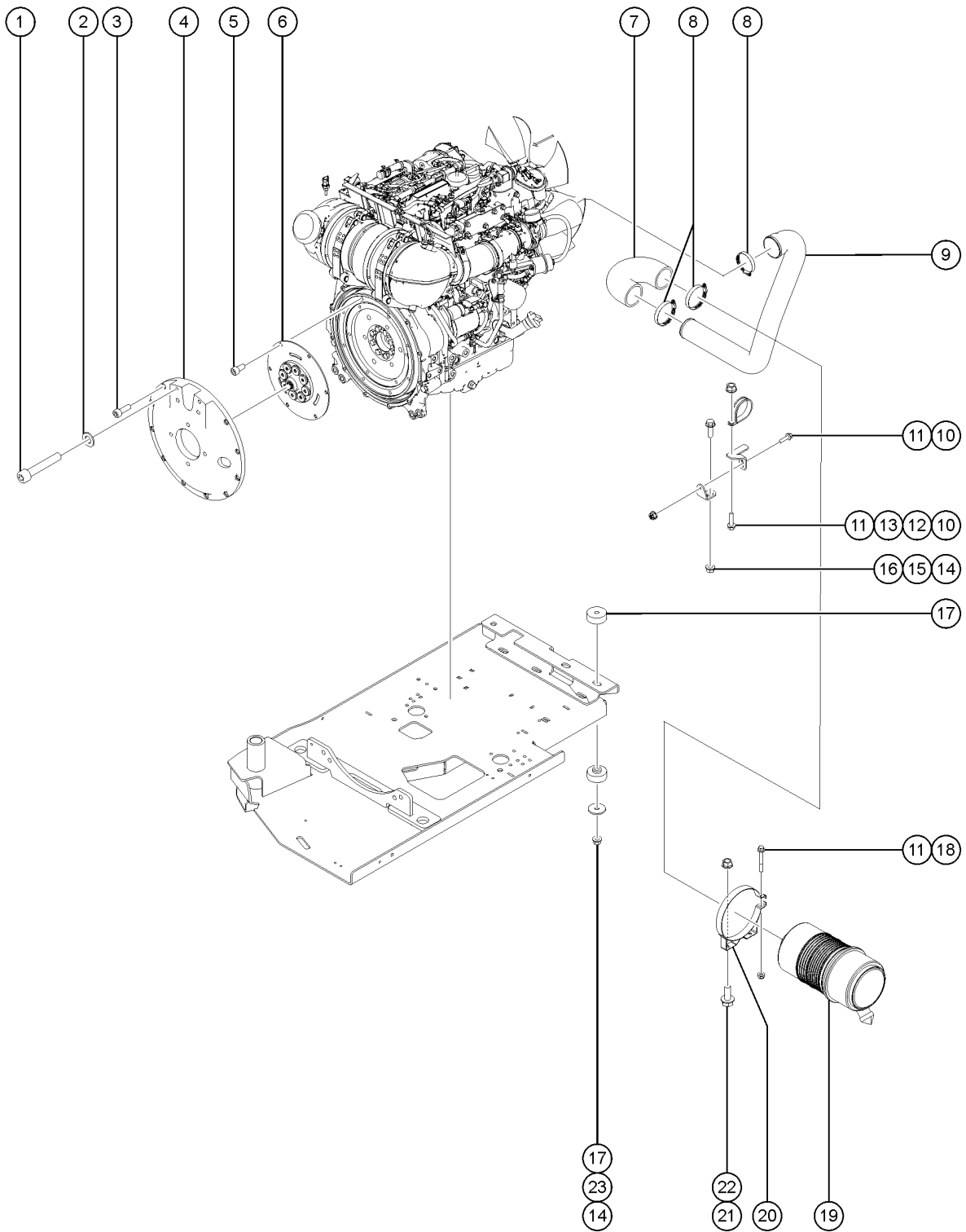


424.1 Deutz TCD 2.2L, Stage V - View 3 (from SN Z80H-7733)

Item	Part No.	Description	Qty.
-		Due to Stage V regulations, many engine replacement parts require the engine serial number at time of order placement. When ordering engine parts please have both machine and engine serial numbers available. For internal engine parts, contact engine dealer	
1	1257481GT	SCREW,SHC,M10-1.5X60,DIN912,12.9,ZAB	2
2	824145GT	WASHER,FLAT,M10,DIN125,ZAB	2
3	1255666GT	SCREW,SHC,M10-1.5X30,DIN912,12.9,ZAB	10
4	70381GT	COVER, FLYWHEEL CASTING	1
5	1255665GT	SCREW,SHC,M10-1.50X20,DIN912,12.9,ZAB	6
6	128004GT	COUPLER, 15 TOOTH, FBA, SAE 8	1
7	1293912GT	HOSE, AIR INTAKE, 2.50" I.D.	1
8	30971GT	CLAMP,HOSE,3.00"	3
9	1289112GT	PIPE, FILTER TO TURBO, TCD 2.2	1
10	824079GT	SCREW,HHF,1/4-20X1,8,ZAG	2
11	1277924GT	NUT,NYLOCK FLG,1/4-20,F,ZAG	3
12	1295534GT	FORMING, CLAMP AIR TURBO PIPE, TD 2.2L	1
13	101626GT	CLAMP,2.5,#40 X 1/4,RUB CUSH	1
14	1274322GT	NUT,NYLOCK FLG,3/8-16,F,ZAG	4
15	1295535GT	FORMING, CLAMP AIR TURBO PIPE, TD 2.2L	1
16	824091GT	SCREW,HHF,3/8-16X1.25,8,ZAG	1
17	24038GT	SHOCK MOUNT,SMALL	6
18	1253485GT	SCREW,HHF,1/4-20X2,8,ZAG	1
19	63463GT	AIR CLEANER,NELSON***	1
19-	62420GT	FILTER,AIR***	
19-	58415GT	CLIP,AIR CLEANER END CAP***	
19-	65810GT	BAFFLE, AIR CLEANER (27915)**	
19-	52866GT	EVACUATOR VALVE-AIR CLEANER	
20	33931GT	MOUNTING BAND (27915)	1
21	824085GT	SCREW,HHF,5/16-18X.75,8,ZAG	2
22	1274167GT	NUT,NYLOCK FLG,5/16-18,F,ZAG	2



424.1 Deutz TCD 2.2L, Stage V - View 3 (from SN Z80H-7733)

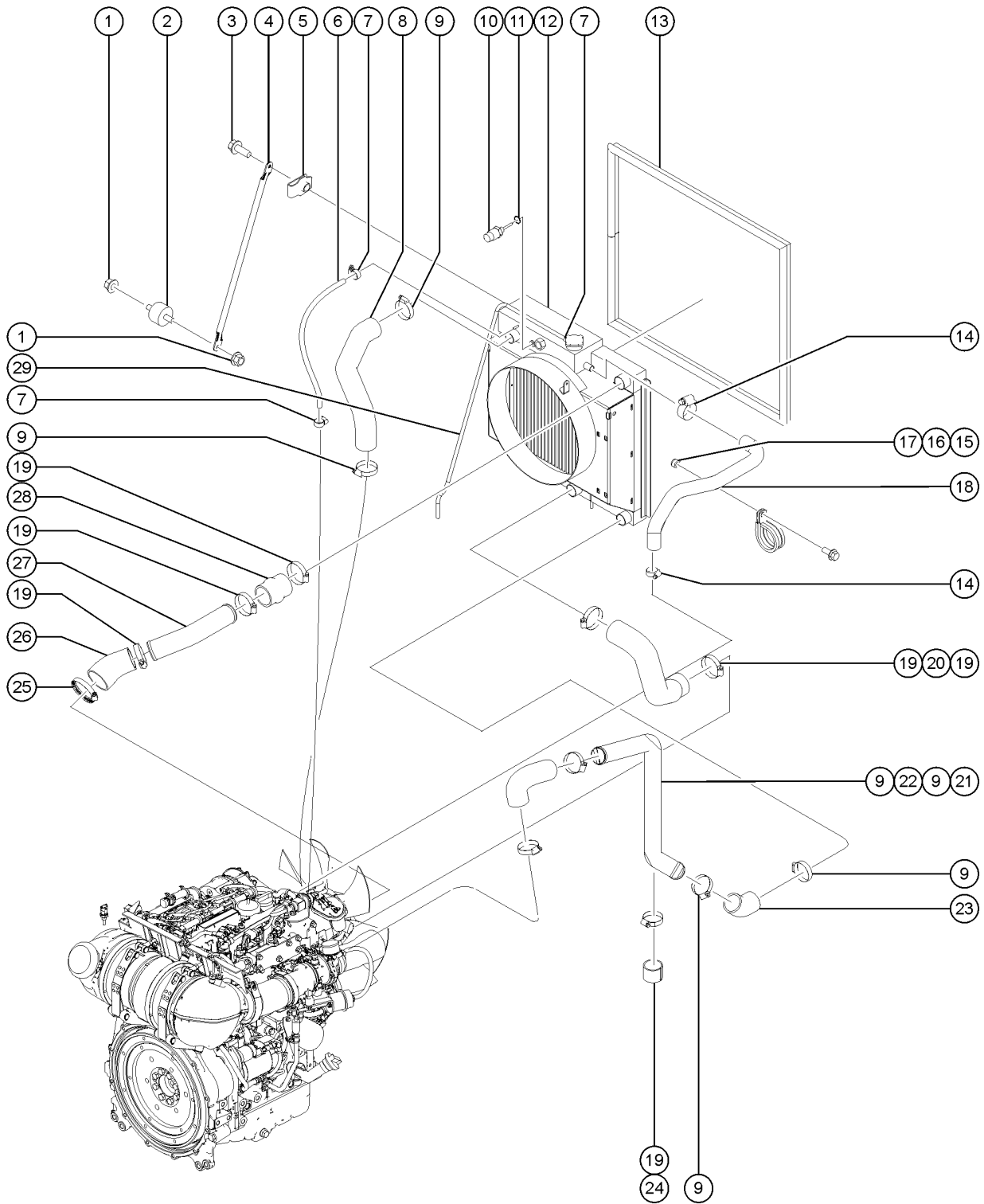


424.1 Deutz TCD 2.2L, Stage V - View 3 (from SN Z80H-7733)

<i>Item</i>	<i>Part No.</i>	<i>Description</i>	<i>Qty.</i>
23	824120GT	WASHER,FLAT, .375X1.50X.125,ZAG	3



425.1 Deutz TCD 2.2L, Stage V - View 4 (from SN Z80H-7733)

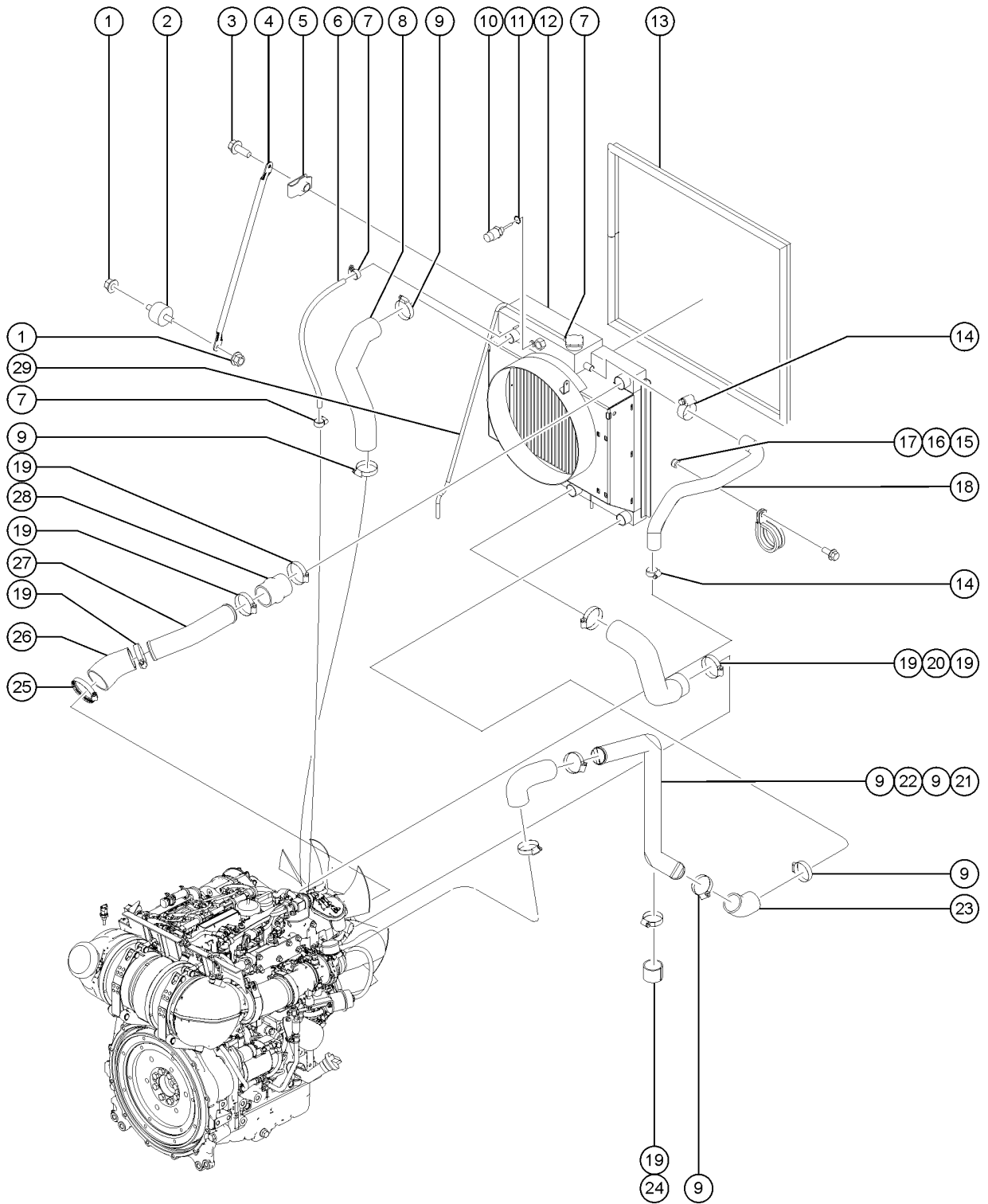


425.1 Deutz TCD 2.2L, Stage V - View 4 (from SN Z80H-7733)

Item	Part No.	Description	Qty.
-		Due to Stage V regulations, many engine replacement parts require the engine serial number at time of order placement. When ordering engine parts please have both machine and engine serial numbers available. For internal engine parts, contact engine dealer	
1	1274322GT	NUT,NYLOCK FLG,3/8-16,F,ZAG	4
2	75260GT	ISOLATOR,FLEX-BOLT SANDWICH***	2
3	824090GT	SCREW,HHF,3/8-16X1,8,ZAG	2
4	1291151GT	TUBE, STRUT, RADIATOR SUPPORT	2
5	29868GT	SPRING CLIP,3/8-16,.05-.20X.73,ZAG	2
6	1291348GT	HOSE, VENT, 2.2L TCD	1
7	21465GT	CLAMP,HOSE,SIZE .25 TO .63	3
8	1289109GT	HOSE, UPPER RADIATOR, TCD 2.2	1
9	22672GT	CLAMP,HOSE,1.75	6
10	218715GT	COOLANT LEVEL SNSR, DEUTZ TCD3.6	1
11	826152GT	WASHER, CRUSH, COOLANT SENSOR	1
12	1289108GT	ASSEMBLY, RADIATOR, INTERCOOLER, TCD 2.2	1
12-	1289105GT	RADIATOR, W/EXPANSION TANK, TCD 2.2	1
12-	1289106GT	SHROUD, RADIATOR, DEUTZ TCD 2.2	1
12-	1289107GT	INTERCOOLER, DEUTZ TCD 2.2	1
13	119219GT	TRIM,EDGE,1/8X3/4 END BULB	93
14	30348GT	CLAMP,HOSE,1.00	2
15	1277924GT	NUT,NYLOCK FLG,1/4-20,F,ZAG	1
16	33784GT	CLAMP,1.31,#21 X 1/4,RUB CUSH	1
17	1256855	SCREW,HHF,1/4-20X.625,8,ZAG	1
18	1289111GT	HOSE, COMPENSATION, TCD 2.2	1
19	35434GT	CLAMP,HOSE,2.00***	7
20	1289110GT	HOSE, LOWER RADIATOR, TCD 2.2	1
21	1289113GT	PIPE, TURBO TO CAC, TCD 2.2	1
22	1290094GT	ADAPTER, TURBO OUTLET	1
23	1290368GT	COUPLER, 1.75", HT SILICONE RED	1



425.1 Deutz TCD 2.2L, Stage V - View 4 (from SN Z80H-7733)

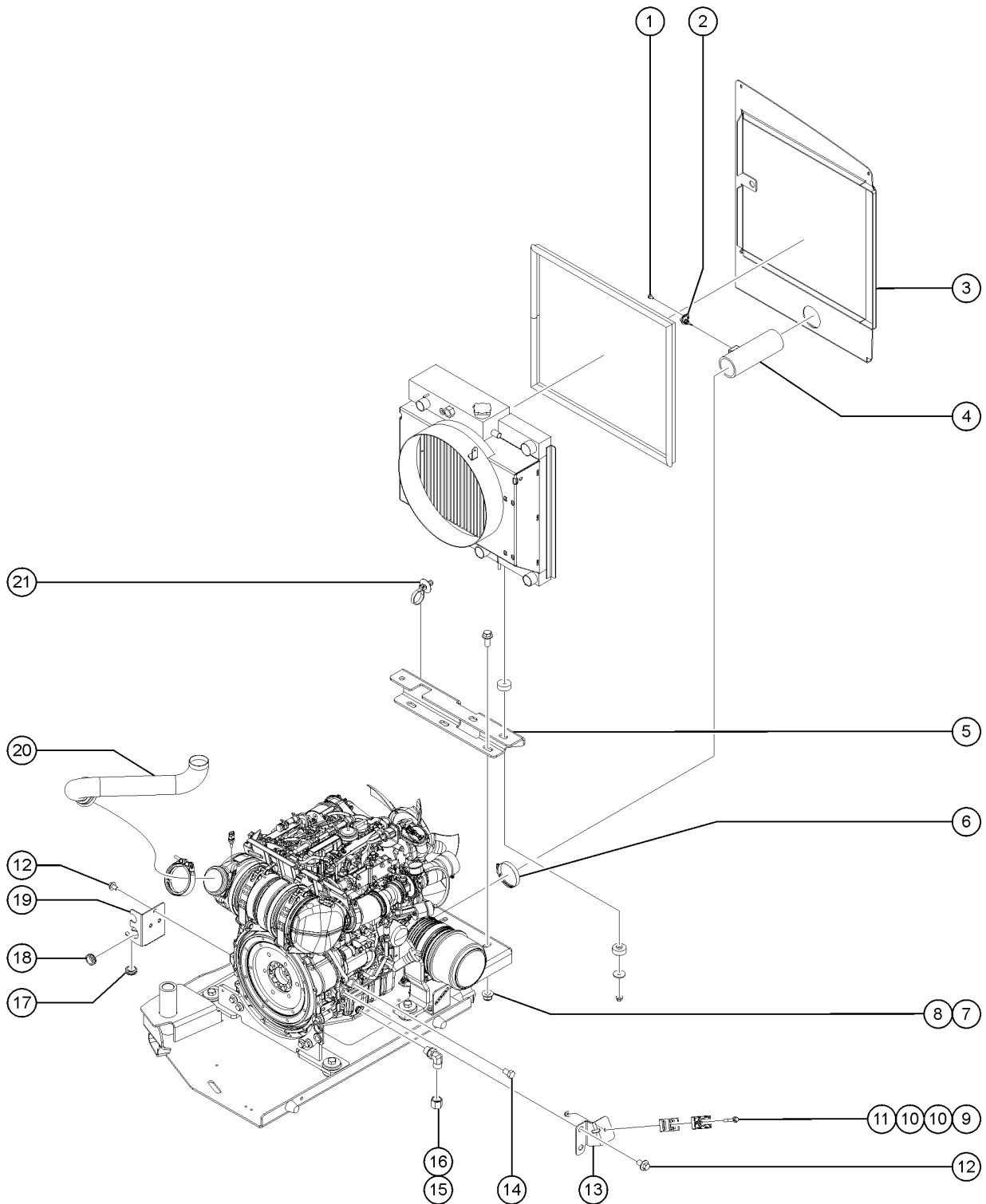


425.1 Deutz TCD 2.2L, Stage V - View 4 (from SN Z80H-7733)

<i>Item</i>	<i>Part No.</i>	<i>Description</i>	<i>Qty.</i>
24	1287140GT	RUBBER, PIPE CUSHION	2
25	45435GT	CLAMP,HOSE,2.50"	1
26	1290370GT	ADAPTER, AIR INTAKE, 2" X 2.4"	1
27	1290676GT	PIPE, CAC TO INTAKE, TCD 2.2L	1
28	1285481GT	COUPLER, 2.00", HUMP, LT SILICONE, BLUE	1
29	1302463GT	TUBE, COOLANT OVER FLOW	1



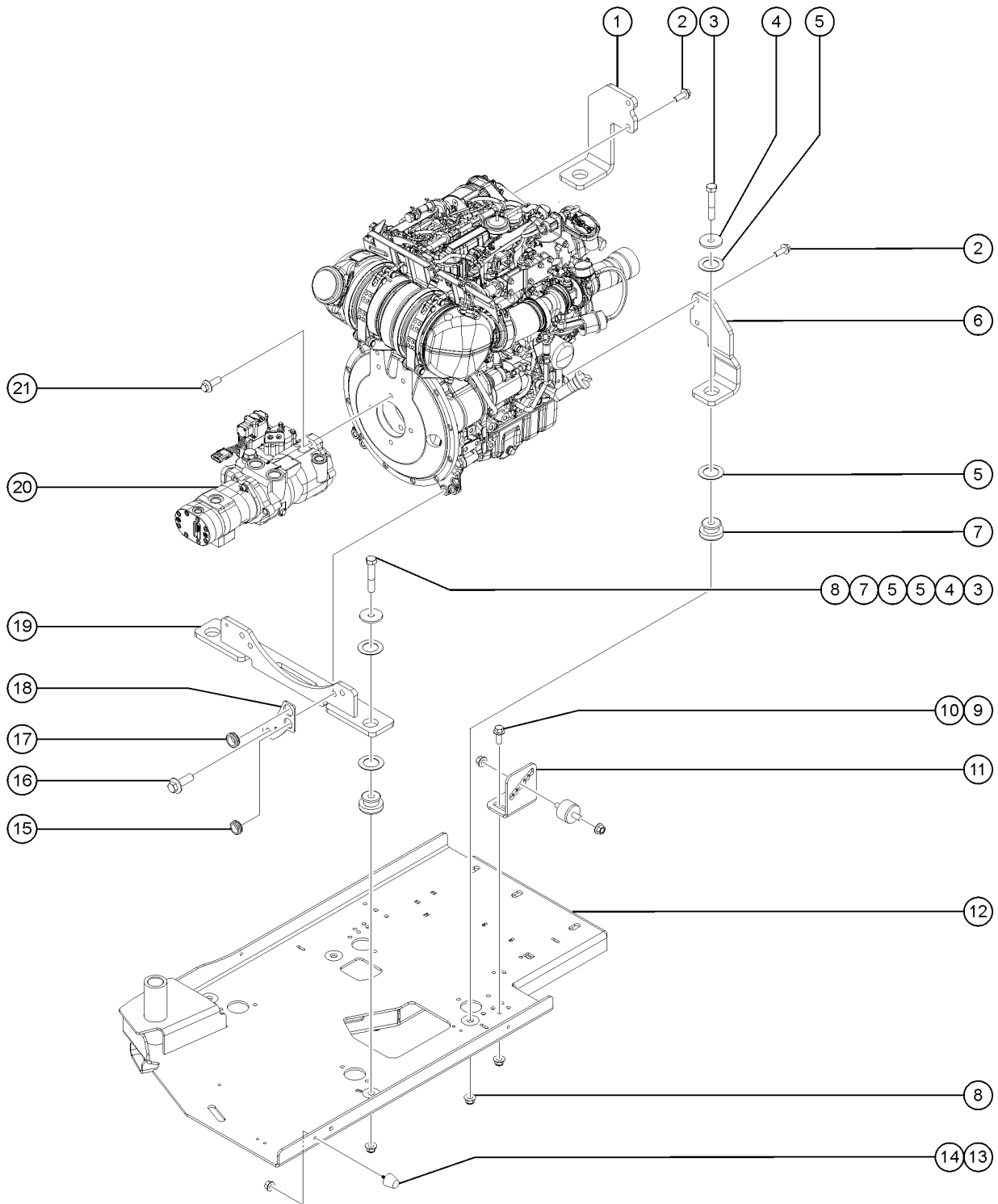
426.1 Deutz TCD 2.2L, Stage V - View 5 (from SN Z80H-7733)



Item	Part No.	Description	Qty.
-		Due to Stage V regulations, many engine replacement parts require the engine serial number at time of order placement. When ordering engine parts please have both machine and engine serial numbers available. For internal engine parts, contact engine dealer	
1	824077GT	SCREW,HHF,1/4-20X.5,8,ZAG	1
2	1266547GT	SENSOR,TEMP,AMBIENT,T4F,TCD3.6	1
3	1295784GT	FORMING, BAFFLE	1
4	1294752GT	HOSE, RAW AIR INTAKE, 2.50" I.D.	1
5	1290100GT	FORMING, COOLER MOUNT, TCD 2.2L	1
6	30971GT	CLAMP,HOSE,3.00"	1
7	1283007GT	NUT,NYLOCK FLG,5/8-11,F,ZAG	3
8	1253208GT	SCREW,HHF,5/8-11X1.5,8,ZAG	3
9	824082GT	SCREW,HHF,1/4-20X1.75,8,ZAG	1
10	78736GT	CLAMP,2 HOSE,PLASTIC,5/8	2
11	1277924GT	NUT,NYLOCK FLG,1/4-20,F,ZAG	1
12	1255806GT	SCREW,HHF,M12-1.75X20,DIN6921,	5
13	825939GT	FORMING, CLAMP, BATTERY CABLE	1
14	1302459GT	SCREW,HHC,M14-2.0X20,DIN933,10.9,ZAB	1
15	69775GT	CAP,520112-8	1
16	54428GT	FITTING,HYDRAULIC,90DEG,O-RING	1
17	124962GT	GROMMET,RUBBER,1.0 X 1.25X1.5	3
18	106923GT	GROMMET,RUBBER .38X1.38X1.0	1
19	826873GT	FORMING, ENGINE HARNESS SUPPORT	1
20	1295554GT	PIPE, EXHAUST, DEUTZ TCD 2.2L	1
21	110149GT	CABLE TIE,DFT MOUNT,BLK,6.5"	2



427.1 Deutz TCD 2.2L, Stage V - View 6 (from SN Z80H-7733)

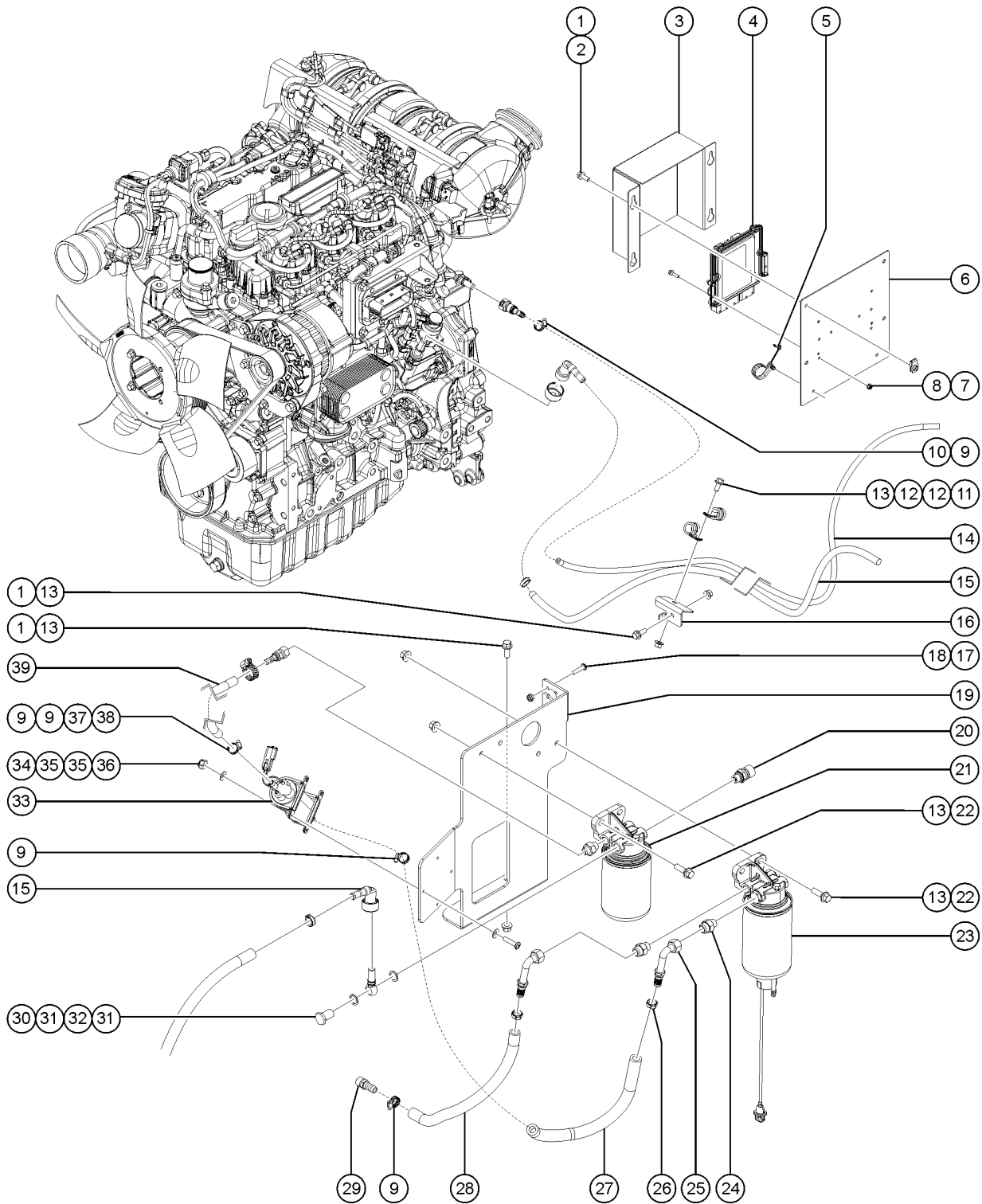


427.1 Deutz TCD 2.2L, Stage V - View 6 (from SN Z80H-7733)

Item	Part No.	Description	Qty.
-		Due to Stage V regulations, many engine replacement parts require the engine serial number at time of order placement. When ordering engine parts please have both machine and engine serial numbers available. For internal engine parts, contact engine dealer	
1	1291073GT	MOUNT,ENGINE,RIGHT SIDE	1
2	231511GT	SCREW,HHF,M12-1.75X35,DIN6921,	4
3	1256169GT	SCREW,HHC,5/8-11X3.5,8,ZAG	4
4	824123GT	WASHER,FLAT,.625X2.25X.188,ZAG	4
5	1251565GT	WASHER,SHIM,1.56X2.5X.061,ZAG	8
6	1290998GT	MOUNT,ENGINE,LEFT SIDE	1
7	102045GT	ISOLATOR,ENGINE VIBRATION	4
8	1283007GT	NUT,NYLOCK FLG,5/8-11,F,ZAG	4
9	824090GT	SCREW,HHF,3/8-16X1,8,ZAG	4
10	1274322GT	NUT,NYLOCK FLG,3/8-16,F,ZAG	4
11	1291076GT	FORMING,FAN SHROUD STRUT MOUNT, LH (LH)	1
11-	1299496GT	FORMING,FAN SHROUD STRUT MOUNT, RH (RH)	
12	825240GT	WLDMT, ENGINE TRAY, Z80 T4 DEU (refer to 417.1)	1
13	30973GT	BUMPER,RUBBER-1 X 1.25	2
14	1274167GT	NUT,NYLOCK FLG,5/16-18,F,ZAG	2
15	60584GT	GROMMET,RUBBER .75 X .19 X 1	1
16	1251899GT	SCREW,HHF,M14-2.0 X 40,DIN6921,10.9,ZAB	4
17	124962GT	GROMMET,RUBBER,1.0 X 1.25X1.5	1
18	1286137GT	PLATE, BATTERY CABLE SUPPORT	1
19	1291075GT	WELDMENT, REAR MOUNT,ENGINE	1
20		Ref. PUMP (refer to 708.1)	1
21	1253498GT	SCREW,HHF,1/2-13X1.5,8,ZAG	2



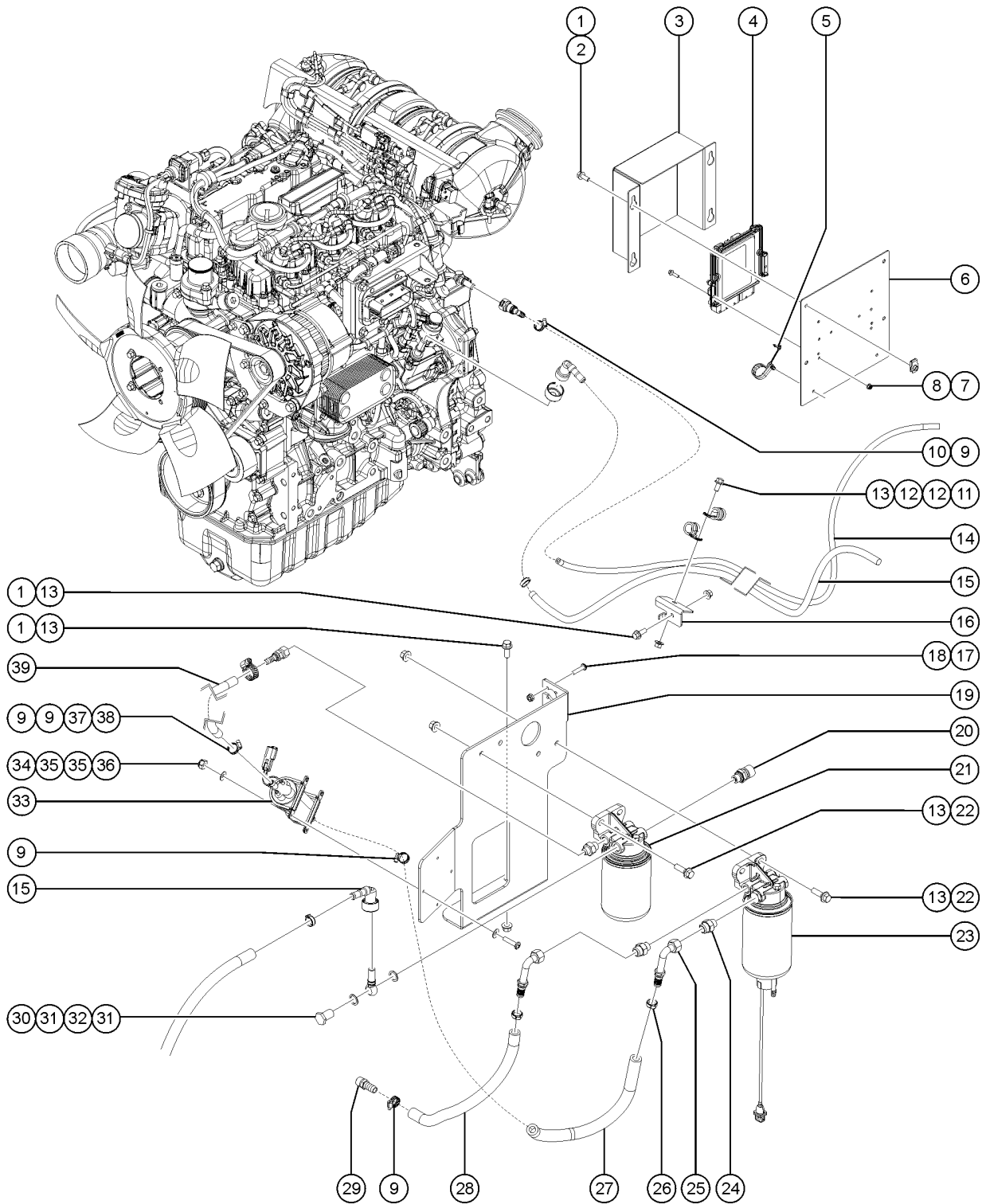
428.1 Deutz TCD 2.2L, Stage V - View 7 (from SN Z80H-7733)



Item	Part No.	Description	Qty.
-		Due to Stage V regulations, many engine replacement parts require the engine serial number at time of order placement. When ordering engine parts please have both machine and engine serial numbers available. For internal engine parts, contact engine dealer	
1	824090GT	SCREW,HHF,3/8-16X1,8,ZAG	5
2	29868GT	SPRING CLIP,3/8-16,.05-.20X.73,ZAG	4
3	826211GT	FORMING, ECM COVER, Z80	1
4		ECM, DEUTZ TCD 2.2L3, 74 hp (This part is serialized, contact Genie Parts Sales with full model and SN of both the unit and engine)	1
5	219510GT	CLAMP, FIXED DIA, NYLON, 1-1/4	2
6	826212GT	PLATE, ECM MOUNT, Z80	1
7	1277924GT	NUT,NYLOCK FLG,1/4-20,F,ZAG	4
8	824079GT	SCREW,HHF,1/4-20X1,8,ZAG	4
9	81154GT	CLAMP,HOSE,SIZE .31 > .91	5
10	826000GT	CONNECTOR, SAE10, QUICK CONNECT	1
11	824089GT	SCREW, HHF, 3/8-16 X .75, 8, ZAG.	1
12	45454GT	CLAMP,RUB CUSH,0.75,#12 X 3/8*	2
13	1274322GT	NUT,NYLOCK FLG,3/8-16,F,ZAG	8
14	1295929GT	HOSE, ENGINE TO TANK	1
15	1299435GT	HOSE ASSEMBLY - 1/2" FUEL GATES,90 FEM,90 FEM	1
15-	822087GT	CLAMP,HOSE,1EAR,25/32	
15-	1293433GT	CONNECTOR, SAE12, QUICK CONNECT	
15-	1270283GT	CAP, SAE12, QUICK CONNECT	
16	1293986GT	FORMING, FUEL HOSE CLAMP	1
17	55306GT	SCREW,PHILLIPS,PHM,4-40 X .50	4
18	40766GT	NUT,NYLOCK,4-40	4
19	826871GT	WLDMT, FUEL CIRCUIT, Z80	1
20	824673GT	MOUNT,ALTERNATOR,DEUTZ TCD3.6	1
21	1261236GT	ASSY,FUEL FILTER,DEUTZ 2.9	1
21-	214228GT	FILTER, FUEL SPIN-ON, DEUTZ	
22	824091GT	SCREW,HHF,3/8-16X1.25,8,ZAG	4



428.1 Deutz TCD 2.2L, Stage V - View 7 (from SN Z80H-7733)

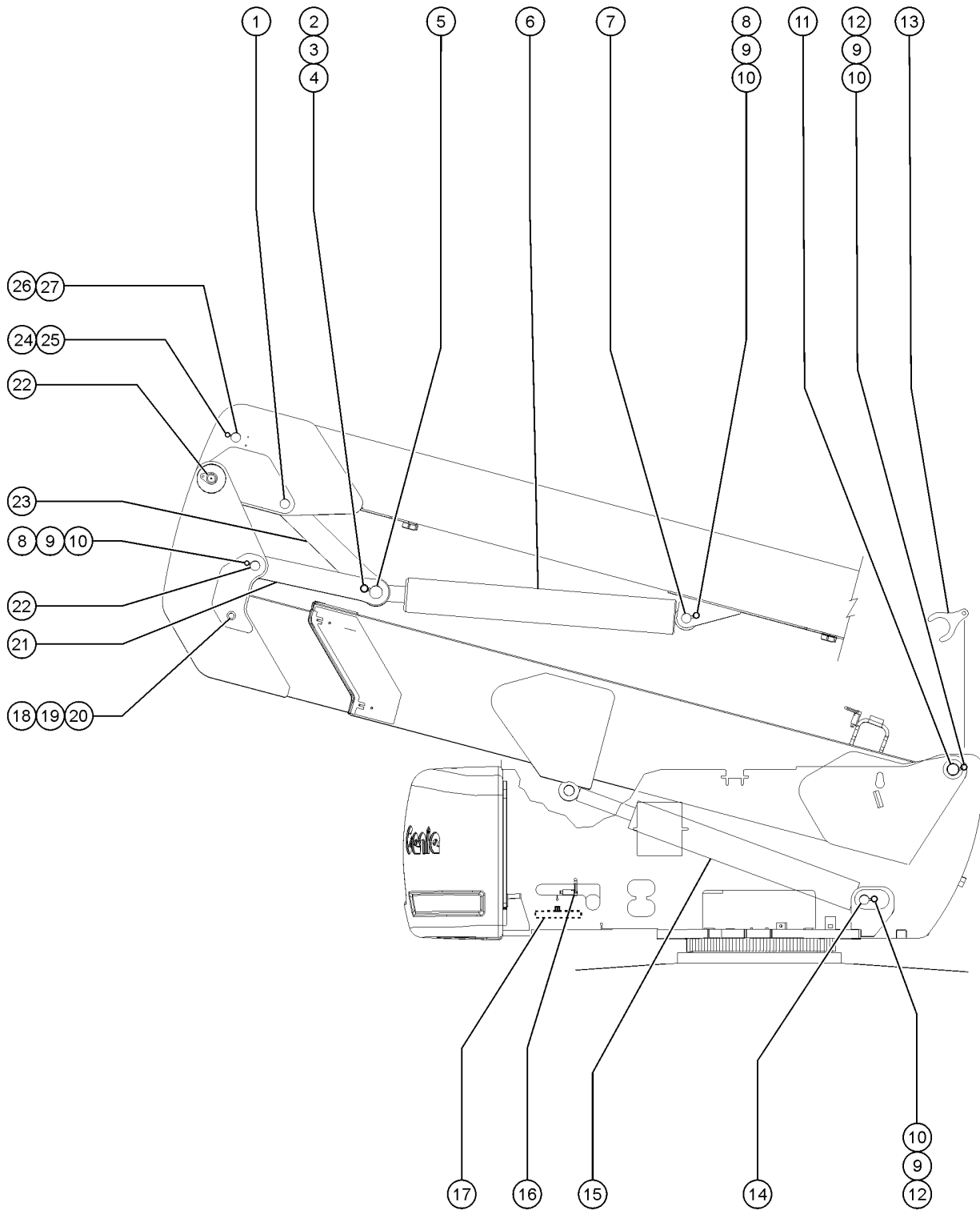


428.1 Deutz TCD 2.2L, Stage V - View 7 (from SN Z80H-7733)

Item	Part No.	Description	Qty.
23	1261239GT	ASSY,FUEL PREFILTER,DEUTZ 2.9	1
23-	236260GT	PRE-FILTER,FUEL,DEUTZ	
24	162209GT	FITTING,CONN,16MM-8MJ	2
25	162207GT	FITTING,ELBOW,8GS-8FJX90S	2
26	822087GT	CLAMP,HOSE,1EAR,25/32	2
27	1295930GT	HOSE, PRE-FILTER TO PUMP	1
28	1295942GT	HOSE, TANK TO WATER SEPERATOR	1
29	824471GT	FITTING,3/8 NPT TO 1/2 BARB	1
30	1255399GT	BOLT,BANJO,DEUTZ,QC	1
31	1255400GT	WASHER,COPPER,DEUTZ,QC	2
32	1255396GT	FITTING,FUEL,1/2,D2.9,QC	1
33	214691GT	FUEL LIFT PUMP, DEUTZ D 2.9"	1
34	6178GT	NUT,NYLOCK,10-32	4
35	6146GT	WASHER,FLAT,MS,#10,Y	8
36	49816GT	SCREW,PHILLIPS,PHM,10-32 X .75	4
37	824351GT	FITTING,STR,3/8 HS X 9/16-18,JIC,SW,FEMALE	1
38	162208GT	FITTING,CONN,16MM-6MJ	1
39	1295932GT	HOSE, PUMP TO MAIN FILTER	1



501.1 Primary and Secondary Lift Cylinders and Linkage

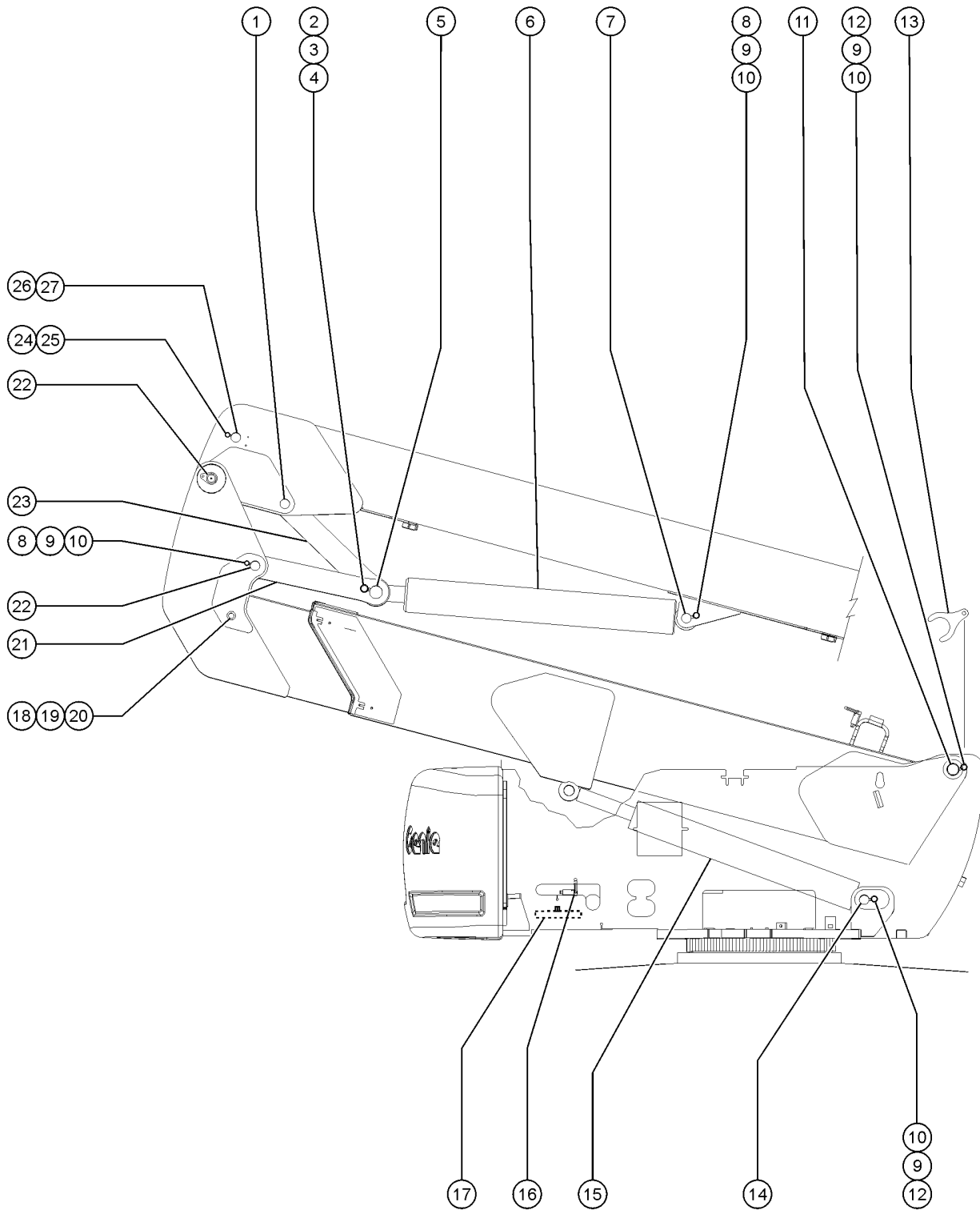


501.1 Primary and Secondary Lift Cylinders and Linkage

Item	Part No.	Description	Qty.
1	88078GT	PIN,2.25 X 13.38 LG	1
1-	102399GT	BEARING,FL,2.25IDX2.50ODX1.33L	
1-	1255469GT	SCREW,HHF,1/2-13X1.25,8,ZAG (from SN Z80H-7148)	1
1-	1256267GT	ROD END,.5 X 3.75,ZAG (from SN Z80H-7148)	1
2A	34346GT	SCREW,HHC,3/4-10 X 1.75 (to SN Z80H-7147)	
2B	1268922GT	SCREW,HHC,3/4-10X1.75,8,ZAG (from SN Z80H-7148)	1
3	34550GT	WASHER,LOCK,.75 PLTD (to SN Z80H-7147)	
4A	61341GT	ROD END,.75 X 5.00 (to SN Z80H-7147)	1
4B	1256308GT	ROD END,.75 X 5,ZAG (from SN Z80H-7148)	1
5	88274GT	PIN,3.00 DIA X 15.0 LG.	1
6	61428GT	CYLINDER,PRIMARY BOOM LIFT***	1
6-	54065GT	VALVE, COUNTERBALANCE, 3500 [RETRACT]	
6-	77515GT	SEAL KIT,PRIM LIFT CYL (61428)	
6-	88279GT	BEARING,3.00IDX3.50ODX1.50L	
7	88079GT	PIN,2.25 X 10.63 LG	1
8A	10597GT	SCREW,HHC,1/2-13 X 1.25 GR5 (to SN Z80H-7147)	
8B	1255469GT	SCREW,HHF,1/2-13X1.25,8,ZAG (from SN Z80H-7148)	3
9	6033GT	WASHER,LOCK,0.5"	
10A	1256267GT	ROD END,.5 X 3.75,ZAG (to SN 6549)	4
10B	1256267GT	ROD END,.5 X 3.75,ZAG (from SN 6550)	
11	88074GT	PIN,2.25 X 25.63 LG	1
11-	18731GT	WASHER,FLAT,2.27 X 3.5 X .06 (to SN Z80H-7147)	
11-	88065GT	BEARING,2.25IDX2.75ODX2.00L	
12A	8177GT	SCREW,HHC,1/2-13 X 1.5 (to SN Z80H-7147)	
12B	1253498GT	SCREW,HHF,1/2-13X1.5,8,ZAG (from SN Z80H-7148)	2
13		Ref. SHIM (refer to 305.1)	
14	88075GT	PIN,2.25 X 23.50 LG	1
15	122575GT	CYLINDER,RISER LIFT	1



501.1 Primary and Secondary Lift Cylinders and Linkage

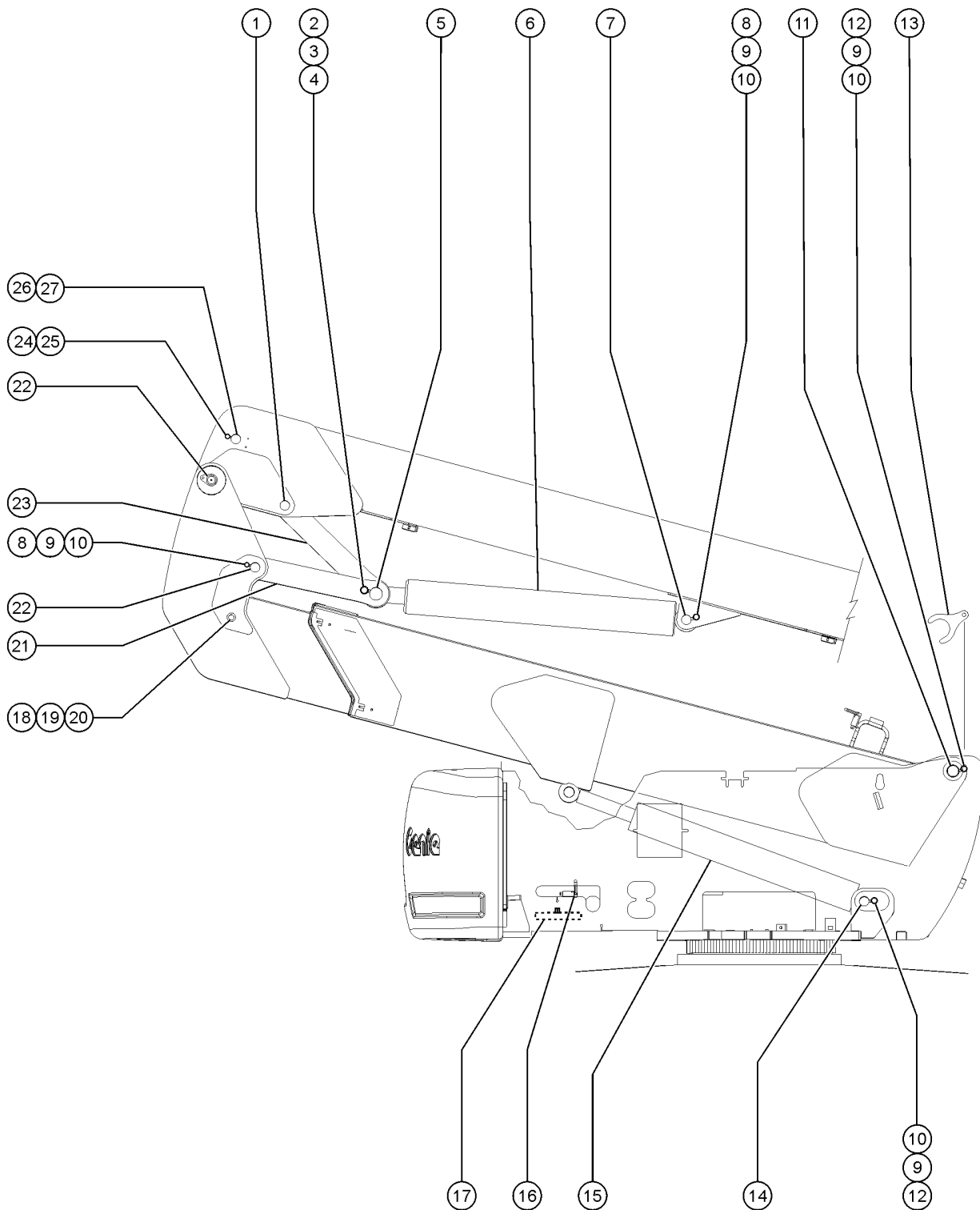


501.1 Primary and Secondary Lift Cylinders and Linkage

Item	Part No.	Description	Qty.
15-	122576GT	VALVE,CB CWCA-LHN@3800 PSI (extend) cylinder 122575	
15-	33428GT	VALVE,COUNTERBALANCE (retract) cylinder 61426	
15-	36207GT	VALVE,COUNTERBAL.CWCA-LHN@2000 (extend) cylinder 61426	
15-	77014GT	VALVE,COUNTERBALANCE,3800 PSI (retract) cylinder 122575	
15-	77513GT	SEAL KIT,SEC LIFT CYL (61426)* use with cylinder 61426 and 122575	
16	88359GT	HARNES,LS,OP,SEC.,ANGLE 1	
16-	88356-444P3GT	SWITCH,LIMIT,W/RLLR ARM,NO/NC* 1	
16-	1256177GT	SCREW,PHPM,10-32X1.75,ZAG (from SN Z80H-7148)	
16-	1283005GT	NUT,NYLOCK FLG,10-32,A,ZAG (from SN Z80H-7148)	
17	88032GT	REST PAD,PRIMARY BOOM 1 (from SN Z80H-7148)	
17-	1292065GT	SCREW,FHS,3/8-16X2.5,F835,ZAG (from SN Z80H-7148)	
17-	1274322GT	NUT,NYLOCK FLG,3/8-16,F,ZAG (from SN Z80H-7148)	
18	824164GT	SNAP RING,EXTERNAL,1.25,ZAG 2	
19	824151GT	WASHER,SHIM,1.270X2.130X.062,Z 8 (from SN Z80H-7148)	
20	30186GT	PIN,1.25DIAX6.67LG,2RING 1	
21	106755GT	LEVER LINKAGE ASSEMBLY 1	
21-	18722GT	BEARING,2.25IDX2.50ODX1.50L *** 1	
21-	88278GT	BEARING,3.00IDX3.25ODX1.25L 1	
22	88077GT	PIN,2.25 X 18.50 LG 1	
22-	88065GT	BEARING,2.25IDX2.75ODX2.00L 1	
23	106754GT	LINK LINKAGE ASSEMBLY 1	
23-	102399GT	BEARING,FL,2.25IDX2.50ODX1.33L 1	
23-	88278GT	BEARING,3.00IDX3.25ODX1.25L (primary lift cylinder side)	
24A	6175GT	SCREW,HHC,3/8-16 X 1 (to SN Z80H-7147)	
24B	824090GT	SCREW,HHF,3/8-16X1,8,ZAG 2 (from SN Z80H-7148)	
25	6021GT	WASHER,LOCK,.375 (to SN Z80H-7147)	
26A	825019GT	ROD END, .375X3.69, ZAG (to SN 6549)	
26B	825019GT	ROD END, .375X3.69, ZAG (from SN 6550)	



501.1 Primary and Secondary Lift Cylinders and Linkage

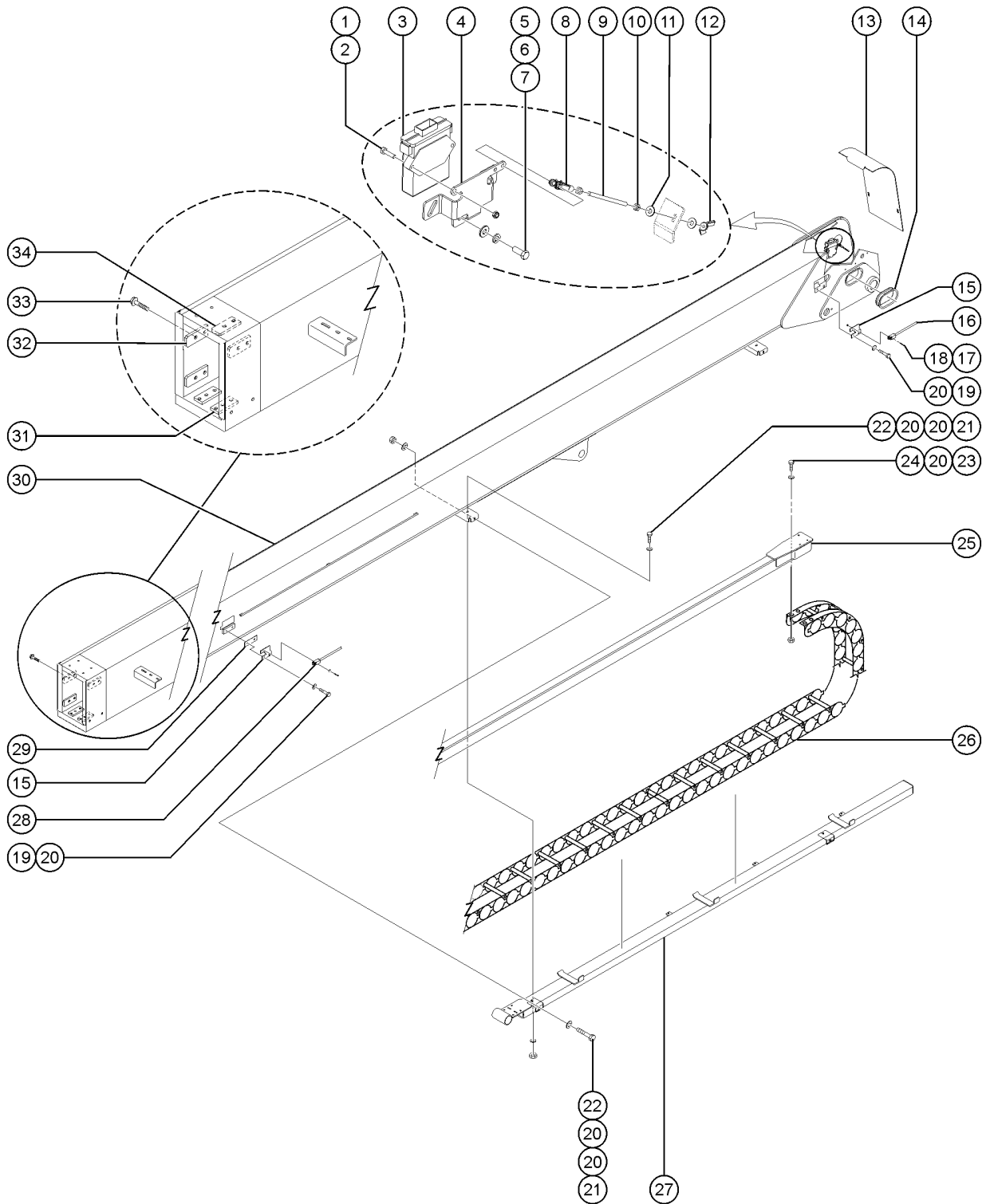


501.1 Primary and Secondary Lift Cylinders and Linkage

<i>Item</i>	<i>Part No.</i>	<i>Description</i>	<i>Qty.</i>
27	47376GT	PIN,1.25DIAX2.75LG,1HOLE	2



502.1 Primary Boom and Cable Track - View 1

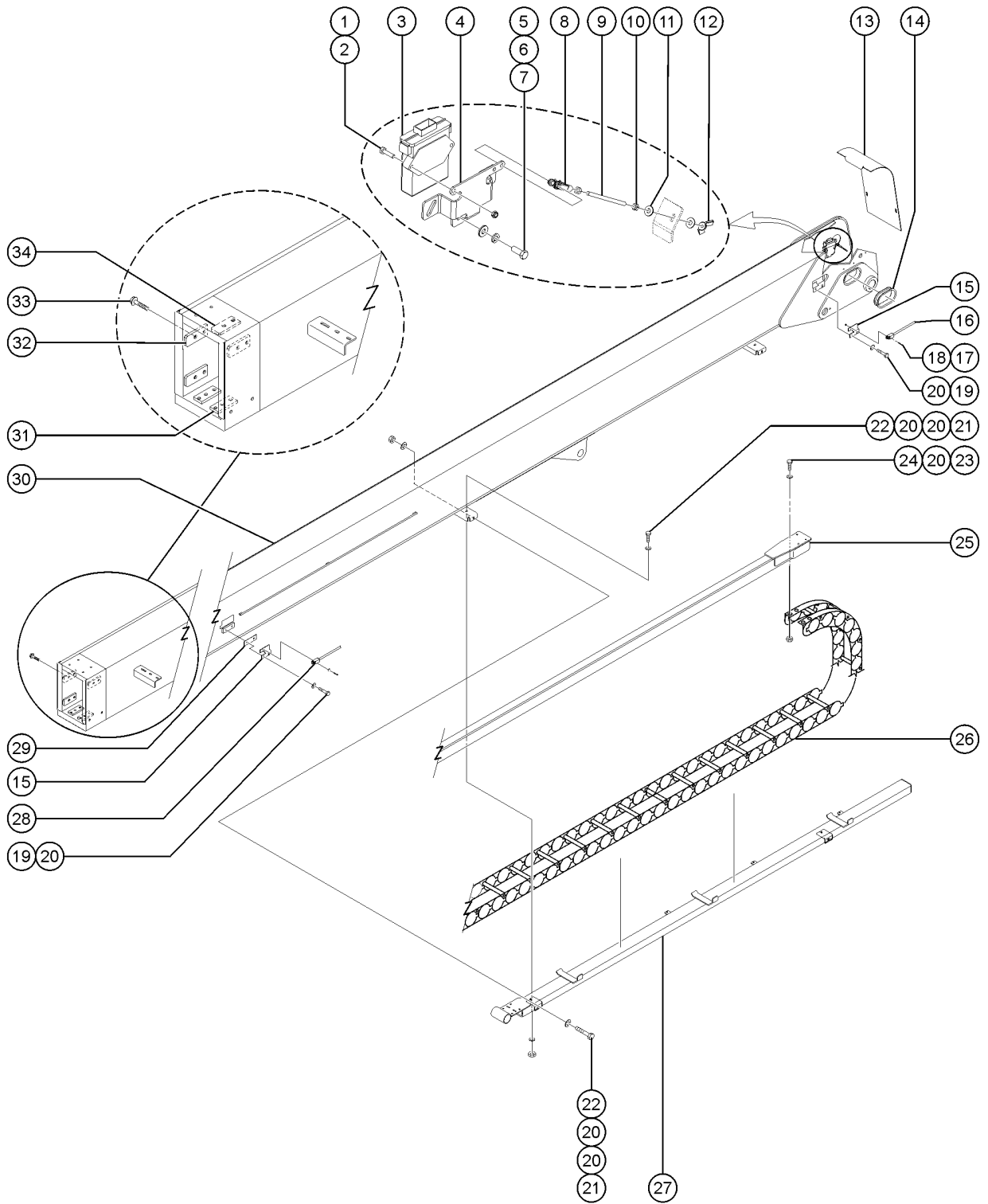


502.1 Primary Boom and Cable Track - View 1

Item	Part No.	Description	Qty.
1	6888GT	SCREW,HHC,1/4-20 X 1 (to SN Z80H-7147)	2
1B	824060GT	SCREW, HHC, 1/4-20 X 1, 8, ZAG (from SN Z80H-7148)	2
2	6889GT	NUT,LP NYLOCK,1/4-20 (to SN Z80H-7147)	2
2B	1274165GT	NUT,NYLOCK,1/4-20,C,ZAG (from SN Z80H-7148)	2
3	88149GT	SENSOR,ANGLE,PRIMARY BOOM	1
3-	88153GT	HARNESS,UPPER LIMIT SWITCH/PBA	
4	88788GT	BRACKET,PBAS MOUNT	1
5	6175GT	SCREW,HHC,3/8-16 X 1 (to SN Z80H-7147)	
5B	824090GT	SCREW,HHF,3/8-16X1,8,ZAG (from SN Z80H-7148)	3
6	6021GT	WASHER,LOCK,.375 (to SN Z80H-7147)	1
7	5397GT	WASHER,FLAT,USS,5/16",Y (to SN Z80H-7147)	1
8	21130GT	CLEVIS YOKE-1/4-28,PLTD W/PIN	1
9	30785-450GT	THREADED ROD,1/4-28 X 4.5 (to SN Z80H-7147)	
9B	1268920GT	ROD,THREADED,1/4-28X4.5,ZAG (from SN Z80H-7148)	1
10	21496GT	NUT,HEX,1/4-28 (to SN Z80H-7147)	2
10B	824041GT	NUT, 1/4-28, 8, ZAG (from SN Z80H-7148)	2
11	6638GT	WASHER,FLAT,USS,1/4"Y (to SN Z80H-7147)	2
11B	824113GT	WASHER,FLAT,1/4,USS,ZAG (from SN Z80H-7148)	1
12	88794GT	NUT,WING,1/4-28 (to SN Z80H-7147)	
12B	1268757GT	NUT,WING,A-LIGHT,1/4-28,ZAG (from SN Z80H-7148)	1
13	61563GT	COVER,PRIMARY BOOM,REAR	1
13-	146610GT	COVER,PRI BM ASSY,REAR W/WORD	
13-	824090GT	SCREW,HHF,3/8-16X1,8,ZAG (from SN Z80H-7148)	2
13-	29868GT	SPRING CLIP,3/8-16,.05-.20X.73,ZAG (from SN Z80H-7148)	2
14	53386GT	GUARD, HOSE PROTECTOR	
15	122941GT	FORMING,LIMIT SWITCH MOUNT	
16	88360GT	HARNESS,LS,OP,PRI.,RETRACT	1
16-	110771-44163GT	SWITCH LIMIT W/RLLR NO/NC GOLD	



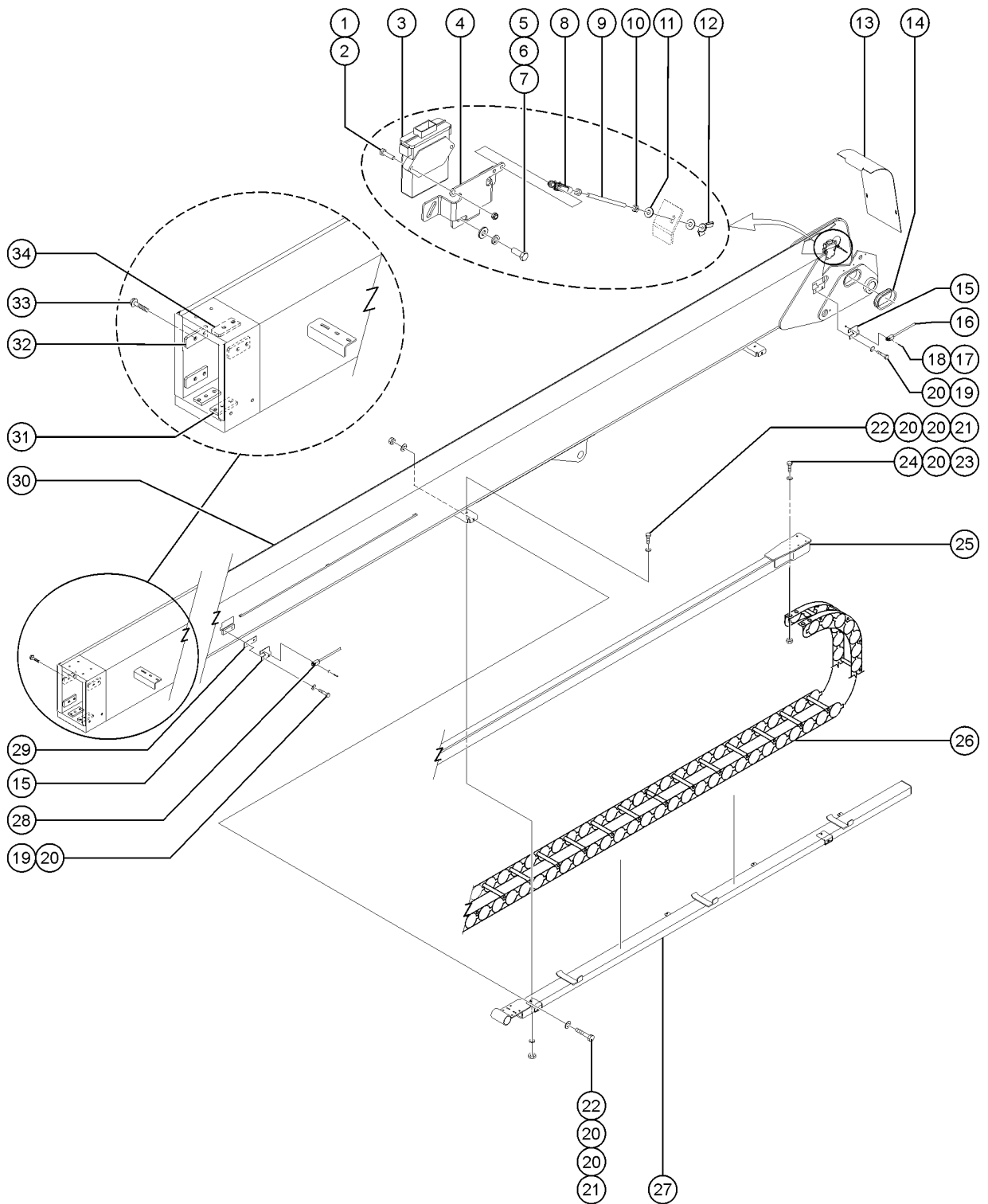
502.1 Primary Boom and Cable Track - View 1



Item	Part No.	Description	Qty.
16-	43960GT	WIRE CABLE,16/4 CON.TPE JKT	
16-	97128GT	ROLLER ARM,LIMIT SWITCH***	
17	49817GT	SCREW,PHILLIPS,PHM,10-32 X1.25	
		(to SN Z80H-7147)	
17B	825352GT	SCREW,PHPM,10-32X1.25,ZAG	2
		(from SN Z80H-7148)	
18	6178GT	NUT,NYLOCK,10-32	
		(to SN Z80H-7147)	
19	33681GT	SCREW,HHC,3/8-16 X .625	
		(to SN Z80H-7147)	
19B	824089GT	SCREW,HHF,3/8-16 X .75,8,ZAG	4
		(from SN Z80H-7148)	
20	6097GT	WASHER,FLAT,USS,3/8",Y	
		(to SN Z80H-7147)	
21	8255GT	SCREW,HHC,3/8-16 X .75	
		(to SN Z80H-7147)	
21B	824090GT	SCREW,HHF,3/8-16X1,8,ZAG	4
		(from SN Z80H-7148)	
22	4828GT	NUT,NYLOCK,3/8-16	
		(to SN Z80H-7147)	
22B	1274322GT	NUT,NYLOCK FLG,3/8-16,F,ZAG	4
		(from SN Z80H-7148)	
23	8516GT	SCREW,HCC,3/8-16 X 1.50	
		(to SN Z80H-7147)	
23B	824068GT	SCREW,HHC,3/8-16X1.25,8,ZAG	4
		(from SN Z80H-7148)	
24	4828GT	NUT,NYLOCK,3/8-16	
		(to SN Z80H-7147)	
24B	1274166GT	NUT,NYLOCK,3/8-16,C,ZAG	4
		(from SN Z80H-7148)	
25	61541GT	WELDMENT,LONG GUIDE TUBE	1
26	122299GT	CABLE TRACK,STEEL 38 LINKS***	
26-	106154GT	KIT,PIN & RING***	
26-	106357GT	BRACKET,CABLE TRACK,MOVING END	
26-	122037GT	BOT.CLAMP,ARCTIC HOSE CBLTRK	
26-	122038GT	TOP CLAMP,ARCTIC HOSE CBLTRK	
26-	122176GT	OPT.CLAMP,HOSE,CABLETRACK	
26-	77896GT	ASSY,FOUR LINK CABLE TRACK***	
26-	77951GT	MOVING END BRACKET	
26-	77952GT	FIXED END BRACKET	
26-	122035GT	BOTTOM CLAMP,HOSE,CABLETRACK	1
		(from SN Z80H-7148)	
26-	1256231GT	SCREW,HHF,1/4-20X2.75,8,ZAG	2
		(from SN Z80H-7148)	



502.1 Primary Boom and Cable Track - View 1

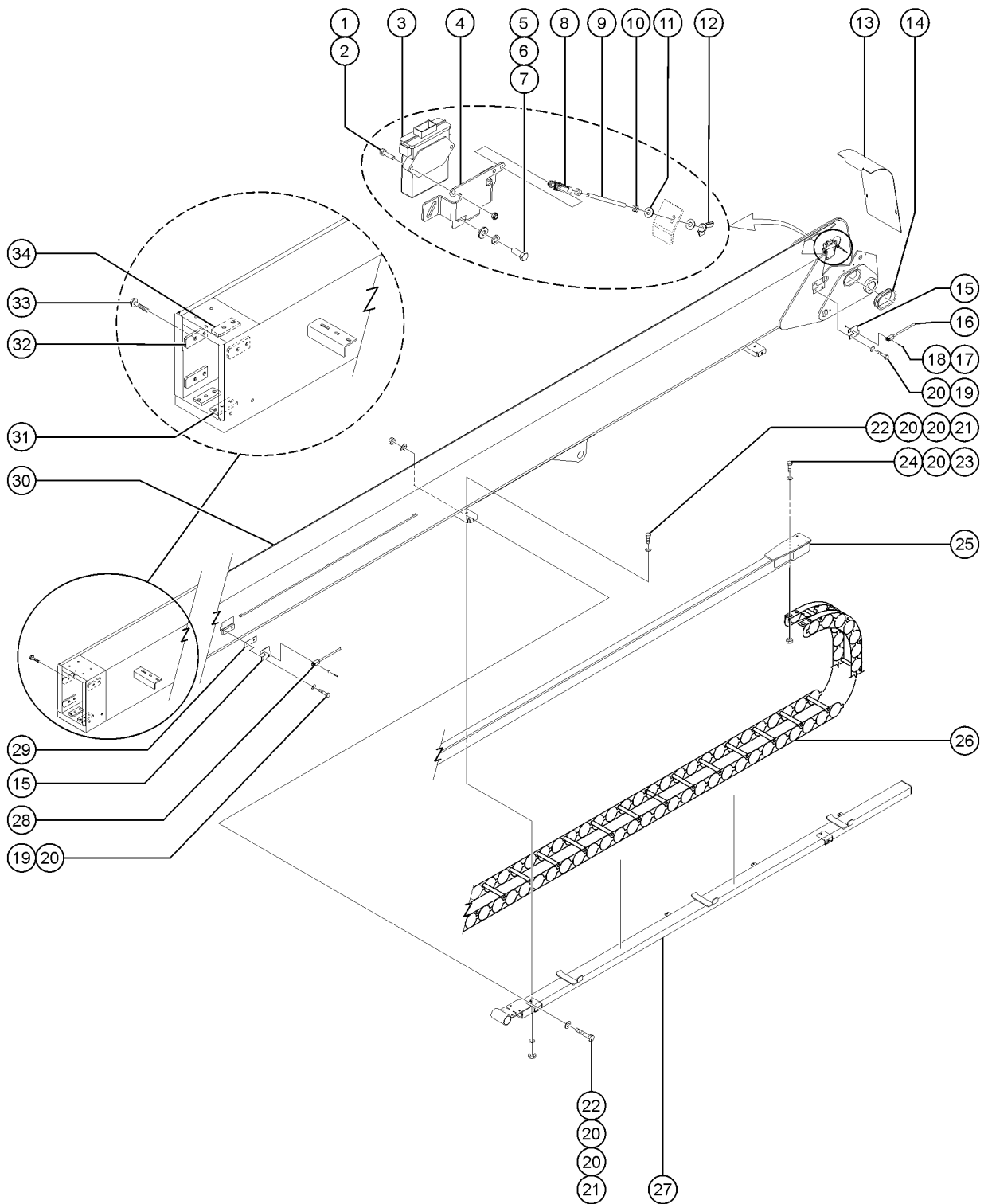


502.1 Primary Boom and Cable Track - View 1

Item	Part No.	Description	Qty.
26-	1277924GT	NUT,NYLOCK FLG,1/4-20,F,ZAG (from SN Z80H-7148)	2
26-	122036GT	TOP CLAMP,HOSE,CABLETRACK (from SN Z80H-7148)	1
26-	824081GT	SCREW,HHF,1/4-20X1.5,8,ZAG (from SN Z80H-7148)	2
27	81752GT	WELDMENT,CABLE TRACK TRAY Z80	1
27-	824089GT	SCREW, HHF, 3/8-16 X .75, 8, ZAG. (from SN Z80H-7148)	4
27-	1283028GT	NUT,LP NYLOCK,3/8-16,2,ZAG 2 (from SN Z80H-7148)	4
27-	824060GT	SCREW, HHC, 1/4-20 X 1, 8, ZAG (from SN Z80H-7148)	3
27-	61109GT	CLAMP,1.25,#20 X 7/16,RUB CSH (from SN Z80H-7148)	3
27-	1277924GT	NUT,NYLOCK FLG,1/4-20,F,ZAG (from SN Z80H-7148)	3
28	88362GT	HARNESS,LS,OP,PRI.EXT.	1
28-	43960GT	WIRE CABLE,16/4 CON.TPE JKT	
28-	88356-44163GT	SWITCH,LIMIT,W/RLLR ARM,NO/NC*	
28-	97128GT	ROLLER ARM,LIMIT SWITCH***	
28-	825352GT	SCREW,PHPM,10-32X1.25,ZAG (from SN Z80H-7148)	2
29	77615GT	SHIM,PRIM.Boom,LIMIT SWITCH (to SN Z80H-7147)	
30	101539GT	BOOM,PRIMARY ASSY W/WORD,Z80 (to SN Z80H-7147)	
30-	146063GT	BOOM,PRIMARY ASSY W/SYMB,Z80	
30-	88065GT	BEARING,2.25IDX2.75ODX2.00L	
30B	61422GT	WELDMENT,UPPER PRIMARY BOOM (from SN Z80H-7148)	
31	50245GT	WEAR PAD,7 X 3 X.75 W/NUTS	2
31-	60304GT	SHIM,WEAR PAD,7 X 3,12GA	
31-	824068GT	SCREW,HHC,3/8-16X1.25,8,ZAG (from SN Z80H-7148)	6
31-	826793GT	WASHER,FLAT,3/8,SAE,HRD,ZAG	6
32	34125GT	WEAR PAD,5 X 1.5 X .75 W/NUTS (to SN Z80H-7147)	
32-	29080GT	SHIM,WEAR PAD,5X 1.5 16GA	
32-	38620GT	SHIM,WEAR PAD,5 X 1.5,14GA	
32B	73461GT	WEAR PAD,5 X 1.5 X .875 W/NUTS (from SN Z80H-7148)	4
32B-	38620GT	SHIM,WEAR PAD,5 X 1.5,14GA	



502.1 Primary Boom and Cable Track - View 1

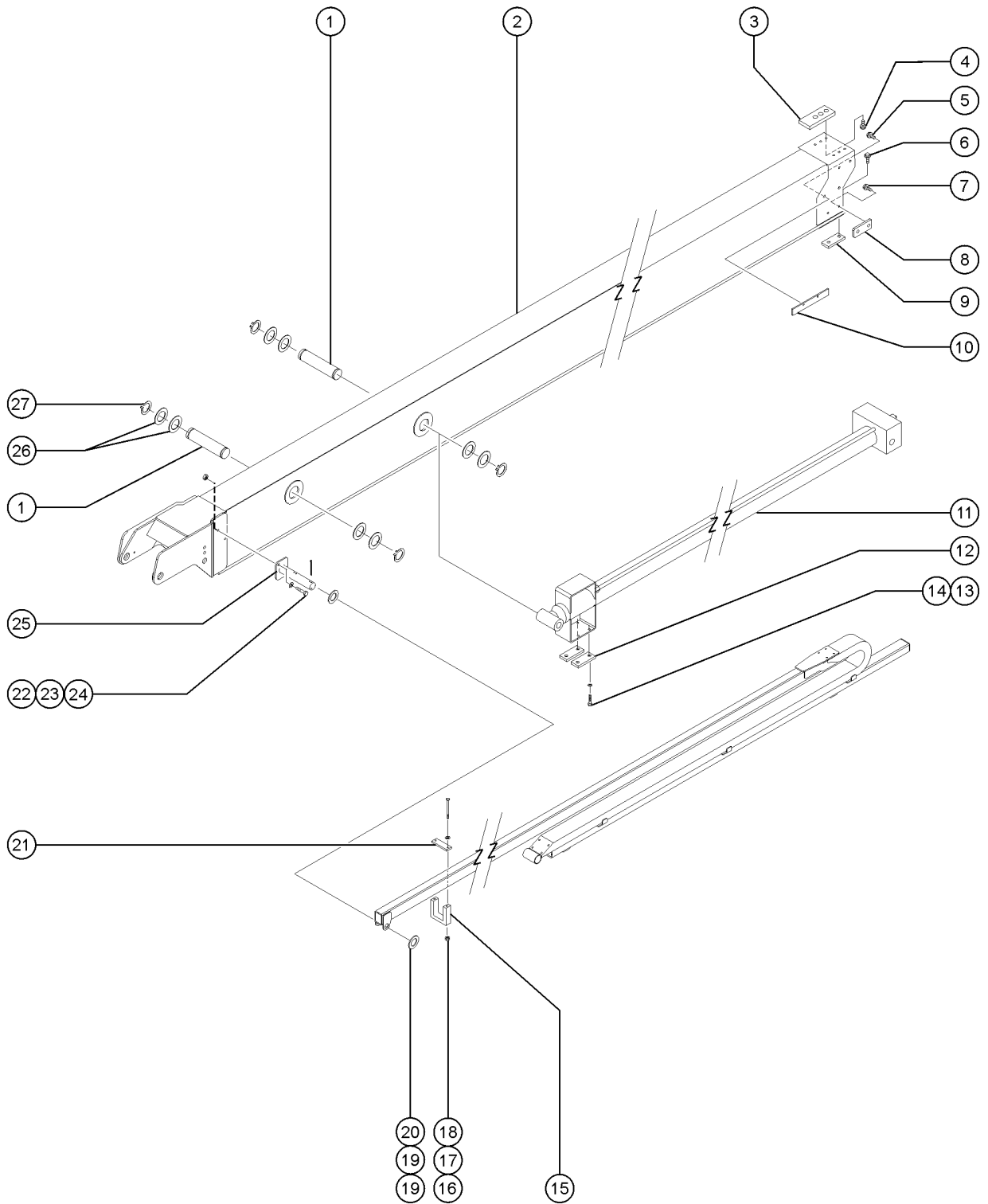


502.1 Primary Boom and Cable Track - View 1

<i>Item</i>	<i>Part No.</i>	<i>Description</i>	<i>Qty.</i>
33	122200GT	SCREW,FLANGE,HHC,3/8-16X 7/8 (to SN Z80H-7147)	
33B	824067GT	SCREW, HHC, 3/8-16 X 1, 8, ZAG (from SN Z80H-7148)	8
33B-	826793GT	WASHER,FLAT,3/8,SAE,HRD,ZAG	
34	73461GT	WEAR PAD,5 X 1.5 X .875 W/NUTS (from SN Z80H-7148)	2
34-	29080GT	SHIM,WEAR PAD,5X 1.5 16GA	
34-	38620GT	SHIM,WEAR PAD,5 X 1.5,14GA	
34-	824067GT	SCREW, HHC, 3/8-16 X 1, 8, ZAG	
34-	826793GT	WASHER,FLAT,3/8,SAE,HRD,ZAG	



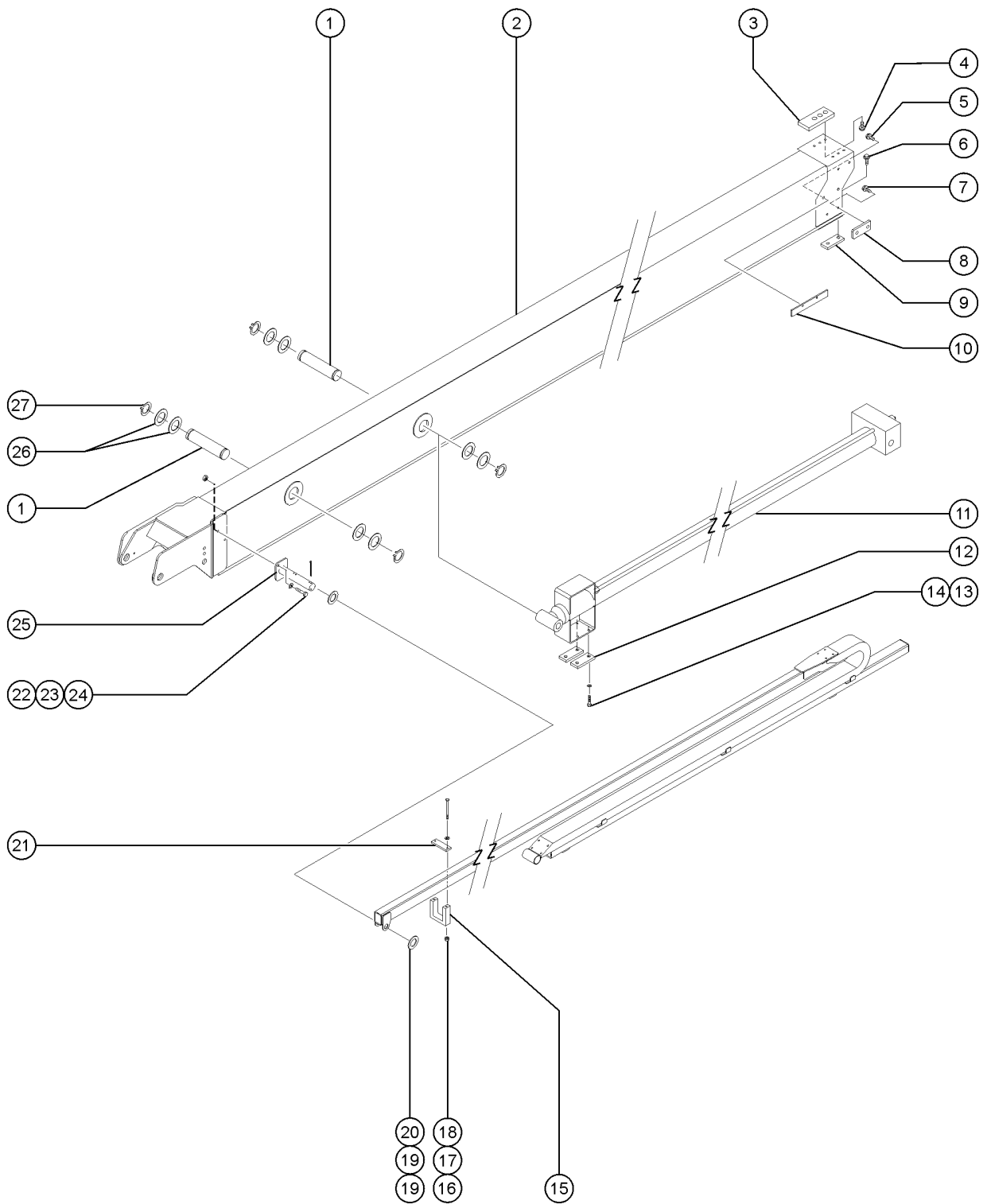
503.1 Primary Boom and Cable Track - View 1



Item	Part No.	Description	Qty.
1	88345GT	PIN,1.25DIA X 8.26LG,2RING	2
2	146121GT	WELDMENT, PRIMARY EXT. BOOM	1
3	50245GT	WEAR PAD,7 X 3 X.75 W/NUTS	2
3-	38620GT	SHIM,WEAR PAD,5 X 1.5,14GA (to SN Z80H-7147)	
3-	60840GT	SHIM,WEAR PAD,7 X 3,16GA (from SN Z80H-7148)	
4A	122200GT	SCREW,FLANGE,HHC,3/8-16X 7/8 (to SN Z80H-7147)	
4B	824067GT	SCREW, HHC, 3/8-16 X 1, 8, ZAG (from SN Z80H-7148)	6
4B-	826793GT	WASHER,FLAT,3/8,SAE,HRD,ZAG (from SN Z80H-7148)	
5	1256109GT	SCREW,HHC,3/8-16X.75,8,ZAG	2
6A	122198GT	SCREW,FLANGE,HHC,3/8-16X 5/8 (to SN Z80H-7147)	
6B	826791GT	SCREW,HHC,3/8-16X.875,8,ZAG (from SN Z80H-7148)	4
6B-	826793GT	WASHER,FLAT,3/8,SAE,HRD,ZAG (from SN Z80H-7148)	
7A	122200GT	SCREW,FLANGE,HHC,3/8-16X 7/8 (to SN Z80H-7147)	
7B	826791GT	SCREW,HHC,3/8-16X.875,8,ZAG (from SN Z80H-7148)	8
7B-	826793GT	WASHER,FLAT,3/8,SAE,HRD,ZAG (from SN Z80H-7148)	
8	60239GT	WEAR PAD,7 X 3 X.625 W/INSERT	4
8-	60840GT	SHIM,WEAR PAD,7 X 3,16GA	
9	30138GT	WEAR PAD,5 X 1.5 X .625 W/NUTS	2
9-	38620GT	SHIM,WEAR PAD,5 X 1.5,14GA	2
9-	29080GT	SHIM,WEAR PAD,5X 1.5 16GA	4
10	88350GT	MOUNT,LIMIT SWITCH ACTIVATION	1
11	61429GT	CYLINDER,PRIMARY BOOM EXTEND**	1
11-	102685GT	SEAL KIT,SUN T-2A CP VALVE	
11-	62449GT	SEAL KIT,SUN "CWCA" CB VALVES*	
11-	77516GT	SEAL KIT,PRIM EXT CYL,61429***	
11-	81385GT	VALVE,COUNTERBAL.CWCA-LHN@3000	
11-	88027GT	VALVE,COUNTERBALANCE @1000***	
12	60239GT	WEAR PAD,7 X 3 X.625 W/INSERT	2



503.1 Primary Boom and Cable Track - View 1

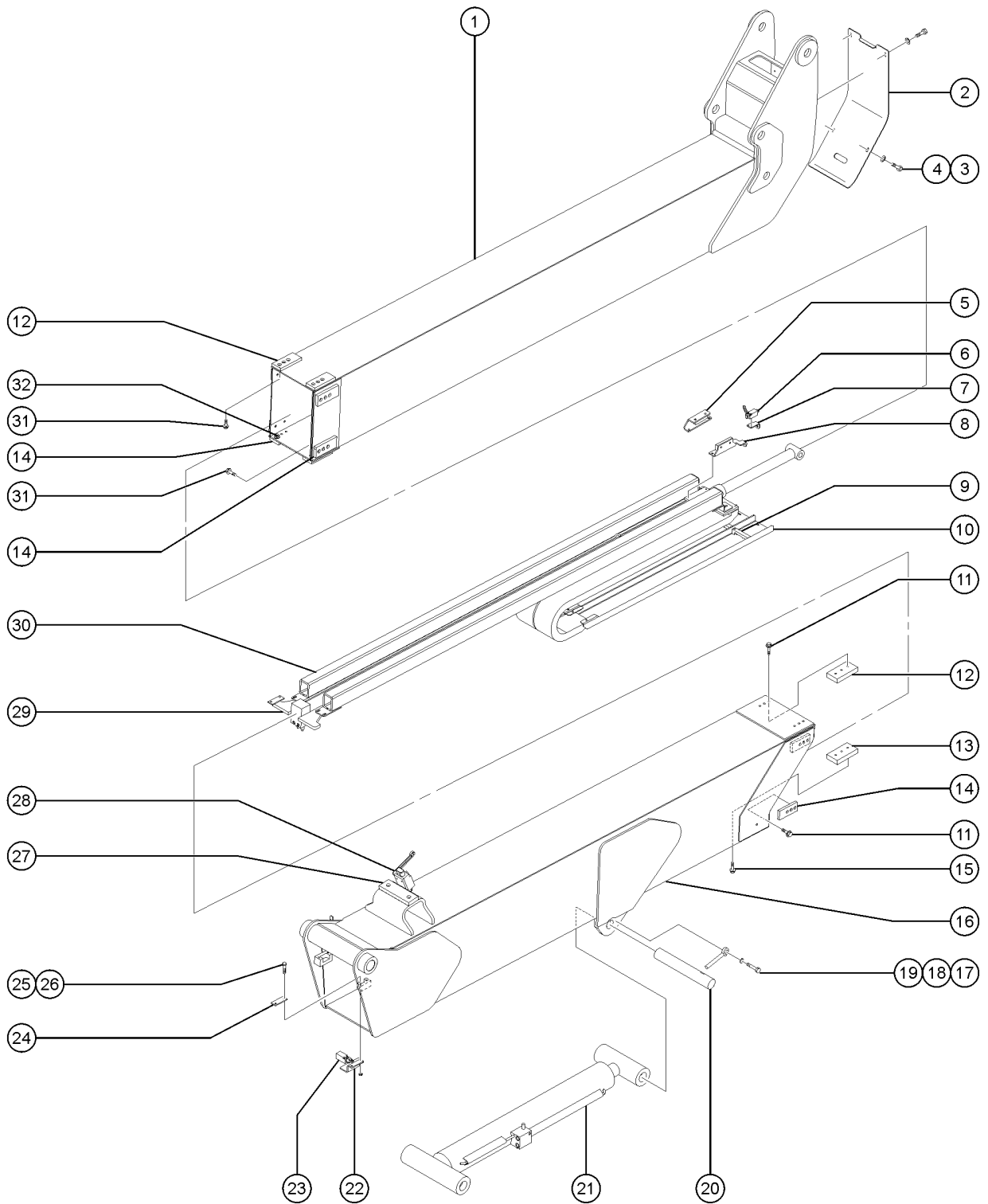


503.1 Primary Boom and Cable Track - View 1

Item	Part No.	Description	Qty.
13A	8255GT	SCREW,HHC,3/8-16 X .75 (to SN Z80H-7147)	
13B	824089GT	SCREW, HHF, 3/8-16 X .75, 8, ZAG (from SN Z80H-7148)	4
14	6021GT	WASHER, LOCK, .375 (to SN Z80H-7147)	
15	81341GT	WEAR PAD,CABLE TRACK PULL TUBE	
16A	4828GT	NUT,NYLOCK,3/8-16 (to SN Z80H-7147)	
16B	1274322GT	NUT,NYLOCK FLG,3/8-16,F,ZAG (from SN Z80H-7148)	2
17A	6097GT	WASHER, FLAT, USS, 3/8", Y (to SN Z80H-7147)	
17B	1255758GT	WASHER, FLAT, 3/8, USS, ZAG (from SN Z80H-7148)	2
18A	81777GT	SCREW,HHC,3/8-16 X 7 (to SN Z80H-7147)	
18B	1255391GT	SCREW,HHC,3/8-16X7,8,ZAG (from SN Z80H-7148)	2
19A	18596GT	WASHER, FLAT, 1.56 X 2.5 X .061 (to SN Z80H-7147)	
19B	1251565GT	WASHER, SHIM, 1.56X2.5X.061,ZAG (from SN Z80H-7148)	2
20	42079GT	PIN,COTTER,.156 X 2.5	2
21	81342GT	WEAR PAD,5.5 X 1.75 X .5	1
22A	6019GT	SCREW,HHC,3/8-16 X 1.25 GRD 5 (to SN Z80H-7147)	
22B	824092GT	SCREW, HHF, 3/8-16 X 1.5, 8, ZAG (from SN Z80H-7148)	2
23	6097GT	WASHER, FLAT, USS, 3/8", Y (to SN Z80H-7147)	
24A	4828GT	NUT,NYLOCK,3/8-16 (to SN Z80H-7147)	
24B	1274166GT	NUT,NYLOCK,3/8-16,C,ZAG (from SN Z80H-7148)	2
25	81347GT	WELDMENT,TRACK PULL TUBE PIVOT	1
26A	30255GT	WASHER, SHIM, 1.27 X 2.13 X .062 (to SN Z80H-7147)	
26B	824151GT	WASHER, SHIM, 1.270X2.130X.062,Z (from SN Z80H-7148)	16
27	824164GT	SNAP RING,EXTERNAL,1.25,ZAG	4



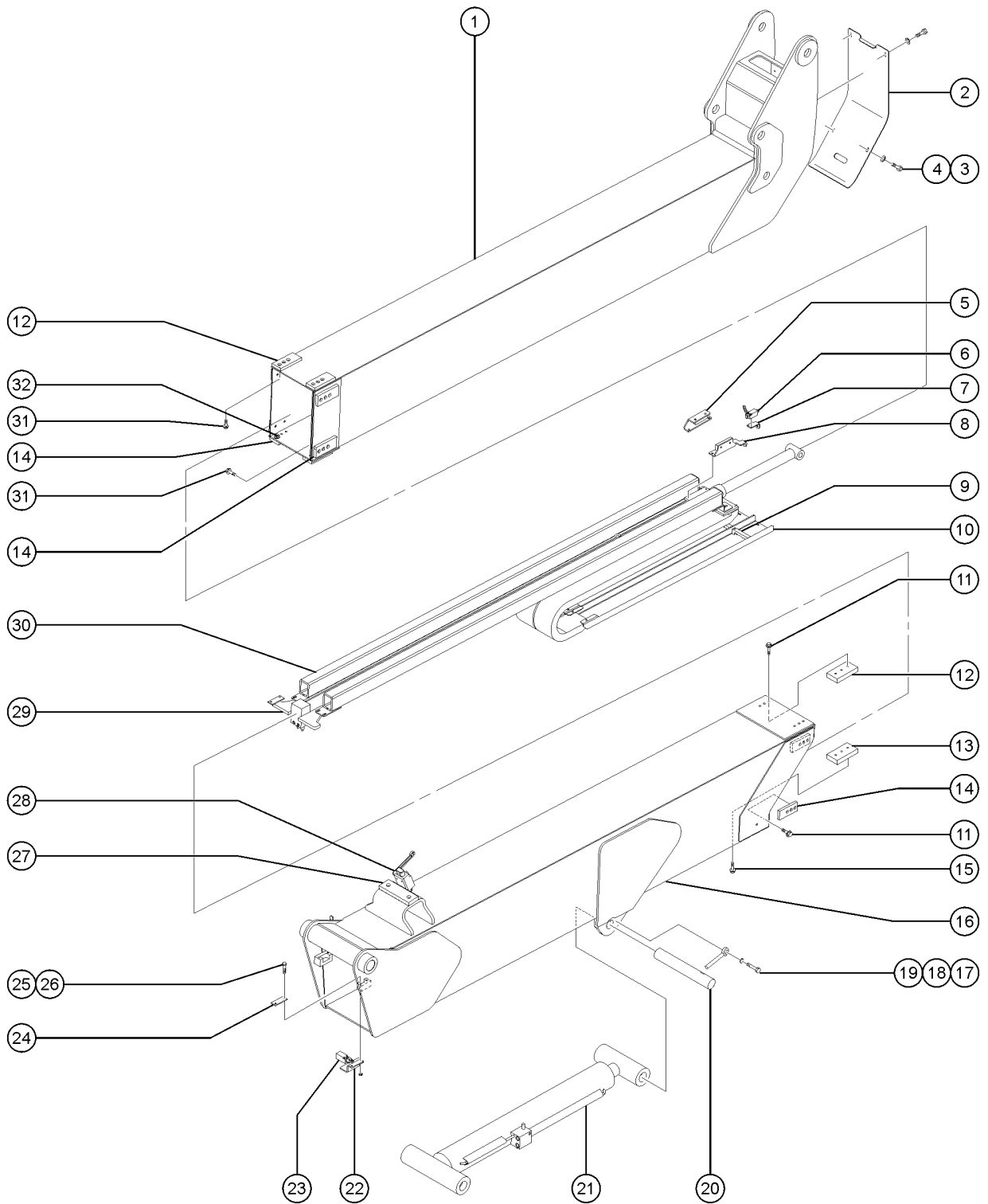
504.1 Secondary Boom



Item	Part No.	Description	Qty.
1A	101537GT	SECONDARY EXT BOOM W/DECALS (to SN Z80H-7147) word	1
1B	101538GT	SECONDARY EXT BOOM W/DECALS (to SN Z80H-7147) symbol	1
1C	61421GT	WELDMENT,LOWER EXT.BOOM (from SN Z80H-7148)	
2	88016GT	COVER,RISER EXT.CYL.**	1
3A	6175GT	SCREW,HHC,3/8-16 X 1 (to SN Z80H-7147)	
3B	824090GT	SCREW,HHF,3/8-16X1,8,ZAG (from SN Z80H-7148)	
4	6097GT	WASHER,FLAT,USS,3/8",Y (to SN Z80H-7147)	
5	81931GT	FORMING,RISER EXT.CYL.SUPP.	1
5-	30138GT	WEAR PAD,5 X 1.5 X .625 W/NUTS (to SN Z80H-7147)	1
5-	73461GT	WEAR PAD,5 X 1.5 X .875 W/NUTS (from SN Z80H-7148)	1
5-	1256857GT	SCREW,HHF,3/8-16X.625,8,ZAG (from SN Z80H-7148)	
5-	824089GT	SCREW, HHF, 3/8-16 X .75, 8, ZAG. (from SN Z80H-7148)	
6	146429GT	HARN LS SAFETY SEC RET LSS1RS	1
6-	110771-714G8GT	LIMIT SWITCH ROLLER NC/NC/NO (to SN Z80H-7147)	
6-	110771-214G3GT	SWITCH,LIMIT,W/RLLR ARM,NC/NC* (from SN Z80H-7148)	
6-	824216GT	SCREW, PHPM, 10-32 X 1.5, ZAG (from SN Z80H-7148)	2
6-	1274168GT	NUT,NYLOCK,10-32,A,ZAG (from SN Z80H-7148)	2
7	88343GT	FORMING,SWITCH BRACKET	1
8	81932GT	FORMING,RISER EXT.CYL.SUPP.	
8-	30138GT	WEAR PAD,5 X 1.5 X .625 W/NUTS	
8-	1256857GT	SCREW,HHF,3/8-16X.625,8,ZAG (from SN Z80H-7148)	
8-	824089GT	SCREW, HHF, 3/8-16 X .75, 8, ZAG. (from SN Z80H-7148)	
9	102309GT	CLAMP,CABLE TRACK RISER,R.S.	1
9-	88107GT	CLAMP RISER CABLETRACK-LEFT	1
9-	88109GT	PLATE,CLAMP BACKING (from SN Z80H-7148)	2
9-	1256693GT	SCREW,HHF,3/8-16X2.25,8,ZAG (from SN Z80H-7148)	4
10	81934GT	FORMING,RISER CABLE TRACK PULL	2
10-	81923GT	CABLETRACK,30 LINK,GRTRCU2-110 (to SN Z80H-7177)	



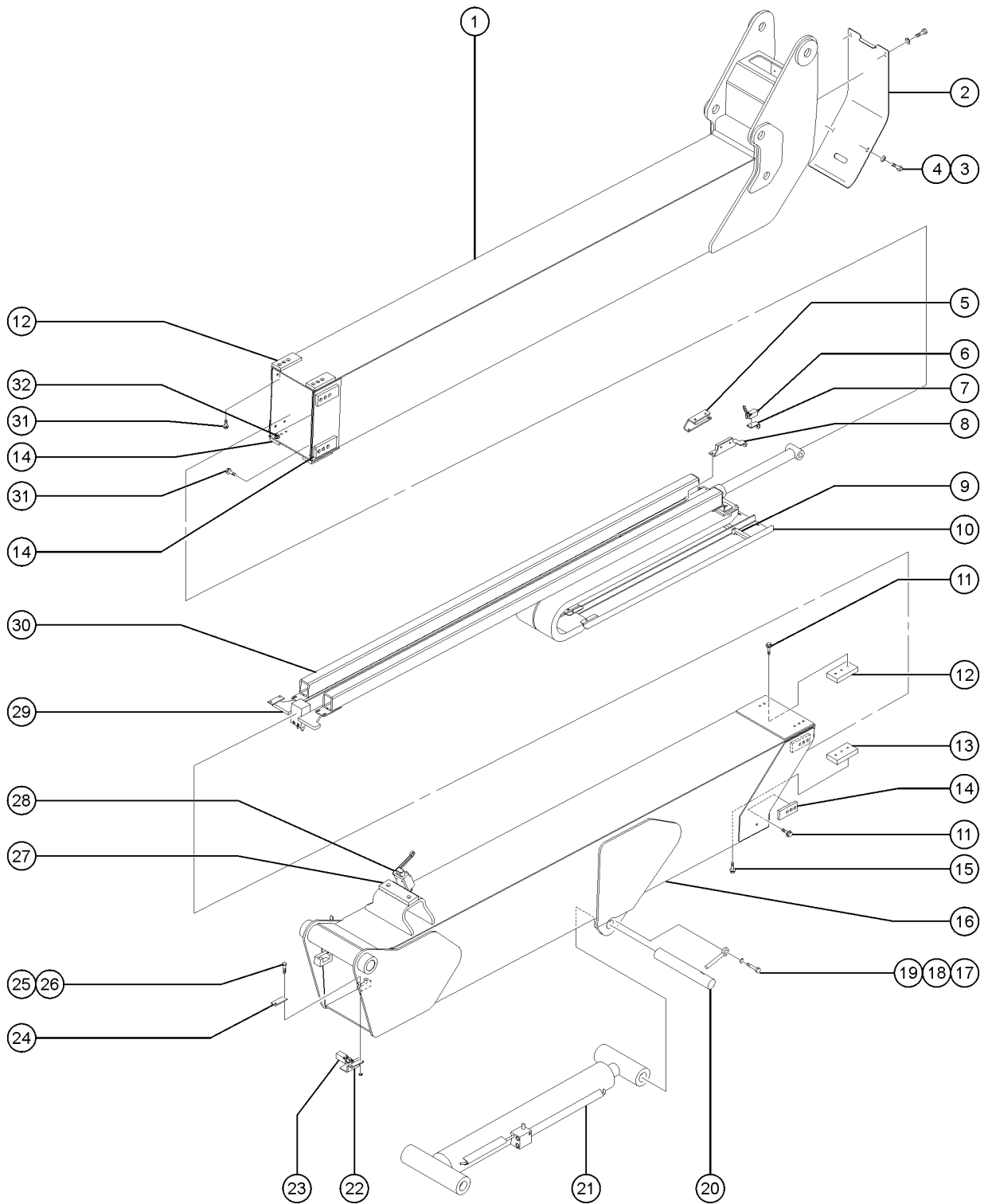
504.1 Secondary Boom



Item	Part No.	Description	Qty.
10-	1288792GT	CABLETRACK,30 LINK,GTRMA550-PR-100-75 (from SN Z80H-7178)	
10-	824085GT	SCREW,HHF,5/16-18X.75,8,ZAG (from SN Z80H-7148)	4
10-	1274167GT	NUT,NYLOCK FLG,5/16-18,F,ZAG (from SN Z80H-7148)	4
10-	824090GT	SCREW,HHF,3/8-16X1,8,ZAG (from SN Z80H-7148)	4
10-	1274322GT	NUT,NYLOCK FLG,3/8-16,F,ZAG (from SN Z80H-7148)	4
11A	122201GT	SCREW,FLANGE,HHC,3/8-16X1.00 (to SN Z80H-7147)	
11B	824068GT	SCREW,HHC,3/8-16X1.25,8,ZAG (from SN Z80H-7148)	14
11B-	826793GT	WASHER,FLAT,3/8,SAE,HRD,ZAG (from SN Z80H-7148)	
12	88648GT	WEAR PAD,7X3X.625 W/NUTS	4
12-	60304GT	SHIM,WEAR PAD,7 X 3,12GA	
12-	60840GT	SHIM,WEAR PAD,7 X 3,16GA	
13A	50245GT	WEAR PAD,7 X 3 X.75 W/NUTS (to SN Z80H-7147)	
13A-	60304GT	SHIM,WEAR PAD,7 X 3,12GA	
13A-	60840GT	SHIM,WEAR PAD,7 X 3,16GA	
13B	88022GT	WEAR PAD,7 X 3 X 1 W/NUTS (from SN Z80H-7148)	2
14	50245GT	WEAR PAD,7 X 3 X.75 W/NUTS	10
14-	60304GT	SHIM,WEAR PAD,7 X 3,12GA	
15A	122201GT	SCREW,FLANGE,HHC,3/8-16X1.00 (to SN Z80H-7147)	
15B	824067GT	SCREW, HHC, 3/8-16 X 1, 8, ZAG (from SN Z80H-7148)	6
15B-	826793GT	WASHER,FLAT,3/8,SAE,HRD,ZAG (from SN Z80H-7148)	
16A	227503GT	ASSY,Z80 LOWR PRIM BOOM W/WORD (to SN Z80H-7147)	1
16B	227504GT	ASSY,Z80 LOWR PRIM BOOM W/SYM (to SN Z80H-7147)	1
16C	61420GT	WELDMENT,SECONDARY BOOM 1 (from SN Z80H-7148)	1
16C-	824059GT	SCREW,HHC,1/4-20X.75,8,ZAG	2
16C-	45470GT	CLAMP,0.31,#5 X 1/4,RUB CUSH	2
16C-	56912GT	SPRING CLIP,1/4-20,.025-.15X.5	2
17A	8177GT	SCREW,HHC,1/2-13 X 1.5 (to SN Z80H-7147)	
17B	1256844GT	SCREW,HHC,1/2-13X1.5,8,ZAG (from SN Z80H-7148)	1



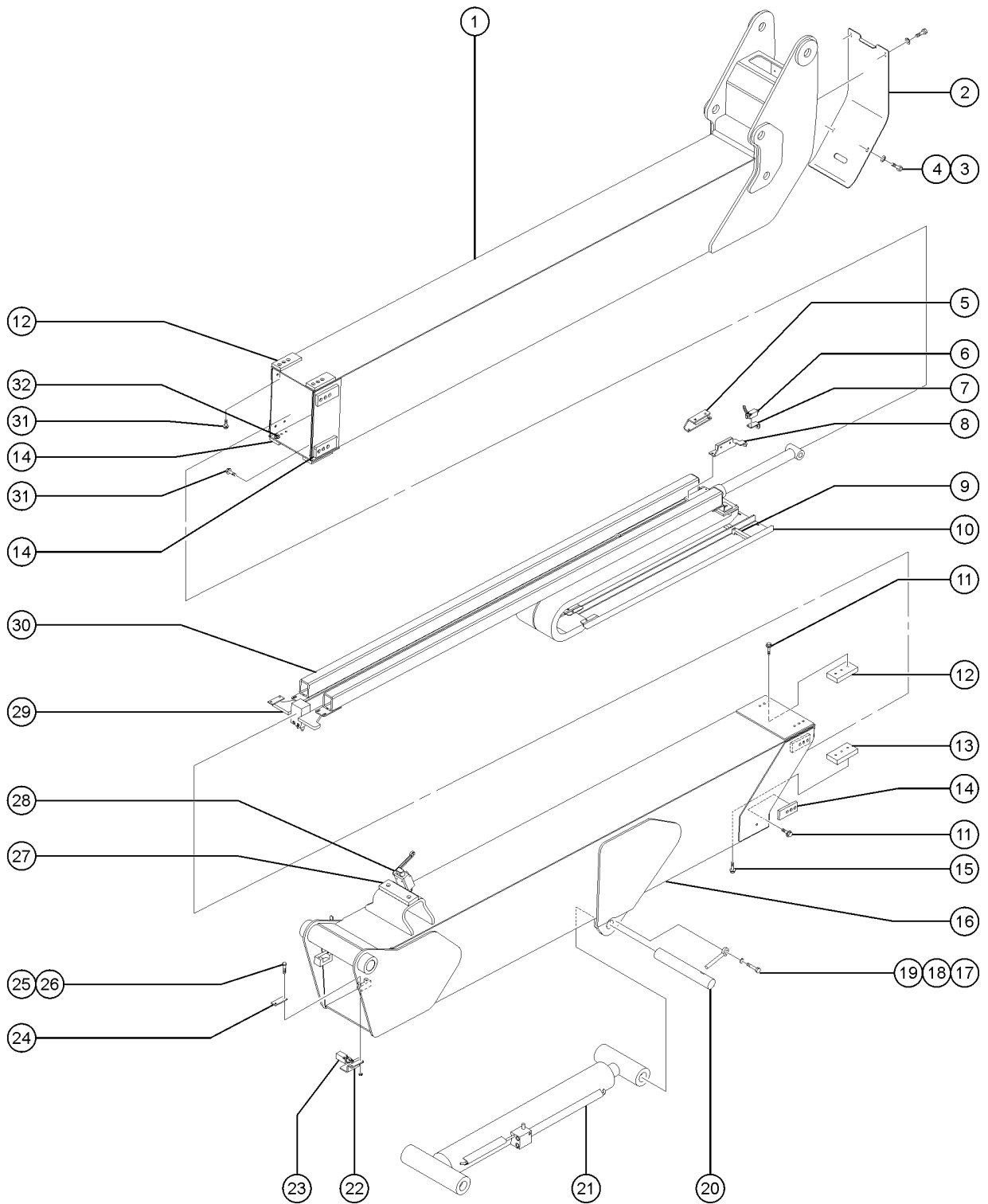
504.1 Secondary Boom



Item	Part No.	Description	Qty.
18	6033GT	WASHER, LOCK, 0.5" (to SN Z80H-7147)	
19A	1256267GT	ROD END, .5 X 3.75, ZAG (to SN 6549)	1
19B	1256267GT	ROD END, .5 X 3.75, ZAG (from SN 6550)	1
20	88077GT	PIN, 2.25 X 18.50 LG	
21		Ref. Secondary Boom Lift Cylinder (refer to 501.1)	
22A	88096GT	FORMING, RETRACT LIMIT SWITCH (to SN Z80H-7147)	2
22B	88096GT	FORMING, RETRACT LIMIT SWITCH (from SN Z80H-7148)	1
23A	88366GT	HARNESS, LS, OP, SEC. RETRACT (to SN Z80H-7147)	2
23A-	110771-61103GT	SWITCH, LIMIT W/RLLR NO/NO GOLD	
23A-	150129GT	CONTACTOR, LIMIT SWITCH	
23A-	43960GT	WIRE CABLE, 16/4 CON. TPE JKT	
23A-	97128GT	ROLLER ARM, LIMIT SWITCH***	
23B	88366GT	HARNESS, LS, OP, SEC. RETRACT (from SN Z80H-7148)	1
23B-	110771-61103GT	SWITCH, LIMIT W/RLLR NO/NO GOLD	
23B-	97128GT	ROLLER ARM, LIMIT SWITCH***	
23B-	1256177GT	SCREW, PHPM, 10-32 X 1.75, ZAG	2
23B-	1283004GT	NUT, NYLOCK FLG, 10-24, A, ZAG	2
24	88021GT	PLATE, RISER EXT. CYL. RETAINER	2
25A	30469GT	SCREW, FHM, 10-32 X 1.5 (to SN Z80H-7147)	
25B	824095GT	SCREW, HHF, 3/8-16 X 3, 8, ZAG (from SN Z80H-7148)	4
26A	6178GT	NUT, NYLOCK, 10-32 (to SN Z80H-7147)	
26B	1274322GT	NUT, NYLOCK FLG, 3/8-16, F, ZAG (from SN Z80H-7148)	4
27	88032GT	REST PAD, PRIMARY BOOM	1
27-	1256842GT	SCREW, FHS, 3/8-16 X 2.25, F835, ZAG (from SN Z80H-7148)	2
27-	1274166GT	NUT, NYLOCK, 3/8-16, C, ZAG (from SN Z80H-7148)	2
28	88361GT	HARNESS, LS, OP, PRI., ANGLE (primary boom angle)	1
28-	43960GT	WIRE CABLE, 16/4 CON. TPE JKT	
28-	88356-444P3GT	SWITCH, LIMIT, W/RLLR ARM, NO/NC*	

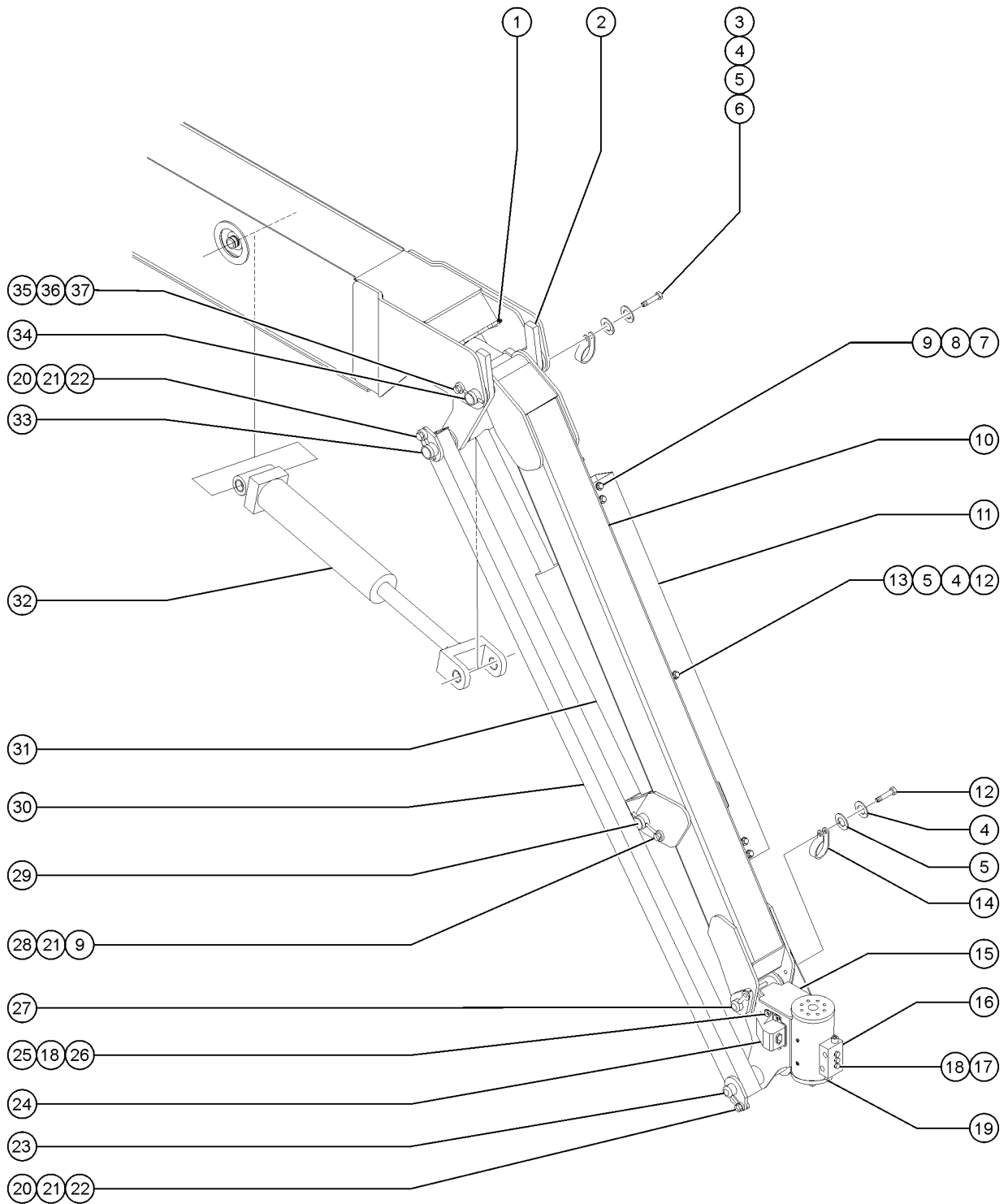


504.1 Secondary Boom



Item	Part No.	Description	Qty.
28-	824216GT	SCREW, PHPM, 10-32 X 1.5, ZAG (from SN Z80H-7148)	2
28-	1274168GT	NUT, NYLOCK, 10-32, A, ZAG (from SN Z80H-7148)	2
29	146011GT	CYLINDER, SECONDARY EXTEND	1
29-	36648GT	VALVE, COUNTERBALANCE 2500 PSI*	
29-	77514GT	SEAL KIT, SEC EXT CYL(61427)*** use for previous cylinder 61427 (no longer available)	
29-	824093GT	SCREW, HHF, 3/8-16X1.75, 8, ZAG (from SN Z80H-7148)	2
29-	1274322GT	NUT, NYLOCK FLG, 3/8-16, F, ZAG (from SN Z80H-7148)	2
30	81928GT	WELDMENT, RISER CABLE TUBE	2
30-	824092GT	SCREW, HHF, 3/8-16 X 1.5, 8, ZAG (from SN Z80H-7148)	
30-	1274322GT	NUT, NYLOCK FLG, 3/8-16, F, ZAG (from SN Z80H-7148)	
31A	122200GT	SCREW, FLANGE, HHC, 3/8-16X 7/8 (to SN Z80H-7147)	
31B	824067GT	SCREW, HHC, 3/8-16 X 1, 8, ZAG (from SN Z80H-7148)	14
31B-	826793GT	WASHER, FLAT, 3/8, SAE, HRD, ZAG (from SN Z80H-7148)	
32A	122200GT	SCREW, FLANGE, HHC, 3/8-16X 7/8 (to SN Z80H-7147)	
32B	824068GT	SCREW, HHC, 3/8-16X1.25, 8, ZAG (from SN Z80H-7148)	12
32B-	826793GT	WASHER, FLAT, 3/8, SAE, HRD, ZAG (from SN Z80H-7148)	

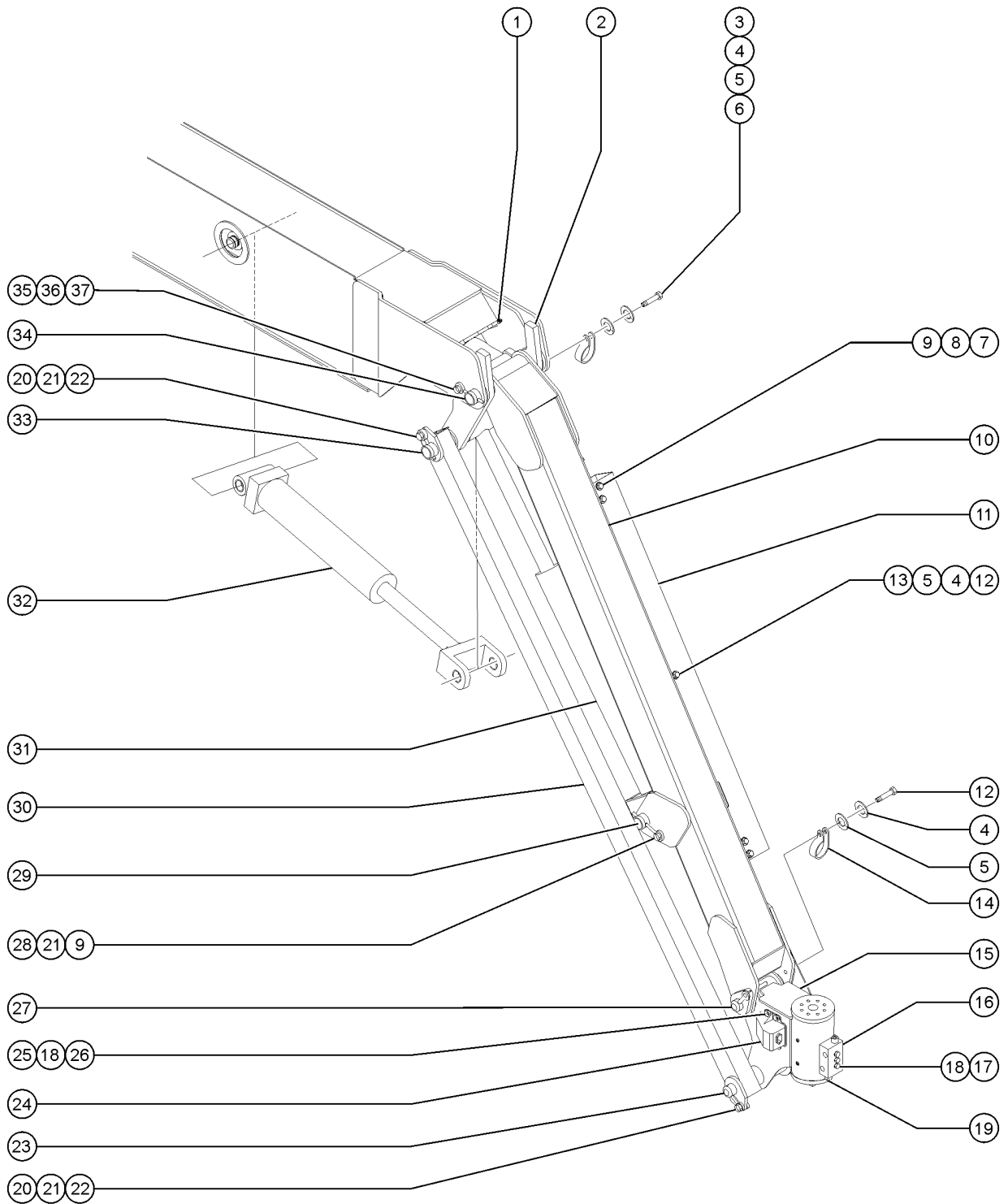
505.1 Jib Boom and Platform Rotator



Item	Part No.	Description	Qty.
-	75289GT	CLAMP,HOSE,1/2" DOUBLE Hose clamp on Job Boom, before the rotator (not shown)	
-	824078GT	SCREW,HHF,1/4-20X.75,8,ZAG Bolts clamp 75289GT to Jib Boom (not shown)	
-	61283GT	SLEAVING,PARKER TEK,2.00" (from SN Z80H-7148)	
1	88363GT	HARNESS,LS,OP,JIB	1
1-	43960GT	WIRE CABLE,16/4 CON.TPE JKT	
1-	88356-42133GT	SWITCH,LIMIT,W/ROLLER,NO/NC	
1-	97128GT	ROLLER ARM,LIMIT SWITCH***	
1-	825352GT	SCREW,PHPM,10-32X1.25,ZAG (from SN Z80H-7148)	2
2	61774-SGT	WELDMENT,BELLCRANK ASSY,SRV	1
2-	88280GT	BEARING,1.5IDX1.75ODX0.75L	4
3A	6175GT	SCREW,HHC,3/8-16 X 1 (to SN Z80H-7147)	
3B	824089GT	SCREW,HHF,3/8-16 X .75,8,ZAG (from SN Z80H-7148)	
4	6021GT	WASHER,LOCK,.375 (to SN Z80H-7147)	
5	5397GT	WASHER,FLAT,USS,5/16",Y (to SN Z80H-7147)	
6A	101626GT	CLAMP,2.5,#40 X 1/4,RUB CUSH (to SN Z80H-7147)	2
6B	27497GT	CLAMP,RUBBER CUSHIONED-2 5/32 (from SN Z80H-7148)	1
7	824090GT	SCREW,HHF,3/8-16X1,8,ZAG (from SN Z80H-7148)	2
8	32339GT	CLAMP,1.75,#28 X 3/8,RUB CUSH* (from SN Z80H-7148)	2
9	1274322GT	NUT,NYLOCK FLG,3/8-16,F,ZAG (from SN Z80H-7148)	3
10A	111331GT	Z80 JIB BOOM ASSY.W/BEARINGS (to SN Z80H-7147)	1
10A-	146264GT	BEARING, 1.5IDX1.75ODX2.00L	
10B	146101GT	MACHINED, JIB BOOM, 6FT (from SN Z80H-7148)	
10B-	146264GT	BEARING, 1.5IDX1.75ODX2.00L	
11	146028GT	FORMING, HOSE COVER	1
12A	6175GT	SCREW,HHC,3/8-16 X 1 (to SN Z80H-7147)	
12B	824090GT	SCREW,HHF,3/8-16X1,8,ZAG (from SN Z80H-7148)	3
13	29868GT	SPRING CLIP,3/8-16,.05-.20X.73,ZAG (from SN Z80H-7148)	3
14A	228881GT	CLAMP,3.0,#48 X 3/8,RUB CUSH (to SN Z80H-7147) welder cable option	1



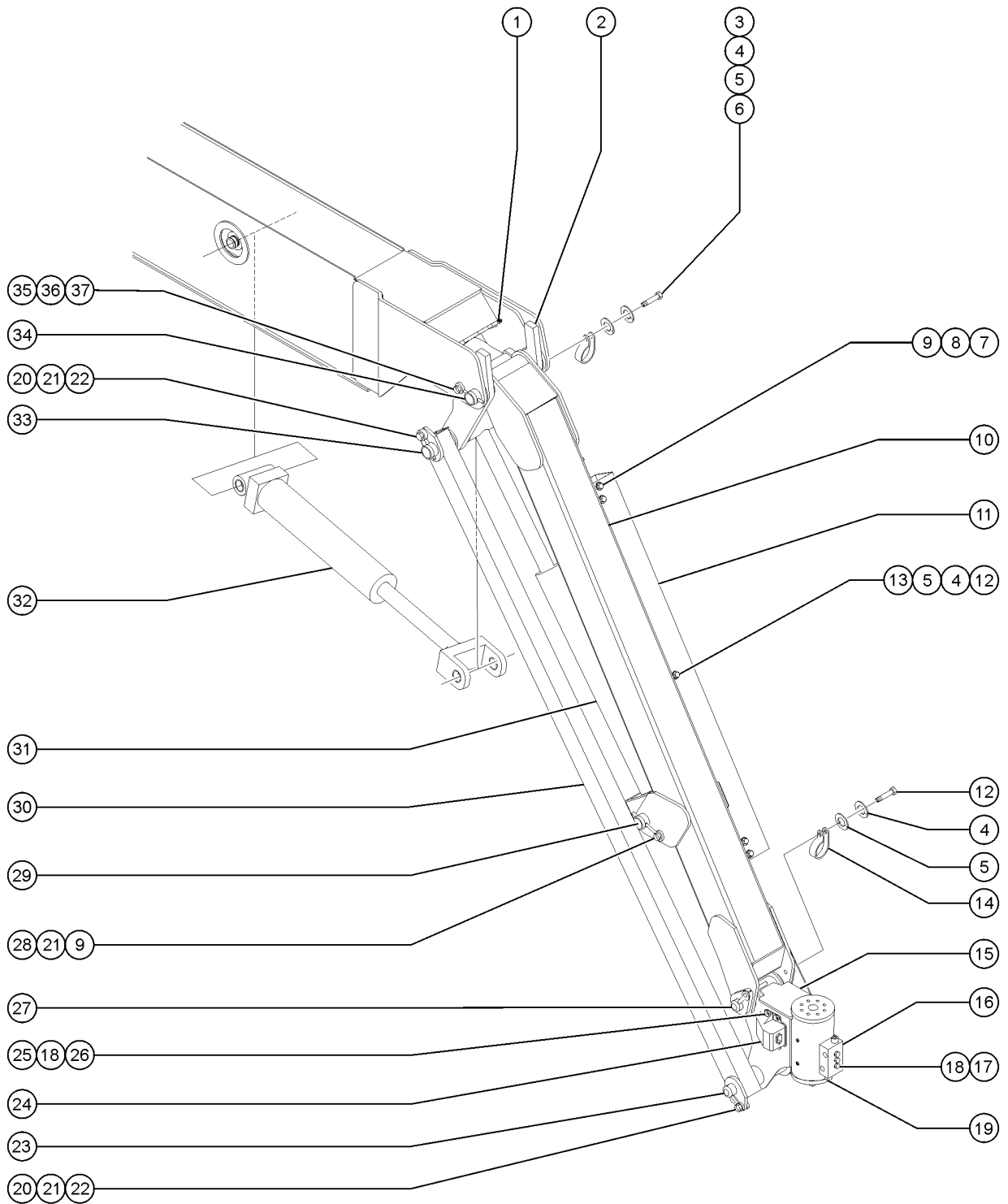
505.1 Jib Boom and Platform Rotator



Item	Part No.	Description	Qty.
14B	27497GT	CLAMP,RUBBER CUSHIONED-2 5/32 (from SN Z80H-7148)	1
15	94397GT	ROTATOR,PLAT JIB,160 DEG*** replaces rotator item 60505	
15-	122944GT	SEAL KIT,8K ROTATOR*** (use with rotator item 94397)	
15-	30222GT	BEARING,FL,1.25IDX1.41ODX1.50L	
15-	75395GT	BEARING KIT,PLAT ROTATOR,SUPER (use with rotator item 94397)	
15-	88516GT	SCREW,BLEEDER,M5X0.8 (use with rotator item 94397)	
16		Ref. Platform Rotate Manifold (refer to 707.1)	
17A	6145GT	SCREW,HHC,1/4-20 X 1.5 (to SN Z80H-7147)	
17B	824081GT	SCREW,HHF,1/4-20X1.5,8,ZAG (from SN Z80H-7148)	3
18	6356GT	WASHER,LOCK,.25 (to SN Z80H-7147)	
19		Ref. Counterbalance Valve (refer to 707.1)	
20A	8516GT	SCREW, HCC, 3/8-16 X 1.50 (to SN Z80H-7147)	
20B	824092GT	SCREW, HHF, 3/8-16 X 1.5, 8, ZAG (from SN Z80H-7148)	4
21A	825019GT	ROD END, .375X3.69, ZAG (to SN 6549)	4
21B	825019GT	ROD END, .375X3.69, ZAG (from SN 6550)	
22A	4828GT	NUT,NYLOCK,3/8-16 (to SN Z80H-7147)	
22B	1274322GT	NUT,NYLOCK FLG,3/8-16,F,ZAG (from SN Z80H-7148)	4
23	61776GT	PIN,1.25DIA X 15.00LG,2HOLE	2
24	50813GT	SENSOR,TILT,PCON (PLASTIC)****	1
25A	6090GT	SCREW,HHC,1/4-20 X .75 (to SN Z80H-7147)	
25B	824078GT	SCREW,HHF,1/4-20X.75,8,ZAG (from SN Z80H-7148)	2
26	6638GT	WASHER,FLAT,USS,1/4"Y (to SN Z80H-7147)	
27	88283GT	PIN,1.25 DIA X 7.88" LG.	1
27-	824093GT	SCREW,HHF,3/8-16X1.75,8,ZAG (from SN Z80H-7148)	
27-	825019GT	ROD END, .375X3.69, ZAG (from SN Z80H-7148)	
27-	1274322GT	NUT,NYLOCK FLG,3/8-16,F,ZAG (from SN Z80H-7148)	
28A	8516GT	SCREW, HCC, 3/8-16 X 1.50 (to SN Z80H-7147)	
28B	824093GT	SCREW,HHF,3/8-16X1.75,8,ZAG (from SN Z80H-7148)	1



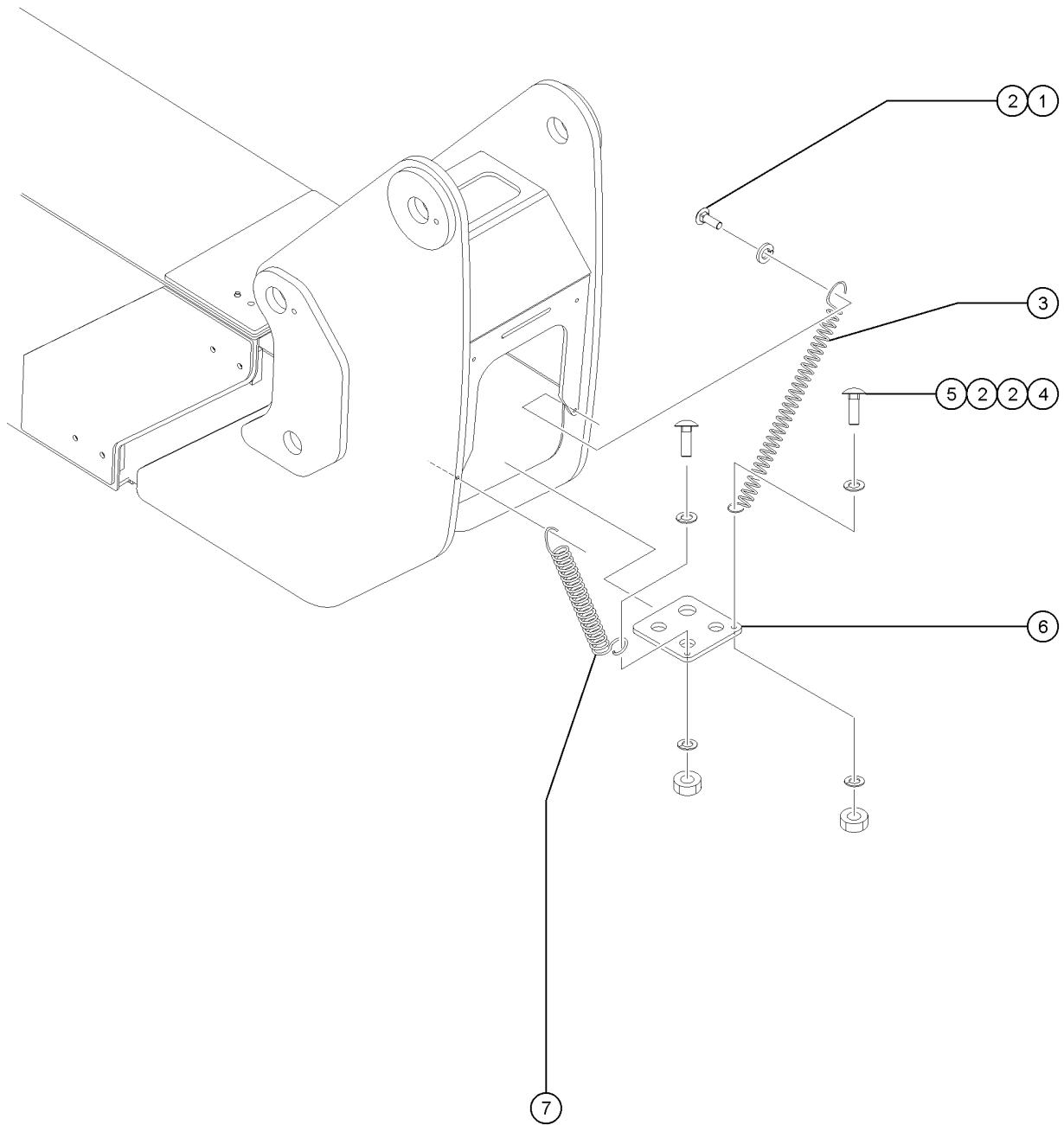
505.1 Jib Boom and Platform Rotator



Item	Part No.	Description	Qty.
29A	T107884GT	PIN,1.25DIAX7.00LG,1HOLE (to SN Z80H-7147)	2
29B	T107884GT	PIN,1.25DIAX7.00LG,1HOLE (from SN Z80H-7148)	1
30	61771GT	COMPRESSION LINK,MACHINED	2
31	61430GT	CYLINDER,JIB BOOM	1
31-	18396GT	BEARING,1.5IDX1.75ODX1.0L	
31-	33428GT	VALVE,COUNTERBALANCE	
31-	43018GT	SEAL KIT (39345) used for valve 33428	
31-	47377GT	BEARING,1.25 ID X 1.5 OD X .75	
31-	77517GT	SEAL KIT,JIB CYLINDER (61430)	
32	61431GT	CYLINDER,PLATFORM LEVELING*	1
32-	47377GT	BEARING,1.25 ID X 1.5 OD X .75	
32-	61602GT	VALVE,COUNTERBAL.CBBB-LHN@3500	
32-	75061GT	VALVE,COUNTERBAL.CBBB-LHN@2000	
32-	77518GT	SEAL KIT PLAT.LEVEL CYL, 61431	
32-	88280GT	BEARING,1.5IDX1.75ODX0.75L	
33	88273GT	PIN,1.50DIAX15.00LG,2HOLE	1
34	88906GT	PIN,1.5 DIA X 11 LG	1
35A	73928GT	SCREW,HHC,1-8 X 11,GRD 5*** (to SN Z80H-7147)	
35B	1255469GT	SCREW,HHF,1/2-13X1.25,8,ZAG (from SN Z80H-7148)	
36	6033GT	WASHER,LOCK,0.5" (to SN Z80H-7147)	
37A	1256267GT	ROD END,.5 X 3.75,ZAG (to SN 6549)	1
37B	1256267GT	ROD END,.5 X 3.75,ZAG (from SN 6550)	

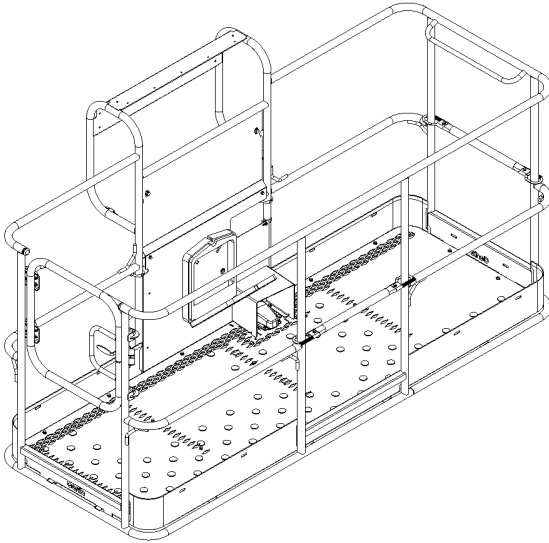


506.1 Jib Boom and Platform Rotator

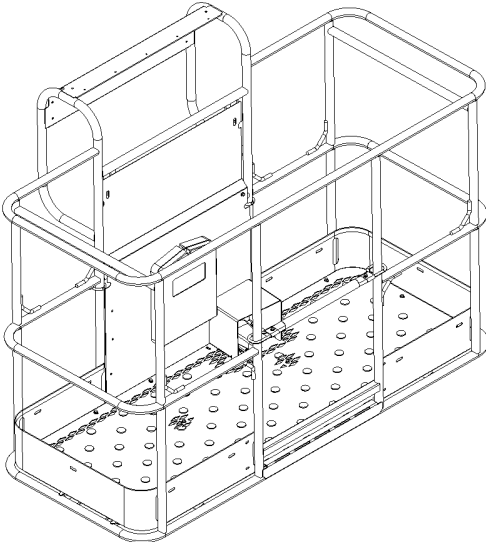


Item	Part No.	Description	Qty.
1A	6878GT	BOLT,CARRIAGE,1/4-20 X .75,G2 (to SN Z80H-7147)	
1B	1256855	SCREW,HHF,1/4-20X.625,8,ZAG (from SN Z80H-7148)	2
2	6356GT	WASHER,LOCK,.25 (to SN Z80H-7147)	
3	88508GT	SPRING,EXTENSION .44 X 6.0	1
4A	6878GT	BOLT,CARRIAGE,1/4-20 X .75,G2 (to SN Z80H-7147)	
4B	824059GT	SCREW,HHC,1/4-20X.75,8,ZAG (from SN Z80H-7148)	2
5A	6091GT	NUT,NYLOCK,1/4-20 (to SN Z80H-7147)	
5B	1277924GT	NUT,NYLOCK FLG,1/4-20,F,ZAG (from SN Z80H-7148)	2
6	88119GT	PLATE,RISER HOSE BULKHEAD	1
7	88507GT	SPRING,EXTENSION .38 X 3.0	1

601.1 Platform configuration



(1) Side Swing Gate Platform

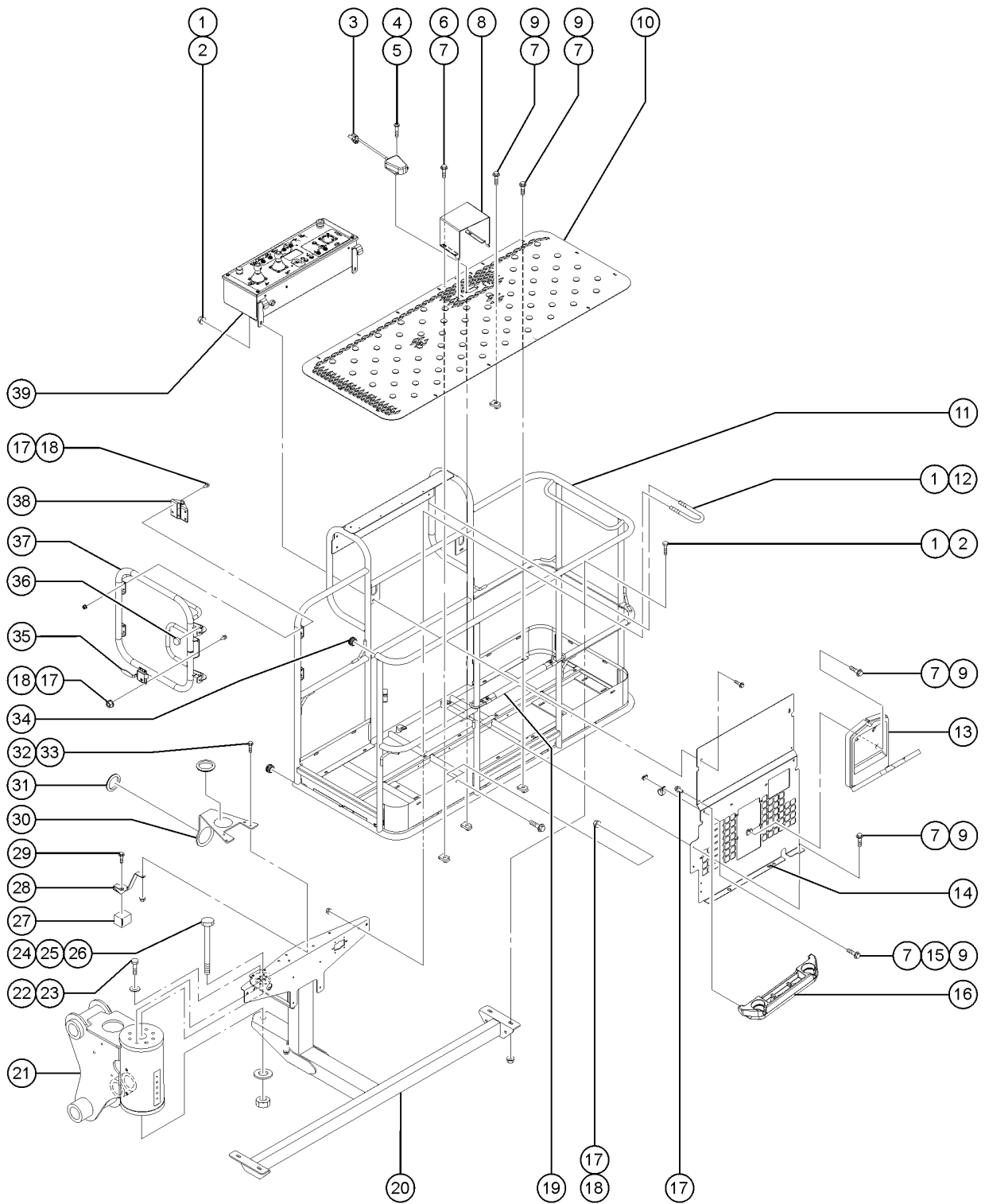


(2) Front Single Entry Platform

Item	Part No.	Description	Qty.
-		Complete Platform Assemblies with Decals	
A	1279538GT	PLAT ASSY,8' W/SIDE GATE,Z80 ANSI WORD ANSI/AUS	
B	1279541GT	PLAT ASSY,8' W/SIDE GATE,Z80 ANSI/CE CE/ANSI	
-		Complete Platform Assemblies & Platform Weldments without Decals (refer to section 100 for Decals)	
1A	1272304GT	ASSY,8FT PLAT TRI LG,BLANK front and side entry	
-	1274859GT	ASSY,8' PLAT WELDMNT W/SIDE Flooring & decal plate not included	
1B	1272303GT	ASSY,6FT PLAT DUAL LG,BLANK front and side entry	
-	1274858GT	ASSY,6' PLAT WELDMNT W/SIDE Flooring & decal plate not included	
2A	161541GT	ASSY,4FT PLATFORM, NO DECALS Single entry	
2B	161542GT	ASSY,5FT PLATFORM, NO DECALS Single entry	
2C	160809GT	ASSY,6FT PLATFORM,NO DECALS Single entry	
-	73900GT	WELDMNT,6 FT PLATFORM Flooring & decal plate not included	



601.2 Platform Components

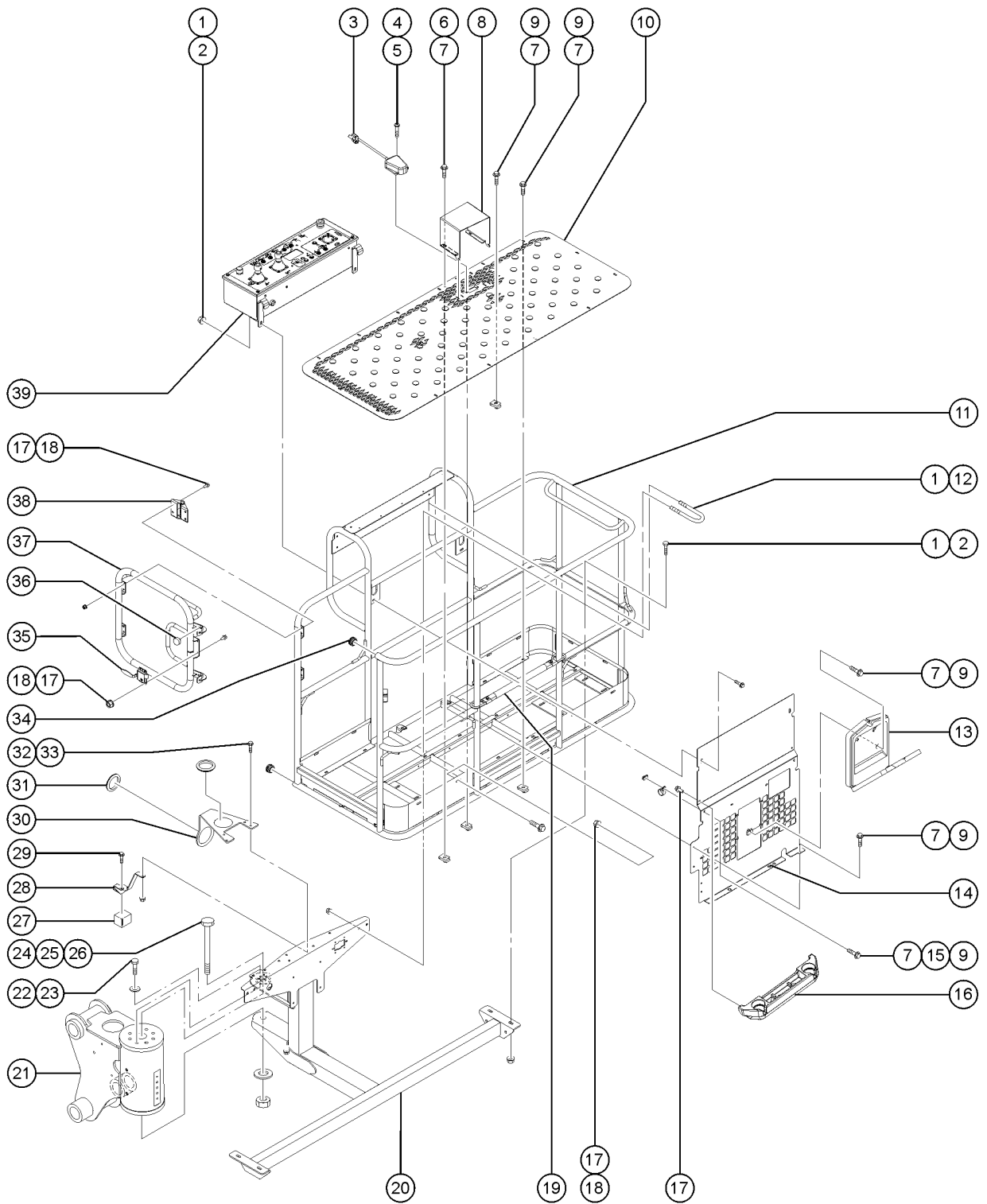


601.2 Platform Components

Item	Part No.	Description	Qty.
1	824029GT	NUT, TL FLG, 3/8-16, G, ZAG	10
2	824091GT	SCREW, HHF, 3/8-16X1.25, 8, ZAG	6
3	227618GT	ASSEMBLY, FOOTSWITCH	1
3-	119065GT	CONN, RECEP, 2 WAY, DEUTSCH, DT	
3-	1257248GT	SCREW, SHC, M4-0.7X8, DIN912,	
3-	1257249GT	WASHER, LOCK, M4, SS	
3-	227564GT	FOOT SWITCH, 20A IP65	
3-	33576GT	CONN, SQZ, BLK, 1/2NPT, .38-.50, SM	
4	1256460GT	SCREW, PHPM, 10-24X1, ZAG	2
5	73575GT	SPRING CLIP, 10-24, .025-.125X.468, ZAG	2
6	824079GT	SCREW, HHF, 1/4-20X1, 8, ZAG	2
7	56912GT	SPRING CLIP, 1/4-20, .025-.15X.5	23
8	147121GT	COVER, FOOT SWITCH, LARGE (decals not included, refer to section 100)	1
9	824078GT	SCREW, HHF, 1/4-20X.75, 8, ZAG	23
10	1267746GT	FLOORING, 72X30 PLATFORM 6ft Platform (with side swing gate)	1
10B	73477GT	FLOORING, 6 FT PLATFORM 6 ft Platform (with single entry)	1
10C	73478PGT	FLOORING, 8 FT PLATFORM*** all 8 ft Platform	1
11		Ref. Platform Weldment (refer to 601.1)	
12	1251600GT	U-BOLT, FLATTENED, Ø1.5 X 3/8 UNC, ZAG (single entry)	2
13	44743GT	MANUAL BOX W/DECALS*** USA/Canada/Australia	1
13B	24514GT	BOX, INSTRUCTION STORAGE Europe/Asia/South America (decals required; refer to Section 100)	
14	1275088GT	FORMING, ALUM, DECAL PLATE	1
14B	89337GT	PLATFORM ASSY 8FT W/DECALS ANS (Painted, Steel)	1
15	56424GT	CLAMP, 1.25 x .5 RUBBER-CUSHION	2
16	1289552GT	KIT, PLATFORM WORK TRAY	1
17	1256855GT	SCREW, HHF, 1/4-20X.625, 8, ZAG	14
18	824027GT	NUT, TL FLG, 1/4-20, G, ZAG	14
19	102992GT	SLIDING MIDRAIL KIT, PTD	1



601.2 Platform Components

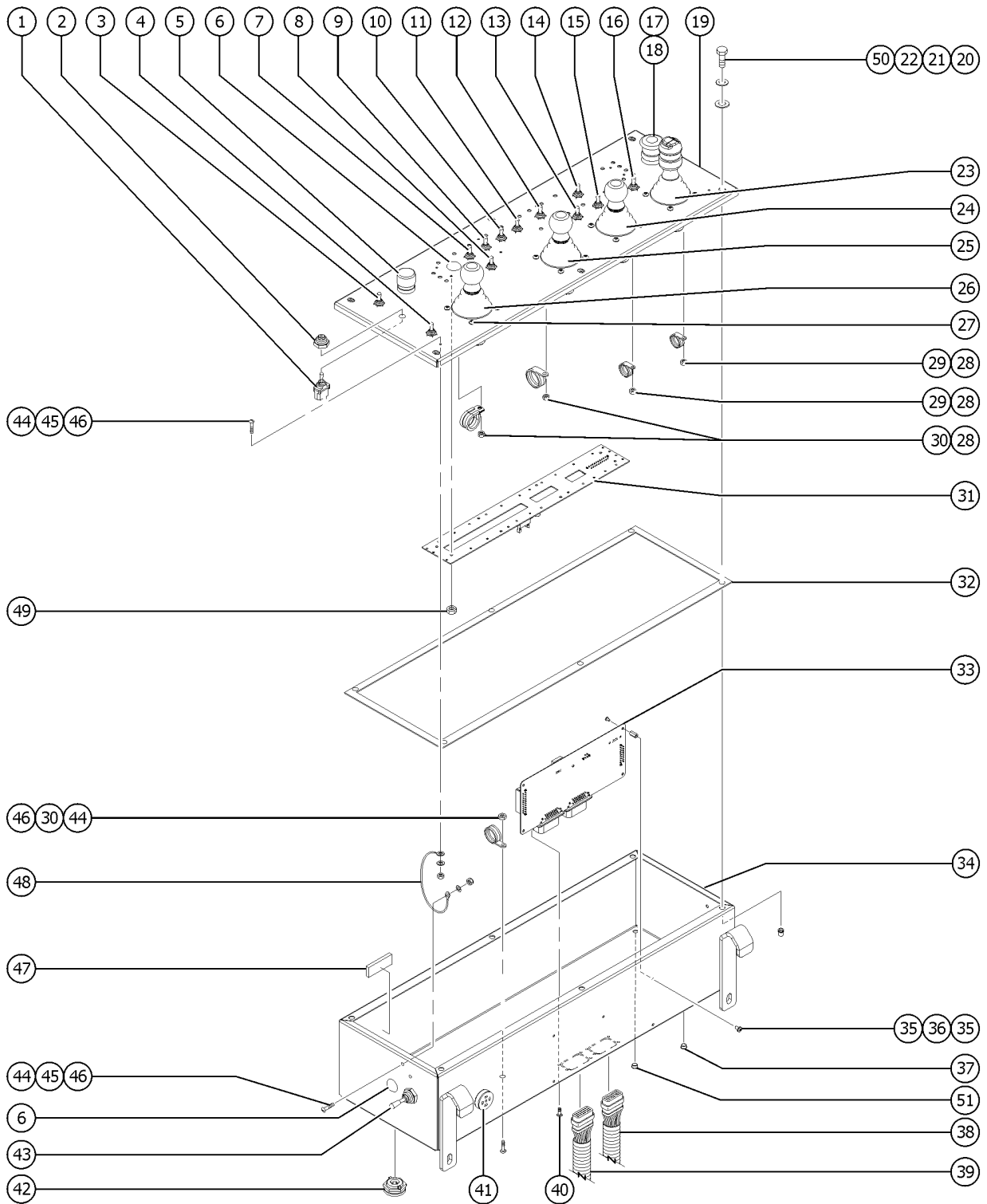


601.2 Platform Components

Item	Part No.	Description	Qty.
19-	102992GT	SLIDING MIDRAIL KIT,PTD	
20	60370-SGT	PLATFORM SUPPORT WELDMNT-SERV*	1
20B		Ref. PLAT LOAD SENSE S60** (refer to 810.1)	1
21		Ref. ROTATOR,PLAT JIB (refer to 507.1)	
22	826791GT	SCREW,HHC,3/8-16X.875,8,ZAG	8
23	826793GT	WASHER,FLAT,3/8,SAE,HRD,ZAG	8
24	826792GT	SCREW,HHC,1-8X11,5,ZAG	
25	824116GT	WASHER,FLAT,1.0,F436,HRD,ZAG to SN Z62H-3664	
26	826794GT	NUT,TL,1-8,C,ZAGRING to SN Z62H-3664	
26B	824031GT	NUT,TL FLG,1-8,G,ZAG from SN Z62H-3665	
27		Ref. PLATE,JIB,ROTATE MANIFOLD (refer to 705.1)	
28	110671GT	PLATE,JIB,ROTATE MANIFOLD	1
29	824077GT	SCREW,HHF,1/4-20X.5,8,ZAG	2
30	106163GT	FORMING,CABLE GUIDE order 55067 grommet separately	1
31	55067GT	GROMMET,RUBBER 3 X .19 X 3.5	2
32	824028GT	NUT,TL FLG,5/16-18,G,ZAG	4
33	824086GT	SCREW,HHF,5/16-18X1,8,ZAG	4
34	55753GT	BUMPER, PLASTIC, 1.25 O.D.	2
35	1267747GT	LATCH, SWING GATE	1
36	43392GT	BUMPER,BATTERY BOX & RAILS***	2
37	1272307GT	ASSY,SIDE SWING GATE	1
38	104804GT	HINGE, SPRING, LONG LEG	2
39		Ref. PLATFORM CONTROL BOX (refer to 603.1)	



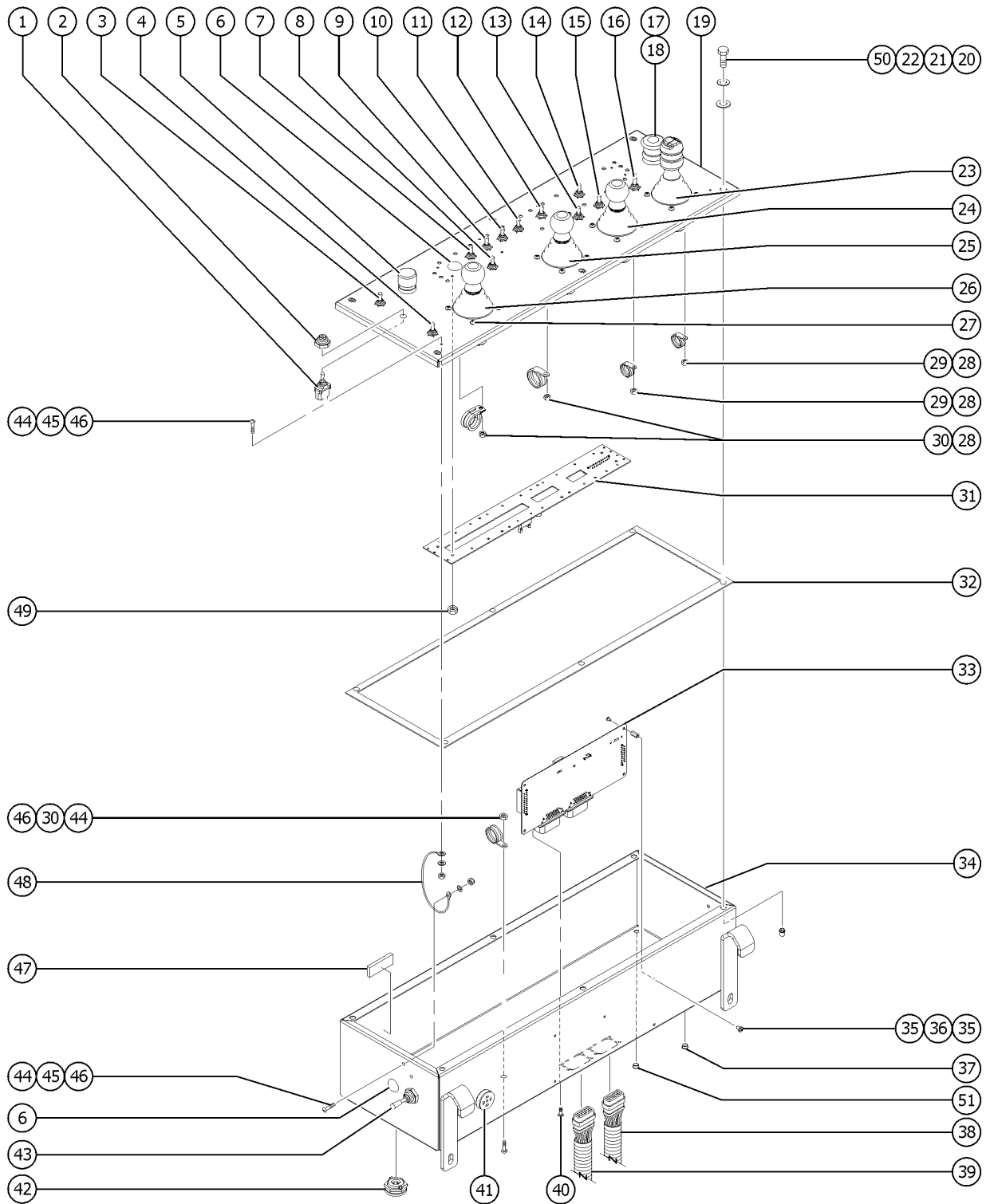
602.1 Platform Controls



Item	Part No.	Description	Qty.
A	822613GT	ASSY, CONTROL BOX, PCON, Z80 (complete, includes items 1 - 37 and 40 - 49)	
B	88142GT	HARNESS,PCON SWITCH PANEL	
C	122023GT	HARNESS,PBOX,JOYSTICKS,Z80	
D	235346GT	HARNESS, PCON, TOG SW, ALC1000	
1	128200GT	SWITCH TOGGLE ASSY SPDT 3P MOM Platform Level Toggle Switch	1
2	27246GT	BOOT,TOGGLE SWITCH,SHORT* Part of toggle switch 128200	1
3	128200GT	SWITCH TOGGLE ASSY SPDT 3P MOM Platform Rotate Toggle Switch	1
4	128200GT	SWITCH TOGGLE ASSY SPDT 3P MOM Jib Boom Up/Down Toggle Switch	1
5	66813GT	BUTTON,PUSH,BLACK W/SEAL *** Horn Button	1
6	229567GT	PLUG,SANTOPRENE .5 BLACK DOME Optional Equipment	2
7	128200GT	SWITCH TOGGLE ASSY SPDT 3P MOM Generator ON/OFF Toggle Switch	1
8	128200GT	SWITCH TOGGLE ASSY SPDT 3P MOM Drive Enable Toggle Switch	1
9	128200GT	SWITCH TOGGLE ASSY SPDT 3P MOM Emergency Power Switch	1
10	128200GT	SWITCH TOGGLE ASSY SPDT 3P MOM Glow Plug Switch	1
11	128200GT	SWITCH TOGGLE ASSY SPDT 3P MOM Engine Start Toggle Switch	1
12	128200GT	SWITCH TOGGLE ASSY SPDT 3P MOM Engine Idle Control Toggle Switch	1
13	128200GT	SWITCH TOGGLE ASSY SPDT 3P MOM Drive Control Toggle Switch	1
14	128200GT	SWITCH TOGGLE ASSY SPDT 3P MOM Fuel Select Control Toggle Switch	1
15	128200GT	SWITCH TOGGLE ASSY SPDT 3P MOM Steer Mode Toggle Switch	1
16	128200GT	SWITCH TOGGLE ASSY SPDT 3P MOM Steer Mode Toggle Switch	1
17	66812GT	BUTTON,PUSH,RED MUSHROOM HEAD	1
17-	122519GT	KIT,ESTOP SVC LARGE BOOM	
17-	66817GT	BASE WITH 1 NC CONTACT, E-STOP	
18	146478GT	BOOT(BELLOWS),E-STOP,BLACK	1
19	229387GT	LID, PCON, TOG SW, Z80	1
20	6090GT	SCREW,HHC,1/4-20 X .75 to SN Z80H-7186	
20-	824059GT	SCREW,HHC,1/4-20X.75,8,ZAG from SN Z80H-7187	
21	6356GT	WASHER,LOCK,.25 to SN Z80H-7186	



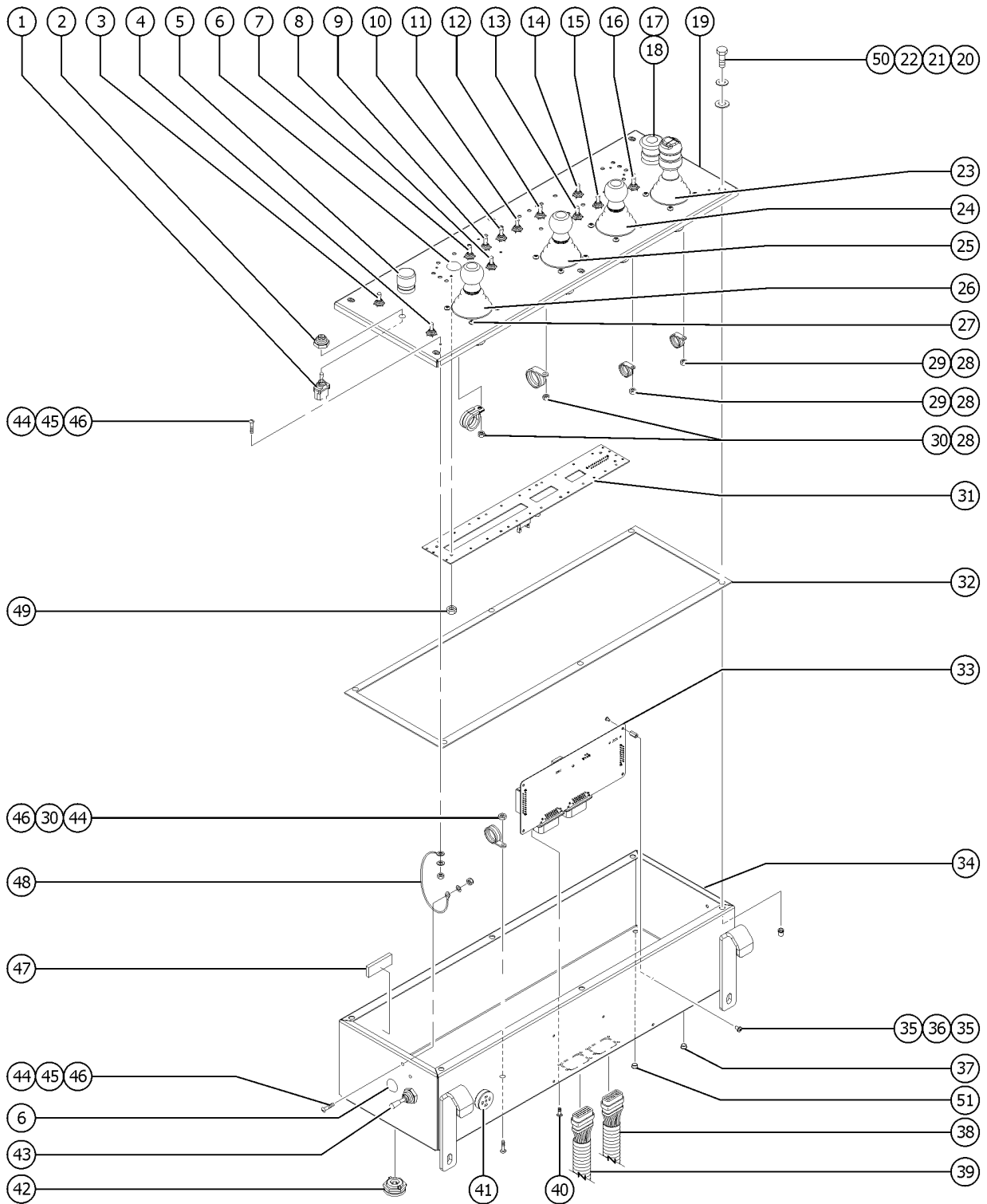
602.1 Platform Controls



Item	Part No.	Description	Qty.
22	6638GT	WASHER,FLAT,USS,1/4"Y to SN Z80H-7186	
22-	824113GT	WASHER,FLAT,1/4,USS,ZAG from SN Z80H-7187	
23		Ref. JOYSTICK,2 AXIS,DEUTSCH Multi-axis or Single-axis with Steer Rocker Switch (drive/steer functions), calibration required after replacement; refer to 603.1	1
24		Ref. JOYSTICK Single-axis (secondary boom up/extend and down/retract function), calibration required after replacement; refer to 603.1	1
25		Ref. JOYSTICK Single-axis (primary boom extend/retract function), calibration required after replacement; refer to 603.1	1
26		Ref. JOYSTICK Multi-axis (primary boom up/down and turntable rotate left/right functions)), calibration required after replacement; refer to 603.1	1
27	139338GT	SCREW PH M5-0.8X20 DIN 7500CE	
28	104030GT	NUT HEX M5-0.8 CLASS 8 ZINC	
29	6833GT	CLAMP,0.50,#8 X 1/4,RUB CUSH	2
30	13268GT	CLAMP,0.75,#12 X 1/4,RUB CUSH	3
31	232975GT	PCB, LED/TOGGLE SWITCH, ALC100	1
32	81488GT	GASKET,PLATFORM CONTROL BOX	1
33	219422GT	PCB,ASSY,ECM,PLATFORM,V2.04	1
34	88063PGT	PLATFORM CONTROL BOX,WELDMENT	1
35	81551GT	SCREW,PHIL,PHM,6-32 X 1/4 SS	
36	88287GT	STANDOFF,6-32 X 1/2L X 1/4 HEX	5
37	42288GT	PLUG,NYLON .188 BLACK DOMED	2
38	146040GT	WIRE HARNESS,PLAT MANFLD Z80	1
38-	60513GT	CONN,PLUG 23 WAY,16-20 GA WHT	
39	146425GT	HARNESS PRIM BOOM SAE 11C 2010	1
39-	60512GT	CONN,PLUG 23 WAY,16-20 GA BLK	
40	122351GT	SCREW,#4X1/4,HI-LO,PH PHIL,TAP	
41	62379GT	ALARM,AUDIO,SUPERBOOM*	
41-	72326GT	NUT,PLASTIC,RING FOR ALARMS	
42	106495GT	PLUG, 1/2" HUBBLE	1
43	128200GT	SWITCH TOGGLE ASSY SPDT 3P MOM Platform level recovery option	1
43-	122343GT	DECAL,PLAT LVL.RECOVERY	



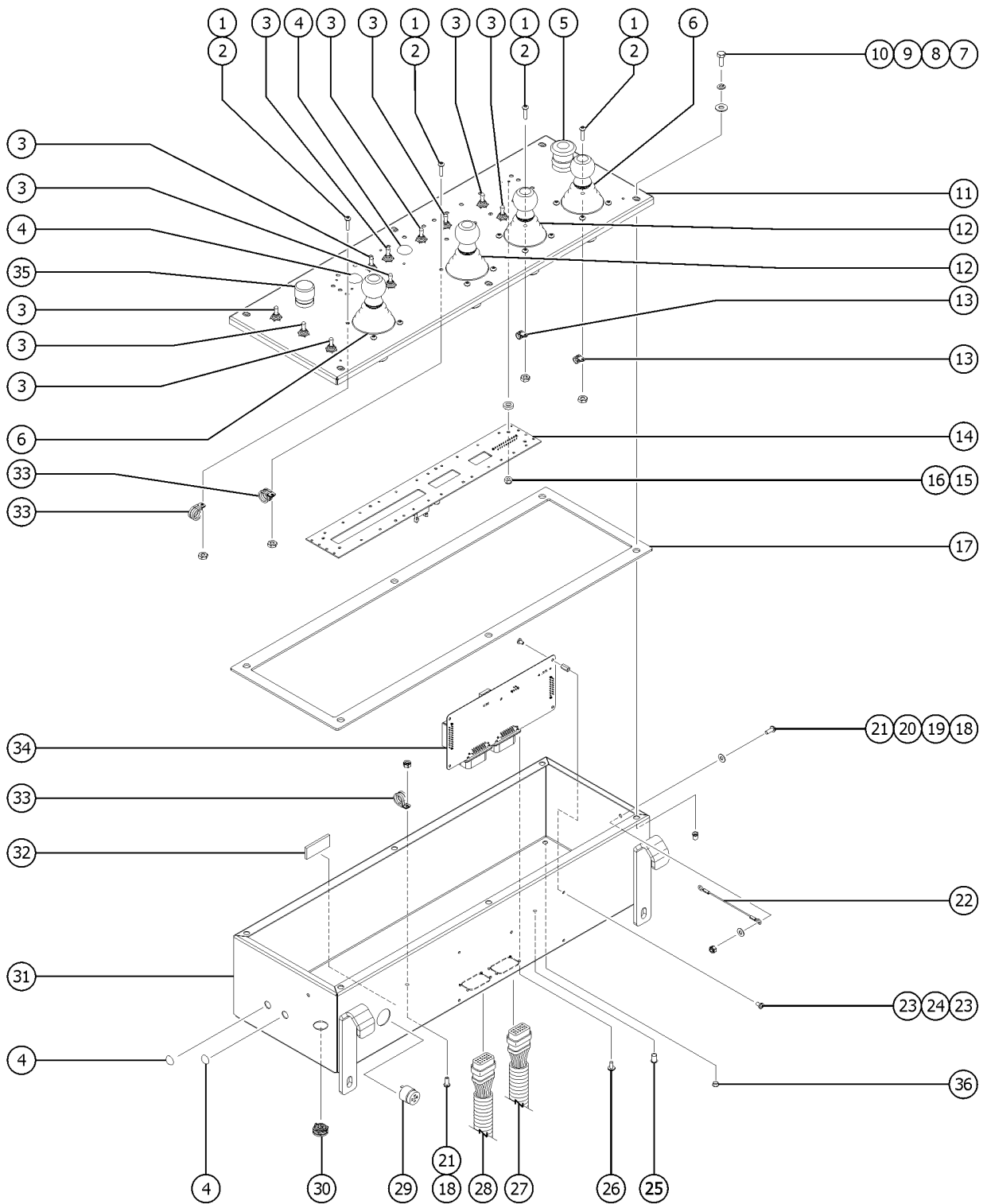
602.1 Platform Controls



<i>Item</i>	<i>Part No.</i>	<i>Description</i>	<i>Qty.</i>
43-	122362GT	FIELD KIT,PL LVL REC,ALC1000	
43-	122461GT	HARNESS,PLAT LEVEL RECOVERY	
43-	128203GT	SWITCH TOGGLE ASSY SPDT 2P MOM	
43-	229567GT	PLUG,SANTOPRENE .5 BLACK DOME	
		Used if toggle switch not installed	
44	54365GT	SCREW,PHIL,PHM,10-32 X .5,SSTL	
45	6146GT	WASHER,FLAT,MS,#10,Y	
46	6178GT	NUT,NYLOCK,10-32	
47	30997GT	CORROSION INHIBITOR,FOAM	1
48	77351GT	LANYARD,PLATFORM CONTROL BOX	2
49	12344GT	NUT,NYLOCK,6-32	
50	23404GT	NUTSERT,1/4-20,STEEL CAD PLTD	
51	30996GT	PLUG,NYLON .313 BLACK DOMED	



603.1 Platform Controls, Perkins 404D-22T and Deutz TD2.9L4

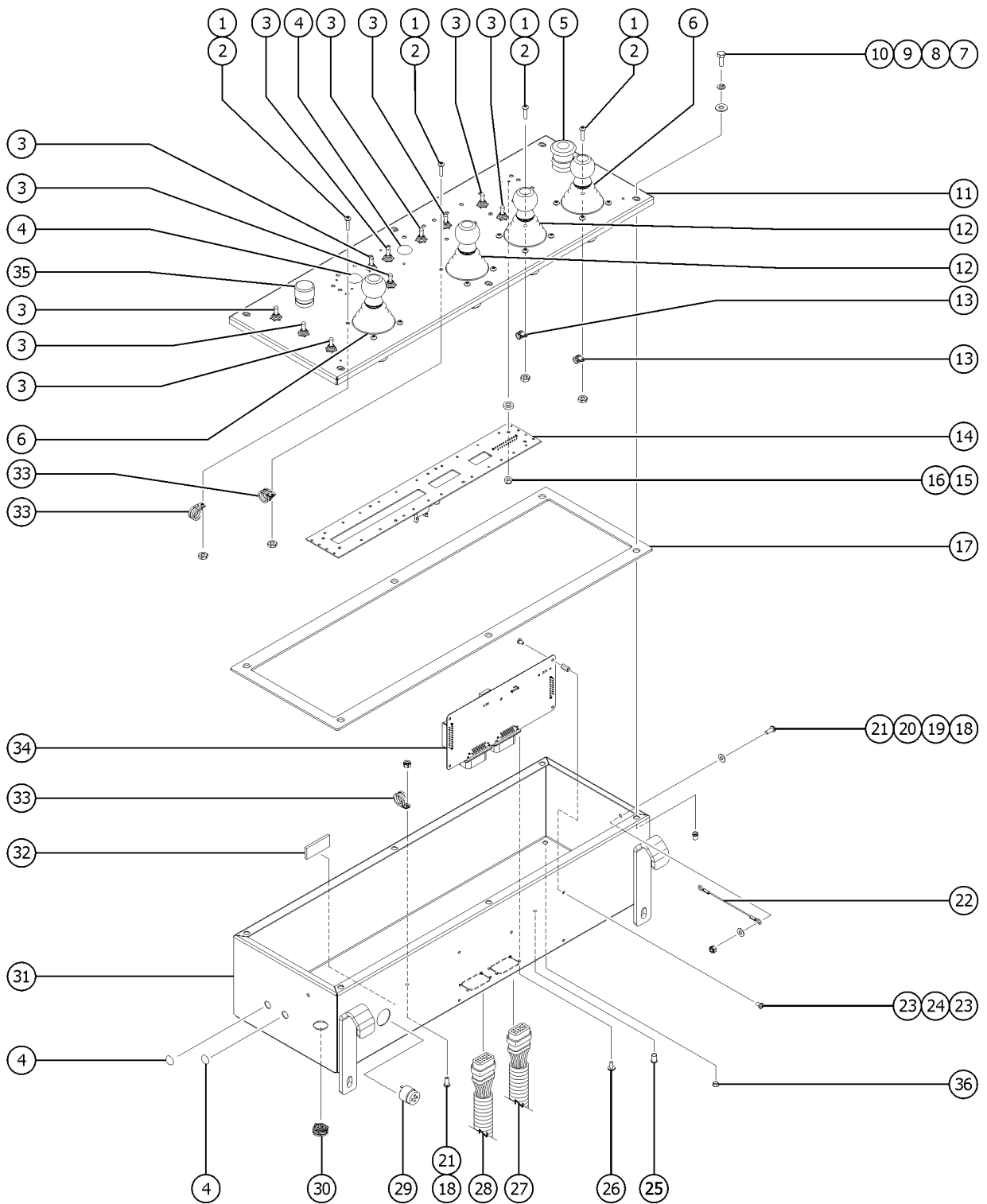


603.1 Platform Controls, Perkins 404D-22T and Deutz TD2.9L4

Item	Part No.	Description	Qty.
A		HARNESS,PBOX,JOYSTICKS,Z80	1
B	235346GT	HARNESS, PCON, TOG SW, ALC1000	1
C	88142GT	HARNESS,PCON SWITCH PANEL	1
1	139338GT	SCREW PH M5-0.8X20 DIN 7500CE	16
2	104030GT	NUT HEX M5-0.8 CLASS 8 ZINC	4
3	128200GT	SWITCH TOGGLE ASSY SPDT 3P MOM	12
4	229567GT	PLUG,SANTOPRENE .5 BLACK DOME	4
5	66812GT	BUTTON,PUSH,RED MUSHROOM HEAD	1
5-	146478GT	BOOT(BELLOWS),E-STOP,BLACK	
5-	66817GT	BASE WITH 1 NC CONTACT, E-STOP	
6		Ref. JOYSTICK,2 AXIS,DEUTSCH	2
		Refer to 603.1	
7	6090GT	SCREW,HHC,1/4-20 X .75	6
		to SN Z80H-7186	
7-	824059GT	SCREW,HHC,1/4-20X.75,8,ZAG	
		from SN Z80H-7187	
8	6356GT	WASHER,LOCK,.25	6
		to SN Z80H-7186	
9	6638GT	WASHER,FLAT,USS,1/4"Y	6
		to SN Z80H-7186	
9-	824113GT	WASHER,FLAT,1/4,USS,ZAG	
		from SN Z80H-7187	
10	23404GT	NUTSERT,1/4-20,STEEL CAD PLTD	6
11	229387GT	LID, PCON, TOG SW, Z80	1
12		Ref. JOYSTICK,1 AXIS,DEUTSCH	2
		Refer to 603.1	
13	6833GT	CLAMP,0.50,#8 X 1/4,RUB CUSH	2
14	232975GT	PCB, LED/TOGGLE SWITCH, ALC100	1
15	12344GT	NUT,NYLOCK,6-32	
16	822224GT	WASHER, NYLON #10, 0.093	8
17	81488GT	GASKET,PLATFORM CONTROL BOX	1
18	54365GT	SCREW,PHIL,PHM,10-32 X .5,SSTL	3
19	35461GT	WASHER,FLAT,MS,#8,Y	
20	6146GT	WASHER,FLAT,MS,#10,Y	2
21	6178GT	NUT,NYLOCK,10-32	3



603.1 Platform Controls, Perkins 404D-22T and Deutz TD2.9L4

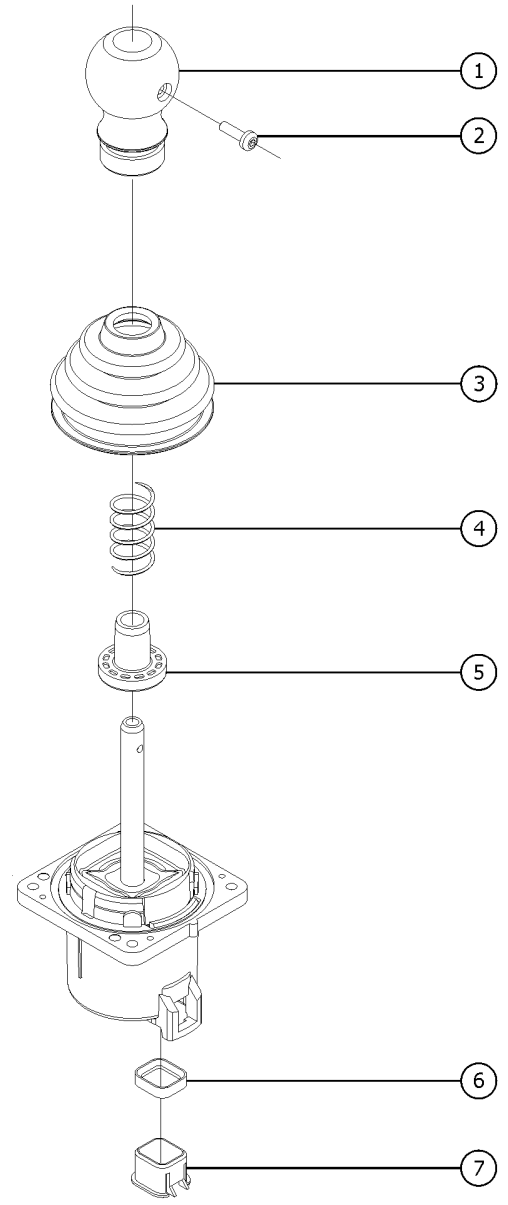
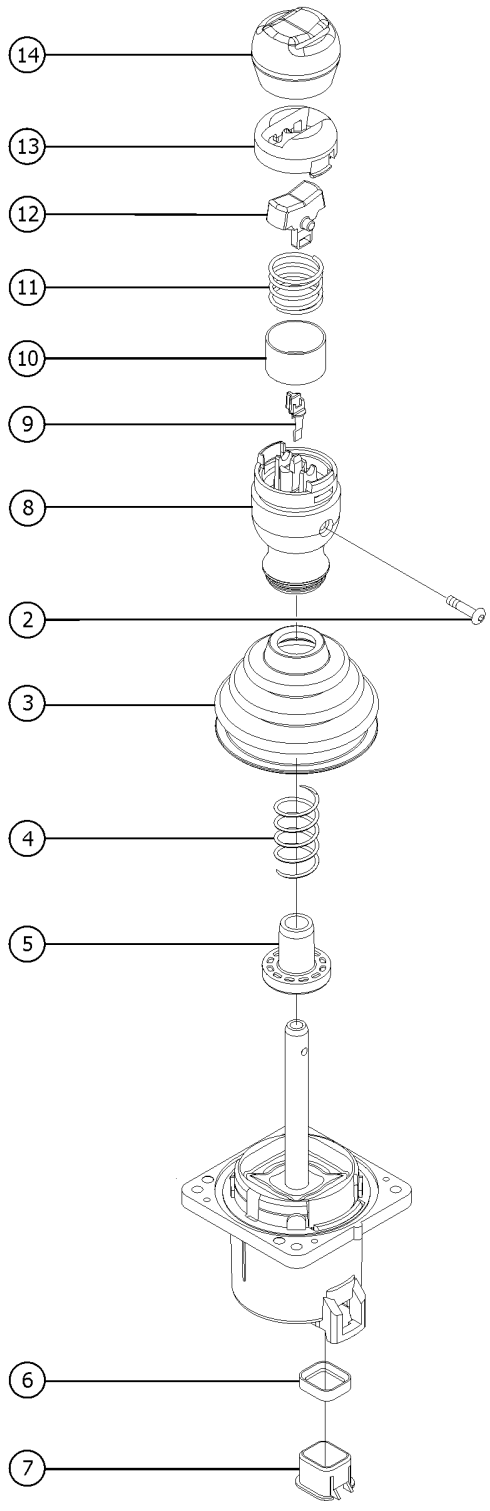


603.1 Platform Controls, Perkins 404D-22T and Deutz TD2.9L4

<i>Item</i>	<i>Part No.</i>	<i>Description</i>	<i>Qty.</i>
22	1258952GT	LANYARD, BOX, CONTROL, PLATFORM	2
23	81551GT	SCREW,PHIL,PHM,6-32 X 1/4 SS	10
24	88287GT	STANDOFF,6-32 X 1/2L X 1/4 HEX	5
25	42288GT	PLUG,NYLON .188 BLACK DOMED	2
26	122351GT	SCREW,#4X1/4,HI-LO,PH PHIL,TAP	8
27	146040GT	WIRE HARNESS,PLAT MANFLD Z80	1
27-	60513GT	CONN,PLUG 23 WAY,16-20 GA WHT	
28	146425GT	HARNESS PRIM BOOM SAE 11C 2010	1
28-	60512GT	CONN,PLUG 23 WAY,16-20 GA BLK	
29	62379GT	ALARM,AUDIO,SUPERBOOM*	1
29-	72326GT	NUT,PLASTIC,RING FOR ALARMS	
30	106495GT	PLUG, 1/2" HUBBLE	1
31	825532GT	PLATFORM CONTROL BOX,WELDMENT	1
32	30997GT	CORROSION INHIBITOR,FOAM	1
33	13268GT	CLAMP,0.75,#12 X 1/4,RUB CUSH	3
34	219422GT	PCB,ASSY,ECM,PLATFORM,V2.04	1
35	66813GT	BUTTON,PUSH,BLACK W/SEAL ***	1
35-	66815GT	BASE, W/1 N.O. CONTACTS***	
36	30996GT	PLUG,NYLON .313 BLACK DOMED	



604.1 Joysticks

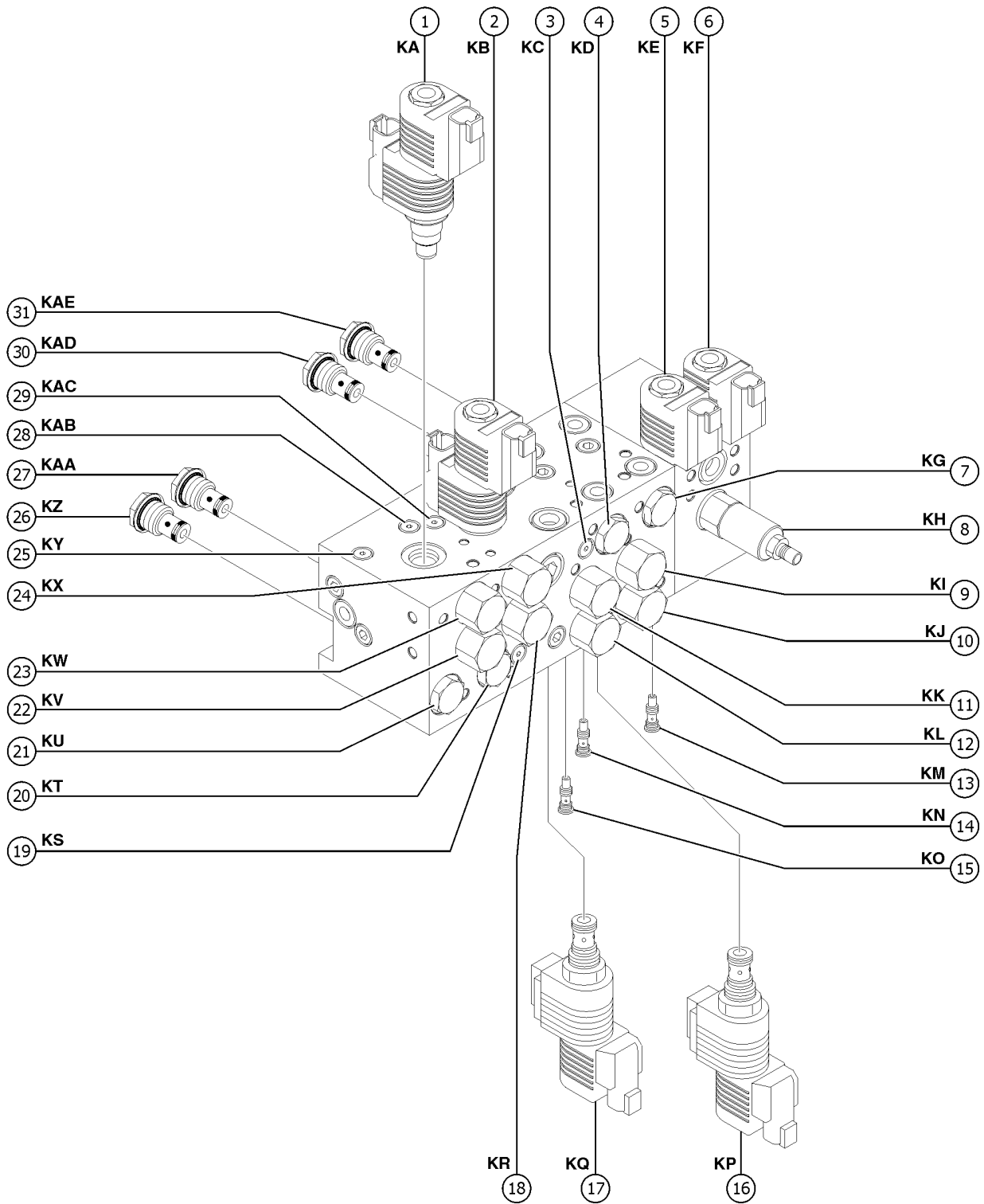


604.1 Joysticks

Item	Part No.	Description	Qty.
A	101174GT	JOYSTICK,2 AXIS,DEUTSCH OEM joystick (calibration required after replacement)	
B	101174HGT	JOYSTICK,DUAL AXIS W/KNOB aftermarket joystick (calibration required after replacement)	
C	101175GT	JOYSTICK,1 AXIS,DEUTSCH OEM joystick (calibration required after replacement)	
D	101175HGT	JOYSTICK,SINGLE AXIS W/KNOB aftermarket joystick (calibration required after replacement)	
E	101005GT	JOYSTICK,1 AXIS ROCKER,DEUTSCH OEM joystick (calibration required after replacement)	
F	101005HGT	JOYSTICK,SINGLE AXIS W/STEER aftermarket joystick (calibration required after replacement)	
G	83098GT	TERM,AMP MTE,SOC,22-26 GA BULK	
H	1269502GT	KIT, ISOLATION, 4 JOYSTICK	
1	62392GT	KNOB,JOYSTICK, 62390/62391	1
2	T112626GT	SCREW, PHM, #6-32 X .625 ZINC	1
3	139598GT	BOOT,JOYSTICK	1
4		SPRING,JOYSTK CENTR,62390/91 no longer available from supplier	1
5	119915GT	COLLAR,JOYSTICK,CENTER	1
6	128000GT	SEAL, CONNECTOR (DT JOYSTICKS)	1
7	128001GT	SLEEVE,CONNECTOR,DT JOYSTICKS	1
8	75449GT	KNOB,ROCKER JOYSTICK 75565	1
9	75448GT	SUPPORT,SENSOR,JOYSTICK	1
10	75447GT	SWITCH SHIELD,ROCK JOYSTK75565	1
11	75446GT	SPRING,SWITCH CENTERING,75565	1
12	75445GT	ROCKER ASSY.,MAGNETIC 75565	1
13	75444GT	ROCKER,RETAINER, 75565	1
14	75443GT	BOOT, ROCKER JOYSTICK 75565	1



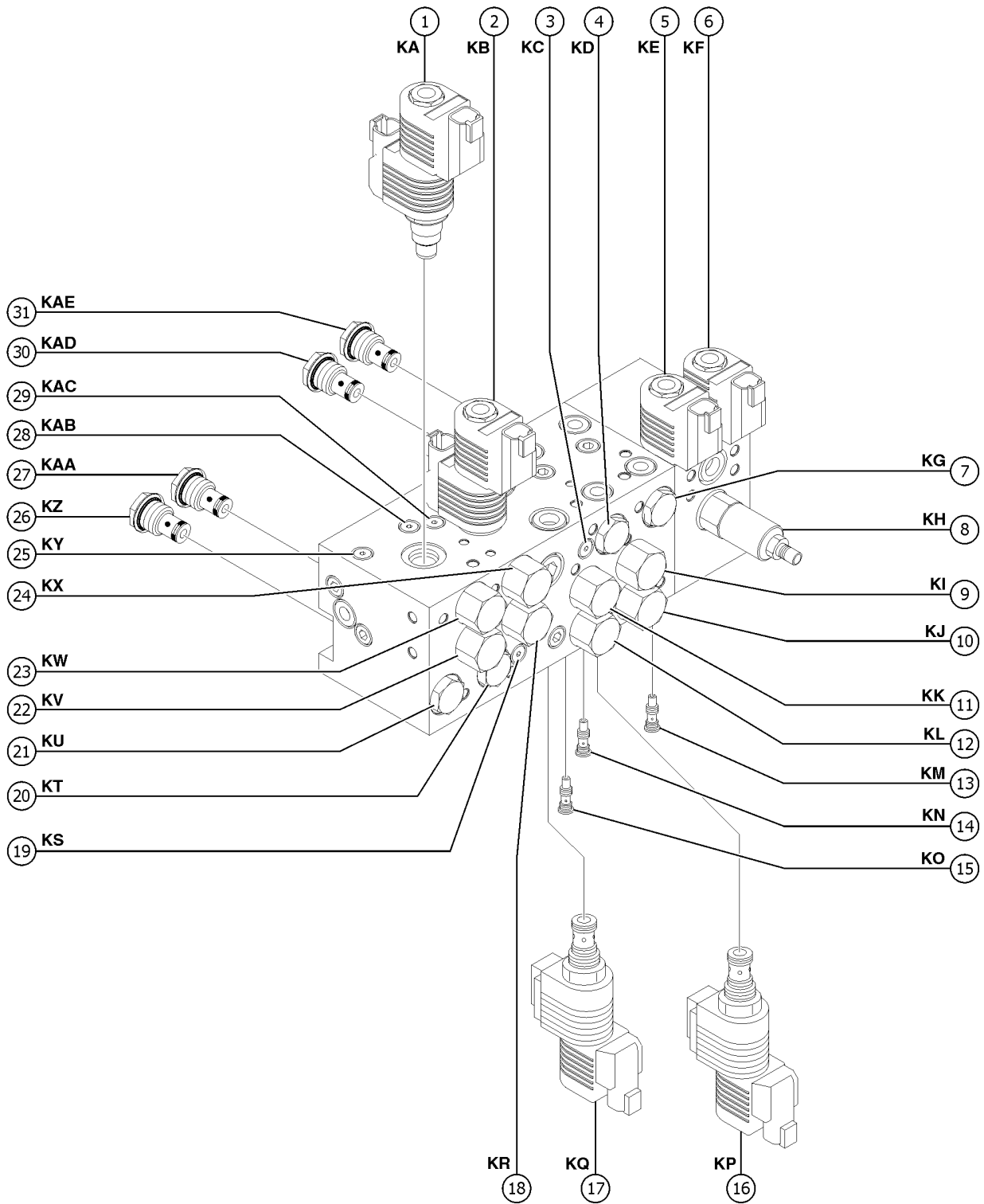
701.1 Steer/Oscillate Manifold



Item	Part No.	Description	Qty.
A	122097GT	MANIFOLD,4 WHEEL STEER/OSC. Complete	
B	88113GT	MANIFOLD,OSCILLATE includes items 5, 6, and 8	
C	122133GT	4WS MANIFOLD W/O OSC. includes items 1-4, 7, and 9-31	
1	122121GT	SOLENOID VALVE KA, Steer left/right, square end right side steer cylinder	
1-	122120GT	SEAL KIT, SOLENOID VALVE (use with part 122121)	
1-	122148GT	COIL, SOLENOID VALVE,20W (use with part 122121)	
2	122121GT	SOLENOID VALVE KB, Steer left/right, square end left side steer cylinder	
2-	122120GT	SEAL KIT, SOLENOID VALVE	
2-	122148GT	COIL, SOLENOID VALVE,20W	
2-	52943GT	NUT, SOLENOID VALVE COIL	
3	27807GT	VALVE,CHECK*** KC, Load sensing circuit, circle end right side steer cylinder retract	
3-	110200GT	SEAL KIT, VALVE, #4	
4	77490GT	VALVE,CHECK 65 PSI,(88115) KD, Prevents steer cylinder from moving when not steering	
5	77493GT	VALVE,SOLENOID 2 POS.3 WAY KE, Oscillate cylinder, left side	
5-	52943GT	NUT, SOLENOID VALVE COIL	
5-	72043GT	SEAL KIT,SOLENOID VALVE	
6	77493GT	VALVE,SOLENOID 2 POS.3 WAY KF, Oscillate cylinder, right side	
6-	52943GT	NUT, SOLENOID VALVE COIL	
6-	72043GT	SEAL KIT,SOLENOID VALVE	
7	77490GT	VALVE,CHECK 65 PSI,(88115) KG, Prevents steer cylinder from moving when not steering	
8	77494GT	VALVE,RELIEF 750 PSI (88113) KH, Oscillate circuit	
9	19470GT	VALVE,FLOW REGULATOR KI, Circle end, left-side steer cylinder extend circuit	
9-	74902GT	SEAL KIT, VALVE	
10	27051GT	VALVE,FLOW REGULATOR KJ, Circle end, left-side steer cylinder retract circuit	
10-	74902GT	SEAL KIT, VALVE	
11	27051GT	VALVE,FLOW REGULATOR KK, Circle end, right-side steer cylinder retract circuit	
11-	74902GT	SEAL KIT, VALVE	
12	19470GT	VALVE,FLOW REGULATOR KL, Circle end, right-side steer cylinder extend circuit	



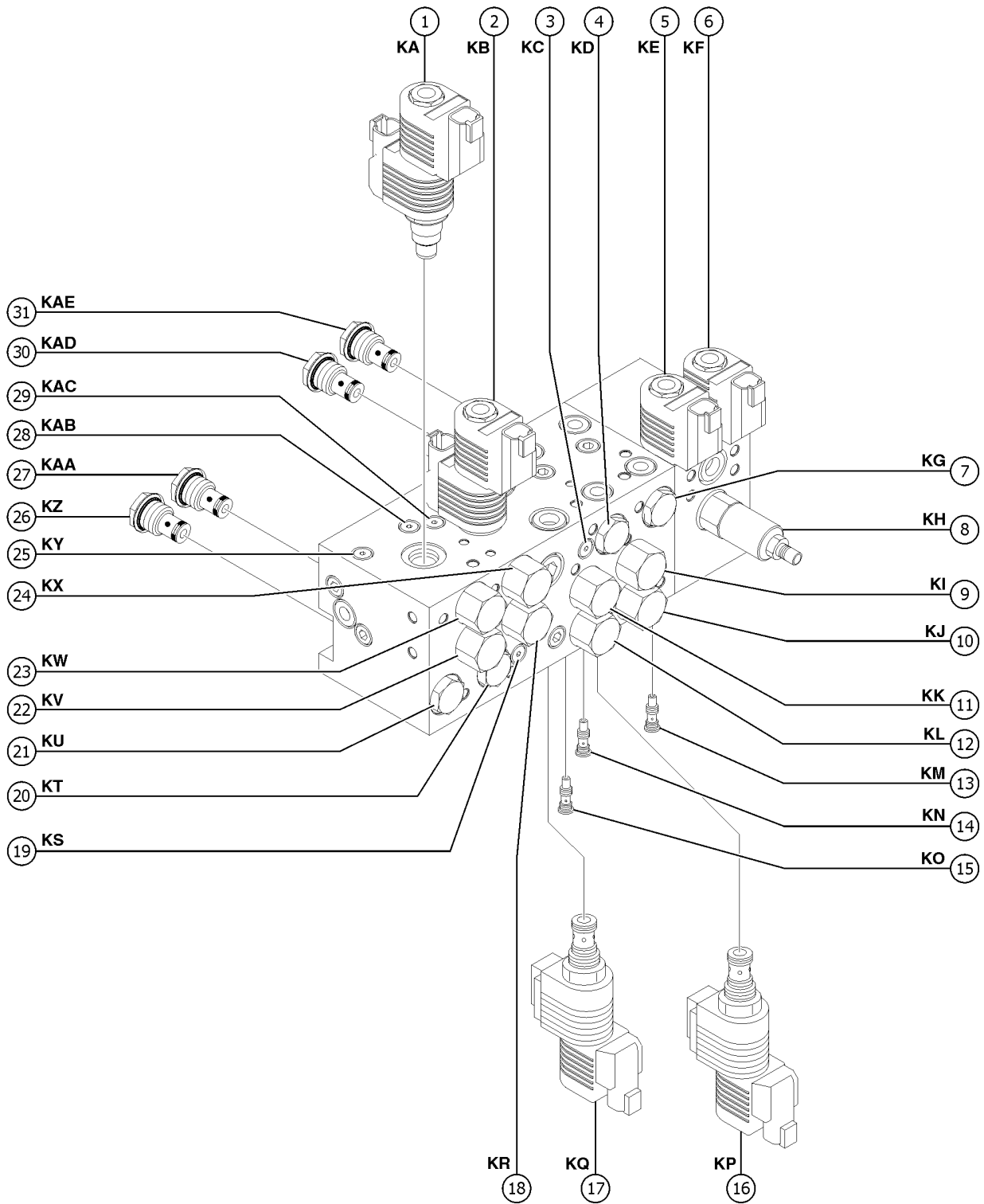
701.1 Steer/Oscillate Manifold



Item	Part No.	Description	Qty.
12-	74902GT	SEAL KIT, VALVE	
13	27807GT	VALVE,CHECK*** KM, Load sensing circuit, circle end left side steer cylinder retract	
13-	110200GT	SEAL KIT, VALVE, #4	
14	27807GT	VALVE,CHECK*** KN, Load sensing circuit, circle end left side steer cylinder extend	
14-	110200GT	SEAL KIT, VALVE, #4	
15	27807GT	VALVE,CHECK*** KO, Load sensing circuit, circle end right-side steer cylinder extend	
15-	110200GT	SEAL KIT, VALVE, #4	
16	122121GT	SOLENOID VALVE KP, Steer left/right, circle end left-side steer cylinder	
16-	122120GT	SEAL KIT, SOLENOID VALVE	
16-	122148GT	COIL, SOLENOID VALVE,20W	
16-	52943GT	NUT, SOLENOID VALVE COIL	
17	122121GT	SOLENOID VALVE KQ, Steer left/right, circle end right-side steer cylinder	
17-	122120GT	SEAL KIT, SOLENOID VALVE	
17-	122148GT	COIL, SOLENOID VALVE,20W	
17-	52943GT	NUT, SOLENOID VALVE COIL	
18	27051GT	VALVE,FLOW REGULATOR KR, Square end, left-side steer cylinder retract circuit	
18-	74902GT	SEAL KIT, VALVE	
19	27807GT	VALVE,CHECK*** KS, Load sensing circuit, square end left-side steer cylinder retract	
19-	110200GT	SEAL KIT, VALVE, #4	
20	77490GT	VALVE,CHECK 65 PSI,(88115) KT, Prevents steer cylinder from moving when not steering	
21	77490GT	VALVE,CHECK 65 PSI,(88115) KU, Prevents steer cylinder from moving when not steering	
22	19470GT	VALVE,FLOW REGULATOR KV, Square end, right-side steer cylinder extend circuit	
22-	74092GT	PLATE,CENTER BOTTOM SPRT ROT	
23	27051GT	VALVE,FLOW REGULATOR KW, Square end, right-side steer cylinder retract circuit	
23-	72043GT	SEAL KIT,SOLENOID VALVE	
24	19470GT	VALVE,FLOW REGULATOR KX, Square end, left-side steer cylinder extend circuit	
24-	74092GT	PLATE,CENTER BOTTOM SPRT ROT	
25	27807GT	VALVE,CHECK*** KY, Load sensing circuit, square end right-side steer cylinder retract	

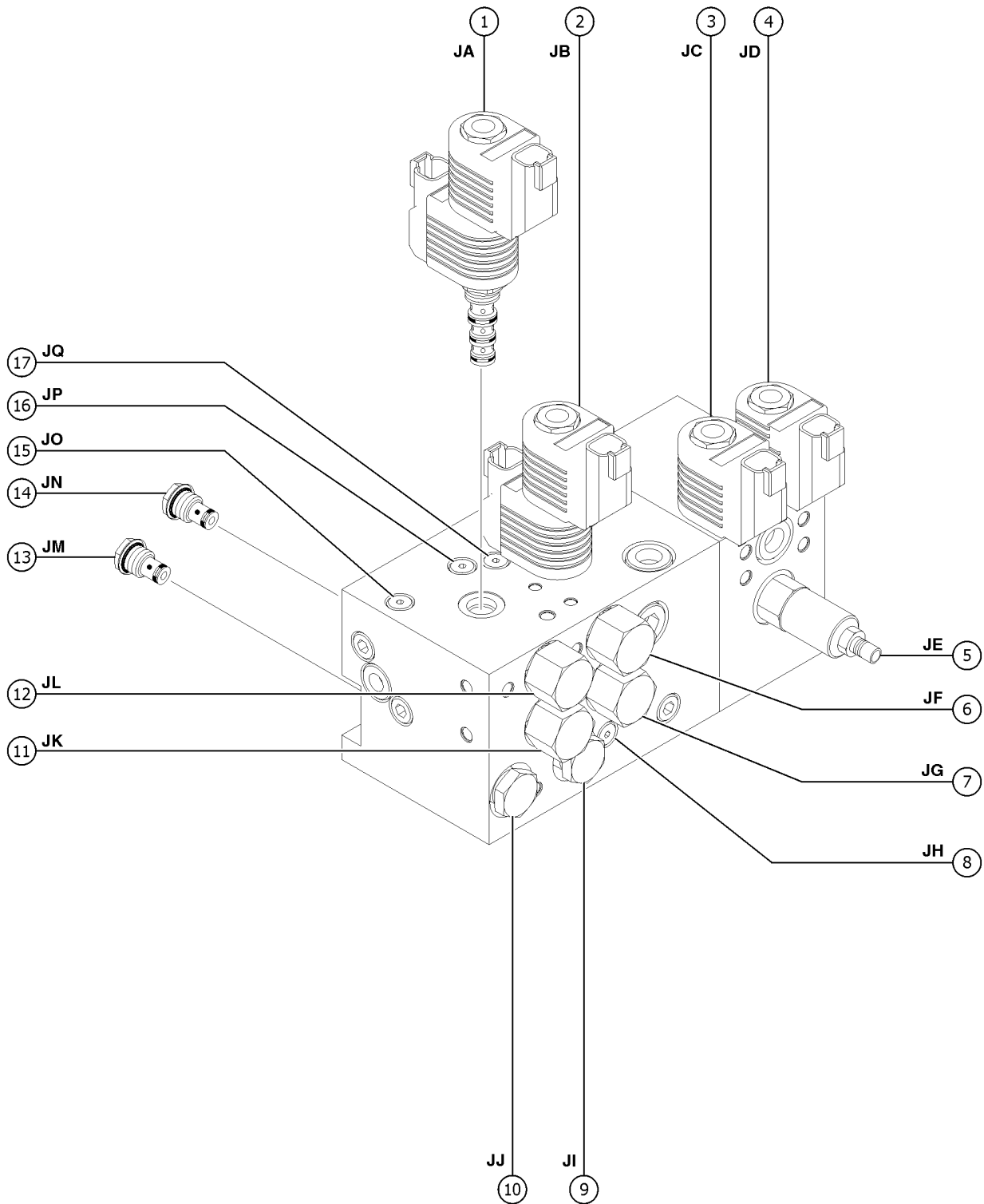


701.1 Steer/Oscillate Manifold



Item	Part No.	Description	Qty.
25-	110200GT	SEAL KIT, VALVE, #4	
26	77490GT	VALVE,CHECK 65 PSI,(88115) KZ, Prevents steer cylinder from moving when not steering	
27	77490GT	VALVE,CHECK 65 PSI,(88115) KAA, Prevents steer cylinder from moving when not steering	
28	27807GT	VALVE,CHECK*** KAB, Load sensing circuit, square end right-side steer cylinder extend	
28-	110200GT	SEAL KIT, VALVE, #4	
29	27807GT	VALVE,CHECK*** KAC, Load sensing circuit, square end left-side steer cylinder extend	
29-	110200GT	SEAL KIT, VALVE, #4	
30	77490GT	VALVE,CHECK 65 PSI,(88115) KAD, Prevents steer cylinder from moving when not steering	
31	77490GT	VALVE,CHECK 65 PSI,(88115) KAE, Prevents steer cylinder from moving when not steering	

702.1 2WS Steer/Oscillate Manifold

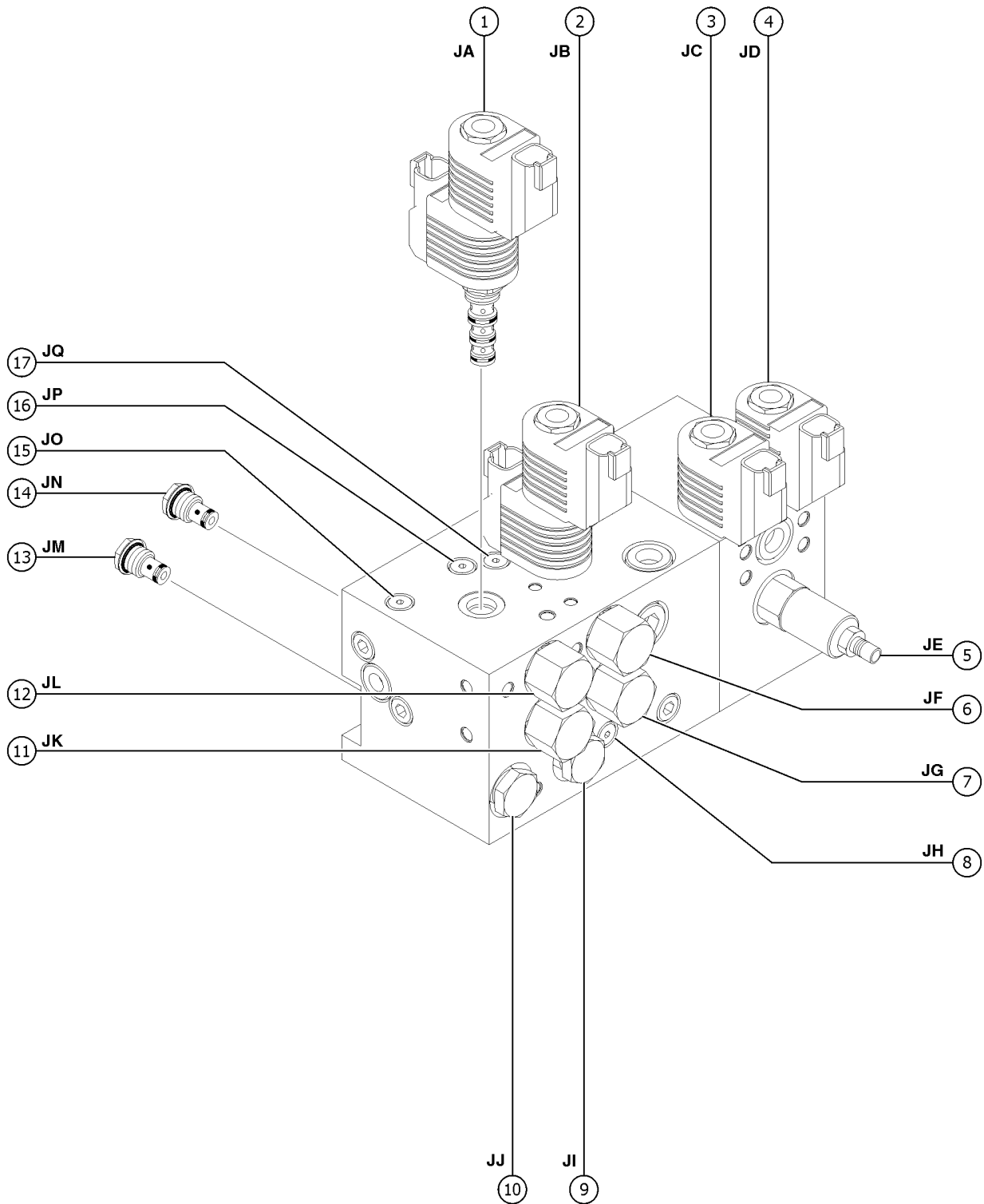


702.1 2WS Steer/Oscillate Manifold

Item	Part No.	Description	Qty.
A	122096GT	MANIFOLD,2 WHEEL STEER/OSC. Complete	1
B	88113GT	MANIFOLD,OSCILLATE includes items 3-5	1
C	122134GT	2WS MANIFOLD W/O OSC. includes items 1, 2, 6-17	
1	122121GT	SOLENOID VALVE JA, Steer left/right, right-side steer cylinder	1
1-	122120GT	SEAL KIT, SOLENOID VALVE (use with part 122121)	
1-	122198GT	SCREW,FLANGE,HHC,3/8-16X 5/8 (use with part 122121)	
2	122121GT	SOLENOID VALVE JB, Steer left/right, left-side steer cylinder	1
2-	122120GT	SEAL KIT, SOLENOID VALVE	
2-	122198GT	SCREW,FLANGE,HHC,3/8-16X 5/8	
3	77493GT	VALVE,SOLENOID 2 POS.3 WAY JC, Oscillate cylinder, left side	1
3-	72043GT	SEAL KIT,SOLENOID VALVE	
4	77493GT	VALVE,SOLENOID 2 POS.3 WAY JD, Oscillate cylinder, right side	1
4-	72043GT	SEAL KIT,SOLENOID VALVE	
5	77494GT	VALVE,RELIEF 750 PSI (88113) JE, Oscillate circuit	1
6	19470GT	VALVE,FLOW REGULATOR JF, Left-side steer cylinder extend circuit	1
6-	74902GT	SEAL KIT, VALVE	
7	27051GT	VALVE,FLOW REGULATOR JG, Left-side steer cylinder retract circuit	1
7-	74902GT	SEAL KIT, VALVE	
8	27807GT	VALVE,CHECK*** JH, Load sensing circuit, left-side steer cylinder retract	1
8-	110200GT	SEAL KIT, VALVE, #4	
9	77490GT	VALVE,CHECK 65 PSI,(88115) JI, Prevents steer cylinder from moving when not steering	1
9-	74902GT	SEAL KIT, VALVE	
10	77490GT	VALVE,CHECK 65 PSI,(88115) JJ, Prevents steer cylinder from moving when not steering	1
10-	74902GT	SEAL KIT, VALVE	
11	19470GT	VALVE,FLOW REGULATOR JK, Right side steer cylinder extend circuit	1
11-	74902GT	SEAL KIT, VALVE	
12	27051GT	VALVE,FLOW REGULATOR JL, Right side steer cylinder retract circuit	1
12-	74902GT	SEAL KIT, VALVE	

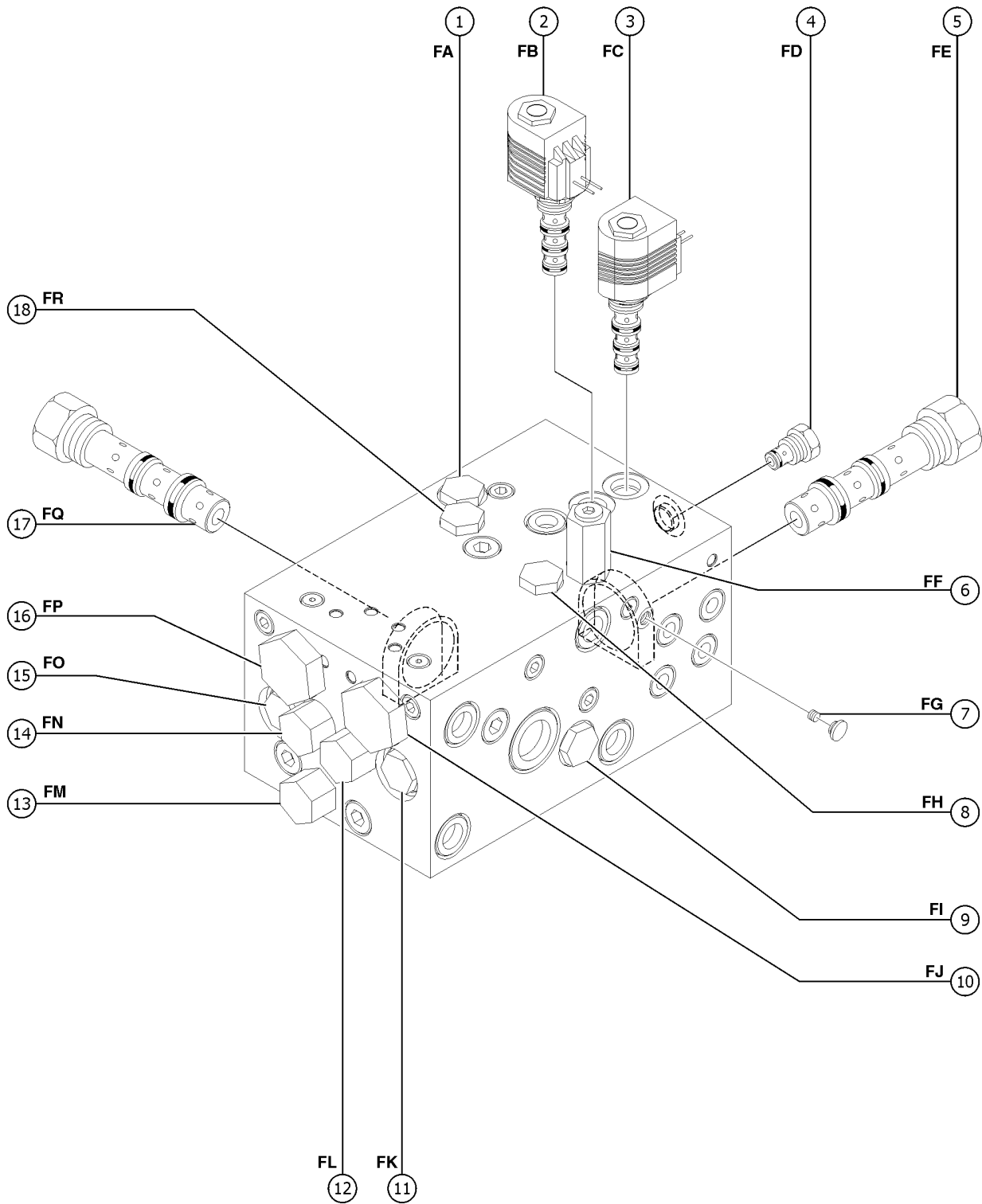


702.1 2WS Steer/Oscillate Manifold



<i>Item</i>	<i>Part No.</i>	<i>Description</i>	<i>Qty.</i>
13	77490GT	VALVE,CHECK 65 PSI,(88115) JM, Prevents steer cylinder from moving when not steering	1
14	77490GT	VALVE,CHECK 65 PSI,(88115) JN, Prevents steer cylinder from moving when not steering	1
15	27807GT	VALVE,CHECK*** JO, Load sensing circuit, right-side steer cylinder retract	1
15-	110200GT	SEAL KIT, VALVE, #4	
16	27807GT	VALVE,CHECK*** JP, Load sensing circuit, right-side steer cylinder extend	1
16-	110200GT	SEAL KIT, VALVE, #4	
17	27807GT	VALVE,CHECK*** JQ, Load sensing circuit, left-side steer cylinder extend	1
17-	110200GT	SEAL KIT, VALVE, #4	

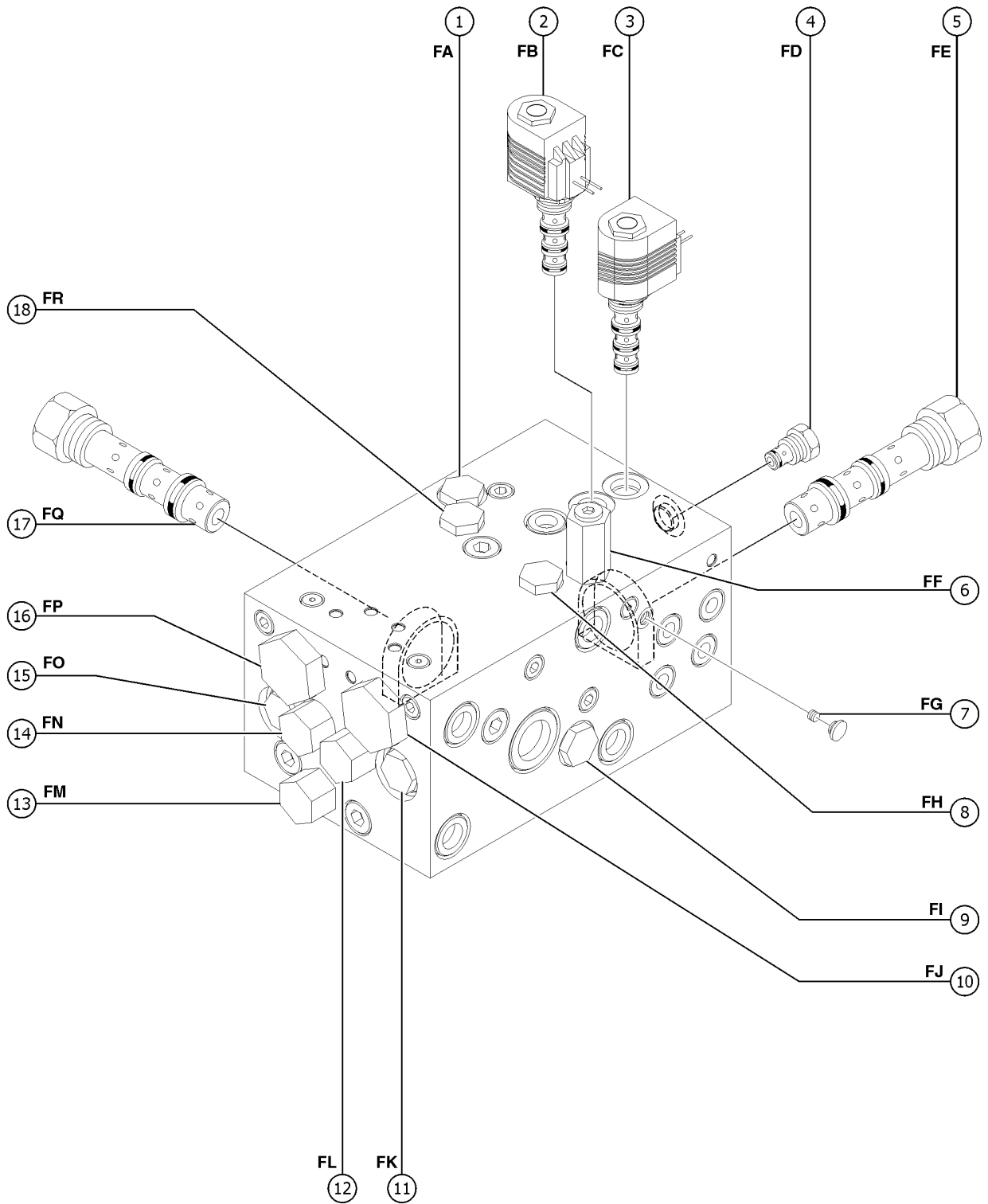
703.1 Traction Manifold



Item	Part No.	Description	Qty.
A	70241GT	MANIFOLD,TRACTION,4WD	
1	27836GT	VALVE,CHECK,5 PSI FA, Drive motor anti-cavitation	
2	77489GT	VALVE,SOLENOID 2 POS.3 WAY	
		FB, Two-speed drive motor shift	
2-	52943GT	NUT, SOLENOID VALVE COIL	
2-	72043GT	SEAL KIT,SOLENOID VALVE	
2-	77735GT	COIL, SOLENOID VALVE	
3	77489GT	VALVE,SOLENOID 2 POS.3 WAY	
		FC, Brake release	
3-	52943GT	NUT, SOLENOID VALVE COIL	
3-	72043GT	SEAL KIT,SOLENOID VALVE	
3-	77735GT	COIL, SOLENOID VALVE	
4	69873GT	VALVE, CHECK	
		FD, Keeps brakes released in case of temporary loss of charge pressure	
4-	74902GT	SEAL KIT, VALVE	
5	27761GT	VALVE,SHUTTLE	
		FE, Charge pressure circuit that directs hot oil out of low pressure side of drive pump	
5-	84134GT	SEAL KIT, VALVE	
6	62253GT	VALVE,RELIEF,250 PSI	
		FF, Charge pressure circuit	
6-	74902GT	SEAL KIT, VALVE	
7	102496GT	ORIFICE,PLUG 0.030	
		FG, Brake and two-speed circuit	
8	69873GT	VALVE, CHECK	
		FH, Drive motor anti-cavitation	
8-	74902GT	SEAL KIT, VALVE	
9	27836GT	VALVE,CHECK,5 PSI	
		FI, Drive motor anti-cavitation	
10	62252GT	VALVE, FLOW DIVIDER COMBINER	
		FJ, Controls flow to square-end drive motors in forward and reverse	
10-	84135GT	SEAL KIT, VALVE	
11	69873GT	VALVE, CHECK	
		FK, Drive motor anti-cavitation	
12	52723GT	VALVE-FLOW REGULATOR 2 GPM	
		FL, Equalizes pressure on both sides of divider/combiner valve FJ	
12-	89310GT	SEAL KIT, SOLENOID VALVE	
13	52723GT	VALVE-FLOW REGULATOR 2 GPM	
		FM, Equalizes pressure on both sides of divider/combiner valve FQ	
13-	89310GT	SEAL KIT, SOLENOID VALVE	
14	52723GT	VALVE-FLOW REGULATOR 2 GPM	
		FN, Equalizes pressure on both sides of divider/combiner valve FP	

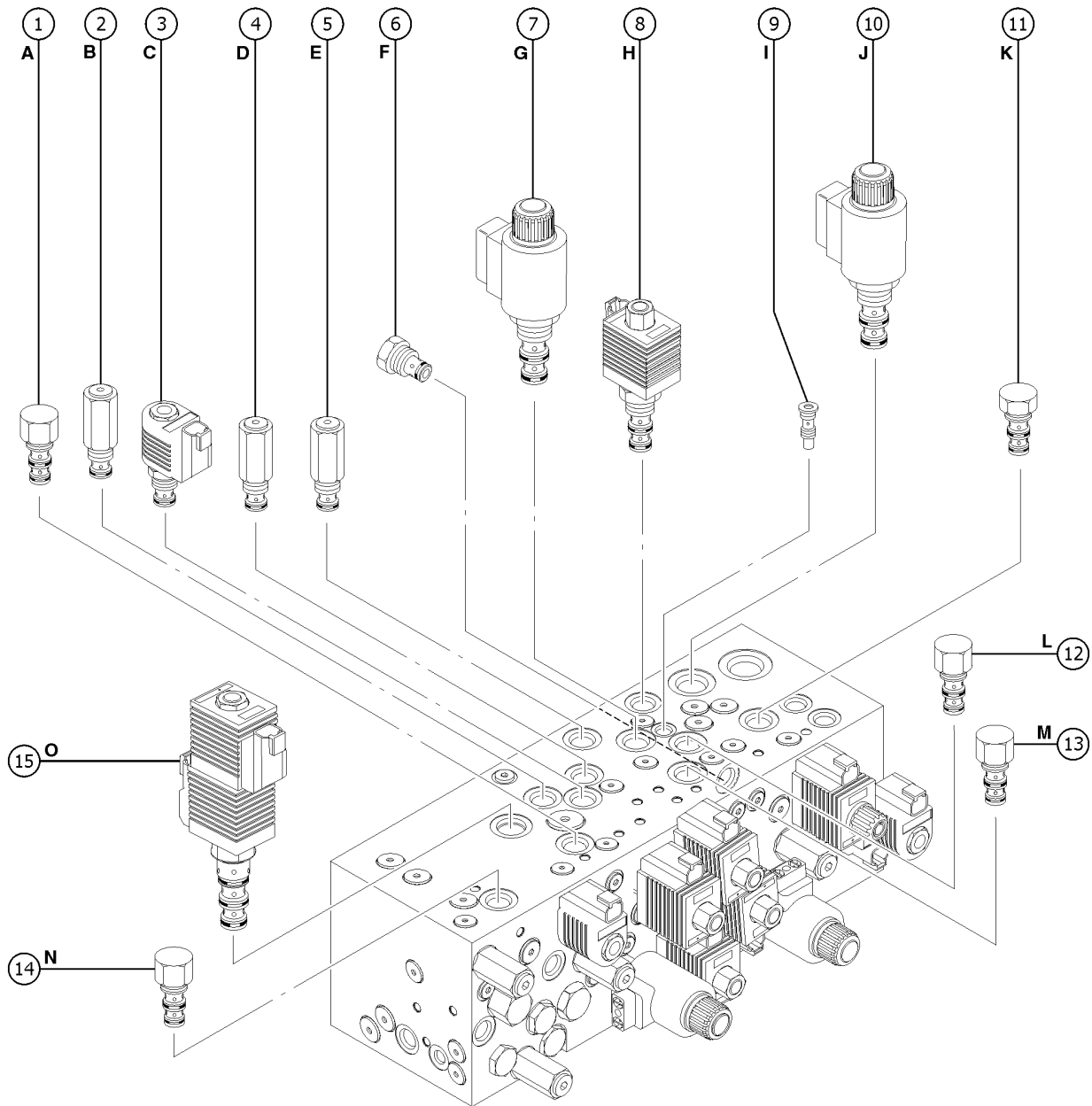


703.1 Traction Manifold



<i>Item</i>	<i>Part No.</i>	<i>Description</i>	<i>Qty.</i>
14-	89310GT	SEAL KIT, SOLENOID VALVE	
15	69873GT	VALVE, CHECK FO, Drive motor anti-cavitation	
15-	74902GT	SEAL KIT, VALVE	
16	62252GT	VALVE, FLOW DIVIDER COMBINER FP, Controls flow to circle end drive motors in forward and reverse	
16-	84135GT	SEAL KIT, VALVE	
17	52726GT	VALVE, FLOW DIVIDER/COMBINER FQ, Controls flow to divider/combiner valves FJ and FP	
17-	84135GT	SEAL KIT, VALVE	
18	69873GT	VALVE, CHECK FR, Drive motor anti-cavitation	
18-	74902GT	SEAL KIT, VALVE	

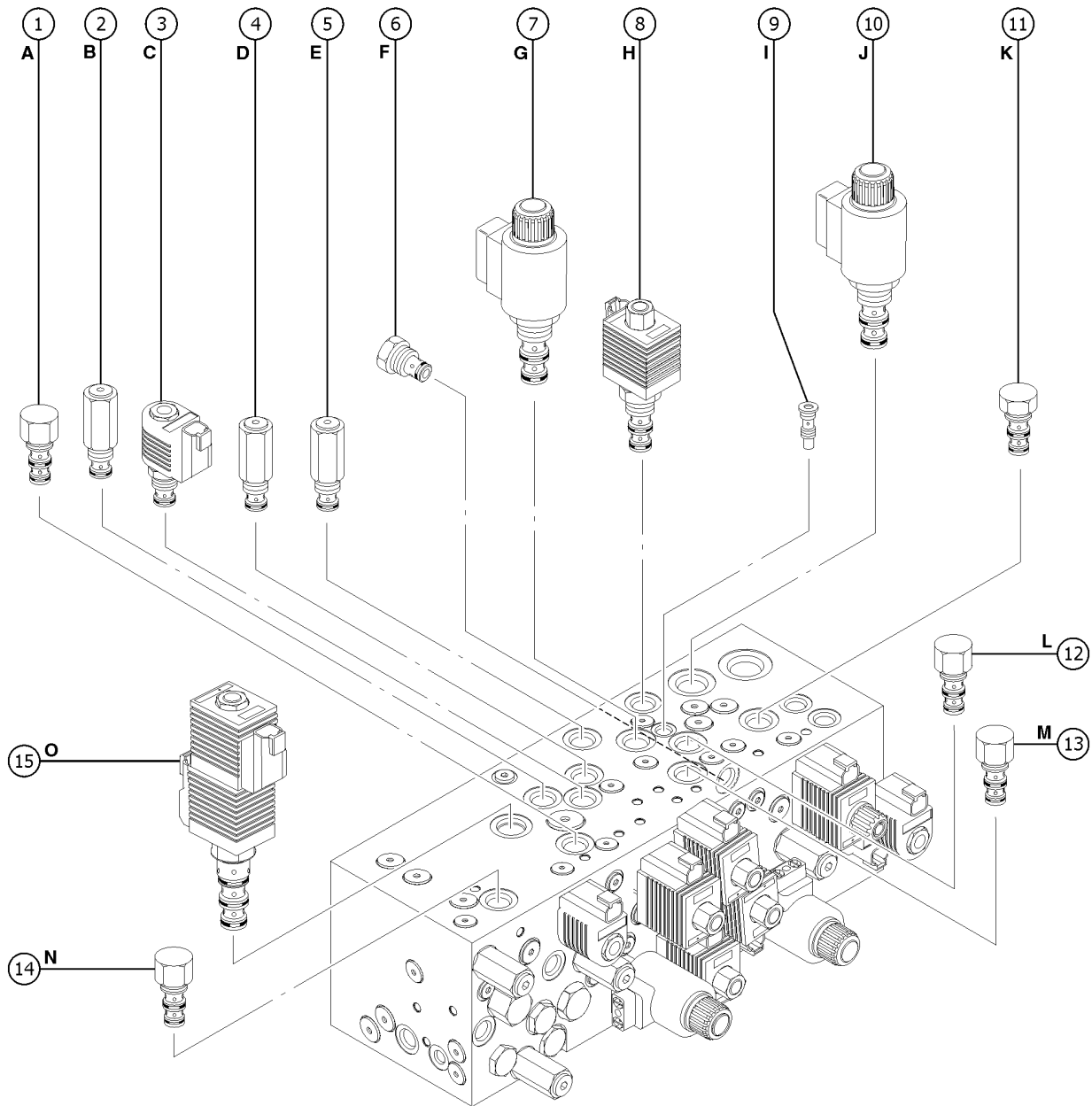
704.1 Function Manifold - View 1



Item	Part No.	Description	Qty.
A		if replacing manifold 70242, order manifold 122506 and plug port PPR with part 39882
B	39882GT	PLUG,HEX SOCKET,090109B-4
C	122506GT	MANIFOLD,FUNCTION complete
1	27802GT	VALVE,DIFFERENTIAL SENSING*** A, Secondary boom up/extend and down/retract
1-	110197GT	SEAL KIT, VALVE, #10
2	48640GT	VALVE,RELIEF,2500 PSI B, Secondary boom up
2-	74902GT	SEAL KIT, VALVE
3	77502GT	VALVE,SOLENOID 2 POS 2 WAY C, Secondary boom lift circuit
3-	52943GT	NUT, SOLENOID VALVE COIL
3-	74902GT	SEAL KIT, VALVE
4	48640GT	VALVE,RELIEF,2500 PSI D, Secondary boom down
4-	74902GT	SEAL KIT, VALVE
5	77499GT	VALVE,RELIEF 1300 PSI (70242) E, Primary boom down
5-	74902GT	SEAL KIT, VALVE
6	32975GT	VALVE,FLOW REGULATOR 0.1 GPM F, Bleeds off check valves in differential sensing circuits to tank
6-	74902GT	SEAL KIT, VALVE
7	48641GT	VALVE,PROPORTIONAL, 12V ** G, Primary boom up/down
7-	21935GT	COIL, 12V, 19972/21623/29069
7-	45914GT	O-RING, DO1 VALVE
7-	45921GT	RETAINER-N.C.PROPOR.SOLENOID
8	62254GT	VALVE,SOLENOID, 2 POS, 3 WAY H, Primary boom retract
8-	89310GT	SEAL KIT, SOLENOID VALVE
9	27807GT	VALVE,CHECK*** I, Differential sensing circuit, primary boom extend/retract
9-	110200GT	SEAL KIT, VALVE, #4
10	77500GT	VALVE,SOLENOID 2 POS 3 WAY J, Primary boom extend
11	52714GT	VALVE,DIFFERENTIAL SENSING K, Turntable rotate left/right
12	27802GT	VALVE,DIFFERENTIAL SENSING*** L, Primary boom extend/retract
12-	110197GT	SEAL KIT, VALVE, #10

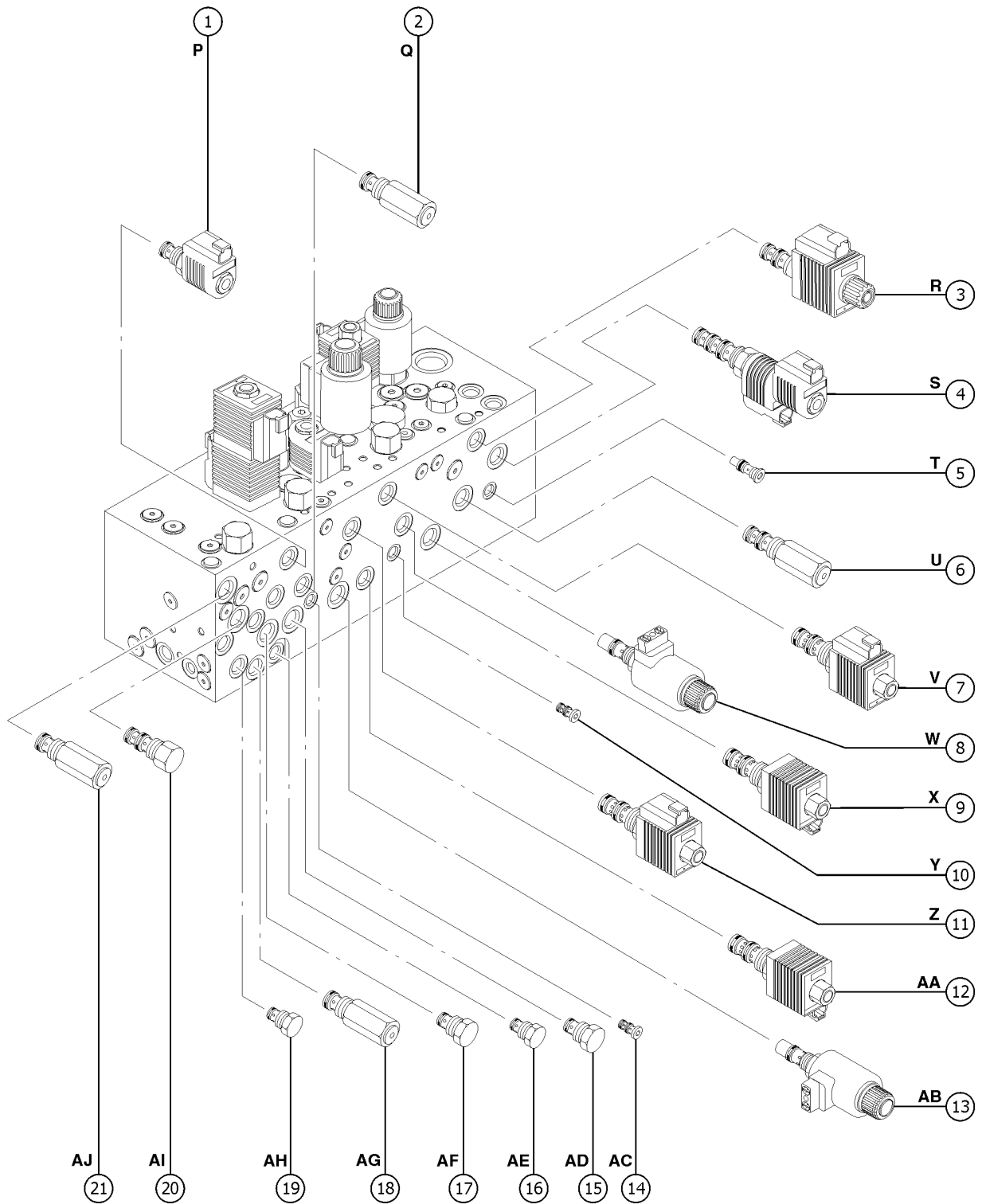


704.1 Function Manifold - View 1



<i>Item</i>	<i>Part No.</i>	<i>Description</i>	<i>Qty.</i>
13	27802GT	VALVE,DIFFERENTIAL SENSING*** M, Primary boom up/down	
13-	110197GT	SEAL KIT, VALVE, #10	
14	31102GT	VALVE,FLOW REGULATOR N, Controls flow to the oscillate and platform manifolds	
14-	110202GT	SEAL KIT, VALVE, #10	
15	77498GT	VALVE,SOLENOID 3 POS 4 WAY O, Secondary boom extend/retract	
15-	110196GT	SEAL KIT, VALVE, #10	
15-	62275GT	COIL,10V	

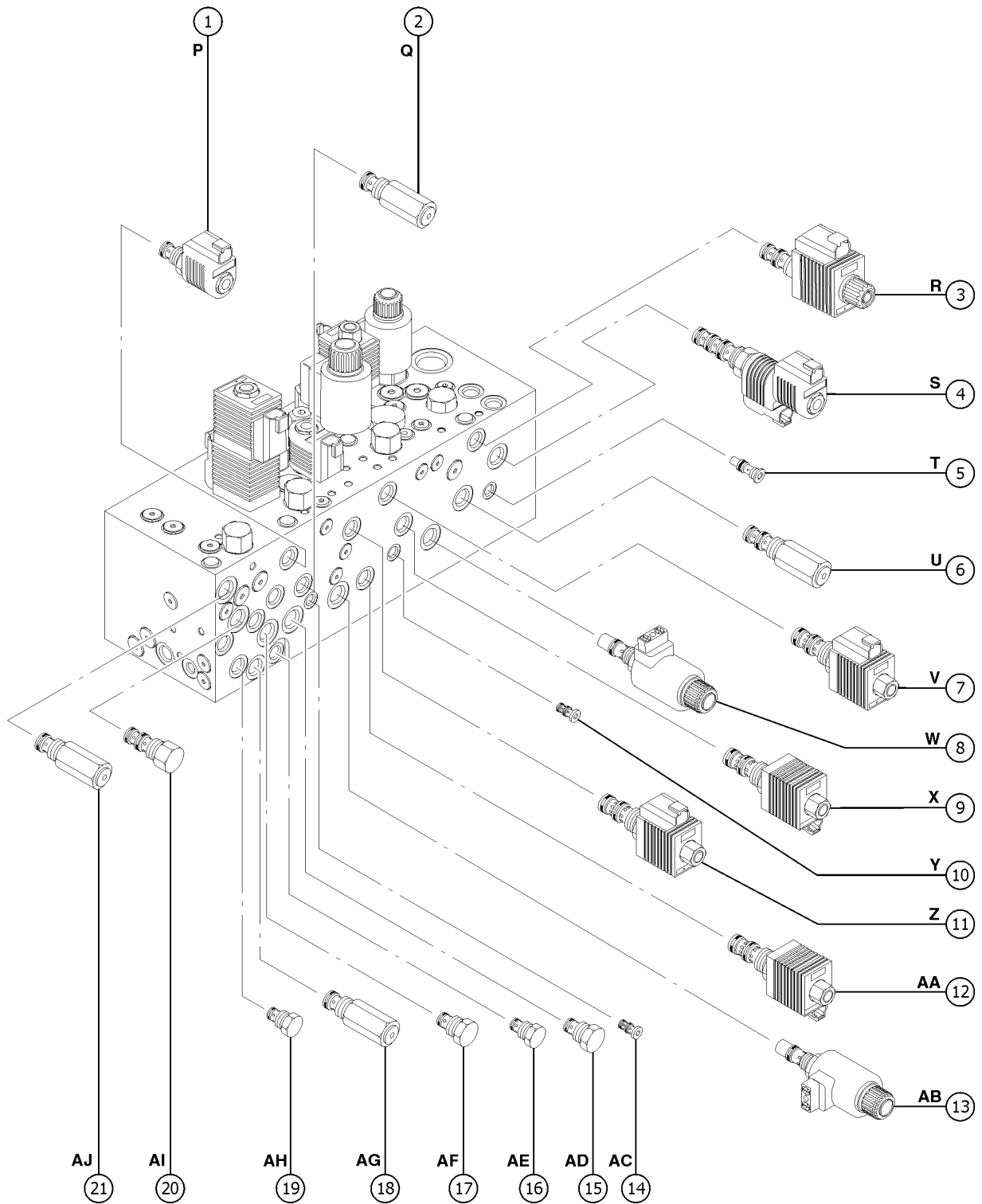
705.1 Function Manifold - View 2



Item	Part No.	Description	Qty.
1	77502GT	VALVE,SOLENOID 2 POS 2 WAY P, Secondary boom list circuit	
1-	52943GT	NUT, SOLENOID VALVE COIL	
1-	74902GT	SEAL KIT, VALVE	
2	77501GT	VALVE,RELIEF 2600 PSI (70242) Q, Secondary boom extend	
2-	74902GT	SEAL KIT, VALVE	
3	62255GT	VALVE,PROPORTIONAL*** R, Turntable rotate left/right	
3-	62274GT	COIL,12V	
3-	62276GT	NUT, SOLENOID VALVE COIL	
3-	89312GT	SEAL KIT, SOLENOID VALVE	
4	89307GT	VALVE,SOLENOID 3POS 4WAY* S, Turntable rotate left/right	
4-	52943GT	NUT, SOLENOID VALVE COIL	
4-	62273GT	COIL,GREEN W/ 2 PIN CONNECTOR*	
4-	72047GT	SEAL KIT, SOLENOID VALVE	
5	27807GT	VALVE,CHECK*** T, Differential sensing circuit, turntable rotate	
5-	110200GT	SEAL KIT, VALVE, #4	
6	77495GT	VALVE,RELIEF 1300 PSI (70242) U, Primary boom extend	
6-	110194GT	SEAL KIT, VALVE, #10	
7	62254GT	VALVE,SOLENOID, 2 POS, 3 WAY V, Primary boom up	
7-	45912GT	NUT,SOLENOID VALVE 2P3W	
7-	62275GT	COIL,10V	
7-	89310GT	SEAL KIT, SOLENOID VALVE	
8	48641GT	VALVE,PROPORTIONAL, 12V ** W, Primary boom extend/retract	
8-	21935GT	COIL, 12V, 19972/21623/29069	
8-	45914GT	O-RING, DO1 VALVE	
8-	45921GT	RETAINER-N.C.PROPOR.SOLENOID	
9	62254GT	VALVE,SOLENOID, 2 POS, 3 WAY X, Primary boom down	
9-	45912GT	NUT,SOLENOID VALVE 2P3W	
9-	62275GT	COIL,10V	



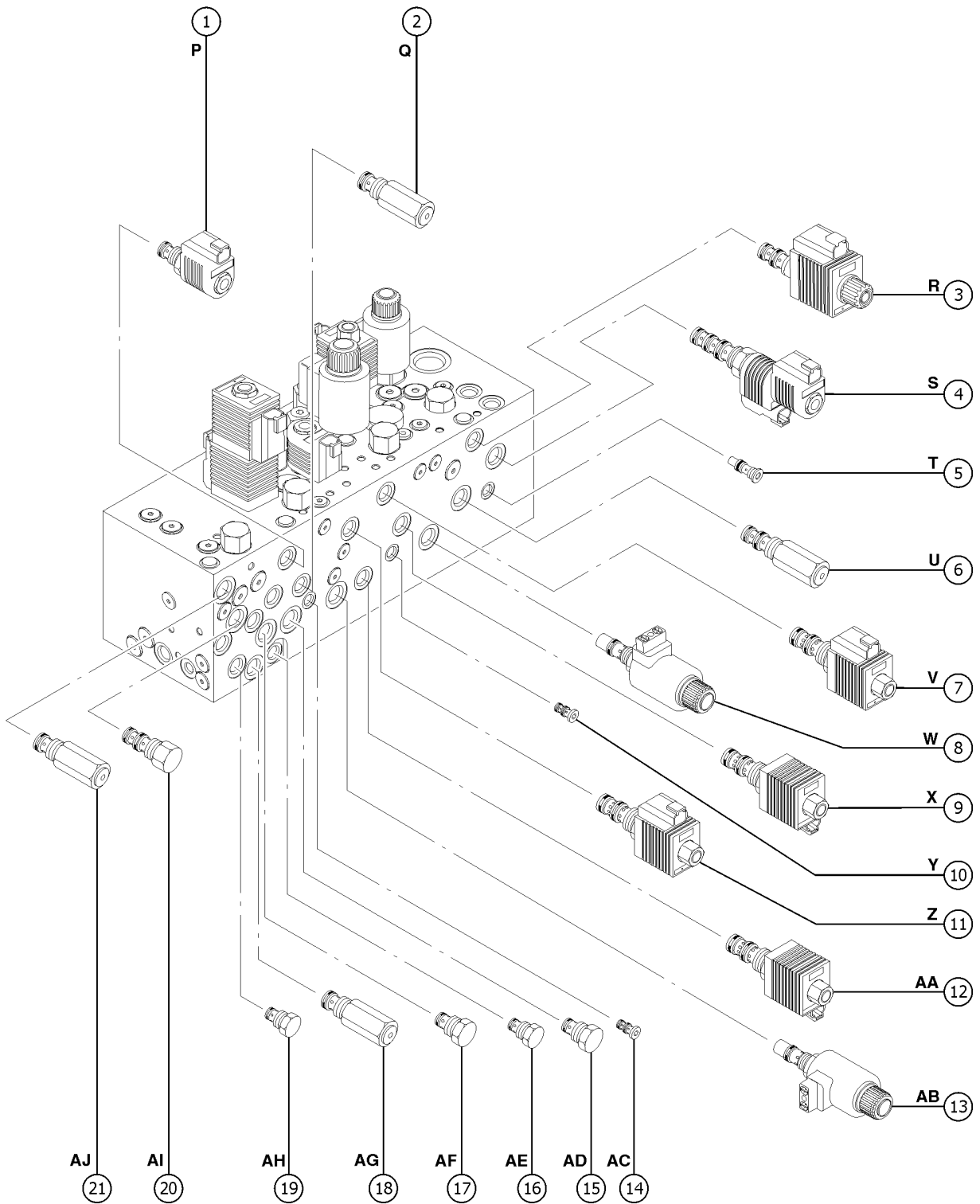
705.1 Function Manifold - View 2



Item	Part No.	Description	Qty.
9-	89310GT	SEAL KIT, SOLENOID VALVE	
10	27807GT	VALVE,CHECK*** Y, Differential sensing circuit, primary boom up/down	
10-	110200GT	SEAL KIT, VALVE, #4	
11	62254GT	VALVE,SOLENOID, 2 POS, 3 WAY	
		Z, Secondary boom up	
11-	45912GT	NUT,SOLENOID VALVE 2P3W	
11-	62275GT	COIL,10V	
11-	89310GT	SEAL KIT, SOLENOID VALVE	
12	62254GT	VALVE,SOLENOID, 2 POS, 3 WAY	
		AA, Secondary boom down	
12-	45912GT	NUT,SOLENOID VALVE 2P3W	
12-	62275GT	COIL,10V	
12-	89310GT	SEAL KIT, SOLENOID VALVE	
13	48641GT	VALVE,PROPORTIONAL, 12V **	
		AB, Secondary boom extend/retract	
13-	21935GT	COIL, 12V, 19972/21623/29069	
13-	45914GT	O-RING, DO1 VALVE	
13-	45921GT	RETAINER-N.C.PROPOR.SOLENOID	
14	27807GT	VALVE,CHECK*** AC, Differential sensing circuit, Secondary boom extend/retract	
14-	110200GT	SEAL KIT, VALVE, #4	
15	27836GT	VALVE,CHECK,5 PSI AD, Blocks flow from auxiliary pump #1 to function pump #1	
15-	110194GT	SEAL KIT, VALVE, #10	
16	69873GT	VALVE, CHECK AE, Blocks flow from function pump #1 to auxiliary pump #1	
16-	74902GT	SEAL KIT, VALVE	
17	69873GT	VALVE, CHECK AF, Blocks flow from auxiliary pump #2 to function pump #2	
17-	74902GT	SEAL KIT, VALVE	
18	62372GT	VALVE,RELIEF,3000 PSI AG, Oscillate and platform manifold system relief	
18-	74902GT	SEAL KIT, VALVE	
19	69873GT	VALVE, CHECK AH, Blocks flow from function pump #2 to auxiliary pump #2	
19-	74902GT	SEAL KIT, VALVE	
20	27804GT	VALVE,DIFFERENTIAL SENSING*** AI, Meters flow to functions	



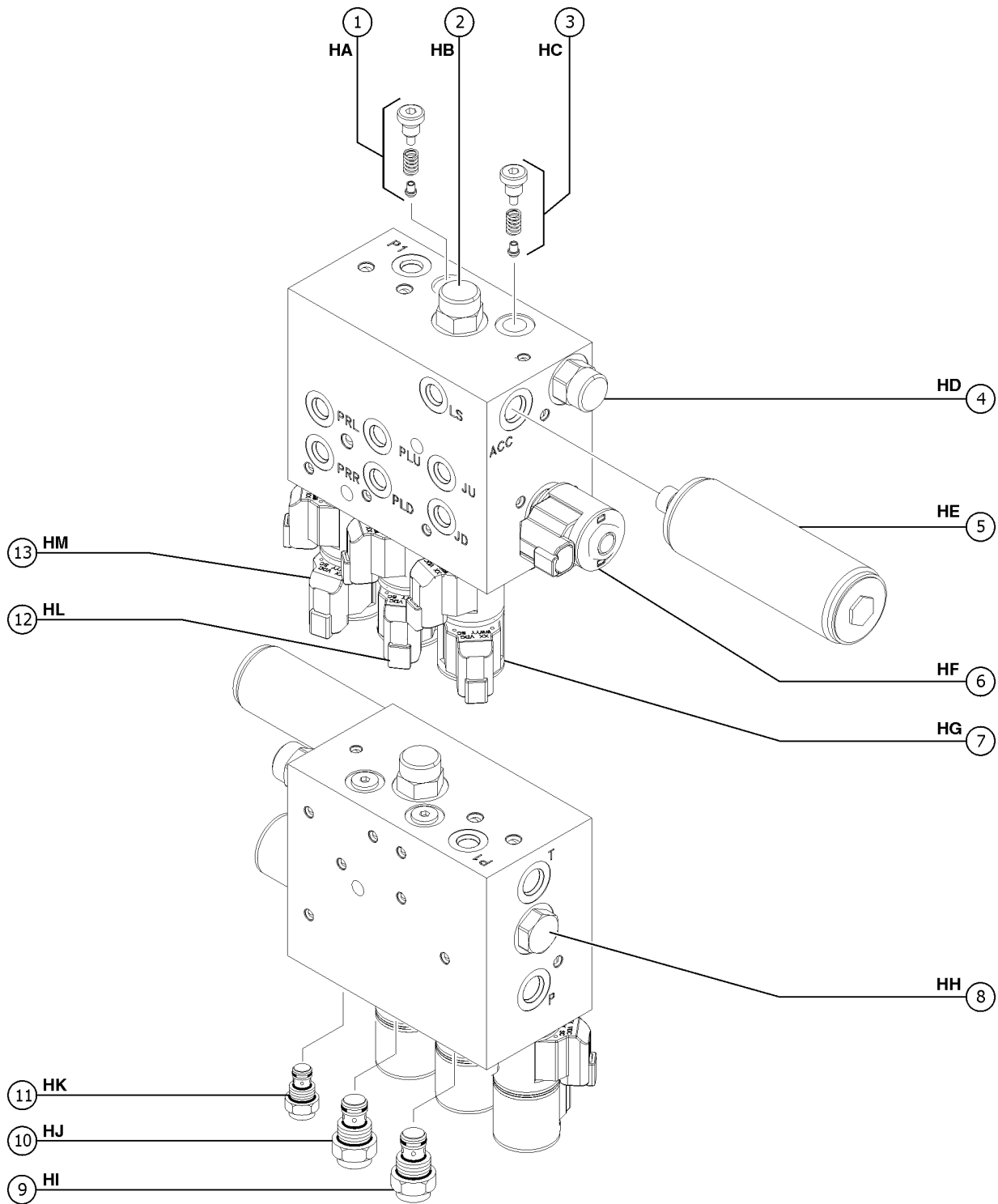
705.1 Function Manifold - View 2



<i>Item</i>	<i>Part No.</i>	<i>Description</i>	<i>Qty.</i>
20-	110201GT	SEAL KIT, VALVE, #10	
21	77496GT	VALVE,RELIEF 3200 PSI (70542) AJ, Boom functions system relief	
21-	110194GT	SEAL KIT, VALVE, #10	



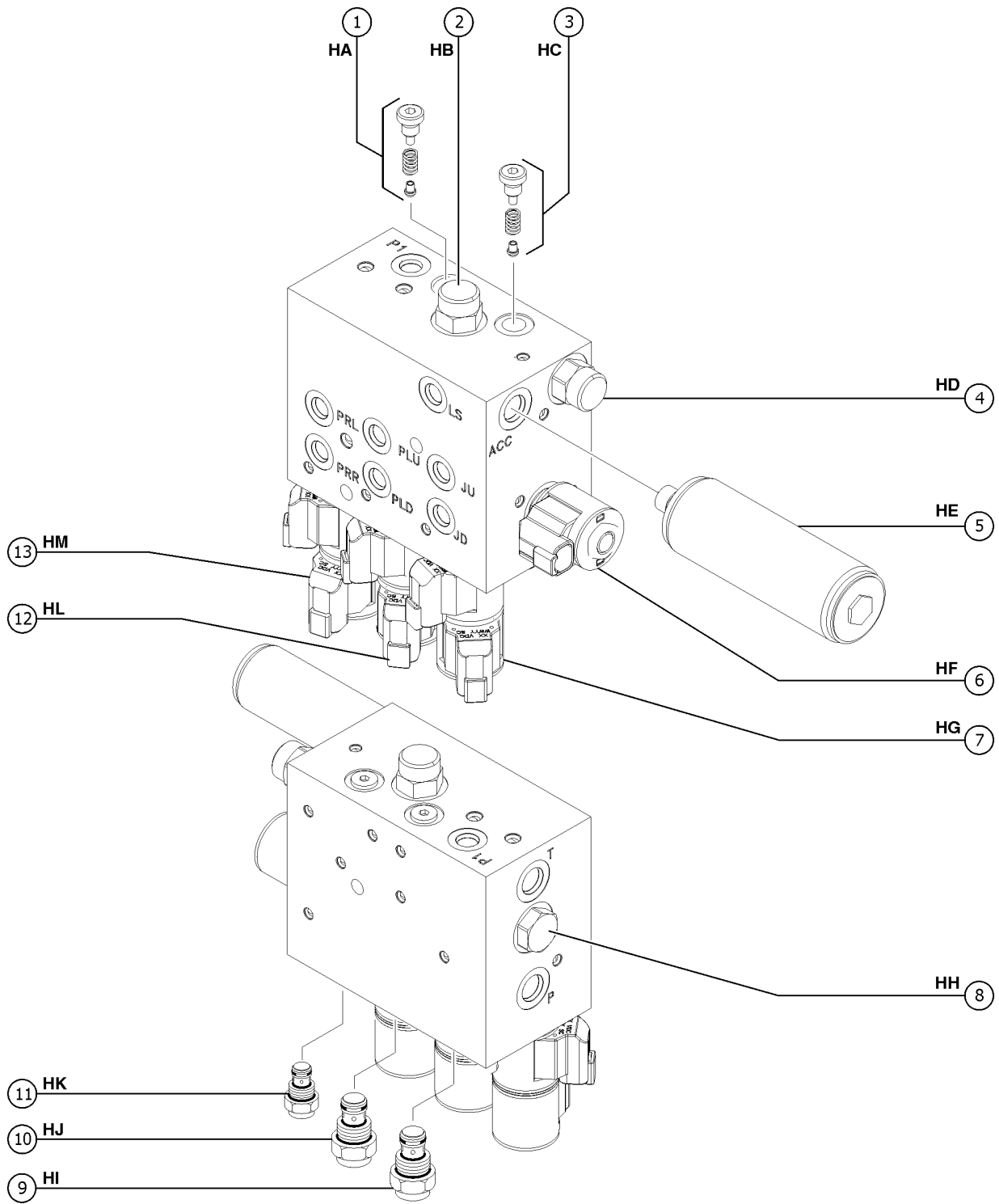
706.1 Platform Manifold



Item	Part No.	Description	Qty.
A	122961GT	REF. PLATFORM MANIFOLD Does not include accumulator part 122964	
1	52907GT	VALVE-CHECK, #4 SAE, 5 PSI* Platform load sense circuit, platform level	
1-	62341GT	SEAL KIT,52907,SIZE 4, 2 WAY	
2	T107736GT	DIFFERENTIAL SENS VLV,8,150PSI Directs flow to functions	
2-	52371GT	SEAL KIT, VALVE	
3	52907GT	VALVE-CHECK, #4 SAE, 5 PSI* Platform load sense circuit, jib up and down	
3-	62341GT	SEAL KIT,52907,SIZE 4, 2 WAY	
4	62324GT	VALVE,FLOW CONTROL, 0.1GPM* Bleeds off differential valve to tank	
4-	44228GT	SEAL KIT, VALVE	
5	122964GT	ACCUMULATOR, 5CU IN 500 CHARGE Hydraulic dampening	
6	228866GT	COIL,SOLENOID VALVE Function enable valve	
6-	101934GT	VALVE,SOLENOID,2 POS 2 WAY	
6-	44174GT	NUT-COIL SHORT	
6-	44228GT	SEAL KIT, VALVE	
7	229410GT	PRO.DIR.CNRL,VLV,5WY,3POS LS Directional Proportional, Jib up and down	
7-	229411GT	VALVE COIL 10V	
7-	230983GT	VITON SEAL KIT, VALVE	
7-	44174GT	NUT-COIL SHORT	
8	46216GT	VALVE,CHECK,IWP-S/CWP PWR ASSI	
8-	44227GT	SEAL KIT, VALVE	
9	110180GT	VALVE, COMPENSATOR, 80 PSI Jib boom differential sensing circuit	
9-	44225GT	SEAL KIT, VALVE	
10	110180GT	VALVE, COMPENSATOR, 80 PSI Platform level differential sensing circuit	
10-	44225GT	SEAL KIT, VALVE	
11	229406GT	REGULATOR,PRESS-COMP 0.30 GPM Platform rotate differential sensing circuit	
11-	44228GT	SEAL KIT, VALVE	
12	229407GT	PRO.DIR.CTRL,VLV,5WY,3POS LS Directional Proportional, Platform level up and down	
12-	229411GT	VALVE COIL 10V	



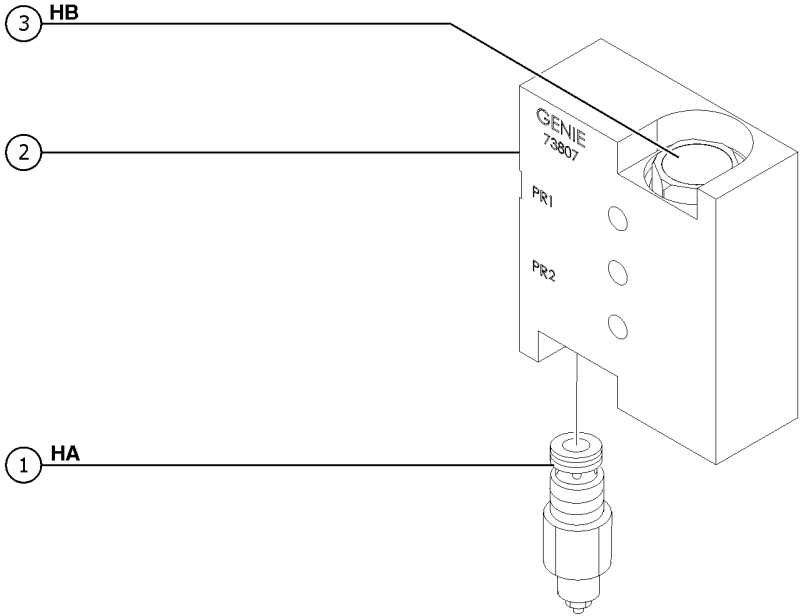
706.1 Platform Manifold



<i>Item</i>	<i>Part No.</i>	<i>Description</i>	<i>Qty.</i>
12-	230983GT	VITON SEAL KIT, VALVE	
12-	44174GT	NUT-COIL SHORT	
13A	229407GT	PRO.DIR.CTRL.VLV.5WY.3POS LS Directional Proportional, Platform rotate left and right	
13A-	228866GT	COIL,SOLENOID VALVE	
13A-	230983GT	VITON SEAL KIT, VALVE	
13A-	44174GT	NUT-COIL SHORT	
13B	234599GT	VALVE, CHECK, DROP IN	
		located below 229407	



707.1 Platform Rotate Manifold

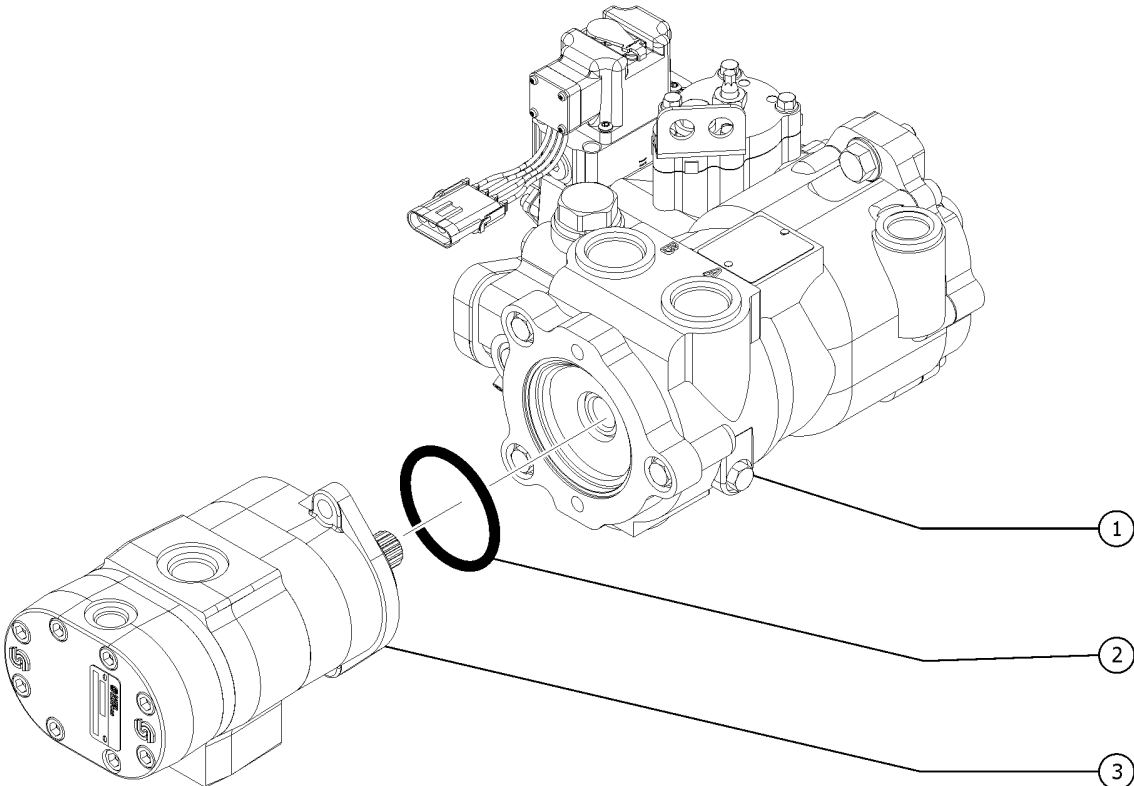


707.1 Platform Rotate Manifold

Item	Part No.	Description	Qty.
A	28750GT	O-RING KIT,FIELD SVC,ALL PROD*	
B	49612GT	O-RING KIT (ORFS FITTINGS)	
C	33994GT	PLUG AND CAP KIT-SERVICE,37 **	
D	49613GT	PLUG AND CAP KIT-SERVICE,ORFS*	
1	62506GT	VALVE - COUNTERBALANCE**	
		HA, Platform rotate right	
2	73807GT	MANIFOLD,ROTATOR,CB***	
2-	43018GT	SEAL KIT (39345)	
2-	62507GT	O-RING, ROTATOR MANIFOLD	
3	62506GT	VALVE - COUNTERBALANCE**	
		HB, Platform rotate left	

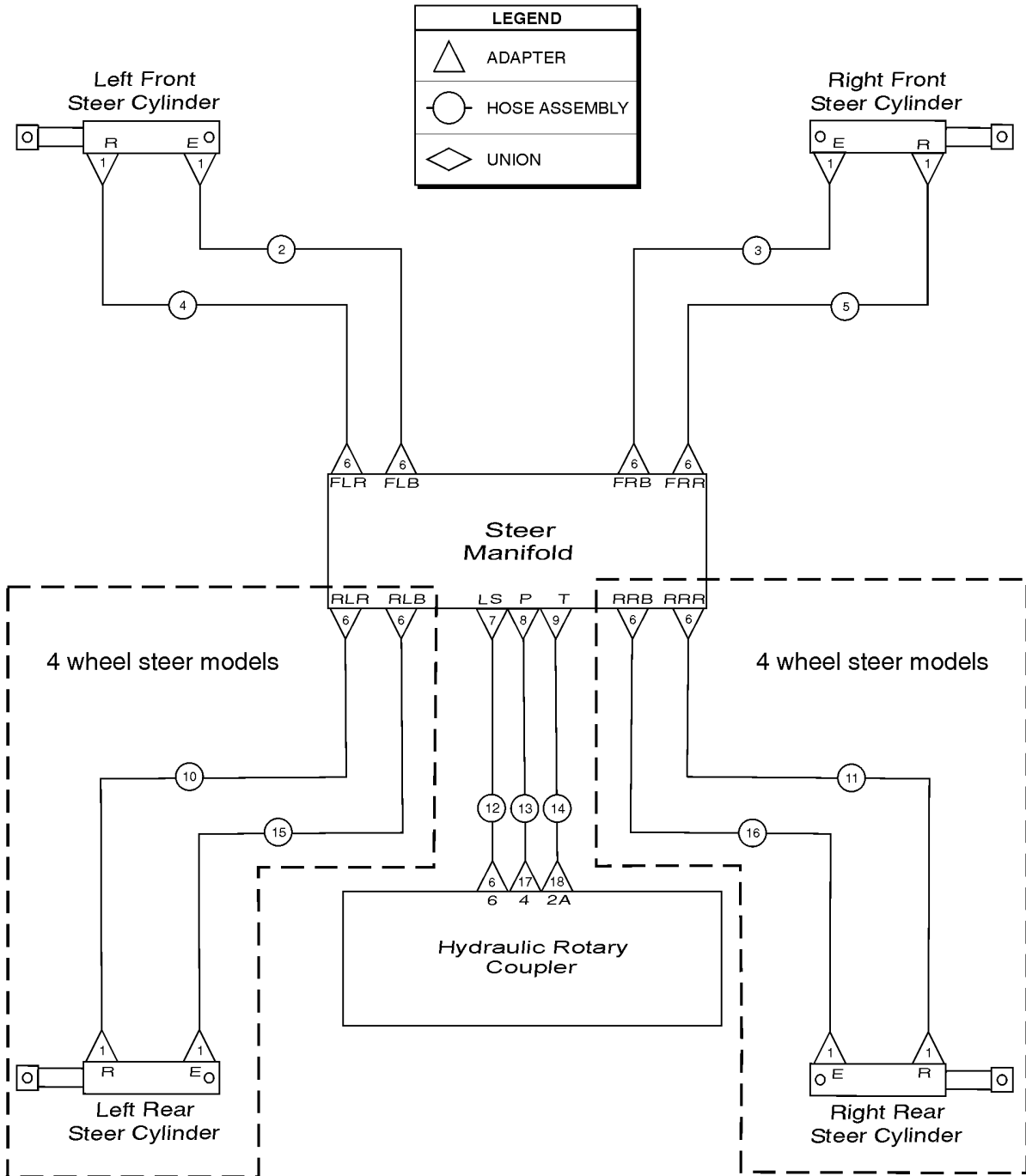


708.1 Pumps



<i>Item</i>	<i>Part No.</i>	<i>Description</i>	<i>Qty.</i>
A	102780GT	PUMP ASSY,DRIVE & FUNCTION includes items 1-3	
1	70249GT	PUMP,PISTON,M46(Z80)	1
1-	29739GT	SEAL KIT,SAUER-DANFOSS M46***	
1-	58290GT	VALVE,EDC,PILOT,SAUER,M46***	
1-	77819GT	EDC ASSY,SAUER M46***	
2	83141GT	O RING	1
3	102781GT	PUMP, LIFT TANDEM Z80	1
3-	102735GT	SEAL & WEAR PLATE KIT,LIFT/STR	

709.1 Hydraulic Hoses and Fittings - Steer System

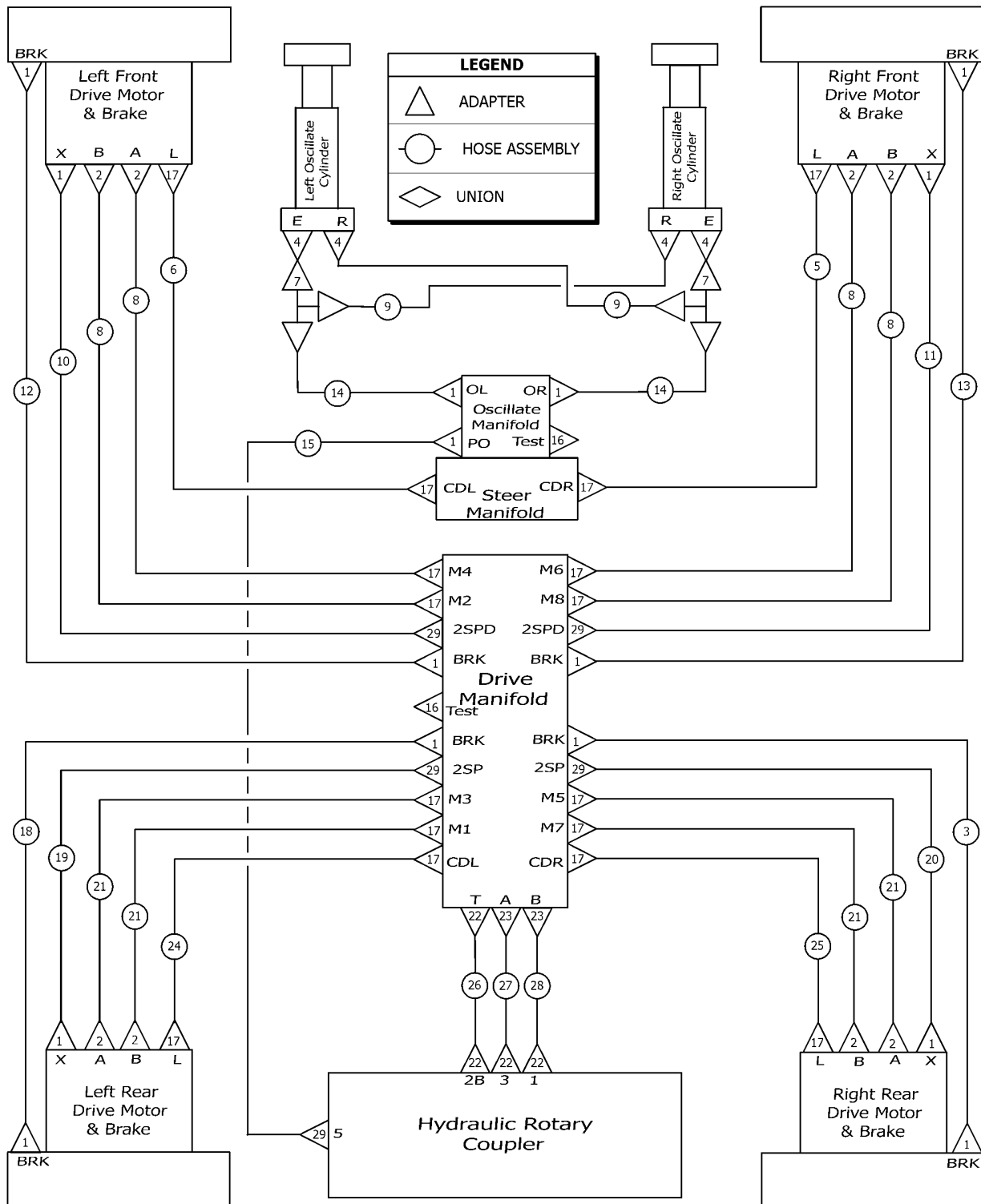


709.1 Hydraulic Hoses and Fittings - Steer System

Item	Part No.	Description	Qty.
A	49613GT	PLUG AND CAP KIT-SERVICE,ORFS*	
B	49612GT	O-RING KIT (ORFS FITTINGS)	
1	48911GT	ELBOW,90D, 520220-4-6	6
1-	48911GT	ELBOW,90D, 520220-4-6	8
2	49119-2878GT	ASSY, HOSE, HYD, -4, 3250, STR, STR	1
3	49119-2678GT	HOSE ASSY,1/4,STR FEM,STR FEM	1
4	49119-3878GT	HOSE ASSY,1/4,STR FEM,STR FEM	1
5	49119-3378GT	HOSE ASSY,1/4,STR FEM,STR FEM	1
6	48905GT	CONN,520120-4***	5
6-	48905GT	CONN,520120-4***	9
7	48904GT	CONN,520120-4***	1
8	48916GT	FITTING,CONN,520120-6	1
9	48963GT	FITTING,ELBOW,45D,520320-12	1
10	49119-10078GT	HOSE ASSY,1/4,STR FEM,STR FEM	1
11	49119-9878GT	HOSE ASSY,1/4,STR FEM,STR FEM	1
12	49119-2978-SGT	HOSE ASSY 1/4,STR FEM,STR FEM	1
13	49130-2582GT	HOSE ASSY 3/8, STR FEM,STR FEM	1
14	49151-2248GT	HOSE ASSY,3/4,STR FEM,STR FEM	1
15	49119-8900GT	ASSY, HOSE, HYD, -4, 3250, STR, STR	1
16	49119-9278GT	HOSE ASSY,1/4,STR FEM,STR FEM	1
17	48930GT	CONN,520120-6-8	1
18	48960GT	FITTING,CONN,520120-12	1



710.1 Hydraulic Hoses and Fittings - Drive System

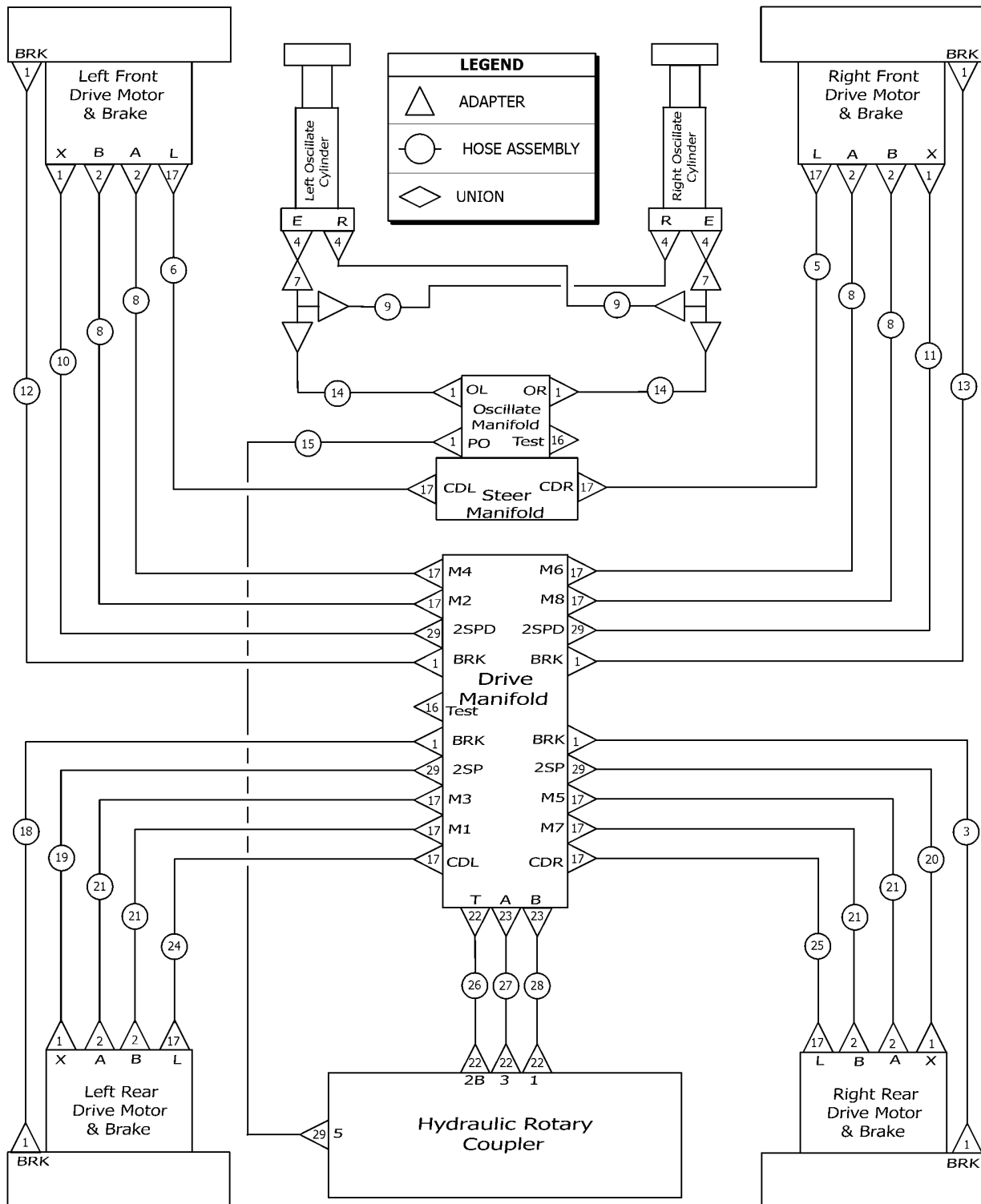


710.1 Hydraulic Hoses and Fittings - Drive System

Item	Part No.	Description	Qty.
-	49613GT	PLUG AND CAP KIT-SERVICE,ORFS*	
-	49612GT	O-RING KIT (ORFS FITTINGS)	
1	48905GT	CONN,520120-4***	15
2	48948GT	CONN,520120-8-12	8
3	49119-5678GT	HOSE ASSY,1/4,STR FEM,STR FEM* (2WS)	1
3B	49117-9791GT	HOSE ASSY,1/4,90 FEM,STR FEM (4WS)	
4	49418GT	FITTING,ELBOW,45D,520320-4-6**	4
5	49143-5629GT	HOSE ASSY,1/2,90 FEM,STR FEMM (2WS)	1
5B	49141-9063GT	HOSE ASSY,1/2,45 FEM,STR FEM (4WS)	1
6	49143-5629GT	HOSE ASSY,1/2,90 FEM,STR FEMM (2WS)	1
6B	49141-9463GT	HOSE ASSY,1/2,45 FEM,STR FEM (4WS)	1
7	48908GT	FITTING,TEE,RUN,SWIVEL520432-4	2
8	81812-14692GT	ASSY, HOSE, HYD, -8, 4250, STR, STR (to SN Z85XCH-7357)	4
8B	81812-14592GT	ASSY, HOSE, HYD, -8, 4250, STR, STR (from SN Z85XCH-7358)	4
9	49117-4491GT	HOSE ASSY,1/4,90 FEM,STR FEM	2
10	49119-15178GT	HOSE ASSY,1/4,STR FEM,STR FEM*	1
11	49119-15678GT	HOSE ASSY,1/4,STR FEM,STR FEM	1
12	49117-14391GT	HOSE ASSY,1/4,90 FEM,STR FEM	1
13	49117-15791GT	HOSE ASSY,1/4,90 FEM,STR FEM	1
14	49119-4578GT	HOSE ASSY,1/4,STR FEM,STR FEM	2
15	49119-2678GT	HOSE ASSY,1/4,STR FEM,STR FEM	1
16	48998GT	NIPPLE,DIAGNOSTIC,#6 PORT***	2
16-	20224GT	DIAGNOSTIC FEMALE Q-DSCNT	
16-	48880GT	CAP,DIAGNOSTIC NIPPLE	
17	48933GT	CONN,520120-8***	16
18	49119-5378GT	HOSE ASSY,1/4,STR FEM,STR FEM* (2WS)	1
18B	49117-9791GT	HOSE ASSY,1/4,90 FEM,STR FEM (4WS)	1
19	49117-5691GT	HOSE ASSY,1/4,90 FEM,STR FEM** (2WS)	1



710.1 Hydraulic Hoses and Fittings - Drive System

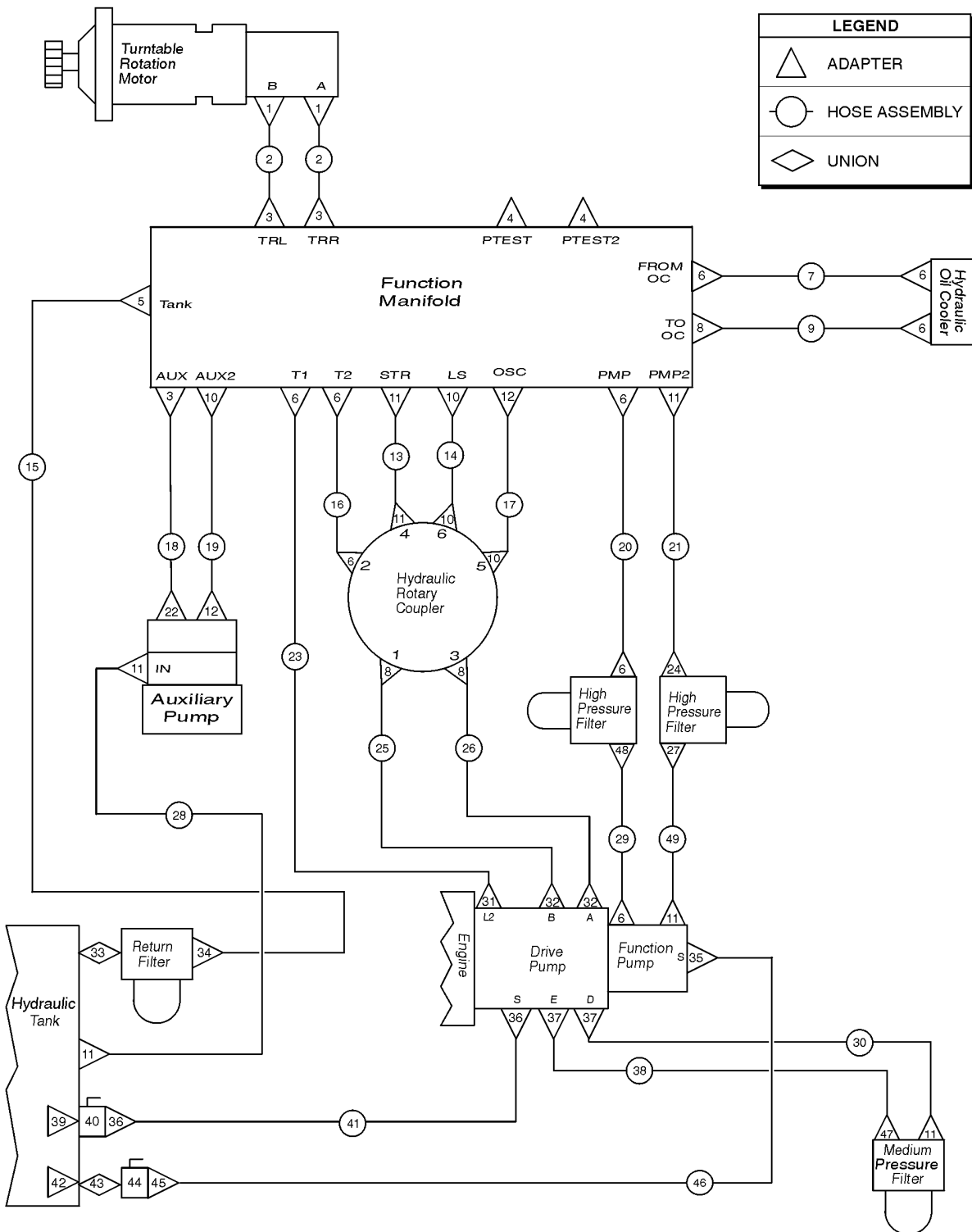


710.1 Hydraulic Hoses and Fittings - Drive System

Item	Part No.	Description	Qty.
19B	139107GT	HOSE ASSY, 1/4", 89.00 (4WS)	1
20	49117-5691GT	HOSE ASSY, 1/4, 90 FEM, STR FEM** (2WS)	1
20B	49119-9678GT	HOSE ASSY, 1/4, STR FEM, STR FEM (4WS)	1
21	75278-5229GT	HOSE ASSY, 1/2, 90 FEM, STR FEM	4
21B	81812-8592GT	ASSY, HOSE, HYD, -8, 4250, STR, STR	4
22	48963GT	FITTING, ELBOW, 45D, 520320-12	4
23	48960GT	FITTING, CONN, 520120-12	2
24	49143-5629GT	HOSE ASSY, 1/2, 90 FEM, STR FEMM (2WS)	1
24B	49141-8963GT	HOSE ASSY, 1/2, 45 FEM, STR FEM (4WS)	1
25	49143-5629GT	HOSE ASSY, 1/2, 90 FEM, STR FEMM (2WS)	1
25B	49141-8963GT	HOSE ASSY, 1/2, 45 FEM, STR FEM (4WS)	1
26	49151-2248GT	HOSE ASSY, 3/4, STR FEM, STR FEM	1
27	106665-2929GT	HOSE ASSY, 3/4 90LG FEM, STR FEM	1
28	94374-2730GT	HOSE ASSY, 3/4, 90 FEM, STR FEM**	1
29	48912GT	CONN, 520120-4-6***	5



711.1 Hydraulic Hoses and Fittings - Turntable Components

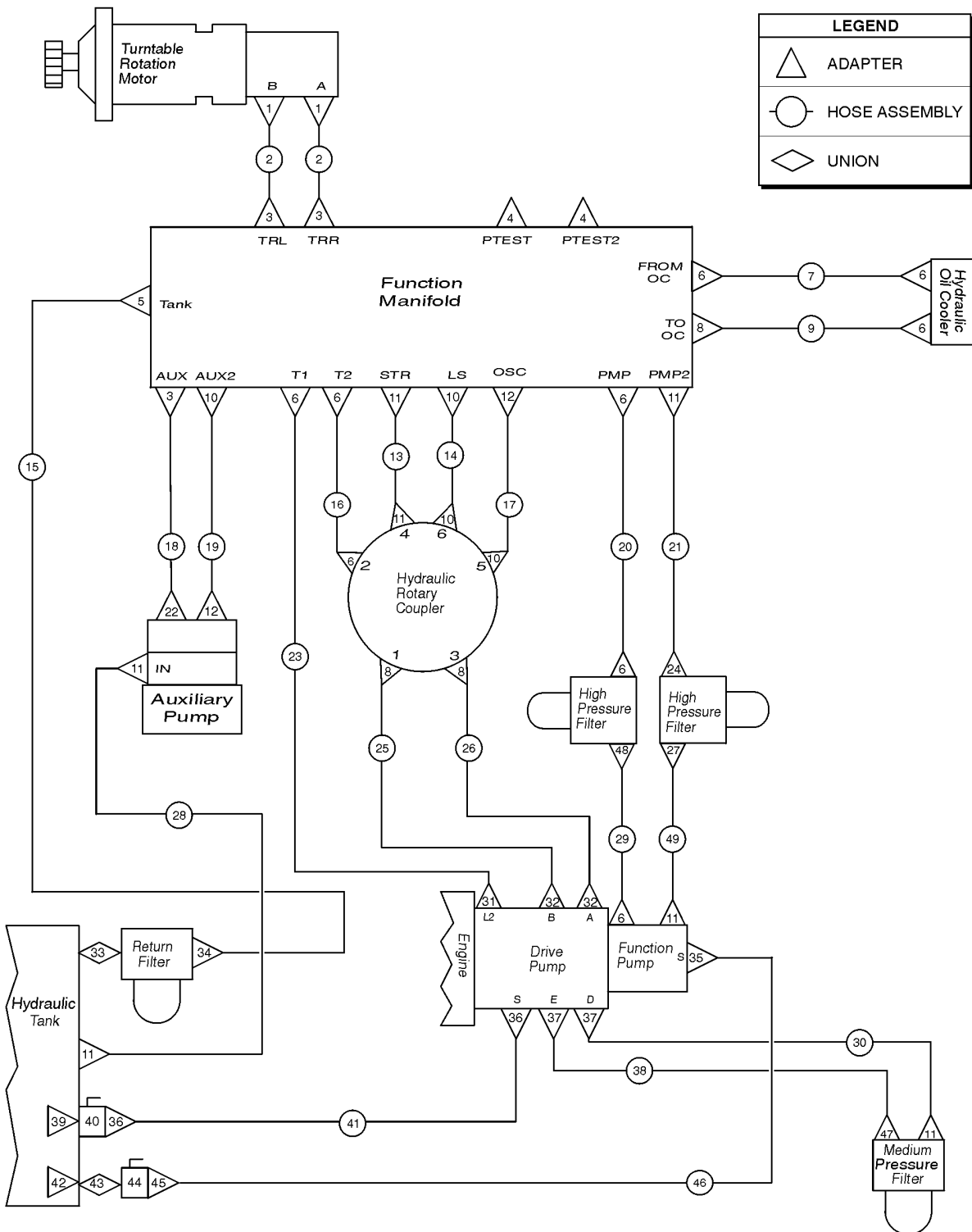


711.1 Hydraulic Hoses and Fittings - Turntable Components

Item	Part No.	Description	Qty.
A	49613GT	PLUG AND CAP KIT-SERVICE,ORFS*	
B	49612GT	O-RING KIT (ORFS FITTINGS)	
1	48915GT	ELBOW,90D,520220-6	2
2	49130-3882GT	HOSE ASSY 3/8, STR FEM,STR FEM	2
3	48920GT	ELBOW,45D,520320-6	2
4	48998GT	NIPPLE,DIAGNOSTIC,#6 PORT***	2
4-	20224GT	DIAGNOSTIC FEMALE Q-DSCNT	
4-	48880GT	CAP,DIAGNOSTIC NIPPLE	
5	88353GT	ELBOW,45D,520320-20	1
6	48960GT	FITTING,CONN,520120-12	10
7	49151-3548GT	HOSE ASSY,3/4,STR FEM,STR FEM	1
8	48963GT	FITTING,ELBOW,45D,520320-12	1
9	49149-4126GT	HOSE ASSY,3/4,45 FEM,STR FEM	1
10	48905GT	CONN,520120-4***	4
11	48933GT	CONN,520120-8***	7
12	48912GT	CONN,520120-4-6***	2
13	49141-5163GT	HOSE ASSY,1/2,45 FEM,STR FEM	1
14	49116-5037GT	HOSE ASSY,1/4,45 FEM,STR FEM	1
15	88441-3640GT	HOSE ASSY,1 1/4"STR FEM,STR FE	1
16	49149-5026GT	HOSE ASSY,3/4,45 FEM,STR FEM	1
17	49116-5437GT	HOSE ASSY,1/4,45 FEM,STR FEM	1
18	49128-5409GT	HOSE ASSEMBLY,3/8"	1
19	49116-4837GT	HOSE ASSY,1/4,45 FEM,STR FEM	1
20	61073-8930GT	HOSE ASSY 3/4" 90 DEG STR FEM	1
21	49183-8792GT	HOSE ASSY,1/2,STR FEM,STR FEM	1
22	48916GT	FITTING,CONN,520120-6	1
23	49150-8430GT	HOSE ASSY,3/4,90 FEM,STR FEM	1
24	48947GT	ELBOW,90D,520220-8-12	1



711.1 Hydraulic Hoses and Fittings - Turntable Components

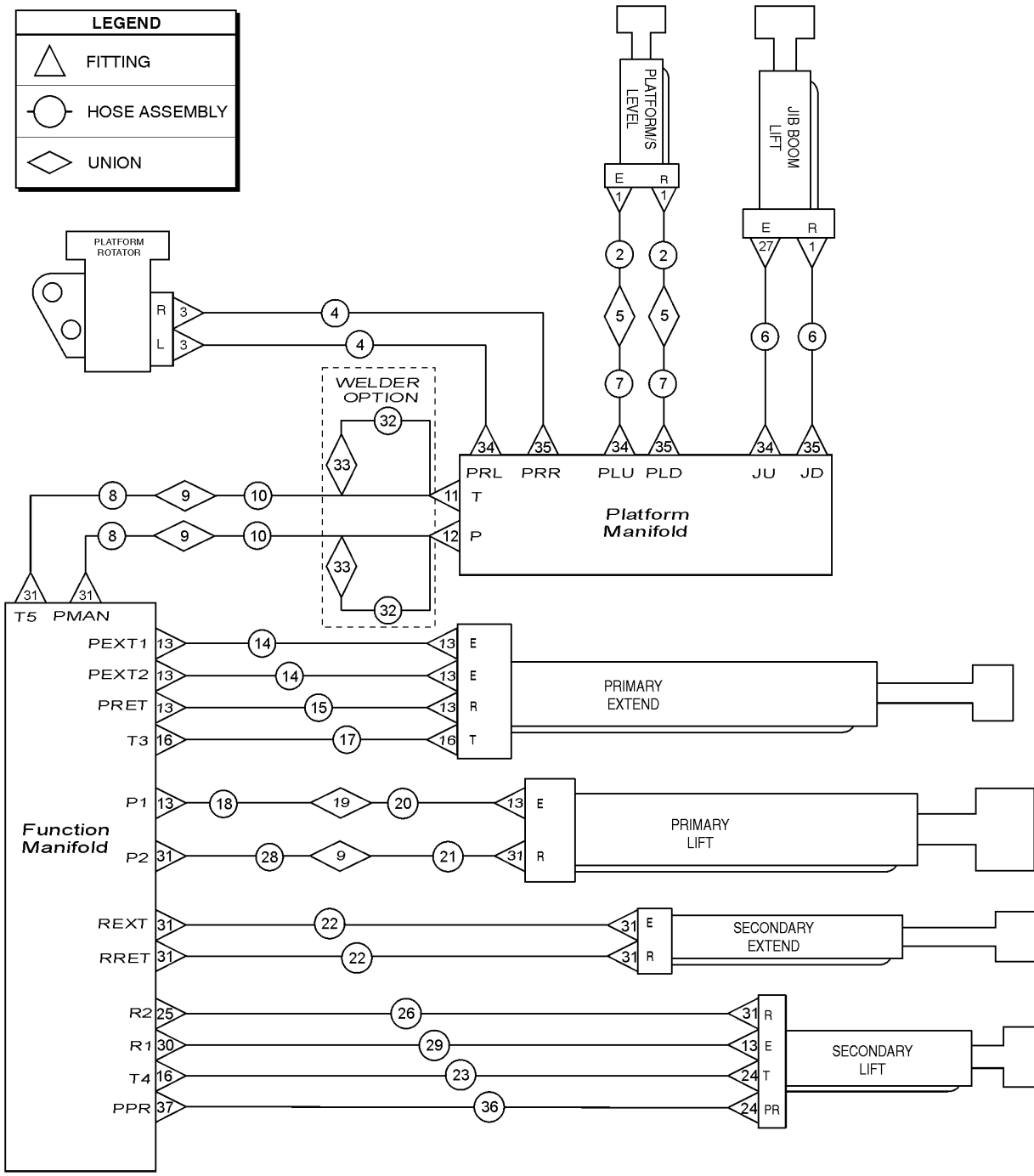


711.1 Hydraulic Hoses and Fittings - Turntable Components

Item	Part No.	Description	Qty.
25	94374-3530GT	HOSE ASSY,3/4,90 FEM,STR FEM	1
26	94374-3730GT	HOSE ASSY 3/4, 90 FEM,STR FEM	1
27	48948GT	CONN,520120-8-12	1
28	49143-4829GT	HOSE ASSY,1/2,90 FEM,STR FEM	1
29	61073-3130GT	HOSE ASSY,3/4,90 FEM,STR FEM	1
30	49141-1763GT	HOSE ASSY,1/2,45 FEM,STR FEM	1
31	48959GT	FITTING,ELBOW,90D,520220-12	1
32	48978GT	ELBOW,45D,520320-12-16	2
33	61263GT	UNION,STR.THREAD 20	1
34	88353GT	ELBOW,45D,520320-20	1
35	61352GT	KIT,FLANGE CODE 61 -20	1
35-	77503GT	O-RING,FLANGE KIT 61352	
36	48984GT	CONN,520120-16	2
37	48946GT	CONN,520120-8-10	2
38	49141-4463GT	HOSE ASSY,1/2,45 FEM,STR FEM	1
39	75253GT	STRAINER ASSY,#16 O-RING	1
40	48996GT	VALVE,BALL,16 MSAE-16 FSAE***	1
41	49159-5918GT	HOSE ASSEMBLY,1"	1
42	75257GT	STRAINER ASSY,#24 O-RING	1
43	75254GT	UNION,STR.THREAD 24***	1
44	75256GT	VALVE BALL,24 FSAE-24 FSAE***	1
45	61083GT	CONN,520120-24	1
46	88454-6604GT	HOSE ASSY,1 1/2" 90 FLG FEM	1
47	48932GT	FITTING,ELBOW,90D,520220-8***	1
48	48960GT	FITTING,CONN,520120-12	1
49	49143-2628GT	HOSE ASSY,1/2,90 FEM,STR FEM	1



712.1 Hydraulic Hoses and Fittings - Boom Components

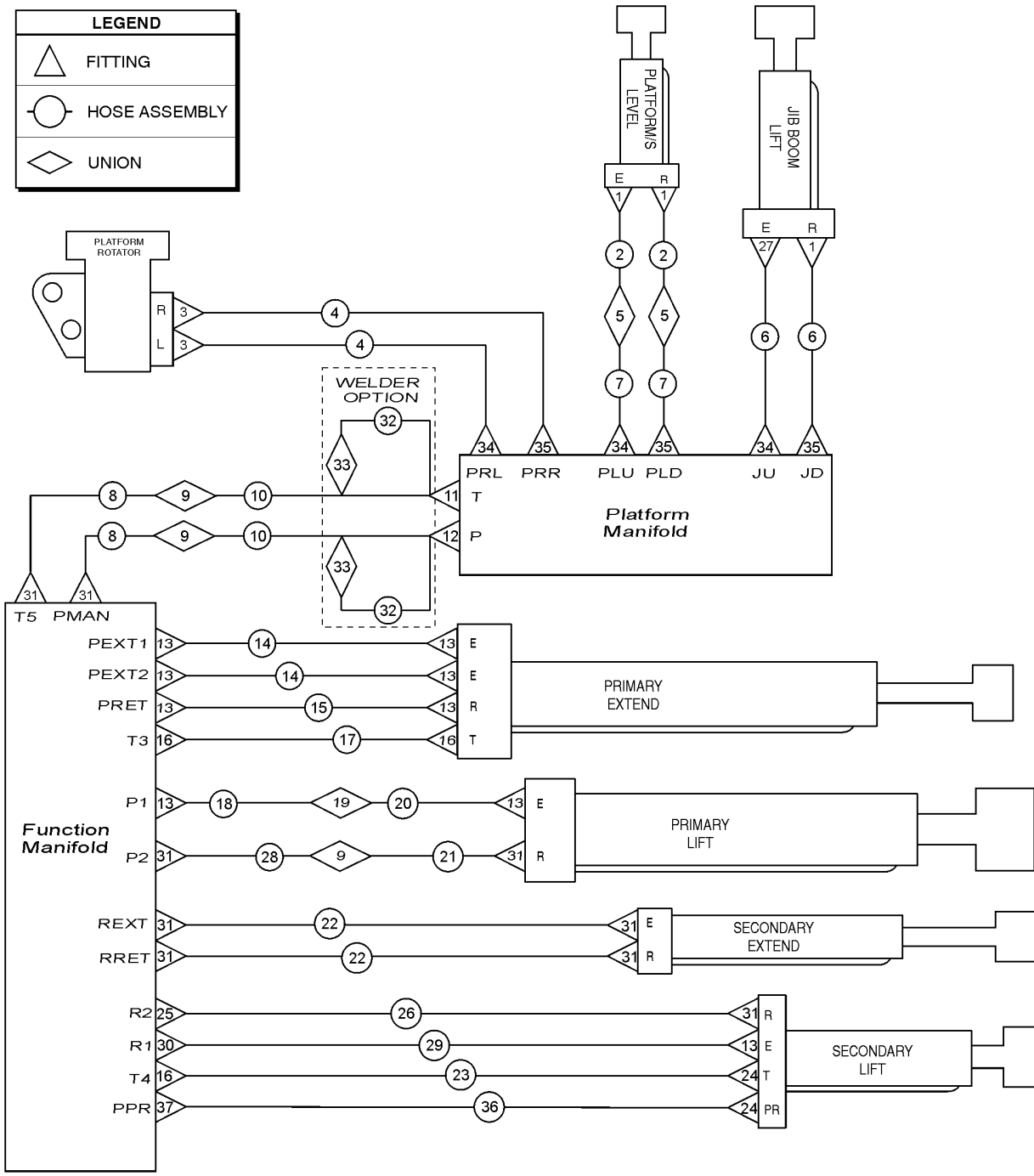


712.1 Hydraulic Hoses and Fittings - Boom Components

Item	Part No.	Description	Qty.
-	49613GT	PLUG AND CAP KIT-SERVICE,ORFS*	
-	48912GT	CONN,520120-4-6***	
1	48912GT	CONN,520120-4-6***	3
2	49117-2891GT	HOSE ASSY,1/4,90 FEM,STR FEM	2
3	48907GT	ELBOW,45D,520320-4	2
4	49119-4278GT	ASSY, HOSE, HYD, -4, 3250, STR, STR	2
5	61268GT	CONN,BULKHEAD,520801,-4	2
6	49119-6678GT	HOSE ASSY,1/4,STR FEM,STR FEM	2
7	49117-12791GT	HOSE ASSY,1/4,90 FEM,STR FEM	2
8	49130-41082GT	HOSE ASSY 3/8, STR FEM,STR FEM	2
9	61080GT	FITTING,6-6BLKHEADUNION 520601	3
10	49130-79482GT	HOSE ASSY 3/8, STR FEM,STR FEM	2
11	48915GT	ELBOW,90D,520220-6	1
11-	48920GT	ELBOW,45D,520320-6 use if welder option installed	1
12	48915GT	ELBOW,90D,520220-6 (to SN Z80H-7749)	1
12-	48916GT	FITTING,CONN,520120-6 use if welder option installed	1
12B	1297736GT	FITTING, ELBOW, 90D, ORFS-6 TO ORFS-6 (from SN Z80H-7750)	1
12B-	1294955GT	FITTING, STR,SCREEN FITTING, SAE-6 (from SN Z80H-7750 to SN Z80H-7854)	1
12B-	1297451GT	FITTING, ORFS, STR, 125 MICRON SCREEN, SAE -6 from SN Z80H-7855	1
13	48933GT	CONN,520120-8***	9
14	49183-44392GT	HOSE ASSY,1/2,STR FEM,STR FEM	2
15	49183-42892GT	HOSE ASSY,1/2,STR FEM,STR FEM	1
16	48905GT	CONN,520120-4***	3
17	49119-42878GT	HOSE ASSY,1/4,STR FEM,STR FEM	1
18	49183-41892GT	HOSE ASSY,1/2,STR FEM,STR FEM	1
19	61080GT	FITTING,6-6BLKHEADUNION 520601	1
20	49143-16529GT	HOSE ASSY,1/2,90 FEM,STR FEM	1
21	49128-16509GT	HOSE ASSEMBLY 3/8"	1



712.1 Hydraulic Hoses and Fittings - Boom Components

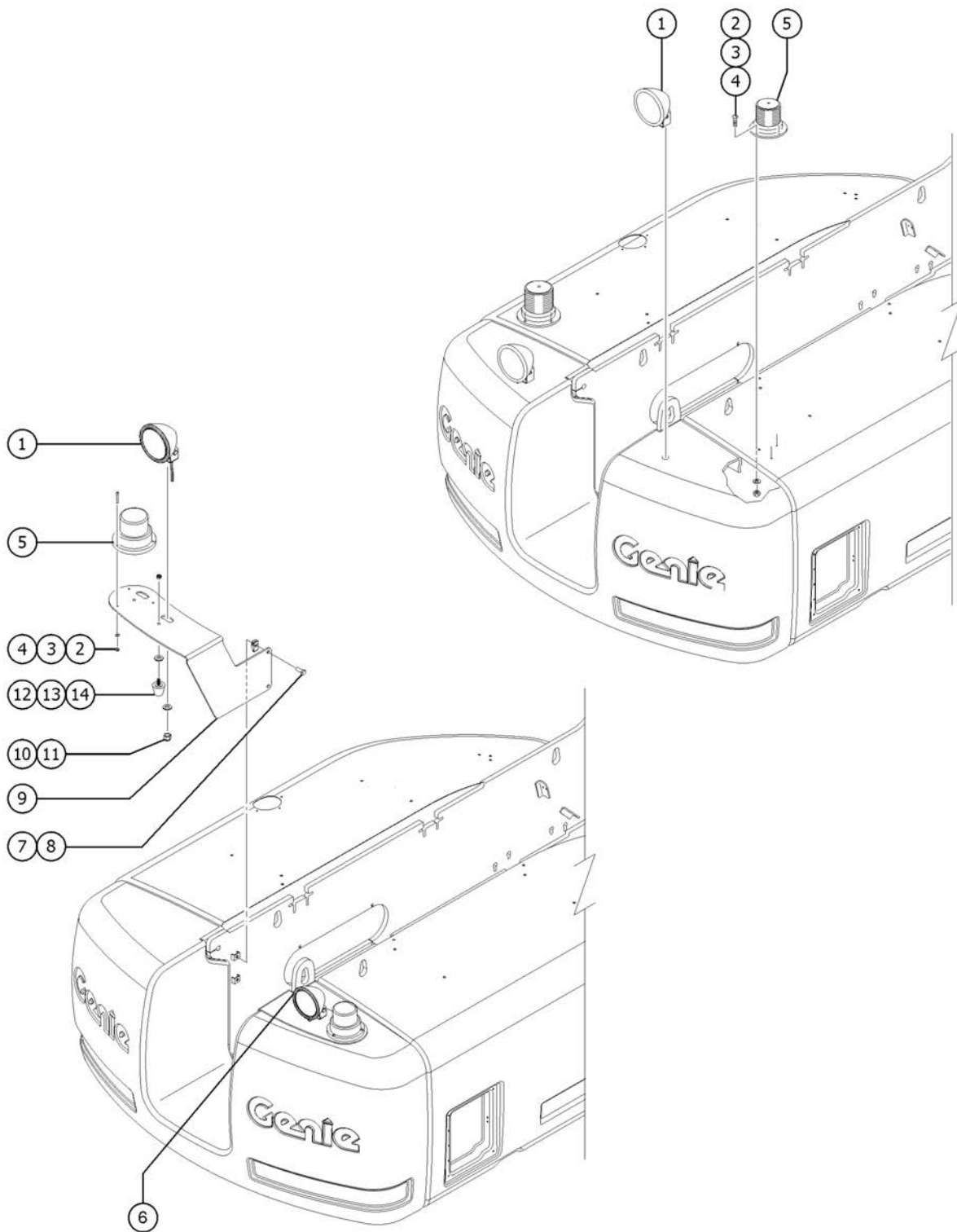


712.1 Hydraulic Hoses and Fittings - Boom Components

Item	Part No.	Description	Qty.
22	49128-11209GT	ASSY, HOSE, HYD, 3/8, 3000, STR, 90	2
23	49119-9778GT	HOSE ASSY, 1/4, STR FEM, STR FEM	1
24	48904GT	CONN, 520120-4***	2
25	48930GT	CONN, 520120-6-8	1
26	49130-9782GT	HOSE ASSY, 3/8 STR FEM-STR FEM	1
27	48913GT	CONN, 520120-4-6 .030 ORIFICE	1
28	49130-41882GT	HOSE ASSY 3/8, STR FEM, STR FEM	1
29	49183-9792GT	HOSE ASSY, 1/2, STR FEM, STR FEM	1
30	48930GT	CONN, 520120-6-8	
31	48916GT	FITTING, CONN, 520120-6	9
32	49128-1409GT	HOSE ASSY 3/8, 90 FEM, STR FEM use if welder option installed	2
33	61321GT	ELBOW, 90D, BLKHD, ORFS-6-6 W/NUT use if welder option installed	2
34	61259GT	ELBOW, 90D, LONG, 521520-4	3
35	48904GT	CONN, 520120-4***	3
36	48751GT	HOSE, 1/4" HIGH PRESSURE 3250	1
37	48905GT	CONN, 520120-4***	2



801.1 Drive Light and Flashing Beacon Options

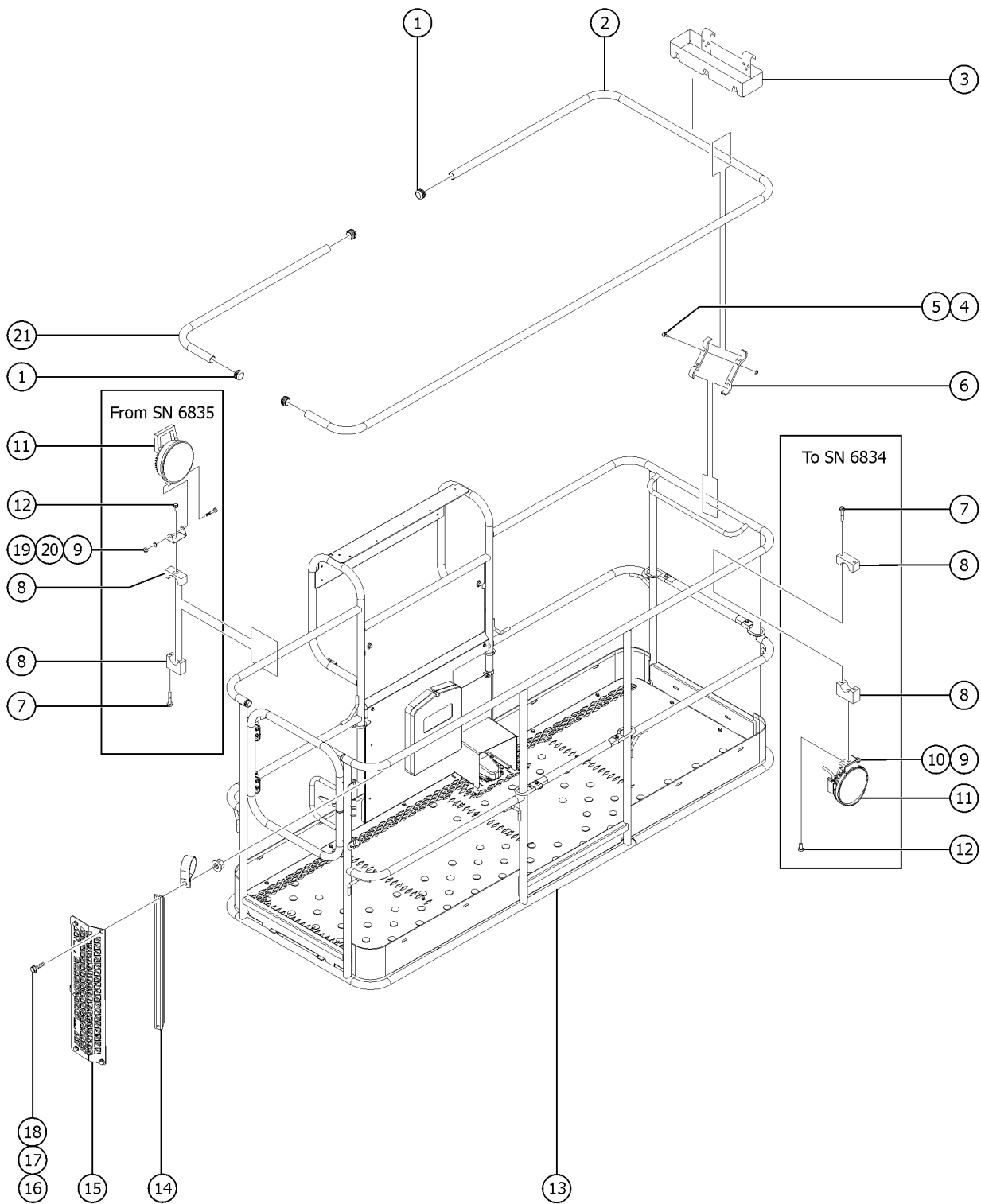


801.1 Drive Light and Flashing Beacon Options

Item	Part No.	Description	Qty.
A	70219GT	ALARM PKG,(BEACON,TRVL,DESCNT)	
B	75433GT	FUSE,20 AMP, AGC20	
C	23083-SGT	FUSE HOLDER,WATERPROOF	
1	823520GT	ASSY, DRIVE LIGHT, 12V LED	2
1-	1255094GT	HARNESS, DRIVE LIGHTS, Z80	
2	6147GT	SCREW,RHM,10-32 X 1	
3	6146GT	WASHER,FLAT,MS,#10,Y	
4	6178GT	NUT,NYLOCK,10-32	
5	56704GT	STROBE,FIREBOLT,12-80VDC,AMB** (replaced 20189)	2
5-	122019GT	FLASHTUBE,U SHAPED,360DEG,BULB	
5-	226393GT	FLASHTUBE,STRAIGHT,360DEG,BULB	
5-	72282GT	LENS,AMBER,STROBE,FIREBOLT	
5-	88143GT	HARNESS,FLASHING BEACON	
6	229425GT	FORMING,DRIVE LIGHT LT,Z80	1
7	824089GT	SCREW, HHF, 3/8-16 X .75, 8, ZAG.	4
8	29868GT	SPRING CLIP,3/8-16,.05-.20X.73,ZAG	4
9	229426GT	FORMING,DRIVE LIGHT,RT,Z80	1
10	104328GT	NUT,HEX,1/2-13 GRD 8	
11	13066GT	WASHER,FLAT,.5 HARDENED	
12	30973GT	BUMPER,RUBBER-1 X 1.25	2
13	6638GT	WASHER,FLAT,USS,1/4"Y	10
14	6002GT	NUT, LP NYLOCK, 5/16-18	2



802.1 Platform Accessories

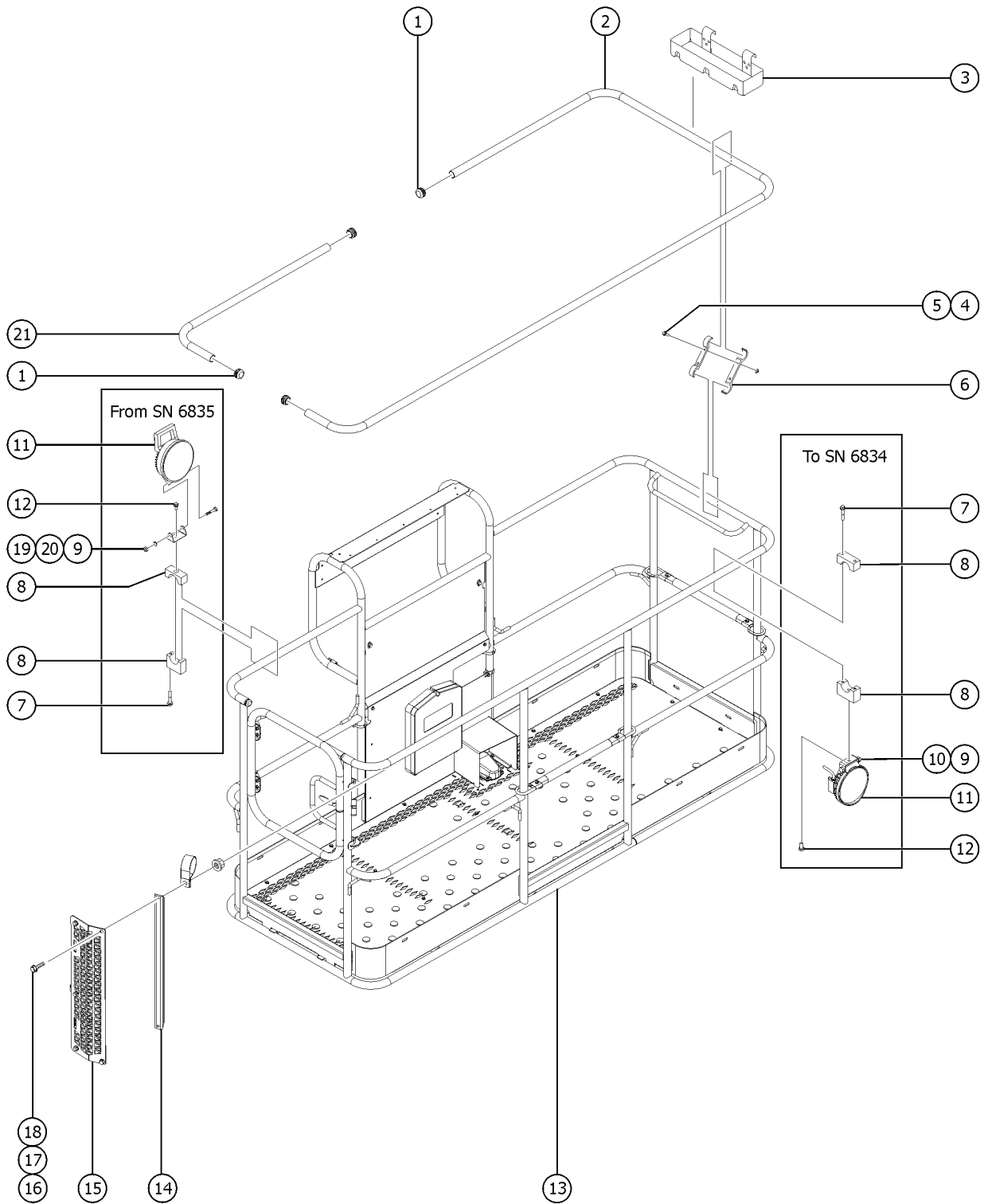


802.1 Platform Accessories

Item	Part No.	Description	Qty.
A	1255091GT	ASSY, WORK LIGHTS, Z80	1
B	1255092GT	HARNESS, WORK LIGHTS, Z80	1
C	1279765GT	KIT,LATCH GUARD	1
D	1291495GT	KIT, AUX RAIL, 6' PLAT, SIDE GATE	
		(6 foot platform)	
E	1291496GT	KIT, AUX RAIL, 8' PLAT, SIDE GATE	
		(8 foot platform)	
1	55753GT	BUMPER, PLASTIC, 1.25 O.D.	4
2A	1271077GT	AUX RAIL, 8' PLAT., TRI ENTRY	1
		(8 foot Platform)	
2B	1270570GT	AUX RAIL, 6' PLAT, SIDE ENTRY	1
		(6 foot Platform)	
3	9599-SGT	TOOL TRAY ACCESSORY***	1
4A	824079GT	SCREW,HHF,1/4-20X1,8,ZAG	26
		(8 foot Platform)	
4B	824079GT	SCREW,HHF,1/4-20X1,8,ZAG	22
		(6 foot Platform)	
5A	824027GT	NUT, TL FLG, 1/4-20, G, ZAG	26
		(8 foot Platform)	
5B	824027GT	NUT, TL FLG, 1/4-20, G, ZAG	22
		(6 foot Platform)	
6A	122073GT	SUPPORT, RAILING	26
		(8 foot Platform)	
6B	122073GT	SUPPORT, RAILING	22
		(6 foot Platform)	
7	824081GT	SCREW,HHF,1/4-20X1.5,8,ZAG	4
8	35956GT	BRACKET,WORK LIGHT MOUNT 5/16"	2
9	75185GT	SCREW,HHC,M8X1.25X 70MM,GR8.8	
10	1260688GT	NUT,NYLOCK,M8-1.25,DIN985,A270	2
11A	1282993GT	LIGHT, LED WHITE 12V W/SWITCH	2
		(to SN Z80H-6834) includes item 9	
11A-	22571GT	NUT,HEX,M8 X 1.25	
11A-	49408GT	WASHER,LOCK,M8	
12	824085GT	SCREW,HHF,5/16-18X.75,8,ZAG	2
13		Ref.WELDMENT, PLATFORM	1
		(refer to 601.1)	
14	1277966GT	TUBE,SQUARE, 1" X 1" X .125	1
15	1277952GT	GUARD, SWING GATE	1
16	824086GT	SCREW,HHF,5/16-18X1,8,ZAG	5
17	56424GT	CLAMP, 1.25 x .5 RUBBER-CUSHION	5



802.1 Platform Accessories

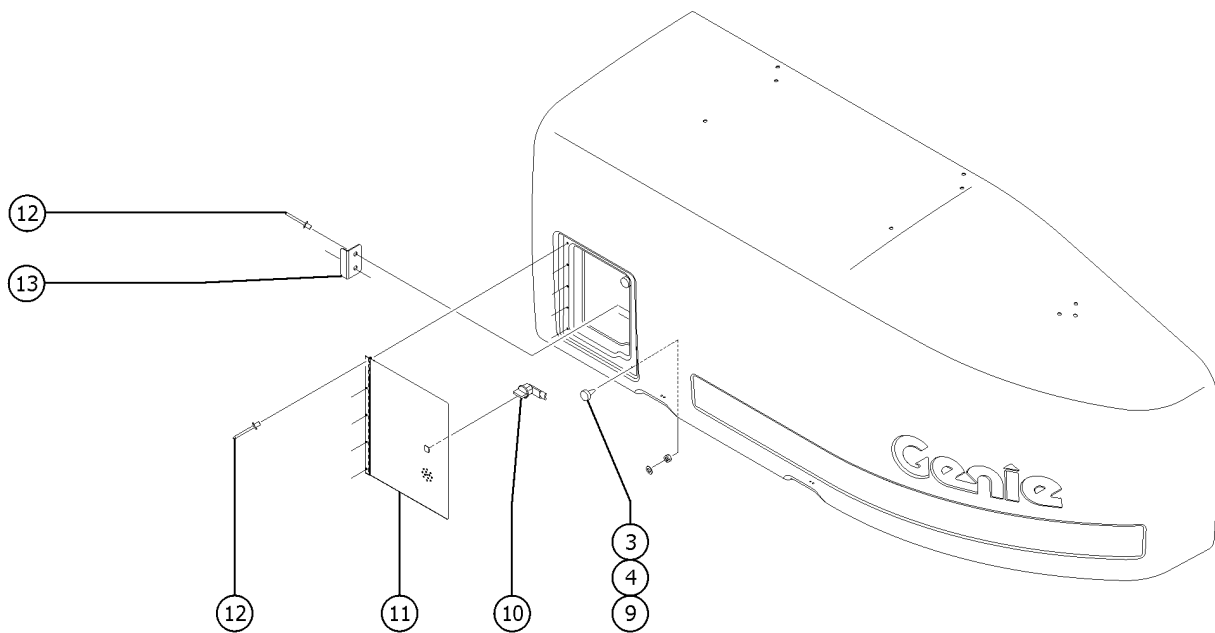
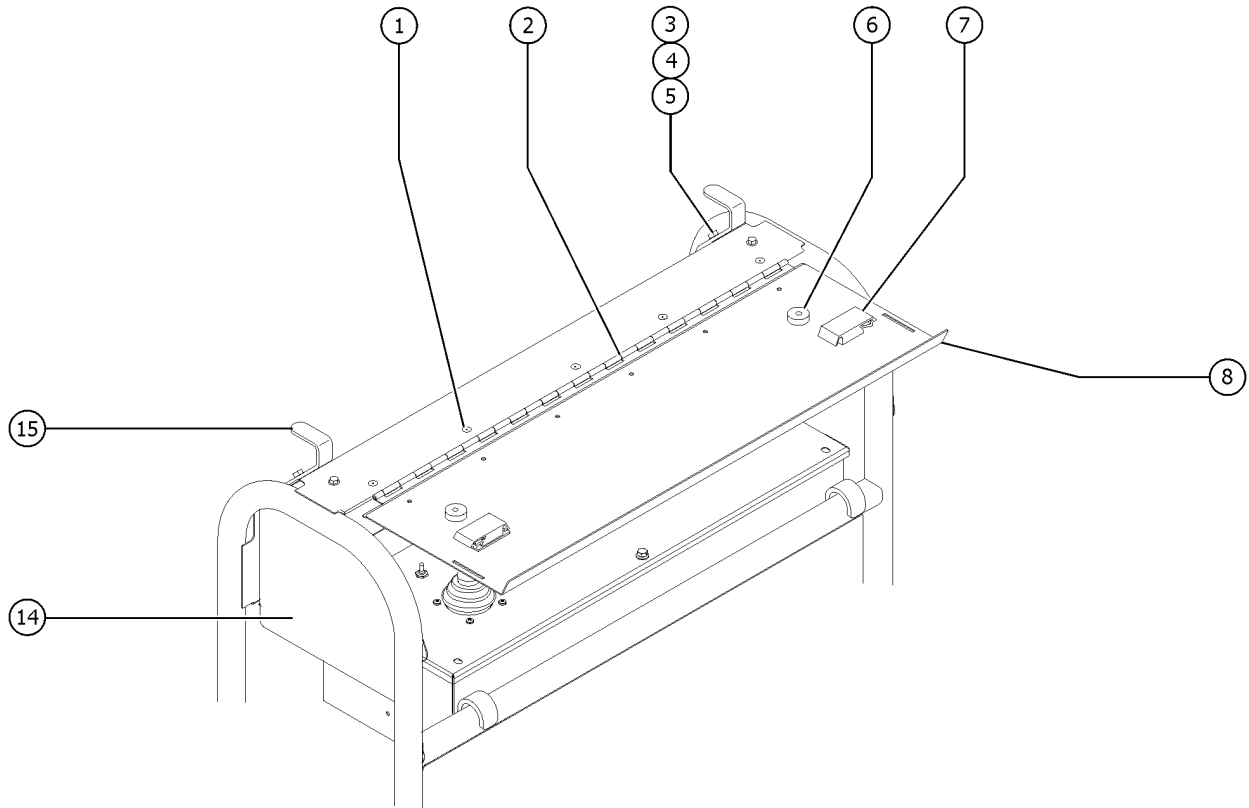


802.1 Platform Accessories

<i>Item</i>	<i>Part No.</i>	<i>Description</i>	<i>Qty.</i>
18	824028GT	NUT,TL FLG,5/16-18,G,ZAG	5
19	22571GT	NUT,HEX,M8 X 1.25	2
20	49408GT	WASHER,LOCK,M8	2
21A	1271078GT	AUX RAIL, 8' PLAT., TRI ENTRY	1
		(8 foot Platform)	
21B	1270571GT	AUX RAIL, 6' PLAT, SIDE ENTRY	1
		(6 foot Platform)	



803.1 Base and Platform Covers

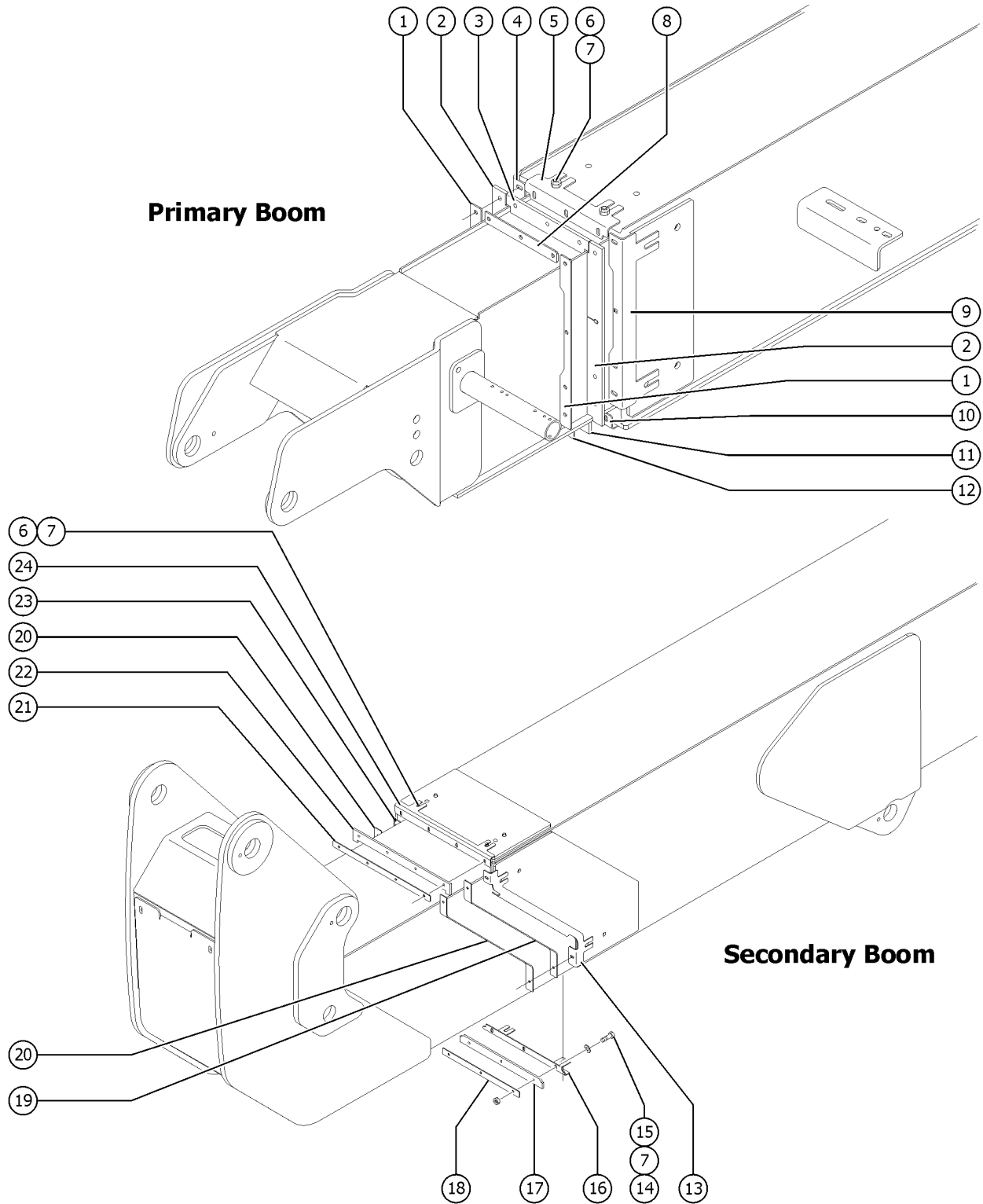


803.1 Base and Platform Covers

Item	Part No.	Description	Qty.
A	T109328GT	ACC,PLAT CONTROL COVER, SERV	
B	102855GT	BASE & PLAT CONTROL COVERS	
1	54486GT	RIVET,ALUM,ALUM,3/16BUTTONHEAD	11
2	111526GT	HINGE,PLAT CONTROL BOX COVER	1
3	6889GT	NUT,LP NYLOCK,1/4-20	
4	6638GT	WASHER,FLAT,USS,1/4"Y	
5	6888GT	SCREW,HHC,1/4-20 X 1	
6	43392GT	BUMPER,BATTERY BOX & RAILS***	2
7	30468GT	LATCH,SLIDE, FLUSH MOUNT STYLE	2
8	102676GT	LID ASSY,CONTROL BOX COVER PLT	1
		includes items 1, 3- 8 and 15	
8-	102785PGT	CONTROL BOX COVER,LID,PTD	
9	36388GT	BUMPER,RUBBER,.75 X .50H,STUD	2
10	63773GT	LATCH,GRND.CTRL.BOX COVER	1
11	63771PGT	COVER,GRND.CTRL.BOX,PAINTED	1
12	53189GT	RIVET,ALUM,ALUM,P,.25X.375	7
13	63772GT	CATCH,GRND.CTRL.BOX COVER	1
14	88607PGT	COVER,CONTROL BOX LEFT SIDE***	1
14-	88606PGT	COVER,CONTROL BOX RIGHT SIDE**	
		shown	
15	102786PGT	FORMING,LATCH,CTRL BOX LID PTD	2



804.1 Hostile Environment Package - Primary and Secondary Boom Wipers

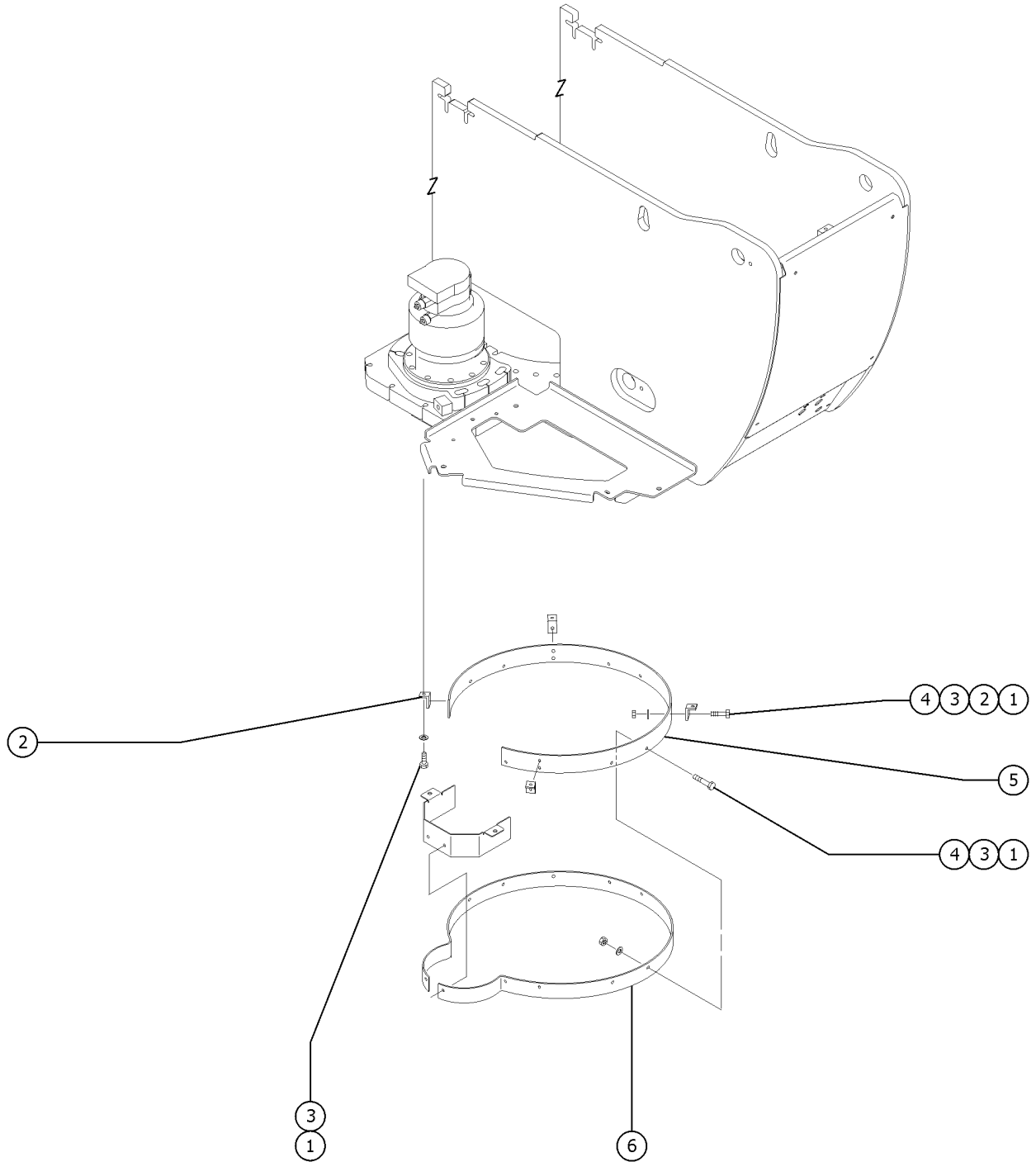


804.1 Hostile Environment Package - Primary and Secondary Boom Wipers

Item	Part No.	Description	Qty.
A-	77783GT	OPTION,BASE CONTROL DOOR	
B-	88263GT	COVER,CABLE 170.5"	
1	88427PGT	BRACKET,PRIMARY SIDE WIPER	2
2	88428GT	WIPER,PRIMARY BOOM SIDE	2
3	88425GT	WIPER,PRIMARY BOOM, TOP	1
4	88429PGT	BRACKET,PRIMARY SIDE WIPER LH	1
5	88423PGT	BRACKET,PRIMARY TOP WIPER	1
6	6090GT	SCREW,HHC,1/4-20 X .75	
7	6638GT	WASHER,FLAT,USS,1/4"Y	
8	88424PGT	PLATE,PRIMARY TOP WIPER	1
9	88426PGT	BRACKET,PRIMARY SIDE WIPER	1
10	88430GT	BRACKET,PRIMARY BOTTOM WIPER	1
11	88432GT	WIPER,PRIMARY BOOM BOTTOM	1
12	88431PGT	PLATE,PRIMARY BOTTOM WIPER	1
13	88308PGT	BRACKET,WIPER,SIDE,RISER,LH	1
14	6878GT	BOLT,CARRIAGE,1/4-20 X .75,G2	
15	6889GT	NUT,LP NYLOCK,1/4-20	
16	88304PGT	BRACKET,RISER,BOTTOM PAINTED	1
17	88305GT	WIPER,BOTTOM,RISER	1
18	88306PGT	BACKING PLATE,BOTTOM,RISER	1
19	88309GT	WIPER,SIDE	2
20	88310PGT	BRACKET,RISER SIDE WIPER	2
21	88303PGT	BACKING PLATE, TOP,RISER PAINTE	1
22	88302GT	WIPER, TOP,RISER	1
23	88307PGT	BRACKET,WIPER,SIDE,RISER,RH	1
24	88301PGT	BRACKET,WIPER, TOP,RISER PAINTE	1



805.1 Hostile Environment Package - Turntable

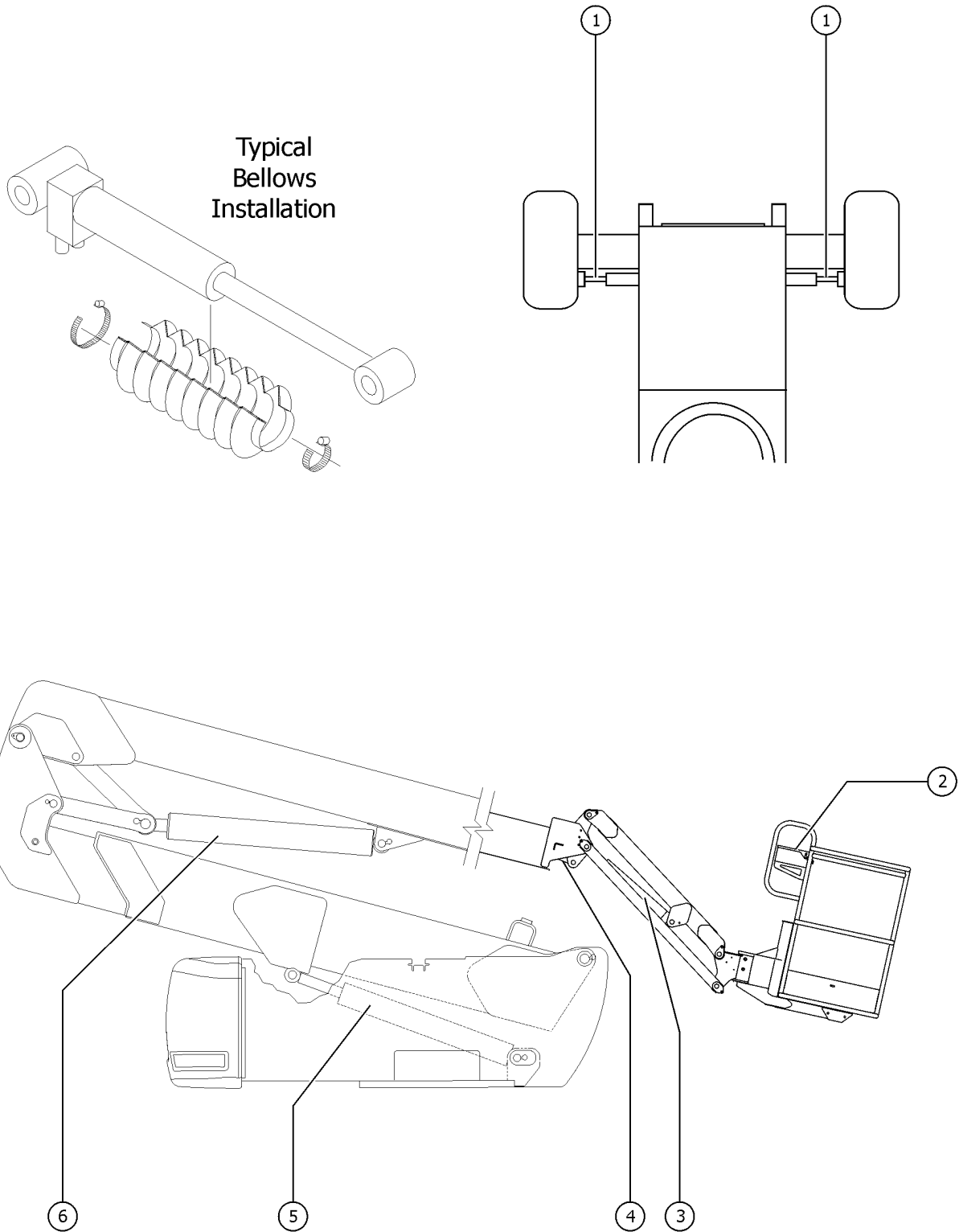


805.1 Hostile Environment Package - Turntable

<i>Item</i>	<i>Part No.</i>	<i>Description</i>	<i>Qty.</i>
1	6090GT	SCREW,HHC,1/4-20 X .75	
2	81062PGT	ANGLE,RING GUARD *PAINTED	4
3	6638GT	WASHER,FLAT,USS,1/4"Y	
4	6889GT	NUT,LP NYLOCK,1/4-20	
5	102485PGT	BRACKET,RING GEAR	1
6	102486GT	WIPER,RING GEAR	1



806.1 Hostile Environment Package - Cylinder Bellows

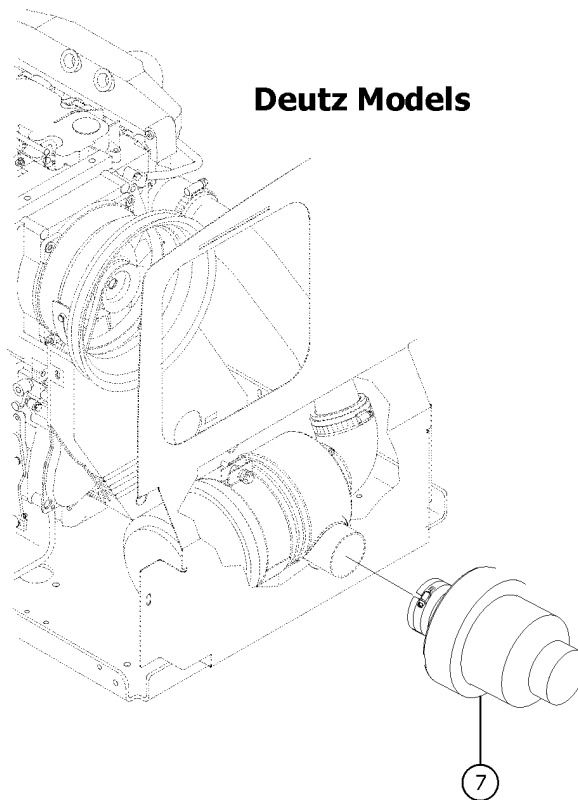
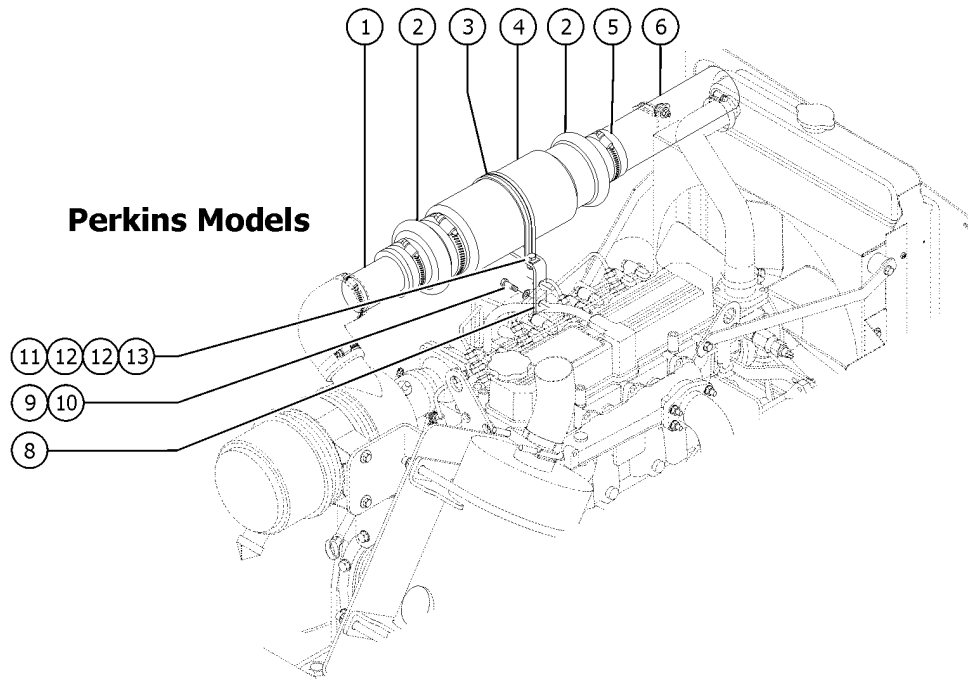


806.1 Hostile Environment Package - Cylinder Bellows

Item	Part No.	Description	Qty.
A-	81700GT	COVER,PROTECTIVE,OSC.CYLINDER	
1	34533GT	COVER,PROTECTIVE,STEER CYL	2
1-	36208GT	CLAMP,HOSE,1.25***	
1-	30971GT	CLAMP,HOSE,3.00"	
2	82244GT	DECAL,PROTECTOR,CLEAR***	1
3	88215GT	COVER,PROTECTIVE,JIB BOOM CYL	1
3-	35434GT	CLAMP,HOSE,2.00***	
3-	30489GT	CLAMP,HOSE,3.50	
4	88216GT	COVER,PROTECTIVE,PLAT LEVL CYL	1
4-	45435GT	CLAMP,HOSE,2.50"	
4-	30489GT	CLAMP,HOSE,3.50	
5	88214GT	COVER,PROTECTIVE,RISERLIFT CYL	1
5-	34955GT	CLAMP, HOSE, 5.00	
5-	35432GT	CLAMP,HOSE,6.50	
6	88213GT	COVER,PROTECTIVE,PRI.LIFT CYL	1
6-	34955GT	CLAMP, HOSE, 5.00	
6-	31523GT	CLAMP, FAN GUARD, DEUTZ F4L1011	



807.1 Hostile Environment Package - Engine Air Cleaners

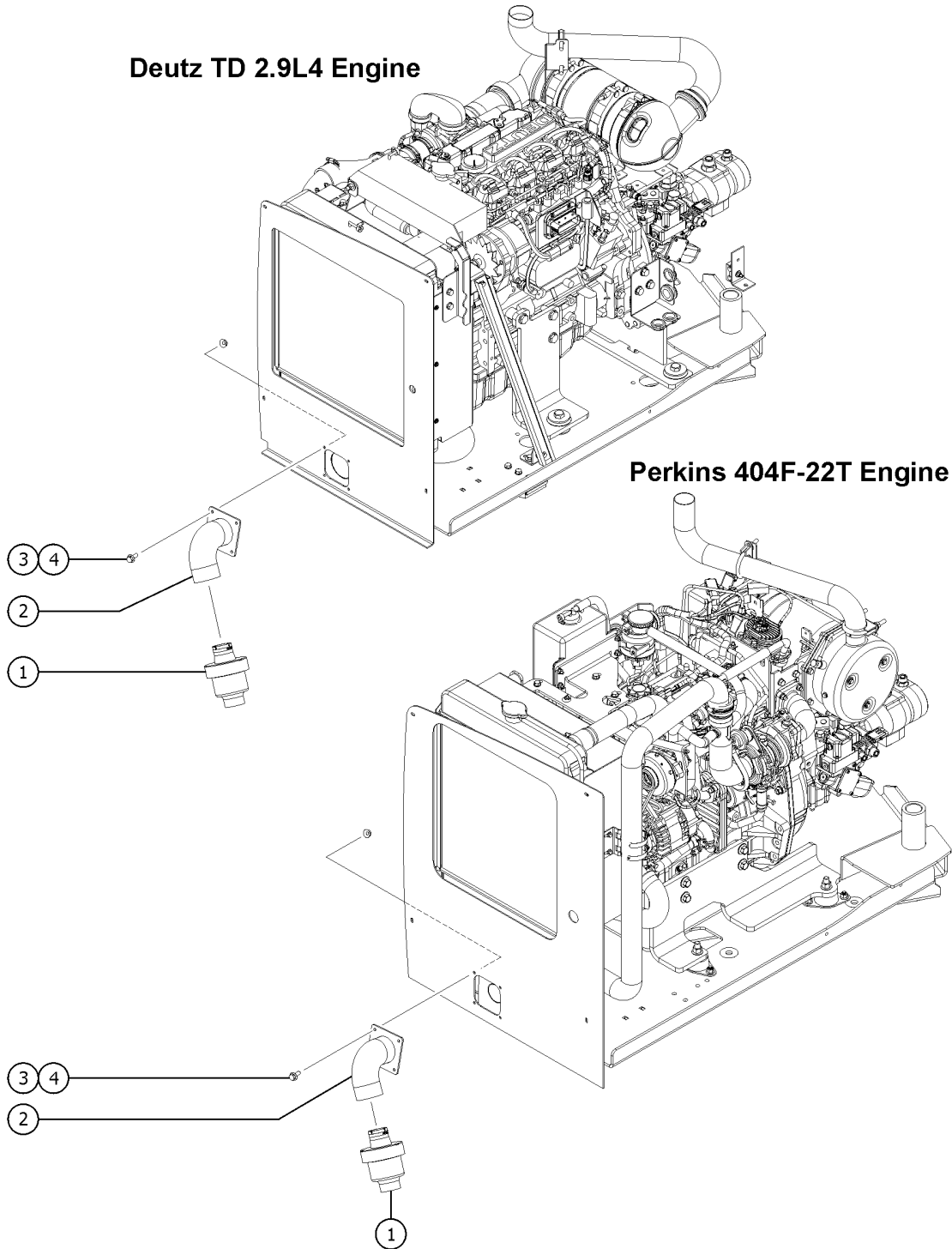


807.1 Hostile Environment Package - Engine Air Cleaners

Item	Part No.	Description	Qty.
A-	70228GT	HOSTILE ENVIRONMENT,PERKINS to SN 328	
B-	101635GT	OPT,AIR PRECLEANER,PERKINS from SN 329	
C-	102003PGT	FORMING,BAFFLE PLATE COVER	
D-	70227GT	HOSTILE ENVIRONMENT,DEUTZ to SN 387	
E-	70514GT	OPT,AIR PRECLEANER,DEUTZ from SN 388	
F-	70353GT	HOSTILE ENVIRONMENT,GM	
1	94324GT	TUBE,RD,STL,ALUMIZD,2.5 X .065	5
2	88492GT	HOSE,HUMP 3" TO 4"	2
2-	30971GT	CLAMP,HOSE,3.00"	
2-	34955GT	CLAMP, HOSE, 5.00	
3	101639GT	CLAMP,5.38,#86 X 3/8,RUB CUSH	1
4	88493GT	PRECLEANER,AIR INTAKE	1
5	101640GT	REDUCER,RUBBER 3.0 - 2.5	1
6	94324GT	TUBE,RD,STL,ALUMIZD,2.5 X .065	14
7	89959GT	PRECLEANER,INLINE 3"	1
7-	30971GT	CLAMP,HOSE,3.00"	
8	101612PGT	BRACKET,PRECLEANER PAINTED	1
9	49379GT	SCREW,HHC,M8 X 1.25 X 25	
10	33277GT	WASHER,FLAT,M8,YELLOW ZINC	
11	6019GT	SCREW,HHC,3/8-16 X 1.25 GRD 5	
12	5397GT	WASHER,FLAT,USS,5/16",Y	
13	4828GT	NUT,NYLOCK,3/8-16	



808.1 Engine Air Cleaners (Perkins 404F-22T and Deutz TD 2.9L4)

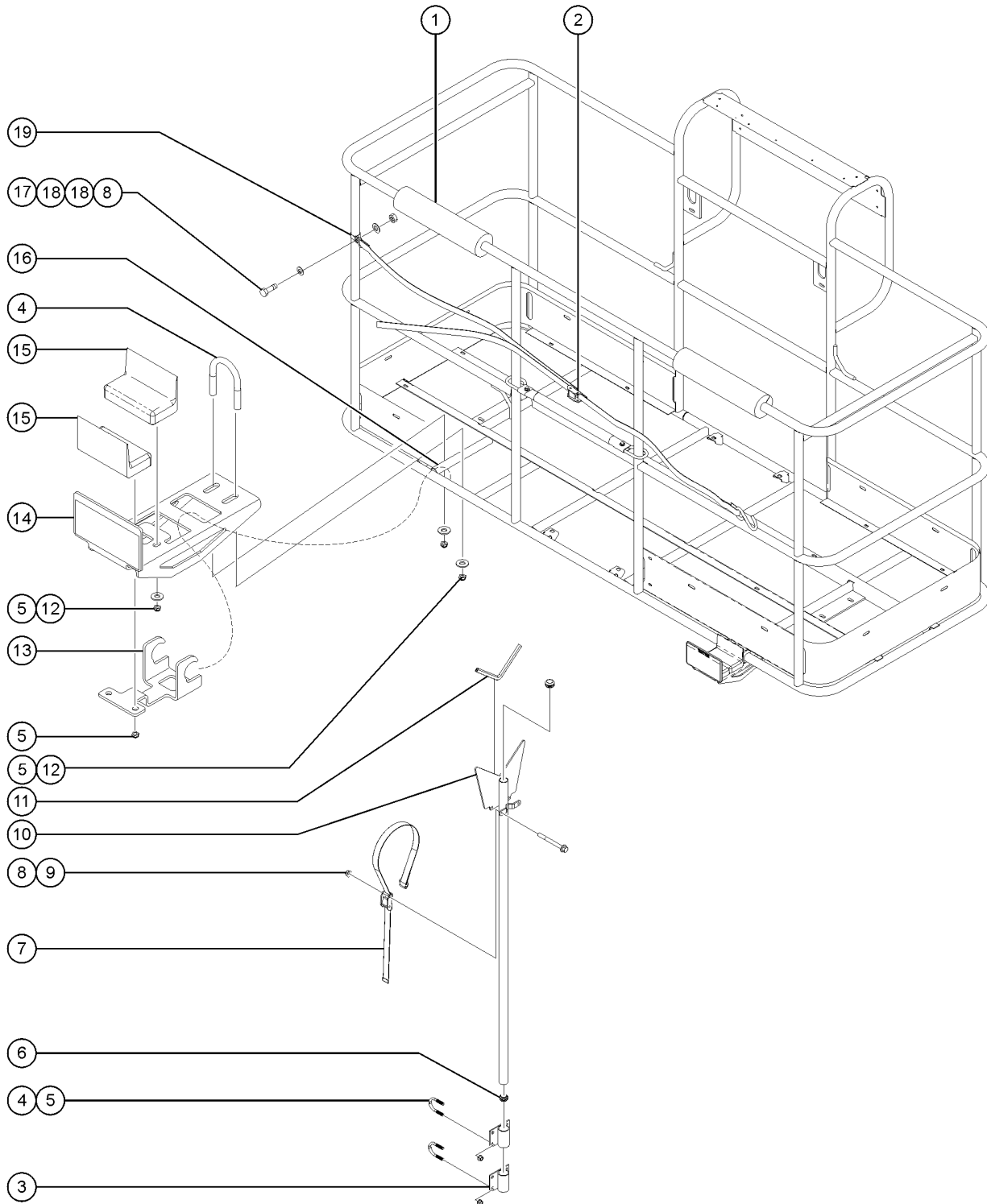


808.1 Engine Air Cleaners (Perkins 404F-22T and Deutz TD 2.9L4)

<i>Item</i>	<i>Part No.</i>	<i>Description</i>	<i>Qty.</i>
A-	825947GT	OPT, PRECLEANER, DEUTZ/PERKINS	
1	89959GT	PRECLEANER,INLINE 3"	1
1-	30971GT	CLAMP,HOSE,3.00"	
2	825948GT	WELDMENT, PRECLEANER MT, DEUTZ/PERKINS	1
3	121419GT	SCREW,HHF,1/4-20 X .75	4
4	121421GT	NUT,FLG,1/4-20	4



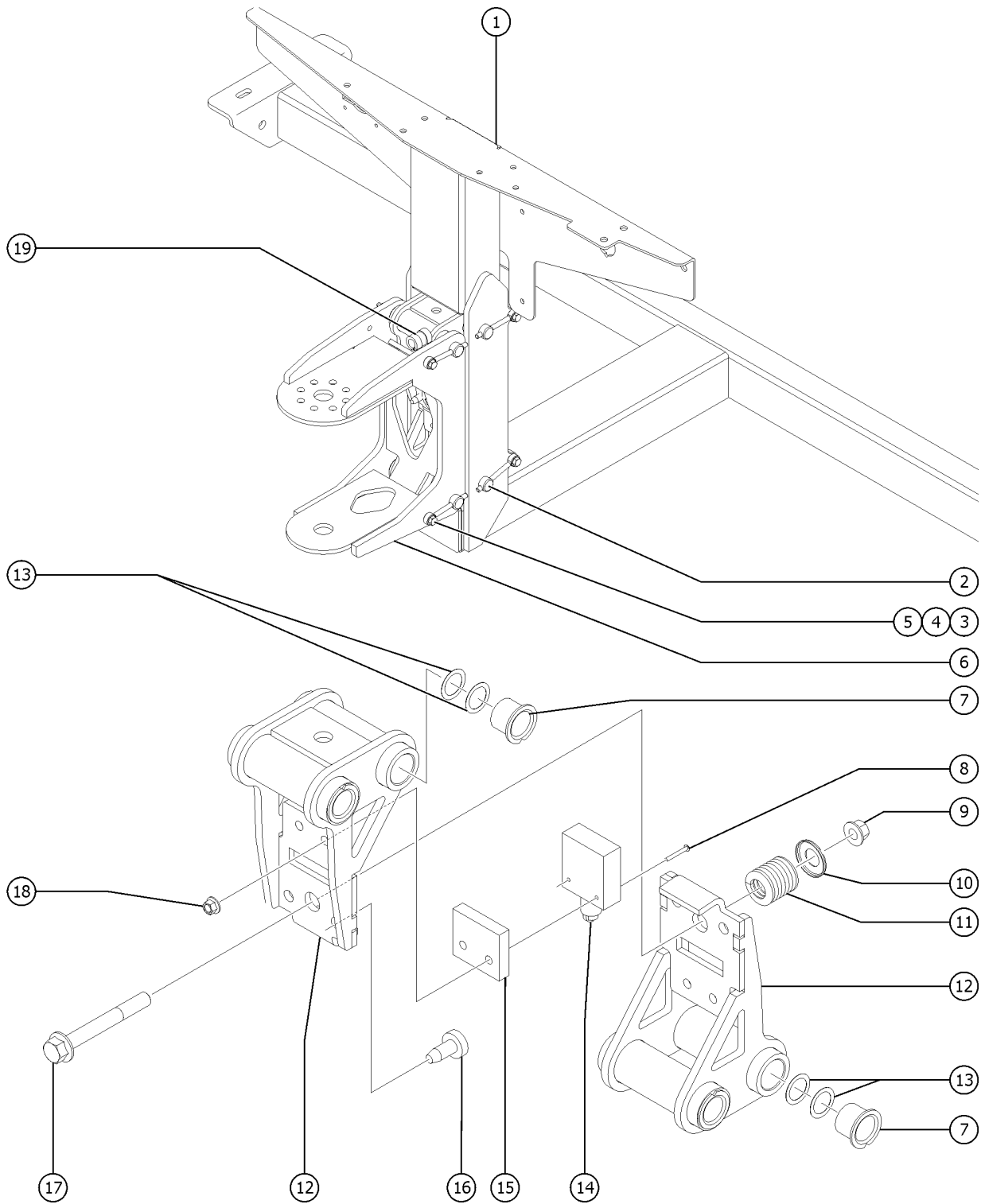
809.1 Panel Cradle Option



Item	Part No.	Description	Qty.
-	77683GT	ACCESSORY,PANEL CRADLE,ANSI (ANSI/CSA models)	
-	94493-SGT	KIT,PANEL CRADLE,CE (CE models) Not allowed for AUS installation	
1	88377-1400GT	FOAM PAD***	2
2	77664GT	ADJUSTABLE STRAP ASSY	1
3	81368GT	WELDMENT,PIPE CRADLE MOUNT	4
4	1251600GT	U-BOLT, FLATTENED, Ø1.5 X 3/8 UNC,ZAG	10
5	1274322GT	NUT,NYLOCK FLG,3/8-16,F,ZAG	24
6	55753GT	BUMPER, PLASTIC, 1.25 O.D.	
7	56570GT	STRAP, CONDUIT HOLDER 60"***	2
8	1277924GT	NUT,NYLOCK FLG,1/4-20,F,ZAG	5
9	824083GT	SCREW,HHF,1/4-20X2.5,8,ZAG	4
10	56525GT	WELDMENT, PIPE CRADLE	2
11	19018-1100GT	TRIMLOCK,BLACK,5/32"	2
12	5397GT	WASHER,FLAT,USS,5/16",Y	
13	228849GT	FORMING,SECONDARY SUPPORT 77576P is no longer available. For machines before 2010, must install Qty 2 service kit 233992 (ANSI) or 233993 (CE) for initial replacement.	2
14	228848GT	FORMING PANEL CRADLE 89724 is no longer available. For machines before 2010, must install Qty 2 service kit 233992 (ANSI) or 233993 (CE) for initial replacement.	2
-	233992GT	KIT,PANEL CRADEL BRACKET,WORD (ANSI models) (includes hook, panel support bracket and installation instructions)	1
-	233993GT	KIT,PANEL CRADLE BRACKET,SYMBL (CE models) (includes hook, panel support bracket and installation instructions)	1
15	56934GT	PAD,REST,1"THICK,FLANGED	4
15A	824038GT	NUT,TL JAM,3/8-16,A,ZAG for 56934	4
16	73463-1175GT	TUBE,RD,ALUM 1.25 X .083	2
17	1256855GT	SCREW,HHF,1/4-20X.625,8,ZAG	1
18	6638GT	WASHER,FLAT,USS,1/4"Y for machines before 2010	1
19	56424GT	CLAMP, 1.25 x .5 RUBBER-CUSHION	1



810.1 Platform Overload - European Models

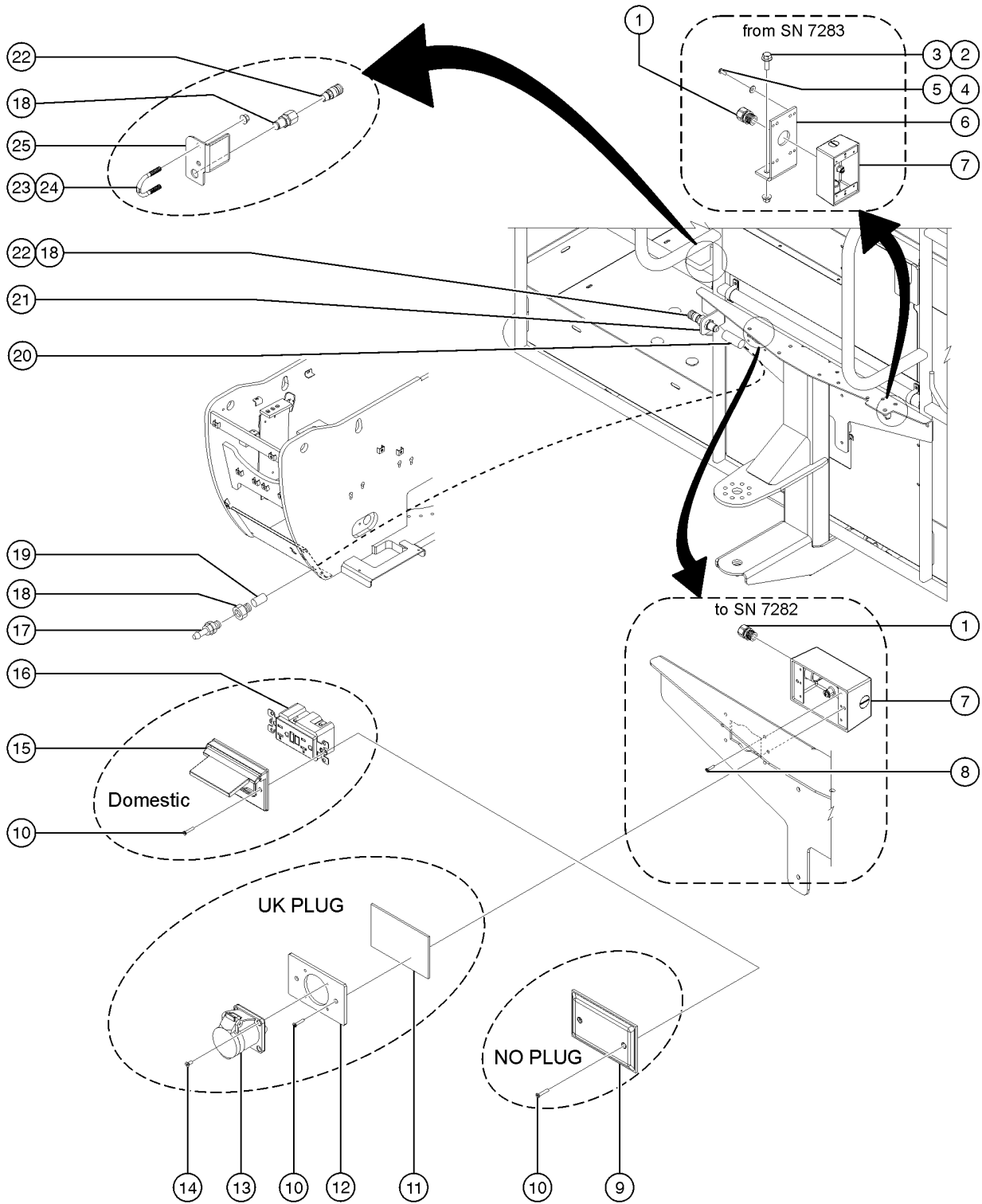


810.1 Platform Overload - European Models

Item	Part No.	Description	Qty.
A	94460-SGT	KIT,LOAD SENSE MECHANICAL,LRG this kit doesn't include item 14	
B	119672GT	CE FIELD SHIM KIT LOAD SENSE field shim kit, includes items 7 and 13	
1	61997GT	WELDMENT,PLATFORM SUPPORT,CE European Models	1
2	61726GT	PIN,0.75DIAX5.75LG,CHAMFER	4
2-	94643GT	ZERK,GREASE,5/16-24,STRAIT	
3	824061GT	SCREW,HHC,1/4-20X1.25,8,ZAG	
4	825020GT	ROD END,.250X2.75,ZAG	4
5	824027GT	NUT, TL FLG, 1/4-20, G, ZAG	
6	101845GT	ROTATOR MOUNT KIT	1
7	25685GT	BEARING,GARLOCK,12FDU12	8
8	1257264GT	SCREW,BHC,10-32X1.5,F835,ZAG	
9	824029GT	NUT,TL FLG,3/8-16,G,ZAG	
10	61975GT	RETAINER,SPRING,1.21 X .375	1
11	61974GT	SPRING,COMP,1" OD,232 LB/IN	1
12	89755GT	LOAD SUPPORT W/BEARINGS includes item 7 and 13	2
13	110789GT	WASHER,SHIM .0151 THK.	16
14	146399GT	ASSY, LS, LOAD SENSE, ALC1000	1
15	61972GT	MOUNT,SWITCH	1
16	34619GT	BUMPER,RUBBER***	2
17	824095GT	SCREW, HHF, 3/8-16 X 3, 8, ZAG	
18	824032GT	NUT,TL FLG,10-32,F,ZAG	
19	45470GT	CLAMP,0.31,#5 X 1/4,RUB CUSH	1
19-	824027GT	NUT, TL FLG, 1/4-20, G, ZAG	
19-	824078GT	SCREW,HHF,1/4-20X.75,8,ZAG	



811.1 Air Line and Power to Platform

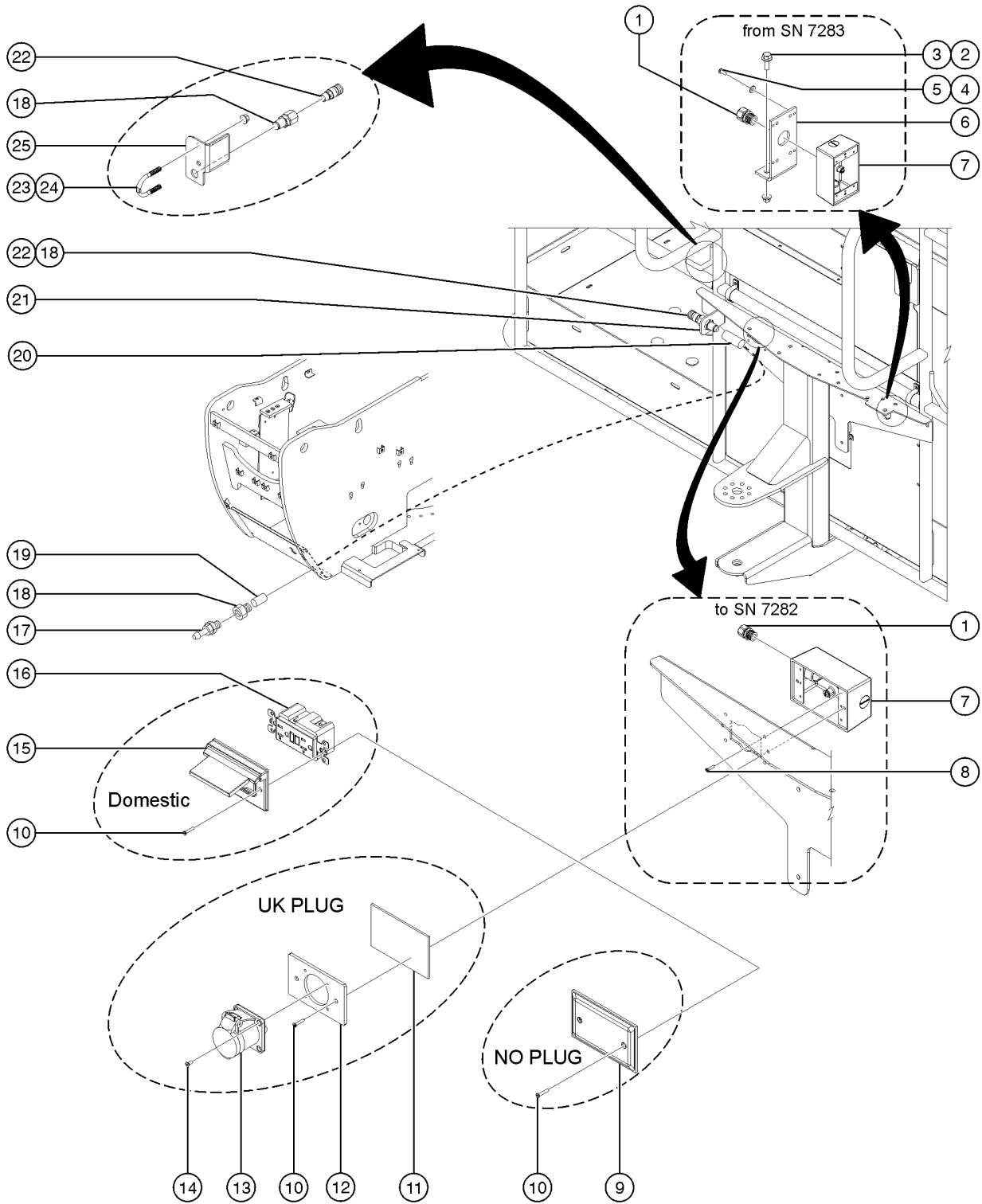


811.1 Air Line and Power to Platform

Item	Part No.	Description	Qty.
-	88295GT	Z80 AIRLINE TO PLATFORM,1/2"ID	
-	44981GT	DECAL LABEL AIRLINE 110PSI	
-	45454GT	CLAMP,RUB CUSH,0.75,#12 X 3/8*	
-	1269052GT	SHRINK TUBE, CAP, BLACK, 0.86" (no plug) (to SN Z80H-7193)	1
-	144161GT	PLUG,PWR,UK,16AMP,3PIN,BLK (UK Plug)	1
-	6595GT	PLUG,ELECTRICAL,DOMESTIC (to SN Z80H-7282) (domestic)	1
1	7056GT	CONN,SQUEEZE,1/2NPT .38-.50,SM (to SN Z80H-7282)	1
1B	7056GT	CONN,SQUEEZE,1/2NPT .38-.50,SM (from SN Z80H-7283)	2
2	824090GT	SCREW,HHF,3/8-16X1,8,ZAG (from SN Z80H-7283)	2
3	1274322GT	NUT,NYLOCK FLG,3/8-16,F,ZAG (from SN Z80H-7283)	2
4	1257296GT	SCREW,PHPM-ST,8.32X.50,TYPE F, (from SN Z80H-7283)	4
5	1257390GT	WASHER,FLAT,#8,SAE,ZAG (from SN Z80H-7283 to SN Z80H-7379)	4
6	81096GT	BRACKET,POWER TO PLAT, DOM (from SN Z80H-7283 to SN Z80H-8089)	1
6B	1311043GT	BRACKET,POWER TO PLAT, DOM (from SN Z80H-8090)	1
7	10775GT	T-BOX,2.75 X 4.5 X 2.0	1
7-	1284310GT	HARNESS, JUMPER, GND, TBOX	
7B	75069GT	T-BOX 2.75 X 4.5 X 2.5 (from SN Z80H-7283 to SN Z80H-8089)	1
7C	1310378GT	T-BOX, 2.75 X 4.5 X 2.0** (from SN Z80H-8090)	1
7D	1310379GT	T-BOX 2.75 X 4.5 X 2.5 (from SN Z80H-8090)	1
8	63375GT	SCREW,FHM,6-32 X .75 (to SN Z80H-7282)	4
9	10777GT	COVER,BLANK	1
10	1253489GT	SCREW,FHPM,6-32 X .75,ZAG	2
11	74052GT	GASKET,COVER,GFCI,WEATHERPROOF	1
12	T112561GT	PLATE,UK,POWER TO PLAT	1
13	T112560GT	RECEPTACLE,UK,110V	1
14	1255788GT	SCREW,FHPM,8-32X.375,ZAG	4
15	74006GT	COVER,GFCI,HORIZONTAL,WEATHER	1
16	80543GT	RECEPTACLE, 120VAC, 20A, GFCI	1



811.1 Air Line and Power to Platform

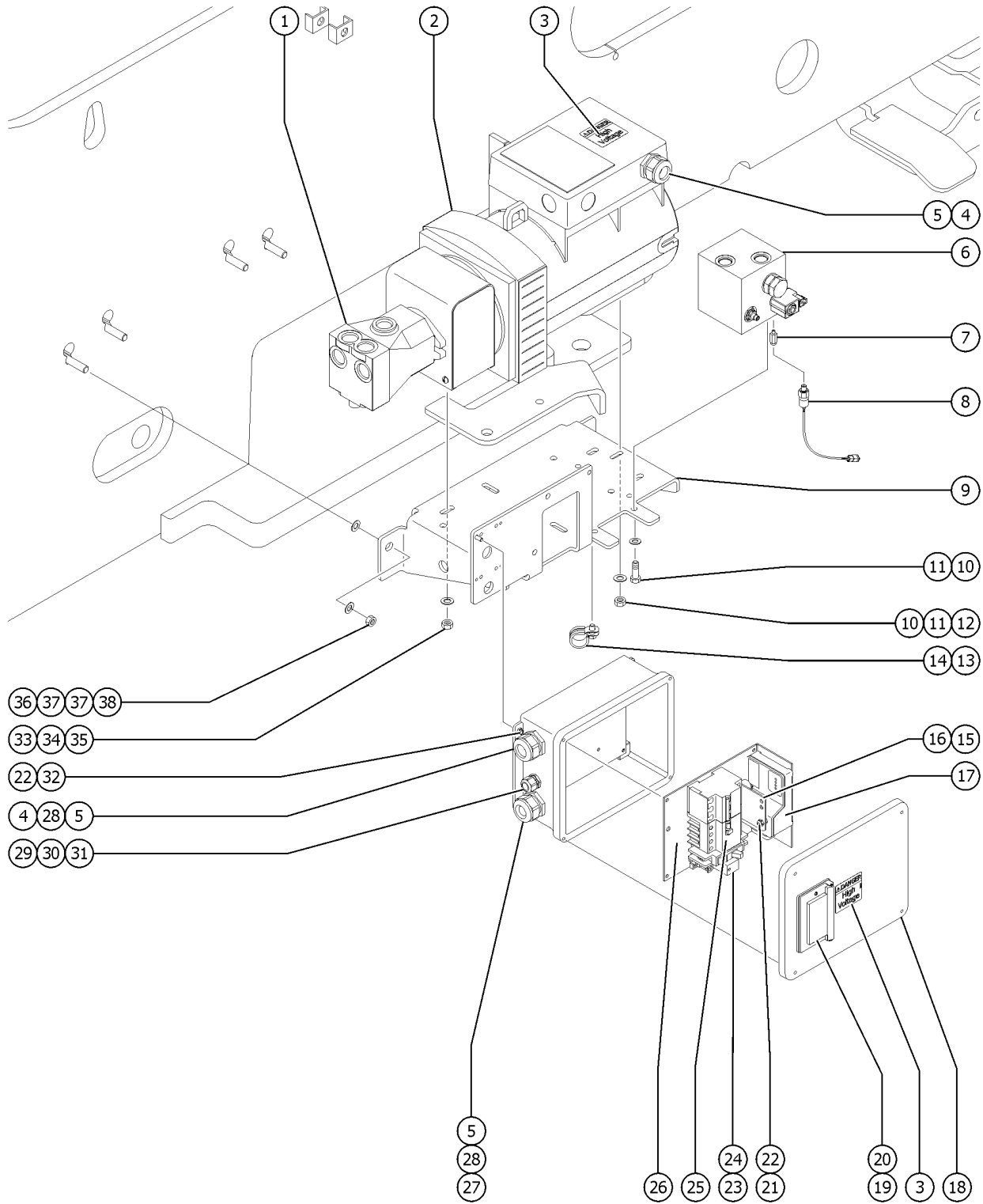


811.1 Air Line and Power to Platform

Item	Part No.	Description	Qty.
17	49214GT	MALE PIPE THD, 1/4" SER, 3/8" X 18 (to SN Z80H-7337)	
17B	61569GT	FEM, JIC, 37DEGSW, BARB45DEG, -8-8 (from SN Z80H-7338)	
17B-	1256863GT	WASHER, FLAT, .75, F436, HRD, ZAG (from SN Z80H-7338)	
18	49212GT	FEMALE BULKHEAD CONNECTOR-8	
19	88300-36900GT	HOSE ASSY. 1/2" AIR LINE (to SN Z80H-7337)	1
19B	39888-48000GT	HOSE ASSY. 1/2" AIR LINE (from SN Z80H-7338)	1
20	88299-82400GT	HOSE ASSY. 1/2" AIR LINE (to SN Z80H-7337)	1
20B	39888-82800GT	HOSE ASSY. 1/2" AIR LINE (from SN Z80H-7338)	1
21	60886PGT	BRACKET, AIRLINE TO PLATFORM (to SN Z80H-7337)	1
22	49215GT	MPT, CPLR, 1/4" SER, 3/8" X 18	1
23	1251600GT	U-BOLT, FLATTENED, Ø1.5 X 3/8 UNC, ZAG (from SN Z80H-7338)	1
24	1274322GT	NUT, NYLOCK FLG, 3/8-16, F, ZAG (from SN Z80H-7338)	2
25	1275087GT	FORMING, AIR TO PLAT (from SN Z80H-7338)	1



812.1 Welder Option - Hydraulic Generator, Chassis Components (to SN Z80H-6691)

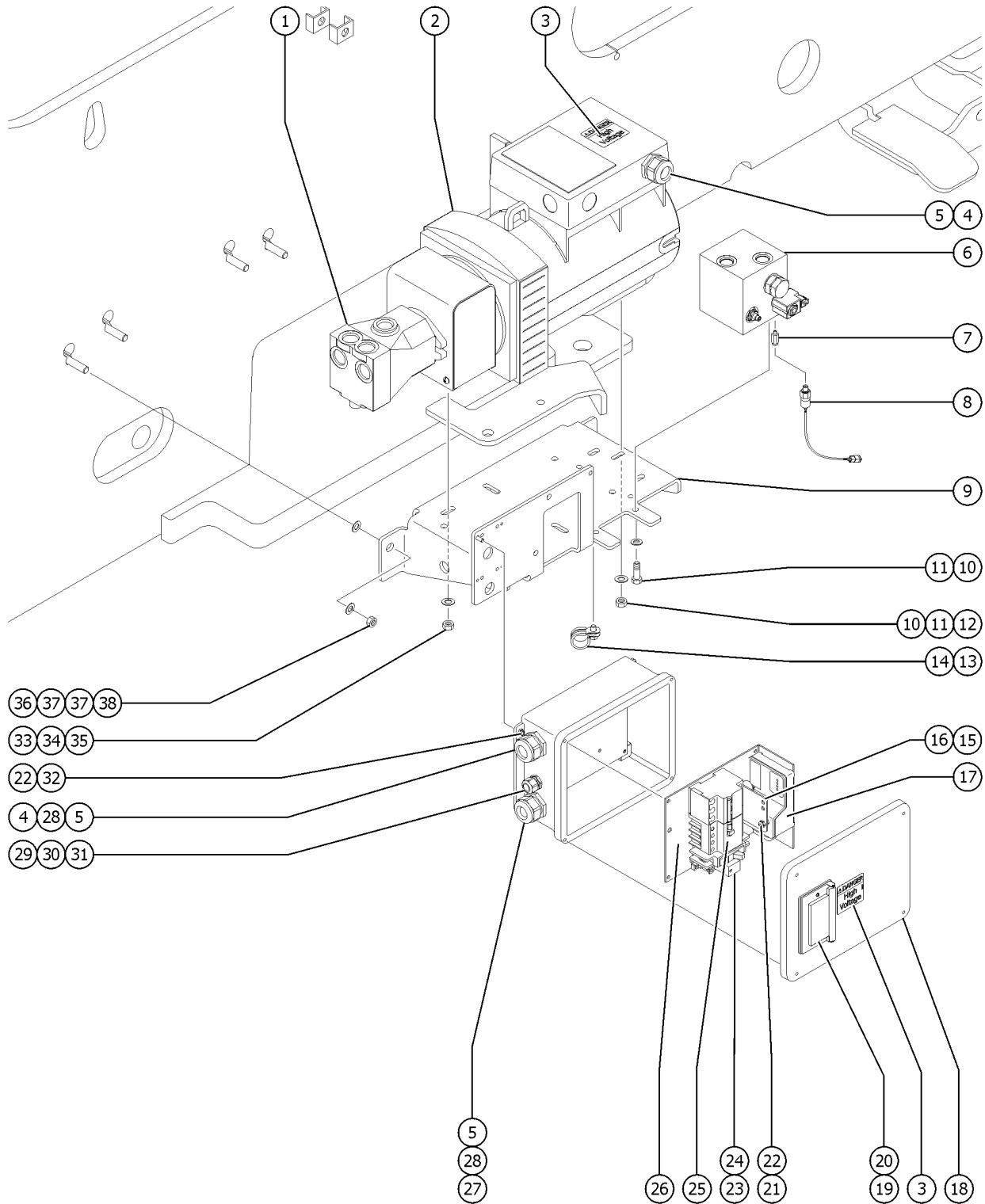


812.1 Welder Option - Hydraulic Generator, Chassis Components (to SN Z80H-6691)

Item	Part No.	Description	Qty.
A	228878GT	KIT BONDED WELD LEADS Z80 (welder cable kit option only)	
B	228872GT	CABLE,2/0 WELD LEAD,TWIN Z80L (part of kit option 228878)	
C	228873GT	CABLE,2/0 WELD LEAD,TWIN Z80U (part of kit option 228878)	
D	226505GT	HARNESS,WELD GENERATOR,Z80	
E	106637GT	MODULE,TIME DELAY ON BREAK 4S	
F	226503GT	HARNESS,WELD GEN ENCLOSURE	
G	13097GT	FUSE,10 AMP	
H	106115GT	HARNESS, WELDER	984
		(welder ready option)	
1	106184GT	MOTOR,HYD 12.5KW GEN,21CC***	1
1-	162006GT	SEAL KIT,HYD MOTOR(106184) for motor 106184	
2	106113GT	GENERATOR,HYDRO-12KEP-21-3 includes item 1	1
2-	106274GT	GENERATOR,12.5 KW,W/O MOTOR***	
2-	122300GT	COVER,WELDER GENERATOR	
2-	T111766GT	MOTOR MOUNT COUPLER (106274)	1
2-	T113655GT	COUPLING, 28MM (106113)	
2-	T114022GT	SPIDER (106113)	
2-	T114023GT	COUPLING (106113)	
3	82237GT	DECAL,DANGER,HIGH VOLTAGE	2
4	20776GT	CABLE SQUEEZE CONN.	1
5	18665GT	LOCKNUT,ELECTRIC,1" NPT	3
6	101516GT	MANIFOLD,DRIVE OIL DIVERTER	1
6-	102746GT	VALVE,PILOT OPER DIRECTIONAL	
6-	106394GT	ORIFICE DISC,.030,CONE	
6-	122302GT	RELIEF,VALVE 270 PSI	
6-	128416GT	SEAL KIT use with part 94757	
6-	128419GT	SEAL KIT use with part 94760	
6-	94757GT	VALVE,CHECK,3 PSI***	
6-	94759GT	NUT,SOLENOID	



812.1 Welder Option - Hydraulic Generator, Chassis Components (to SN Z80H-6691)

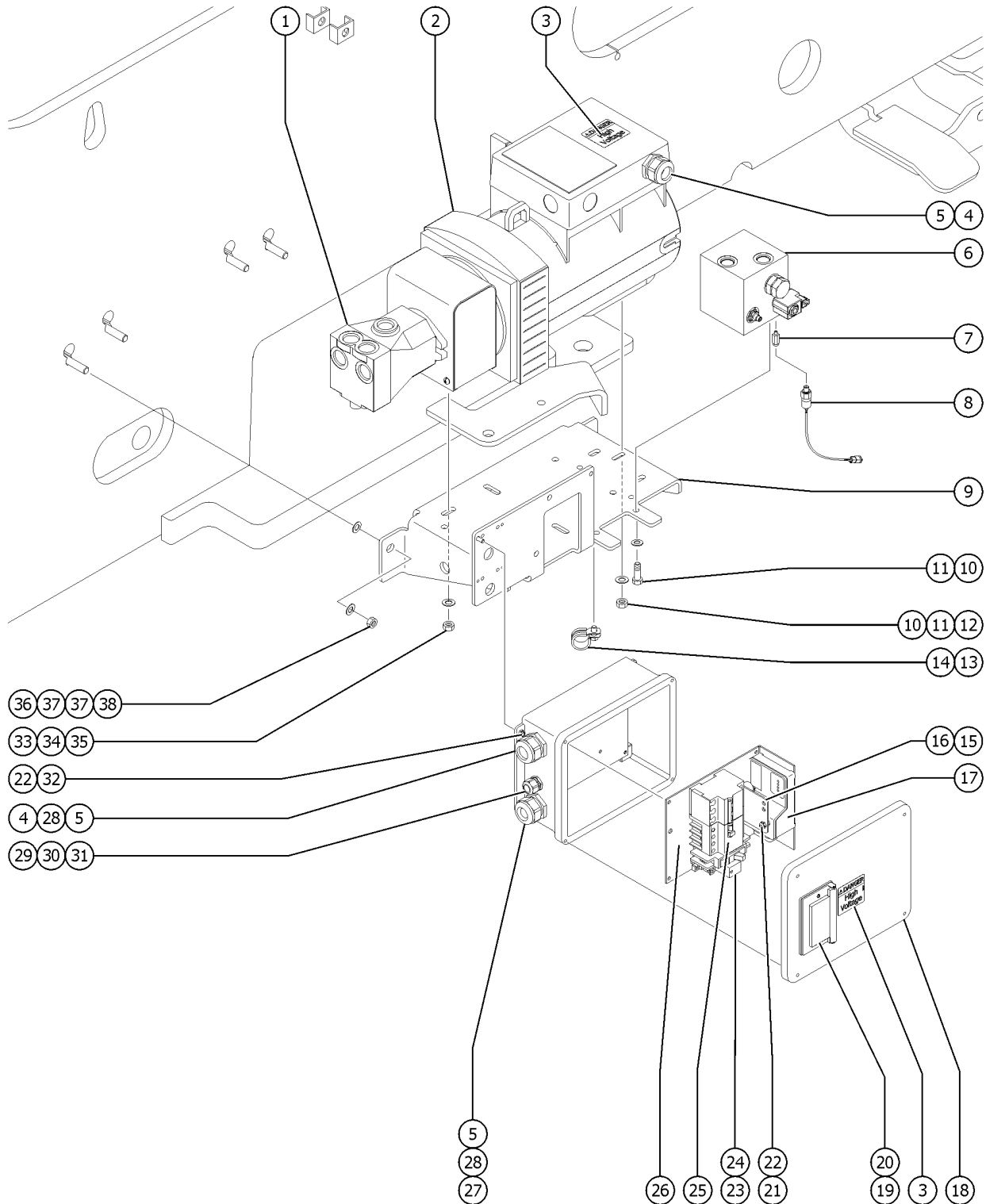


812.1 Welder Option - Hydraulic Generator, Chassis Components (to SN Z80H-6691)

Item	Part No.	Description	Qty.
6-	94760GT	VALVE,SOLENOID,10V,W/OUT COIL*	
6-	94765GT	COIL-10V DC***	
7	146285GT	CONN, SAE#4-1/4" NPT	1
8	146284GT	SWITCH,PRESS,#4NPT,200PSIF	1
8-	1273916GT	KIT, PRESSURE SWITCH, GENERATOR	
9	102276PGT	BRACKET,GENERATOR 12KW,PTD	1
10	13002GT	SCREW,HHC,5/16-18 X 1 GR5	
11	5397GT	WASHER,FLAT,USS,5/16",Y	
12	6782GT	NUT, NYLOCK, 5/16-18	
13	49863GT	CLAMP,1.13,#18 X 3/8,RUB CUSH*	1
14	10107GT	SCREW,HHC,5/16-18 X .75	
15	106140PGT	BRACKET,1K OHM 10-TURN POT,PNT	1
16	102357GT	POTENTIOMETER ASSY, WELDER	1
17	106658GT	MODULE,SX CONTROLLER,LOW AMP	1
18	1291283GT	ASSY,ENCLOSURE W/DECAL,WELDER,GEN includes items 15-31	1
19	74006GT	COVER,GFCI,HORIZONTAL,WEATHER includes mounting hardware	
20	13585GT	OUTLET, 110V	1
21	36294GT	SCREW,HHC,1/4-20 X 2.75	
22	6889GT	NUT,LP NYLOCK,1/4-20	
23	33607GT	RELAY,OMRON,DPDT,12V	1
24	33608GT	RELAY,SOCKET,OMRON	1
25	106477GT	GFI/CIRCUIT BREAKER ASSEMBLY	1
25-	106375GT	GFCI,50A, 3PH	
25-	227425GT	CIRCUIT BREAKER, 35A 3PH	
26	102314GT	PANEL, ENCLOSURE, LINCO WELDER	1
27	106077GT	CABLE SQUEEZE CONN .63-.75	1
28	106104GT	O-RING,SEAL RING,1" NPT (PKG)	2
29	7057GT	CONN. SQZ,1/2NPT .39-.56 MED	1



812.1 Welder Option - Hydraulic Generator, Chassis Components (to SN Z80H-6691)

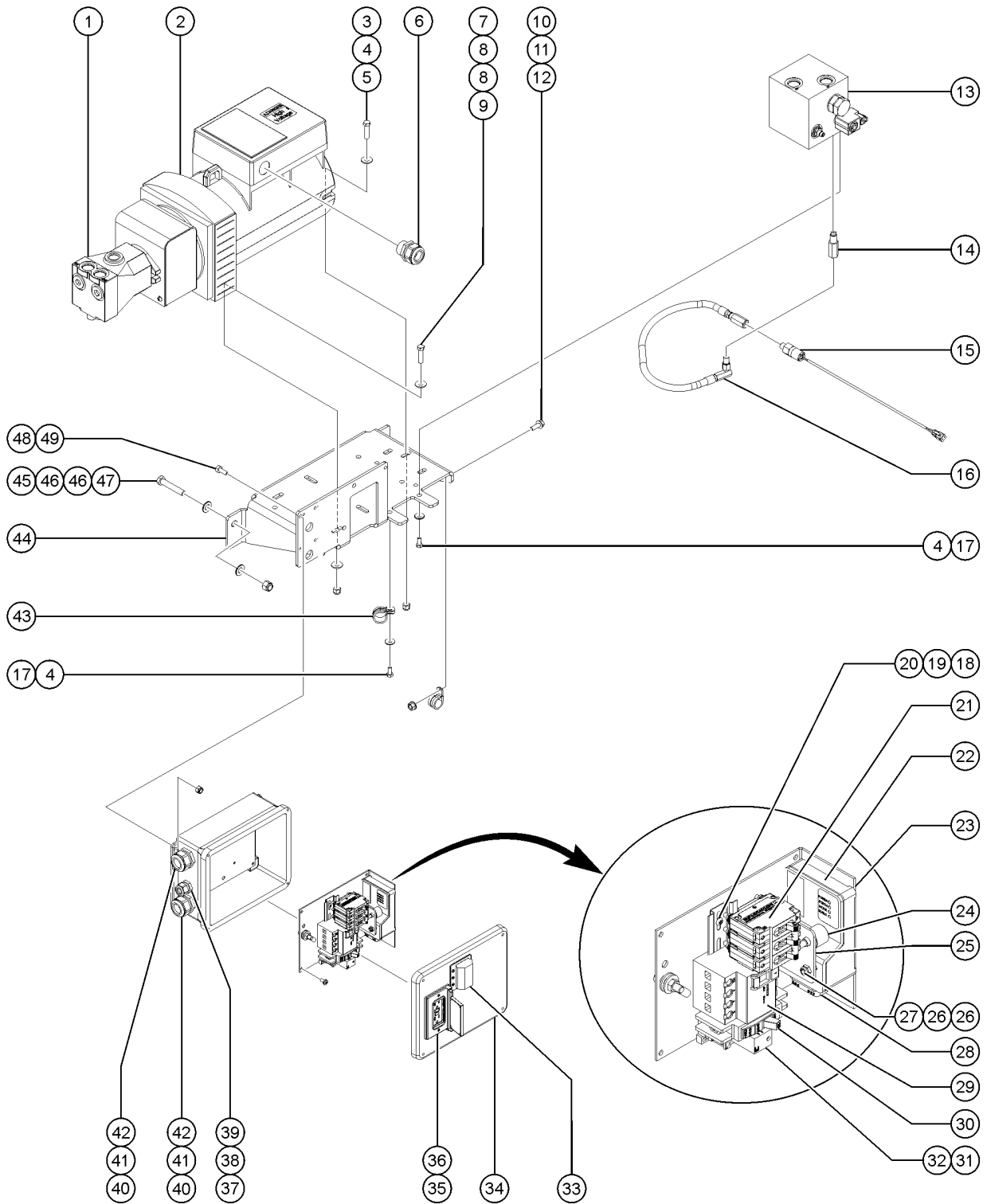


812.1 Welder Option - Hydraulic Generator, Chassis Components (to SN Z80H-6691)

<i>Item</i>	<i>Part No.</i>	<i>Description</i>	<i>Qty.</i>
30	56237GT	O-RING,ORFS,-12	1
31	6935GT	LOCKNUT,ELEC,1/2"	1
32	6090GT	SCREW,HHC,1/4-20 X .75	
33	4828GT	NUT,NYLOCK,3/8-16	
34	6097GT	WASHER,FLAT,USS,3/8",Y	
35	8516GT	SCREW, HCC, 3/8-16 X 1.50	
36	6198GT	NUT,NYLOK,1/2-13	
37	13066GT	WASHER,FLAT,.5 HARDENED	4
38	39479GT	SCREW, HHC, 1/2-13 X 2.75	



812.2 Welder Option - Hydraulic Generator, Chassis Components (from SN Z80H-6692)

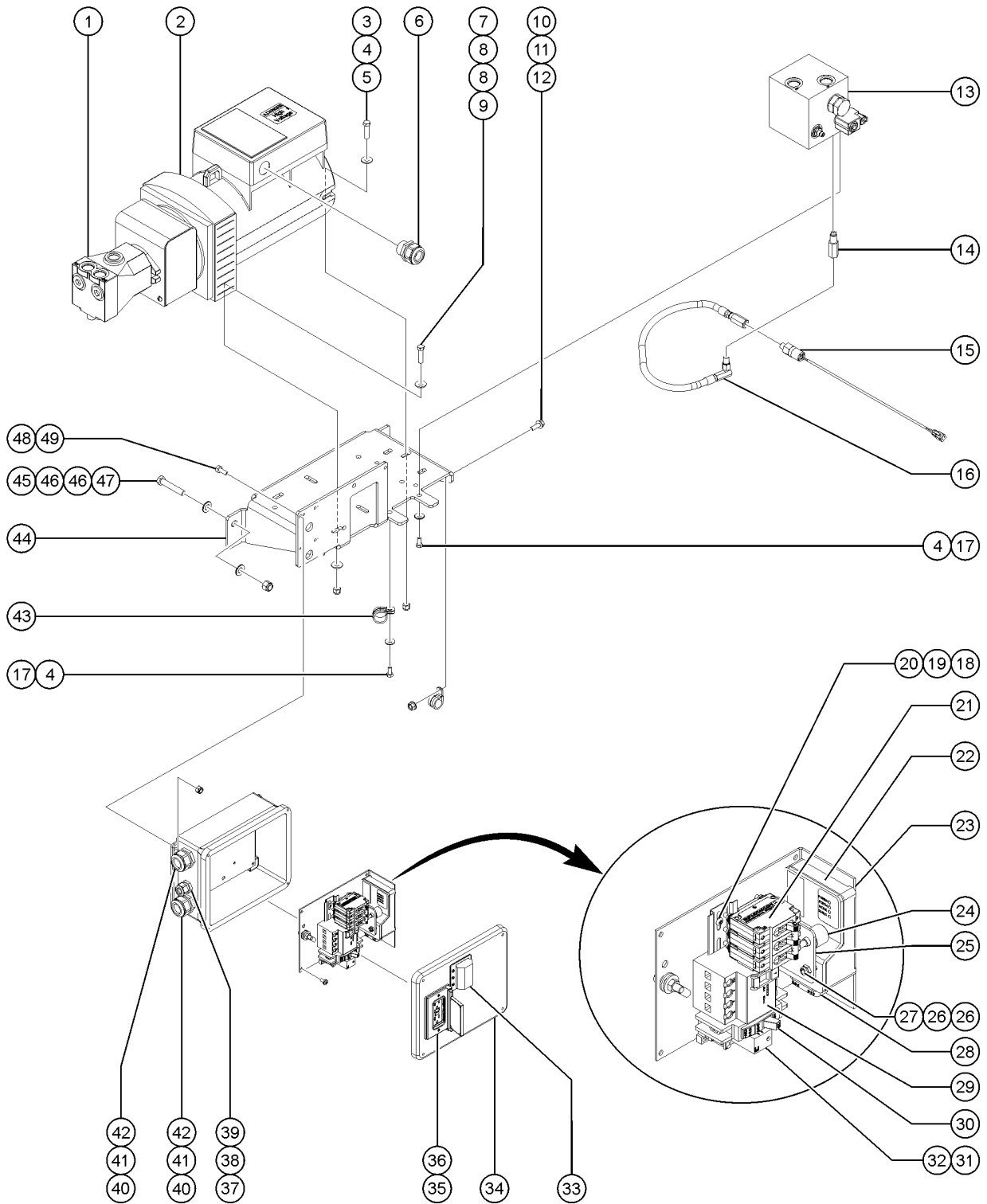


812.2 Welder Option - Hydraulic Generator, Chassis Components (from SN Z80H-6692)

Item	Part No.	Description	Qty.
-	1278577GT	KIT, WIRING, 12.5KW WELDGEN, MAGBREAKER	
1	106184GT	MOTOR, HYD 12.5KW GEN, 21CC***	1
1-	162006GT	SEAL KIT, HYD MOTOR (106184)	
		for motor 106184	
2	106113GT	GENERATOR, HYDRO-12KEP-21-3	1
		Include item 1	
2-	106274GT	GENERATOR, 12.5 KW, W/O MOTOR***	
2-	122300GT	COVER, WELDER GENERATOR	
2-	T111766GT	MOTOR MOUNT COUPLER (106274)	
2-	T113655GT	COUPLING, 28MM (106113)	
2-	T114022GT	SPIDER (106113)	
2-	T114023GT	COUPLING (106113)	
3A	13002GT	SCREW, HHC, 5/16-18 X 1 GR5	1
		(to SN Z80-7256)	
3B	1255538GT	SCREW, HHC, M8-1.25X30, DIN933, 10	1
		(from SN Z80-7257)	
4	5397GT	WASHER, FLAT, USS, 5/16", Y	3
		(to SN Z80-7256)	
5A	6782GT	NUT, NYLOCK, 5/16-18	1
		(to SN Z80-7256)	
5B	1283014GT	NUT, NYLOCK FLG, M8-1.25, DIN6926, 10, ZAB	1
		(from SN Z80-7257)	
6A	20776GT	CABLE SQUEEZE CONN.	1
		(to SN Z80-7256)	
6B	106077GT	CABLE SQUEEZE CONN .63-.75	1
		(from SN Z80-7257)	
6B-	106104GT	O-RING, SEAL RING, 1" NPT (PKG)	2
7A	8516GT	SCREW, HCC, 3/8-16 X 1.50	2
		(to SN Z80-7256)	
7B	1256118GT	SCREW, HHC, 3/8-16X1.5, 8, ZAG	2
		(from SN Z80-7257)	
8A	6097GT	WASHER, FLAT, USS, 3/8", Y	4
		(to SN Z80-7256)	
8B	1255758GT	WASHER, FLAT, 3/8, USS, ZAG	2
		(from SN Z80-7257)	
9A	4828GT	NUT, NYLOCK, 3/8-16	2
		(to SN Z80-7256)	
9B	1274322GT	NUT, NYLOCK FLG, 3/8-16, F, ZAG	2
		(from SN Z80-7257)	
10	824078GT	SCREW, HHF, 1/4-20X.75, 8, ZAG	1
11	18666GT	CLAMP, 1.00, #16 x 1/4, RUB CUSH	1
12A	824027GT	NUT, TL FLG, 1/4-20, G, ZAG	1
		(to SN Z80-7256)	
12B	1277924GT	NUT, NYLOCK FLG, 1/4-20, F, ZAG	1
		(from SN Z80-7257)	



812.2 Welder Option - Hydraulic Generator, Chassis Components (from SN Z80H-6692)

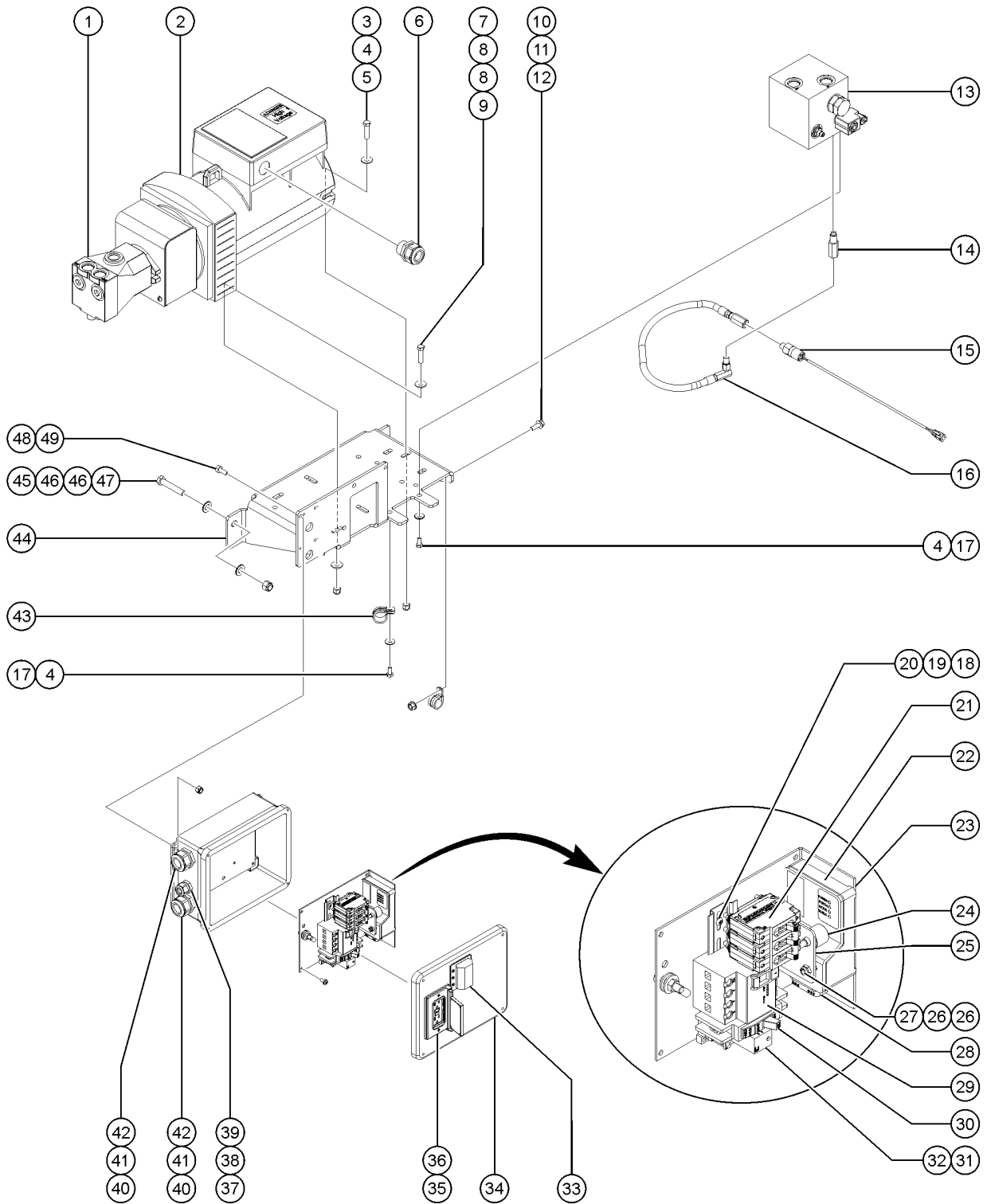


812.2 Welder Option - Hydraulic Generator, Chassis Components (from SN Z80H-6692)

Item	Part No.	Description	Qty.
13	101516GT	MANIFOLD,DRIVE OIL DIVERTER	1
13-	102746GT	VALVE,PILOT OPER DIRECTIONAL	
13-	106394GT	ORIFICE DISC.,.030,CONE	
13-	122302GT	RELIEF,VALVE 270 PSI	
13-	128416GT	SEAL KIT use with part 94757	
13-	128419GT	SEAL KIT use with part 94760	
13-	94757GT	VALVE,CHECK,3 PSI***	
13-	94759GT	NUT,SOLENOID	
13-	94760GT	VALVE,SOLENOID,10V,W/OUT COIL*	
13-	94765GT	COIL-10V DC***	
14	146285GT	CONN, SAE#4-1/4" NPT	1
15	146284GT	SWITCH,PRESS,#4NPT,200PSIF	1
16	1273915GT	HOSE, ASSEMBLY, 1/4", 3250PSI	1
		(to SN Z80-7256)	
17A	10107GT	SCREW,HHC,5/16-18 X .75	2
		(to SN Z80-7256)	
17B	824085GT	SCREW,HHF,5/16-18X.75,8,ZAG	2
		(from SN Z80-7257)	
18	54365GT	SCREW,PHIL,PHM,10-32 X .5,SSTL	2
19	42315GT	DIN RAIL,6.38"	1
20A	6178GT	NUT,NYLOCK,10-32	2
		(to SN Z80-7256)	
20B	1274168GT	NUT,NYLOCK,10-32,A,ZAG	2
		(from SN Z80-7257)	
21	1276986GT	CIRCUIT BREAKER,MAGTRIP,3PH,40A.	1
22	106658GT	MODULE,SX CONTROLLER,LOW AMP	1
23	102314GT	PANEL, ENCLOSURE, LINCO WELDER	1
23-	13000GT	SCREW,HHC,5/16-18 X 1.25	
		(to SN Z80-7256)	
23-	824087GT	SCREW, HHF, 5/16-18 X 1.25, 8, ZAG	1
		(from SN Z80-7257)	
23-	5397GT	WASHER,FLAT,USS,5/16",Y	
		(to SN Z80-7256)	
23-	6037GT	NUT,HEX,5/16-18,GR5	
		(to SN Z80-7256)	
23-	6886GT	WASHER,LOCK,.313	
		(to SN Z80-7256)	
23-	1261250GT	NUT,5/16-18,8,ZAG	
		(from SN Z80-7257)	



812.2 Welder Option - Hydraulic Generator, Chassis Components (from SN Z80H-6692)

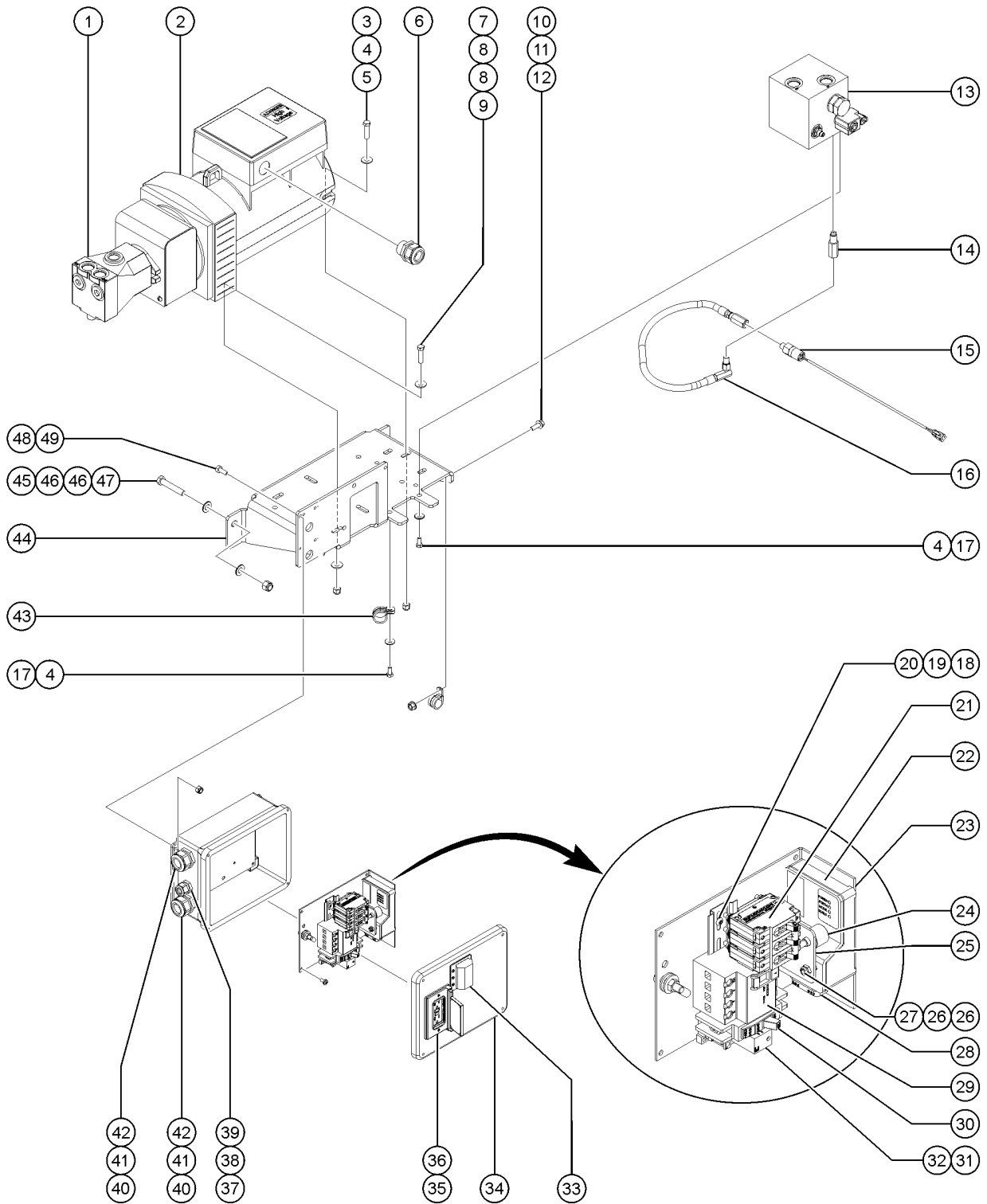


812.2 Welder Option - Hydraulic Generator, Chassis Components (from SN Z80H-6692)

Item	Part No.	Description	Qty.
23-	825358GT	WASHER,FLAT,5/16,USS,ZAG (from SN Z80-7257)	
23-	1255764GT	WASHER,LOCK,5/16,ZAG (from SN Z80-7257)	
24	101995GT	RESISTOR,POT,1K OHM,2-WATT	1
25	106140GT	BRACKET,1K OHM 10-TURN POT**	1
26A	6889GT	NUT,LP NYLOCK,1/4-20 (to SN Z80-7256)	4
26B	1274165GT	NUT,NYLOCK,1/4-20,C,ZAG (from SN Z80-7257)	4
27A	36294GT	SCREW,HHC,1/4-20 X 2.75 (to SN Z80-7256)	2
27B	1256803GT	SCREW,HHC,1/4-20X2.75,8,ZAG (from SN Z80-7257)	2
28	226503GT	HARNESS,WELD GEN ENCLOSURE	1
29	824617GT	CIRCUIT BREAKER,GFCI,3PH,63A,3	1
30	106073GT	CIRCUIT BREAKER,20A,SINGLE PH	1
31	33607GT	RELAY,OMRON,DPDT,12V	1
32	33608GT	RELAY,SOCKET,OMRON	1
33	1276672GT	BOOT, ENVIRO, 3PH CIRCUIT BREAKER	1
34	1278672GT	ASSY, ENCLOSURE, WELDER GENERATOR	1
35	74006GT	COVER,GFCI,HORIZONTAL,WEATHER	1
35-	12344GT	NUT,NYLOCK,6-32 (to SN Z80-7256)	
35-	63375GT	SCREW,FHM,6-32 X .75	
35-	1274164GT	NUT,NYLOCK,6-32,A,ZAG (from SN Z80-7257)	
36	80543GT	RECEPTACLE, 120VAC, 20A, GFCI	1
37	61278GT	CONN. SQZ,1/2NPT .56-.63.	1
38	56237GT	O-RING,ORFS,-12	1
39	6935GT	LOCKNUT,ELEC,1/2"	1
40	20776GT	CABLE SQUEEZE CONN.	2
41	106104GT	O-RING,SEAL RING,1" NPT (PKG)	2
42	18665GT	LOCKNUT,ELECTRIC,1" NPT	2
43	49863GT	CLAMP,1.13,#18 X 3/8,RUB CUSH*	1
44	102276GT	BRACKET,GENERATOR 12KW	1



812.2 Welder Option - Hydraulic Generator, Chassis Components (from SN Z80H-6692)

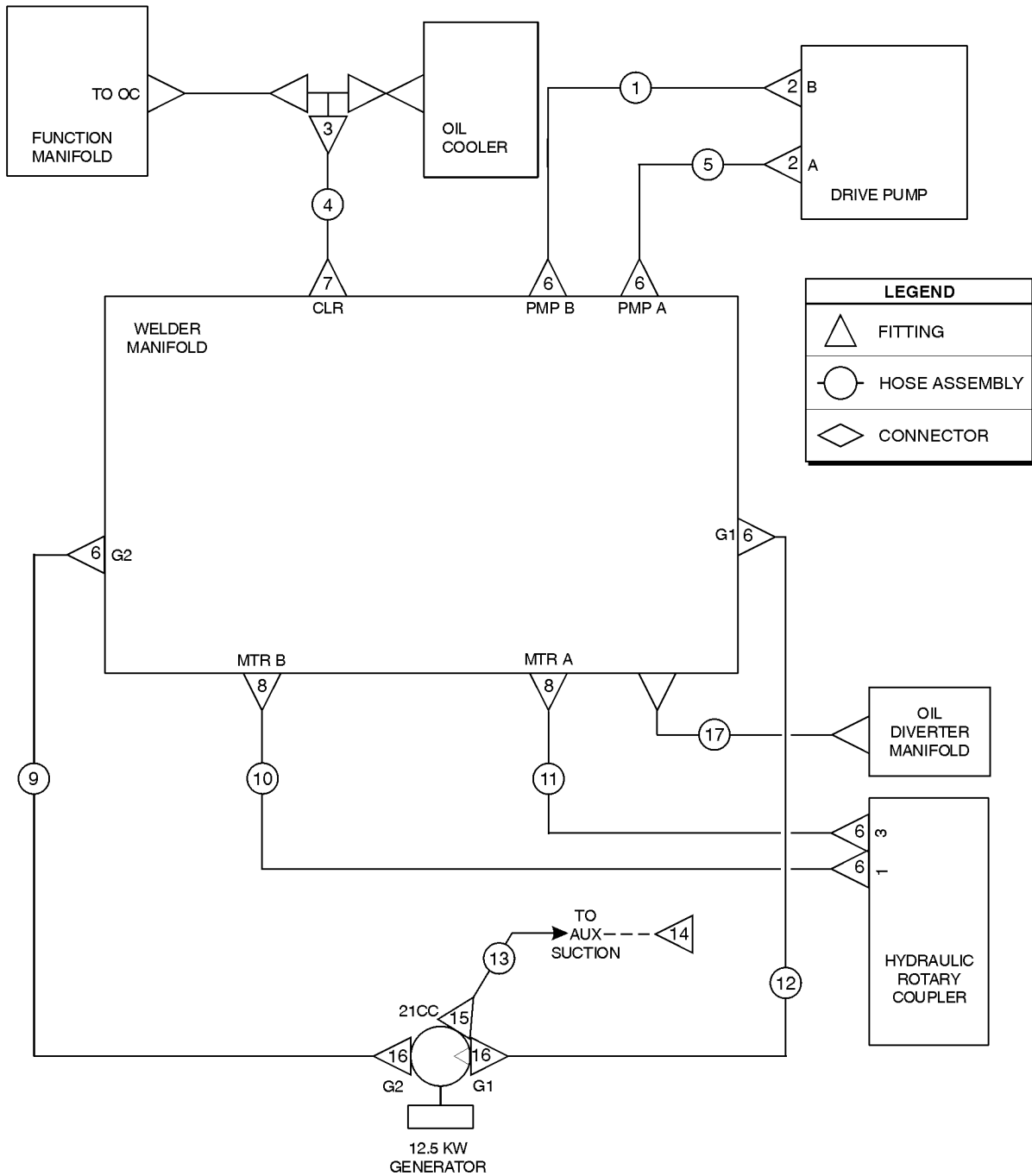


812.2 Welder Option - Hydraulic Generator, Chassis Components (from SN Z80H-6692)

Item	Part No.	Description	Qty.
45A	39479GT	SCREW, HHC, 1/2-13 X 2.75 (to SN Z80-7256)	4
45B	1257805GT	SCREW, HHC, 1/2-13X2.75,8,ZAG (from SN Z80-7257)	4
46A	13066GT	WASHER, FLAT, .5 HARDENED (to SN Z80-7256)	8
46B	825353GT	WASHER, FLAT, 1/2, SAE, HRD, ZAG (from SN Z80-7257)	4
47A	6198GT	NUT, NYLOK, 1/2-13 (to SN Z80-7256)	4
47B	1274172GT	NUT, NYLOCK FLG, 1/2-13, G, ZAG (from SN Z80-7257)	4
48A	6090GT	SCREW, HHC, 1/4-20 X .75 (to SN Z80-7256)	2
48B	824059GT	SCREW, HHC, 1/4-20X.75,8,ZAG (from SN Z80-7257)	2
49A	6091GT	NUT, NYLOCK, 1/4-20 (to SN Z80-7256)	
49B	1274165GT	NUT, NYLOCK, 1/4-20, C, ZAG (from SN Z80-7257)	2



813.1 Welder Option, Hoses and Fittings

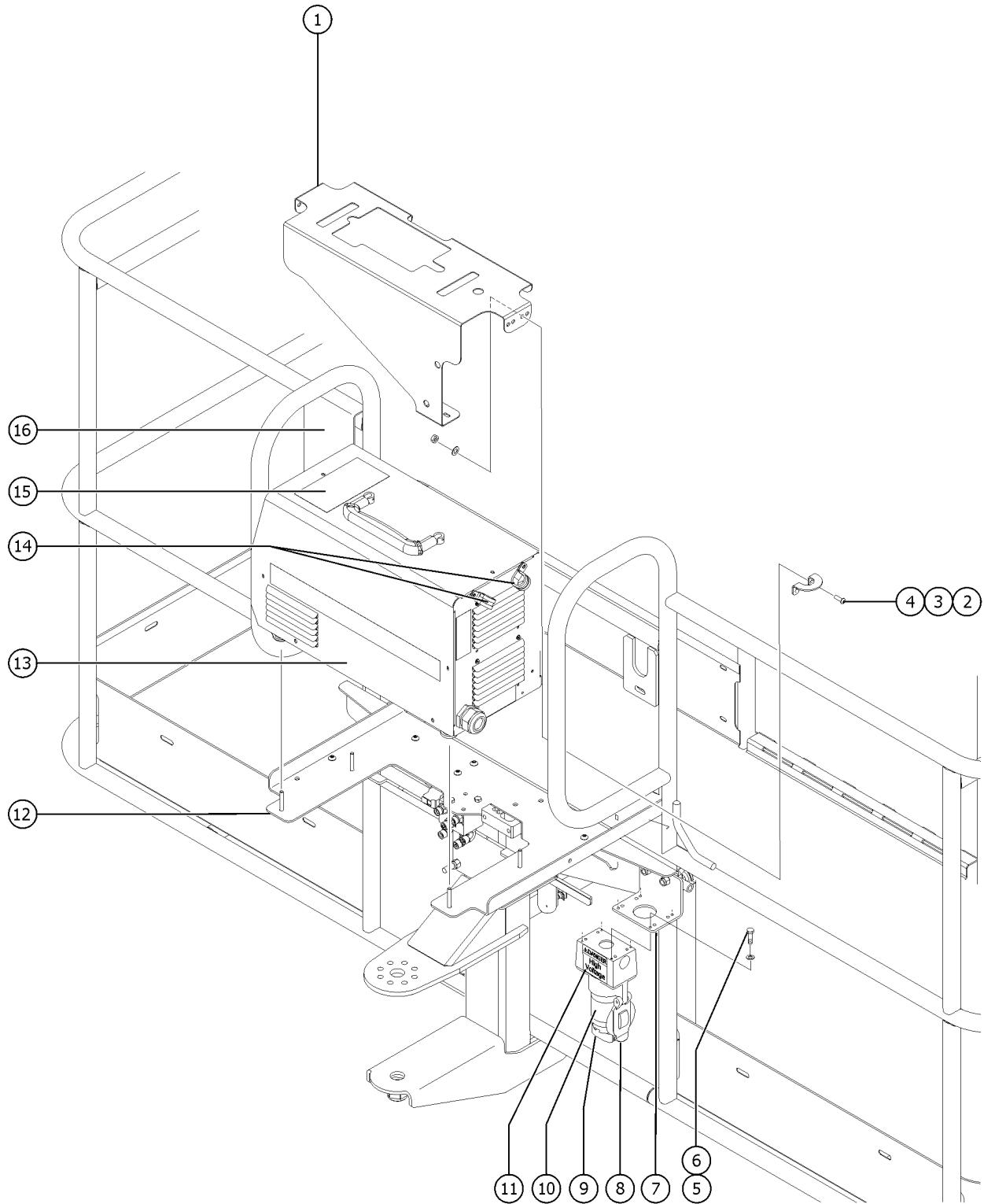


813.1 Welder Option, Hoses and Fittings

Item	Part No.	Description	Qty.
1	94374-3530GT	HOSE ASSY,3/4,90 FEM,STR FEM	1
2	48978GT	ELBOW,45D,520320-12-16	2
3	48964GT	TEE,RUN,SWIVEL,520432-12	1
4	49143-11229GT	HOSE ASSY 1/2, 90 FEM, STR FEM	1
5	94374-3730GT	HOSE ASSY 3/4, 90 FEM,STR FEM	1
6	48963GT	FITTING,ELBOW,45D,520320-12	6
7	48933GT	CONN,520120-8***	1
8	48960GT	FITTING,CONN,520120-12	2
9	102312-2088GT	HOSE ASSEMBLY,3/4",-10-12 90F,	1
10	94374-4030GT	HOSE ASSY 3/4, 90 FEM,STR FEM	1
11	94374-3730GT	HOSE ASSY 3/4, 90 FEM,STR FEM	1
12	102312-2388GT	HOSE ASSY,3/4",10-12 90 F,ST F	1
13	102355-6650GT	HOSE,ASSY,HYD,1/2"	1
14	48935GT	TEE,RUN, 520428-8	1
15	48948GT	CONN,520120-8-12	1
16	48958GT	CONN,520120-10-12	2
17		Ref. Hose Assembly refer to 812.2 or 812.1	



814.1 Welder Option, Platform Components

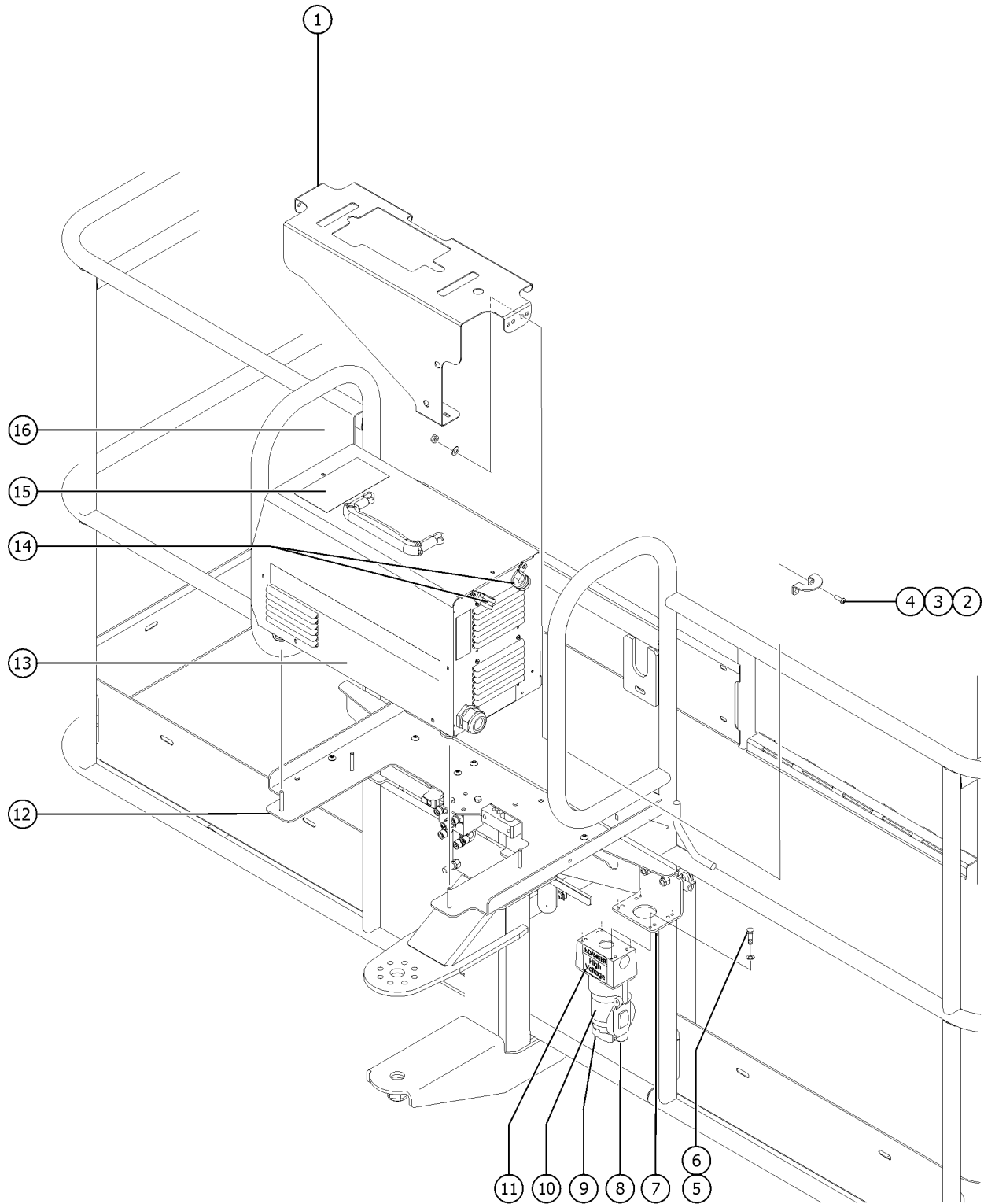


814.1 Welder Option, Platform Components

Item	Part No.	Description	Qty.
A	88406GT	FIRE EXTINGUISHER	
B	82862GT	DECAL,FIRE EXTINGUISHER	
C	97579GT	DECAL,DANGER,TIP-OVER,WELDER**	
D	110220GT	DECAL,WARNING,WELDER SAFETY	
E	110277GT	FIRE SLEEVE, 2.46"	35
F	110276GT	FIRE SLEEVE, 1.25"	20
G	110276GT	FIRE SLEEVE, 1.25"	40
H	110276GT	FIRE SLEEVE, 1.25"	38
I	110276GT	FIRE SLEEVE, 1.25"	13
J	110276GT	FIRE SLEEVE, 1.25"	27
K	28443GT	CABLE TIE,11.5" BLACK	
L	229925GT	ADAPTER,WELDER,208-220	
1	1290931GT	BRACKET, WELDER MOUNT SUPPORT, Z80	
2	106141GT	SCREW,SECURITY,1/4-20 X 1.75LG	
3	824113GT	WASHER,FLAT,1/4,USS,ZAG	
4	1277924GT	NUT,NYLOCK FLG,1/4-20,F,ZAG	
5	47363GT	SCREW,RHM,8-32 X .50	
6	35461GT	WASHER,FLAT,MS,#8,Y	
7	101731PGT	BRACKET,POWER TO PLAT TBOX,PNT	1
7-	4828GT	NUT,NYLOCK,3/8-16	
7-	5397GT	WASHER,FLAT,USS,5/16",Y	
7-	6550GT	U-BOLT,3/8 X 1 YZ	
8	101732GT	COVER,WEATHERPROOF 3-PHASE	
9	106112GT	PLUG,4-WIRE,3-PHASE,50A,MALE	1
10	106110GT	T-BOX,2.75X4.5X2.63,3PH (to SN Z80H-8089)	1
10B	1310380GT	T-BOX,2.75X4.5X2.63,3PH (from SN Z80H-8090)	1
10-	106111GT	RECEPTCL,LOCK 3-PH,50A,4 WIRE	
11	82237GT	DECAL,DANGER,HIGH VOLTAGE	2



814.1 Welder Option, Platform Components

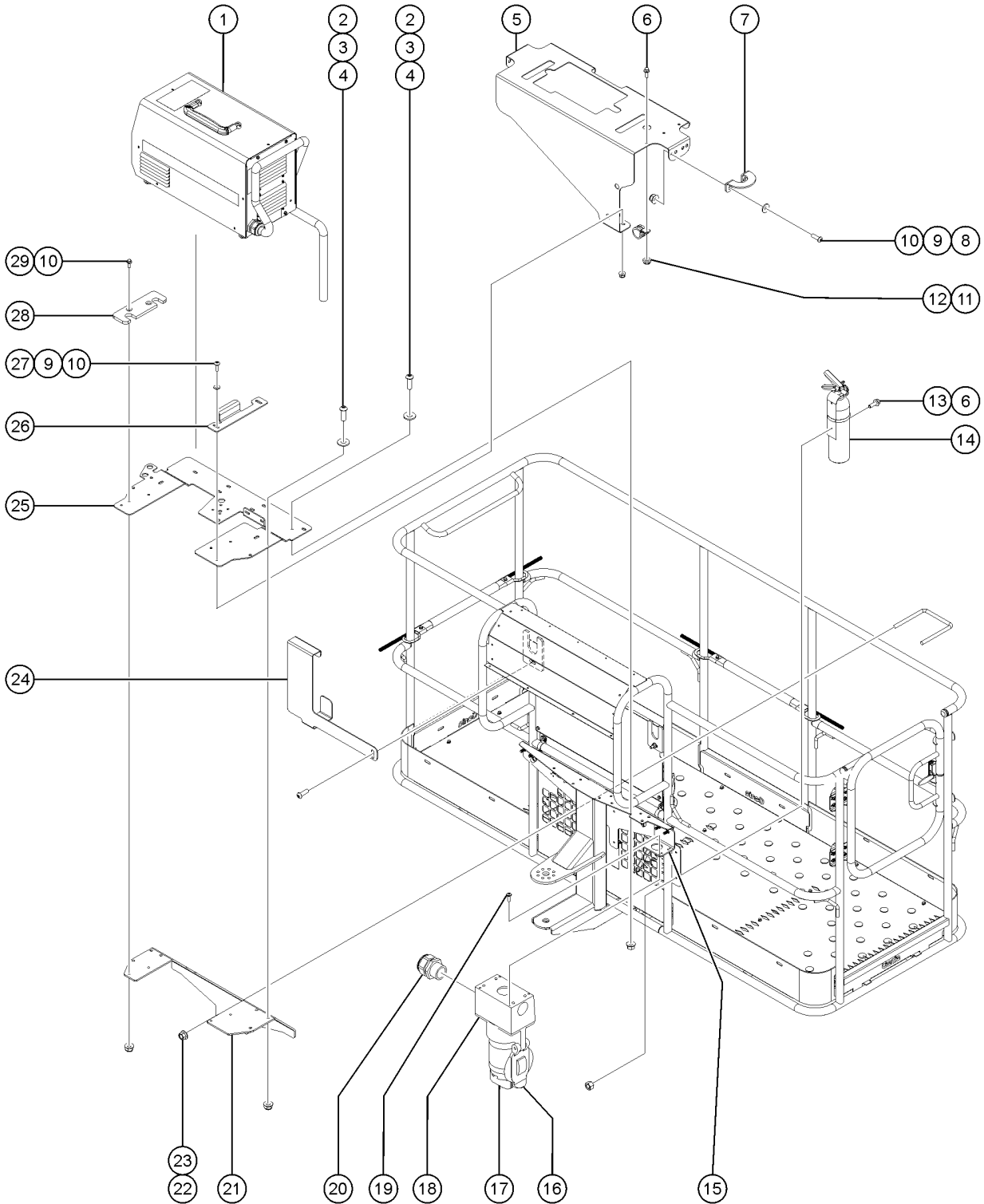


814.1 Welder Option, Platform Components

<i>Item</i>	<i>Part No.</i>	<i>Description</i>	<i>Qty.</i>
12	238119GT	BRACKET, HYDRAULIC WELDER Z80	1
12-	238120GT	BRACKET, HYDRAULIC WELDER Z80	
12-	106043GT	SCREW, SECURITY, 5/16-18X1.00	
12-	106044GT	U-BOLT, 3/8-16X4X4.63X3.00	
12-	4828GT	NUT, NYLOCK, 3/8-16	
12-	5397GT	WASHER, FLAT, USS, 5/16", Y	
12-	6782GT	NUT, NYLOCK, 5/16-18	
13	101525GT	WELDER, INVERTEC V275-S	1
13-	106275GT	KIT, WELD LEADS ASSY, V275S includes both cables	
13-	106141GT	SCREW, SECURITY, 1/4-20 X 1.75LG	
13-	106183GT	FUSE, .6AMP, 250V, WELDER, V275S	
14	18666GT	CLAMP, 1.00, #16 x 1/4, RUB CUSH	2
15	110220GT	DECAL, WARNING, WELDER SAFETY	1
16	106204PGT	BRACKET, V275S WELD LEADS	1



814.2 Welder Option - Hydraulic Generator, Chassis Components (from SN Z80H-6692)

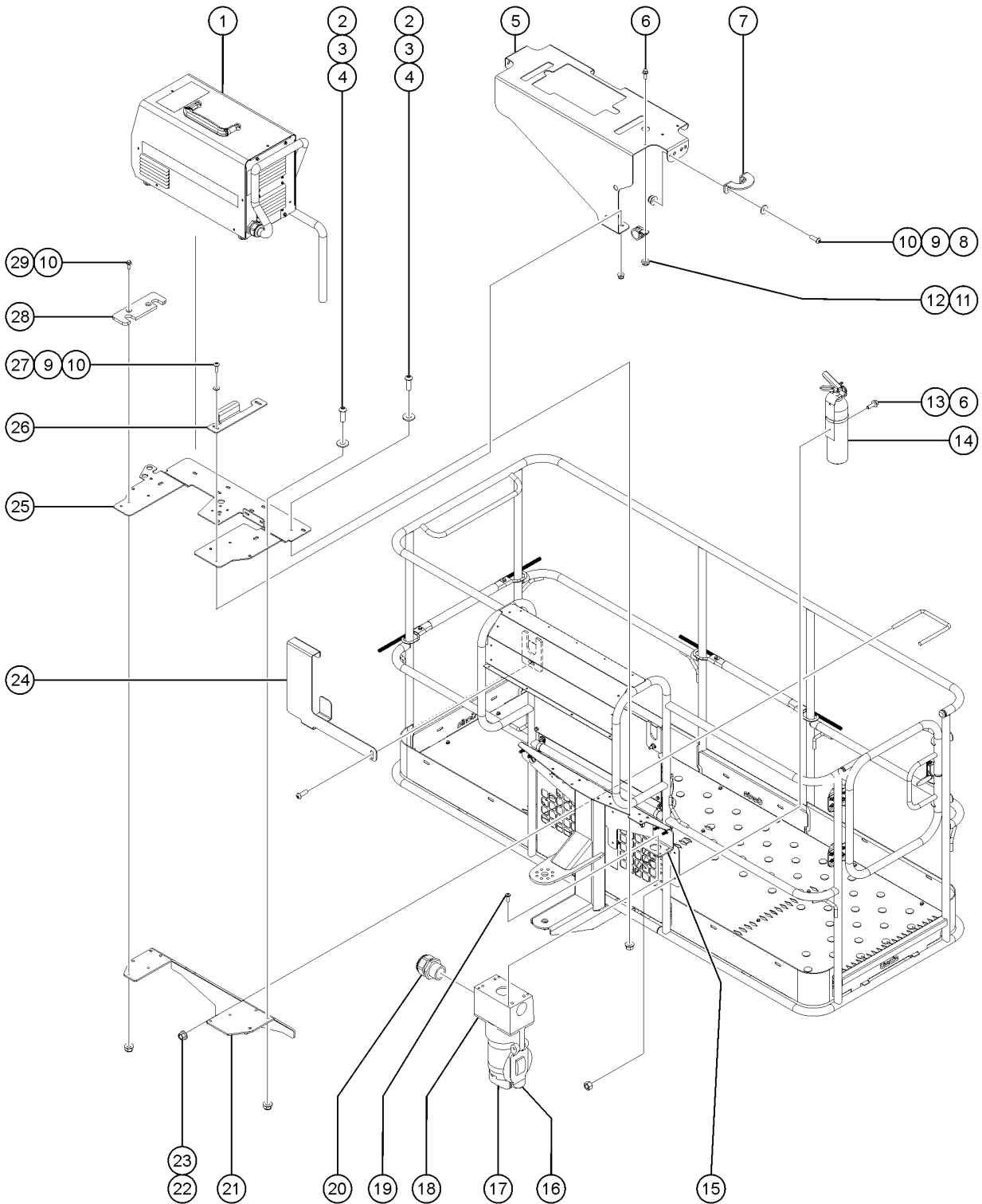


814.2 Welder Option - Hydraulic Generator, Chassis Components (from SN Z80H-6692)

Item	Part No.	Description	Qty.
-	106275GT	KIT,WELD LEADS ASSY,V275S	1
	110277GT	FIRE SLEEVE, 2.46" Qty. 1	35
	110277GT	FIRE SLEEVE, 2.46" Qty. 1	38
	110276GT	FIRE SLEEVE, 1.25" Qty. 1	40
	110276GT	FIRE SLEEVE, 1.25" Qty. 1	38
	110276GT	FIRE SLEEVE, 1.25" Qty. 1	27
	110276GT	FIRE SLEEVE, 1.25" Qty. 2	20
	110276GT	FIRE SLEEVE, 1.25" Qty. 4	13
1	214619GT	WELDER, MILLER, CST 280 (Miller)	1
1B	101525GT	WELDER,INVERTEC V275-S (lincoln)	1
1B-	1253408GT	SCREW,BHTC-PIN,1/4-20X1.75,ZAG	
1B-	824113GT	WASHER,FLAT,1/4,USS,ZAG	
2	128322GT	SCREW,5/16-18X1.00,SECURITY TO	10
3	825358GT	WASHER,FLAT,5/16,USS,ZAG	10
4	1274167GT	NUT,NYLOCK FLG,5/16-18,F,ZAG	10
5	1277207GT	BRACKET,WELDER COVER,XC	1
6	824078GT	SCREW,HHF,1/4-20X.75,8,ZAG	
7	217366GT	BRACKET,WELDER TOP	2
8	1253408GT	SCREW,BHTC-PIN,1/4-20X1.75,ZAG	4
9	824113GT	WASHER,FLAT,1/4,USS,ZAG	
10	1277924GT	NUT,NYLOCK FLG,1/4-20,F,ZAG	
11	1283026GT	NUT,LP NYLOCK,1/4-20,2,ZAG	2
12	18666GT	CLAMP, 1.00, #16 x 1/4, RUB CUSH (lincoln)	2
13	1274165GT	NUT,NYLOCK,1/4-20,C,ZAG	2
14	88406GT	FIRE EXTINGUISHER	1
15	101731GT	BRACKET,POWER TO PLAT T-BOX	1
16	101732GT	COVER,WEATHERPROOF 3-PHASE	1
17	106112GT	PLUG,4-WIRE,3-PHASE,50A,MALE (lincoln & miller)	1



814.2 Welder Option - Hydraulic Generator, Chassis Components (from SN Z80H-6692)

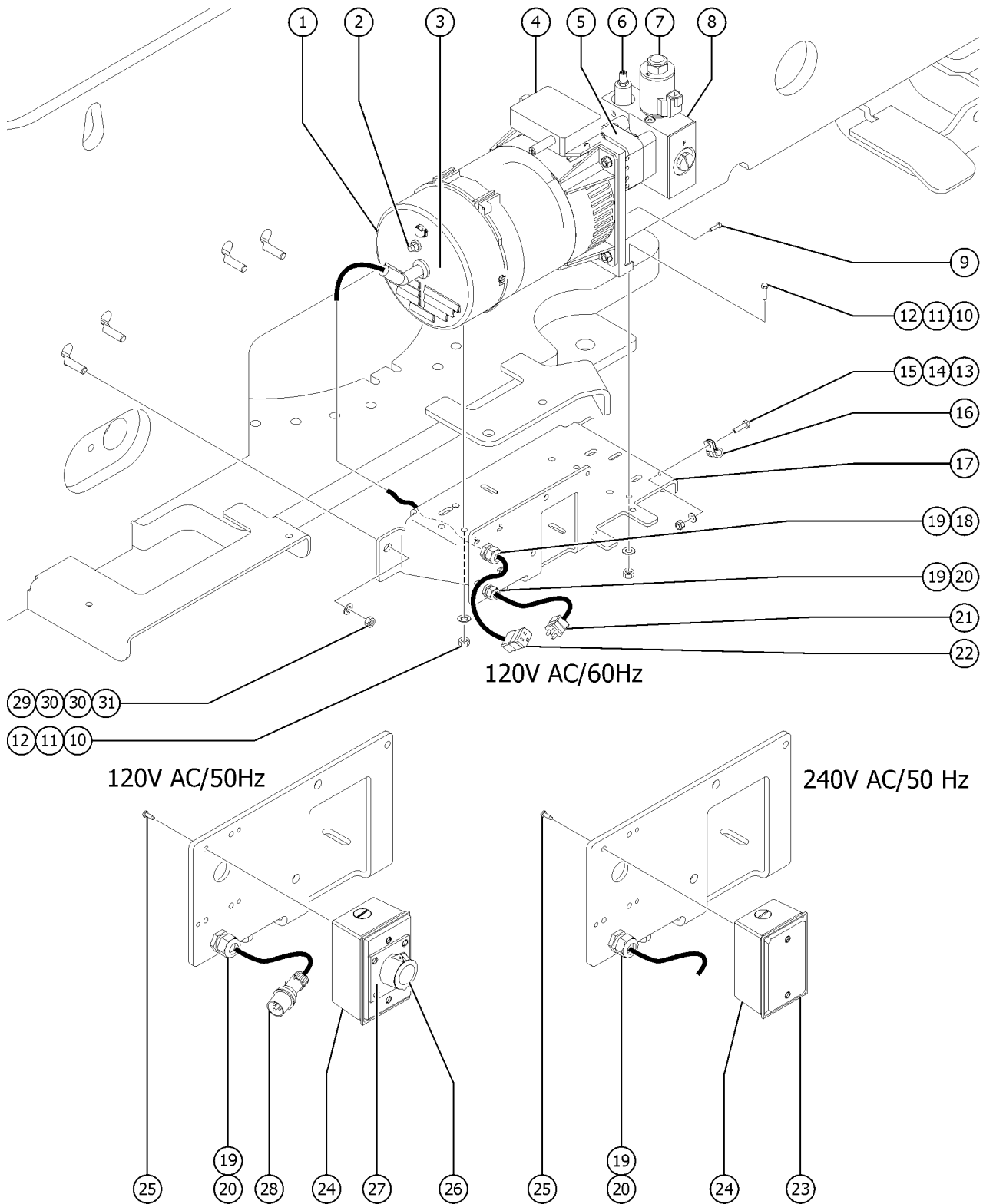


814.2 Welder Option - Hydraulic Generator, Chassis Components (from SN Z80H-6692)

Item	Part No.	Description	Qty.
18	106110GT	T-BOX,2.75X4.5X2.63,3PH	1
18B	1310380GT	T-BOX,2.75X4.5X2.63,3PH	1
18-	106111GT	RECEPTCL,LOCK 3-PH,50A,4 WIRE	
19	1257296GT	SCREW,PHPM-ST,8.32X.50,TYPE F,	4
20	20776GT	CABLE SQUEEZE CONN.	1
20-	18665GT	LOCKNUT,ELECTRIC,1" NPT	
20-	106104GT	O-RING,SEAL RING,1" NPT (PKG)	
21	1290931GT	BRACKET, WELDER MOUNT SUPPORT, Z80	1
22	1274322GT	NUT,NYLOCK FLG,3/8-16,F,ZAG	2
23	106044GT	U-BOLT,3/8-16X4X4.63X3.00	1
24	106204GT	BRACKET,V275S WELD LEADS	1
25	1276777GT	FORMING,WELD SPRT BRKT,MANIF MNT,XC	1
26	1277208GT	FORMING,MILLER WELDER RETENTION,XC	1
		(Miller & welder ready)	
27	106860GT	SCREW,SECURITY,1/4-20 X 1.00LG	2
		(Miller & welder ready)	
28	1274967GT	UHMW,MILLER WLDR RETENTION	2
		(Miller & welder ready)	
29	824079GT	SCREW,HHF,1/4-20X1,8,ZAG	4
		(Miller & welder ready)	



815.1 Hydraulic Generator Option (MTE)

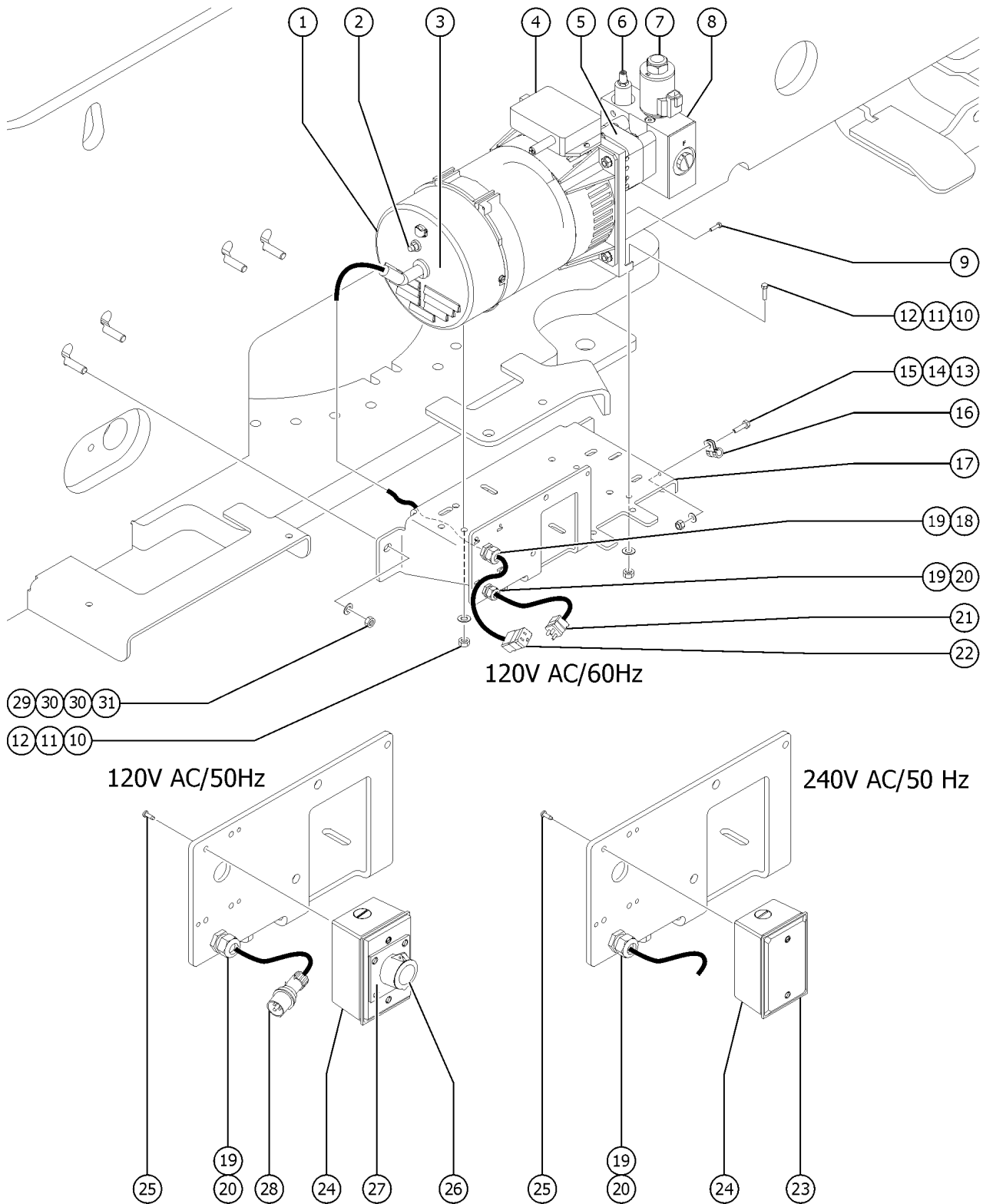


815.1 Hydraulic Generator Option (MTE)

Item	Part No.	Description	Qty.
A	T112720GT	HARNESS,JUMPER,MTE GEN,Z80	
1A	139952GT	GENERATOR, 3kW, 120V/50Hz (complete) includes items 2-9	1
1B	139953GT	GENERATOR, 3kW, 120V/60Hz (complete) includes items 2-9	
1B-	147240GT	CAPACITOR 16 F, GEN	
1B-	147239GT	BREAKER, 25 AMP, GEN 60hz	
1C	139954GT	GENERATOR, 3kW, 240V/50Hz (complete) includes items 2-9	
1C-	147258GT	BREAKER,15 AMP,GEN 50hz	
2A	147239GT	BREAKER, 25 AMP, GEN part of generators 139952 and 139953	1
2B	147258GT	BREAKER,15 AMP,GEN part of generator 139954	
3A	147241GT	COVER, END, GEN, 120V part of generators 139952 and 139953	1
3B	147262GT	COVER, END, GENERATOR, 240V part of generator 139954	
4A	1269693GT	CONTROL BOX,2KW,120/240V,50HZ part of generators 139952 and 139954	1
4B	147228GT	CONTROLLER BOX, 120/240V, 60H part of generator 139953	
5	147230GT	207 HYD MOTOR ASSY, GEN	1
5-	147231GT	SEAL KIT, HYD MOTOR, GEN	
6	147233GT	VALVE, RELIEF, GEN, 3.0kW	1
7	147232GT	12VDC PROPORTIONAL VALVE	1
8	147229GT	MANIFOLD ASSEMBLY, GEN (complete) includes items 6 and 7	1
9	147242GT	SCREW, GEN ROTOR	4
10	13000GT	SCREW,HHC,5/16-18 X 1.25	
11	5397GT	WASHER,FLAT,USS,5/16",Y	
12	6782GT	NUT, NYLOCK, 5/16-18	
13	6888GT	SCREW,HHC,1/4-20 X 1	
14	6638GT	WASHER,FLAT,USS,1/4"Y	
15	6091GT	NUT, NYLOCK, 1/4-20	
16	45470GT	CLAMP,0.31,#5 X 1/4,RUB CUSH	2
17	102276GT	BRACKET,GENERATOR 12KW	1
17B	1311052GT	BRACKET, GENERATOR 12KW	1



815.1 Hydraulic Generator Option (MTE)

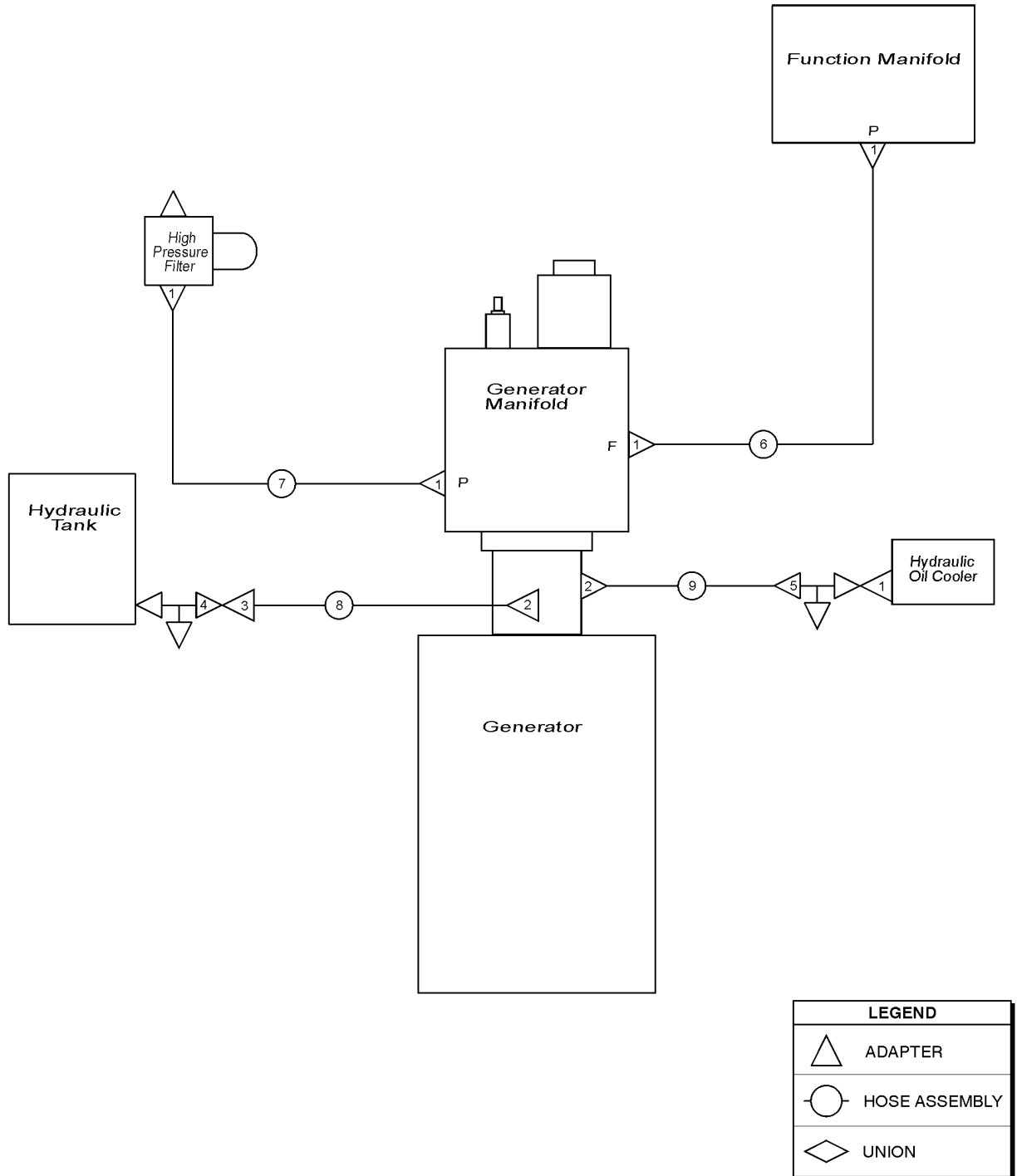


815.1 Hydraulic Generator Option (MTE)

<i>Item</i>	<i>Part No.</i>	<i>Description</i>	<i>Qty.</i>
18	7057GT	CONN. SQZ,1/2NPT .39-.56 MED	1
19	6935GT	LOCKNUT,ELEC,1/2"	2
20	7056GT	CONN,SQUEEZE,1/2NPT .38-.50,SM	1
21	6595GT	PLUG,ELECTRICAL,DOMESTIC	1
22	19020GT	CONNECTOR,FEMALE,RECPTCLE,110V	1
23	10777GT	COVER,BLANK	1
24	10775GT	T-BOX,2.75 X 4.5 X 2.0	
24B	1310378GT	T-BOX, 2.75 X 4.5 X 2.0**	
24-	74052GT	GASKET,COVER,GFCI,WEATHERPROOF	
25	57075GT	SCREW,PHIL,8-32X.50,SELF TAP	
26	T112560GT	RECEPTACLE,UK,110V	1
27	T112561GT	PLATE,UK,POWER TO PLAT	1
28	144161GT	PLUG,PWR,UK,16AMP,3PIN,BLK	1
29	6198GT	NUT,NYLOK,1/2-13	
30	6095GT	WASHER,FLAT,USS,1/2",Y	
31	39479GT	SCREW, HHC, 1/2-13 X 2.75	



816.1 Hydraulic Generator Option (MTE), Hoses and Fittings



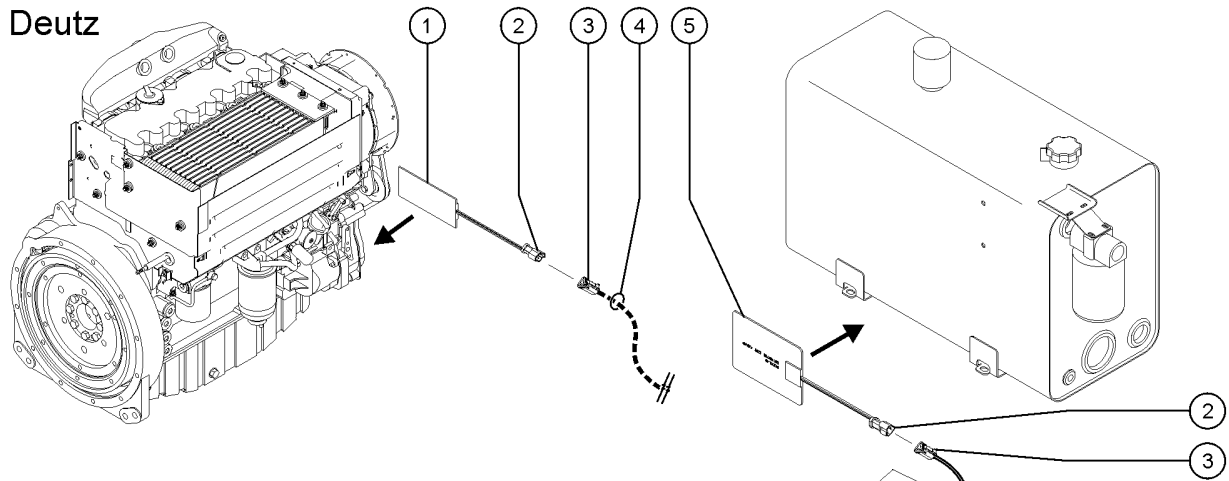
816.1 Hydraulic Generator Option (MTE), Hoses and Fittings

Item	Part No.	Description	Qty.
1	48960GT	FITTING,CONN,520120-12	5
2	49861GT	CONN,LONG,520122-4	2
3	48941GT	REDUCER,520123-8-4	1
4	48935GT	TEE,RUN, 520428-8	1
5	48964GT	TEE,RUN,SWIVEL,520432-12	1
6	61073-8930GT	HOSE ASSY 3/4" 90 DEG STR FEM components: 48841, 48846 and 48762 @ 86 inches	1
7	61073-3530GT	HOSE ASSY,3/4,90 FEM,STR FEM components: 48841, 48846 and 48762 @ 32 inches	1
8	49117-9819GT	HOSE ASSY,1/4,90 FEM,STR FEM** components: 48800, 48802 and 48751 @ 97 inches	1
9	61070-7450GT	HOSE ASSY,1/2",90 FEM,STR FEM components: 48827, 48836 and 48756 @72 inches	1

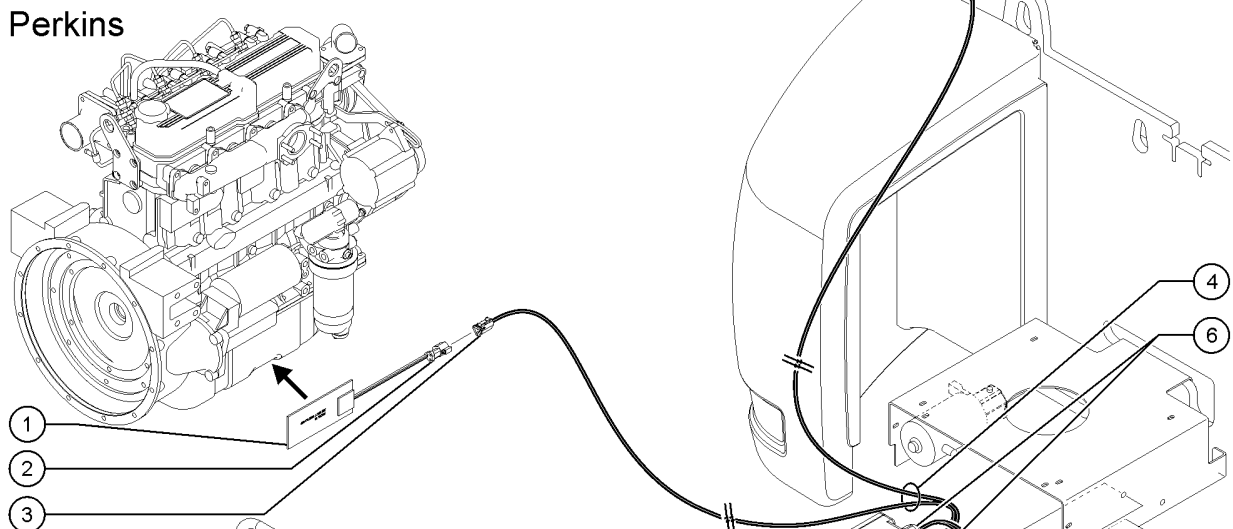


817.1 Cold Start Package

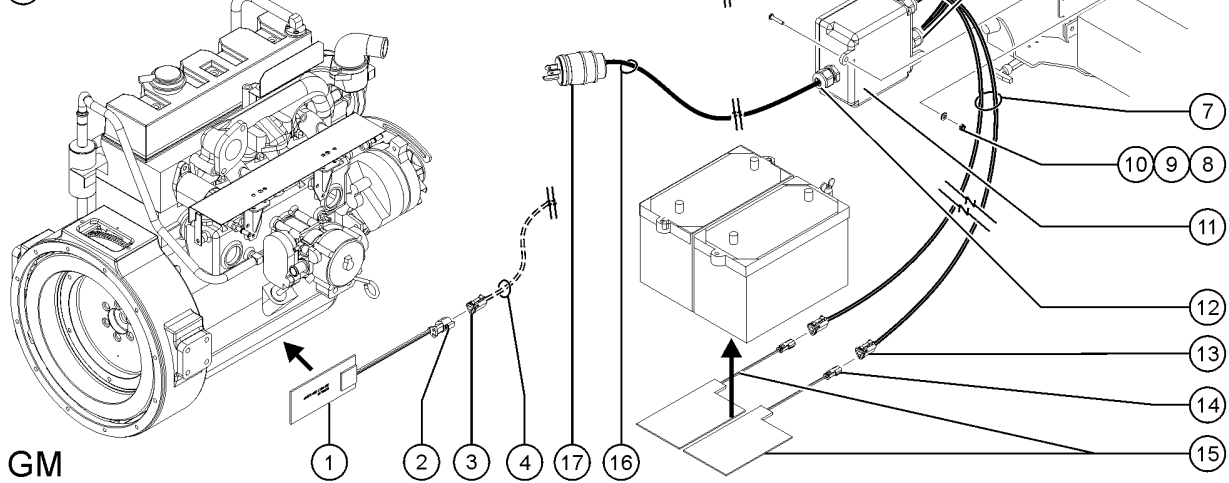
Deutz



Perkins



GM



817.1 Cold Start Package

Item	Part No.	Description	Qty.
1A	216615GT	ASSY HEATER, MODEL 18, 120V (120V)	1
1B	216616GT	ASSY HEATER,MODEL 18,240V (240V)	1
1C	1259661GT	ASSY,ENGINE HEATER,120V (120V) Only Deutz TD 2.9L4 models, includes two adhesive pads	1
1D	1259708GT	ASSY,ENGINE HEATER,240V (240V) Only Deutz TD 2.9L4 models, includes two adhesive	1
2	119066GT	CONN, RECEP, 3 WAY, DEUTSCH, DT, ENDCAP Part of heater assembly	
3	119057GT	CONN PLUG 3 WAY ENDCAP DT Part of wire harness	
4A	216662GT	HARNESS,ENG/HYD HEATER,120V (120V)	1
4B	216683GT	HARNESS,ENG/HYD HEATER,240V (240V)	1
5A	216612GT	ASSY,120V HEATER, HYD TANK (120V)	1
5B	216611GT	ASSY,240V HEATER, HYD TANK (240V)	1
6	99778GT	CABLE SQUEEZE CONN,4 WIRE Part of of wire harness	
6-	238123GT	HUBBLE NUT, PG11	2
7A	216660GT	HARNESS, 120V BATT CABLE, 84" (120V)	1
7B	216681GT	HARNESS, 240V BATT CABLE, 84" (240V)	1
8	14392GT	NUT,LP NYLOCK,10-32	
9	6146GT	WASHER,FLAT,MS,#10,Y	
10	75041GT	SCREW,PHILLIPS,PHM,10-32 X 1	
11A	214249GT	COLD WEATHER 120V J BOX ASSY (120V)	1
11B	237711GT	COLD WEATHER 240V J BOX ASSY (240V)	1
12	214536GT	SQUEEZE CONN W/NUT, 2WIRE, 4MM Part of of wire harness	1
13	119056GT	CONN PLUG 2 WAY ENDCAP DT	1
14	119065GT	CONN, RECEP, 2 WAY, DEUTSCH, DT	1
15A	216617GT	ASSY, BATTERY HEATER, 120V (120V)	2
15B	216618GT	ASSY BATTERY HEATER,240V (240V)	2
16A	216645GT	HARNESS, 120V POWER CORD, 12" (120V) includes items 12 and 17	1
16B	216646GT	HARNESS, 240V POWER CORD, 12" (240V) includes item 12 only	1
17	119403GT	CONN,PLUG 120 AC/15A DOMESTIC Part of of wire harness	





818.1 Platform Mesh-Side Swing Gate 8' and 6'

Item	Part No.	Description	Qty.
-	1286622GT	KIT, 6' FULL MESH,SIDE GATE	
-	1275282GT	KIT, 6' HALF MESH,SIDE GATE	
-	1283049GT	KIT, 8' FULL MESH,SIDE GATE	
-	1275281GT	KIT, 8' HALF MESH,SIDE GATE	
1	1278793GT	WELDMENT,PLATFORM MESH GATE	1
2	56424GT	CLAMP, 1.25 x .5 RUBBER-CUSHION	
3	56912GT	SPRING CLIP,1/4-20,.025-.15X.5	
4	824079GT	SCREW,HHF,1/4-20X1,8,ZAG	
5	824078GT	SCREW,HHF,1/4-20X.75,8,ZAG	
6	824113GT	WASHER,FLAT,1/4,USS,ZAG	
7	1277924GT	NUT,NYLOCK FLG,1/4-20,F,ZAG	
8	1282390GT	LABEL, LIFT GUARD, PLATFORM MESH	1
A		FULL MESH	
9	1282204GT	MESH, 6' FULL,BACK LEFT	1
		6 feet platform	
10	1278790GT	MESH, 8' FULL,BACK LEFT	1
		8 feet platform	
11	1282205GT	MESH, 6' FULL,BACK RIGHT	1
		6 feet platform	
12	1279243GT	MESH, 8' FULL,BACK RIGHT	1
		8 feet platform	
13	1278792GT	MESH, FULL HEIGHT,ENTRY	1
		6 feet platform (front only)	
13-	1278792GT	MESH, FULL HEIGHT,ENTRY	2
		8 feet platform (side & front)	
14	1282206GT	MESH, 6' FULL,FRONT RIGHT	1
		6 feet platform	
15	1278791GT	MESH, 8' FULL,FRONT RIGHT	1
		8 feet platform	
16	1282207GT	MESH, 6' FULL,FRONT LEFT	1
		6 feet platform	
17	1279244GT	MESH, 8' FULL,FRONT LEFT	1
		8 feet platform	
B		HALF MESH	
18	1270314GT	PANEL, HALF MESH	1
		6 feet platform	
19	1270994GT	PANEL, HALF MESH	1
		8 feet platform	
20	1270313GT	PANEL, HALF MESH	1
		6 feet platform	
21	1271019GT	PANEL, HALF MESH	1
		8 feet platform	





818.1 Platform Mesh-Side Swing Gate 8' and 6'

<i>Item</i>	<i>Part No.</i>	<i>Description</i>	<i>Qty.</i>
22	1271061GT	PANEL, HALF MESH 6 feet platform (front only)	1
22-	1271061GT	PANEL, HALF MESH 8 feet platform (side & front)	2
23	1271018GT	PANEL, HALF MESH 8 feet platform	1
24	1270316GT	PANEL, HALF MESH 6 feet platform	1
25	1271040GT	PANEL, HALF MESH 8 feet platform	1



818.2 Platform Mesh-Front Swing Gate 8' and 6'

Item	Part No.	Description	Qty.
-	1290895GT	KIT, 6' FULL MESH W/FRONT HALF GATE	
-	1290893GT	KIT, 6' HALF MESH W/FRONT HALF GATE	
-	1290896GT	KIT, 8' FULL MESH W/FRONT HALF GATE	
-	1290894GT	KIT, 8' HALF MESH W/FRONT HALF GATE	
-	1290135GT	KIT, HALF FRONT, SWING GATE	
		includes items 9-16	
-	128368GT	KIT, SWING GATE W/SPRING	1
		(Includes items 31) (doesn't include 63311, 1487, and 1488)	
1	1278793GT	WELDMENT, PLATFORM MESH GATE	1
2	56424GT	CLAMP, 1.25 x .5 RUBBER-CUSHION	
3	56912GT	SPRING CLIP, 1/4-20, .025-.15X.5	
4	824079GT	SCREW, HHF, 1/4-20X1.8, ZAG	
5	824078GT	SCREW, HHF, 1/4-20X.75, 8, ZAG	
6	824113GT	WASHER, FLAT, 1/4, USS, ZAG	
7	1277924GT	NUT, NYLOCK FLG, 1/4-20, F, ZAG	
8	1282390GT	LABEL, LIFT GUARD, PLATFORM MESH	1
9	1283880GT	WELDMENT, ALUM HALF GATE	1
10	1487GT	GATE LATCH CASTING--DRILLED	1
11	1488GT	RAILING CATCH CASTING--DRILLED	1
12	33674GT	PIN, LOCK, SHORT***	1
13	43392GT	BUMPER, BATTERY BOX & RAILS***	1
14	55753GT	BUMPER, PLASTIC, 1.25 O.D.	3
15	824207GT	RIVET, STL, STL, DOME, 1/4X.375, Z	14
16	42104GT	SPRING, SHORT PLATFORM GATE	1
A		FULL MESH	
17	1291429GT	MESH, FULL 6', BACK PANEL	2
		6 feet platform	
18	1290891GT	8' FULL MESH W/FRONT HALF GATE	2
		8 feet platform	
19	1291430GT	MESH, FULL 6', FRONT PANEL	2
		6 feet platform	
20	1290892GT	8' HALF MESH W/FRONT HALF GATE	2
		8 feet platform	
21	1291428GT	MESH, FULL 6', SIDE PANEL	2
		6 feet platform	



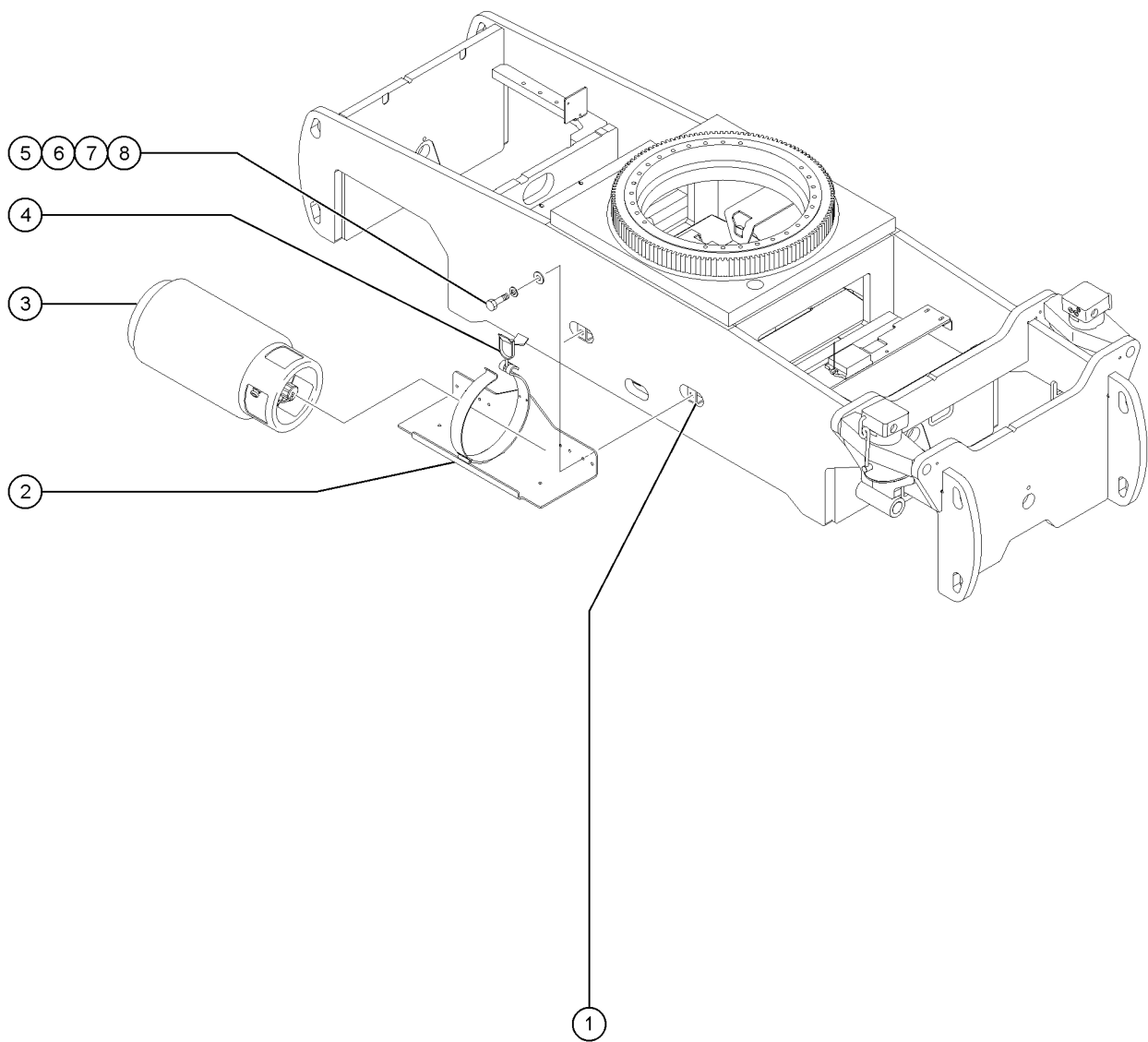


818.2 Platform Mesh-Front Swing Gate 8' and 6'

Item	Part No.	Description	Qty.
22	1278790GT	MESH, 8' FULL, BACK LEFT 8 feet platform	2
B		HALF MESH	
23	54458GT	MESH, HALF, LH, 6' PLATFORM 6 feet platform	1
24	1270994GT	PANEL, HALF MESH 8 feet platform	1
25	1270313GT	PANEL, HALF MESH 6 feet platform	1
26	1271019GT	PANEL, HALF MESH 8 feet platform	1
27	1271018GT	PANEL, HALF MESH 8 feet platform	1
28	1271040GT	PANEL, HALF MESH 8 feet platform	1
29	1291427GT	MESH, 8' HALF, SIDE PANEL 8 feet platform	2
		FULL GATE	
30	54457GT	MESH, HALF, SWING GATE***	1
31	128374GT	WELDMENT, SWING GATE, ALUMINUM	
31-	42104GT	SPRING, SHORT PLATFORM GATE	
31-	43392GT	BUMPER, BATTERY BOX & RAILS***	
32	824207GT	RIVET, STL, STL, DOME, 1/4X.375, Z	
33	63311GT	SNAP PIN	
34	1487GT	GATE LATCH CASTING--DRILLED	
35	1488GT	RAILING CATCH CASTING--DRILLED	



819.1 Spare LPG Tank Carrier Option

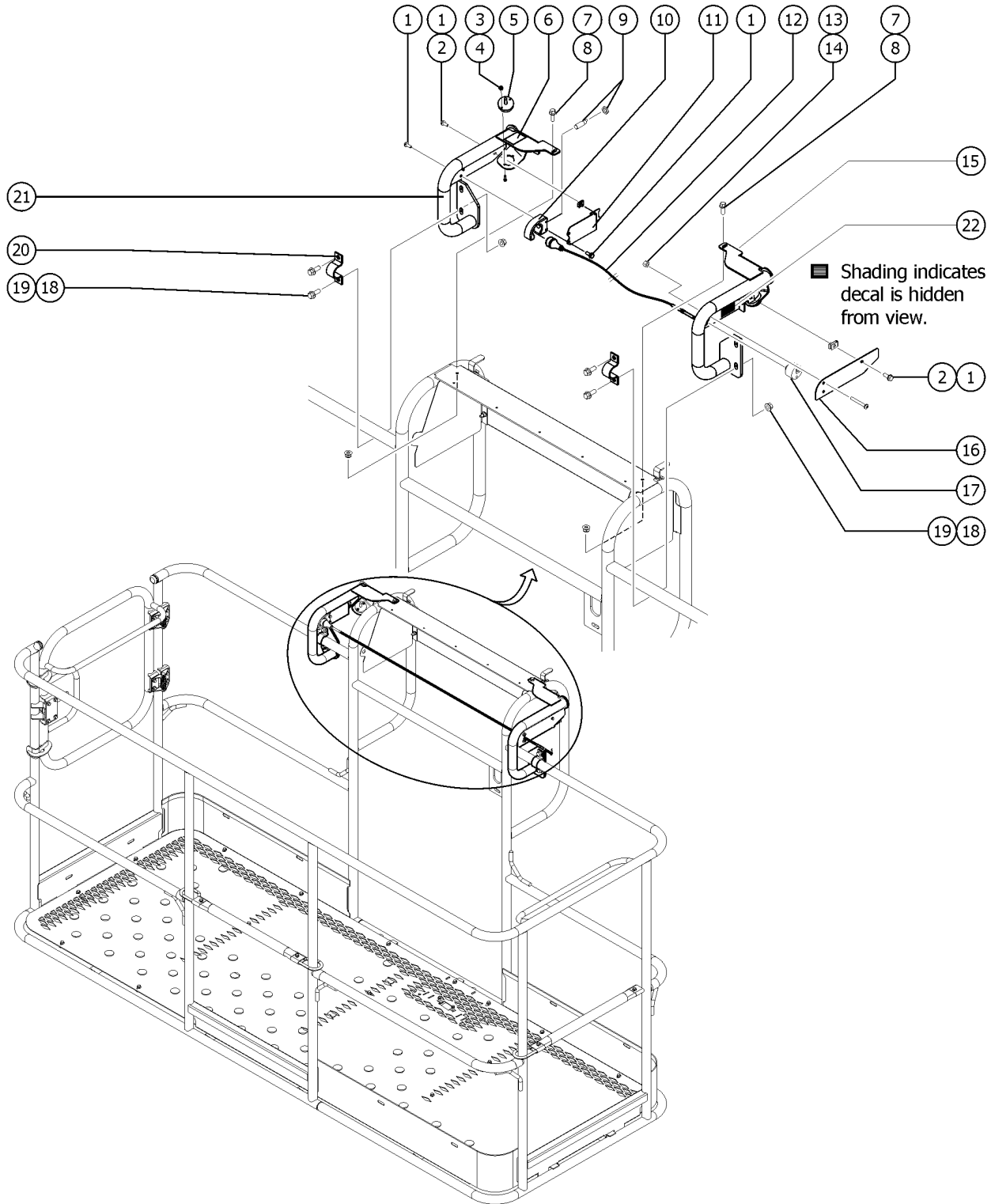


819.1 Spare LPG Tank Carrier Option

<i>Item</i>	<i>Part No.</i>	<i>Description</i>	<i>Qty.</i>
A	77853GT	OPTION,LP TANK 2ND	2
1	77785GT	FORMING,LP BRACKET MOUNT	1
2	60143GT	WELDMENT,L.P. TANK MOUNT ***	1
3	53605GT	TANK, 7 GAL/33.5 POUND, LP	1
4	49000GT	L.P.TANK LATCH	
5	8516GT	SCREW, HCC, 3/8-16 X 1.50	
6	6021GT	WASHER,LOCK, .375	
7	6097GT	WASHER,FLAT,USS,3/8",Y	
8	29868GT	SPRING CLIP,3/8-16,.05-.20X.73,ZAG	



820.1 Lift Guard Contact Alarm Option

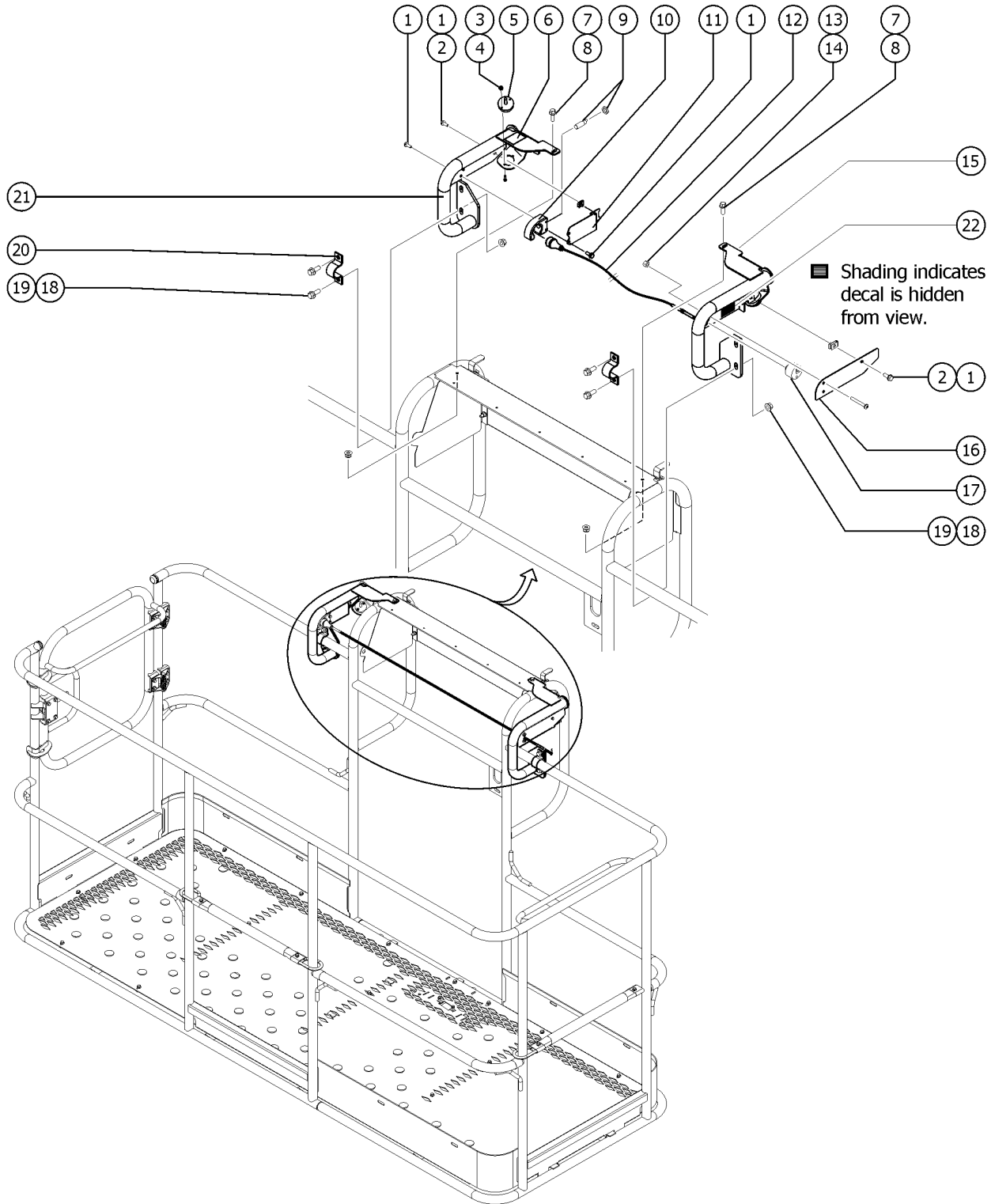


820.1 Lift Guard Contact Alarm Option

Item	Part No.	Description	Qty.
A		From January 2017, this option became a standard installation on all models unless the customer specifically request not to have it installed.	...
B	1279134GT	KIT, LIFT GUARD CONTACT ALARM,6'-8' PLATFORM,ALC1000	
C	1278117GT	HARNESS, CONTACT ALARM, ALC1000	
D	19274GT	RELAY,SPDT,12V(AUTO)**	
E	1278121GT	MODULE, PLUS+1, OPA2 located inside the Platform Control Box	
1	1264934GT	SCREW,HHF,10-24X. 5	
2	73575GT	SPRING CLIP,10-24,.025-.125X.468,ZAG	
3	12344GT	NUT,NYLOCK,6-32	
4	1256859GT	SCREW,PHPM,6-32X7/8,ZAG	
5	1278111GT	ASSEMBLY, LIGHT, CONTACT ALARM	2
5B	1285850GT	ASSEMBLY,AMBER LIGHTS,CONTACT	
6	1278542GT	DECAL, INSTRUCTION, CONTACT ALARM	
7	824078GT	SCREW,HHF,1/4-20X.75,8,ZAG	
8	1277924GT	NUT,NYLOCK FLG,1/4-20,F,ZAG	
9	1278119GT	ASSEMBLY, SENSOR, PROX, CONTACT ALARM	1
10	1278433GT	ASSY SENSOR W/HOUSING (Includes holder item 1277877 and sensor part 1278119)	
10-	1277877GT	HOLDER, SENSOR	1
11	1277873GT	FORMING, SENSOR HOLDER	1
12	1278416GT	ASSEMBLY,CONTACT ALARM CABLE, LARGE	1
12-	1261184GT	NUT,1/4-20,8,ZAG Part of assembly 1278416	
12-	1278124GT	MAGNET, 1/4-20, 15 LB. Part of assembly 1278416	
12-	1278368GT	GRIP, CABLE Part of assembly 1278416	
12-	1278458GT	CONTACT ALARM WIRE ASSY, LARGE Part of assembly 1278416	
13	1274168GT	NUT,NYLOCK,10-32,A,ZAG	
14	824216GT	SCREW, PHPM, 10-32 X 1.5, ZAG	
15	1278138GT	WELDMENT, RIGHT CONTACT ALARM, LARGE	1
16	1277875GT	PLATE, CABLE AND WIRE COVER	1
17	1277876GT	GUIDE, CABLE	1



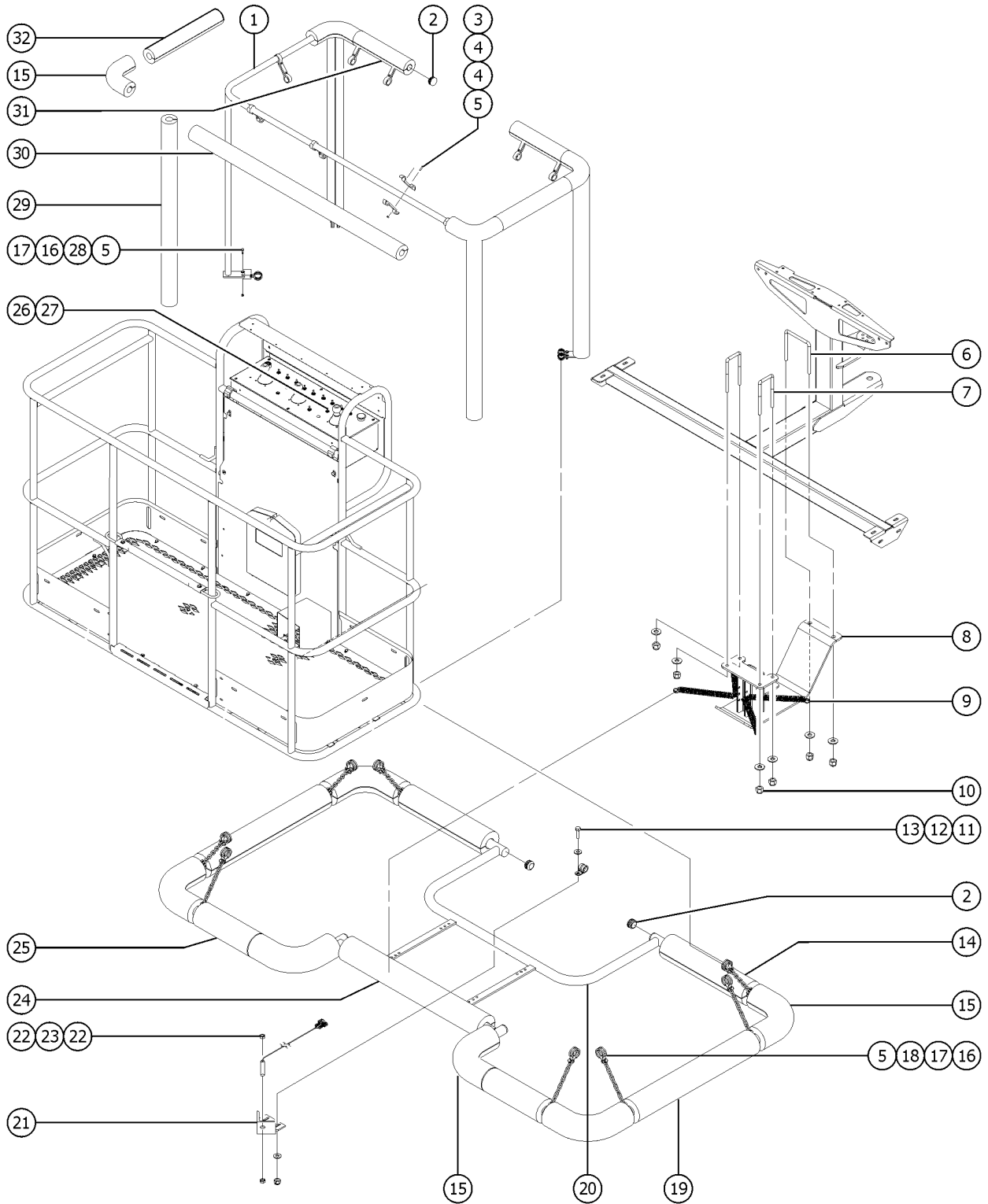
820.1 Lift Guard Contact Alarm Option



820.1 Lift Guard Contact Alarm Option

<i>Item</i>	<i>Part No.</i>	<i>Description</i>	<i>Qty.</i>
18	1274322GT	NUT,NYLOCK FLG,3/8-16,F,ZAG	
19	824090GT	SCREW,HHF,3/8-16X1,8,ZAG	
20	1278363GT	CLAMP, 1.25 INCH TUBE	2
21	1278144GT	WELDMENT, LEFT CONTACT ALARM, LARGE	1
22	1278982GT	DECAL, INSTRUCTION, ACTUATOR SWITCH SOCKET	1

821.1 Aircraft Protection Package

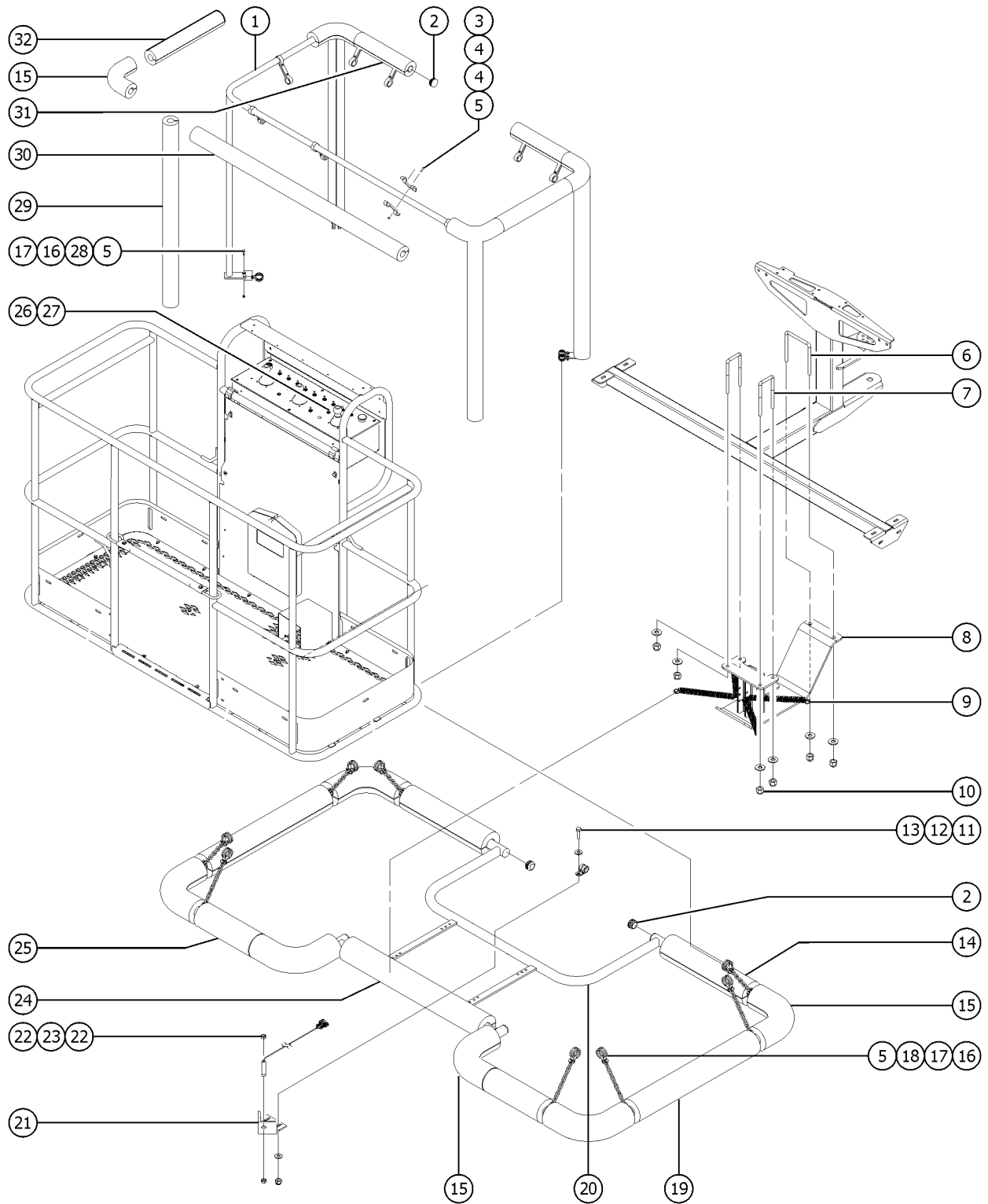


821.1 Aircraft Protection Package

Item	Part No.	Description	Qty.
1	46188GT	WELDMENT, AIRCRAFT TOP BUMPER	1
2	55753GT	BUMPER, PLASTIC, 1.25 O.D.	
3	824079GT	SCREW,HHF,1/4-20X1,8,ZAG	
4	122073GT	SUPPORT, RAILING	20
5	1277924GT	NUT,NYLOCK FLG,1/4-20,F,ZAG	
6	106044GT	U-BOLT,3/8-16X4X4.63X3.00	1
7	66472GT	U-BOLT, SQR, 3/8-16X2X5, PLTD	2
8	822764GT	WDMT,SKID PLATE	1
9	822769GT	SPRING,EXTENSION,1.92LB/IN	4
10	824029GT	NUT,TL FLG,3/8-16,G,ZAG	
11	6888GT	SCREW,HHC,1/4-20 X 1	
12	6833GT	CLAMP,0.50,#8 X 1/4,RUB CUSH	1
13	6091GT	NUT, NYLOCK, 1/4-20	
14	75617-1550GT	PADDING,FOAM 3.5"OD X 1.50"ID	2
15	75636GT	PADDING,FOAM,3.0"X1.50ID 90DEG	10
16	21618GT	CLAMP,1.13,#18 X 1/4,RUB CUSH	24
17	824078GT	SCREW,HHF,1/4-20X.75,8,ZAG	
18	56426-700GT	CHAIN,NO.2 (11 LINKS)	8
19	75617-2275GT	PADDING,FOAM 3.5"OD X 1.50"ID	2
20	822759GT	WDMT,AIRCRAFT SENSOR BUMPER	1
21	77797GT	WELDMENT, SENSOR MOUNT	1
22	88390GT	NUT,HEX,M8,PLASTIC	
23	1261292GT	HARNESS ASSY,PCON,PROX KILL	1
		includes 27391 proximity sensor	
23-	128580GT	SWITCH TOGGLE SPDT 3P MOM SHDR	
23-	27391GT	PROXIMITY SENSOR***	
24	822768GT	FOAM,AIRCRAFT PROTECTION	1
25	75617-1025GT	PADDING,FOAM 3.5"OD X 1.50"ID	2
26	128203GT	SWITCH TOGGLE ASSY SPDT 2P MOM	1



821.1 Aircraft Protection Package

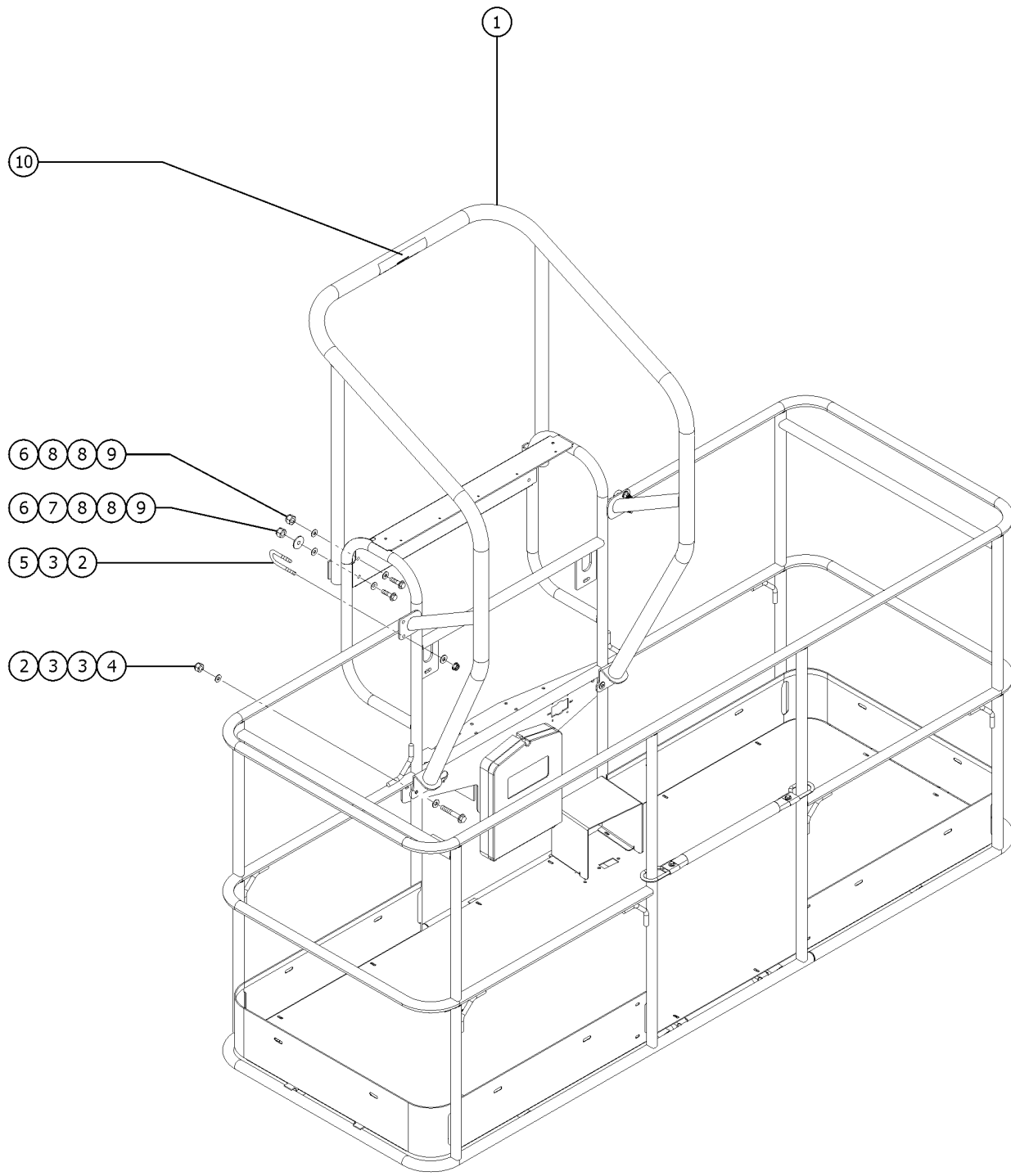


821.1 Aircraft Protection Package

<i>Item</i>	<i>Part No.</i>	<i>Description</i>	<i>Qty.</i>
27	27246GT	BOOT,TOGGLE SWITCH,SHORT*	1
28	81802GT	PLATE, AIRCRAFT PROTECTION OPT	4
29	1259329GT	PADDING, FOAM, 46.5"	4
30	75617-6275GT	PADDING,FOAM 3.5"OD X 1.50"ID	1
31	1259328GT	PADDING, FOAM, 15.5"	2
32	75617-2075GT	PADDING,FOAM 3.5"OD X 1.50"ID	2



822.1 Operator Protection Structure

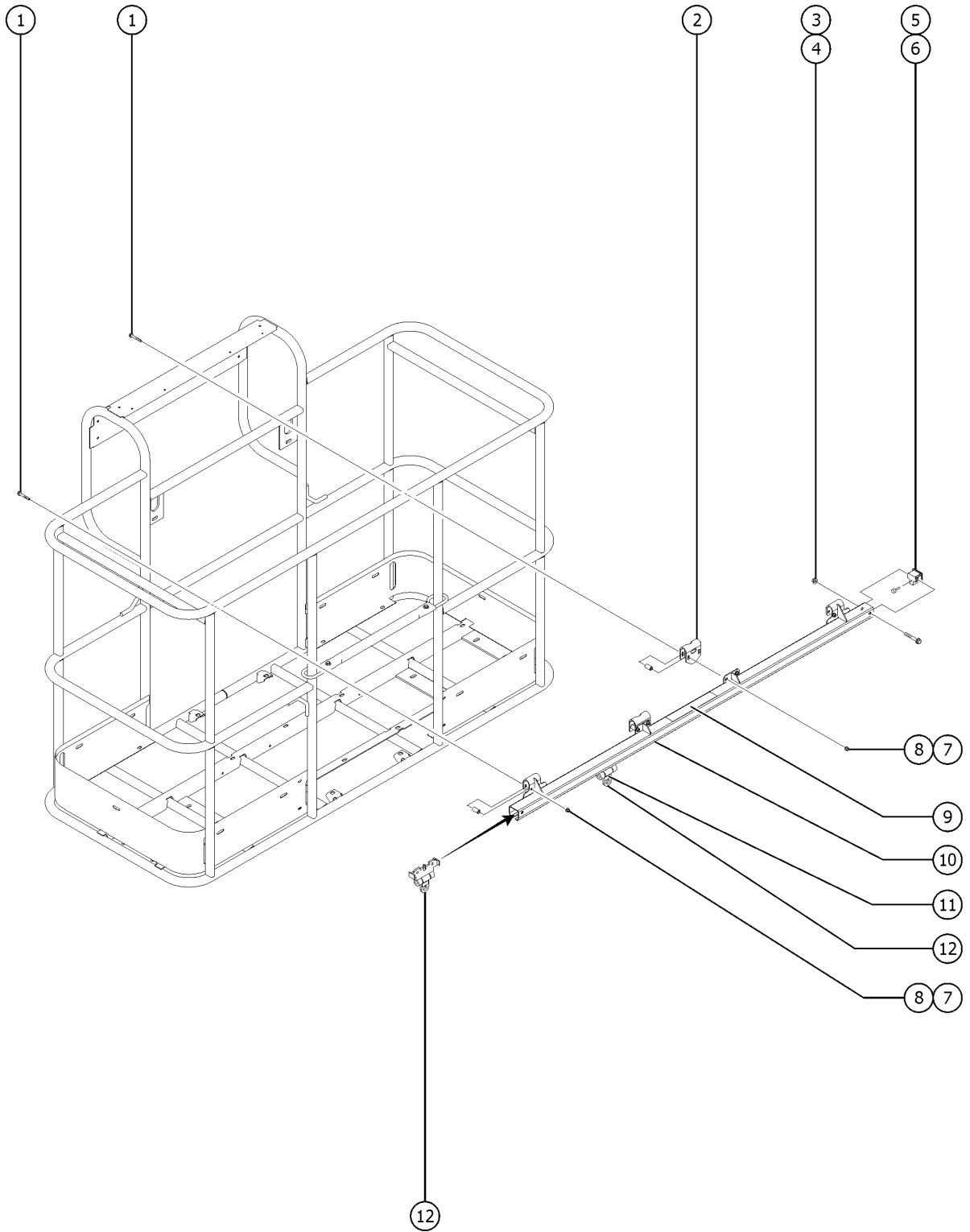


822.1 Operator Protection Structure

Item	Part No.	Description	Qty.
A		Fits all 6' and 8' Booms	
1	219158GT	ACCESSORY, OPERATOR PROT STRUCT (Complete) includes all fasteners	1
2	1256468GT	NUT, 3/8-16, 8, ZAG	8
3	1255758GT	WASHER, FLAT, 3/8, USS, ZAG	12
4	824069GT	SCREW, HHC, 3/8-16X2.5, 8, ZAG	4
5	1251600GT	U-BOLT, FLATTENED, Ø1.5 X 3/8 UNC, ZAG	4
6	1261184GT	NUT, 1/4-20, 8, ZAG	4
7	824120GT	WASHER, FLAT, .375X1.50X.125, ZAG Use only with the platform control box cover option	2
8	824113GT	WASHER, FLAT, 1/4, USS, ZAG	6
9	824060GT	SCREW, HHC, 1/4-20 X 1, 8, ZAG	4
10		Ref. DECAL, INSTRUCTION, OPS refer to Section 1	1



823.1 Traveling Fall Arrest Anchor System

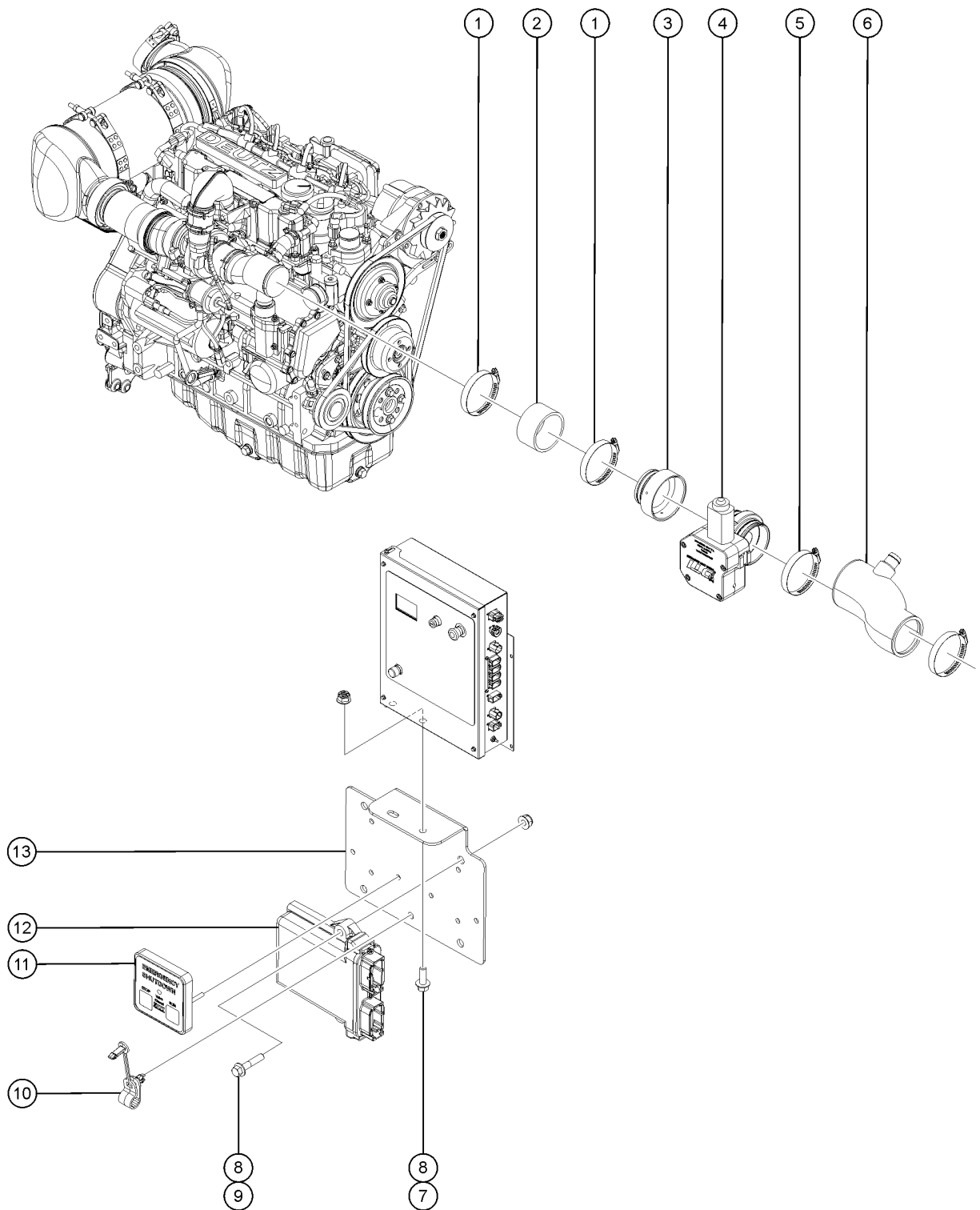


823.1 Traveling Fall Arrest Anchor System

Item	Part No.	Description	Qty.
1	1256856GT	SCREW,HHF,3/8-16X2.5,8,ZAG	4
2	1256389GT	FORMING,INNER HANGER	2
3	1251997GT	NUT,TL FLG,1/2-13,G,ZAG	2
4	1256851GT	SCREW,HHF,1/2-13X3.5,8,ZAG	2
5	1260892GT	END STOP. TFAAS TRACK	2
6	36388GT	BUMPER,RUBBER,.75 X .50H,STUD	2
7	1274322GT	NUT,NYLOCK FLG,3/8-16,F,ZAG	8
8	1256481GT	SPACER, HANGER BRACKET	8
9A	1256400GT	DECAL,TFAAS TRACK,WORD	1
9B	1260910GT	DECAL,TFAAS TRACK,SYMBOL	1
9C	1256400FRGT	DECAL,TFAAS TRACK,WORD FR	1
10A	1256377GT	ACC,TFAAS FALL ARREST,8FT WORD	1
		includes instructions and decals	
10A-	1256379GT	ASSY,TFAAS TRACK,8FT WORD	
		includes decals	
10B	1261022GT	ACC,TFAAS FALL ARREST,8FT SYM	1
		includes instructions and decals	
10B-	1261024GT	ASSY,TFAAS TRACK,8FT SYM	
		includes decals	
10C	1261018GT	ACC,TFAAS FALL ARREST,8FT FR	1
		includes instructions and decals	
10C-	1261020GT	ASSY,TFAAS TRACK,8FT FR	
		includes decals	
10D	1256378GT	ACC,TFAAS FALL ARREST,6FT WORD	1
		includes instructions and decals	
10D-	1256380GT	ASSY,TFAAS TRACK,6FT WORD	
		includes decals	
10E	1261023GT	ACC,TFAAS FALL ARREST,6FT SYM	1
		includes instructions and decals	
10E-	1261025GT	ASSY,TFAAS TRACK,6FT SYM	
		includes decals	
10F	1261019GT	ACC,TFAAS FALL ARREST,6FT FR	1
		includes instructions and decals	
10F-	1261021GT	ASSY,TFAAS TRACK,6FT FR	
		includes decals	
11	40434GT	DECAL,LANYARD ANCHORAGE POINT	1
12	1256439GT	TROLLEY, TFAAS TRACK	1



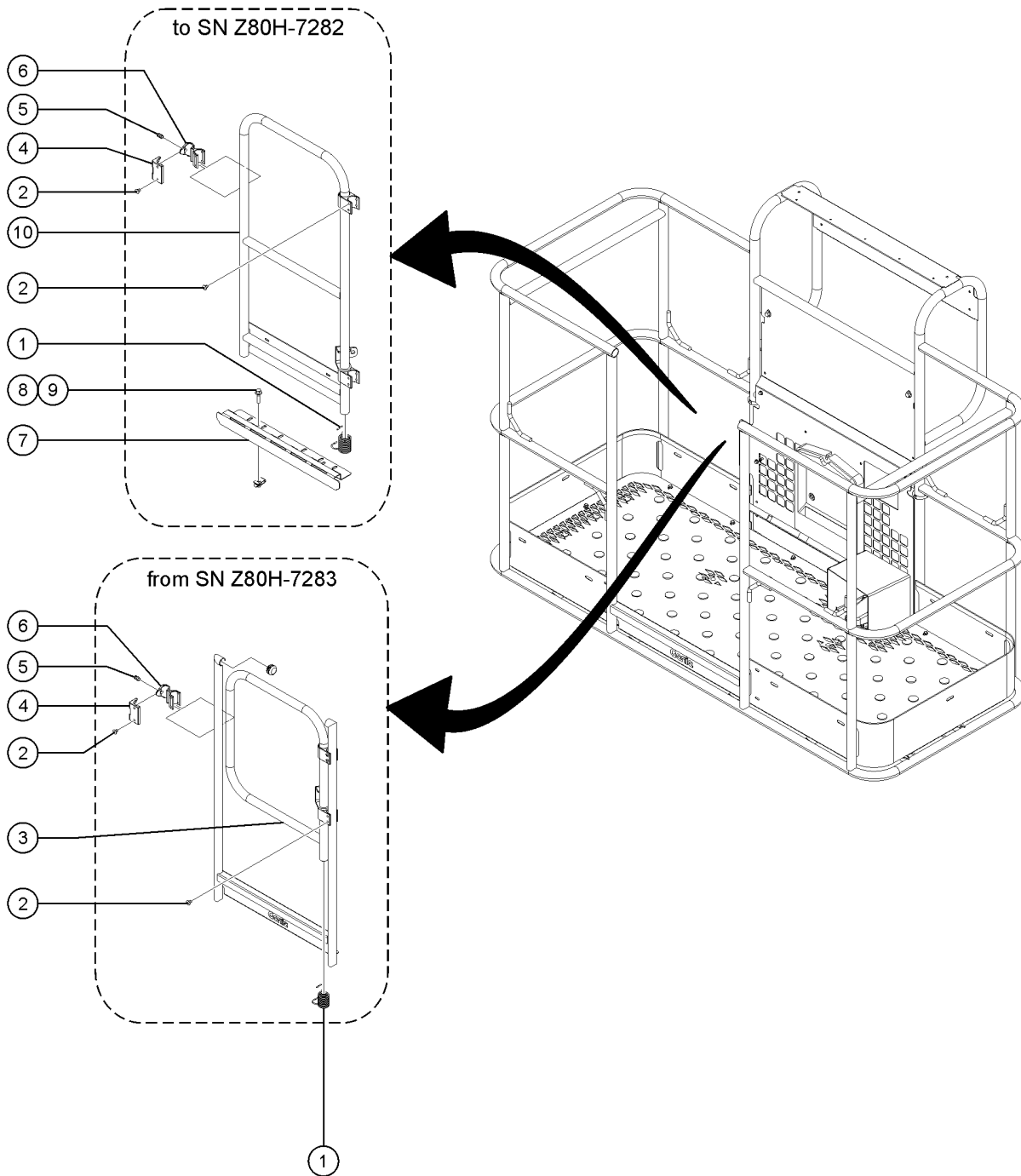
824.1 Pass Option, Deutz TD2.9



Item	Part No.	Description	Qty.
-	1293281GT	KIT, PASS, DEUTZ TD2.9, S80/85, Z80	1
-	1290849GT	HARNESS, CONTROL, PASS	1
-	6146GT	WASHER,FLAT,MS,#10,Y	1
-	1251757GT	SCREW,PHPM,10-32X.50,ZAG	1
1	45435GT	CLAMP,HOSE,2.50"	2
2	1289823GT	HOSE, INTAKE SILICONE 2.5" ID X 1.54" LG	1
3	1289837GT	NOZZLE 3" TO 2.5"	1
4	1289536GT	VALVE, PASS DEUTZ T4	1
5	30971GT	CLAMP,HOSE,3.00"	1
6	1289852GT	PASS INTAKE S80 TD2.9	1
7	824078GT	SCREW,HHF,1/4-20X.75,8,ZAG	2
8	1277924GT	NUT,NYLOCK FLG,1/4-20,F,ZAG	4
9	824080GT	SCREW,HHF,1/4-20X1.25,8,ZAG	2
10	219508GT	CLAMP, FIXED DIA, NYLON, 3/8"	1
11	1290107GT	HARNESS, MODULE, ESTOP, PASS	1
12	1291573GT	CONTROLLER, VCU, DEUTZ 2.9	1
13	1264229GT	BRACKET, POSITIVE AIR SHUTOFF	1



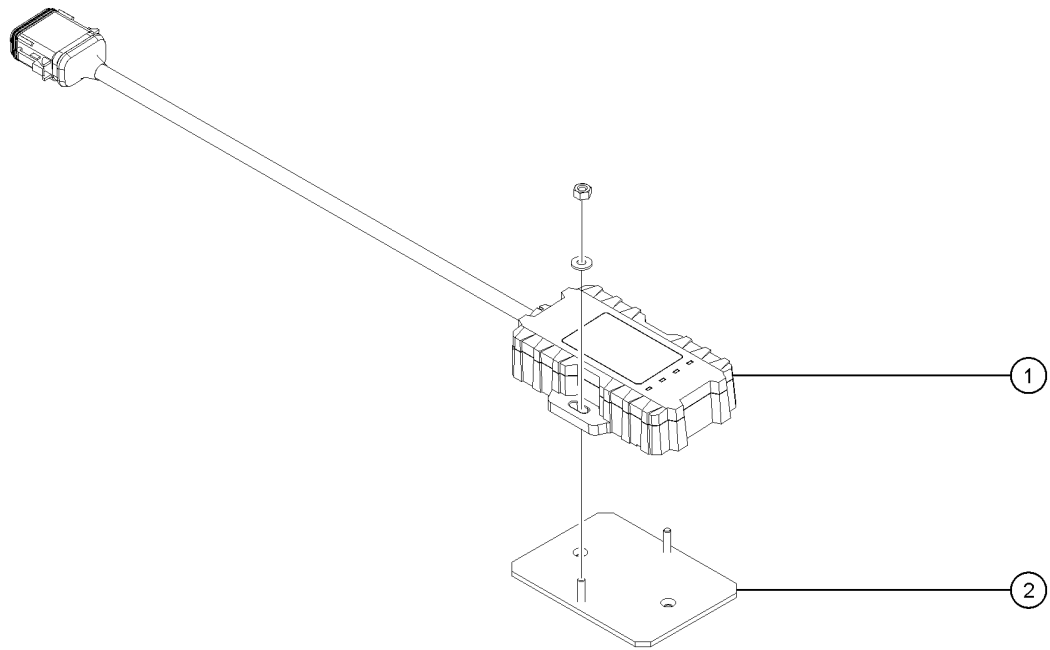
825.1 Aircraft Protection, Front Gate



Item	Part No.	Description	Qty.
1	42104GT	SPRING,SHORT PLATFORM GATE	1
2	824207GT	RIVET,STL,STL,DOME,1/4X.375,Z (to SN Z80H-7282)	14
2B	824207GT	RIVET,STL,STL,DOME,1/4X.375,Z (from SN Z80H-7283)	8
3	1283880GT	WELDMENT,ALUM HALF GATE	1
3-	43392GT	BUMPER,BATTERY BOX & RAILS***	
3-	55753GT	BUMPER, PLASTIC, 1.25 O.D.	
4	1488GT	RAILING CATCH CASTING--DRILLED	1
5	33674GT	PIN,LOCK,SHORT***	1
6	1487GT	GATE LATCH CASTING--DRILLED	1
7	73610GT	STEP PLATFORM ENTRY	1
8	824079GT	SCREW,HHF,1/4-20X1,8,ZAG (to SN Z80H-7282)	2
9	56912GT	SPRING CLIP,1/4-20,.025-.15X.5 (to SN Z80H-7282)	2
10	128374GT	WELDMENT,SWING GATE,ALUMINUM (to SN Z80H-7282)	1
10-	43392GT	BUMPER,BATTERY BOX & RAILS***	
10-	55753GT	BUMPER, PLASTIC, 1.25 O.D.	



826.1 Telematics Option

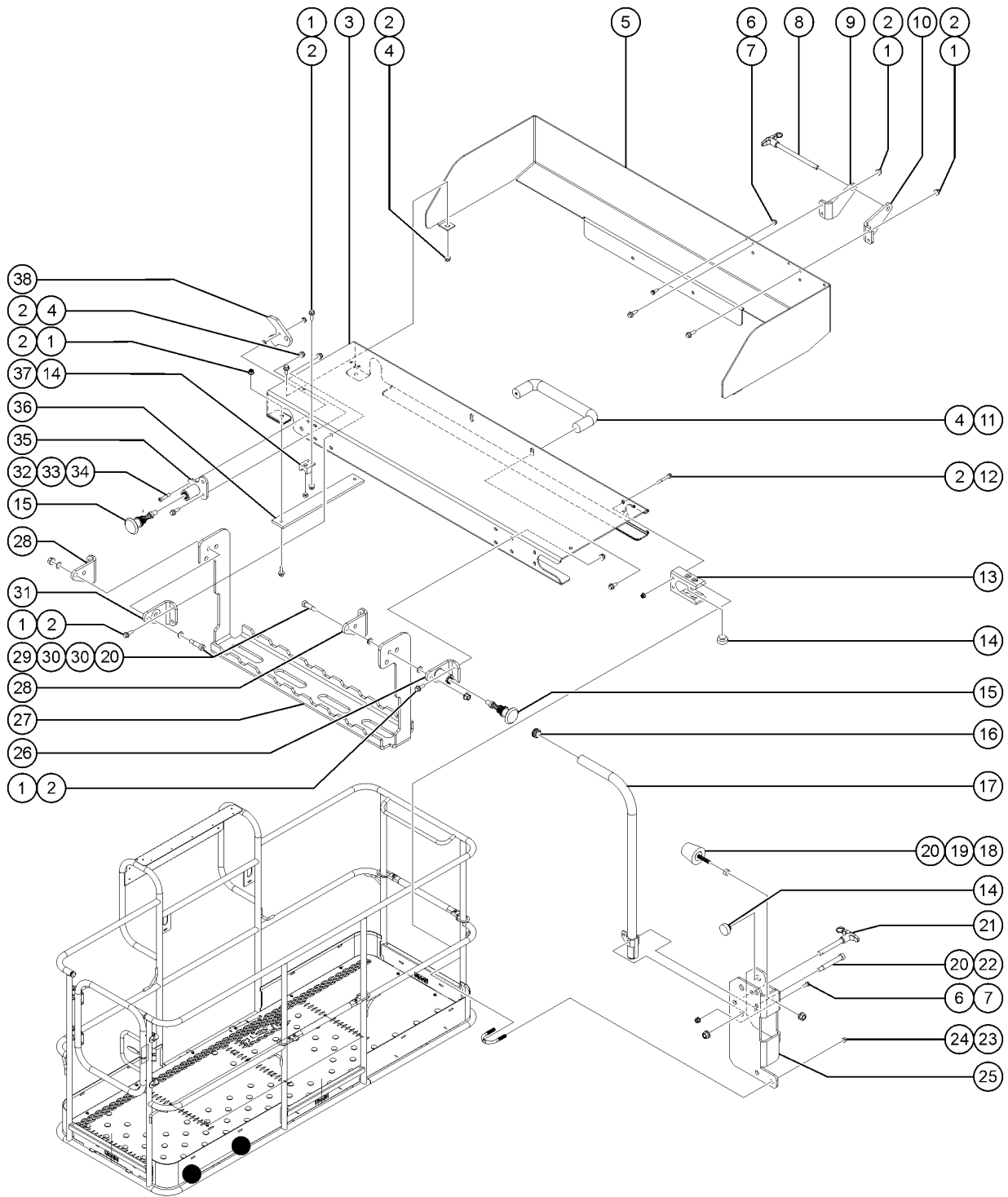


826.1 Telematics Option

Item	Part No.	Description	Qty.
-	1292198GT	HARNESS, RETROFIT, M7 for first time insulation, must order this Harness with one of the models 1289520GT, 1289521GT, 1289522GT, or 1289523GT	1
-	1256074GT	HARNESS, HERTZ GPS, 8" (to SN Z80H-7415) (hertz)	1
-	1292346GT	HARNESS,HERTZ GPS,8" (from SN Z80H-7416) (hertz)	1
1	1289520GT	MODULE, TELEMATICS, ZTR, M7, NORTH AMERICA North America	1
1B	1289521GT	MODULE, TELEMATICS, ZTR, M7, EMEA/APAC EMEA/APAC	
1C	1289522GT	MODULE,TELEMATICS,ZTR,M7,APAC/ANZ APAC/ANZ	
1D	1289523GT	MODULE,TELEMATICS,ZTR,M7,JAPAN Japan	
2	1289561GT	BRACKET, TELEMATICS	1



827.1 Lift Tools Access Deck - 8 Feet

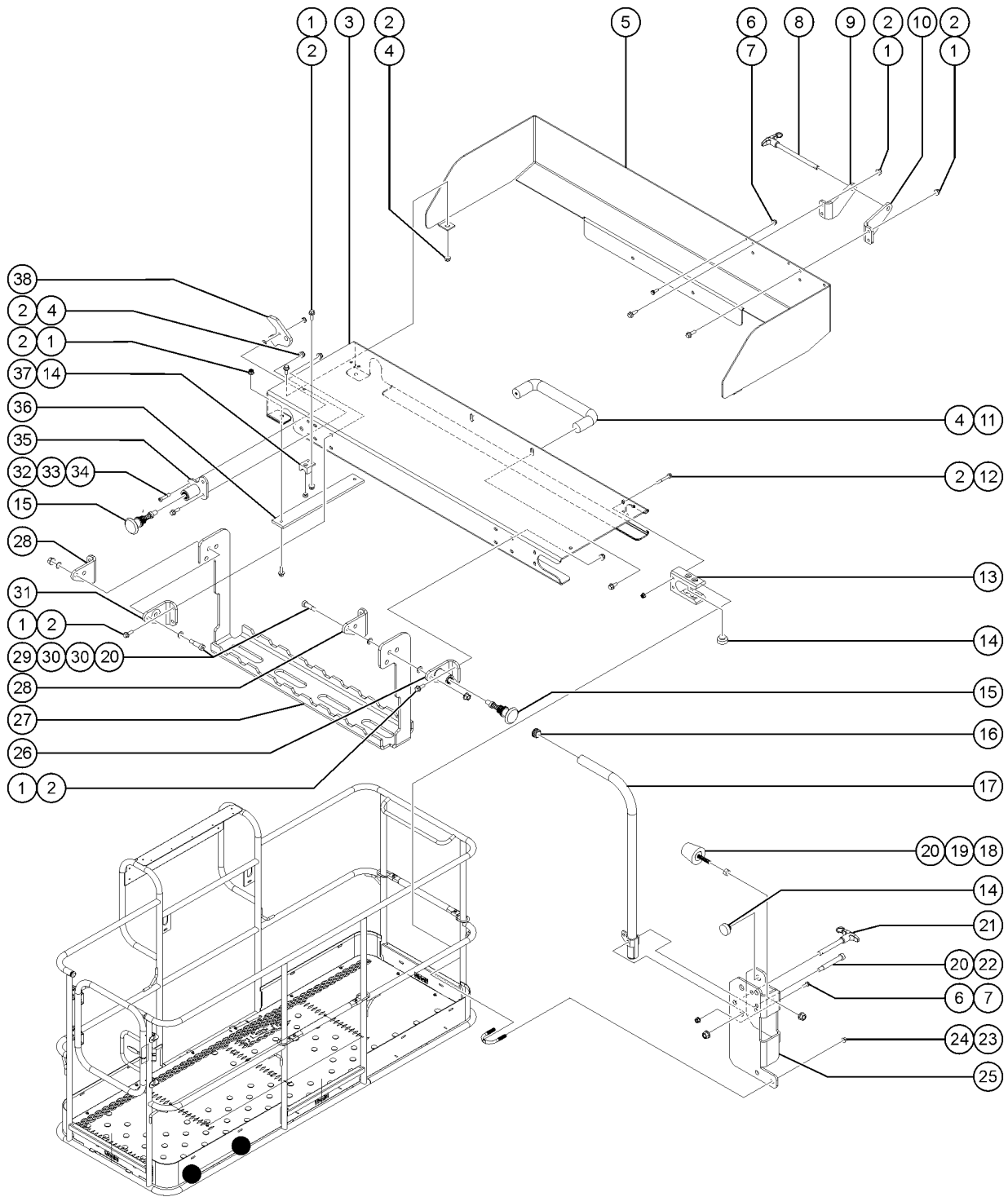


827.1 Lift Tools Access Deck - 8 Feet

Item	Part No.	Description	Qty.
-	1291798GT	KIT, LIFT TOOLS ACCESS DECK, 8FT PLATFORM, ANSI	
1	824078GT	SCREW,HHF,1/4-20X.75,8,ZAG	20
2	1277924GT	NUT,NYLOCK FLG,1/4-20,F,ZAG	28
3	1291799GT	FORMING, ACCESS DECK	1
4	1256855	SCREW,HHF,1/4-20X.625,8,ZAG	6
5	1291800GT	FORMING, ACCESS DECK TOEBOARD, 8FT PLATFORM	1
6	1283004GT	NUT,NYLOCK FLG,10-24,A,ZAG	2
7	1270665GT	SCREW,HHF,10-24X.625,5,ZAG	2
8	1292956GT	PIN, QUICK RELEASE 3/8X5	1
8-	1292932GT	LANYARD, STEEL, 8",NYLON SLEEVE,#10	
9	1292937GT	FORMING, ACCESS DECK LEFT LOCK	1
10	1292936GT	FORMING, ACCESS DECK RIGHT LOCK	1
11	1291802GT	FORMED, PULL HANDLE	1
12	1253485GT	SCREW,HHF,1/4-20X2,8,ZAG	4
13	1291812GT	WEAR PAD, HORIZONTAL MIDRAIL SLOT	2
14	43392GT	BUMPER,BATTERY BOX & RAILS***	8
15	1291811GT	POP PIN, YELLOW	2
16	55753GT	BUMPER, PLASTIC, 1.25 O.D.	2
17	1291815GT	WELDMENT, FOLDING HANDLE	1
18	111580GT	BUMPER,RUBBER,1.19DX1.5X.31-18	1
19	1261250GT	NUT,5/16-18,8,ZAG	1
20	1274167GT	NUT,NYLOCK FLG,5/16-18,F,ZAG	4
21	1291865GT	PIN, QUICK RELEASE 3/8X2-1/2	1
21-	1292932GT	LANYARD, STEEL, 8",NYLON SLEEVE,#10	
22	1291817GT	BOLT,SHS,3/8X2.25X5/16-18,ZAG	1
23	1274322GT	NUT,NYLOCK FLG,3/8-16,F,ZAG	4
24	1251600GT	U-BOLT, FLATTENED, Ø1.5 X 3/8 UNC,ZAG	2
25	1293706GT	FORMING, ACCESS DECK HANDLE	1



827.1 Lift Tools Access Deck - 8 Feet

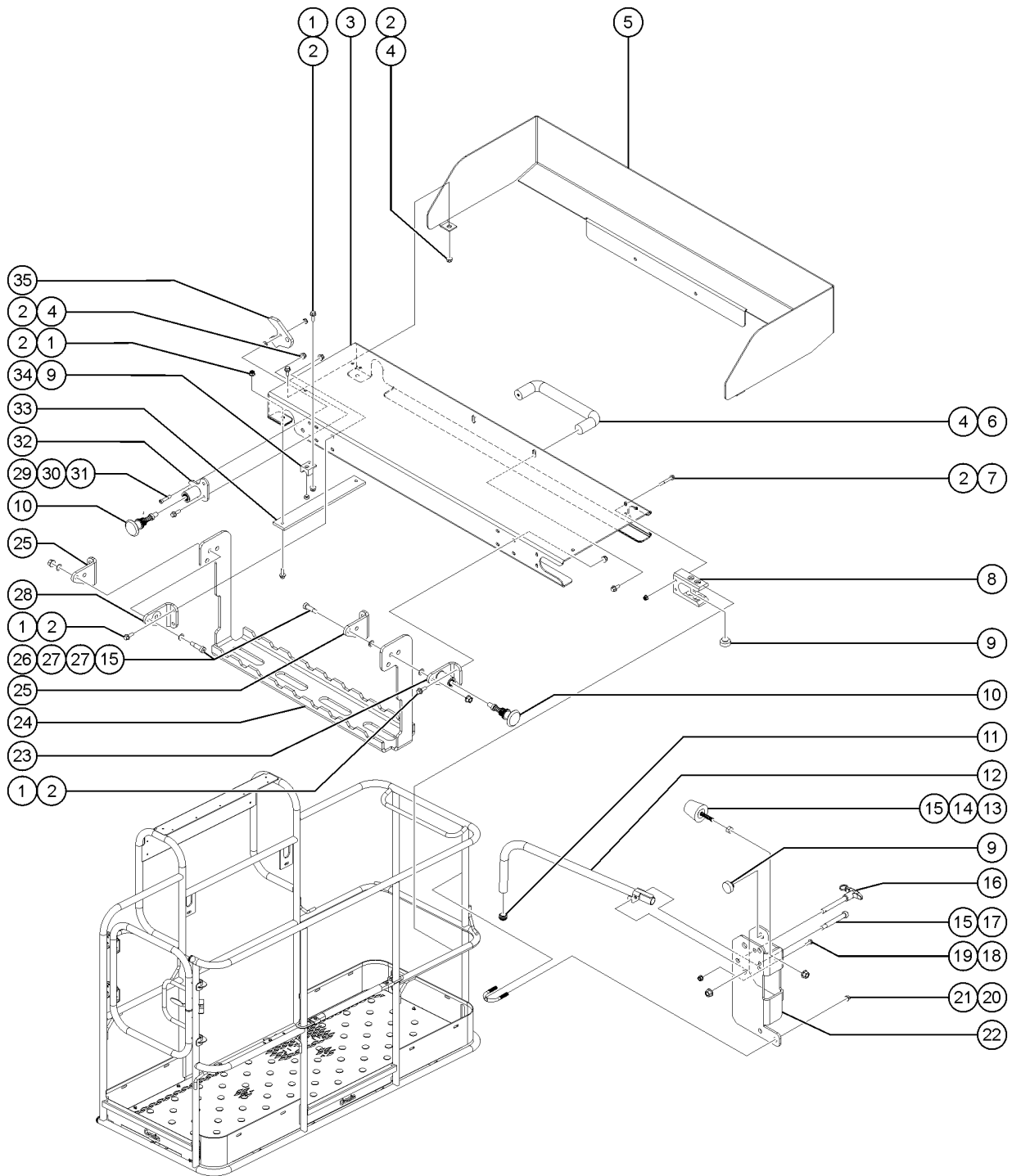


827.1 Lift Tools Access Deck - 8 Feet

<i>Item</i>	<i>Part No.</i>	<i>Description</i>	<i>Qty.</i>
26	1291844GT	WELDMENT, ACCESS DECK STEP LOCK	1
27	1291801GT	FORMING, ACCESS DECK STEP, 8FT PLATFORM	1
28	1291804GT	FORMING, ACCESS DECK LEFT EYE, 8FT PLATFORM	2
29	1291819GT	BOLT,SHS,3/8X7/8X5/16-18,ZAG	2
30	1292828GT	WASHER,FLAT,.39,.625,.036,ZAG	4
31	1291803GT	FORMING, ACCESS DECK RIGHT EYE, 8FT PLATFORM	1
32	1291818GT	BOLT,SHS,1/4X.75X1/4-20,ZAG	1
33	1291821GT	WASHER, FLAT, 1/4X1/16X1/2, AL	1
34	1283026GT	NUT,LP NYLOCK,1/4-20,2,ZAG	1
35	1291809GT	WELDMENT, LIFT TOOLS MIDRAIL LOCK	1
36	1291807GT	PLATE, STIFFENER BAR	2
37	1291813GT	WEAR PAD, VERTICAL MIDRAIL SLOT	2
38	1291806GT	PLATE, MIDRAIL HOOK	1



828.1 Lift Tools Access Deck - 6 Feet

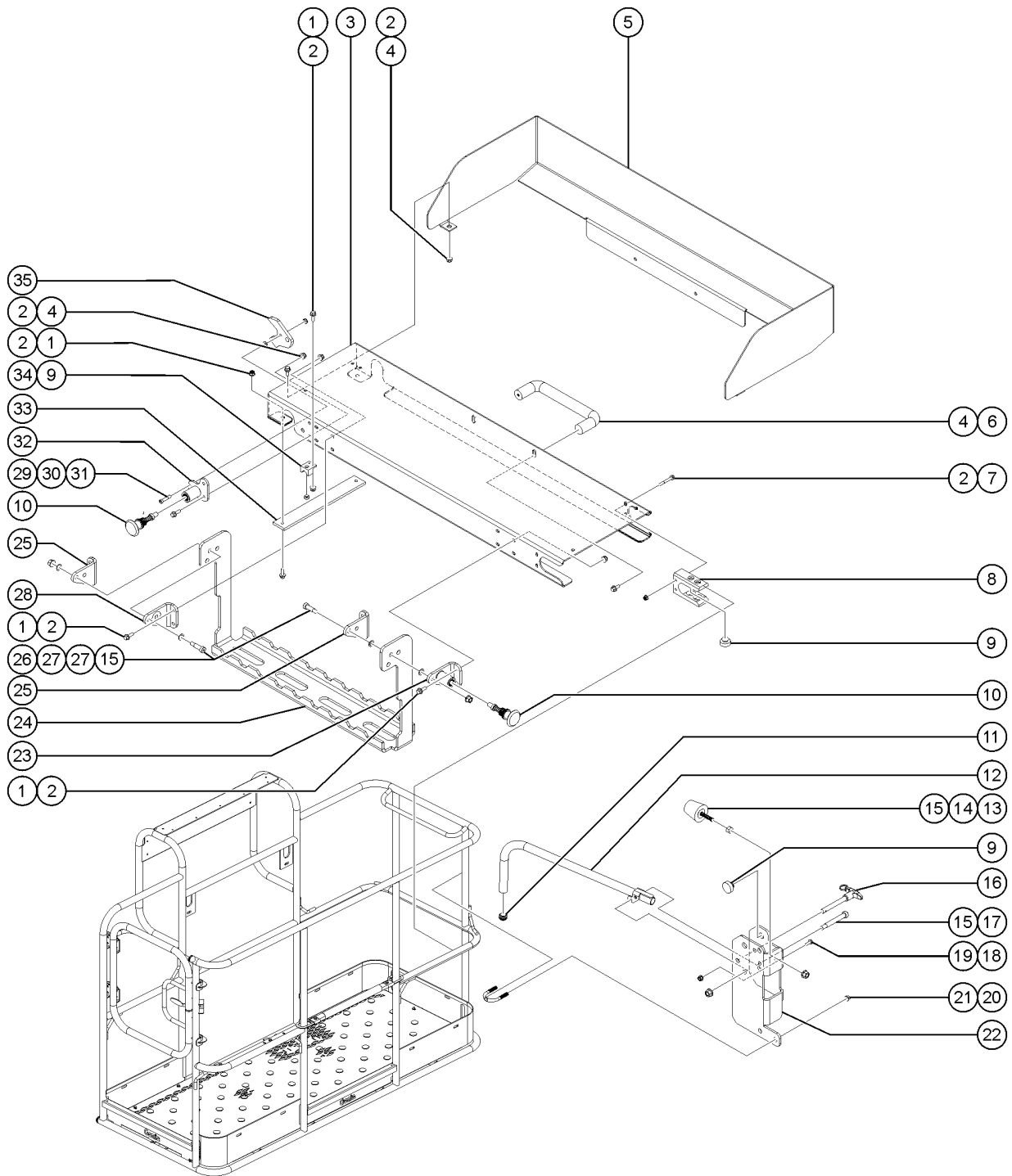


828.1 Lift Tools Access Deck - 6 Feet

Item	Part No.	Description	Qty.
-	1293700GT	KIT, LIFT TOOLS ACCESS DECK, 6FT PLATFORM, ANSI (6 feet)	1
1	824078GT	SCREW,HHF,1/4-20X.75,8,ZAG	16
2	1277924GT	NUT,NYLOCK FLG,1/4-20,F,ZAG	24
3	1293710GT	FORMING, ACCESS DECK	1
4	1256855	SCREW,HHF,1/4-20X.625,8,ZAG	6
5	1293702GT	FORMING, ACCESS DECK TOEBOARD, 6FT PLATFORM	1
6	1291802GT	FORMED, PULL HANDLE	1
7	1253485GT	SCREW,HHF,1/4-20X2,8,ZAG	4
8	1291812GT	WEAR PAD, HORIZONTAL MIDRAIL SLOT	2
9	43392GT	BUMPER,BATTERY BOX & RAILS***	8
10	1291811GT	POP PIN, YELLOW	2
11	55753GT	BUMPER, PLASTIC, 1.25 O.D.	2
12	1291815GT	WELDMENT, FOLDING HANDLE	1
13	111580GT	BUMPER,RUBBER,1.19DX1.5X.31-18	1
14	1261250GT	NUT,5/16-18,8,ZAG	1
15	1274167GT	NUT,NYLOCK FLG,5/16-18,F,ZAG	4
16	1291865GT	PIN, QUICK RELEASE 3/8X2-1/2	1
16-	1292932GT	LANYARD, STEEL, 8",NYLON SLEEVE,#10	
17	1291817GT	BOLT,SHS,3/8X2.25X5/16-18,ZAG	1
18	1270665GT	SCREW,HHF,10-24X.625,5,ZAG	1
19	1283004GT	NUT,NYLOCK FLG,10-24,A,ZAG	1
20	1274322GT	NUT,NYLOCK FLG,3/8-16,F,ZAG	4
21	1251600GT	U-BOLT, FLATTENED, Ø1.5 X 3/8 UNC,ZAG	2
22	1293706GT	FORMING, ACCESS DECK HANDLE	1
23	1291844GT	WELDMENT, ACCESS DECK STEP LOCK	1
24	1293703GT	FORMING, ACCESS DECK STEP, 6FT PLATFORM	1
25	1291804GT	FORMING, ACCESS DECK LEFT EYE, 8FT PLATFORM	2
26	1291819GT	BOLT,SHS,3/8X7/8X5/16-18,ZAG	2



828.1 Lift Tools Access Deck - 6 Feet



828.1 Lift Tools Access Deck - 6 Feet

<i>Item</i>	<i>Part No.</i>	<i>Description</i>	<i>Qty.</i>
27	1292828GT	WASHER,FLAT, .39, .625, .036,ZAG	4
28	1291803GT	FORMING, ACCESS DECK RIGHT EYE, 8FT PLATFORM	1
29	1291818GT	BOLT,SHS,1/4X.75X1/4-20,ZAG	1
30	1291821GT	WASHER, FLAT, 1/4X1/16X1/2, AL	1
31	1283026GT	NUT,LP NYLOCK,1/4-20,2,ZAG	1
32	1291809GT	WELDMENT, LIFT TOOLS MIDRAIL LOCK	1
33	1293704GT	PLATE, STIFFENER BAR	2
34	1291813GT	WEAR PAD, VERTICAL MIDRAIL SLOT	2
35	1291806GT	PLATE, MIDRAIL HOOK	1



<u>Part no.</u>	<u>Page Number</u>	<u>Part no.</u>	<u>Page Number</u>	<u>Part no.</u>	<u>Page Number</u>
07.0501.0051GT	335	6889GT	303, 401, 403, 403,	19273GT	281
07.4501.0252GT	337	6935GT	483, 491,	19274GT	523
1268GT	13	7056GT	107, 199, 199, 199,	19470GT	409, 411, 415
1484GT	13	7057GT	205, 211, 211, 211,	20224GT	443, 447
1487GT	517, 519, 537	8170GT	107, 199, 235, 249,	20776GT	481, 487, 491, 503
1488GT	517, 519, 537	8177GT	191, 193, 211, 221,	21019GT	273
4828GT	01, 11, 11, 01, 09,	8255GT	483, 507	21130GT	263, 363
5224GT	105...	8357GT	323	21141GT	63, 73
5365GT	67, 97	8516GT	267, 357, 377	21465GT	281, 281, 301, 309,
5397GT	263	8914GT	85, 365, 373	21496GT	327, 329...
6002GT	03, 09, 13, 19, 91,	8915GT	81	21618GT	263, 363
6019GT	107...	9599-SGT	11, 101, 201, 303, 303,	21935GT	527
6021GT	99, 455	10107GT	485...	22348GT	423, 427, 429
6024GT	09, 19, 103, 201, 321,	10597GT	67, 69, 77, 79	22558GT	331
6033GT	373	10775GT	97, 285	22571GT	269
6037GT	83, 103, 321, 323, 303,	10777GT	457	22578GT	315, 457, 459
6090GT	373...	12344GT	477, 507	22672GT	263
6091GT	269, 273, 287	12906GT	477, 507	22699GT	213, 301, 311, 323,
6095GT	357, 379, 387	13000GT	91, 93, 401, 403, 491,	23083-SGT	327, 345
6097GT	489	13002GT	523	23083GT	265, 279
6126GT	91, 109, 303, 391, 403,	13003GT	97	23404GT	455
6145GT	463	13064GT	489, 505	24038GT	401, 403
6146GT	07, 11, 91, 109, 203,	13066GT	03, 13, 201, 211, 403,	24514GT	273, 307, 325, 341
6147GT	277...	13097GT	487	25388GT	393
6175GT	51, 81, 89, 507	13268GT	269, 287	25685GT	107
6178GT	03, 11, 13, 01, 103,	13480GT	85, 269, 273, 287	25817GT	475
6198GT	277...	13585GT	09, 203, 201, 403, 403,	25926GT	47
6272GT	87	13635-4GT	493	25969GT	99
6356GT	385	13918GT	257, 481	25994GT	273, 277, 281
6550GT	01, 11, 203, 203, 213,	14041GT	91, 291, 303, 321, 399,	27051GT	19
6584GT	285...	14392GT	405	27082GT	409, 411, 415
6147GT	455	15086GT	199	27204GT	315
6175GT	03, 13, 03, 103, 101,	16073GT	483	27205GT	23, 37
6178GT	263	18189GT	99	27206GT	19, 33
6198GT	07, 11, 99, 109, 203,	18396GT	71, 81	27207GT	19, 23, 33, 37
6198GT	269...	18596GT	225, 243	27246GT	397, 529
6198GT	51, 81, 485, 493, 507	18665GT	511	27377GT	99, 103
6272GT	93	18666GT	275	27391GT	151, 527
6356GT	09, 19, 93, 99, 103,	18722GT	265, 329	27497GT	383, 385
6356GT	385...	18731GT	323	27581GT	13
6550GT	497	19018-1100GT	387	27585GT	279, 287
6584GT	263	19020GT	269, 373	27698GT	47, 51
6584GT	263		481, 491, 503		
6595GT	107, 477, 507		487, 499, 501		
6605GT	89		359		
6607GT	45		357		
6637GT	99, 277, 287		473		
6638GT	67, 69, 75, 79, 85, 93...		507		
6700GT	91				
6782GT	09, 19, 91, 201, 403,				
6833GT	487...				
6833GT	399, 403, 527				
6878GT	389, 463				
6886GT	63, 73, 87, 489				
6888GT	03, 13, 93, 91, 103,				
	263...				



<u>Part no.</u>	<u>Page Number</u>	<u>Part no.</u>	<u>Page Number</u>	<u>Part no.</u>	<u>Page Number</u>
27761GT	419	30489GT	267, 277, 467	34955GT	467, 469
27802GT	423, 425	30785-450GT	363	35418GT	309
27804GT	429	30794GT	107	35432GT	467
27807GT	409, 411, 413, 415, 417, 423...	30971GT	211, 289, 311, 341, 349, 467	35434GT	213, 323, 321, 343, 467
27836GT	419, 429	30973GT	83, 177, 377, 293, 321, 351...	35461GT	403, 497
27901GT	329	30996GT	91, 401, 405	35956GT	457
28131GT	143	30997GT	91, 401, 405	36207GT	359
28158GT	19, 33	31060GT	23, 27	36208GT	325, 467
28159GT	19, 33	31102GT	425	36294GT	483, 491
28160GT	19, 33	31523GT	467	36388GT	461, 533
28161GT	27	31788GT	23	36648GT	381
28165GT	29	32150GT	13	37187GT	69
28174GT	23, 25, 29, 33, 37, 41	32151GT	13	37191GT	69
28175GT	23	32339GT	383	38149GT	19
28176GT	29	32975GT	423	38620GT	367, 369, 371
28177GT	29	33277GT	281, 315, 469	38922GT	331
28181GT	27	33278GT	87	39479GT	485, 493, 507
28235GT	23, 25, 29, 33, 37, 41	33418GT	269, 287	39882GT	87, 423
28236GT	29	33428GT	49, 359, 387	39888-48000GT	479
28301GT	99, 103	33441GT	57, 61	39888-82800GT	479
28443GT	497	33550GT	41	39908GT	189
28646GT	79, 85	33555GT	99, 103	40434GT	29, 41, 533
28750GT	13, 437	33576GT	393	40645GT	269
29080GT	367, 369, 371	33607GT	483, 491	40766GT	285, 353
29557GT	271	33608GT	483, 491	41489GT	87
29559GT	271	33674GT	517, 537	42079GT	373
29560GT	271	33681GT	365	42104GT	517, 519, 537
29605GT	97	33784GT	345	42229GT	97
29739GT	439	33931GT	341	42288GT	399, 405
29868GT	49, 63, 65, 13, 15, 105...	33990GT	61	42315GT	489
30080GT	29	33994GT	13, 437	42414GT	205, 217, 227
30138GT	371, 375	34052GT	19, 109, 191, 193, 203, 211...	43018GT	49, 387, 437
30143GT	323	34053GT	79	43392GT	333, 401, 311, 313, 537, 541...
30144GT	323	34058GT	315	43960GT	365, 367, 379, 383
30186GT	359	34125GT	367	44174GT	433, 435
30199GT	47	34164GT	289	44225GT	433
30221GT	49	34344GT	293, 321	44227GT	433
30222GT	385	34346GT	357	44228GT	433
30255GT	373	34533GT	467	44743GT	393
30348GT	345	34550GT	87, 99, 357	44981GT	23, 29, 33, 41, 477
30468GT	461	34619GT	475	44986GT	29
30469GT	379	34767GT	55	45363GT	67, 77, 101

<u>Part no.</u>	<u>Page Number</u>	<u>Part no.</u>	<u>Page Number</u>	<u>Part no.</u>	<u>Page Number</u>
45383GT	91	48958GT	495	49128-11209GT	453
45384GT	107	48959GT	449	49128-16509GT	451
45435GT	213, 215, 289, 311, 325, 327...	48960GT	441, 445, 447, 449, 495, 509	49130-2582GT	441
45454GT	291, 353, 477	48963GT	441, 445, 447, 495	49130-3882GT	447
45470GT	307, 377, 475, 505	48964GT	495, 509	49130-9782GT	453
45495GT	85	48978GT	449, 495	49130-41082GT	451
45708GT	323	48984GT	449	49130-41882GT	453
45782GT	189, 191, 205, 207, 213, 217...	48996GT	449	49130-79482GT	451
45912GT	427, 429	48998GT	443, 447	49141-1763GT	449
45914GT	423, 427, 429	49000GT	77, 521	49141-4463GT	449
45921GT	423, 427, 429	49116-4837GT	447	49141-5163GT	447
46188GT	527	49116-5037GT	447	49141-8963GT	445
46216GT	433	49116-5437GT	447	49141-9063GT	443
46468GT	29, 41	49117-2891GT	451	49141-9463GT	443
47363GT	497	49117-4491GT	443	49143-2628GT	449
47376GT	361	49117-5691GT	443, 445	49143-4829GT	449
47377GT	387	49117-9791GT	443	49143-5629GT	443, 445
48425GT	275, 293	49117-9819GT	509	49143-11229GT	495
48640GT	423	49117-12791GT	451	49143-16529GT	451
48641GT	423, 427, 429	49117-14391GT	443	49149-4126GT	447
48751GT	453	49117-15791GT	443	49149-5026GT	447
48880GT	443, 447	49119-2678GT	441, 443	49150-8430GT	447
48885GT	79	49119-2878GT	441	49151-2248GT	441, 445
48887GT	85	49119-2978-SGT	441	49151-3548GT	447
48904GT	441, 453	49119-3378GT	441	49159-5918GT	449
48905GT	441, 443, 447, 451, 453	49119-3878GT	441	49183-8792GT	447
48907GT	451	49119-4278GT	451	49183-9792GT	453
48908GT	443	49119-4578GT	443	49183-41892GT	451
48911GT	441	49119-5378GT	443	49183-42892GT	451
48912GT	445, 447, 451	49119-5678GT	443	49183-44392GT	451
48913GT	453	49119-6678GT	451	49189-4638GT	79
48915GT	447, 451	49119-8900GT	441	49189-7238GT	79
48916GT	441, 447, 451, 453	49119-9278GT	441	49212GT	479
48920GT	447, 451	49119-9678GT	445	49214GT	479
48930GT	441, 453	49119-9778GT	453	49215GT	479
48932GT	449	49119-9878GT	441	49364GT	315
48933GT	443, 447, 451, 495	49119-10078GT	441	49379GT	469
48935GT	495, 509	49119-15178GT	443	49407GT	263
48941GT	509	49119-15678GT	443	49408GT	457, 459
48946GT	449	49119-42878GT	451	49410GT	279, 287
48947GT	447	49128-1409GT	453	49411GT	265, 269
48948GT	443, 449, 495	49128-5409GT	447	49418GT	443

<u>Part no.</u>	<u>Page Number</u>	<u>Part no.</u>	<u>Page Number</u>	<u>Part no.</u>	<u>Page Number</u>
49612GT	13, 437, 441, 443, 447	54324GT	65	60425GT	137, 143, 151, 153, 155, 157, 207, 211, 223, 233, 257, 287, 103, 189, 193, 195, 205, 211, 215, 143, 195, 227, 231, 257, 157, 159, 143, 145, 151, 165...
49613GT	437, 441, 443, 447, 451	54365GT	401, 403, 489	60427GT	223, 233, 257, 287, 103, 189, 193, 195, 205, 211, 215, 143, 195, 227, 231, 257, 157, 159, 143, 145, 151, 165...
49816GT	99, 109, 263, 285, 355	54373GT	121, 177, 249	60431GT	223, 233, 257, 287, 103, 189, 193, 195, 205, 211, 215, 143, 195, 227, 231, 257, 157, 159, 143, 145, 151, 165...
49817GT	51, 269, 365	54428GT	277, 349	60433GT	193, 195, 205, 211, 215, 143, 195, 227, 231, 257, 157, 159, 143, 145, 151, 165...
49819GT	45	54457GT	519	60435GT	215, 143, 195, 227, 231, 257, 157, 159, 143, 145, 151, 165...
49820GT	95	54458GT	519	60439GT	151, 165...
49826GT	75	54486GT	461	60441GT	255, 259
49861GT	509	54723GT	97, 103	60443GT	119, 151, 143, 145, 149, 159...
49863GT	483, 491	55067GT	395	60445GT	143, 199, 249
49864GT	195	55306GT	285, 353	60447GT	191, 195, 205, 211, 215, 227, 233, 203, 207, 209, 211, 223, 233, 257, 287, 103, 189, 193, 195, 205, 211, 215, 143, 195, 227, 231, 257, 157, 159, 143, 145, 151, 165...
49915GT	271	55753GT	395, 457, 473, 517, 527, 537...	60450GT	215, 227, 233, 203, 207, 209, 211, 223, 233, 257, 287, 103, 189, 193, 195, 205, 211, 215, 143, 195, 227, 231, 257, 157, 159, 143, 145, 151, 165...
49924GT	15, 271, 275	56237GT	485, 491	60451GT	223, 233, 257, 287, 103, 189, 193, 195, 205, 211, 215, 143, 195, 227, 231, 257, 157, 159, 143, 145, 151, 165...
50035GT	85	56424GT	395, 457, 473, 515, 517	60452GT	223, 241
50154GT	49	56426-700GT	527	60457GT	119, 245, 247
50161GT	65, 75	56525GT	473	60459GT	121, 131, 205, 207, 223, 225...
50245GT	367, 371, 377	56570GT	473	60460GT	119, 245, 247
50787GT	263	56687GT	203, 207	60508GT	63, 73
50813GT	385	56704GT	455	60512GT	119, 121, 245, 247, 399, 405, 137, 189, 191, 195, 205, 207...
51144GT	47	56912GT	49, 67, 75, 107, 311, 327...	60513GT	205, 207...
51428GT	99	56934GT	473	60514GT	143
52352GT	271	57075GT	507	60515GT	141
52371GT	433	58222GT	105	60525GT	127, 129
52714GT	423	58223GT	105	60526GT	95, 127, 129, 131
52723GT	419	58237GT	61	60527GT	123, 125, 177
52726GT	421	58249GT	271	60528GT	123, 125, 177
52768GT	63, 73	58290GT	439	60529GT	119, 245, 247, 251
52865GT	19	58299GT	271	60530GT	119, 245, 247, 251
52866GT	289, 311, 341	58304GT	87	60531GT	121, 143, 251
52907GT	433	58386GT	295	60532GT	121, 143, 251
52943GT	409, 411, 419, 423, 427	58412GT	297	60536GT	13, 109, 191, 195, 215, 227
52966GT	19, 33	58415GT	289, 311, 341	60540GT	131
52967GT	19, 33	58566GT	271	60555GT	47
53189GT	461	58630GT	15, 271	60559GT	63, 73
53386GT	363	58634GT	297	60575PGT	83
53387GT	51	58999GT	61	60584GT	275, 351
53471GT	189, 191, 195, 217, 219, 227...	59370GT	47	60585GT	305
53605GT	521	60143GT	521	60618GT	45
53952GT	289, 311, 327	60239GT	371	60747GT	45
54065GT	357	60304GT	367, 377	60768GT	119, 121
54124GT	329	60334GT	105	60769GT	119, 121
54205GT	307, 331	60370-SGT	395	60840GT	371, 377
54255GT	145, 189, 209, 219, 223, 231...	60424GT	137	60857GT	13, 105



<u>Part no.</u>	<u>Page Number</u>	<u>Part no.</u>	<u>Page Number</u>	<u>Part no.</u>	<u>Page Number</u>
60886PGT	479	61972GT	475	65624GT	297
60890GT	63, 75	61974GT	475	65625GT	297
60936PGT	63, 73	61975GT	475	65626GT	15
61070-7450GT	509	61997GT	475	65627GT	15
61073-3130GT	449	62252GT	419, 421	65636GT	333
61073-3530GT	509	62253GT	419	65638GT	333
61073-8930GT	447, 509	62254GT	423, 427, 429	65810GT	289, 311, 341
61080GT	451	62255GT	427	65846GT	61
61083GT	449	62273GT	427	66031GT	69
61109GT	51, 367	62274GT	427	66399GT	13
61110GT	267, 279	62275GT	425, 427, 429	66472GT	527
61128GT	87	62276GT	427	66777GT	263
61189GT	105, 321	62324GT	433	66811GT	93
61225GT	109, 191, 213, 215	62341GT	433	66812GT	93, 397, 403
61234GT	63	62372GT	429	66813GT	397, 405
61240GT	63	62374GT	93	66815GT	405
61259GT	453	62375GT	91	66816GT	91
61263GT	449	62379GT	91, 399, 405	66817GT	91, 397, 403
61268GT	451	62392GT	407	66818GT	91
61278GT	491	62412GT	69	66821GT	91
61283GT	383	62413GT	69	67505GT	215, 219
61321GT	453	62414GT	69	69775GT	277, 349
61326GT	13, 63, 73	62420GT	15, 289, 311, 341	69873GT	419, 421, 429
61341GT	357	62425GT	15, 277	70219GT	455
61352GT	449	62433GT	15, 307, 331	70227GT	469
61413GT	63, 73	62449GT	371	70228GT	469
61415GT	99, 103	62476GT	267, 279, 311	70241GT	419
61420GT	377	62506GT	437	70249GT	439
61421GT	375	62507GT	437	70257GT	289
61422GT	367	63311GT	519	70353GT	469
61428GT	357	63375GT	477, 491	70367GT	305, 327
61429GT	371	63463GT	289, 311, 327, 341	70381GT	267, 279, 341
61430GT	387	63466GT	101	70444GT	263, 313
61431GT	387	63771PGT	461	70445GT	263
61541GT	365	63772GT	461	70448GT	265
61563GT	363	63773GT	461	70449GT	263, 311
61569GT	479	64066GT	295	70452GT	293, 319, 329
61602GT	387	65278GT	19, 23, 33, 37	70454GT	269
61726GT	475	65620GT	15, 299	70455GT	269
61771GT	387	65621GT	15	70456GT	269
61774-SGT	383	65622GT	15, 297	70462GT	323
61776GT	385	65623GT	15, 297	70465GT	263, 289

<u>Part no.</u>	<u>Page Number</u>	<u>Part no.</u>	<u>Page Number</u>	<u>Part no.</u>	<u>Page Number</u>
70483GT	265, 313	75185GT	457	77514GT	381
70514GT	469	75253GT	63, 73, 449	77515GT	357
70535GT	287	75254GT	449	77516GT	371
71259GT	71, 81	75256GT	449	77517GT	387
71911GT	263, 275, 311	75257GT	63, 73, 449	77518GT	387
72043GT	409, 411, 415, 419	75260GT	345	77519GT	49
72047GT	427	75278-5229GT	445	77540GT	299
72053GT	23	75289GT	319, 383	77550GT	297
72168GT	23	75395GT	385	77551GT	297
72169GT	23	75433GT	455	77615GT	367
72282GT	455	75443GT	407	77664GT	473
72326GT	91, 399, 405	75444GT	407	77675GT	63
72348GT	315	75445GT	407	77683GT	473
72875GT	29	75446GT	407	77694GT	323
72999GT	19	75447GT	407	77735GT	419
73461GT	367, 369, 375	75448GT	407	77750GT	295
73463-1175GT	473	75449GT	407	77783GT	463
73477GT	393	75617-1025GT	527	77785GT	521
73478PGT	393	75617-1550GT	527	77797GT	527
73575GT	307, 393, 523	75617-2075GT	529	77819GT	439
73610GT	537	75617-2275GT	527	77822GT	301
73717GT	95, 131	75617-6275GT	529	77853GT	521
73723GT	95, 131, 215, 219	75636GT	527	77896GT	365
73730GT	189, 209, 219, 223, 231, 237...	75640GT	121, 131, 137, 143, 189, 191...	77951GT	365
73805GT	91	75854GT	71, 81	77952GT	365
73807GT	437	75855GT	71, 81	78736GT	279, 287, 291, 349
73814GT	251	77014GT	359	80543GT	477, 491
73900GT	391	77351GT	401	81062PGT	465
73928GT	387	77482GT	333	81096GT	477
74006GT	477, 483, 491	77489GT	419	81154GT	353
74052GT	477, 507	77490GT	409, 411, 413, 415, 417	81197GT	97, 103
74092GT	411	77493GT	409, 415	81329GT	97, 103
74692GT	19	77494GT	409, 415	81330GT	49
74902GT	409, 411, 413, 419, 421, 423...	77495GT	427	81341GT	373
75020GT	307	77496GT	431	81342GT	373
75041GT	69, 77, 511	77498GT	425	81347GT	373
75051GT	263, 281	77499GT	423	81368GT	473
75061GT	387	77500GT	423	81378GT	51
75069GT	477	77501GT	427	81385GT	371
75073GT	99, 103	77502GT	423, 427	81424GT	295
75076GT	97, 99, 101	77503GT	449	81467GT	15, 267, 277
75113GT	63	77513GT	359	81468GT	267, 277

<u>Part no.</u>	<u>Page Number</u>	<u>Part no.</u>	<u>Page Number</u>	<u>Part no.</u>	<u>Page Number</u>
81488GT	399, 403	82366GT	19	88083GT	53
81498GT	49	82410GT	29	88085PGT	105
81516GT	87	82422GT	29, 41	88091GT	63
81522GT	293, 321	82472GT	39	88096GT	379
81545GT	135, 139	82473GT	37	88103GT	49
81546GT	131, 187	82481GT	37	88105PGT	69, 79
81551GT	91, 399, 405	82487GT	33, 41	88106GT	101
81562GT	115, 179, 323	82548GT	41	88106PGT	97
81578GT	107	82601GT	41	88107GT	65, 75, 375
81609GT	51	82602GT	41	88109GT	375
81610GT	51	82603GT	41	88113GT	409, 415
81700GT	467	82604GT	41	88119GT	389
81724GT	321	82671GT	33, 41	88120PGT	107
81752GT	367	82862GT	29, 497	88121PGT	65, 75
81765GT	189, 191, 195, 205, 207, 213...	82989GT	19, 23	88137GT	115, 177
81777GT	373	83047GT	299	88139GT	49, 115, 245
81802GT	529	83098GT	407	88142GT	397, 403
81812-8592GT	445	83141GT	439	88143GT	117, 253, 455
81812-14592GT	443	84134GT	419	88147GT	115, 247
81812-14692GT	443	84135GT	419, 421	88149GT	363
81829PGT	67, 77	85053GT	265	88150GT	91
81834GT	83	87755GT	191, 195, 205, 211, 215, 227...	88153GT	113, 145, 363
81868GT	103	88016GT	375	88154GT	63, 73, 115, 183, 321
81868PGT	99	88021GT	379	88155GT	63, 73, 115, 185
81869GT	101	88022GT	377	88156GT	85, 115, 175
81869PGT	97	88027GT	371	88157GT	323
81874GT	99, 103	88032GT	359, 379	88158GT	323
81876GT	99, 103	88044PGT	69, 81	88159GT	109
81878GT	115, 181, 321	88045PGT	67, 77	88160GT	109
81923GT	375	88046PGT	67, 77	88162GT	191, 203, 213, 215
81928GT	381	88057GT	93	88164GT	109, 191, 205, 211, 215
81931GT	375	88058GT	49	88167GT	109, 191, 205, 211, 217
81932GT	375	88059GT	49	88177GT	91
81934GT	375	88063PGT	399	88212GT	87
82161GT	19	88065GT	357, 359, 367	88213GT	467
82237GT	25, 29, 481, 497	88069GT	47	88214GT	467
82244GT	467	88074GT	357	88215GT	467
82268GT	27, 39	88075GT	357	88216GT	467
82281GT	29, 41	88077GT	359, 379	88227PGT	65, 75
82308GT	29, 41	88078GT	357	88240GT	99, 103
82312GT	23, 37	88079GT	357	88241GT	47
82314GT	27	88082GT	53	88251GT	65, 67, 75, 77

<u>Part no.</u>	<u>Page Number</u>	<u>Part no.</u>	<u>Page Number</u>	<u>Part no.</u>	<u>Page Number</u>
88263GT	463	88366GT	113, 167, 379	89765GT	15, 315
88266PGT	105	88368GT	83, 113, 165	89785GT	335
88270GT	77	88377-1400GT	473	89959GT	469, 471
88273GT	387	88382GT	53, 113, 149	89997GT	269
88274GT	357	88383GT	53, 113, 147	93500GT	13
88278GT	359	88390GT	527	94324GT	289, 469
88279GT	357	88398GT	107, 113, 123	94327GT	13, 109, 191, 195, 203, 211...
88280GT	383, 387	88399GT	107, 113, 127	94374-2730GT	445
88283GT	385	88406GT	497, 501	94374-3530GT	449, 495
88287GT	399, 405	88423PGT	463	94374-3730GT	449, 495
88291GT	83	88424PGT	463	94374-4030GT	495
88293GT	83	88425GT	463	94397GT	385
88295GT	477	88426PGT	463	94460-SGT	475
88299-82400GT	479	88427PGT	463	94493-SGT	473
88300-36900GT	479	88428GT	463	94643GT	475
88301PGT	463	88429PGT	463	94723GT	55
88302GT	463	88430GT	463	94726GT	55
88303PGT	463	88431PGT	463	94747GT	87
88304PGT	463	88432GT	463	94757GT	481, 489
88305GT	463	88441-3640GT	447	94759GT	481, 489
88306PGT	463	88454-6604GT	449	94760GT	483, 489
88307PGT	463	88482GT	55	94762GT	333
88308PGT	463	88483GT	55	94765GT	483, 489
88309GT	463	88492GT	469	96770GT	285
88310PGT	463	88493GT	469	97128GT	83, 365, 367, 379, 383
88314PGT	87	88507GT	389	97579GT	29, 497
88331GT	145, 215, 219	88508GT	389	97602GT	25
88343GT	375	88516GT	385	97815GT	29, 41
88345GT	371	88606PGT	461	97875GT	23, 29
88349GT	47	88607PGT	461	97887GT	29
88350GT	371	88648GT	377	99087GT	133, 151
88353GT	447, 449	88788GT	363	99183GT	153
88356-175R7GT	147, 149	88794GT	363	99343GT	187
88356-444P3GT	169, 173, 359, 379	88832GT	117, 261	99344GT	187
88356-42133GT	155, 383	88846GT	289	99778GT	511
88356-43103GT	83, 165	88906GT	387	101005GT	407
88356-44163GT	157, 367	89259GT	265	101005HGT	407
88359GT	113, 169, 359	89307GT	427	101070GT	43
88360GT	113, 159, 363	89310GT	419, 421, 423, 427, 429	101085GT	317
88361GT	115, 173, 379	89312GT	427	101162GT	189
88362GT	113, 157, 367	89337GT	393	101174GT	407
88363GT	113, 155, 383	89755GT	475	101174HGT	407



<u>Part no.</u>	<u>Page Number</u>	<u>Part no.</u>	<u>Page Number</u>	<u>Part no.</u>	<u>Page Number</u>
101175GT	407	102355-6650GT	495	106117GT	43, 51
101175HGT	407	102357GT	483	106118GT	43, 51
101234GT	43	102399GT	357, 359	106122GT	57, 61
101340GT	109, 191, 203, 211, 215	102485PGT	465	106125GT	61
101405GT	97	102486GT	465	106140GT	491
101516GT	481, 489	102496GT	419	106140PGT	483
101525GT	499, 501	102586GT	271	106141GT	497, 499
101537GT	375	102587GT	271	106154GT	365
101538GT	375	102590GT	271	106163GT	395
101539GT	367	102659GT	69	106183GT	499
101612PGT	469	102676GT	461	106184GT	481, 487
101626GT	341, 383	102685GT	371	106204GT	503
101635GT	469	102710GT	69	106204PGT	499
101639GT	469	102735GT	439	106211-300GT	277
101640GT	279, 469	102746GT	481, 489	106211-600GT	277
101700GT	255, 259	102780GT	439	106226GT	309, 327
101726GT	63	102781GT	439	106274GT	481, 487
101731GT	501	102785PGT	461	106275GT	499, 501
101731PGT	497	102786PGT	461	106357GT	365
101732GT	497, 501	102855GT	461	106375GT	483
101845GT	475	102969GT	97	106394GT	481, 489
101924GT	101	102970GT	97	106477GT	483
101934GT	433	102992GT	393, 395	106495GT	399, 405
101964GT	97, 101	104030GT	399, 403	106637GT	481
101995GT	491	104235GT	51	106658GT	483, 489
102003PGT	469	104328GT	455	106665-2929GT	445
102045GT	269, 287, 351	104333GT	199	106754GT	359
102066GT	319, 329	104804GT	395	106755GT	359
102121GT	327	106023GT	191	106780GT	215, 219
102209GT	267	106043GT	499	106860GT	503
102227GT	267	106044GT	499, 503, 527	106923GT	287, 349
102237PGT	265	106051GT	109, 191, 203, 213, 215	107578GT	51
102276GT	491, 505	106068GT	191, 193, 203, 213, 215, 227	107829GT	45
102276PGT	483	106073GT	491	107831GT	45
102309GT	67, 75, 375	106077GT	483, 487	109802GT	87
102312-2088GT	495	106098GT	43	110149GT	309, 349
102312-2388GT	495	106104GT	483, 487, 491, 503	110180GT	433
102314GT	483, 489	106110GT	497, 503	110194GT	427, 429, 431
102315GT	257	106111GT	497, 503	110196GT	425
102343PGT	323	106112GT	497, 501	110197GT	423, 425
102348GT	315	106113GT	481, 487	110200GT	409, 411, 413, 415, 417, 423...
102353PGT	109	106115GT	481	110201GT	431



<u>Part no.</u>	<u>Page Number</u>	<u>Part no.</u>	<u>Page Number</u>	<u>Part no.</u>	<u>Page Number</u>
110202GT	425	114258GT	19	122019GT	455
110220GT	497, 499	114389GT	19, 29	122023GT	115, 187, 397
110276GT	497, 501	114390GT	19, 23	122035GT	365
110277GT	497, 501	119053GT	325	122036GT	367
110304GT	305	119056GT	131, 141, 143, 151, 153, 155, 131, 143, 203, 207,	122037GT	365
110654GT	131	119057GT	223, 241, 143, 145,	122038GT	365
110671GT	395	119058GT	147, 173, 161, 183, 189,	122067GT	195
110771-41B63GT	171	119059GT	193, 195, 203, 211,	122073GT	457, 527
110771-71B68GT	85, 163	119060GT	213, 227, 143, 193, 221, 231,	122095GT	115, 199
110771-214G3GT	375	119061GT	257, 119, 131, 143, 145,	122096GT	415
110771-714G8GT	161, 375	119065GT	151, 165...	122097GT	409
110771-41163GT	85, 175	119066GT	255, 259, 511	122120GT	409, 411, 415
110771-44163GT	159, 363	119067GT	119, 143, 145, 149,	122121GT	409, 411, 415
110771-61103GT	167, 379	119068GT	153, 167, 193, 221,	122133GT	409
110789GT	475	119070GT	249	122134GT	415
111331GT	383	119070GT	145, 255, 259, 261	122148GT	409, 411
111353GT	97	119170GT	295	122176GT	365
111362GT	57	119218GT	273	122198GT	371, 415
111363GT	57, 61	119219GT	325, 345	122200GT	369, 371, 381
111445GT	271	119403GT	511	122201GT	377
111526GT	461	119404GT	107	122202GT	285
111533GT	55	119475GT	295	122299GT	365
111580GT	541, 545	119620GT	47	122300GT	481, 487
111748GT	279	119672GT	475	122302GT	481, 489
111797GT	73	119762GT	93, 203, 207, 213, 233, 237	122343GT	399
111817-0725GT	73	119915GT	407	122351GT	95, 399, 405
111817-1700GT	73	119918GT	75	122362GT	401
111817-3825GT	75	121066GT	285	122366GT	91, 93
111817-5225GT	73	121271GT	43	122367GT	91
111817-9375GT	73	121272GT	43	122406GT	93
111818GT	73	121286GT	43	122461GT	115, 249, 401
111878GT	25	121287GT	43	122489GT	97
111896GT	25	121307GT	45	122506GT	423
111915GT	73	121371GT	51	122515GT	93
112043GT	307	121410GT	263	122519GT	93, 397
114166GT	19, 23, 33, 37	121419GT	273, 277, 281, 471	122575GT	357
114236GT	25, 37	121420GT	277, 281	122576GT	359
114247GT	39	121421GT	471	122588GT	263
114248GT	41	121603GT	315	122627GT	25
114249GT	33, 37	121615GT	263	122793GT	91
114251GT	33	121657GT	189, 191, 193, 203, 207, 211...	122864GT	23
114252GT	39	121668GT	43	122865GT	115, 201
		121860GT	291		

<u>Part no.</u>	<u>Page Number</u>	<u>Part no.</u>	<u>Page Number</u>	<u>Part no.</u>	<u>Page Number</u>
122867GT	107	139322GT	263	147231GT	505
122878GT	61	139323GT	87	147232GT	505
122879GT	61	139338GT	399, 403	147233GT	505
122941GT	363	139455GT	267	147239GT	505
122944GT	385	139598GT	407	147240GT	505
122961GT	433	139610GT	299, 301	147241GT	505
122964GT	433	139648GT	97, 103	147242GT	505
122994GT	91	139828GT	43	147258GT	505
123167GT	279, 291, 311, 331	139829GT	43	147262GT	505
124962GT	275, 287, 349, 351	139936GT	315	147290GT	69
128000GT	407	139952GT	505	147826GT	331
128001GT	407	139953GT	505	150129GT	379
128003GT	311	139954GT	505	150141GT	233, 237
128004GT	267, 279, 341	144161GT	107, 477, 507	160809GT	391
128081GT	75	146011GT	381	161084GT	25
128200GT	397, 399, 403	146028GT	383	161541GT	391
128203GT	249, 401, 527	146040GT	113, 137, 399, 405	161542GT	391
128322GT	501	146051GT	57, 61	161938GT	281
128368GT	517	146052GT	61	162006GT	481, 487
128374GT	519, 537	146063GT	367	162207GT	285, 355
128416GT	481, 489	146101GT	383	162208GT	285, 355
128419GT	481, 489	146121GT	371	162209GT	285, 355
128580GT	527	146264GT	383	162283GT	273
128588GT	307	146284GT	483, 489	162284GT	273
128636GT	85	146285GT	483, 489	214228GT	15, 285, 353
128829GT	263	146340GT	51	214249GT	511
128912GT	273	146399GT	113, 153, 475	214393GT	109, 321
128953GT	25	146413GT	75	214536GT	511
128978GT	191, 215	146415GT	75	214619GT	501
128991GT	333	146417GT	75	214691GT	355
133067GT	33, 37	146425GT	113, 119, 399, 405	215209GT	109, 321
133163GT	29, 41	146427GT	95, 113, 141	215210GT	109, 321
133177GT	19, 23	146429GT	113, 161, 375	215280GT	303
133236GT	29	146478GT	93, 397, 403	215623GT	43, 57
133278GT	19	146551GT	75	216150GT	311, 327
133400GT	19, 23, 33, 37	146610GT	363	216611GT	511
133411GT	33	147091GT	91	216612GT	511
139107GT	445	147095GT	91	216615GT	511
139308GT	87	147121GT	393	216616GT	511
139309GT	87	147228GT	505	216617GT	511
139315GT	87	147229GT	505	216618GT	511
139321GT	265	147230GT	505	216645GT	511

<u>Part no.</u>	<u>Page Number</u>	<u>Part no.</u>	<u>Page Number</u>	<u>Part no.</u>	<u>Page Number</u>
216646GT	511	229387GT	397, 403	237711GT	511
216660GT	511	229398GT	45	237730GT	273
216662GT	511	229406GT	433	237821GT	275
216681GT	511	229407GT	433, 435	237830GT	49
216683GT	511	229410GT	433	237832GT	309
217366GT	501	229411GT	433	238119GT	499
218155GT	93	229425GT	455	238120GT	499
218166GT	199	229426GT	455	238123GT	511
218169GT	93	229567GT	93, 107, 397, 401, 403	822087GT	285, 353, 355
218715GT	281, 345	229925GT	497	822224GT	403
219158GT	531	229986GT	277, 281	822436GT	203, 207, 223, 241
219420GT	91	230386GT	33	822437GT	203
219422GT	399, 405	230820GT	305	822438GT	205, 207, 223, 241
219508GT	535	230980GT	47	822439GT	205, 207, 223, 241
219510GT	353	230981GT	47	822440GT	223, 241
226393GT	455	230982GT	47	822442GT	203, 207
226503GT	117, 255, 259, 481, 491	230983GT	433, 435	822445GT	203, 207, 223, 241
226505GT	117, 257, 481	230989GT	51	822448GT	203, 207, 223, 241
226518GT	19, 29	230992GT	51	822449GT	203
226562GT	43	230996GT	113	822613GT	397
227425GT	483	231020GT	93	822759GT	527
227503GT	377	231023GT	93	822764GT	527
227504GT	377	231511GT	351	822768GT	527
227564GT	393	231530GT	311	822769GT	527
227618GT	393	232975GT	399, 403	822794GT	211
227772GT	43	233131GT	29, 41	822795GT	211
227773GT	43	233992GT	473	822820GT	21, 33
227775GT	43, 57	233993GT	473	823012GT	287
227776GT	45, 61	234599GT	435	823013GT	287
227785GT	85	235133GT	57	823052GT	211, 233, 237
227804GT	43	235137GT	57, 61	823053GT	211, 233
227805GT	43	235139GT	57	823135GT	287
227985GT	43	235140GT	57	823143GT	281
228805GT	43	235150GT	57	823144GT	277
228823GT	63, 73	235151GT	57	823147GT	277, 281
228848GT	473	235152GT	57, 61	823229GT	281
228849GT	473	235153GT	57	823239GT	277
228866GT	433, 435	235154GT	61	823356GT	65
228872GT	481	235346GT	113, 139, 397, 403	823520GT	455
228873GT	481	236259GT	285	823703GT	277
228878GT	481	236260GT	15, 287, 355	823751GT	273, 311
228881GT	383	237068GT	109, 321	823804GT	91

<u>Part no.</u>	<u>Page Number</u>	<u>Part no.</u>	<u>Page Number</u>	<u>Part no.</u>	<u>Page Number</u>
824027GT	305, 311, 319, 395, 457, 475...	824129GT	47	825939GT	279, 349
824028GT	49, 395, 459	824131GT	275	825947GT	471
824029GT	41, 49, 301, 319, 395, 475...	824132GT	305	825948GT	471
824031GT	55, 395	824133GT	309, 313	826000GT	287, 353
824032GT	475	824134GT	43, 51	826152GT	345
824038GT	473	824145GT	341	826211GT	285, 319, 329, 353
824041GT	363	824151GT	359, 373	826212GT	285, 319, 329, 353
824059GT	19, 311, 389, 391, 405, 493	824164GT	359, 373	826345GT	21
824060GT	49, 95, 105, 385, 381, 531	824207GT	517, 519, 537	826516GT	101
824061GT	475	824215GT	65, 101, 109	826634GT	91
824063GT	51	824216GT	85, 375, 381, 523	826635GT	95, 113, 131
824067GT	69, 369, 371, 377, 381	824220GT	305	826636GT	95, 115, 203, 273
824068GT	321, 385, 381, 311, 381	824301GT	29	826637GT	115, 211
824069GT	531	824304GT	19	826791GT	371, 395
824077GT	79, 307, 349, 395	824308GT	19	826792GT	395
824078GT	45, 19, 101, 105, 109, 307	824351GT	285, 355	826793GT	381, 395, 381, 395
824079GT	85, 81, 15, 101, 305, 311...	824381GT	41	826794GT	55, 395
824080GT	329, 535	824382GT	33	826795GT	273
824081GT	289, 367, 385, 457	824384GT	33	826822GT	275
824082GT	291, 349	824393GT	41	826825GT	283
824083GT	473	824394GT	33	826835GT	273
824085GT	85, 15, 289, 341, 311, 457...	824396GT	33	826859GT	273
824086GT	103, 395, 457	824471GT	355	826871GT	285, 353
824087GT	489	824615GT	25	826873GT	287, 349
824089GT	45, 41, 85, 105, 101, 291...	824617GT	491	826874GT	275
824090GT	47, 49, 63, 65, 67, 73...	824673GT	285, 353	1000238GT	21, 31
824091GT	49, 81, 89, 11, 19, 105...	824775GT	337	1251496GT	281
824092GT	373, 381, 385	824874GT	329	1251565GT	287, 351, 373
824093GT	69, 81, 101, 381, 385	825015GT	337	1251600GT	395, 415, 419, 351, 541, 545
824094GT	67, 77	825019GT	47, 49, 321, 359, 385	1251701GT	91
824095GT	81, 11, 89, 331, 319, 475	825020GT	475	1251757GT	535
824102GT	87	825218GT	283	1251814GT	333
824107GT	85	825239GT	273	1251819GT	333
824109GT	79	825240GT	293, 321, 329, 351	1251899GT	275, 287, 351
824110GT	321	825348GT	43, 51	1251928GT	277
824113GT	49, 89, 19, 95, 101, 327...	825352GT	365, 367, 383	1251983GT	275, 307
824115GT	321	825353GT	89, 493	1251997GT	311, 319, 533
824116GT	395	825358GT	69, 491, 501	1252686GT	315, 333
824119GT	103	825532GT	405	1252687GT	281
824120GT	307, 325, 343, 531	825693GT	335	1252716GT	31, 41
824123GT	351	825708GT	335	1252940GT	333
824127GT	47	825759GT	51	1252942GT	333

<u>Part no.</u>	<u>Page Number</u>	<u>Part no.</u>	<u>Page Number</u>	<u>Part no.</u>	<u>Page Number</u>
1252979GT	309	1255093GT	117	1256468GT	531
1253170GT	95, 113, 121	1255094GT	455	1256469GT	55
1253171GT	115, 195	1255389GT	55	1256481GT	533
1253172GT	115, 191	1255391GT	373	1256514GT	311
1253173GT	95, 115	1255396GT	355	1256679GT	101
1253185GT	101, 307	1255399GT	355	1256693GT	375
1253192GT	305	1255400GT	355	1256776GT	287
1253193GT	307	1255469GT	357, 387	1256803GT	491
1253194GT	305	1255538GT	487	1256842GT	379
1253208GT	307, 329, 349	1255653GT	15, 271, 275	1256844GT	377
1253210GT	189, 191, 195, 205, 209, 211...	1255665GT	341	1256846GT	87
1253238GT	79	1255666GT	341	1256847GT	71, 81
1253304GT	93	1255758GT	11, 81, 101, 313, 481, 531	1256851GT	533
1253314GT	79	1255763GT	49	1256855	531, 545, 589, 541, 545
1253319GT	307	1255764GT	491	1256855GT	393, 473
1253408GT	501	1255768GT	87	1256856GT	47, 49, 533
1253431GT	307, 327	1255769GT	87	1256857GT	51, 375
1253478GT	65, 67, 75, 77, 101	1255770GT	87	1256859GT	523
1253485GT	341, 541, 545	1255771GT	87	1256860GT	87
1253487GT	313, 327	1255772GT	87	1256863GT	87, 479
1253489GT	477	1255773GT	87	1257248GT	393
1253498GT	49, 351, 357	1255788GT	477	1257249GT	393
1253573GT	319, 329	1255802GT	53, 293	1257264GT	475
1253574GT	319, 329	1255806GT	349	1257296GT	477, 503
1253697GT	83	1256074GT	539	1257377GT	337
1253792GT	83	1256109GT	371	1257390GT	477
1253808GT	83	1256118GT	487	1257481GT	341
1253809GT	83	1256169GT	351	1257705GT	319, 329
1253810GT	83	1256177GT	85, 359, 379	1257733GT	13
1253811GT	83	1256182GT	85	1257779GT	337
1254016GT	25	1256231GT	365	1257805GT	493
1254282GT	305	1256267GT	49, 357, 379, 387	1257810GT	319, 329
1254354GT	109	1256308GT	357	1257862GT	319, 329
1254355GT	107	1256377GT	533	1257995GT	313
1254471GT	307	1256378GT	533	1258071GT	309
1254594GT	273	1256379GT	533	1258096GT	233, 237
1254717GT	275	1256380GT	533	1258567GT	13
1254823GT	281	1256389GT	533	1258568GT	313
1254826GT	15, 271	1256400FRGT	533	1258641GT	281
1254949GT	275	1256400GT	533	1258768GT	233
1255091GT	457	1256439GT	533	1258771GT	281
1255092GT	117, 251, 457	1256460GT	393	1258952GT	405

<u>Part no.</u>	<u>Page Number</u>	<u>Part no.</u>	<u>Page Number</u>	<u>Part no.</u>	<u>Page Number</u>
1258972GT	25	1261882GT	307	1263541GT	21
1259264GT	309	1261898GT	189, 227, 231	1263542GT	35
1259328GT	529	1261963GT	305	1263543GT	21
1259329GT	529	1261964GT	305	1263544GT	21, 35
1259661GT	511	1261966GT	305	1263545GT	21, 35
1259708GT	511	1261969GT	305	1264229GT	535
1259757GT	315	1261980GT	315	1264458GT	95, 113, 143
1259890GT	307	1261987GT	83	1264934GT	523
1259895GT	311	1262016GT	305	1265481GT	83
1259907GT	307	1262017GT	315	1266019GT	21
1259909GT	101	1262022GT	315	1266547GT	349
1259931GT	43	1262044GT	83	1267746GT	393
1259995GT	217, 219	1262047GT	17, 315	1267747GT	395
1259996GT	217, 219	1262050GT	315	1267807GT	105
1260172GT	95, 115, 215, 305	1262052GT	319	1268229GT	105
1260372GT	321	1262219GT	281	1268595GT	85, 113, 171
1260414GT	315	1262467GT	305	1268596GT	85
1260498GT	103	1262469GT	305	1268597GT	87
1260688GT	457	1262471GT	315	1268602GT	85, 113, 163
1260892GT	533	1262478GT	315	1268757GT	363
1260910GT	533	1262484GT	17, 315	1268832GT	55
1260927GT	307	1262486GT	315	1268833GT	55
1260984GT	327	1262487GT	15	1268920GT	363
1261018GT	533	1262490GT	305	1268922GT	357
1261019GT	533	1262494GT	315	1268957GT	69, 79
1261020GT	533	1262496GT	305	1269052GT	477
1261021GT	533	1262498GT	305	1269053GT	95, 115, 227
1261022GT	533	1262500GT	305	1269502GT	407
1261023GT	533	1262503GT	315	1269549GT	289
1261024GT	533	1262585GT	315	1269593GT	43, 51
1261025GT	533	1262589GT	305	1269604GT	289
1261184GT	523, 531	1262595GT	305	1269693GT	505
1261204GT	307	1262598GT	305	1269704GT	95
1261205GT	307	1262767GT	113, 151	1270283GT	353
1261236GT	353	1262866GT	15	1270313GT	513, 519
1261237GT	335	1262868GT	273	1270314GT	513
1261239GT	355	1262873GT	335	1270316GT	515
1261250GT	489, 541, 545	1262893GT	335	1270570GT	457
1261277GT	101	1262896GT	335	1270571GT	459
1261292GT	527	1262897GT	335	1270665GT	541, 545
1261722GT	309	1263233GT	93	1270994GT	513, 519
1261835GT	101	1263540GT	33	1271018GT	515, 519

<u>Part no.</u>	<u>Page Number</u>	<u>Part no.</u>	<u>Page Number</u>	<u>Part no.</u>	<u>Page Number</u>
1271019GT	513, 519	1272060GT	295	1277875GT	523
1271040GT	515, 519	1272061GT	301	1277876GT	523
1271061GT	515	1272062GT	299	1277877GT	523
1271077GT	457	1272064GT	299	1277924GT	101, 111, 289, 291, 327, 329...
1271078GT	459	1272065GT	297	1277952GT	457
1271397GT	25	1272069GT	297	1277966GT	457
1271652GT	295	1272070GT	295	1277974GT	273
1271770GT	65	1272242GT	21, 35	1278063GT	43, 59
1271772GT	65	1272303GT	391	1278064GT	45, 59
1271773GT	65	1272304GT	391	1278065GT	45, 59
1271808GT	295	1272307GT	395	1278066GT	45, 59
1271815GT	295	1272624GT	273	1278067GT	45, 59
1271825GT	295	1273154GT	295	1278068GT	45, 59
1271826GT	297	1273165GT	295	1278111GT	523
1271837GT	303	1273915GT	489	1278117GT	523
1271845GT	303	1273916GT	483	1278119GT	523
1271871GT	295	1274069GT	293	1278121GT	523
1272024GT	297	1274115GT	103	1278124GT	523
1272025GT	295	1274164GT	491	1278138GT	523
1272026GT	297	1274165GT	103, 303, 491, 493, 501	1278144GT	525
1272027GT	303	1274166GT	71, 81, 101, 303, 313, 379	1278363GT	525
1272030GT	299	1274167GT	63, 69, 13, 19, 101, 277	1278368GT	523
1272031GT	299, 301	1274168GT	101, 109, 313, 301, 489, 523	1278416GT	523
1272032GT	301	1274172GT	293, 329, 493	1278433GT	523
1272033GT	301	1274249GT	65	1278458GT	523
1272035GT	299	1274322GT	65, 67, 69, 75, 77, 81...	1278542GT	523
1272036GT	301	1274331GT	65	1278577GT	487
1272037GT	299	1274637GT	95	1278672GT	491
1272039GT	297	1274858GT	391	1278714GT	13
1272042GT	299	1274859GT	391	1278790GT	513, 519
1272043GT	299	1274900GT	281	1278791GT	513
1272044GT	295, 297	1274967GT	503	1278792GT	513
1272045GT	295	1275087GT	479	1278793GT	513, 517
1272046GT	297	1275088GT	393	1278982GT	525
1272047GT	299	1275281GT	513	1279134GT	523
1272048GT	303	1275282GT	513	1279243GT	513
1272049GT	297	1276672GT	491	1279244GT	513
1272054GT	303	1276777GT	503	1279538GT	391
1272055GT	301	1276986GT	489	1279541GT	391
1272057GT	297	1277207GT	501	1279752GT	113, 135
1272058GT	301	1277208GT	503	1279765GT	457
1272059GT	297	1277873GT	523	1280665GT	107

<u>Part no.</u>	<u>Page Number</u>	<u>Part no.</u>	<u>Page Number</u>	<u>Part no.</u>	<u>Page Number</u>
1280819GT	21	1284639GT	299	1285263GT	327
1280820GT	21	1284641GT	299	1285264GT	325
1281137GT	315	1284642GT	299	1285265GT	325
1282204GT	513	1284643GT	299	1285266GT	329
1282205GT	513	1284644GT	299	1285267GT	327
1282206GT	513	1284645GT	299	1285268GT	325
1282207GT	513	1284646GT	301	1285269GT	325
1282390GT	513, 517	1284647GT	301	1285270GT	325
1282993GT	457	1284648GT	301	1285406GT	325
1283004GT	379, 541, 545	1284649GT	301	1285419GT	13
1283005GT	83, 85, 101, 359	1284650GT	303	1285480GT	325
1283007GT	329, 349, 351	1284651GT	301	1285481GT	325, 347
1283014GT	487	1284652GT	301	1285603GT	325
1283026GT	501, 543, 547	1284653GT	301	1285850GT	523
1283028GT	367	1284654GT	301	1286137GT	275, 351
1283049GT	513	1284655GT	301	1286158GT	69, 81
1283776GT	13	1284656GT	301	1286204GT	327
1283880GT	517, 537	1284657GT	301	1286205GT	327
1283995GT	281	1284658GT	301	1286206GT	327
1284310GT	477	1284659GT	301	1286602GT	61
1284617GT	299	1284660GT	301	1286604GT	43, 57
1284618GT	297	1284661GT	301	1286605GT	43, 57
1284619GT	297	1284662GT	301	1286622GT	513
1284620GT	299	1284663GT	301	1287140GT	325, 327, 347
1284621GT	297	1284664GT	301	1287778GT	327
1284622GT	295	1284665GT	301	1287818GT	325
1284623GT	295	1284666GT	297	1287879GT	329
1284624GT	295	1284667GT	297	1288215GT	331
1284625GT	295	1284669GT	295	1288792GT	377
1284626GT	295	1284670GT	295	1289103GT	271
1284627GT	297	1284671GT	295	1289105GT	345
1284628GT	299	1284785GT	297	1289106GT	345
1284629GT	299	1284786GT	295	1289107GT	345
1284630GT	295	1284956GT	233, 237	1289108GT	345
1284631GT	303	1284959GT	233, 237	1289109GT	345
1284632GT	303	1284960GT	237	1289110GT	345
1284633GT	297	1284964GT	233, 237	1289111GT	345
1284634GT	303	1284966GT	233, 237	1289112GT	341
1284635GT	299	1284969GT	233, 237	1289113GT	345
1284636GT	299	1284978GT	113, 133	1289520GT	539
1284637GT	299	1285105GT	115, 233	1289521GT	539
1284638GT	299	1285222GT	331	1289522GT	539

<u>Part no.</u>	<u>Page Number</u>	<u>Part no.</u>	<u>Page Number</u>	<u>Part no.</u>	<u>Page Number</u>
1289523GT	539	1291205GT	333	1292828GT	543, 547
1289536GT	535	1291206GT	333	1292932GT	541, 545
1289552GT	393	1291207GT	333	1292936GT	541
1289561GT	539	1291208GT	333	1292937GT	541
1289823GT	535	1291210GT	333	1292956GT	541
1289837GT	535	1291283GT	483	1293281GT	535
1289852GT	535	1291348GT	345	1293433GT	353
1289890GT	327	1291427GT	519	1293700GT	545
1289895GT	273	1291428GT	517	1293702GT	545
1290094GT	345	1291429GT	517	1293703GT	545
1290100GT	349	1291430GT	517	1293704GT	547
1290107GT	535	1291495GT	457	1293706GT	541, 545
1290135GT	517	1291496GT	457	1293710GT	545
1290368GT	345	1291548GT	323	1293871GT	337
1290370GT	347	1291549GT	321	1293912GT	341
1290676GT	347	1291573GT	535	1293934GT	335
1290797GT	79	1291615GT	323	1293986GT	353
1290798GT	79	1291770GT	35	1294091GT	335
1290849GT	535	1291798GT	541	1294251GT	325
1290891GT	517	1291799GT	541	1294296GT	327
1290892GT	517	1291800GT	541	1294656GT	331
1290893GT	517	1291801GT	543	1294657GT	331
1290894GT	517	1291802GT	541, 545	1294658GT	331
1290895GT	517	1291803GT	543, 547	1294659GT	331
1290896GT	517	1291804GT	543, 545	1294752GT	349
1290918GT	331	1291806GT	543, 547	1294903GT	115, 241
1290920GT	329	1291807GT	543	1294904GT	115, 223
1290921GT	329	1291809GT	543, 547	1294955GT	451
1290925GT	223, 241	1291811GT	541, 545	1294968GT	335
1290926GT	223	1291812GT	541, 545	1295534GT	341
1290927GT	223	1291813GT	543, 547	1295535GT	341
1290931GT	497, 503	1291815GT	541, 545	1295554GT	349
1290998GT	351	1291817GT	541, 545	1295784GT	349
1291073GT	351	1291818GT	543, 547	1295929GT	353
1291075GT	351	1291819GT	543, 545	1295930GT	355
1291076GT	351	1291821GT	543, 547	1295932GT	355
1291140GT	115, 207	1291844GT	543, 545	1295942GT	355
1291141GT	115, 189	1291865GT	541, 545	1296204GT	113, 125
1291142GT	115, 237	1292065GT	359	1296205GT	113, 129
1291143GT	115, 219	1292066GT	101	1297243GT	337
1291144GT	95, 115, 231	1292198GT	539	1297244GT	337
1291151GT	345	1292346GT	539	1297245GT	337

<u>Part no.</u>	<u>Page Number</u>	<u>Part no.</u>	<u>Page Number</u>	<u>Part no.</u>	<u>Page Number</u>
1297247GT	337	1302459GT	349		
1297248GT	337	1302463GT	347		
1297249GT	337	1310158GT	51		
1297250GT	337	1310378GT	477, 507		
1297251GT	337	1310379GT	477		
1297252GT	337	1310380GT	497, 503		
1297253GT	337	1310985GT	51		
1297254GT	337	1311043GT	477		
1297255GT	337	1311052GT	505		
1297256GT	337	1312433GT	83		
1297257GT	337	1313038GT	303		
1297258GT	337	1313039GT	303		
1297260GT	339	1313040GT	303		
1297261GT	337	T106954GT	83		
1297262GT	337	T106955GT	83		
1297263GT	337	T106956GT	83		
1297264GT	337	T106957GT	83		
1297339GT	333	T107736GT	433		
1297340GT	333	T107884GT	387		
1297341GT	333	T109328GT	461		
1297342GT	333	T110702GT	21, 23		
1297343GT	333	T110762GT	97, 101		
1297344GT	333	T111507GT	61		
1297345GT	333	T111766GT	481, 487		
1297346GT	333	T112560GT	477, 507		
1297348GT	333	T112561GT	477, 507		
1297349GT	333	T112626GT	407		
1297350GT	333	T112720GT	505		
1297351GT	333	T112773GT	31, 41		
1297451GT	451	T113655GT	481, 487		
1297736GT	451	T114022GT	481, 487		
1298933GT	13	T114023GT	481, 487		
1299435GT	353				
1299461GT	91				
1299496GT	351				
1299638GT	93				
1300704GT	335				
1300706GT	335				
1300707GT	335				
1300708GT	337				
1300713GT	335				
1301024GT	93				



California Proposition 65

 **WARNING**

Operating, servicing and maintaining this equipment, passenger vehicle or off-highway motor vehicle can expose you to chemicals including engine exhaust, carbon monoxide, phthalates, and lead, which are known to the State of California to cause cancer and birth defects or other reproductive harm. These chemicals can be emitted from or contained in other various parts and systems, fluids and some component wear by-products. To minimize exposure, avoid breathing exhaust, do not idle the engine except as necessary, service your equipment and vehicle in a well-ventilated area and wear gloves or wash your hands frequently when servicing your equipment or vehicle and after operation. For more information go to www.P65Warnings.ca.gov/passenger-vehicle.

Breathing diesel engine exhaust exposes you to chemicals known to the State of California to cause cancer and birth defects or other reproductive harm.

- Always start and operate the engine in a well-ventilated area.
- If in an enclosed area, vent the exhaust to the outside.
- Do not modify or tamper with the exhaust system.
- Do not idle the engine except as necessary.

For more information go to www.P65warnings.ca.gov/diesel.

www.genielift.com

Distributed By: