

# STANLEY®

## PBD600 CRIMPING TOOL



### USER MANUAL Safety, Operation and Maintenance



© 2017 STANLEY Black & Decker, Inc.  
New Britain, CT 06053  
U.S.A.  
81148 1/2018 Ver. 1



# TABLE OF CONTENTS

|  |    |
|--|----|
| SAFETY SYMBOLS .....                         | 4  |
| SAFETY PRECAUTIONS.....                      | 5  |
| TOOL ANATOMY.....                            | 6  |
| SPECIFICATIONS & ACCESSORIES.....            | 7  |
| OPERATION.....                               | 8  |
| STANLEY CRIMP SOFTWARE.....                  | 9  |
| TROUBLESHOOTING .....                        | 14 |
| PBD600 PARTS ILLUSTRATION .....              | 15 |
| PBD600 PARTS LIST.....                       | 16 |
| PBD600 HYDRAULIC RESERVOIR ILLUSTRATION..... | 17 |
| PBD600 HYDRAULIC BODY ILLUSTRATION.....      | 18 |
| PBD600 DIELESS HEAD UNIT.....                | 19 |

## IMPORTANT

To fill out a product warranty validation form and for information on your warranty, visit [www.stanleyinfrastructure.com](http://www.stanleyinfrastructure.com) and select the Company tab > Warranty.

**Note:** The warranty validation record must be submitted to validate the warranty.

**SERVICING:** This manual contains safety, operation and routine maintenance instructions. STANLEY Infrastructure recommends that servicing of hydraulic tools, other than routine maintenance, must be performed by an authorized and certified dealer. Please read the following warning.

## WARNING

**SERIOUS INJURY OR DEATH COULD RESULT FROM THE IMPROPER REPAIR OR SERVICE OF THIS TOOL.**

**REPAIRS AND / OR SERVICE TO THIS TOOL MUST ONLY BE DONE BY AN AUTHORIZED AND CERTIFIED DEALER.**

For the nearest certified dealer, call STANLEY Infrastructure at (503) 659-5660 and ask for a Customer Service Representative.



# SAFETY PRECAUTIONS

Tool operators must comply with precautions given in this manual and on the stickers attached to the tool.

These precautions are given for your safety. Review them carefully before operating the tool.

Supervising personnel should develop additional precautions relating to the specific work area and local safety regulations. Place the added precautions in the space provided on page 4.

The PBD600 6-Ton crimping tool will provide safe and dependable service if operated in accordance with the instructions in this manual. Read and understand this manual and stickers attached to the tool before operation. Failure could result in injury or tool damage.



- Do not operate the tool unless thoroughly trained or under the supervision of an instructor. Establish a training program for all operators to ensure safe operation.
- Always wear safety equipment such as eye protection, ear protection, head protection and safety shoes at all times when operating the tool. Use gloves if necessary.
- The operator must be familiar with all prohibited work areas such as excessive slopes and dangerous terrain conditions. Ensure that your footing is firm and in balance at all times.
- Do not inspect, clean or replace tool jaws while the battery is connected. Accidental engagement of the tool can cause serious injury.
- Do not operate a damaged, improperly adjusted or incompletely assembled tool.
- Never wear loose clothing that can become entangled in the working parts of the tool.
- Keep all parts of your body away from pinch points. Long hair or loose clothing can become drawn into the tool.
- To avoid personal injury or equipment damage, all tool repair, maintenance and service must be performed by an authorized service center.
- Never use the tool in the vicinity of flammable materials or gases.
- Do not use the tool or charge the tool battery in an explosive atmosphere.
- Cutting or severing of body parts is possible if proper procedures are not followed.
- Do not use the tool, battery or battery charger for purposes other than what is described in this manual.

- Always keep critical tool markings, such as labels and warning stickers, legible. Contact STANLEY for replacement labels.
- Do not use the tool while under the influence of drugs or alcohol.
- Do not use accessories or attachments other than those recommended by STANLEY.

## BATTERIES

- Only charge batteries using a STANLEY recommended battery charger.
- Do not store batteries with metal objects, such as coins, nails or keys. Fire can result if battery terminals are shorted.
- Do not charge a damaged battery. Recycle and replace damaged batteries with batteries recommended by STANLEY.
- Do not incinerate or dispose of batteries in the garbage. Recycle the batteries.
- Do not expose the battery to temperatures over 265°F. Batteries may explode at high temperatures.
- Leakage of liquid from the battery may occur under extreme use or high temperatures. If battery liquid gets on your skin:
  1. Wash quickly with soap and water.
  2. If the liquid gets in your eyes, flush your eyes with clean water for 10 minutes. Seek medical attention immediately.
- Never open the battery.

## BATTERY CHARGER

- Do not use the battery charger if the cord is damaged.
- Do not place the charger, or set items on or near the charger, in such a way as to block airflow to the charger.
- Do not use the charger with an extension cord unless absolutely necessary. Use a cord with the proper wire size for its length, as described in Table 1.

|                       |    |    |     |     |
|-----------------------|----|----|-----|-----|
| Length of Cord (Feet) | 25 | 50 | 100 | 150 |
| Wire Size (AWG)       | 18 | 18 | 18  | 16  |

**Table 1: Extension Cord Wire Size**

- Do not open the charger or attempt to modify it in any way.
- Disconnect the charger from power before attempting to clean it.
- Do not connect the charger to a transformer or engine generator.

# TOOL ANATOMY

## WHAT IS THE PBD600 CRIMPING TOOL?

The PBD600 is a battery powered 6-ton dieless crimping tool with a flip-top, 4 point head. PBD600 is capable of crimping copper and aluminum connectors to 750 MCM.

**⚠ DANGER**

**DO NOT** put fingers, hands or other body parts inside the crimping jaw. Serious injury will result!



# SPECIFICATIONS & ACCESSORIES

## SPECIFICATIONS

Crimping Force .....6 Tons (53 kN)  
Crimping Capacity ..... Copper/Aluminum Connectors to 750 MCM  
Jaw Type ..... Flip-top 4 Point, Dieless

Battery Type ..... DEWALT 20V Max, 5 amp/hour  
Estimated Crimps per Battery Charge ..... 300  
Tool Cycle Time ..... 6.5 seconds

Tool Weight ..... 12.55 Lbs.

Tool Length ..... 17.5 Inches

Maintenance Interval ..... 25,000 Cycles

## ACCESSORIES

5 Amp/hour Lithium Ion Battery ..... DC205  
5 Amp/hour Lithium Ion Battery 2-pack ..... DCB205-2

120V AC Charger ..... DCB115  
12V DC Charger ..... DCB119

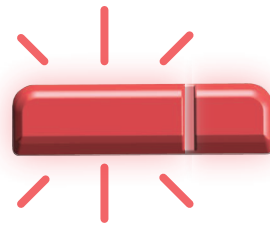
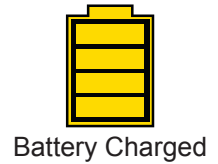
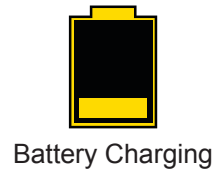
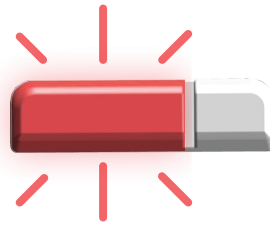
**Note: Only use battery chargers recommended by STANLEY.**

Bucket Bag ..... BB01

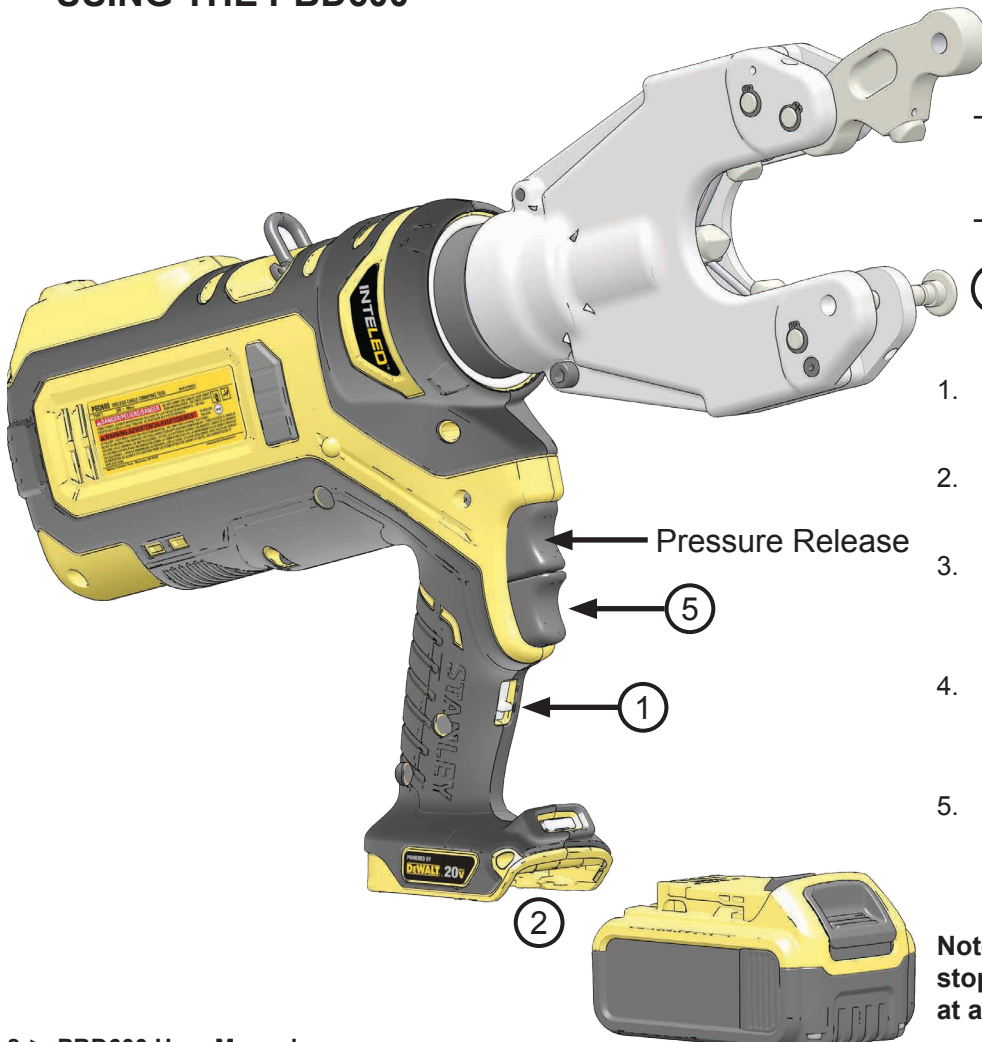


# OPERATION

## CHARGE BATTERY



## USING THE PBD600



**⚠ DANGER**

Set the Trigger Lock **BEFORE** inserting or removing material from the Crimping Jaw.

③ ④

1. Set the trigger lock.
2. Insert battery.
3. Pull out the jaw pin and open the crimping jaw.
4. Close the crimping jaw and lock the jaw pin into place.
5. Release the trigger lock. Press and hold the trigger until the crimp is complete. Press and hold the pressure release to open the cutting jaw.

**Note:** Release the trigger to immediately stop the tool. Press the pressure release at any time to open the jaws.



# OPERATION

## INTELED SYSTEM

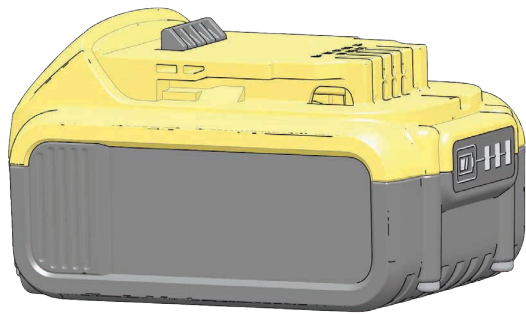
The InteLED light ring shows the status of the crimp in real-time.

**White** - The tool is crimping. InteLED will stay lit for 30 seconds after the crimp is complete.

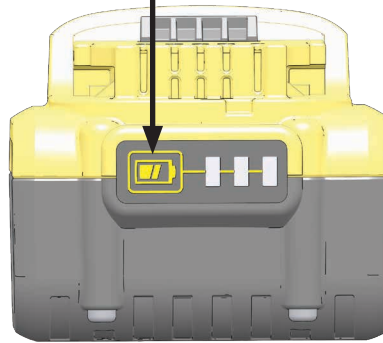
**Green** - The tool has developed full hydraulic pressure during the crimp. The crimp is good.

**Red** - The tool did not develop full pressure during the crimp. Crimp again.

## CHECKING BATTERY CHARGE



Battery Charge Button



75 - 100% Charged



51 - 74% Charged



Less than 50% Charged



Charge Battery

## STANLEY CRIMP SOFTWARE

STANLEY Crimp software provides valuable data about each crimp. It is also required to update the tool firmware.

## INSTALLATION

1. Download the STANLEY Crimp software from the STANLEY Infrastructure website.

[www.stanleyinfrastructure.com/products/cordless-td](http://www.stanleyinfrastructure.com/products/cordless-td)

**Note: STANLEY Crimp software requires a minimum of Windows XP SP3 running with administrator rights.**

2. Follow the prompts on screen to complete installation.
3. Connect PBD600 to a PC using a micro USB cable.

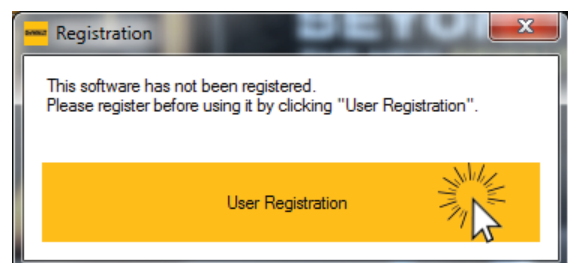
**Note: InteLED will shine blue when connected.**

## FIRST RUN

1. Run the software using the STANLEY Crimp software icon on your Windows desktop.
2. You will be prompted to register your software. Left click the "User Registration" button.
3. Fill out the registration form and click "Register".



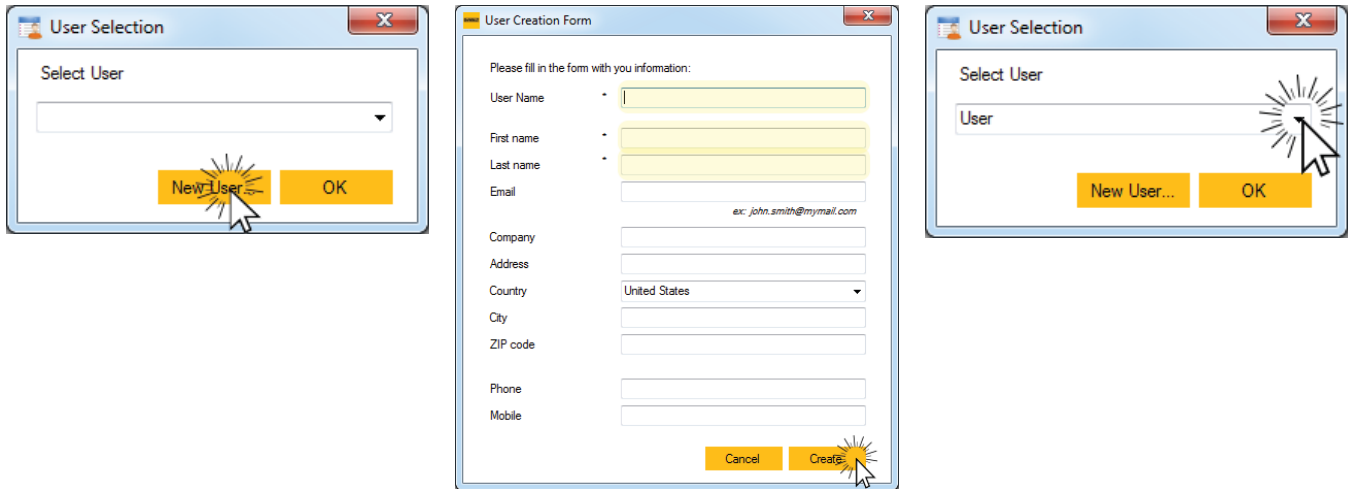
PBD600 USB Connection



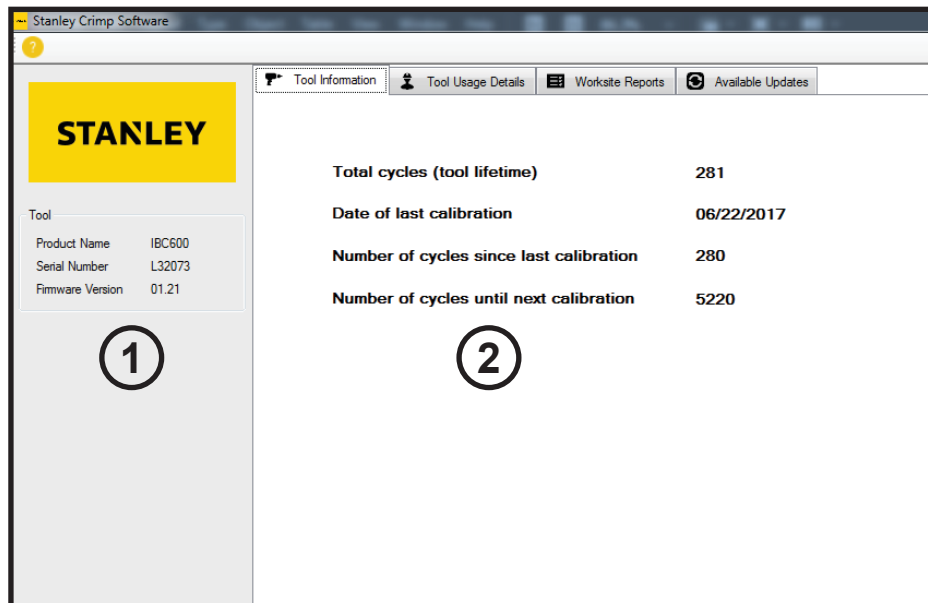
# OPERATION

## USER SELECTION

1. Click the “New User” button
2. Enter the required user information and click “Create”.
3. Select a user and click “OK”.



## TOOL INFORMATION



The Tool Information tab displays important data about the PBD600.

1. Displays the product type, serial number and firmware version of the tool.
2. Basic data relating to the life and service interval of the tool.

# OPERATION

## TOOL USAGE DATA

Stanley Crimp Software

**STANLEY**

Tool

Product Name IBC600  
Serial Number L32073  
Firmware Version 01.21

Tool Cycles (number of cycles)

|                    |     |                                  |                          |
|--------------------|-----|----------------------------------|--------------------------|
| Total              | 280 | Show only since last calibration | <input type="checkbox"/> |
| Cycle Complete     | 222 | Show only calibration cycles     | <input type="checkbox"/> |
| Cycle Not Complete | 58  | Show only not complete cycles    | <input type="checkbox"/> |

Time Stamp Cycle Complete Current (Amps) Voltage (V) Temperature (°F/°C)

|                  |     |      |      |         |
|------------------|-----|------|------|---------|
| 06/21/2017 22:48 | Yes | 13.3 | 19.2 | 37 / 3  |
| 06/21/2017 23:41 | Yes | 16.4 | 19.4 | 80 / 27 |
| 06/21/2017 23:42 | Yes | 15   | 19.4 | 80 / 27 |
| 06/21/2017 23:43 | No  | 16.2 | 19.3 | 80 / 27 |
| 06/21/2017 23:43 | Yes | 16.7 | 19.3 | 80 / 27 |
| 06/21/2017 23:43 | Yes | 16.1 | 19.3 | 80 / 27 |
| 06/21/2017 23:43 | No  | 16.5 | 19.3 | 80 / 27 |
| 06/21/2017 23:43 | Yes | 16.4 | 19.3 | 80 / 27 |
| 06/21/2017 23:43 | No  | 16.1 | 19.3 | 80 / 27 |
| 06/22/2017 00:01 | No  | 14.3 | 19.4 | 80 / 27 |
| 06/22/2017 23:50 | No  | 14.8 | 19.5 | 80 / 27 |
| 06/22/2017 23:50 | Yes | 18.7 | 19.5 | 86 / 30 |
| 06/22/2017 23:50 | Yes | 19.3 | 19.6 | 84 / 29 |
| 07/31/2017 17:02 | Yes | 19.3 | 20.2 | 86 / 30 |
| 08/04/2017 09:01 | Yes | 15.5 | 20.1 | 82 / 28 |
| 08/04/2017 09:01 | No  | 15.9 | 20.1 | 82 / 28 |

The Tool Usage Data tab displays information about individual tool cycles.

1. Displays the total number of tool cycles, as well as completed and non-complete cycles.
2. The data log shows each cycle, up to 250,000 cycles. Each entry into the log includes;
  - Date and time of each crimp
  - If the cycle completed successfully
  - Amperage and Voltage of the tool during each crimp
  - Tool temperature at the end of each crimp
3. Data log sorting filters. Allows you to sort the crimp data in the data log.

## WORKSITE REPORTS

Stanley Crimp Software

**STANLEY**

Tool

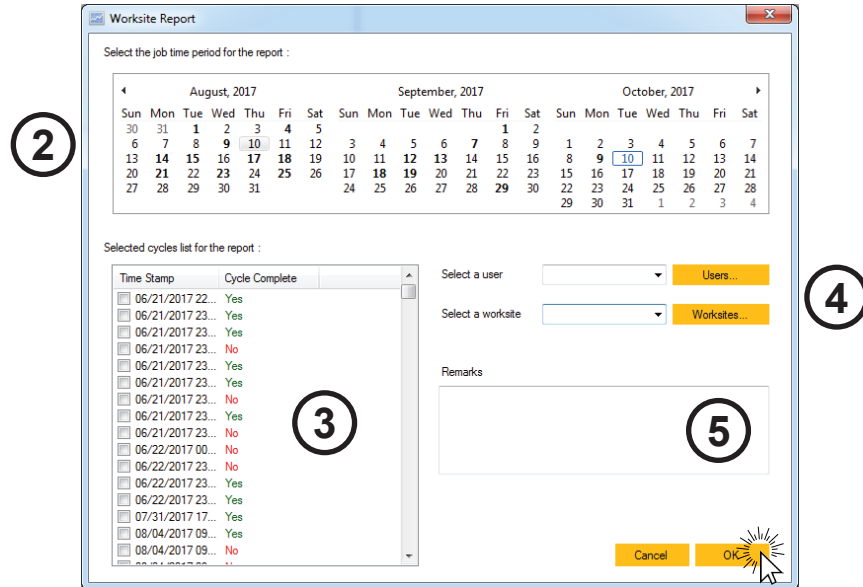
Product Name IBC600  
Serial Number L32073  
Firmware Version 01.21

Worksite Tool Serial Number Version Date Total Complete Not Complete

1 Create Report  
Delete Report  
Print Report to PDF

# OPERATION

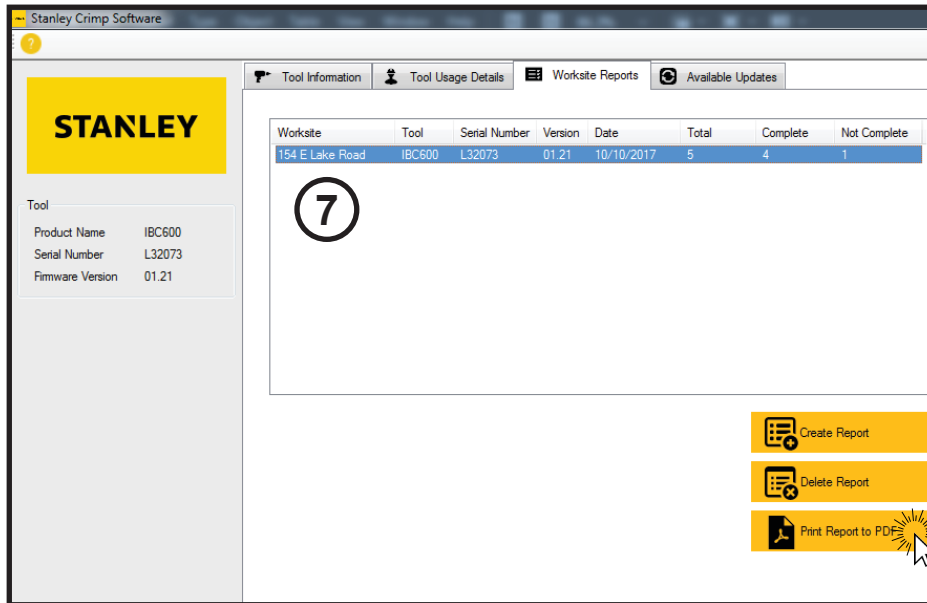
The Worksite Reports tab allows you to group data log entries into a complete tool cycle report.



1. Click “Create Report”.
2. Select the date range of the job you are reporting.
3. Select the crimp cycles you want to include in the report.
4. Select a user and a worksite.

**Note:** If this is the first time using the software, press the “Worksites” button to create a worksite.

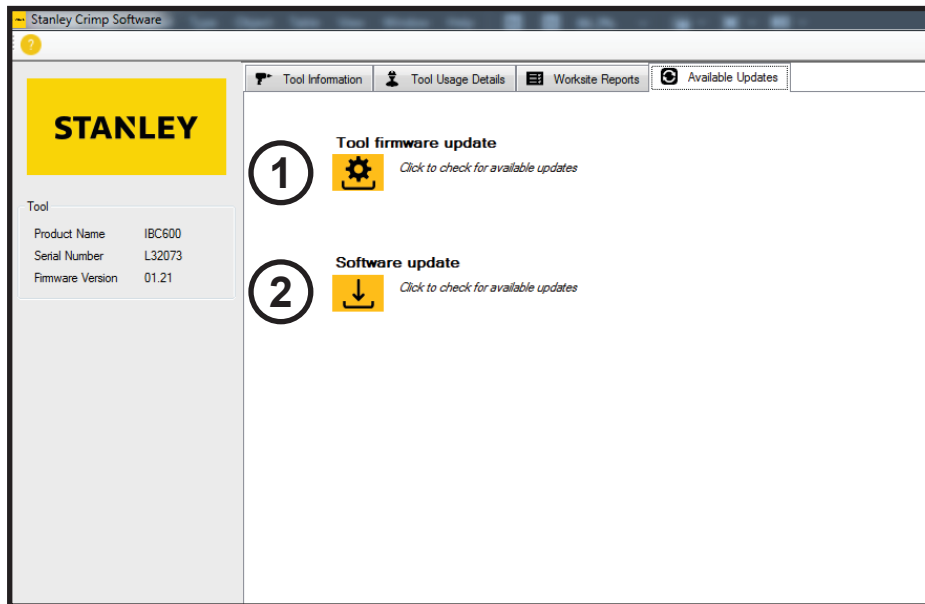
5. Enter notes about the job in the Remarks field.
6. Click “OK” when finished.



7. Select a report from the reports list.
8. Click “Print Report to PDF” to export the Worksite Report.

# OPERATION

## AVAILABLE UPDATES



The Available Updates tab will allow you to update the tool firmware and update STANLEY Crimp software.

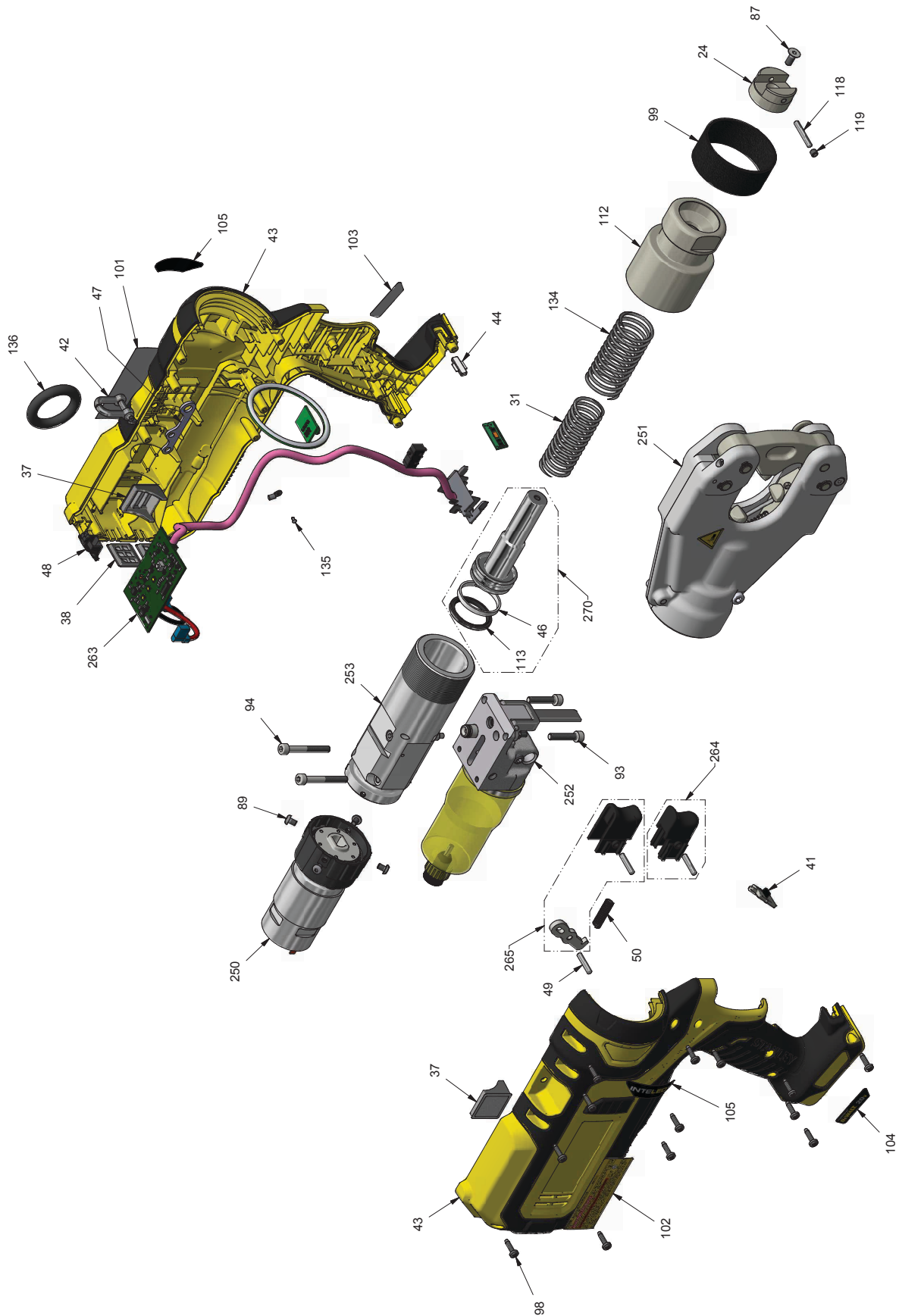
1. Tool Firmware Update button. When clicked, this will begin to tool firmware update process. Do not unplug the tool during this process.
2. Software Update button. When clicked, this will update the STANLEY Crimp software, if an update is available.

# OPERATION

## TROUBLESHOOTING

| <b>Problem</b>  | <b>Solution</b>  |
|---|--|
| The tool won't crimp when I press the trigger.                                      | Ensure the battery is charged. Disengage the trigger lock.   |
| The InteLED flashes yellow when I activate the tool.                                | The maintenance interval is about to elapse. Have the tool serviced as soon as possible.   |
| The tool repeatedly give me bad crimps / The InteLED flashes red after every crimp. | Ensure the battery is fully charged. If problem persists, have the tool serviced as soon as possible.  |
| The tool is leaking hydraulic oil.  | Have the tool serviced immediately.  |
| The tool cannot connect to STANLEY Crimp software.                                  | Ensure the tool is connected to the computer via the USB port and that InteLED is blue. Your computer may be downloading USB drivers. Check the Windows system tray for download progress. |
| The tool is not saving data.  | Have the tool serviced as soon as possible.  |

# PBD600 PARTS ILLUSTRATION

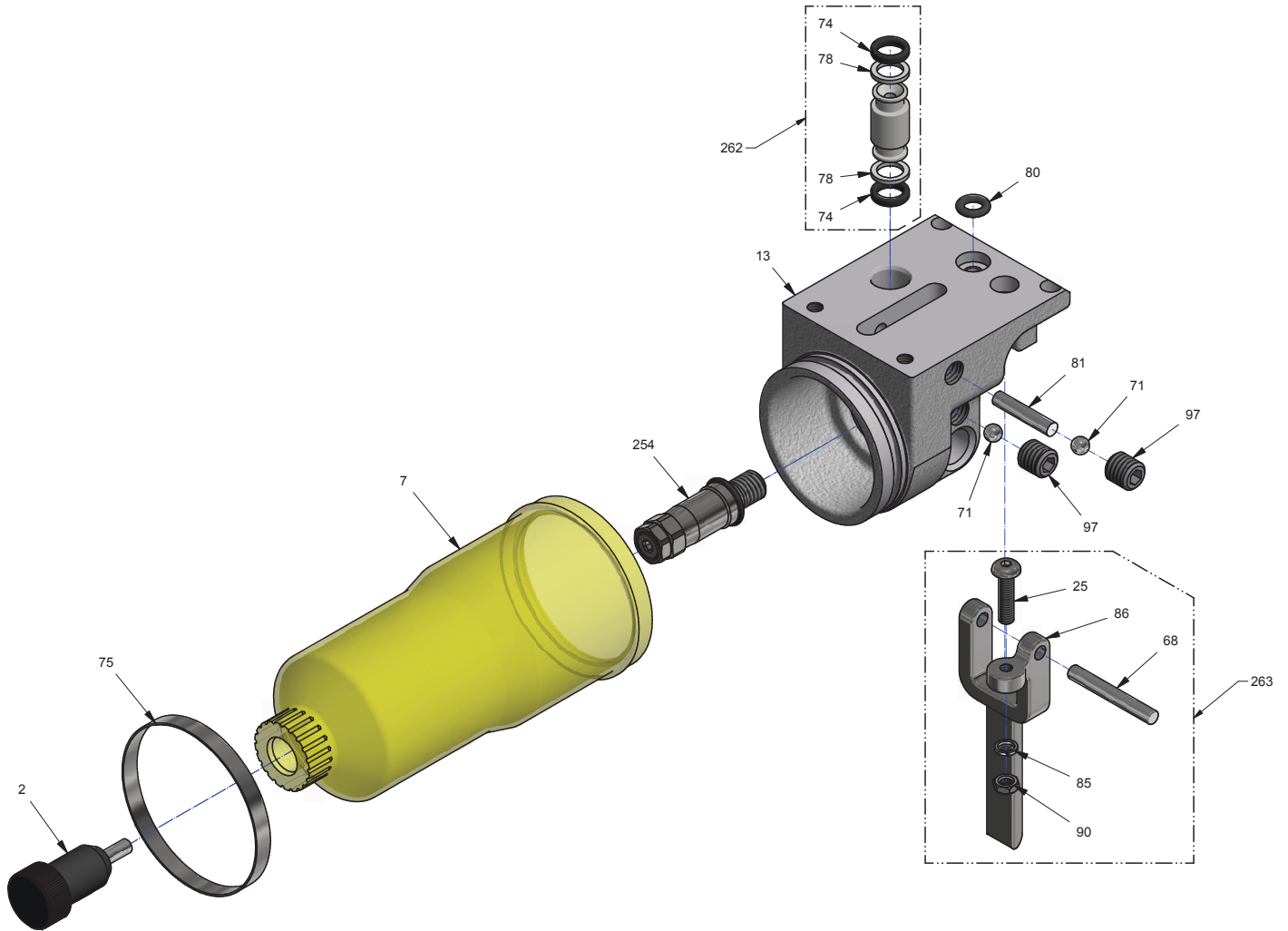




## PBD600 PARTS LIST

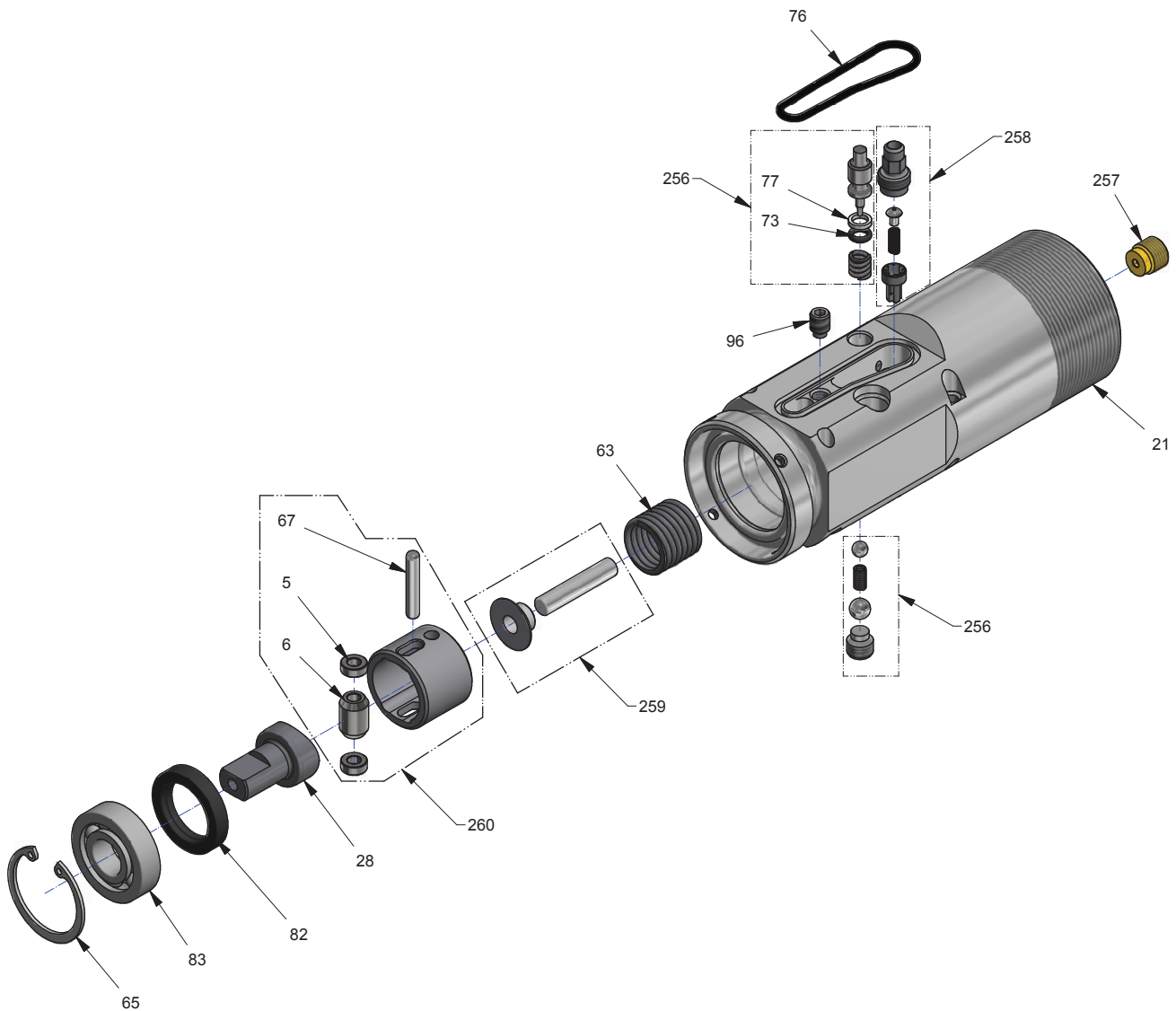
| ITEM | P/N           | QTY | DESCRIPTION                       |
|------|---------------|-----|-----------------------------------|
| 24   | 78532         | 1   | Fork                              |
| 31   | 77033         | 1   | Spring                            |
| 37   | 91649         | 2   | Side Membrane                     |
| 38   | 91650         | 2   | Rear Membrane                     |
| 41   | 91655         | 1   | Trigger Lock                      |
| 42   | 77058-01      | 1   | Shackle                           |
| 43   | 91593-STA     | 1   | Housing Set                       |
| 44   | 91439         | 1   | Lens LED                          |
| 46   | SGET3200390   | 1   | Guiding Segment                   |
| 47   | 77051-01      | 1   | Shackle Holder                    |
| 48   | 91410         | 1   | USB Cover                         |
| 50   | 77061         | 1   | Spring                            |
| 87   | VAV05FH012Z   | 1   | Screw                             |
| 89   | VAV04CB006    | 4   | Screw                             |
| 93   | VAV05HC025    | 2   | Screw                             |
| 94   | VAV05HC040    | 2   | Screw                             |
| 98   | VAV3.5TC014ZN | 13  | Screw                             |
| 99   | 91350         | 1   | Protection Cover                  |
| 101  | 91633         | 1   | STANLEY Label                     |
| 102  | 91638         | 1   | PBD600 Label                      |
| 103  | 91634         | 1   | "Powered By DEWALT" Label - Right |
| 104  | 91635         | 1   | "Powered By DEWALT" Label - Left  |
| 105  | 91636         | 1   | IntelLED Label                    |
| 112  | 78530         | 1   | Nose                              |
| 113  | JGR350275032  | 1   | Glyding Ring Seal                 |
| 118  | AIG4X25.8BP   | 1   | Calibrated Pin                    |
| 119  | VAV05CV005    | 1   | Screw                             |
| 134  | 77034         | 1   | Screw                             |
| 135  | ACKR0204      | 2   | Grooved Pin                       |
| 136  | 91465         | 1   | Strap Ring                        |
| 250  | 91856         | 1   | Motor Reduction Unit              |
| 251  | 91831         | 1   | Dieless Head Unit                 |
| 252  | See page 17   | 1   | Reservoir Unit                    |
| 253  | See page 18   | 1   | Hydraulic Unit                    |
| 263  | 92886         | 1   | Electronic Device                 |
| 264  | 77853-STA     | 1   | Advance Trigger Unit              |
| 265  | 77854-DEW     | 1   | Release Trigger Unit              |
| 270  | 91822C        | 1   | Piston Unit                       |

# PBD600 HYDRAULIC RESERVOIR ILLUSTRATION



| ITEM | P/N         | QTY | DESCRIPTION           |
|------|-------------|-----|-----------------------|
| 2    | 30176DUB    | 1   | Reservoir Plug        |
| 7    | 91569       | 1   | Oil Reservoir         |
| 13   | 77001-02    | 1   | Reservoir Body        |
| 25   | VAV04CB015  | 1   | Screw                 |
| 68   | AIG4X29.8BP | 1   | Calibrated Pin        |
| 74   | J0640190    | 2   | O-Ring                |
| 75   | 91576       | 1   | Metal Clamp           |
| 78   | JAE0700150  | 2   | Anit-extrusion Ring   |
| 80   | J0420250    | 1   | O-Ring                |
| 81   | ZBINA420    | 1   | Magnet Pin            |
| 85   | VAR04W      | 1   | Washer                |
| 86   | 91232       | 1   | Release Trigger       |
| 90   | VAE04       | 1   | Nut                   |
| 97   | VAV08BP008  | 2   | Screw                 |
| 254  | 92884-11    | 1   | Overload Valve        |
| 262  | 77851C      | 1   | Bodies Connector Unit |
| 263  | 77852-DEW   | 1   | Release Lever Unit    |

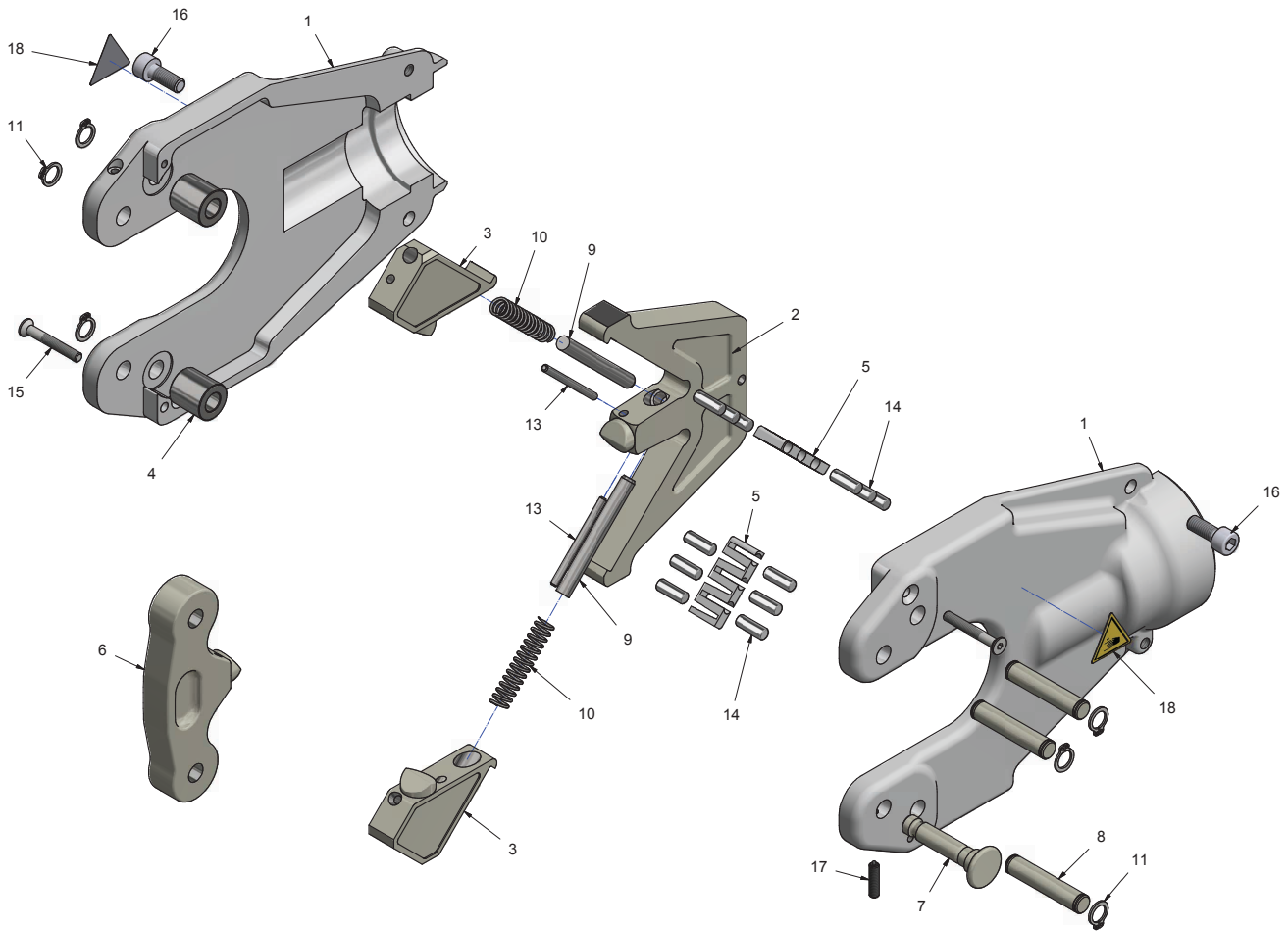
# PBD600 HYDRAULIC BODY ILLUSTRATION



| ITEM | P/N          | QTY | DESCRIPTION         |
|------|--------------|-----|---------------------|
| 5    | 77286        | 2   | Cam Roller          |
| 6    | 70048DUB     | 1   | Sleeve              |
| 21   | 78531        | 1   | Hydraulic Body      |
| 28   | 77026-01     | 1   | Cam                 |
| 63   | 87213        | 1   | Spring              |
| 65   | AAIN30       | 1   | Circlip             |
| 67   | AIG4X23.8BR  | 1   | Calibrated Pin      |
| 73   | J0290178PU70 | 1   | O-Ring              |
| 76   | J3500200     | 1   | O-Ring              |
| 77   | JAE0500100   | 1   | Anti-extrusion Ring |
| 82   | JSR1927205   | 1   | Wiper Ring          |

| ITEM | P/N          | QTY | DESCRIPTION          |
|------|--------------|-----|----------------------|
| 83   | R1B12.30.08Z | 1   | Ball Bearing         |
| 96   | VAV06TT008   | 1   | Screw                |
| 256  | 77803        | 1   | Release Device       |
| 257  | 77805-01     | 1   | Delivery Unit        |
| 258  | 77806-01     | 1   | Suction Valve Unit   |
| 259  | 77848C-01    | 1   | Spring Collar Unit   |
| 260  | 77849C       | 1   | Cam Compartment Unit |

# PBD600 DIELESS HEAD UNIT



| ITEM | P/N          | QTY | DESCRIPTION        |
|------|--------------|-----|--------------------|
| 1    | 78542        | 2   | Dieless Head       |
| 2    | 78543        | 1   | Dieless Axial Pin  |
| 3    | 78544        | 2   | Side Pin           |
| 4    | 78545        | 2   | Roller             |
| 5    | 78546        | 2   | Needle Holder      |
| 6    | 78548        | 1   | Front Pin          |
| 7    | 78550        | 1   | Jaw Pin            |
| 8    | 91205        | 3   | Pin                |
| 9    | 91217        | 2   | Calibrated Pin     |
| 10   | 91218        | 2   | Spring             |
| 11   | AAEN08       | 6   | Elastic Ring       |
| 13   | AGCR0340     | 2   | Pin                |
| 14   | AIG5X13.8BP  | 12  | Calibrated Pin     |
| 15   | VAV04FH030Z  | 2   | Screw              |
| 16   | VAV06HC016Z  | 2   | Screw              |
| 17   | ZNLM03055-04 | 1   | Spring Plunger     |
| 18   | ZSETPD337    | 2   | Crush Hazard Label |

# **STANLEY®**

STANLEY Infrastructure  
6430 SE Lake Road  
Portland, Oregon 97222 USA  
(503) 659-5660 / Fax (503) 652-1780  
[www.stanleyinfrastructure.com](http://www.stanleyinfrastructure.com)