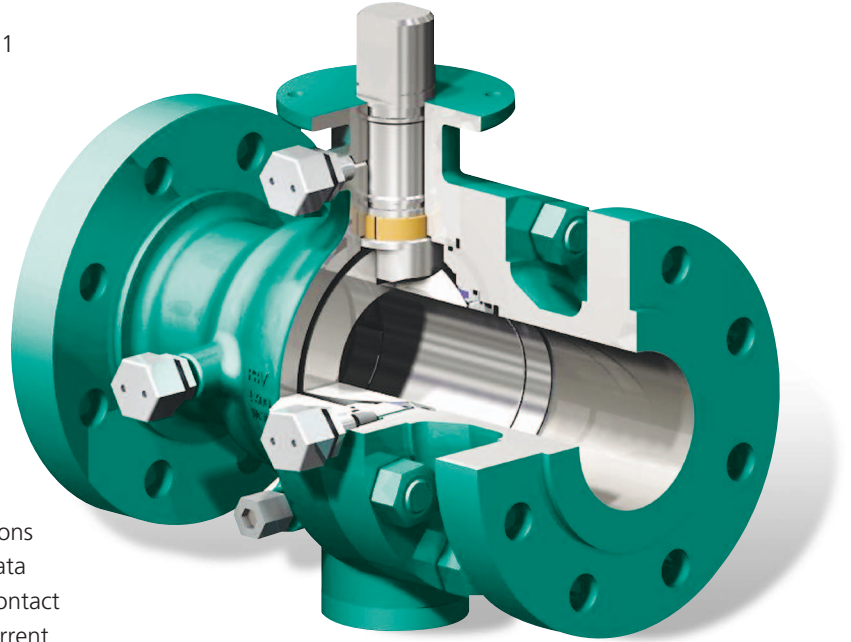


PBV® Series 5800/6800 Two-Piece Flanged Trunnion Supported Ball Valve

The Professional Choice for Dependable, Long Lasting Service.

Standard Features

- WCB/WCC Bodies and Adapters
- O-Ring Stem Seal Design backed by Firesafe Seal
- Valves Built and tested to API 6D
- Valves meet ASME B16.34, B16.10, B16.5 and BS 5351
- ISO 5211 Compatible Mounting Pads
- Firesafe to API 607 or 6FA
- All Materials Meet NACE MR0175
- Emergency Seat and Stem Sealant Injection
- Carbon Steel with ENP Standard on Internal Trim (Ball, Seat and Stem)
- Locking Devices Standard for Lever or Gear Operated Valves
- Double Block & Bleed (DBB) in Both Opened and Closed Position
- Equipped with Drain Valve for DBB and Seat Integrity Verification



Due to upgrades in industry standards, material innovations and Forum™'s commitment to product advancement, data presented in this brochure is subject to change. Please contact your Forum™ sales representative for updated and/or current drawings and material compliance.

Specifying PBV® Series 5800/6800 Valve Figure Numbers

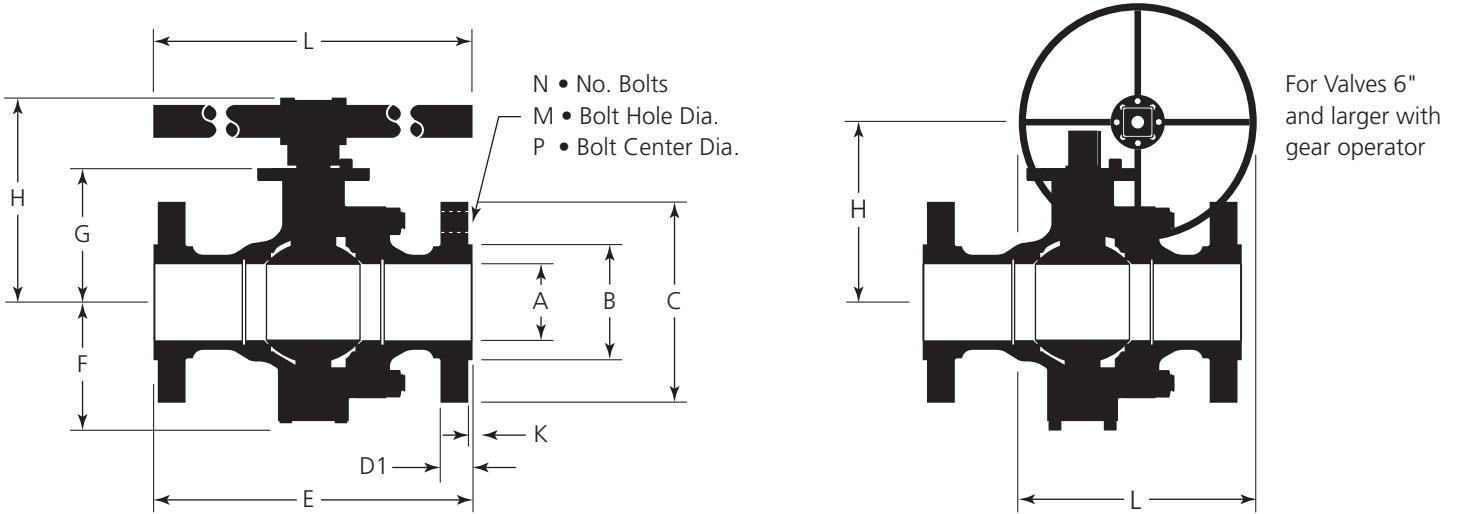
Example: 6" C-6830-71-2200-DH-NG This number represents a 6" ANSI Class 300, Full Port, Two-Piece Trunnion Ball Valve, Fire Tested with Emergency Grease Seals, with Raised Face, WCB Body Material, Carbon Steel with ENP Trim, Devlon® Seats, HNBR Seals, for NACE MR0175 Service and Gear Operated.

Material Code	Port Config.	Valve Type	Press. Class	Fire Tested	End Conn.	Body Material	Trim Material	Seat Material	Seal Material	NACE Option	Operator	Modifier Code
C International Carbon Steel	5 Reduced	8 Two-Piece Trunn. Type	10 150 CL	7 Fire Tested w/Emerg. Grease Seals	1 RF	22 WCB/WCC	00 Same as Body	D Devlon® or Equiv.	H HNBR	N NACE	A Actuator	
D Domestic Carbon Steel	6 Full		30 300 CL		3 RTJ	28 LCC	36 316SS	G Glass Filled Teflon®			B Bare Stem	
			60 600 CL								G Gear	
											L Lever	

Note: Other body, trim, seat and seal materials are available upon request. Lever mounting pads are designed to dimensions in ISO 5211.

PBV® Series 6800

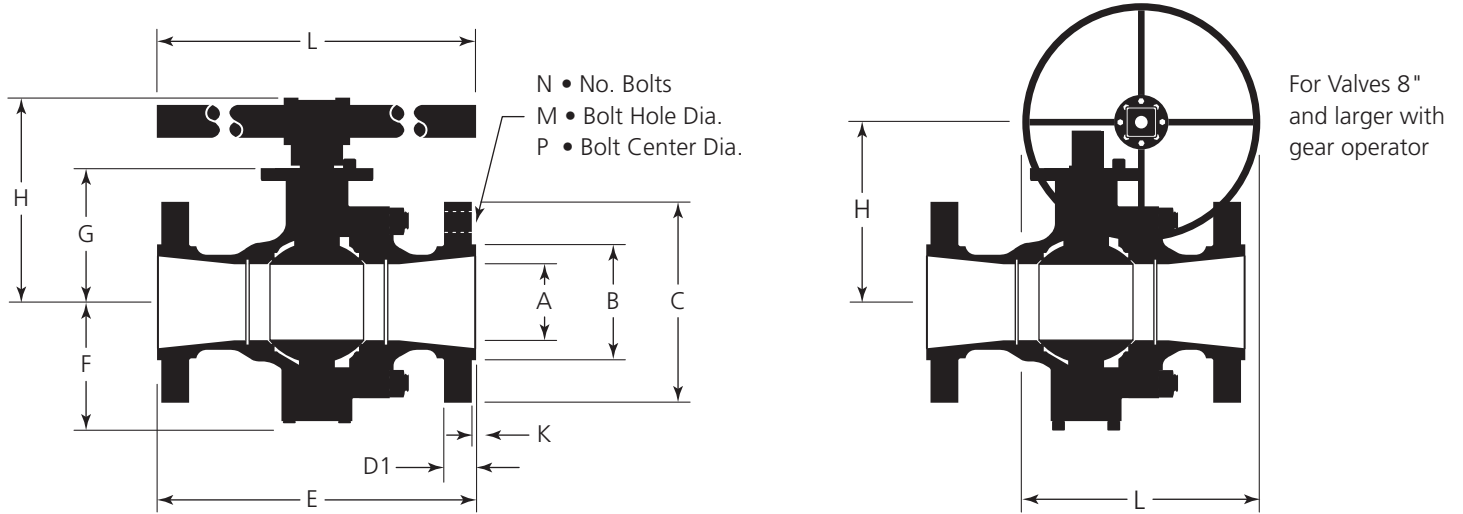
Dimensional Data (in.), Full Port



Size (in.)	Class	A	B	C	D1	E	F	G	H	K	N	M	P	L
2	150	2.06	3.62	6.00	0.62	7.00	4.30	3.94	6.53	0.06	4	0.75	4.75	17.00
	300	2.06	3.62	6.50	0.88	8.50	4.30	3.94	6.53	0.06	8	0.75	5.00	17.00
	600	2.06	3.62	6.50	1.25	11.50	4.30	4.13	6.41	0.25	8	0.75	5.00	20.00
3	150	3.13	5.00	7.50	0.75	8.00	5.80	4.88	7.17	0.06	4	0.75	6.00	20.00
	300	3.13	5.00	8.25	1.12	11.12	5.80	4.88	7.17	0.06	8	0.88	6.62	20.00
	600	3.13	5.00	8.25	1.50	14.00	5.80	5.38	9.28	0.25	8	0.88	6.62	28.00
4	150	4.06	6.19	9.00	0.94	9.00	6.86	6.10	10.01	0.06	8	0.75	7.50	28.00
	300	4.06	6.19	10.00	1.25	12.00	6.86	7.06	10.97	0.06	8	0.88	7.88	28.00
	600	4.06	6.19	10.75	1.75	17.00	6.86	7.06	10.97	0.25	8	1.00	8.50	28.00
6	150	6.00	8.50	11.00	1.00	15.50	8.27	8.75	10.91	0.06	8	0.88	9.50	20.00
	300	6.00	8.50	12.50	1.44	15.88	8.27	8.75	10.91	0.06	12	0.88	10.62	20.00
	600	6.00	8.50	14.00	2.13	22.00	8.27	8.75	10.91	0.25	12	1.13	11.50	20.00
8	150	8.00	10.62	13.50	1.12	18.00	10.38	11.92	14.05	0.06	8	0.88	11.75	24.00
	300	8.00	10.62	15.00	1.63	19.75	10.38	11.92	14.05	0.06	12	1.00	13.00	24.00
	600	8.00	10.62	16.50	2.25	26.00	10.38	11.92	14.05	0.25	12	1.25	13.75	24.00
10	150	10.00	12.75	16.00	1.18	21.00	12.05	13.76	15.89	0.06	12	1.00	14.25	24.00
	300	10.00	12.75	17.50	1.88	22.38	12.05	13.76	15.89	0.06	16	1.13	15.25	24.00
	600	10.00	12.75	20.00	2.75	31.00	12.05	13.76	15.89	0.25	16	1.38	17.00	24.00
12	150	12.00	15.00	19.00	1.25	24.00	14.17	16.34	22.91	0.06	12	1.00	17.00	30.00
	300	12.00	15.00	20.50	2.00	25.50	14.17	16.34	22.91	0.06	16	1.25	17.75	30.00
	600	12.00	15.00	22.00	2.88	33.00	14.17	16.34	22.91	0.25	20	1.38	19.25	30.00

PBV® Series 5800

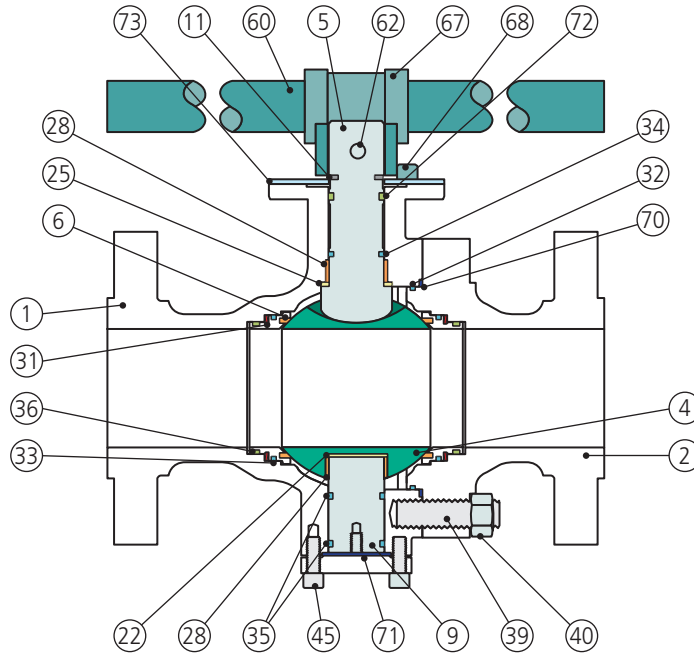
Dimensional Data (in.), Reduced Port



Size (in.)	Class	A	B	C	D1	E	F	G	H	K	N	M	P	L
3 x 2	150	3 x 2	5.00	7.50	0.75	8.0	4.30	3.94	6.53	0.06	4	0.75	6.00	17.00
	300	3 x 2	5.00	8.25	1.12	11.1	4.30	3.94	6.53	0.06	8	0.88	6.62	17.00
	600	3 x 2	5.00	8.25	1.50	14.0	4.30	4.13	7.43	0.25	8	0.88	6.62	20.00
4 x 3	150	4 x 3	6.19	9.00	0.94	9.0	5.80	4.88	8.80	0.06	8	0.75	7.50	20.00
	300	4 x 3	6.19	10.00	1.25	12.0	5.80	4.88	8.19	0.06	8	0.88	7.88	20.00
	600	4 x 3	6.19	10.75	1.75	17.0	5.80	5.38	9.28	0.25	8	1.00	8.50	28.00
6 x 4	150	6 x 4	8.50	11.00	1.00	15.5	6.86	6.10	10.01	0.06	8	0.88	9.50	28.00
	300	6 x 4	8.50	12.50	1.44	15.9	6.86	7.06	10.97	0.06	12	0.88	10.63	28.00
	600	6 x 4	8.50	14.00	2.13	22.0	6.86	7.06	10.97	0.25	12	1.13	11.50	28.00
8 x 6	150	8 x 6	10.62	13.50	1.12	18.0	8.27	8.75	10.91	0.06	8	0.88	11.75	18.00
	300	8 x 6	10.62	15.00	1.63	19.8	8.27	8.75	10.91	0.06	12	1.00	13.00	18.00
	600	8 x 6	10.62	16.50	2.25	26.0	8.27	8.75	10.91	0.25	12	1.25	13.75	18.00
10 x 8	150	10 x 8	12.75	16.00	1.18	21.0	10.38	11.92	14.05	0.06	12	1.00	14.25	24.00
	300	10 x 8	12.75	17.50	1.88	22.4	10.38	11.92	14.05	0.06	16	1.13	15.25	24.00
	600	10 x 8	12.75	20.00	2.75	31.0	10.38	11.92	14.05	0.25	16	1.38	17.00	24.00
12 x 10	150	12 x 10	15.00	19.00	1.25	24.0	12.05	13.76	15.89	0.06	12	1.00	17.00	24.00
	300	12 x 10	15.00	20.50	2.00	25.5	12.05	13.76	15.89	0.06	16	1.25	17.75	24.00
	600	12 x 10	15.00	22.00	2.88	33.0	12.05	13.76	15.89	0.25	20	1.38	19.25	24.00

PBV® Series 5800/6800

Parts & Materials



Parts & Materials • Typical 4" 6800 Steel Valve

No.	Qty.	Description	Material/Carbon Steel
1	1	Body	A216-WCB/WCC
2	1	Adapter Cap	A216-WCB/WCC
4	1	Ball	A105/A350 LF2 ENP
5**	1	Stem	A105/A350 LF2 ENP
6*	2	Seat Assembly	A105/A350 LF2 G/PTFE or Devlon®
9	1	Trunnion	A105/A350 LF2 ENP
10	1	Trunnion Plate	A352-LCC
11**	1	Snap Ring	Stainless Steel
22**	1	Bearing	TFMC
25*	1	Stem Thrust Bearing	TFMC
28*	2	Bearing Washer	Steel/PTFE
31**	2	Spring	Inconel® X-750
32*	1	O-Ring, Body	HNBR
33*	2	O-Ring, Seat	HNBR

No.	Qty.	Description	Material/Carbon Steel
34*	2	O-Ring, Stem	HNBR
35*	2	O-Ring, Trunnion	HNBR
36*	—	Packing	Graphite
39	See Dim.	Stud	A193-B7M
40	See Dim.	Nut	A194-2HM
45	4	Cap Screw, Trunnion	A574 Modified
60	1	Handle	Carbon Steel
62	1	Handle Screw	F912
67	1	Handle Adapter	Ductile Iron
68	1	Cap Screw, Stop	A574 Modified
70*	1	Gasket, Body	Graphite
71*	1	Gasket, Trunnion	Graphite
72*	—	Packing, Stem	Graphite
73**	1	Stop Plate	Carbon Steel

Note: Recommended spare parts: *after 2 yrs. service, **after 5 yrs. service.

Distributed by | Distribuido por :



ANYTHING
≈ FLOWS ≈

INFO@ANYTHINGFLOWS.COM

WWW.ANYTHINGFLOWS.COM

Flow Control , our passion ®

Life Flows on ™



SCAN ME