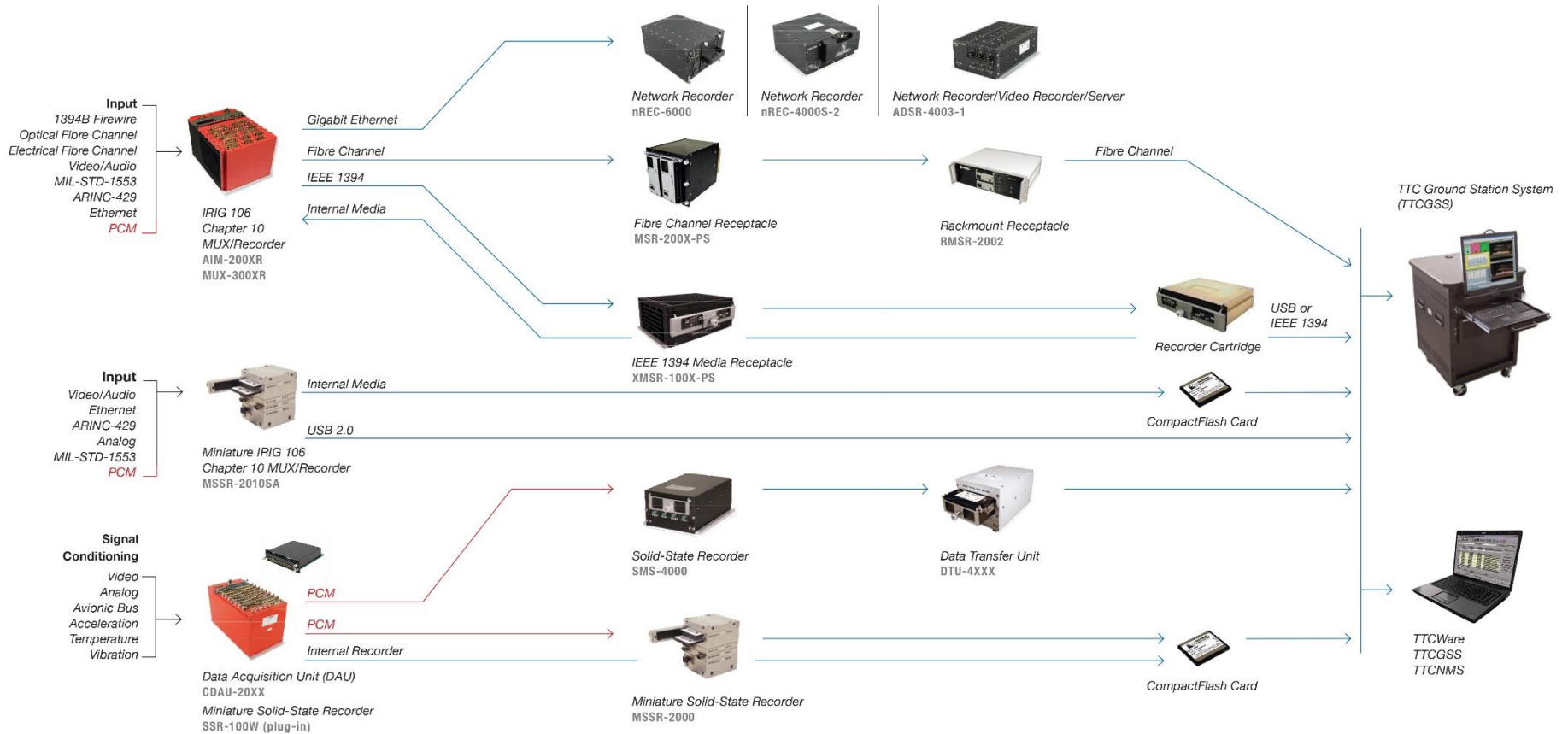

PCM AND CH10 RECORDERS

Information included herein is categorized as ECCN 7E994 under the Export Administration Regulations (15 CFR § 730-774) issued by the U.S. Department of Commerce. An export license issued by the U.S. Department of Commerce or EAR exception may be required prior to export or transfer of this information to certain parties or end-uses. This document contains Teletronics Technology Corporation (TTC) proprietary information; public release of this document is not authorized, Diversion contrary to U.S. law is prohibited

Recorders & Multiplexers



SMS-4000 – PCM Solid State Recorders (1-Channel)

Features

- Removable Memory Cartridges
- 128 GB or 256 GB capacities
- PCM Data Rates up to 20 Mbps
- Parallel Data 20MBps burst, 3MBps sustained
- IRIG-B Time Reader (Time tag PCM frames to 1 microsecond resolution)
- RS-232 Setup & Control (or Discrete Control)
- USB 2.0 Download
- Optional Data Transfer Unit (DTU-4500)



SMS-4000

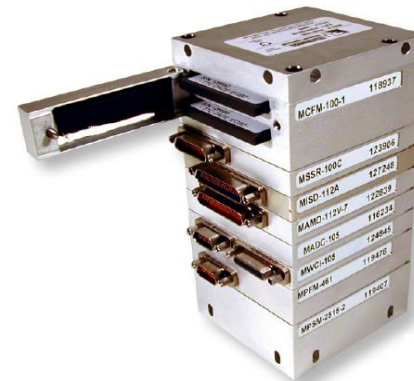


DTU-4500

Miniature Solid State Recorders – 1-Channel PCM

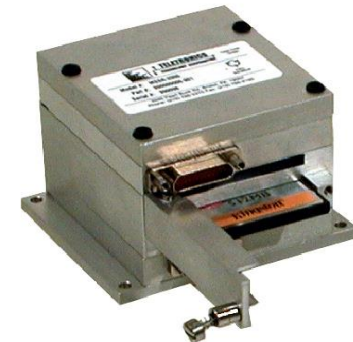
Features

- 2 GB to 64 GB capacities per CompactFlash card
- Uses up to 2 removable CompactFlash cards
- Stackable (attached to a Miniature Data Acquisition Unit) or Standalone
- Removal Data Transfer
- Small form factor
- RS-232 Setup & Control (or Discrete Control)



MSSR-100C
Stackable Recorder

MSSR-2000C-SA
Standalone Recorder



SSR-100W – Chapter10 Recorder PCM (2-Channel)

Features

- 2 GB to 64 GB capacities per CompactFlash card
- Uses up to 2 removable CompactFlash cards
- Built-in Solid State Recorder
 - Sustained record rate over 40 Mbps
 - Operates up to 20 Mbps per channel
- Two independent PCM inputs
- Built-in Frame Correlator for each input
- Time Tag per IRIG Chapter10
- USB 2.0 Download
- RS-232 Setup & Control (or Discrete Control)
- Multiple SSR-100Ws may be placed within a single chassis

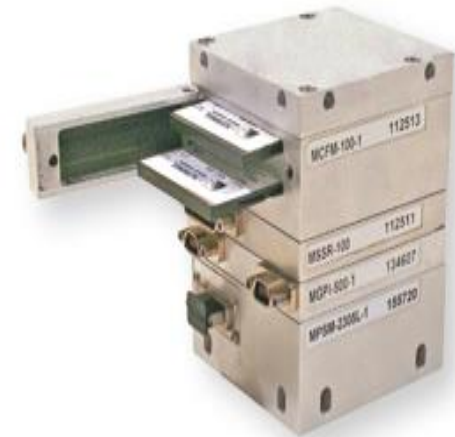
SSR-100W



Miniature IRIG-106 Chapter10 Multiplexer / Recorder – MSSR-2010

Features

- 2 GB to 64 GB capacities per CompactFlash card (MMCF-64000HS)
- Uses up to 2 removable CompactFlash cards
- Stackable (attached to a Miniature Data Acquisition Unit) or Standalone
- Sustained record rate of up to 48 Mbps
- Removal Data Transfer
- Small form factor
- USB 2.0 Download (no power up required)
- RS-232 Setup & Control (or Discrete Control)

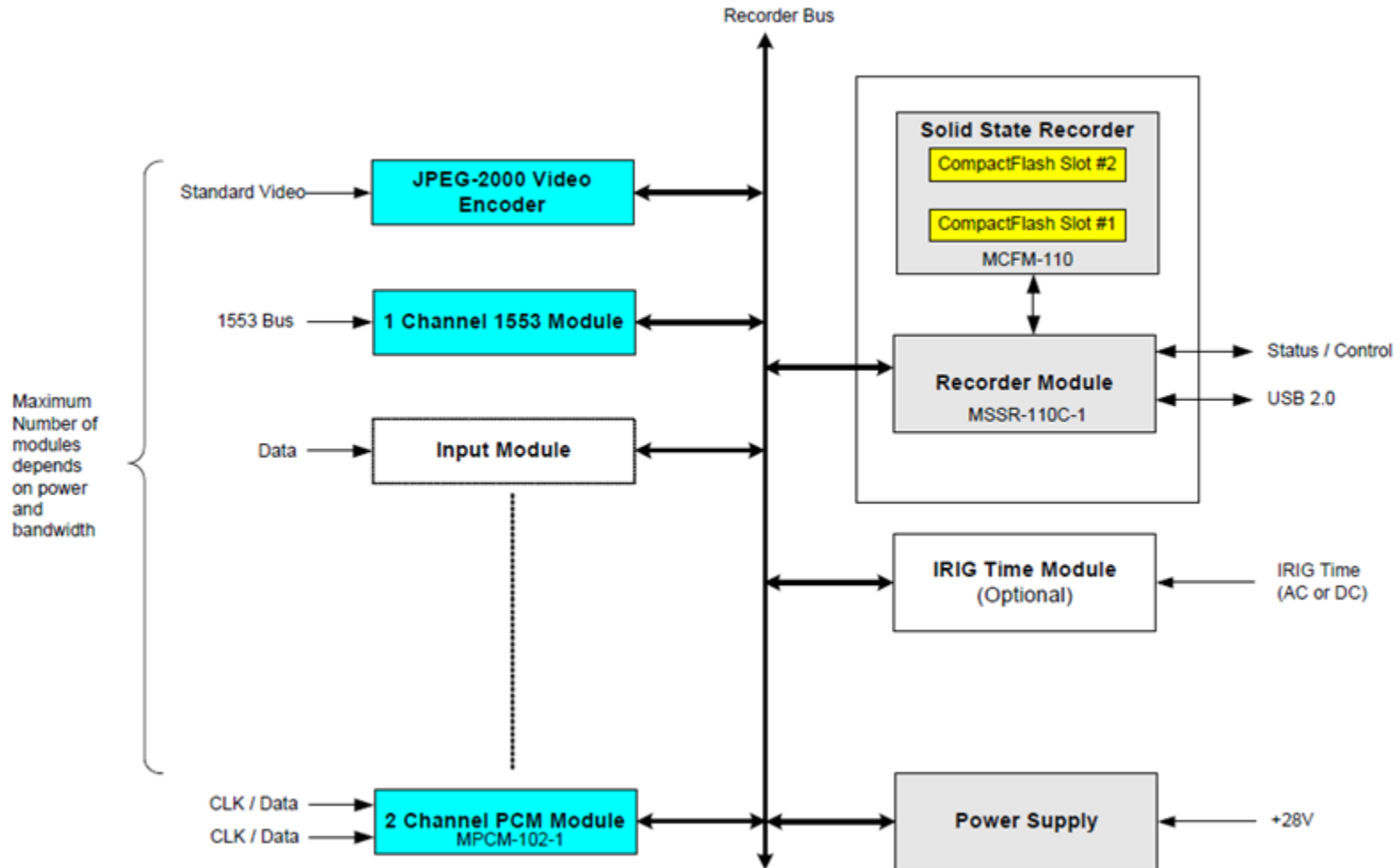


MSSR-2010-SA



MSSR-2010-SAR

MSSR-2010 Recorder System



The MSSR-2010 Airborne data multiplexer and recorder accepts a variety of modules, including:

- MPCM-102M - 2-Ch PCM (20 Mbps) module
- MBIM-553M - 1-Ch MIL-STD-1553 Bus Monitor module
- MVID-301M - 1-Ch H.264 Video/Audio Encoder module
- MVID-121M - 1-Ch MPEG-2 Video Encoder module
- METI-201M - 1-Ch Gigabit Ethernet Interface module
- MSCD-606M - 6-Ch Differential Input Signal Conditioning module
- MBIM-429M - 8-Ch ARINC-429 Bus Monitor module
- MIRG-220M-2 - IRIG-B AC or DC Input Time module
- MGPS-101M - GPS/IRIG-B AC or DC input time module

MUX - IRIG-106 Chapter10 Multiplexer / Recorder

Features

- **Airborne Data Multiplexer / Recorder**
 - MUX-3003R accepts 3 I/O Cards and Recorder
 - MUX-3005R accepts 5 I/O Cards and Recorder
- **Sustained Record Rate of up to 20 MBps**
- **Built-in Solid State Recorder**
 - XRMM-1XXX with capacity of up to 128 GB or 256 GB
- **Accepts IRIG-B AC / DC Time or GPS Antenna**
- **Provides GPIOs for Recorder Control & Status**
- **Provides RS-232/422 for external recording**
- **Data download**
 - via IEEE-1394b
 - remote download, removable memory media



MUX-3005R

MUX - IRIG-106 Chapter10 Multiplexer / Recorder

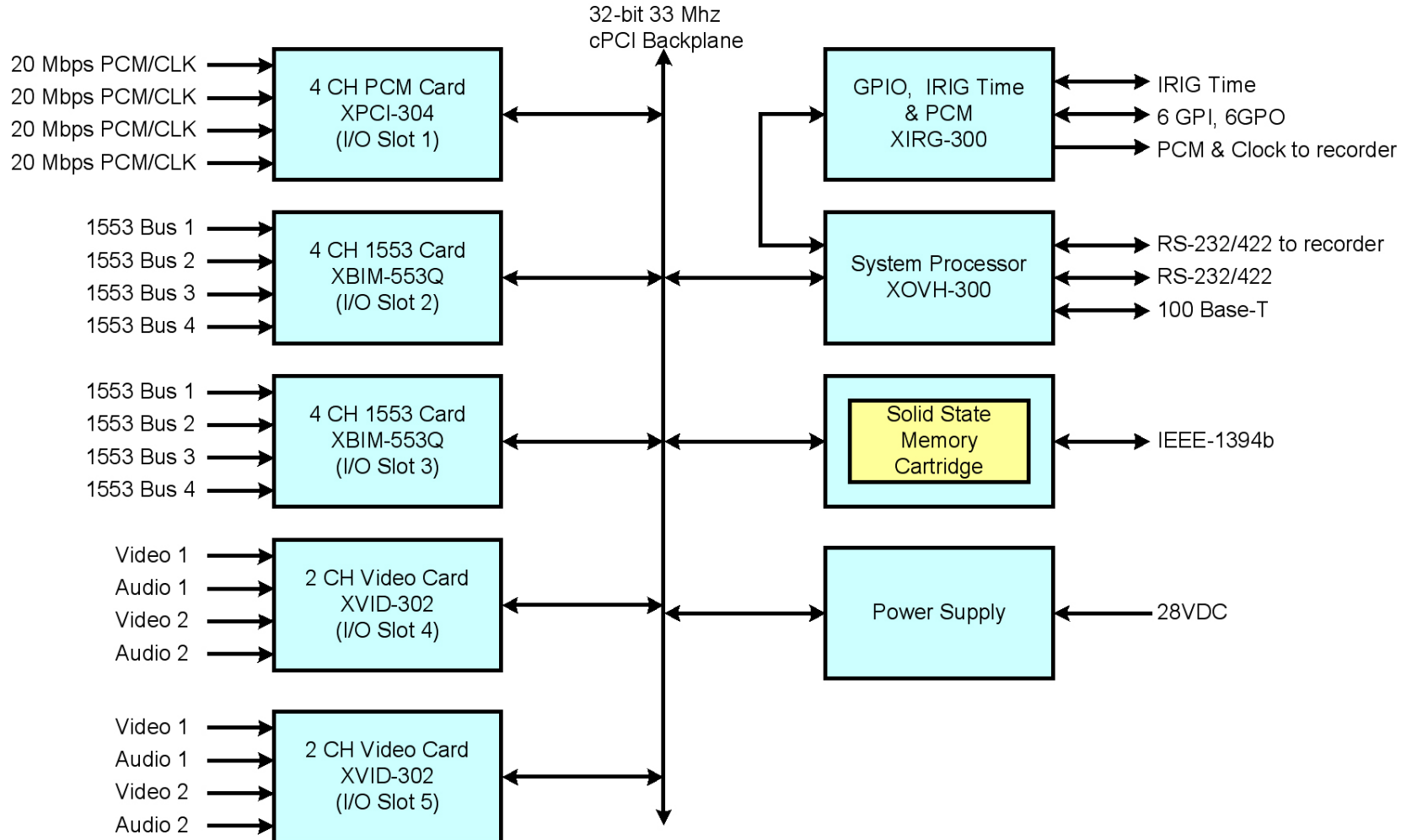
Features

- **A variety of I/O Card types are available:**
 - 1-Ch 16PP194 Bus with 2-Ch MIL-STD-1553 Bus Monitor card
 - 8-Ch PCM (20 Mbps) card
 - 8-Ch MIL-STD-1553 Bus Monitor card
 - 16-Ch ARINC-429 Bus Monitor card
 - 2-Ch 1.0625 Gbps Electrical Fibre Channel card
 - 3-Ch MPEG-2 Video/Audio card
 - 4-Ch 10/100 BaseT Ethernet card
 - 2-Ch 400 Mbps IEEE-1394b FireWire card



MUX-3003R: 6.00" W x 4.49" H x 6.69" D
MUX-3005R: 6.00" W x 4.49" H x 8.09" D

MUX-3005R System Block Diagram



MUX Recording (RMM-1XXX)

- **Removable Solid-State data recorder cartridge**
- **Ruggedized for airborne applications**
- **Uses ruggedized solid state memory**
 - From 32GB to 128GB*
- **IEEE-1394b 400 Mb/s download port**
- **Functional Status indicated by (4) LEDS**
 - Power – Indicates power status
 - Lock – indicates if lock screw is properly tightened
 - Activity – Indicates unit is being accessed
 - Error – Indicates an Error Condition



Airborne Data Multiplexer / Recorder – AIM-XXXX

- **AIM available in multiple chassis sizes:**
 - AIM-2004 - 4 I/O Cards
 - AIM-2006 - 6 I/O Cards
 - AIM-4004 – Two AIM systems in one chassis.
 - AIM-4006 – Two AIM systems in one chassis.
 - AIM-2005R - 5 I/O Cards and a Ch10 Recorder
- **Accepts IRIG-B AC / DC Time**
- **Current Overhead (OVH-380) Provides:**
 - Two Gigabit Ethernet ports for data transmission
 - One 10/100 Base-T Ethernet port for management
 - Two serial ports for communication
- **Includes a CAIS bus interface**
 - Single-point programming through CAIS or RS-232/422
 - Operates as a CAIS DAU remote unit
 - Provides recorder and unit status to the CAIS



A variety of I/O Card types are available:

- 4-Ch IEEE-1394b FireWire card
- 8-Ch MIL-STD-1553 Bus Monitor card
- 2-Ch Gigabit Ethernet card
- 8-Ch PCM Card (20 Mbps)
- 4-Ch MPEG-2 Video/Audio card



AIM-2004: 6.3" W x 6.0" H x 6.6" D
AIM-2005R: 6.3" W x 6.0" H x 9.3" D
AIM-2006: 6.3" W x 6.0" H x 8.2" D

AIM Built-in Recording (RMM-3XXX)

- **Sustained Record Rate of up to 50 Mbyte/sec**
- **Data download through**
 - IEEE-1394b
 - removable memory media for remote download
 - 1.0625 Gbps Electrical Fibre Channel Port
 - 2 Gigabit Ethernet ports
- **Built-in Solid State Recorder**
 - RMM-3XXX with capacity of 128 GB
 - Ability to interface with external media via Fibre Channel or IEEE-1394
 - Provides GPIOs for Recorder Control & Status
 - IRIG Chapter 10 compatible



RMM-3XXX
Built-in AIM Recorder

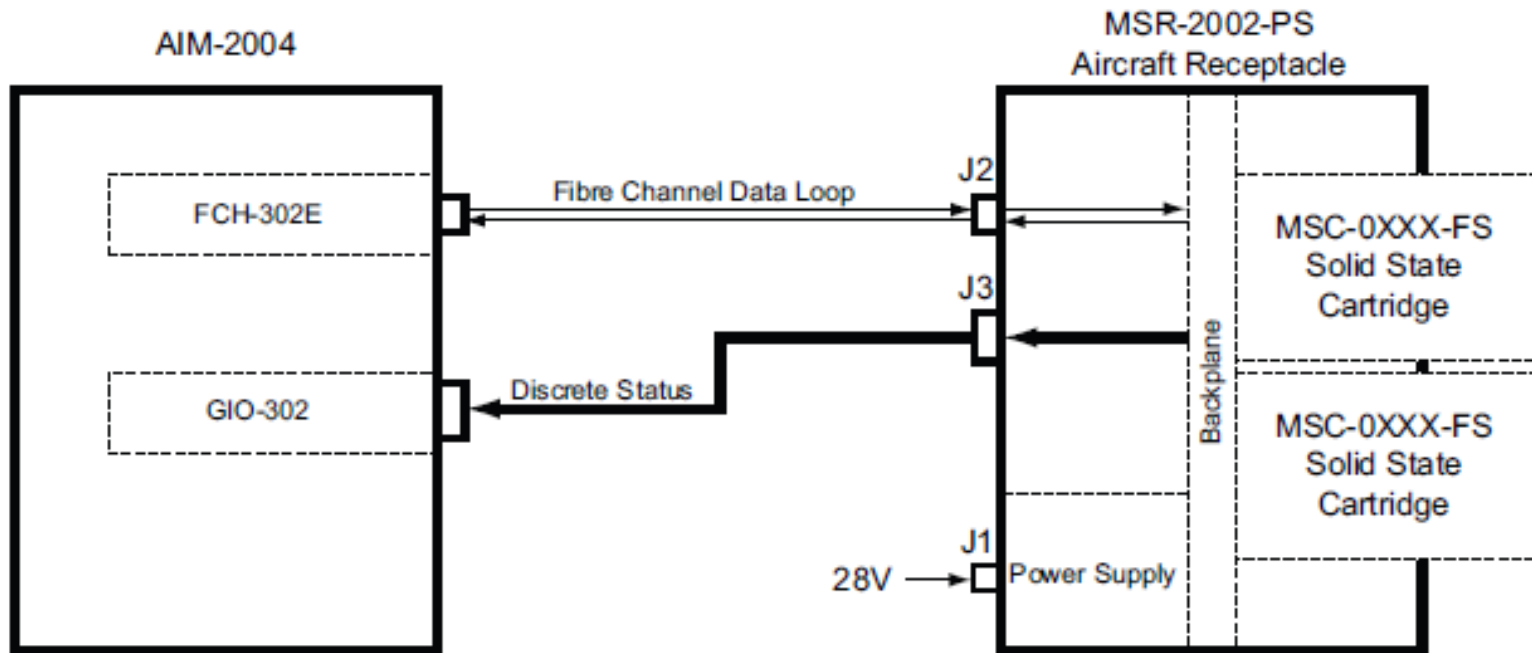
Airborne High Speed Fibre Channel Recorder – MSR-2002

- **Up to 100 Megabytes/sec data recording rate, depending on media type**
- **Supports arbitrated loop connections**
 - Can connect up to 4 Recorders using two MSR-2002
- **Compatible with TTC's AIM and MUX product lines**
 - Downloads through 1.0625 Gbps Electrical Fibre Channel Ports
- **Integrates two media storage bays**
 - Operates with 1 or 2 media cartridges inserted
 - MSC-0XXX-SS removable solid state cartridge
 - Available from 92GB to 276 GB minimum usable storage
- **Unit supports recording data in either dual-redundant or dual-interleaved mode**
- **IRIG Chapter 10 interface compatible**



MSR-2002-PS : 7.60”L x 5.75”W x 5.25”H

MSR-2002-PS to AIM-2004 Block Diagram

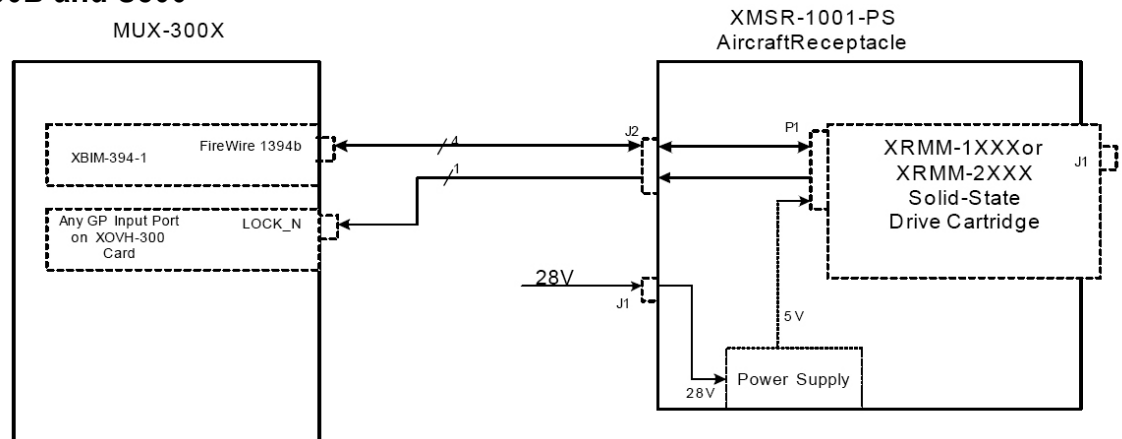


XMSR - IEEE-1394b Interface Recorder

- High Speed Data Recording receptacle with up to 800 Megabits/sec recording interface using IEEE-1394b
- Media Storage receptacle for solid state cartridges:
 - XRMM-1XXX (single height)
 - XRMM-2XXX (double height)
 - Capacities up to 75 Gigabytes
- Front Panel LED's Indicate Unit Power, Cartridge Lock, and Unit Activity
- Compatible with TTC's AIM and MUX series
- Data Acquisition Products equipped with a BIM-394Q-1 card (AIM) or XBIM-394-1 card (MUX)
- Works with any System that supports an IEEE 1394b High Speed Serial Port
- Supports Speeds of S100, S200, S400, S400B and S800



XMSR-1001-PS
2.5"H x 6.57"W x 5.5"D



PCM System Demo

