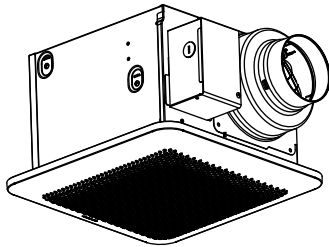
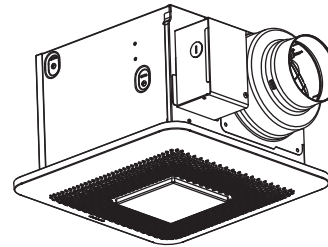


Service Manual

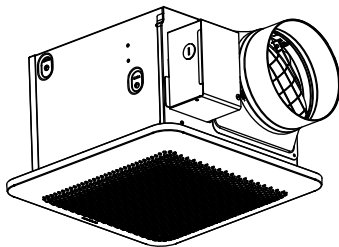
Ventilating Fan
(North America Market)



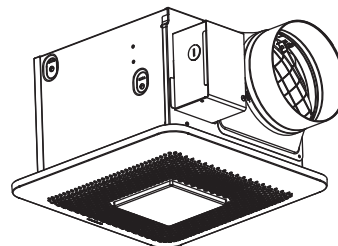
FV-0811RQ1



FV-0811RQL1



FV-1315RQ1



FV-1315RQL1

⚠ WARNING

This service information is designed for experienced repair technicians only and is not designed for use by the general public. It does not contain warnings or cautions to advise non-technical individuals of potential dangers in attempting to service a product. Products powered by electricity should be serviced or repaired only by experienced professional technicians. Any attempt to service or repair the product or products dealt with in this service information by anyone else could result in serious injury or death.

IMPORTANT SAFETY NOTICE

There are special components used in this equipment which are important for safety. These parts are marked by ⚠ in the Schematic Diagrams, Exploded Views and Replacement Parts List. It is essential that these critical parts should be replaced with manufacturer's specified parts to prevent shock, fire or other hazards. Do not modify the original design without permission of manufacture.

We suggest to handle such parts after the static electricity prevention.

It is forbidden to touch the PCB parts by bare hands during the repairing process.

CONTENTS	PAGE
1.Specifications	1
2.Parts Identification	2~9
3.Wiring Diagram	10~11
4.Parts List	12~15

1. Specifications

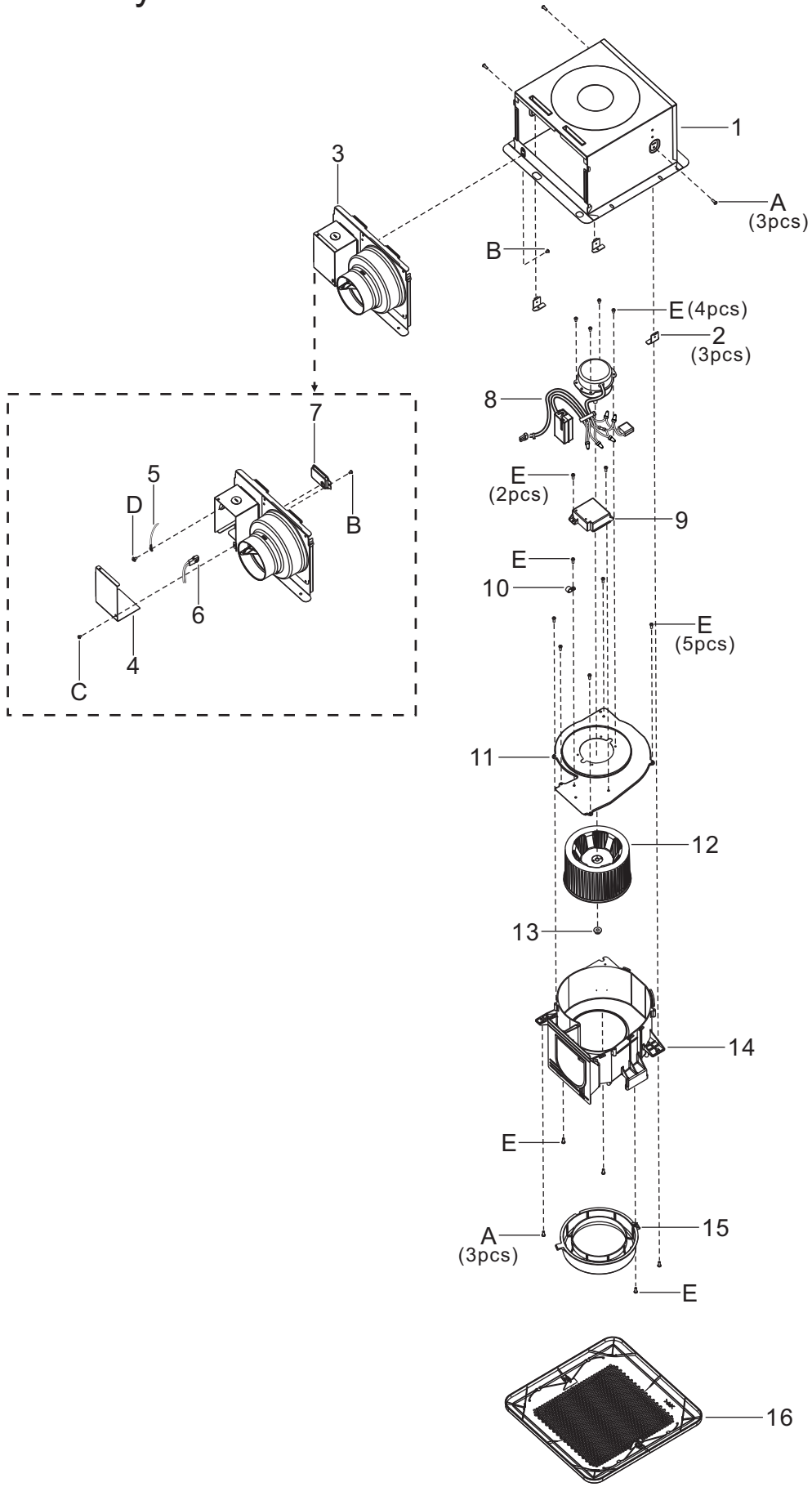
Model No.	Air direction	Voltage (V)	Frequency (Hz)	Duct diameter (inches)	Air volume at 0.1"WG (CFM)	Noise (sones)	Speed (rpm)	Power (W)	Weight lb.(kg)
FV-0811RQ1	Exhaust	120	60	4	80	< 0.3	807	16.7	10.4 (4.7)
					110	0.4	945	21.5	
FV-1315RQ1	Exhaust	120	60	6	130	< 0.3	646	25.3	11.7 (5.3)
					150	0.3	690	27.7	
FV-0811RQL1	Exhaust	120	60	4	80	< 0.3	866	17.4	10.8 (4.9)
					110	0.6	1021	22.8	
FV-1315RQL1	Exhaust	120	60	6	130	0.5	747	26.5	12.4 (5.6)
					150	0.8	806	29.6	

HVI Certified performance based on HVI Procedures 915, 916, and 920.

2. Parts Identification

FV-0811RQ1

Main Body Section



2. Parts Identification

FV-0811RQ1

Main Labels



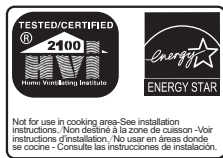
17



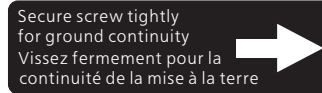
19



20

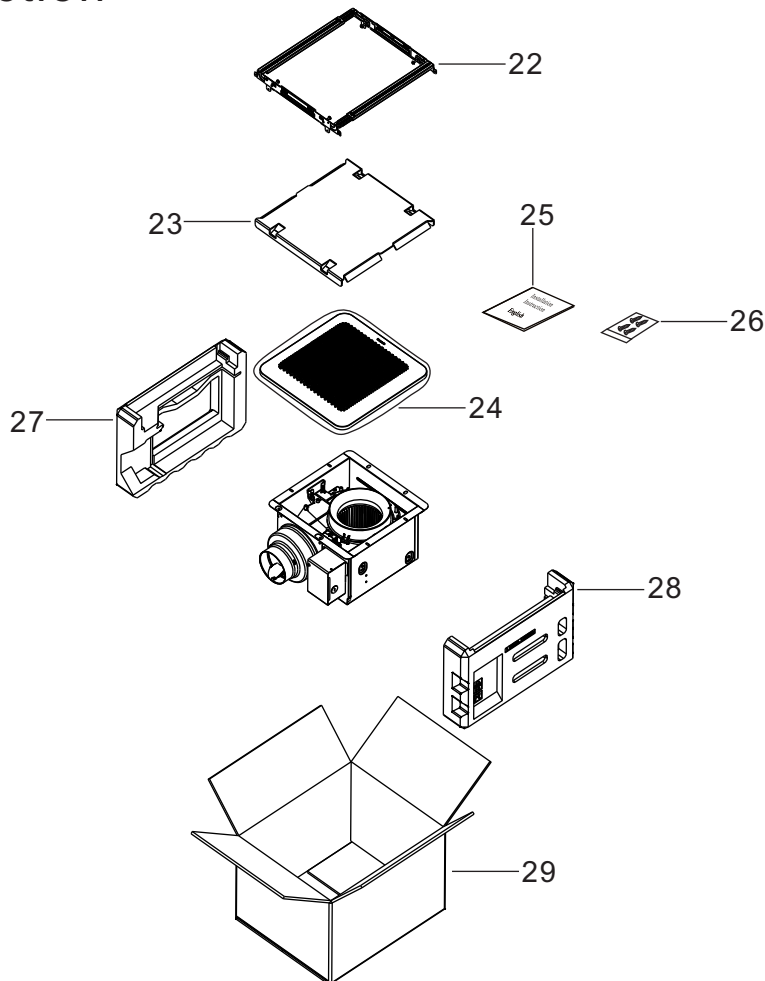


18



21

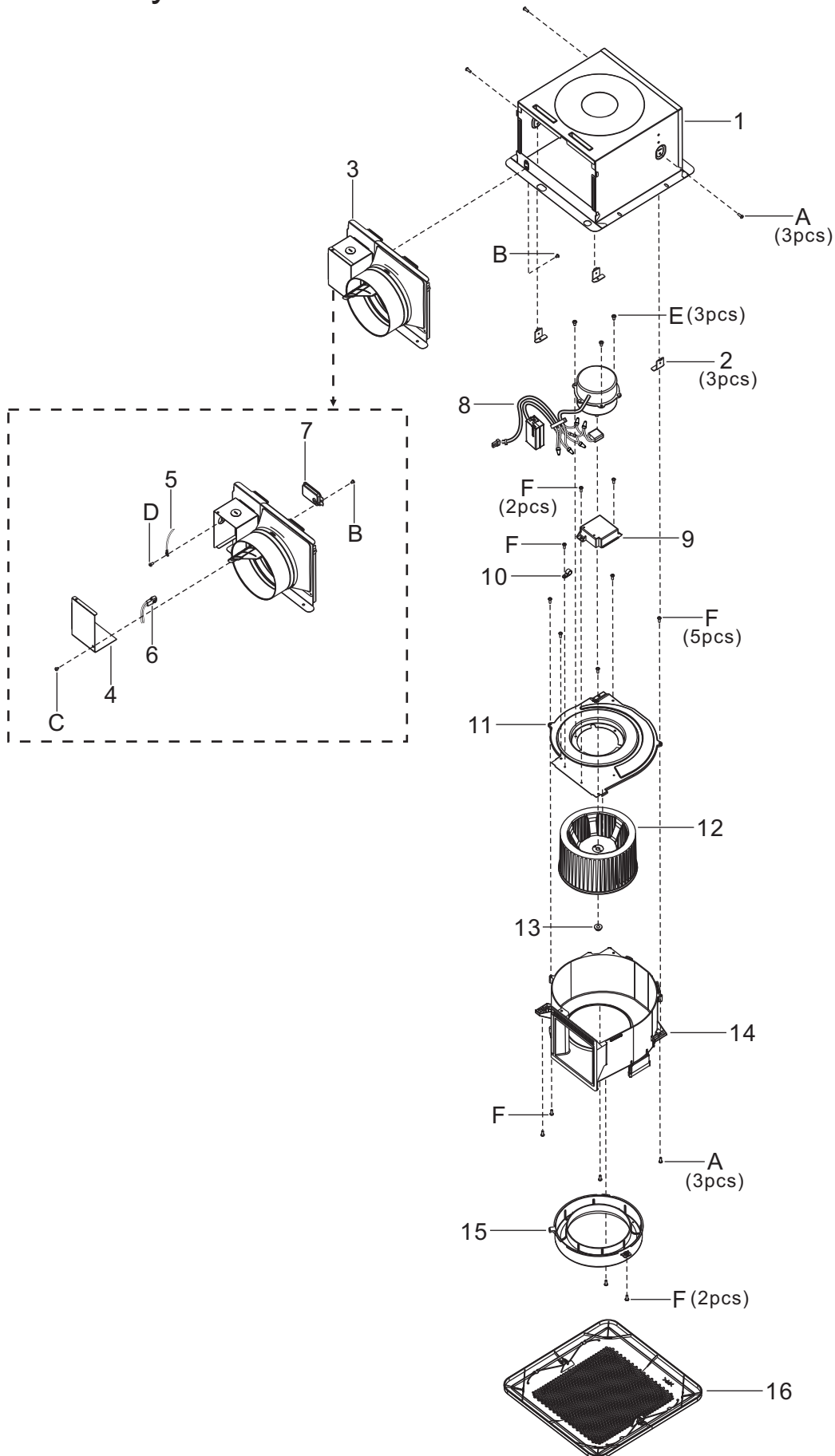
Packing Section



2. Parts Identification

FV-1315RQ1

Main Body Section



2. Parts Identification

FV-1315RQ1

Main Labels



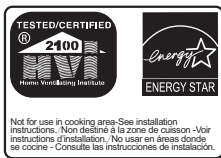
17



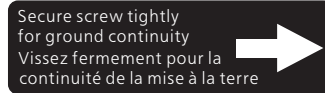
19



20

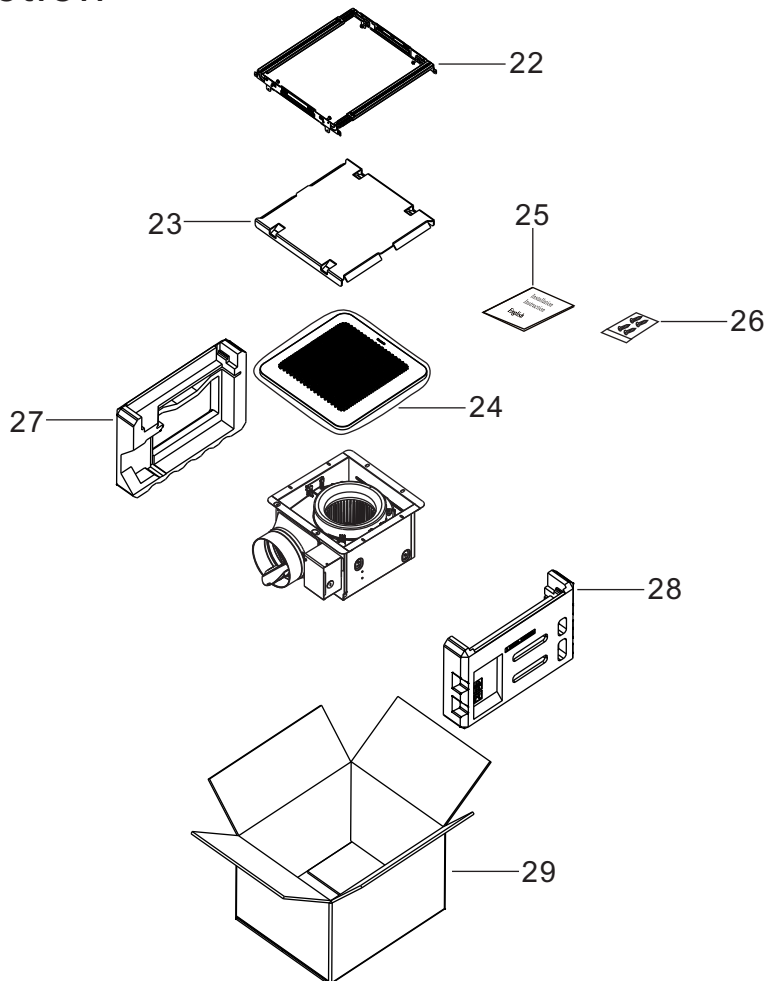


18



21

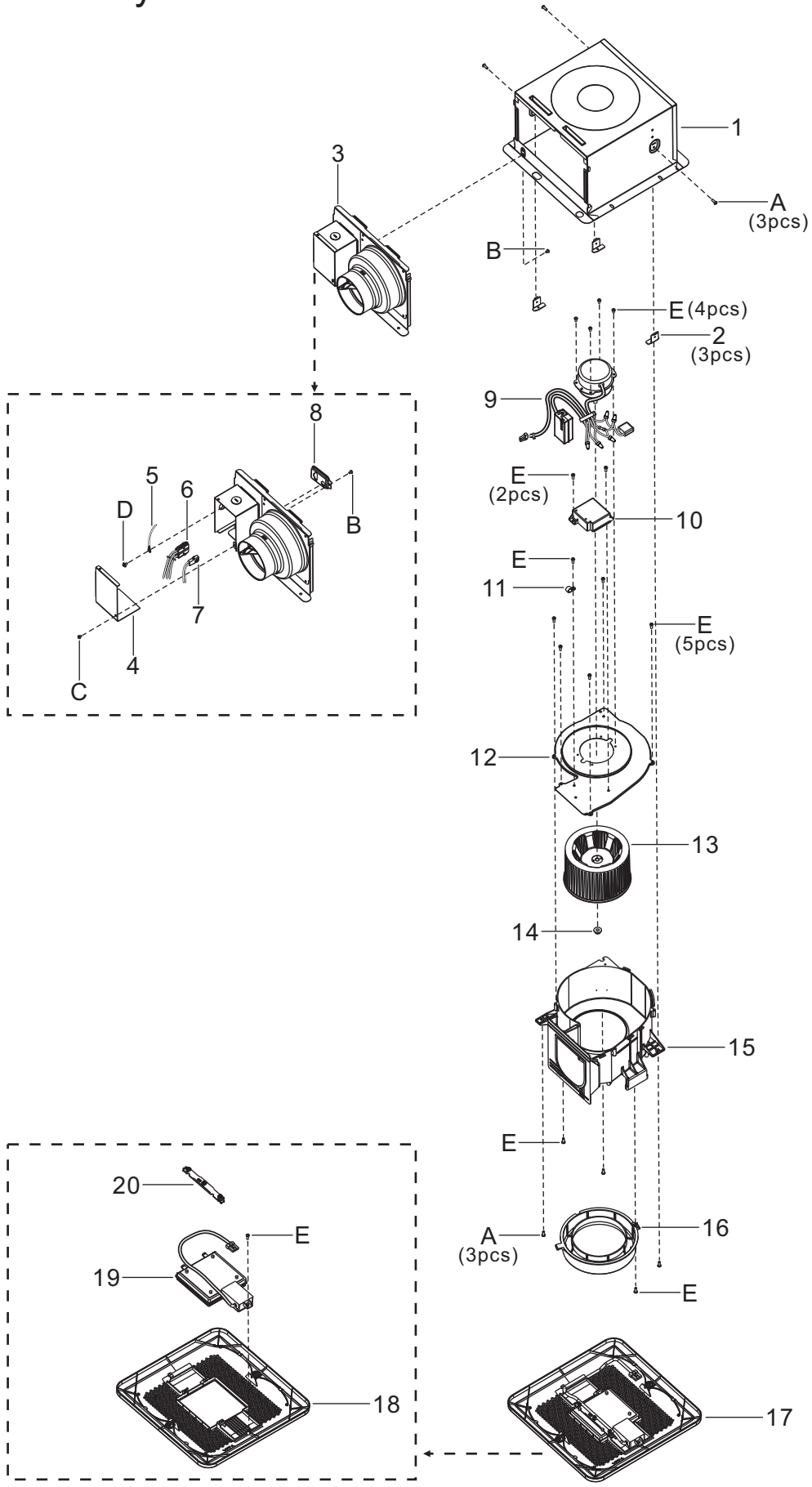
Packing Section



2. Parts Identification

FV-0811RQL1

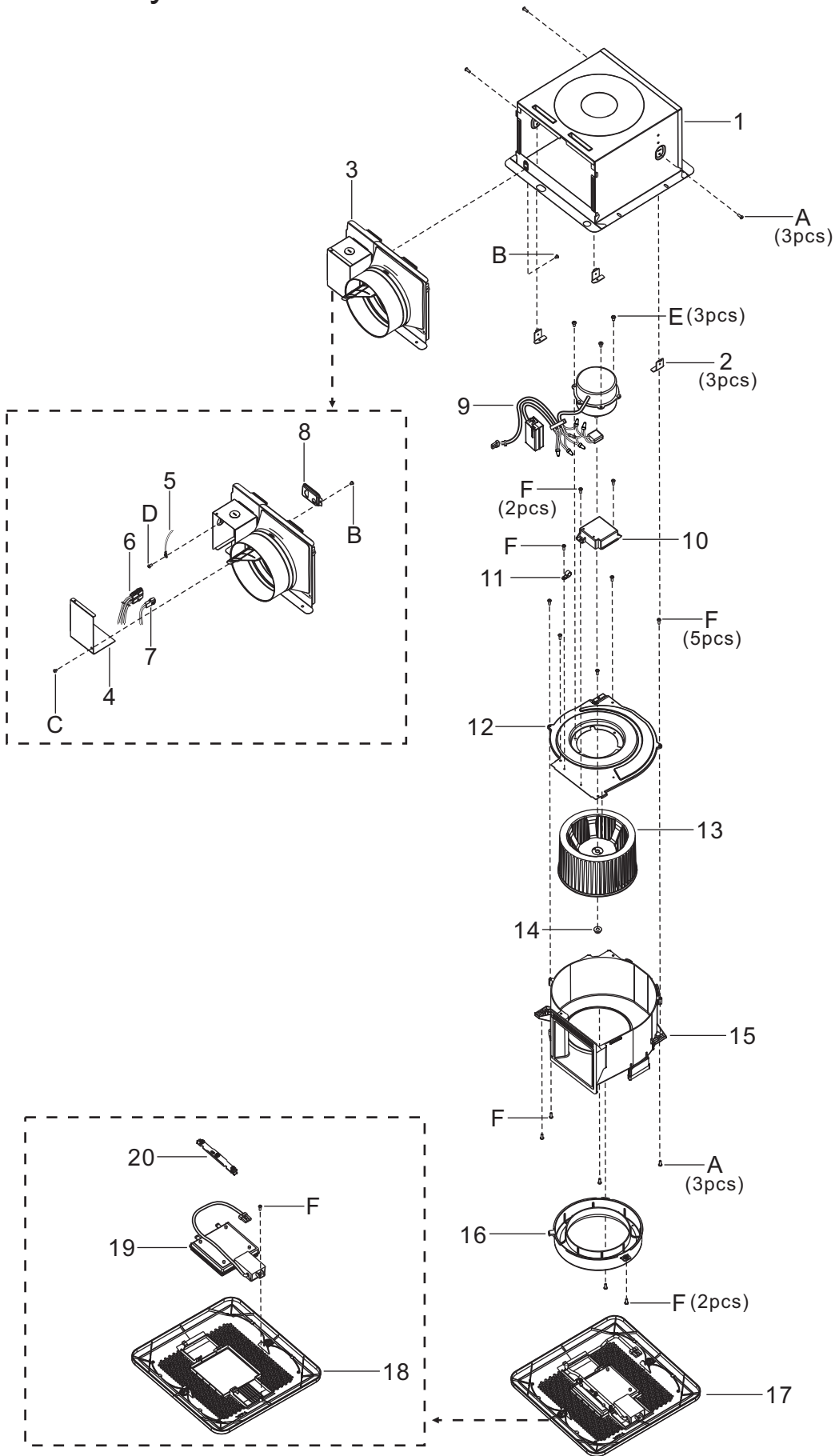
Main Body Section



2. Parts Identification

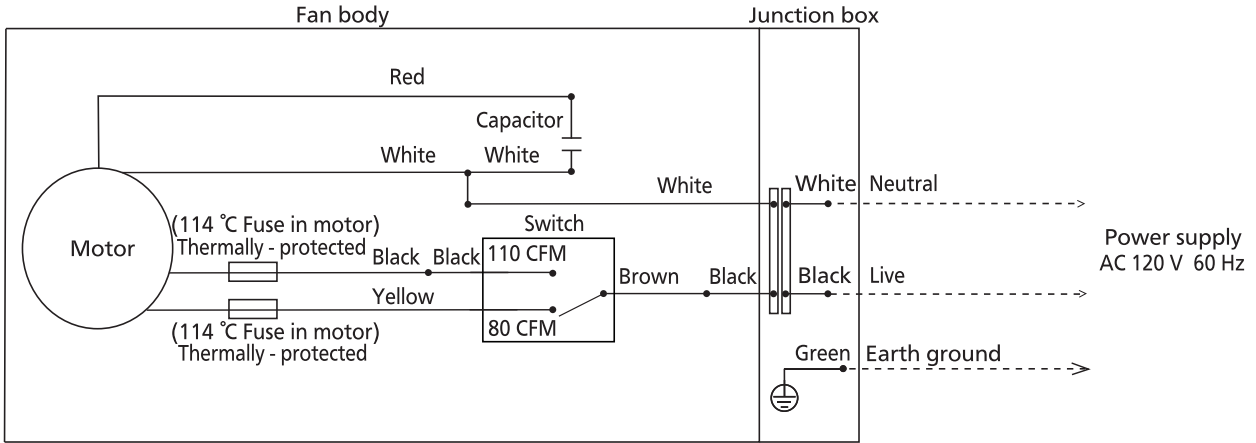
FV-1315RQL1

Main Body Section

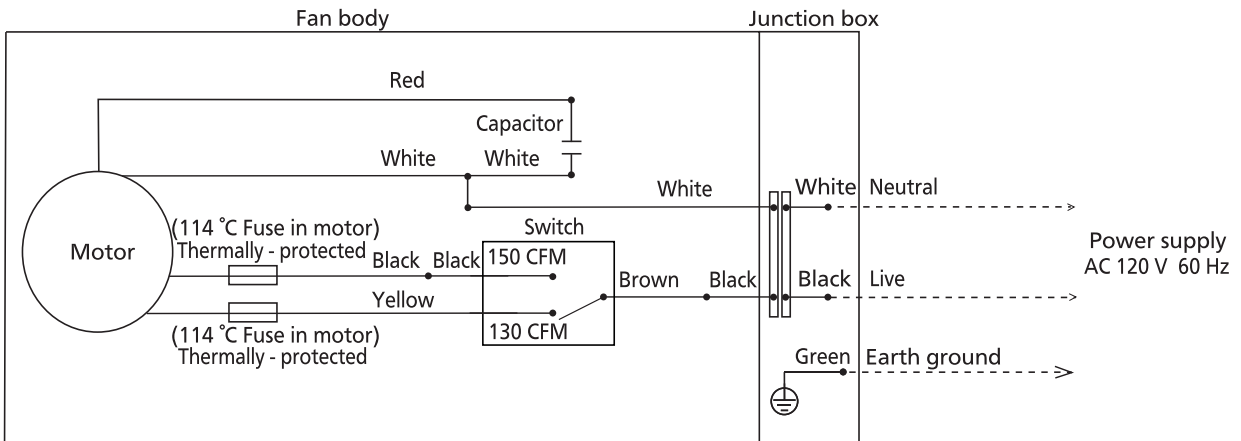


3. Wiring diagram

FV-0811RQ1

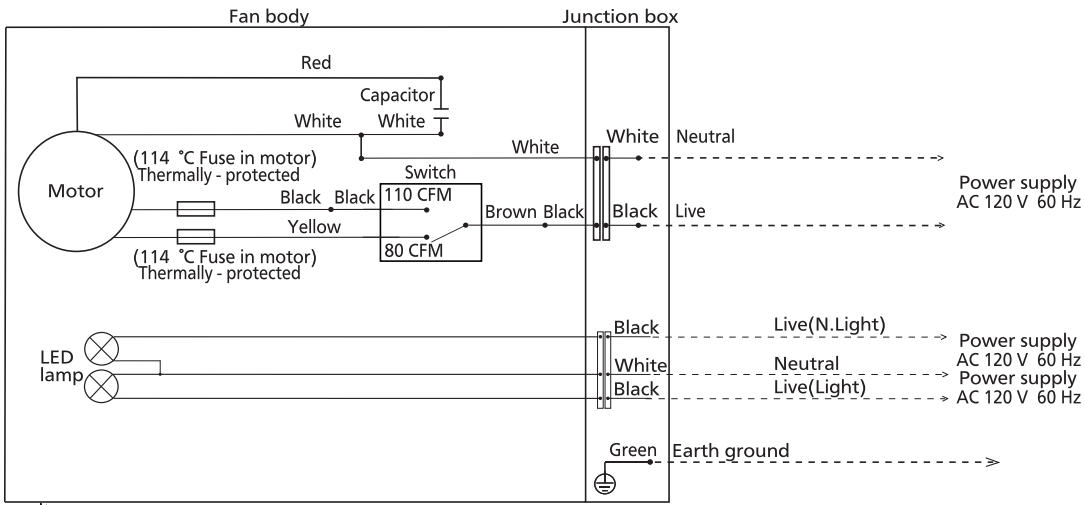


FV-1315RQ1

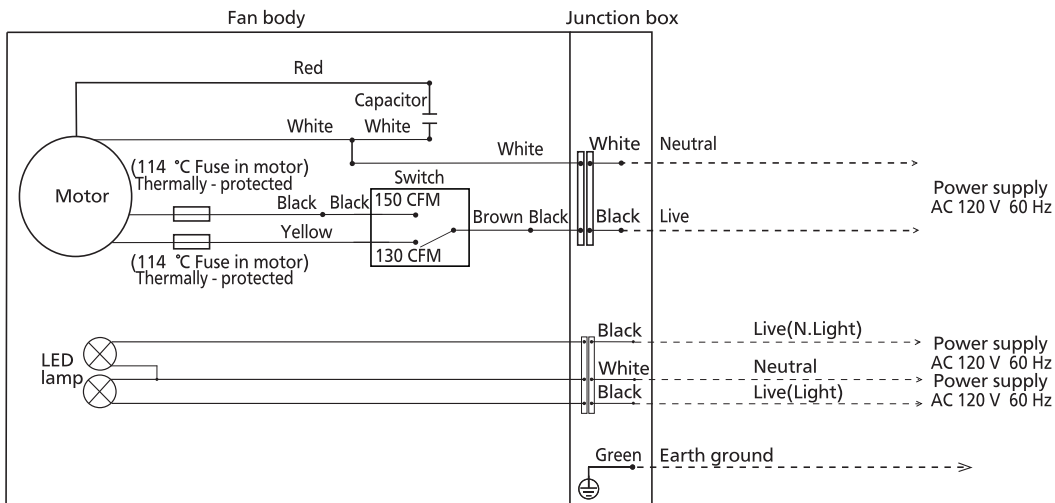


3. Wiring diagram

FV-0811RQL1



FV-1315RQL1



4. Parts List

FFV-0811RQ1

Main Body Section

No.	Part No.	Part Name	Q'ty	Remark
1	FFV1600138S	Frame Assy	1	
2	FFV0800001S	Casing Support	3	
3	FFV0000179S	Adapter Assy	1	⚠
4	FFV2800012S	Junction Cover	1	
5	FFV3450010S	Earth Lead Wire	1	⚠
6	FFV0900072S	Connector Assy (V)	1	⚠
7	FFV0900052S	Connector Plate	1	
8	FFV3702318S	Motor Unit	1	⚠
9	FFV0760062S	Condenser Box	1	
10	FFV0740027S	Nylon Clamp	1	
11	FFV3730137S	Motor Support Unit	1	
12	FFV0400103S	Blade	1	
13	FFV7020021S	Nut	1	
14	FFV0790126S	Casing Unit	1	
15	FFV4300160S	Orifice	1	
16	FFV3400159S	Louver Assy	1	
A	FFV7000065S	Bind Screw	6	
B	FFV7000108S	Truss Tap Screw	2	
C	FFV7000064S	Bind Screw	1	
D	FFV7000203S	Earth Lead Wire Screw	1	⚠
E	FFV7000089S	Truss Tap Screw	14	

Main Labels

No.	Part No.	Part Name	Q'ty	Remark
17	FFV4020937S	Name Plate	1	
18	FFV0810011S	Caution Label 1	1	
19	FFV2260003S	UL Mark	1	
20	FFV0810010S	Caution Label	1	
21	FFV6730045S	Warning Label	1	

Packing Section

No.	Part No.	Part Name	Q'ty	Remark
22	FFV2230024S	Hanger Assembly	1	
23	FFV4710381S	Louver Case Assy	1	
24	FFV4650016S	Poly Cover	1	
25	FFV2540217S	Installation Instructions	1	English, For CA Market/USA Market
26	FFV0010238S	Accessory A	1	
27	FFV4710382S	Left Pad	1	
28	FFV4710383S	Right Pad	1	
29	FFV9001381S	Packing Case	1	

4. Parts List

FFV-1315RQ1

Main Body Section

No.	Part No.	Part Name	Q'ty	Remark
1	FFV1600138S	Frame Assy	1	
2	FFV0800001S	Casing Support	3	
3	FFV0000180S	Adapter Assy	1	⚠
4	FFV2800012S	Junction Cover	1	
5	FFV3450010S	Earth Lead Wire	1	⚠
6	FFV0900072S	Connector Assy (V)	1	⚠
7	FFV0900052S	Connector Plate	1	
8	FFV3702319S	Motor Unit	1	⚠
9	FFV0760062S	Condenser Box	1	
10	FFV0740027S	Nylon Clamp	1	
11	FFV3730138S	Motor Support Unit	1	
12	FFV0400104S	Blade	1	
13	FFV7020021S	Nut	1	
14	FFV0790127S	Casing Unit	1	
15	FFV4300161S	Orifice	1	
16	FFV3400159S	Louver Assy	1	
A	FFV7000065S	Bind Screw	6	
B	FFV7000108S	Truss Tap Screw	2	
C	FFV7000064S	Bind Screw	1	
D	FFV7000203S	Earth Lead Wire Screw	1	⚠
E	FFV7000079S	Pan Tap Screw	3	
F	FFV7000089S	Truss Tap Screw	11	

Main Labels

No.	Part No.	Part Name	Q'ty	Remark
17	FFV4020938S	Name Plate	1	
18	FFV0810011S	Caution Label 1	1	
19	FFV2260003S	UL Mark	1	
20	FFV0810010S	Caution Label	1	
21	FFV6730045S	Warning Label	1	

Packing Section

No.	Part No.	Part Name	Q'ty	Remark
22	FFV2230024S	Hanger Assembly	1	
23	FFV4710381S	Louver Case Assy	1	
24	FFV4650016S	Poly Cover	1	
25	FFV2540217S	Installation Instructions	1	English, For CA Market/USA Market
26	FFV0010238S	Accessory A	1	
27	FFV4710382S	Left Pad	1	
28	FFV4710383S	Right Pad	1	
29	FFV9001382S	Packing Case	1	

4. Parts List

FV-0811RQL1

Main Body Section

No.	Part No.	Part Name	Q'ty	Remark
1	FFV1600138S	Frame Assy	1	
2	FFV0800001S	Casing Support	3	
3	FFV0000181S	Adapter Assy	1	⚠
4	FFV2800012S	Junction Cover	1	
5	FFV3450010S	Earth Lead Wire	1	⚠
6	FFV0900069S	Connector Assy (L)	1	⚠
7	FFV0900059S	Connector Assembly(V)	1	⚠
8	FFV0900074S	Connector Plate	1	
9	FFV3702320S	Motor Unit	1	⚠
10	FFV0760062S	Condenser Box	1	
11	FFV0740027S	Nylon Clamp	1	
12	FFV3730137S	Motor Support Unit	1	
13	FFV0400103S	Blade	1	
14	FFV7020021S	Nut	1	
15	FFV0790126S	Casing Unit	1	
16	FFV4300160S	Orifice	1	
17	FFV3400160S	Louver Section	1	⚠
18	FFV3400161S	Louver Unit	1	
19	FFV3400148S	Led Unit	1	⚠
20	FFV2520040S	Insulation Plate	1	
A	FFV7000065S	Bind Screw	6	
B	FFV7000108S	Truss Tap Screw	2	
C	FFV7000064S	Bind Screw	1	
D	FFV7000203S	Earth Lead Wire Screw	1	⚠
E	FFV7000089S	Truss Tap Screw	15	

Main Labels

No.	Part No.	Part Name	Q'ty	Remark
21	FFV4020939S	Name Plate	1	
22	FFV0810011S	Caution Label 1	1	
23	FFV2260003S	UL Mark	1	
24	FFV0810010S	Caution Label	1	
25	FFV6730109S	FCC Label	1	
26	FFV6730045S	Warning Label	1	

Packing Section

No.	Part No.	Part Name	Q'ty	Remark
27	FFV2230024S	Hanger Assembly	1	
28	FFV4710381S	Louver Case Assy	1	
29	FFV4650016S	Poly Cover	1	
30	FFV2540220S	Installation Instructions	1	English,For CA Market/USA Market
31	FFV0010238S	Accessory A	1	
32	FFV4710382S	Left Pad	1	
33	FFV4710383S	Right Pad	1	
34	FFV9001383S	Packing Case	1	

4. Parts List

FFV-1315RQL1

Main Body Section

No.	Part No.	Part Name	Q'ty	Remark
1	FFV1600138S	Frame Assy	1	
2	FFV0800001S	Casing Support	3	
3	FFV0000182S	Adapter Assy	1	⚠
4	FFV2800012S	Junction Cover	1	
5	FFV3450010S	Earth Lead Wire	1	⚠
6	FFV0900069S	Connector Assy (L)	1	⚠
7	FFV0900059S	Connector Assembly(V)	1	⚠
8	FFV0900074S	Connector Plate	1	
9	FFV3702321S	Motor Unit	1	⚠
10	FFV0760062S	Condenser Box	1	
11	FFV0740027S	Nylon Clamp	1	
12	FFV3730138S	Motor Support Unit	1	
13	FFV0400104S	Blade	1	
14	FFV7020021S	Nut	1	
15	FFV0790127S	Casing Unit	1	
16	FFV4300161S	Orifice	1	
17	FFV3400160S	Louver Section	1	⚠
18	FFV3400161S	Louver Unit	1	
19	FFV3400148S	Led Unit	1	⚠
20	FFV2520040S	Insulation Plate	1	
A	FFV7000065S	Bind Screw	6	
B	FFV7000108S	Truss Tap Screw	2	
C	FFV7000064S	Bind Screw	1	
D	FFV7000203S	Earth Lead Wire Screw	1	⚠
E	FFV7000079S	Pan Tap Screw	3	
F	FFV7000089S	Truss Tap Screw	12	

Main Labels

No.	Part No.	Part Name	Q'ty	Remark
21	FFV4020940S	Name Plate	1	
22	FFV0810011S	Caution Label 1	1	
23	FFV2260003S	UL Mark	1	
24	FFV0810010S	Caution Label	1	
25	FFV6730109S	FCC Label	1	
26	FFV6730045S	Warning Label	1	

Packing Section

No.	Part No.	Part Name	Q'ty	Remark
27	FFV2230024S	Hanger Assembly	1	
28	FFV4710381S	Louver Case Assy	1	
29	FFV4650016S	Poly Cover	1	
30	FFV2540220S	Installation Instructions	1	English,For CA Market/USA Market
31	FFV0010238S	Accessory A	1	
32	FFV4710382S	Left Pad	1	
33	FFV4710383S	Right Pad	1	
34	FFV9001384S	Packing Case	1	