

# Pellet Stove

## LIA

**Please read this entire manual before installation and use of this pellet fuel-burning room heater. Failure to follow these instructions could result in property damage, bodily injury or even death.**

**Contact local building or fire officials about restrictions and installation inspection requirements in your area.**

**Contact local building authority (such as municipal building department, fire department, fire prevention, bureau. etc.) before installation to determine if a permit and/or inspection is required.**

**Save these Instructions.**

PRODUCT INFORMATION,  
INSTALLATION AND MAINTENANCE



Dear Customer,

We thank you for having chosen one of our products, the fruit of extensive and continuous research for a superior product in terms of safety, reliability and performance.

In the documentation supplied, you will find all the information and advice you need to use your product as safely and efficiently as possible.



Read the instructions and the information, supplied in all forms together with the product and any accessories, as well as the documentation referred to in this manual carefully, before proceeding with installation, use or any repairs.

- If any problems or doubts should arise, please contact your local dealer or the authorized T.A.C. (authorized technical assistance centre).



This manual contains INFORMATION REGARDING THE PRODUCT, INSTALLATION AND MAINTENANCE.

- For information regarding operation, please refer to the manual "*OPERATING INSTRUCTIONS*".

For the restrictions, limitations and exclusions please refer to the warranty included with the product. In line with its policy of constant product improvement and renewal, the manufacturer may make changes without notice.

**The images shown in this manual are for explanatory purposes and at times may not accurately depict the product.**

**This document is the property of Gruppo Piazzetta S.r.l. and no part of it may be reproduced or disclosed to third parties, wholly or in part, without written permission All rights reserved by Gruppo Piazzetta S.r.l..**

## CONTENTS


1	GENERAL INFORMATION	3	6.3	Installation kit and accessories	26
2	PRODUCT INFORMATION	5	6.4	Combustion air connection	26
2.1	Product description	5	6.5	Connection to the smoke outlet	27
2.2	Part identification	6	6.6	Electrical connections	29
2.3	Safety devices	7	6.7	N.PEL contact	30
2.4	Check devices	7	6.8	Securing to a wall	31
2.5	Product identification data	8	7	START-UP AND OPERATING TEST	31
2.6	Characteristics	8	8	CLADDING AND TRIM	31
2.7	Accessories upon request	8	9	USE	32
2.8	Technical data	9	9.1	Humidifier (accessories)	32
2.9	Sizes	10	10	CLEANING AND MAINTENANCE	32
3	FUEL	11	10.1	Scheduled maintenance	33
3.1	Pellet specifications	11		<i>Recommended interval</i>	33
3.2	Information regarding pellet loading	12	10.2	Cleaning the ceramic cladding	33
4	GENERAL INFORMATION REGARDING THE SYSTEM	13	10.3	Cleaning the painted metal parts	33
4.1	Installation room	13	10.4	Opening the door	34
4.2	Fresh air intake	13		<i>Positioning the hand-grip</i>	34
4.3	Chimney	14	10.5	Cleaning the glass	34
4.4	Flue pipe	14	10.6	Disposal of ashes	34
4.5	Interior vent installation	16	10.7	Cleaning the ash tray	34
4.6	Connecting to a conventional chimney	17	10.8	Cleaning the grate and grate support	35
4.7	Installing into an existing fireplace chimney	18	10.9	Cleaning the combustion chamber	35
4.8	Short rise installation - wall outlet	19	10.10	Cleaning the smoke chamber	36
4.9	Minimum flue vent configuration	19	10.11	Cleaning the extractor fan	36
4.10	Venting: termination requirements	20	10.12	Cleaning the room fan	37
4.11	Prevention of domestic fires	21	10.13	Cleaning the smoke outlet	37
4.12	Mobile home installation	21	10.14	Replacing the fuses	38
5	PREPARATION FOR INSTALLING	23	10.15	Replacing the gaskets	38
5.1	Handling	23	11	WHEN NOT IN USE	39
5.2	Unpacking	23	12	ELECTRICAL CONNECTIONS	40
6	INSTALLATION	23	13	REFERENCE STANDARDS	41
6.1	Removing the cladding	23	14	OVERALL WARRANTY	42
6.2	Minimum safety distances	24			

## 1 GENERAL INFORMATION


**Definition:** The term **system** indicates the unit consisting of the appliance and all the necessary installations which affect its operation, including air intakes, the entire system for the evacuation of the flue gases (smoke duct, flue, chimney) the area, other sources of heat, installations for the propagation of heat (hot air ducting or plumbing system).


**Definition:** The term **standards** or **regulations** indicates all applicable national legislation, local regulations, particular or conventional requirements arising from joint ownership building regulations, and easement or laws or administrative acts, in force in the place where the appliance is to be installed.

- This instruction booklet has been prepared by the manufacturer and is an integral part of the product. In the event of sale or relocation of the product make sure this booklet accompanies it, since the information contained in it is addressed to the purchaser and to anyone involved in the installation, use and maintenance of the product.
- Read the instructions and the information, supplied in all forms together with the product and any accessories, as well as the documentation referred to in this manual carefully, before proceeding with installation, use or any repairs. If any problems or doubts should arise, please contact your local dealer or the authorized T.A.C. (authorized technical assistance centre).
- Gruppo Piazzetta S.r.l. cannot be held liable for situations of risk, defects, damage, product malfunctioning or for damage to objects, people or animals resulting from tampering of the appliance and installation, use and maintenance which does not respect the indications provided by regulations and the manufacturer.
- Any changes to the original parameters which determine product operation may only be carried out by authorised persons from the company and with the values set by the manufacturer. Non-authorized interventions on the product will be considered tampering.


 **All local regulations, including those referring to national standards need to be complied with when installing the appliance and when operating the appliance.**

- **Product installation, use and maintenance must be carried out in compliance with the applicable instructions provided by the manufacturer and in compliance with all relevant regulations. Failure to respect the indications provided and any incorrect interventions may create dangerous situations, cause damage to people, property or animals, or lead to health problems or operating faults.**


 **In the event of a malfunction or fault, before carrying out any intervention and before discontinuing product use, please refer to the manual provided by the manufacturer in the sections "FAULTS" or "MESSAGES - SAFETY WARNINGS - ANOMALIES".**

 **In the event of fire in the flue, stop using the appliance, do not open the door of the appliance, observe all safety recommendations and contact the appropriate authorities.**


- **For appliances which are powered electrically, do not disconnect the power supply if unburned smoke/gas forms inside the fire-box. Move away and adopt all necessary safety precautions.**

 **Product use may cause some surfaces to become extremely hot (the glass, the external surfaces, the handles, the smoke outlet passage). Any contact between clothing or body parts and these surfaces, including where accidental, may cause burns or fires. Only touch these parts during operation if wearing the correct protective clothing or with suitable means.**


- **Everyone (both children and adults) should be informed of the risk of coming into contact with hot surfaces.**
- **Since the glass becomes hot, make sure that no person other than those experienced in operating the appliance remain in the area from where the heat emanates.**
- **Babies, young children, animals or anyone else may experience burns as a result of accidental contact. If there are any at-risk subjects in the home, a protective barrier should be installed. To limit access to the appliance, install a safety gate to keep babies, young children and other at-risk subjects out of the room and away from the hot surfaces.**


 This appliance is not for use by persons (including children) with reduced physical, sensory, mental capacity or with a lack of experience and knowledge, unless they are helped or have been instructed on how to use the appliance by the person who is responsible for their safety.


- Children must not play with the appliance. Children must not perform user cleaning or maintenance.
- Young children should be carefully supervised when they are in the same room as the stove.


 If you expect that small children or vulnerable adults may come into contact with this appliance, the following precautions are recommended:

- Install a physical barrier such as a decorative firescreen or an adjustable safety gate.
- Install a switchlock or a wall/remote control with child protection lockout feature.
- Keep remote controls out of reach of children.
- Never leave children alone near a hot stove, whether operating or cooling down.
- Teach children to NEVER touch the stove.
- Consider not using the stove when children will be present.


 During the operation and/or cooling phase, slight creaking noises may be heard. This is not considered a defect, but is a consequence of the thermal expansion of the materials used.

 Do not install the product too close to neighbors or in valleys that would cause unhealthy air quality or nuisance conditions.


 It is forbidden any unauthorized modification of the appliance.


 Do not stand or place objects which are not heat-resistant within the prescribed minimum safety distance.


- This also applies when the appliance is off. The appliance may be turned on by somebody else or, where the appliance is pre-configured, may be automatically switched on (programmed or via remote control), at any time.

 Do not install the product near walls or objects in heat-sensitive or flammable material (wood or similar). It is important to respect the distances and safety indications prescribed by the regulations and what is stated in the manual provided by the manufacturer in the section "INSTALLATION".


- IT IS FORBIDDEN TO USE THE APPLIANCE WITHOUT SUITABLE CLADDING.


 THIS WOOD HEATER NEEDS PERIODIC INSPECTION AND REPAIR FOR PROPER OPERATION. IT IS AGAINST FEDERAL REGULATIONS TO OPERATE THIS WOOD HEATER IN A MANNER INCONSISTENT WITH OPERATING INSTRUCTIONS IN THIS MANUAL.

 THIS WOOD HEATER HAS A MANUFACTURER-SET MINIMUM LOW BURN RATE THAT MUST NOT BE ALTERED. IT IS AGAINST FEDERAL REGULATIONS TO ALTER THIS SETTING OR OTHERWISE OPERATE THIS WOOD HEATER IN A MANNER INCONSISTENT WITH OPERATING INSTRUCTIONS IN THIS MANUAL.


 Never use gasoline, gasoline-type lantern fuel, kerosene, charcoal lighter fluid, ethyl alcohol or similar liquids to start or "reignite" a fire in this heater. Keep all such liquids well away from the heater while it is in use.

- Only power the appliance with fuel which has the characteristics as indicated in the section "FUEL" in the manual provided by the manufacturer.


 Do not overfire - If any external part starts to glow, you are overfiring. Reduce feed rate. Overfiring will void your warranty.

 **Warning against overfiring:**

- pellets must not be fed manually into the grate
- never add additional fuel by hand
- do not fill the hopper with any fuels other than wood pellet
- the residual pellets in the grate after a failed ignition must be removed before starting a new ignition process

 **Do not use the appliance as an incinerator or in any way other than that for which it was designed.**

- Do not open the door during operation, or operate the appliance if the glass is broken.

 **For monitoring and inspection techniques ensuring heater is operating properly, including ensuring visible emissions are minimized, consult the section "CLEANING AND MAINTENANCE" and "OPERATING INSTRUCTIONS" (consult the section "MESSAGES - SAFETY WARNINGS - ANOMALIES").**


Before carrying out any assembly, installation or ignition procedures, the enabled installer must check that the system has been manufactured in compliance with the applicable instructions provided by the manufacturer and in compliance with all relevant regulations. In particular, check:

- suitability of the room where the appliance is to be installed as well as any restrictions
- the existence of any other appliances
- fresh air intake
- ventilation within the area where the appliance is to be installed
- sufficient clean air flow for combustion: air cannot be taken from potentially polluted areas
- smoke evacuation system comprising a flue pipe, flue and chimney.

Installation may also include a series of operations to be carried out correctly by enabled personnel and for which system compatibility must be guaranteed:

- connection to the air intake
- connection to the smoke evacuation system
- ventilation
- assembly and installation
- any necessary electrical or plumbing connections
- insulation
- start-up and operating tests, and where necessary calibration and adjustment
- cladding and trims
- presentation of additional documentation as prescribed by the regulations
- end user training by the installer on how to use and maintain the appliance
- checking and maintenance.

Other requirements for compliance may be necessary in relation to specifications required by the appropriate Authorities.

 **DO NOT USE MAKESHIFT COMPROMISES WHEN INSTALLING THIS APPLIANCE. DAMAGE AND/OR INJURY MAY RESULT.**

## 2 PRODUCT INFORMATION

### 2.1 PRODUCT DESCRIPTION

This appliance is:

- a heat generator designed to be run with pellets
- to be used solely for the purpose for which it was designed; all other uses are to be considered improper and therefore dangerous
- equipped with a smoke evacuation fan which maintains the pressure in the combustion chamber (vacuum).

The use of a fuel which can be easily transported and stored such as pellets, facilitates the ease of use of this appliance.

The temperatures, which do not reach excessive levels, together with the humidifier increase safety of use and give the feeling of a comfortable, diffused warmth.

A panel on the appliance allows the user to control a wide range of functions and programming operations.

The pellets are loaded into the hopper manually and the ignition is electronic.

An electronic control unit controls the pellet dosing into the grate as well as the flue gas expulsion.

This control unit oversees the correct operation of the appliance and, thanks to a series of safety devices, signals any faults on the panel on the appliance itself and if necessary, initiates the appropriate procedures.

2.2 PART IDENTIFICATION

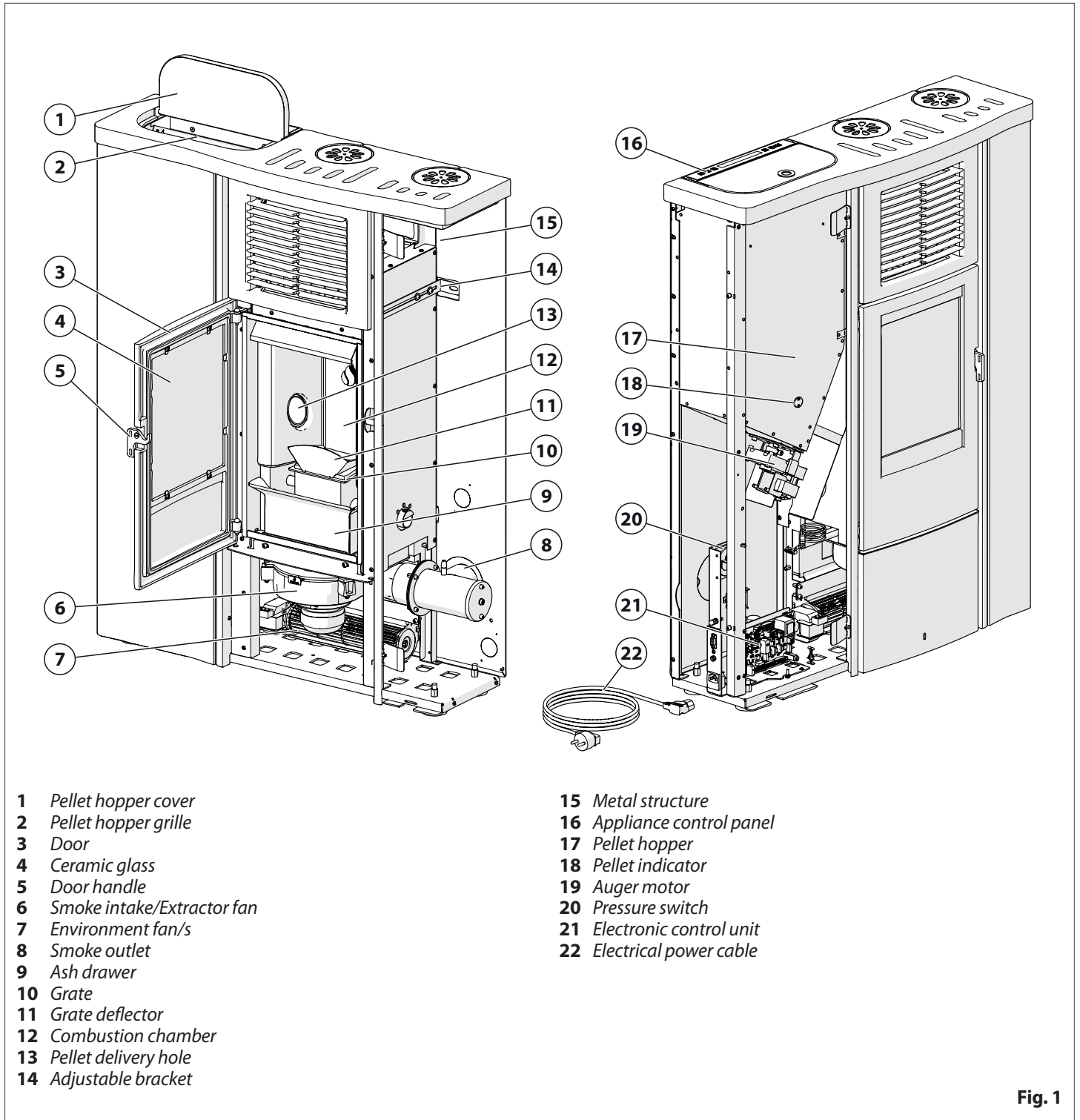


Fig. 1

## 2.3 SAFETY DEVICES

The appliance is equipped with the following safety and check devices which stop the stove from operating if any faults occur (against over-firing and ensuring heaters is operating properly, including ensuring visible emissions are minimized).

If any safety warnings or alarms are activated, please consult the "OPERATING INSTRUCTIONS".

### Pressure switch:

controls the vacuum inside the appliance. The pressure switch is activated if the correct operating conditions are altered (firebox door open, poor installation, obstacles or blockages in the flue, lack of maintenance, adverse weather conditions such as persistent wind etc.). The pressure switch activates and isolates the supply voltage to the auger, thus stopping pellet feed to the grate and then initiates the appliance shut down process.

### Hopper thermostatic probe:

this is a thermostatic probe which automatically rearms and is located on the pellet hopper. It serves to safeguard the hopper against excessive thermal excursions.

If the temperature of the hopper exceeds the safety threshold, the thermostat isolates the supply voltage to the auger, pellet feed to the grate is stopped and the appliance shut down procedure begins.

### Smoke temperature probe:

this is connected to the electronic control unit and constantly monitors the operating temperature. If during this phase the smoke temperature:

- a) *exceeds the safety threshold, the electronic control unit isolates the supply voltage to the auger, thus stopping pellet feed to the grate and starting the appliance shut down process*
- b) *falls below the minimum operating temperature, the appliance stops and an acoustic alarm signal is activated.*

Furthermore, if during the start-up phase a system malfunction is detected, an acoustic alarm signal is activated.

### Auger safety:

auger operation is constantly monitored by the electronic board. If there is a malfunction which produces a continuous discharge of the pellet, an acoustic alarm signal is activated. The electronic control unit isolates the supply voltage to the auger, thus stopping pellet feed to the grate and starting the appliance shut down process.

### Extractor fan safety:

the rotation of the extractor fan is constantly monitored by the electronic control unit. In the event of a fan malfunction, an acoustic alarm signal is activated. The electronic control unit isolates the supply voltage to the auger, thus stopping pellet feed to the grate and starting the appliance shut down process.

### Electrical safety:

the appliance is protected by fuses in the event of a power surge.

### Electronic control unit:

the electronic control unit signals and controls a series of events including power and ignition failure.



The safety devices have the task of eliminating any risk of damage or injury to persons, animals or objects. IT IS FORBIDDEN to tamper with the safety devices or allow any intervention to be carried out by non-qualified personnel.

## 2.4 CHECK DEVICES

The appliance is equipped with some check devices which are to be used exclusively by personnel authorised to carry out fine tuning operations during installation and maintenance procedures.

**Pressure plug (A):** to measure the smoke outlet pipe vacuum.

**DB9 serial port (B):** to carry out checks on the correct operation of the product and any necessary maintenance operations.

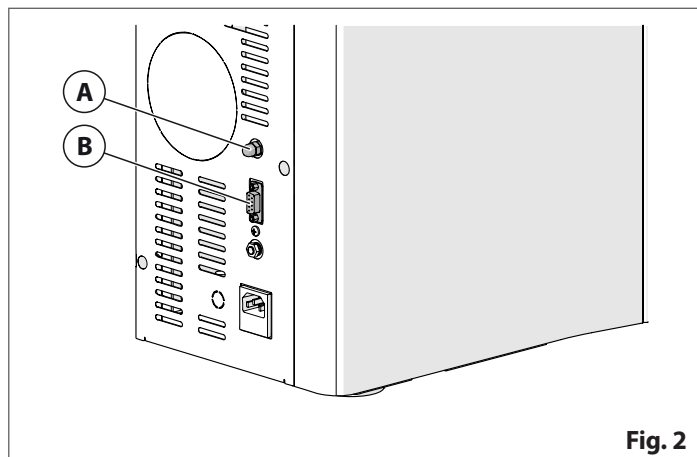


Fig. 2

## 2.5 PRODUCT IDENTIFICATION DATA

Each product is identified in the following way:

- **IDENTIFICATION DATA PLATE** (1) with the model (A) and appliance performance specifications
- **SERIAL NUMBER PLATE** (2) with the serial number of the appliance (B)
- **LABEL WITH IMPORTANT ADDITIONAL INFORMATION** (3) with important information.

The identification plates are positioned as shown below.

**i** When asking for technical support and/or spare parts, always provide these data to the dealer or T.A.C. (authorised technical assistance centre).

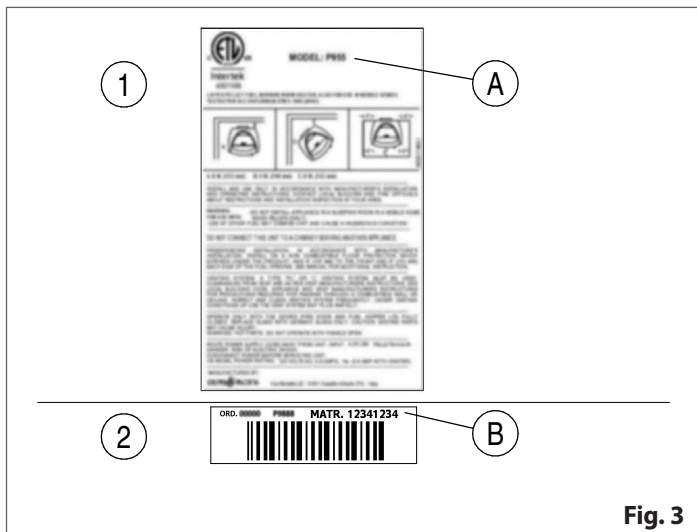


Fig. 3

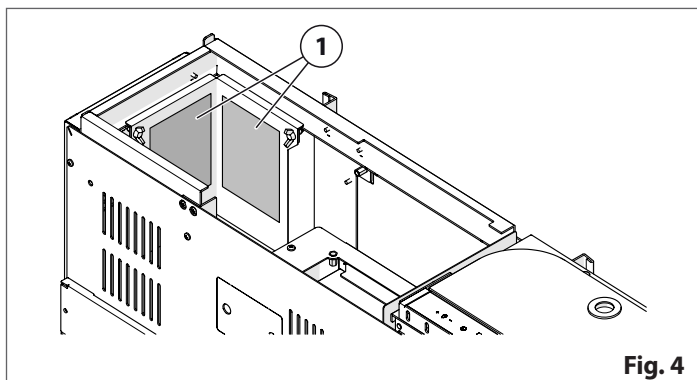


Fig. 4

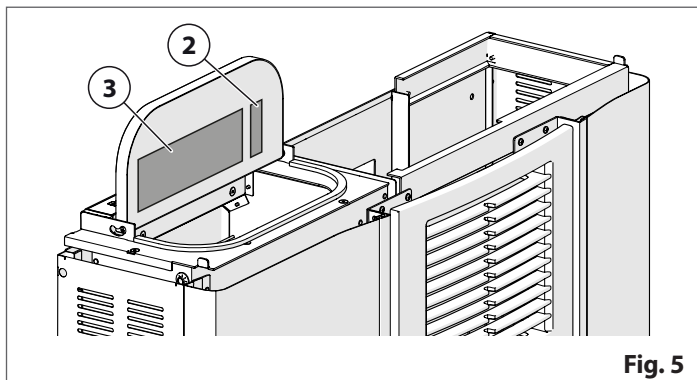


Fig. 5

## 2.6 CHARACTERISTICS

### Cladding:

- in painted steel

### Top surface:

- majolica

### Structure:

- in steel

### Firebox:

- in cast iron

### Grate:

- in cast iron

### Door:

- in cast iron
- 5 mm ceramic glass resistant to 750°C (1382 °F)

### Door handle:

- in painted steel

### Function control:

- appliance control panel

### Power adjustment:

- 5 positions

### Heating:

- through forced ventilation
- 1 fan

### Provided as standard:

- room temperature probe
- power cable
- grate deflector
- door opening hand-grip
- hex wrench

## 2.7 ACCESSORIES UPON REQUEST

- Combustion air kit
- Humidifier (in stainless steel)
- Remote control kit
- Central top flue gas outlet kit
- Left rear gas outlet kit
- Left smoke outlet kit



## 2.8 TECHNICAL DATA

Description	Model	LIA			
		Unit of measurement	High burn rate	Medium burn rate	Low burn rate
Power Setting		P4	P2	P1	
Fuel		natural pure wood pellets			
Heat Input	Btu/hr	37258	17383	10827	17417
	KJ/hr	39277	18325	11413	18361
	kW	11.50	5.08	3.17	5.09
Heat Output	Btu/hr	30927	14568	8996	14628
	KJ/hr	32600	15358	9483	15420
	kW	9.05	4.26	2.63	4.28
Hourly fuel consumption	lb/hr	4.61	2.15	1.34	2.15
	kg/hr	2.09	0.98	0.61	0.97
Burn Rate (dry)	lb/hr	4.35	2.03	1.26	2.03
	kg/hr	1.97	0.92	0.57	0.92
Heating Efficiency (LHV basis)	%	89.4	90.3	89.5	90.5
Heating Efficiency (HHV basis)	%	83.0	83.8	83.1	84.0

### CONTENT OF SMOKE EMISSIONS

Overall Particulate Emission Rate	g/hr	0.700			
CO emissions	g/hr	1.13	0.0	3.30	1.83

### ELECTRICAL DATA

Current during ignition phase	A	3.07			
Electrical power input during ignition phase	W	372			
Current in operation	A	1.39	1.25	1.2	-
Electrical power input in operation	W	97	82	74	-
Rated Voltage	V	120			
Rated Frequency	Hz	60			

### PHYSICAL DATA

Approximate hopper capacity	lb (kg)	37.5 (17)			
	gal (l)	7 (27)			
Vent size	in (mm)	3 (75)			
Weight of appliance with cladding	lb (kg)	276 (125)			

### AIR FLOW

Fresh air intake size (internal diameter)	in	2			
	mm	51			

### CERTIFICATION DATA

Evaluation center (Laboratory)		Intertek Testing Services NA Inc.			
Test report	N°	102598298MID-006			

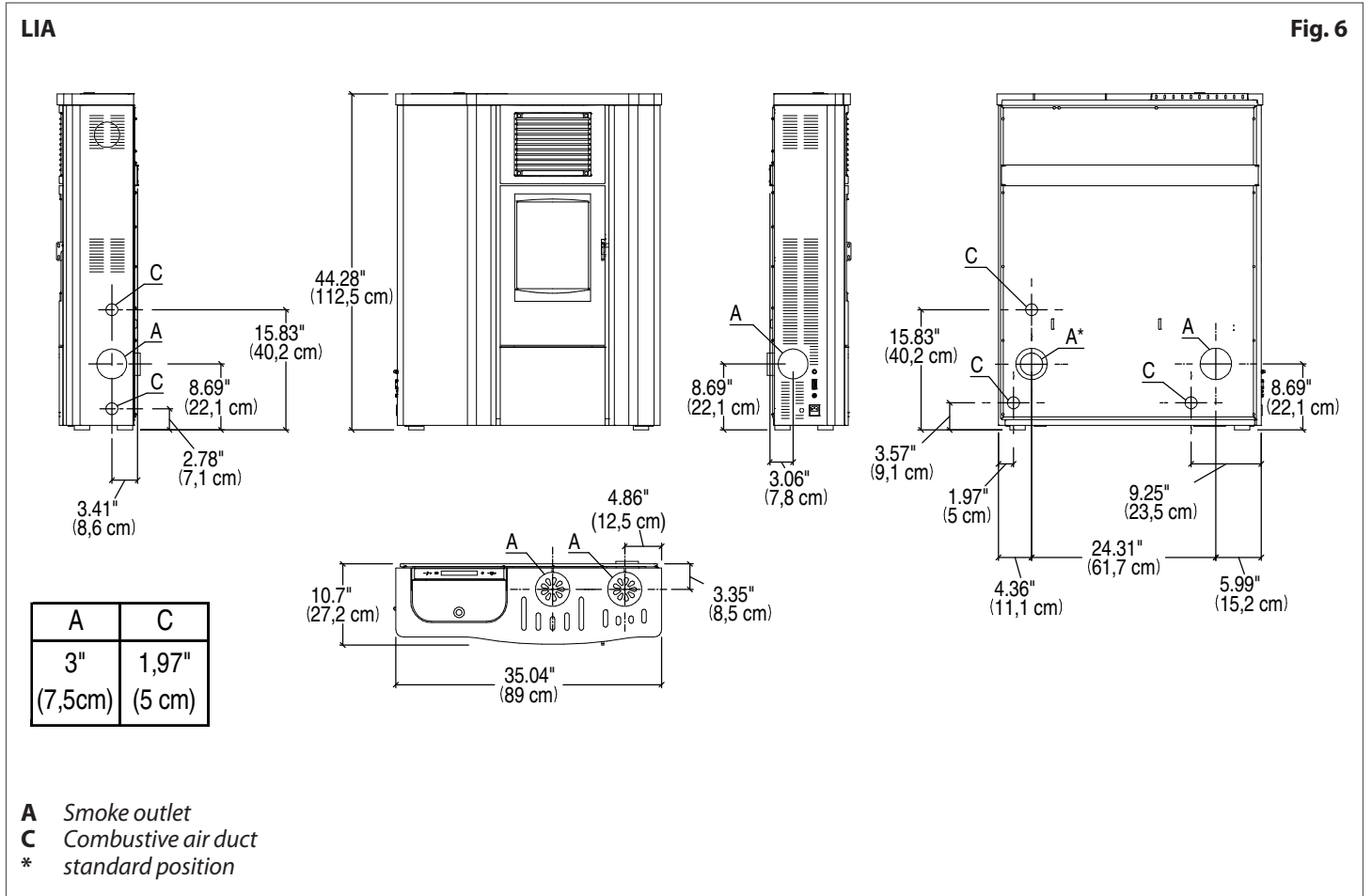
### U.S. ENVIRONMENTAL PROTECTION AGENCY Certified to comply with 2020 particulate emission standards using pellet fuel.

Laboratory data, in accordance with the product technical regulations.


The above data vary in relation to the size and type of fuel used (refer to the section "FUEL"), chimney vacuum and system characteristics. Data regarding the electric power input vary depending on the network voltage.

2.9 SIZES

(values in cm)



### 3 FUEL

 Never use gasoline, gasoline-type lantern fuel, kerosene, charcoal lighter fluid, ethyl alcohol or similar liquids to start or "reignite" a fire in this heater. Keep all such liquids well away from the heater while it is in use.

#### 3.1 PELLET SPECIFICATIONS

 Under no circumstances use fuel other than pellets.


Wood heaters certified to burn pellet fuels must only burn pellets that have been specified in the owner's manual and graded under a licensing agreement with a third-party organization approved by the EPA. The Pellet Fuels Institute, ENplus and CANplus are initially deemed to be approved third-party organizations for this purpose. Additional organizations may apply to the Administrator for approval.

There are various types of pellet on the market with qualities and characteristics that vary depending on the processes they have undergone and the type of wood used in their production.

Since the characteristics and quality of the pellet considerably affect product performance, efficiency and proper operation, we recommend that you use high-quality pellets: pellet fuel quality can fluctuate from manufacturer to manufacturer, and even from bag to bag.

In order to guarantee efficient product operation, Gruppo Piazzetta S.r.l. has tested and programmed its own products with pellets with the characteristics as shown in the table.

Minimum fuel specifications	
Parts	Natural pure wood pellet
Length	1/4" - 1 1/4" ( 7 - 30 mm)
Diameter	0,23" - 0,285" ( 6 - 7,2 mm)
Density	38 lb/ft <sup>3</sup> (609 kg/m <sup>3</sup> )
Moisture	< 8 %
Inorganic fines	≤ 1 %
Chlorides	≤ 300 ppm by weight
Ash content	≤ 2 %
Contains no demolition or construction waste	
Trace metals	≤ 100 mg/kg

 DO NOT use pellets with dimensions other than those recommended by the manufacturer.

- DO NOT use pellets containing sawdust, bark, maize, resins or chemical substances, additives or adhesives.
- DO NOT use damp pellets.

#### Choosing other unsuitable pellets may:

- obstruct the grate and flue gas pipe
- increase fuel consumption yet reduce performance
- mean that proper stove operation cannot be guaranteed
- cause dirt to build up on the glass
- leave particles which have failed to burn and heavy cinders.

#### The presence of moisture in the pellets increases their volume and causes them to split which in turn causes:

- malfunction of the fuel-loading system
- inefficient combustion.

#### Pellet fuel storage

**Pellets must be stowed in a dry, sheltered place that complies with the relevant safety clearances from the appliance and from heat sources which could cause combustion.**

Wood pellets should be left in their original sealed bag until ready to use, to prevent moisture. Do not store fuel within the specified clearance areas, or in a location that will interfere with routine cleaning and maintenance procedures.

#### Clinkers

Minerals and other non-combustible materials, like sand, will turn into a hard glass-like substance when heated.

Trees from different areas will vary in mineral content. For this reason, some fuels will produce more clinkers than others.

#### Moisture


Always burn dry fuel. Burning fuel with high moisture content takes energy to dry and tends to cool the appliance thus, robbing heat from your home.

Damp pellet fuel could turn back into sawdust which does not flow properly through the feed system.

#### Performance

Higher ash content requires more frequent maintenance. "Premium" grade pellets will produce the highest heat output.

When using good quality pellets but with dimensions and heat-producing properties other than those recommended above, it is necessary to change the stove operating parameters.

 **The use of cordwood is prohibited. Do not burn garbage or flammable fluids such as gasoline, naphtha or engine oil.**


- This "customisation" of appliance operating settings must only be carried out by a T.A.C. (technical assistance centre) or by specially qualified personnel authorised by Gruppo Piazzetta S.r.l..
- Using pellets that are out of date or not in conformity with the manufacturer's recommendations not only damages the stove and jeopardises its performance, but can render the guarantee null and void and relieves the manufacturer of all liability.

**Prohibited Fuel Types:**


- Residential or commercial garbage
- Lawn clippings or yard waste
- Materials containing rubber, including tires
- Materials containing plastic
- Waste petroleum products, paints or paint thinners, or asphalt products
- Materials containing asbestos
- Construction or demolition debris
- Paper products, cardboard, plywood, or particleboard
- Railroad ties, pressure-treated wood or pallets
- Manure or animal remains
- Salt water driftwood or other previously salt water saturated materials
- Unseasoned wood (defined as wood with an average moisture content of 20% or more)
- Any materials that are not included in the warranty and owner's manual for the subject wood heater
- Any materials that were not included in the certification tests for the subject wood heater

**3.2 INFORMATION REGARDING PELLET LOADING**

In order to load pellets into the hopper, we recommend removing the bag flap opening and emptying it into the hopper. This way, the loading operation is easier and you avoid spilling the pellets over the appliance.

 Do not allow the build-up of residue at the bottom of the hopper.

- Do not empty any residue from the pellet bag into the hopper.
- During loading operations, make sure that no pellets fall out of the hopper as they could come into contact with hot surfaces and ignite.
- Do not leave leftover pellets on top of the stove: they could catch fire.
- Do not fill the pellet hopper in excess of normal capacity and do not compress the fuel.
- Don't remove the protective grill inside the pellet hopper.

 Some appliances are equipped with a protection grille inside the hopper. Removing this grille is forbidden.

- Only keep the cover of the pellet hopper open for as long as it takes to complete the refill operation. To ensure optimal operation, some models activate an error signal in the event the hopper cover is left open for a time exceeding the set time (refer to the section "SAFETY DEVICES").

**3.2.1 Pellet indicator**

When the red reload indicator can be seen inside the hopper, it is possible that the auger is not perfectly loaded which would cause irregular pellet unloading in the grate and start-up failure.

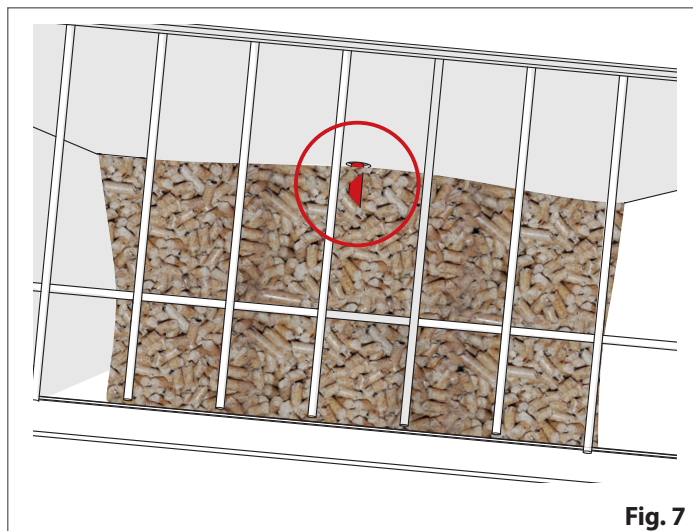


Fig. 7


 **DO NOT LOAD PELLETS WHEN APPLIANCE IS ON if the red refill indicator is visible inside the pellet tank.**

Follow the instructions below if the red refill indicator is visible:

- switch off the appliance
  - with the appliance off, reload the hopper
- If the auger is even partially emptied, it is probable that the first start-up attempt may fail. In this case, refer to the manual "OPERATING INSTRUCTIONS" in the sections "FILL AUGER" and "MESSAGES - SAFETY WARNINGS - ANOMALIES".
- If an alarm is triggered, deactivate the appliance by pressing the ON/OFF key for a few moments, remove the fuel to be found in the grate and set a new ignition cycle. Any unburned pellets to be found in the grate must be disposed of.

## 4 GENERAL INFORMATION REGARDING THE SYSTEM

Below is some general information regarding the system, appliance installation and products manufactured by Gruppo Piazzetta S.r.l.

 Please refer to the installation standards or other informative documentation provided by the manufacturer for further information.

### 4.1 INSTALLATION ROOM

The appliance is to be installed in a room which allows installation, user and maintenance operations to be performed safely and easily.

Contact local building authority before installation to determine if a permit and/or inspection is required.


When locating your appliance, consider the building structure to ensure the vent will not interfere with any ceiling joists, roof rafters, wall studs, water pipes or electrical wiring. It may be easier to relocate the appliance than to rework the building structure.

The layout of your house and the location of the pellet stove will determine how effective it is at heating the intended area (e.g., in main living area versus basement versus outdoors in sub-freezing temperatures).


Pellet stoves use mainly air circulation to disperse their heat, therefore a central location works best.


Consider the following things when selecting a location:


- use of an existing chimney
- location of vent termination
- aesthetic considerations
- interference with house framing, plumbing and wiring
- floor protection
- room traffic patterns
- proximity to combustibles
- location of air for combustion
- electrical outlet
- pellet fuel storage.

 The room where the appliance is to be installed must comply with the following requirements:

- It must not be used as a garage, store for combustible material or for activities with a risk of fire.
- Locating the stove in a room with an explosive atmosphere is prohibited.
- If the flooring is made of wood, provide a floor protection surface in compliance with current national standards.
- It must not be in a vacuum in relation to the outside environment due to the effect of contrary draught caused by the presence in the room where the firebox is installed of another appliance or an extractor device.

 The appliance must not be used simultaneously with collective type ventilation ducts with or without extractor fan, other devices or other appliances such as: forced ventilation systems or other heating systems using ventilation to change the air. Such systems could cause a vacuum in the environment of installation even if installed in adjoining or communicating rooms.

 Make sure that the floor of the installation room is able to withstand the weight of the product including any cladding, accessories and trim. If the floor does not have a suitable load-bearing capacity, take adequate counter-measures.

 Have a smoke monitor/CO detector, especially in areas that are expected to generate CO (e.g., heater fueling areas, pellet fuel bulk storage areas).

- Follow the smoke detector manufacturer's placement and installation instructions and maintain regularly.

### 4.2 FRESH AIR INTAKE

In order to operate normally, each appliance must be provided with the air needed for combustion.

If a number of appliances are to co-exist, sufficient airflow must be guaranteed for each individual product in full compliance with regulations and according to the manufacturer's indications.

For a question of health, in addition to providing the air flow needed for combustion, it is also recommended that the air inside the installation room is suitably changed.

The airflow needed for the firebox can be obtained in different ways, for example:

- from the installation room or adjacent rooms
- by means of a fresh air intake directly into the room and with ducting
- with a direct connection to the combustion chamber.

In brief, the fresh air intake:

- must guarantee sufficient clean air flow for combustion: air cannot be taken from potentially polluted areas
- must have a total free cross section of at least the value indicated in the section "TECHNICAL DATA" and in any case, equal to or greater than the section of the air intake on the appliance
- be protected by a grille or suitable protection which does not reduce the recommended minimum section
- be positioned in such a way that it is not obstructed and maintenance and inspection operations are possible.

#### Indications for airtight installations and installations with combustion air intake directly from the outside (according to reference standards)

Airtight installations must be carried out by connecting the combustion air inlet of the appliance directly to the fresh air intake using a connecting pipe.

The connecting pipe for the combustion air inlet of the appliance must comply with the following requirements:

- have a diameter equal to or greater than the diameter of the inlet on the appliance
- be of a suitable, non-flammable material
- the pipes, the connectors used and the installation methods must guarantee an airtight seal
- if they are connected directly to the outside, the inlet must prevent atmospheric conditions from negatively affecting the combustion, for example, by means of the installation of a 90° bend at the inlet facing downwards or a shatter-proof guard
- If the installation requires a connection to coaxial type pipes with the inlet of pre-heated combustion air, the materials used must adequately resist the operating temperature.

For the product to operate correctly, the ducting must have the characteristics specified in the section "COMBUSTION AIR CONNECTION".

### 4.3 CHIMNEY

It is recommended that the chimney has a chamber for collecting solid matter and any condensate below the connection and which may be easily opened and inspected by means of an air tight door

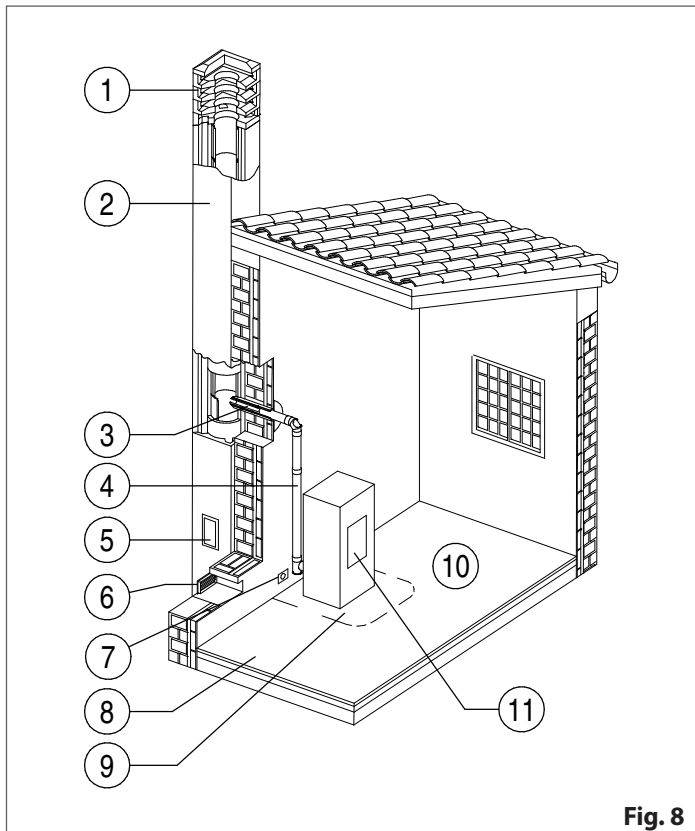


Fig. 8

- 1 Chimney terminal
- 2 Flue
- 3 Connection to the flue
- 4 Flue pipe
- 5 Soot inspection
- 6 Fresh air intake
- 7 Electrical supply
- 8 Check the load bearing capacity of the floor
- 9 Minimum safety distances
- 10 Installation environment
- 11 Appliance (Heat generator)

### 4.4 FLUE PIPE



The stove requires a UL listed pellet vent. So the venting system shall be approved for pellet stoves by a certified testing Laboratory.

- PL Vent must be used for venting all Freestanding stoves.



Do not use to vent pellet appliance these venting materials and products:

- Dryer vent
- Gas appliance vent
- PVC (plastic) pipe
- Single wall stove pipe.



The pellet stove is not the same as other stoves. It has a forced draught of flue gas by a fan, which keeps the firebox in a vacuum and the entire flueway slightly pressurized. For this reason the flue must be completely airtight and correctly installed to ensure both trouble-free operation and user safety.



The flueway must be made by specialised personnel or firms, as outlined below.

- All pellet vent pipe must be secured together either by means provided by pipe manufacturer or by 3 screws at each joint.
- If vented horizontally, joints shall be made gastight in a manner that shall be specified by the manufacturer.



Using the relative pipe clips, fix the flue to the wall so that it does not weigh on the smoke fan.



DO NOT INSTALL A FLUE DAMPER IN THE EXHAUST VENTING SYSTEM OF THIS UNIT.

- DO NOT CONNECT THIS UNIT TO A CHIMNEY FLUE SERVING ANOTHER APPLIANCE.
- Do not connect to a flueway into which extractor hoods discharge vapours.



The very hot exhaust gases may cause skin burns: keep a considerable distance away from the appliance.

- The exhaust gases from the combustion of pellets fuel may dirty the outside of the walls. To avoid such possibility terminate the vent above the roof line.

**⚠️ INSTALL EXHAUST VENT AT CLEARANCES SPECIFIED BY THE MANUFACTURER.**

- Most pellet vent pipe requires a minimum of 1" of clearance to combustible materials although some can be installed at 1" clearance.
- Follow these instructions along with all local codes regarding installation of this appliance.
- Do NOT use makeshift compromises when installing this appliance, serious consequences may result.

**⚠️ THE CHIMNEY AND CONNECTOR MUST BE MAINTAINED IN GOOD CONDITION AND KEPT CLEAN.**

**Pipes and maximum lengths which may be used**

The exhaust pipe on all stoves is 2.95" (75 mm) O.D. so the stove was designed to accommodate a 3" (8 cm) stove pipe adaptor but the diameters of the pipes depends on the type of installation. Your installation may require the use of 4" (10 cm) vent as shown in the table.

TYPE OF INSTALLATION	WITH 3" (8 cm) DIAMETER PIPE	WITH DOUBLE-WALLED 4" (10 cm) DIAMETER PIPE
Maximum length (with three 90° elbows)	25' (8 m)	35' (11 m)
For installations more than 4000' (1200 m) above sea level	-	Required
Maximum number of elbows	3	4
Length of horizontal sections with minimum 3% gradient	10' (3 m)	10' (3 m)

**⚠️ Losses in pressure associated with a 90° elbow can be compared to those incurred by 4' (1.2 m) pipe. An inspectable union-tee can be considered equivalent to a 90° bend.**

**For example:** if installing a section greater than 20' (6 m) in length with 3" (8 cm) diameter pipe, calculate the maximum usable length in the following ways:

- If a maximum of three 90° elbows are used, the maximum length of the section will be 25' (8 m).
- If a maximum of two 90° elbows are used and bearing in mind that a 90° bend can be replaced by 3' (1 m) of pipe, the maximum length of the section will be 25' (8 m) + 3' (1 m) = 28' (9 m).
- If a maximum of one 90° elbows is used and bearing in mind that a 90° bend can be replaced by 3' (1 m) of pipe, the maximum length of the section will be 25' (8 m) + 3' (1 m) + 3' (1 m) = 31' (10 m).

Where 4" (10 cm) diameter pipe must be used, connect it to the stove flue outlet with a union-tee.

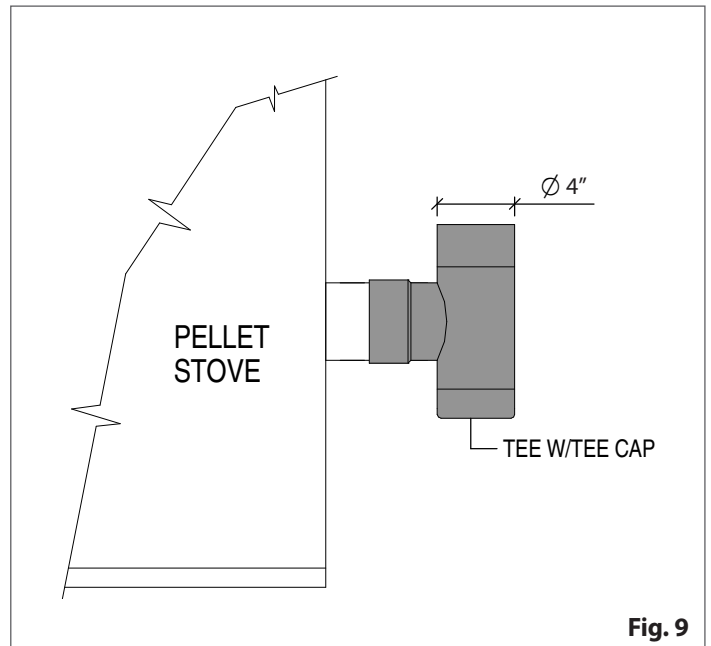


Fig. 9

**"T" connector**

The use of this type of fitting must allow for the collection of condensate mixed with soot, which builds up inside the pipe. It must also permit periodic cleaning of the flue without the need to disassemble the pipes.

Single or double clean-out tees may be used.

An example is given below of a flueway connection, which allows complete cleaning without having to disassemble the pipes.

**⚠️ Gruppo Piazzetta S.r.l. assumes no responsibility for, nor does the warranty cover, smoke damage caused by reverse drafting of pellet stoves under power failure conditions or as a result of extreme negative pressure in the home.**

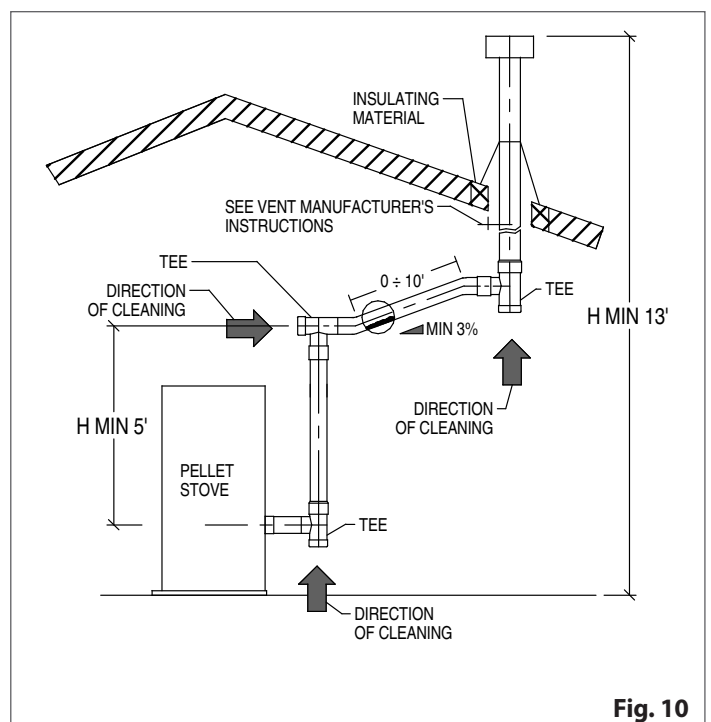


Fig. 10

## 4.5 INTERIOR VENT INSTALLATION

This kind of installation provides the natural draft that results from a vertical rise avoiding smoke being released into the house when electricity to the unit is interrupted while burning or smoldering pellets remains in the burn grate.

General vent layout is shown in figure and the procedure is as follows:

- General vent layout is shown in figure and the procedure is as follows: !da duplicazione!
- use a plumb line to determine location of PL Vent penetration of ceiling
- cut hole in ceiling and frame to appropriate opening size. Framing material shall be the same as that of adjacent joist material
- install a black ceiling support from under the level of the beam and fix using 4 twisted nails or screws, 1.5" (40 mm). Alternatively, use a support attachment instead of a black ceiling support. The attachment is suitable for openings in the ceiling from below and is fixed to the beams with 4 twisted nails or screws, 1.5" (40 mm)
- insert first vent section through support and tighten the clamp screw. Additionally fasten the vent with four screw (max 1/2" (13 mm) long) through the support collar and into the vent skin
- install the vent section(s) atop the first. Twist lock sections together with a clock-wise turn. Before twisting, push vent sections firmly together for proper lock barb engagement. Enough twisting force must be applied to ensure that the collars will compress gasket material
- firestops are required where the vent penetrates a floor or ceiling. Cut a hole of the appropriate size in the ceiling/floor and install the firestop from above or below the joist. Fasten the firestop with nails through the corners
- continue the vent up through the roof line
- extend the vent up to the roof pitch
- slide the Flashing over the Vent until it sits on the roof line. Slip the upper side of the Flashing base under the roof shingles. Nail the flashing to the roof with a minimum of 8 roofing nails. Seal the Flashing base with appropriate roofing mastic
- slide the Storm Collar down the Vent until it sits on the flashing. Apply a bead of silicone around the top of the Storm Collar

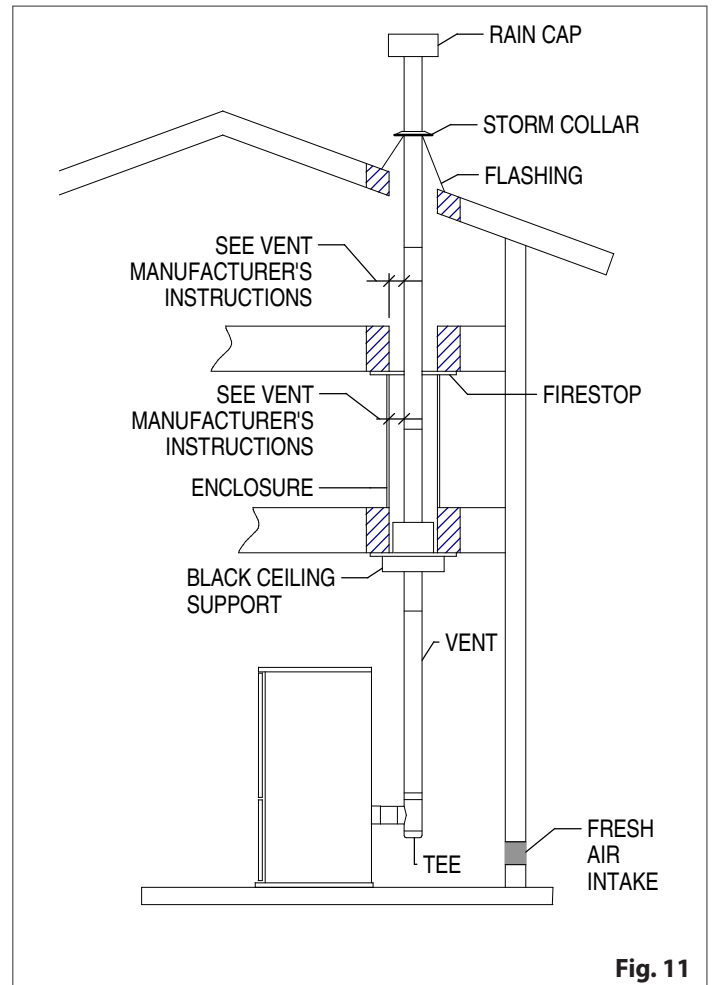


Fig. 11

- extend the PL Vent at least 12" (30 cm) above the roof line and terminate with a PL listed Rain Cap. If the Vent extends more than 6' (2 m) above the roof penetration, Roof Brace Poles and a Roof Brace Band must be used to provide lateral support. In geographical regions experiencing sustained low ambient temperature is recommended to enclose exterior vents below the roof line. This help reduce condensation, soot accumulation, and poor drafting
- set the Rain Cap onto the top Vent section and twist lock it to the top Vent section
- where the vent system penetrates the air/vapor barrier, the barrier must be sealed to the ceiling support or firestop.



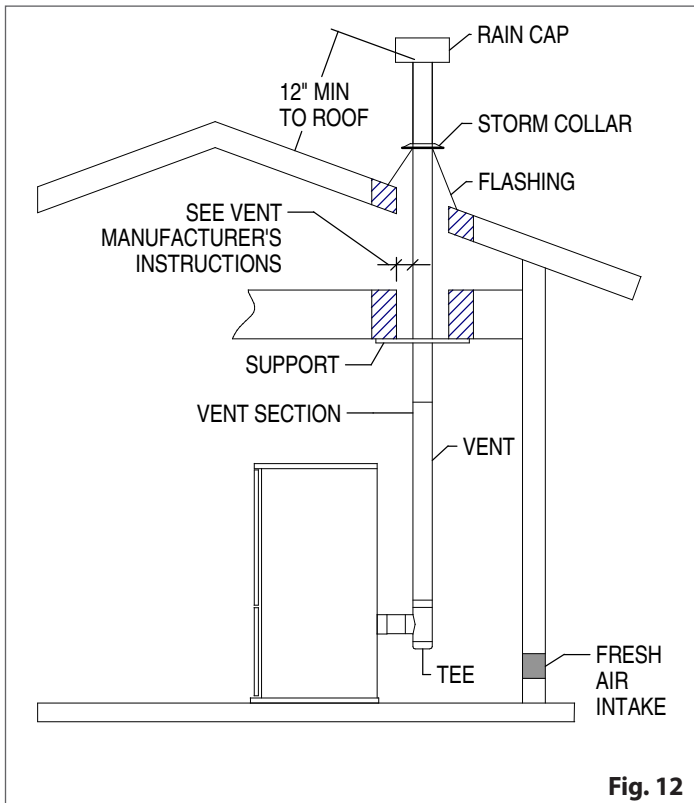


Fig. 12

If you wish to use an existing chimney it is strongly recommended that you have it checked by a professional chimneysweep to ensure that it is completely airtight. The reason for this is that the smoke, because it is slightly pressurised, can infiltrate any cracks in the flue and escape into living spaces.

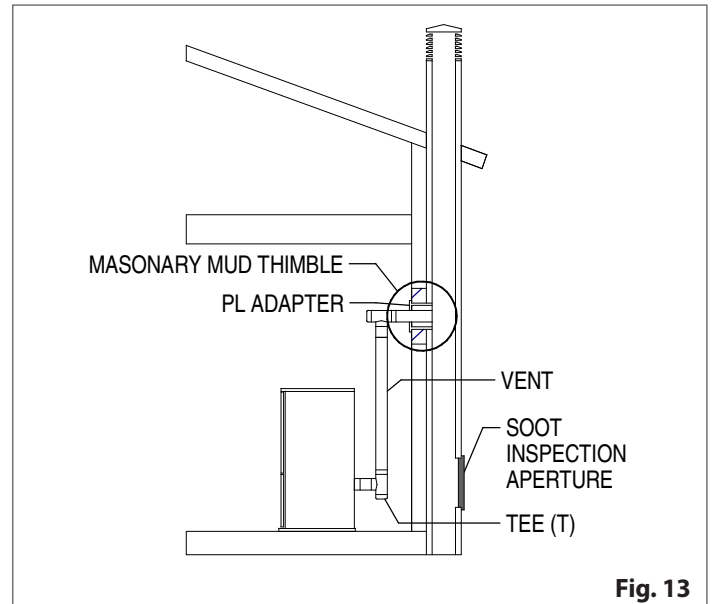


Fig. 13

**!** Be sure to use approved pellet vent pipe and ceiling pass-through fittings to go through combustible ceilings.

- Strictly observe the PL Vent manufacturer's safety specifications when using ceiling pass through.

**!** INSTALL VENT AT CLEARANCES SPECIFIED BY THE VENT MANUFACTURER.

- Ensure that all installation work is carried out to professional standards.

#### 4.6 CONNECTING TO A CONVENTIONAL CHIMNEY

The stove may be connected to an existing Class A chimney or a masonry chimney which meets the minimum requirements of NFPA 211.

Using this kind of installation the pellet stove is able to draft naturally without exhaust blower operation (failure), reducing the probability of burn-back and back-drafting.

**!** Check that the connection to the flueway is gas/smoke-tight, since the appliance operates in a vacuum.

If upon inspection you find that the chimney is not completely sound, a relining of the chimney with either PL vent or single wall stainless steel pipe may be necessary to bring the chimney into compliance. If the existing chimney is wide enough we recommend a pipe with a maximum diameter of 6" (15 cm). Put attention: some areas require that a liner must be always installed to the top of the flue, as shown in figure even if the existing chimney is in compliance.

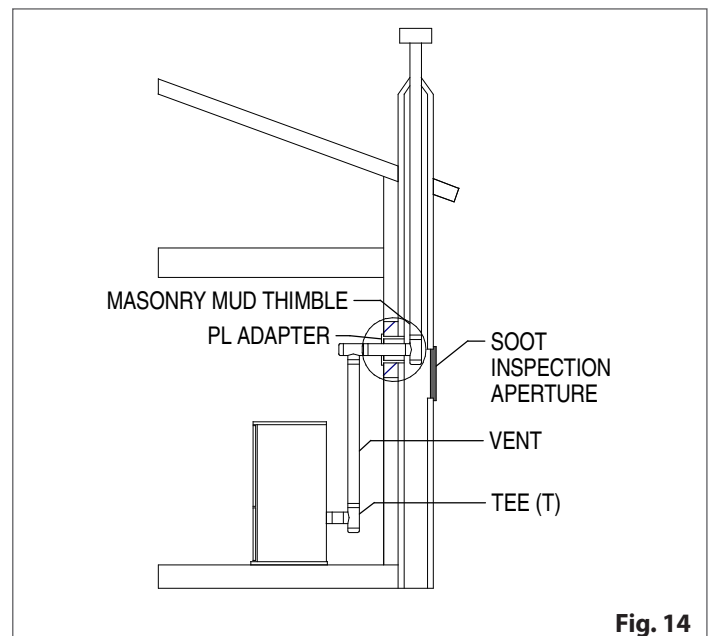


Fig. 14

When chimneys are relined, a chimney chase cap that reduces the outlet of the chimney to the size of the liner is required. Extend the exhaust vent above the chimney chase cap and finish it off with a rain cap.

**A single wall liner may need to be insulated to maintain adequate exhaust temperatures in the vent system.**

**⚠ Outside Chimneys frequently are difficult to keep warm: it is recommended that you insulate the liner.**

Venting into the side of an existing masonry chimney must be done through a masonry thimble. When wall penetration is necessary to access a masonry chimney, use a listed PL vent wall thimble.

When venting into a Class A steel chimney, use an appropriate PL Vent adapter.

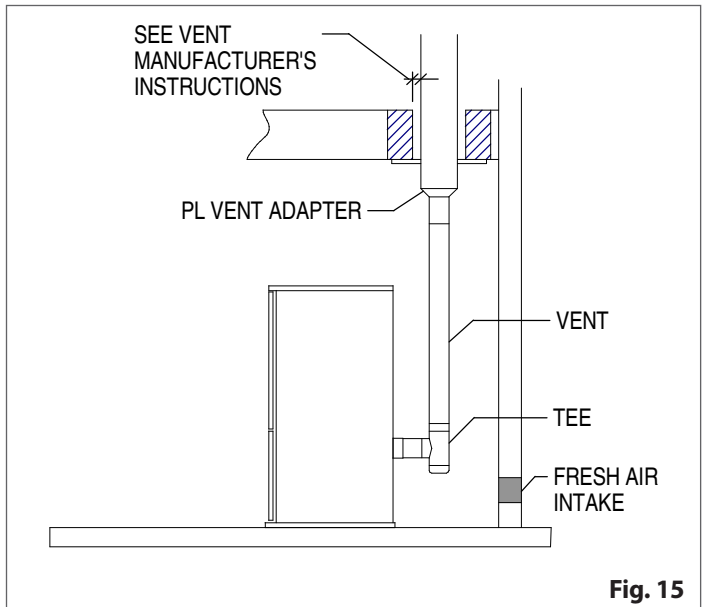


Fig. 15

**⚠ Strictly observe the PL Vent manufacturer's safety specifications.**

- **INSTALL EXHAUST VENT AT CLEARANCES SPECIFIED BY THE MANUFACTURER.**
- **Ensure that all installation work is carried out to professional standards.**

**4.7 INSTALLING INTO AN EXISTING FIREPLACE CHIMNEY**

This kind of installation also provides natural draft in the event of a power failure.

When installing as a hearth mount stove into a firebox the unit must either be relined, terminating above the chimney chase top, or positively connected to the existing chimney system using a block off plate.

An approved flex liner of PL vent must be used.

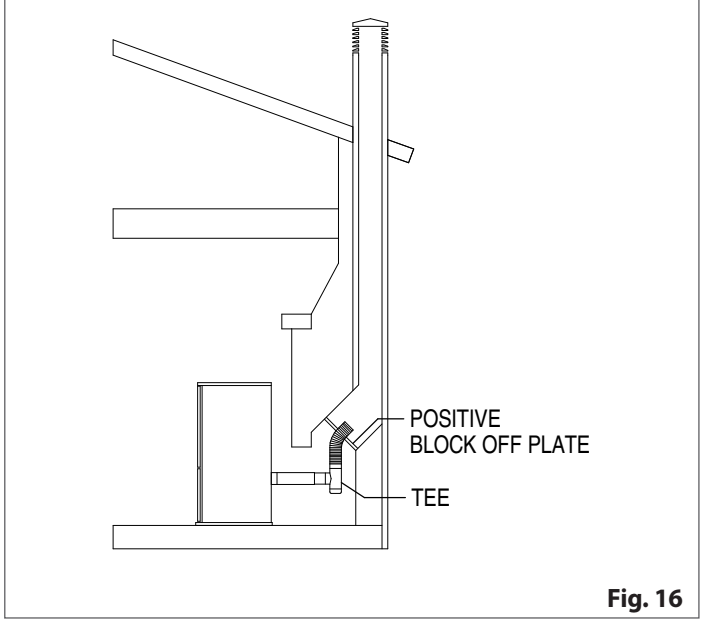


Fig. 16

In some areas it is required that the vent pipe extend all the way to the top of the chimney. The pipe or liner inside the chimney should be 4" (10 cm) diameter.

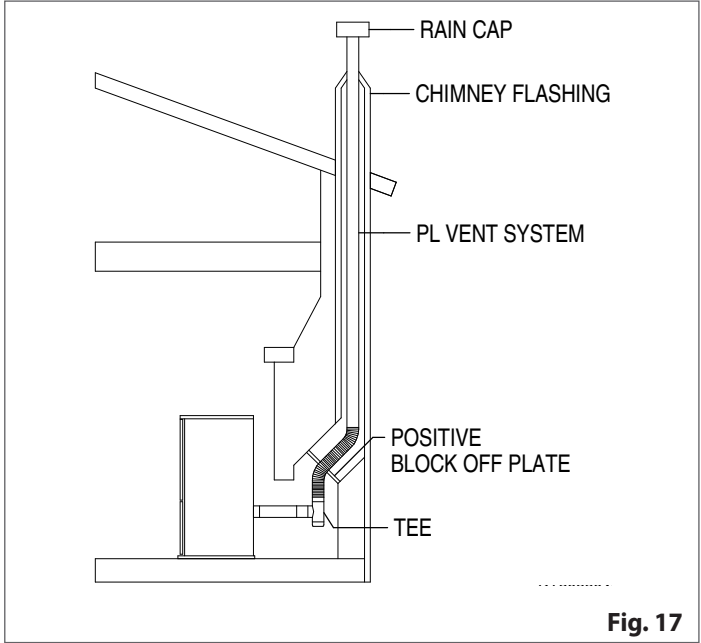


Fig. 17

**!** A chimney system with known drafting problems may require a liner, which may also need to be insulated to keep vent system warm in cold chimney environment.

- A cap shall be installed on the chimney to keep out rain.
- Strictly observe the PL Vent manufacturer's safety specifications.

**!** INSTALL EXHAUST VENT AT CLEARANCES SPECIFIED BY THE MANUFACTURER.

- Strictly use listed pellet vent pipe fittings.
- Ensure that all installation work is carried out to professional standards.

**!** Certain local code restrictions may apply. Check with Local Officials first before installing.

- Strictly observe the PL Vent manufacturer's safety specifications when using wall pass through.
- INSTALL EXHAUST VENT AT CLEARANCES SPECIFIED BY THE MANUFACTURER.

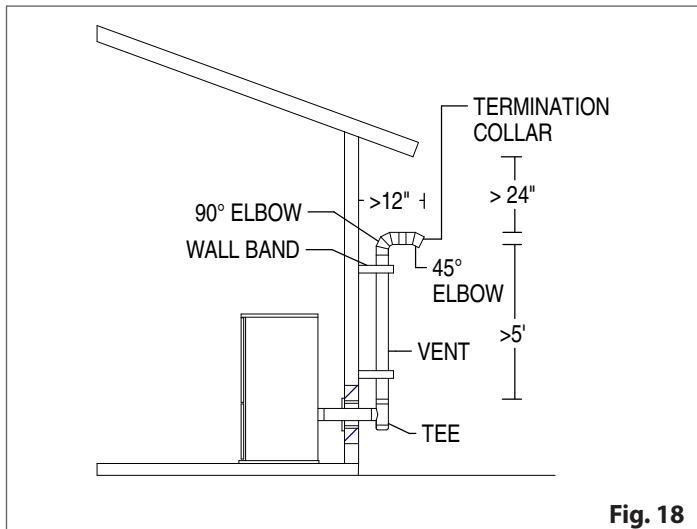
**!** Double wall PL vent requires a minimum clearance to combustibles according to the manufacturer's safety specifications and the use of listed wall thimble, fire stop or roof flashing where applicable.

- Do not place joints within wall pass-throughs.
- Ensure that all installation work is carried out to professional standards.

### 4.8 SHORT RISE INSTALLATION - WALL OUTLET

When terminating the exhaust system under the houses eaves, the following requirements shall be fulfilled:

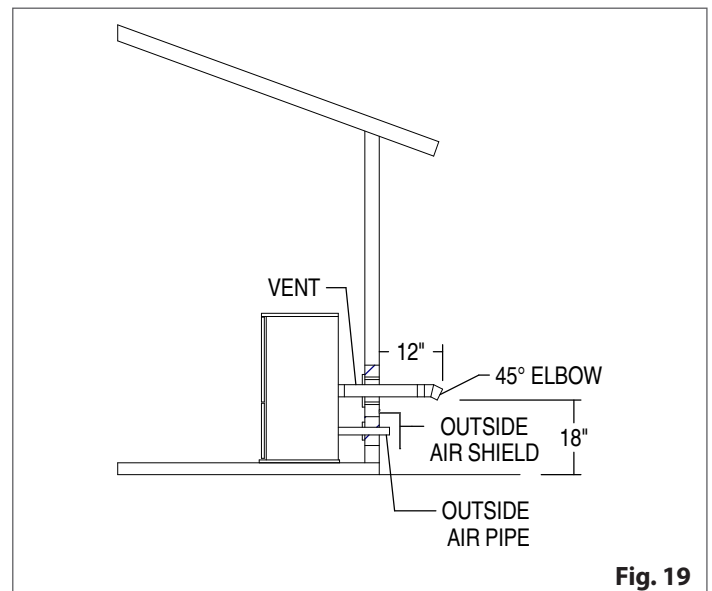
- in selecting locations for appliance and vent, take into consideration the NFPA 211 6-3.5 rule for distance of exit terminal from window and openings
- run the vent vertically up the wall, ensuring to maintain a minimum of 3" (80 mm) clearance between the wall and vent
- a wall band must be installed just above the tee and at least every 6' (180 cm) of vent rise or, if the rise is inferior, at the end of the vertical run
- after a rise of at least 5' (1.5 m), install a 90° elbow aimed out from the building wall
- attach a 45° elbow to the 90° elbow, aiming the second elbow down toward the ground. Terminate the vent with a collar with screen fastened to the 45° elbow
- the end of the vent pipe system must be at least 12" (30 cm) from the wall and 24" (60 cm) below the eave



### 4.9 MINIMUM FLUE VENT CONFIGURATION

Horizontal installations that terminate without any vertical sections of pipe are approved; however, it is recommended that a minimum of 5' (1.5 m) of vertical be included in the vent system. Having a vertical section in the venting will help prevent smoke from exiting the appliance during power failures.

It is required that outside air be installed with this venting configuration to reduce smoke and creosote smell in the room in the event of power failure.



**!** This Installation may cause problems during adverse weather or power failure.

- We strongly recommend using a battery backup system if the stove is installed using horizontal venting only. This prevents any smoke from entering your home in the event of a power failure.

**!** Certain local code restrictions may apply. Check with Local Officials first before installing.

- Strictly observe the PL Vent manufacturer's safety specifications when using wall pass through.
- **INSTALL EXHAUST VENT AT CLEARANCES SPECIFIED BY THE MANUFACTURER.**

**!** Double wall PL vent requires a minimum clearance to combustibles according to the manufacturer's safety specifications and the use of listed wall thimble, fire stop or roof flashing where applicable.

- Do not place joints within wall pass-throughs.
- Ensure that all installation work is carried out to professional standards.

**4.10 VENTING: TERMINATION REQUIREMENTS**

In determining optimum vent termination, carefully evaluate external conditions especially when venting directly through a wall. Since you must deal with odors, gases, and fly ash, consider aesthetics, prevailing winds, distances from air inlets and combustibles, location of adjacent structures and any code requirements.

- There is no minimum clearance requirement between exhaust terminal and fresh air inlet if the exhaust terminal is positioned above the fresh air inlet.
- Do not terminate vent in any enclosed or semi-enclosed area, (i.e. Carports, garage, attic crawl space, etc.) or any location that can build up a concentration of fumes.
- Terminals must not be recessed into a wall or siding.
- When setting into place flue caps you should consider wind factors such as dominate wind directions and currents in order to avoid down draft, fly ash and/or smoke.

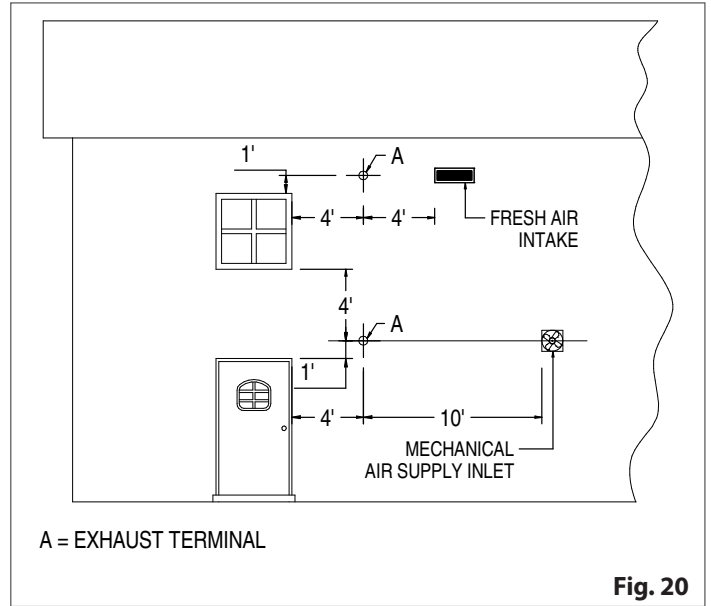
**!** Vent surfaces can get hot enough to cause burns if touched by children. Non-combustible shielding or guards may be required.

- Be sure to use approved pellet vent pipe and wall pass-through fittings to go through combustible materials.

The type of installation must first be considered before determining the exact location of the venting termination in relation ship to doors, window, cavities or air vents.

**Without outside combustion air connected to the unit**

For These types of installations please refer to the dimensions listed in figure.



**Fig. 20**

The clearance to a door, window or cavity must be at least:

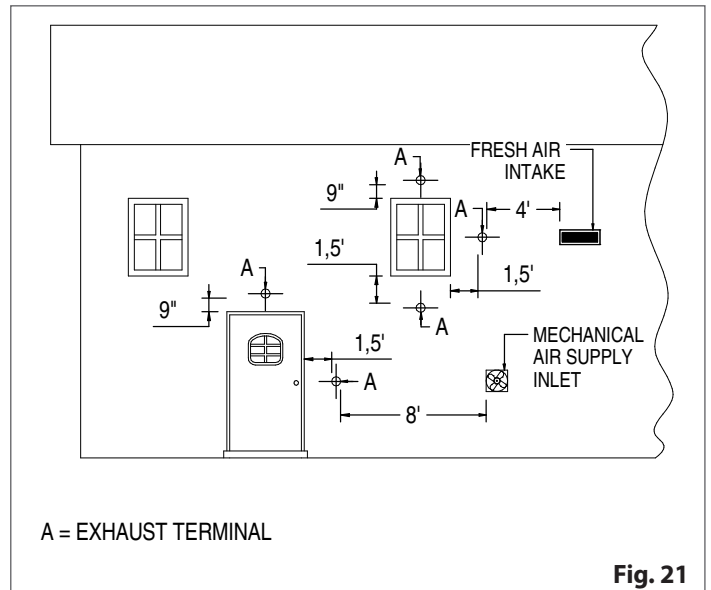
- 4' (1.2 m) below
- 4' (1.2 m) horizontally
- 1' (305 mm) above.

The clearance to fresh air intake for combustion of the pellet stove or any other appliance, or the non-mechanical air supply inlet to the building must be at least 4' (1.2 m).

The clearance to a mechanical air supply inlet to the building must be at least 10' (3 m).

**With outside combustion air connected to the unit**

For These types of installations please refer to the dimensions listed in figure.



**Fig. 21**

The clearance to a door, window or cavity must be at least:

- 1.5' (458 mm) below
- 4' (1.2 m) horizontally
- 1' (305 mm) above.

In cases where the fresh air intake for combustion of the pellet stove or the non-mechanical air supply inlet, or any other appliance, necessitates to be positioned above the exhaust terminal the clearance must be at least 4' (1.2 m).

The clearance to a mechanical air supply inlet to the building must be at least 8' (2.5 m).

The exhaust termination location must be at least:

- 1' (305 mm) above the ground level

**!** The minimum vertical rise shall always be not less than 5' (1.5 m)

- A flue at 1' (305 mm) above ground is not enfant safe: we strongly recommend that the exhaust termination of flue be raised another 4' (1.2 m) to avoid injury.

- 7' (2.1 m) from a public walkway, but attention to where the vent shall end its course, as it is not to be in between or serve two family dwellings and/or directly above side-walks or paved driveways
- 1' (305 mm) from the wall penetration point
- 3' (915 mm) from a gas meter/regulator assembly
- 3' (915 mm) from any adjacent combustibles such as: adjacent buildings, fences, protruding parts of the structure, roof eaves or overhangs, plants, shrubs, etc.

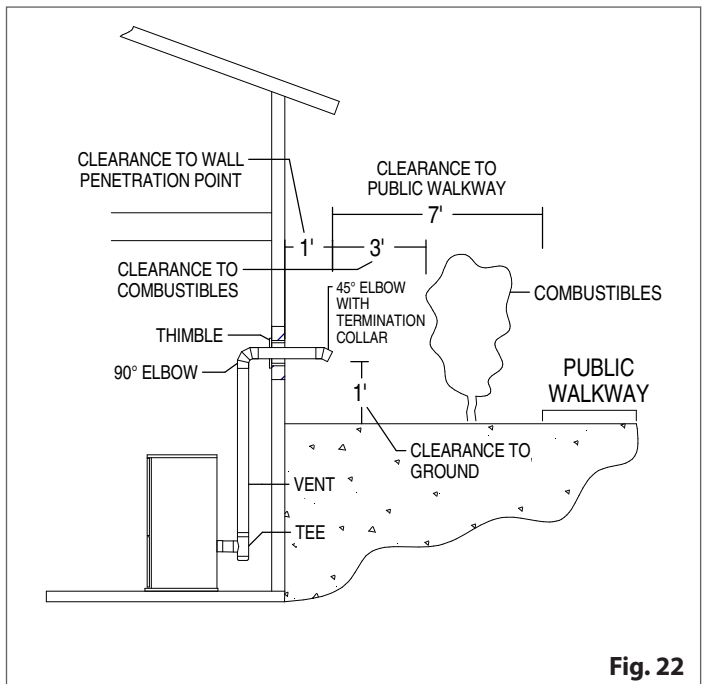


Fig. 22

Certain Canadian and or Local codes or regulations may require different clearances.

**!** The exhaust gases from the combustion of pellets fuel may dirty the outside of the walls. To avoid such possibility terminate the vent above the roof line.

- Ensure that all installation work is carried out to professional standards.

#### 4.11 PREVENTION OF DOMESTIC FIRES

Product installation, use and maintenance must be carried out in compliance with the applicable instructions provided by the manufacturer and in compliance with all relevant regulations.

**!** When a flue pipe passes through a wall or a ceiling, special installation methods must be applied (protection, thermal insulation, distances from heat-sensitive materials, etc.). Refer to the section "CONNECTION TO THE FLUE".

It is also recommended that all elements made of combustible or inflammable material, such as beams, wooden furniture, curtaining, flammable liquids, etc. be kept outside the heat radiation range of the stove and at a distance of at least 32" / 80 cm from the heating block.

For other information, refer to the section "MINIMUM SAFETY DISTANCES" and "CONNECTION TO THE FLUE".

The flue pipe, chimney stack, chimney and fresh air intake must always be free of obstructions, clean and checked periodically, that is, at least twice during the seasonal period from the lighting of the stove and during its use. When the stove has not been used for some time it is advisable to carry out the checks mentioned above. For further information, consult a chimney sweep. Only use recommended fuels (refer to the section "FUEL").

#### 4.12 MOBILE HOME INSTALLATION

The stove has been tested and listed for mobile home installations.

Unit must be installed in accordance with the: **Manufactured home and safety standard (HUD), cfr 3280, part 24.**

In addition to all previously detailed requirements, mobile home installations must observe the following:

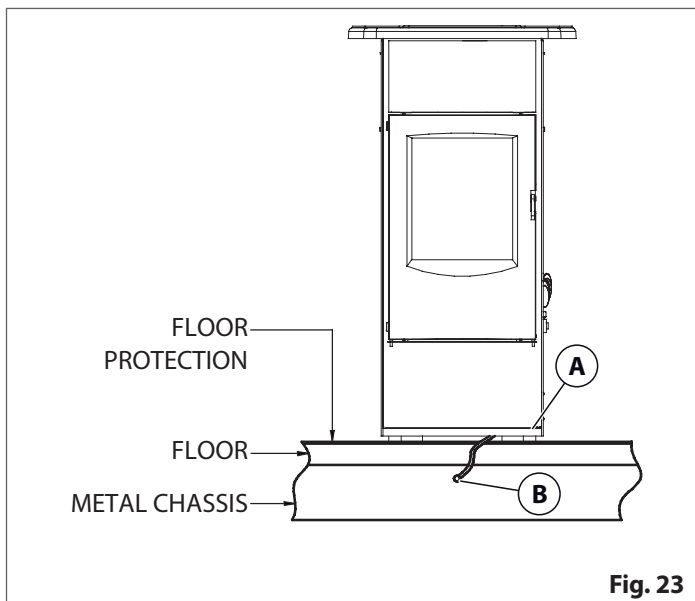
- Permanently bolt the stove to the floor. Use 4 screws (A) through the 4 holes placed at left and right side in the base plate as shown in figure.
- Electrically ground the stove to the metal chassis of the home using a number 8, gauge or larger copper wire (B).

## PRODUCT INFORMATION, INSTALLATION AND MAINTENANCE

- Chimney must meet requirements of CAN/ULC-S629, Standard for 650°C Factory Built Chimneys.
- Follow Manufacturer's guidelines concerning height and clearances to combustibles.
- Use the same manufacturer's components to provide an effective vapor barrier where the chimney or other component penetrates to the exterior of the mobile home.
- **DO NOT MIX COMPONENTS FROM DIFFERENT MANUFACTURERS.**
- The top section of chimney and the chimney cap must be removable to a maximum height of 13-1/2' for transport of the mobile home.
- Floor protection and clearances requirement must be followed precisely as shown in the previous paragraphs.

PL Vent must be used for exhaust venting (single wall vent is not allowed). Follow PL Vent manufacturer's installation directions and observe all listed clearances to combustibles.

Check any other local buildings codes or other codes that may apply.



**CAUTION: THE STRUCTURAL INTEGRITY OF THE FLOORS, WALLS, CEILING AND ROOF MUST BE MAINTAINED.**



The stove is hot while running. Keep children, clothing and furniture away. Contact may cause skin burns.

- Keep combustible materials such as grass, leaves, etc. at least 4 ft (1,2 m) away from the point directly under the vent termination.



**WARNING: DO NOT INSTALL IN A SLEEPING ROOM.**



Combustion air must come from the outside of the mobile home.

- Failure to do so may create negative pressure within the mobile home and could disrupt proper venting and operation of the pellet stove.
- The user must routinely inspect the point where air is drawn in to insure that it is clear of leaves/debris and ice or snow.

## 5 PREPARATION FOR INSTALLING


### 5.1 HANDLING


In order to prevent any accidents or damage to the product, please follow the recommendations below.

- Unpacking and installation must be carried out by at least two people
- the product must always be moved and handled with suitable equipment in full compliance with current safety regulations
- the packaged product must be kept in the position according to the directions shown by the diagrams and signs on the pack
- if ropes, straps or chains are used, ensure that they are able to take the weight of the pack and that they are in good condition
- use slow continuous movements when moving the pack to avoid jerking the ropes, chains etc.
- do not tilt the package excessively to avoid toppling
- never stand in the vicinity of loading/unloading equipment (forklift trucks, cranes etc.).


When handling any steel parts of the cladding it is advisable to use clean cotton gloves to avoid leaving fingerprints which are difficult to remove at first time of cleaning.

### 5.2 UNPACKING

 Before beginning installation, make sure all the retainers securing the product to the pallet have been removed.

 When unpacking and removing the packaging material, make sure the product is not scratched or damaged.

- Do not leave parts of the packaging where they are within the reach of children as they could be dangerous. Dispose of them according to legislations currently in force.
- Remove the accessories' packaging and any pieces of polystyrene or cardboard used to secure removable parts, etc. from the firebox and hopper.

 To make it easier to move the stove during installation it is recommended that the cladding is removed following the indications provided in the paragraph "*REMOVING THE CLADDING*" and reposition it once installation has been completed. If you wish to proceed without removing the panels, make sure that while working, the lower parts of the side panels and the lower front panel do not get misshapen, scratched or damaged.

After having removed the material protecting the appliance, remove all the retainers securing the appliance to the pallet and then remove it from the pallet.

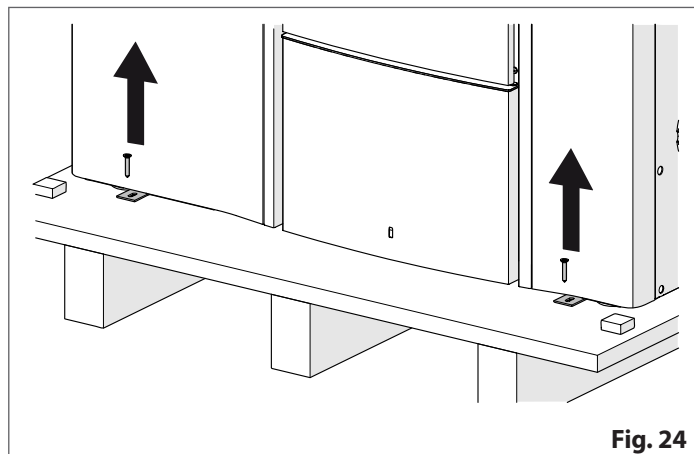



Fig. 24

## 6 INSTALLATION

 All installation, cleaning and maintenance work is to be carried out when the fire is out, the appliance is cold and with the power cable of the product itself and/or any other accessories disconnected.

- This work must also be carried out using suitable equipment and in full compliance with all health and safety regulations.

### 6.1 REMOVING THE CLADDING

If working inside the cladding, remove the side panels as follows:

- remove the top grille (1) by unscrewing the 4 screws (2)

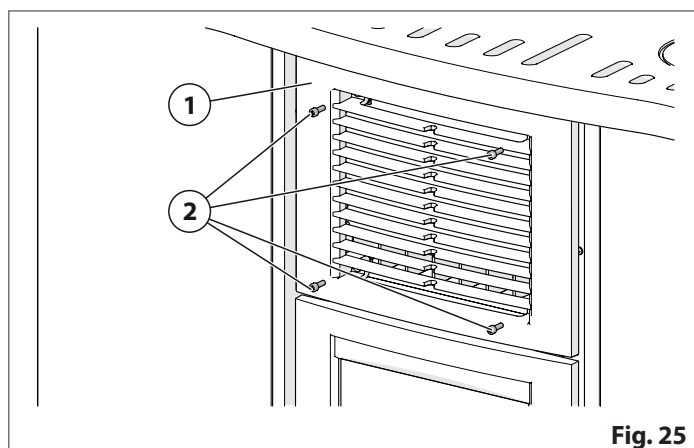
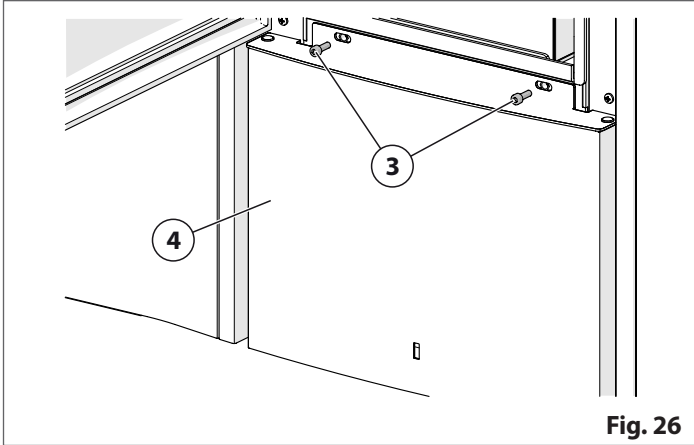
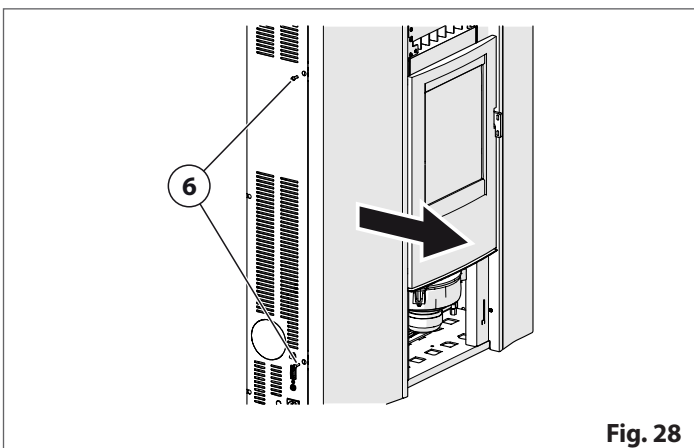
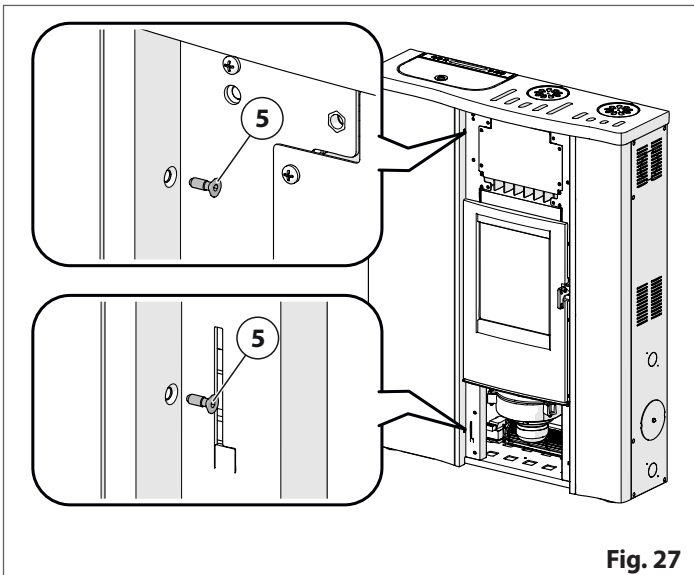


Fig. 25

- remove the screws (3) which secure the front panel (4), lift it slightly and remove it by pulling it towards the front



- open the door and remove the screws (5)
- remove the screws (6)
- remove the left side panel
- remove the right side panel in the same way



- replace all the components in the reverse order.



The lower front panel is pressurised. To fit, insert one side first, then press it slightly and slot in the other side.

## 6.2 MINIMUM SAFETY DISTANCES

When selecting a location for the appliance it is important to consider the required clearances to walls.

The position of the product inside the room must take into account not only the regulations, heating requirements, the shape of the installation and adjoining rooms but also accessibility during installation, use and maintenance operations.

It is therefore recommended that an area greater than the one indicated, is left around the appliance to facilitate maintenance interventions and prevent overheating problems.

The walls adjacent to the product, the structure above the appliance and the floor on which the appliance rests must be in non-flammable material.

Installation is allowed near heat sensitive or flammable objects as long as there is suitable insulation protection and distances are respected (in the case of a wooden floor, a protective base must be used: e.g. minimum 20 gauge sheet metal plate, marble, ceramic tile with grouted joints, stone, brick, etc.).

Construction elements which are already present such as wooden beams or a counter-hood and all trims in combustible material must be positioned outside the irradiating range of the product and away from any grilles or slits from which hot air is released. Suitable insulating material must be used.

The minimum distances are:

- 7" (15 cm) from the side wall
- 32" (80 cm) in the heat radiation area and from the the hot air fan outlet

The floor protection must extend:

- under the product
- a minimum of 6" (152 mm) in front of unit and beyond each side of the fuel loading and ash removal opening (see figure for the distances from the external side of the coating)
- floor protection is required under any horizontal venting. This protection must extend 2" (5.8cm) beyond each side of the horizontal pipe.

NOTE for Canadian installation only: Per ULC S627.

If installed on a combustible floor, the need to provide a non-combustible floor protector covering the area beneath the space heater and extending at least 17.72" (450mm) on the firing side and at least 7.87" (200mm) on the other sides.

In Canada, you may follow smaller U.S. floor protection requirements ONLY if the user agrees to completely shut-down the appliance, and allows it to cool to where all fire is extinguished and the combustion blower and its indicator light shuts off, prior to opening the firebox door or ash door.



**!** Connection to the flue must respect minimum safety distances from heat-sensitive structural components or inflammable materials (wood panelling, beams or ceilings, etc) shown in figures.

**i** Due to high temperatures, this stove should be placed out of traffic and away from furniture and draperies.

- Children and adults should be alerted to the hazards of high surface temperatures and should stay away to avoid burn to skin and/or clothing.
- Young children should be carefully supervised when they are in the same room as the stove.
- Clothing and other flammable materials should not be placed on or near this stove.

**!** Certain local code restrictions may apply. Check with Local Officials first before installing.

- In order to ensure safety where there may be the risk of accidental contact with the flue pipe, the external surface must be sufficiently protected in compliance with regulations and instructions provided by the flue pipe manufacturer.

**!** It is recommended that greater distances than those indicated above be left all round the stove to make any necessary work on the appliance easier.

- **INSTALL VENT AT CLEARANCES SPECIFIED BY THE VENT MANUFACTURER.**
- Most pellet vent pipe requires a minimum of 1" of clearance to combustible materials although some can be installed at 1" clearance.
- Certain local code restrictions may apply. Check with Local Officials first before installing.

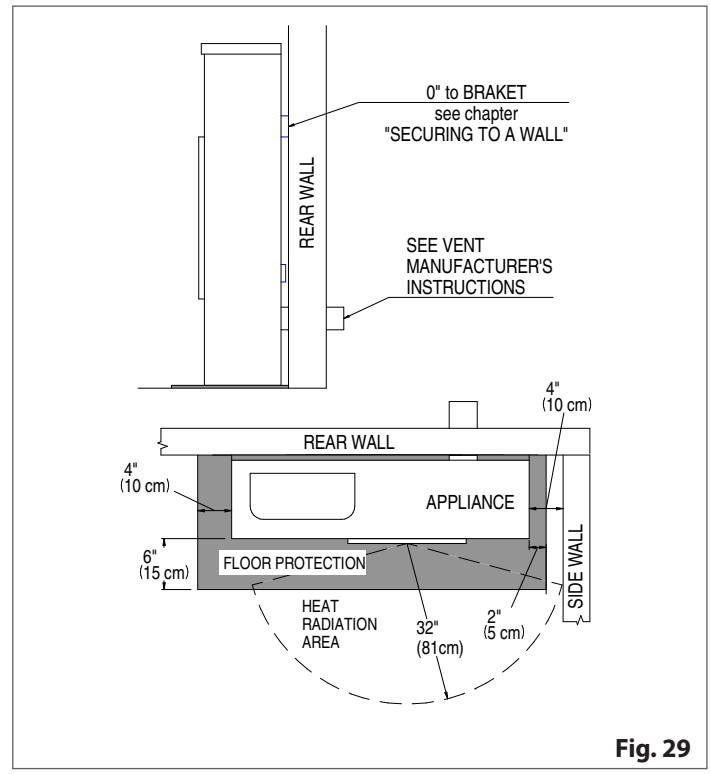


Fig. 29

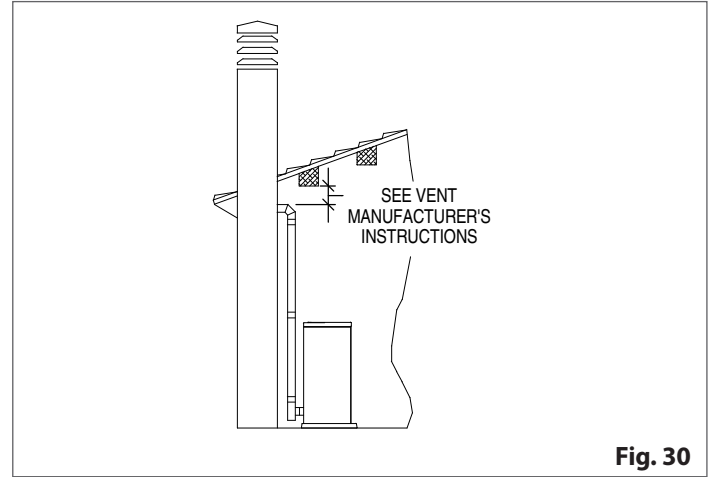


Fig. 30

**6.2.1 Alcove installation**

The clearance to the top of the unit is 59" (150 cm) measured from the floor. This is the minimum size we recommend for an alcove with a 59" ceiling.

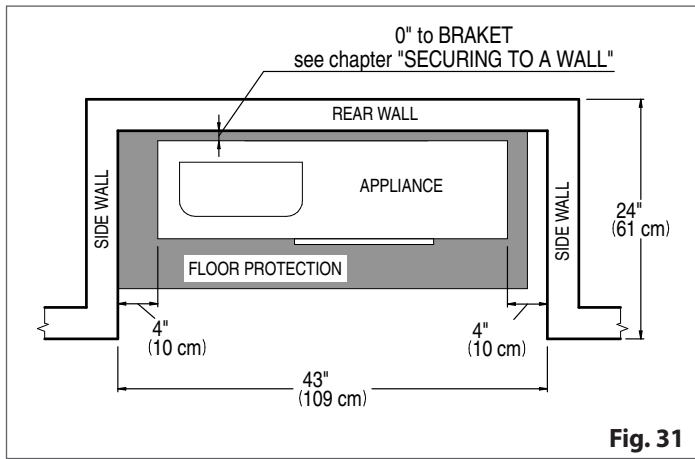


Fig. 31

Note that the clearances shown are minimum for safety but do not leave much room for access when cleaning or servicing. Please take this into account when placing the stove. Note: it is difficult to service the unit when installed in an alcove and may require the unit to be removed for servicing. Please allow as much area on either side of the unit as possible for ease of service.

### 6.3 INSTALLATION KIT AND ACCESSORIES

**i** For the installation of any KITS and ACCESSORIES, please refer to the instructions provided with the kits or accessories.

### 6.4 COMBUSTION AIR CONNECTION

**!** Please refer to and carefully read the section "FRESH AIR INTAKE".

**i** For the installation of any KITS and ACCESSORIES, please refer to the instructions provided with the kits or accessories.

It is recommended that the stove be connected to an outside source of combustion air under certain conditions (negative pressure). Per national building codes, consideration must be given to combustion air supply to all combustion appliances. Failure to supply adequate combustion air for all appliance demands, may lead to back-drafting of those and other appliances. When the appliance is side-wall vented: The air intake is best located on the same exterior wall as the exhaust vent outlet and located lower on the wall than the exhaust vent outlet. When the appliance is roof vented: The air intake is best located on the exterior wall oriented towards the prevailing wind direction during the heating season.

To install outside air use any 2" (6 cm) I.D. flexible metal hose or rigid metal pipe (conduit). It must be connected around (NOT INSIDE) the combustion air inlet tube. Increase the outside air pipe diameter to 3" (8 cm) for runs over 15 ft (4.5 m) and elevation over 4 ft (1 m).

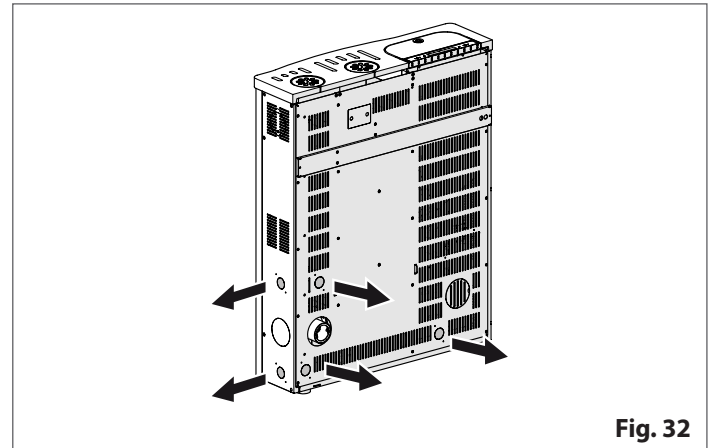


Fig. 32

Be careful not to pinch or bend the outside air pipe with too small a radius. Outside Air Pipe may be terminated flush with the outside wall but should be protected from wind and weather by a hood.

**!** Long runs should be avoided.  
 ■ The outside air pipe must terminate above the maximum snow line and below the exhaust vent outlet.

Take care not to draw cold air past water pipes that may freeze. An open mesh screen should be placed over the outside air pipe opening to prevent birds or rodents from nesting in the opening. Use an elbow or shield to prevent prevailing winds from blowing directly into the outside air intake pipe. NOTE: Mesh screen should be no smaller than 1/4" by 1/4" (6.4 mm by 6.4 mm).

**Use silicone to create an effective vapor barrier at the location where the chimney or outside air ducting passes through to the exterior of the structure.**

**!** Outside combustion air is required for all mobile home installations and where building codes require.  
 ■ In bedroom or bathroom installations the outside air connection is required.

## 6.5 CONNECTION TO THE SMOKE OUTLET

 Please refer to and carefully read sections "FLUE PIPE" and "MINIMUM SAFETY DISTANCES".

The appliance is equipped as standard with the smoke outlet (1).

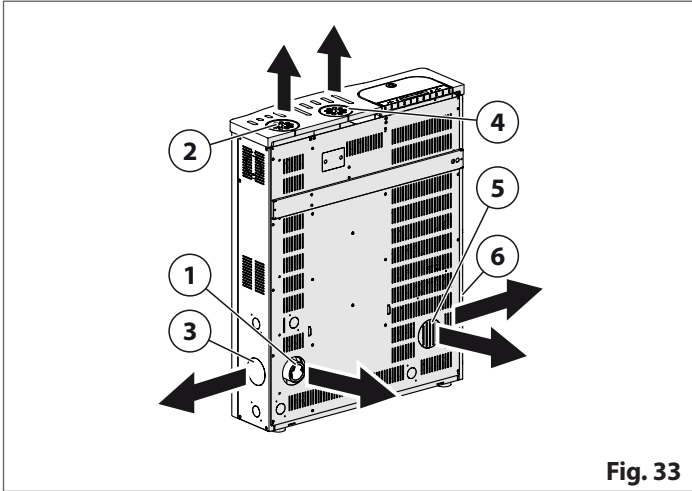



Fig. 33

Connection to other outlets is possible:

- upper smoke outlet (2)
- right side smoke outlet (3)
- upper centre smoke outlet (4) (\*)
- rear left smoke outlet (5) (\*)
- left side smoke outlet (6) (\*)

(\*) Purchase the specific smoke outlet connector (accessories).

 For the installation of any KITS and ACCESSORIES, please refer to the instructions provided with the kits or accessories.

### Smoke outlet as standard

- Remove the right side panel (refer to the section "REMOVING THE CLADDING")
- remove the ceramic plate
- remove the right side panel (1) by unscrewing the 9 screws holding it in place

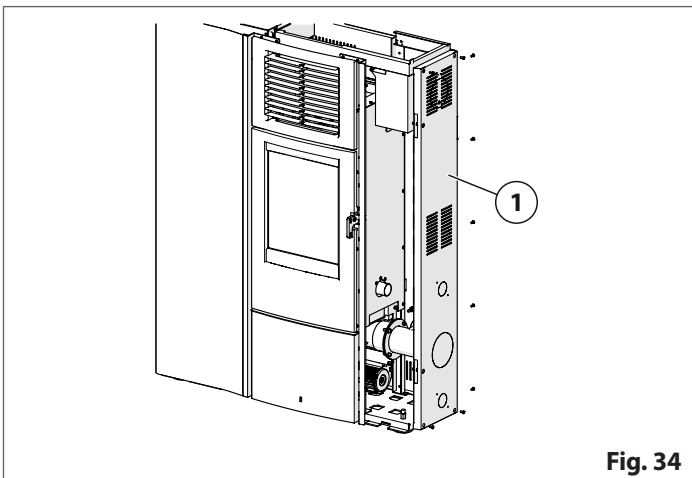


Fig. 34

- remove the knockout (2) from the panel ensuring that it is not scratched or misshapen in the process

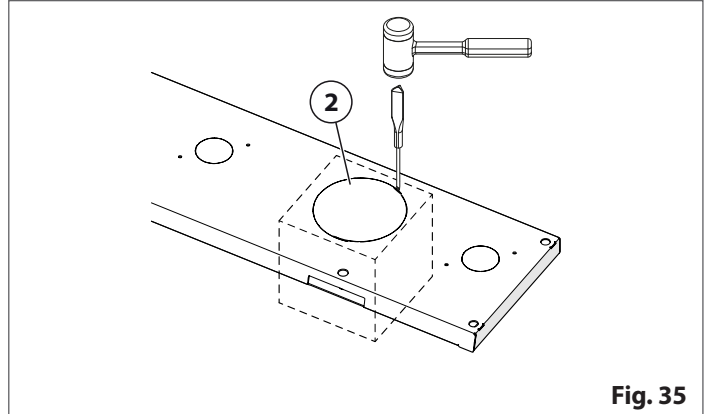


Fig. 35

- remove the screw on the plug that closes the "T" pipe
- close the hole on the right side cover with the plug (4), securing it with the screw (5) supplied

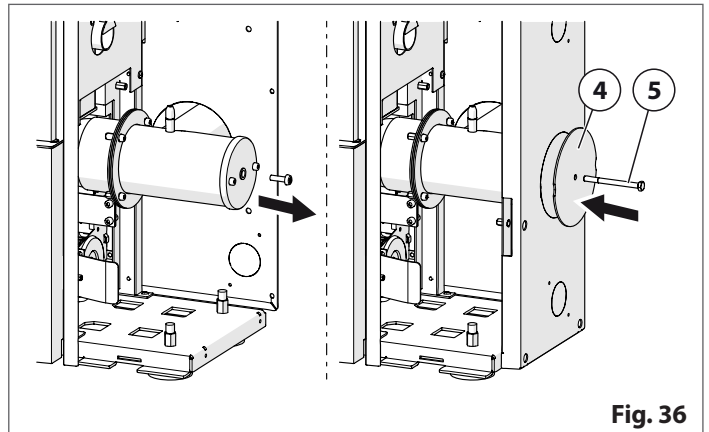


Fig. 36

- proceed to connect to the flue pipe observing the indications provided in the chapter "GENERAL INFORMATION REGARDING THE SYSTEM"
- proceed to complete the cladding assembly operations.

### Upper smoke outlet

- Remove the right side panel (refer to the section "REMOVING THE CLADDING")
- remove the ceramic plate
- remove the right side panel (1) by unscrewing the 9 screws holding it in place

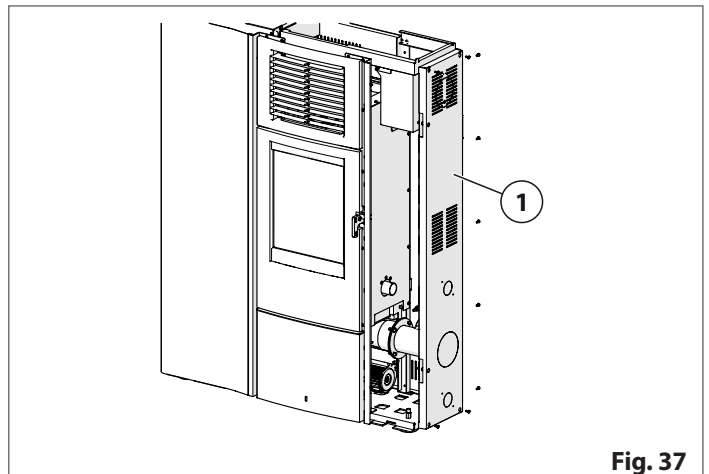


Fig. 37

- remove the knockout (2) from the panel ensuring that it is not scratched or misshapen in the process

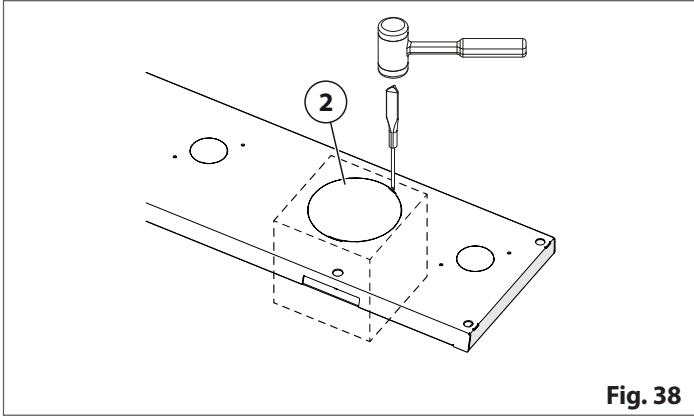


Fig. 38

- insert a 3" (8 cm) Ø pipe, 4' (1 m) long (not supplied), in the open end of the "T" smoke outlet pipe

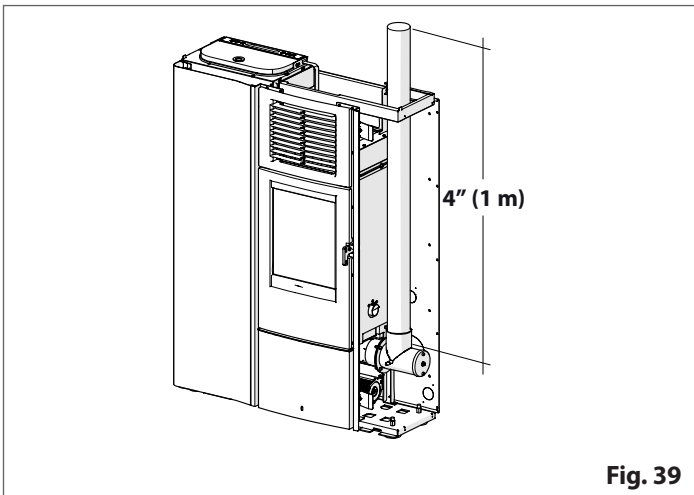


Fig. 39

- remove the screw on the plug that closes the "T" pipe
- close the hole on the right side cover with the plug (3), securing it with the screw (4) supplied

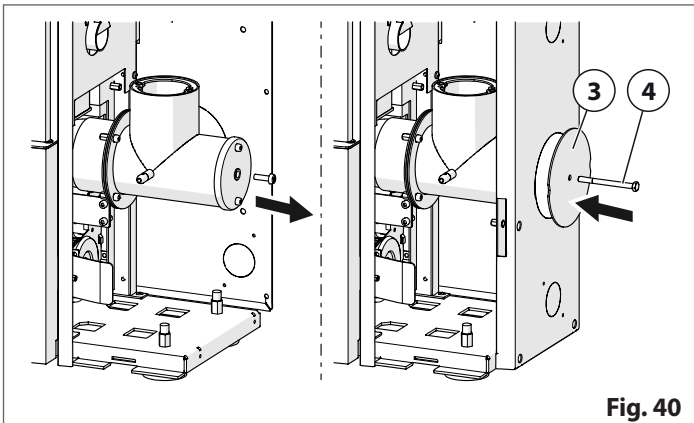


Fig. 40

- reposition the top ceramic panel, slotting it over the 3" (8 cm) Ø pipe you have just installed
- reposition the hole cover

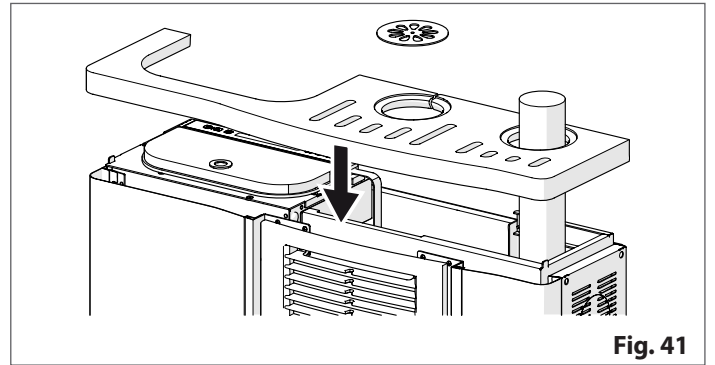


Fig. 41



The side hole cover is no longer needed.

- proceed to connect to the flue pipe observing the indications provided in the chapter "GENERAL INFORMATION REGARDING THE SYSTEM"
- proceed to complete the cladding assembly operations.

#### Right side smoke outlet

- Remove the right side panel (refer to the section "REMOVING THE CLADDING")
- remove the ceramic plate
- remove the right side panel (1) by unscrewing the 9 screws holding it in place

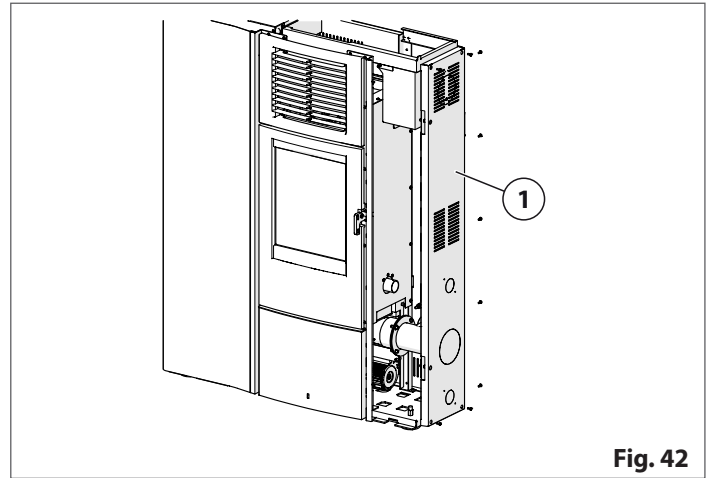


Fig. 42

- turn the smoke outlet by 90° upwards
- remove the plug (2) from the smoke outlet by unscrewing the screws (3)
- check that the seal is not worn and seals correctly
- secure the plug and the seal to the other smoke outlet in the same way

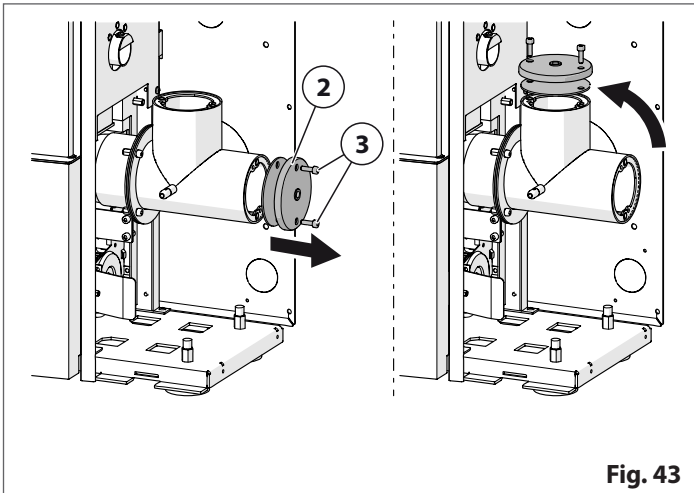


Fig. 43

- remove the knockout (4) from the panel ensuring that it is not scratched or misshapen in the process
- insert the gasket (5) into the hole

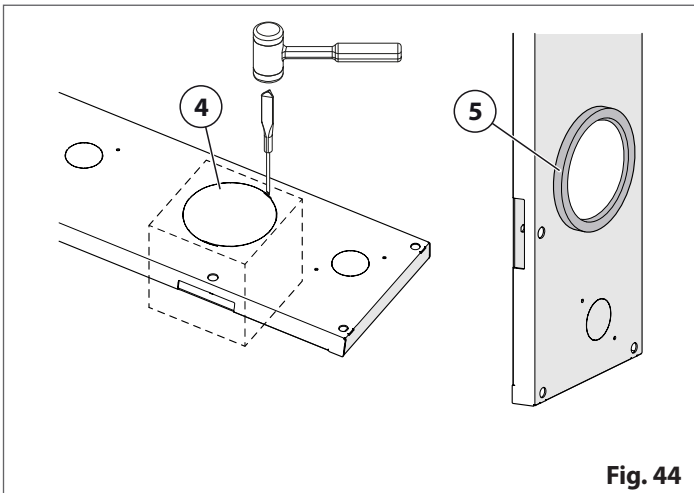


Fig. 44

- refit the side panel by following the disassembly instructions in reverse order
- proceed to connect to the flue pipe observing the indications provided in the chapter "GENERAL INFORMATION REGARDING THE SYSTEM"
- proceed to complete the cladding assembly operations.

## 6.6 ELECTRICAL CONNECTIONS

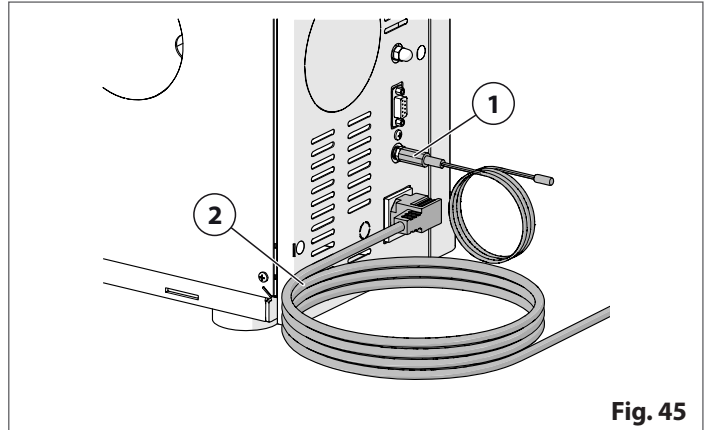


Fig. 45

- 1 Room probe connection
- 2 Power cable socket



Only the power supply connection can be carried out by the user.



Electrical work must be carried out by qualified technicians.

- The electrical cables MUST NOT come into contact with hot or moving parts.

**Minimizing Smoke During Loss of Power Using Battery Backup.** We strongly recommend installing battery backup to minimize entry of smoke into the room in the event of power loss. Your pellet burning appliance relies on a combustion blower to remove exhaust. A power failure will cause the combustion blower to stop. This may lead to exhaust seeping into the room. Vertical rise in the venting may provide natural draft. It is, however, no guarantee against leakage.

### 6.6.1 Power cable

The appliance comes supplied with a power cable which must be connected to a 120V AC socket.



The appliance must be connected to an effective earthing system.

- Ensure that the power cable, in its final position, does not come into contact with hot parts.
- The plug must be connected only AFTER installation is complete and the appliance has been assembled. It must be accessible after installation.

**!** Any stove installed in a mobile home must be electrically grounded to the steel chassis of the home and bolted to the floor in Model compliance with, and according to building code requirements.

**!** Ensure that the electrical plug is accessible also after installation of the stove.

- In Canada, the electrical installation must meet the appliance requirements for CSA C22.2

**6.6.2 Room temperature probe**

Connect the room temperature probe provided to the designated connector on the appliance. The bulb of the probe must be in a position which allows the most accurate reading of the room temperature to be taken.

**i** If the probe is not connected, an acoustic signal is given (refer to the manual "OPERATING INSTRUCTIONS" in the section "MESSAGES - ALARMS - ANOMALIES").

**6.6.3 External environment thermostat**

The appliance allows for connection to an external thermostat (not supplied as standard). This allows operation to be determined on the basis of the room temperature detected by the thermostat.

For installation:

- disconnect the appliance from the electrical power supply
- remove the right panel
- refit the board protection
- arrange a 2x20 AVG cable (2) and connect it to one side of the room thermostat (1)
- remove the knockout (3) on the back panel
- insert the thermostat cable into the PG7 cable gland and then insert it into the prearranged hole
- connect the cable to the 2 PIN terminal (5) supplied
- insert the terminal (5) into its own seat on the board (4).

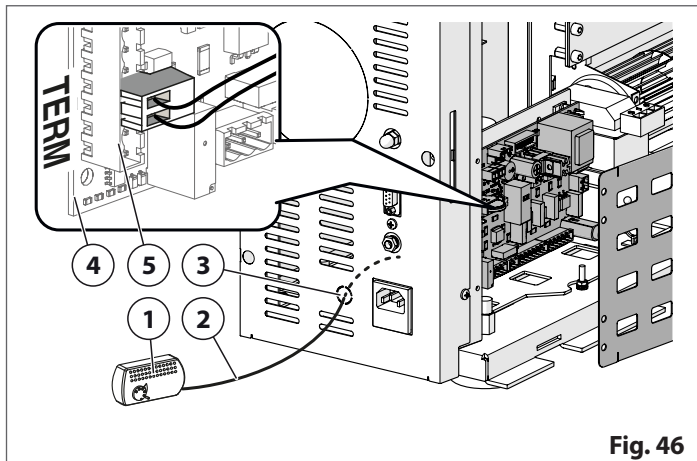


Fig. 46

**!** Consent must arrive from a non-powered contact (normally open). Do not connect any live elements.

**i** For information regarding operation, please refer to the manual "INFORMATION REGARDING OPERATION" in the section "EXTERNAL THERMOSTAT".

**6.7 N.PEL CONTACT**

The N.PEL connection is used to connect up an external safety device that may be required by local law. This stops the appliance from functioning in case of a fault.

For installation:

- the appliance must not be connected to the electrical power supply
- arrange a 2x0.5 mm<sup>2</sup> cable (1)
- connect the cable to the external device and to a 2-pin terminal (2) (not provided as standard)
- access the electronic control unit (3)
- insert the terminal (4) in the relevant attachment on the board

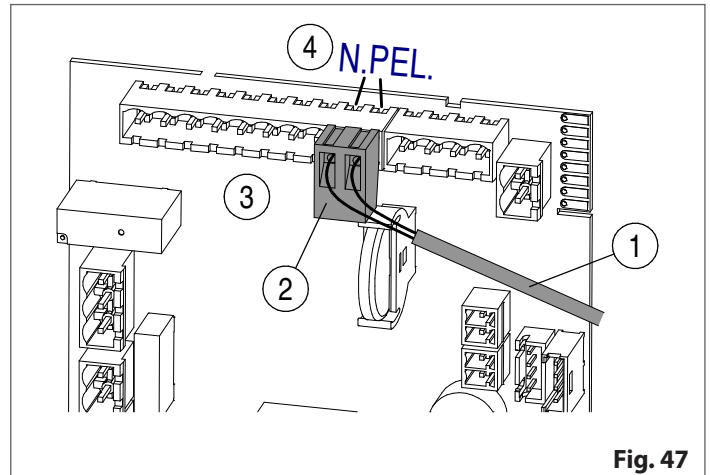


Fig. 47

**i** Only connect devices approved by Gruppo Piazzetta S.r.l.. For more information on installation and operation, please contact a T.A.C. (Technical Assistance Centre) or qualified technician.

**!** Consent must arrive from a non-powered contact (normally open). Do not connect any live elements.

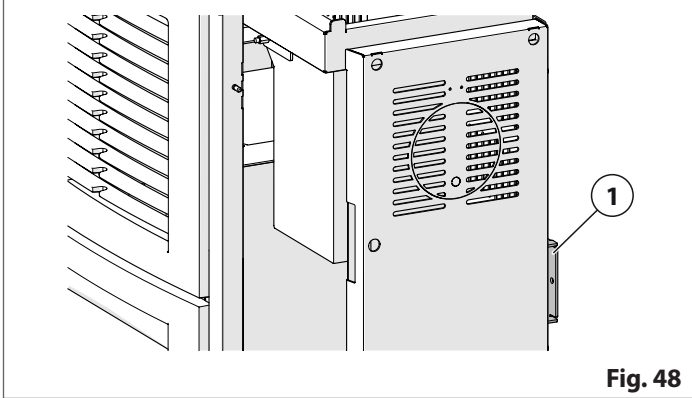
**i** Use a 2x0.5 mm<sup>2</sup> cable to make the connection !da duplicazione!.

## 6.8 SECURING TO A WALL

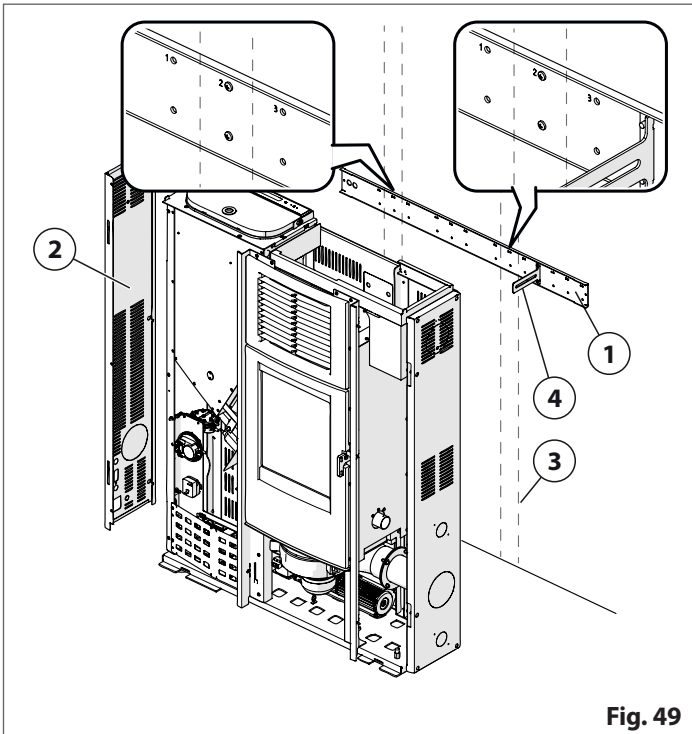
Anchor the appliance to a fixed support, for example a wall, respecting the safety distances (refer to the section "MINIMUM SAFETY DISTANCES").

Proceed as follows:

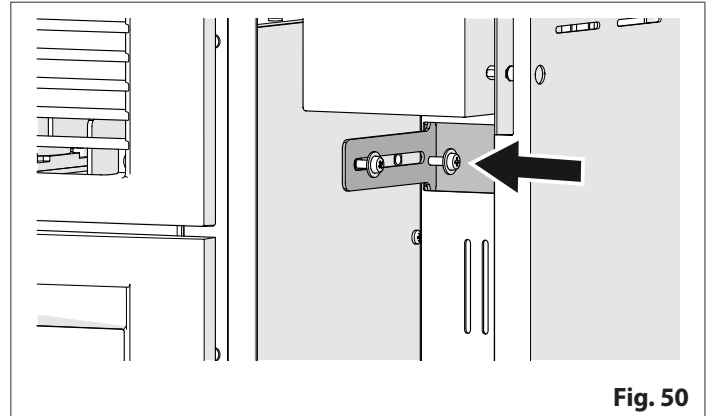
- position the appliance in the place where it is to be installed
- mark the position of the wall bracket on the wall (1)



- Move the appliance away from the wall.
- remove the left side panel (2) and the bracket (1)
- position the bracket on the wall
- fix it in correspondence with the struts (3) or a suitable structure that is able to hold the appliance in place



- reposition the appliance
- fix the bracket to the appliance using the screws removed previously
- install the left side panel.



The appliance is equipped with spacers at the rear which allow it to rest against a wall.

Before assembling the cladding, make sure that all the screws have been tightened and that the appliance is secured well.

## 7 START-UP AND OPERATING TEST

A start-up and operational test must be carried out by a specialized qualified technician to check that the appliance and all other connected system elements operate correctly. It is therefore understood that depending on whether heating is via air or water, the hot air ducts present or the hydraulic circuit are to be checked along with other connected heat sources.



Find out the cost of these operations from the specialised technician.

- Refer to the manual "OPERATING INSTRUCTIONS".

## 8 CLADDING AND TRIM

When installation has been completed, in addition to the indications given above, it may be necessary to fit accessories such as external cladding, parts and trims.



Please follow indications provided in the section "START-UP AND OPERATING TEST":

- before completing the cladding assembly operations
- after all cladding and construction interventions have been completed.

### Majolica panel

- Position the tiled panel (1) in the relevant slots (2)
- make sure that the top surface panel is level and if necessary shim the parts which rest on the fibreglass tape provided
- position the hole covers (3).

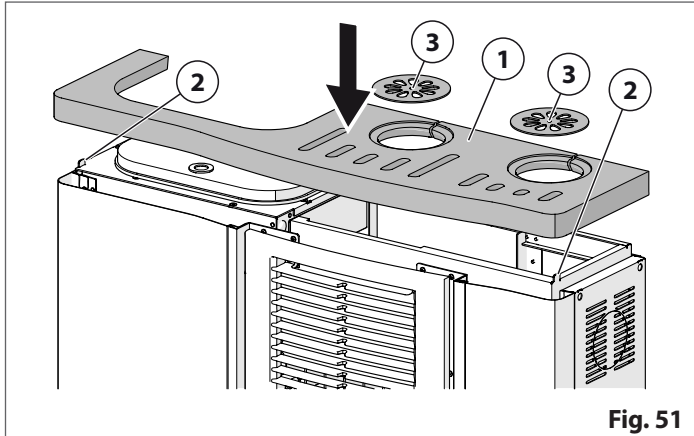


Fig. 51

## 9 USE

**i** For information regarding operation, please refer to the manual "*OPERATING INSTRUCTIONS*".

### 9.1 HUMIDIFIER (ACCESSORIES)

The appliance is equipped with a system to humidify the environment (accessories).

**i** The humidifier is to be filled with water on average every two or three days and in any case, on the basis of appliance use.

**!** Do not fill the humidifier beyond the level marked "MAX". If any water were to leak out, it could damage the appliance.

- Refilling operations are to be carried out with the fire out and when the appliance has cooled down completely.
- The humidifier is to be cleaned with the fire out, with the appliance off and disconnected from the electrical power source.

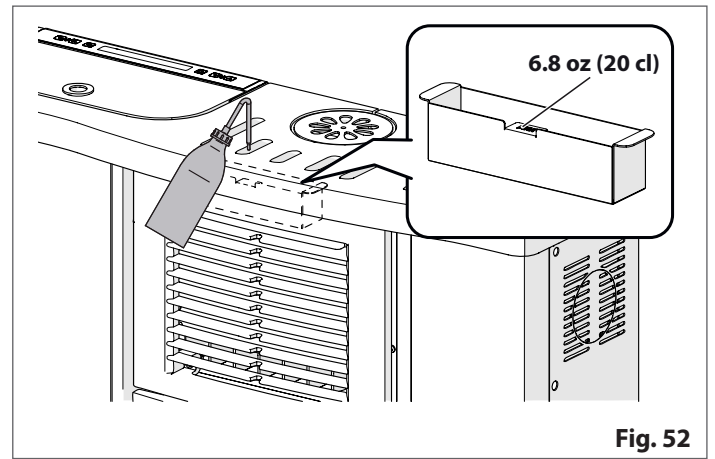


Fig. 52

## 10 CLEANING AND MAINTENANCE

**!** For all installation and maintenance interventions which require access to inside the cladding, the smoke chamber or access to electrical and electronic parts, the user must contact a T.A.C. (Technical Assistance Centre) or qualified technician.

- All installation, cleaning and maintenance work is to be carried out when the fire is out, the appliance is cold and with the power cable of the product itself and/or any other accessories disconnected.
- This work must also be carried out using suitable equipment and in full compliance with all health and safety regulations.

**!** After installation, cleaning and maintenance work:

- restore and replace all worn or damaged parts with original spare parts
- restore all initial connections together with the normal operating conditions of the appliance and the system
- carry out a start-up and operating test to check that there are no faults.

Maintenance interventions are mandatory in order to ensure safety, for correct and efficient stove operation and to guarantee a long life of operation. If maintenance is not carried out with the recommended frequency, appliance performance could suffer and/or malfunctions could occur.

**The manufacturer will not be responsible for appliance deterioration or malfunction if due to poor maintenance.**



**i** Cleaning must be carried out with suitable equipment and in full compliance with all health and safety regulations.

- The materials and equipment used for cleaning must not alter appliance characteristics or operation in any way.
- The disposal of waste resulting from cleaning operations must be in full compliance with current laws and regulations on waste disposal.

## 10.1 SCHEDULED MAINTENANCE

**!** Scheduled maintenance must be carried out at least **ONCE A YEAR** and in any case, before the commissioning of the appliance after a long period of inactivity.

**i** The time intervals are merely an indication: these intervals may need to be shorter depending on the frequency of use and the type of fuel used.

**!** After installation, cleaning and maintenance work:

- restore and replace all worn or damaged parts with original spare parts
- restore all initial connections together with the normal operating conditions of the appliance and the system
- carry out a start-up and operating test to check that there are no faults.

The following interventions are included in maintenance:

- checking the components for wear and ensuring they are integral and operate correctly
- checking there is no dirt, dust, deposits or obstructions
- checking that all components are positioned and secured correctly
- replacing damaged or worn components
- cleaning
- all interventions needed to ensure correct operation provided they are carried out in compliance with regulations.

### Recommended interval

Interventions which may be carried out by the user	
Glass	1 day
Brazier and grate support	1 day
Ash drawer (if present)	2 days
Combustion chamber	7 days
Alucler back panel	1 year
Area behind the cladding panels (if there are no electrical components or moving electro-mechanical elements)	1 year
Remote control batteries (if present)	1 year
Operations which require the intervention of the T.A.C.	
Smoke chamber	1 year
Heat exchangers and smoke passages of the boiler body (if present)	1 year
The smoke outlet	1 year
Smoke outlet system	1 year
Fresh air intake and combustion air pipe	1 year
Ventilation system: vents, air ducting, grilles (if present)	1 year
Extractor fan	1 year
Room fans (if present)	1 year
Electrical parts and electronic components (if present)	1 year
Tightness and condition of the seals around the glass and all elements which are subject to wear	1 year
Area behind the cladding panels (if there are electrical components or moving electro-mechanical elements)	1 year

## 10.2 CLEANING THE CERAMIC CLADDING

The ceramic cladding (where present) must be cleaned with a soft, dry cloth. If more strenuous interventions are required, use products which are suitable for cleaning ceramics as well as concentrated products for cleaning porcelain to remove oil, ink, coffee and wine stains etc.

**⊘** Do not soak the ceramic cladding or clean it with cold water when it is still hot as the thermal shock could cause it to crack.

## 10.3 CLEANING THE PAINTED METAL PARTS

When cleaning the painted metal parts, use a soft cloth moistened with water.

**Do not clean metal parts using alcohol, solvents, petrol-based products, acetones or other degreasing or abrasive substances. In the event of such substances being used, the manufacturer cannot be held responsible for any damage caused.**

Discolouration of metal parts may be the result of misuse.

## 10.4 OPENING THE DOOR

Pull the hand-grip (1) upwards to open the door. It will now be possible to clean the inside of the glass or carry out appliance maintenance.

Replace the door gaskets if needed. Contact your local dealer or the authorized T.A.C. (authorized technical assistance center).

**! The door must remain closed while the appliance is operating. The door may only be opened when the appliance is off and cold.**

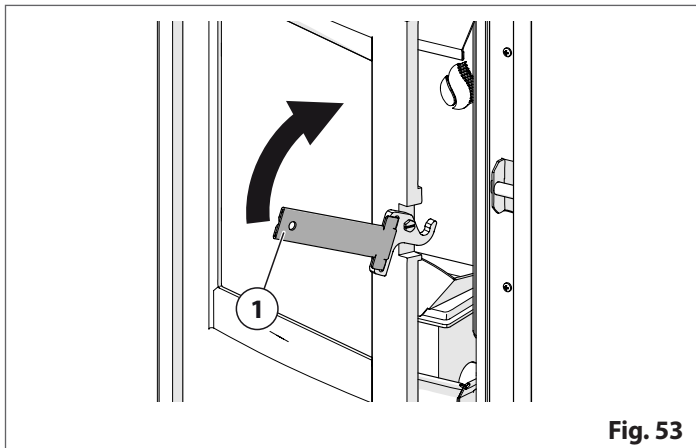


Fig. 53

### Positioning the hand-grip

Proceed as follows:

- fix the support (2) to the left side of the appliance using the screws (3)
- remove the knockout and insert the rubber stopper (4)
- fit the hand-grip (1)

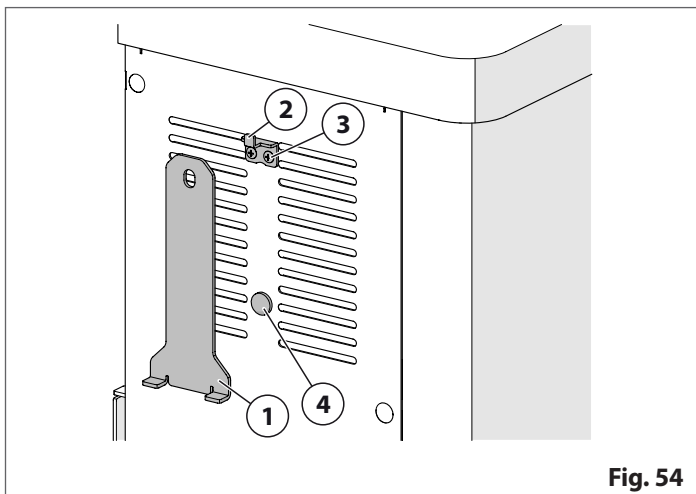


Fig. 54

## 10.5 CLEANING THE GLASS

During start-up it is possible that tar may accumulate on the glass which will disappear when optimal combustion is reached. If this does not happen, it is recommended that the glass is cleaned daily, before start-up, to prevent the formation of any deposits which would be difficult to remove.

**i Recommended cleaning frequency: refer to the section "SCHEDULED MAINTENANCE".**

**! The glass should be cleaned when cold using ammonia-based non-corrosive degreasing agents (for example, do not use solvents).**

- Do not use any material that could scratch or spoil the glass, as scratches may develop into cracks or breaks.

## 10.6 DISPOSAL OF ASHES

**! Ashes should be placed in a metal container with a tight fitting lid. The closed container of ashes should be placed on a noncombustible floor or on the ground, well away from all combustible materials, pending final disposal. If the ashes are disposed of by burial in soil or otherwise locally dispersed, they should be retained in the closed container until all cinders have been thoroughly cooled.**

**Do not throw live cinders into waste containers.**

## 10.7 CLEANING THE ASH TRAY

**i Recommended cleaning frequency: refer to the section "SCHEDULED MAINTENANCE".**

**i For the disposal of ashes, please refer to the section "DISPOSAL OF ASHES".**

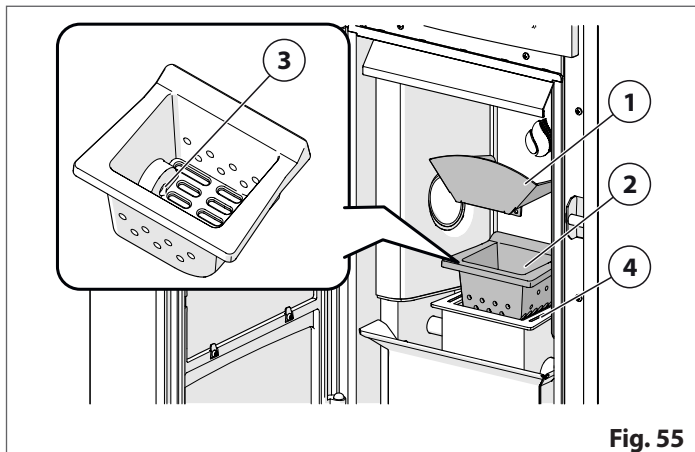
## 10.8 CLEANING THE GRATE AND GRATE SUPPORT

The grate area must be cleaned.

- i** Recommended cleaning frequency: refer to the section "SCHEDULED MAINTENANCE".
- Before proceeding to start-up, any unburned pellets which are in the grate must be removed.

Proceed as follows:

- remove the grate deflector (1)
- release the grate (2) from its housing
- remove all ash and any deposits which may have formed, making sure that any clogged holes are cleared using an appropriate tool
- keep the "start-up hole" (3) clean
- check the grate support (4) and remove any ash present
- reposition the grate into its original position pushing it towards the start-up hole
- reposition the grate deflector.



- !** Before turning on the appliance, check that the grate is positioned correctly in its seat (and pushed towards the start-up hole).
- A vacuum cleaner which is suitable for use with ash is needed when carrying out this type of cleaning operation.

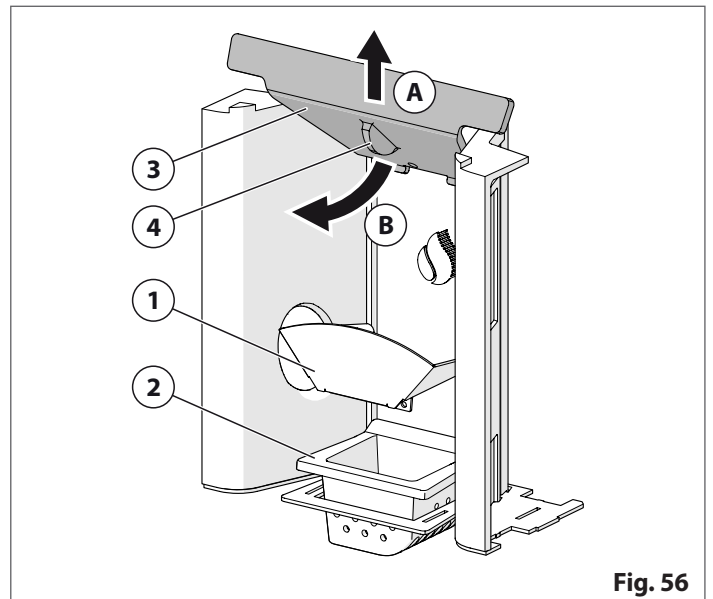
- i** To dispose of the ash, please refer to the section "DISPOSAL OF ASHES".

## 10.9 CLEANING THE COMBUSTION CHAMBER

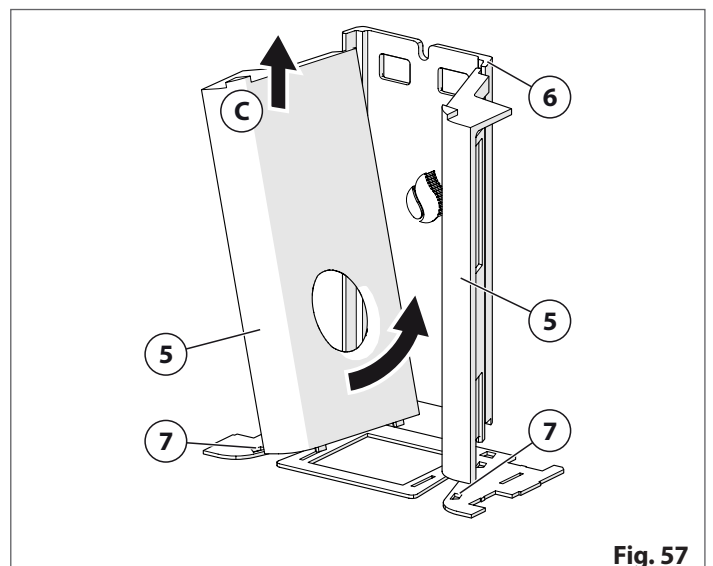
- i** Recommended cleaning frequency: refer to the section "SCHEDULED MAINTENANCE".

Proceed as follows:

- remove the grate deflector (1) and remove the grate (2) from its housing
- remove the upper deflector (3) by lifting it (A) out of its housing using the grip (4) and extracting it (B) from the front part, while rotating gently around the side support pins



- lift (C) the side deflectors (5) and the rear deflector (6) slightly to release them from the slots at the bottom (7), moving the lower part outwards. Then remove them



- using a vacuum cleaner suitable for cleaning ash, remove all the residue which has deposited on the side walls and in the upper part of the firebox
- clean the slots (8)

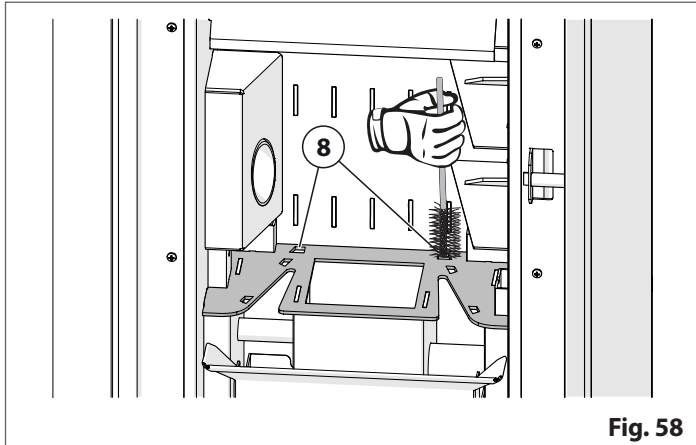


Fig. 58

- clean the parts which have been removed and then refit them in the reverse order in which they were removed
- reposition the side and rear deflectors, making sure that they are fixed in the slots at the bottom (6)
- reposition the upper deflector above the support pins
- reposition the grate into its original position pushing it towards the start-up hole
- reposition the grate deflector.

**!** A suitable ramrod may need to be used in order to remove any stubborn deposits.

**!** A vacuum cleaner which is suitable for use with ash is needed when carrying out this type of cleaning operation.

**i** To dispose of the ash, please refer to the section "DISPOSAL OF ASHES".

## 10.10 CLEANING THE SMOKE CHAMBER

**i** Recommended cleaning frequency: refer to the section "SCHEDULED MAINTENANCE".

- This operation facilitates an optimal heat exchange and better product performance.

Proceed as follows:

- remove the ash drawer (1)
- remove the screw (2) which secures the smoke chamber cover (3)
- replace the smoke chamber cover gaskets if needed. Contact your local dealer or the authorized T.A.C. (authorized technical assistance center).

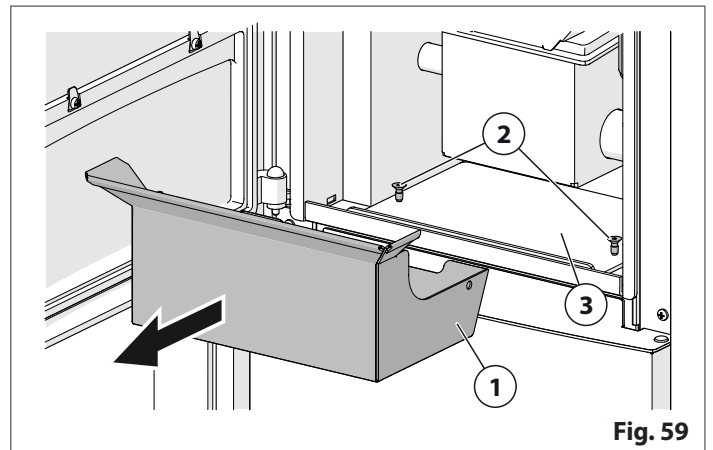


Fig. 59

- lift the element slightly and remove it by pulling it towards you
- use a vacuum cleaner to remove any ash and carbon deposits which may have accumulated in the smoke chamber, taking care not to damage the blades of the extractor fan

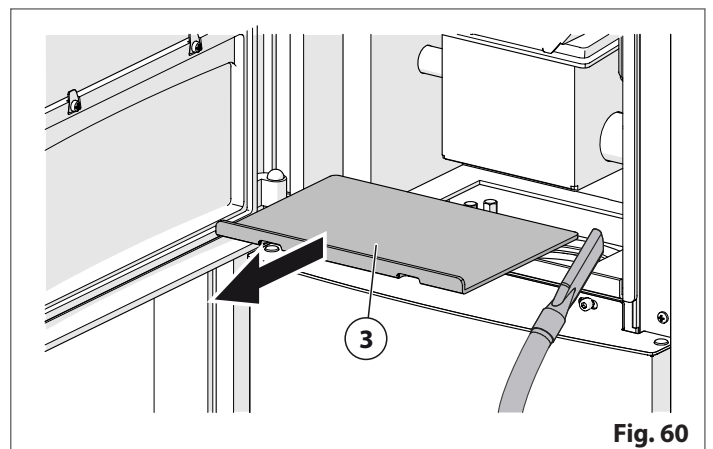


Fig. 60

- close the smoke chamber reversing the order of operations.

**!** A vacuum cleaner which is suitable for use with ash is needed when carrying out this type of cleaning operation.

**i** To dispose of the ash, please refer to the section "DISPOSAL OF ASHES".

## 10.11 CLEANING THE EXTRACTOR FAN

Any dust or ash deposits on the smoke extractor fan blades may result in the fans becoming noisy when the appliance is in operation. It must be cleaned.

**i** Recommended cleaning frequency: refer to the section "SCHEDULED MAINTENANCE".

**!** The fan must be cleaned with the fire out, the appliance completely cold and with the power cable disconnected.

- The extractor fan is only to be cleaned by a T.A.C. (Technical Assistance Centre) or qualified technician.

### 10.12 CLEANING THE ROOM FAN

Any dust or ash deposits on the extractor fan blades may result in the fans becoming noisy when the appliance is in operation. It must be cleaned.

It is recommended that any deposits which may have formed in the hot air outlet grilles are also removed.

**i** Use a vacuum cleaner or compressed air cleaner for this.

- Recommended cleaning frequency: refer to the section "SCHEDULED MAINTENANCE".

**!** The fan must be cleaned with the fire out, the appliance completely cold and with the power cable disconnected.

- The extractor fan is only to be cleaned by a T.A.C. (Technical Assistance Centre) or qualified technician.

To access the room fan/s (1):

- remove the side panel/s
- it is recommended that a vacuum cleaner and a soft brush is used. Make sure the internal fan does not get damaged
- refit the side panel/s.

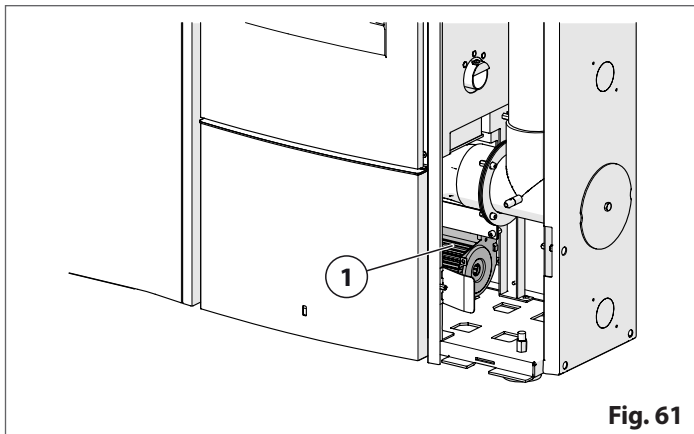


Fig. 61

### 10.13 CLEANING THE SMOKE OUTLET

#### Soot and Flyash: formation and need for removal.

The products of combustion will contain small particles of flyash. The flyash will collect in the exhaust venting system and restrict the flow of the flue gases.

Incomplete combustion, such as occurs during startup, shut-down, or incorrect operation of the room heater will lead to some soot formation which will collect in the exhaust venting system.

The exhaust venting system should be inspected at least once every two months during the heating season to determine if cleaning is necessary.

The frequency with which the smoke outlet is to be cleaned depends on the how much the appliance gathers dirt.

**i** Recommended cleaning frequency: refer to the section "SCHEDULED MAINTENANCE".

- Please refer to and carefully read the section "FLUE PIPE".

**!** If necessary, particularly on the first few occasions, we recommend calling a qualified technician.

#### Smoke outlet 2

Refer to the section "CONNECTION TO THE SMOKE OUTLET".

Proceed as follows:

- remove the side panel (A)
- remove the plug (B) by loosening the screws (C)
- clean the flue pipe.

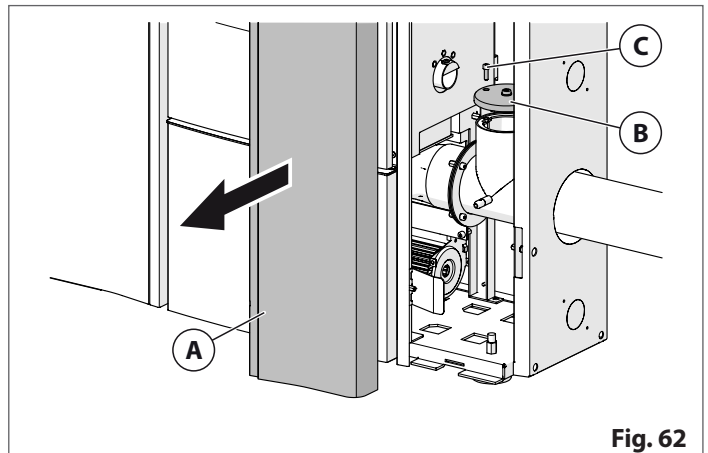


Fig. 62

**Smoke outlets 1-3-4**

Refer to the section "CONNECTION TO THE SMOKE OUTLET".  
Proceed as follows:

- remove the plugs (D) and (B) by unscrewing the screws (C)
- clean the flue pipe.

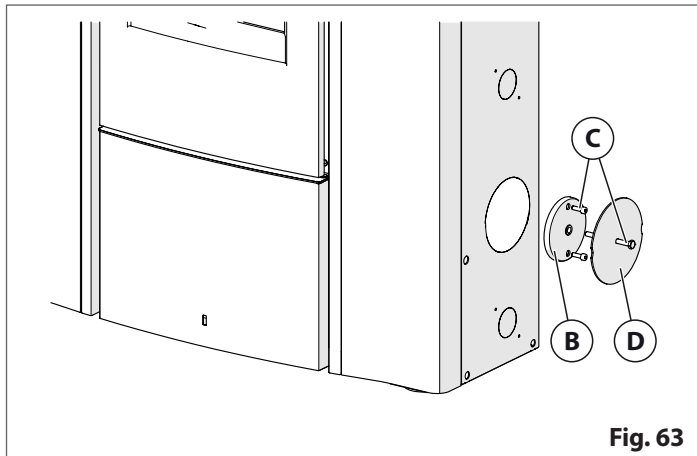


Fig. 63

**"T" connector**

Proceed as follows:

- Remove the plug from the T fitting (1) and clean the pipes

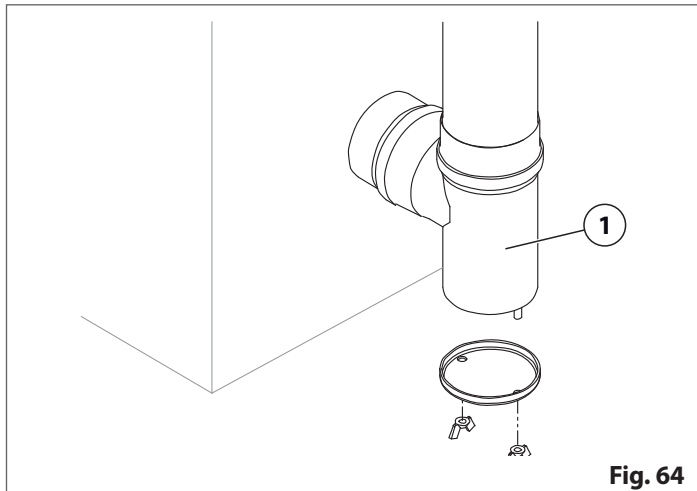


Fig. 64

**10.14 REPLACING THE FUSES**

**FUSE ON THE POWER CABLE SOCKET**

Extract the fuse box drawer (1) in the power socket and replace the fuse with the spare to be found inside the small drawer or with another fuse of the same type.

Type of fuse: F6.3AH205V

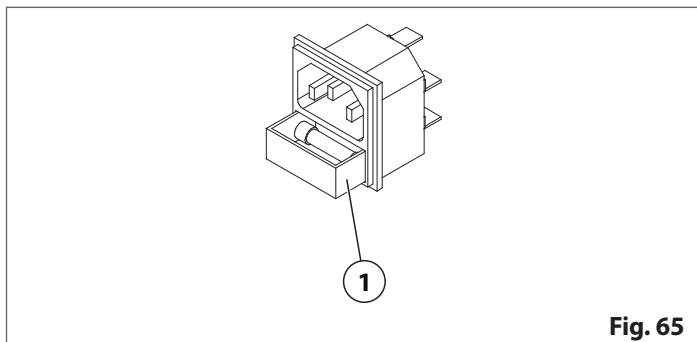


Fig. 65

**ELECTRONIC BOARD FUSE**

Unscrew the fuse box plug (1) located on the electronic board and replace the fuse with a similar one.

Type of fuse: F6.3AL205V

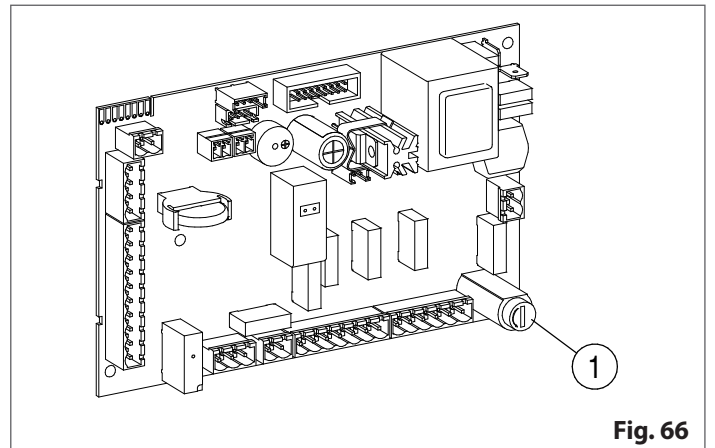


Fig. 66

**10.15 REPLACING THE GASKETS**

Periodically inspect the condition of the rope gasket around the door, window and ash door for air leaks. Any leaks in these areas will negatively affect the burn process and cause the pot to overload. Replace as needed.

Restore and replace all worn or damaged parts with original spare parts; do not use substitutes.

Contact your local dealer or the authorized T.A.C. (authorized technical assistance center).

The gaskets are critical to the emissions performance of the unit.

**Replace the door gasket**

- Open the door
- remove the 2 pins (1)

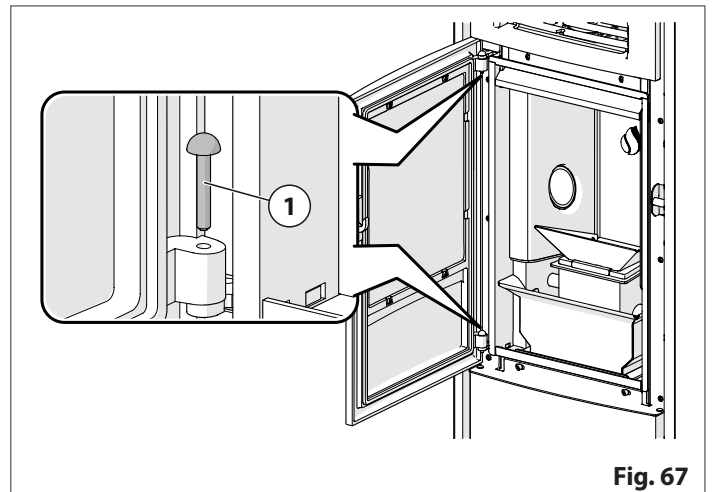


Fig. 67

- remove the door
- place the door on a flat surface without damaging it
- replace the gasket (2)
- it is recommended that the gasket is blocked with a few drops of silicone which may be used at high temperatures

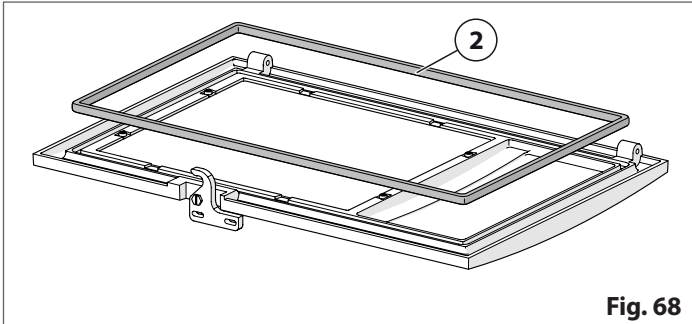


Fig. 68

- reposition the door
- fix the door on the appliance with the 2 pins (1).

**Replace the smoke chamber cover gasket**

- Open the door
- remove the ash drawer (1)
- remove the 2 screws (2)
- remove the smoke chamber cover (3)

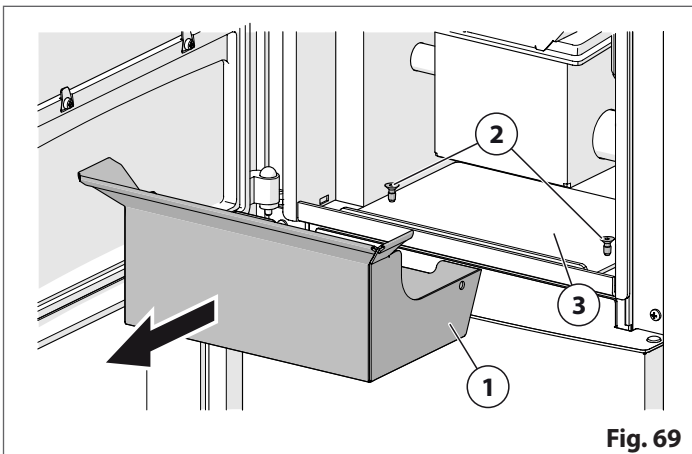


Fig. 69

- replace the gasket (4)

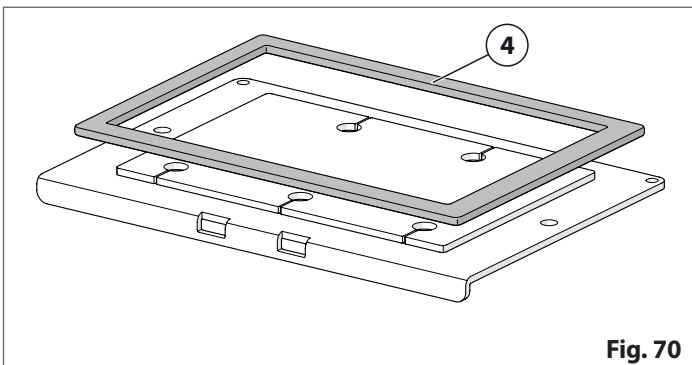


Fig. 70

- reposition the smoke chamber cover (3)
- fix the smoke chamber cover on the appliance with the 2 screws (2)
- reposition the ash drawer (1).

**11 WHEN NOT IN USE**

When shutting the appliance down at the end of the season or if a long period of inactivity is anticipated, proceed as follows:

- remove all pellets from the appliance
- carry out all the operations described in the section "CLEANING AND MAINTENANCE" so as to prevent deposits which would damage the product and would be difficult to remove when the appliance is next used
- ensure that checks, cleaning and maintenance operations not only on the appliance itself but also on the entire system (flue gas pipe, fresh air intake and suction pipes, hot air ducting, water-heating system etc) are carried out by specialised and qualified technicians
- if the product is equipped with a remote control, remove the batteries from the remote control unit to prevent any oxidation
- disconnect the product and /or any installed accessories from the electrical power source.



For appliances fitted with a boiler, if you disconnect the power supply, some of the appliance functions are not available or active (e.g. the circulator anti-block function and the anti-freeze function).

**To remove all pellets, proceed as follows:**

- remove the pellets which are in the hopper, as far as the protection grille, when the fire is out and the appliance is completely cold
- switch on the appliance, allow it to operate until all the pellets have been depleted and the appliance switches off
- wait for the appliance to cool down completely.

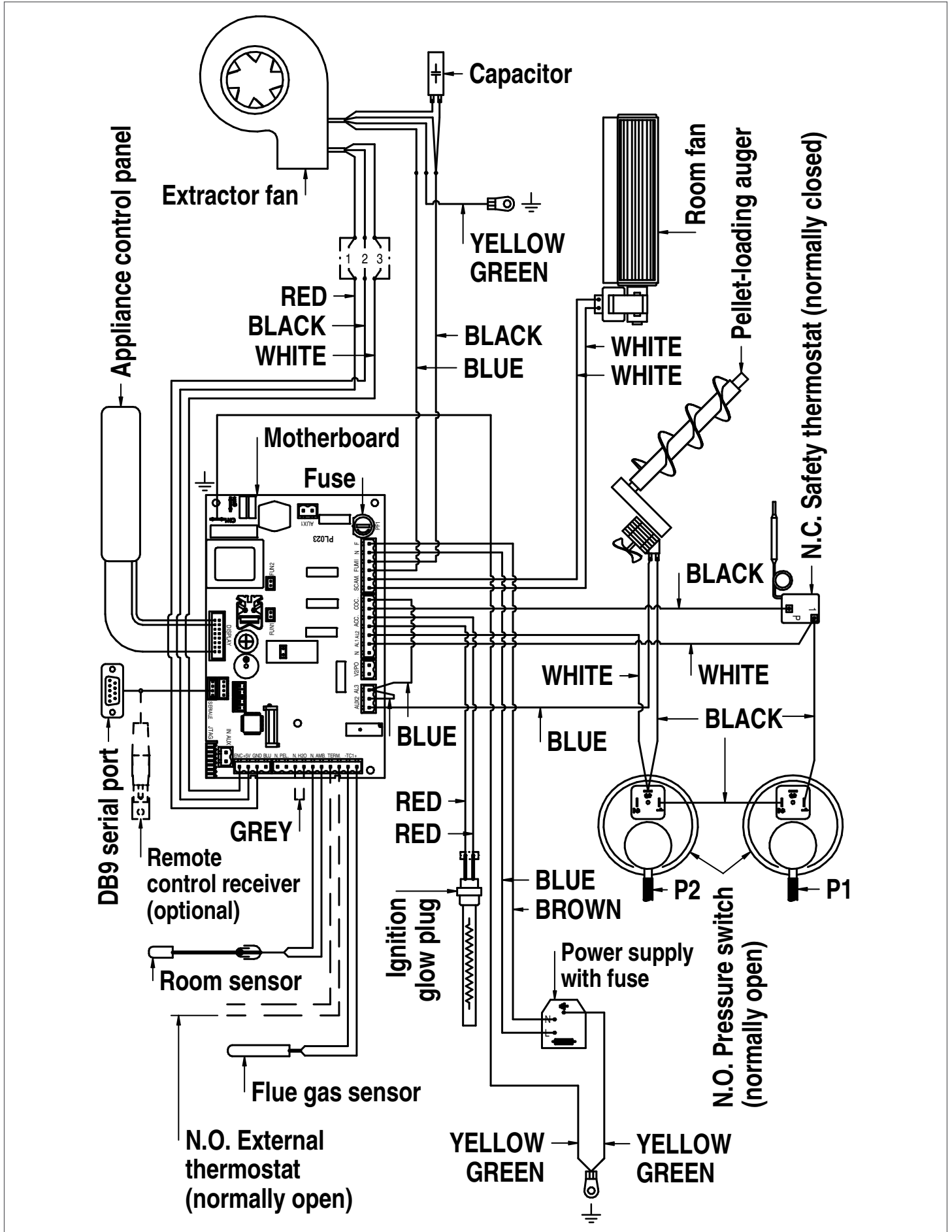


Excessive humidity and a long period of inactivity may cause the formation of rust on some of the unpainted parts inside the product.  
 ■ This is a natural situation and does not compromise the efficiency or life of the product and is not to be considered a defect.



After a period of inactivity, the problem of expansion of the materials and emission of vapours could recur Refer to the section "NOTES REGARDING THE FIRST START-UP".

## 12 ELECTRICAL CONNECTIONS





### 13 REFERENCE STANDARDS

ASTM E1509-12	Standard Specification for Room Heaters, Pellet Fuel-Burning Type
ASTM E2515-11	Standard Test Method for Determination of Particulate Matter Emissions Collected by a Dilution Tunnel
ASTM E2779-10	Standard Test Method for Determining Particulate Matter Emissions from Pellet Heaters
ULC S627-00	Standard for Space Heaters for Use With Solid Fuels
CSA B415.1-10	Performance Testing of Solid-Fuel-Burning Heating Appliances
UL 641	Low-temperature venting system, type L
ULC 609	Low-temperature vents, type L
NFPA 211	Standard for Chimneys, Fireboxes, Vents, and Solid Fuel-Burning Appliances
Manufactured home and safety standard (HUD), cfr 3280, part 24	



**The installation of the product must be made in accordance with the manufacturer's instructions and in compliance with local regulations. Contact the fire service or competent authorities for clarifications on the restrictions and requirements in your area.**

## 14 OVERALL WARRANTY

### 2-YEAR PRODUCT WARRANTY

All Piazzetta appliances come with a 2-year warranty, during which time your only concern is to enjoy the warmth and the relaxing sight of the flame. The daily commitment of our researchers in developing new heating solutions is focused on the right combination of performance, safety and constructional strength. These are values that ensure long-lasting and real peace of mind for all your family.

#### **Piazzetta Pellet Stoves (North America) warrants to the original consumer of the product the following:**

Comprehensive 2-Year  
Parts and Labour

Piazzetta (North America) will repair or replace any part found to be defective (parts and labour) for two (2) years from the date of purchase, including glass for thermal breakage only (not impact) and exterior cladding for gloss retention.

#### **Conditions**

- Unit must be installed according to all applicable local and national codes. It is the responsibility of the installer to ensure the unit is operating correctly at the time of installation.
- Installation must be done in accordance with the appliance manual
- Any part that shows in our judgment evidence of defect shall be repaired, replaced or refunded at Pacific Energy Fireplace Products' option. The defective part or product may be required to be returned to Pacific Energy Fireplace Products or an accredited agent, transportation prepaid.
- Exterior cladding is warranted for gloss retention. Certain colors may darken when heated and return to the original shade when cool.
- The appliance must be maintained according to the manual

#### **Exclusions**

- This warranty does not apply to any part that shows evidence of misuse, abuse, improper installation, accident or lack of maintenance.
- Piazzetta (North America) and Pacific Energy Fireplace Products shall in no event be liable for any special, indirect or consequential damages of any nature whatsoever which are in excess of the original purchase price of the product.
- Piazzetta North America and Pacific Energy Fireplace Products are not responsible for installation, operational or environmental conditions beyond our control.
- Piazzetta (North America) and Pacific Energy Fireplace Products may, at their discretion, discharge all obligations or environmental conditions beyond our control.
- This warranty may not be modified by our agents or representatives

**Further information are available on company website (<http://piazzetta.com>) on the specific "Warranty" page.**

Blank page with horizontal dashed lines for writing.

**FOR ANY SERVICE OR QUESTIONS,  
PLEASE CONTACT YOUR DEALER FIRST.**

**Distribuite by:**

Pacific Energy Fireplace Products Ltd.  
2975 Allenby Rd.  
Duncan, BC, Canada  
V9L 6V8  
Tel: 1-250-748-1184  
email: support@pacificenergy.net



Via Montello, 22  
31011 Casella d'Asolo (TV) - ITALY  
Tel. +39.04235271 - Fax +39.042355178  
[www.piazzetta.it](http://www.piazzetta.it)  
e-mail: [infopiazzetta@piazzetta.it](mailto:infopiazzetta@piazzetta.it)