

01-17KE03  
 11-17K801  
 01-14KE04  
 11-12K801  
 11-10K801  
 11-08K801

C-175  
 C-175  
 C-145  
 C-125  
 C-105  
 C-85

TWIN AUTOMATIC  
 TWIN 8-SPEED  
 AUTOMATIC  
 8-SPEED  
 8-SPEED  
 8-SPEED

# WHEEL HORSE C-SERIES PARTS MANUAL

## INTRODUCTION PAGE

1. How to use this parts manual
  - 1.1 The C-Series parts manual is divided into major sections arranged in the sequence as outlined on the following page. Major sections are subdivided into smaller groups of parts, each with its own illustration and illustration reference numbers.
  - 1.2 Illustrated items are numerically keyed to the parts listing on the facing page. Illustrations are repeated when the parts list is too long for one page. Figure numbers are located at the bottom of each illustration and also in bold face type at the beginning of each description column. Item numbers are numerically keyed to their respective illustrations.
  - 1.3 A numerical index is located at the end of the manual.
  - 1.4 When an (X) appears in the quantity (Qty) column use only as required to meet tolerances.
  
2. To locate parts
  - 2.1 When function, use or location is known:  
Refer to the List of Illustrations to locate the proper illustration.
  - 2.2 When part number is known:  
Refer to the Numerical Index.
  
3. Service aids
  - 3.1 Special notes recorded on illustrations:  
Refer to available owner & repair manuals and service bulletins for detailed information.
  - 3.2 Standard torque values for fasteners:  
Refer to Section 18 – Torque Specifications.
  - 3.3 Paint:  
Refer to Section 18 – Paint.

## LIST OF ILLUSTRATIONS

Title	Figure Number	Page
<b>Section 1</b>		
Frame .....	1-1	2
<b>Section 3</b>		
Mechanical Transmission - 8 Speed .....	3-1	4
Mechanical Transmission - 8 Speed .....	3-2	6
<b>Section 4</b>		
Transaxle .....	4-1	8
Automatic Transmission .....	4-2	10
<b>Section 5</b>		
Front Axle and Steering .....	5-1	12
<b>Section 6</b>		
Clutch, Brake and Speed Control Linkage .....	6-1	14
Clutch, Brake and Speed Control Linkage .....	6-2	16
Clutch, Brake and Speed Control Linkage .....	6-3	18
<b>Section 7</b>		
Hitches .....	7-1	20
Lift Linkage .....	7-2	22
<b>Section 8</b>		
Sheet Metal and Covers .....	8-1	24
Sheet Metal and Covers .....	8-2	26
Sheet Metal and Covers .....	8-3	28
<b>Section 9</b>		
Single Cylinder Engines .....	9-1	30
Twin Cylinder Engines .....	9-2	32
<b>Section 10</b>		
Throttle, Choke and Fuel System .....	10-1	34
Exhaust System .....	10-2	36
<b>Section 11</b>		
Electrical System-Single Cylinder Models .....	11-1	38
Electrical System C-175 Twin Cylinder Model .....	11-2	40
Head and Tail Lights .....	11-3	42
<b>Section 12</b>		
Hydraulic System .....	12-1	44
<b>Section 13</b>		
Wheels and Tires .....	13-1	46
<b>Section 14</b>		
Drive Belt and Pulleys .....	14-1	48
PTO Clutch and Control .....	14-2	50
<b>Section 15</b>		
Seat .....	15-1	52
Decals and Miscellaneous .....	15-2	54
<b>Section 17</b>		
Wiring Diagram .....	17-1	56
<b>Section 18</b>		
Service Information .....	18-1	57

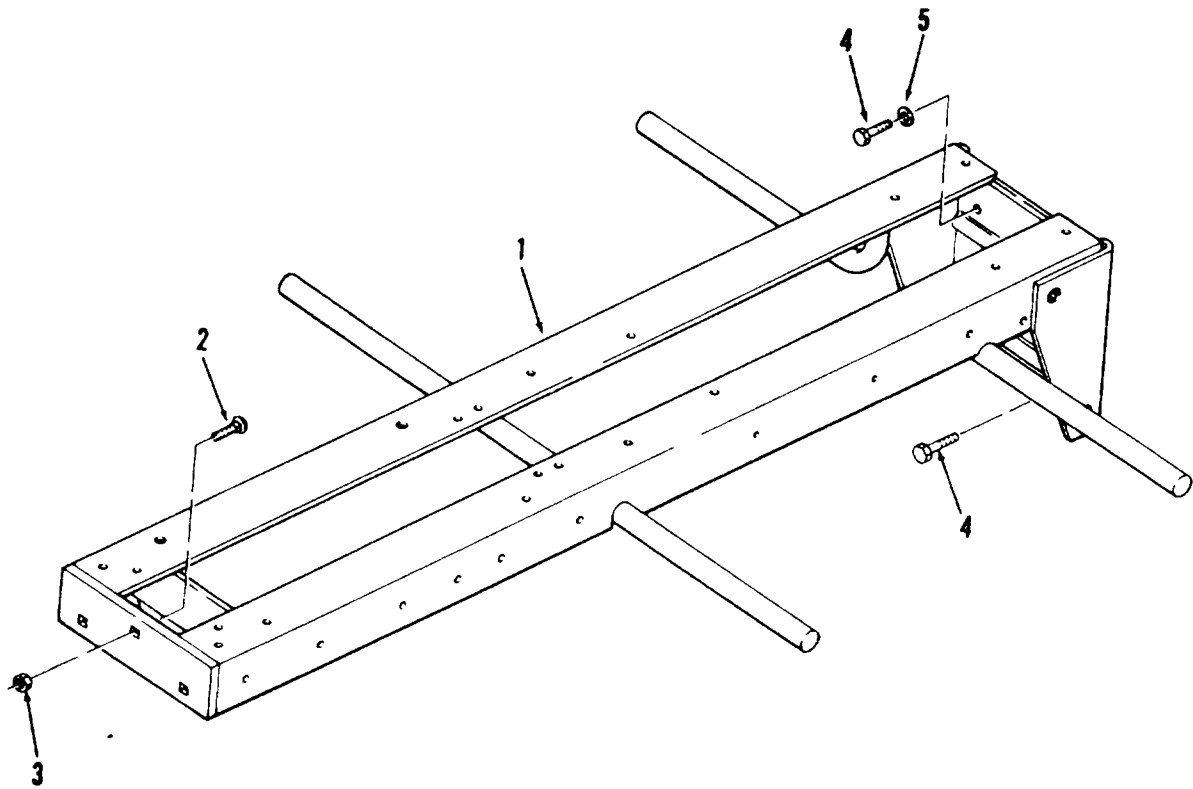
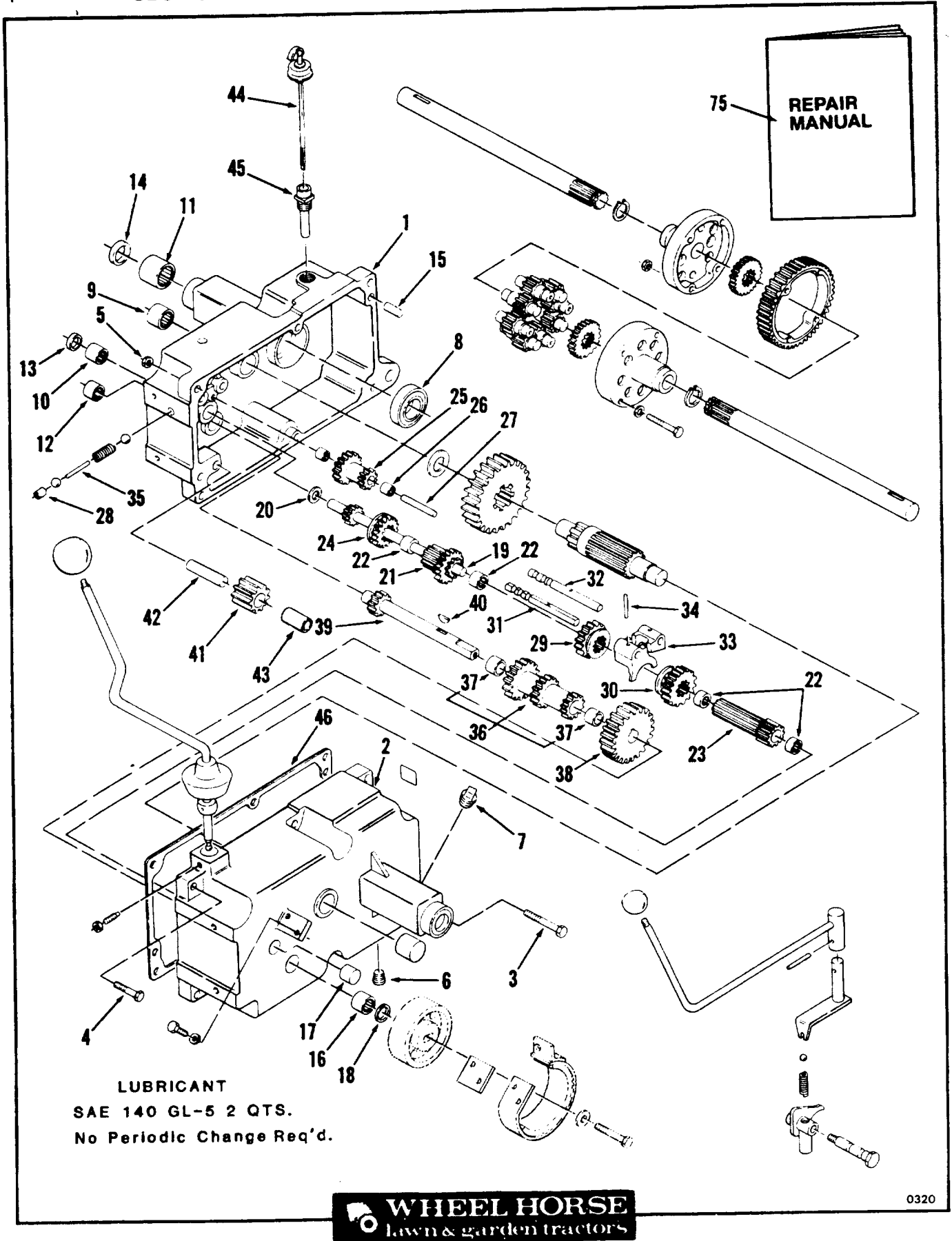


Figure 1-1 Frame

Item	Part Number	Description	Automatic	
			Mechanical	
		<b>Figure 1-1</b> <b>FRAME</b>		
1	109316	Frame .....	1	1
2	900063	Carriage Bolt 3/8-16 X 1 .....	3	3
3	915113	Eslok Nut 3/8-16 .....	3	3
4	908032	Bolt 3/8-16 X 3/4 .....	4	4
5	920083	Lockwasher 3/8 .....	4	4

SECTION 3 - 8-SPEED TRANSMISSION



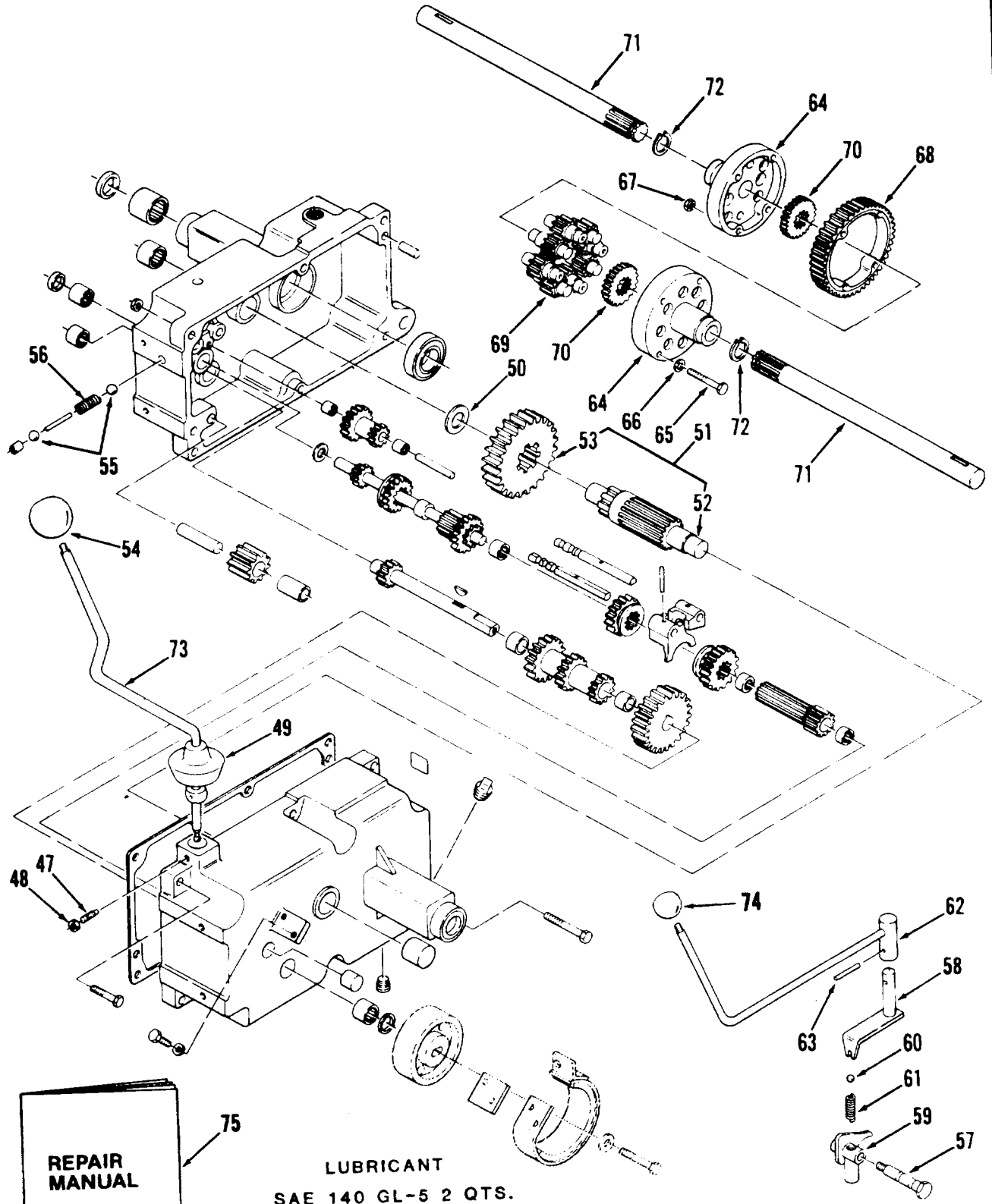
LUBRICANT  
 SAE 140 GL-5 2 QTS.  
 No Periodic Change Req'd.



Figure 3-1 Mechanical Transmission - 8 Speed

Item	Part Number	Description		
			Mechanical	Automatic
<b>Figure 3-1 MECHANICAL TRANSMISSION - 8 SPEED</b>				
	103916	Assembly 8-Speed Transmission . . . . .		1
1	8163	Case-Transmission RH . . . . .		1
2	6941	Case-Transmission LH . . . . .		1
3	908043	Bolt 3/8-16 X 3 1/2 . . . . .		1
4	908038	Bolt 3/8-16 X 2 . . . . .		5
5	915113	Eslok Nut 3/8-16 . . . . .		6
6	943460	Allen HD Pipe Plug . . . . .		1
7	943420	Sq HD Pipe Plug . . . . .		1
8	1533	Ball Bearing . . . . .		2
9	1532	Needle Bearing . . . . .		2
10	1542	Needle Bearing . . . . .		1
11	9416	Needle Bearing . . . . .		2
12	1529	Needle Bearing . . . . .		1
13	100442	Seal . . . . .		1
14	100443	Seal . . . . .		2
15	3915	Locating Pin . . . . .		2
16	1523	Needle Bearing . . . . .		1
17	1531	Needle Bearing . . . . .		1
18	100441	Seal . . . . .		1
19	7201	Input Shaft . . . . .		1
20	7418	Thrust Washer . . . . .		1
21	7204	Gear . . . . .		1
22	1518	Needle Bearing . . . . .		4
23	5175	Gear . . . . .		1
24	7205	Sliding Gear . . . . .		1
25	7206	Reduction Gear . . . . .		1
26	7207	Needle Bearing . . . . .		2
27	7208	Shaft-Reduction Gear . . . . .		1
28	1243	Plug Cup . . . . .		1
29	5173	Gear 2nd and 3rd . . . . .		1
30	5174	Gear 1st and Rev. . . . .		1
31	5615	Shift Rail-Front . . . . .		1
32	5616	Shift Rail-Rear . . . . .		1
33	3503	Shift Fork . . . . .		2
34	933156	Spirol Pin 1/8 X 1 . . . . .		2
35	5614	Shift Pin . . . . .		1
36	7269	Cluster Gear With Bushings . . . . .		1
37	1504	Bronze Bushing . . . . .		2
38	3527	Reduction Gear . . . . .		1
39	9840	Cluster Shaft . . . . .		1
40	937089	Woodruff Key 3/16 X 3/4 Hardened . . . . .		1
41	4204	Gear-Reverse Idler . . . . .		1
42	3909	Pin-Reverse Idler . . . . .		1
43	1516	Bushing-Reverse Idler . . . . .		1
44	106447	Dipstick Assembly . . . . .		1
45	106448	Nipple-Transmission Fill . . . . .		1
46	3912	Transmission Case Gasket . . . . .		1

SECTION 3 - 8-SPEED TRANSMISSION



**REPAIR  
MANUAL**

LUBRICANT  
SAE 140 GL-5 2 QTS.  
No Periodic Change Req'd.



0321

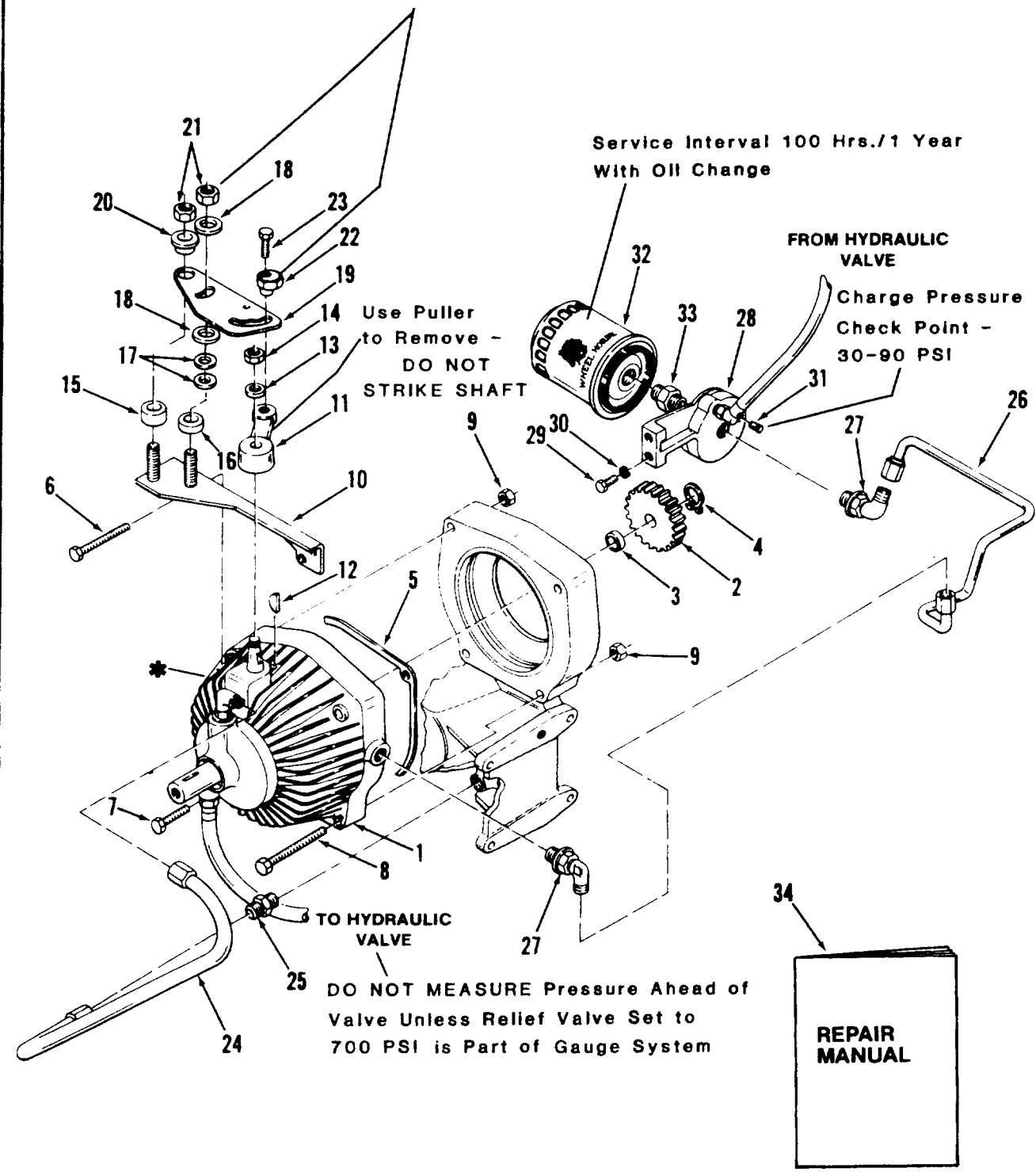
Figure 3-2 Mechanical Transmission - 8 Speed



Item	Part Number	Description		
			Mechanical	Automatic
<b>Figure 3-2</b>				
<b>MECHANICAL TRANSMISSION - 8 SPEED</b>				
47	1239	Special Set Screw .....	1	
48	915111	Nut 1/4-20 .....	1	
49	3577	Dust Cover .....	1	
50	9547	Thrust Washer .....	1	
51	102974	Gear Assembly .....	1	
52	101625	Gear 11 Tooth .....	1	
53	101626	Gear 44 Tooth .....	1	
54	108758	Gear Shift Knob .....	2	
55	3517	Detent Ball 1/4 Diameter .....	2	
56	106030	Detent Spring .....	1	
57	7213	Detent Bolt .....	1	
58	7214	Shift Shaft Hi-Low Range .....	1	
59	7209	Shift Fork Hi-Low Range .....	1	
60	3517	Detent Ball 1/4 Diameter .....	1	
61	106030	Detent Spring .....	1	
62	106366	Shift Lever Hi-Low Range .....	1	
63	933184	Spirol Pin 3/16 X 3/4 .....	1	
64	105060	Differential End Cap .....	2	
65	911423	Bolt 3/8-16 X 3 1/2 Grade 8 .....	4	
66	107374	Special Washer-Case Hardened .....	4	
67	108881	Nut 3/8-16 High-Tensile .....	4	
68	105061	Differential Ring Gear 43 Tooth .....	1	
69	101623	Differential Pinion Gear 11 Tooth .....	8	
70	101889	Differential Axle Gear .....	2	
71	105875	Rear Axle .....	2	
72	105876	Special Snap Ring .....	2	
73	107595	Gear Shift Lever .....	1	
74	1001	Hi-Lo Range Shift Knob .....	1	
75	A-1392	Repair Manual .....	1	

Item	Part Number	Description	Automatic	
			Mechanical	
		<b>Figure 4-1 TRANSAXLE</b>		
1	108369	Transaxle Complete .....		1
2	108310	Case-Transaxle RH .....		1
3	108311	Case-Transaxle LH .....		1
4	1533	Ball Bearing 1 1/2 I.D. ....		2
5	9416	Needle Bearing 1 1/8 I.D. ....		2
6	1532	Needle Bearing 1 I.D. ....		2
7	1538	Needle Bearing 3/4 I.D. ....		1
8	1518	Needle Bearing 5/8 I.D. ....		1
9	6449	Seal Axle .....		2
10	108357	Seal .....		1
11	108363	Dowel Pin .....		2
12	105060	Differential End Cap .....		2
13	105061	Differential Ring Gear 43 Tooth .....		1
14	101623	Differential Pinion Gear 11 Tooth .....		8
15	107374	Special Washer-Case Hardened .....		4
16	911423	Bolt 3/8-16 X 3 1/2 Grade 8 .....		4
17	108881	Nut 3/8-16 High-Tensile .....		4
18	108362	Rear Axle RH-Long (13 1/8 in.) .....		1
19	108361	Rear Axle LH-Short (10 1/8 in.) .....		1
20	101889	Differential Axle Gear 24 Tooth .....		2
21	105876	Special Snapping .....		2
22	102974	Gear Assembly .....		1
23	101625	Gear-Pinion 11 Tooth .....		1
24	101626	Gear-Reduction 44 Tooth .....		1
25	9547	Thrust Washer .....		1
26	109370	Shaft .....		1
27	108359	Gear 44 Tooth .....		1
28	108358	Gear 22 Tooth .....		1
29	937099	Woodruff Key 3/16 X 1 1/8 Hardened .....		1
30	7956	Thrust Washer .....		1
31	108312	Gasket-Case .....		1
32	109367	Bracket-Brake .....		1
33	908040	Bolt 3/8-16 X 2 1/2 Eslok .....		1
34	908035	Bolt 3/8-16 X 1 1/4 Eslok .....		1
35	908143	Bolt 3/8-16 X 5 .....		1
36	908042	Bolt 3/8-16 X 3 .....		2
37	915113	Nut 3/8-16 Eslok .....		3
38	106448	Filler Tube .....		1
39	106446	Dipstick .....		1
40	943460	Allen HD Pipe Plug 1/4 .....		1
41	810243R1	Repair Manual .....		1

SERVICE (R & R) & ADJUSTMENTS  
(Neutral/Friction) - Refer to Repair Manual

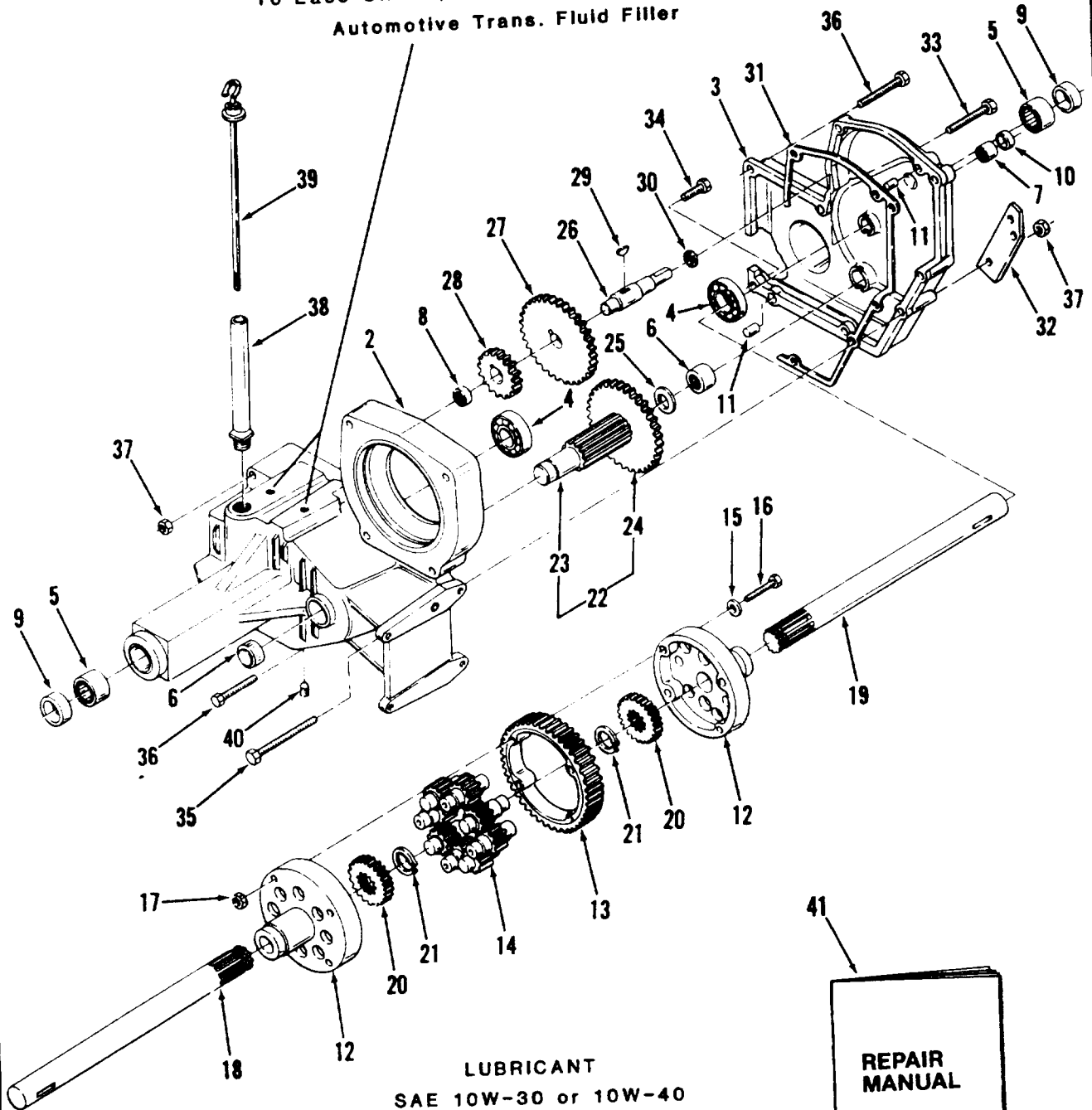


\* Internal Service Not Authorized at Time of Publication



Figure 4-2 Automatic Transmission

To Ease Oil Fill, Remove One Bolt or Use  
Automotive Trans. Fluid Filler

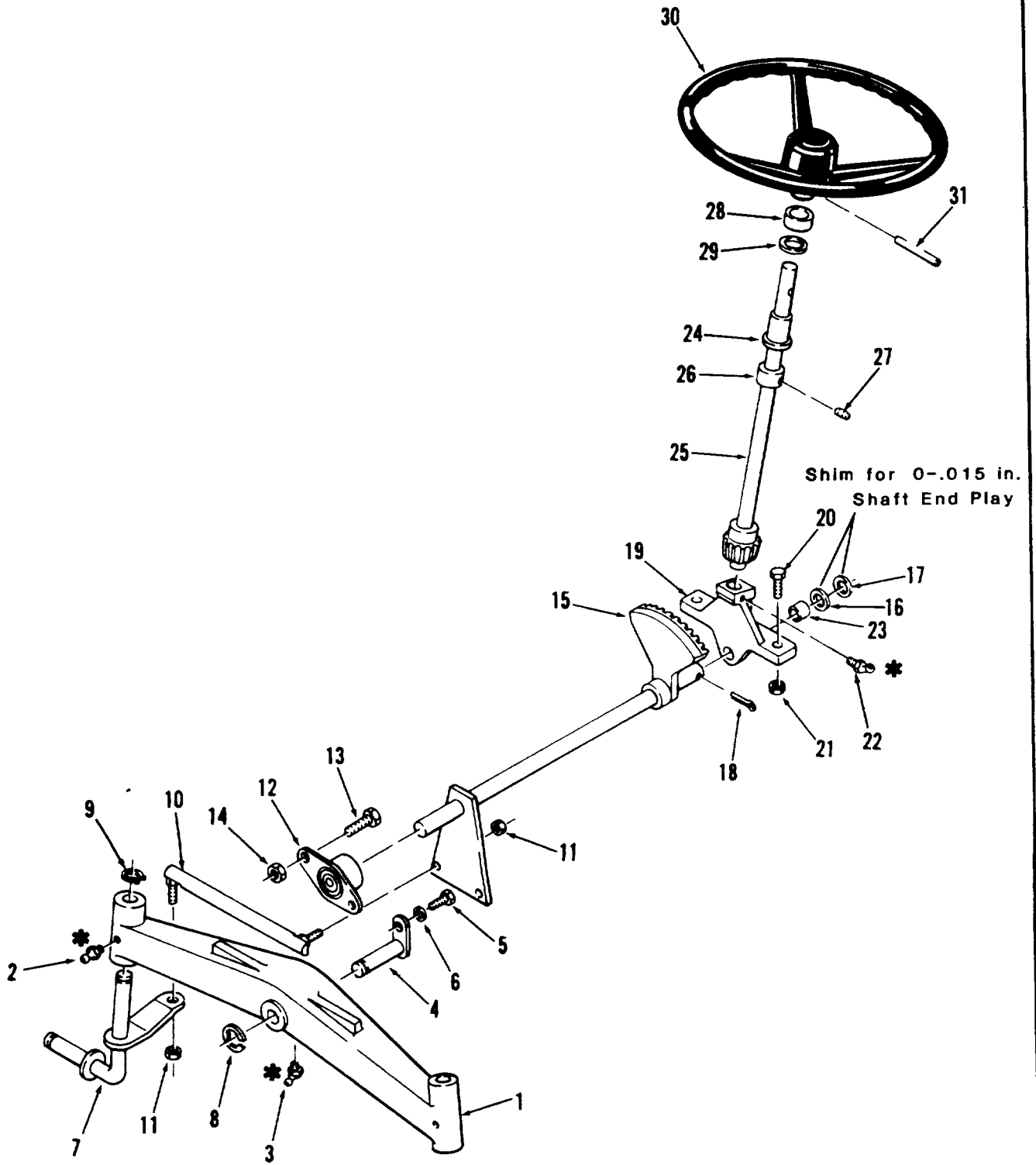


LUBRICANT  
SAE 10W-30 or 10W-40  
System Capacity 5 QTS.  
Approx. Refill Capacity 3.5-4 QTS.  
Service Interval 100 Hrs./1 Year



Figure 4-1 Transaxle

Item	Part Number	Description	Automatic	
			Mechanical	
<b>Figure 4-2 AUTOMATIC TRANSMISSION</b>				
1	108368	Pump & Motor . . . . .		1
2	108320	Gear 22 Tooth . . . . .		1
3	108366	Spacer-Drive Gear . . . . .		1
4	936121	Snpring . . . . .		1
5	108319	Gasket . . . . .		1
6	908143	Bolt 3/8-16 X 5 . . . . .		2
7	908040	Bolt 3/8-16 X 2 1/2 Eslok . . . . .		1
8	911429	Bolt 3/8-16 X 6 1/2 . . . . .		1
9	915113	Nut 3/8-16 Eslok . . . . .		3
10	108329	Control Plate . . . . .		1
11	108325	Cam Follower Arm . . . . .		1
12	937009	Woodruff Key 1/8 X 5/8 . . . . .		1
13	920011	Washer 1/2 SAE . . . . .		1
14	915115	Eslok Nut 1/2-13 . . . . .		1
15	108326	Spacer (Long) . . . . .		1
16	108327	Spacer (Short) . . . . .		1
17	100365	Washer-Spring Disc . . . . .		2
18	100305	Washer-Friction . . . . .		2
19	108333	Cam-Speed Control . . . . .		1
20	100309	Spacer . . . . .		1
21	108881	Locknut 3/8-16 Hi-Tensile . . . . .		2
22	106661	Eccentric Cam . . . . .		1
23	908019	Bolt 5/16-18 X 1 Eslok . . . . .		1
24	108317	Tube-Suction . . . . .		1
25	108364	Fitting (With 973620 O-Ring) . . . . .		1
26	109377	Tube Assembly . . . . .		1
27	108365	Elbow (With 973370 O-Ring) . . . . .		2
28	108323	Base-Oil Filter . . . . .		1
29	908017	Bolt 5/16-18 X 3/4 . . . . .		2
30	920082	Lockwasher 5/16 . . . . .		2
31	943460	Plug 1/4 NPT . . . . .		1
32	108335	Oil Filter . . . . .		1
33	5991	Fitting . . . . .		1
34	810243R1	Repair Manual . . . . .		1



0505

Figure 5-1 Front Axle and Steering

Item	Part Number	Description	Automatic	
			Mechanical	
<b>Figure 5-1 FRONT AXLE AND STEERING</b>				
1	5638	Front Axle . . . . .		
2	1030	Grease Fitting Straight . . . . .	1	1
3	1481	Grease Fitting 45 Degree . . . . .	2	2
4	6216	Pin and Plate . . . . .	1	1
5	908015	Bolt 5/16-18 X 1/2 . . . . .	1	1
6	920082	Lockwasher 5/16 . . . . .	1	1
7	105967	Front Spindle RH . . . . .	1	1
7	105968	Front Spindle LH . . . . .	1	1
8	5618	E-Ring . . . . .	1	1
9	104822	Special Snap Ring . . . . .	1	1
10	102592	Tie Rod RH . . . . .	2	2
10	102593	Tie Rod LH . . . . .	1	1
11	915002	Eslok Nut 3/8-24 . . . . .	1	1
12	6472	Flanged Bearing . . . . .	4	4
13	908032	Bolt 3/8-16 X 3/4 . . . . .	1	1
14	915113	Eslok Nut 3/8-16 . . . . .	2	2
15	6469	Lower Steering Shaft . . . . .	2	2
16	5210	Shim Washer 3/4 X .015 . . . . .	1	1
17	1278	Shim Washer 3/4 X .050 . . . . .	XXX	XXX
18	932035	Cotter Pin 3/16 X 1 1/4 . . . . .	XXX	XXX
19	109733	Steering Support . . . . .	1	1
20	908036	Bolt 3/8-16 X 1 1/2 . . . . .	1	1
21	915113	Eslok Nut 3/8-16 . . . . .	2	2
22	1481	Grease Fitting 45 Degree . . . . .	2	2
23	6397	Bearing-Lower Steering Shaft . . . . .	1	1
24	101442	Bearing-Upper Steering Shaft . . . . .	1	1
25	106177	Upper Steering Shaft . . . . .	1	1
26	1085	Collar-Upper Steering Shaft . . . . .	1	1
27	909848	Set Screw 1/4-20 X 1/4 Cup Pt . . . . .	1	1
28	108041	Collar . . . . .	1	1
29	7896	Bowed Washer . . . . .	1	1
30	106055	Steering Wheel . . . . .	1	1
31	933221	Spirol Pin 1/4 X 2 . . . . .	1	1

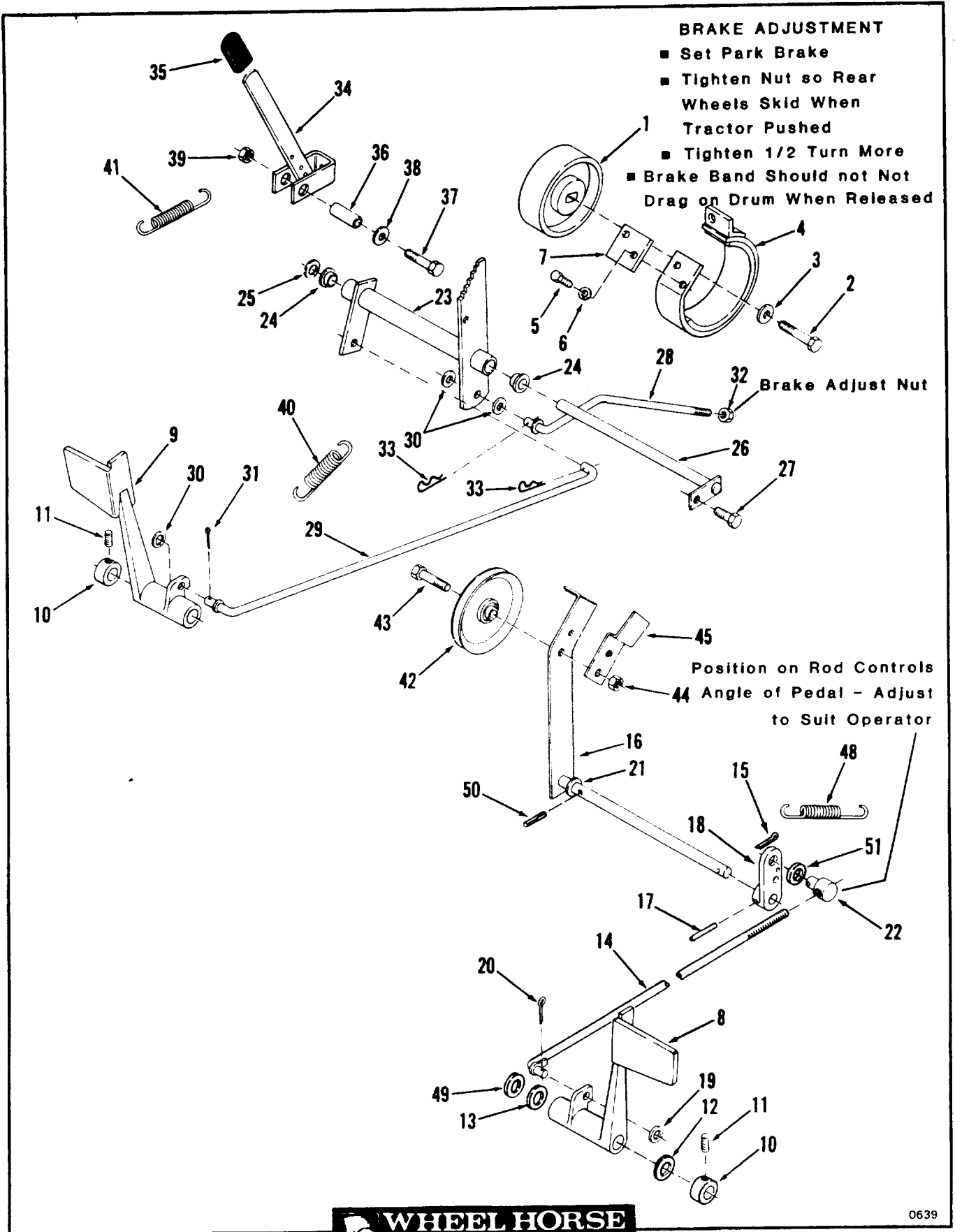


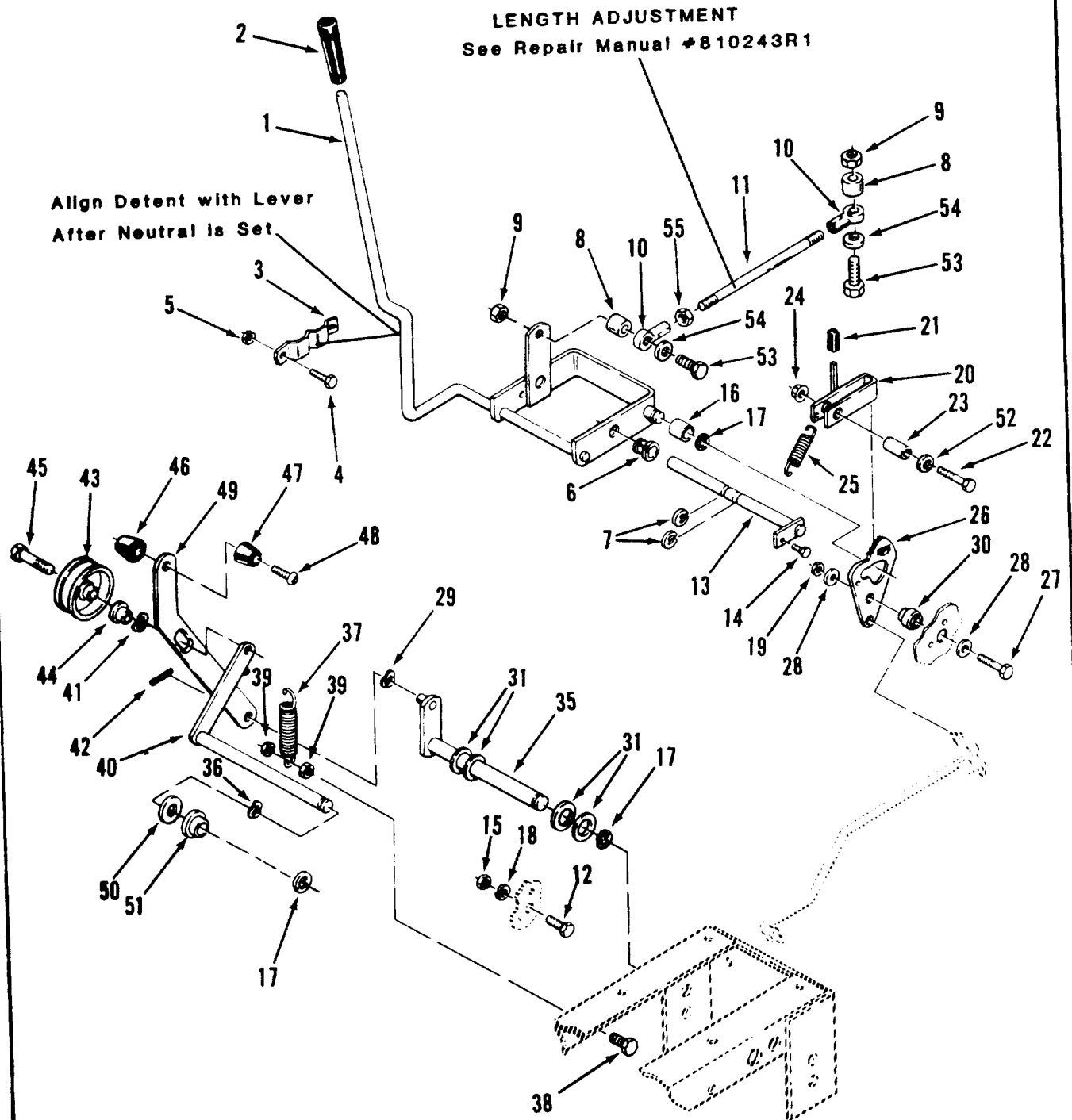
Figure 6-1

Clutch, Brake and Speed Control Linkage



SECTION 6 - CLUTCH, BRAKE AND MOTION CONTROL LINKAGE

Item	Part Number	Description	Automatic	
			Mechanical	
<b>Figure 6-1 CLUTCH, BRAKE AND SPEED CONTROL LINKAGE</b>				
1	106719	Brake Drum		
2	908032	Nylok Bolt 3/8-16 X 3/4		1
3	2844	Special Washer		1
4	9593	Brake Band		1
5	908002	Bolt 1/4-20 X 5/8		1
6	920081	Lockwasher 1/4		2
7	9598	Back-Up Plate		2
8	103599	Pedal-Clutch		1
9	103323	Pedal-Brake		1
10	1085	Collar		1
11	909848	Set Screw 1/4-20 X 1/4 Cup Pt		2
12	7896	Bowed Washer		2
13	1278	Shim Washer 3/4 X .050		1
14	103347	Clutch Rod		XXX
15	932008	Cotter Pin 3/32 X 3/4		1
16	107977	Clutch Idler Arm		1
17	933190	Spirol Pin 5/32 X 1 1/4		1
18	105896	Clutch Rod Arm		1
19	920248	Nylon Washer 3/8		1
20	932016	Cotter Pin 1/8 X 3/4		1
21	3765	Shim Washer 1/2 X .030		1
22	101161	Trunnion-Clutch Rod		XXX
23	103543	Bell Crank-Brake Linkage		1
24	7879	Bushing		1
25	920011	Washer 1/2 SAE		2
26	106417	Rod-Bell Crank Pivot		1
27	926694	S.T. Bolt 5/16-18 X 5/8		1
28	105900	Brake Rod-Rear		1
29	105886	Brake Rod-Front		1
30	920248	Nylon Washer		1
31	932016	Cotter Pin 1/8 X 3/4		3
32	915663	E.S. Nut 3/8-16		1
33	933504	Hairpin Cotter		1
34	106451	Parking Brake Lever		2
35	6820	Grip		1
36	102025	Spacer		1
37	908037	Bolt 3/8-16 X 1 3/4		1
38	920009	Washer 3/8 SAE		1
39	102809	Special Nut		1
40	107677	Spring-Brake Return		1
41	103628	Spring-Parking Brake Return		1
42	7451	Idler Pulley		1
43	106193	Special Bolt 3/8-16 X 1 1/2		1
44	915113	Eslok Nut 3/8-16		1
45	109364	Switch Actuator		1
48	108035	Spring-Clutch Return		1
49	920225	Special Washer		1
50	933267	Spirol Pin 3/16 X 1 1/4		1
51	920009	Washer 3/8 SAE		1



0637

Figure 6-2 Clutch, Brake and Speed Control Linkage

SECTION 6 - CLUTCH, BRAKE AND MOTION CONTROL LINKAGE

Item	Part Number	Description		
			Mechanical	Automatic
<b>Figure 6-2 CLUTCH, BRAKE AND SPEED CONTROL LINKAGE</b>				
1	108332	Motion Control Lever		
2	6129	Knob-Motion Control Linkage		1
3	106319	Detent-Motion Control Lever		1
4	908015	Bolt 5/16-18 X 1/2		1
5	915112	Eslok Nut 5/16-18		2
6	5983	Bushing		2
7	5701	E-Ring		2
8	100304	Spacer		2
9	915111	Nut Eslok 1/4-20		2
10	108905	Rod End		2
11	108904	Rod Control		2
12	908003	Bolt 1/4-20 X 3/4		1
13	108496	Pivot Rod-Motion Control Lever		1
14	926694	S.T. Bolt 5/16-18 X 5/8		1
15	915234	Jam Nut 1/4-20		1
16	100656	Cam Bearing		1
17	5701	E-Ring 1/2		1
18	920122	Lockwasher 1/4 Ext. Tooth		3
19	915113	Eslok Nut 3/8-16		1
20	106325	Parking Brake Lever		1
21	100489	Grip-Parking Brake Lever		1
22	908037	Bolt 3/8-16 X 1 3/4		1
23	102025	Spacer		1
24	102809	Special Flanged Nut		1
25	1230	Spring		1
26	108716	Cam Plate		1
27	908035	Bolt 3/8-16 X 1 1/4		1
28	920039	Washer 3/8 U.S.		1
29	108472	Wave Washer		2
30	108717	Spacer		1
31	920011	Washer 1/2 SAE		1
35	106369	Shaft		1
36	108473	Wave Washer		1
37	107938	Spring		1
38	908005	Bolt 1/4-20 X 1		1
39	915111	Eslok Nut 1/4 X 20		1
40	106368	Pivot Rod		2
41	110066	Wave Washer		1
42	932001	Cotter Pin 1/16 X 3/4		1
43	7434	Idler Pulley		1
44	106450	Spacer		1
45	106193	Special Bolt 3/8-16 X 1 1/2		1
46	8722	Knob		1
47	8693	Knob		1
48	911747	Screw #10-24 X 1 1/4		1
49	106360	Handle		1
50	920011	Washer 1/2 SAE		1
51	7879	Bushing		1
52	920009	Washer 3/8 SAE		1
53	908007	Bolt 1/4-20 X 1 1/2		1
54	920007	Washer 1/4 SAE		2
55	915083	Jam Nut 1/4-28		2

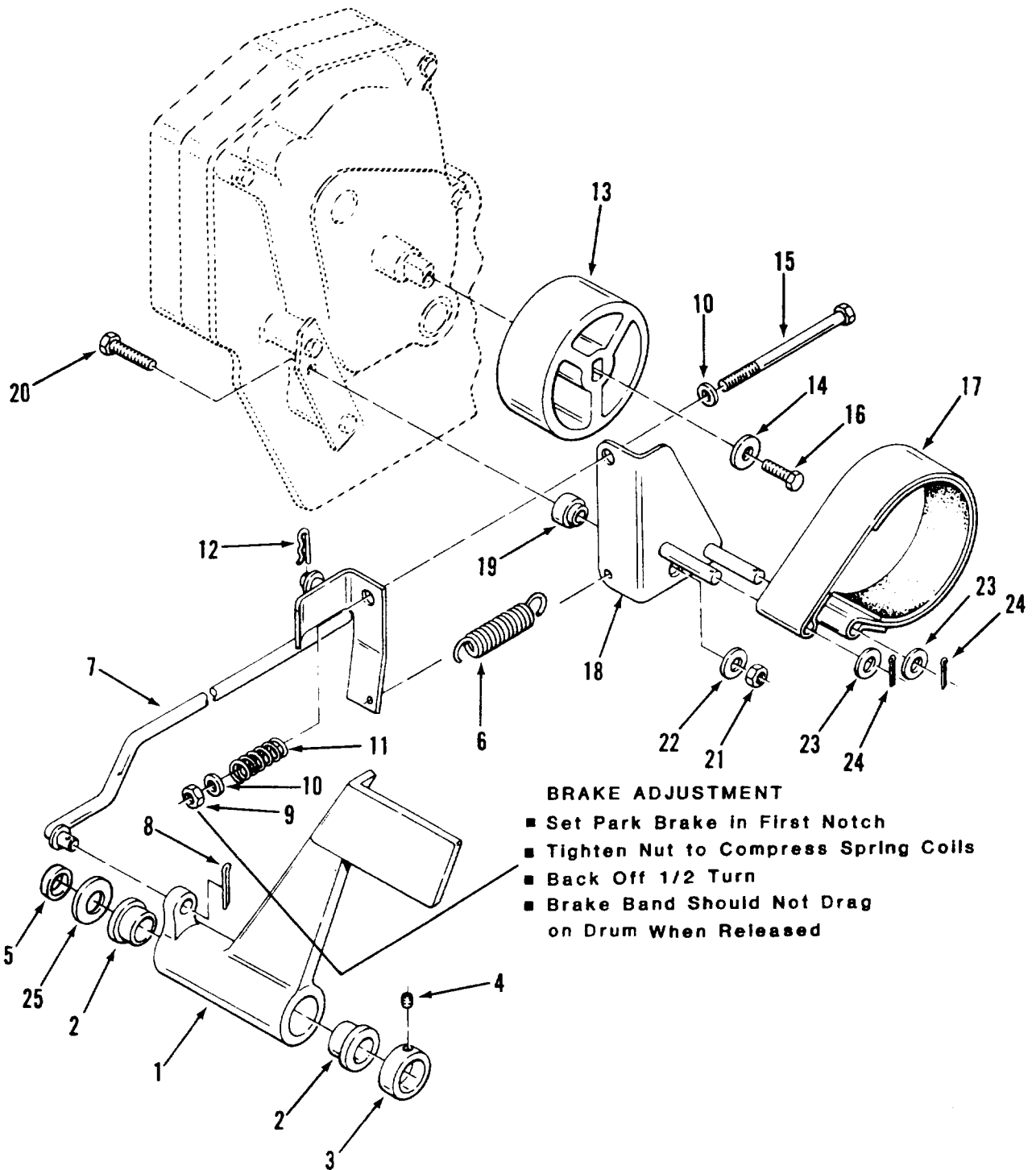


Figure 6-3

Clutch, Brake and Speed Control Linkage

SECTION 6 - CLUTCH, BRAKE AND MOTION CONTROL LINKAGE

Item	Part Number	Description	Automatic	
			Mechanical	
<b>Figure 6-3 CLUTCH, BRAKE AND SPEED CONTROL LINKAGE</b>				
1	102747	Brake/Return To Neutral Pedal .....		1
2	6254	Bushing .....		2
3	1085	Collar .....		1
4	909848	Eslok Set Screw 1/4-20 X 1/4 Cup Pt .....		1
5	4064	Spacer .....		1
6	103125	Spring-Brake Return .....		1
7	109372	Brake Rod-Front .....		1
8	932017	Cotter Pin 1/8 X 1 .....		1
9	915663	E.S. Nut 3/8-16 .....		1
10	920009	Washer 3/8 SAE .....		1
11	108680	Spring .....		2
12	933503	Hairpin Cotter .....		1
13	106719	Brake Drum .....		1
14	2844	Special Washer .....		1
15	908144	Bolt 3/8-16 X 4 1/2 .....		1
16	908034	Eslok Bolt 3/8-16 X 1 .....		1
17	109371	Brake Band .....		1
18	109366	Brake Pivot Arm .....		1
19	109356	Bushing .....		1
20	908036	Bolt 3/8-16 X 1 1/2 .....		1
21	915113	Eslok Nut 3/8-16 .....		1
22	920039	Washer 3/8 U.S. .....		1
23	920009	Washer 3/8 SAE .....		1
24	932008	Cotter Pin 3/32 X 3/4 .....		2
25	1278	Shim Washer .....		2
				1

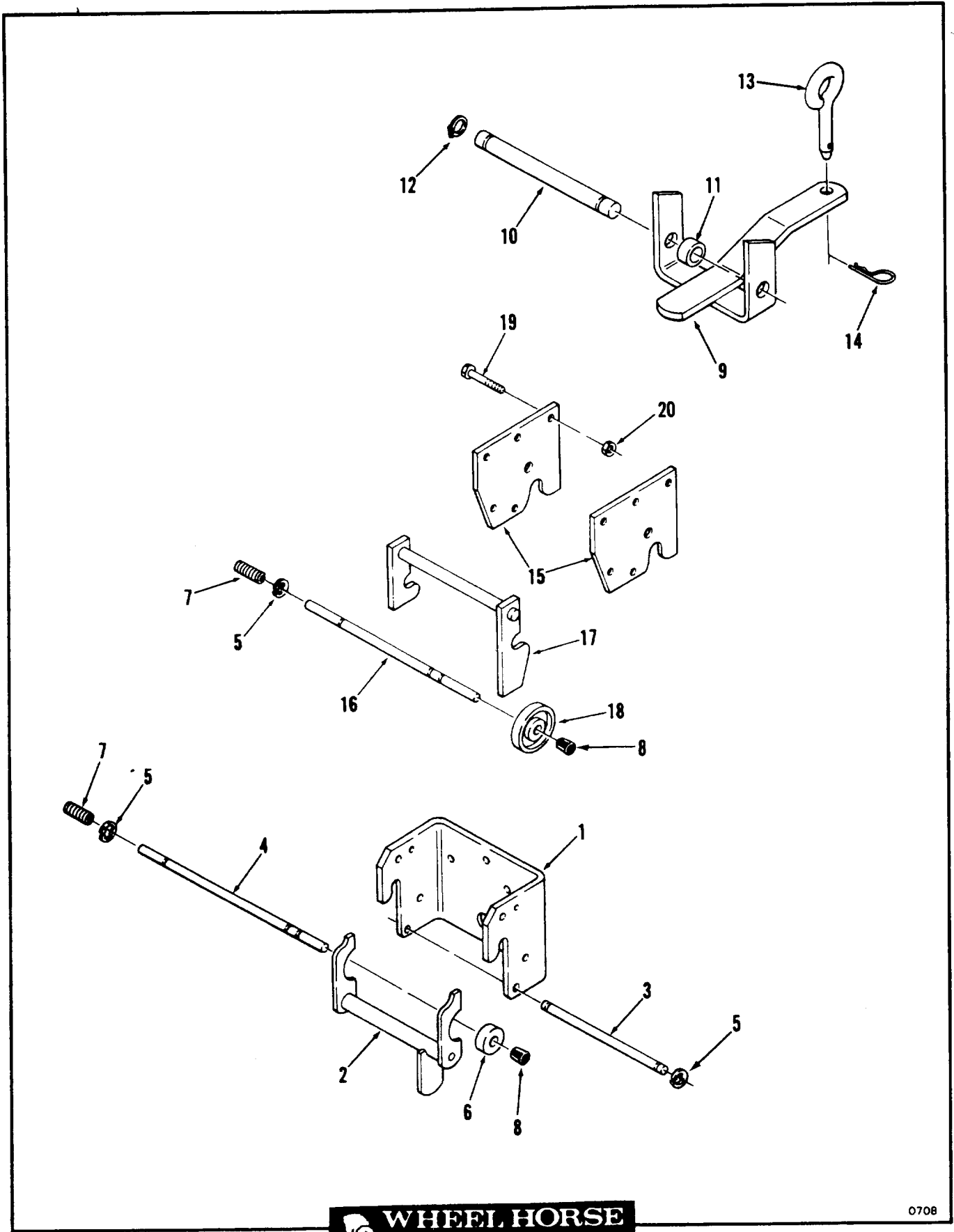
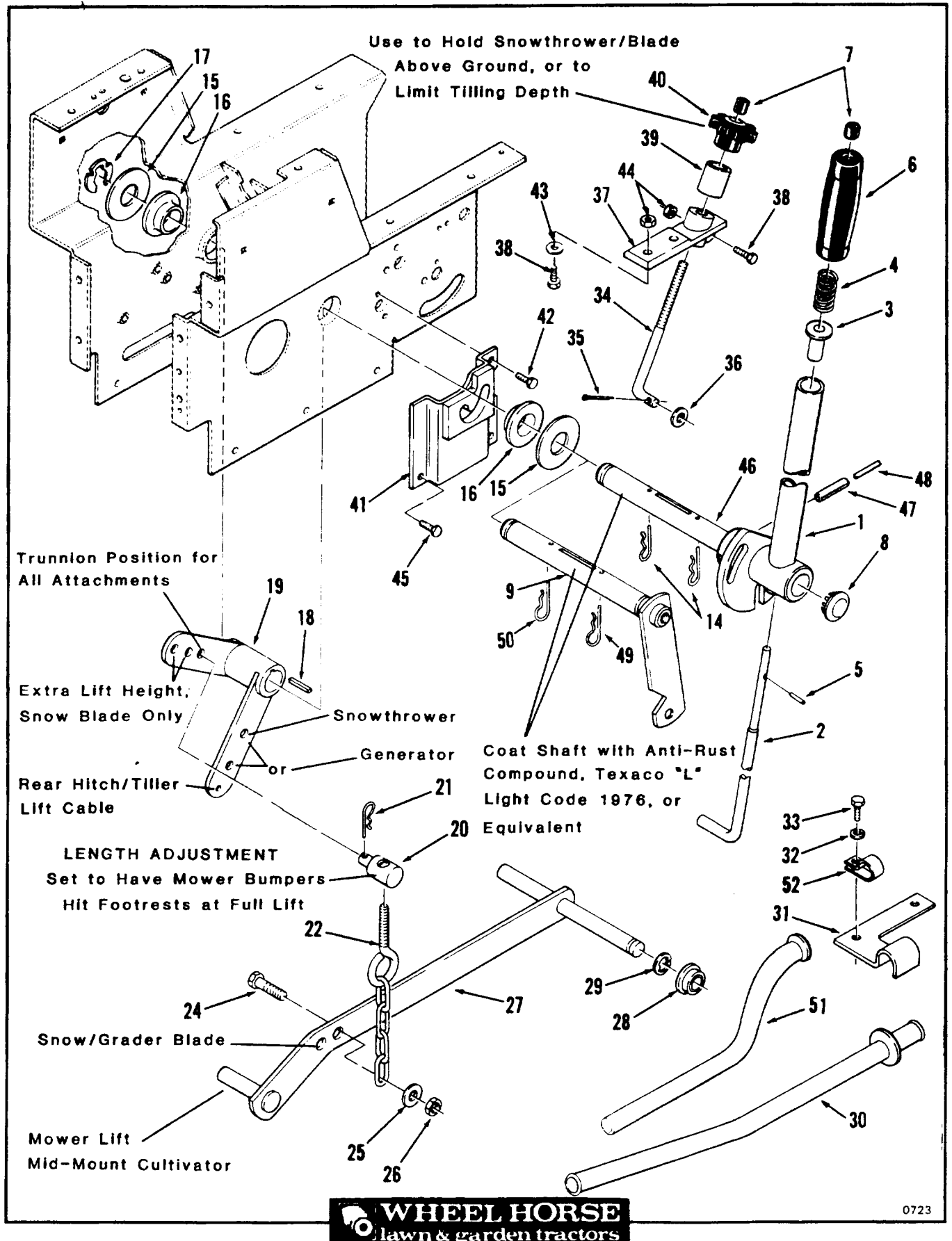


Figure 7-1 Hitches

SECTION 7 - HITCHES AND LIFT LINKAGE

Item	Part Number	Description		
			Mechanical	Automatic
		<b>Figure 7-1 HITCHES</b>		
1	101711	Front Hitch Housing.....		
2	105859	Latch-Front Hitch.....	1	1
3	101750	Rod.....	1	1
4	101751	Rod-Front Hitch Lock.....	1	1
5	105797	E-Ring.....	1	1
6	101707	Lock.....	8	8
7	8616	Spring.....	1	1
8	105316	Cap-Lock Rod.....	2	2
9	1644	Drawbar Hitch.....	2	2
10	105269	Shaft-Drawbar Hitch.....	1	1
11	979120	Spacer.....	1	1
12	5618	E-Ring.....	2	2
13	1813	Hitch Pin.....	2	2
14	933505	Hairpin Cotter.....	1	1
15	102644	Mid Hitch Plate.....	1	1
16	102672	Rod-Mid Hitch Lock.....	2	2
17	102639	Latch-Mid Hitch.....	1	1
18	101017	Lock.....	1	1
19	908034	Bolt 3/8-16 X 1.....	1	1
20	915113	Eslok Nut 3/8-16.....	4	4
			4	4

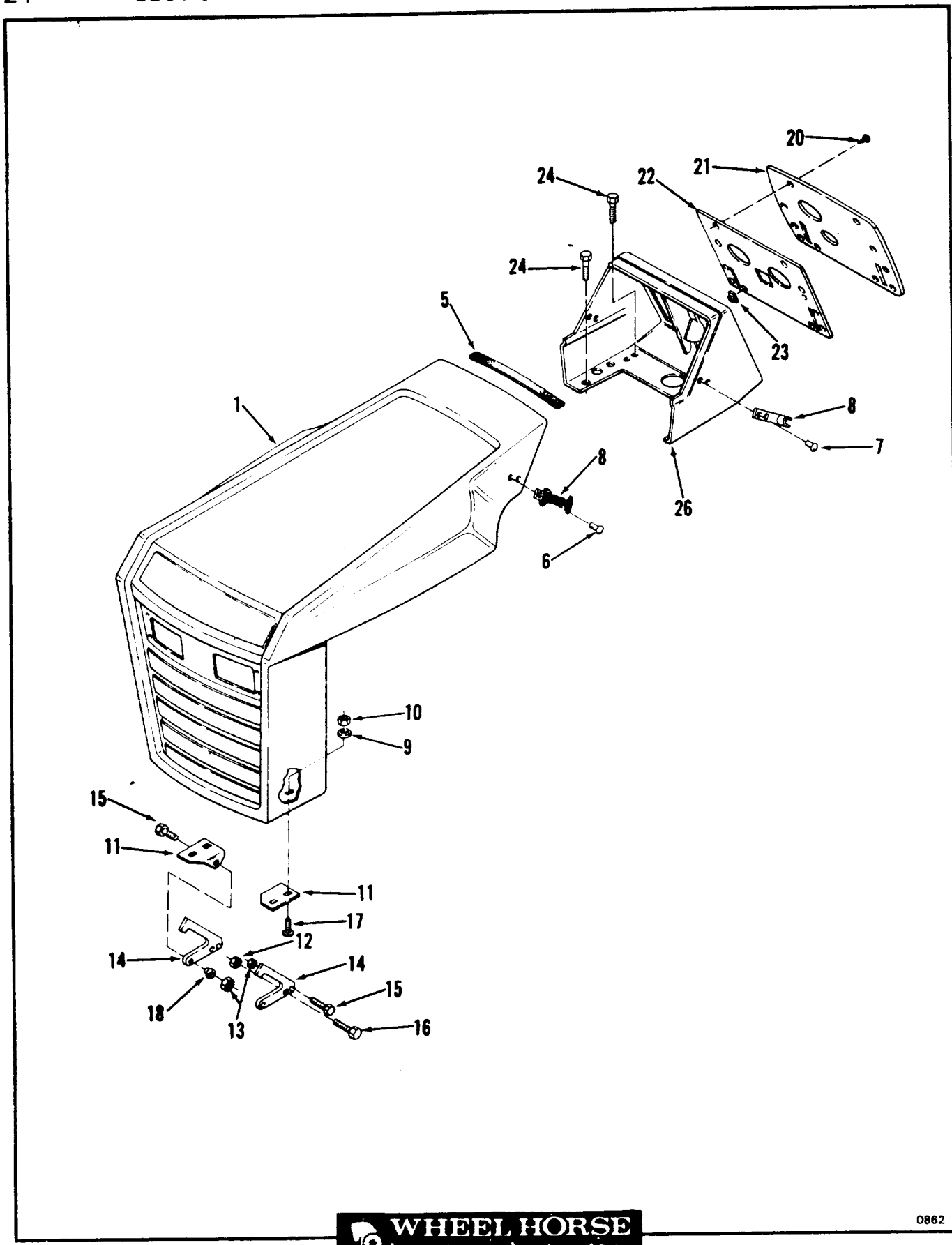


0723

Figure 7-2 Lift Linkage



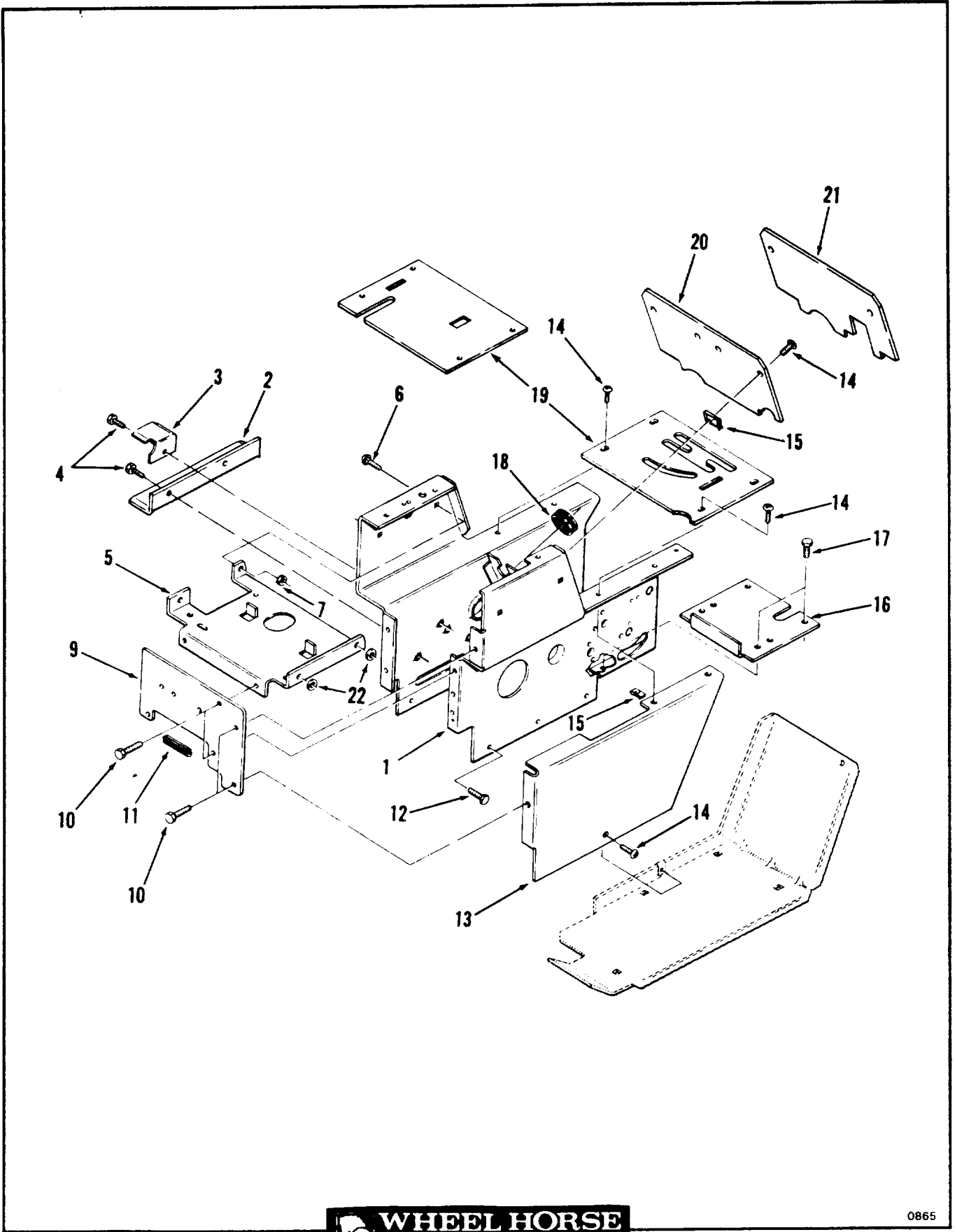
Item	Part Number	Description	Automatic	
			Mechanical	
<b>Figure 7-2 LIFT LINKAGE</b>				
1	108563	Lift Lever (Includes Items 46, 47, 48)		
2	106257	Latch Rod	1	
3	8130	Spring Retainer	1	
4	3624	Spring	1	
5	933148	Spirol Pin 1/8 X 1/2	1	
6	6542	Grip-Lift Lever	1	
7	105316	Rod Cap	1	
8	4944	Plug Button	2	
9	109320	Lift Lever	1	
14	933507	Hairpin Cotter		1
15	920017	Washer 1 in. SAE	2	2
16	106269	Bushing	3	3
17	106414	Retainer	2	2
17	106414	Retainer	1	
18	1121	Key 1/4 Sq X 1 3/16		2
19	106218	Bellcrank	1	1
20	104627	Trunnion	1	1
21	933504	Hairpin Cotter	1	1
22	106522	Lift Chain	1	1
24	908019	Bolt 5/16-18 X 1	1	1
25	920008	Washer 5/16	1	1
26	915112	Eslok Nut 5/16-18	1	1
27	102373	Lift Bar	1	1
28	6229	Bearing	1	1
29	5701	E-Ring	1	1
30	105845	Tube-Rear Lift Cable	1	1
31	108903	Clamp-Tube	1	
32	920083	Lockwasher 3/8	1	1
33	908032	Bolt 3/8-16 X 3/4	2	2
34	106354	Rod-Height Control	2	2
35	932016	Cotter Pin 1/8 X 3/4	1	
36	920228	Special Washer	1	
37	106345	Height Control Casting	1	
38	908019	Bolt 5/16-18 X 1	1	
39	106258	Sleeve	3	
40	5280	Knob-Height Control	1	
41	106411	Latch Bracket	1	
42	926694	S.T. Bolt 5/16-18 X 5/8	1	
43	920008	Washer 5/16 SAE	1	
44	915112	Eslok Nut 5/16-18	2	
45	926696	S.T. Bolt 5/16-18 X 7/8	3	
46	108565	Shaft	2	
47	933268	Spirol Pin	1	
48	933230	Roll Pin	1	
49	933506	Hairpin Cotter	1	
50	933507	Hairpin Cotter		1
51	108315	Tube-Rear Lift Cable		1
52	8830	Clamp		1



0862

Figure 8-1 Sheet Metal and Covers

Item	Part Number	Description	Automatic	
			Mechanical	
		<b>Figure 8-1</b>		
		<b>SHEET METAL AND COVERS</b>		
1	108049	Hood .....	1	1
5	108134	Trim .....	1	1
6	923785	Pop Rivet 1/8 X .294 .....	4	4
7	923787	Pop Rivet 1/8 X .419 .....	2	2
8	106825	Hood Latch and Clip .....	2	2
9	920007	Washer 1/4 SAE .....	4	4
10	915111	Eslok Nut 1/4-20 .....	4	4
11	108590	Bracket Hood Pivot LH .....	1	1
11	108589	Bracket Hood Pivot RH .....	1	1
12	915113	Eslok Nut 3/8-16 .....	2	2
13	915111	Eslok Nut 1/4-20 .....	4	4
14	108588	Bracket Hood Support .....	2	2
15	908003	Bolt 1/4-20 X 3/4 .....	4	4
16	908032	Bolt 3/8-16 X 3/4 .....	2	2
17	900015	Carriage Bolt 1/4-20 X 3/4 .....	4	4
18	108599	Bushing .....	2	2
20	102168	Screw #10-16 .....	4	4
21	108117	Control Panel .....	1	
21	108118	Control Panel .....		1
22	108116	Backing Plate .....	1	1
23	5442	Speed Nut .....	4	4
24	926694	Bolt 5/16-18 X 5/8 .....	3	3
26	109315	Console .....	1	1



0865

Figure 8-2 Sheet Metal and Covers

Item	Part Number	Description	Automatic	
			Mechanical	
<b>Figure 8-2 SHEET METAL AND COVERS</b>				
1	109314	Hoodstand . . . . .	1	1
2	106209	Belt Support Bracket . . . . .		1
3	106261	Belt Bracket . . . . .	1	
3	108537	Belt Bracket . . . . .		1
4	926694	S.T. Bolt 5/16-18 X 5/8 . . . . .	1	4
5	107007	Battery Support Bracket . . . . .	1	
5	110095	Battery Support Bracket . . . . .		1
6	900036	Carriage Bolt 5/16-18 X 5/8 . . . . .	4	4
7	915112	Eslok Nut 5/16-18 . . . . .	4	4
9	106342	Front Plate C-85, C-105, C-125, C-145 Only . . . . .	1	1
9	107400	Front Plate C-175 Twin Only . . . . .	1	1
10	926694	S.T. Bolt 5/16-18 X 5/8 . . . . .	6	6
11	106454	Edge Trim . . . . .	1	1
12	926694	S.T. Bolt 5/16-18 X 5/8 . . . . .	4	6
13	109323	Side Cover LH . . . . .	1	
13	109322	Side Cover LH . . . . .		1
14	910837	Screw 1/4-20 X 5/8 . . . . .	6	4
15	107069	Speed Nut . . . . .	2	2
16	106250	Dust Cover . . . . .	1	1
17	926694	S.T. Bolt 5/16-18 X 5/8 . . . . .	4	4
18	104248	Grommet . . . . .	1	1
19	107608	Shift Cover Plate . . . . .	1	
19	110092	Shift Cover Plate . . . . .		1
20	108057	Hood Stand Plate . . . . .	1	
21	110093	Hood Stand Plate . . . . .		1
22	920009	Washer 3/8 SAE . . . . .	2	2

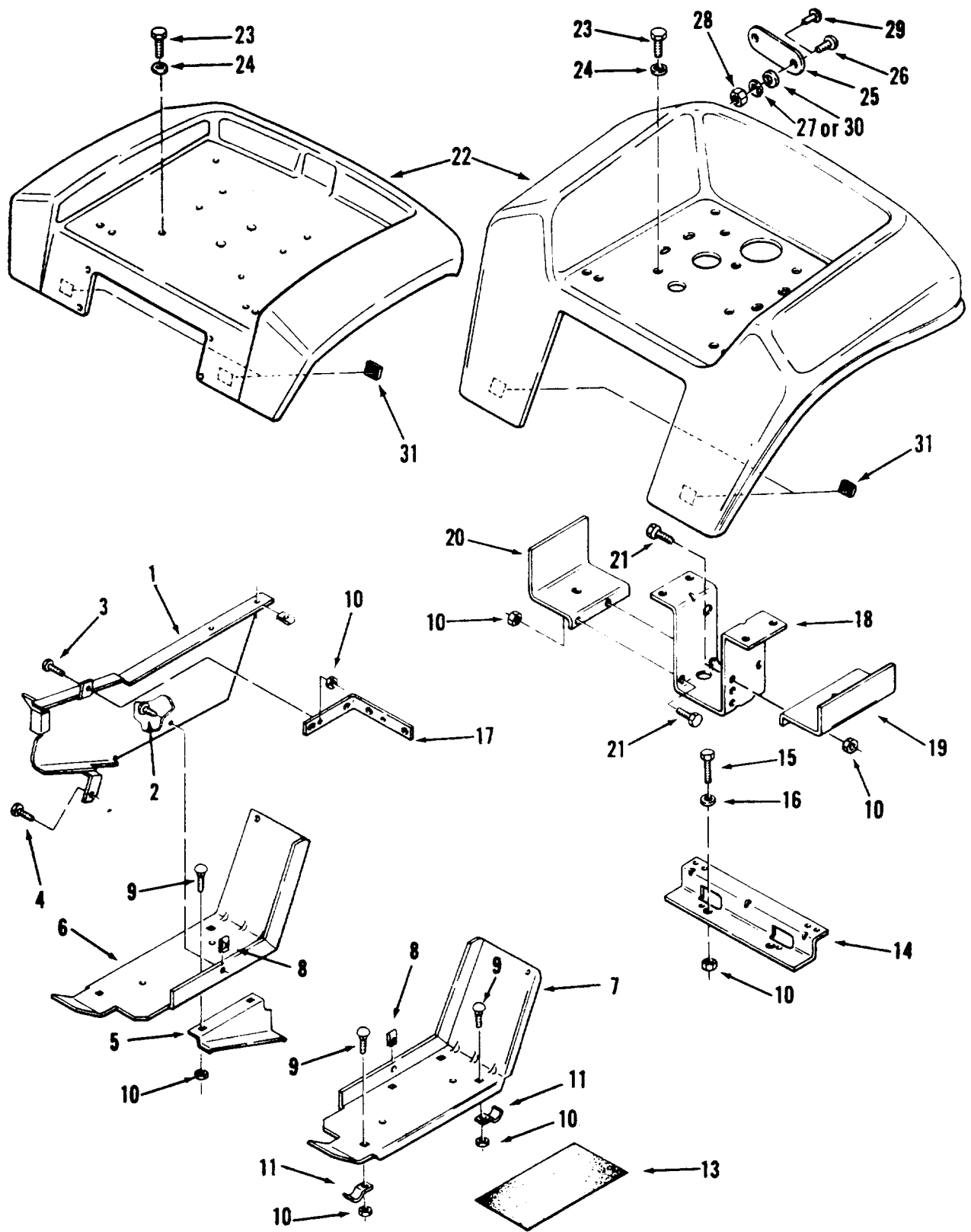


Figure 8-3

Sheet Metal and Covers

Item	Part Number	Description	Automatic	
			Mechanical	
<b>Figure 8-3 SHEET METAL AND COVERS</b>				
1	107975	Belt Guard C-85, C-105, C-125 Only .....	1	
1	107619	Belt Guard C-175 Twin Only .....	1	1
1	107975	Belt Guard C-145 Only .....		1
2	910837	Screw 1/4-20 X 5/8 .....	1	1
3	908017	Bolt 5/16-18 X 3/4 .....	1	1
4	926694	S.T. Bolt 5/16-18 X 5/8 .....	1	1
5	106352	Lower Belt Guard .....	1	
6	106222	Foot Rest RH .....	1	1
7	106223	Foot Rest LH .....	1	1
8	107069	Speed Nut .....	2	2
9	900036	Carriage Bolt 5/16-18 X 5/8 .....	6	4
10	915112	Eslok Nut 5/16-18 .....	13	11
11	7456	Clamp .....	4	4
13	106264	Footrest Pad .....	2	2
14	107951	Fender Bracket-Front .....	1	1
15	908017	Bolt 5/16-18 X 3/4 .....	2	2
16	920008	Washer 5/16 SAE .....	2	2
17	109954	Support Bracket-Belt Guard .....	1	1
18	108897	Fender Support Bracket .....	1	1
19	108464	Fuel Tank Support LH .....	1	1
20	106236	Fuel Tank Support RH .....	1	1
21	908016	Bolt 5/16-18 X 5/8 .....	4	4
22	109127	Fender .....	1	
22	107795	Fender .....		1
23	926696	S.T. Bolt 5/16-18 X 7/8 .....	4	
23	926698	S.T. Bolt 5/16-18 X 1 1/8 .....		4
24	920008	Washer 5/16 SAE .....	4	
24	920038	Washer 5/16 U.S. ....		4
25	106557	Reflector C-85, C-105, C-125, C-145 Only .....	2	2
26	910808	Screw #10-32 X 5/8 C-85, C-105, C-125, C-145 Only .....	4	4
27	920079	Lockwasher #10 C-85, C-105, C-125, C-145 Only .....	4	4
28	915551	Nut #10-30 C-85, C-105, C-125, C-145 Only .....	4	4
29	109193	Poprivet 3/16 X .57 Aluminum C-85, C-105, C-125, C-145 Only .....	4	4
30	920004	Washer #8 (Use With Poprivet) .....	4	
31	518211	Rubber Pad .....	2	2

**SERVICE INTERVALS**

Oil Change - 25 HRS.

See Owners Manual for Oil Specs. & Service Procedures

\*Air Filter - 25 HRS.

Spark Plug - 100 HRS.

8 HP - J-8, Gap .025

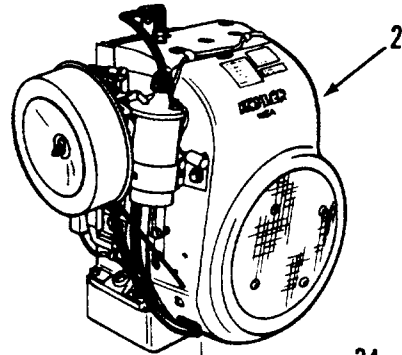
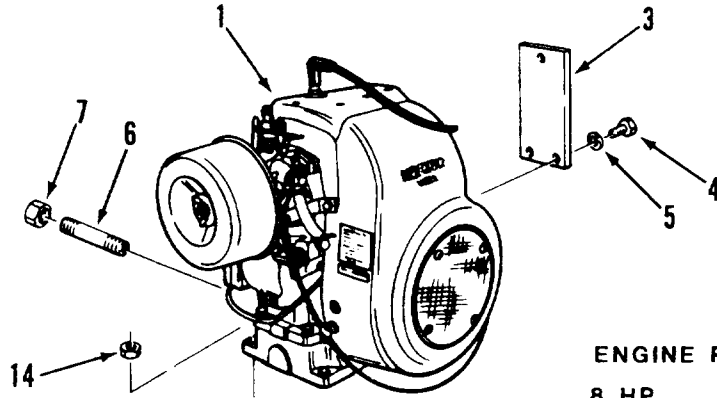
10-14 HP - H-10, Gap .035

Point Gap (All) - .020

OIL CAP.

8 HP 1 1/4 Qts.

10-14 HP 1 1/2 Qts.



**ENGINE RPM**

8 HP	10-14 HP
------	----------

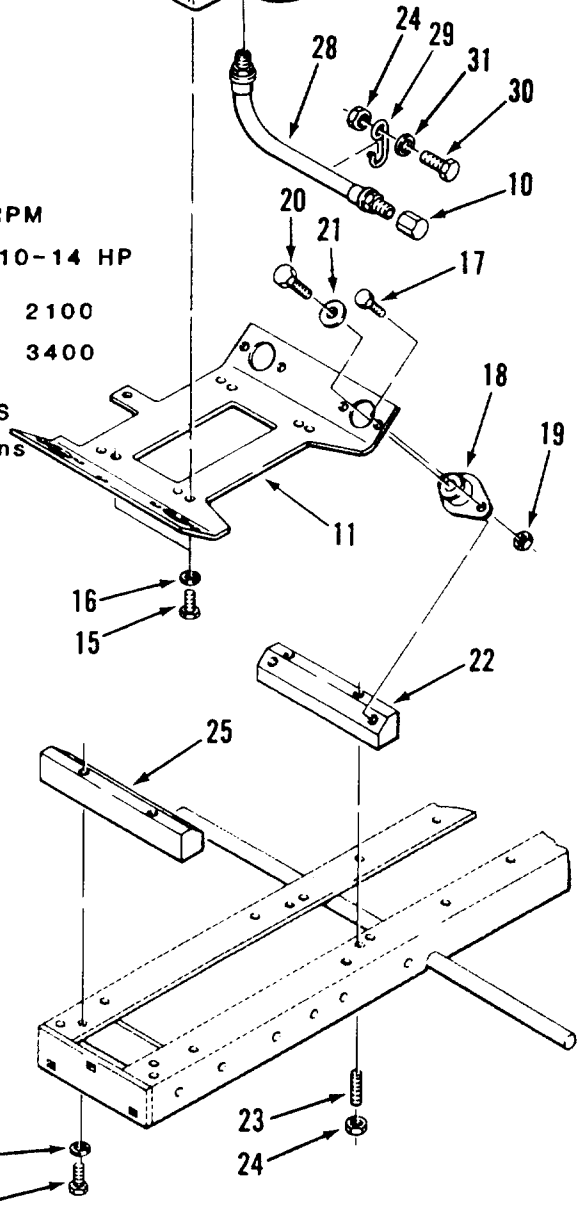
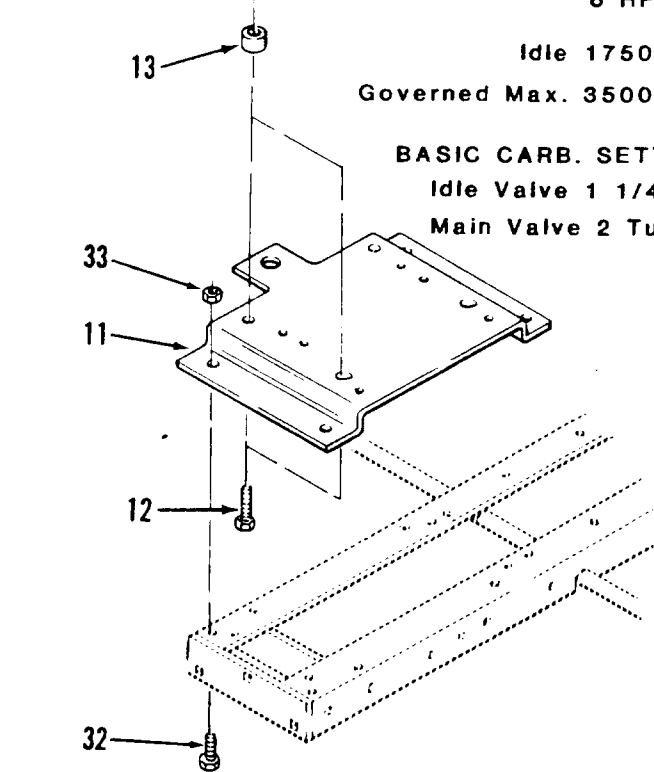
Idle 1750	2100
-----------	------

Governed Max. 3500	3400
--------------------	------

**BASIC CARB. SETTINGS**

Idle Valve 1 1/4 Turns

Main Valve 2 Turns



\* Replace 100 HRS.

Refer to Kohler Manuals for all Service & Adjustment Procedures



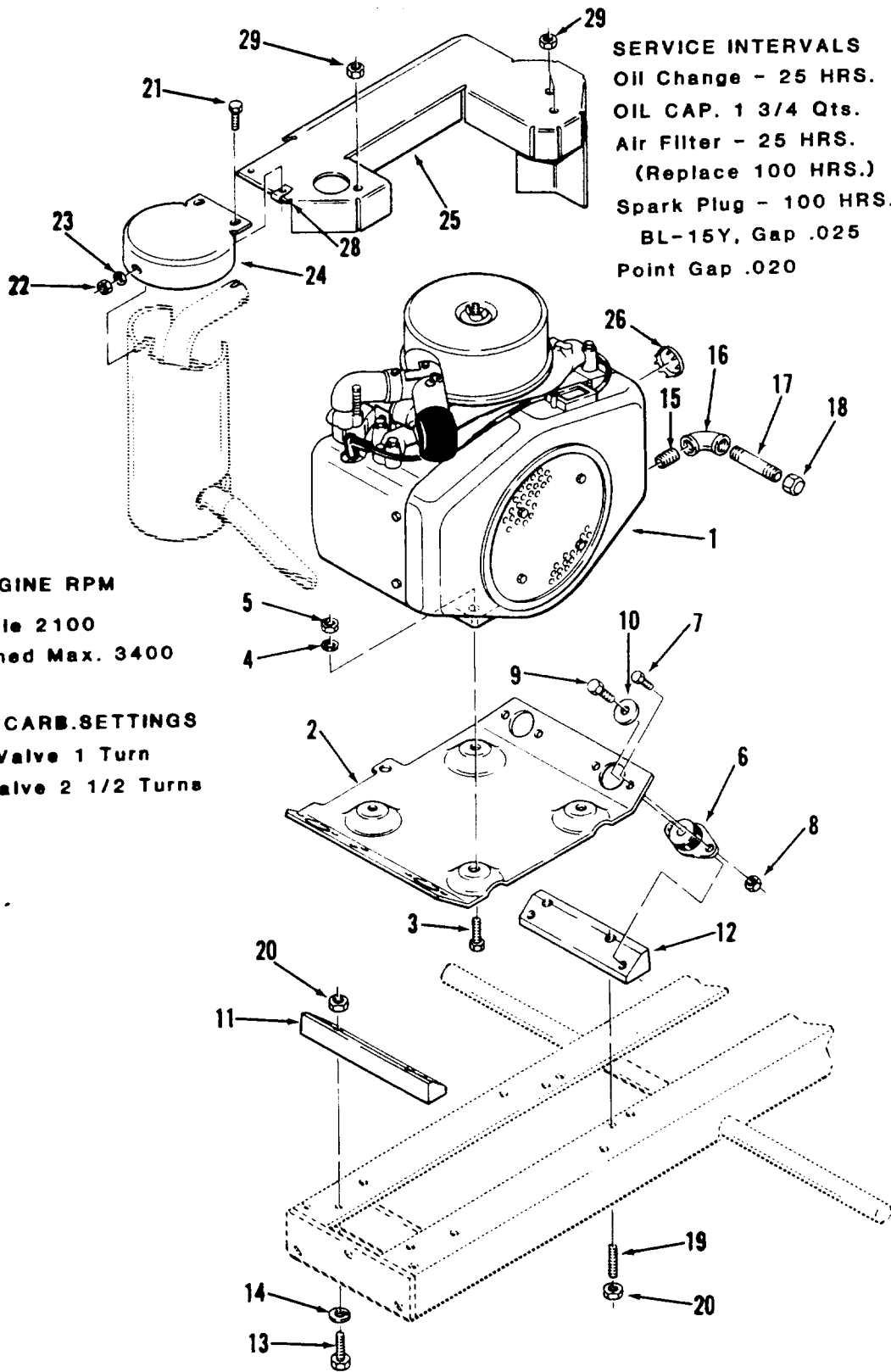
0967

Figure 9-1

Single Cylinder Engines



Item	Part Number	Description	Automatic	
			Mechanical	
<p><b>Figure 9-1</b> <b>SINGLE CYLINDER ENGINES</b></p>				
1	108378**	Engine-8HP Kohler K-181S Spec PS-30743D (Early Production).....	XXX	
1	109972**	Engine-8HP Kohler K-181S Spec PS-30803 (Later Production).....	XXX	
2	108828**	Engine-10HP Kohler K-241AS Spec PS-46812D .....	XXX	
2	108829**	Engine-12HP Kohler K-301AS Spec PS-47762D .....	XXX	
2	108830**	Engine-14HP Kohler K-321AS Spec PS-60373D .....		XXX
3	102371	Coil Mounting Plate C-85 Only .....	1	
4	908034	Bolt 3/8-16 X 1 C-85 Only .....	2	
5	920083	Lockwasher 3/8 C-85 Only .....	2	
6	943341	Pipe Nipple 1/2 X 1 1/2 C-85 Only .....	1	
7	106435	Pipe Cap C-85 Only .....	1	
10	107379	Pipe Cap 1/4 C-105, C-125, C-145 Only.....	1	1
11	106425	Engine Cradle C-105, C-125, C-145 Only .....	1	1
11	110065	Engine Base C-85 Only .....	1	
12	908038	Bolt 3/8-16 X 2 C-85 Only .....	4	
13	106430	Spacer C-85 Only .....	4	
14	915113	Eslok Nut 3/8-16 C-85 Only.....	4	
15	908032	Bolt 3/8-16 X 3/4 C-105, C-125, C-145 Only .....	4	4
16	920083	Lockwasher 3/8 C-105, C-125, C-145 Only .....	4	4
17	908002	Bolt 1/4-20 X 5/8 C-105, C-125, C-145 Only .....	8	8
18	108309	Isolation Mount C-105, C-125, C-145 Only .....	4	4
19	915111	Eslok Nut 1/4-20 C-105, C-125, C-145 Only.....	8	8
20	908037	Nylok Bolt 3/8-16 X 1 3/4 C-105, C-125, C-145 Only.....	4	4
21	920249	Special Washer C-105, C-125, C-145 Only.....	4	4
22	106432	Engine Mounting Block-Rear C-105, C-125, C-145 Only .....	1	1
23	909885	Allen HD Set Screw 3/8-16 X 1 3/4 C-105, C-125, C-145 Only .....	2	2
24	915113	Eslok Nut 3/8-16 C-105, C-125, C-145 Only.....	3	3
25	106431	Engine Mounting Block-Front C-105, C-125, C-145 Only.....	1	1
26	908034	Bolt 3/8-16 X 1 C-105, C-125, C-145 Only .....	2	2
27	920083	Lockwasher 3/8 C-105, C-125, C-145 Only .....	2	2
28	109318	Hose C-105, C-125, C-145 Only .....	1	1
29	109319	Retainer C-105, C-125, C-145 Only .....	1	1
30	908033	Bolt 3/8-16 X 7/8 C-105, C-125, C-145 Only .....	1	1
31	920009	Washer 3/8 SAE C-105, C-125, C-145 Only .....	1	1
32	908034	Bolt 3/8-16 X 1 C-85 Only .....	4	
33	915663	E.S. Nut 3/8-16 C-85 Only .....	4	
<p>**Engines and Engine Parts Are Available Through The Engine Manufacturer's Distribution System, Using The Model and Spec. Numbers Shown Above.</p> <p>WHEEL HORSE Part Numbers Are Listed For Cross Reference Purposes Only; Engines and Engine Parts <u>Are Not Available</u> Through The WHEEL HORSE Distribution System.</p>				



**SERVICE INTERVALS**  
 Oil Change - 25 HRS.  
 OIL CAP. 1 3/4 Qts.  
 Air Filter - 25 HRS.  
 (Replace 100 HRS.)  
 Spark Plug - 100 HRS.  
 BL-15Y, Gap .025  
 Point Gap .020

**ENGINE RPM**  
 Idle 2100  
 Governed Max. 3400

**BASIC CARB. SETTINGS**  
 Idle Valve 1 Turn  
 Main Valve 2 1/2 Turns

Refer to Kohler Manuals for all Service & Adjustment Procedures



0969

Figure 9-2 Twin Cylinder Engines

Item	Part Number	Description	Automatic	
			Mechanical	
		<b>Figure 9-2 TWIN CYLINDER ENGINES</b>		
1	110089**	Engine 17 HP Kohler KT-17 Spec PS-24223 .....	XXX	XXX
2	108914	Engine Cradle .....	1	1
3	908035	Bolt 3/8-16 X 1 1/4 .....	4	4
4	920009	Washer 3/8 SAE .....	4	4
5	915113	Esiok Nut 3/8-16 .....	4	4
6	108309	Isolation Mount .....	4	4
7	908002	Bolt 1/4-20 X 5/8 .....	8	8
8	915111	Esllok Nut 1/4-20 .....	8	8
9	908037	Nylok Bolt 3/8-16 X 1 3/4 .....	4	4
10	920249	Special Washer .....	4	4
11	106504	Engine Mounting Block - Front .....	1	1
12	106503	Engine Mounting Block - Rear .....	1	1
13	908034	Bolt 3/8-16 X 1 .....	2	2
14	920083	Lockwasher 3/8 .....	2	2
15	943322	Nipple 3/8 .....	1	1
16	943023	Elbow 3/8 90° .....	1	1
17	943334	Nipple 3/8 X 4 1/2 .....	1	1
18	5224	Cap 3/8 .....	1	1
19	909885	Allen HD Set Screw 3/8-16 X 1 3/4 .....	2	2
20	915113	Esllok Nut 3/8-16 .....	2	2
21	960152	Whizlock Bolt 1/4-20 X 5/8 .....		2
22	915111	Esllok Nut 1/4-20 .....	1	1
23	920007	Washer 1/4 SAE .....	1	1
24	106864	Muffler Shield .....	1	1
25	110079	Heat Shield .....	1	1
26	935103	Plug Button .....	1	1
28	-107069	Clip 1/4-20 .....	2	2
29	960010	Whizlock Nut 5/16-18 .....	3	3
<p>**Engines and Engine Parts Are Available Through The Engine Manufacturer's Distribution System, Using The Model and Spec. Numbers Shown Above.</p> <p>WHEEL HORSE Part Numbers Are Listed For Cross Reference Purposes Only; Engines and Engine Parts <u>Are Not Available</u> Through The WHEEL HORSE Distribution System.</p>				

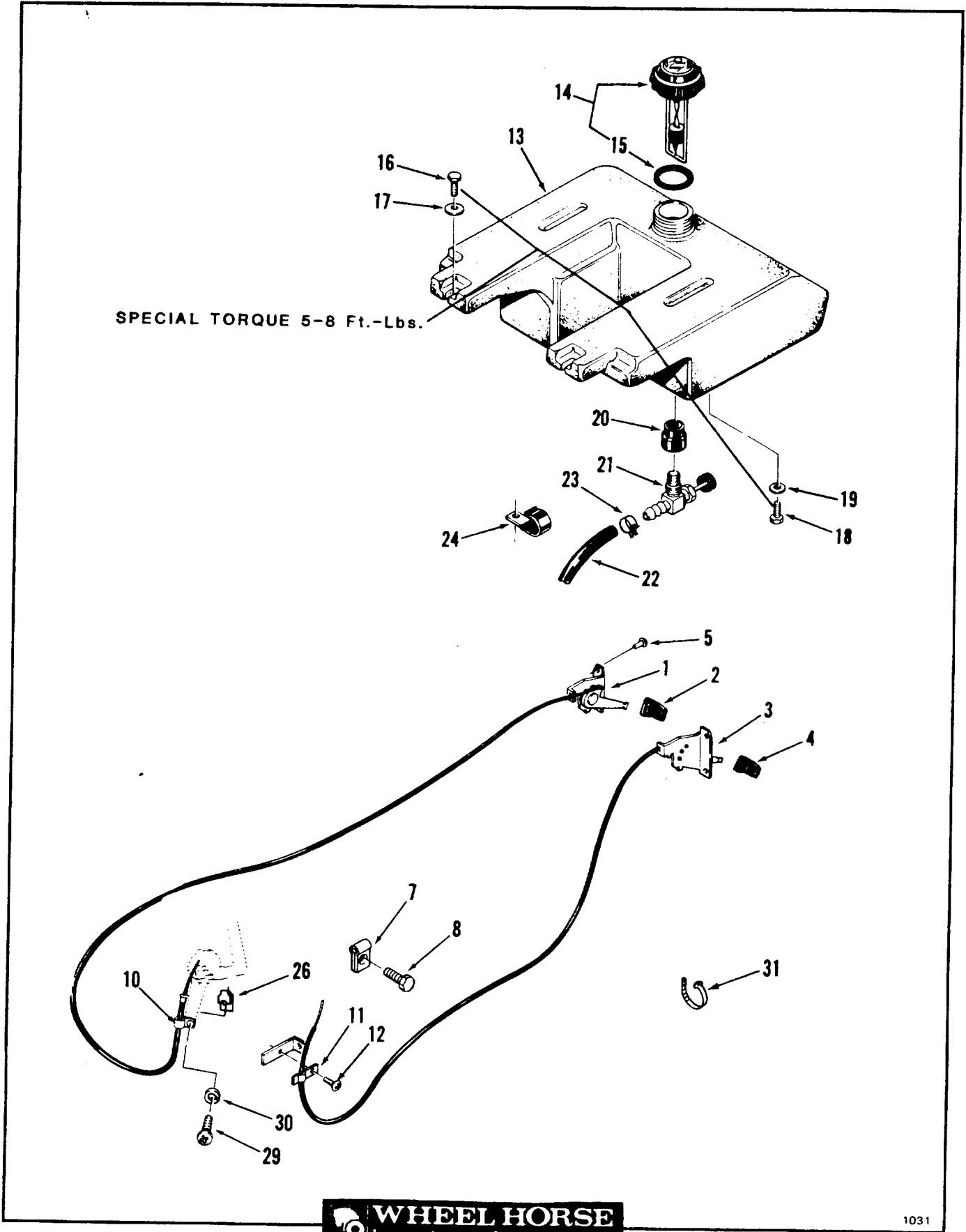


Figure 10-1 Throttle, Choke and Fuel System

Item	Part Number	Description	Automatic	
			Mechanical	
<b>Figure 10-1 THROTTLE, CHOKE AND FUEL SYSTEM</b>				
1	108047	Throttle Control C-85, C-105, C-125, C-145 Only .....	1	1
1	108044	Throttle Control C-175 Twin Only .....	1	1
2	108509	Knob-Throttle Control .....	1	1
3	108045	Choke Control C-85, C-105, C-125, C-145 Only .....	1	1
3	108043	Choke Control C-175 Twin Only .....	1	1
4	108510	Knob-Choke Control .....	1	1
5	923795	Pop Rivet .....	1	1
7	100729	Clamp .....	4	4
8	960151	Whizlock Bolt 1/4-20 X 1/2 .....	1	1
10	2879	Clamp C-85, C-105, C-125, C-145 Only .....	1	1
11	105971	Clamp C-85, C-105, C-125, C-145 Only .....	1	1
12	911738	Screw #10-24 X 3/8 C-85, C-105, C-125, C-145 Only .....	1	1
13	106234	Fuel Tank .....	1	1
14	106945	Fuel Cap & Gauge (With Rubber Seal) .....	1	1
15	106931	Rubber Seal .....	1	1
16	926696	S.T. Bolt 5/16-18 X 7/8 .....	2	2
17	920039	Washer 3/8 U.S. ....	2	2
18	908016	Bolt 5/16-18 X 5/8 .....	2	2
19	920082	Lockwasher 5/16 .....	2	2
20	104047	Rubber Bushing .....	1	1
21	104048	Fuel Shut-Off Valve .....	1	1
22	106590	Fuel Line C-85 Only .....	1	1
22	106445	Fuel Line C-105, C-125, C-145, C-175 Twin Only .....	1	1
23	108898	Corbin Clamp .....	2	2
24	8830	Hose Clamp .....	1	1
26	517787	Speed Nut #10-24 C-85 Only .....	1	1
29	910837	Screw 1/4-20 X 5/8 .....	1	1
30	920081	Lockwasher 1/4 .....	1	1
31	518017	Plastic Tie .....	XXX	XXX

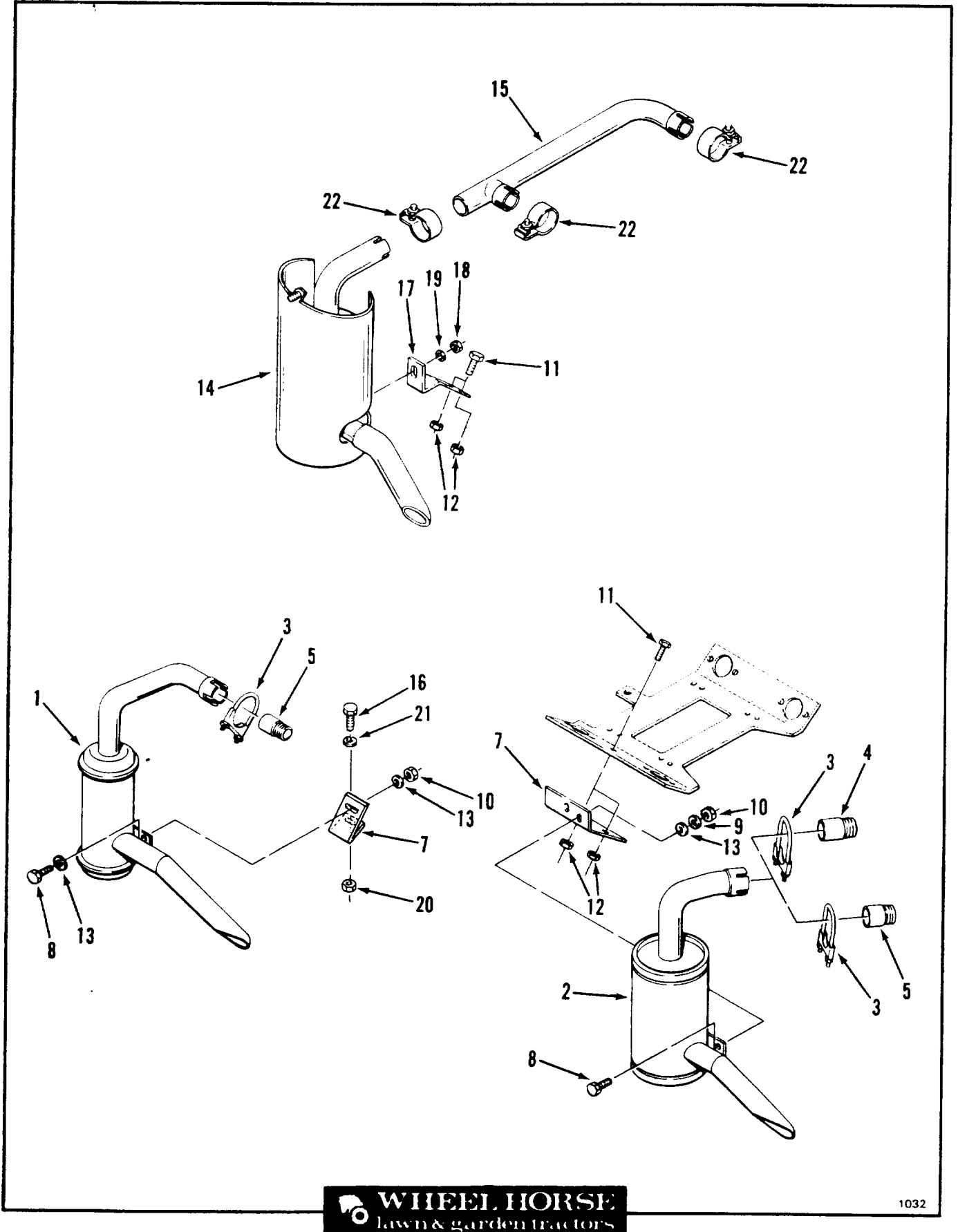


Figure 10-2 Exhaust System

Item	Part Number	Description	Automatic	
			Mechanical	
		<b>Figure 10-2 EXHAUST SYSTEM</b>		
1	106429	Muffler C-85 Only . . . . .	1	
2	106918	Muffler C-105, C-125, C-145 Only . . . . .	1	1
3	102645	Muffler Clamp . . . . .	1	1
4	102265	Nipple C-105, C-125, C-145 Only . . . . .	1	1
5	105913	Nipple C-85 Only . . . . .	1	1
7	106428	Muffler Mounting Bracket C-105, C-125, C-145 Only . . . . .	1	1
7	110067	Muffler Mounting Bracket C-85 Only . . . . .	1	
8	908002	Bolt 1/4-20 X 5/8 C-105, C-125, C-145 Only . . . . .	1	1
8	908003	Bolt 1/4-20 X 3/4 C-85 Only . . . . .	1	
9	920081	Lockwasher 1/4 C-105, C-125, C-145 Only . . . . .	1	1
10	915111	Nut 1/4-20 C-105, C-125, C-145 Only . . . . .	1	1
10	915111	Eslok Nut 1/4-20 C-85 Only . . . . .	1	
11	908003	Bolt 1/4-20 X 3/4 C-105, C-125, C-145, C-175 Twin Only . . . . .	2	2
12	915111	Eslok Nut 1/4-20 C-105, C-125, C-145, C-175 Twin Only . . . . .	2	2
13	920007	Washer 1/4 SAE C-105, C-125, C-145 Only . . . . .	1	1
13	920007	Washer 1/4 SAE C-85 Only . . . . .	2	
14	108852	Muffler C-175 Twin Only . . . . .	1	1
15	106867	Exhaust Manifold C-175 Twin Only . . . . .	1	1
16	908034	Bolt 3/8-16 X 1 C-85 Only . . . . .	1	
17	108853	Muffler Mounting Bracket C-175 Twin Only . . . . .	1	1
18	915113	Nut 3/8 C-175 Twin Only . . . . .	1	1
19	920083	Lockwasher 3/8 C-175 Twin Only . . . . .	1	1
20	915113	Eslok Nut 3/8-16 C-85 Only . . . . .	1	
21	920009	Washer 3/8 SAE . . . . .	1	
22	108882	Muffler Clamp C-175 Twin Only . . . . .	3	3

• FUSE HOLDER WITH WIRE CONNECTED TO BATTERY TERMINAL IS MAIN (20A) FUSE.

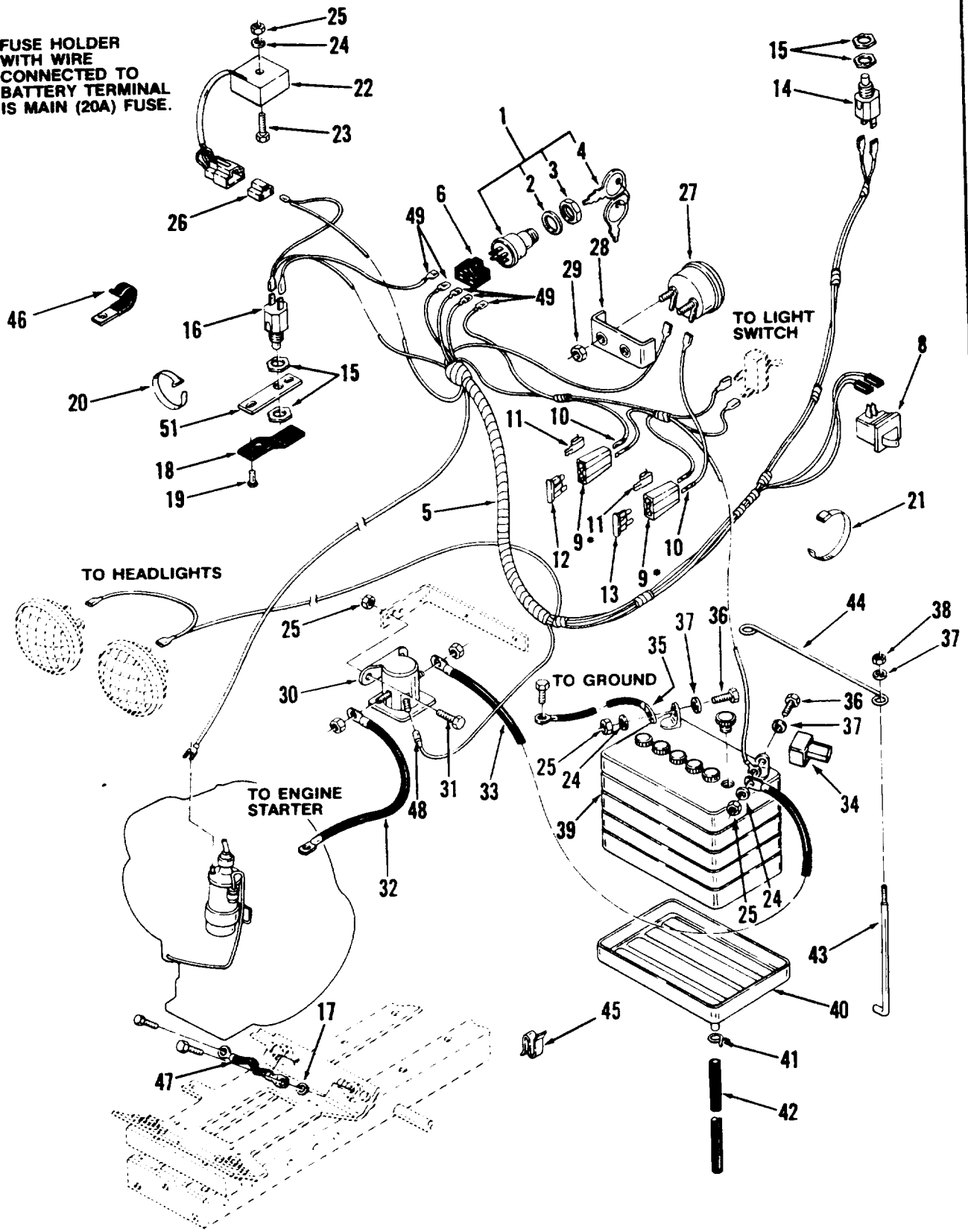


Figure 11-1 Electrical System-Single Cylinder Models



Item	Part Number	Description	Automatic	
			Mechanical	
<b>Figure 11-1</b>				
<b>ELECTRICAL SYSTEM-SINGLE CYLINDER MODELS</b>				
1	103990	Ignition Switch .....	1	1
2	920160	Internal Tooth Lockwasher 5/8 .....	1	1
3	101884	Special Nut .....	1	1
4	7262	Ignition Key-Set of 2 .....	1	1
5	109212	Wiring Harness .....	1	1
6	105302	Connector Body-Ignition Switch - Part of 5 .....	1	1
8	103480	Interlock Switch-Transmission .....	1	1
9	109117	Single Fuse Body - Part of 5 .....	2	2
10	108995	One-Way Terminal - Part of 5 .....	4	4
11	109445	Fuse Body Clip - Part of 5 .....	2	2
12	109355	Fuse 15 AMP - ATO or ATC .....	1	1
13	109102	Fuse 25 AMP - ATO or ATC .....	1	1
14	106268	Seat Switch .....	1	1
15	8786	Nut 15/32-32 .....	4	4
16	106268	PTO Interlock Switch .....	1	1
17	920122	External Tooth Lockwasher 1/4 .....	1	1
18	105873	Switch Clip .....	1	1
19	923784	Pop Rivet .....	2	2
20	518017	Cable Tie Small C-85 Only .....	1	
21	100571	Cable Tie-Large .....	XXX	XXX
22	109313	Rectifier-Regulator .....	1	1
23	908007	Bolt 1/4-20 X 1 1/2 .....	1	1
24	920081	Lockwasher 1/4 .....	3	3
25	915111	Nut 1/4-20 .....	3	3
26	107628	Connector Body-Rectifier Regulator - Part of 5 .....	1	1
27	102046	Ammeter .....	1	1
28	102047	Back Clamp-Ammeter .....	1	1
29	5924	Nut #10-32 E.S. ....	2	2
30	108544	Solenoid .....	1	1
31	960152	Whizlock Bolt 1/4-20 X 5/8 .....	2	2
32	100335	Cable-Solenoid To Starter .....	1	1
33	4432	Cable-Battery (+) To Solenoid .....	1	1
34	109553	Terminal Cover .....	1	1
35	3660	Cable-Battery (-) To Ground .....	1	1
36	908003	Bolt 1/4-20 X 3/4 .....	2	2
37	920007	Washer 1/4 SAE .....	4	4
38	915111	Eslok Nut 1/4-20 .....	2	2
39	104962	Battery C-85 Only .....	1	
39	105842	Battery C-105, C-125, C-145 Only .....	1	1
40	106948	Battery Tray .....	1	1
41	950154	Corbin Clamp .....	1	1
42	109112	Hose .....	1	1
43	109547	Hook-Battery Hold Down .....	2	2
44	105504	Battery Hold Down Rod .....	1	1
45	3023	Clip .....	2	2
46	8830	Clip .....	1	1
47	100335	Cable-Engine Ground .....	1	1
48	518246	Push-On Terminal - Part of 5 .....	1	1
49	102651	Female Terminal 1/4 - Part of 5 .....	8	8
51	108307	Clamp - PTO Switch .....	1	1

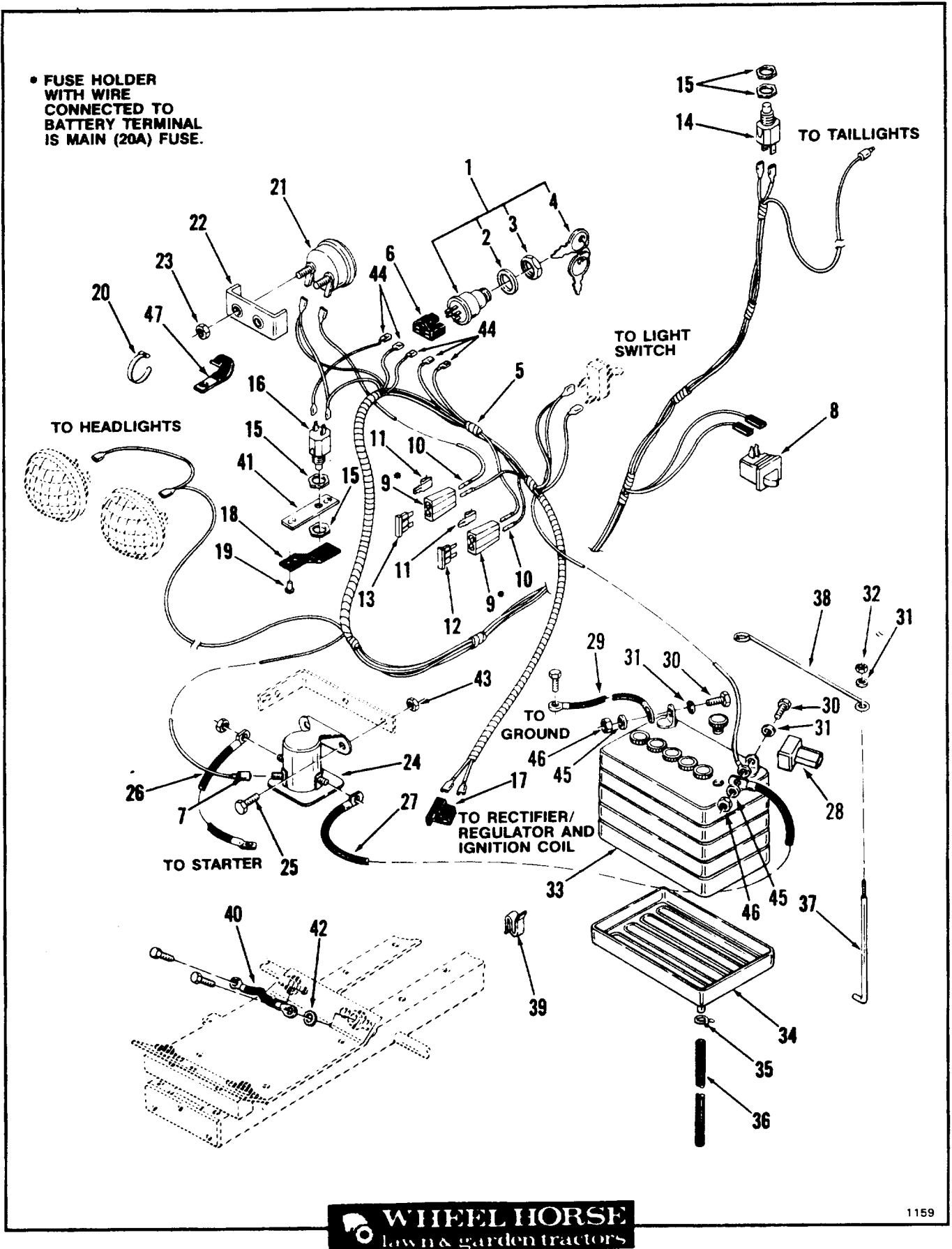


Figure 11-2

Electrical System C-175 Twin Cylinder Model

Item	Part Number	Description	Automatic	
			Mechanical	
<b>Figure 11-2</b>				
<b>ELECTRICAL SYSTEM C-175 TWIN CYLINDER MODEL</b>				
1	103990	Ignition Switch .....	1	1
2	920160	Internal Tooth Lockwasher 5/8 .....	1	1
3	101884	Special Nut .....	1	1
4	7262	Ignition Key - Set of 2 .....	1	1
5	109199	Wiring Harness .....	1	1
6	105302	Connector Body - Ignition Switch - Part of 5 .....	1	1
7	518246	Push-On Terminal - Part of 5 .....	1	1
8	103480	Interlock Switch - Transmission .....	1	1
9	109117	Single Fuse Body - Part of 5 .....	2	2
10	108995	One-Way Terminal - Part of 5 .....	4	4
11	109445	Fuse Body Clip - Part of 5 .....	2	2
12	109355	Fuse 15 AMP - ATO or ATC .....	1	1
13	109102	Fuse 25 AMP - ATO or ATC .....	1	1
14	106268	Seat Switch .....	1	1
15	8786	Nut 15/32-32 .....	4	4
16	106268	PTO Interlock Switch .....	1	1
17	109357	Connector Body - Part of 5 .....	1	1
18	105873	Switch Clip .....	1	1
19	923784	Pop Rivet 1/8 X .232 .....	2	2
20	100571	Cable Tie .....	XXX	XXX
21	102046	Ammeter .....	1	1
22	102047	Back Clamp - Ammeter .....	1	1
23	5924	Nut #10-32 E.S. ....	2	2
24	108544	Solenoid .....	1	1
25	960152	Whizlock Bolt 1/4-20 X 5/8 .....	2	2
26	106860	Cable - Solenoid To Starter .....	1	1
27	4432	Cable - Battery (+) To Solenoid .....	1	1
28	109553	Terminal Cover .....	1	1
29	3660	Cable - Battery (-) To Ground .....	1	1
30	908003	Bolt 1/4-20 X 3/4 .....	2	2
31	920007	Washer 1/4 SAE .....	4	4
32	915111	Eslok Nut 1/4-20 .....	4	4
33	105842	Battery .....	1	1
34	106948	Battery Tray .....	1	1
35	950154	Corbin Clamp .....	1	1
36	109112	Hose .....	1	1
37	109547	Hook - Battery Hold Down .....	1	1
38	105504	Battery Hold Down Rod .....	1	1
39	3023	Clip .....	1	1
40	100335	Engine Ground .....	1	1
41	108307	Clamp - PTO Switch .....	1	1
42	920122	External Tooth Lockwasher 1/4 .....	2	2
43	915111	Eslok Nut 1/4 .....	2	2
44	102651	Female Terminal 1/4 - Part of 5 .....	8	8
45	920083	Lockwasher 1/4 .....	2	2
46	915111	Nut 1/4-20 .....	2	2
47	8830	Clip .....	1	1

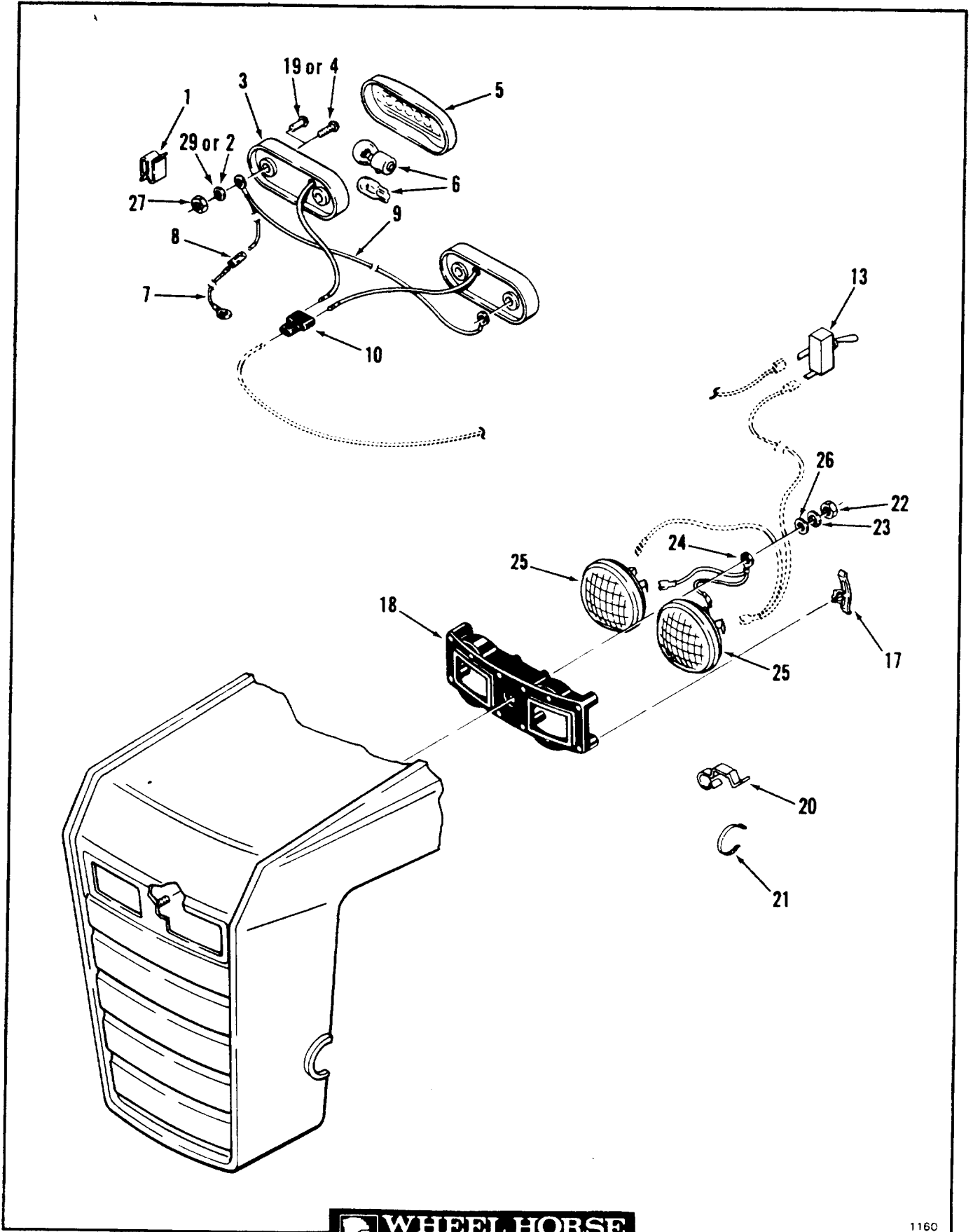


Figure 11-3 Head and Tail Lights

Item	Part Number	Description	Automatic	
			Mechanical	
		<b>Figure 11-3 HEAD AND TAIL LIGHTS</b>		
1	3023	Clip-Small .....	XXX	XXX
2	920079	Lockwasher #10 C-175 Only .....	4	4
3	105202	Taillight Base W/Bulb C-175 Only .....	2	2
4	910808	Screw #10-32 X 5/8 .....	4	4
5	102884	Taillight Lens C-175 Only .....	2	2
6	8043	Light Bulb - Metal Base C-175 Only (Automotive #1895) .....	2	2
6	109045	Light Bulb - All Glass C-175 Only (Automotive #194) .....	2	2
7	107399	Wire Assy C-175 Only .....	1	1
8	6922	Connector C-175 Only .....	1	1
9	108218	Taillight Wire C-175 Only .....	1	1
10	7618	Connector 3-Wire C-175 Only .....	1	1
13	102138	Light Switch .....	1	1
17	108911	Clamp .....	8	8
18	108036	Retainer-Headlight .....	1	1
19	109193	Poprivet 3/16 X .57 Aluminum .....	4	4
20	8519	Clip-Large .....	XXX	XXX
21	100571	Cable Tie .....	XXX	XXX
22	915112	Nut 5/16-18 .....	1	1
23	920155	Lockwasher 5/16 .....	1	1
24	108130	Headlight Ground Wire .....	2	2
25	102881	Headlight .....	1	1
26	920008	Washer 5/16 SAE .....	4	4
27	915551	Nut #10-32 .....	4	4
28	920004	Washer #8 (Use With Poprivet) .....	4	4

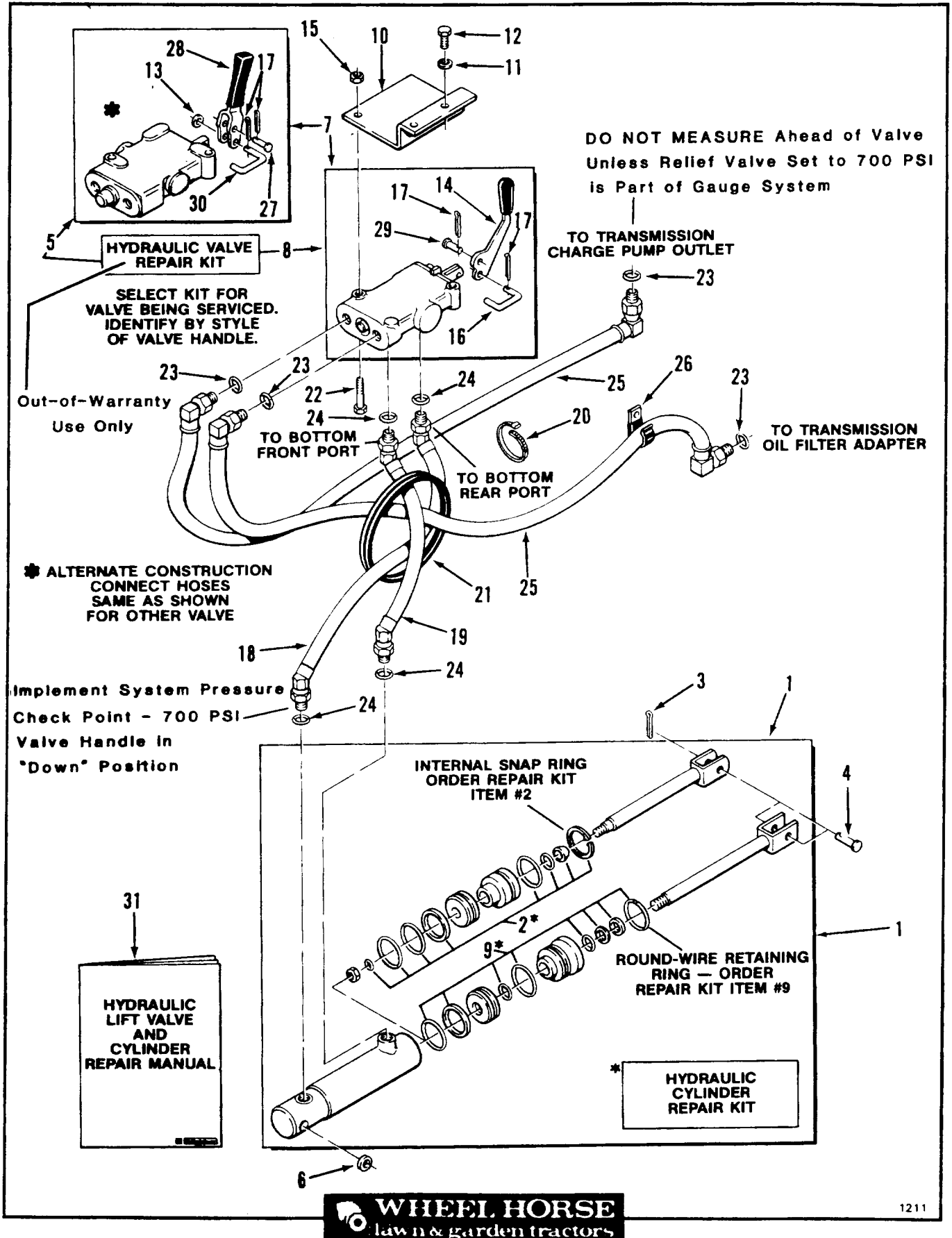


Figure 12-1

Hydraulic System

Item	Part Number	Description	Automatic	
			Mechanical	
<b>Figure 12-1 HYDRAULIC SYSTEM</b>				
1	108872	Hydraulic Cylinder .....		1
2	101699	S.A. Cylinder Repair Kit .....		1
3	932017	Cotter Pin 1/8 X 1 .....		1
4	932997	Clevis Pin 1/2 X 1 1/4 .....		1
5	109084*	S.A. Valve Repair Kit .....		1
6	4064	Spacer .....		1
7	110068	Hydraulic Valve .....		1
8	109081*	S.A. Valve Repair Kit .....		1
9	109088	S.A. Cylinder Repair Kit .....		1
10	110097	Mounting Bracket .....		1
11	920082	Lockwasher 5/16 .....		2
12	908017	Bolt 5/16-18 X 3/4 .....		2
13	920004	Washer #8 SAE .....		1
14	109083	S.A. Valve Handle .....		1
15	915111	Esllok Nut 1/4-20 .....		2
16	109082	C-Hook .....		1
17	932000	Cotter Pin 1/16 X 1/2 .....		2
18	106420	Hose-Valve To Cylinder .....		1
19	106421	Hose-Valve To Cylinder .....		1
20	100571	Cable Tie .....		XXX
21	106267	Rubber Grommet .....		1
22	908008	Bolt 1/4-20 X 1 3/4 .....		2
23	973370	O-Ring .....		4
24	973310	O-Ring .....		4
25	110096	Hose-Transmission To Valve .....		2
26	8830	Hose Clamp .....		1
27	932917	Clevis Pin 3/16 X 5/8 .....		1
28	109086	Valve Handle .....		1
29	932120	Clevis Pin 1/4 SAE .....		1
30	109085	Link Wire .....		1
31	810242R2	Repair Manual .....		1
<p>*Use Out-of-Warranty Only. Replace Complete Valve Assembly During Warranty Period.</p>				

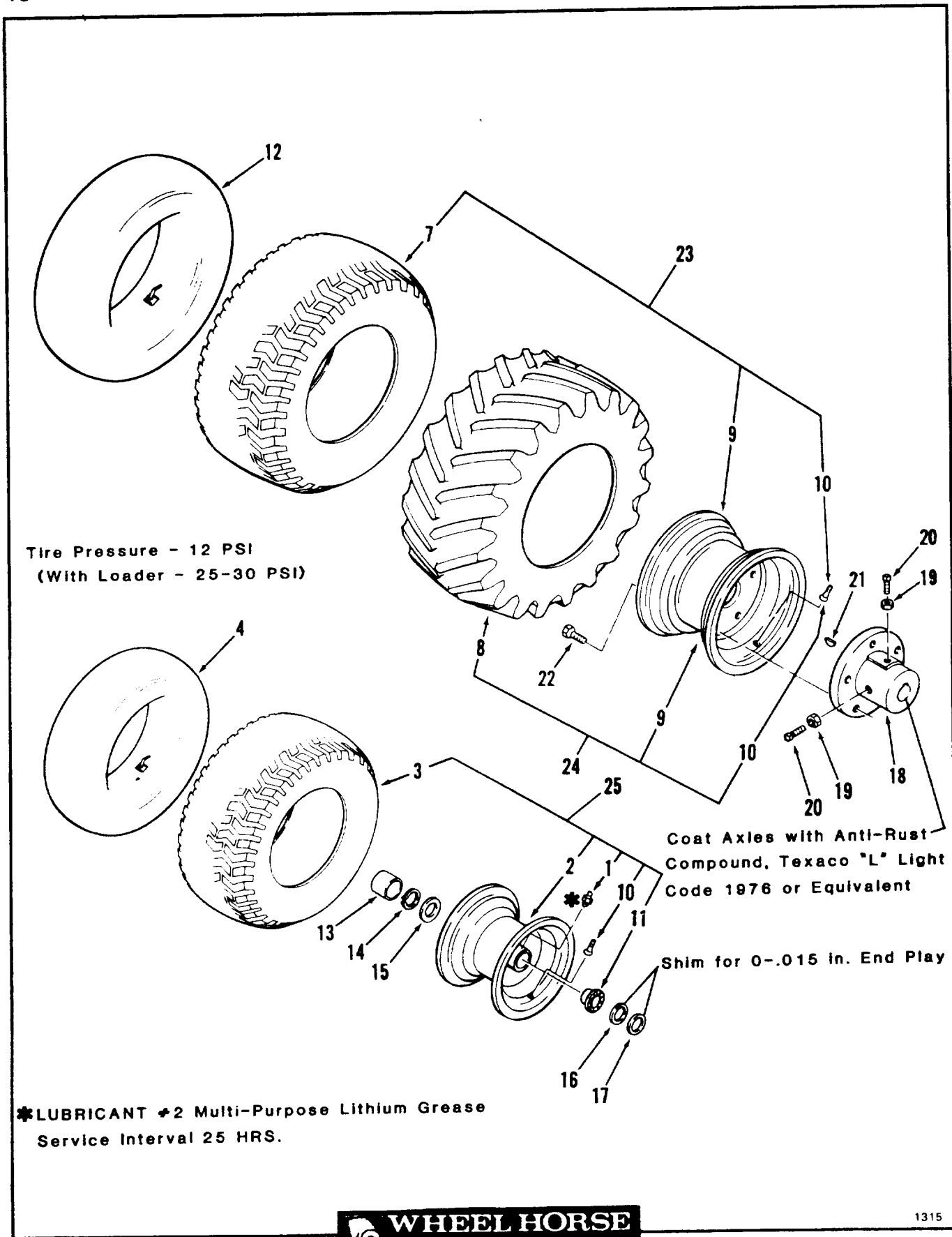


Figure 13-1

Wheels and Tires



Item	Part Number	Description	Automatic	
			Mechanical	
<b>Figure 13-1 WHEELS AND TIRES</b>				
1	1030	Grease Fitting .....	2	2
2	105882	Front Wheel (Includes Item 1) .....	2	2
3	9792	Front Tire 16X6.50-8 .....	2	2
4	105293	Tube-Service Only .....	2	2
7	5434	Rear Tire 23X8.50-12 Turf C-85, C-105, C-125 Only .....	2	
7	102786	Rear Tire 23X9.50-12 Turf C-145, C-175 Twin Only .....	2	2
8	7607	Rear Tire 23X8.50-12 Cleat .....	2	2
9	5433	Rear Wheel .....	2	2
10	5108	Valve Stem .....	4	4
11	108483	Ball Bearing .....	4	4
12	7007	Tube-Service Only .....	2	2
13	103565	Hub Cap (White) .....	2	2
13	109154	Hub Cap (Black) .....	2	2
14	104822	Special Heavy Duty Snap Ring .....	2	2
15	109114	Special Hubcap Washer .....	2	2
16	1278	Shim Washer 3/4 X .050 .....	XXX	XXX
17	5210	Shim Washer 3/4 X .015 .....	XXX	XXX
18	105763	Hub-Rear Wheel .....	2	2
19	915236	Jam Nut 3/8-16 .....	4	4
20	909554	Set Screw 3/8-16 X 1 Sq HD .....	4	4
21	937108	Woodruff Key 1/4 X 1 3/8 .....	2	2
22	1004	Lug Bolt .....	10	10
23	5432	Rear Wheel and Tire Assy Turf C-85, C-105, C-125 Only .....	2	
23	102785	Rear Wheel and Tire Assy Turf C-145, C-175 Twin Only .....	2	2
24	106688	Right Rear Wheel and Tire Assy - Cleat .....	1	1
24	106689	Left Rear Wheel and Tire Assy - Cleat .....	1	1
25	105881	Front Wheel and Tire Assy .....	2	2

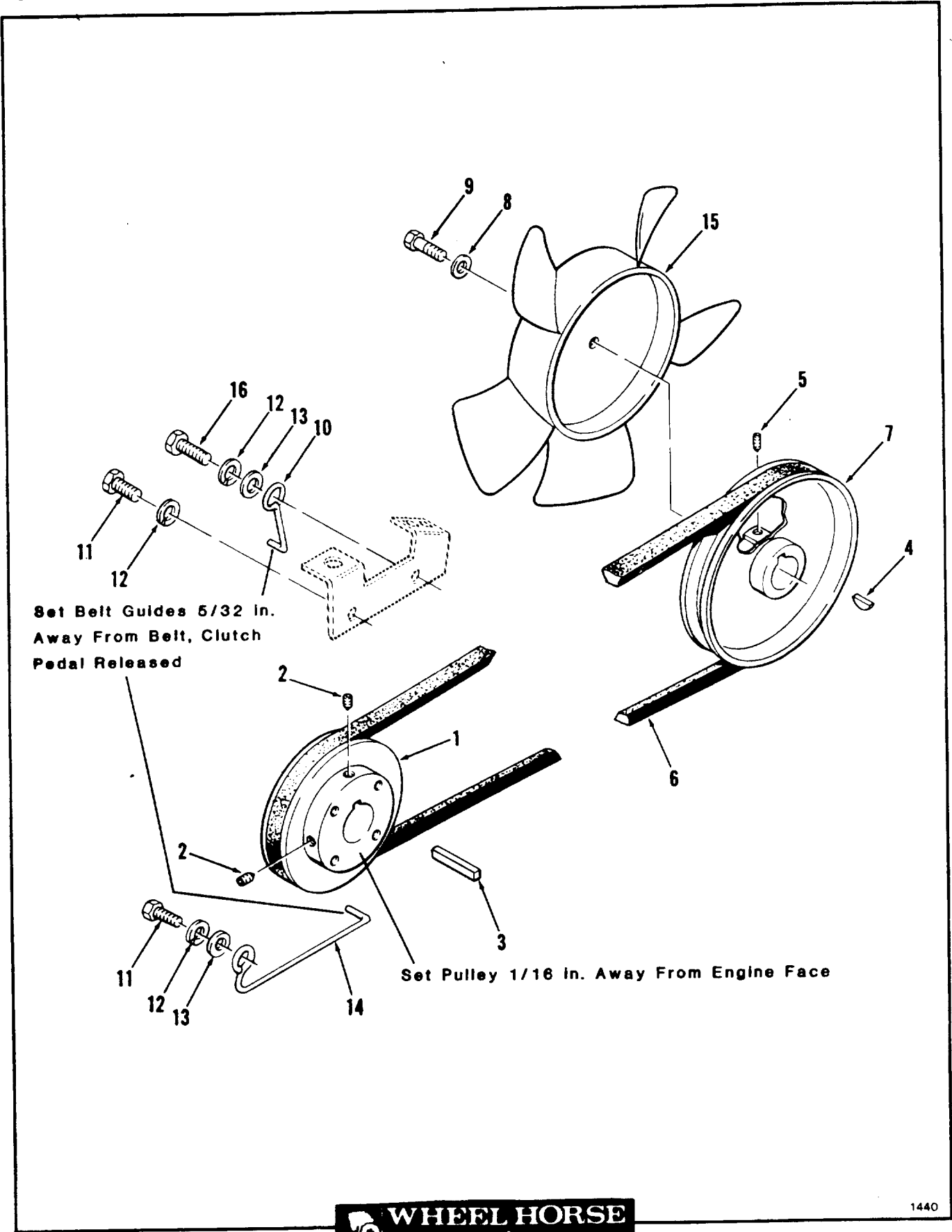


Figure 14-1 Drive Belt and Pulleys

Item	Part Number	Description	Automatic	
			Mechanical	
<b>Figure 14-1 DRIVE BELT AND PULLEYS</b>				
1	7466	Engine Drive Pulley C-105, C-125, C-175 Twin Only	1	
1	101875	Engine Drive Pulley C-85 Only	1	1
1	7443	Engine Drive Pulley C-145, C-175 Twin Only	2	2
2	909862	Eslok Set Screw 5/16-18 X 5/16	1	1
3	105453	Key 1/4 X 1/4 X 5/8	1	
4	937221	Hi-Pro Key 5/8 X 21/32		1
4	937089	Woodruff Key 3/16 X 3/4 Hardened	1	
5	909540	Eslok Set Screw 5/16-18 X 1/2	1	
6	7473	Drive Belt C-85, C-105, C-125 Only	1	
6	107939	Drive Belt C-175 Twin Only		1
6	108501	Drive Belt C-145 Only		1
6	108502	Drive Belt C-175 Twin Only	1	
7	106165	Transmission Drive Pulley		1
7	108316	Transmission Drive Pulley		1
8	103995	Washer		1
9	908002	Eslok Bolt 1/4-20 X 5/8	1	1
10	107640	Belt Guide-Top	2	2
11	908047	Bolt 7/16-14 X 1 1/4 C-105, C-125, C-145, C-175 Twin Only	2	2
11	908032	Bolt 3/8-16 X 3/4 C-85 Only	3	3
12	920084	Lockwasher 7/16 C-105, C-125, C-145, C-175 Twin Only	3	
12	920083	Lockwasher 3/8 C-85 Only	2	2
13	920010	Washer 7/16 C-105, C-125, C-145, C-175 Twin Only	2	
13	920009	Washer 3/8 C-85 Only	1	1
14	107638	Belt Guide-Bottom C-105, C-125, C-145, C-175 Twin Only	1	
14	109835	Belt Guide - Bottom C-85 Only		1
15	108393	Fan	1	
16	908035	Bolt 3/8-16 X 1 1/4 C-85 Only	1	1
16	908047	Bolt 7/16-14 X 1 1/4 C-105, C-125, C-145, C-175 Twin Only		

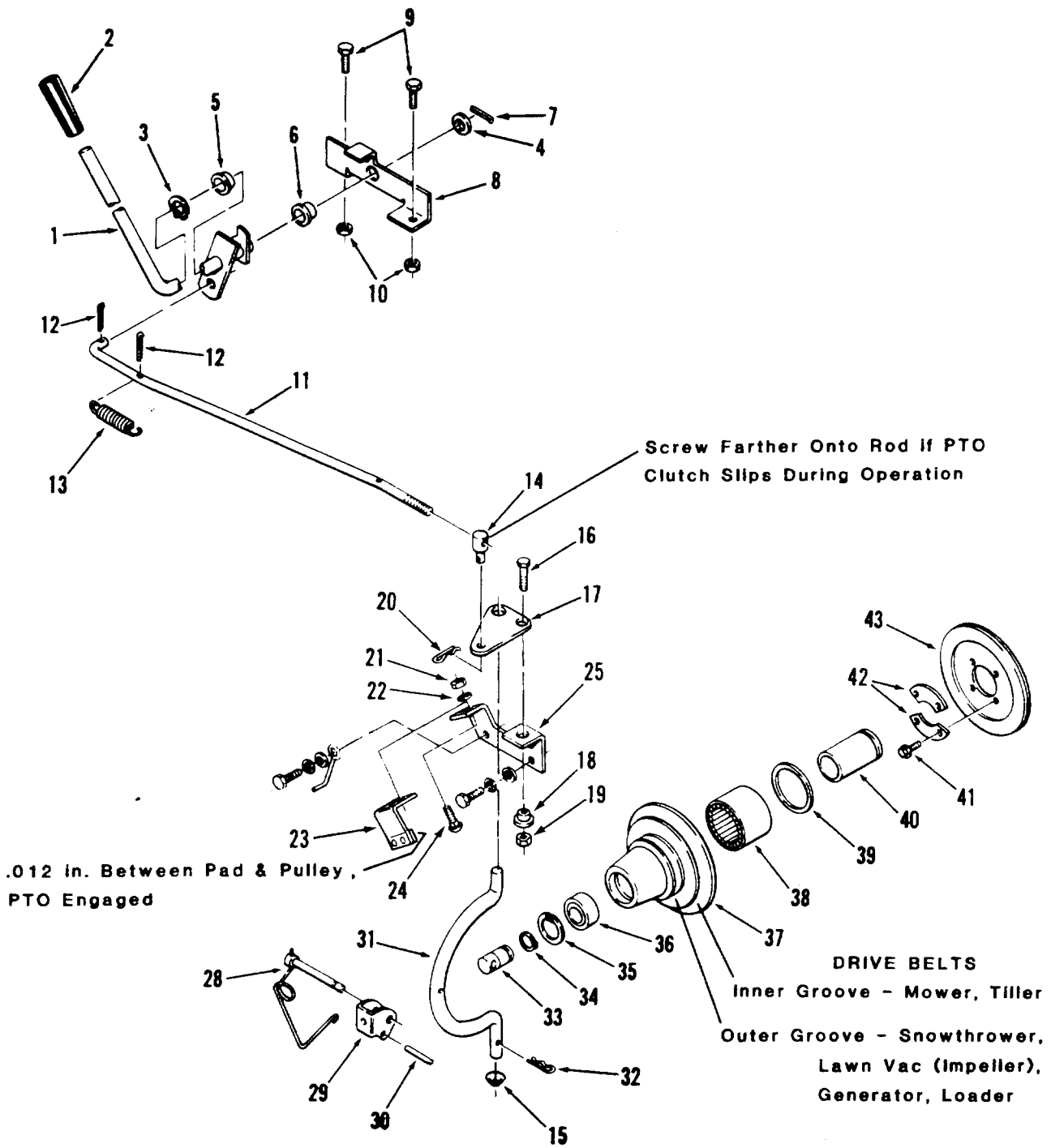


Figure 14-2 PTO Clutch and Control

Item	Part Number	Description	Automatic	
			Mechanical	
<b>Figure 14-2 PTO CLUTCH AND CONTROL</b>				
1	109042	PTO Clutch Lever .....	1	1
2	9038	Grip .....	1	1
3	106649	Grip Ring .....	1	1
4	3765	Shim Washer .....	1	1
5	5666	Nyliner Bushing .....	1	1
6	5983	Bushing .....	1	1
7	932016	Cotter Pin 1/8 X 3/4 .....	1	1
8	106359	PTO Clutch Support Bracket .....	1	1
9	908016	Bolt 5/16-18 X 5/8 .....	2	2
10	915112	Esllok Nut 5/16-18 .....	2	2
11	108826	PTO Clutch Rod .....	1	1
12	932016	Cotter Pin 1/8 X 3/4 .....	2	2
13	103125	Spring .....	1	1
14	101161	Trunnion .....	1	1
15	106695	Push Nut C-175 Twin Only .....	1	1
16	908034	Bolt 3/8-16 X 1 .....	1	1
17	102943	PTO Plate .....	1	1
18	104859	Spacer .....	1	1
19	915113	Esllok Nut 3/8-16 .....	1	1
20	933505	Hairpin Cotter .....	1	1
21	915111	Esllok Nut 1/4-20 .....	2	2
22	920007	Washer 1/4 SAE .....	2	2
23	104730	PTO Brake Assy .....	1	1
24	900015	Carriage Bolt 1/4-20 X 1 .....	2	2
25	104729	Engine Bracket C-105, C-125, C-145, C-175 Twin Only .....	1	1
25	104732	Engine Bracket C-85 Only .....	1	
28	105850	Locking Pin .....	1	1
29	106693	Clevis .....	1	1
30	933274	Spirol Pin 5/32 X 1 3/8 .....	1	1
31	108825	PTO Housing Rod C-85, C-105, C-125, C-145 Only .....	1	1
31	108890	PTO Housing Rod C-175 Twin Only .....	1	1
32	933506	Hairpin Cotter .....	1	1
33	102872	Stub Shaft .....	1	1
34	936125	Snap Ring 3/4 External .....	1	1
35	936032	Snap Ring 1 3/4 Internal .....	1	1
36	106947	Ball Bearing .....	1	1
37	103478	Pulley Housing .....	1	1
38	106769	Needle Bearing .....	1	1
39	6663	Seal .....	1	1
40	6658	Bearing Race C-105, C-125, C-145, C-175 Twin Only .....	1	1
40	6935	Bearing Race C-85 .....	1	
41	960152	Whizlock Bolt 1/4-20 X 5/8 Esllok .....	4	4
42	6659	Retainer .....	2	2
43	103817	Clutch Plate & Facing .....	1	1

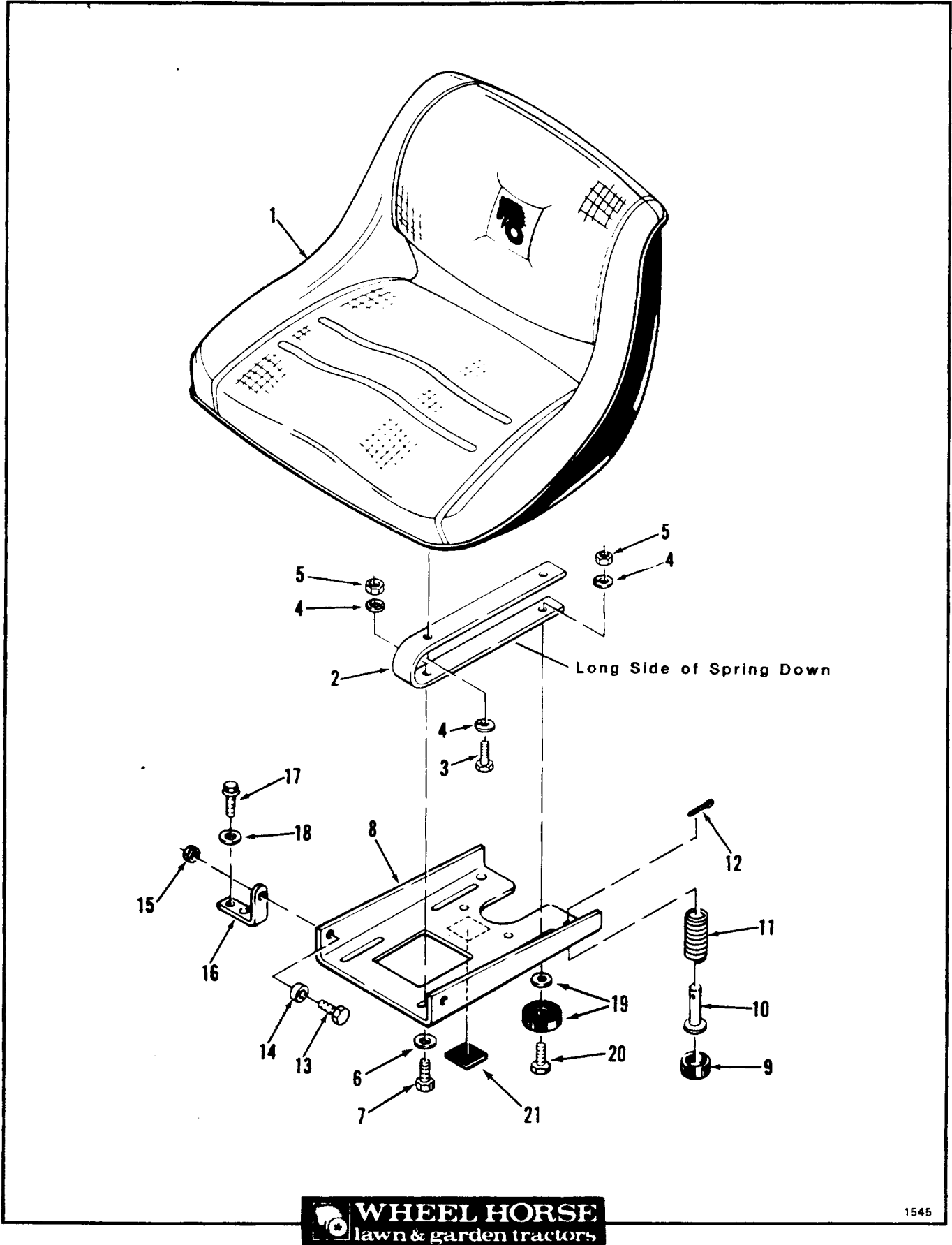


Figure 15-1 Seat

Item	Part Number	Description		
			Mechanical	Automatic
		<b>Figure 15-1</b>		
		<b>SEAT</b>		
1	105259	Seat C-85, C-105, C-125 Only .....	1	
1	109342	Seat C-145, C-175 Twin Only .....	1	1
2	103145	Seat Spring .....	2	2
3	908017	Bolt 5/16-18 X 3/4 .....	4	4
4	920082	Lockwasher 5/16 .....	8	8
5	915112	Nut 5/16-18 .....	4	4
6	920008	Washer 5/16 SAE .....	2	2
7	908018	Bolt 5/16-18 X 7/8 .....	2	2
8	108681	Seat Pivot Plate .....	1	1
9	106331	Rubber Cap .....	2	2
10	106449	Pin .....	2	2
11	104841	Spring .....	2	2
12	932008	Cotter Pin 3/32 X 3/4 .....	2	2
13	908018	Bolt 5/16-18 X 7/8 .....	2	2
14	105503	Bushing .....	2	2
15	915112	Eslok Nut 5/16-18 .....	2	2
16	105524	Pivot Bracket .....	2	2
17	926699	S.T. Bolt 5/16-18 X 1 1/2 .....		4
17	926696	S.T. Bolt 5/16-18 X 7/8 .....	4	
18	920008	Washer 5/16 SAE .....	4	4
19	108889	Bumper .....		2
19	920008	Washer 5/16 SAE .....	2	
20	908020	Bolt 5/16-18 X 1 1/4 .....		2
20	908018	Bolt 5/16-18 X 7/8 .....	2	
21	109597	Bumper .....	1	1

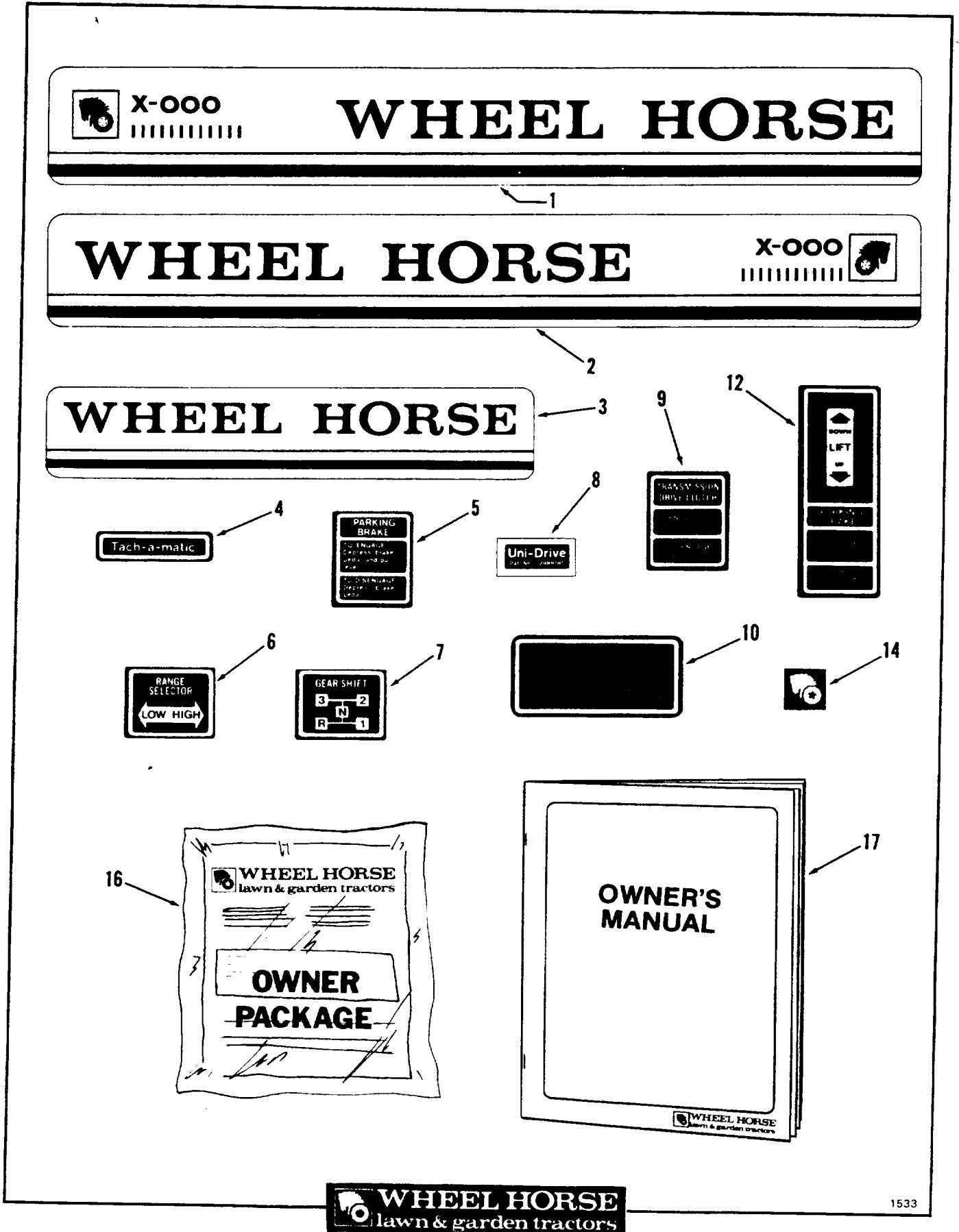
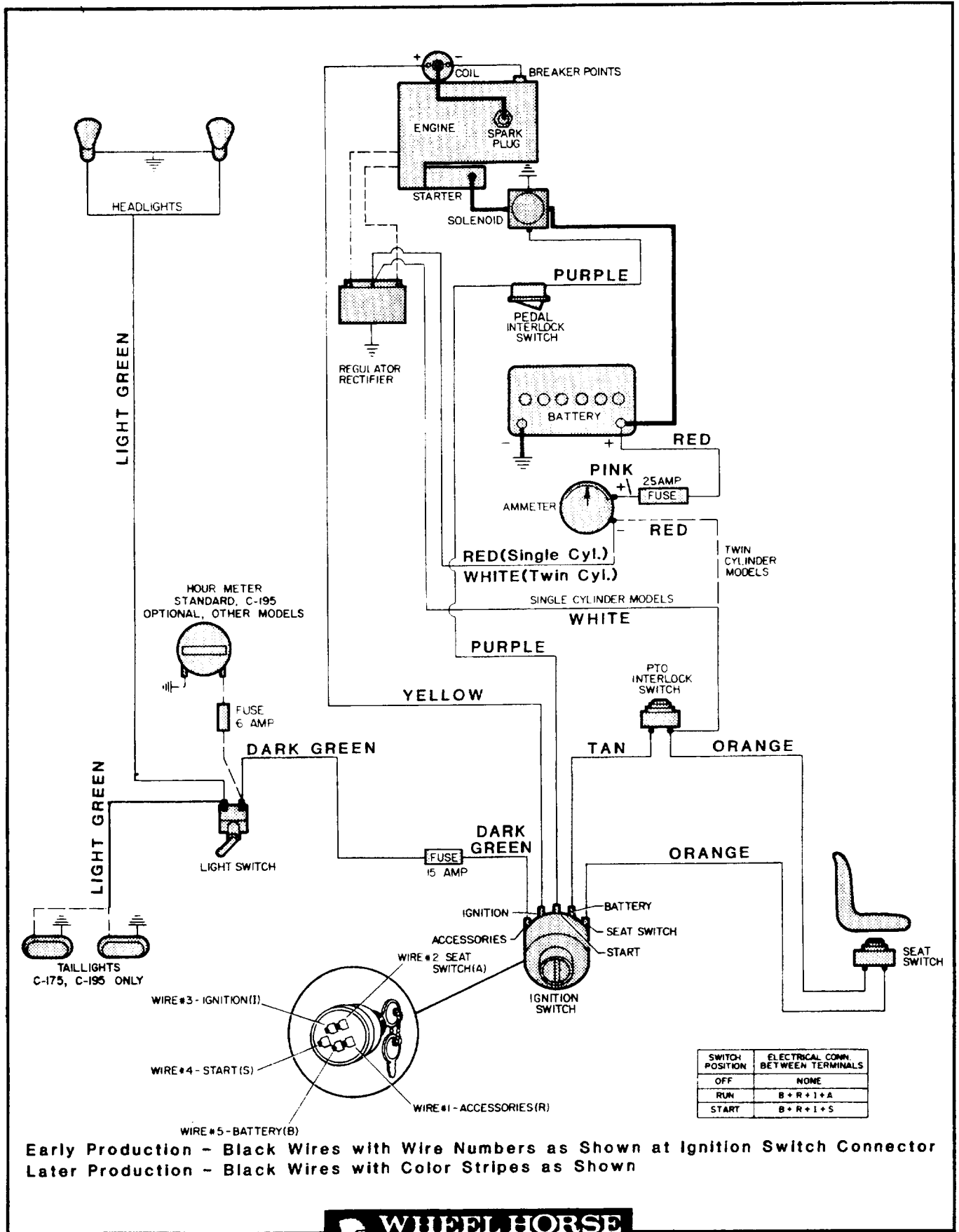


Figure 15-2 Decals and Miscellaneous



Item	Part Number	Description	Automatic	
			Mechanical	
<b>Figure 15-2</b>				
<b>DECALS AND MISCELLANEOUS</b>				
1	108093	Decal LH C-85 8-Speed .....	XXX	
1	108095	Decal LH C-105 8-Speed .....	XXX	
1	108097	Decal LH C-125 8-Speed .....	XXX	
1	108103	Decal LH C-175 Twin 8-Speed .....	XXX	
1	108107	Decal LH C-145 Automatic .....		XXX
1	108111	Decal LH C-175 Twin Automatic .....		XXX
2	108092	Decal RH C-85 8-Speed .....	XXX	
2	108094	Decal RH C-105 8-Speed .....	XXX	
2	108096	Decal RH C-125 8-Speed .....	XXX	
2	108102	Decal RH C-175 Twin 8-Speed .....	XXX	
2	108106	Decal RH C-145 Automatic .....		XXX
2	108110	Decal RH C-175 Twin Automatic .....		XXX
3	108580	Decal-Rear .....	1	1
4	106722	Decal-Tach-A-Matic .....	1	1
5	106603	Decal-Parking Brake .....	1	
6	108710	Decal-Hi-Lo Shift .....	1	
7	108709	Decal-4 Speed Shift .....	1	
8	104955	Decal-Uni Drive .....	1	
9	106604	Decal-Transmission Clutch .....		1
10	106727	Decal-Maintenance .....		1
12	106725	Decal-Parking Brake & Lift .....		1
14	251053	Decal-Hood .....	1	1
16	803359	Loose Parts Package C-85 Only .....	XXX	
16	803360	Loose Parts Package C-105, C-125, C-145 Only .....	XXX	XXX
16	803361	Loose Parts Package C-175 Twin Only .....	XXX	XXX
17	810302R1	Tractor Owner's Manual .....	XXX	XXX


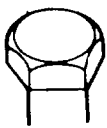
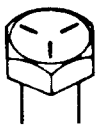




Early Production - Black Wires with Wire Numbers as Shown at Ignition Switch Connector  
 Later Production - Black Wires with Color Stripes as Shown



Figure 17-1 Wiring Diagram

## TORQUE SPECIFICATIONS

BOLT HEAD MARKINGS	BOLT BODY SIZE In. - Thread	SAE GRADE 1 or 2		SAE GRADE 5		SAE GRADE 6 or 7		SAE GRADE 8	
		Torque		Torque		Torque		Torque	
		Ft-Lb	Nm	Ft-Lb	Nm	Ft-Lb	Nm	Ft-Lb	Nm
<p>Manufacturer's marks may vary. Three-line markings on heads shown below, for example, indicate SAE Grade 5.</p>     	1/4-20 -28	5 6	6.8 8.1	8 10	10.8 13.6	10 13.6	12 14	16.2 19.0	
	5/16-18 -24	11 13	15.0 17.6	17 19	23.0 25.8	19 25.8	24 27	32.5 36.6	
	3/8-16 -24	18 20	24.4 27.1	31 35	42.0 47.5	34 46.1	44 49	59.7 66.4	
	7/16-14 -20	28 30	38.0 40.7	49 55	66.4 74.6	55 74.6	70 78	95.0 105.8	
	1/2-13 -20	39 41	52.9 55.6	75 85	101.7 115.2	85 115.2	105 120	142.4 162.7	
	9/16-12 -18	51 55	69.1 74.6	110 120	149.1 162.7	120 162.7	155 170	210.1 230.5	
	5/8-11 -18	83 95	112.5 128.8	150 170	203.3 230.5	167 226.4	210 240	284.7 325.4	
	3/4-10 -16	105 115	142.4 155.9	270 295	366.1 400.0	280 379.6	375 420	508.4 569.4	
	7/8- 9 -14	160 175	216.9 237.3	395 435	535.5 589.8	440 596.6	605 675	820.3 915.2	
	1- 8 -14	235 250	318.7 339.0	590 660	799.9 894.8	660 894.8	910 990	1233.8 1342.2	

## FASTENERS

- All hex bolts GRADE 5 minimum, GRADE 8 used as noted.
- All carriage bolts GRADE 1 unless otherwise noted.
- In lieu of ESLOK or E.S. nuts, use LOCTITE or lock washers with free running nuts.

## PAINT

- Red Enamel — 6 cans, order #8-0311
- Red Enamel — Quart can #5340 (Non-aerosol) \*
- Beige Enamel — 6 cans, order #8-0321
- Black Enamel — 6 cans, order #8-0334
- Pewter Enamel — 6 cans, order #8-0335
- White Enamel — 6 cans, order #8-0336

\* Thinning — use zylol (slow drying time) or toluol (fast drying time)



Part No.	Fig. No.	Part No.	Fig. No.	Part No.	Fig. No.	Part No.	Fig. No.
1001	3-2	5174	3-1	7456	8-3	101626	3-2
1004	13-1	5175	3-1	7466	14-1	101626	4-1
1030	5-1	5210	5-1	7473	14-1	101699	12-1
1030	13-1	5210	13-1	7607	13-1	101707	7-1
1085	5-1	5224	9-2	7618	11-3	101711	7-1
1085	6-1	5280	7-2	7879	6-1	101750	7-1
1085	6-3	5432	13-1	7879	6-2	101751	7-1
1121	7-2	5433	13-1	7896	5-1	101875	14-1
1230	6-2	5434	13-1	7896	6-1	101884	11-1
1239	3-2	5442	8-1	7956	4-1	101884	11-2
1243	3-1	5614	3-1	8043	11-3	101889	3-2
1278	5-1	5615	3-1	8130	7-2	101889	4-1
1278	6-1	5616	3-1	8163	3-1	102025	6-1
1278	6-3	5618	5-1	8519	11-3	102025	6-2
1278	13-1	5618	7-1	8616	7-1	102046	11-1
1481	5-1	5638	5-1	8693	6-2	102046	11-2
1504	3-1	5666	14-2	8722	6-2	102047	11-1
1516	3-1	5701	6-2	8786	11-1	102047	11-2
1518	3-1	5701	7-2	8786	11-2	102138	11-3
1518	4-1	5924	11-1	8830	7-2	102168	8-1
1523	3-1	5924	11-2	8830	10-1	102265	10-2
1529	3-1	5983	6-2	8830	11-1	102371	9-1
1531	3-1	5983	14-2	8830	11-2	102373	7-2
1532	3-1	5991	4-2	8830	12-1	102592	5-1
1532	4-1	6129	6-2	9038	14-2	102593	5-1
1533	3-1	6216	5-1	9416	3-1	102639	7-1
1533	4-1	6229	7-2	9416	4-1	102644	7-1
1538	4-1	6254	6-3	9547	3-2	102645	10-2
1542	3-1	6397	5-1	9547	4-1	102651	11-1
1644	7-1	6449	4-1	9593	6-1	102651	11-2
1813	7-1	6469	5-1	9598	6-1	102672	7-1
2844	6-1	6472	5-1	9792	13-1	102747	6-3
2844	6-3	6542	7-2	9840	3-1	102785	13-1
2879	10-1	6658	14-2	100304	6-2	102786	13-1
3023	11-1	6659	14-2	100305	4-2	102809	6-1
3023	11-2	6663	14-2	100309	4-2	102809	6-2
3023	11-3	6820	6-1	100335	11-1	102872	14-2
3503	3-1	6922	11-3	100335	11-2	102881	11-3
3517	3-2	6935	14-2	100365	4-2	102884	11-3
3527	3-1	6941	3-1	100441	3-1	102943	14-2
3577	3-2	7007	13-1	100442	3-1	102974	3-2
3624	7-2	7201	3-1	100443	3-1	102974	4-1
3660	11-1	7204	3-1	100489	6-2	103125	6-3
3660	11-2	7205	3-1	100571	11-1	103125	14-2
3765	6-1	7206	3-1	100571	11-2	103145	15-1
3765	14-2	7207	3-1	100571	11-3	103323	6-1
3909	3-1	7208	3-1	100571	12-1	103347	6-1
3912	3-1	7209	3-2	100656	6-2	103478	14-2
3915	3-1	7213	3-2	100729	10-1	103480	11-1
4064	6-3	7214	3-2	101017	7-1	103480	11-2
4064	12-1	7262	11-1	101161	6-1	103543	6-1
4204	3-1	7262	11-2	101161	14-2	103565	13-1
4432	11-1	7269	3-1	101442	5-1	103599	6-1
4432	11-2	7418	3-1	101623	3-2	103628	6-1
4944	7-2	7434	6-2	101623	4-1	103817	14-2
5108	13-1	7443	14-1	101625	3-2	103916	3-1
5173	3-1	7451	6-1	101625	4-1	103990	11-1

## NUMERICAL INDEX

Part No.	Fig. No.	Part No.	Fig. No.	Part No.	Fig. No.	Part No.	Fig. No.
103990	11-2	106193	6-1	106649	14-2	108096	15-2
103995	14-1	106193	6-2	106661	4-2	108097	15-2
104047	10-1	106209	8-2	106688	13-1	108102	15-2
104048	10-1	106218	7-2	106689	13-1	108103	15-2
104248	8-2	106222	8-3	106693	14-2	108106	15-2
104627	7-2	106223	8-3	106695	14-2	108107	15-2
104729	14-2	106234	10-1	106719	6-1	108110	15-2
104730	14-2	106236	8-3	106719	6-3	108111	15-2
104732	14-2	106250	8-2	106722	15-2	108116	8-1
104822	5-1	106257	7-2	106725	15-2	108117	8-1
104822	13-1	106258	7-2	106727	15-2	108118	8-1
104841	15-1	106261	8-2	106769	14-2	108130	11-3
104859	14-2	106264	8-3	106825	8-1	108134	8-1
104955	15-2	106267	12-1	106860	11-2	108218	11-3
104962	11-1	106268	11-1	106864	9-2	108307	11-1
105060	3-2	106268	11-2	106867	10-2	108307	11-2
105060	4-1	106269	7-2	106918	10-2	108309	9-1
105061	3-2	106319	6-2	106931	10-1	108309	9-2
105061	4-1	106325	6-2	106945	10-1	108310	4-1
105202	11-3	106331	15-1	106947	14-2	108311	4-1
105259	15-1	106342	8-2	106948	11-1	108312	4-1
105269	7-1	106345	7-2	106948	11-2	108315	7-2
105293	13-1	106352	8-3	107007	8-2	108316	14-1
105302	11-1	106354	7-2	107069	8-2	108317	4-2
105302	11-2	106359	14-2	107069	8-3	108319	4-2
105316	7-1	106360	6-2	107069	9-2	108320	4-2
105316	7-2	106366	3-2	107374	3-2	108323	4-2
105453	14-1	106368	6-2	107374	4-1	108325	4-2
105503	15-1	106369	6-2	107379	9-1	108326	4-2
105504	11-1	106411	7-2	107399	11-3	108327	4-2
105504	11-2	106414	7-2	107400	8-2	108329	4-2
105524	15-1	106417	6-1	107595	3-2	108332	6-2
105763	13-1	106420	12-1	107608	8-2	108333	4-2
105797	7-1	106421	12-1	107619	8-3	108335	4-2
105842	11-1	106425	9-1	107628	11-1	108357	4-1
105842	11-2	106428	10-2	107638	14-1	108358	4-1
105845	7-2	106429	10-2	107640	14-1	108359	4-1
105850	14-2	106430	9-1	107677	6-1	108361	4-1
105859	7-1	106431	9-1	107795	8-3	108362	4-1
105873	11-1	106432	9-1	107938	6-2	108363	4-1
105873	11-2	106435	9-1	107939	14-1	108364	4-2
105875	3-2	106445	10-1	107951	8-3	108365	4-2
105876	3-2	106446	4-1	107975	8-3	108366	4-2
105876	4-1	106447	3-1	107977	6-1	108368	4-2
105881	13-1	106448	3-1	108035	6-1	108369	4-1
105882	13-1	106448	4-1	108036	11-3	108378	9-1
105886	6-1	106449	15-1	108041	5-1	108393	14-1
105896	6-1	106450	6-2	108043	10-1	108464	8-3
105900	6-1	106451	6-1	108044	10-1	108472	6-2
105913	10-2	106454	8-2	108045	10-1	108473	6-2
105967	5-1	106503	9-2	108047	10-1	108483	13-1
105968	5-1	106504	9-2	108049	8-1	108496	6-2
105971	10-1	106522	7-2	108057	8-2	108501	14-1
106030	3-2	106557	8-3	108092	15-2	108502	14-1
106055	5-1	106590	10-1	108093	15-2	108509	10-1
106165	14-1	106603	15-2	108094	15-2	108510	10-1
106177	5-1	106604	15-2	108095	15-2	108537	8-2

Part No.	Fig. No.	Part No.	Fig. No.	Part No.	Fig. No.	Part No.	Fig. No.
108544	11-1	109193	8-3	900015	8-1	908038	9-1
108544	11-2	109193	11-3	900015	14-2	908040	4-1
108563	7-2	109199	11-2	900036	8-2	908040	4-2
108565	7-2	109212	11-1	900036	8-3	908042	4-1
108580	15-2	109313	11-1	900063	1-1	908043	3-1
108588	8-1	109314	8-2	908002	6-1	908047	14-1
108589	8-1	109315	8-1	908002	9-1	908143	4-1
108590	8-1	109316	1-1	908002	9-2	908143	4-2
108599	8-1	109318	9-1	908002	10-2	908144	6-3
108680	6-3	109319	9-1	908002	14-1	909540	14-1
108681	15-1	109320	7-2	908003	6-2	909554	13-1
108709	15-2	109322	8-2	908003	8-1	909848	5-1
108710	15-2	109323	8-2	908003	10-2	909848	6-1
108716	6-2	109342	15-1	908003	11-1	909848	6-3
108717	6-2	109355	11-1	908003	11-2	909862	14-1
108758	3-2	109355	11-2	908005	6-2	909885	9-1
108825	14-2	109356	6-3	908007	6-2	909885	9-2
108826	14-2	109357	11-2	908007	11-1	910808	8-3
108828	9-1	109364	6-1	908008	12-1	910808	11-3
108829	9-1	109366	6-3	908015	5-1	910837	8-2
108830	9-1	109367	4-1	908015	6-2	910837	8-3
108852	10-2	109370	4-1	908016	8-3	910837	10-1
108853	10-2	109371	6-3	908016	10-1	911423	3-2
108872	12-1	109372	6-3	908016	14-2	911423	4-1
108881	3-2	109377	4-2	908017	4-2	911429	4-2
108881	4-1	109445	11-1	908017	8-3	911738	10-1
108881	4-2	109445	11-2	908017	12-1	911747	6-2
108882	10-2	109547	11-1	908017	15-1	915002	5-1
108889	15-1	109547	11-2	908018	15-1	915083	6-2
108890	14-2	109553	11-1	908019	4-2	915111	3-2
108897	8-3	109553	11-2	908019	7-2	915111	6-2
108898	10-1	109597	15-1	908020	15-1	915111	8-1
108903	7-2	109733	5-1	908032	1-1	915111	9-1
108904	6-2	109835	14-1	908032	5-1	915111	9-2
108905	6-2	109954	8-3	908032	6-1	915111	10-2
108911	11-3	109972	9-1	908032	7-2	915111	11-1
108914	9-2	110065	9-1	908032	8-1	915111	11-2
108995	11-1	110066	6-2	908032	9-1	915111	12-1
108995	11-2	110067	10-2	908032	14-1	915111	14-2
109042	14-2	110068	12-1	908033	9-1	915112	6-2
109045	11-3	110079	9-2	908034	6-3	915112	7-2
109081	12-1	110089	9-2	908034	7-1	915112	8-2
109082	12-1	110092	8-2	908034	9-1	915112	8-3
109083	12-1	110093	8-2	908034	9-2	915112	11-3
109084	12-1	110095	8-2	908034	10-2	915112	14-2
109085	12-1	110096	12-1	908034	14-2	915112	15-1
109086	12-1	110097	12-1	908035	4-1	915113	1-1
109088	12-1	251053	15-2	908035	6-2	915113	3-1
109102	11-1	517787	10-1	908035	9-2	915113	4-1
109102	11-2	518017	10-1	908035	14-1	915113	4-2
109112	11-1	518017	11-1	908036	5-1	915113	5-1
109112	11-2	518211	8-3	908036	6-3	915113	6-1
109114	13-1	518246	11-1	908037	6-1	915113	6-2
109117	11-1	518246	11-2	908037	6-2	915113	6-3
109117	11-2	803359	15-2	908037	9-1	915113	7-1
109127	8-3	803360	15-2	908037	9-2	915113	8-1
109154	13-1	803361	15-2	908038	3-1	915113	9-1

## NUMERICAL INDEX

Part No.	Fig. No.	Part No.	Fig. No.	Part No.	Fig. No.	Part No.	Fig. No.
915113	9-2	920083	10-2	933504	7-2		
915113	10-2	920083	11-2	933505	7-1		
915113	14-2	920083	14-1	933505	14-2		
915115	4-2	920084	14-1	933506	7-2		
915234	6-2	920122	6-2	933506	14-2		
915236	13-1	920122	11-1	933507	7-2		
915551	8-3	920122	11-2	935103	9-2		
915551	11-3	920155	11-3	936032	14-2		
915663	6-1	920160	11-1	936121	4-2		
915663	6-3	920160	11-2	936125	14-2		
915663	9-1	920225	6-1	937009	4-2		
920004	8-3	920228	7-2	937089	3-1		
920004	11-3	920248	6-1	937089	14-1		
920004	12-1	920249	9-1	937099	4-1		
920007	6-2	920249	9-2	937108	13-1		
920007	8-1	923784	11-1	937221	14-1		
920007	9-2	923784	11-2	943023	9-2		
920007	10-2	923785	8-1	943322	9-2		
920007	11-1	923787	8-1	943334	9-2		
920007	11-2	923795	10-1	943341	9-1		
920007	14-2	926694	6-1	943420	3-1		
920008	7-2	926694	6-2	943460	3-1		
920008	8-3	926694	7-2	943460	4-1		
920008	11-3	926694	8-1	943460	4-2		
920008	15-1	926694	8-2	950154	11-1		
920009	6-1	926694	8-3	950154	11-2		
920009	6-2	926696	7-2	960010	9-2		
920009	6-3	926696	8-3	960151	10-1		
920009	8-2	926696	10-1	960152	9-2		
920009	9-1	926696	15-1	960152	11-1		
920009	9-2	926698	8-3	960152	11-2		
920009	10-2	926699	15-1	960152	14-2		
920009	14-1	932000	12-1	973310	12-1		
920010	14-1	932001	6-2	973370	12-1		
920011	4-2	932008	6-1	979120	7-1		
920011	6-1	932008	6-3	810242R2	12-1		
920011	6-2	932008	15-1	810243R1	4-1		
920017	7-2	932016	6-1	810243R1	4-2		
920038	8-3	932016	7-2	810302R1	15-2		
920039	6-2	932016	14-2	A-1392	3-2		
920039	6-3	932017	6-3				
920039	10-1	932017	12-1				
920079	8-3	932035	5-1				
920079	11-3	932120	12-1				
920081	6-1	932917	12-1				
920081	10-1	932997	12-1				
920081	10-2	933148	7-2				
920081	11-1	933156	3-1				
920082	4-2	933184	3-2				
920082	5-1	933190	6-1				
920082	10-1	933221	5-1				
920082	12-1	933230	7-2				
920082	15-1	933267	6-1				
920083	1-1	933268	7-2				
920083	7-2	933274	14-2				
920083	9-1	933503	6-3				
920083	9-2	933504	6-1				

Product information and specifications are shown herein as of the time of printing. Wheel Horse Products, Inc. reserves the right to change product specifications, designs and standard equipment without notice and without incurring obligation.



**WHEEL HORSE**  
lawn & garden tractors

515 West Ireland Road, P.O. Box 2649, South Bend, Indiana 46880