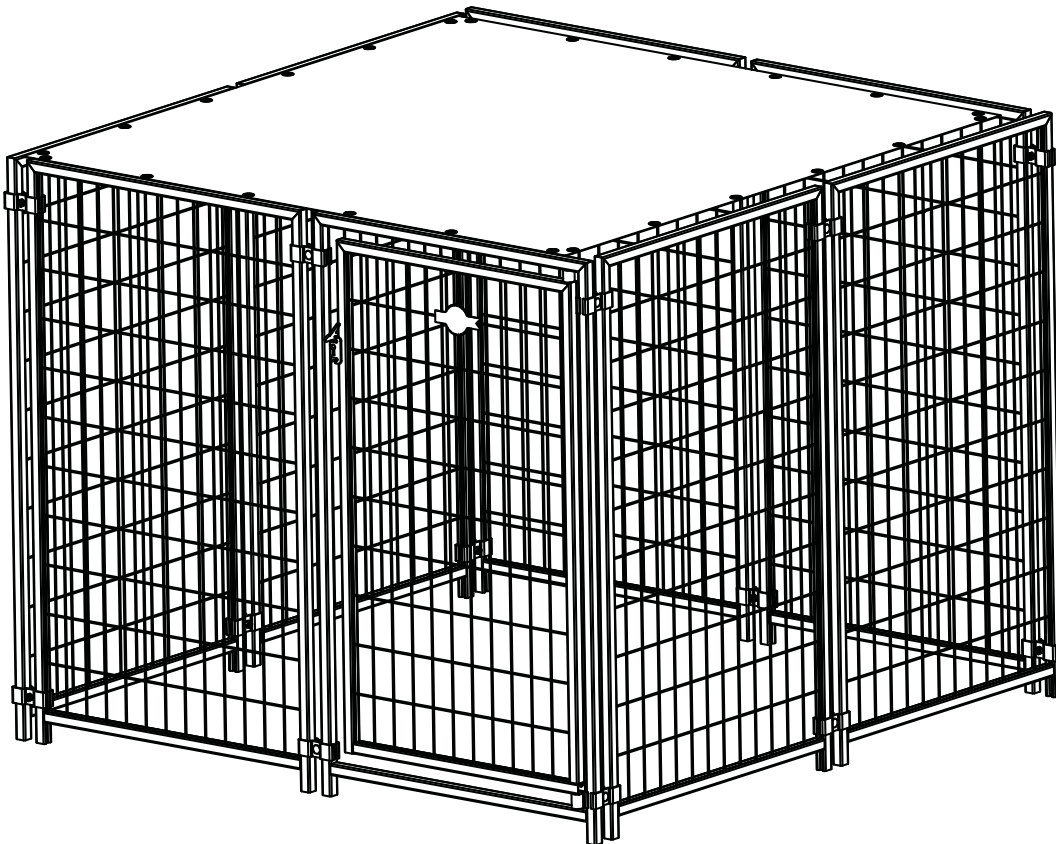


PetSafe®

Cottageview Dog Kennel™

Assembly Instructions Instructions d'assemblage Instrucciones de montaje

Please read this entire guide before assembly.
Veuillez lire entièrement le guide avant assemblage.
Por favor, lea completamente esta guía antes de armar.



Dog Kennel

5 ft. (W) x 5 ft. (L) x 4 ft. (H)

Enclos carré

1.52m(W) x 1.52m(L) x 1.23m(H)

Caseta cuadrada

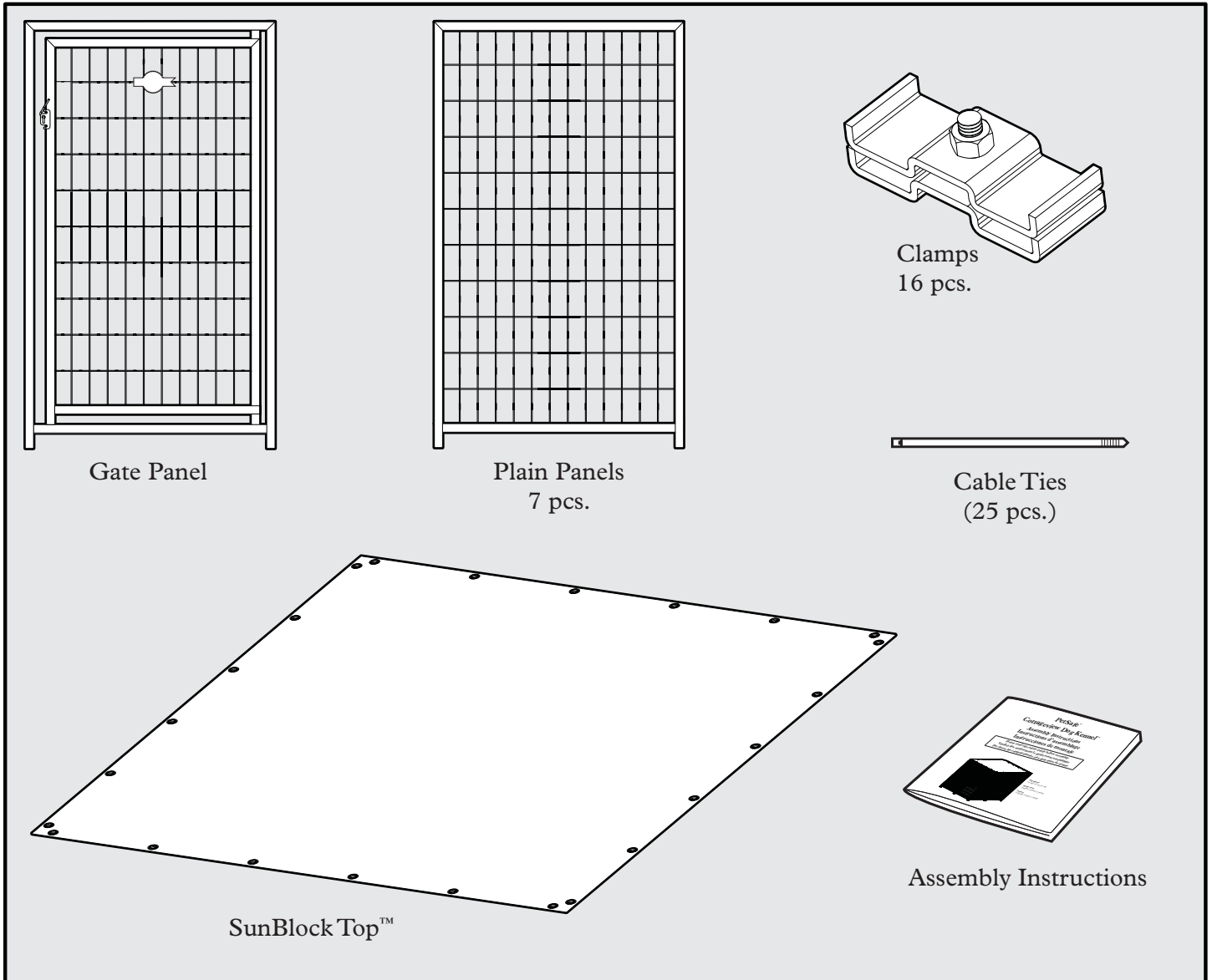
1.52m(W) x 1.52m(L) x 1.23m(H)

Thank you for choosing PetSafe®. The relationship you have with your pet is the focus of everything we do. If you have questions about, or are dissatisfied with, any of our products, please contact the Customer Care Center at 1-888-632-4453 or visit our website at www.petsafe.net.

Table of Contents

Components.....	3
Tools Needed	3
Determine Position of Gate Panel.....	4
Assemble Kennel.....	4
Install SunBlock Top™	5
Caution.....	6
Terms of Use and Limitation of Liability	6
Français	7
Español	12

Components



Tools Needed

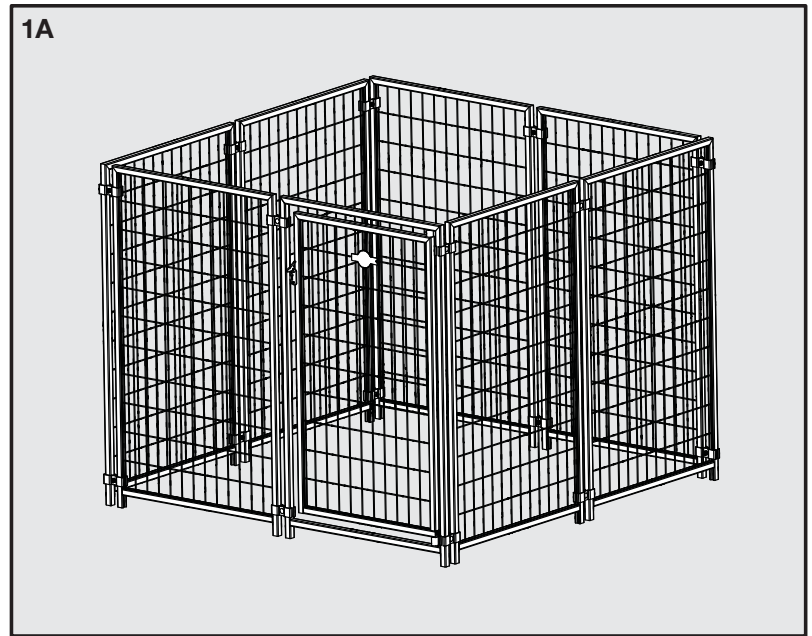
- ½ inch wrench
- Wire cutters

Kennel assembles easily in less than one hour.

Step 1 Determine Position of Gate Panel

1

Position the gate panel so that the PetSafe® logo plate is on the outside of the kennel. Gate panel can be positioned on right or left side of kennel. For ease of use, it is recommended that the gate panel be positioned on the right side (1A).

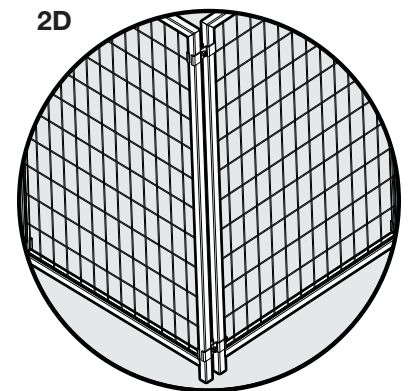
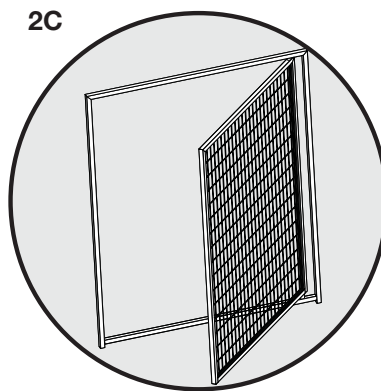
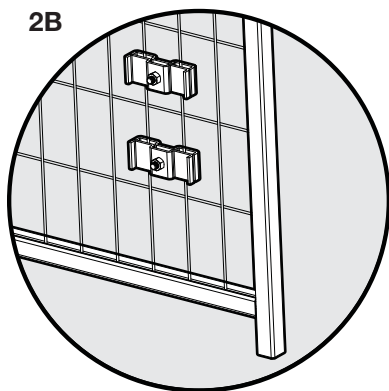
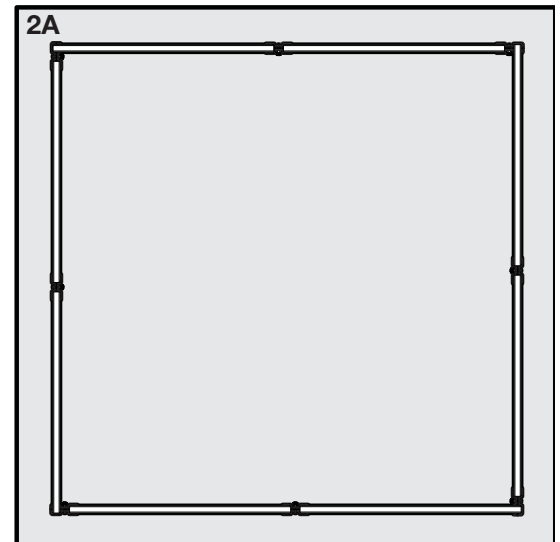


Step 2 Assemble Kennel

2

Important: The SunBlock Top™ will fit best if the kennel is assembled in a perfect square. Please assemble the panels as noted in illustration (2A).

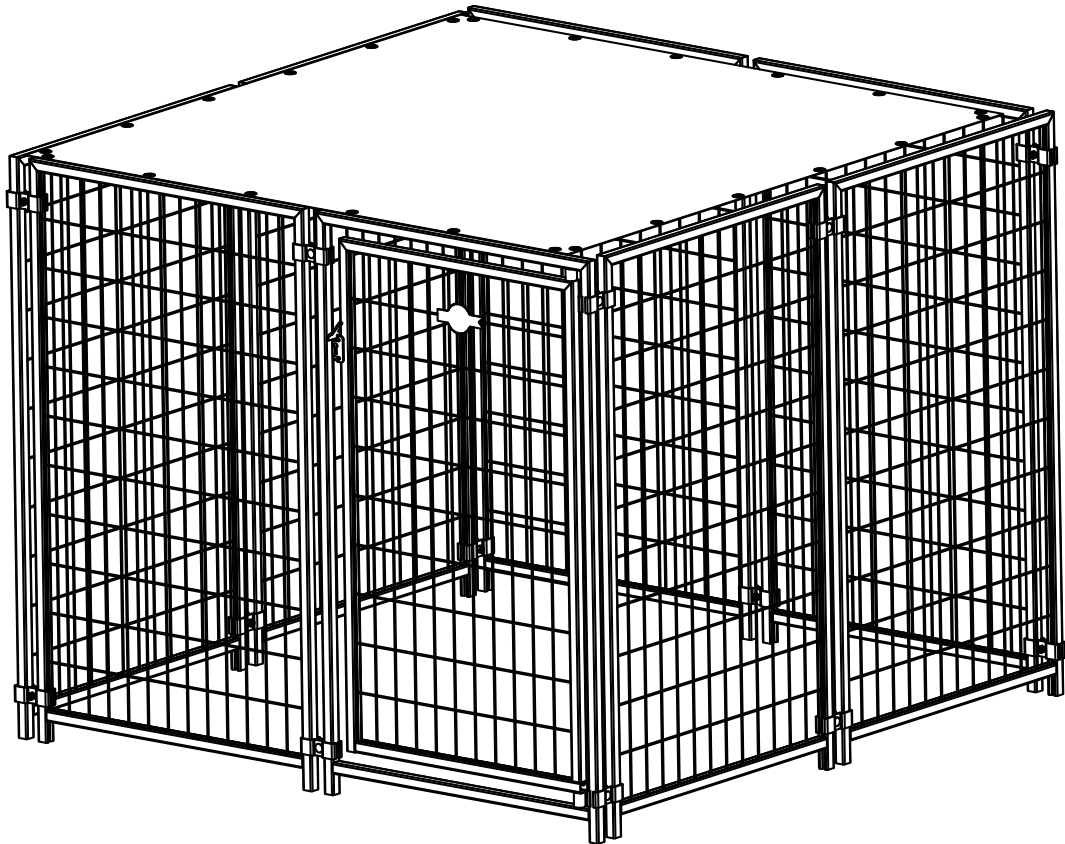
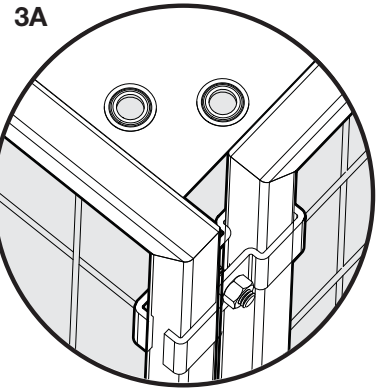
1. Using a wrench, remove the two kennel clamps that are attached to the wire mesh of each of the kennel panels (2B).
2. Support gate panel with gate door by opening gate door at a 45 degree angle. This will allow gate panel to stand upright unassisted (2C).
3. Using a wrench and two of the supplied kennel clamps, attach a plain panel to the gate panel. Position one clamp approximately 4 inches from the top of the kennel and one clamp approximately 6 inches from the bottom of the kennel. For the safety of your dog, attach clamp so that nut is on the outside of the kennel. See (2D) for clamp and panel orientation.
4. Continue connecting remaining plain panels using wrench and two clamps per connection.



Step 3 Install SunBlock Top™

1. Using eight of the enclosed cable ties, loosely attach the SunBlock Top™ at the corner grommets to the top rail corners of the kennel (3A).
2. Using the remaining cable ties, loosely attach the sides of the SunBlock Top to the sides of the kennel.
3. Hand tighten all cable ties equally until SunBlock Top fits snug over kennel. Using wire cutters, cut off excess stems of cable ties.

Note: Kennel can be locked



Expand your kennel by purchasing additional panels

Caution

While this product is a solid barrier, Radio Systems® Corporation CANNOT guarantee that the Kennel will, in all cases, keep a pet within the established boundary. Not all pets can be trained for containment. Therefore, if you have reason to believe that your pet may pose a danger to others or harm himself if he is not kept from exiting the product, you should NOT rely solely upon the PetSafe® Kennel to contain your pet. Radio Systems Corporation shall NOT be liable for any property damage, economic loss or any consequential damages sustained as a result of any animal exiting the system. If you are unsure whether this is appropriate for your pet, please consult your veterinarian or certified trainer. This product is designed for use with pets only.

Terms of Use and Limitation of Liability

1. Terms of Use

This Product is offered to you conditioned upon your acceptance without modification of the terms, conditions and notices contained herein. Usage of this Product implies acceptance of all such terms, conditions, and notices.

2. Proper Use

This Product is designed for use with pets where training is desired. The specific temperament of your pet may not work with this Product. If you are unsure whether this is appropriate for your pet, please consult your veterinarian or certified trainer.

3. No Unlawful or Prohibited Use

This Product is designed for use with pets only. This pet training device is not intended to harm, injure or provoke. Using this Product in a way that is not intended could result in violation of Federal, State or local laws.

4. Limitation of Liability

In no event shall Radio Systems Corporation® be liable for any direct, indirect, punitive, incidental, special or consequential damages, or any damages whatsoever arising out of or connected with the use or misuse of this Product. Buyer assumes all risks and liability from the use of this Product.

5. Modification of Terms and Conditions

Radio Systems Corporation reserves the right to change the terms, conditions and notices under which this Product is offered.