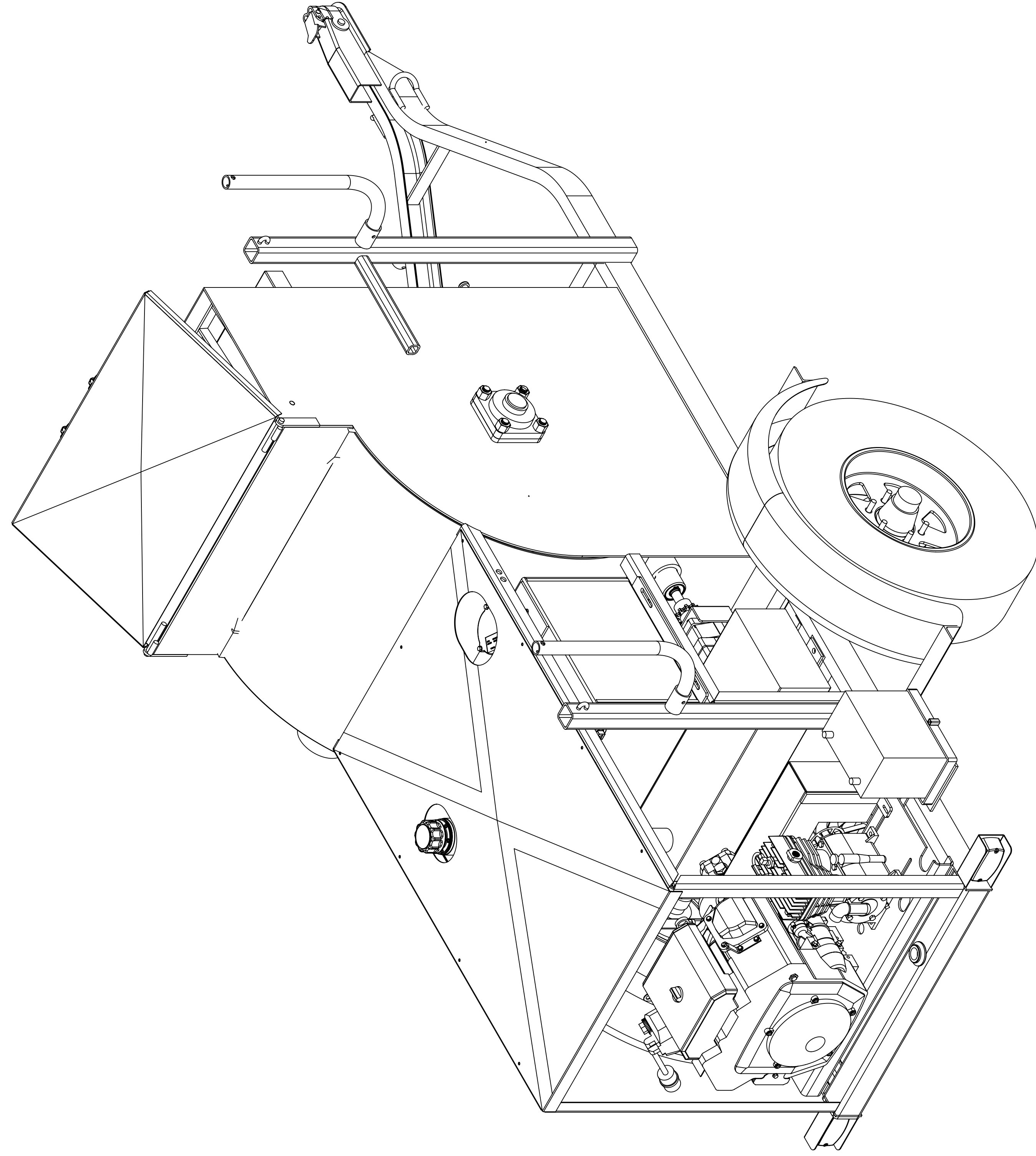


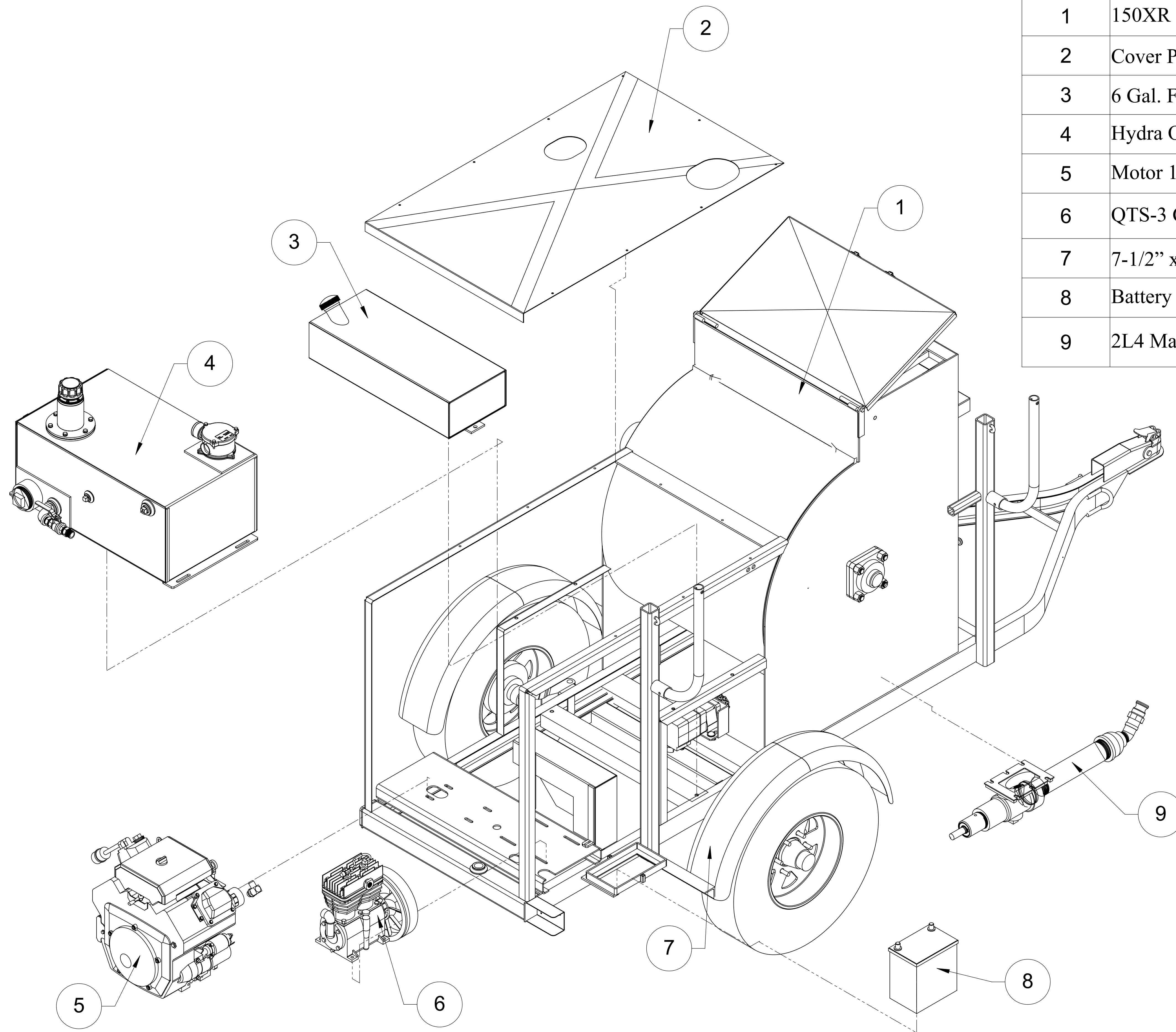
PARTS LISTING

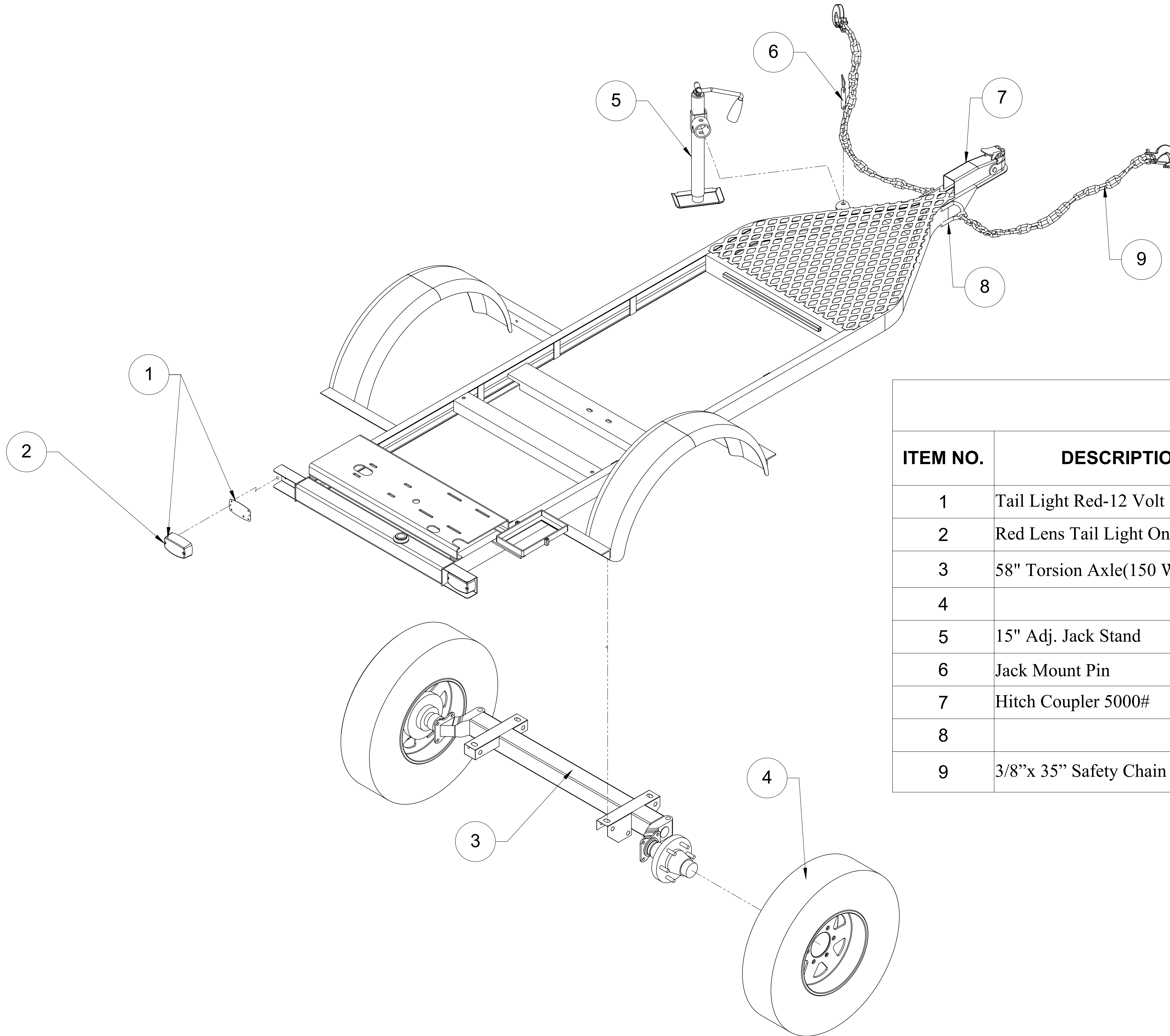
Wildcat



150 Wildcat Assembly

ITEM NO.	DESCRIPTION	PART NUMBER	QTY.
1	150XR Tank Assembly	See Pg.	1
2	Cover Plate	204163	1
3	6 Gal. Fuel Tank	See Pg.	1
4	Hydra Oil Tank	See Pg.	1
5	Motor 18 HP Assembly	See Pg.	1
6	QTS-3 Compressor Assembly	See Pg.	1
7	7-1/2" x 33" Fender	204032	2
8	Battery	408018-A	1
9	2L4 Material Pump Assembly	See Pg.	1

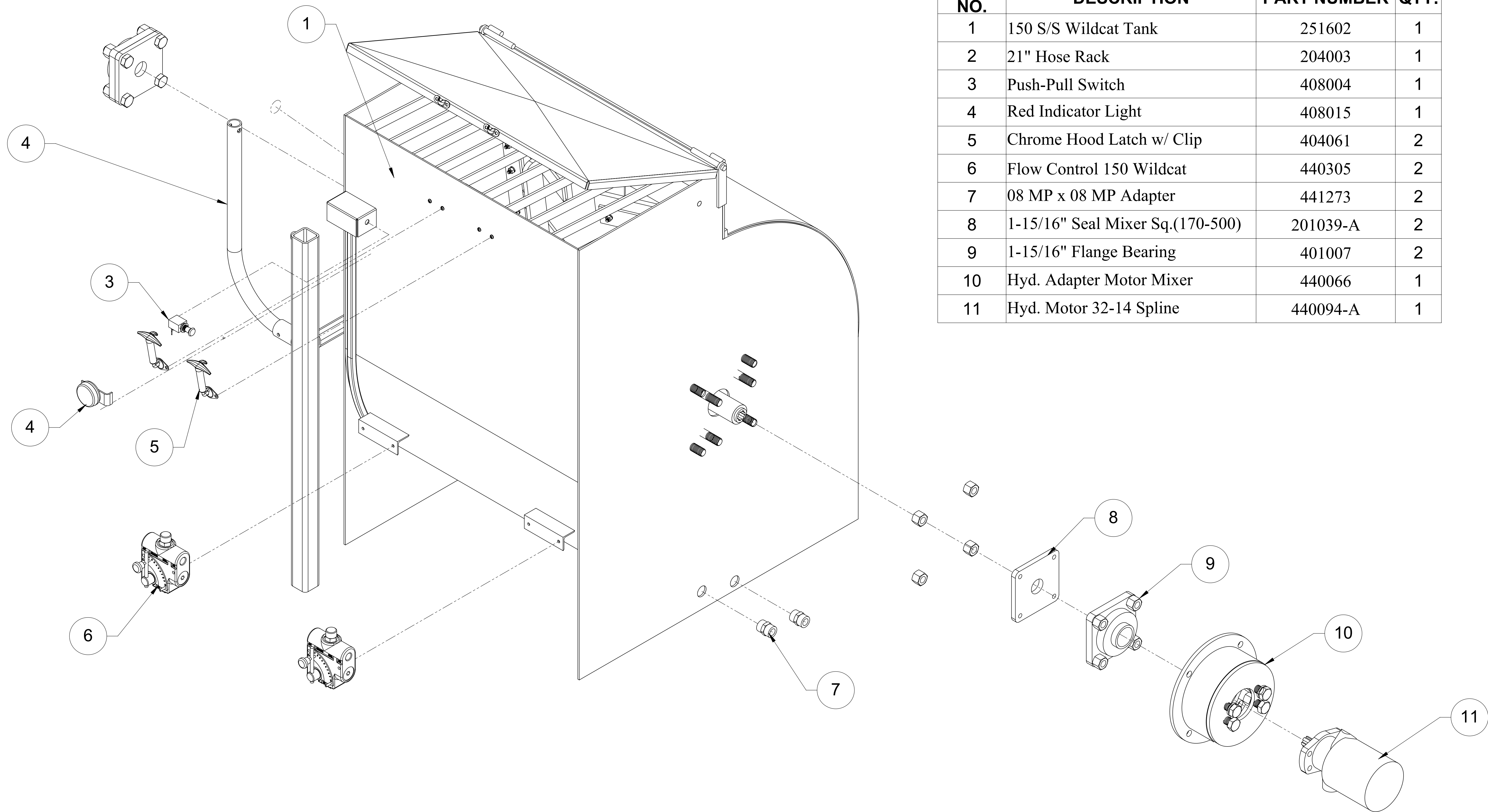


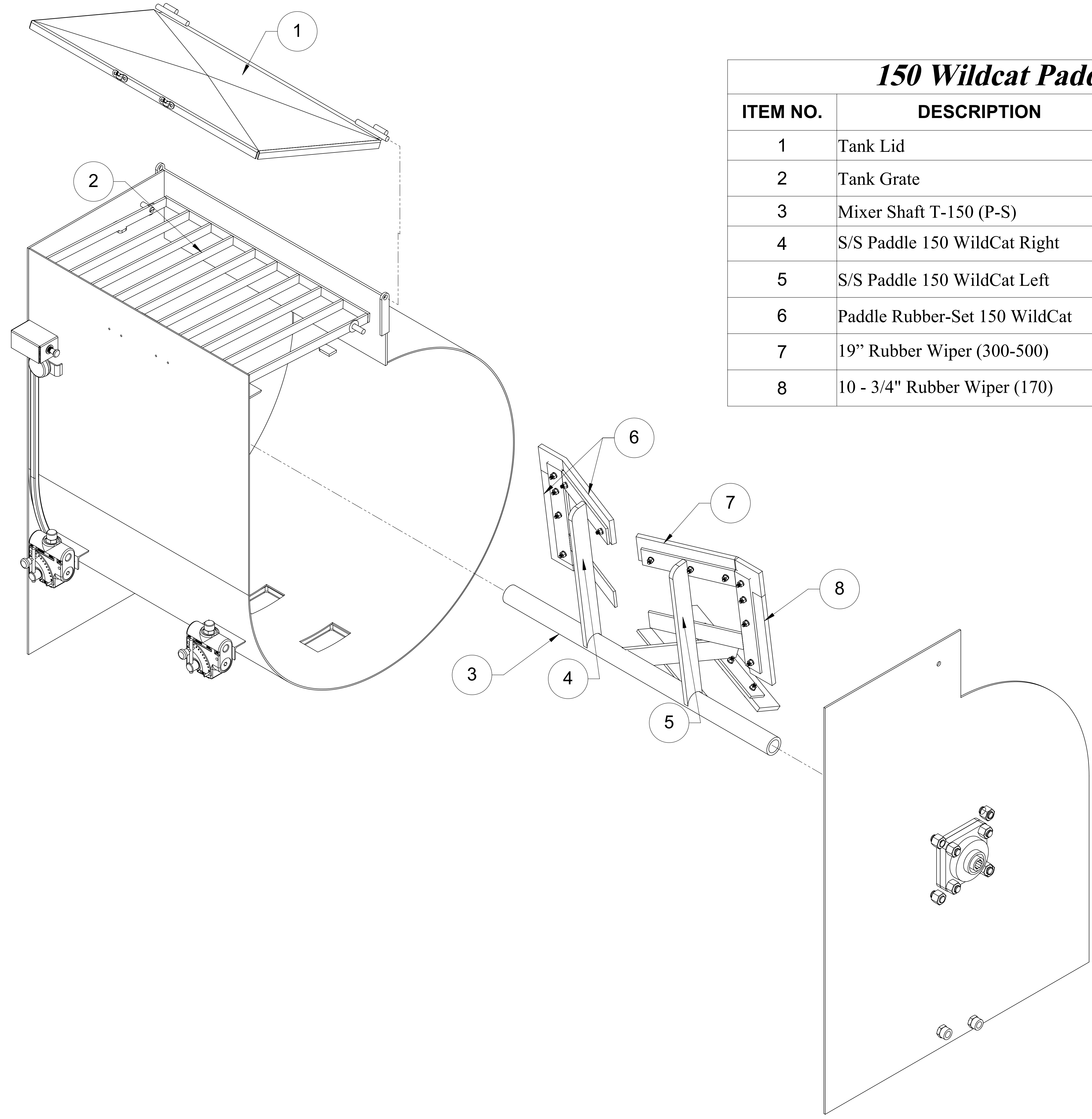


ITEM NO.	DESCRIPTION	PART NUMBER	QTY.
1	Tail Light Red-12 Volt	408016	2
2	Red Lens Tail Light Only	408017	2
3	58" Torsion Axle(150 Wildcat)	204071	1
4		404102	2
5	15" Adj. Jack Stand	404003-A	1
6	Jack Mount Pin	404004-A	1
7	Hitch Coupler 5000#	404001	1
8		204055	2
9	3/8"x 35" Safety Chain W/Hook	404113	2

150 Wildcat Material Tank

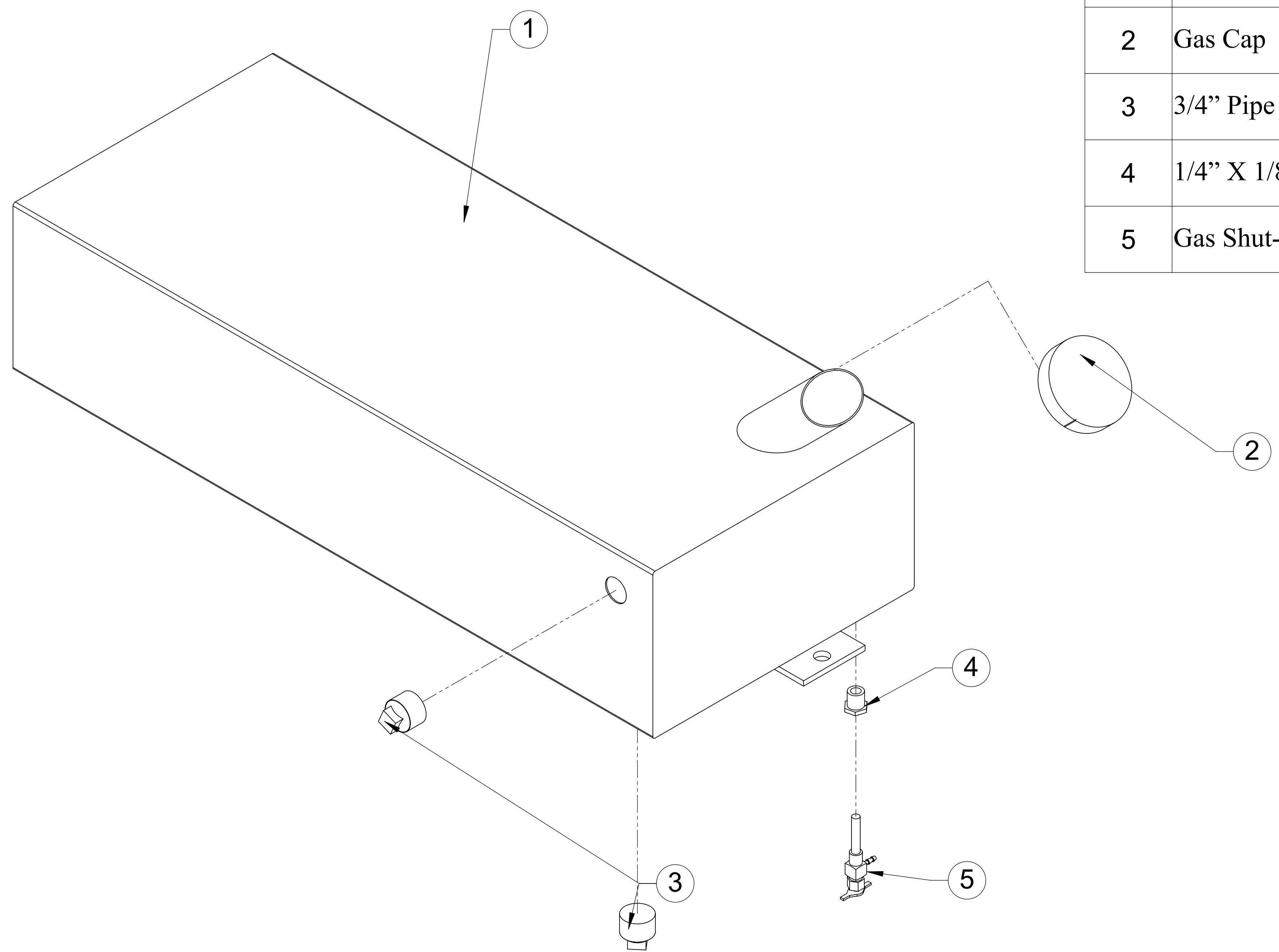
ITEM NO.	DESCRIPTION	PART NUMBER	QTY.
1	150 S/S Wildcat Tank	251602	1
2	21" Hose Rack	204003	1
3	Push-Pull Switch	408004	1
4	Red Indicator Light	408015	1
5	Chrome Hood Latch w/ Clip	404061	2
6	Flow Control 150 Wildcat	440305	2
7	08 MP x 08 MP Adapter	441273	2
8	1-15/16" Seal Mixer Sq.(170-500)	201039-A	2
9	1-15/16" Flange Bearing	401007	2
10	Hyd. Adapter Motor Mixer	440066	1
11	Hyd. Motor 32-14 Spline	440094-A	1



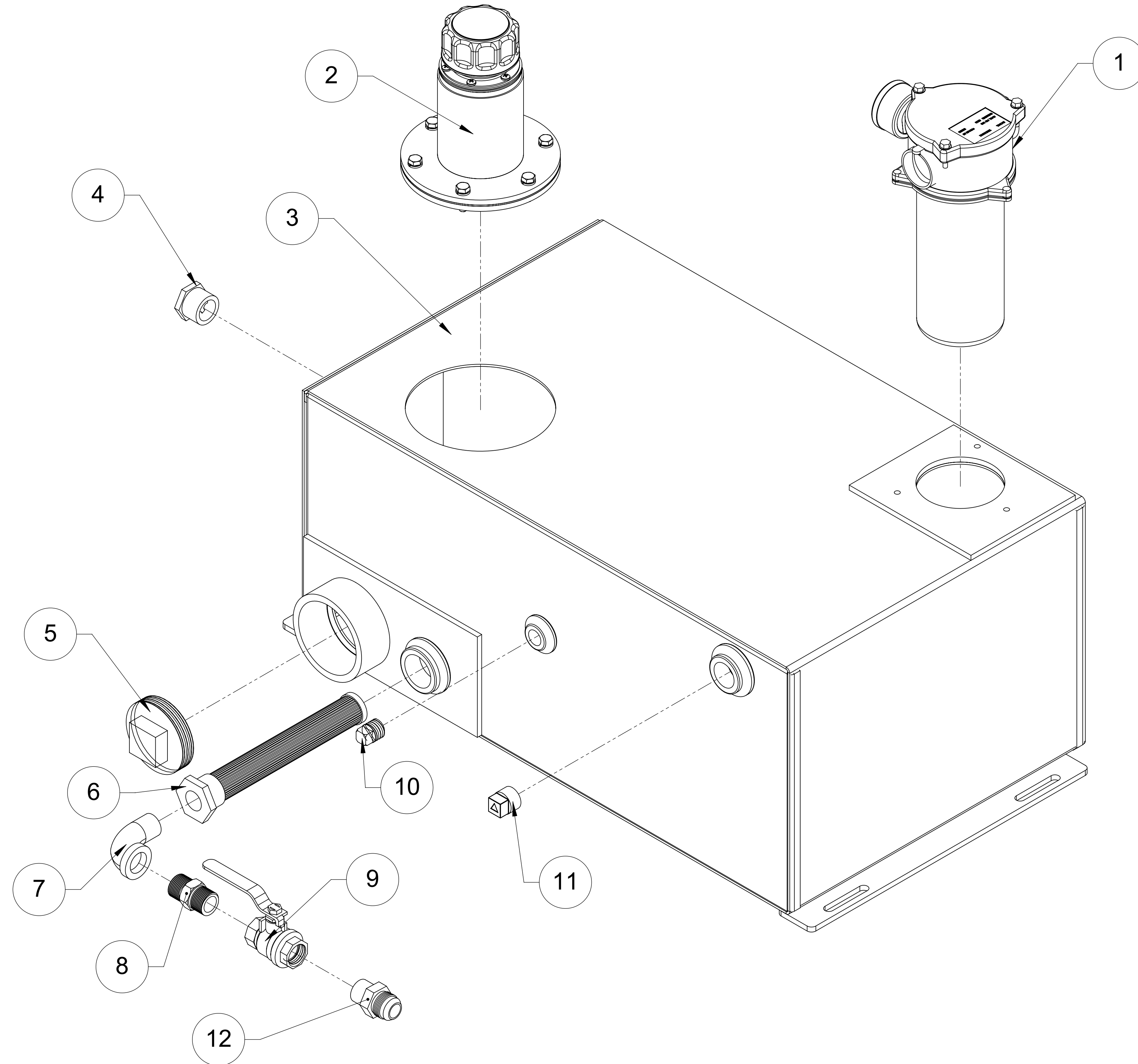


150 Wildcat Paddle Assembly

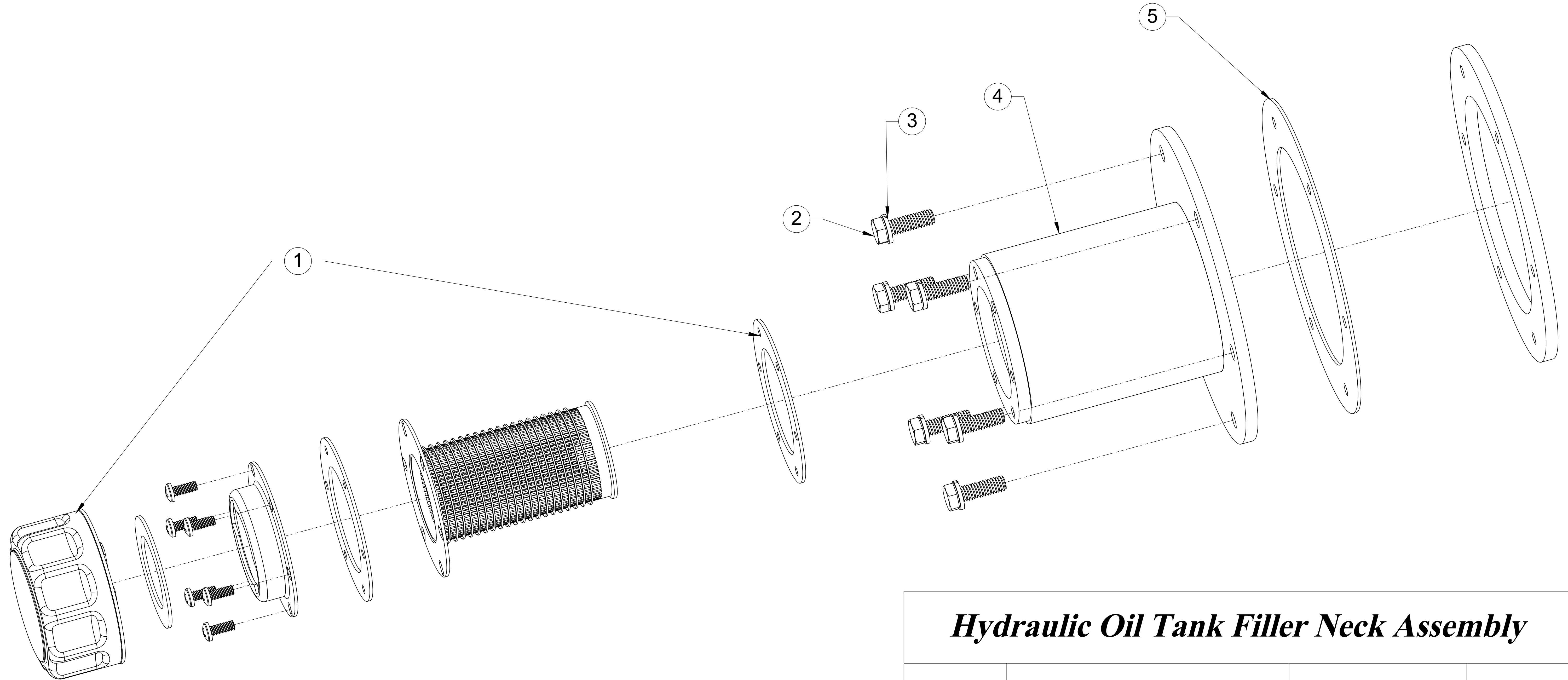
ITEM NO.	DESCRIPTION	PART NUMBER	QTY.
1	Tank Lid	201302	1
2	Tank Grate	201312	1
3	Mixer Shaft T-150 (P-S)	201322	1
4	S/S Paddle 150 WildCat Right	201332	1
5	S/S Paddle 150 WildCat Left	201331	1
6	Paddle Rubber-Set 150 WildCat	201342	2
7	19" Rubber Wiper (300-500)	201021	2
8	10 - 3/4" Rubber Wiper (170)	201161	2



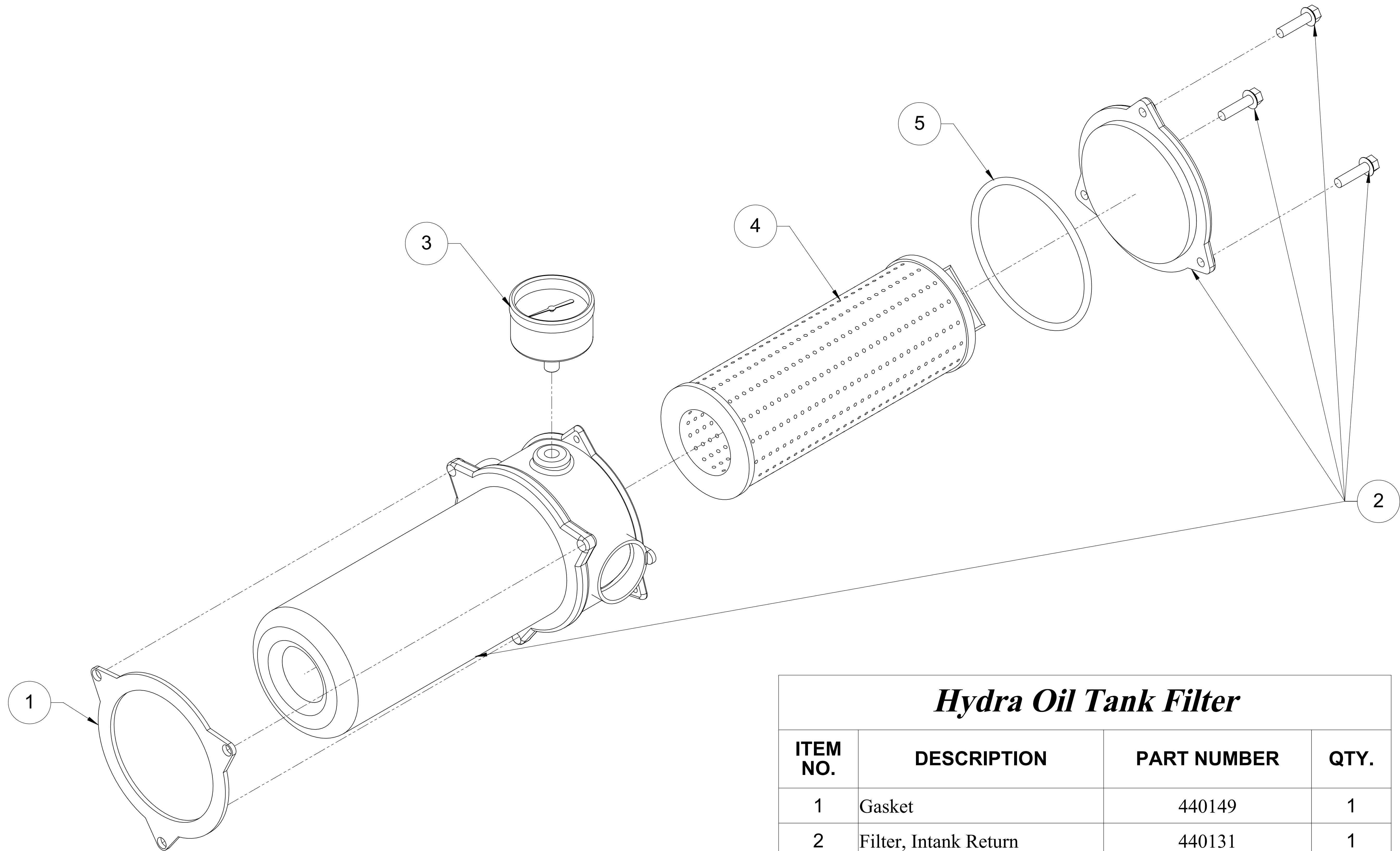
6 Gal. Fuel Tank			
ITEM NO.	DESCRIPTION	PART NUMBER	QTY.
1	Fuel Tank (Gas)	204066	1
2	Gas Cap	404090	1
3	3/4" Pipe Plug-Blk	216103	2
4	1/4" X 1/8" Bushing-Blk	216027	1
5	Gas Shut-Off Valve 90 Deg.	404065	1



35 Gal. Hydra Oil Tank			
ITEM NO.	DESCRIPTION	PART NUMBER	QTY.
1	Hydra Oil Filter Assembly	See Pg. 8	1
2	Hydra Oil Filler Assembly	See Pg. 7	1
3	Hydraulic Oil Tank	241105	1
4	Oil Level Gauge	440017	1
5	3" Pipe Plug Blk	216290	1
6	Suction Strainer	440011	1
7	3/4" 90° ST ELL	216111	1
8	12MP X 12MP Adapter	441275	1
9	3/4" Ball Valve	405030	1
10	1/2" Pipe Plug Blk	216050	1
11	1" Pipe Plug Blk	216126	1
12	12 MP X 12 M-JIC Adapter	441206	1



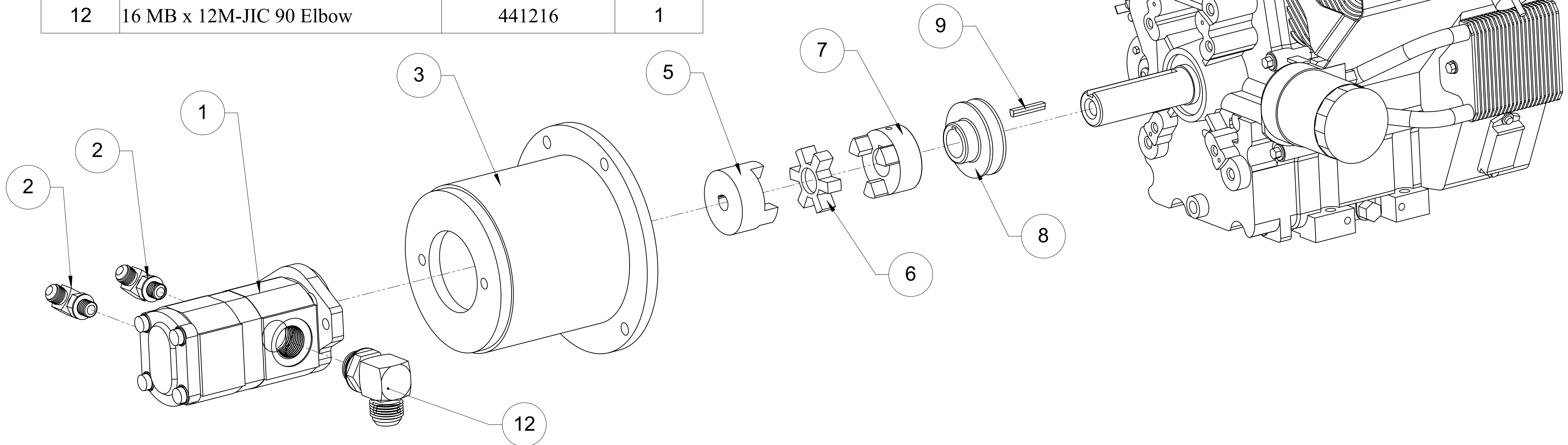
<i>Hydraulic Oil Tank Filler Neck Assembly</i>			
ITEM NO.	DESCRIPTION	PART NUMBER	QTY.
1	Filler Cap Assmby	440016	1
2	5/16" x 1" Cap Screw N.C.	300071	6
3	5/16" Lock Washer	300058	6
4	Hyd. Fill Cap Splash Guard 4"	240012	1
5	Strainer Cap Gasket	240010	1

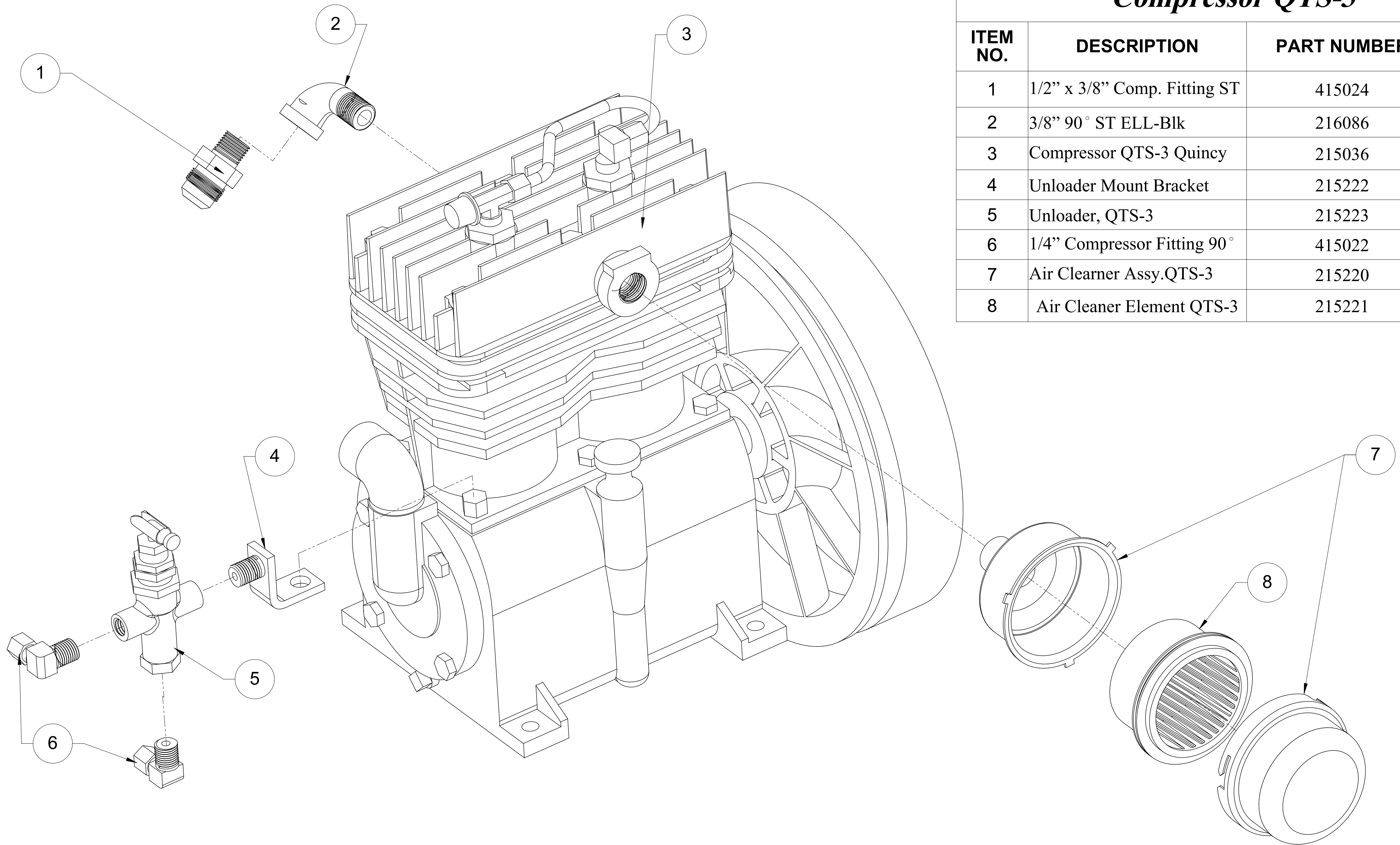


<i>Hydra Oil Tank Filter</i>			
ITEM NO.	DESCRIPTION	PART NUMBER	QTY.
1	Gasket	440149	1
2	Filter, Intank Return	440131	1
3	Gauge	440140	1
4	Filter Element, Intank Return	440139	1
5	O-Ring, Intank Return	440138	1

18 hp. Motor Assembly

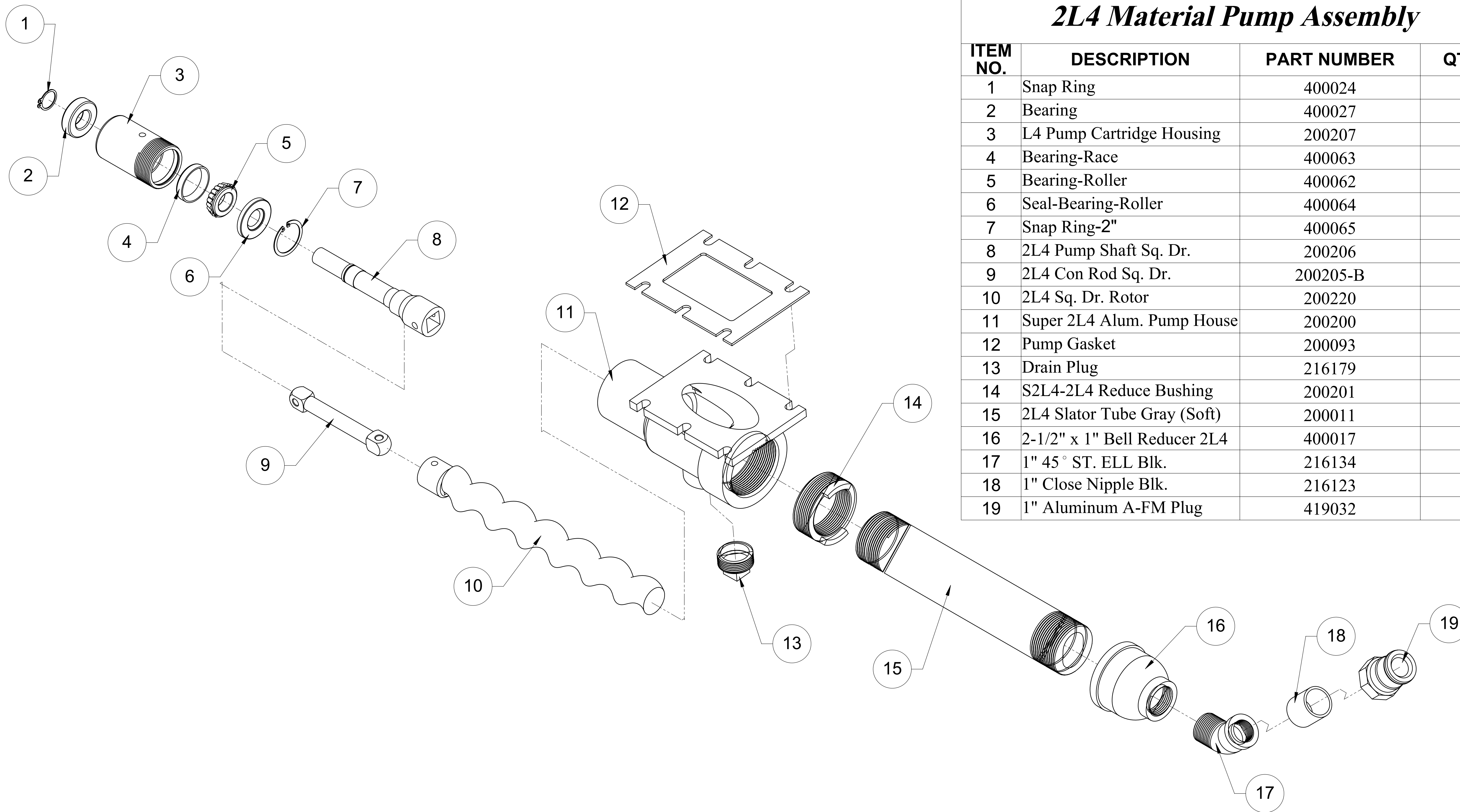
ITEM NO.	DESCRIPTION	PART NUMBER	QTY.
1	Hydr. Pump (Wildcat)	440303	1
2	10 MB x 08 M-JIC 90 Elbow	441214	2
3	Hydra. Adapter 18HP Kohler (Wildcat)	440067	1
4	12 MB x 12 M-JIC 90 Elbow Long	441325	1
5	Coupler Hyd. Pump 488	440036	1
6	Insert	100504	1
7	Coupler 1"	100503-A	1
8	3" x 1" Pulley	402076	1
9	1/4" x 2-1/4" Key	300488	1
10	Kohler CH 18-S 18 hp. E.	215027	1
11	Air Filter		1
12	16 MB x 12M-JIC 90 Elbow	441216	1





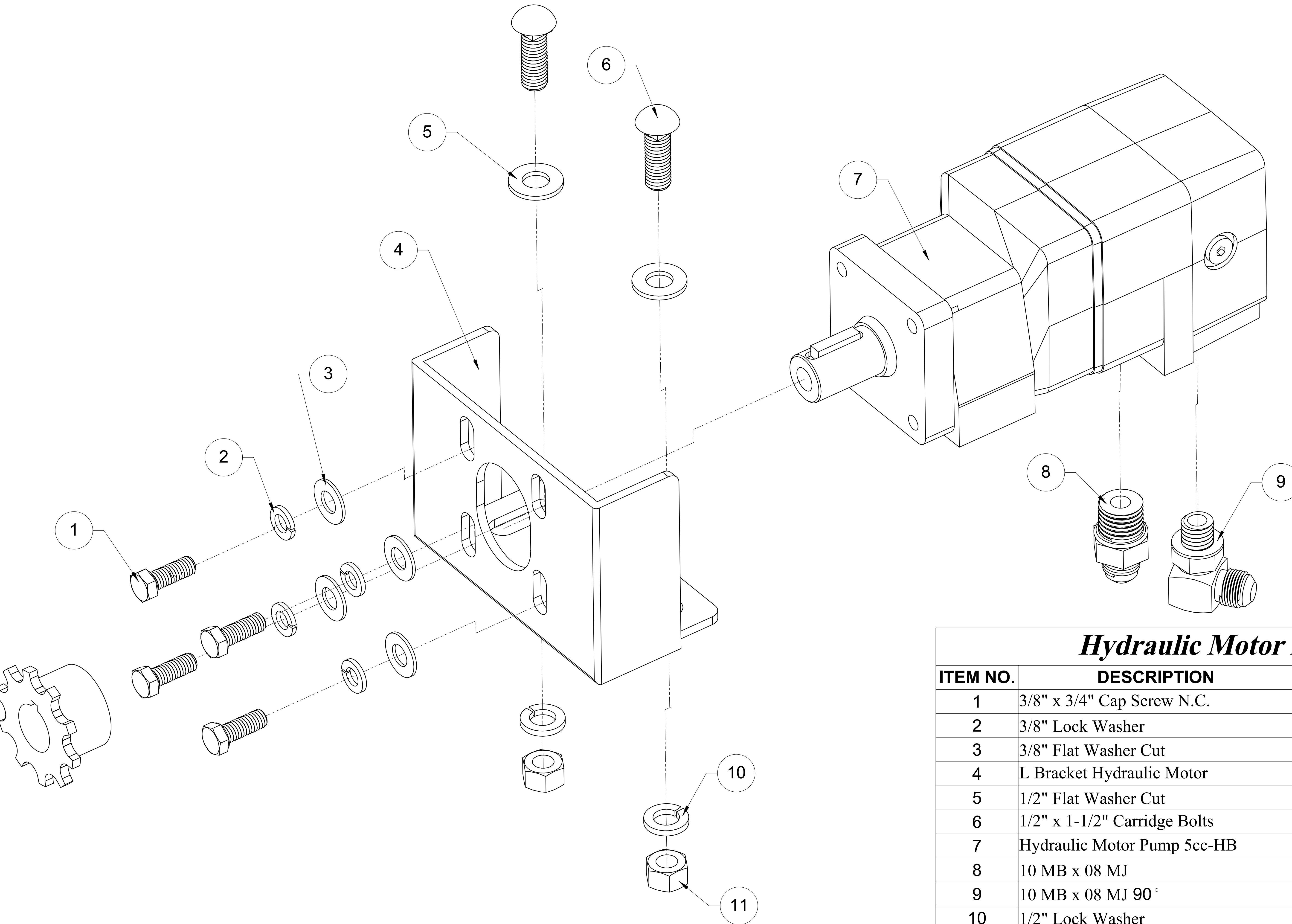
Compressor QTS-3

ITEM NO.	DESCRIPTION	PART NUMBER	QTY.
1	1/2" x 3/8" Comp. Fitting ST	415024	1
2	3/8" 90° ST ELL-Blk	216086	1
3	Compressor QTS-3 Quincy	215036	1
4	Unloader Mount Bracket	215222	1
5	Unloader, QTS-3	215223	1
6	1/4" Compressor Fitting 90°	415022	2
7	Air Cleaner Assy. QTS-3	215220	1
8	Air Cleaner Element QTS-3	215221	1



2L4 Material Pump Assembly

ITEM NO.	DESCRIPTION	PART NUMBER	QTY.
1	Snap Ring	400024	1
2	Bearing	400027	1
3	L4 Pump Cartridge Housing	200207	1
4	Bearing-Race	400063	1
5	Bearing-Roller	400062	1
6	Seal-Bearing-Roller	400064	1
7	Snap Ring-2"	400065	1
8	2L4 Pump Shaft Sq. Dr.	200206	1
9	2L4 Con Rod Sq. Dr.	200205-B	1
10	2L4 Sq. Dr. Rotor	200220	1
11	Super 2L4 Alum. Pump House	200200	1
12	Pump Gasket	200093	1
13	Drain Plug	216179	1
14	S2L4-2L4 Reduce Bushing	200201	1
15	2L4 Slator Tube Gray (Soft)	200011	1
16	2-1/2" x 1" Bell Reducer 2L4	400017	1
17	1" 45° ST. ELL Blk.	216134	1
18	1" Close Nipple Blk.	216123	1
19	1" Aluminum A-FM Plug	419032	1



Hydraulic Motor Assembly

ITEM NO.	DESCRIPTION	PART NUMBER	QTY.
1	3/8" x 3/4" Cap Screw N.C.	300120	4
2	3/8" Lock Washer	300108	4
3	3/8" Flat Washer Cut	300106	4
4	L Bracket Hydraulic Motor	240001	1
5	1/2" Flat Washer Cut	300206	2
6	1/2" x 1-1/2" Carriage Bolts	300250	2
7	Hydraulic Motor Pump 5cc-HB	440002-A	1
8	10 MB x 08 MJ	441224	1
9	10 MB x 08 MJ 90°	~	1
10	1/2" Lock Washer	300208	2
11	1/2" Hex Nut N.C.	300201	2