

The Dacor logo is written in a bold, italicized, sans-serif font. The letters are black with a white outline, giving it a three-dimensional appearance. A registered trademark symbol (®) is located at the end of the word.

***dacor***®

Family-Owned. American-Made.

A photograph of a stainless steel Dacor PGR Range oven and cooktop. The cooktop has five burners and a control panel with several knobs. The oven door is visible below the cooktop. The background shows a kitchen counter with various items like a bowl, a bottle, and a basket.

**PARTS  
CATALOG**

**PGR Range**

<b>Door</b>	<b>Base</b>
<b>Control</b>	<b>Cell/Case</b>
<b>Manifold</b>	<b>Bezel/Membrane</b>
<b>Inside Components</b>	<b>Top Frame</b>



# **dacor**

1440 Bridge Gate Drive  
Diamond Bar CA 91765

# Field Service Bulletin

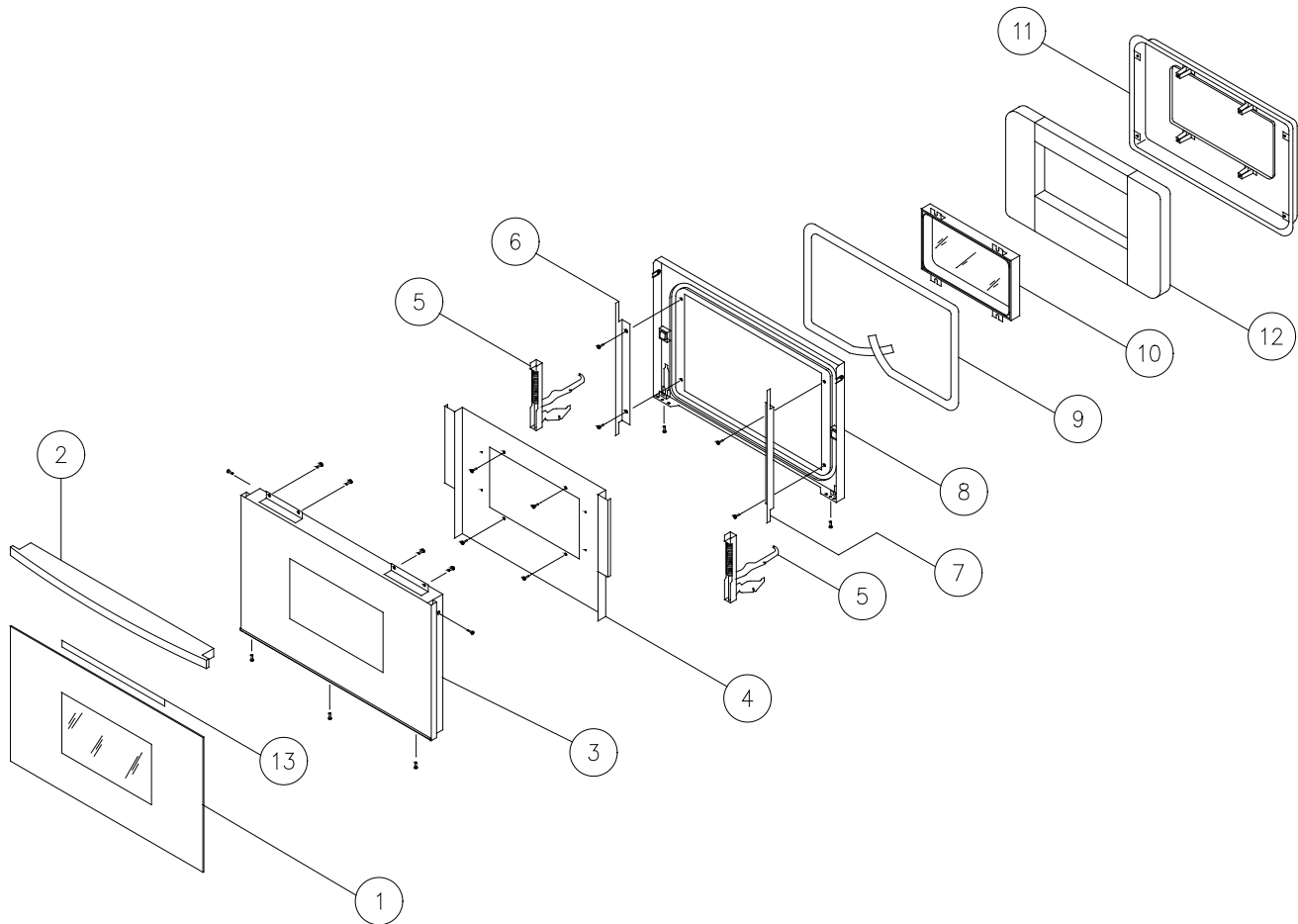
Issued By: <b>Technical Service</b>	Date Issued: <b>4-2004</b>	Distribution: <b>Service/Parts</b>	Supercedes:
Subject: <b>Grates</b>	Product Type: <b>Gas Cooktops / Ranges</b>	Model No:	Bulletin No: <b>04-04</b>

On October 10, 2002 the grates were changed on the cooktops and ranges listed below. The grates were changed to increase cleanability. The newer grates have a smooth black finish. The serial revision level changes are noted below. Effective immediately the old style grate, part number 82109BM, are no longer available. When replacing a grate, care must be taken to ensure that the grates all match. One grate cannot be replaced without replacing both or all three grates. Please refer to the serial number revision levels when ordering replacement grates.

MODEL NUMBER	OLD SERIAL REVISION	NEW REVISION
<b>SGM364</b>	<b>F</b>	<b>G</b>
<b>SGM464EM</b>	<b>F</b>	<b>G</b>
<b>SGM464GG</b>	<b>F</b>	<b>G</b>
<b>SGM362EM</b>	(this model was obsolete prior to the grate change but like replacements are no longer available.)	
<b>RSD30</b>	<b>E</b>	<b>F</b>
<b>PGR30</b>	<b>E</b>	<b>F</b>
<b>RSG30</b>	(this model was obsolete prior to the grate change but like replacements are no longer available.)	

GRATE SETS		
1 GRATE	2 GRATES	3 GRATES

# PGR Door



REF NO	PART NO	DESCRIPTION
1	86360	Glass Overlay Assembly (Stainless Only)
2	72282B/R	Door Handle
3	82216B/R	Outer Glass
*	86360	Outer Glass Assy (Stainless)
4	26575B	Heat Shield
5	82883	Door Hinge
*	82508	Stainless Door Hinge
6	26577	Left Shield
7	26577	Right Shield
8	86746	Outer Liner
9	82124	Door Gasket
10	82954	Window Pack
*	82790BP	J-Trim Window Pack
*	26429	Thermocord Window Pack
11	27459BP	27459BP
12	80172	Insulation
13	83224	Tape, Double Sided, .30

**dacor.**



The life of the kitchen™

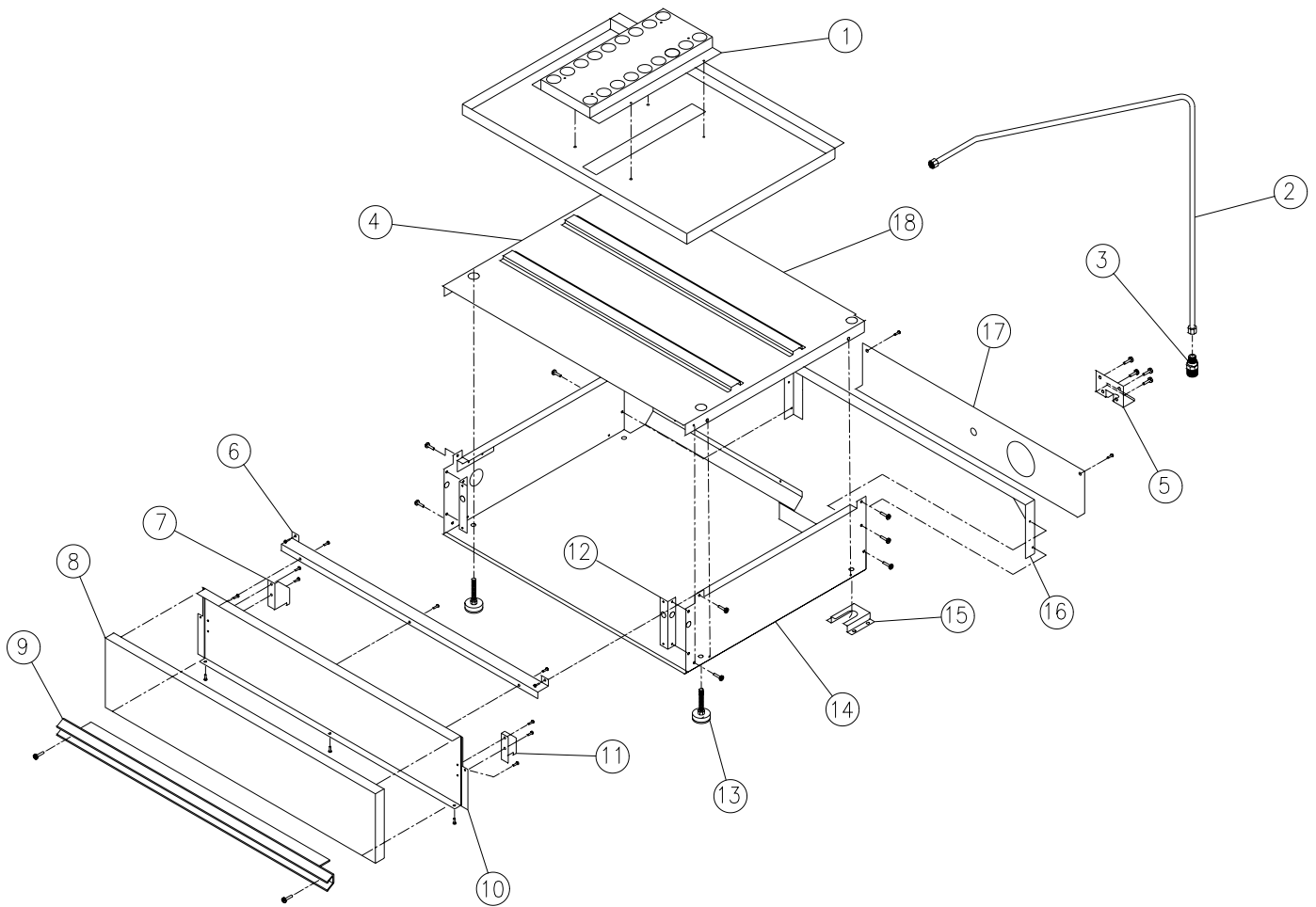
Date: 4-30-04

Re: Preference Range Door Changes

---

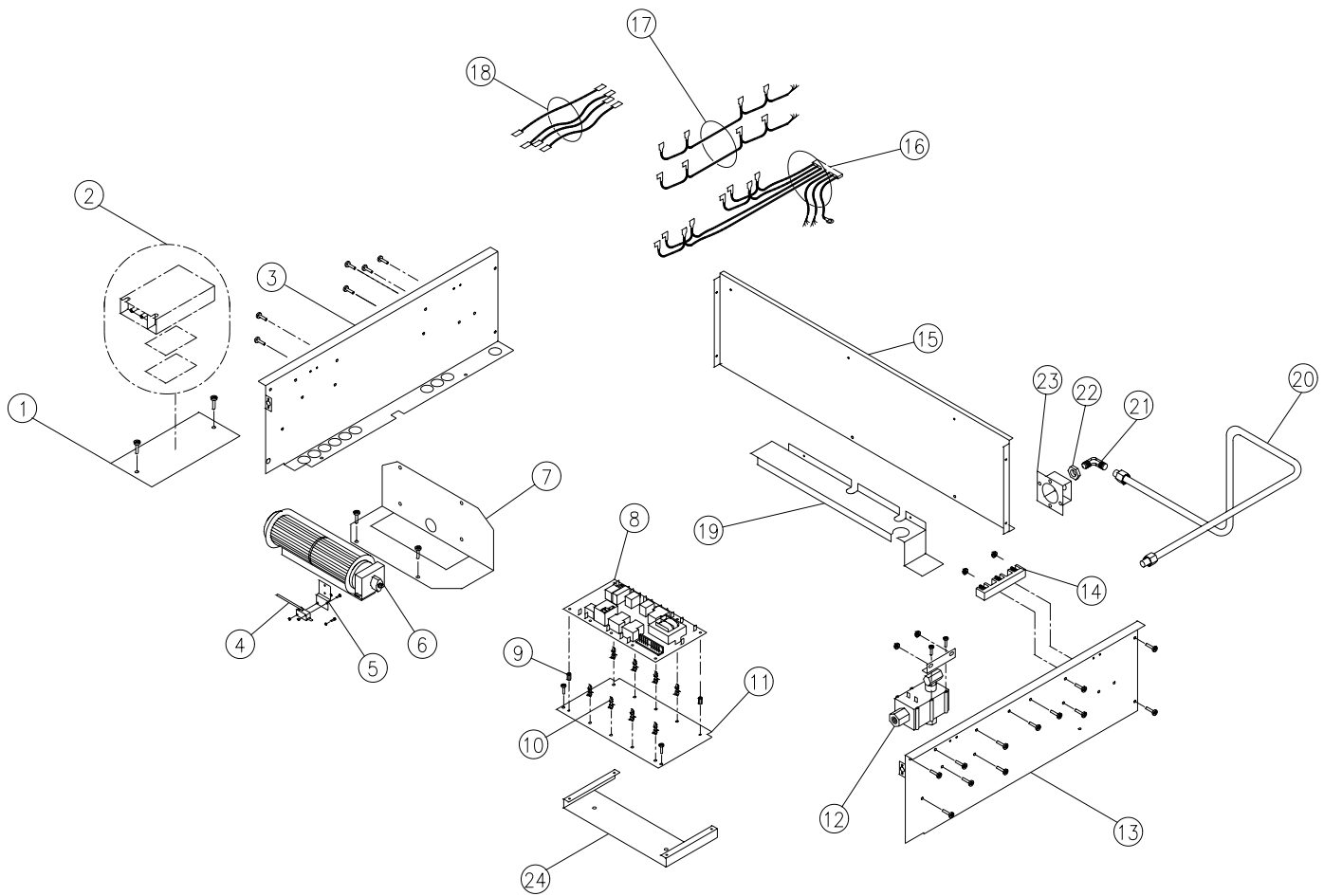
RSE	REVISION B AND OLDER	REVISION C AND NEWER
Description	Old Part #	New Part #
RSD30, PGR30	REVISION D AND OLDER	REVISION E AND NEWER
Door Gasket	72027	72020
Hinge – Stainless Steel	82508	82508
Hinge – Black/Arctic	82883	82883
Window Pack W/J-Channel	12470	N/A
Window Pack	N/A	72148
Side Shield, Left	26576	36617
Side Shield, Right	26577	36618
Heat Shield, B/R	26574	36620B
Heat Shield S	36354	36622B
Insulation	80172	80213
Inner Liner Assy	27459BP	27728BP
Bracket, Inner Liner	78920	38230
Outer Liner	86746	27460BP
Door Bumpers	N/A	83618
Inner Door Assembly		
Inner Door W/1" Window Pack	27" Black/Arctic	66620
	27" Stainless	66621
	30" Black/Arctic	66622
	30" Stainless	66623

# PGR - BOTTOM BASE ASSEMBLY



Ref.	PART #	Description	Ref.	PART #	Description
1	26127	CASE BOTTOM COVER	10	26241 B\R	LINER, KICK PANEL
2	62716	5/8" GAS INPUT TUBE	11	26280	BRACKET, KICK PANEL
3	62728	ADAPTER, (1/2MNPT TO 3/8A)			SUPPORT - RH
4	26533	CASE BOTTOM	12	26052	BRACKET, STORAGE
5	26130	BRKT, INLET FITTING ATTCH			COMPARTMENT MTG
6	26477	BRACKET, KICK PANEL	13	83034	LEVELER, ADJUSTABLE 5/16
7	26183	BRACKET, KICK PANEL	*	83359	LEVELER, ADJUSTABLE 1/2
		SUPPORT - LH	14	27174	ASSY, BASE (Uses 1/2" leveler)
8	13065 B\R\S	ASSEMBLY, STORAGE PANEL	15	26041	BRACKET, ANTI-TIP
		(Includes Ref. # 7, 10 & 11)	16	27048	STIFFENER ASSY, BASE
9	26069 B\R	EXHAUST GRILL, LOWER	17	26239	BASE, BACK COVER
**	83571	STAINLESS SCREW	18	27153	ASSY, EXHAUST PLATE
**	83263	BLACK SCREW			

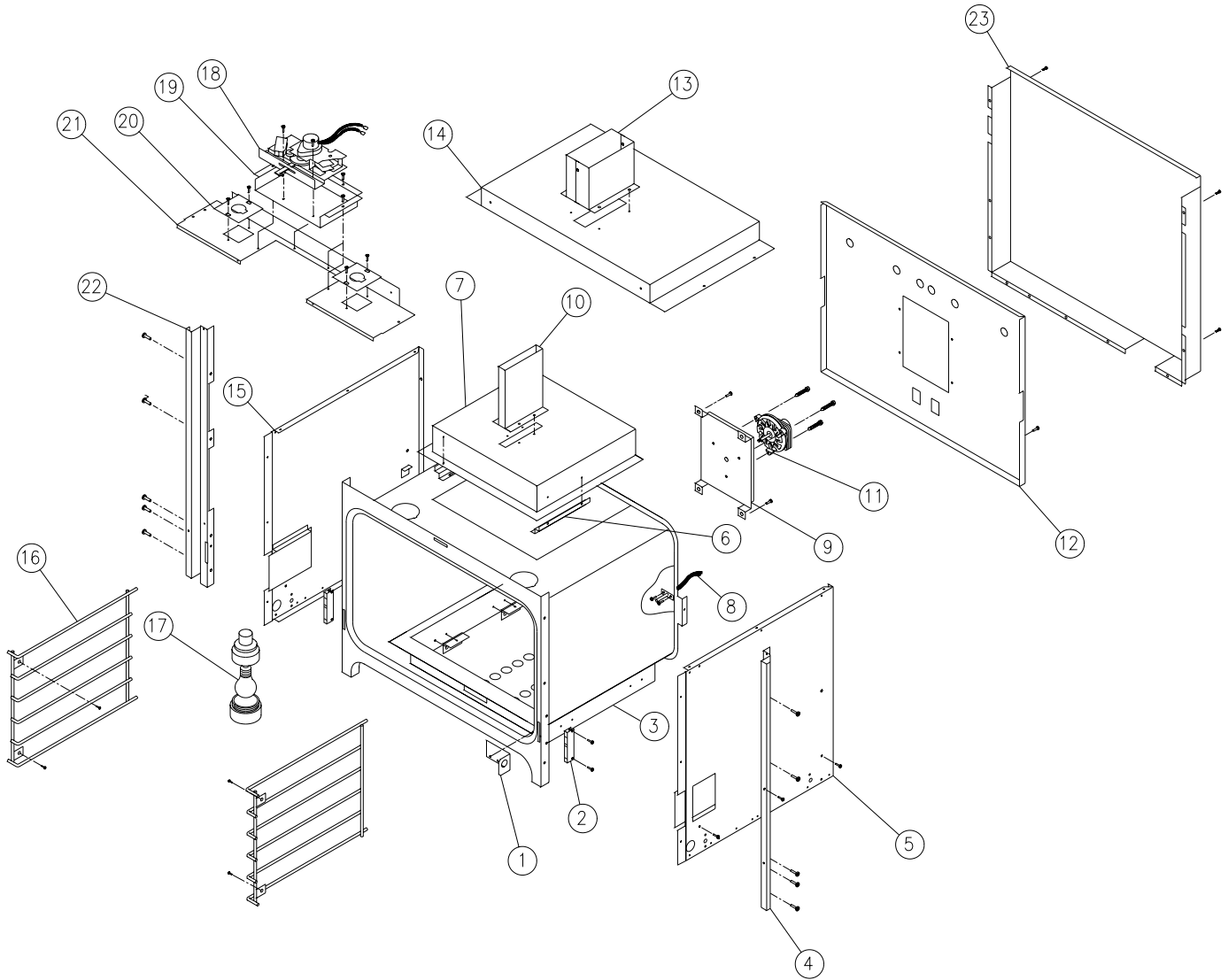
# PGR - CONTROL ASSEMBLY



Ref.	PART	Description
1	26027	PLATE, SPARK BOX MOUNTING
2	86526	SPARK MODULE 4 POINT
3	26573	SIDE SUPPORT, LEFT
4	82081**	Sail Switch for Revisions AB
5	26448	BRKT, FAN STATUS INDICATOR
6	82347	COOLING FAN,
7	36327	BRKT, COOLING FAN
8	62438	RELAY, PCB, 105C
9	83053	STANDOFF, 6-32 X .44LG, HEX
10	83538	PCB SUPPORT, NYLON
11	26072	PCB MTG. PLATE, RANGE
12	82429	VALVE, THERMAL (DUAL)

Ref.	PART	Description
13	36325	WELDMNT, SIDE SUPPORT, RIGHT
14	82151	TERMINAL BLOCK
15	27603	REAR PANEL
16	86080	HARNESS, IGNITOR TO SW/LTS
17	86081	JUMPER WIRES - SWITCH
18	62815	IGNITOR WIRES, (Set)
19	36322	AIR BAFFLE
20	62717	3/8" GAS TUBE TO IR BROILER
21	62718	ORIFICE FITTING
22	83531	ORIFICE HEX NUT
23	27588	ORIFICE HOLDER
24	36321	RELAY BOARD SHELF

# PGR - CELL ASSEMBLY



Ref.	PART	Description	Ref.	PART	Description
1	26217	BRKT, BAKE BURNER HOOD	13	26478	HEAT SHIELD SIDE, VENT DUCT
2	82851	RECEPTACLE, HINGE	14	36326	CASE TOP REAR
3	27121	OVEN BOTTOM PAN	15	27139	CASE SIDE, LEFT
4	26139 B/R	TRIM POST, RIGHT; (Black or Artic White)	16	82650	SUPPORT RACK, BLK PORC.
5	27137	CASE SIDE, RIGHT	17	86123	LIGHT ASSEMBLY
6	27098	MOUNTING BRKT, IR BRNR.	18	86166	DOOR LATCH MECHANISM
7	27119	OVEN TOP PAN	19	26598	LATCH PLATE
8	62593	TEMP. SENSOR, SHORT	20	26538	COVER PLATE, LIGHT
9	36280	CONV. MOTOR MOUNTING PLATE	21	26124	CASE TOP FRONT
10	27104	VENT DUCT	22	26143	B/R TRIM POST, LEFT; (Black or Artic White)
11	82647	CONVECTION OVEN MOTOR	23	27604	BACK COVER
12	36324	CASE BACK			

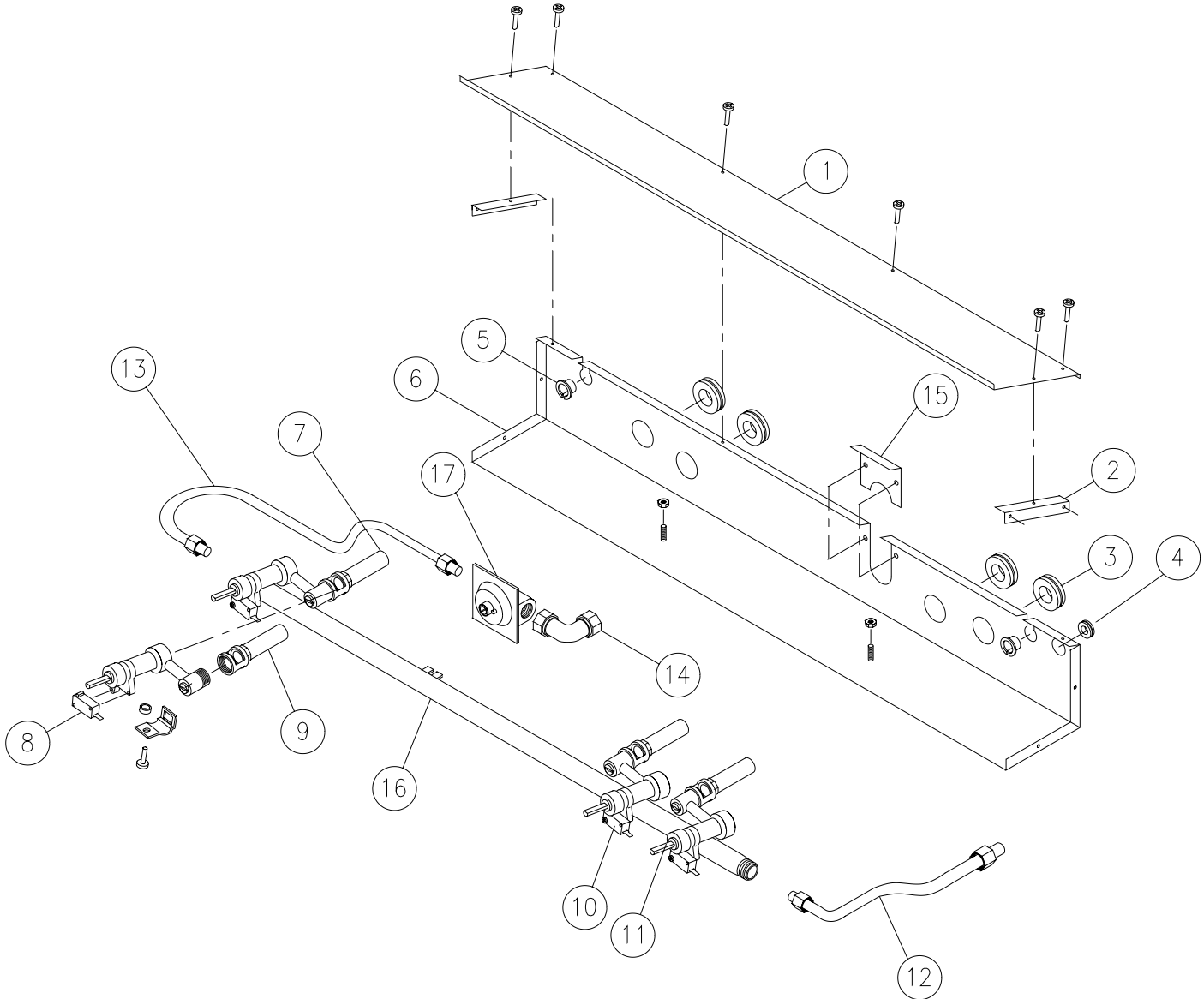
82089 Halogen Bulb

DACOR Technical Service

P.O. Box 6530 Diamond Bar, CA 91765 800-793-0093 - Fax: 909-612-1702

**dacor**<sup>®</sup>

# PGR - MANIFOLD ASSEMBLY



Ref.	PART	Description
1	26098	MANIFOLD ENCLOSURE TOP
2	26097	BRKT, MTG, ENCLOSURE
3	83058	GROMMET, EPDM RUBBER
4	83278	GROMMET, THERMOVALVE
5	83061	BUSHING, 5/8 DIA
6	27616	MANIFOLD ENCLOSURE
7	86305	"C"-VALVE W/JETS, (Left Rear/NG)
*	86307	"C"-VALVE W/JETS, (Left Rear/ LP)
8	86420	MICROSWITCH
9	86372	"B" - AIR SHUTTER
10	86087	"C"-VALVE W/JETS, (Right Front/NG)
*	86086	"C"-VALVE W/JETS, (Right Front/L P)
10	86298	"C"-VALVE W/JETS, (Right Front/NG)
*	86302	"C"-VALVE W/JETS, (Right Front/LP)
11	86085	"B"-VALVE W/JETS, (Right Rear/NG)
*	86084	"B"-VALVE W/JETS, (Right Rear/LP)

Ref.	PART	Description
11	86280	"B"-VALVE W/JETS, (Right Rear/NG)
*	86296	"B"-VALVE W/JETS, (Right Rear/LP)
12	62174	3/8" GAS TUBE TO THERMAL VALVE
13	83050	3/8" GAS TUBE
14	62729	ELBOW FITTING
15	36348	COVER, REGULATOR FITTING
16	*	SEE BELOW
17	62320	REGULATOR

** COMPLETE MANIFOLD ASSEMBLY		
*	13415	MANIFOLD, NG
*	13416	MANIFOLD, NG-HI
*	13417	MANIFOLD, LP-HI
*	13418	MANIFOLD, LP

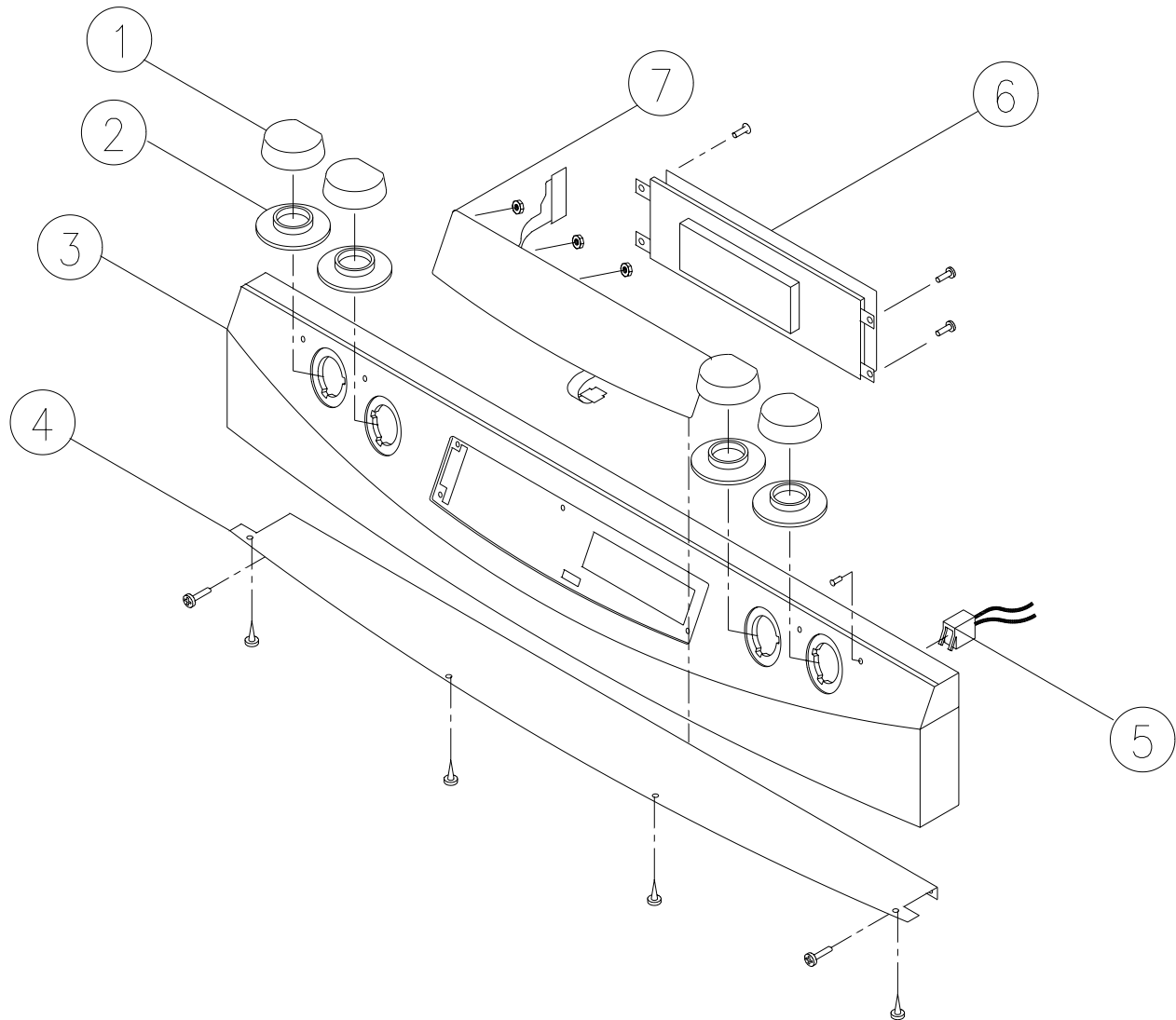
DACOR Technical Service

P.O. Box 6530 Diamond Bar, CA 91765 800-793-0093 - Fax: 909-612-1702

**dacor**<sup>®</sup>

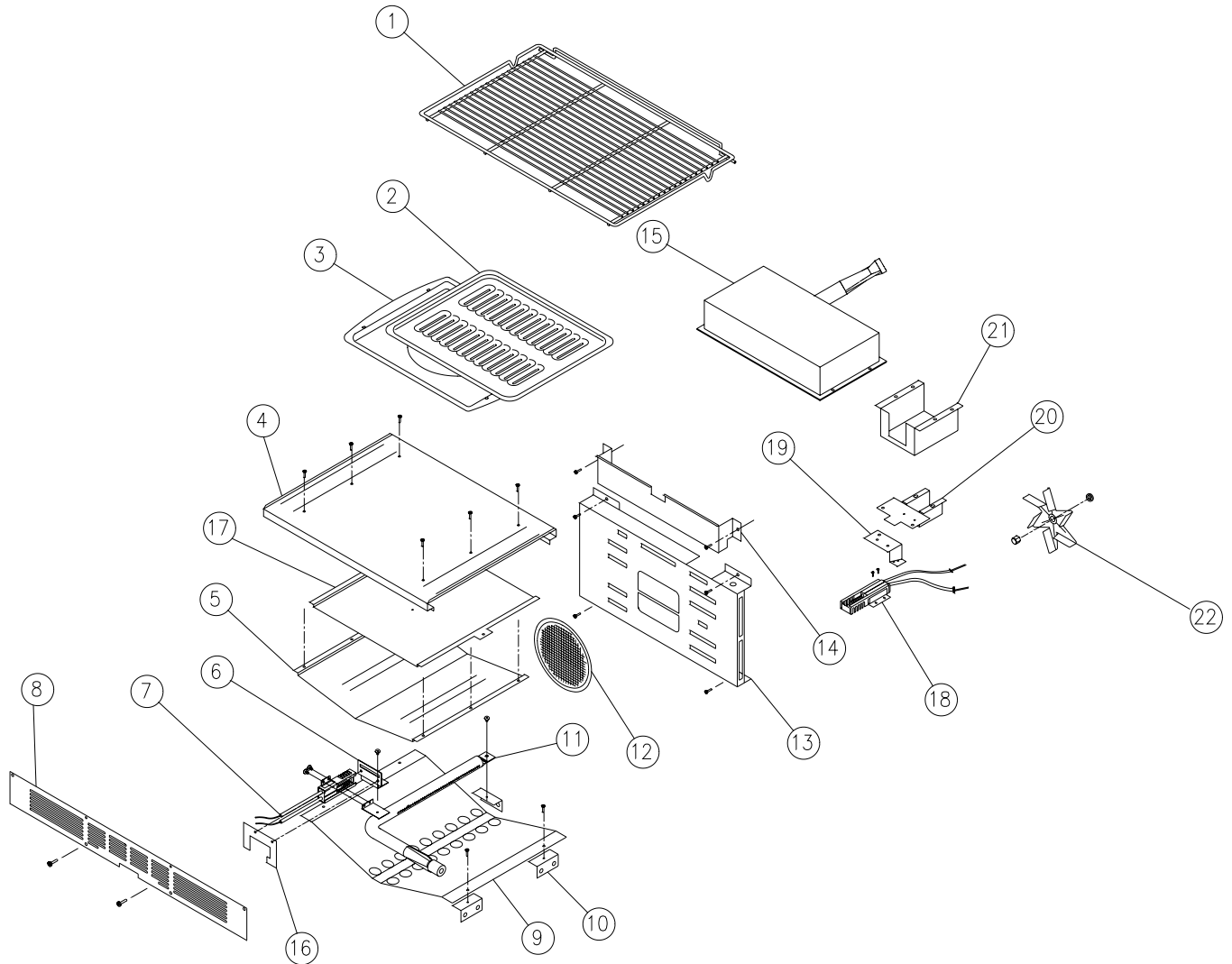


# PGR - BEZEL ASSEMBLY



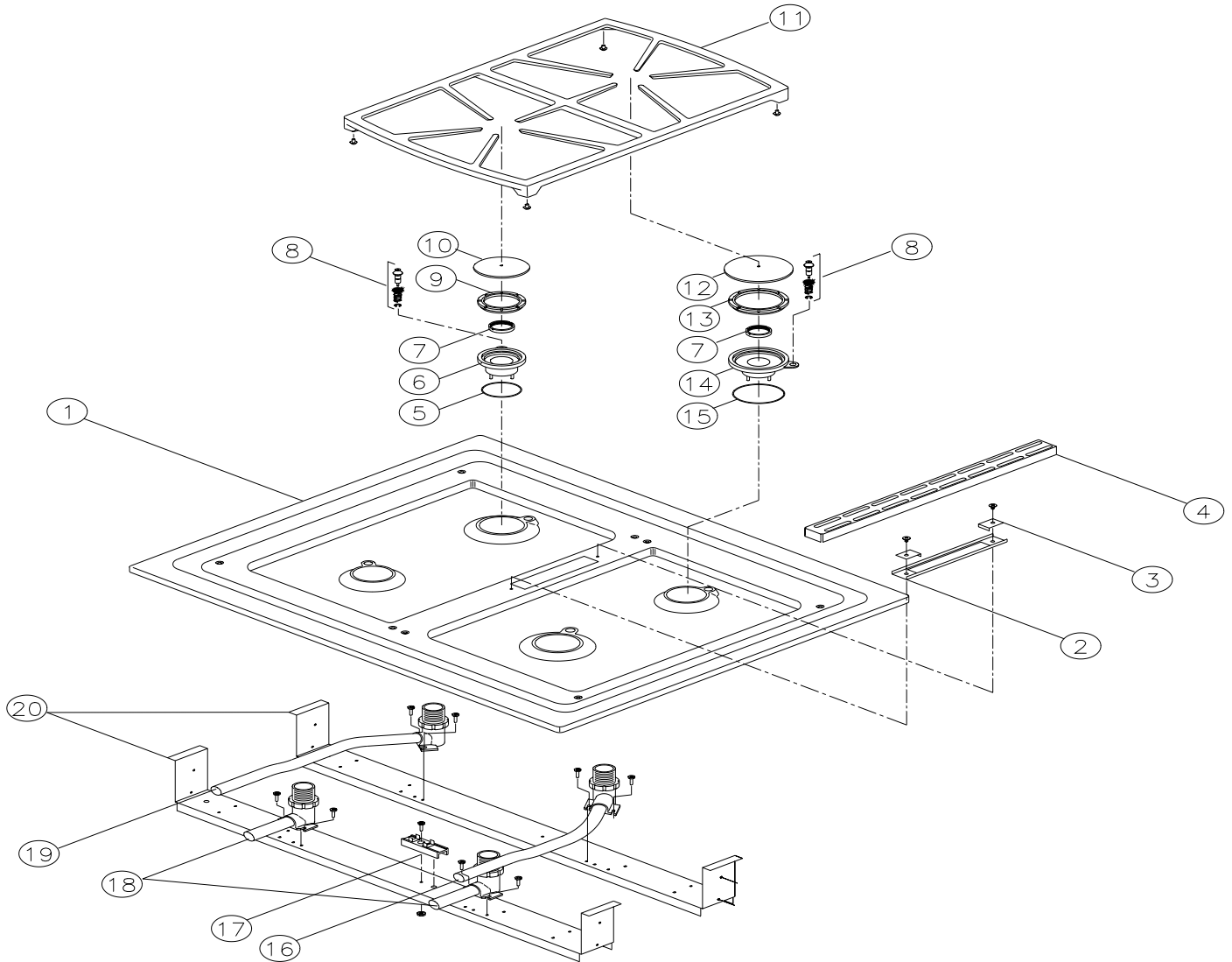
Ref.	PART #	Description
1	82016 B/R	KNOB (Black or Artic)
2	82036 B/R	SPILL PROTECTOR, (Black or Artic)
3	76479B/R	ASY, BEZEL CONTROL, (Black or Artic)
4	26119B	CONTROL BEZEL TRIM
5	82233	INDICATOR LIGHT, BLUE NEON
6	62789	OVEN CONTROL, (E.R.C.)
7	82419B/R	MEMBRANE

# PGR - INSIDE COMP



Ref.	PART	Description	Ref.	PART	Description
1	82230	OVEN RACK	13	36350	CONVECTION BAFFLE
2	82106	PLATED GRILL, BROILER PAN	14	26126BP	COVER, CONV BAFFLE TOP
3	82107	BROILER PAN, BLK PORC.	15	12422	ASSY, INFRARED BURNER
4	26449BP	OVEN CELL BOTTOM	16	36166	BRACKET IGNITOR
5	26441	REFLECTOR, BAKE BURNER	17	36360	SHIELD, CELL BOTTOM
6	26404	BRKT, TUBULAR BURNER	18	82473	HOT SURFACE IGNITOR, (Bake & Broil)
7	82473	HOT SURFACE IGNITOR, (Bake & Broil)	19	36286	BRACKET, IGNITOR MTG.
8	26288B	INTAKE GRILL, (BLACK)	20	36285	SHIELD, IGNITOR MTG. BRACKET
9	26440	HEAT SHIELD, BAKE BURNER	21	36320BP	SHIELD, VENTURI
10	26536	BRKT, CELL BOTTOM SUPPORT	22	82651	FAN BLADE, CONVECTION MOTOR
11	82431	BURNER, TUBULAR	**	83026	CONVECTION MOUNTING NUT (left hand thread)
12	82891	FILTER, CONVECTION			

# PGR - BURNER ASSEMBLY



Ref.	PART	Description	Ref.	PART	Description
1	26295 BP/RP/SG	TOP FRAME	12	86523BM	"C"-BURNER CAP, (Large)
2	26594	TRIM COLLAR, VENT DUCT	13	86407	"C"-BURNER RING
3	26184	BRACKET, VENT DUCT	14	82682	"C"-BURNER HEAD ASSEMBLY, W/IGNITOR
4	26409BP	HEAT SHIELD, VENT CAP	15	86801	O-RING, "C"-BURNER HEAD
5	86802	O-RING, "B"-BURNER HEAD	16	62162	BURNER TUBE/BASE, RIGHT REAR
6	82681	"B" - BURNER HEAD ASSEMBLY, W/IGNITOR	17	83556	TERMINAL BLOCK, 2 POLES
7	86405	BRASS NUT; "B" & "C"-BURNER HEAD	18	62144	BURNER TUBE/BASE, FRONT, (Left & Right Front)
8	66281	IGNITOR ASSEMBLY	19	62169	BURNER TUBE/BASE, LEFT REAR
9	86408	"B"-BURNER RING	20	26068	BURNER SUPPORT CHANNEL
10	86524BM	"B"-BURNER CAP, (Medium)			
11	82109BM	GRATE PACK EXTENDED			

DACOR Technical Service

P.O. Box 6530 Diamond Bar, CA 91765 800-793-0093 - Fax: 909-612-1702

**dacor**<sup>®</sup>



The life of the kitchen™

Date: 10-17-02

Re: Grates

---

**Products Covered:**

PGR

RSD

**Revision Level Change:**

RSD30 – E to F

PGR30 - E to F

**Grates were changed – the new grates have a smooth porcelain finish rather than the matted black finish of the previous grate**

<b>Model #</b>	<b>Old Part #</b>	<b>New Part #</b>
RSD30/PGR30	82109BM	72467SB