

# PHOTOFINISHING SERVICES & PRICE LIST

August 1, 2019



**DOWNTOWN—ST. CLOUD**  
25 - 7th Ave. S., Suite 200  
St. Cloud, MN 56301-3670  
800-793-0112  
320-259-5826

**CROSS-WAY NORTH PLAZA**  
223 3rd St. N.E.  
Waite Park, MN 56387  
Phone: 25 **1-HOUR**  
(320-251-4687)

## TABLE OF CONTENTS

### PAGE

1. Digital Printing up to 12" Wide
  2. Wide Format Enlargements, Giclee Fine Art Prints, Mounting Service
  3. 35mm C-41 Film Processing and Scanning
  4. 35mm Color Reprints, Enlargements, Scanning
  5. Print Scanning and Copy Services
  6. "Shoebox" Photo Archive Scanning
  7. Scanning Services—Negatives, Slides, Transparencies
  8. DVD Slideshows
  9. Slide Processing, Duplicating and Copy Services
  10. Slides & Transparencies—Printing and Scanning
  11. Movie Transfer Services—Super 8, Regular 8, and 16mm
  12. Video Tape , DVD, and Audio Transfer and Duplication
  13. Black & White Develop & Print and Scanning
  14. Black & White Printing & Enlargements
  - 15-16 **Miscellaneous Film Processing Services:**  
110, 126, 127, C-22, Disc, Kodachrome, Seattle, 35½ Frame, 4x5 Sheet Film
  17. Photo Gifts & Novelty Items
  18. Canvas Prints & Metal Art
  19. Greeting Cards; Press Printed Products; Business Cards
  20. Restoration, Enhancement, and Memory Card Recovery Services
  21. APS (Advantix or Nexia) Film Processing, Enlargements & Scanning
  - 22-24 Professional Processing on Kodak Professional ENDURA Paper
  22. 120 Professional Process, Print, and Enlargements
  23. 35mm Professional Film Processing
  24. 35mm Professional Reprints, Enlargements & Scanning
  - 26-28 **Film Size Identification Guide**
- INDEX OF SERVICES**

### CDRs, DVDs, USB Drives

When you order digital services (scanning, video transfers, etc.), we can return the digital files to you on your choice of media. The price we charge for the media includes (1) the media itself, and (2) our service of writing the files to the media. If you supply your own media (USB Drive or Hard Drive), you may still incur a fee for our writing service.

Price for typical digital services:  
CDR ..... \$4.99  
DVD ..... \$14.95  
USB Drive ..... \$14.95  
Writing to your media ... \$4.99

# Digital Prints & Enlargements up to 12" Wide

From CDs, DVDs, and Digital Camera Memory Cards  
August 1, 2019

## Kodak Digital Royal Paper: Matte or Glossy

Our qualified technicians optimize the color and exposure of every image before printing your pictures on Kodak Digital Royal paper. Choose Matte or Glossy finish. Surcharges may apply - see bottom of this page.

**Minimum Order Fee: \$4.00 per order.**

### Digital Reprints on Royal Paper

Service Time: 2 Hours (based on processing volume)  
CROPPING: Add \$.99 per **image file** for 3½x5 to 4x6 prints.  
**White Borders:** \$1.00 per order.

Quantity prices apply to the total same-size prints in one order.

Quantity per order ► 1-24 25-499 500+

4x6, 4x5, 3½x5 ..... .44 ..... .38 ..... .30  
Polaroid 3½x4 ..... .55 ..... .55 ..... .55

### Digital Enlargements on Royal Paper

Service Time: 2 Hours  
CROPPING: Add \$2.99 per **image file** for enlargements.

Quantity prices are per print from **SAME image file.**

Qty per **image file** ► 1-2 3-23 24-49 50-99

5x7 ..... **2.69** ..... 2.15 ..... 1.50 ..... .99  
6x9 ..... **3.75** ..... 2.69 ..... 1.95 ..... 1.35  
8x10 ..... **5.40** ..... 4.30 ..... 2.99 ..... 1.99  
8x12 ..... **6.50** ..... 5.10 ..... 3.55 ..... 2.49  
11x14 or 10x13 ..... **13.99** ..... 11.55 ..... 6.75 ..... 5.20  
11x16 ..... **16.29** ..... 12.65 ..... 7.85 ..... 5.70  
12x12 Album Pg ..... **6.99** ..... 6.99 ..... 6.75 ..... 5.20  
12x18 or 10x20 ..... **18.40** ..... 13.79 ..... 11.10 ..... 9.00  
12x24 ..... **20.50** ..... 15.85 ..... 12.95 ..... 10.80

8 **wallets** die cut (round corners).....\$5.40per sheet  
2 **wallets**, uncut ..... 1.30 Add \$.15 each for die cutting

### Panoramic Prints

Panoramic prints are available in various sizes and formats from smart phones and digital cameras. We can print virtually any size you request. These are typical sizes:

4x12 ..... 2.50 ..... 6x30 ..... 17.99  
4x18 ..... 5.99 ..... 8x24 ..... 19.99  
5x15 ..... 8.99 ..... 10x30 ..... 22.99  
5x20 ..... 10.99 ..... 10x36 ..... 26.99  
6x18 ..... 13.99 ..... 12x30 ..... 26.99  
6x24 ..... 15.99 ..... 12x36 ..... 31.99

For panoramic prints larger than 12x36", see page 2

### Image File Specifications for Digital Printing

File Size: JPEG (jpg) files less than 8 MB Color Mode: RGB  
TIFF (tif) files less than 30 MB Color Space: sRGB

File Conversion Fees apply to image files that do not meet the above specifications. (e.g. RAW camera files, Photoshop PSD files, large TIFF files and files in CMYK or Grayscale color mode.)

File Conversion Fee:

1 - 3 files ..... \$3.00 per file  
4 - 24 files ..... \$2.50 per file  
25 + files ..... \$2.00 per file

## Kodak Endura Professional Paper: Lustre (for Metallic add 25%)

Our qualified technicians optimize the color, exposure and contrast of every image before printing your pictures on Kodak Professional ENDURA paper.

**Luster surface is standard.**

**For Metallic paper, add 25% to prices below.**

**Minimum Order Fee: \$4.00 per order.**

### Digital Reprints on Endura Lustre

Service Time: 2 Hours (based on processing volume)  
CROPPING: Add \$.99 per **image file** for 3½x5 to 4x6 prints.  
**White Borders:** \$1.00 per order.

Quantity prices apply to the total same-size prints in one order.

Quantity per order ► 1-24 25-499 500+

3½x5 ..... .50 ..... .42 ..... .34  
4x5 ..... .50 ..... .44 ..... .35  
4x6 ..... .51 ..... .45 ..... .36

### Digital Enlargements on Endura Lustre

Service Time: 2 Hours  
CROPPING: Add \$2.99 per **image file** for enlargements.

Quantity prices are per print from **SAME image file.**

Qty per **image file** ► 1-2 3-23 24-49 50-99

5x5 ..... **2.49** ..... 1.85 ..... 1.25 ..... .99  
5x7 ..... **2.99** ..... 2.25 ..... 1.60 ..... 1.10  
8x10 ..... **5.99** ..... 4.55 ..... 3.25 ..... 2.15  
8x12 or 10x10 ..... **7.10** ..... 5.40 ..... 3.80 ..... 2.69  
11x14 or 10x13 ..... **14.49** ..... 11.85 ..... 7.00 ..... 5.39  
11x16 ..... **16.50** ..... 12.95 ..... 8.10 ..... 5.95  
12x12 Album Pg ..... **9.00** ..... 8.00 ..... 7.00 ..... 5.40  
12x18 or 10x20 ..... **18.90** ..... 13.99 ..... 11.35 ..... 9.30  
12x24 ..... **21.60** ..... 16.25 ..... 12.95 ..... 10.80  
12x30 ..... **28.00** ..... 21.00 ..... 16.20 ..... 14.00  
12x36 ..... **33.50** ..... 25.00 ..... 20.00 ..... 16.75

8 **wallets** die cut .... \$5.99

2 **wallets**, uncut .. 1.40 Add \$.15 each for die cutting

See **WIDE FORMAT ENLARGEMENTS**, page 2, for 16x16" to 44x96" digital prints.

### Memory Card Images to CD or DVD

Memory cards may require more than one CD or DVD, depending on the quantity of images & size(s) of image files.

Direct Transfer (no image corrections applied)..... 5.99 per CD  
Direct Transfer (no image corrections applied).... 14.99 per DVD  
Index Print - 40 images per sheet..... 1.49 per sheet  
Correct color, exposure & contrast of images..... .25 per image

READ THIS NOTICE: Submitting any film, print, digital media, or images in any form to this firm for processing, printing, or other handling constitutes an AGREEMENT by you that any damage or loss by our company, subsidiary, or agents, even though by our negligence or other fault, will only entitle you to replacement with a like amount of imaging media or unexposed film and processing, if available. The acceptance by us of the film, print, digital media, or images is without other warranty or liability, and recovery for any incidental or consequential damages is excluded. 90-day unclaimed orders will be considered abandoned.



320-251-4687 Waite Park, MN  
320-251-2622 St. Cloud, MN

All prices, specifications & service times are subject to change without notice.

# Wide Format Enlargements & Mounting Service

August 1, 2019

## Enlargements from Digital Images, 35mm & 120 Negatives, Slides & Transparencies

Service Time: 3 Lab Days

Enlargements as large as 44x96" are printed on *Archival photo paper*. **Lustre** is standard; **Glossy**, if requested, is available on sizes up to 24" wide. Our qualified technicians optimize the color and exposure of each image.

When submitting digital files for enlargements (including *Giclee Fine Art Prints*) be aware that large image files are needed to produce optimum quality. We can print digital files from most file formats and application programs. When preparing files in Photoshop, please "flatten" layered files and save as TIFF or JPEG files.

**Mounting** adds 2 lab days to the service time. → Mounting price is in addition to the enlargement price and includes both the mount board & mounting service.

	First Print	Duplicate Print
<b>Quantity from same image ►</b>		
16x16 .....	24.95	18.95
16x20 .....	29.95	22.95
16x24 .....	34.95	25.95
20x20 .....	32.95	26.95
20x24 .....	39.95	29.95
20x30 .....	49.95	36.95
24x30 .....	59.95	44.95
24x36 .....	71.95	53.95
24x48 .....	95.95	71.95
30x40 .....	99.95	74.95
30x48 .....	119.95	89.95
36x48 .....	143.95	108.95
36x60 .....	179.95	134.95
40x48 .....	159.95	119.95
40x60 .....	199.95	149.95
44x60 .....	219.95	164.95
44x72 .....	263.95	197.95
44x96 .....	351.95	263.95
10x40 Panoramic .....	36.95	27.75
14x42 Panoramic .....	48.95	36.75
16x48 Panoramic .....	63.95	47.95
16x60 Panoramic .....	79.95	59.95
20x72 Panoramic .....	119.95	89.95
24x72 Panoramic .....	143.95	107.95
24x96 Panoramic .....	191.95	143.95
36x72 Panoramic .....	215.95	161.95
36x96 Panoramic .....	287.95	215.95
40x72 Panoramic .....	239.95	179.95
40x96 Panoramic .....	319.95	239.95

**Pricing Non-Standard Size Wide Format Prints:**  
For sizes not listed above, the price is \$12.00/sq ft.

## Mounting Service for Enlargements

Service Time: add 2 days to the time required to print the enlargement. Price includes either 3/16" premium black-core Gatorfoam® or 3/32" Mat Board (11x14 maximum size for Mat Board).

5x7 .....	6.95	24x36 .....	44.95
8x10 .....	8.95	24x48 .....	52.95
8x12 .....	9.95	30x40 .....	64.95
11x14 .....	11.95	30x48 .....	69.95
11x16 .....	14.95	4x18 .....	9.95
12x18 .....	15.95	5x20 .....	14.95
16x20 .....	19.95	6x24 .....	17.95
16x24 .....	22.95	8x24 .....	18.95
20x24 .....	29.95	10x30 .....	24.95
20x30 .....	35.95	12x36 .....	32.95
24x30 .....	39.95	14x42 .....	44.95

**Additional Mounting Sizes** are available. Please call for a price quote for your specific requirements.

<sup>1</sup> Flat shipping charge of \$10.00 per order is required on these sizes of mounted enlargements if shipping is requested.

<sup>2</sup> Flat shipping charge of \$15.00 per order is required on these sizes of mounted enlargements if shipping is requested.

LIABILITY NOTICE: Photographs, copies, or artwork **not produced by The Camera Shop** are accepted by The Camera Shop for mounting, coating, laminating or related services without warranty or liability of any kind.

## Giclee Fine Art Prints

Service Time: 5 Lab Days

Giclee Fine Art Prints are our finest archival enlargements printed on premium heavy stock paper as large as 24" inches wide and 36" long. Giclee prints are available on either a smooth or textured paper, which allows you to choose how you wish to display your image.

**Smooth Paper:** Our Smooth Fine Art Paper gives you a detailed print of your image with bright colors on a heavy stock paper.

**Textured Paper:** Our Textured Fine Art Paper gives your image the look of a watercolor painting.

Giclee Fine Art Prints	First Print	Duplicate Print
<b>Quantity from same image ►</b>		
8x10 .....	29.95	24.95
11x14 .....	34.95	29.95
16x20 .....	39.95	34.95
20x24 .....	54.95	44.95
20x30 .....	64.95	49.95
24x30 .....	79.95	64.95
24x36 .....	104.95	79.95

READ THIS NOTICE: Submitting any film, print, digital media, or images in any form to this firm for processing, printing, or other handling constitutes an AGREEMENT by you that any damage or loss by our company, subsidiary, or agents, even though by our negligence or other fault, will only entitle you to replacement with a like amount of imaging media or unexposed film and processing, if available. The acceptance by us of the film, print, digital media, or images is without other warranty or liability, and recovery for any incidental or consequential damages is excluded. 90-day unclaimed orders will be considered abandoned.

All prices, specifications & service times are subject to change without notice.



320-251-4687 Waite Park, MN  
320-251-2622 St. Cloud, MN

# 35mm Film Processing and Scanning

C-41 Process 35mm Color Prints on KODAK ROYAL PAPER

August 1, 2019

## Develop with 4x6 or 3 1/2x5 Prints

Service Time: 1-2 Hours (based on processing volume)

Our qualified technicians optimize the color and exposure of every image while printing on Kodak Royal Paper.

- FREE INDEX PRINT included
- Choose Matte or Glossy finish
- Multiple sizes available - 4x6 or 3 1/2x5 (or 5x7 - below)
- Add your photos to a CD for easy reorders of reprints and enlargements, or to import images into your computer ►
- Additional sets of prints - just 32¢ each with original order!

**Minimum Charge:** \$4.90 *Develop Only* fee (for blank film)

<u>35mm C-41 Processing</u>	<b>4x6 or 3 1/2x5</b>	<b>Identical</b>
	<b>First Set</b>	<b>Second Set</b>
24 Exposure .....	14.98 .....	7.68 .....
36 Exposure .....	19.98 .....	11.52 .....
Discount for unprinted negatives .....	42 each.....	32 each.....
Additional full sets of prints, per print.....	32 each.....	32 each.....
Panoramic 35mm images mixed in your roll, per 4x12" print.....	1.25 each.....	

White Borders, add ..... 1.00 per roll

**BLACK & WHITE or SEPIA-TONED PRINTS** from color film, see pages 13 and 14 for pricing.

## Develop with 5x7 BIG Prints

- FREE INDEX PRINT (3 1/2x5)
- Choose Matte or Glossy finish
- Add your photos to a CD for easy reorders of reprints and enlargements, or to import images into your computer
- Additional sets of prints - just 50¢ each with original order!

<u>35mm C-41 Processing</u>	<b>5x7</b>	<b>5x7</b>
	<b>First Set</b>	<b>2nd Set</b>
24 Exposure - 5x7 size .....	23.62 .....	12.00 .....
36 Exposure - 5x7 size .....	32.98 .....	18.00 .....
Discount for unprinted negatives .....	78 each.....	50 each.....
Additional full sets of prints, per print.....	50 each.....	

## Develop Only (No Prints Requested)

Service Time: 1-2 Hours **"Cross Processing": E-6 film in C-41 process, add \$2.95**

Processed negatives are cut into 4-frame strips and packaged in flat sleeving unless requested uncut.

24 or 36 Exposure C-41 ..... 4.90

## Index Print Only from Developed Film

Service Time: 1 Day..... 2.99

READ THIS NOTICE: Submitting any film, print, digital media, or images in any form to this firm for processing, printing, or other handling constitutes an AGREEMENT by you that any damage or loss by our company, subsidiary, or agents, even though by our negligence or other fault, will only entitle you to replacement with a like amount of imaging media or unexposed film and processing, if available. The acceptance by us of the film, print, digital media, or images is without other warranty or liability, and recovery for any incidental or consequential damages is excluded. 90-day unclaimed orders will be considered abandoned.

## Scan 35mm Rolls to CD

Service Time: 2 Hours (based on processing volume)

CDs are an excellent medium for archiving your precious memories and ordering additional prints. All of our CD options have high quality color corrected image files matching the images you receive on Kodak Royal Paper.

We combine multiple rolls of film onto one CD; however the **price is per ROLL** of film. 500 Reprint Quality<sup>1</sup> scans or 135 Enlargement Quality<sup>2</sup> scans fit onto one CD.

A CD Index Print of each roll is included at no charge.

	<sup>1</sup> Reprint Quality CD	<sup>2</sup> Enlargement Quality CD	<sup>3</sup> Super Resolution CD
Scanning Price per Roll with Develop & Print.....	5.99.....	10.99 .....	19.99 .....
<b>Plus 35mm Develop &amp; Print fee (see left column)</b>			

**Scanning Price per uncut roll with NO Prints..... 7.99\* ..... 12.99\* ..... 22.99\***

**\*Add Develop Only charge if roll is unprocessed**

<sup>1</sup> **Reprint quality CD:** Will produce high quality 3 1/2x5, 4x6 and 5x7 prints. Pixel dimensions: 1500 x 1000

<sup>2</sup> **Enlargement Quality CD:** Will produce high quality enlargements and cropped reprints. Pixel dimensions: 3000 x 2000

<sup>3</sup> **Super Resolution 35mm Scan:** Will produce Posters & Wide Format Enlargements. Pixel dimensions: 6700 x 4400. One CD holds up to 25 scans.

Scans are saved as highest quality JPEG files (Level 12 JPEG compression). TIFF format files are available for an additional \$5.00 setup charge per order (any number of rolls).

## Damaged Film / Push Processing

Service Times: Push - 2 lab days; Wet or Damaged - 1 week

**Push processing** is NOT recommended. However if you must push your C-41 film, only 2 f/stops of speed increase can be achieved. **Improved results are not guaranteed.**

Push Processing, add ..... 3.95 per roll

## Wet Film or Film with Damaged Sprockets

Processing surcharge ..... 10.95 per roll

## 8 1/2x11" Proof Sheet from 35mm Rolls

Service Time: 2 Lab Days

Negatives are scanned, color corrected, and digitally printed on an 8 1/2x11" contact sheet which resembles a traditional contact sheet. Then we sleeve the negatives.

8 1/2x11 Proof Sheet (with *Develop & Print* or *Develop to CD—No Prints* service).....add 6.95

8 1/2x11 Proof Sheet with NO prints ordered .....add 9.95\*

\* Add *Develop Only* charge if roll is unprocessed

## Develop with Enlargements

From full roll at time of developing. 2-day Service.

8x12 size (plus *Develop Only* charge).....3.25 each

11x14 size (plus *Develop Only* charge).....6.25 each



320-251-4687 Waite Park, MN  
320-251-2622 St. Cloud, MN

All prices, specifications & service times are subject to change without notice.



# 35mm Color Reprints, Enlargements & Scanning

From 35mm C-41 Color negatives, printed on KODAK ROYAL PAPER

August 1, 2019

## Color 35mm Reprints & Enlargements

Service Time: Reprints - 2 days; Enlargements - 3 days

Negatives are scanned on an industrial high resolution scanner incorporating "Digital ICE" Dust and Scratch removal. Our qualified technicians optimize the color and exposure of every image while printing on Kodak Royal Paper.

**Quantity prices are per print from SAME negative.**

Matte finish is standard; Glossy available on request.

Single (cut) 35mm negatives: add \$.99 per negative to print.

For old-fashioned **Sepia Tone** prints:

Add \$.45 **per negative** for wallet to 4x6 print sizes.

Add \$.90 **per negative** for 5x7 to 12x18 enlargements.

To precisely match the sepia color of a reference print that you submit, add \$3.95 per negative.

CROPPING: Add \$.99 per **negative** for 3½x5 or 4x6 prints.

Add \$2.99 per **negative** for enlargements.

Qty per negative ▶	1-4	5-23	24-49	50-99	100+
3½x5	.79	.69	.49	.39	.32
4x6 or 4x5	.79	.69	.49	.39	.32
4x12 Panoramic	.. 2.50				

Qty. per negative ▶	1-2	3-23	24-49	50-99
5x7	3.50	2.75	1.75	1.15
6x9	4.98	3.75	2.49	1.60
8x10	6.50	4.90	3.25	2.15
8x12	7.50	5.75	3.75	2.50
11x14	14.95	11.29	7.50	4.95
11x16	16.95	12.75	8.50	5.60
12x18 or 10x20	19.95	14.95	10.00	8.50

## Wallet Photos

Wallets are available in a set of 2 on a 3½x5 sheet, or 8 wallets printed on a 7x10 sheet and die cut with rounded corners. Matte finish is standard on 8-up wallet sheets; glossy is available—add \$1.00 per sheet.

8 wallets die cut.....\$5.75 per sheet

2 wallets, uncut .....\$1.40 Add \$.15 each for die cutting

For larger print sizes, see:

**WIDE FORMAT ENLARGEMENTS, page 2**

READ THIS NOTICE: Submitting any film, print, digital media, or images in any form to this firm for processing, printing, or other handling constitutes an AGREEMENT by you that any damage or loss by our company, subsidiary, or agents, even though by our negligence or other fault, will only entitle you to replacement with a like amount of imaging media or unexposed film and processing, if available. The acceptance by us of the film, print, digital media, or images is without other warranty or liability, and recovery for any incidental or consequential damages is excluded. 90-day unclaimed orders will be considered abandoned.

## Scan 35mm Color Negatives to CD

Service Time: 3 Lab days (1 week for over 100 negatives)

Negatives are scanned on an industrial high resolution scanner incorporating "Digital ICE" Dust and Scratch removal. Then our qualified technicians optimize the color and exposure of each image. So these image files will produce high quality prints, & can also be imported into your computer for graphic design applications, websites, e-mailing, etc.

Negatives must be submitted in strips of at least 3 inches long, or at least 2 images per strip; add \$.99 each for single 35mm negatives.

Scan a **complete roll** of 35mm cut negatives to CD:

<sup>1</sup> Reprint Quality scans (CD included).....12.99 per roll

<sup>2</sup> Enlargement Quality scans (CD included)..19.99 per roll

**Add \$4.99 per CD**

35mm Negative Scans	<sup>1</sup> Reprint Quality Scans	<sup>2</sup> Enlargement Quality Scans	<sup>3</sup> Super Resolution Scans
1 - 3	1.69	2.49	8.99
4 - 9	1.29	1.79	6.99
10 - 49	.89	1.49	4.99
50 - 99	.69	.99	3.99
100 - 249	.59	.89	2.99
250 - 499	.45	.69	2.50
500+	.39	.55	1.99

<sup>1</sup> **Reprint Quality Scan:** Will produce high quality 3½x5, 4x6 and 5x7 prints. Pixel dimensions: 1500 x 1000. One CD holds up to 500 scans.

<sup>2</sup> **Enlargement Quality Scan:** Will produce high quality enlargements and cropped reprints. Pixel dimensions: 3000 x 2000. One CD holds up to 135 scans.

<sup>3</sup> **Super Resolution 35mm Scan:** Will produce Posters & Wide Format Enlargements. Pixel dimensions: 6700 x 4400. One CD holds up to 25 scans.

## Mounting Service for Enlargements

Service Time: add 2 days to the time required to print the enlargement. Price includes either 3/16" premium black-core Gatorfoam® or 3/32" Mat Board (11x14 maximum size for Mat Board).

5x7	6.95	11x14	11.95
8x10	8.95	11x16 *	14.95
8x12	9.95	12x18 *	15.95

\* Flat shipping (\$10.00 per order) is required if *ship* is requested.

LIABILITY NOTICE: Photographs, copies, or artwork **not produced by The Camera Shop** are accepted by The Camera Shop for mounting, coating, laminating or related services without warranty or liability of any kind.

## Photo Gifts & Novelty Items

Ask for details about these photo items (page 17):

- Photo Button ..... 3.50
- Refrigerator Magnet .....3.00 - 4.25
- T-Shirt ..... 24.95
- Coffee Mug - photo on 1 side ..... 14.95
- Puzzle - 7½ x 9½ size ..... 19.99
- Computer Mouse Pad ..... 14.95
- Desk Calendar ..... 19.95
- Wall Calendar ..... 24.95



320-251-4687 Waite Park, MN  
320-251-2622 St. Cloud, MN

All prices, specifications & service times are subject to change without notice.

# Print Scanning & Copy Services

Direct Copies and Scans of Prints, Artwork, or Photo Albums

August 1, 2019

## “Copy Print” Service

Service Time: 3 Lab Days (5 Lab Days for 100+ scans)

We scan your original photos (no larger than 8½x12") and make whatever print size(s) you request, on Kodak Royal Paper. Matte surface is standard; glossy is available upon request. The scanning fee is in addition to the cost of the prints you order—see *Reprints* and *Enlargements*, below. No CD or Copy Negatives are included with “Copy Print” Service.

### Quantity of original

photographs to copy ▶	1-9	10-24	25+
Scanning price	3.99	3.10	2.25

## Reprints from Scanned Photographs

Service time: 1 Lab Day, plus scanning time.

Printed on Kodak Royal Paper—Matte or Glossy finish.

For B&W prints, we recommend Endura Lustre Paper, which produces richer blacks and a full range of gray tones: see page 1, right-hand column for pricing.

Quantity “reprint-size” prices apply to the total prints of the same size in one order, regardless of how many original photographs are submitted.

Quantity per order▶	1-24	25-499	500+
4x6, 4x5, 3½x5.....	.44	.38	.30

## Enlargements from Scanned Photos

Service time: 1 Lab Day, plus scanning time.

Printed on Kodak Royal Paper—Matte or Glossy finish.

For B&W prints, we recommend Endura Lustre Paper, which produces richer blacks and a full range of gray tones: page 1.

Quantity enlargement prices are per print from the SAME original photograph.

Qty per original photo	1-2	3-23	24-49	50-99
5x7 .....	2.69	2.15	1.50	.99
8x10.....	5.40	4.30	2.99	1.99
8x12.....	6.50	5.10	3.55	2.49
11x14.....	13.99	11.55	6.75	5.20
11x16.....	16.20	12.65	7.85	5.70
12x12 Album Pg...	6.99	6.99	6.75	5.20
12x18.....	18.40	13.70	11.10	9.00

8 wallets die cut (round corners) \$5.40 per sheet

2 wallets, uncut..... 1.30 Add \$.15 each for die cutting

For 16x16" to 40x96" prints, see **WIDE FORMAT ENLARGEMENTS**, page 2.

## Copy Negatives - B&W or Color

Service Time: 5 Lab Days (plus required printing time)

35mm B&W or color Copy Negative from original prints between 3x4" and 11x16" ..... 22.95

**NOTE:** We recommend our professional *Print Scanning* and *Digital Printing* services as a high quality option that is less expensive than traditional *Copy Negative* service. Original prints smaller than 3x4" **must** be scanned—no Copy Negative service available.

**COPYRIGHT NOTICE:** It is illegal to copy photographs which are copyrighted by a professional photographer or studio. We do not copy or scan any such photographs without prior written permission of the copyright owner.

## Scan Prints

Using calibrated high-resolution scanners, we optimize each image as we scan, and then apply minor color and exposure corrections as needed. The resulting image files will produce high quality prints, and can also be imported into your computer for graphic design applications, websites, e-mailing, etc. If you request a CD of the scanned photographs, the images are saved as highest quality JPEG files in RGB Color Mode unless otherwise noted. The scan charges are in addition to the cost of any *Reprints* or *Enlargements* (see left column). See page 6 for scanning large quantities of photos.

If you don't specify a preference, we provide “Scan Print-Reprint Quality” service.

Add \$4.99 Setup & CD Recording charge per CD requested. Many image files can be recorded onto one CD. **DVD or USB Drive rather than CD... \$14.95**

### Scan Print - Reprint Quality

Service time: 3 days.

Available from originals up to 8½x12". Scanned image is ≈ 1500 x 1000 pixels and will produce high quality 3½x5, 4x6 & 5x7" prints.

Quantity of originals▶	1-9	10-24	25-99	100+
Add \$4.99 for the CD .....	3.99	3.10	2.25	See Page 6

### Scan Print - Enlargement Quality

Service time: 3 days.

Available from originals up to 8½x12". Scanned image is ≈ 3000 x 2000 pixels and will produce high quality prints up to 16x20".

Quantity of originals ▶	1-9	10-24	25+
Add \$4.99 for the CD	5.99	4.59	3.99

### Scan Print - 9x12" to 12x17" Original ..... 14.95

Service time: 3 days. Add \$4.99 for the CD

Available from originals between 8½x12 and 12x17".

Scanned image is ≈ 6000 x 4000 pixels and will produce high quality prints up to 16x20".

### Scan Large Original Print 12x18" to 16x24"

Service time: 4 days. Add \$4.99 for the CD

Scanned image is ≈ 8000 x 6000 pixels and will produce high quality prints up to 30x40". Images can be saved as JPEG (default) or TIFF files if requested.

Quantity of originals ▶	First Scan	Additional Scans
Add \$4.99 for the CD	49.95	44.95

### Scan Print - Custom .....89.95 and up

Service time: 1 week. Add \$4.99 for the CD

Very large scan for critically sharp reproduction and/or for originals larger than 16x24". Scanned image is ≈ 8000 x 6000 pixels (≈ 130 MB when opened in Photoshop). Images can be saved as JPEG (default) or TIFF files if requested.

### Scan Photo Album Pages (12x12")

Service time: 1 week. Add \$4.99 for the CD

Quantity of album pages ▶	1-9	10-24	25+
Add \$4.99 for the CD	8.99	6.99	5.99

**READ THIS NOTICE:** By submitting photos or images of any kind to our company, you agree that the value of the photos or images does not exceed the cost of scanning the same quantity of photos or images. Thus, you agree that any claim for loss or damage to your photos or images is limited to our cost for scanning them. Our acceptance of your photos or images is without other warranty or liability, and recovery for any incidental or consequential damages



320-251-4687 Waite Park, MN  
320-251-2622 St. Cloud, MN

All prices, specifications & service times are subject to change without notice.

# “Shoebox” Photo Archive Scanning

Scanning and Reproducing Large Quantities of Photographs

August 1, 2019

## Shoebox Photo Archive Scanning

Service Time: 5 - 7 Lab Days

Perhaps you have a shoebox full of precious photographs in your closet. For a very economical price we can scan those photographs to a CD so you can preserve those memories, make backup copies or reprints, and distribute them to your relatives.

Two options for *Shoebox Photo Archive* scans:

(1) Standard Resolution (300 ppi) scans are ideal for printing up to two times the size of your original photographs, or for emailing and internet posting.

(2) High Resolution (600 ppi) scans will produce high quality photos four times as large as your original photographs. Images from both kinds of scans are saved as high-quality JPEG files.

### To avoid extra processing fees and to assure quick service, please follow these guidelines for *Shoebox Photo Archive* scanning:

All photos must be removed from albums and frames and put into a box. Sort the photos by size from smallest to largest. Minimum size: 2½x3½; Max:8½x11. Make sure all of the photos are facing forward and oriented so the top of each image is in the same direction. If you want the image files from both horizontal and vertical photos to be right-side-up on your CD, you must sort vertical photos into separate groups from the horizontal photos. If they are mixed together, you may request that we rotate the vertical images to appear face-up on your CD— this “rotating” service adds \$19.95 per group of up to 500 images.

If there is information written on the back of your original photographs that you want scanned, we can scan both sides of those pictures. These will count as two scans. Group the photos for double-sided scans separately and clearly mark the group: “**Scan Front & Back.**”

Photographs for *Shoebox Photo Archive* scanning can be scanned in a specific sequence for an additional \$34.95 per group of 500. To order this service, number the sequence on the back of each photo (no sticky notes) and **submit the photos in that sequence**, rather than sorting your photos by size. This \$34.95 fee also includes our service of rotating all images to the correct orientation (horizontal or vertical).

Photos that are fragile, folded, ripped, mounted or in albums, sticky or having rough edges or staples cannot be scanned with our *Shoebox Photo Archive* service. To scan such photographs, refer to page 5 for our custom print scanning services (scanning prints up to 8x10" size costs between \$2.25 and 5.99 per scan).

**To scan slides or negatives, see page 7.**

	300 ppi Standard Resolution Scanning	600 ppi High Resolution Scanning
<b>Shoebox Photos to CD</b>		
<u>No Refunds Available</u>		
Up to 100 Photos .....	68.95	94.95
Up to 500 Photos .....	144.95	189.95
Additional group of 100 .....	35.00	55.00

The cost of one set of CD(s) are included in above prices.

### Additional Options

Rotating images, add ..... 19.95 per group up to 500  
Photos scanned in the specific sequence  
that you specify (includes rotating your images),  
add .....34.95 per group of 500

Duplicate CDs of photos ..... 7.99 per CD  
Duplicate JPEG DVDs of photos ..... 14.99 per DVD

**Note:** multiple CDs or DVDs may be required for your order.  
When scanning 4x6 photos:  
330 Standard-Resolution scans fit onto 1 CD, or  
90 High-Resolution scans fit onto 1 CD.  
2250 Standard-Resolution scans fit onto 1 JPEG DVD, or  
600 High-Resolution scans fit onto 1 JPEG DVD.

### Index Prints and Proof Sheets

Index Prints and Proof Sheets are a handy tool for locating and retrieving images from your library of CDs. They are priced **by the sheet** with 25 or 40 images per sheet.

4x6 Index Print with 40 images per sheet..... 1.49  
5x7 Proof Sheet with 25 large images per sheet ..... 2.49  
8x10 Proof Sheet with 40 large images per sheet ..... 5.98

### DVD Slideshow

We can also produce a professional “slide show” of your photographs (and slides) that will play on your TV with a standard DVD player. See page 8 for scanning prices and complete details.

**READ THIS NOTICE:** By submitting photos or images of any kind to our company, you agree that the value of the photos or images does not exceed the cost of scanning the same quantity of photos or images. Thus, you agree that any claim for loss or damage to your photos or images is limited to our cost for scanning them. Our acceptance of your photos or images is without other warranty or liability, and recovery for any incidental or consequential damages is excluded. 90-day unclaimed orders will be considered abandoned.



320-251-4687 Waite Park, MN  
320-251-2622 St. Cloud, MN

All prices, specifications & service times are subject to change without notice.

# Scanning Services - Negatives, Slides, Transparencies

Scanning Prices Include Both Color and Black & White Negatives

August 1, 2019

## Scan 35mm Negatives and 35mm, 110, 126, 127 Slides to CD

Service Time: 4 Lab Days (7 Lab Days for 250+ scans)

**Negatives** are scanned on an industrial film scanner incorporating "Digital ICE" Dust and Scratch removal.

**Slides** are cleaned with compressed air & scanned at high resolution. While scanning, our qualified technicians optimize the color and exposure of each image. So these image files will produce high quality prints, and can also be imported into your computer for graphic design applications, e-mailing, websites, etc. Scans are saved as high quality JPEG files unless otherwise noted.

**NEGATIVES** must be submitted in strips of at least 3 inches long, or at least 2 images per strip. Add \$.99 each for any 35mm negatives that do not meet these criteria.

Scan a **complete roll** of 35mm cut negatives to CD: (Each roll may contain no more than 38 negatives.)

- <sup>1</sup> Reprint Quality scans (CD included)..... 13.99 per roll
- <sup>2</sup> Enlargement Quality scans (CD included). 19.99 per roll

Add \$4.99 per CD	<sup>1</sup> Reprint Quality Scans	<sup>2</sup> Enlargement Quality Scans	<sup>3</sup> Super Resolution Scans
<b>35mm Negative Scans</b>			
1 - 3	1.69	2.49	8.99
4 - 9	1.29	1.79	6.99
10 - 49	.89	1.49	4.99
50 - 99	.69	.99	3.99
100 - 249	.59	.89	2.99
250 - 499	.45	.69	2.50
500+	.39	.55	1.99

**SLIDES** must be submitted in groups of up to 100, either in boxes or rubber-banded together, or in Kodak Carousel @ slide trays that can hold up to 80 slides. If you request slides to be kept in sequence, number each slide sequentially before submitting the order. Glass mounted slides and slides in metal slide clips, add 39¢ per slide.

**126-size** slides are scanned in their square format—add 10¢ per slide to the prices below. **110** slides in 2x2" mounts—add 40¢ per slide. **127** "Super Slides"—add 25¢ per slide.

**Stereo** 35mm slides—add 60¢ per slide.

Add \$4.99 per CD	<sup>1</sup> Reprint Quality Scans	<sup>2</sup> Enlargement Quality Scans	<sup>3</sup> Super Resolution Scans
<b>35mm Slide Scans</b>			
1 - 3	2.25	2.99	9.99
4 - 9	1.89	2.19	7.99
10 - 49	1.39	1.79	5.99
50 - 99	1.09	1.29	4.49
100 - 249	.89	.99	3.49
250 - 499	.70	.79	2.99
500+	.59	.69	2.49

<sup>1</sup> **Reprint Quality Scan:** Will produce high quality 3½x5, 4x6 and 5x7 prints. Pixel dimensions: 1500 x 1000. One CD holds up to 500 scans.

<sup>2</sup> **Enlargement Quality Scan:** Will produce high quality enlargements and cropped reprints. Pixel dimensions: 3000 x 2000. One CD holds up to 135 scans.

<sup>3</sup> **Super Resolution 35mm Scan:** Will produce Posters & Wide Format Enlargements. Pixel dimensions: 6700 x 4400. One CD holds up to 25 scans.

## Scan 120, 620, 127, 70mm, 116, 616 Negatives or Transparencies to CD

Service Time: 4 Lab Days (5 Lab Days for 100+ scans)

120 formats we are setup to scan: 6x4.5; 6x6; 6x7; 6x9cm. Saved as highest quality JPEG files (Level 12 JPEG compression). TIFF format files are available for an additional \$5.00 setup charge per order.

For 127-size negatives, add \$0.25 per negative.

For 70mm, 116 or 616 negatives, we must trim 3/16" off both narrow edges of the negative (\$0.25 per neg.) The trimmed negative (2 3/8" wide) will fit into our 120 carrier for scanning, and approximately 80% of the central image area will be scanned (details on page 27.) If important subject matter of your 70mm, 116 or 616-size negative is close to any edge of the negative, you may prefer to order *Oversize Negative Scans* (below) to avoid any image cropping of the negative.

Add \$4.99 per CD	<sup>4</sup> Standard Resolution Scans	<sup>5</sup> Super Resolution Scans
<b>120-size Scans</b>		
1 - 9	3.95	9.95
10 - 24	3.25	5.99
25 - 99	2.95	4.99
100+	2.25	3.50

<sup>4</sup> **Standard Resolution** pixel dimensions of 120 formats: 6x4.5—2000 x 1500; 6x6—2000 x 2000; 6x7—2460 x 2000; 6x9—3000 x 2000

<sup>5</sup> **Super Resolution** pixel dimensions of 120 formats: 6x4.5—4800 x 3500; 6x6—4800 x 4800; 6x7—5900 x 4800; 6x9—7200 x 4800

## Scan Oversize Negatives or Transparencies

Service Time: 6 Lab Days (10 Lab Days for 25+ scans)

We scan 70mm, 4x5", 5x7", 8x10" sheet film, glass, and non-standard size negatives & transparencies (maximum size: 8.5x11"). Standard Resolution Scans are ≈ 3000 x 2400 pixels, saved as JPEG files, and will produce high quality prints up to 11x14". Super Resolution Scans are ideal for jobs requiring critically sharp images for reproduction; scanned images are ≈ 8000 x 6400 pixels, saved as both JPEG and Photoshop files, and produce prints up to 44x66".

Add \$4.99 per CD	Standard Resolution Scans	Super Resolution Scans
<b>Oversize Film Scans</b>		
1 - 9	9.95	19.95
10 - 24	7.95	17.95
25 - 99	5.95	15.95
100 +	5.50	14.95

### DVDs versus CDs

DVDs hold 6½ times more data than CDs. When appropriate, we record your scans to a DVD (\$14.95) rather than a CD (\$4.99) for your convenience, and to save you the cost of multiple CDs.

READ THIS NOTICE: Submitting any film, print, digital media, or images in any form to this firm for processing, printing, or other handling constitutes an AGREEMENT by you that any damage or loss by our company, subsidiary, or agents, even though by our negligence or other fault, will only entitle you to replacement with a like amount of imaging media or unexposed film and processing, if available. The acceptance by us of the film, print, digital media, or images is without other warranty or liability, and recovery for any incidental or consequential damages is excluded. 90-day unclaimed orders will be considered abandoned.

All prices, specifications & service times are subject to change without notice.



320-251-4687 Waite Park, MN  
320-251-2622 St. Cloud, MN



# DVD Slideshows

August 1, 2019

## **DVD Slideshow from Prints, Slides, Negatives and Digital Files**

**A professionally produced "slide show" of photographs playable on your computer or DVD player**

Service Time: 12 Lab Days—January thru October  
 15 Lab Days—November & December  
 RUSH Service: \$10 to \$50, depending on the size of the job and our workload. Please call for a quote.

As we scan your slides and negatives, our qualified technicians adjust the color of each image and correct the exposure as needed. Your images are combined into a seamless slideshow with each image fading into the next one. Each image is on screen for 5 to 7 seconds, but you may specify a different duration. At your request we can add a music background from our library of royalty-free music or music that you supply on CD.

### **MAIN TITLES:**

**Please specify these two titles which are included in your DVD Slideshow at no additional charge:**

- (1) The **Cover Title** you want printed on the front of the DVD.
  - (2) The **Main Menu Title** you want to appear **on screen** when you insert the DVD into your player.
- These do not have to be the same title. On-screen title(s) should not exceed 16 characters in length.

If you want your images in a specific sequence, please include clear instructions. Number your prints on the back and slides on their mounts to help us maintain your desired sequence of images. We cannot guarantee proper sequencing without such numbering.

**No refunds allowed** on this service. If we make any errors in production, return the order within 21 days and we will cheerfully remake the DVD with the corrections requested. Any additions or corrections that were not specified on the original order will incur additional charges.

**Minimum charge** ..... **90.00**  
 (This only applies if the combined scanning, music and Original DVD recording charges are less than \$90.00)

### **Total price is calculated by adding these charges:**

Scanning your images ..... See Next Column  
 Rotating images to proper TV orientation ..... No Charge  
 Main Title for the slideshow ..... No Charge  
 Additional on-screen titles during play, each ..... 3.50  
 Our background music, if requested ..... 20.00  
 Your background music ..... See Next Column ▶  
 Original DVD Recording charge, per DVD\* ..... 49.95\*  
 Additional DVD Slideshow copies..... 19.95 per DVD

Scanned images can also be recorded in JPEG format, for email, archiving, and printing. This "Jpeg DVD" is available in addition to the DVD Slideshow.

JPEG DVD of your scanned images ..... 24.95

\* 800 images can be recorded onto one DVD slideshow. Each additional set of up to 800 images require another Original DVD Recording Charge of \$49.95.

## **Scanning Your Images for Your DVD Slideshow:**

You may submit a combination of prints, slides, negatives and digital files. Quantity prices apply to the total number of images scanned of one format—see columns below. Each time we switch from one format to another there is a **format change fee—\$2.95**. For example, each change from 35mm slides to 126-size slides, or vice versa, incurs this fee, as would changing from prints to slides, and back again. **Copyrighted images** require a signed release from the copyright owner.

Quantity of Images to DVD	35mm			Digital Files
	Prints <sup>1</sup>	or 126 Slides <sup>2</sup>	35mm Negatives	
Less than 50	95	1.39	89	.50
50 - 99	75	1.09	69	.45
100 - 249	65	.89	59	.40
250 - 499	50	.70	45	.30
500 - 999	30	.59	39	.25
1000 - 2499	29	.49	39	.20
2500 - 4999	27	.44	35	.19
5000 +	26	.39	32	.18

<sup>1</sup> Unmounted prints, 2½x3½" minimum size, 8x10" maximum size, scanned in the sequence you request.

<sup>2</sup> **Slides** must be submitted in groups of up to 100, either in boxes or rubber-banded together, or in Kodak Carousel® slide trays that can hold up to 80 slides. If you request slides to be kept in sequence, number each slide sequentially before submitting the order. Glass mounted slides and slides in metal slide clips, add 39¢ per slide.

**For non-standard size Slides, add the surcharge below to the Slide scanning prices in the table above**

127 Super Slides in 2x2" mounts—add 25¢ per scan.  
 35mm Stereo Slides—add 60¢ per scan.  
 110 Slides—add 40¢ per scan.

## **Scanning Odd-Size Film for DVD Slide Shows:**

120-size negatives or transparencies (6x4.5 cm, 6x6 cm, 6x7 cm, or 6x9 cm) —\$2.25 per scan.

## **BACKGROUND MUSIC THAT YOU SUPPLY:**

We can add music to your DVD Slideshow from CDs that you supply. There is a setup charge of \$20.00 per order, and an additional charge of \$7.50 per song. Your images can be on screen for a set amount of time (usually 5 to 7 seconds), or we can space them to fit the songs you supply.

If you want your songs synchronized to fit a group of photos, an additional charge of \$15.00 per song is required for video editing. Please include detailed instructions describing the song sequence, and which photos are to be synchronized to the selected songs.

READ THIS NOTICE: Submitting any film, print, digital media, or images in any form to this firm for processing, printing, or other handling constitutes an AGREEMENT by you that any damage or loss by our company, subsidiary, or agents, even though by our negligence or other fault, will only entitle you to replacement with a like amount of imaging media or unexposed film and processing, if available. The acceptance by us of the film, print, digital media, or images is without other warranty or liability, and recovery for any incidental or consequential damages is excluded. 90-day unclaimed orders will be considered abandoned.



320-251-4687 Waite Park, MN  
 320-251-2622 St. Cloud, MN

All prices, specifications & service times are subject to change without notice.

# Slide Processing, Duplicating & Copy Services

August 1, 2019

## Slide Processing: E-6 Process Ektachrome and Fujichrome

Service Time: Processed on Tuesdays & Thursdays.  
RUSH service: \$15.00 regardless of number of rolls.

35mm slides are mounted in plastic mounts unless *Develop Only* service is specified. For *Develop Only* film, specify "cut" or "do not cut." Mounted slides are numbered sequentially.

Add your slides to a CD for easy ordering of prints and enlargements, or to import images into your computer ►

**Minimum Charge:** \$7.99 if an E-6 roll turns out "blank".

24 exposure 35mm E-6 Processing.....	11.99
36 exposure 35mm E-6 Processing.....	15.99
120 E-6 (packaged uncut in plastic sleeve).....	14.99

Push or Pull, up to 1 f/stop (1-week service) add 3.50  
Push or Pull, more than 1 f/stop (1-week).... add 4.95

Infrared EIR slide processing (2 weeks)..... 27.95

"Cross Processing" E-6 film in C-41 chemistry, add \$2.95.

## Prints from E-6 Slides—Full Roll Printing

Service Time: 2 Lab Days (plus developing time — above)

4x6 or 3½x5 prints with slide roll processing

Matte or Glossy Kodak Royal Paper .....	.69 per print
Lustre Endura Professional Paper ... ..	.79 per print

## Kodachrome Slide Processing

Kodachrome color slide processing is no longer available. We offer Black & White negative processing of Kodachrome 35mm film. We scan the negatives, apply exposure and contrast adjustments as necessary, then create a CD of the images and a set of 4x6 Lustre prints.

See page 16, right-hand column, for pricing.

## Duplicate Slides (35mm Size)

Service Time: 7 Lab Days. Rush: \$15.00 (1-39 dupes)

We produce 35mm duplicate slides (dupes) from 35mm Ektachrome, Kodachrome, Fujichrome or Agfachrome slides.

**Minimum Order** ..... 20.80

**35mm Full-Frame Price Per Dupe**.....2.60 each

**Custom Dupes** (color/exposure corrected, or 35mm dupes from 120 transparencies).....5.20 each

## Slide Mounting and Re-Mounting

Service Time: 4 Lab Days	New mounts are plastic
Mount 35mm slides received in uncut roll.....	..30 each
Remount old 35mm slides .....	55 each

READ THIS NOTICE: Submitting any film, print, digital media, or images in any form to this firm for processing, printing, or other handling constitutes an AGREEMENT by you that any damage or loss by our company, subsidiary, or agents, even though by our negligence or other fault, will only entitle you to replacement with a like amount of imaging media or unexposed film and processing, if available. The acceptance by us of the film, print, digital media, or images is without other warranty or liability, and recovery for any incidental or consequential damages is excluded. 90-day unclaimed orders will be considered abandoned.

## Scan 35mm Slide Rolls to CD

Service Time: 2 Lab Days (plus developing time—left column)

CDs are an excellent medium for archiving your slide images and for ordering prints and enlargements. We combine multiple rolls of film onto one CD; however the **price is per ROLL** of film. Scans are saved as highest quality JPEG files (Level 12 JPEG compression). **TIFF** format files are available for an additional \$5.00 setup charge per order (any number of rolls).

A CD Index Print of each roll is included at no charge.

	<sup>1</sup> Reprint Quality CD	<sup>2</sup> Enlargement Quality CD	<sup>3</sup> Super Resolution CD
Scanning Price per Roll at time of processing.....	7.99	12.99	22.99
<b>Plus E-6 Processing fee (left column)</b>			

<sup>1</sup> **Reprint quality CD:** Will produce high quality 3½x5, 4x6 and 5x7 prints. Pixel dimensions: 1500 x 1000

<sup>2</sup> **Enlargement Quality CD:** Will produce high quality enlargements and cropped reprints. Pixel dimensions: 3000 x 2000

<sup>3</sup> **Super Resolution 35mm Scan:** Will produce Posters & Wide Format Enlargements. Pixel dimensions: 6700 x 4400.

## Scan 120 Transparency Rolls to CD

Service Time: 2 Lab Days plus developing time—left column

	<sup>4</sup> Enlargement Quality CD	<sup>5</sup> Super Resolution
Scanning Price per Roll at time of processing.....	12.99	19.99
<b>Plus E-6 Processing fee (left column)</b>		

<sup>4</sup> **Enlargement Quality** pixel dimensions:

6x4.5—2000 x 1500; 6x6—2000 x 2000; 6x7—2460 x 2000; 6x9—2000 x 3000

<sup>5</sup> **Super Resolution** pixel dimensions:

6x4.5—3500 x 4800; 6x6—4800 x 4800; 6x7—4800 x 5900; 6x9—4800 x 7200

## Slides from Digital Files

Service Time: 7 lab days

Digital Files Submitted	First Slide	Digital Dupe
1 - 3.....	9.95	4.75
4 - 14.....	7.50	4.00
15 - 24.....	6.75	3.75
25 or more .....	5.95	3.50

To order **Slides from Negatives**, combine the price of **35mm Negative Scanning** (page 4) and **Slides from Digital Files**.

## Slides from Prints

**A. ECONOMY SLIDES FROM PRINTS:** 7 Lab Days.

*Economy* slides are available from prints 3½x5 through 8x10 size, color or B&W. Square prints are cropped to a 35mm format (2:3 ratio). Images from books or magazines must be produced as *Custom Slides* (below).

For RUSH service add \$25.00.

Economy Slides	1-3	4-14	15+
Quantity per Order.....	8.95	6.50	5.75

**B. CUSTOM SLIDES FROM PRINTS:** 7 Lab Days.

For RUSH service add \$25.00.

From any print or original up to 11x16":

Each Custom Slide..... 10.95



320-251-4687 Waite Park, MN  
320-251-2622 St. Cloud, MN

All prices, specifications & service times are subject to change without notice.

# Slides & Transparencies—Printing & Scanning

From 35mm Slides and 120 Transparencies, printed on KODAK ROYAL PAPER

August 1, 2019

## Prints from 35mm & 126-Size Slides

Service Time: 4 Lab Days. RUSH—add \$10.00.

Slides are cleaned with compressed air, then scanned at high resolution. Our qualified technicians optimize the color and exposure of each image while printing on Kodak Royal Paper.

126 (square) slides are cropped to best fit standard rectangular print sizes. If you prefer uncropped (square) prints, submit 126 slides in a separate order, and specify the print size in your instructions: 4x4, 5x5, 8x8, 11x11.

Quantity prices apply to the total prints of the same size in one order, rather than how many prints are ordered from each slide or transparency.

Matte finish is standard; Glossy available on request.

CROPPING: Add \$.99 per slide for 3½x5 or 4x6 prints.

Add \$2.99 per slide for enlargements.

To develop & print an entire roll of slide film, see *Prints from Slides—Full Roll Printing*, page 9.

Prints per order ▶	1-3	4-9	10-49	50+
3½x5, 4x6, 4x4 ...	1.99	1.69	1.49	1.29
5x7, 5x5	4.99	3.99	2.99	2.19
6x9	5.99	5.25	4.49	3.19
8x10, 8x8	7.99	6.99	5.99	4.25
8x12	8.99	7.99	6.99	5.25
11x14, 11x11	17.95	13.95	10.99	9.99
11x16	19.95	14.95	11.99	10.49
12x18	24.95	19.95	15.95	14.95

For larger prints see **WIDE FORMAT ENLARGEMENTS**, page 2.

## Prints from 120 Transparencies and Prints from Odd-Size Slides

Service Time: 5 Lab Days. RUSH—add \$10.00.

120 Formats: 6x4.5; 6x6; 6x7; 6x9

Odd-sizes: 110, 135 half-frame, 135 stereo, 127 super slides

CROPPING: Add \$.99 per transparency for 3½x5 to 4x6

Add \$2.99 per transparency for enlargements

Prints per order ▶	1-3	4-9	10-49	50+
4x6, 3½x5, 4x5, 4x4	3.95	3.50	2.75	1.99
5x5, 5x7	7.95	4.99	4.50	3.50
8x10	10.95	8.99	7.99	6.99
11x14	19.95	17.95	15.95	12.95
12x18	32.95	27.95	19.95	17.95

## Prints from 4x5 Transparencies

Prints per order ▶	1-3	4-9	10-49	50+
3½x5, 4x5, 4x6	8.95	7.99	6.99	5.99
5x5, 5x7	11.95	9.99	8.99	6.99
8x10	16.95	13.99	12.99	9.99
11x14	25.95	22.95	20.95	17.95

## Definitions of Photographic Terms:

**A Transparency:** The opposite of a negative. A positive image on a transparent film base.

**A Slide:** A transparency mounted in a plastic or cardboard slide mount. Typically, a slide refers to a 35mm transparency mounted in a 2x2 inch slide mount, thus making it easy to handle or insert into a carousel tray for projection viewing.

**A Scan:** A digital image produced from a transparency, slide, negative or print.

## Scan 35mm, 110, 126, 127 Slides to CD

Service Time: 5 Lab Days (7 Lab Days for 250+ slides)

**SLIDES** must be submitted in groups of up to 100, either in boxes or rubber-banded together, or in Kodak Carousel® slide trays that can hold up to 80 slides. If you request slides to be kept in sequence, number each slide sequentially before submitting the order. Glass mounted slides and slides in metal slide clips, add 39¢ per slide.

126-size slides are scanned in their square format—add 10¢ per slide to the prices below. 110 slides in 2x2" mounts—add 40¢ per slide. 127 "Super Slides"—add 25¢ per slide.

**Stereo** 35mm slides—add 60¢ per slide. **Rotate images** vertical/horizontal on CD: add 5¢ per slide.

Add \$4.99 per CD	<sup>1</sup> Reprint	<sup>2</sup> Enlargement	<sup>3</sup> Super
	Quality	Quality	Resolution
35mm Slide Scans	Scans	Scans	Scans
1 - 3	2.25	2.99	9.99
4 - 9	1.89	2.19	7.99
10 - 49	1.39	1.79	5.99
50 - 99	1.09	1.29	4.49
100 - 249	.89	.99	3.49
250 - 499	.70	.79	2.99
500+	.59	.69	2.49

<sup>1</sup> **Reprint Quality Scan:** Will produce high quality 3½x5, 4x6 and 5x7 prints. Pixel dimensions: 1500 x 1000. One CD holds up to 500 scans.

<sup>2</sup> **Enlargement Quality Scan:** Will produce high quality enlargements and cropped reprints. Pixel dimensions: 3000 x 2000. One CD holds up to 135 scans.

<sup>3</sup> **Super Resolution 35mm Scan:** Will produce Posters & Wide Format Enlargements. Pixel dimensions: 6700 x 4400. One CD holds up to 25 scans.

## Prints from "Amusement Park" Miniature Slide

Service Time: 5 Lab Days. RUSH Service, add \$10.00.

Scan miniature slide to CD ..... 9.95

Then order Digital Prints (see page 1 for prices)

READ THIS NOTICE: Submitting any film, print, digital media, or images in any form to this firm for processing, printing, or other handling constitutes an AGREEMENT by you that any damage or loss by our company, subsidiary, or agents, even though by our negligence or other fault, will only entitle you to replacement with a like amount of imaging media or unexposed film and processing, if available. The acceptance by us of the film, print, digital media, or images is without other warranty or liability, and recovery for any incidental or consequential damages is excluded. 90-day unclaimed orders will be considered abandoned.



320-251-4687 Waite Park, MN  
320-251-2622 St. Cloud, MN

All prices, specifications & service times are subject to change without notice.

Each DVD holds up to 2 hours of movies

2 hours of Regular 8mm = 1850 ft  
2 hours of Super 8 = 2000 ft  
2 hours of 16mm = 4000 ft

# Movie Transfer Service

Regular 8mm, Super 8mm, and 16mm Projection Films

August 1, 2019

## Transfer Old Movies to DVD

Super 8, 8mm, and 16mm movies

Normal Service Time: 2 to 3 Weeks - January through October  
4 Weeks - November & December

Each frame of your movie is digitally scanned to capture the best clarity and detail. We transfer movies to either standard DVD-Video or high definition Blu-Ray discs.

**DVDs:** You receive a DVD-Video disc that is playable in a DVD player connected to your TV, or for viewing on many computers. One title and one subtitle are included in the standard transfer service. The titles appear at the top of the on-screen menu page when viewing the DVD, as well as on the cover of the DVD case. The titles are also printed on the DVD surface. DVD chapters are created at random scene breaks, with thumbnail images in the navigation menu and corresponding thumbnails printed on the Deluxe DVD case.

**Blu-Ray:** Your movies are recorded in high definition for the best viewing quality. To take advantage of the Blu-Ray option, you'll need an HDTV or HD monitor as well as a Blu-Ray player. These systems will also play standard DVDs, but a regular DVD player will *not* play a Blu-Ray disc. Blu-Ray discs include a case with your title and subtitle, and space on the disc to write notes on the content of the movies. Each movie reel you submit will be marked as one chapter in the Blu-Ray navigation menu.

**Editable Video Files:** Rather than a playable DVD, you may request editable files on DVD to edit in your own production software. Specify MOV, MPG or AVI format files. Add 4 cents per foot to the movie transfer prices in category B below.

### Total price is calculated by adding these charges:

- A. Setup Charge(s)
- + B. Movie Transfer fee (based on # of feet submitted)
- + C & D. DVD Master Recording, plus any Duplicate DVD or Blu-Ray Copies ordered
- \_\_\_\_\_ Optional Services \_\_\_\_\_
- + E. Custom Chapters or On-Screen Titles
- + F. Background Music
- + G. Editing

**Minimum charge** is \$58.95 (100 feet).

### A. SETUP CHARGES

8mm and Super 8

Start the transfer service .....5.00

Each time the format changes .....5.00

16mm movie transfer .....20.00

### B. MOVIE TRANSFER

Up to 250 feet.....24 cents per foot

251 to 1000 feet .....22 cents per foot

1001 to 2000 feet .....20 cents per foot

2001 or more feet .....18 cents per foot

SOUND movies: add \$.08 per foot to the chart above

### C. DVD RECORDING (includes Deluxe DVD case)

Master (original) DVD .....29.95 per 2-hour segment

1-4 DVD copies (2 hours maximum) .....19.95 each

5-9 DVD copies .....17.95 each

Reorder Setup Charge (Order more copies later).....6.00

### D. BLU-RAY RECORDING for Big Screen & HDTV

Master (original) Blu-Ray Disc .....69.95 per 2-hour segment

Blu-Ray Duplicate Copies (2 hours maximum).....49.95 each

## Optional Services for Movie Transfer:

### E. CUSTOM CHAPTERS AND ON-SCREEN TITLES

Our standard movie transfer service automatically creates chapters at random scene breaks for DVD navigation. If you prefer to specify which reel(s) are in each chapter, order our Custom Chapter Setup. On-screen titles are included with this service or they can be added without chapter breaks.

First Custom Chapter or On-Screen Title.....5.95

Additional Custom Chapters or Titles.....4.95

### F. BACKGROUND MUSIC

\$20.00 for up to one hour of our "Easy Listening" music.

\$10.00 for each additional half hour, or portion thereof.

**G. EDITING**—We charge \$48.00 per hour, billed in five minute increments, for custom editing requested. We bill our actual production time, not "running" time. To remove or rearrange video segments, detailed instructions are required. Rotating movie orientation can degrade video picture quality.

## Movie Transfer Order Form

Name: \_\_\_\_\_

Phone # (\_\_\_\_)\_\_\_\_\_ Cell # (\_\_\_\_)\_\_\_\_\_

Email: \_\_\_\_\_

Contact me if the total price will exceed \$ \_\_\_\_\_.

Total Quantity of DVD sets needed: \_\_\_\_\_


Needed for an event on: \_\_\_/\_\_\_/\_\_\_ or  No deadline


Movie Title: \_\_\_\_\_

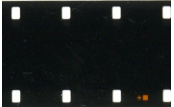
Movie Subtitle (Optional): \_\_\_\_\_

I am including an additional note for Custom Chapters and On-screen Titles (for an extra fee)

### Movie Format(s) Submitted:

Regular 8mm 

Super 8 

16mm 

Total # of movie reels: \_\_\_\_\_ Approx. movie footage: \_\_\_\_\_

- Add background Music
- Movie reels are numbered in a specific sequence

READ THIS NOTICE: Submitting any film, print, digital media, or images in any form to this firm for processing, printing, or other handling constitutes an AGREEMENT by you that any damage or loss by our company, subsidiary, or agents, even though by our negligence or other fault, will only entitle you to replacement with a like amount of imaging media or unexposed film and processing, if available. The acceptance by us of the film, print, digital media, or images is without other warranty or liability, and recovery for any incidental or consequential damages is excluded. 90-day unclaimed orders will be considered abandoned.

I understand and agree to the terms above.

Customer Signature \_\_\_\_\_ Date \_\_\_\_\_



320-251-4687 Waite Park, MN  
320-251-2622 St. Cloud, MN

All prices, specifications & service times are subject to change without notice.



# Videotape, DVD, & Audio Transfer and Duplication

August 1, 2019

## **Videotape Transfer to Playable DVD**

Service Time: 7 Lab Days. For RUSH service, add \$10.00 per original Videotape or DVD submitted for copying

NOTE: We will not duplicate Copyrighted material unless accompanied by a written release signed by the copyright owner. The only exception to this copyright policy: Foreign format videotapes converted to American TV format (NTSC); one copy of such material can be legally reproduced for personal use.

### **We copy these media formats to DVD Video:**

VHS; VHS-C; 8mm video; Hi-8; Digital 8; Mini DV; DVD. For **High Definition** digital tape transfers: several variations of Hi-Def format exist. Please bring in your Hi-Def video camera with your Hi-Def tapes to transfer, to insure that we can complete your order successfully.

**Editable Files:** Rather than a playable DVD, you may request editable files on a USB Drive — see right column →

### **DVD PRICING**

For best image quality, we record no more than 2 hours of video onto one DVD.

Indicate one “Chapter Title” for each videotape you submit for copying. The Chapter Title will appear on the DVD menu page when you insert the DVD into most players. NOTE: Chapter Titles cannot exceed 16 characters in length.

**Archival Gold DVD option**, add to prices below .10.00  
Copy one videotape TO DVD (up to 2 hours) .....26.95  
Additional videotapes or DVDs copied onto the  
**same DVD** (2 Hrs. max. with 1st tape) ..12.00 each

After the first DVD is produced, DVD copies cost:  
1-4 DVD duplicate copies ..... 15.95 each  
5-9 DVD duplicate copies ..... 13.95 each  
10-20 DVD duplicate copies ..... 10.95 each  
**Fill out order form on page 25.**

## **Commercial DVD & CD Duplication**

For DVDs or CDs to distribute or sell commercially, call our St. Cloud store for a competitive price quote.

## **Digital Camera Memory Cards to DVD**

Memory Card movie conversion to DVD-Video:  
Price is determined by type of video files and total running length of videos.....\$39.95 per 2 hour DVD

Memory Cards with High-Definition Video transferred to **Blu-Ray** Discs.....\$74.95 to \$99.95 per 2 1/2 hour Blu-Ray Disc

## **Repair Video Tape - Simple Repair ..... 14.99**

Service Time: 4 Lab Days.

Splicing of broken videotape where the ends are accessible. Replacement parts for broken tape cases will be charged separately.

READ THIS NOTICE: Submitting any film, print, digital media, or images in any form to this firm for processing, printing, or other handling constitutes an AGREEMENT by you that any damage or loss by our company, subsidiary, or agents, even though by our negligence or other fault, will only entitle you to replacement with a like amount of imaging media or unexposed film and processing, if available. The acceptance by us of the film, print, digital media, or images is without other warranty or liability, and recovery for any incidental or consequential damages is excluded. 90-day unclaimed orders will be considered abandoned.

## **Video Tapes to Editable Files**

To transfer tapes to a **USB Drive** requires that we create editable video files, as compared to the playable video files that are on a **DVD Video** (playable in a DVD player attached to your TV, and also playable in most computers with an internal or external CD / DVD drive).

One 16GB USB Drive (Add to products below) .... \$9.95  
Copy one videotape (up to 2 hours)  
to USB Drive ..... 34.95  
Additional videotapes copied onto the **same**  
USB Drive (2 Hrs. max. with 1st tape) ..... 12.00 each  
After the first USB is produced, USB copies....27.95 each  
Add a Playable DVD to the Editable video files ordered  
above, providing both file options ..... 14.95 each  
**Fill out order form on page 25.**

## **Foreign Videotape & Beta Conversion**

Service Time: 10 Lab Days.

Video tapes from other countries or on older tape formats are not playable in standard VHS equipment. Foreign formats include PAL or SECAM. The Old Tape formats are Beta and U-Matic. All conversions are transferred to an NTSC (American TV) format DVD.

Pricing for additional copies of foreign or Beta videotapes, refer to the left column of this page: *DVD Duplicate Copies.*

Foreign Format Conversion to 2 hour DVD ..... 36.95  
Beta Format Conversion to 2 hour DVD ..... 36.95  
U-Matic Format Conversion to 2 hour DVD ..... 48.95

## **Transfer Audio Tapes & Records to CD**

Service Time: 8 Lab Days. For RUSH service, add \$10.00 per original submitted for transfer.

Each CD holds up to 70 minutes of audio.

Audio Cassette Tape to CD ..... 19.95  
LP Record to CD ..... 39.95  
Reel-to-Reel Tape to CD ..... 57.95  
8-Track Tape to CD ..... 57.95  
Dictaphone Tape to CD ..... 49.95  
Duplicate CD ..... 4.99

## **Convert Analog Audio Sources to MP3**

Service Time: 8 Lab Days. For RUSH service, add \$10.00 per original submitted for transfer.

Each USB drive holds up to 100 hours of audio files.

One 16GB USB Drive (Add to products below) .... \$9.95  
Cassette Tape to MP3 ..... 19.95  
LP Record to MP3 ..... 39.95  
Reel-to-Reel Tape to MP3 ..... 57.95  
8-Track Tape to MP3 ..... 57.95

**FILL OUT OUR ORDER FORM ON  
PAGE 25 WHEN ORDERING ANY  
SERVICES ON THIS PAGE.**



320-251-4687 Waite Park, MN  
320-251-2622 St. Cloud, MN

All prices, specifications & service times are subject to change without notice.

# Black & White "Develop & Print" and Scanning

August 1, 2019

## 35mm Black & White Develop & Print

Service Time: B&W film is processed on **Tuesdays and Thursdays**; printing is completed the next day. RUSH: \$15.00

### Paper Options: Lustre; Matte; Glossy

**Best quality: Lustre — Kodak Endura Professional Paper**  
We recommend Lustre because Endura paper offers the richest blacks and provides a full range of gray tones.

Glossy or Matte Kodak Royal Digital Paper is also available for Black & White prints (same price).

**Minimum Charge:** \$6.95 Develop Only fee for blank film.

- Borderless prints are standard; borders add \$1.00 per roll
- All 3200 ISO films require **Push Processing—add \$2.95 per roll**. Indicate which ISO the film was shot at; if you do not specify the ISO, we process at 3200 ISO.
- **Infrared process—HIE 135-36, add \$14.95 per roll. 4 days.**

<u>35mm B&amp;W Processing</u>	<u>4x6 or 3 1/2x5</u>	<u>Identical</u>
	<u>First Set</u>	<u>Second Set</u>
24 Exposure .....	15.98 .....	7.68
36 Exposure .....	20.98 .....	11.52
Discount for unprinted negatives.....	.42 each .....	.32 each
Additional full sets of prints, per print.....		.32 each
Panoramic 35mm images mixed in your roll, per 4x12" print.....	1.29 each.....	1.29 each

**BLACK & WHITE or SEPIA-TONED PRINTS** from **COLOR FILM**: same paper options and pricing as listed above.

## 120, 620 Black & White Develop & Print

Service Time: 4 Lab days. RUSH service: \$15.00.

Borderless prints. 120 square (6x6 format) negatives produce 5x5" prints (standard) or 4x4" prints if requested.

**Minimum Charge:** \$6.95 Develop Only fee for blank film.

<u>120 B&amp;W Processing</u>	<u>4x5 or 5x5</u>	<u>Identical</u>
	<u>First Set</u>	<u>Second Set</u>
120-10 exposure (6x7 format) .....	16.75 .....	4.80
120-12 exposure (6x6 format) .....	18.51 .....	5.76
120-15 exposure (6x4.5 format) .....	21.15 .....	7.20
Discount for unprinted negatives .....	.88 each.....	.48 each
Additional full sets of prints.....		.48 each
Push processing, add per roll .....		.2.95

## B&W Non-Standard Sizes Developing

Service Time: 8 Lab days. ("Verichrome Pan" is B&W film.)

126 & 127 square format negatives are printed 5x5" unless you request 4x4" prints. Borderless Lustre prints.

**Minimum Charge:** \$6.95 Develop Only fee for blank film.

	<u>First Set</u>	<u>2nd Set</u>
8 exp. 127 or 620.....	22.19 .....	2.40
12 exp. 126, 127 .....	29.31 .....	3.60
Discount for unprinted negatives ...	1.78 each.....	30 each

## B&W Develop Only

Service Times: Standard 35mm—Tuesdays & Thursdays; 120, 126, 127, 620 — 3 Lab Days. RUSH service: \$15.00.

**Minimum Charge:** \$6.95 per roll, even if roll is blank

Processed negatives are cut and packaged in flat sleeving unless requested uncut. 35mm film is cut into 4-frame strips.

35mm - 24 exposures or less ...	6.95
35mm - 36 exposure.....	7.95
120, 126, 127, 620.....	7.95
<b>Push or Pull Process, add per roll.....</b>	<b>2.95</b>

## Scan 35mm B&W Rolls to CD

Service Time: 1 Lab Day (plus developing time—left column)

CDs are an excellent medium for archiving images, for ordering additional prints, and for e-mailing. We combine several rolls of film onto one CD; however the **price is per ROLL** of film. A CD Index Print of each roll is included at no charge.

	<sup>1</sup> Reprint Quality CD	<sup>2</sup> Enlargement Quality CD	<sup>3</sup> Super Resolution CD
Scanning Price per Roll with Develop & Print.....	5.99.....	10.99 .....	19.99
<b>Plus 35mm Develop &amp; Print fee (see left column)</b>			

### Scanning Price per uncut roll

with NO Prints..... 7.99\* ..... 12.99\* ..... 22.99\*

\*Add Develop Only charge if roll is unprocessed

<sup>1</sup> **Reprint quality CD:** Will produce high quality 3 1/2x5, 4x6 and 5x7 prints. Pixel dimensions: 1500 x 1000

<sup>2</sup> **Enlargement Quality CD:** Will produce high quality enlargements and cropped reprints. Pixel dimensions: 3000 x 2000

<sup>3</sup> **Super Resolution 35mm Scan:** Will produce Posters & Wide Format Enlargements. Pixel dimensions: 6700 x 4400. One CD holds up to 25 scans.

## Scan 120 B&W Rolls to CD

Service Time: 1 Lab Day (plus developing time—left column)

	<sup>4</sup> Enlargement Quality CD	<sup>4</sup> Super Resolution
Scanning Price per Roll with Develop & Print.....	5.99 .....	12.99
<b>Plus 120 B&amp;W Develop &amp; Print fee (left column)</b>		

### Scanning Price per Uncut Roll

with NO Prints ..... 12.99\* ..... 19.99\*

\*Add B&W Develop Only charge if roll is unprocessed

For TIFF format files, add \$5.00 setup per order (applies to any number of rolls).

<sup>4</sup> See page 22 for the pixel dimensions of scanned 120 rolls.

## B&W Develop & Contact Sheet

Service Time: 4 Lab Days

Negatives are scanned and digitally printed on an 8 1/2x11" contact sheet which resembles a traditional contact sheet. Then we sleeve the negatives.

	<u>DEVELOP &amp; CONTACT SHEET</u>	<u>CONTACT SHEET ONLY</u>
24 exposure 35mm.....	14.95 .....	10.95
36 exposure 35mm.....	15.95 .....	11.95
120 .....	15.95	
Push or pull processing, add 2.95		

## 116 or 616-size B&W Developing

We are NOT able to DEVELOP 116 or 616-size rolls of film.

You may contact FilmRescue.com: 800-329-8988

However, we can SCAN and PRINT developed negatives.

READ THIS NOTICE: Submitting any film, print, digital media, or images in any form to this firm for processing, printing, or other handling constitutes an AGREEMENT by you that any damage or loss by our company, subsidiary, or agents, even though by our negligence or other fault, will only entitle you to replacement with a like amount of imaging media or unexposed film and processing, if available. The acceptance by us of the film, print, digital media, or images is without other warranty or liability, and recovery for any incidental or consequential damages is excluded. 90-day unclaimed orders will be considered abandoned.



320-251-4687 Waite Park, MN  
320-251-2622 St. Cloud, MN

All prices, specifications & service times are subject to change without notice.

# Black & White Printing and Enlargements

From Black & White or Color Negatives

August 1, 2019

## 35mm Black & White Reprints

Service Time: 2 Lab Days

Borderless prints are standard; borders available for \$1.00 per order.

**Paper Options: Lustre; Matte; Glossy**

**Best quality: Lustre — Kodak Endura Professional Paper**

We recommend Lustre because Endura paper offers the richest blacks and provides a full range of gray tones.

Glossy or Matte Kodak Royal Digital Paper is also available for Black & White prints (same price).

Add .99 service charge for each 35mm negative that is not in a strip of at least 2 frames or 3 inches long.

Quantity prices apply to the total number of same-size prints requested in one order.

Pricing for 35mm full-frame B&W negatives:

Prints per order ▶	1-3	4-9	10-49	50+
3½x5 .....	1.39	1.29	1.10	.99
4x6 .....	1.39	1.29	1.10	.99
8 wallets die cut ....	\$5.75			
Wallets-2 per sheet, not die cut ....	\$1.50			

## 120 & Non-Standard Size B&W Reprints

Service Times: 4 Lab Days from 120, 620, 70mm negatives

5 Lab Days from all other negative sizes

Refer to the *Film Size Identification Guide* (pages 26 - 28) to identify old negative sizes and to determine our printing options and pricing for reprints of those negatives.

135 half-frame: choose 3½x5 or 4x6 prints.

120 square (6x6 cm) negatives produce 5x5" prints.

126 & 127-size square negatives are printed 4x4" unless you request 5x5" prints. For 110, 126 and 127-size negatives, add \$0.25 per negative to the prices below. NOTE: These films must be in strips of at least three negatives per strip.

For 70mm, 116 or 616 negatives, we must trim 3/16" off the two narrow edges of the negative (\$0.25 per neg.) The trimmed negative (2 3/8" wide) will fit into our 120 film carrier for printing. If important subject matter of a 70mm, 116 or 616 -size negative is close to any edge of the negative, you may prefer to order *B&W Reprints from Oversize Negatives* → to avoid any image cropping of the negative. (See bottom of page 27 to see how much image area is cropped on reprints.)

4x5 sheet film, see *B&W Oversize Negs.* in next column →

Quantity reprint prices apply to the total number of **same-size** prints requested **from all same-size negatives** in one order.

Prints per order ▶	1-3	4-9	10-49	50+
3½x5 .....	1.99	1.89	1.79	1.59
4x6, 4x5, 4x4, 5x5 .....	1.99	1.89	1.79	1.59

Wallets-8 die cut .... 6.00 per sheet

Wallets-2 per sheet, not die cut .... \$2.29 per set

## B&W or Sepia Toned Enlargements

Service Time: 3 Lab Days

**Kodak Endura Lustre is our standard B&W paper.**

Glossy or Matte Kodak Royal paper is available on request, at the same price as Endura Lustre prints.

	From 35mm Negatives	From 120-size Negatives*
Quantity from the same Negative	1      2+	1      2+
5x7 .....	4.75    2.99	5.25    2.99
8x10.....	7.95    5.99	8.95    5.99
8x12.....	8.95    7.10	9.95    7.10
8½x11.....	9.95    7.10	10.95   7.10
11x14.....	16.95   14.49	17.95   14.49
11x16.....	17.95   16.50	18.95   16.50
12x18.....	20.95   18.90	21.95   18.90

\*For 70mm, 116 or 616-size negatives, we must trim 3/16" off the narrow edges of the negative (\$0.25 per neg.) The trimmed negative (2 3/8" wide) will fit into our 120-size film carrier for printing. Some cropping of the image area will occur — approximately 25% of the overall image area (see page 27 for details). If important subject matter is close to any edge of the negative, order *Enlargements from Oversize B&W Negatives* (below) to avoid any cropping.

## B&W Reprints & Enlargements from Oversize Negatives

The following B&W negative sizes require "oversize" pricing:

- Sheet film: 4x5", 5x7", 8x10" size, and glass negatives
- 70mm, 116 or 616-size negatives (unless you permit us to trim them to 2 3/8" wide — see explanation above)

Service Time:

4 Lab Days — up to 8 negatives; larger orders — 7 lab days.

Print Size Requested	First Print of Each Negative	Additional Prints From Same Negative
Up to 4x6 .....	8.95	1.99
5x7 .....	9.95	2.99
8x10 .....	13.95	5.99
8x12 .....	14.95	7.10
8½x11 .....	15.95	7.50
11x14 .....	20.95	14.40
11x16 * .....	22.95*	16.50 <sup>1</sup>

For larger prints, see *Wide Format Enlarging*—page 2.

<sup>1</sup> Flat shipping, if requested, adds \$10.00 per order.

READ THIS NOTICE: Submitting any film, print, digital media, or images in any form to this firm for processing, printing, or other handling constitutes an AGREEMENT by you that any damage or loss by our company, subsidiary, or agents, even though by our negligence or other fault, will only entitle you to replacement with a like amount of imaging media or unexposed film and processing, if available. The acceptance by us of the film, print, digital media, or images is without other warranty or liability, and recovery for any incidental or consequential damages is excluded. 90-day unclaimed orders will be considered abandoned.



320-251-4687 Waite Park, MN  
320-251-2622 St. Cloud, MN

All prices, specifications & service times are subject to change without notice.

# Miscellaneous Film Processing Services (Page 1 of 2)

August 1, 2019

## 110 & 126 Develop, Scan & Print (C-41)

Service Time: 10 Lab Days Matte or Glossy finish prints.

**C-41 process.** Prints, if requested, on Kodak Royal paper. **Scanning** the negatives is **required** prior to making prints. We develop your cartridge of negatives (\$4.90), scan the visible images (\$1.58 per negative), and, if requested, make prints (\$0.20 per print). Scans are written to CD (no charge). 110 film makes 4x5" prints. 126 film makes 4x4" prints.

**Minimum Charge:** \$4.90 Develop Only service (blank film)

### 110 & 126 C-41 Develop Negatives & Scan to CD

	Develop & Scan	Develop & Scan & Print
12 Exposure .....	23.86	26.26
24 Exposure .....	42.82	47.62
Discount for unscannable negs .....	1.58 each	
Discount for prints not made from blank images.....	20 each	

### Scans & Prints from Old 110 & 126 Negs

**Scan Old 110 & 126 Negatives\* (Developed Previously) :**

Price for each scan (each individual image)..... \$1.79

**Plus \$4.99 per CD**

Prints made *at time of Scanning, per print*..... 20

#### \* Cut Negative Surcharge for Scanning

110 and 126 negatives must be submitted in strips of at least four frames long when ordering reprints; for shorter strips add \$.99 per individual negative scanned.

### Disc Film Develop & Print and Reprints

Service Time: 20 Lab Days. 4x5" prints. Glossy finish.

**Minimum Charge:** \$14.95 Develop Only service (blank film)

<u>Disc Film Processing</u>	4x5	Identical
	First Set	2nd Set
15 Exposure .....	19.95	11.25

**Disc Reprints:** Quantity prices apply to the total number of prints requested in one order.

Quantity of reprints per order ▶	1-23	24-99	100+
4x5 .....	2.25	1.99	1.79

**Scan Disc Negatives:** \$2.49 per image plus \$4.99 per CD.

Quantity pricing for Disc scans: 20% off for 150+ images.

After scanning Disc negatives, 4x5" reprints cost \$0.45 each.

### 127 C-41 Develop & Print, Reprints

Service Time: 8 Lab Days

4" prints on Matte surface Kodak Royal paper.

**C-41 process.**

**Minimum Charge:** \$7.00 Develop Only service

<u>127 C-41 Processing</u>	First Set of	Identical
	4" Prints	2nd Set
8 Exp. 127 full frame—4x6 .....	18.20	2.40
12 Exp. 127 square—4x4 .....	23.80	3.60

Discount for unprinted negatives ... 1.40 each.....30 each

**Reprints:** Quantity prices apply to the total number of prints requested in one order.

Quantity per order ▶	1-3	4-9	10-24	25+
4x4, 4x5, 4x6 .....	1.99	1.89	1.79	1.59

## Seattle Filmworks 35mm Processing

**Process:** ECN-II or SFW-XL. Service Time: up to 2 weeks.

Applicable Films: Seattle Filmworks; Signature Color; Eastman 5247 or 5294; Kodak Vision 2 or Vision 3 500T / 5218 or 7218.

Choose Matte or Glossy, 4x6 or 3½x5. Kodak Royal Paper. Default service is 4x6 Matte prints (if you don't specify).

**Minimum charge:** \$12.00 Develop Only service

<u>ECN-II Develop &amp; Print</u>	4x6 or 3½x5	Identical
	First Set	2nd Set

20 or 24 Exposure .....	22.95	6.00
36 Exposure .....	26.95	9.00

**Scan ECN-II process film to CD:**

<u>Scanning Price per Roll with Develop &amp; Print</u>	<sup>1</sup> Reprint Quality CD	<sup>2</sup> Enlargement Quality CD
	Plus ECN-II Develop & Print fee (above)	5.99

**Scanning Price per roll**

with NO Prints..... 10.95\* ..... 12.99\*

\* Plus the **Develop Only** charge of \$12.00

<sup>1</sup> **Reprint quality CD:** Will produce high quality 3½x5, 4x6 and 5x7 prints. Pixel dimensions: 1500 x 1000

<sup>2</sup> **Enlargement Quality CD:** Will produce high quality enlargements and cropped reprints. Pixel dimensions: 3000 x 2000

### C-22 Processing (126, 127, 35mm, 620)

Service Time: 12 Lab Days.

Applies to these film processes: C-22, CN-17, NC-21, E-4, G25, ACN, CT-18, GAF, Triple Print, Agfachrome.

Film Sizes: 126, 127, 35mm, 120, 620.

We process these old films as Black & White negatives, since the color chemicals are no longer available. The negatives are usually very dense and are very low in contrast. We optimize the contrast and brightness of each image to make a 4x6" or 4x4" Lustre print and save the improved images onto a CD. Only about 25% of these pre-1975 films have **any** printable images.

**Minimum Charge:** \$9.95 if film has no printable images

### Develop, Scan, & Print C-22 Film

	Develop as B&W Negatives	Each Printable Image
<b>C-22 Roll Processing</b> .....	19.95	.85

Examples of typical C-22 pricing (develop + scan to CD + print):

12 exposures printed & scanned .....

20 exposures printed & scanned .....

36 exposures printed & scanned .....

READ THIS NOTICE: Submitting any film, print, digital media, or images in any form to this firm for processing, printing, or other handling constitutes an AGREEMENT by you that any damage or loss by our company, subsidiary, or agents, even though by our negligence or other fault, will only entitle you to replacement with a like amount of imaging media or unexposed film and processing, if available. The acceptance by us of the film, print, digital media, or images is without other warranty or liability, and recovery for any incidental or consequential damages is excluded. 90-day unclaimed orders will be considered abandoned.



320-251-4687 Waite Park, MN  
320-251-2622 St. Cloud, MN

All prices, specifications & service times are subject to change without notice.



# Miscellaneous Film Processing Services (Page 2 of 2)

August 1, 2019

## 4x5 Sheet Film Processing

Please specify how many sheets you are enclosing, and the specific film type submitted (required for Black & White).

RUSH Service: add \$25.00 per order

## C-41 4x5 Color Negative Processing

Service Time: 8 Lab Days for film processing, plus printing time, if requested.

Minimum Charge—4 sheets .....	24.00
Per 4x5 C-41 sheet.....	6.00
Push processing, add per sheet.....	2.00

4x5" color negatives must be scanned for printing: \$8.95 minimum. See *Scan Oversize Negatives or Transparencies* at the bottom of this column.

## E-6 4x5 Transparency Processing

Service Time: 8 Lab Days

Minimum Charge—4 sheets .....	28.00
Per 4x5 E-6 sheet.....	7.00
Push processing, add per sheet.....	2.00

Printing 4x5 Transparencies ("Positives"), see page 10.

## Black & White 4x5 Negative Processing

Service Time: 8 Lab Days for film processing, plus printing time, if requested.

Minimum Charge—4 sheets .....	24.00
Per 4x5 B&W sheet .....	6.00
Push processing, add per sheet.....	2.00

## Scan 4x5 Sheet Film and Oversize Negatives or Transparencies

Service Time: 6 Lab Days (10 Lab Days for 25+ scans)

We scan 70mm, 4x5", 5x7", 8x10" sheet film, glass, and non-standard size negatives & transparencies (maximum size: 8.5x11"). Standard Resolution Scans are ≈ 3000 x 2400 pixels, saved as JPEG files, and will produce high quality prints up to 8x12". Super Resolution Scans are ideal for jobs requiring critically sharp images for reproduction; scanned images are ≈ 8000 x 6400 pixels, saved as both JPEG and Photoshop PSD files, and will produce prints as large as 44x66".

Oversize Film Scans	Standard Resolution Scans	Super Resolution Scans
	1 - 9 .....	9.95 .....
10 - 24 .....	7.95 .....	17.95 .....
25 - 99 .....	5.95 .....	15.95 .....
100 + .....	5.50 .....	14.95 .....

## 35mm Half-Frame Developing, Reprints

Service Time: 4 Lab Days

4x6" prints on Matte or Glossy surface Kodak Royal paper. Price includes \$4.59 film process charge plus \$.41 per print. Full, uncut rolls of developed negatives receive D&P pricing.

## 35mm Half-Frame C-41 Processing

	4x6 First Set	Identical 2nd Set
24 Exposure (135-12 film) .....	14.98 .....	7.68 .....
48 Exposure (135-24 film) .....	25.06 .....	15.36 .....
72 Exposure (135-36 film) .....	35.14 .....	23.04 .....
Discount for unprinted negatives .....	.42 each.....	.32 each.....
Additional full sets of prints, per print.....		.32 each.....

\* **35mm Half-Frame Reprints:** Quantity prices apply to the total number of prints requested in one order.

Quantity per order ▶ 1-3	4-9	10-24	25+
4x6 .....	1.29 .....	1.09 .....	.99..... .79

## Kodachrome Slide Processing — 35mm

Service Time: 3 to 4 weeks

We process Kodachrome film as Black & White **negatives**, since the color slide chemicals are no longer available. The negatives are usually very dense and are low in contrast. We optimize the contrast and brightness of each image to make a 4x6" Black & White Lustre print and save the improved images onto a CD. Only about 40% of Kodachrome films have any printable images. Price includes prints and scans.

**Minimum Charge:** \$9.95 if film has no printable images.

## Develop, Scan, & Print Kodachrome Slide Film

	Develop as B&W Negatives	Each Printable Image
<b>Kodachrome Roll Processing</b> ...	19.95 .....	.85 .....
Price per roll if all negatives have printable images:		
20 exposure 35mm.....	\$36.95	
24 exposure 35mm .....	\$40.35	
36 exposure 35mm.....	\$50.55	

## Outdated Movie Film Processes

We offer no **developing** service for the following movie film processes: K-11; K-12; E-2; E-4; EM-25; EM-26.

Contact *Film Rescue International*: 800-329-8988

See page 11 for our Movie to DVD Transfer Services.

## Print from Video Tape (Video "Negative")

We capture the image(s) you request and provide a CD and a 4x6" print of each image. NOTE: Low resolution images! Describe the image, and stop the videotape at the image.

1st Image....\$24.50 Additional Image Captures.... \$19.50 ea

READ THIS NOTICE: Submitting any film, print, digital media, or images in any form to this firm for processing, printing, or other handling constitutes an AGREEMENT by you that any damage or loss by our company, subsidiary, or agents, even though by our negligence or other fault, will only entitle you to replacement with a like amount of imaging media or unexposed film and processing, if available. The acceptance by us of the film, print, digital media, or images is without other warranty or liability, and recovery for any incidental or consequential damages is excluded. 90-day unclaimed orders will be considered abandoned.



320-251-4687 Waite Park, MN  
320-251-2622 St. Cloud, MN

All prices, specifications & service times are subject to change without notice.

# Photo Gifts and Novelty Items

August 1, 2019

**Service Time: 4 lab days unless otherwise specified.**

## **Photo T-Shirt \$24.95**

Your digital image is enlarged and transferred to a special T-shirt material suitable for the dye sublimation printing process, creating a shirt that is machine washable and durable. Adult sizes Small to XXL are available. Add \$8.95 for a 2nd image on the shirt back. \*Text can also be added.

## **Porcelain Ornament \$14.95**

Your image is transferred onto a 1/4" thick porcelain ornament. Shapes include Circle, Star, and Wreath. Cropping can be an issue depending on the image supplied and shape chosen. Add a 2nd image on the back for \$5. \*Text can also be added.

## **Photo Mug \$14.95**

Transfer your photo to a dishwasher safe Ceramic or PolySub mug. Add a 2nd image on the back for \$4. \*Text can also be added.

## **Travel Tumbler \$19.95**

12 oz. Stainless Steel Travel Tumbler with photographic panel inserted inside the wall of the tumbler. The screw-on bottom holds the photo panel securely inside.

## **Aluminum Water Bottle \$18.95**

Your image is infused into the surface of a 20 oz. aluminum bottle. Dishwasher safe. This bottle comes with a secure screw top and a black carabiner. It fits in any standard-size car cup holder.

## **Photo Keychain \$4.95**

Acrylic Keychain with photo on the front and back. If only one photo is submitted it will be reproduced on both sides.

## **Computer Mouse Pad \$14.95**

Mouse Pad is 7 3/4" x 9 1/4". \*Text can be added.

## **Locket-Size Print \$9.95**

We reproduce your photo on a sheet of miniature photos of various sizes, one of which should fit your locket. Sizes range from 6x9mm to 25x35mm. We can trim the new print to fit your locket for an additional fee of \$4.95.

## **Photo Jigsaw Puzzle \$19.95 to \$29.95**

7 1/2" x 9 1/2" 110 piece puzzle ... \$19.95. \*Text can be added.  
10 1/2" x 13 1/2" 130 piece puzzle ... \$29.95.

## **Glass Nail File \$13.95**

A 3" long glass nail file with your image on it.

## **Baby Bib \$19.95**

Your image will be transferred to either a 9x8" Blue or Pink polyester bib with string tie closure. \*Text can be added.

## **Metal Dog Tag \$10.95**

Your image is infused into the surface of a 1 1/4 x 2" metal dog tag. If you want the same image on front and back, the price is \$13.95.

## **Fabric Transfer for Quilt Squares \$14.95**

Your photo is reproduced onto 12x12" white fabric specially formulated to retain color fastness for many years.

## **Business Card Case \$19.95**

A metal business card case with your image on the cover.

## **8 1/2 x 11" Wall Calendar \$24.95 (or less in quantity)**

Your 13 photos are printed on our digital press printer, then bound into an attractive 8 1/2 x 11" wall calendar. Personalized dates may be added for \$1.00 per date. If you submit prints, negatives or slides rather than digital photographs, a scanning fee is added to your order.

Quantity prices: 2-9 ... \$19.95; 10 or more ... \$17.95

## **Desk Calendar \$19.95**

Your 12 digital photos are printed on Kodak Royal paper and packaged in a clear plastic jewel case that serves as a desktop stand. Desk Calendars are available in White, Black, and Rainbow styles.

## **Single-Page Photo Calendar \$7.99**

This 8x10" single-page calendar goes perfectly in your work or home office. Several styles are available. We can make your single page photo calendar "refrigerator friendly" by adding a Magnetic Back for \$4.00 more: **\$11.99** total

## **Set of 4 Coasters with Stand \$29.95**

Up to 4 images (1 per coaster) transferred to this set of 3 3/4" cork backed coasters with wooden coaster stand. Single coasters can also be ordered (\$9.95 each).

## **Cell Phone Covers \$17.95**

Your favorite photo is printed to fit inside the clear front panel of our protective Cell Phone case. Ask about availability for your model of phone.

## **4 1/4 x 4 1/4" Ceramic Tile \$24.95**

Your image will be transferred to a 4 1/4" square ceramic tile. We can mount the tile to a Cast Iron Trivet for an additional \$9.00.

## **Photo Buttons \$3.50**

Photo Buttons are available in your choice of either 3" or 3 1/2" diameter, circular in shape.

## **Refrigerator Magnets \$3.00 to \$4.25**

Refrigerator magnets are available in 3 sizes:

2 1/2 x 3 1/2" Wallet-size Magnet: \$3.00

3 1/2" Round Magnet: \$3.50

3 1/2 x 5" Rectangular Magnet: \$4.25

## **Acrylic Cutouts \$22.95 to \$64.95**

Service Time: 2 weeks. Your image is affixed to a 1/4"-thick acrylic backing, laser cut to shape, and mounted onto a base for standing. The size of the cutout may appear smaller than your original photograph, because the image is cut out.

Keychain Cutout: \$22.95

Cutout from 5x7 original: \$39.95

Cutout from 8x10 original: \$49.95

Cutout from 11x14 original: \$64.95

## **Playing Cards \$34.95**

Service Time: 2 weeks. Personalized photo playing cards. This is a full set of 2 1/2 x 3 1/2" playing cards with jokers included. A vertical photo is required for this item.

\*Text can be added to many items. Pricing starts at \$2.95 for simple text layout.



320-251-4687 Waite Park, MN  
320-251-2622 St. Cloud, MN

All prices, specifications & service times are subject to change without notice.

# Canvas Prints & Metal Art

August 1, 2019

## Canvas Prints

Service Time: 8 Lab Days

Canvas prints provide a classic method for displaying your photographs or artwork. Using a 12-ink archival printer, your image is printed on *Lexjet Sunset Reserve Gloss Canvas* material. If requested, your print is gallery wrapped around a wooden stretcher bar frame, ready to hang in your home or office.

Canvas prints are available in several options:

- **Plain Canvas:** For those who want to stretch their own canvas, we supply your image professionally printed on canvas material. The image is the size specified below, with two inches of extra canvas material around all 4 edges, ready to stretch.

- **Stretched Canvas:** The canvas print is stretched onto a wooden "stretcher bar" back-side frame providing a complete internally framed artwork ready to hang and display. See options **A** and **B** below.

**Standard** stretcher bar frames measure 1 1/16" deep.

**Deluxe** stretcher bar frames measure 1 3/8" deep.

**A. Front-Printed Canvas:** Your image is printed to the front edges of the stretcher bar. White canvas is visible on the 4 edges of the stretcher bar frame.

### B. Gallery Wrapped Canvas:

We mirror your image to wrap around the 4 edges of the stretcher bar, providing a pleasing 3-dimensional appearance regardless of one's angle of view.

Canvas Prints	Standard	Deluxe
Image Size	Plain Canvas	Stretched Canvas
8x10	29.95	59.95
11x14	39.95	77.95
16x20	49.95	99.95 <sup>1</sup>
16x24	59.95	119.95 <sup>1</sup>
20x24	69.95	129.95 <sup>1</sup>
20x30	79.95	149.95 <sup>1</sup>
24x30	99.95	179.95 <sup>1</sup>
24x36	129.95	209.95 <sup>2</sup>
30x40	149.95	264.95 <sup>2</sup>
36x48	189.95	395.95 <sup>2</sup>
40x60	209.95	

When submitting digital files for canvas prints be aware that large image files are needed to produce optimum quality. We can print digital files from most file formats and application programs.

<sup>1</sup> Flat shipping surcharge of \$10.00 per order is required on these sizes of stretched canvas prints if shipping is requested.

<sup>2</sup> Flat shipping surcharge of \$15.00 per order is required on these sizes of stretched canvas prints if shipping is requested.

READ THIS NOTICE: Submitting any film, print, digital media, or images in any form to this firm for processing, printing, or other handling constitutes an AGREEMENT by you that any damage or loss by our company, subsidiary, or agents, even though by our negligence or other fault, will only entitle you to replacement with a like amount of imaging media or unexposed film and processing, if available. The acceptance by us of the film, print, digital media, or images is without other warranty or liability, and recovery for any incidental or consequential damages is excluded. 90-day unclaimed orders will be considered abandoned.

## Metal Art

Service Time: 8 Lab Days

Metal Art is available in several options:

- **Single Panel:** Single Aluminum Prints are available in any size up to 24x36". If you want a permanently attached metal easel/hanger on the back, specify that when ordering. Wall mount blocks or standoff posts allow the aluminum panel to float 1/2" from the wall. We also sell a variety of wrought iron easels for displaying aluminum prints on a desk or tabletop.

4x6	15.95	16x20 <sup>1</sup>	89.95
5x7	19.95	16x24 <sup>1</sup>	99.95
8x10	29.95	20x30 <sup>1</sup>	149.95
8x12	36.95	24x30 <sup>2</sup>	189.95
11x14	39.95	24x36 <sup>2</sup>	224.95
12x18	59.95	<i>Other sizes by quote</i>	

- **Double Panel:** Double Aluminum Prints are a unique way to display your photos on metal. A single aluminum print is floated 1/2" off the surface of a second, larger print, creating a contemporary "framing" effect. The background panel can be one of our stock images, your image, bare metal, or 1/4" black acrylic. It can also be displayed on an easel or with wall mounts or standoffs.

### ...with Printed Background:

5x7 on 8x10	44.95
8x10 on 11x14	59.95
12x18 on 16x22	184.95

### ...with Copper Patina Printed Background:

8x10 on 11x14	69.95
12x16 on 16x20	194.95

### ...with Non-Printed Background:

8x10 on 11x13 Mirrored Stainless Steel	79.95
8x10 on 11x13 Brushed Stainless Steel	79.95
8x10 on 11x13 Black Acrylic	89.95
12x18 on 16x22 Mirrored Stainless Steel	169.95
12x18 on 16x22 Brushed Stainless Steel	169.95
12x18 on 16x22 Black Acrylic	184.95

## Easels, Stands & Wall Mounting Options

### Attached Metal Easel/Hanger

Can be displayed on the wall or on a desk or shelf.

Small (5"x7" to 8"x10")	\$ 3.99
Large (10"x10" to 11"x14")	\$ 7.99

### Wall Mount Blocks

"Floats" the metal art a half inch from the wall.

Small (up to 5"x 7" Vertical)	\$ 6.00
Large	\$ 9.95

### Standoff Posts—Fasten Into Wall Anchors (not included)

Polished aluminum or black posts hold the metal art or black acrylic background half an inch from the wall. Use either 4 posts (one in each corner) or 2 posts at the top, with a complementary wall mount block at the bottom.

\$ 7.95 per Standoff Post (Aluminum or Black color)

Request our brochure to see pictures of these Metal Art products.



320-251-4687 Waite Park, MN  
320-251-2622 St. Cloud, MN

All prices, specifications & service times are subject to change without notice.

# Photo Greeting Cards and Press-Printed Products

August 1, 2019

## More than 200 PhotoCard designs available including:

- Christmas, Thanksgiving, New Year's Holiday Greetings
- Various Secular and Religious Holiday Greetings
- Graduation Announcements & Open House Invitations
- New Baby Announcement
- Wedding Invitations
- Thank You Cards

View many of our designs online: [www.thecamerashop.com](http://www.thecamerashop.com)  
 We also have Photo Card display booklets available: Holiday Photo Cards; Graduation Photo Cards; (more to come...)  
 If we don't have a design that fits your need, we can create a **Custom Design** — \$24.95 for typical layouts.

Choose Glossy or Matte finish Kodak Royal paper or Lustre finish Kodak Professional Endura paper.

Note that prices are 25% higher during December, our peak season for Photo Greeting Cards.

## PHOTOCARD SERVICE TIMES & SPECIFICATIONS

Prices include mailing envelopes and are based on all cards being made from one image using one greeting card design.

2 Lab days from your digital file, 35mm, 120, or APS negative

4 Lab days from a print or slide: add \$3.99 per order

**IMPRINTING YOUR NAME(s)** on Photo Greeting Cards: Add \$5.99 per order. Request a Photo Greeting Card Order Form.

**CROPPING:** We can crop out distracting background to improve your picture. Cropping adds 99¢ per order.

**RED-EYE REDUCTION:** We can reduce or eliminate red-eye in many photographs for \$2.99 per image. Some red-eye photos are more difficult to fix—add \$9.95 to \$19.95, depending on difficulty.

**COPYRIGHT NOTICE:** Professional portraits and copyrighted images cannot be reproduced without written permission from the copyright owner.

## PhotoCards on Kodak ROYAL Paper

*Glossy finish is standard; Matte is available upon request.*

Quantity	4 x 8"		5 x 7"	
	PHOTO CARDS		PHOTO CARDS	
	Jan. 1st to Nov. 30th	Dec. 1st to Dec. 31st	Jan. 1st to Nov. 30th	Dec. 1st to Dec. 31st
1 - 9	1.03	1.29	1.08	1.35
10 - 39	72¢	90¢	76¢	95¢
40 - 69	64¢	80¢	68¢	85¢
70 - 99	58¢	73¢	63¢	79¢
100 - 499	53¢	66¢	57¢	71¢
500 - 999	42¢	53¢	46¢	58¢

## PhotoCards on Kodak Professional ENDURA

*Lustre finish, with copyright watermark on back.*

Quantity	4 x 8"		5 x 7"	
	PHOTO CARDS		PHOTO CARDS	
	Jan. 1st to Nov. 30th	Dec. 1st to Dec. 31st	Jan. 1st to Nov. 30th	Dec. 1st to Dec. 31st
1 - 9	1.07	1.34	1.23	1.54
10 - 39	78¢	98¢	86¢	1.07
40 - 69	72¢	90¢	78¢	97¢
70 - 99	66¢	82¢	71¢	89¢
100 - 499	61¢	76¢	66¢	82¢
500 - 999	47¢	59¢	53¢	66¢

## Press-Printed Products

We can produce a variety of products on our digital press. For product and pricing information, see our *Press-Printed Products* price list. Please call our St. Cloud store to obtain a custom quote & to receive sample materials for your project.

## Press-Printed Photo Cards

Prices include mailing envelopes and are based on all cards being made from your images using one greeting card design. Smooth Cardstock is our standard paper; other papers available by quote.

Quantity	2-SIDED 5x7" PHOTO CARD		FOLDED 5x7" PHOTO CARD		ACCORDION PHOTO CARD	
	Jan. to Nov.	Decem-ber	Jan. to Nov.	Decem-ber	Jan. to Nov.	Decem-ber
	1 - 9	3.19	3.99	3.99	4.99	5.49
10 - 39	1.59	1.99	2.19	2.74	2.49	3.10
40 - 69	1.49	1.85	1.99	2.49	2.29	2.85
70 - 99	1.35	1.69	1.89	2.35	2.19	2.70
100 - 499	1.19	1.49	1.79	2.25	2.09	2.60
500 +	0.99	1.29	1.69	2.10	1.89	2.35

## SERVICE TIMES AND SPECIFICATIONS

3 lab days from your digital photographs, ordered through our Online Photo Lab ([www.TheCameraShop.com](http://www.TheCameraShop.com)), or using our in-store kiosks.

**IMPRINTING YOUR NAME(s)** on Photo Greeting Cards:

Free when you order online. Add \$5.99 per order in-store.

Request a Photo Greeting Card Order Form.

**CUSTOM DESIGNED GREETING CARDS:** Our digital artists can design a unique custom card for you. Layout starting at \$34.95 for 2-Sided and Folded Photo Cards.

## Photo Business Cards

Our full-color business cards will make a lasting impression on your customers or clients. Initial orders are completed in one week; re-orders with no changes take three days. Our standard Photo Business Cards measure 2x3½".

We supply you with a full-color proof for your approval before we print your business cards. Proofs can be e-mailed.

## Standard order setup charges:

This includes scanning one image, one logo scan, and typesetting/layout of the business card. (Save \$10.00 per setup when you order 3 or more setups for the same company with the same overall layout design.)

Standard Business Card setup charges	34.95
Setup charge for reorders with no changes	5.95
Setup charge for reorders with changes in text only	14.95

**Kodak Royal Paper**, thicker than standard photographic paper—an ideal weight for business cards.

## Printing 1-sided cards (all from the same layout) EACH

100 cards (minimum order)	22.00	22
200 cards	40.00	20
300 cards	54.00	18
500 cards	80.00	16
750 cards	105.00	14
1000 cards	110.00	11
2000 cards	180.00	09

READ THIS NOTICE: Submitting any film, print, digital media, or images in any form to this firm for processing, printing, or other handling constitutes an AGREEMENT by you that any damage or loss by our company, subsidiary, or agents, even though by our negligence or other fault, will only entitle you to replacement with a like amount of imaging media or unexposed film and processing, if available. The acceptance by us of the film, print, digital media, or images is without other warranty or liability, and recovery for any incidental or consequential damages is excluded. 90-day unclaimed orders will be considered abandoned.



320-251-4687 Waite Park, MN  
 320-251-2622 St. Cloud, MN

All prices, specifications & service times are subject to change without notice.



# Restoration, Enhancement & Recovery Services

August 1, 2019

## **Restoration Services**

Normal service time is 8 Lab days (1½ weeks in lab). We scan your damaged photograph into a computer, restore it digitally, and provide you with a 4x6 print and a CD of the restoration. Your original photograph is returned to you in its original condition. Additional reprints or enlargements of your restored image can be printed at our standard charges for digital prints.

Be aware that some flaws or textures on old prints may be more prominent when scanned than they appear to the naked eye. Please use the retouching categories below to pre-estimate your restoration fee. We will call before starting the work if our services will be more expensive than your pre-estimate.

Original photographs larger than 11x14" require an additional charge for scanning oversize prints (page 5).

Retouched images are kept the same size and proportional dimensions as the original photograph unless otherwise instructed. Please let us know what sizes you are thinking about printing. For example a 5x7 may crop into someone's head or arm that is visible in an 8x10. Orders resubmitted for additional retouching or alternative cropping will incur additional charges for digital services performed and any prints.

### **Minor Restoration ..... \$19.95**

In this Minor Restoration category, we fix **one** of these flaws: A minor scratch, stain or crack in background of image. Removing date from a smooth background. Red-Eye removal on one to four people. Reduce grain. Minor overall color and/or contrast adjustment.

### **Light Restoration ..... \$34.95**

Two to three scratches, stains or cracks in non-detail area of image. Color or contrast adjustments to 1 or 2 areas of the image. Simple facial blemishes and glass glare (if you can still see the eyes) on one or two people. Adding spot color to black & white image.

### **Medium Restoration ..... \$59.95**

Three to five scratches, stains or cracks (one or two into main subject of image). Replace background using generic "studio" backdrop or customers supplied image. Recreate missing corners of simple background. Adding or removing a single person or "trading faces" from another photo. Correcting color and contrast on faded images. Glass glare that hides the eyes. Colorizing part of a black & white or faded color image.

[Continued at top of next column.]

### **Heavy Restoration.....\$89.95**

Five or more scratches, stains or cracks (two or three into face or other detailed area). Recreate missing corners of moderately complex background. Adding or removing multiple people or "trading" two or three faces from other photos. Correcting color and contrast on severely faded images. Colorizing black & white or faded color image. Removing paper texture or overall cracking of emulsion.

### **Severe Restoration ..... \$120.00 or more**

Recreate missing areas of a complex background. Photos with multiple scratches, stains or cracks in high detail area of image (like a face). Heavily stained or mildewed prints. Removing heavy writing.

## **Artistic Photographic Enhancement**

Our digital artists can enhance your photographs in many ways. Adding text, special borders, graphics, logos, overlays, etc., can all be achieved. Our standard fee is \$80.00 per hour. Please request an estimate.

To add a name or one line of text to your photograph, add \$2.95 to the standard charges for scanning and/or printing.

## **Recover Lost Images from Memory Card**

Images can be recovered from most camera cards. We save all of the recovered JPEG files to a CD or DVD. Additional CDs or DVDs may be required if there are more images than can fit onto one CD or DVD. There is no charge if we cannot recover any images. There is no guarantee that any files will be recovered, or that the files recovered will be the images you are looking for. Movie files, RAW camera images, TIFF images and other file types can be recovered for an additional \$20. Please specify if you expect us to find such file types.

Up to 512 MB memory card. ....	24.95
1 GB memory card.....	29.95
2 GB memory card.....	34.95
4 GB memory card.....	39.95
8 GB memory card.....	49.95
16 GB memory card.....	64.95
32 GB memory card.....	124.95

We can print an Index Print of your recovered images. They are a handy tool for locating and retrieving images from your library of CDs. File names are printed below each image to assist you when reordering prints. Index Prints are priced by the sheet—40 images per sheet.

4x6 Index Print with 40 images per sheet .....	.99
8x10 Proof Sheet with 40 images per sheet .....	5.98

READ THIS NOTICE: Submitting any film, print, digital media, or images in any form to this firm for processing, printing, or other handling constitutes an AGREEMENT by you that any damage or loss by our company, subsidiary, or agents, even though by our negligence or other fault, will only entitle you to replacement with a like amount of imaging media or unexposed film and processing, if available. The acceptance by us of the film, print, digital media, or images is without other warranty or liability, and recovery for any incidental or consequential damages is excluded. 90-day unclaimed orders will be considered abandoned.

All prices, specifications & service times are subject to change without notice.



320-251-4687 Waite Park, MN  
320-251-2622 St. Cloud, MN

# APS Film Processing

Advanced Photo System® (Kodak Advantix, Fujifilm Nexia or "240") Color Prints on KODAK ROYAL PAPER  
August 1, 2019

## APS Develop & Print

Service Time: 2 Lab Days

Our qualified technicians optimize the color and exposure of every image while printing on Kodak Royal Paper.

- FREE INDEX PRINT included
- Choose Matte or Glossy finish
- 4x6 Classic, 4x7 HDTV & 4x11½ Panoramic—same price
- Add your photos to a CD for easy reorders of reprints and enlargements, or to import images into your computer ▶

Minimum Charge: \$4.90 *Develop Only* fee

APS Processing	First Set of 4" Prints	Identical Second Set
25 Exposure .....	17.90 .....	9.50
40 Exposure .....	25.70 .....	15.20
Discount for unprinted negatives.....	.52 each .....	.38 each
Additional full sets of prints, per print.....	.38 each	

**BLACK & WHITE** prints from APS roll, add 2.95 per roll

**SEPIA-TONED PRINTS** - Old fashioned brown tone (sepia) prints are available on all print sizes from APS 35mm film at time of developing.

Sepia-Toned Prints, add 3.95 per roll

## APS Develop Only

Service Time: 2 Hours ..... 4.90

## APS Develop Only and Index Print

Service Time: 2 Days ..... 7.89

## APS Index Print from Developed Film

Service Time: 2 Days ..... 2.99

**Numbered symbols on the edge of each APS cartridge indicate the status of the film enclosed:**

1. Full circle: Unexposed film
2. Half circle: Partially exposed roll of film
3. Cross sign: Fully exposed but not yet developed
4. Rectangle: Negatives have been developed \*

\* Additionally, a tab on that edge of the cartridge indicates that the negatives have been developed.

READ THIS NOTICE: Submitting any film, print, digital media, or images in any form to this firm for processing, printing, or other handling constitutes an AGREEMENT by you that any damage or loss by our company, subsidiary, or agents, even though by our negligence or other fault, will only entitle you to replacement with a like amount of imaging media or unexposed film and processing, if available. The acceptance by us of the film, print, digital media, or images is without other warranty or liability, and recovery for any incidental or consequential damages is excluded. 90-day unclaimed orders will be considered abandoned.

## Scan APS Rolls to CD

Service Time: 2 Lab Days (concurrent with developing)

CDs are an excellent medium for archiving your precious memories and ordering additional prints. All of our CD options have high quality color corrected image files matching the images you receive on Kodak Royal Paper.

We combine multiple rolls onto one CD; however the **price is per ROLL** of film. Four rolls of APS film will fit onto one CD.

A CD Index Print of each roll is included at no charge.

	<sup>1</sup> Reprint Quality CD	<sup>2</sup> Enlargement Quality CD
Scanning each APS Roll with Develop & Print.....	5.99	10.99
Plus APS Develop & Print fee (see left column)		

Scanning APS Roll without ordering prints ..... 7.99\* ..... 12.99\*

\* Add *Develop Only* charge if roll is unprocessed

<sup>1</sup> **Reprint Quality CD:** Will produce high quality 4x6, 4x7 and 5x7 prints. Pixel dimensions: 1500 x 856

<sup>2</sup> **Enlargement Quality CD:** Will produce high quality Panoramic prints, enlargements and cropped reprints. Pixel dimensions: 3000 x 1712

## APS Reprints & Enlargements

Service times: 2 Lab Days (up to 12x18 size)  
5 Lab Days (larger than 12x18)

Printed on Kodak Royal Paper - Matte or Glossy finish  
16x20 to 20x30: Lustre finish paper

Cropping: Add \$.99 per **negative** for 4x6, 4x7 & wallet prints.  
Add \$2.99 per **negative** for enlargements.

**Quantity prices are per print from SAME negative.**

Qty per negative ▶	1-4	5-23	24-49	50-99	100+
<b>4x6 — Classic</b> ..... <b>.79</b> .....	.69	.49	.39	.32	
<b>4x7 — HDTV</b> ..... <b>.79</b> .....	.69	.49	.39	.32	
<b>4x11½ Panoramic</b> ..... <b>2.50</b>					

**NOTE:** If you order 1 reprint of all negatives on a pre-developed APS cartridge, we charge the "Develop & Print" prices at the top of the left pricing column.

Qty. per negative ▶	1-2	3-23	24-49	50-99
<b>5x7</b> .....	<b>3.50</b>	2.75	1.75	1.15
<b>5x8 or 5x9</b> .....	<b>4.29</b>	3.99	2.79	1.99
<b>5x14</b> .....	<b>5.50</b>	3.90	2.99	2.09
<b>8x10</b> .....	<b>6.50</b>	4.90	3.25	2.15
<b>8x12</b> .....	<b>7.50</b>	5.75	3.75	2.50
<b>8x14</b> .....	<b>8.00</b>	6.25	4.75	3.79
<b>11x14</b> .....	<b>14.95</b>	11.20	7.50	4.95
<b>11x16 or 11x17</b> .....	<b>16.95</b>	12.75	8.50	5.60
<b>12x18</b> .....	<b>19.95</b>	14.95		
<b>12x24</b> .....	<b>24.95</b>	16.95		
<b>12x36</b> .....	<b>31.95</b>	26.95		

**8 wallets die cut..5.99 per sheet**

**2 wallets, uncut ..1.40 Add \$.15 each for die cutting**

All prices, specifications & service times are subject to change without notice.



320-251-4687 Waite Park, MN  
320-251-2622 St. Cloud, MN

# 120 Professional Process, Print, Enlargements

C-41 Process and Print on Kodak Professional ENDURA Paper  
August 1, 2019

## 120, 220 & 620 Process & Print (C-41)

Service Time: 2 Lab Days

Our qualified technicians optimize the color and exposure of every image while printing on Kodak ENDURA Paper.

- FREE INDEX PRINT included
- Lustre surface Kodak ENDURA paper—copyright watermark
- Matte or Glossy Kodak Royal paper are available on request
- Add images to a CD for ordering prints & enlargements, or to import images into your computer ►

	4x5 or 5x5 First Set	Identical Second Set
120-10 exposure (6x7).....	15.80	4.40
120-12 exposure (6x6).....	17.56	5.28
120-15 exposure (6x4.5).....	20.20	6.60

**220 size rolls**—Add \$4.00 per roll to prices above  
Discount for unprinted negatives.....88 each .....44 each  
Additional full sets of prints, per print.....44 each

**SEPIA-TONED PRINTS** - Old fashioned brown tone (sepia) prints are available at time of developing—add 3.95 per roll.

### Develop Only (C-41 Process)

Service Time: 1 Lab Day

Processed negatives are long-sleeved and cut.

120 .....	7.00
220 .....	11.00

## 120 & 620 Reprints & Enlargements

Service Time: 4 to 5 Lab Days

Negatives are scanned on an industrial scanner incorporating “Digital ICE” Dust and Scratch removal. Our qualified technicians optimize the color & exposure of every image. ENDURA Pro Paper. (Matte or Glossy Royal also available.)

**Sepia Tone prints**—add \$.90 per negative (\$.45 for 5x5 or smaller)

**Lustre surface Kodak Endura paper is standard; for Metallic Paper, add 25% to prices below.**

**CROPPING:** Add \$.25 per **negative** for 4x6 or smaller prints.  
Add \$.50 per **negative** for enlargements.

Quantity reprint prices apply to the total number of **same-size** prints requested **from all same-size negatives in one order.**

Prints per order ►	1-3	4-9	10-49	50+
<b>4x5, 4x4, 4x6, 3½x5</b> .....	<b>1.99</b>	1.89	1.79	1.59
<b>5x5 (from 6x6cm neg)</b> ....	<b>1.99</b>	1.89	1.79	1.59

**Quantity enlargements: per print from SAME neg.**

Qty. per negative	1-2	3-23	24-49	50-99
<b>5x7</b> .....	<b>5.25</b>	2.85	1.85	1.25
<b>8x10</b> .....	<b>8.95</b>	5.25	3.45	2.30
<b>8x12, 10x10</b> .....	<b>9.95</b>	5.95	3.95	2.60
<b>11x14</b> .....	<b>17.95</b>	11.60	7.75	5.10
<b>11x16</b> .....	<b>18.95</b>	13.00	8.75	5.80
<b>12x18</b> .....	<b>21.95</b>	15.50	10.75	8.75

8 wallets die cut...5.75 per sheet

2 wallets, uncut ... 1.50 Add \$.15 each for die cutting

For larger prints see **WIDE FORMAT ENLARGING**, page 2.

## Scan 120 & 620 Rolls to CD

Service Time: 2 Lab Days (concurrent with Proofing)

Negatives are scanned on a high resolution industrial scanner incorporating *Digital ICE* Dust and Scratch removal.

CD images have color corrected image files matching the proofs you receive on Kodak ENDURA Paper.

**Price is per ROLL** of film. We combine multiple rolls from the same job onto one CD. TIFF format: add \$5.00 setup charge.

A CD Index Print of each roll is included at no charge.

**220 size rolls** —Double the price below per roll

	<sup>1</sup> Enlargement Quality CD	<sup>2</sup> Super Resolution
<b>Scanning Price per Roll with Develop &amp; Proof</b> .....	5.99	12.99
<b>Plus 120 Develop &amp; Print fee (see left column)</b>		

**Scanning Price per uncut 120 roll**

**with NO Prints** ..... 12.99\* ..... 19.99\*

\*Add *Develop Only* charge if roll is unprocessed

<sup>1</sup> **Enlargement Quality** (Standard Resolution for 120 size) pixel dimensions of 120 formats: 6x4.5—2000 x 1500; 6x6—2000 x 2000; 6x7—2460 x 2000; 6x9—3000 x 2000

<sup>2</sup> **Super Resolution** pixel dimensions of 120 formats: 6x4.5—4800 x 3500; 6x6—4800 x 4800; 6x7—5900 x 4800; 6x9—7200 x 4800

**Scan 120 Cut negatives -- see page 7.**

## Develop with Enlargements

From full roll at time of developing. 3 Lab Days

8x12 size (plus *Develop Only* charge).....3.95 each

11x14 size (plus *Develop Only* charge).....6.95 each

## Retouching Services from Negatives

Service Time: 5 Lab days plus time for printing, coating, mounting

Standard fees for typical retouching orders (simple blemish removal, stray hair, minor clothing enhancement):

Image(s) burned to CD ..... 4.99 per CD

Basic (1 head) ..... 12.00

Basic (2 heads) ..... 16.00

Glass Glare, not in eyes ..... 18.00

READ THIS NOTICE: Submitting any film, print, digital media, or images in any form to this firm for processing, printing, or other handling constitutes an AGREEMENT by you that any damage or loss by our company, subsidiary, or agents, even though by our negligence or other fault, will only entitle you to replacement with a like amount of imaging media or unexposed film and processing, if available. The acceptance by us of the film, print, digital media, or images is without other warranty or liability, and recovery for any incidental or consequential damages is excluded. 90-day unclaimed orders will be considered abandoned.



320-251-4687 Waite Park, MN  
320-251-2622 St. Cloud, MN

All prices, specifications & service times are subject to change without notice.

# 35mm Professional Film Processing

C-41 Process 35mm Color Prints on Kodak Professional ENDURA Paper

August 1, 2019

## Develop with 4x6 or 3 1/2x5 Prints

Service Time: 1 Lab Day

Our qualified technicians optimize the color and exposure of every image while printing on Kodak ENDURA Paper

- Professional watermark on back of prints - "Kodak Professional ENDURA Paper - DO NOT COPY"
- FREE INDEX PRINT included
- Add your photos to a CD for easy reorders of reprints and enlargements, or to import images into your computer for retouching or digital enhancement of images ►
- Lustre surface is standard
- For Metallic paper, add 25% to prices below.

**Minimum Charge:** \$4.90 *Develop Only* fee

	4x6 or 3 1/2x5 First Set	Identical 2nd Set
24 Exposure .....	15.94 .....	8.64 .....
36 Exposure .....	21.46 .....	12.96 .....
Discount for unprinted negatives.....	.46 each .....	.36 each .....
Additional full sets of prints, per print.....		.36 each .....
White Borders, add .....		1.00 per roll .....

**BLACK & WHITE or SEPIA-TONED PRINTS** from color film, see pages 13 and 14.

## Develop with 5x7 BIG Prints

- FREE INDEX PRINT (3 1/2x5)
- Add your photos to a CD for easy reorders of reprints and enlargements, or to import images into your computer for retouching or digital enhancement of images
- Lustre finish Professional ENDURA Paper
- For Metallic paper, add 25% to prices below.

	5x7 First Set	5x7 2nd Set
24 Exposure - 5x7 size .....	25.30 .....	14.16 .....
36 Exposure - 5x7 size .....	35.50 .....	21.24 .....
Discount for unprinted negatives .....	.85 each .....	.59 each .....
Additional full sets of prints, per print.....		.59 each .....

## Develop Only

Service Time: 1-2 Hours

**"Cross Processing": E-6 film in C-41 process, add \$2.95**

Processed negatives are cut into 4-frame strips and packaged in flat sleeving unless requested uncut.

24 or 36 Exposure C-41 ..... 4.90

READ THIS NOTICE: Submitting any film, print, digital media, or images in any form to this firm for processing, printing, or other handling constitutes an AGREEMENT by you that any damage or loss by our company, subsidiary, or agents, even though by our negligence or other fault, will only entitle you to replacement with a like amount of imaging media or unexposed film and processing, if available. The acceptance by us of the film, print, digital media, or images is without other warranty or liability, and recovery for any incidental or consequential damages is excluded. 90-day unclaimed orders will be considered abandoned.

## 35mm Rolls Developed to CD

Service Time: 1 Lab Day

CDs are an excellent medium for archiving your images and for ordering additional prints. All of our CD options have high quality color corrected image files matching the images you receive on Kodak ENDURA Paper.

We combine multiple rolls of film onto one CD; however the **price is per ROLL** of film. 500 Reprint Quality<sup>1</sup> scans or 135 Enlargement Quality<sup>2</sup> scans fit onto one CD. A CD Index Print of each roll is included at no charge.

	<sup>1</sup> Reprint Quality CD	<sup>2</sup> Enlargement Quality CD	<sup>3</sup> Super Resolution CD
Scanning Price per Roll with Develop & Print.....	5.99.....	10.99 .....	19.99 .....
<b>Plus 35mm Develop &amp; Print fee (see left column)</b>			

Scanning Price per uncut roll with NO Prints.....	7.99* .....	12.99* .....	22.99*
--	-------------	--------------	--------

\*Add *Develop Only* charge if roll is unprocessed

<sup>1</sup> **Reprint quality CD:** Will produce high quality 3 1/2x5, 4x6 and 5x7 prints. Pixel dimensions: 1500 x 1000

<sup>2</sup> **Enlargement Quality CD:** Will produce high quality enlargements and cropped reprints. Pixel dimensions: 3000 x 2000

<sup>3</sup> **Super Resolution 35mm Scan:** Will produce Posters & Wide Format Enlargements. Pixel dimensions: 6700 x 4400. One CD holds up to 25 scans.

Scans are saved as highest quality JPEG files (Level 12 JPEG compression). **TIFF** format files are available for an additional \$5.00 setup charge per order (any number of rolls).

## Push Processing

Service Time: Add one extra day to other services requested

**Push processing** is NOT recommended. However if you must push your C-41 film, only 2 f/stops of speed increase can be achieved. Improved results are not guaranteed.

Push/Processing, add .....3.95 per roll

## 8 1/2x11 Proof Sheet from 35mm Rolls

Service Time: 2 Lab Days

Negatives are scanned, color corrected, and digitally printed on Endura Lustre paper, on an 8 1/2x11" contact sheet which resembles a traditional contact sheet. Then we sleeve the negatives.

8 1/2x11 Proof Sheet (with *Develop & Print* or *Develop to CD—No Prints* service) .. add 7.95

8 1/2x11 Proof Sheet  
with NO Prints ..... add 10.95\*  
\* Add *Develop Only* charge if roll is unprocessed

## Develop with Enlargements

From full roll at time of developing. 2 Lab Days.

8x12 size (plus *Develop Only* charge) .....3.95 each  
11x14 size (plus *Develop Only* charge) .....6.95 each



320-251-4687 Waite Park, MN  
320-251-2622 St. Cloud, MN

All prices, specifications & service times are subject to change without notice.



# 35mm Professional Reprints, Enlargements & Scanning

From 35mm C-41 Color negatives, printed on Kodak Professional ENDURA Paper

August 1, 2019

## Color 35mm Reprints & Enlargements

Service Time: 3 to 4 Lab days

Negatives are scanned on an industrial high resolution scanner incorporating "Digital ICE" Dust and Scratch removal. Our qualified technicians optimize the color and exposure of every image while printing on Kodak ENDURA Pro Paper.

**Quantity prices are per print from SAME negative.**

**Lustre surface Kodak Endura paper is standard.**

**For Metallic Paper, add 25% to prices below.**

**Please DO NOT use negative cards or masks.**

For old-fashioned **Sepia Tone** prints:

Add \$.45 **per negative** for wallet to 4x6 print sizes.

Add \$.90 **per negative** for 5x7 to 12x18 enlargements.

To precisely match the sepia color of a reference print that you submit, add \$3.95 per negative.

Single (cut) 35mm negatives: add \$.99 per negative to print.

CROPPING: Add \$.99 per **negative** for 3½x5 or 4x6 prints.

Add \$.29 per **negative** for enlargements.

**Qty. per negative** ▶ 1-4 5-23 24-49 50-99 100+

**3½x5** ..... .85 .75 ..... 55 ..... 44 ..... 38

**4x6 or 4x5** ..... .85 .75 ..... 55 ..... 44 ..... 38

**Qty. per negative** 1-2 3-23 24-49 50-99

**5x7** ..... 3.75 ..... 2.85 ..... 1.85 ..... 1.25

**8x10** ..... 6.95 ..... 5.25 ..... 3.45 ..... 2.30

**8x12** ..... 7.95 ..... 5.95 ..... 3.95 ..... 2.60

**11x14** ..... 15.50 ..... 11.60 ..... 7.75 ..... 5.10

**11x16** ..... 17.50 ..... 13.00 ..... 8.75 ..... 5.80

**12x18** ..... 20.50 ..... 15.50 ..... 10.75 ..... 8.75

For larger print sizes, see:

**WIDE FORMAT ENLARGEMENTS, page 2.**

## Wallet Photos

Wallets are available in a set of 2 on a 3½x5 sheet, or 8 wallets printed on a 7x10 sheet and die cut with round corners.

8 wallets die cut...5.75 per sheet

2 wallets, uncut ... 1.50 Add \$0.15 each for die cutting

## Memory Mate, Prom, Sport and Event Packages

Special pricing available—ask Customer Service.

READ THIS NOTICE: Submitting any film, print, digital media, or images in any form to this firm for processing, printing, or other handling constitutes an AGREEMENT by you that any damage or loss by our company, subsidiary, or agents, even though by our negligence or other fault, will only entitle you to replacement with a like amount of imaging media or unexposed film and processing, if available. The acceptance by us of the film, print, digital media, or images is without other warranty or liability, and recovery for any incidental or consequential damages is excluded. 90-day unclaimed orders will be considered abandoned.

## Scan 35mm Color Negatives to CD

Service Time: 4 Lab days (1 week for over 250 negatives)

Negatives are scanned on an industrial high resolution scanner incorporating "Digital ICE" Dust and Scratch removal. Then our qualified technicians optimize the color and exposure of each image. So these image files will produce high quality prints, & can also be imported into your computer for graphic design applications, websites, e-mailing, etc.

Negatives must be submitted in strips of at least 3 inches long, or at least 2 images per strip; add \$.99 each for single 35mm negatives.

Scan a **complete roll** of 35mm cut negatives to CD:

<sup>1</sup> Reprint Quality scans (CD included) ..... 12.99 per roll

<sup>2</sup> Enlargement Quality scans (CD included)... 19.99 per roll

**Add \$4.99 per CD**

35mm Negative Scans	<sup>1</sup> Reprint Quality Scans	<sup>2</sup> Enlargement Quality Scans	<sup>3</sup> Super Resolution Scans
1 - 3 .....	1.69.....	2.49 .....	8.99
4 - 9 .....	1.29.....	1.79 .....	6.99
10 - 49 .....	.89.....	1.49 .....	4.99
50 - 99 .....	.69.....	.99 .....	3.99
100 - 249 .....	.59.....	.89 .....	2.99
250 - 499 .....	.45.....	.69 .....	2.50
500+ .....	.39.....	.55 .....	1.99

<sup>1</sup> **Reprint Quality Scan:** Will produce high quality 3½x5, 4x6 and 5x7 prints. Pixel dimensions: 1500 x 1000. One CD holds up to 500 scans.

<sup>2</sup> **Enlargement Quality Scan:** Will produce high quality enlargements and cropped reprints. Pixel dimensions: 3000 x 2000. One CD holds up to 135 scans.

<sup>3</sup> **Super Resolution 35mm Scan:** Will produce Posters & Wide Format Enlargements. Pixel dimensions: 6700 x 4400. One CD holds up to 25 scans.

## Mounting Service for Enlargements

Service Time: add 2 days to the time required to print the enlargement. Price includes either 3/16" premium black-core Gatorfoam® or 3/32" Mat Board (11x14 maximum size for Mat Board).

5x7 .....	6.95	11x14 .....	11.95
8x10 .....	8.95	11x16 * .....	14.95
8x12 .....	9.95	12x18 * .....	15.95

\* **Flat shipping (\$10.00 per order) is required if ship is requested.**

LIABILITY NOTICE: Photographs, copies, or artwork **not produced by The Camera Shop** are accepted by The Camera Shop for mounting, matte spray coating, laminating or related services without warranty or liability of any kind.



320-251-4687 Waite Park, MN  
320-251-2622 St. Cloud, MN

All prices, specifications & service times are subject to change without notice.

Please complete one of these order forms when ordering services from Page 12.

### Video Tape to DVD Order Form

Name: \_\_\_\_\_

Phone # (\_\_\_\_\_) \_\_\_\_\_

Cell # (\_\_\_\_\_) \_\_\_\_\_

Email: \_\_\_\_\_

Contact me if the total price will exceed \$\_\_\_\_\_.

Needed for an event on: \_\_\_/\_\_\_/\_\_\_ or  No deadline

DVD Title — Menu On Screen (16 characters maximum):

1 2 3 4 5 6 7 8 9 10 11 12 13 14 15 16

Title on front surface of the DVD (no limit of characters):

\_\_\_\_\_  
\_\_\_\_\_

- Record only one video tape to each DVD
- Record several video tapes to DVD (2 hr. max per DVD)
- Video Tapes are numbered in a specific sequence; keep this sequence when combining several tapes to a DVD.

READ THIS NOTICE: Submitting any film, print, digital media, or images in any form to this firm for processing, printing, or other handling constitutes an AGREEMENT by you that any damage or loss by our company, subsidiary, or agents, even though by our negligence or other fault, will only entitle you to replacement with a like amount of imaging media or unexposed film and processing, if available. The acceptance by us of the film, print, digital media, or images is without other warranty or liability, and recovery for any incidental or consequential damages is excluded. 90-day unclaimed orders will be considered abandoned.

I understand and agree to the terms above.

\_\_\_\_\_  
Customer Signature

\_\_\_\_\_  
Date

### Video Tape to USB Order Form

Name: \_\_\_\_\_

Phone # (\_\_\_\_\_) \_\_\_\_\_

Cell # (\_\_\_\_\_) \_\_\_\_\_

Email: \_\_\_\_\_

Contact me if the total price will exceed \$\_\_\_\_\_.

Needed for an event on: \_\_\_/\_\_\_/\_\_\_ or  No deadline

- Record only one video tape to each USB drive.
- Record several video tapes to USB.
- Video Tapes are numbered in a specific sequence; keep this sequence when combining several tapes to a USB.

Additional Instructions \_\_\_\_\_

\_\_\_\_\_  
\_\_\_\_\_  
\_\_\_\_\_

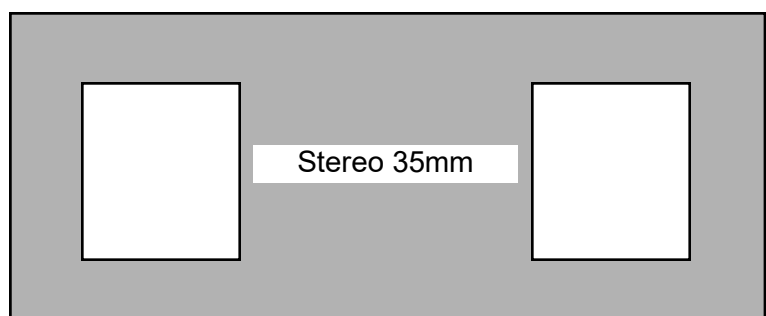
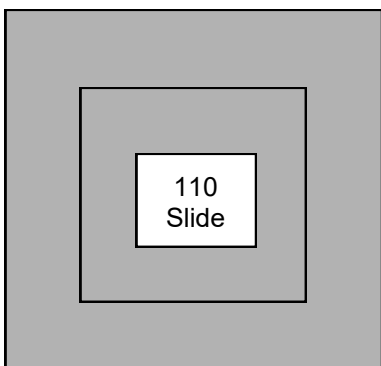
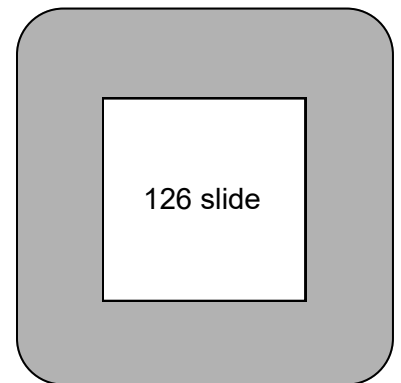
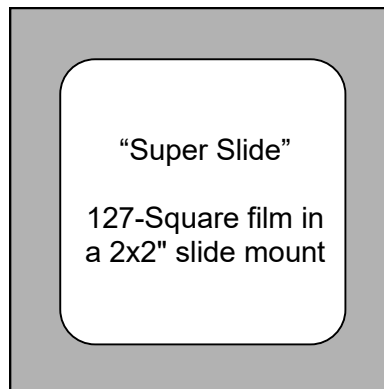
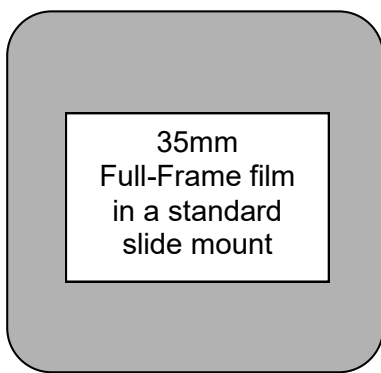
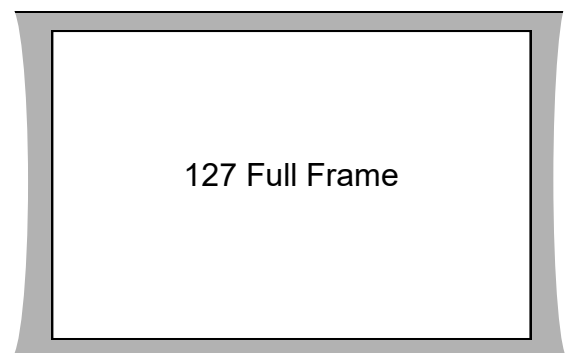
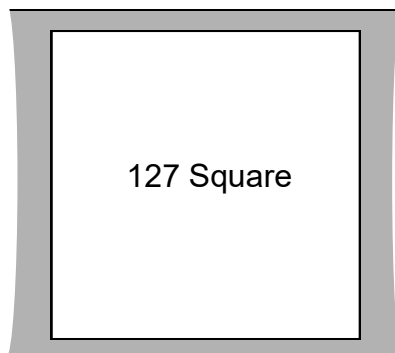
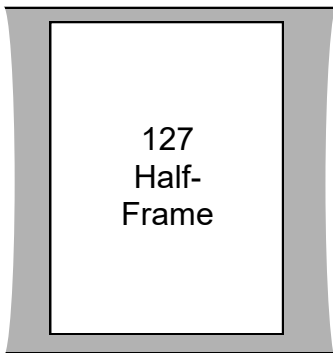
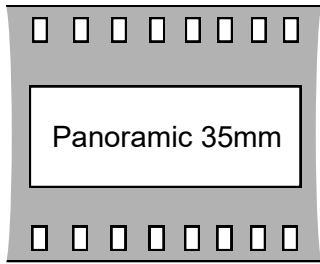
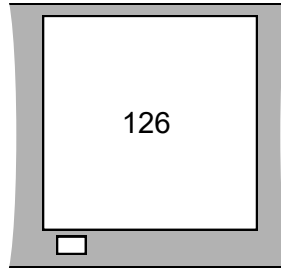
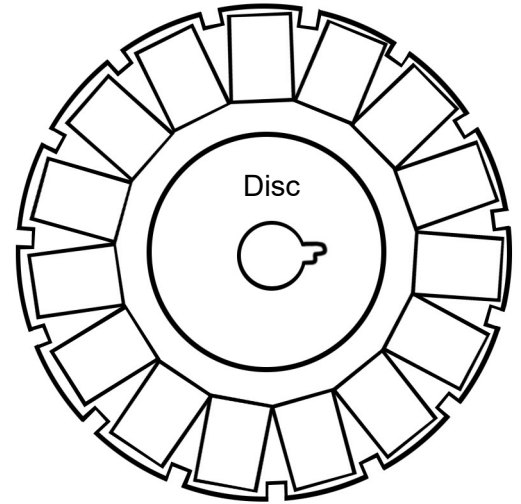
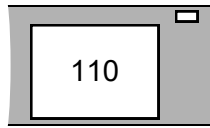
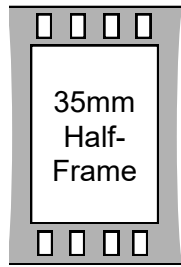
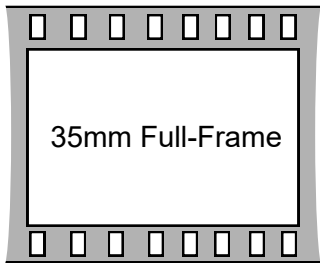
READ THIS NOTICE: Submitting any film, print, digital media, or images in any form to this firm for processing, printing, or other handling constitutes an AGREEMENT by you that any damage or loss by our company, subsidiary, or agents, even though by our negligence or other fault, will only entitle you to replacement with a like amount of imaging media or unexposed film and processing, if available. The acceptance by us of the film, print, digital media, or images is without other warranty or liability, and recovery for any incidental or consequential damages is excluded. 90-day unclaimed orders will be considered abandoned.

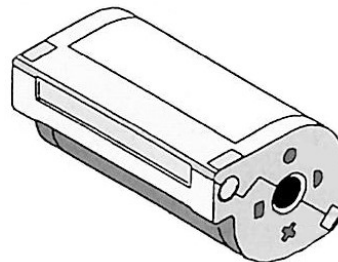
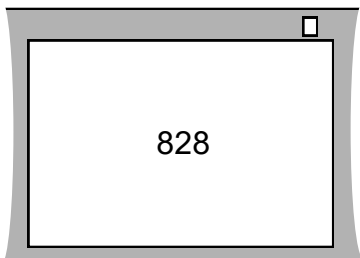
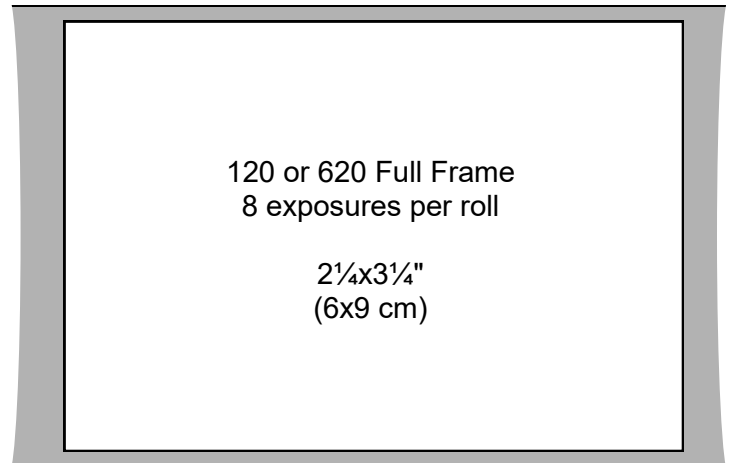
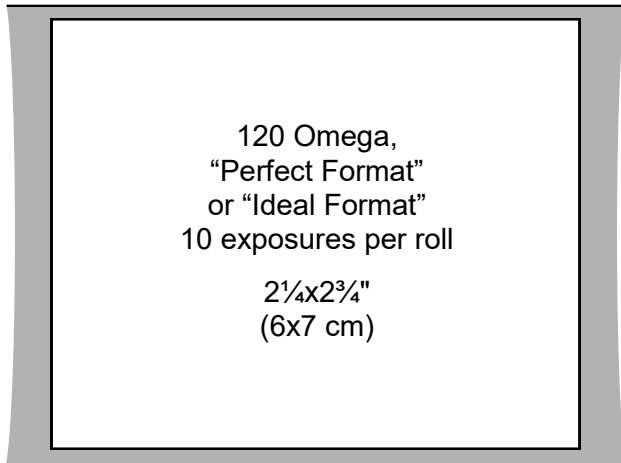
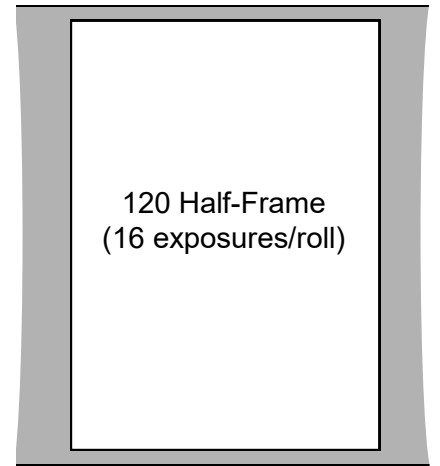
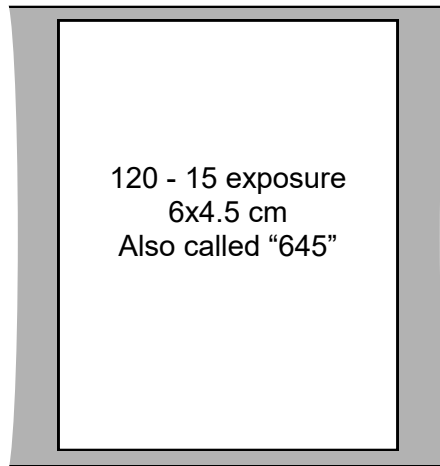
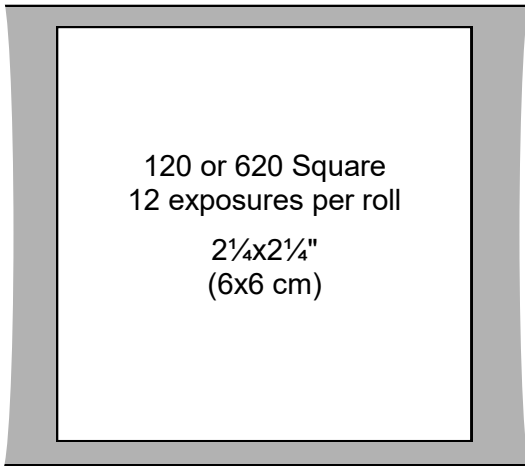
I understand and agree to the terms above.

\_\_\_\_\_  
Customer Signature

\_\_\_\_\_  
Date

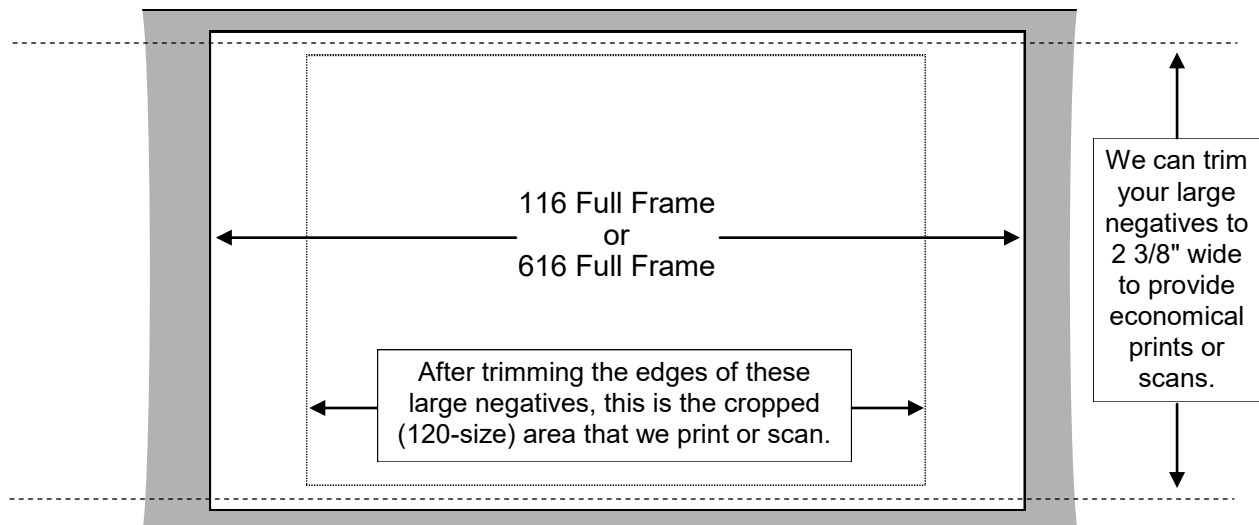
**DO NOT CUT FILM SIZES ON THIS PAGE INTO SINGLE FRAMES!**





← APS  
or Advance Photo System  
film remains in its cassette  
after processing.

For negatives that are larger than 2 3/8" wide (116, 616 or 70mm), we offer two options for printing or scanning: (1) we trim 3/16" off the 2 narrow edges of the negative (dashed line below), and print or scan the film in our 120-size negative carrier; or (2) we print or scan the full negative. See bottom of page 14 for pricing these options.

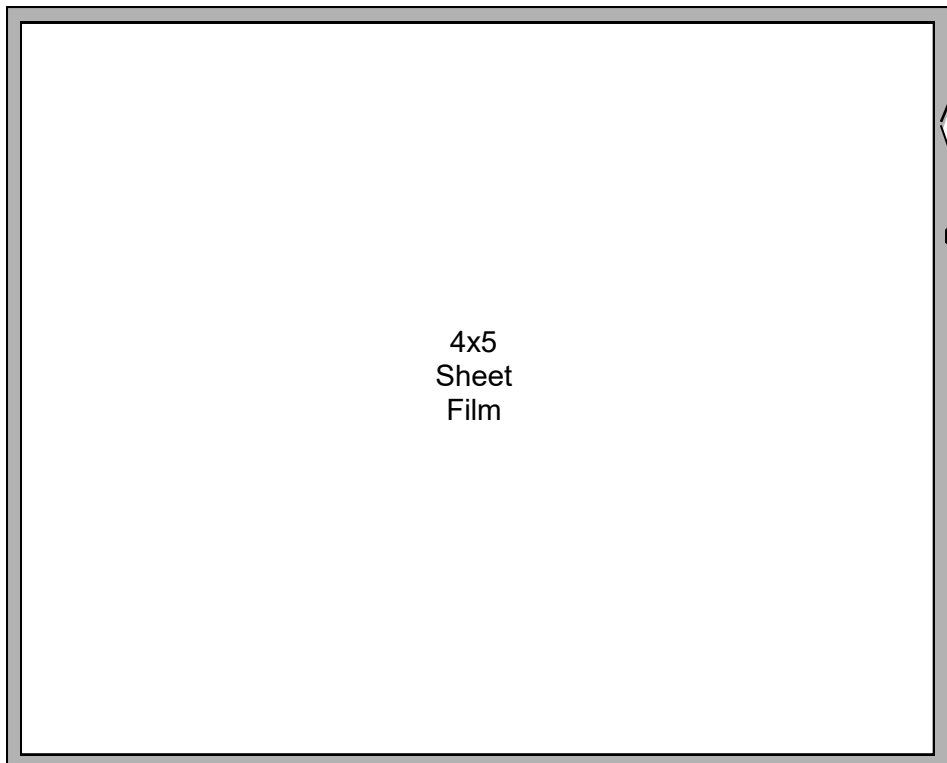
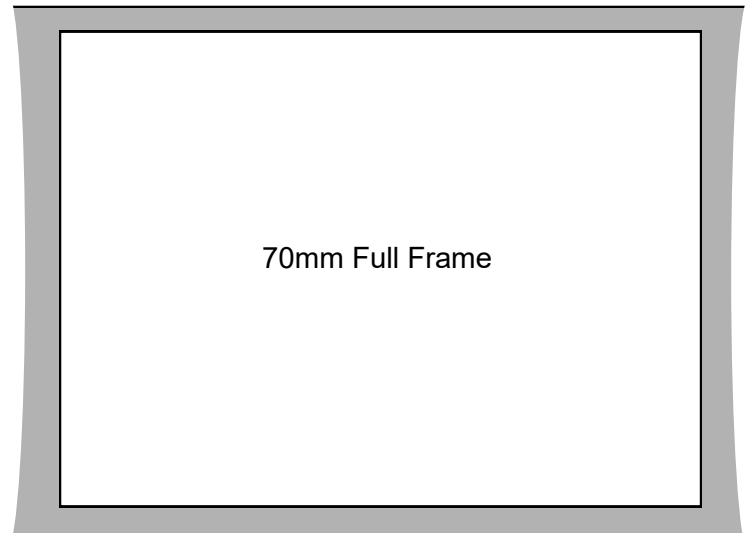
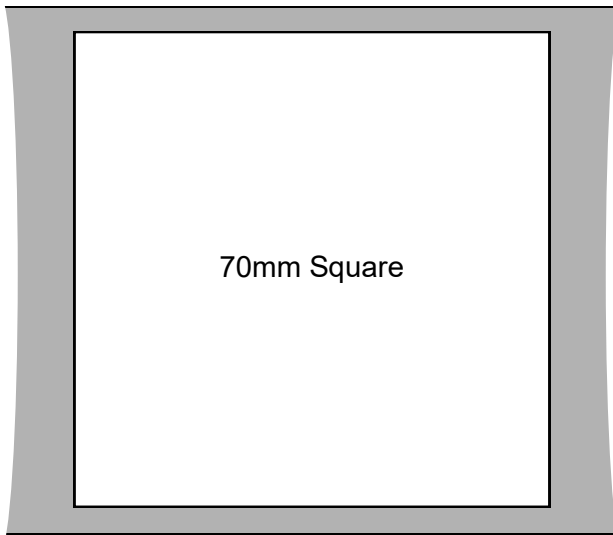
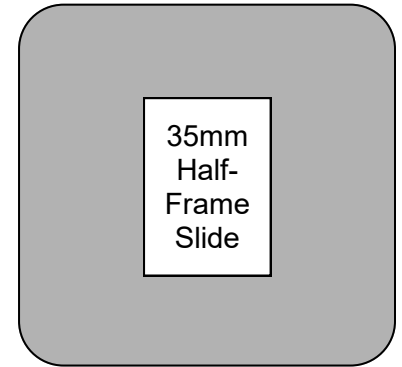
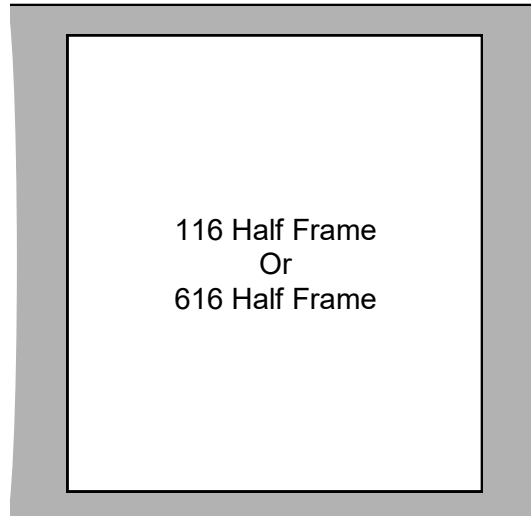


800-793-0112 St. Cloud, MN  
320-251-4687 Waite Park, MN

See notes on the bottom of page 27 concerning the trimming of 70mm, 116 and 616-size negatives so economical prints and scans can be made from these wide negative sizes.

For printing prices, see page 14.

For scanning prices, see the right-hand column of page 7.



This 3-page *Film Size Identification Guide* does not list every size of film. There are other old films that had been manufactured many years ago, including:

122-size: A “big brother” to 116 / 616 film. The spool measures 3 3/4” (95mm).

Agfa Rapid: a film cassette similar to 35mm film cassettes.









# Index of Photofinishing Services

August 1, 2019

APS, Advanced Photo System, Advantix, Nexia .....	21	Magnets.....	17
Audio Tapes Transferred to CD .....	12	Memory Card to CD .....	1
Betamax Video Transfer to DVD.....	12	Memory Card Recovery .....	20
Black & White Enlargements .....	14	Metal Art.....	18
Black & White Services.....	13,14	Metallic Kodak Paper .....	1,22,23,24
Blu-Ray Discs from Movies or Video Tapes .....	11	Mounting Service for Enlargements.....	2
Business Cards .....	19	Mouse Pad .....	17
Buttons .....	17	Negative from Print (Copy Negative) .....	5
Calendar.....	17	Nexia (Fujifim Advanced Photo System) .....	21
Canvas Prints.....	18	Ornament .....	17
Cell Phone Videos and Photos to DVD .....	12	Movie/DVD Transfer and Duplication.....	11,12
Ceramic Photo Mugs & Ornaments .....	17	Mug .....	17
Coffee Mug.....	17	Negatives to CD .....	7
Color 35mm/120 & Nonstandard Negs to CD.....	7	Panoramic Prints & Enlargements .....	1,2,4
Color 35mm Reprints & Enlargements .....	4,24	Photo Gifts & Novelty Items .....	17
Computer Mouse Pad .....	17	Photo Greeting Cards .....	19
Contact Sheet (Proof Sheet).....	3,13,23	Photo Restoration .....	20
Copy Negative.....	5	Porcelain Ornaments .....	17
Copy Print .....	5	Poster Prints.....	2
Dog Tags.....	17	Press-Printed Products .....	19
Digital Prints and Enlargements.....	1,2	Prints from 120 Transparencies .....	10
DVD Slideshow from Prints, Slides, Negs, Digital .....	8	Print Scanning.....	5,6
DVD/VHS Transfer and Duplication.....	11,12	Prints from Digital Media .....	1,2
Duplicate Slides .....	9	Prints from Prints.....	5,6
Endura Paper—Professional Printing .....	1,22,23,24	Prints from Slides .....	10
Enlargements		Professional Printing (Endura Paper) ....	1,19,22,23,24
Black & White Negatives .....	2,14	Proof Sheet (Contact Sheet).....	3,13,23
Color Negatives .....	2,4,22,24	Push Processing .....	3,9,13,23
Digital Files .....	1,2	Puzzles.....	17
Scanned photos.....	1,2,5	Quilt Square/Fabric Transfer.....	17
Slides .....	2,10	Repair Video Tapes .....	12
Fabric Transfer/Quilt Squares.....	17	Reprints from B&W Negatives .....	14
Film Processing (Developing)		Reprints from 35mm C-41 Negatives.....	2,4,24
Black & White .....	13	Reprints from 120 & Odd size C-41 negatives....	15,22
Color Negative (C-41 Process) ..	3,15,16,21,22,23	Reprints from Scans.....	1,5
Damaged film .....	3	Reprints from Digital.....	1
Disc Film, 110,126,127,35mm ½ frame .....	15,16	Restoration, Enhancement & Recovery.....	20
Ektachrome, Fujichrome.....	9	Recover Lost Images from Memory Card .....	20
Kodachrome .....	16	Retouching & Restoration .....	20, 22
Movie Film Developing .....	No Longer Available	Scanning Color Negatives to CD .....	3,4,7,24
Outdated Film .....	15,16	Scan Prints .....	5,6
Panoramic .....	3,21	Scan 110 or 126 negatives .....	15
Professional (Printed on <i>Endura</i> Paper)..	22,23,24	Sheet film—4x5 Size Negatives, Transparencies....	16
Push Processing.....	3,9,13,23	Shoobox Photo Archive scanning .....	6
Seattle Filmworks (ECN-II, SFW-XL).....	15	Slide Processing .....	9
Sheet Film: 4x5-Size Negatives .....	16	Slides from Prints, Negatives & Digital files .....	9
Slide Processing.....	9	Slides to CD .....	7,9,10
Super 8 Movie Processing ....	No Longer Available	Slides to Prints .....	10
Verichrome Pan (Black & White process) .....	13	Transfer Old Movies to DVD .....	11
Fine Art Prints .....	2	Transparencies.....	7,10,16
Foreign Videotape Conversion (PAL, SECAM) .....	12	Transparencies to CD .....	7,16
Gallery Wrap Canvas Prints.....	2	T-Shirts.....	17
Gatorfoam® Mounting.....	2	USB Drive from Scans, Videos .....	5,12
Gift items .....	17	Verichrome Pan (B&W).....	13
Giclee Fine Art Prints .....	2	Video Duplication .....	12
Glass Negatives, Scanning & Printing .....	7,14,16	Video Tape to Print (Video Negative) .....	16
Greeting Cards .....	19	Video Tape Repair .....	12
Index Print/Proof Sheet.....	1,3,23	VHS to DVD .....	12
Locket Size Print .....	17	Water Bottles, Travel Mugs.....	17
		Wide Format Enlargements (16x16 or larger).....	2