



***Plasma torch and consumables
for Thermal Dynamics®***

Hypertherm®

Product is available for the following major OEM brands

AMADA®

ESAB®

KALIBURN®

KJELLBERG®

KOMATSU®

LINCOLN®

THERMAL DYNAMICS®

WHITNEY®

WIEDEMANN®

OEM Thermal Dynamics[®] System Dynapak 110[®], PAK[®] 2XT[™]

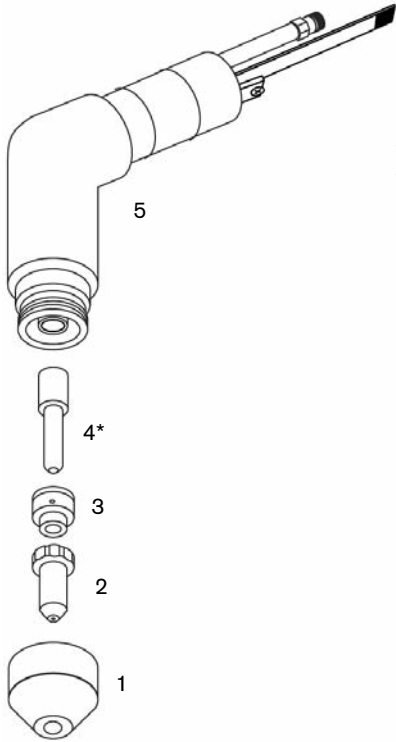
Consumables

Centricut part number	Reference number	Description	Pkg qty
1 C21-214	8-3214	Shield Cup	5
2 C21-218	8-3218	Tip, .031	5
3 C28-233	8-3233	Gas Distributor	1
4 C42-006*	9-6006	Electrode	5
C02-016	8-0531	O-Ring	5

Maintenance items

Centricut part number	Reference number	Description	Pkg qty
5 T21-220	8-3220	PCH-20 Torch Body, 70°	1
027055	N/A	Lubricant .25 oz. (7ml) Tube	1

* Centricut part features a unique Hypertherm design that differs from the OEM design.



PCH/M-30[®]

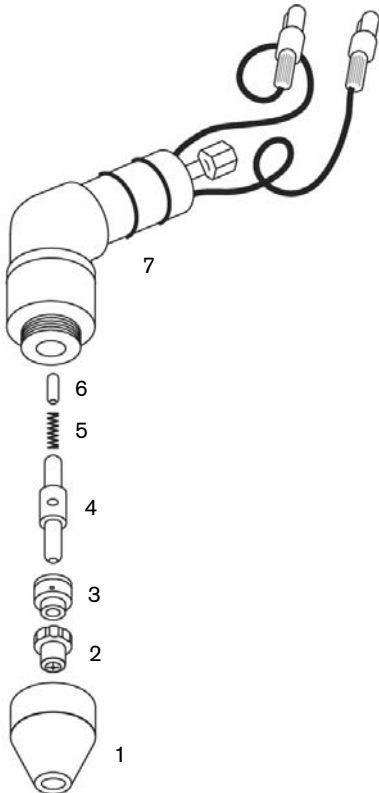
OEM Thermal Dynamics[®] System PAK3[®]

Consumables

Centricut part number	Reference number	Description	Pkg qty
1 T28-500	9-5500	Shield Cup	10
2 C28-501	9-5501	Tip, .040	10
3 C28-233	8-3233	Gas Distributor	1
4 C28-503	9-5503	Electrode	10
5 T28-505	9-5505	Spring	5
6 T28-504	9-5504	Continuity Pin	5

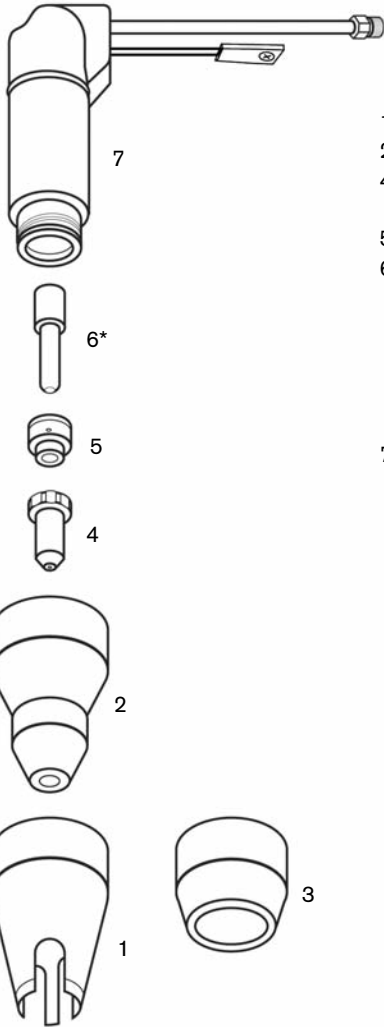
Maintenance items

Centricut part number	Reference number	Description	Pkg qty
T28-509	9-5509	PCM-30 Torch Body, 180°	1
7 T28-512	9-5512	PCH-30 Torch Body, 70°	1
027055	N/A	Lubricant .25 oz. (7ml) Tube	1



Centricut is a registered trademark of Hypertherm, Inc. and may be registered in the United States and/or other countries. All other trademarks are the properties of their respective owners. Centricut is in no way affiliated with Thermal Dynamics.

OEM Thermal Dynamics® System PAK Master® 25, Econo PAK® 25, Drag Gun



Consumables

Centricut part number	Reference number	Description	Pkg qty
1 C42-004	9-6004	Crown Cup, Copper	1
2 C42-003	9-6003	Shield Cup	1
4 C42-476	9-4476	Tip, Drag Cut, .026, 20 Amp	5
T42-099	9-6099	Tip, Drag Cut, .026, 12 Amp	10
5 C42-007	9-6007	Gas Distributor	1
6 C42-006*	9-6006	Electrode	5

Maintenance items

Centricut part number	Reference number	Description	Pkg qty
7 T42-807	9-5807	PCH-25/35 Torch Body, 70°	1
T42-808	9-5808	PCH-25/35 Torch Body, 90°	1
T42-016	9-0016	PCH-10 Torch Body, 70°	1
027055	N/A	Lubricant .25 oz. (7ml) Tube	1

* Centricut part features a unique Hypertherm design that differs from the OEM design.

PCH/M-26/28/35/38®

OEM Thermal Dynamics® System STAK PAK® 35, PAK MASTER® 50, 38XL, ECONO PAK® 50

Consumables

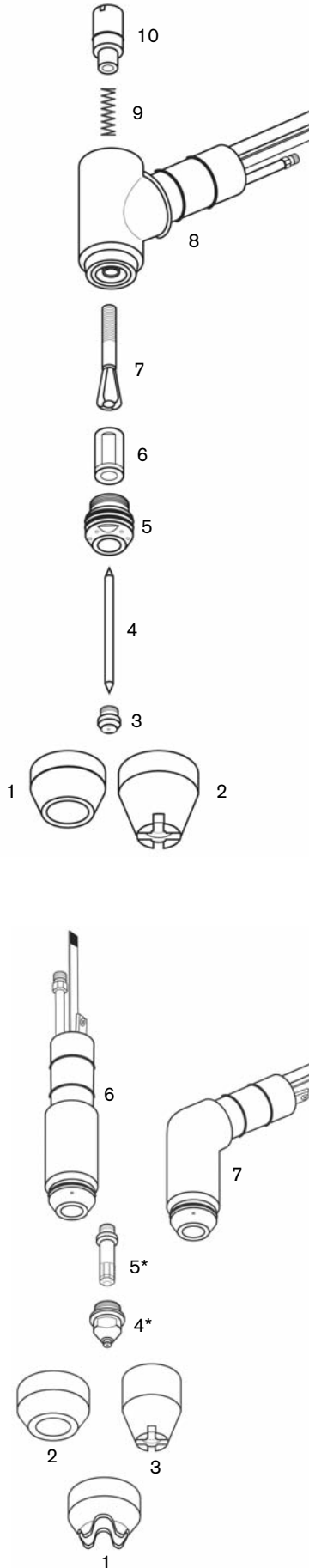
Centricut part number	Reference number	Description	Pkg qty
1 C42-004	9-6004	Crown Cup, Copper, use w/ C42-003	1
2 C42-003	9-6003	Shield Cup	1
3 T42-503	9-6503	Shield Cup, Extended life, use w/ C42-003	1
4 C42-001	9-6001	Tip, Drag Cut, .031, 35 Amp	5
C42-501	9-6501	Tip, Drag Cut, Extended life, .031, 35 Amp	5
C42-476	9-4476	Tip, Drag Cut, .026, 20 Amp	5
C42-000	9-6000	Tip, Standoff, .031, 35 Amp	10
C42-500	9-6500	Tip, Standoff, Extended life, .031, 35 Amp	10
5 C42-007	9-6007	Gas Distributor	1
C42-507	9-6507	Gas Distributor, Extended life	1
6 C42-006*	9-6006	Electrode	5
C42-506*	9-6506	Electrode, Extended life	5

Maintenance items

Centricut part number	Reference number	Description	Pkg qty
7 T42-807	9-5807	PCH-25/35 Torch Body, 70°	1
T42-808	9-5808	PCH-25/35 Torch Body, 90°	1
T42-809	9-5809	PCM-35 Torch Body, 180°	1
027055	N/A	Lubricant .25 oz. (7ml) Tube	1

* Centricut part features a unique Hypertherm design that differs from the OEM design.

OEM Thermal Dynamics[®] System PAK[®] 3XR[™], 5XR[™], 5Xt[™], 6XR[™], 625XR[™], 750XR[™],
Dynapak 4Xi, 6Xi



Consumables

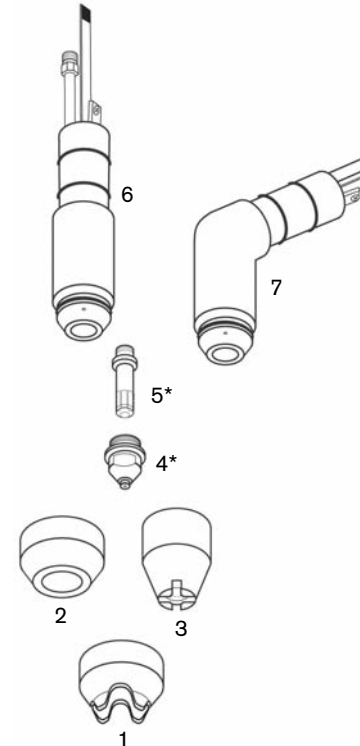
Centricut part number	Reference number	Description	Pkg qty
1 T29-505	8-5505	Shield Cup	5
2 T29-519	8-5519	Crown Cup	5
3 T29-507	8-5507	Tip, .046	10
4 C29-508	8-5508	Electrode	5
5 T29-520	8-5520	Liner	1
6 T29-510	8-5510	Sleeve	1
7 T29-506	8-5506	Collet	5

Maintenance items

Centricut part number	Reference number	Description	Pkg qty
T29-504	8-5504	O-Ring, Torch Body	5
8 T29-501	8-5501	PCH-50 Torch Body	1
9 T29-503	8-5503	Spring	5
10 T29-502	8-5502	Collet Release Button	1
027055	N/A	Lubricant .25 oz. (7ml) Tube	1

PCH/M-51[®]

OEM Thermal Dynamics[®] System PAK[®] 3XR[™], 5XR[™], 5Xt[™], 6XR[™], 625XR[™], 750XR[™],
Dynapak 4Xi, 6Xi



Consumables

Centricut part number	Reference number	Description	Pkg qty
1 T06-779	9-5779	Crown Cup, Copper Long, use w/ C06-781	1
C07-780	9-5780	Crown Cup, Copper Short, use w/ C07-781	1
2 C06-630	9-5630	Shield Cup, Ceramic	5
C06-781	8-2159	Shield Cup, Shatter Proof	5
3 C06-526	8-5526	Crown Cup, Ceramic	5
4 C06-631*	9-5631	Tip, Chrome, .043, 55 Amp	10
C06-031*	N/A	Tip, Copper, .043, 55 Amp	10
C06-718*	9-5718	Tip, Chrome, .038, 35 Amp	5
C06-321	8-3321	Tip, Chrome, .047, 70 Amp	5
C06-724	9-5724	Tip, Chrome, Gouging, .078	5
5 C06-633*	9-5633	Electrode, Chrome	10
C06-033*	N/A	Electrode, Copper	10

Maintenance items

Centricut part number	Reference number	Description	Pkg qty
6 C06-634	9-5634	PCM-51 Torch Body	1
7 C06-635	9-5635	PCH-51 Torch Body, 70°	1
C06-901	N/A	Bottoming Tap, 7/16 in – 28, Tip	1
C06-902	N/A	Bottoming Tap, 1/4 in – 28, Electrode	1
C06-525	8-5525	O-Ring	5
C08-010	N/A	Ball Casters	5
027055	N/A	Lubricant .25 oz. (7ml) Tube	1

* Centricut part features a unique Hypertherm design that differs from the OEM design.

OEM Thermal Dynamics® System PAK® 5XR™, 6XR™, 7XR™, 8XR™, 10XR™, 625XR™, 750XR™, 1000XR™, 1250XR™

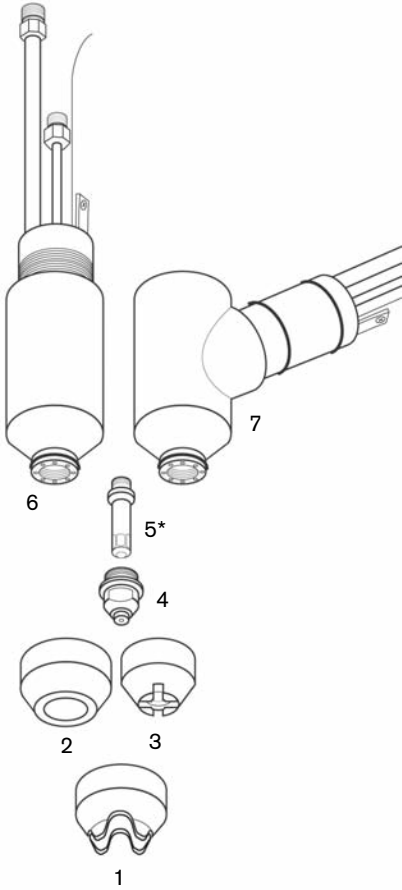
Consumables

Centricut part number	Reference number	Description	Pkg qty
1	T06-779	Crown Cup, Copper Long, use w/ C06-781	1
	C07-780	Crown Cup, Copper Short, use w/ C07-781	1
3	C07-694	Crown Cup, Ceramic	5
2	C07-717	Shield Cup, Short	10
	C07-617	Shield Cup, Long	5
	C07-781	Shield Cup, Shatter Proof	5
4	C07-702	Tip, .035, 35 Amp	10
	C07-618	Tip, .043, 55 Amp	10
	C07-707	Tip, .047, 70 Amp	10
	T07-782	Tip, .052, 80 Amp	5
	C07-708	Tip, .059, 105 Amp	10
	C07-908	Tip, .059, 105 Amp, Chrome	10
	T07-710	Tip, .093	10
5	C07-331*	Electrode, Air, Copper	10
	C07-619	Electrode, Air, Chrome	10
	T07-711	Electrode, N ₂	5
	C07-931	Electrode	10

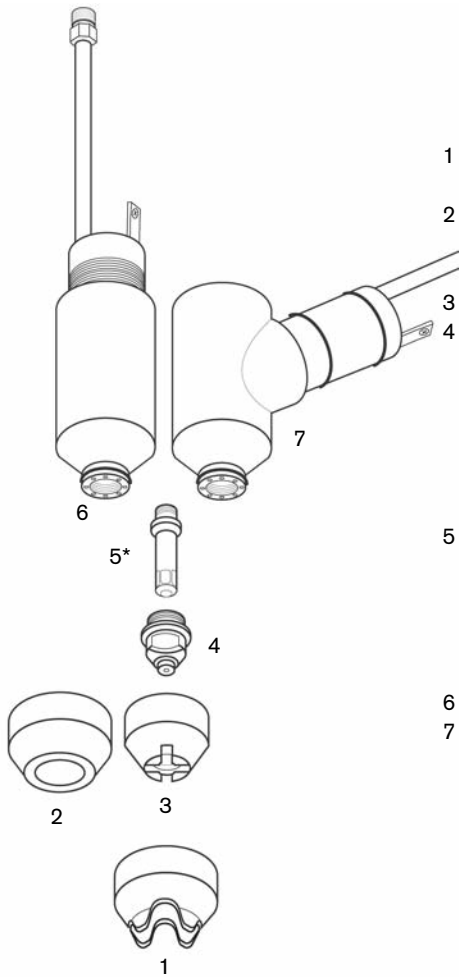
Maintenance items

Centricut part number	Reference number	Description	Pkg qty
6	C07-643	PCM-52 Torch Body	1
7	C07-642	PCH-52 Torch Body, 70°	1
	C06-525	O-Ring	5
	C08-010	Ball Casters	5
	C07-901	Bottoming Tap 1/2 – 20, Tip	1
	C07-902	Bottoming Tap 7mm x 1, Electrode	1
	T07-007	Wrench, Tip	1
	T07-620	Wrench, Electrode	1
	027055	Lubricant .25 oz. (7ml) Tube	1

* Centricut part features a unique Hypertherm design that differs from the OEM design.



OEM Thermal Dynamics[®] System PAK MASTER[®] 100



Consumables

Centricut part number	Reference number	Description	Pkg qty
1 T06-779	9-5779	Crown Cup, Copper Long, use w/ C06-781	1
C07-780	9-5780	Crown Cup, Copper Short, use w/ C07-781	1
2 C07-717	N/A	Shield Cup, Short	10
C07-617	9-5617	Shield Cup, Long	5
C07-781	9-5781	Shield Cup, Shatter Proof	5
3 C07-694	9-5694	Crown Cup, Ceramic	5
4 C07-702	9-5702	Tip, .035, 35 Amp	10
C07-618	9-5618	Tip, .043, 55 Amp	10
C07-707	9-5897	Tip, .047, 70 Amp	10
T07-782	9-5782	Tip, .052, 80 Amp	1
C07-708	9-5708	Tip, .059, 105 Amp	10
C07-908	N/A	Tip, .059, Chrome	10
T07-710	9-5710	Tip, .093	10
5 C07-331*	9-5898	Electrode, Air, Copper	10

Maintenance items

Centricut part number	Reference number	Description	Pkg qty
6 T49-180	9-6180	PCM-53 Torch Body, 180°	1
7 T49-170	9-6170	PCH-53 Torch Body, 70°	1
T49-190	9-6190	PCH-53 Torch Body, 90°	1
C06-525	8-5525	O-Ring	5
C08-010	N/A	Ball Casters	5
C07-901	N/A	Bottoming Tap ½ in. – 20, Tip	1
C07-902	N/A	Bottoming Tap 7mm x 1, Electrode	1
T07-007	8-4007	Wrench, Tip	1
T07-620	9-5620	Wrench, Electrode	1
027055	N/A	Lubricant .25 oz. (7ml) Tube	1

* Centricut part features a unique Hypertherm design that differs from the OEM design.

OEM Thermal Dynamics[®] System STAK PAK[®]

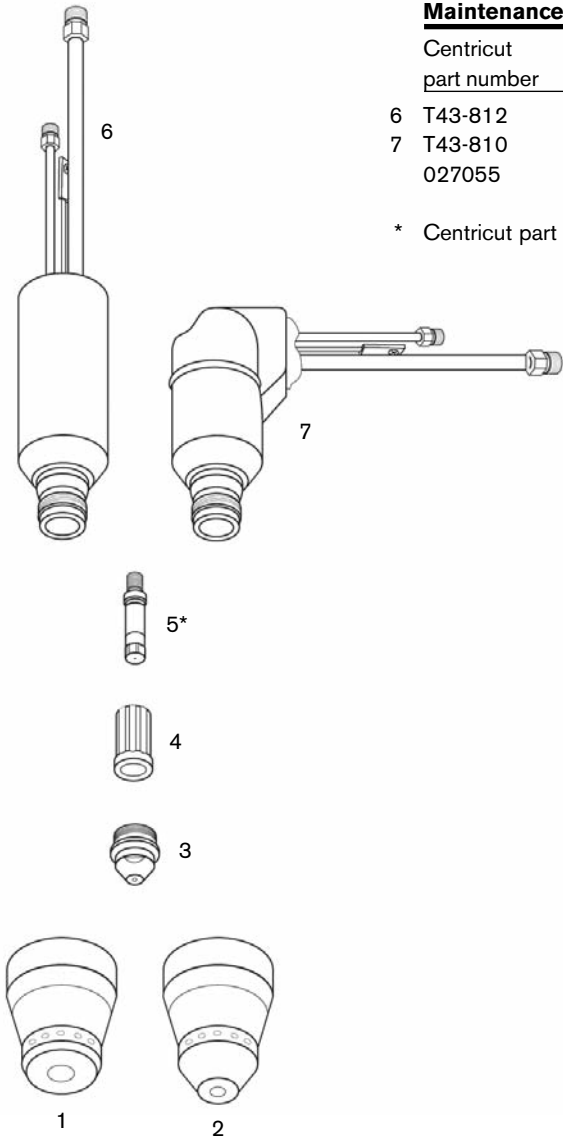
Consumables

Centricut part number	Reference number	Description	Pkg qty
1 T43-016	9-6016	Shield Cup	1
2 T43-024	9-6024	Shield Cup, Long	1
C43-017	9-6017	Crown Cup	1
3 C43-009	9-6009	Tip, Air, 70 Amp	5
4 C43-022	9-6022	Gas Distributor	1
5 C43-019*	9-6019	Electrode, Air	1

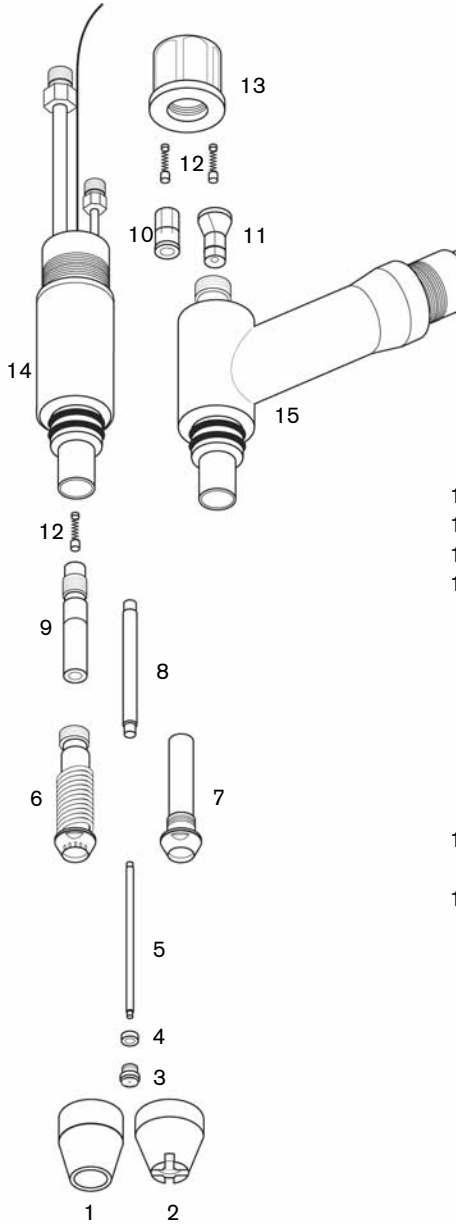
Maintenables items

Centricut part number	Reference number	Description	Pkg qty
6 T43-812	9-5812	PCM-70 Torch Body, 180°	1
7 T43-810	9-5810	PCH-70 Torch Body, 70°	1
027055	N/A	Lubricant .25 oz. (7ml) Tube	1

* Centricut part features a unique Hypertherm design that differs from the OEM design.



OEM Thermal Dynamics® System PAK® 22, 10, 5



Consumables

Centricut part number	Reference number	Description	Pkg qty
1 C08-088	8-4088	Shield Cup	5
2 T08-213	8-4213	Shield Cup, Crown	5
	T08-045	Shield Cup, Threaded 4A	1
3 C08-189	8-4189	Tip, .030	10
	C08-211	Tip, .046	10
	C08-153	Tip, .059, 100 Amp	10
	C08-170	Tip, .070, ArH ₂ , 100 Amp	10
4 C08-421	9-2421	Gas Distributor	10
5 C08-073	8-4073	Electrode	5
6 C08-154	8-4154	Liner, 4B	1
7 T08-011	8-4011	Liner, 4A	1
8 C08-182	8-4182	Sleeve	1
9 T08-197	8-4197	Collet, 4BT	5
10 T08-156	8-4156	Collet, 4B	1
11 T08-049	8-4049	Collet, 4A	1
12 C08-050	8-4050	Spring Ass'y	5
13 T08-158	8-4158	Back Cap	1
	C08-069	Gasket	5

Maintenance items

Centricut part number	Reference number	Description	Pkg qty	
	C08-010	N/A	Ball Casters	5
14 T08-196	8-4196	PCM-4BT Torch Body	1	
	T08-161	8-4061	PCH-4B Torch Body, 90°	1
15 T08-160	8-4160	PCH-4B Torch Body, 70°	1	
	T08-901	9-1901	Insulating Sleeve	1
	027055	N/A	Lubricant .25 oz. (7ml) Tube	1

OEM Thermal Dynamics® System PAK® 44, 45

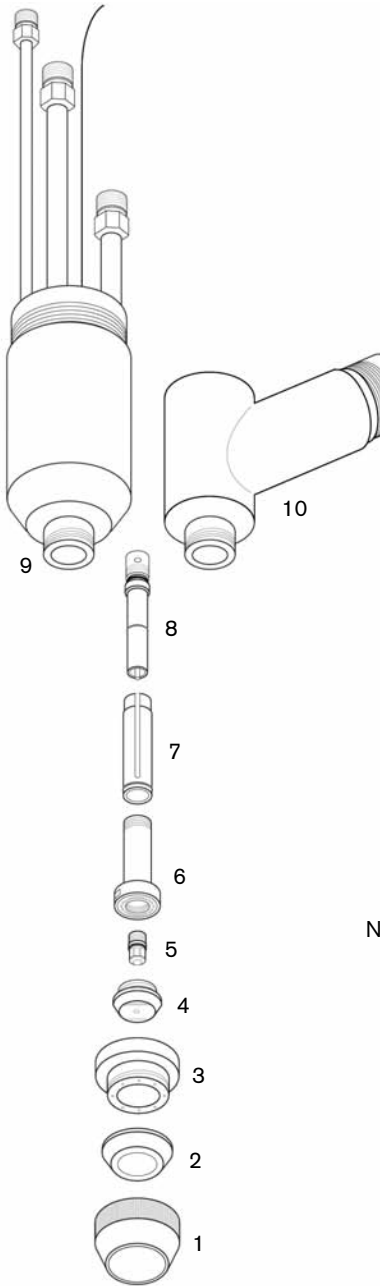
Consumables

Centricut part number	Reference number	Description	Pkg qty
1 C09-515	8-6515	End Cap	1
2 C09-514	8-6514	End Piece	5
3 C09-581	8-6581	Outer Insulator	1
C09-512	8-6512	Gasket	5
4 C09-580	8-6580	Tip, .067, 100 Amp	10
C09-648	8-6648	Tip, .076, 150 Amp	10
C09-575	8-6575	Tip, .093, 200 Amp	10
C09-582	8-6582	Tip, .113, 300 Amp	10
C09-572	8-6572	Tip, .125, 400 Amp	10
5 C09-578	8-6578	Electrode, General Purpose	10
C09-586	8-6586	Electrode, Low Amp	10
6 C09-571	8-6571	Liner, Includes O-Rings C09-531 and C09-956	1
7 C09-569	8-6569	Gas Distributor	1
T09-587	8-6587	Gas Distributor, Rev Swirl	1
T09-547	8-6547	Gas Distributor	1
8 C09-615	8-6615	Electrode Holder	1

Maintenance items

Centricut part number	Reference number	Description	Pkg qty
9 C09-577	8-6577	PCM-6B Torch Body, 180°	1
C09-584	8-6584	PCH-6B Torch Body, 90°	1
10 T09-583	8-6583	PCH-6B Torch Body, 70°	1
T09-614	8-6614	Heat Shield, PCM-6B	1
027055	N/A	Lubricant .25 oz. (7ml) Tube	1

Note: Tips include O-Rings C09-683 & C09-956



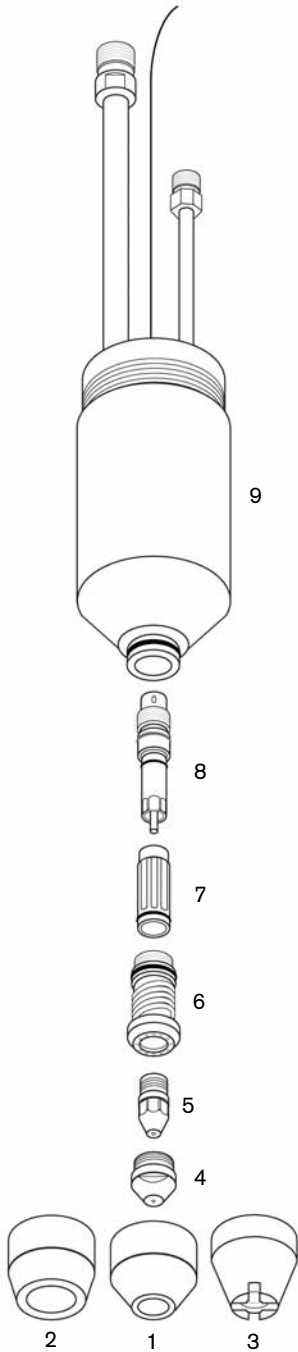
OEM Thermal Dynamics® System PAK® 10XR™

Consumables

Centricut part number	Reference number	Description	Pkg qty
1 C27-100	8-1100	Shield Cup, Hand	5
2 C27-345	9-4345	Shield Cup, Machine	5
3 C27-101	8-1101	Crown Cup	5
4 C27-343	9-4343	Tip, .039, 35 Amp	10
	C27-342	Tip, .047, 70 Amp	10
	C27-341	Tip, .059, 105 Amp	10
5 C27-340	9-4340	Electrode	10
6 C27-106	8-1106	Liner	1
7 C27-339	9-4339	Gas Distributor	1
8 C27-108	8-1108	Electrode Holder	1

Maintenance items

Centricut part number	Reference number	Description	Pkg qty
C27-111	N/A	Electrode Wrench	
9 C27-112	8-1112	PCM-100 Torch Body	1
C27-113	8-1113	PCH-100 Torch Body, 70°	1
C27-556	8-0556	O-Ring	5
C27-134	8-1134	O-Ring, Gas Distributor	5
C27-152	8-1152	O-Ring, Electrode Holder, Large	5
C27-133	8-1133	O-Ring, Electrode Holder, Small	5
027055	N/A	Lubricant .25 oz. (7ml) Tube	1



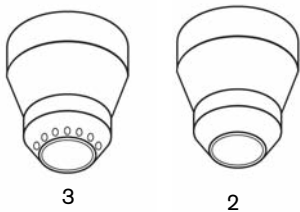
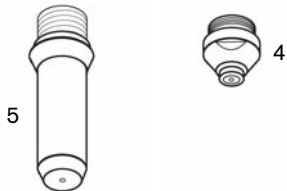
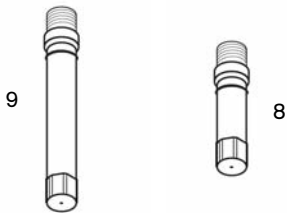
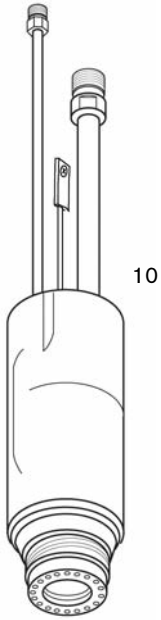
OEM Thermal Dynamics® System STAK PAK®

Consumables

Centricut part number	Reference number	Description	Pkg qty
1 T48-046	9-6046	Shield Cup, Crown	1
2 T48-047	9-6047	Shield Cup, Gouging	1
3 T48-045	9-6045	Shield Cup	1
T48-054	9-6054	Shield Cup, Long	1
4 C48-025	9-6025	Tip, Air, 35 Amp	5
C48-026	9-6026	Tip, Air, 70 Amp	5
C48-027	9-6027	Tip, Air, 105 Amp	5
C48-028	9-6028	Tip, Air, 140 Amp	5
T48-034	9-6034	Tip, ArH ₂ , 70 Amp	5
T48-035	9-6035	Tip, ArH ₂ , 105 Amp	5
T48-036	9-6036	Tip, ArH ₂ , 140 Amp	5
5 T48-037	9-6037	Tip, .110, Gouging	1
T48-038	9-6038	Tip, .125, Gouging	1
T48-039	9-6039	Tip, .156, Gouging	1
T48-040	9-6040	Tip, .171, Gouging	1
6 T48-051	9-6051	Gas Distributor	1
7 T48-112	9-6112	Gas Distributor, Gouging	1
8 C48-048	9-6048	Electrode, Air	1
T48-050	9-6050	Electrode, ArH ₂	5
9 T48-110	9-6110	Electrode, Air, Gouging	1

Maintenance items

Centricut part number	Reference number	Description	Pkg qty
T48-052	9-6052	Cooling Tube	1
10 T48-815	9-5815	PCM-140 Torch Body, 180°	1
027055	N/A	Lubricant .25 oz. (7ml) Tube	1



OEM Thermal Dynamics® System PAK® 15XC, MERLIN®

Consumables

Centricut part number	Reference number	Description	Pkg qty	
1	C30-790	Shield Cup, Copper	1	
	C30-750	Shield Cup	1	
2	C30-758	Shield Cup, Tip Exposed	1	
	C30-801	Shield Cup, Copper, Tip Exposed	1	
3	C30-748	Tip, Air, .043, 50 Amp	5	
	C30-747	Tip, Air, .055, 100 Amp	5	
	C30-746	Tip, Air, .070, 150 Amp	5	
	C30-765	Tip, N ₂ , .043, 50 Amp	5	
	C30-766	Tip, N ₂ , .052, 100 Amp	5	
	C30-767	Tip, N ₂ , .067, 150 Amp	5	
	T30-753	Tip, O ₂ , .043, 50 Amp	5	
	T30-752	Tip, O ₂ , .052, 100 Amp	5	
	C30-751	Tip, O ₂ , .070, 150 Amp	5	
	4	C30-749	Electrode, Air	5
		C30-754	Electrode, N ₂	5
C30-760		Electrode, O ₂	5	

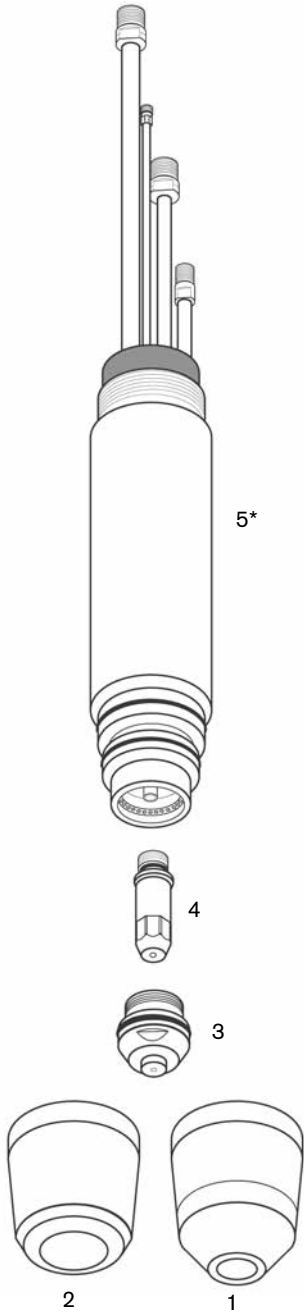
Maintenance items

Centricut part number	Reference number	Description	Pkg qty
C30-M33	N/A	Liner, Replacement	1
C30-M34	N/A	Gas Distributor, Replacement	1
C30-WRCH	N/A	Liner Wrench	1
5	C30-945*	PCM-150 Modular Torch Body, 180°	1
	C30-057	O-Ring Torch Kit – See below	1
	027055	Lubricant .25 oz. (7ml) Tube	1

C30-057 O-ring torch kit includes

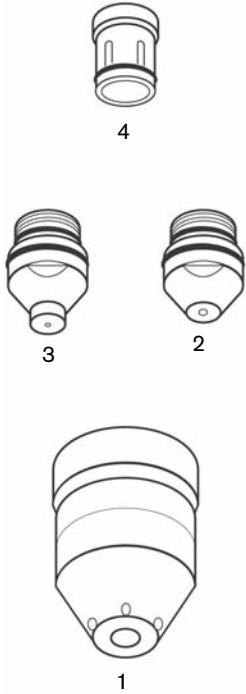
Description	Pkg qty	
C30-035	O-Ring (for gas distributor)	1
C30-037	O-Ring (for liner)	1
C30-040	O-Ring (Shield Cup, Large)	1
C30-557	O-Ring (Shield Cup, Small)	5
C30-041	O-Ring (for liner)	1

* Centricut part features a unique Hypertherm design that differs from the OEM design.



OEM Thermal Dynamics® System MERLIN® 3000

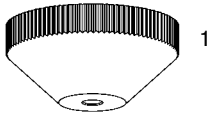
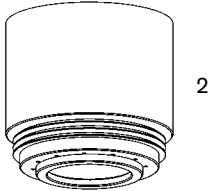
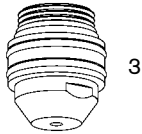
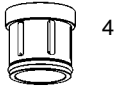
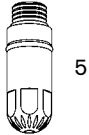
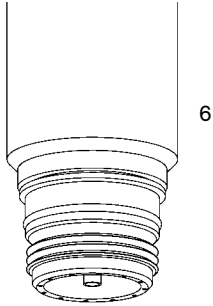
Consumables



Centricut part number	Reference number	Description	Pkg qty
1 T55-412	9-6412	Shield Cup, Air, Long	1
T55-411	9-6411	Shield Cup, O ₂ , Long	1
T55-029	20-1029	Shield Cup Body, Underwater	1
C55-002	20-1002	Shield Cup Body	1
2 C55-424	9-6424	Tip, Air, .052, 70 Amp	5
C55-425	9-6425	Tip, Air, .059, 105 Amp	5
C55-432	9-6432	Tip, Air, .070, 150 Amp	5
3 T55-419	9-6419	Tip, O ₂ , .052, 70 Amp	5
T55-420	9-6420	Tip, O ₂ , .059, 105 Amp	5
T55-433	9-6433	Tip, O ₂ , .070, 150 Amp	5
T55-428	9-6428	Tip, ArH ₂ , .052, 70 Amp	5
T55-429	9-6429	Tip, ArH ₂ , .059, 105 Amp	5
T55-434	9-6434	Tip, ArH ₂ , .073, 150 Amp	5
4 T55-416	9-6416	Gas Distributor	1
C55-008	20-0008	Gas Distributor, 50-225 Amp	1
T55-1211	20-1211	Electrode, N ₂ , ArH ₂	5

Maintenance items

Centricut part number	Reference number	Description	Pkg qty
T55-410	9-6410	Maximizer 300 Torch Body	1
027055	N/A	Lubricant .25 oz. (7ml) Tube	1



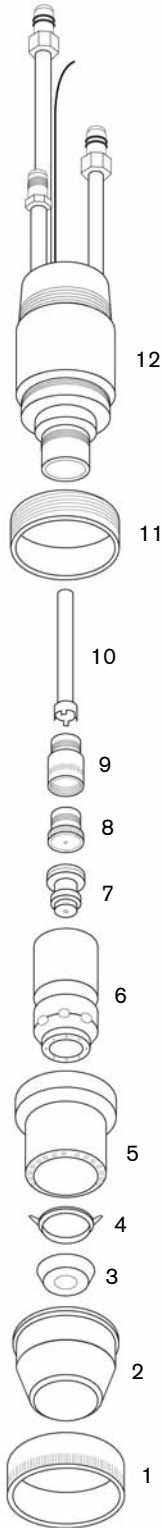
Consumables

Centricut part number	Reference number	Description	Pkg qty
1 C55-803	20-1003	Shield, 50 Amp	1
C55-804	20-1004	Shield, 100 – 225 Amp	1
C55-805	20-1005	Shield, 300 Amp	1
T55-028	20-1028	Shield, Underwater, 100 – 300 Amp	1
2 C55-002	20-1002	Shield Cup Body	1
T55-029	20-1029	Shield Cup Body, Underwater	1
3 C55-030	20-1030	Tip, 50 Amp	1
C55-031	20-1031	Tip, 100 Amp	1
C55-032	20-1032	Tip, 150 Amp	1
C55-033	20-1033	Tip, 225 Amp	1
C55-034	20-1034	Tip, 300 Amp	1
4 C55-008	20-0008	Gas Distributor, 50 – 225 Amp	1
T55-009	20-1009	Gas Distributor, 300 Amp	1
5 C55-710	20-1016, 20-1010, 20-1021	CopperLine Electrode, Air/O ₂ , 50 – 300 Amp	1
C55-718	20-1015, 20-1018	CopperLine Electrode, Air/O ₂ , 50 – 300 Amp	1
T55-017	20-1017	Electrode, O ₂ , 225 Amp	5
T55-023	20-1023	Electrode, N ₂ , 50 – 300 Amp	5
T55-025	20-1025	Electrode, ArH ₂ , 100 – 300 Amp	5
T55-1211	20-1211	Electrode, N ₂ , ArH ₂	5

Maintenance items

Centricut part number	Reference number	Description	Pkg qty
6 T55-410	9-6410	Maximizer 300 Torch Body	1
027055	N/A	Lubricant .25 oz. (7ml) Tube	1

OEM Thermal Dynamics[®] System TA500, 1000



Consumables

Centricut part number	Reference number	Description	Pkg qty
1 T19-059	8-6059	Collar	1
T19-078	8-6078	Collar, Underwater Cutting	1
2 T19-056	8-6056	End Cap	1
T19-077	8-6077	End Cap, Underwater Cutting	1
3 C19-006	8-6006	End Piece, Water Shield	10
C19-610	8-0610	End Piece, Piercing	5
T19-607	8-0607	End Piece, Gas Shield	1
T19-029	8-6029	End Piece, ArH ₂	1
T19-609	8-0609	End Piece	1
6 T19-210	9-2210	Inner Tip Retainer	1
7 T19-041	8-6041	Tip, .081, 150 Amp	1
C19-042	8-6042	Tip, .109, 250 Amp	1
C19-043	8-6043	Tip, .125, 350 Amp	1
C19-044	8-6044	Tip, .140, 500 Amp	1
C19-045	8-6045	Tip, .172, 750 Amp	1
C19-046	8-6046	Tip, .201, 1000 Amp	1
T19-047	8-6047	Tip, .250, 500 Amp	1
8 C19-662	9-1662	Electrode	5
T19-641	9-1641	Electrode, Low Amp	1
9 T19-642	9-1642	Electrode Seat	1

Maintenance items

Centricut part number	Reference number	Description	Pkg qty
10 T19-640	9-1640	Coolant Tube	1
11 T19-058	8-6058	Adaptor	1
12 T19-054	8-6054	M200 [®] Torch Body	1
C19-563	8-0563	O-Ring, End Piece – End Cap	5
4 T19-451	9-2451	Coolant Baffle	1
5 T19-060	8-6060	Outer Insulator	1
T19-720	9-3720	O-Ring, End Cap – Outer Insulator	5
T19-547	8-0547	O-Ring, Outer Insulator – Torch Body	5
027055	N/A	Lubricant .25 oz. (7ml) Tube	1



Centricut and Hypertherm are trademarks of Hypertherm, Inc., and may be registered in the United States and/or other countries. All other trademarks are the property of their respective owners.

© Copyright 4/09 Hypertherm, Inc.

Hypertherm®

Hypertherm, Inc.
Hanover, NH 03755 USA
603-643-3441 Tel

Hypertherm Europe B.V.
4704 SE Roosendaal, Nederland
31 165 596907 Tel

**Hypertherm (Shanghai)
Trading Co., Ltd.**
PR China 200052
86-21 5258 3330 /1 Tel

Hypertherm (S) Pte Ltd.
Singapore 349567
65 6 841 2489 Tel

**Hypertherm (India) Thermal Cutting
Pvt. Ltd.**
Chennai, Tamil Nadu
91 0 44 2834 5361 Tel

Hypertherm Brasil Ltda.
Guarulhos, SP - Brasil
55 11 2409 2636 Tel

Hypertherm México, S.A. de C.V.
México, D.F.
52 55 5681 8109 Tel

www.hypertherm.com