



NOVER

Platinum.™

KITCHEN APPLIANCES



PLATINUM APPLIANCES
EXCLUSIVE TO THE KITCHEN INDUSTRY SINCE 2001



NOVER
first by choice

Australian owned and family operated, Nover have been in business since 1954. Starting out as a wholesale distributor to the kitchen and cabinet making industry, Nover have grown to become a popular and trusted supplier over the last 60 years. Today, we have an extensive branch network that covers 14 areas in NSW, QLD and VIC, as well as a reseller network covering SA, WA and TAS. As an Australian owned, local business, we have the ability to be flexible - working with our customers to offer personalised solutions.

Nover's vision is to become the first choice provider to our customers and the wider industry. In recent years, working toward this, we have spent a great deal of time sourcing and securing our own exclusive brands through some of the world's leading manufacturers. This has helped Nover to become a truly unique supply partner - providing customers with an exceptional assortment of quality products that are available exclusively through Nover.

Platinum.™

This select offering includes our range of Platinum Appliances. Introduced in 2001, Platinum is now a well-established brand of quality appliances. Platinum Appliances are sourced specifically for Nover's customers to ensure they are stylish and suit modern lifestyles and needs - whilst also being effortlessly functional and representing outstanding value for money.

Nover pride ourselves on being more than just a supplier - with an unbeatable range, excellent service, extensive local presence, and, with the benefit of being locally owned, the ability to personalise solutions for our customers. We are very proud to present the 2017 Platinum Appliance Collection featured in this brochure for your consideration. We believe it is a brilliant range of elegant, practical and truly reliable products that would suit any home and lifestyle.

Steve Cowley
Managing Director

CONTENTS

OVENS	06
MICROWAVE	07
COOKTOPS	08
RANGE HOODS	10
DISHWASHERS	14
SINKS & MIXERS	15
PRODUCT DIMENSIONS	16
OVEN FUNCTIONS	19

All Platinum products come complete with an Australian based manufacturer's warranty for your complete peace of mind. In the rare event that you require assistance, our Platinum Customer Care team is here to help.

☎ 1300 985 815

✉ customercare@platinumappliances.com.au

📍 PO Box 7785, Baulkham Hills BC, NSW 1755

🌐 platinumappliances.com.au

Visit our website www.platinumappliances.com.au for detailed product information, warranty registration, user manuals, FAQ's, recipes and more.



Sinks*



Mixers*



Appliances



Microwaves

* See warranty card for full terms and conditions



PLATINUM APPLIANCES
SIMPLY BEAUTIFUL KITCHEN APPLIANCES -
ENGINEERED FOR EVERYDAY COOKING



900 ELECTRIC OVEN

Model AUPL-M909SS

Code 010325

- 9 Functions
- Digital Timer
- Large 100L Capacity
- Triple Glazed Panoramic Door
- 2 Shelves, 1 Baking Tray & Insert



Wattage 3400W
Connection 15A plug



600 ELECTRIC OVEN

Model AUPL-M609SS

Code 010381

- 9 Functions
- Electronic Controls
- Large 70L Capacity
- Triple Glazed Panoramic Door
- 2 Shelves, 1 Baking Tray & Insert



Wattage 3000W
Connection 15A plug



600 ELECTRIC OVEN

Model AUPL-F65SS

Code 010380

- 5 Functions
- 120min Auto Timer
- Large 70L Capacity
- Triple Glazed Panoramic Door
- 2 Shelves, 1 Baking Tray & Insert



Wattage 2000W
Connection 10A plug

OVENS & MICROWAVES



600 BUILT-IN MICROWAVE

Model AUPL-MW28BI

Code 010428

- 900W Microwave Power
- 28L Cavity Size
- 8 Auto Cooking Menus
- Includes Trim Kit (Installed)
- Child Safety Lock

Wattage 900W
Connection 10A plug



PLATINUM OVENS & MICROWAVES
SLEEK STAINLESS STEEL FACADES WITH
SIMPLE TO USE OPERATION

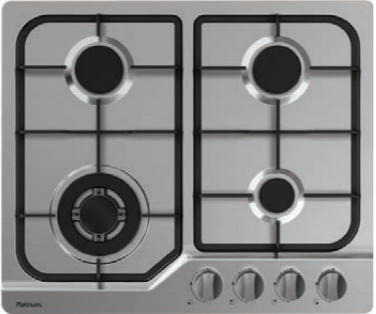


900 GAS COOKTOP

Model AUPL-GWF91SS
Code 010333

- High Speed Wok Burner
- Cast Iron Trivets
- Natural & ULP Gas
- Electronic Ignition
- Flame Failure Protection

Total Consumption 40.68MJ/h
Connection 10A plug

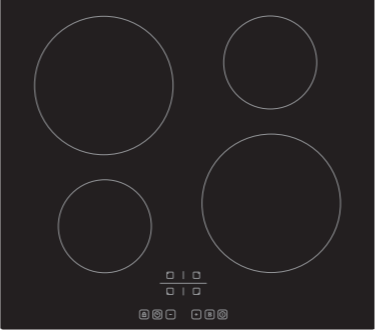


600 GAS COOKTOP

Model AUPL-GWF61SS
Code 010332

- High Speed Wok Burner
- Flame Failure Protection
- Electronic Ignition
- Natural & ULP Gas
- Cast Iron Trivets

Total Consumption 29.16MJ/h
Connection 10A plug

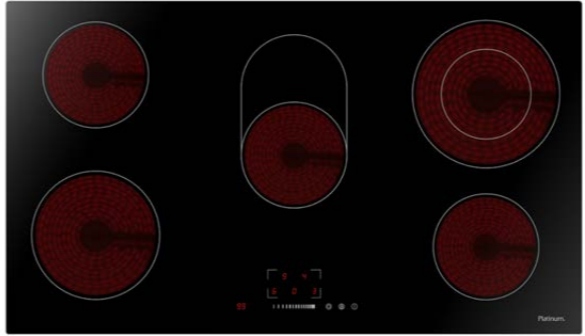


600 INDUCTION COOKTOP

Model AUPL-ITB60
Code 010383

- 9 Power Levels
- 4 Zone Boost
- Touch Control
- Residual Heat Indicator
- Child Lock

Wattage 7000W
Connection Hardwired

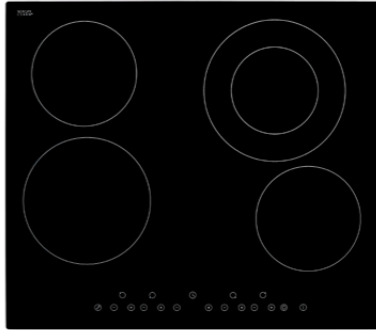


900 CERAMIC COOKTOP

Model AUPL-CT90
Code 010334

- 9 Power Levels
- 5 Zones includes Dual Zones
- Touch/Slide Controls
- Residual Heat Indicator
- Child Lock

Wattage 8400W
Connection Hardwired



600 CERAMIC COOKTOP

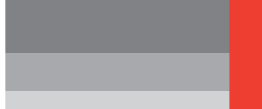
Model AUPL-VCR4T
Code 010382

- 9 Power Levels
- High Speed Ribbon Elements
- Touch Control and Individual Timers
- Residual Heat Indicator
- Child Lock

Wattage 6400W
Connection Hardwired



PLATINUM RANGE HOODS
WITH DESIGNER LINES AND A
GREAT RANGE TO CHOOSE FROM



900 GLASS T-CANOPY

Model AUPL-GTC90XL
Code 010349

- 700m³/h Extraction
- Ducted or Recirculated*
- LED Lights
- 3 Speed Settings
- Dishwasher Safe Filters
- 60dB Noise Level

Connection 10A plug
Ducting Size Ø150



900 GLASS CANOPY

Model AUPL-GC91XL
Code 010347

- 750m³/h Extraction
- Ducted or Recirculated*
- LED Lights
- 3 Speed Settings
- Dishwasher Safe Filters
- 74dB Noise Level

Connection 10A plug
Ducting Size Ø150



900 STANDARD CANOPY

Model AUPL-SC90SS
Code 010342

- 700m³/h Extraction
- Ducted or Recirculated*
- Halogen Lights
- 3 Speed Settings
- Dishwasher Safe Filters
- 59dB Noise Level

Connection 10A plug
Ducting Size Ø150



600 STANDARD CANOPY

Model AUPL-SC61XL
Code 010344

- 750m³/h Extraction
- Ducted or Recirculated*
- LED Lights
- 3 Speed Settings
- Dishwasher Safe Filters
- 68dB Noise Level

Connection 10A plug
Ducting Size Ø150

RANGE HOODS

*with optional carbon filters sold separately.

RANGE HOODS



900 UNDERMOUNT HOOD

Model AUPL-UH90XL
Code 0103452

- 700m³/h Extraction
- Ducted or Recirculated*
- LED Lights
- 3 Speed Settings
- Dishwasher Safe Filter
- 58dB Noise Level

Connection 10A plug
Ducting Size Ø150

*with optional carbon filters sold separately



520 UNDERMOUNT HOOD

Model AUPL-UH52XL
Code 010346

- 500m³/h Extraction
- Ducted or Recirculated*
- LED Lights
- 3 Speed Settings
- Dishwasher Safe Filter
- 54dB Noise Level

Connection 10A plug
Ducting Size Ø150



600 SLIDEOUT HOOD

Model AUPI-SH60XL
Code 0103454

- 440m³/h Extraction
- Ducted or Front Recirculated*
- LED Lights
- 40 & 80mm Front Rails Included
- Dishwasher Safe Filters
- 60dB Noise Level

Connection 10A plug
Ducting Size Ø125



PLATINUM APPLIANCES
OUR RANGE WILL SUIT YOUR STYLE AND
YOUR NEEDS FOR YEARS TO COME



600 FREESTANDING DISHWASHER

Model AUPL-DW12AX
Code 010412

- 12 Place Settings
- 4 Programs - Intensive, Eco, 90min, Rapid
- 4.5 Stars WELS - 10.5L per wash
- 3 Star Energy Rating

Total Power 2100W
Connection 10A plug



450 FREESTANDING DISHWASHER

Model AUPL-DW9AX
Code 0104021

- 9 Place Settings
- 4 Programs - Intensive, Eco, 90min, Rapid
- Height Adjustable Upper Basket
- 3 Star WELS - 11.2L per wash
- 3 Star Energy Rating

Total Power 2100W
Connection 10A Plug

DISHWASHERS



Please note - panel and handle are for illustrative purposes only

600 INTEGRATED DISHWASHER

Model AUPL-DW14BI
Code 010413

- 14 Place Settings
- Cutlery Drawer
- 8 Programs + Extra Drying
- Sliding Height Adjustment - Upper Basket
- Electric AQUASTOP Protection
- 4.5 Star WELS - 12.5L per wash & 3.5 Star Energy Rating
- Delay Start - 1-24 Hours

Total Power 2100W
Connection 10A Plug



PLATINUM SINKS
SIMPLY BEAUTIFUL KITCHEN SINKS -
A CLEVER CHOICE FOR ANY KITCHEN

SINKS & MIXERS

PLATINUM SINKS & MIXERS

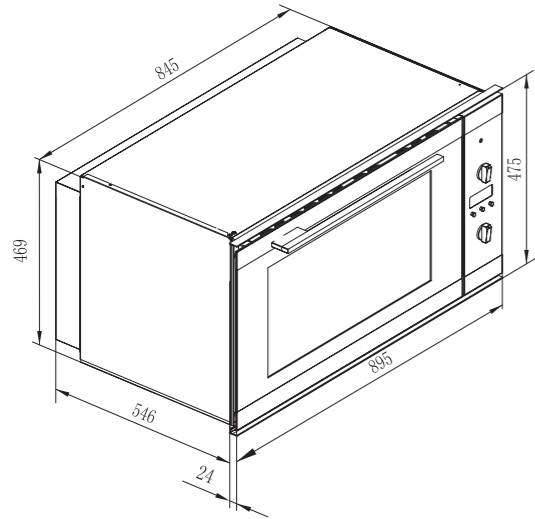
Our Platinum Sink & Mixer Collection is a brilliant range of elegant, practical and truly reliable products that would suit any home and lifestyle - with an unbeatable range, excellent service, extensive local presence, and, with the benefit of being locally owned.

FOR OUR FULL RANGE OF SINKS & MIXERS
PLEASE VISIT

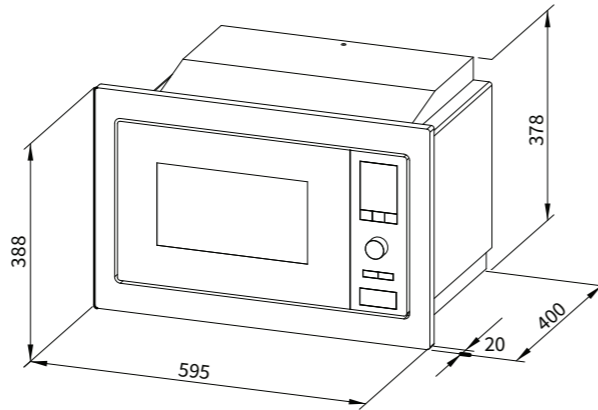
WWW.PLATINUMAPPLIANCES.COM.AU



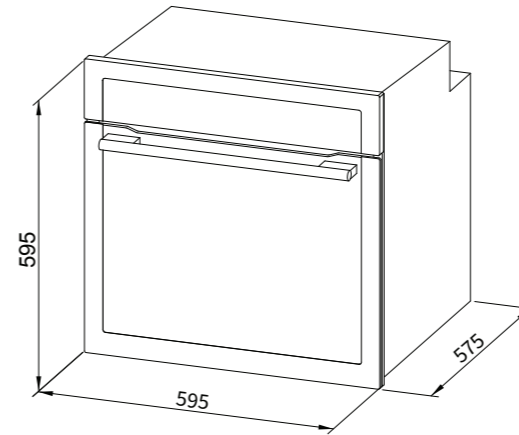
PRODUCT DIMENSIONS



Model AUPL-M909SS
Code 010325

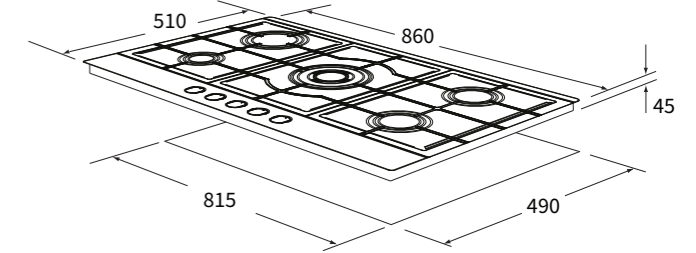


Model AUPL-MW28BI
Code 010428



Model AUPL-M609SS
Code 010381

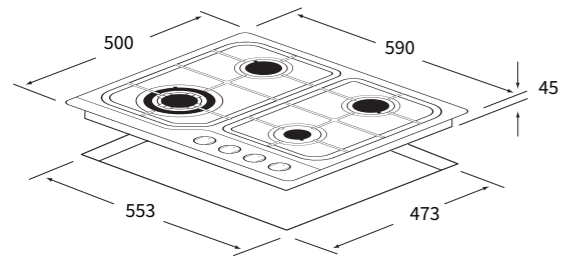
Model AUPL-F65SS
Code 010380



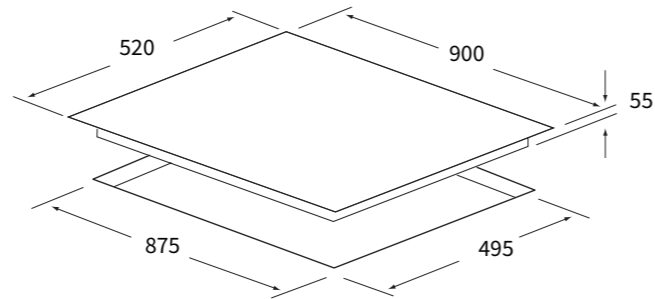
Model AUPL-GWF91SS
Code 010333



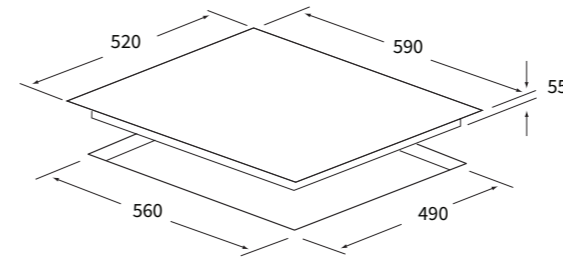
PRODUCT DIMENSIONS



Model AUPL-GWF61SS
Code 010332

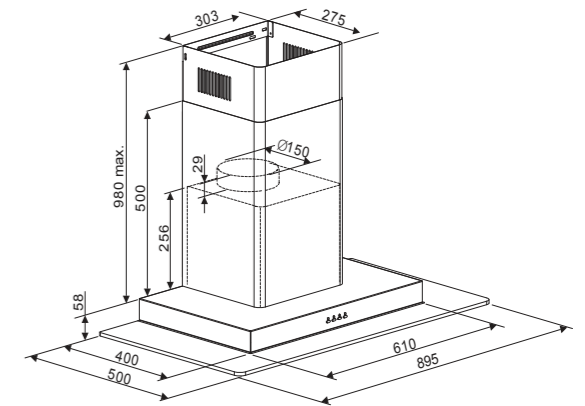


Model AUPL-CT90
Code 010334

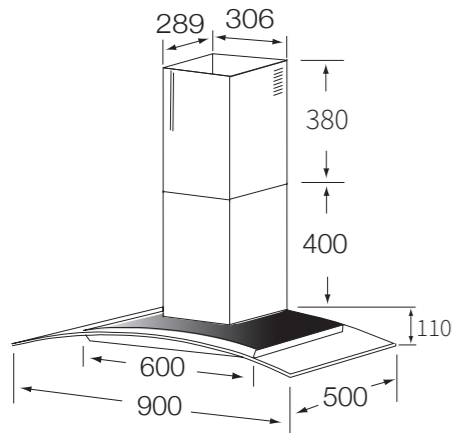


Model AUPL-VCR4T
Code 010382

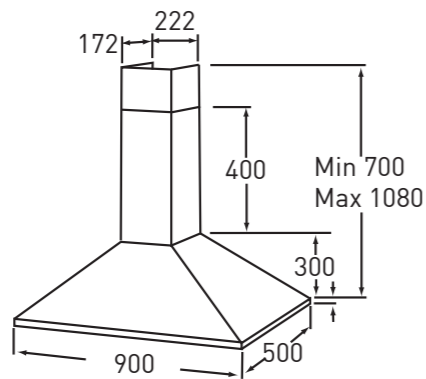
Model AUPL-ITB60
Code 010383



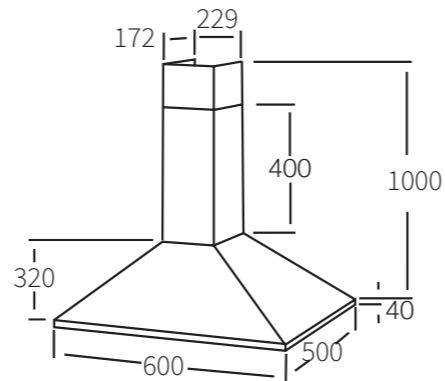
Model AUPL-GTC90XL
Code 010349



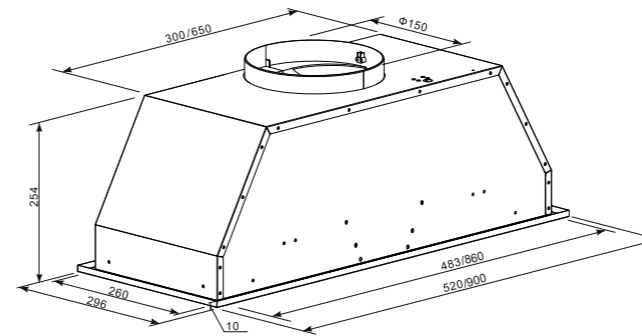
Model AUPL-GC91XL
Code 010347



Model AUPL-SC90SS
Code 010342

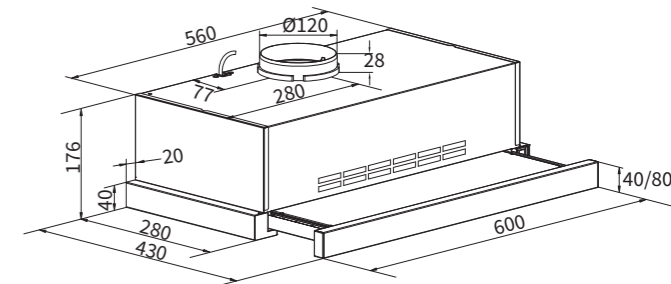


Model AUPL-SC61XL
Code 010344

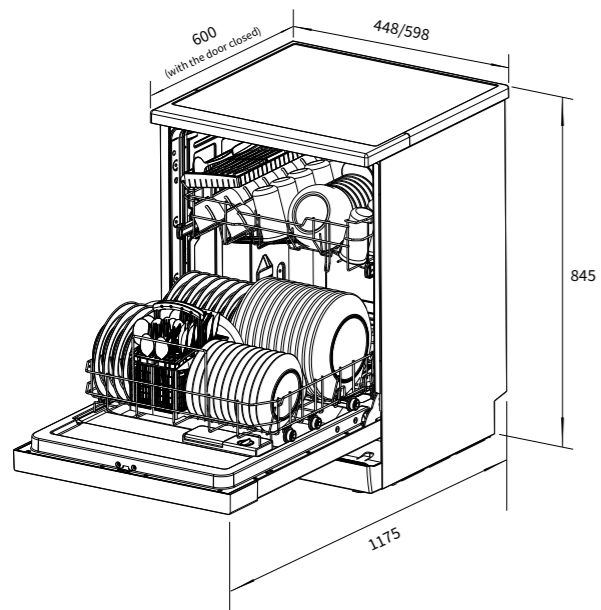


Model AUPL-UH90XL
Code 0103452

Model AUPL-UH52XL
Code 010346

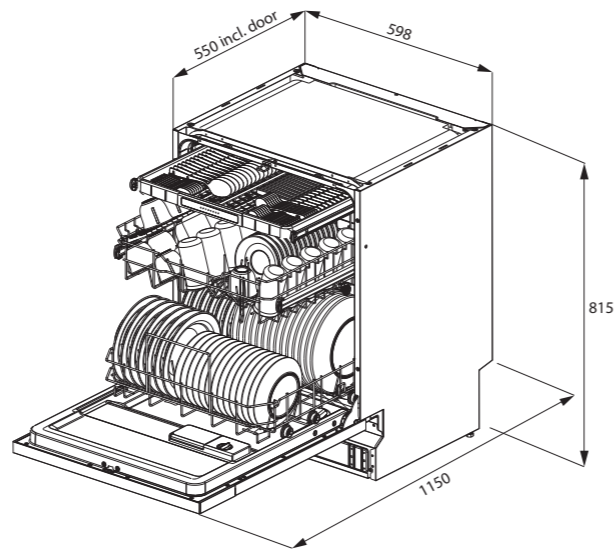


Model AUPL-SH60XL
Code 0103454



Model AUPL-DW9AX
Code 0104021

Model AUPL-DW12AX
Code 010412



Model AUPL-DW14BI
Code 010413

OVEN FUNCTIONS



FAN-FORCED

A circular element around the convection fan provides an additional source of heat for convection style cooking. In convection mode the fan automatically comes on to improve air circulation within the oven providing an even cooking temperature in the entire volume of the oven. The temperature can be set within the range of 50-240°C.



BOTTOM ELEMENT

A concealed element in the bottom of the oven provides heat focused to the base of the dishes in the oven without browning them. This is ideal for slow cooking dishes such as casseroles, stews, pastries and pizzas where a crispy base is desired. The temperature can be set within the range of 60-120°C.



NATURAL CONVECTION

The top and bottom elements work together to provide conventional cooking. The temperature can be set within the range of 50-250°C.



FAN-ASSISTED CONVECTION

The combination of the fan and top and bottom heating elements provides more even heat transference, saving up to 40% of energy. Dishes tend to be lightly browned on the outside and still moist on the inside when using this function.



LIGHT

The light function enables the user to observe the progress of cooking without opening the door. The oven light remains on in all cooking functions.



DOUBLE GRILL

The Grill element and the top-heating element work in conjunction when this function is selected. The temperature can be set within the range of 180-240°C.



FAN-ASSISTED GRILL

This is a double grill function working in conjunction with the convection fan. The temperature can be set within the range of 180-240°C.



FAN-ASSISTED HALF GRILL

This is a half grill function working in conjunction with the convection fan. The temperature can be set within the range of 180-240°C.



GRILL

The temperature in this function can be set within the range of 180-240°C.



DEFROST

The circulation of air at room temperature enables quicker thawing of frozen food (without using any heating elements). It's a gentle but quick way to speed up the defrosting time and thawing of ready-made dishes and cream filled products.



platinumappliances.com.au

As part of Platinum Appliances ongoing development program, product specifications may change without notice. All dimensions are provided as a guide only and should be checked prior to installation. "Nover", "Platinum" and related logos and variations, are trademarks or registered trademarks, in Australia, of Nover & Co Pty Ltd. © 2015 Nover & Co Pty Ltd.

Warranty: Our goods come with guarantees that cannot be excluded under the Australian Consumer Law. You are entitled to a replacement or refund for a major failure and for compensation for any other reasonably foreseeable loss or damage. You are also entitled to have the goods repaired or replaced if the goods fail to be of acceptable quality and the failure does not amount to a major failure. Please see www.platinumappliances.com.au for complete warranty details.

Platinum.™

NOVER & CO PTY LIMITED ABN 15 001 706 038

19 Wonderland Drive, Eastern Creek NSW 2766 • Locked Bag 90, Wetherill Park Business Centre NSW 1851
T 1300 668 371 F 1300 668 372 E info@nover.com.au W www.nover.com.au

NOVER