



PARTS MANUAL

(PLS)
JANUARY 2014

Sunrise Medical appreciates your business. For your ordering convenience, our Customer Service Representatives can be contacted at:

**To place orders:
(800)333-4000**

Quickie Technical Assistance:

You can reach our Technical Support Team by choosing prompt 1 followed by the # sign, then prompt 2 for Technical Support. Choose option 1 for Quickie Technical Support.

**For Assistance with a Web Order,
or to sign up for sunrisemedical.com
(800) 333-4000 Option 5**

**FOR YOUR CONVENIENCE YOU MAY PLACE ORDERS THROUGH
OUR WEBSITE OR BY FAX 24 HOURS A DAY:**

www.sunrisemedical.com

Fax: (800)300-7502

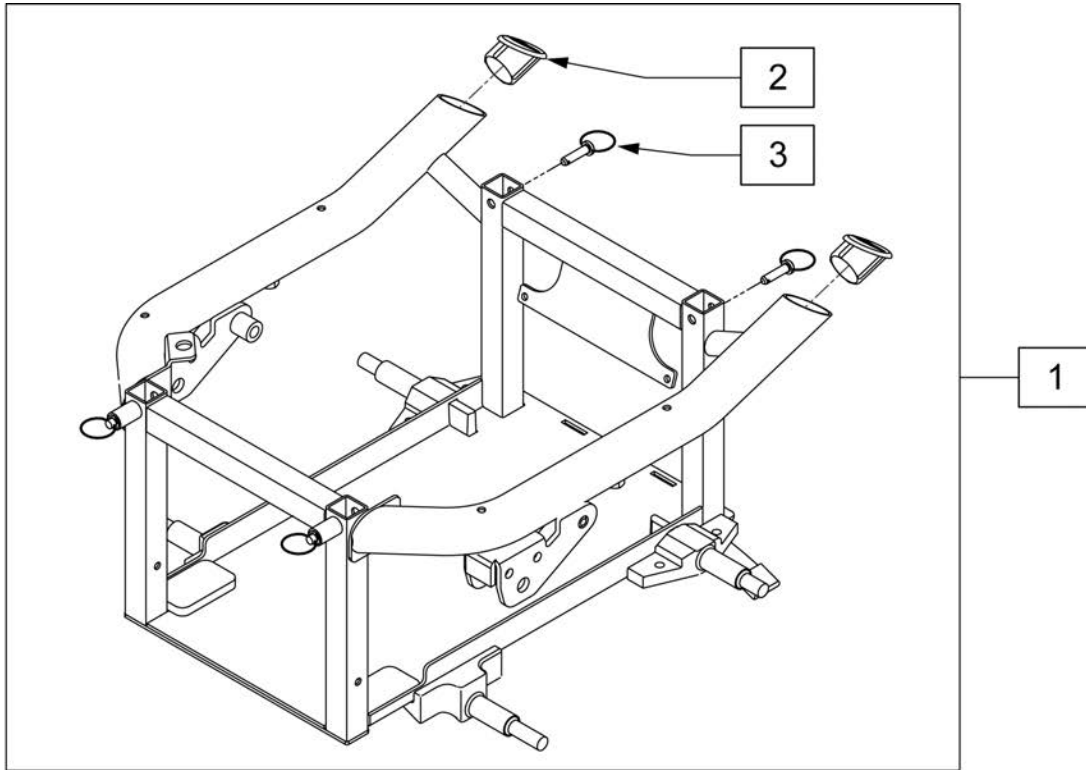
For easy reference please fill in your Customer Number and Sunrise Account Manager's name.

Customer Account Number _____
Ship to Account Number _____
Sunrise Account Manager _____

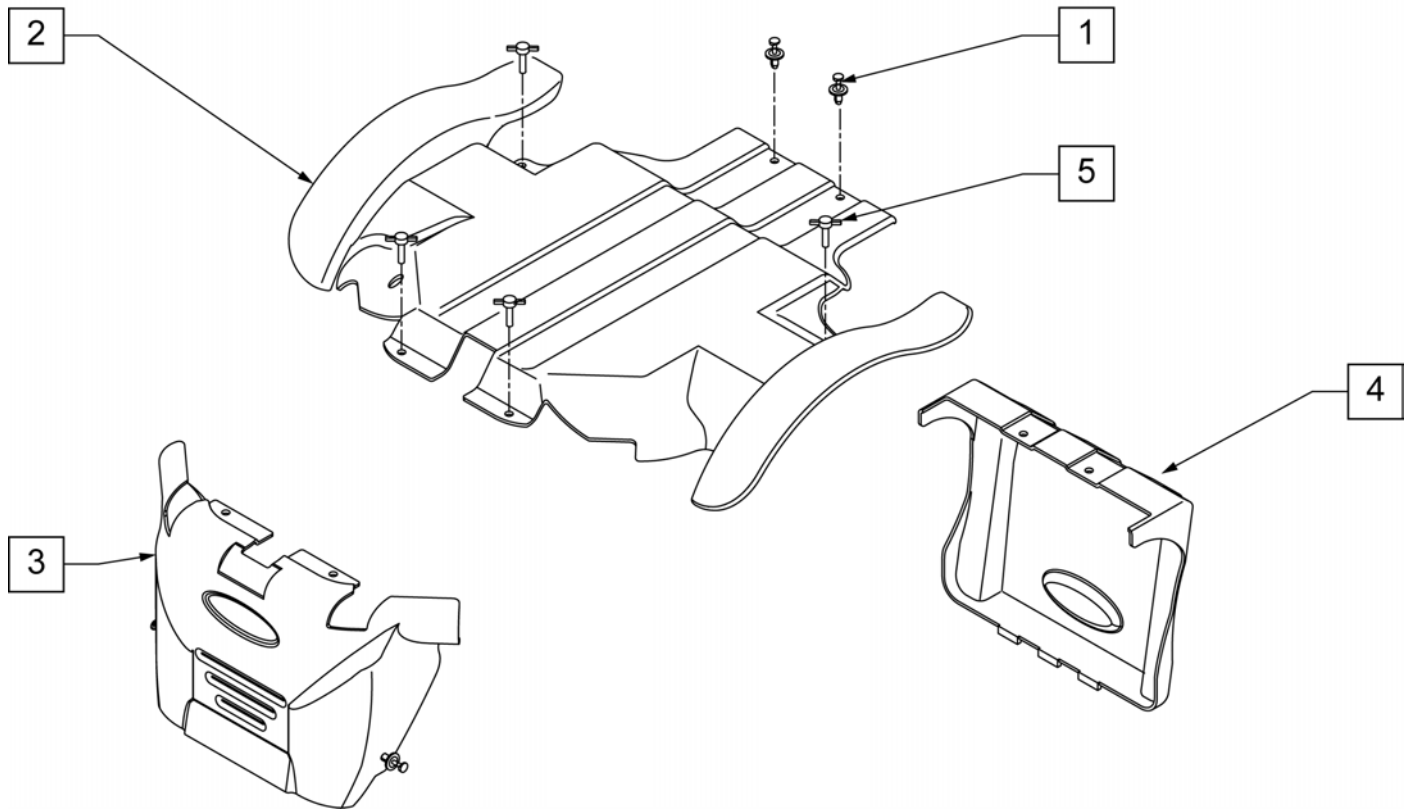
*Part prices and configurations or specifications of products included in this Parts Manual are subject to change without prior notice.

QUICKIE PULSE (w/ SN Prefix PLS)	5
BASE	5
PULSE - FRAME	5
PULSE - SHROUDS	6
PULSE - MOTOR ASSEMBLYS/N PLS6 & After S/N PLS-101619	7
PULSE - MOTOR ASSEMBLY Before S/N PLS-101619	9
PULSE - CASTERS & FORKS	11
PULSE - SUSPENSION	13
DRIVE WHEEL SILVER 5 SPOKE	15
DRIVE WHEEL BLACK & CHROME 8 SPOKE	16
TRANSIT KIT (S/N PLS6B & PLS)	17
SEATING & POSITIONING	18
SEAT	18
POWERED SEATING	18
PULSE - ASAP TILT	19
ASAP SEATING	19
PULSE ASAP SEAT INTERFACE	20
ASAP SEAT ASSEMBLY	21
ASAP SEAT FRAME COVER	22
PULSE ASAP SPOT SEAT INTERFACE	23
BACKREST AND UPHOLSTERY	23
ASAP BACK AND UPHOLSTERY	24
CURVED BACKREST	25
JAY SPO BACK	28
ART SPO CUSTOM CURVED BACKREST	31
LATERAL SUPPORTS	31
LATERALS	32
THIGH SUPPORTS	32
THIGH SUPPORTS	33
KNEE ADDUCTORS	33
KNEE ADDUCTOR SUPPORTS - DISCONTINUED	34
KNEE ADDUCTOR SUPPORT - PULSE	36
HANGERS & FOOTPLATES	37
HANGER AND FOOTPLATE ASSEMBLIES	37
65 SWING AWAY HANGER W/ FOOTPLATES	38
FIXED CENTER MOUNT FOOTREST (ASAP SEATING)	40
MANUAL ELR	41
S/A POWER ELR WITH ARTICULATION	42
POWER CENTER MOUNT ELR (ASAP SEAT-ANGLE ADJ FOOTPLATES)	44
POWER CENTER MOUNT ELR (ASAP SEAT-CENTER MNT FOOTPLATE)	46
HANGERS AND EXT TUBE ONLY	47
90 DEG SWING AWAY HANGERS	48
75 DEG TAPERED SWING AWAY HANGER	49
ELEVATING LEGREST	50
65 & 70 DEG SWING AWAY HANGERS	52
HIGH MOUNT EXTENSION TUBE	53
EXTENSION TUBES	53
ROUND EXTENSION TUBE	54
DOUBLE D FOOTREST EXTENSION TUBE "OLD STYLE"	55
EXTENSION TUBE FOR ONE PIECE ANGLE ADJ FOOTPLATE	57
FOOTPLATES	57
ADULT ANGLE ADJUSTABLE FOOTPLATE	58
ELR ALUMINUM FOOTPLATE	60
ONE PIECE ANGLE ADJ FOOTPLATE	61
KIDS ANGLE ADJUSTABLE FOOTPLATE	63
COMPOSITE FOOTPLATE	65
ARMRESTS	66
ASAP ARMREST	67
LINX HEADREST	69
HDRST RECEIVERS	70
ELECTRONICS	70
JOYSTICKS, CONTROLERS, & ACCESSORIES	70
RNET ELECTRONICS	70
R NET REMOTE JOYSTICKS	71
R NET CONTROLLER PULSE	73
R NET OMNI DISPLAY & COMPACT JOYSTICK	74
R NET ACCESSORY ELECTRONICS	76
OPTIONAL JOYSTICK HANDLES	77
R NET/VR2 PROGRAMMER	78
VR2 ELECTRONICS	78

VR2 JOYSTICKS.....	79
VR2 CONTROLLER PULSE.....	80
QTRONIX, VSI, VR2, & PILOT + PROGRAMMER.....	81
OPTIONAL JOYSTICK HANDLES.....	82
R NET/VR2 PROGRAMMER.....	83
JOYSTICK ARM SQUARE TUBE.....	84
JOYSTICK ARM ROUND TUBE.....	85
JOYSTICK MOUNT CANTILEVERED ARM ROUND.....	86
JOYSTICK MOUNT ASAP SQUARE.....	87
ATTENDANT CONTROL ASSEMBLY - PULSE.....	88
TOGGLE SWITCH ASSEMBLY.....	90
ACCESSORY ELECTRONIC MOUNTING.....	92
PULSE WIRING (S/N PREFIX PLS).....	94
BATTERIES.....	94
PULSE - BATTERY.....	95
OFF BOARD BATTERY CHARGERS.....	96
SPECIALTY CONTROLS.....	96
SIP N PUFF SYSTEM.....	97
ASL HEAD ARRAY PACKAGE.....	99
ASL PROPORTIONAL MINI JOYSTICK W/ CHIN CONTROL.....	101
ASL MINI JOYSTICK HAND CONTROL.....	103
SWITCH-IT HEAD ARRAY PACKAGE.....	104
PROPORTIONAL CHIN CONTROL PACKAGE.....	106
R NET OMNI DISPLAY & COMPACT JOYSTICK.....	107
SINGLE SWITCH DEVICES.....	109
ACCESSORIES.....	109
CHEST STRAP.....	110
AUTO BUCKLE POSITIONING BELTS.....	111
AIRCRAFT BUCKLE POSITIONING BELT.....	112
POSITIONING BELT ATTACHMENT CHANNEL NUT KIT.....	113
R NET ACCESSORY ELECTRONICS.....	114
TUFFAK TRAY(POWER CHAIRS).....	115
BAGS AND POUCHES.....	115
BACKPACKS AND SEAT POUCHES.....	116
CELL PHONE PACK.....	117
CASE LOGIC BAGS.....	118
IMPACT GUARD NEOPRENE & GEL VELCRO PADS.....	119
TIRE PUMP.....	120
BackCover.....	120
Back.....	121

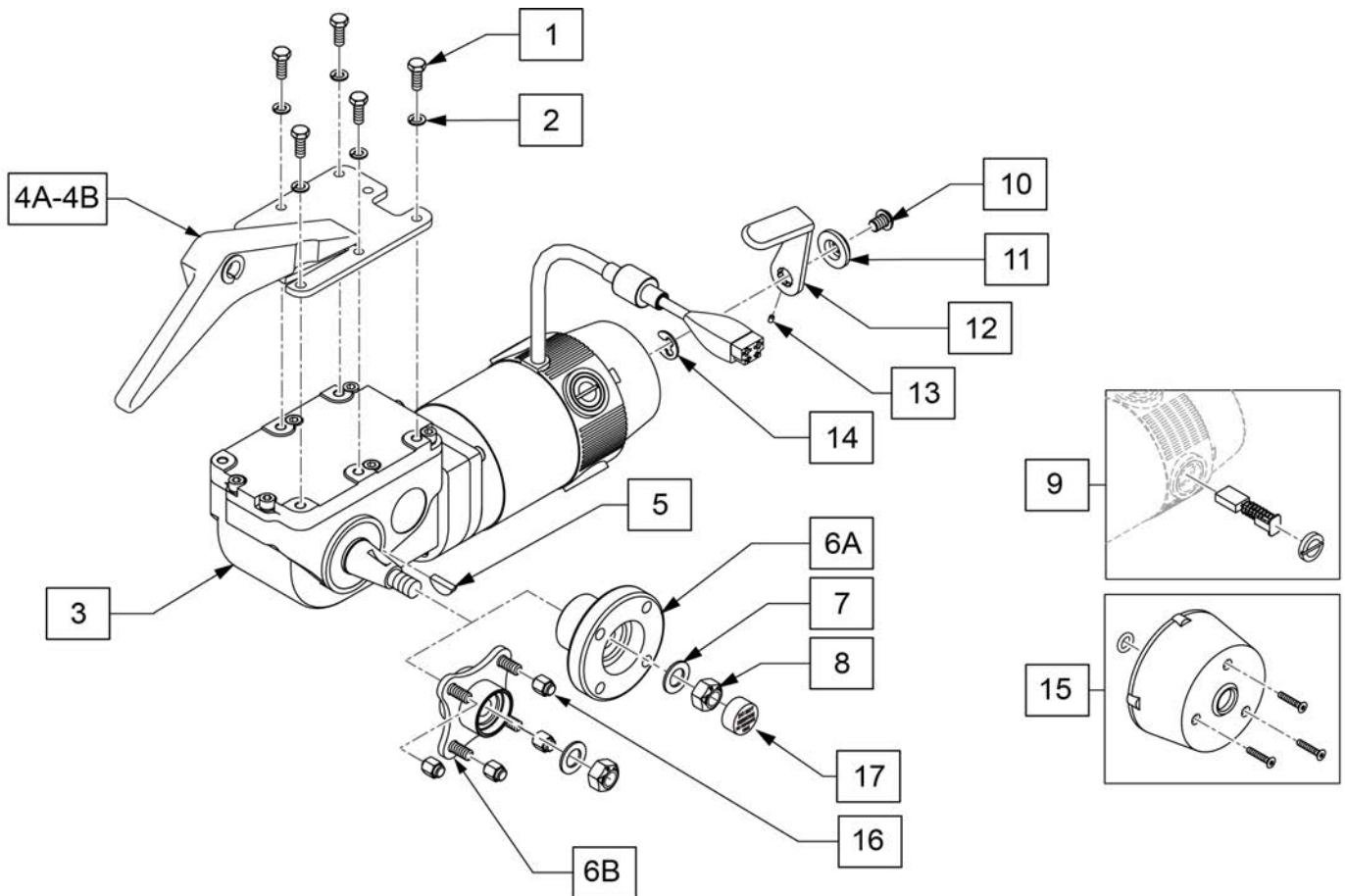


Pos.	Item Number	Description	Remarks
1A	108782	FRAME WELDMENT ASSM	SILVER FRAME
1B	115123	FRAME WELDMENT ASSM	BLACK FRAME
2	104386	CAP FRAME Q	EACH
3	101920	LOCKING PIN SEAT POST W/PULL RING	EACH



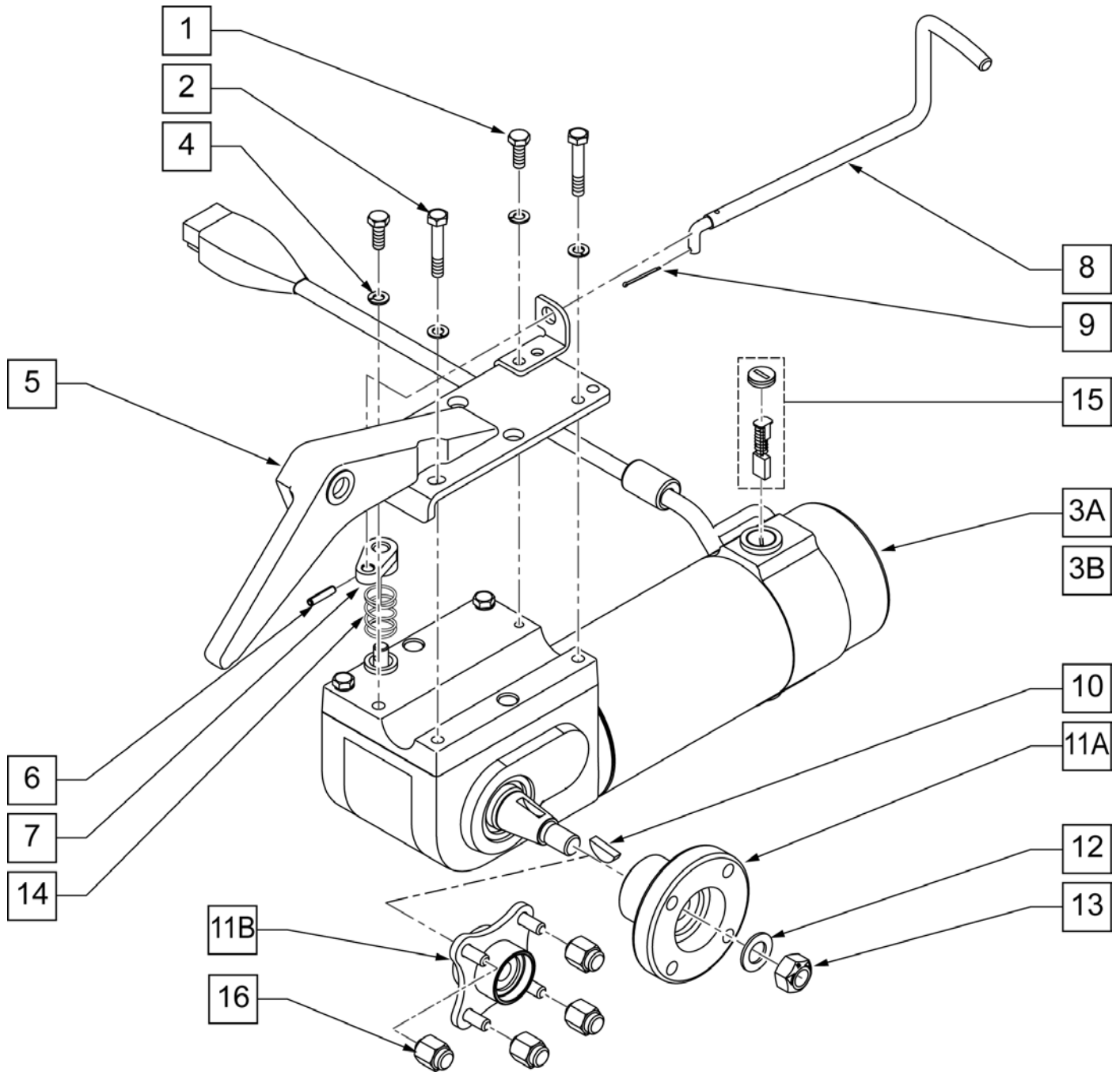
Pos.	Item Number	Description	Remarks
1	104439	HARDWARE SHROUD	Includes 8 fasteners
1,2	104410	SHROUD TOP KIT RED	W/DECALS AND FASTENERS
1,2	104413	SHROUD TOP KIT BLACK	W/DECALS AND FASTENERS
1,2	120398	SHROUD TOP KIT BLUE	W/DECALS AND FASTENERS
1,3	104408	SHROUD FRONT KIT RED	W/DECALS AND FASTENERS
1,3	104411	SHROUD FRONT KIT BLACK	W/DECALS AND FASTENERS
1,3	120399	SHROUD FRONT KIT BLUE	W/DECALS AND FASTENERS
1,4	104409	SHROUD REAR KIT RED	W/DECALS AND FASTENERS
1,4	104412	SHROUD REAR KIT BLACK	W/DECALS AND FASTENERS
1,4	120400	SHROUD REAR KIT BLUE	W/DECALS AND FASTENERS
5	112406	THUMB SCREW 10 -32 x 3/4	

Note: Beginning S/N PLSB-116844 please replace black Motor Mounts in pairs.



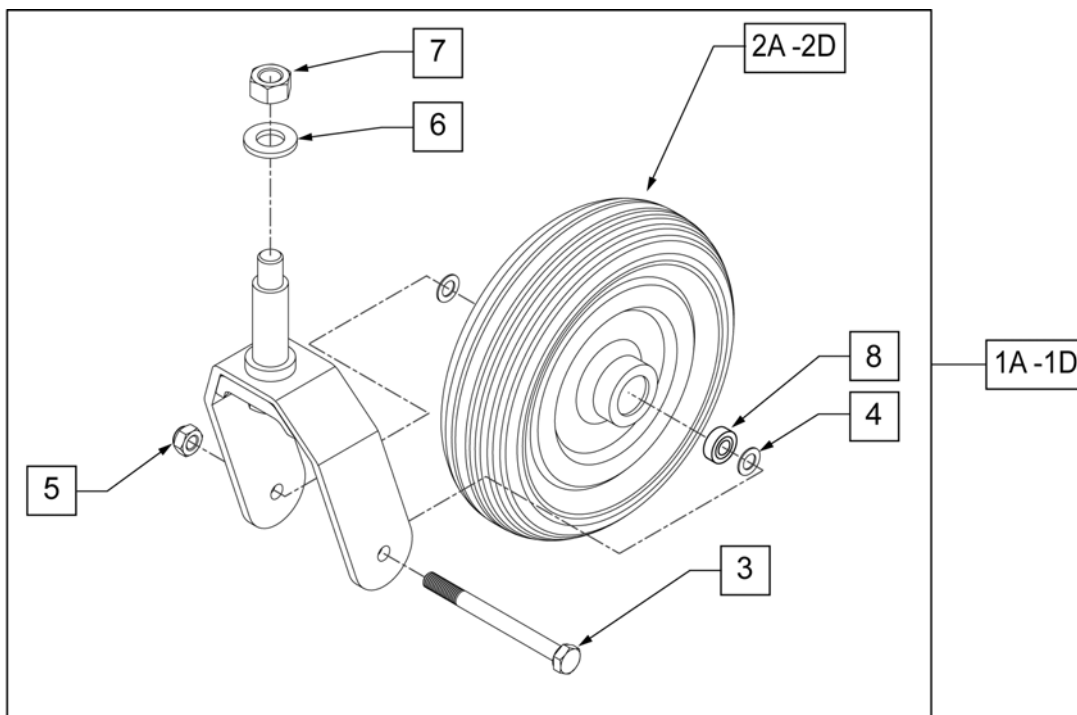
Pos.	Item Number	Description	Remarks
1,2	116069	MOTOR HRDWR KIT	Incls set of 5 bolts & washers
3	113213	MTR/GBX 10KPH 4PL RH PLS	RIGHT 6 mph
3	113212	MTR/GBX 10KPH 4PL LH PLS	LEFT 6 mph
4A	112248	MOUNT MOTOR W/BUSH RH	RIGHT-Silver
4A	112249	MOUNT MOTOR W/BUSH LH	LEFT-Silver
4B	123430	MOUNT MOTOR W/B RH BLACK	RIGHT-Black
4B	123431	MOUNT MOTOR W/B LH BLACK	LEFT-Black
5	341269	#606 WOODRUFF KEY STEEL	
6A	104066	HUB ELECTROCRAFT	Used w/ silver wheels or Black 5 Spoke
6B	362246	HUB .85 OFFSET ID B TS	Used w/ black wheels or Black 5 Spoke
7	264101	1/2 WASHER HARDENED FLAT	
8	210002	M12 X 1.75 ALL MTL PREV TRQ NT	
5,6A-8	116068	MOTOR HUB PULSE KIT	Used w/ silver wheels& Black 5 Spoke
5,6B-8,16	119589	MOTOR HUB PULSE KIT BLACK	Used w/ black & chrome 8 Spoke wheels
9	112281	BRUSH KIT 4 PL	Includes 4 brushes & caps
10-14	116067	MTR BRAKE REL HANDLE KIT	
15	112283	COVER BRAKE	
16	200135	CONICAL LUG NUT	
1-6A-8	116072	PLS MTR/GBX W/ MNT R	RIGHT-silver wheels or Black 5 Spoke

Pos.	Item Number	Description	Remarks
1-6A-8	116073	PLS MTR/GBX W/ MNT L	LEFT-silver wheels or Black 5 Spoke
1-6B-8,16	119590	PULSE MTR/GBX 4 LUG W/ MNT R	Right-Used w/black & chrome 8 Spoke wheels
1-6B-8,16	119591	PULSE MTR/GBX 4 LUG W/ MNT L	Left-Used w/black & chrome 8 Spoke wheels



Pos.	Item Number	Description	Remarks
1,2,4	111454	MOTOR HARDWARE KIT PULSE	
5	103923	MOUNT MOTOR WELDMENT L	LEFT
5	103928	MOUNT MOTOR WELDMENT R	RIGHT
6-9	105635	COG RELEASE HANDLE AND PINS	PAIR
9	340032	1/16 x 1/2 COTTER PIN	
10	341269	#606 WOODRUFF KEY STEEL	
11A	104066	HUB ELECTRORAFT	
11B	362246	HUB .85 OFFSET ID B TS	
13	201002	M12 x 1.75 ALL MTL PREV TRQ NT	

Pos.	Item Number	Description	Remarks
14	321712	SPRING .336 ID .420 OD	
15	139197	BRUSH/CAP SET ASI (2 POLE)	2 BRUSHES, 2 CAPS
16	200135	CONICAL LUG NUT	
1,2, 3A,10 -11A -13,15	104222	MOTOR ASSEM ELECTROCRAFT LVR2	LEFT - PULSE 6 W/VR2
1,2, 3A,10 -11A -13,15	104223	MOTOR ASSEM ELECTROCRAFT RVR2	RIGHT - PULSE 6 W/VR2
1,2, 3B,10 -11A -13,15	104129	MOTOR ASSEM ELECTROCRAFT R Rnet	RIGHT - PULSE 6 W/ Rnet
1,2, 3B,10 -11A -13,15	104127	MOTOR ASSEM ELECTROCRAFT L Rnet	LEFT - PULSE 6 W/ Rnet
1,2, 3A,4 -11A -13,15	105428	MOTOR ASSEM EC L VR2 W/COG	LEFT - PULSE 6 W/ VR2 - USED W/ SILVER WHEEL
1,2, 3A,4-11A -13,15	105429	MOTOR ASSEM EC R VR2 W/COG	RIGHT - PULSE 6 W/ VR2 - USED W/ SILVER WHEEL
1,2, 3B,4-11A -13,15	105419	MOTOR ASSM EC L DE W/COG	LEFT - PULSE 6 W/ Rnet - USED W/ SILVER WHEEL
1,2, 3B,4-11A -13,15	105427	MOTOR ASSEM EC R DE W/COG	RIGHT - PULSE 6 W/ Rnet - USED W/ SILVER WHEEL
1,2, 3A,4 -11B, 15-17	116211	MOTOR ASSM EC R VR2 W/ COG BLK	RIGHT -PULSE 6 W/ VR2 -USED W/ BLACK WHEEL
1,2, 3A,4 -11B, 15-17	116212	MOTOR ASSM EC L VR2 W/ COG BLK	LEFT -PULSE 6 W/ VR2 -USED W/ BLACK WHEEL
1,2, 3B,4 -11B, 15-17	116213	MOTOR ASSM EC R DE W/ COG BLK	RIGHT -PULSE 6 W/ RNET -USED W/ BLACK WHEEL
1,2, 3B,4 -11B, 15-17	116214	MOTOR ASSM EC L DE W/ COG BLK	LEFT -PULSE 6 W/ RNET -USED W/ BLACK WHEEL
1,2, 3A, 10, 11B, 15-17	116215	MOTOR ASSM EC R VR2 BLK	RIGHT -PULSE 6 W/ VR2 -USED W/ BLACK WHEEL
1,2, 3A, 10, 11B, 15-17	116216	MOTOR ASSM EC L VR2 BLK	LEFT -PULSE 6 W/ VR2 -USED W/ BLACK WHEEL
1,2, 3B, 10, 11B, 15-17	116217	MOTOR ASSM EC R DE BLK	RIGHT -PULSE 6 W/ RNET -USED W/ BLACK WHEEL
1,2, 3B, 10, 11B, 15-17	116218	MOTOR ASSM EC L DE BLK	LEFT -PULSE 6 W/ RNET -USED W/ BLACK WHEEL

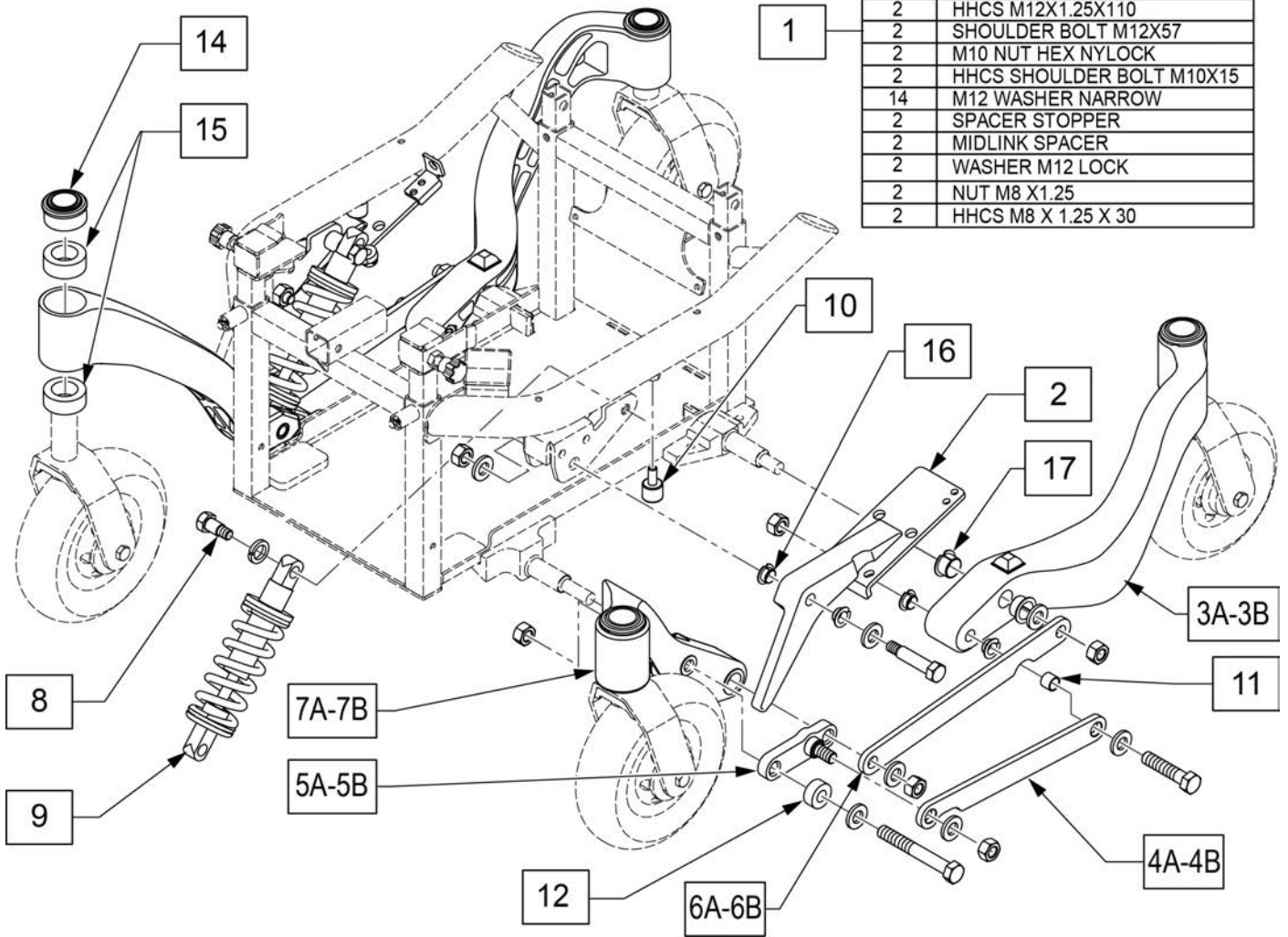


Pos.	Item Number	Description	Remarks
1A	104443	CASTER FORK ASSEM FRONT S	Front Caster 7"-Silver s/n PLS
1B	104444	CSTR FORK ASSM RR S 6IN SLVR	Front Caster 6" -Silver s/n PLS
1C	116173	CASTER FORK ASSM FRONT 7"	Front Caster 7"-Black s/n PLS6S / PLS6B / PLS5
1D	116175	CASTER FORK ASSM REAR S 6"	Front Caster 6" -Black s/n PLS6S / PLS6B / PLS5
2A, 8	104457	FRONT CASTER WHEEL	Front Caster 7x2.5 -Silver s/n PLS
2B, 8	104458	REAR CASTER WHEEL	Front Caster 6x1.75 -Silver s/n PLS
2C, 8	101691	FRONT CASTER WHEEL -BLACK	Front 7x2.5 -Black PLS6S / PLS6B / PLS5
2D, 8	102797	REAR CASTER WHEEL -BLACK	Rear 6x1.75 -Black PLS6S / PLS6B / PLS5
3,4-7	111453	CASTER HARDWARE KIT (PR)	Pair
8	119252	7/8 X 5/16 BEARING 608-2MS	

[10/2011]

Note: Silver Caster & Fork parts for chairs with s/n prefix PLS, Black parts for chairs with s/n prefix PLS6B & PLS5.

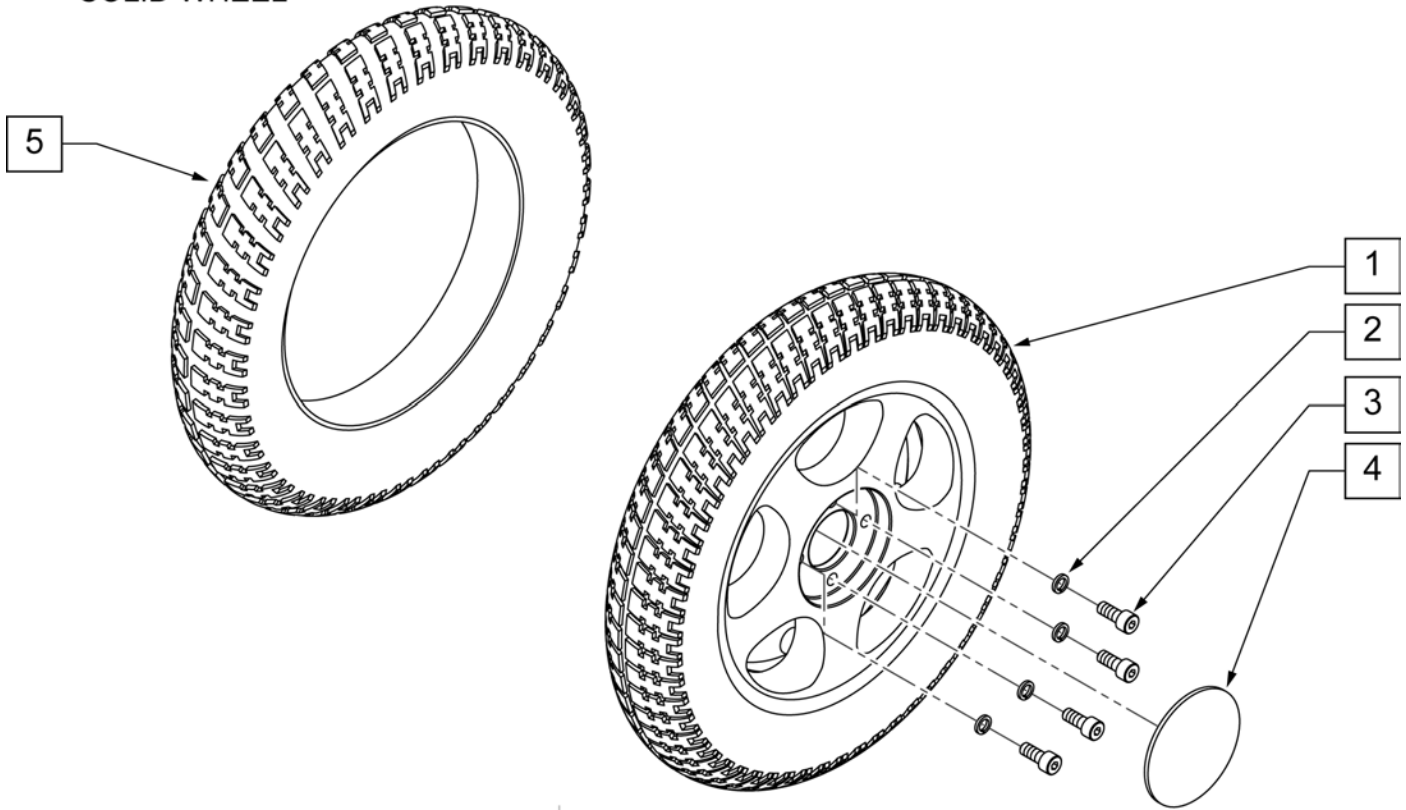
QTY	DESCRIPTION
10	NUT NYLOCK M12X1.25
2	HHCS M12X1.25X60
2	HHCS M12X1.25X110
2	SHOULDER BOLT M12X57
2	M10 NUT HEX NYLOCK
2	HHCS SHOULDER BOLT M10X15
14	M12 WASHER NARROW
2	SPACER STOPPER
2	MIDLINK SPACER
2	WASHER M12 LOCK
2	NUT M8 X1.25
2	HHCS M8 X 1.25 X 30



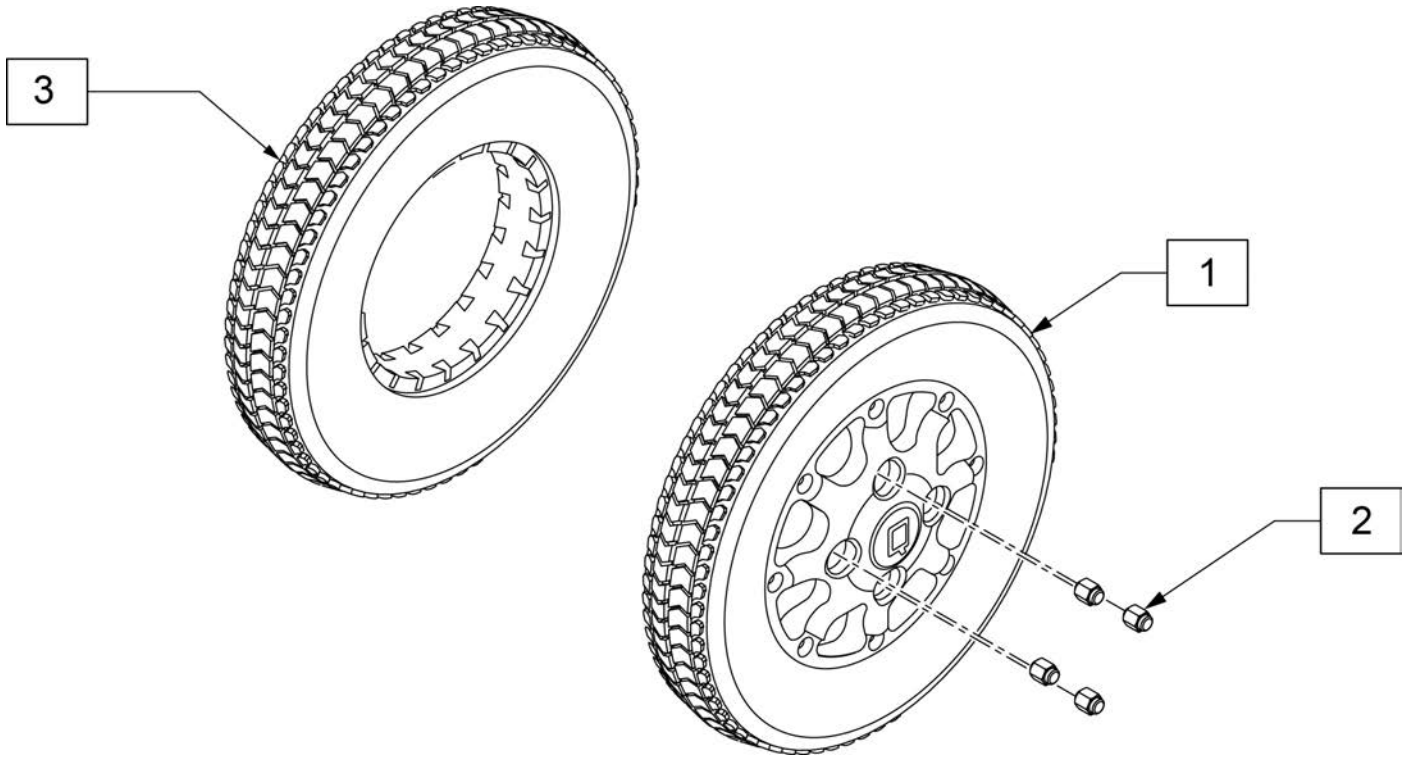
Pos.	Item Number	Description	Remarks
1	105580	HRDWR SUSP PULSE	Kit
2	103923	MOUNT MOTOR WELDMENT L	Left
2	103928	MOUNT MOTOR WELDMENT R	Right
3A,14,15	103905	CASTER ARM REAR RIGHT ASSY	Right -Silver s/n PLS
3A,14,15	103903	CASTER ARM REAR LEFT ASSY	Left-Silver s/n PLS
4A	104426	MIDLINK ASSEM PAIR	Pair -Silver s/n PLS
5A	103912	MIDLINK BRKT FRNT WLDMNT LH	Left-Silver s/n PLS
5A	104031	MIDLINK BRKT FRNT WLDMNT RH	Right-Silver s/n PLS
6A	103909	PIVOT TO PIVOT LINK	Pair-Silver s/n PLS
7A,14,15	103901	CSTER ARM FRONT RIGHT ASSY	Right-Silver s/n PLS
7A,14,15	103897	CASTER ARM FRONT LEFT ASSY	Left-Silver s/n PLS
3B,14,15	116167	CASTER ARM REAR RH ASSM BLK	Right-Black s/n PLS6A & PLSB
3B,14,15	116168	CASTER ARM REAR LH ASSM BLK	Left-Black s/n PLS6A & PLSB
4B	116171	MIDLINK ASSM PAIR BLACK	Pair -Black s/n PLS6A & PLSB
5B	116161	MIDLINK BRKT FRNT WELDMENT R BLK	Right-Black s/n PLS6A & PLSB
5B	116162	MIDLINK BRKT FRNT WELDMENT L BLK	Left-Black s/n PLS6A & PLSB
6B	116169	PIVOT TO PIVOT LINK BLACK	Pair -Black s/n PLS6A & PLSB

Pos.	Item Number	Description	Remarks
7B,14,15	116165	CASTER ASSM FRONT RH ASSM BLK	Right-Black s/n PLS6A & PLSB
7B,14,15	116166	CASTER ASSM FRONT LH ASSM BLK	Left-Black s/n PLS6A & PLSB
8	104437	HHSS12x15 M1010.9 Slv	
9	104027	SUSPENSION 350LBS	
10	104067	BUMPER M8X1.25X19	
11	104032	MIDLINK SPACER	
12	103921	MIDLINK SPACER	
14	104152	CAP CASTER	
15	101686	CASTER BEARING	1 bearing
16	103899	DU BUSH 12X14	
17	103900	DU BUSH 18X20	

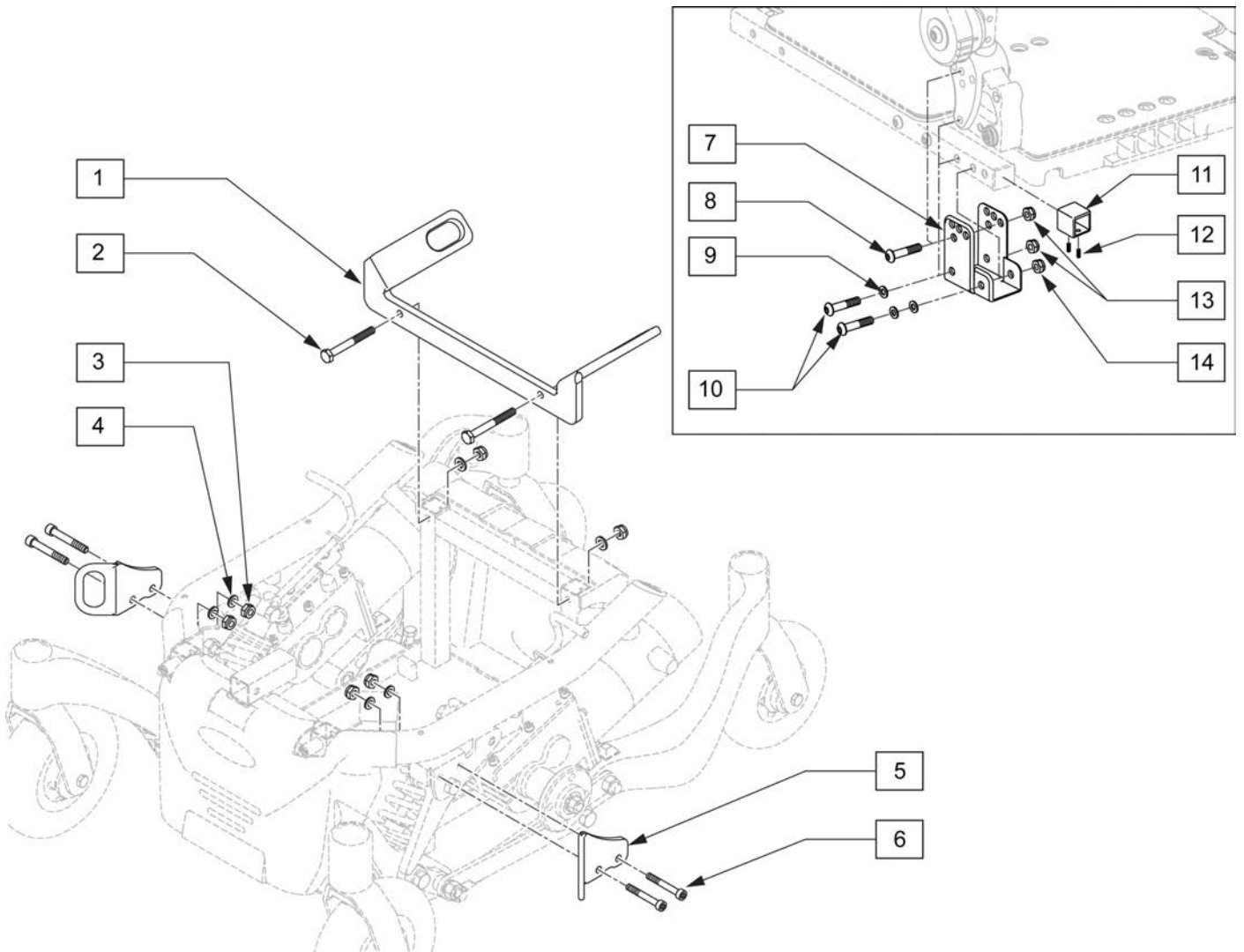
SOLID WHEEL



Pos.	Item Number	Description	Remarks
1-4	106468	WHEEL ASSM 13 SOLID	SILVER
2	250106	M8 LOCK WASHER	
3	055028	SHCSM8X1.25X25FULLPL	
2,3	110820	HARDWARE KIT	Includes 4 screws & 4 washers
4	012399	HUB CAP SLVR SUPPLR REF641023	
5	012016	TYRE SOLID 13 x 2.5 x 8	



Pos.	Item Number	Description	Remarks
1	013296	12 x 3 WHEEL ASSM 8 SPK SLD BLK	BLACK
2	200135	CONICAL LUG NUT (QTY 4)	QTY (4)
3	382303	TYRE SOLID 13 x 2.5 x 8	



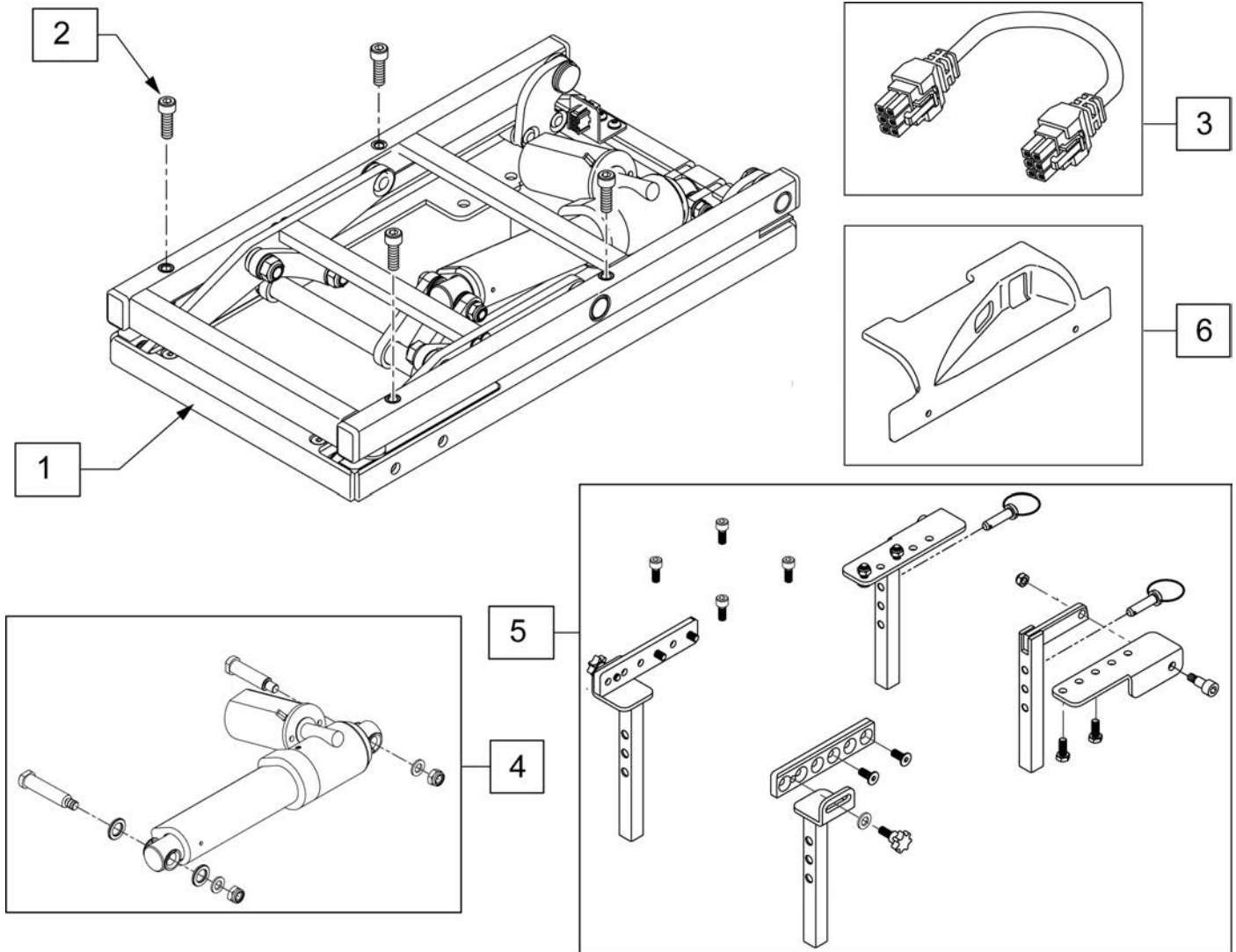
Pos.	Item Number	Description	Remarks
2	013803	HHCS M8 X 1.25 X 50 BLK	
3	210085	NUT HEX NYLOCK M8 BLACK	
4	106946	WASHER FLAT AN 5/16 ROHS	
6	103143	SHCS M8 X 1.25 X 60 INORG	
1-14	114484	TRANSIT KIT PULSE	Pulse 6, S/N prefix PLS
1-6	126341	PULSE 6 TRANSIT KIT ASAP 2	Pulse 6, S/N prefix PLSB
1-6	126342	PULSE 5 TRANSIT KIT ASAP 2	Pulse 5

[09/2011]

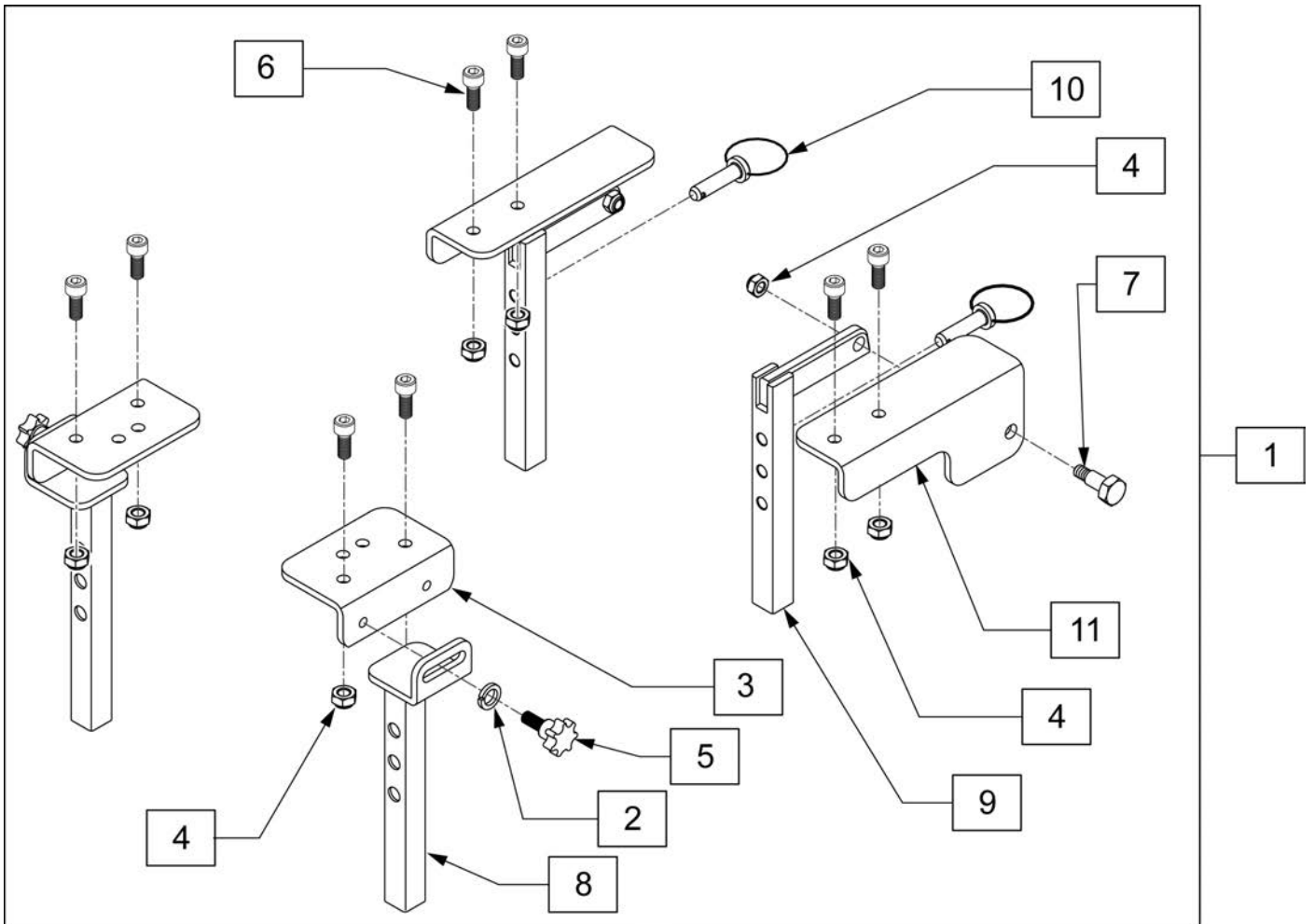
Note: Effective for chairs w/ serial number prefix PLS & PLS6B for ISO transit kit, not available with Captains Seat

Note: Item 7-14 not required on chairs with S/N prefix PLS6B.

Note: If adding tilt to a chair w/o tilt, Retro Kit must be ordered and the following electronics must be ordered separately: VR2 w/ thru drive (Joystick & Controller) see appropriate parts manual page. Rnet or VR2 w/ Toggle (Toggle retro kit) see appropriate parts manual page Rnet w/ thru drive (no other items needed)



Pos.	Item Number	Description	Remarks
1,4	116474	MDL PWR TILT SPOT ADJ LIM 16DG	
2	055028	SHCSM8X1.25X25FULLPL	
3	020063-070	HARNESS DELPHI ACTUATOR 700mm	
4	106694	Actuator kit	Includes Micro Switch
5	103402	INTERFACE/POST ASSM KIT	
1-5	110844	PULSE TILT RETRO KIT	
6	118026	TILT MODULE SHROUD, REAR	

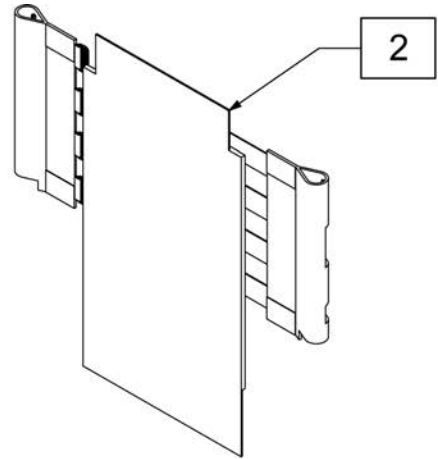
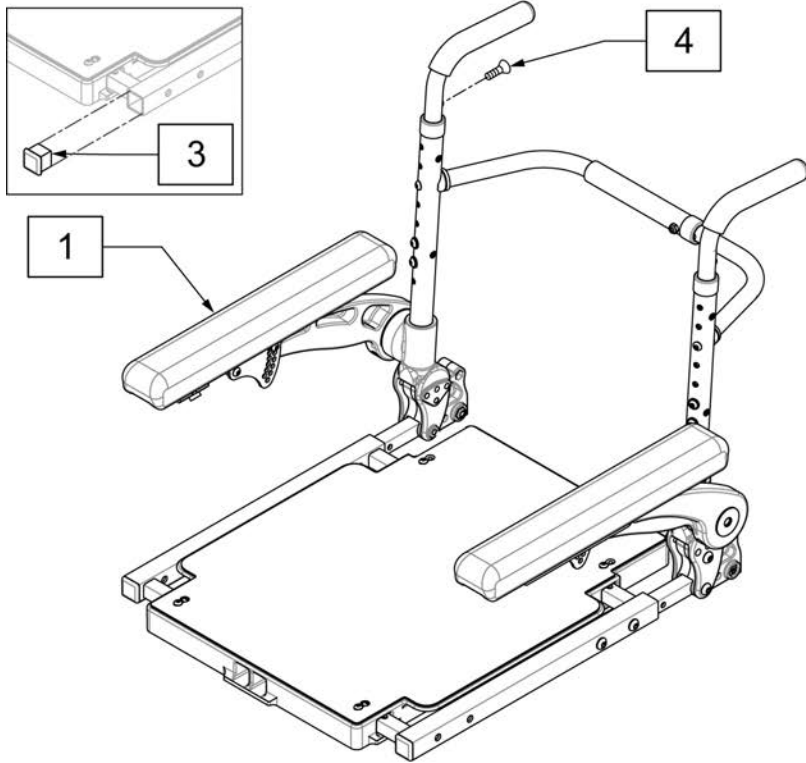


Pos.	Item Number	Description	Remarks
1	116608	INTERFACE/POST ASSM KIT	Used without Tilt
2	250106	M8 LOCK WASHER	
3	108306	BRACKET FRONT POST NON-TILT	
4	210085	M8 NYLOCK NUT	
5	102833	KNOB M8 X 1.25 X 18 (PR)	PAIR
6	055028	SHCSM8X1.25X25FULLPL	
7	104862	HHCS M8 X 1.25 X 12	
8	104387	POST WELDMENT FRONT PAIR	
9	104028	SEAT POST REAR WELDMENT	
10	101920	LOCKING PIN SEAT POST	
11	108307	BRACKET REARPOST NON-TILT L	LEFT
11	108308	BRACKET REAR POST NON-TILT R	RIGHT

ASAP SEAT ASSEMBLY

(10/2010)

Note: To achieve 19" & 20" back depth on ASAP seating order Qty 2 117840.

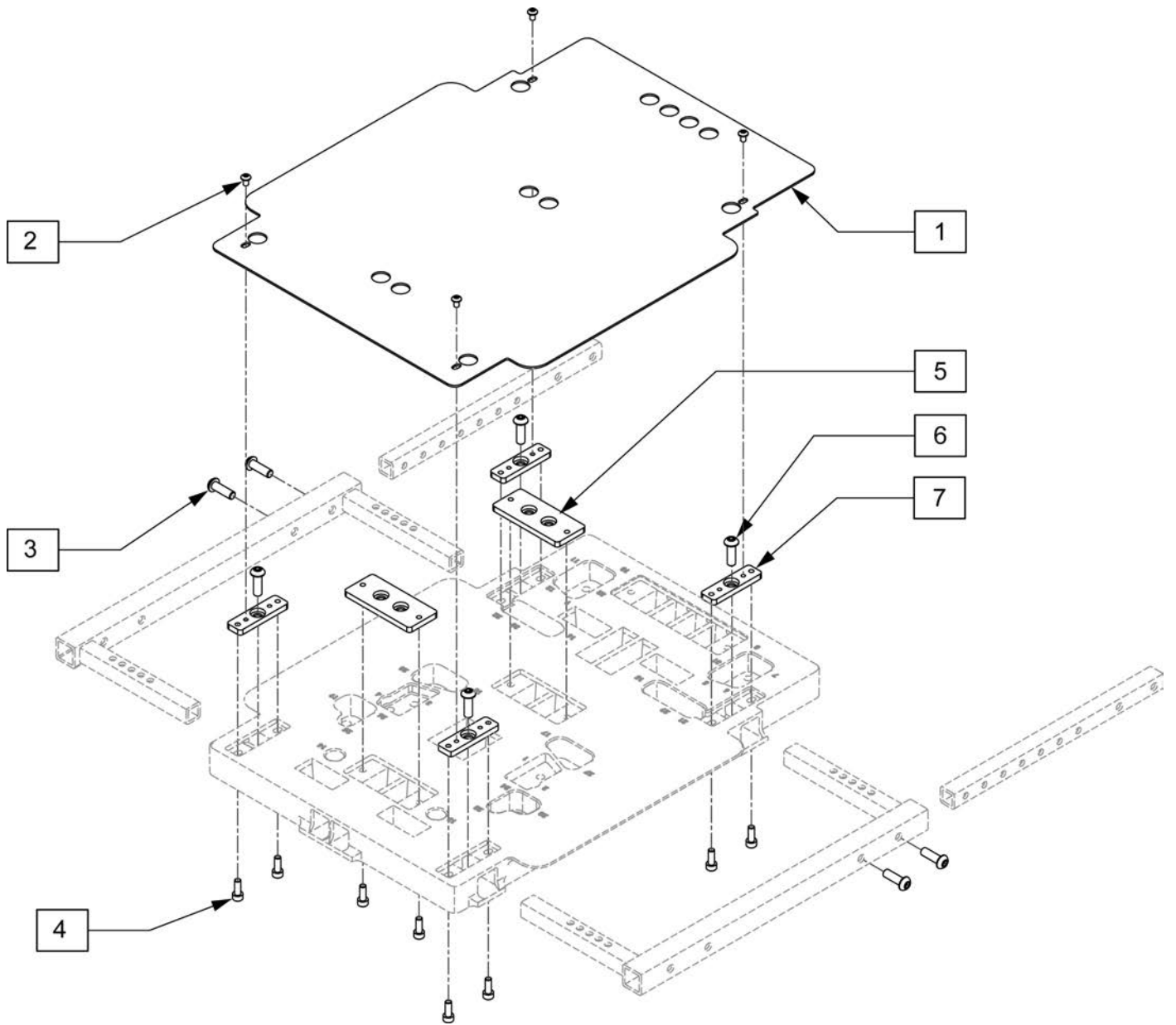


DESCRIPTION	QTY.
WASHER FLAT M6 BLK	24
WASHER LOCK M6	12
SHCS M6 X 1 X 16 BLK	14
BHCS M5 X .8 X 8 BLK W/PL	4
BHCS M8 X 1.25 X 25 BLK	8
FHCS M6 X 1 X 20 BLK	4
WASHER M10 X 35 X 1.5 BLK	2
BHCS M10 X 40 BLK 12.9	2
BHCS M8 X 1.25 X 45 BLK	6
NUT HEX NYLOCK M8 BLK	4
BHCS M8 X 1.25 X 35 BLK IO	2
BHCS M6 X 1 X 20 BLK W/PL	8
BHCS M6 X 1 X 12 BLK	4
HHCS M5 X .8 X 12 BLK	2
NUT HEX NYLOCK M5 BLK	2
BHCS M6 X 1 X 30 BLK W/PL	5
NUT HEX NYLOCK M6 BLK	1
6MM WASHER WAVE	2
BHCS M6 X 1 X 45 BLK	2
WASHER FLAT M8	2
M8 X 1.25 JAM NUT HEX BLK	2
INSERT PLATE 1	4
INSERT PLATE 2	2

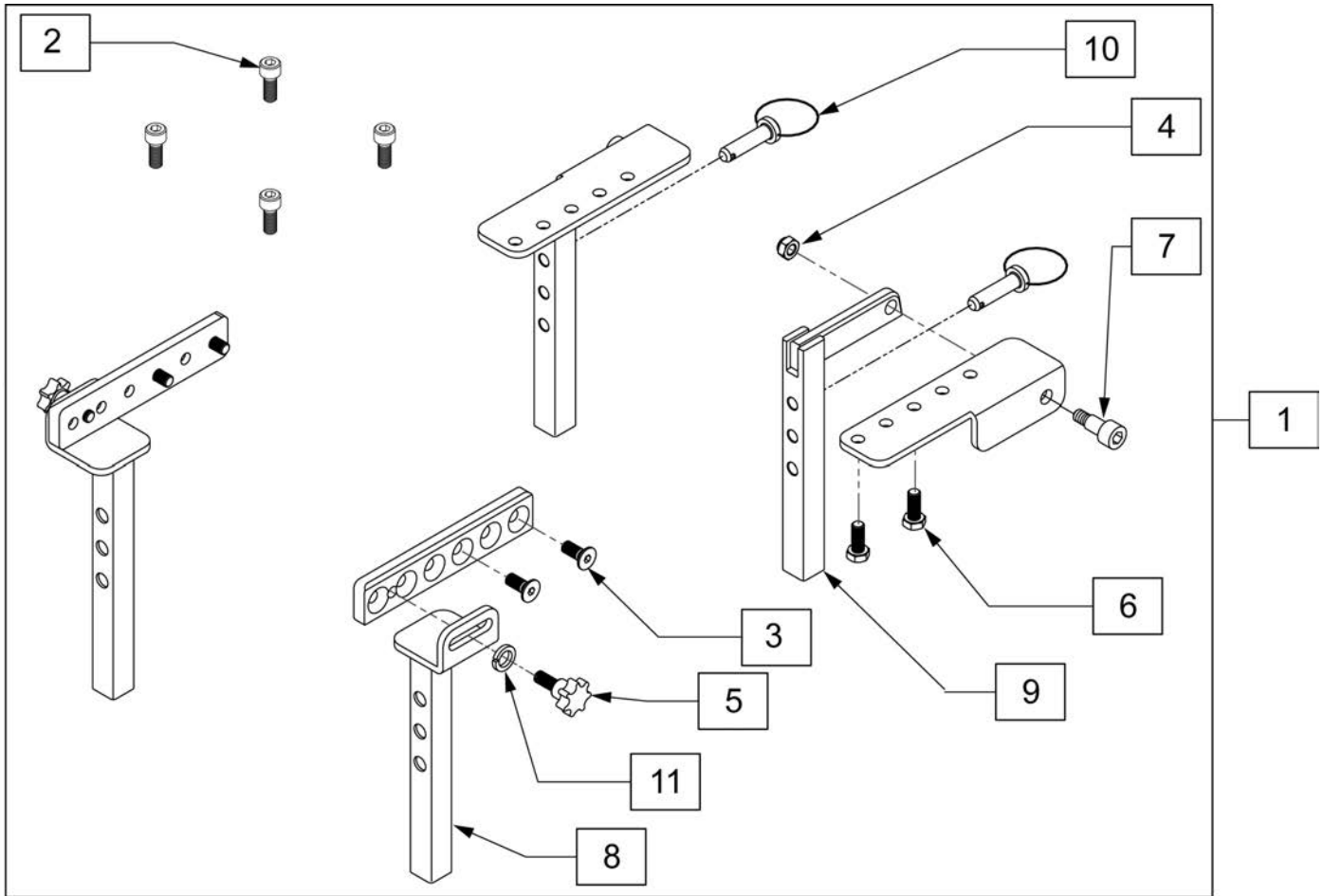
5

Pos.	Item Number	Description	Remarks
1	108661	ASAP SEAT ASSEMBLY	Includes everything except interface and upholstery
2	060675	STANDARD BACK UPHOLSTERY	
3	010615	SQUARE END CAP CNTR LEG SUPPORT	
4	230497	M5-.8 X 20 MM BH C/S	
5	108786	ASAP SEAT REPLACEMENT HARDWARE KIT	

ASAP SEAT FRAME COVER

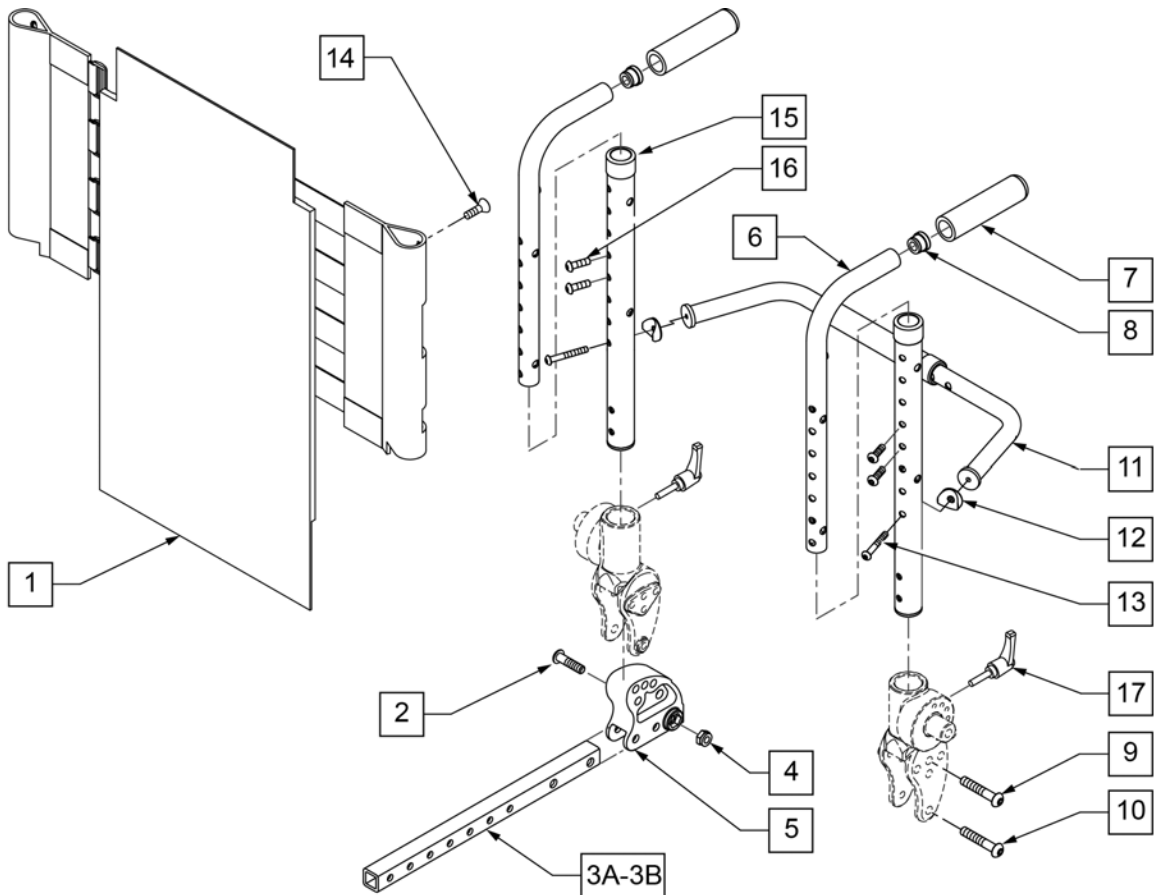


Pos.	Item Number	Description	Remarks
1	014918	SEAT COVER	
2	n/a	BHCS M5X0.8X8	Only available in Hardware Kit
3	n/a	BHCS M8 X 1.25 X 25	Only available in Hardware Kit
4	n/a	SHCS M6 X 1 X 16	Only available in Hardware Kit
5,6	119339	ASAP SEAT HARDWARE PLATES	
7	n/a	WASHER, FLAT, M6	Only available in Hardware Kit
8	n/a	WASHER, LOCK, M6	Only available in Hardware Kit
9	108786	ASAP SEAT REPLACEMENT HARDWARE KIT	



Pos.	Item Number	Description	Remarks
1	103402	INTERFACE/POST ASSM KIT	Used with Tilt
2	n/a	SHCS M8 X 1.25 X 12	
3	n/a	FHCS M8 X 1.25 X 20	
4	n/a	M8 NYLOCK NUT	
5	102833	KNOB M8 X 1.25 X 18 (PR)	PAIR
6	n/a	HHCS M8 X 1.25 X 20	
7	055028	SHCSM8X1.25X25FULLPL	
8	104387	POST WELDMENT FRONT PAIR	PAIR
9	104028	SEAT POST REAR WELDMENT	
10	101920	LOCKING PIN SEAT POST	
11	250106	M8 LOCK WASHER	

Note: Use to achieve 19 & 20" back depths with Solid Back, Curved, Jay SPO of Art SPO Back



Pos.	Item Number	Description	Remarks
1	060675	ASAP SEAT UPHOLSTERY	One size fits all
2	n/a	BHCS M8X35	AVAILABLE IN HARDWARE KIT ONLY
3B	117840	19 - 20 ASAP ST DEPTH KIT	
4	n/a	M8 NYLOCK NUT	AVAILABLE IN HARDWARE KIT ONLY
9	n/a	BHCS M8 X 1.25 X 45	AVAILABLE IN HARDWARE KIT ONLY
10	n/a	BHCS M8 X 1.25 X 55	AVAILABLE IN HARDWARE KIT ONLY
14	n/a	PHMS M5 X .8 X 20	
17	118826	CLAMPING HANDLE M6X25 PAIR	PAIR
3A-5	108784	BACKREST DEPTH ADJ ASM	PAIR
6-8	108785	PUSH HANDLES W/ GRIPS PARTS	PAIR
11-13	105628	TOWEL RAIL ASSY W/ HDWR SP	
7,8,11-13,15,16	060329	BACKREST ASSEMBLY	
	108786	ASAP SEAT REPLACEMENT HARDWARE KIT	See ASAP Seat Assm page for details

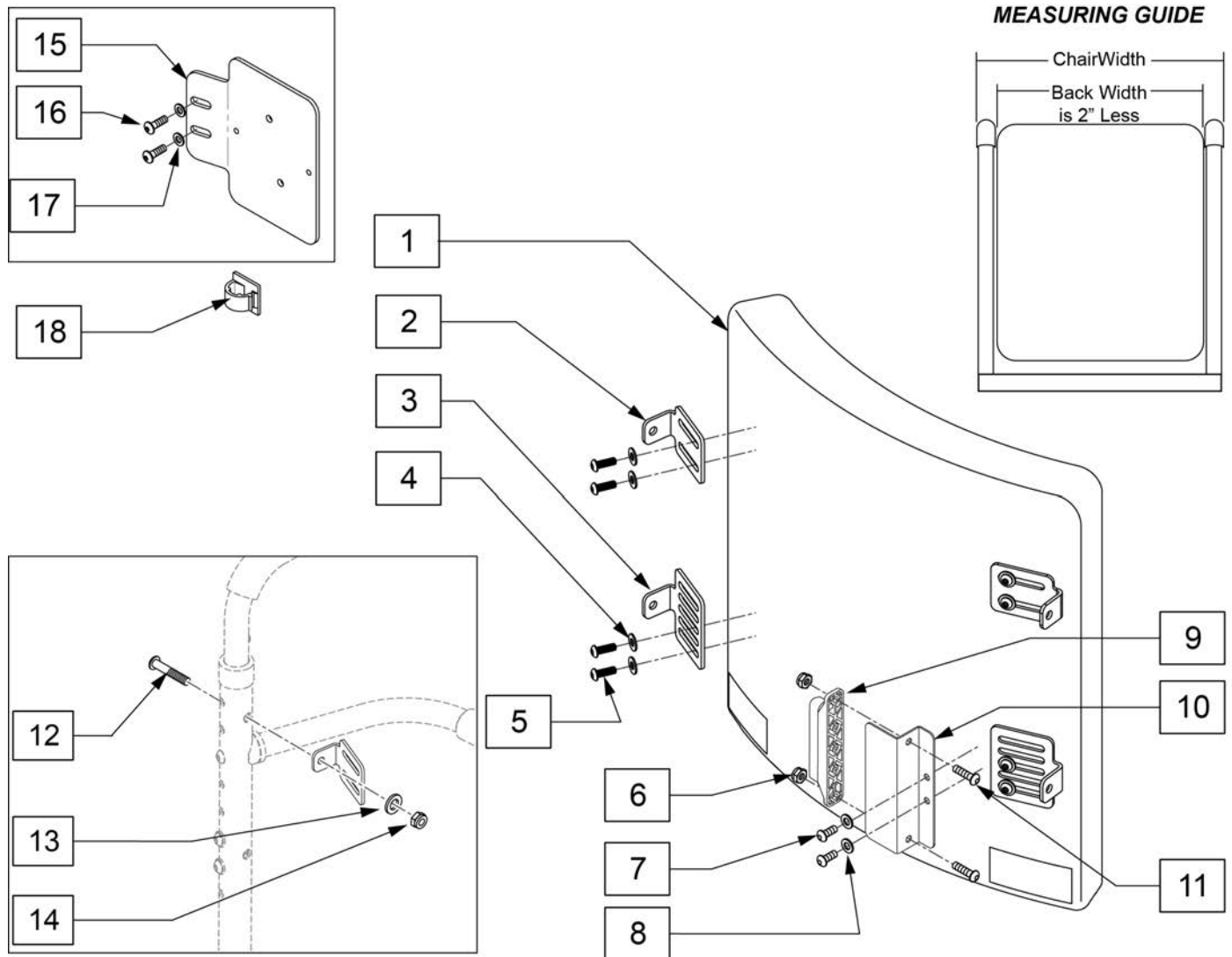
CURVED BACKREST

(10/2011)

Note: Replacment Backs are listed based on actual chair width. Please note that backs are actually 2" narrower than the chair. For example, 16 x 16 back is 14 wide and used on 16" wide chair.

Note: Back Assemblies do not include mounting bolts. Reference no.'s 12,13,&14 on parts page.

Note: To achieve 19" & 20" back depth on ASAP seating order Qty 2 117840.

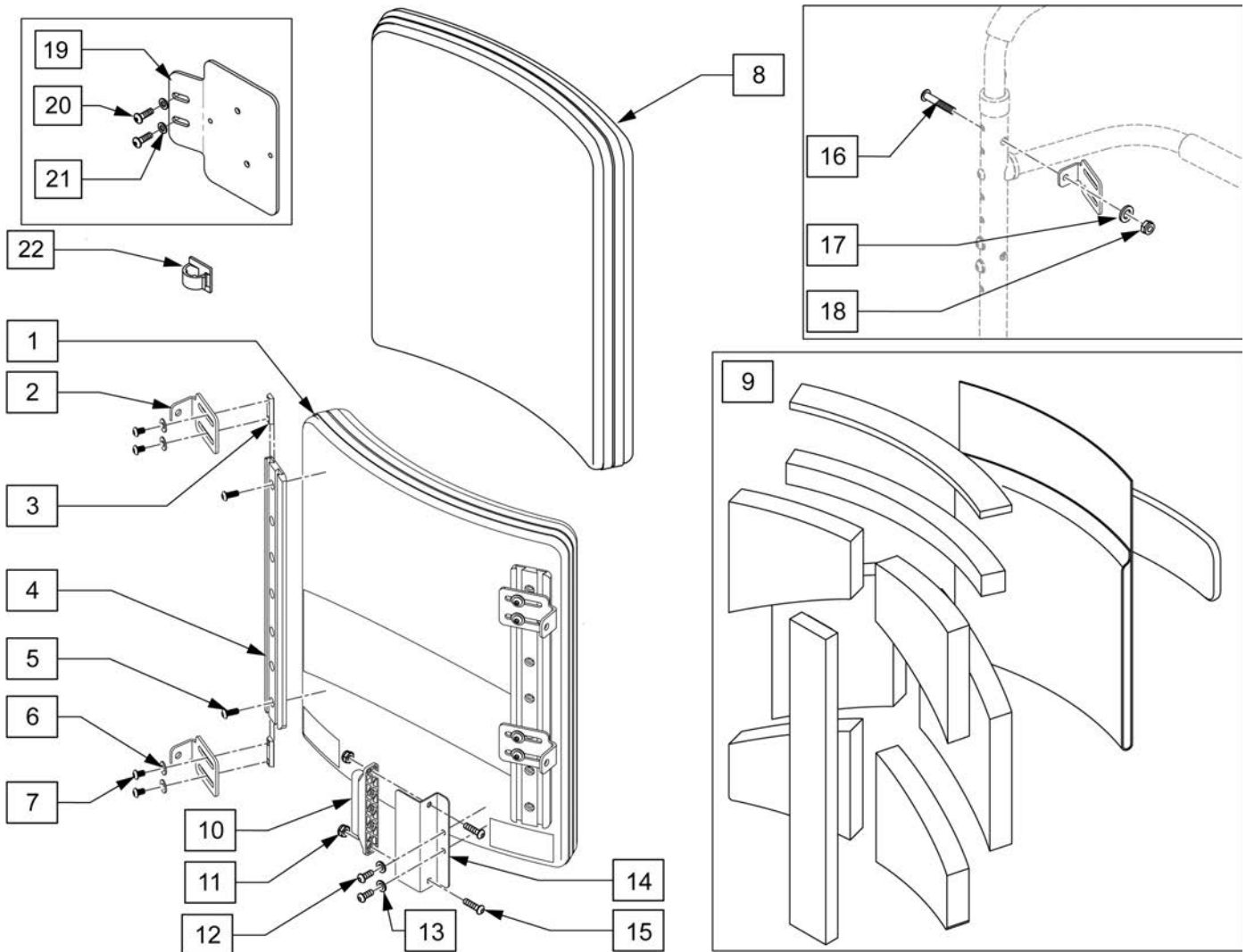


Pos.	Item Number	Description	Remarks
2-5	107064	MOUNTING KIT	4 brackets & hardware
1-5	106315-031	BACK STD COMP ASSY 12X12	
1-5	106315-032	BACK STD COMPLETE 12X14	
1-5	106315-033	BACK STD COMPLETE 12X16	
1-5	106315-035	BACK STD COMPLETE 13X12	

Pos.	Item Number	Description	Remarks
1-5	106315-036	BACK STD COMPLETE 13X14	
1-5	106315-037	BACK STD COMPLETE 13X16	
1-5	106315-038	BACK STD COMPLETE 13X18	
1-5	106315-039	BACK STD COMPLETE 13X20	
1-5	106315-041	BACK STD COMPLETE 14X12	
1-5	106315-042	BACK STD COMPLETE 14X14	
1-5	106315-043	BACK STD COMPLETE 14X16	
1-5	106315-044	BACK STD COMPLETE 14X18	
1-5	106315-045	BACK STD COMPLETE 14X20	
1-5	106315-047	BACK STD COMPLETE 15X12	
1-5	106315-048	BACK STD COMPLETE 15X14	
1-5	106315-049	BACK STD COMPLETE 15X16	
1-5	106315-050	BACK STD COMPLETE 15X18	
1-5	106315-051	BACK STD COMPLETE 15X20	
1-5	106315-052	BACK STD COMPLETE 16X12	
1-5	106315-053	BACK STD COMPLETE 16x14	
1-5	106315-054	BACK STD COMPLETE 16x16	
1-5	106315-001	BACK STD COMPLETE 16X18	
1-5	106315-002	BACK STD COMPLETE 16X20	
1-5	106315-003	BACK STD COMPLETE 16X22	
1-5	106315-004	BACK STD COMPLETE 16X24	
1-5	106315-055	BACK STD COMP ASSY 17X14	
1-5	106315-056	BACK STD COMP ASSY 17X16	
1-5	106315-005	BACK STD COMPLETE 17X18	
1-5	106315-006	BACK STD COMPLETE 17X20	
1-5	106315-007	BACK STD COMPLETE 17X22	
1-5	106315-008	BACK STD COMPLETE 17X24	
1-5	106315-057	BACK STD COMP ASSY 18X16	
1-5	106315-009	BACK STD COMPLETE 18X18	
1-5	106315-010	BACK STD COMPLETE 18X20	
1-5	106315-011	BACK STD COMPLETE 18X22	
1-5	106315-012	BACK STD COMPLETE 18X24	
1-5	106315-058	BACK STD COMPLETE ASSY 19X16	
1-5	106315-059	BACK STD COMPLETE ASSY 19X18	
1-5	106315-013	BACK STD COMPLETE 19X20	
1-5	106315-014	BACK STD COMPLETE 19X22	
1-5	106315-015	BACK STD COMPLETE 19X24	
1-5	106315-065	BACK STD COMPLETE ASSY 20X16	
1-5	106315-066	BACK STD COMPLETE ASSY 20X18	
1-5	106315-016	BACK STD COMPLETE 20X20	
1-5	106315-017	BACK STD COMPLETE 20X22	
1-5	106315-018	BACK STD COMPLETE 20X24	
1-5	106315-060	BACK STD COMP ASSY 22X16	
1-5	106315-061	BACK STD COMP ASSY 22X18	
1-5	106315-062	BACK STD COMP ASSY 22X20	
1-5	106315-063	BACK STD COMP ASSY 22X22	
1-5	106315-064	BACK STD COMP ASSY 22X24	
6	108312	DISTRIBUTION BLOCK	
7	210084	NUT HEX NYLOCK M6 BLACK	
8	108107	BHCS 1/4-20 X 3/4 ROHS	
9	106943	WASHER FLAT AN 1/4 ROHS	
10	109251	BRKT DSTRBTN BLCK	
11	103185-006	ROHSBHCSM6X1X16FULLNP	
12	230122	BHCSM8X1.25X40FULLNP	
13	011691	WASHER HIGH STRENGTH	
14	210085	NUT HEX NYLOCK M8 BLACK	

Pos.	Item Number	Description	Remarks
15-18	120196	BRACKET ART BACK 3 AXIS CNTR w/HDWR	
16	108107	BHCS 1/4-20 X 3/4 ROHS	
17	106943	WASHER FLAT AN 1/4 ROHS	
18	341220	BATTERY CABLE CLIP	

NOTE: ACTUAL BACK WIDTH MEASUREMENT IS 2" LESS THAN STATED WIDTH.

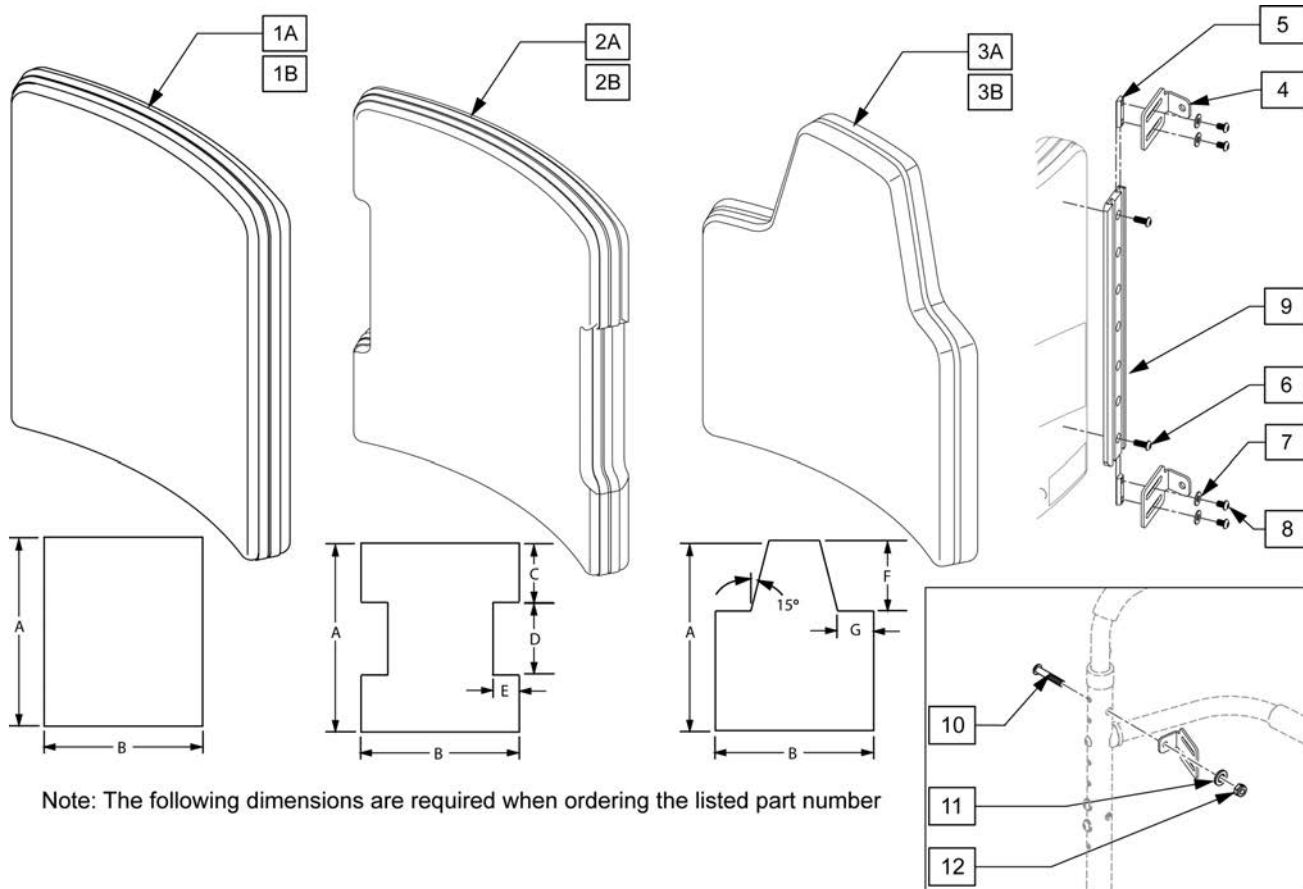


Pos.	Item Number	Description	Remarks
2	107183	CANE BRACKET - STANDARD	
2-7	107310-001	BACK UPGRADE MNTG KIT 14 IN	FITS 18T BACK HEIGHTS
2-7	107310-002	BACK UPGRADE MNTG KIT 16 IN	FITS 20T BACK HEIGHTS
2-7	107310-003	BACK UPGRADE MNTG KIT 18 IN	FITS 22T BACK HEIGHTS
2-7	107310-004	BACK UPGRADE MNTG KIT 20 IN	FITS 24T BACK HEIGHTS
1-8	106324-001	BACK UPGRADE COMPLETE 16X18	FITS 16W x 18T
1-8	106324-002	BACK UPGRADE COMPLETE 16x20	FITS 16W x 20T
1-8	106324-003	BACK UPGRADE COMPLETE 16x22	FITS 16W x 22T
1-8	106324-004	BACK UPGRADE COMPLETE 16x24	FITS 16W x 24T
1-8	106324-005	BACK UPGRADE COMPLETE 17x18	FITS 17W x 18T
1-8	106324-006	BACK UPGRADE COMPLETE 17x20	FITS 17W x 20T
1-8	106324-007	BACK UPGRADE COMPLETE 17x22	FITS 17W x 22T
1-8	106324-008	BACK UPGRADE COMPLETE 17x24	FITS 17W x 24T
1-8	106324-009	BACK UPGRADE COMPLETE 18x18	FITS 18W x 18T

Pos.	Item Number	Description	Remarks
1-8	106324-010	BACK UPGRADE COMPLETE 18x20	FITS 18W x 20T
1-8	106324-011	BACK UPGRADE COMPLETE 18x22	FITS 18W x 22T
1-8	106324-012	BACK UPGRADE COMPLETE 18x24	FITS 18W x 24T
1-8	106324-013	BACK UPGRADE COMPLETE 19x20	FITS 19W x 20T
1-8	106324-014	BACK UPGRADE COMPLETE 19x22	FITS 19W x 22T
1-8	106324-015	BACK UPGRADE COMPLETE 19x24	FITS 19W x 24T
1-8	106324-016	BACK UPGRADE COMPLETE 20x20	FITS 20W x 20T
1-8	106324-017	BACK UPGRADE COMPLETE 20x22	FITS 20W x 22T
1-8	106324-018	BACK UPGRADE COMPLETE 20x24	FITS 20W x 24T
8	106372-001	BACK COVER 16X18	FITS 16W x 18T
8	106372-002	BACK COVER 16X20	FITS 16W x 20T
8	106372-003	BACK COVER 16X22	FITS 16W x 22T
8	106372-004	BACK COVER 16X24	FITS 16W x 24T
8	106372-005	BACK COVER 17X18	FITS 17W x 18T
8	106372-006	BACK COVER 17X20	FITS 17W x 20T
8	106372-007	BACK COVER 17X22	FITS 17W x 22T
8	106372-008	BACK COVER 17X24	FITS 17W x 24T
8	106372-009	BACK COVER 18X18	FITS 18W x 18T
8	106372-010	BACK COVER 18X20	FITS 18W x 20T
8	106372-011	BACK COVER 18X22	FITS 18W x 22T
8	106372-012	BACK COVER 18X24	FITS 18W x 24T
8	106372-013	BACK COVER 19X20	FITS 19W x 20T
8	106372-014	BACK COVER 19X22	FITS 19W x 22T
8	106372-015	BACK COVER 19X24	FITS 19W x 24T
8	106372-016	BACK COVER 20X20	FITS 20W x 20T
8	106372-017	BACK COVER 20X22	FITS 20W x 22T
8	106372-018	BACK COVER 20X24	FITS 20W x 24T
9	107309-001	Back Upgrade Foam Kit 16x18	FITS 16W x 18T
9	107309-002	Back Upgrade Foam Kit 16x20	FITS 16W x 20T
9	107309-003	Back Upgrade Foam Kit 16x22	FITS 16W x 22T
9	107309-004	Back Upgrade Foam Kit 16x24	FITS 16W x 24T
9	107309-005	Back Upgrade Foam Kit 17x18	FITS 17W x 18T
9	107309-006	Back Upgrade Foam Kit 17x20	FITS 17W x 20T
9	107309-007	Back Upgrade Foam Kit 17x22	FITS 17W x 22T
9	107309-008	Back Upgrade Foam Kit 17x24	FITS 17W x 24T
9	107309-009	Back Upgrade Foam Kit 18x18	FITS 18W x 18T
9	107309-010	Back Upgrade Foam Kit 18x20	FITS 18W x 20T
9	107309-011	Back Upgrade Foam Kit 18x22	FITS 18W x 22T
9	107309-012	Back Upgrade Foam Kit 18x24	FITS 18W x 24T
9	107309-013	Back Upgrade Foam Kit 19x20	FITS 19W x 20T
9	107309-014	Back Upgrade Foam Kit 19x22	FITS 19W x 22T
9	107309-015	Back Upgrade Foam Kit 19x24	FITS 19W x 24T
9	107309-016	Back Upgrade Foam Kit 20x20	FITS 20W x 20T
9	107309-017	Back Upgrade Foam Kit 20x22	FITS 20W x 22T
9	107309-018	Back Upgrade Foam Kit 20x24	FITS 20W x 24T
10	108312	DISTRIBUTION BLOCK	R-net distribution block
11	210084	NUT HEX NYLOCK M6 BLACK	
12	108107	BHCS 1/4-20 X 3/4 ROHS	
13	106943	WASHER FLAT AN 1/4 ROHS	
14	109251	BRKT DSTRBTN BLCK	
15	103185-006	ROHSBHCSM6X1X16FULLNP	
10-15	110843	DIST BLOCK BACK KIT	R-net distribution block kit
16	230122	BHCSM8X1.25X40FULLNP	
17	011691	WASHER HIGH STRENGTH	
18	210085	NUT HEX NYLOCK M8 BLACK	
19-22	120196	BRACKET ART BACK 3 AXIS CNTR w/HDWR	

Pos.	Item Number	Description	Remarks
20	108107	BHCS 1/4-20 X 3/4 ROHS	
21	106943	WASHER FLAT AN 1/4 ROHS	
22	341220	BATTERY CABLE CLIP	

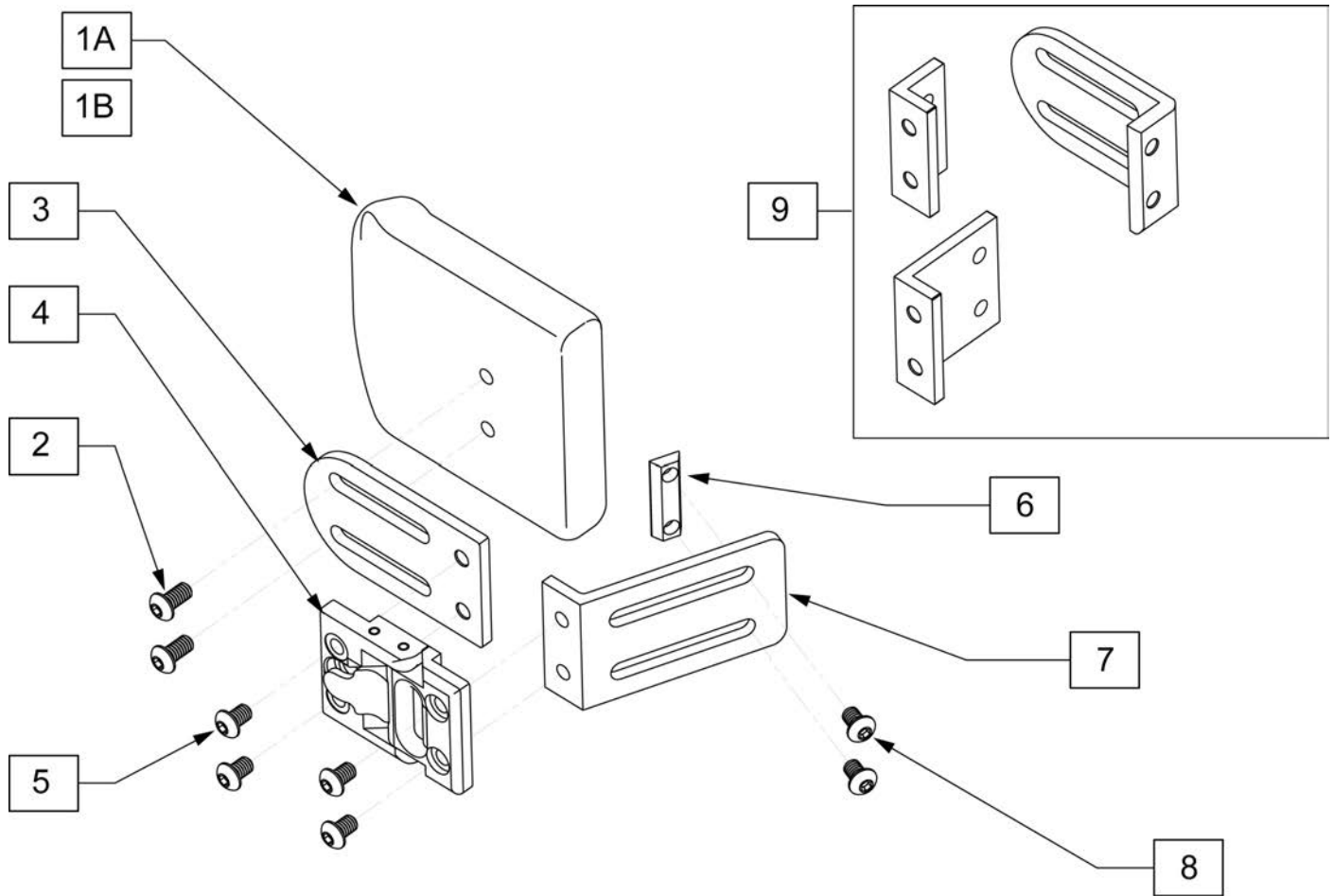
Note: To achieve 19" & 20" back depth on ASAP seating order Qty 2 117840.



Note: The following dimensions are required when ordering the listed part number

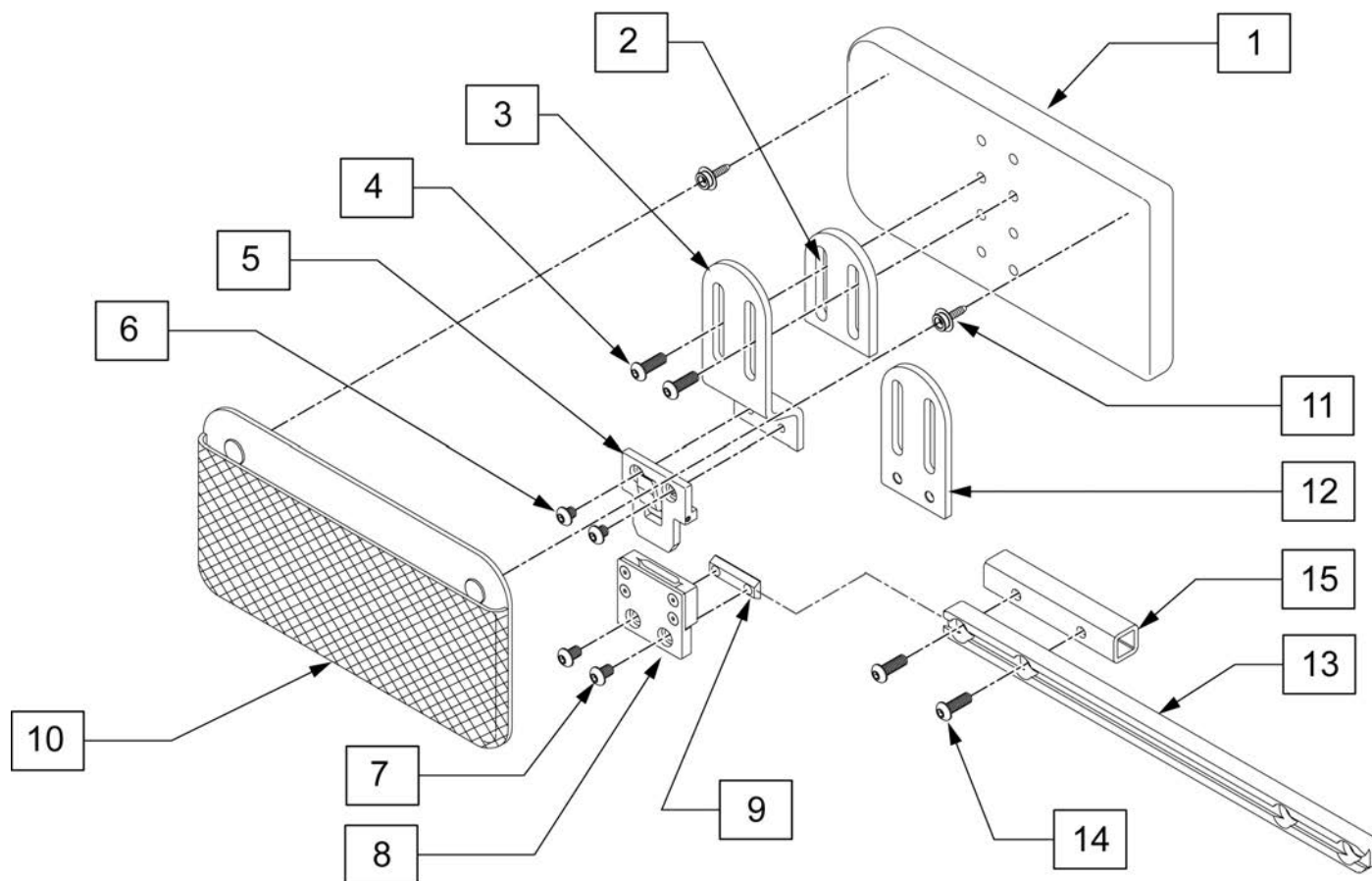
Pos.	Item Number	Description	Remarks
1B	112539S	GNRIC REC ART SPO COVER	Replacement Rectangular back cover only
2B	112540S	GNRIC I ART SPO BCK COVER	Replacement I back cover only
3B	112541S	GNRIC SCAP ART SPO BCK COVER	Replacement Scapular back cover only
1A-9	112536S	GNRIC REC ART SPO ASSM	Replacement Rectangular back assembly
2A-9	112537S	GNRIC I ART SPO BCK ASM	Replacement I back assembly
3A-9	112538S	GNRIC SCAP ART SPO BCK ASM	Replacement Scapular back assembly
10	230122	BHCSM8X1.25X40FULLNP	
11	011691	WASHER HIGH STRENGTH	
12	210085	NUT HEX NYLOCK M8 BLACK	

NOTE: Fits Jay Curved, Jay SPO and Art SPO Backs.



Pos.	Item Number	Description	Remarks
1A,2	107311	LATERAL PAD 4X5	Each
1B,2	107312	LATERAL PAD 4X6	Each
3-9	HDK2500	SA LATERAL HARDWARE KIT	Each
1A-9	106925	4X5 LATERAL THORACIC KIT	Each
1B-9	106926	4X6 LATERAL THORACIC KIT	Each

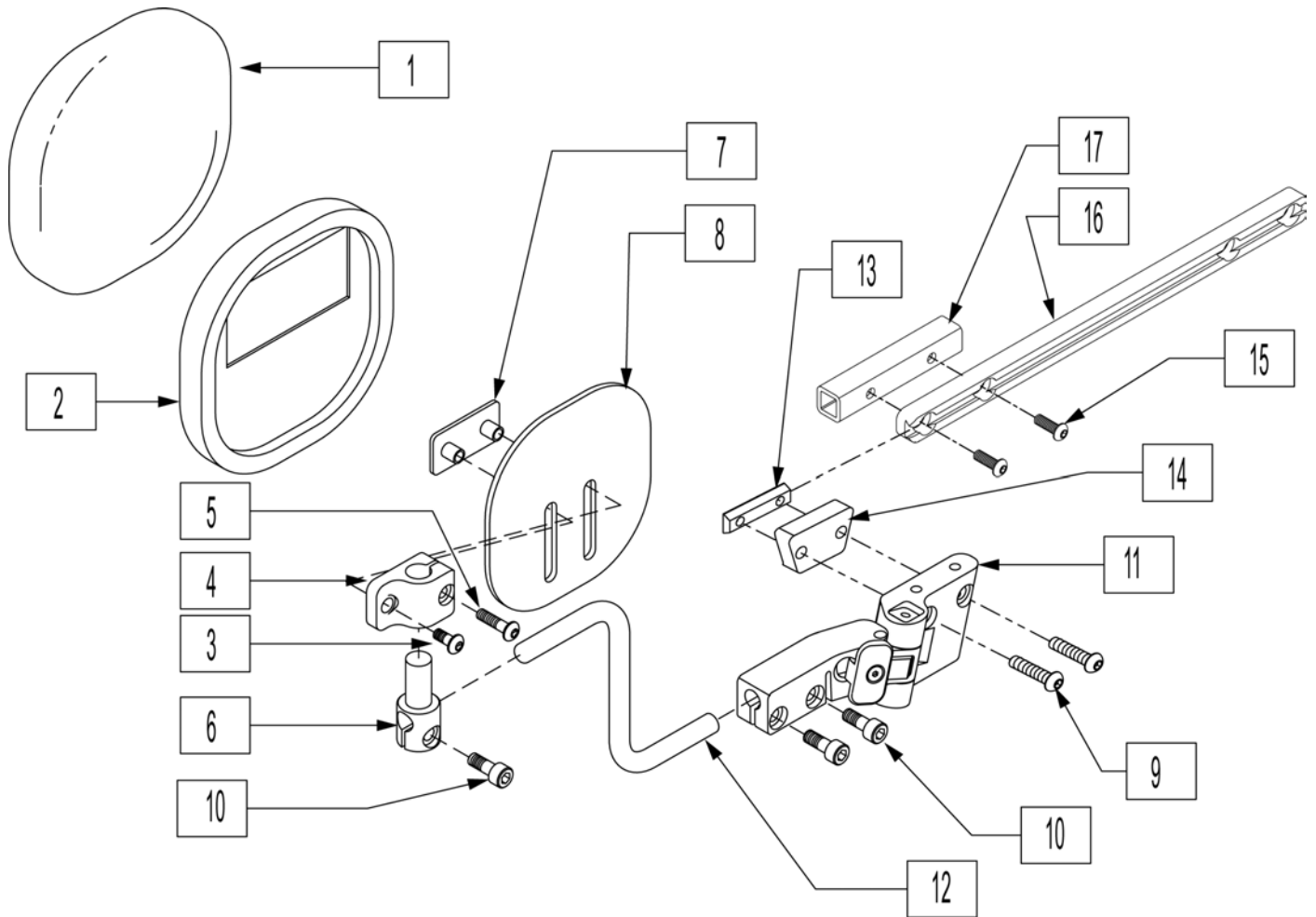
NOTE: Fits ASAP seating only.



Pos.	Item Number	Description	Remarks
4	n/a	BHCS 1/4 - 20 X .75	
6	n/a	BHCS 1/4 - 20 X .25	
7	n/a	BHCS 1/4 - 20 X .375	
10	PMB1099	PELVIC MESH BAG	
13	106425	SINGLE TRACK RAIL 8MM	
14	235008	M8 X 1.25 X 30 BH C/S	
15	107263	INNER TUBE SIDE RAIL	Use w/ Center Mount Footrest only
1,4,10,11	107313	HIP GUIDE PAD 5X10	
1-12	111906	HIP GUIDE ASSY REMOVBL L 5X10	Left, Includes parts for flush and offset mounting
1-12	111907	HIP GUIDE ASSY REMOVBL R 5X10	Right, Includes parts for flush and offset mounting
13-15	110824	SEAT RAIL KIT	PAIR

Note: Effective on Rhythm chairs built before 3/18/2010 (S/N RTMA-106545)

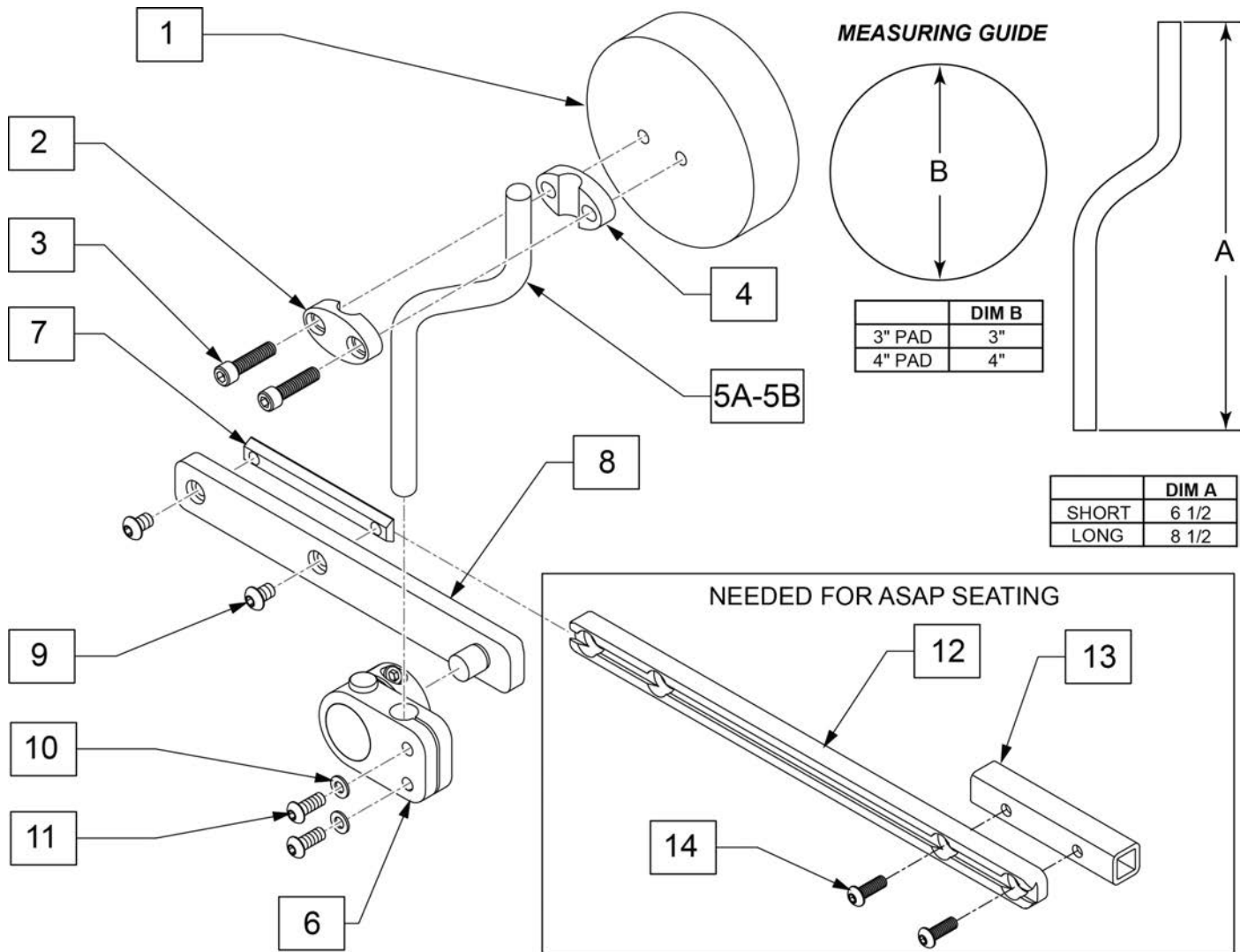
Note: Effective on Pulse chairs built before 3/18/2010 (S/N PLS-100923)



Pos.	Item Number	Description	Remarks
1	011692-003	PAD COVER KNEE SUPPORT LG	
2	011812-003	KNEE SUPPORT PAD LG VELC	
3	230497	M5-.8 X 20 MM BH C/S	
4	010422	LKSA CLAMP PIVOT	
5	102259-001	BHCS M5 X .8 X 12 W/PL INORG	
6	010060	LKSA PAD PIVOT	
7	010111-002	NUT PLATE M5 X 25.4 X 10	
8	010277-003	KNEE PLATE 6 X 6	
9	102262-004	BHCS M6 X 1 X 25 W/PL INORG	
10	102263-001	SHCS M6X1X16 FULL NP	
11	010409	LKSA ASSM HINGE LH	Left
11	010410	LKSA ASSM HINGE RH	Right
12	010058-002	LKSA ROD 100MM OFFSET	
13	011322	DUAL M6 CHANNEL NUT	
14	013611	SPACER KNEE SUPPORT	
9,13,14	014158	S/A KNEE SUPP ALT MNT KIT PF	

Pos.	Item Number	Description	Remarks
1-12	011469	KNEE SUPP S-A ASSM 100 LG LH	Left
1-12	011470	KNEE SUPP S-A ASSM 100 LG RH	Right
1-12	011471	KNEE SUPP S-A ASSM 100 LG PR	Pair
1-14	111455	KNEE SUPP S-A ASSM 100 L	Left - W/ Alternate Mount
1-14	111456	KNEE SUPP S-A ASSM 100 R	Right - W/ Alternate Mount
1-14	106427	KNEE ADDUCTOR S/A ASSY PR	Pair - W/ Alternate Mount
15	235008	M8 X 1.25 X 30 BH C/S	
16	106425	SINGLE TRACK RAIL 8MM	
17	107263	INNER TUBE SIDE RAIL	Use w/ Center Mount Footrest only
15-17	110824	SEAT RAIL KIT	Pair

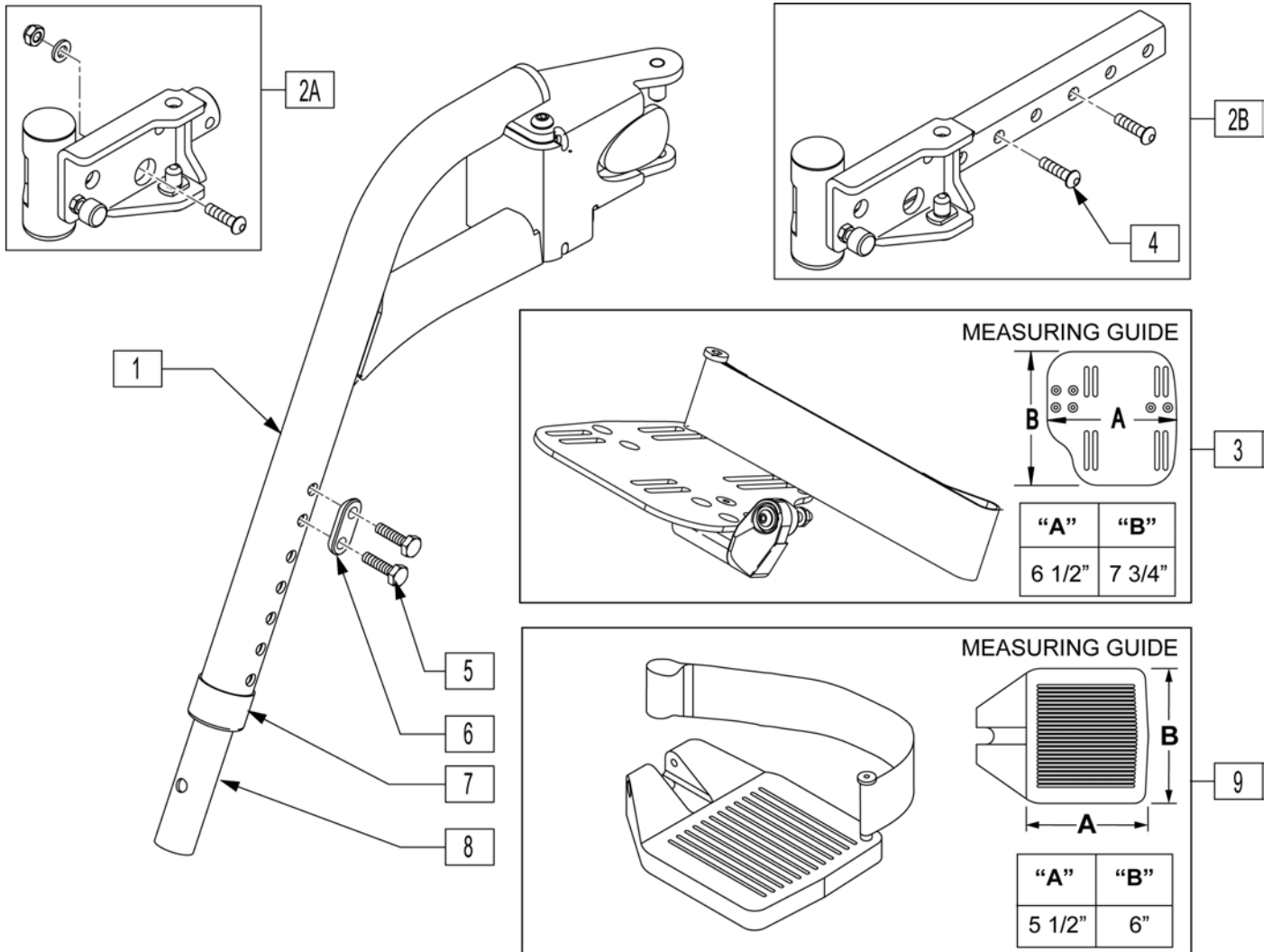
NOTE: Effective on Pulse chairs built after 3/18/2010 (S/N PLS-100923).



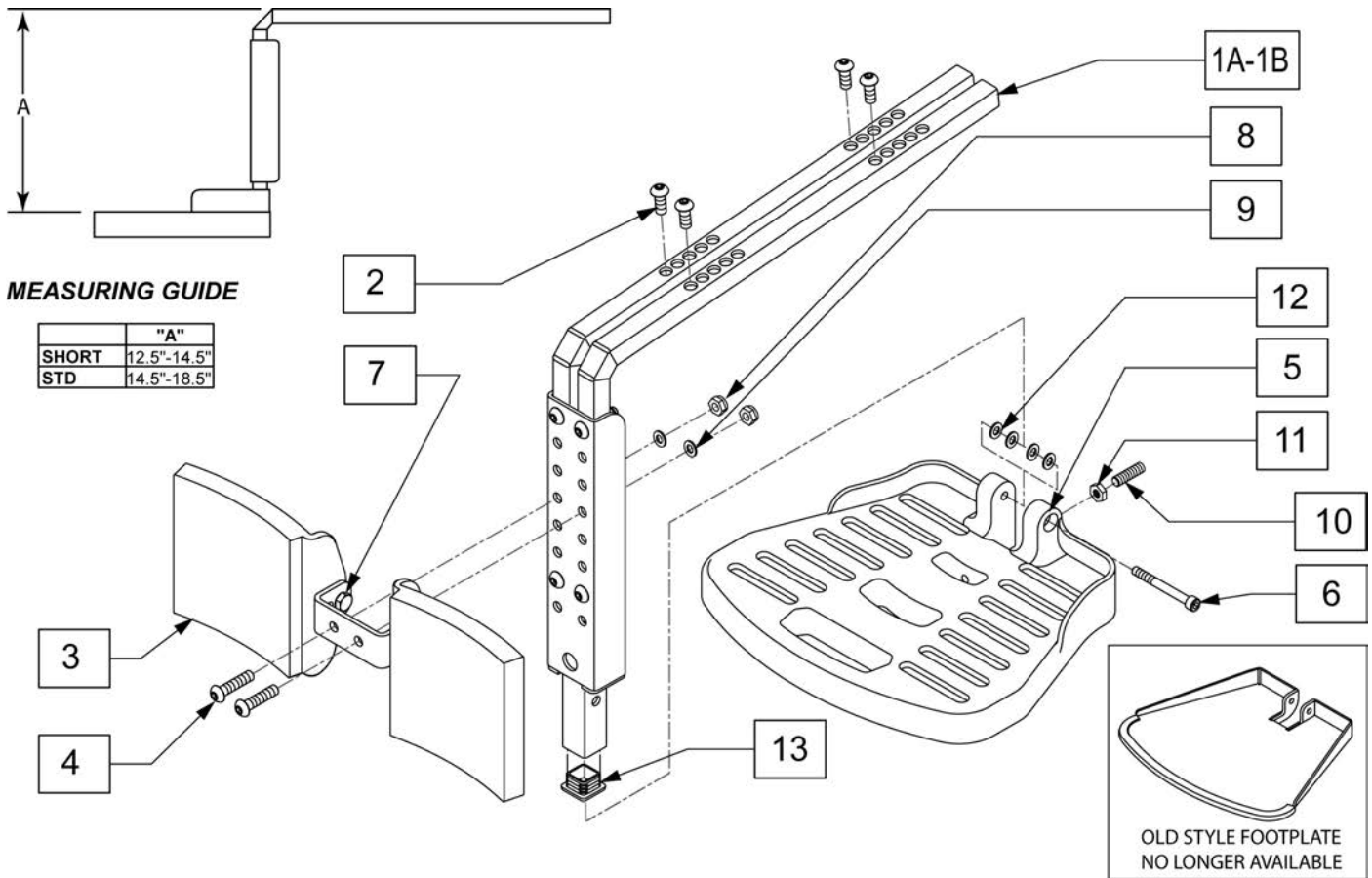
Pos.	Item Number	Description	Remarks
2-4	112830	PAD MOUNT KIT	
6,10,11	112831	SWING AWAY KNEE R	
6,10,11	112832	SWING AWAY KNEE L	
9	107034	BHCS 1/4-20 X 3/8 ROHS	
1A-4,5A -11	112841	KNEE SUPP ASSM R SHORT 3" PAD	
1A-4,5A -11	112842	KNEE SUPP ASSM L SHORT 3" PAD	
1A-4,5B -11	112843	KNEE SUPP ASSM R LONG 3" PAD	
1A-4,5B -11	112844	KNEE SUPP ASSM L LONG 3" PAD	
1A -4,5B-11	KAD10XX	KNEE ADDUCTOR PAD 3" ROUND	
1B-4,5A-11	112845	KNEE SUPP ASSM R SHORT 4" PAD	
1B-4,5A-11	112846	KNEE SUPP ASSM L SHORT 4" PAD	
1B-4,5B-11	112847	KNEE SUPP ASSM R LONG 4" PAD	
1B-4,5B-11	112848	KNEE SUPP ASSM L LONG 4" PAD	
1B -4,5B -11	KAD11XX	KNEE ADDUCTOR PAD 4" ROUND	
12	106425	SINGLE TRACK RAIL 8MM	
13	107263	INNER TUBE SIDE RAIL	
14	235008	M8 X 1.25 X 30 BH C/S	
12-14	110824	SEAT RAIL KIT	Pair

NOTE: Hanger assembly includes medium extension (achieves 15"-18" leg length)

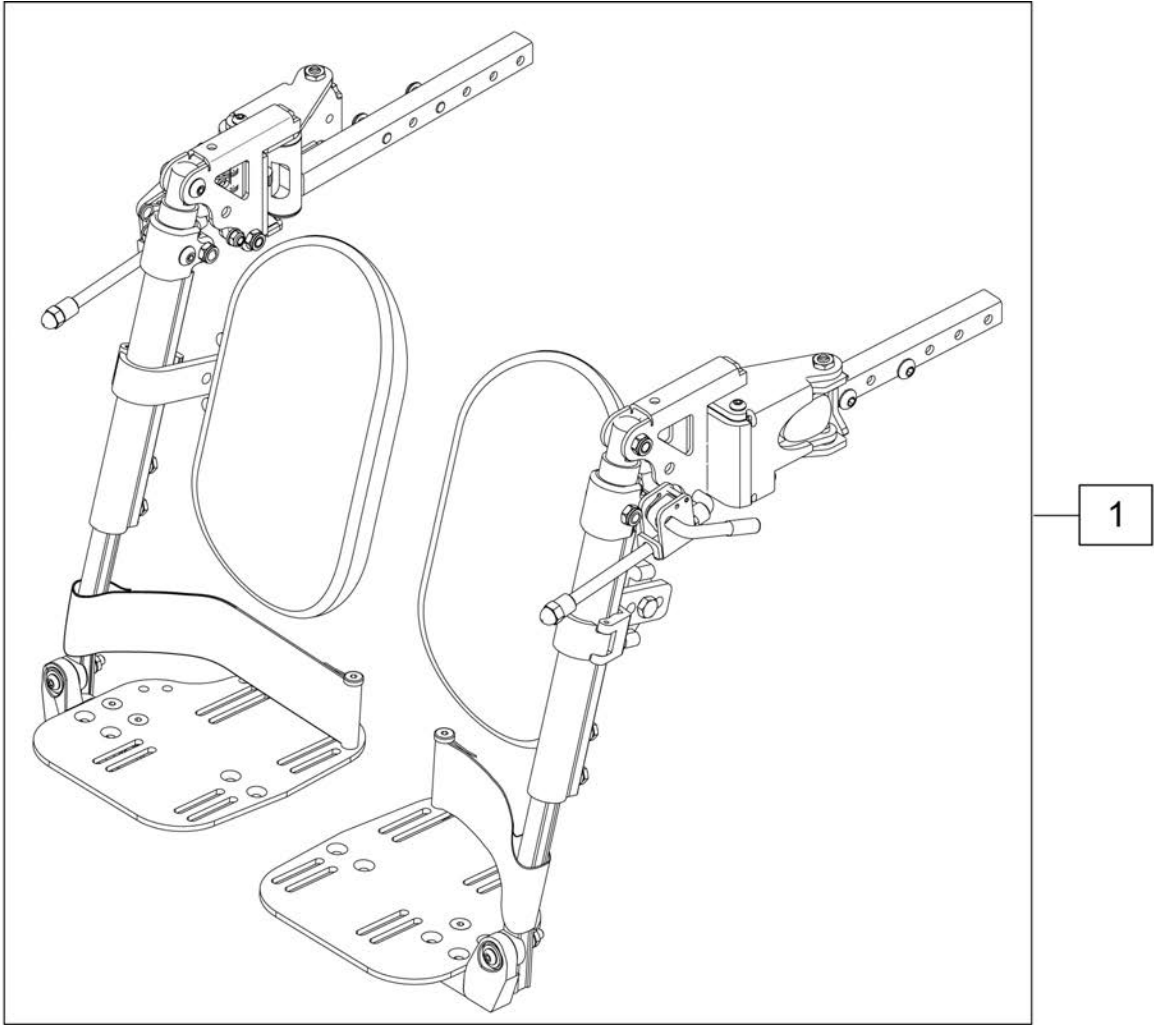
NOTE: For smaller or larger size footplate please refer to the appropriate footplate parts page.



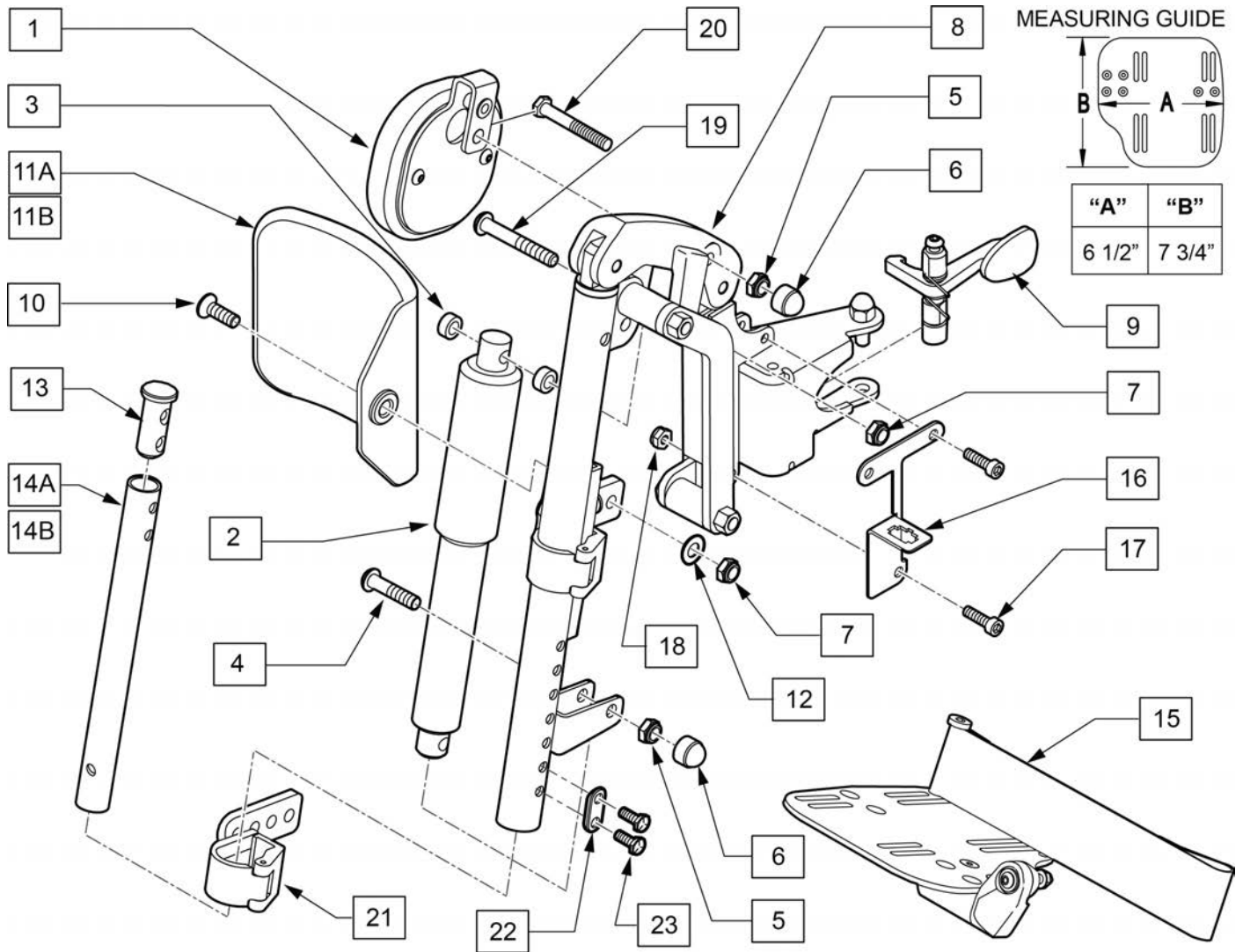
Pos.	Item Number	Description	Remarks
1,5-8	103219	HNGR S/A 65DEG W/EXT TB PR	PAIR
2A	104780	HANGER RECEIVER ASSM SHORT	RIGHT-Trad Rehab & Power Recline Seating
2A	104781	HANGER RECEIVER ASSM SHORT	LEFT-Trad Rehab & Power Recline Seating
2A	104782	HANGER RECEIVER ASSM LONG	RIGHT-Trad Rehab & Power Recline Seating
2A	104783	HANGER RECEIVER ASSM LONG	LEFT-Trad Rehab & Power Recline Seating
2A	104784	HANGER RECEIVER ASSM +1	RIGHT-Trad Rehab & Power Recline Seating
2A	104785	HANGER RECEIVER ASSM +1	LEFT-Trad Rehab & Power Recline Seating
2B	112532	LEGREST SWING-AWAY RETAINER ASSM	PAIR- ASAP Seating only
3	103411	ADULT ANGLE ADJUSTABLE FOOTPLATE KIT	PAIR
4	230006	BHCS M8 X 1.25 X 25 BLK	REFERENCE ONLY, SEE HARDWARE KIT
5	234891	M6 X 20 HEX C/S	
6	483717	HANGER SADDLE	
1,2B-8	103457	HANGER 65 \emptyset SWING-AWAY W/ FOOTPLATE & RECEIVER	PAIR- Hangers with Angle adj Footplate
9	921162	C F/PLT ASSM H/L 16-17/19-20V	
1,2B,4-9	110825	HANGER 65 S/A W/ COMP FOOT & RECIEVER	PAIR- Hangers with Composite Footplate



Pos.	Item Number	Description	Remarks
2	n/a	BHCS M8 X 1.25 X 20	AVAILABLE IN ASSM ONLY
4	n/a	BHCS M8 X 1.25 X 35	AVAILABLE IN ASSM ONLY
7	n/a	HHCS M8 X 1.25 X 25	AVAILABLE IN ASSM ONLY
6	n/a	SHCS M8 X 60	AVAILABLE IN ASSM ONLY
8	n/a	M8 NYLOCK NUT	AVAILABLE IN ASSM ONLY
9	n/a	M8 WASHER FLAT	AVAILABLE IN ASSM ONLY
10	n/a	SET SCREW M8 X 1.25 X 60	AVAILABLE IN ASSM ONLY
13	010615	SQUARE END CAP CNTR LEG SPVRT	
3,4,7,8,9	103118	CALF PAD AND HARDWARE	
5,6,10-12	101685	QUICKIE FOOTPLATE	
1A-13	103135	CENTER MOUNT HANGER ASSY	Used with ASAP and Captains Seat
1B-13	118493	FIXED CENTERMOUNT SHORT	Used with ASAP and Captains Seat

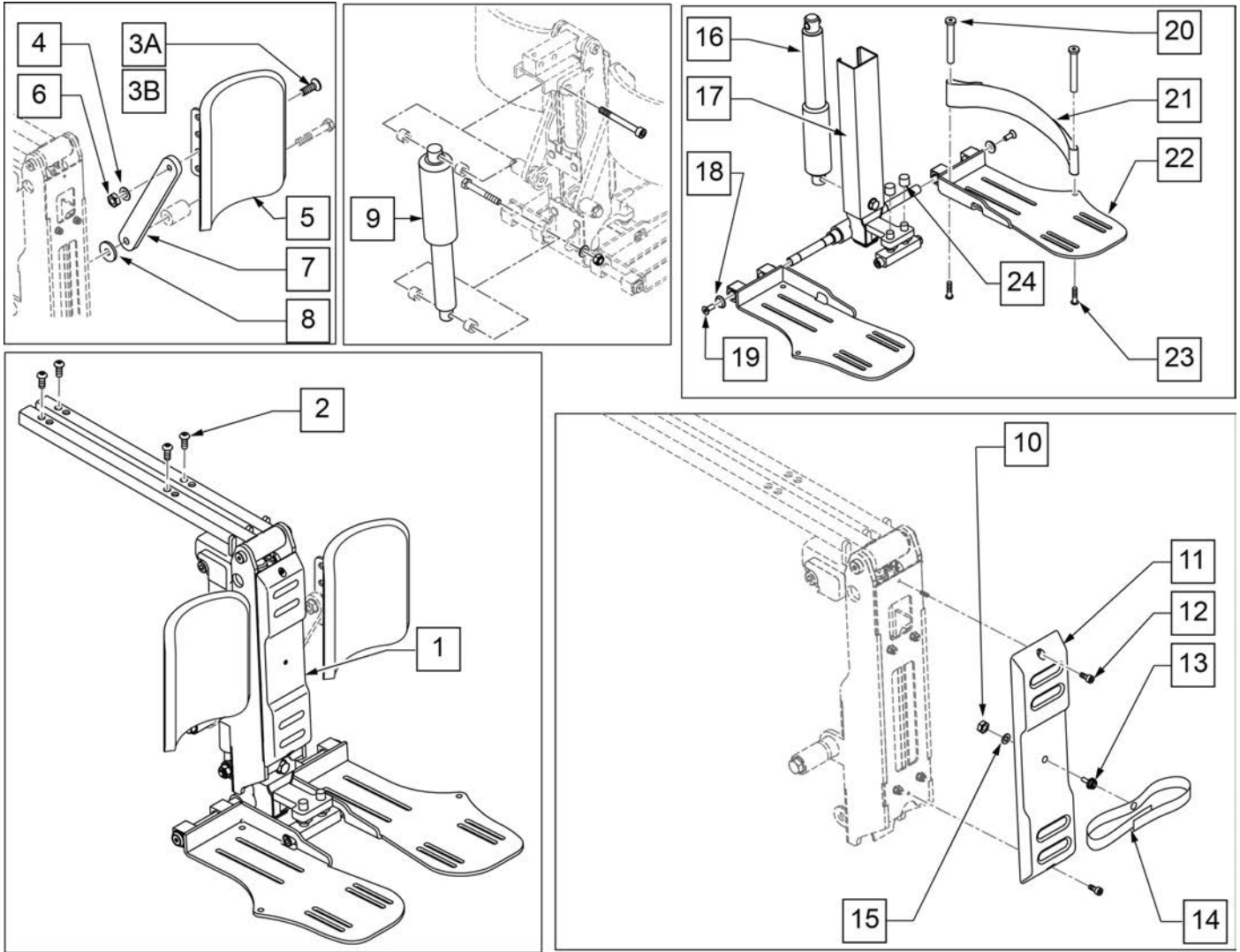


Pos.	Item Number	Description	Remarks
1	104684	MNL ELR W/FTPLT PR KIT	PAIR for ASAP



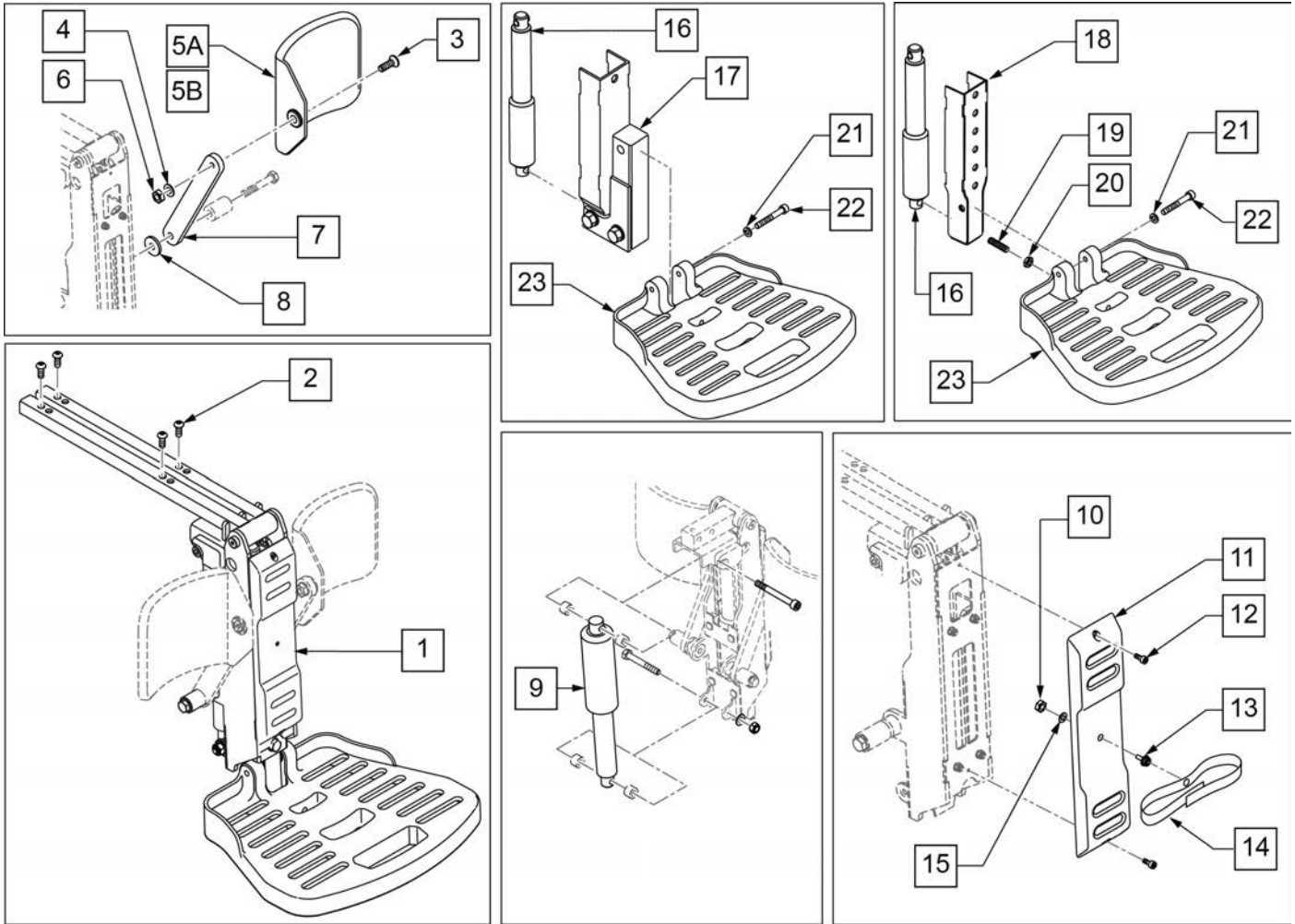
Pos.	Item Number	Description	Remarks
2	113304	ACTUATOR MBL LL220 NA	
4	102266	BHCS M8 X 1.25 X 35 INORGANIC	
5	210085	NUT HEX NYLOCK M8 BLACK	
6	000934.0108	NUT CAP M8 BLACK	
7	210085	NUT HEX NYLOCK M8 BLACK	
8	015330	IN LINE ALR ASSY LH	Left
8	015331	IN LINE ALR ASSY RH	Right
9	013765	HANGER RELEASE MECH & FIX KIT	
10	012934	FHCS M8 X 1.25 X 30 BLK	
11A	755014	CALF PAD TROUGH STYLE 14/16	
11B	755012	CALF PAD TROUGH STYLE 17-20	
12	561016	1" WASHER 5/16" HOLE	
13	013369	TUBE INSERT S/A	
14A	013305-001	EXT TUBE SHORT S/A	
14B	013305-003	EXT TUBE LONG S/A	
15	820461	FP ADLT ADJ 14/15 R HL	Right
15	820463	FP ADLT ADJ 14/15 L HL	Left
15	820465	FP ADLT ADJ 16/17 R HL	Right

Pos.	Item Number	Description	Remarks
15	820467	FP ADLT ADJ 16/17 L HL	Left
15	820469	FP ADLT ADJ 18-20 R HL	Right
15	820471	FP ADLT ADJ 18-20 L HL	Left
16	109779	BRACKET CONNECTOR MOUNT RH	Right
16	109837	BRACKET CONNECTOR MOUNT LH	Left
17	230494	M5-30 BTTN HD SOC C/S BLK	
18	220121	NUT HEX NYLOCK M5 BLACK	
19	013152	BHCS M8 X 1.25 X 55 BLK.	
21	015259	IN-LINE ELR CALF PAD BRKT ASSM	
22	483717	HANGER SADDLE	
23	234891	M6 X 20 HEX C/S	
1-10,21	111206	IN LINE ALR ASSY LH 12" CABLE	Left
1-10,21	111207	IN LINE ALR ASSY RH 12" CABLE	Right
1-11A,13,14A-21	111957	ALR 14/15W SHT EXT ASSM	PAIR
1-11A,13,14B-21	111960	ALR 14/15W LNG EXT ASSM	PAIR
1-11A,13,14A-21	111958	ALR 16/17W SHT EXT ASSM	PAIR
1-11A,13,14B-21	111961	ALR 16/17W LNG EXT ASSM	PAIR
1-11A,13,14A-21	111959	ALR 18/20W SHT EXT ASSM	PAIR
1-11A,13,14B-21	111962	ALR 18/20W LNG EXT ASSM	PAIR



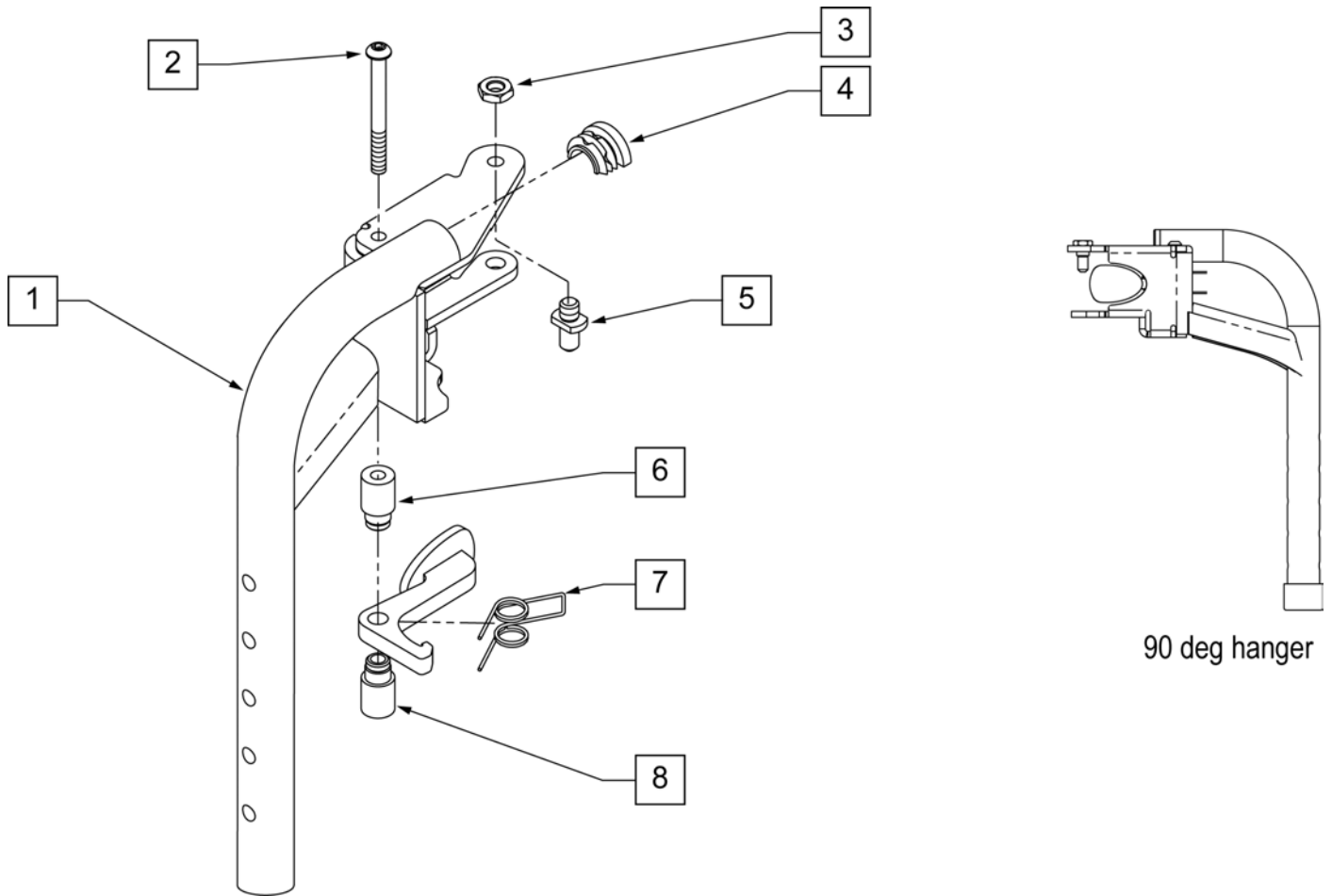
Pos.	Item Number	Description	Remarks
1	113277	POWER CM LEGREST NA ASAP	
2	013150	BHCS M8 X 1.25 X 20 BLK	
3A	103502-006	FHCS M8 x 1.25 x 25 FULL NP	Used w/ Captains Seat
3B	230121	BHCS M8 X 1.25 X 20MM PATCH	Used w/ ASAP Seat
4	011691	WASHER HIGH STRENGTH 8mm	
5	013211	ASSM CALF PAD SINGLE ROW	
6	013036	M8 X 1.25 JAM NUT HEX	
7	013887-001	BAR SA CALF PAD 160	
8	561016	1" WASHER 5/16" HOLE	
9	112665	ACT MBL LL1001 NA POLARITY	Elevating Actuator
10	200099	8 -32 NYLOCK NUT THIN	
11	015156	PCM FRONT COVER	
12	230132	SHCS M4 x .7 x 10	
13	106687	MACHINE SCREW STUD #8 -32 x 1/2	
14	106484	CALF PAD STRAP	
15	111203	WASHER LARGE OD #8	
16	112666	ACT MBL LL1000 NA POLARITY	Articulating Actuator
20	561040	HEEL LOOP PEG	

Pos.	Item Number	Description	Remarks
21	741170	HEEL LOOP P300	
22	015193	PCM SINGLE FOOTPLATE LH	Left
22	015194	PCM SINGLE FOOTPLATE RH	Right
23	226123	1/4-20 X 1 BH C/S BLK ZN	
24	122106	THREAD CAP	
17-19	015340	PCM LOWER SECTION ADULT	
10-15	113297	PCM COVER ASSY	

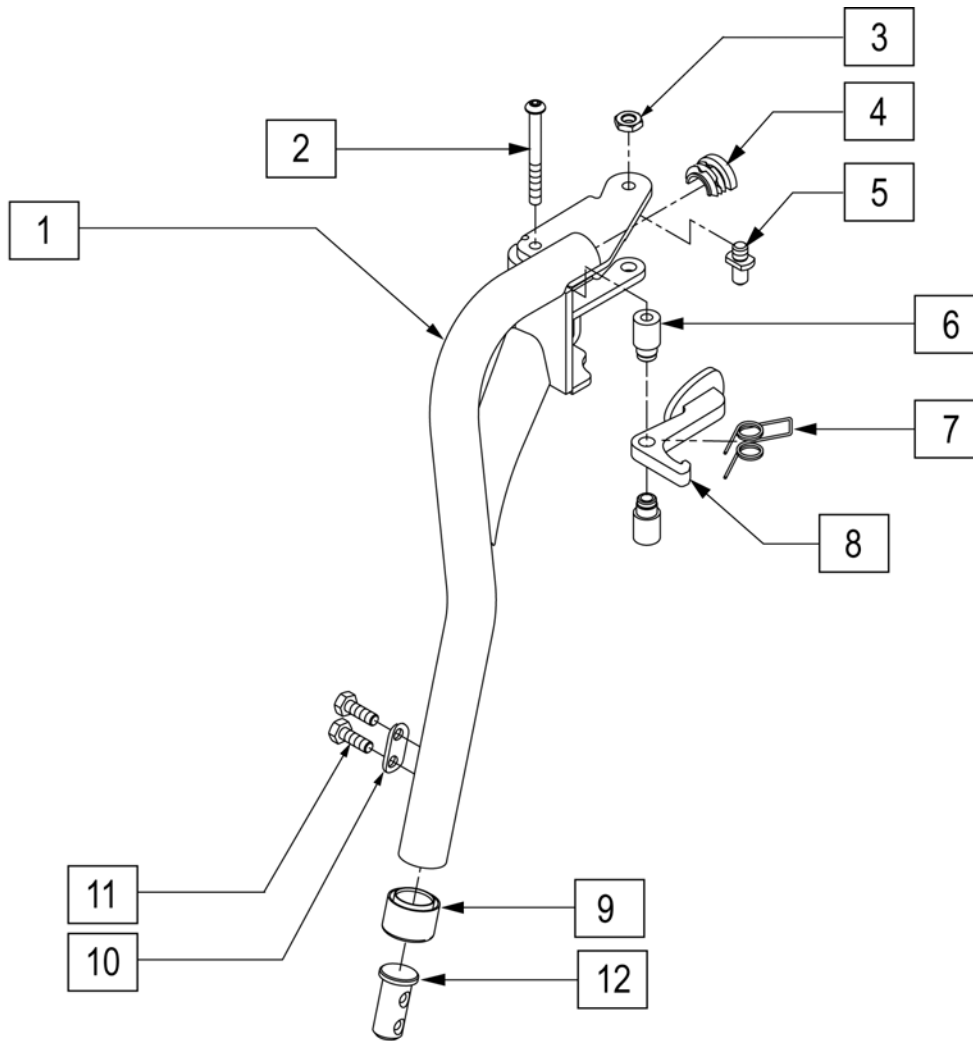


Pos.	Item Number	Description	Remarks
1	114491	POWER CM LEGREST NA ASAP SINGL	
2	013150	BHCS M8 X 1.25 X 20 BLK	
3	103502-006	FHCS M8 x 1.25 x 25 FULL NP	
4	011691	WASHER HIGH STRENGTH 8mm	
5A	755012	CALF PAD TROUGH STYLE 17-20"	Used w/ 17-20" wide
5B	755014	CALF PAD TROUGH STYLE 14/16	Used w/ 14-16" wide
6	013036	M8 X 1.25 JAM NUT HEX	
7	013887-001	BAR SA CALF PAD 160	
8	561016	1" WASHER 5/16" HOLE	
9	112665	ACT MBL LL1001 NA POLARITY	Elevating Actuator
10	200099	8 -32 NYLOCK NUT THIN	
11	015156	PCM FRONT COVER	
12	230132	SHCS M4 x .7 x 10	
13	106687	MACHINE SCREW STUD #8 -32 x 1/2	
14	106484	CALF PAD STRAP	
15	111203	WASHER LARGE OD #8	
16	112666	ACT MBL LL1000 NA POLARITY	Articulating Actuator
17	015339	LOWER SECTION KIDS	
18	113591	LOWER SECTION	
19	106381	SET SCREW M8X35	

Pos.	Item Number	Description	Remarks
20	234960	M8 -35 HEX C/S	
21	250106	M8 LOCK WASHER	
22	103143	SHCS M8 X 1.25 X 60 INORG	
23	105245	FOOTPLATE	
19-23	101685	QUICKIE FOOTPLATE	

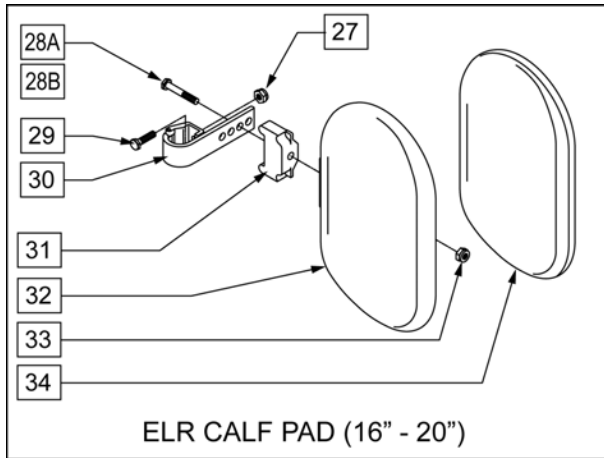


Pos.	Item Number	Description	Remarks
2	013216	SCREW M6 X 60 SKT BTN BLK	
3	013036	M8 X 1.25 JAM NUT HEX	
4	013312	HALF CAP INSERT	
5	108778	PIVOT PIN, POWER	
6	013217	SPACER S/A HANGER LATCH	
7	013163	SPRING LATCH S/A HANGER	
8	013160	LATCH ARM S/A HANGER	
1 -8	013330	S/A HANGER ASSM 90D L	Left
1 -8	013337	S/A HANGER ASSM 90D R	Right

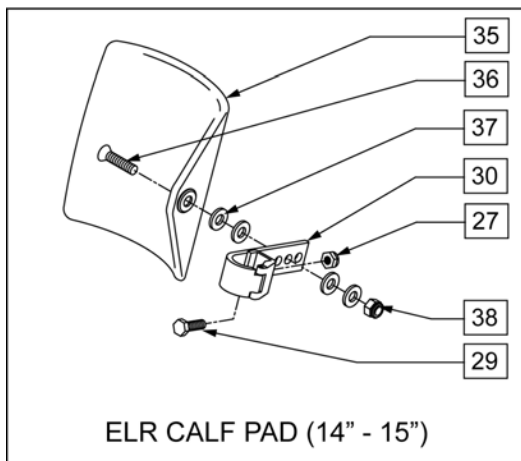


Pos.	Item Number	Description	Remarks
2	013216	SCREW M6 X 60 SKT BTN BLK	
3	013036	M8 X 1.25 JAM NUT HEX	
4	013312	HALF CAP INSERT	
5	108778	PIVOT PIN, POWER	
6	013217	SPACER S/A HANGER LATCH	
7	013163	SPRING LATCH S/A HANGER	
8	013160	LATCH ARM S/A HANGER	
9	561082	1" TUBE END BUSHING THIN	
10	483717	HANGER SADDLE	
11	234891	M6 X 20 HEX C/S	
12	013369	TUBE IN EXT TB S/A HNGR EXT	
1-9	100189	S/A HNGR ASSY TAPER 75D LH	Left
1-9	100190	S/A HNGR ASSY TAPER 75D RT	Right

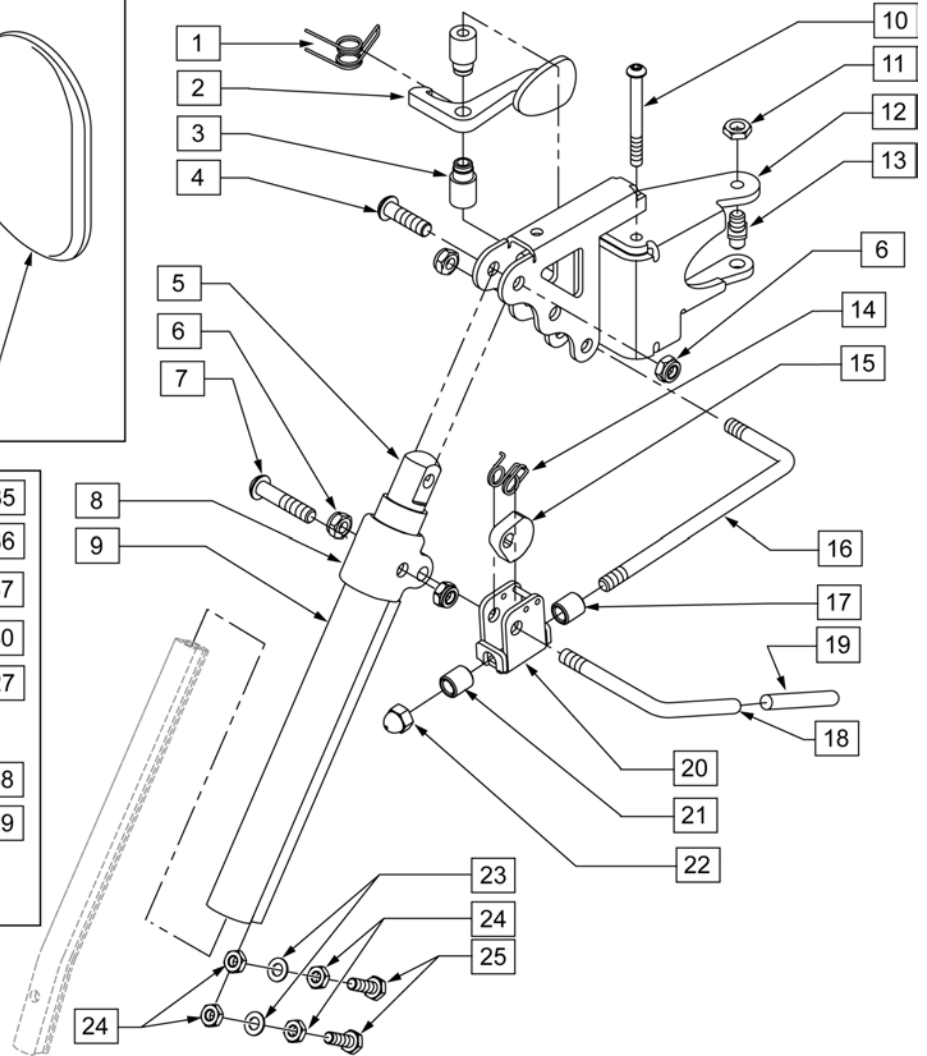
ELEVATING LEGREST



ELR CALF PAD (16" - 20")

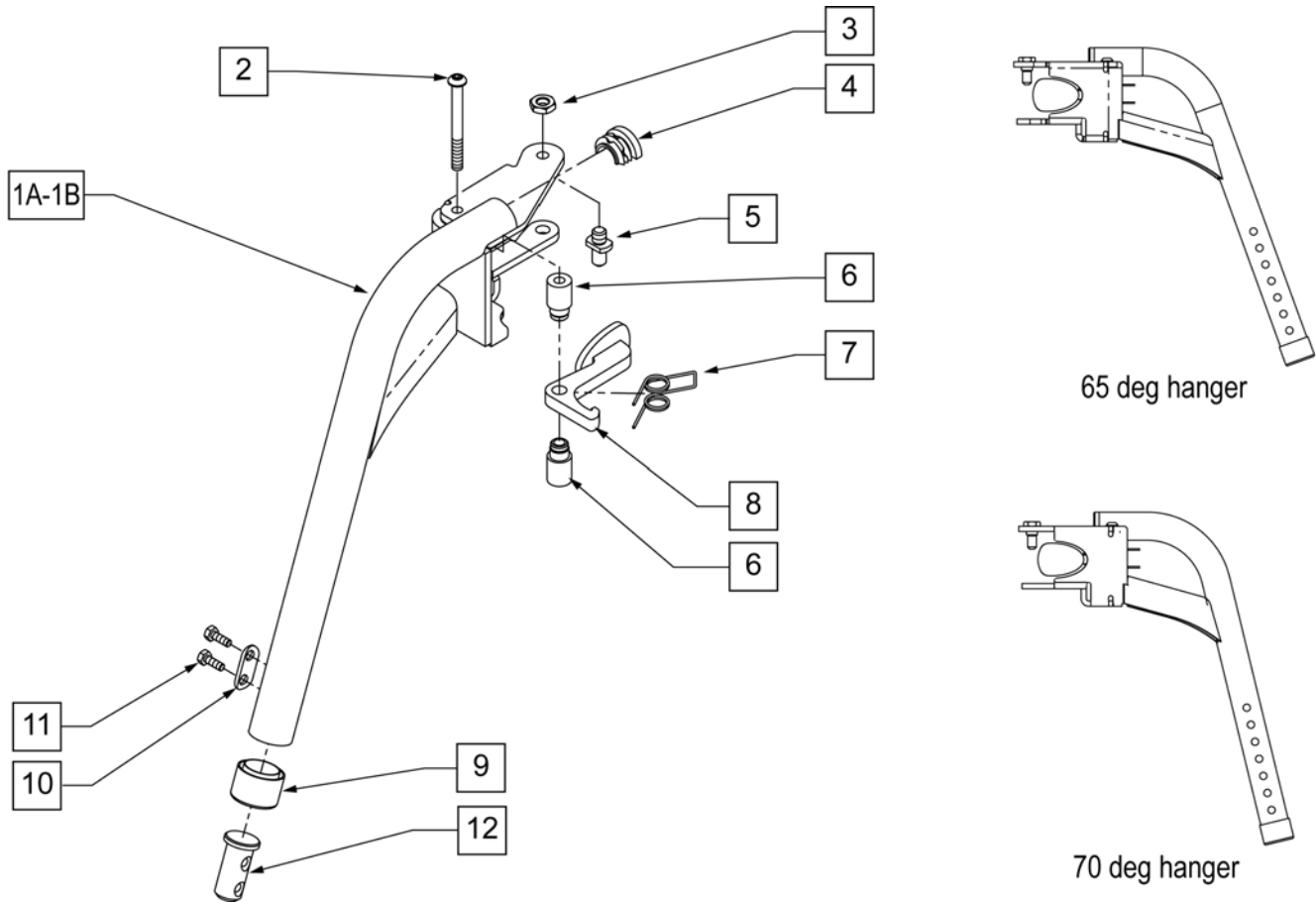


ELR CALF PAD (14" - 15")

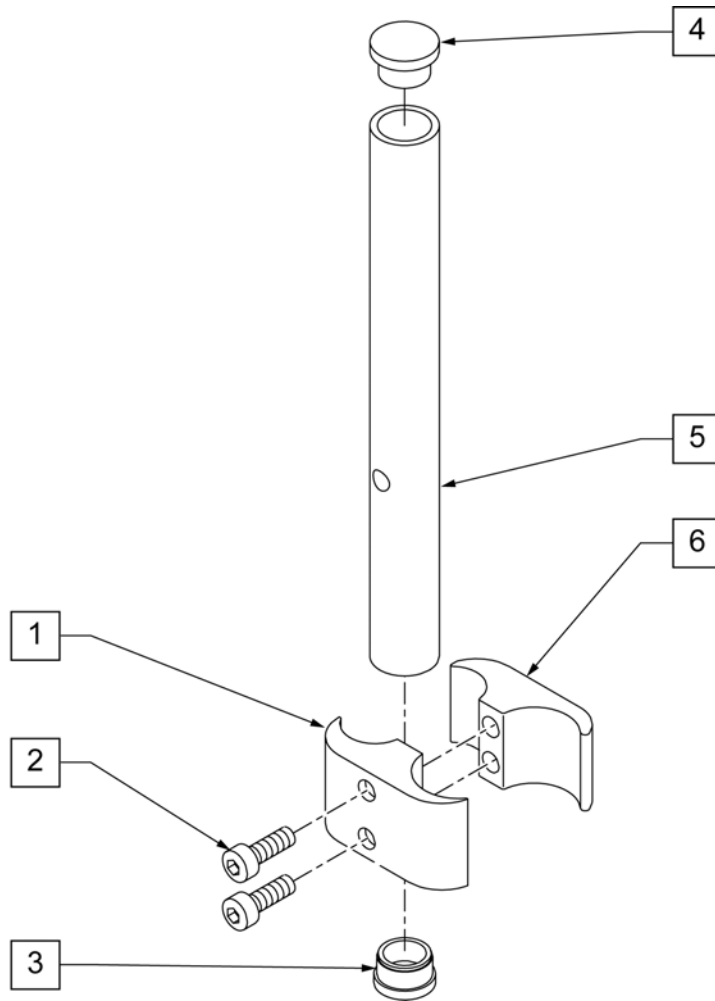


Pos.	Item Number	Description	Remarks
1	013163	SPRING LATCH S/A HANGER	
2	013160	LATCH ARM S/A HANGER	
3	013217	SPACER S/A HANGER LATCH	
4	226343	5/16-24 X 1 1/8 BHCS BLK	
5	540252	ELR PIVOT PRS	
6	106939	5/16-24 NYLOCK NUT THIN	
7	226138	5/16-24 X 1 1/2 BH C/S	
8	560420	ELR UPPER PIVOT PLST	
9	550722S	ELR ADJUSTMENT TUBE	
10	013216	SCREW M6 X 60 SKT BTN BLK	
11	013036	M8 X 1.25 JAM NUT HEX	
13	108778	PIVOT PIN TOP S/A HANGER	
14	321106	ELR TORSION SPRING	
15	481119	ELR CAM LOCKING POWDERED METAL	
16	481242	ELR LOCK ROD S525	
17	014085	ELR ADJ STOP 20D	
18	481122	ELR ACTUATION ARM	
19	561049	ELR RELEASE ROD COVER	

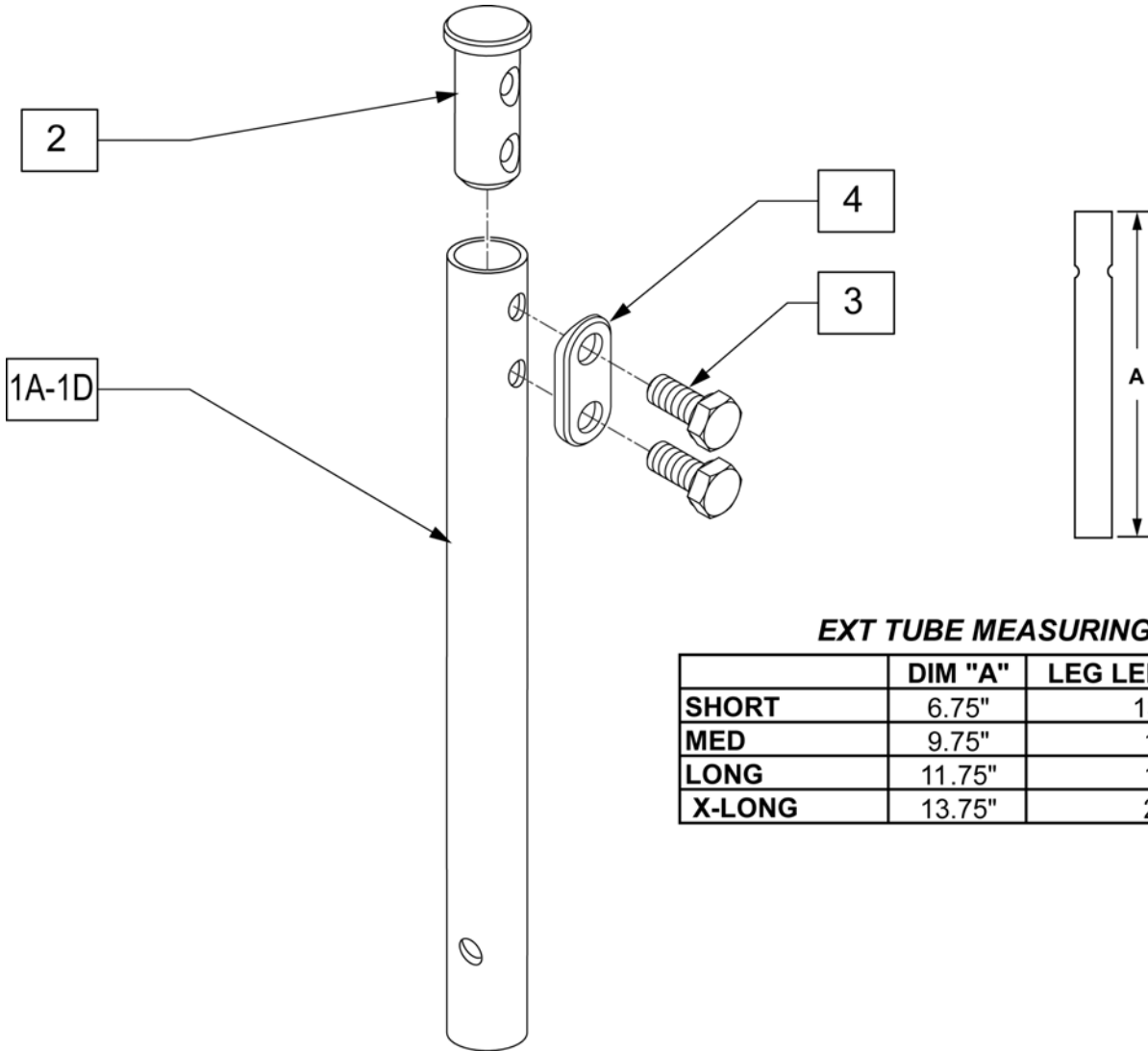
Pos.	Item Number	Description	Remarks
20	880990	ELR LOCK HOUSING W/PIN	
21	560815	HEMI ELR ADJ STOP BACK LG	
22	202109	5/16-24 ACORN NUT HEX	
23	106943	1/4 AN WASHER FLAT	
24	201112	1/4-28 NUT THIN	
25	221096	1/4-28 X 5/8 HEX C/S	
27	106934	1/4-28 NYLOCK NUT	
28A	222242	5/16-18 X 2 1/2 HEX C/S	
28B	107019	HHCS 5/16-18 X 3-1/2 ROHS	(USE W/ ITEM #31)
29	221096	1/4-28 X 5/8 HEX C/S	
30	881413	CALF PAD BRACKET ASSM	
31	560199	ELR CALF HINGE SPACER	used w/ 16-17 wide calf pad
32	560108	CALF PAD MOLDED 16-20"	
33	106936	5/16-18 NYLOCK NUT THICK	
34	751045	CALF PAD COVER NEOPRENE	
35	755014	CALF PAD TROUGH STYLE 14/16	
36	222108	5/16-18 X 1 1/4 BH C/S	
37	561016	1" WASHER 5/16" HOLE"	
38	106937	5/16-18 NYLOCK NUT THIN	
27,29,30,35-38	881414	CALF PAD J-HOOK 14-15" ASSM	
27, 28A-30, 32-34.	881416	CALF PAD MOLDED 16-17" ASSM	
27, 28A-34	881412	CALF PAD MOLDED 18-20" ASSM	
1-25	101285	RHYTHM/GROOVE ELR HNGR ASSM R	
1-25	101286	RHYTHM/GROOVE ELR HNGR ASSM L	
4,6,7,10,23-25	101548	ELEVATING LEGREST HDWR KIT	
1-8,10-22	101844	ELR HNGR R RHY/GRV W/O TUBE	
1-8,10-22	101845	ELR HNGR L RHY/GRV W/O TUBE	



Pos.	Item Number	Description	Remarks
2	013216	SCREW M6 X 60 SKT BTN BLK	
3	013036	M8 X 1.25 JAM NUT HEX	
4	013312	HALF CAP INSERT	
5	108778	PIVOT PIN, POWER	
6	013217	SPACER S/A HANGER LATCH	
7	013163	SPRING LATCH S/A HANGER	
8	013160	LATCH ARM S/A HANGER	
9	561082	1" TUBE END BUSHING THIN	
10	483717	HANGER SADDLE	
11	234891	M6 X 20 HEX C/S	
12	013369	TUBE IN EXT TB S/A HNGR EXT	
1B-9	115167	S/A HANGER ASSM 70D R	70 degree - Right
1B-9	115168	S/A HANGER ASSM 70D L	70 degree - Left
1A-9	014450	S/A HANGER ASSM 65D R	65 degree - Right
1A-9	014451	S/A HANGER ASSM 65D L	65 degree - Left



Pos.	Item Number	Description	Remarks
1	550657	CLAMP 1 1/4" RECESS FULL BLK	
2	107032	SHCS 1/4-28 X 1 ROHS	
3	561000-QU	3/4" INSERT PLUG .083	
4	482016	HIGH-MOUNT FL FT TUBE PLUG	
5	524100	H/M FL FT EXT TUBE BLK	
6	550658	CLAMP 1 1/4" THREADED BLK	
1,2,6	880538	HI-MOUNT FR CLAMP ASSEMBLY BLK	
1-6	921550S	H/M FL FT CLAMPS AND TUBES (PR)	Pair



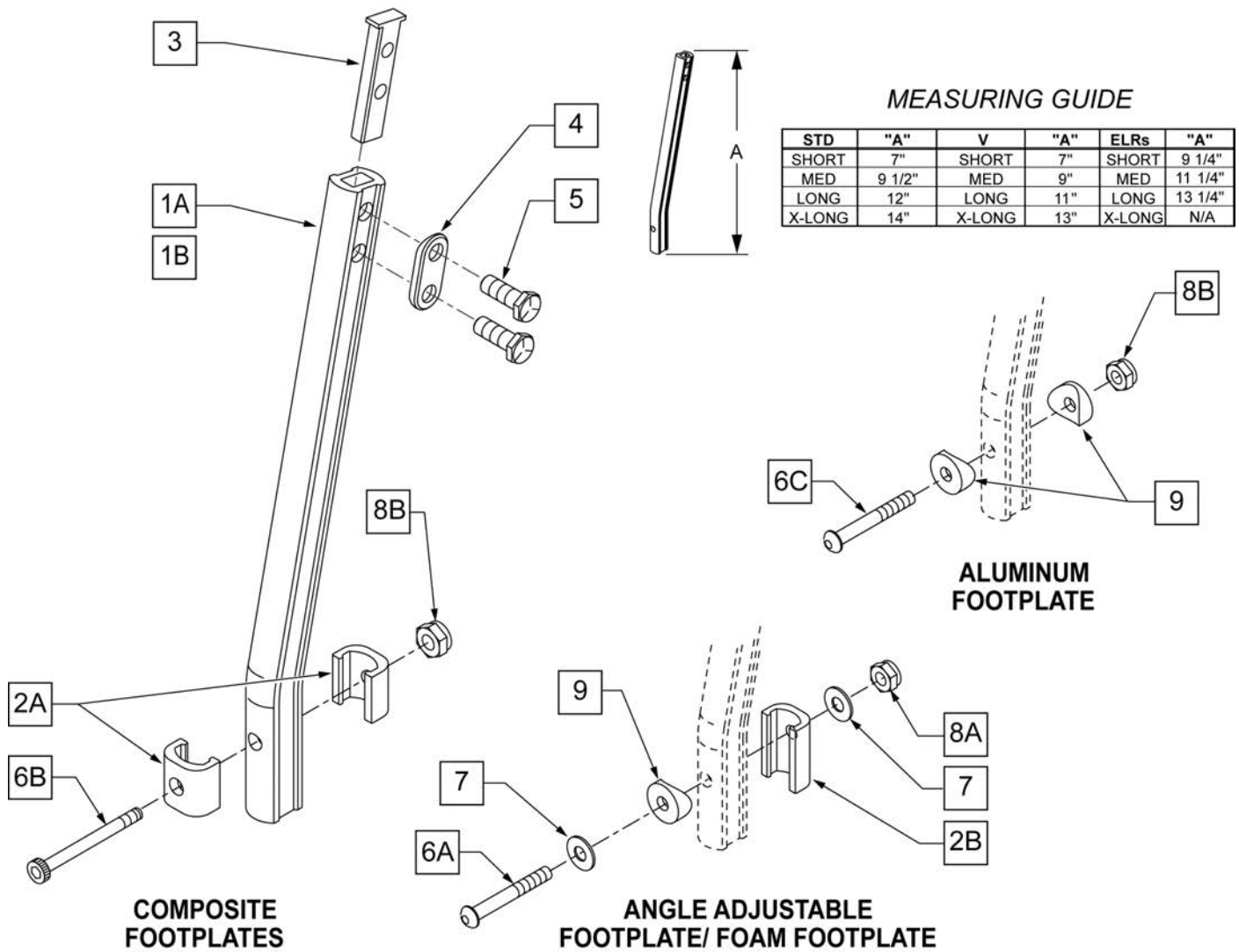
EXT TUBE MEASURING GUIDE

	DIM "A"	LEG LENGTH RANGE
SHORT	6.75"	13"-15.5"
MED	9.75"	15"-18"
LONG	11.75"	18"-20"
X-LONG	13.75"	20"-22"

Pos.	Item Number	Description
1A	013305-001	EXT TUBE SHORT S/A
1B	013305-002	EXT TUBE MED S/A
1C	013305-003	EXT TUBE LONG S/A
1D	013305-004	EXT TUBE X LONG S/A
2	013369	TUBE IN EXT TB S/A HNGR EXT
3	234891	M6 X 20 HEX C/S
4	483717	HANGER SADDLE
1A-4	100191	EXT TBE SHT S/A ASSM RHY/G
1B-4	100208	EXT TBE MED S/A ASSM RHY/G
1C-4	100211	EXT TBE LNG S/A ASSM RHY/G
1D-4	100213	EXT TBE X-LNG S/A ASSM RHY

NOTE: IF REPLACING AN EXTENSION TUBE ON AN MANUAL ALR PLEASE REFER TO THE ROUND EXT TUBE PARTS MANUAL PAGE.

NOTE: WHEN ORDERING REPLACEMENT EXTENSION TUBES PLEASE VERIFY IF YOU HAVE THE OLD STYLE DOUBLE D EXTENSION TUBE OR THE NEW STYLE DOUBLE D EXTENSION TUBE. THIS CAN BE DONE BY REVIEWING THE HANGER THE EXTENSION TUBE IS USED ON. IF THE HANGER UTILIZES A SINGLE SET SCREW AT THE BOTTOM OF THE HANGER TUBE TO ATTACH THE EXTENSION TUBE TO THE HANGER, THEN THIS UTILIZES THE NEW STYLE DOUBLE D EXT TUBE ALL OTHER HANGERS REQUIRING A DOUBLE D EXTENSION TUBE UTILIZE THE OLD STYLE.

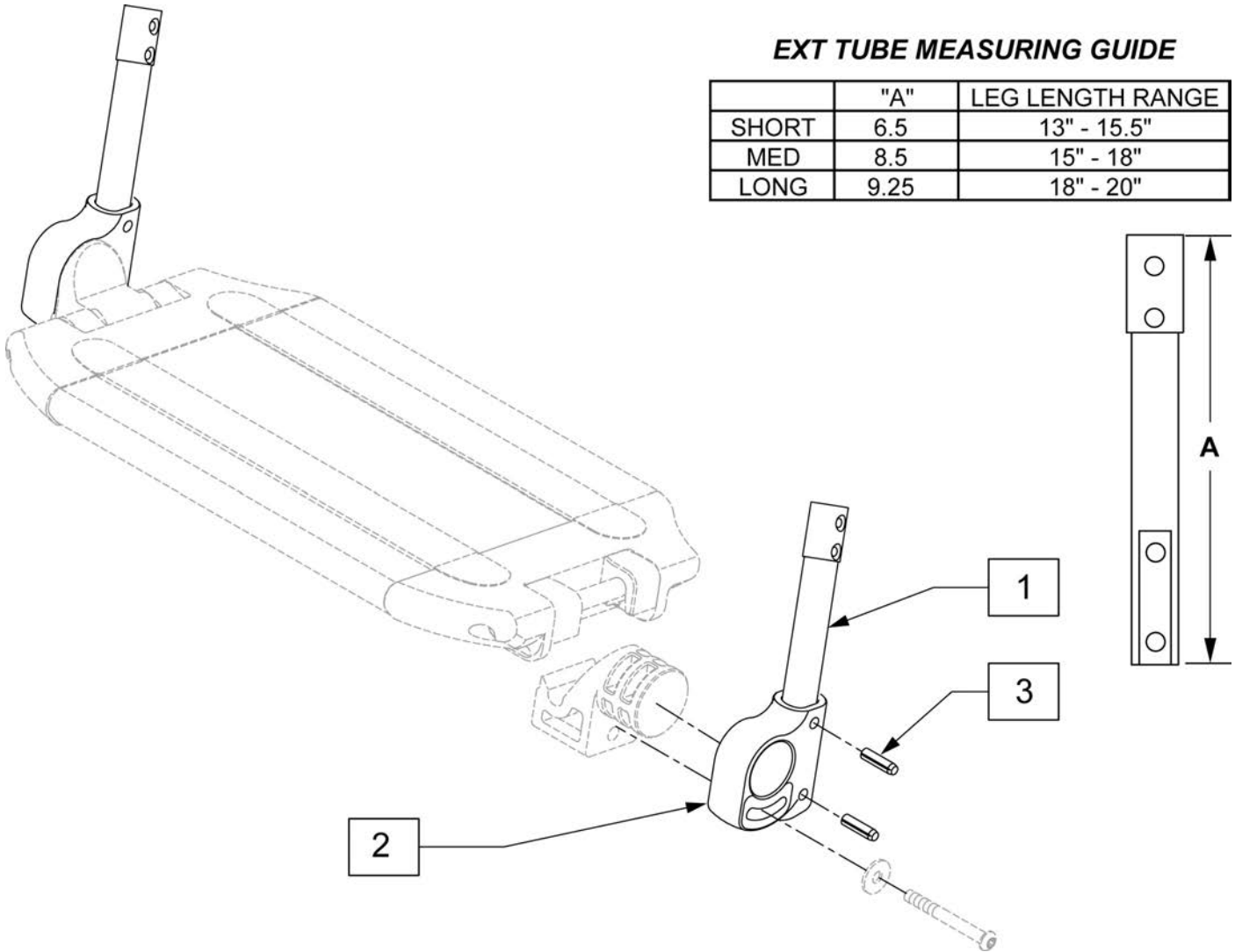


Pos.	Item Number	Description	Remarks
1A	550819	EXT TUBE S/A ONLY SHT	Short Ext-Swing Away Hanger
1A	550820	EXT TUBE S/A ONLY MED	Med Ext-Swing Away Hanger
1A	550821	EXT TUBE S/A ONLY LONG	Long Ext-Swing Away Hanger
1A	550822	EXT TUBE S/A ONLY X-LONG	X-Long Ext-Swing Away Hanger
1B	550834	EXT TUBE V IN ONLY D2 SHT R	Right Short Ext-Swing Away Hanger
1B	550835	EXT TUBE V IN ONLY D2 SHT L	Left Short Ext-Swing Away Hanger

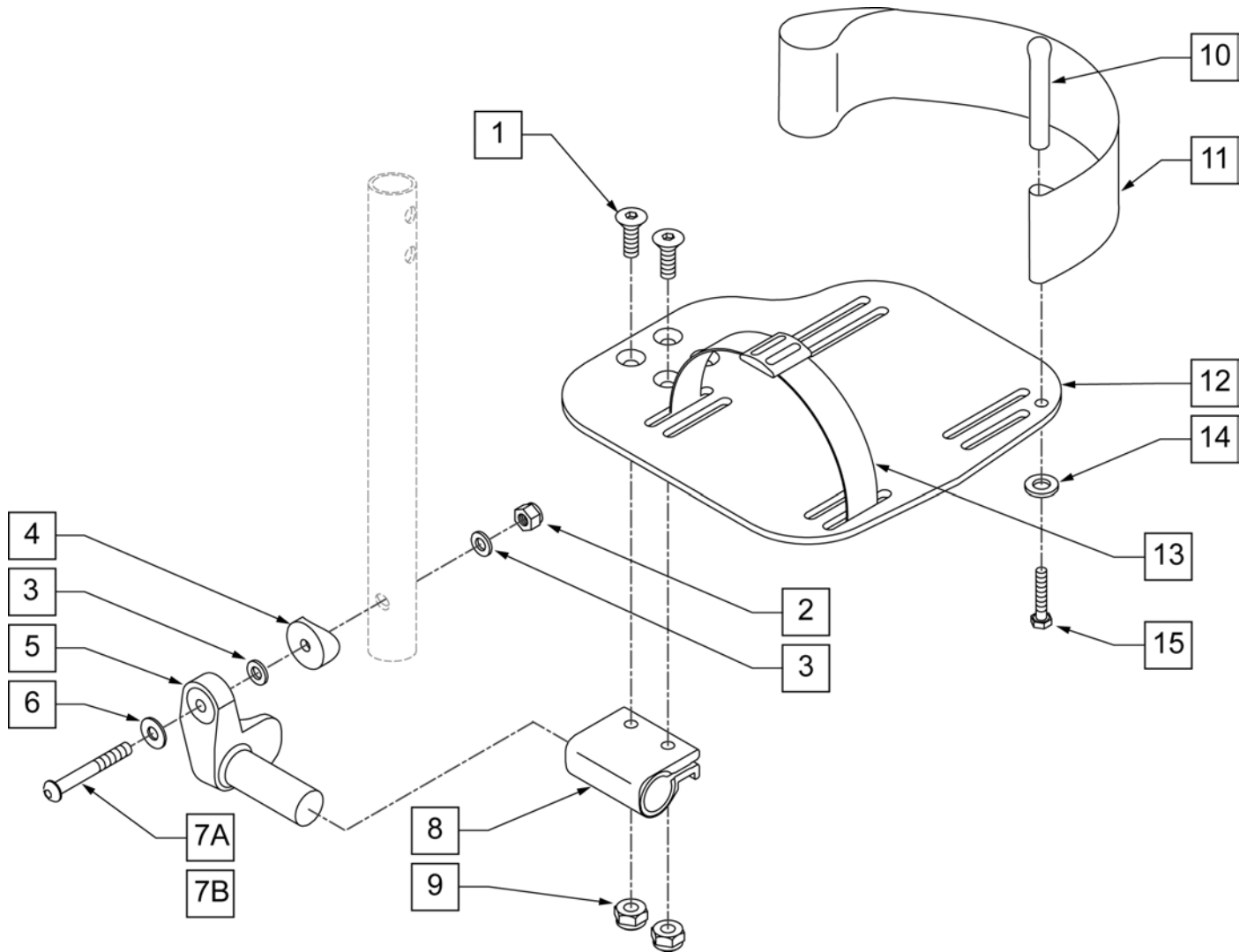
Pos.	Item Number	Description	Remarks
1B	550836	EXT TUBE V IN ONLY D2 MED R	Right Med Ext-Swing Away Hanger
1B	550837	EXT TUBE V IN ONLY D2 MED L	Left Med Ext-Swing Away Hanger
1B	550838	EXT TUBE V IN ONLY D2 LONG R	Right Long Ext-Swing Away Hanger
1B	550839	EXT TUBE V IN ONLY D2 LONG L	Left Long Ext-Swing Away Hanger
1B	550840	EXT TUBE V IN ONLY D2 X-LONG R	Right X-Long Ext-Swing Away Hanger
1B	550841	EXT TUBE V IN ONLY D2 X-LONG L	Left X-Long Ext-Swing Away Hanger
2A	483718	HANGER EXTENSION SADDLE	USE W/ COMPOSITE FTPLT
2B	483720	HANGER EXTENSION SADDLE LONG	USE W/ ANGLE ADJ FTPLT
1C	550764	S/A HANGER EXT D2 SHORT BLACK	Short Ext ELR Hangers
1C	550765	S/A HANGER EXT D2 MED BLACK	Medium Ext ELR Hangers
1C	550766	S/A HANGER EXT D2 LONG BLACK	Long Ext ELR Hangers
3	500078	INSERT D2 EXT TUBE	
4	483717	HANGER SADDLE	
5	221102	1/4-28 x 3/4 HEX HEAD C/S BLK W/PTCH	
6A	106962	1/4-28 x 1 3/4 BH C/S BLK ZN	USE W/ ANGLE ADJ FTPLT
6B	226165	1/4 -28 x 2 1/2 SOC C/S	USE W/ COMPOSITE FTPLT
6C	226147	1/4 -28 X 1.85 BH C/S	
7	106945	1/4" SAE WASHER	
8A	106941	1/4 -28 AUTOMATION NUT	USE W/ ANGLE ADJ FTPLT
8B	106935	1/4 -28 NYLOCK NUT THIN	USE W/ COMPOSITE FTPLT
9	561055	3/4 SADDLE 1" OD	USE W/ ANGLE ADJ FTPLT
1A,2A-5	921759	EXT TUBE S/A SHT ASSM PCKT	USE W/ COMPOSITE FTPLT
1A,2A-5	921760	EXT TUBE S/A MED ASSM PCKT	USE W/ COMPOSITE FTPLT
1A,2A-5	921761	EXT TUBE S/A LONG ASSM PCKT	USE W/ COMPOSITE FTPLT
1A,2A-5	921762	EXT TUBE S/A X-LONG ASSM PCKT	USE W/ COMPOSITE FTPLT
1B,2A-5	921751	EXT TUBE "V" D2 SHT R ASSM PCKT	RIGHT - USE W/ COMPOSITE FTPLT V HANGER
1B,2A-5	921752	EXT TUBE "V" D2 SHT L ASSM PCKT	LEFT - USE W/ COMPOSITE FTPLT V HANGER
1B,2A-5	921753	EXT TUBE "V" D2 MED R ASSM PCKT	RIGHT - USE W/ COMPOSITE FTPLT V HANGER
1B,2A-5	921754	EXT TUBE "V" D2 MED L ASSM PCKT	LEFT - USE W/ COMPOSITE FTPLT V HANGER
1B,2A-5	921755	EXT TUBE "V" D2 LONG R ASSM PCKT	RIGHT - USE W/ COMPOSITE FTPLT V HANGER
1B,2A-5	921756	EXT TUBE "V" D2 LONG L ASSM PCKT	LEFT - USE W/ COMPOSITE FTPLT V HANGER
1B,2A-5	921757	EXT TUBE "V" D2 X-LONG R ASSM PCKT	RIGHT - USE W/ COMPOSITE FTPLT V HANGER
1B,2A-5	921758	EXT TUBE "V" D2 X-LONG L ASSM PCKT	LEFT - USE W/ COMPOSITE FTPLT V HANGER
1A,2A-7,9	921772	EXT TUBE S/A SHT ANG ADJ PCKT	USE W/ ANGLE ADJ FTPLT
1A,2A-7,9	921773	EXT TUBE S/A MED ANG ADJ PCKT	USE W/ ANGLE ADJ FTPLT
1A,2A-7,9	921774	EXT TUBE S/A LONG ANG ADJ PCKT	USE W/ ANGLE ADJ FTPLT
1A,2A-7,9	921775	EXT TUBE S/A X-LONG ANG ADJ PCKT	USE W/ ANGLE ADJ FTPLT
1B,2A-7,9	921764	EXT TUBE "V" D2 SHT R ANG ADJ PCKT	RIGHT - USE W/ ANGLE ADJ FTPLT V HANGER
1B,2A-7,9	921765	EXT TUBE "V" D2 SHT L ANG ADJ PCKT	LEFT - USE W/ ANGLE ADJ FTPLT V HANGER
1B,2A-7,9	921766	EXT TUBE "V" D2 MED R ANG ADJ PCKT	RIGHT - USE W/ ANGLE ADJ FTPLT V HANGER
1B,2A-7,9	921767	EXT TUBE "V" D2 MED L ANG ADJ PCKT	LEFT - USE W/ ANGLE ADJ FTPLT V HANGER
1B,2A-7,9	921768	EXT TUBE "V" D2 LONG R ANG ADJ PCKT	RIGHT - USE W/ ANGLE ADJ FTPLT V HANGER
1B,2A-7,9	921769	EXT TUBE "V" D2 LONG L ANG ADJ PCKT	LEFT - USE W/ ANGLE ADJ FTPLT V HANGER
1B,2A-7,9	921770	EXT TUBE "V" D2 X-LONG R ANG AD PCKT	RIGHT - USE W/ ANGLE ADJ FTPLT V HANGER
1B,2A-7,9	921771	EXT TUBE "V" D2 X-LONG L ANG AD PCKT	LEFT - USE W/ ANGLE ADJ FTPLT V HANGER

EXT TUBE MEASURING GUIDE

	"A"	LEG LENGTH RANGE
SHORT	6.5	13" - 15.5"
MED	8.5	15" - 18"
LONG	9.25	18" - 20"



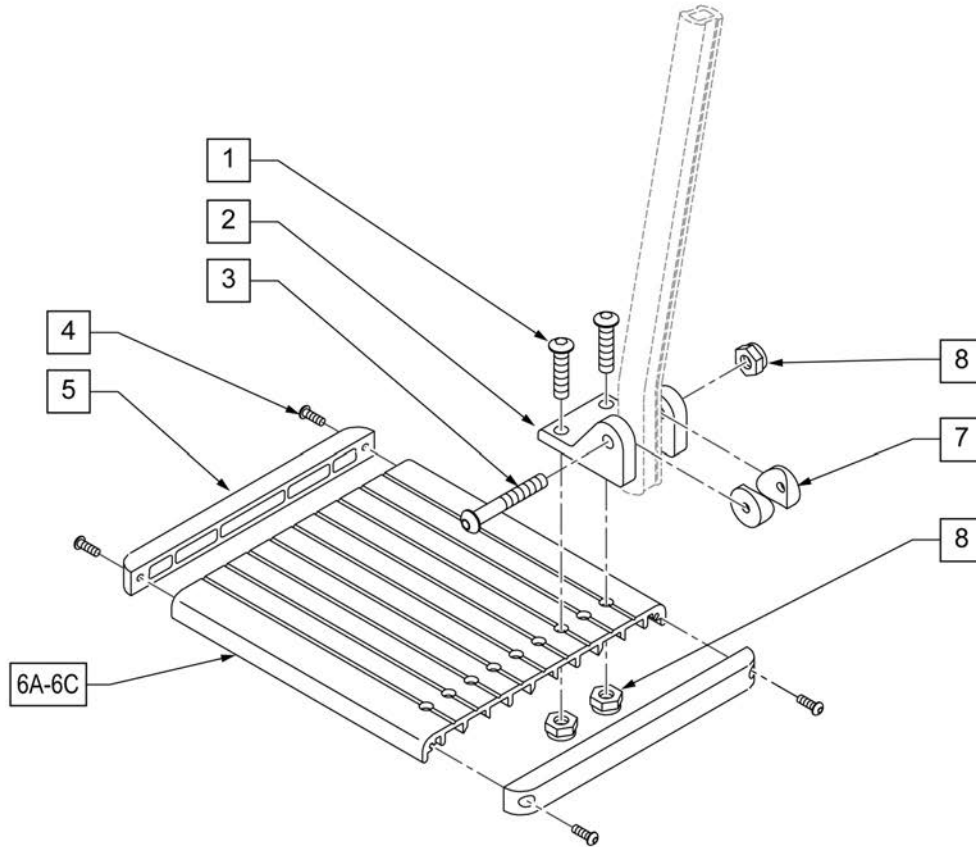
Pos.	Item Number	Description	Remarks
2	560024	FOOT YOKE	
3	349583	6 x 25mm GROOVED PIN	
1-3	014054	EXT TBE 1PC LCKNG FT SHT ASSM	PAIR
1-3	014055	EXT TBE 1PC LCKNG FT MED ASSM	PAIR
1-3	014056	EXT TBE 1PC LCKNG FT LNG ASSM	PAIR



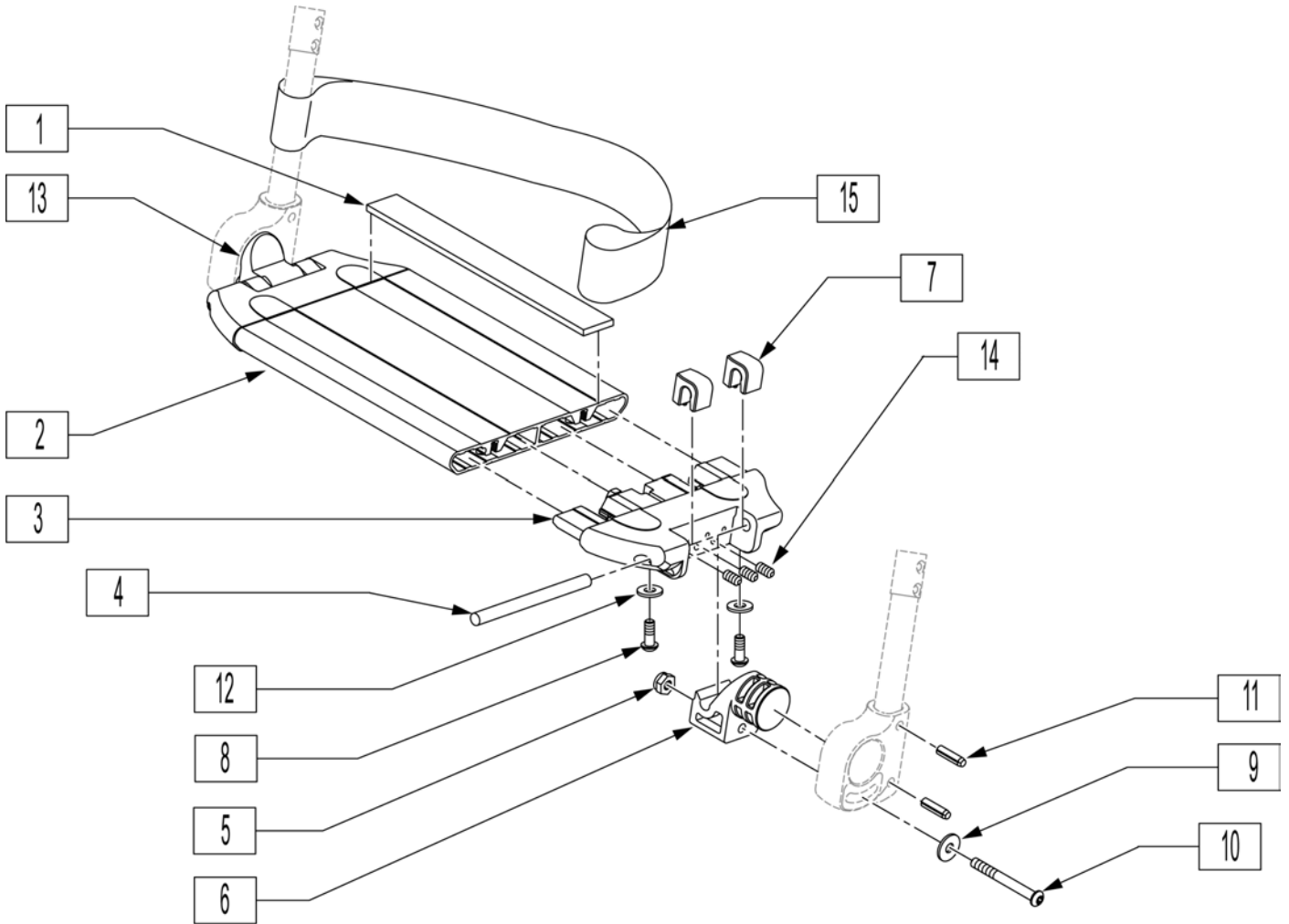
Pos.	Item Number	Description	Remarks
1	106978	FHCS 1/4 -28 x 7/8	
2	106941	1/4-28 AUTOMATION NUT	
3	106944	1/4 AN WASHER FLAT THIN	
4	561055	3/4" SADDLE 1" OD	
5	541002	FTRST MOUNTING BRKT-3/8 RAD R	
5	541003	FTRST MOUNTING BRKT-3/8 RAD L	
6	106945	1/4 SAE WASHER	
7A	106962	BHCS 1/4 -28 x 1 3/4 ROHS	For Manual ELRs only
7B	226167	1/4-28 x 1.625 BH C/S BLK (ROUND EXTENSION TUBES)	
8	550350	3/4" CLMP ADJ FT PLT	
9	106935	NUT NYLOCK THIN 1/4-28 ROHS	
10	561040	HEEL LOOP PEG	
11	741153	H/L 18-20 CMPST/14-15 ANG ADJ	
11	741253	HEEL LOOP ADLT ADJ F/PLT 18-20	
12	500660	ADLT ANGL ADJ F/PLT 14/15" R	
12	500661	ADLT ANGL ADJ F/PLT 14/15" L	
12	500662	ADLT ANGL ADJ F/PLT 16/17" R	
12	500663	ADLT ANGL ADJ F/PLT 16/17" L	

Pos.	Item Number	Description	Remarks
12	500664	ADLT ANGL ADJ F/PLT 18-20" R	
12	500665	ADLT ANGL ADJ F/PLT 18-20" L	
13	740260	TOE/ANKLE STRAP ADJ ADLT F/PLT	
14	106944	1/4 AN WASHER FLAT THIN	
15	106958	1/4-20 x 1 HEX C/S	
1-3,5,8,9,12	820460	FP ADLT ADJ 14/15 R	
1-3,5,8,9,12	820462	FP ADLT ADJ 14/15 L	
1-3,5,8,9,12	820464	FP ADLT ADJ 16/17 R	
1-3,5,8,9,12	820466	FP ADLT ADJ 16/17 L	
1-3,5,8,9,12	820468	FP ADLT ADJ 18-20 R	
1-3,5,8,9,12	820470	FP ADLT ADJ 18-20 L	
1-3,5,8,9,12	921320	FP ADLT ADJ 14/15	Pair
1-3,5,8,9,12	921322	FP ADLT ADJ 16/17	Pair
1-3,5,8,9,12	921324	FP ADLT ADJ 18-20	Pair
1-3,5,8-12,14,15	820461	FP ADLT ADJ 14/15 R HL	
1-3,5,8-12,14,15	820463	FP ADLT ADJ 14/15 L HL	
1-3,5,8-12,14,15	820465	FP ADLT ADJ 16/17 R HL	
1-3,5,8-12,14,15	820467	FP ADLT ADJ 16/17 L HL	
1-3,5,8-12,14,15	820469	FP ADLT ADJ 18-20 R HL	
1-3,5,8-12,14,15	820471	FP ADLT ADJ 18-20 L HL	
1-3,5,8-12,14,15	921321	FP ADLT ADJ 14/15 HL	Pair
1-3,5,8-12,14,15	921323	FP ADLT ADJ 16/17 HL	Pair
1-3,5,8-12,14,15	921325	FP ADLT ADJ 18-20 HL	Pair
1-3,7,9-10,14-15	101533	ADLT ANG ADJ FP D2 HDWR KIT	
1-4,7B,9,10,14-15	101534	ADLT ANG ADJ FP RND HDWR KIT	

NOTE: Left Side Shown



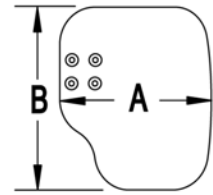
Pos.	Item Number	Description	Remarks
1	106959	1/4-28 x 5/8 BH C/S	
2	550739	FOOTPLATE MOUNTING BRACKET	
3	226147	1/4-28 x 1.85 BH C/S	
4	281043	#4 x 5/8 PAN PHIL S/TAP	
5	560101	END CAPS FOOTREST	
7	561003	3/4" SADDLE THIN	
8	106935	1/4-28 NYLOCK NUT THIN	
4,5,6A	882337	ELR FOOTPLATE ASSEMBLY 14 -15"	
4,5,6B	882338	ELR FOOTPLATE ASSEMBLY 16 -17"	
4,5,6C	882339	ELR FOOTPLATE ASSEMBLY 18 -20"	
1-5,6A-8	921400S	ELR FOOTPLATE KIT 14 -15"	Does not include Extension
1-5,6B-8	921401S	ELR FOOTPLATE KIT 16 -17"	Does not include Extension
1-5,6C-8	921402S	ELR FOOTPLATE KIT 18 -20"	Does not include Extension



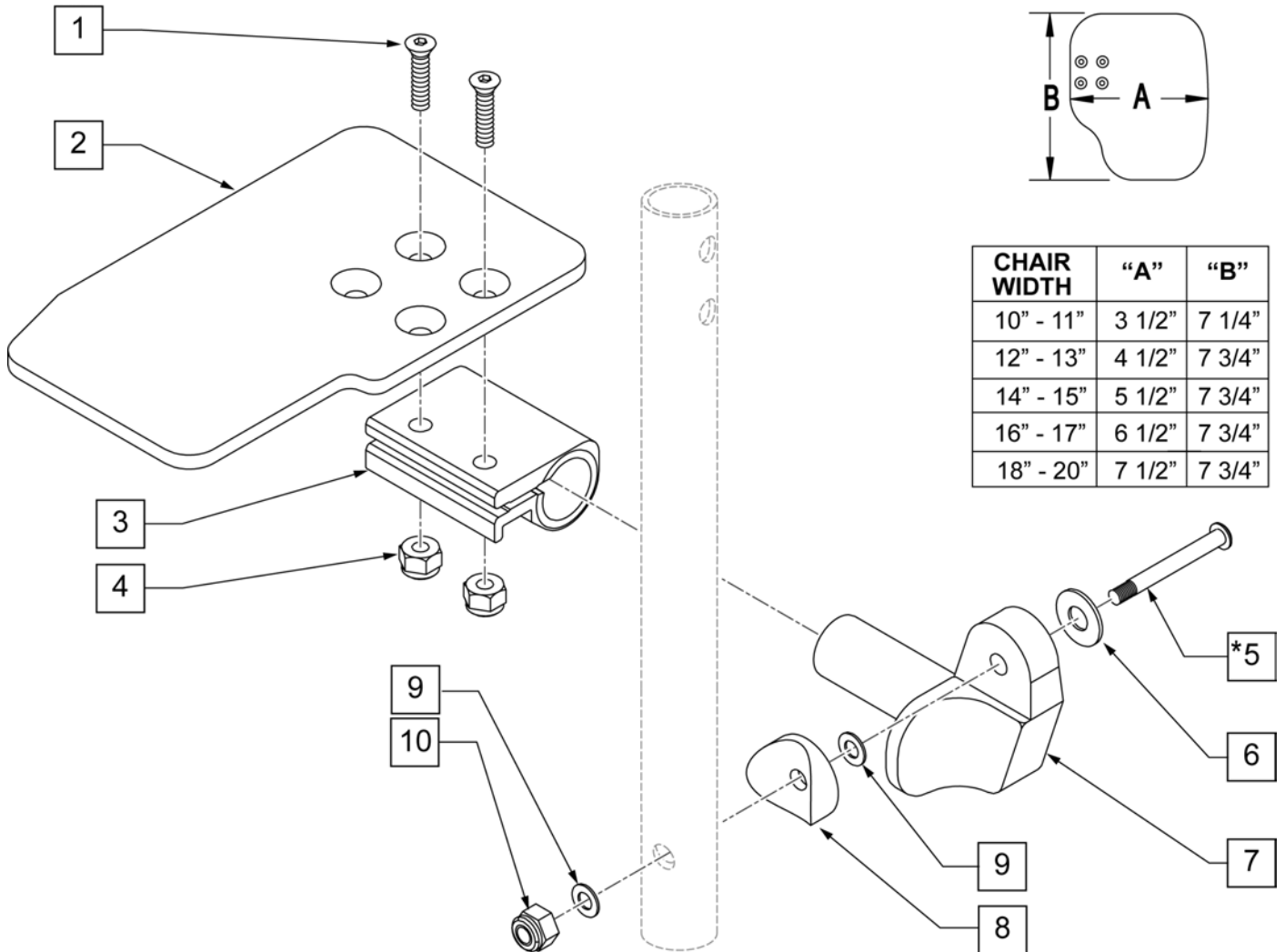
Pos.	Item Number	Description	Remarks
1	360010	FOOT BOARD SKID TAPE	
3	560019	FOOT BOARD HOLDER R	
3	560020	FOOT BOARD HOLDER L	
4	481283	PIN 8mm x 100mm	
5	200113	NUT HEX NYLOCK M6 X 1 NUT	
6	560022	FOOT BOARD SUPPORT	
7	560021	FOOT BOARD SHIM ALIGNMENT	
8	106943	WASHER FLAT AN 1/4 ROHS	
9	250070	METRIC WASHER	
10	210000	M6 x 55 8.8 BUTTON HD CAP SCRW	
11	349583	6 x 25mm GROOVED PIN	
12	230032	M6 x 16 B/H CAP SCREW	
13	560023	FOOT BOARD BEARING SUPPORT	
14	230030	M6 x 12 SET SCREW CUP POINT	
15	740130	LEG STRAP 10"-14" BLK	
15	740131	LEG STRAP 15"-17" BLK	
15	740132	LEG STRAP 18"-20" BLK	
1-14	900190	SLD 1-PC FOOTREST 14 WIDE	Tapered Hanger
1-14	900191	SLD 1-PC FOOTREST 15 WIDE	Tapered Hanger
1-14	900192	SLD 1-PC FOOTREST 16 WIDE	Tapered Hanger

Pos.	Item Number	Description	Remarks
1-14	900193	SLD 1-PC FOOTREST 17 WIDE	Tapered Hanger
1-14	900194	SLD 1-PC FTRST 18W TAP/14W ST	Tapered Hanger
1-14	900195	SLD 1-PC FTRST 19W TAP/15W ST	Tapered Hanger
1-14	900196	SLD 1-PC FTRST 20W TAP/16W ST	Tapered Hanger
1-14	900197	SLD 1-PC FTRST 22W TAP/18W ST	Tapered Hanger
1-14	900198	SLD 1-PC FTRST 24W TAP/20W ST	Tapered Hanger
1-14	900211	SLD 1-PC FTRST 17W STRT	
1-14	900209	SLD 1-PC FTRST 19W STRT	
1-14	900212	SLD 1-PC FTRST 22INW STRT	
1-14	900210	SLD 1-PC FTRST 24INW STRT	

MEASURING GUIDE



CHAIR WIDTH	"A"	"B"
10" - 11"	3 1/2"	7 1/4"
12" - 13"	4 1/2"	7 3/4"
14" - 15"	5 1/2"	7 3/4"
16" - 17"	6 1/2"	7 3/4"
18" - 20"	7 1/2"	7 3/4"

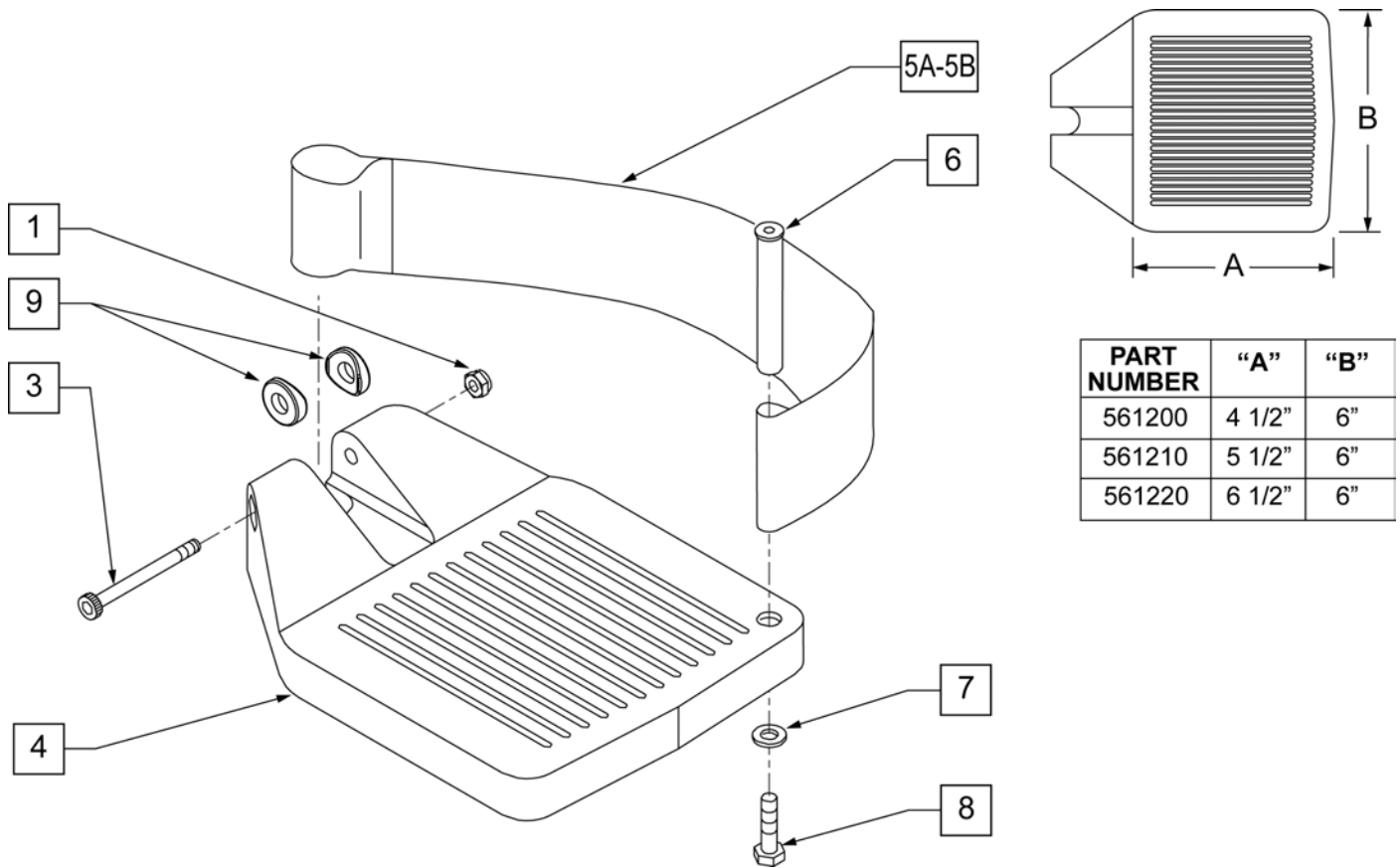


Pos.	Item Number	Description	Remarks
1	106978	1/4-28 X 7/8 FH C/S	
2	500635	KIDS ANGL ADJ F/PLT 10" R	
2	500636	KIDS ANGL ADJ F/PLT 10" L	
2	500637	KIDS ANGL ADJ F/PLT 11" R	
2	500638	KIDS ANGL ADJ F/PLT 11" L	
2	500639	KIDS ANGL ADJ F/PLT 12" R	
2	500640	KIDS ANGL ADJ F/PLT 12" L	
2	500641	KIDS ANGL ADJ F/PLT 13" R	
2	500642	KIDS ANGL ADJ F/PLT 13" L	
2	500643	KIDS ANGL ADJ F/PLT 14" R	
2	500644	KIDS ANGL ADJ F/PLT 14" L	
2	500645	KIDS ANGL ADJ F/PLT 15" R	
2	500646	KIDS ANGL ADJ F/PLT 15" L	
2	500647	KIDS ANGL ADJ F/PLT 16" R	
2	500648	KIDS ANGL ADJ F/PLT 16" L	
3	550350	3/4" CLAMP ADJ FOOTPLATE	
4	106935	NUT NYLOCK THIN 1/4-28 ROHS	

Pos.	Item Number	Description	Remarks
5	106962	1/4-28 x 1 3/4 BH C/S BLK ZN (D2 EXTENSION TUBES)	
5	226167	1/4-28 x 1.625 BH C/S BLK (ROUND EXTENSION TUBES)	
6	106945	1/4 SAE WASHER	
7A	541002	FTRST MOUNTING BRKT-3/8 RAD R	For manual ELRs only
7B	541003	FTRST MOUNTING BRKT-3/8 RAD L	
8	561055	3/4" SADDLE 1" OD	
9	106944	1/4 AN WASHER FLAT THIN	
10	106941	1/4-28 AUTOMATION NUT	
1-7,9,10	828850	KIDS ANG ADJ F/PLT EXT-MNT 10"R	
1-7,9,10	828851	KIDS ANG ADJ F/PLT EXT-MNT 10"L	
1-7,9,10	828852	KIDS ANG ADJ F/PLT EXT-MNT 11"R	
1-7,9,10	828853	KIDS ANG ADJ F/PLT EXT-MNT 11"L	
1-7,9,10	828854	KIDS ANG ADJ F/PLT EXT-MNT 12"R	
1-7,9,10	828855	KIDS ANG ADJ F/PLT EXT-MNT 12"L	
1-7,9,10	828856	KIDS ANG ADJ F/PLT EXT-MNT 13"R	
1-7,9,10	828857	KIDS ANG ADJ F/PLT EXT-MNT 13"L	
1-7,9,10	828858	KIDS ANG ADJ F/PLT EXT-MNT 14"R	
1-7,9,10	828859	KIDS ANG ADJ F/PLT EXT-MNT 14"L	
1-7,9,10	828860	KIDS ANG ADJ F/PLT EXT-MNT 15"R	
1-7,9,10	828861	KIDS ANG ADJ F/PLT EXT-MNT 15"L	
1-7,9,10	828862	KIDS ANG ADJ F/PLT EXT-MNT 16"R	
1-7,9,10	828863	KIDS ANG ADJ F/PLT EXT-MNT 16"L	
1-7,9,10	921280	KIDS ANG ADJ F/PLT EXT-MNT 10"	
1-7,9,10	921281	KIDS ANG ADJ F/PLT EXT-MNT 11"	
1-7,9,10	921282	KIDS ANG ADJ F/PLT EXT-MNT 12"	
1-7,9,10	921283	KIDS ANG ADJ F/PLT EXT-MNT 13"	
1-7,9,10	921284	KIDS ANG ADJ F/PLT EXT-MNT 14"	
1-7,9,10	921285	KIDS ANG ADJ F/PLT EXT-MNT 15"	
1-7,9,10	921286	KIDS ANG ADJ F/PLT EXT-MNT 16"	

COMPOSITE FOOTPLATE

[10/2011]

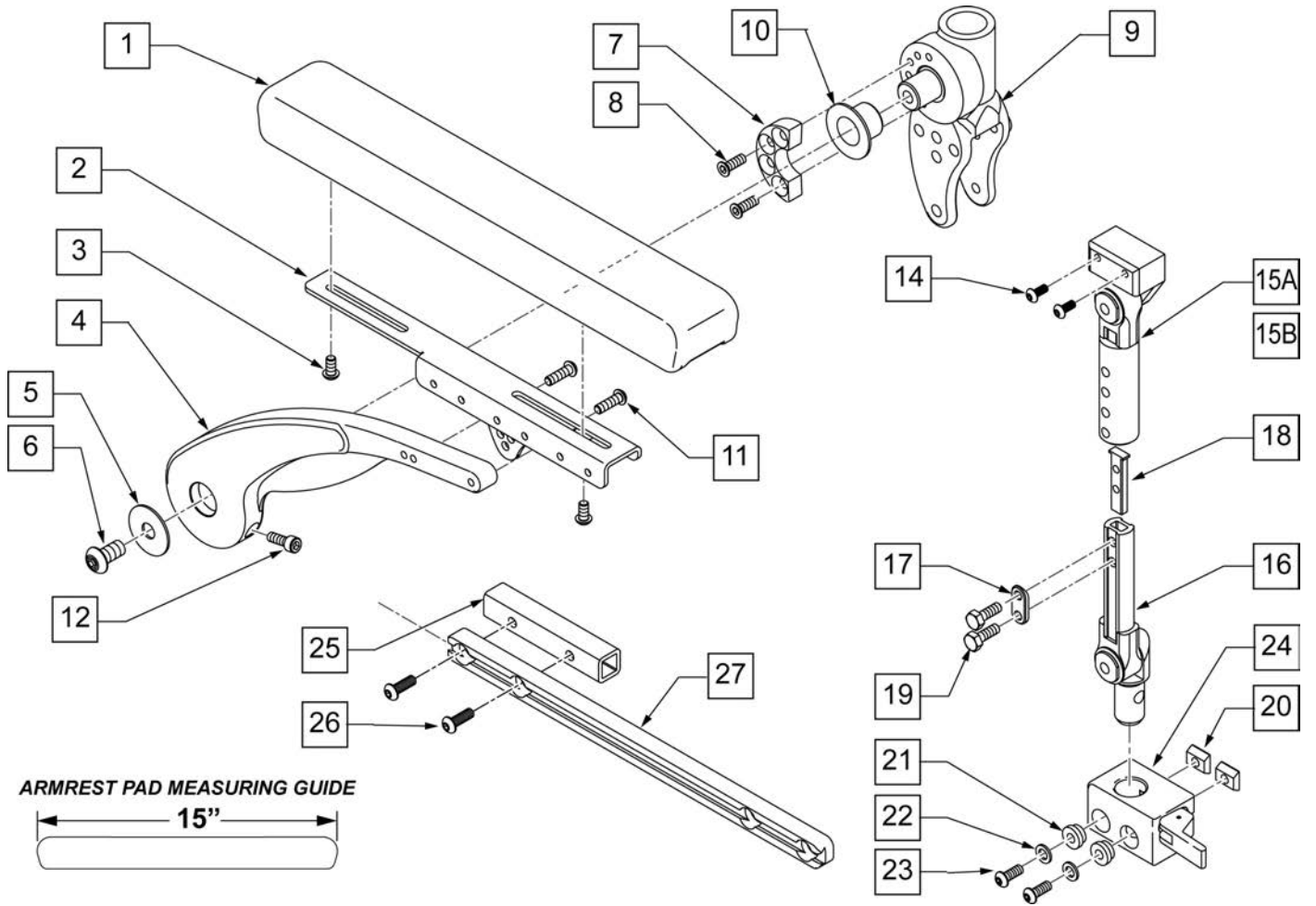


Pos.	Item Number	Description	Remarks
1	106935	1/4 - 28 NYLOCK NUT	
3	226165	1/4 - 28 x 2 1/2 SOC C/S	
4	561200	COMPOSITE FOOTPLATE 14 -15 (16 -18 V)	14 -15 OR 16 -18V
4	561210	COMPOSITE FOOTPLATE 16 -17 (19 -20 V)	16 -17 OR 19 -20V
4	561220	COMPOSITE FOOTPLATE 18 -20	18 -20
5A	741151	HEEL LOOP 14-15 COMPOSITE (14 -15 or 16 -18V)	14 -15 OR 16 -18V
5A	741156	HEEL LOOP 16 -17 or 19 -20V	16 -17 OR 19 -20V
5A	741153	HEEL LOOP 18-20 COMPOSITE/14-15 ANG ADJ	18 -20
5A	902270	HEEL LOOP COMPOSITE FT 14-15	PAIR 14 -15 OR 16 -18V
5A	902271	HEEL LOOP COMPOSITE FT 16-17	PAIR 16 -17 OR 19 -20V
5A	902272	HEEL LOOP COMPOSITE FT 18-20	PAIR 18 -20
5B	741154	HEEL LOOP 14-15 COMPOSITE HEMI	14 -15 HEMI
5B	741155	HEEL LOOP 16-17 COMPOSITE HEMI	16 -17 HEMI
5B	741153	HEEL LOOP 18-20 COMPOSITE HEMI	18 -10 HEMI
5B	902260	HEEL LOOPS HEMI COMPOSITE 14-15	PAIR 14 -15 HEMI
5B	902261	HEEL LOOPS HEMI COMPOSITE 16-17	PAIR 16 -17 HEMI
5B	902262	HEEL LOOPS HEMI COMPOSITE 18-20	PAIR 18 -20 HEMI
6	561040	HEEL LOOP PEG	
7	106944	1/4 AN WASHER FLAT THIN	
8	106958	HHCS 1/4-20 X 1 ROHS	
9	561003	3/4" SADDLE THIN	USED W/ ROUND EXT TUBES ONLY
1,3,4	921180	COMPOSITE FOOTPLATE ASSM 14-15	RIGHT (14 -15 OR 16 -18V) W/O HEEL LOOP
1,3,4	921181	COMPOSITE FOOTPLATE ASSM 14-15	LEFT (14 -15 OR 16 -18V) W/O HEEL LOOP
1,3,4	921182	COMPOSITE FOOTPLATE ASSM 16-17	RIGHT (16 -17 OR 19 -20V) W/O HEEL LOOP
1,3,4	921183	COMPOSITE FOOTPLATE ASSM 16-17	LEFT (16 -17 OR 19 -20V) W/O HEEL LOOP

Pos.	Item Number	Description	Remarks
1,3,4	921184	COMPOSITE FOOTPLATE ASSM 18-20	RIGHT (18 -20) W/O HEEL LOOP
1,3,4	921185	COMPOSITE FOOTPLATE ASSM 18-20	LEFT (18 -20) W/O HEEL LOOP
1,3,4	921151	COMPOSITE FOOTPLATE ASSM 14-15/16-18V	PAIR (14 -15 OR 16 -18V) W/O HEEL LOOP
1,3,4	921152	COMPOSITE FOOTPLATE ASSM 16-17/19-20V	PAIR (16 -17 OR 19 -20V) W/O HEEL LOOP
1,3,4	921153	COMPOSITE FOOTPLATE ASSM 18-20	PAIR (18 -20) W/O HEEL LOOP
1,3,4A-8	921190	COMPOSITE FOOTPLATE ASSM HL LP 14-15	RIGHT (14 -15 OR 16 -18V) W/ HEEL LOOP
1,3,4A-8	921191	COMPOSITE FOOTPLATE ASSM HL LP 14-15	LEFT (14 -15 OR 16 -18V) W/ HEEL LOOP
1,3,4A-8	921192	COMPOSITE FOOTPLATE ASSM HL LP 16-17	RIGHT (16 -17 OR 19 -20V) W/ HEEL LOOP
1,3,4A-8	921193	COMPOSITE FOOTPLATE ASSM HL LP 16-17	LEFT (16 -17 OR 19 -20V) W/ HEEL LOOP
1,3,4A-8	921194	COMPOSITE FOOTPLATE ASSM HL LP 18-20	RIGHT (18 -20) W/ HEEL LOOP
1,3,4A-8	921195	COMPOSITE FOOTPLATE ASSM HL LP 18-20	LEFT (18 -20) W/ HEEL LOOP
1,3,4A-8	921161	COMPOSITE FOOTPLATE ASSM HL 14-15/16-18V	PAIR (14 -15 OR 16 -18V) W/ HEEL LOOP
1,3,4A-8	921162	COMPOSITE FOOTPLATE ASSM HL 16-17/19-20V	PAIR (16 -17 OR 19 -20V) W/ HEEL LOOP
1,3,4A-8	921163	COMPOSITE FOOTPLATE ASSM HL 18-20	PAIR (18 -20) W/ HEEL LOOP
1,3,4B-8	921140	COMPOSITE FOOTPLATE ASSM HEMI HL LP 14-15	RIGHT (14 -15) W/ HEEL LOOP
1,3,4B-8	921141	COMPOSITE FOOTPLATE ASSM HEMI HL LP 14-15	LEFT (14 -15) W/ HEEL LOOP
1,3,4B-8	921142	COMPOSITE FOOTPLATE ASSM HEMI HL LP 16-17	RIGHT (16 -17) W/ HEEL LOOP
1,3,4B-8	921143	COMPOSITE FOOTPLATE ASSM HEMI HL LP 16-17	LEFT (16 -17) W/ HEEL LOOP
1,3,4B-8	921144	COMPOSITE FOOTPLATE ASSM HEMI HL LP 18-20	RIGHT (18 -20) W/ HEEL LOOP
1,3,4B-8	921145	COMPOSITE FOOTPLATE ASSM HEMI HL LP 18-20	LEFT (18 -20) W/ HEEL LOOP
1,3,4B-8	921167	COMPOSITE FOOTPLATE ASSM HEMI HL LPS 14-15	PAIR (14 -15) W/ HEEL LOOP
1,3,4B-8	921168	COMPOSITE FOOTPLATE ASSM HEMI HL LPS 16-17	PAIR (16 -17) W/ HEEL LOOP
1,3,4B-8	921169	COMPOSITE FOOTPLATE ASSM HEMI HL LPS 18-20	PAIR (18 -20) W/ HEEL LOOP

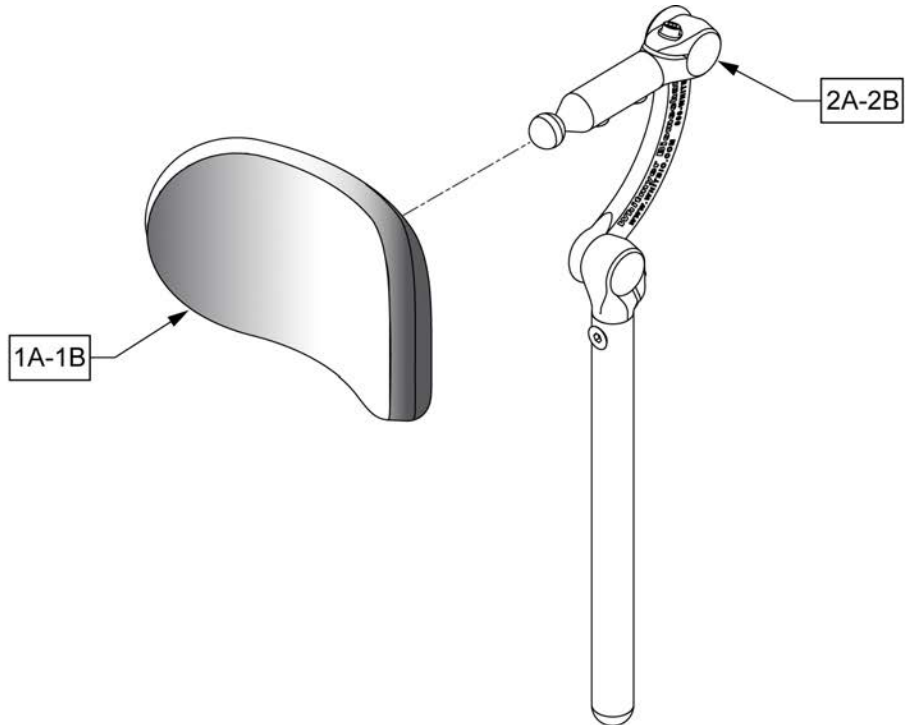
ASAP ARMREST

(10/2010)

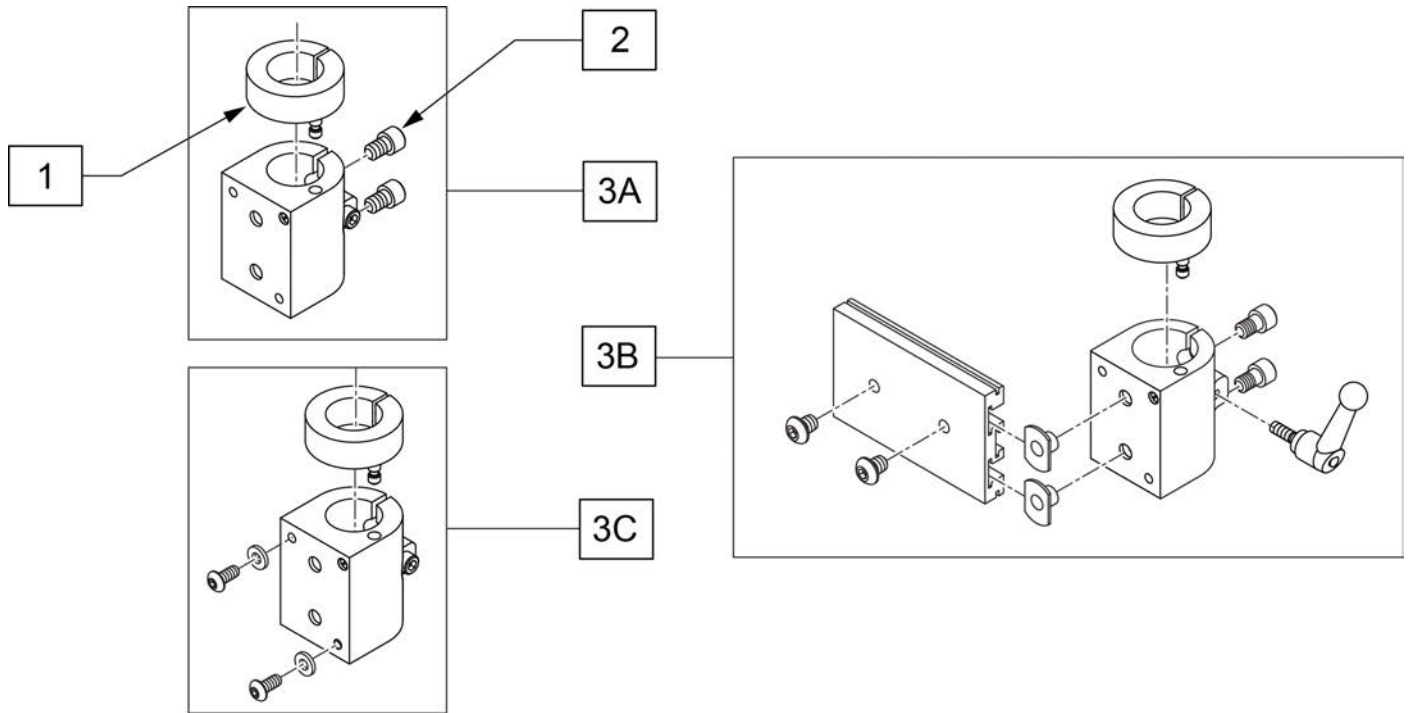


Pos.	Item Number	Description	Remarks
1	103114	ARMREST PAD SET	PAIR
3	n/a	BHCS M6 X 16	REFERENCE ONLY
6	n/a	BHCS M10 X 35	ONLY AVAILABLE IN HARDWARE KIT
8	n/a	FHCS M6 X 20	ONLY AVAILABLE IN HARDWARE KIT
11	n/a	BHCS M6 x 20	REFERENCE ONLY
12	n/a	SHCS M6 X 25	ONLY AVAILABLE IN HARDWARE KIT
2-12	103110	LEFT HAND ARMREST ASSEMBLY	
2-12	103111	RIGHT HAND ARMREST ASSEMBLY	
	108786	ASAP SEAT REPLACEMENT HARDWARE KIT	SEE ASAP SEAT & INTERFACE ASSM
14	102259-001	BHCS M5 X .8 X 12 W/PL INORG	
17	483717	HANGER SADDLE	
16	500078	INSERT D2 EXT TUBE	
19	221102	1/4-28 X 3/4 HEX C/S BLK W/PAT	
20	010065	M6 CHANNEL NUT	
21	340143	BUSHING .257IDx.25LG SST	
22	263100	5/16 AN WASHER FLAT	
23	230113	BHCS M6 X 1 X 12	
24	506366	UNIVRSL ARMREST RCVR ASSM R	Right
24	506367	UNIVRSL ARMREST RCVR ASSM LH	Left
25	107263	INNER TUBE SIDE RAIL	Use w/ Center Mount Footrest only
26	235008	M8 X 1.25 X 30 BH C/S	

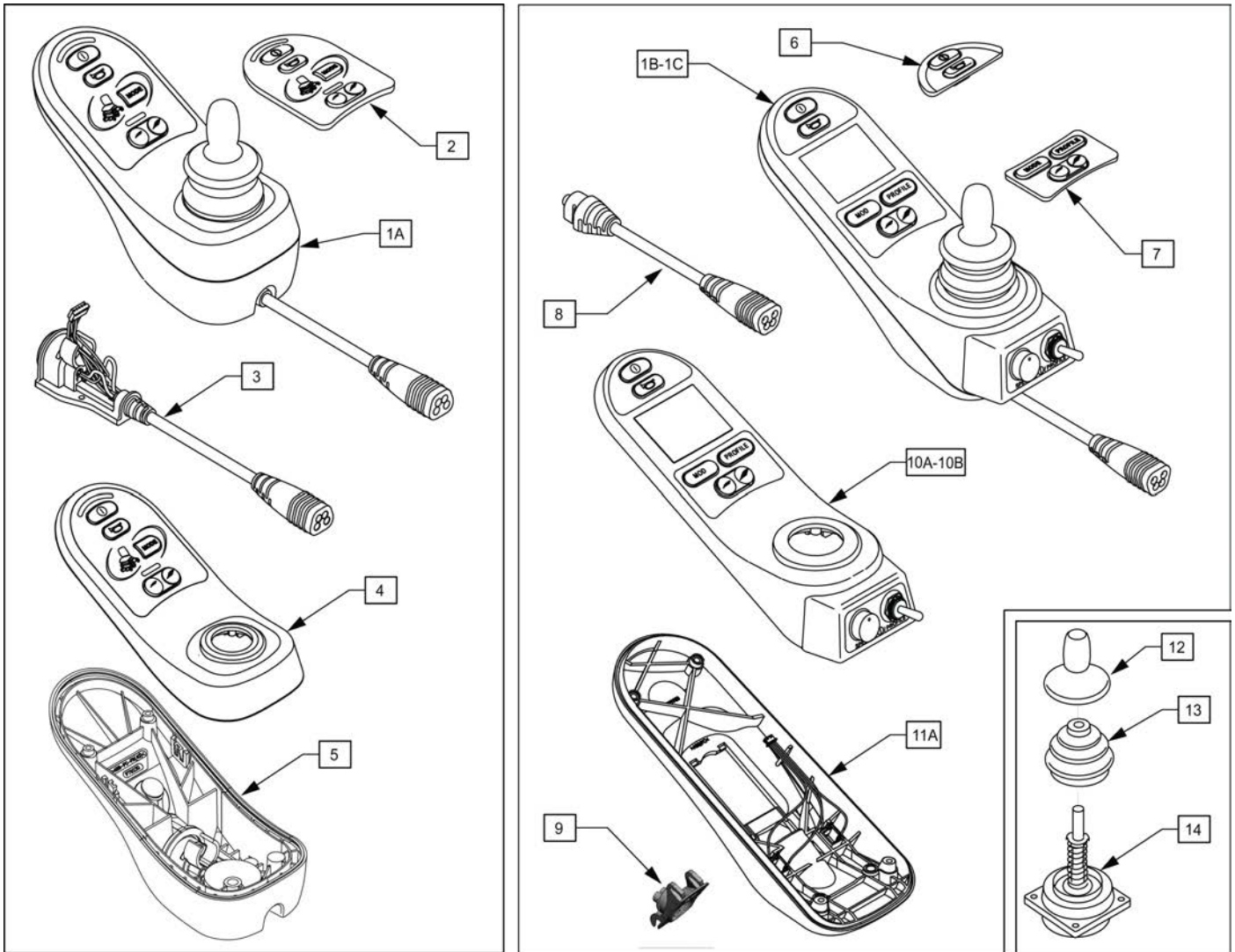
Pos.	Item Number	Description	Remarks
27	106425	SINGLE TRACK RAIL 8MM	
20-24	110826	ARMREST REC KIT RIGHT	Right
20-24	110827	ARMREST REC KIT LEFT	Left
14,15A-19	113398	DUAL POST ASSY ASAP 9-10	9-10 ARMREST HEIGHT
14,15B-19	113399	DUAL POST ASSY ASAP 11-12	11-12 ARMREST HEIGHT
14,15A-24	110828	ASAP 2 PNT ARM 9-10 KIT	PAIR (9-10 ARMREST HT) Includes Recievers
14,15B-24	110829	ASAP 2 PNT ARM 11-12 KIT	PAIR (11-12 ARMREST HT) Includes Recievers



Pos.	Item Number	Description	Remarks
1A	P800L	PLUSH PAD, 8", LYCRA	8" wide 5" tall Headrest Pad
1B	P1000L	PLUSH PAD, 10", LYCRA	10" wide 5" tall Headrest Pad
2A	LX7000	LINX CORE MOUNT HDW	10" long Headrest Post
2B	LX8000	LINX CORE MNTG HDW 8"	8" long Headrest Post



Pos.	Item Number	Description	Remarks
1	104533	HEADREST COLLAR .875 ID	
2	226074	1/4-20 X 1/2 SOC C/S	
3A	112257	HDRST CLMP	Used w/ Curved, JAY SPO, and ART SPO Backrest
3B	112716	HDRST CLAMP ASSY .875 ID W/HDW	Used w/ Trad Rehab Back Only
3C	112717	HDRST CLAMP ASSY .875 ID W/HDW	Used w/ Power Recline Only



Pos.	Item Number	Description	Remarks
1A	108207	JYSTCK LED JSM	LED
1B	108210	JYSTCK CJSM PT TGL	Color Display
1C	116525	JYSTCK MONOCHROME	
2	109749	KEYPAD RNET JSM LED	
3	109750	CABLE ASSM RNET JSM LED	
4	112414	CASE TOP LED ASSY	
5	112413	CASE BASE LED ASSY	
6	109751	KEYPAD RNET JSM FRONT	
7	109752	KEYPAD RNET JSM REAR	
8	109846	CABLE ASSY	
9	109845	CHARGER SOCKET ASSY	
10A	112357	CASE CJSM TOP ASSY	
10B	117991	RNET JSM TOP ASSY MONO	
11	112356	CASE CJSM BOTTOM ASSY	
12	138169	JOYSTICK KNOB	
13	105930	JOYSTICK BOOT	
14	105936	JOYSTICK	

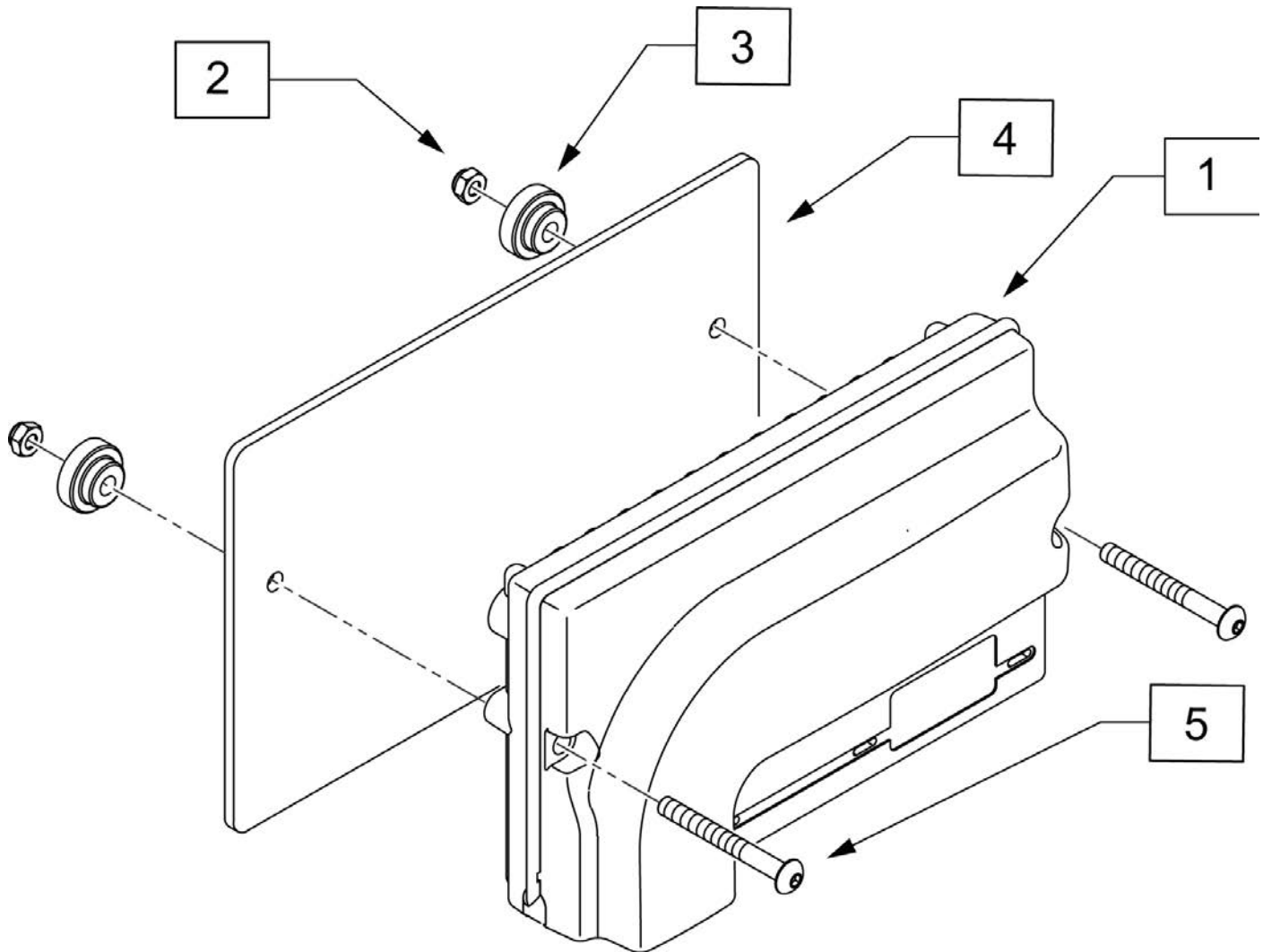
(12/2011)

NOTE: JOYSTICK POST (ITEM 15) ACCEPTS JOYSTICK KNOBS THAT HAVE A 1/4" DIAMETER MATING HOLE.

Note: Serial Number must be provided for replacement controller.

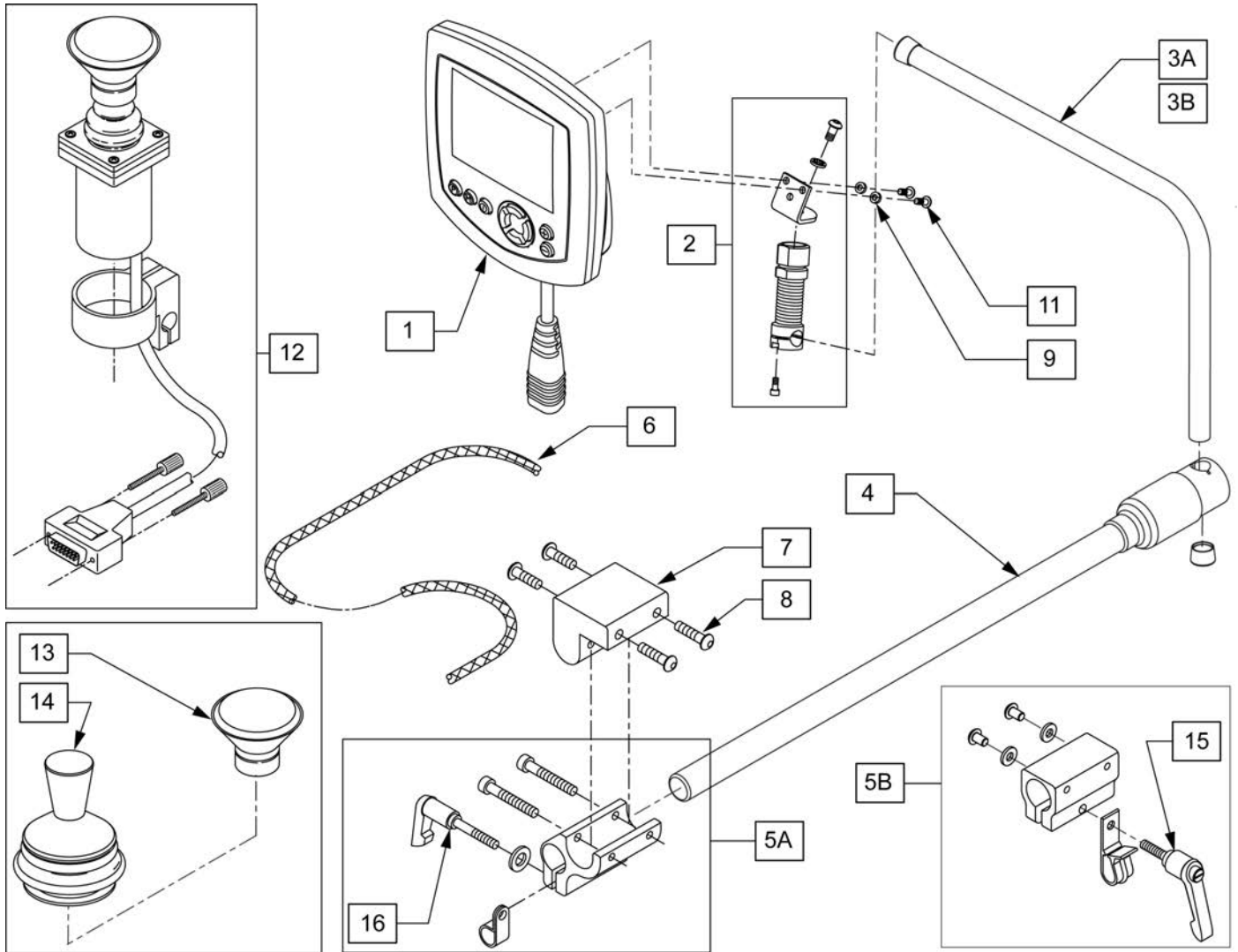
Note: Serial Number must be provided for replacement controller.

Note: Assignable buttons software update occurred on chairs after S/N PLS-102222 and all PLS6A and PLS6B. If assignable buttons is desired a new controller is required.

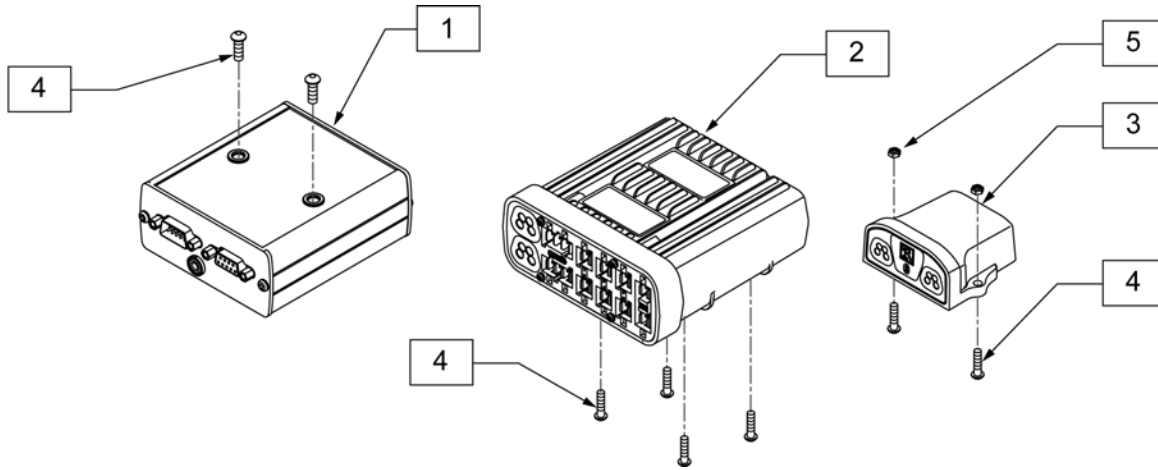


Pos.	Item Number	Description
2	220121	NUT HEX NYLOCK M5 BLACK
3	108103	BUTTON CONTROLLER MOUNT
4	108102	PLATE CONTROLLER
5	103189-010	SHCS M5X0.8X40 PARTNP
1-5	111859	CNTRLR EL PM90

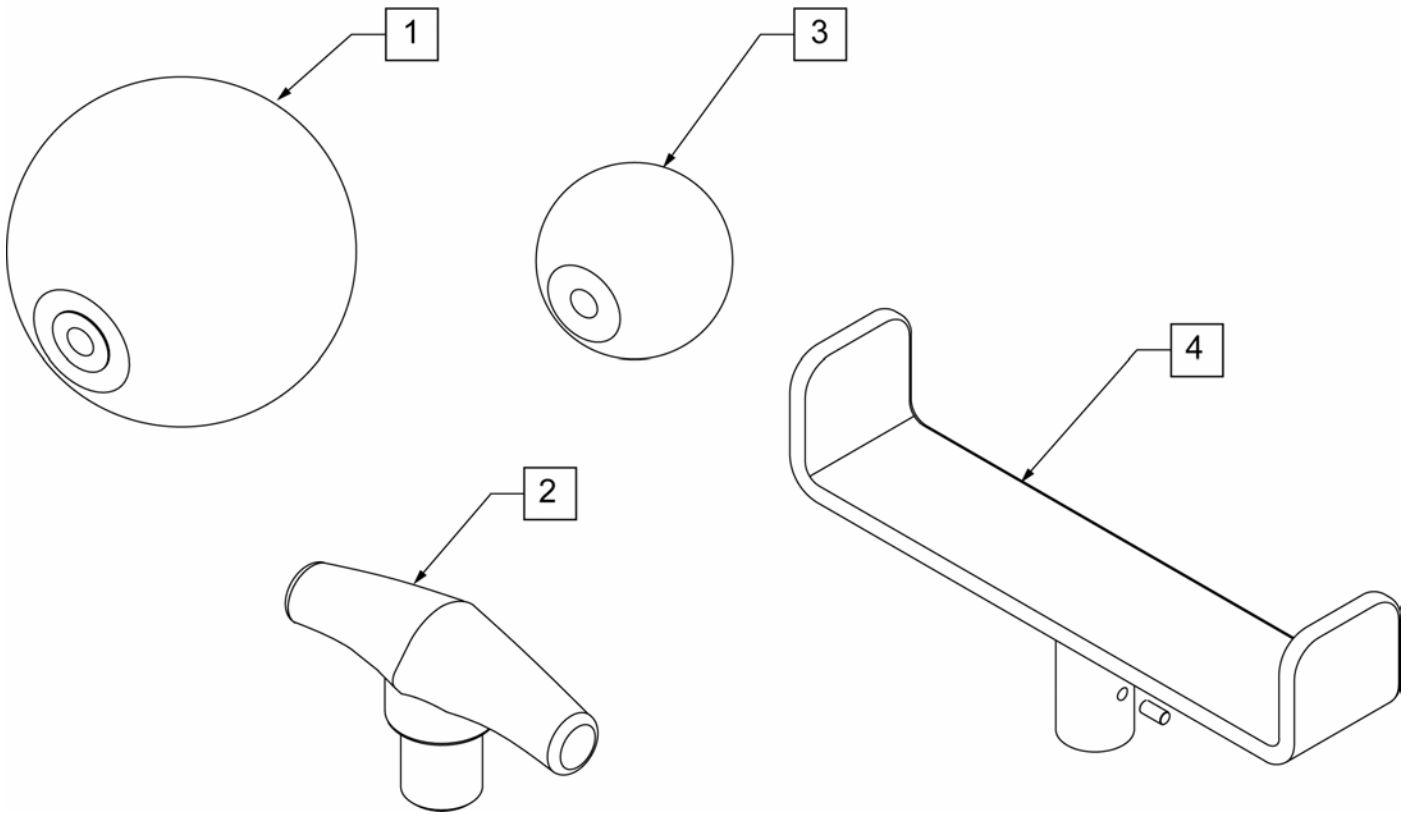
NOTE: JOYSTICK POST (ITEM 12) ACCEPTS JOYSTICK KNOBS THAT HAVE A 3/16" DIAMETER MATING HOLE.



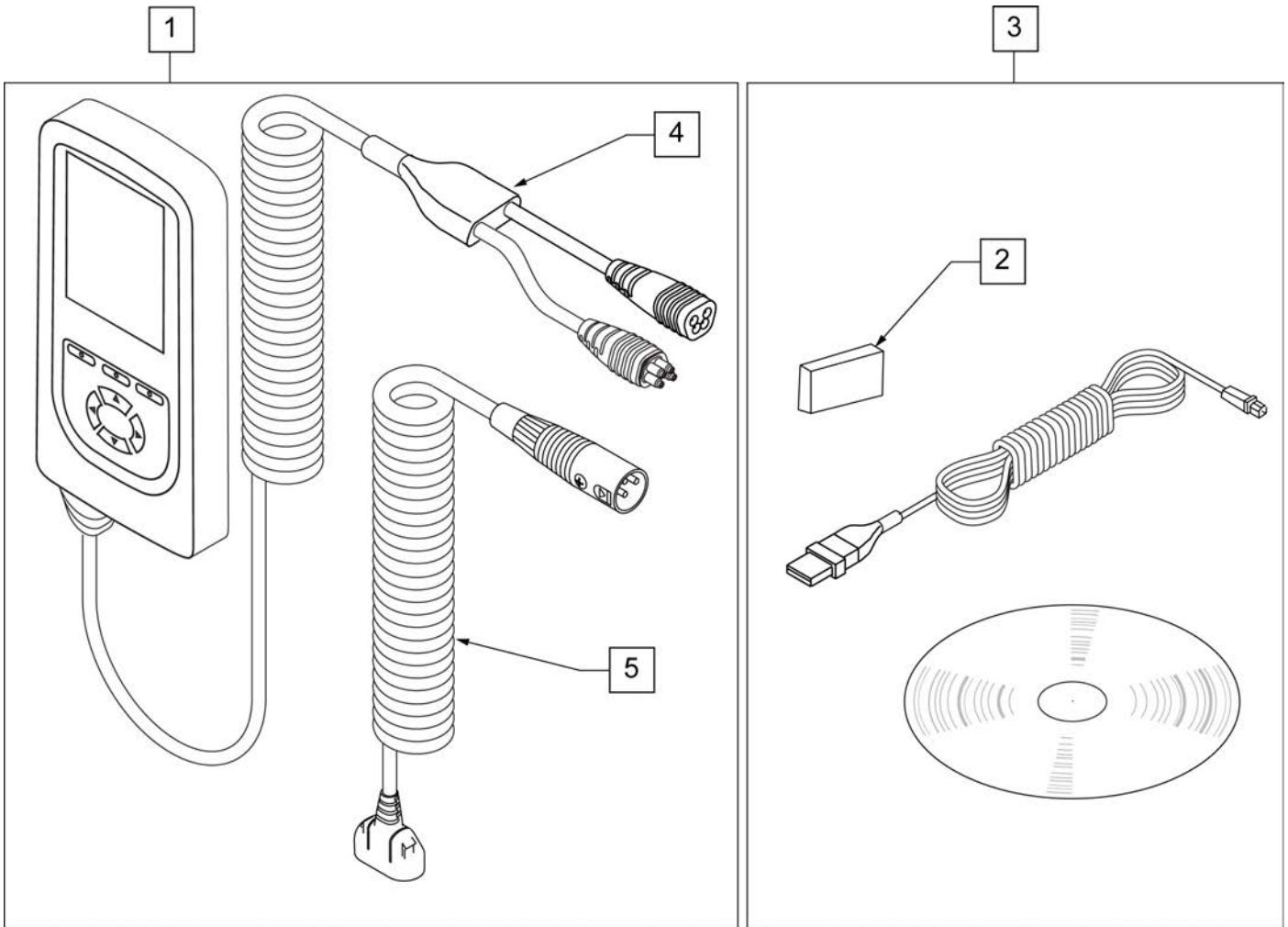
Pos.	Item Number	Description	Remarks
1	113220	MDLE SPCLTY INPT OMNI IR W/FER	
2	886976	USCM SPRING MOUNT AS	
3A	521098	ADJ DISPLAY ARM "L"SHORT(USCM)	Used w/ OMNI only
3B	521097	ADJ DISPLAY ARM "L" (USCM)	Used w/ OMNI & Compact Joystick
4	111190	MOUNT ARM DISPLAY	
5A	012433	CNTRL ARM CLMP UNIVERSAL ASSM	Used w/ Trad Rehab Armrest
5B	108866	CNTRLR CLMP ARM KIT RND	Used w/ ASAP Seating Armrest
6	180351	BRAIDED SLEEVING 24"	
7	551001	CONTROLLER MOUNT BLOCK	USED w/ 5A on Power Recline
8	222297	10-24 X 3/8 SOC BH C/S W/PTCH	
9	261204	#10 AN WASHER .063	
11	013143	BHCS M5 X .8 X 14 BLK W/PL	
12	139705	PROP CHIN CONTROL W/ MINI JS	
13	D4000	CHINCUP QTRONIX	
14	138154	KNOB&PROTECTOR D10AB JOYSTICK	
15	011049	HANDLE ADJ MODERN M5 X 20 STUD	
16	349024	HNDL 10-32 X 3/4 C/A P1/P3/P5	
1 -3A,4,9,11	110834	OMNI MNT ASSEMBLY	



Pos.	Item Number	Description
1	108217B	MDLE OUTPUT IND BOX
2	122194	MODULE INTEL ST W/O LIGHTS
3	108218	MDLE BLUETOOTH IND BOX
4	103184-003	BHCS M5X0.8X10 FULLPL
5	220121	NUT HEX NYLOCK M5 BLACK

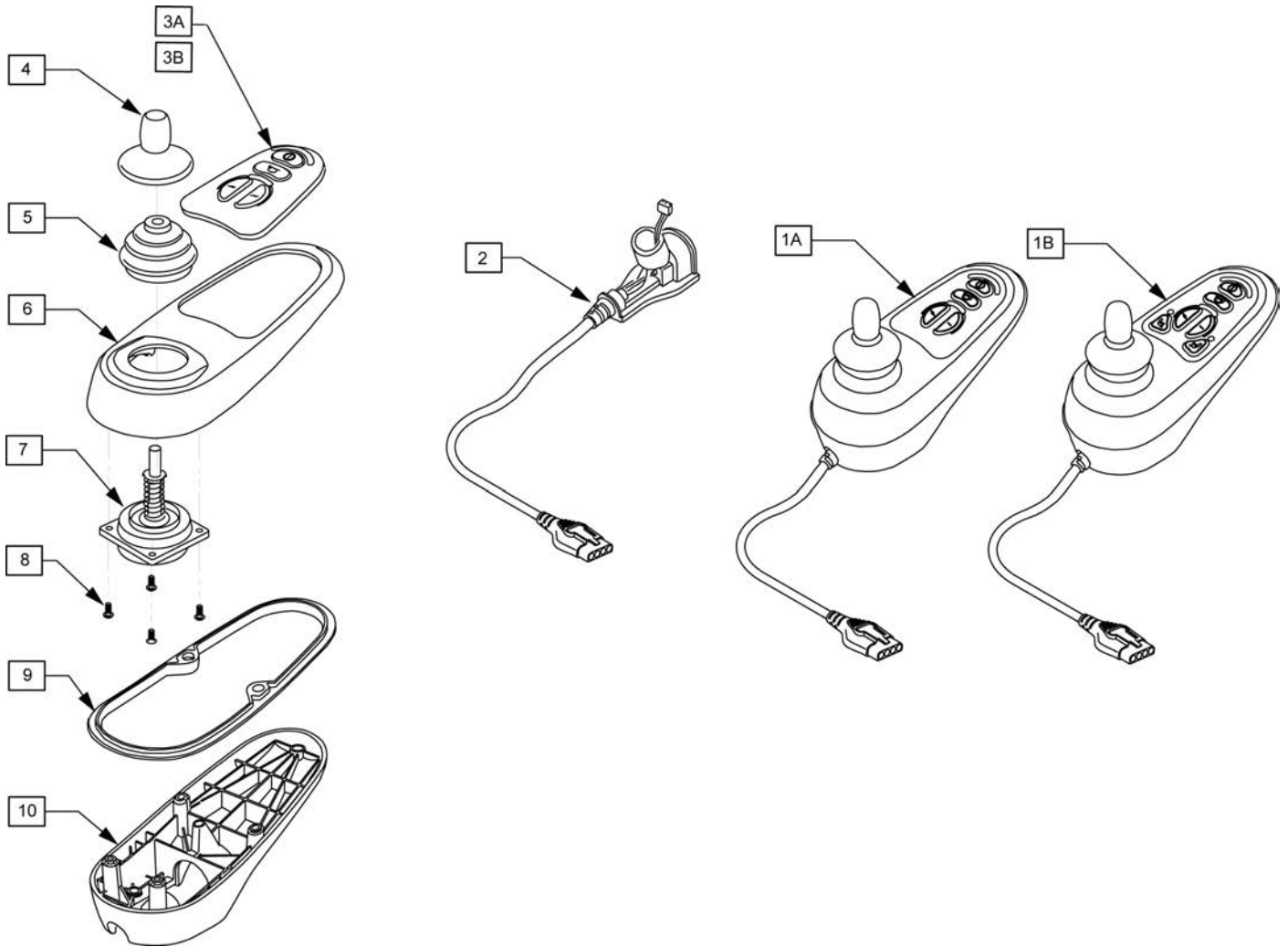


Pos.	Item Number	Description
1	138165	J/S KNOB BALL HANDLE (SOFT)
2	138167	J/S KNOB T-BAR
3	138166	J/S KNOB BALL HANDLE (SOLID)
4	013113	GOALPOST JOYSTICK EXT

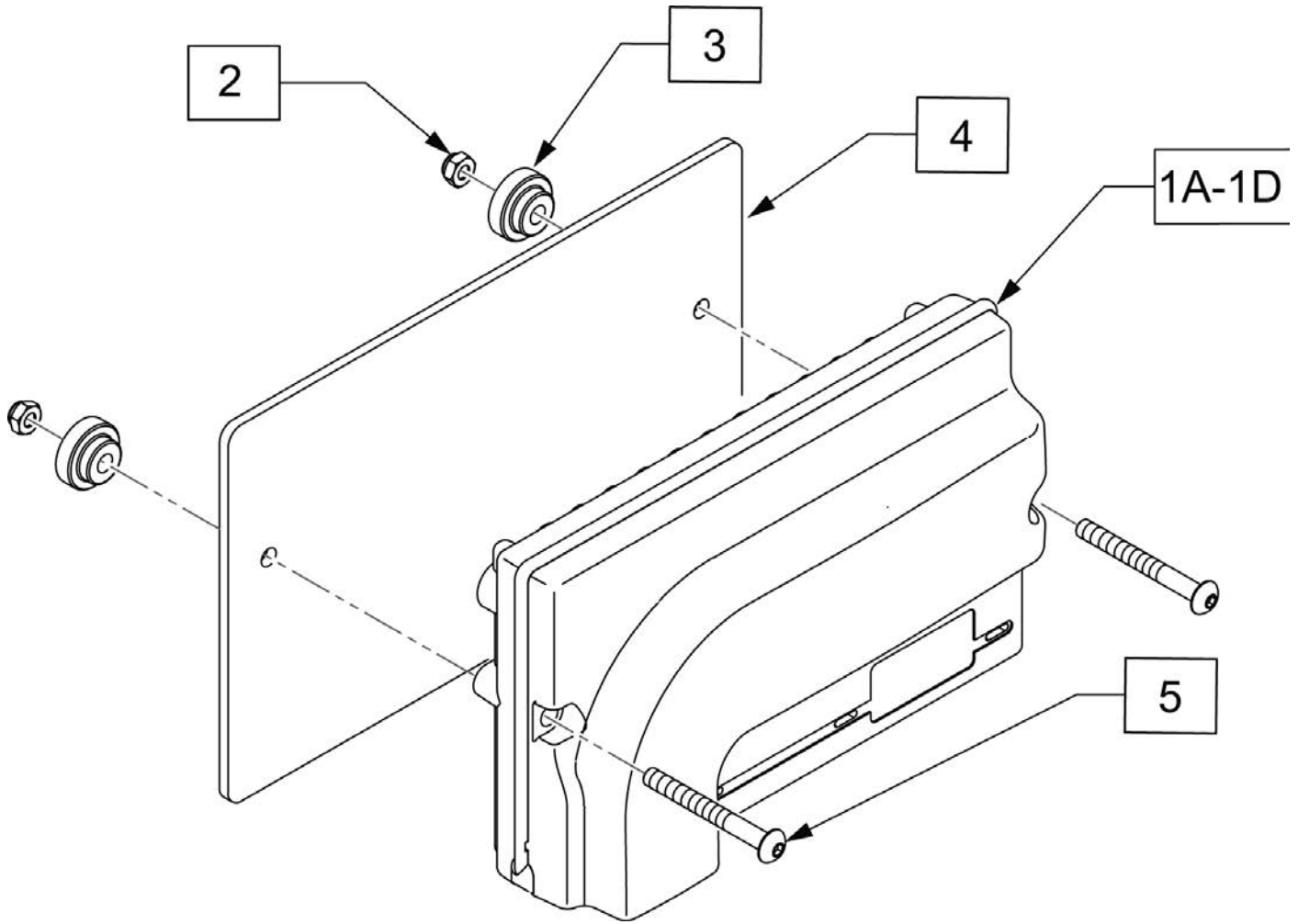


Pos.	Item Number	Description	Remarks
1	115207	DIAGNOSTIC TEST TOOL R-NET/VR2	
2	108531	DONGLE R-NET PROGRAMING DEALER	
3	108532	PC PROGRAMMER SOFTWARE	PC not included
4	111423	CABLE DTT RNET	
5	115211	HARNESS DIAG TEST TOOL NEUTRIK	

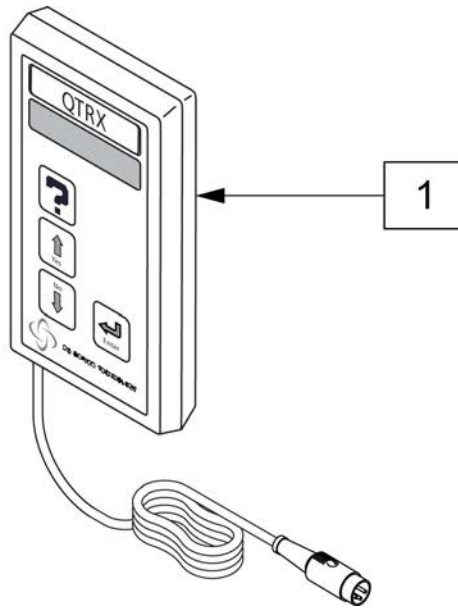
NOTE: JOYSTICK POST (ITEM 7) ACCEPTS JOYSTICK KNOBS THAT HAVE A 1/4" DIAMETER MATING HOLE.



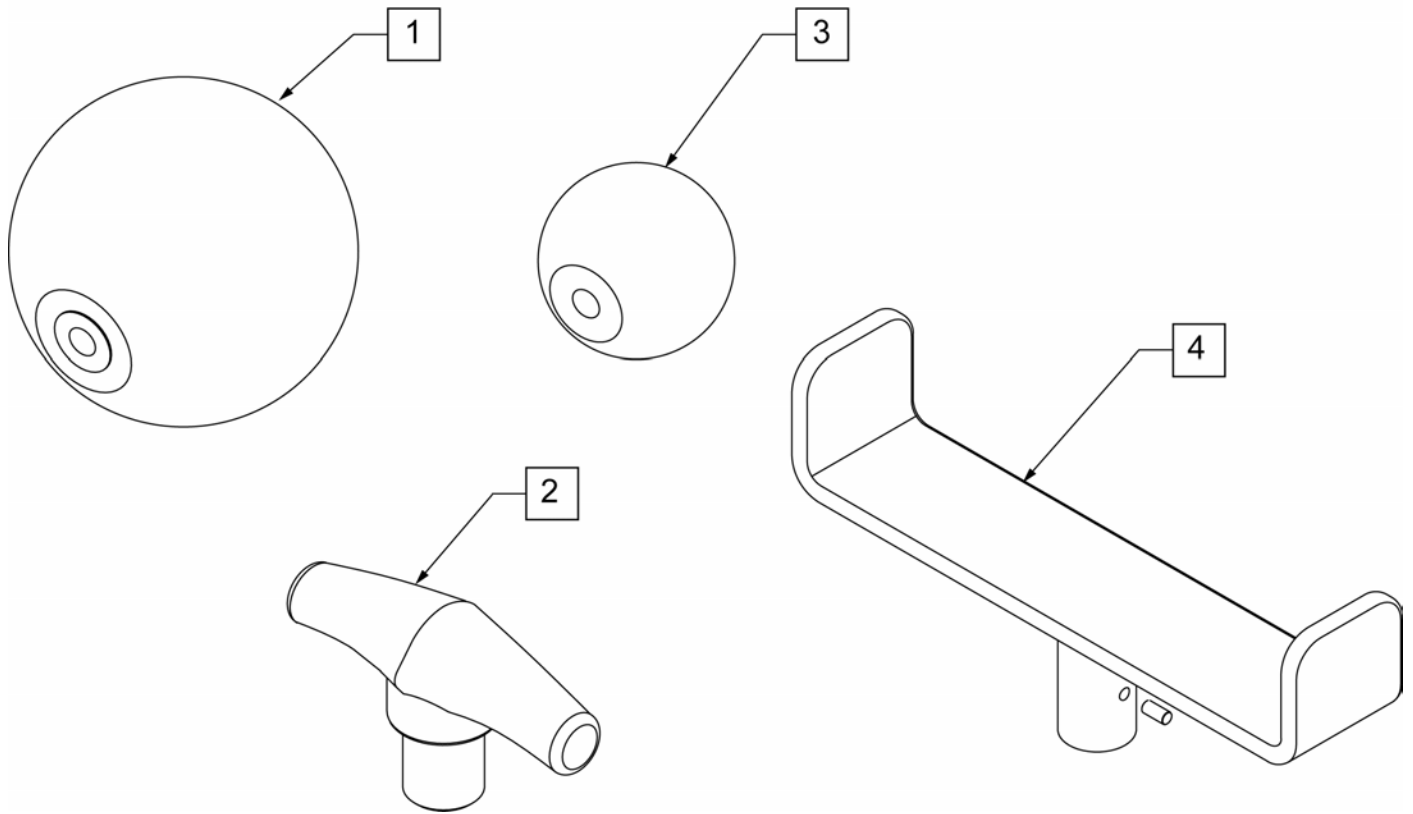
Pos.	Item Number	Description	Remarks
1A	105375	VR2 JOYSTICK 4 BUTTON	STD Joystick (Used when Dual Toggle is picked)
1B	105376	VR2 JOYSTICK 6 BUTTON	Thru Drive Joystick
2	105937	JOYSTICK CABLE	
3A	105938	KEYPAD 4 KEY	
3B	105939	KEYPAD 6 KEY	
4	138169	VSI JOYSTICK HANDLE	
5	105930	JOYSTICK GAITER	
6	105945	MOLDED TOP	
7	105936	JOYSTICK	
8	105947	SHCS M3X14 TORX	
9	105946	RUBBER SEAL JOYSTICK	
10	105940	MOLDED BOTTOM	



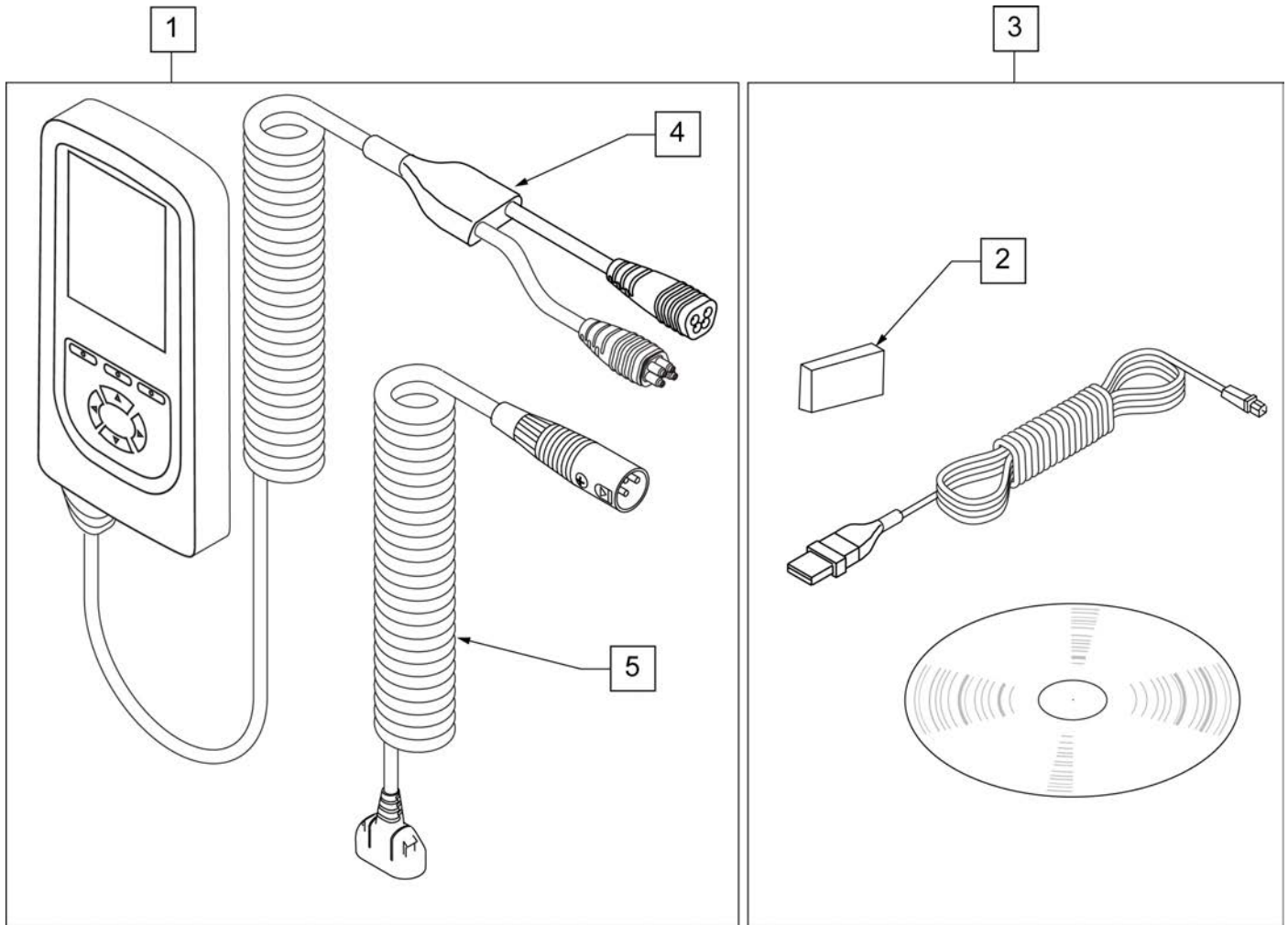
Pos.	Item Number	Description	Remarks
2	103189-010	SHCS M5X0.8X40 PARTNP	
3	220121	NUT HEX NYLOCK M5 BLACK	
4	108103	BUTTON CONTROLLER MOUNT	
5	108102	PLATE CONTROLLER	
1A-5	116079	PULSE VR2 CNTRL W/O ACT	STD (USED W/ DUAL TOGGLE)- Used w/chairs befor S/N PLS-101619
1B-5	116080	PULSE VR2 CNTRL W/ ACT	USED W/ THRU DRIVE ONLY- Used w/chairs befor S/N PLS-101619
1C-5	117850	PULSE VR2 CNTRL W/O ACT	STD (USED W/ DUAL TOGGLE)- Used w/chairs after S/N PLS-101619,PLS6A-000001 & PLS6B-000001
1D-5	117851	PULSE VR2 CNTRL W/ ACT	USED W/ THRU DRIVE ONLY- Used w/chairs after S/N PLS-101619,PLS6A-000001 & PLS6B-000001



Pos.	Item Number	Description
1	QTRX	PROGRAMMING PAD QTRONIX



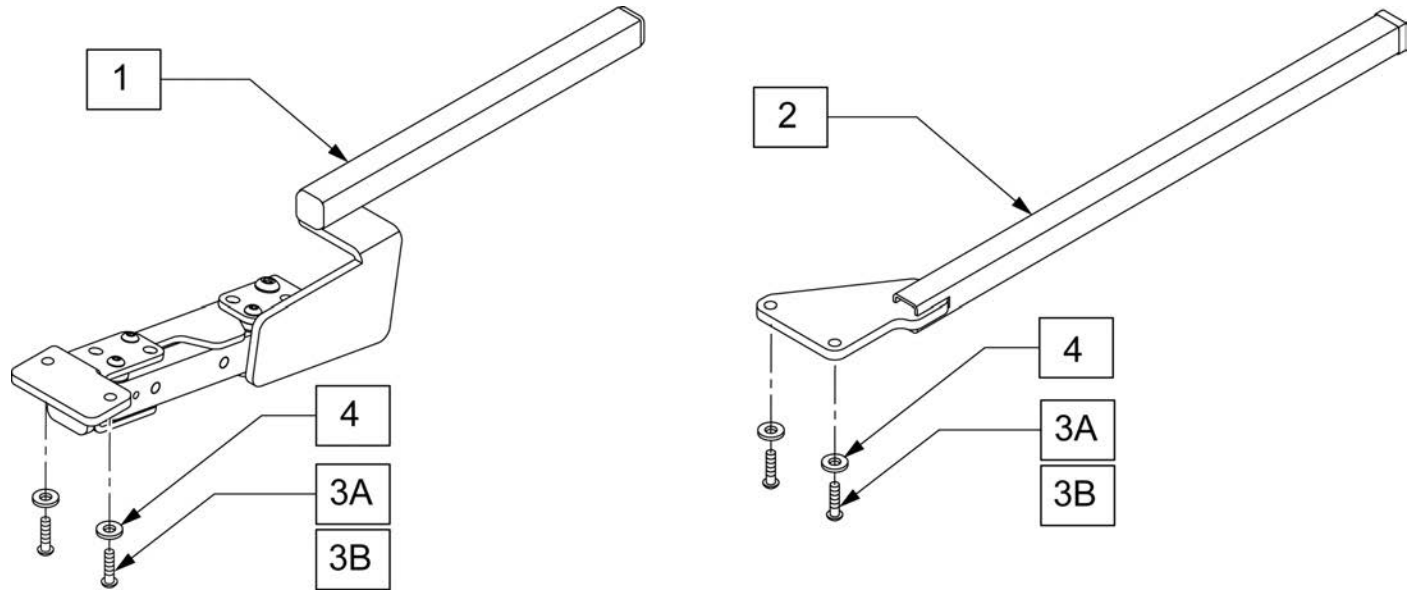
Pos.	Item Number	Description
1	138165	J/S KNOB BALL HANDLE (SOFT)
2	138167	J/S KNOB T-BAR
3	138166	J/S KNOB BALL HANDLE (SOLID)
4	013113	GOALPOST JOYSTICK EXT



Pos.	Item Number	Description	Remarks
1	115207	DIAGNOSTIC TEST TOOL R-NET/VR2	
2	108531	DONGLE R-NET PROGRAMING DEALER	
3	108532	PC PROGRAMMER SOFTWARE	PC not included
4	111423	CABLE DTT RNET	
5	115211	HARNESS DIAG TEST TOOL NEUTRIK	

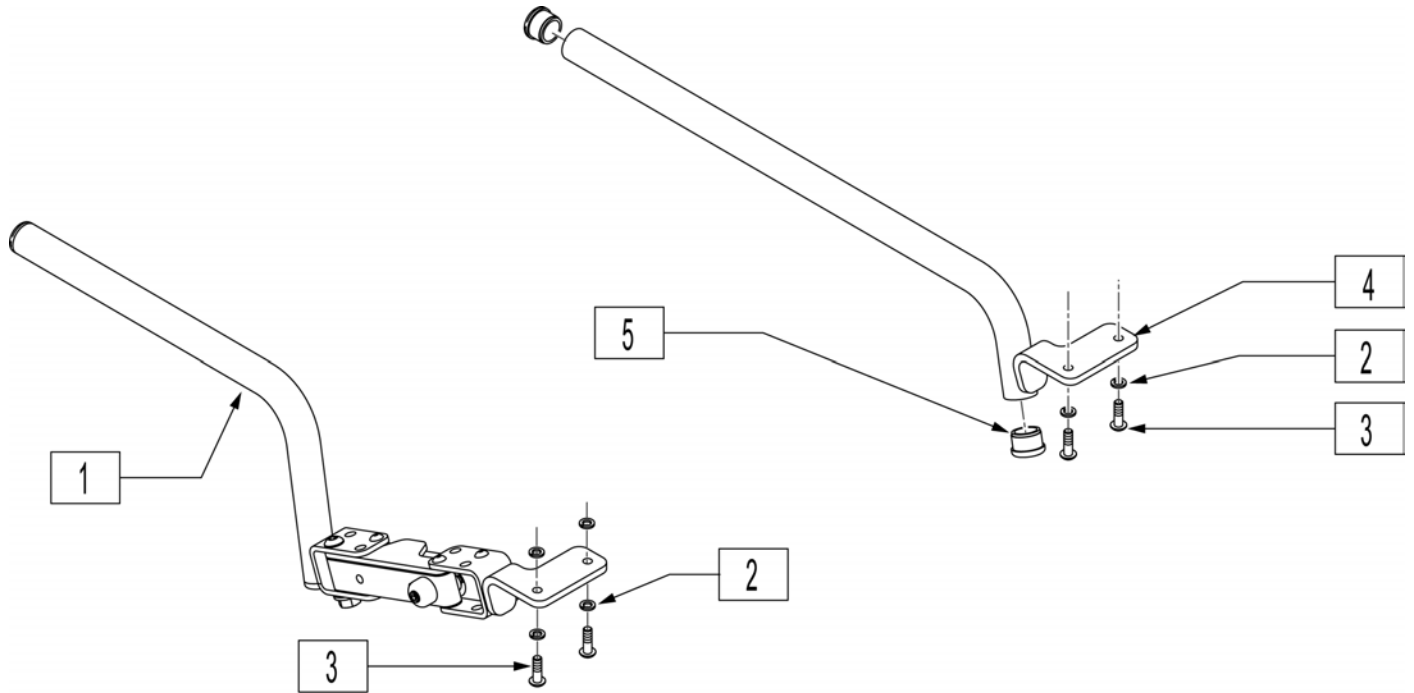
Note: Available on chairs prior to S/N PLS-101550

Note: Available on chairs prior to S/N PLS-101550
Note: Available on chairs prior to S/N RTMA-106838

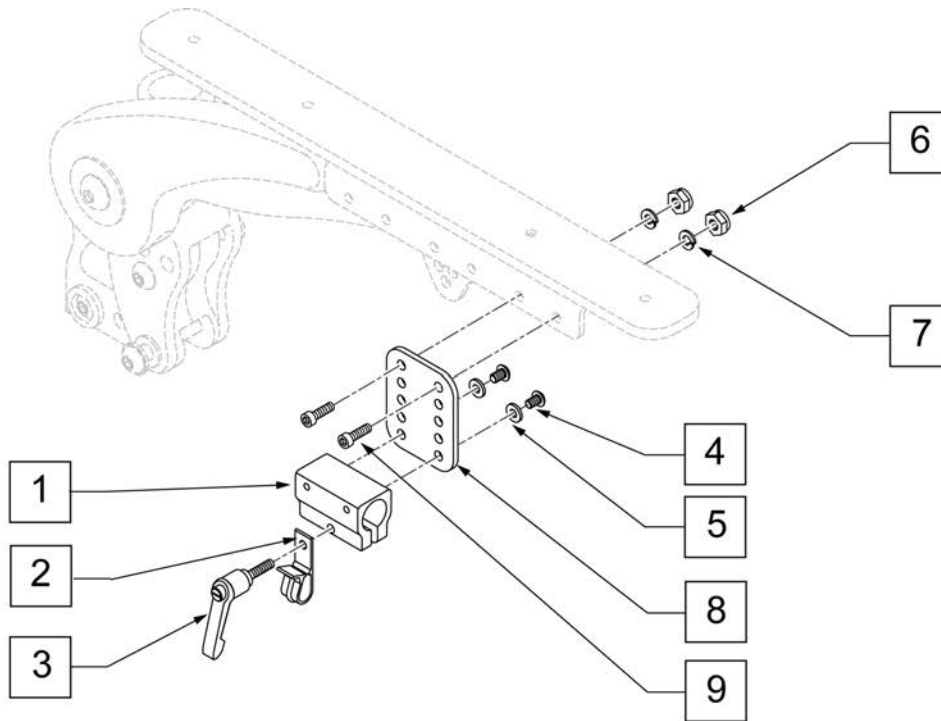


Pos.	Item Number	Description	Remarks
1	108554	S/A ARM VR2 RNET ASSM RH	
1	108555	S/A ARM VR2 RNET ASSM LH	
2	108276	CONTROLLER MOUNT ASSY	
3A	013143	BHCS M5 X .8 X 14 BLK W/PL	Used w/o toggle
3B	102259-002	BHCS M5 X .8 X 20 W/PL INORG	Used w/ toggle
4	261204	#10 AN WASHER .063	

Note: Available on Pulse Chairs after S/N pls-101550.
 Note: Available on Rhythm Chairs after S/N RTMA-106838.
 Note: Joystick arms shown fit Vr2 & Rnet Joysticks.



Pos.	Item Number	Description	Remarks
1	882496	S/A ARM VSI R ASSM	Right-Swing-away
1	882497	S/A ARM VSI L ASSM	Left-Swing-away
2	261524	#10 WASHER LOCK SS	
3	226024-QU	10-32 x 7/8 BH C/S BLK	
4	542131	VSI FIX MNTNG BLK WLDMNT RT	Right- Fixed
4	542132	VSI FIX MNTNG BLK WLDMNT LEFT	Left-Fixed
5	560761	3/4" INSERT PLUG .049 (18GA)	



Pos.	Item Number	Description
1-5	108866	CNTRLR CLMP ARM KIT RND
3	011049	HANDLE ADJ MODERN M5 X 20 STUD
4	103184-002	BHCS M5X0.8X8 FULL PL
5	261204	#10 AN WASHER .063
6	220121	NUT HEX NYLOCK M5 BLACK
7	107357	WASHER SPLIT LOCK M5 ROHS
8	116571	Available in assembly only
9	103189-004	SHCS M5X0.8X12 FULLNP
1-9	116572	VERTICAL ADJUSTMENT ASSM

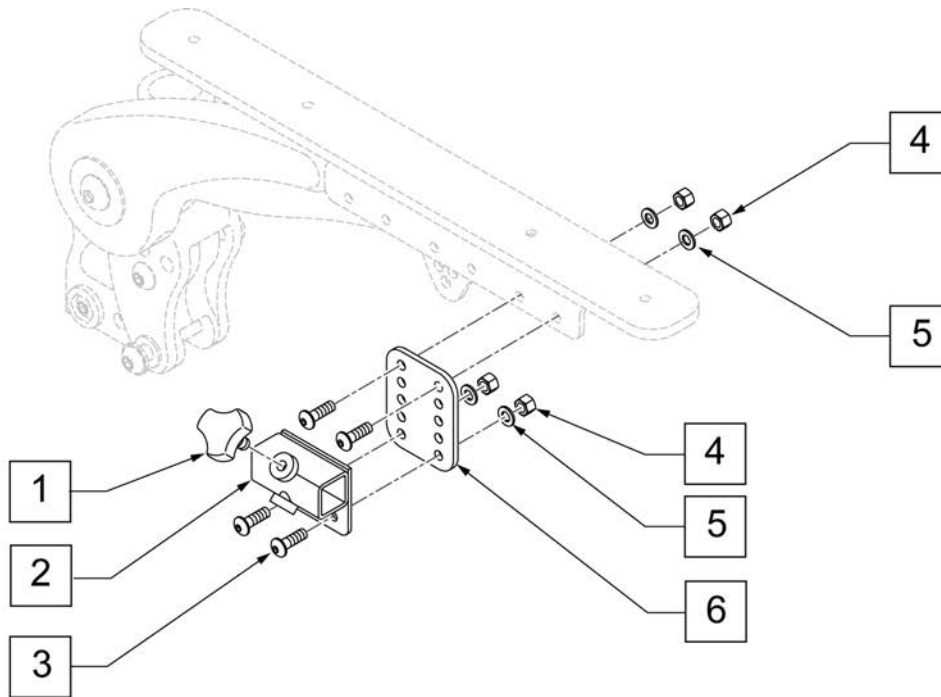
Note: Available on chairs after S/N PLS-101550 and all PLS6A and PLS6B.

Note: Available on chairs after S/N PLS-101550 and all PLS6A and PLS6B.

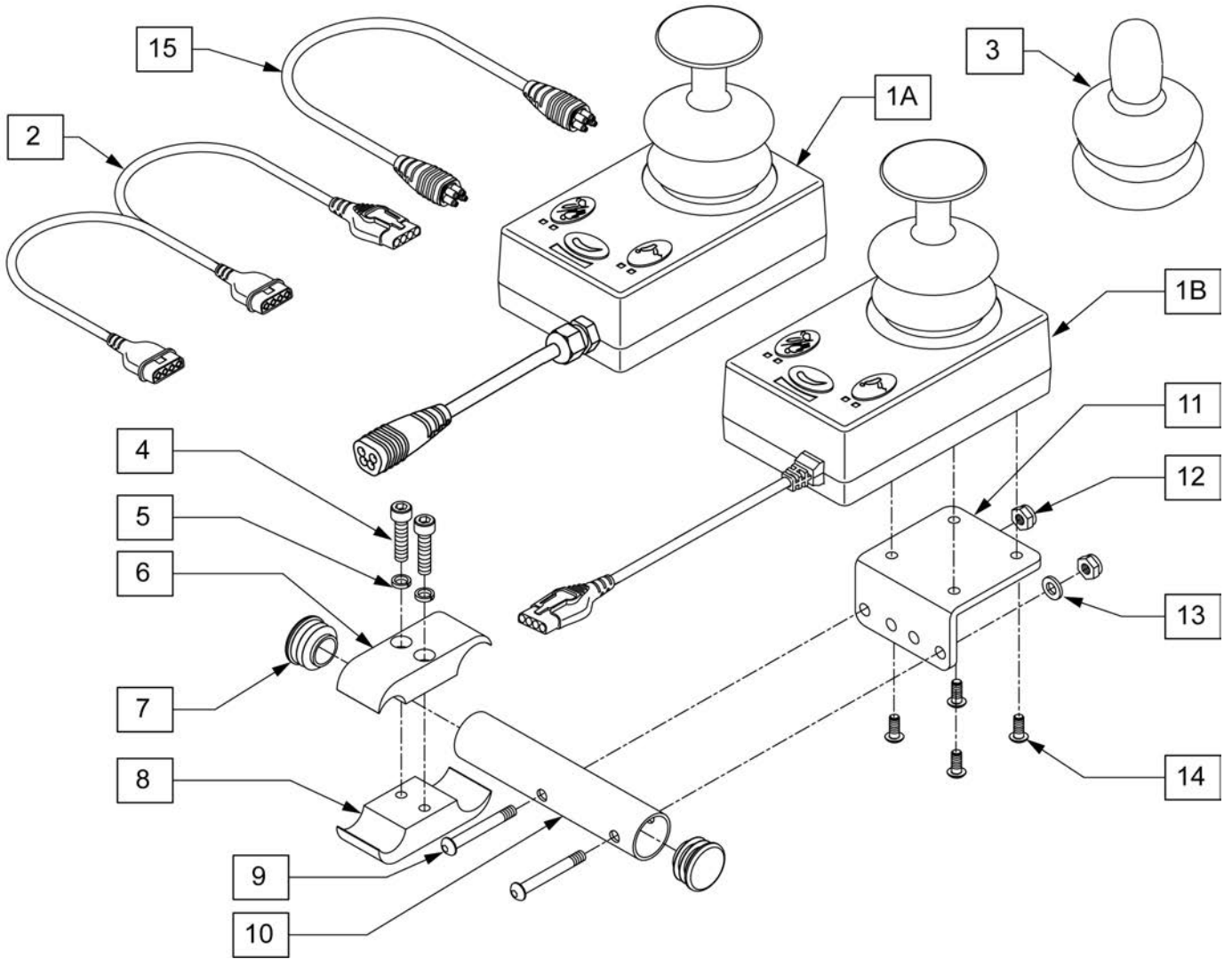
Note: Available on chairs prior to S/N RTMA-106838

Note: Available on chairs prior to S/N PLS-101550

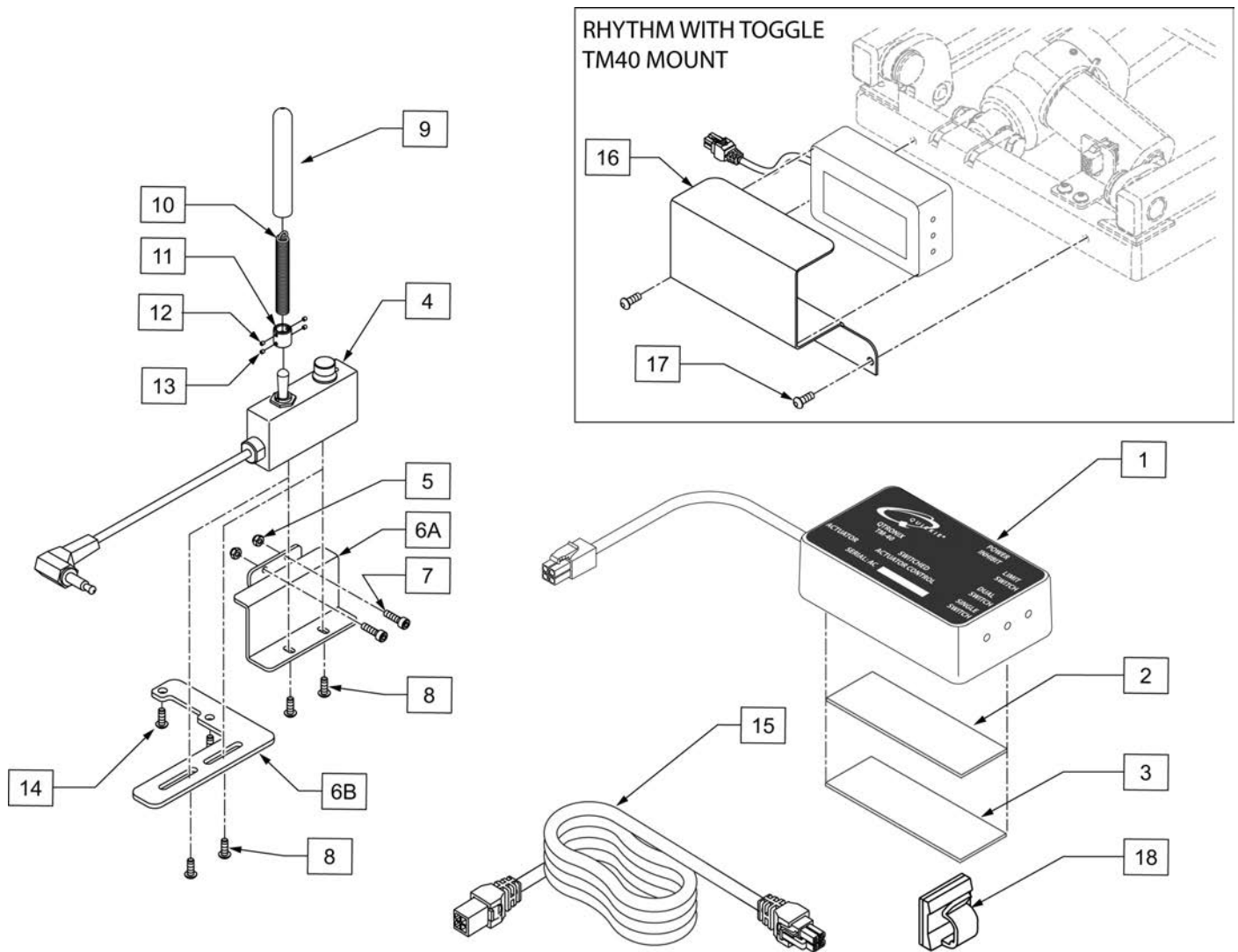
Note: Available on chairs prior to S/N RTMA-106838



Pos.	Item Number	Description
1	116132	KNOB M6X13 LOCKING KEY
1-6	060250	CNTRL VERTICAL ADJ ASSM

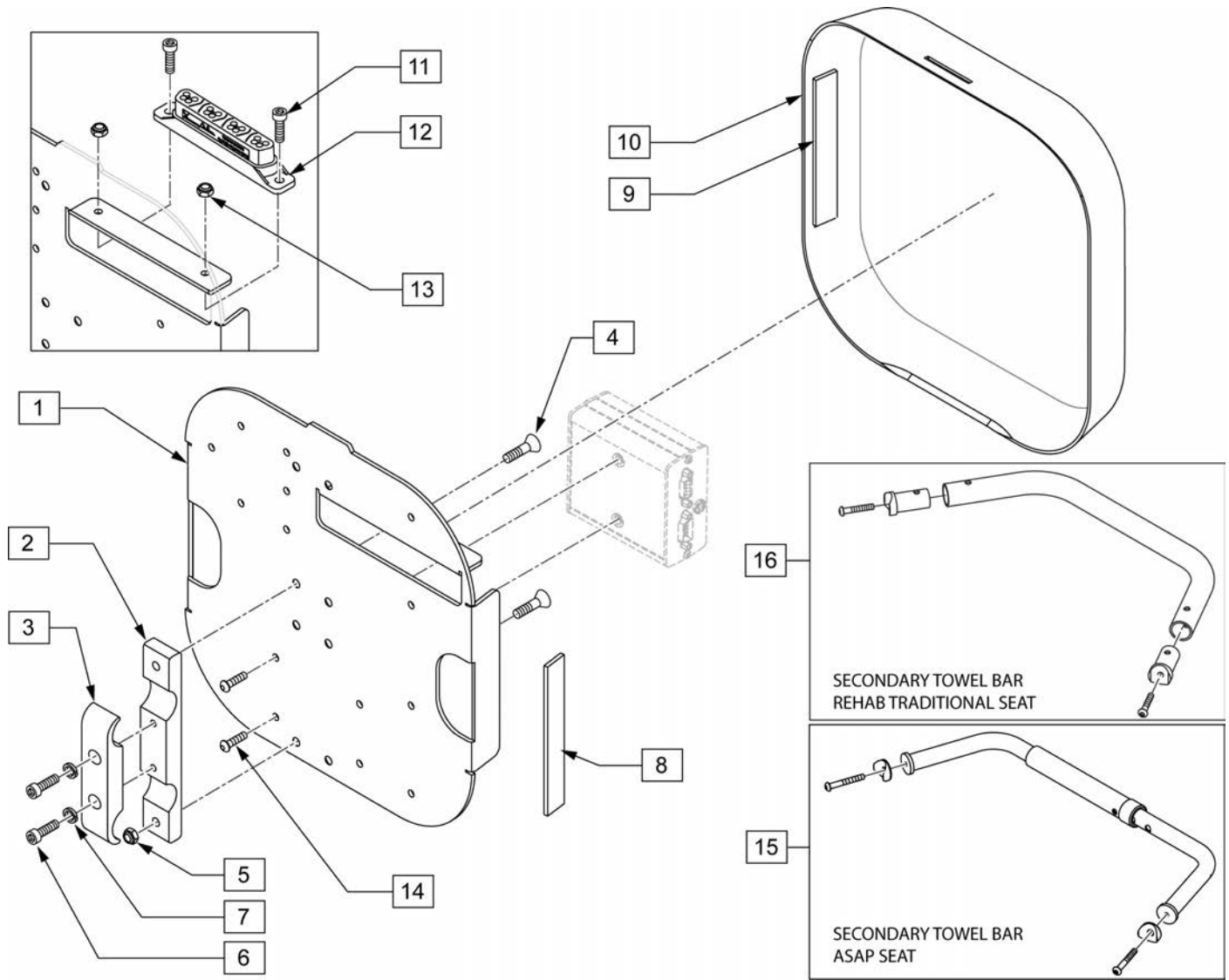


Pos.	Item Number	Description	Remarks
2	102359	HARNESS VR2 BUS SPLITTER	Used w/ VR2 Electronics Only
3	138169	VSI JOYSTICK HANDLE	
4	107032	1/4-28 X 1 SOC C/S BLK	
5	262114	1/4 WASHER HI COLLAR LOCK ZN	
6	550477	CLAMP 2 1/4" RECESS BLK	
7	561062	1" INSERT PLUG .065 RIBS	
8	550576	CLAMP 2 1/4" THREADED BLK	
9	102262-006	BHCS M6 X 1 X 40 INORGANIC	
10	102660	ATTND CNTRL MNT TB	
11	505533	ATTENDANT CTRL MOUNT BRACKET	
12	210084	NUT HEX NYLOCK M6 BLACK	
13	250104	WASHER FLAT M6	
14	013143	BHCS M5 X .8 X 14 BLK W/PL	
4-14	102661	ATTND CNTRL MNT	
1A,3,15	110845	RNET ATTENDANT JOYSTICK	Used w/ Rnet Electronics Only
1B,2,3	102175	VR2 ATTENDANT JOYSTICK W/CABL	Used w/ VR2 Electronics Only
15	108316-050	HARNESS R-NET BUS 500MM	Used w/ Rnet Electronics Only



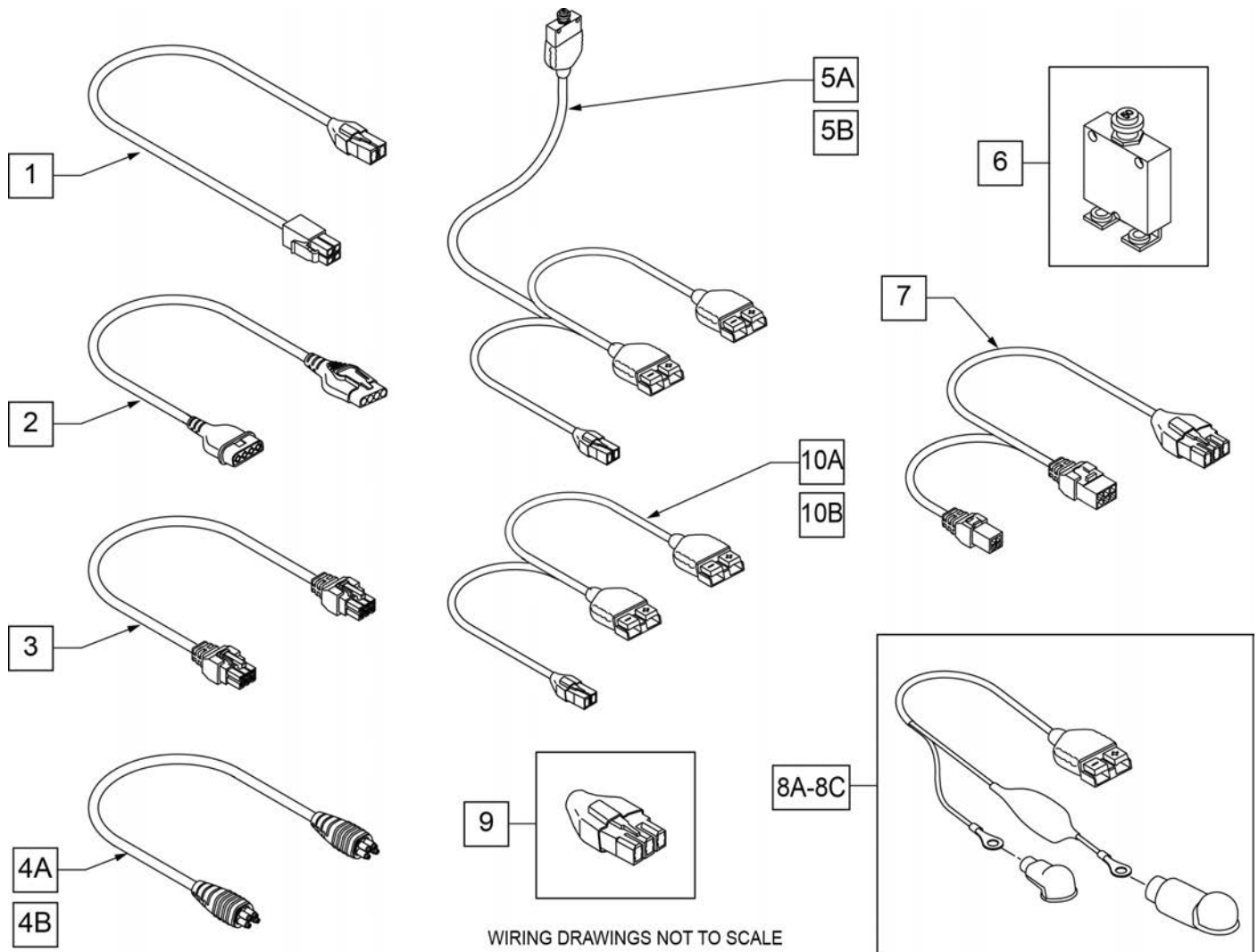
Pos.	Item Number	Description	Remarks
2	102340	POLYLOCK FEMALE 3" X 1"	
3	102341	POLYLOCK MALE 3" X 1"	
4	102181	SWITCH DUAL TOGGLE W DISABLE	
5	220121	NUT HEX NYLOCK M5 BLACK	
6A	102811	MOUNT TOGGLE SWITCH	Mounts Toggle to non-Joystick side
6B	108556	DRCT ACT SWTCH MNT RNET	Mounts Toggle to Joystick side
7	102260-001	SHCS M5X0.8X18 FULL NP	
8	013143	BHCS M5 X .8 X 14 BLK W/PL	
9	560305	4 X .375 ID X .125 FOAM GRIP	
10	321104	SPRING .38 ODX2.85-TILT SWITCH	
11	341125	COUPLER -TILT SWITCH	
12	225106	4-40 X 1/8 SET SCREW BLK	
13	225105	4-40 X 1/16 SET SCREW BLK	
1-3	110838	TM40 7AMP W/ VELCRO	
14	102259-002	BHCS M5 X .8 X 20 W/PL INORG	Used to mount to joystick
9-13	110839	TOGGLE HANDLE ASSM	
6B,8,14	110840	TOGGLE MOUNT JOYSICK SIDE	Toggle Mounts to Joystick side
5,6A,7,8	110841	TOGGLE MOUNT NON JOYSICK SIDE	Toggle Mounts to non-Joystick side

Pos.	Item Number	Description	Remarks
1-15	110842	TOGGLE RETRO KIT	Used for tilt, Includes parts to add a toggle. Includes both mounting kits.
15	108277-100	HARNESS DUAL TOGGLE 1000MM	Rhythm only
16	110980	BRACKET MBL TM40	
17	103184-003	BHCS M5X0.8X10 FULLPL	
18	560794	CABLE HOLDER BLACK W/ADHESIVE	

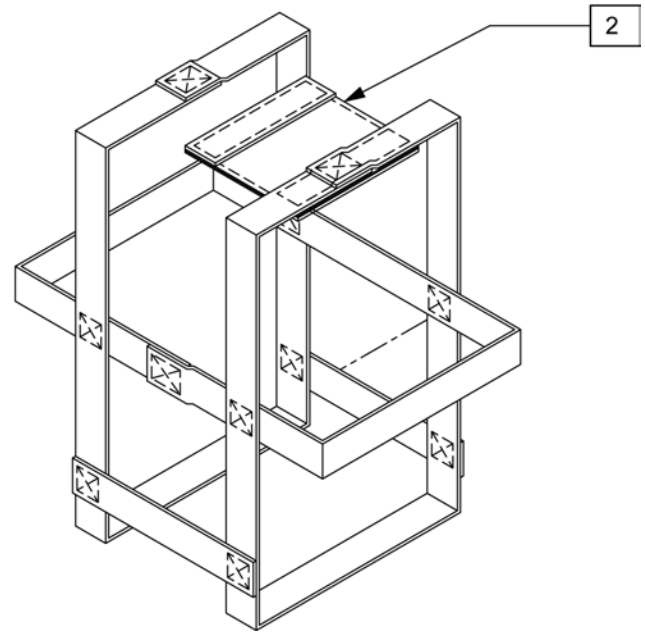
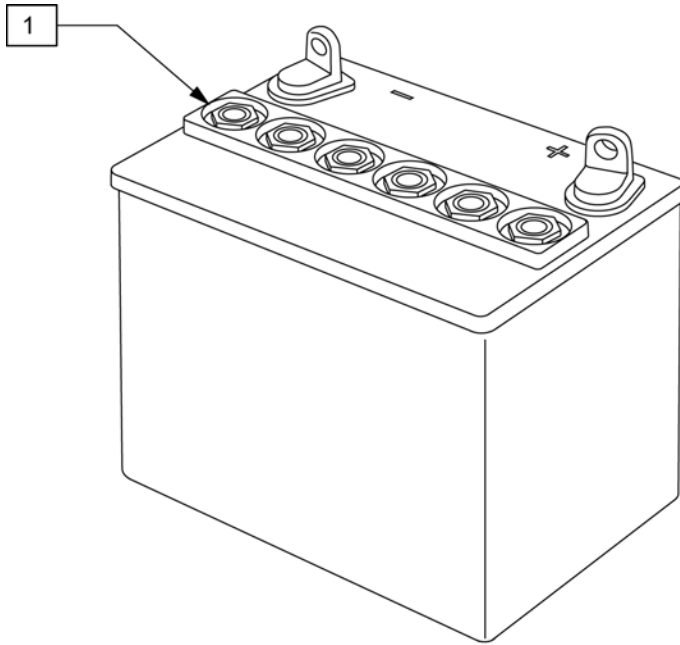


Pos.	Item Number	Description	Remarks
2	502313	CLAMP PIVOT VENT TRAY SMAL	
3	502294	VENT TRAY PIVOT CLAMP RECESS	
4	102265-002	FHCS M6 X 1 X 20 INORGANIC	
5	200113	NUT HEX NYLOCK M6 X 1	
6	102263-003	SHCS M6 X 1 X 25 W/PL INORG	
7	262114	1/4 WASHER HI COLLAR LOCK ZN	
8	012080-002	HOOK BLK VLCRO PS 1" x 5"	Qty 2 Required
9	011803-002	1 X 5 LOOP BLACK PSA117	Qty 2 Required
11	104522	SHCS M6X1X16 FULL PL	
12	108312	DISTRIBUTION BLOCK	Rnet only
13	210084	NUT HEX NYLOCK M6 BLACK	
14	103184-003	BHCS M5X0.8X10 FULLPL	Used to mount Output Module to Plate
15	105628	TOWEL RAIL ASSY W/HRDWR SP	2 R'QED TO ATTACH MOUNTING PLATE
16	842234	TOWEL RACK ASSM 14" S525	
16	842235	TOWEL RACK ASSM 15" S525	
16	842236	TOWEL RACK ASSM 16" S525	
16	842237	TOWEL RACK ASSM 17" S525	

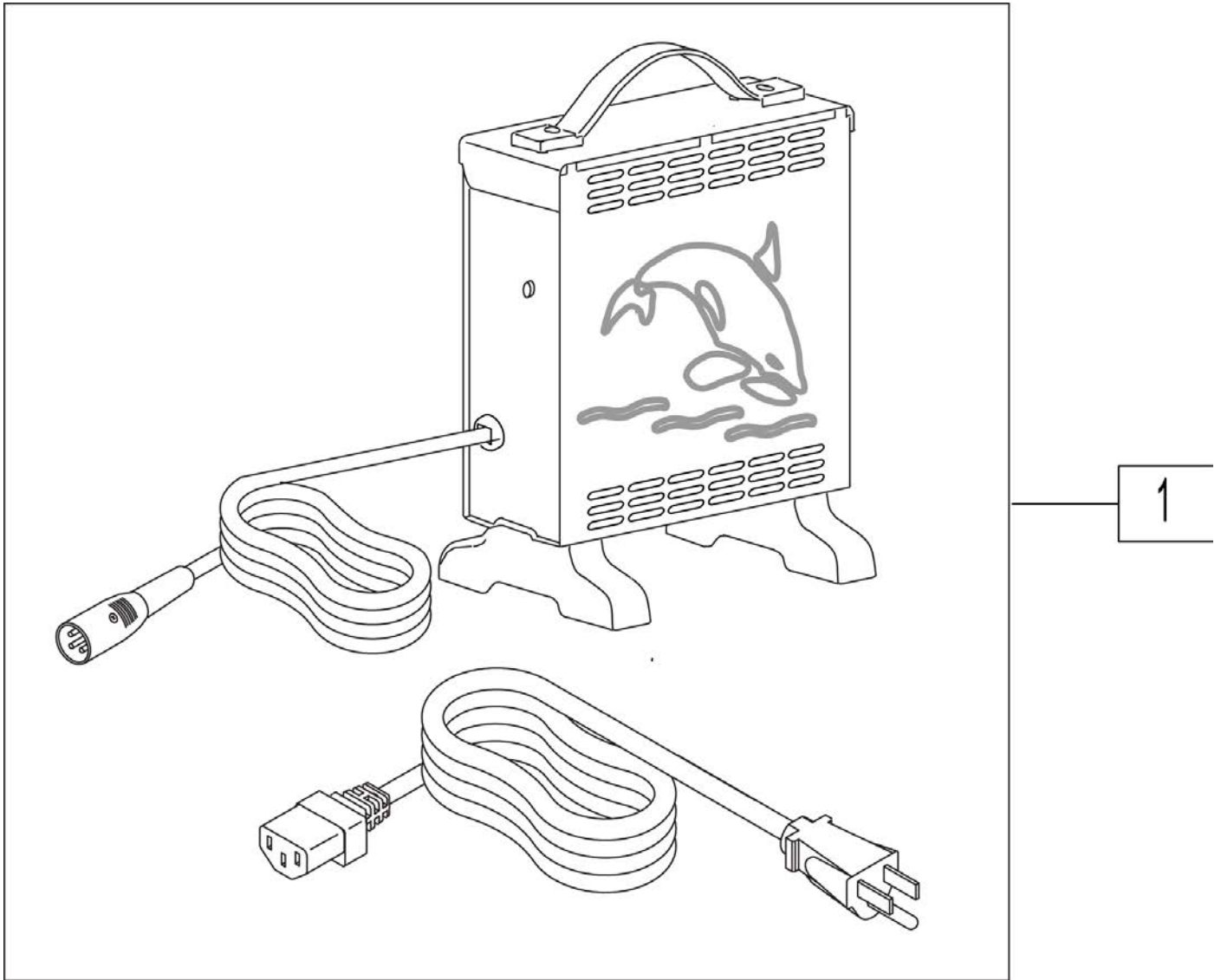
Pos.	Item Number	Description	Remarks
16	842238	TOWEL RACK ASSM 18" S525	
16	842239	TOWEL RACK ASSM 19" S525	
16	842240	TOWEL RACK ASSM 20" S525	
16	842241	TOWEL RACK ASSM 22"	
1,8	110837	PLATE REHAB W/ VELCRO	
1-10	108561	ASAP RNET MNTING BCK	
9,10	110836	SHROUD REHAB W/ VELCRO	
11-13	110835	DIST BLOCK MNT KIT	



Pos.	Item Number	Description	Remarks
1	111438-010	HARN VR2 DRIVE THRU ACT 100MM	Used w/ thru drive chairs only(Power Harness to Base Tilt Harness)
2	101626	CONTROLLER HARNESS	Used w/ VR2 chairs only(Controller to Joystick)
3	020063-070	HARNESS DELPHI ACTUATOR 700mm	Connects tilt to base tilt harness
4A	108316-050	HARNESS R-NET BUS 500MM	Rnet Joystick EXT (Dist block to Joystick, Omni or Attendant Control
4B	108316-120	HARNESS R-NET BUS 1200MM	Rnet Joystick EXT (Dist block to Joystick, Omni or Attendant Control
4C	108316-150	HARNESS R-NET BUS 1500 MM	Rnet Joystick EXT (Dist block to Joystick, Omni or Attendant Control
5A	103737-001	HARN MAIN POWER VR2 SHUTTLE	VR2 Power Harness Used prior to S/N PLS-100809
5B	103738-001	HARNESS MAIN POWER RNET SHUTTLE	Rnet Power Harness Used prior to S/N PLS-100808
6	133020	CIRCUIT BREAKER 50 AMP	Used on all chairs prior to S/N PLS-100808
7	104977-020	HARN ADPT ACT TO VR2 200MM	Used on all tilt chairs except switch driven tilt/ELRs
8A	103954	HARNESS BATTERY HIGH GP22/24	Battery Harness (Red) Used only prior to S/N PLS-100808
8B	109402	HARNESS BATTERY HIGH 150 DEG	Battery Harness (Red) Compatible with all Pulse
8C	109403	HARNESS BATTERY LOW 150 DEG	Battery Harness (Black) Compatible with all Pulse
9	109324	HARNESS INHIBIT3 SHORTING PLUG	Used w/ Rnet non-tilt chairs(Plugs into Motor Controller)
10A	116289	HARNESS VR2 W/O	VR2 Power Harness used after S/N PLS-100809
10B	112768	HARNESS MAIN RHYTHM 150 DEG	Rnet Power Harness used after S/N PLS-100808

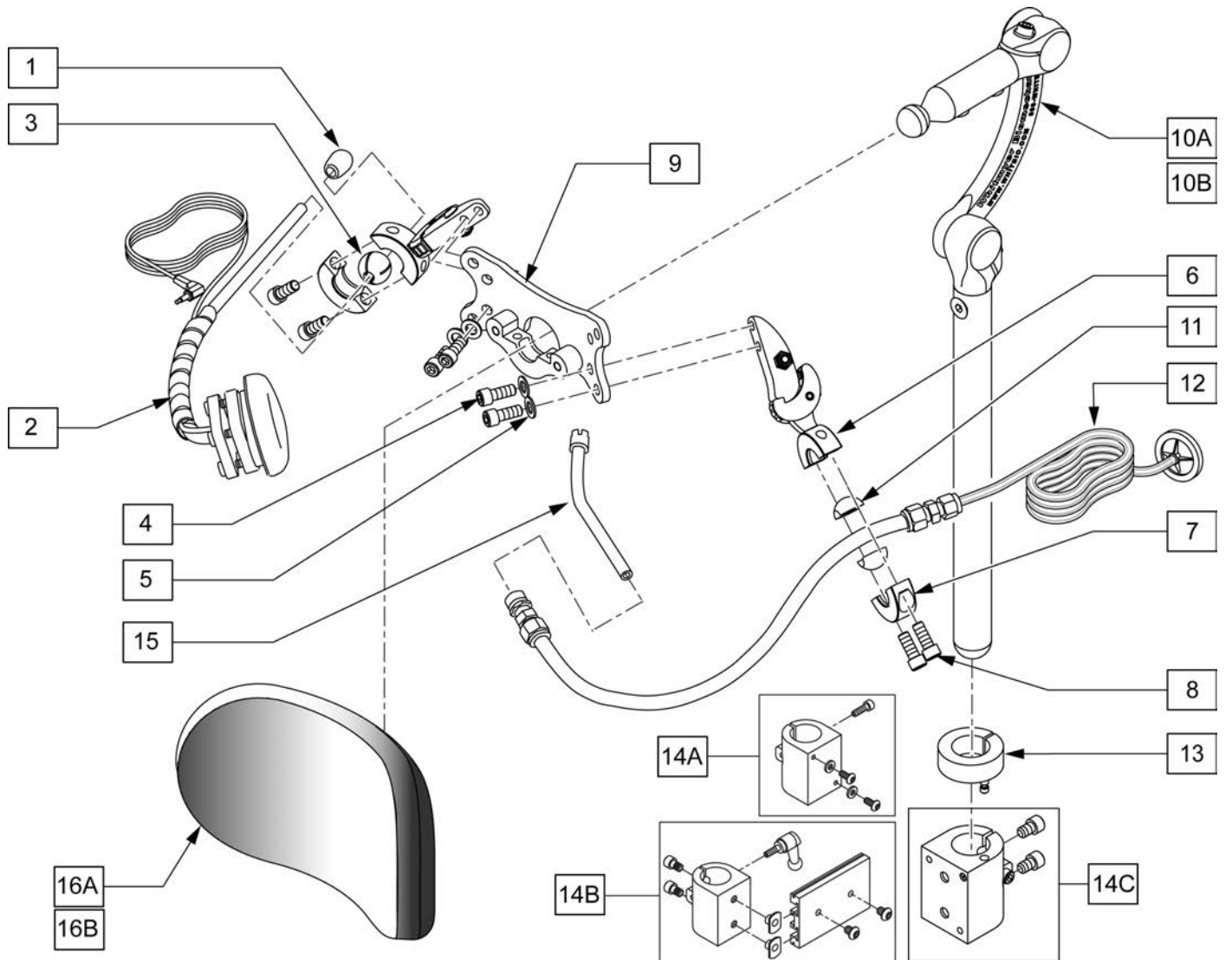


Pos.	Item Number	Description	Remarks
1	BAT22	GP 22 BATTERY	GROUP 22
2	740140	BATTERY STRAP GROUP 22	USED W/ GROUP 22 ONLY

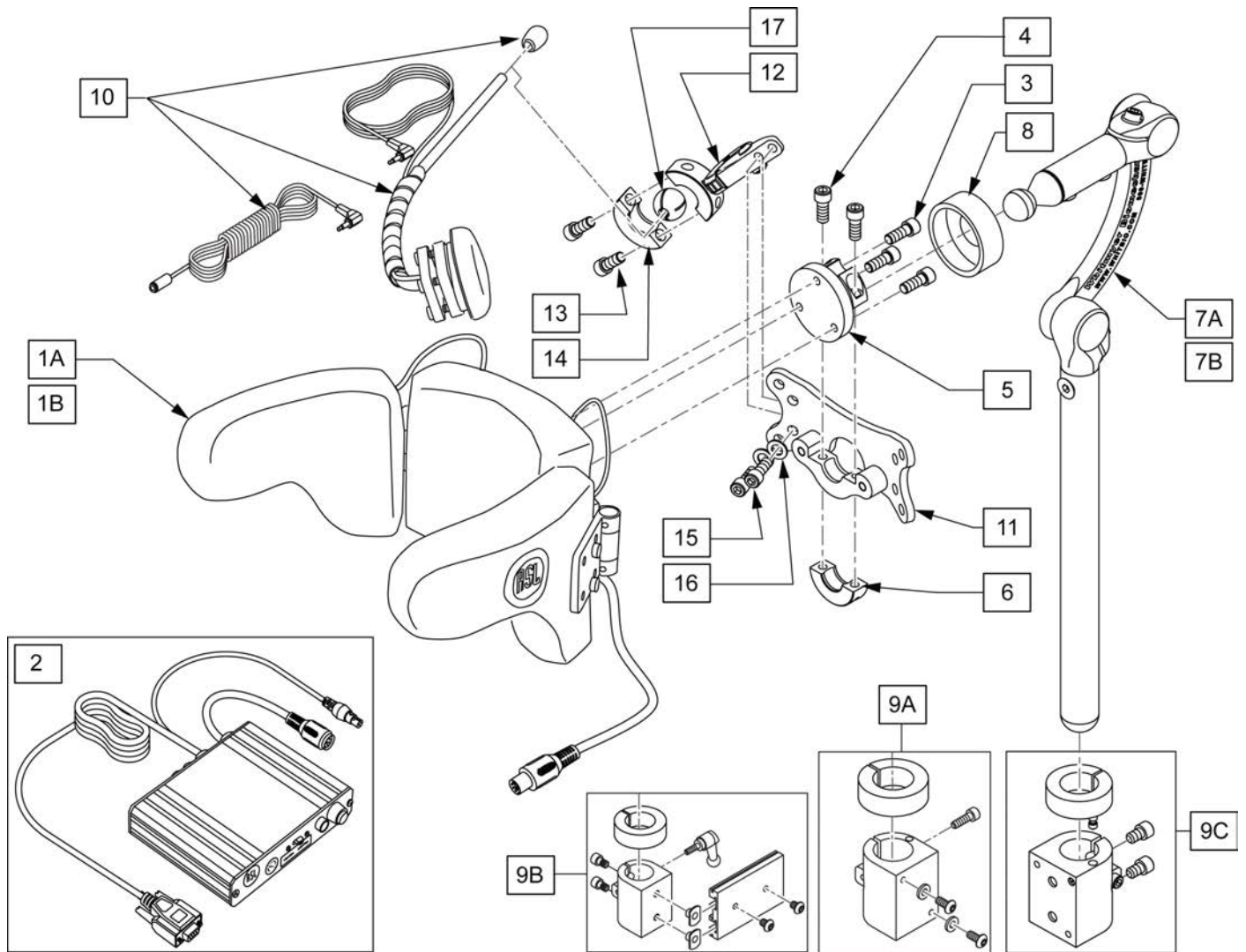


Pos.	Item Number	Description	HCPC
1	BATC8CT	CHARGER OFF BOARD 8A CTE	E2367

NOTE: IF ADDING SPECIALTY CONTROLS TO A CHAIR AN OMNI IS REQUIRED.

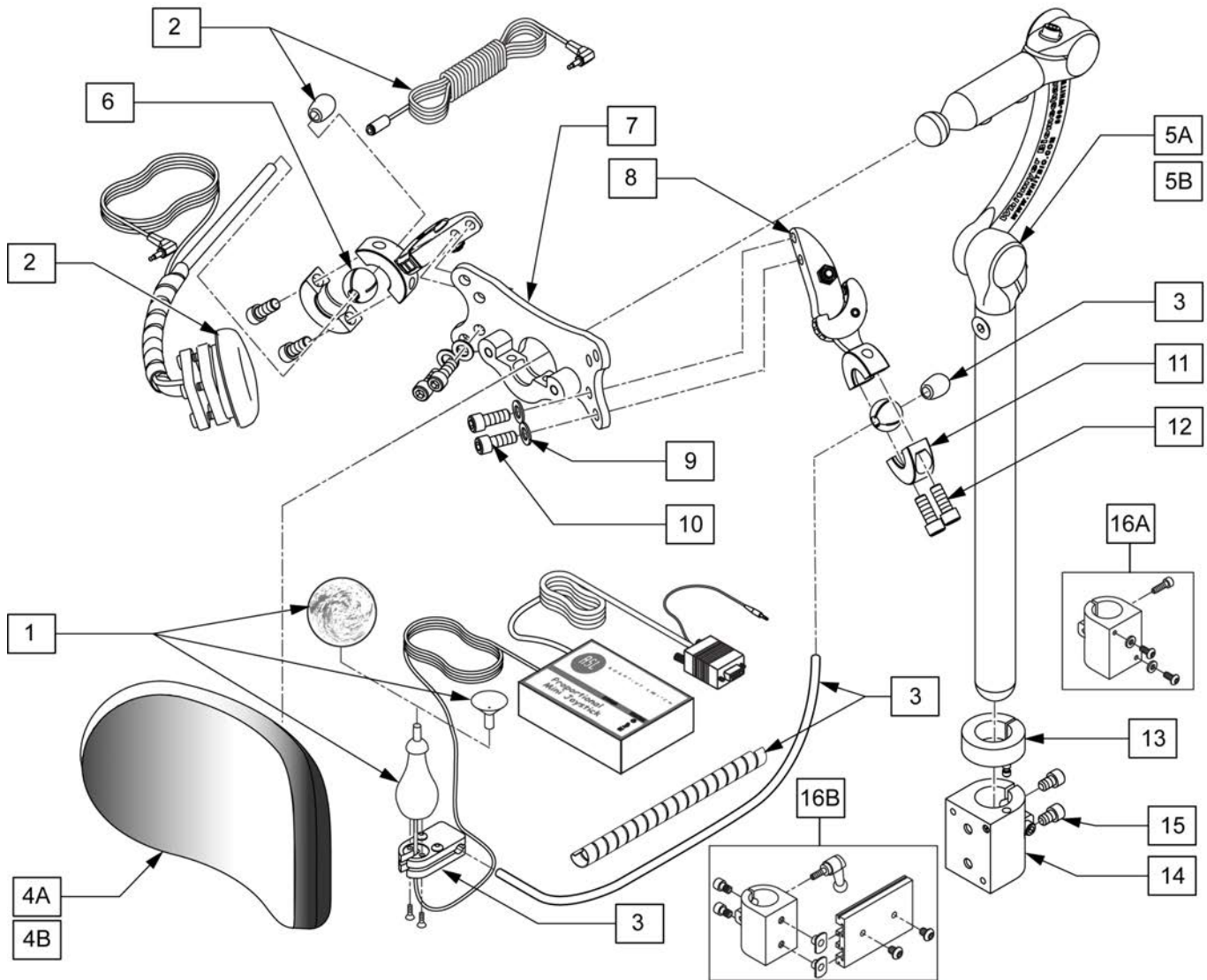


Pos.	Item Number	Description	Remarks
10A	LX7000	LINX CORE MOUNT HDW	10" POST LENGTH
10B	LX8000	LINX CORE MNTG HDW 8"	8" POST LENGTH
1-9,11,12,15	108638	SIP N PUFF W/ SA RESET SWITCH	
12	107425	SIP-N-PUFF INTERFACE	
13	104533	HEADREST COLLAR .875 ID	
15	101434	SIP N PUFF STRAW	
16A	P800L	PLUSH PAD, 8", LYCRA	8" PAD
16B	P1000L	PAD 10" PLUSH / LYCRA	10" PAD "LARGE"
13,14A,14B,14C	115057	UNIVERSAL HEAD MNT KIT	
13,14A	112717	CLAMP HEADREST SMART SEAT	Used w/ Power Recline Only
13,14B	112716	CLAMP HEADREST RIGID BACK	Used w/ Trad Rehab Back Only
13,14C	111902	HDRST CLMP ASSY .875 ID KIT	Used w/ Curved, JAY SPO, and ART SPO Backrest
1-10B-14A,14B,14C-16A	115058	RNET SIPNPUF 8" PAD 8" POST KIT	
1-10A-14A,14B,14C-16B	115059	RNET SIPNPUF 10" PAD 10" POST KIT	
1-10A-14A,14B,14C-16A	115060	RNET SIPNPUF 8" PAD 10" POST KIT	
1-10B-14A,14B,14C-16B	115061	RNET SIPNPUF 10" PAD 8" POST KIT	



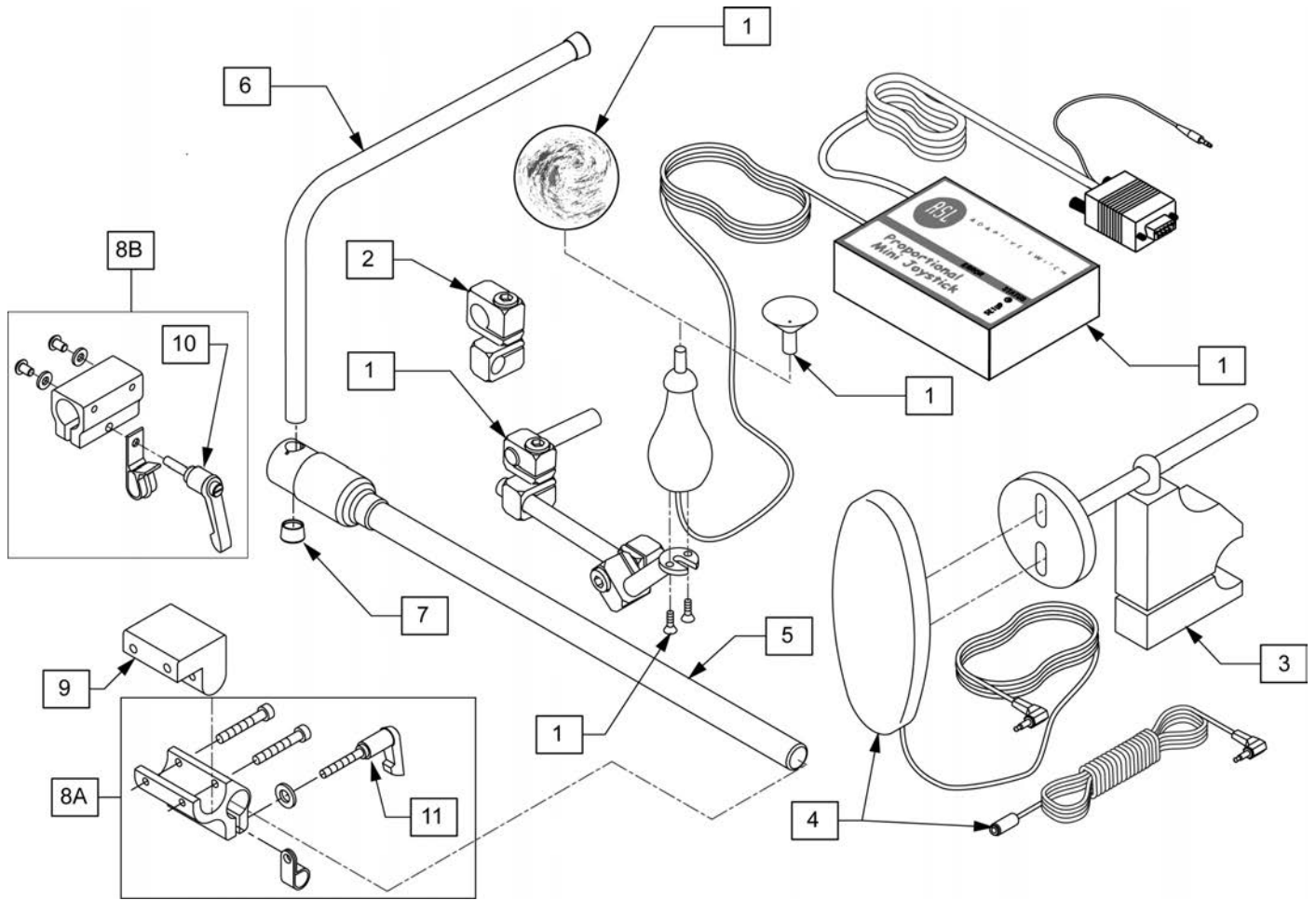
Pos.	Item Number	Description	Remarks
1A,2	139940	HEAD ARRAY ADULT W INTERFACE	Adult size
1B,2	139941	HEAD ARRAY MINI W INTERFACE	Pediatric size
3	221010	10-32 X .75 SHCS BLK W/PL	
4	107348	SHCS 1/4-28 X 5/8 PL ROHS	
5	104907	TOP COLLAR FLANGE WELDM	
6	MW027100	COL HALF RAD 3/4"THREADED BLK	
7A	LX7000	LINX CORE MOUNT HDW	10" POST
7B	LX8000	LINX CORE MNTG HDWR 8"	8" POST
8	MC100-WB	COVER 3/4"COLLAR/VINYL BLACK	
9A	112717	CLAMP HEADREST SMART SEAT	Used w/ Power Recline Only
9B	112716	CLAMP HEADREST RIGID BACK	Used w/ Trad Rehab Back Only
9C	111902	HDRST CLMP ASSY .875 ID KIT	Used w/ Curved, JAY SPO, and ART SPO Backrest
9A,9B,9C	115057	UNIVERSAL HEAD MNTG KIT	
10	108637	EGG SWITCH MNTG SYSTEM	
11	LM-PL	PLUSH LAT INTERFACE PLATE	
12-16	LM115	LFC MOUNT, SWINGAWAY	
17	107411	CLAMP BALL, STEEL	
1A-7A,9A,9B,9C,10-17	115063	RNET A-ASL 10" POST KIT	

Pos.	Item Number	Description	Remarks
1A-7B,9A,9B,9C,10-17	115062	RNET A-ASL 8" POST KIT	
1B-7A,9A,9B,9C,10-17	115065	RNET P-ASL 10" POST KIT	
1B-7B,9A,9B,9C,10-17	115064	RNET P-ASL 8" POST KIT	
1A-6,8	112367	ASL HEAD ARRAY PCKG ADULT	Adult size
1B-6,8	108640	ASL HEAD ARRAY PCKG PED	Pediatric size

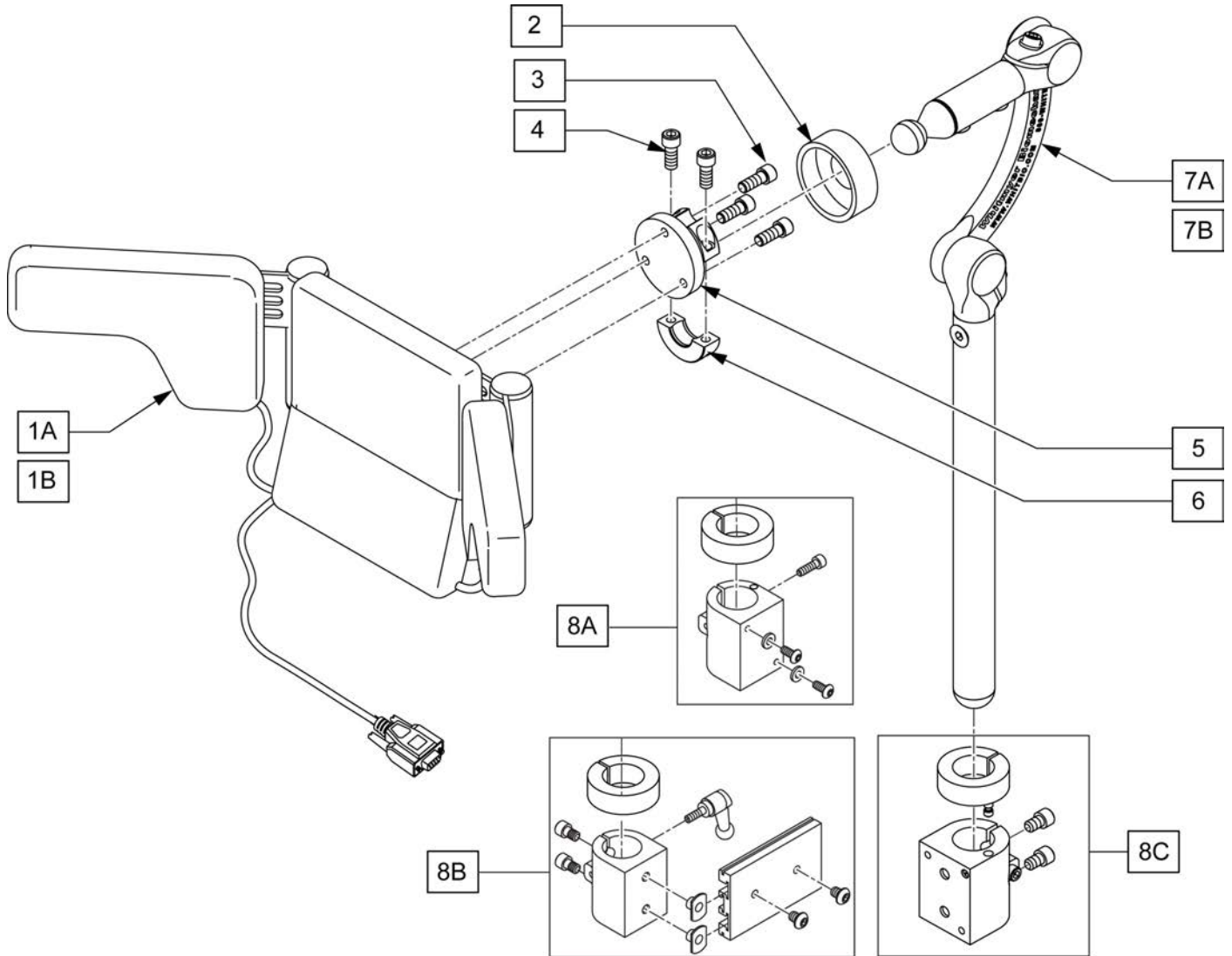


Pos.	Item Number	Description	Remarks
1	139510	JOYSTICK MINI W INTERFACE	
2	108637	EGG SWITCH MNTG SYSTEM	
3	109443	HEADREST MT W SWNG AWAY SWITCH	
4A	P800L	PLUSH PAD, 8", LYCRA	8" POST
4B	P10000L	PAD 10" PLUSH / LYCRA	10" POST
5A	LX7000	LINX CORE MOUNT HDW	10" POST
5B	LX8000	LINX CORE MNTG HDW 8"	8" POST
6	107411	CLAMP BALL, STEEL	
7	LM-PL	PLUSH LAT INTERFACE PLATE	
10	226095	1/4-20 X 3/8" SOC C/S BLK ZN	
13, 16A	112717	CLAMP HEADREST SMART SEAT	Used w/ Power Recline Only
13, 16B	112716	CLAMP HEADREST RIGID BACK	Used w/ Trad Rehab Back Only
8-12	LM115	LFC MOUNT, SWINGAWAY	
13-15	111902	HDRST CLMP ASSY .875 ID KIT	Used w/ Curved, JAY SPO, and ART SPO Backrest
1-3,6-8	109444	ASL PROPORTIONAL MINI JSTCK	
1-4A,5B-16A,16B	115070	RNET ASLMNI 8 PAD 8 POST KIT	
1-4A,5A-16A,16B	115071	RNET ASLMNI 8 PAD 10 POST KIT	

Pos.	Item Number	Description	Remarks
1-4B,5B-16A,16B	115072	RNET ASLMNI 10 PAD 8 POST KIT	
1-4B,5A-16A,16B	115073	RNET ASLMNI 10 PAD 10 POST KIT	

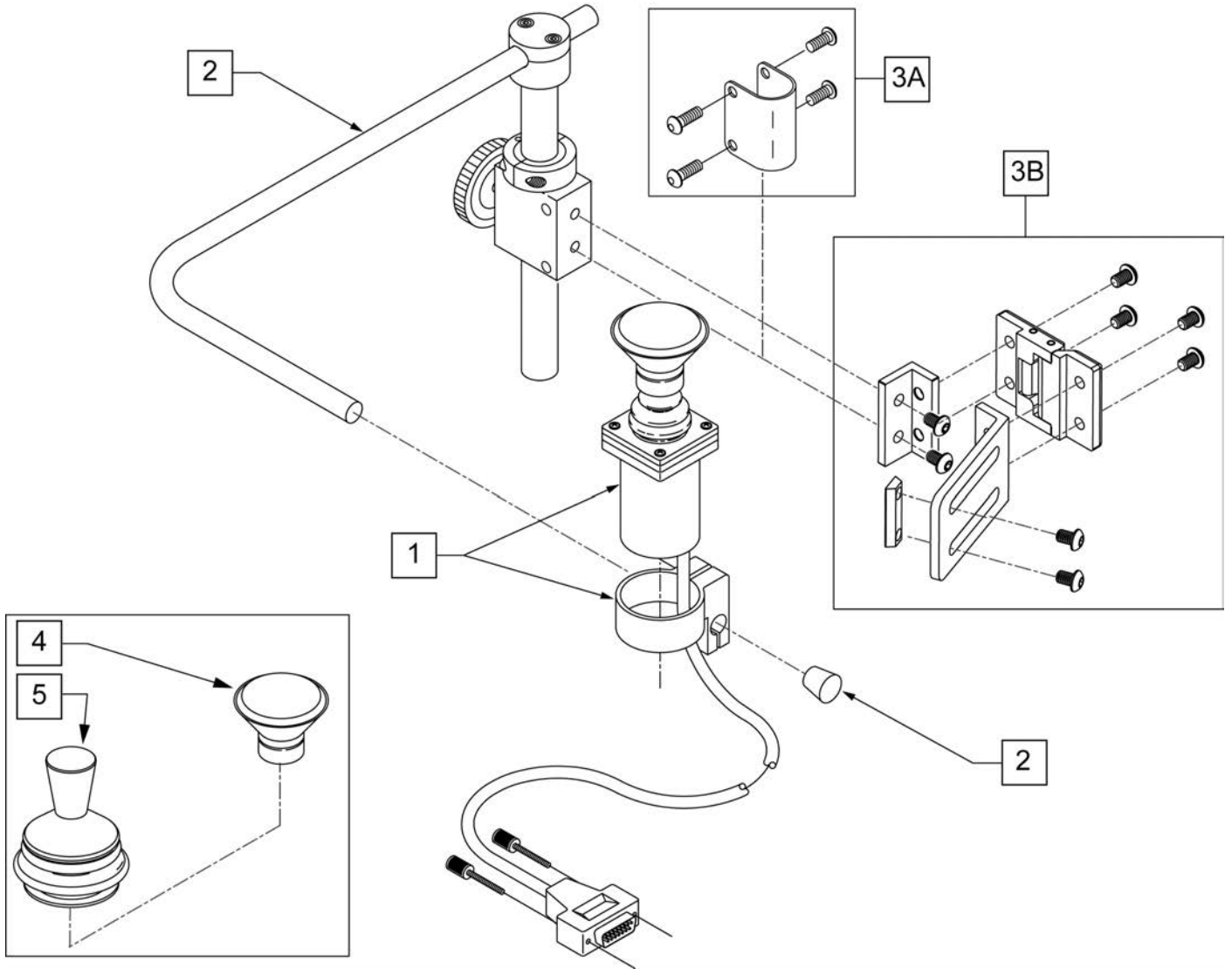


Pos.	Item Number	Description	Remarks
1	139510	JOYSTICK MINI W INTERFACE	
2	521617	MOUNT MINI JOYSTK TO 1/2" TUBE	
3	920904	MOUNT RESET SW FOR 7/8 TUBE	
3,4	521619	RESET SWITCH W BRACKET UNIV	
4	139915	RESET SWITCH EGG SHAPED	
5	111190	MOUNT ARM DISPLAY	
6	521097	ADJ DISPLAY ARM "L" (USCM/OMNI)	
7	560307	ADJ DISPLAY ARM CAP (USCM/OMNI)	
8A	012433	CNTRL ARM CLMP UNIVERSAL ASSM	Trad Rehab Seating Armrest
8B	108866	CNTRLR CLMP ARM KIT RND	ASAP Seating Armrest
9	551001	CONTROLLER MOUNT BLOCK	USED w/ 8A on Power Recline Armrest
10	011049	HANDLE ADJ MODERN M5 X 20 STUD	
11	349024	HNDL 10-32 X 3/4 C/A P1/P3/P5	



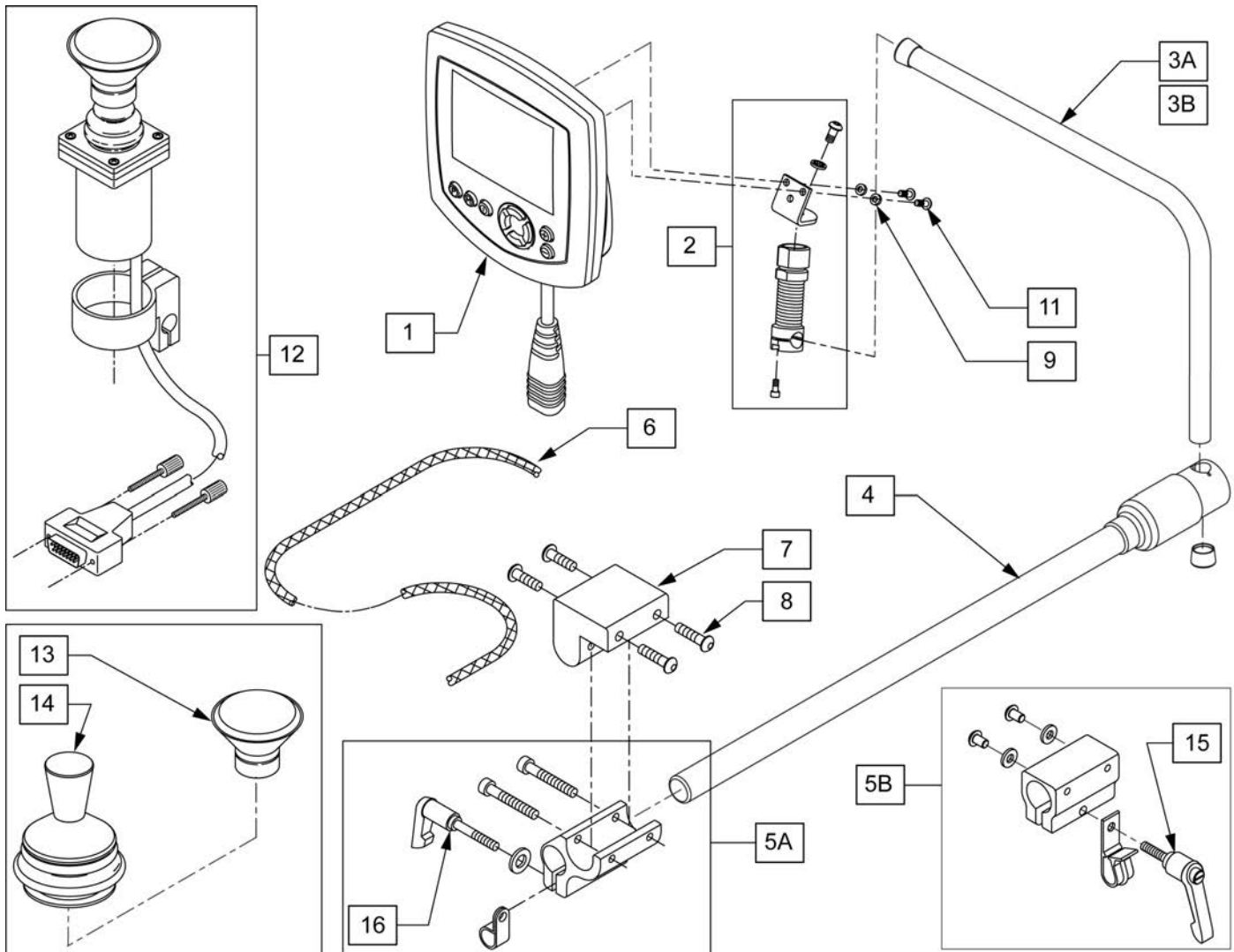
Pos.	Item Number	Description	Remarks
1A	139897	HEAD ARRAY SWITCH IT PED	Peds
1B	139898	HEAD ARRAY SWITCH IT STD	Std/Adult
2	MC100-WB	COVER 3/4"COLLAR/VINYL BLACK	
3	221010	10-32 X .75 SHCS BLK W/PL	
4	107348	SHCS 1/4-28 X 5/8 PL ROHS	
5	104907	TOP COLLAR FLANGE WELDM	
6	MW027100	COL HALF RAD 3/4"THREADED BLK	
7A	LX7000	LINX CORE MOUNT HDW	10" POST
7B	LX8000	LINX CORE MNTG HDW 8"	8" POST
8A	112717	CLAMP HEADREST SMART SEAT	Used w/ Power Recline Only
8B	112716	CLAMP HEADREST RIGID BACK	Used w/ Trad Rehab Back Only
8C	111902	HDRST CLMP ASSY .875 ID KIT	Used w/ Curved, JAY SPO, and ART SPO Backrest
8A,8B,8C	115057	UNIVERSAL HEAD MNT KIT	
1B-7A,8A,8B,8C	115067	RNET A-SWCHIT 10" POST KIT	
1B-7B,8A,8B,8C	115066	RNET A-SWCHIT 8" POST KIT	
1A-7A,8A,8B,8C	115069	RNET P-SWCHIT 10" POST KIT	
1B-7B,8A,8B,8C	115068	RNET P-SWCHIT 8" POST KIT	

Pos.	Item Number	Description	Remarks
1B-6	108641	SWITCH-IT HEAD ARRAY PCKG ADLT	Std/Adult
1A-6	108642	SWITCH-IT HEAD ARRAY PCKG PED	Peds

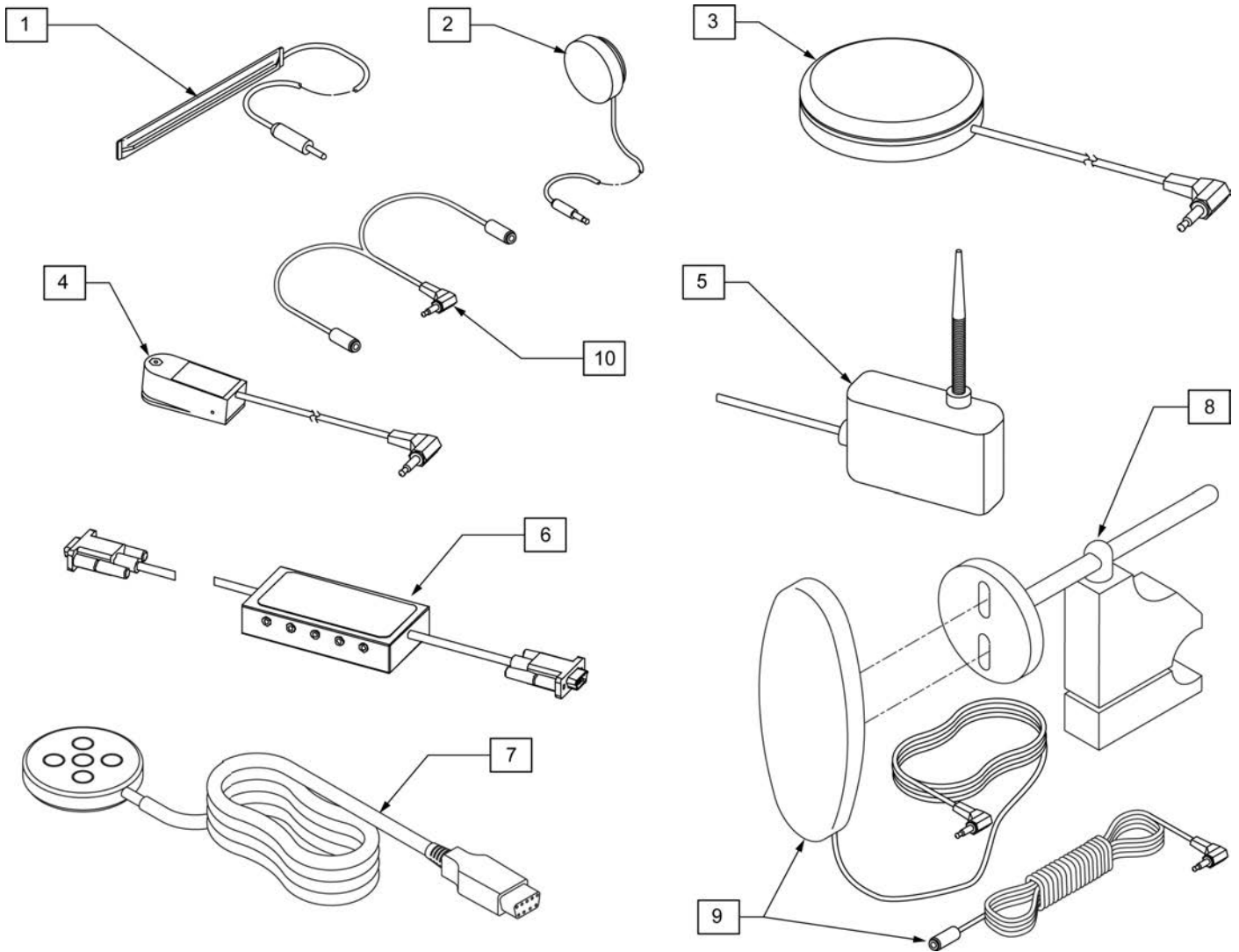


Pos.	Item Number	Description	Remarks
1	139705	ACT JOYSTICK PROP KNOB OR CHIN	
2,3A	D3150-3	AMH S/A MNTG KIT B/R 1" 3185	
3B	108841	S/A SIDE MOUNTING KIT	ASAP only
4	D4000	CHINCUP QTRONIX	
5	138154	KNOB & PROTECTOR D10AB JOYSTICK	
1-5	115076	PROP CHIN CONTROL KIT	Includes 3A & 3B

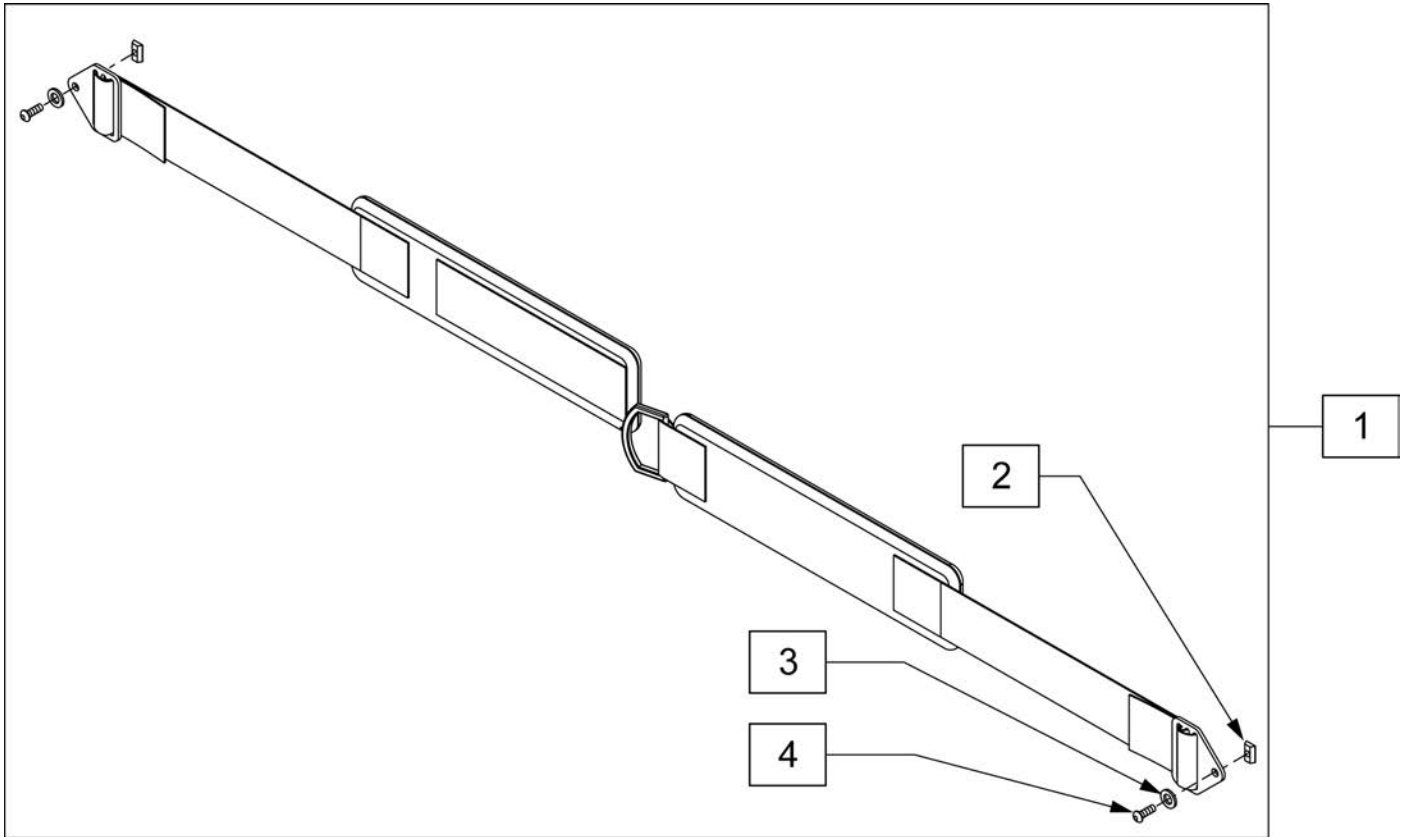
NOTE: JOYSTICK POST (ITEM 12) ACCEPTS JOYSTICK KNOBS THAT HAVE A 3/16" DIAMETER MATING HOLE.



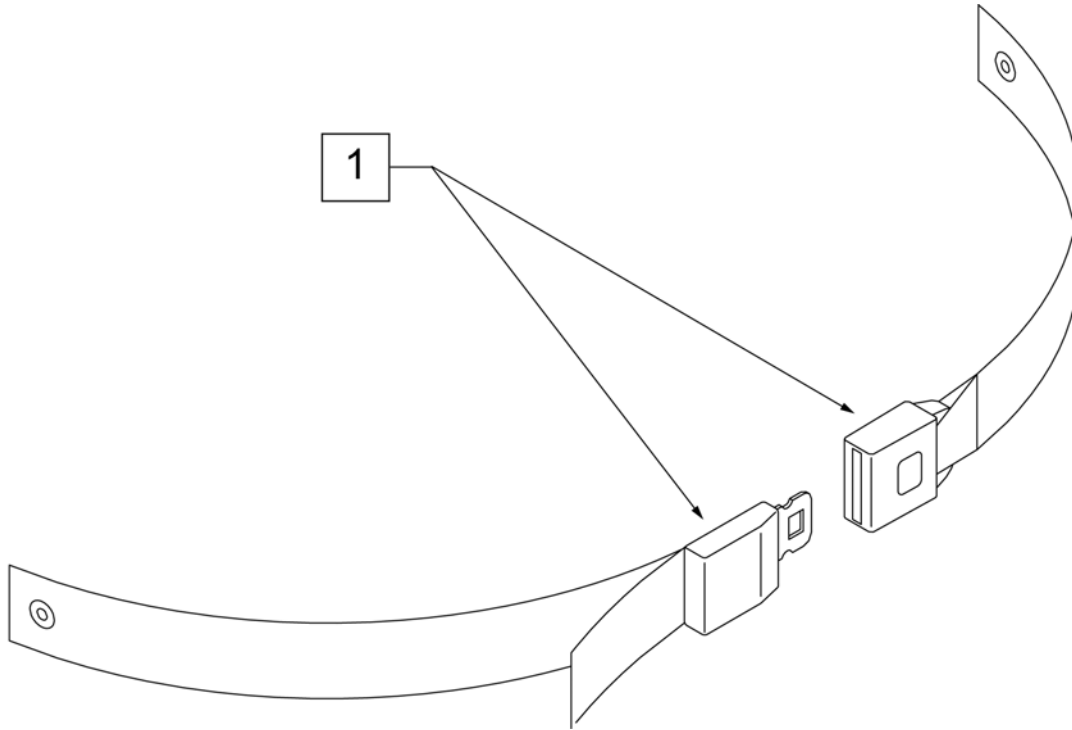
Pos.	Item Number	Description	Remarks
1	113220	MDLE SPCLTY INPT OMNI IR W/FER	
2	886976	USCM SPRING MOUNT AS	
3A	521098	ADJ DISPLAY ARM "L"SHORT(USCM)	Used w/ OMNI only
3B	521097	ADJ DISPLAY ARM "L" (USCM)	Used w/ OMNI & Compact Joystick
4	111190	MOUNT ARM DISPLAY	
5A	012433	CNTRL ARM CLMP UNIVERSAL ASSM	Used w/ Trad Rehab Armrest
5B	108866	CNTRLR CLMP ARM KIT RND	Used w/ ASAP Seating Armrest
6	180351	BRAIDED SLEEVING 24"	
7	551001	CONTROLLER MOUNT BLOCK	USED w/ 5A on Power Recline
8	222297	10-24 X 3/8 SOC BH C/S W/PTCH	
9	261204	#10 AN WASHER .063	
11	013143	BHCS M5 X .8 X 14 BLK W/PL	
12	139705	PROP CHIN CONTROL W/ MINI JS	
13	D4000	CHINCUP QTRONIX	
14	138154	KNOB&PROTECTOR D10AB JOYSTICK	
15	011049	HANDLE ADJ MODERN M5 X 20 STUD	
16	349024	HNDL 10-32 X 3/4 C/A P1/P3/P5	
1 -3A,4,9,11	110834	OMNI MNT ASSEMBLY	



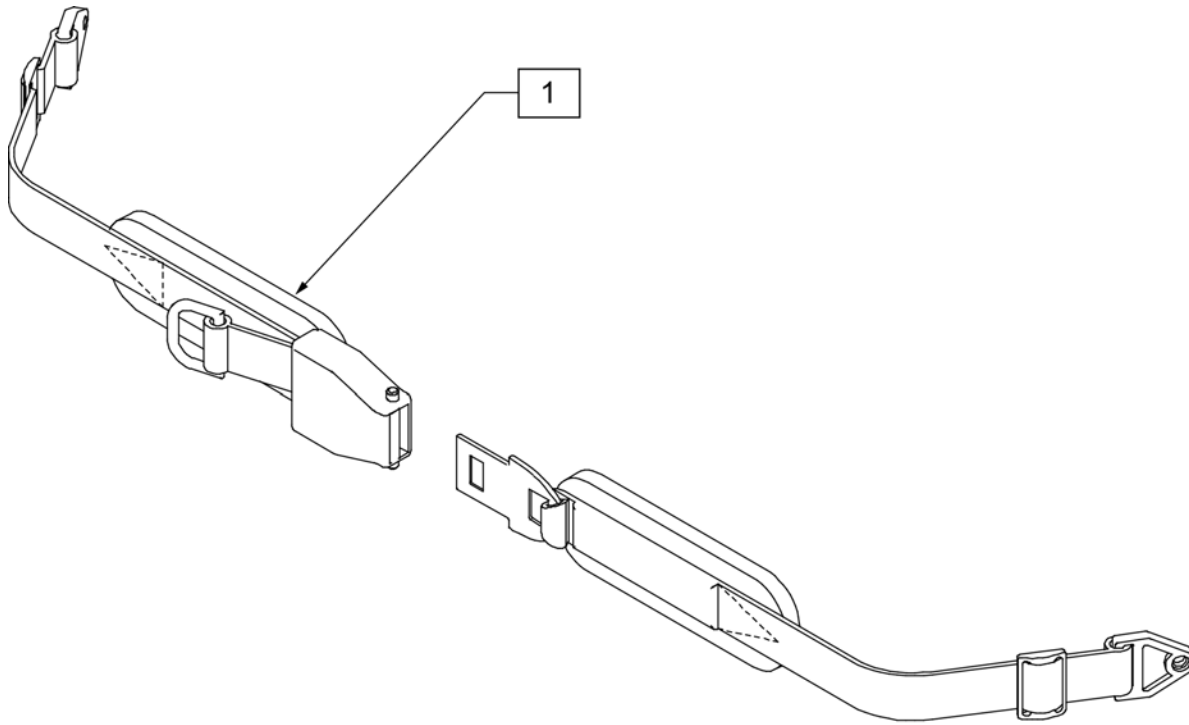
Pos.	Item Number	Description	Remarks
1	133721	SWITCH RIBBON	Cord length 63"
2	133722	SWITCH DISC	Cord length 69"
3	139920	SWITCH BUDDY BUTTON RED	Cord length 57"
4	139921	MICRO LIGHT	Cord length 58"
5	139910	SWITCH WOBBLE	Cord length 68"
6	Discontinued	SWITCH CA-5 BOX	Cord length (female cable 63")(male cable 6")
7	Discontinued	SWITCH PENTA	Cord length 63"
8	920904	MOUNT RESET SW FOR 7/8 TUBE	Clamps to 7/8" tubing
9	139915	RESET SWITCH EGG SHAPED	Cord length 51"(Ext 71")
10	105417	STEREO TO 2 MONO SPLITTER	Cord length 6"



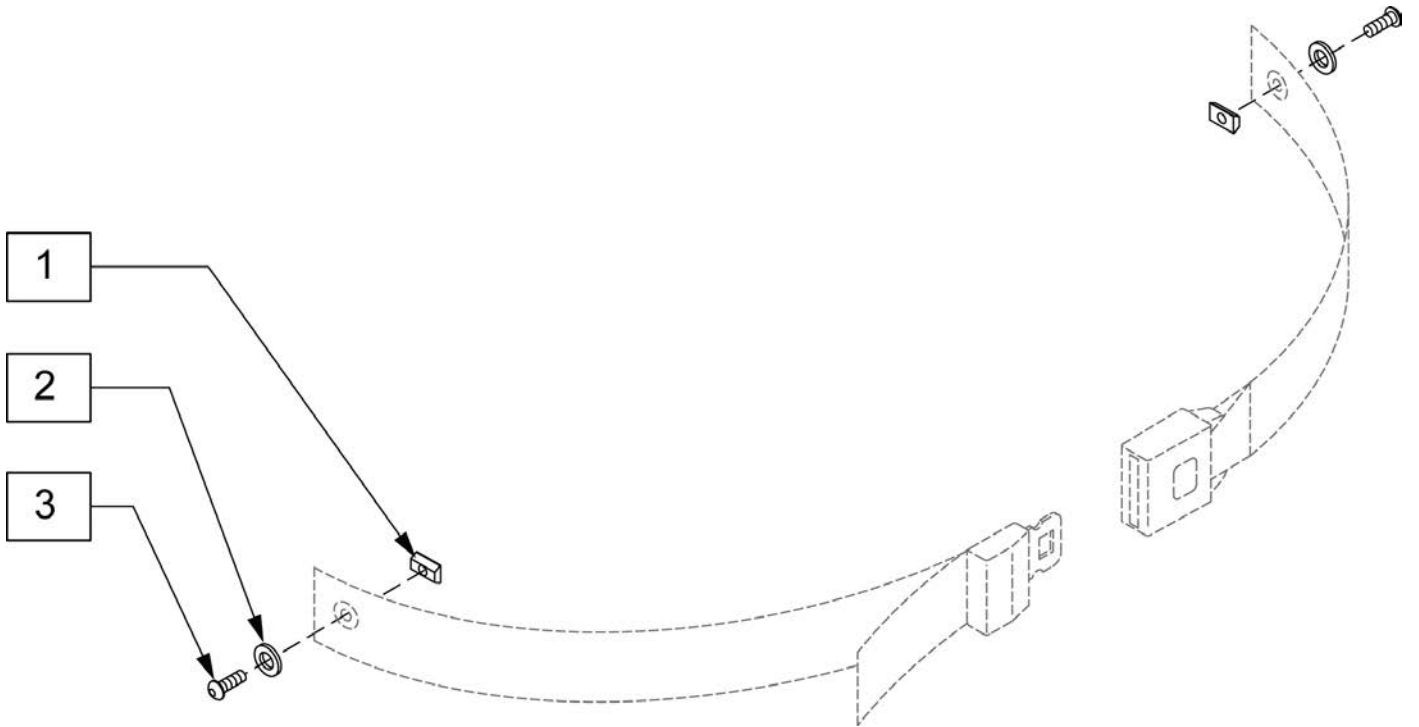
Pos.	Item Number	Description
1-4	106429	CHEST STRAP 2" VELCRO CLOSURE
2	010065	M6 CHANNEL NUT
3	250104	WASHER FLAT M6
4	102262-001	BHCS M6X1X8 FULL PL



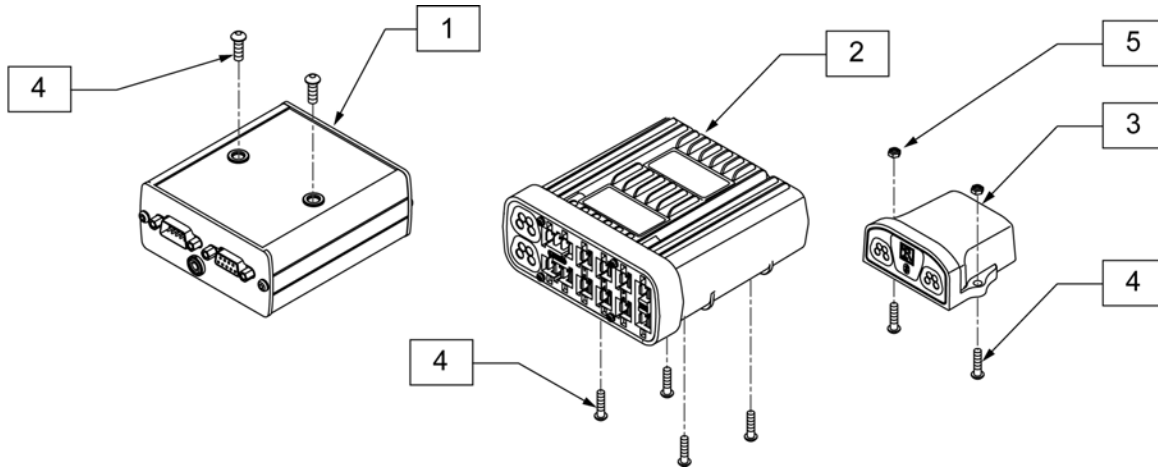
Pos.	Item Number	Description	Remarks
1	750276	1 1/2" POSITION BELT	AUTOSTYLE-64" Max length of belt.



Pos.	Item Number	Description
1	450418-QU	BELT 2" AIRCRAFT BUCKLE
1	450423-QU	BELT 2" AIRCRAFT BUCKLE W/PAD
1	450424	BELT 2" AIRCRAFT BKL LONG W/PAD
1	450425	BELT 2" AIRCRAFT BKL LONG
1	450419-QU	BELT 2" AIRCRAFT BKL W/QUAD LP
1	468419	BELT 2" AIRCRT BKL W/QD LPCZ

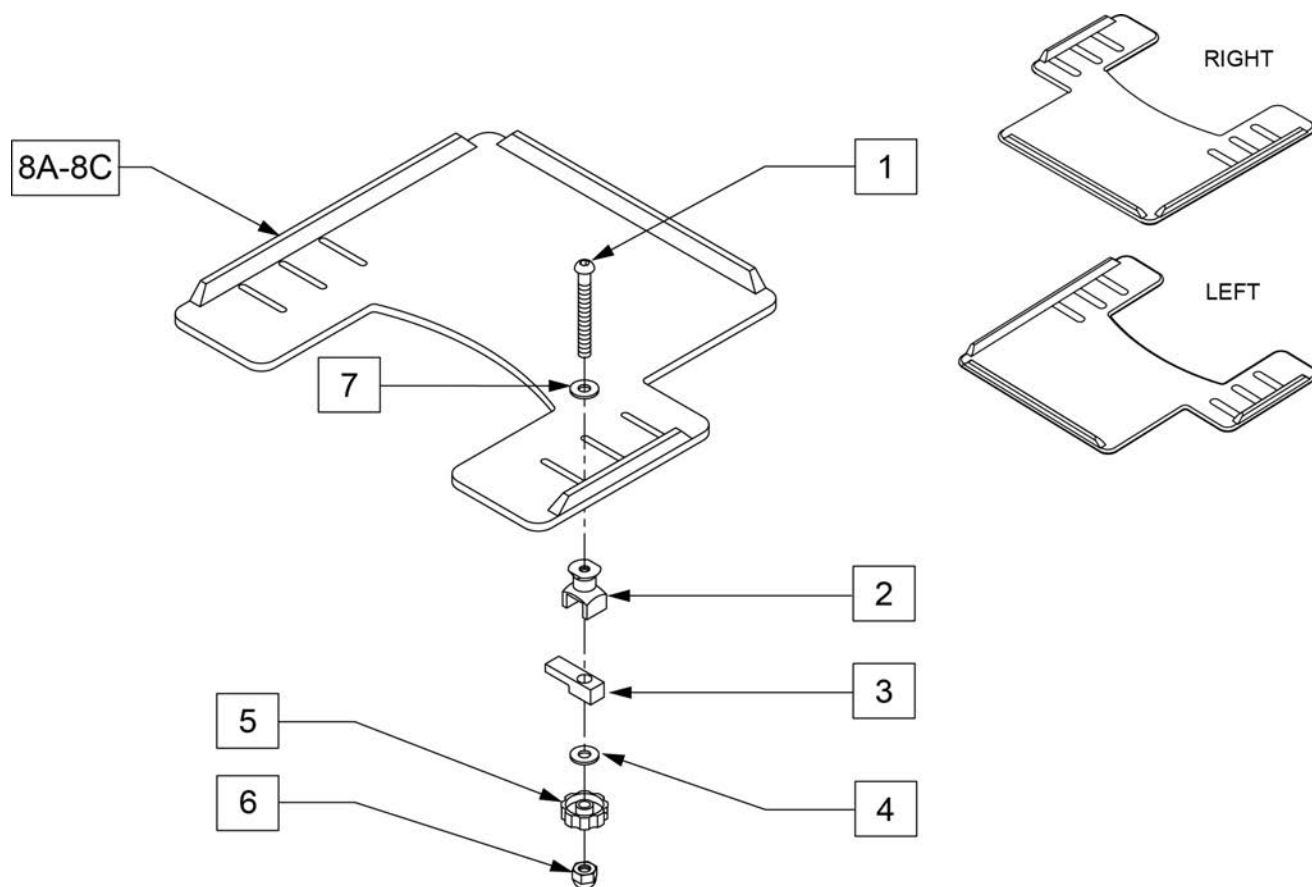


Pos.	Item Number	Description
1	010065	M6 CHANNEL NUT
2	250104	WASHER FLAT M6
3	102262-001	BHCS M6X1X8 FULL PL



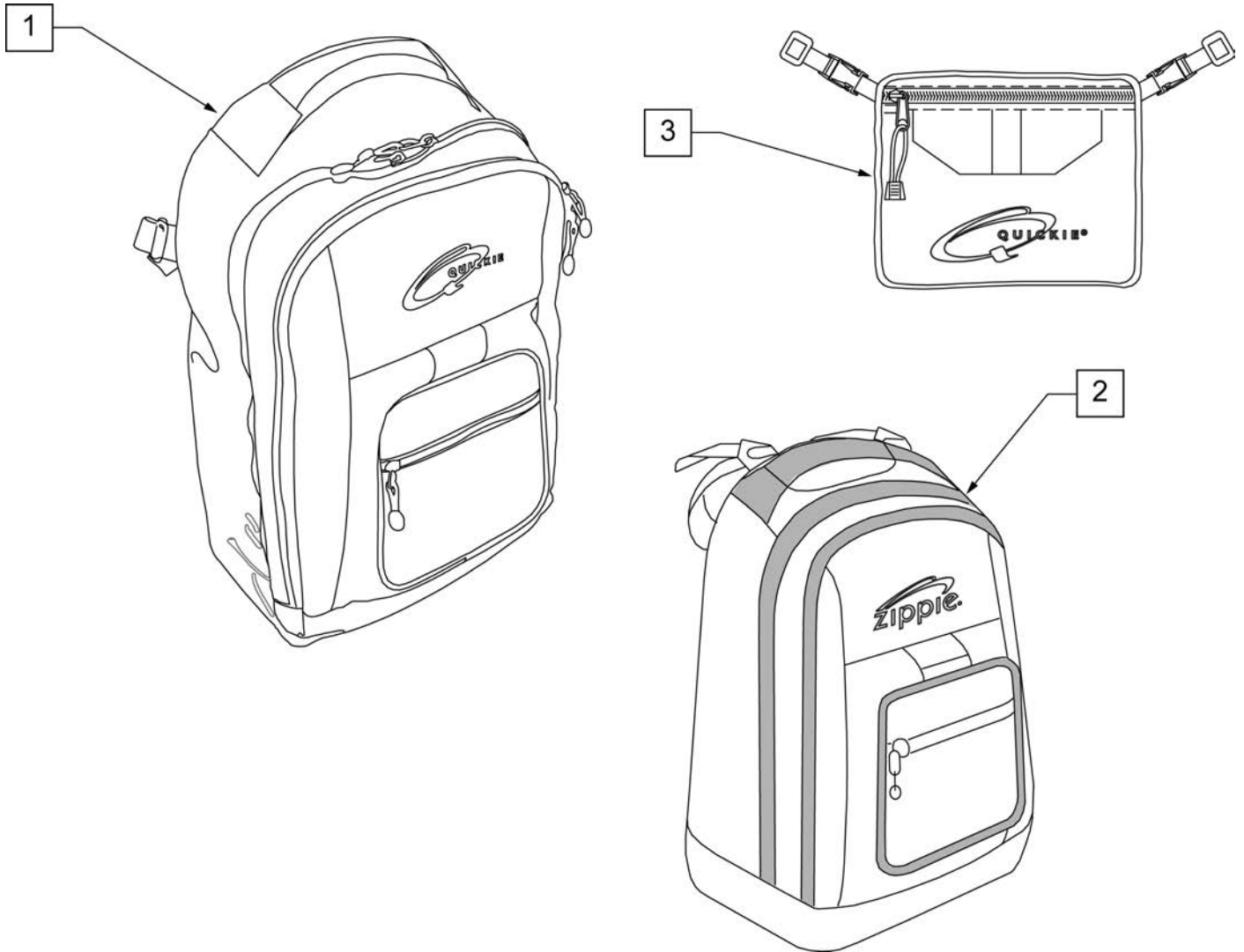
Pos.	Item Number	Description
1	108217B	MDLE OUTPUT IND BOX
2	122194	MODULE INTEL ST W/O LIGHTS
3	108218	MDLE BLUETOOTH IND BOX
4	103184-003	BHCS M5X0.8X10 FULLPL
5	220121	NUT HEX NYLOCK M5 BLACK

NOTE: WHEN ADDING A TRAY TO AN EXISTING CHAIR WITH DESK OR FULL LENGTH ARM PADS, ADD 1" TO CURRENT SEAT WIDTH TO ACHIEVE THE BEST TRAY SIZE.

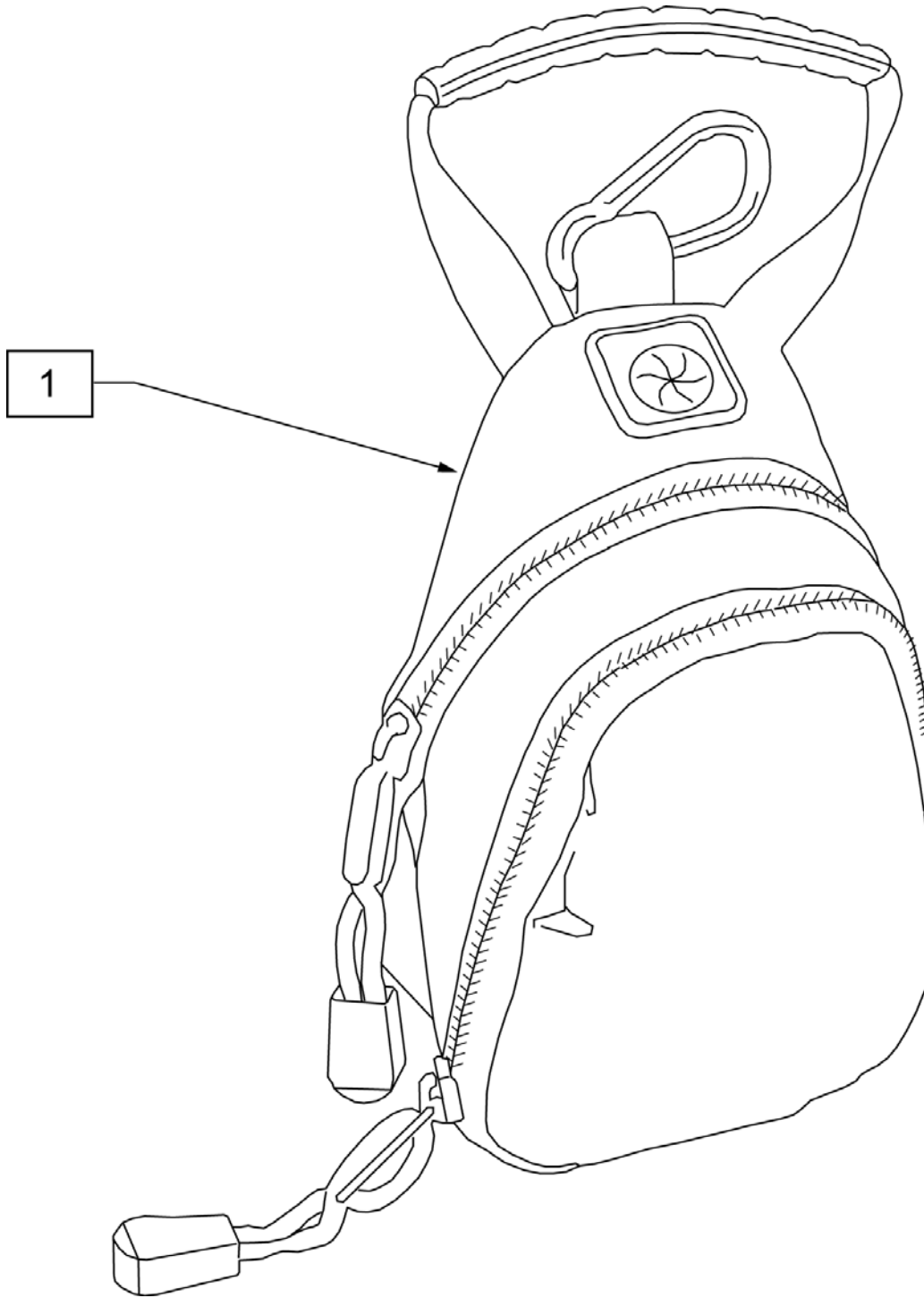


Pos.	Item Number	Description	Remarks
1	2021	5/16-18 x 2 3/4 BUTTON HD C/S	
2	14240	TRAY BUSHING	
3	14230	TRAY LOCK BAR	
4	2705	1/4" FLAT WASHER	
5	14220P	TRAY KNOB	
6	202114	5/16-18 ACORN LOCK NUT	
7	2709	.625X.315X.031 NYLON WASHER	
8A	562625S	TRAY TOP W/RAIL SM PWR (12"-13")	Right-Cutout fits 12"-13" wide chairs
8B	562626S	TRAY TOP W/RAIL MED PWR (14"-16")	Right-Cutout fits 14"-16" wide chairs
8C	562627S	TRAY TOP W/RAIL LRG PWR (17"-20")	Right-Cutout fits 17"-20" wide chairs
8A	118094	TRAY TOP W/RAIL SM PWR LH	Left-Cutout fits 12"-13" wide chairs
8B	118095	TRAY TOP W/RAIL MED PWR LH	Left-Cutout fits 14"-16" wide chairs
8C	118096	TRAY TOP W/RAIL LG PWR LH	Left-Cutout fits 17"-20" wide chairs
1-7	881053	TRAY HDWR ADJ ARM PWR	

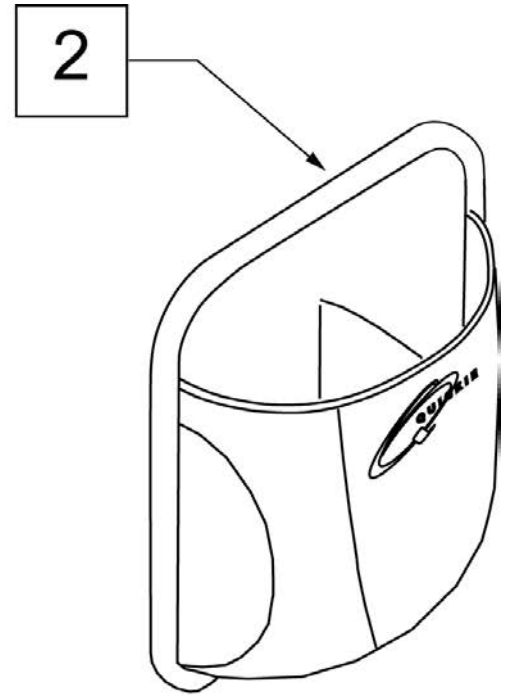
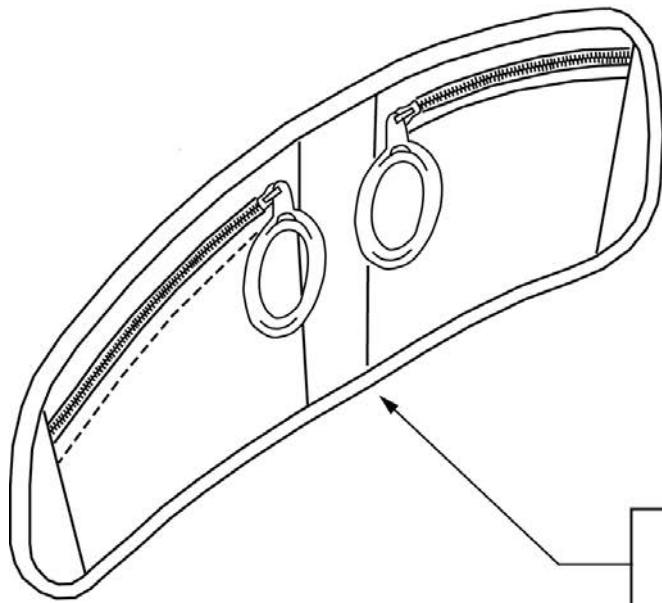
NOTE: KIDS BACKPACKS DO NOT HAVE ADJUSTABLE STRAPS W/ BUCKLES.



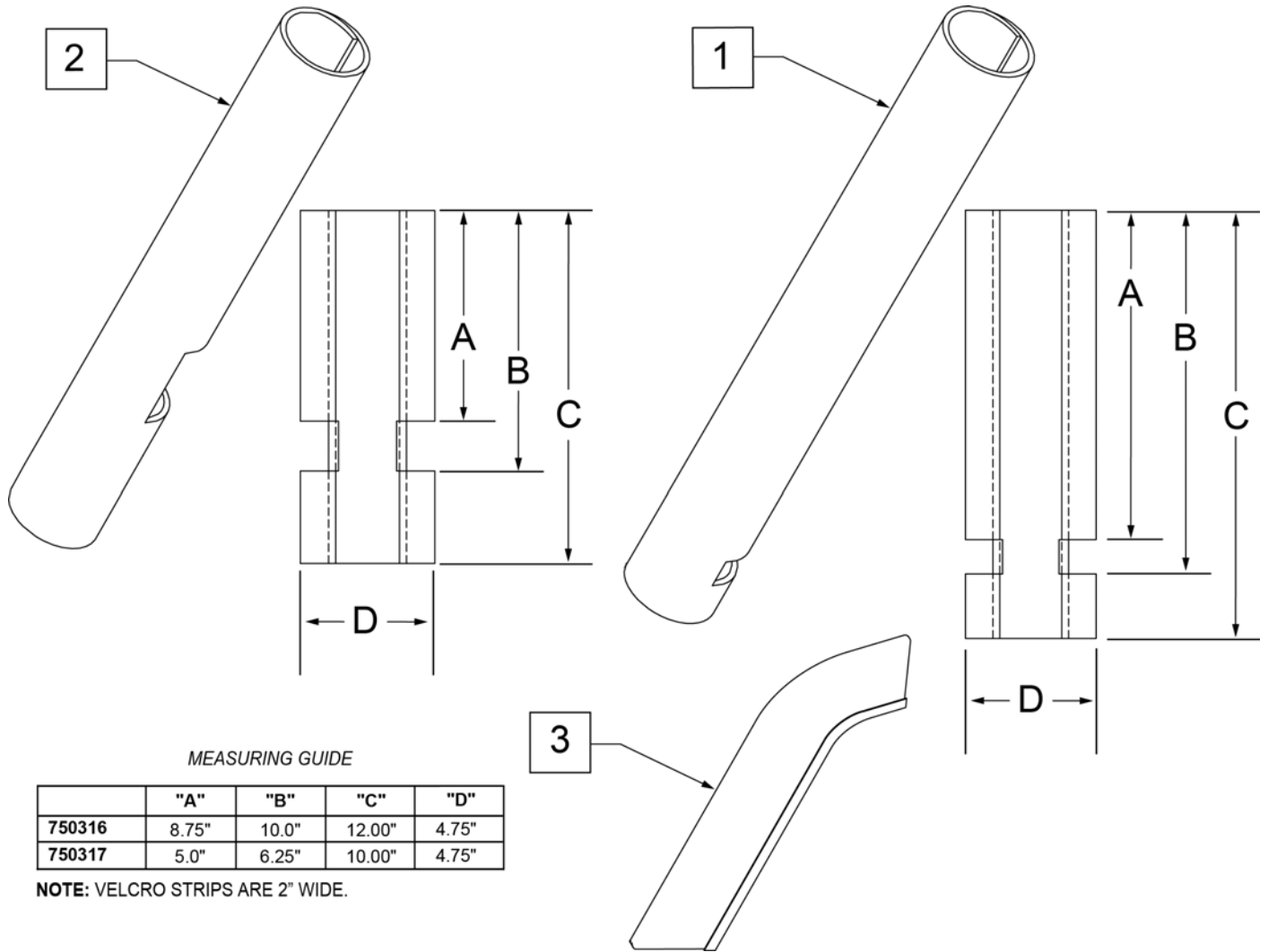
Pos.	Item Number	Description
1	750115	BACK PACK QUICKIE
2	104572	BACKPACK ZIPPIE
3	750307	SEAT POUCH QUICKIE



Pos.	Item Number	Description
1	109229	CELL PHONE PACK (ORANGE)



Pos.	Item Number	Description	Remarks
1	013477	LAP ORGANIZER	Size: 18.25"x 7.75"x .75"
2	013475	QUICKIE SIDE POCKET	Size: 6.5"x 6.5"x 2"

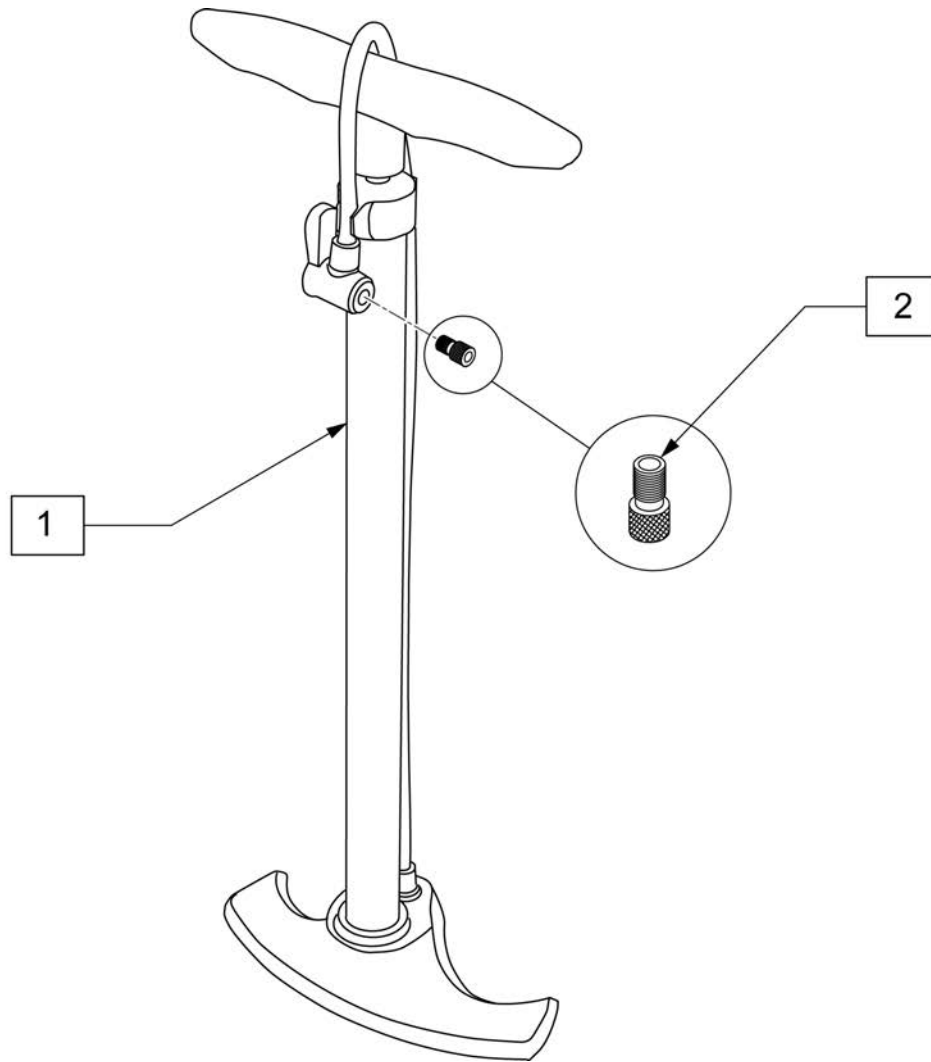


MEASURING GUIDE

	"A"	"B"	"C"	"D"
750316	8.75"	10.0"	12.00"	4.75"
750317	5.0"	6.25"	10.00"	4.75"

NOTE: VELCRO STRIPS ARE 2" WIDE.

Pos.	Item Number	Description	Remarks
1	750316	IMPACT GUARDS NEOPRENE FIXED (PR)	PAIR-Fixed Front Frame
2	750317	IMPACT GUARDS NEOPRENE S/A	PAIR-S/A Footrest & Q7
3	109231	GEL VELCRO PAD HANGER/FRAME	PAIR- fits S/A & Fixed Front Frame



Pos.	Item Number	Description
1	389050	TIRE PUMP
2	381230	VALVE ADAPTER PRESTA

[Back](#)



QUICKIE[®] PULSE 6